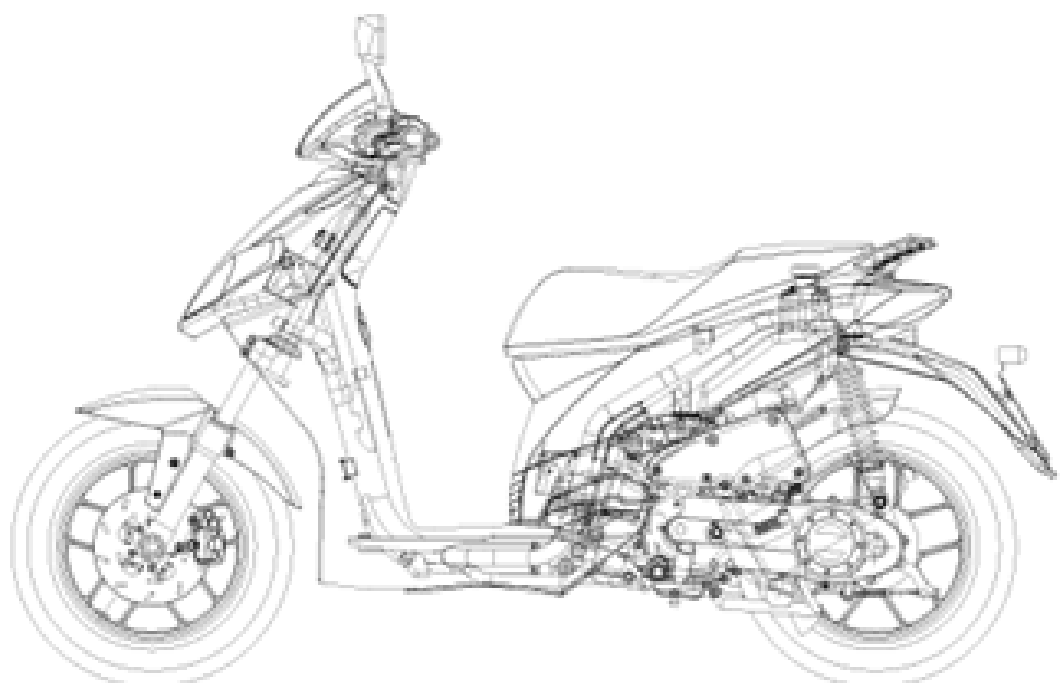




PIAGGIO & C.s.p.a.

aprilia

SPARE PARTS CATALOGUE



Sport City ONE 50 4T E2 2008-2010

Chassis prefix: ZD4SB, ZD4SB000, ZD4SBC00

Engine prefix:

Index

Products.....	4
Part reference.....	5
FRAME.....	9
Drawing 28.01 - Frame.....	9
Drawing 28.02 - Central stand.....	10
Drawing 28.03 - Stem base.....	11
Drawing 28.04 - Front fork.....	12
Drawing 28.05 - Connecting rod.....	13
Drawing 28.06 - Rear shock absorber.....	14
Drawing 28.07 - Front body I.....	15
Drawing 28.08 - Front body II.....	17
Drawing 28.09 - Central body I.....	19
Drawing 28.10 - Central body II.....	20
Drawing 28.11 - Central body III.....	21
Drawing 28.12 - Central body IV.....	22
Drawing 28.13 - Rear body.....	23
Drawing 28.14 - Dashboard.....	25
Drawing 28.15 - Handlebar.....	26
Drawing 28.16 - Controls.....	27
Drawing 28.17 - Fuel tank.....	28
Drawing 28.18 - Air box.....	29
Drawing 28.22 - Exhaust unit.....	30
Drawing 28.23 - Front wheel.....	31
Drawing 28.24 - Front caliper I.....	32
Drawing 28.25 - Rear wheel.....	33
Drawing 28.26 - Rear brake.....	34
Drawing 28.27 - Lights.....	35
Drawing 28.28 - Electrical system.....	37
Drawing 28.29 - Lock hardware kit.....	38
ENGINE.....	39
Drawing 29.19 - Carburettor I.....	39
Drawing 29.20 - Carburettor II.....	40
Drawing 29.21 - Engine.....	41
Drawing 29.30 - Crankcase.....	42
Drawing 29.31 - Drive shaft.....	43
Drawing 29.32 - Cylinder.....	44
Drawing 29.33 - Cylinder head.....	45
Drawing 29.34 - Camshaft.....	46
Drawing 29.35 - Head cover.....	47
Drawing 29.36 - Variator.....	48
Drawing 29.37 - Clutch.....	49
Drawing 29.38 - Variator cover.....	50
Drawing 29.39 - Oil pump.....	51

Drawing 29.40 - Starter motor.....	53
Drawing 29.41 - Transmission.....	54
Drawing 29.42 - Cdi magneto assy.....	55
Drawing 29.43 - Oil filter.....	56
Drawing 29.44 - Transmissions.....	57

Products

Code	Validity
AP6221100EA801	
AP6221100EA802	
AP6221100EA803	
AP6221100EA804	
AP6221100EB801	
AP6221100EB802	
AP6221100EB803	
AP6221100EB804	

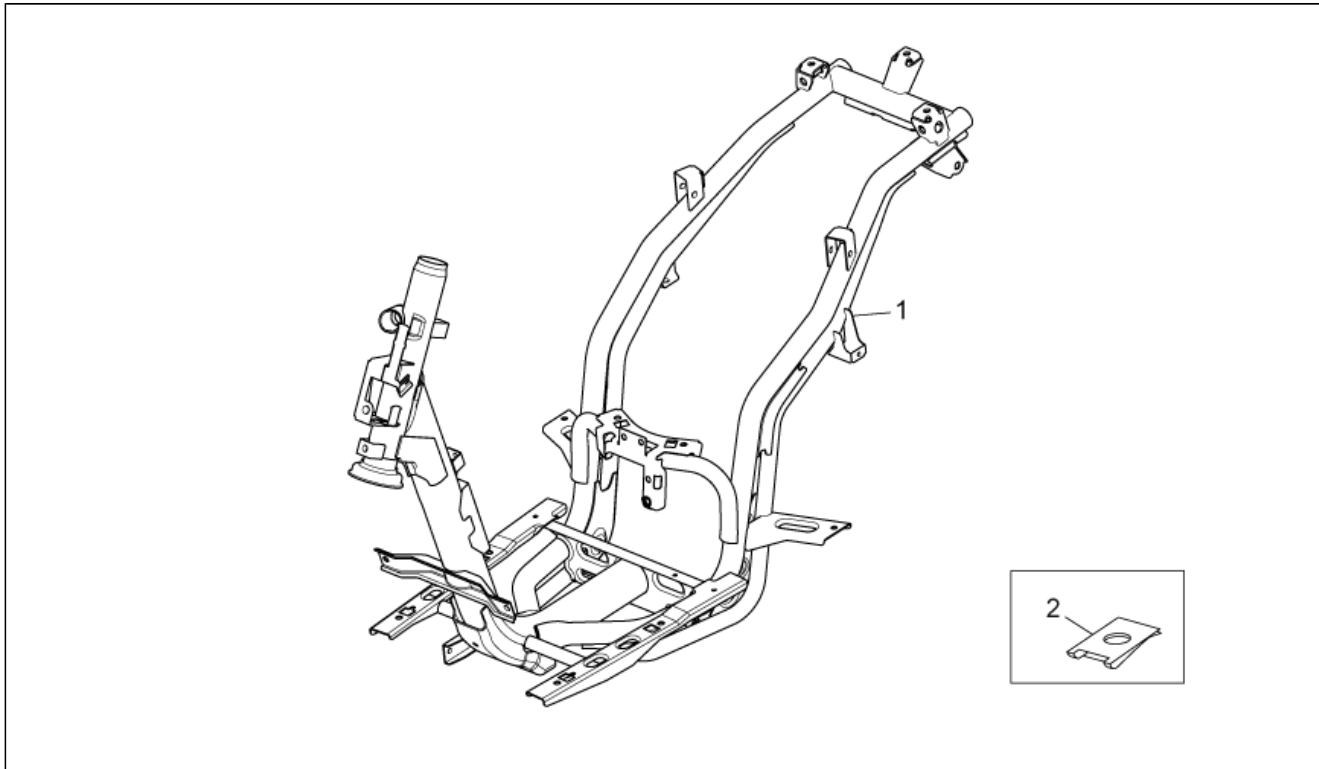
Code	Drawing Nr.	Pos.	Code	Drawing Nr.	Pos.	Code	Drawing Nr.	Pos.
000267	29.42	2	259349	28.27	15	294341	28.16	1
002440	28.05	2	259372	28.11	11	296743	28.11	3
002440	28.06	3	259577	29.35	14	297498	28.09	6
003056	28.18	12	259832	28.17	5	297498	28.11	17
003058	28.13	18	265249	28.15	15	297498	28.13	11
0037514	28.03	6	265300	29.36	11	298581	28.29	6
006416	29.40	18	265451	28.24	3	298594	28.29	8
006624	29.37	6	266040	29.44	5	298731	28.11	20
006647	29.41	11	266625	29.30	10	298731	28.29	4
008457	28.08	5	266724	28.26	2	298838	28.29	2
00H01004131	28.27	4	267115	28.08	4	298903	28.29	1
0111094	28.03	2	267550	28.05	3	319242	29.33	11
012533	28.18	11	267589	28.05	4	327187	28.23	2
012543	28.15	4	267823	29.30	9	414837	29.39	24
012789	28.25	5	267948	28.15	13	414837	29.40	14
013880	28.13	19	268158	28.06	2	430264	29.35	4
015235	28.02	6	268304	28.17	14	430535	29.39	15
015330	28.15	3	268596	28.12	6	431242	29.43	1
015585	29.42	5	269136	28.11	7	431860	29.30	5
015856	29.42	8	269145	28.15	18	431860	29.38	2
015996	28.27	21	270310	29.44	4	433477	29.39	2
016404	28.27	23	270723	28.07	7	433987	29.40	17
016404	29.40	4	270723	28.09	13	434345	29.39	20
016406	28.17	15	270723	28.12	5	434447	29.39	8
018640	28.18	10	270723	28.27	5	434541	28.28	5
018644	29.40	3	270793	28.10	6	434735	29.41	2
020104	28.27	22	270793	29.35	15	434943	29.34	8
020206	28.15	19	270991	28.23	8	434947	29.39	4
030115	28.02	5	270991	28.25	3	435251	29.38	11
031089	29.39	10	271147	28.23	5	435295	29.38	9
031091	29.19	3	271740	28.23	10	435363	29.30	3
031091	29.40	5	271779	28.05	6	436438	29.33	9
031092	28.17	13	272836	28.07	5	436695	29.34	10
080341	28.28	8	272836	28.27	30	436695	29.39	6
090958	28.17	4	272921	29.41	3	436751	29.39	3
123394	28.15	10	273099	28.25	7	436947	28.22	9
127927	28.24	7	273419	28.26	4	478028	29.37	4
129953	28.27	13	273754	28.02	7	478115	29.30	15
178790	28.15	5	274245	28.26	3	478197	29.41	5
179640	29.44	3	274489	28.15	7	478247	29.39	11
194423	28.25	6	274491	28.15	8	4783245	29.39	17
196868	28.17	3	285536	29.43	4	4783245	29.39	21
231027	28.17	12	285846	29.33	8	478498	29.41	10
231571	28.28	15	286209	29.38	5	478895	29.30	16
239388	29.30	14	286214	29.40	9	479132	28.18	8
239388	29.32	2	286217	29.40	11	4795526	29.37	5
239388	29.33	13	286218	29.40	10	479561	29.36	7
239388	29.38	4	286219	29.40	12	479866	29.36	10
241937	28.28	14	287913	29.39	5	479986	29.39	28
252420	28.09	3	2879633	29.39	19	480066	29.30	12
253937	28.29	7	288041	29.40	13	480227	29.36	3
254485	28.01	2	288245	28.27	31	480230	29.36	5
254485	28.07	4	288474	29.43	2	480953	29.30	11
254485	28.12	9	288548	29.43	3	482291	29.38	7
254485	28.13	15	288639	29.41	8	482766	29.37	9
254485	28.18	13	289005	29.42	3	483443	29.37	10
254485	28.28	4	289420	29.33	3	483537	29.40	16
257134	29.19	6	289495	29.40	8	483785	29.30	7
257134	29.38	12	289519	29.36	6	484123	29.30	20
257134	29.40	15	289731	29.38	6	484123	29.34	12
257617	28.09	11	289840	29.37	15	484123	29.39	22
258146	28.18	2	289931	29.36	2	484123	29.42	10
258160	28.17	6	289933	29.37	13	484819	29.34	6
259349	28.09	7	289950	29.37	3	486075	29.33	14
259349	28.11	14	289952	29.37	7	486081	29.30	8
259349	28.12	3	289955	29.37	14	487211	29.41	4
259349	28.13	3	292022	28.27	3	487665	28.22	4

Code	Drawing Nr.	Pos.	Code	Drawing Nr.	Pos.	Code	Drawing Nr.	Pos.
487935	29.37	11	649952	28.04	5	844871	29.39	23
497036	29.21	2	650432	28.03	7	844888	29.39	18
497037	29.21	3	655554	28.15	2	845489	29.19	2
497038	29.20	15	664045	28.04	11	845590	28.22	6
497041	28.15	17	665997	28.03	1	845611	29.36	9
561714	28.23	7	666261	28.04	3	845765	29.33	1
562923	28.15	11	666262	28.04	4	845782	29.33	7
56293R	28.26	1	666286	28.25	1	845946	29.19	4
563728	28.25	8	666311	28.23	1	847778	29.20	21
563977	28.05	5	672187	28.11	1	847928	29.39	31
56434R	28.23	11	672327	28.11	5	848766	28.22	2
564475	28.23	3	709047	28.24	6	849684	28.18	6
564527	28.23	4	709532	29.19	5	849685	28.18	1
564606	28.13	21	709532	29.19	7	852442	28.01	1
564681	28.15	14	82521R	29.38	3	852601	28.17	1
564761	29.39	25	82650R	29.39	29	852700	28.11	13
573057	28.09	4	82655R	29.37	8	8527000XH1	28.11	13
575249	28.07	3	82671R	29.30	4	852837	28.13	8
575249	28.09	12	82671R	29.31	3	85283700F2	28.13	8
575249	28.10	3	827085	29.30	18	852990	28.11	15
575249	28.11	10	82712R	29.36	8	85299000XH1	28.11	15
575249	28.13	16	827526	28.22	3	853045	28.03	1
575321	28.17	2	827831	28.18	9	853047	28.15	1
575819	28.09	14	827893	29.37	2	853049	28.08	1
577492	28.11	2	82817R	29.34	5	8530490090	28.08	1
577557	28.17	17	8282335	29.30	6	85304900F2	28.08	1
580387	28.16	4	8282335	29.41	9	85304900XB1	28.08	1
58056R	28.16	3	828339	28.28	10	85304900XV4	28.08	1
58057R	28.16	5	828561	29.39	9	853050	28.08	2
58058R	28.16	6	828662	29.35	16	8530500090	28.08	2
580621	28.16	7	828822	29.20	10	8530500090	28.08	2
58093R	28.28	3	828825	29.20	3	85305000XB1	28.08	2
58115R	28.28	12	828830	29.20	14	85305000XV4	28.08	2
581248	28.02	3	828832	29.20	1	853051	28.25	1
581249	28.02	4	828833	29.20	16	853058	28.23	9
581560	28.02	8	828839	29.20	17	853059	28.07	1
582042	28.28	13	828840	29.20	19	8530590090	28.07	1
582058	28.13	23	828841	29.20	12	8530590090	28.07	1
582298	28.02	2	828843	29.20	20	85305900DE	28.07	1
582428	28.13	22	828844	29.20	18	85305900F2	28.07	1
582619	29.19	8	828862	28.26	7	85305900GH	28.07	1
583575	28.16	2	828863	28.26	8	85305900XB1	28.07	1
584810	28.28	6	830056	28.18	5	85305900XV4	28.07	1
598919	28.24	5	830212	29.40	19	853060	28.07	2
600495	28.04	7	830248	29.35	6	85306000XH1	28.07	2
601113	28.15	12	830249	29.35	7	853061	28.10	4
601205	28.25	4	830286	29.42	9	85306100XH1	28.10	4
601401	28.04	10	831458	29.40	7	853069	28.07	8
601645	28.29	11	832130	29.30	19	8530690090	28.07	8
601708	28.02	1	832153	29.35	5	8530690090	28.07	8
624522	28.17	7	8326505	29.30	1	85306900DE	28.07	8
638536	28.27	11	832964	29.35	1	85306900F2	28.07	8
638626	28.16	4	833428	28.26	6	85306900GH	28.07	8
638628	28.16	3	833471	29.35	10	85306900XB1	28.07	8
638853	29.35	9	833494	28.22	8	85306900XV4	28.07	8
639238	28.28	7	833495	29.39	16	853070	28.13	14
639751	28.28	2	8334985	29.41	1	85307000XH1	28.13	14
639874	28.28	7	833722	29.34	9	853072	28.08	6
642114	28.27	6	833722	29.39	30	853074	28.08	8
642115	28.27	7	833722	29.39	7	853075	28.23	6
642116	28.27	9	833788	28.26	6	853075	28.25	2
642117	28.27	1	834187	28.22	7	853096	28.13	13
642118	28.14	1	8416865	29.41	7	85309600XH1	28.13	13
642155	28.14	2	8416875	29.41	6	853100	28.13	17
647078	28.24	2	843194	28.18	3	853107	28.05	1
647384	28.26	5	843195	28.18	4	853127	28.22	5
649951	28.04	6	844721	29.39	27	853136	28.27	1

Code	Drawing Nr.	Pos.	Code	Drawing Nr.	Pos.	Code	Drawing Nr.	Pos.
853139	28.27	10	856474	28.09	8	893817	28.28	1
853142	28.14	4	85647400XH1	28.09	8	896639	28.07	14
8531420090	28.14	4	856475	28.27	6	896640	28.07	15
854050	28.29	9	856476	28.27	7	896641	28.07	16
854051	28.29	10	858123	28.28	1	896642	28.07	12
854086	28.29	10	858180	28.27	20	896643	28.07	13
856431	28.12	4	858181	28.28	7	896644	28.09	17
85643100XH1	28.12	4	858181	28.28	7	896645	28.10	7
856433	28.09	1	858243	28.10	5	896646	28.10	8
85643300XH1	28.09	1	85824300XH1	28.10	5	896647	28.07	12
856436	28.07	10	858283	28.27	8	896648	28.07	13
85643600XH1	28.07	10	858284	28.27	14	969012	29.30	2
856437	28.09	10	858285	28.27	12	969028	29.30	13
856439	28.13	5	858306	28.27	19	969132	29.39	26
85643900XH1	28.13	5	858316	28.04	4	969213	29.32	7
856440	28.14	2	858317	28.04	3	969214	29.32	8
856441	28.06	1	858318	28.03	4	969215	29.32	4
856442	28.23	1	858319	28.04	2	969216	29.32	5
856445	28.22	1	858320	28.04	8	969217	29.32	6
856448	28.13	1	858321	28.04	9	96921R	29.40	1
8564480090	28.13	1	858322	28.04	1	969224	29.33	12
8564480090	28.13	1	858367	28.14	1	969228	29.42	6
85644800DE	28.13	1	858537	28.08	9	96922R	29.40	6
85644800F2	28.13	1	858538	28.08	10	969230	29.32	9
85644800GH	28.13	1	858542	29.44	1	969236	29.33	2
85644800XB1	28.13	1	858543	28.24	4	969238	29.33	5
85644800XV4	28.13	1	858544	28.28	11	969239	29.33	6
856449	28.13	2	858583	29.44	2	969243	29.42	4
8564490090	28.13	2	860193	28.11	18	9692475	29.34	1
8564490090	28.13	2	860193	28.29	3	96925R	29.31	2
85644900DE	28.13	2	860535	28.14	3	969265	29.34	11
85644900F2	28.13	2	860536	28.13	20	969267	29.33	4
85644900GH	28.13	2	860538	28.27	9	969268	29.34	3
85644900XB1	28.13	2	860691	28.11	19	9692695	29.34	4
85644900XV4	28.13	2	860691	28.29	5	96926R	29.34	2
856450	28.12	7	860695	28.07	11	969286	29.35	3
85645000XH1	28.12	7	860696	28.13	6	9692975	29.42	1
856451	28.12	8	860697	28.07	12	969315	29.34	7
85645100XH1	28.12	8	860874	28.07	13	969319	29.39	1
856452	28.12	1	8722275	29.38	1	969332	29.42	7
85645200XH1	28.12	1	872997	28.08	11	969334	29.35	12
856453	28.12	2	890102	28.11	9	969339	29.35	13
85645300XH1	28.12	2	89010200XH1	28.11	9	96933R	29.39	12
856454	28.10	1	890103	28.11	16	969347	29.40	2
8564540090	28.10	1	890205	28.27	2	969348	28.28	9
8564540090	28.10	1	890221	28.27	17	969393	29.33	10
85645400DE	28.10	1	890222	28.27	18	969415	29.35	8
85645400F2	28.10	1	890235	28.27	27	969428	29.31	1
85645400GH	28.10	1	890236	28.27	26	969603	29.32	1
85645400XB1	28.10	1	890237	28.27	28	9696045001	29.32	3
85645400XV4	28.10	1	890239	28.07	6	9696045002	29.32	3
856455	28.08	7	89023900XH1	28.07	6	9696045004	29.32	3
856457	28.13	9	890261	28.27	10	969625	29.30	17
85645700XH1	28.13	9	890262	28.27	6	969747	29.39	14
856458	28.13	10	890263	28.27	7	969804	29.38	8
85645800XH1	28.13	10	890300	28.28	1	969877	29.39	13
856459	28.13	12	890330	28.22	1	969894	29.35	2
8564600090	28.13	24	890355	28.14	1	969899	29.38	10
856461	28.11	1	890424	28.09	16	969918	29.35	11
856462	28.11	4	890432	28.13	7	969921	29.38	13
856463	28.11	21	890976	29.40	2	969972	29.33	15
856465	28.11	6	8909800090	28.08	1	AP8127489	28.27	29
856466	28.11	8	89098000XB1	28.08	1	CM001904	29.35	17
856471	28.09	2	89098000XV4	28.08	1	CM001912	28.17	10
85647100XH1	28.09	2	893130	28.27	25	CM002901	28.17	18
856472	28.09	5	893131	28.27	24	CM002904	28.17	19
856473	28.09	9	893272	28.27	14			

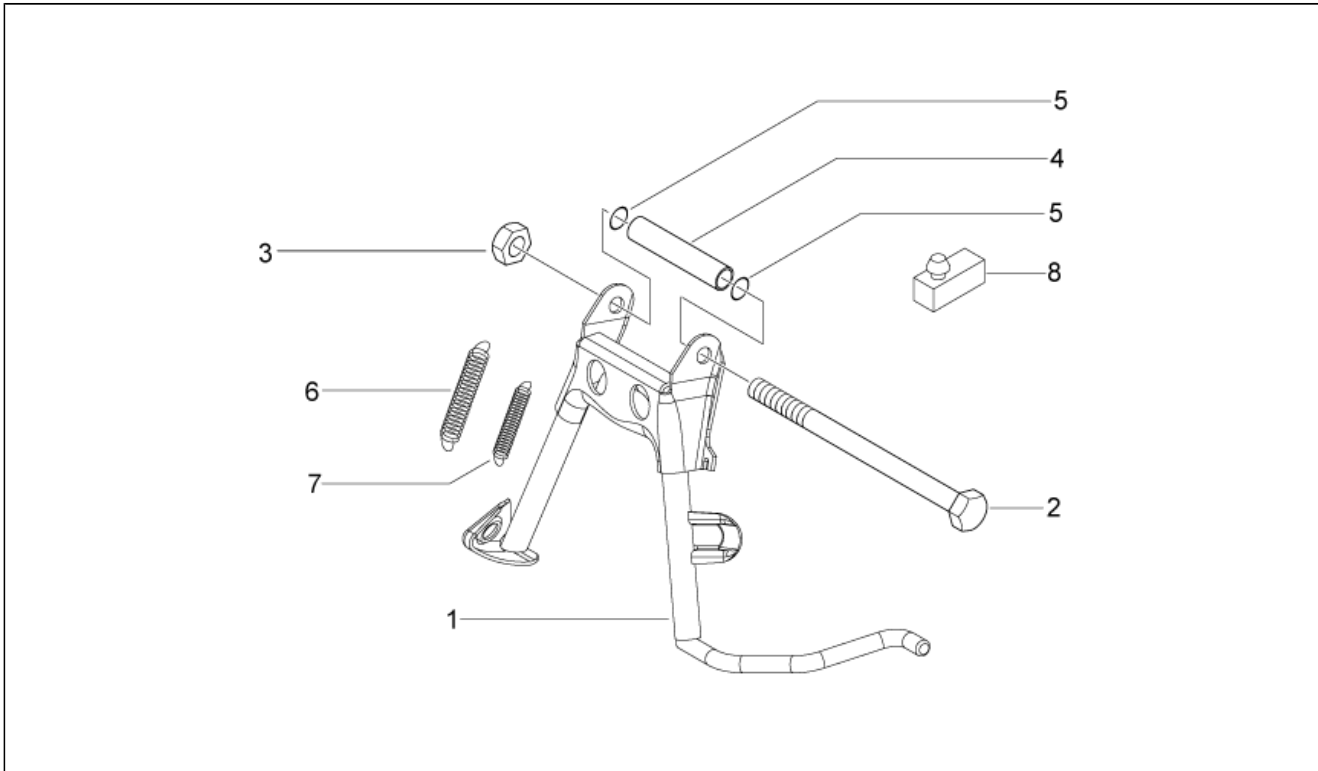
Code	Drawing Nr.	Pos.
CM002910	28.18	7
CM006116	28.17	16
CM006310	28.09	15
CM017409	28.08	3
CM017410	28.07	9
CM017410	28.10	2
CM017410	28.11	12
CM017410	28.13	4
CM017410	28.27	16
CM025711	28.17	11
CM027914	28.17	8
CM027920	28.17	9
CM060960	28.15	9
CM061303	28.03	3
CM061304	28.03	5
CM063805	28.15	6
CM064303	28.15	16
CM068301	28.24	1
CM1001046	29.37	1
CM100107	29.37	1
CM1002025	29.37	12
CM100205	29.37	12
CM100602	29.36	12
CM100602	29.36	12
CM100608	29.36	12
CM100616	29.36	12
CM1102025	29.36	4
CM1102025	29.36	4
CM1102045	29.36	4
CM1102045	29.36	4
CM110301	29.36	1
CM110301	29.36	1
CM110303	29.36	1
CM110303	29.36	1
CM1267175	29.21	1
CM1278235	29.21	1
CM1278305	29.21	1
CM1278315	29.21	1
CM141910	29.19	1
CM141911	29.19	1
CM142102	29.20	4
CM142103	29.20	4
CM142203	29.20	2
CM142302	29.20	5
CM142402	29.20	11
CM142705	29.20	8
CM142805	29.20	6
CM142912	29.20	7
CM146601	29.20	13
CM147102	29.20	9

Assembly	FRAME
Code	28.01
Description	Frame
Revision	1



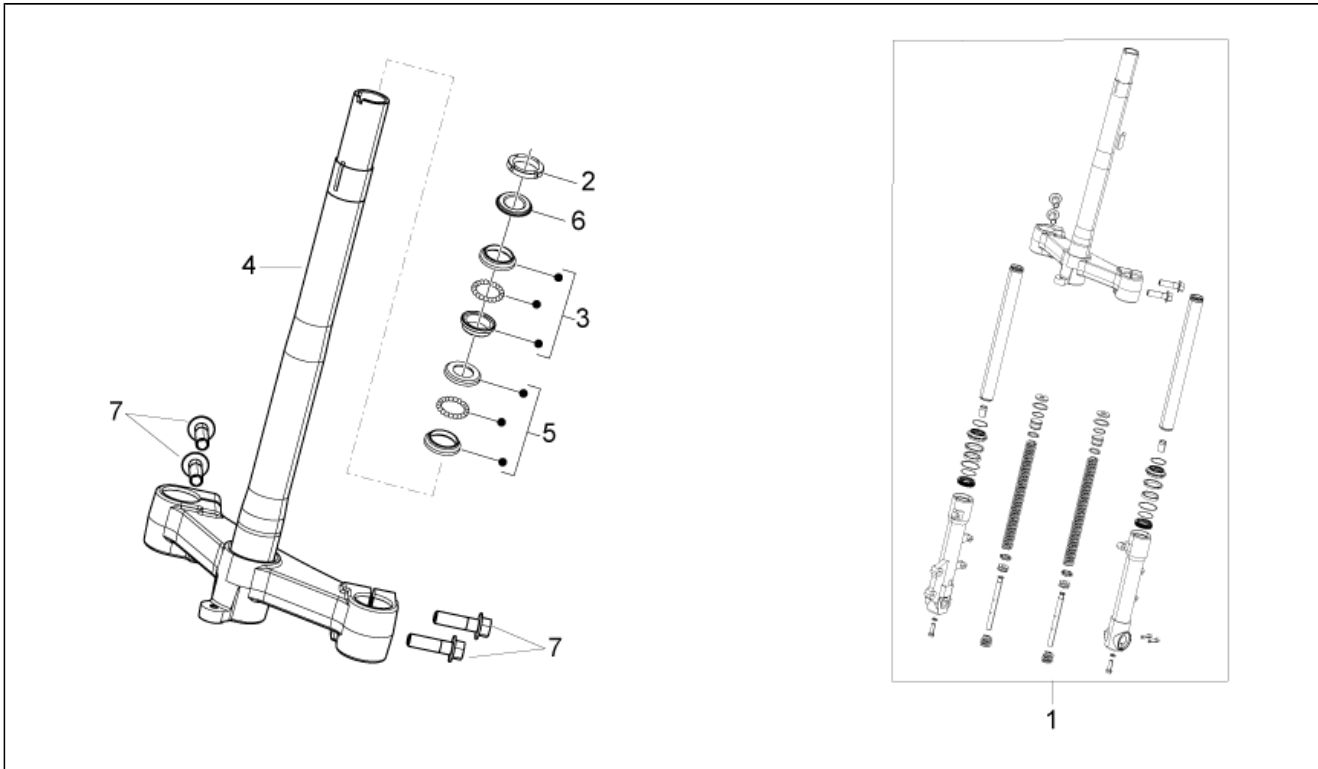
Pos.	Code	Description	Q.ty	Variants
1	852442	Frame	1	
2	254485	Clip M6	16	

Assembly	FRAME
Code	28.02
Description	Central stand
Revision	1



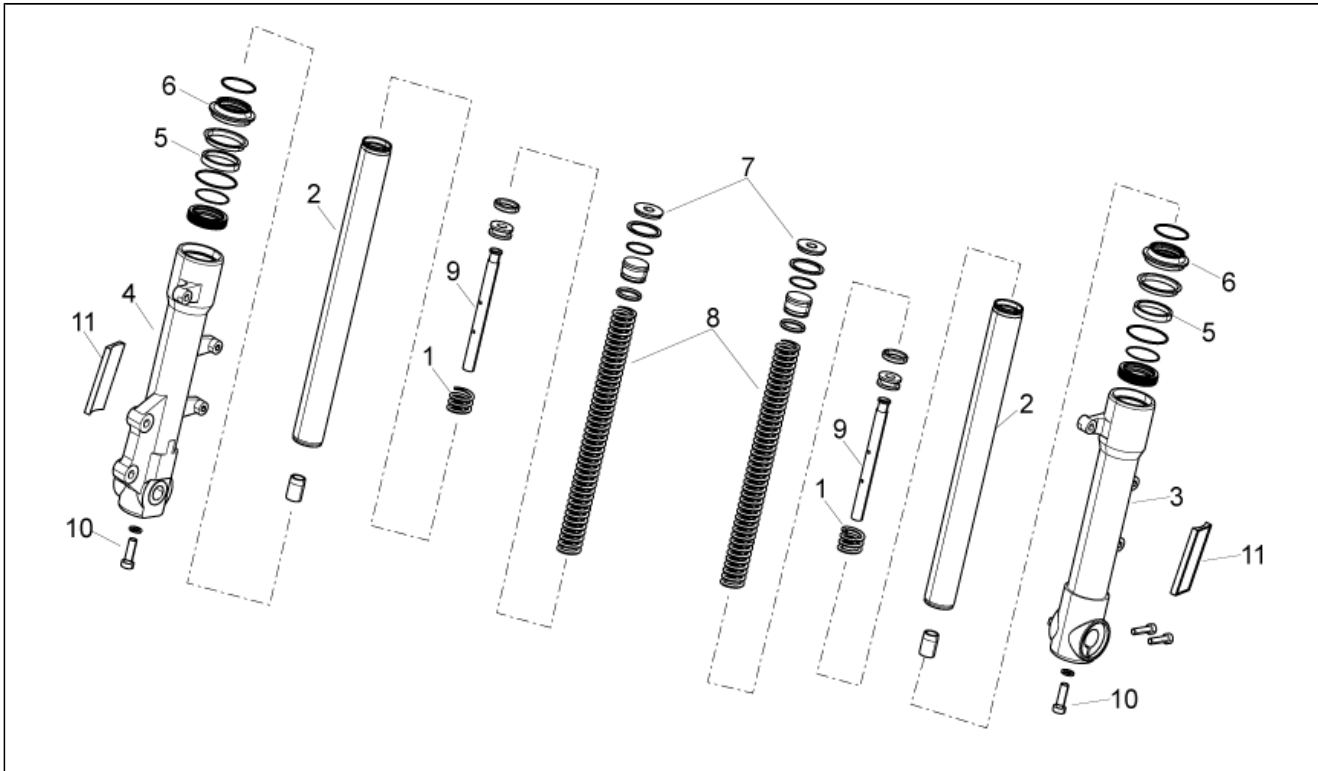
Pos.	Code	Description	Q.ty	Variants
1	601708	Central stand	1	
2	582298	Spacer	1	
3	581248	Inner spring	1	
4	581249	Outer spring	1	
5	030115	Screw	1	
6	015235	Nut	1	
7	273754	O-ring	2	
8	581560	Drift	1	

Assembly	FRAME
Code	28.03
Description	Stem base
Revision	1



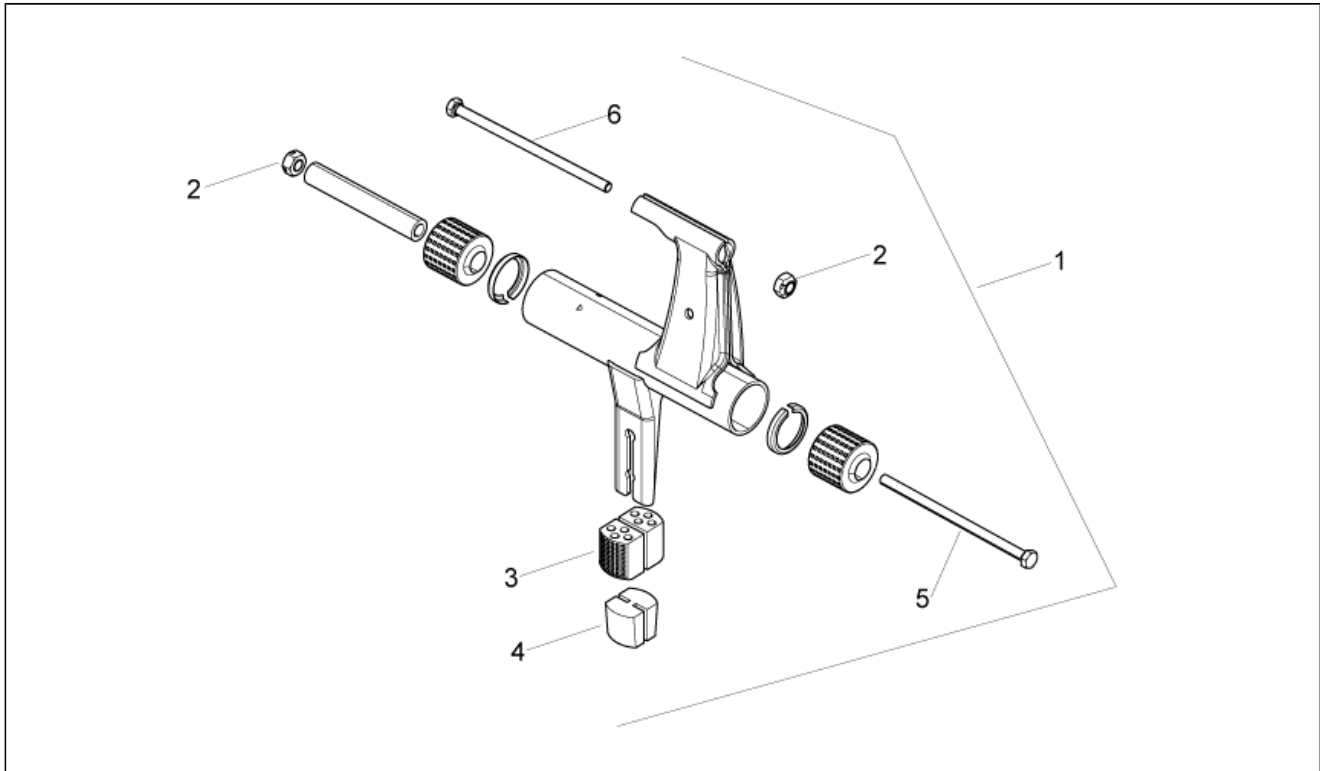
Pos.	Code	Description	Q.ty	Variants
1	665997	Front fork	1	year:2010[A]
1	853045	Front fork	1	year:2009[9]
2	0111094	Ring nut	1	
3	CM061303	Ball ring set, upper	1	
4	858318	Stem base	1	
5	CM061304	Ball ring set, lower	1	
6	0037514	Washer	1	
7	650432	Screw w/ flange m10x35	4	

Assembly	FRAME
Code	28.04
Description	Front fork
Revision	1



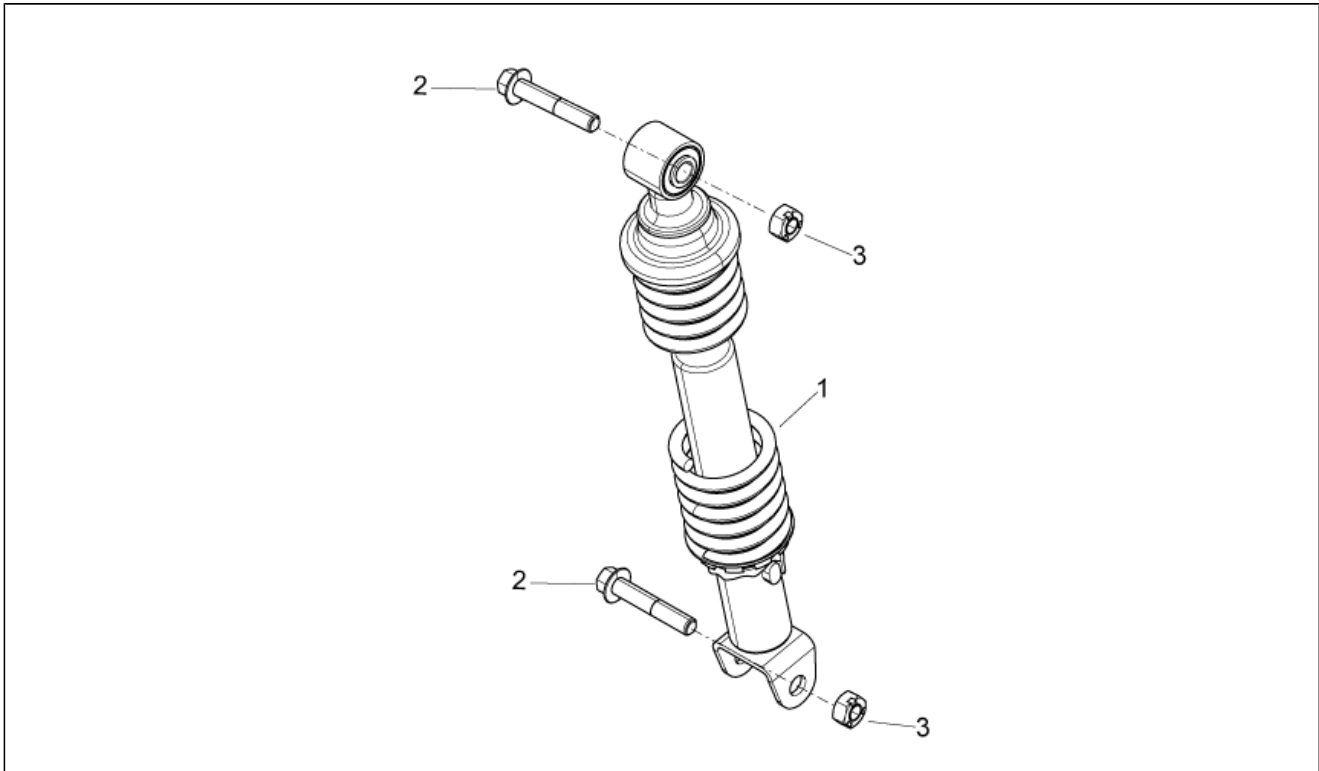
Pos.	Code	Description	Q.ty	Variants
1	858322	Return spring	2	
2	858319	Sleeve	2	
3	666261	RH sleeve	1	year:2010[A]
3	858317	RH sleeve	1	year:2009[9]
4	666262	LH sleeve	1	year:2010[A]
4	858316	LH sleeve	1	year:2009[9]
5	649952	Oil seal	2	
6	649951	Dust cover	2	
7	600495	Plug	2	
8	858320	Spring	1	
9	858321	Shock absorber	2	
10	601401	Screw	2	
11	664045	Reflector	1	

Assembly	FRAME
Code	28.05
Description	Connecting rod
Revision	1



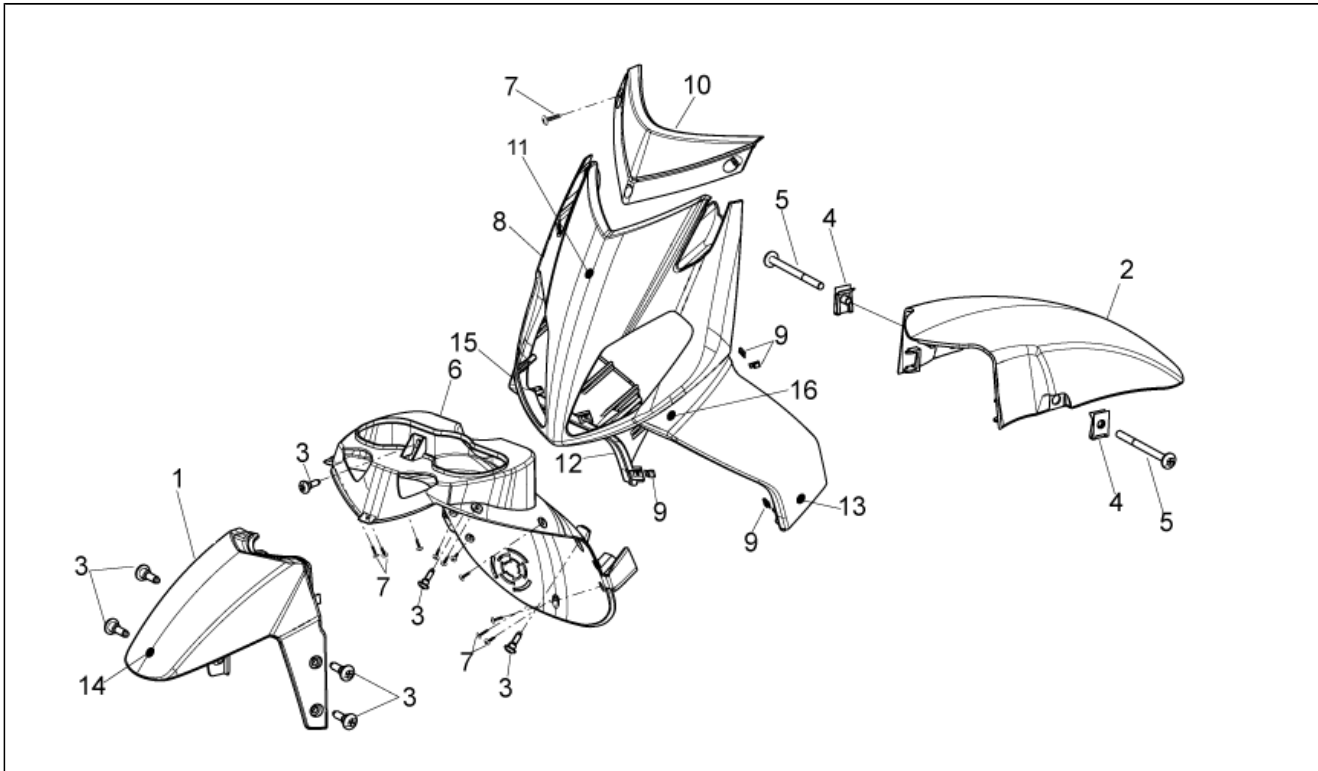
Pos.	Code	Description	Q.ty	Variants
1	853107	Connecting rod	1	
2	002440	Self-locking nut M10	2	
3	267550	Drift	1	
4	267589	Drift	1	
5	563977	Screw M10x240	1	
6	271779	Screw M10x202	1	

Assembly	FRAME
Code	28.06
Description	Rear shock absorber
Revision	1



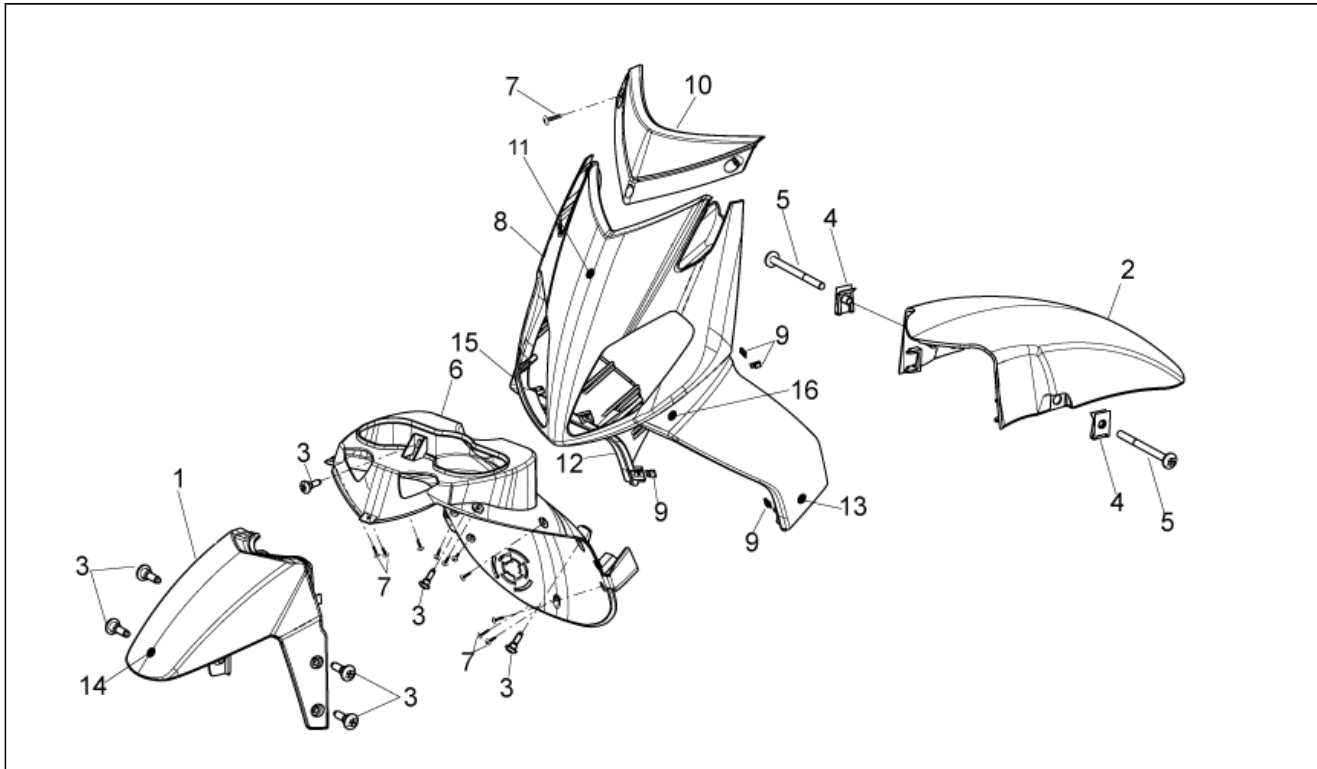
Pos.	Code	Description	Q.ty	Variants
1	856441	Shock absorber	1	
2	268158	Screw	2	
3	002440	Self-locking nut M10	2	

Assembly	FRAME
Code	28.07
Description	Front body I
Revision	1



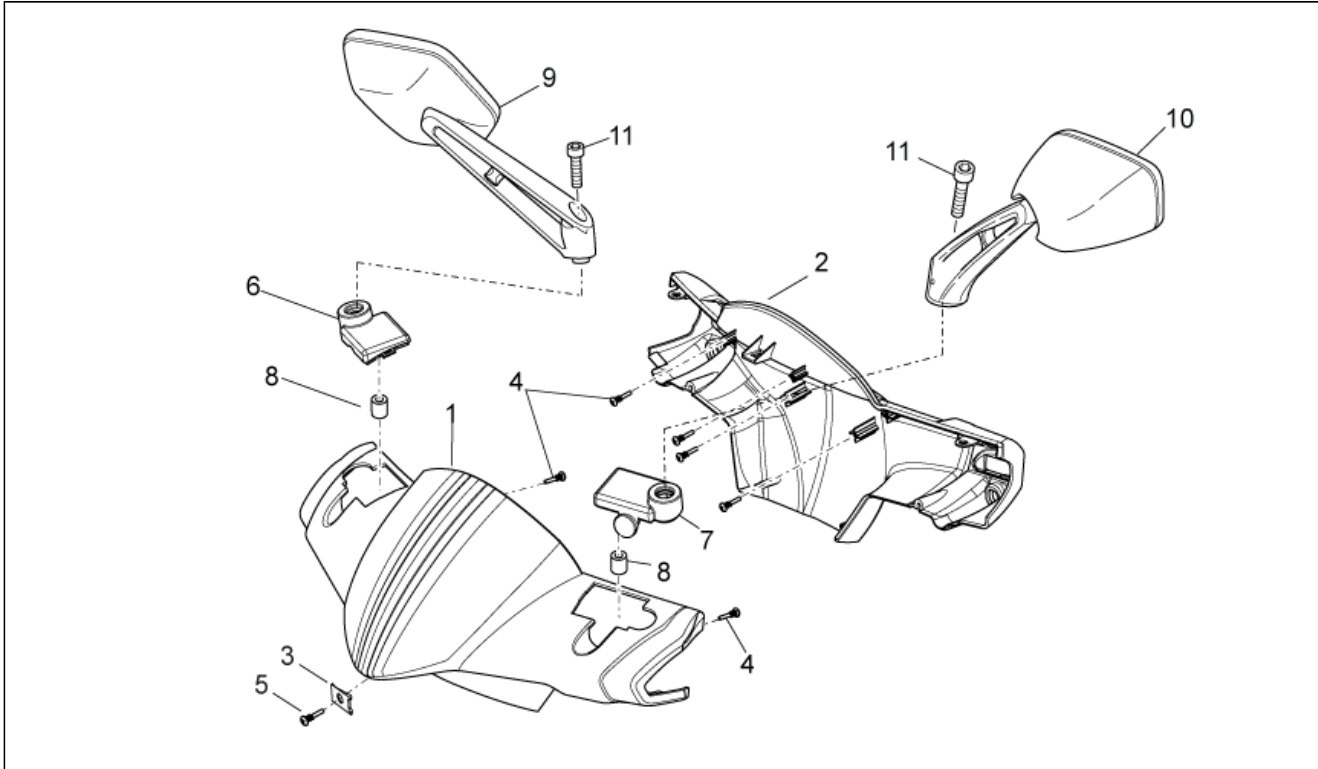
Pos.	Code	Description	Q.ty	Variants
1	853059	Front mudguard front side blank	1	Color:Blank 2008 (s.t.860735)[g]
1	8530590090	Front mudguard front side black	1	year: 2009[9] Color:Aprilia Black 2008 (s.t.860735)[black]
1	8530590090	Front mudguard front side black	1	year: 2010[A] Color:Aprilia Black 2010 (s.t.896632)[b10]
1	85305900DE	Upper front mudguard, blue	1	year: 2009[9] Color:Wave Blue 2008 (s.t.860735)[blu]
1	85305900F2	Upper front mudguard, grey	1	year: 2009[9] Color:Exclabur Grey 2008 (s.t.860735)[grey]
1	85305900GH	Upper front mudguard, yellow	1	year: 2009[9] Color:Supreme Yellow 2008 (s.t.860735)[yellow]
1	85305900XB1	Upper front mudguard, white	1	year: 2010[A] Color:Cult White 2008 (s.t.896632)[white]
1	85305900XV4	Front mudguard, green	1	year: 2010[A] Color:Urban Green2010 (s.t.896632)[green]
2	853060	Front mudguard rear side blank	1	year:2009[9]
2	85306000XH1	Front mudguard, grey 'phantom	1	year:2010[A]
3	575249	Screw	7	
4	254485	Clip M6	2	
5	272836	Screw	2	
6	890239	Wheel compartment	1	year:2009[9]
6	89023900XH1	Wheel compartment, grey Pha.	1	year:2010[A]
7	270723	Screw	13	
8	853069	Font fairing, blank	1	Color:Blank 2008 (s.t.860735)[g]
8	8530690090	Front shield, black	1	year: 2009[9] Color:Aprilia Black 2008 (s.t.860735)[black]
8	8530690090	Front shield, black	1	year: 2010[A] Color:Aprilia Black 2010 (s.t.896632)[b10]
8	85306900DE	Front shield, blue	1	year: 2009[9] Color:Wave Blue 2008 (s.t.860735)[blu]
8	85306900F2	Front shield, grey	1	year: 2009[9]

Assembly	FRAME
Code	28.07
Description	Front body I
Revision	1



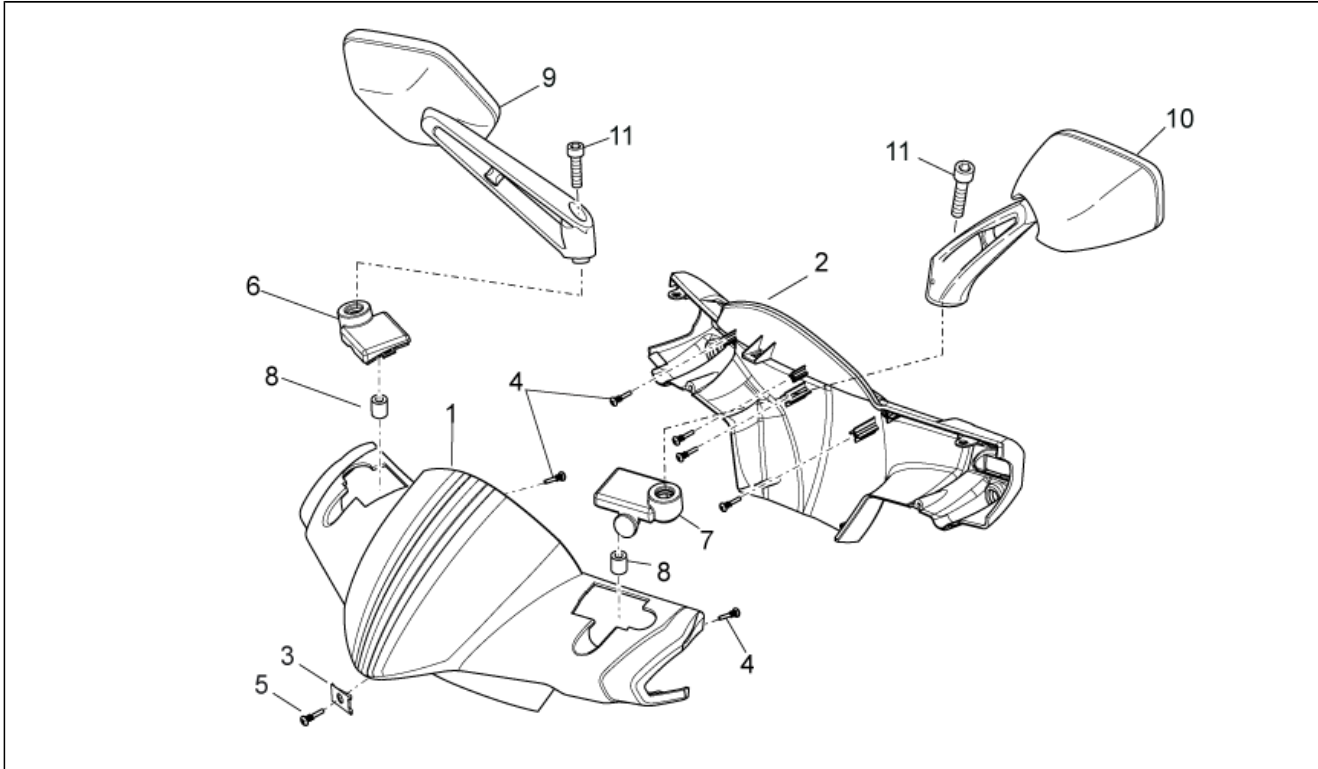
Pos.	Code	Description	Q.ty	Variants
				Color:Exclabur Grey 2008 (s.t.860735)[grey]
8	85306900GH	Front shield, yellow	1	year:2009[9] Color:Supreme Yellow 2008 (s.t.860735)[yellow]
8	85306900XB1	Front shield, white	1	year:2010[A] Color:Cult White 2008 (s.t.896632)[white]
8	85306900XV4	Front shield, green	1	year:2010[A] Color:Urban Green2010 (s.t.896632)[green]
9	CM017410	Clip	8	
10	856436	Upper shield lockup	1	year:2009[9]
10	85643600XH1	Upper shield lockup,grey Pha	1	year:2010[A]
11	860695	Decal Aprilia	1	year:2009[9]
12	860697	Sticker RH "50"	1	year:2009[9]
12	896642	Sticker RH "50"	1	year:2010[A] Color:Aprilia Black 2010 (s.t.896632)[b10]
12	896647	Sticker RH "50"	1	year:2010[A] Color:Urban Green2010 (s.t.896632)[green], Cult White 2008 (s.t.896632)[white]
13	860874	Sticker LH "50"	1	year:2009[9]
13	896643	Sticker LH "50"	1	year:2010[A] Color:Aprilia Black 2010 (s.t.896632)[b10]
13	896648	Sticker LH "50"	1	year:2010[A] Color:Urban Green2010 (s.t.896632)[green], Cult White 2008 (s.t.896632)[white]
14	896639	Decal Aprilia	1	year:2010[A]
15	896640	Sticker RH	1	year:2010[A]
16	896641	Sticker LH	1	year:2010[A]

Assembly	FRAME
Code	28.08
Description	Front body II
Revision	1



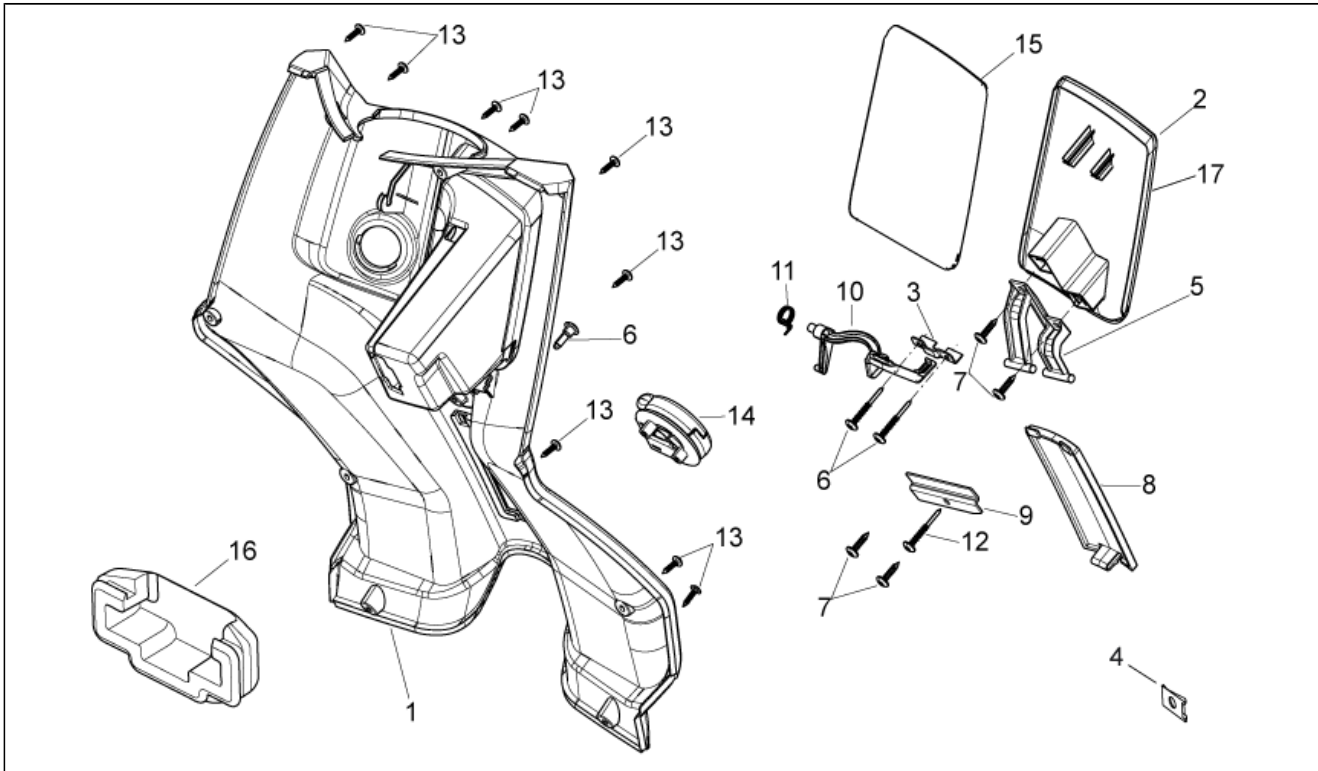
Pos.	Code	Description	Q.ty	Variants
1	853049	Front calott blank	1	Color:Blank 2008 (s.t.860735)[g]
1	8530490090	Front calotte, black	1	year: 2009[9] Color:Aprilia Black 2008 (s.t.860735)[black], Wave Blue 2008 (s.t.860735)[blu], Supreme Yellow 2008 (s.t.860735)[yellow]
1	85304900F2	Front calotte, grey	1	year: 2009[9] Color:Exclabur Grey 2008 (s.t.860735)[grey]
1	85304900XB1	Front calotte, white	1	year: 2010[A] Color: Cult White 2008 (s.t.896632)[white] Country:Europe[EU]
1	85304900XV4	Front calotte,v.green	1	year: 2010[A] Color: Urban Green2010 (s.t.896632)[green] Country:Europe[EU]
1	8909800090	Front calotte, black	1	year: 2010[A] Color:Aprilia Black 2010 (s.t.896632)[b10]
1	89098000XB1	Front calotte, white	1	year: 2010[A] Color: Cult White 2008 (s.t.896632)[white] Country:United States of America[USA]
1	89098000XV4	Front calotte,v.	1	year: 2010[A] Color: Urban Green2010 (s.t.896632)[green] Country:United States of America[USA]
2	853050	Cover blank	1	Color:Blank 2008 (s.t.860735)[g]
2	8530500090	Cover, black	1	year: 2009[9] Color:Aprilia Black 2008 (s.t.860735)[black], Wave Blue 2008 (s.t.860735)[blu], Exclabur Grey 2008 (s.t.860735)[grey], Supreme Yellow 2008 (s.t.860735)[yellow]
2	8530500090	Cover, black	1	year: 2010[A] Color:Aprilia Black 2010 (s.t.896632)[b10]
2	85305000XB1	Cover, white	1	year: 2010[A] Color:Cult White 2008 (s.t.896632)[white]
2	85305000XV4	Cover,green	1	year: 2010[A] Color:Urban Green2010 (s.t.896632)[green]
3	CM017409	Clip D.4,2	1	

Assembly	FRAME
Code	28.08
Description	Front body II
Revision	1



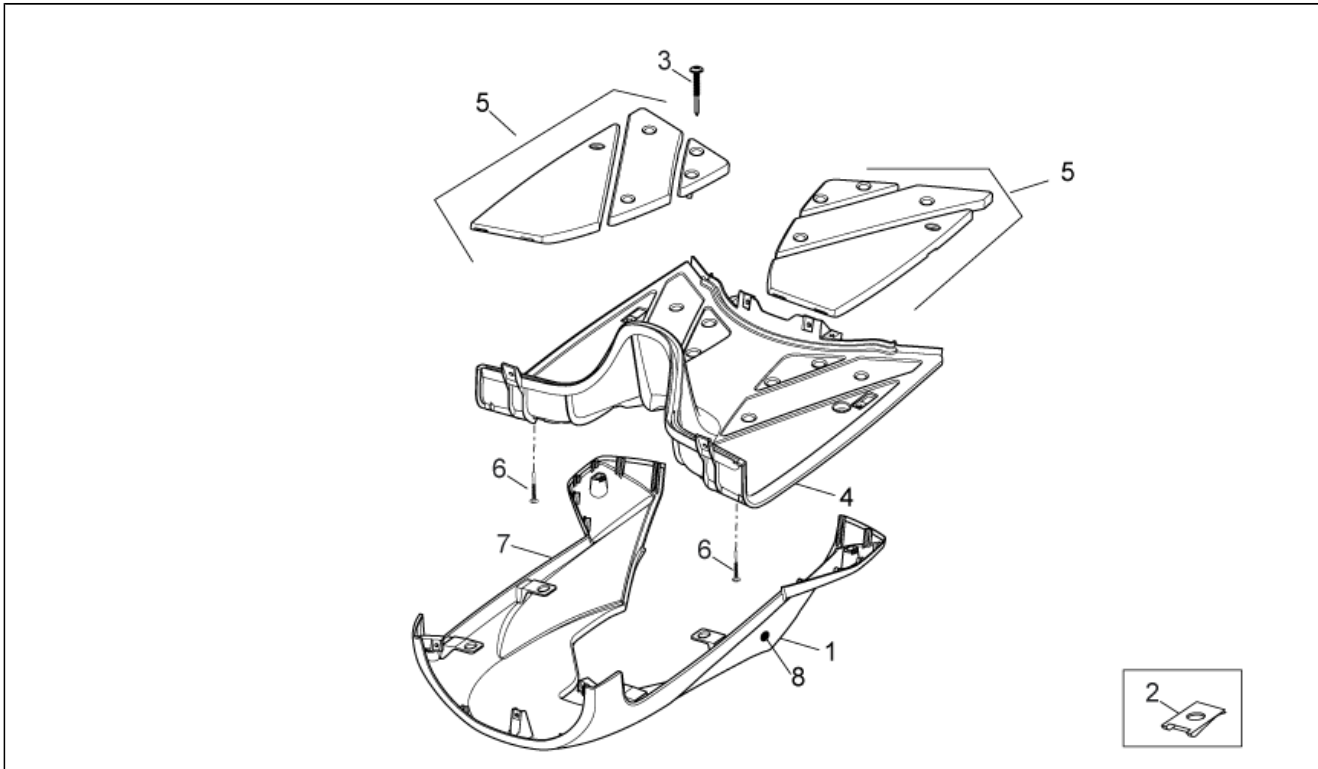
Pos.	Code	Description	Q.ty	Variants
4	267115	Self-tap screw m4x16	6	
5	008457	Self-tap screw m4,2x19	1	
6	853072	RH plug	1	
7	856455	LH plug	1	
8	853074	Bush	2	
9	858537	RH rearview mirror	1	
10	858538	LH rearview mirror	1	
11	872997	Hex socket screw m8x55	1	

Assembly	FRAME
Code	28.09
Description	Central body I
Revision	1



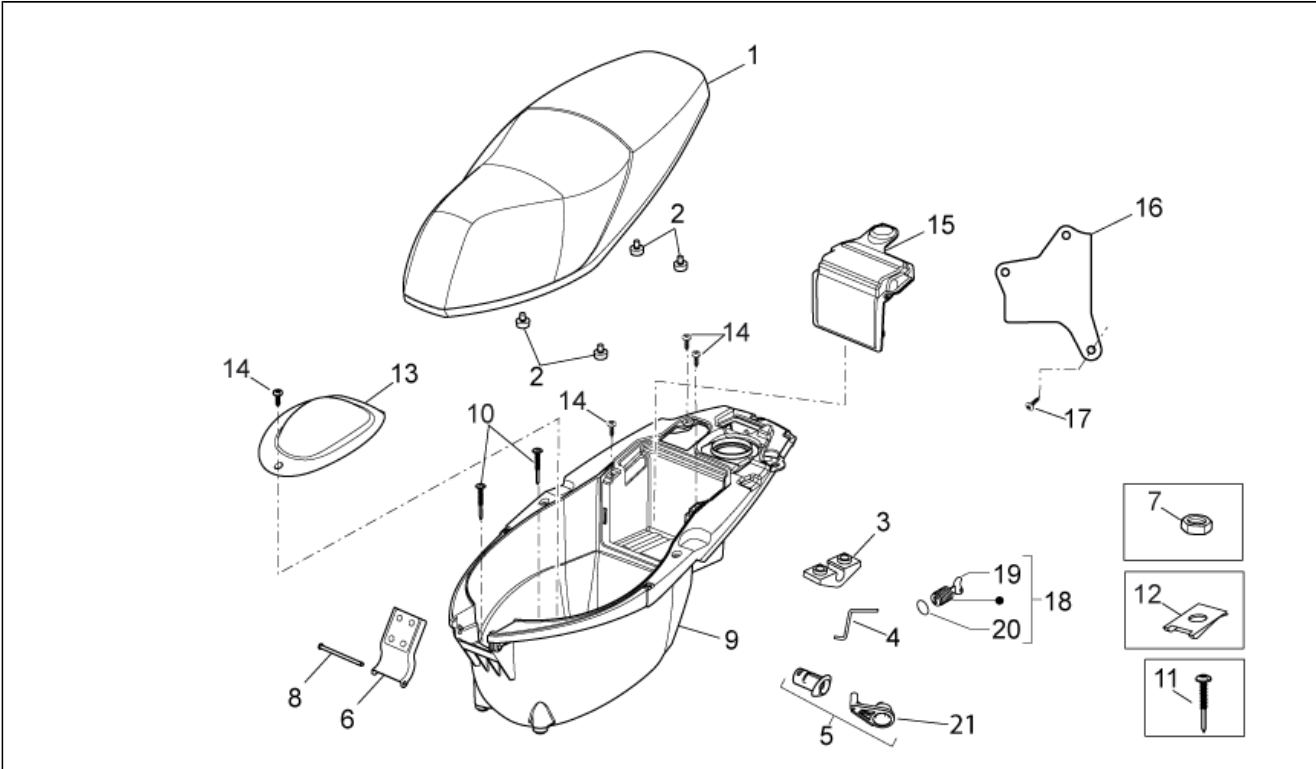
Pos.	Code	Description	Q.ty	Variants
1	856433	Internal shield	1	year:2009[9]
1	85643300XH1	Internal shield, grey	1	year:2010[A]
2	856471	Glove comp.door	1	year:2009[9]
2	85647100XH1	Glove comp.door, grey	1	year:2010[A]
3	252420	Plate	1	
4	573057	Clip	1	
5	856472	Hinge	1	
6	297498	Screw	2	
7	259349	Screw	2	
8	856474	Cover	1	year:2009[9]
8	85647400XH1	Cover	1	year:2010[A]
9	856473	Plate	1	
10	856437	Lockup hook door	1	
11	257617	Spring	1	
12	575249	Screw	1	
13	270723	Screw	10	
14	575819	Bag holder hook	1	
15	CM006310	Gasket	1	
16	890424	Cover internal shield	1	
17	896644	Decal "Sport City"	1	year:2010[A]

Assembly	FRAME
Code	28.10
Description	Central body II
Revision	1



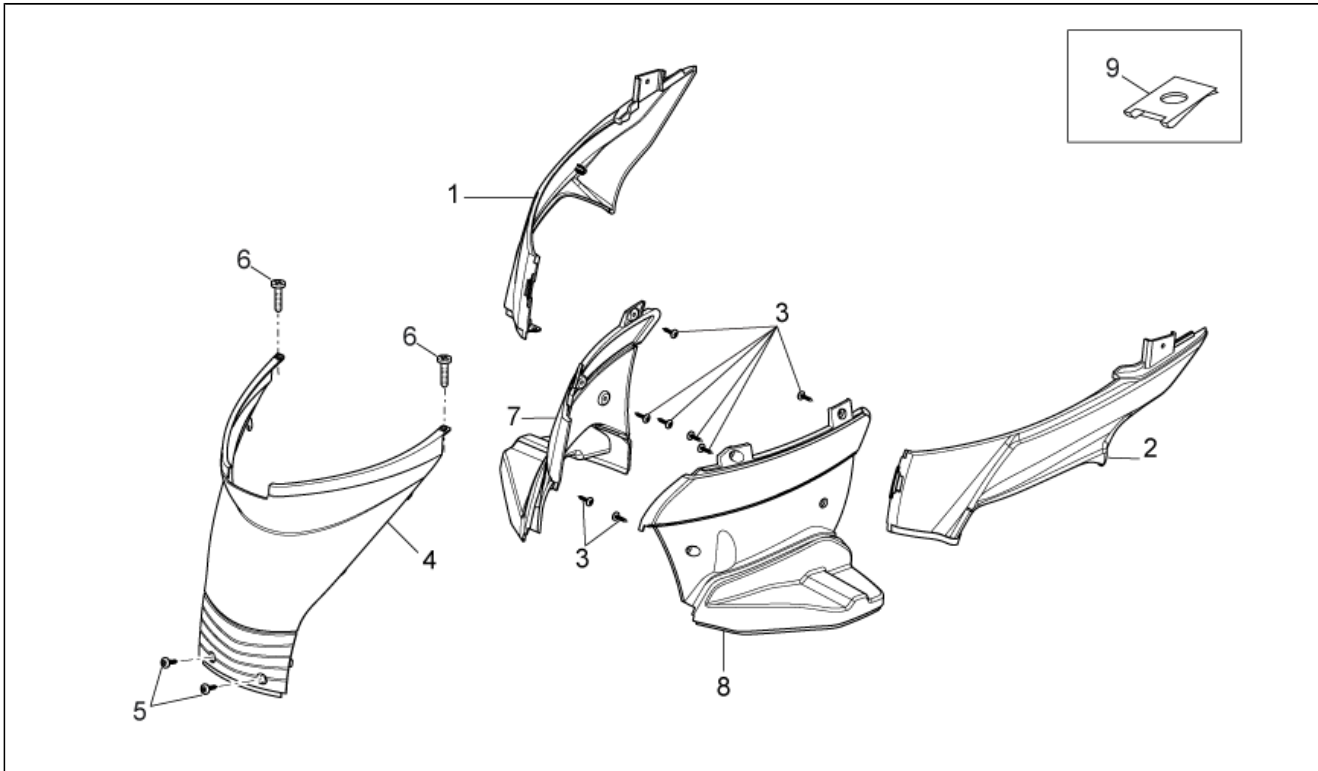
Pos.	Code	Description	Q.ty	Variants
1	856454	Blank Underpanel	1	Color:Blank 2008 (s.t.860735)[g]
1	8564540090	Underpanel, black	1	year: 2009[9] Color:Aprilia Black 2008 (s.t.860735)[black]
1	8564540090	Underpanel, black	1	year: 2010[A] Color:Aprilia Black 2010 (s.t.896632)[b10]
1	85645400DE	Underpanel, blue	1	year: 2009[9] Color:Wave Blue 2008 (s.t.860735)[blu]
1	85645400F2	Underpanel, grey	1	year: 2009[9] Color:Exclabur Grey 2008 (s.t.860735)[grey]
1	85645400GH	Underpanel, yellow	1	year: 2009[9] Color:Supreme Yellow 2008 (s.t.860735)[yellow]
1	85645400XB1	Underpanel,white	1	year: 2010[A] Color:Cult White 2008 (s.t.896632)[white]
1	85645400XV4	Underpanel, green	1	year: 2010[A] Color:Urban Green2010 (s.t.896632)[green]
2	CM017410	Clip	7	
3	575249	Screw	6	
4	853061	Foot rest	1	year:2009[9]
4	85306100XH1	Floor panel, grey	1	year:2010[A]
5	858243	Carpets kit	1	year:2009[9]
5	85824300XH1	Carpets kit grey	1	year:2010[A]
6	270793	Screw	10	
7	896645	Sticker RH "Aprilia"	1	year:2010[A]
8	896646	Sticker LH "Aprilia"	1	year:2010[A]

Assembly	FRAME
Code	28.11
Description	Central body III
Revision	1



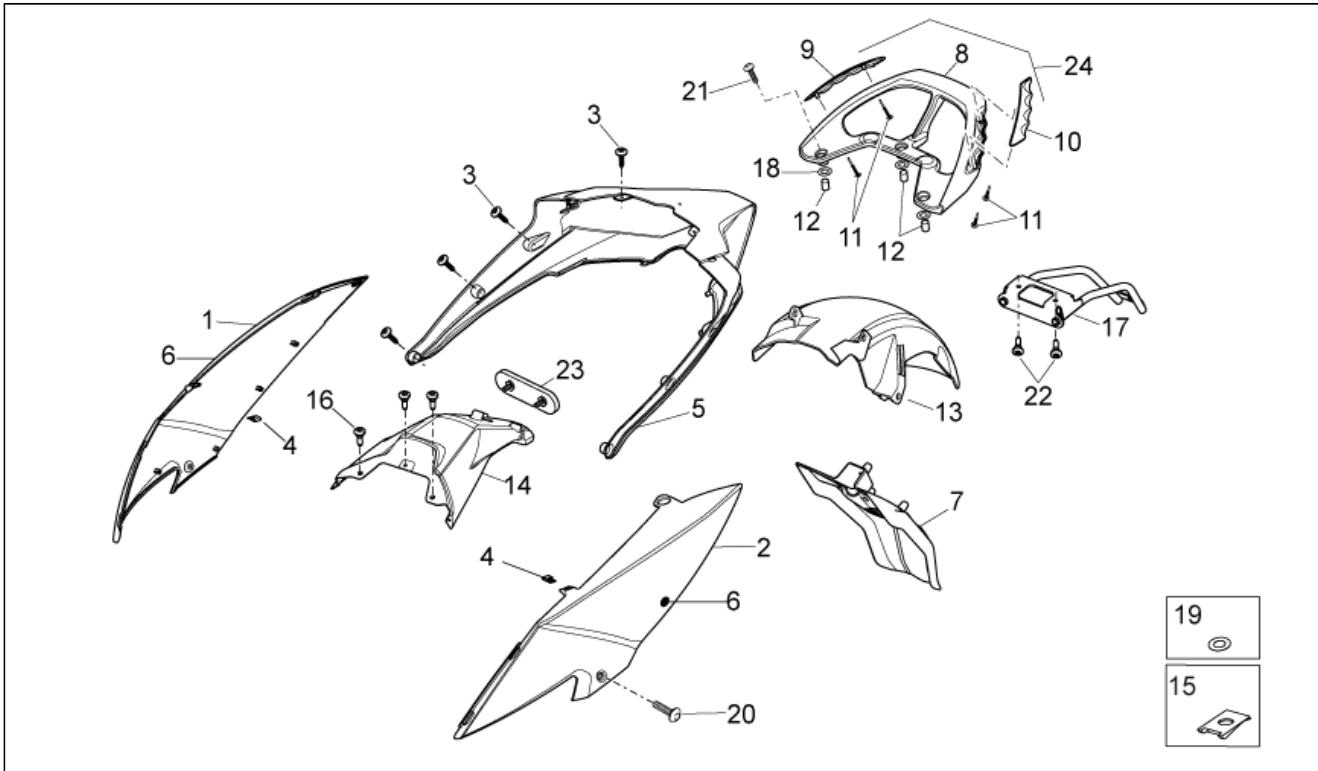
Pos.	Code	Description	Q.ty	Variants
1	672187	Saddle	1	year:2010[A]
1	856461	Saddle	1	year:2009[9]
2	577492	Rubber spacer	4	
3	296743	Plate	1	
4	856462	Lever	1	
5	672327	Saddle lock hardware kit	1	
6	856465	Saddle hinge	1	
7	269136	Nut	1	
8	856466	Pin	1	
9	890102	Helmet compartment	1	year:2009[9]
9	89010200XH1	Helmet compartment, grey Phantom	1	year:2010[A]
10	575249	Screw	2	
11	259372	Screw	3	
12	CM017410	Clip	4	
13	852700	Inspection cover	1	year:2009[9]
13	85270000XH1	Inspection cover, grey	1	year:2010[A]
14	259349	Screw	4	
15	852990	Battery cover	1	year:2009[9]
15	85299000XH1	Battery cover	1	year:2010[A]
16	890103	Cover	1	
17	297498	Screw	3	
18	860193	Cylinder	1	
19	860691	Key	1	
20	298731	Gasket ring	1	
21	856463	Cam	1	

Assembly	FRAME
Code	28.12
Description	Central body IV
Revision	1



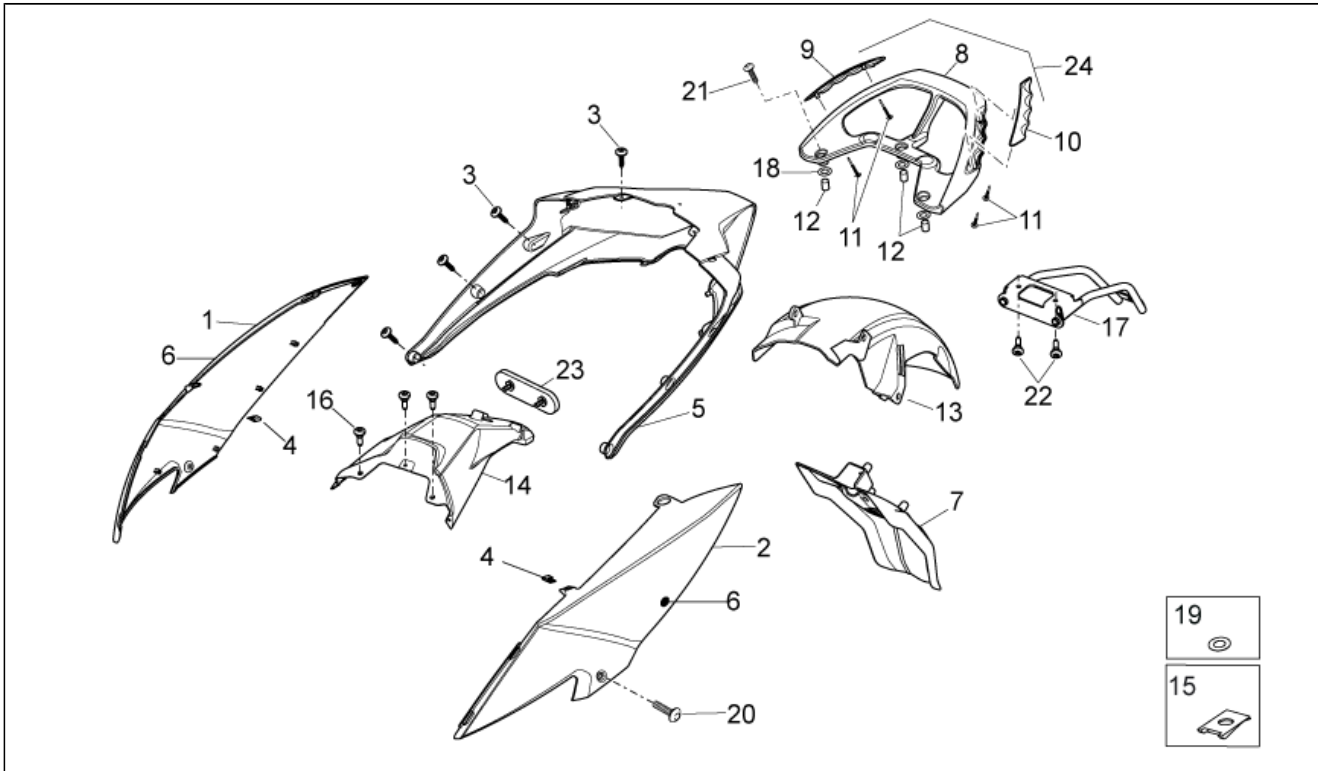
Pos.	Code	Description	Q.ty	Variants
1	856452	RH Covers	1	year:2009[9]
1	85645200XH1	RH Covers,grey Phantom	1	year:2010[A]
2	856453	LH Covers	1	year:2009[9]
2	85645300XH1	LH Covers,grey Phantom	1	year:2010[A]
3	259349	Screw	10	
4	856431	Undersaddle	1	year:2009[9]
4	85643100XH1	Undersaddle, grey Phantom	1	year:2010[A]
5	270723	Screw	2	
6	268596	Screw	2	
7	856450	Rear footrest, RH	1	year:2009[9]
7	85645000XH1	RH rear footrest, grey	1	year:2010[A]
8	856451	Rear footrest, LH	1	year:2009[9]
8	85645100XH1	LH rear footrest, grey	1	year:2010[A]
9	254485	Clip M6	2	

Assembly	FRAME
Code	28.13
Description	Rear body
Revision	1



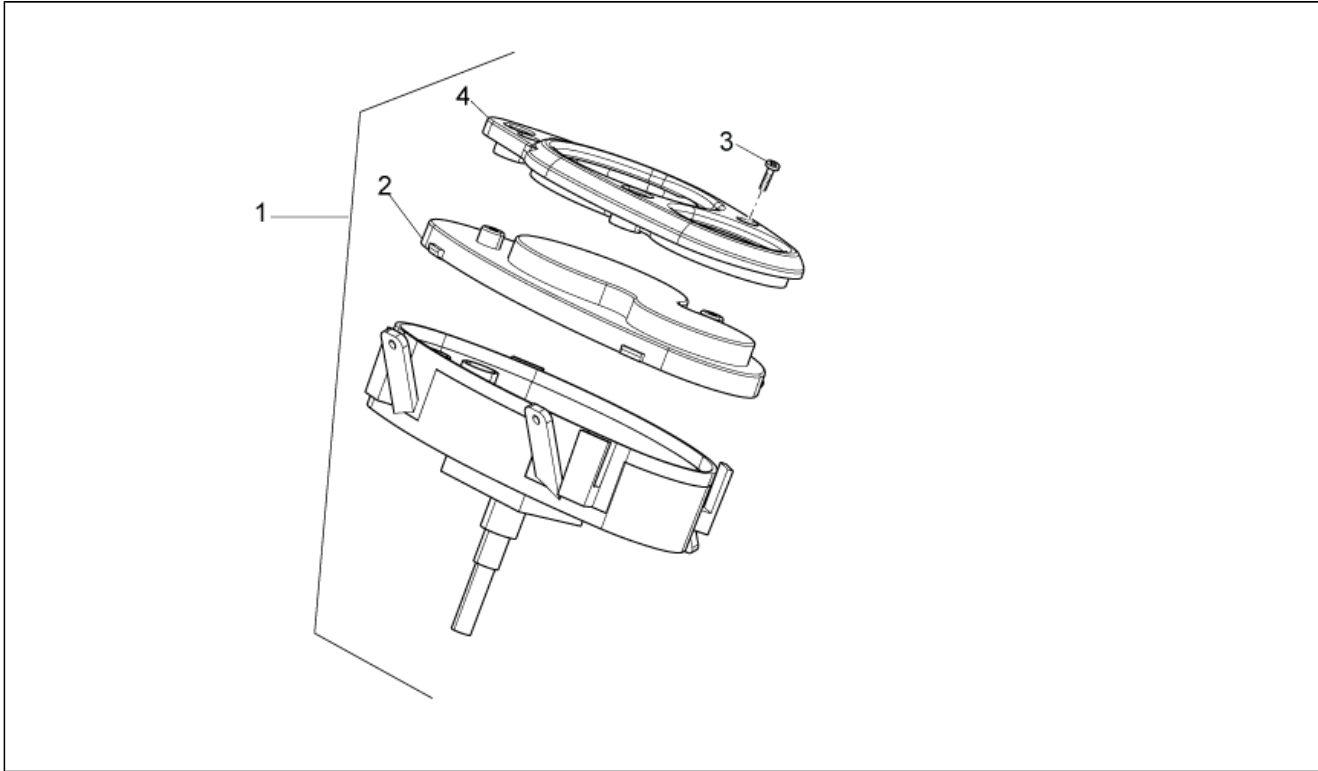
Pos.	Code	Description	Q.ty	Variants
1	856448	RH Half-rear fairing,blank	1	Color:Blank 2008 (s.t.860735)[g]
1	8564480090	RH Half-rear fairing,ap.black	1	year: 2009[9] Color:Aprilia Black 2008 (s.t.860735)[black]
1	8564480090	RH Half-rear fairing,ap.black	1	year: 2010[A] Color:Aprilia Black 2010 (s.t.896632)[b10]
1	85644800DE	RH Half-rear fairing,blue	1	year: 2009[9] Color:Wave Blue 2008 (s.t.860735)[blu]
1	85644800F2	RH Half-rear fairing,gre	1	year: 2009[9] Color:Exclabur Grey 2008 (s.t.860735)[grey]
1	85644800GH	RH Half-rear fairing,yellow	1	year: 2009[9] Color:Supreme Yellow 2008 (s.t.860735)[yellow]
1	85644800XB1	RH Half-rear fairing,white	1	year: 2010[A] Color:Cult White 2008 (s.t.896632)[white]
1	85644800XV4	RH Half-rear fairing,green	1	year: 2010[A] Color:Urban Green2010 (s.t.896632)[green]
2	856449	LH Half-rear fairing,blank	1	Color:Blank 2008 (s.t.860735)[g]
2	8564490090	LH Half-rear fairing,ap.black	1	year: 2009[9] Color:Aprilia Black 2008 (s.t.860735)[black]
2	8564490090	LH Half-rear fairing,ap.black	1	year: 2010[A] Color:Aprilia Black 2010 (s.t.896632)[b10]
2	85644900DE	LH Half-rear fairing,blue	1	year: 2009[9] Color:Wave Blue 2008 (s.t.860735)[blu]
2	85644900F2	LH Half-rear fairing,gre	1	year: 2009[9] Color:Exclabur Grey 2008 (s.t.860735)[grey]
2	85644900GH	LH Half-rear fairing,yellow	1	year: 2009[9] Color:Supreme Yellow 2008 (s.t.860735)[yellow]
2	85644900XB1	LH Half-rear fairing,white	1	year: 2010[A] Color:Cult White 2008 (s.t.896632)[white]
2	85644900XV4	LH Half-rear fairing,green	1	year: 2010[A] Color:Urban Green2010 (s.t.896632)[green]
3	259349	Screw	11	
4	CM017410	Clip	2	

Assembly	FRAME
Code	28.13
Description	Rear body
Revision	1



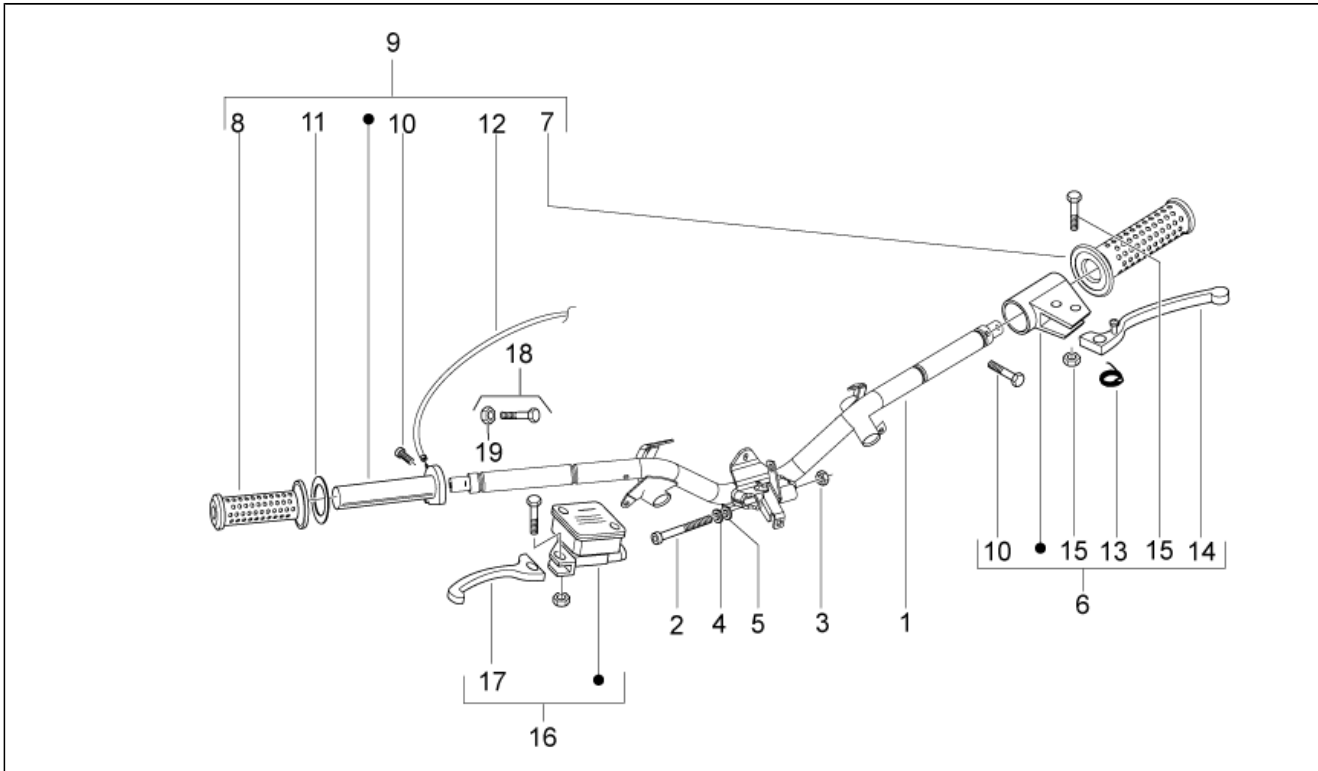
Pos.	Code	Description	Q.ty	Variants
5	856439	Covers	1	year:2009[9]
5	85643900XH1	Covers,greym Phantom	1	year:2010[A]
6	860696	Decal Sportcity One	2	
7	890432	Rear extension	1	
8	852837	Pillion grab bar blank	1	Color:Blank 2008 (s.t.860735)[g]
8	85283700F2	Pillion grab bar, grey	1	year: 2009[9] Color:Aprilia Black 2008 (s.t.860735)[black], Wave Blue 2008 (s.t.860735)[blu], Exclabur Grey 2008 (s.t.860735)[grey], Supreme Yellow 2008 (s.t.860735)[yellow]
9	856457	RH profil	1	year:2009[9]
9	85645700XH1	LH profil,greym	1	year:2010[A]
10	856458	LH profil	1	year:2009[9]
10	85645800XH1	RH profil,greym	1	year:2010[A]
11	297498	Screw	4	
12	856459	Bush	3	
13	853096	Rear mudguard	1	year:2009[9]
13	85309600XH1	Rear mudguard gigio phantom	1	year:2010[A]
14	853070	Splash guard	1	year:2009[9]
14	85307000XH1	Splash guard	1	year:2010[A]
15	254485	Clip M6	2	
16	575249	Screw	3	
17	853100	Number plate holder support	1	
18	003058	Washer	3	
19	013880	Washer	2	
20	860536	Hex socket screw	2	
21	564606	Hex socket screw	3	
22	582428	Hex socket screw	2	
23	582058	Reflector	1	
24	8564600090	Rear handle, CPL	1	year:2010[A]

Assembly	FRAME
Code	28.14
Description	Dashboard
Revision	1



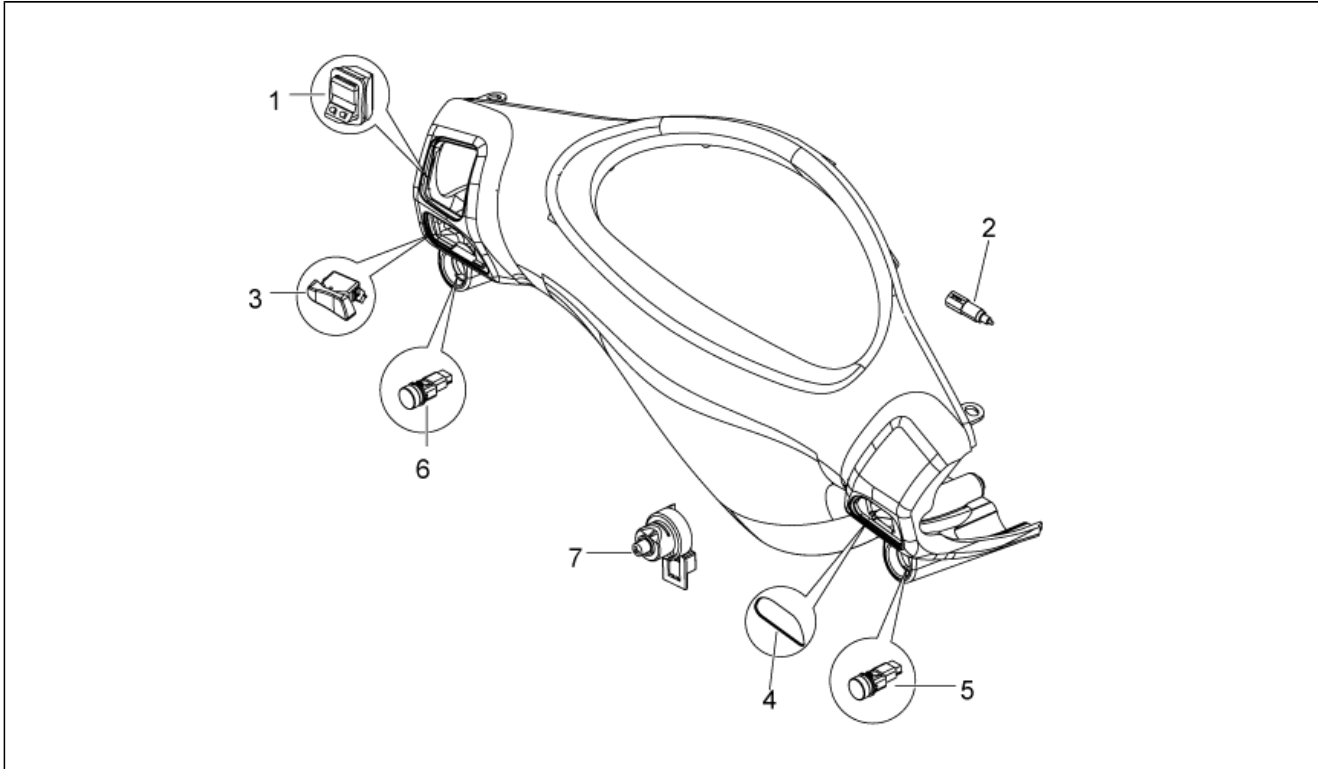
Pos.	Code	Description	Q.ty	Variants
1	642118	Dashboard	1	year:2010[A]
1	858367	Dashboard	1	year: 2009[9] Country:Canada[CN], Denmark[DK], Europe[EU], Holland[NL]
1	890355	Dashboard	1	year: 2009[9] Country:United States of America[USA]
2	642155	Dashboard window	1	year:2010[A]
2	856440	Dashboard window	1	year:2009[9]
3	860535	Hex socket screw	2	
4	853142	Dashboard panel blank	1	year:2009[9]
4	8531420090	Dashboard panel blank	1	year:2010[A]

Assembly	FRAME
Code	28.15
Description	Handlebar
Revision	1



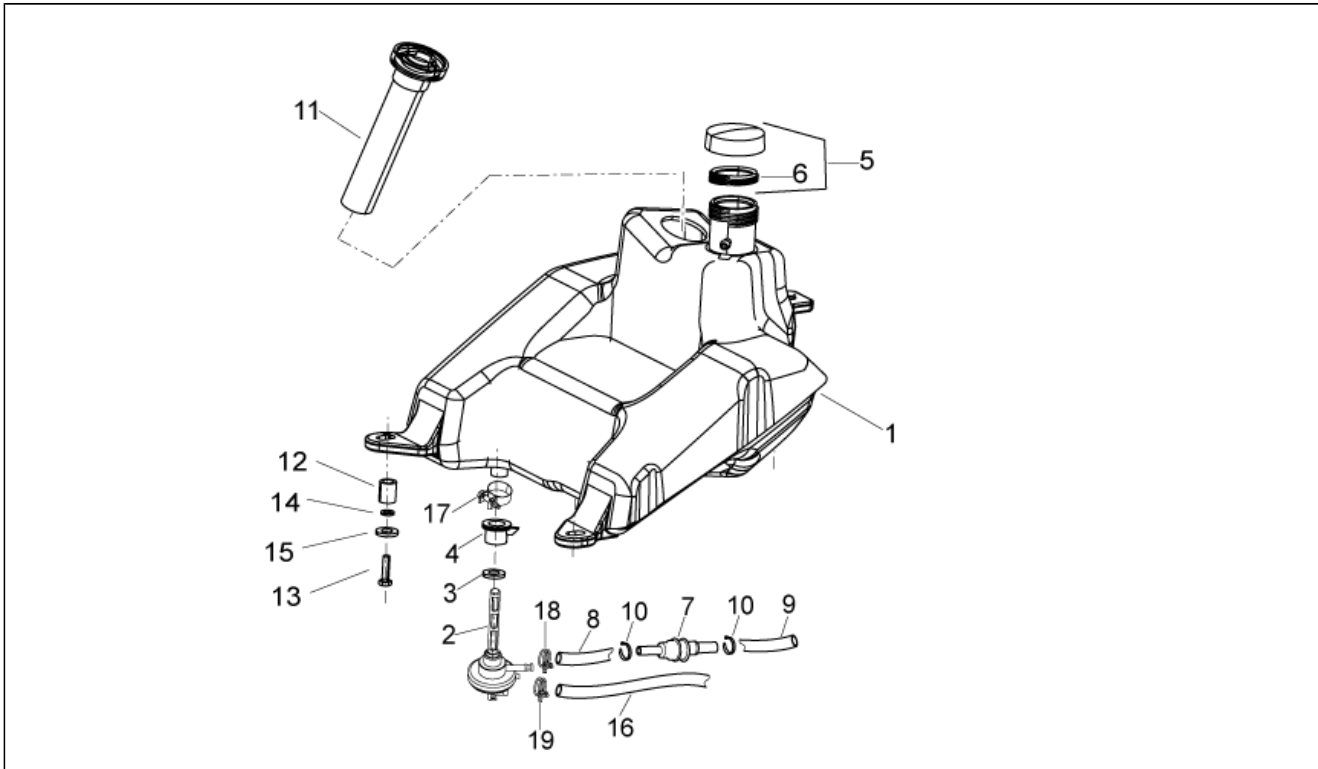
Pos.	Code	Description	Q.ty	Variants
1	853047	Handlebar	1	
2	655554	Screw	1	
3	015330	Nut	1	
4	012543	Plain washer	1	
5	178790	Flat washer	1	
6	CM063805	Hose	1	
7	274489	LH hand grip	1	
8	274491	RH hand grip	1	
9	CM060960	Throttle cpl.	1	
10	123394	Screw	1	
11	562923	Washer	1	
12	601113	Gas lever transmission	1	
13	267948	Spring	1	
14	564681	Lever	1	
15	265249	Screw complete	1	
16	CM064303	Front master cilinder	1	
17	497041	Front brake lever	1	
18	269145	Adjuster screw	1	
19	020206	Nut	1	

Assembly	FRAME
Code	28.16
Description	Controls
Revision	1



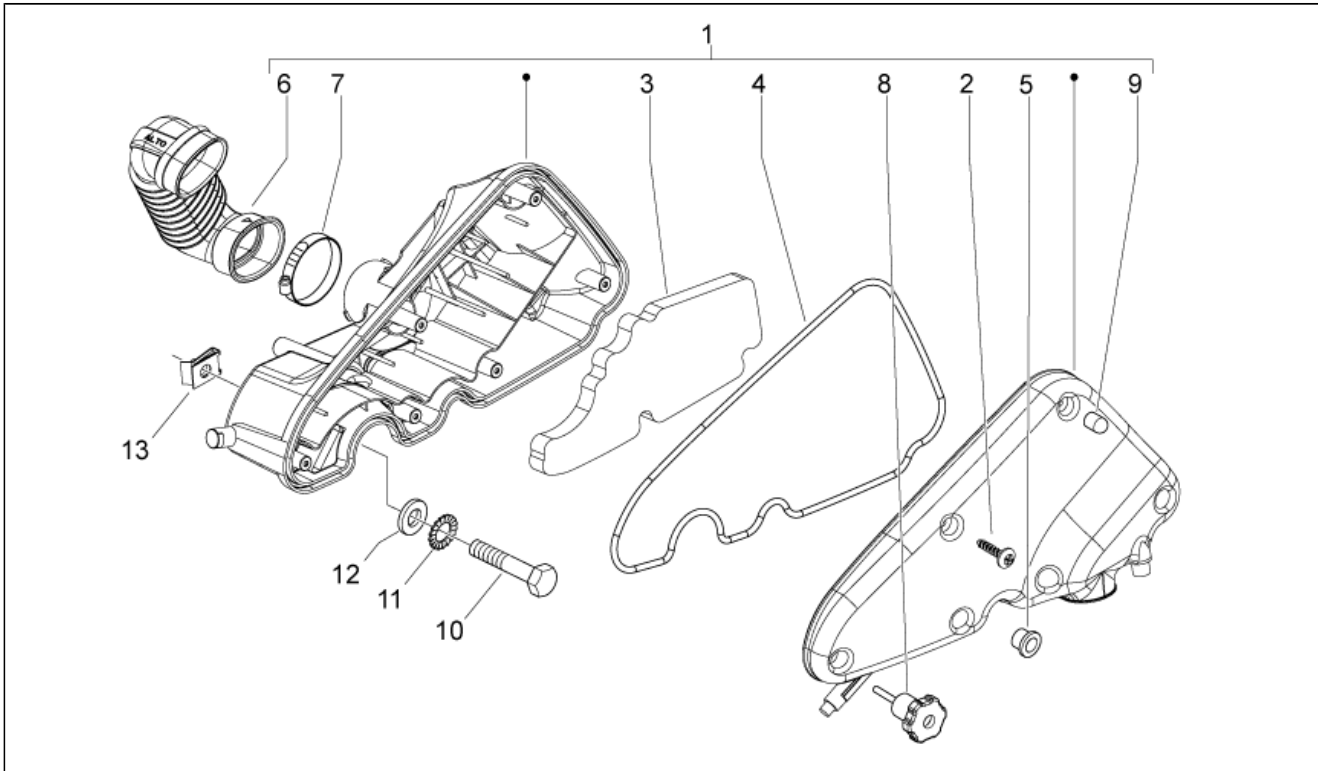
Pos.	Code	Description	Q.ty	Variants
1	294341	LH lights selector	1	
2	583575	stop Button	2	
3	58056R	Switch	1	Country:Australia[AA], Denmark[DK], Europe[EU], Holland[NL]
3	638628	Pulsante indicatore direzione	1	Country:Canada[CN], United States of America[USA]
4	580387	Plug	1	Country:Australia[AA], Denmark[DK], Europe[EU], Holland[NL]
4	638626	Plug	1	Country:Canada[CN], United States of America[USA]
5	58057R	Start pushbutton	1	
6	58058R	Horn button	1	
7	580621	Main switch - steering lock	1	

Assembly	FRAME
Code	28.17
Description	Fuel tank
Revision	1



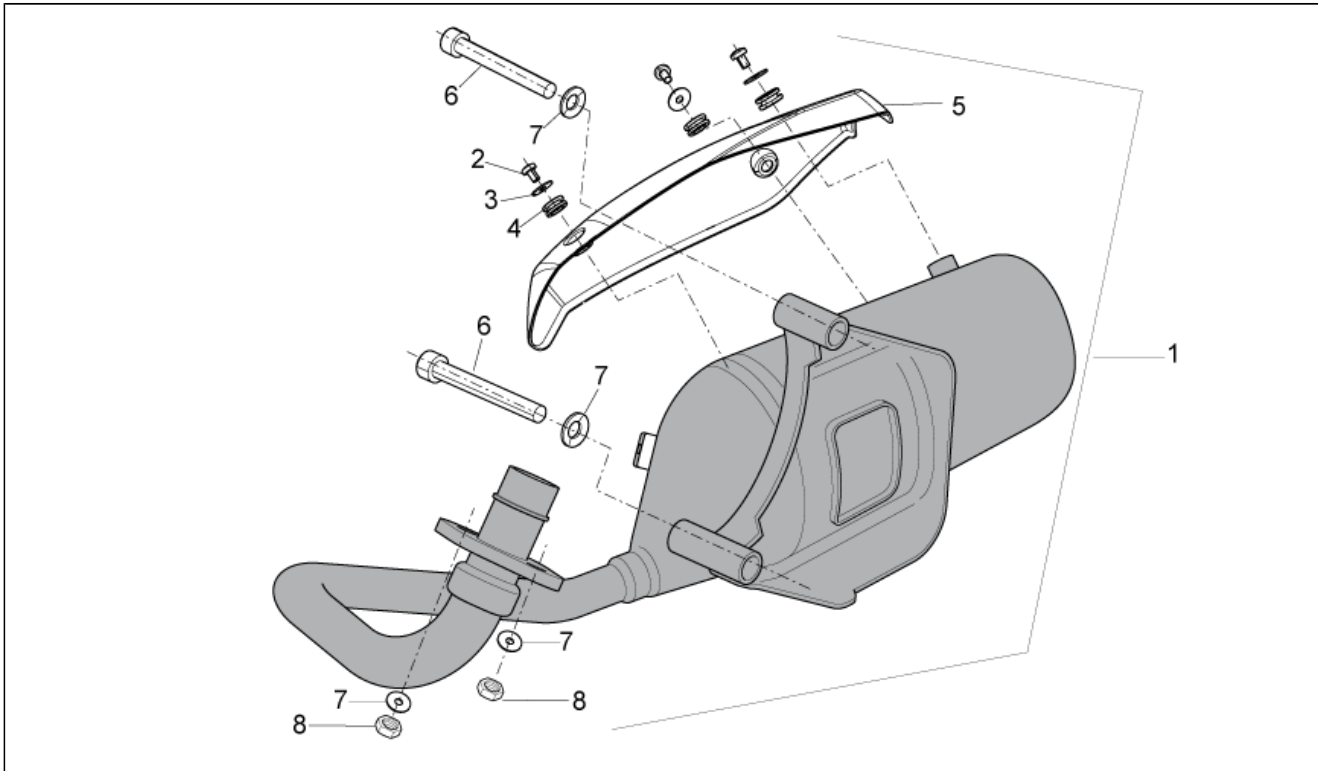
Pos.	Code	Description	Q.ty	Variants
1	852601	Fuel tank	1	
2	575321	Fuel cock	1	
3	196868	Gasket	1	
4	090958	Plug	1	
5	259832	Tank cap	1	
6	258160	Gasket	1	
7	624522	Vacuum filter	1	
8	CM027914	Pipe	1	
9	CM027920	Pipe	1	
10	CM001912	Hose clamp	2	
11	CM025711	Fuel level sensor	1	
12	231027	Spacer	3	
13	031092	Screw m6x25	3	
14	268304	Washer	3	
15	016406	Washer	3	
16	CM006116	Fuel pipe	1	
17	577557	Hose clamp	1	
18	CM002901	Hose clamp	1	
19	CM002904	Hose clamp	1	

Assembly	FRAME
Code	28.18
Description	Air box
Revision	1



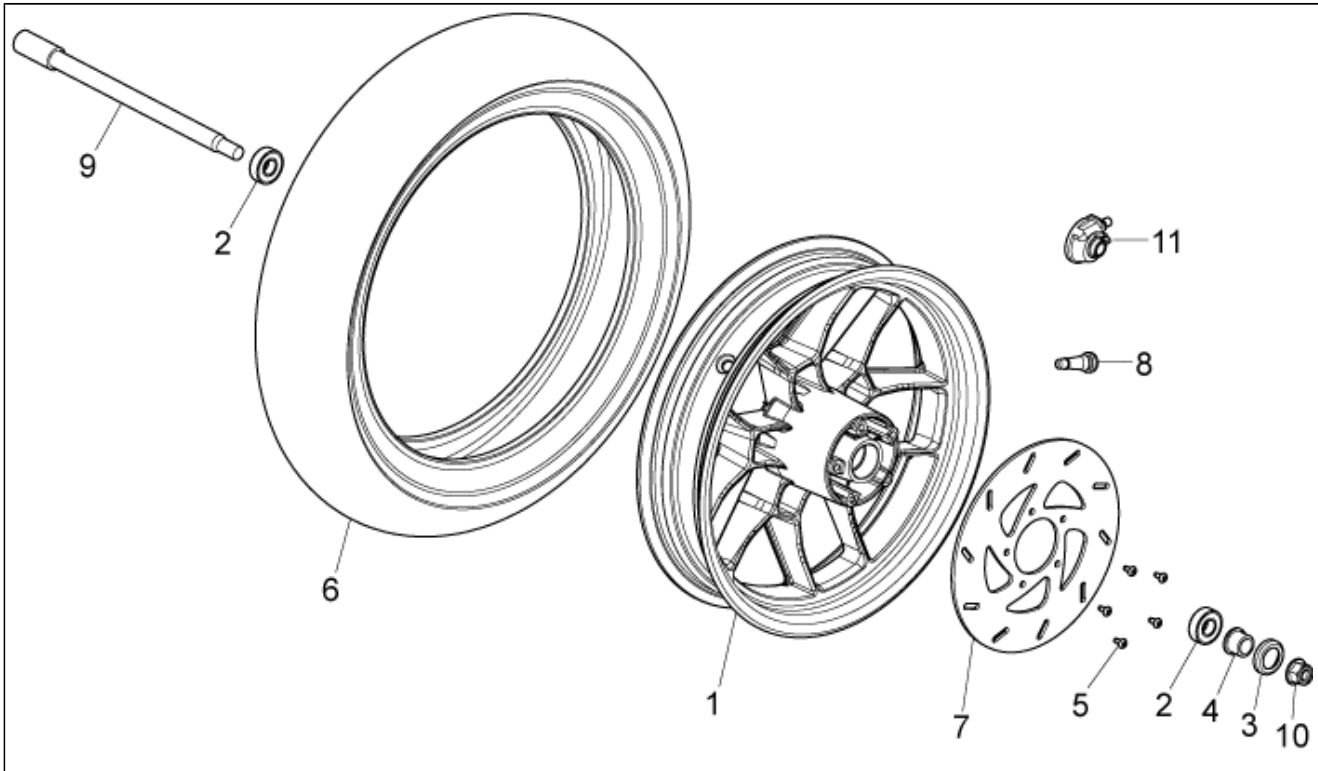
Pos.	Code	Description	Q.ty	Variants
1	849685	Air box	1	
2	258146	Self-tap screw m3x20	5	
3	843194	Air filter	1	
4	843195	Air filter housing seal	1	
5	830056	Bush	4	
6	849684	Hose	1	
7	CM002910	Hose clamp	1	
8	479132	Knob	2	
9	827831	Cap	1	
10	018640	Screw	2	
11	012533	Washer 6,6x11x0	2	
12	003056	Washer 6,4x12x1	2	
13	254485	Clip M6	2	

Assembly	FRAME
Code	28.22
Description	Exhaust unit
Revision	1



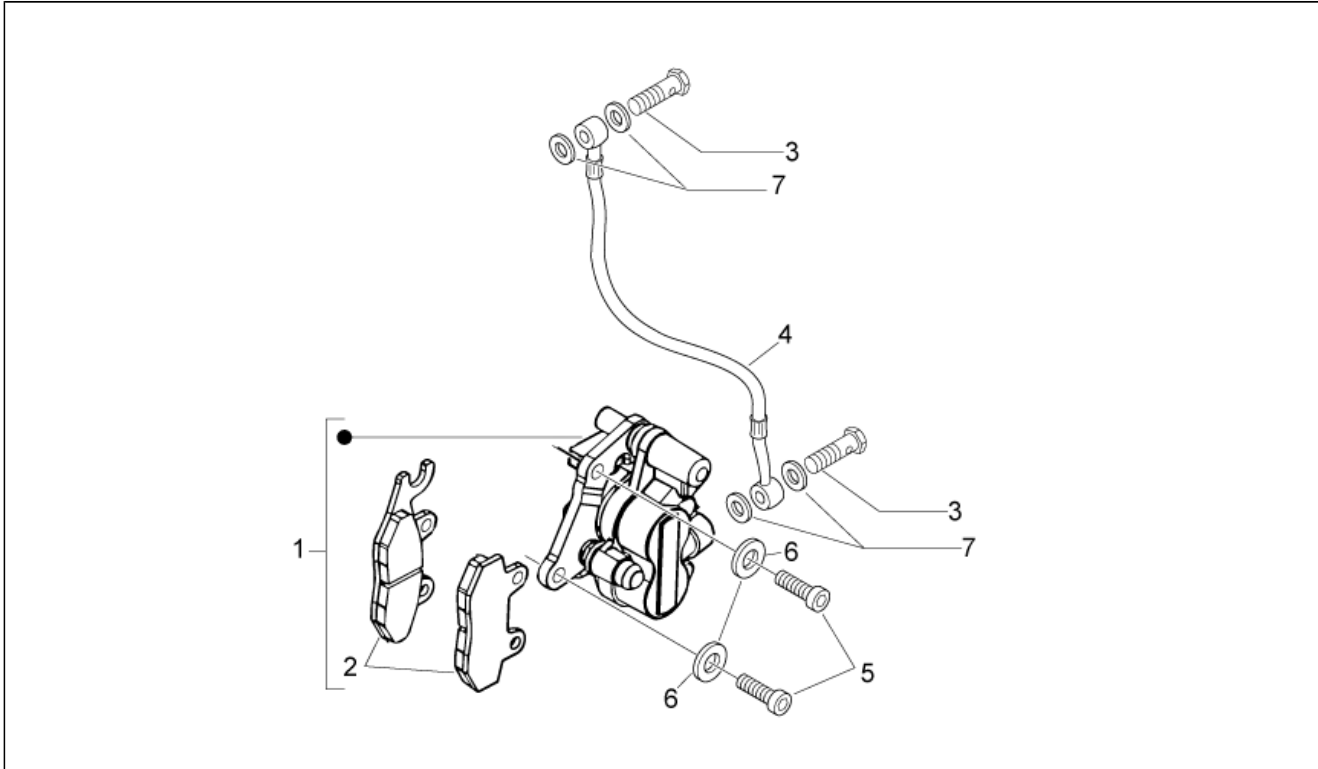
Pos.	Code	Description	Q.ty	Variants
1	856445	Exhaust pipe, cpl.	1	Country:Australia[AA], Denmark[DK], Europe[EU], Holland[NL]
1	890330	Exhaust pipe, cpl.	1	Country:Canada[CN], United States of America[USA]
2	848766	Screw	3	
3	827526	Washer	3	
4	487665	Rubber spacer	3	
5	853127	Exhaust pipe protection	1	
6	845590	Hex socket screw m8x65	2	
7	834187	Spring washer	4	
8	833494	Special nut	2	
9	436947	Nut 7M100	2	

Assembly	FRAME
Code	28.23
Description	Front wheel
Revision	1



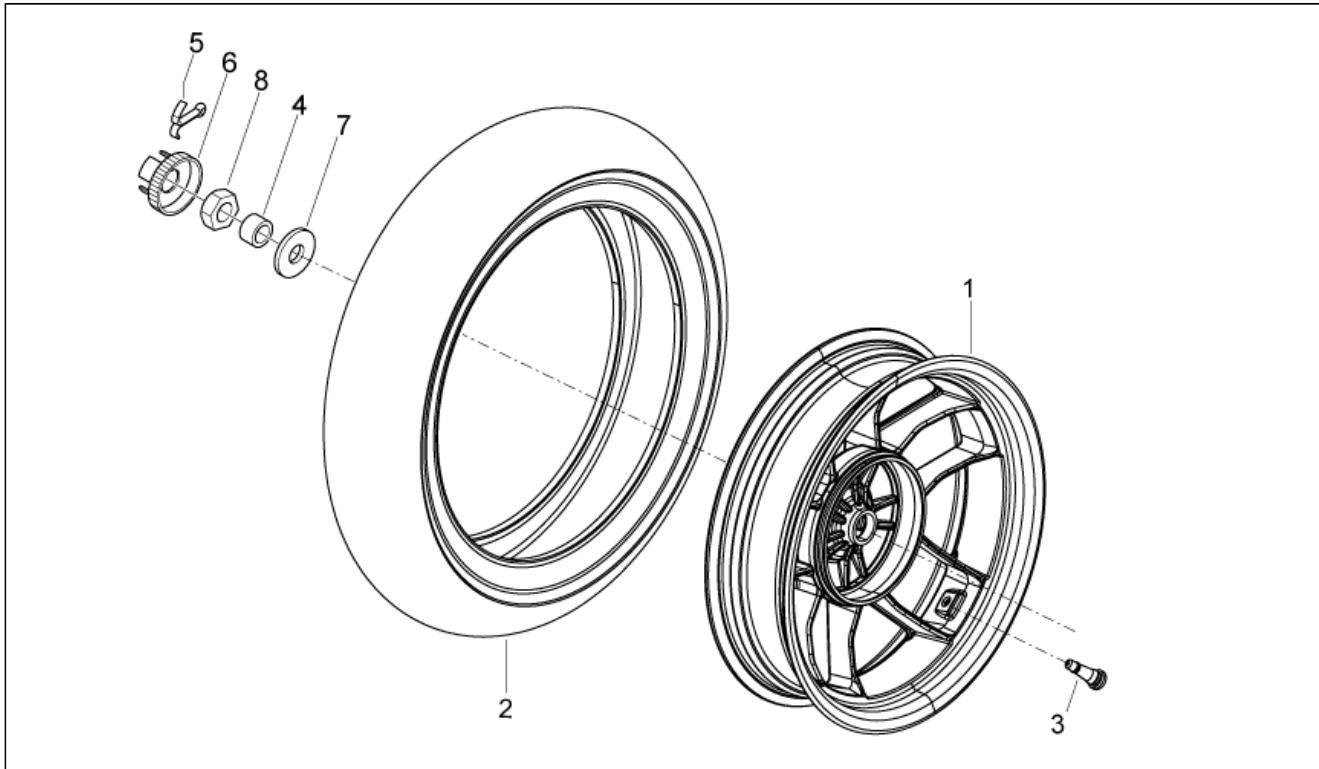
Pos.	Code	Description	Q.ty	Variants
1	666311	Front wheel	1	year:2010[A]
1	856442	Front wheel	1	year:2009[9]
2	327187	Bearing	2	
3	564475	Cup	1	
4	564527	Front wheel spacer	1	
5	271147	Screw	5	
6	853075	Tyre 120/70-14"	1	
7	561714	Front brake disc	1	
8	270991	Tubeless tyre valve	1	
9	853058	Front wheel spindle	1	
10	271740	Nut	1	
11	56434R	Odometer gear	1	

Assembly	FRAME
Code	28.24
Description	Front caliper I
Revision	1



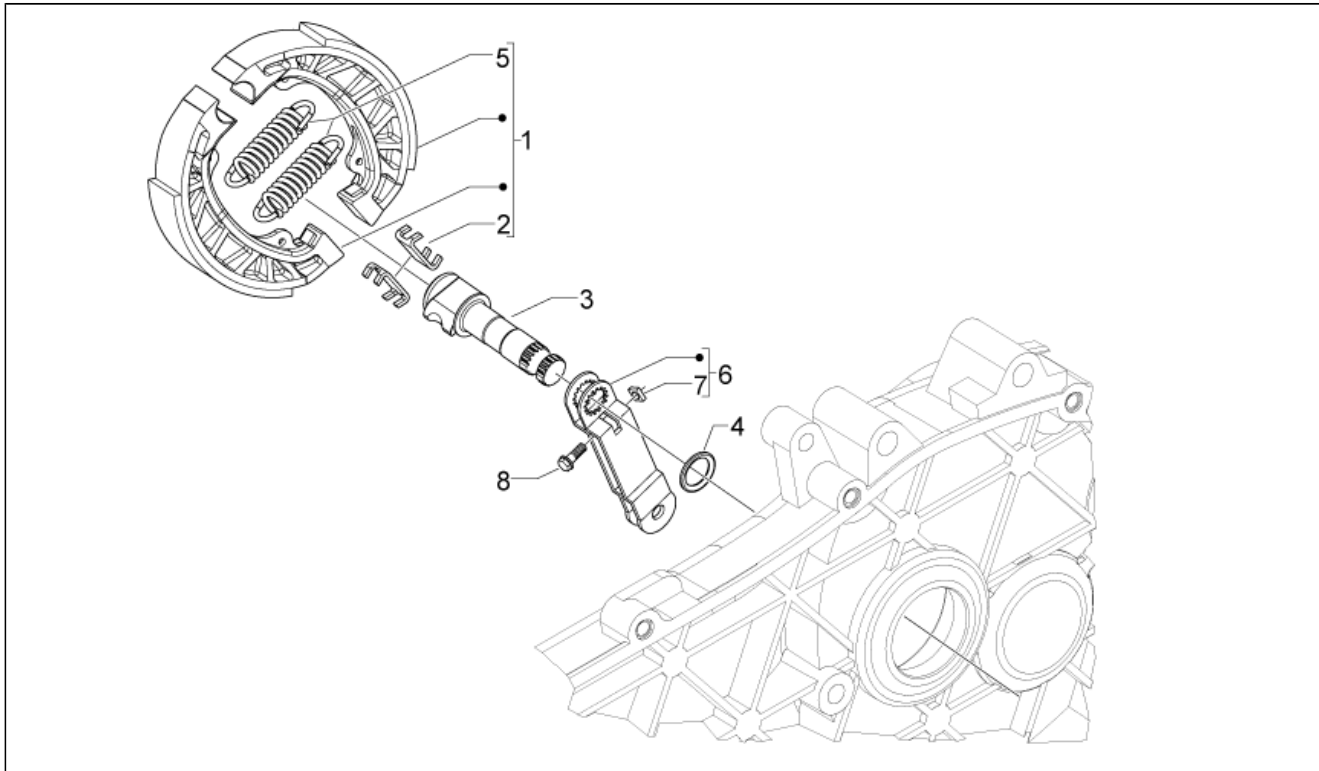
Pos.	Code	Description	Q.ty	Variants
1	CM068301	Front brake caliper	1	
2	647078	Pads pair	1	
3	265451	Oil pipe screw	2	
4	858543	Brake fluid line	1	
5	598919	Screw	2	
6	709047	Washer	2	
7	127927	Washer	4	

Assembly	FRAME
Code	28.25
Description	Rear wheel
Revision	1



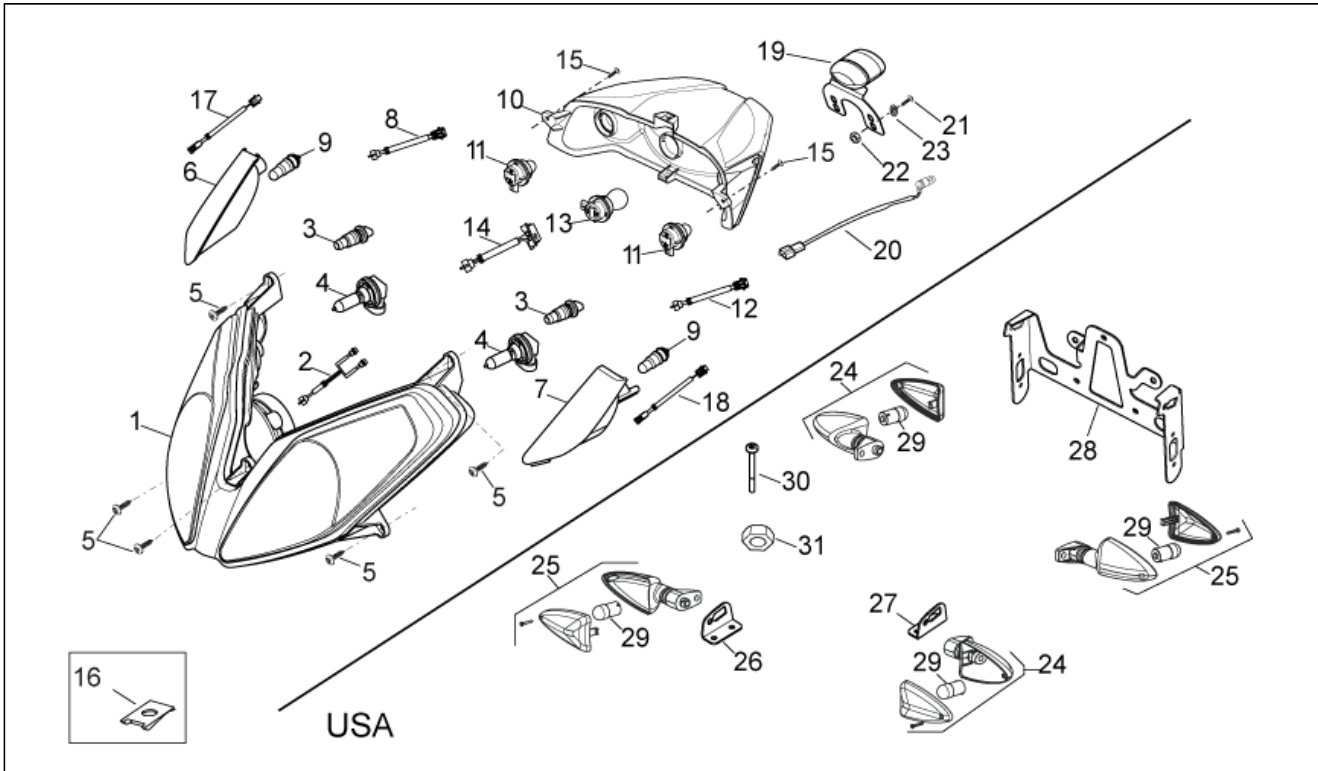
Pos.	Code	Description	Q.ty	Variants
1	666286	Rear wheel	1	year:2010[A]
1	853051	Rear wheel	1	year:2009[9]
2	853075	Tyre 120/70-14"	1	
3	270991	Tubeless tyre valve	1	
4	601205	Spacer	1	
5	012789	Split pin	1	
6	194423	Cap	1	
7	273099	Plain washer	1	
8	563728	Nut M16x13	1	

Assembly	FRAME
Code	28.26
Description	Rear brake
Revision	1



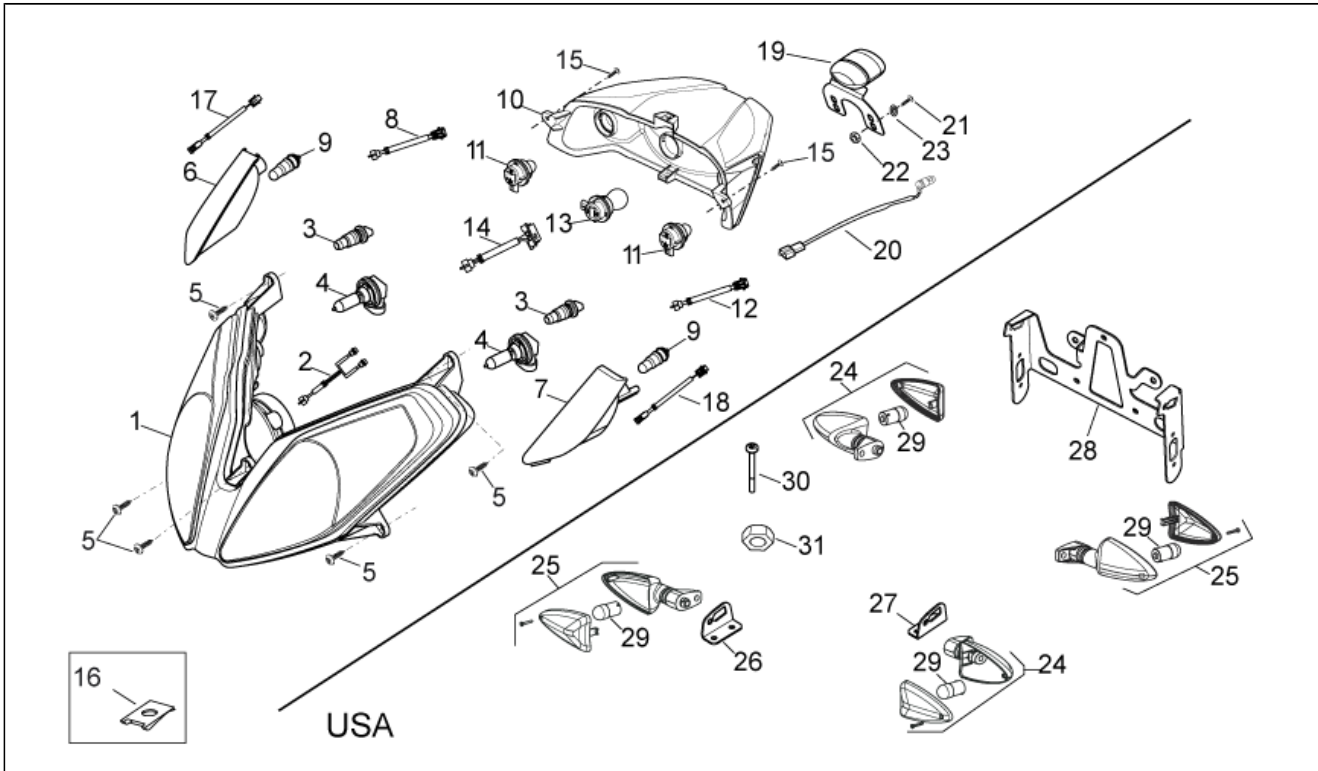
Pos.	Code	Description	Q.ty	Variants
1	56293R	Brake shoes	1	
2	266724	Plate	2	
3	274245	Rear brake cam	1	
4	273419	Gasket ring	1	
5	647384	Brake shoes return spring	2	
6	833428	Rear brake lever	1	Country: Australia[AA], Denmark[DK], Europe[EU], Holland[NL]
6	833788	Rear brake lever	1	Country: Canada[CN], United States of America[USA]
7	828862	Square nut	1	
8	828863	Screw w/ flange	1	

Assembly	FRAME
Code	28.27
Description	Lights
Revision	1



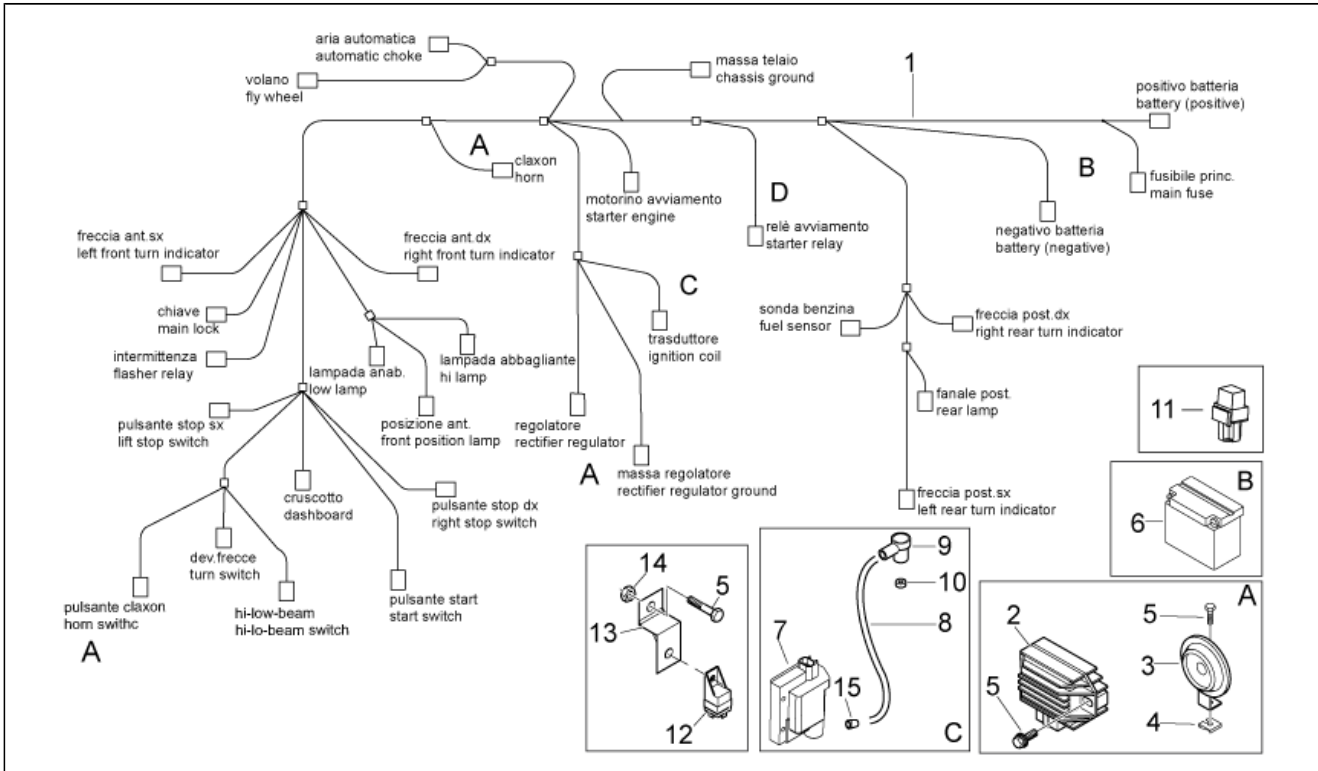
Pos.	Code	Description	Q.ty	Variants
1	642117	Headlight	1	year:2010[A]
1	853136	Headlight	1	year:2009[9]
2	890205	Lights wiring	1	
3	292022	Lamp WY5W	2	
4	00H01004131	Lamp H8	2	
5	270723	Screw	5	
6	642114	RH front turn indicator	1	year: 2010[A] Country:Australia[AA], Denmark[DK], Europe[EU], Holland[NL]
6	856475	RH front turn indicator	1	year: 2009[9] Country:Australia[AA], Denmark[DK], Europe[EU], Holland[NL]
6	890262	RH plug	1	Country:Canada[CN], United States of America[USA]
7	642115	LH front turn indicator	1	year: 2010[A] Country:Australia[AA], Denmark[DK], Europe[EU], Holland[NL]
7	856476	LH front turn indicator	1	year: 2009[9] Country:Australia[AA], Denmark[DK], Europe[EU], Holland[NL]
7	890263	LH plug	1	Country:Canada[CN], United States of America[USA]
8	858283	RH Rear turn ind.harness	1	
9	642116	Lamp 12V-21W	2	year: 2010[A] Country:Australia[AA], Denmark[DK], Europe[EU], Holland[NL]
9	860538	Lamp 12V-21W	4	year: 2009[9] Country:Australia[AA], Denmark[DK], Europe[EU], Holland[NL]
10	853139	Taillight	2	Country:Australia[AA], Denmark[DK], Europe[EU], Holland[NL]
10	890261	Taillight	1	Country:Canada[CN], United States of America[USA]
11	638536	Lamp 12V-16W	2	

Assembly	FRAME
Code	28.27
Description	Lights
Revision	1



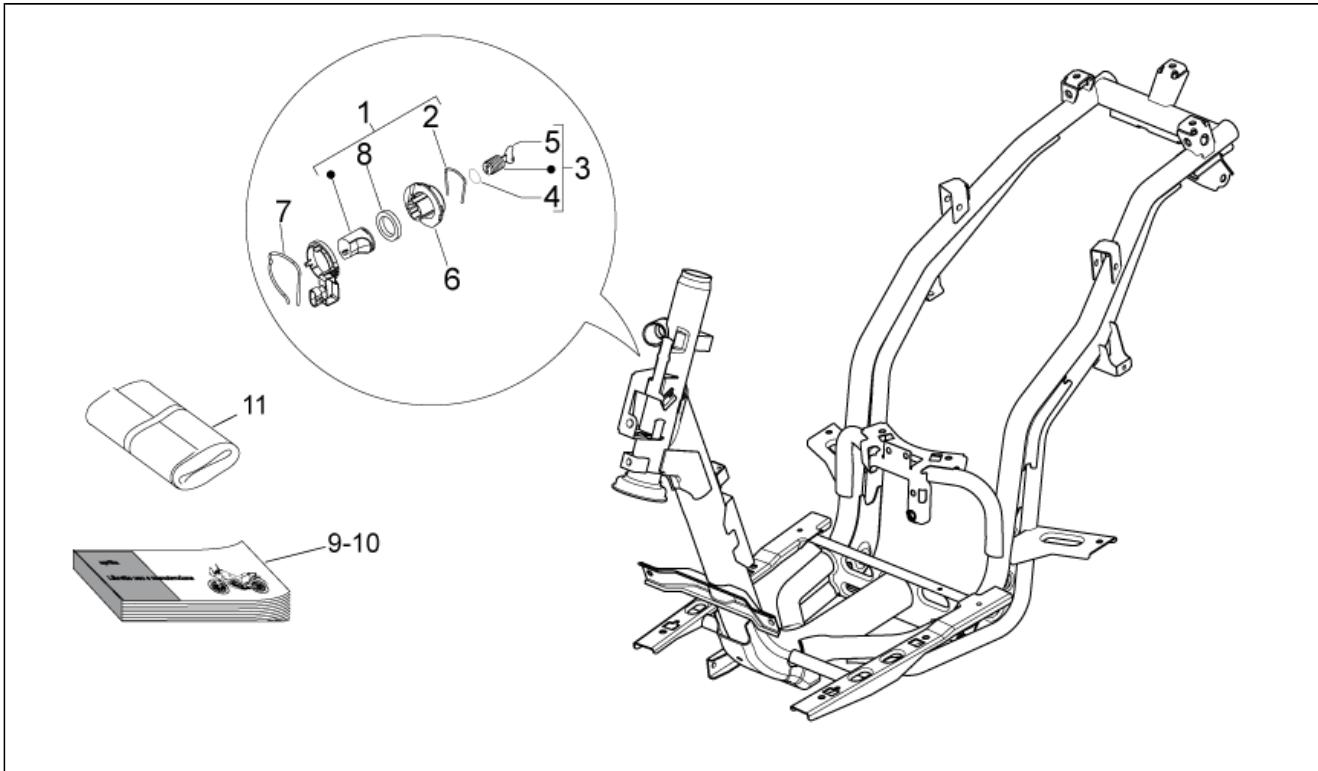
Pos.	Code	Description	Q.ty	Variants
12	858285	LH Rear turn ind.harness	1	
13	129953	Lamp 12V-21/5W	1	
14	858284	Taillight wiring harn.	1	Country:Australia[AA], Denmark[DK], Europe[EU], Holland[NL]
14	893272	Taillight wiring harn.	1	Country:Canada[CN], United States of America[USA]
15	259349	Screw	2	
16	CM017410	Clip	2	
17	890221	RH Front turn ind.harness	1	Country:Australia[AA], Denmark[DK], Europe[EU], Holland[NL]
18	890222	LH Front turn ind.harness	1	Country:Australia[AA], Denmark[DK], Europe[EU], Holland[NL]
19	858306	Number-plate light	1	Country:Australia[AA], Canada[CN], United States of America[USA]
20	858180	Plate light wiring	1	Country:Australia[AA], Canada[CN], United States of America[USA]
21	015996	Screw	3	Country:Canada[CN], United States of America[USA]
22	020104	Nut	3	Country:Canada[CN], United States of America[USA]
23	016404	Washer	3	Country:Canada[CN], United States of America[USA]
24	893131	Rear RH turn indicator	2	Country:Canada[CN], United States of America[USA]
25	893130	Rear LH turn indicator	2	Country:Canada[CN], United States of America[USA]
26	890236	RH support	1	Country:Canada[CN], United States of America[USA]
27	890235	LH support	1	Country:Canada[CN], United States of America[USA]
28	890237	Rear bracket	1	Country:Canada[CN], United States of America[USA]
29	AP8127489	Lamp RY10W 12V	4	Country:Canada[CN], United States of America[USA]
30	272836	Screw	8	Country:Canada[CN], United States of America[USA]
31	288245	Flanged nut M6	8	Country:Canada[CN], United States of America[USA]

Assembly	FRAME
Code	28.28
Description	Electrical system
Revision	1



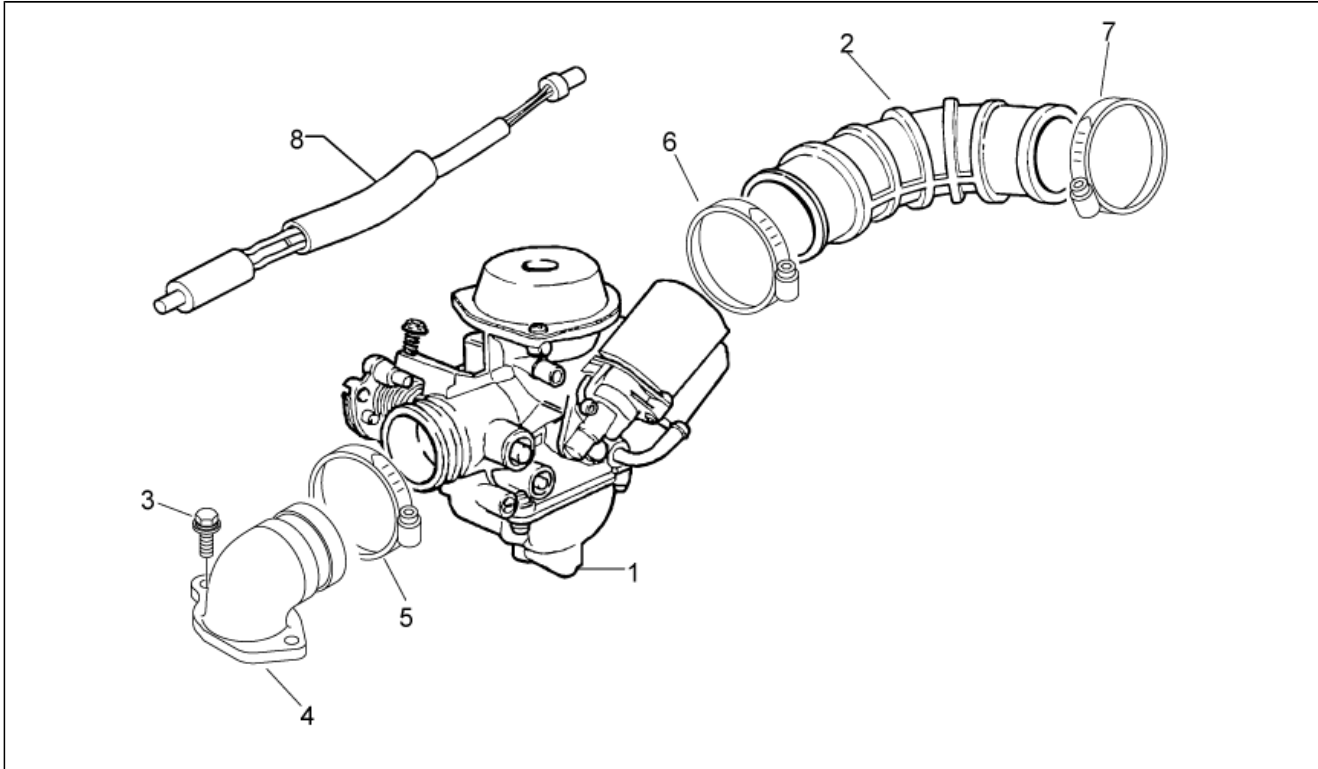
Pos.	Code	Description	Q.ty	Variants
1	858123	Main wiring harness	1	Country:Europe[EU]
1	890300	Main wiring harness	1	Country:Canada[CN], United States of America[USA]
1	893817	Main wiring harness	1	Country:Australia[AA]
2	639751	Voltage regulator	1	
3	58093R	Horn	1	
4	254485	Clip M6	1	
5	434541	Screw w/ flange M6x16	2	
6	584810	Battery 12V-9AH	1	
7	639238	Ignition electronical device	1	Country:Canada[CN], United States of America[USA]
7	639874	Ignition electronical device	1	Country: Holland[NL] Technical Specifications:Limited version 25Km/h[25km]
7	858181	Ignition electronical device	1	Country: Australia[AA], Europe[EU] Technical Specifications:Limited version 45 Km/h[45km]
7	858181	Ignition electronical device	1	Country: Denmark[DK] Technical Specifications:Limited version 30 Km/h[30km]
8	080341	HT wire	1	
9	969348	Scr. sparkplug cap	1	
10	828339	Spark plug prot.collar	1	
11	858544	Flasher unit	1	
12	58115R	Relay 12V/80A	1	
13	582042	Plate	1	
14	241937	Nut	1	
15	231571	Insulating cap	1	

Assembly	FRAME
Code	28.29
Description	Lock hardware kit
Revision	1



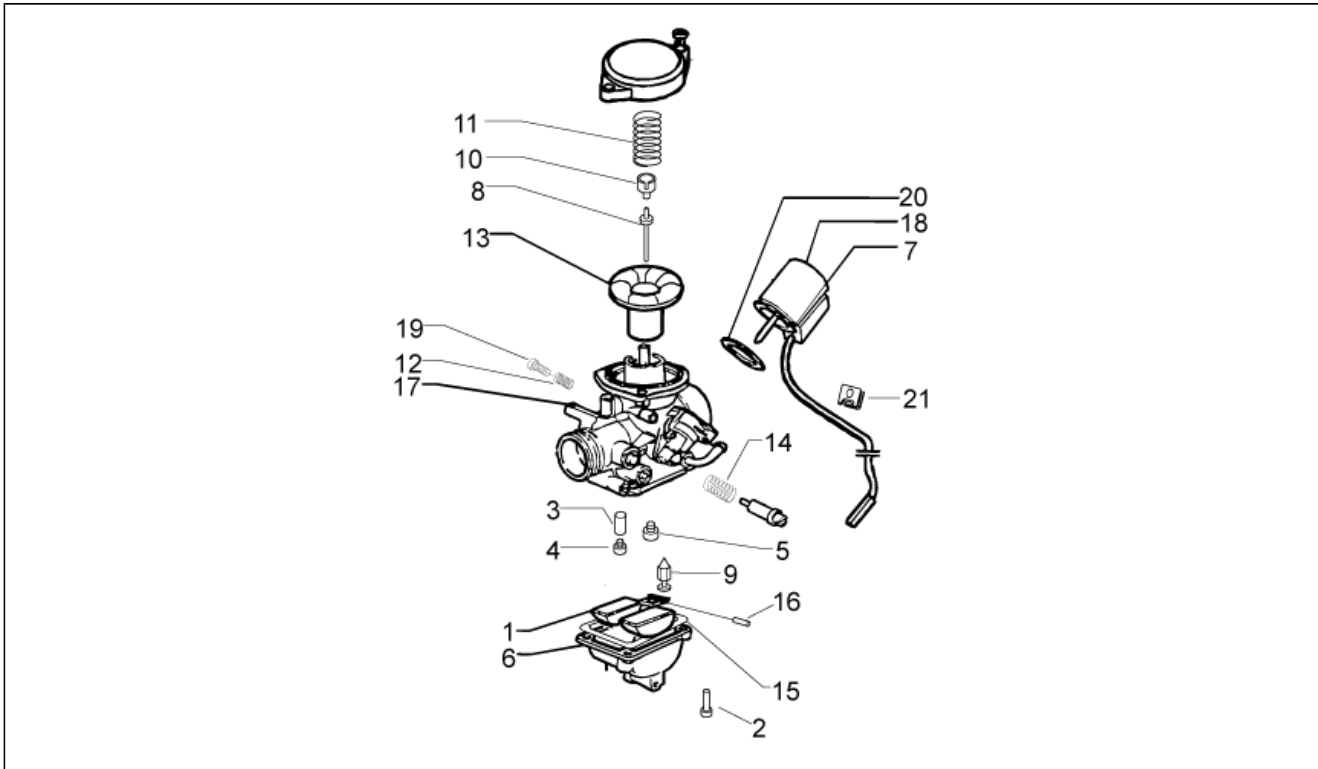
Pos.	Code	Description	Q.ty	Variants
1	298903	Block	1	
2	298838	Spring	1	
3	860193	Cylinder	1	
4	298731	Gasket ring	1	
5	860691	Key	1	
6	298581	Lock body	1	
7	253937	Spring	1	
8	298594	Washer	1	
9	854050	Op's handbook I-D-F-E-UK-NL I-D-F-E	1	
10	854051	Op's handbook I-D-F-E-UK-NL UK-NL-GR-DK-SF-F	1	year:2009[9]
10	854086	Op's handbook I-D-F-E-UK-NL UK-NL-GR-DK-SF-F	1	year:2010[A]
11	601645	Toolkit	1	

Assembly	ENGINE
Code	29.19
Description	Carburettor I
Revision	1



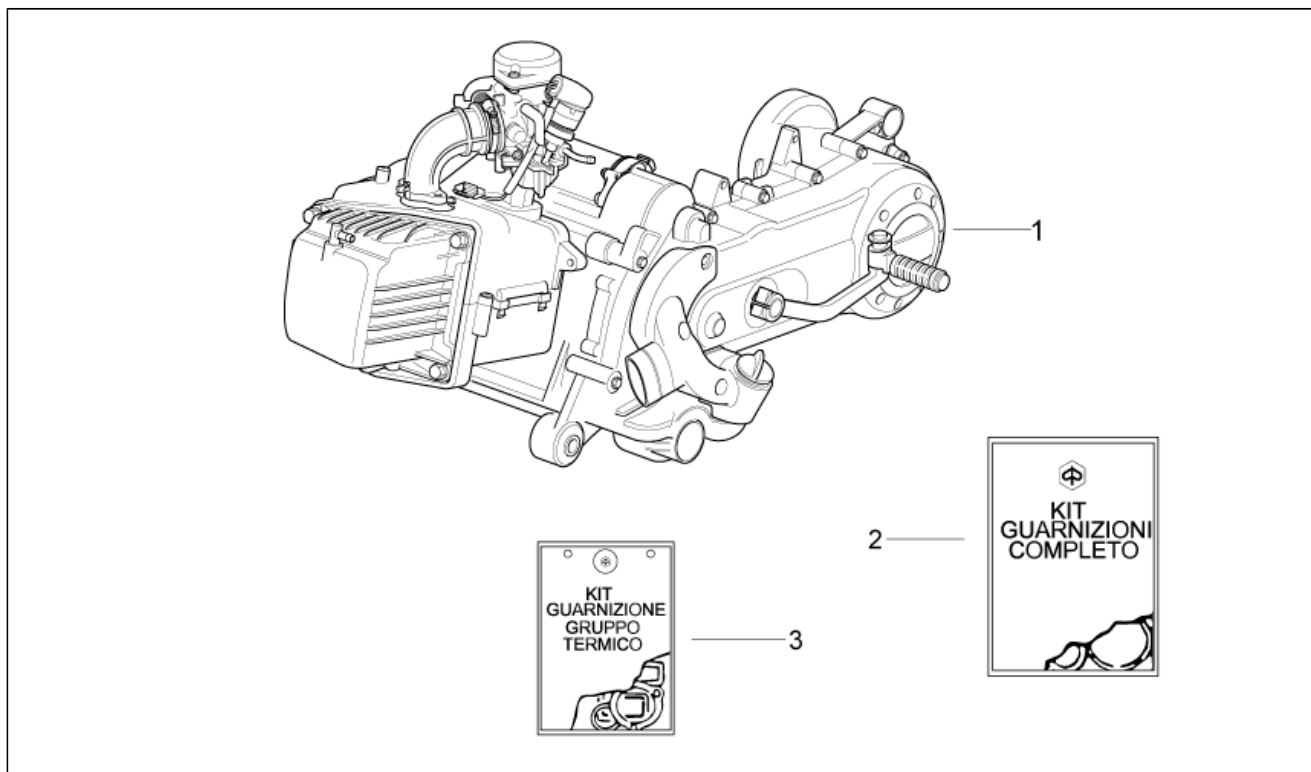
Pos.	Code	Description	Q.ty	Variants
1	CM141910	Carburettor keihin	1	Country:Australia[AA], Denmark[DK], Europe[EU], Holland[NL]
1	CM141911	Carburettor keihin	1	Country:Canada[CN], United States of America[USA]
2	845489	Carburettor-air box hose	1	
3	031091	Screw	2	
4	845946	Intake manifold	1	
5	709532	Hose clamp	1	
6	257134	Hose clamp	1	
7	709532	Hose clamp	1	
8	582619	Resistance	1	

Assembly	ENGINE
Code	29.20
Description	Carburettor II
Revision	1



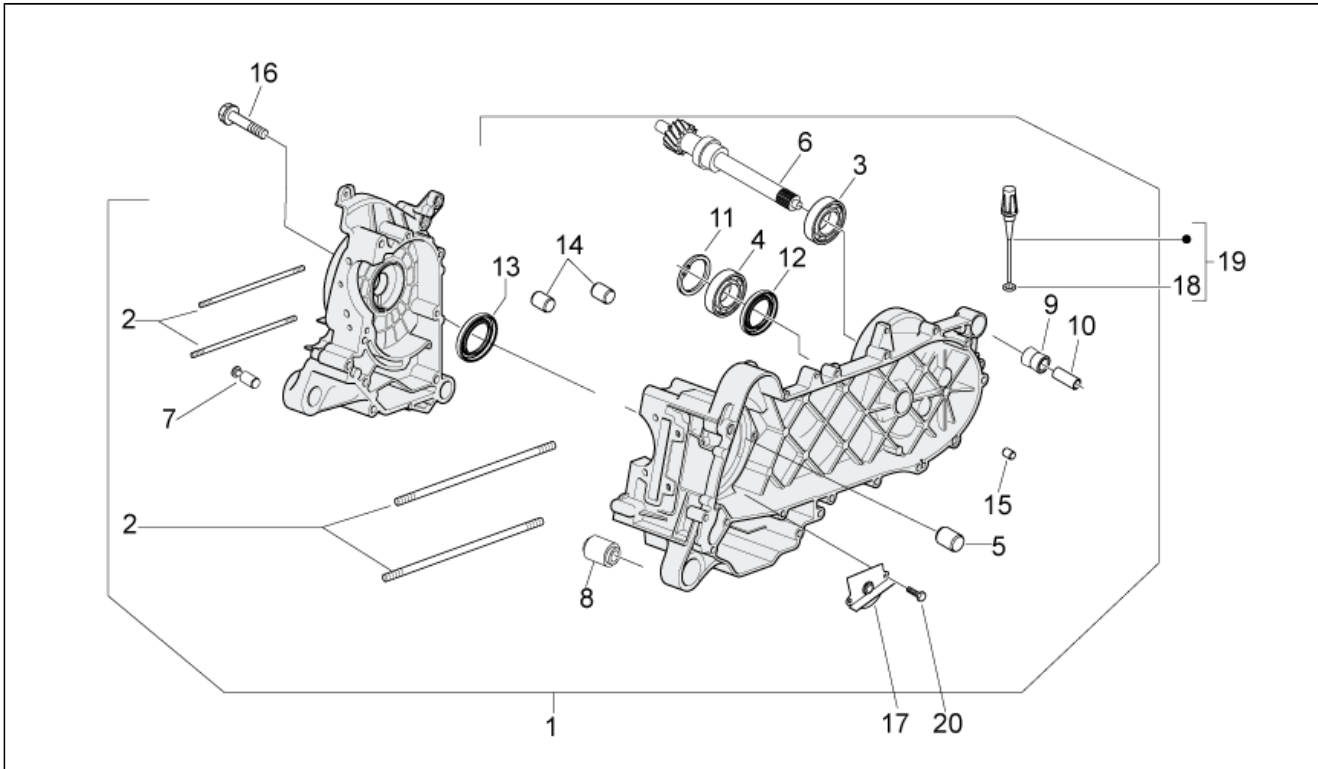
Pos.	Code	Description	Q.ty	Variants
1	828832	Float	1	
2	CM142203	Pipe	1	
3	828825	Diffuser	1	
4	CM142102	Main jet 75	1	
4	CM142103	Main jet 78	1	
5	CM142302	Idle jet	1	
6	CM142805	Float chamber	1	
7	CM142912	Starter	1	
8	CM142705	Conical pin	1	
9	CM147102	Fuel closing needle	1	
10	828822	Cup	1	
11	CM142402	Spring	1	
12	828841	Spring	1	
13	CM146601	Diaphragm	1	
14	828830	Spring	1	
15	497038	Gaskets set	1	
16	828833	Float pin	1	
17	828839	Clamp	1	
18	828844	Cap	1	
19	828840	Screw	1	
20	828843	Plate	1	
21	847778	Hose clamp	1	

Assembly	ENGINE
Code	29.21
Description	Engine
Revision	1



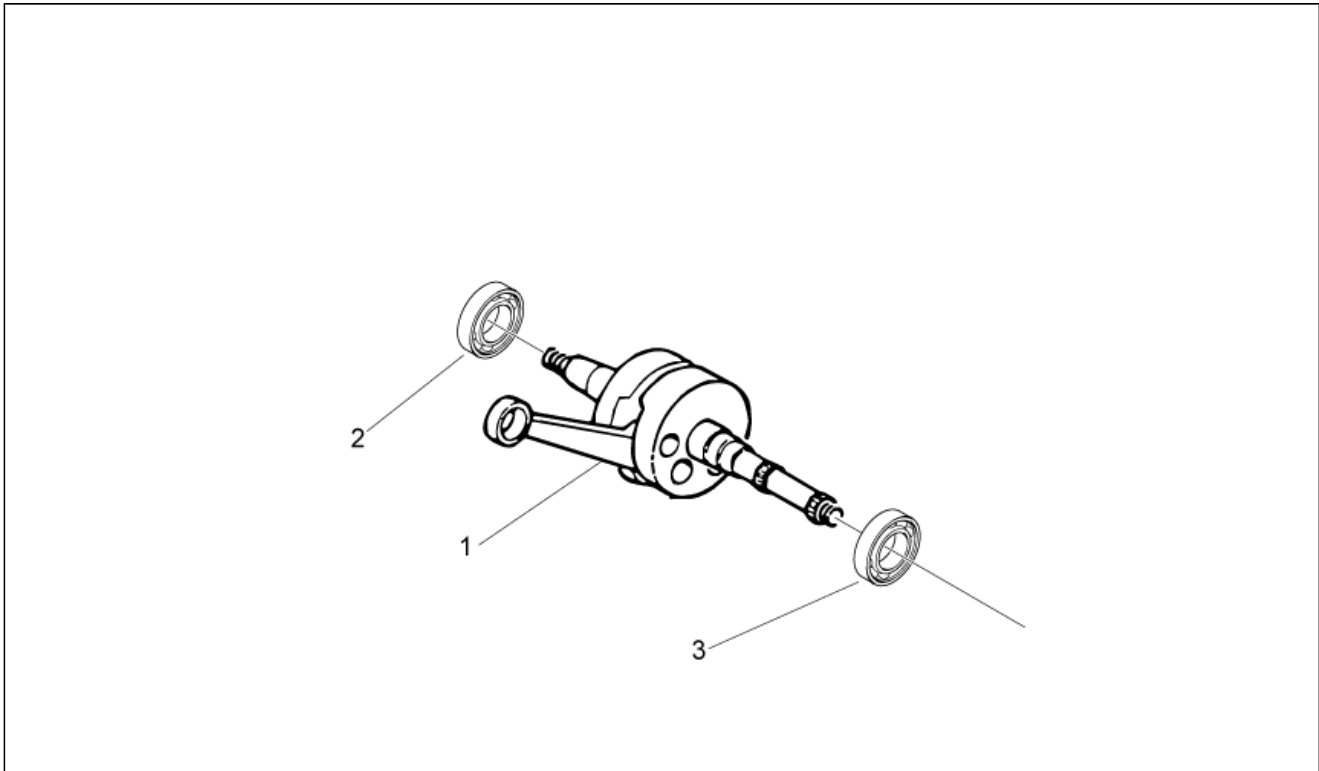
Pos.	Code	Description	Q.ty	Variants
1	CM1267175	Engine cpl.	1	Country: Canada[CN], United States of America[USA]
1	CM1278235	Engine cpl.	1	Country: Australia[AA], Europe[EU] Technical Specifications: Limited version 45 Km/h[45km]
1	CM1278305	Engine cpl.	1	Country: Denmark[DK] Technical Specifications: Limited version 30 Km/h[30km]
1	CM1278315	Engine cpl.	1	Country: Holland[NL] Technical Specifications: Limited version 25Km/h[25km]
2	497036	Gaskets set	1	
3	497037	Gaskets set	1	

Assembly	ENGINE
Code	29.30
Description	Crankcase
Revision	1



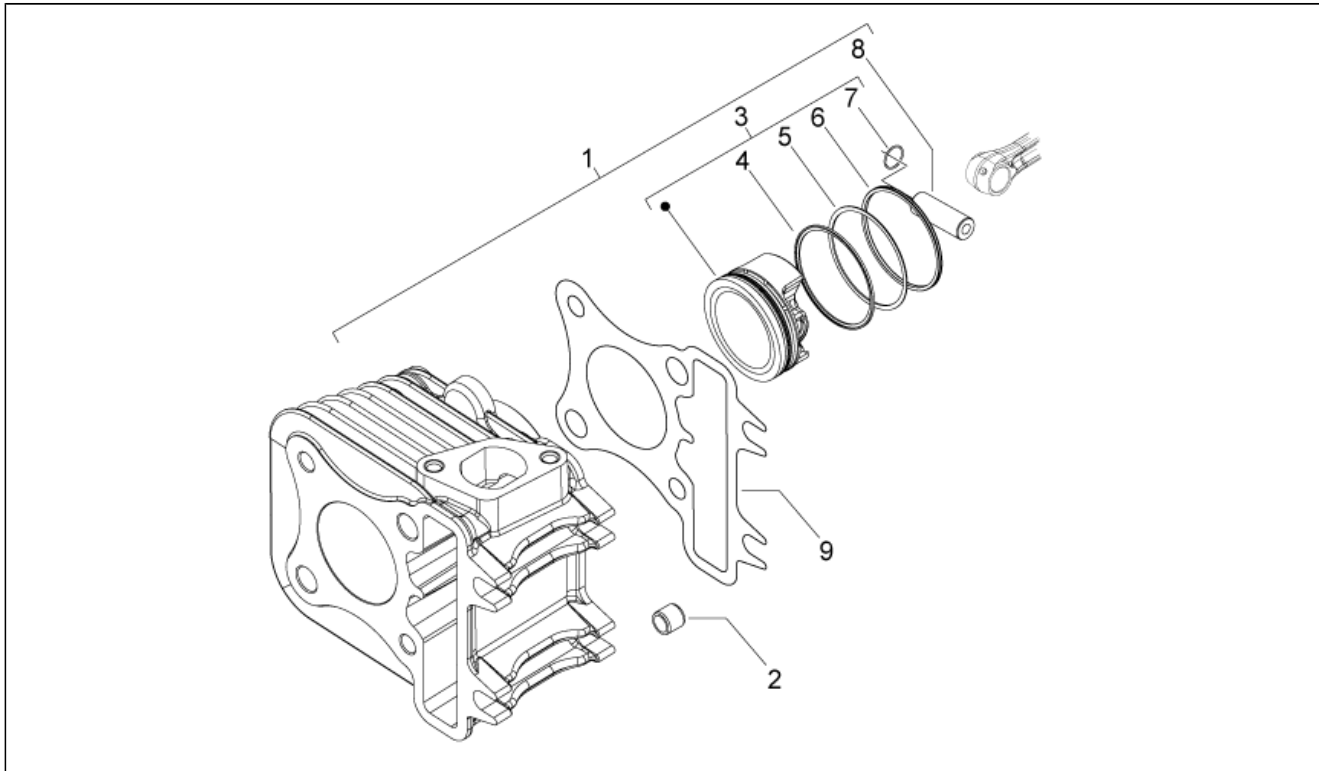
Pos.	Code	Description	Q.ty	Variants
1	8326505	Crankcase	1	
2	969012	Stud bolt	4	
3	435363	Bearing	1	
4	82671R	Bearing	1	
5	431860	Bush	1	
6	8282335	Driven pulley shaft Z=13	1	
7	483785	Pin	1	
8	486081	Silent-block	2	
9	267823	Shock abs.supp.silent-block	1	
10	266625	Spacer	1	
11	480953	Snap ring	1	
12	480066	Gasket ring	1	
13	969028	Gasket ring 17x28x07	1	
14	239388	Pin d.9,5 h=15	2	
15	478115	Locating dowel	2	
16	478895	Screw w/ flange	10	
17	969625	Oil bulhead	1	
18	827085	Gasket ring	1	
19	832130	Oil level rod cpl.	1	
20	484123	Screw w/ flange	2	

Assembly	ENGINE
Code	29.31
Description	Drive shaft
Revision	1



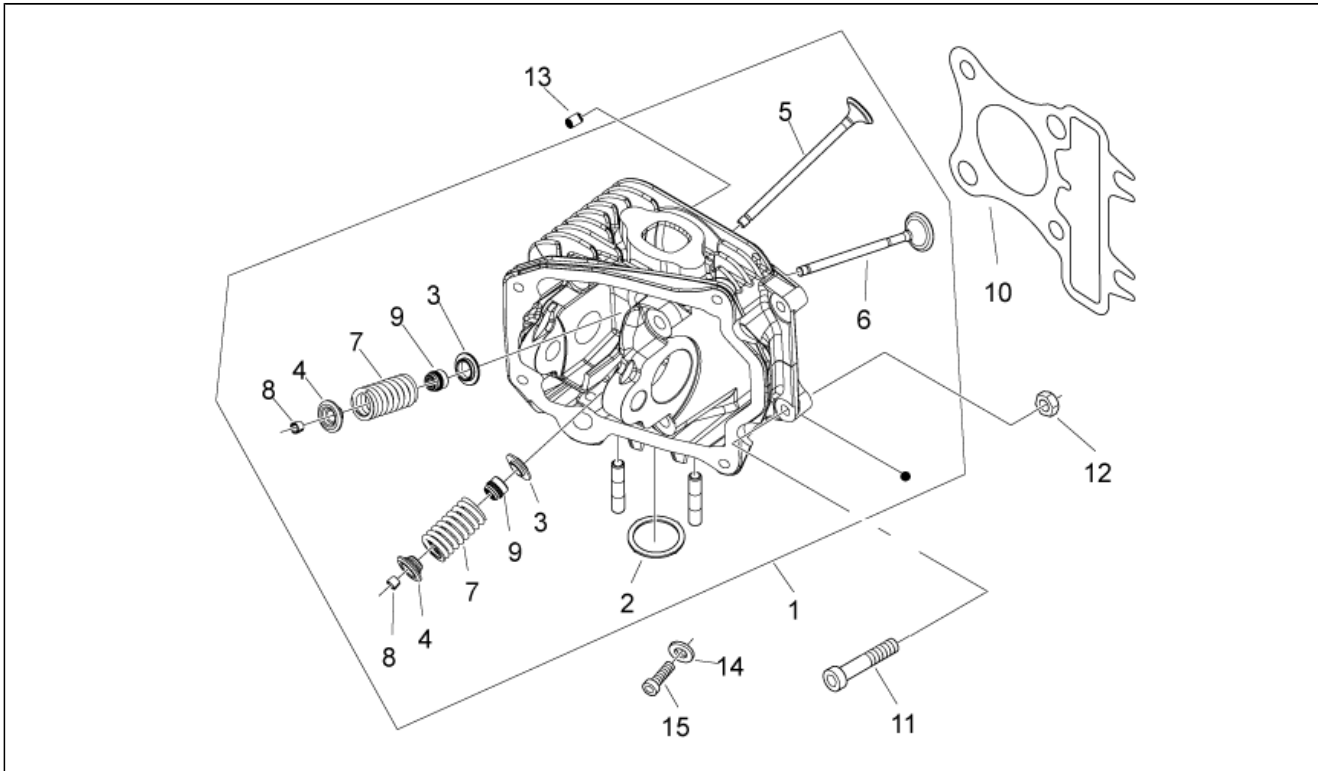
Pos.	Code	Description	Q.ty	Variants
1	969428	Crankshaft cpl.	1	
2	96925R	Bearing	1	
3	82671R	Bearing	1	

Assembly	ENGINE
Code	29.32
Description	Cylinder
Revision	1



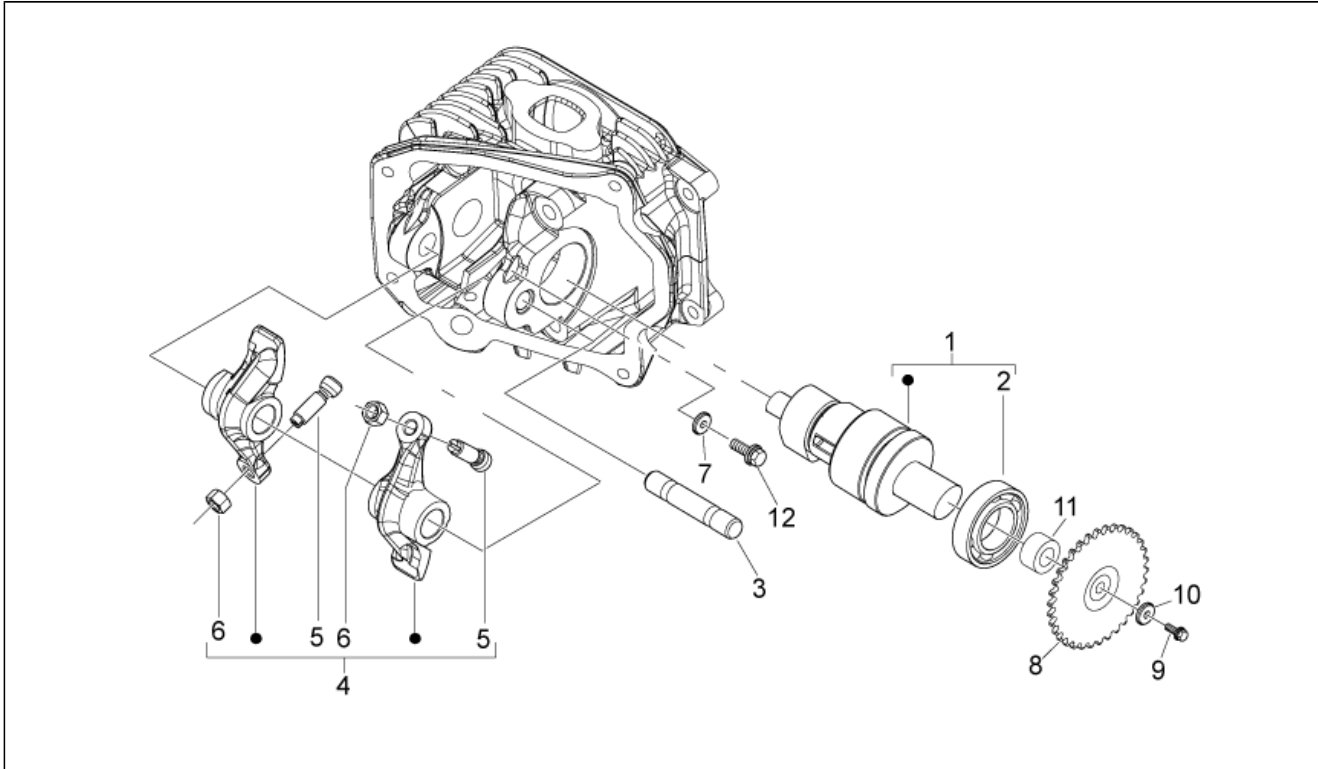
Pos.	Code	Description	Q.ty	Variants
1	969603	Cylinder with piston	1	
2	239388	Pin d.9,5 h=15	2	
3	9696045001	Piston assy Cat.1	1	
3	9696045002	Piston assy Cat.2	1	
3	9696045003	Piston assy Cat.3	1	
3	9696045004	Piston assy Cat.4	1	
4	969215	Ring	1	
5	969216	Ring	1	
6	969217	Oil scraper ring	1	
7	969213	O-ring	1	
8	969214	Piston pin	1	
9	969230	Gasket	1	

Assembly	ENGINE
Code	29.33
Description	Cylinder head
Revision	1



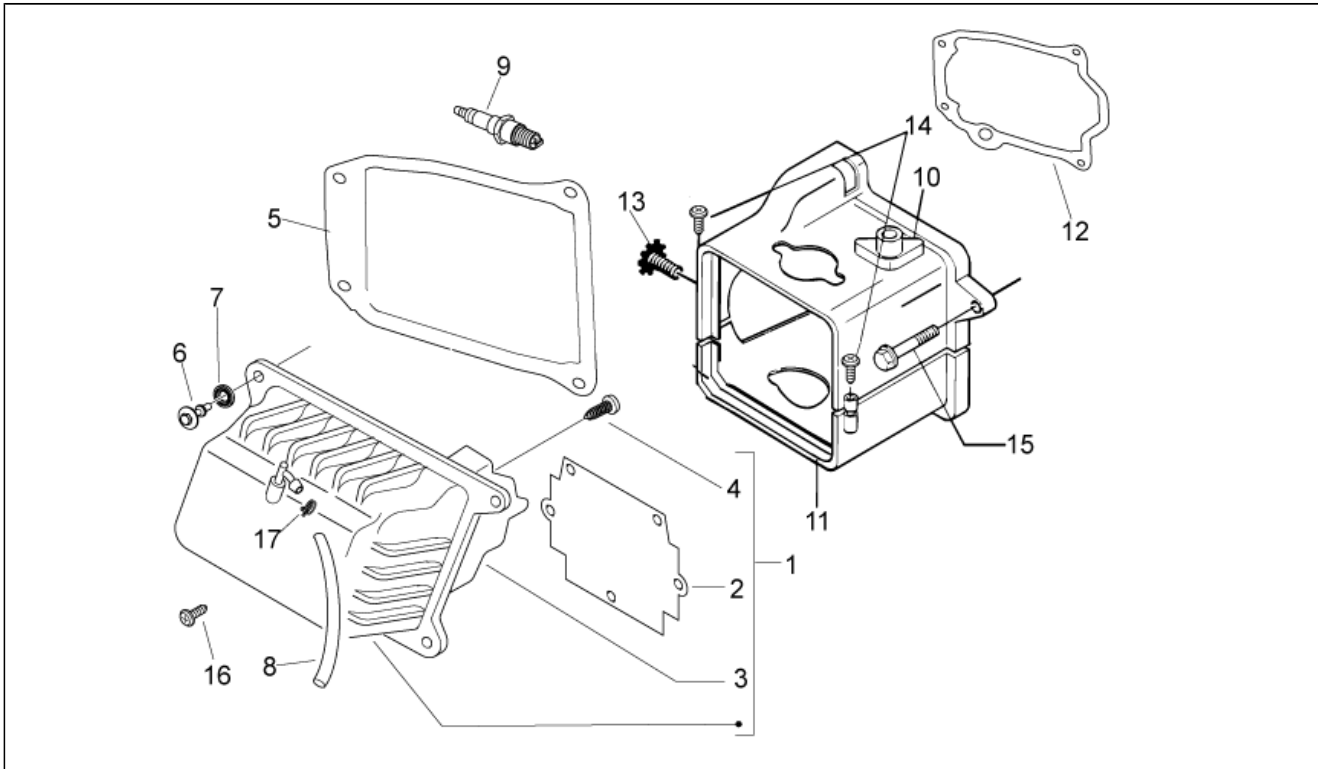
Pos.	Code	Description	Q.ty	Variants
1	845765	Cylinder head assy.	1	
2	969236	Cylinder head gasket	1	
3	289420	Cup	2	
4	969267	Cup	2	
5	969238	Intake valve	1	
6	969239	Exhaust valve	1	
7	845782	Valve spring	2	
8	285846	Valve half-cone	4	
9	436438	Valve gasket ring	2	
10	969393	Cylinder head gasket	1	
11	319242	Hex socket screw m6x80	2	
12	969224	Nut	4	
13	239388	Pin d.9,5 h=15	2	
14	486075	Washer 16X10.5X2.5	1	
15	969972	Hex socket screw m10x1,5	1	

Assembly	ENGINE
Code	29.34
Description	Camshaft
Revision	1



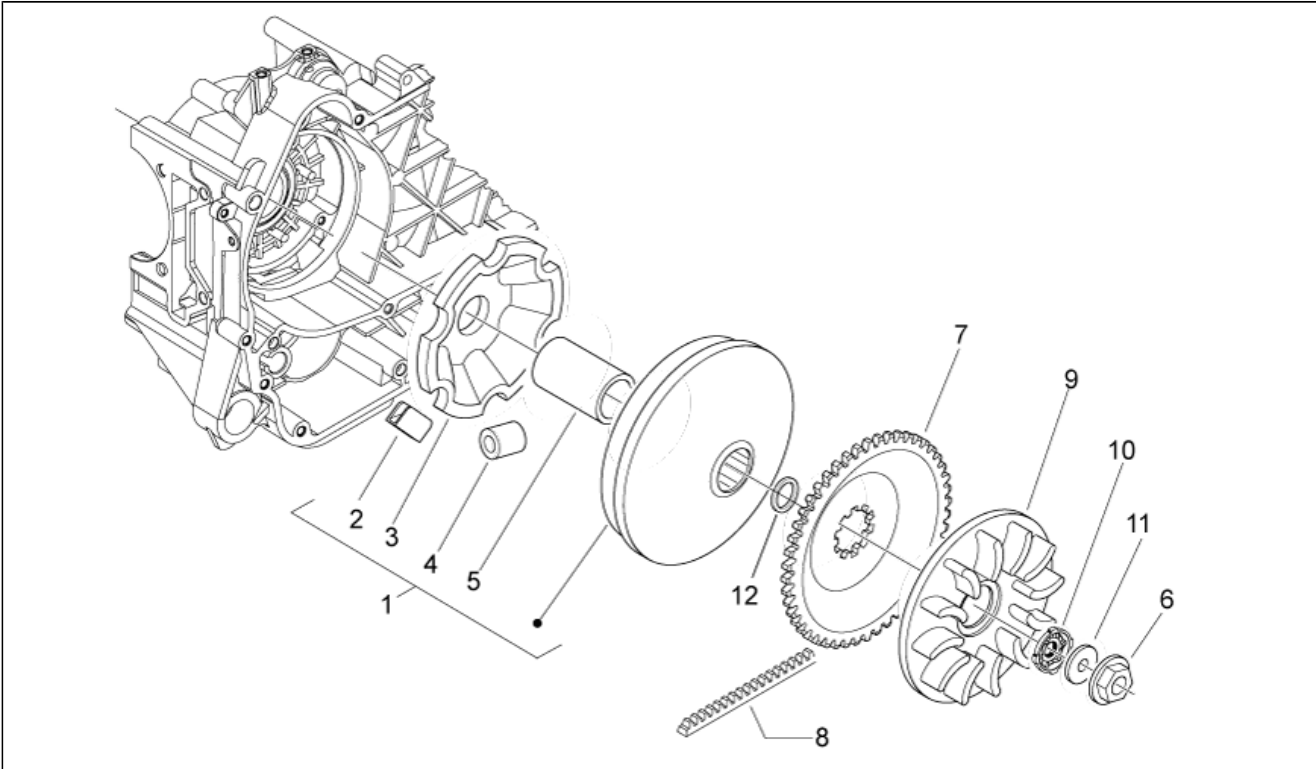
Pos.	Code	Description	Q.ty	Variants
1	9692475	Camshaft	1	
2	96926R	Bearing 12x32x10	1	
3	969268	Rocker arms axis	1	
4	9692695	Rocker arm cpl.	2	
5	82817R	Adjuster screw	1	
6	484819	Nut	1	
7	969315	Belleville spring d.5,2x15	1	
8	434943	Timing system gear	1	
9	833722	Screw w/ flange	1	
10	436695	Belleville spring	1	
11	969265	Spacer	1	
12	484123	Screw w/ flange	1	

Assembly	ENGINE
Code	29.35
Description	Head cover
Revision	1



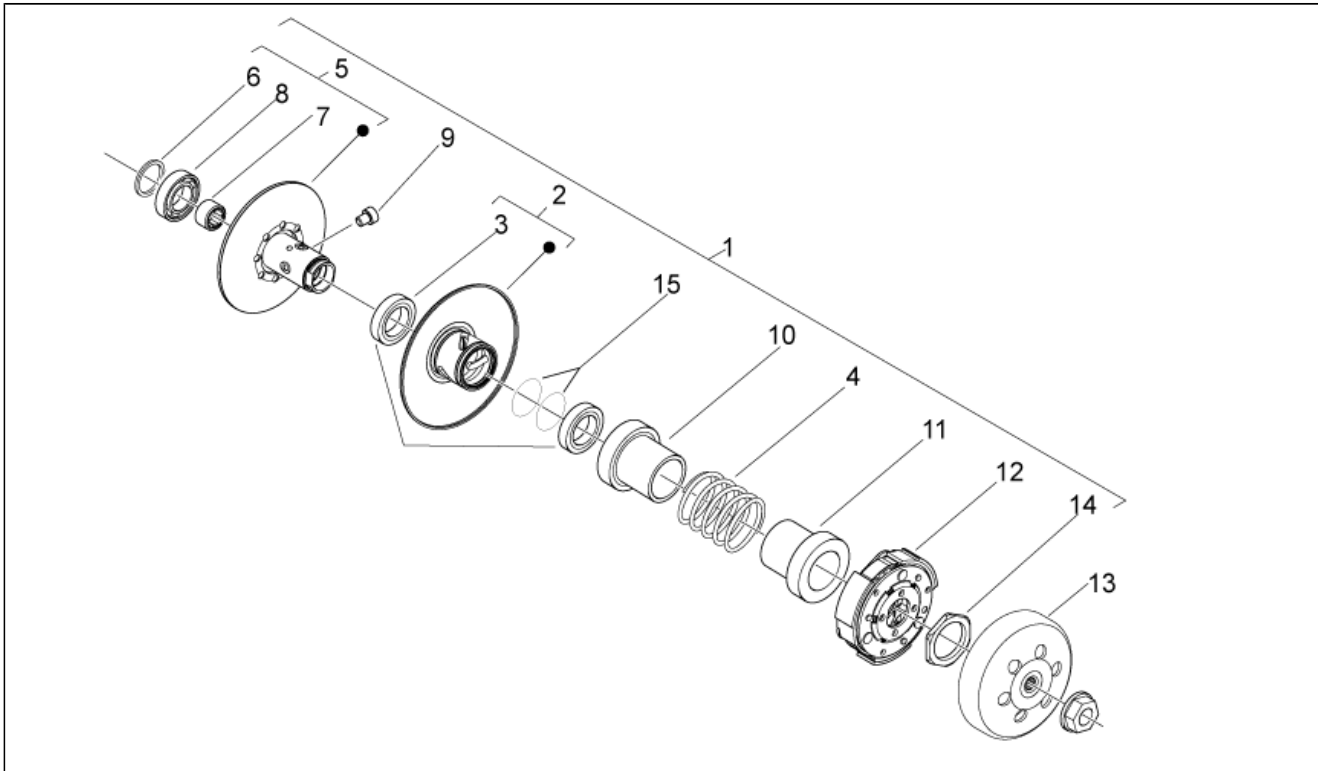
Pos.	Code	Description	Q.ty	Variants
1	832964	Head cover cpl.	1	
2	969894	Blow-by gasket	1	
3	969286	Plate	1	
4	430264	Screw m5x10	4	
5	832153	Gasket	1	
6	830248	Special screw	4	
7	830249	Damper drift	4	
8	969415	Oil breather pipe	1	
9	638853	Spark plug CR8EB	1	
10	833471	Fairing cooling system	1	
11	969918	Fairing cooling system	1	
12	969334	Gasket	1	
13	969339	Screw with Knob	1	
14	259577	Screw	2	
15	270793	Screw	1	
16	828662	Screw	1	
17	CM001904	Hose clamp	1	

Assembly	ENGINE
Code	29.36
Description	Variator
Revision	1



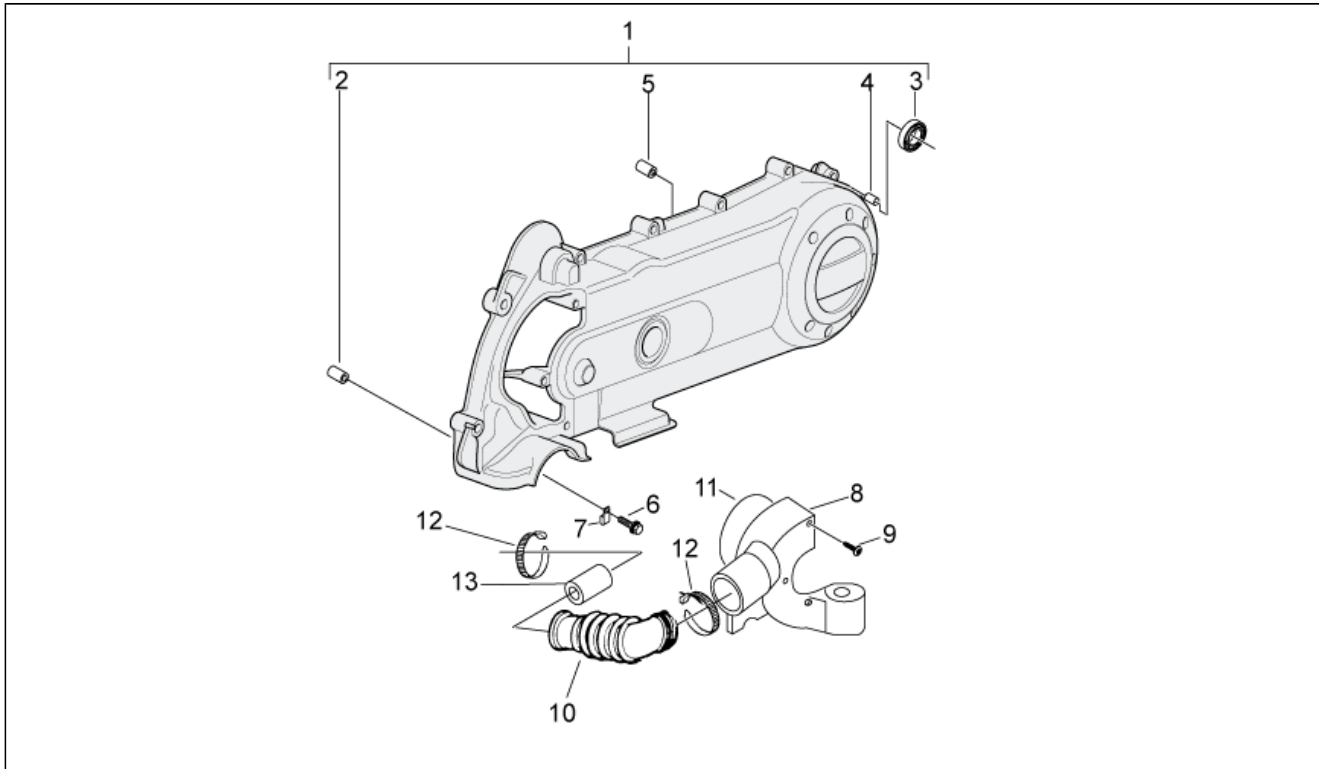
Pos.	Code	Description	Q.ty	Variants
1	CM110301	Half-pulley assy., driving	1	Country: Australia[AA], Europe[EU] Technical Specifications: Limited version 45 Km/h[45km]
1	CM110301	Half-pulley assy., driving	1	Country: Denmark[DK] Technical Specifications: Limited version 30 Km/h[30km]
1	CM110303	Half-pulley assy., driving	1	Country: Canada[CN], United States of America[USA]
1	CM110303	Half-pulley assy., driving	1	Country: Holland[NL] Technical Specifications: Limited version 25Km/h[25km]
2	289931	Slider	3	
3	480227	Ramp plate	1	
4	CM1102025	Roller	1	Country: Denmark[DK] Technical Specifications: Limited version 30 Km/h[30km]
4	CM1102025	Roller	1	Country: Australia[AA], Europe[EU] Technical Specifications: Limited version 45 Km/h[45km]
4	CM1102045	Pin roller-set	1	Country: Canada[CN], United States of America[USA]
4	CM1102045	Pin roller-set	1	Country: Holland[NL] Technical Specifications: Limited version 25Km/h[25km]
5	480230	Spacer	1	
6	289519	Flanged nut m10x1,25	2	
7	479561	Fixed pulley	1	
8	82712R	V-belt	1	
9	845611	Fan	1	
10	479866	Ring nut	1	
11	265300	Washer	1	
12	CM100602	Spacer	1	Country: Australia[AA], Europe[EU] Technical Specifications: Limited version 45 Km/h[45km]
12	CM100602	Spacer	1	Country: Canada[CN], United States of America[USA]
12	CM100608	Spacer	1	Country: Holland[NL] Technical Specifications: Limited version 25Km/h[25km]
12	CM100616	Spacer	1	Country: Denmark[DK] Technical Specifications: Limited version 30 Km/h[30km]

Assembly	ENGINE
Code	29.37
Description	Clutch
Revision	1



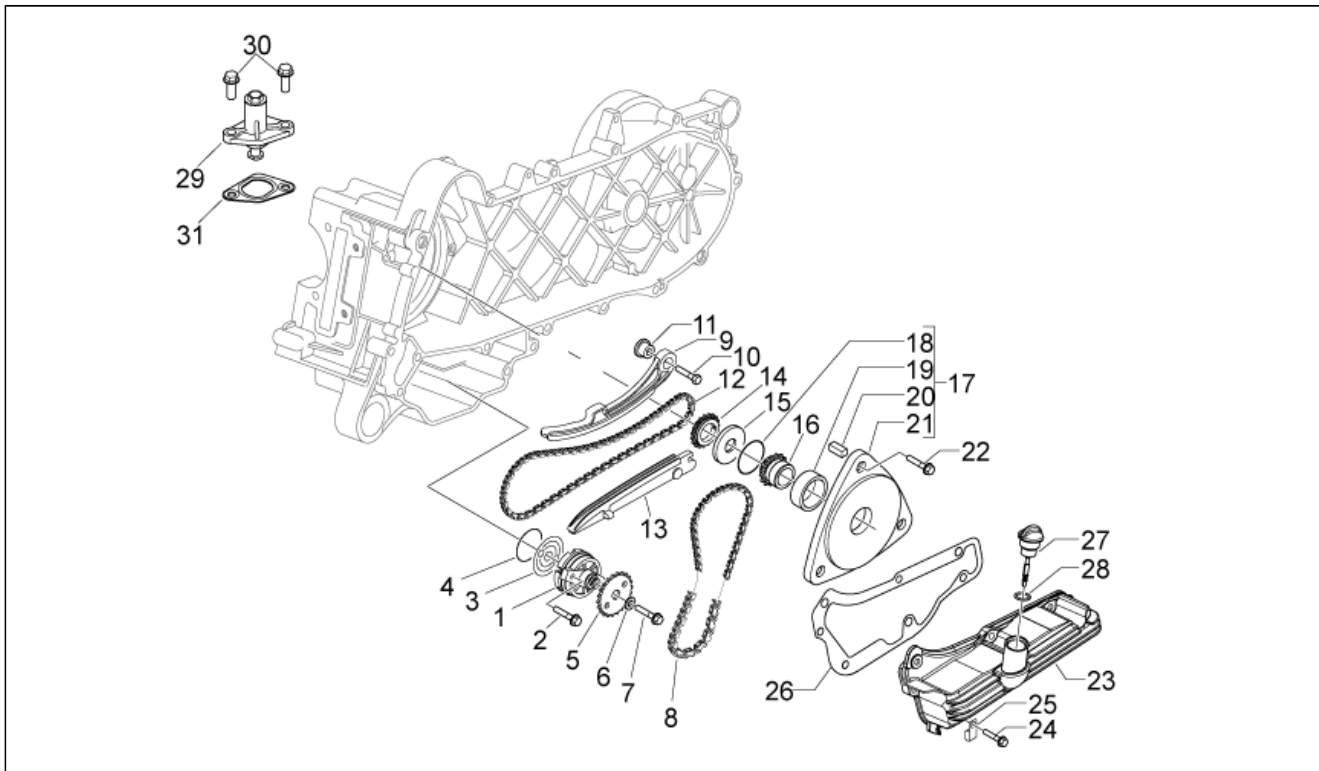
Pos.	Code	Description	Q.ty	Variants
1	CM1001046	Secondary pulley	1	Country:Canada[CN], United States of America[USA]
1	CM100107	Secondary pulley	1	Country:Australia[AA], Denmark[DK], Europe[EU], Holland[NL]
2	827893	Sec. sliding sheave, complete	1	
3	289950	Gasket ring	2	
4	478028	Variator spring	1	
5	4795526	Sec. fixed sheave cpl.	1	
6	006624	Ring	1	
7	289952	Roller cage	1	
8	82655R	Ball bearing	1	
9	482766	Pin	3	
10	483443	Cup	1	
11	487935	Cup	1	
12	CM1002025	Centrifugal clutch assy	1	Country:Australia[AA], Denmark[DK], Europe[EU], Holland[NL]
12	CM100205	Centrifugal clutch assy	1	Country:Canada[CN], United States of America[USA]
13	289933	Clutch drum	1	
14	289955	Ring nut	1	
15	289840	Gasket	2	

Assembly	ENGINE
Code	29.38
Description	Variator cover
Revision	1



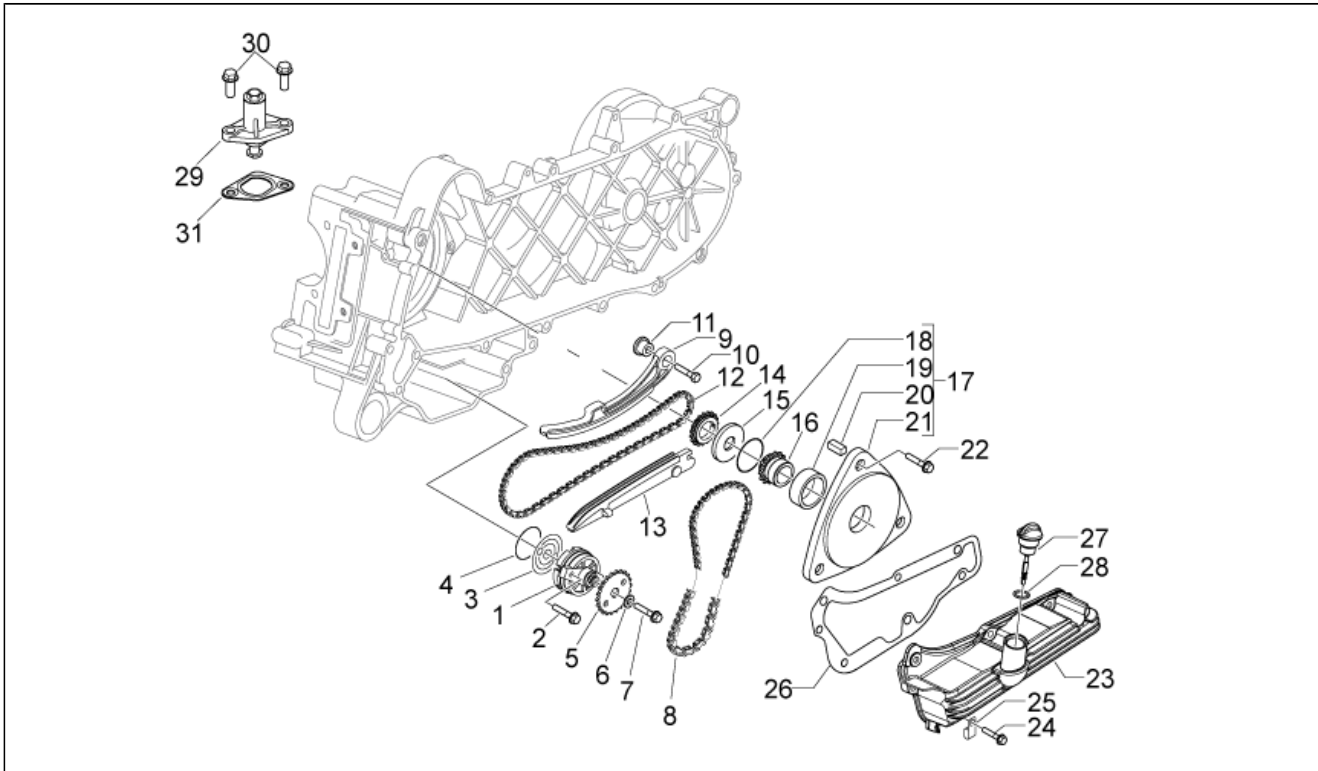
Pos.	Code	Description	Q.ty	Variants
1	8722275	Variator cover	1	
2	431860	Bush	1	
3	82521R	Bearing	1	
4	239388	Pin d.9,5 h=15	2	
5	286209	Bush	1	
6	289731	Screw w/ flange M6x30	12	
7	482291	Hose clamp	1	
8	969804	Cover	1	
9	435295	Screw	3	
10	969899	Hose	1	
11	435251	Gasket	1	
12	257134	Hose clamp	2	
13	969921	Filter	1	

Assembly	ENGINE
Code	29.39
Description	Oil pump
Revision	1



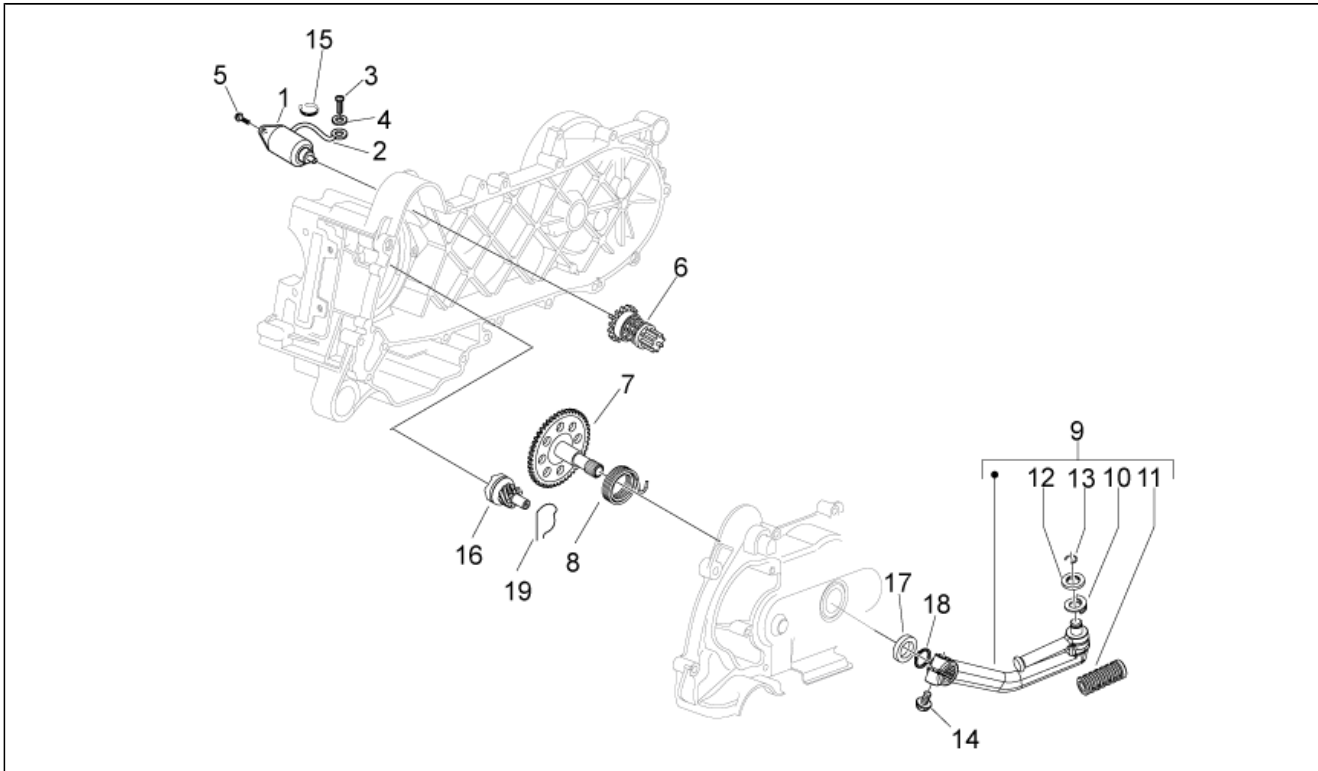
Pos.	Code	Description	Q.ty	Variants
1	969319	Oil pump assy.	1	
2	433477	Screw w/ flange	2	
3	436751	Carter-oil pump gasket	1	
4	434947	O-ring 12,42x1	1	
5	287913	Oil pump gear	1	
6	436695	Belleville spring	1	
7	833722	Screw w/ flange	1	
8	434447	Oil pump chain	1	
9	828561	Chain tensioner rod	1	
10	031089	Hex screw m6x18	1	
11	478247	Spacer	1	
12	96933R	Camshaft chain	1	
13	969877	Sliding block	1	
14	969747	Timing system chain pinion cpl	1	
15	430535	Washer	1	
16	833495	Oil pump control pinion	1	
17	4783245	Cover	1	
18	844888	Gasket ring	1	
19	2879633	Gasket ring	1	
20	434345	Oil pump chain drift	1	
21	4783245	Cover	1	
22	484123	Screw w/ flange	3	
23	844871	Motor oil cup	1	
24	414837	Screw w/ flange	6	
25	564761	Hose clamp	1	
26	969132	Sump gasket	1	
27	844721	Oil level rod cpl.	1	
28	479986	O-ring	1	

Assembly	ENGINE
Code	29.39
Description	Oil pump
Revision	1



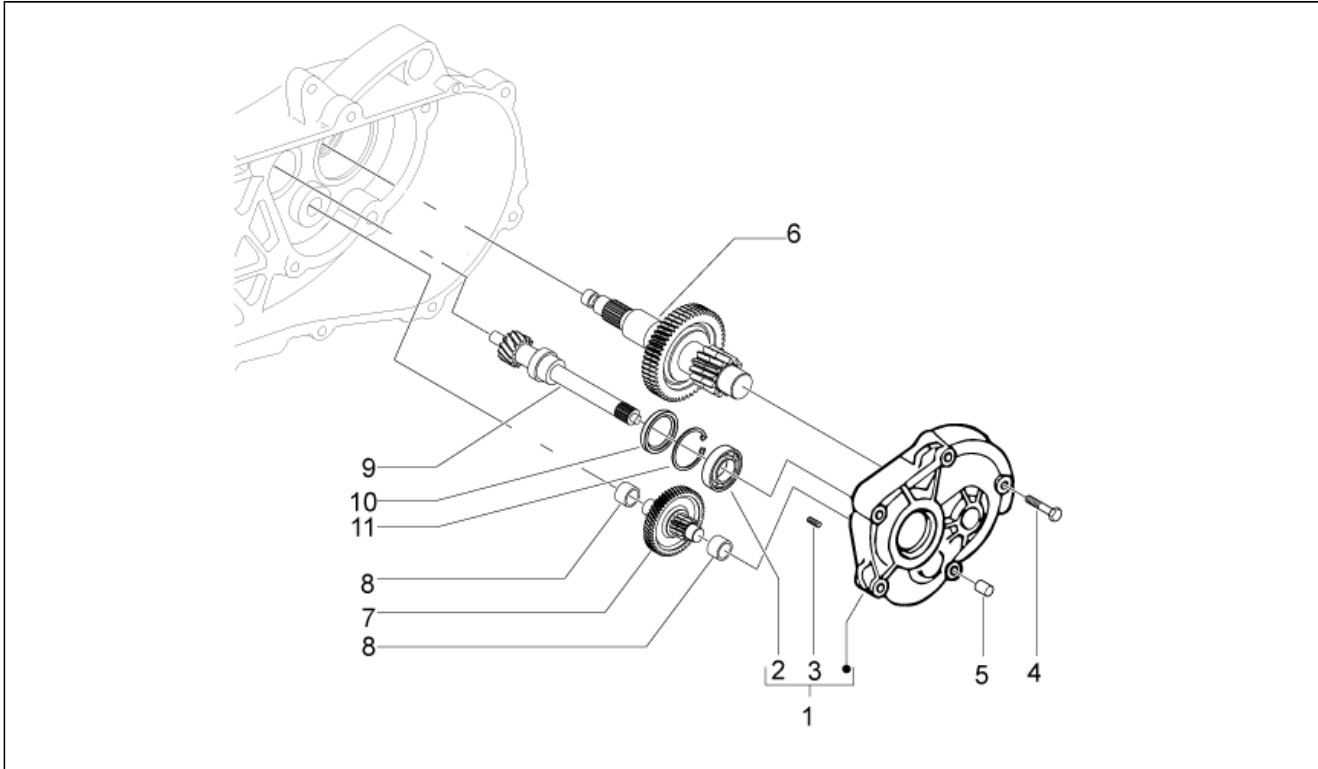
Pos.	Code	Description	Q.ty	Variants
29	82650R	Chain tensioner assy.	1	
30	833722	Screw w/ flange	2	
31	847928	Gasket	1	

Assembly	ENGINE
Code	29.40
Description	Starter motor
Revision	1



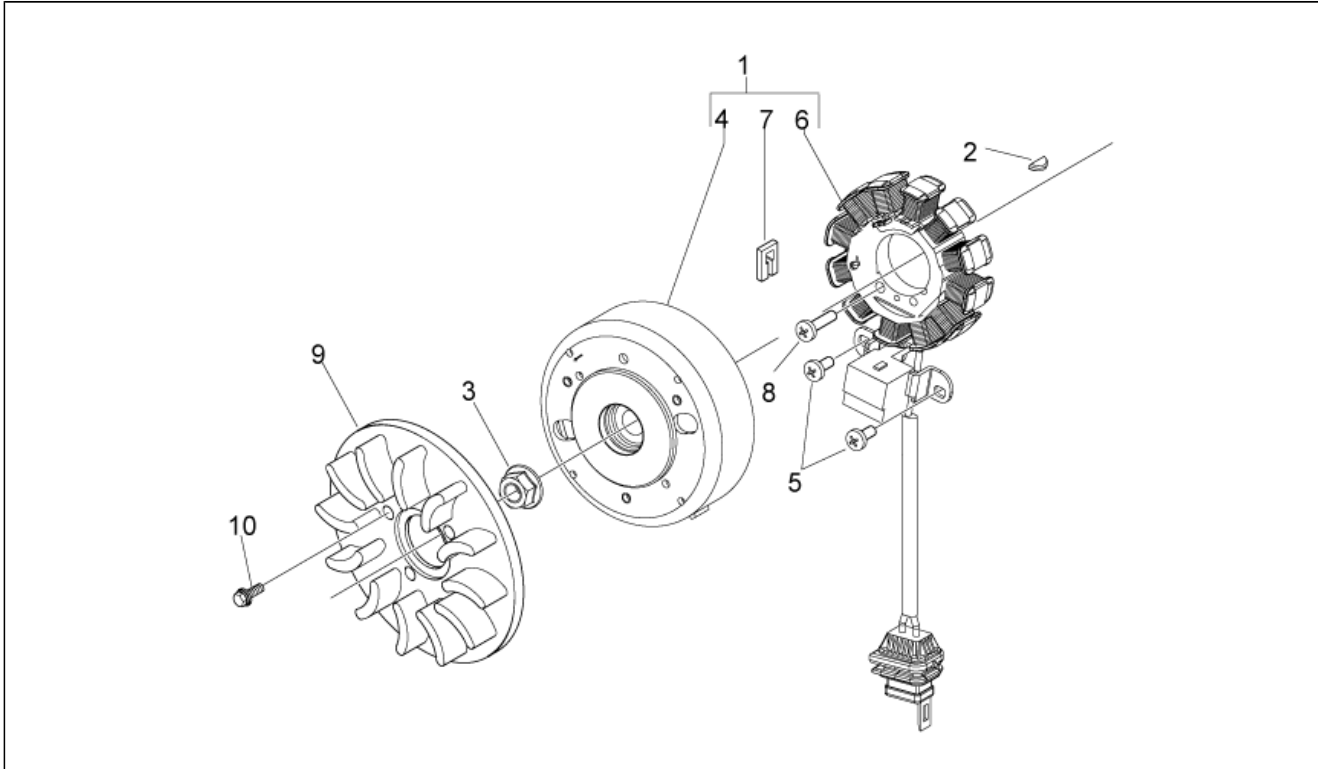
Pos.	Code	Description	Q.ty	Variants
1	96921R	Starter motor	1	
2	890976	Wire	1	Country: Australia[AA], Europe[EU] Technical Specifications: Limited version 45 Km/h[45km]
2	969347	Wire	1	Country: Holland[NL] Technical Specifications: Limited version 25Km/h[25km], Limited version 30 Km/h[30km]
3	018644	Screw m4x6	1	
4	016404	Washer	1	
5	031091	Screw	2	
6	96922R	Pinion	1	
7	831458	Starting shaft	1	
8	289495	Spring	1	
9	286214	Kick-start lever cpl.	1	
10	286218	Spring	1	
11	286217	Protection	1	
12	286219	Washer 10,1x2,5	1	
13	288041	Ring	1	
14	414837	Screw w/ flange	1	
15	257134	Hose clamp	1	
16	483537	Starting pinion	1	
17	433987	Washer 16,3x23,8	1	
18	006416	Circlip	1	
19	830212	Spring	1	

Assembly	ENGINE
Code	29.41
Description	Transmission
Revision	1



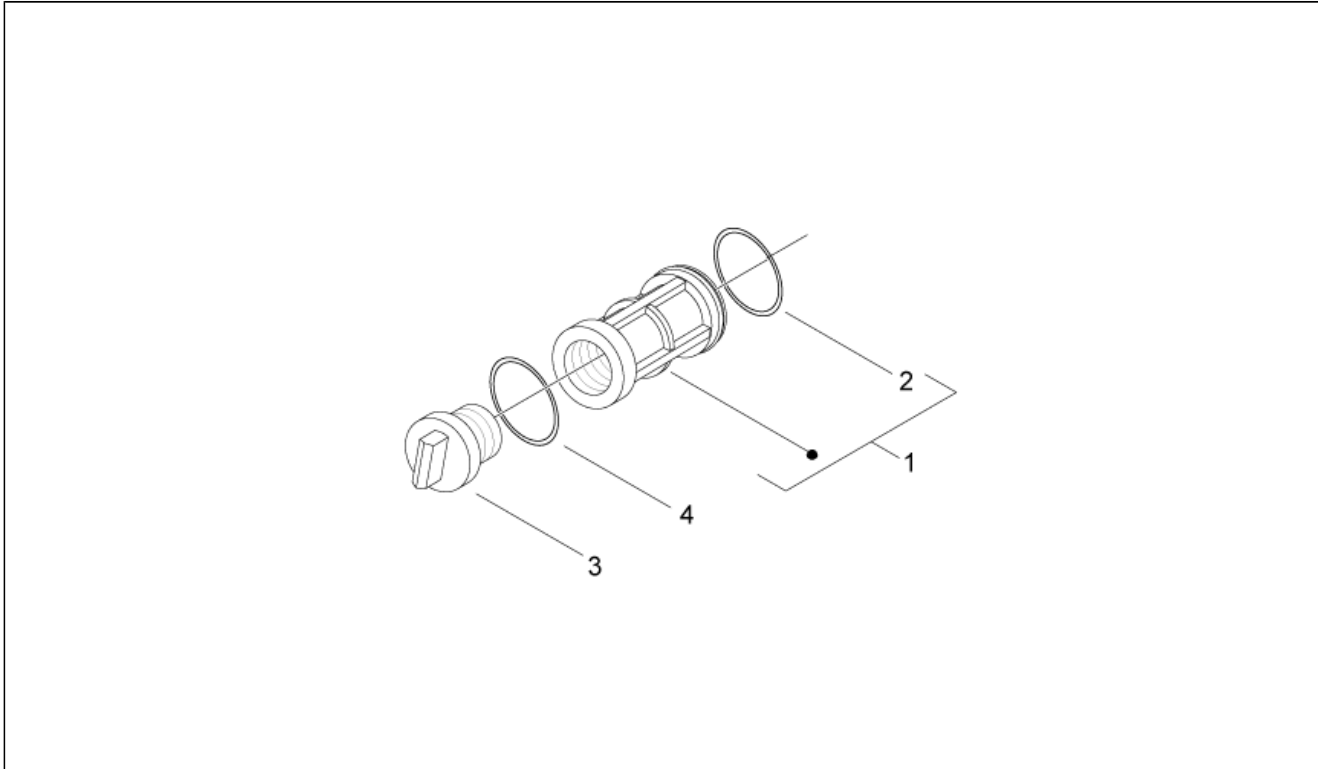
Pos.	Code	Description	Q.ty	Variants
1	8334985	Side cover	1	
2	434735	Bearing 20x47x14	1	
3	272921	Pin	1	
4	487211	Screw m8x45	5	
5	478197	Compensator ring	1	
6	8416875	Rear wheel axis cpl.	1	
7	8416865	Transmission shaft	1	
8	288639	Thrust washer	2	
9	8282335	Driven pulley shaft Z=13	1	
10	478498	Gasket ring	1	
11	006647	Circlip	1	

Assembly	ENGINE
Code	29.42
Description	Cdi magneto assy
Revision	1



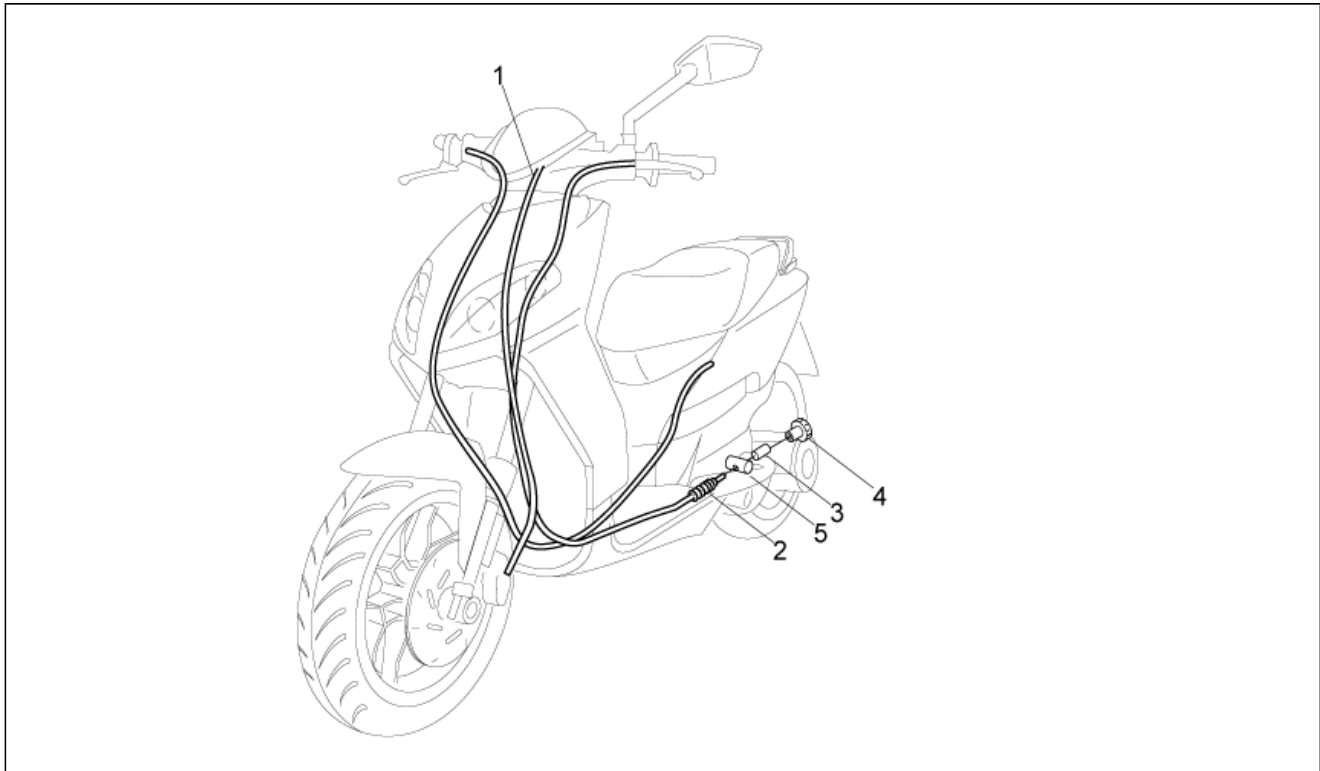
Pos.	Code	Description	Q.ty	Variants
1	9692975	Cdi magneto assy	1	
2	000267	Transmission key	1	
3	289005	Flanged nut	1	
4	969243	Rotor	1	
5	015585	Screw m5x12	2	
6	969228	Stator	1	
7	969332	Fairlead	1	
8	015856	Screw m5x21	2	
9	830286	Fan	1	
10	484123	Screw w/ flange	3	

Assembly	ENGINE
Code	29.43
Description	Oil filter
Revision	1



Pos.	Code	Description	Q.ty	Variants
1	431242	Oil filter	1	
2	288474	O-ring 20,35x1,78	1	
3	288548	Oil filter plug	1	
4	285536	O-ring 31,47x1,78	1	

Assembly	ENGINE
Code	29.44
Description	Transmissions
Revision	1



Pos.	Code	Description	Q.ty	Variants
1	858542	Odometer cable	1	
2	858583	Rear brake cable	1	
3	179640	Pin	1	
4	270310	Screw rear brake	1	
5	266040	Bush	1	