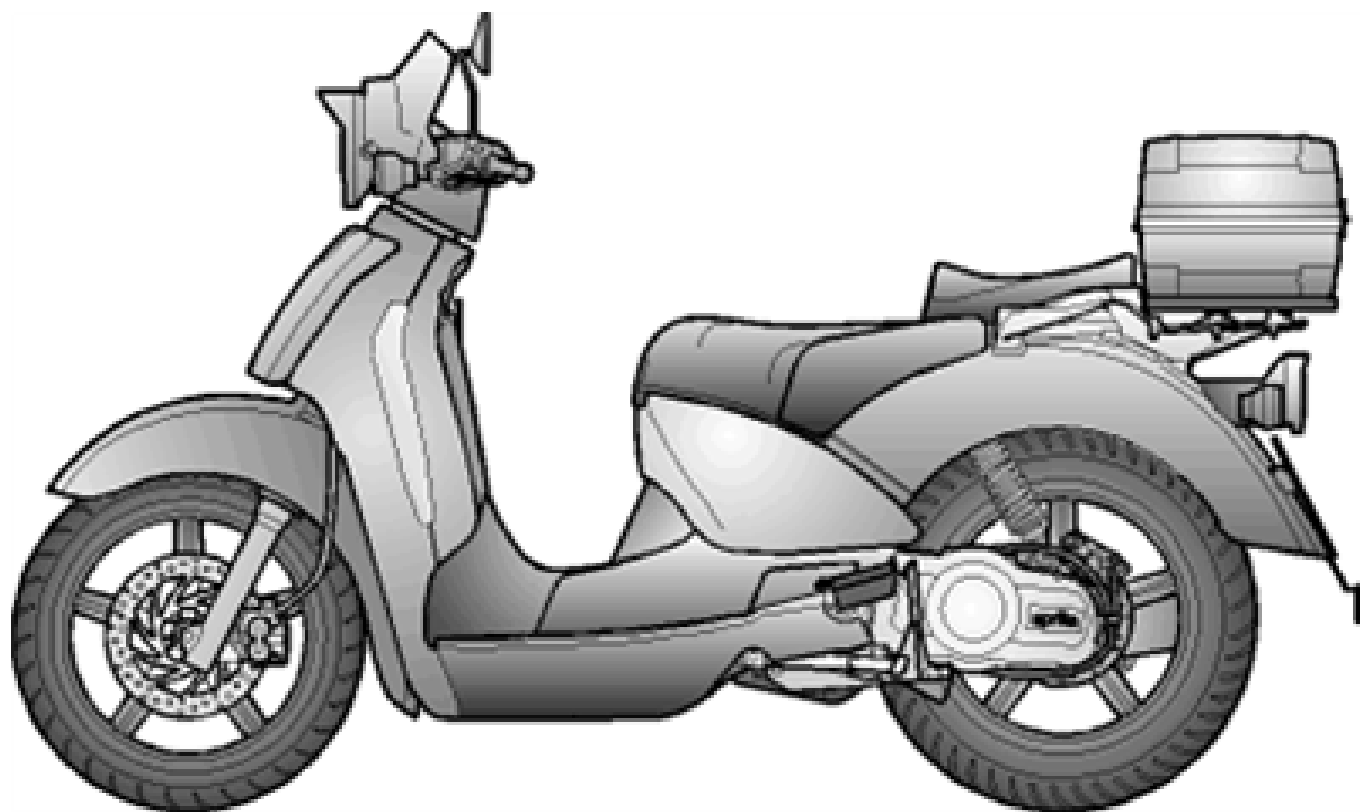




PIAGGIO & C.s.p.a.

scarabeo

## SPARE PARTS CATALOGUE



**Scarabeo 125-150-200 (eng.Rotax) 99-04**

Chassis prefix: ZD4PC, ZD4SD

Engine prefix:

*SCARABEO*  
*125-150-200-250*

**660X**

## Index

Finished products.....	4
Alphanumeric index.....	6
FRAME.....	16
Table 28.01 - Frame.....	16
Table 28.02 - Central stand.....	18
Table 28.03 - Front fork - Stem base.....	20
Table 28.04 - Showa front fork - Hubs, sleeves.....	21
Table 28.05 - Marzocchi front fork - Hubs, sleeves.....	22
Table 28.06 - Kaifa front fork - Hubs, sleeves.....	23
Table 28.07 - Connecting rod.....	24
Table 28.08 - Rear shock absorber.....	25
Table 28.09 - Front body - Front fairing.....	26
Table 28.10 - Front body - Handguard I.....	31
Table 28.11 - Front body - Handguard II.....	33
Table 28.12 - Front body - Front mudguard.....	34
Table 28.13 - Front body - Front cover.....	37
Table 28.14 - Front body - Front fairing.....	41
Table 28.15 - Front body - Internal shield.....	46
Table 28.16 - Central body I.....	48
Table 28.17 - Central body II.....	50
Table 28.18 - Undersaddle.....	54
Table 28.19 - Saddle unit.....	56
Table 28.20 - Rear body I.....	61
Table 28.21 - Rear body II.....	63
Table 28.22 - Top box with angulars.....	66
Table 28.23 - Top box.....	73
Table 28.24 - Side cases.....	76
Table 28.25 - Dashboard.....	78
Table 28.26 - Handlebar.....	80
Table 28.27 - LH Controls.....	82
Table 28.28 - RH controls.....	85
Table 28.29 - Water cooler.....	88
Table 28.30 - Cooling system.....	89
Table 28.31 - Fuel tank.....	90
Table 28.32 - Fuel tank - USA.....	91
Table 28.33 - Old version air box.....	94
Table 28.34 - New version air box.....	96
Table 28.35 - Secondary air.....	98
Table 28.41 - Exhaust unit.....	99
Table 28.42 - Front wheel.....	102
Table 28.43 - Front caliper.....	104
Table 28.44 - Rear wheel.....	105
Table 28.45 - Rear caliper.....	107

Table 28.46 - Headlight.....	108
Table 28.47 - Taillight.....	113
Table 28.48 - Electrical system I.....	117
Table 28.49 - Electrical system II.....	118
Table 28.50 - Lock hardware kit.....	119
Table 28.51 - Plate set and handbooks.....	120
ENGINE.....	127
Table 29.36 - Carburettor I.....	127
Table 29.37 - Carburettor II.....	128
Table 29.38 - Carburettor III.....	129
Table 29.39 - Carburettor IV.....	130
Table 29.40 - Engine assembly.....	131
Table 29.52 - Crankcase.....	133
Table 29.53 - Central semi-crankcase.....	134
Table 29.54 - RH Semi-crankcase.....	135
Table 29.55 - Drive shaft.....	136
Table 29.56 - Valve control.....	138
Table 29.57 - Cylinder.....	139
Table 29.58 - Cylinder head.....	141
Table 29.59 - Ignition unit.....	142
Table 29.60 - Starter motor.....	143
Table 29.61 - Transmission.....	144
Table 29.62 - Variator - Primary drive.....	145
Table 29.63 - Pulley assy., driven.....	147
Table 29.64 - Sealing and lubricating agents.....	149
ACCESSORIES.....	150
Table 30.65 - Acc. - Windshields.....	150
Table 30.66 - Acc. - Top/cases, side cases.....	151
Table 30.67 - Acc. - Various I.....	155
Table 30.68 - Acc. - Various II.....	156
Table 30.69 - Acc. - Mechanics anti-theft.....	157

## Finished products

Code	Validity
AP64250EL01	
AP64250EL02	
AP64250EL03	
AP64250EL07	
AP64250ES01	
AP64250ES04	
AP64250ES07	
AP64250ES08	
AP64250IT01	
AP64250IT02	
AP64250IT03	
AP64250IT04	
AP64250IT06	
AP64250IT07	
AP64250IT08	
AP64251DE01	
AP64251EL01	
AP64251EL02	
AP64251EL03	
AP64251ES01	
AP64251ES02	
AP64251ES03	
AP64251ES06	
AP64251ES07	
AP64251ES08	
AP64251IT01	
AP64251IT02	
AP64251IT03	
AP64251IT05	
AP64251IT06	
AP64251IT07	
AP64251IT08	
AP64251JP01	
AP64251JP02	
AP64251JP03	
AP64251JP06	
AP64251JP07	
AP64251MX01	
AP64252FR01	
AP64252IT01	
AP64252IT02	
AP64252IT03	

---

Code	Validity
AP64252IT04	
AP64252IT06	
AP64252IT07	
AP64252IT08	
AP64253IT07	
AP64254IT07	
AP64254IT08	

Code	No. table	Pos.	Code	No. table	Pos.	Code	No. table	Pos.
0000000	28.42	15	AP0233772	29.62	2	AP0259480	29.59	3
0000000	28.44	2	AP0233774	29.62	2	AP0259495	29.59	2
0000000	29.52	14	AP0233777	29.62	2	AP0259655	29.62	7
0000000	29.52	18	AP0236250	29.57	6	AP0259657	29.62	7
0000000	29.53	19	AP0236250	29.57	6	AP0259662	29.63	15
0000000	29.53	20	AP0236270	29.56	15	AP0259738	29.63	13
0000000	29.54	16	AP0236280	29.56	16	AP0259739	29.63	13
0000000	29.55	17	AP0236350	29.55	16	AP0260297	29.53	5
0000000	29.56	17	AP0236490	29.57	6	AP0260335	29.62	8
0000000	29.57	10	AP0236490	29.57	6	AP0260339	29.62	8
0000000	29.58	21	AP0236490	29.57	6	AP0260710	29.54	23
0000000	29.59	14	AP0238100	29.57	7	AP0265242	28.49	11
0000000	29.60	9	AP0238100	29.57	7	AP0265242	29.60	5
0000000	29.61	12	AP0238100	29.57	7	AP0265419	28.49	3
0000000	29.61	13	AP0239015	29.57	7	AP0265419	29.60	4
0000000	29.62	19	AP0239015	29.57	7	AP0265450	29.58	18
0000000	29.63	20	AP0239280	29.53	23	AP0265630	29.60	3
AP0211430	29.59	8	AP0239360	29.55	13	AP0267132	29.36	9
AP0211492	29.61	7	AP0239406	29.63	12	AP0267132	29.57	4
AP0211500	29.53	11	AP0239490	29.62	9	AP0280092	29.62	1
AP0211521	29.58	14	AP0240230	29.53	26	AP0280102	29.63	1
AP0211700	29.62	16	AP0240235	29.54	5	AP0280115	29.62	3
AP0211700	29.63	18	AP0240366	29.58	4	AP0280117	29.62	3
AP0211701	29.62	16	AP0240371	29.53	21	AP0280125	29.63	6
AP0211701	29.62	16	AP0240940	29.54	4	AP0280127	29.63	26
AP0211701	29.63	18	AP0241236	29.59	10	AP0280135	29.63	2
AP0211701	29.63	18	AP0241275	29.54	3	AP0280137	29.63	25
AP0211715	29.62	10	AP0241335	29.56	6	AP0293419	29.54	21
AP0216210	29.55	7	AP0241481	29.58	6	AP0295333	29.62	12
AP0220314	29.56	1	AP0241501	29.53	15	AP0295334	29.62	12
AP0220315	29.56	1	AP0241660	29.53	6	AP0295336	29.62	12
AP0220345	29.61	3	AP0241782	29.54	8	AP0295557	29.59	16
AP0220347	29.61	3	AP0241821	29.59	20	AP0295581	29.55	5
AP0220356	29.54	11	AP0241841	29.56	10	AP0295584	29.55	6
AP0220635	29.61	2	AP0241841	29.58	12	AP0295585	29.55	5
AP0220637	29.61	2	AP0241930	29.58	17	AP0295589	29.55	6
AP0220640	29.61	16	AP0241930	29.60	8	AP0295596	29.55	1
AP0220645	29.61	4	AP0241975	29.62	11	AP0295630	29.54	2
AP0222470	29.58	9	AP0242515	29.62	15	AP0295713	29.64	10
AP0223970	29.57	2	AP0242515	29.63	17	AP0295718	29.64	10
AP0223977	29.57	2	AP0242910	29.56	7	AP0295733	29.62	13
AP0224265	29.52	9	AP0242920	29.63	14	AP0295734	29.62	13
AP0227180	29.62	14	AP0245490	29.63	4	AP0295820	29.55	5
AP0227451	29.55	11	AP0245570	29.54	20	AP0295824	29.55	6
AP0227937	29.56	13	AP0245805	29.55	8	AP0295825	29.55	5
AP0227937	29.59	6	AP0246570	29.55	4	AP0295941	29.52	1
AP0229301	29.52	8	AP0247930	29.60	2	AP0295943	29.52	1
AP0229410	29.56	2	AP0249060	29.63	9	AP0296280	29.63	24
AP0229423	29.62	6	AP0250640	29.53	9	AP0296282	29.63	24
AP0229425	29.62	6	AP0250640	29.54	9	AP0296284	29.63	24
AP0229427	29.62	6	AP0251040	29.56	9	AP0296390	29.60	7
AP0229429	29.62	6	AP0251052	29.36	12	AP0296420	29.55	1
AP0229430	29.63	8	AP0251052	29.57	5	AP0296700	29.55	5
AP0229435	29.63	8	AP0251470	28.35	3	AP0296704	29.55	6
AP0230195	29.54	12	AP0251470	29.59	19	AP0296704	29.55	6
AP0230415	29.53	17	AP0253811	29.58	3	AP0296780	29.62	13
AP0232293	29.53	2	AP0253840	29.55	15	AP0296782	29.62	13
AP0232293	29.61	10	AP0253868	29.56	5	AP0297386	29.58	22
AP0232430	29.54	14	AP0253878	29.56	4	AP0297386	29.59	17
AP0232621	28.07	19	AP0253880	29.55	9	AP0297386	29.64	9
AP0232621	29.53	1	AP0253892	29.55	10	AP0297433	29.52	15
AP0232621	29.54	1	AP0253902	29.55	14	AP0297433	29.57	11
AP0232768	29.61	9	AP0256451	29.53	10	AP0297433	29.58	19
AP0233710	29.52	2	AP0256461	29.59	12	AP0297433	29.63	21
AP0233712	29.52	3	AP0256483	29.53	24	AP0297433	29.64	5
AP0233715	29.52	4	AP0256490	29.54	7	AP0297434	29.53	16
AP0233717	29.52	5	AP0256500	29.58	15	AP0297434	29.55	18

Code	No. table	Pos.	Code	No. table	Pos.	Code	No. table	Pos.
AP0297434	29.56	20	AP0840880	29.59	11	AP8102376	28.30	13
AP0297434	29.57	12	AP0840880	29.59	9	AP8102376	28.31	8
AP0297434	29.60	10	AP0840880	29.61	11	AP8102376	28.48	17
AP0297434	29.61	14	AP0840880	29.62	17	AP8102376	29.36	4
AP0297434	29.62	20	AP0840880	29.63	19	AP8102376	29.40	2
AP0297434	29.63	22	AP0841921	29.53	8	AP8102377	28.32	32
AP0297434	29.64	1	AP0842616	29.58	5	AP8102378	28.32	6
AP0297616	29.64	11	AP0897161	29.54	17	AP8102408	28.31	2
AP0297920	29.60	6	AP0897161	29.64	6	AP8102408	28.32	2
AP0297921	29.60	6	AP0897330	28.49	14	AP8102504	28.14	7
AP0297932	29.56	14	AP0897330	29.60	11	AP8102504	29.40	25
AP0430622	29.53	25	AP0897330	29.64	7	AP8102520	28.32	8
AP0430622	29.54	6	AP0897651	29.54	18	AP8102523	28.16	10
AP0430900	29.54	22	AP0897651	29.56	18	AP8102523	28.50	3
AP0430920	29.53	12	AP0897651	29.58	20	AP8102544	28.01	19
AP0432680	29.53	22	AP0897651	29.59	18	AP8102576	29.40	6
AP0440193	29.52	10	AP0897651	29.62	21	AP8102614	28.30	4
AP0552276	29.57	8	AP0897651	29.63	27	AP8102678	28.32	22
AP0552280	29.57	9	AP0897651	29.64	2	AP8102688	28.32	23
AP0613110	29.58	2	AP0899784	29.52	17	AP8102700	29.36	10
AP0613345	29.57	2	AP0899784	29.64	3	AP8102732	28.30	6
AP0613345	29.57	2	AP0899788	29.52	16	AP8102741	28.31	5
AP0613395	29.57	2	AP0899788	29.59	15	AP8102741	28.32	5
AP0627100	29.56	3	AP0899788	29.63	23	AP8102764	28.30	11
AP0627100	29.56	8	AP0899788	29.64	4	AP8102765	28.30	11
AP0627110	29.55	2	AP0927055	29.61	15	AP8102782	28.14	9
AP0627110	29.55	3	AP0927470	29.61	1	AP8102782	28.16	6
AP0627111	29.55	3	AP0927571	29.58	13	AP8102810	28.30	8
AP0627112	29.55	3	AP0927835	29.58	23	AP8102832	28.33	4
AP0627165	29.63	11	AP0929650	29.52	7	AP8102832	28.34	3
AP0627167	29.63	11	AP0929650	29.57	3	AP8102835	28.26	1
AP0627320	29.56	19	AP0930268	29.61	8	AP8102835	28.26	1
AP0630400	29.59	13	AP0930900	29.53	4	AP8102835	28.26	1
AP0632010	29.52	6	AP0932426	29.53	3	AP8102835	28.26	1
AP0632085	29.63	3	AP0940485	29.59	5	AP8102836	28.26	2
AP0632090	29.63	5	AP0940580	29.56	12	AP8102836	28.26	2
AP0634380	29.56	11	AP0941950	29.58	10	AP8102836	28.26	2
AP0634430	29.54	15	AP0945751	29.59	21	AP8102836	28.26	2
AP0634455	29.59	1	AP0945754	29.63	16	AP8102841	28.50	1
AP0634460	29.60	1	AP0950141	29.52	11	AP8102842	28.18	7
AP0635070	29.61	5	AP0956166	29.54	10	AP8102843	28.51	1
AP0640240	29.52	13	AP8101573	28.30	14	AP8102845	28.42	9
AP0641590	29.59	4	AP8101586	28.32	38	AP8102902	28.01	8
AP0650120	29.55	12	AP8101586	28.34	17	AP8102944	28.50	6
AP0650165	29.57	1	AP8101586	28.34	17	AP8102945	28.18	8
AP0650170	29.58	1	AP8101586	28.34	17	AP8102945	28.50	8
AP0650172	29.58	1	AP8101586	28.34	17	AP8102981	28.51	1
AP0650182	29.53	14	AP8101586	28.35	6	AP8102983	28.51	1
AP0650190	29.59	7	AP8101595	28.31	7	AP8103392	28.05	15
AP0650205	29.61	6	AP8101595	28.32	38	AP8104045	29.36	11
AP0650230	29.58	16	AP8101595	28.32	7	AP8104058	29.39	14
AP0650250	29.58	11	AP8101595	28.33	15	AP8104071	28.31	17
AP0650260	29.62	5	AP8101595	28.34	14	AP8104071	28.32	17
AP0650270	29.63	10	AP8101595	29.36	5	AP8104072	28.31	18
AP0650280	29.62	4	AP8101770	28.31	19	AP8104072	28.32	18
AP0650290	29.63	7	AP8101944	28.31	20	AP8104076	28.22	12
AP0650300	29.58	8	AP8102239	28.32	36	AP8104096	28.32	24
AP0650350	29.53	7	AP8102239	28.33	13	AP8104185	28.50	2
AP0659250	29.63	13	AP8102239	28.34	12	AP8104290	28.51	1
AP0684300	29.59	16	AP8102349	28.35	4	AP8104290	28.51	1
AP0827405	29.54	19	AP8102375	28.01	7	AP8104307	28.18	7
AP0827590	29.54	13	AP8102375	28.10	9	AP8104380	28.51	1
AP0827590	29.56	8	AP8102375	28.17	12	AP8104380	28.51	1
AP0831177	29.52	12	AP8102376	28.01	6	AP8104380	28.51	1
AP0840880	29.53	13	AP8102376	28.02	6	AP8104380	28.51	1
AP0840880	29.53	18	AP8102376	28.02	6	AP8104381	28.51	1
AP0840880	29.58	7	AP8102376	28.29	7	AP8104384	28.26	11

Code	No. table	Pos.	Code	No. table	Pos.	Code	No. table	Pos.
AP8104393	28.51	1	AP8110083	28.41	8	AP8118479	28.26	3
AP8104426	28.42	9	AP8110086	28.41	7	AP8118499	28.28	6
AP8104491	28.26	1	AP8112176	28.48	15	AP8118539	28.27	4
AP8104491	28.26	1	AP8112244	28.48	14	AP8118539	28.28	4
AP8104492	28.26	2	AP8112506	28.48	16	AP8118542	28.27	7
AP8104492	28.26	2	AP8112906	28.48	7	AP8118542	28.27	7
AP8104501	28.18	22	AP8112920	28.48	5	AP8118542	28.27	7
AP8104502	28.18	23	AP8112930	28.48	3	AP8118542	28.28	9
AP8104518	28.26	17	AP8112930	28.49	12	AP8118542	28.28	9
AP8104519	28.26	18	AP8112939	28.29	8	AP8118542	28.28	9
AP8104598	28.50	13	AP8113003	28.27	1	AP8118582	28.28	6
AP8104647	28.16	11	AP8113003	28.28	1	AP8118607	28.27	19
AP8104647	28.50	4	AP8113003	28.43	7	AP8118608	28.28	20
AP8106552	29.40	5	AP8113003	28.45	5	AP8118609	28.27	4
AP8106553	29.36	8	AP8113004	28.27	2	AP8118609	28.28	4
AP8106553	29.37	12	AP8113004	28.28	2	AP8118641	28.27	7
AP8106601	29.40	5	AP8113004	28.43	6	AP8118641	28.27	7
AP8106639	29.36	8	AP8113004	28.45	6	AP8118641	28.27	7
AP8106639	29.37	12	AP8113005	28.43	5	AP8118641	28.27	7
AP8106650	29.39	19	AP8113005	28.45	3	AP8118641	28.28	9
AP8106651	29.39	16	AP8113006	28.45	4	AP8118641	28.28	9
AP8106652	29.39	5	AP8113541	28.44	5	AP8118641	28.28	9
AP8106653	29.39	4	AP8113541	28.45	9	AP8118641	28.28	9
AP8106654	29.39	9	AP8113637	28.27	12	AP8118643	28.27	4
AP8106655	29.39	8	AP8113696	28.28	3	AP8118643	28.28	4
AP8106656	29.39	1	AP8113696	28.43	3	AP8119355	28.41	2
AP8106658	29.37	6	AP8113697	28.42	5	AP8119465	28.41	1
AP8106659	29.37	3	AP8113697	28.43	2	AP8119465	28.41	1
AP8106660	29.37	4	AP8113700	28.27	3	AP8119465	28.41	1
AP8106661	29.37	1	AP8113700	28.45	7	AP8119465	28.41	1
AP8106662	29.39	3	AP8113783	28.28	15	AP8119465	28.41	1
AP8106663	29.38	6	AP8113783	28.28	15	AP8119466	28.41	3
AP8106664	29.38	8	AP8113783	28.28	15	AP8119533	28.41	1
AP8106665	29.38	7	AP8113784	28.27	15	AP8119543	28.41	17
AP8106667	29.38	1	AP8113784	28.27	15	AP8119544	28.41	18
AP8106776	28.32	25	AP8113784	28.27	15	AP8119545	28.41	19
AP8106804	29.36	8	AP8113844	28.43	9	AP8119615	28.41	1
AP8106804	29.37	12	AP8113845	28.45	14	AP8119615	28.41	1
AP8106824	28.32	26	AP8113859	28.27	8	AP8119639	28.41	1
AP8106842	29.40	5	AP8113859	28.28	11	AP8119639	28.41	1
AP8106843	29.40	5	AP8113860	28.27	9	AP8119676	28.41	1
AP8106843	29.40	5	AP8113861	28.27	16	AP8119676	28.41	1
AP8106859	29.36	8	AP8113861	28.28	16	AP8119676	28.41	1
AP8106859	29.37	12	AP8113862	28.27	5	AP8119723	28.41	1
AP8106860	29.40	5	AP8113863	28.28	10	AP8119723	28.41	1
AP8106887	29.39	5	AP8113864	28.28	17	AP8120001	28.12	10
AP8106938	29.36	8	AP8113865	28.43	1	AP8120116	28.31	6
AP8106938	29.37	12	AP8113866	28.43	11	AP8120177	28.18	6
AP8106939	29.36	8	AP8113867	28.43	8	AP8120179	28.32	33
AP8106939	29.37	12	AP8113868	28.43	12	AP8120179	28.35	11
AP8106940	28.35	1	AP8113869	28.45	1	AP8120246	29.36	2
AP8106943	29.40	5	AP8113870	28.45	2	AP8120253	28.09	8
AP8108892	28.42	1	AP8113871	28.45	12	AP8120253	28.49	6
AP8108892	28.42	1	AP8113872	28.45	13	AP8120275	28.29	11
AP8108920	28.42	1	AP8113928	28.28	15	AP8120338	28.02	14
AP8108920	28.42	1	AP8114357	28.25	12	AP8120378	28.35	7
AP8108920	28.42	1	AP8114381	28.18	9	AP8120405	28.29	10
AP8108949	28.44	3	AP8114381	28.50	9	AP8120508	28.24	21
AP8108949	28.44	3	AP8114382	28.28	5	AP8120531	28.09	5
AP8108949	28.44	3	AP8114423	28.28	22	AP8120531	28.10	10
AP8108971	28.42	1	AP8114424	28.28	23	AP8120531	28.20	8
AP8108971	28.42	1	AP8114453	28.28	5	AP8120593	28.33	1
AP8108971	28.42	1	AP8116070	29.62	18	AP8120593	28.34	15
AP8108972	28.44	3	AP8116070	29.64	8	AP8120615	28.33	8
AP8108972	28.44	3	AP8117162	28.20	3	AP8120615	28.34	19
AP8108972	28.44	3	AP8117202	29.40	21	AP8120615	28.34	7
AP8108972	28.44	3	AP8117227	28.41	3	AP8120621	28.42	11



Code	No. table	Pos.	Code	No. table	Pos.	Code	No. table	Pos.
AP8120657	29.40	11	AP8123696	28.03	3	AP8124776	28.46	9
AP8120754	28.48	13	AP8123698	28.05	6	AP8124777	28.46	10
AP8120772	28.32	34	AP8123701	28.05	10	AP8124778	28.46	11
AP8120772	28.33	11	AP8123704	28.05	14	AP8124779	28.46	12
AP8120772	28.34	10	AP8123705	28.05	16	AP8124780	28.46	13
AP8120802	29.40	17	AP8123708	28.05	2	AP8124780	28.46	13
AP8120855	28.02	12	AP8123754	28.05	1	AP8124780	28.46	13
AP8120865	28.42	8	AP8123756	28.03	4	AP8124781	28.46	14
AP8120876	28.32	37	AP8123759	28.03	3	AP8124782	28.46	14
AP8120876	28.33	14	AP8123761	28.04	3	AP8124783	28.46	15
AP8120876	28.34	13	AP8123764	28.04	7	AP8124784	28.46	16
AP8120952	28.31	12	AP8123765	28.04	1	AP8124785	28.46	17
AP8120952	28.32	12	AP8123767	28.04	9	AP8124786	28.46	18
AP8120952	28.32	39	AP8123769	28.04	11	AP8124787	28.46	20
AP8120952	28.35	10	AP8123774	28.04	17	AP8124787	28.46	20
AP8120952	29.36	6	AP8123775	28.04	2	AP8124787	28.46	20
AP8120952	29.40	12	AP8123776	28.04	5	AP8124788	28.46	21
AP8120955	28.32	27	AP8123793	28.03	1	AP8124789	28.47	1
AP8120956	28.32	39	AP8123793	28.03	1	AP8124789	28.47	1
AP8120956	28.35	2	AP8123793	28.03	1	AP8124789	28.47	1
AP8120977	29.40	8	AP8123794	28.01	17	AP8124790	28.46	1
AP8121012	28.02	15	AP8123795	28.08	1	AP8124790	28.47	2
AP8121014	28.02	16	AP8123795	28.08	1	AP8124791	28.46	4
AP8121075	28.18	11	AP8123795	28.08	1	AP8124791	28.47	3
AP8121075	28.19	11	AP8123900	29.37	11	AP8124792	28.47	4
AP8121075	28.50	11	AP8123904	28.03	2	AP8124793	28.47	5
AP8121075	29.40	3	AP8123905	28.04	4	AP8124793	28.47	5
AP8121096	28.03	6	AP8123906	28.04	6	AP8124793	28.47	5
AP8121096	28.12	12	AP8123907	28.04	8	AP8124794	28.47	6
AP8121214	28.07	12	AP8123909	28.04	12	AP8124795	28.47	7
AP8121218	28.07	18	AP8123910	28.04	13	AP8124796	28.47	8
AP8121267	28.32	29	AP8123911	28.04	14	AP8124797	28.47	9
AP8121285	28.07	16	AP8123912	28.04	15	AP8124797	28.47	9
AP8121286	28.07	3	AP8123920	28.05	9	AP8124797	28.47	9
AP8121287	28.07	4	AP8123921	28.04	10	AP8124798	28.47	10
AP8121311	28.07	17	AP8124235	28.48	6	AP8124798	28.47	10
AP8121332	28.22	6	AP8124269	28.49	5	AP8124798	28.47	10
AP8121332	28.23	6	AP8124498	28.27	17	AP8124799	28.47	11
AP8121333	28.19	4	AP8124500	28.48	1	AP8124799	28.47	11
AP8121334	28.41	9	AP8124500	28.49	1	AP8124799	28.47	11
AP8121335	28.44	8	AP8124504	28.46	22	AP8124802	28.47	14
AP8121374	28.41	10	AP8124504	28.46	22	AP8124803	28.27	18
AP8121388	28.08	3	AP8124504	28.46	22	AP8124804	28.27	19
AP8121389	29.38	4	AP8124505	28.47	15	AP8124805	28.28	19
AP8121390	29.39	17	AP8124511	28.25	10	AP8124806	28.28	20
AP8121391	29.39	6	AP8124512	28.31	10	AP8124818	28.27	14
AP8121392	29.37	5	AP8124512	28.32	10	AP8124818	28.28	14
AP8121393	29.37	9	AP8124598	28.48	2	AP8124834	29.39	2
AP8121402	28.08	7	AP8124616	28.46	22	AP8124855	28.29	6
AP8121503	28.07	14	AP8124620	28.50	5	AP8124991	28.28	18
AP8121503	28.07	14	AP8124636	28.49	4	AP8124992	28.46	22
AP8121593	29.40	22	AP8124687	28.25	10	AP8124994	28.25	10
AP8121725	28.18	5	AP8124689	28.28	18	AP8125743	28.42	7
AP8121725	28.22	3	AP8124718	28.21	6	AP8125757	28.27	10
AP8121725	28.23	3	AP8124719	28.14	10	AP8125757	28.28	12
AP8121790	28.22	8	AP8124719	28.14	10	AP8125767	28.42	2
AP8121837	28.29	9	AP8124749	28.25	11	AP8125810	28.42	4
AP8121856	28.04	21	AP8124750	28.25	3	AP8125810	28.44	6
AP8121856	28.06	24	AP8124751	28.25	7	AP8125811	28.42	13
AP8121876	28.02	17	AP8124754	28.49	13	AP8125812	28.42	12
AP8121889	28.45	15	AP8124769	28.49	10	AP8126635	28.12	1
AP8121889	29.40	16	AP8124770	28.46	2	AP8126637	28.12	4
AP8121931	28.07	11	AP8124771	28.46	3	AP8126638	28.12	3
AP8121932	28.02	3	AP8124772	28.46	5	AP8126639	28.21	1
AP8121937	28.02	9	AP8124773	28.46	6	AP8126763	28.12	1
AP8121954	28.07	14	AP8124774	28.46	7	AP8126764	28.12	1
AP8123695	28.03	4	AP8124775	28.46	8	AP8126765	28.12	1

Code	No. table	Pos.	Code	No. table	Pos.	Code	No. table	Pos.
AP8126830	28.12	1	AP8127400	28.47	5	AP8133557	28.28	15
AP8126831	28.12	1	AP8127411	28.46	13	AP8133557	28.28	15
AP8126855	28.12	1	AP8127412	28.46	17	AP8133558	28.27	15
AP8126884	28.12	1	AP8127413	28.46	18	AP8133558	28.27	15
AP8126884	28.12	1	AP8127414	28.46	20	AP8133558	28.27	15
AP8126950	28.12	1	AP8127415	28.47	5	AP8133558	28.27	15
AP8126951	28.12	1	AP8127416	28.47	10	AP8134167	29.40	10
AP8126952	28.12	1	AP8127417	28.47	11	AP8134186	28.32	20
AP8126953	28.12	1	AP8127789	28.25	11	AP8134321	28.02	2
AP8126954	28.12	1	AP8129228	28.19	3	AP8134484	28.01	2
AP8127092	28.27	17	AP8129238	28.19	2	AP8134485	28.29	2
AP8127093	28.47	15	AP8129264	28.19	2	AP8134487	28.30	1
AP8127093	28.47	15	AP8129268	28.19	3	AP8134488	28.41	5
AP8127093	28.47	15	AP8129280	28.19	2	AP8134489	28.12	5
AP8127121	28.46	23	AP8129280	28.19	2	AP8134490	28.22	2
AP8127127	28.46	20	AP8129286	28.19	2	AP8134526	28.31	13
AP8127128	28.46	21	AP8129288	28.19	3	AP8134526	28.32	13
AP8127129	28.46	14	AP8129289	28.19	3	AP8134527	28.01	4
AP8127130	28.46	8	AP8129289	28.19	3	AP8134571	29.36	3
AP8127130	28.47	13	AP8129309	28.19	2	AP8134677	28.21	8
AP8127131	28.46	7	AP8129309	28.19	2	AP8134697	28.01	20
AP8127131	28.47	12	AP8129313	28.19	2	AP8134698	28.32	30
AP8127132	28.46	17	AP8129313	28.19	2	AP8134728	28.32	28
AP8127132	28.46	17	AP8129314	28.19	2	AP8134754	28.01	4
AP8127132	28.46	17	AP8129315	28.19	3	AP8135677	28.01	14
AP8127133	28.46	18	AP8129317	28.19	3	AP8139249	29.40	1
AP8127133	28.46	18	AP8129322	28.22	20	AP8139250	28.33	2
AP8127133	28.46	18	AP8129323	28.22	20	AP8139251	28.33	3
AP8127134	28.47	11	AP8129324	28.22	20	AP8139251	28.33	3
AP8127135	28.47	10	AP8129326	28.22	20	AP8139252	28.33	6
AP8127139	28.47	1	AP8129336	28.19	2	AP8139252	28.34	5
AP8127179	28.28	24	AP8129339	28.19	2	AP8139255	28.30	3
AP8127180	28.27	20	AP8129340	28.19	2	AP8139256	28.31	1
AP8127225	28.27	17	AP8129342	28.19	2	AP8139257	28.19	1
AP8127226	28.28	18	AP8129346	28.19	2	AP8139257	28.19	1
AP8127226	28.28	18	AP8129347	28.19	2	AP8139258	28.25	1
AP8127238	28.28	21	AP8129348	28.19	3	AP8139258	28.25	1
AP8127329	28.25	10	AP8129349	28.19	3	AP8139259	28.09	1
AP8127332	28.46	22	AP8129350	28.19	3	AP8139260	28.09	2
AP8127332	28.46	22	AP8129351	28.19	3	AP8139260	28.09	2
AP8127332	28.46	22	AP8129352	28.23	11	AP8139261	28.14	1
AP8127333	28.47	15	AP8129352	28.23	11	AP8139264	28.15	1
AP8127333	28.47	15	AP8129352	28.23	11	AP8139264	28.15	1
AP8127333	28.47	15	AP8129353	28.23	11	AP8139265	28.16	3
AP8127369	28.46	22	AP8129354	28.23	11	AP8139266	28.48	12
AP8127375	28.46	17	AP8129357	28.19	3	AP8139267	28.16	1
AP8127375	28.46	17	AP8129358	28.19	3	AP8139267	28.16	1
AP8127375	28.46	17	AP8129359	28.19	2	AP8139268	28.48	19
AP8127376	28.46	18	AP8129360	28.19	2	AP8139269	28.16	4
AP8127376	28.46	18	AP8129367	28.23	11	AP8139270	28.16	2
AP8127376	28.46	18	AP8129367	28.23	11	AP8139273	28.14	4
AP8127377	28.46	20	AP8129367	28.23	11	AP8139274	28.17	1
AP8127377	28.46	20	AP8129368	28.19	3	AP8139274	28.17	1
AP8127377	28.46	20	AP8129369	28.19	3	AP8139275	28.17	2
AP8127378	28.47	10	AP8129382	28.19	2	AP8139278	28.17	3
AP8127378	28.47	10	AP8129382	28.19	2	AP8139279	28.17	4
AP8127378	28.47	10	AP8129383	28.19	2	AP8139282	28.18	1
AP8127379	28.47	11	AP8129387	28.19	2	AP8139282	28.18	1
AP8127379	28.47	11	AP8129388	28.19	2	AP8139283	28.20	4
AP8127379	28.47	11	AP8129389	28.19	2	AP8139287	28.33	5
AP8127380	28.47	19	AP8129390	28.19	2	AP8139287	28.34	4
AP8127380	28.47	19	AP8129397	28.19	3	AP8139583	28.17	5
AP8127380	28.47	19	AP8129397	28.19	3	AP8139584	28.17	6
AP8127398	28.46	22	AP8129398	28.19	3	AP8139605	28.12	2
AP8127399	28.47	15	AP8129399	28.19	3	AP8139652	28.33	7
AP8127400	28.47	5	AP8131838	28.48	9	AP8139652	28.34	6
AP8127400	28.47	5	AP8133557	28.28	15	AP8139653	28.22	11

Code	No. table	Pos.	Code	No. table	Pos.	Code	No. table	Pos.
AP8139686	28.42	3	AP8146693	28.02	1	AP8148762	28.19	1
AP8139687	28.44	9	AP8146693	28.02	1	AP8148765	28.21	1
AP8139687	28.44	9	AP8147556	28.51	4	AP8148766	28.13	1
AP8139726	28.09	3	AP8147557	28.51	2	AP8148766	28.13	1
AP8139727	28.12	6	AP8147558	28.51	3	AP8148767	28.20	2
AP8139731	28.13	2	AP8147559	28.51	7	AP8148767	28.20	2
AP8139731	28.13	2	AP8148050	28.09	10	AP8148770	28.09	2
AP8139731	28.13	2	AP8148206	28.13	1	AP8148771	28.09	1
AP8139731	28.13	2	AP8148208	28.20	2	AP8148772	28.14	1
AP8141132	28.34	16	AP8148214	28.09	2	AP8148772	28.14	1
AP8141132	28.34	16	AP8148215	28.09	1	AP8148772	28.14	1
AP8141132	28.34	16	AP8148216	28.14	1	AP8148773	28.15	1
AP8141132	28.34	16	AP8148217	28.15	1	AP8148774	28.16	1
AP8144030	28.02	7	AP8148218	28.16	1	AP8148775	28.17	1
AP8144038	28.32	35	AP8148219	28.17	1	AP8148776	28.19	1
AP8144038	28.33	12	AP8148220	28.19	1	AP8148779	28.21	1
AP8144038	28.34	11	AP8148223	28.21	1	AP8148780	28.13	1
AP8144053	28.49	2	AP8148224	28.13	1	AP8148780	28.13	1
AP8144081	28.10	5	AP8148225	28.20	2	AP8148781	28.20	2
AP8144112	29.36	1	AP8148231	28.09	2	AP8149034	28.21	7
AP8144115	28.30	5	AP8148231	28.09	2	AP8149070	28.09	2
AP8144116	28.30	7	AP8148232	28.09	1	AP8149071	28.09	1
AP8144120	28.30	9	AP8148233	28.14	1	AP8149072	28.14	1
AP8144152	28.02	18	AP8148234	28.15	1	AP8149073	28.15	1
AP8144175	28.18	15	AP8148234	28.15	1	AP8149074	28.16	1
AP8144187	28.31	3	AP8148235	28.16	1	AP8149075	28.17	1
AP8144187	28.32	3	AP8148235	28.16	1	AP8149076	28.19	1
AP8144240	28.12	14	AP8148236	28.17	1	AP8149079	28.21	1
AP8144257	28.16	5	AP8148236	28.17	1	AP8149080	28.13	1
AP8144259	28.08	2	AP8148237	28.19	1	AP8149081	28.20	2
AP8144260	29.38	2	AP8148237	28.19	1	AP8149144	28.11	14
AP8144261	29.39	10	AP8148240	28.21	1	AP8149308	28.44	9
AP8144262	29.39	18	AP8148241	28.13	1	AP8149308	28.44	9
AP8144263	29.39	15	AP8148242	28.20	2	AP8149309	28.32	1
AP8144264	29.39	12	AP8148248	28.09	2	AP8149310	28.09	3
AP8144265	29.37	2	AP8148249	28.09	1	AP8149325	28.19	1
AP8144267	28.25	4	AP8148250	28.14	1	AP8149325	28.19	1
AP8144268	28.25	2	AP8148251	28.15	1	AP8149325	28.19	1
AP8144303	28.32	19	AP8148252	28.16	1	AP8149327	28.17	1
AP8144303	28.32	40	AP8148253	28.17	1	AP8149329	28.17	1
AP8144303	28.35	8	AP8148254	28.19	1	AP8149331	28.17	1
AP8144402	28.26	10	AP8148257	28.21	1	AP8149331	28.17	1
AP8144402	28.26	10	AP8148258	28.13	1	AP8149331	28.17	1
AP8144402	28.26	10	AP8148259	28.20	2	AP8149333	28.17	1
AP8144402	28.26	10	AP8148423	28.14	2	AP8149333	28.17	1
AP8144506	28.30	10	AP8148424	28.14	3	AP8149335	28.17	1
AP8144510	28.18	21	AP8148425	28.20	1	AP8149336	28.22	11
AP8144547	29.40	19	AP8148426	28.22	1	AP8149337	28.22	15
AP8144548	29.40	20	AP8148439	28.22	13	AP8149337	28.22	15
AP8144549	28.26	12	AP8148439	28.22	13	AP8149337	28.22	15
AP8144555	28.26	13	AP8148440	28.22	14	AP8149338	28.22	16
AP8144657	28.35	5	AP8148440	28.22	14	AP8149338	28.22	16
AP8146111	28.07	1	AP8148441	28.22	15	AP8149338	28.22	16
AP8146112	28.02	1	AP8148442	28.22	16	AP8149540	28.14	1
AP8146113	28.07	2	AP8148443	28.22	17	AP8149540	28.14	1
AP8146168	28.01	3	AP8148453	29.40	4	AP8149540	28.14	1
AP8146213	28.02	13	AP8148756	28.09	2	AP8149540	28.14	1
AP8146279	28.01	12	AP8148757	28.09	1	AP8149543	28.17	1
AP8146280	28.01	13	AP8148758	28.14	1	AP8149543	28.17	1
AP8146391	28.01	1	AP8148758	28.14	1	AP8149543	28.17	1
AP8146579	28.01	1	AP8148758	28.14	1	AP8149550	28.13	1
AP8146611	28.01	22	AP8148758	28.14	1	AP8149550	28.13	1
AP8146612	28.01	23	AP8148759	28.15	1	AP8149551	28.20	2
AP8146614	28.10	6	AP8148759	28.15	1	AP8149551	28.20	2
AP8146615	28.10	7	AP8148760	28.16	1	AP8149552	28.21	1
AP8146640	28.01	24	AP8148760	28.16	1	AP8149552	28.21	1
AP8146647	28.01	1	AP8148761	28.17	1	AP8149553	28.14	4

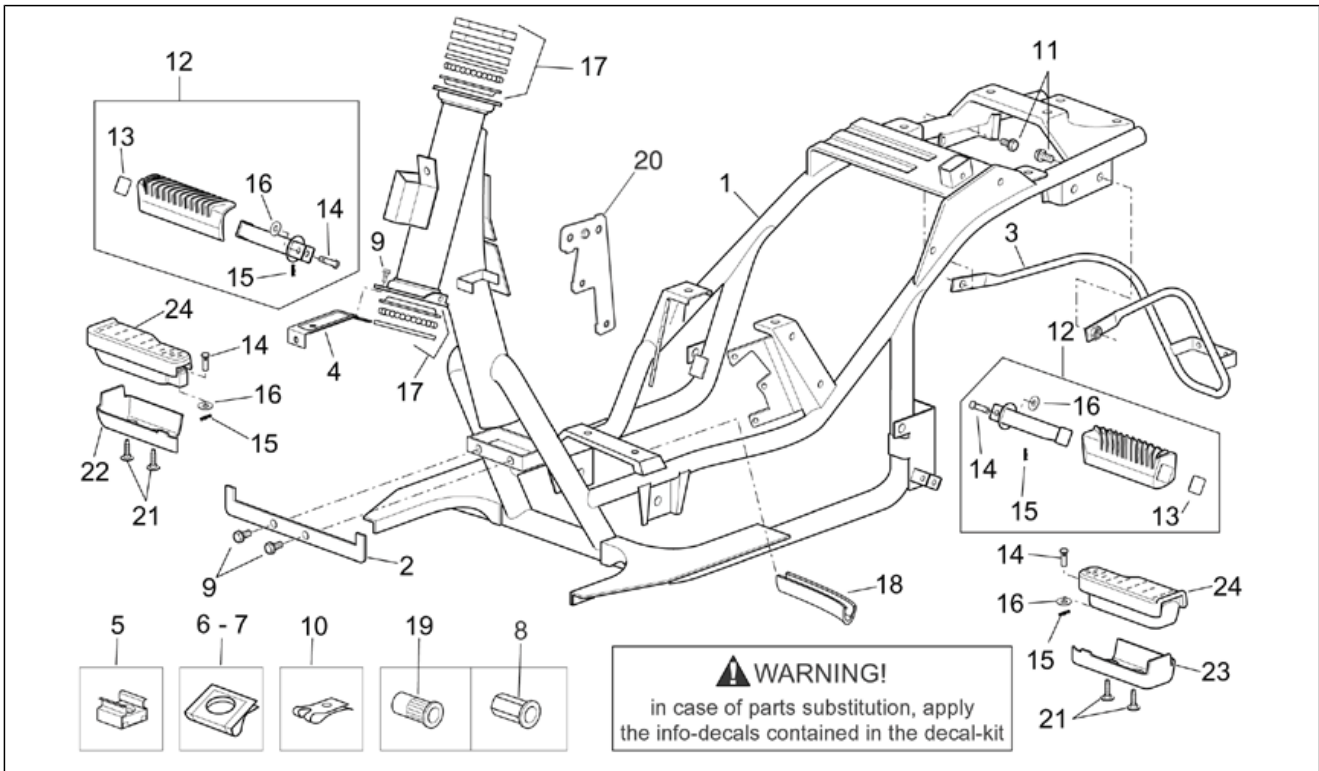
Code	No. table	Pos.	Code	No. table	Pos.	Code	No. table	Pos.
AP8149553	28.14	4	AP8150450	28.14	8	AP8152299	28.23	5
AP8149724	28.33	2	AP8150450	29.40	23	AP8152299	28.29	5
AP8149726	28.09	2	AP8150455	28.07	13	AP8152299	28.31	16
AP8149885	28.09	2	AP8150466	28.02	4	AP8152299	28.32	16
AP8149887	28.09	2	AP8150494	28.08	9	AP8152299	28.48	11
AP8149887	28.09	2	AP8152001	28.02	20	AP8152299	29.40	14
AP8149887	28.09	2	AP8152018	28.07	8	AP8152300	28.24	12
AP8150011	28.14	12	AP8152136	28.22	9	AP8152301	28.02	5
AP8150011	28.14	12	AP8152140	28.19	9	AP8152301	28.07	10
AP8150013	28.18	14	AP8152140	28.50	7	AP8152301	28.26	9
AP8150015	28.26	16	AP8152154	28.24	18	AP8152302	28.09	9
AP8150015	28.30	15	AP8152176	28.07	21	AP8152302	28.14	6
AP8150015	28.31	15	AP8152176	28.08	6	AP8152302	28.17	10
AP8150015	28.32	15	AP8152244	28.44	1	AP8152306	28.31	11
AP8150016	28.02	11	AP8152246	28.24	19	AP8152306	28.32	11
AP8150020	28.26	7	AP8152267	28.10	13	AP8152313	28.01	5
AP8150026	28.26	14	AP8152268	28.27	6	AP8152326	28.02	6
AP8150026	28.49	8	AP8152268	28.28	8	AP8152339	28.01	21
AP8150045	29.40	24	AP8152270	28.09	11	AP8152345	28.09	12
AP8150087	28.41	16	AP8152272	28.30	12	AP8152345	28.12	8
AP8150088	28.26	8	AP8152274	28.20	7	AP8152345	28.16	8
AP8150107	28.43	10	AP8152274	28.21	4	AP8152345	28.17	9
AP8150157	28.24	14	AP8152274	28.48	8	AP8152345	28.20	5
AP8150157	28.26	15	AP8152275	28.49	7	AP8152345	28.21	5
AP8150165	28.28	7	AP8152277	28.01	9	AP8152350	28.41	6
AP8150169	28.24	13	AP8152277	28.18	10	AP8152351	28.13	4
AP8150169	28.41	14	AP8152277	28.50	10	AP8152351	28.16	9
AP8150178	28.01	16	AP8152277	29.36	7	AP8152366	29.38	3
AP8150204	28.14	11	AP8152278	28.12	9	AP8152367	29.38	10
AP8150204	28.14	11	AP8152278	28.18	18	AP8152368	29.38	5
AP8150204	28.31	9	AP8152278	28.19	10	AP8152369	29.39	11
AP8150204	28.32	9	AP8152278	28.29	12	AP8152370	29.39	20
AP8150210	28.07	20	AP8152278	28.29	4	AP8152371	29.39	13
AP8150277	28.26	5	AP8152278	28.30	16	AP8152372	29.39	7
AP8150292	28.08	4	AP8152278	28.48	18	AP8152373	29.37	7
AP8150329	28.08	5	AP8152278	28.50	12	AP8152374	29.38	9
AP8150334	28.41	13	AP8152278	29.40	15	AP8152375	29.37	10
AP8150376	28.11	8	AP8152279	28.11	6	AP8156001	28.12	4
AP8150376	28.41	15	AP8152279	28.48	10	AP8156001	28.12	4
AP8150413	28.09	6	AP8152279	29.40	13	AP8156002	28.12	3
AP8150413	28.10	12	AP8152280	28.31	14	AP8156002	28.12	3
AP8150413	28.15	2	AP8152280	28.32	14	AP8156005	28.12	1
AP8150413	28.17	11	AP8152281	28.02	21	AP8156011	28.12	1
AP8150413	28.18	3	AP8152282	28.22	4	AP8156021	28.12	1
AP8150413	28.21	2	AP8152282	28.23	4	AP8156022	28.12	1
AP8150413	28.33	9	AP8152285	28.01	11	AP8156064	28.12	1
AP8150413	28.34	8	AP8152286	28.02	10	AP8156071	28.12	1
AP8150421	28.09	4	AP8152286	28.24	11	AP8156172	28.12	1
AP8150421	28.13	3	AP8152287	28.18	16	AP8156173	28.12	1
AP8150421	28.16	7	AP8152287	28.45	11	AP8157033	28.51	4
AP8150421	28.17	8	AP8152288	28.10	8	AP8157034	28.51	2
AP8150425	28.18	13	AP8152288	28.22	7	AP8157035	28.51	3
AP8150426	28.12	11	AP8152288	28.23	7	AP8157271	28.51	6
AP8150426	28.15	3	AP8152288	28.41	11	AP8157272	28.51	6
AP8150426	28.18	12	AP8152288	28.42	6	AP8157273	28.51	6
AP8150426	28.33	10	AP8152288	28.44	7	AP8157274	28.51	6
AP8150426	28.34	9	AP8152288	28.45	10	AP8157275	28.51	6
AP8150429	28.24	20	AP8152289	28.03	5	AP8157276	28.51	6
AP8150429	28.49	9	AP8152289	28.11	7	AP8157277	28.51	6
AP8150430	28.22	10	AP8152289	28.12	13	AP8157293	28.51	6
AP8150430	28.29	3	AP8152290	28.24	16	AP8157379	28.51	2
AP8150431	28.26	6	AP8152290	28.41	12	AP8157380	28.51	5
AP8150432	28.07	7	AP8152295	28.02	22	AP8157655	28.51	6
AP8150436	28.08	8	AP8152298	28.10	11	AP8157657	28.51	6
AP8150444	28.09	7	AP8152299	28.02	19	AP8157659	28.51	6
AP8150444	28.14	5	AP8152299	28.19	5	AP8157661	28.51	6
AP8150444	28.25	6	AP8152299	28.22	5	AP8157663	28.51	6

Code	No. table	Pos.	Code	No. table	Pos.	Code	No. table	Pos.
AP8157665	28.51	6	AP8158275	28.17	1	AP8158945	28.10	3
AP8157720	28.51	6	AP8158275	28.17	1	AP8158945	28.10	3
AP8157722	28.51	6	AP8158278	28.22	11	AP8158946	28.10	4
AP8157897	28.51	6	AP8158279	28.22	14	AP8158947	28.10	14
AP8157899	28.51	6	AP8158280	28.22	18	AP8158979	28.25	1
AP8158009	28.09	1	AP8158281	28.22	19	AP8158979	28.25	1
AP8158027	28.09	1	AP8158282	28.13	1	AP8158979	28.25	1
AP8158027	28.09	1	AP8158283	28.20	2	AP8158979	28.25	1
AP8158029	28.09	1	AP8158284	28.21	1	AP8158981	28.09	3
AP8158083	28.15	1	AP8158286	28.09	2	AP8158981	28.09	3
AP8158084	28.16	1	AP8158287	28.09	1	AP8158994	28.15	1
AP8158098	28.33	2	AP8158288	28.14	1	AP8158994	28.15	1
AP8158098	28.33	2	AP8158289	28.17	1	AP8158995	28.16	1
AP8158149	28.22	11	AP8158292	28.22	11	AP8158995	28.16	1
AP8158150	28.22	14	AP8158293	28.22	14	AP8158996	28.16	2
AP8158151	28.22	18	AP8158294	28.22	18	AP8158996	28.16	2
AP8158152	28.22	19	AP8158295	28.22	19	AP8158997	28.14	4
AP8158153	28.22	11	AP8158452	28.14	1	AP8163001	28.03	2
AP8158154	28.22	14	AP8158453	28.14	1	AP8163002	28.03	5
AP8158155	28.22	11	AP8158454	28.14	1	AP8163003	28.05	7
AP8158156	28.22	14	AP8158477	29.40	18	AP8163004	28.05	8
AP8158157	28.22	18	AP8158477	29.40	18	AP8163006	28.05	11
AP8158158	28.22	19	AP8158477	29.40	18	AP8163007	28.05	12
AP8158176	28.25	1	AP8158477	29.40	18	AP8163008	28.05	18
AP8158176	28.25	1	AP8158477	29.40	18	AP8163009	28.05	19
AP8158177	28.09	2	AP8158788	28.34	1	AP8163010	28.03	6
AP8158178	28.09	1	AP8158788	28.34	1	AP8163045	28.08	1
AP8158180	28.14	1	AP8158788	28.34	1	AP8163056	29.38	1
AP8158181	28.17	1	AP8158788	28.34	1	AP8163161	28.03	2
AP8158184	28.22	11	AP8158789	28.34	2	AP8163188	28.08	1
AP8158185	28.13	1	AP8158789	28.34	2	AP8163201	28.46	13
AP8158186	28.20	2	AP8158790	28.34	2	AP8163201	28.46	13
AP8158187	28.21	1	AP8158790	28.34	2	AP8163201	28.46	13
AP8158193	28.09	2	AP8158791	28.34	18	AP8163201	28.46	13
AP8158194	28.09	1	AP8158791	28.34	18	AP8163285	28.06	1
AP8158195	28.14	1	AP8158791	28.34	18	AP8163286	28.06	2
AP8158195	28.14	1	AP8158791	28.34	18	AP8163287	28.06	3
AP8158196	28.17	1	AP8158792	28.18	20	AP8163288	28.06	4
AP8158200	28.22	11	AP8158792	28.18	20	AP8163289	28.06	5
AP8158201	28.22	14	AP8158792	28.18	20	AP8163290	28.06	6
AP8158202	28.22	18	AP8158914	28.13	5	AP8163291	28.06	7
AP8158203	28.22	19	AP8158914	28.13	5	AP8163292	28.06	8
AP8158204	28.13	1	AP8158914	28.13	5	AP8163293	28.06	9
AP8158205	28.20	2	AP8158914	28.13	5	AP8163294	28.06	10
AP8158206	28.21	1	AP8158915	28.13	6	AP8163295	28.06	11
AP8158242	28.14	1	AP8158915	28.13	6	AP8163296	28.06	12
AP8158244	28.09	2	AP8158915	28.13	6	AP8163297	28.06	13
AP8158245	28.09	1	AP8158915	28.13	6	AP8163298	28.06	14
AP8158246	28.14	1	AP8158918	28.14	2	AP8163299	28.06	15
AP8158250	28.22	11	AP8158918	28.14	2	AP8163300	28.06	16
AP8158251	28.13	1	AP8158919	28.14	3	AP8163301	28.06	17
AP8158252	28.20	2	AP8158919	28.14	3	AP8163302	28.06	18
AP8158253	28.21	1	AP8158921	28.17	2	AP8163303	28.03	3
AP8158261	28.14	1	AP8158921	28.17	2	AP8163303	28.06	19
AP8158262	28.14	1	AP8158922	28.20	1	AP8163304	28.03	4
AP8158263	28.14	1	AP8158923	28.17	3	AP8163304	28.06	20
AP8158264	28.22	14	AP8158923	28.17	3	AP8163305	28.06	21
AP8158265	28.22	18	AP8158924	28.17	4	AP8166337	28.51	6
AP8158266	28.22	19	AP8158924	28.17	4	AP8166408	28.51	6
AP8158267	28.22	14	AP8158925	28.17	5	AP8167052	28.51	2
AP8158268	28.13	1	AP8158926	28.17	6	AP8167127	28.04	19
AP8158269	28.20	2	AP8158927	28.23	2	AP8167127	28.05	20
AP8158270	28.21	1	AP8158928	28.23	1	AP8167127	28.06	22
AP8158272	28.09	2	AP8158929	28.23	10	AP8167283	28.51	6
AP8158273	28.09	1	AP8158929	28.23	10	AP8167393	28.51	2
AP8158274	28.14	1	AP8158944	28.10	2	AP8167450	28.51	6
AP8158274	28.14	1	AP8158944	28.10	2	AP8167451	28.51	6

Code	No. table	Pos.	Code	No. table	Pos.	Code	No. table	Pos.
AP8167452	28.51	6	AP8168196	28.21	1	AP8178045	28.17	15
AP8167563	28.51	6	AP8168199	28.10	2	AP8178045	28.17	5
AP8167563	28.51	6	AP8168200	28.10	3	AP8178045	28.17	6
AP8167564	28.51	6	AP8168201	28.13	1	AP8178646	28.18	20
AP8167565	28.51	6	AP8168202	28.20	2	AP8178701	28.09	1
AP8167565	28.51	6	AP8168204	28.14	1	AP8178703	28.15	1
AP8167566	28.51	6	AP8168205	28.17	1	AP8178704	28.16	1
AP8167567	28.51	6	AP8168207	28.21	1	AP8178707	28.17	1
AP8167568	28.51	6	AP8168209	28.10	2	AP8178708	28.20	2
AP8168015	28.10	1	AP8168210	28.10	3	AP8178721	28.17	14
AP8168018	28.23	10	AP8168211	28.13	1	AP8178737	28.09	2
AP8168021	28.15	1	AP8168212	28.20	2	AP8178740	28.09	2
AP8168022	28.16	1	AP8168213	29.40	18	AP8178741	28.09	1
AP8168024	28.23	10	AP8168264	28.23	10	AP8178743	28.15	1
AP8168031	28.09	2	AP8168265	28.23	10	AP8178744	28.16	1
AP8168032	28.09	1	AP8168745	28.13	1	AP8178745	28.20	2
AP8168033	28.14	1	AP8168747	28.09	1	AP8178836	28.14	1
AP8168034	28.15	1	AP8168748	28.14	1	AP8178837	28.13	1
AP8168035	28.16	1	AP8168749	28.15	1	AP8178838	28.21	1
AP8168036	28.17	1	AP8168750	28.16	1	AP8178839	28.23	10
AP8168038	28.21	1	AP8168751	28.17	1	AP8178840	28.13	1
AP8168039	28.23	10	AP8168752	28.20	2	AP8178841	28.14	1
AP8168040	28.13	1	AP8168753	28.21	1	AP8178842	28.21	1
AP8168041	28.20	2	AP8168754	28.23	10	AP8178843	28.23	10
AP8168045	29.40	4	AP8168757	28.10	2	AP8178917	28.25	1
AP8168079	28.24	2	AP8168758	28.10	3	AP8201169	29.40	7
AP8168081	28.24	2	AP8168784	28.09	2	AP8201409	29.40	9
AP8168086	28.25	1	AP8168821	28.13	1	AP8201463	28.30	2
AP8168086	28.25	1	AP8168822	28.09	2	AP8201546	28.42	14
AP8168088	28.09	1	AP8168823	28.09	1	AP8201546	28.44	4
AP8168088	28.09	1	AP8168824	28.14	1	AP8201643	28.01	15
AP8168090	28.21	1	AP8168825	28.15	1	AP8201643	28.19	6
AP8168090	28.21	1	AP8168826	28.16	1	AP8201757	28.31	4
AP8168092	28.13	1	AP8168828	28.20	2	AP8201757	28.32	4
AP8168092	28.13	1	AP8168829	28.21	1	AP8201763	28.01	10
AP8168095	28.09	2	AP8168830	28.23	10	AP8201763	28.12	7
AP8168095	28.09	2	AP8168833	28.10	2	AP8201763	28.15	4
AP8168095	28.09	2	AP8168834	28.10	3	AP8201763	28.17	7
AP8168095	28.09	2	AP8168877	28.17	15	AP8201763	28.18	19
AP8168096	28.09	1	AP8168878	28.20	1	AP8201763	28.21	3
AP8168097	28.14	1	AP8168878	28.20	1	AP8201764	28.26	4
AP8168098	28.15	1	AP8168880	28.17	13	AP8201808	28.45	8
AP8168099	28.16	1	AP8168880	28.17	13	AP8201855	28.24	5
AP8168101	28.21	1	AP8168881	28.17	1	AP8202154	28.32	40
AP8168103	28.10	2	AP8168947	28.17	14	AP8202209	28.29	1
AP8168104	28.10	3	AP8168947	28.17	14	AP8203258	28.05	13
AP8168105	28.13	1	AP8176107	29.40	5	AP8203447	28.05	17
AP8168106	28.20	2	AP8177047	28.51	2	AP8203520	28.07	5
AP8168116	28.18	1	AP8177052	28.51	6	AP8203570	28.05	3
AP8168116	28.33	3	AP8177093	28.51	6	AP8203572	28.05	4
AP8168121	28.24	2	AP8177096	28.51	6	AP8203794	28.04	16
AP8168125	28.23	10	AP8177165	28.51	4	AP8203796	28.04	18
AP8168126	28.23	10	AP8177166	28.51	4	AP8203950	28.05	5
AP8168127	28.23	10	AP8177172	28.51	6	AP8206233	28.07	15
AP8168128	28.24	1	AP8177176	28.51	6	AP8212406	28.25	5
AP8168129	28.24	1	AP8177177	28.51	6	AP8212407	28.25	8
AP8168130	28.24	1	AP8177178	28.51	6	AP8212407	28.25	8
AP8168165	28.23	10	AP8177179	28.51	6	AP8212408	28.25	9
AP8168188	28.13	5	AP8177193	28.51	10	AP8212408	28.25	9
AP8168188	28.13	5	AP8177194	28.51	9	AP8213108	28.43	4
AP8168189	28.13	6	AP8177195	28.51	8	AP8213298	28.27	11
AP8168189	28.13	6	AP8177560	28.51	6	AP8213298	28.28	13
AP8168190	28.09	1	AP8177561	28.51	6	AP8213299	28.27	13
AP8168191	28.14	1	AP8177570	28.51	6	AP8220177	28.25	13
AP8168192	28.15	1	AP8177571	28.51	6	AP8220263	28.32	31
AP8168193	28.16	1	AP8177572	28.51	6	AP8220263	28.35	9
AP8168194	28.17	1	AP8177573	28.51	6	AP8220263	28.48	4

Code	No. table	Pos.	Code	No. table	Pos.
AP8220349	28.19	7	AP8720117	30.69	3
AP8220357	28.41	4	AP8720118	30.69	4
AP8220370	28.18	4	AP8790114	28.24	6
AP8220402	28.31	21	AP8790114	30.66	4
AP8220402	28.32	21	AP8790231	30.66	1
AP8220450	28.30	10	AP8790232	30.66	2
AP8220471	28.20	6	AP8790233	30.66	3
AP8220590	28.01	18	AP8790234	30.66	1
AP8220619	28.07	9	AP8790235	30.66	2
AP8221023	28.19	8	AP8790236	30.66	3
AP8221128	28.18	17	AP8790237	30.66	1
AP8221160	28.07	6	AP8790238	30.66	2
AP8221204	28.02	8	AP8790239	30.66	3
AP8224209	28.46	19	AP8790262	30.66	1
AP8224342	28.04	20	AP8790263	30.66	2
AP8224342	28.05	21	AP8790264	30.66	3
AP8224342	28.06	23	AP8790265	30.66	1
AP8224389	28.47	16	AP8790266	30.66	2
AP8224390	28.46	25	AP8790267	30.66	3
AP8224390	28.47	18	AP8791071	30.65	2
AP8224393	28.46	24	AP8791072	28.11	1
AP8224393	28.47	17	AP8791072	30.65	3
AP8225280	28.42	10	AP8791077	30.65	4
AP8238856	28.18	2	AP8791078	30.65	5
AP8700113	28.11	12	AP8791081	30.65	6
AP8700114	28.11	9	AP8791208	30.68	2
AP8700115	28.11	11	AP8791254	30.65	1
AP8700116	28.11	13	AP8792102	30.66	1
AP8700172	28.24	17	AP8792103	30.66	1
AP8700792	30.68	5	AP8792104	30.66	1
AP8700793	30.68	5	AP8792105	30.66	1
AP8700794	30.68	5	AP8792117	28.24	3
AP8700868	28.23	14	AP8792131	30.66	1
AP8701044	28.11	5	AP8792133	30.66	1
AP8701045	28.11	2	AP8792170	30.66	5
AP8701046	28.11	4	AP8792171	28.23	12
AP8701047	28.11	3	AP8792171	30.66	5
AP8701143	30.68	4	AP8792213	30.66	1
AP8701232	30.67	5	AP8792214	30.66	2
AP8701233	30.67	5	AP8792215	30.66	3
AP8701234	30.67	5	AP8792216	30.66	1
AP8701235	30.67	5	AP8792217	30.66	2
AP8701236	30.67	5	AP8792218	30.66	3
AP8701237	30.67	5	AP8792219	30.66	1
AP8701238	30.67	5	AP8792220	30.66	2
AP8701239	30.67	5	AP8792221	30.66	3
AP8701240	30.67	5	AP8792222	30.66	1
AP8701241	30.67	5	AP8792269	30.66	1
AP8701242	30.67	5	AP8792270	30.66	2
AP8701243	30.67	5	AP8792271	30.66	3
AP8701244	30.67	5	AP8792272	30.66	1
AP8701245	30.67	5	AP8792273	30.66	2
AP8702096	28.24	4	AP8792274	30.66	3
AP8702100	28.23	9	AP8792276	30.66	2
AP8702101	28.23	8	AP8792278	30.66	1
AP8702105	28.24	8	AP8792279	30.66	2
AP8702106	28.24	15	AP8792280	30.66	3
AP8702107	28.24	10	AP8794032	30.67	1
AP8702108	28.24	7	AP8794036	30.67	2
AP8702109	28.24	9	AP8794038	30.67	3
AP8703052	30.66	6	AP8794039	30.67	4
AP8703054	30.66	6	AP8795023	30.68	1
AP8706057	28.11	10	AP8796617	30.68	3
AP8706087	28.23	13	AP8797170	30.67	6
AP8706225	28.23	15	CM151701	29.37	8
AP8720115	30.69	1			
AP8720116	30.69	2			

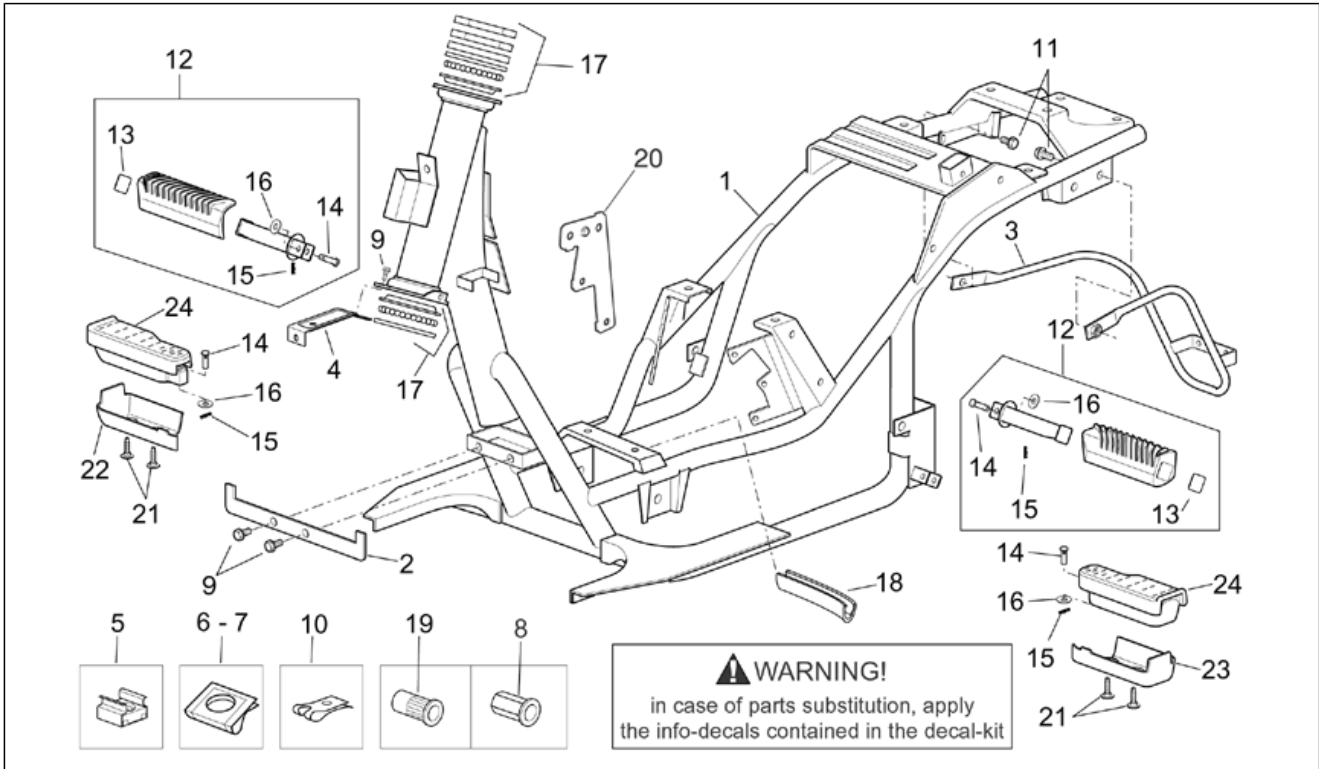
<b>Group</b>	FRAME
<b>Code</b>	28.01
<b>Description</b>	Frame
<b>Service</b>	1



Pos.	Code	Description	Qty	Variants
1	AP8146391	Frame with electro-coating	1	<b>Country:</b> United States of America[USA]
1	AP8146579	Frame with electro-coating	1	<b>Year:</b> 2004[4] <b>Country:</b> USA (California Approval)[CF], USA (California Approval)[CZ]
1	AP8146647	Frame with electro-coating	1	<b>Country:</b> Austria[A], Switzerland[CH], Germany[D], Spain[E], France[F], Greece[GR], Italy[I], Israel[IL], Japan[J], Portugal[P], Great Britain[UK]
2	AP8134484	Front shield connect.	1	
3	AP8146168	Rear bow	1	
4	AP8134527	Front shield support	1	<b>Technical Specifications:</b> 125 cc version[125], 150 cc version[150]
4	AP8134754	Front shield support	1	<b>Technical Specifications:</b> 200 cc version[200]
5	AP8152313	Captive nut M6	1	
6	AP8102376	Clip M6	7	
7	AP8102375	Clip	10	
8	AP8102902	Hex threaded insert	1	
9	AP8152277	Screw w/ flange	3	
10	AP8201763	Screw clip D5,5*	8	
11	AP8152285	Screw w/ flange	2	
12	AP8146279	Rear footrests, pair	1	
13	AP8146280	Footrest plate	2	
14	AP8135677	Footrest pin	2	
15	AP8201643	Split pin	2	
16	AP8150178	Washer 6,4x12,5*	2	
17	AP8123794	Ball ring set, complete	1	
18	AP8220590	Gasket	1	
19	AP8102544	Threaded rivet M6	2	<b>Country:</b> USA (California Approval)[CF], USA (California Approval)[CZ], United States of America[USA]
20	AP8134697	Cock support clamp	1	<b>Country:</b> USA (California Approval)[CF], USA (California Approval)[CZ], United States of America[USA]

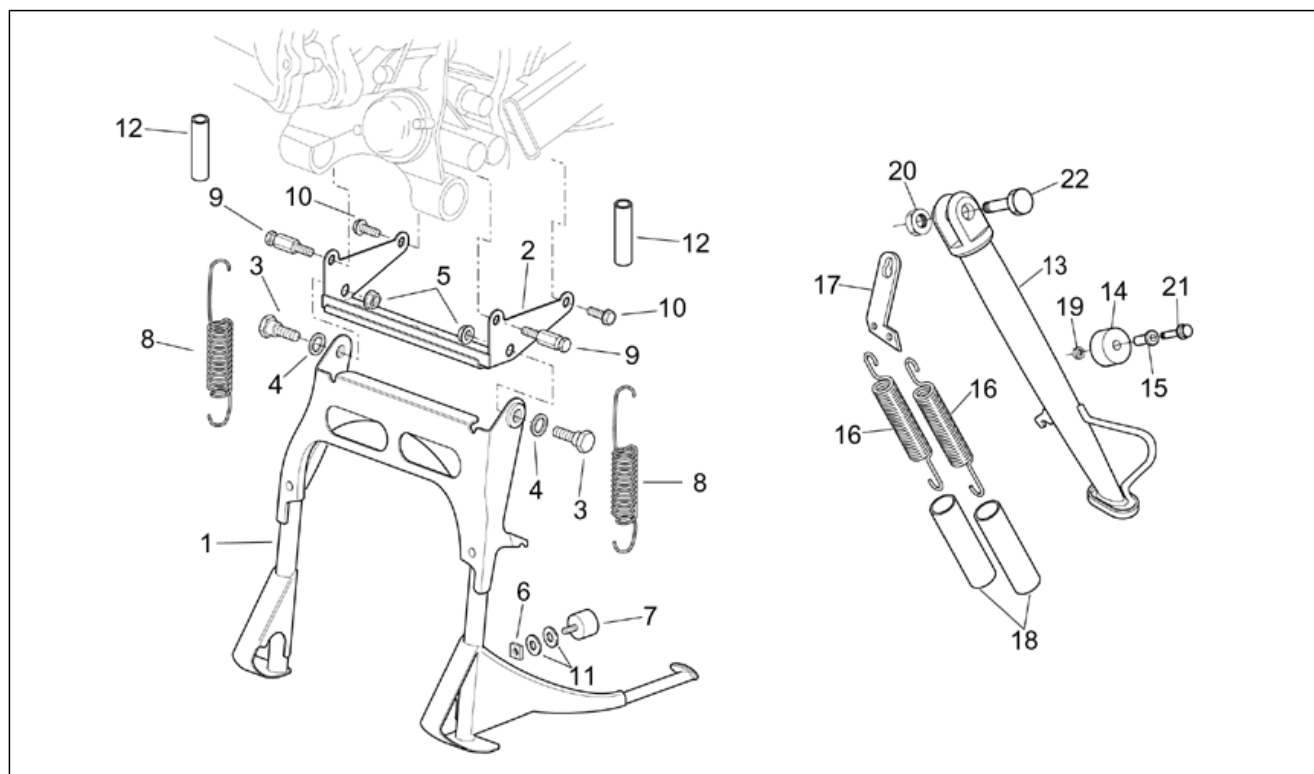


<b>Group</b>	FRAME
<b>Code</b>	28.01
<b>Description</b>	Frame
<b>Service</b>	1



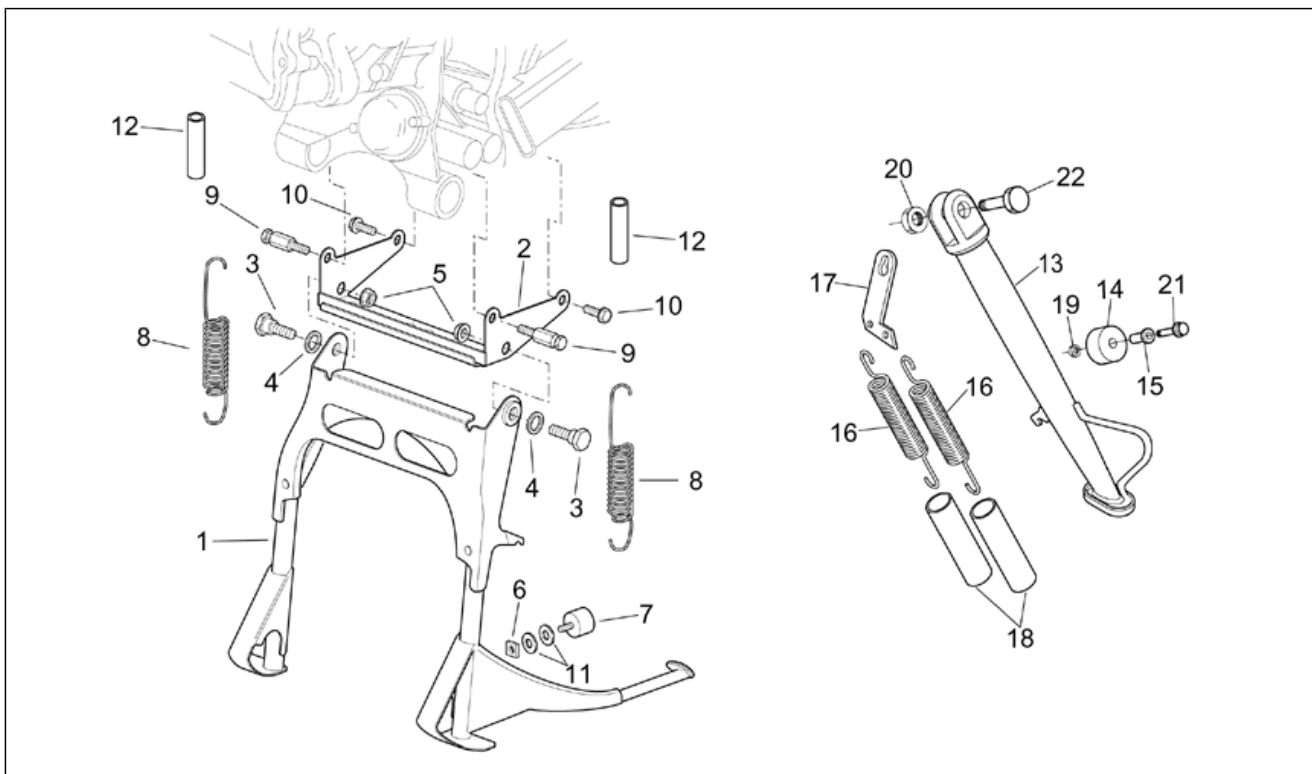
Pos.	Code	Description	Qty	Variants
21	AP8152339	Screw w/ flange	4	
22	AP8146611	RH rear footrests cover	1	
23	AP8146612	LH cover rear footrest	1	
24	AP8146640	Rear footrests, pair	1	

<b>Group</b>	FRAME
<b>Code</b>	28.02
<b>Description</b>	Central stand
<b>Service</b>	1



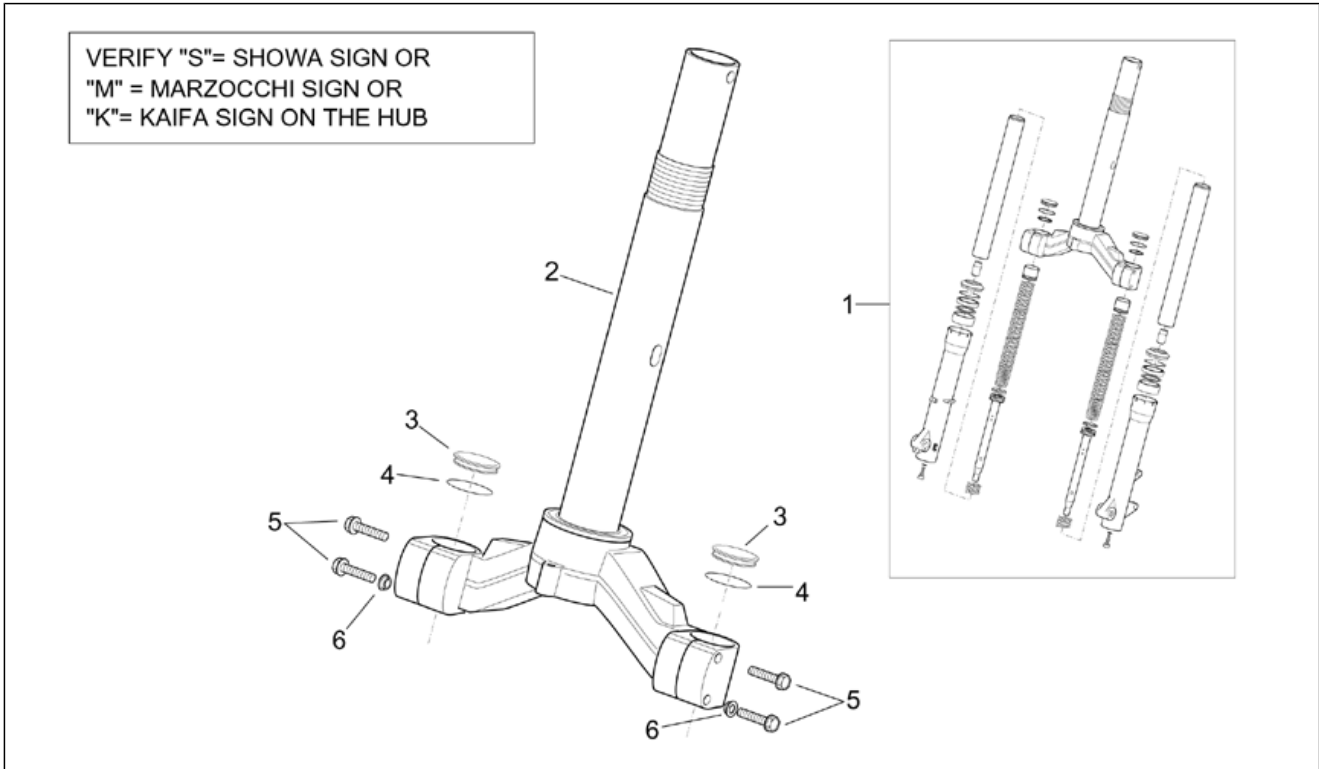
Pos.	Code	Description	Qty	Variants
1	AP8146112	Central stand	1	Year:2001[1], 1999[X], 2000[Y]
1	AP8146693	Central stand	1	Year:2002[2], 2003[3]
1	AP8146693	Central stand	1	Year:2004[4] Country:USA (California Approval)[CF], USA (California Approval)[CZ]
2	AP8134321	Central stand plate	1	
3	AP8121932	Central stand fixing screw	2	
4	AP8150466	Belleville spring	2	
5	AP8152301	Self-locking nut	2	
6	AP8102376	Clip M6	1	Year:2002[2], 2003[3]
6	AP8102376	Clip M6	1	Year:2004[4] Country:USA (California Approval)[CF], USA (California Approval)[CZ]
6	AP8152326	Nut M6	1	Year:2001[1], 1999[X], 2000[Y]
7	AP8144030	Stand end stop	1	
8	AP8221204	Lateral stand spring	2	
9	AP8121937	Spring coupling screw	2	
10	AP8152286	Screw w/ flange M8x20	2	
11	AP8150016	Washer 6,6x18x1,6	2	
12	AP8120855	Central stand spring prot.	2	
13	AP8146213	Lateral stand	1	
14	AP8120338	Lateral stand roller	1	
15	AP8121012	Spacer	1	
16	AP8121014	Coil pull spring *	2	
17	AP8121876	Spring fixing plate	1	
18	AP8144152	Rubber spacer	2	
19	AP8152299	Self-locking nut	1	
20	AP8152001	Low nut M10x1,25*	1	
21	AP8152281	Screw w/ flange	1	

<b>Group</b>	FRAME
<b>Code</b>	28.02
<b>Description</b>	Central stand
<b>Service</b>	1



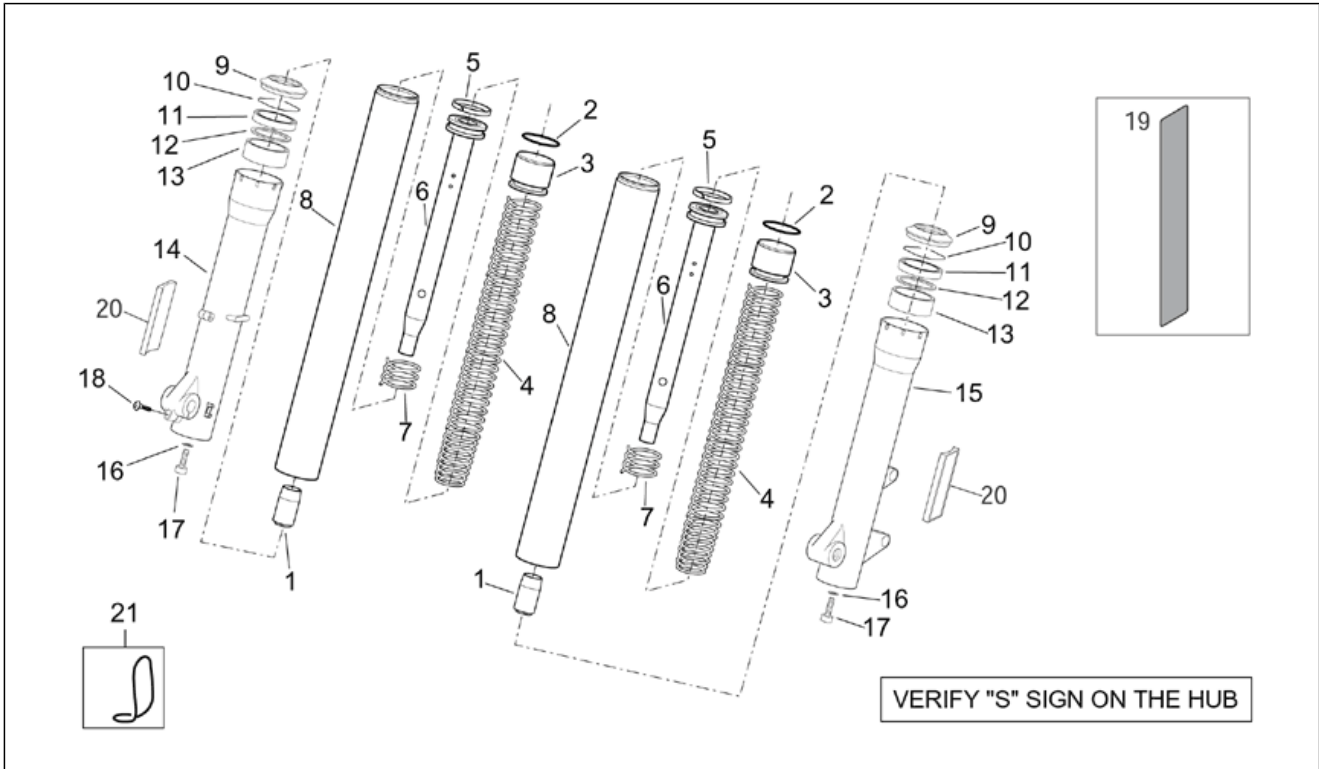
Pos.	Code	Description	Qty	Variants
22	AP8152295	Lateral stand screw	1	

<b>Group</b>	FRAME
<b>Code</b>	28.03
<b>Description</b>	Front fork - Stem base
<b>Service</b>	1



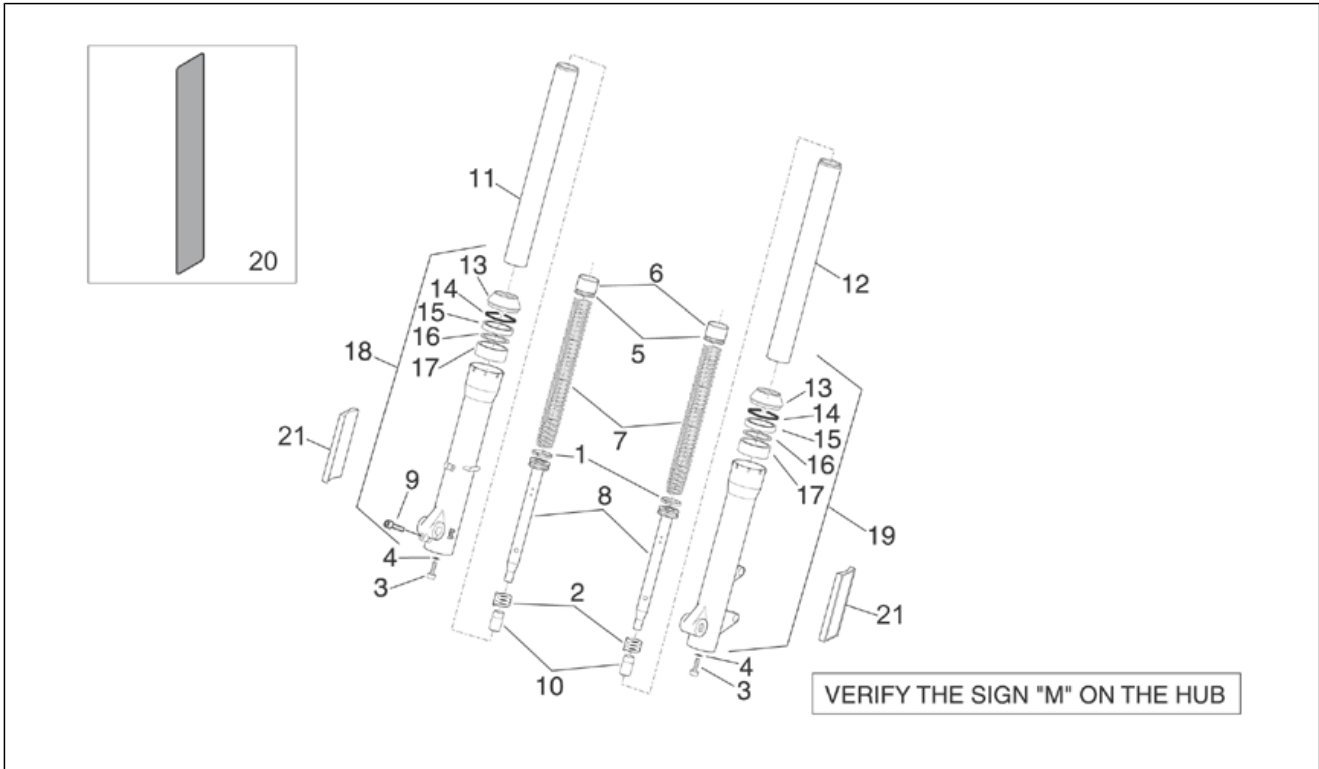
Pos.	Code	Description	Qty	Variants
1	AP8123793	Front fork	1	<b>Technical Specifications:</b> Fork with letter M on hub[M]
1	AP8123793	Front fork	1	<b>Technical Specifications:</b> Fork with letter K on hub[K]
1	AP8123793	Front fork	1	<b>Technical Specifications:</b> Fork with letter S on hub[S]
2	AP8123904	Stem base	1	<b>Technical Specifications:</b> Fork with letter S on hub[S]
2	AP8163001	Stem base	1	<b>Technical Specifications:</b> Fork with letter M on hub[M]
2	AP8163161	Stem base	1	<b>Technical Specifications:</b> Fork with letter K on hub[K]
3	AP8123696	Plug	2	<b>Technical Specifications:</b> Fork with letter M on hub[M]
3	AP8123759	Plug	2	<b>Technical Specifications:</b> Fork with letter S on hub[S]
3	AP8163303	Plug	2	<b>Technical Specifications:</b> Fork with letter K on hub[K]
4	AP8123695	O-ring	2	<b>Technical Specifications:</b> Fork with letter M on hub[M]
4	AP8123756	Stop ring	2	<b>Technical Specifications:</b> Fork with letter S on hub[S]
4	AP8163304	Stop ring	2	<b>Technical Specifications:</b> Fork with letter K on hub[K]
5	AP8152289	Screw w/ flange	4	<b>Technical Specifications:</b> Fork with letter K on hub[K], Fork with letter S on hub[S]
5	AP8163002	Screw w/ flange	4	<b>Technical Specifications:</b> Fork with letter M on hub[M]
6	AP8121096	T bush 8,2x12x4	2	<b>Technical Specifications:</b> Fork with letter K on hub[K], Fork with letter S on hub[S]
6	AP8163010	Disc cover bush	2	<b>Technical Specifications:</b> Fork with letter M on hub[M]

<b>Group</b>	FRAME
<b>Code</b>	28.04
<b>Description</b>	Showa front fork - Hubs, sleeves
<b>Service</b>	1



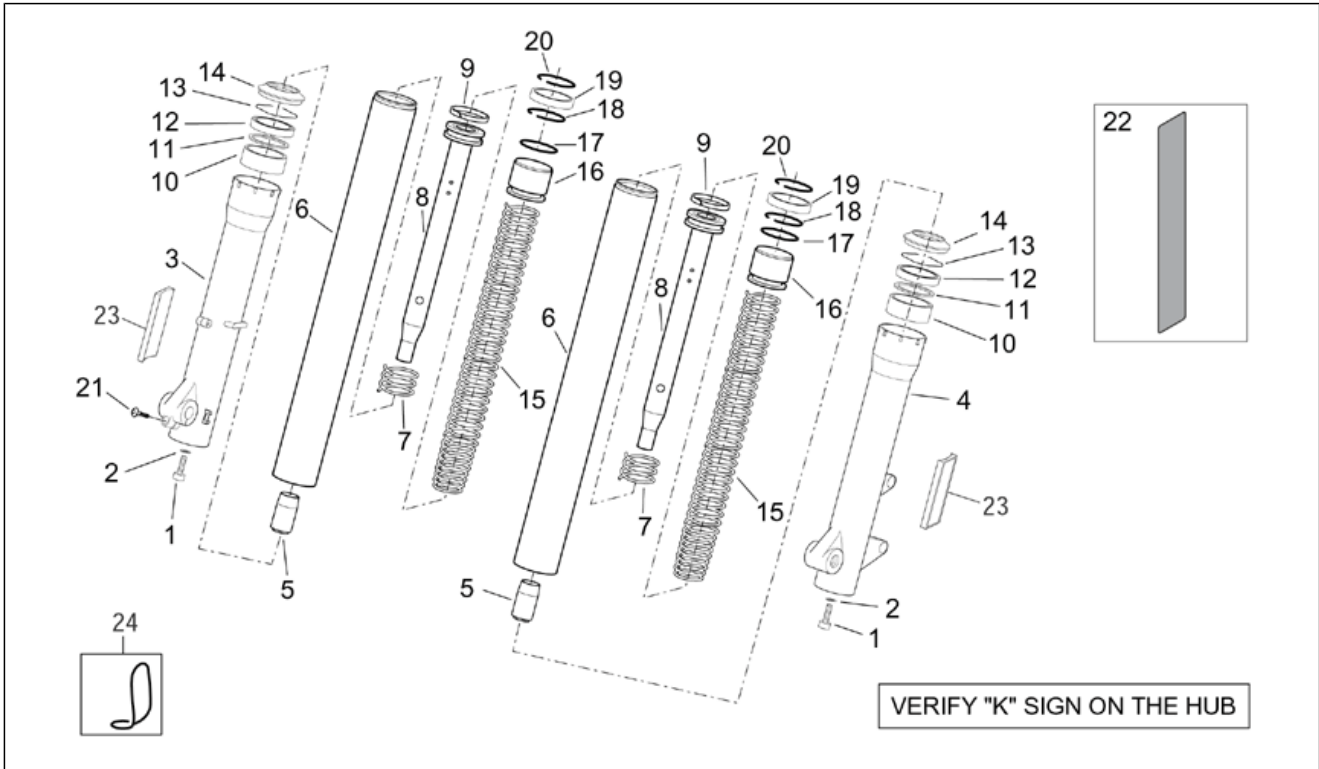
Pos.	Code	Description	Qty	Variants
1	AP8123765	Stroke limit stop	2	<b>Technical Specifications:</b> Fork with letter S on hub[S]
2	AP8123775	O-ring	2	<b>Technical Specifications:</b> Fork with letter S on hub[S]
3	AP8123761	Plug	2	<b>Technical Specifications:</b> Fork with letter S on hub[S]
4	AP8123905	Spring	2	<b>Technical Specifications:</b> Fork with letter S on hub[S]
5	AP8123776	Ring	2	<b>Technical Specifications:</b> Fork with letter S on hub[S]
6	AP8123906	Shock absorber	2	<b>Technical Specifications:</b> Fork with letter S on hub[S]
7	AP8123764	Spring	2	<b>Technical Specifications:</b> Fork with letter S on hub[S]
8	AP8123907	Sleeve	2	<b>Technical Specifications:</b> Fork with letter S on hub[S]
9	AP8123767	Dust cover	2	<b>Technical Specifications:</b> Fork with letter S on hub[S]
10	AP8123921	Stop ring	2	<b>Technical Specifications:</b> Fork with letter S on hub[S]
11	AP8123769	Oil seal	2	<b>Technical Specifications:</b> Fork with letter S on hub[S]
12	AP8123909	Oil seal washer	2	<b>Technical Specifications:</b> Fork with letter S on hub[S]
13	AP8123910	Bush	2	<b>Technical Specifications:</b> Fork with letter S on hub[S]
14	AP8123911	RH sleeve	1	<b>Technical Specifications:</b> Fork with letter S on hub[S]
15	AP8123912	LH sleeve	1	<b>Technical Specifications:</b> Fork with letter S on hub[S]
16	AP8203794	Washer	2	<b>Technical Specifications:</b> Fork with letter S on hub[S]
17	AP8123774	Screw M8x30	2	<b>Technical Specifications:</b> Fork with letter S on hub[S]
18	AP8203796	Screw M6x20	1	<b>Technical Specifications:</b> Fork with letter S on hub[S]
19	AP8167127	Guard decal	1	
20	AP8224342	Reflector	2	
21	AP8121856	Cable-guide	1	

<b>Group</b>	FRAME
<b>Code</b>	28.05
<b>Description</b>	Marzocchi front fork - Hubs, sleeves
<b>Service</b>	1



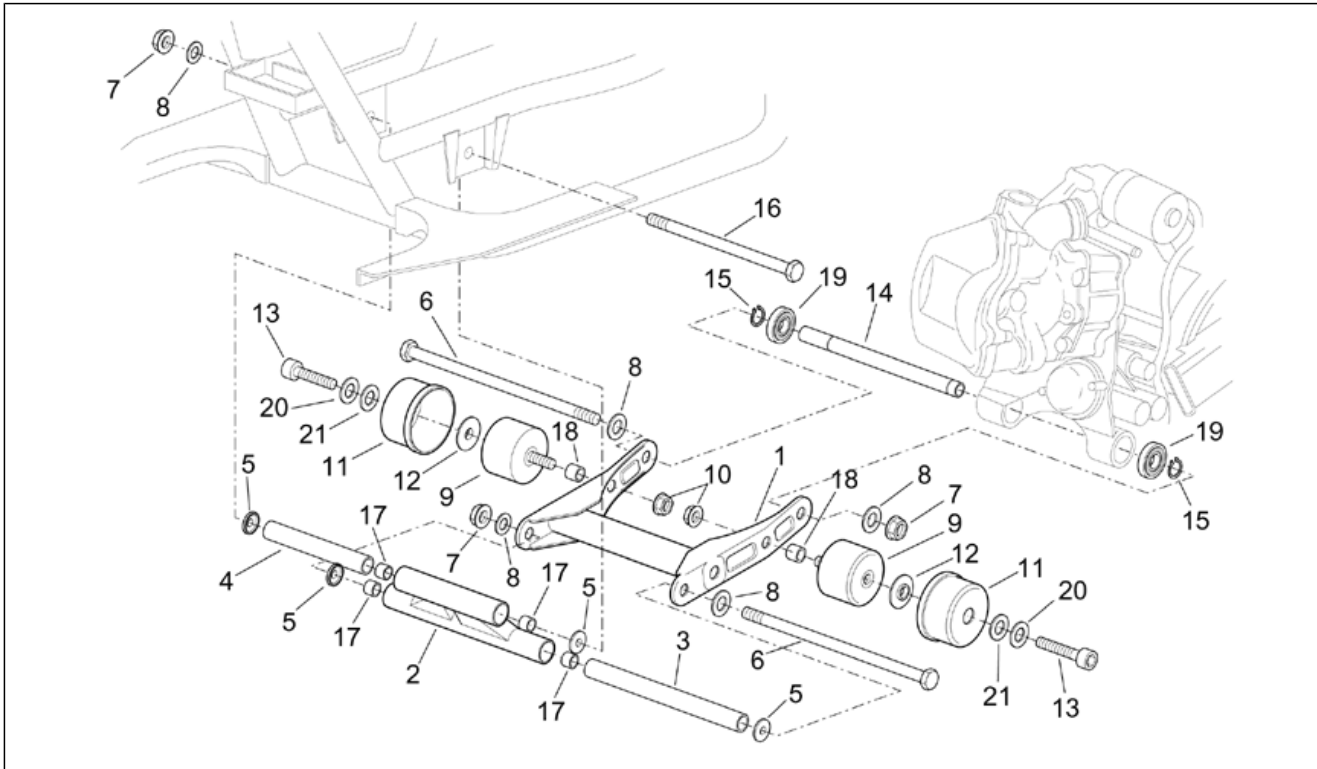
Pos.	Code	Description	Qty	Variants
1	AP8123754	Ring	2	<b>Technical Specifications:</b> Fork with letter M on hub[M]
2	AP8123708	Return spring	2	<b>Technical Specifications:</b> Fork with letter M on hub[M]
3	AP8203570	Screw M8x30	2	<b>Technical Specifications:</b> Fork with letter M on hub[M]
4	AP8203572	Seal washer	2	<b>Technical Specifications:</b> Fork with letter M on hub[M]
5	AP8203950	Circlip	2	<b>Technical Specifications:</b> Fork with letter M on hub[M]
6	AP8123698	Plug cpl.	2	<b>Technical Specifications:</b> Fork with letter M on hub[M]
7	AP8163003	Spring	2	<b>Technical Specifications:</b> Fork with letter M on hub[M]
8	AP8163004	Shock absorber	2	<b>Technical Specifications:</b> Fork with letter M on hub[M]
9	AP8123920	Screw	1	<b>Technical Specifications:</b> Fork with letter M on hub[M]
10	AP8123701	Stroke limit stop	2	<b>Technical Specifications:</b> Fork with letter M on hub[M]
11	AP8163006	RH hub	1	<b>Technical Specifications:</b> Fork with letter M on hub[M]
12	AP8163007	LH hub	1	<b>Technical Specifications:</b> Fork with letter M on hub[M]
13	AP8203258	Dust cover	2	<b>Technical Specifications:</b> Fork with letter M on hub[M]
14	AP8123704	Stop ring	2	<b>Technical Specifications:</b> Fork with letter M on hub[M]
15	AP8103392	Gasket ring	2	<b>Technical Specifications:</b> Fork with letter M on hub[M]
16	AP8123705	Cup	2	<b>Technical Specifications:</b> Fork with letter M on hub[M]
17	AP8203447	Bush	2	<b>Technical Specifications:</b> Fork with letter M on hub[M]
18	AP8163008	RH sleeve	1	<b>Technical Specifications:</b> Fork with letter M on hub[M]
19	AP8163009	LH sleeve	1	<b>Technical Specifications:</b> Fork with letter M on hub[M]
20	AP8167127	Guard decal	1	
21	AP8224342	Reflector	2	

<b>Group</b>	FRAME
<b>Code</b>	28.06
<b>Description</b>	Kaifa front fork - Hubs, sleeves
<b>Service</b>	1



Pos.	Code	Description	Qty	Variants
1	AP8163285	Screw M10x30	2	<b>Technical Specifications:</b> Fork with letter K on hub[K]
2	AP8163286	Washer	2	<b>Technical Specifications:</b> Fork with letter K on hub[K]
3	AP8163287	RH sleeve	1	<b>Technical Specifications:</b> Fork with letter K on hub[K]
4	AP8163288	LH sleeve	1	<b>Technical Specifications:</b> Fork with letter K on hub[K]
5	AP8163289	Stroke limit stop	2	<b>Technical Specifications:</b> Fork with letter K on hub[K]
6	AP8163290	Sleeve	2	<b>Technical Specifications:</b> Fork with letter K on hub[K]
7	AP8163291	Return spring	2	<b>Technical Specifications:</b> Fork with letter K on hub[K]
8	AP8163292	Shock absorber	2	<b>Technical Specifications:</b> Fork with letter K on hub[K]
9	AP8163293	Ring	2	<b>Technical Specifications:</b> Fork with letter K on hub[K]
10	AP8163294	Bush	2	<b>Technical Specifications:</b> Fork with letter K on hub[K]
11	AP8163295	Oil seal washer	2	<b>Technical Specifications:</b> Fork with letter K on hub[K]
12	AP8163296	Oil seal	2	<b>Technical Specifications:</b> Fork with letter K on hub[K]
13	AP8163297	Stop ring	2	<b>Technical Specifications:</b> Fork with letter K on hub[K]
14	AP8163298	Dust cover	2	<b>Technical Specifications:</b> Fork with letter K on hub[K]
15	AP8163299	Spring	2	<b>Technical Specifications:</b> Fork with letter K on hub[K]
16	AP8163300	Plug	2	<b>Technical Specifications:</b> Fork with letter K on hub[K]
17	AP8163301	O-ring	2	<b>Technical Specifications:</b> Fork with letter K on hub[K]
18	AP8163302	Stop ring	2	<b>Technical Specifications:</b> Fork with letter K on hub[K]
19	AP8163303	Plug	2	<b>Technical Specifications:</b> Fork with letter K on hub[K]
20	AP8163304	Stop ring	2	<b>Technical Specifications:</b> Fork with letter K on hub[K]
21	AP8163305	Screw	1	<b>Technical Specifications:</b> Fork with letter K on hub[K]
22	AP8167127	Guard decal	1	
23	AP8224342	Reflector	2	
24	AP8121856	Cable-guide	1	

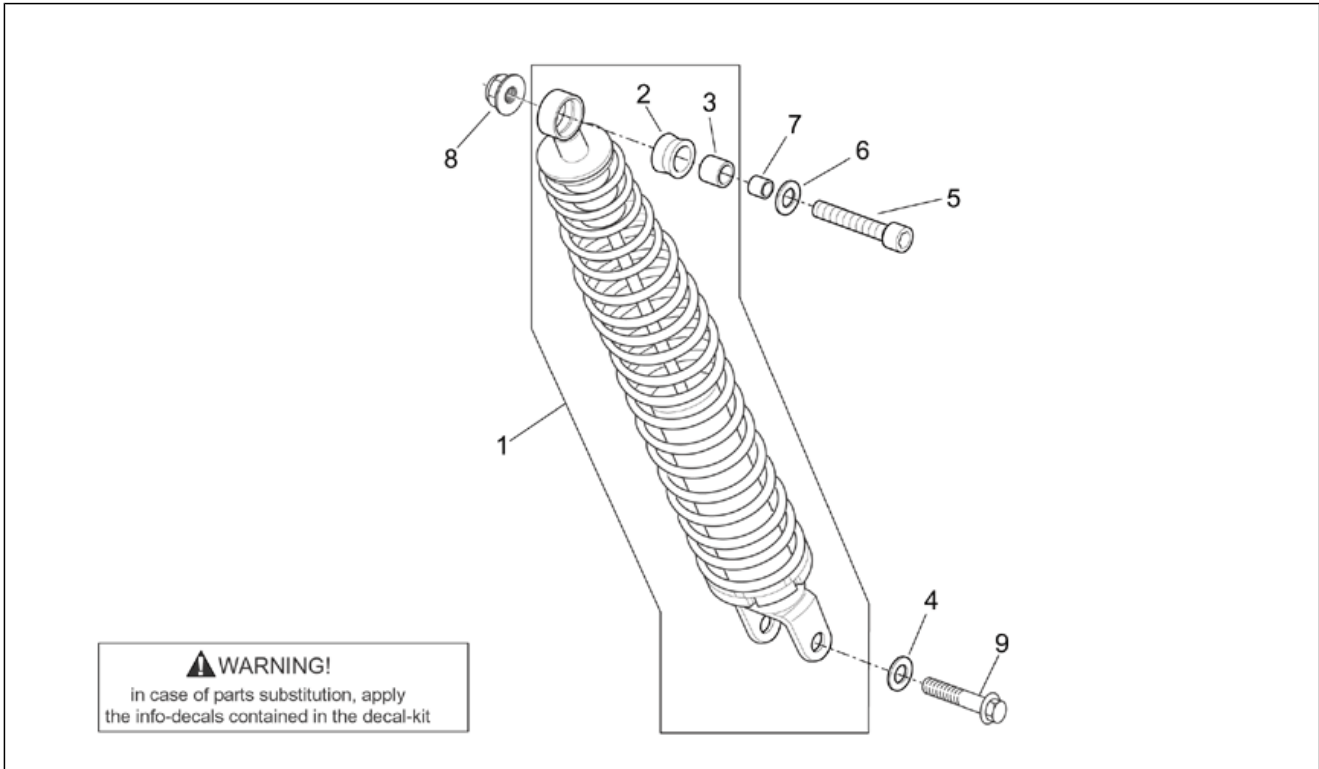
<b>Group</b>	FRAME
<b>Code</b>	28.07
<b>Description</b>	Connecting rod
<b>Service</b>	1



Pos.	Code	Description	Qty	Variants
1	AP8146111	Engine connecting element	1	
2	AP8146113	Frame coupling rod	1	
3	AP8121286	Rod bush	1	
4	AP8121287	Rod bush	1	
5	AP8203520	Cup	4	
6	AP8221160	Pin M12	2	
7	AP8150432	Low self-locking nut M12*	3	
8	AP8152018	Washer 12,2x22x2	5	
9	AP8220619	Silent-block, connecting rod	2	
10	AP8152301	Self-locking nut	2	
11	AP8121931	Stop conn.rod guard	2	
12	AP8121214	T bush	2	
13	AP8150455	Hex socket screw M10x20	2	
14	AP8121503	Engine pivot pin bush	1	<b>Technical Specifications:</b> 200 cc version[200]
14	AP8121503	Engine pivot pin bush	1	<b>Technical Specifications:</b> 125 cc version[125], European approval (EURO 2 limits)[E2]
14	AP8121954	Engine pivot pin bush	1	<b>Technical Specifications:</b> 125 cc version[125], 150 cc version[150]
15	AP8206233	Outside circlip D17	2	
16	AP8121285	Screw m12x150	1	
17	AP8121311	Sliding bush	4	
18	AP8121218	Spacer 10,2x20x4	2	
19	AP0232621	Bearing 6003-2RS	2	
20	AP8150210	Curved spring washer *	2	
21	AP8152176	Washer 10,5X18X2*	2	

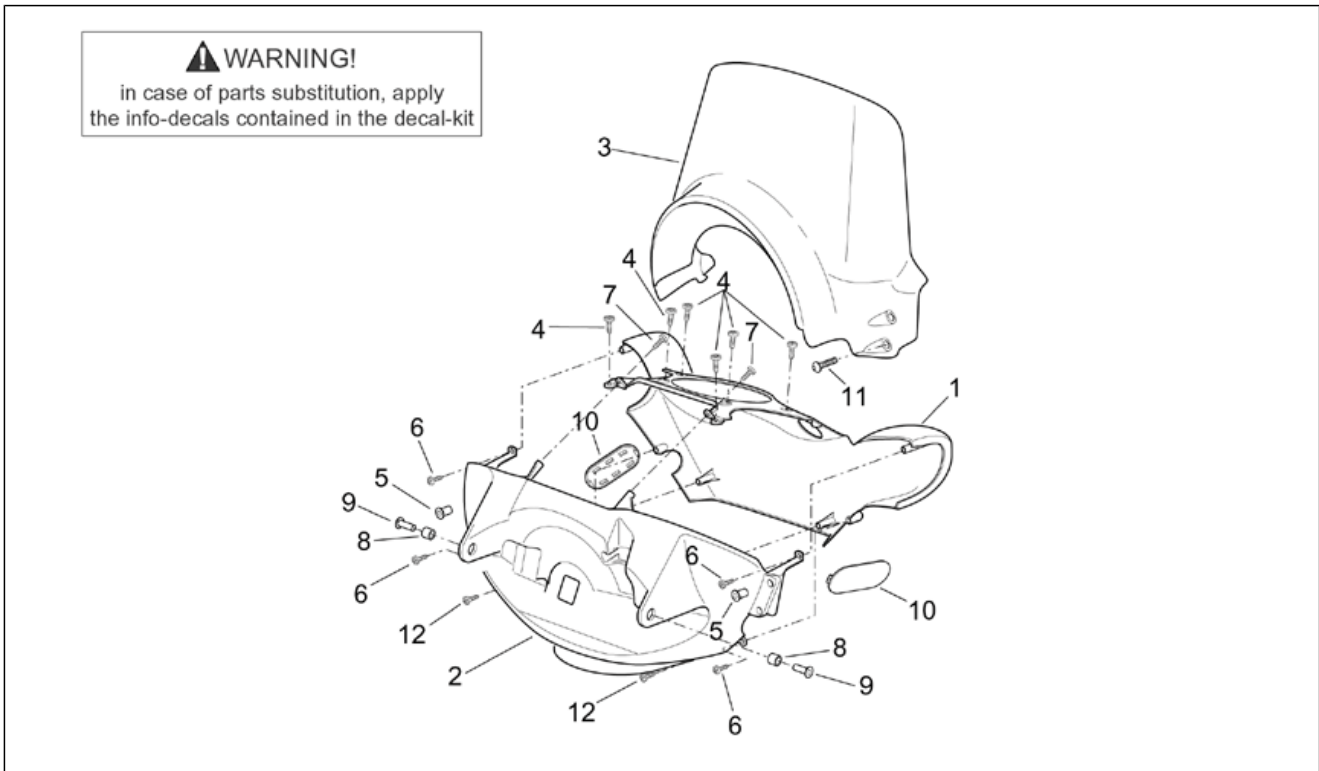


<b>Group</b>	FRAME
<b>Code</b>	28.08
<b>Description</b>	Rear shock absorber
<b>Service</b>	1



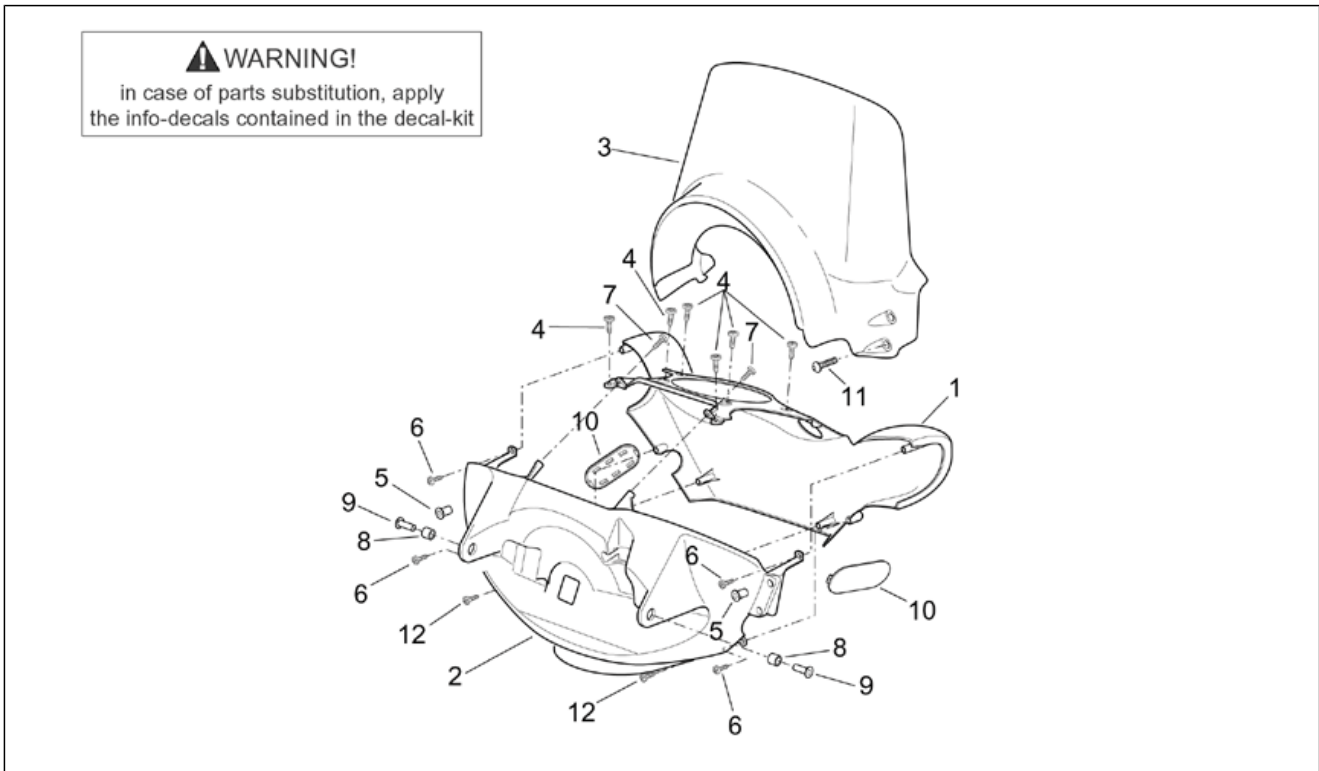
Pos.	Code	Description	Qty	Variants
1	AP8123795	Shock absorber	1	Year:2001[1], 1999[X], 2000[Y] Country:Austria[A], Switzerland[CH], Germany[D], Spain[E], France[F], Greece[GR], Italy[I], Israel[IL], Japan[J], Portugal[P], Great Britain[UK]
1	AP8123795	Shock absorber	1	Year:2002[2] Technical Specifications:Basic version[BSC], France Touring version[TRG]
1	AP8123795	Shock absorber	1	Year:2003[3] Technical Specifications:Basic version[BSC]
1	AP8163045	Shock absorber	1	Country:USA (California Approval)[CF], USA (California Approval)[CZ], United States of America[USA]
1	AP8163188	Shock absorber	1	Year:2002[2], 2003[3] Technical Specifications:Touring version[GT]
2	AP8144259	Rubber spacer	1	
3	AP8121388	Bush	1	
4	AP8150292	Curved spring washer *	1	
5	AP8150329	Hex socket screw	1	
6	AP8152176	Washer 10,5X18X2*	1	
7	AP8121402	Shock absorber bush	1	
8	AP8150436	Low self-locking nut	1	
9	AP8150494	Screw w/ flange M10x1,25	1	

<b>Group</b>	FRAME
<b>Code</b>	28.09
<b>Description</b>	Front body - Front fairing
<b>Service</b>	1



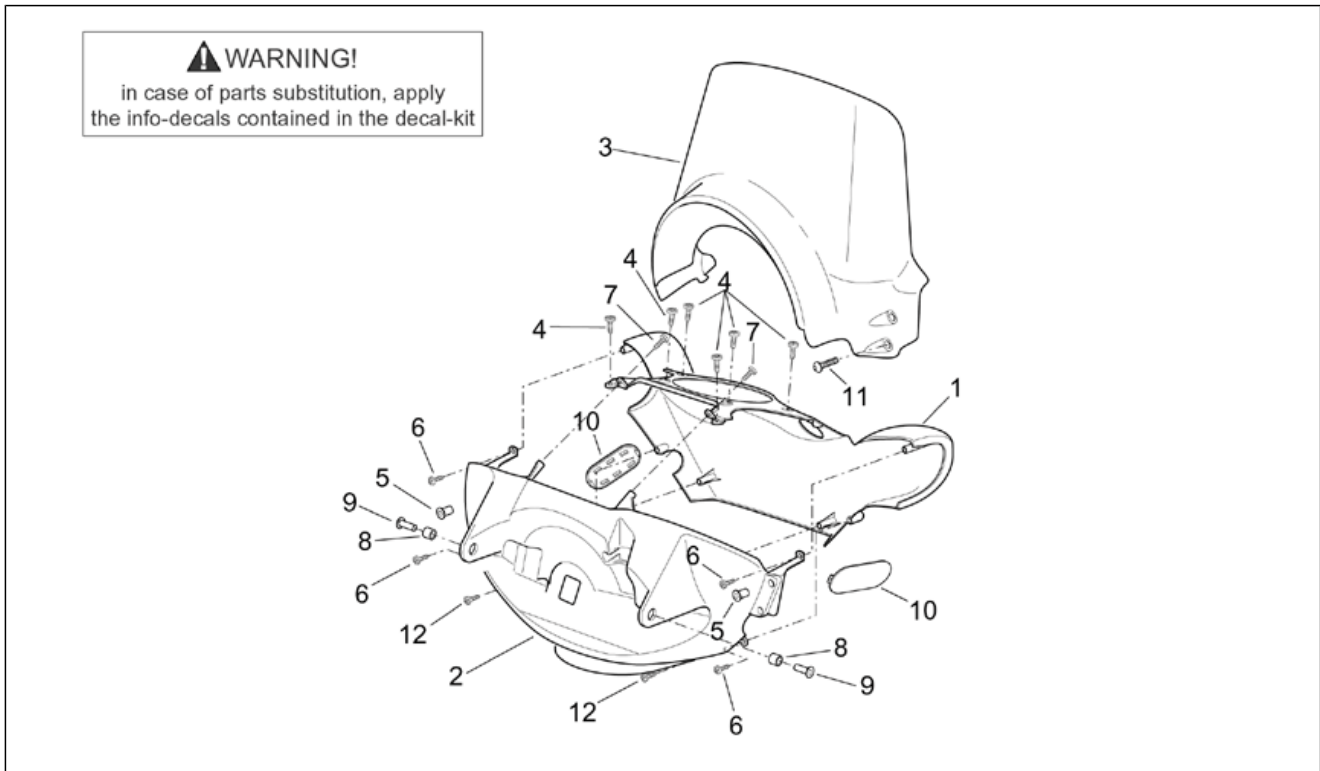
Pos.	Code	Description	Qty	Variants
1	AP8139259	Handlebar cover, chamois	1	Year:1999[X], 2000[Y] Vehicle colour:Chamois '99-2000[cam]
1	AP8148215	Handlebar cover, s.grey	1	Year:1999[X] Vehicle colour:Shark Grey '99[s.g]
1	AP8148232	Handlebar cover, m.red	1	Year:1999[X], 2000[Y] Vehicle colour:Mirò Red '99 - 2000[m.r]
1	AP8148249	Handlebar cover, a.green	1	Year:1999[X] Vehicle colour:Agua Green '99[a.g]
1	AP8148757	Handlebar cover, ap.black	1	Year:2000[Y] Vehicle colour:Aprilia Black 2000-2001-2002[black]
1	AP8148771	Handlebar cover, ch.blue	1	Year:2000[Y] Vehicle colour:Chips Blue 2000-2001[blu.c]
1	AP8149071	Handlebar cover, ice green	1	Year:2000[Y] Vehicle colour:Ice Green 2000[g.ice]
1	AP8158009	Handlebar cover, ap.black	1	Year:2001[1], 2002[2] Vehicle colour:Aprilia Black 2000-2001-2002[black]
1	AP8158027	Handlebar cover, grey	1	Year:2002[2] Vehicle colour:Mercury Grey 2001-2002-2003[mer.g] Technical Specifications:Basic version[BSC], France Touring version[TRG]
1	AP8158027	Handlebar cover, grey	1	Year:2001[1] Vehicle colour:Mercury Grey 2001-2002-2003[mer.g]
1	AP8158029	Handlebar cover, ch.blue	1	Year:2001[1] Vehicle colour:Chips Blue 2000-2001[blu.c]
1	AP8158178	Handlebar cover, red	1	Year:2001[1] Vehicle colour:Baroque Red 2001[red.b]
1	AP8158194	Handlebar cover, green	1	Year:2001[1] Vehicle colour:Thin Green 2001[thi.g]
1	AP8158245	Handlebar cover, grey	1	Year:2001[1] Vehicle colour:Platinum Grey 2001[pla.g]
1	AP8158273	Handlebar cover, blue	1	Year:2001[1], 2002[2] Vehicle colour:Lord Blue 2001-2002[blu.l]

<b>Group</b>	FRAME
<b>Code</b>	28.09
<b>Description</b>	Front body - Front fairing
<b>Service</b>	1



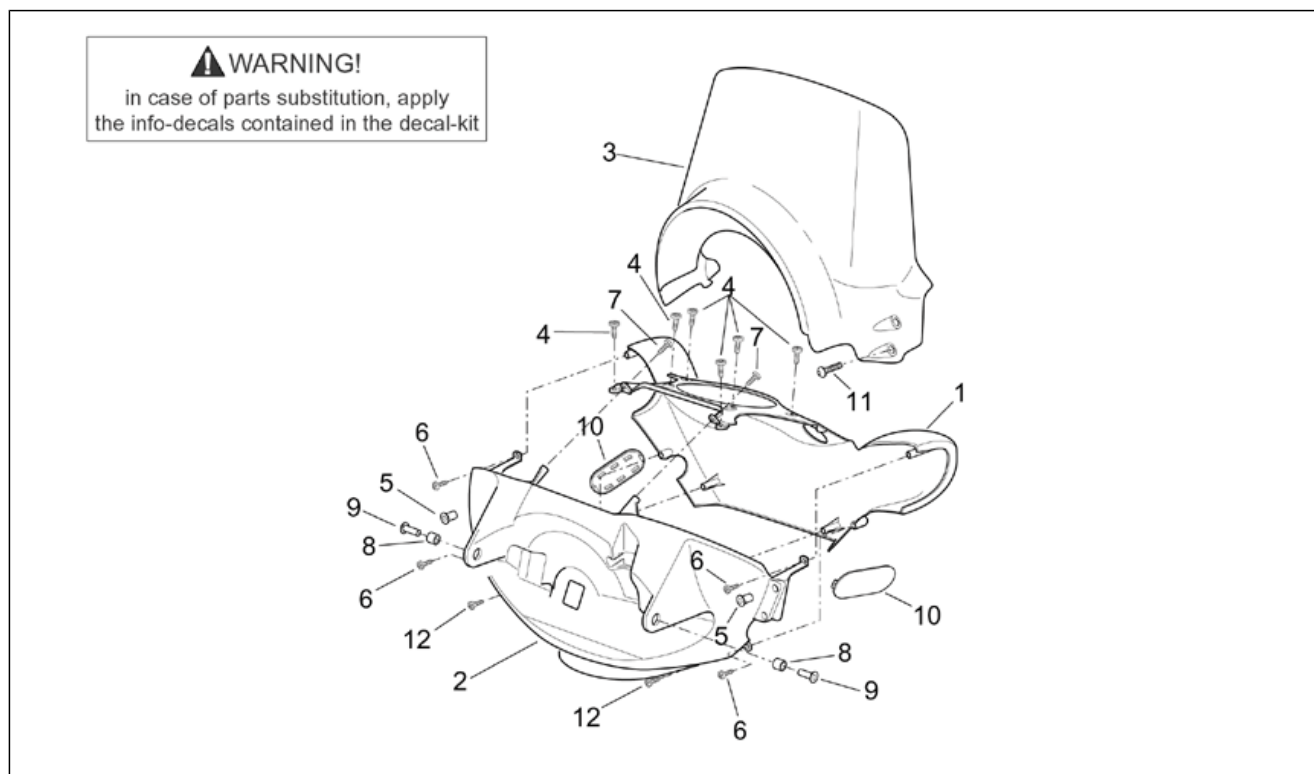
Pos.	Code	Description	Qty	Variants
1	AP8158287	Handlebar cover, gold	1	Year:2001[1] Vehicle colour:Mosaic Gold 2001[gold]
1	AP8168032	Handlebar cover, green	1	Year:2002[2] Vehicle colour:Glasgow Green 2002[gla.g]
1	AP8168088	Handlebar cover, grey	1	Year:2002[2] Vehicle colour:Mercury Grey 2001-2002-2003[mer.g] Technical Specifications:Touring version[GT]
1	AP8168088	Handlebar cover, grey	1	Year:2003[3] Vehicle colour:Mercury Grey 2001-2002-2003[mer.g]
1	AP8168096	Handlebar cover, grey	1	Year:2002[2] Vehicle colour:Shadow Black 2002[sha.b]
1	AP8168190	Handlebar cover, black	1	Year:2002[2] Vehicle colour:Tulip Red 2002[red.t], Storm Grey 2002[sto.g]
1	AP8168747	Handlebar cover, green	1	Year:2003[3] Vehicle colour:Sideral Green 2003[green]
1	AP8168823	Handlebar cover, blue	1	Year:2003[3] Vehicle colour:Main Blue 2003[blue]
1	AP8178701	Handlebar cover, grey	1	Year:2004[4] Vehicle colour:Diamond Grey 2004[d.grey] Country:USA (California Approval)[CF], USA (California Approval)[CZ]
1	AP8178741	Silver handlebar cover	1	Year:2004[4] Vehicle colour:Silver Mirror 2004[m.silv] Country:USA (California Approval)[CF], USA (California Approval)[CZ]
2	AP8139260	Headlight support, chamois	1	Year:1999[X] Vehicle colour:Chamois '99-2000[cam]
2	AP8139260	Headlight support, chamois	1	Year:2000[Y] Vehicle colour:Chamois '99-2000[cam]
2	AP8148214	Headlight support, s.grey	1	Year:1999[X] Vehicle colour:Shark Grey '99[s.g]
2	AP8148231	Headlight support, m.red	1	Year:1999[X]

<b>Group</b>	FRAME
<b>Code</b>	28.09
<b>Description</b>	Front body - Front fairing
<b>Service</b>	1



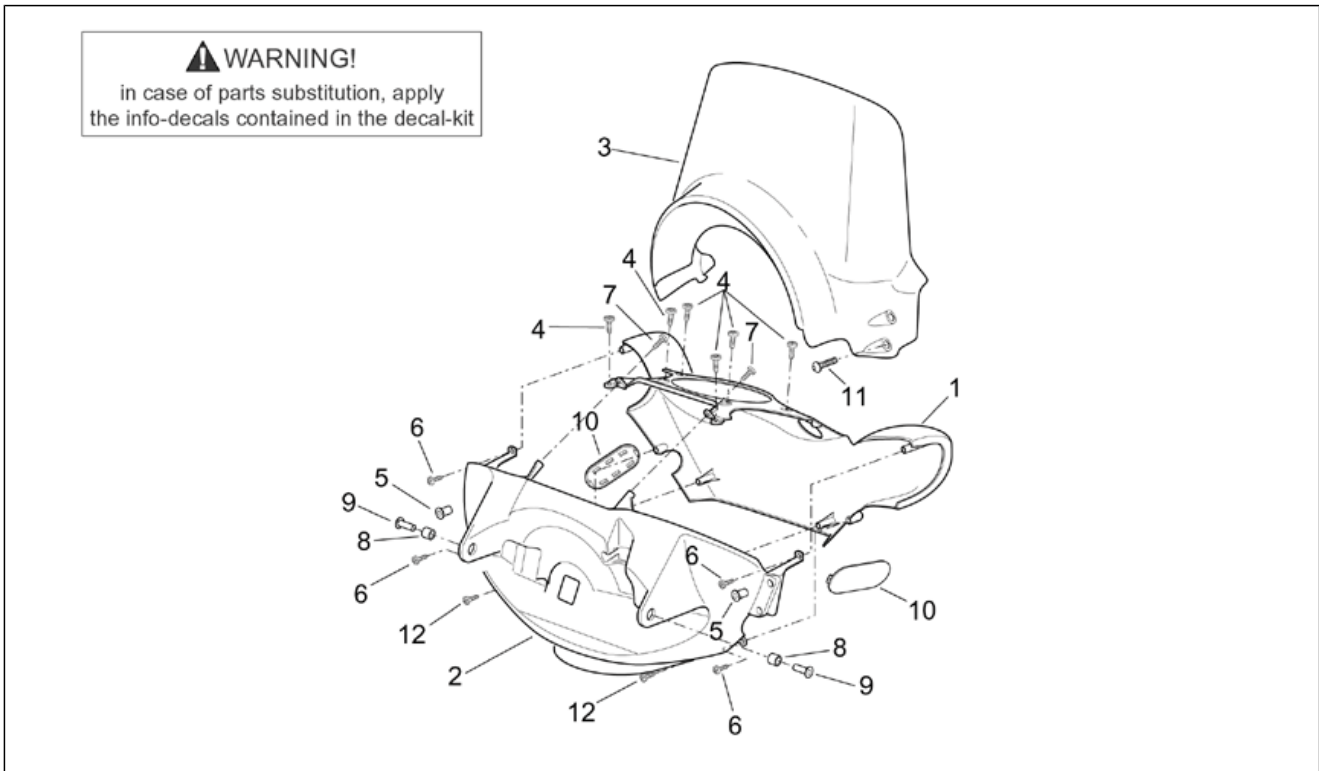
Pos.	Code	Description	Qty	Variants
				Vehicle colour:Mirò Red '99 - 2000[m.r]
2	AP8148231	Headlight support, m.red	1	Year:2000[Y] Vehicle colour:Mirò Red '99 - 2000[m.r]
2	AP8148248	Headlight support, a.green	1	Year:1999[X] Vehicle colour:Agua Green '99[a.g]
2	AP8148756	Headlight support, ap.black	1	Year:2000[Y] Vehicle colour:Aprilia Black 2000-2001-2002[black]
2	AP8148770	Headlight support, ch.blue	1	Year:2000[Y] Vehicle colour:Chips Blue 2000-2001[blu.c]
2	AP8149070	Headlight support, ice green	1	Year:2000[Y] Vehicle colour:Ice Green 2000[g.ice]
2	AP8149726	Headlight support, ap.black	1	Year:2001[1], 2002[2] Vehicle colour:Aprilia Black 2000-2001-2002[black]
2	AP8149885	Headlight support, ch.blue	1	Year:2001[1] Vehicle colour:Chips Blue 2000-2001[blu.c]
2	AP8149887	Headlight support, grey	1	Year:2003[3] Vehicle colour:Mercury Grey 2001-2002-2003[mer.g] Technical Specifications:Basic version[BSC]
2	AP8149887	Headlight support, grey	1	Year:2001[1] Vehicle colour:Mercury Grey 2001-2002-2003[mer.g]
2	AP8149887	Headlight support, grey	1	Year:2002[2] Vehicle colour:Mercury Grey 2001-2002-2003[mer.g] Technical Specifications:Basic version[BSC], France Touring version[TRG]
2	AP8158177	Headlight support, red	1	Year:2001[1] Vehicle colour:Baroque Red 2001[red.b]
2	AP8158193	Headlight support, green	1	Year:2001[1] Vehicle colour:Thin Green 2001[thi.g]
2	AP8158244	Headlight support, grey	1	Year:2001[1] Vehicle colour:Platinum Grey 2001[pla.g]
2	AP8158272	Headlight support, blue	1	Year:2001[1], 2002[2] Vehicle colour:Lord Blue 2001-2002[blu.l]
2	AP8158286	Headlight support gold	1	Year:2001[1]

<b>Group</b>	FRAME
<b>Code</b>	28.09
<b>Description</b>	Front body - Front fairing
<b>Service</b>	1



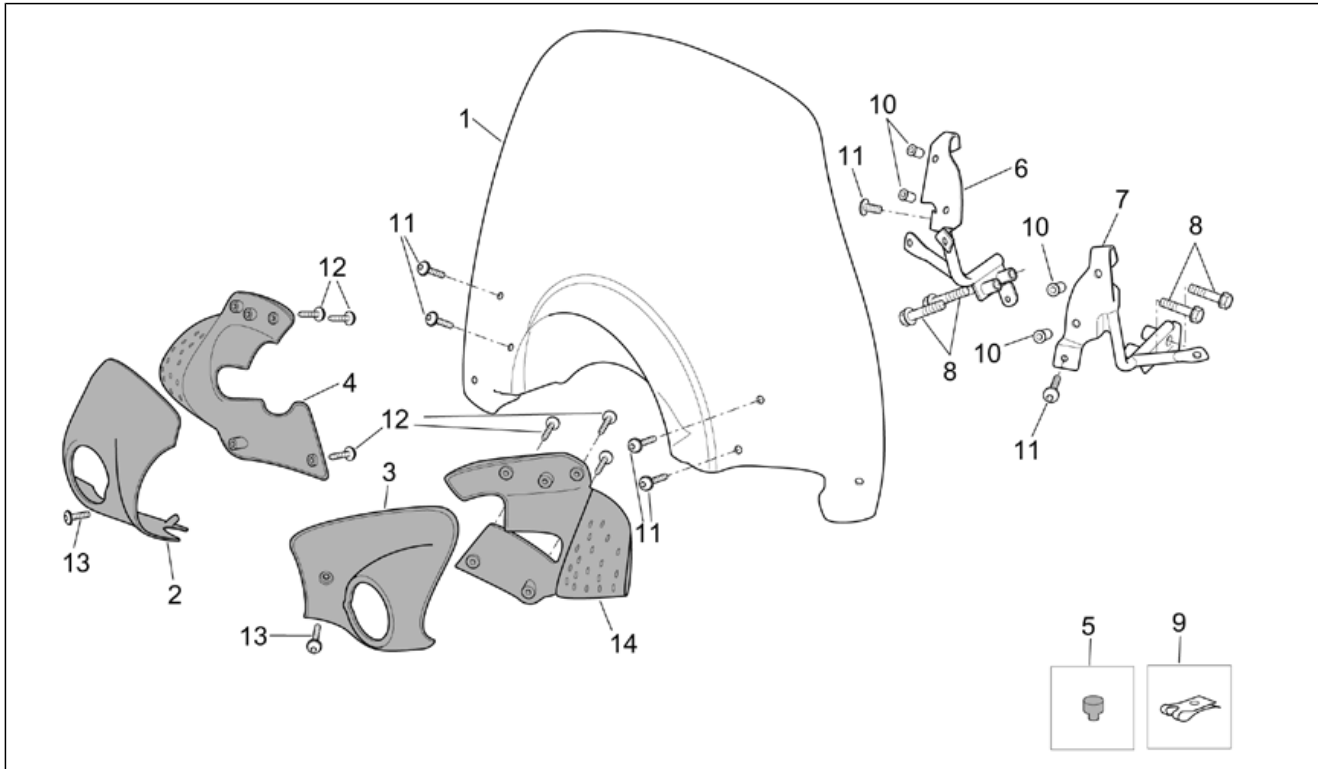
Pos.	Code	Description	Qty	Variants
				Vehicle colour:Mosaic Gold 2001[gold]
2	AP8168031	Headlight support, green	1	Year:2002[2] Vehicle colour:Glasgow Green 2002[gla.g]
2	AP8168095	Headlight support, black	1	Year:2003[3] Vehicle colour:Sideral Green 2003[green] Technical Specifications:Touring version[GT]
2	AP8168095	Headlight support, black	1	Year:2003[3] Vehicle colour:Main Blue 2003[blue] Technical Specifications:Touring version[GT]
2	AP8168095	Headlight support, black	1	Year:2002[2] Technical Specifications:Touring version[GT]
2	AP8168095	Headlight support, black	1	Year:2003[3] Vehicle colour:Mercury Grey 2001-2002-2003[mer.g] Technical Specifications:Touring version[GT]
2	AP8168784	Headlight support, green	1	Year:2003[3] Vehicle colour:Sideral Green 2003[green] Technical Specifications:Basic version[BSC]
2	AP8168822	Headlight support, blue	1	Year:2003[3] Vehicle colour:Main Blue 2003[blue] Technical Specifications:Basic version[BSC]
2	AP8178737	Headlight support, grey	1	Year:2004[4] Vehicle colour:Silver Mirror 2004[m.silv] Country:USA (California Approval)[CF], USA (California Approval)[CZ]
2	AP8178740	Headlight support, black	1	Year:2004[4] Vehicle colour:Diamond Grey 2004[d.grey] Country:USA (California Approval)[CF], USA (California Approval)[CZ]
3	AP8139726	Windshield	1	Year:2001[1], 1999[X], 2000[Y] Country:Austria[A], Switzerland[CH], Germany[D], Spain[E], France[F], Greece[GR], Italy[I], Israel[IL], Japan[J], Portugal[P], Great Britain[UK]
3	AP8149310	Windshield	1	Country:USA (California Approval)[CF], USA (California Approval)[CZ], United States of America[USA]

<b>Group</b>	FRAME
<b>Code</b>	28.09
<b>Description</b>	Front body - Front fairing
<b>Service</b>	1



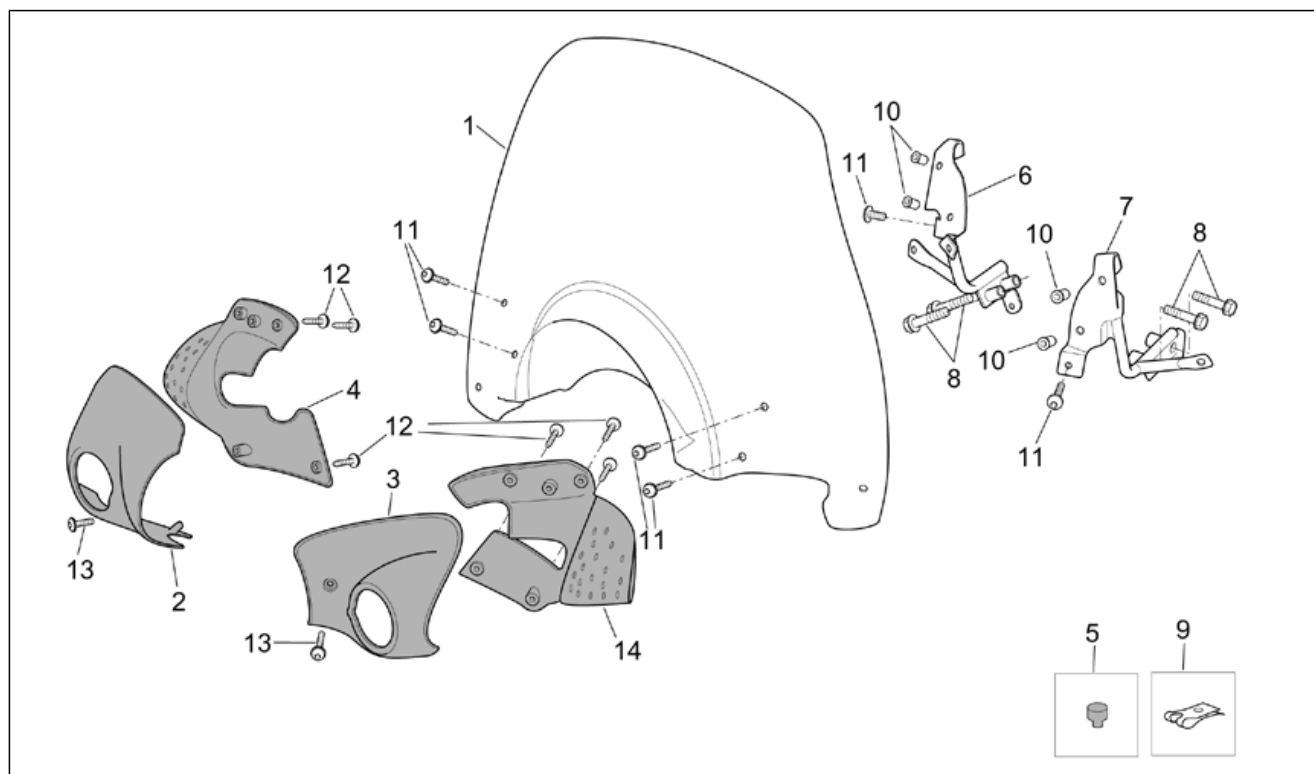
Pos.	Code	Description	Qty	Variants
3	AP8158981	Windshield	1	Year:2002[2] Country:Switzerland[CH], Germany[D], Spain[E], France[F], Greece[GR], Italy[I], Japan[J] Technical Specifications:Basic version[BSC]
3	AP8158981	Windshield	1	Year:2003[3] Technical Specifications:Basic version[BSC]
4	AP8150421	Self-tap screw 2,9x12	6	
5	AP8120531	Rubber w/ insert *	4	
6	AP8150413	Self-tap screw 3,9x14	4	
7	AP8150444	Self-tapping screw	2	
8	AP8120253	Spacer *	2	
9	AP8152302	Screw w/ flange	2	
10	AP8148050	Cover	2	
11	AP8152270	Hex socket screw	4	
12	AP8152345	Screw 5,5x20	2	

<b>Group</b>	FRAME
<b>Code</b>	28.10
<b>Description</b>	Front body - Handguard I
<b>Service</b>	1



Pos.	Code	Description	Qty	Variants
1	AP8168015	Windscreen	1	<b>Technical Specifications:</b> Touring version[GT]
2	AP8158944	RH handguard	1	<b>Year:</b> 2002[2] <b>Vehicle colour:</b> Mercury Grey 2001-2002-2003[mer.g] <b>Technical Specifications:</b> Touring version[GT]
2	AP8158944	RH handguard	1	<b>Year:</b> 2003[3] <b>Vehicle colour:</b> Mercury Grey 2001-2002-2003[mer.g] <b>Technical Specifications:</b> Touring version[GT]
2	AP8168103	RH handguard	1	<b>Year:</b> 2002[2] <b>Vehicle colour:</b> Shadow Black 2002[sha.b] <b>Technical Specifications:</b> Touring version[GT]
2	AP8168199	RH handguard	1	<b>Year:</b> 2002[2] <b>Vehicle colour:</b> Tulip Red 2002[red.t] <b>Technical Specifications:</b> Touring version[GT]
2	AP8168209	RH handguard	1	<b>Year:</b> 2002[2] <b>Vehicle colour:</b> Storm Grey 2002[sto.g] <b>Technical Specifications:</b> Touring version[GT]
2	AP8168757	RH handguard	1	<b>Year:</b> 2003[3] <b>Vehicle colour:</b> Sideral Green 2003[green] <b>Technical Specifications:</b> Touring version[GT]
2	AP8168833	RH handguard, blue	1	<b>Year:</b> 2003[3] <b>Vehicle colour:</b> Main Blue 2003[blue] <b>Technical Specifications:</b> Touring version[GT]
3	AP8158945	LH handguard	1	<b>Year:</b> 2003[3] <b>Vehicle colour:</b> Mercury Grey 2001-2002-2003[mer.g] <b>Technical Specifications:</b> Touring version[GT]
3	AP8158945	LH handguard	1	<b>Year:</b> 2002[2] <b>Vehicle colour:</b> Mercury Grey 2001-2002-2003[mer.g] <b>Technical Specifications:</b> Touring version[GT]
3	AP8168104	LH handguard	1	<b>Year:</b> 2002[2] <b>Vehicle colour:</b> Shadow Black 2002[sha.b] <b>Technical Specifications:</b> Touring version[GT]
3	AP8168200	LH handguard	1	<b>Year:</b> 2002[2] <b>Vehicle colour:</b> Tulip Red 2002[red.t] <b>Technical Specifications:</b> Touring version[GT]

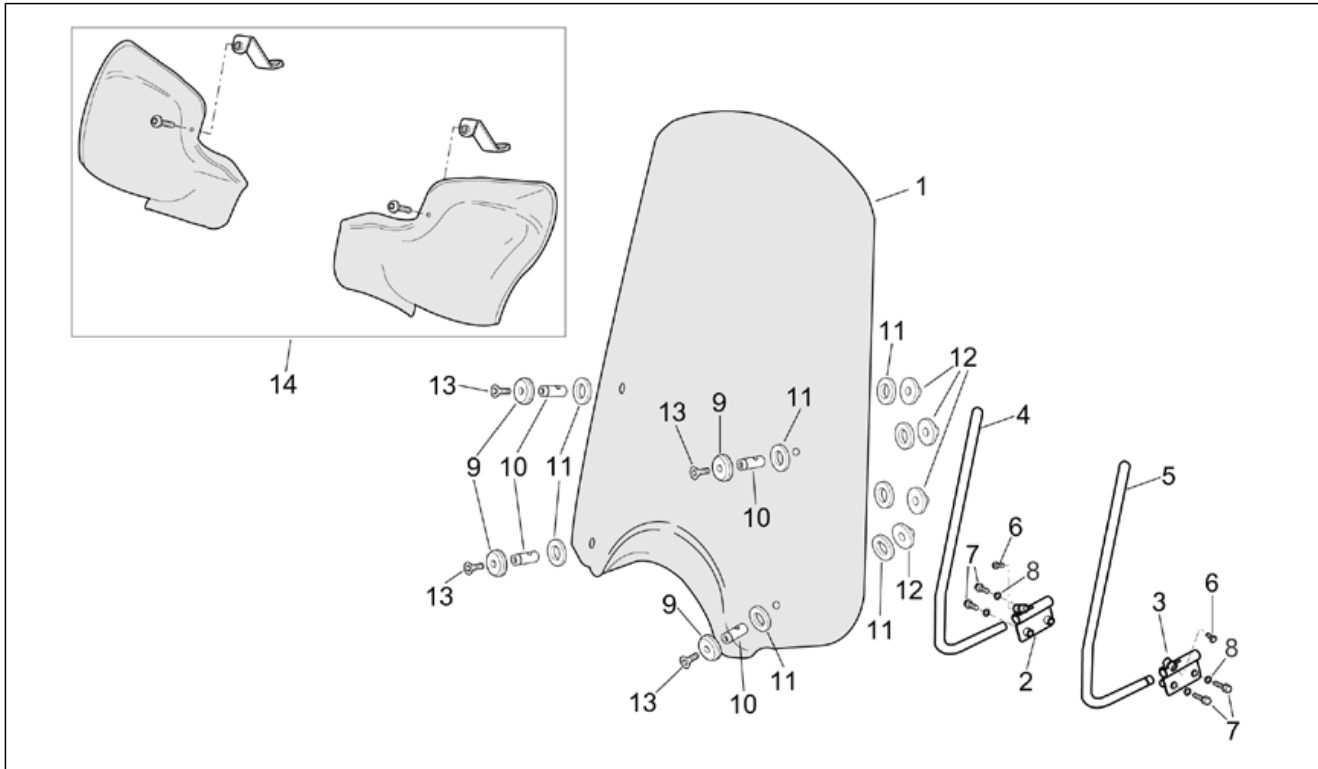
<b>Group</b>	FRAME
<b>Code</b>	28.10
<b>Description</b>	Front body - Handguard I
<b>Service</b>	1



Pos.	Code	Description	Qty	Variants
3	AP8168210	LH handguard	1	Year:2002[2] Vehicle colour:Storm Grey 2002[sto.g] Technical Specifications:Touring version[GT]
3	AP8168758	LH handguard	1	Year:2003[3] Vehicle colour:Sideral Green 2003[green] Technical Specifications:Touring version[GT]
3	AP8168834	LH handguard, blue	1	Year:2003[3] Vehicle colour:Main Blue 2003[blue] Technical Specifications:Touring version[GT]
4	AP8158946	RH internal handguard	1	Technical Specifications:Touring version[GT]
5	AP8144081	Rubber spacer	1	Technical Specifications:Touring version[GT]
6	AP8146614	RH support bow	1	Technical Specifications:Touring version[GT]
7	AP8146615	LH support bow	1	Technical Specifications:Touring version[GT]
8	AP8152288	Screw w/ flange	4	Technical Specifications:Touring version[GT]
9	AP8102375	Clip	4	Technical Specifications:Touring version[GT]
10	AP8120531	Rubber w/ insert *	4	Technical Specifications:Touring version[GT]
11	AP8152298	Screw w/ flange	6	Technical Specifications:Touring version[GT]
12	AP8150413	Self-tap screw 3,9x14	6	Technical Specifications:Touring version[GT]
13	AP8152267	Hex socket screw	2	Technical Specifications:Touring version[GT]
14	AP8158947	LH internal handguard	1	Technical Specifications:Touring version[GT]

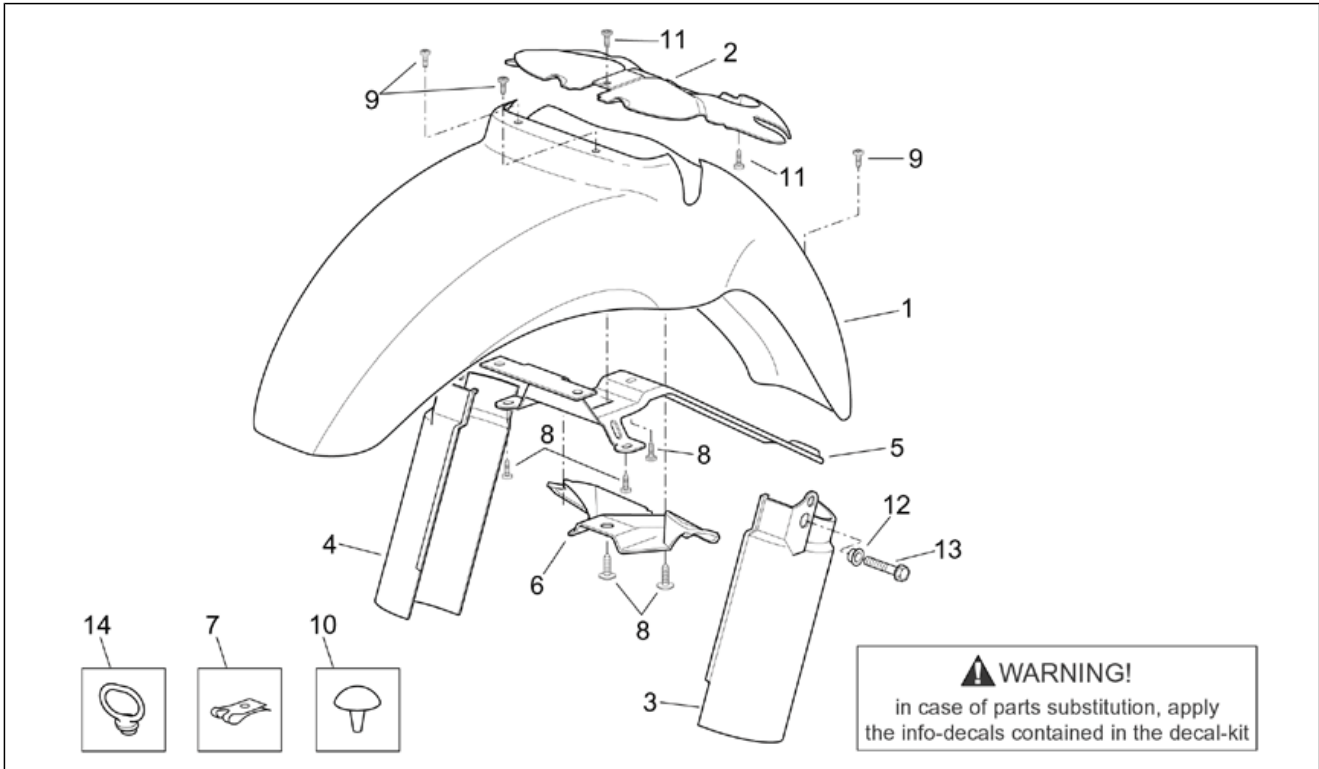


<b>Group</b>	FRAME
<b>Code</b>	28.11
<b>Description</b>	Front body - Handguard II
<b>Service</b>	1



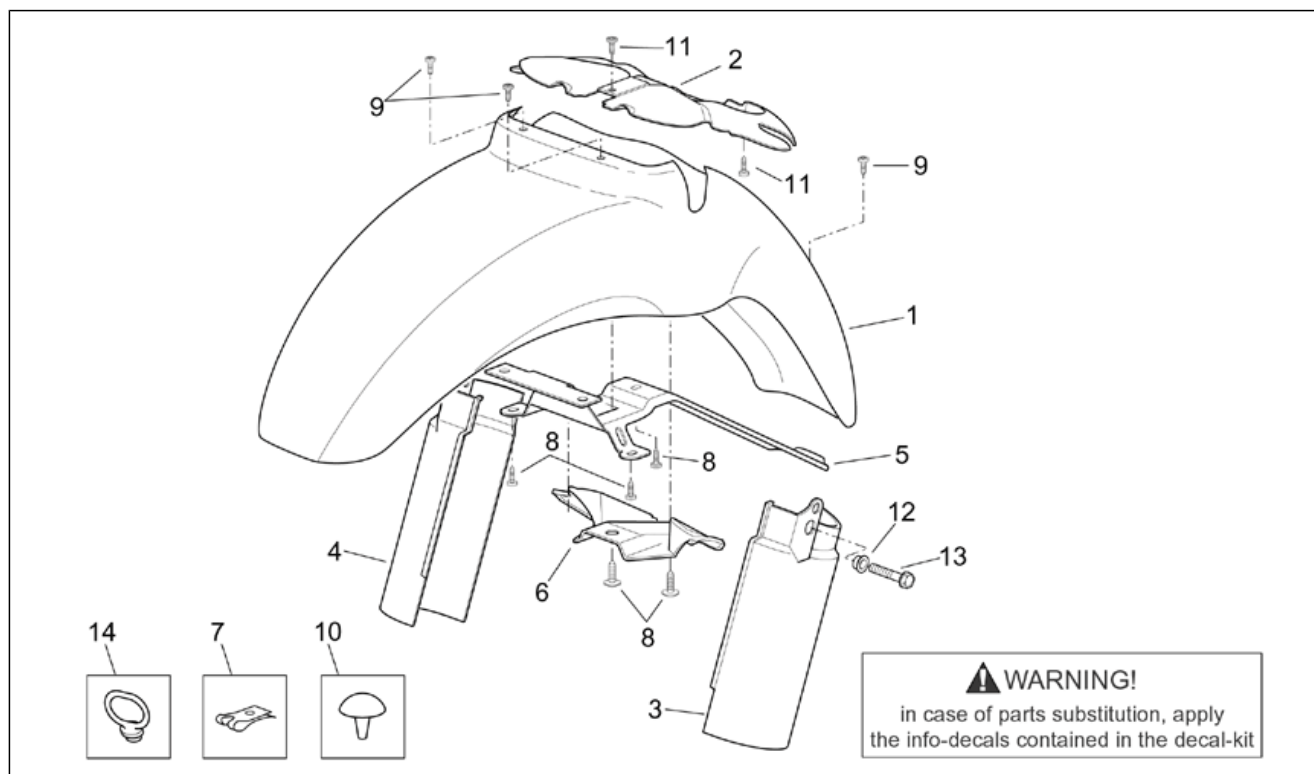
Pos.	Code	Description	Qty	Variants
1	AP8791072	Windscreen w/out support Big	1	<b>Technical Specifications:</b> Basic version[BSC], France Touring version[TRG]
2	AP8701045	RH support	1	<b>Technical Specifications:</b> Basic version[BSC], France Touring version[TRG]
3	AP8701047	LH support	1	<b>Technical Specifications:</b> Basic version[BSC], France Touring version[TRG]
4	AP8701046	RH rod	1	<b>Technical Specifications:</b> Basic version[BSC], France Touring version[TRG]
5	AP8701044	LH rod	1	<b>Technical Specifications:</b> Basic version[BSC], France Touring version[TRG]
6	AP8152279	Screw w/ flange M6x20	2	<b>Technical Specifications:</b> Basic version[BSC], France Touring version[TRG]
7	AP8152289	Screw w/ flange	4	<b>Technical Specifications:</b> Basic version[BSC], France Touring version[TRG]
8	AP8150376	Washer 8,5x15x0,8	4	<b>Technical Specifications:</b> Basic version[BSC], France Touring version[TRG]
9	AP8700114	Washer	4	<b>Technical Specifications:</b> Basic version[BSC], France Touring version[TRG]
10	AP8706057	Bush	4	<b>Technical Specifications:</b> Basic version[BSC], France Touring version[TRG]
11	AP8700115	Rubber spacer	8	<b>Technical Specifications:</b> Basic version[BSC], France Touring version[TRG]
12	AP8700113	Nylon washer	4	<b>Technical Specifications:</b> Basic version[BSC], France Touring version[TRG]
13	AP8700116	Screw M6x25	4	<b>Technical Specifications:</b> Basic version[BSC], France Touring version[TRG]
14	AP8149144	Handguard pair kit	1	<b>Technical Specifications:</b> France Touring version[TRG]

<b>Group</b>	FRAME
<b>Code</b>	28.12
<b>Description</b>	Front body - Front mudguard
<b>Service</b>	1



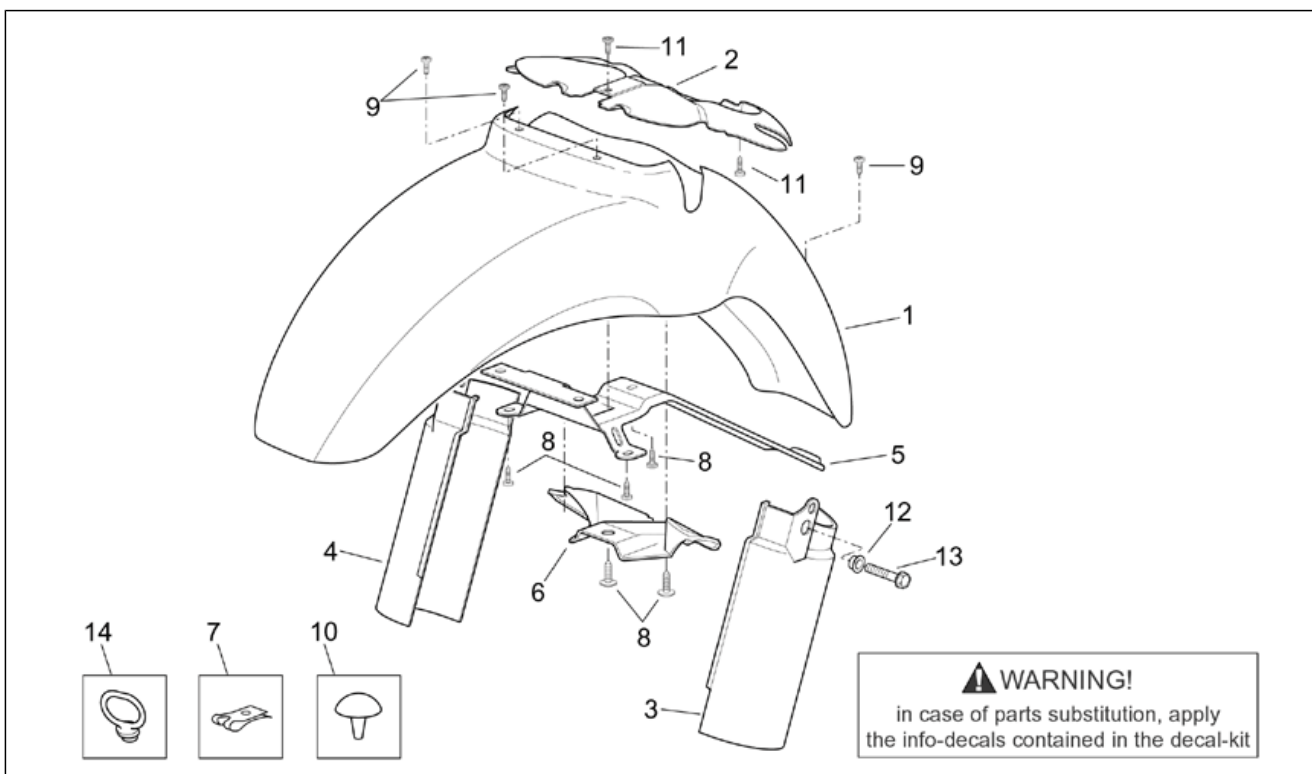
Pos.	Code	Description	Qty	Variants
1	AP8126635	Front mudguard, chamois	1	Year:1999[X], 2000[Y] Vehicle colour:Chamois '99-2000[cam]
1	AP8126763	Front mudguard, s.grey	1	Year:1999[X] Vehicle colour:Shark Grey '99[s.g]
1	AP8126764	Front mudguard, m.red	1	Year:1999[X], 2000[Y] Vehicle colour:Mirò Red '99 - 2000[m.r]
1	AP8126765	Front mudguard, a.green	1	Year:1999[X] Vehicle colour:Agua Green '99[a.g]
1	AP8126830	Front mudguard, Ap. black	1	Year:2001[1], 2002[2], 2000[Y] Vehicle colour:Aprilia Black 2000-2001-2002[black]
1	AP8126831	Front mudguard, chips blue	1	Year:2001[1], 2000[Y] Vehicle colour:Chips Blue 2000-2001[blu.c]
1	AP8126855	Front mudguard, ice green	1	Year:2000[Y] Vehicle colour:Ice Green 2000[g.ice]
1	AP8126884	Front mudguard, grey	1	Year:2001[1], 2002[2] Vehicle colour:Mercury Grey 2001-2002-2003[mer.g]
1	AP8126884	Front mudguard, grey	1	Year:2003[3] Vehicle colour:Mercury Grey 2001-2002-2003[mer.g]
1	AP8126950	Front mudguard, red	1	Year:2001[1] Vehicle colour:Baroque Red 2001[red.b]
1	AP8126951	Front mudguard, green	1	Year:2001[1] Vehicle colour:Thin Green 2001[thi.g]
1	AP8126952	Front mudguard, grey	1	Year:2001[1] Vehicle colour:Platinum Grey 2001[pla.g]
1	AP8126953	Front mudguard, blue	1	Year:2001[1], 2002[2] Vehicle colour:Lord Blue 2001-2002[blu.l]
1	AP8126954	Front mudguard, gold	1	Year:2001[1] Vehicle colour:Mosaic Gold 2001[gold]
1	AP8156005	Front mudguard, green	1	Year:2002[2] Vehicle colour:Glasgow Green 2002[gla.g]
1	AP8156011	Front mudguard, black	1	Year:2002[2] Vehicle colour:Shadow Black 2002[sha.b]

<b>Group</b>	FRAME
<b>Code</b>	28.12
<b>Description</b>	Front body - Front mudguard
<b>Service</b>	1



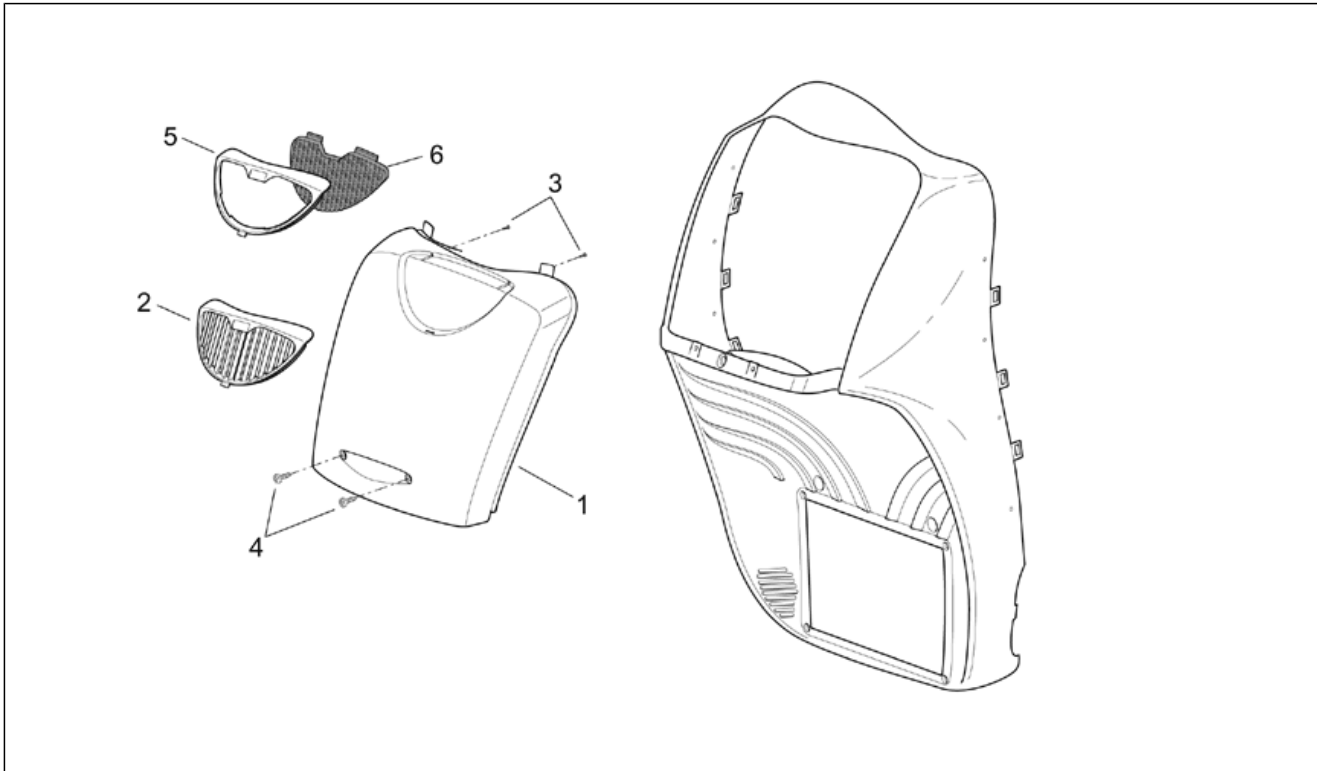
Pos.	Code	Description	Qty	Variants
1	AP8156021	Front mudguard, red	1	Year:2002[2] Vehicle colour:Tulip Red 2002[red.t]
1	AP8156022	Front mudguard, grey	1	Year:2002[2] Vehicle colour:Storm Grey 2002[sto.g]
1	AP8156064	Front mudguard, green	1	Year:2003[3] Vehicle colour:Sideral Green 2003[green]
1	AP8156071	Front mudguard, blue	1	Year:2003[3] Vehicle colour:Main Blue 2003[blue]
1	AP8156172	Front mudguard, grey	1	Year:2004[4] Vehicle colour:Diamond Grey 2004[d.grey] Country:USA (California Approval)[CF], USA (California Approval)[CZ]
1	AP8156173	Front mudguard, silver	1	Year:2004[4] Vehicle colour:Silver Mirror 2004[m.silv] Country:USA (California Approval)[CF], USA (California Approval)[CZ]
2	AP8139605	Front shield lockup	1	
3	AP8126638	LH hub cover, grey	1	Year:2001[1], 1999[X], 2000[Y]
3	AP8156002	LH hub cover, grey	1	Year:2002[2], 2003[3]
3	AP8156002	LH hub cover, grey	1	Year:2004[4] Country:USA (California Approval)[CF], USA (California Approval)[CZ]
4	AP8126637	RH hub cover, grey	1	Year:2001[1], 1999[X], 2000[Y]
4	AP8156001	RH hub cover, grey	1	Year:2002[2], 2003[3]
4	AP8156001	RH hub cover, grey	1	Year:2004[4] Country:USA (California Approval)[CF], USA (California Approval)[CZ]
5	AP8134489	Front mudguard connect.	1	
6	AP8139727	Mudguard protection	1	
7	AP8201763	Screw clip D5,5*	5	
8	AP8152345	Screw 5,5x20	5	
9	AP8152278	Screw w/ flange	3	

<b>Group</b>	FRAME
<b>Code</b>	28.12
<b>Description</b>	Front body - Front mudguard
<b>Service</b>	1



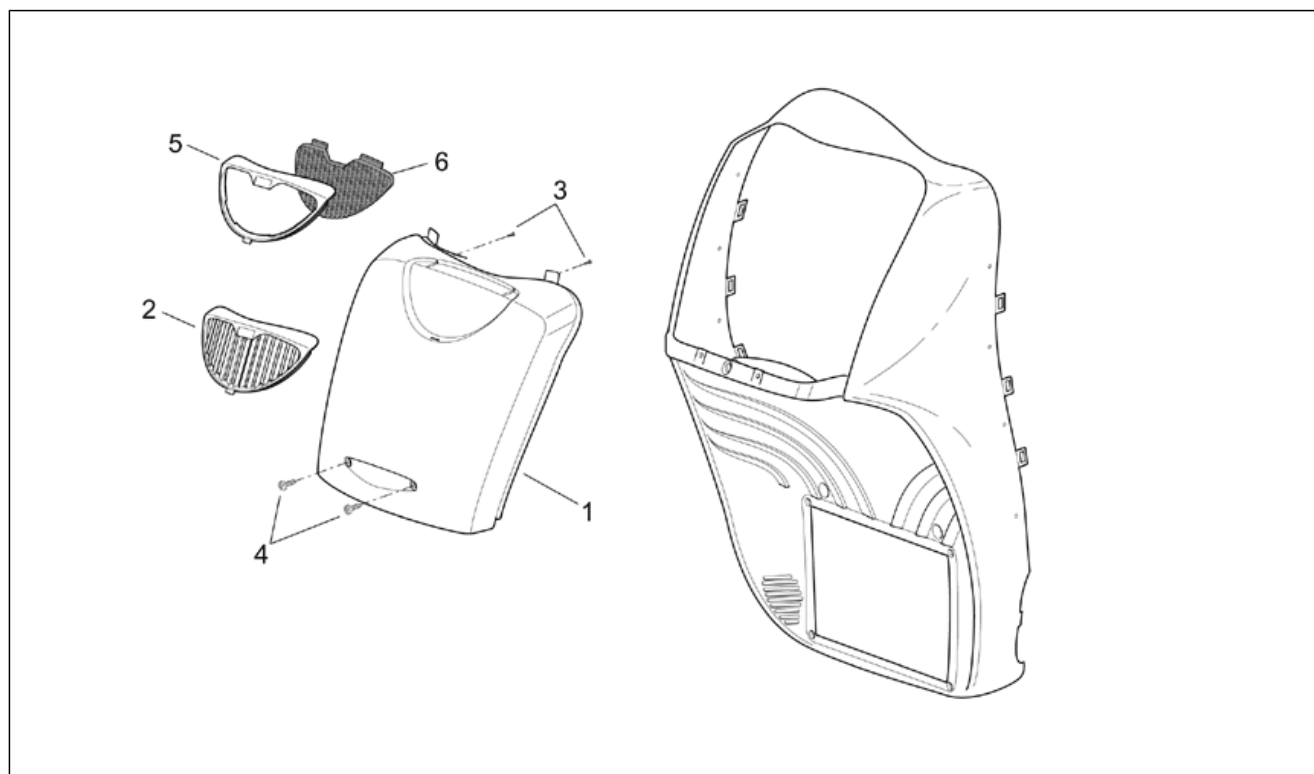
Pos.	Code	Description	Qty	Variants
10	AP8120001	Rubber spacer	2	
11	AP8150426	Screw 5,5x15,9*	3	
12	AP8121096	T bush 8,2x12x4	2	
13	AP8152289	Screw w/ flange	2	
14	AP8144240	Cable-guide	1	

<b>Group</b>	FRAME
<b>Code</b>	28.13
<b>Description</b>	Front body - Front cover
<b>Service</b>	1



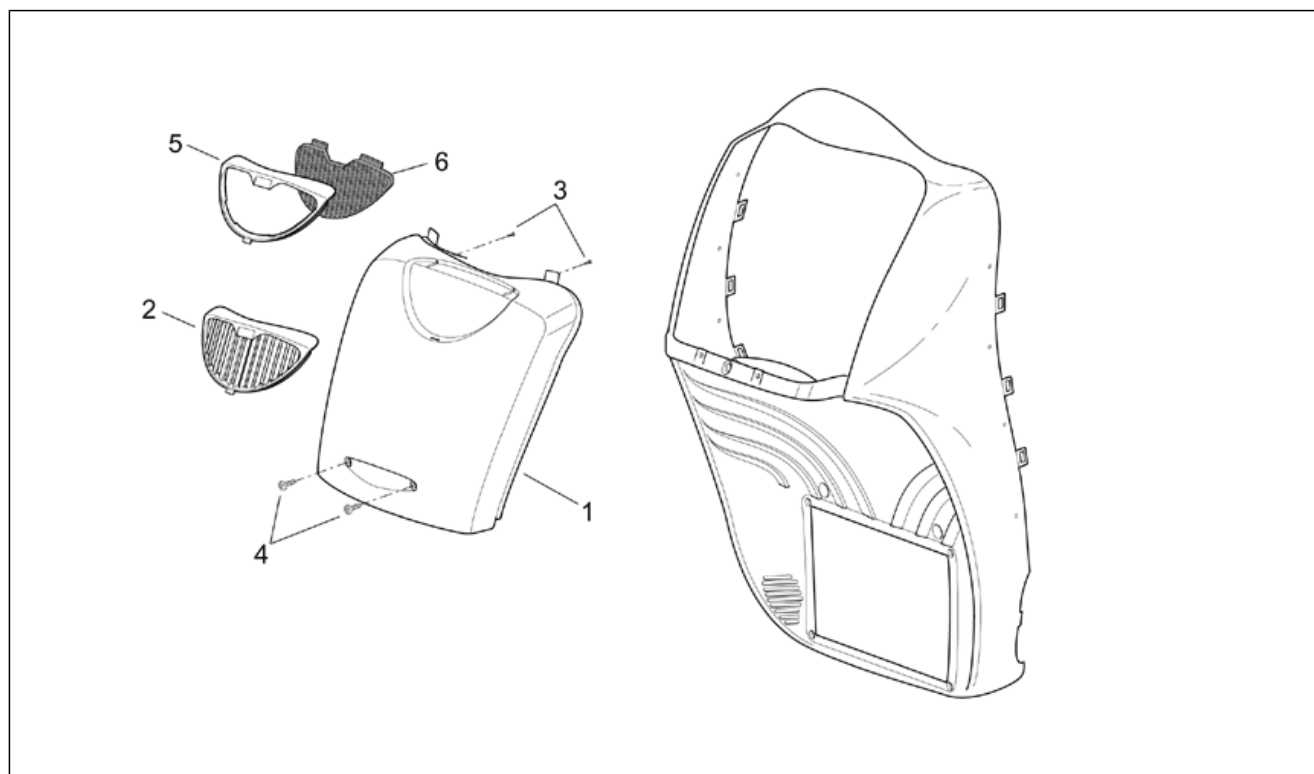
Pos.	Code	Description	Qty	Variants
1	AP8148206	Front cover, chamois	1	Year:1999[X], 2000[Y] Vehicle colour:Chamois '99-2000[cam]
1	AP8148224	Front cover, s.grey	1	Year:1999[X] Vehicle colour:Shark Grey '99[s.g]
1	AP8148241	Front cover, m.red	1	Year:1999[X], 2000[Y] Vehicle colour:Mirò Red '99 - 2000[m.r]
1	AP8148258	Front cover, a.green	1	Year:1999[X] Vehicle colour:Agua Green '99[a.g]
1	AP8148766	Front cover, ap.black	1	Year:2001[1], 2002[2] Vehicle colour:Aprilia Black 2000-2001-2002[black]
1	AP8148766	Front cover, ap.black	1	Year:2000[Y] Vehicle colour:Aprilia Black 2000-2001-2002[black]
1	AP8148780	Front cover, ch.blue	1	Year:2000[Y] Vehicle colour:Chips Blue 2000-2001[blu.c]
1	AP8148780	Front cover, ch.blue	1	Year:2001[1] Vehicle colour:Chips Blue 2000-2001[blu.c]
1	AP8149080	Front cover, ice green	1	Year:2000[Y] Vehicle colour:Ice Green 2000[g.ice]
1	AP8149550	Front cover, grey	1	Year:2001[1] Vehicle colour:Mercury Grey 2001-2002-2003[mer.g]
1	AP8149550	Front cover, grey	1	Year:2002[2] Vehicle colour:Mercury Grey 2001-2002-2003[mer.g] Technical Specifications:Basic version[BSC], France Touring version[TRG]
1	AP8158185	Front cover, red	1	Year:2001[1] Vehicle colour:Baroque Red 2001[red.b]
1	AP8158204	Front cover, green	1	Year:2001[1] Vehicle colour:Thin Green 2001[thi.g]
1	AP8158251	Front cover, grey	1	Year:2001[1] Vehicle colour:Platinum Grey 2001[pla.g]
1	AP8158268	Front cover, blue	1	Year:2001[1], 2002[2] Vehicle colour:Lord Blue 2001-2002[blu.l]

<b>Group</b>	FRAME
<b>Code</b>	28.13
<b>Description</b>	Front body - Front cover
<b>Service</b>	1



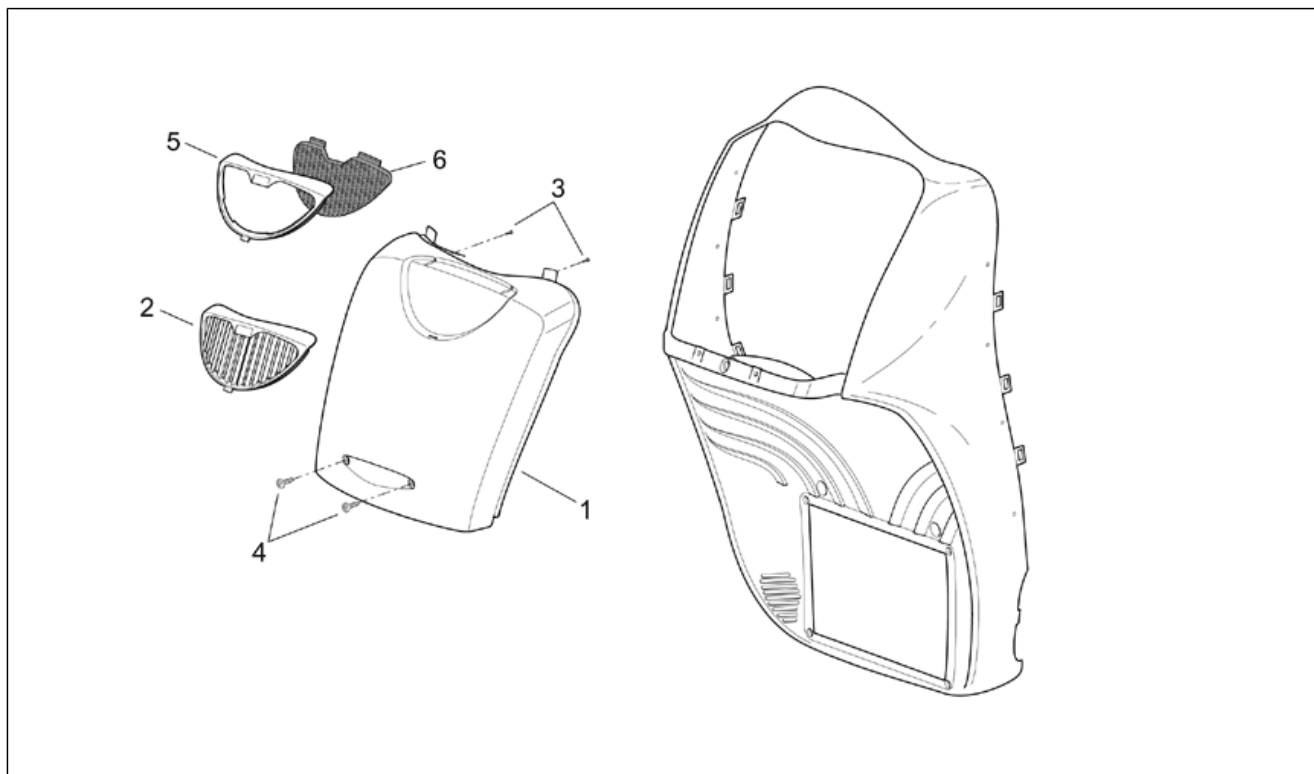
Pos.	Code	Description	Qty	Variants
1	AP8158282	Front cover gold	1	Year:2001[1] Vehicle colour:Mosaic Gold 2001[gold]
1	AP8168040	Front cover, green	1	Year:2002[2] Vehicle colour:Glasgow Green 2002[gla.g]
1	AP8168092	Front cover, grey	1	Year:2002[2] Vehicle colour:Mercury Grey 2001-2002-2003[mer.g] Technical Specifications:Touring version[GT]
1	AP8168092	Front cover, grey	1	Year:2003[3] Vehicle colour:Mercury Grey 2001-2002-2003[mer.g]
1	AP8168105	Front cover, grey	1	Year:2002[2] Vehicle colour:Shadow Black 2002[sha.b]
1	AP8168201	Front cover, red	1	Year:2002[2] Vehicle colour:Tulip Red 2002[red.t]
1	AP8168211	Front cover, grey	1	Year:2002[2] Vehicle colour:Storm Grey 2002[sto.g]
1	AP8168745	Front cover, green	1	Year:2003[3] Vehicle colour:Sideral Green 2003[green]
1	AP8168821	Front cover, blue	1	Year:2003[3] Vehicle colour:Main Blue 2003[blue]
1	AP8178837	Front cover, black	1	Year:2004[4] Vehicle colour:Diamond Grey 2004[d.grey] Country:USA (California Approval)[CF], USA (California Approval)[CZ]
1	AP8178840	Front cover, grey	1	Year:2004[4] Vehicle colour:Silver Mirror 2004[m.silv] Country:USA (California Approval)[CF], USA (California Approval)[CZ]
2	AP8139731	Grid, chr.	1	Year:2002[2] Technical Specifications:France Touring version[TRG]
2	AP8139731	Grid, chr.	1	Year:2001[1], 1999[X], 2000[Y]
2	AP8139731	Grid, chr.	1	Year:2002[2] Country:Switzerland[CH], Germany[D], Spain[E], France[F], Greece[GR], Japan[J]

<b>Group</b>	FRAME
<b>Code</b>	28.13
<b>Description</b>	Front body - Front cover
<b>Service</b>	1



Pos.	Code	Description	Qty	Variants
				<b>Technical Specifications:</b> Basic version[BSC]
2	AP8139731	Grid, chr.	1	<b>Year:</b> 2004[4] <b>Country:</b> USA (California Approval)[CF], USA (California Approval)[CZ]
3	AP8150421	Self-tap screw 2,9x12	2	
4	AP8152351	Screw 4,2x16*	2	
5	AP8158914	Frame grille, silver	1	<b>Year:</b> 2002[2] <b>Country:</b> Italy[I] <b>Technical Specifications:</b> Basic version[BSC]
5	AP8158914	Frame grille, silver	1	<b>Year:</b> 2002[2] <b>Vehicle colour:</b> Mercury Grey 2001-2002-2003[mer.g], Shadow Black 2002[sha.b] <b>Technical Specifications:</b> Touring version[GT]
5	AP8158914	Frame grille, silver	1	<b>Year:</b> 2003[3] <b>Vehicle colour:</b> Main Blue 2003[blue]
5	AP8158914	Frame grille, silver	1	<b>Year:</b> 2003[3] <b>Vehicle colour:</b> Mercury Grey 2001-2002-2003[mer.g]
5	AP8168188	Frame grille, black	1	<b>Year:</b> 2002[2] <b>Vehicle colour:</b> Tulip Red 2002[red.t], Storm Grey 2002[sto.g] <b>Technical Specifications:</b> Touring version[GT]
5	AP8168188	Frame grille, black	1	<b>Year:</b> 2003[3] <b>Vehicle colour:</b> Sideral Green 2003[green]
6	AP8158915	Grid	1	<b>Year:</b> 2002[2] <b>Vehicle colour:</b> Mercury Grey 2001-2002-2003[mer.g], Shadow Black 2002[sha.b] <b>Technical Specifications:</b> Touring version[GT]
6	AP8158915	Grid	1	<b>Year:</b> 2003[3] <b>Vehicle colour:</b> Mercury Grey 2001-2002-2003[mer.g]
6	AP8158915	Grid	1	<b>Year:</b> 2002[2] <b>Country:</b> Italy[I] <b>Technical Specifications:</b> Basic version[BSC]
6	AP8158915	Grid	1	<b>Year:</b> 2003[3]

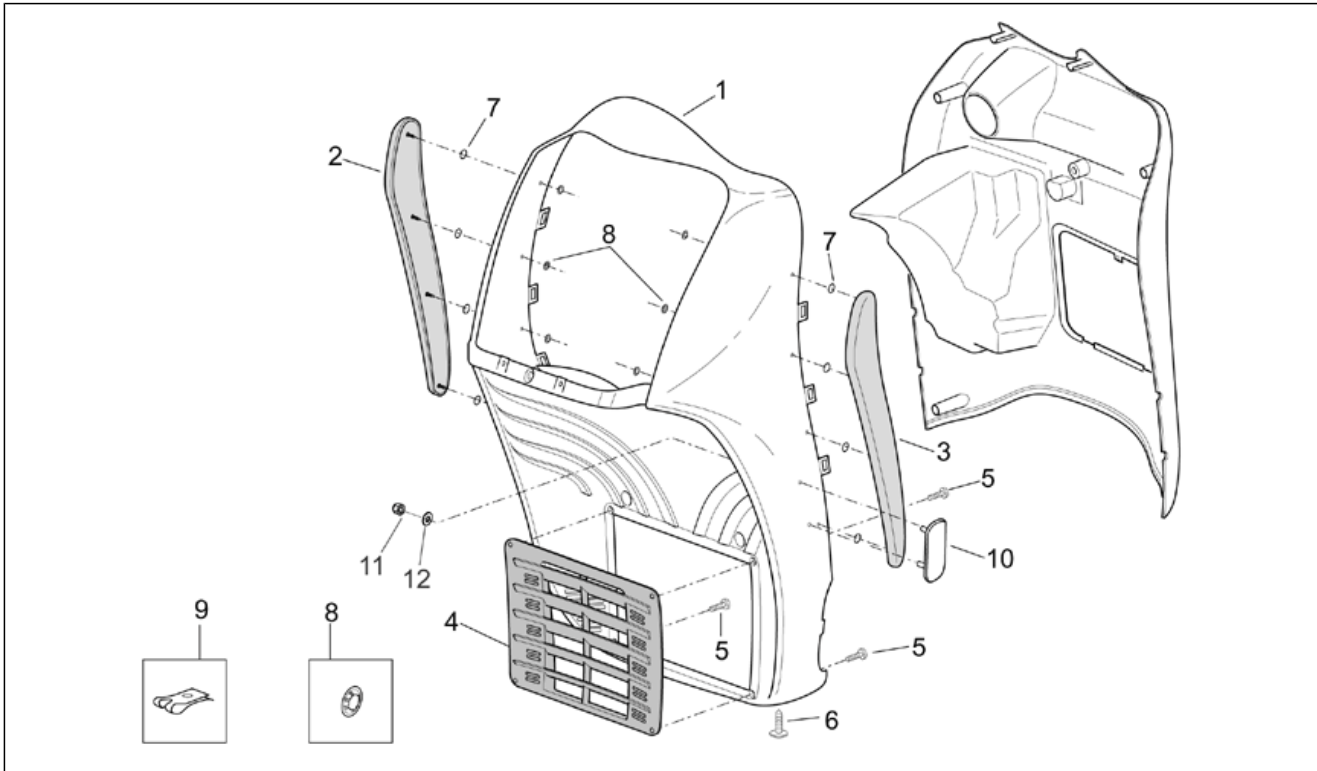
<b>Group</b>	FRAME
<b>Code</b>	28.13
<b>Description</b>	Front body - Front cover
<b>Service</b>	1



Pos.	Code	Description	Qty	Variants
				Vehicle colour:Main Blue 2003[blue]
6	AP8168189	Grid	1	Year:2002[2] Vehicle colour:Tulip Red 2002[red.t], Storm Grey 2002[sto.g] Technical Specifications:Touring version[GT]
6	AP8168189	Grid	1	Year:2003[3] Vehicle colour:Sideral Green 2003[green]

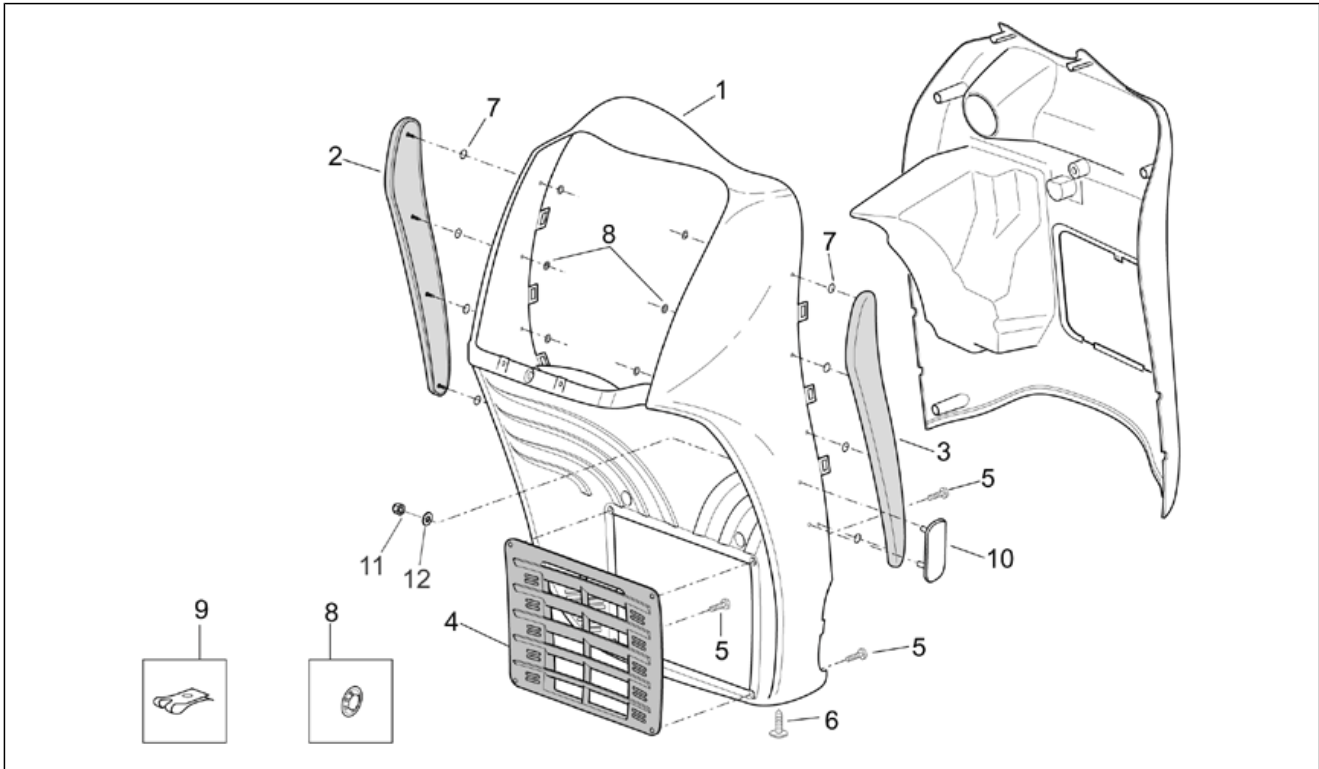


<b>Group</b>	FRAME
<b>Code</b>	28.14
<b>Description</b>	Front body - Front fairing
<b>Service</b>	1



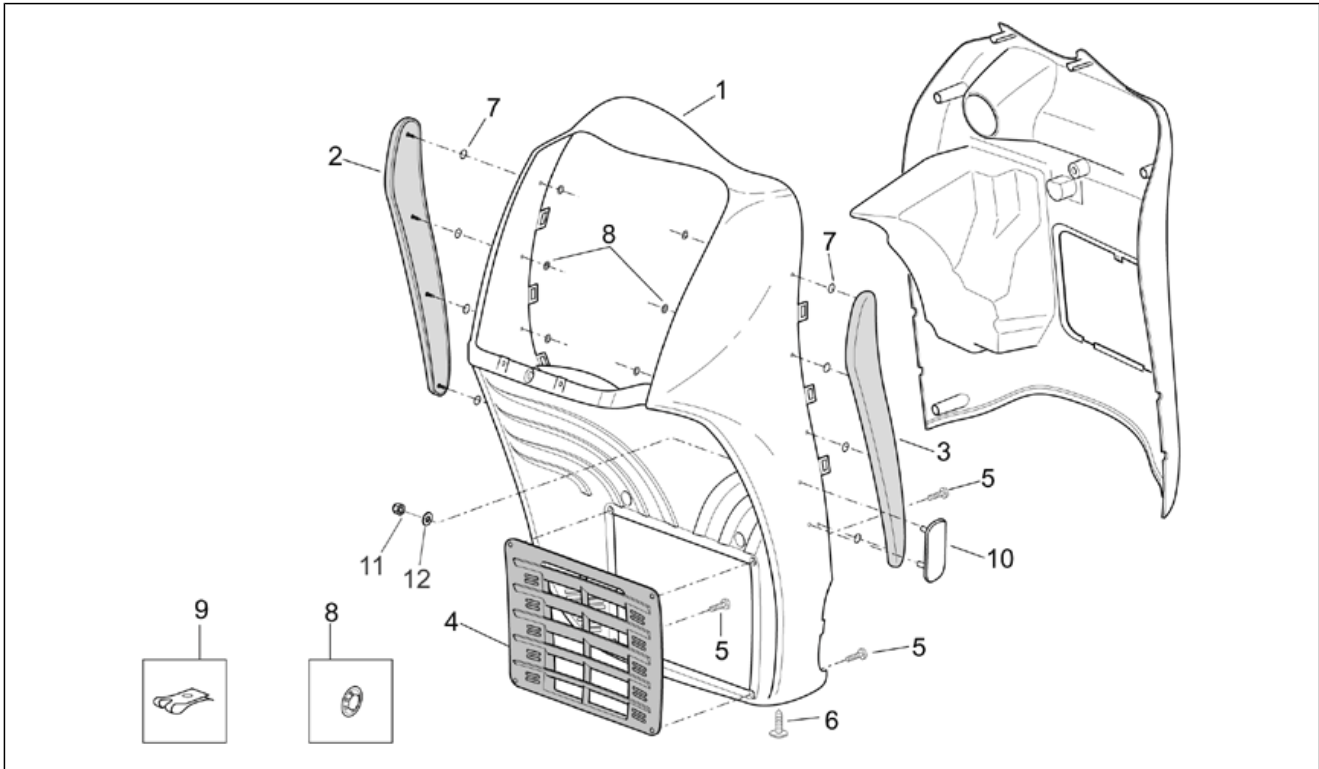
Pos.	Code	Description	Qty	Variants
1	AP8139261	Front shield, chamois	1	Year:1999[X], 2000[Y] Vehicle colour:Chamois '99-2000[cam]
1	AP8148216	Front shield, s.grey	1	Year:1999[X] Vehicle colour:Shark Grey '99[s.g]
1	AP8148233	Front shield, m.red	1	Year:1999[X], 2000[Y] Vehicle colour:Mirò Red '99 - 2000[m.r]
1	AP8148250	Front shield, a.green	1	Year:1999[X] Vehicle colour:Agua Green '99[a.g]
1	AP8148758	Front shield, Ap. black	1	Year:2001[1] Vehicle colour:Aprilia Black 2000-2001-2002[black] Country:United States of America[USA]
1	AP8148758	Front shield, Ap. black	1	Year:2000[Y] Vehicle colour:Aprilia Black 2000-2001-2002[black]
1	AP8148758	Front shield, Ap. black	1	Year:2001[1] Vehicle colour:Aprilia Black 2000-2001-2002[black] Country:Austria[A], Switzerland[CH], Germany[D], Spain[E], France[F], Greece[GR], Italy[I], Israel[IL], Japan[J], Portugal[P], Great Britain[UK]
1	AP8148758	Front shield, Ap. black	1	Year:2002[2] Vehicle colour:Aprilia Black 2000-2001-2002[black]
1	AP8148772	Front shield, ch.blue	1	Year:2001[1] Vehicle colour:Chips Blue 2000-2001[blu.c] Country:Austria[A], Switzerland[CH], Germany[D], Spain[E], France[F], Greece[GR], Italy[I], Israel[IL], Japan[J], Portugal[P], Great Britain[UK]
1	AP8148772	Front shield, ch.blue	1	Year:2000[Y] Vehicle colour:Chips Blue 2000-2001[blu.c]
1	AP8148772	Front shield, ch.blue	1	Year:2001[1] Vehicle colour:Chips Blue 2000-2001[blu.c] Country:United States of America[USA]
1	AP8149072	Front shield, ice green	1	Year:2000[Y] Vehicle colour:Ice Green 2000[g.ice]
1	AP8149540	Front shield, grey	1	Year:2001[1]

<b>Group</b>	FRAME
<b>Code</b>	28.14
<b>Description</b>	Front body - Front fairing
<b>Service</b>	1



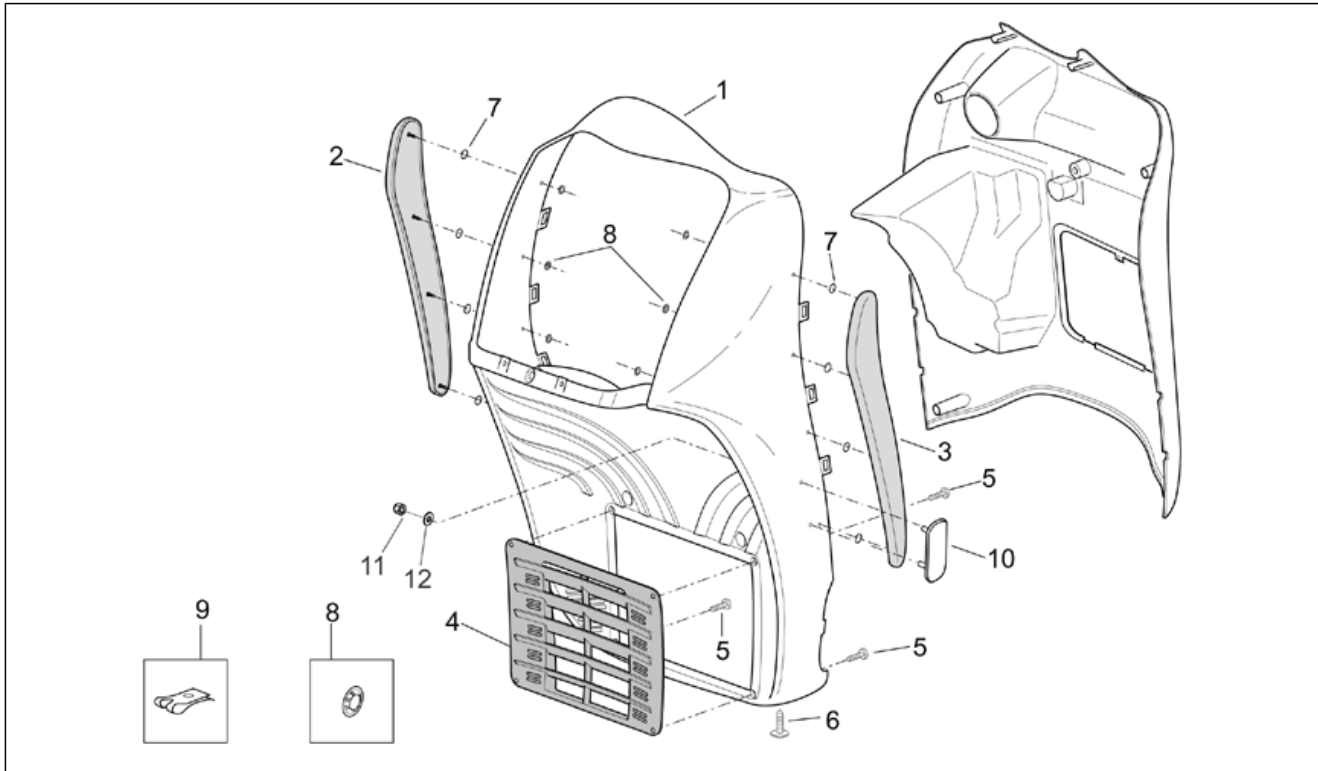
Pos.	Code	Description	Qty	Variants
				<b>Vehicle colour:</b> Mercury Grey 2001-2002-2003[mer.g] <b>Country:</b> United States of America[USA]
1	AP8149540	Front shield, grey	1	<b>Year:</b> 2003[3] <b>Vehicle colour:</b> Mercury Grey 2001-2002-2003[mer.g]
1	AP8149540	Front shield, grey	1	<b>Year:</b> 2001[1] <b>Vehicle colour:</b> Mercury Grey 2001-2002-2003[mer.g] <b>Country:</b> Austria[A], Switzerland[CH], Germany[D], Spain[E], France[F], Greece[GR], Italy[I], Israel[IL], Japan[J], Portugal[P], Great Britain[UK]
1	AP8149540	Front shield, grey	1	<b>Year:</b> 2002[2] <b>Vehicle colour:</b> Mercury Grey 2001-2002-2003[mer.g]
1	AP8158180	Front shield, red	1	<b>Year:</b> 2001[1] <b>Vehicle colour:</b> Baroque Red 2001[red.b] <b>Country:</b> Austria[A], Switzerland[CH], Germany[D], Spain[E], France[F], Greece[GR], Italy[I], Israel[IL], Japan[J], Portugal[P], Great Britain[UK]
1	AP8158195	Front shield, green	1	<b>Year:</b> 2001[1] <b>Vehicle colour:</b> Thin Green 2001[thi.g] <b>Country:</b> United States of America[USA]
1	AP8158195	Front shield, green	1	<b>Year:</b> 2001[1] <b>Vehicle colour:</b> Thin Green 2001[thi.g] <b>Country:</b> Austria[A], Switzerland[CH], Germany[D], Spain[E], France[F], Greece[GR], Italy[I], Israel[IL], Japan[J], Portugal[P], Great Britain[UK]
1	AP8158242	Drilled front shield, black	1	<b>Year:</b> 2001[1] <b>Vehicle colour:</b> Aprilia Black 2000-2001-2002[black] <b>Country:</b> United States of America[USA]
1	AP8158246	Front shield, grey	1	<b>Year:</b> 2001[1] <b>Vehicle colour:</b> Platinum Grey 2001[pla.g]
1	AP8158261	Drilled front shield, grey	1	<b>Year:</b> 2001[1] <b>Vehicle colour:</b> Mercury Grey 2001-2002-2003[mer.g] <b>Country:</b> United States of America[USA]
1	AP8158262	Drilled front shield, blue	1	<b>Year:</b> 2001[1] <b>Vehicle colour:</b> Chips Blue 2000-2001[blu.c]

<b>Group</b>	FRAME
<b>Code</b>	28.14
<b>Description</b>	Front body - Front fairing
<b>Service</b>	1



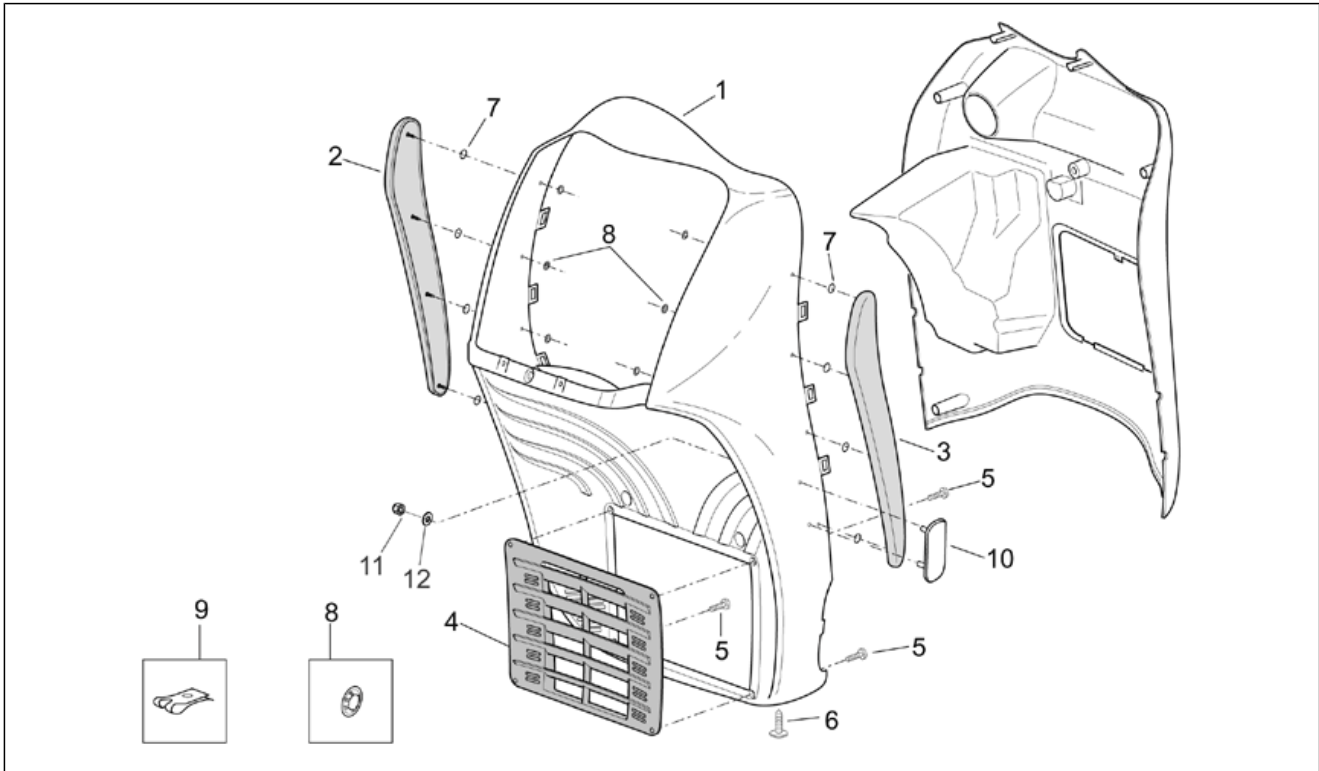
Pos.	Code	Description	Qty	Variants
				<b>Country:</b> United States of America[USA]
1	AP8158263	Drilled front shield, green	1	<b>Year:</b> 2001[1] <b>Vehicle colour:</b> Thin Green 2001[thi.g] <b>Country:</b> United States of America[USA]
1	AP8158274	Front shield, blue	1	<b>Year:</b> 2002[2] <b>Vehicle colour:</b> Lord Blue 2001-2002[blu.l]
1	AP8158274	Front shield, blue	1	<b>Year:</b> 2001[1] <b>Vehicle colour:</b> Lord Blue 2001-2002[blu.l] <b>Country:</b> Austria[A], Switzerland[CH], Germany[D], Spain[E], France[F], Greece[GR], Italy[I], Israel[IL], Japan[J], Portugal[P], Great Britain[UK]
1	AP8158288	Front shield, gold	1	<b>Year:</b> 2001[1] <b>Vehicle colour:</b> Mosaic Gold 2001[gold] <b>Country:</b> Austria[A], Switzerland[CH], Germany[D], Spain[E], France[F], Greece[GR], Italy[I], Israel[IL], Japan[J], Portugal[P], Great Britain[UK]
1	AP8158452	Drilled front shield, red	1	<b>Year:</b> 2001[1] <b>Vehicle colour:</b> Baroque Red 2001[red.b] <b>Country:</b> United States of America[USA]
1	AP8158453	Drilled front shield, gold	1	<b>Year:</b> 2001[1] <b>Vehicle colour:</b> Mosaic Gold 2001[gold] <b>Country:</b> United States of America[USA]
1	AP8158454	Drilled front shield, blue	1	<b>Year:</b> 2001[1] <b>Vehicle colour:</b> Lord Blue 2001-2002[blu.l] <b>Country:</b> United States of America[USA]
1	AP8168033	Front shield, green	1	<b>Year:</b> 2002[2] <b>Vehicle colour:</b> Glasgow Green 2002[gla.g]
1	AP8168097	Front shield, black	1	<b>Year:</b> 2002[2] <b>Vehicle colour:</b> Shadow Black 2002[sha.b]
1	AP8168191	Front shield, red	1	<b>Year:</b> 2002[2] <b>Vehicle colour:</b> Tulip Red 2002[red.t]
1	AP8168204	Front shield, grey	1	<b>Year:</b> 2002[2] <b>Vehicle colour:</b> Storm Grey 2002[sto.g]
1	AP8168748	Front shield, green	1	<b>Year:</b> 2003[3]

<b>Group</b>	FRAME
<b>Code</b>	28.14
<b>Description</b>	Front body - Front fairing
<b>Service</b>	1



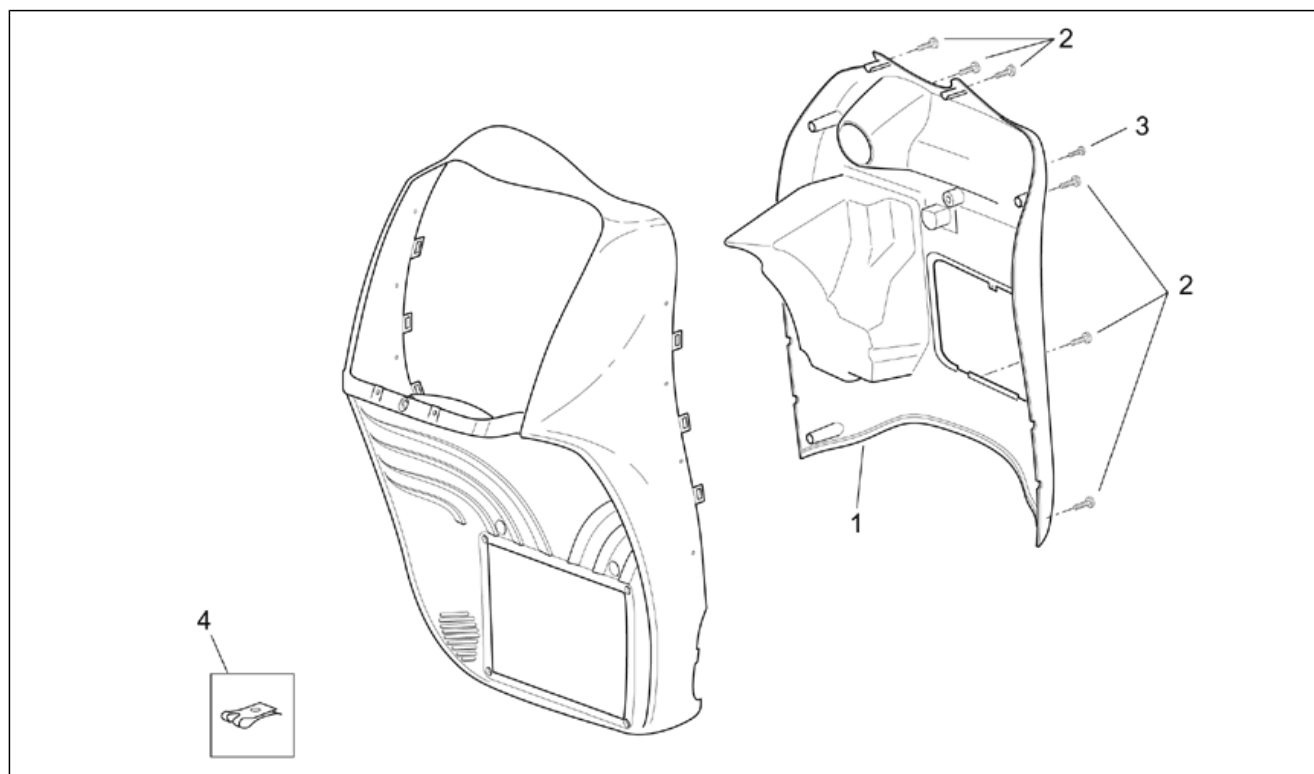
Pos.	Code	Description	Qty	Variants
				<b>Vehicle colour:</b> Sideral Green 2003[green]
1	AP8168824	Front shield, blue	1	<b>Year:</b> 2003[3] <b>Vehicle colour:</b> Main Blue 2003[blue]
1	AP8178836	Front shield, grey	1	<b>Year:</b> 2004[4] <b>Vehicle colour:</b> Diamond Grey 2004[d.grey] <b>Country:</b> USA (California Approval)[CF], USA (California Approval)[CZ]
1	AP8178841	Up. front fairing, silver	1	<b>Year:</b> 2004[4] <b>Vehicle colour:</b> Silver Mirror 2004[m.silv] <b>Country:</b> USA (California Approval)[CF], USA (California Approval)[CZ]
2	AP8148423	RH bumper, grey	1	<b>Year:</b> 2001[1], 1999[X], 2000[Y]
2	AP8158918	RH bumper, black	1	<b>Year:</b> 2002[2], 2003[3]
2	AP8158918	RH bumper, black	1	<b>Year:</b> 2004[4] <b>Country:</b> USA (California Approval)[CF], USA (California Approval)[CZ]
3	AP8148424	LH bumper, grey	1	<b>Year:</b> 2001[1], 1999[X], 2000[Y]
3	AP8158919	LH bumper, black	1	<b>Year:</b> 2002[2], 2003[3]
3	AP8158919	LH bumper, black	1	<b>Year:</b> 2004[4] <b>Country:</b> USA (California Approval)[CF], USA (California Approval)[CZ]
4	AP8139273	Water cooler shield, grey	1	<b>Year:</b> 1999[X], 2000[Y]
4	AP8149553	Water cooler shield, grey	1	<b>Year:</b> 2004[4] <b>Country:</b> USA (California Approval)[CF], USA (California Approval)[CZ]
4	AP8149553	Water cooler shield, grey	1	<b>Year:</b> 2001[1]
4	AP8158997	Water cooler shield, black	1	<b>Year:</b> 2002[2], 2003[3]
5	AP8150444	Self-tapping screw	4	
6	AP8152302	Screw w/ flange	4	
7	AP8102504	Rubber spacer	8	
8	AP8150450	Washer for shafts D5	8	

<b>Group</b>	FRAME
<b>Code</b>	28.14
<b>Description</b>	Front body - Front fairing
<b>Service</b>	1



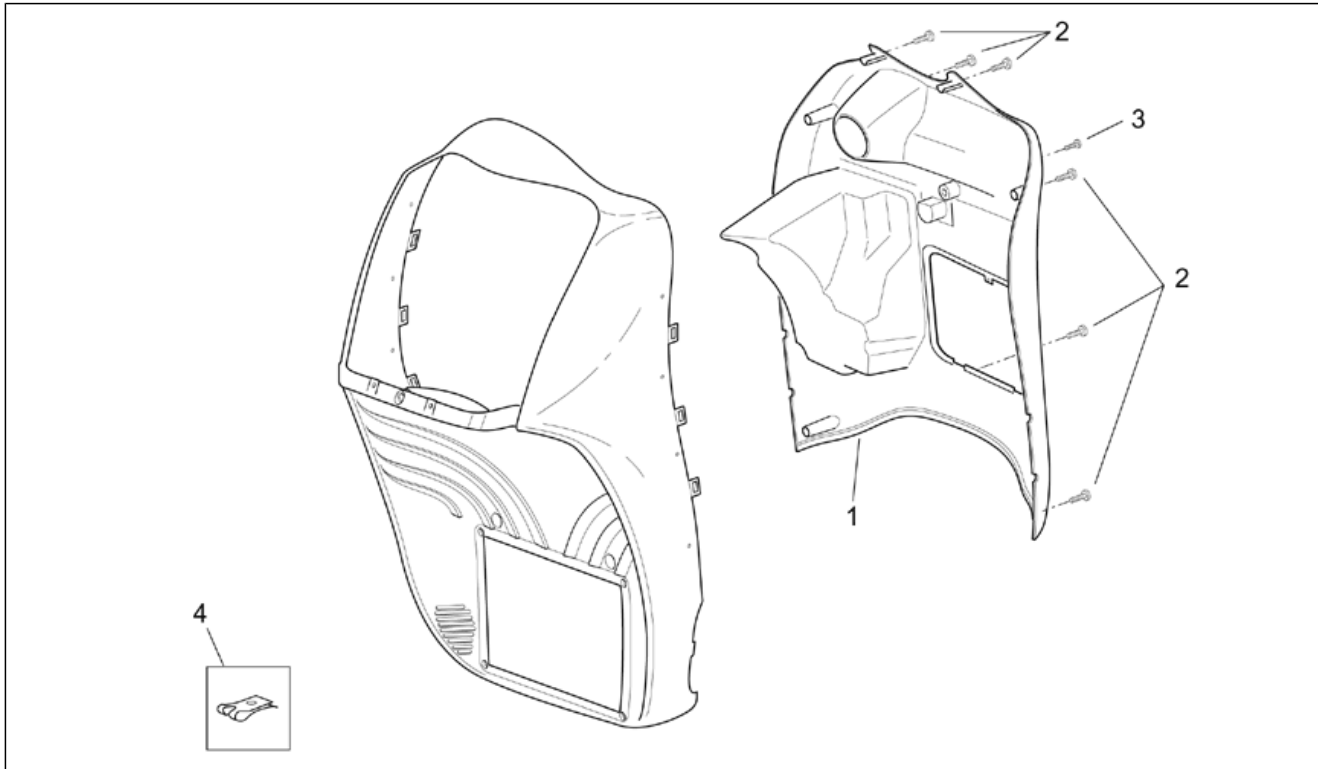
Pos.	Code	Description	Qty	Variants
9	AP8102782	Screw clip D4,2	2	
10	AP8124719	Reflector, amber	2	Year:2001[1] Country:United States of America[USA]
10	AP8124719	Reflector, amber	2	Year:2004[4] Country:USA (California Approval)[CF], USA (California Approval)[CZ]
11	AP8150204	Nut M4	4	Year:2001[1] Country:United States of America[USA]
11	AP8150204	Nut M4	4	Year:2004[4] Country:USA (California Approval)[CF], USA (California Approval)[CZ]
12	AP8150011	Washer 4,3x12x1*	4	Year:2001[1] Country:United States of America[USA]
12	AP8150011	Washer 4,3x12x1*	4	Year:2004[4] Country:USA (California Approval)[CF], USA (California Approval)[CZ]

<b>Group</b>	FRAME
<b>Code</b>	28.15
<b>Description</b>	Front body - Internal shield
<b>Service</b>	1



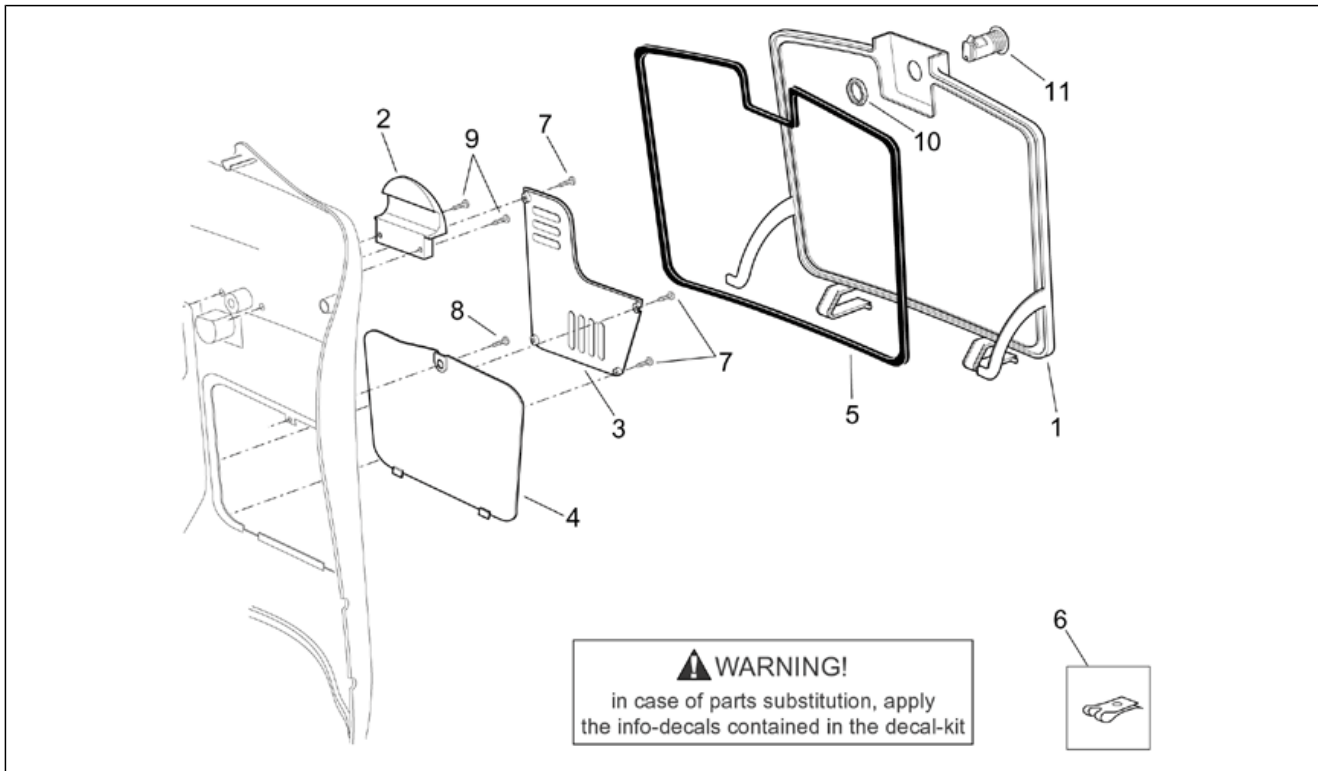
Pos.	Code	Description	Qty	Variants
1	AP8139264	Internal shield, chamois	1	Year:2000[Y] Vehicle colour:Chamois '99-2000[cam]
1	AP8139264	Internal shield, chamois	1	Year:1999[X] Vehicle colour:Chamois '99-2000[cam]
1	AP8148217	Internal shield, s.grey	1	Year:1999[X] Vehicle colour:Shark Grey '99[s.g]
1	AP8148234	Internal shield, m.red	1	Year:1999[X] Vehicle colour:Mirò Red '99 - 2000[m.r]
1	AP8148234	Internal shield, m.red	1	Year:2000[Y] Vehicle colour:Mirò Red '99 - 2000[m.r]
1	AP8148251	Internal shield, a.green	1	Year:1999[X] Vehicle colour:Agua Green '99[a.g]
1	AP8148759	Internal shield, ap.black	1	Year:2002[2] Vehicle colour:Aprilia Black 2000-2001-2002[black]
1	AP8148759	Internal shield, ap.black	1	Year:2000[Y] Vehicle colour:Aprilia Black 2000-2001-2002[black]
1	AP8148773	Internal shield, ice ch.blue	1	Year:2000[Y] Vehicle colour:Chips Blue 2000-2001[blu.c]
1	AP8149073	Internal shield, ice green	1	Year:2000[Y] Vehicle colour:Ice Green 2000[g.ice]
1	AP8158083	Internal shield, grey	1	Year:2001[1]
1	AP8158994	Internal shield, grey	1	Year:2002[2] Vehicle colour:Mercury Grey 2001-2002-2003[mer.g]
1	AP8158994	Internal shield, grey	1	Year:2003[3] Vehicle colour:Mercury Grey 2001-2002-2003[mer.g]
1	AP8168021	Internal shield, blue	1	Year:2002[2] Vehicle colour:Lord Blue 2001-2002[blu.l]
1	AP8168034	Internal shield, green	1	Year:2002[2] Vehicle colour:Glasgow Green 2002[glu.g]
1	AP8168098	Internal shield, black	1	Year:2002[2] Vehicle colour:Shadow Black 2002[sha.b]
1	AP8168192	Internal shield, black	1	Year:2002[2]

<b>Group</b>	FRAME
<b>Code</b>	28.15
<b>Description</b>	Front body - Internal shield
<b>Service</b>	1



Pos.	Code	Description	Qty	Variants
				Vehicle colour:Tulip Red 2002[red.t], Storm Grey 2002[sto.g]
1	AP8168749	Internal shield, green	1	Year:2003[3] Vehicle colour:Sideral Green 2003[green]
1	AP8168825	Internal shield, blue	1	Year:2003[3] Vehicle colour:Main Blue 2003[blue]
1	AP8178703	Internal shield, grey	1	Year:2004[4] Vehicle colour:Diamond Grey 2004[d.grey] Country:USA (California Approval)[CF], USA (California Approval)[CZ]
1	AP8178743	Internal shield, silver	1	Year:2004[4] Vehicle colour:Silver Mirror 2004[m.silv] Country:USA (California Approval)[CF], USA (California Approval)[CZ]
2	AP8150413	Self-tap screw 3,9x14	6	
3	AP8150426	Screw 5,5x15,9*	1	
4	AP8201763	Screw clip D5,5*	1	

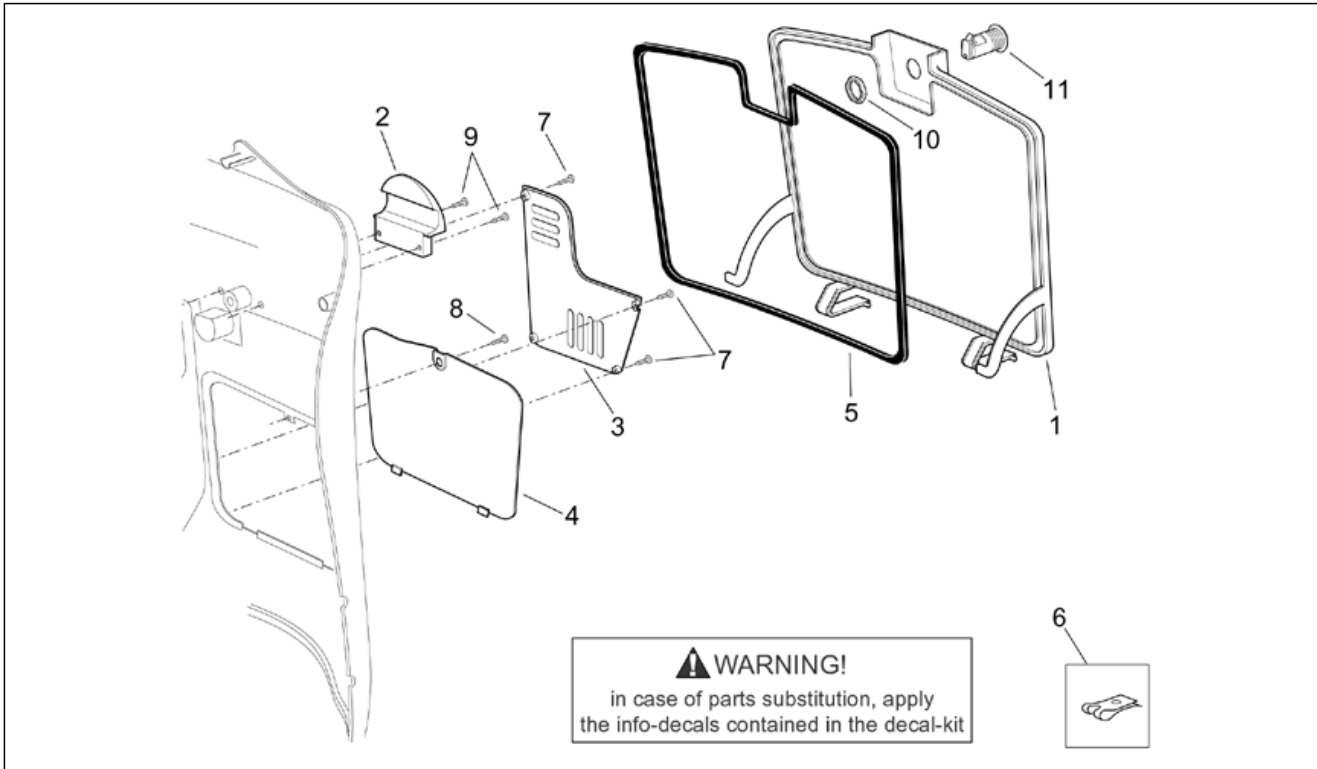
<b>Group</b>	FRAME
<b>Code</b>	28.16
<b>Description</b>	Central body I
<b>Service</b>	1



Pos.	Code	Description	Qty	Variants
1	AP8139267	Glove comp.door, chamois	1	Year:1999[X] Vehicle colour:Chamois '99-2000[cam]
1	AP8139267	Glove comp.door, chamois	1	Year:2000[Y] Vehicle colour:Chamois '99-2000[cam]
1	AP8148218	Glove comp.door, grey	1	Year:1999[X] Vehicle colour:Shark Grey '99[s.g]
1	AP8148235	Glove comp.door, m.red	1	Year:1999[X] Vehicle colour:Mirò Red '99 - 2000[m.r]
1	AP8148235	Glove comp.door, m.red	1	Year:2000[Y] Vehicle colour:Mirò Red '99 - 2000[m.r]
1	AP8148252	Glove comp.door, a.green	1	Year:1999[X] Vehicle colour:Agua Green '99[a.g]
1	AP8148760	Glove comp.door, ap.black	1	Year:2000[Y] Vehicle colour:Aprilia Black 2000-2001-2002[black]
1	AP8148760	Glove comp.door, ap.black	1	Year:2002[2] Vehicle colour:Aprilia Black 2000-2001-2002[black]
1	AP8148774	Glove comp.door, ch.blue	1	Year:2000[Y] Vehicle colour:Chips Blue 2000-2001[blu.c]
1	AP8149074	Glove comp.door, ice green	1	Year:2000[Y] Vehicle colour:Ice Green 2000[g.ice]
1	AP8158084	Glove comp.door, grey	1	Year:2001[1]
1	AP8158995	Glove comp.door, grey	1	Year:2002[2] Vehicle colour:Mercury Grey 2001-2002-2003[mer.g]
1	AP8158995	Glove comp.door, grey	1	Year:2003[3] Vehicle colour:Mercury Grey 2001-2002-2003[mer.g]
1	AP8168022	Glove comp.door, blue	1	Year:2002[2] Vehicle colour:Lord Blue 2001-2002[blu.l]
1	AP8168035	Glove comp.door, green	1	Year:2002[2] Vehicle colour:Glasgow Green 2002[glu.g]
1	AP8168099	Glove comp.door, black	1	Year:2002[2] Vehicle colour:Shadow Black 2002[sha.b]
1	AP8168193	Glove comp.door, black	1	Year:2002[2]

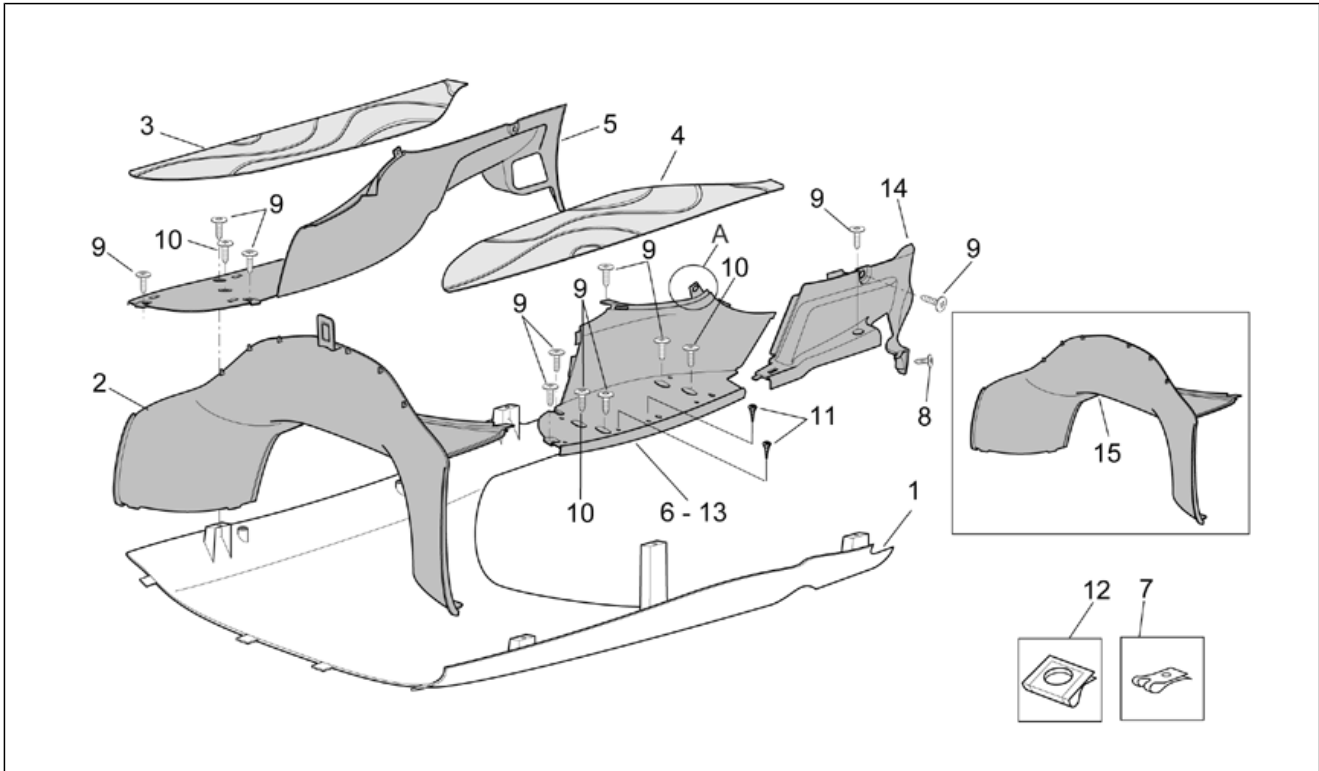


<b>Group</b>	FRAME
<b>Code</b>	28.16
<b>Description</b>	Central body I
<b>Service</b>	1



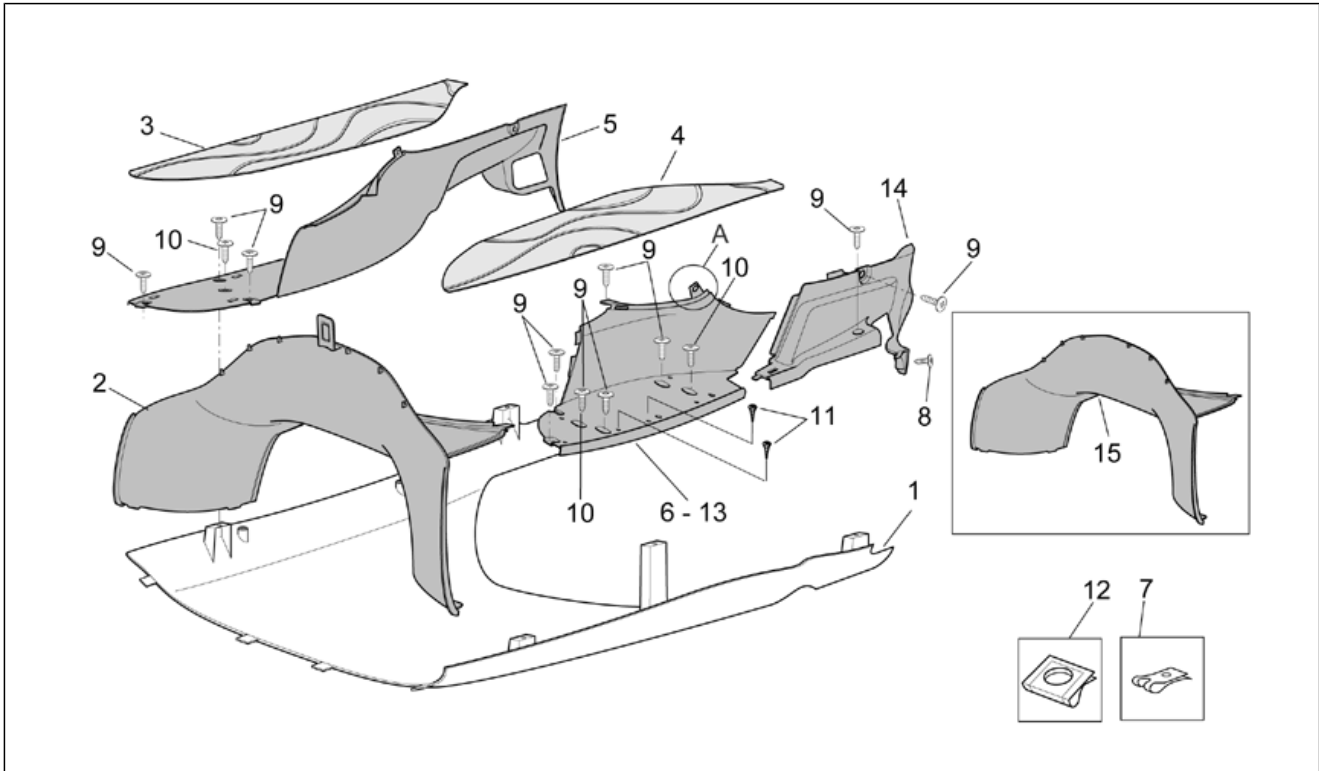
Pos.	Code	Description	Qty	Variants
				Vehicle colour:Tulip Red 2002[red.t], Storm Grey 2002[sto.g]
1	AP8168750	Glove comp.door, green	1	Year:2003[3] Vehicle colour:Sideral Green 2003[green]
1	AP8168826	Glove comp.door, blue	1	Year:2003[3] Vehicle colour:Main Blue 2003[blue]
1	AP8178704	Glove comp.door, grey	1	Year:2004[4] Vehicle colour:Diamond Grey 2004[d.grey] Country:USA (California Approval)[CF], USA (California Approval)[CZ]
1	AP8178744	Glove comp.door, silver	1	Year:2004[4] Vehicle colour:Silver Mirror 2004[m.silv] Country:USA (California Approval)[CF], USA (California Approval)[CZ]
2	AP8139270	Bag holder hook	1	Year:2001[1], 1999[X], 2000[Y]
2	AP8158996	Bag holder hook, black	1	Year:2004[4] Country:USA (California Approval)[CF], USA (California Approval)[CZ]
2	AP8158996	Bag holder hook, black	1	Year:2002[2], 2003[3]
3	AP8139265	Glove box internal grille	1	
4	AP8139269	Appr.data cov., grey	1	
5	AP8144257	Gasket	1	
6	AP8102782	Screw clip D4,2	2	
7	AP8150421	Self-tap screw 2,9x12	4	
8	AP8152345	Screw 5,5x20	1	
9	AP8152351	Screw 4,2x16*	2	
10	AP8102523	Lock nut	1	
11	AP8104647	Top box lock	1	

<b>Group</b>	FRAME
<b>Code</b>	28.17
<b>Description</b>	Central body II
<b>Service</b>	1



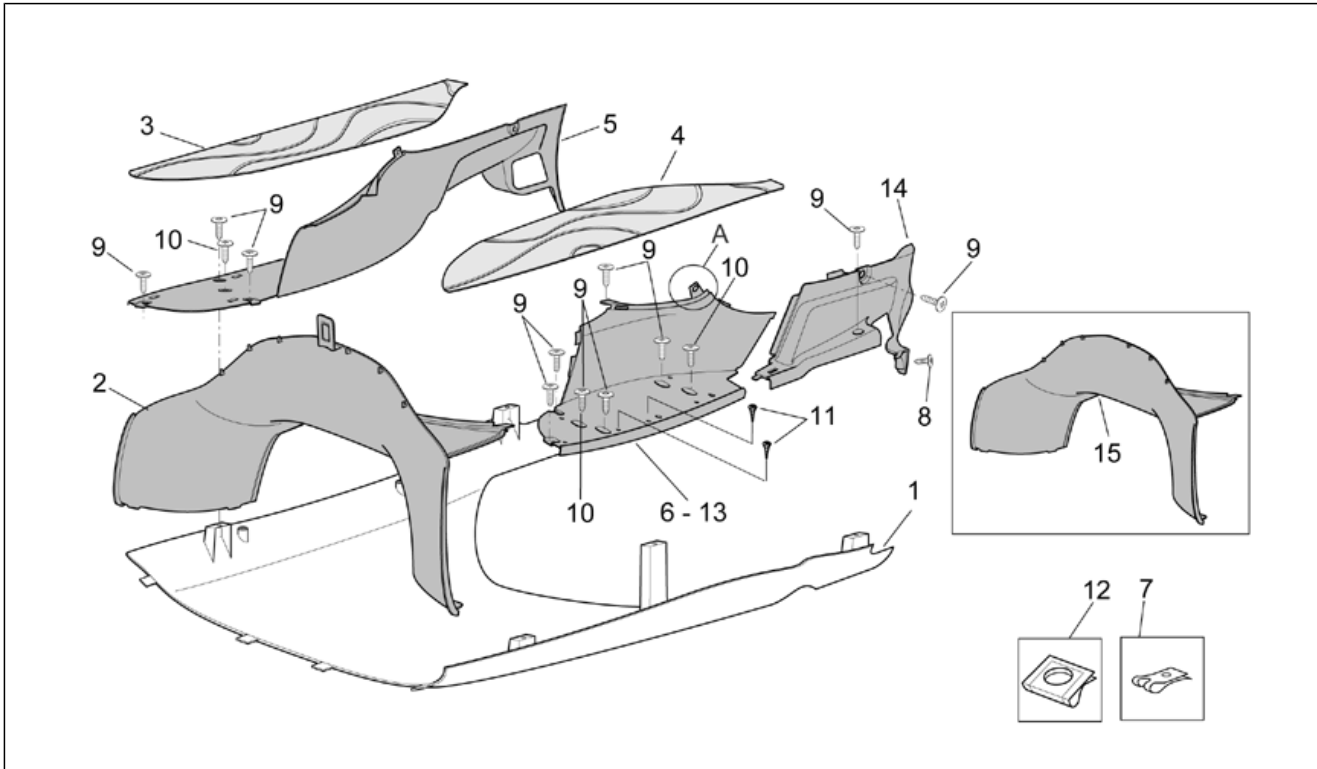
Pos.	Code	Description	Qty	Variants
1	AP8139274	Low. prot.fairing, chamois	1	Year:2000[Y] Vehicle colour:Chamois '99-2000[cam]
1	AP8139274	Low. prot.fairing, chamois	1	Year:1999[X] Vehicle colour:Chamois '99-2000[cam]
1	AP8148219	Low. prot.fairing, s.grey	1	Year:1999[X] Vehicle colour:Shark Grey '99[s.g]
1	AP8148236	Low. prot.fairing, m.red	1	Year:1999[X] Vehicle colour:Mirò Red '99 - 2000[m.r]
1	AP8148236	Low. prot.fairing, m.red	1	Year:2000[Y] Vehicle colour:Mirò Red '99 - 2000[m.r]
1	AP8148253	Low. prot.fairing, a.green	1	Year:1999[X] Vehicle colour:Agua Green '99[a.g]
1	AP8148761	Low. prot.fairing, ap.black	1	Year:2000[Y] Vehicle colour:Aprilia Black 2000-2001-2002[black]
1	AP8148775	Low. prot.fairing, ch.blue	1	Year:2000[Y] Vehicle colour:Chips Blue 2000-2001[blu.c]
1	AP8149075	Low. prot.fairing, ice green	1	Year:2000[Y] Vehicle colour:Ice Green 2000[g.ice]
1	AP8149327	Low. prot.fairing, light brown	1	Year:2000[Y] Vehicle colour:Chamois '99-2000[cam]
1	AP8149329	Low. prot.fairing, red	1	Year:2000[Y] Vehicle colour:Mirò Red '99 - 2000[m.r]
1	AP8149331	Low. prot.fairing, black	1	Year:2000[Y] Vehicle colour:Aprilia Black 2000-2001-2002[black]
1	AP8149331	Low. prot.fairing, black	1	Year:2001[1], 2002[2] Vehicle colour:Aprilia Black 2000-2001-2002[black]
1	AP8149331	Low. prot.fairing, black	1	Year:2002[2] Vehicle colour:Shadow Black 2002[sha.b]
1	AP8149333	Low. prot.fairing, blue	1	Year:2001[1] Vehicle colour:Chips Blue 2000-2001[blu.c]
1	AP8149333	Low. prot.fairing, blue	1	Year:2000[Y] Vehicle colour:Chips Blue 2000-2001[blu.c]

<b>Group</b>	FRAME
<b>Code</b>	28.17
<b>Description</b>	Central body II
<b>Service</b>	1



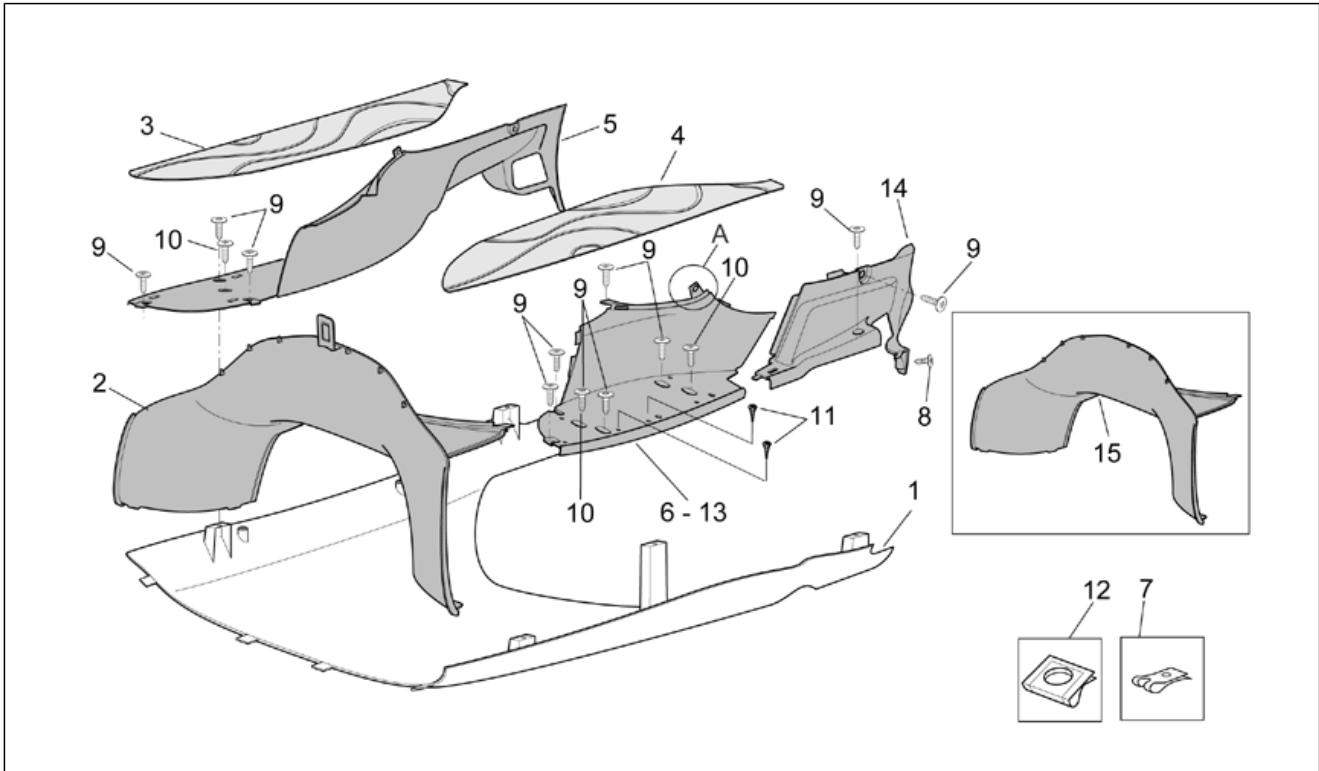
Pos.	Code	Description	Qty	Variants
1	AP8149335	Low. prot.fairing, green	1	Year:2000[Y] Vehicle colour:Ice Green 2000[g.ice]
1	AP8149543	Low. prot.fairing, grey	1	Year:2002[2] Vehicle colour:Mercury Grey 2001-2002-2003[mer.g]
1	AP8149543	Low. prot.fairing, grey	1	Year:2001[1] Vehicle colour:Mercury Grey 2001-2002-2003[mer.g], Platinum Grey 2001[pla.g]
1	AP8149543	Low. prot.fairing, grey	1	Year:2003[3] Vehicle colour:Mercury Grey 2001-2002-2003[mer.g]
1	AP8158181	Low. prot.fairing, red	1	Year:2001[1] Vehicle colour:Baroque Red 2001[red.b]
1	AP8158196	Low. prot.fairing, green	1	Year:2001[1] Vehicle colour:Thin Green 2001[thi.g]
1	AP8158275	Low. prot.fairing, blue	1	Year:2003[3] Vehicle colour:Main Blue 2003[blue]
1	AP8158275	Low. prot.fairing, blue	1	Year:2001[1], 2002[2] Vehicle colour:Lord Blue 2001-2002[blu.l]
1	AP8158289	Low. prot.fairing, gold	1	Year:2001[1] Vehicle colour:Mosaic Gold 2001[gold]
1	AP8168036	Low. prot.fairing, green	1	Year:2002[2] Vehicle colour:Glasgow Green 2002[gla.g]
1	AP8168194	Low. prot.fairing, red	1	Year:2002[2] Vehicle colour:Tulip Red 2002[red.t]
1	AP8168205	Low. prot.fairing, grey	1	Year:2002[2] Vehicle colour:Storm Grey 2002[sto.g]
1	AP8168751	Low. prot.fairing, green	1	Year:2003[3] Vehicle colour:Sideral Green 2003[green]
1	AP8168881	Low. prot.fairing	1	Year:2004[4] Vehicle colour:Silver Mirror 2004[m.silv] Country:USA (California Approval)[CF], USA (California Approval)[CZ]
1	AP8178707	Low. prot.fairing, grey	1	Year:2004[4] Vehicle colour:Diamond Grey 2004[d.grey]

<b>Group</b>	FRAME
<b>Code</b>	28.17
<b>Description</b>	Central body II
<b>Service</b>	1



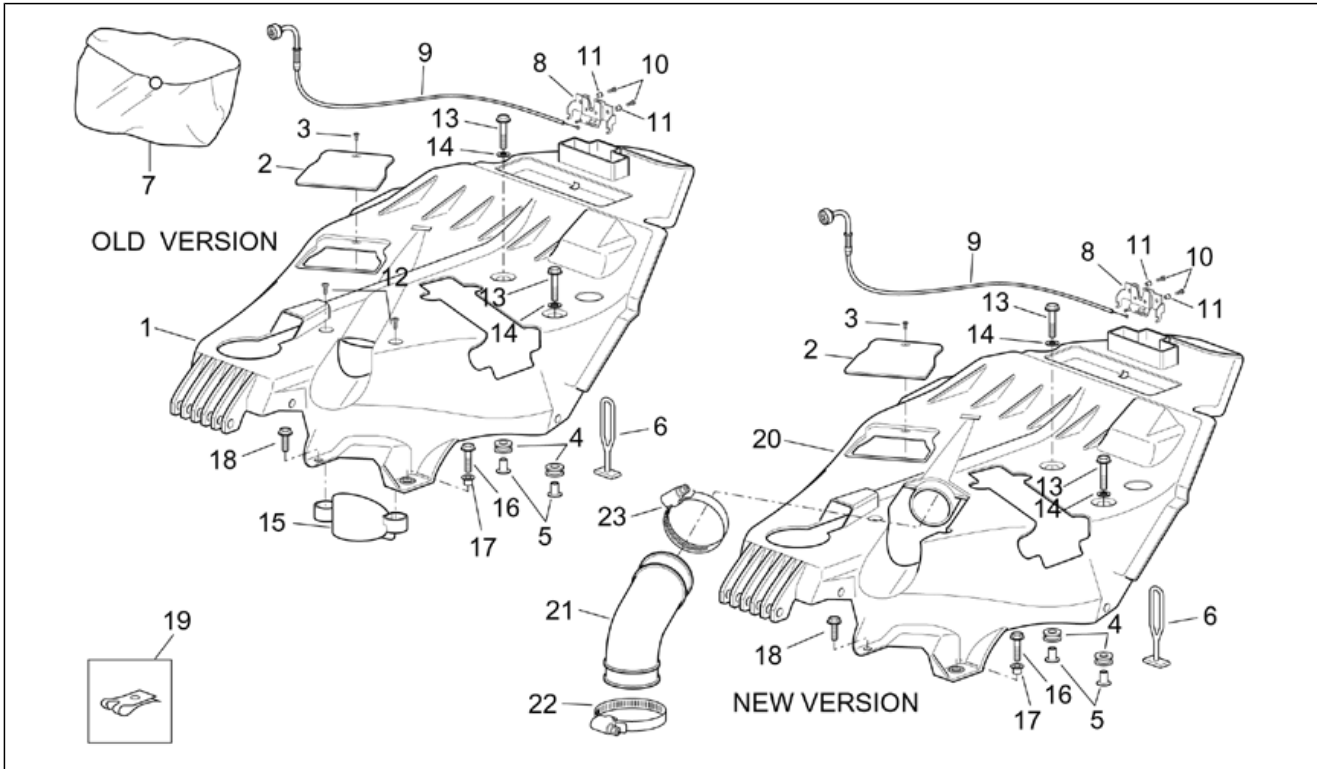
Pos.	Code	Description	Qty	Variants
				Country:USA (California Approval)[CF], USA (California Approval)[CZ]
2	AP8139275	Tunnel, grey	1	Year:2001[1], 1999[X], 2000[Y] Technical Specifications:Tunnel WITH fixing[CF]
2	AP8158921	Black tunnel	1	Year:2004[4] Country:USA (California Approval)[CF], USA (California Approval)[CZ] Technical Specifications:Tunnel WITH fixing[CF]
2	AP8158921	Black tunnel	1	Year:2002[2], 2003[3] Technical Specifications:Tunnel WITH fixing[CF]
3	AP8139278	RH mat, grey	1	Year:2001[1], 1999[X], 2000[Y]
3	AP8158923	RH mat, black	1	Year:2004[4] Country:USA (California Approval)[CF], USA (California Approval)[CZ]
3	AP8158923	RH mat, black	1	Year:2002[2], 2003[3]
4	AP8139279	LH mat, grey	1	Year:2001[1], 1999[X], 2000[Y]
4	AP8158924	LH mat, black	1	Year:2002[2], 2003[3]
4	AP8158924	LH mat, black	1	Year:2004[4] Country:USA (California Approval)[CF], USA (California Approval)[CZ]
5	AP8139583	RH Floor panel, grey	1	Year:2001[1], 1999[X], 2000[Y]
5	AP8158925	RH Floor panel, black	1	Year:2002[2], 2003[3]
5	AP8178045	Black floor panel, assy	1	Year:2004[4] Country:USA (California Approval)[CF], USA (California Approval)[CZ]
6	AP8139584	LH Floor panel, grey	1	Year:2001[1], 1999[X], 2000[Y]
6	AP8158926	LH Floor panel, black	1	Year:2002[2], 2003[3]
6	AP8178045	Black floor panel, assy	1	Year:2004[4] Country:USA (California Approval)[CF], USA (California Approval)[CZ]
7	AP8201763	Screw clip D5,5*	18	
8	AP8150421	Self-tap screw 2,9x12	2	

<b>Group</b>	FRAME
<b>Code</b>	28.17
<b>Description</b>	Central body II
<b>Service</b>	1



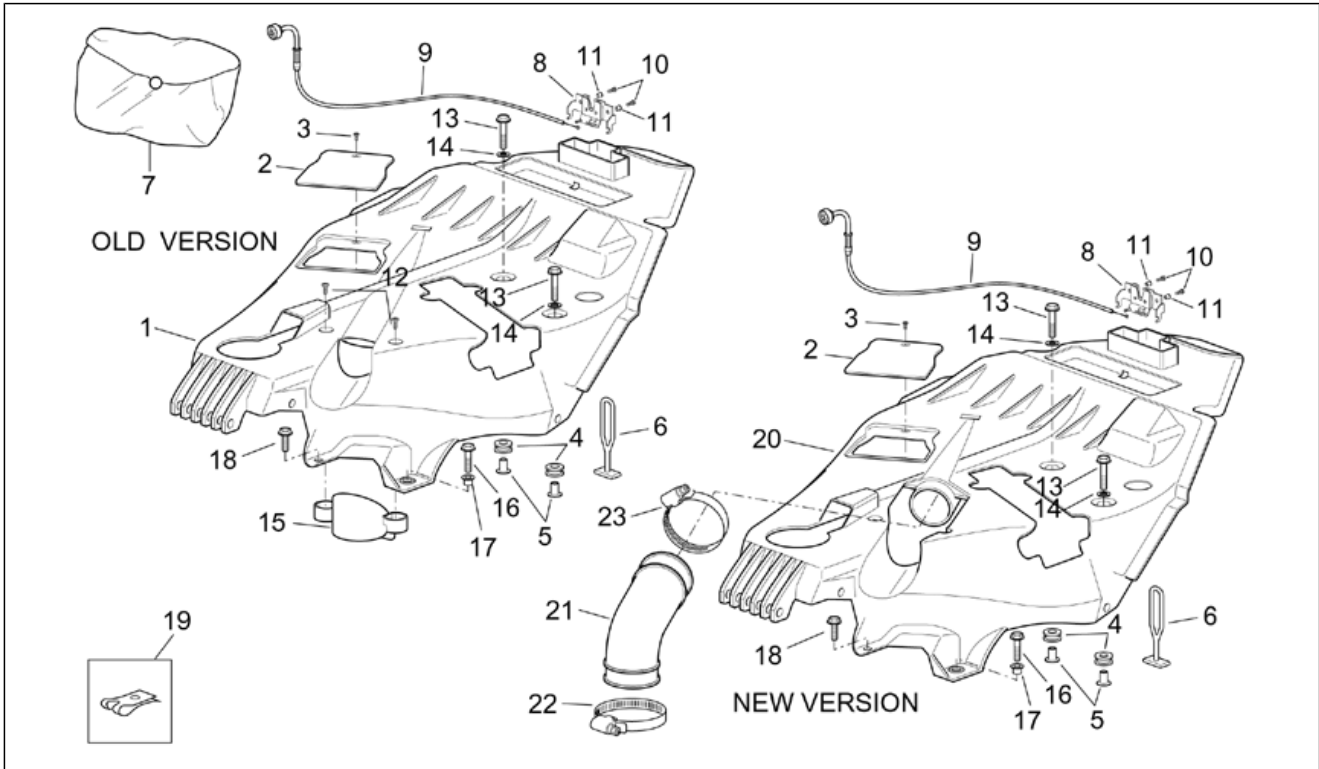
Pos.	Code	Description	Qty	Variants
9	AP8152345	Screw 5,5x20	22	
10	AP8152302	Screw w/ flange	4	
11	AP8150413	Self-tap screw 3,9x14	4	
12	AP8102375	Clip	4	
13	AP8168880	LH Floor panel, black	1	Year:2003[3]
13	AP8168880	LH Floor panel, black	1	Year:2004[4] Country:USA (California Approval)[CF], USA (California Approval)[CZ]
14	AP8168947	Cover black	1	Year:2004[4] Country:USA (California Approval)[CF], USA (California Approval)[CZ]
14	AP8168947	Cover black	1	Year:2003[3]
14	AP8178721	Cover chrome grey	1	Year:2003[3]
15	AP8168877	Black tunnel	1	Year:2003[3] Technical Specifications:Tunnel WITHOUT fixing[Sf]
15	AP8178045	Black floor panel, assy	1	Year:2004[4] Country:USA (California Approval)[CF], USA (California Approval)[CZ] Technical Specifications:Tunnel WITHOUT fixing[Sf]

<b>Group</b>	FRAME
<b>Code</b>	28.18
<b>Description</b>	Undersaddle
<b>Service</b>	1



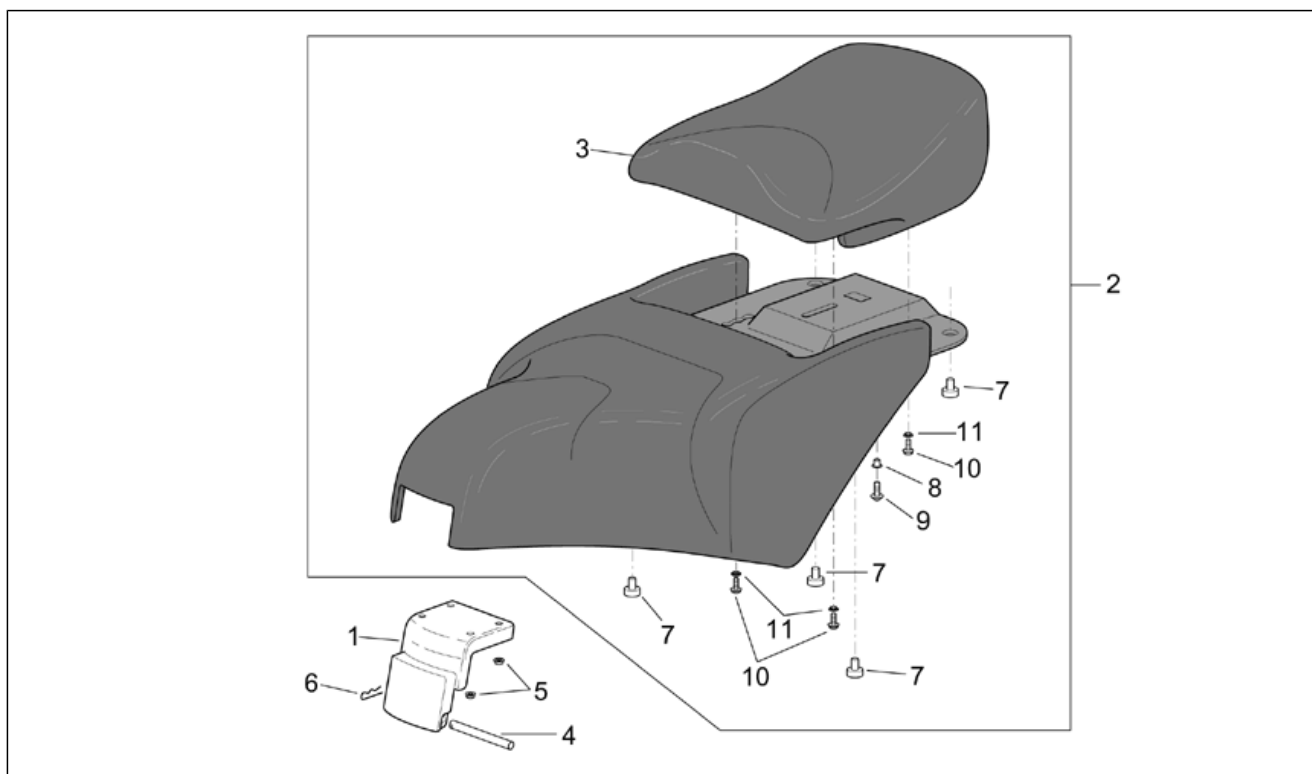
Pos.	Code	Description	Qty	Variants
1	AP8139282	Saddle compartment, black	1	<b>Year:</b> 2002[2] <b>Country:</b> Austria[A], Switzerland[CH], Germany[D], Spain[E], France[F], Greece[GR], Italy[I], Israel[IL], Japan[J], Portugal[P], Great Britain[UK]
1	AP8139282	Saddle compartment, black	1	<b>Year:</b> 2001[1], 1999[X], 2000[Y] <b>Country:</b> Austria[A], Switzerland[CH], Germany[D], Spain[E], France[F], Greece[GR], Italy[I], Israel[IL], Japan[J], Portugal[P], Great Britain[UK]
1	AP8168116	Air box kit	1	<b>Year:</b> 2001[1] <b>Country:</b> United States of America[USA]
2	AP8238856	Fuel sens. cover, black	1	
3	AP8150413	Self-tap screw 3,9x14	1	
4	AP8220370	Filter housing rubber	2	
5	AP8121725	T bush *	2	
6	AP8120177	Headlight supp.snap	1	
7	AP8102842	Toolkit	1	<b>Country:</b> Austria[A], Switzerland[CH], Germany[D], Spain[E], France[F], Greece[GR], Italy[I], Israel[IL], Japan[J], Portugal[P], Great Britain[UK]
7	AP8104307	Toolkit	1	<b>Country:</b> USA (California Approval)[CF], USA (California Approval)[CZ], United States of America[USA]
8	AP8102945	Saddle lock	1	
9	AP8114381	Lock cable	1	
10	AP8152277	Screw w/ flange	2	
11	AP8121075	T bush *	2	
12	AP8150426	Screw 5,5x15,9*	2	
13	AP8150425	Screw 5,5x22*	2	
14	AP8150013	Washer 5,5x15x1,6*	2	
15	AP8144175	Gasket	1	
16	AP8152287	Screw w/ flange	1	
17	AP8221128	T bush 8,5x10,7x12	2	
18	AP8152278	Screw w/ flange	1	

<b>Group</b>	FRAME
<b>Code</b>	28.18
<b>Description</b>	Undersaddle
<b>Service</b>	1



Pos.	Code	Description	Qty	Variants
19	AP8201763	Screw clip D5,5*	4	
20	AP8158792	Saddle compartment, black	1	Year:2002[2] Country:Austria[A], Switzerland[CH], Germany[D], Spain[E], France[F], Greece[GR], Italy[I], Israel[IL], Japan[J], Portugal[P], Great Britain[UK]
20	AP8158792	Saddle compartment, black	1	Year:2003[3]
20	AP8158792	Saddle compartment, black	1	Year:2001[1] Country:United States of America[USA]
20	AP8178646	Saddle compartment, black	1	Year:2004[4] Country:USA (California Approval)[CF], USA (California Approval)[CZ]
21	AP8144510	Intake hose	1	
22	AP8104501	Hose clamp d.52	1	
23	AP8104502	Hose clamp d.47	1	

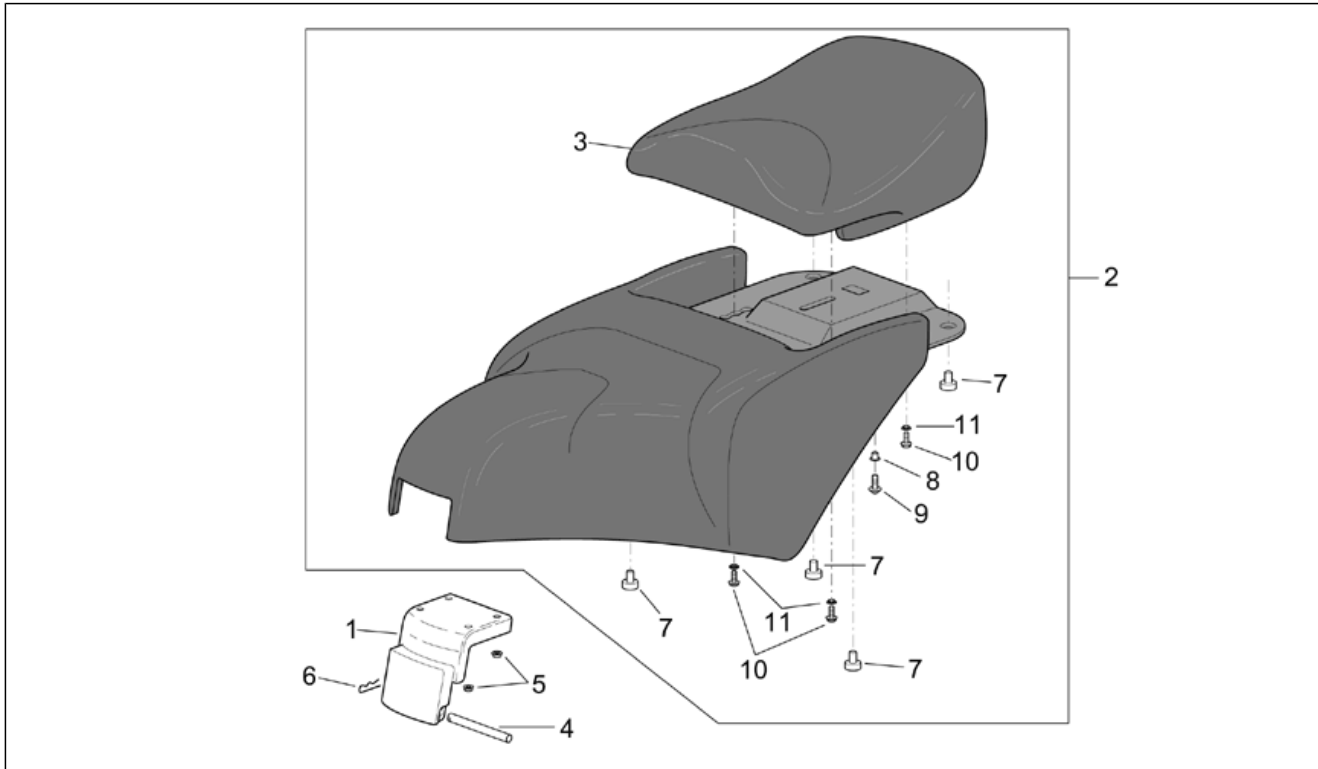
<b>Group</b>	FRAME
<b>Code</b>	28.19
<b>Description</b>	Saddle unit
<b>Service</b>	1



Pos.	Code	Description	Qty	Variants
1	AP8139257	Pillar hinge, chamois	1	Year:1999[X] Vehicle colour:Chamois '99-2000[cam]
1	AP8139257	Pillar hinge, chamois	1	Year:2000[Y] Vehicle colour:Chamois '99-2000[cam]
1	AP8148220	Pillar hinge, grey	1	Year:1999[X] Vehicle colour:Shark Grey '99[s.g]
1	AP8148237	Pillar hinge, m.red	1	Year:1999[X] Vehicle colour:Mirò Red '99 - 2000[m.r]
1	AP8148237	Pillar hinge, m.red	1	Year:2000[Y] Vehicle colour:Mirò Red '99 - 2000[m.r]
1	AP8148254	Pillar hinge, a.green	1	Year:1999[X] Vehicle colour:Agua Green '99[a.g]
1	AP8148762	Pillar hinge, ap.black	1	Year:2000[Y] Vehicle colour:Aprilia Black 2000-2001-2002[black]
1	AP8148776	Pillar hinge, ch.blue	1	Year:2000[Y] Vehicle colour:Chips Blue 2000-2001[blu.c]
1	AP8149076	Pillar hinge, ice green	1	Year:2000[Y] Vehicle colour:Ice Green 2000[g.ice]
1	AP8149325	Pillar hinge, black	1	Year:2000[Y]
1	AP8149325	Pillar hinge, black	1	Year:2004[4] Country:USA (California Approval)[CF], USA (California Approval)[CZ]
1	AP8149325	Pillar hinge, black	1	Year:2001[1], 2002[2], 2003[3]
2	AP8129238	Saddle complete, red	1	Year:1999[X] Vehicle colour:Chamois '99-2000[cam], Shark Grey '99[s.g]
2	AP8129264	Saddle complete, brown	1	Year:1999[X] Vehicle colour:Agua Green '99[a.g], Mirò Red '99 - 2000[m.r]
2	AP8129280	Saddle complete, black	1	Year:2001[1] Vehicle colour:Aprilia Black 2000-2001-2002[black]
2	AP8129280	Saddle complete, black	1	Year:2000[Y]

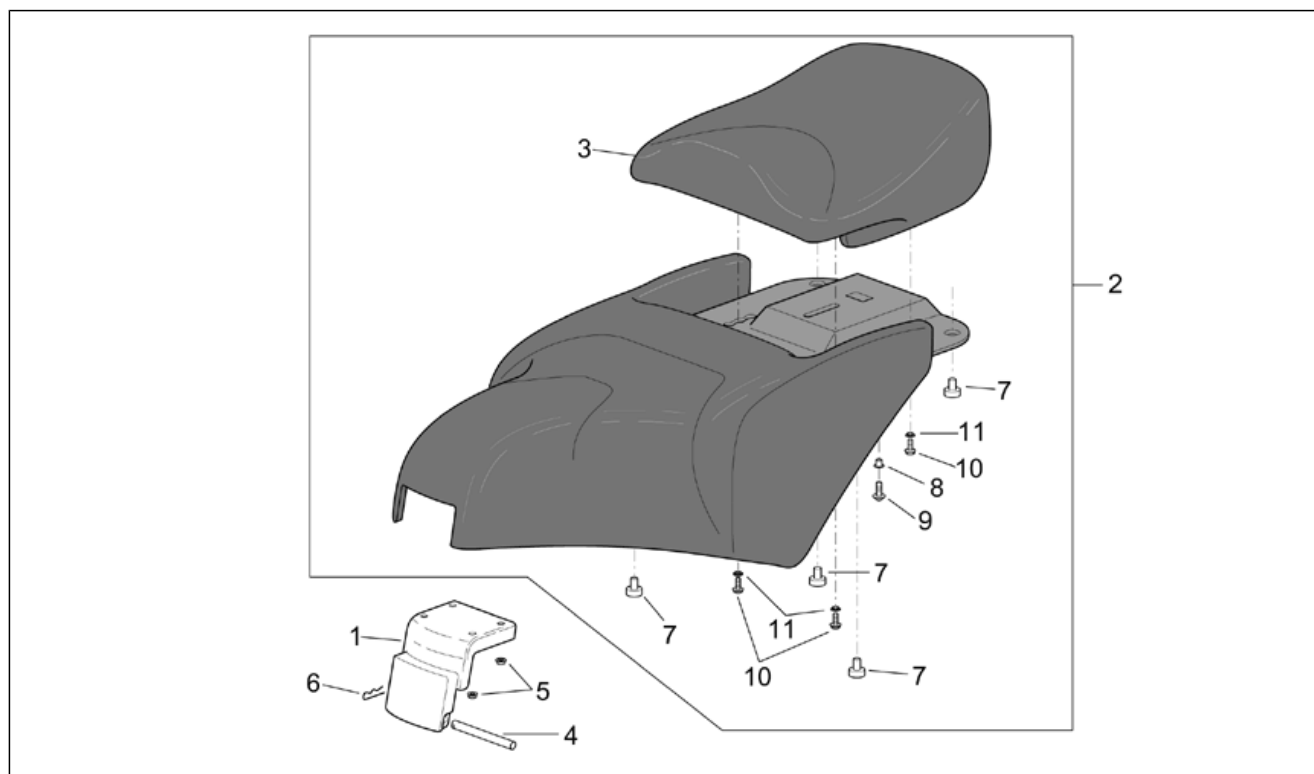


<b>Group</b>	FRAME
<b>Code</b>	28.19
<b>Description</b>	Saddle unit
<b>Service</b>	1



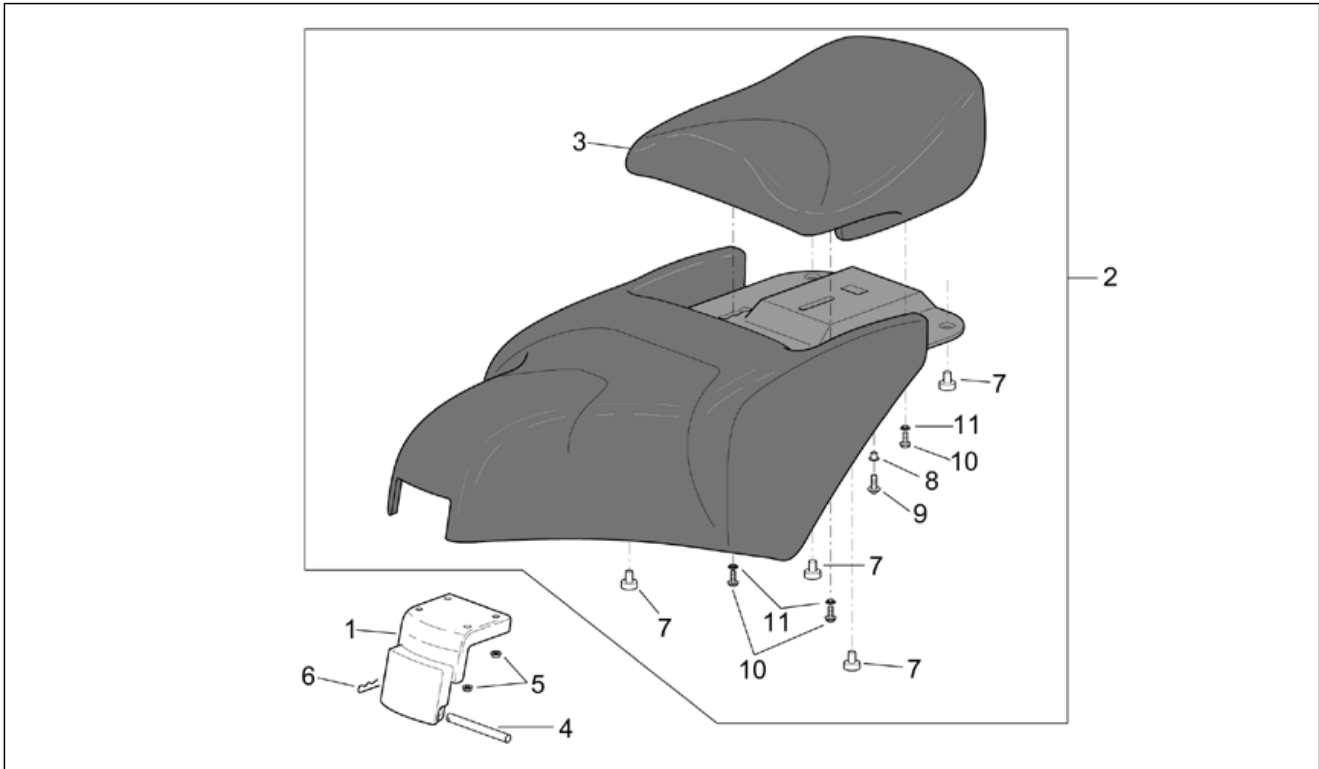
Pos.	Code	Description	Qty	Variants
				<b>Vehicle colour:</b> Aprilia Black 2000-2001-2002[black], Chips Blue 2000-2001[blu.c], Ice Green 2000[g.ice], Mirò Red '99 - 2000[m.r]
2	AP8129286	Saddle complete, brown	1	<b>Year:</b> 2000[Y] <b>Vehicle colour:</b> Chamois '99-2000[cam]
2	AP8129309	Saddle complete, beige	1	<b>Year:</b> 2001[1] <b>Vehicle colour:</b> Platinum Grey 2001[pla.g]
2	AP8129309	Saddle complete, beige	1	<b>Year:</b> 2001[1] <b>Vehicle colour:</b> Mercury Grey 2001-2002-2003[mer.g] <b>Country:</b> Austria[A], Switzerland[CH], Germany[D], Spain[E], France[F], Greece[GR], Italy[I], Israel[IL], Japan[J], Portugal[P], Great Britain[UK]
2	AP8129313	Saddle complete, grey	1	<b>Year:</b> 2001[1] <b>Vehicle colour:</b> Chips Blue 2000-2001[blu.c], Mosaic Gold 2001[gold], Baroque Red 2001[red.b], Thin Green 2001[thi.g]
2	AP8129313	Saddle complete, grey	1	<b>Year:</b> 2001[1] <b>Vehicle colour:</b> Mercury Grey 2001-2002-2003[mer.g] <b>Country:</b> United States of America[USA]
2	AP8129314	Saddle complete, grey	1	<b>Year:</b> 2001[1] <b>Vehicle colour:</b> Lord Blue 2001-2002[blu.l]
2	AP8129336	Saddle complete, grey	1	<b>Year:</b> 2002[2] <b>Vehicle colour:</b> Mercury Grey 2001-2002-2003[mer.g] <b>Technical Specifications:</b> Basic version[BSC], France Touring version[TRG]
2	AP8129339	Saddle complete, grey/black	1	<b>Year:</b> 2002[2] <b>Vehicle colour:</b> Aprilia Black 2000-2001-2002[black]
2	AP8129340	Saddle complete, grey/blue	1	<b>Year:</b> 2002[2] <b>Vehicle colour:</b> Lord Blue 2001-2002[blu.l]
2	AP8129342	Saddle complete, brown/green	1	<b>Year:</b> 2002[2] <b>Vehicle colour:</b> Glasgow Green 2002[gla.g]
2	AP8129346	Saddle complete, grey	1	<b>Year:</b> 2002[2] <b>Vehicle colour:</b> Mercury Grey 2001-2002-2003[mer.g] <b>Technical Specifications:</b> Touring version[GT]

<b>Group</b>	FRAME
<b>Code</b>	28.19
<b>Description</b>	Saddle unit
<b>Service</b>	1



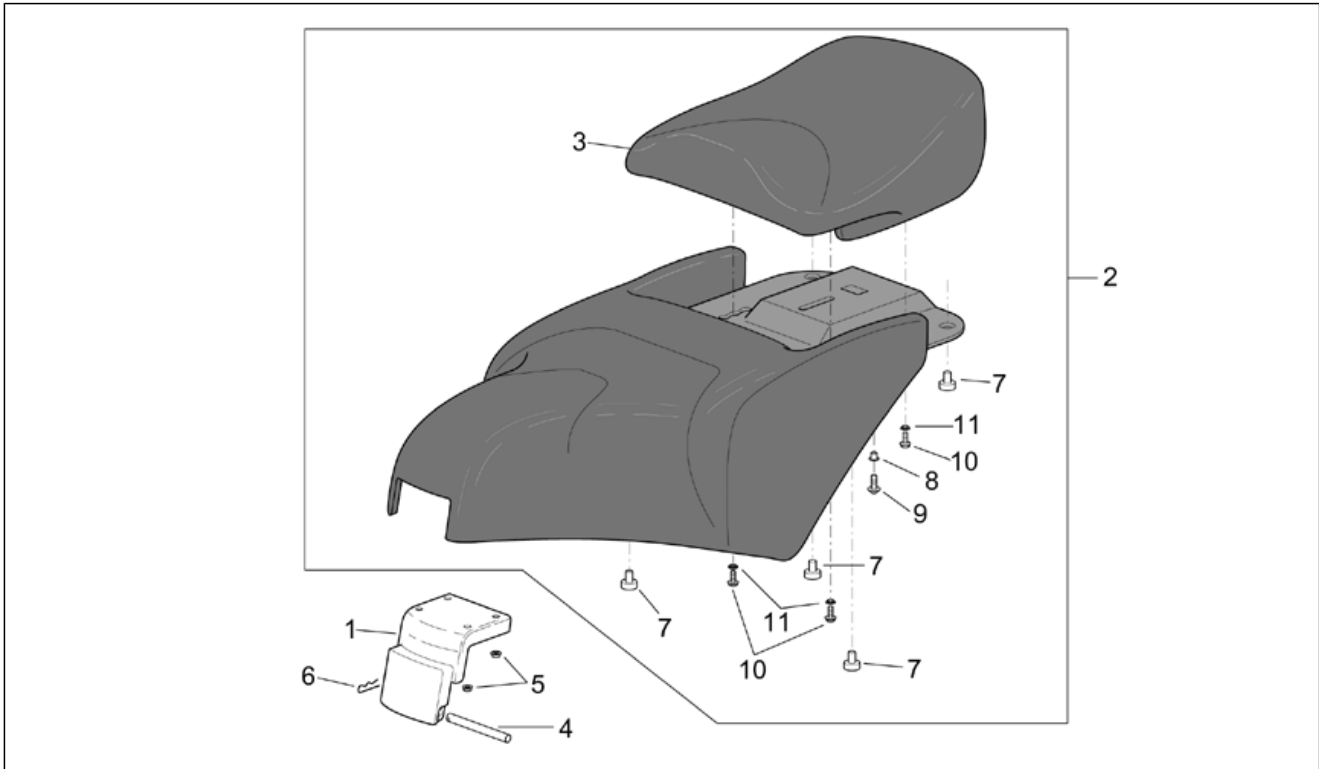
Pos.	Code	Description	Qty	Variants
2	AP8129347	Saddle complete, grey/black	1	Year:2002[2] Vehicle colour:Shadow Black 2002[sha.b]
2	AP8129359	Saddle complete, black	1	Year:2002[2] Vehicle colour:Tulip Red 2002[red.t]
2	AP8129360	Saddle complete, black	1	Year:2002[2] Vehicle colour:Storm Grey 2002[sto.g]
2	AP8129382	Saddle complete, black	1	Year:2004[4] Country:USA (California Approval)[CF], USA (California Approval)[CZ]
2	AP8129382	Saddle complete, black	1	Year:2003[3] Vehicle colour:Sideral Green 2003[green] Technical Specifications:Basic version[BSC]
2	AP8129383	Saddle complete, black	1	Year:2003[3] Vehicle colour:Sideral Green 2003[green] Technical Specifications:Touring version[GT]
2	AP8129387	Saddle complete, grey	1	Year:2003[3] Vehicle colour:Mercury Grey 2001-2002-2003[mer.g] Technical Specifications:Basic version[BSC]
2	AP8129388	Saddle complete, grey	1	Year:2003[3] Vehicle colour:Mercury Grey 2001-2002-2003[mer.g] Technical Specifications:Touring version[GT]
2	AP8129389	Saddle complete, grey/blue	1	Year:2003[3] Vehicle colour:Main Blue 2003[blue] Technical Specifications:Basic version[BSC]
2	AP8129390	Saddle complete, grey/blue	1	Year:2003[3] Vehicle colour:Main Blue 2003[blue] Technical Specifications:Touring version[GT]
3	AP8129228	Rear saddle, red	1	Year:1999[X] Vehicle colour:Chamois '99-2000[cam], Shark Grey '99[s.g]
3	AP8129268	Rear saddle, brown	1	Year:1999[X] Vehicle colour:Agua Green '99[a.g], Mirò Red '99 - 2000[m.r]
3	AP8129288	Rear saddle, brown	1	Year:2000[Y]

<b>Group</b>	FRAME
<b>Code</b>	28.19
<b>Description</b>	Saddle unit
<b>Service</b>	1



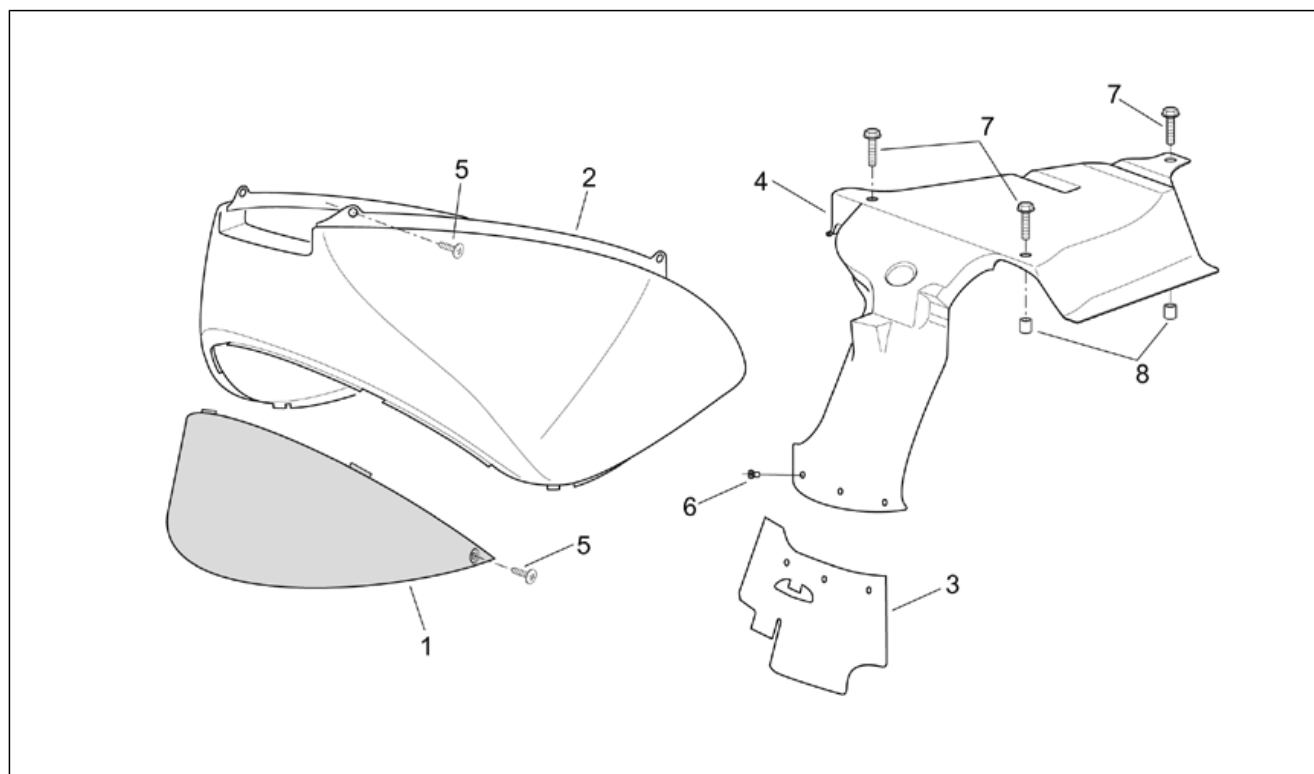
Pos.	Code	Description	Qty	Variants
				Vehicle colour:Chamois '99-2000[cam]
3	AP8129289	Rear saddle, black	1	Year:2000[Y] Vehicle colour:Aprilia Black 2000-2001-2002[black], Chips Blue 2000-2001[blu.c], Ice Green 2000[g.ice], Mirò Red '99 - 2000[m.r]
3	AP8129289	Rear saddle, black	1	Year:2001[1] Vehicle colour:Aprilia Black 2000-2001-2002[black]
3	AP8129315	Rear saddle, light brown	1	Year:2001[1] Vehicle colour:Mercury Grey 2001-2002-2003[mer.g]
3	AP8129317	Rear saddle, grey	1	Year:2001[1] Vehicle colour:Chips Blue 2000-2001[blu.c]
3	AP8129348	Rear saddle, grey	1	Year:2002[2] Vehicle colour:Mercury Grey 2001-2002-2003[mer.g] Technical Specifications:Basic version[BSC], France Touring version[TRG]
3	AP8129349	Rear saddle, grey/black	1	Year:2002[2] Vehicle colour:Aprilia Black 2000-2001-2002[black]
3	AP8129350	Rear saddle, grey/blue	1	Year:2002[2] Vehicle colour:Lord Blue 2001-2002[blu.l]
3	AP8129351	Rear saddle, brown/green	1	Year:2002[2] Vehicle colour:Glasgow Green 2002[gla.g]
3	AP8129357	Rear saddle, grey	1	Year:2002[2] Vehicle colour:Mercury Grey 2001-2002-2003[mer.g] Technical Specifications:Touring version[GT]
3	AP8129358	Rear saddle, grey/black	1	Year:2002[2] Vehicle colour:Shadow Black 2002[sha.b]
3	AP8129368	Rear saddle, black	1	Year:2002[2] Vehicle colour:Tulip Red 2002[red.t]
3	AP8129369	Rear saddle, black	1	Year:2002[2] Vehicle colour:Storm Grey 2002[sto.g]
3	AP8129397	Rear saddle, black	1	Year:2003[3] Vehicle colour:Sideral Green 2003[green]
3	AP8129397	Rear saddle, black	1	Year:2004[4]

<b>Group</b>	FRAME
<b>Code</b>	28.19
<b>Description</b>	Saddle unit
<b>Service</b>	1



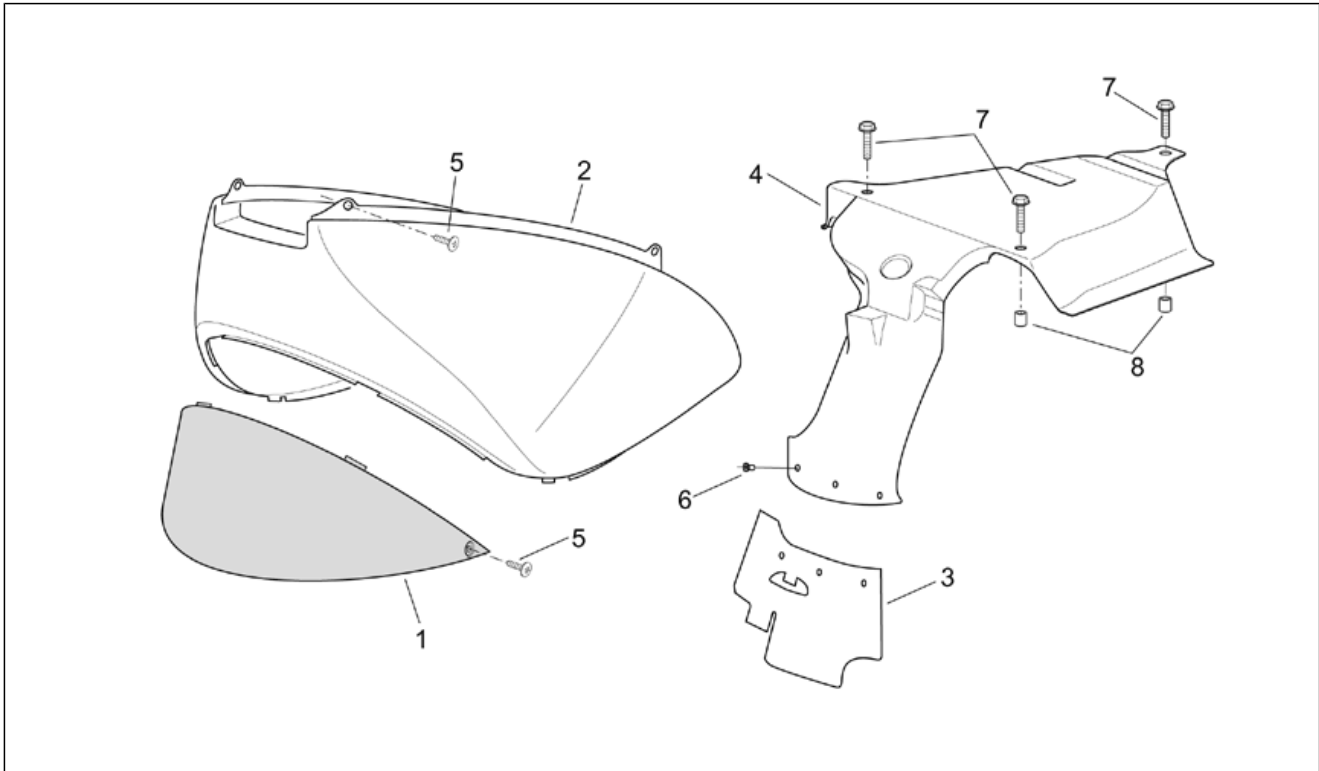
Pos.	Code	Description	Qty	Variants
				Country:USA (California Approval)[CF], USA (California Approval)[CZ]
3	AP8129398	Rear saddle, grey	1	Year:2003[3] Vehicle colour:Mercury Grey 2001-2002-2003[mer.g]
3	AP8129399	Rear saddle, blue/grey	1	Year:2003[3] Vehicle colour:Main Blue 2003[blue]
4	AP8121333	Saddle spin	1	
5	AP8152299	Self-locking nut	4	
6	AP8201643	Split pin	1	
7	AP8220349	Rubber spacer	4	
8	AP8221023	T bush *	1	
9	AP8152140	Shear rivet M6x17	1	
10	AP8152278	Screw w/ flange	4	
11	AP8121075	T bush *	4	

<b>Group</b>	FRAME
<b>Code</b>	28.20
<b>Description</b>	Rear body I
<b>Service</b>	1



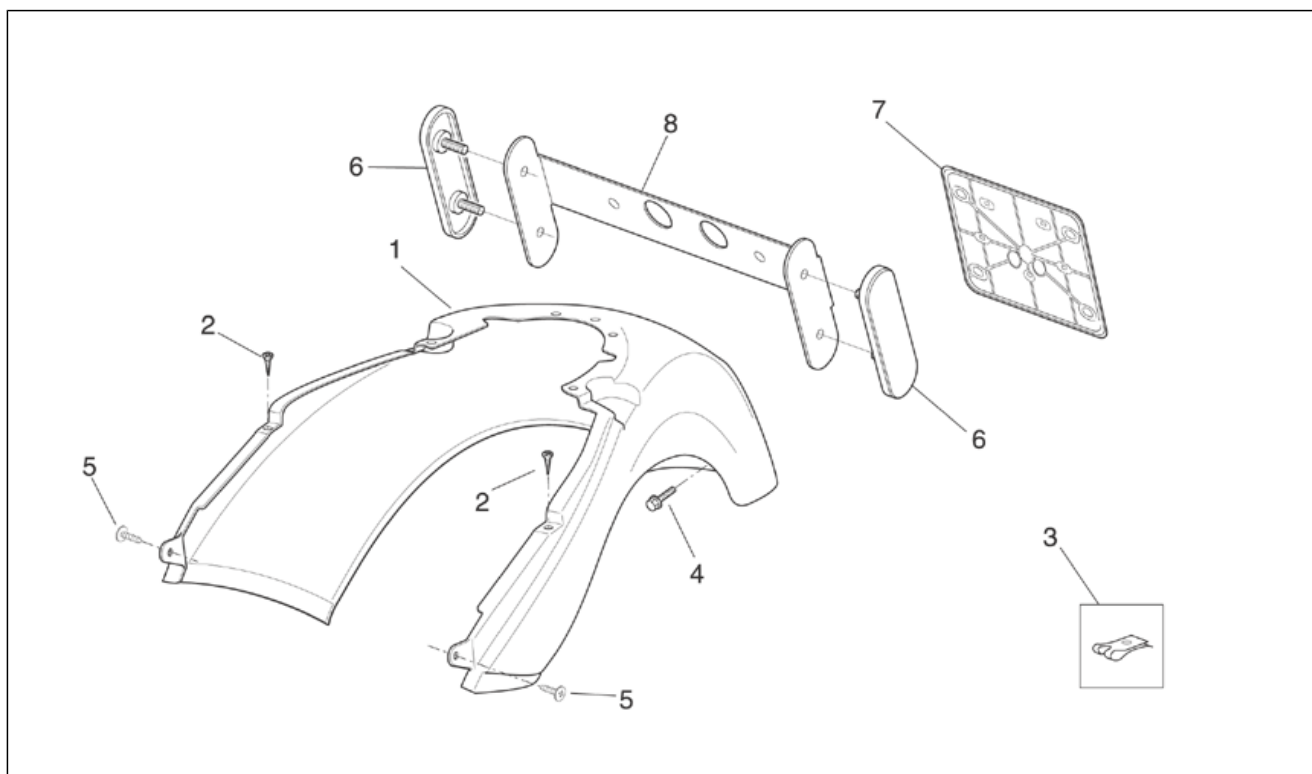
Pos.	Code	Description	Qty	Variants
1	AP8148425	Inspection cover, grey	1	Year:2001[1], 1999[X], 2000[Y]
1	AP8158922	Inspection cover, black	1	Year:2002[2], 2003[3]
1	AP8168878	Inspection cover	1	<b>Technical Specifications:</b> 125 cc version[125], European approval (EURO 2 limits)[E2]
1	AP8168878	Inspection cover	1	Year:2004[4] Country:USA (California Approval)[CF], USA (California Approval)[CZ]
2	AP8148208	Undersaddle, chamois	1	Year:1999[X], 2000[Y] Vehicle colour:Chamois '99-2000[cam]
2	AP8148225	Undersaddle, s.grey	1	Year:1999[X] Vehicle colour:Shark Grey '99[s.g]
2	AP8148242	Undersaddle, m.red	1	Year:1999[X], 2000[Y] Vehicle colour:Mirò Red '99 - 2000[m.r]
2	AP8148259	Undersaddle, a.green	1	Year:1999[X] Vehicle colour:Agua Green '99[a.g]
2	AP8148767	Undersaddle, ap.black	1	Year:2001[1], 2002[2] Vehicle colour:Aprilia Black 2000-2001-2002[black]
2	AP8148767	Undersaddle, ap.black	1	Year:2000[Y] Vehicle colour:Aprilia Black 2000-2001-2002[black]
2	AP8148781	Undersaddle, ch.blue	1	Year:2001[1], 2000[Y] Vehicle colour:Chips Blue 2000-2001[blu.c]
2	AP8149081	Undersaddle, ice green	1	Year:2000[Y] Vehicle colour:Ice Green 2000[g.ice]
2	AP8149551	Undersaddle,mer. grey	1	Year:2001[1], 2002[2] Vehicle colour:Mercury Grey 2001-2002-2003[mer.g]
2	AP8149551	Undersaddle,mer. grey	1	Year:2003[3] Vehicle colour:Mercury Grey 2001-2002-2003[mer.g]
2	AP8158186	Undersaddle, red	1	Year:2001[1] Vehicle colour:Baroque Red 2001[red.b]
2	AP8158205	Undersaddle, green	1	Year:2001[1] Vehicle colour:Thin Green 2001[thi.g]
2	AP8158252	Undersaddle, grey	1	Year:2001[1]

<b>Group</b>	FRAME
<b>Code</b>	28.20
<b>Description</b>	Rear body I
<b>Service</b>	1



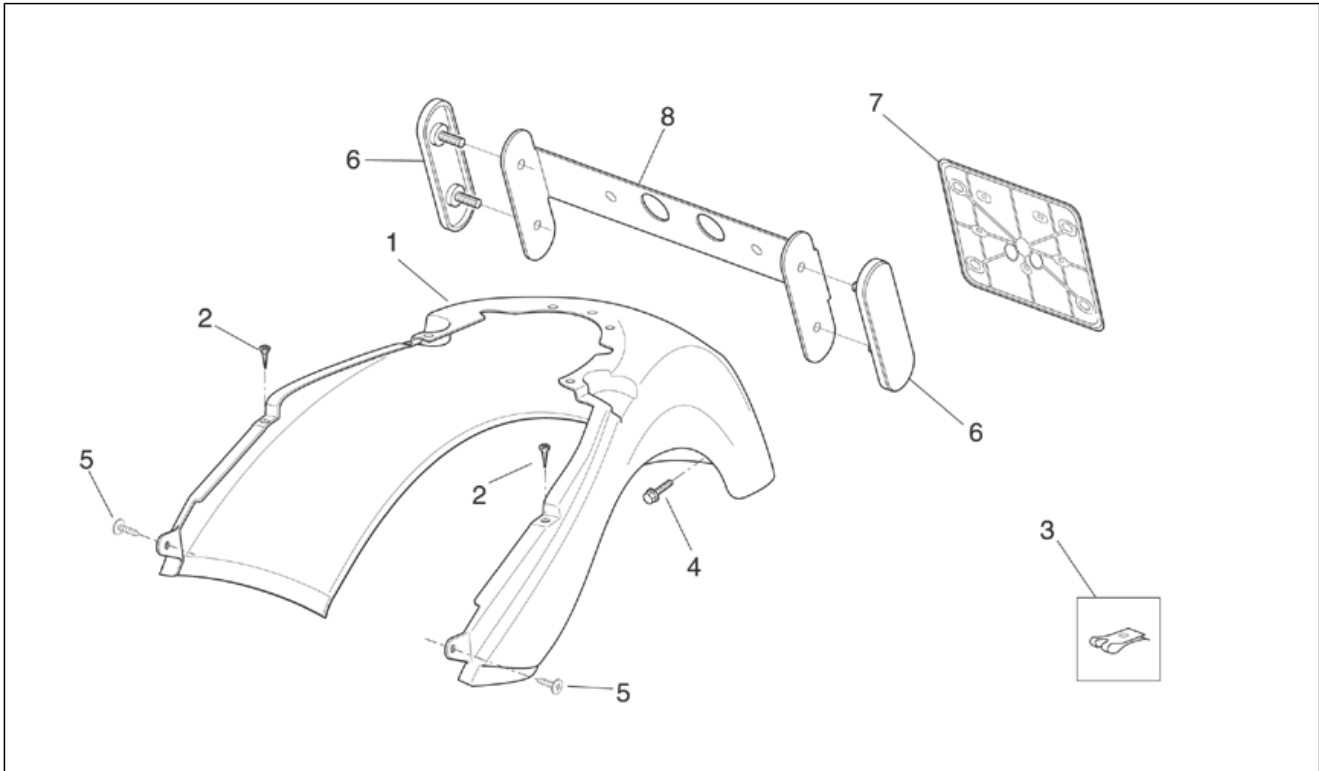
Pos.	Code	Description	Qty	Variants
				Vehicle colour:Platinum Grey 2001[pla.g]
2	AP8158269	Undersaddle blue	1	Year:2001[1], 2002[2] Vehicle colour:Lord Blue 2001-2002[blu.l]
2	AP8158283	Undersaddle gold	1	Year:2001[1] Vehicle colour:Mosaic Gold 2001[gold]
2	AP8168041	Undersaddle, green	1	Year:2002[2] Vehicle colour:Glasgow Green 2002[gla.g]
2	AP8168106	Undersaddle, black	1	Year:2002[2] Vehicle colour:Shadow Black 2002[sha.b]
2	AP8168202	Undersaddle, red	1	Year:2002[2] Vehicle colour:Tulip Red 2002[red.t]
2	AP8168212	Undersaddle, grey	1	Year:2002[2] Vehicle colour:Storm Grey 2002[sto.g]
2	AP8168752	Undersaddle, green	1	Year:2003[3] Vehicle colour:Sideral Green 2003[green]
2	AP8168828	Undersaddle blue	1	Year:2003[3] Vehicle colour:Main Blue 2003[blue]
2	AP8178708	Undersaddle, grey	1	Year:2004[4] Vehicle colour:Diamond Grey 2004[d.grey] Country:USA (California Approval)[CF], USA (California Approval)[CZ]
2	AP8178745	Undersaddle silver	1	Year:2004[4] Vehicle colour:Silver Mirror 2004[m.silv] Country:USA (California Approval)[CF], USA (California Approval)[CZ]
3	AP8117162	Die cut protection	1	
4	AP8139283	Fuel tank cover	1	
5	AP8152345	Screw 5,5x20	4	
6	AP8220471	Plastic rivet	3	
7	AP8152274	Screw w/ flange M5x20	2	
8	AP8120531	Rubber w/ insert *	3	

<b>Group</b>	FRAME
<b>Code</b>	28.21
<b>Description</b>	Rear body II
<b>Service</b>	1



Pos.	Code	Description	Qty	Variants
1	AP8126639	Rear fairing, chamois	1	Year:1999[X], 2000[Y] Vehicle colour:Chamois '99-2000[cam]
1	AP8148223	Rear fairing, s.grey	1	Year:1999[X] Vehicle colour:Shark Grey '99[s.g]
1	AP8148240	Rear fairing, m.red	1	Year:1999[X], 2000[Y] Vehicle colour:Mirò Red '99 - 2000[m.r]
1	AP8148257	Rear fairing, a.green	1	Year:1999[X] Vehicle colour:Agua Green '99[a.g]
1	AP8148765	Rear fairing, Ap. black	1	Year:2001[1], 2002[2], 2000[Y] Vehicle colour:Aprilia Black 2000-2001-2002[black]
1	AP8148779	Rear fairing, ch.blue	1	Year:2001[1], 2000[Y] Vehicle colour:Chips Blue 2000-2001[blu.c]
1	AP8149079	Rear fairing, ice green	1	Year:2000[Y] Vehicle colour:Ice Green 2000[g.ice]
1	AP8149552	Rear fairing, m.grey	1	Year:2001[1] Vehicle colour:Mercury Grey 2001-2002-2003[mer.g]
1	AP8149552	Rear fairing, m.grey	1	Year:2002[2] Vehicle colour:Mercury Grey 2001-2002-2003[mer.g] Technical Specifications:Basic version[BSC], France Touring version[TRG]
1	AP8158187	Rear fairing, red	1	Year:2001[1] Vehicle colour:Baroque Red 2001[red.b]
1	AP8158206	Rear fairing, green	1	Year:2001[1] Vehicle colour:Thin Green 2001[thi.g]
1	AP8158253	Rear fairing, grey	1	Year:2001[1] Vehicle colour:Platinum Grey 2001[pla.g]
1	AP8158270	Rear fairing, blue	1	Year:2001[1], 2002[2] Vehicle colour:Lord Blue 2001-2002[blu.l]
1	AP8158284	Rear fairing, gold	1	Year:2001[1] Vehicle colour:Mosaic Gold 2001[gold]
1	AP8168038	Rear fairing, green	1	Year:2002[2] Vehicle colour:Glasgow Green 2002[gla.g]

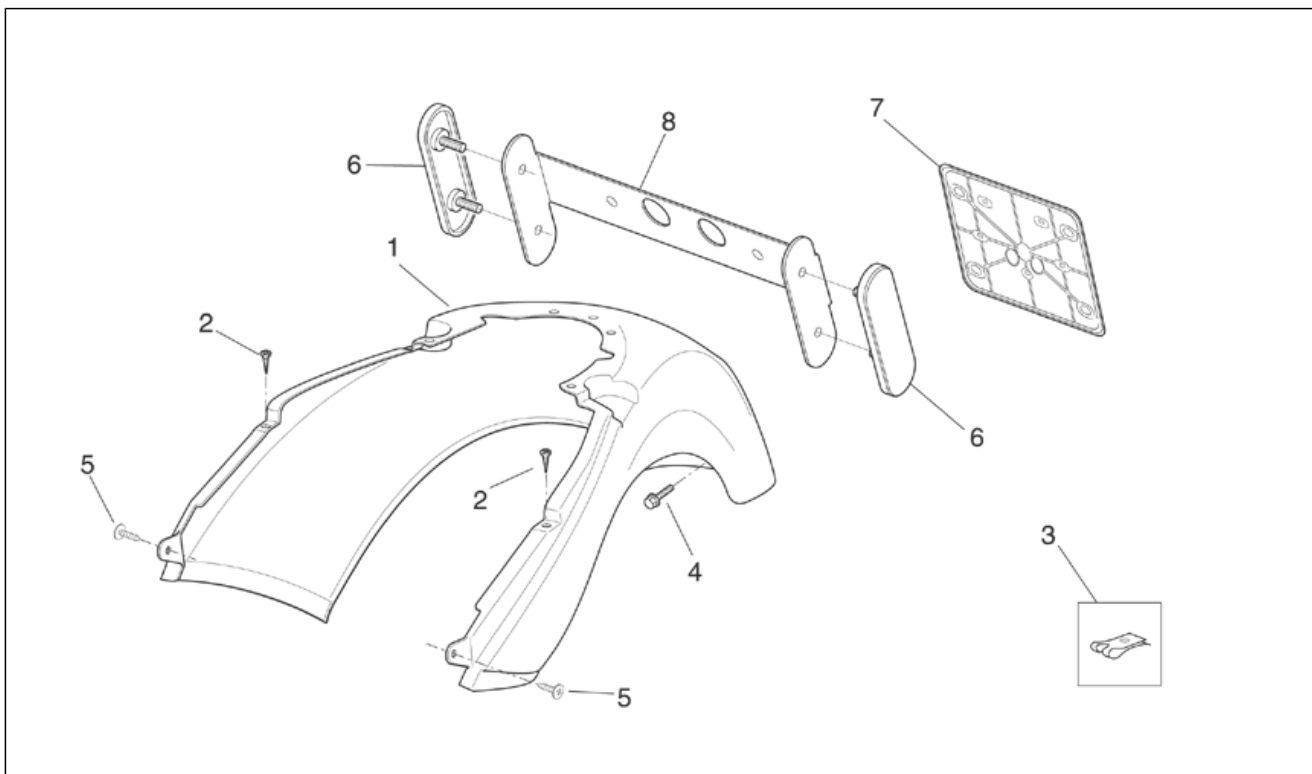
<b>Group</b>	FRAME
<b>Code</b>	28.21
<b>Description</b>	Rear body II
<b>Service</b>	1



Pos.	Code	Description	Qty	Variants
1	AP8168090	Rear fairing, grey	1	Year:2003[3] Vehicle colour:Mercury Grey 2001-2002-2003[mer.g]
1	AP8168090	Rear fairing, grey	1	Year:2002[2] Vehicle colour:Mercury Grey 2001-2002-2003[mer.g] Technical Specifications:Touring version[GT]
1	AP8168101	Rear fairing, grey	1	Year:2002[2] Vehicle colour:Shadow Black 2002[sha.b]
1	AP8168196	Rear fairing, red	1	Year:2002[2] Vehicle colour:Tulip Red 2002[red.t] Technical Specifications:Touring version[GT]
1	AP8168207	Rear fairing, grey	1	Year:2002[2] Vehicle colour:Storm Grey 2002[sto.g] Technical Specifications:Touring version[GT]
1	AP8168753	Rear fairing, green	1	Year:2003[3] Vehicle colour:Sideral Green 2003[green]
1	AP8168829	Rear fairing, blue	1	Year:2003[3] Vehicle colour:Main Blue 2003[blue]
1	AP8178838	Rear fairing, grey	1	Year:2004[4] Vehicle colour:Diamond Grey 2004[d.grey] Country:USA (California Approval)[CF], USA (California Approval)[CZ]
1	AP8178842	Rear fairing, silver	1	Year:2004[4] Vehicle colour:Silver Mirror 2004[m.silv] Country:USA (California Approval)[CF], USA (California Approval)[CZ]
2	AP8150413	Self-tap screw 3,9x14	7	
3	AP8201763	Screw clip D5,5*	2	
4	AP8152274	Screw w/ flange M5x20	3	
5	AP8152345	Screw 5,5x20	4	
6	AP8124718	Rear reflector, red	2	Country:USA (California Approval)[CF], USA (California Approval)[CZ], United States of America[USA]
7	AP8149034	Number plate support	1	Country:USA (California Approval)[CF], USA (California Approval)[CZ], United States of America[USA]

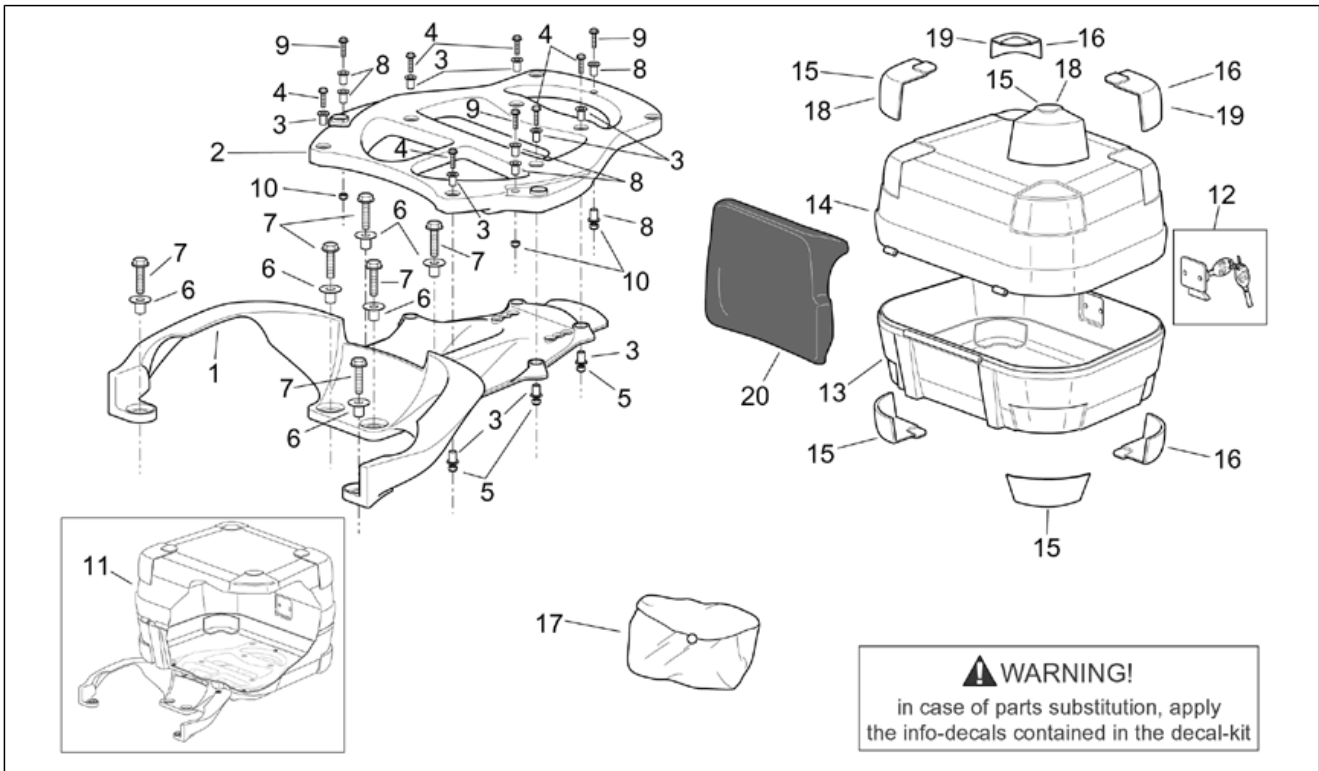


<b>Group</b>	FRAME
<b>Code</b>	28.21
<b>Description</b>	Rear body II
<b>Service</b>	1



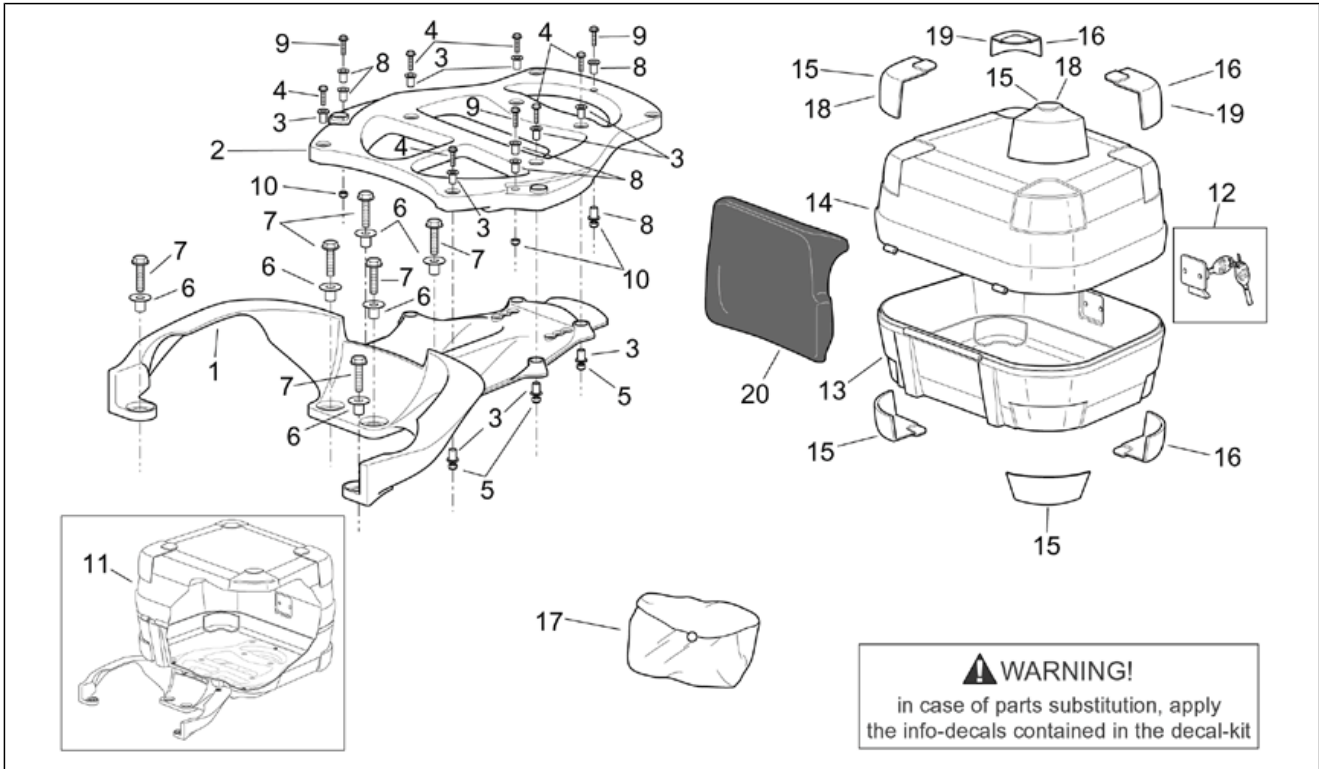
Pos.	Code	Description	Qty	Variants
8	AP8134677	Reflector support	1	Country:USA (California Approval)[CF], USA (California Approval)[CZ], United States of America[USA]

<b>Group</b>	FRAME
<b>Code</b>	28.22
<b>Description</b>	Top box with angulars
<b>Service</b>	1



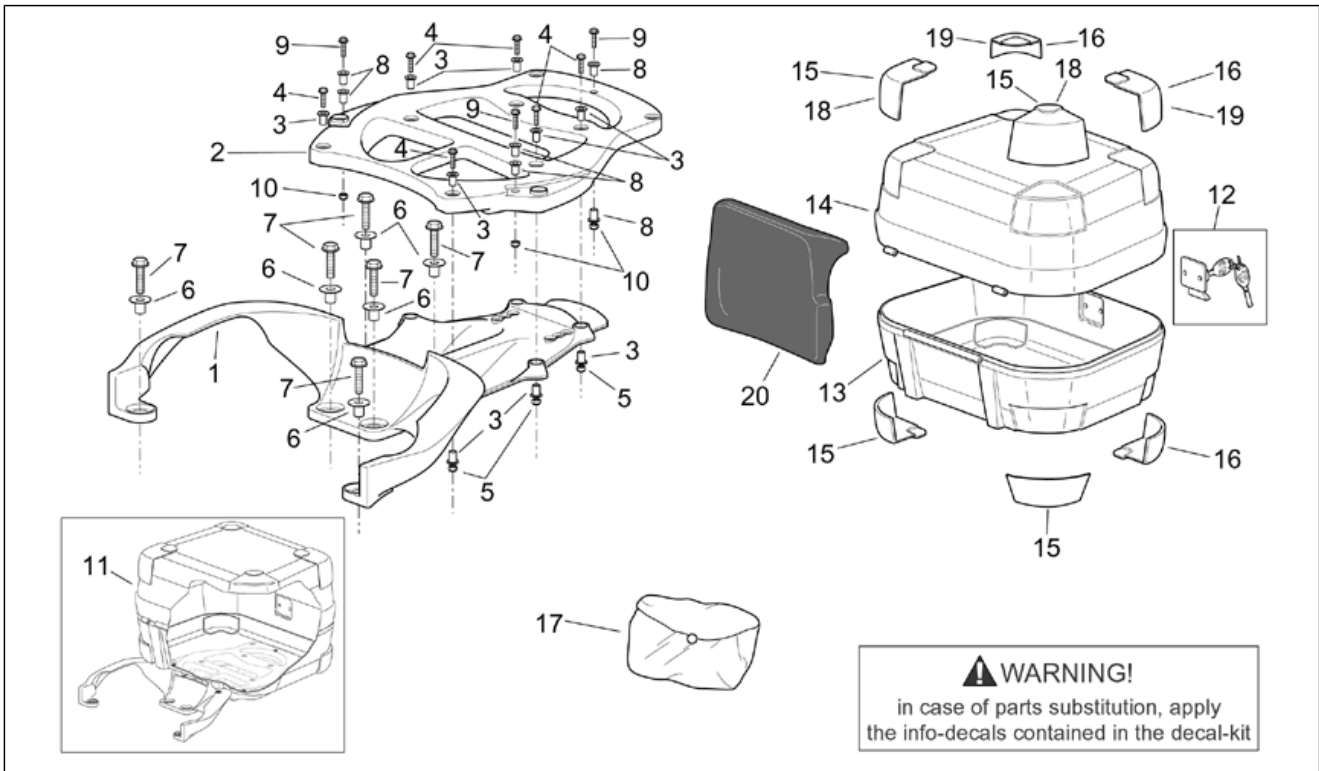
Pos.	Code	Description	Qty	Variants
1	AP8148426	Lugg.rack support, grey	1	Year:2001[1], 1999[X], 2000[Y]
2	AP8134490	Luggage rack, grey	1	Year:2001[1], 1999[X], 2000[Y]
3	AP8121725	T bush *	12	Year:2001[1], 1999[X], 2000[Y]
4	AP8152282	Screw w/ flange M6x35	6	Year:2001[1], 1999[X], 2000[Y]
5	AP8152299	Self-locking nut	6	Year:2001[1], 1999[X], 2000[Y]
6	AP8121332	Bush	6	Year:2001[1], 1999[X], 2000[Y]
7	AP8152288	Screw w/ flange	6	Year:2001[1], 1999[X], 2000[Y]
8	AP8121790	T bush *	6	Year:2001[1], 1999[X], 2000[Y]
9	AP8152136	Hex socket screw	3	Year:2001[1], 1999[X], 2000[Y]
10	AP8150430	Low self-locking nut	3	Year:2001[1], 1999[X], 2000[Y]
11	AP8139653	Top box	1	Year:1999[X], 2000[Y]
11	AP8149336	Top box grey	1	Year:2001[1] Country:United States of America[USA]
11	AP8158149	Top box grey	1	Year:2001[1] Vehicle colour:Mercury Grey 2001-2002-2003[mer.g] Country:Austria[A], Switzerland[CH], Germany[D], Spain[E], France[F], Greece[GR], Italy[I], Israel[IL], Japan[J], Portugal[P], Great Britain[UK]
11	AP8158153	Top box black	1	Year:2001[1] Vehicle colour:Aprilia Black 2000-2001-2002[black] Country:Austria[A], Switzerland[CH], Germany[D], Spain[E], France[F], Greece[GR], Italy[I], Israel[IL], Japan[J], Portugal[P], Great Britain[UK]
11	AP8158155	Top box blue	1	Year:2001[1] Vehicle colour:Chips Blue 2000-2001[blu.c] Country:Austria[A], Switzerland[CH], Germany[D], Spain[E], France[F], Greece[GR], Italy[I], Israel[IL], Japan[J], Portugal[P], Great Britain[UK]
11	AP8158184	Top box, red	1	Year:2001[1] Vehicle colour:Baroque Red 2001[red.b]

<b>Group</b>	FRAME
<b>Code</b>	28.22
<b>Description</b>	Top box with angulars
<b>Service</b>	1



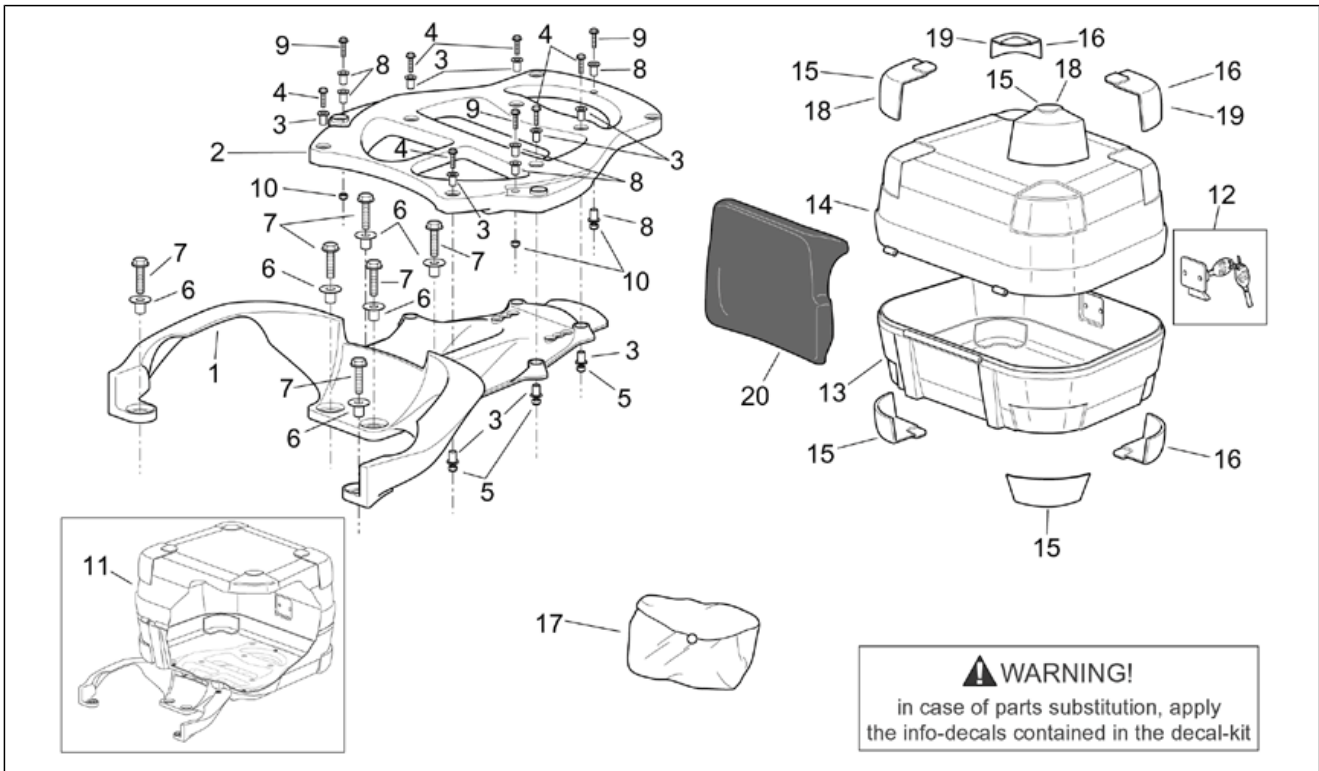
Pos.	Code	Description	Qty	Variants
				<b>Country:</b> Austria[A], Switzerland[CH], Germany[D], Spain[E], France[F], Greece[GR], Italy[I], Israel[IL], Japan[J], Portugal[P], Great Britain[UK]
11	AP8158200	Top box green	1	<b>Year:</b> 2001[1] <b>Vehicle colour:</b> Thin Green 2001[thi.g] <b>Country:</b> Austria[A], Switzerland[CH], Germany[D], Spain[E], France[F], Greece[GR], Italy[I], Israel[IL], Japan[J], Portugal[P], Great Britain[UK]
11	AP8158250	Top box grey	1	<b>Year:</b> 2001[1] <b>Vehicle colour:</b> Platinum Grey 2001[pla.g] <b>Country:</b> Austria[A], Switzerland[CH], Germany[D], Spain[E], France[F], Greece[GR], Italy[I], Israel[IL], Japan[J], Portugal[P], Great Britain[UK]
11	AP8158278	Top box blue	1	<b>Year:</b> 2001[1] <b>Vehicle colour:</b> Lord Blue 2001-2002[blu.l] <b>Country:</b> Austria[A], Switzerland[CH], Germany[D], Spain[E], France[F], Greece[GR], Italy[I], Israel[IL], Japan[J], Portugal[P], Great Britain[UK]
11	AP8158292	Top box, gold	1	<b>Year:</b> 2001[1] <b>Vehicle colour:</b> Mosaic Gold 2001[gold] <b>Country:</b> Austria[A], Switzerland[CH], Germany[D], Spain[E], France[F], Greece[GR], Italy[I], Israel[IL], Japan[J], Portugal[P], Great Britain[UK]
12	AP8104076	Top box lock	1	<b>Year:</b> 2001[1], 1999[X], 2000[Y]
13	AP8148439	Top box base	1	<b>Year:</b> 1999[X], 2000[Y]
13	AP8148439	Top box base	1	<b>Year:</b> 2001[1]
14	AP8148440	Top box cover	1	<b>Year:</b> 1999[X], 2000[Y]
14	AP8148440	Top box cover	1	<b>Year:</b> 2001[1] <b>Country:</b> United States of America[USA]
14	AP8158150	Top box cover	1	<b>Year:</b> 2001[1] <b>Vehicle colour:</b> Mercury Grey 2001-2002-2003[mer.g] <b>Country:</b> Austria[A], Switzerland[CH], Germany[D], Spain[E], France[F], Greece[GR], Italy[I], Israel[IL], Japan[J], Portugal[P], Great Britain[UK]

<b>Group</b>	FRAME
<b>Code</b>	28.22
<b>Description</b>	Top box with angulars
<b>Service</b>	1



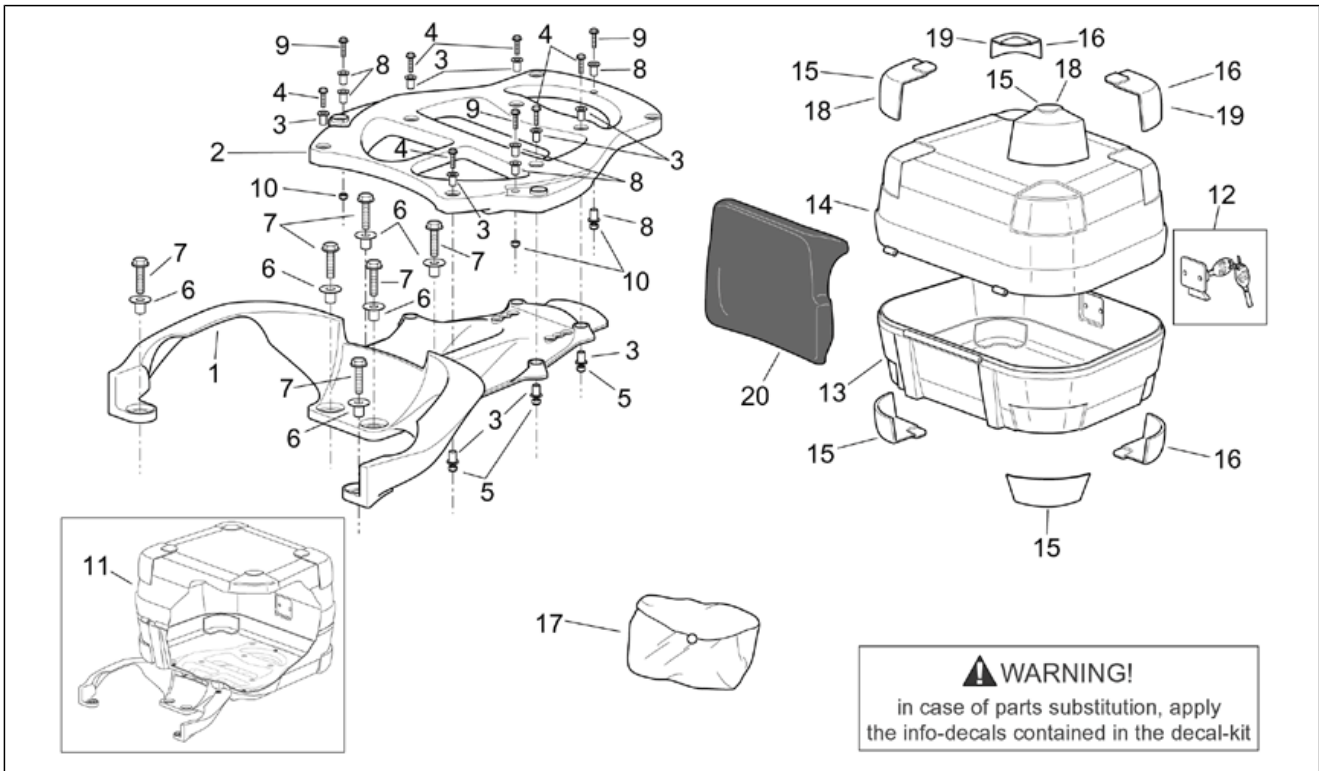
Pos.	Code	Description	Qty	Variants
14	AP8158154	Top box cover	1	<b>Year:</b> 2001[1] <b>Vehicle colour:</b> Aprilia Black 2000-2001-2002[black] <b>Country:</b> Austria[A], Switzerland[CH], Germany[D], Spain[E], France[F], Greece[GR], Italy[I], Israel[IL], Japan[J], Portugal[P], Great Britain[UK]
14	AP8158156	Top box cover	1	<b>Year:</b> 2001[1] <b>Vehicle colour:</b> Chips Blue 2000-2001[blu.c] <b>Country:</b> Austria[A], Switzerland[CH], Germany[D], Spain[E], France[F], Greece[GR], Italy[I], Israel[IL], Japan[J], Portugal[P], Great Britain[UK]
14	AP8158201	Top box cover	1	<b>Year:</b> 2001[1] <b>Vehicle colour:</b> Thin Green 2001[thi.g] <b>Country:</b> Austria[A], Switzerland[CH], Germany[D], Spain[E], France[F], Greece[GR], Italy[I], Israel[IL], Japan[J], Portugal[P], Great Britain[UK]
14	AP8158264	Top box cover	1	<b>Year:</b> 2001[1] <b>Vehicle colour:</b> Baroque Red 2001[red.b] <b>Country:</b> Austria[A], Switzerland[CH], Germany[D], Spain[E], France[F], Greece[GR], Italy[I], Israel[IL], Japan[J], Portugal[P], Great Britain[UK]
14	AP8158267	Top box cover	1	<b>Year:</b> 2001[1] <b>Vehicle colour:</b> Platinum Grey 2001[pla.g] <b>Country:</b> Austria[A], Switzerland[CH], Germany[D], Spain[E], France[F], Greece[GR], Italy[I], Israel[IL], Japan[J], Portugal[P], Great Britain[UK]
14	AP8158279	Top box cover	1	<b>Year:</b> 2001[1] <b>Vehicle colour:</b> Lord Blue 2001-2002[blu.l] <b>Country:</b> Austria[A], Switzerland[CH], Germany[D], Spain[E], France[F], Greece[GR], Italy[I], Israel[IL], Japan[J], Portugal[P], Great Britain[UK]
14	AP8158293	Top box cover	1	<b>Year:</b> 2001[1] <b>Vehicle colour:</b> Mosaic Gold 2001[gold] <b>Country:</b> Austria[A], Switzerland[CH], Germany[D], Spain[E], France[F], Greece[GR], Italy[I], Israel[IL], Japan[J], Portugal[P], Great Britain[UK]

<b>Group</b>	FRAME
<b>Code</b>	28.22
<b>Description</b>	Top box with angulars
<b>Service</b>	1



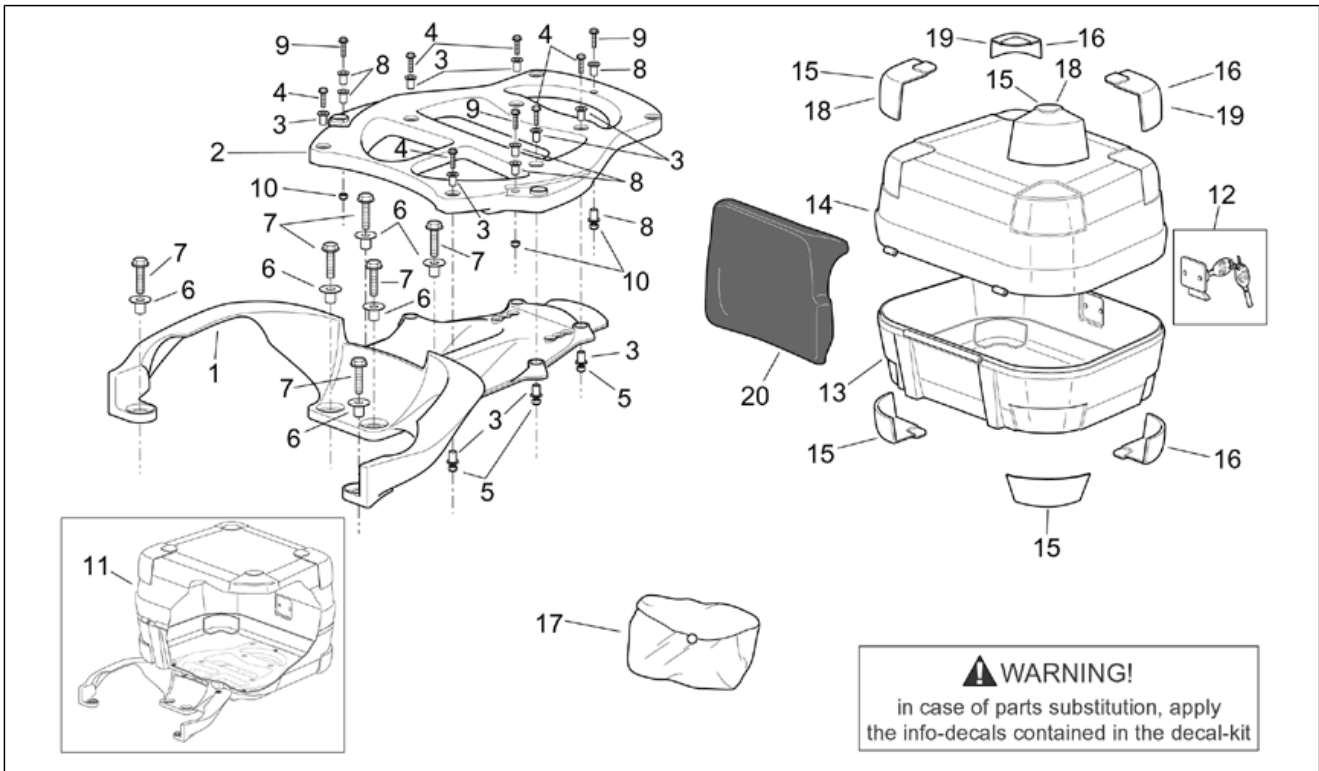
Pos.	Code	Description	Qty	Variants
15	AP8148441	Big angle bar	4	Year:1999[X], 2000[Y]
15	AP8149337	Big angle bar	2	Year:2001[1] Vehicle colour:Chips Blue 2000-2001[blu.c], Lord Blue 2001-2002[blu.l], Mosaic Gold 2001[gold], Mercury Grey 2001-2002-2003[mer.g], Platinum Grey 2001[pla.g], Baroque Red 2001[red.b], Thin Green 2001[thi.g] Country:Austria[A], Switzerland[CH], Germany[D], Spain[E], France[F], Greece[GR], Italy[I], Israel[IL], Japan[J], Portugal[P], Great Britain[UK]
15	AP8149337	Big angle bar	4	Year:2001[1] Vehicle colour:Aprilia Black 2000-2001-2002[black] Country:Austria[A], Switzerland[CH], Germany[D], Spain[E], France[F], Greece[GR], Italy[I], Israel[IL], Japan[J], Portugal[P], Great Britain[UK]
15	AP8149337	Big angle bar	4	Year:2001[1] Country:United States of America[USA]
16	AP8148442	Small angle bar	4	Year:1999[X], 2000[Y]
16	AP8149338	Small angle bar	4	Year:2001[1] Country:United States of America[USA]
16	AP8149338	Small angle bar	2	Year:2001[1] Vehicle colour:Chips Blue 2000-2001[blu.c], Lord Blue 2001-2002[blu.l], Mosaic Gold 2001[gold], Mercury Grey 2001-2002-2003[mer.g], Platinum Grey 2001[pla.g], Baroque Red 2001[red.b], Thin Green 2001[thi.g] Country:Austria[A], Switzerland[CH], Germany[D], Spain[E], France[F], Greece[GR], Italy[I], Israel[IL], Japan[J], Portugal[P], Great Britain[UK]
16	AP8149338	Small angle bar	4	Year:2001[1] Vehicle colour:Aprilia Black 2000-2001-2002[black] Country:Austria[A], Switzerland[CH], Germany[D], Spain[E], France[F], Greece[GR], Italy[I], Israel[IL], Japan[J], Portugal[P], Great Britain[UK]
17	AP8148443	Findings kit	1	Year:2001[1], 1999[X], 2000[Y]
18	AP8158151	Upper big angle bar	2	Year:2001[1]

<b>Group</b>	FRAME
<b>Code</b>	28.22
<b>Description</b>	Top box with angulars
<b>Service</b>	1



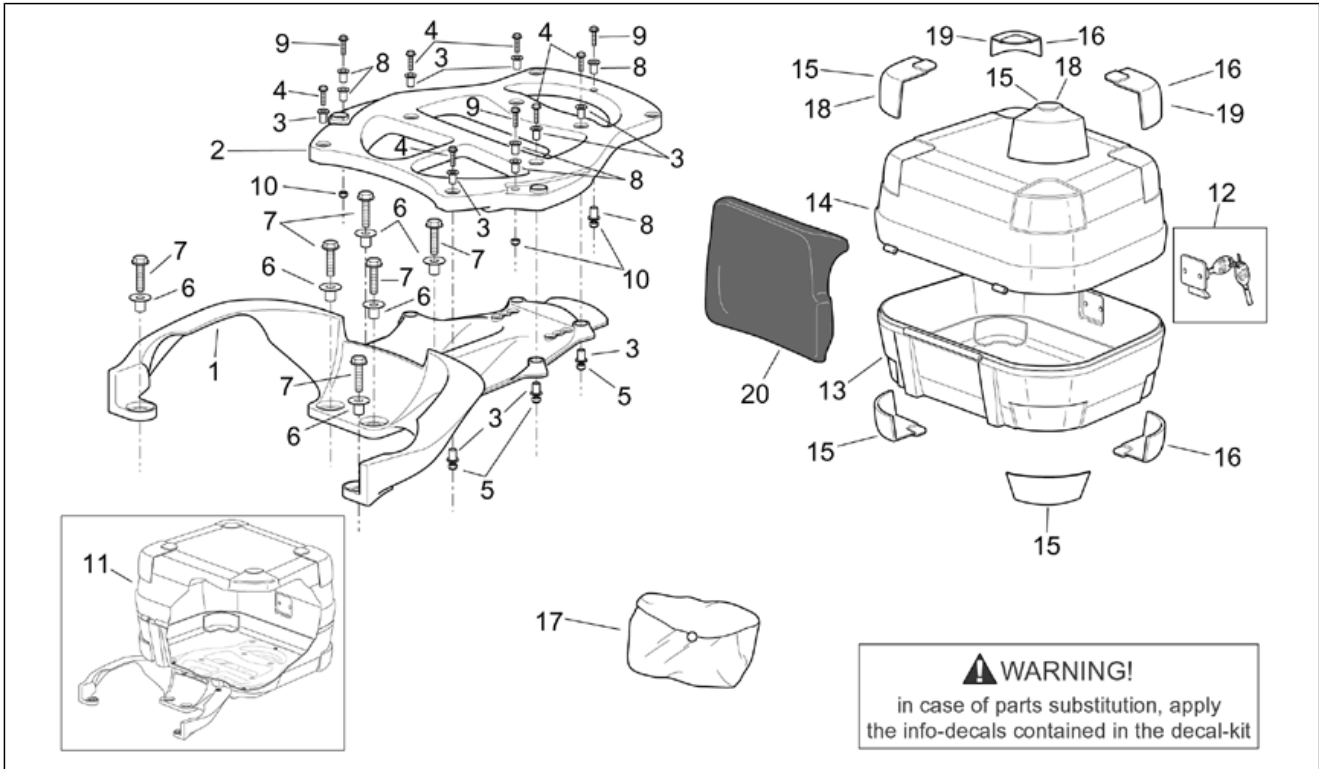
Pos.	Code	Description	Qty	Variants
				<b>Vehicle colour:</b> Mercury Grey 2001-2002-2003[mer.g], Platinum Grey 2001[pla.g] <b>Country:</b> Austria[A], Switzerland[CH], Germany[D], Spain[E], France[F], Greece[GR], Italy[I], Israel[IL], Japan[J], Portugal[P], Great Britain[UK]
18	AP8158157	Upper big angle bar	2	<b>Year:</b> 2001[1] <b>Vehicle colour:</b> Chips Blue 2000-2001[blu.c] <b>Country:</b> Austria[A], Switzerland[CH], Germany[D], Spain[E], France[F], Greece[GR], Italy[I], Israel[IL], Japan[J], Portugal[P], Great Britain[UK]
18	AP8158202	Upper big angle bar	2	<b>Year:</b> 2001[1] <b>Vehicle colour:</b> Thin Green 2001[thi.g] <b>Country:</b> Austria[A], Switzerland[CH], Germany[D], Spain[E], France[F], Greece[GR], Italy[I], Israel[IL], Japan[J], Portugal[P], Great Britain[UK]
18	AP8158265	Upper big angle bar	2	<b>Year:</b> 2001[1] <b>Vehicle colour:</b> Baroque Red 2001[red.b] <b>Country:</b> Austria[A], Switzerland[CH], Germany[D], Spain[E], France[F], Greece[GR], Italy[I], Israel[IL], Japan[J], Portugal[P], Great Britain[UK]
18	AP8158280	Upper big angle bar	2	<b>Year:</b> 2001[1] <b>Vehicle colour:</b> Lord Blue 2001-2002[blu.l] <b>Country:</b> Austria[A], Switzerland[CH], Germany[D], Spain[E], France[F], Greece[GR], Italy[I], Israel[IL], Japan[J], Portugal[P], Great Britain[UK]
18	AP8158294	Upper big angle bar	2	<b>Year:</b> 2001[1] <b>Vehicle colour:</b> Mosaic Gold 2001[gold] <b>Country:</b> Austria[A], Switzerland[CH], Germany[D], Spain[E], France[F], Greece[GR], Italy[I], Israel[IL], Japan[J], Portugal[P], Great Britain[UK]
19	AP8158152	Upper small angle bar	2	<b>Year:</b> 2001[1] <b>Vehicle colour:</b> Mercury Grey 2001-2002-2003[mer.g], Platinum Grey 2001[pla.g] <b>Country:</b> Austria[A], Switzerland[CH], Germany[D], Spain[E], France[F], Greece[GR], Italy[I], Israel[IL], Japan[J], Portugal[P], Great Britain[UK]

<b>Group</b>	FRAME
<b>Code</b>	28.22
<b>Description</b>	Top box with angulars
<b>Service</b>	1



Pos.	Code	Description	Qty	Variants
19	AP8158158	Upper small angle bar	2	<b>Year:</b> 2001[1] <b>Vehicle colour:</b> Chips Blue 2000-2001[blu.c] <b>Country:</b> Austria[A], Switzerland[CH], Germany[D], Spain[E], France[F], Greece[GR], Italy[I], Israel[IL], Japan[J], Portugal[P], Great Britain[UK]
19	AP8158203	Upper small angle bar	2	<b>Year:</b> 2001[1] <b>Vehicle colour:</b> Thin Green 2001[thi.g] <b>Country:</b> Austria[A], Switzerland[CH], Germany[D], Spain[E], France[F], Greece[GR], Italy[I], Israel[IL], Japan[J], Portugal[P], Great Britain[UK]
19	AP8158266	Upper small angle bar	2	<b>Year:</b> 2001[1] <b>Vehicle colour:</b> Baroque Red 2001[red.b] <b>Country:</b> Austria[A], Switzerland[CH], Germany[D], Spain[E], France[F], Greece[GR], Italy[I], Israel[IL], Japan[J], Portugal[P], Great Britain[UK]
19	AP8158281	Upper small angle bar	2	<b>Year:</b> 2001[1] <b>Vehicle colour:</b> Lord Blue 2001-2002[blu.l] <b>Country:</b> Austria[A], Switzerland[CH], Germany[D], Spain[E], France[F], Greece[GR], Italy[I], Israel[IL], Japan[J], Portugal[P], Great Britain[UK]
19	AP8158295	Upper small angle bar	2	<b>Year:</b> 2001[1] <b>Vehicle colour:</b> Mosaic Gold 2001[gold] <b>Country:</b> Austria[A], Switzerland[CH], Germany[D], Spain[E], France[F], Greece[GR], Italy[I], Israel[IL], Japan[J], Portugal[P], Great Britain[UK]
20	AP8129322	Seat cushion, grey	1	<b>Year:</b> 2001[1] <b>Vehicle colour:</b> Chips Blue 2000-2001[blu.c], Mosaic Gold 2001[gold], Baroque Red 2001[red.b], Thin Green 2001[thi.g] <b>Country:</b> Austria[A], Switzerland[CH], Germany[D], Spain[E], France[F], Greece[GR], Italy[I], Israel[IL], Japan[J], Portugal[P], Great Britain[UK]
20	AP8129323	Seat cushion, light brown	1	<b>Year:</b> 2001[1] <b>Vehicle colour:</b> Mercury Grey 2001-2002-2003[mer.g], Platinum Grey 2001[pla.g]

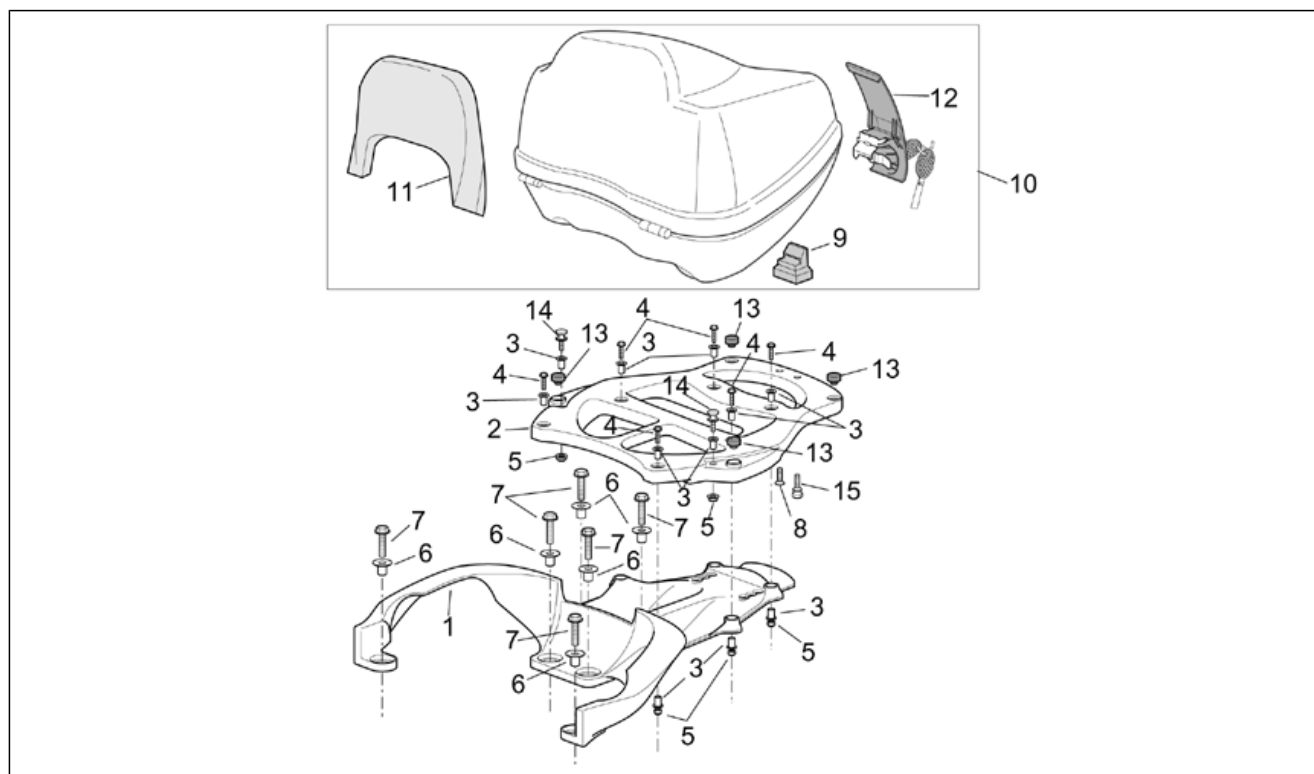
<b>Group</b>	FRAME
<b>Code</b>	28.22
<b>Description</b>	Top box with angulars
<b>Service</b>	1



Pos.	Code	Description	Qty	Variants
				<b>Country:</b> Austria[A], Switzerland[CH], Germany[D], Spain[E], France[F], Greece[GR], Italy[I], Israel[IL], Japan[J], Portugal[P], Great Britain[UK]
20	AP8129324	Seat cushion, black	1	<b>Year:</b> 2001[1] <b>Vehicle colour:</b> Aprilia Black 2000-2001-2002[black] <b>Country:</b> Austria[A], Switzerland[CH], Germany[D], Spain[E], France[F], Greece[GR], Italy[I], Israel[IL], Japan[J], Portugal[P], Great Britain[UK]
20	AP8129326	Seat cushion, grey	1	<b>Year:</b> 2001[1] <b>Vehicle colour:</b> Lord Blue 2001-2002[blu.] <b>Country:</b> Austria[A], Switzerland[CH], Germany[D], Spain[E], France[F], Greece[GR], Italy[I], Israel[IL], Japan[J], Portugal[P], Great Britain[UK]

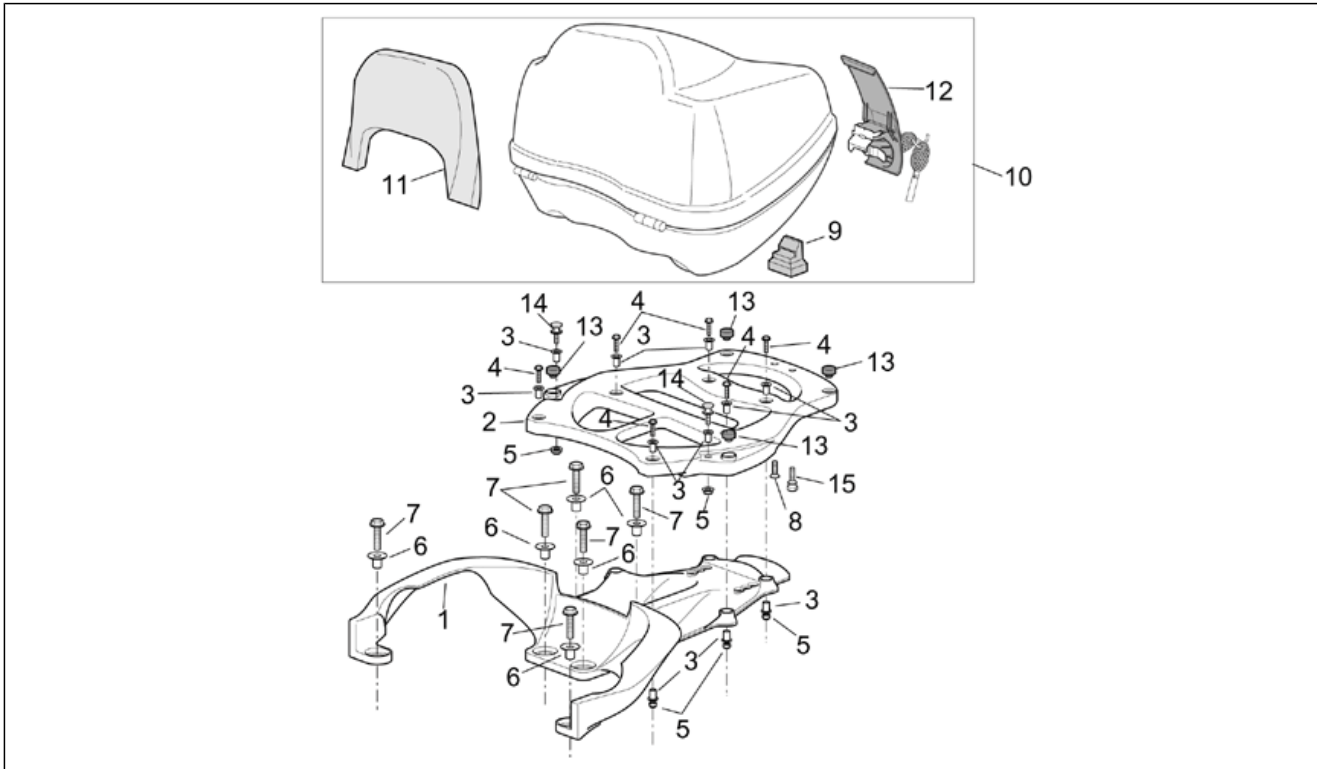


<b>Group</b>	FRAME
<b>Code</b>	28.23
<b>Description</b>	Top box
<b>Service</b>	1



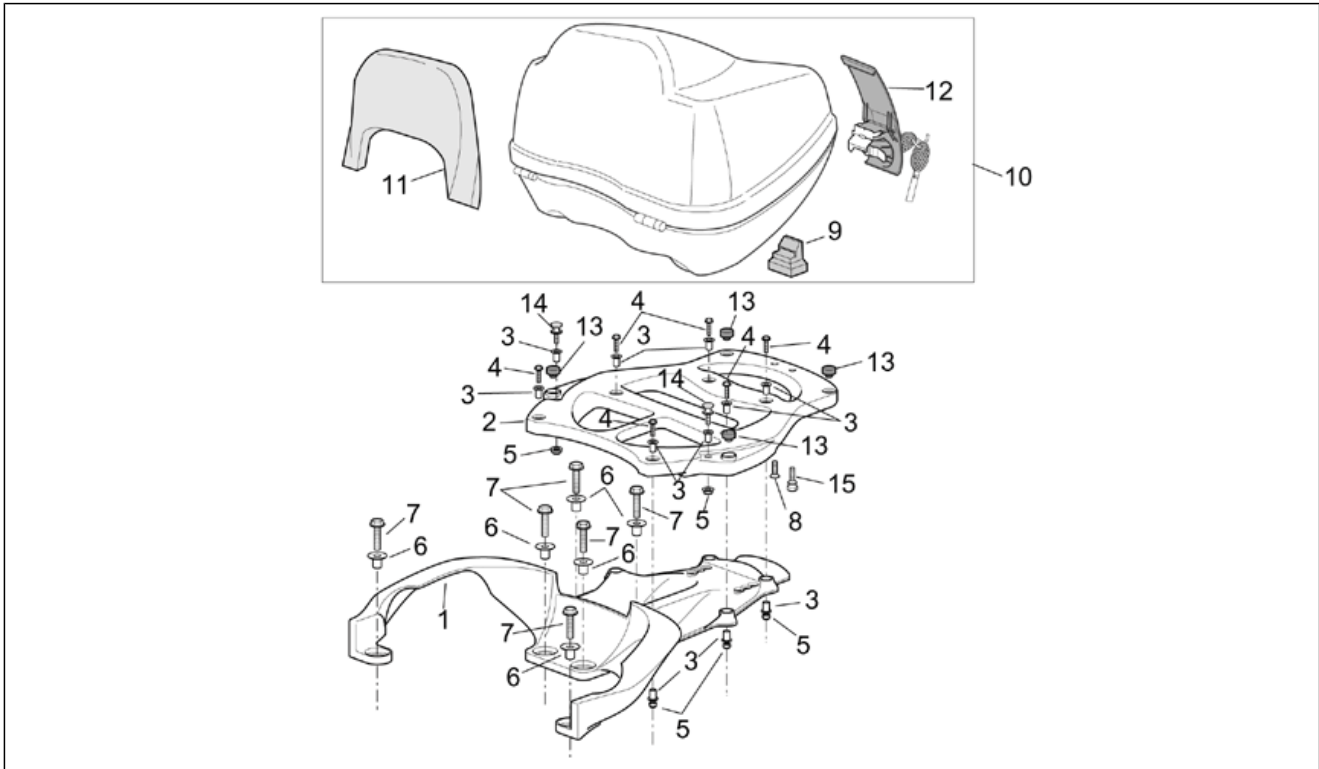
Pos.	Code	Description	Qty	Variants
1	AP8158928	Lugg.rack support, black	1	
2	AP8158927	Luggage rack, black	1	
3	AP8121725	T bush *	14	
4	AP8152282	Screw w/ flange M6x35	6	
5	AP8152299	Self-locking nut	8	
6	AP8121332	Bush	6	
7	AP8152288	Screw w/ flange	6	
8	AP8702101	Screw M6x25	1	
9	AP8702100	Fixing pin	1	
10	AP8158929	Top box, grey	1	Year:2002[2] Vehicle colour:Mercury Grey 2001-2002-2003[mer.g] Technical Specifications:Basic version[BSC], Touring version[GT]
10	AP8158929	Top box, grey	1	Year:2003[3] Vehicle colour:Mercury Grey 2001-2002-2003[mer.g]
10	AP8168018	Top box, black	1	Year:2002[2] Vehicle colour:Aprilia Black 2000-2001-2002[black]
10	AP8168024	Top box, blue	1	Year:2002[2] Vehicle colour:Lord Blue 2001-2002[blu.l] Technical Specifications:Basic version[BSC]
10	AP8168039	Top box, green	1	Year:2002[2] Vehicle colour:Glasgow Green 2002[gla.g] Technical Specifications:Basic version[BSC]
10	AP8168125	Top box, green	1	Year:2002[2] Vehicle colour:Glasgow Green 2002[gla.g] Technical Specifications:France Touring version[TRG]
10	AP8168126	Top box, grey	1	Year:2002[2] Vehicle colour:Mercury Grey 2001-2002-2003[mer.g] Technical Specifications:France Touring version[TRG]
10	AP8168127	Top box, blue	1	Year:2002[2] Vehicle colour:Lord Blue 2001-2002[blu.l] Technical Specifications:France Touring version[TRG]

<b>Group</b>	FRAME
<b>Code</b>	28.23
<b>Description</b>	Top box
<b>Service</b>	1



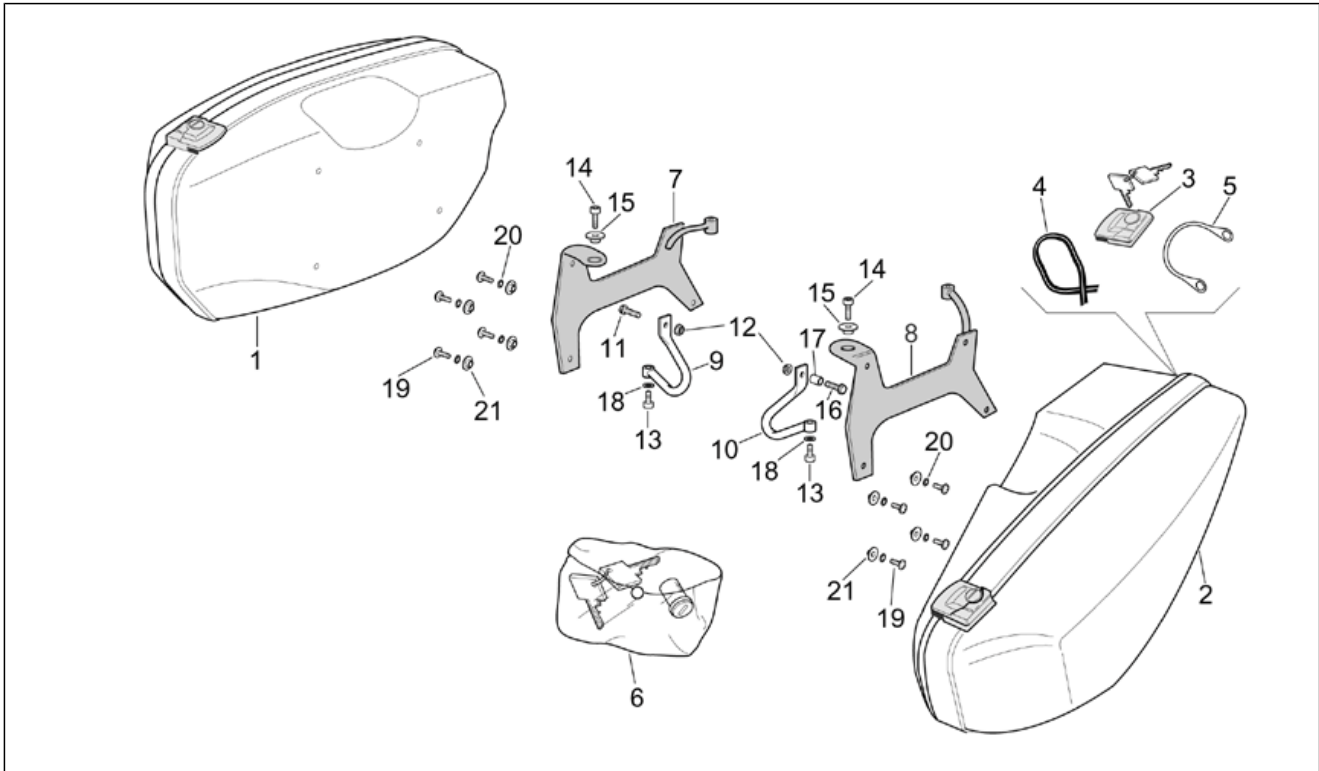
Pos.	Code	Description	Qty	Variants
10	AP8168165	Top box, black	1	Year:2002[2] Vehicle colour:Shadow Black 2002[sha.b] Technical Specifications:Touring version[GT]
10	AP8168264	Top box, red	1	Year:2002[2] Vehicle colour:Tulip Red 2002[red.t] Technical Specifications:Touring version[GT]
10	AP8168265	Top box, grey	1	Year:2002[2] Vehicle colour:Storm Grey 2002[sto.g] Technical Specifications:Touring version[GT]
10	AP8168754	Top box, green	1	Year:2003[3] Vehicle colour:Sideral Green 2003[green]
10	AP8168830	Top box, blue	1	Year:2003[3] Vehicle colour:Main Blue 2003[blue]
10	AP8178839	Top box, black	1	Year:2004[4] Vehicle colour:Diamond Grey 2004[d.grey] Country:USA (California Approval)[CF], USA (California Approval)[CZ]
10	AP8178843	Top box, grey	1	Year:2004[4] Vehicle colour:Silver Mirror 2004[m.silv] Country:USA (California Approval)[CF], USA (California Approval)[CZ]
11	AP8129352	Seat cushion, grey	1	Year:2003[3] Vehicle colour:Main Blue 2003[blue]
11	AP8129352	Seat cushion, grey	1	Year:2003[3] Vehicle colour:Mercury Grey 2001-2002-2003[mer.g]
11	AP8129352	Seat cushion, grey	1	Year:2002[2] Vehicle colour:Aprilia Black 2000-2001-2002[black], Mercury Grey 2001-2002-2003[mer.g], Shadow Black 2002[sha.b]
11	AP8129353	Seat cushion, grey	1	Year:2002[2] Vehicle colour:Lord Blue 2001-2002[blu.l]
11	AP8129354	Seat cushion, brown	1	Year:2002[2] Vehicle colour:Glasgow Green 2002[glg.g]

<b>Group</b>	FRAME
<b>Code</b>	28.23
<b>Description</b>	Top box
<b>Service</b>	1



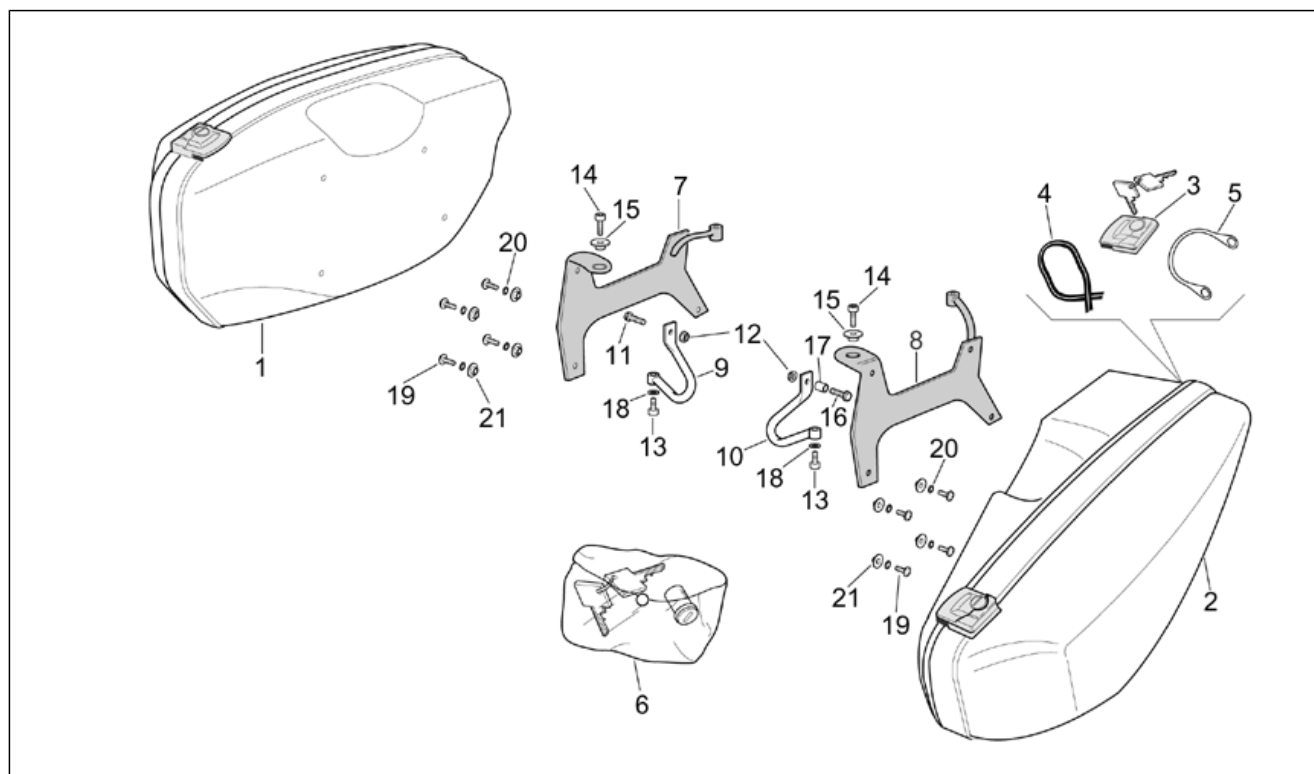
Pos.	Code	Description	Qty	Variants
11	AP8129367	Seat cushion, black	1	Year:2002[2] Vehicle colour:Tulip Red 2002[red.t], Storm Grey 2002[sto.g]
11	AP8129367	Seat cushion, black	1	Year:2004[4] Country:USA (California Approval)[CF], USA (California Approval)[CZ]
11	AP8129367	Seat cushion, black	1	Year:2003[3] Vehicle colour:Sideral Green 2003[green]
12	AP8792171	Lock lever, black	1	
13	AP8706087	Rubber spacer	4	
14	AP8700868	Fixing pin	2	
15	AP8706225	Shear rivet	1	

<b>Group</b>	FRAME
<b>Code</b>	28.24
<b>Description</b>	Side cases
<b>Service</b>	1



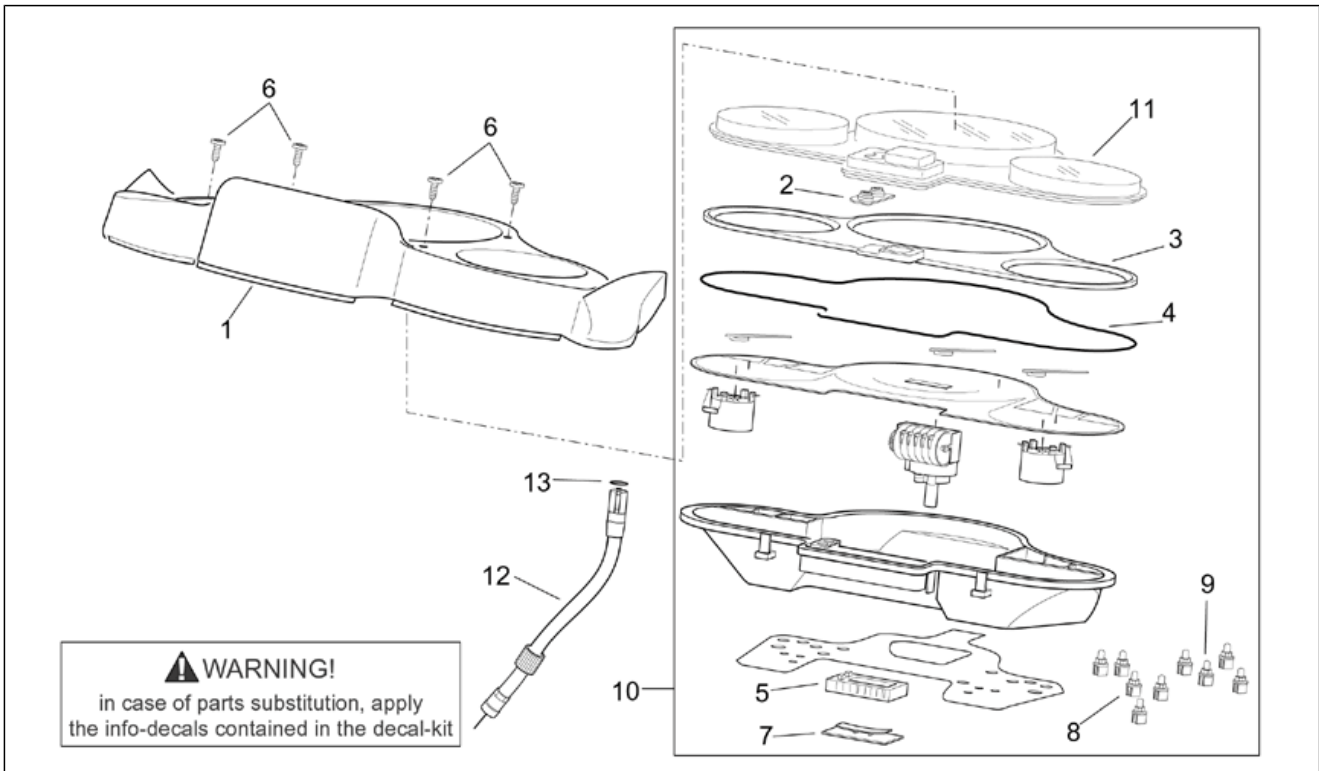
Pos.	Code	Description	Qty	Variants
1	AP8168128	RH suitcase, green	1	Year:2002[2] Vehicle colour:Glasgow Green 2002[glg.g] Technical Specifications:France Touring version[TRG]
1	AP8168129	RH suitcase, grey	1	Year:2002[2] Vehicle colour:Mercury Grey 2001-2002-2003[mer.g] Technical Specifications:France Touring version[TRG]
1	AP8168130	RH suitcase, blue	1	Year:2002[2] Vehicle colour:Lord Blue 2001-2002[blu.l] Technical Specifications:France Touring version[TRG]
2	AP8168079	LH suitcase, grey	1	Year:2002[2] Vehicle colour:Mercury Grey 2001-2002-2003[mer.g] Technical Specifications:France Touring version[TRG]
2	AP8168081	LH suitcase, blue	1	Year:2002[2] Vehicle colour:Lord Blue 2001-2002[blu.l] Technical Specifications:France Touring version[TRG]
2	AP8168121	LH suitcase, green	1	Year:2002[2] Vehicle colour:Glasgow Green 2002[glg.g] Technical Specifications:France Touring version[TRG]
3	AP8792117	Lock no rotor+Key	4	Year:2002[2] Technical Specifications:France Touring version[TRG]
4	AP8702096	Gasket	2	Year:2002[2] Technical Specifications:France Touring version[TRG]
5	AP8201855	Rear fairing cable	4	Year:2002[2] Technical Specifications:France Touring version[TRG]
6	AP8790114	Rotor kit with key	1	Year:2002[2] Technical Specifications:France Touring version[TRG]
7	AP8702108	RH support	1	Year:2002[2] Technical Specifications:France Touring version[TRG]
8	AP8702105	LH support	1	Year:2002[2] Technical Specifications:France Touring version[TRG]
9	AP8702109	RH connecting	1	Year:2002[2] Technical Specifications:France Touring version[TRG]
10	AP8702107	LH connecting	1	Year:2002[2]

<b>Group</b>	FRAME
<b>Code</b>	28.24
<b>Description</b>	Side cases
<b>Service</b>	1



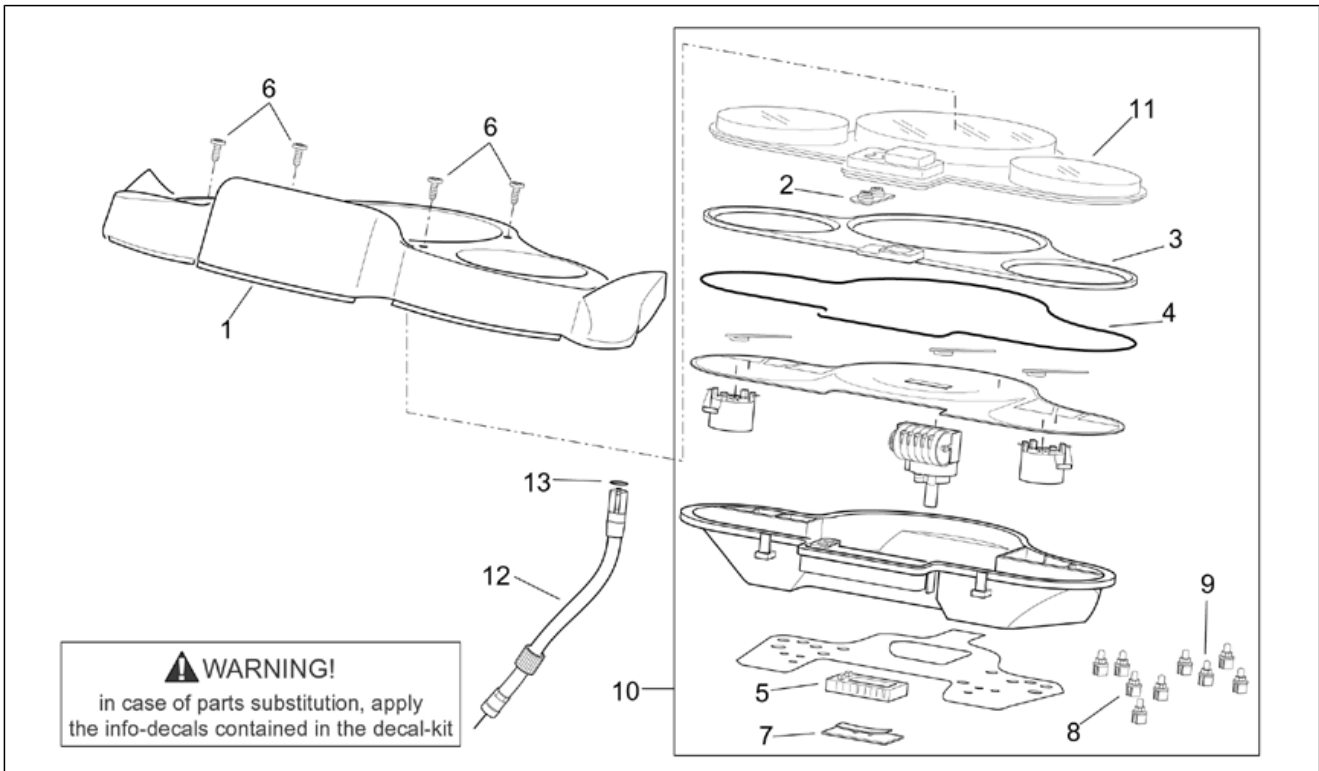
Pos.	Code	Description	Qty	Variants
				<b>Technical Specifications:</b> France Touring version[TRG]
11	AP8152286	Screw w/ flange M8x20	1	<b>Year:</b> 2002[2] <b>Technical Specifications:</b> France Touring version[TRG]
12	AP8152300	Self-locking nut	2	<b>Year:</b> 2002[2] <b>Technical Specifications:</b> France Touring version[TRG]
13	AP8150169	Hex socket screw	2	<b>Year:</b> 2002[2] <b>Technical Specifications:</b> France Touring version[TRG]
14	AP8150157	Hex socket screw M6x60	2	<b>Year:</b> 2002[2] <b>Technical Specifications:</b> France Touring version[TRG]
15	AP8702106	Bush	2	<b>Year:</b> 2002[2] <b>Technical Specifications:</b> France Touring version[TRG]
16	AP8152290	Screw w/ flange	1	<b>Year:</b> 2002[2] <b>Technical Specifications:</b> France Touring version[TRG]
17	AP8700172	Spacer	1	<b>Year:</b> 2002[2] <b>Technical Specifications:</b> France Touring version[TRG]
18	AP8152154	Washer 8,4x13*	2	<b>Year:</b> 2002[2] <b>Technical Specifications:</b> France Touring version[TRG]
19	AP8152246	Screw w/ flange	8	<b>Year:</b> 2002[2] <b>Technical Specifications:</b> France Touring version[TRG]
20	AP8150429	Spring washer 6,4x11x0,5*	8	<b>Year:</b> 2002[2] <b>Technical Specifications:</b> France Touring version[TRG]
21	AP8120508	T bush *	8	<b>Year:</b> 2002[2] <b>Technical Specifications:</b> France Touring version[TRG]

<b>Group</b>	FRAME
<b>Code</b>	28.25
<b>Description</b>	Dashboard
<b>Service</b>	1



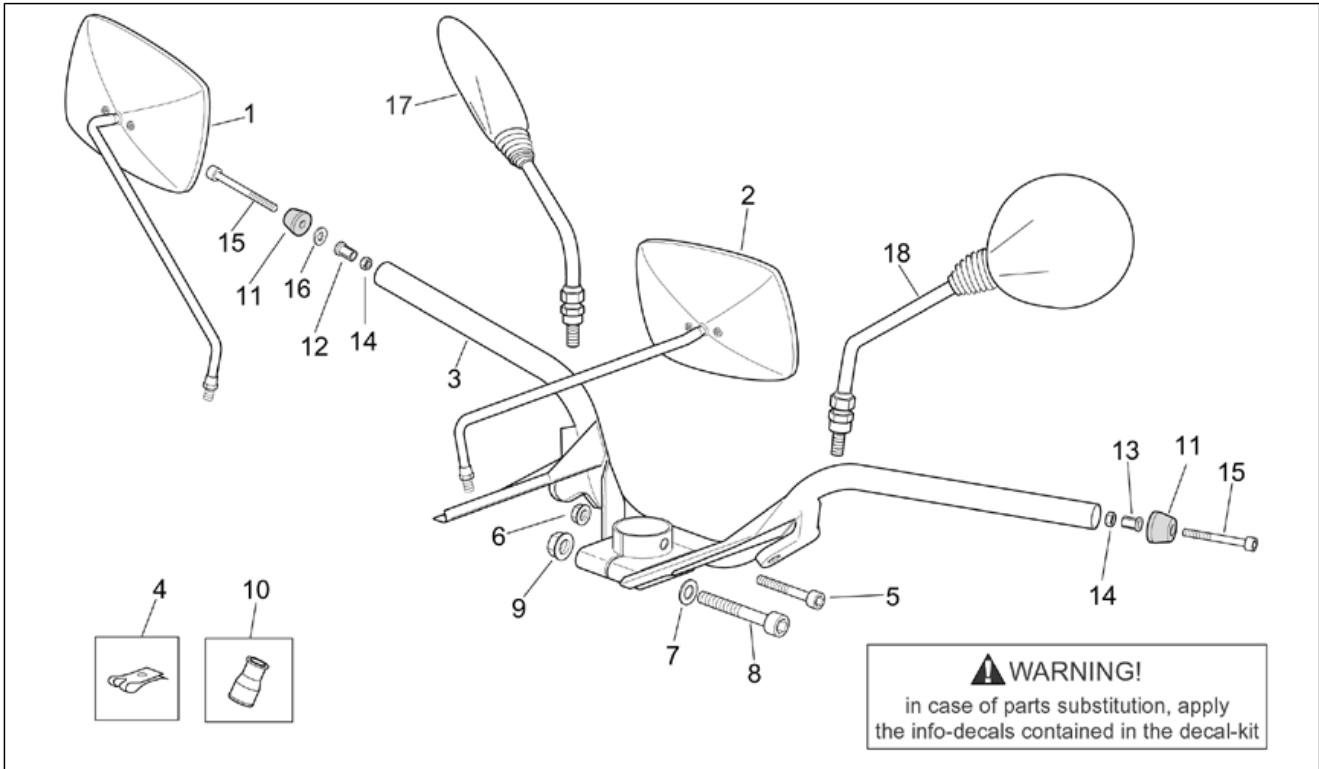
Pos.	Code	Description	Qty	Variants
1	AP8139258	Dashboard panel, s.grey	1	Year:1999[X]
1	AP8139258	Dashboard panel, s.grey	1	Year:2000[Y]
1	AP8158176	Dashboard panel, grey	1	Year:2001[1]
1	AP8158176	Dashboard panel, grey	1	Year:2000[Y]
1	AP8158979	Dashboard panel, silver	1	Year:2002[2] <b>Technical Specifications:</b> Basic version[BSC], France Touring version[TRG]
1	AP8158979	Dashboard panel, silver	1	Year:2002[2] <b>Vehicle colour:</b> Tulip Red 2002[red.t], Shadow Black 2002[sha.b], Storm Grey 2002[sto.g] <b>Technical Specifications:</b> Touring version[GT]
1	AP8158979	Dashboard panel, silver	1	Year:2003[3] <b>Vehicle colour:</b> Sideral Green 2003[green]
1	AP8158979	Dashboard panel, silver	1	Year:2003[3] <b>Vehicle colour:</b> Main Blue 2003[blue]
1	AP8168086	Dashboard panel, grey	1	Year:2002[2] <b>Vehicle colour:</b> Mercury Grey 2001-2002-2003[mer.g] <b>Technical Specifications:</b> Touring version[GT]
1	AP8168086	Dashboard panel, grey	1	Year:2003[3] <b>Vehicle colour:</b> Mercury Grey 2001-2002-2003[mer.g]
1	AP8178917	Dashboard panel, grey	1	Year:2004[4] <b>Country:</b> USA (California Approval)[CF], USA (California Approval)[CZ]
2	AP8144268	Clock rubber	1	
3	AP8124750	Shield	1	
4	AP8144267	Gasket	1	
5	AP8212406	Digital clock	1	
6	AP8150444	Self-tapping screw	4	
7	AP8124751	Clock bottom	1	
8	AP8212407	Lampholder, complete 12V-1,2W	2	Year:2002[2], 2003[3]
8	AP8212407	Lampholder, complete 12V-1,2W	3	Year:2001[1], 1999[X], 2000[Y]

<b>Group</b>	FRAME
<b>Code</b>	28.25
<b>Description</b>	Dashboard
<b>Service</b>	1



Pos.	Code	Description	Qty	Variants
9	AP8212408	Lampholder, complete	5	Year:2001[1], 1999[X], 2000[Y]
9	AP8212408	Lampholder, complete	6	Year:2002[2], 2003[3]
10	AP8124511	Dashboard complete	1	Year:2001[1], 1999[X], 2000[Y] Country:Austria[A], Spain[E], France[F], Greece[GR], Italy[I], Israel[IL], Japan[J], Portugal[P], Great Britain[UK]
10	AP8124687	Dashboard complete	1	Country:Switzerland[CH], Germany[D]
10	AP8124994	Dashboard complete	1	Country:USA (California Approval)[CF], USA (California Approval)[CZ], United States of America[USA]
10	AP8127329	Dashboard complete	1	Year:2002[2], 2003[3]
11	AP8124749	Transparent protection	1	Technical Specifications:"CEV" Sign[CEV]
11	AP8127789	Transparent protection	1	Technical Specifications:"ECIE" Sign[ECIE]
12	AP8114357	Odometer cable	1	
13	AP8220177	O-ring 115	1	

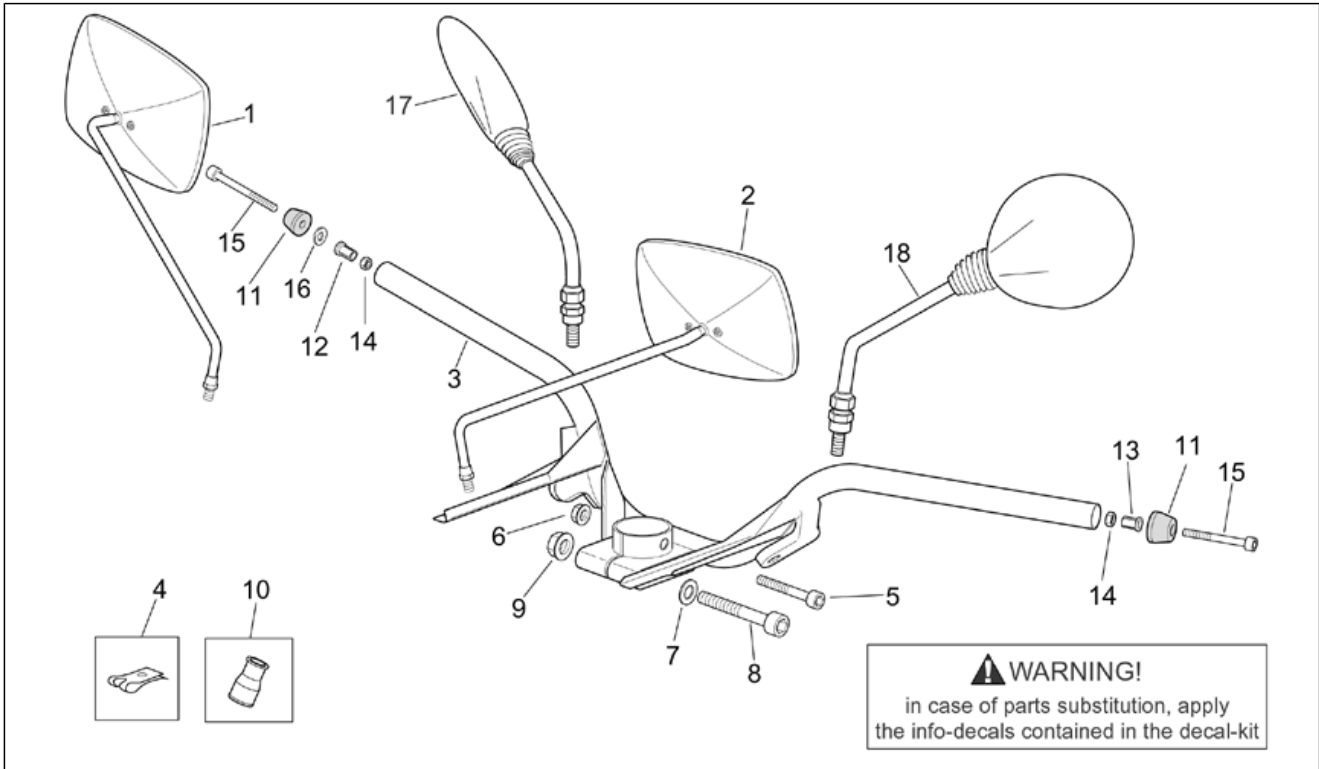
<b>Group</b>	FRAME
<b>Code</b>	28.26
<b>Description</b>	Handlebar
<b>Service</b>	1



Pos.	Code	Description	Qty	Variants
1	AP8102835	RH rearview mirror	1	Year:2002[2] Country:Switzerland[CH], Germany[D], Spain[E], France[F], Greece[GR], Japan[J] Technical Specifications:Basic version[BSC]
1	AP8102835	RH rearview mirror	1	Year:2002[2] Technical Specifications:France Touring version[TRG]
1	AP8102835	RH rearview mirror	1	Year:2001[1], 1999[X], 2000[Y]
1	AP8102835	RH rearview mirror	1	Year:2004[4] Country:USA (California Approval)[CF], USA (California Approval)[CZ]
1	AP8104491	RH rearview mirror	1	Year:2002[2] Country:Italy[I] Technical Specifications:Basic version[BSC]
1	AP8104491	RH rearview mirror	1	Year:2003[3]
2	AP8102836	LH rearview mirror	1	Year:2002[2] Technical Specifications:France Touring version[TRG]
2	AP8102836	LH rearview mirror	1	Year:2002[2] Country:Switzerland[CH], Germany[D], Spain[E], France[F], Greece[GR], Japan[J] Technical Specifications:Basic version[BSC]
2	AP8102836	LH rearview mirror	1	Year:2001[1], 1999[X], 2000[Y]
2	AP8102836	LH rearview mirror	1	Year:2004[4] Country:USA (California Approval)[CF], USA (California Approval)[CZ]
2	AP8104492	LH rearview mirror	1	Year:2003[3]
2	AP8104492	LH rearview mirror	1	Year:2002[2] Country:Italy[I] Technical Specifications:Basic version[BSC]
3	AP8118479	Handlebar	1	
4	AP8201764	Screw clip D5,5*	2	
5	AP8150277	Hex socket screw	1	
6	AP8150431	Low nut	1	

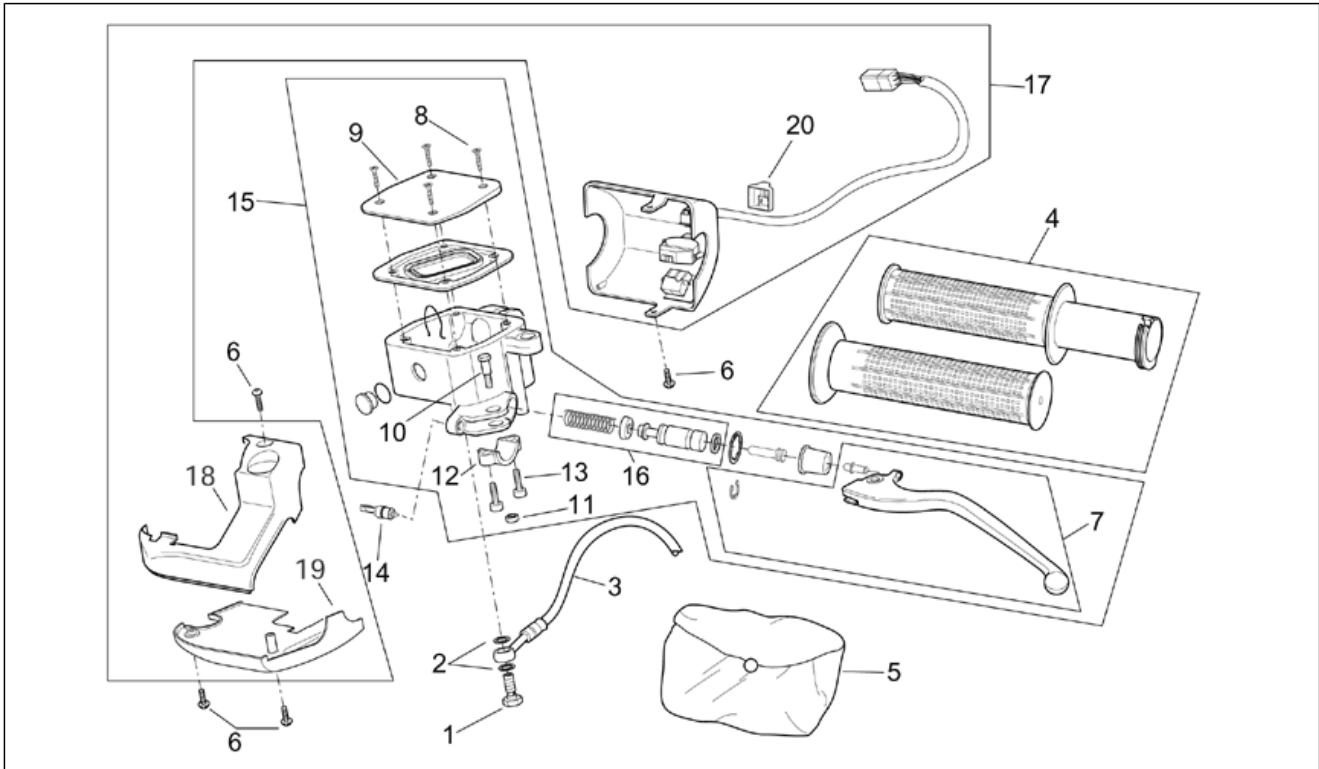


<b>Group</b>	FRAME
<b>Code</b>	28.26
<b>Description</b>	Handlebar
<b>Service</b>	1



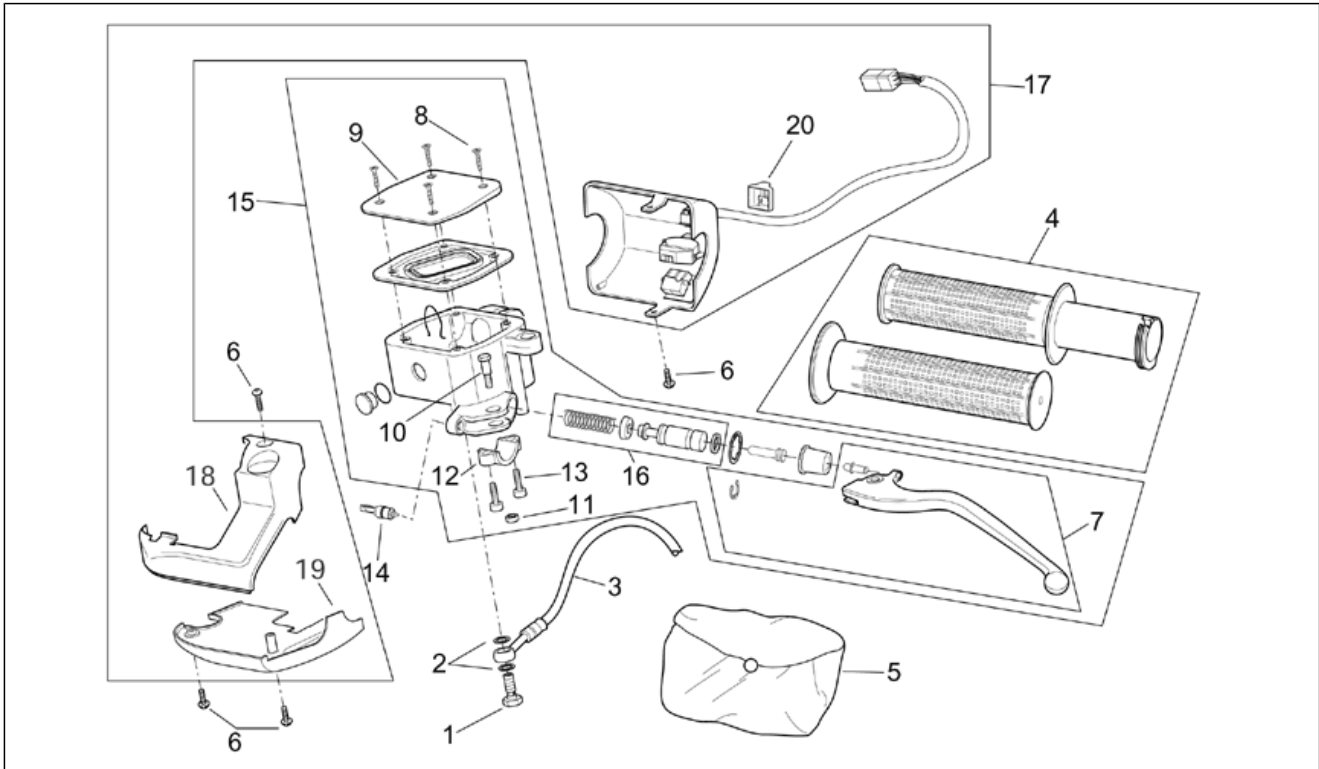
Pos.	Code	Description	Qty	Variants
7	AP8150020	Washer 10,5x21x2*	1	
8	AP8150088	Hex socket screw M10x70	1	
9	AP8152301	Self-locking nut	1	
10	AP8144402	Mirror rubber	2	Year:2003[3] Technical Specifications:Basic version[BSC]
10	AP8144402	Mirror rubber	2	Year:2002[2] Technical Specifications:Basic version[BSC], France Touring version[TRG]
10	AP8144402	Mirror rubber	2	Year:2004[4] Country:USA (California Approval)[CF], USA (California Approval)[CZ]
10	AP8144402	Mirror rubber	2	Year:2001[1], 1999[X], 2000[Y]
11	AP8104384	H.bars anti.v weight	2	Year:2002[2], 2003[3]
12	AP8144549	RH slide piece	1	Year:2002[2], 2003[3]
13	AP8144555	LH slide piece	1	Year:2002[2], 2003[3]
14	AP8150026	Nut	2	Year:2002[2], 2003[3]
15	AP8150157	Hex socket screw M6x60	2	Year:2002[2], 2003[3]
16	AP8150015	Washer 6,6x18x1,6*	1	Year:2002[2], 2003[3]
17	AP8104518	RH rearview mirror	1	Year:2002[2], 2003[3] Technical Specifications:Touring version[GT]
18	AP8104519	LH rearview mirror	1	Year:2002[2], 2003[3] Technical Specifications:Touring version[GT]

<b>Group</b>	FRAME
<b>Code</b>	28.27
<b>Description</b>	LH Controls
<b>Service</b>	1



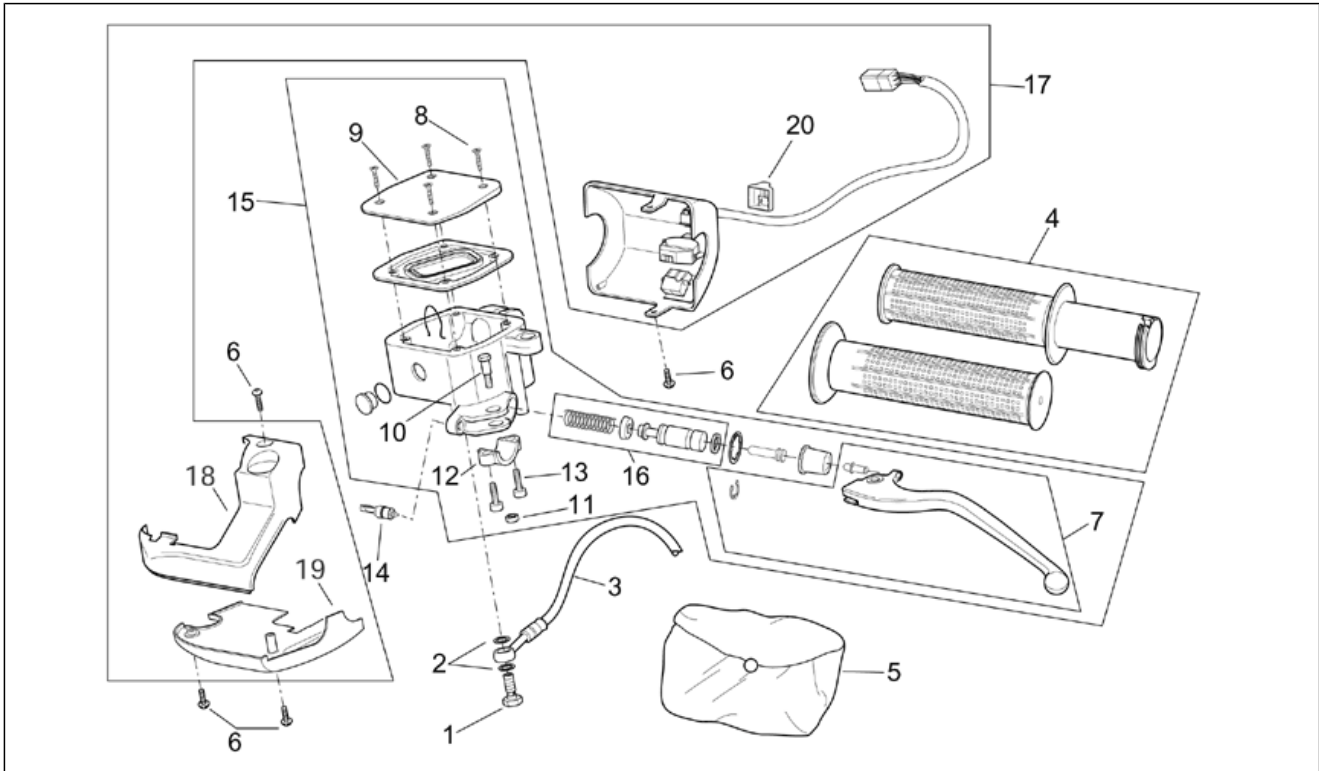
Pos.	Code	Description	Qty	Variants
1	AP8113003	Oil pipe screw *	1	
2	AP8113004	Washer 10x14x1,6*	2	
3	AP8113700	Rear brake hose	1	
4	AP8118539	Handgrip pair, black	1	Year:2001[1], 1999[X], 2000[Y] Country:Austria[A], Switzerland[CH], Germany[D], Spain[E], France[F], Greece[GR], Italy[I], Israel[IL], Japan[J], Portugal[P], Great Britain[UK]
4	AP8118609	Handgrip pair, black	1	Country:USA (California Approval)[CF], USA (California Approval)[CZ], United States of America[USA]
4	AP8118643	Handgrip pair, black	1	Year:2002[2], 2003[3]
5	AP8113862	Pump revision kit	1	
6	AP8152268	Hex socket screw	4	
7	AP8118542	Brake lever	1	Year:2001[1], 1999[X], 2000[Y]
7	AP8118542	Brake lever	1	Year:2002[2] Country:Switzerland[CH], Germany[D], Spain[E], France[F], Greece[GR], Japan[J] Technical Specifications:125 cc version[125], 200 cc version[200], Basic version[BSC]
7	AP8118542	Brake lever	1	Year:2002[2] Technical Specifications:125 cc version[125], France Touring version[TRG]
7	AP8118641	Brake lever	1	Year:2002[2] Technical Specifications:125 cc version[125], 200 cc version[200], Touring version[GT]
7	AP8118641	Brake lever	1	Year:2004[4] Country:USA (California Approval)[CF], USA (California Approval)[CZ]
7	AP8118641	Brake lever	1	Year:2002[2] Country:Italy[I] Technical Specifications:125 cc version[125], 200 cc version[200], Basic version[BSC]
7	AP8118641	Brake lever	1	Year:2003[3]

<b>Group</b>	FRAME
<b>Code</b>	28.27
<b>Description</b>	LH Controls
<b>Service</b>	1



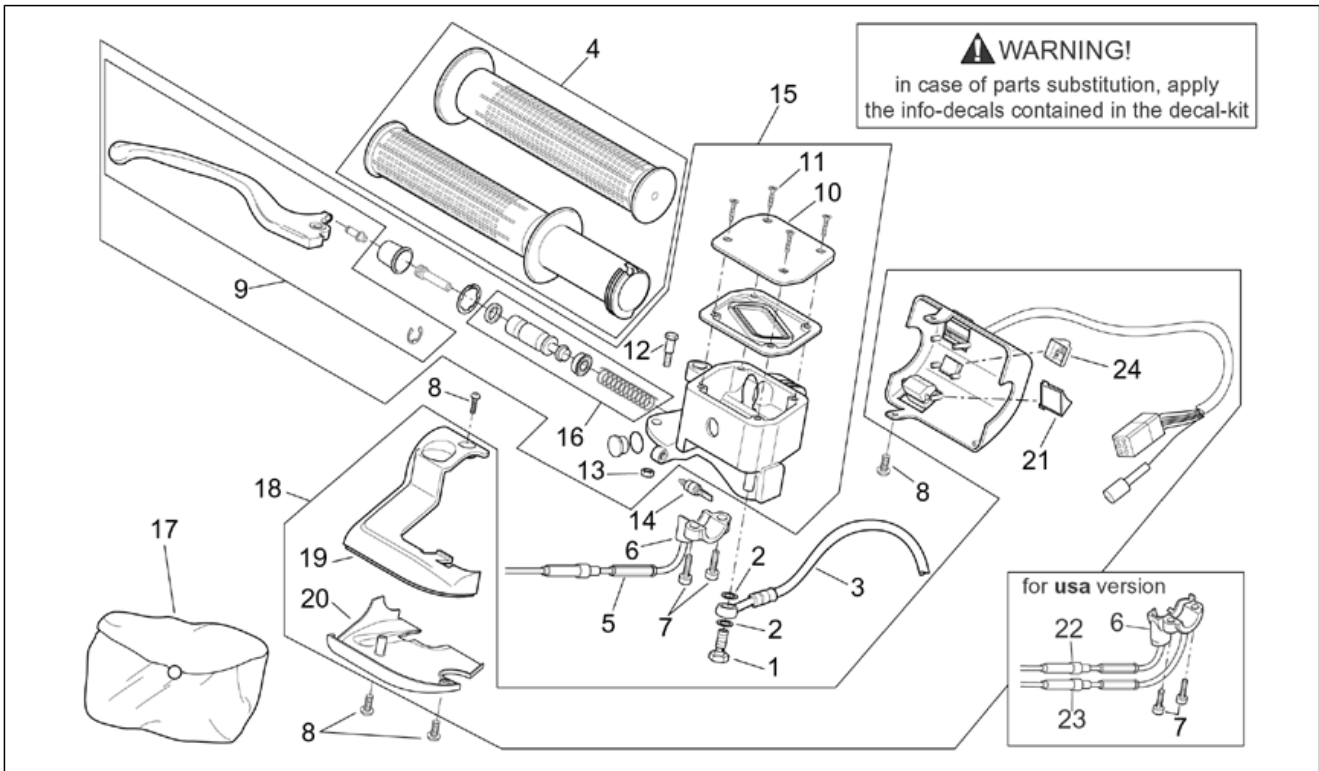
Pos.	Code	Description	Qty	Variants
8	AP8113859	Pump cover screw	4	
9	AP8113860	Pump cover	1	
10	AP8125757	Lever screw	1	
11	AP8213298	Nut	1	
12	AP8113637	Brake lever U-bolt	1	
13	AP8213299	Cap screw	2	
14	AP8124818	Brake light switch	1	
15	AP8113784	Rear master cylinder	1	Year:2001[1], 1999[X], 2000[Y]
15	AP8113784	Rear master cylinder	1	Year:2002[2] Country:Switzerland[CH], Germany[D], Spain[E], France[F], Greece[GR], Japan[J] Technical Specifications:125 cc version[125], 200 cc version[200], Basic version[BSC]
15	AP8113784	Rear master cylinder	1	Year:2002[2] Technical Specifications:125 cc version[125], France Touring version[TRG]
15	AP8133558	Rear master cylinder	1	Year:2004[4] Country:USA (California Approval)[CF], USA (California Approval)[CZ]
15	AP8133558	Rear master cylinder	1	Year:2002[2] Country:Italy[I] Technical Specifications:125 cc version[125], 200 cc version[200], Basic version[BSC]
15	AP8133558	Rear master cylinder	1	Year:2002[2] Technical Specifications:125 cc version[125], 200 cc version[200], Touring version[GT]
15	AP8133558	Rear master cylinder	1	Year:2003[3]
16	AP8113861	Piston assy	1	
17	AP8124498	LH lights selector	1	Country:Austria[A], Switzerland[CH], Germany[D], Spain[E], France[F], Greece[GR], Italy[I], Israel[IL], Japan[J], Portugal[P], Great Britain[UK]

<b>Group</b>	FRAME
<b>Code</b>	28.27
<b>Description</b>	LH Controls
<b>Service</b>	1



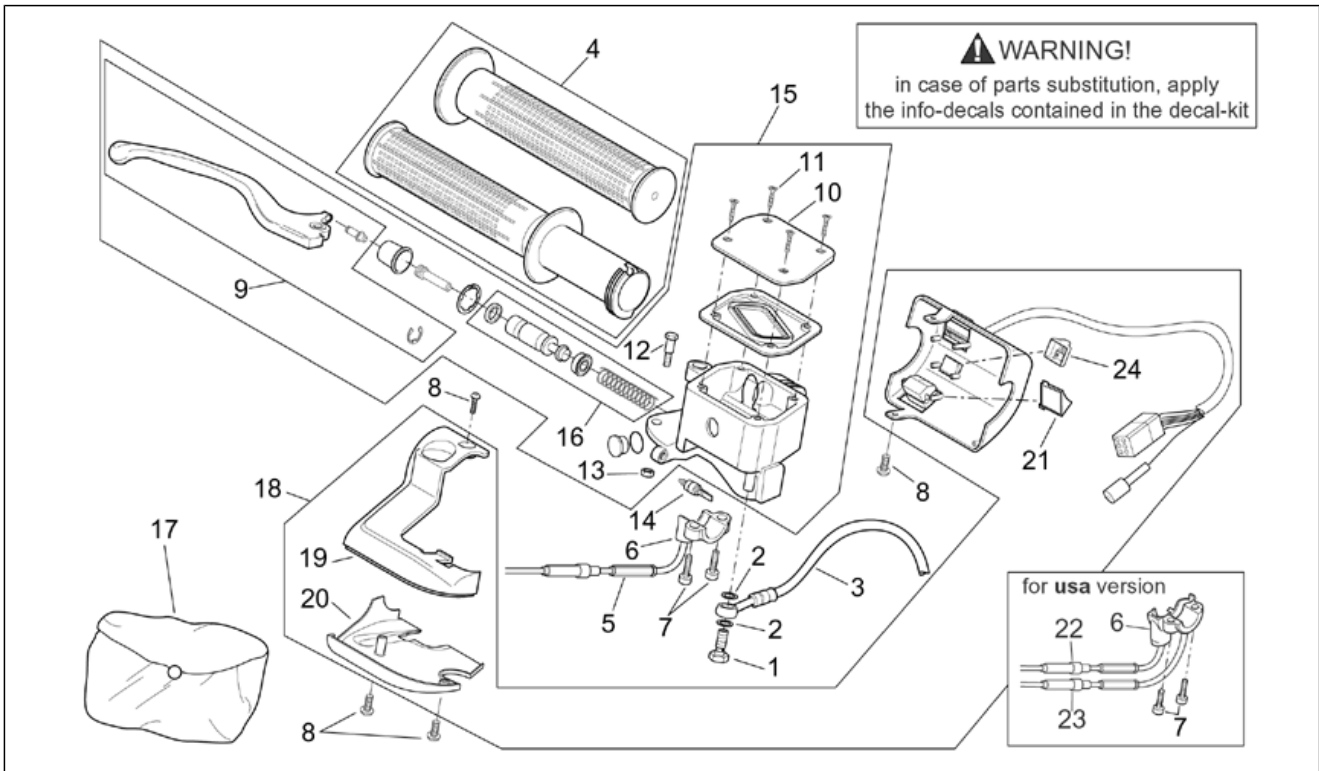
Pos.	Code	Description	Qty	Variants
				<b>Technical Specifications:</b> 125 cc version[125], 150 cc version[150]
17	AP8127092	LH lights selector	1	<b>Country:</b> USA (California Approval)[CF], USA (California Approval)[CZ], United States of America[USA]
17	AP8127225	LH lights selector	1	<b>Technical Specifications:</b> 200 cc version[200]
18	AP8124803	Upper LH light control cover	1	
19	AP8118607	Lower LH light control cover	1	<b>Country:</b> USA (California Approval)[CF], USA (California Approval)[CZ], United States of America[USA]
19	AP8124804	Lower LH light control cover	1	<b>Country:</b> Austria[A], Switzerland[CH], Germany[D], Spain[E], France[F], Greece[GR], Italy[I], Israel[IL], Japan[J], Portugal[P], Great Britain[UK]
20	AP8127180	Turn indic.lightbutton cap	1	

<b>Group</b>	FRAME
<b>Code</b>	28.28
<b>Description</b>	RH controls
<b>Service</b>	1



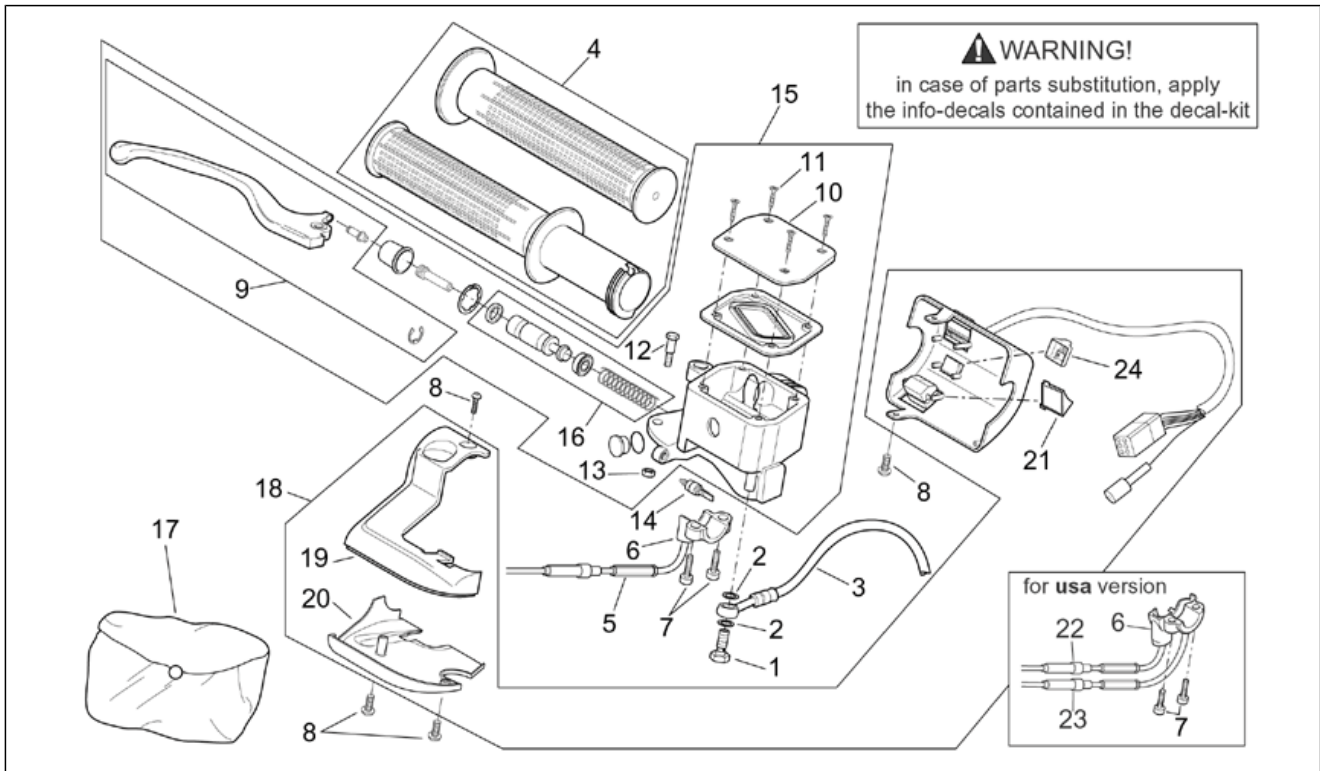
Pos.	Code	Description	Qty	Variants
1	AP8113003	Oil pipe screw *	1	
2	AP8113004	Washer 10x14x1,6*	2	
3	AP8113696	Front brake hose	1	
4	AP8118539	Handgrip pair, black	1	<b>Year:</b> 2001[1], 1999[X], 2000[Y] <b>Country:</b> Austria[A], Switzerland[CH], Germany[D], Spain[E], France[F], Greece[GR], Italy[I], Israel[IL], Japan[J], Portugal[P], Great Britain[UK]
4	AP8118609	Handgrip pair, black	1	<b>Country:</b> USA (California Approval)[CF], USA (California Approval)[CZ], United States of America[USA]
4	AP8118643	Handgrip pair, black	1	<b>Year:</b> 2002[2], 2003[3]
5	AP8114382	Throttle cable	1	<b>Year:</b> 2001[1], 1999[X], 2000[Y] <b>Country:</b> Austria[A], Switzerland[CH], Germany[D], Spain[E], France[F], Greece[GR], Italy[I], Israel[IL], Japan[J], Portugal[P], Great Britain[UK] <b>Technical Specifications:</b> 125 cc version[125], 150 cc version[150]
5	AP8114453	Throttle cable	1	<b>Year:</b> 2002[2], 2003[3]
6	AP8118499	Throttle place	1	<b>Country:</b> Austria[A], Switzerland[CH], Germany[D], Spain[E], France[F], Greece[GR], Italy[I], Israel[IL], Japan[J], Portugal[P], Great Britain[UK]
6	AP8118582	Throttle place	1	<b>Country:</b> USA (California Approval)[CF], USA (California Approval)[CZ], United States of America[USA]
7	AP8150165	Hex socket screw	2	
8	AP8152268	Hex socket screw	4	
9	AP8118542	Brake lever	1	<b>Year:</b> 2001[1], 1999[X], 2000[Y]
9	AP8118542	Brake lever	1	<b>Year:</b> 2002[2] <b>Country:</b> Switzerland[CH], Germany[D], Spain[E], France[F], Greece[GR], Japan[J] <b>Technical Specifications:</b> 125 cc version[125], 200 cc version[200], Basic version[BSC]
9	AP8118542	Brake lever	1	<b>Year:</b> 2002[2] <b>Technical Specifications:</b> 125 cc version[125], France Touring version[TRG]

<b>Group</b>	FRAME
<b>Code</b>	28.28
<b>Description</b>	RH controls
<b>Service</b>	1



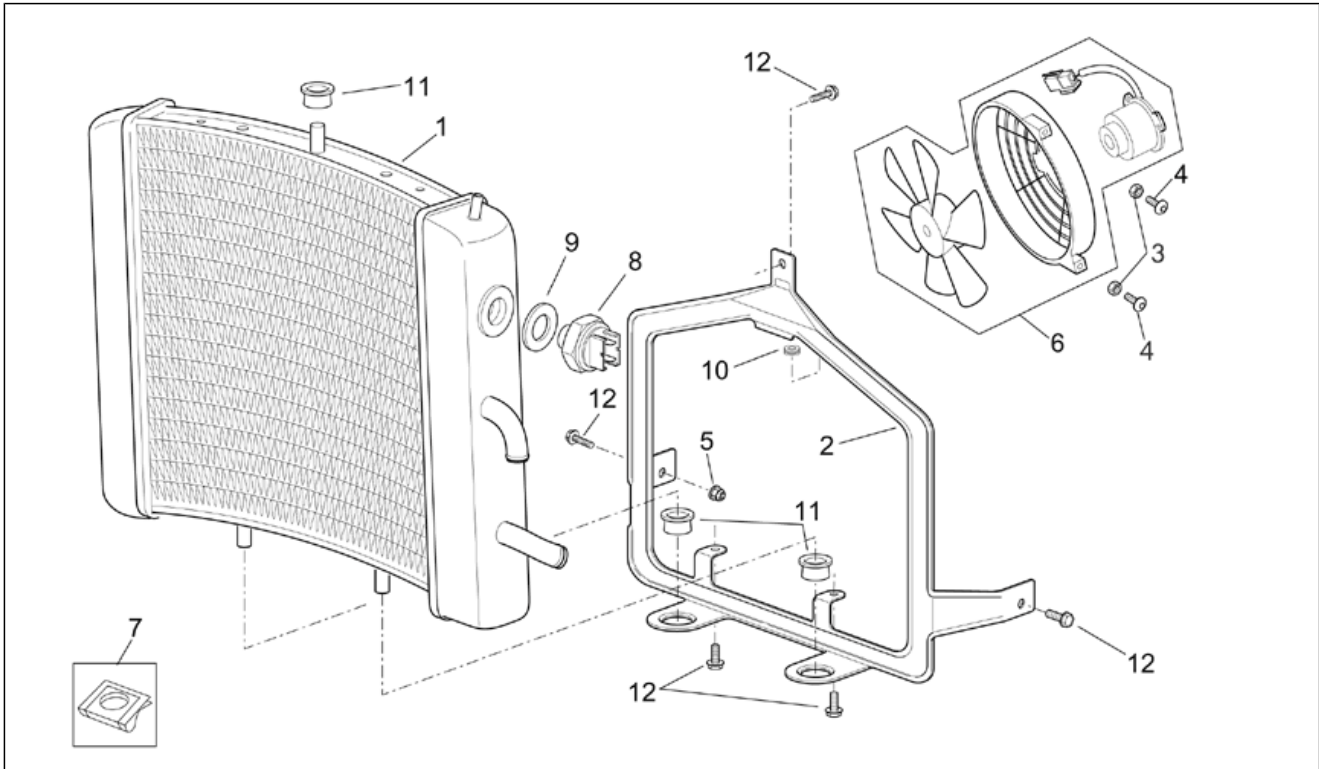
Pos.	Code	Description	Qty	Variants
9	AP8118641	Brake lever	1	<b>Year:</b> 2002[2] <b>Technical Specifications:</b> 125 cc version[125], 200 cc version[200], Touring version[GT]
9	AP8118641	Brake lever	1	<b>Year:</b> 2004[4] <b>Country:</b> USA (California Approval)[CF], USA (California Approval)[CZ]
9	AP8118641	Brake lever	1	<b>Year:</b> 2003[3]
9	AP8118641	Brake lever	1	<b>Year:</b> 2002[2] <b>Country:</b> Italy[I] <b>Technical Specifications:</b> 125 cc version[125], 200 cc version[200], Basic version[BSC]
10	AP8113863	Pump cover	1	
11	AP8113859	Pump cover screw	4	
12	AP8125757	Lever screw	1	
13	AP8213298	Nut	1	
14	AP8124818	Brake light switch	1	
15	AP8113783	Front master cilinder	1	<b>Year:</b> 2002[2] <b>Country:</b> Switzerland[CH], Germany[D], Spain[E], France[F], Greece[GR], Japan[J] <b>Technical Specifications:</b> 125 cc version[125], 200 cc version[200], Basic version[BSC]
15	AP8113783	Front master cilinder	1	<b>Year:</b> 2002[2] <b>Technical Specifications:</b> 125 cc version[125], France Touring version[TRG]
15	AP8113783	Front master cilinder	1	<b>Year:</b> 2001[1], 1999[X], 2000[Y] <b>Country:</b> Austria[A], Switzerland[CH], Germany[D], Spain[E], France[F], Greece[GR], Italy[I], Israel[IL], Japan[J], Portugal[P], Great Britain[UK]
15	AP8113928	Front master cilinder	1	<b>Country:</b> USA (California Approval)[CF], USA (California Approval)[CZ], United States of America[USA]
15	AP8133557	Front master cilinder	1	<b>Year:</b> 2002[2] <b>Technical Specifications:</b> 125 cc version[125], 200 cc version[200], Touring version[GT]

<b>Group</b>	FRAME
<b>Code</b>	28.28
<b>Description</b>	RH controls
<b>Service</b>	1



Pos.	Code	Description	Qty	Variants
15	AP8133557	Front master cilinder	1	<b>Year:</b> 2002[2] <b>Country:</b> Italy[I] <b>Technical Specifications:</b> 125 cc version[125], 200 cc version[200], Basic version[BSC]
15	AP8133557	Front master cilinder	1	<b>Year:</b> 2003[3]
16	AP8113861	Piston assy	1	
17	AP8113864	Pump revision kit	1	
18	AP8124689	RH lights selector	1	<b>Country:</b> Japan[J]
18	AP8124991	RH lights selector	1	<b>Country:</b> USA (California Approval)[CF], USA (California Approval)[CZ], United States of America[USA] <b>Technical Specifications:</b> 150 cc version[150]
18	AP8127226	RH lights selector	1	<b>Technical Specifications:</b> 200 cc version[200]
18	AP8127226	RH lights selector	1	<b>Country:</b> Austria[A], Switzerland[CH], Germany[D], Spain[E], France[F], Greece[GR], Italy[I], Israel[IL], Portugal[P], Great Britain[UK] <b>Technical Specifications:</b> 125 cc version[125], 150 cc version[150]
19	AP8124805	Upper RH light control cover	1	
20	AP8118608	Lower RH light control cover	1	<b>Country:</b> USA (California Approval)[CF], USA (California Approval)[CZ], United States of America[USA]
20	AP8124806	Lower RH light control cover	1	<b>Country:</b> Austria[A], Switzerland[CH], Germany[D], Spain[E], France[F], Greece[GR], Italy[I], Israel[IL], Japan[J], Portugal[P], Great Britain[UK]
21	AP8127238	Start pushbutton	1	
22	AP8114423	Opening throttle cable	1	<b>Country:</b> USA (California Approval)[CF], USA (California Approval)[CZ], United States of America[USA]
23	AP8114424	Closure throttle cable	1	<b>Country:</b> USA (California Approval)[CF], USA (California Approval)[CZ], United States of America[USA]
24	AP8127179	Lightbutton cap	1	

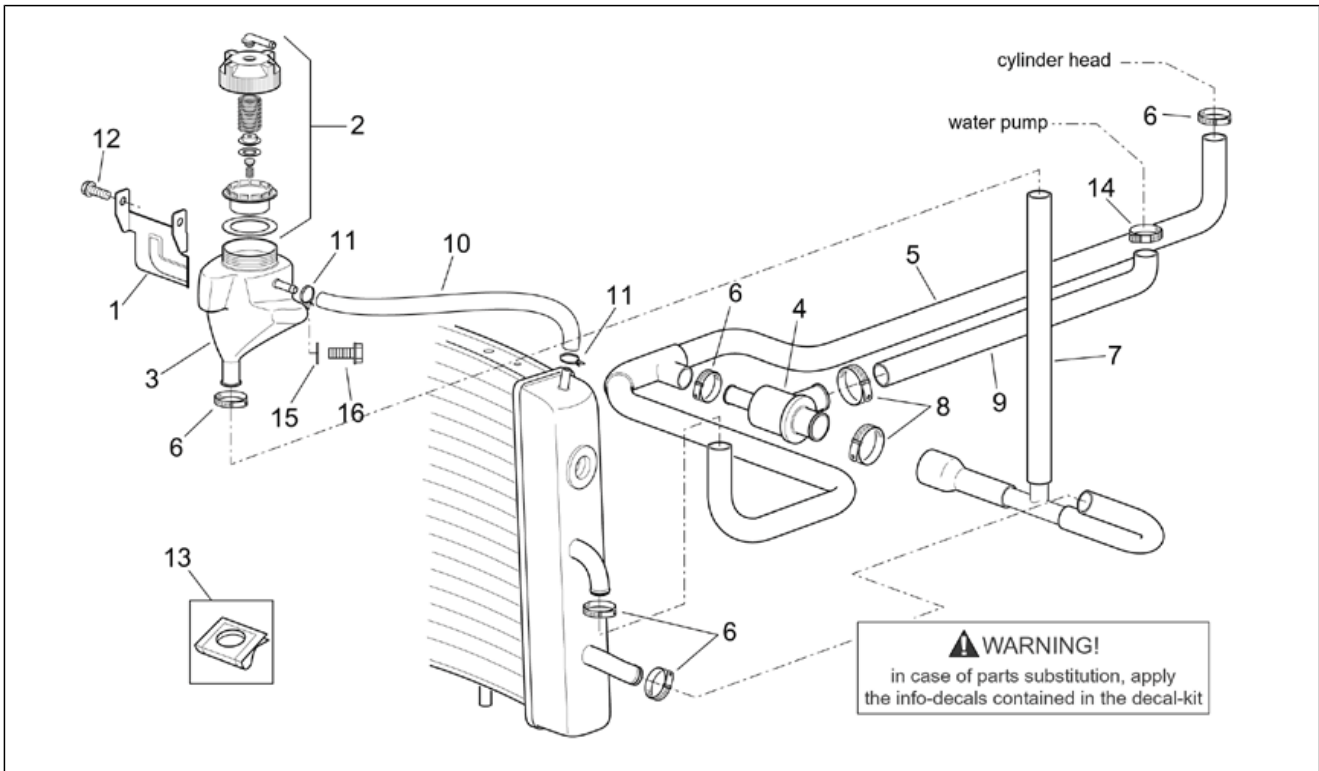
<b>Group</b>	FRAME
<b>Code</b>	28.29
<b>Description</b>	Water cooler
<b>Service</b>	1



Pos.	Code	Description	Qty	Variants
1	AP8202209	Water cooler	1	
2	AP8134485	Water cooler support	1	
3	AP8150430	Low self-locking nut	2	
4	AP8152278	Screw w/ flange	2	
5	AP8152299	Self-locking nut	1	
6	AP8124855	Fan, cpl.	1	
7	AP8102376	Clip M6	1	
8	AP8112939	Thermal switch	1	
9	AP8121837	Aluminium washer	1	
10	AP8120405	Rubber spacer *	1	
11	AP8120275	Silent-block *	3	
12	AP8152278	Screw w/ flange	5	

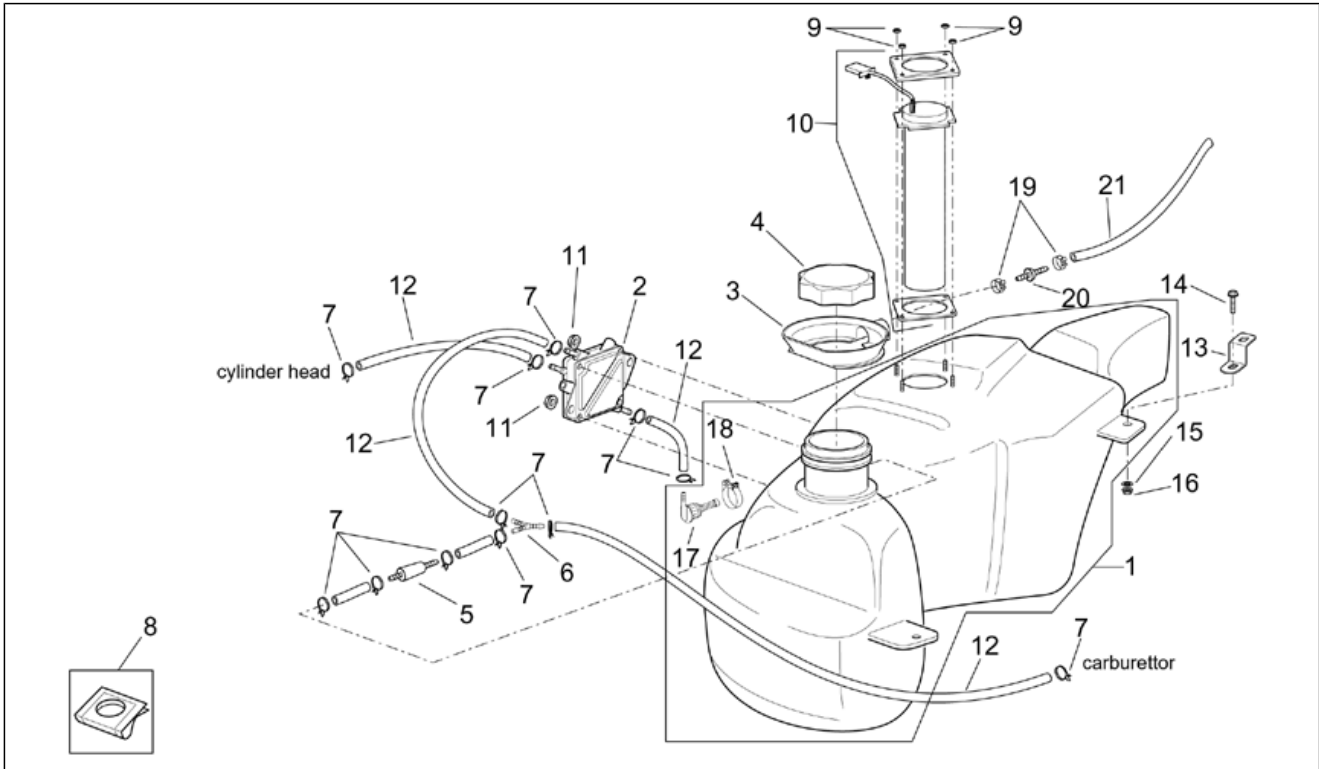


<b>Group</b>	FRAME
<b>Code</b>	28.30
<b>Description</b>	Cooling system
<b>Service</b>	1



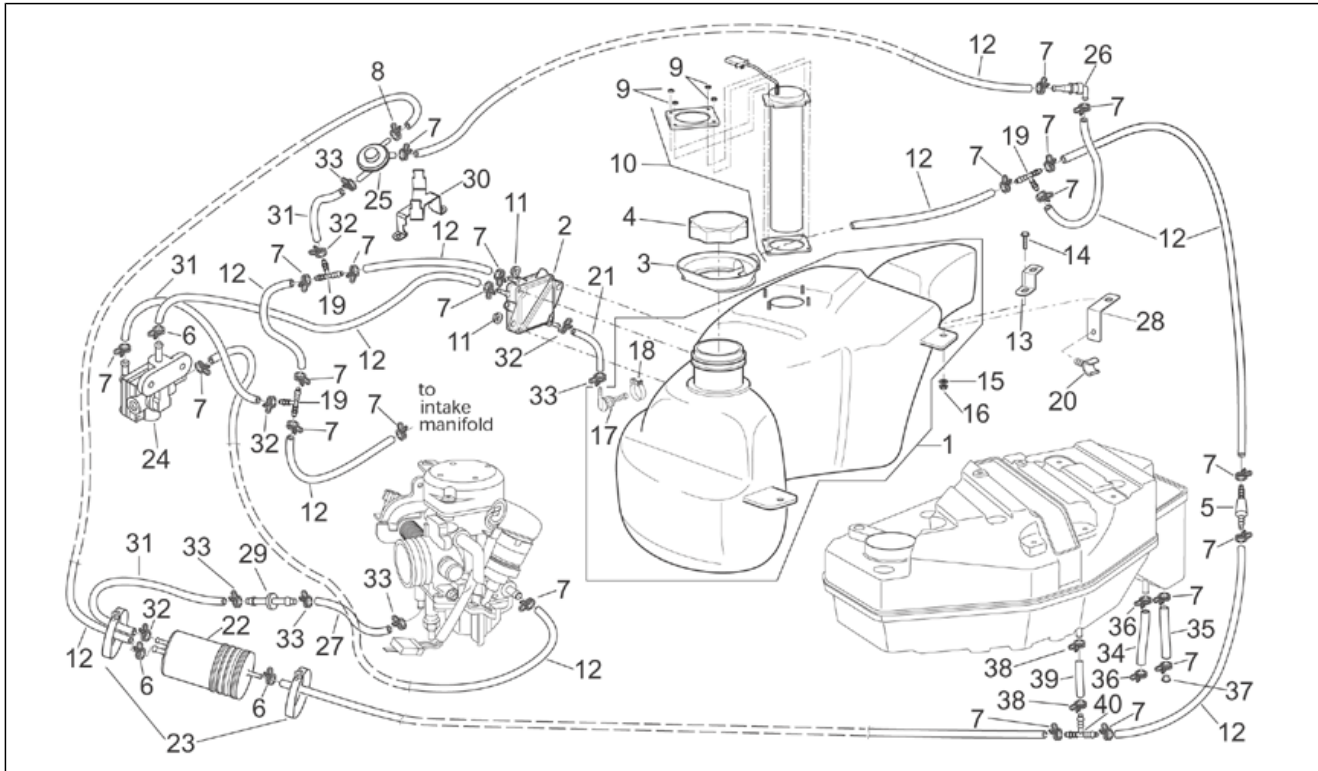
Pos.	Code	Description	Qty	Variants
1	AP8134487	Expansion tank support	1	
2	AP8201463	Rad cap w/ vent	1	
3	AP8139255	Expansion tank	1	
4	AP8102614	Thermostat valve set	1	
5	AP8144115	Water cooler-head tube	1	
6	AP8102732	Hose clamp 17-25	5	
7	AP8144116	Valve-cooler tube	1	
8	AP8102810	Hose clip D25x35	2	
9	AP8144120	Motor-pump valve tube	1	
10	AP8144506	Breather pipe 7,5X3,5	1	Year:2002[2], 2003[3], 2004[4]
10	AP8220450	Rubber fabric reinforced hose	1	Year:2001[1], 1999[X], 2000[Y]
11	AP8102764	White hose clip d.13x6	2	Year:2001[1], 1999[X], 2000[Y]
11	AP8102765	White hose clip D.13,5x6	2	Year:2002[2], 2003[3], 2004[4]
12	AP8152272	Screw w/ flange	2	
13	AP8102376	Clip M6	1	
14	AP8101573	Hose clamp D16-24x8*	1	
15	AP8150015	Washer 6,6x18x1,6*	1	
16	AP8152278	Screw w/ flange	1	

<b>Group</b>	FRAME
<b>Code</b>	28.31
<b>Description</b>	Fuel tank
<b>Service</b>	1



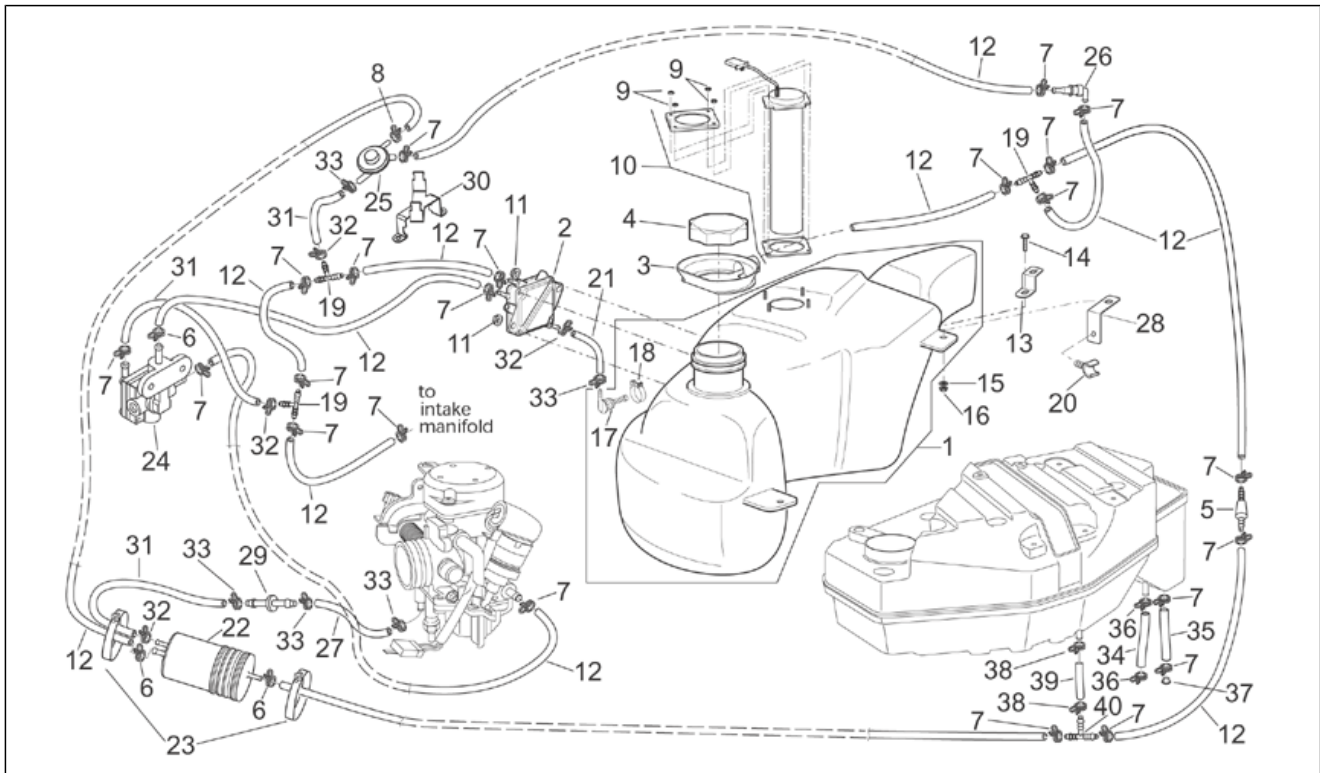
Pos.	Code	Description	Qty	Variants
1	AP8139256	Fuel tank	1	
2	AP8102408	Fuel pump	1	
3	AP8144187	Fuel collector rubber	1	
4	AP8201757	Fuel filler cap	1	
5	AP8102741	Anti-return valve	1	
6	AP8120116	3-way union	1	
7	AP8101595	Hose clamp D10,1*	12	
8	AP8102376	Clip M6	1	
9	AP8150204	Nut M4	4	
10	AP8124512	Fuel level sensor	1	
11	AP8152306	Self-locking nut	2	
12	AP8120952	Fuel pipe 5,5x10	1	
13	AP8134526	Plate	1	
14	AP8152280	Screw w/ flange	1	
15	AP8150015	Washer 6,6x18x1,6*	1	
16	AP8152299	Self-locking nut	1	
17	AP8104071	Union cpl.	1	
18	AP8104072	Hose clamp	1	
19	AP8101770	Hose clip D8x5,5*	2	
20	AP8101944	2-way union	1	
21	AP8220402	Pipe 5x9	1	

<b>Group</b>	FRAME
<b>Code</b>	28.32
<b>Description</b>	Fuel tank - USA
<b>Service</b>	1



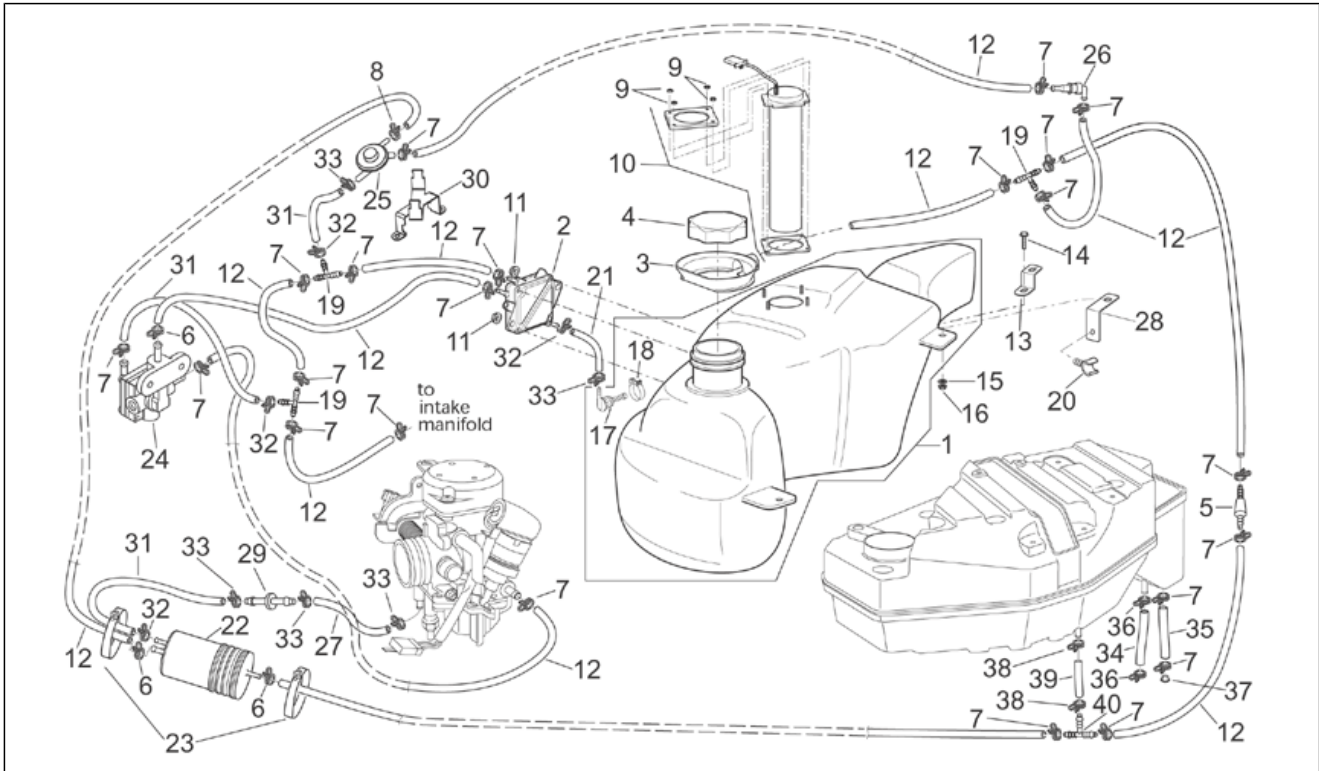
Pos.	Code	Description	Qty	Variants
1	AP8149309	Fuel tank	1	Country:USA (California Approval)[CF], USA (California Approval)[CZ], United States of America[USA]
2	AP8102408	Fuel pump	1	Country:USA (California Approval)[CF], USA (California Approval)[CZ], United States of America[USA]
3	AP8144187	Fuel collector rubber	1	Country:USA (California Approval)[CF], USA (California Approval)[CZ], United States of America[USA]
4	AP8201757	Fuel filler cap	1	Country:USA (California Approval)[CF], USA (California Approval)[CZ], United States of America[USA]
5	AP8102741	Anti-return valve	1	Country:USA (California Approval)[CF], USA (California Approval)[CZ], United States of America[USA]
6	AP8102378	Hose clamp D11,3	3	Country:USA (California Approval)[CF], USA (California Approval)[CZ], United States of America[USA]
7	AP8101595	Hose clamp D10,1*	21	Country:USA (California Approval)[CF], USA (California Approval)[CZ], United States of America[USA]
8	AP8102520	Hose clamp	1	Country:USA (California Approval)[CF], USA (California Approval)[CZ], United States of America[USA]
9	AP8150204	Nut M4	4	Country:USA (California Approval)[CF], USA (California Approval)[CZ], United States of America[USA]
10	AP8124512	Fuel level sensor	1	Country:USA (California Approval)[CF], USA (California Approval)[CZ], United States of America[USA]
11	AP8152306	Self-locking nut	2	Country:USA (California Approval)[CF], USA (California Approval)[CZ], United States of America[USA]
12	AP8120952	Fuel pipe 5,5x10	10	Country:USA (California Approval)[CF], USA (California Approval)[CZ], United States of America[USA]
13	AP8134526	Plate	1	Country:USA (California Approval)[CF], USA (California Approval)[CZ], United States of America[USA]
14	AP8152280	Screw w/ flange	1	Country:USA (California Approval)[CF], USA (California Approval)[CZ], United States of America[USA]
15	AP8150015	Washer 6,6x18x1,6*	1	Country:USA (California Approval)[CF], USA (California Approval)[CZ], United States of America[USA]
16	AP8152299	Self-locking nut	1	Country:USA (California Approval)[CF], USA (California Approval)[CZ], United States of America[USA]

<b>Group</b>	FRAME
<b>Code</b>	28.32
<b>Description</b>	Fuel tank - USA
<b>Service</b>	1



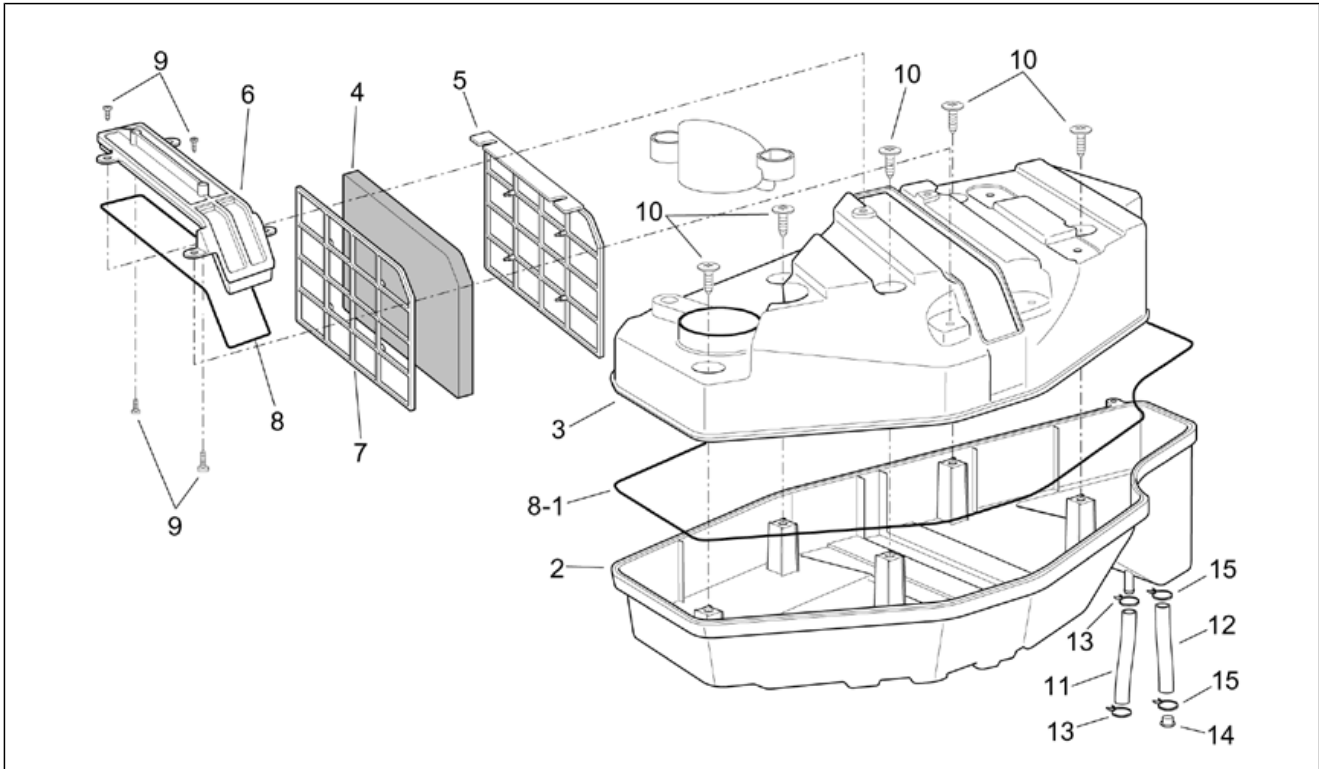
Pos.	Code	Description	Qty	Variants
17	AP8104071	Union cpl.	1	Country:USA (California Approval)[CF], USA (California Approval)[CZ], United States of America[USA]
18	AP8104072	Hose clamp	1	Country:USA (California Approval)[CF], USA (California Approval)[CZ], United States of America[USA]
19	AP8144303	3-way union	3	Country:USA (California Approval)[CF], USA (California Approval)[CZ], United States of America[USA]
20	AP8134186	Cable-guide	1	Country:USA (California Approval)[CF], USA (California Approval)[CZ], United States of America[USA]
21	AP8220402	Pipe 5x9	1	Country:USA (California Approval)[CF], USA (California Approval)[CZ], United States of America[USA]
22	AP8102678	Carbon filter	1	Country:USA (California Approval)[CF], USA (California Approval)[CZ], United States of America[USA]
23	AP8102688	Hose clamp d.76	2	Country:USA (California Approval)[CF], USA (California Approval)[CZ], United States of America[USA]
24	AP8104096	Fuel cock	1	Country:USA (California Approval)[CF], USA (California Approval)[CZ], United States of America[USA]
25	AP8106776	"Purge" valve	1	Country:USA (California Approval)[CF], USA (California Approval)[CZ], United States of America[USA]
26	AP8106824	"Roll-over" valve	1	Country:USA (California Approval)[CF], USA (California Approval)[CZ], United States of America[USA]
27	AP8120955	Pipe, grey 3x8	1	Country:USA (California Approval)[CF], USA (California Approval)[CZ], United States of America[USA]
28	AP8134728	Valve support clamp	1	Country:USA (California Approval)[CF], USA (California Approval)[CZ], United States of America[USA]
29	AP8121267	Choke hold	1	Country:USA (California Approval)[CF], USA (California Approval)[CZ], United States of America[USA]
30	AP8134698	Valve support clamp	1	Country:USA (California Approval)[CF], USA (California Approval)[CZ], United States of America[USA]
31	AP8220263	Breather pipe 4x8	3	Country:USA (California Approval)[CF], USA (California Approval)[CZ], United States of America[USA]
32	AP8102377	Hose clamp D9,1*	4	Country:USA (California Approval)[CF], USA (California Approval)[CZ], United States of America[USA]

<b>Group</b>	FRAME
<b>Code</b>	28.32
<b>Description</b>	Fuel tank - USA
<b>Service</b>	1



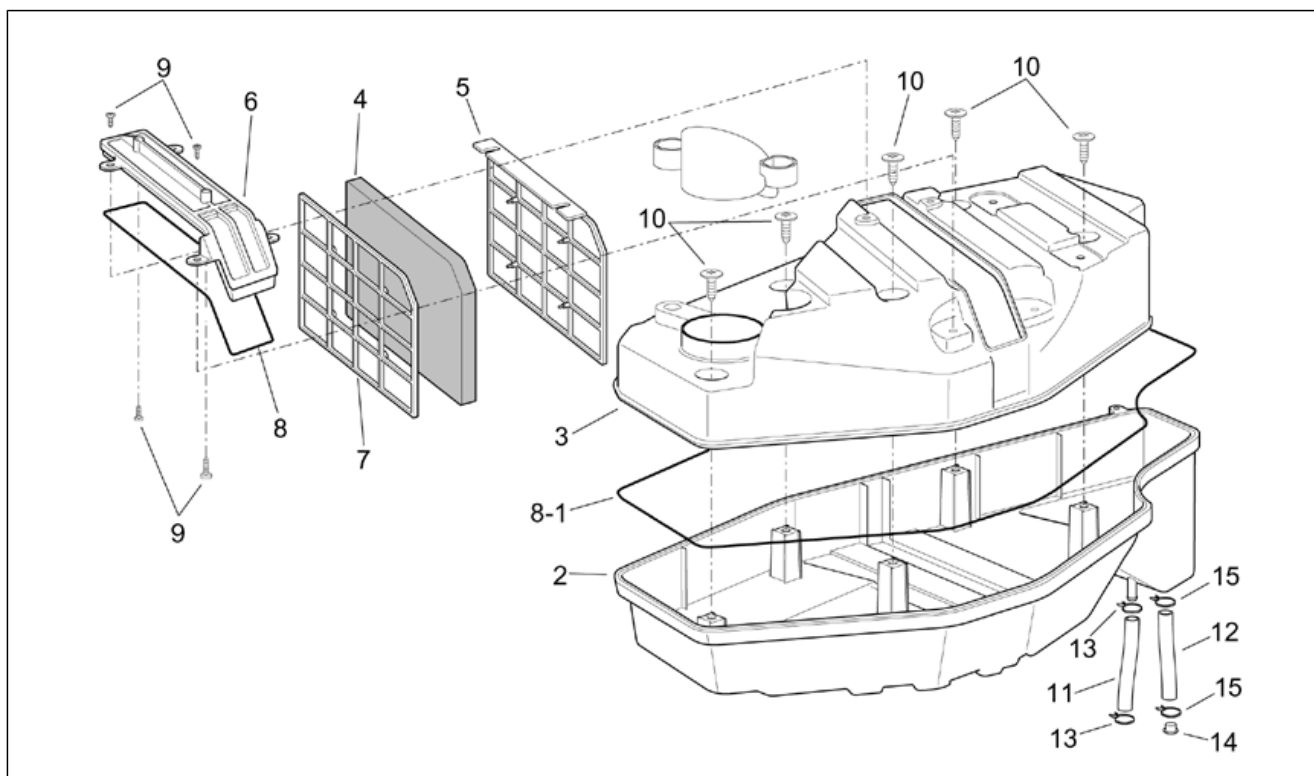
Pos.	Code	Description	Qty	Variants
33	AP8120179	Hose clamp D8*	5	Country:USA (California Approval)[CF], USA (California Approval)[CZ], United States of America[USA]
34	AP8120772	Breather pipe	1	Country:USA (California Approval)[CF], USA (California Approval)[CZ], United States of America[USA]
35	AP8144038	Fuel pipe 6x10	1	Country:USA (California Approval)[CF], USA (California Approval)[CZ], United States of America[USA]
36	AP8102239	Hose clamp 12,5x8	2	Country:USA (California Approval)[CF], USA (California Approval)[CZ], United States of America[USA]
37	AP8120876	Plug	1	Country:USA (California Approval)[CF], USA (California Approval)[CZ], United States of America[USA]
38	AP8101586	Hose clip D.15,5x6,6	2	Year:2001[1] Country:United States of America[USA]
38	AP8101595	Hose clamp D10,1*	2	Year:2001[1] Country:United States of America[USA]
39	AP8120952	Fuel pipe 5,5x10	1	Year:2001[1] Country:United States of America[USA]
39	AP8120956	Breather pipe	1	Year:2001[1] Country:United States of America[USA]
40	AP8144303	3-way union	1	Year:2001[1] Country:United States of America[USA]
40	AP8202154	3-way union	1	Year:2001[1] Country:United States of America[USA]

<b>Group</b>	FRAME
<b>Code</b>	28.33
<b>Description</b>	Old version air box
<b>Service</b>	1



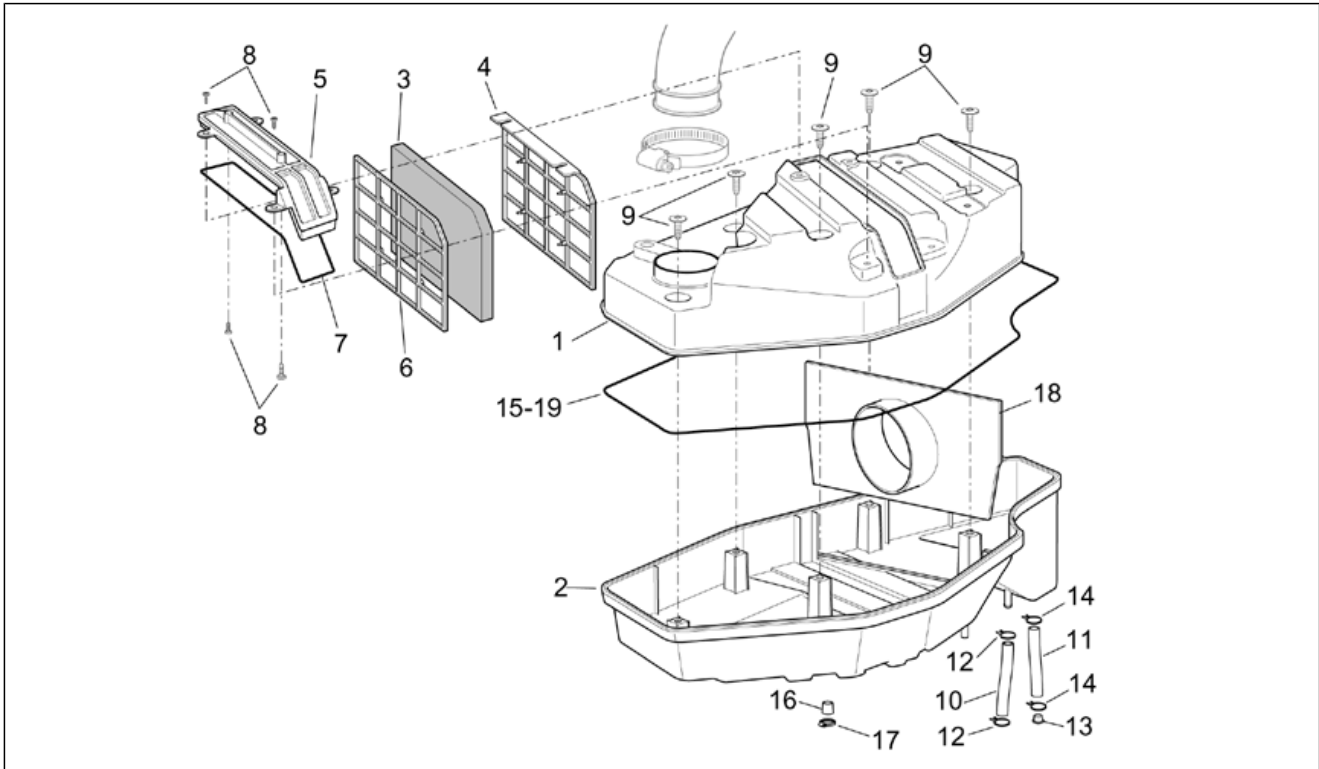
Pos.	Code	Description	Qty	Variants
1	AP8120593	Gasket D4	1	
2	AP8139250	Filter housing base	1	<b>Year:</b> 2001[1], 1999[X], 2000[Y] <b>Country:</b> Austria[A], Switzerland[CH], Germany[D], Spain[E], France[F], Greece[GR], Italy[I], Israel[IL], Japan[J], Portugal[P], Great Britain[UK] <b>Technical Specifications:</b> 125 cc version[125], 150 cc version[150]
2	AP8149724	Filter housing base	1	<b>Year:</b> 2001[1] <b>Country:</b> United States of America[USA] <b>Technical Specifications:</b> 150 cc version[150]
2	AP8158098	Filter housing base	1	<b>Year:</b> 2001[1], 1999[X], 2000[Y] <b>Technical Specifications:</b> 200 cc version[200]
2	AP8158098	Filter housing base	1	<b>Year:</b> 2002[2] <b>Country:</b> Austria[A], Switzerland[CH], Germany[D], Spain[E], France[F], Greece[GR], Italy[I], Israel[IL], Japan[J], Portugal[P], Great Britain[UK] <b>Technical Specifications:</b> 125 cc version[125], 200 cc version[200]
3	AP8139251	Filter housing cover	1	<b>Year:</b> 2001[1], 1999[X], 2000[Y] <b>Country:</b> Austria[A], Switzerland[CH], Germany[D], Spain[E], France[F], Greece[GR], Italy[I], Israel[IL], Japan[J], Portugal[P], Great Britain[UK]
3	AP8139251	Filter housing cover	1	<b>Year:</b> 2002[2] <b>Country:</b> Austria[A], Switzerland[CH], Germany[D], Spain[E], France[F], Greece[GR], Italy[I], Israel[IL], Japan[J], Portugal[P], Great Britain[UK]
3	AP8168116	Air box kit	1	<b>Year:</b> 2001[1] <b>Country:</b> United States of America[USA]
4	AP8102832	Air filter	1	
5	AP8139287	Upper filter mesh	1	
6	AP8139252	Air filter cover	1	
7	AP8139652	Lower filter mesh	1	
8	AP8120615	Gasket D3	1	

<b>Group</b>	FRAME
<b>Code</b>	28.33
<b>Description</b>	Old version air box
<b>Service</b>	1



Pos.	Code	Description	Qty	Variants
9	AP8150413	Self-tap screw 3,9x14	6	
10	AP8150426	Screw 5,5x15,9*	6	
11	AP8120772	Breather pipe	1	
12	AP8144038	Fuel pipe 6x10	1	
13	AP8102239	Hose clamp 12,5x8	2	
14	AP8120876	Plug	1	
15	AP8101595	Hose clamp D10,1*	2	

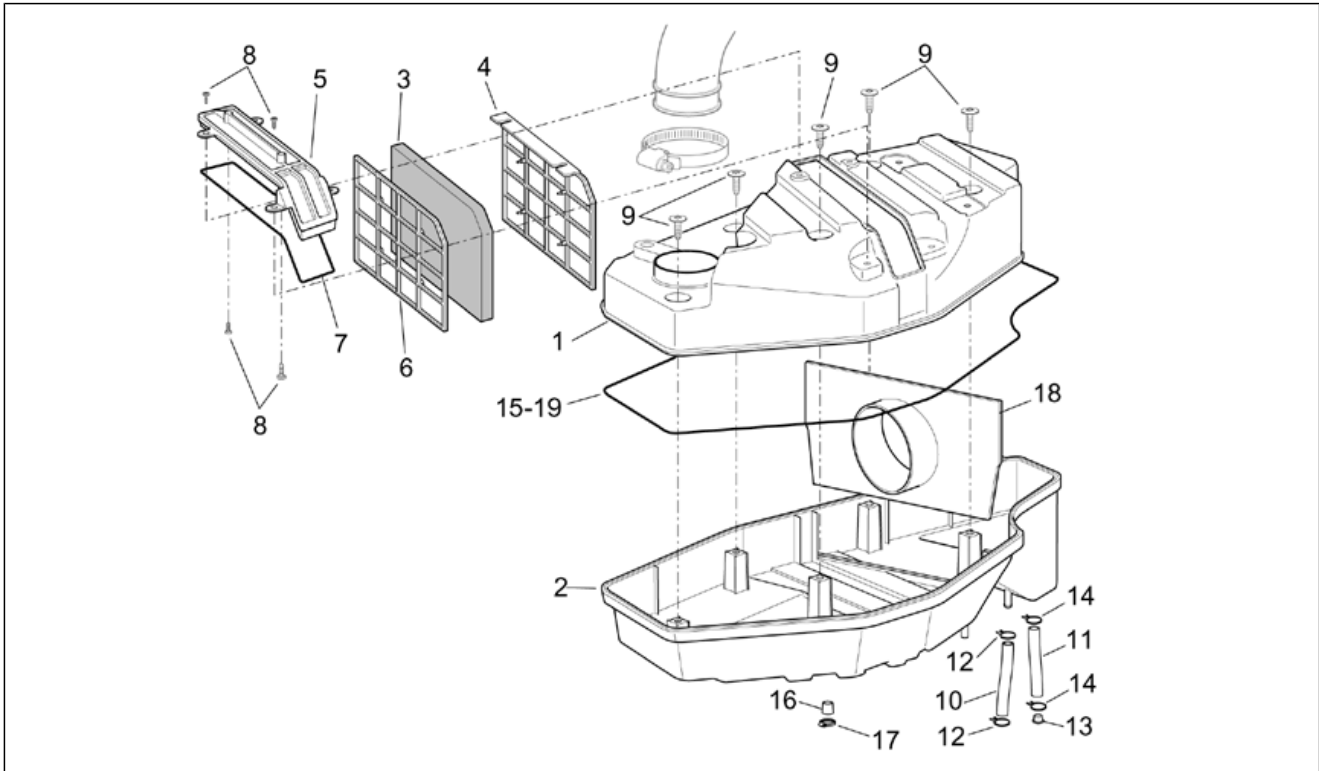
<b>Group</b>	FRAME
<b>Code</b>	28.34
<b>Description</b>	New version air box
<b>Service</b>	1



Pos.	Code	Description	Qty	Variants
1	AP8158788	Filter housing cover	1	Year:2004[4] Country:USA (California Approval)[CF], USA (California Approval)[CZ]
1	AP8158788	Filter housing cover	1	Year:2003[3]
1	AP8158788	Filter housing cover	1	Year:2001[1] Country:United States of America[USA]
1	AP8158788	Filter housing cover	1	Year:2002[2] Country:Austria[A], Switzerland[CH], Germany[D], Spain[E], France[F], Greece[GR], Italy[I], Israel[IL], Japan[J], Portugal[P], Great Britain[UK]
2	AP8158789	Filter housing base	1	Year:2002[2] Country:Austria[A], Switzerland[CH], Germany[D], Spain[E], France[F], Greece[GR], Italy[I], Israel[IL], Japan[J], Portugal[P], Great Britain[UK]
2	AP8158789	Filter housing base	1	Year:2003[3]
2	AP8158790	Filter housing base	1	Year:2001[1] Country:United States of America[USA]
2	AP8158790	Filter housing base	1	Year:2004[4] Country:USA (California Approval)[CF], USA (California Approval)[CZ]
3	AP8102832	Air filter	1	
4	AP8139287	Upper filter mesh	1	
5	AP8139252	Air filter cover	1	
6	AP8139652	Lower filter mesh	1	
7	AP8120615	Gasket D3	1	
8	AP8150413	Self-tap screw 3,9x14	6	
9	AP8150426	Screw 5,5x15,9*	6	
10	AP8120772	Breather pipe	1	
11	AP8144038	Fuel pipe 6x10	1	
12	AP8102239	Hose clamp 12,5x8	2	
13	AP8120876	Plug	1	

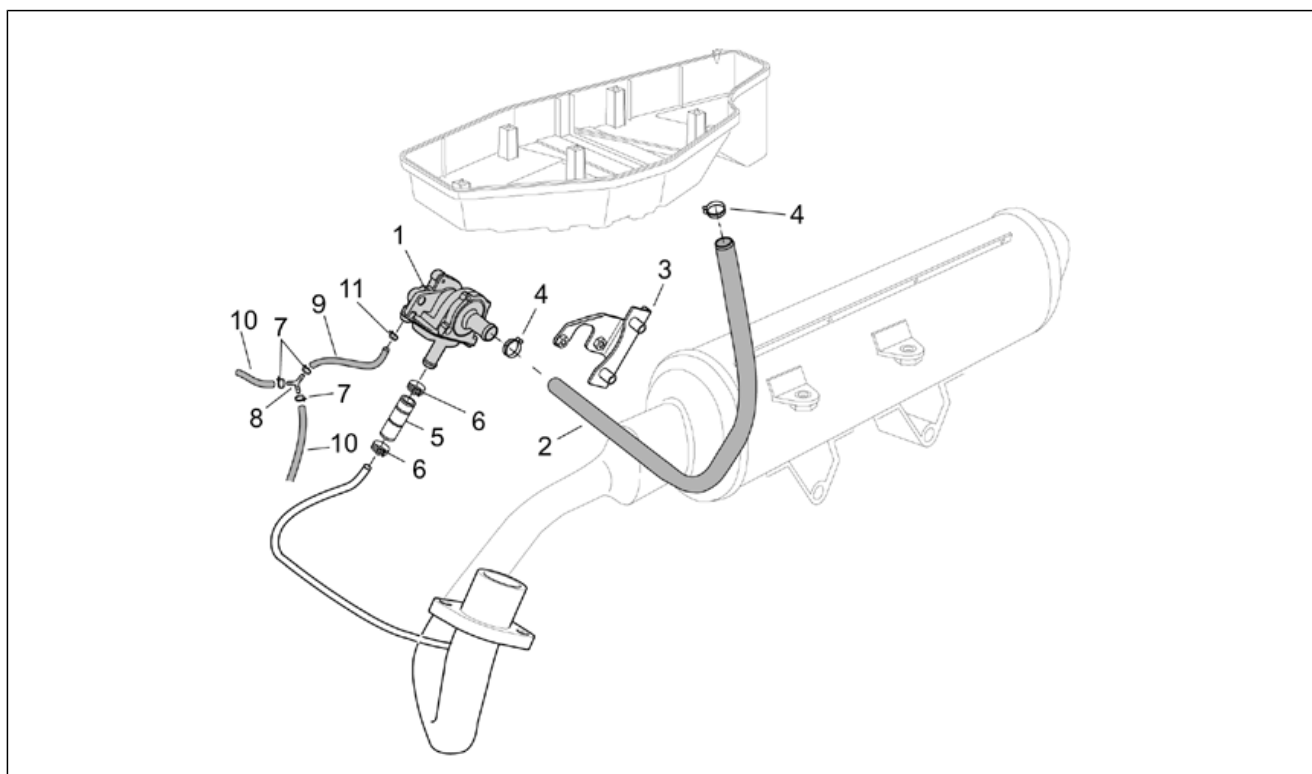


<b>Group</b>	FRAME
<b>Code</b>	28.34
<b>Description</b>	New version air box
<b>Service</b>	1



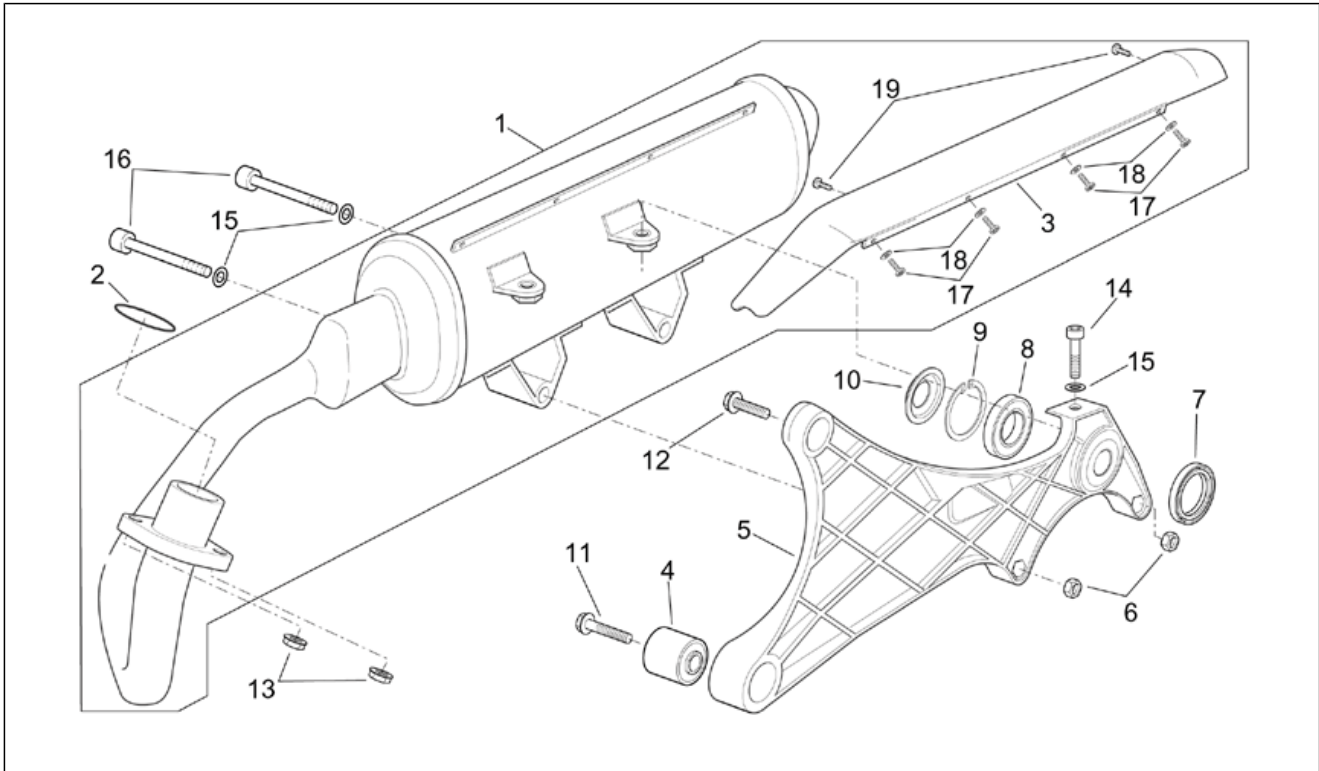
Pos.	Code	Description	Qty	Variants
14	AP8101595	Hose clamp D10,1*	2	
15	AP8120593	Gasket D4	1	
16	AP8141132	Rubber spacer	1	<b>Year:</b> 2002[2] <b>Country:</b> Austria[A], Switzerland[CH], Germany[D], Spain[E], France[F], Greece[GR], Italy[I], Israel[IL], Japan[J], Portugal[P], Great Britain[UK]
16	AP8141132	Rubber spacer	1	<b>Year:</b> 2004[4] <b>Country:</b> USA (California Approval)[CF], USA (California Approval)[CZ]
16	AP8141132	Rubber spacer	1	<b>Year:</b> 2003[3]
16	AP8141132	Rubber spacer	1	<b>Year:</b> 2001[1] <b>Country:</b> United States of America[USA]
17	AP8101586	Hose clip D.15,5x6,6	1	<b>Year:</b> 2004[4] <b>Country:</b> USA (California Approval)[CF], USA (California Approval)[CZ]
17	AP8101586	Hose clip D.15,5x6,6	1	<b>Year:</b> 2003[3]
17	AP8101586	Hose clip D.15,5x6,6	1	<b>Year:</b> 2001[1] <b>Country:</b> United States of America[USA]
17	AP8101586	Hose clip D.15,5x6,6	1	<b>Year:</b> 2002[2] <b>Country:</b> Austria[A], Switzerland[CH], Germany[D], Spain[E], France[F], Greece[GR], Italy[I], Israel[IL], Japan[J], Portugal[P], Great Britain[UK]
18	AP8158791	Protection	1	<b>Year:</b> 2004[4] <b>Country:</b> USA (California Approval)[CF], USA (California Approval)[CZ]
18	AP8158791	Protection	1	<b>Year:</b> 2002[2] <b>Country:</b> Austria[A], Switzerland[CH], Germany[D], Spain[E], France[F], Greece[GR], Italy[I], Israel[IL], Japan[J], Portugal[P], Great Britain[UK]
18	AP8158791	Protection	1	<b>Year:</b> 2003[3]
18	AP8158791	Protection	1	<b>Year:</b> 2001[1] <b>Country:</b> United States of America[USA]
19	AP8120615	Gasket D3	1	

<b>Group</b>	FRAME
<b>Code</b>	28.35
<b>Description</b>	Secondary air
<b>Service</b>	1



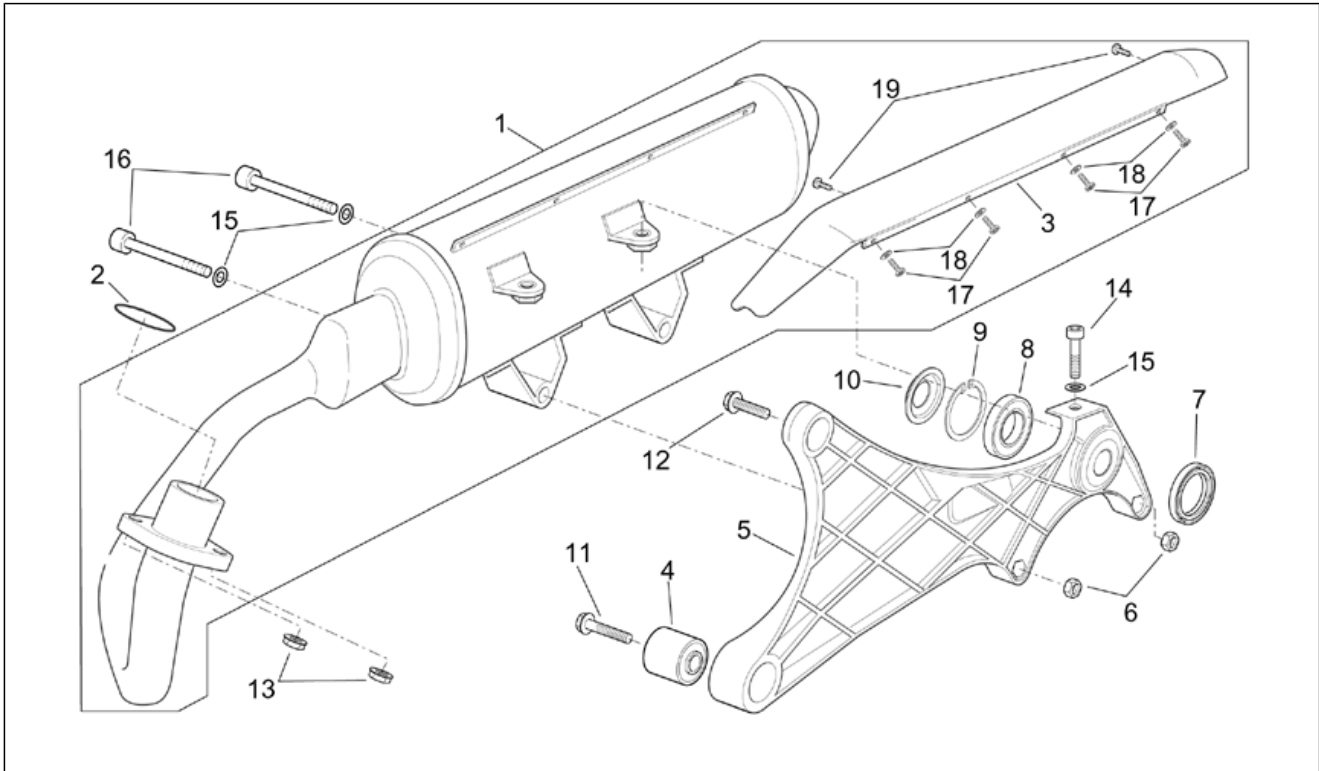
Pos.	Code	Description	Qty	Variants
1	AP8106940	Valve sas	1	<b>Technical Specifications:</b> European approval (EURO 2 limits) [E2]
2	AP8120956	Breather pipe	1	<b>Technical Specifications:</b> European approval (EURO 2 limits) [E2]
3	AP0251470	Support	1	<b>Technical Specifications:</b> European approval (EURO 2 limits) [E2]
4	AP8102349	White hose clip D17,5x8	2	<b>Technical Specifications:</b> European approval (EURO 2 limits) [E2]
5	AP8144657	Pipe	1	<b>Technical Specifications:</b> European approval (EURO 2 limits) [E2]
6	AP8101586	Hose clip D.15,5x6,6	2	<b>Technical Specifications:</b> European approval (EURO 2 limits) [E2]
7	AP8120378	Hose clamp	3	<b>Technical Specifications:</b> European approval (EURO 2 limits) [E2]
8	AP8144303	3-way union	1	<b>Technical Specifications:</b> European approval (EURO 2 limits) [E2]
9	AP8220263	Breather pipe 4x8	1	<b>Technical Specifications:</b> European approval (EURO 2 limits) [E2]
10	AP8120952	Fuel pipe 5,5x10	2	<b>Technical Specifications:</b> European approval (EURO 2 limits) [E2]
11	AP8120179	Hose clamp D8*	1	<b>Technical Specifications:</b> European approval (EURO 2 limits) [E2]

<b>Group</b>	FRAME
<b>Code</b>	28.41
<b>Description</b>	Exhaust unit
<b>Service</b>	1



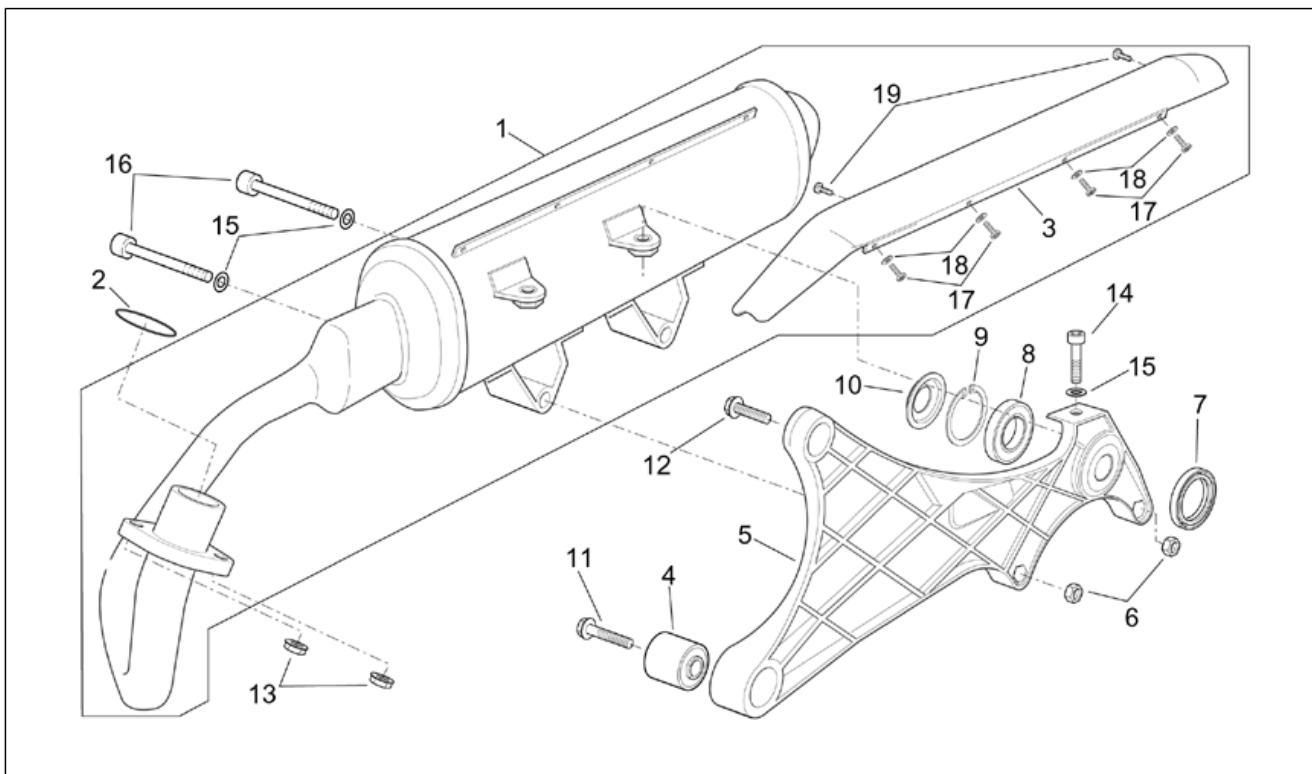
Pos.	Code	Description	Qty	Variants
1	AP8119465	Exhaust pipe	1	<b>Year:</b> 2001[1], 1999[X], 2000[Y] <b>Country:</b> Austria[A], Switzerland[CH], Spain[E], France[F], Greece[GR], Italy[I], Israel[IL], Japan[J], Portugal[P], Great Britain[UK] <b>Technical Specifications:</b> 125 cc version[125], 150 cc version[150]
1	AP8119465	Exhaust pipe	1	<b>Year:</b> 2002[2] <b>Country:</b> Switzerland[CH], Germany[D], Spain[E], France[F], Japan[J] <b>Technical Specifications:</b> 125 cc version[125], Basic version[BSC]
1	AP8119465	Exhaust pipe	1	<b>Year:</b> 2002[2] <b>Technical Specifications:</b> 125 cc version[125], France Touring version[TRG]
1	AP8119465	Exhaust pipe	1	<b>Year:</b> 2003[3] <b>Technical Specifications:</b> Basic version[BSC]
1	AP8119465	Exhaust pipe	1	<b>Year:</b> 2001[1], 1999[X], 2000[Y] <b>Country:</b> Germany[D] <b>Technical Specifications:</b> 125 cc version[125], 150 cc version[150], Full Power Version[F.P.]
1	AP8119533	Exhaust pipe	1	<b>Year:</b> 2001[1], 1999[X], 2000[Y] <b>Country:</b> Germany[D] <b>Technical Specifications:</b> 125 cc version[125], 150 cc version[150], 80Km/h speed[80Km]
1	AP8119615	Exhaust pipe	1	<b>Year:</b> 2004[4] <b>Country:</b> USA (California Approval)[CF], USA (California Approval)[CZ]
1	AP8119615	Exhaust pipe	1	<b>Year:</b> 2001[1], 1999[X], 2000[Y] <b>Country:</b> United States of America[USA]
1	AP8119639	Exhaust pipe	1	<b>Year:</b> 2001[1] <b>Technical Specifications:</b> 200 cc version[200]
1	AP8119639	Exhaust pipe	1	<b>Year:</b> 2002[2] <b>Country:</b> Germany[D], Spain[E], Greece[GR], Japan[J]

<b>Group</b>	FRAME
<b>Code</b>	28.41
<b>Description</b>	Exhaust unit
<b>Service</b>	1



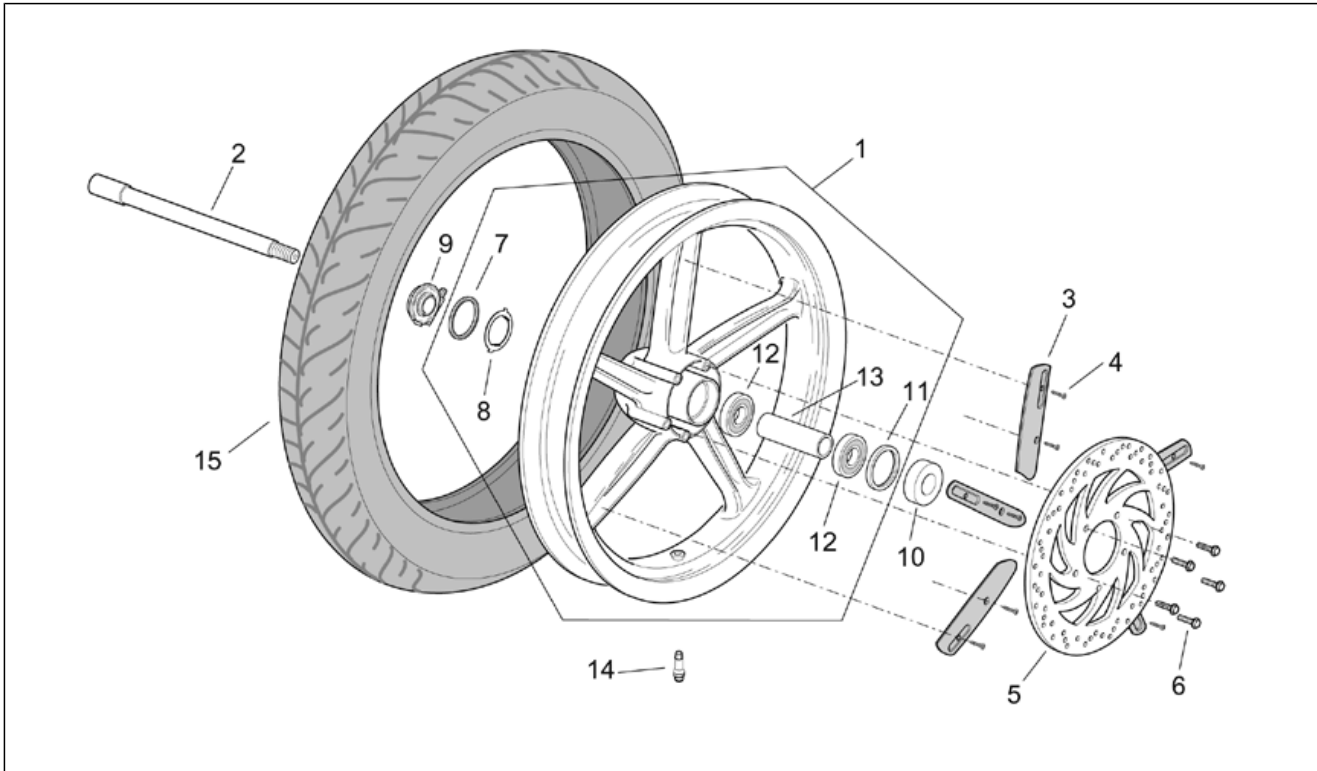
Pos.	Code	Description	Qty	Variants
				<b>Technical Specifications:</b> 200 cc version[200], Basic version[BSC]
1	AP8119676	Exhaust pipe	1	<b>Year:</b> 2003[3] <b>Technical Specifications:</b> European approval (EURO 1 limits) [E1], Touring version[GT]
1	AP8119676	Exhaust pipe	1	<b>Year:</b> 2002[2] <b>Technical Specifications:</b> European approval (EURO 1 limits) [E1], Touring version[GT]
1	AP8119676	Exhaust pipe	1	<b>Year:</b> 2002[2] <b>Country:</b> Italy[I] <b>Technical Specifications:</b> 125 cc version[125], 200 cc version[200], Basic version[BSC]
1	AP8119723	Exhaust pipe	1	<b>Year:</b> 2003[3] <b>Country:</b> Italy[EU] <b>Technical Specifications:</b> European approval (EURO 2 limits) [E2], Touring version[GT]
1	AP8119723	Exhaust pipe	1	<b>Technical Specifications:</b> 125 cc version[125], European approval (EURO 2 limits)[E2]
2	AP8119355	Exhaust pipe gasket	1	
3	AP8117227	Exhaust pipe protection w/out holes	1	
3	AP8119466	Drilled exhaust pipe protection	1	
4	AP8220357	Silent block, exhaust pipe	1	
5	AP8134488	Exhaust pipe support	1	
6	AP8152350	Nut	2	
7	AP8110086	Dust cover	1	
8	AP8110083	Ball bearing	1	
9	AP8121334	Circlip D.42	1	
10	AP8121374	Dust shield	1	
11	AP8152288	Screw w/ flange	1	
12	AP8152290	Screw w/ flange	1	
13	AP8150334	Nut	2	

<b>Group</b>	FRAME
<b>Code</b>	28.41
<b>Description</b>	Exhaust unit
<b>Service</b>	1



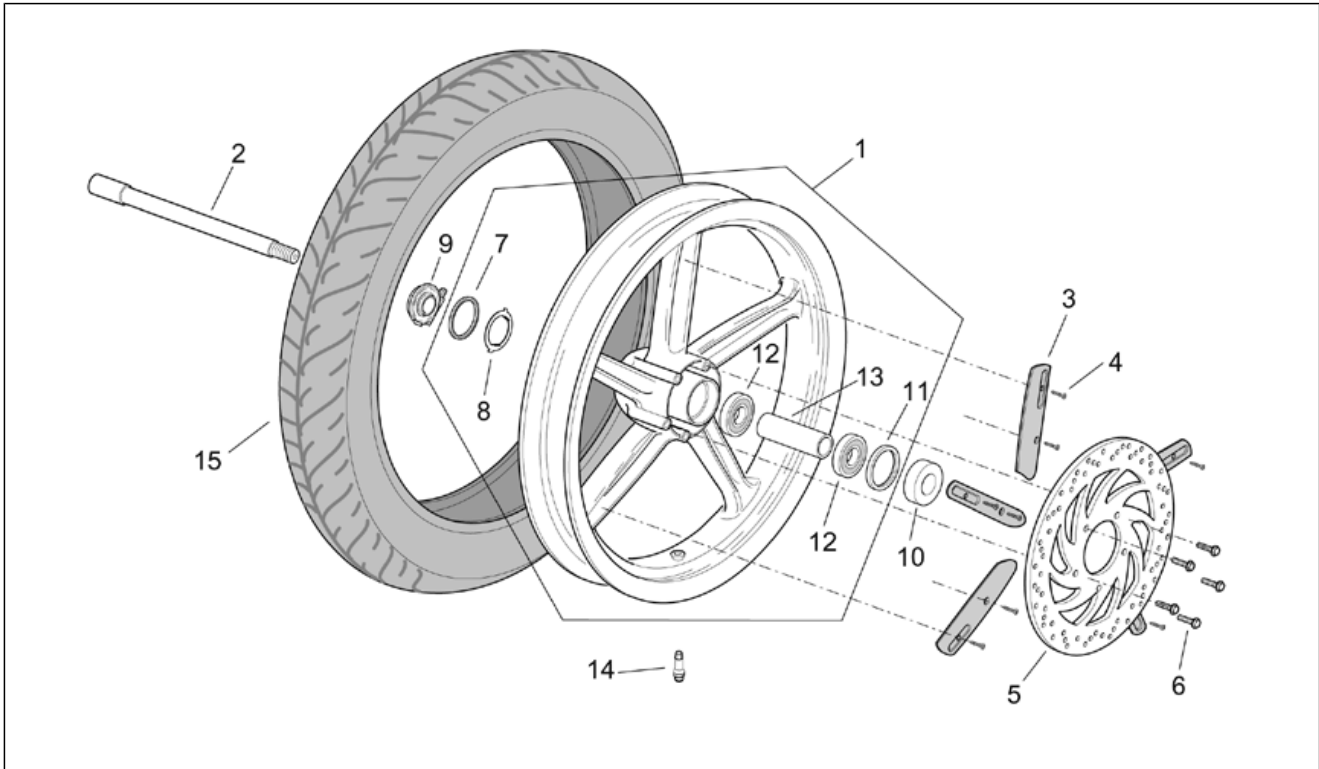
Pos.	Code	Description	Qty	Variants
14	AP8150169	Hex socket screw	2	
15	AP8150376	Washer 8,5x15x0,8	4	
16	AP8150087	Hex socket screw	2	
17	AP8119543	Screw	4	
18	AP8119544	Washer	4	
19	AP8119545	Screw	2	

<b>Group</b>	FRAME
<b>Code</b>	28.42
<b>Description</b>	Front wheel
<b>Service</b>	1



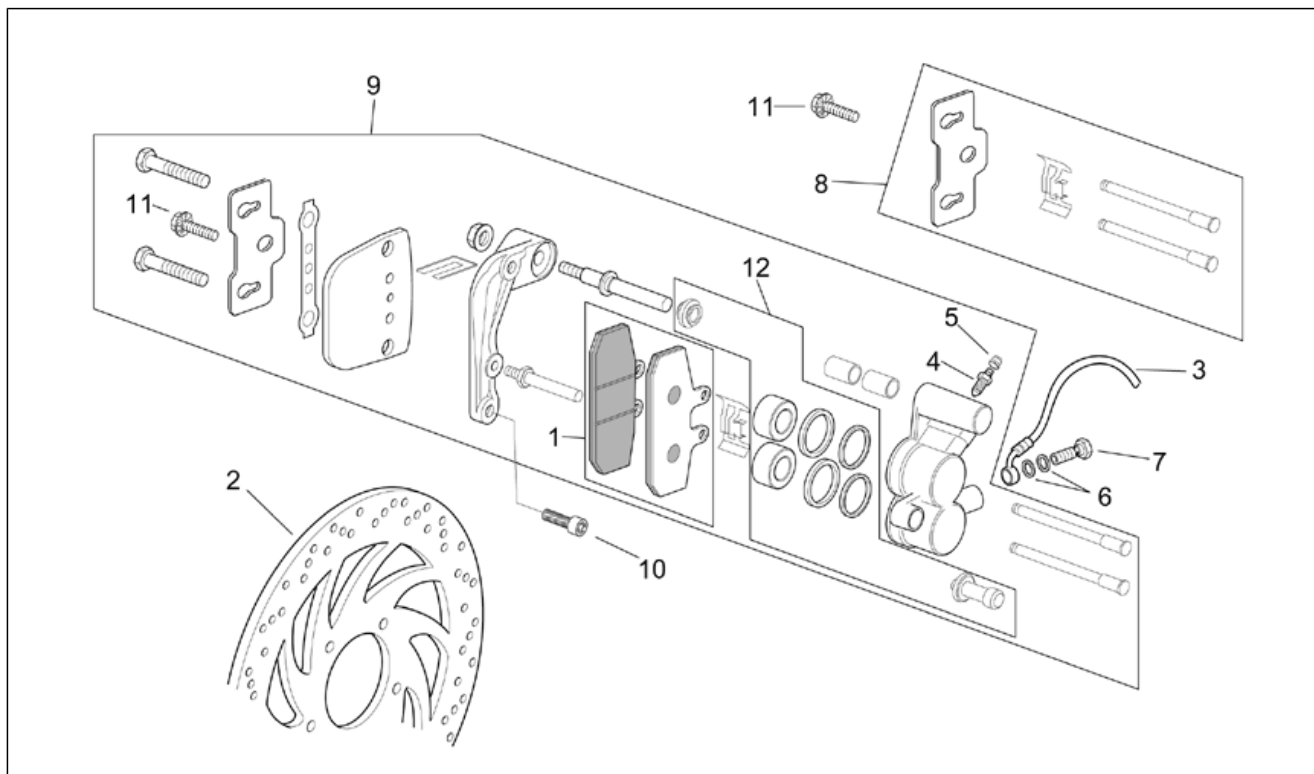
Pos.	Code	Description	Qty	Variants
1	AP8108892	Front wheel	1	Year:2001[1], 1999[X], 2000[Y] Country:Italy[I]
1	AP8108892	Front wheel	1	Year:2001[1], 1999[X], 2000[Y] Country:Austria[A], Switzerland[CH], Germany[D], Spain[E], France[F], Greece[GR], Israel[IL], Japan[J], Portugal[P], Great Britain[UK]
1	AP8108920	Front wheel	1	Year:2002[2] Country:Switzerland[CH], Germany[D], Spain[E], France[F], Greece[GR], Japan[J] Technical Specifications:125 cc version[125], 200 cc version[200], Basic version[BSC]
1	AP8108920	Front wheel	1	Country:USA (California Approval)[CF], USA (California Approval)[CZ], United States of America[USA]
1	AP8108920	Front wheel	1	Year:2002[2] Technical Specifications:125 cc version[125], France Touring version[TRG]
1	AP8108971	Front wheel, grey	1	Year:2003[3]
1	AP8108971	Front wheel, grey	1	Year:2002[2] Technical Specifications:125 cc version[125], 200 cc version[200], Touring version[GT]
1	AP8108971	Front wheel, grey	1	Year:2002[2] Country:Italy[I] Technical Specifications:125 cc version[125], 200 cc version[200], Basic version[BSC]
2	AP8125767	Front wheel spindle	1	
3	AP8139686	Front spoke cover	5	Year:2001[1], 1999[X], 2000[Y]
4	AP8125810	Screw	10	Year:2001[1], 1999[X], 2000[Y]
5	AP8113697	Front brake disc d.260	1	
6	AP8152288	Screw w/ flange	5	
7	AP8125743	Gasket ring D40x50x4	1	
8	AP8120865	Drive key	1	

<b>Group</b>	FRAME
<b>Code</b>	28.42
<b>Description</b>	Front wheel
<b>Service</b>	1



Pos.	Code	Description	Qty	Variants
9	AP8102845	Odometer gear	1	Country:Austria[A], Switzerland[CH], Germany[D], Spain[E], France[F], Greece[GR], Italy[I], Israel[IL], Japan[J], Portugal[P], Great Britain[UK]
9	AP8104426	Odometer gear	1	Country:USA (California Approval)[CF], USA (California Approval)[CZ], United States of America[USA]
10	AP8225280	Spacer	1	
11	AP8120621	Oil seal	1	
12	AP8125812	Bearing 15x42x13	2	
13	AP8125811	Spacer	1	
14	AP8201546	Tubeless tyre valve	1	
15	0000000	Tyre 110/90"	1	

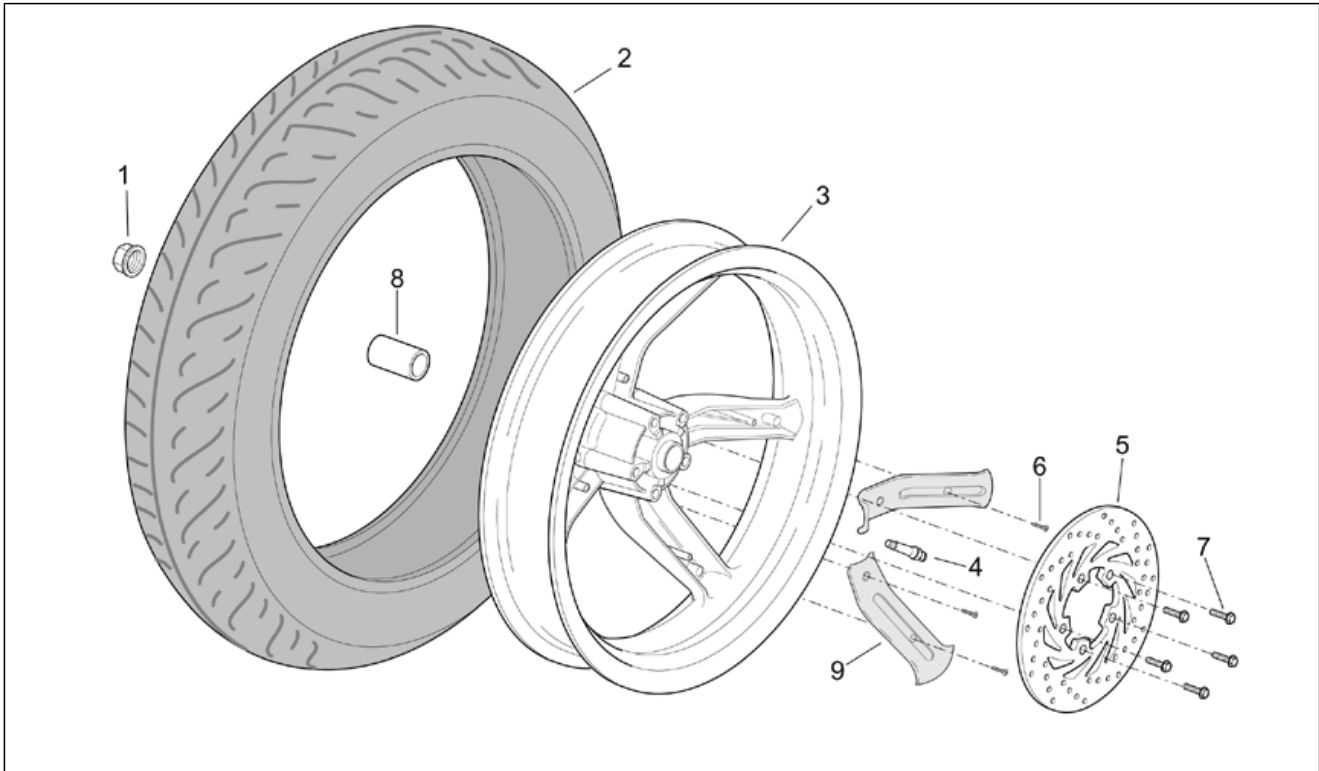
<b>Group</b>	FRAME
<b>Code</b>	28.43
<b>Description</b>	Front caliper
<b>Service</b>	1



Pos.	Code	Description	Qty	Variants
1	AP8113865	Pads pair	1	
2	AP8113697	Front brake disc d.260	1	
3	AP8113696	Front brake hose	1	
4	AP8213108	Air bleed valve	1	
5	AP8113005	Bleed valve cap	1	
6	AP8113004	Washer 10x14x1,6*	2	
7	AP8113003	Oil pipe screw *	1	
8	AP8113867	Pins+Caliper springs	1	
9	AP8113844	Front brake caliper	1	
10	AP8150107	Hex socket screw	2	
11	AP8113866	Screw	1	
12	AP8113868	Brake caliper rev. kit	1	

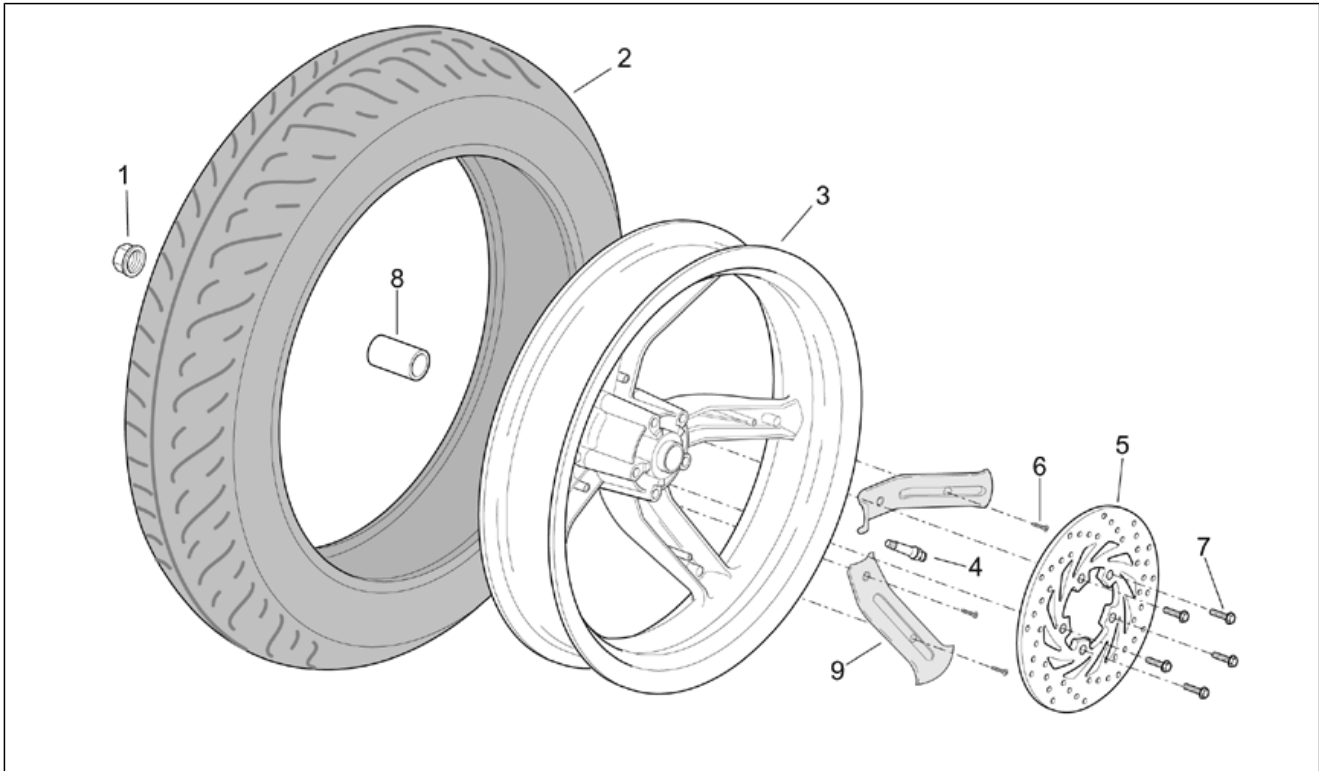


<b>Group</b>	FRAME
<b>Code</b>	28.44
<b>Description</b>	Rear wheel
<b>Service</b>	1



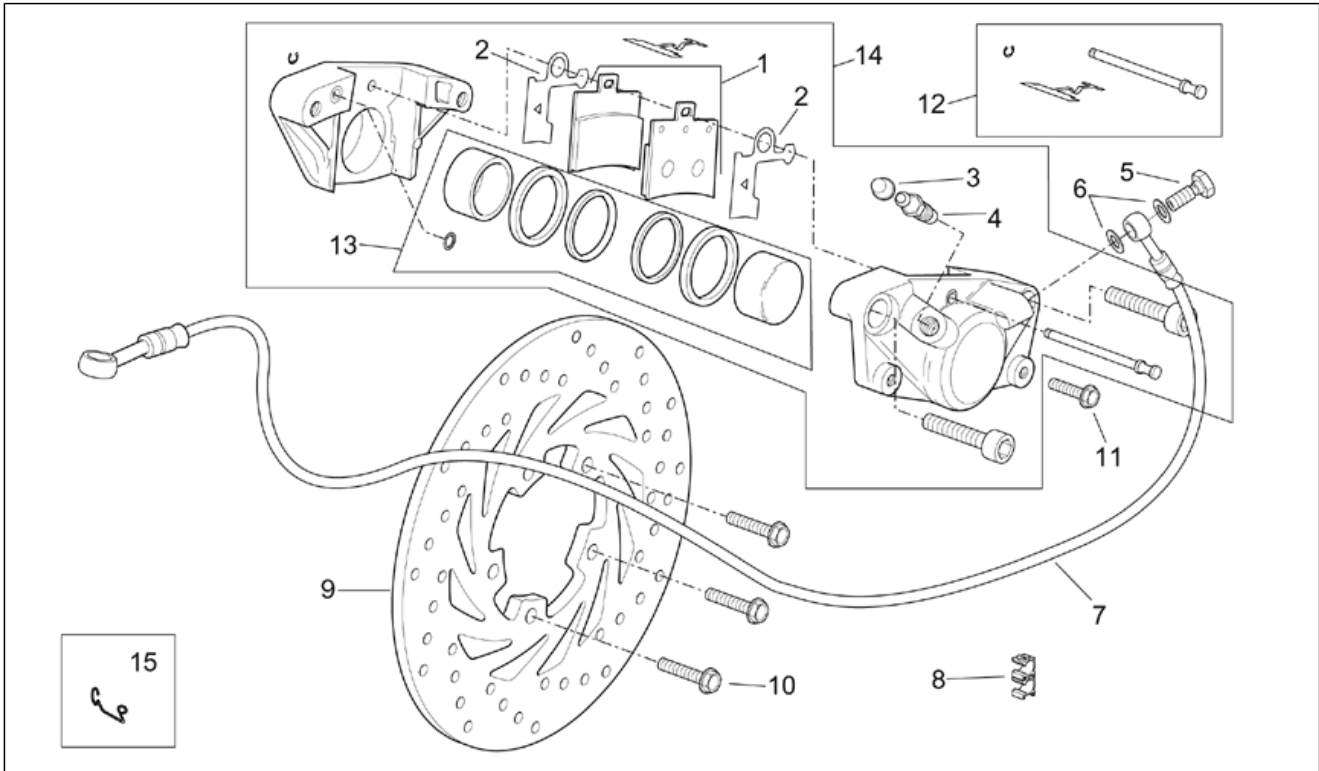
Pos.	Code	Description	Qty	Variants
1	AP8152244	DAX flange nut M14x1,5	1	
2	0000000	Tyre 110/90"	1	
3	AP8108949	Rear wheel	1	<b>Year:</b> 2001[1], 1999[X], 2000[Y]
3	AP8108949	Rear wheel	1	<b>Year:</b> 2002[2] <b>Country:</b> Switzerland[CH], Germany[D], Spain[E], France[F], Greece[GR], Japan[J] <b>Technical Specifications:</b> 125 cc version[125], 200 cc version[200], Basic version[BSC]
3	AP8108949	Rear wheel	1	<b>Year:</b> 2002[2] <b>Technical Specifications:</b> 125 cc version[125], France Touring version[TRG]
3	AP8108972	Rear wheel	1	<b>Country:</b> USA (California Approval)[CF], USA (California Approval)[CZ], United States of America[USA]
3	AP8108972	Rear wheel	1	<b>Year:</b> 2002[2] <b>Technical Specifications:</b> 125 cc version[125], 200 cc version[200], Touring version[GT]
3	AP8108972	Rear wheel	1	<b>Year:</b> 2003[3]
3	AP8108972	Rear wheel	1	<b>Year:</b> 2002[2] <b>Country:</b> Italy[I] <b>Technical Specifications:</b> 125 cc version[125], 200 cc version[200], Basic version[BSC]
4	AP8201546	Tubeless tyre valve	1	
5	AP8113541	Brake disc D220	1	
6	AP8125810	Screw	10	<b>Year:</b> 2001[1], 1999[X], 2000[Y]
7	AP8152288	Screw w/ flange	5	
8	AP8121335	Rear wheel spacer	1	
9	AP8139687	Rear spoke cover	5	<b>Year:</b> 2001[1] <b>Country:</b> Austria[A], Switzerland[CH], Germany[D], Spain[E], France[F], Greece[GR], Italy[I], Israel[IL], Japan[J], Portugal[P], Great Britain[UK]
9	AP8139687	Rear spoke cover	5	<b>Year:</b> 1999[X], 2000[Y]
9	AP8149308	Rear spoke cover	5	<b>Year:</b> 2001[1]

<b>Group</b>	FRAME
<b>Code</b>	28.44
<b>Description</b>	Rear wheel
<b>Service</b>	1



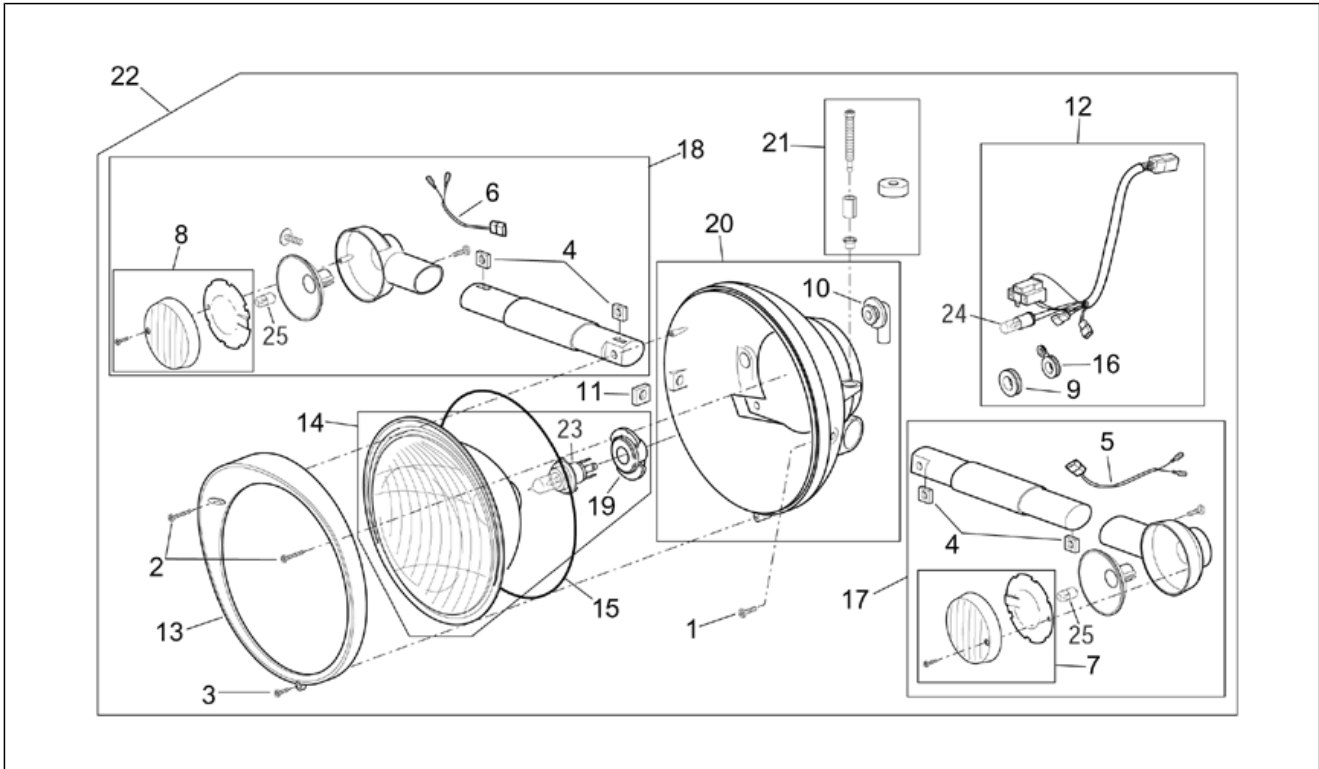
Pos.	Code	Description	Qty	Variants
				<b>Country:</b> United States of America[USA]
9	AP8149308	Rear spoke cover	5	<b>Year:</b> 2001[1] <b>Country:</b> Austria[A], Switzerland[CH], Germany[D], Spain[E], France[F], Greece[GR], Italy[I], Israel[IL], Japan[J], Portugal[P], Great Britain[UK]

<b>Group</b>	FRAME
<b>Code</b>	28.45
<b>Description</b>	Rear caliper
<b>Service</b>	1



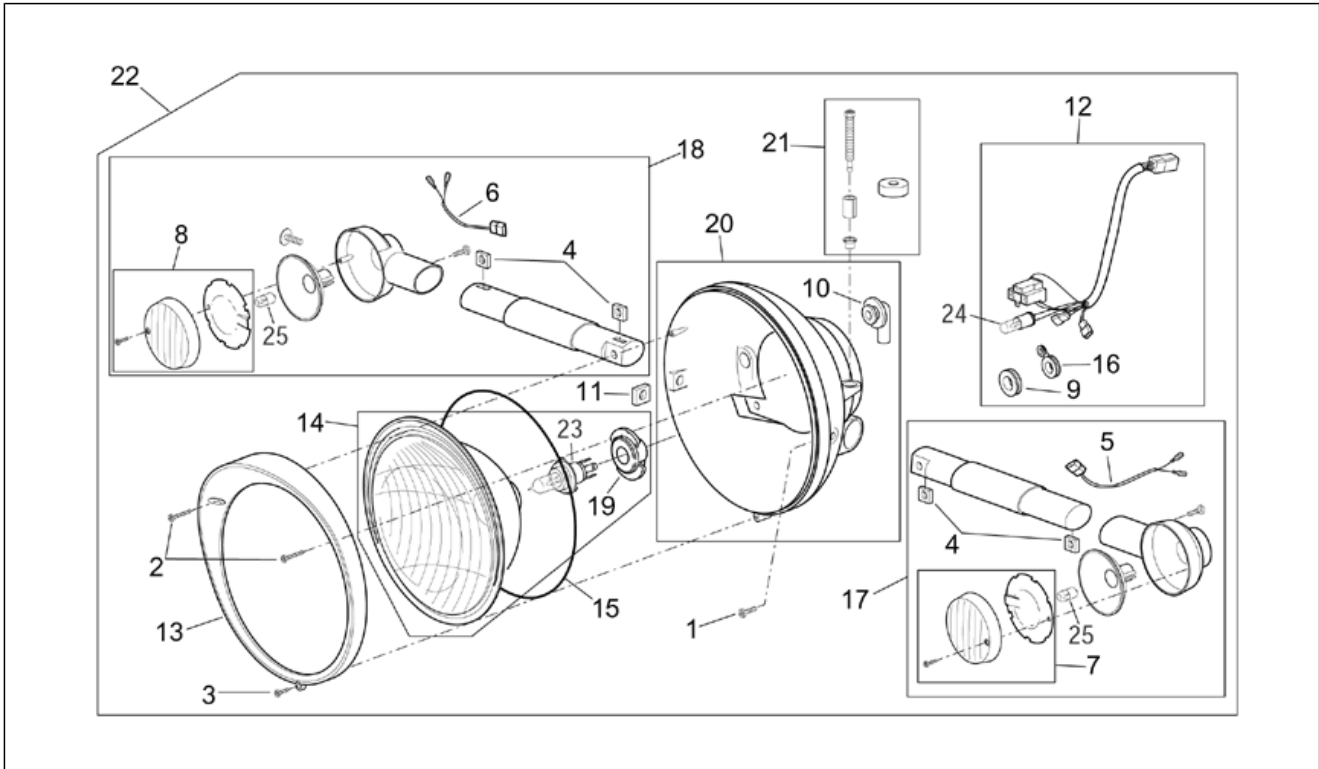
Pos.	Code	Description	Qty	Variants
1	AP8113869	Pads pair	1	
2	AP8113870	F.antiwhistle plate-pair	1	
3	AP8113005	Bleed valve cap	1	
4	AP8113006	Air bleed valve	1	
5	AP8113003	Oil pipe screw *	1	
6	AP8113004	Washer 10x14x1,6*	2	
7	AP8113700	Rear brake hose	1	
8	AP8201808	Cable-guide D8	2	
9	AP8113541	Brake disc D220	1	
10	AP8152288	Screw w/ flange	5	
11	AP8152287	Screw w/ flange	2	
12	AP8113871	Pin+Brake spring	1	
13	AP8113872	Brake caliper rev. kit	1	
14	AP8113845	Rear brake caliper	1	
15	AP8121889	Cable-guide	1	

<b>Group</b>	FRAME
<b>Code</b>	28.46
<b>Description</b>	Headlight
<b>Service</b>	1



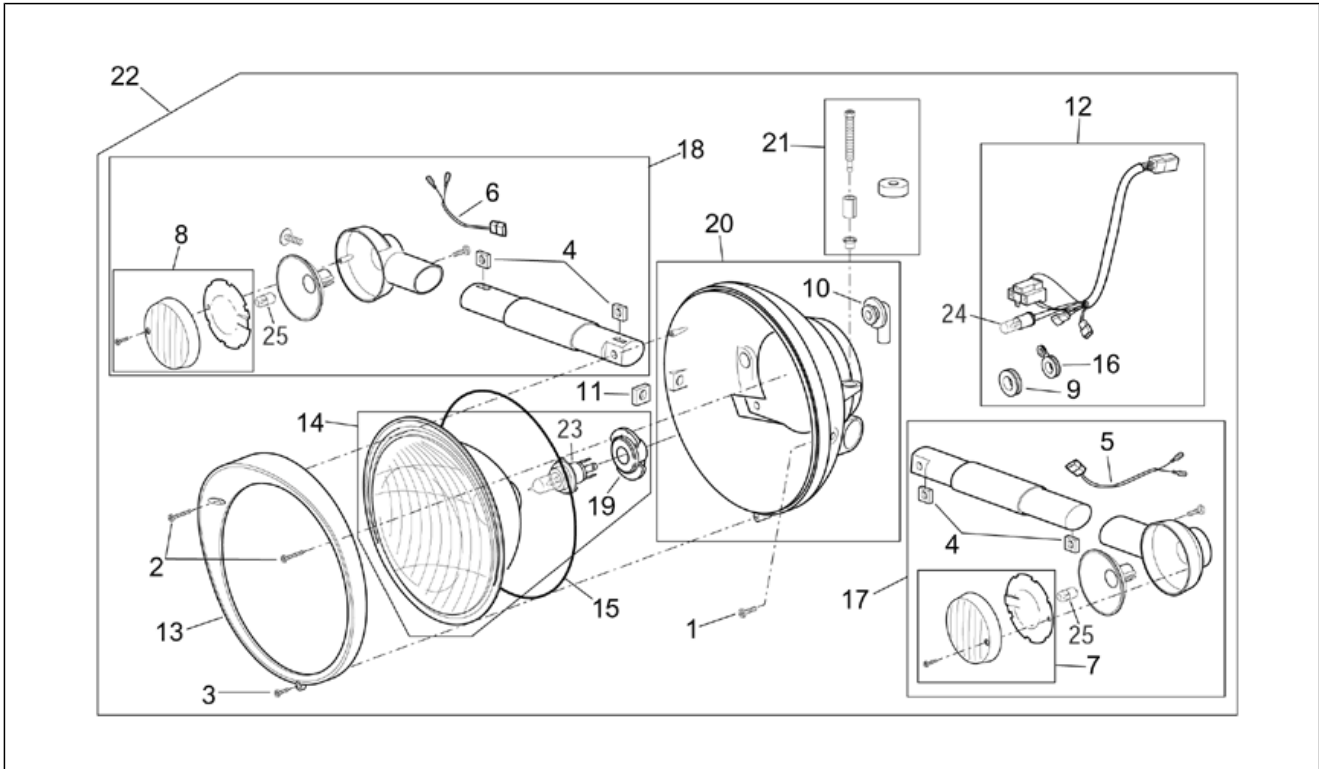
Pos.	Code	Description	Qty	Variants
1	AP8124790	Screw	2	
2	AP8124770	Inox self tapping screw	2	
3	AP8124771	Screw	1	
4	AP8124791	Square nut	4	
5	AP8124772	LH Front turn ind.harness	1	
6	AP8124773	RH Front turn ind.harness	1	
7	AP8124774	LH front turn indicator lens	1	<b>Country:</b> Austria[A], Switzerland[CH], Germany[D], Spain[E], France[F], Greece[GR], Italy[I], Israel[IL], Japan[J], Portugal[P], Great Britain[UK]
7	AP8127131	Turn indicator lens	1	<b>Country:</b> USA (California Approval)[CF], USA (California Approval)[CZ], United States of America[USA]
8	AP8124775	RH Turn indicator f.lens	1	<b>Country:</b> Austria[A], Switzerland[CH], Germany[D], Spain[E], France[F], Greece[GR], Italy[I], Israel[IL], Japan[J], Portugal[P], Great Britain[UK]
8	AP8127130	Turn indicator lens	1	<b>Country:</b> USA (California Approval)[CF], USA (California Approval)[CZ], United States of America[USA]
9	AP8124776	Rubber spacer	1	
10	AP8124777	Anti-condensate rubber	1	
11	AP8124778	Square nut	2	
12	AP8124779	Headlight wiring w/harness	1	
13	AP8124780	Chromed ring nut	1	<b>Year:</b> 2002[2] <b>Technical Specifications:</b> France Touring version[TRG]
13	AP8124780	Chromed ring nut	1	<b>Year:</b> 2001[1], 1999[X], 2000[Y]
13	AP8124780	Chromed ring nut	1	<b>Year:</b> 2002[2] <b>Country:</b> Switzerland[CH], Germany[D], Spain[E], France[F], Greece[GR], Japan[J] <b>Technical Specifications:</b> Basic version[BSC]
13	AP8127411	Painted ring nut	1	<b>Year:</b> 2002[2] <b>Vehicle colour:</b> Tulip Red 2002[red.t], Storm Grey 2002[sto.g] <b>Technical Specifications:</b> Touring version[GT]

<b>Group</b>	FRAME
<b>Code</b>	28.46
<b>Description</b>	Headlight
<b>Service</b>	1



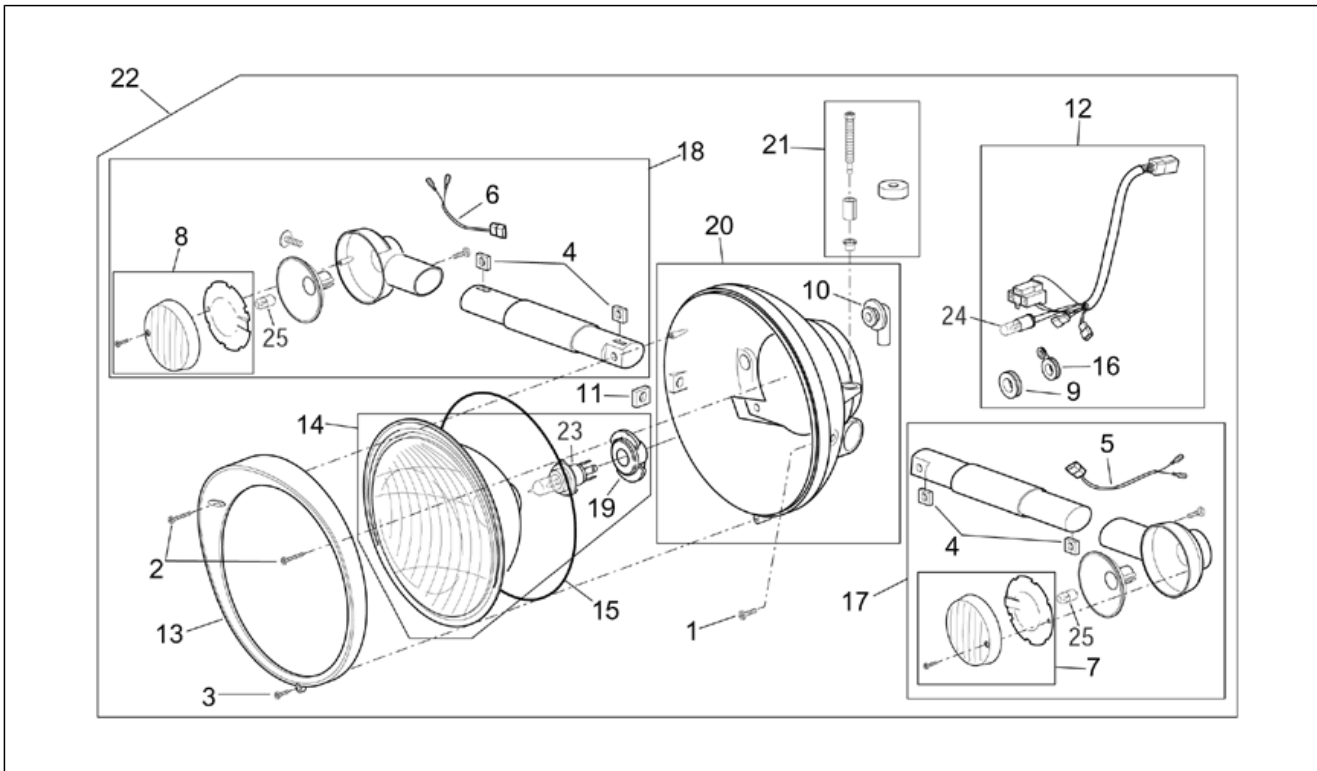
Pos.	Code	Description	Qty	Variants
13	AP8163201	Painted ring nut	1	Year:2004[4] Country:USA (California Approval)[CF], USA (California Approval)[CZ]
13	AP8163201	Painted ring nut	1	Year:2002[2] Vehicle colour:Mercury Grey 2001-2002-2003[mer.g], Shadow Black 2002[sha.b] Technical Specifications:Touring version[GT]
13	AP8163201	Painted ring nut	1	Year:2002[2] Country:Italy[I] Technical Specifications:Basic version[BSC]
13	AP8163201	Painted ring nut	1	Year:2003[3]
14	AP8124781	Headlight unit, complete	1	Country:Austria[A], Switzerland[CH], Germany[D], Spain[E], France[F], Greece[GR], Italy[I], Israel[IL], Portugal[P]
14	AP8124782	Headlight unit, complete	1	Country:Japan[J], Great Britain[UK]
14	AP8127129	Headlight unit, complete	1	Country:USA (California Approval)[CF], USA (California Approval)[CZ], United States of America[USA]
15	AP8124783	Gasket	1	
16	AP8124784	Wiring clip	1	
17	AP8124785	LH front turn indicator	1	Year:2001[1], 1999[X], 2000[Y] Country:Austria[A], Switzerland[CH], Germany[D], Spain[E], France[F], Greece[GR], Italy[I], Israel[IL], Japan[J], Portugal[P], Great Britain[UK]
17	AP8127132	LH front turn indicator	1	Country:USA (California Approval)[CF], USA (California Approval)[CZ], United States of America[USA]
17	AP8127132	LH front turn indicator	1	Year:2002[2] Technical Specifications:France Touring version[TRG]
17	AP8127132	LH front turn indicator	1	Year:2002[2] Country:Switzerland[CH], Germany[D], Spain[E], France[F], Greece[GR], Japan[J] Technical Specifications:Basic version[BSC]
17	AP8127375	LH front turn indicator	1	Year:2003[3]
17	AP8127375	LH front turn indicator	1	Year:2002[2]

<b>Group</b>	FRAME
<b>Code</b>	28.46
<b>Description</b>	Headlight
<b>Service</b>	1



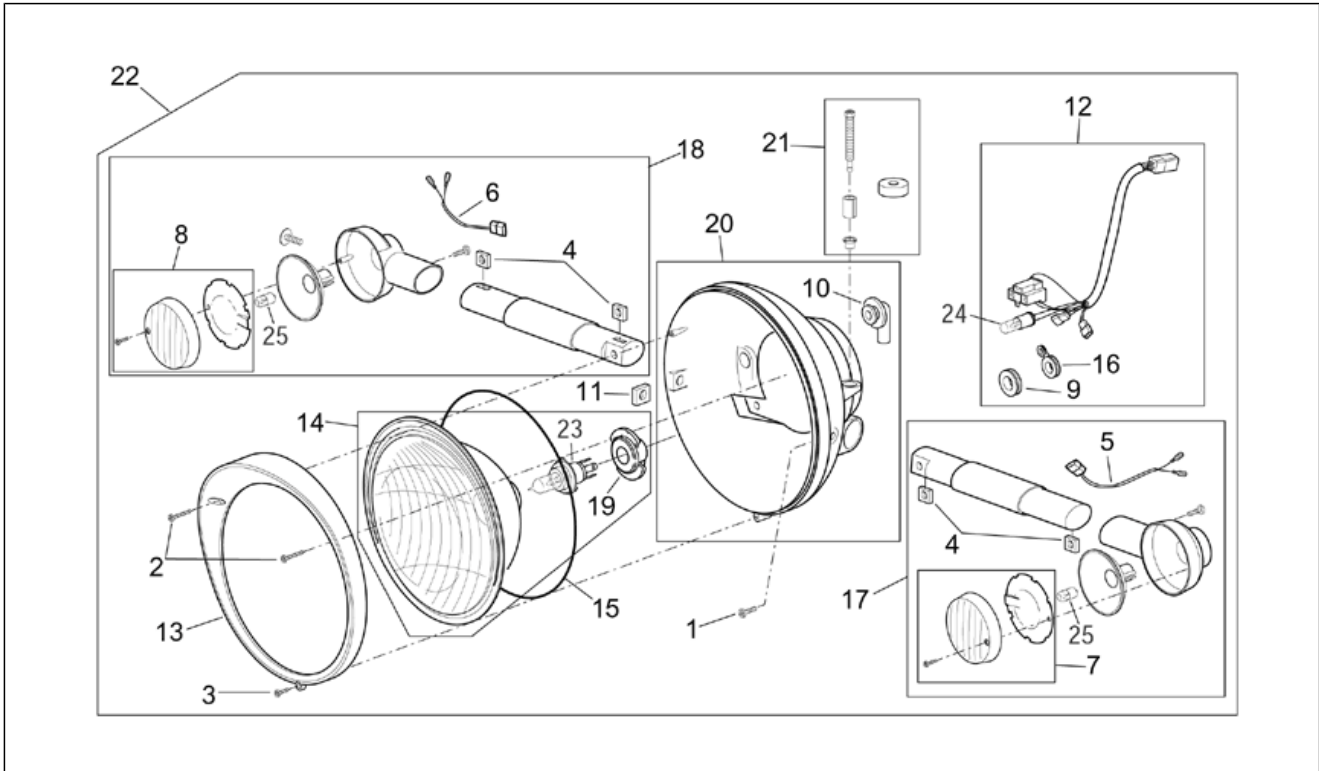
Pos.	Code	Description	Qty	Variants
				<b>Vehicle colour:</b> Mercury Grey 2001-2002-2003[mer.g], Shadow Black 2002[sha.b] <b>Technical Specifications:</b> Touring version[GT]
17	AP8127375	LH front turn indicator	1	<b>Year:</b> 2002[2] <b>Country:</b> Italy[I] <b>Technical Specifications:</b> Basic version[BSC]
17	AP8127412	LH front turn indicator	1	<b>Year:</b> 2002[2] <b>Vehicle colour:</b> Tulip Red 2002[red.t], Storm Grey 2002[sto.g] <b>Technical Specifications:</b> Touring version[GT]
18	AP8124786	RH front turn indicator	1	<b>Year:</b> 2001[1], 1999[X], 2000[Y] <b>Country:</b> Austria[A], Switzerland[CH], Germany[D], Spain[E], France[F], Greece[GR], Italy[I], Israel[IL], Japan[J], Portugal[P], Great Britain[UK]
18	AP8127133	RH front turn indicator	1	<b>Year:</b> 2002[2] <b>Country:</b> Switzerland[CH], Germany[D], Spain[E], France[F], Greece[GR], Japan[J] <b>Technical Specifications:</b> Basic version[BSC]
18	AP8127133	RH front turn indicator	1	<b>Country:</b> USA (California Approval)[CF], USA (California Approval)[CZ], United States of America[USA]
18	AP8127133	RH front turn indicator	1	<b>Year:</b> 2002[2] <b>Technical Specifications:</b> France Touring version[TRG]
18	AP8127376	RH front turn indicator	1	<b>Year:</b> 2002[2] <b>Vehicle colour:</b> Mercury Grey 2001-2002-2003[mer.g], Shadow Black 2002[sha.b] <b>Technical Specifications:</b> Touring version[GT]
18	AP8127376	RH front turn indicator	1	<b>Year:</b> 2002[2] <b>Country:</b> Italy[I] <b>Technical Specifications:</b> Basic version[BSC]
18	AP8127376	RH front turn indicator	1	<b>Year:</b> 2003[3]
18	AP8127413	RH front turn indicator	1	<b>Year:</b> 2002[2] <b>Vehicle colour:</b> Tulip Red 2002[red.t], Storm Grey 2002[sto.g] <b>Technical Specifications:</b> Touring version[GT]

<b>Group</b>	FRAME
<b>Code</b>	28.46
<b>Description</b>	Headlight
<b>Service</b>	1



Pos.	Code	Description	Qty	Variants
19	AP8224209	Lampholder	1	
20	AP8124787	Headlight cap, chr.	1	<b>Year:</b> 2002[2] <b>Technical Specifications:</b> France Touring version[TRG]
20	AP8124787	Headlight cap, chr.	1	<b>Year:</b> 2001[1], 1999[X], 2000[Y] <b>Country:</b> Austria[A], Switzerland[CH], Germany[D], Spain[E], France[F], Greece[GR], Italy[I], Israel[IL], Japan[J], Portugal[P], Great Britain[UK]
20	AP8124787	Headlight cap, chr.	1	<b>Year:</b> 2002[2] <b>Country:</b> Switzerland[CH], Germany[D], Spain[E], France[F], Greece[GR], Japan[J] <b>Technical Specifications:</b> Basic version[BSC]
20	AP8127127	Headlight cap, chr.	1	<b>Country:</b> USA (California Approval)[CF], USA (California Approval)[CZ], United States of America[USA]
20	AP8127377	Painted headlight cap	1	<b>Year:</b> 2003[3]
20	AP8127377	Painted headlight cap	1	<b>Year:</b> 2002[2] <b>Country:</b> Italy[I] <b>Technical Specifications:</b> Basic version[BSC]
20	AP8127377	Painted headlight cap	1	<b>Year:</b> 2002[2] <b>Vehicle colour:</b> Mercury Grey 2001-2002-2003[mer.g], Shadow Black 2002[sha.b] <b>Technical Specifications:</b> Touring version[GT]
20	AP8127414	Painted headlight cap	1	<b>Year:</b> 2002[2] <b>Vehicle colour:</b> Tulip Red 2002[red.t], Storm Grey 2002[sto.g] <b>Technical Specifications:</b> Touring version[GT]
21	AP8124788	Adjuster screw	1	<b>Country:</b> Austria[A], Switzerland[CH], Germany[D], Spain[E], France[F], Greece[GR], Italy[I], Israel[IL], Japan[J], Portugal[P], Great Britain[UK]
21	AP8127128	Adjuster screw	1	<b>Country:</b> USA (California Approval)[CF], USA (California Approval)[CZ], United States of America[USA]
22	AP8124504	Headlight	1	<b>Year:</b> 2002[2] <b>Technical Specifications:</b> France Touring version[TRG]
22	AP8124504	Headlight	1	<b>Year:</b> 2002[2]

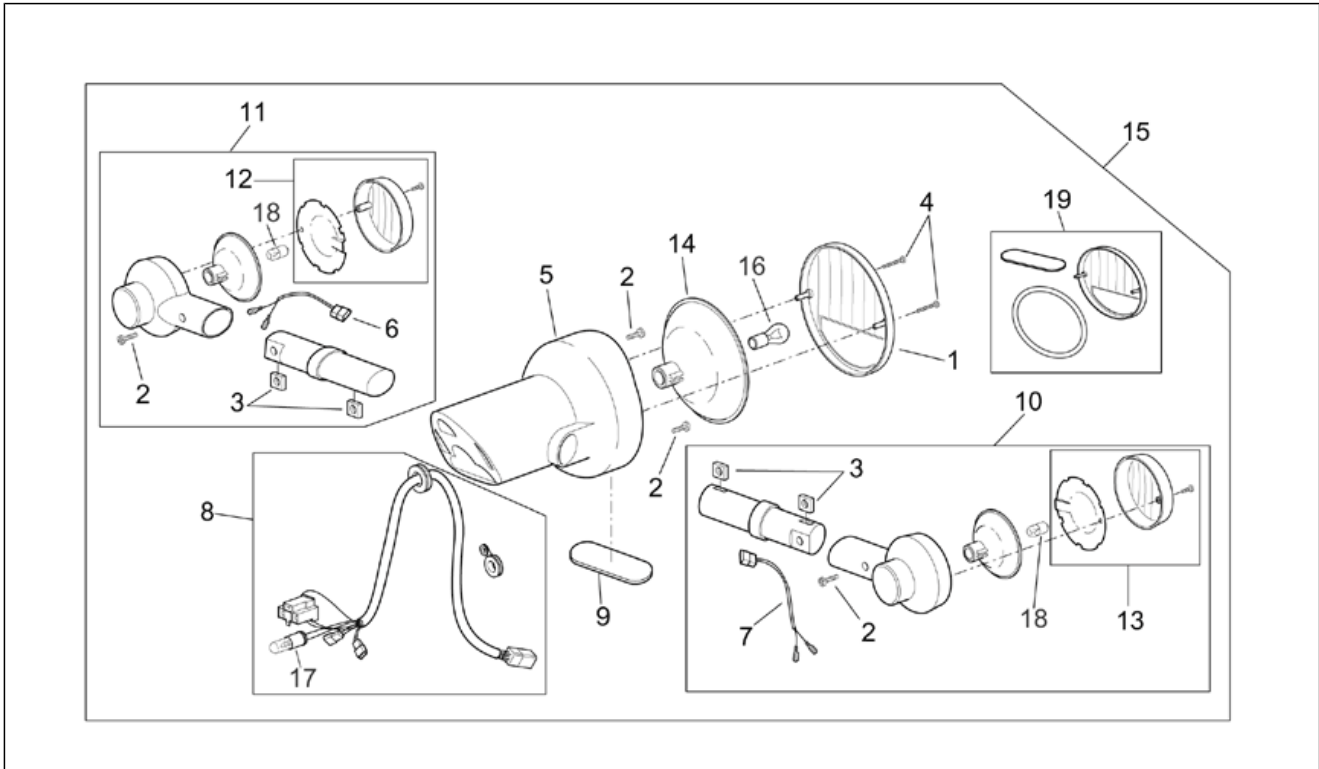
<b>Group</b>	FRAME
<b>Code</b>	28.46
<b>Description</b>	Headlight
<b>Service</b>	1



Pos.	Code	Description	Qty	Variants
				<b>Country:</b> Switzerland[CH], Germany[D], Spain[E], France[F], Greece[GR] <b>Technical Specifications:</b> Basic version[BSC]
22	AP8124504	Headlight	1	<b>Year:</b> 2001[1], 1999[X], 2000[Y] <b>Country:</b> Austria[A], Switzerland[CH], Germany[D], Spain[E], France[F], Greece[GR], Italy[I], Israel[IL], Portugal[P]
22	AP8124616	Headlight	1	<b>Year:</b> 2001[1], 2002[2], 1999[X], 2000[Y] <b>Country:</b> Japan[J], Great Britain[UK]
22	AP8124992	Headlight	1	<b>Country:</b> USA (California Approval)[CF], USA (California Approval)[CZ], United States of America[USA]
22	AP8127332	Headlight	1	<b>Year:</b> 2002[2] <b>Vehicle colour:</b> Mercury Grey 2001-2002-2003[mer.g], Shadow Black 2002[sha.b] <b>Technical Specifications:</b> Touring version[GT]
22	AP8127332	Headlight	1	<b>Year:</b> 2003[3] <b>Country:</b> Germany[D], Spain[E], France[F], Italy[I]
22	AP8127332	Headlight	1	<b>Year:</b> 2002[2] <b>Country:</b> Italy[I] <b>Technical Specifications:</b> Basic version[BSC]
22	AP8127369	Headlight	1	<b>Year:</b> 2003[3] <b>Country:</b> Japan[J]
22	AP8127398	Headlight	1	<b>Year:</b> 2002[2] <b>Vehicle colour:</b> Tulip Red 2002[red.t], Storm Grey 2002[sto.g] <b>Technical Specifications:</b> Touring version[GT]
23	AP8127121	Lamp H4 60/55W 12V	1	
24	AP8224393	Lamp WY5W 12V	1	
25	AP8224390	Lamp R10W 12v	2	

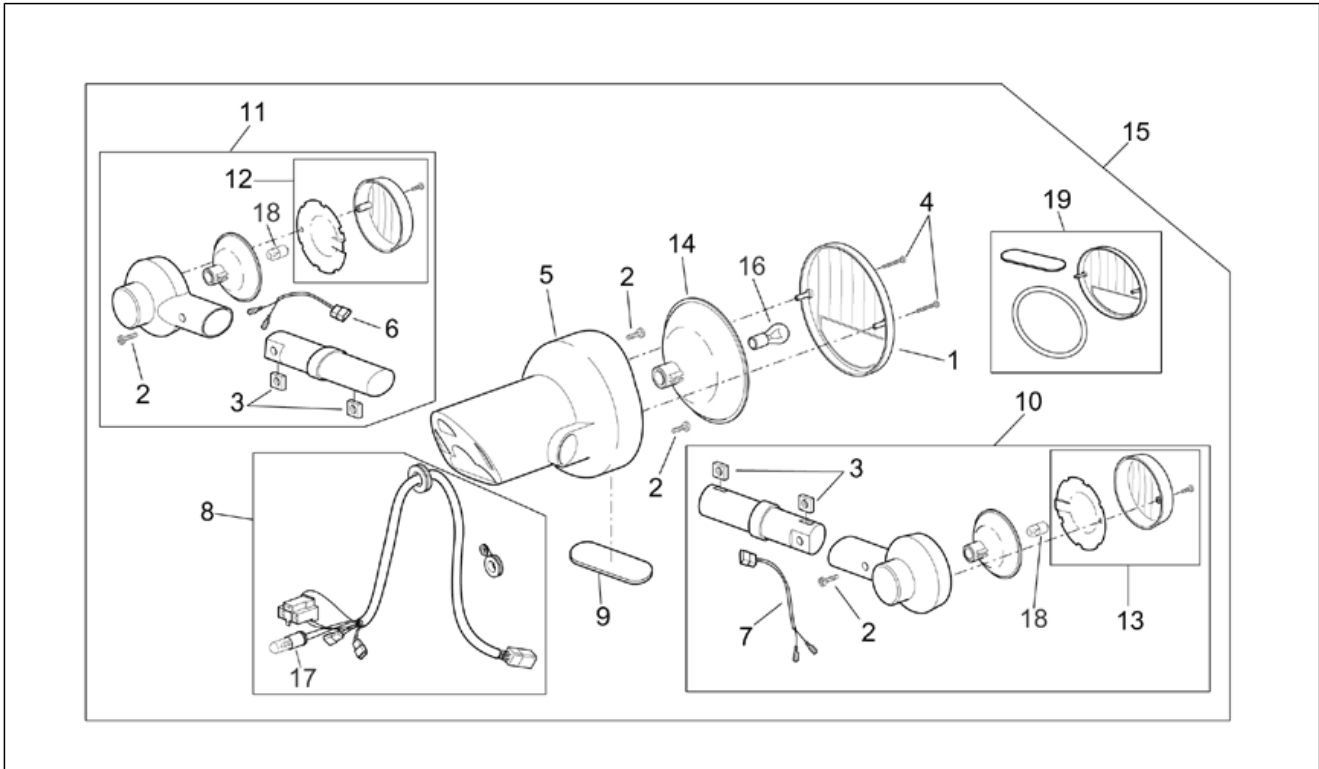


<b>Group</b>	FRAME
<b>Code</b>	28.47
<b>Description</b>	Taillight
<b>Service</b>	1



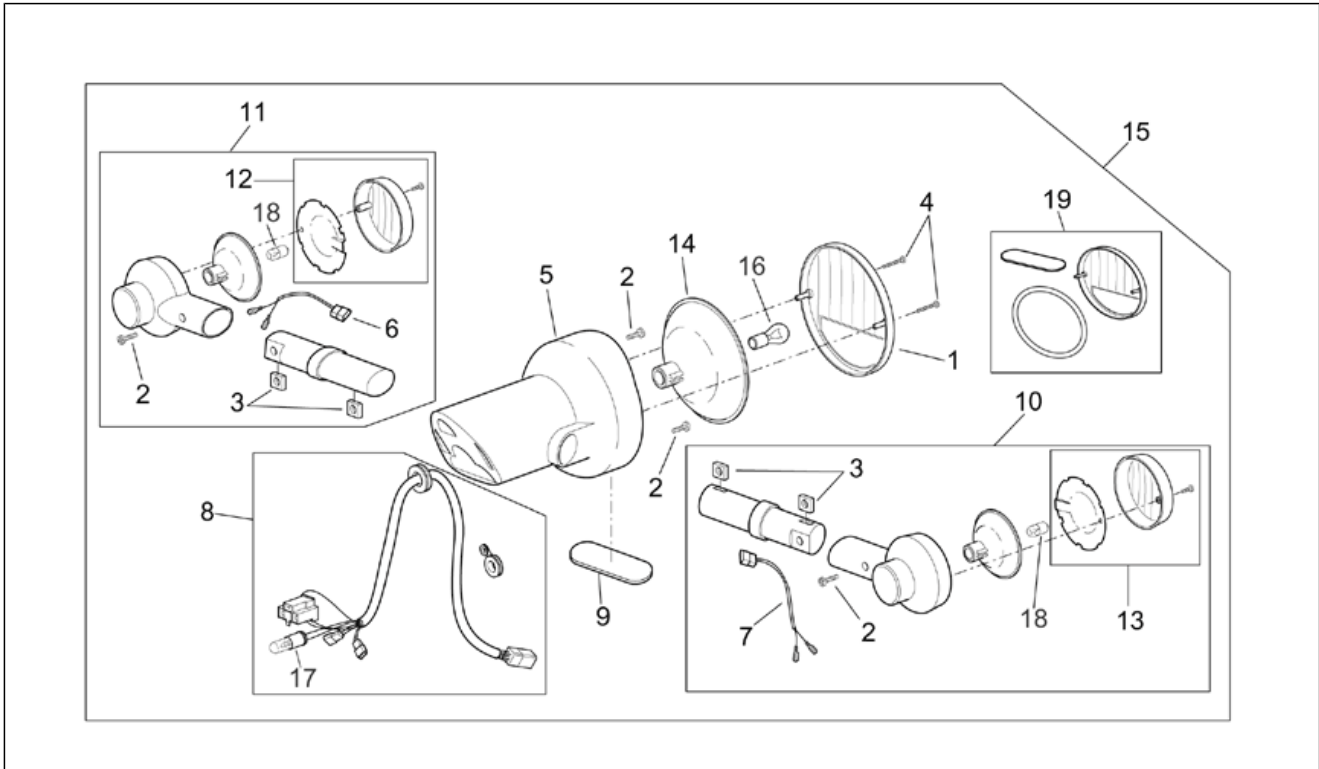
Pos.	Code	Description	Qty	Variants
1	AP8124789	Taillight lens	1	Year:2001[1], 1999[X], 2000[Y] Country:Austria[A], Switzerland[CH], Germany[D], Spain[E], France[F], Greece[GR], Italy[I], Israel[IL], Japan[J], Portugal[P], Great Britain[UK]
1	AP8124789	Taillight lens	1	Year:2002[2] Country:Switzerland[CH], Germany[D], Spain[E], France[F], Greece[GR], Japan[J] Technical Specifications:Basic version[BSC]
1	AP8124789	Taillight lens	1	Year:2002[2] Technical Specifications:France Touring version[TRG]
1	AP8127139	Taillight lens	1	Country:USA (California Approval)[CF], USA (California Approval)[CZ], United States of America[USA]
2	AP8124790	Screw	4	
3	AP8124791	Square nut	4	
4	AP8124792	Self-tap screw	2	
5	AP8124793	Taillight cap, chr.	1	Year:2002[2] Technical Specifications:France Touring version[TRG]
5	AP8124793	Taillight cap, chr.	1	Year:2001[1], 1999[X], 2000[Y]
5	AP8124793	Taillight cap, chr.	1	Year:2002[2] Country:Switzerland[CH], Germany[D], Spain[E], France[F], Greece[GR], Japan[J] Technical Specifications:Basic version[BSC]
5	AP8127400	Taillight cap, p.grey	1	Year:2003[3]
5	AP8127400	Taillight cap, p.grey	1	Year:2002[2] Country:Italy[I] Technical Specifications:Basic version[BSC]
5	AP8127400	Taillight cap, p.grey	1	Year:2002[2] Vehicle colour:Mercury Grey 2001-2002-2003[mer.g], Shadow Black 2002[sha.b] Technical Specifications:Touring version[GT]
5	AP8127415	Taillight cap, p.black	1	Year:2002[2] Vehicle colour:Tulip Red 2002[red.t], Storm Grey 2002[sto.g]

<b>Group</b>	FRAME
<b>Code</b>	28.47
<b>Description</b>	Taillight
<b>Service</b>	1



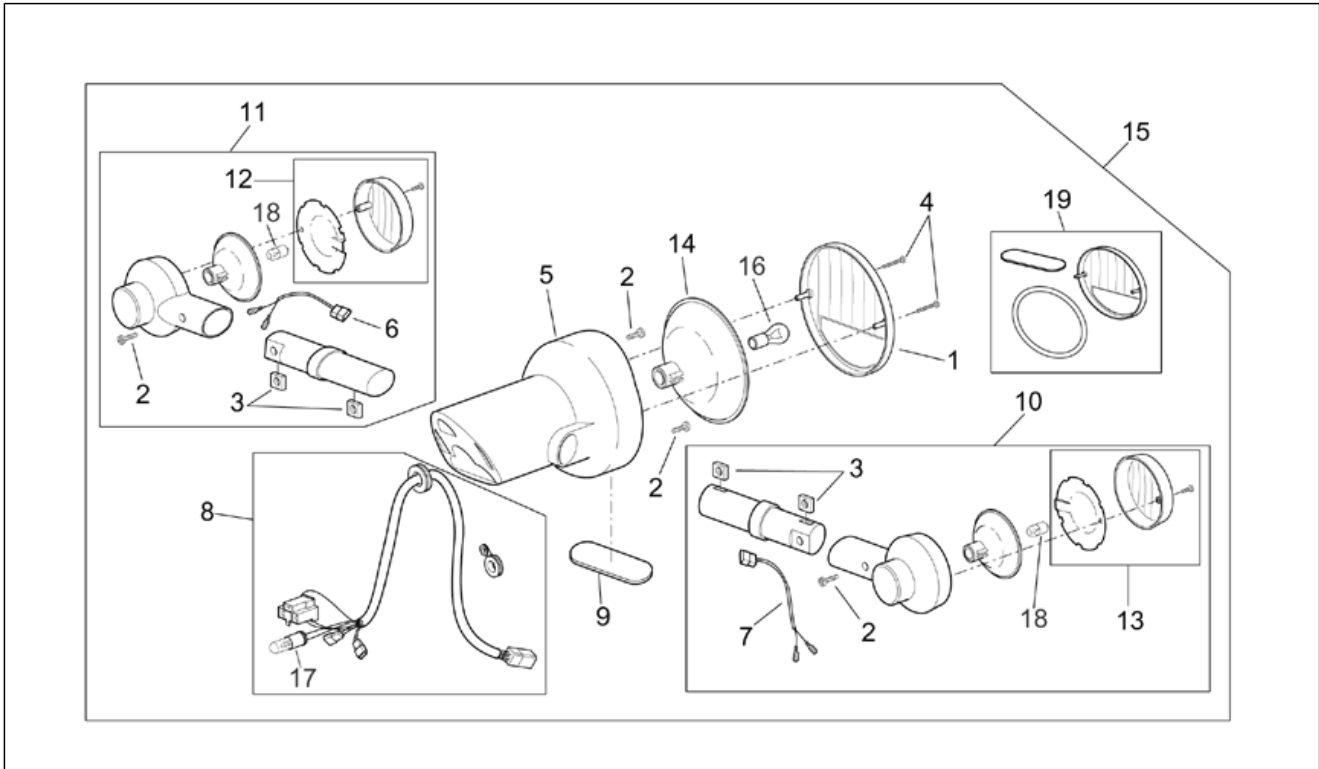
Pos.	Code	Description	Qty	Variants
				<b>Technical Specifications:</b> Touring version[GT]
6	AP8124794	RH Rear turn ind.harness	1	
7	AP8124795	LH Rear turn ind.harness	1	
8	AP8124796	Taillight wiring harn.	1	
9	AP8124797	Number-plate light	1	<b>Year:</b> 2002[2] <b>Country:</b> Switzerland[CH], Germany[D], Spain[E], France[F], Greece[GR], Japan[J] <b>Technical Specifications:</b> Basic version[BSC]
9	AP8124797	Number-plate light	1	<b>Year:</b> 2001[1], 1999[X], 2000[Y]
9	AP8124797	Number-plate light	1	<b>Year:</b> 2002[2] <b>Technical Specifications:</b> France Touring version[TRG]
10	AP8124798	Rear RH turn indicator	1	<b>Year:</b> 2002[2] <b>Country:</b> Switzerland[CH], Germany[D], Spain[E], France[F], Greece[GR], Japan[J] <b>Technical Specifications:</b> Basic version[BSC]
10	AP8124798	Rear RH turn indicator	1	<b>Year:</b> 2001[1], 1999[X], 2000[Y] <b>Country:</b> Austria[A], Switzerland[CH], Germany[D], Spain[E], France[F], Greece[GR], Italy[I], Israel[IL], Japan[J], Portugal[P], Great Britain[UK]
10	AP8124798	Rear RH turn indicator	1	<b>Year:</b> 2002[2] <b>Technical Specifications:</b> France Touring version[TRG]
10	AP8127135	Rear RH turn indicator	1	<b>Country:</b> USA (California Approval)[CF], USA (California Approval)[CZ], United States of America[USA]
10	AP8127378	Rear RH turn indicator	1	<b>Year:</b> 2002[2] <b>Country:</b> Italy[I] <b>Technical Specifications:</b> Basic version[BSC]
10	AP8127378	Rear RH turn indicator	1	<b>Year:</b> 2002[2] <b>Vehicle colour:</b> Mercury Grey 2001-2002-2003[mer.g], Shadow Black 2002[sha.b] <b>Technical Specifications:</b> Touring version[GT]
10	AP8127378	Rear RH turn indicator	1	<b>Year:</b> 2003[3]
10	AP8127416	Rear RH turn indicator	1	<b>Year:</b> 2002[2]

<b>Group</b>	FRAME
<b>Code</b>	28.47
<b>Description</b>	Taillight
<b>Service</b>	1



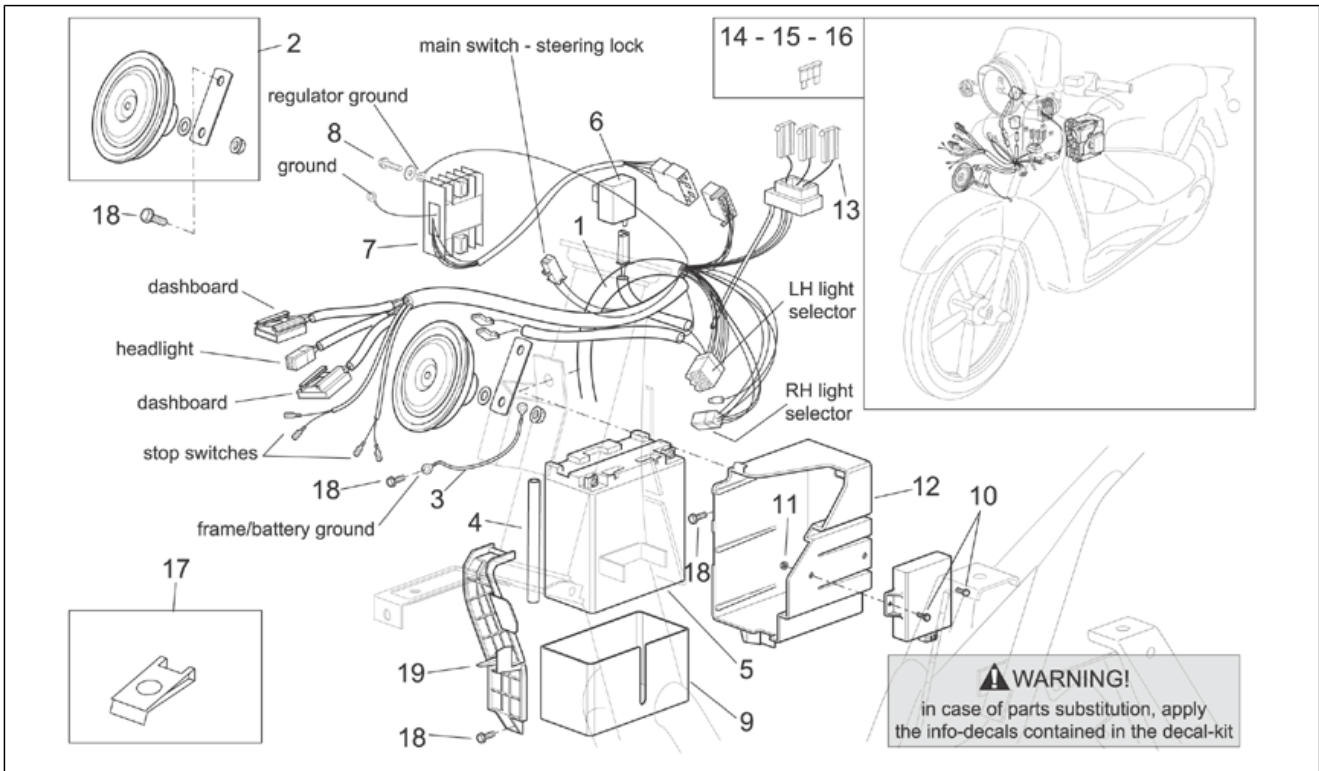
Pos.	Code	Description	Qty	Variants
				<b>Vehicle colour:</b> Tulip Red 2002[red.t], Storm Grey 2002[sto.g] <b>Technical Specifications:</b> Touring version[GT]
11	AP8124799	Rear LH turn indicator	1	<b>Year:</b> 2002[2] <b>Technical Specifications:</b> France Touring version[TRG]
11	AP8124799	Rear LH turn indicator	1	<b>Year:</b> 2001[1], 1999[X], 2000[Y] <b>Country:</b> Austria[A], Switzerland[CH], Germany[D], Spain[E], France[F], Greece[GR], Italy[I], Israel[IL], Japan[J], Portugal[P], Great Britain[UK]
11	AP8124799	Rear LH turn indicator	1	<b>Year:</b> 2002[2] <b>Country:</b> Switzerland[CH], Germany[D], Spain[E], France[F], Greece[GR], Japan[J] <b>Technical Specifications:</b> Basic version[BSC]
11	AP8127134	Rear LH turn indicator	1	<b>Country:</b> USA (California Approval)[CF], USA (California Approval)[CZ], United States of America[USA]
11	AP8127379	Rear LH turn indicator	1	<b>Year:</b> 2003[3]
11	AP8127379	Rear LH turn indicator	1	<b>Year:</b> 2002[2] <b>Vehicle colour:</b> Mercury Grey 2001-2002-2003[mer.g], Shadow Black 2002[sha.b] <b>Technical Specifications:</b> Touring version[GT]
11	AP8127379	Rear LH turn indicator	1	<b>Year:</b> 2002[2] <b>Country:</b> Italy[I] <b>Technical Specifications:</b> Basic version[BSC]
11	AP8127417	Rear LH turn indicator	1	<b>Year:</b> 2002[2] <b>Vehicle colour:</b> Tulip Red 2002[red.t], Storm Grey 2002[sto.g] <b>Technical Specifications:</b> Touring version[GT]
12	AP8127131	Turn indicator lens	1	
13	AP8127130	Turn indicator lens	1	
14	AP8124802	Headlight unit, complete	1	
15	AP8124505	Taillight	1	<b>Year:</b> 2001[1], 1999[X], 2000[Y] <b>Country:</b> Austria[A], Switzerland[CH], Germany[D], Spain[E], France[F], Greece[GR], Italy[I], Israel[IL], Japan[J], Portugal[P], Great Britain[UK]

<b>Group</b>	FRAME
<b>Code</b>	28.47
<b>Description</b>	Taillight
<b>Service</b>	1



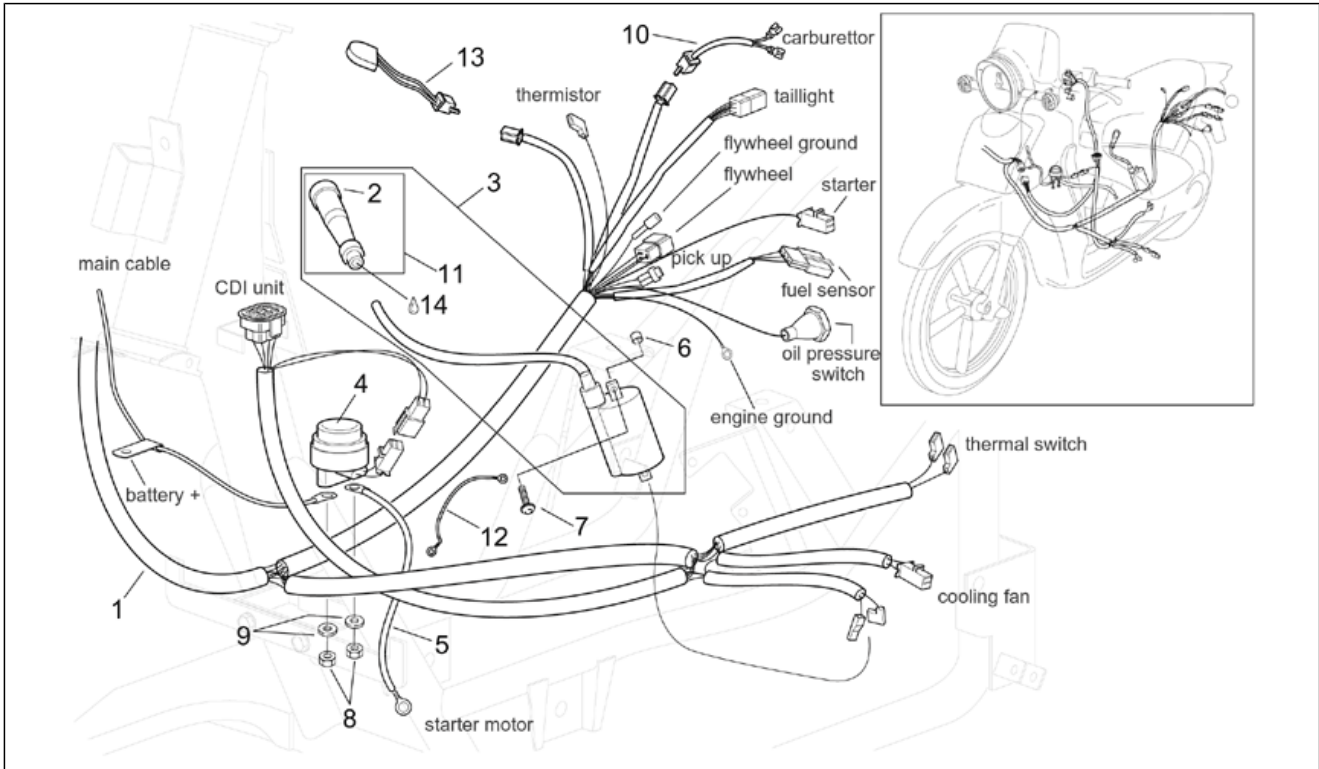
Pos.	Code	Description	Qty	Variants
15	AP8127093	Taillight	1	Year:2002[2] Technical Specifications:France Touring version[TRG]
15	AP8127093	Taillight	1	Year:2002[2] Country:Switzerland[CH], Germany[D], Spain[E], France[F], Greece[GR], Japan[J] Technical Specifications:Basic version[BSC]
15	AP8127093	Taillight	1	Country:USA (California Approval)[CF], USA (California Approval)[CZ], United States of America[USA]
15	AP8127333	Taillight	1	Year:2002[2] Country:Italy[I] Technical Specifications:Basic version[BSC]
15	AP8127333	Taillight	1	Year:2002[2] Vehicle colour:Mercury Grey 2001-2002-2003[mer.g], Shadow Black 2002[sha.b] Technical Specifications:Touring version[GT]
15	AP8127333	Taillight	1	Year:2003[3]
15	AP8127399	Taillight	1	Year:2002[2] Vehicle colour:Tulip Red 2002[red.t], Storm Grey 2002[sto.g] Technical Specifications:Touring version[GT]
16	AP8224389	Lamp P21/5W 12V	1	
17	AP8224393	Lamp WY5W 12V	1	
18	AP8224390	Lamp R10W 12v	2	
19	AP8127380	Lens+number plate light kit	1	Year:2003[3]
19	AP8127380	Lens+number plate light kit	1	Year:2002[2] Technical Specifications:Touring version[GT]
19	AP8127380	Lens+number plate light kit	1	Year:2002[2] Country:Italy[I] Technical Specifications:Basic version[BSC]

<b>Group</b>	FRAME
<b>Code</b>	28.48
<b>Description</b>	Electrical system I
<b>Service</b>	1



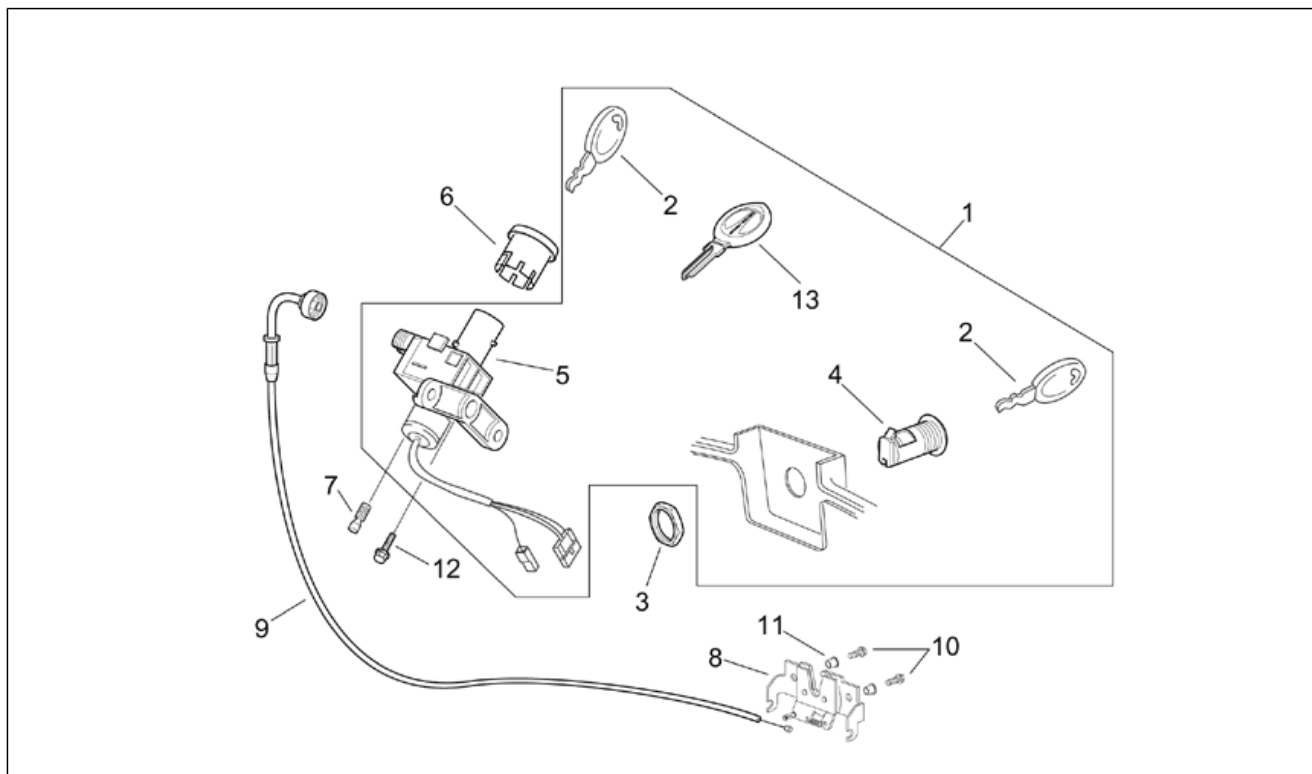
Pos.	Code	Description	Qty	Variants
1	AP8124500	Main wiring harness	1	
2	AP8124598	Horn	1	
3	AP8112930	Ground-battery lead	1	
4	AP8220263	Breather pipe 4x8	1	
5	AP8112920	Battery	1	
6	AP8124235	Flasher unit	1	
7	AP8112906	Voltage regulator	1	
8	AP8152274	Screw w/ flange M5x20	2	
9	AP8131838	Battery holder	1	
10	AP8152279	Screw w/ flange M6x20	2	
11	AP8152299	Self-locking nut	3	
12	AP8139266	Battery holder	1	
13	AP8120754	Rubber fuse box	3	
14	AP8112244	Fuse 7,5A	2	
15	AP8112176	Fuse 15A	2	
16	AP8112506	Fuse 20A	2	
17	AP8102376	Clip M6	4	
18	AP8152278	Screw w/ flange	5	
19	AP8139268	Battery cover	1	

<b>Group</b>	FRAME
<b>Code</b>	28.49
<b>Description</b>	Electrical system II
<b>Service</b>	1



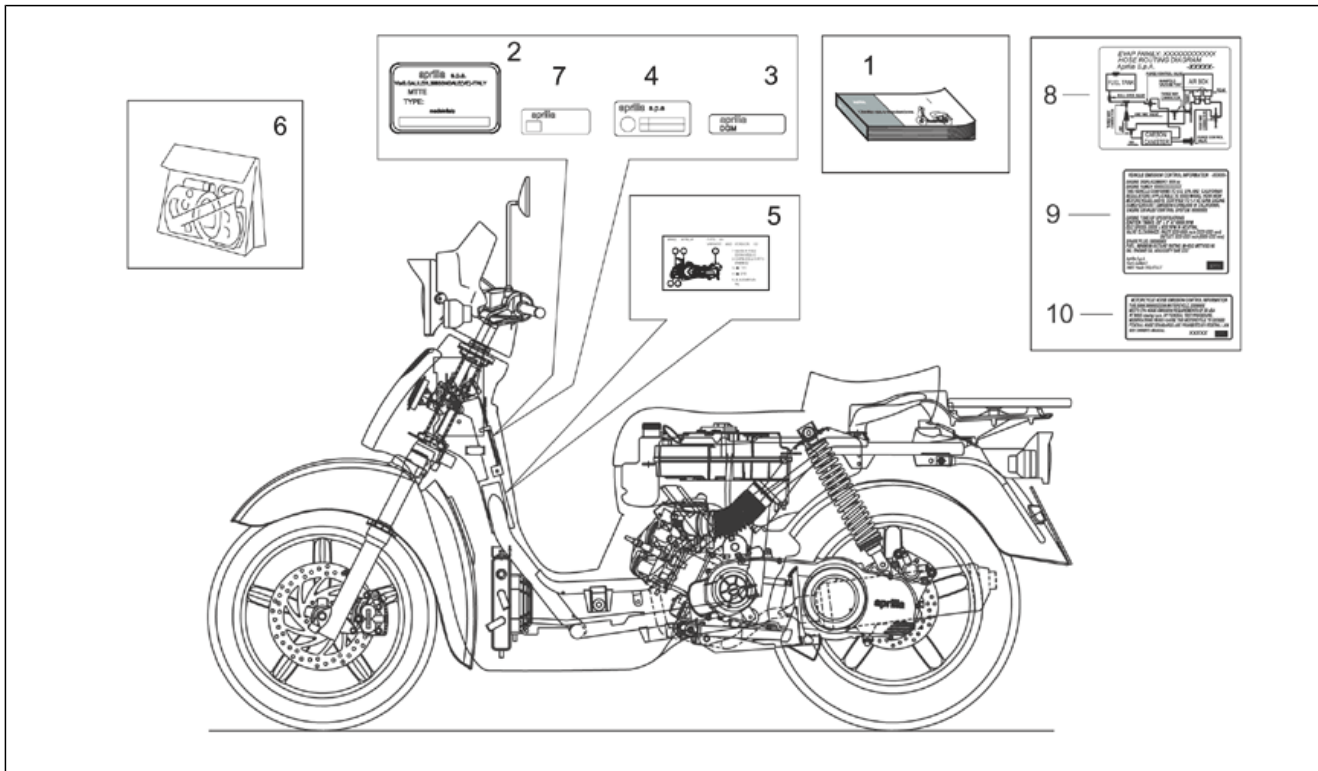
Pos.	Code	Description	Qty	Variants
1	AP8124500	Main wiring harness	1	
2	AP8144053	Spark plug rubber	1	
3	AP0265419	HT coil	1	
4	AP8124636	Starter relay 12V/150A	1	
5	AP8124269	Relay-starter motor cable	1	
6	AP8120253	Spacer *	2	
7	AP8152275	Screw w/ flange	2	
8	AP8150026	Nut	2	
9	AP8150429	Spring washer 6,4x11x0,5*	2	
10	AP8124769	Heater wiring	1	
11	AP0265242	Sparkplug cap	1	
12	AP8112930	Ground-battery lead	1	
13	AP8124754	Thermal switch	1	
14	AP0897330	Lithium-Base grease 250gr.	1	

<b>Group</b>	FRAME
<b>Code</b>	28.50
<b>Description</b>	Lock hardware kit
<b>Service</b>	1



Pos.	Code	Description	Qty	Variants
1	AP8102841	Lock hardware kit	1	
2	AP8104185	Aprilia milled key	1	
3	AP8102523	Lock nut	1	
4	AP8104647	Top box lock	1	
5	AP8124620	Main switch - steering lock	1	
6	AP8102944	Commutator cap	1	
7	AP8152140	Shear rivet M6x17	1	
8	AP8102945	Saddle lock	1	
9	AP8114381	Lock cable	1	
10	AP8152277	Screw w/ flange	2	
11	AP8121075	T bush *	2	
12	AP8152278	Screw w/ flange	1	
13	AP8104598	"Scarabeo" key w/out transpo.	1	

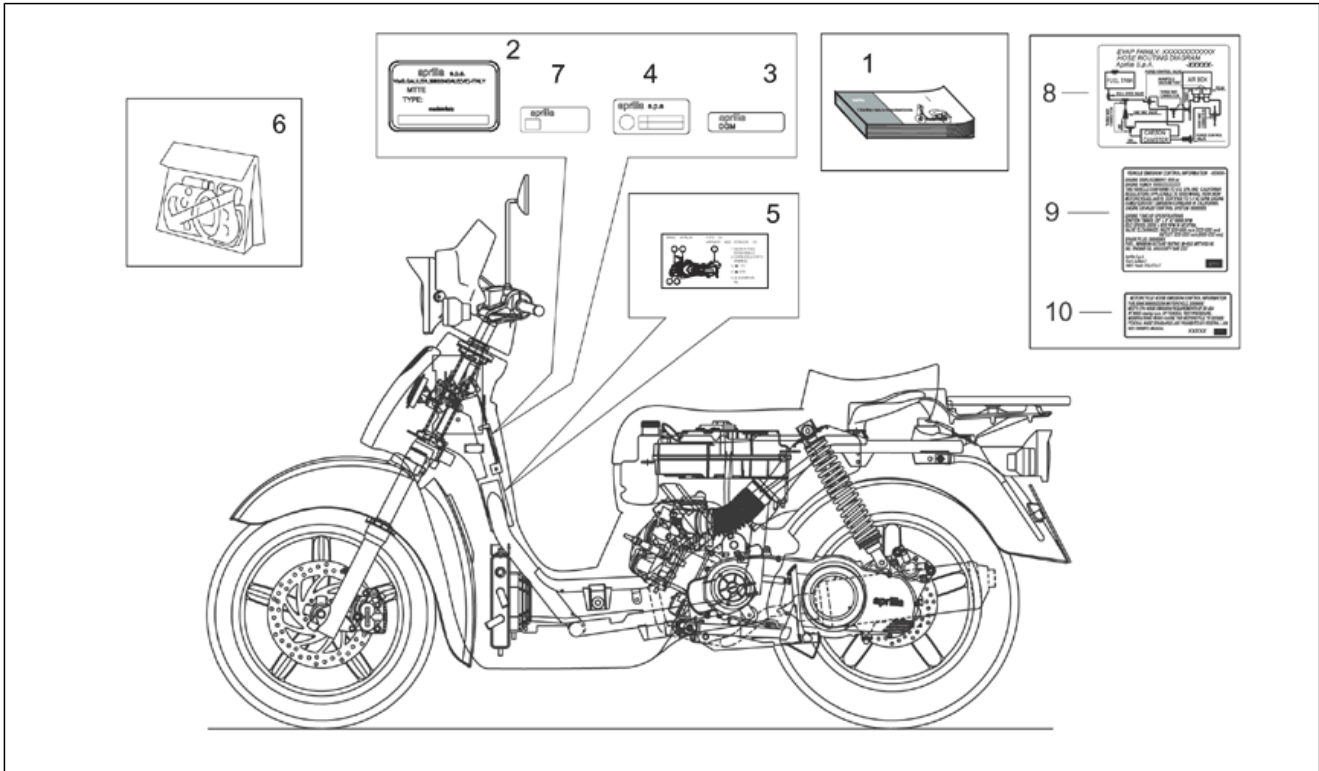
<b>Group</b>	FRAME
<b>Code</b>	28.51
<b>Description</b>	Plate set and handbooks
<b>Service</b>	1



Pos.	Code	Description	Qty	Variants
1	AP8102843	Operator's handbook-I-F-D-	1	Year:2001[1], 1999[X], 2000[Y] Country:Austria[A], Switzerland[CH], Germany[D], France[F], Italy[I] Technical Specifications:125 cc version[125], 150 cc version[150]
1	AP8102981	Operator's handbook-P-E-UK-	1	Year:2001[1], 1999[X], 2000[Y] Country:Spain[E], Israel[IL], Portugal[P], Great Britain[UK] Technical Specifications:125 cc version[125], 150 cc version[150]
1	AP8102983	Operator's handbook -GR-J-UK-	1	Year:2001[1], 1999[X], 2000[Y] Country:Greece[GR], Japan[J] Technical Specifications:125 cc version[125], 150 cc version[150]
1	AP8104290	Operator's handbook -USA-	1	Year:2001[1], 1999[X], 2000[Y] Country:United States of America[USA] Technical Specifications:150 cc version[150]
1	AP8104290	Operator's handbook -USA-	1	Year:2004[4] Country:USA (California Approval)[CF], USA (California Approval)[CZ]
1	AP8104380	Operator's handbook-I-F-D-	1	Year:2002[2] Country:Switzerland[CH], Germany[D], France[F], Italy[I] Technical Specifications:125 cc version[125]
1	AP8104380	Operator's handbook-I-F-D-	1	Year:2002[2] Country:Germany[D], Italy[I] Technical Specifications:200 cc version[200]
1	AP8104380	Operator's handbook-I-F-D-	1	Year:2001[1], 1999[X], 2000[Y] Country:Germany[D], France[F], Italy[I] Technical Specifications:200 cc version[200]
1	AP8104380	Operator's handbook-I-F-D-	1	Year:2003[3] Country:Germany[D], France[F], Italy[I]
1	AP8104381	Operator's handbook-P-E-UK-	1	Country:Spain[E], Japan[J]
1	AP8104393	Operator's handbook-GR-	1	Country:Greece[GR] Technical Specifications:200 cc version[200]

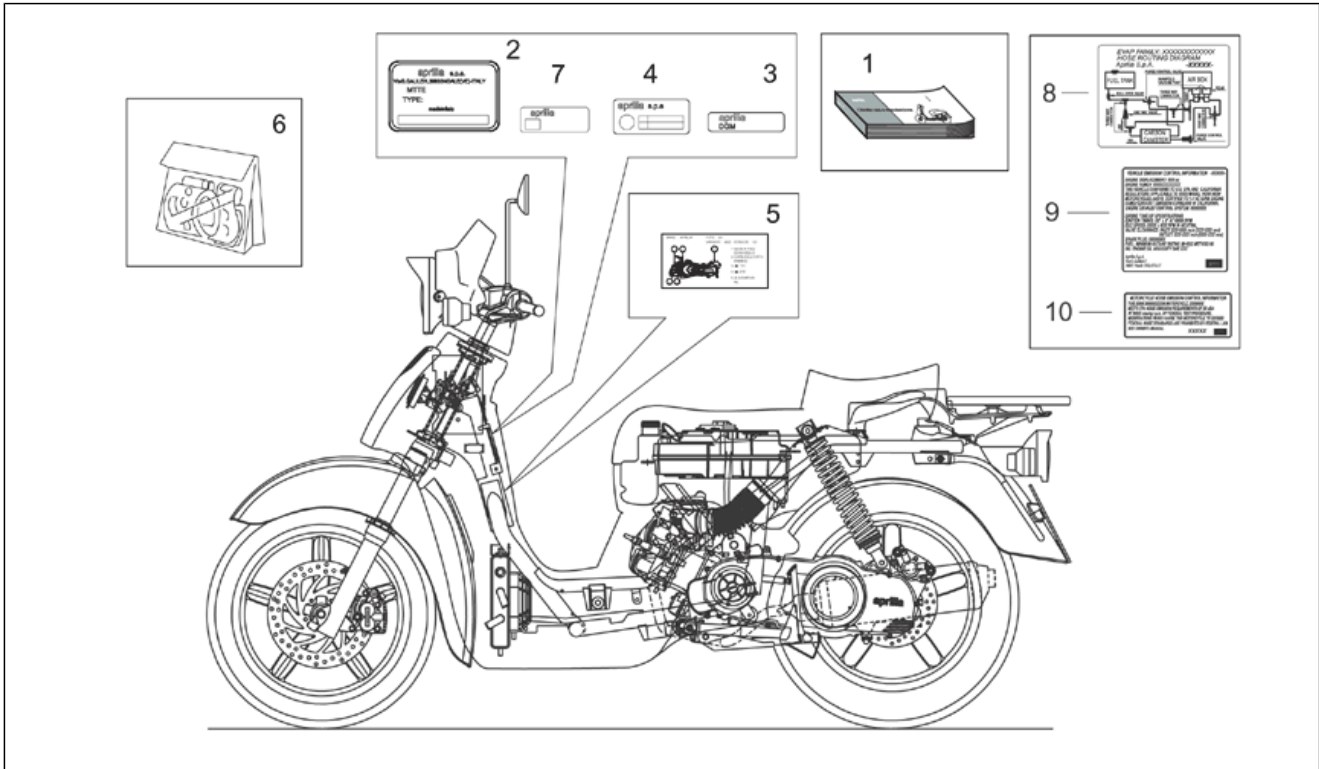


<b>Group</b>	FRAME
<b>Code</b>	28.51
<b>Description</b>	Plate set and handbooks
<b>Service</b>	1



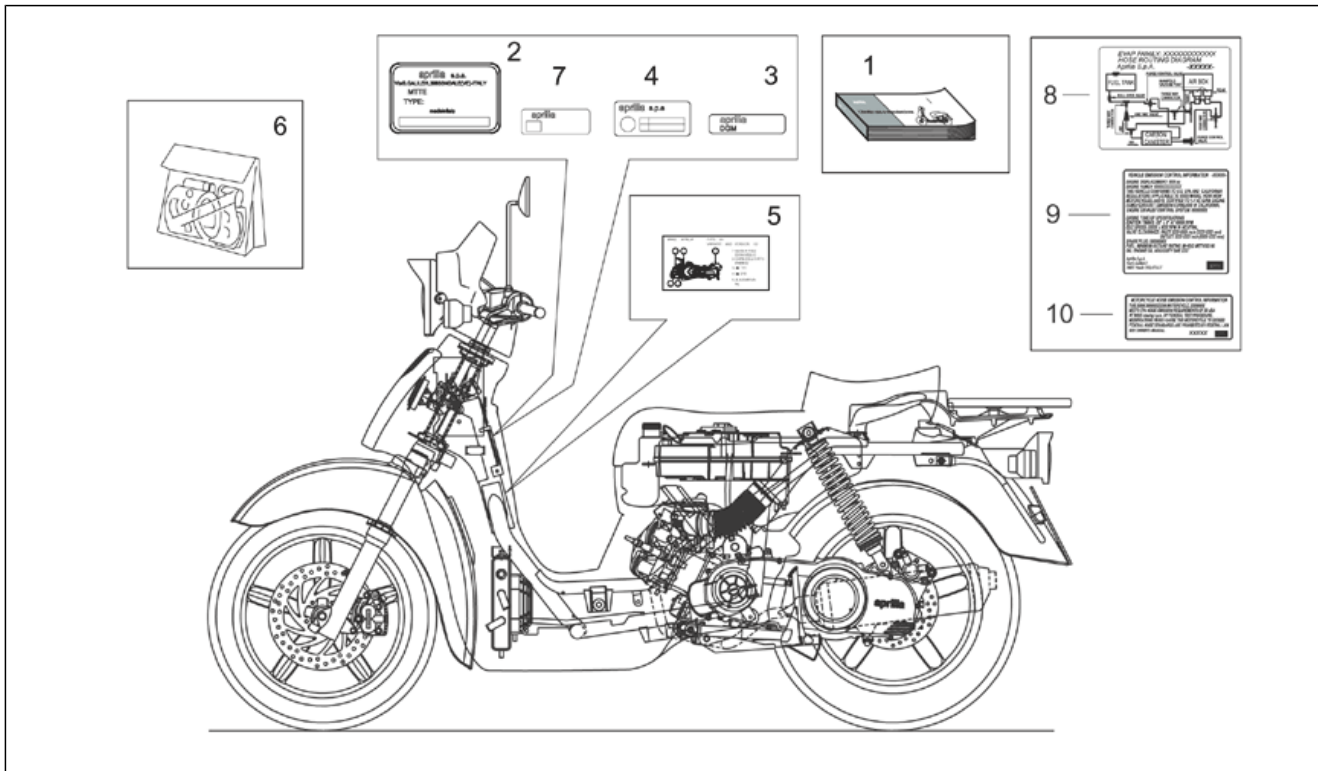
Pos.	Code	Description	Qty	Variants
2	AP8147557	Constructor dataplate	1	<b>Country:</b> Germany[D], Spain[E], France[F], Greece[GR], Italy[I], Israel[IL] <b>Technical Specifications:</b> 150 cc version[150]
2	AP8157034	Constructor dataplate	1	<b>Country:</b> Austria[A], Germany[D], Spain[E], France[F], Greece[GR], Italy[I], Japan[J], Portugal[P], Great Britain[UK] <b>Technical Specifications:</b> 125 cc version[125]
2	AP8157379	Constructor dataplate	1	<b>Country:</b> Switzerland[CH] <b>Technical Specifications:</b> 125 cc version[125]
2	AP8167052	Constructor dataplate	1	<b>Country:</b> USA (California Approval)[CF], USA (California Approval)[CZ], United States of America[USA] <b>Technical Specifications:</b> 150 cc version[150]
2	AP8167393	Constructor dataplate	1	<b>Technical Specifications:</b> 200 cc version[200], European approval (EURO 1 limits)[E1]
2	AP8177047	Constructor dataplate	1	<b>Technical Specifications:</b> 125 cc version[125], 200 cc version[200], European approval (EURO 2 limits)[E2]
3	AP8147558	DGM dataplate	1	<b>Country:</b> Greece[GR], Italy[I] <b>Technical Specifications:</b> 150 cc version[150]
3	AP8157035	DGM dataplate	1	<b>Country:</b> Greece[GR], Italy[I] <b>Technical Specifications:</b> 125 cc version[125]
4	AP8147556	ECE dataplate	1	<b>Technical Specifications:</b> 150 cc version[150]
4	AP8157033	ECE dataplate	1	<b>Technical Specifications:</b> 125 cc version[125]
4	AP8177165	ECE dataplate	1	<b>Country:</b> Japan[J] <b>Technical Specifications:</b> 125 cc version[125]
4	AP8177166	ECE dataplate	1	<b>Country:</b> Japan[J] <b>Technical Specifications:</b> 200 cc version[200]
5	AP8157380	Tamperproof dataplate	1	<b>Country:</b> France[F] <b>Technical Specifications:</b> 125 cc version[125]
6	AP8157271	Decal set	1	<b>Year:</b> 1999[X] <b>Vehicle colour:</b> Chamois '99-2000[cam] <b>Technical Specifications:</b> 125 cc version[125]
6	AP8157272	Decal set	1	<b>Year:</b> 1999[X] <b>Vehicle colour:</b> Shark Grey '99[s.g] <b>Technical Specifications:</b> 125 cc version[125]

<b>Group</b>	FRAME
<b>Code</b>	28.51
<b>Description</b>	Plate set and handbooks
<b>Service</b>	1



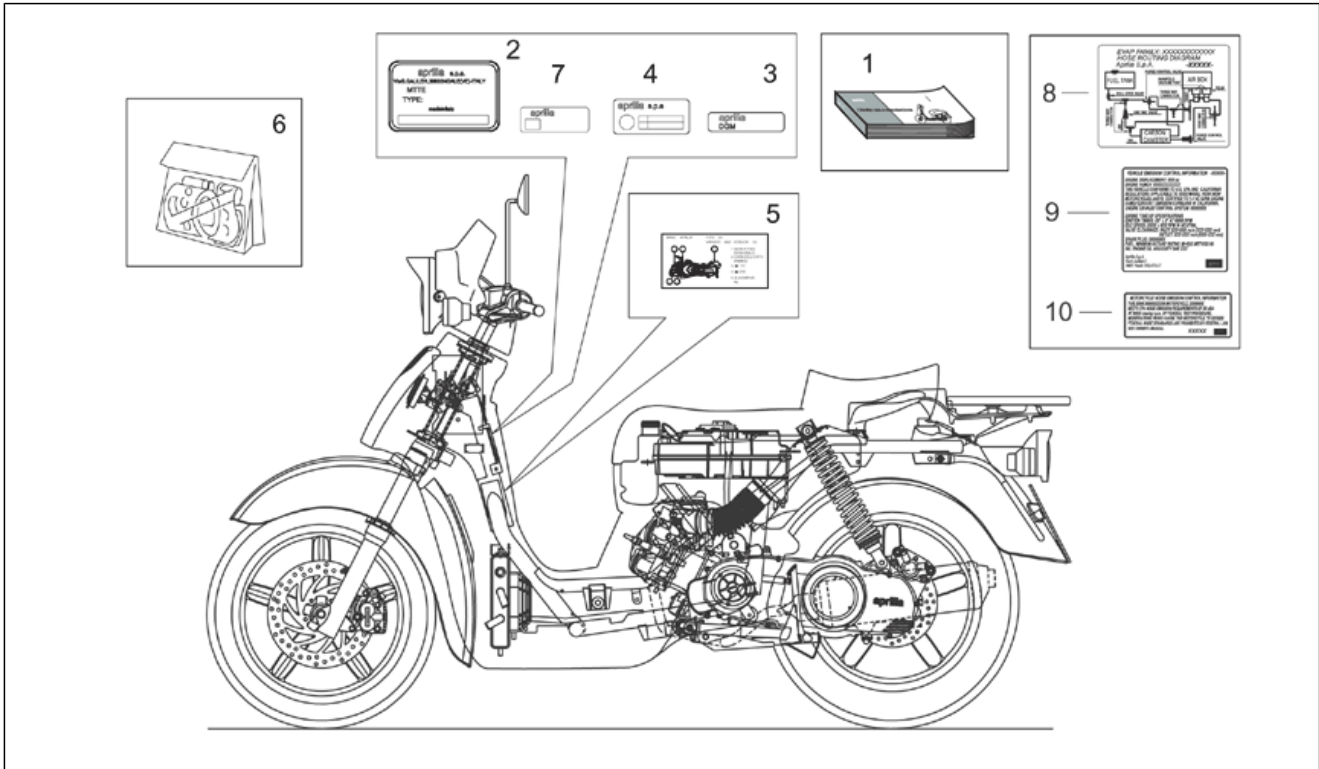
Pos.	Code	Description	Qty	Variants
6	AP8157273	Decal set	1	Year:1999[X] Vehicle colour:Mirò Red '99 - 2000[m.r] Technical Specifications:125 cc version[125]
6	AP8157274	Decal set	1	Year:1999[X] Vehicle colour:Agua Green '99[a.g] Technical Specifications:125 cc version[125]
6	AP8157275	Decal set	1	Year:1999[X] Vehicle colour:Chamois '99-2000[cam] Technical Specifications:150 cc version[150]
6	AP8157276	Decal set	1	Year:1999[X] Vehicle colour:Shark Grey '99[s.g] Technical Specifications:150 cc version[150]
6	AP8157277	Decal set	1	Year:1999[X] Vehicle colour:Mirò Red '99 - 2000[m.r] Technical Specifications:150 cc version[150]
6	AP8157293	Decal set	1	Year:1999[X] Vehicle colour:Agua Green '99[a.g] Technical Specifications:150 cc version[150]
6	AP8157655	Decal set	1	Year:2000[Y] Vehicle colour:Chamois '99-2000[cam] Technical Specifications:125 cc version[125]
6	AP8157657	Decal set	1	Year:2000[Y] Vehicle colour:Mirò Red '99 - 2000[m.r] Technical Specifications:125 cc version[125]
6	AP8157659	Decal set	1	Year:2000[Y] Vehicle colour:Chamois '99-2000[cam] Technical Specifications:150 cc version[150]
6	AP8157661	Decal set	1	Year:2000[Y] Vehicle colour:Mirò Red '99 - 2000[m.r] Technical Specifications:150 cc version[150]
6	AP8157663	Decal set	1	Year:2000[Y] Vehicle colour:Chips Blue 2000-2001[blu.c] Technical Specifications:125 cc version[125]
6	AP8157665	Decal set	1	Year:2000[Y]

<b>Group</b>	FRAME
<b>Code</b>	28.51
<b>Description</b>	Plate set and handbooks
<b>Service</b>	1



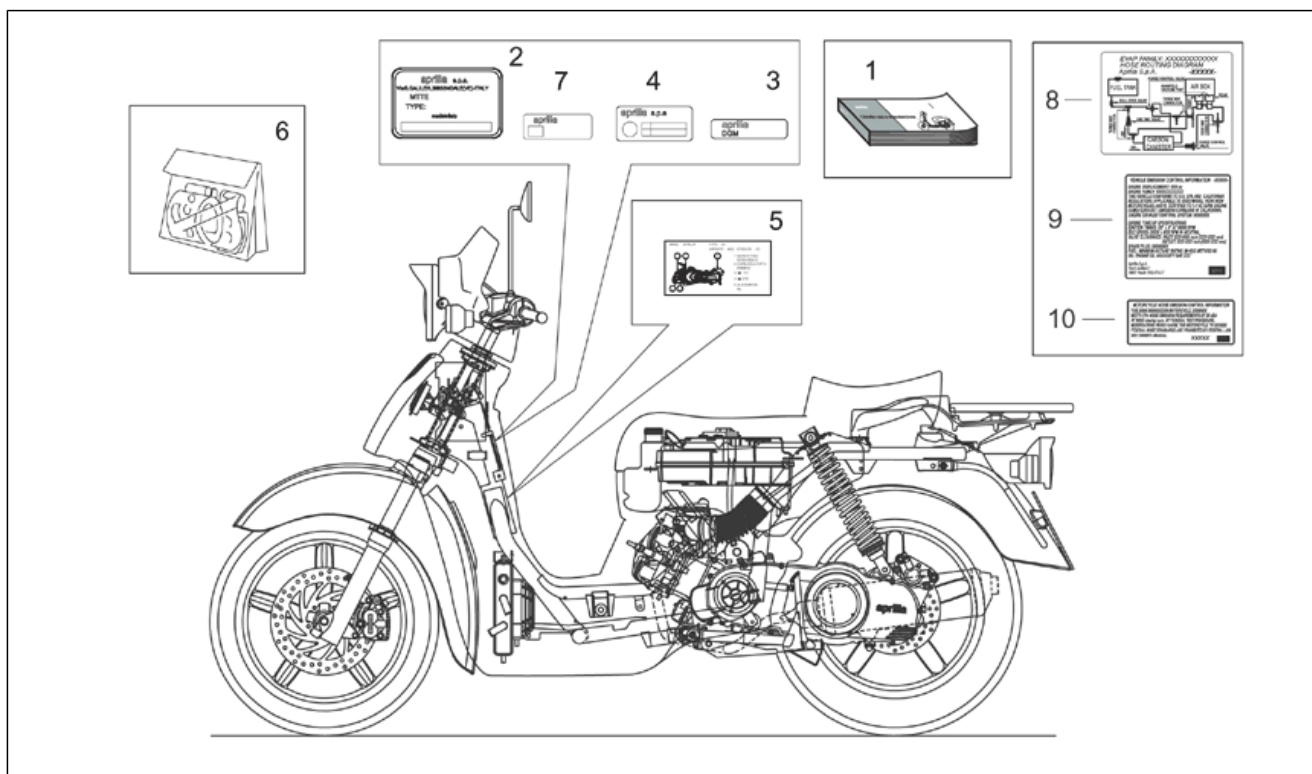
Pos.	Code	Description	Qty	Variants
				<b>Vehicle colour:</b> Chips Blue 2000-2001[blu.c] <b>Technical Specifications:</b> 150 cc version[150]
6	AP8157720	Decal set	1	<b>Year:</b> 2000[Y] <b>Vehicle colour:</b> Aprilia Black 2000-2001-2002[black] <b>Technical Specifications:</b> 125 cc version[125]
6	AP8157722	Decal set	1	<b>Year:</b> 2000[Y] <b>Vehicle colour:</b> Aprilia Black 2000-2001-2002[black] <b>Technical Specifications:</b> 150 cc version[150]
6	AP8157897	Decal set	1	<b>Year:</b> 2000[Y] <b>Vehicle colour:</b> Ice Green 2000[g.ice] <b>Technical Specifications:</b> 125 cc version[125]
6	AP8157899	Decal set	1	<b>Year:</b> 2000[Y] <b>Vehicle colour:</b> Ice Green 2000[g.ice] <b>Technical Specifications:</b> 150 cc version[150]
6	AP8166337	Decal set	1	<b>Year:</b> 2004[4] <b>Vehicle colour:</b> Diamond Grey 2004[d.grey] <b>Country:</b> USA (California Approval)[CF], USA (California Approval)[CZ]
6	AP8166408	Decal set	1	<b>Year:</b> 2004[4] <b>Vehicle colour:</b> Silver Mirror 2004[m.silv] <b>Country:</b> USA (California Approval)[CF], USA (California Approval)[CZ]
6	AP8167283	Decal set	1	<b>Year:</b> 2001[1] <b>Vehicle colour:</b> Aprilia Black 2000-2001-2002[black] <b>Country:</b> United States of America[USA]
6	AP8167450	Decal set	1	<b>Year:</b> 2001[1] <b>Vehicle colour:</b> Mercury Grey 2001-2002-2003[mer.g] <b>Country:</b> United States of America[USA]
6	AP8167451	Decal set	1	<b>Year:</b> 2001[1] <b>Vehicle colour:</b> Thin Green 2001[thi.g] <b>Country:</b> United States of America[USA]
6	AP8167452	Decal set	1	<b>Year:</b> 2001[1] <b>Vehicle colour:</b> Chips Blue 2000-2001[blu.c] <b>Country:</b> United States of America[USA]

<b>Group</b>	FRAME
<b>Code</b>	28.51
<b>Description</b>	Plate set and handbooks
<b>Service</b>	1



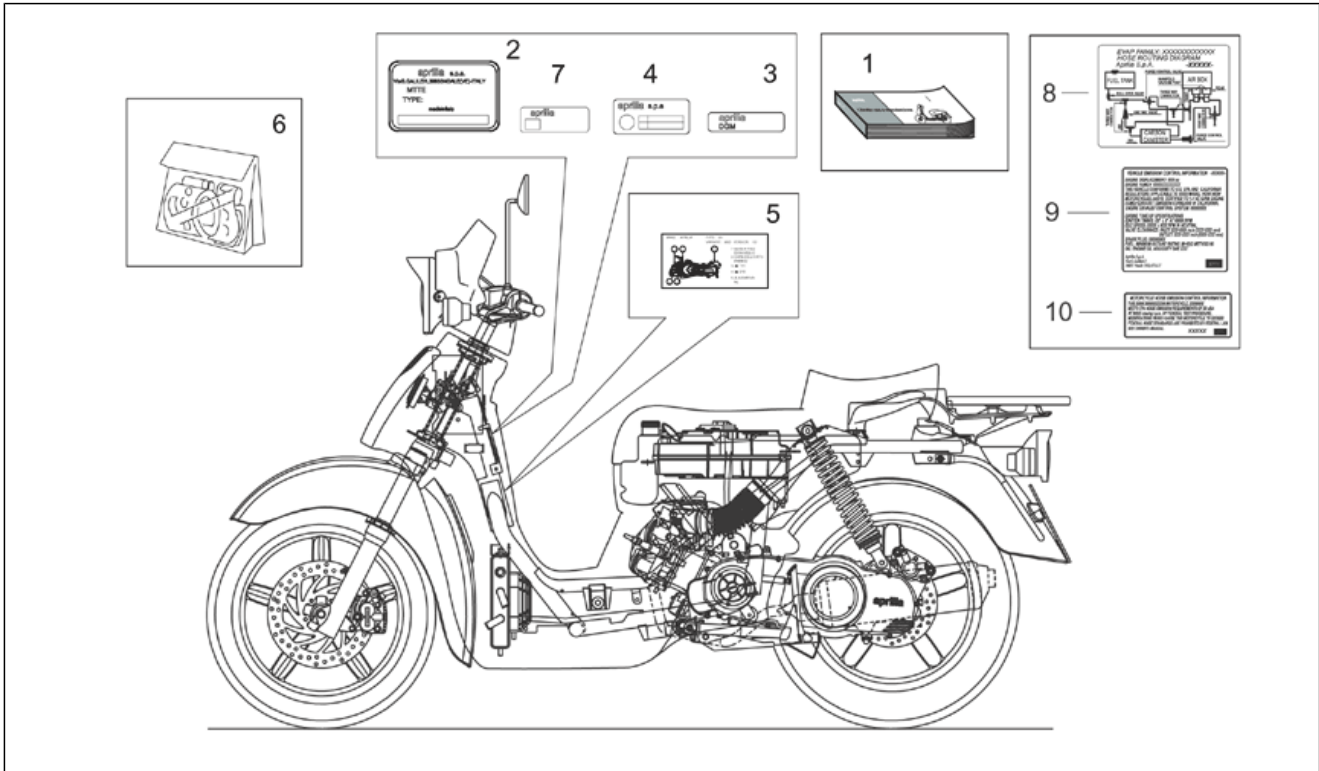
Pos.	Code	Description	Qty	Variants
6	AP8167563	Decal set	1	<b>Year:</b> 2001[1] <b>Vehicle colour:</b> Lord Blue 2001-2002[blu.l], Mosaic Gold 2001[gold], Platinum Grey 2001[pla.g], Baroque Red 2001[red.b] <b>Technical Specifications:</b> 125 cc version[125]
6	AP8167563	Decal set	1	<b>Year:</b> 2001[1] <b>Vehicle colour:</b> Chips Blue 2000-2001[blu.c], Mercury Grey 2001-2002-2003[mer.g], Thin Green 2001[thi.g] <b>Country:</b> Austria[A], Switzerland[CH], Germany[D], Spain[E], France[F], Greece[GR], Italy[I], Israel[IL], Japan[J], Portugal[P], Great Britain[UK] <b>Technical Specifications:</b> 125 cc version[125]
6	AP8167564	Decal set	1	<b>Year:</b> 2001[1] <b>Vehicle colour:</b> Aprilia Black 2000-2001-2002[black] <b>Country:</b> Austria[A], Switzerland[CH], Germany[D], Spain[E], France[F], Greece[GR], Italy[I], Israel[IL], Japan[J], Portugal[P], Great Britain[UK] <b>Technical Specifications:</b> 125 cc version[125]
6	AP8167565	Decal set	1	<b>Year:</b> 2001[1] <b>Vehicle colour:</b> Platinum Grey 2001[pla.g] <b>Technical Specifications:</b> 150 cc version[150]
6	AP8167565	Decal set	1	<b>Year:</b> 2001[1] <b>Vehicle colour:</b> Chips Blue 2000-2001[blu.c], Mercury Grey 2001-2002-2003[mer.g], Thin Green 2001[thi.g] <b>Country:</b> Austria[A], Switzerland[CH], Germany[D], Spain[E], France[F], Greece[GR], Italy[I], Israel[IL], Japan[J], Portugal[P], Great Britain[UK] <b>Technical Specifications:</b> 150 cc version[150]
6	AP8167566	Decal set	1	<b>Year:</b> 2001[1] <b>Vehicle colour:</b> Aprilia Black 2000-2001-2002[black] <b>Country:</b> Austria[A], Switzerland[CH], Germany[D], Spain[E], France[F], Greece[GR], Italy[I], Israel[IL], Japan[J], Portugal[P], Great Britain[UK] <b>Technical Specifications:</b> 150 cc version[150]
6	AP8167567	Decal set	1	<b>Year:</b> 2001[1]

<b>Group</b>	FRAME
<b>Code</b>	28.51
<b>Description</b>	Plate set and handbooks
<b>Service</b>	1



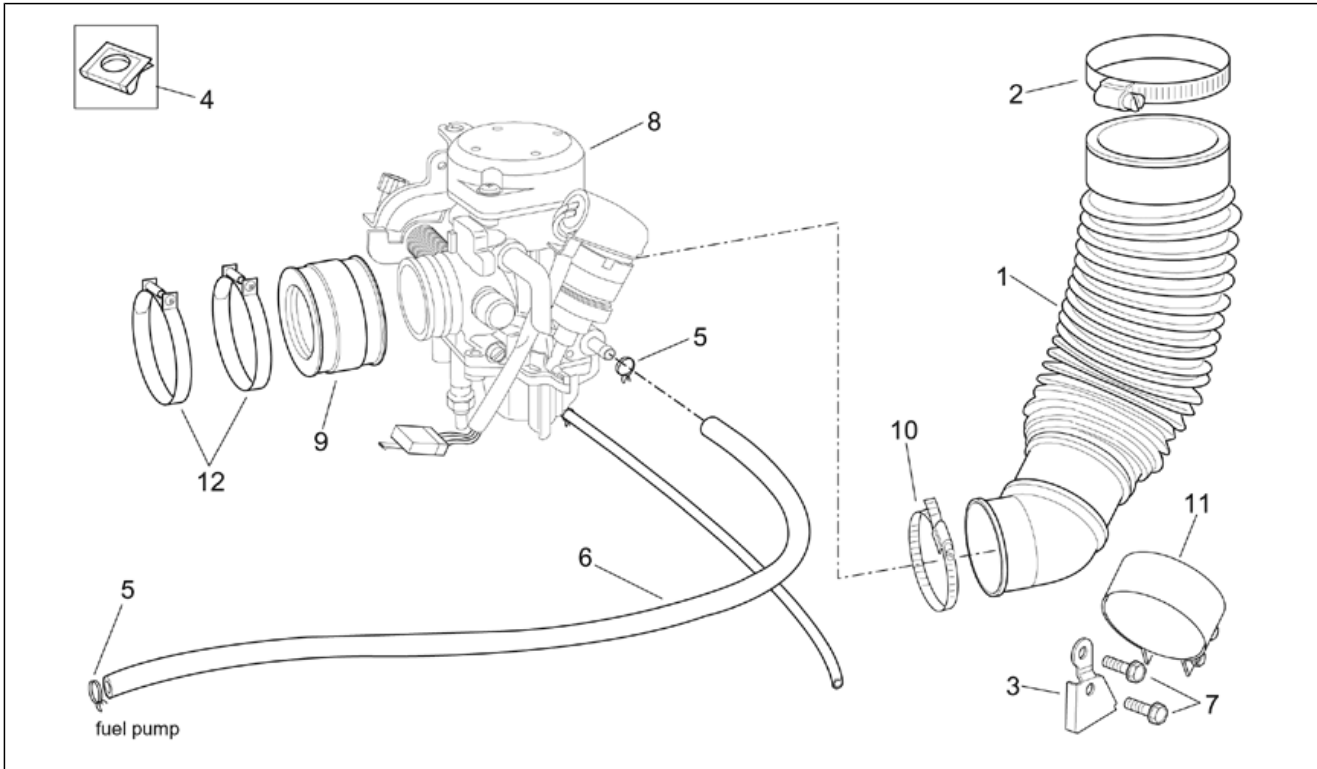
Pos.	Code	Description	Qty	Variants
				<b>Vehicle colour:</b> Chips Blue 2000-2001[blu.c], Lord Blue 2001-2002[blu.l], Mosaic Gold 2001[gold], Mercury Grey 2001-2002-2003[mer.g], Platinum Grey 2001[pla.g], Baroque Red 2001[red.b], Thin Green 2001[thi.g] <b>Technical Specifications:</b> 200 cc version[200]
6	AP8167568	Decal set	1	<b>Year:</b> 2001[1] <b>Vehicle colour:</b> Aprilia Black 2000-2001-2002[black] <b>Technical Specifications:</b> 200 cc version[200]
6	AP8177052	Decal set	1	<b>Year:</b> 2002[2] <b>Technical Specifications:</b> 125 cc version[125], Basic version[BSC], France Touring version[TRG]
6	AP8177093	Decal set	1	<b>Year:</b> 2002[2] <b>Vehicle colour:</b> Shadow Black 2002[sha.b] <b>Technical Specifications:</b> 125 cc version[125], Touring version[GT]
6	AP8177096	Decal set	1	<b>Year:</b> 2002[2] <b>Vehicle colour:</b> Mercury Grey 2001-2002-2003[mer.g] <b>Technical Specifications:</b> 125 cc version[125], Touring version[GT]
6	AP8177172	Decal set	1	<b>Year:</b> 2002[2] <b>Vehicle colour:</b> Tulip Red 2002[red.t], Storm Grey 2002[sto.g] <b>Technical Specifications:</b> 125 cc version[125], Touring version[GT]
6	AP8177176	Decal set	1	<b>Year:</b> 2002[2] <b>Technical Specifications:</b> 200 cc version[200], Basic version[BSC]
6	AP8177177	Decal set	1	<b>Year:</b> 2002[2] <b>Vehicle colour:</b> Shadow Black 2002[sha.b] <b>Technical Specifications:</b> 200 cc version[200], Touring version[GT]
6	AP8177178	Decal set	1	<b>Year:</b> 2002[2] <b>Vehicle colour:</b> Mercury Grey 2001-2002-2003[mer.g] <b>Technical Specifications:</b> 200 cc version[200], Touring version[GT]

<b>Group</b>	FRAME
<b>Code</b>	28.51
<b>Description</b>	Plate set and handbooks
<b>Service</b>	1



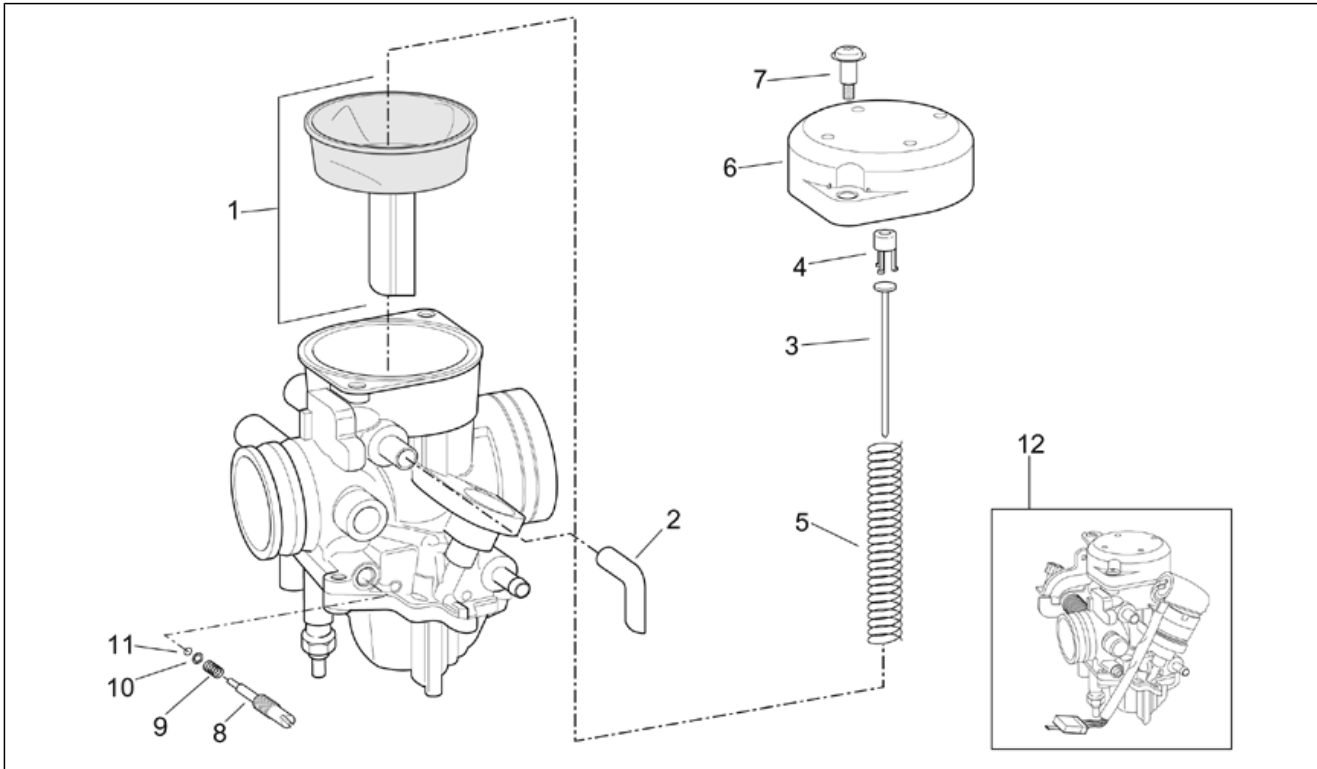
Pos.	Code	Description	Qty	Variants
6	AP8177179	Decal set	1	Year:2002[2] Vehicle colour:Tulip Red 2002[red.t], Storm Grey 2002[sto.g] Technical Specifications:200 cc version[200], Touring version[GT]
6	AP8177560	Decal set	1	Year:2003[3] Vehicle colour:Sideral Green 2003[green] Technical Specifications:125 cc version[125]
6	AP8177561	Decal set	1	Year:2003[3] Vehicle colour:Sideral Green 2003[green] Technical Specifications:200 cc version[200]
6	AP8177570	Decal set	1	Year:2003[3] Vehicle colour:Mercury Grey 2001-2002-2003[mer.g] Technical Specifications:125 cc version[125]
6	AP8177571	Decal set	1	Year:2003[3] Vehicle colour:Mercury Grey 2001-2002-2003[mer.g] Technical Specifications:200 cc version[200]
6	AP8177572	Decal set	1	Year:2003[3] Vehicle colour:Main Blue 2003[blue] Technical Specifications:125 cc version[125]
6	AP8177573	Decal set	1	Year:2003[3] Vehicle colour:Main Blue 2003[blue] Technical Specifications:200 cc version[200]
7	AP8147559	CEE dataplate	1	Technical Specifications:125 cc version[125]
8	AP8177195	Carbon filter sticker	1	Country:USA (California Approval)[CF], USA (California Approval)[CZ], United States of America[USA]
9	AP8177194	Emission control sticker	1	Country:USA (California Approval)[CF], USA (California Approval)[CZ], United States of America[USA]
10	AP8177193	Noise emission sticker	1	Country:USA (California Approval)[CF], USA (California Approval)[CZ], United States of America[USA]

<b>Group</b>	ENGINE
<b>Code</b>	29.36
<b>Description</b>	Carburettor I
<b>Service</b>	1



Pos.	Code	Description	Qty	Variants
1	AP8144112	Intake hose	1	
2	AP8120246	Hose clamp D=60-80	1	
3	AP8134571	Hose fixing support	1	
4	AP8102376	Clip M6	1	
5	AP8101595	Hose clamp D10,1*	12	
6	AP8120952	Fuel pipe 5,5x10	1	
7	AP8152277	Screw w/ flange	2	
8	AP8106553	Carburettor	1	<b>Country:</b> Austria[A], Germany[D], Spain[E], France[F], Greece[GR], Italy[I], Israel[IL], Japan[J], Portugal[P], Great Britain[UK] <b>Technical Specifications:</b> 125 cc version[125], 150 cc version[150]
8	AP8106639	Carburettor	1	<b>Country:</b> Switzerland[CH] <b>Technical Specifications:</b> 125 cc version[125]
8	AP8106804	Carburettor	1	<b>Country:</b> USA (California Approval)[CF], USA (California Approval)[CZ], United States of America[USA] <b>Technical Specifications:</b> 150 cc version[150]
8	AP8106859	Carburettor	1	<b>Technical Specifications:</b> 200 cc version[200], European approval (EURO 1 limits)[E1]
8	AP8106938	Carburettor	1	<b>Technical Specifications:</b> 200 cc version[200], European approval (EURO 2 limits)[E2]
8	AP8106939	Carburettor	1	<b>Technical Specifications:</b> 125 cc version[125], European approval (EURO 2 limits)[E2]
9	AP0267132	Carburettor flange	1	
10	AP8102700	Hose clamp 40-60 h9	1	
11	AP8104045	Hose clamp	1	
12	AP0251052	Hose clamp with spacer 45	2	

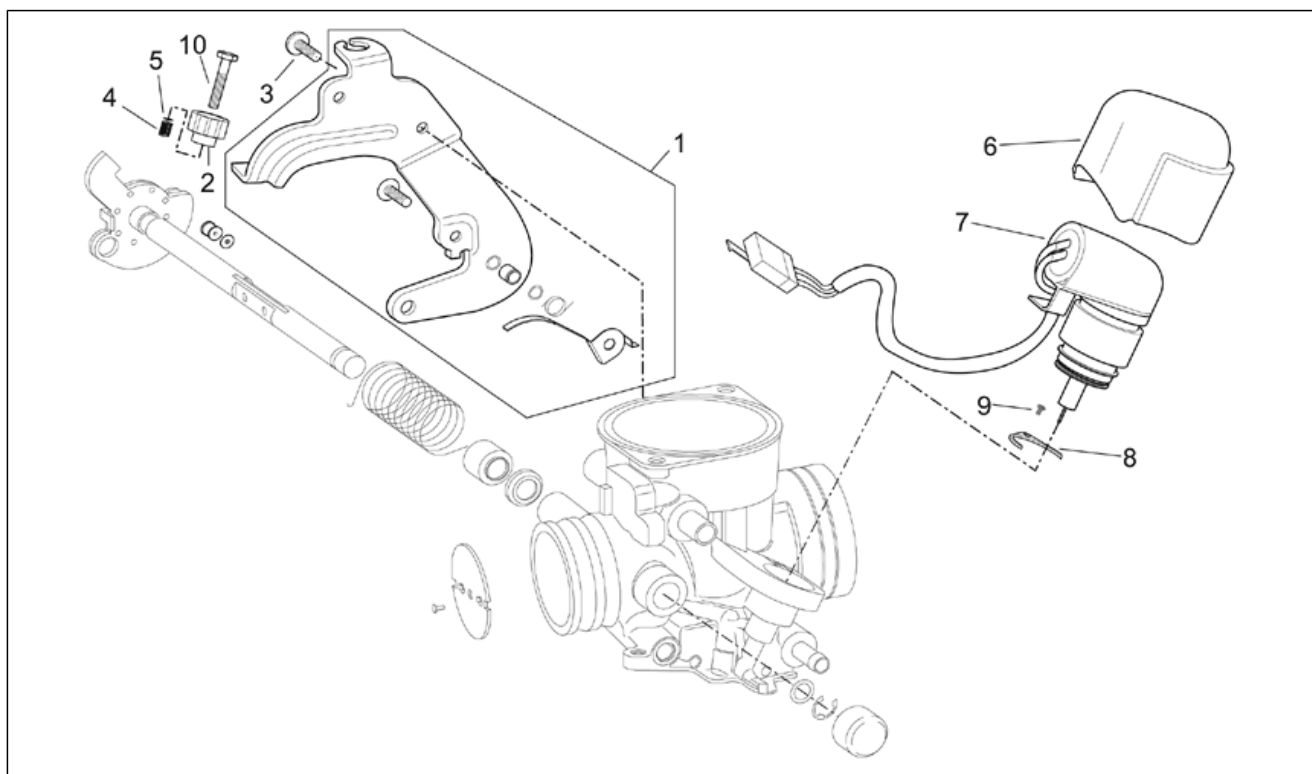
<b>Group</b>	ENGINE
<b>Code</b>	29.37
<b>Description</b>	Carburettor II
<b>Service</b>	1



Pos.	Code	Description	Qty	Variants
1	AP8106661	Diaphragm	1	
2	AP8144265	Rubber pipe	1	
3	AP8106659	Jet Needle	1	
4	AP8106660	Metering rod lock	1	
5	AP8121392	Spring	1	
6	AP8106658	Cover	1	
7	AP8152373	Screw	2	
8	CM151701	Adjuster screw	1	
9	AP8121393	Spring	1	
10	AP8152375	Washer	1	
11	AP8123900	O-ring	1	
12	AP8106553	Carburettor	1	<b>Country:</b> Austria[A], Germany[D], Spain[E], France[F], Greece[GR], Italy[I], Israel[IL], Japan[J], Portugal[P], Great Britain[UK] <b>Technical Specifications:</b> 125 cc version[125], 150 cc version[150]
12	AP8106639	Carburettor	1	<b>Country:</b> Switzerland[CH] <b>Technical Specifications:</b> 125 cc version[125]
12	AP8106804	Carburettor	1	<b>Country:</b> USA (California Approval)[CF], USA (California Approval)[CZ], United States of America[USA] <b>Technical Specifications:</b> 150 cc version[150]
12	AP8106859	Carburettor	1	<b>Technical Specifications:</b> 200 cc version[200], European approval (EURO 1 limits)[E1]
12	AP8106938	Carburettor	1	<b>Technical Specifications:</b> 200 cc version[200], European approval (EURO 2 limits)[E2]
12	AP8106939	Carburettor	1	<b>Technical Specifications:</b> 125 cc version[125], European approval (EURO 2 limits)[E2]

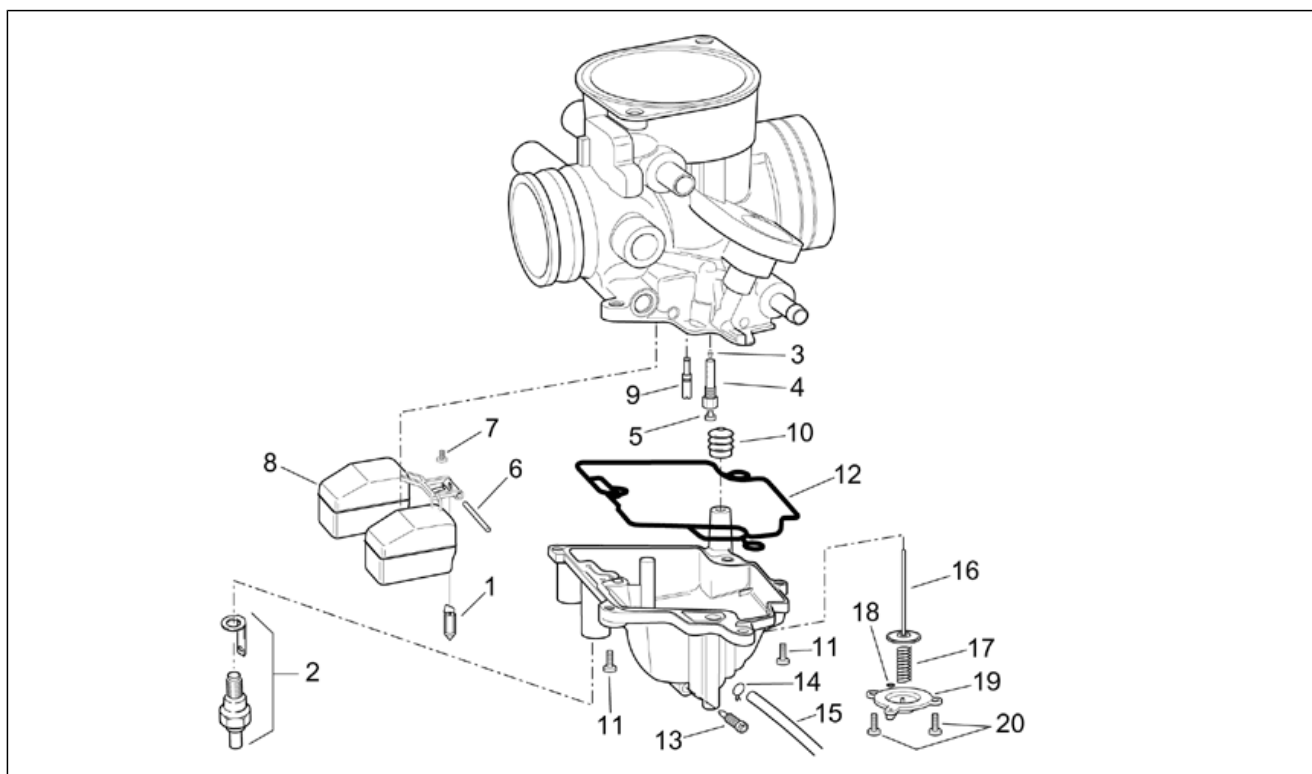


<b>Group</b>	ENGINE
<b>Code</b>	29.38
<b>Description</b>	Carburettor III
<b>Service</b>	1



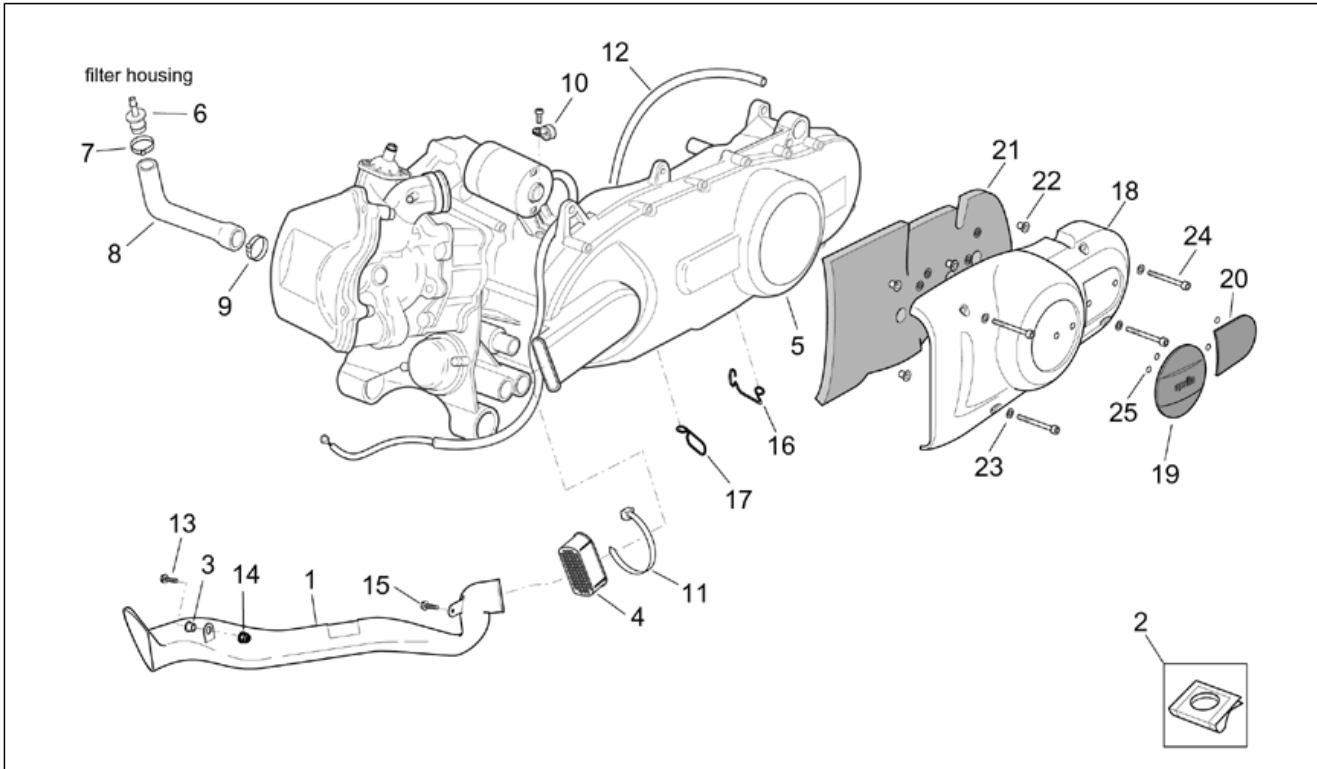
Pos.	Code	Description	Qty	Variants
1	AP8106667	Plate cpl.	1	Country:Austria[A], Switzerland[CH], Germany[D], Spain[E], France[F], Greece[GR], Italy[I], Israel[IL], Japan[J], Portugal[P], Great Britain[UK]
1	AP8163056	Plate cpl.	1	Country:USA (California Approval)[CF], USA (California Approval)[CZ], United States of America[USA]
2	AP8144260	Adj.min.eng.speed knob	1	
3	AP8152366	Screw	1	
4	AP8121389	Spring	1	
5	AP8152368	Plain washer	1	
6	AP8106663	Starter valve cover	1	
7	AP8106665	Choke valve	1	
8	AP8106664	Plate	1	
9	AP8152374	Screw with washer	1	
10	AP8152367	Adj.min.eng.speed screw	1	

<b>Group</b>	ENGINE
<b>Code</b>	29.39
<b>Description</b>	Carburettor IV
<b>Service</b>	1



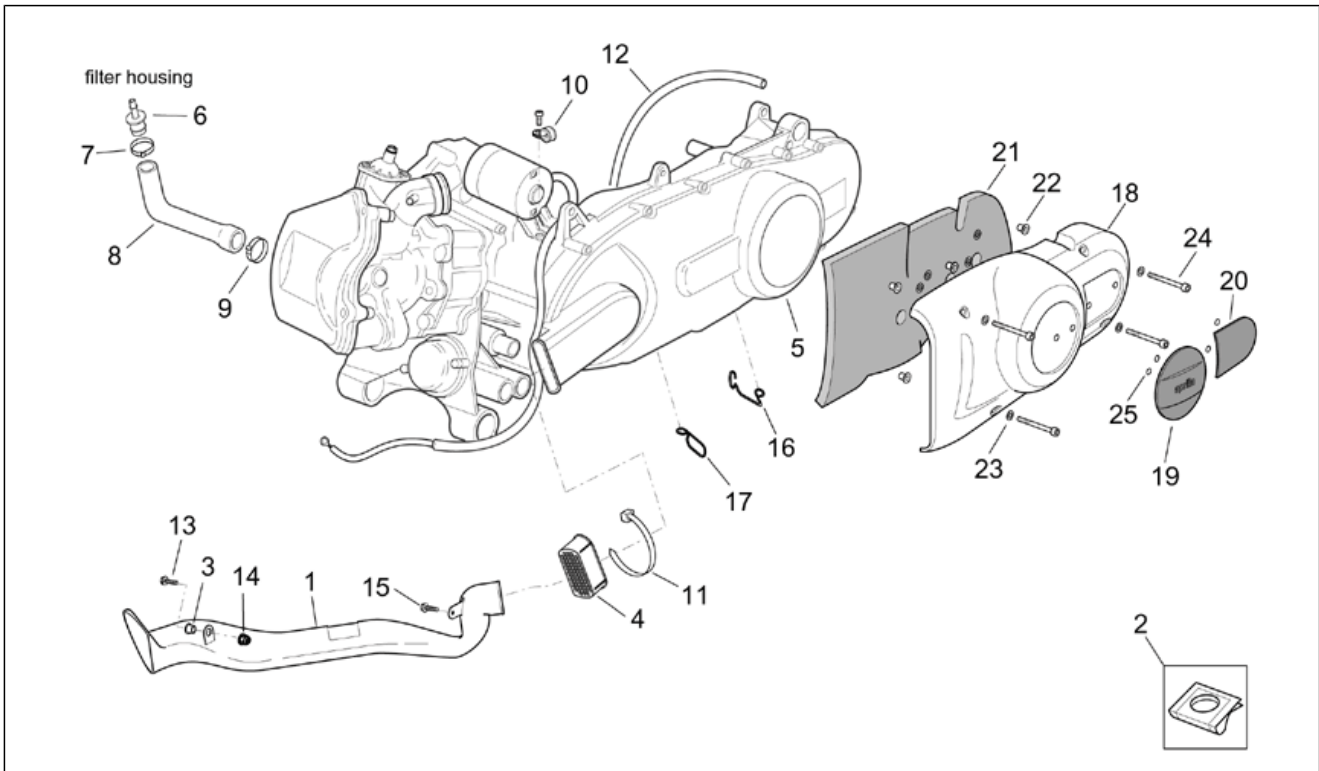
Pos.	Code	Description	Qty	Variants
1	AP8106656	Needle valve	1	
2	AP8124834	Heater kit	1	
3	AP8106662	Nozzle	1	
4	AP8106653	Needle valve	1	
5	AP8106652	Main jet	1	<b>Technical Specifications:</b> 125 cc version[125], 150 cc version[150]
5	AP8106887	Main jet	1	<b>Technical Specifications:</b> 200 cc version[200]
6	AP8121391	Pin	1	
7	AP8152372	Screw	1	
8	AP8106655	Float cpl.	1	
9	AP8106654	Idle jet	1	
10	AP8144261	Bellows	1	
11	AP8152369	Screw	3	
12	AP8144264	Float chamber gasket	1	
13	AP8152371	Float chamber unload screw	1	
14	AP8104058	Hose clip	1	
15	AP8144263	Rubber pipe	1	
16	AP8106651	Diaphragm pump	1	
17	AP8121390	Spring	1	
18	AP8144262	Gasket	1	
19	AP8106650	Cover	1	
20	AP8152370	Screw	2	

<b>Group</b>	ENGINE
<b>Code</b>	29.40
<b>Description</b>	Engine assembly
<b>Service</b>	1



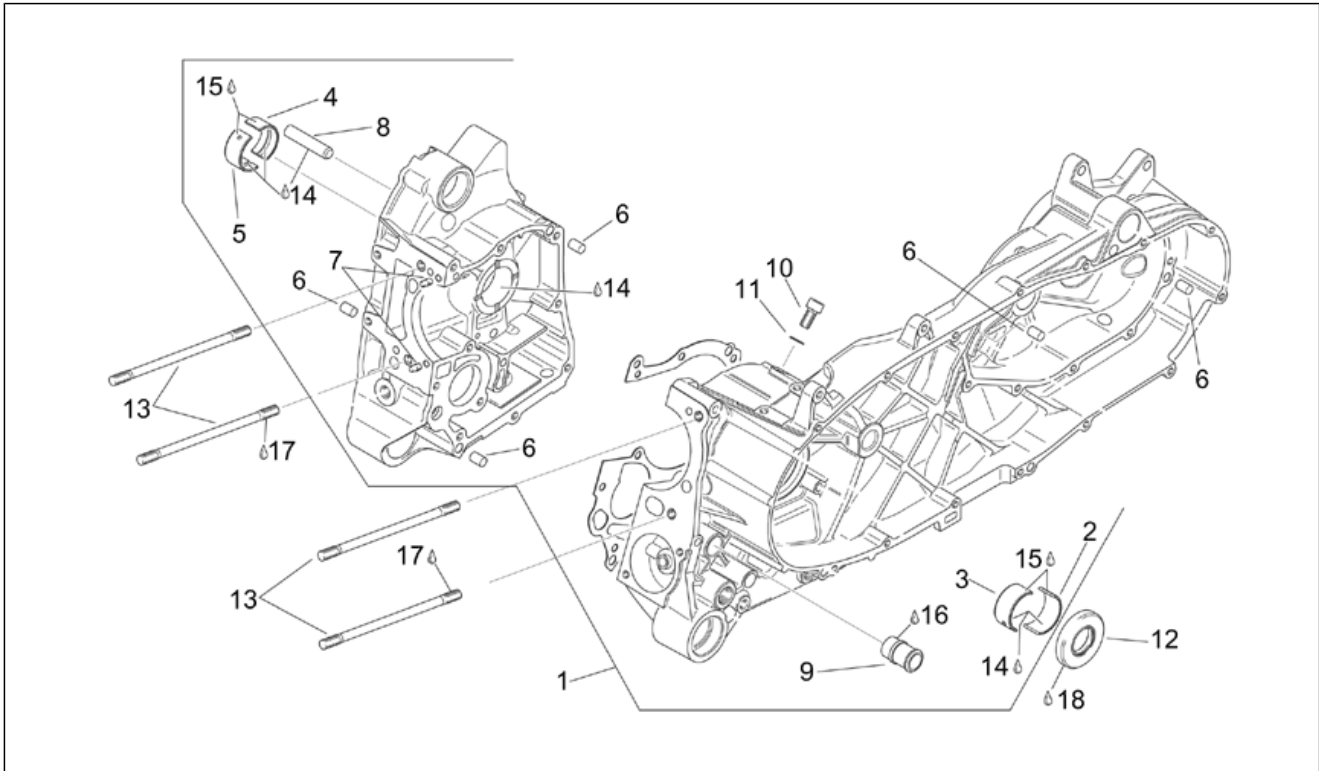
Pos.	Code	Description	Qty	Variants
1	AP8139249	Variator air intake	1	
2	AP8102376	Clip M6	2	
3	AP8121075	T bush *	1	
4	AP8148453	Variator air intake grid	1	Year:2001[1], 1999[X], 2000[Y]
4	AP8168045	Variator air intake grid	1	Year:2002[2]
5	AP8106552	Engine 154S	1	Year:1999[X], 2000[Y] Technical Specifications:150 cc version[150]
5	AP8106601	Engine 120S	1	Year:1999[X], 2000[Y] Technical Specifications:125 cc version[125]
5	AP8106842	Engine, complete 120 S	1	Year:2001[1], 2002[2], 2003[3] Technical Specifications:125 cc version[125]
5	AP8106843	Complete engine, water cooled S	1	Year:2001[1] Technical Specifications:150 cc version[150]
5	AP8106843	Complete engine, water cooled S	1	Year:2004[4] Country:USA (California Approval)[CF], USA (California Approval)[CZ]
5	AP8106860	Engine 180	1	Year:2001[1], 2002[2], 2003[3] Technical Specifications:200 cc version[200], European approval (EURO 1 limits)[E1]
5	AP8106943	Engine 180	1	Year:2003[3] Technical Specifications:200 cc version[200], European approval (EURO 2 limits)[E2]
5	AP8176107	Engine	1	Technical Specifications:125 cc version[125], European approval (EURO 2 limits)[E2]
6	AP8102576	2-way union	1	
7	AP8201169	Hose clip D22x8,6*	1	
8	AP8120977	Oil breather pipe	1	
9	AP8201409	Hose clip 290x8,9	1	
10	AP8134167	Brake hose hanger	1	
11	AP8120657	Hose clamp *	1	
12	AP8120952	Fuel pipe 5,5x10	1	

<b>Group</b>	ENGINE
<b>Code</b>	29.40
<b>Description</b>	Engine assembly
<b>Service</b>	1



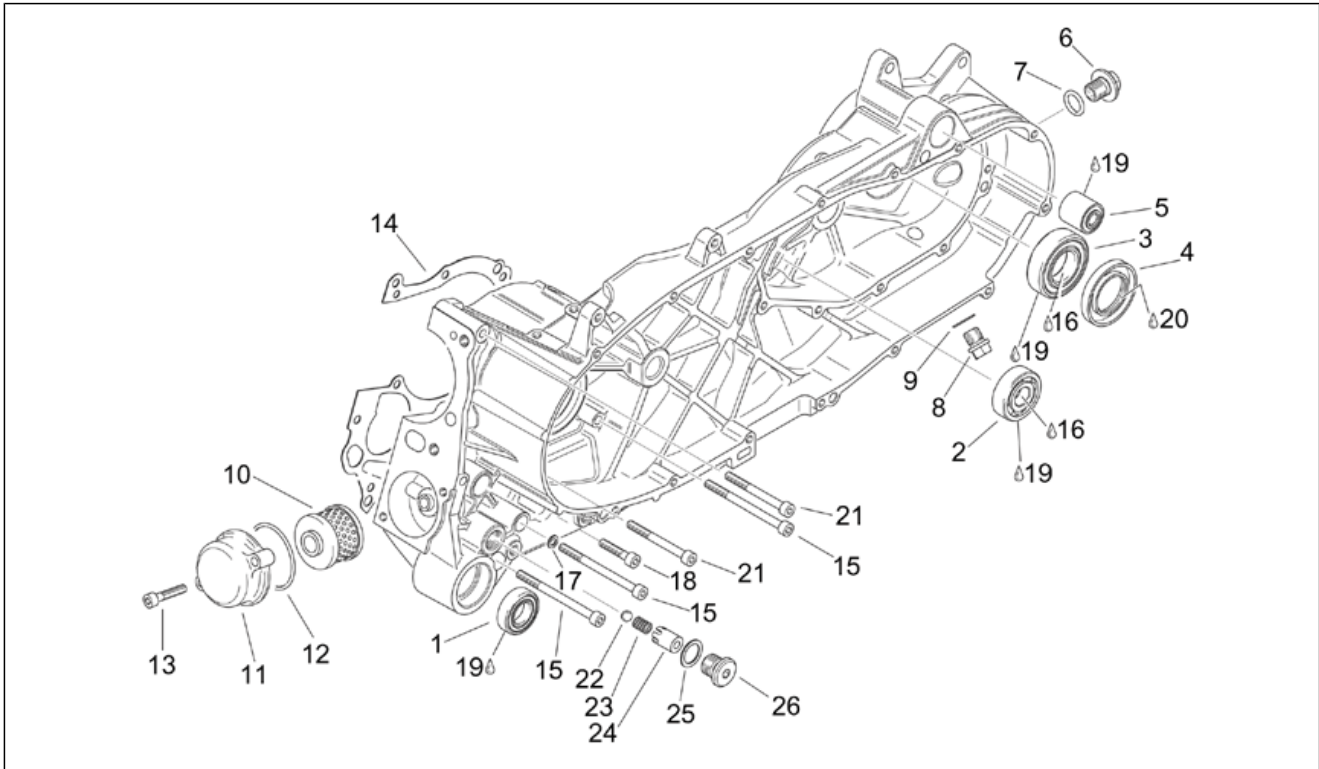
Pos.	Code	Description	Qty	Variants
13	AP8152279	Screw w/ flange M6x20	1	
14	AP8152299	Self-locking nut	1	
15	AP8152278	Screw w/ flange	1	
16	AP8121889	Cable-guide	1	
17	AP8120802	Cable-guide	1	
18	AP8158477	Crank-case cover	1	Year:2002[2] Vehicle colour:Aprilia Black 2000-2001-2002[black], Lord Blue 2001-2002[blu.l], Glasgow Green 2002[gla.g], Mercury Grey 2001-2002-2003[mer.g], Shadow Black 2002[sha.b]
18	AP8158477	Crank-case cover	1	Year:2003[3] Vehicle colour:Main Blue 2003[blue]
18	AP8158477	Crank-case cover	1	Year:2003[3] Vehicle colour:Mercury Grey 2001-2002-2003[mer.g]
18	AP8158477	Crank-case cover	1	Year:2003[3] Vehicle colour:Sideral Green 2003[green]
18	AP8158477	Crank-case cover	1	Year:2004[4] Country:USA (California Approval)[CF], USA (California Approval)[CZ]
18	AP8168213	Crank-case cover	1	Year:2002[2] Vehicle colour:Tulip Red 2002[red.t], Storm Grey 2002[sto.g]
19	AP8144547	Front slide piece	1	
20	AP8144548	Rear slide piece	1	
21	AP8117202	Insulator	1	
22	AP8121593	T bush	4	
23	AP8150450	Washer for shafts D5	4	
24	AP8150045	Hex socket screw	4	
25	AP8102504	Rubber spacer	4	

<b>Group</b>	ENGINE
<b>Code</b>	29.52
<b>Description</b>	Crankcase
<b>Service</b>	1



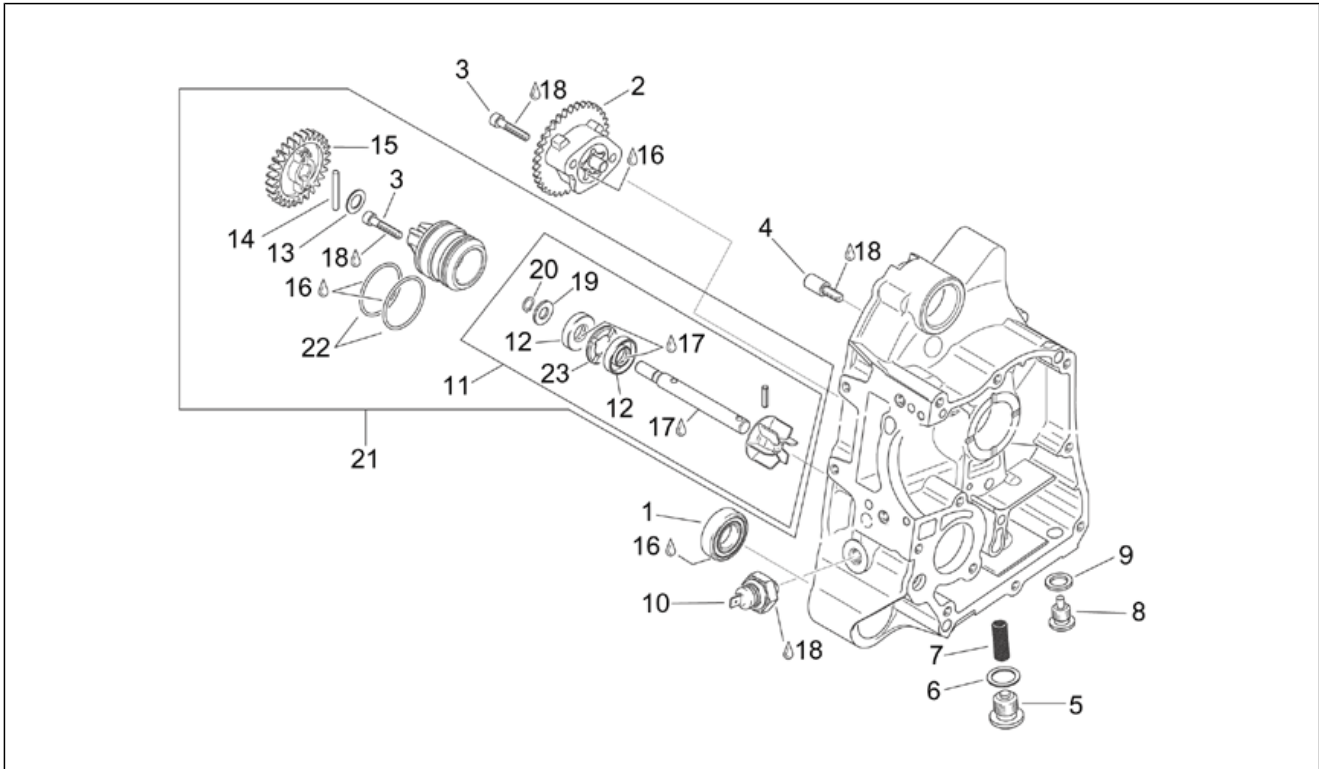
Pos.	Code	Description	Qty	Variants
1	AP0295941	Crankcase assy	1	<b>Technical Specifications:</b> 125 cc version[125], 150 cc version[150]
1	AP0295943	Crankcase assy	1	<b>Technical Specifications:</b> 200 cc version[200]
2	AP0233710	Bearing half-shell 32x36x18	1	
3	AP0233712	Bearing half-shell 32x36x18	1	
4	AP0233715	Bearing half-shell 32x36x18	1	
5	AP0233717	Bearing half-shell 32x36x18	1	
6	AP0632010	Pin M8x12	5	
7	AP0929650	Pin 5x10	2	
8	AP0229301	Pin M6x50	1	
9	AP0224265	Pipe	1	
10	AP0440193	Hex socket screw	1	
11	AP0950141	Gasket ring 8x13	1	
12	AP0831177	Oil seal 25x52x7	1	
13	AP0640240	Stud bolt 8x151-12,9	4	
14	0000000	Tyre 110/90"	1	
15	AP0297433	Molykote G-N 50gr.	1	
16	AP0899788	Loctite (green) 648 5gr.	1	
17	AP0899784	Loctite (orange) 574	1	
18	0000000	Tyre 110/90"	1	

<b>Group</b>	ENGINE
<b>Code</b>	29.53
<b>Description</b>	Central semi-crankcase
<b>Service</b>	1



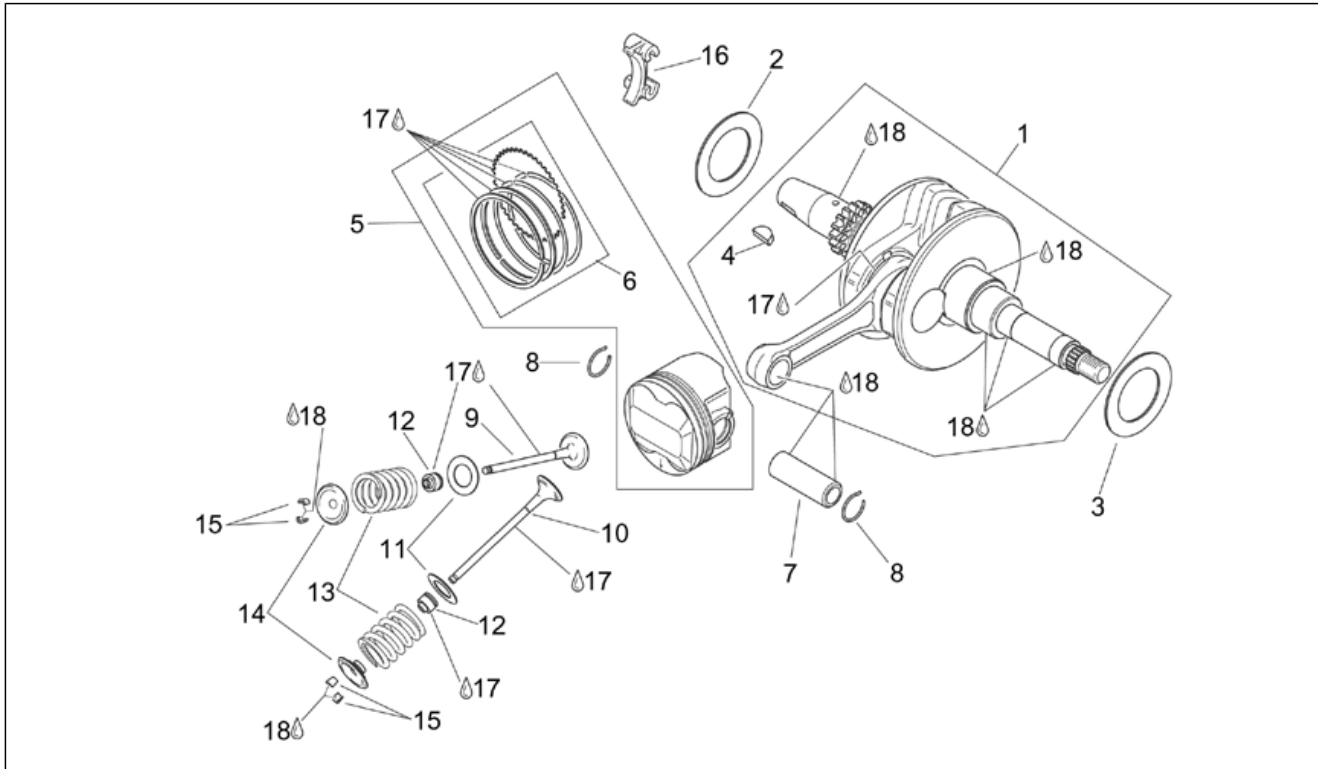
Pos.	Code	Description	Qty	Variants
1	AP0232621	Bearing 6003-2RS	1	
2	AP0232293	Bearing 6302-C3	1	
3	AP0932426	Bearing 6205	1	
4	AP0930900	Oil seal 30x52x7	1	
5	AP0260297	Sleeve crankcase	1	
6	AP0241660	Plug m14x1,5	1	
7	AP0650350	O-ring 14x3,2	1	
8	AP0841921	Plug M12x1,5	1	
9	AP0250640	Gasket ring 12x18	1	
10	AP0256451	Oil filter	1	
11	AP0211500	Oil filter cover	1	
12	AP0430920	O-ring	1	
13	AP0840880	Hex socket screw M6x30	2	
14	AP0650182	Gasket	1	
15	AP0241501	Hex socket screw M6x80	5	
16	AP0297434	Loctite Anti Seize 50ml.15378	1	
17	AP0230415	Gasket ring 6x10	1	
18	AP0840880	Hex socket screw M6x30	2	
19	0000000	Tyre 110/90"	1	
20	0000000	Tyre 110/90"	1	
21	AP0240371	Hex socket screw M6x60	3	
22	AP0432680	Ball 8,5 mm	1	
23	AP0239280	Compression spring 13,5	1	
24	AP0256483	Oil press valve body	1	
25	AP0430622	Gasket ring 16x22	1	
26	AP0240230	Plug m16x1,5	1	

<b>Group</b>	ENGINE
<b>Code</b>	29.54
<b>Description</b>	RH Semi-crankcase
<b>Service</b>	1



Pos.	Code	Description	Qty	Variants
1	AP0232621	Bearing 6003-2RS	1	
2	AP0295630	Oil pump assy.	1	
3	AP0241275	Screw w/ flange	3	
4	AP0240940	Bearing screw M6	1	
5	AP0240235	Plug M16x1,5	1	
6	AP0430622	Gasket ring 16x22	1	
7	AP0256490	Oil strainer	1	
8	AP0241782	Magnetic drain plug M12x1,5	1	
9	AP0250640	Gasket ring 12x18	1	
10	AP0956166	Oil pressure switch	1	
11	AP0220356	Water pump shaft assy.	1	
12	AP0230195	Oil seal 10x26x7	2	
13	AP0827590	Thrust washer 10,1/17/1	1	
14	AP0232430	Pin	1	
15	AP0634430	Pump gear	1	
16	0000000	Tyre 110/90"	1	
17	AP0897161	Molykote 111 100gr.	1	
18	AP0897651	Loctite (blue) 243 10cc.	1	
19	AP0827405	Washer 8,1	1	
20	AP0245570	Circlip 8x0,8	1	
21	AP0293419	Water pump assy	1	
22	AP0430900	O-ring	2	
23	AP0260710	Spacer	1	

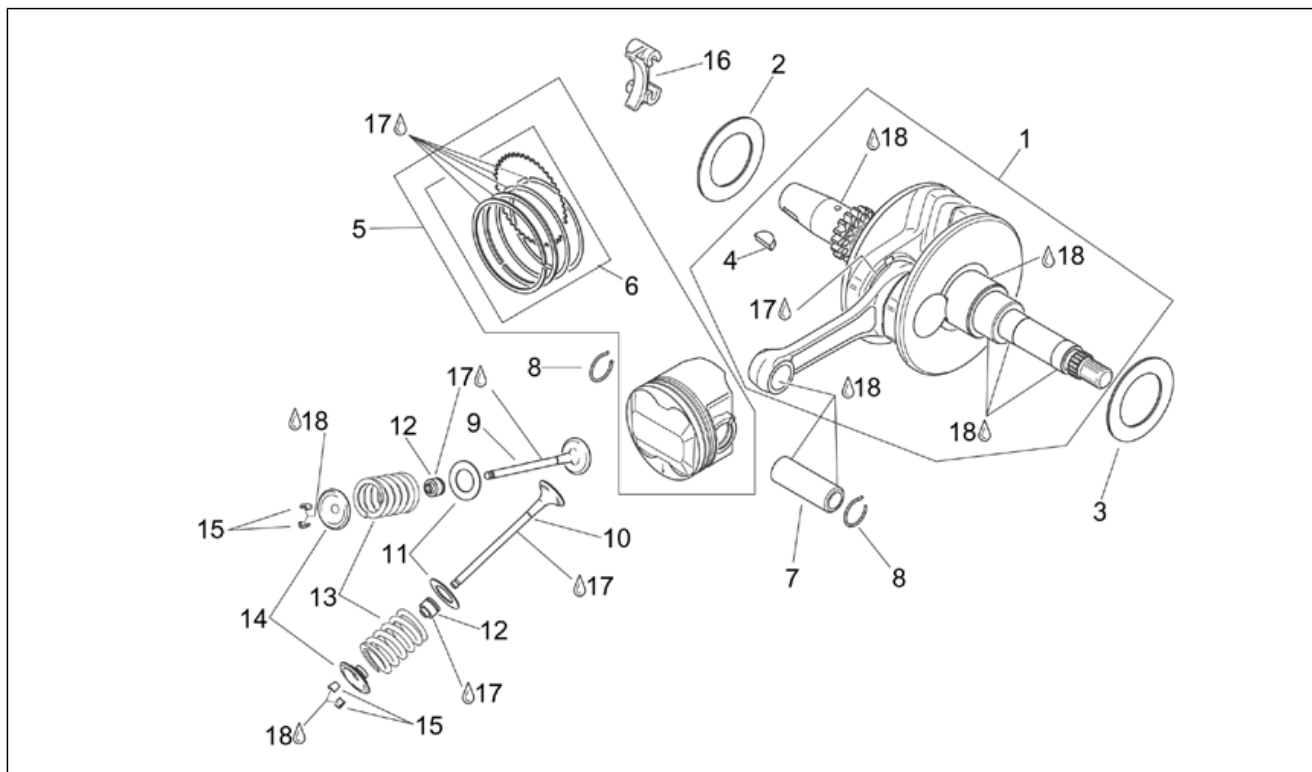
<b>Group</b>	ENGINE
<b>Code</b>	29.55
<b>Description</b>	Drive shaft
<b>Service</b>	1



Pos.	Code	Description	Qty	Variants
1	AP0295596	Crankshaft cpl. 50mm	1	<b>Technical Specifications:</b> 125 cc version[125], 150 cc version[150]
1	AP0296420	Crankshaft cpl. 58,4mm	1	<b>Technical Specifications:</b> 200 cc version[200]
2	AP0627110	Thrust washer 32/50/1	1	
3	AP0627110	Thrust washer 32/50/1	1	
3	AP0627111	Thrust washer 32/50/1,2	1	
3	AP0627112	Thrust washer 32/50/1,4	1	
4	AP0246570	Transmission key 4x5	1	
5	AP0295581	Piston assy 56,37/38	1	<b>Technical Specifications:</b> 125 cc version[125], To the engine nr.864317[V1], Between engine nr.864465-864533[V2]
5	AP0295585	Piston assy 56,37/38	1	<b>Technical Specifications:</b> 125 cc version[125], Between engine nr.864318-864464[N1], From engine nr.864534[N2]
5	AP0295820	Piston assy 61,97/98mm	1	<b>Technical Specifications:</b> 150 cc version[150], to the engine nr.820491[V3], Between eng.820546-820665 and 820671-820756[V4]
5	AP0295825	Piston assy 61,95mm	1	<b>Technical Specifications:</b> 150 cc version[150], Between eng.820492-820545 and 820666-820670[N3], From engine nr.820757[N4]
5	AP0296700	Piston assy 61,95mm	1	<b>Technical Specifications:</b> 200 cc version[200]
6	AP0295584	Piston ring set	1	<b>Technical Specifications:</b> 125 cc version[125], To the engine nr.864317[V1], Between engine nr.864465-864533[V2]
6	AP0295589	Piston ring set	1	<b>Technical Specifications:</b> 125 cc version[125], Between engine nr.864318-864464[N1], From engine nr.864534[N2]
6	AP0295824	Piston ring set	1	<b>Technical Specifications:</b> 150 cc version[150], to the engine nr.820491[V3], Between eng.820546-820665 and 820671-820756[V4]
6	AP0296704	Piston ring set	1	<b>Technical Specifications:</b> 150 cc version[150], Between eng.820492-820545 and 820666-820670[N3], From engine nr.820757[N4]
6	AP0296704	Piston ring set	1	<b>Technical Specifications:</b> 200 cc version[200]
7	AP0216210	Piston pin 15x10x43	1	

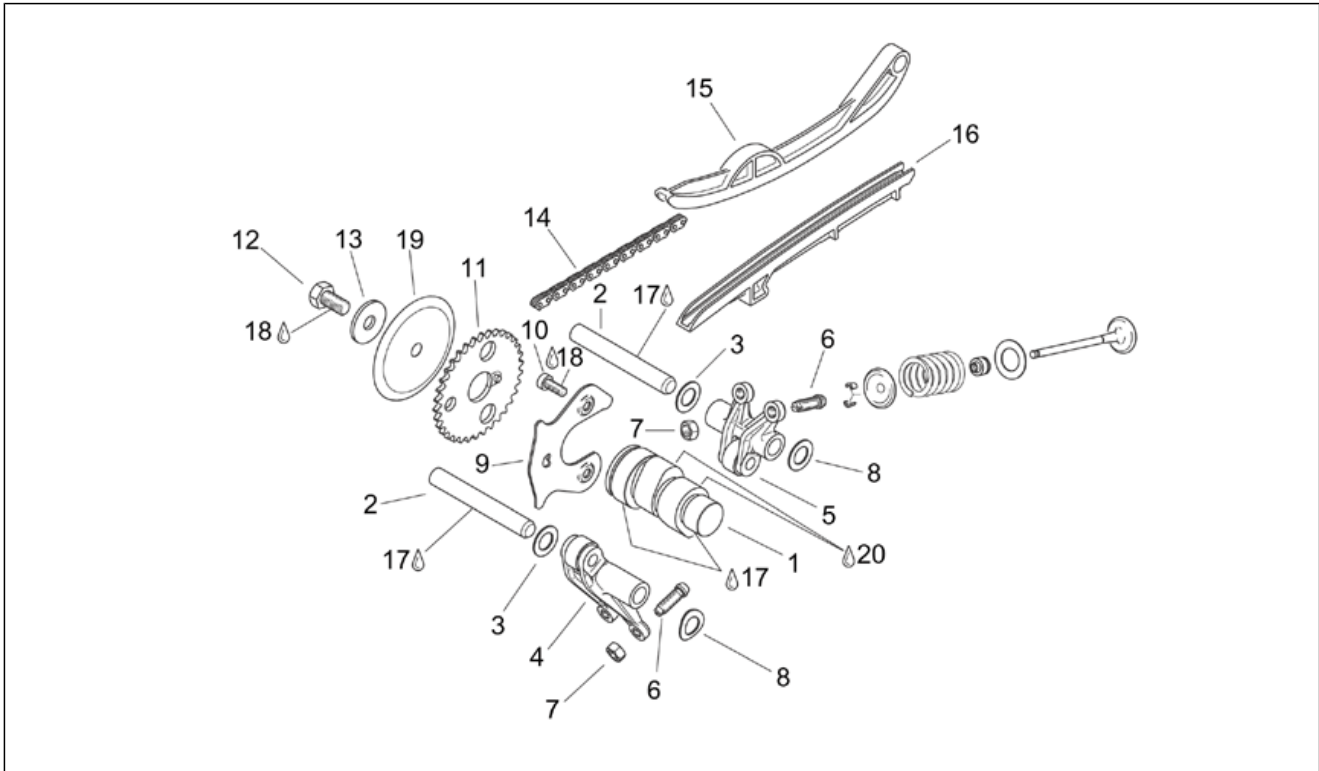


<b>Group</b>	ENGINE
<b>Code</b>	29.55
<b>Description</b>	Drive shaft
<b>Service</b>	1



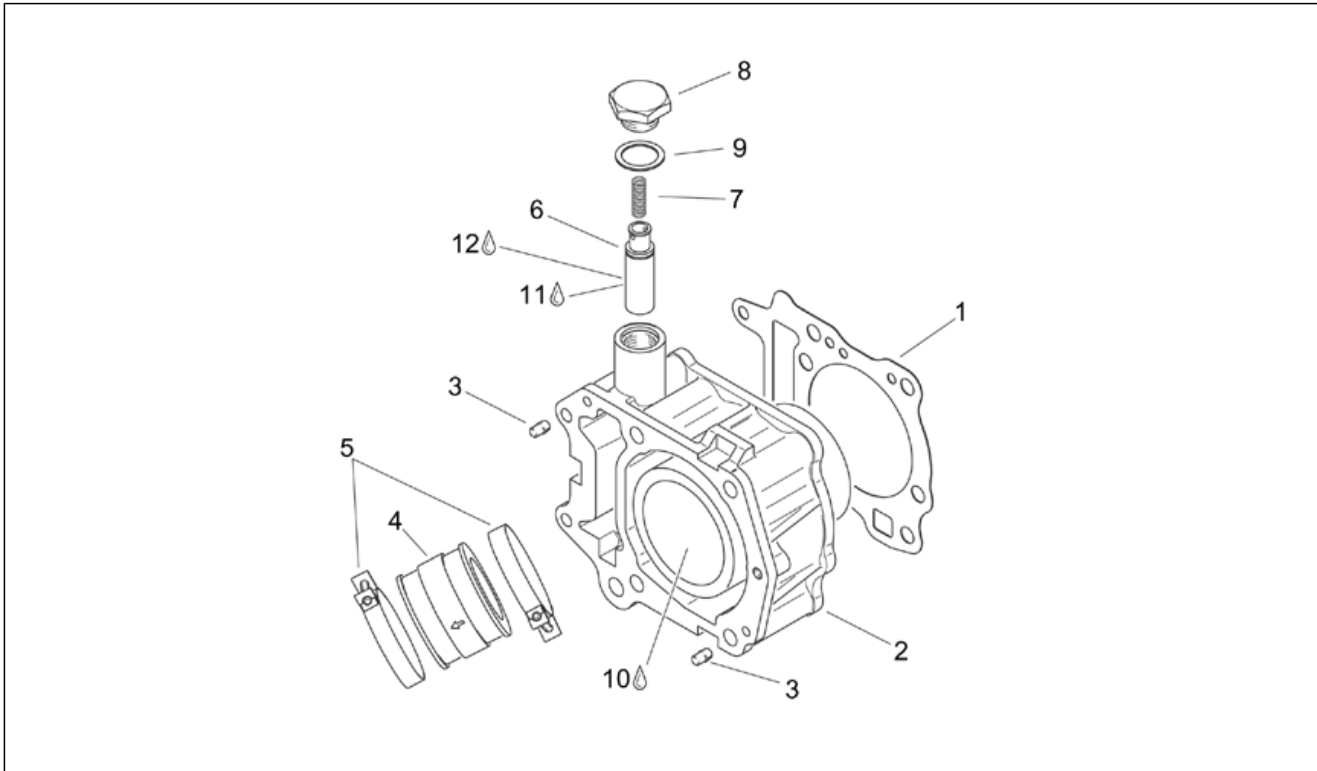
Pos.	Code	Description	Qty	Variants
8	AP0245805	Circlip w. bent end	2	
9	AP0253880	Intake valve 20 mm	2	
10	AP0253892	Exhaust valve 18 mm	2	
11	AP0227451	Thrust washer 12,5/21,5/0,5	4	
12	AP0650120	Valve stem seal	4	
13	AP0239360	Valve spring	4	
14	AP0253902	Valve spring retainer	4	
15	AP0253840	Valve half-cone sk 4n	8	
16	AP0236350	Chain guide	1	
17	0000000	Tyre 110/90"	1	
18	AP0297434	Loctite Anti Seize 50ml.15378	1	

<b>Group</b>	ENGINE
<b>Code</b>	29.56
<b>Description</b>	Valve control
<b>Service</b>	1



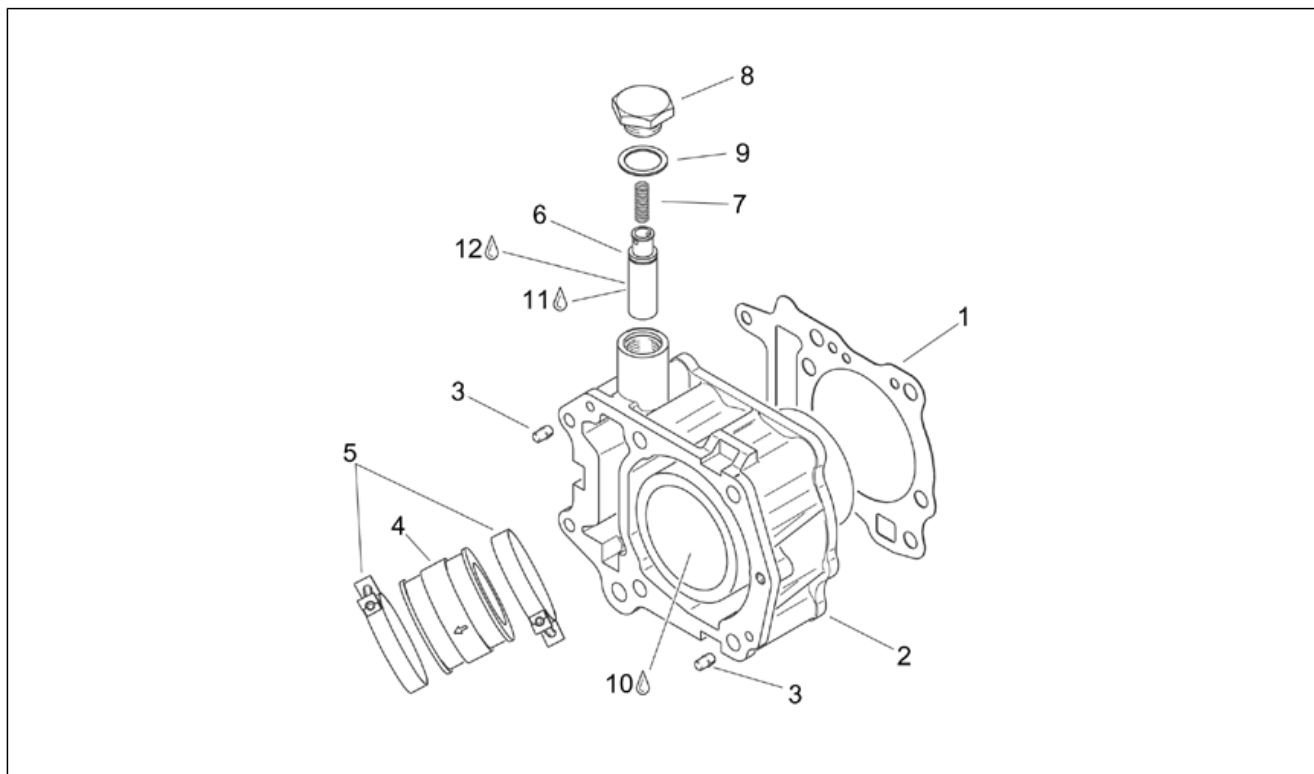
Pos.	Code	Description	Qty	Variants
1	AP0220314	Camshaft 217°	1	<b>Technical Specifications:</b> 125 cc version[125], 150 cc version[150]
1	AP0220315	Camshaft 236°	1	<b>Technical Specifications:</b> 200 cc version[200]
2	AP0229410	Pin 10x75	2	
3	AP0627100	Thrust washer 10,1/17/0,5	2	
4	AP0253878	Rocker arm assy., exhaust	1	
5	AP0253868	Rocker arm assy., inlet	1	
6	AP0241335	Screw M6x75	4	
7	AP0242910	Nut M6x0,75	4	
8	AP0627100	Thrust washer 10,1/17/0,5	2	
8	AP0827590	Thrust washer 10,1/17/1	2	
9	AP0251040	Plate	1	
10	AP0241841	Hex socket screw	2	
11	AP0634380	Gear Z=34	1	
12	AP0940580	Screw	1	
13	AP0227937	Washer 8,4	1	
14	AP0297932	Camshaft chain	1	
15	AP0236270	Chain guide plate	1	
16	AP0236280	Chain guide plate	1	
17	0000000	Tyre 110/90"	1	
18	AP0897651	Loctite (blue) 243 10cc.	1	
19	AP0627320	Spacer	1	
20	AP0297434	Loctite Anti Seize 50ml.15378	1	

<b>Group</b>	ENGINE
<b>Code</b>	29.57
<b>Description</b>	Cylinder
<b>Service</b>	1



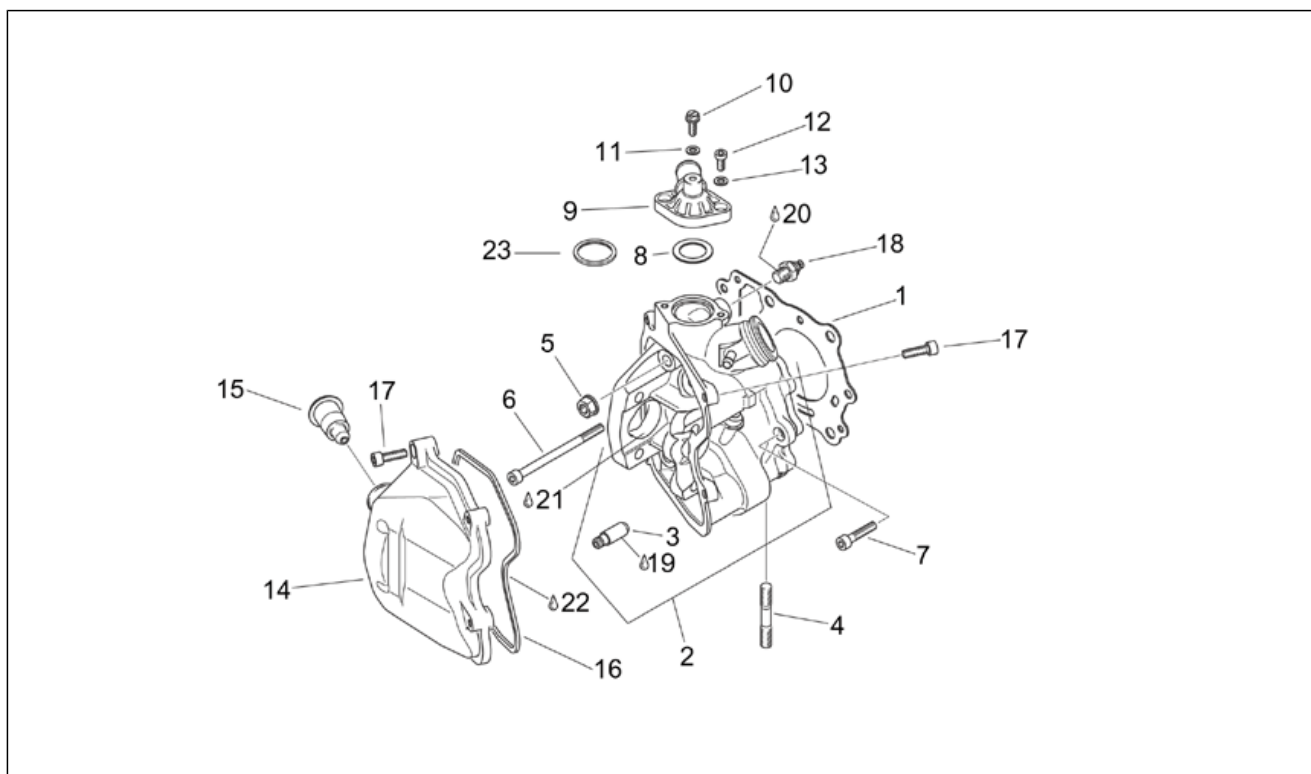
Pos.	Code	Description	Qty	Variants
1	AP0650165	Gasket	1	
2	AP0223970	Cylinder with piston Nikasil	1	<b>Technical Specifications:</b> 125 cc version[125], To the engine nr.864317[V1], Between engine nr.864465-864533[V2]
2	AP0223977	Cylinder with piston Nikasil	1	<b>Technical Specifications:</b> 150 cc version[150], to the engine nr.820491[V3], Between eng.820546-820665 and 820671-820756[V4]
2	AP0613345	Cylinder with sleeve	1	<b>Technical Specifications:</b> 200 cc version[200]
2	AP0613345	Cylinder with sleeve	1	<b>Technical Specifications:</b> 150 cc version[150], Between eng.820492-820545 and 820666-820670[N3], From engine nr.820757[N4]
2	AP0613395	Cylinder with sleeve	1	<b>Technical Specifications:</b> 125 cc version[125], Between engine nr.864318-864464[N1], From engine nr.864534[N2]
3	AP0929650	Pin 5x10	2	
4	AP0267132	Carburettor flange	1	
5	AP0251052	Hose clamp with spacer 45	2	
6	AP0236250	Chain tensioner assy.	1	<b>Technical Specifications:</b> to the engine nr.861913 (125cc) [<861913], 125 cc version[125]
6	AP0236250	Chain tensioner assy.	1	<b>Technical Specifications:</b> to the engine nr.817109 (150cc) [<817109], 150 cc version[150]
6	AP0236490	Chain tensioner assy.	1	<b>Technical Specifications:</b> from the engine nr.861914 (125cc) [>861914], 125 cc version[125]
6	AP0236490	Chain tensioner assy.	1	<b>Technical Specifications:</b> 200 cc version[200]
6	AP0236490	Chain tensioner assy.	1	<b>Technical Specifications:</b> from the engine nr.817110 (150cc) [>817110], 150 cc version[150]
7	AP0238100	Spring 47,5	1	<b>Technical Specifications:</b> from the engine nr.861914 (125cc) [>861914], 125 cc version[125]
7	AP0238100	Spring 47,5	1	<b>Technical Specifications:</b> 200 cc version[200]
7	AP0238100	Spring 47,5	1	<b>Technical Specifications:</b> from the engine nr.817110 (150cc) [>817110], 150 cc version[150]
7	AP0239015	Spring 16,9	1	<b>Technical Specifications:</b> to the engine nr.861913 (125cc) [<861913], 125 cc version[125]

<b>Group</b>	ENGINE
<b>Code</b>	29.57
<b>Description</b>	Cylinder
<b>Service</b>	1



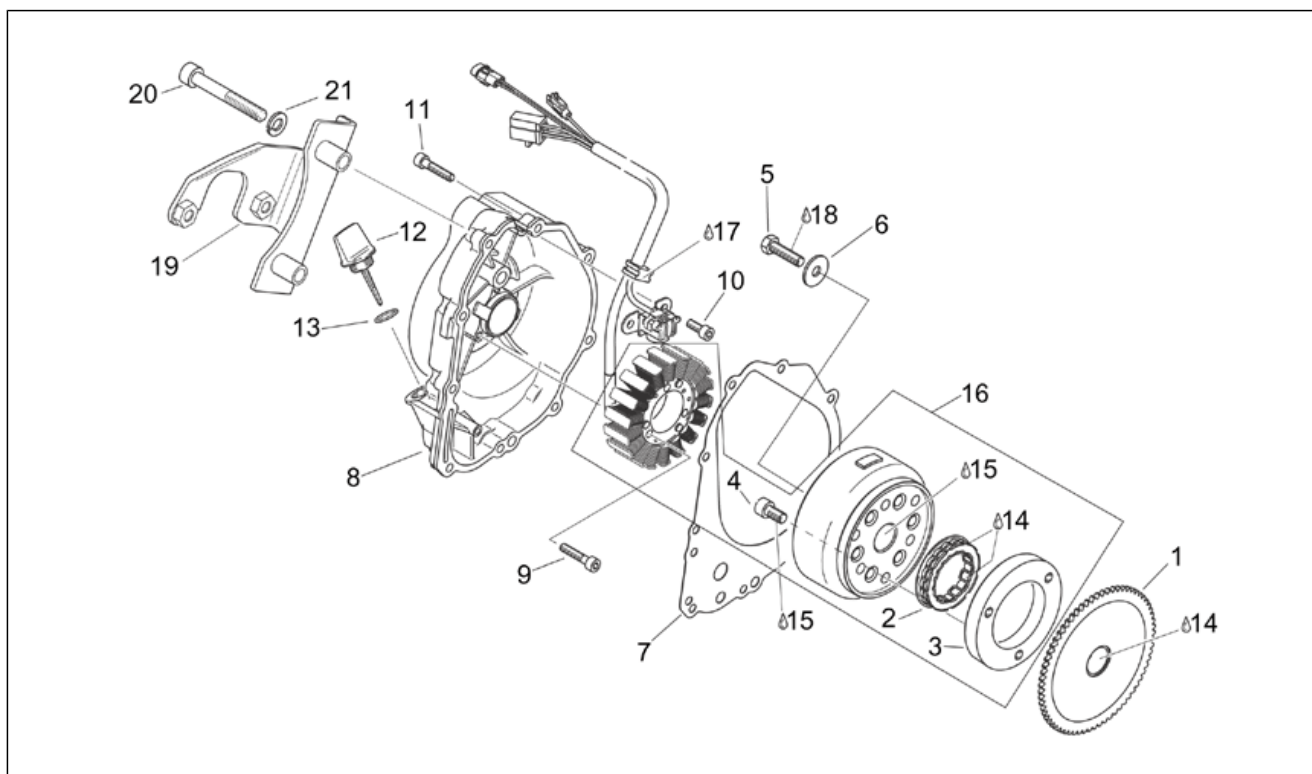
Pos.	Code	Description	Qty	Variants
7	AP0239015	Spring 16,9	1	<b>Technical Specifications:</b> to the engine nr.817109 (150cc) [<817109], 150 cc version[150]
8	AP0552276	Screw M18x1,5x10	1	
9	AP0552280	Gasket	1	
10	0000000	Tyre 110/90"	1	
11	AP0297433	Molykote G-N 50gr.	1	<b>Technical Specifications:</b> 125 cc version[125], 150 cc version[150]
12	AP0297434	Loctite Anti Seize 50ml.15378	1	<b>Technical Specifications:</b> 200 cc version[200]

<b>Group</b>	ENGINE
<b>Code</b>	29.58
<b>Description</b>	Cylinder head
<b>Service</b>	1



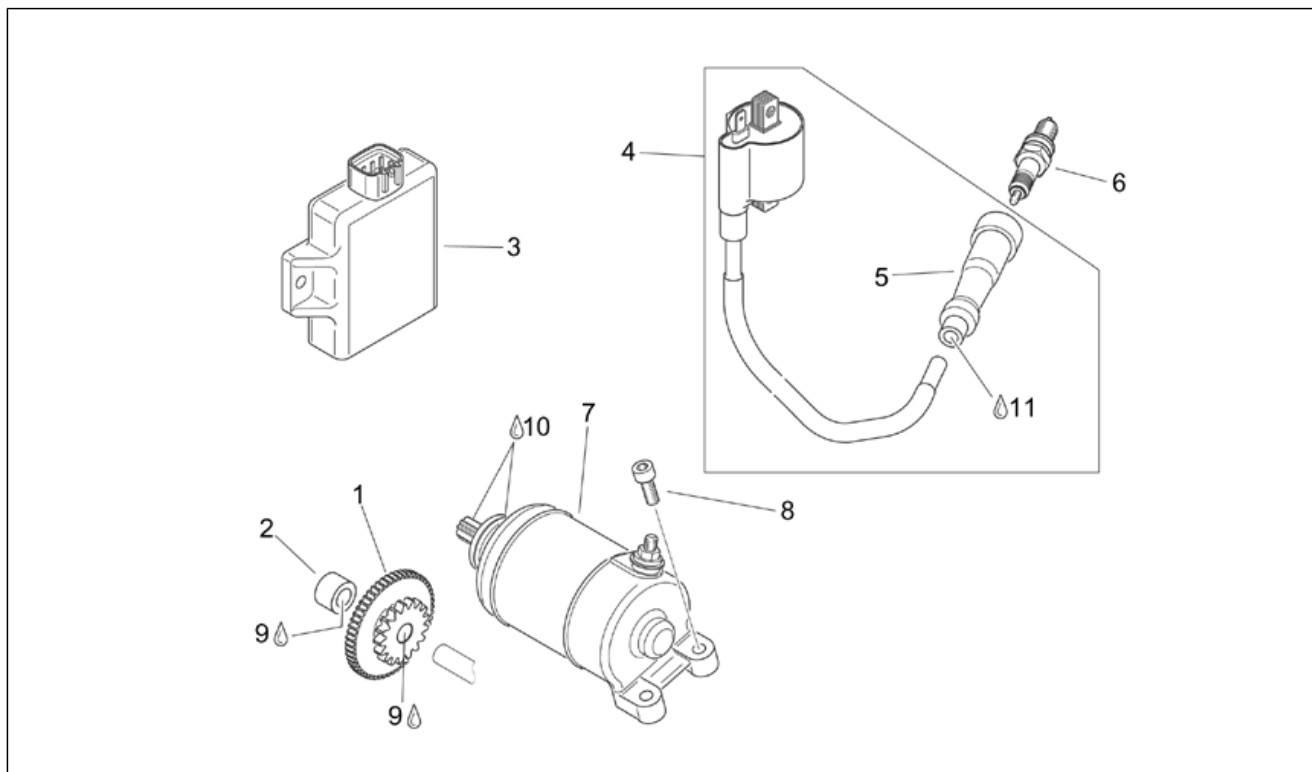
Pos.	Code	Description	Qty	Variants
1	AP0650170	Gasket	1	<b>Technical Specifications:</b> 125 cc version[125]
1	AP0650172	Gasket	1	<b>Technical Specifications:</b> 150 cc version[150], 200 cc version[200]
2	AP0613110	Cylinder head assy.	1	
3	AP0253811	Valve guide	4	
4	AP0240366	Stud bolt	2	
5	AP0842616	Nut M8	4	
6	AP0241481	Hex socket screw M6x90	2	
7	AP0840880	Hex socket screw M6x30	1	
8	AP0650300	Thermostat gasket	1	
9	AP0222470	Thermostat cover	1	
10	AP0941950	Screw	1	
11	AP0650250	Gasket 5,5/11/1	1	
12	AP0241841	Hex socket screw	2	
13	AP0927571	Washer D14	2	
14	AP0211521	Valves cover	1	
15	AP0256500	Oil separator	1	
16	AP0650230	Valve cover gasket	1	
17	AP0241930	Hex socket screw M6x20	4	
18	AP0265450	Temperature gauge	1	
19	AP0297433	Molykote G-N 50gr.	1	
20	AP0897651	Loctite (blue) 243 10cc.	1	
21	0000000	Tyre 110/90"	1	
22	AP0297386	Silastic 732 Rtv 100 gr.	1	
23	AP0927835	Spacer 20,5x30	1	

<b>Group</b>	ENGINE
<b>Code</b>	29.59
<b>Description</b>	Ignition unit
<b>Service</b>	1



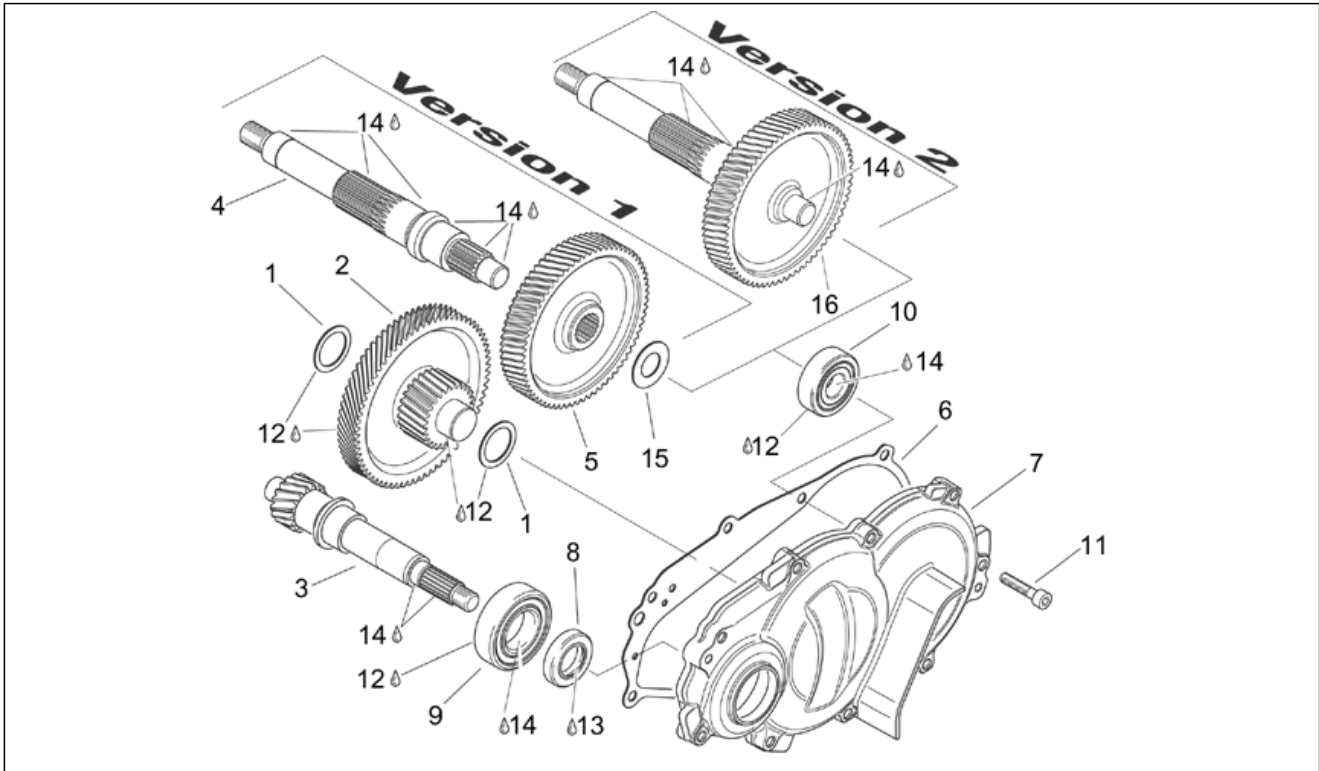
Pos.	Code	Description	Qty	Variants
1	AP0634455	Sprag clutch gear	1	
2	AP0259495	Sprag clutch	1	
3	AP0259480	Sprag clutch housing	1	
4	AP0641590	Hex socket screw	3	
5	AP0940485	Screw M8x30	1	
6	AP0227937	Washer 8,4	1	
7	AP0650190	Gasket	1	
8	AP0211430	Ignition cover	1	
9	AP0840880	Hex socket screw M6x30	3	
10	AP0241236	Hex socket screw M6x16	2	
11	AP0840880	Hex socket screw M6x30	9	
12	AP0256461	Oil level plug	1	
13	AP0630400	O-ring	1	
14	0000000	Tyre 110/90"	1	
15	AP0899788	Loctite (green) 648 5gr.	1	
16	AP0295557	Ignition unit+Sprag clutch	1	<b>Technical Specifications:</b> 125 cc version[125], 150 cc version[150]
16	AP0684300	Ignition unit+Sprag clutch	1	<b>Technical Specifications:</b> 200 cc version[200]
17	AP0297386	Silastic 732 Rtv 100 gr.	1	
18	AP0897651	Loctite (blue) 243 10cc.	1	
19	AP0251470	Support	1	
20	AP0241821	Hex socket screw M6x45	2	
21	AP0945751	Break washer a6	2	

<b>Group</b>	ENGINE
<b>Code</b>	29.60
<b>Description</b>	Starter motor
<b>Service</b>	1



Pos.	Code	Description	Qty	Variants
1	AP0634460	Idle gear Z=54/17	1	
2	AP0247930	Spacer 10/17/11,2	1	
3	AP0265630	Coil ECU (green)	1	
4	AP0265419	HT coil	1	
5	AP0265242	Sparkplug cap	1	
6	AP0297920	Spark plug CR8F	1	<b>Technical Specifications:</b> 200 cc version[200]
6	AP0297921	Spark plug CR8EVX	1	<b>Technical Specifications:</b> 125 cc version[125], 150 cc version[150]
7	AP0296390	Starter motor	1	
8	AP0241930	Hex socket screw M6x20	2	
9	0000000	Tyre 110/90"	1	
10	AP0297434	Loctite Anti Seize 50ml.15378	1	
11	AP0897330	Lithium-Base grease 250gr.	1	

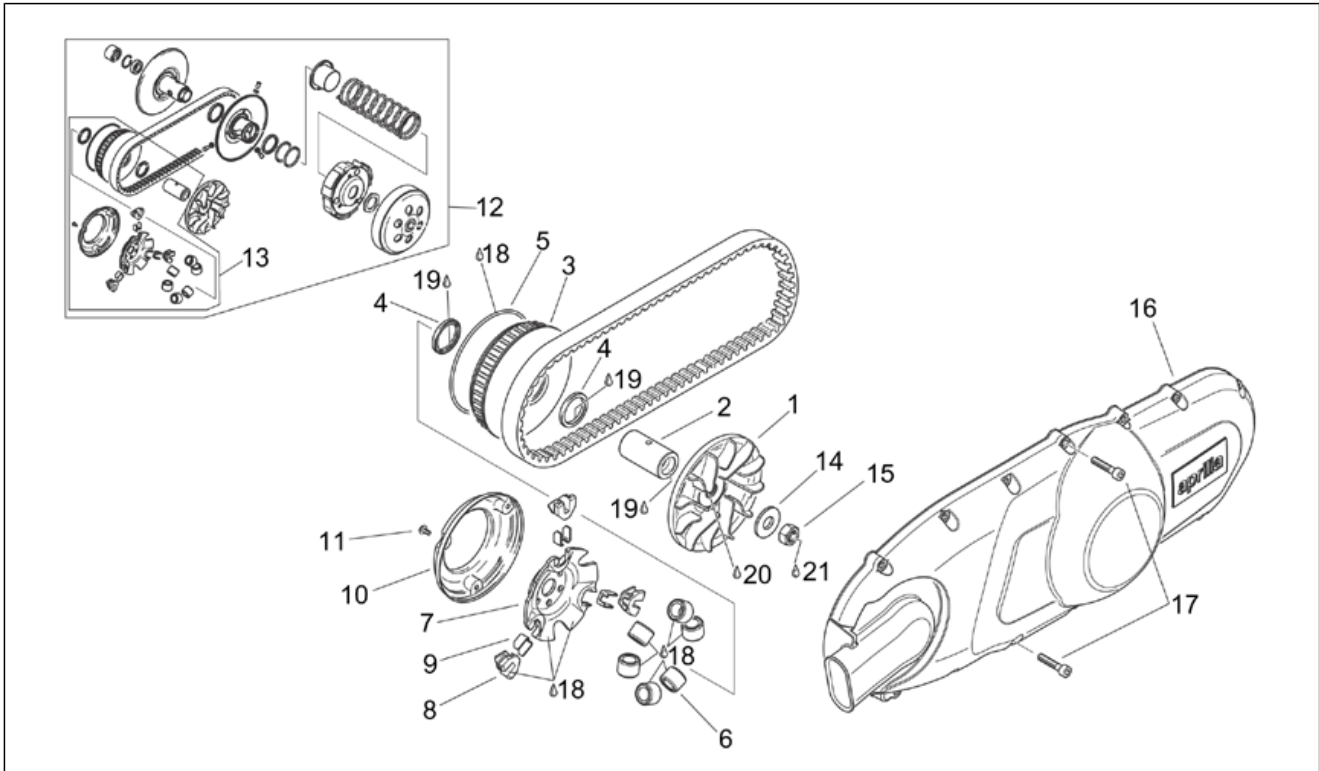
<b>Group</b>	ENGINE
<b>Code</b>	29.61
<b>Description</b>	Transmission
<b>Service</b>	1



Pos.	Code	Description	Qty	Variants
1	AP0927470	Thrust washer	2	
2	AP0220635	Intermediate shaft	1	<b>Technical Specifications:</b> 125 cc version[125], 150 cc version[150]
2	AP0220637	Intermediate shaft	1	<b>Technical Specifications:</b> 200 cc version[200]
3	AP0220345	Drive shaft Z=17	1	<b>Technical Specifications:</b> 125 cc version[125], 150 cc version[150]
3	AP0220347	Drive shaft Z=17	1	<b>Technical Specifications:</b> 200 cc version[200]
4	AP0220645	Drive shaft	1	
5	AP0635070	Drive shaft gear Z=68	1	
6	AP0650205	Gasket	1	
7	AP0211492	Transmission cover	1	
8	AP0930268	Oil seal 20x35x7	1	
9	AP0232768	Bearing 6205-C3	1	
10	AP0232293	Bearing 6302-C3	1	
11	AP0840880	Hex socket screw M6x30	9	
12	0000000	Tyre 110/90"	1	
13	0000000	Tyre 110/90"	1	
14	AP0297434	Loctite Anti Seize 50ml.15378	1	
15	AP0927055	Thrust washer 15,2/30/1	1	
16	AP0220640	Drive shaft, no thrust washer	1	

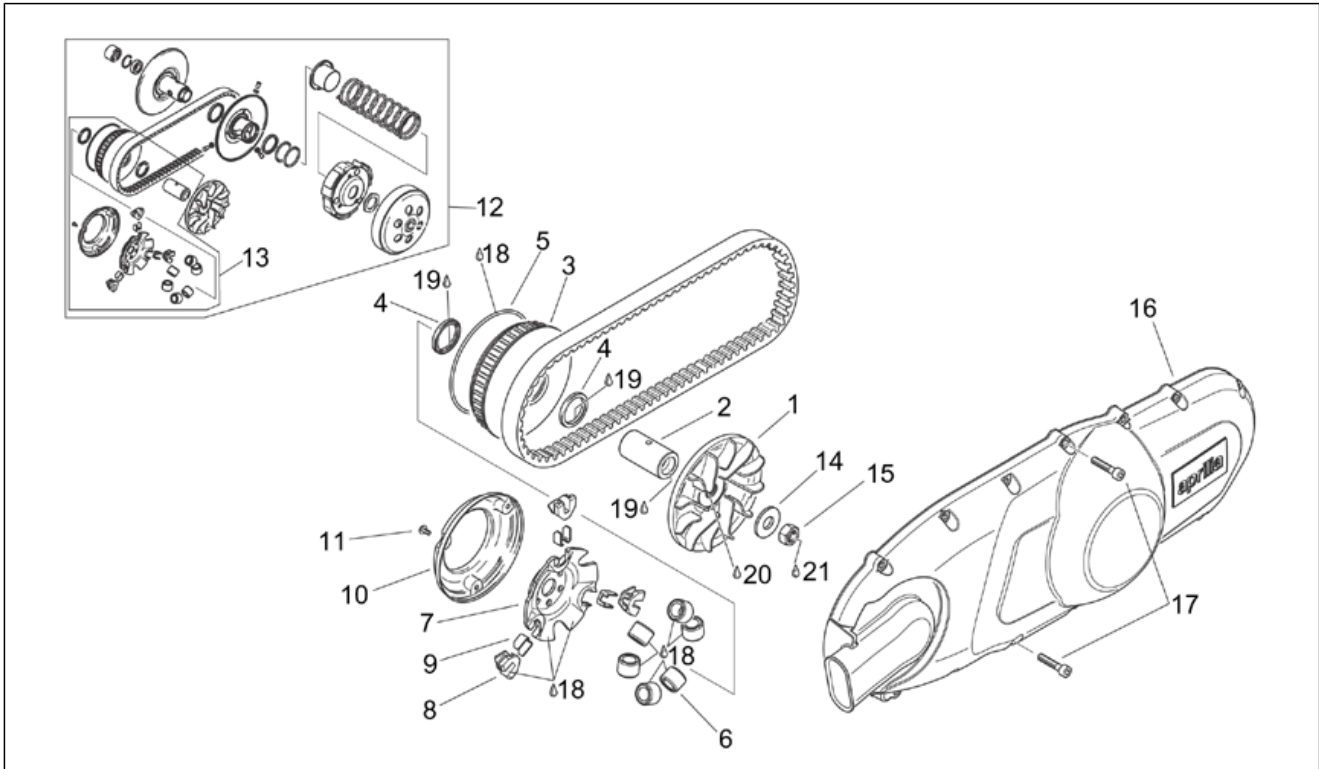


<b>Group</b>	ENGINE
<b>Code</b>	29.62
<b>Description</b>	Variator - Primary drive
<b>Service</b>	1



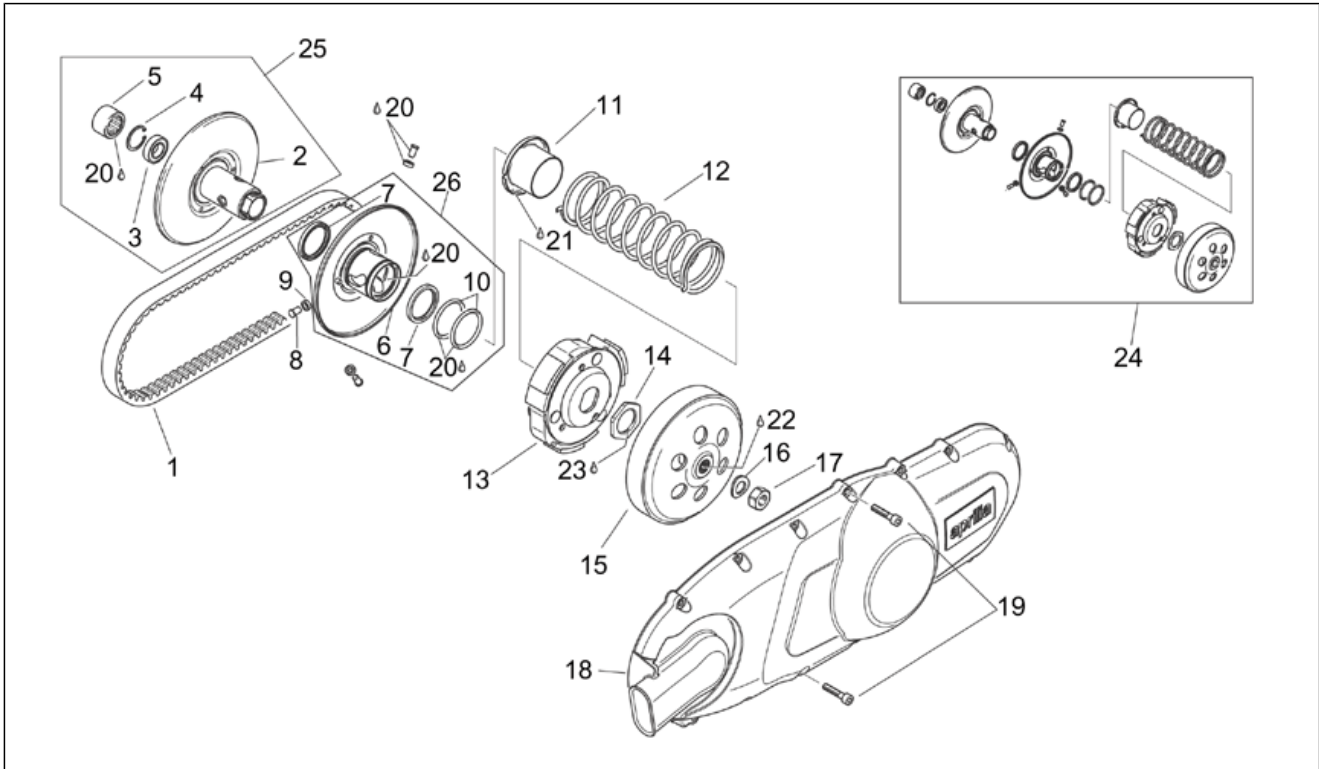
Pos.	Code	Description	Qty	Variants
1	AP0280092	Fixed pulley	1	
2	AP0233772	Spacer	1	<b>Technical Specifications:</b> 150 cc version[150]
2	AP0233774	Spacer	1	<b>Technical Specifications:</b> 125 cc version[125]
2	AP0233777	Spacer	1	<b>Technical Specifications:</b> 200 cc version[200]
3	AP0280115	Pulley assy., driving	1	<b>Technical Specifications:</b> 125 cc version[125], 150 cc version[150]
3	AP0280117	Pulley assy., driving	1	<b>Technical Specifications:</b> 200 cc version[200]
4	AP0650280	Oil seal 27x34x3,5	2	<b>Technical Specifications:</b> 125 cc version[125], 150 cc version[150]
5	AP0650260	O-ring	1	<b>Technical Specifications:</b> 125 cc version[125], 150 cc version[150]
6	AP0229423	Pin roller 8,8g	6	<b>Technical Specifications:</b> 125 cc version[125]
6	AP0229425	Pin roller	6	<b>Technical Specifications:</b> 150 cc version[150]
6	AP0229427	Pin roller 10g	6	<b>Technical Specifications:</b> 200 cc version[200], European approval (EURO 1 limits)[E1]
6	AP0229429	Pin roller 12g	6	<b>Technical Specifications:</b> 200 cc version[200], European approval (EURO 2 limits)[E2]
7	AP0259655	Ramp plate	1	<b>Technical Specifications:</b> 125 cc version[125], 150 cc version[150]
7	AP0259657	Ramp plate	1	<b>Technical Specifications:</b> 200 cc version[200]
8	AP0260335	Black slide piece	3	<b>Technical Specifications:</b> 125 cc version[125], 150 cc version[150]
8	AP0260339	White slide piece	3	<b>Technical Specifications:</b> 200 cc version[200]
9	AP0239490	Slide piece support	3	<b>Technical Specifications:</b> 125 cc version[125], 150 cc version[150]
10	AP0211715	Cover	1	<b>Technical Specifications:</b> 125 cc version[125], 150 cc version[150]
11	AP0241975	Screw M4x8	3	<b>Technical Specifications:</b> 125 cc version[125], 150 cc version[150]
12	AP0295333	Comp variator	1	<b>Technical Specifications:</b> 125 cc version[125]
12	AP0295334	Comp variator	1	<b>Technical Specifications:</b> 150 cc version[150]

<b>Group</b>	ENGINE
<b>Code</b>	29.62
<b>Description</b>	Variator - Primary drive
<b>Service</b>	1



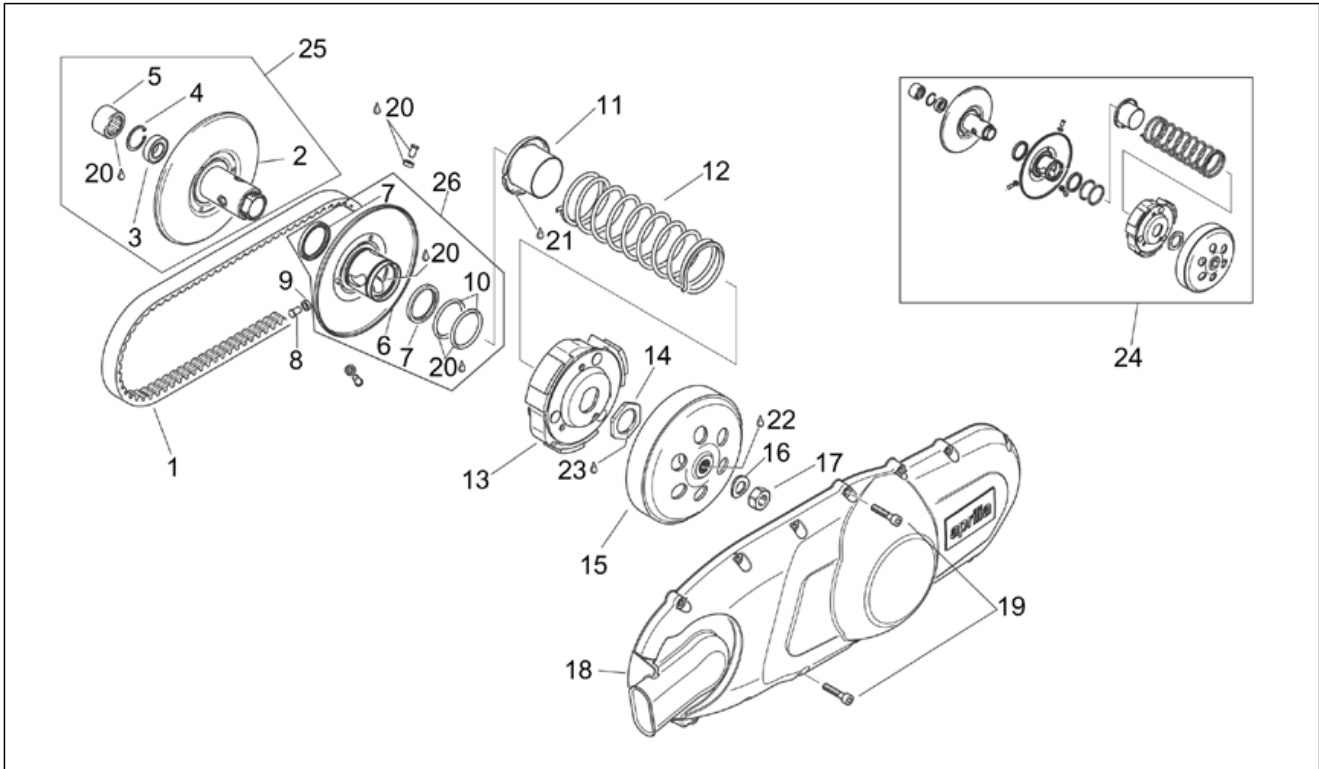
Pos.	Code	Description	Qty	Variants
12	AP0295336	Comp variator	1	<b>Technical Specifications:</b> 200 cc version[200]
13	AP0295733	Primary transm.	1	<b>Technical Specifications:</b> 125 cc version[125]
13	AP0295734	Primary transm.	1	<b>Technical Specifications:</b> 150 cc version[150]
13	AP0296780	Primary transm.	1	<b>Technical Specifications:</b> 200 cc version[200], European approval (EURO 1 limits)[E1]
13	AP0296782	Primary transm.	1	<b>Technical Specifications:</b> 200 cc version[200], European approval (EURO 2 limits)[E2]
14	AP0227180	Washer 12,2x32x2	1	
15	AP0242515	Nut M12x1	1	
16	AP0211700	Variator cover	1	<b>Year:</b> 1999[X], 2000[Y]
16	AP0211701	Variator cover	1	<b>Year:</b> 2001[1], 2002[2], 2003[3]
16	AP0211701	Variator cover	1	<b>Year:</b> 2004[4] <b>Country:</b> USA (California Approval)[CF], USA (California Approval)[CZ]
17	AP0840880	Hex socket screw M6x30	14	
18	AP8116070	Grease Nippon-Sekiyu 250 gr.	1	<b>Technical Specifications:</b> 125 cc version[125], 150 cc version[150]
19	0000000	Tyre 110/90"	1	<b>Technical Specifications:</b> 125 cc version[125], 150 cc version[150]
20	AP0297434	Loctite Anti Seize 50ml.15378	1	
21	AP0897651	Loctite (blue) 243 10cc.	1	

<b>Group</b>	ENGINE
<b>Code</b>	29.63
<b>Description</b>	Pulley assy., driven
<b>Service</b>	1



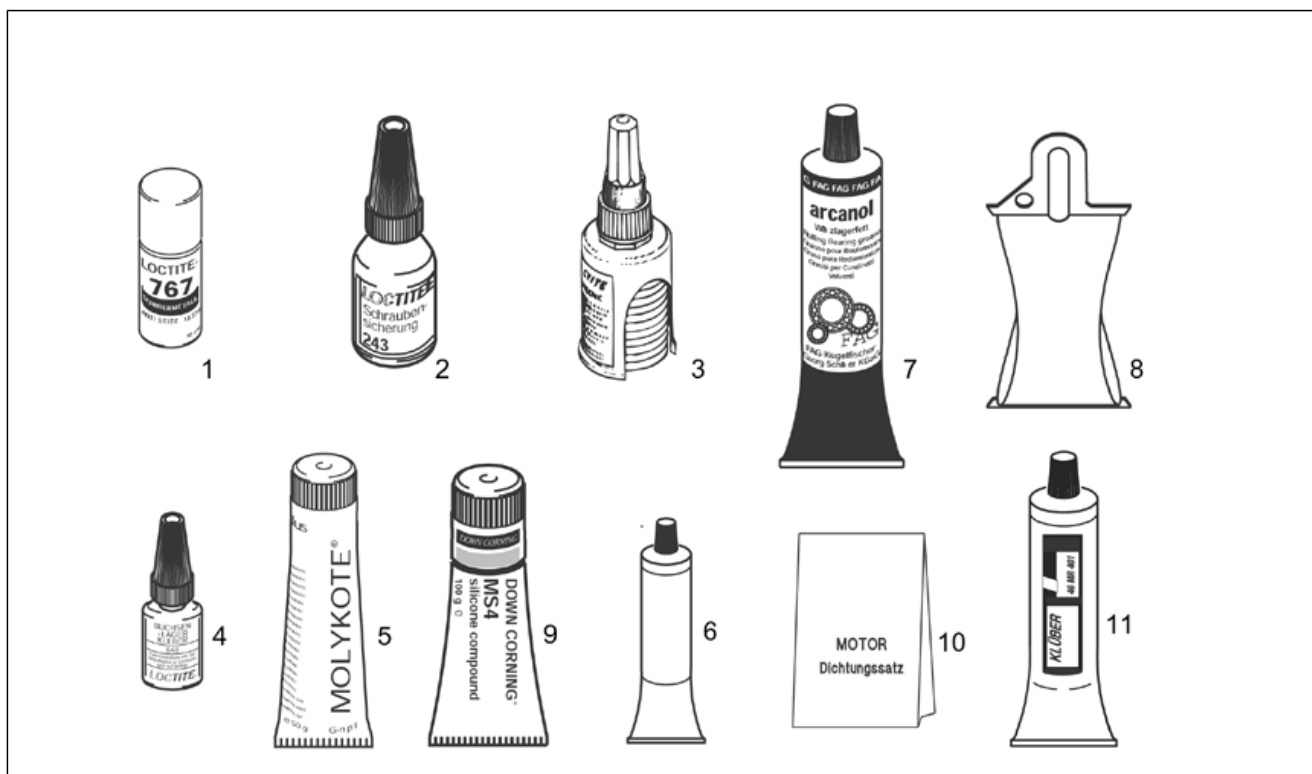
Pos.	Code	Description	Qty	Variants
1	AP0280102	V-belt	1	
2	AP0280135	Secondary inner pulley	1	<b>Technical Specifications:</b> 125 cc version[125], 150 cc version[150]
3	AP0632085	Ball bearing	1	
4	AP0245490	Circlip 28x1,2	1	
5	AP0632090	Roller bearing 20x29x18	1	
6	AP0280125	Secondary outer pulley	1	<b>Technical Specifications:</b> 125 cc version[125], 150 cc version[150]
7	AP0650290	Oil seal	2	
8	AP0229430	Guide pin	3	<b>Technical Specifications:</b> 125 cc version[125], 150 cc version[150]
8	AP0229435	Guide pin	3	<b>Technical Specifications:</b> 200 cc version[200]
9	AP0249060	Guide roller	3	<b>Technical Specifications:</b> 125 cc version[125], 150 cc version[150]
10	AP0650270	O-ring	2	
11	AP0627165	Spring cap	1	<b>Technical Specifications:</b> 125 cc version[125], 150 cc version[150]
11	AP0627167	Spring cap	1	<b>Technical Specifications:</b> 200 cc version[200]
12	AP0239406	Spring	1	
13	AP0259738	Clutch cpl.	1	<b>Technical Specifications:</b> 150 cc version[150]
13	AP0259739	Clutch cpl.	1	<b>Technical Specifications:</b> 125 cc version[125]
13	AP0659250	Clutch cpl.	1	<b>Technical Specifications:</b> 200 cc version[200]
14	AP0242920	Nut M28x1	1	
15	AP0259662	Clutch drum	1	
16	AP0945754	Break washer A12	1	
17	AP0242515	Nut M12x1	1	
18	AP0211700	Variator cover	1	<b>Year:</b> 1999[X], 2000[Y]
18	AP0211701	Variator cover	1	<b>Year:</b> 2004[4] <b>Country:</b> USA (California Approval)[CF], USA (California Approval)[CZ]

<b>Group</b>	ENGINE
<b>Code</b>	29.63
<b>Description</b>	Pulley assy., driven
<b>Service</b>	1



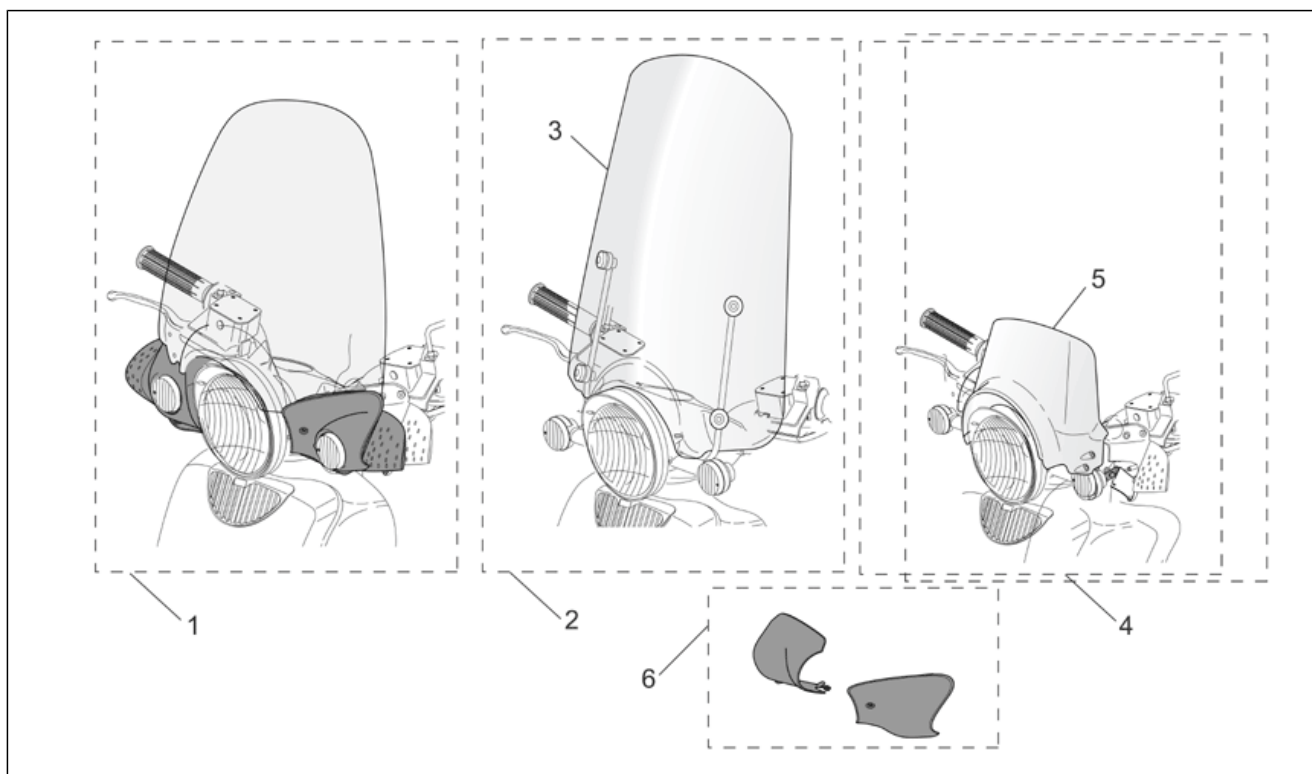
Pos.	Code	Description	Qty	Variants
18	AP0211701	Variator cover	1	Year:2001[1], 2002[2], 2003[3]
19	AP0840880	Hex socket screw M6x30	14	
20	0000000	Tyre 110/90"	1	
21	AP0297433	Molykote G-N 50gr.	1	
22	AP0297434	Loctite Anti Seize 50ml.15378	1	
23	AP0899788	Loctite (green) 648 5gr.	1	
24	AP0296280	Pulley assy., driven	1	Technical Specifications:125 cc version[125]
24	AP0296282	Pulley assy., driven	1	Technical Specifications:150 cc version[150]
24	AP0296284	Pulley assy., driven	1	Technical Specifications:200 cc version[200]
25	AP0280137	Sec. fixed sheave cpl.	1	Technical Specifications:200 cc version[200]
26	AP0280127	Sliding secondary pulley	1	Technical Specifications:200 cc version[200]
27	AP0897651	Loctite (blue) 243 10cc.	1	

<b>Group</b>	ENGINE
<b>Code</b>	29.64
<b>Description</b>	Sealing and lubricating agents
<b>Service</b>	1



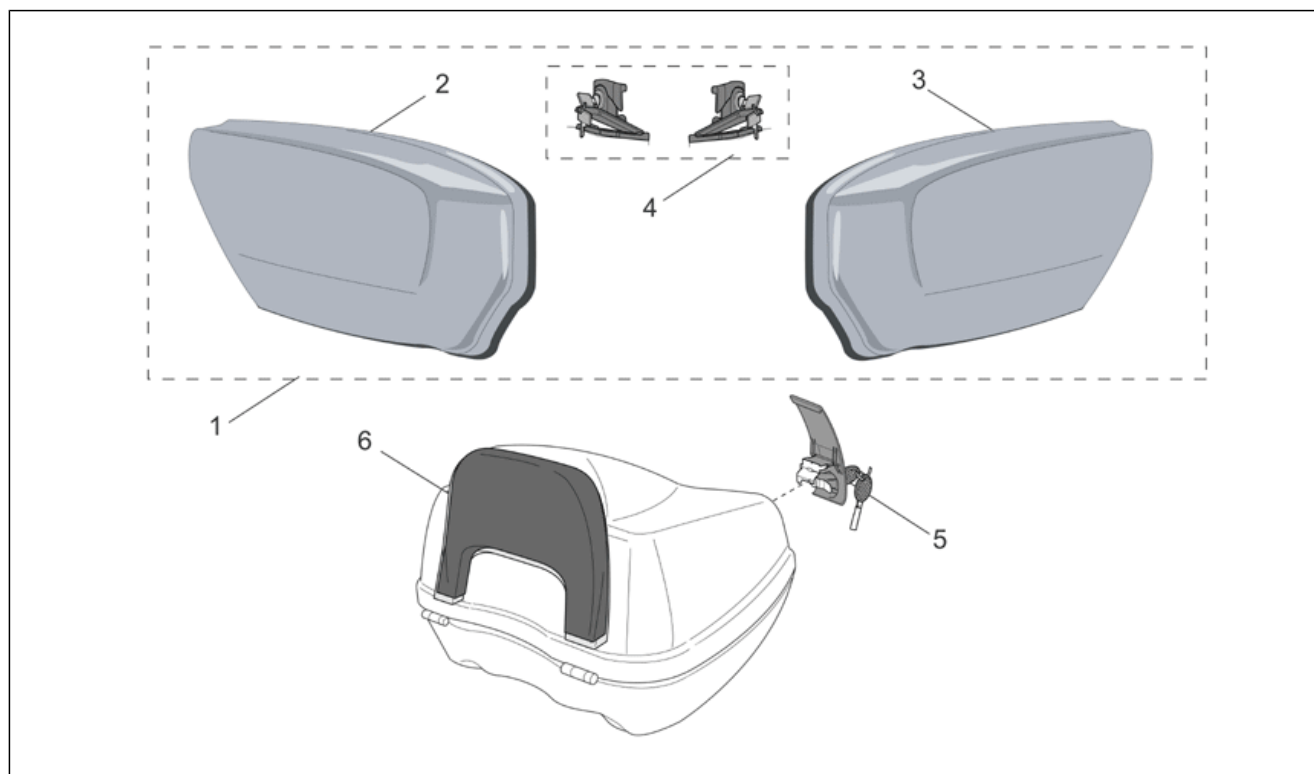
Pos.	Code	Description	Qty	Variants
1	AP0297434	Loctite Anti Seize 50ml.15378	1	
2	AP0897651	Loctite (blue) 243 10cc.	1	
3	AP0899784	Loctite (orange) 574	1	
4	AP0899788	Loctite (green) 648 5gr.	1	
5	AP0297433	Molykote G-N 50gr.	1	
6	AP0897161	Molykote 111 100gr.	1	
7	AP0897330	Lithium-Base grease 250gr.	1	
8	AP8116070	Grease Nippon-Sekiyu 250 gr.	1	<b>Technical Specifications:</b> 125 cc version[125], 150 cc version[150]
9	AP0297386	Silastic 732 Rtv 100 gr.	1	
10	AP0295713	Gasket set	1	<b>Technical Specifications:</b> 125 cc version[125]
10	AP0295718	Engine set gasket	1	<b>Technical Specifications:</b> 150 cc version[150], 200 cc version[200]
11	AP0297616	Klueber paste 60 gr	1	<b>Technical Specifications:</b> 200 cc version[200]

<b>Group</b>	ACCESSORIES
<b>Code</b>	30.65
<b>Description</b>	Acc. - Windshields
<b>Service</b>	1



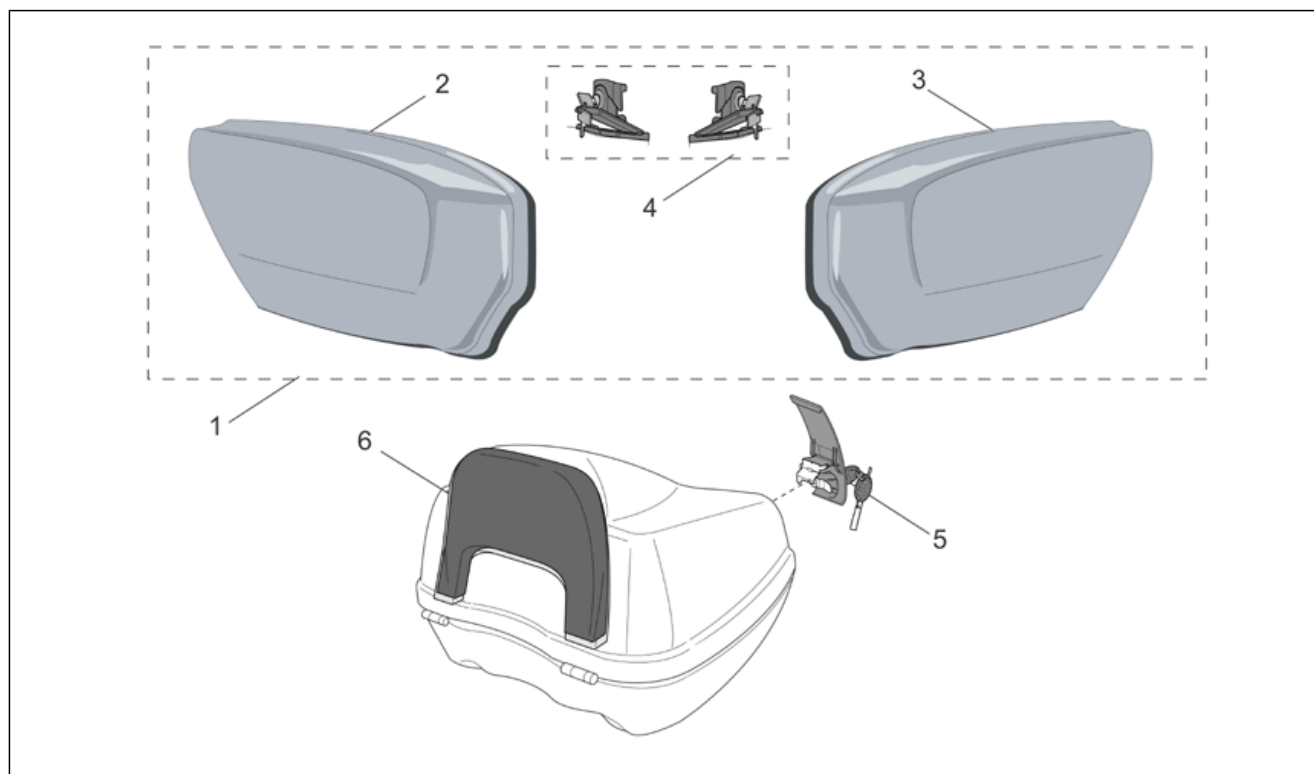
Pos.	Code	Description	Qty	Variants
1	AP8791254	Windscreen cpl. Big	1	<b>Technical Specifications:</b> Accessories[A], Touring version[GT]
2	AP8791071	Windscreen cpl. Big	1	<b>Technical Specifications:</b> Accessories[A]
3	AP8791072	Windscreen w/out support Big	1	<b>Technical Specifications:</b> Accessories[A]
4	AP8791077	Windscreen cpl. Sport	1	<b>Technical Specifications:</b> Accessories[A]
5	AP8791078	Windscreen w/out support Sport	1	<b>Technical Specifications:</b> Accessories[A]
6	AP8791081	Handguards, pair	1	<b>Technical Specifications:</b> Accessories[A]

<b>Group</b>	ACCESSORIES
<b>Code</b>	30.66
<b>Description</b>	Acc. - Top/cases, side cases
<b>Service</b>	1



Pos.	Code	Description	Qty	Variants
1	AP8790231	Side case assy.,s.black-pair	1	Year:2002[2] Vehicle colour:Shadow Black 2002[sha.b] Technical Specifications:Accessories[A]
1	AP8790234	Side case assy.,t.red-pair	1	Year:2002[2] Vehicle colour:Tulip Red 2002[red.t] Technical Specifications:Accessories[A]
1	AP8790237	Case assy.-pair, s.grey	1	Year:2002[2] Vehicle colour:Storm Grey 2002[sto.g] Technical Specifications:Accessories[A]
1	AP8790262	Case assy.-pair, s.green	1	Year:2003[3] Vehicle colour:Sideral Green 2003[green] Technical Specifications:Accessories[A]
1	AP8790265	Case assy.-pair, m.blue	1	Year:2003[3] Vehicle colour:Main Blue 2003[blue] Technical Specifications:Accessories[A]
1	AP8792102	Case assy.-pair, s.grey	1	Year:1999[X] Vehicle colour:Shark Grey '99[s.g] Technical Specifications:Accessories[A]
1	AP8792103	Case assy.-pair, c.brown	1	Year:1999[X], 2000[Y] Vehicle colour:Chamois '99-2000[cam] Technical Specifications:Accessories[A]
1	AP8792104	Case assy.-pair, m.red	1	Year:1999[X], 2000[Y] Vehicle colour:Mirò Red '99 - 2000[m.r] Technical Specifications:Accessories[A]
1	AP8792105	Case assy.-pair, a.green	1	Year:1999[X] Vehicle colour:Agua Green '99[a.g] Technical Specifications:Accessories[A]
1	AP8792131	Case assy.-pair, c.blue	1	Year:2001[1], 2000[Y] Vehicle colour:Chips Blue 2000-2001[blu.c] Technical Specifications:Accessories[A]
1	AP8792133	Case assy.-pair, ice g.	1	Year:2000[Y] Vehicle colour:Ice Green 2000[g.ice] Technical Specifications:Accessories[A]
1	AP8792213	Case assy.-pair, p.grey	1	Year:2001[1]

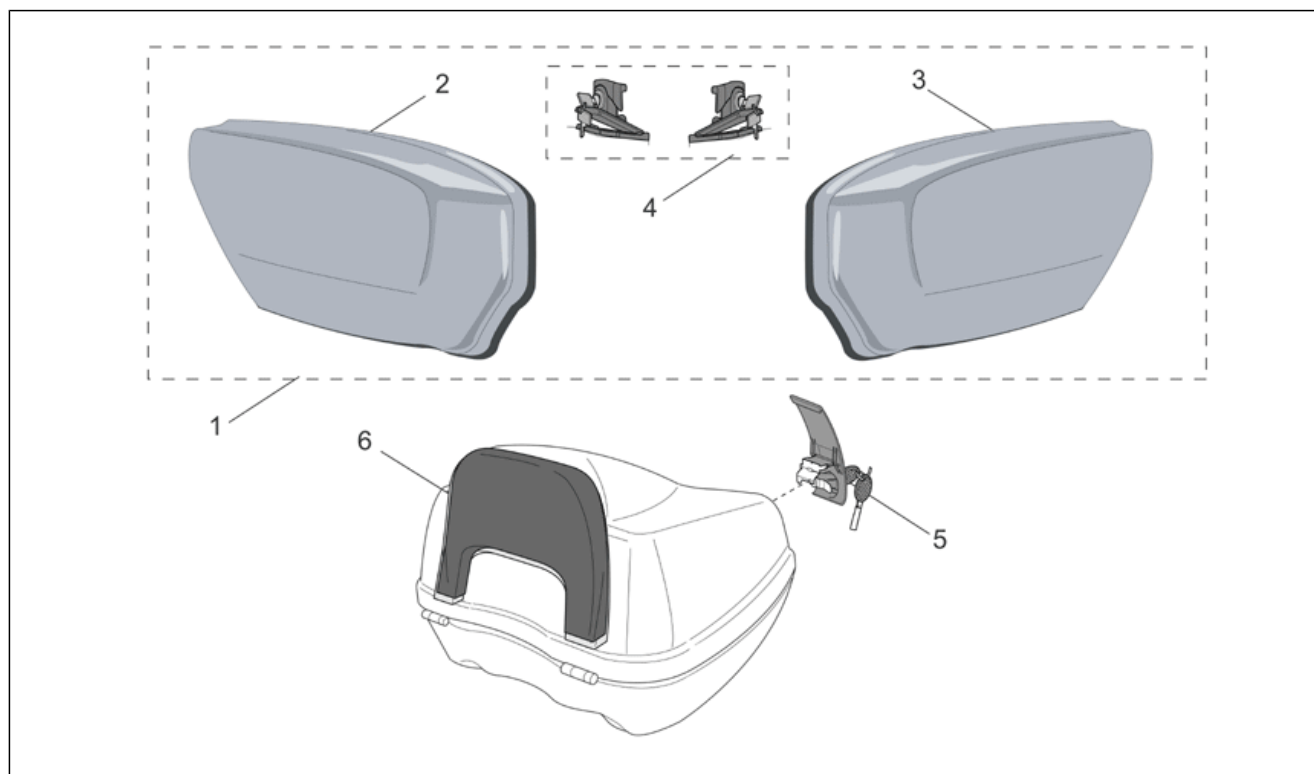
<b>Group</b>	ACCESSORIES
<b>Code</b>	30.66
<b>Description</b>	Acc. - Top/cases, side cases
<b>Service</b>	1



Pos.	Code	Description	Qty	Variants
				<b>Vehicle colour:</b> Platinum Grey 2001[pla.g] <b>Technical Specifications:</b> Accessories[A]
1	AP8792216	Case assy.-pair, b.red	1	<b>Year:</b> 2001[1] <b>Vehicle colour:</b> Baroque Red 2001[red.b] <b>Technical Specifications:</b> Accessories[A]
1	AP8792219	Case assy.-pair, m.gold	1	<b>Year:</b> 2001[1] <b>Vehicle colour:</b> Mosaic Gold 2001[gold] <b>Technical Specifications:</b> Accessories[A]
1	AP8792222	Case assy.-pair, l.blue	1	<b>Year:</b> 2001[1], 2002[2] <b>Vehicle colour:</b> Lord Blue 2001-2002[blu.l] <b>Technical Specifications:</b> Accessories[A]
1	AP8792269	Case assy.-pair, m.grey	1	<b>Year:</b> 2001[1], 2002[2], 2003[3] <b>Vehicle colour:</b> Mercury Grey 2001-2002-2003[mer.g] <b>Technical Specifications:</b> Accessories[A]
1	AP8792272	Case assy.-pair, A.black	1	<b>Year:</b> 2001[1], 2002[2], 2003[3] <b>Vehicle colour:</b> Aprilia Black 2000-2001-2002[black] <b>Technical Specifications:</b> Accessories[A]
1	AP8792278	Case assy.-pair, g.green	1	<b>Year:</b> 2002[2] <b>Vehicle colour:</b> Glasgow Green 2002[gla.g] <b>Technical Specifications:</b> Accessories[A]
2	AP8790232	RH case, s.black	1	<b>Year:</b> 2002[2] <b>Vehicle colour:</b> Shadow Black 2002[sha.b] <b>Technical Specifications:</b> Accessories[A]
2	AP8790235	RH case, t.red	1	<b>Year:</b> 2002[2] <b>Vehicle colour:</b> Tulip Red 2002[red.t] <b>Technical Specifications:</b> Accessories[A]
2	AP8790238	RH case, s.grey	1	<b>Year:</b> 2002[2] <b>Vehicle colour:</b> Storm Grey 2002[sto.g] <b>Technical Specifications:</b> Accessories[A]
2	AP8790263	RH case, s.green	1	<b>Year:</b> 2003[3] <b>Vehicle colour:</b> Sideral Green 2003[green] <b>Technical Specifications:</b> Accessories[A]
2	AP8790266	RH case, m.blue	1	<b>Year:</b> 2003[3] <b>Vehicle colour:</b> Main Blue 2003[blue]

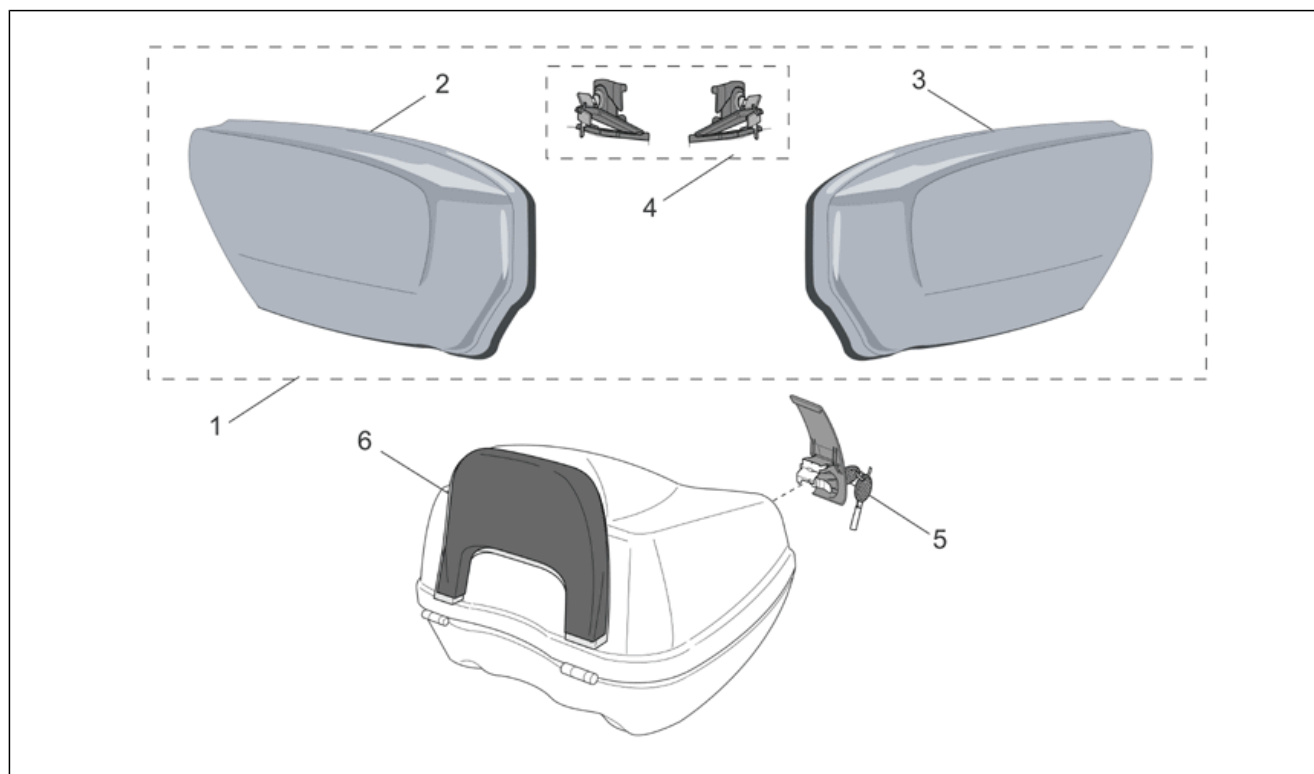


<b>Group</b>	ACCESSORIES
<b>Code</b>	30.66
<b>Description</b>	Acc. - Top/cases, side cases
<b>Service</b>	1



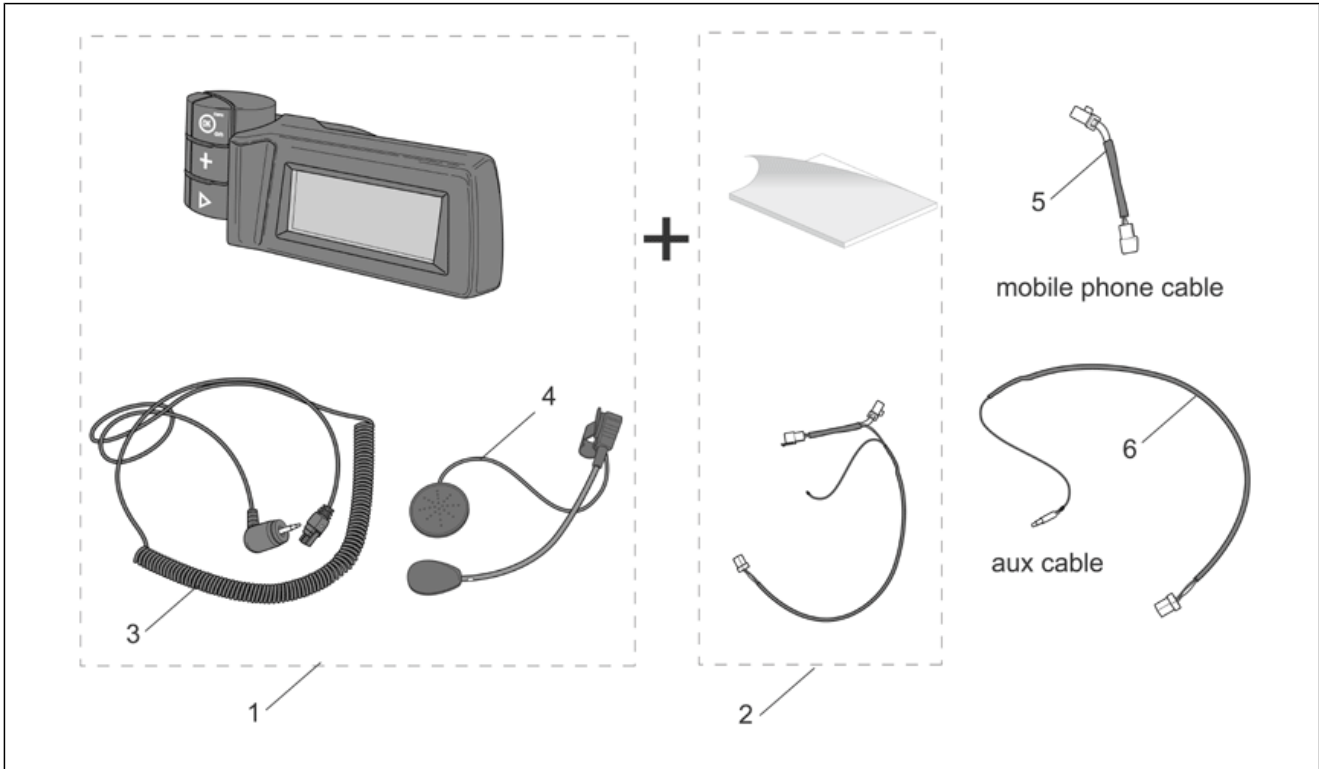
Pos.	Code	Description	Qty	Variants
				<b>Technical Specifications:</b> Accessories[A]
2	AP8792214	RH case, p.grey	1	<b>Year:</b> 2001[1] <b>Vehicle colour:</b> Platinum Grey 2001[pla.g] <b>Technical Specifications:</b> Accessories[A]
2	AP8792217	RH case, b.red	1	<b>Year:</b> 2001[1] <b>Vehicle colour:</b> Baroque Red 2001[red.b] <b>Technical Specifications:</b> Accessories[A]
2	AP8792220	RH case, m.gold	1	<b>Year:</b> 2001[1] <b>Vehicle colour:</b> Mosaic Gold 2001[gold] <b>Technical Specifications:</b> Accessories[A]
2	AP8792270	RH case, m.grey	1	<b>Year:</b> 2001[1], 2002[2], 2003[3] <b>Vehicle colour:</b> Mercury Grey 2001-2002-2003[mer.g] <b>Technical Specifications:</b> Accessories[A]
2	AP8792273	RH case, A.black	1	<b>Year:</b> 2001[1], 2002[2], 2003[3] <b>Vehicle colour:</b> Aprilia Black 2000-2001-2002[black] <b>Technical Specifications:</b> Accessories[A]
2	AP8792276	RH case, l.blue	1	<b>Year:</b> 2001[1], 2002[2] <b>Vehicle colour:</b> Lord Blue 2001-2002[blu.l] <b>Technical Specifications:</b> Accessories[A]
2	AP8792279	RH case, g.green	1	<b>Year:</b> 2002[2] <b>Vehicle colour:</b> Glasgow Green 2002[glg.g] <b>Technical Specifications:</b> Accessories[A]
3	AP8790233	LH case, s.black	1	<b>Year:</b> 2002[2] <b>Vehicle colour:</b> Shadow Black 2002[sha.b] <b>Technical Specifications:</b> Accessories[A]
3	AP8790236	LH case, t.red	1	<b>Year:</b> 2002[2] <b>Vehicle colour:</b> Shadow Black 2002[sha.b] <b>Technical Specifications:</b> Accessories[A]
3	AP8790239	LH case, s.grey	1	<b>Year:</b> 2002[2] <b>Vehicle colour:</b> Tulip Red 2002[red.t] <b>Technical Specifications:</b> Accessories[A]
3	AP8790264	LH case, s.green	1	<b>Year:</b> 2003[3] <b>Vehicle colour:</b> Sideral Green 2003[green] <b>Technical Specifications:</b> Accessories[A]

<b>Group</b>	ACCESSORIES
<b>Code</b>	30.66
<b>Description</b>	Acc. - Top/cases, side cases
<b>Service</b>	1



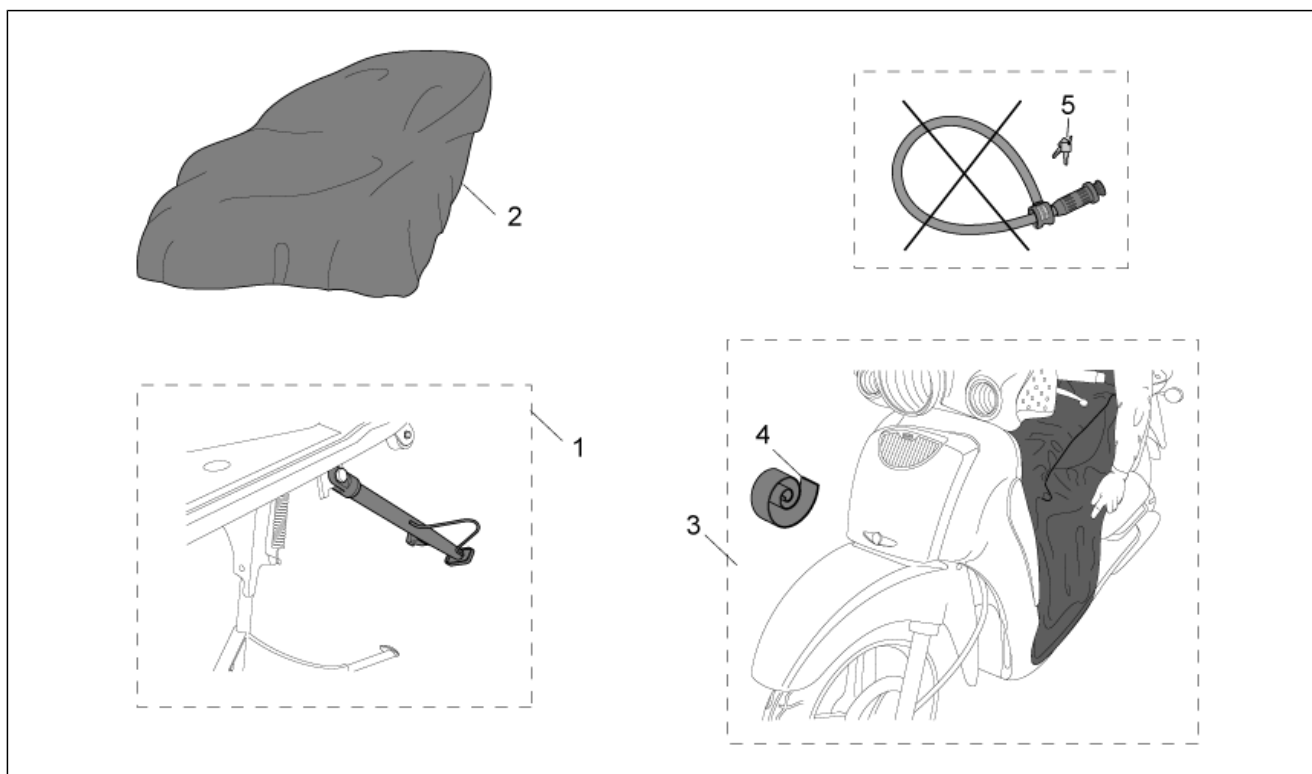
Pos.	Code	Description	Qty	Variants
3	AP8790267	LH case, m.blue	1	Year:2003[3] Vehicle colour:Main Blue 2003[blue] Technical Specifications:Accessories[A]
3	AP8792215	LH case, p.grey	1	Year:2001[1] Vehicle colour:Platinum Grey 2001[pla.g] Technical Specifications:Accessories[A]
3	AP8792218	LH case, b.red	1	Year:2001[1] Vehicle colour:Baroque Red 2001[red.b] Technical Specifications:Accessories[A]
3	AP8792221	LH case, m.gold	1	Year:2001[1] Vehicle colour:Mosaic Gold 2001[gold] Technical Specifications:Accessories[A]
3	AP8792271	LH case, m.grey	1	Year:2001[1], 2002[2], 2003[3] Vehicle colour:Mercury Grey 2001-2002-2003[mer.g] Technical Specifications:Accessories[A]
3	AP8792274	LH case, A.black	1	Year:2001[1], 2002[2], 2003[3] Vehicle colour:Aprilia Black 2000-2001-2002[black] Technical Specifications:Accessories[A]
3	AP8792280	LH case, g.green	1	Year:2002[2] Vehicle colour:Glasgow Green 2002[gla.g] Technical Specifications:Accessories[A]
4	AP8790114	Rotor kit with key	1	Technical Specifications:Accessories[A]
5	AP8792170	Lock lever, grey	1	Technical Specifications:Accessories[A]
5	AP8792171	Lock lever, black	1	Technical Specifications:Accessories[A]
6	AP8703052	Top box backrest, red	1	Year:1999[X], 2000[Y] Vehicle colour:Chamois '99-2000[cam] Technical Specifications:Accessories[A]
6	AP8703054	Top box backrest, black	1	Technical Specifications:Accessories[A]

<b>Group</b>	ACCESSORIES
<b>Code</b>	30.67
<b>Description</b>	Acc. - Various I
<b>Service</b>	1



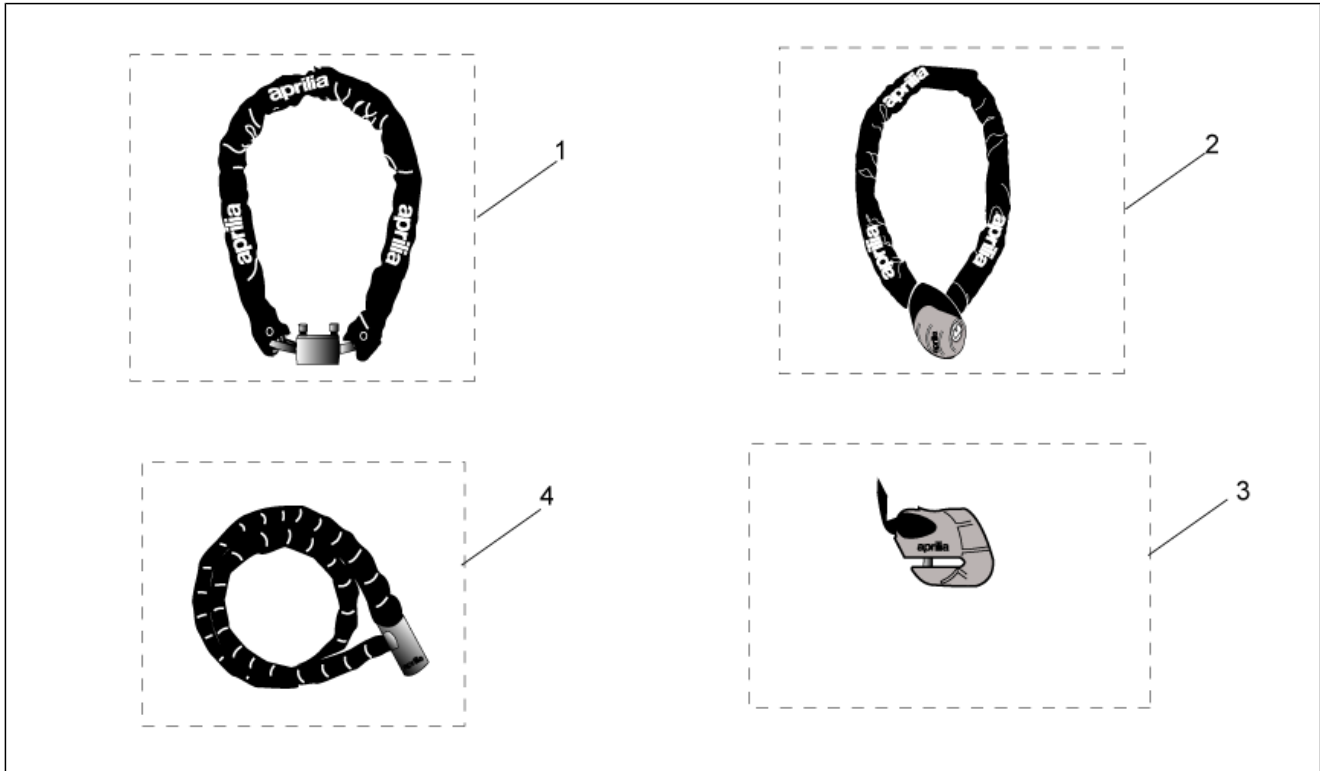
Pos.	Code	Description	Qty	Variants
1	AP8794032	Radio Display,white MobControl	1	Technical Specifications:Accessories[A]
2	AP8794036	Radio wiring MobControl	1	Technical Specifications:Accessories[A]
3	AP8794038	Spiral cable for Boot	1	Technical Specifications:Accessories[A]
4	AP8794039	Earphones with Microphone arm	1	Technical Specifications:Accessories[A]
5	AP8701232	Wire Ericsson	1	Technical Specifications:Accessories[A]
5	AP8701233	Wire Motorola MOD1	1	Technical Specifications:Accessories[A]
5	AP8701234	Wire Motorola MOD2	1	Technical Specifications:Accessories[A]
5	AP8701235	Wire Panasonic MOD1	1	Technical Specifications:Accessories[A]
5	AP8701236	Wire Panasonic MOD2	1	Technical Specifications:Accessories[A]
5	AP8701237	Wire Panasonic MOD3	1	Technical Specifications:Accessories[A]
5	AP8701238	Wire Siemens MOD1	1	Technical Specifications:Accessories[A]
5	AP8701239	Wire Siemens MOD2	1	Technical Specifications:Accessories[A]
5	AP8701240	Wire Siemens MOD3	1	Technical Specifications:Accessories[A]
5	AP8701241	Wire Nokia MOD1	1	Technical Specifications:Accessories[A]
5	AP8701242	Wire Nokia MOD2	1	Technical Specifications:Accessories[A]
5	AP8701243	Wire Samsung MOD1	1	Technical Specifications:Accessories[A]
5	AP8701244	Wire Samsung MOD2	1	Technical Specifications:Accessories[A]
5	AP8701245	Wire Sony	1	Technical Specifications:Accessories[A]
6	AP8797170	Wiring AUX MobControl	1	Technical Specifications:Accessories[A]

<b>Group</b>	ACCESSORIES
<b>Code</b>	30.68
<b>Description</b>	Acc. - Various II
<b>Service</b>	1



Pos.	Code	Description	Qty	Variants
1	AP8795023	Lateral stand	1	<b>Technical Specifications:</b> Accessories[A]
2	AP8791208	Rainproof saddle cover	1	<b>Technical Specifications:</b> Accessories[A]
3	AP8796617	Leg cover sheet	1	<b>Technical Specifications:</b> Accessories[A]
4	AP8701143	Leg cover Velcro support kit	1	<b>Technical Specifications:</b> Accessories[A]
5	AP8700792	Key support B.Guard UK-D	1	<b>Country:</b> Germany[D], Great Britain[UK] <b>Technical Specifications:</b> Accessories[A]
5	AP8700793	Key support B.Guard F-NL	1	<b>Country:</b> France[F], Holland[NL] <b>Technical Specifications:</b> Accessories[A]
5	AP8700794	Key support B.Guard I-E	1	<b>Country:</b> Spain[E], Italy[I] <b>Technical Specifications:</b> Accessories[A]

<b>Group</b>	ACCESSORIES
<b>Code</b>	30.69
<b>Description</b>	Acc. - Mechanics anti-theft
<b>Service</b>	1



Pos.	Code	Description	Qty	Variants
1	AP8720115	Iron Guard 10x150 mm	1	Technical Specifications:Accessories[A]
2	AP8720116	Iron Guard 8x120 mm	1	Technical Specifications:Accessories[A]
3	AP8720117	Iron Guard Disk 5 mm	1	Technical Specifications:Accessories[A]
4	AP8720118	Easy Guard 150 mm	1	Technical Specifications:Accessories[A]