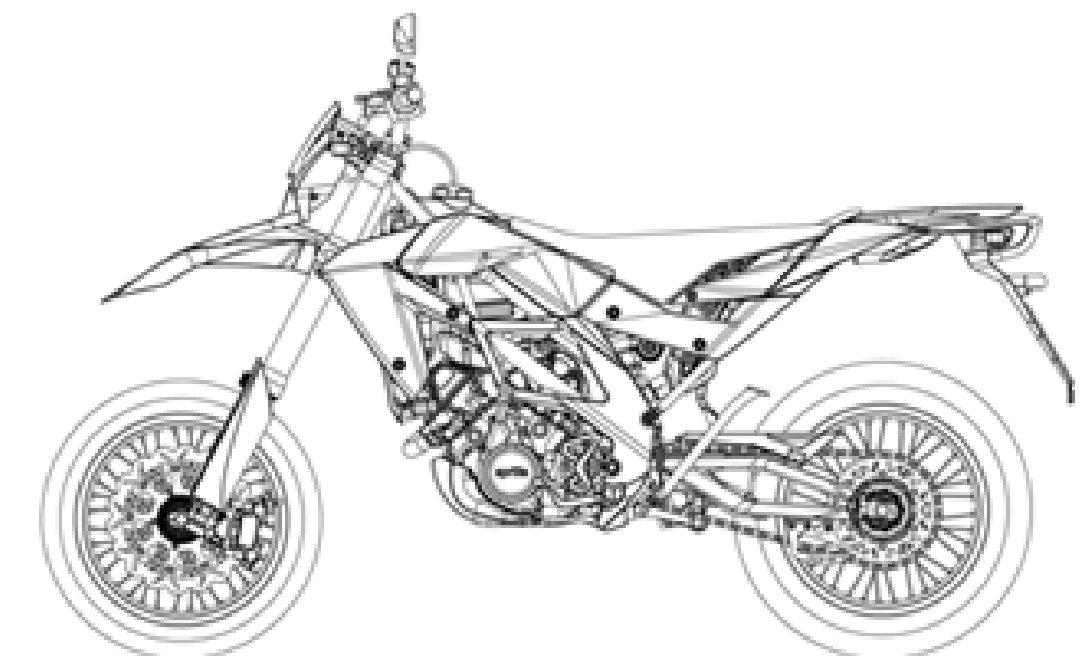




PIAGGIO & C.s.p.a.

aprilia

SPARE PARTS CATALOGUE



SXV 450-550 STREET LEGAL 2009-2011

Chassis prefix: ZD4VSU40, ZD4VSU50, ZD4VSU51

Engine prefix:

Index

Finished products.....	4
Alphanumeric index.....	5
FRAME.....	11
Table 28.01 - Frame.....	11
Table 28.02 - Foot rests.....	12
Table 28.03 - Central stand.....	13
Table 28.04 - Steering.....	14
Table 28.05 - Front fork.....	15
Table 28.06 - Swing arm.....	17
Table 28.07 - Rear shock absorber.....	18
Table 28.08 - Front body I.....	19
Table 28.09 - Front body II.....	20
Table 28.10 - Fuel tank.....	21
Table 28.11 - Oil tank.....	22
Table 28.12 - Saddle.....	23
Table 28.13 - Central body.....	24
Table 28.14 - Rear body I.....	25
Table 28.15 - Rear body II.....	26
Table 28.16 - Dashboard.....	27
Table 28.17 - Controls.....	28
Table 28.18 - Cooling system.....	29
Table 28.19 - Air box.....	31
Table 28.20 - Exhaust unit.....	32
Table 28.21 - Front wheel.....	34
Table 28.22 - Rear wheel.....	35
Table 28.23 - Front brake system.....	36
Table 28.24 - Rear brake system.....	37
Table 28.25 - Front lights.....	38
Table 28.26 - Rear lights.....	39
Table 28.27 - Electrical system I.....	40
Table 28.28 - Electrical system II.....	41
Table 28.29 - Completing part.....	43
Table 28.52 - Secondary air.....	44
Table 28.53 - Fuel vapour recover system.....	45
Table 28.54 - Decal.....	46
ENGINE.....	48
Table 29.30 - Engine.....	48
Table 29.31 - Crankcase I.....	50
Table 29.32 - Crankcase II.....	52
Table 29.33 - Oil pump.....	53
Table 29.34 - Lubrication.....	54
Table 29.35 - Drive shaft.....	55
Table 29.36 - Cylinder with piston.....	56

Table 29.37 - Cylinder head.....	57
Table 29.38 - Valves.....	58
Table 29.39 - Valves pads.....	59
Table 29.40 - Front cylinder timing system.....	61
Table 29.41 - Rear cylinder timing system.....	63
Table 29.42 - Transmission shaft.....	65
Table 29.43 - Gear box selector I.....	66
Table 29.44 - Gear box selector II.....	67
Table 29.45 - Primary gear shaft.....	68
Table 29.46 - Driven shaft.....	69
Table 29.47 - Clutch.....	70
Table 29.48 - Water pump.....	71
Table 29.49 - Starter motor.....	72
Table 29.50 - Throttle body.....	73
Table 29.51 - Ignition unit.....	74



RXV-SXV 450-550
4232 - SXV 450-550 STREET LEGAL 2009-2011

Chassis prefix: ZD4VSU40, ZD4VSU50,
ZD4VSU51
Engine prefix:

Finished products

Code	Validity
no finished product	

Code	No. table	Pos.	Code	No. table	Pos.	Code	No. table	Pos.
000674	29.32	5	851367	28.23	3	855701	28.07	2
006411	29.33	21	851368	28.23	10	855705	29.44	12
006415	29.43	4	851423	28.12	7	855721	28.25	1
006612	29.40	9	851436	29.47	9	855722	28.06	26
006612	29.41	9	851470	28.20	11	855724	28.27	14
006618	29.34	17	851608	28.21	1	855790	28.19	23
006642	29.40	11	851611	28.22	1	855796	28.05	3
006642	29.41	11	853513	28.01	1	855797	28.05	4
178609	29.50	21	853695	28.19	2	855798	28.05	5
254485	28.09	6	853696	28.17	6	855819	29.30	16
254485	28.14	12	853971	29.49	5	855833	29.30	17
254485	28.15	19	853976	28.17	13	855834	29.30	15
254485	28.18	15	853977	28.17	12	855835	29.30	15
254485	28.20	20	853982	28.05	18	855876	28.54	4
254485	28.52	6	854000	28.05	15	855883	28.54	3
260467	29.37	21	854075	28.29	12	855929	29.50	15
484993	29.51	7	855001	28.05	17	855930	29.50	16
639687	29.51	10	855022	28.52	4	855940	28.12	4
709052	28.19	17	855023	28.52	2	855947	29.50	2
82650R	29.40	20	855024	28.52	3	855948	29.50	9
82650R	29.41	20	855025	28.20	1	856062	28.53	13
828909	29.31	33	855026	28.20	2	856063	28.53	10
828922	29.31	34	855027	28.52	7	856161	28.53	12
833658	29.50	18	855028	28.52	10	856610	28.25	5
844211	29.42	7	855029	28.53	1	856878	28.54	5
847928	29.40	19	855031	29.32	4	856897	28.52	20
847928	29.41	19	855034	29.37	6	856932	28.10	3
849802	29.49	6	855035	29.37	6	856941	28.20	3
849803	29.49	7	855046	28.15	11	856946	28.20	5
851000	29.40	1	855049	28.17	1	856947	28.20	4
851001	29.41	1	855054	28.52	1	858032	28.04	1
851006	28.19	18	855055	28.52	8	858033	28.04	2
851007	29.35	2	855056	28.52	9	858388	28.08	3
851009	29.42	1	855057	28.52	5	858592	28.20	27
851010	29.48	12	855066	28.10	1	859728	28.27	19
851011	29.42	11	855071	28.15	5	859728	28.28	29
851012	29.32	21	855078	28.26	12	859762	28.12	5
851013	29.48	11	855081	28.19	20	859802	28.05	1
851015	29.32	20	855082	28.53	3	859803	28.05	2
851017	29.32	22	855086	28.20	1	860129	28.29	1
851019	29.32	9	855087	28.20	2	860593	29.50	14
851023	28.27	2	855093	28.19	1	89046800XN4	28.08	2
851029	28.04	8	855094	28.19	1	890526	28.54	1
851030	28.04	7	8551015	29.35	1	891170	29.38	7
851035	29.36	1	855116	28.05	1	891186	28.54	3
851039	29.36	1	855119	28.05	2	891188	28.54	4
851042	29.36	2	855139	28.25	9	891189	28.54	2
851045	29.36	2	855139	28.26	6	891289	28.54	3
851064	28.21	19	855140	28.25	8	891290	28.54	3
851066	28.22	22	855140	28.26	5	891291	28.54	4
851156	28.54	6	855203	28.21	17	891292	28.54	4
851157	28.54	7	855213	29.50	1	891295	28.54	2
851171	28.20	26	855214	29.50	1	893187	28.05	11
851172	28.20	25	855236	29.50	19	893189	28.05	10
851240	29.34	18	855242	29.32	1	894814	28.05	15
851252	28.07	3	855252	29.32	23	894816	28.05	16
851280	28.03	4	8553745	29.35	1	896552	28.04	14
851283	29.48	9	855487	29.37	2	896553	28.05	5
851295	29.34	22	855490	29.50	12	896554	28.05	6
851298	29.36	3	855506	28.24	15	896555	28.05	7
851348	28.23	25	855507	29.40	5	896556	28.05	9
851357	29.35	3	855508	29.41	5	896557	28.05	8
851359	28.17	17	855515	29.40	6	896558	28.05	4
851360	28.17	18	855516	29.41	6	896559	28.05	3
851363	28.29	9	855601	29.36	3	898370	28.54	1
851364	28.29	8	855616	28.01	1	898504	28.54	1
851366	28.23	1	855690	28.18	5	898912	28.02	12

Code	No. table	Pos.	Code	No. table	Pos.	Code	No. table	Pos.
978683	28.22	3	AP8124718	28.15	4	AP8152117	28.14	6
AP8101372	28.13	11	AP8124930	28.18	4	AP8152123	28.03	12
AP8101586	28.11	11	AP8127098	28.26	2	AP8152123	28.28	25
AP8101586	28.52	13	AP8127121	28.25	6	AP8152137	28.25	12
AP8101595	28.19	8	AP8127489	28.25	7	AP8152137	28.26	8
AP8101606	28.02	11	AP8127489	28.26	7	AP8152176	28.02	9
AP8101928	28.24	22	AP8134677	28.15	3	AP8152181	28.25	2
AP8102273	28.52	12	AP8140710	28.29	2	AP8152244	28.06	7
AP8102375	28.08	5	AP8144038	28.19	9	AP8152246	28.15	6
AP8102375	28.13	18	AP8144064	28.13	8	AP8152262	28.25	11
AP8102375	28.15	18	AP8144065	28.19	19	AP8152267	28.18	7
AP8102377	28.19	10	AP8144443	28.06	16	AP8152272	28.01	9
AP8102377	29.31	31	AP8144444	28.06	15	AP8152272	28.28	13
AP8102525	28.11	13	AP8144506	28.18	17	AP8152272	29.44	19
AP8102678	28.53	2	AP8144538	28.01	15	AP8152272	29.44	23
AP8102688	28.53	7	AP8144538	28.28	4	AP8152272	29.51	4
AP8102719	28.53	8	AP8149034	28.15	2	AP8152273	28.10	18
AP8102738	28.18	23	AP8150009	28.22	19	AP8152273	28.52	21
AP8102764	28.53	11	AP8150011	28.15	8	AP8152274	28.13	7
AP8102903	28.11	10	AP8150011	28.27	5	AP8152274	29.40	3
AP8102998	28.53	16	AP8150012	28.26	13	AP8152274	29.41	3
AP8104124	28.18	31	AP8150013	28.16	5	AP8152275	28.01	11
AP8104329	28.19	6	AP8150013	28.18	8	AP8152275	29.51	2
AP8104666	28.53	15	AP8150015	28.08	9	AP8152277	28.06	20
AP8104921	28.17	14	AP8150015	28.14	8	AP8152277	28.08	8
AP8104922	28.17	15	AP8150015	28.20	22	AP8152277	28.10	5
AP8108672	28.21	12	AP8150015	28.52	15	AP8152277	28.14	11
AP8109306	28.21	2	AP8150016	28.18	14	AP8152277	28.28	24
AP8109309	28.21	3	AP8150017	28.02	10	AP8152277	29.31	27
AP8112176	28.28	17	AP8150017	28.24	21	AP8152277	29.31	3
AP8112202	28.15	16	AP8150017	28.25	10	AP8152277	29.34	2
AP8112244	28.28	16	AP8150017	28.27	17	AP8152277	29.37	13
AP8112600	28.16	2	AP8150026	28.52	19	AP8152277	29.44	6
AP8117004	28.28	28	AP8150026	28.53	5	AP8152278	28.08	10
AP8117041	28.18	29	AP8150027	28.06	14	AP8152278	28.13	10
AP8119603	28.20	18	AP8150044	28.10	9	AP8152278	28.20	14
AP8120001	28.28	3	AP8150051	28.03	11	AP8152278	28.22	14
AP8120223	28.11	14	AP8150070	28.21	15	AP8152278	28.24	23
AP8120253	28.01	10	AP8150114	28.26	15	AP8152278	28.27	11
AP8120313	28.01	12	AP8150137	28.52	14	AP8152278	29.40	12
AP8120405	28.08	7	AP8150159	28.01	16	AP8152278	29.41	12
AP8120422	29.50	13	AP8150159	28.26	11	AP8152278	29.48	3
AP8120446	28.18	28	AP8150169	28.24	20	AP8152279	28.14	5
AP8120446	28.53	14	AP8150204	28.01	17	AP8152279	28.15	13
AP8120455	28.18	32	AP8150204	28.15	9	AP8152279	28.15	15
AP8120581	28.01	22	AP8150204	28.27	6	AP8152279	28.20	12
AP8120593	28.19	16	AP8150211	28.29	4	AP8152279	28.52	16
AP8120870	28.20	19	AP8150246	28.08	16	AP8152279	28.53	9
AP8120876	28.18	6	AP8150272	28.28	27	AP8152279	29.32	14
AP8120876	28.19	11	AP8150349	28.29	3	AP8152279	29.32	2
AP8120987	28.11	12	AP8150376	28.27	16	AP8152279	29.47	21
AP8121032	28.25	4	AP8150413	28.19	14	AP8152280	28.17	10
AP8121075	28.12	6	AP8150413	28.26	10	AP8152280	28.23	14
AP8121170	28.20	16	AP8150413	28.26	4	AP8152280	29.30	3
AP8121334	28.21	13	AP8150429	28.21	18	AP8152280	29.32	3
AP8121334	28.22	8	AP8150429	28.28	26	AP8152280	29.33	5
AP8121451	29.51	9	AP8150444	28.10	20	AP8152280	29.37	4
AP8121638	28.11	5	AP8150450	28.15	10	AP8152281	28.10	13
AP8121736	28.13	9	AP8150451	28.16	4	AP8152281	28.27	8
AP8121795	28.15	14	AP8150451	28.18	9	AP8152281	29.33	7
AP8121795	28.16	3	AP8150460	28.27	21	AP8152281	29.49	2
AP8121811	28.10	8	AP8150515	28.06	18	AP8152282	29.32	10
AP8121856	29.37	18	AP8152001	28.03	6	AP8152283	28.08	11
AP8121862	29.31	25	AP8152018	28.07	13	AP8152283	28.52	18
AP8121915	28.23	22	AP8152082	28.26	14	AP8152283	29.31	7
AP8124235	28.27	18	AP8152108	28.25	3	AP8152283	29.48	2
AP8124273	28.28	11	AP8152112	28.27	15	AP8152284	29.30	13

Code	No. table	Pos.	Code	No. table	Pos.	Code	No. table	Pos.
AP8152285	29.31	24	AP9100061	28.06	8	AP9100343	28.11	1
AP8152286	28.02	8	AP9100078	28.10	6	AP9100347	28.13	6
AP8152287	28.05	11	AP9100080	28.10	4	AP9100348	28.18	1
AP8152287	28.29	11	AP9100081	28.10	12	AP9100349	28.18	2
AP8152288	28.20	9	AP9100082	28.10	11	AP9100354	28.24	19
AP8152289	28.01	7	AP9100087	28.12	3	AP9100358	29.34	5
AP8152289	28.17	3	AP9100106	28.21	11	AP9100362	29.34	6
AP8152290	28.04	14	AP9100109	28.06	10	AP9100365	28.12	2
AP8152305	28.06	13	AP9100111	28.07	9	AP9100366	28.09	3
AP8152323	28.06	25	AP9100114	28.07	2	AP9100367	29.30	10
AP8152334	28.19	22	AP9100120	28.06	1	AP9100371	28.28	6
AP8152339	28.08	6	AP9100171	28.21	5	AP9100372	28.28	8
AP8152339	28.15	17	AP9100173	28.01	4	AP9100374	29.30	9
AP8152342	28.20	21	AP9100174	28.01	5	AP9100375	28.10	24
AP8152351	28.19	7	AP9100175	28.01	6	AP9100375	28.18	12
AP8156343	28.08	4	AP9100176	28.07	1	AP9100376	28.18	10
AP8156381	28.14	9	AP9100177	28.07	7	AP9100381	29.30	12
AP8156392	28.08	4	AP9100177	28.07	7	AP9100383	29.30	11
AP8161006	28.03	5	AP9100178	28.07	5	AP9100386	29.47	11
AP8163069	28.05	19	AP9100179	28.07	10	AP9100387	29.51	3
AP8163070	28.05	20	AP9100181	28.07	6	AP9100389	28.01	14
AP8163071	28.05	21	AP9100181	28.07	6	AP9100390	28.02	7
AP8163072	28.05	22	AP9100182	28.07	23	AP9100409	28.20	6
AP8176099	28.28	15	AP9100184	28.07	8	AP9100411	29.30	2
AP8176214	29.47	13	AP9100186	28.07	11	AP9100412	28.04	11
AP8176215	29.47	14	AP9100193	28.02	1	AP9100415	28.10	19
AP8184496	28.14	2	AP9100194	28.02	2	AP9100416	28.10	14
AP8184497	28.14	1	AP9100195	28.02	3	AP9100417	28.24	8
AP8184780	28.09	2	AP9100196	28.02	4	AP9100419	28.03	3
AP8184781	28.09	1	AP9100197	28.02	5	AP9100423	28.27	10
AP8184788	28.13	1	AP9100202	28.06	2	AP9100424	28.27	7
AP8184789	28.13	2	AP9100203	28.06	3	AP9100427	28.19	13
AP8184915	28.09	1	AP9100204	28.04	6	AP9100428	28.19	15
AP8184916	28.09	2	AP9100205	28.04	9	AP9100429	28.27	9
AP8184917	28.14	1	AP9100208	28.07	18	AP9100432	28.22	20
AP8184918	28.14	2	AP9100216	28.21	7	AP9100433	28.06	21
AP8184919	28.13	1	AP9100216	28.22	6	AP9100434	28.06	23
AP8184920	28.13	2	AP9100223	28.03	7	AP9100434	28.11	8
AP8201169	28.18	24	AP9100225	28.21	6	AP9100434	28.13	14
AP8201431	28.10	10	AP9100226	28.21	10	AP9100434	28.14	10
AP8201808	28.53	17	AP9100227	28.21	9	AP9100434	28.15	7
AP8202058	28.01	21	AP9100227	28.22	7	AP9100434	28.18	34
AP8202058	28.06	27	AP9100228	28.21	8	AP9100434	28.20	13
AP8218628	28.17	19	AP9100229	28.21	16	AP9100434	28.26	9
AP8220191	28.18	30	AP9100238	28.20	10	AP9100434	28.52	17
AP8220283	28.27	13	AP9100243	28.01	18	AP9100435	28.06	11
AP8220325	28.18	16	AP9100252	28.20	15	AP9100437	28.04	2
AP8220325	28.18	22	AP9100264	28.06	6	AP9100439	28.04	13
AP8220402	28.10	21	AP9100267	28.11	18	AP9100439	28.07	15
AP8220598	28.27	3	AP9100270	28.06	24	AP9100440	28.08	13
AP8220620	28.10	2	AP9100275	28.02	6	AP9100441	28.08	14
AP8221129	28.53	4	AP9100287	28.06	22	AP9100442	28.07	14
AP8224462	28.27	12	AP9100289	28.07	17	AP9100443	29.30	5
AP8224655	28.26	3	AP9100290	28.24	16	AP9100447	28.27	1
AP8234020	28.06	19	AP9100291	28.24	17	AP9100451	29.30	19
AP8257609	28.54	8	AP9100292	29.34	7	AP9100455	28.19	12
AP8267395	28.54	9	AP9100293	28.04	10	AP9100456	28.18	25
AP9100007	28.07	4	AP9100297	28.17	2	AP9100456	28.52	11
AP9100021	28.04	5	AP9100301	28.20	24	AP9100466	28.22	13
AP9100026	28.04	3	AP9100302	28.20	23	AP9100467	28.22	18
AP9100028	28.04	4	AP9100315	28.01	13	AP9100472	28.24	6
AP9100053	28.08	17	AP9100318	28.21	20	AP9100473	28.24	7
AP9100053	28.09	5	AP9100318	28.22	23	AP9100475	28.24	1
AP9100053	28.13	3	AP9100322	28.22	5	AP9100477	28.24	18
AP9100053	28.14	3	AP9100325	28.28	10	AP9100478	28.24	5
AP9100053	28.15	12	AP9100327	28.28	14	AP9100479	28.24	9
AP9100060	28.06	9	AP9100334	28.22	17	AP9100487	28.28	9

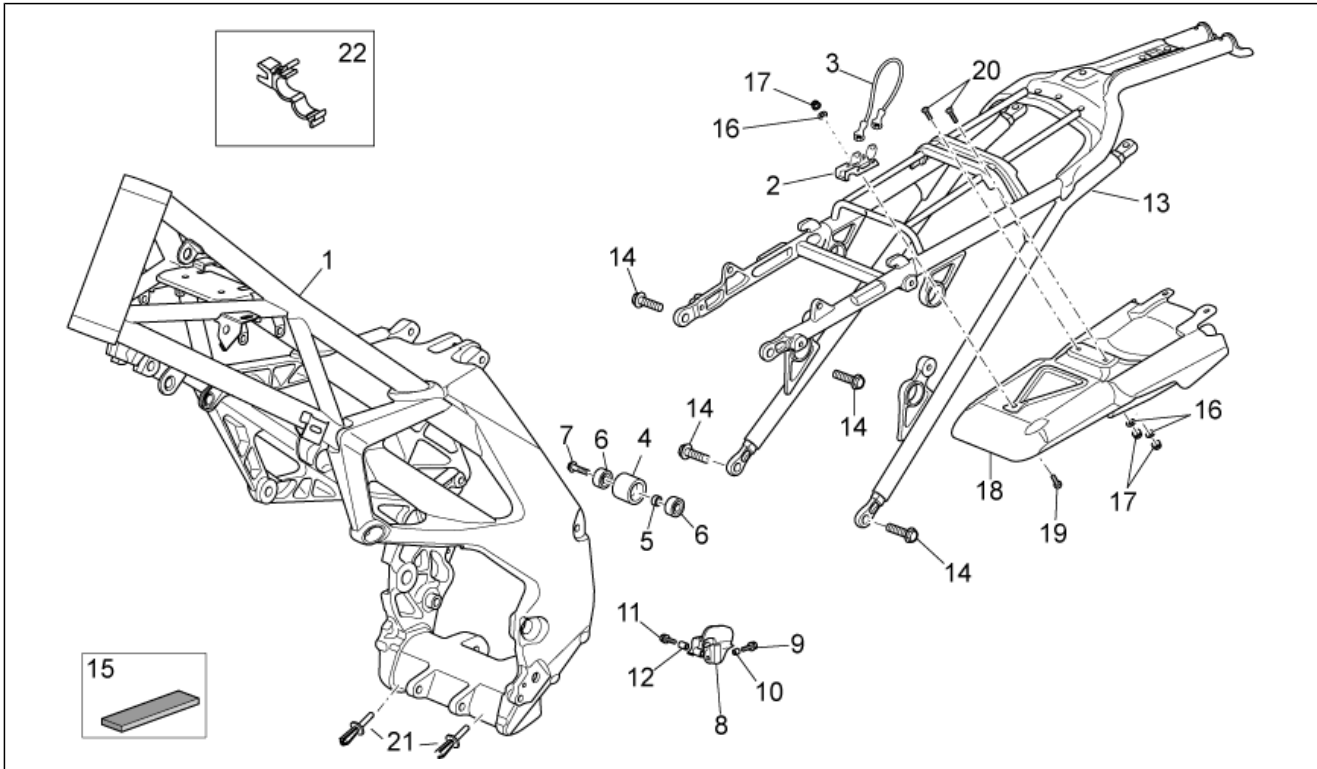
Code	No. table	Pos.	Code	No. table	Pos.	Code	No. table	Pos.
AP9100494	29.50	3	AP9100742	28.28	18	AP9100950	28.11	15
AP9100496	28.11	9	AP9100749	28.23	23	AP9100951	28.11	17
AP9100501	28.08	12	AP9100752	28.24	25	AP9100952	28.06	4
AP9100504	28.13	5	AP9100755	28.20	17	AP9100953	28.06	5
AP9100506	28.18	3	AP9100756	28.29	7	AP9100959	28.28	30
AP9100511	28.28	22	AP9100757	28.29	6	AP9100963	28.03	13
AP9100512	28.28	1	AP9100763	28.23	21	AP9100964	28.03	2
AP9100513	28.17	5	AP9100765	28.28	23	AP9100966	28.10	23
AP9100514	28.17	4	AP9100766	28.01	2	AP9100967	28.10	22
AP9100516	28.16	1	AP9100767	28.10	7	AP9100997	28.28	31
AP9100517	28.08	1	AP9100768	28.01	20	AP9101000	28.28	2
AP9100518	28.27	20	AP9100769	28.01	19	AP9101008	29.50	5
AP9100519	28.17	16	AP9100770	28.01	3	AP9101009	29.50	6
AP9100523	28.26	1	AP9100776	28.04	12	AP9101010	29.50	7
AP9100525	29.30	18	AP9100778	28.13	12	AP9101011	29.50	8
AP9100526	28.22	2	AP9100781	28.18	13	AP9101013	29.50	10
AP9100528	28.21	14	AP9100782	28.28	19	AP9101014	29.50	11
AP9100542	28.04	1	AP9100783	28.28	21	AP9101056	28.22	11
AP9100548	28.08	15	AP9100789	28.24	24	AP9101057	28.22	10
AP9100549	28.07	12	AP9100793	28.24	3	AP9150003	29.44	13
AP9100553	28.18	20	AP9100794	28.24	2	AP9150004	29.44	1
AP9100554	28.18	21	AP9100795	28.24	4	AP9150006	29.43	5
AP9100555	28.18	18	AP9100796	28.24	14	AP9150007	29.36	4
AP9100557	28.18	19	AP9100797	28.24	10	AP9150009	29.37	7
AP9100558	28.28	12	AP9100798	28.24	11	AP9150010	29.37	8
AP9100560	28.22	4	AP9100799	28.24	13	AP9150011	29.40	16
AP9100561	28.21	4	AP9100800	28.24	12	AP9150011	29.41	16
AP9100565	28.06	17	AP9100808	28.07	19	AP9150012	29.40	17
AP9100569	28.22	12	AP9100815	28.07	20	AP9150012	29.41	17
AP9100584	28.22	9	AP9100817	28.07	21	AP9150018	29.35	10
AP9100587	28.19	5	AP9100820	28.07	22	AP9150022	29.38	1
AP9100588	28.19	4	AP9100835	28.03	1	AP9150023	29.38	2
AP9100593	29.30	4	AP9100836	28.03	10	AP9150024	29.38	5
AP9100594	28.14	7	AP9100837	28.29	10	AP9150025	29.38	6
AP9100595	28.22	15	AP9100845	28.20	7	AP9150028	29.38	3
AP9100596	28.22	16	AP9100872	28.05	6	AP9150040	29.47	5
AP9100600	29.30	18	AP9100873	28.05	7	AP9150043	29.44	4
AP9100604	28.07	16	AP9100874	28.05	8	AP9150044	29.43	6
AP9100610	28.15	1	AP9100875	28.05	9	AP9150048	29.43	1
AP9100616	28.06	12	AP9100876	28.05	10	AP9150051	29.43	7
AP9100636	28.17	7	AP9100877	28.05	12	AP9150060	29.44	11
AP9100638	28.11	6	AP9100878	28.05	13	AP9150061	29.44	17
AP9100638	28.53	6	AP9100879	28.05	14	AP9150062	29.44	14
AP9100643	29.30	6	AP9100905	28.23	20	AP9150063	29.43	2
AP9100645	28.09	4	AP9100906	28.23	16	AP9150064	29.44	9
AP9100645	28.14	4	AP9100907	28.23	17	AP9150065	29.35	7
AP9100661	28.11	7	AP9100908	28.23	18	AP9150066	29.35	8
AP9100661	28.13	13	AP9100909	28.23	19	AP9150067	29.44	3
AP9100665	28.11	16	AP9100910	28.23	13	AP9150068	29.44	10
AP9100668	28.03	8	AP9100911	28.23	12	AP9150069	29.44	7
AP9100669	28.03	9	AP9100912	28.23	11	AP9150070	29.44	8
AP9100683	29.30	8	AP9100914	28.23	9	AP9150071	29.33	1
AP9100684	29.30	8	AP9100915	28.23	8	AP9150073	29.44	5
AP9100685	29.30	8	AP9100916	28.23	7	AP9150074	29.33	20
AP9100686	29.30	8	AP9100917	28.23	6	AP9150075	29.33	15
AP9100687	29.30	7	AP9100918	28.23	5	AP9150076	29.33	13
AP9100688	28.01	8	AP9100919	28.23	4	AP9150078	29.31	28
AP9100697	28.18	27	AP9100921	28.23	2	AP9150090	29.49	1
AP9100703	28.19	3	AP9100930	28.10	15	AP9150091	29.44	16
AP9100712	28.23	24	AP9100931	28.10	16	AP9150093	29.44	15
AP9100713	28.23	15	AP9100936	28.29	5	AP9150094	29.32	12
AP9100714	28.18	26	AP9100939	28.17	8	AP9150096	29.40	7
AP9100714	29.50	4	AP9100940	28.17	9	AP9150096	29.41	7
AP9100715	28.22	21	AP9100941	28.17	11	AP9150101	29.40	8
AP9100725	28.28	5	AP9100945	28.27	4	AP9150101	29.41	8
AP9100736	28.20	8	AP9100946	28.18	11	AP9150104	29.38	4
AP9100739	28.28	20	AP9100948	28.18	33	AP9150106	29.38	8

Code	No. table	Pos.	Code	No. table	Pos.	Code	No. table	Pos.
AP9150107	29.38	9	AP9150259	29.46	9	AP9150365	29.44	21
AP9150109	29.31	29	AP9150260	29.46	8	AP9150366	29.42	2
AP9150110	29.37	10	AP9150261	29.46	6	AP9150367	29.47	7
AP9150111	29.37	9	AP9150262	29.46	3	AP9150369	29.49	8
AP9150113	29.37	3	AP9150263	29.46	1	AP9150370	29.46	11
AP9150114	29.37	5	AP9150265	29.45	9	AP9150372	29.40	10
AP9150115	29.31	16	AP9150266	29.45	8	AP9150372	29.41	10
AP9150116	29.31	15	AP9150267	29.45	7	AP9150373	29.47	4
AP9150117	29.31	17	AP9150267	29.46	7	AP9150374	29.47	3
AP9150118	29.32	7	AP9150268	29.45	6	AP9150375	29.44	2
AP9150119	29.48	4	AP9150269	29.45	3	AP9150376	29.33	8
AP9150120	29.37	11	AP9150270	29.45	1	AP9150377	29.33	2
AP9150121	29.37	12	AP9150273	29.42	4	AP9150382	29.46	17
AP9150127	29.35	11	AP9150280	29.34	3	AP9150384	29.47	2
AP9150132	29.48	6	AP9150281	29.34	1	AP9150385	29.33	12
AP9150133	29.40	15	AP9150284	29.47	6	AP9150387	29.42	3
AP9150133	29.41	15	AP9150285	29.42	9	AP9150389	29.42	12
AP9150138	29.40	6	AP9150291	29.33	9	AP9150390	29.42	8
AP9150142	29.41	18	AP9150292	29.48	7	AP9150393	29.43	9
AP9150145	29.31	4	AP9150294	29.45	10	AP9150394	29.31	5
AP9150146	29.31	2	AP9150294	29.46	13	AP9150395	29.30	14
AP9150148	29.32	8	AP9150296	29.46	10	AP9150395	29.32	13
AP9150149	29.31	9	AP9150297	29.45	4	AP9150396	29.33	16
AP9150150	29.32	11	AP9150297	29.46	4	AP9150401	29.51	5
AP9150153	29.32	6	AP9150299	29.42	10	AP9150402	29.35	5
AP9150157	29.33	3	AP9150300	29.40	16	AP9150410	28.11	4
AP9150158	29.33	4	AP9150300	29.41	16	AP9150410	29.32	15
AP9150159	29.33	14	AP9150301	29.36	4	AP9150435	29.31	8
AP9150160	29.33	17	AP9150302	29.45	5	AP9150436	29.35	4
AP9150161	29.33	19	AP9150302	29.46	5	AP9150439	29.31	26
AP9150162	29.33	6	AP9150303	29.40	4	AP9150440	29.31	12
AP9150166	29.34	19	AP9150303	29.41	4	AP9150441	29.31	13
AP9150167	29.34	20	AP9150304	29.41	6	AP9150442	29.31	14
AP9150168	29.34	8	AP9150312	29.37	17	AP9150443	29.33	22
AP9150169	29.34	9	AP9150315	29.35	10	AP9150443	29.48	10
AP9150170	29.34	11	AP9150317	29.37	1	AP9150446	29.49	4
AP9150171	29.34	12	AP9150321	29.34	13	AP9150454	29.35	12
AP9150172	29.34	16	AP9150323	29.35	12	AP9150455	29.35	12
AP9150173	29.34	14	AP9150324	29.31	11	AP9150456	29.31	11
AP9150174	28.11	2	AP9150327	29.40	15	AP9150457	29.31	11
AP9150174	29.31	19	AP9150327	29.41	15	AP9150461	29.33	10
AP9150174	29.37	19	AP9150343	29.36	5	AP9150462	29.44	24
AP9150180	29.51	1	AP9150344	29.31	35	AP9150463	29.33	18
AP9150181	29.37	15	AP9150346	29.31	23	AP9150464	29.48	8
AP9150184	29.44	18	AP9150347	29.34	4	AP9150469	29.37	14
AP9150190	29.47	10	AP9150348	29.42	5	AP9150471	29.31	22
AP9150191	29.47	18	AP9150349	28.11	3	AP9150472	29.34	23
AP9150194	29.47	19	AP9150349	29.31	20	AP9150473	29.32	17
AP9150195	29.47	15	AP9150349	29.31	30	AP9150476	29.34	10
AP9150196	29.47	1	AP9150349	29.37	16	AP9150477	29.34	15
AP9150204	29.51	8	AP9150349	29.37	20	AP9150479	29.44	20
AP9150205	29.51	6	AP9150350	29.31	18	AP9150483	29.42	6
AP9150208	29.49	9	AP9150351	29.32	18	AP9150484	29.48	1
AP9150209	29.49	3	AP9150352	29.48	5	AP9150489	29.31	6
AP9150210	29.35	9	AP9150353	29.31	10	AP9150500	29.49	10
AP9150216	29.45	2	AP9150355	29.34	21	AP9150506	29.40	13
AP9150216	29.46	2	AP9150356	29.32	16	AP9150506	29.41	13
AP9150217	29.33	11	AP9150357	29.46	15	AP9150507	29.40	14
AP9150220	29.43	8	AP9150358	29.47	16	AP9150508	29.41	14
AP9150231	29.40	18	AP9150359	29.47	17	AP9150522	29.32	19
AP9150232	29.47	20	AP9150360	29.45	12	AP9150525	29.35	6
AP9150234	29.47	8	AP9150361	29.46	14	AP9150526	29.31	32
AP9150235	29.47	12	AP9150362	29.45	11	AP9150529	28.19	21
AP9150236	29.35	13	AP9150363	29.46	16	AP9150533	29.31	21
AP9150237	29.46	18	AP9150364	29.40	2	AP9150545	29.31	37
AP9150238	29.43	3	AP9150364	29.41	2	CM001911	29.31	36
AP9150258	29.46	12	AP9150364	29.44	22	CM002902	29.50	17

Code	No. table	Pos.
CM002904	29.50	20
CM155402	29.31	1
CM155404	29.31	1
CM224608	28.12	1
CM224611	28.12	1
CM235801	28.13	16
CM235802	28.13	17
CM236001	28.13	4
CM236002	28.13	15
CM2362085	29.30	1
CM2363085	29.30	1
CM2376015	29.40	1
CM2377015	29.41	1
CM238601	29.40	5
CM238602	29.40	5
CM238603	29.40	5
CM238604	29.40	5
CM238605	29.40	5
CM238606	29.40	5
CM238701	29.41	5
CM238702	29.41	5
CM238703	29.41	5
CM238704	29.41	5
CM238705	29.41	5
CM238706	29.41	5
CM238800	29.39	1
CM238801	29.39	1
CM238802	29.39	1
CM238803	29.39	1
CM238804	29.39	1
CM238805	29.39	1
CM238806	29.39	1
CM238807	29.39	1
CM238808	29.39	1
CM238809	29.39	1
CM238810	29.39	1
CM238811	29.39	1
CM238812	29.39	1
CM238813	29.39	1
CM238814	29.39	1
CM238815	29.39	1
CM238816	29.39	1
CM238817	29.39	1
CM238818	29.39	1
CM238819	29.39	1
CM238820	29.39	1
CM238821	29.39	1
CM238822	29.39	1
CM238823	29.39	1
CM238824	29.39	1
CM238825	29.39	1
CM238826	29.39	1
CM238827	29.39	1
CM238828	29.39	1
CM238829	29.39	1
CM238830	29.39	1
CM238831	29.39	1
CM238832	29.39	1
CM238833	29.39	1
CM238834	29.39	1
CM238835	29.39	1
CM238836	29.39	1
CM238837	29.39	1
CM238838	29.39	1
CM238839	29.39	1
CM239401	28.28	7
CM239402	28.28	32

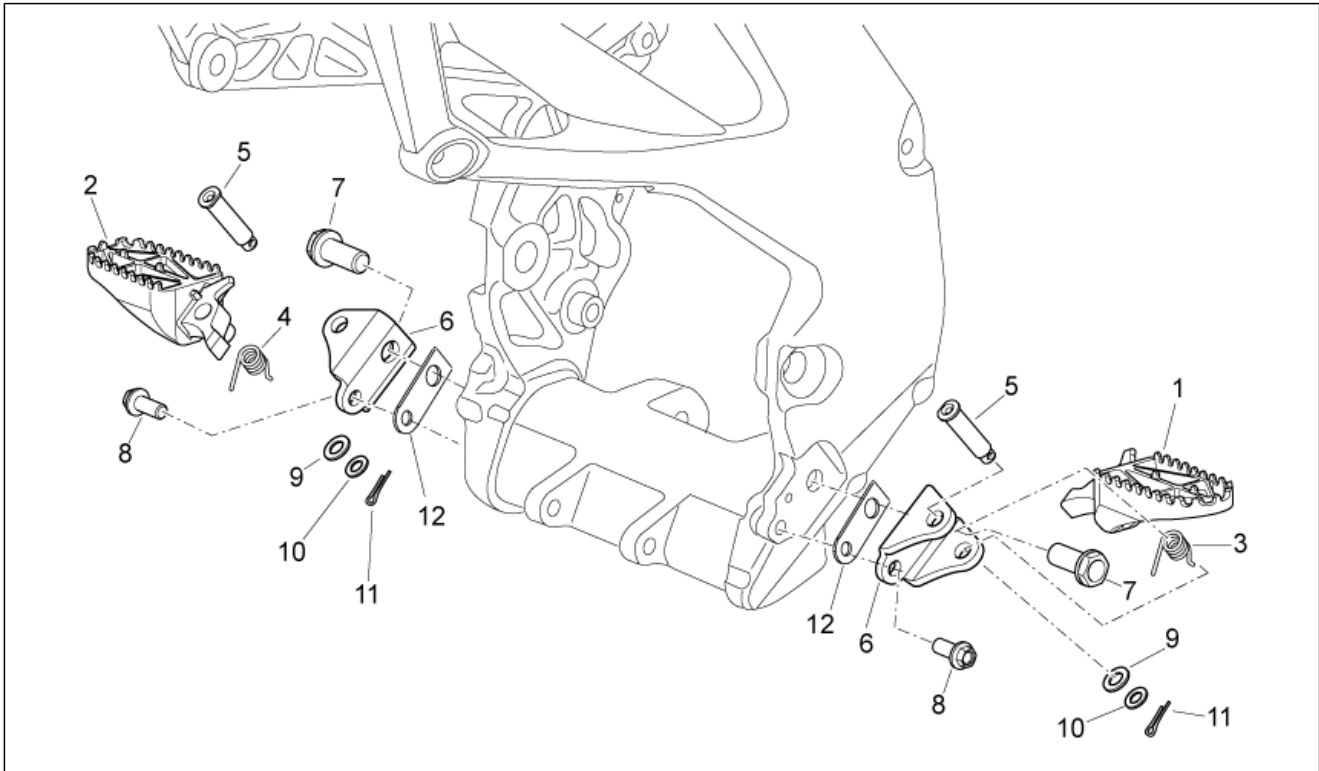
Code	No. table	Pos.
GU01103090	28.10	17
GU05781630	28.08	18

Group	FRAME
Code	28.01
Description	Frame
Service	1



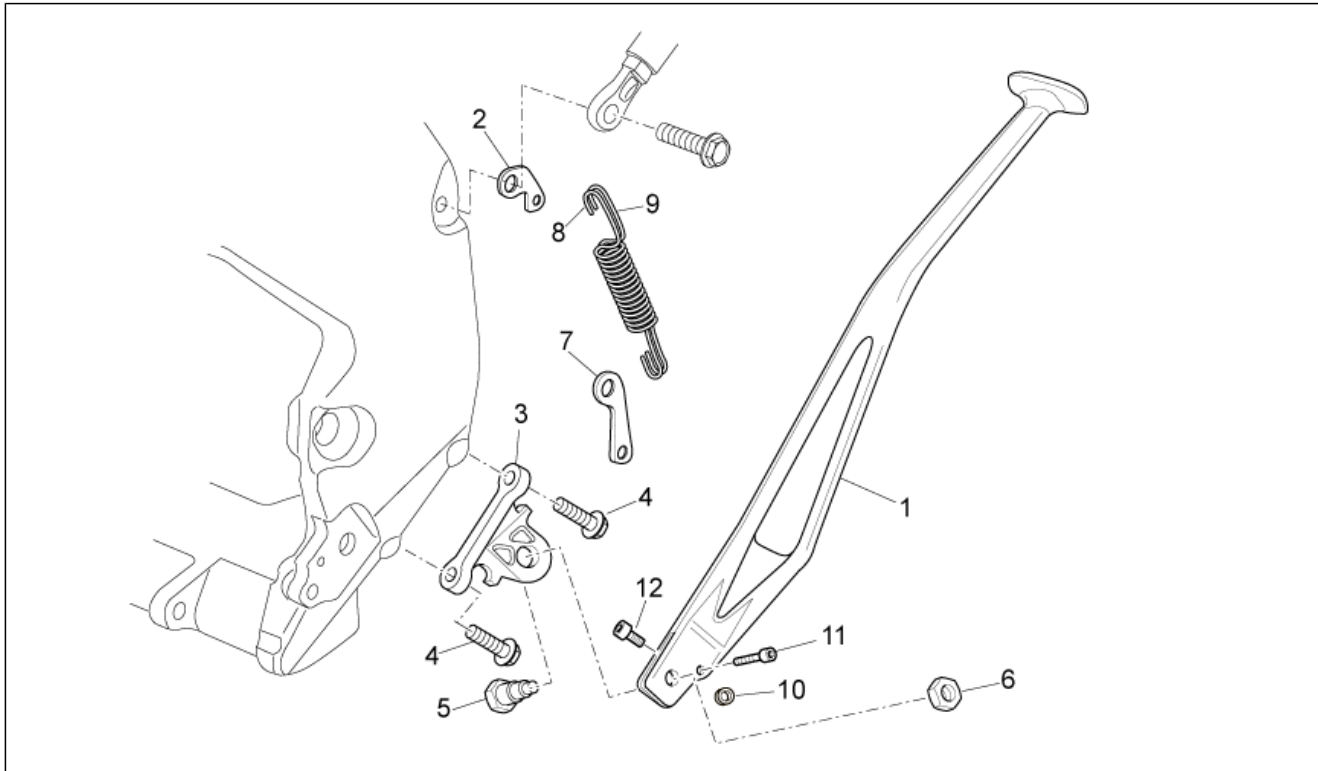
Pos.	Code	Description	Qty	Variants
1	853513	Frame	1	Vehicle colour:OFF BLACK 2009[BK09], OFF BLACK 2010[BK10]
1	855616	Frame	1	Vehicle colour:OFF BLACK 2011 (s.t 898353)[BK11]
2	AP9100766	Plate	1	
3	AP9100770	Wire	1	
4	AP9100173	Black chain guide roller	1	
5	AP9100174	Spacer	1	
6	AP9100175	Ball bearing 8x22x7	2	
7	AP8152289	Screw w/ flange	1	
8	AP9100688	Lower chain guide plate	1	
9	AP8152272	Screw w/ flange M5x12	1	
10	AP8120253	Spacer *	1	
11	AP8152275	Screw w/ flange M5x25	1	
12	AP8120313	Spacer H11,5	1	
13	AP9100315	Saddle support	1	
14	AP9100389	Screw w/ flange M10x1,25	4	
15	AP8144538	Gasket	2	
16	AP8150159	Washer 4,3x16*	3	
17	AP8150204	Nut M4	3	
18	AP9100243	Heat protection	1	
19	AP9100769	Hex socket screw M4x10 inox	1	
20	AP9100768	Screw M4x12	2	
21	AP8202058	Plastic rivet, black	2	
22	AP8120581	Wiring clip	1	

Group	FRAME
Code	28.02
Description	Foot rests
Service	1



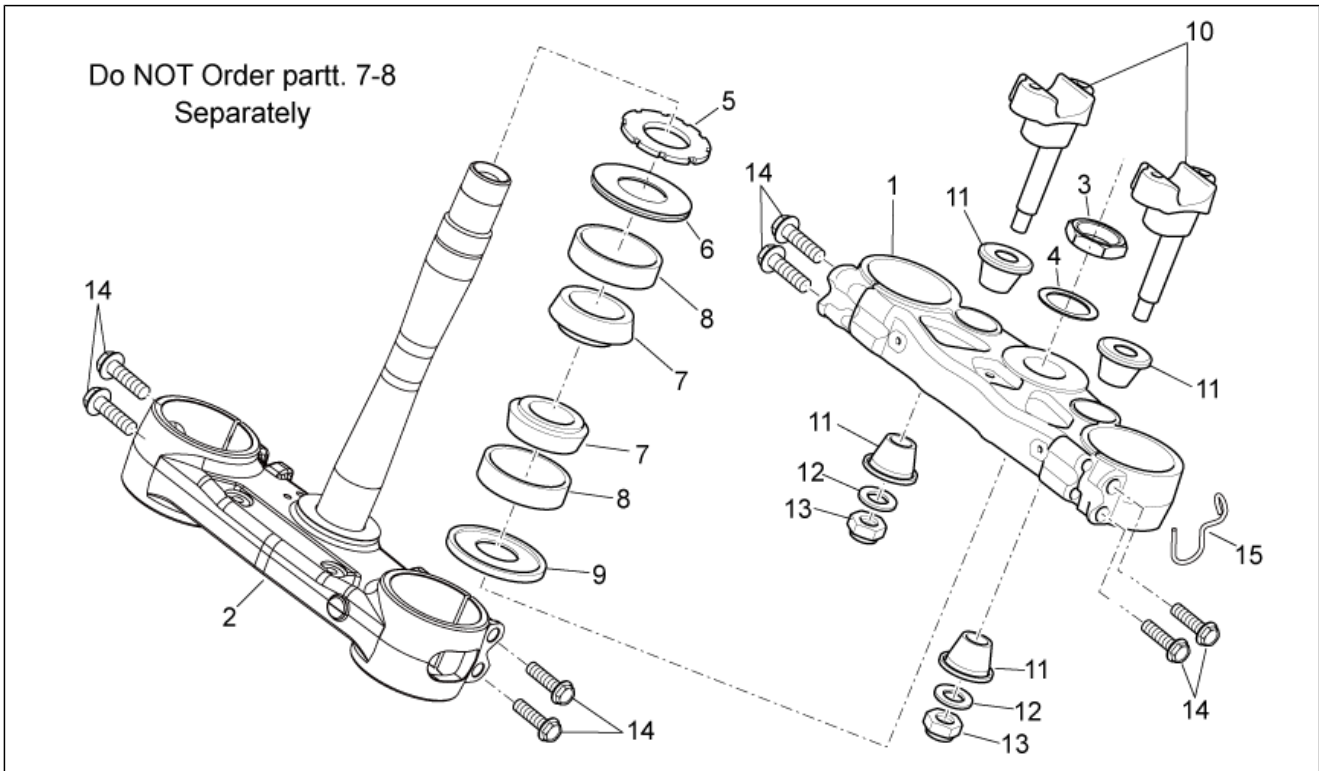
Pos.	Code	Description	Qty	Variants
1	AP9100193	LH footrest	1	
2	AP9100194	RH footrest	1	
3	AP9100195	Spring LH	1	
4	AP9100196	Spring RH	1	
5	AP9100197	Pin	2	
6	AP9100275	Footrest support	2	
7	AP9100390	Screw M12x1,25	2	
8	AP8152286	Screw w/ flange M8x20	2	
9	AP8152176	Washer 10,5X18X2*	2	
10	AP8150017	Washer 8,4x16x1,6*	2	
11	AP8101606	Split pin	2	
12	898912	Footrest plate	2	

Group	FRAME
Code	28.03
Description	Central stand
Service	1



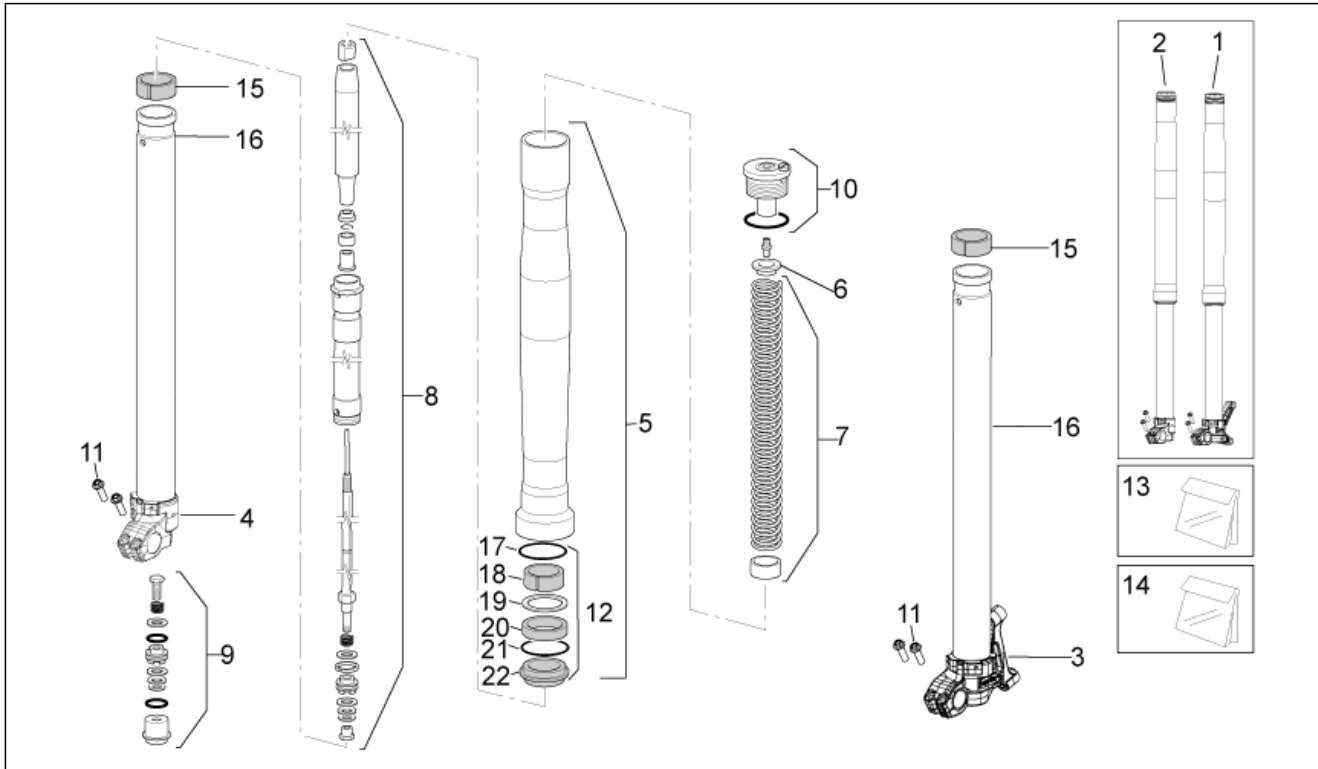
Pos.	Code	Description	Qty	Variants
1	AP9100835	Central stand	1	
2	AP9100964	Plate	1	
3	AP9100419	Stand plate	1	
4	851280	Screw w/ flange	2	
5	AP8161006	Central stand fixing screw	1	
6	AP8152001	Low nut M10x1,25	1	
7	AP9100223	Lateral stand plate	1	
8	AP9100668	Outer spring	1	
9	AP9100669	Inner spring	1	
10	AP9100836	Bush 8x5x7,8	1	
11	AP8150051	Hex socket screw	1	
12	AP8152123	Hex socket screw	1	
13	AP9100963	Fixing snap	1	

Group	FRAME
Code	28.04
Description	Steering
Service	1



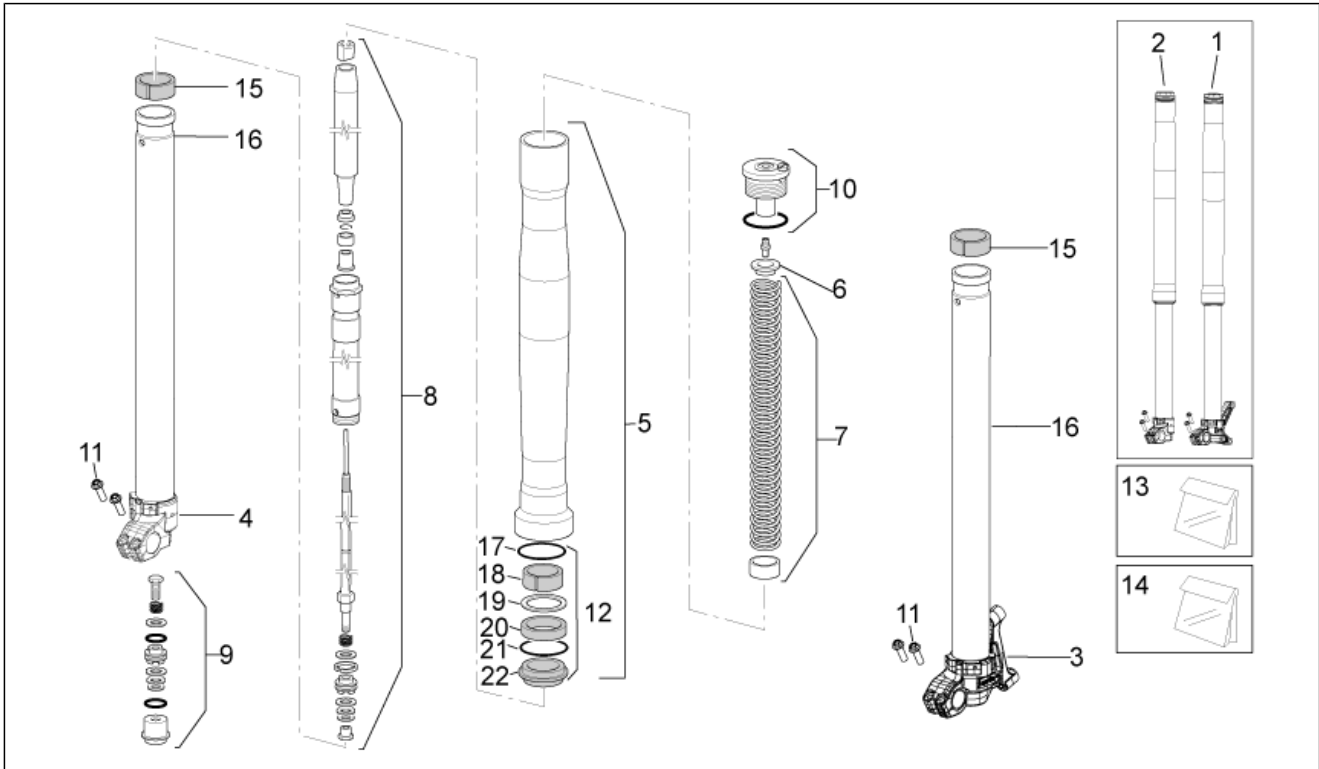
Pos.	Code	Description	Qty	Variants
1	858032	Upper plate	1	Technical Specifications: Marzocchi[M]
1	AP9100542	Upper plate	1	Technical Specifications: Sachs[S]
2	858033	Base with pivot steering	1	Technical Specifications: Marzocchi[M]
2	AP9100437	Stem base	1	Technical Specifications: Sachs[S]
3	AP9100026	Spindle nut	1	
4	AP9100028	Washer 26,5x36x1	1	
5	AP9100021	Ring nut	1	
6	AP9100204	Upper Gasket ring	1	
7	851030	Bearing	2	
8	851029	Fifth wheel	2	
9	AP9100205	Lower Gasket ring	1	
10	AP9100293	Lower U-bolt	2	
11	AP9100412	Silent-block	4	
12	AP9100776	Washer 10.1x23x2.5	2	
13	AP9100439	Low self-locking nut M10x1,25	2	
14	896552	Screw w/ flange M8x40	8	Technical Specifications: Marzocchi[M]
14	AP8152290	Screw w/ flange M8x40	8	Technical Specifications: Sachs[S]

Group	FRAME
Code	28.05
Description	Front fork
Service	1



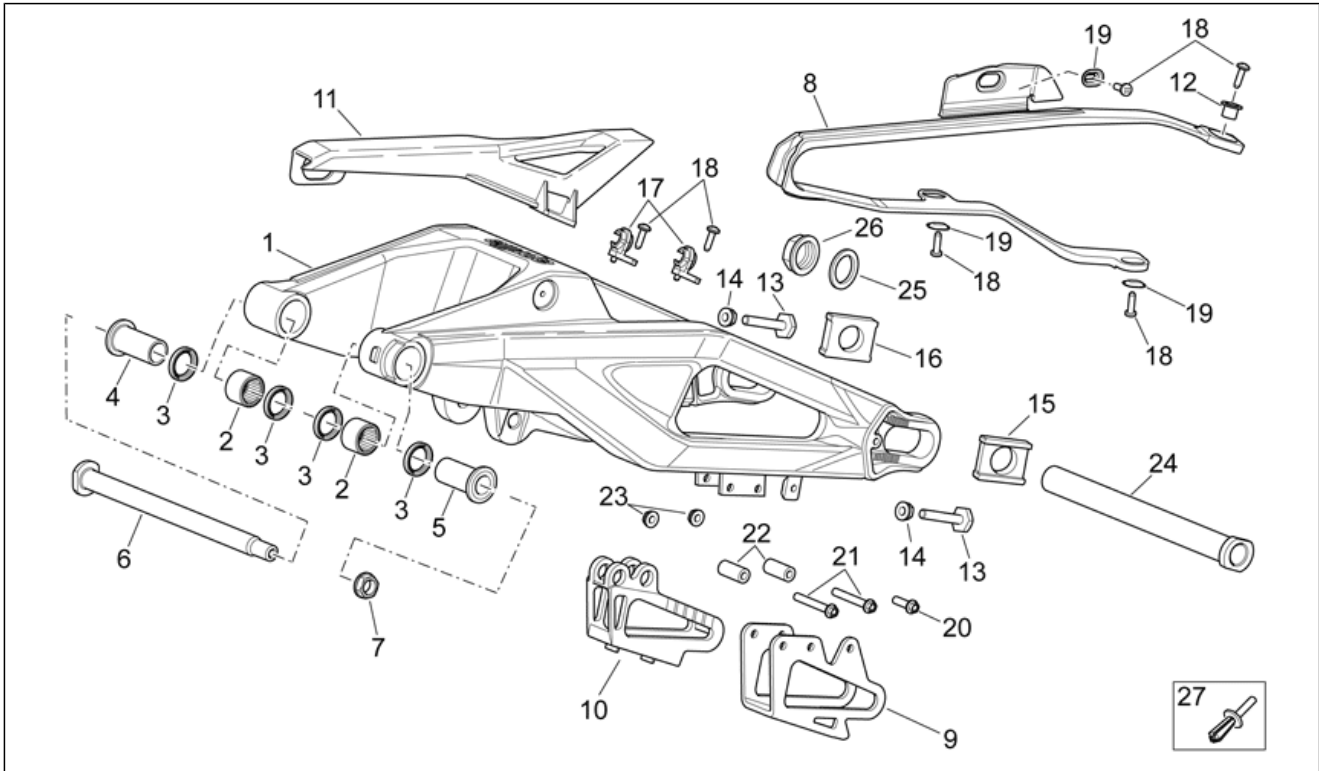
Pos.	Code	Description	Qty	Variants
1	855116	LH hub cpl.	1	Technical Specifications:Marzocchi[M]
1	859802	LH hub cpl.	1	Technical Specifications:Sachs[S]
2	855119	RH hub cpl.	1	Technical Specifications:Marzocchi[M]
2	859803	RH hub cpl.	1	Technical Specifications:Sachs[S]
3	855796	LH wheel carrier	1	Technical Specifications:Sachs[S]
3	896559	Hub+LH fork leg	1	Technical Specifications:Marzocchi[M]
4	855797	RH wheel carrier	1	Technical Specifications:Sachs[S]
4	896558	Hub+RH fork leg	1	Technical Specifications:Marzocchi[M]
5	855798	Sleeve cpl.	2	Technical Specifications:Sachs[S]
5	896553	Sleeve cpl.	2	Technical Specifications:Marzocchi[M]
6	896554	Ring spring d.50	2	Technical Specifications:Marzocchi[M]
6	AP9100872	Ring spring D.40	2	Technical Specifications:Sachs[S]
7	896555	Spring kit	2	Technical Specifications:Marzocchi[M]
7	AP9100873	Spring kit	2	Technical Specifications:Sachs[S]
8	896557	Plunger, complete	2	Technical Specifications:Marzocchi[M]
8	AP9100874	Plunger, complete	2	Technical Specifications:Sachs[S]
9	896556	Valve d.50	2	Technical Specifications:Marzocchi[M]
9	AP9100875	Valve D.45	2	Technical Specifications:Sachs[S]
10	893189	Plug cpl. d.50	2	Technical Specifications:Marzocchi[M]
10	AP9100876	Plug cpl. D.45	2	Technical Specifications:Sachs[S]
11	893187	***Screw M6x25	4	Technical Specifications:Marzocchi[M]
11	AP8152287	Screw w/ flange	4	Technical Specifications:Sachs[S]
12	AP9100877	Dust cover+oil seal kit	1	Technical Specifications:Sachs[S]
13	AP9100878	Gaskets set d.48	1	Technical Specifications:Sachs[S]
14	AP9100879	Bushes kit	1	Technical Specifications:Sachs[S]
15	854000	Lower bush	2	Technical Specifications:Marzocchi[M]
15	894814	Bush	2	Technical Specifications:Sachs[S]
16	894816	Front fork tube	2	Technical Specifications:Sachs[S]

Group	FRAME
Code	28.05
Description	Front fork
Service	1



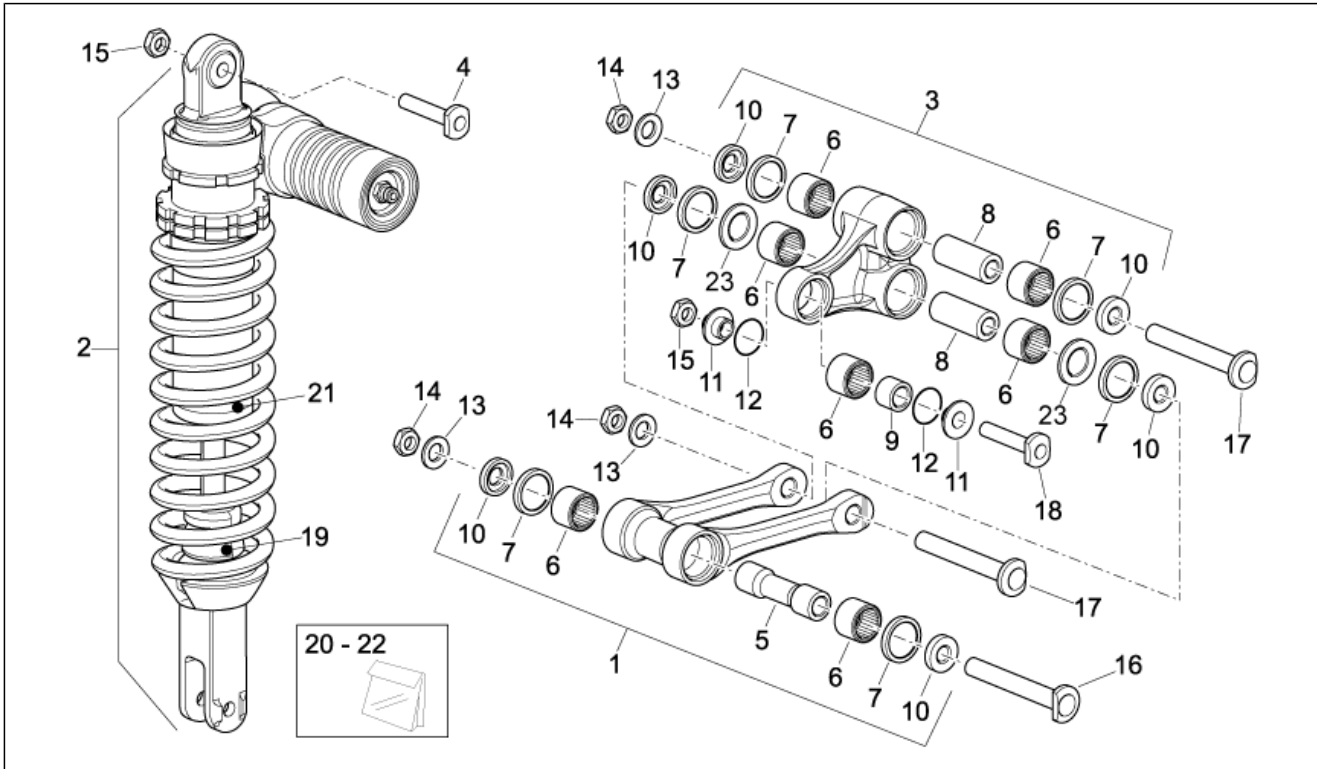
Pos.	Code	Description	Qty	Variants
17	855001	Stop ring d.62x2,0	2	Technical Specifications:Marzocchi[M]
18	853982	Upper bush 50x15	2	Technical Specifications:Marzocchi[M]
19	AP8163069	Ring	2	Technical Specifications:Marzocchi[M]
20	AP8163070	Oil seal	2	Technical Specifications:Marzocchi[M]
21	AP8163071	Stop ring	2	Technical Specifications:Marzocchi[M]
22	AP8163072	Dust cover	2	Technical Specifications:Marzocchi[M]

Group	FRAME
Code	28.06
Description	Swing arm
Service	1



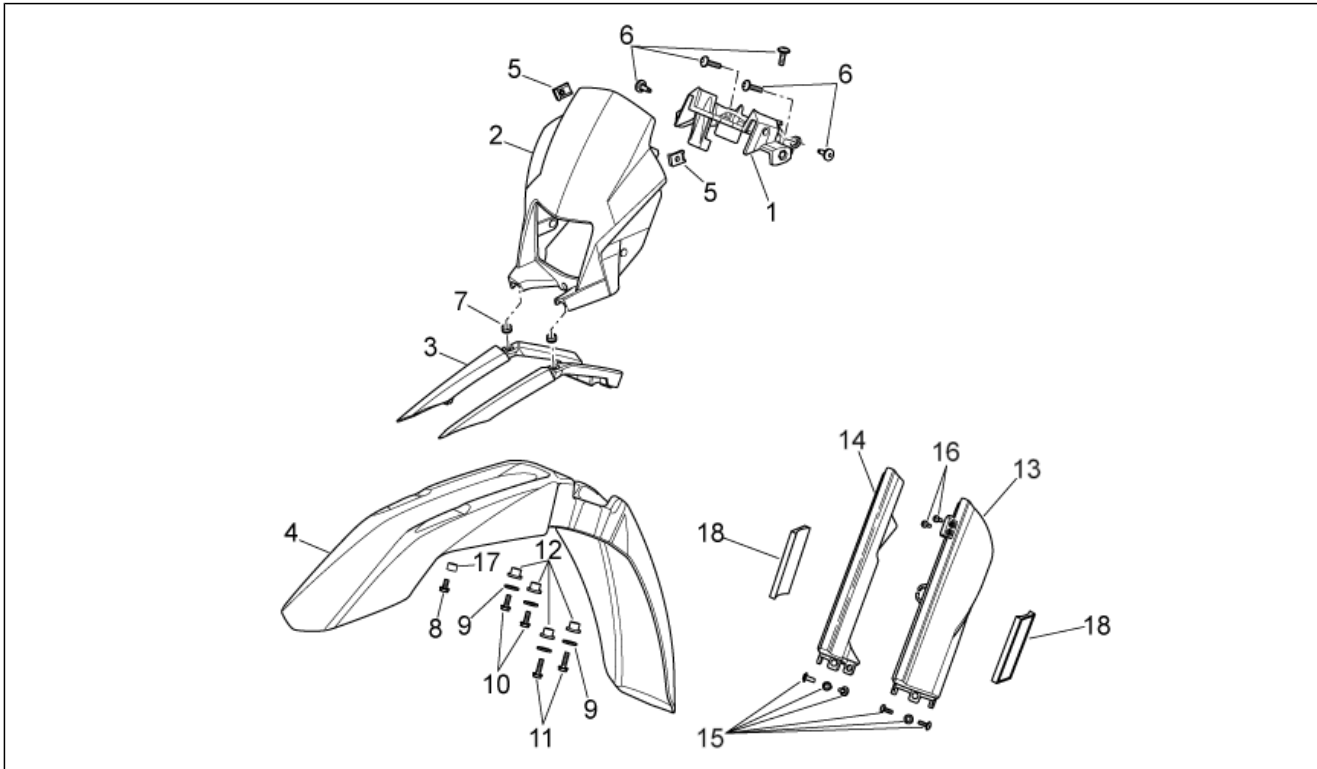
Pos.	Code	Description	Qty	Variants
1	AP9100120	Swing arm	1	
2	AP9100202	Roller cage 22x29x30	2	
3	AP9100203	Gasket ring 22x29x4	4	
4	AP9100952	Piston pin L=47,5	1	
5	AP9100953	Piston pin L=59,5	1	
6	AP9100264	Rear swing arm pin M14 L=256	1	
7	AP8152244	DAX flange nut M14x1,5	1	
8	AP9100061	Sliding block	1	
9	AP9100060	Chain guide	1	
10	AP9100109	Chain guide plate	1	
11	AP9100435	Chain guard	1	
12	AP9100616	Bush	1	
13	AP8152305	Chain tens.adjuster screw	2	
14	AP8150027	Nut M8	2	
15	AP8144444	RH chain guide plate	1	
16	AP8144443	LH chain guide plate	1	
17	AP9100565	Brake hose cable guide	2	
18	AP8150515	Self-tapping screw	6	
19	AP8234020	Cup for shoe	3	
20	AP8152277	Screw w/ flange	1	
21	AP9100433	Screw w/ flange M6x50	2	
22	AP9100287	Bush	2	
23	AP9100434	Self-locking nut M6x1	2	
24	AP9100270	Rear wheel spindle M25 L=318,5	1	
25	AP8152323	Washer 25,2x36x1	1	
26	855722	Wheel spindle nut M25x1,5	1	
27	AP8202058	Plastic rivet, black	4	

Group	FRAME
Code	28.07
Description	Rear shock absorber
Service	1



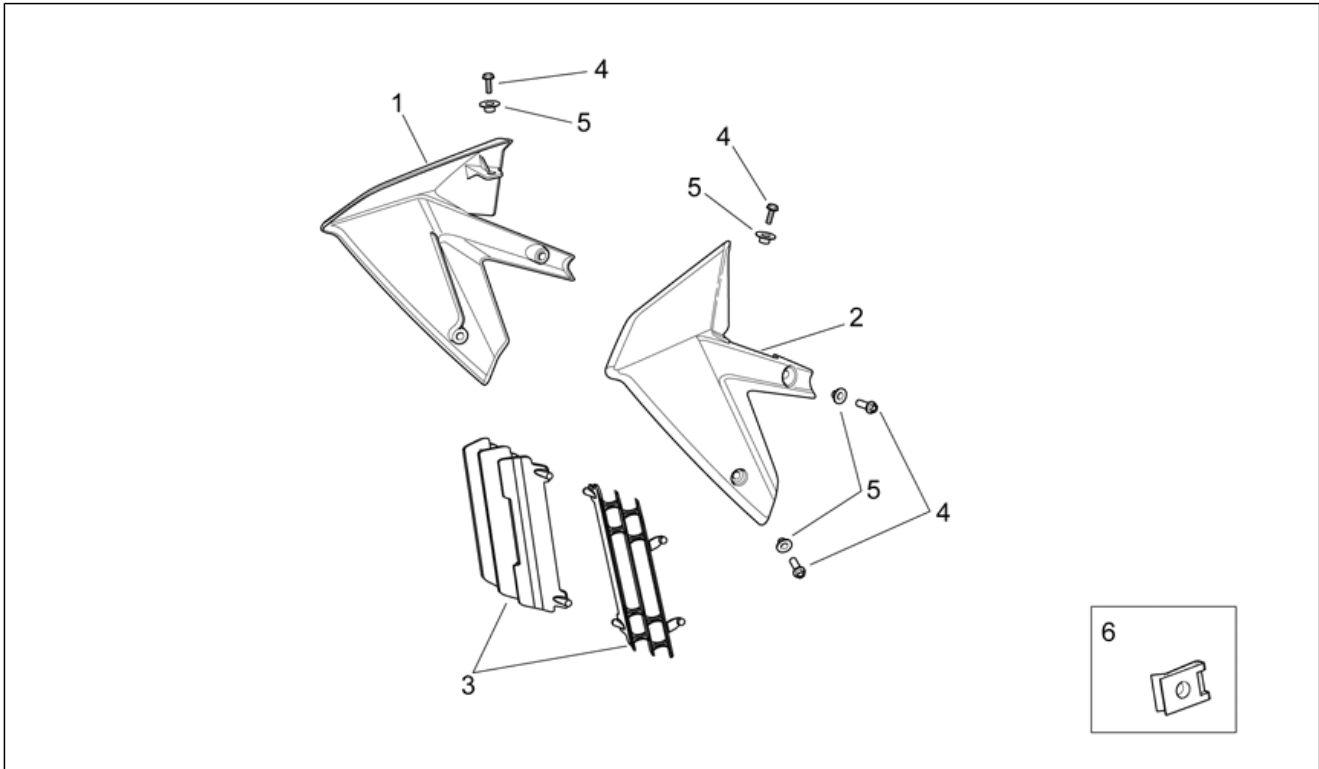
Pos.	Code	Description	Qty	Variants
1	AP9100176	Single conrod comp.	1	
2	855701	Rear shock absorber SXV	1	Vehicle colour:OFF BLACK 2011 (s.t 898353)[BK11]
2	AP9100114	Rear shock absorber SXV	1	Vehicle colour:OFF BLACK 2009[BK09], OFF BLACK 2010[BK10]
3	851252	Double conrod comp.	1	
4	AP9100007	Screw M10x1,25 L=53	1	
5	AP9100178	Piston pin	1	
6	AP9100181	Needle bearing 20x27x15	5	
6	AP9100181	Needle bearing 20x27x15	2	
7	AP9100177	Gasket ring 25x32x4	4	
7	AP9100177	Gasket ring 25x32x4	2	
8	AP9100184	Piston pin	2	
9	AP9100111	Spacer	1	
10	AP9100179	Spacer	6	
11	AP9100186	Outside spacer	2	
12	AP9100549	O-ring 1,5x24	2	
13	AP8152018	Washer 12,2x22x2	3	
14	AP9100442	Low self-locking nut M12x1,25	3	
15	AP9100439	Low self-locking nut M10x1,25	2	
16	AP9100604	Screw M12x1,25 L=120	1	
17	AP9100289	Screw M12x1,25 L=95	2	
18	AP9100208	Screw M10x1,25 L=44	1	
19	AP9100808	Drift	1	
20	AP9100815	Gasket set	1	
21	AP9100817	Sleeve unit	1	
22	AP9100820	Sleeve gasket set	1	
23	AP9100182	Flat washer 31x20,2x1,4	2	

Group	FRAME
Code	28.08
Description	Front body I
Service	1



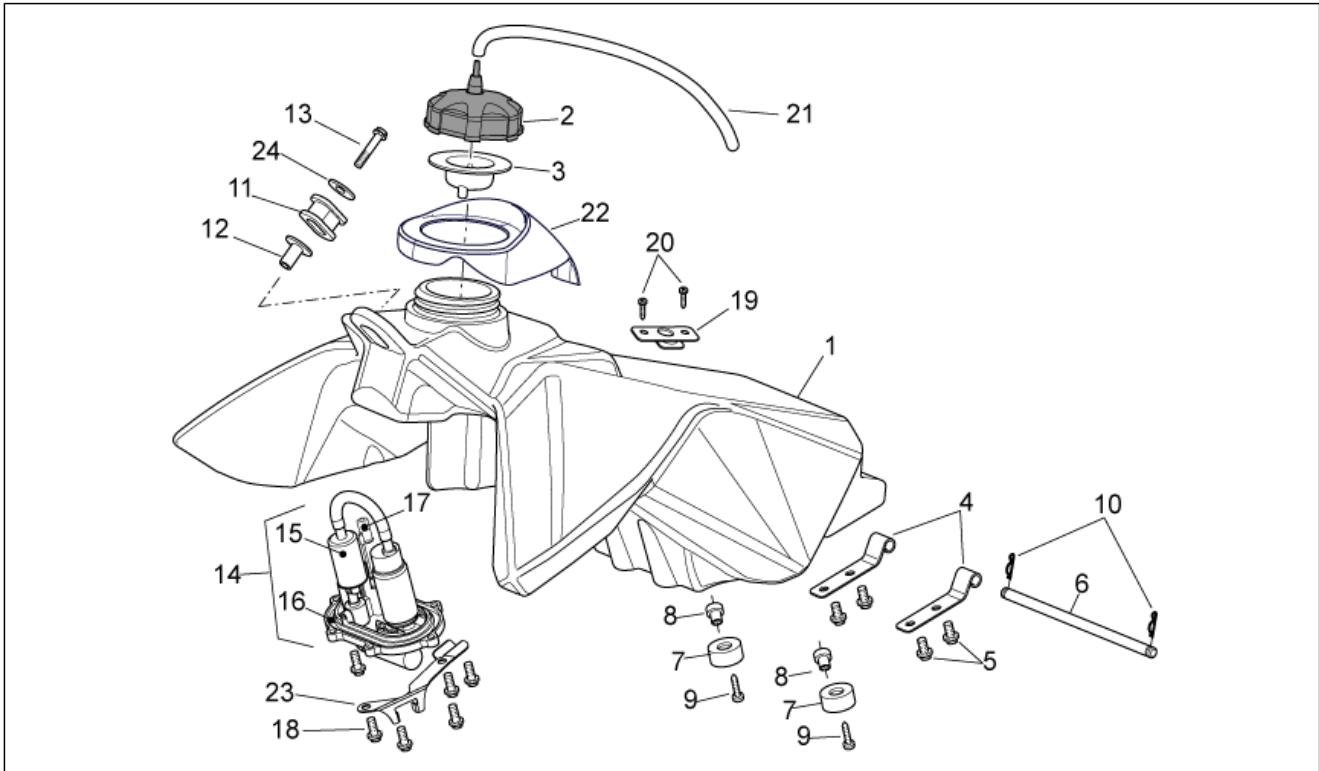
Pos.	Code	Description	Qty	Variants
1	AP9100517	Socket support	1	
2	89046800XN4	Windshield	1	
3	858388	Tie rod	1	
4	AP8156343	Front mudguard, red	1	Vehicle colour:OFF BLACK 2009[BK09], OFF BLACK 2010[BK10]
4	AP8156392	Front mudguard, black	1	Vehicle colour:OFF BLACK 2011 (s.t 898353)[BK11]
5	AP8102375	Clip m5	2	
6	AP8152339	Screw w/ flange M5x9	5	
7	AP8120405	Rubber spacer *	2	
8	AP8152277	Screw w/ flange	2	
9	AP8150015	Washer 6,6x18x1,6*	4	
10	AP8152278	Screw w/ flange M6x16	2	
11	AP8152283	Screw w/ flange	2	
12	AP9100501	T bush 20x0,5x3,5	4	
13	AP9100440	LH sleeve guard, black	1	
14	AP9100441	RH sleeve guard, black	1	
15	AP9100548	Screw complete M6x1	6	
16	AP8150246	Screw	2	
17	AP9100053	Bush d.10-h.3,5	2	
18	GU05781630	Reflector, amber	2	

Group	FRAME
Code	28.09
Description	Front body II
Service	1



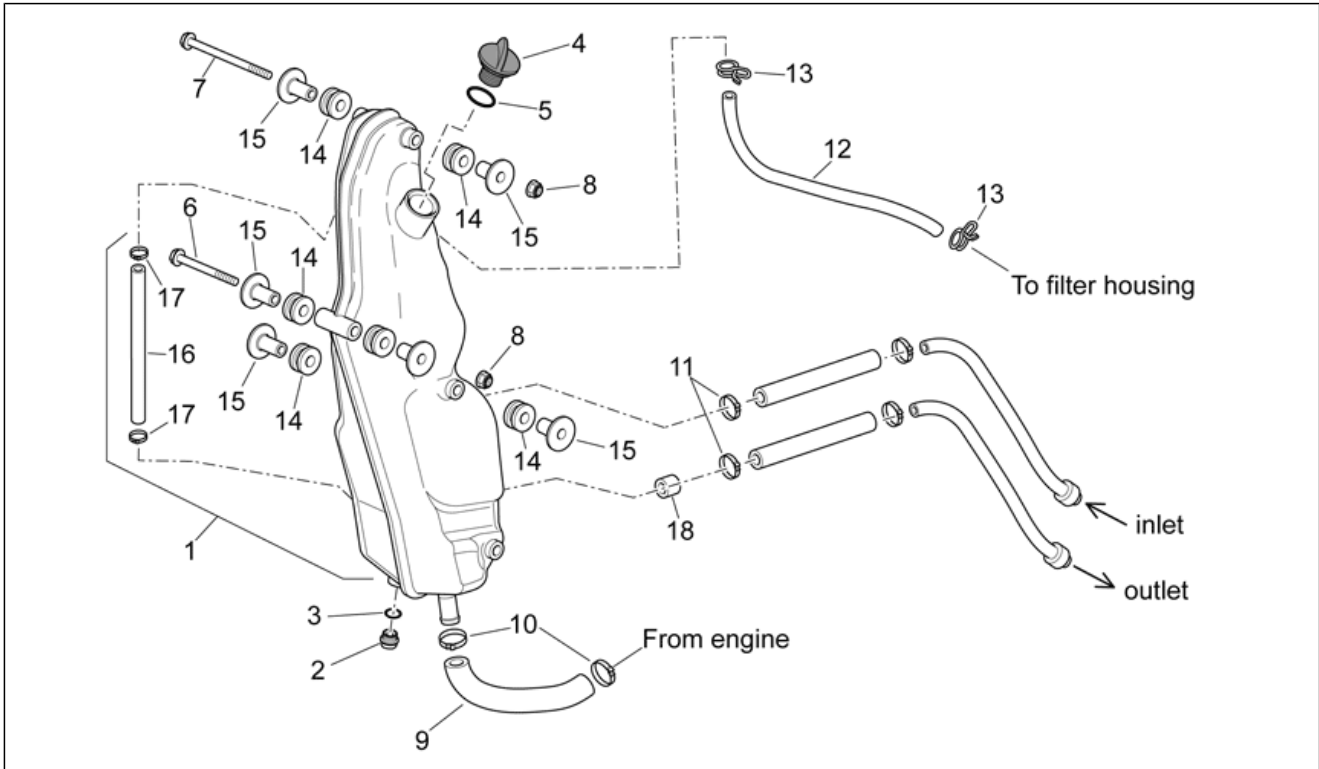
Pos.	Code	Description	Qty	Variants
1	AP8184781	RH air duct, black	1	Vehicle colour:OFF BLACK 2009[BK09], OFF BLACK 2010[BK10]
1	AP8184915	RH air duct, black	1	Vehicle colour:OFF BLACK 2011 (s.t 898353)[BK11]
2	AP8184780	LH air duct, black	1	Vehicle colour:OFF BLACK 2009[BK09], OFF BLACK 2010[BK10]
2	AP8184916	LH air duct	1	Vehicle colour:OFF BLACK 2011 (s.t 898353)[BK11]
3	AP9100366	Water cooler grille	2	
4	AP9100645	Screw w/ flange M6x16 inox	6	
5	AP9100053	Bush d.10-h.3,5	6	
6	254485	Spring plate M6	6	

Group	FRAME
Code	28.10
Description	Fuel tank
Service	1



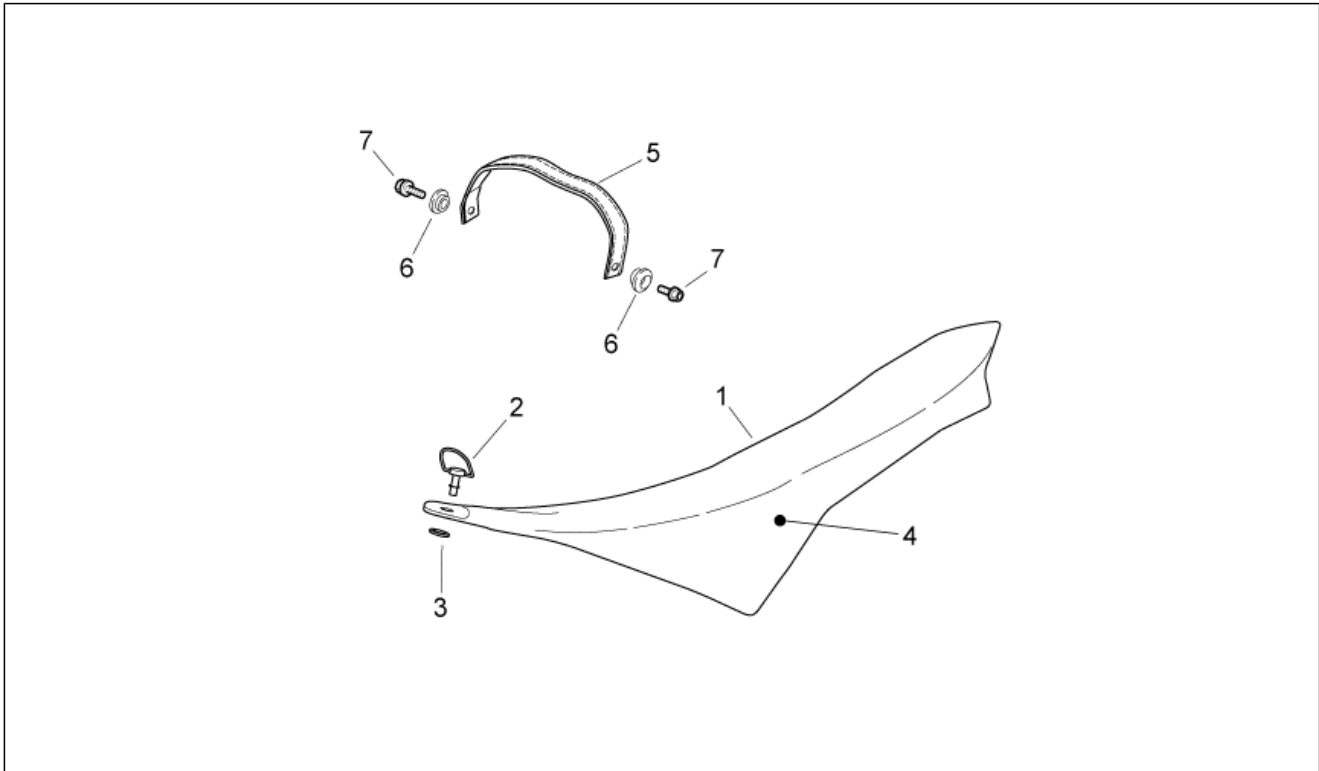
Pos.	Code	Description	Qty	Variants
1	855066	Fuel tank	1	
2	AP8220620	Plug	1	
3	856932	Gasket	1	
4	AP9100080	Plate	2	
5	AP8152277	Screw w/ flange	4	
6	AP9100078	Pin	1	
7	AP9100767	Rubber spacer 26x12,2	2	
8	AP8121811	T bush	2	
9	AP8150044	Hex socket screw M6x20	2	
10	AP8201431	Split pin *	2	
11	AP9100082	Drift	1	
12	AP9100081	Bush	1	
13	AP8152281	Screw w/ flange	1	
14	AP9100416	Fuel pump cpl.	1	
15	AP9100930	Fuel filter	1	
16	AP9100931	Gasket	1	
17	GU01103090	Thermistor	1	
18	AP8152273	Screw w/ flange	6	
19	AP9100415	Plate	1	
20	AP8150444	Self-tapping screw	2	
21	AP8220402	Pipe 5x9	1	
22	AP9100967	Fuel tank cover	1	
23	AP9100966	Plate	1	
24	AP9100375	Washer 24,8x6,2x1	1	

Group	FRAME
Code	28.11
Description	Oil tank
Service	1



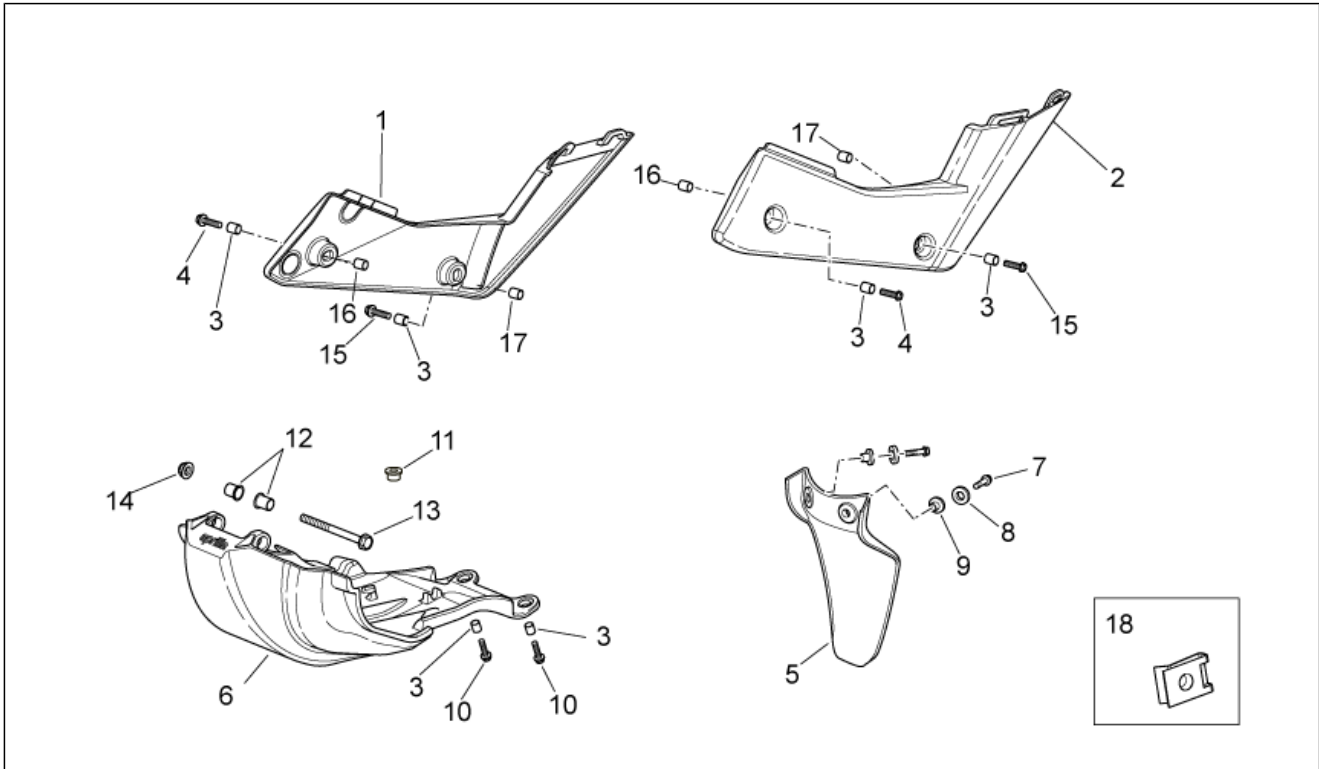
Pos.	Code	Description	Qty	Variants
1	AP9100343	Oil tank	1	
2	AP9150174	Oil unload plug	1	
3	AP9150349	Seal washer D12x18x1,5	1	
4	AP9150410	Oil plug M20x1,5	1	
5	AP8121638	Gasket ring	1	
6	AP9100638	Screw w/ flange M6x70	1	
7	AP9100661	Screw w/ flange M6x1 L=95	1	
8	AP9100434	Self-locking nut M6x1	2	
9	AP9100496	Pipe Blow-By	1	
10	AP8102903	Hose clip D16,5X6,6	2	
11	AP8101586	Hose clip D.15,5x6,6	2	
12	AP8120987	Pipe 9x14	1	
13	AP8102525	Hose cock	2	
14	AP8120223	Rubber spacer *	6	
15	AP9100950	Bush D14-D9-d6.5-H12	6	
16	AP9100665	Oil level pipe	1	
17	AP9100951	Hose clip	2	
18	AP9100267	Rubber pipe 12,8x8,8 L=28	1	

Group	FRAME
Code	28.12
Description	Saddle
Service	1



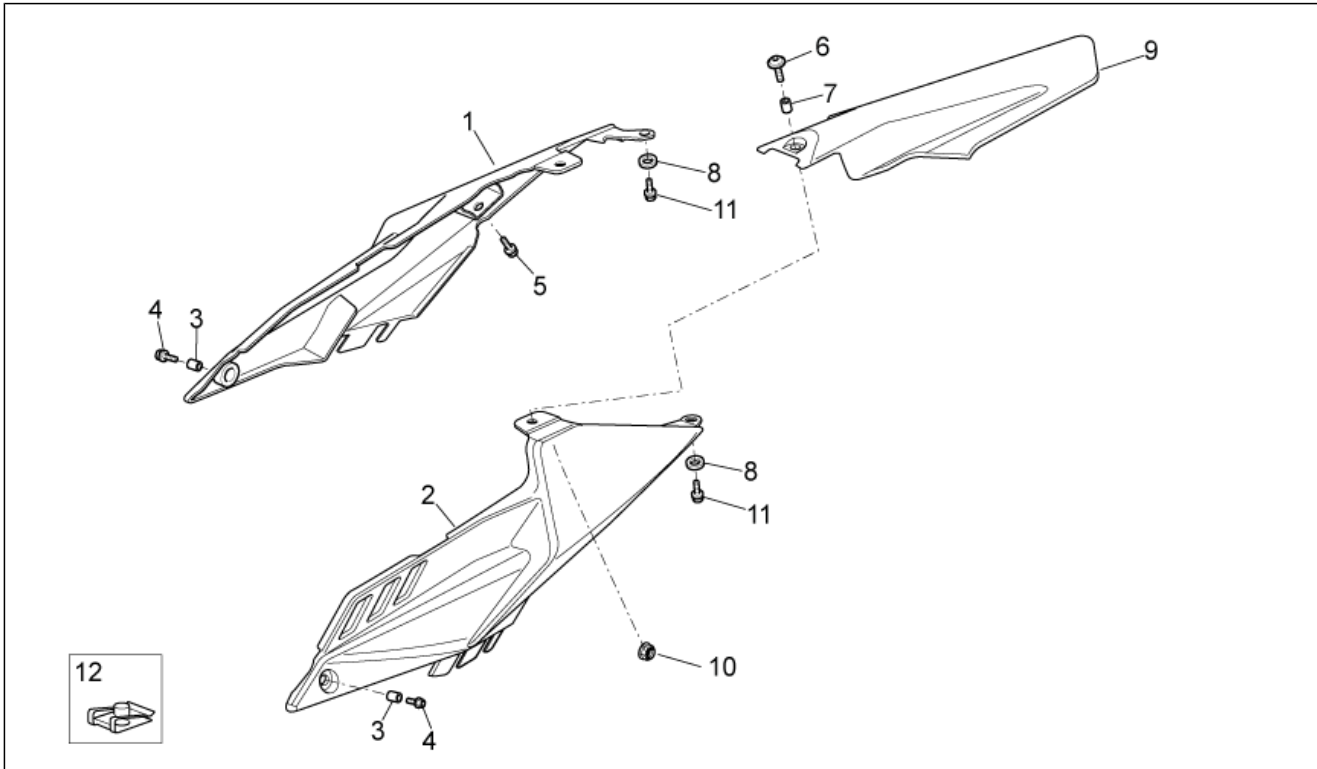
Pos.	Code	Description	Qty	Variants
1	CM224608	Saddle	1	Vehicle colour:OFF BLACK 2009[BK09], OFF BLACK 2010[BK10]
1	CM224611	Saddle	1	Vehicle colour:OFF BLACK 2011 (s.t 898353)[BK11]
2	AP9100365	Release device	1	
3	AP9100087	Washer Teflon	1	
4	855940	Saddle casing	1	
5	859762	Pillion seat strap	1	
6	AP8121075	T bush *	2	
7	851423	Screw w/ flange	2	

Group	FRAME
Code	28.13
Description	Central body
Service	1



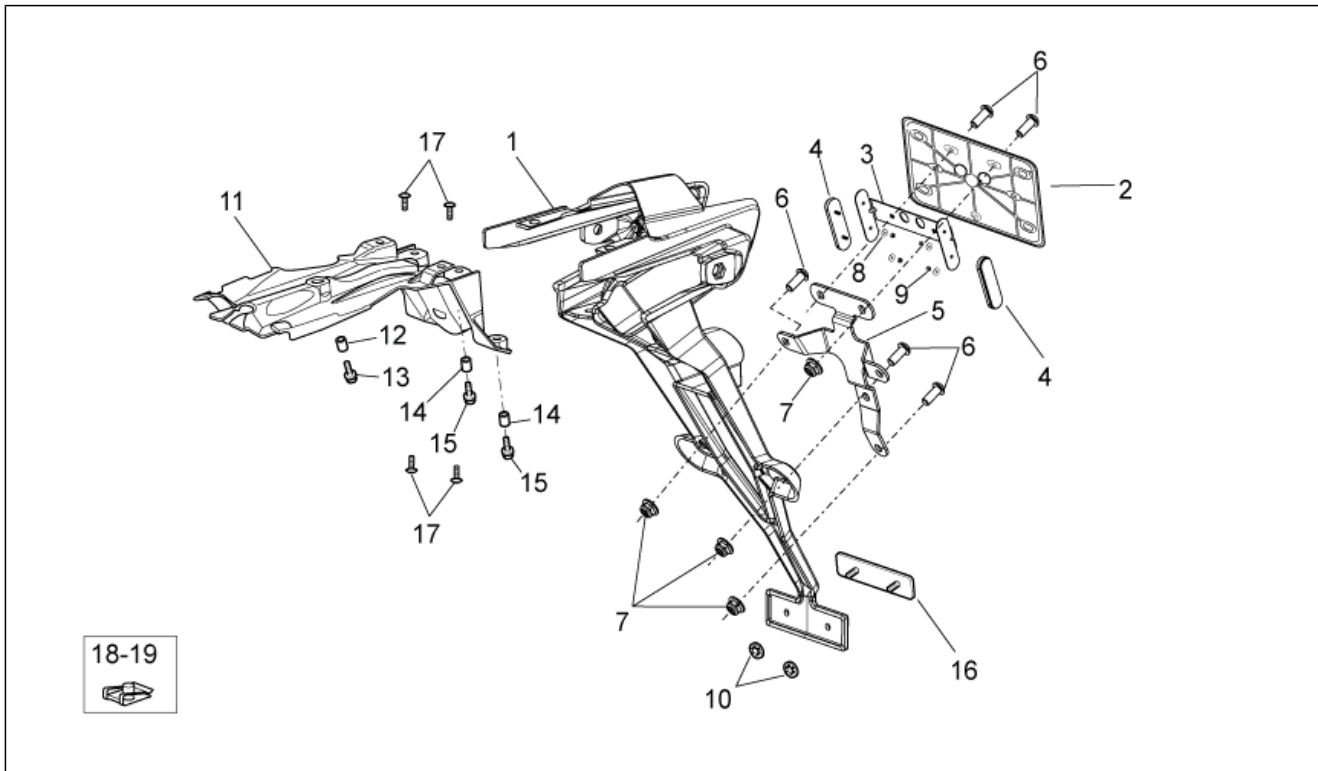
Pos.	Code	Description	Qty	Variants
1	AP8184788	RH side panel	1	Vehicle colour:OFF BLACK 2009[BK09], OFF BLACK 2010[BK10]
1	AP8184919	RH side panel, black	1	Vehicle colour:OFF BLACK 2011 (s.t 898353)[BK11]
2	AP8184789	LH side panel	1	Vehicle colour:OFF BLACK 2009[BK09], OFF BLACK 2010[BK10]
2	AP8184920	LH side panel, black	1	Vehicle colour:OFF BLACK 2011 (s.t 898353)[BK11]
3	AP9100053	Bush d.10-h.3,5	6	
4	CM236001	Screw w/ flange M6x30	2	
5	AP9100504	Shock absorber cover	1	
6	AP9100347	Sump guard	1	
7	AP8152274	Screw w/ flange M5x20	2	
8	AP8144064	Heat shield washer	2	
9	AP8121736	T bush	2	
10	AP8152278	Screw w/ flange M6x16	2	
11	AP8101372	Silent-block	1	
12	AP9100778	Bush	2	
13	AP9100661	Screw w/ flange M6x1 L=95	1	
14	AP9100434	Self-locking nut M6x1	1	
15	CM236002	Screw w/ flange M6x25	2	
16	CM235801	Spacer 15mm	2	
17	CM235802	Spacer 10mm	2	
18	AP8102375	Clip m5	2	

Group	FRAME
Code	28.14
Description	Rear body I
Service	1



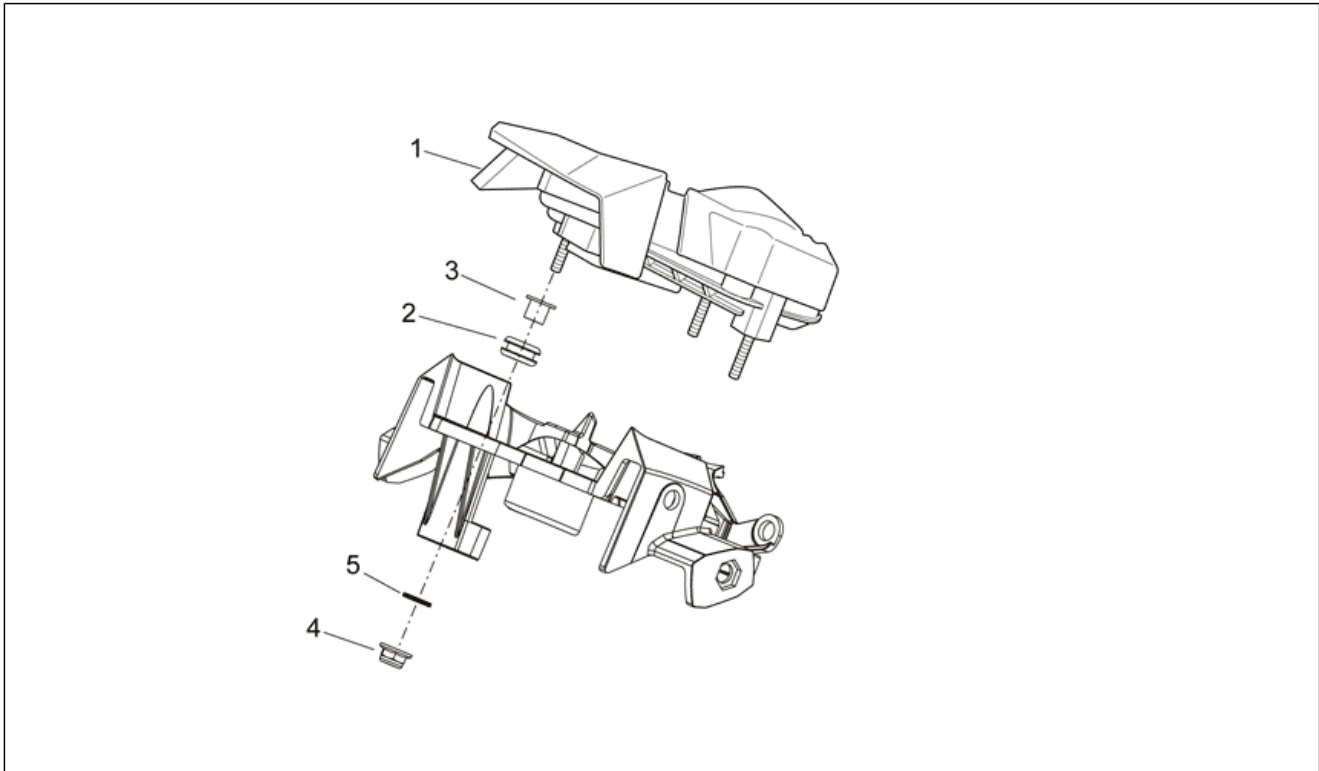
Pos.	Code	Description	Qty	Variants
1	AP8184497	Rh rear fairing	1	Vehicle colour:OFF BLACK 2009[BK09], OFF BLACK 2010[BK10]
1	AP8184917	RH rear fairing, black	1	Vehicle colour:OFF BLACK 2011 (s.t 898353)[BK11]
2	AP8184496	Lh rear fairing	1	Vehicle colour:OFF BLACK 2009[BK09], OFF BLACK 2010[BK10]
2	AP8184918	LH rear fairing, black	1	Vehicle colour:OFF BLACK 2011 (s.t 898353)[BK11]
3	AP9100053	Bush d.10-h.3,5	3	
4	AP9100645	Screw w/ flange M6x16 inox	2	
5	AP8152279	Screw w/ flange M6x20	2	
6	AP8152117	Hex socket screw	1	
7	AP9100594	Bush 10x7	1	
8	AP8150015	Washer 6,6x18x1,6*	2	
9	AP8156381	Rear mudguard	1	
10	AP9100434	Self-locking nut M6x1	1	
11	AP8152277	Screw w/ flange	2	
12	254485	Spring plate M6	3	

Group	FRAME
Code	28.15
Description	Rear body II
Service	1



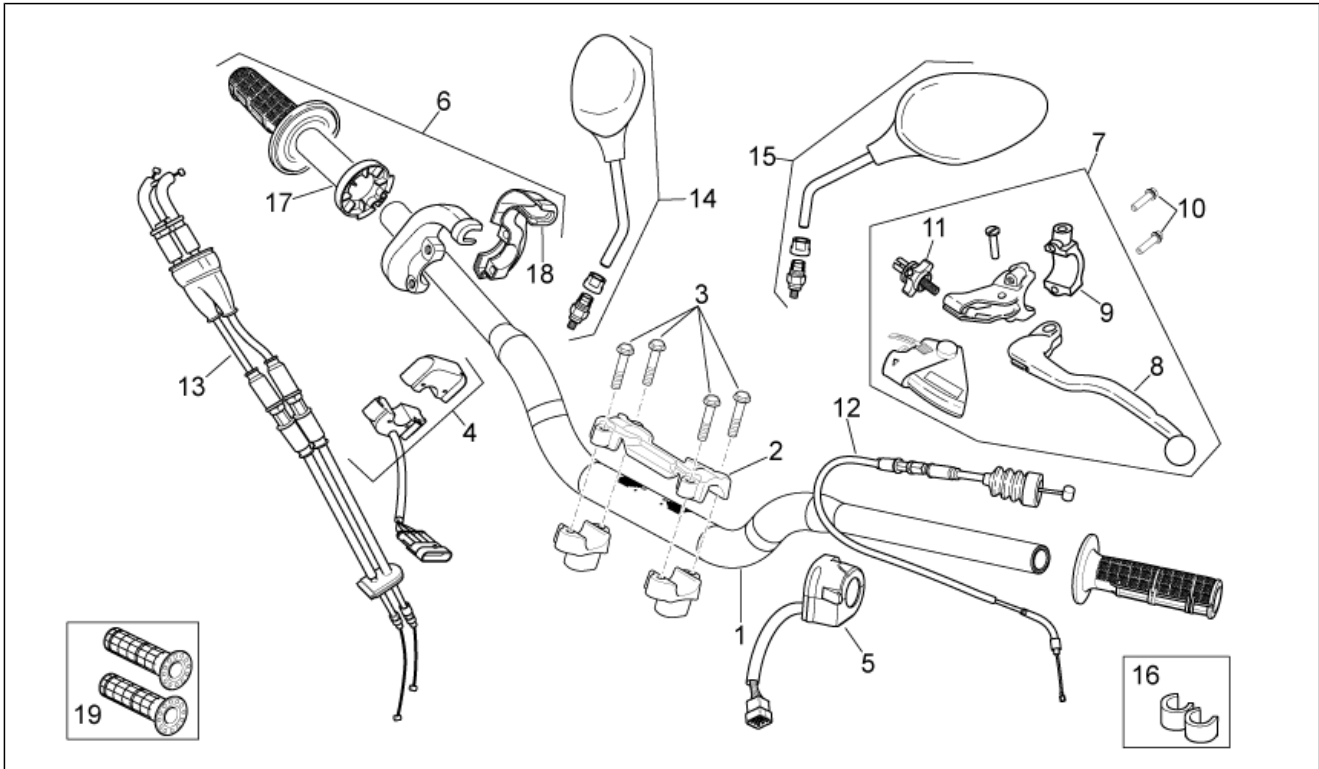
Pos.	Code	Description	Qty	Variants
1	AP9100610	Number plate holder	1	
2	AP8149034	Number plate support	1	
3	AP8134677	Reflector support	1	
4	AP8124718	Rear reflector, red	2	
5	855071	Support	1	
6	AP8152246	Screw w/ flange	8	
7	AP9100434	Self-locking nut M6x1	8	
8	AP8150011	Washer 4,3x12x1*	4	
9	AP8150204	Nut M4	4	
10	AP8150450	Washer for shafts D5	2	
11	855046	Saddle supp.lower lockup	1	
12	AP9100053	Bush d.10-h.3,5	1	
13	AP8152279	Screw w/ flange M6x20	1	
14	AP8121795	T bush *	2	
15	AP8152279	Screw w/ flange M6x20	2	
16	AP8112202	Rear reflector	1	
17	AP8152339	Screw w/ flange M5x9	4	
18	AP8102375	Clip m5	4	
19	254485	Spring plate M6	1	

Group	FRAME
Code	28.16
Description	Dashboard
Service	1



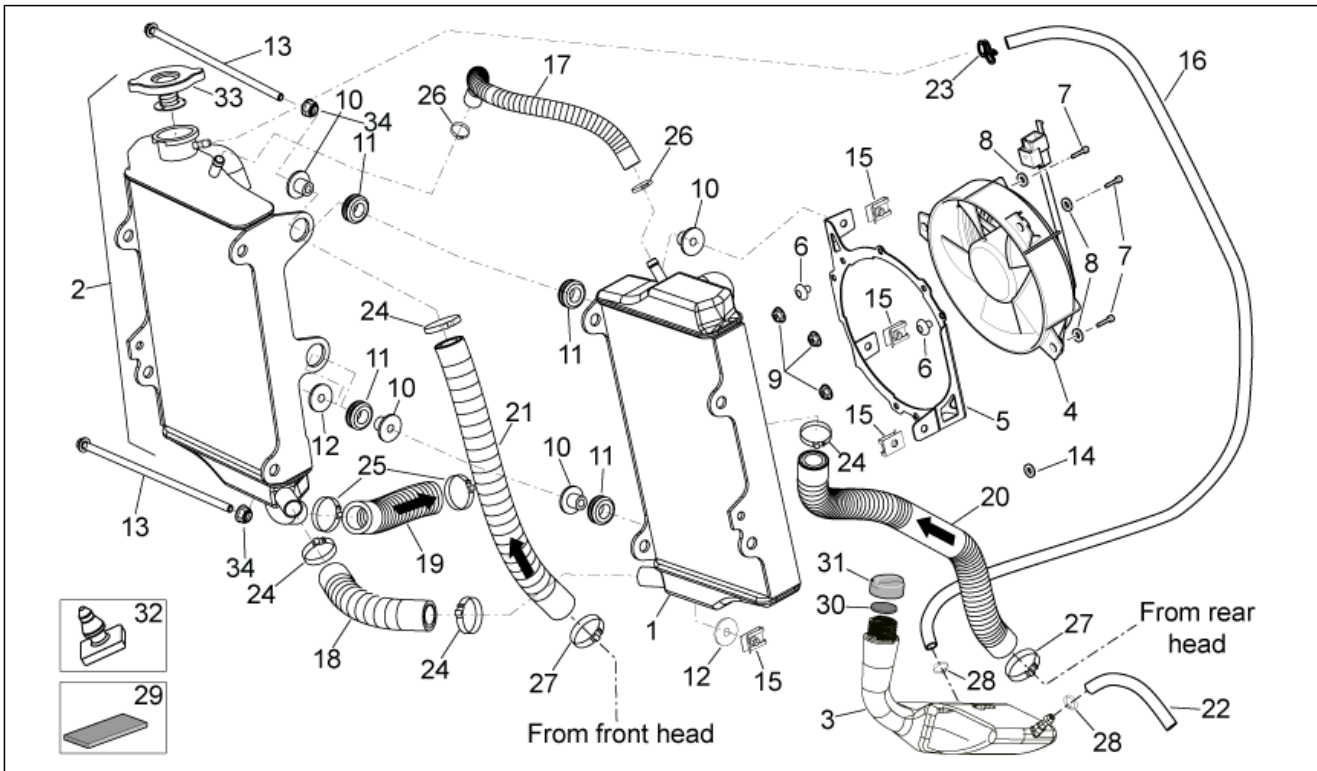
Pos.	Code	Description	Qty	Variants
1	AP9100516	Dashboard	1	
2	AP8112600	Rubber spacer *	3	
3	AP8121795	T bush *	3	
4	AP8150451	Low self-locking nut	3	
5	AP8150013	Washer 5,5x15x1,6*	3	

Group	FRAME
Code	28.17
Description	Controls
Service	1



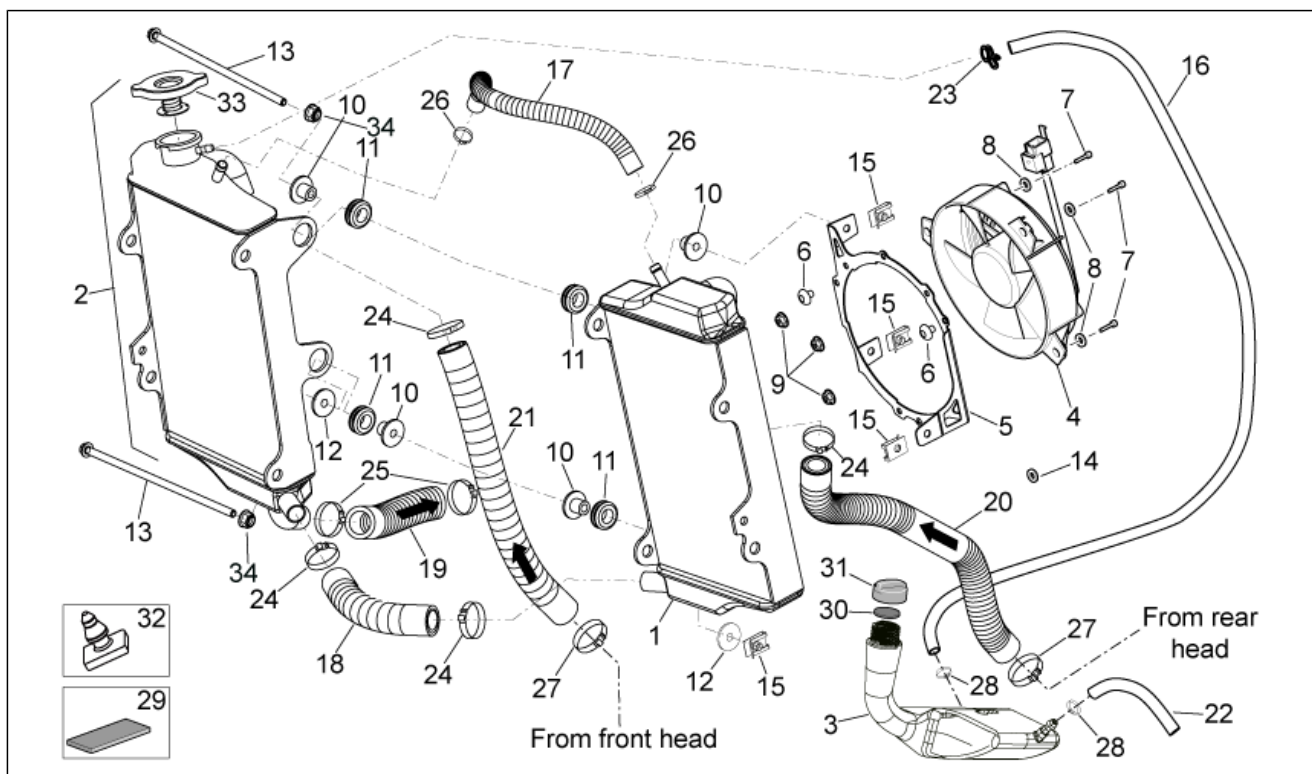
Pos.	Code	Description	Qty	Variants
1	855049	Handlebar	1	
2	AP9100297	Upper U-bolt	1	
3	AP8152289	Screw w/ flange	4	
4	AP9100514	RH lights selector	1	
5	AP9100513	LH lights selector	1	
6	853696	Throttle+hand grip	1	
7	AP9100636	Clutch control	1	
8	AP9100939	Clutch lever	1	
9	AP9100940	U-bolt	1	
10	AP8152280	Screw w/ flange M6x25	2	
11	AP9100941	Clutch cable register	1	
12	853977	Clutch control transmission	1	
13	853976	Gas lever transmission	1	
14	AP8104921	RH rearview mirror	1	
15	AP8104922	LH rearview mirror	1	
16	AP9100519	Spring	3	
17	851359	Progressive Throttle pipe	1	
18	851360	U-bolt	1	
19	AP8218628	Handgrip pair, black	1	

Group	FRAME
Code	28.18
Description	Cooling system
Service	1



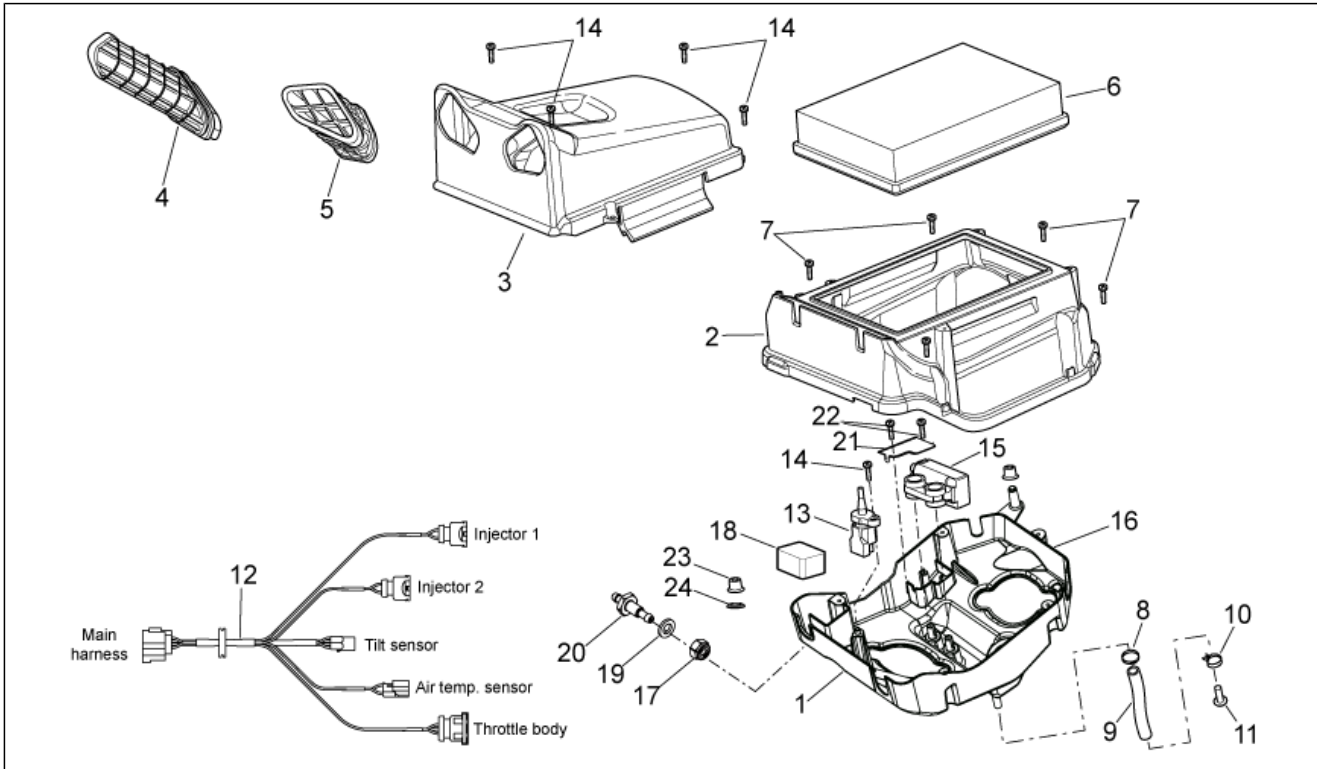
Pos.	Code	Description	Qty	Variants
1	AP9100348	Water cooler, LH	1	
2	AP9100349	Water cooler, RH	1	
3	AP9100506	Expansion tank	1	
4	AP8124930	Fan, cpl.	1	
5	855690	Fan support	1	
6	AP8120876	Plug	3	
7	AP8152267	Hex socket screw	3	
8	AP8150013	Washer 5,5x15x1,6*	3	
9	AP8150451	Low self-locking nut	3	
10	AP9100376	Bush	4	
11	AP9100946	Silent-block *	4	
12	AP9100375	Washer 24,8x6,2x1	2	
13	AP9100781	Screw w/ flange M6x133	2	
14	AP8150016	Washer 6,6x18x1,6	2	
15	254485	Spring plate M6	2	
16	AP8220325	Fuel pipe 5,5x10	1	
17	AP8144506	Breather pipe 7,5X3,5	1	
18	AP9100555	Pipe 23x15x135	1	
19	AP9100557	Cooler-pump pipe 27x19x145	1	
20	AP9100553	Pipe 23x15x380	1	
21	AP9100554	Pipe 23x15x295	1	
22	AP8220325	Fuel pipe 5,5x10	1	
23	AP8102738	Hose clamp	1	
24	AP8201169	Hose clip D22x8,6*	4	
25	AP9100456	Hose clip 26x8	2	
26	AP9100714	Hose clip 14,5x8	2	
27	AP9100697	Hose clip 21x8	2	
28	AP8120446	Hose clip, green D11x6,6x1	2	

Group	FRAME
Code	28.18
Description	Cooling system
Service	1



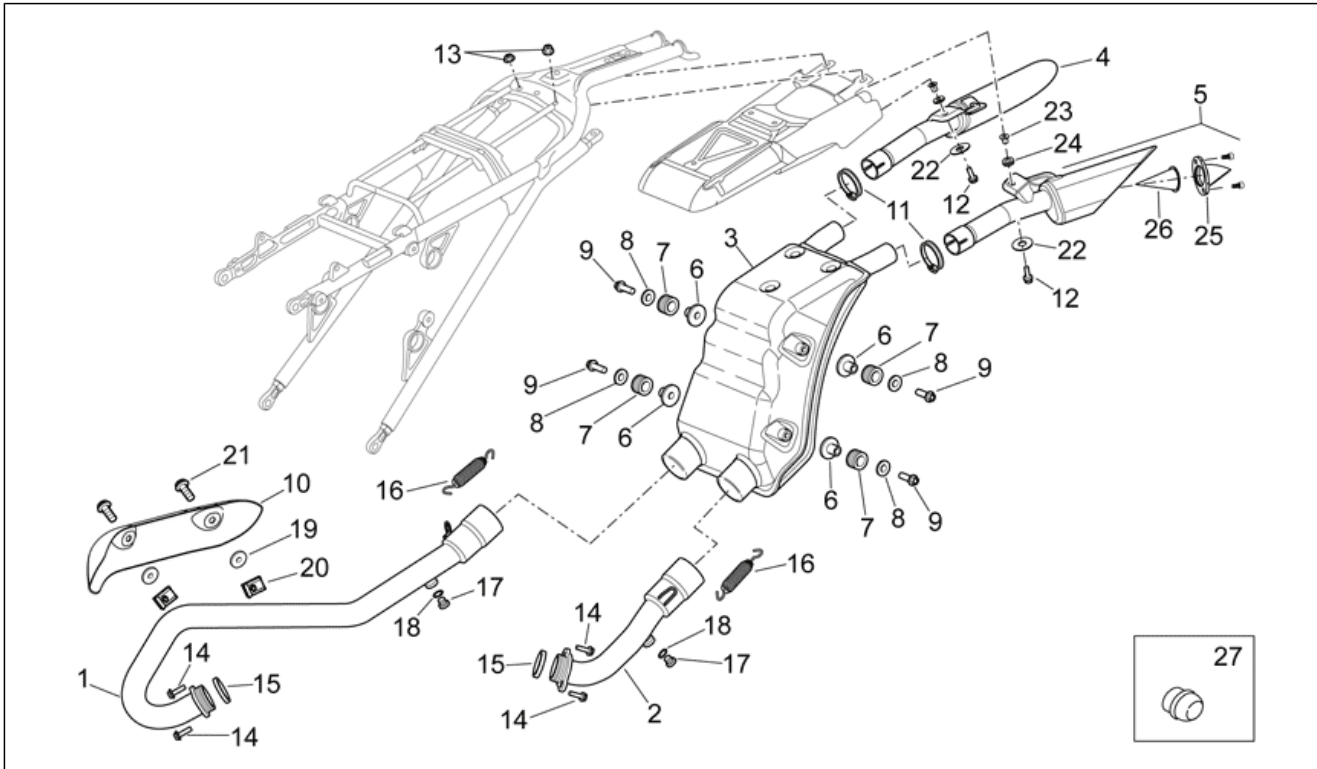
Pos.	Code	Description	Qty	Variants
29	AP8117041	Adhesive sponge 6x30	2	
30	AP8220191	Gasket	1	
31	AP8104124	Expansion tank plug	1	
32	AP8120455	Rubber spacer	1	
33	AP9100948	Water cooler filler cap	1	
34	AP9100434	Self-locking nut M6x1	2	

Group	FRAME
Code	28.19
Description	Air box
Service	1



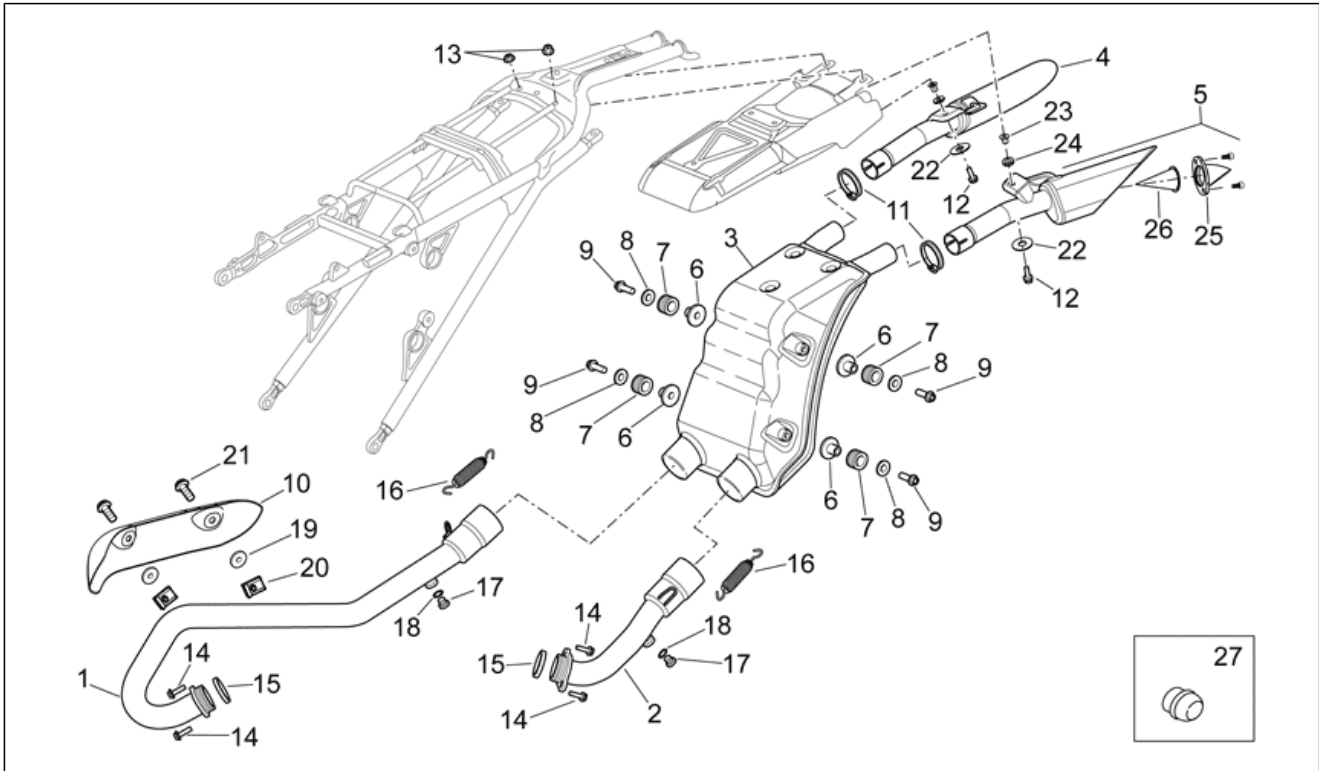
Pos.	Code	Description	Qty	Variants
1	855093	Filter housing base	1	Technical Specifications: Versione motard 550 Versione motard 550[SX55]
1	855094	Filter housing base	1	Technical Specifications: Versione motard 450Versione motard 450[SX45]
2	853695	Filter housing body	1	
3	AP9100703	Cover	1	
4	AP9100588	RH air intake	1	
5	AP9100587	LH air intake	1	
6	AP8104329	Air filter	1	
7	AP8152351	Screw 4,2x16*	5	
8	AP8101595	Hose clamp D10,1*	1	
9	AP8144038	Fuel pipe 6x10	1	
10	AP8102377	Hose clamp D9,1*	1	
11	AP8120876	Plug	1	
12	AP9100455	Wiring	1	
13	AP9100427	Air temp. Sensor	1	
14	AP8150413	Self-tap screw 3,9x14	4	
15	AP9100428	Security sensor	1	
16	AP8120593	Gasket D4	1	
17	709052	Low self-locking nut	1	
18	851006	Vibration-damping rubber	1	
19	AP8144065	Rubber spacer	1	
20	855081	Nozzle	1	
21	AP9150529	Cover	1	
22	AP8152334	Screw w/ flange M3x12	2	
23	855790	Valve	1	

Group	FRAME
Code	28.20
Description	Exhaust unit
Service	1



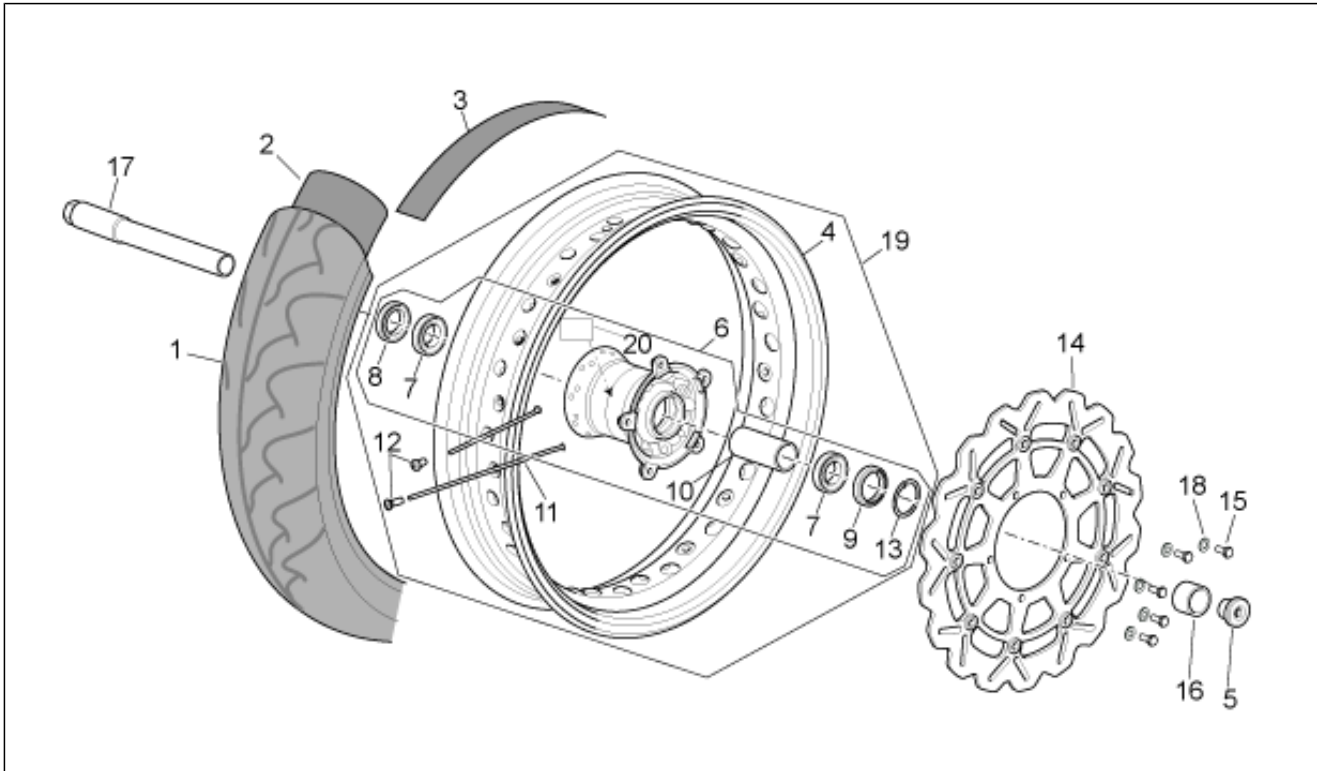
Pos.	Code	Description	Qty	Variants
1	855025	Front. Exhaust pipe	1	Technical Specifications: Versione motard 550 Versione motard 550[SX55]
1	855086	Front. Exhaust pipe	1	Technical Specifications: Versione motard 450Versione motard 450[SX45]
2	855026	Rear exhaust pipe	1	Technical Specifications: Versione motard 550 Versione motard 550[SX55]
2	855087	Rear exhaust pipe	1	Technical Specifications: Versione motard 450Versione motard 450[SX45]
3	856941	Silencer	1	
4	856947	RH terminal	1	
5	856946	LH terminal	1	
6	AP9100409	Bush	4	
7	AP9100845	Silent-block	4	
8	AP9100736	Washer 8,3x20x1,5	4	
9	AP8152288	Screw w/ flange	4	
10	AP9100238	RH exhaust pipe shield	1	
11	851470	Hose clamp D.30	2	
12	AP8152279	Screw w/ flange M6x20	2	
13	AP9100434	Self-locking nut M6x1	2	
14	AP8152278	Screw w/ flange M6x16	4	
15	AP9100252	Exhaust pipe gasket	2	
16	AP8121170	Spring	2	
17	AP9100755	CO intake screw	2	
18	AP8119603	Washer 10x14x1	2	
19	AP8120870	Insulating washer	2	
20	254485	Spring plate M6	2	
21	AP8152342	Screw w/ flange M6x12	2	
22	AP8150015	Washer 6,6x18x1,6*	2	
23	AP9100302	T bush	2	

Group	FRAME
Code	28.20
Description	Exhaust unit
Service	1



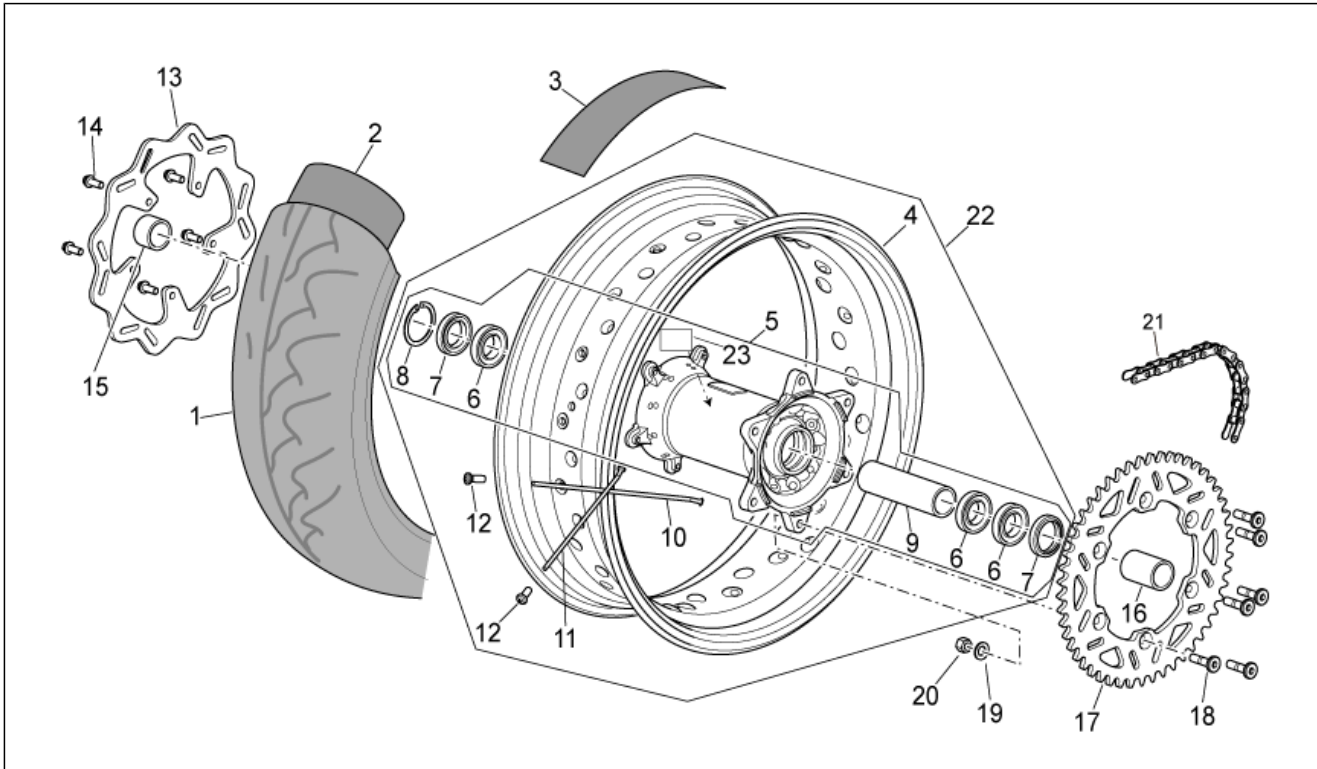
Pos.	Code	Description	Qty	Variants
24	AP9100301	Rubber spacer	2	
25	851172	Bottom	2	
26	851171	Spark arrester	2	
27	858592	Ogive	2	

Group	FRAME
Code	28.21
Description	Front wheel
Service	1



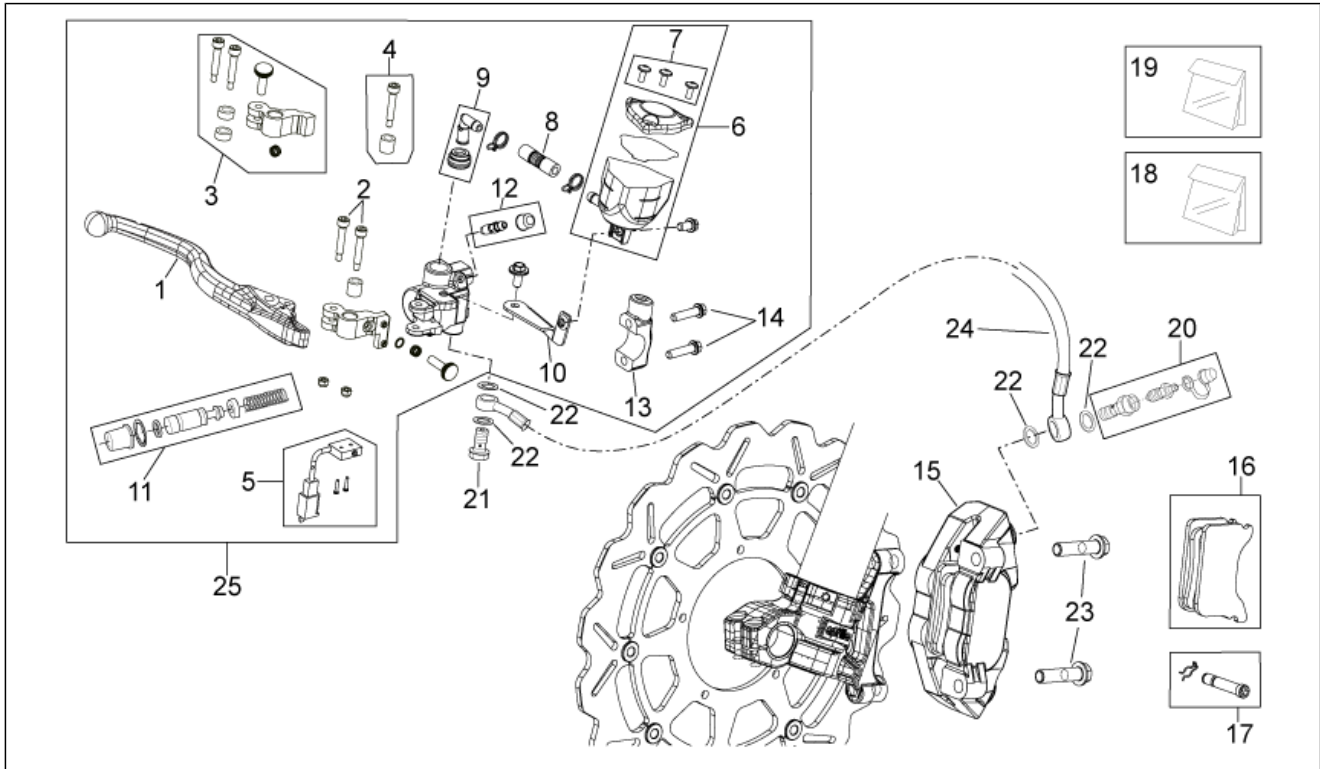
Pos.	Code	Description	Qty	Variants
1	851608	Front tyre 120/70 ZR 17"	1	
2	AP8109306	Inner tube 17"	1	
3	AP8109309	Flap 17"	1	
4	AP9100561	Front wheel 3,5X17"	1	
5	AP9100171	Plug M22	1	
6	AP9100225	Front hub	1	
7	AP9100216	Ball bearing 25x42x9	2	
8	AP9100228	Gasket ring 28x42x7	1	
9	AP9100227	Gasket ring 32x42x7	1	
10	AP9100226	Internal spacer L=69,7	1	
11	AP9100106	Spoke d.3,5-17"	36	
12	AP8108672	Nipples D3,5	36	
13	AP8121334	Circlip D.42	1	
14	AP9100528	Front brake disc d.320	1	
15	AP8150070	Hex screw M6x16	5	
16	AP9100229	Outside spacer L=26,3	1	
17	855203	Front wheel spindle L=221,5	1	
18	AP8150429	Spring washer 6,4x11x0,5*	5	
19	851064	Front wheel 17"	1	
20	AP9100318	Spacer	1	

Group	FRAME
Code	28.22
Description	Rear wheel
Service	1



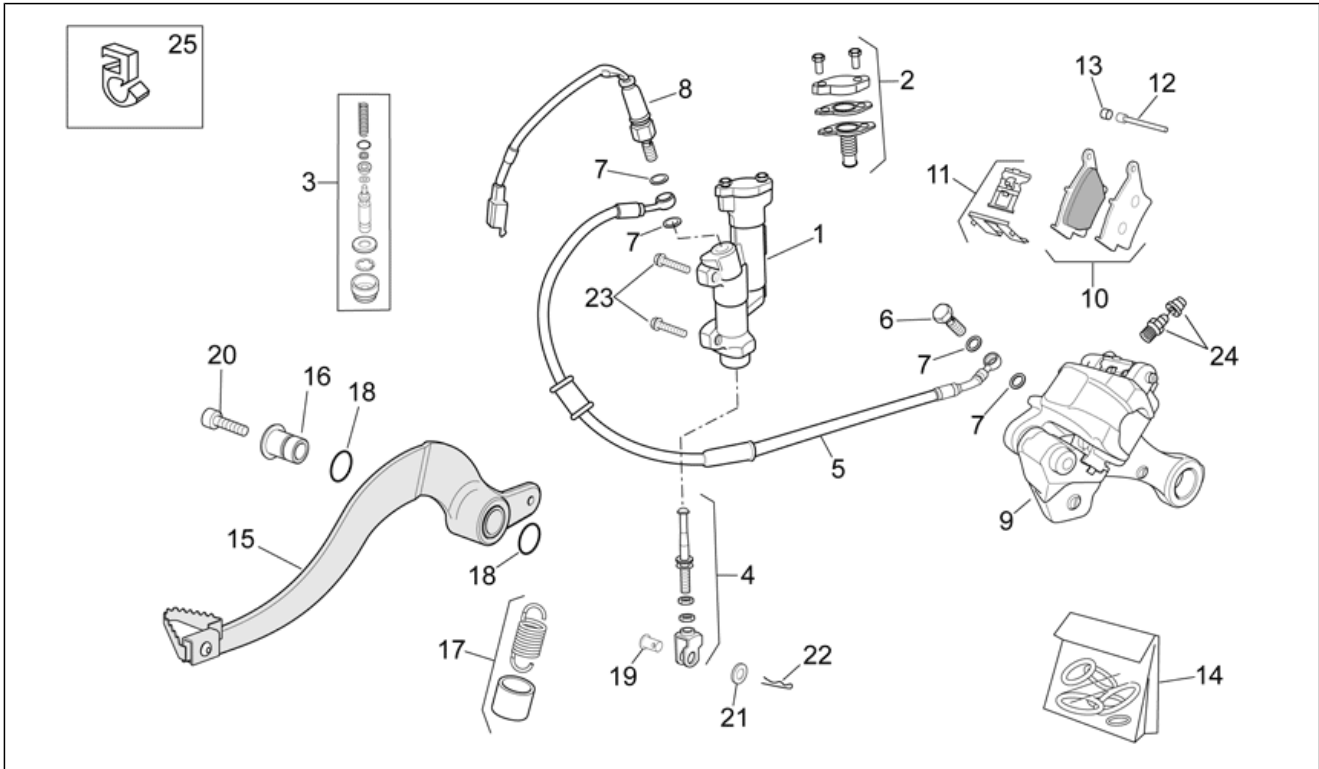
Pos.	Code	Description	Qty	Variants
1	851611	Rear tyre 180/55 ZR 17"	1	
2	AP9100526	Inner tube 17"	1	
3	978683	Rear wheel flap	1	
4	AP9100560	Rear wheel 5,5X17"	1	
5	AP9100322	Rear hub	1	
6	AP9100216	Ball bearing 25x42x9	3	
7	AP9100227	Gasket ring 32x42x7	2	
8	AP8121334	Circlip D.42	1	
9	AP9100584	Internal spacer L=134,3	1	
10	AP9101057	Spoke 4-17"-l.185	18	
11	AP9101056	Spoke d.4-17"-l.180	18	
12	AP9100569	Nipple d.4	36	
13	AP9100466	Rear brake disc d.240	1	
14	AP8152278	Screw w/ flange M6x16	5	
15	AP9100595	Outside spacer L=21,9	1	
16	AP9100596	Outside spacer L=45,1	1	
17	AP9100334	Chain ring Z=46	1	
18	AP9100467	Screw M8x30	6	
19	AP8150009	Washer	6	
20	AP9100432	Low self-locking nut M8x1,25	6	
21	AP9100715	Chain 5/8x1/4	1	
22	851066	Rear wheel 17"	1	
23	AP9100318	Spacer	1	

Group	FRAME
Code	28.23
Description	Front brake system
Service	1



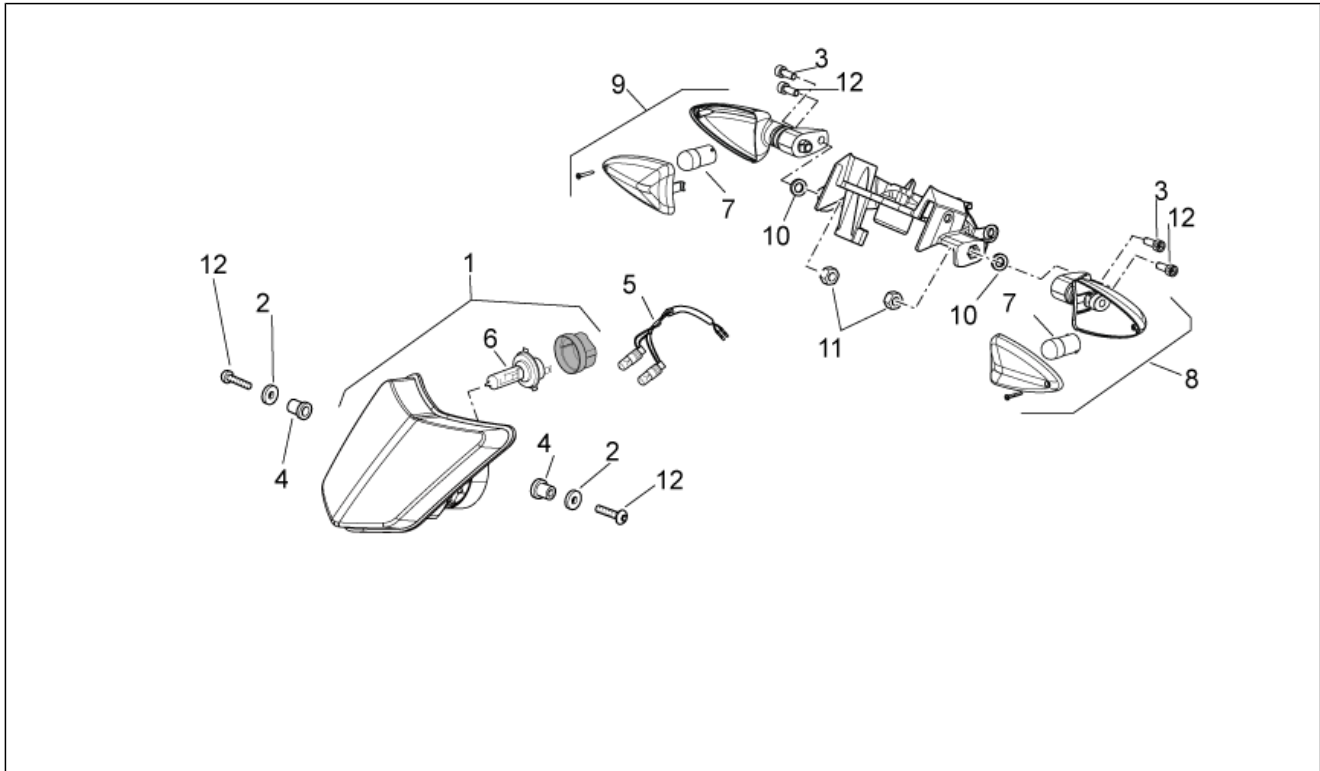
Pos.	Code	Description	Qty	Variants
1	851366	Lever	1	
2	AP9100921	Screw	1	
3	851367	Lever overhaul kit	1	
4	AP9100919	Pressing kit	1	
5	AP9100918	Brake light switch	1	
6	AP9100917	Oil tank	1	
7	AP9100916	Screw	1	
8	AP9100915	Brake fluid line	1	
9	AP9100914	Union	1	
10	851368	Plate	1	
11	AP9100912	Pump revision kit	1	
12	AP9100911	Bleeder kit	1	
13	AP9100910	U-bolt	1	
14	AP8152280	Screw w/ flange M6x25	2	
15	AP9100713	Front brake caliper	1	
16	AP9100906	Pads pair	1	
17	AP9100907	Pin with cotter	1	
18	AP9100908	Brake caliper rev. kit	1	
19	AP9100909	Brake pistons, pair	1	
20	AP9100905	Bleeder revision kit	1	
21	AP9100763	Oil pipe screw	1	
22	AP8121915	Gasket	4	
23	AP9100749	Screw w/ flange M10x1,25x40	2	
24	AP9100712	Front brake hose	1	
25	851348	Front master cilinder FTE	1	

Group	FRAME
Code	28.24
Description	Rear brake system
Service	1



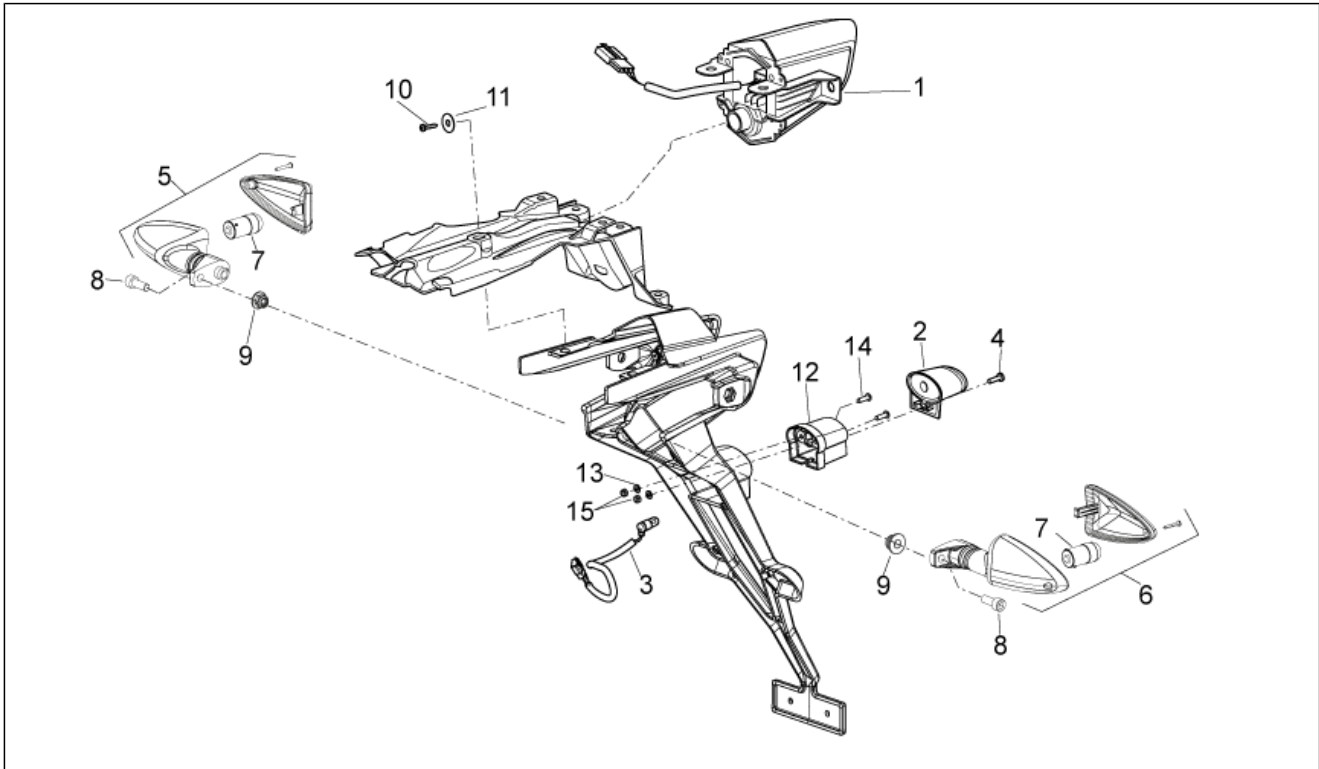
Pos.	Code	Description	Qty	Variants
1	AP9100475	Rear master cylinder	1	
2	AP9100794	Plug revision kit	1	
3	AP9100793	Piston, kit	1	
4	AP9100795	Lever overhaul kit	1	
5	AP9100478	Rear brake hose	1	
6	AP9100472	Hex screw M10x1,25	2	
7	AP9100473	Washer 14x10,2x1	4	
8	AP9100417	Brake light switch	1	
9	AP9100479	Rear brake caliper	1	
10	AP9100797	Pads pair	1	
11	AP9100798	Spring	1	
12	AP9100800	Pin with cotter	1	
13	AP9100799	Plug	1	
14	AP9100796	Brake caliper rev. kit	1	
15	855506	Rear brake lever	1	
16	AP9100290	Bush	1	
17	AP9100291	Spring	1	
18	AP9100477	O-ring 18x2	2	
19	AP9100354	Rear brake lever pin	1	
20	AP8150169	Hex socket screw	1	
21	AP8150017	Washer 8,4x16x1,6*	1	
22	AP8101928	Split pin	1	
23	AP8152278	Screw w/ flange M6x16	2	
24	AP9100789	Bleeder kit	1	
25	AP9100752	Spring	2	

Group	FRAME
Code	28.25
Description	Front lights
Service	1



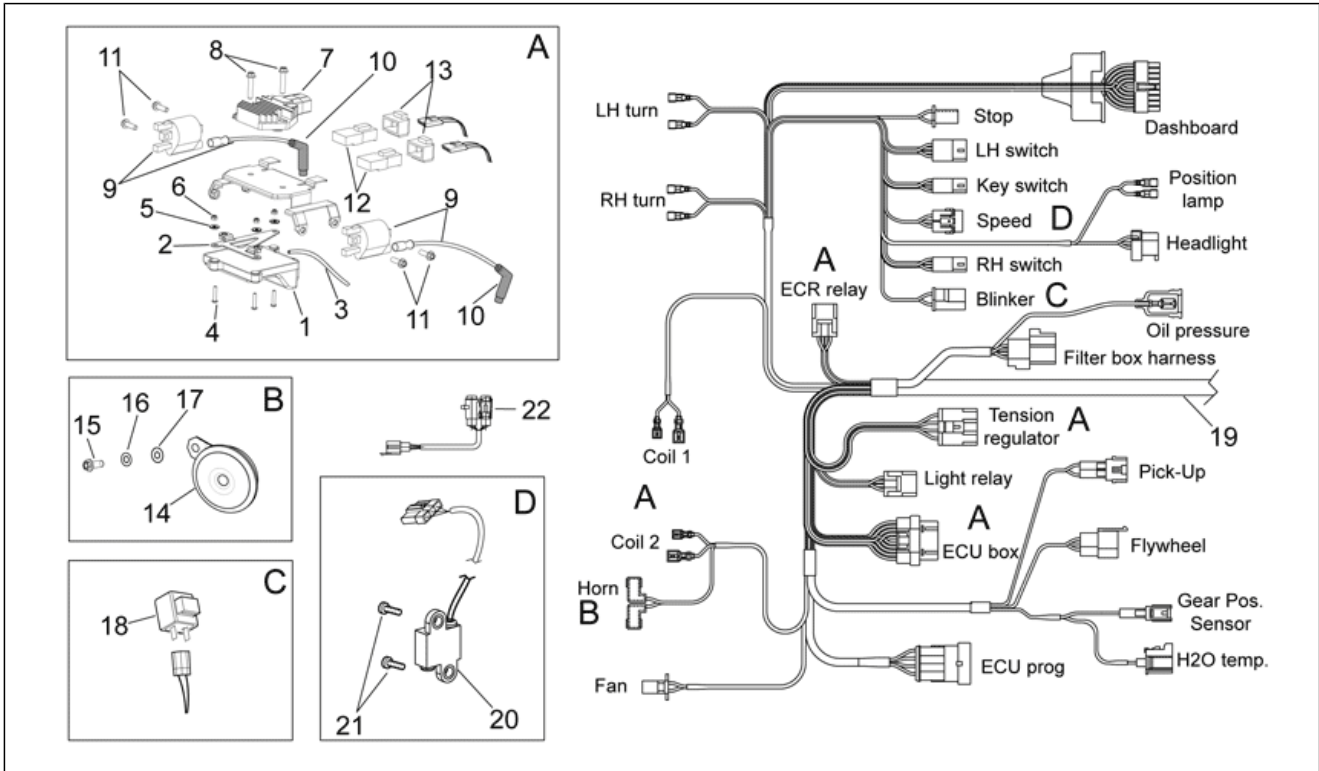
Pos.	Code	Description	Qty	Variants
1	855721	Headlight	1	
2	AP8152181	Washer 6,4x15x1	2	
3	AP8152108	Hex socket screw	2	
4	AP8121032	Bush	2	
5	856610	Town lights switch wiring	1	
6	AP8127121	Lamp H4 60/55W 12V	2	
7	AP8127489	Lamp RY10W 12V	2	
8	855140	LH front/RH rear turn indic.	1	
9	855139	RH front/LH rear turn indic.	1	
10	AP8150017	Washer 8,4x16x1,6*	2	
11	AP8152262	Low nut	2	
12	AP8152137	Hex socket screw	2	

Group	FRAME
Code	28.26
Description	Rear lights
Service	1



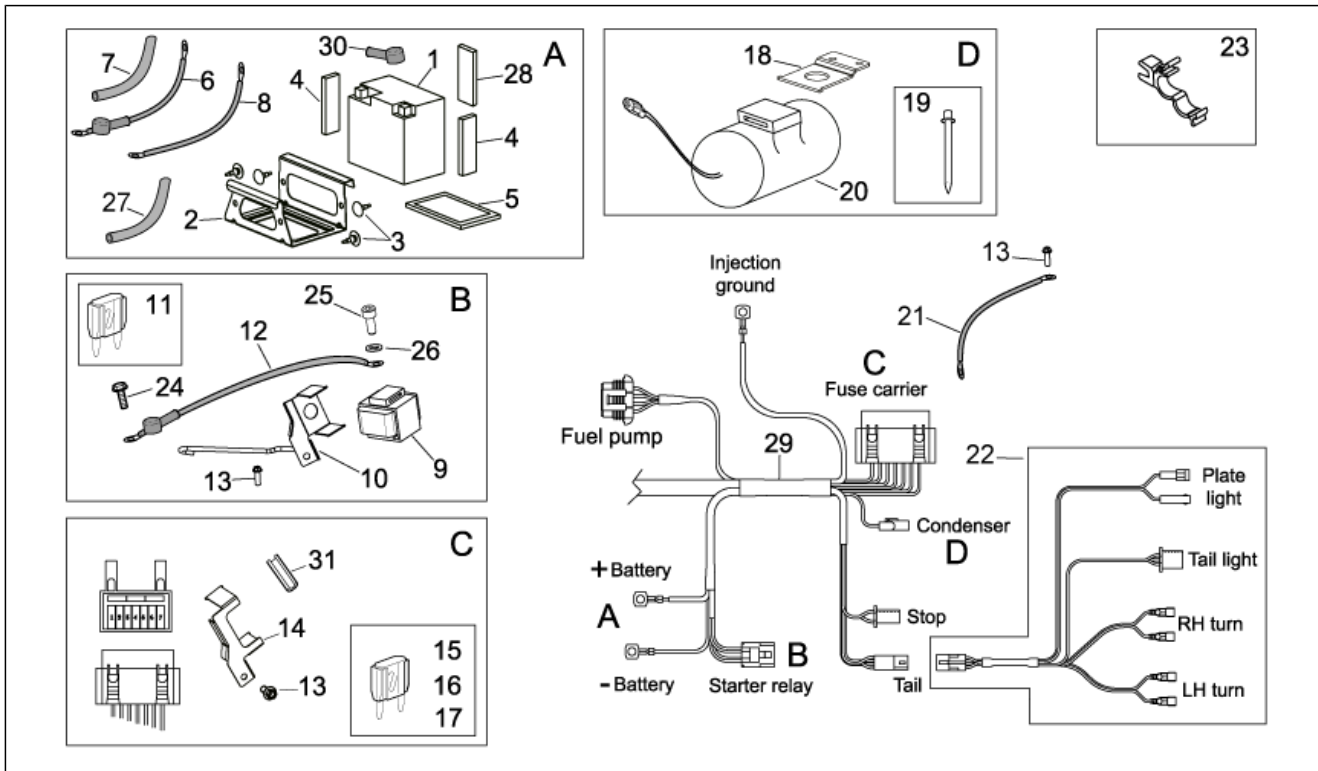
Pos.	Code	Description	Qty	Variants
1	AP9100523	Taillight	1	
2	AP8127098	Number-plate light	1	
3	AP8224655	Plate light wiring	1	
4	AP8150413	Self-tap screw 3,9x14	1	
5	855140	LH front/RH rear turn indic.	1	
6	855139	RH front/LH rear turn indic.	1	
7	AP8127489	Lamp RY10W 12V	2	
8	AP8152137	Hex socket screw	2	
9	AP9100434	Self-locking nut M6x1	2	
10	AP8150413	Self-tap screw 3,9x14	2	
11	AP8150159	Washer 4,3x16*	2	
12	855078	Extension	1	
13	AP8150012	Washer 5,3x10x1*	2	
14	AP8152082	Screw	2	
15	AP8150114	Low self-locking nut	2	

Group	FRAME
Code	28.27
Description	Electrical system I
Service	1



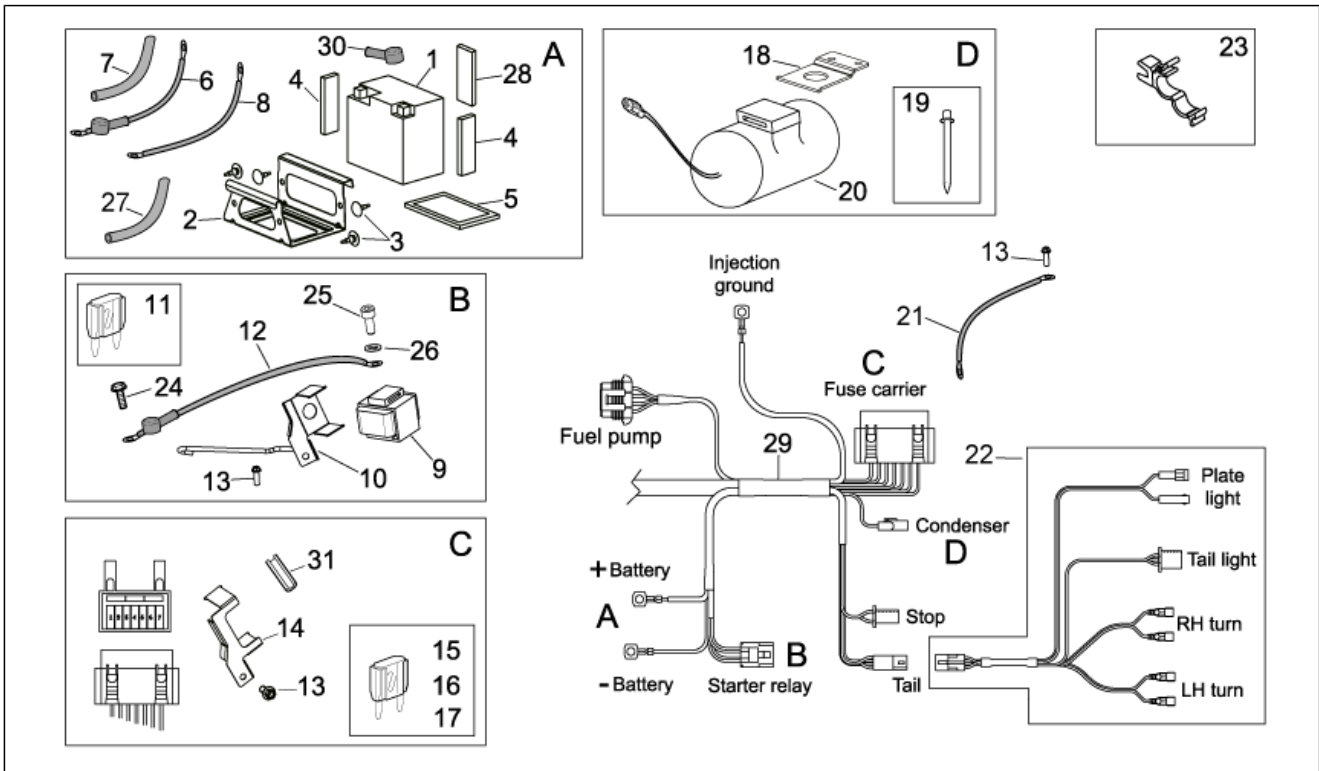
Pos.	Code	Description	Qty	Variants
1	AP9100447	Electronic control unit	1	
2	851023	Control unit support plate	1	
3	AP8220598	Breather pipe	1	
4	AP9100945	Hex socket screw M4x20	3	
5	AP8150011	Washer 4,3x12x1*	3	
6	AP8150204	Nut M4	3	
7	AP9100424	Voltage regulator	1	
8	AP8152281	Screw w/ flange	2	
9	AP9100429	Coil	2	
10	AP9100423	Sparkplug cap	2	
11	AP8152278	Screw w/ flange M6x16	4	
12	AP8224462	Relay 12V/30A	2	
13	AP8220283	Rubber spacer *	2	
14	855724	Horn	1	
15	AP8152112	Hex socket screw	1	
16	AP8150376	Washer 8,5x15x0,8	1	
17	AP8150017	Washer 8,4x16x1,6*	1	
18	AP8124235	Flasher unit	1	
19	859728	Main wiring harness	1	
20	AP9100518	Speed sensor	1	
21	AP8150460	Self-tapping screw M4x12	2	

Group	FRAME
Code	28.28
Description	Electrical system II
Service	1



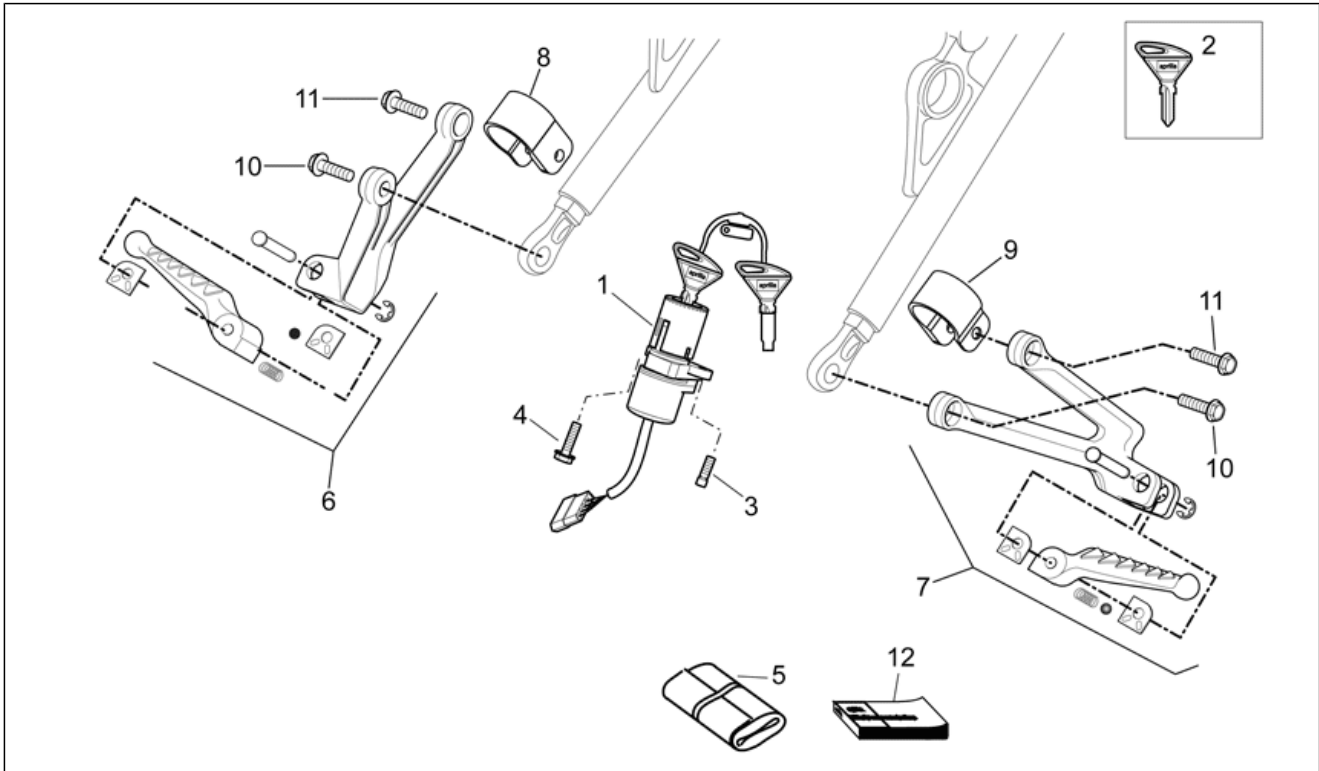
Pos.	Code	Description	Qty	Variants
1	AP9100512	Battery	1	
2	AP9101000	Battery case cpl.	1	
3	AP8120001	Rubber spacer	4	
4	AP8144538	Gasket	2	
5	AP9100725	Rubber spacer	1	
6	AP9100371	Relay battery wiring	1	
7	CM239401	Rubber pipe 12,8x8,8 L=120	1	
8	AP9100372	Ground-battery lead	1	
9	AP9100487	Starter relay	1	
10	AP9100325	Plate	1	
11	AP8124273	Fuse 30a	2	
12	AP9100558	Starter motor wiring harness	1	
13	AP8152272	Screw w/ flange M5x12	2	
14	AP9100327	Fuse block support	1	
15	AP8176099	Fuse	3	
16	AP8112244	Fuse 7,5A	4	
17	AP8112176	Fuse 15A	3	
18	AP9100742	Plate	1	
19	AP9100782	Tearing rivet inox	1	
20	AP9100739	Capacitor 10000 Uf	1	
21	AP9100783	Engine-frame ground wiring	1	
22	AP9100511	Taillight wiring harness	1	
23	AP9100765	Spring	1	
24	AP8152277	Screw w/ flange	1	
25	AP8152123	Hex socket screw	2	
26	AP8150429	Spring washer 6,4x11x0,5*	2	
27	AP8150272	Curved spring washer *	1	
28	AP8117004	Adhesive sponge 15x8	1	

Group	FRAME
Code	28.28
Description	Electrical system II
Service	1



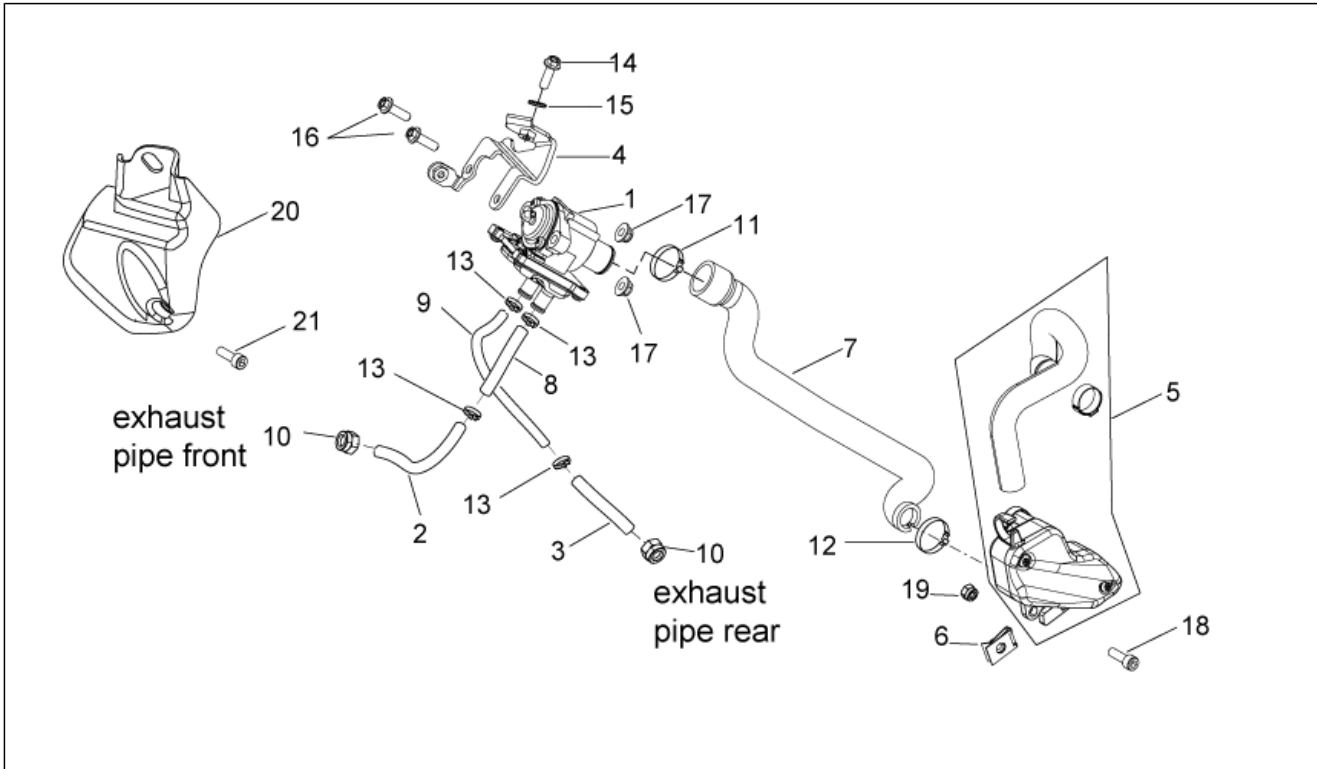
Pos.	Code	Description	Qty	Variants
29	859728	Main wiring harness	1	
30	AP9100959	Terminal cap	1	
31	AP9100997	Gasket	1	
32	CM239402	Rubber pipe 12,8x8,8 L=95	1	

Group	FRAME
Code	28.29
Description	Completing part
Service	1



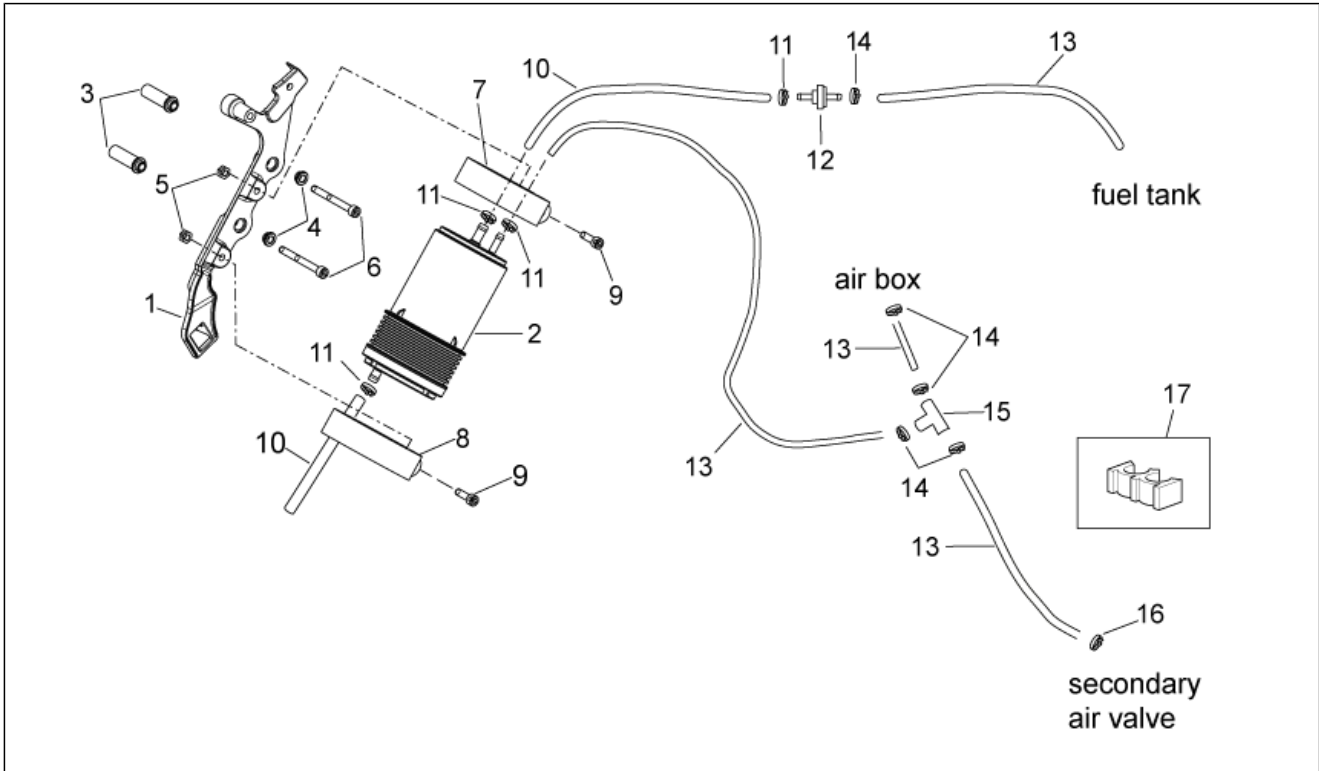
Pos.	Code	Description	Qty	Variants
1	860129	Main switch - steering lock	1	
2	AP8140710	"Aprilia" key w/out transpo.	1	
3	AP8150349	Special screw M8x15	1	
4	AP8150211	Hex socket screw M8x16	1	
5	AP9100936	Toolkit	1	
6	AP9100757	RH footrest support	1	
7	AP9100756	LH footrest support	1	
8	851364	RH support	1	
9	851363	LH support	1	
10	AP9100837	Screw w/ flange M10x1,25x36	2	
11	AP8152287	Screw w/ flange	2	
12	854075	Op's handbook I-D-F-E-UK-NL I-D-F-E-UK-NL	1	

Group	FRAME
Code	28.52
Description	Secondary air
Service	1



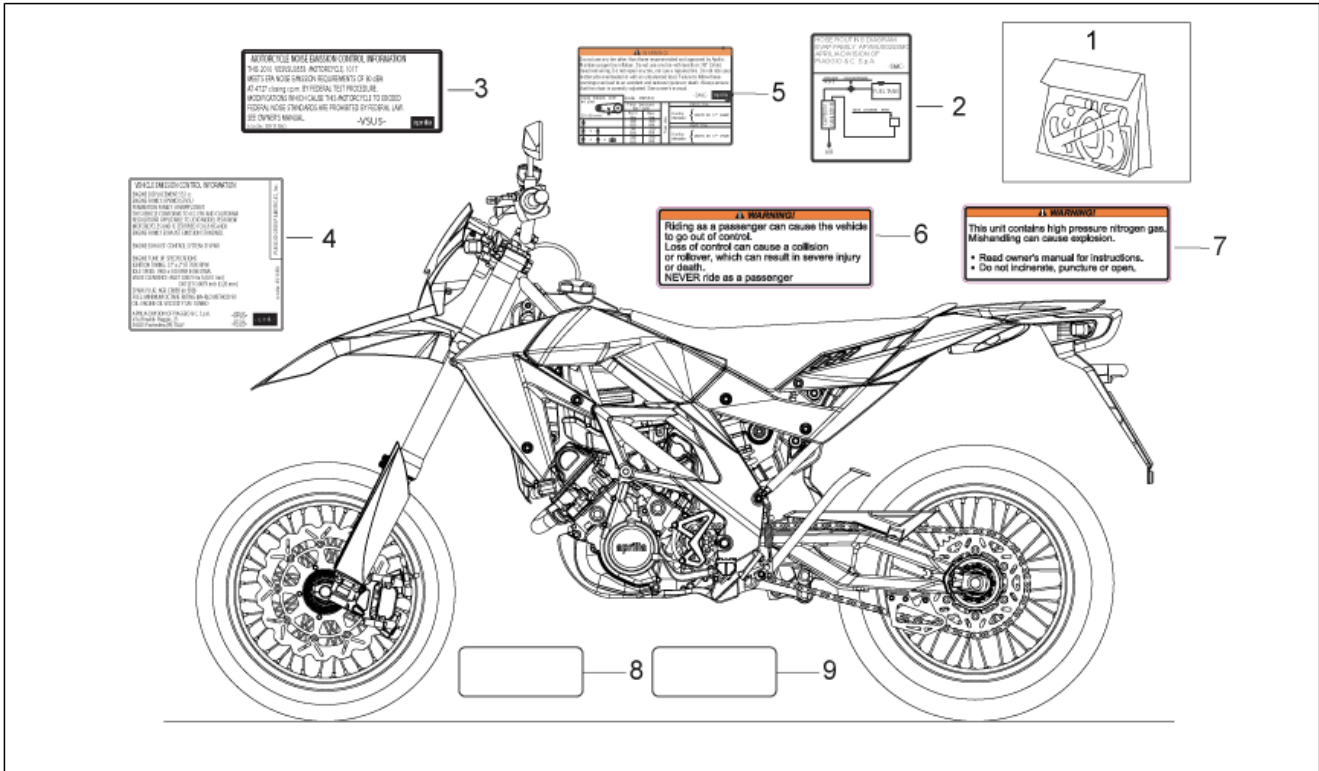
Pos.	Code	Description	Qty	Variants
1	855054	SAS valve	1	
2	855023	Front. Exhaust pipe	1	
3	855024	Rear exhaust pipe	1	
4	855022	Valve support	1	
5	855057	Sas box	1	
6	254485	Spring plate M6	1	
7	855027	Pipe	1	
8	855055	Front. Exhaust pipe	1	
9	855056	Rear exhaust pipe	2	
10	855028	Nut	2	
11	AP9100456	Hose clip 26x8	1	
12	AP8102273	Hose clip	1	
13	AP8101586	Hose clip D.15,5x6,6	2	
14	AP8150137	Hex socket screw	2	
15	AP8150015	Washer 6,6x18x1,6*	1	
16	AP8152279	Screw w/ flange M6x20	3	
17	AP9100434	Self-locking nut M6x1	1	
18	AP8152283	Screw w/ flange	2	
19	AP8150026	Nut	1	
20	856897	Valve cover sas	1	
21	AP8152273	Screw w/ flange	2	

Group	FRAME
Code	28.53
Description	Fuel vapour recover system
Service	1



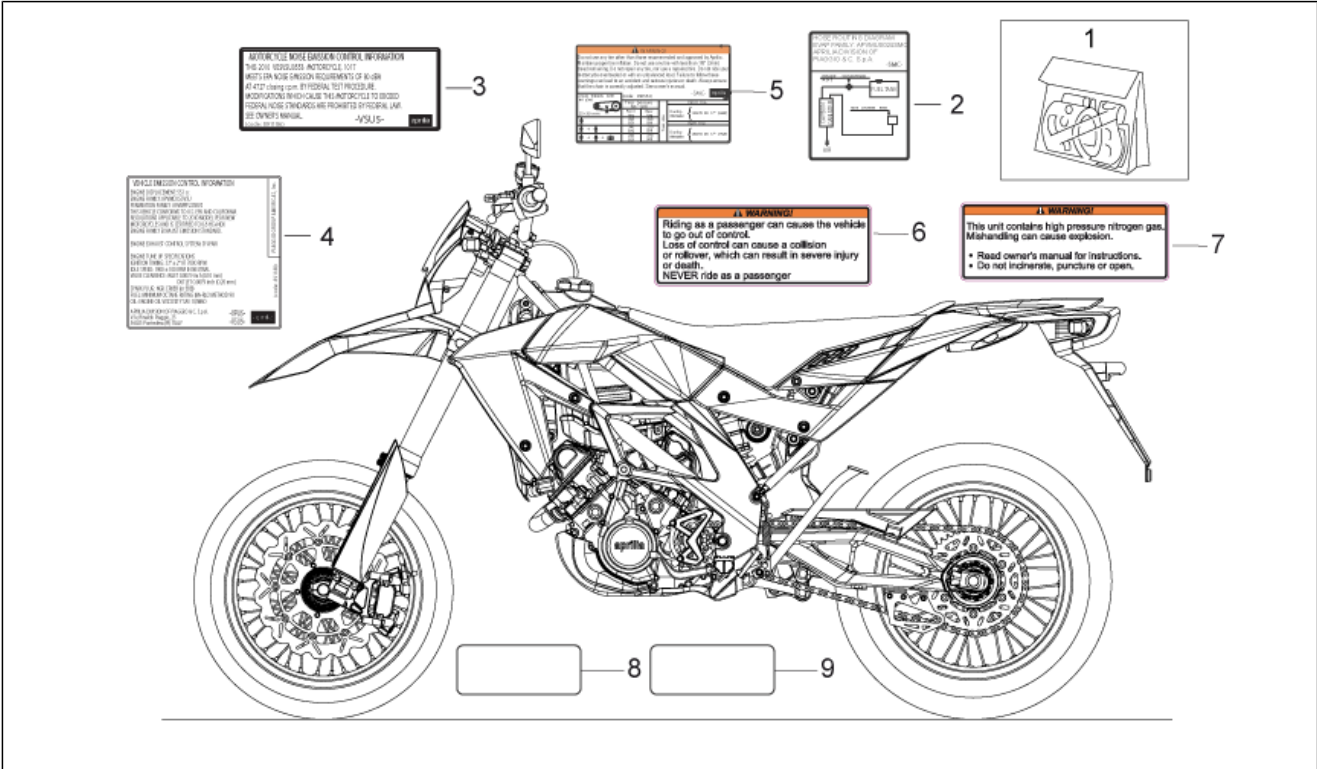
Pos.	Code	Description	Qty	Variants
1	855029	Support	1	
2	AP8102678	Carbon filter	1	
3	855082	Bush	2	
4	AP8221129	Bush	2	
5	AP8150026	Nut	2	
6	AP9100638	Screw w/ flange M6x70	2	
7	AP8102688	Hose clamp d.76	1	
8	AP8102719	Hose clamp d.80,5	1	
9	AP8152279	Screw w/ flange M6x20	2	
10	856063	Pipe SAE 30 d.12,7x6,35	2	
11	AP8102764	White hose clip d.13x6	3	
12	856161	Valve "roll over"	1	
13	856062	Pipe SAE 30 d.11,11x4,8	4	
14	AP8120446	Hose clip, green D11x6,6x1	5	
15	AP8104666	3-way union	1	
16	AP8102998	Hose clamp d.9,5	1	
17	AP8201808	Cable-guide D8	2	

Group	FRAME
Code	28.54
Description	Decal
Service	1



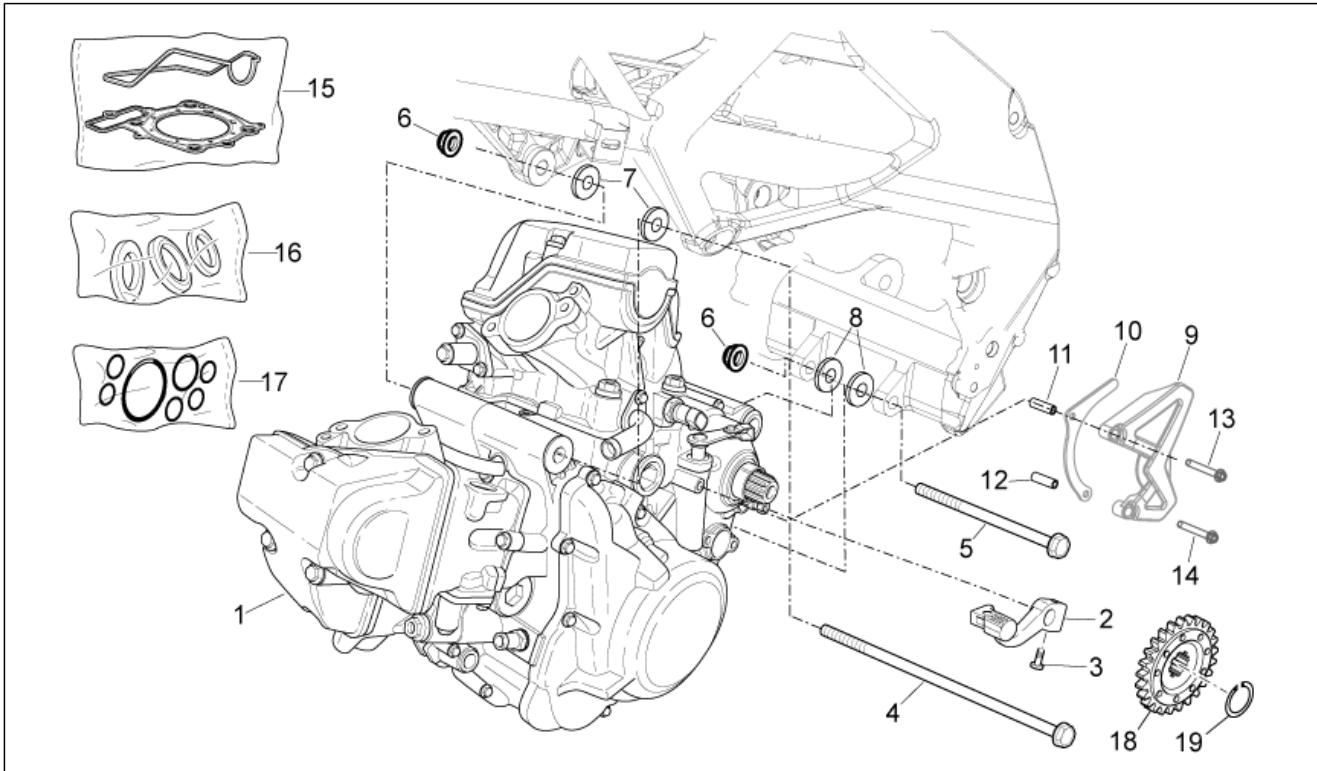
Pos.	Code	Description	Qty	Variants
1	890526	Decal set	1	Vehicle colour: OFF BLACK 2009[BK09], OFF BLACK 2010[BK10] Technical Specifications: Versione motard 450Versione motard 450[SX45]
1	898370	Decal set	1	Vehicle colour: OFF BLACK 2011 (s.t 898353)[BK11] Technical Specifications: Versione motard 550 Versione motard 550[SX55]
1	898504	Decal set	1	Vehicle colour: OFF BLACK 2011 (s.t 898353)[BK11] Technical Specifications: Versione motard 450Versione motard 450[SX45]
2	891189	Shed scheme decal	1	Vehicle colour: OFF BLACK 2009[BK09], OFF BLACK 2010[BK10]
2	891295	Shed scheme decal	1	Vehicle colour: OFF BLACK 2011 (s.t 898353)[BK11]
3	855883	Noise emission sticker	1	Vehicle colour: OFF BLACK 2011 (s.t 898353)[BK11] Technical Specifications: Versione motard 550 Versione motard 550[SX55]
3	891186	Noise emission sticker	1	Vehicle colour: OFF BLACK 2009[BK09], OFF BLACK 2010[BK10] Technical Specifications: Versione motard 550 Versione motard 550[SX55]
3	891289	Noise emission sticker	1	Vehicle colour: OFF BLACK 2009[BK09] Technical Specifications: Versione motard 450Versione motard 450[SX45]
3	891290	Noise emission sticker	1	Vehicle colour: OFF BLACK 2011 (s.t 898353)[BK11] Technical Specifications: Versione motard 550 Versione motard 550[SX55]
4	855876	Emission control sticker	1	Vehicle colour: OFF BLACK 2011 (s.t 898353)[BK11] Technical Specifications: Versione motard 550 Versione motard 550[SX55]
4	891188	Emission control sticker	1	Vehicle colour: OFF BLACK 2009[BK09], OFF BLACK 2010[BK10]
4	891291	Emission control sticker	1	Vehicle colour: OFF BLACK 2011 (s.t 898353)[BK11] Technical Specifications: Versione motard 450Versione motard 450[SX45]

Group	FRAME
Code	28.54
Description	Decal
Service	1



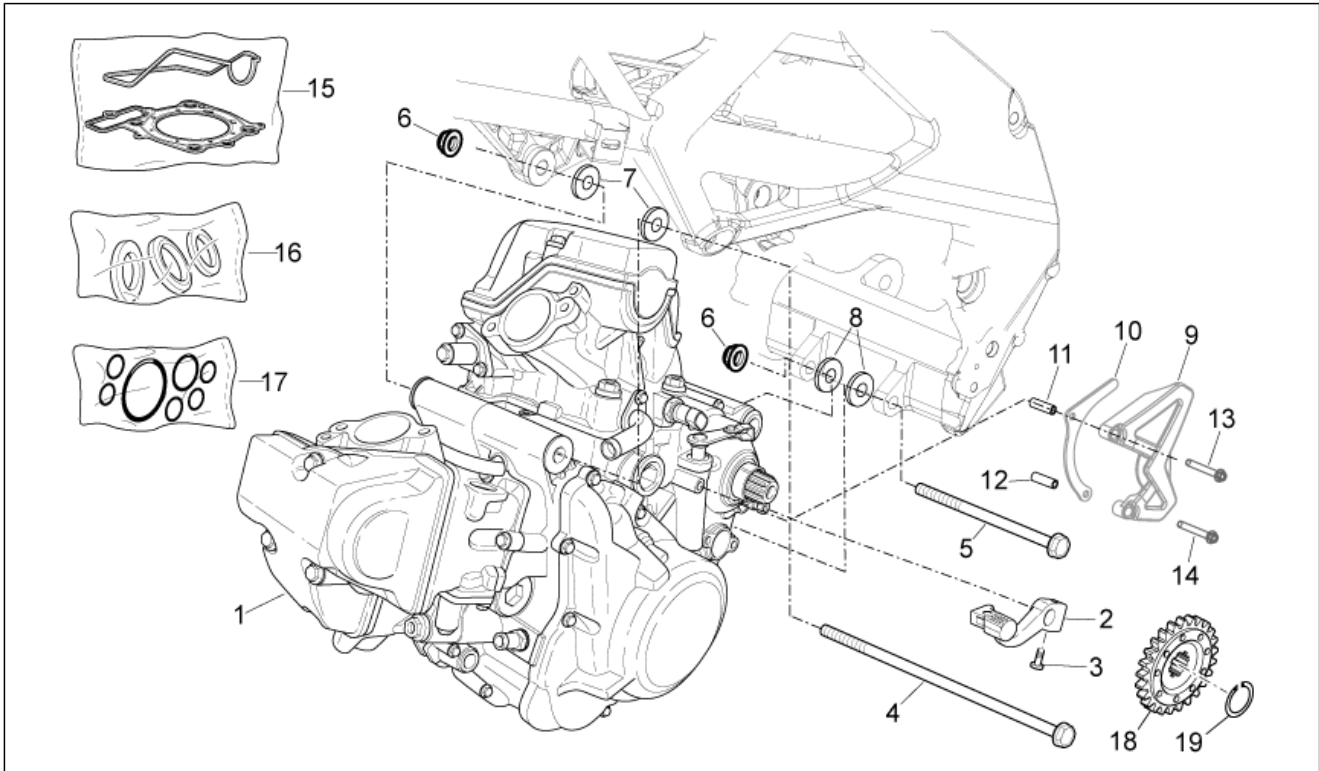
Pos.	Code	Description	Qty	Variants
4	891292	Emission control sticker	1	Vehicle colour:OFF BLACK 2011 (s.t 898353)[BK11] Technical Specifications:Versione motard 550 Versione motard 550[SX55]
5	856878	Tyre pressure decal	1	
6	851156	Single-seater saddle dec.	1	
7	851157	Shock absorber decal	1	
8	AP8257609	Mirror decal	2	
9	AP8267395	Battery decal	1	

Group	ENGINE
Code	29.30
Description	Engine
Service	1



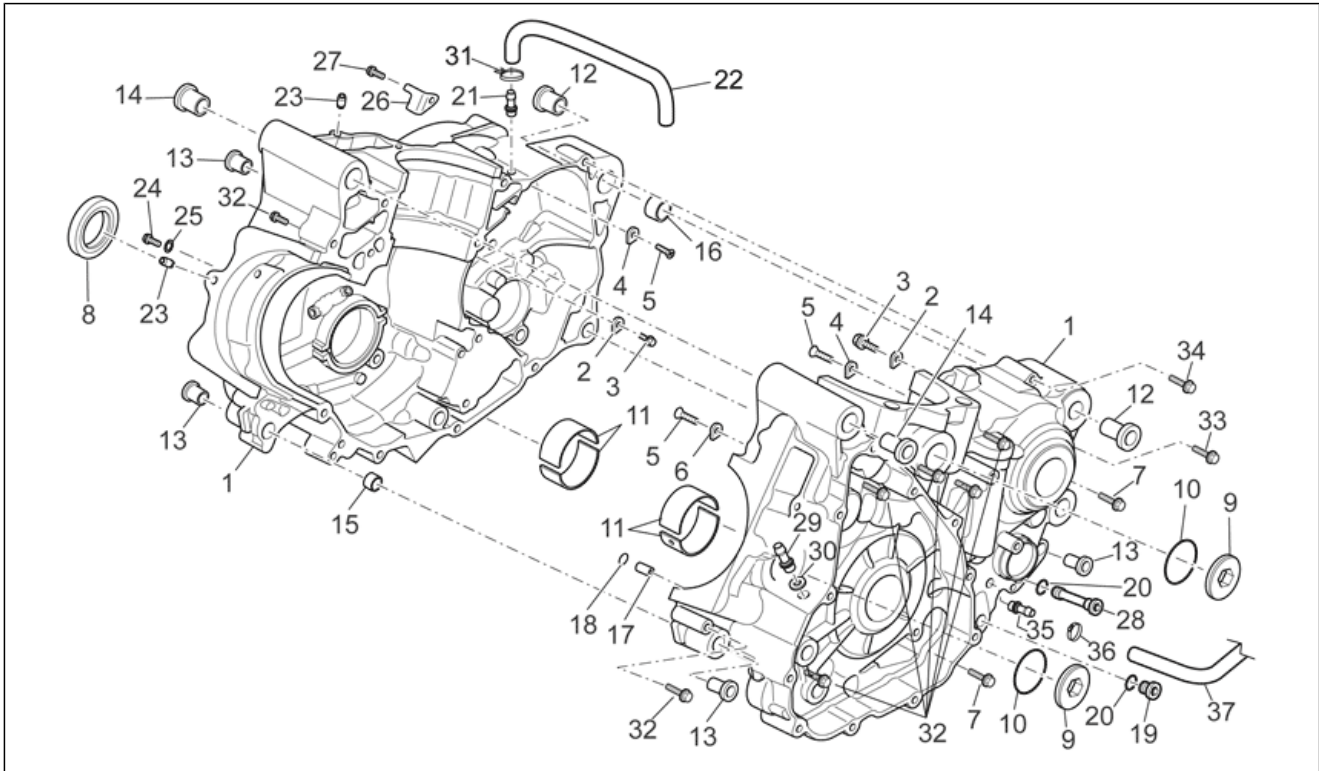
Pos.	Code	Description	Qty	Variants
1	CM2362085	Engine	1	Technical Specifications: Versione motard 450Versione motard 450[SX45]
1	CM2363085	Engine	1	Technical Specifications: Versione motard 550 Versione motard 550[SX55]
2	AP9100411	Gear lever	1	
3	AP8152280	Screw w/ flange M6x25	1	
4	AP9100593	Screw M10x1,25 L=202	1	
5	AP9100443	Screw M10x1,25 L=102	1	
6	AP9100643	Self-locking nut M10x1,25	2	
7	AP9100687	Washer 28x10,5x3	2	
8	AP9100683	Washer 18x10,5x0,5	2	
8	AP9100684	Washer 18x10,5x1	2	
8	AP9100685	Washer 18x10,5x1,5	2	
8	AP9100686	Washer 18x10,5x2	2	
9	AP9100374	Sprocket cover	1	
10	AP9100367	Chain guide	1	
11	AP9100383	Bush	1	
12	AP9100381	Bush	1	
13	AP8152284	Screw w/ flange	1	
14	AP9150395	Screw w/ flange M6x60	1	
15	855834	Gasket set	1	Technical Specifications: Versione motard 450Versione motard 450[SX45]
15	855835	Gasket set	1	Technical Specifications: Versione motard 550 Versione motard 550[SX55]
16	855819	Oil seals - set	1	
17	855833	OR set	1	
18	AP9100525	Pinion	1	Technical Specifications: Versione motard 450Versione motard 450[SX45]

Group	ENGINE
Code	29.30
Description	Engine
Service	1



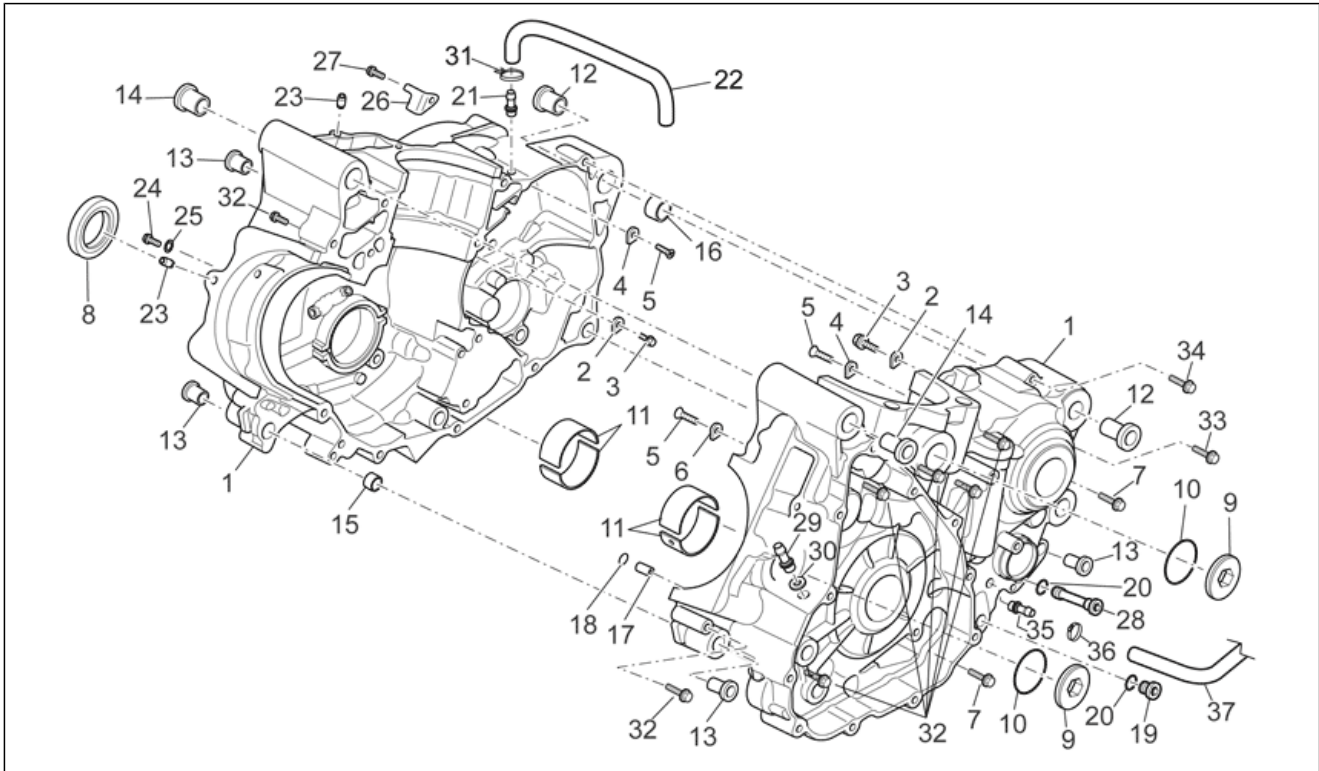
Pos.	Code	Description	Qty	Variants
18	AP9100600	Pinion Z=16	1	Technical Specifications: Versione motard 550 Versione motard 550[SX55]
19	AP9100451	Outside circlip D25	1	

Group	ENGINE
Code	29.31
Description	Crankcase I
Service	1



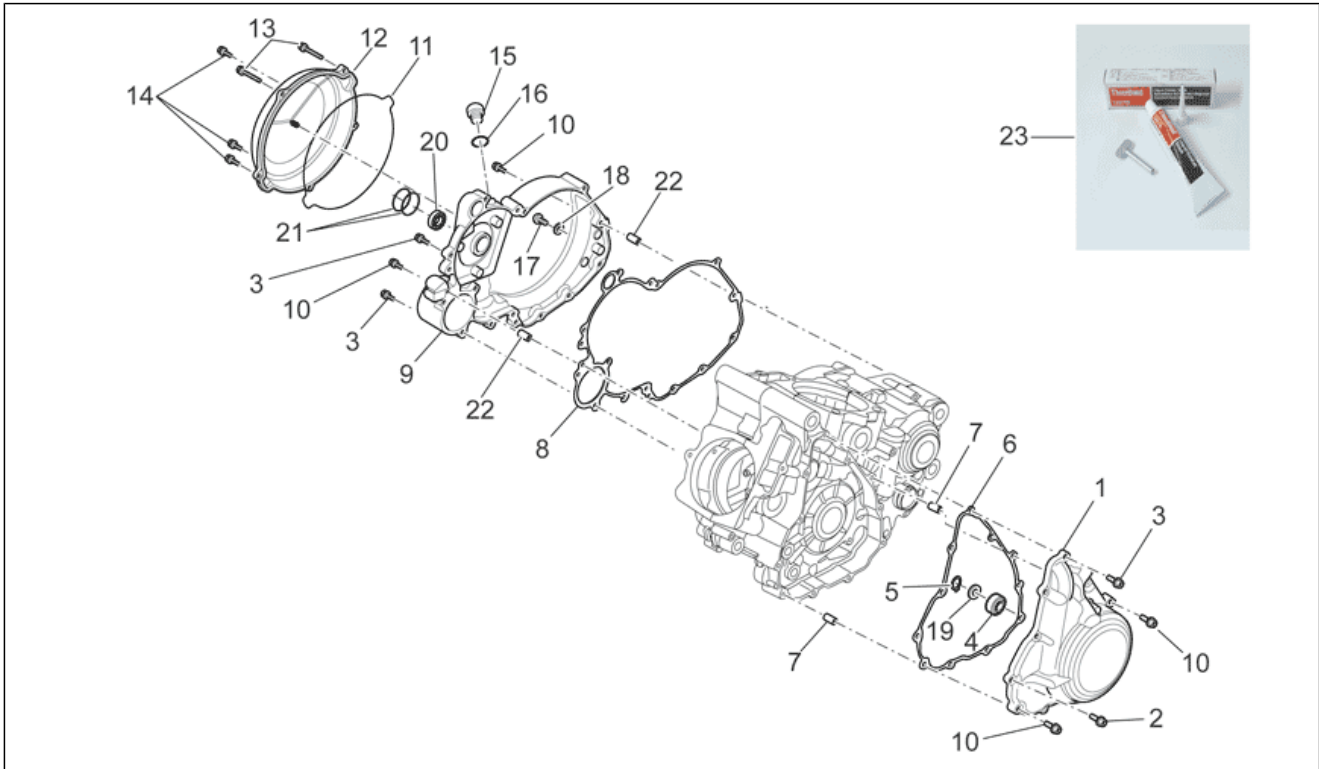
Pos.	Code	Description	Qty	Variants
1	CM155402	Carter, pair	1	Technical Specifications: Versione motard 450Versione motard 450[SX45]
1	CM155404	Carter, pair	1	Technical Specifications: Versione motard 550 Versione motard 550[SX55]
2	AP9150146	Check bearing plate	3	
3	AP8152277	Screw w/ flange	3	
4	AP9150145	Check bearing plate	2	
5	AP9150394	Screw M6x12	3	
6	AP9150489	Check bearing plate	1	
7	AP8152283	Screw w/ flange	6	
8	AP9150435	Oil seal D32x45x6	1	
9	AP9150149	Plug	2	
10	AP9150353	O-ring D26,65x2,62	2	
11	AP9150324	Bearing half-shell, green	4	
11	AP9150456	Bushing half-shell, blue	4	
11	AP9150457	Bushing half-shell, yellow	4	
12	AP9150440	T bush 34x21x10,5-L18	2	
13	AP9150441	T bush 28x13x10,5-L11,5	2	
14	AP9150442	T bush 19x13x10,5-L11,5	4	
15	AP9150116	Bush D16x19X13	1	
16	AP9150115	Bush D18x21X19	1	
17	AP9150117	Pin D7,2x9x12	1	
18	AP9150350	O-ring D8,73x1,78	1	
19	AP9150174	Oil unload plug	1	
20	AP9150349	Seal washer D12x18x1,5	2	
21	AP9150533	Union	1	
22	AP9150471	Breather pipe	1	
23	AP9150346	Jet	2	

Group	ENGINE
Code	29.31
Description	Crankcase I
Service	1



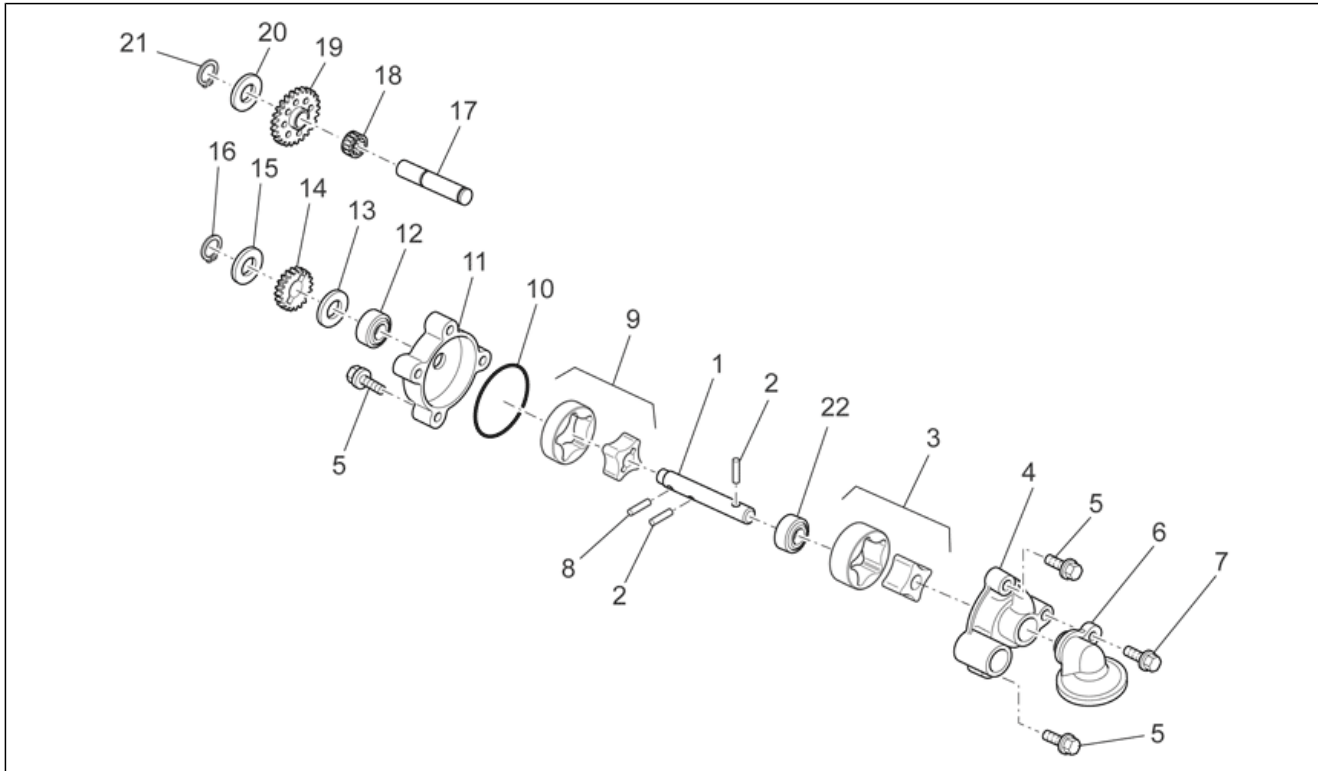
Pos.	Code	Description	Qty	Variants
24	AP8152285	Screw w/ flange	1	
25	AP8121862	Washer D8x16x1,5	1	
26	AP9150439	Plate	1	
27	AP8152277	Screw w/ flange	1	
28	AP9150078	Oil unload plug	1	
29	AP9150109	Union	1	
30	AP9150349	Seal washer D12x18x1,5	1	
31	AP8102377	Hose clamp D9,1*	1	
32	AP9150526	Screw w/ flange M7X1X42	7	
33	828909	Screw w/ flange M6x65	1	
34	828922	Screw w/ flange M6x75	1	
35	AP9150344	Union	1	
36	CM001911	Hose clamp	1	
37	AP9150545	Breather pipe 5x9	1	

Group	ENGINE
Code	29.32
Description	Crankcase II
Service	1



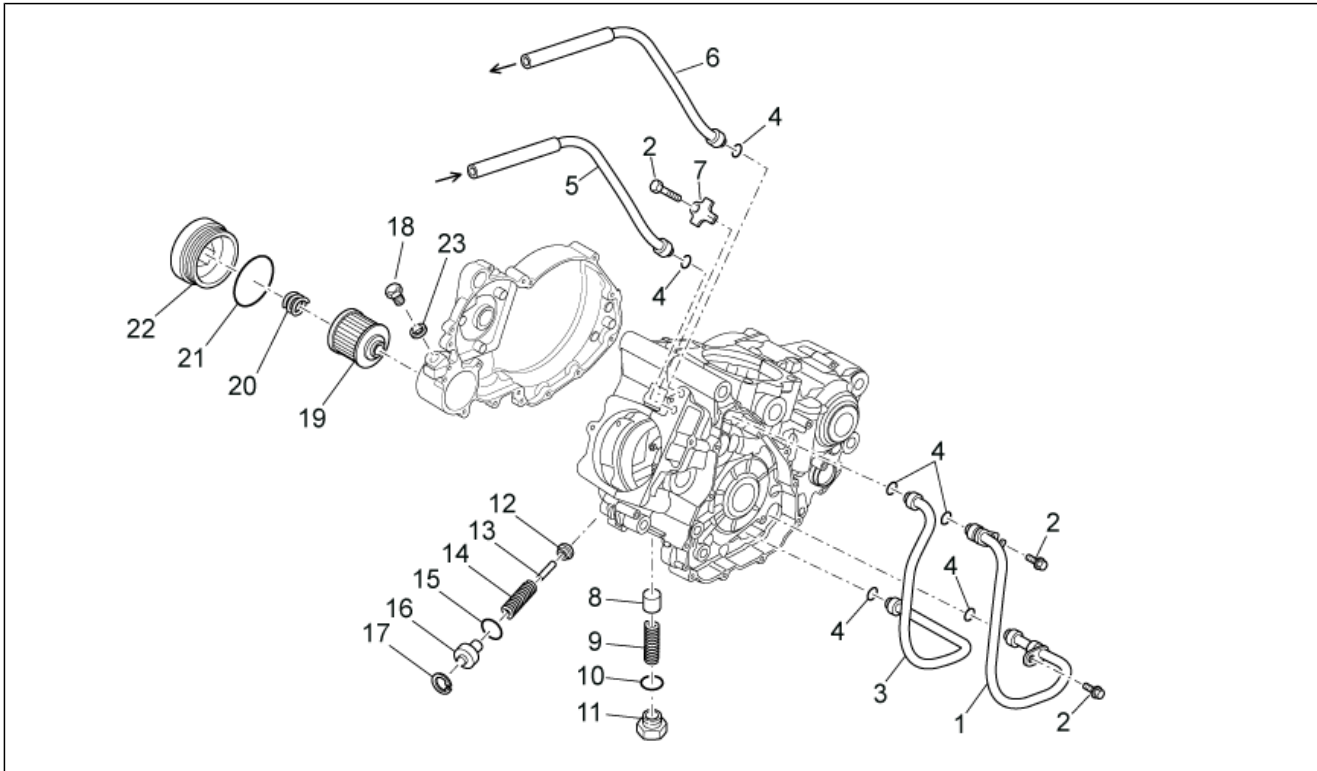
Pos.	Code	Description	Qty	Variants
1	855242	Ignition cover	1	
2	AP8152279	Screw w/ flange M6x20	9	
3	AP8152280	Screw w/ flange M6x25	10	
4	855031	Oil seal D12x22x6	1	
5	000674	Circlip	1	
6	AP9150153	Gasket	1	
7	AP9150118	Bush D6,2x8X15	2	
8	AP9150148	Gasket	1	
9	851019	Clutch side cover	1	
10	AP8152282	Screw w/ flange M6x35	4	
11	AP9150150	O-ring D171,13x2,62	1	
12	AP9150094	Complete clutch cover	1	
13	AP9150395	Screw w/ flange M6x60	2	
14	AP8152279	Screw w/ flange M6x20	3	
15	AP9150410	Oil plug M20x1,5	1	
16	AP9150356	O-ring D18,72x2,62	1	
17	AP9150473	Hex socket screw M6x10	1	
18	AP9150351	Seal washer D6x12x1	1	
19	AP9150522	Oil seal cup	1	
20	851015	Ball bearing 10x19x5	1	
21	851012	O-ring 20x1	2	
22	851017	Bush D6,2x7,8X15	2	
23	855252	Sealing compound	1	

Group	ENGINE
Code	29.33
Description	Oil pump
Service	1



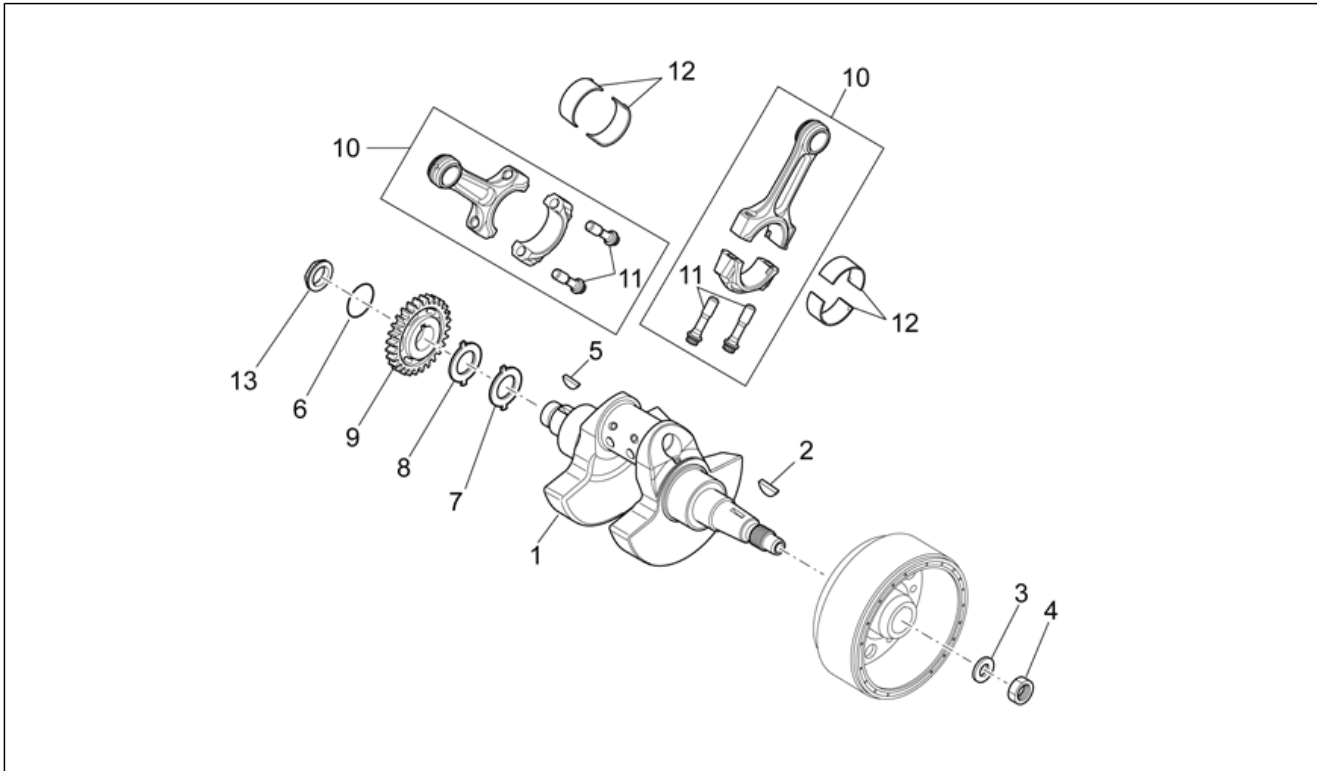
Pos.	Code	Description	Qty	Variants
1	AP9150071	Oil pump shaft assy.	1	
2	AP9150377	Pin 4x15,8	2	
3	AP9150157	Internal and external rotor H19	1	
4	AP9150158	Oil pump housing	1	
5	AP8152280	Screw w/ flange M6x25	6	
6	AP9150162	Filter with net-air intake	1	
7	AP8152281	Screw w/ flange	1	
8	AP9150376	Pin 4x13,8	1	
9	AP9150291	Internal and external rotor H8	1	
10	AP9150461	O-ring D44,17x1,78	1	
11	AP9150217	Oil pump housing	1	
12	AP9150385	Oil seal D19x10x7/5.5	1	
13	AP9150076	Clearance washer 10,1x23	1	
14	AP9150159	Oil pump gear Z=12	1	
15	AP9150075	Clearance washer 9,1x16x	1	
16	AP9150396	Circlip 9x1	1	
17	AP9150160	Pin 4x25,8	1	
18	AP9150463	Roller cage D11x16x10	1	
19	AP9150161	Idle gear Z=22	1	
20	AP9150074	Clearance washer 11,1x18	1	
21	006411	Circlip D11	1	
22	AP9150443	Oil seal D10x16x4	1	

Group	ENGINE
Code	29.34
Description	Lubrication
Service	1



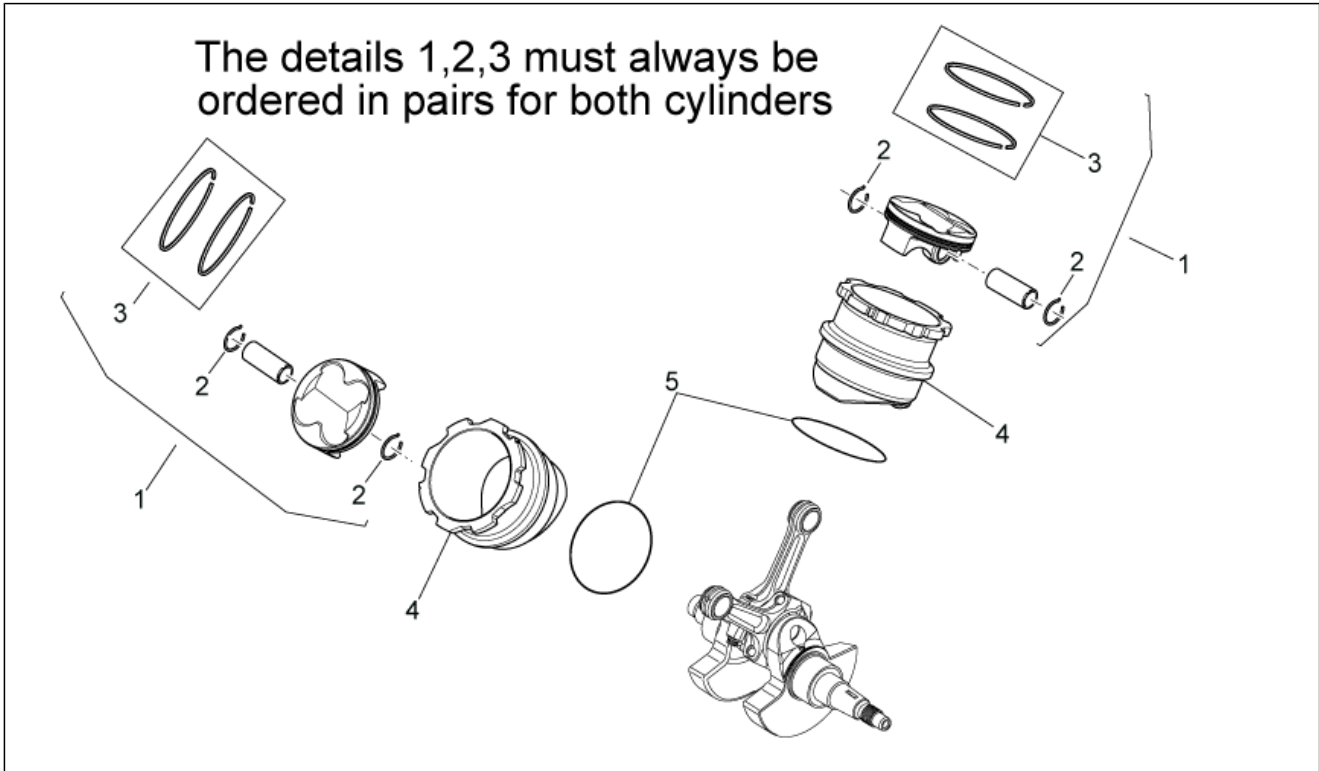
Pos.	Code	Description	Qty	Variants
1	AP9150281	Oil outlet pipe	1	
2	AP8152277	Screw w/ flange	3	
3	AP9150280	Oil inlet pipe	1	
4	AP9150347	O-ring D11x2	6	
5	AP9100358	Oil outlet pipe	1	
6	AP9100362	Oil inlet pipe	1	
7	AP9100292	Lock plate	1	
8	AP9150168	Pressure adj. piston	1	
9	AP9150169	Spring	1	
10	AP9150476	O-ring D11,11x1,78	1	
11	AP9150170	Valve closer screw M14x1,5	1	
12	AP9150171	Oil anti-return valve	1	
13	AP9150321	Pin	1	
14	AP9150173	Spring	1	
15	AP9150477	O-ring D14x1,78	1	
16	AP9150172	Coupling bush	1	
17	006618	Circlip D18	1	
18	851240	Plug	1	
19	AP9150166	Oil filter	1	
20	AP9150167	Spring	1	
21	AP9150355	O-ring D53,65x2,68	1	
22	851295	Oil filter cover	1	
23	AP9150472	Gasket 10,5x17x1,5	1	

Group	ENGINE
Code	29.35
Description	Drive shaft
Service	1



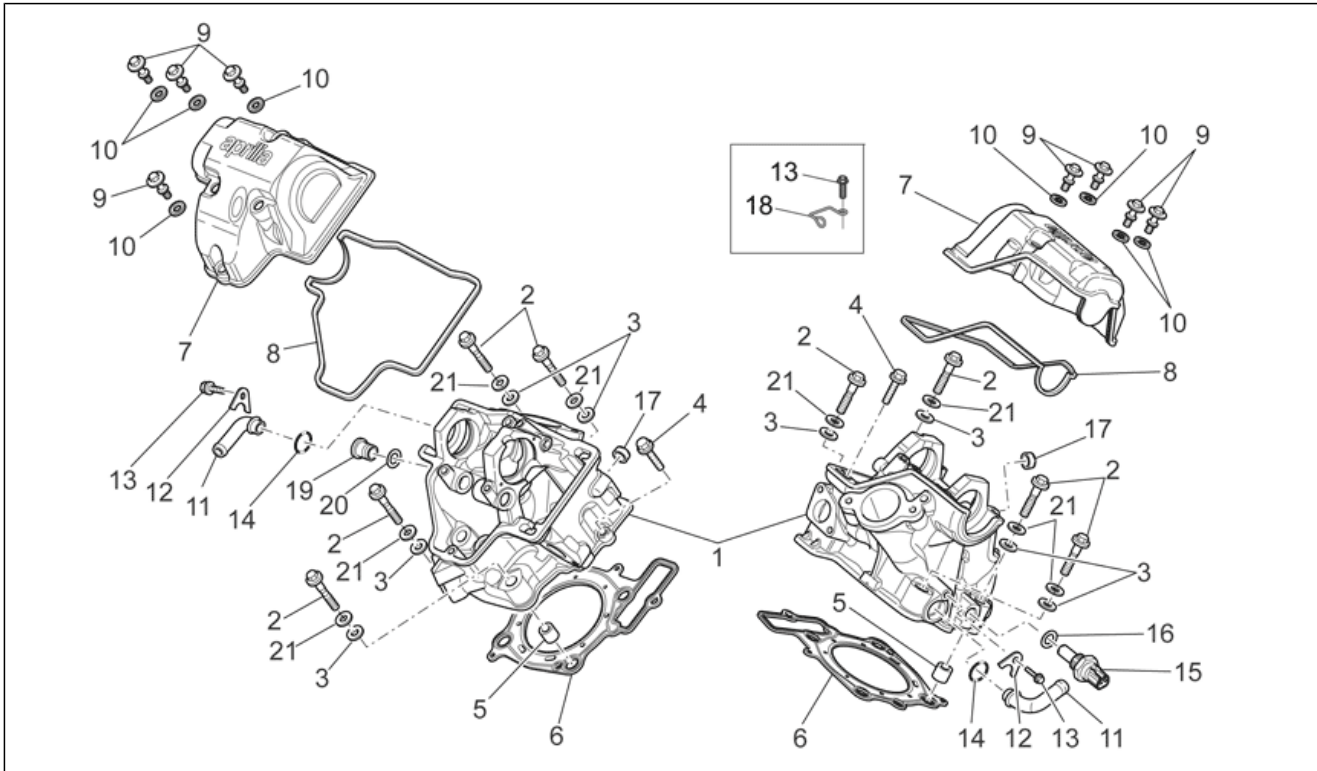
Pos.	Code	Description	Qty	Variants
1	8551015	Drive shaft	1	Technical Specifications: Versione motard 450Versione motard 450[SX45]
1	8553745	Drive shaft	1	Technical Specifications: Versione motard 550 Versione motard 550[SX55]
2	851007	Flywheel key D3x4,8	1	
3	851357	Washer D15x28x2,5	1	
4	AP9150436	Nut M14x1	1	
5	AP9150402	Transmission key 4x6,5	1	
6	AP9150525	O-ring D16x3,5	1	
7	AP9150065	Fifth wheel 44x53x2	1	
8	AP9150066	Fifth wheel 36x50x1,4	1	
9	AP9150210	Pinion	1	
10	AP9150018	Connecting rod cpl.	2	Technical Specifications: Versione motard 450Versione motard 450[SX45]
10	AP9150315	Connecting rod cpl.	2	Technical Specifications: Versione motard 550 Versione motard 550[SX55]
11	AP9150127	Connecting rod screw	4	
12	AP9150323	Bushing, green 35x38x16,5	4	
12	AP9150454	Bushing, blue 35x38x16,5	4	
12	AP9150455	Bushing, yellow 35x38x16,5	4	
13	AP9150236	Flanged nut M18x1,25	1	

Group	ENGINE
Code	29.36
Description	Cylinder with piston
Service	1



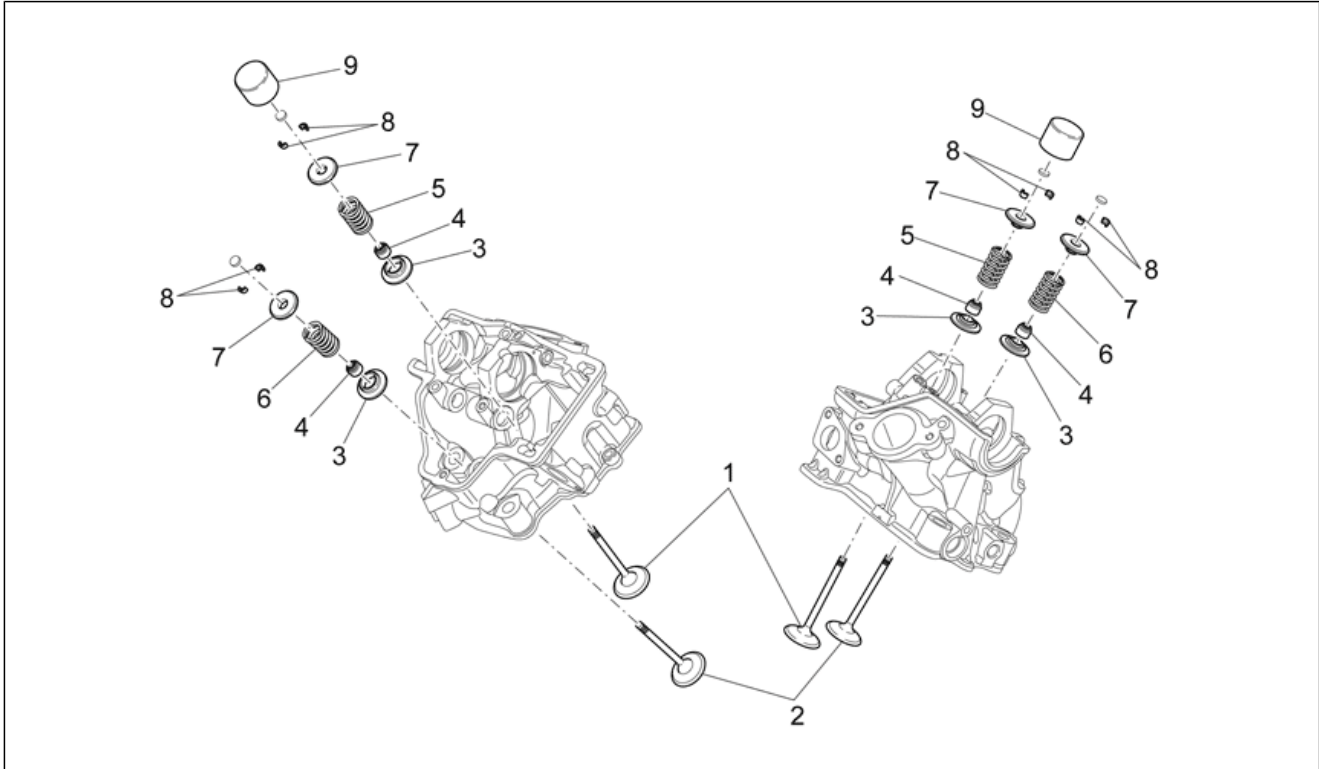
Pos.	Code	Description	Qty	Variants
1	851035	Piston assy D76	2	Technical Specifications: Versione motard 450Versione motard 450[SX45]
1	851039	Piston assy D80	2	Technical Specifications: Versione motard 550 Versione motard 550[SX55]
2	851042	Stop ring	4	Technical Specifications: Versione motard 550 Versione motard 550[SX55]
2	851045	Stop ring	4	Technical Specifications: Versione motard 450Versione motard 450[SX45]
3	851298	Piston rings set D76	2	Technical Specifications: Versione motard 450Versione motard 450[SX45]
3	855601	Piston rings set D80	2	Technical Specifications: Versione motard 550 Versione motard 550[SX55]
4	AP9150007	Cylinder D76	2	Technical Specifications: Versione motard 450Versione motard 450[SX45]
4	AP9150301	Cylinder D80	2	Technical Specifications: Versione motard 550 Versione motard 550[SX55]
5	AP9150343	O-ring D82,22x2,62	2	

Group	ENGINE
Code	29.37
Description	Cylinder head
Service	1



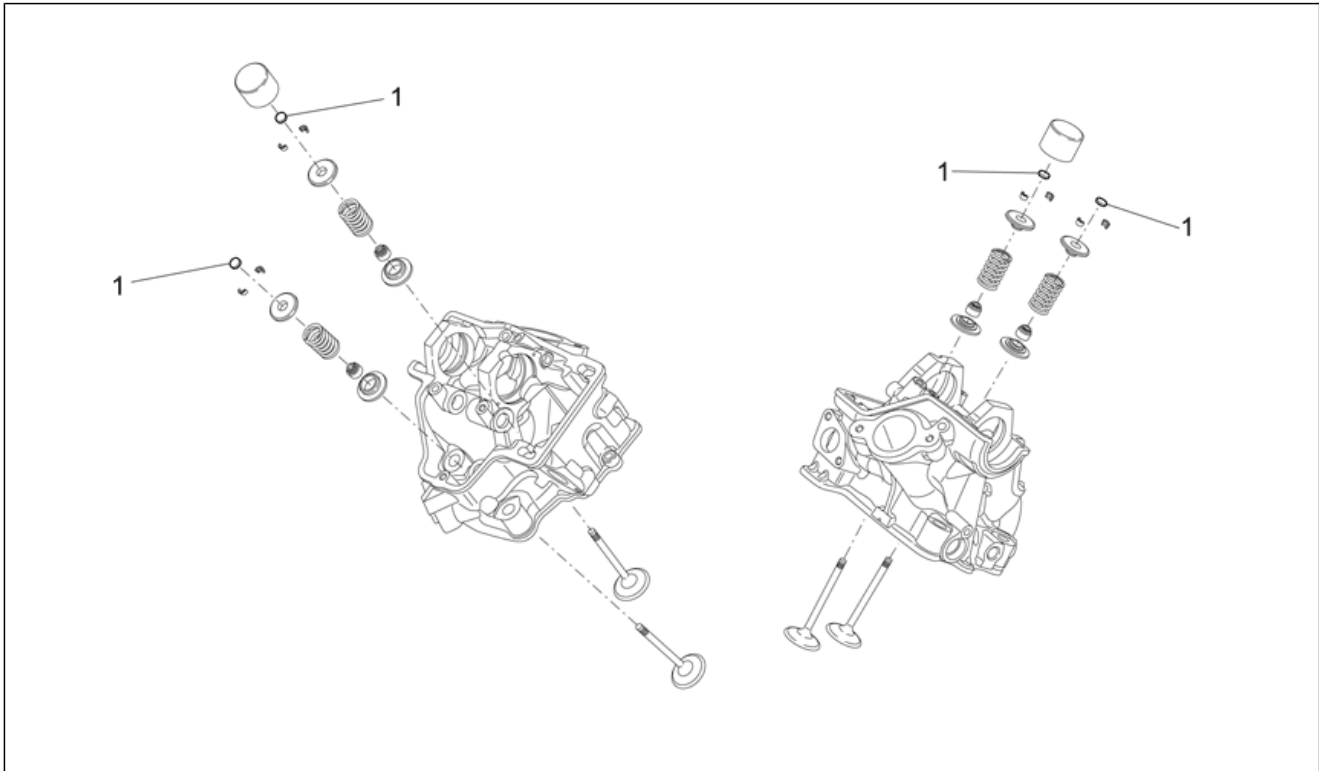
Pos.	Code	Description	Qty	Variants
1	AP9150317	Cylinder head assy.	2	
2	855487	Screw w/ flange M10x58,5	8	
3	AP9150113	Washer D10x20x2	8	
4	AP8152280	Screw w/ flange M6x25	2	
5	AP9150114	Bush	4	
6	855034	Cylinder head gasket	2	Technical Specifications: Versione motard 450Versione motard 450[SX45]
6	855035	Cylinder head gasket	2	Technical Specifications: Versione motard 550 Versione motard 550[SX55]
7	AP9150009	Head cover	2	
8	AP9150010	Cover gasket	2	
9	AP9150111	Special screw	8	
10	AP9150110	Gasket	8	
11	AP9150120	Union	2	
12	AP9150121	Plate	2	
13	AP8152277	Screw w/ flange	3	
14	AP9150469	O-ring D13,95x2,62	2	
15	AP9150181	Temp. Sensor H2O	1	
16	AP9150349	Seal washer D12x18x1,5	1	
17	AP9150312	Plug D20	2	
18	AP8121856	Cable-guide	1	
19	AP9150174	Oil unload plug	1	
20	AP9150349	Seal washer D12x18x1,5	1	
21	260467	Spring washer	8	

Group	ENGINE
Code	29.38
Description	Valves
Service	1



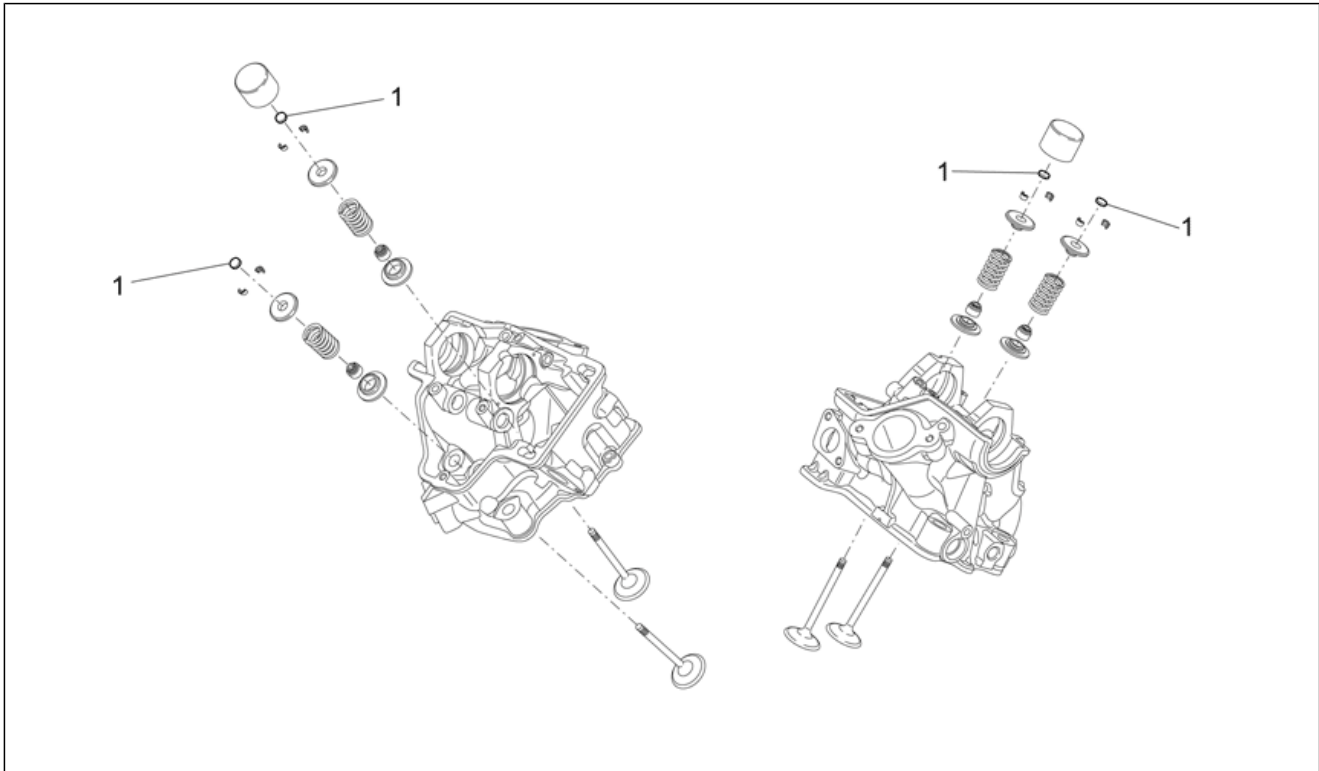
Pos.	Code	Description	Qty	Variants
1	AP9150022	Intake valve	4	
2	AP9150023	Exhaust valve	4	
3	AP9150028	Lower cup	8	
4	AP9150104	Valve stem seal D5	8	
5	AP9150024	Intake valve spring	4	
6	AP9150025	Exhaust valve spring	4	
7	891170	Upper cup	8	
8	AP9150106	Valve half-cone	16	
9	AP9150107	Valve lifter bucket	4	

Group	ENGINE
Code	29.39
Description	Valves pads
Service	1



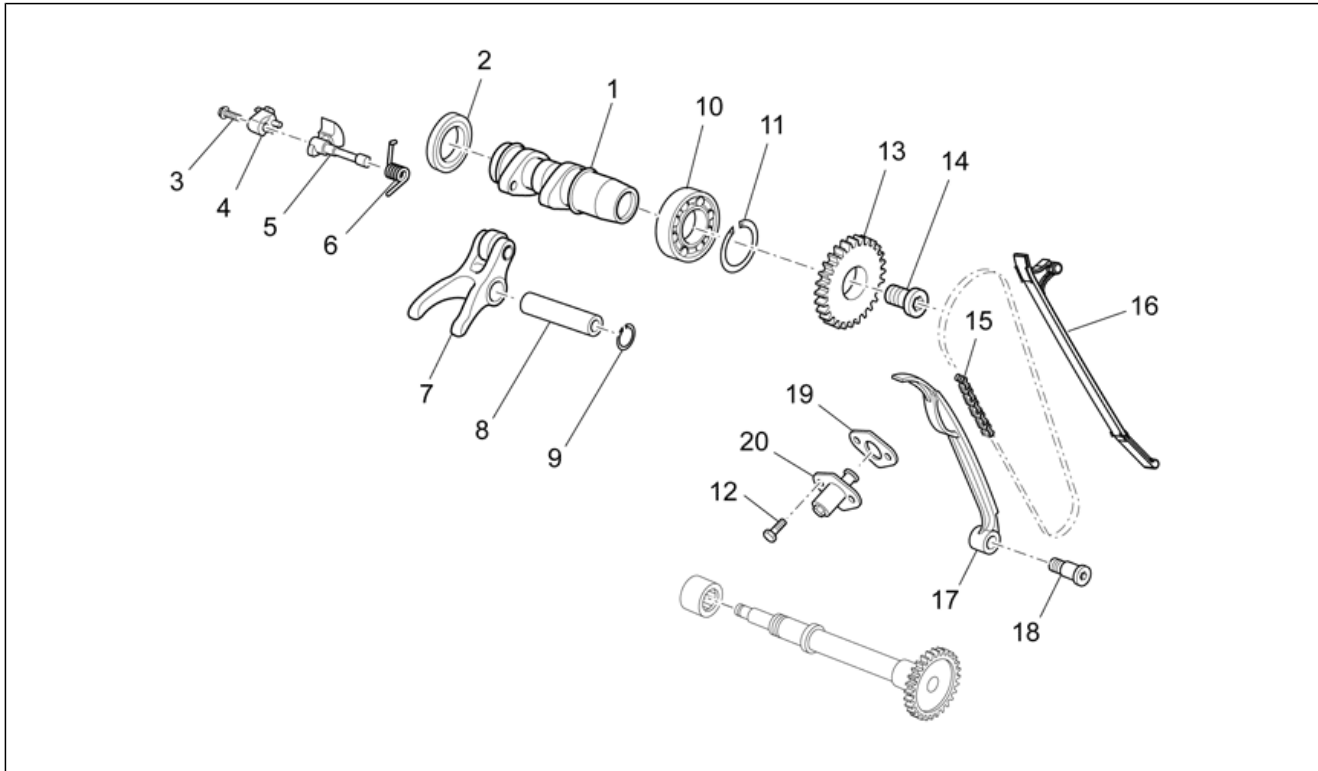
Pos.	Code	Description	Qty	Variants
1	CM238800	Pad	4	
1	CM238801	Pad 1,5	4	
1	CM238802	Pad SP.1,525	4	
1	CM238803	Pad SP.1,550	4	
1	CM238804	Pad SP.1,575	4	
1	CM238805	Pad SP.1,6	4	
1	CM238806	Pad SP.1,625	4	
1	CM238807	Pad SP.1,650	4	
1	CM238808	Pad SP.1,675	4	
1	CM238809	Pad SP.1,7	4	
1	CM238810	Pad SP.1,725	4	
1	CM238811	Pad SP.1,750	4	
1	CM238812	Pad SP.1,775	4	
1	CM238813	Pad SP.1,8	4	
1	CM238814	Pad SP.1,825	4	
1	CM238815	Pad SP.1,850	4	
1	CM238816	Pad SP.1,875	4	
1	CM238817	Pad SP.1,9	4	
1	CM238818	Pad SP.1,925	4	
1	CM238819	Pad SP.1,950	4	
1	CM238820	Pad SP.1,975	4	
1	CM238821	Pad SP.2,0	4	
1	CM238822	Pad SP.2,025	4	
1	CM238823	Pad SP.2,050	4	
1	CM238824	Pad SP.2,075	4	
1	CM238825	Pad SP.2,1	4	
1	CM238826	Pad SP.2,125	4	
1	CM238827	Pad SP.2,150	4	

Group	ENGINE
Code	29.39
Description	Valves pads
Service	1



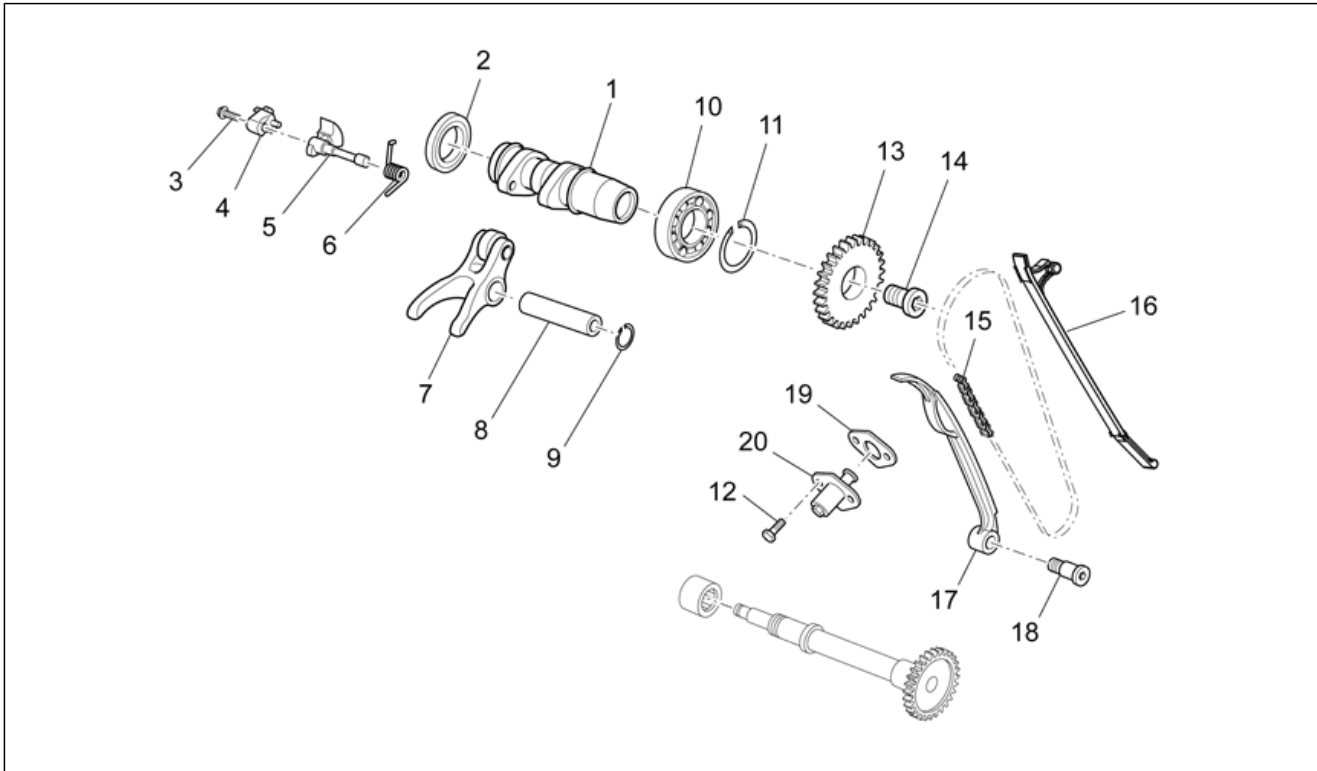
Pos.	Code	Description	Qty	Variants
1	CM238828	Pad SP.2,175	4	
1	CM238829	Pad SP.2,2	4	
1	CM238830	Pad SP.2,225	4	
1	CM238831	Pad SP.2,250	4	
1	CM238832	Pad SP.2,275	4	
1	CM238833	Pad SP.2,3	4	
1	CM238834	Pad SP.2,325	4	
1	CM238835	Pad SP.2,350	4	
1	CM238836	Pad SP.2,375	4	
1	CM238837	Pad SP.2,4	4	
1	CM238838	Pad SP.2,425	4	
1	CM238839	Pad SP.2,450	4	

Group	ENGINE
Code	29.40
Description	Front cylinder timing system
Service	1



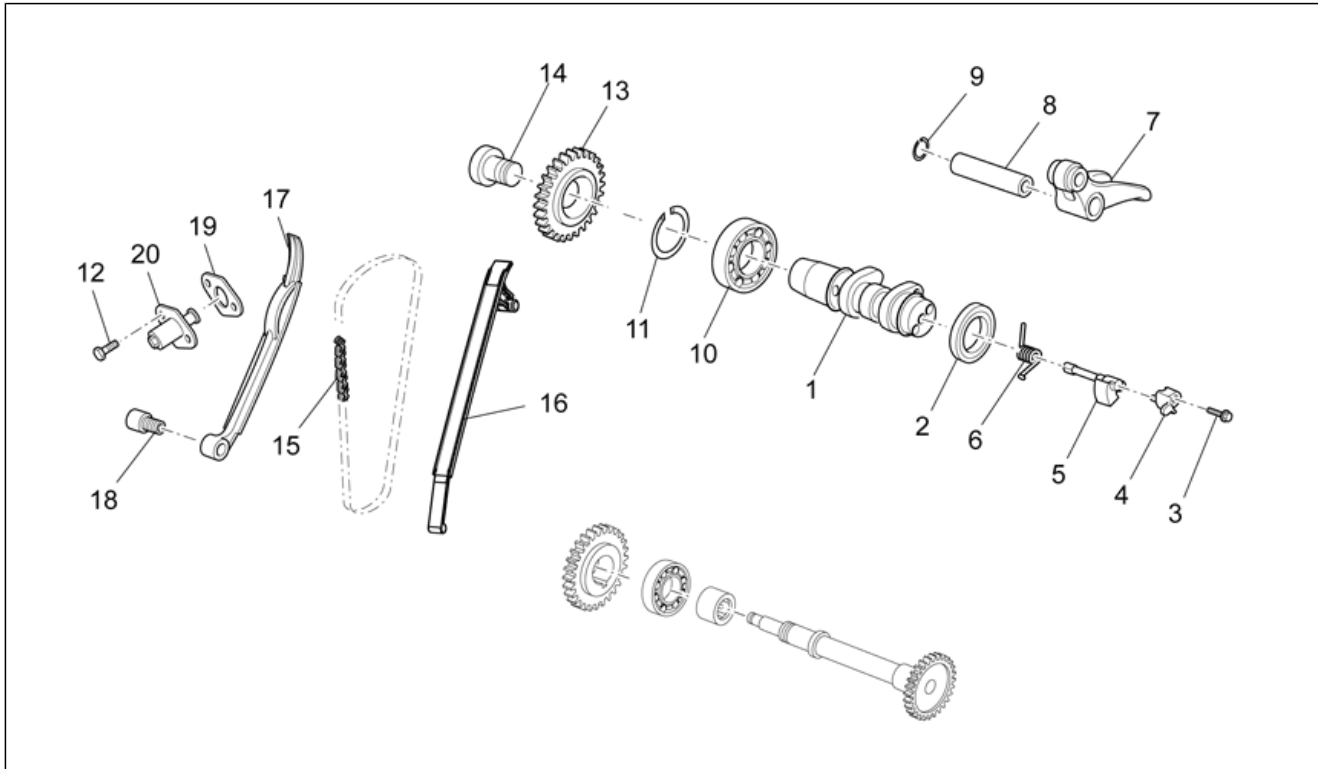
Pos.	Code	Description	Qty	Variants
1	851000	Front camshaft	1	Technical Specifications: Fino a motore n.3426 (450cc) e n.7486 (550cc)[M1]
1	CM2376015	Front camshaft	1	Technical Specifications: Da motore n.3427 (450cc) e n.7487 (550cc)[M2]
2	AP9150364	Ball bearing D25x37x7	1	
3	AP8152274	Screw w/ flange M5x20	1	
4	AP9150303	Block	1	
5	855507	Front valve control	1	Technical Specifications: Da motore n.3427 (450cc) e n.7487 (550cc)[M2]
5	CM238601	Front valve control	1	Technical Specifications: Fino a motore n.3426 (450cc) e n.7486 (550cc)[M1]
5	CM238602	Front valve control	1	Technical Specifications: Fino a motore n.3426 (450cc) e n.7486 (550cc)[M1]
5	CM238603	Front valve control	1	Technical Specifications: Fino a motore n.3426 (450cc) e n.7486 (550cc)[M1]
5	CM238604	Front valve control	1	Technical Specifications: Fino a motore n.3426 (450cc) e n.7486 (550cc)[M1]
5	CM238605	Front valve control	1	Technical Specifications: Fino a motore n.3426 (450cc) e n.7486 (550cc)[M1]
5	CM238606	Front valve control	1	Technical Specifications: Fino a motore n.3426 (450cc) e n.7486 (550cc)[M1]
6	855515	Spring	1	Technical Specifications: Da motore n.3427 (450cc) e n.7487 (550cc)[M2]
6	AP9150138	Spring	1	Technical Specifications: Fino a motore n.3426 (450cc) e n.7486 (550cc)[M1]
7	AP9150096	Rocker arm exhaust	1	
8	AP9150101	Rocker shaft	1	
9	006612	Snap ring	1	
10	AP9150372	Ball bearing D25x42x9	1	
11	006642	Circlip	2	
12	AP8152278	Screw w/ flange M6x16	2	

Group	ENGINE
Code	29.40
Description	Front cylinder timing system
Service	1



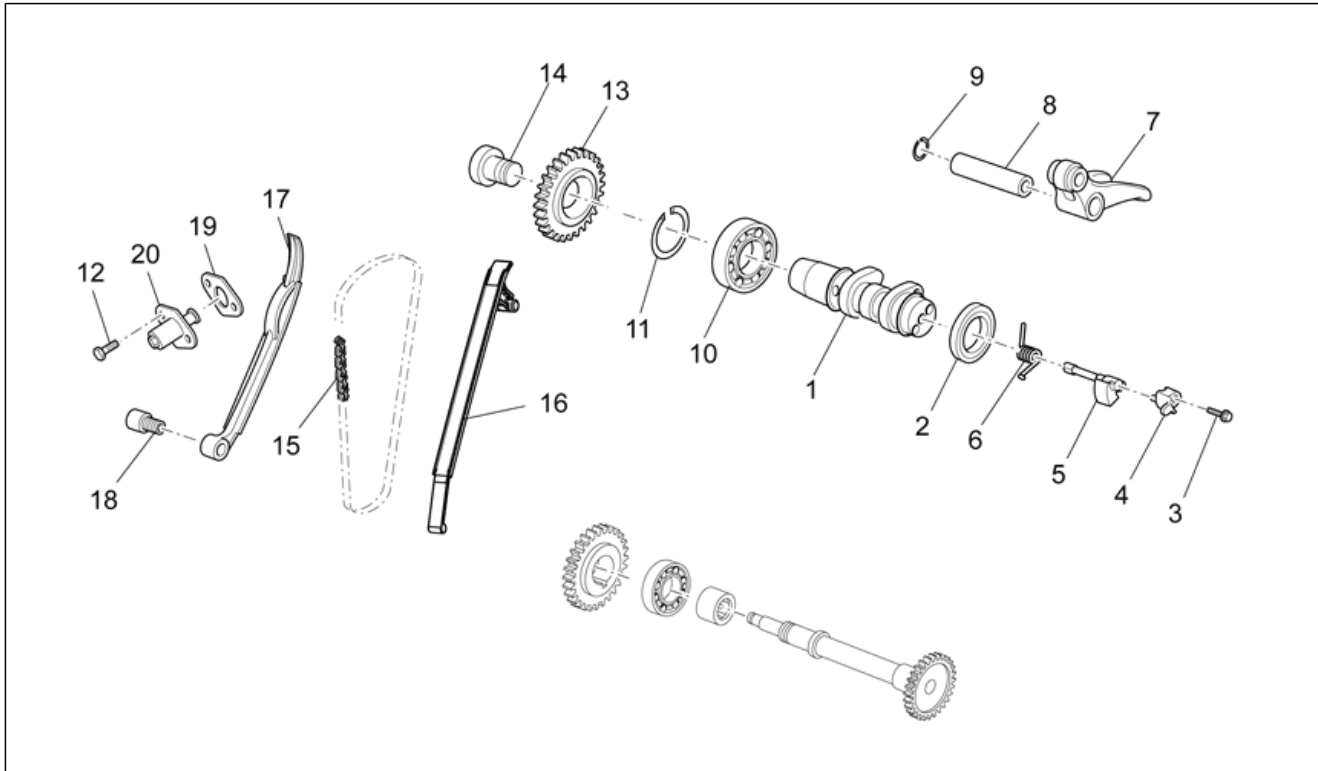
Pos.	Code	Description	Qty	Variants
13	AP9150506	Timing gear Z=22	1	
14	AP9150507	Special screw M16x1	1	
15	AP9150133	Camshaft chain	1	Technical Specifications: Versione motard 450Versione motard 450[SX45]
15	AP9150327	Camshaft chain	1	Technical Specifications: Versione motard 550 Versione motard 550[SX55]
16	AP9150011	Chain guide plate L177	1	Technical Specifications: Versione motard 450Versione motard 450[SX45]
16	AP9150300	Chain guide plate L186	1	Technical Specifications: Versione motard 550 Versione motard 550[SX55]
17	AP9150012	Chain tensioner sliding block	1	
18	AP9150231	Screw M6x12	1	
19	847928	Gasket	1	
20	82650R	Tendicatena completo	1	

Group	ENGINE
Code	29.41
Description	Rear cylinder timing system
Service	1



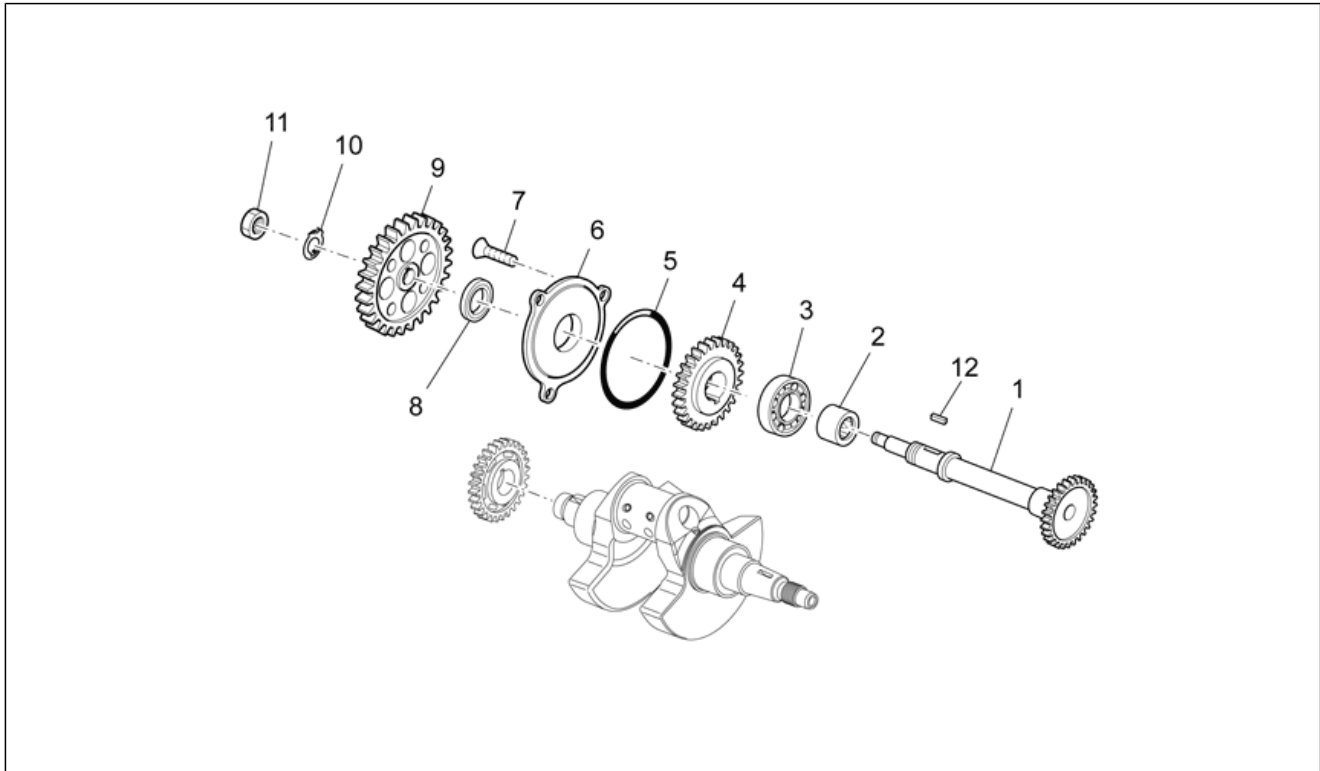
Pos.	Code	Description	Qty	Variants
1	851001	Rear camshaft	1	Technical Specifications: Fino a motore n.3426 (450cc) e n.7486 (550cc)[M1]
1	CM2377015	Rear camshaft	1	Technical Specifications: Da motore n.3427 (450cc) e n.7487 (550cc)[M2]
2	AP9150364	Ball bearing D25x37x7	1	
3	AP8152274	Screw w/ flange M5x20	1	
4	AP9150303	Block	1	
5	855508	Rear valve control	1	Technical Specifications: Da motore n.3427 (450cc) e n.7487 (550cc)[M2]
5	CM238701	Rear valve control	1	Technical Specifications: Fino a motore n.3426 (450cc) e n.7486 (550cc)[M1]
5	CM238702	Rear valve control	1	Technical Specifications: Fino a motore n.3426 (450cc) e n.7486 (550cc)[M1]
5	CM238703	Rear valve control	1	Technical Specifications: Fino a motore n.3426 (450cc) e n.7486 (550cc)[M1]
5	CM238704	Rear valve control	1	Technical Specifications: Fino a motore n.3426 (450cc) e n.7486 (550cc)[M1]
5	CM238705	Rear valve control	1	Technical Specifications: Fino a motore n.3426 (450cc) e n.7486 (550cc)[M1]
5	CM238706	Rear valve control	1	Technical Specifications: Fino a motore n.3426 (450cc) e n.7486 (550cc)[M1]
6	855516	Spring	1	Technical Specifications: Da motore n.3427 (450cc) e n.7487 (550cc)[M2]
6	AP9150304	Spring	1	Technical Specifications: Fino a motore n.3426 (450cc) e n.7486 (550cc)[M1]
7	AP9150096	Rocker arm exhaust	1	
8	AP9150101	Rocker shaft	1	
9	006612	Snap ring	1	
10	AP9150372	Ball bearing D25x42x9	1	
11	006642	Circlip	2	
12	AP8152278	Screw w/ flange M6x16	2	

Group	ENGINE
Code	29.41
Description	Rear cylinder timing system
Service	1



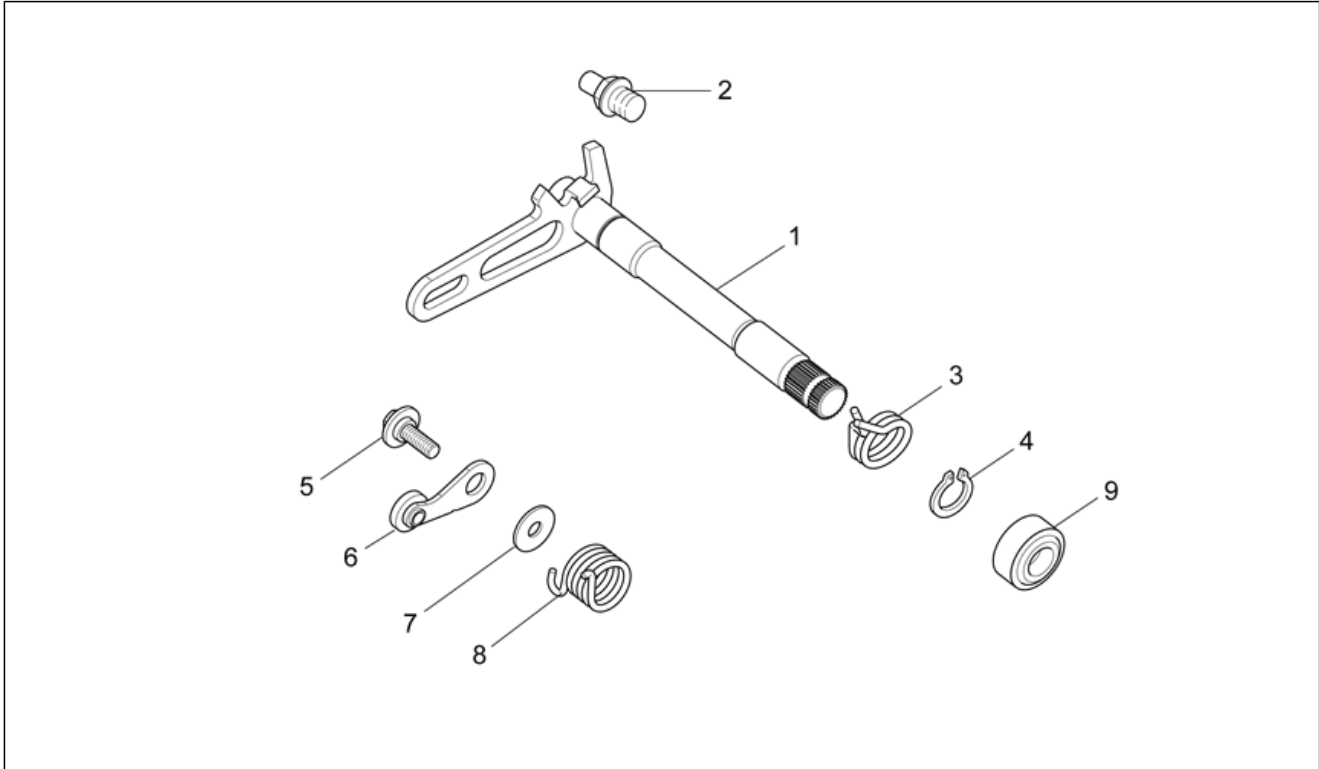
Pos.	Code	Description	Qty	Variants
13	AP9150506	Timing gear Z=22	1	
14	AP9150508	Special screw M16x1	1	
15	AP9150133	Camshaft chain	1	Technical Specifications: Versione motard 450Versione motard 450[SX45]
15	AP9150327	Camshaft chain	1	Technical Specifications: Versione motard 550 Versione motard 550[SX55]
16	AP9150011	Chain guide plate L177	1	Technical Specifications: Versione motard 450Versione motard 450[SX45]
16	AP9150300	Chain guide plate L186	1	Technical Specifications: Versione motard 550 Versione motard 550[SX55]
17	AP9150012	Chain tensioner sliding block	1	
18	AP9150142	Screw M6x12	1	
19	847928	Gasket	1	
20	82650R	Tendicatena completo	1	

Group	ENGINE
Code	29.42
Description	Transmission shaft
Service	1



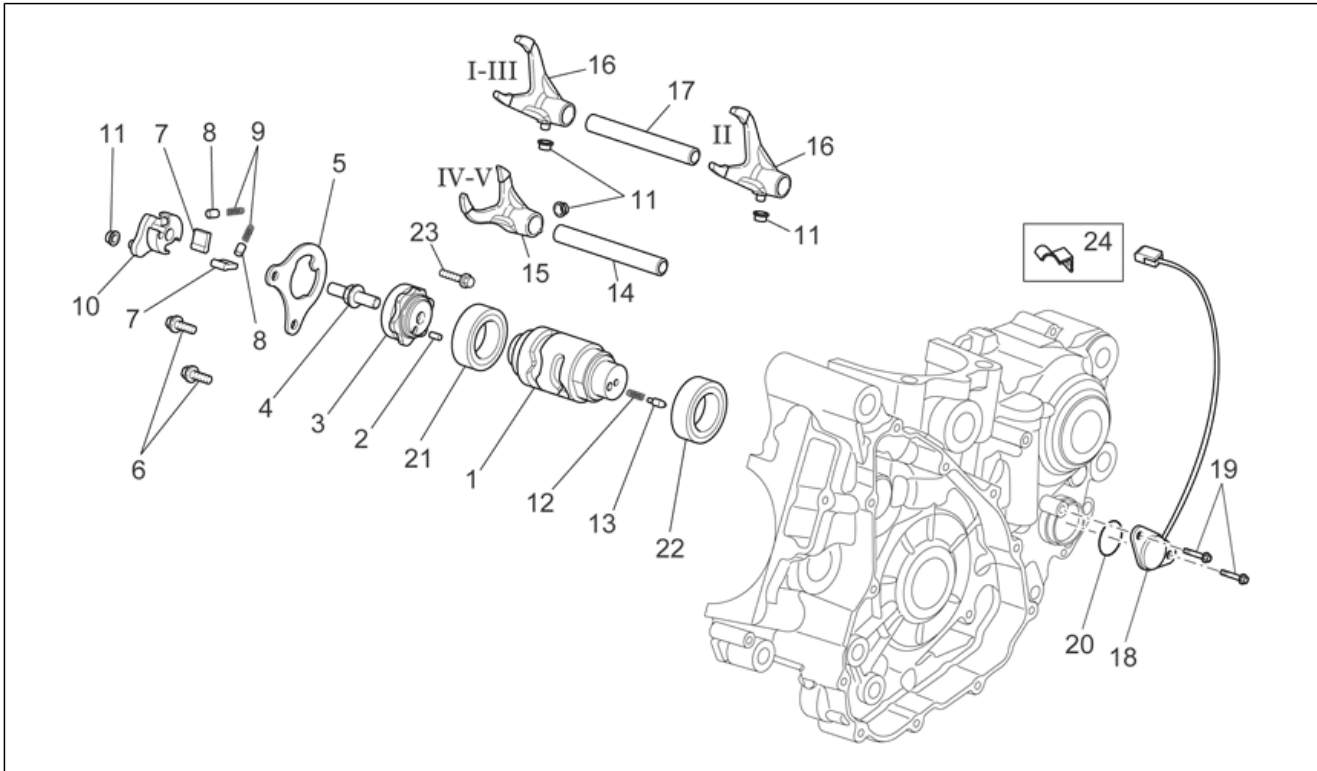
Pos.	Code	Description	Qty	Variants
1	851009	Transmission shaft Z=20	1	
2	AP9150366	Bearing D14x22x13	1	
3	AP9150387	Ball bearing D12x28x8	1	
4	AP9150273	Timing gear Z=20	1	
5	AP9150348	O-ring D79x1,78	1	
6	AP9150483	Flange	1	
7	844211	Hex socket screw	3	
8	AP9150390	Oil seal D28x20x6	1	
9	AP9150285	Timing gear Z=40	1	
10	AP9150299	Safety washer	1	
11	851011	Nut M12x1x4,5	1	
12	AP9150389	Transmission key 4x4x18	1	

Group	ENGINE
Code	29.43
Description	Gear box selector I
Service	1



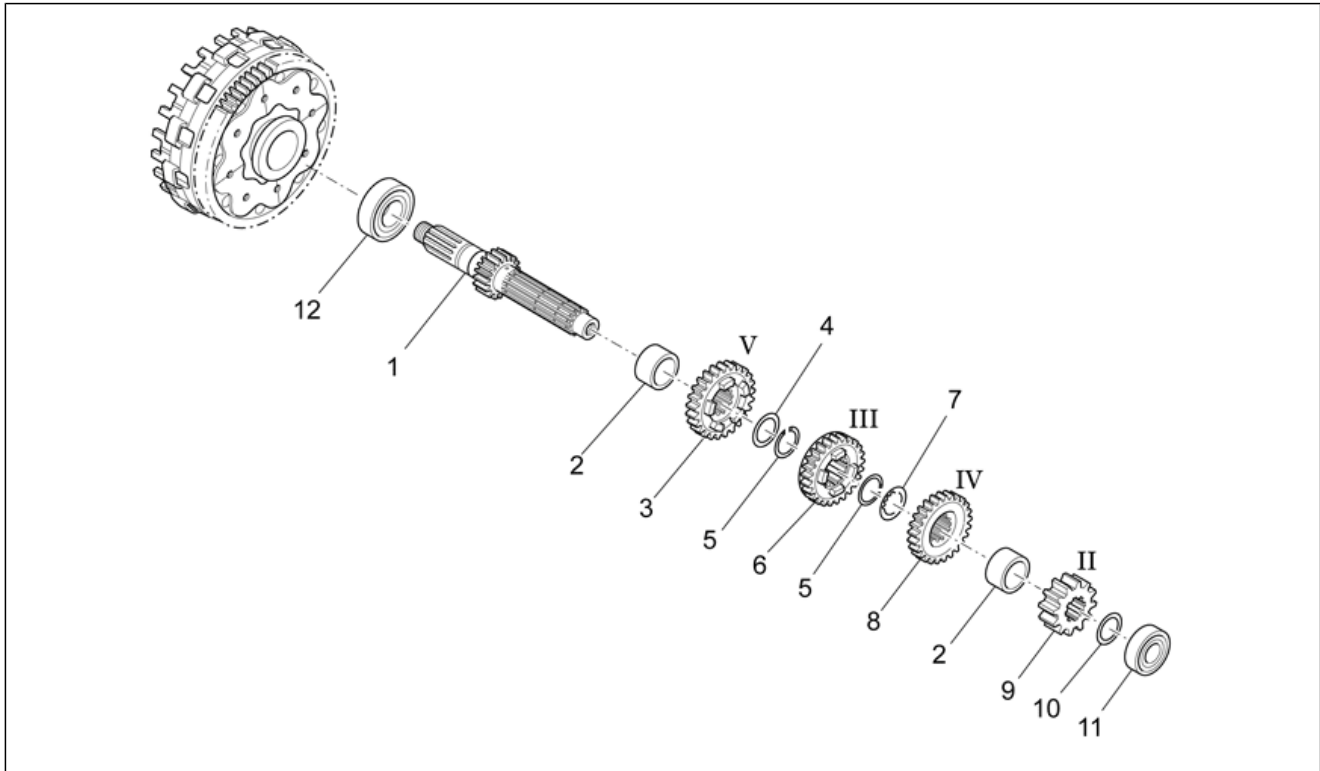
Pos.	Code	Description	Qty	Variants
1	AP9150048	Gearshift shaft+pawl assy	1	
2	AP9150063	Selector lock	1	
3	AP9150238	Spring	1	
4	006415	Circlip D.15	1	
5	AP9150006	Screw w/ flange M6x15	1	
6	AP9150044	Index assy. lever	1	
7	AP9150051	Washer D6,3x18x1	1	
8	AP9150220	Spring	1	
9	AP9150393	Oil seal D21x15x3	1	

Group	ENGINE
Code	29.44
Description	Gear box selector II
Service	1



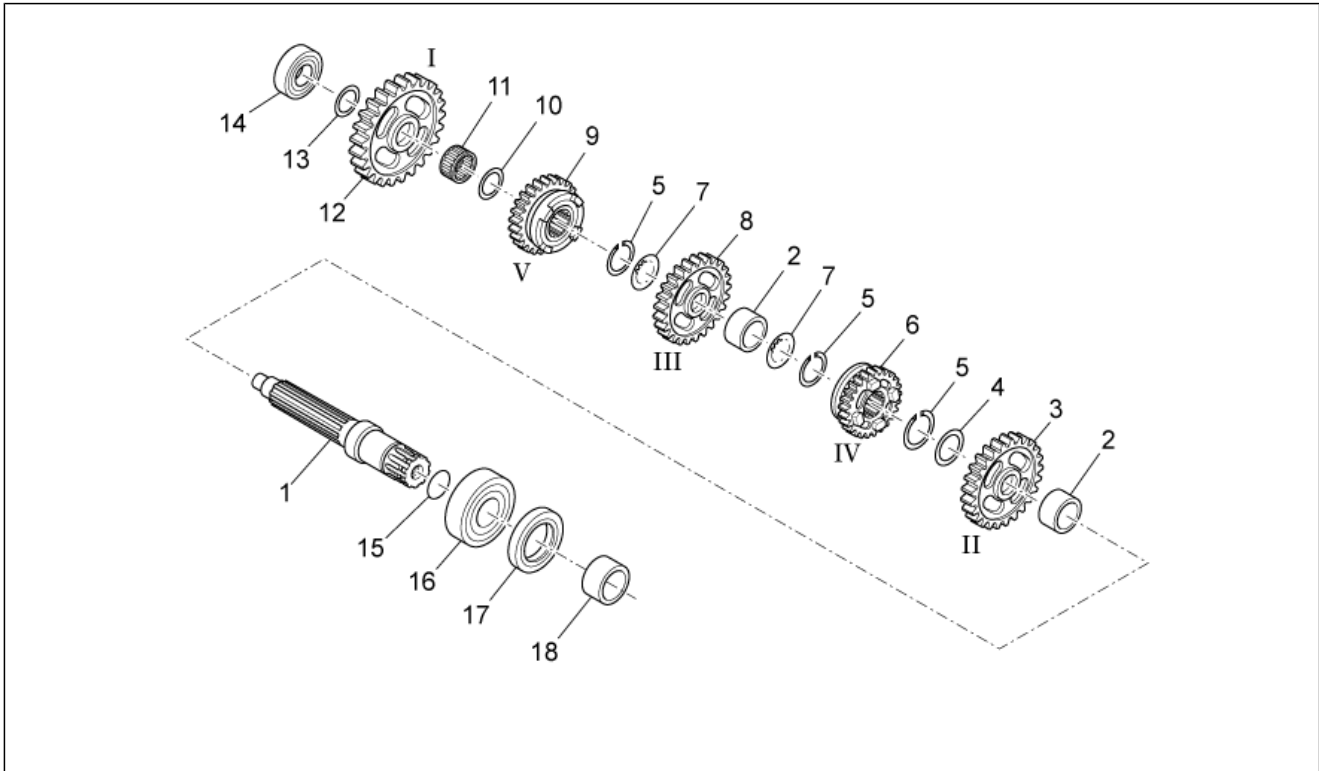
Pos.	Code	Description	Qty	Variants
1	AP9150004	Shift cam cpl.	1	
2	AP9150375	Roller D4	1	
3	AP9150067	Selector drum	1	
4	AP9150043	Threaded pin M8x1,25	1	
5	AP9150073	Selector lock plate	1	
6	AP8152277	Screw w/ flange	2	
7	AP9150069	Lever	2	
8	AP9150070	Spring pillar	2	
9	AP9150064	Spring	2	
10	AP9150068	Shift cam plate	1	
11	AP9150060	Bush D6x8x5	4	
12	855705	Spring	1	
13	AP9150003	Spring pillar	1	
14	AP9150062	Fork shaft L72,5	1	
15	AP9150093	Fork 4a-5a	1	
16	AP9150091	Fork 1a-3a	2	
17	AP9150061	Fork shaft L93	1	
18	AP9150184	Gearbox sensor	1	
19	AP8152272	Screw w/ flange M5x12	2	
20	AP9150479	O-ring D23,52x1,78	1	
21	AP9150365	Ball bearing D25x42x9	1	
22	AP9150364	Ball bearing D25x37x7	1	
23	AP8152272	Screw w/ flange M5x12	1	
24	AP9150462	Fairlead	1	

Group	ENGINE
Code	29.45
Description	Primary gear shaft
Service	1



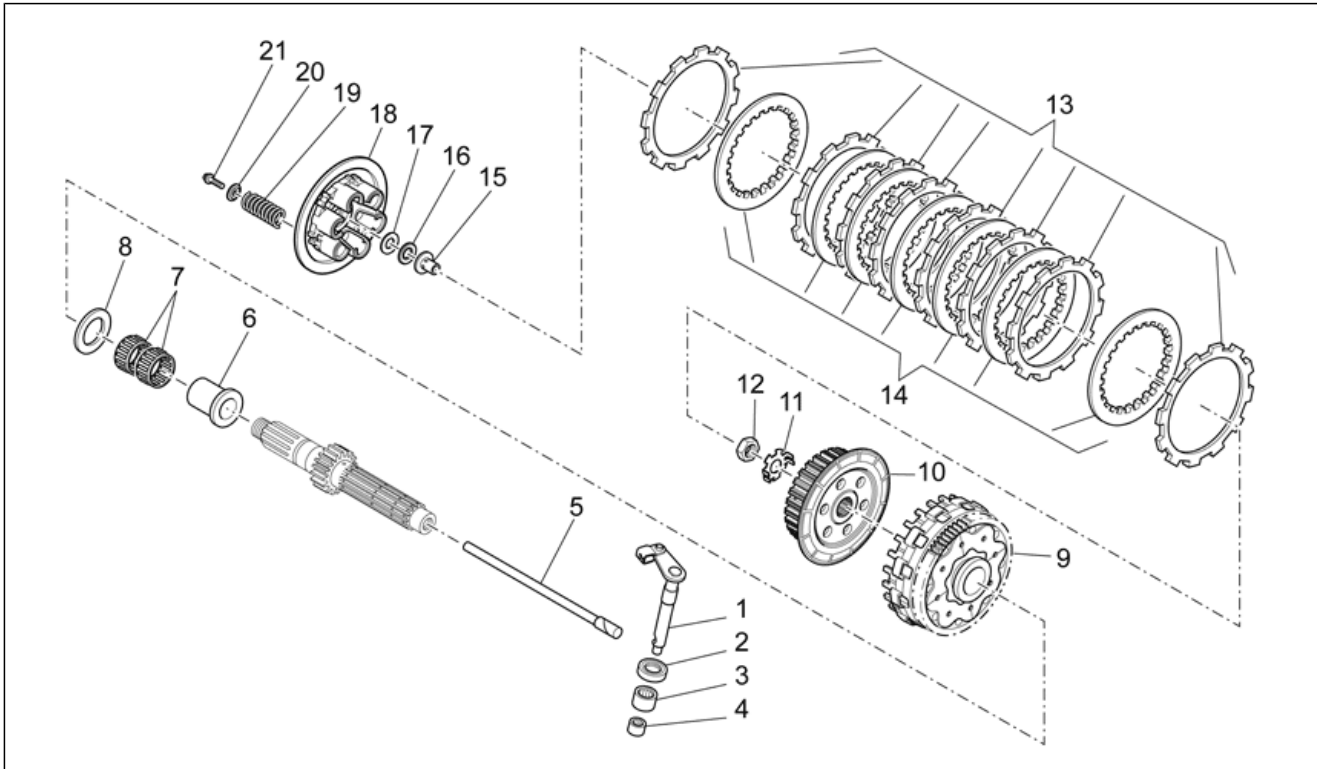
Pos.	Code	Description	Qty	Variants
1	AP9150270	Primary gear shaft Z=13	1	
2	AP9150216	Bush D25x28x9,9	2	
3	AP9150269	Gear 5a su prim.Z=21	1	
4	AP9150297	Plain washer D25,1x30,8x0,5	1	
5	AP9150302	Outside circlip D25	2	
6	AP9150268	Gear 3a su prim.Z=16	1	
7	AP9150267	Special washer D25,1x30,8x0,	1	
8	AP9150266	Gear 4a su prim.Z=20	1	
9	AP9150265	Gear 2a su prim.Z=15	1	
10	AP9150294	Washer D17,1x27,8x0,8	1	
11	AP9150362	Ball bearing D17x40x12	1	
12	AP9150360	Ball bearing D25x52x1	1	

Group	ENGINE
Code	29.46
Description	Driven shaft
Service	1



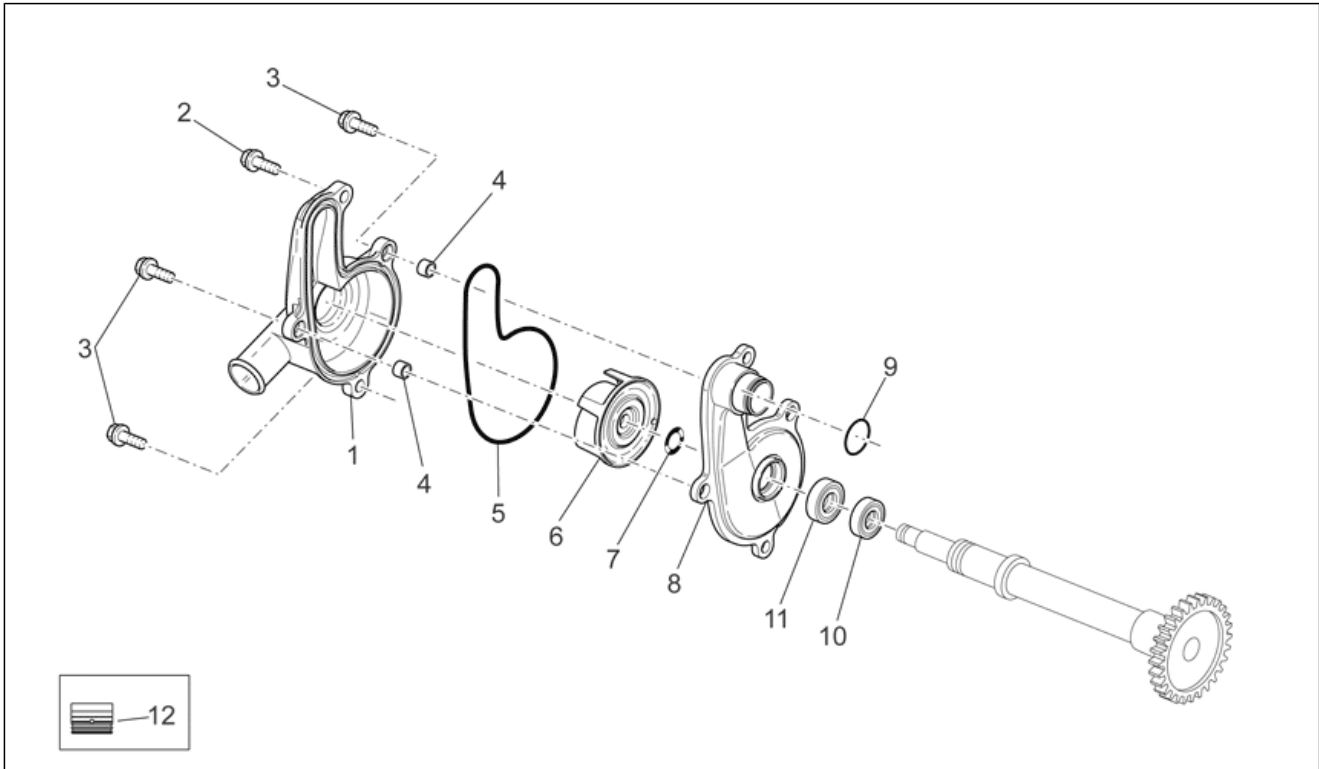
Pos.	Code	Description	Qty	Variants
1	AP9150263	Driven shaft	1	
2	AP9150216	Bush D25x28x9,9	2	
3	AP9150262	2nd wheel gear Z=27	1	
4	AP9150297	Plain washer D25,1x30,8x0,5	1	
5	AP9150302	Outside circlip D25	3	
6	AP9150261	4th wheel gear Z=23	1	
7	AP9150267	Special washer D25,1x30,8x0,	2	
8	AP9150260	3rd wheel gear Z=23	1	
9	AP9150259	5th wheel gear Z=21	1	
10	AP9150296	Washer D20,1x28,8x0,8	1	
11	AP9150370	Roller cage D20x24x10	1	
12	AP9150258	1st wheel gear Z=30	1	
13	AP9150294	Washer D17,1x27,8x0,8	1	
14	AP9150361	Ball bearing D17x47x14	1	
15	AP9150357	O-ring D21,95x1,78	1	
16	AP9150363	Ball bearing D25x52x15	1	
17	AP9150382	Oil seal D40x32x5	1	
18	AP9150237	Spacer 25x32x22	1	

Group	ENGINE
Code	29.47
Description	Clutch
Service	1



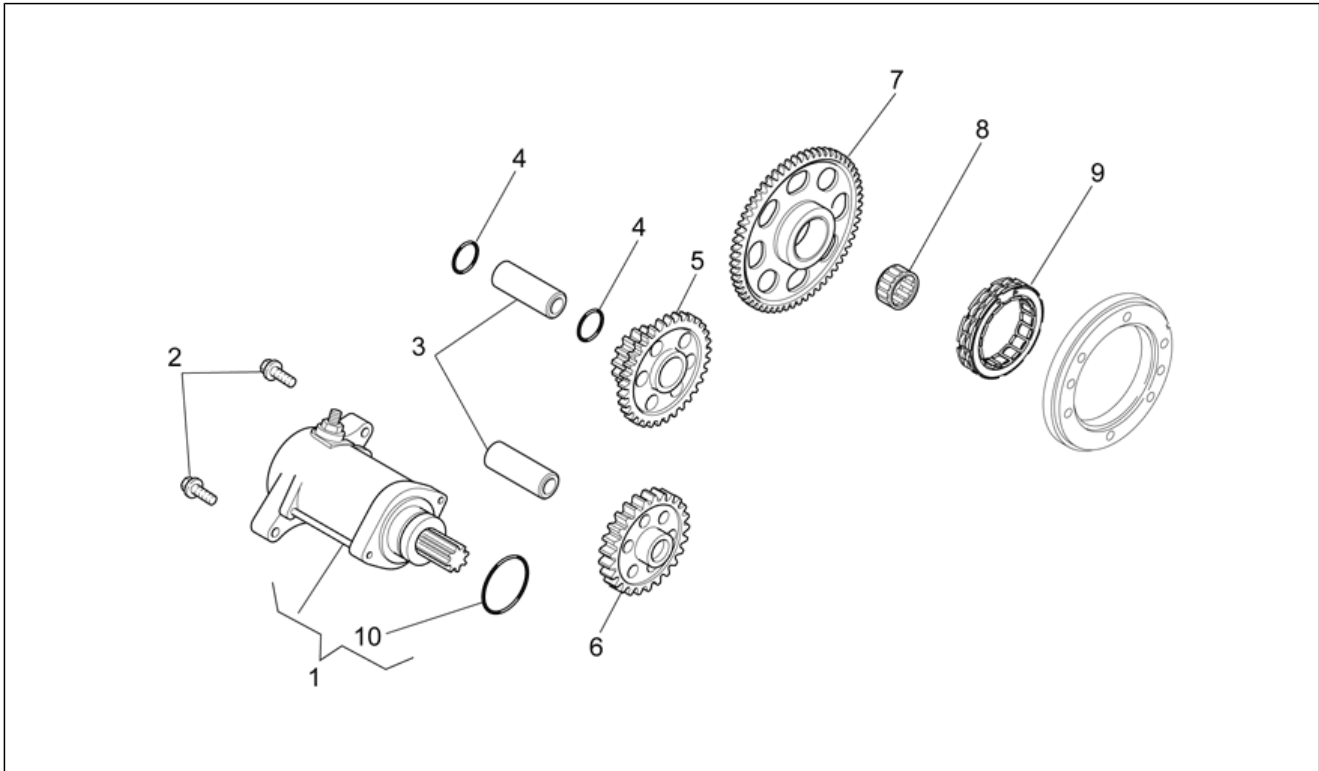
Pos.	Code	Description	Qty	Variants
1	AP9150196	Clutch release shaft	1	
2	AP9150384	Oil seal D12x19x5	1	
3	AP9150374	Roller cage D12x16x10	1	
4	AP9150373	Roller cage D8x12x10	1	
5	AP9150040	Rod	1	
6	AP9150284	Spacer 25x32x22	1	
7	AP9150367	Roller cage D28x33x13	2	
8	AP9150234	Washer D23x46x3	1	
9	851436	Clutch housing, complete	1	
10	AP9150190	Aluminium clutch drum	1	
11	AP9100386	Safety washer	1	
12	AP9150235	Nut M18x1,25	1	
13	AP8176214	Lined clutch disc 8 pz.	1	
14	AP8176215	Steel clutch disc 7 pz.	1	
15	AP9150195	Pawl clutch	1	
16	AP9150358	Roller cage D12x26x2	1	
17	AP9150359	Fifth wheel D12x26x1	1	
18	AP9150191	Clutch pressure plate	1	
19	AP9150194	Clutch spring	6	
20	AP9150232	Cup	6	
21	AP8152279	Screw w/ flange M6x20	6	

Group	ENGINE
Code	29.48
Description	Water pump
Service	1



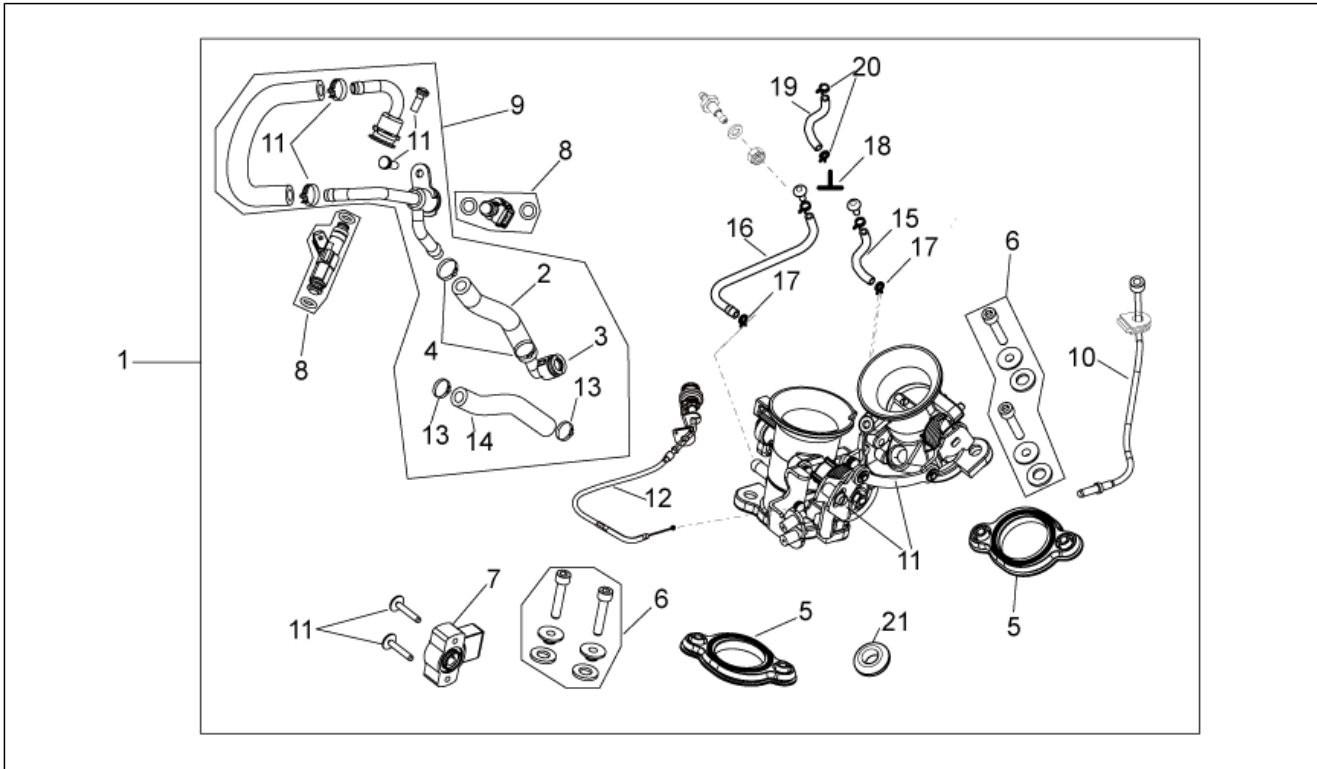
Pos.	Code	Description	Qty	Variants
1	AP9150484	Water pump cover	1	
2	AP8152283	Screw w/ flange	1	
3	AP8152278	Screw w/ flange M6x16	3	
4	AP9150119	Bush D8x6,4x9,8	2	
5	AP9150352	O-ring D88,57x2,62	1	
6	AP9150132	Water pump impeller cpl.	1	
7	AP9150292	Washer D12,d7.05 SP1	1	
8	AP9150464	Water pump flange	1	
9	851283	O-ring D18x1,8	1	
10	AP9150443	Oil seal D10x16x4	1	
11	851013	Oil seal D10x18x5/8	1	
12	851010	Cover Bush RH Carter	1	

Group	ENGINE
Code	29.49
Description	Starter motor
Service	1



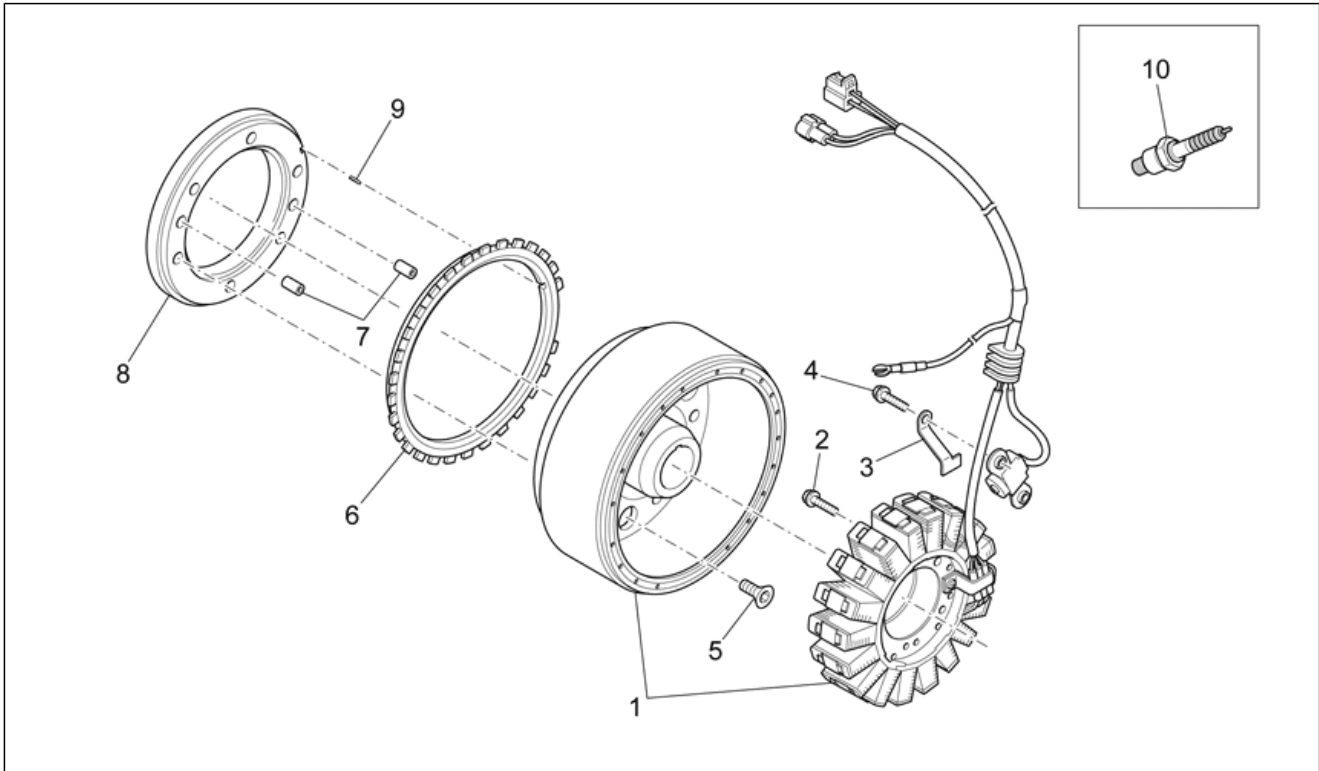
Pos.	Code	Description	Qty	Variants
1	AP9150090	Starter motor w/out wiring	1	
2	AP8152281	Screw w/ flange	2	
3	AP9150209	Pin	2	
4	AP9150446	O-ring D10,5x1	2	
5	853971	Double gear Z=9/55	1	
6	849802	Intermediate gear Z=22	1	
7	849803	Sprag clutch gear Z=52	1	
8	AP9150369	Roller cage D26x30x17	2	
9	AP9150208	Starter clutch assy.	1	
10	AP9150500	O-ring D25x2,5	1	

Group	ENGINE
Code	29.50
Description	Throttle body
Service	1



Pos.	Code	Description	Qty	Variants
1	855213	Throttle body	1	Technical Specifications: Versione motard 450Versione motard 450[SX45]
1	855214	Throttle body	1	Technical Specifications: Versione motard 550 Versione motard 550[SX55]
2	855947	Pipe benz.7,5x14,5	1	
3	AP9100494	Union	1	
4	AP9100714	Hose clip 14,5x8	2	
5	AP9101008	Gaskets set	1	
6	AP9101009	Screw kit	1	
7	AP9101010	Potentiometer	1	
8	AP9101011	Injector	2	
9	855948	Fuel rail cpl	1	
10	AP9101013	Min.eng.spd adj.cable	1	
11	AP9101014	Screw kit, clamps, clip	1	
12	855490	Choke cable	1	
13	AP8120422	Black hose 98x2*	2	
14	860593	Hose	1	
15	855929	Pipe	1	
16	855930	Pipe	1	
17	CM002902	Hose clamp	4	
18	833658	Vacuum union	1	
19	855236	Rubber pipe	1	
20	CM002904	Hose clamp	2	
21	178609	Fairlead	1	

Group	ENGINE
Code	29.51
Description	Ignition unit
Service	1



Pos.	Code	Description	Qty	Variants
1	AP9150180	Cdi magneto assy	1	
2	AP8152275	Screw w/ flange M5x25	3	
3	AP9100387	Plate	1	
4	AP8152272	Screw w/ flange M5x12	2	
5	AP9150401	Screw	6	
6	AP9150205	Wheel speed sensor, left front	1	
7	484993	Locating dowel	2	
8	AP9150204	Flange	1	
9	AP8121451	Tab	1	
10	639687	Spark plug CR8EKB	2	