



PIAGGIO & C.s.p.a.

Vespa[®]

SPARE PARTS CATALOGUE



Vespa GTV 250 ie (USA) (2008)

Chassis prefix: ZAPM459L

Engine prefix: M452M

Vespa GTV 250

EVG4000US5



Index

| | |
|--|----|
| Products..... | 4 |
| Part reference..... | 5 |
| Engine..... | 10 |
| Drawing 01.02 - Engine, assembly..... | 10 |
| Drawing 01.05 - Crankcase..... | 11 |
| Drawing 01.06 - Crankshaft..... | 12 |
| Drawing 01.07 - Cylinder-piston-wrist pin unit..... | 13 |
| Drawing 01.10 - Head unit - Valve..... | 14 |
| Drawing 01.11 - Rocking levers support unit..... | 15 |
| Drawing 01.12 - Cylinder head cover..... | 16 |
| Drawing 01.13 - Driving pulley..... | 17 |
| Drawing 01.14 - Driven pulley..... | 18 |
| Drawing 01.15 - Crankcase cover - Crankcase cooling..... | 19 |
| Drawing 01.18 - Oil pump..... | 20 |
| Drawing 01.19 - Cooler pump..... | 21 |
| Drawing 01.20 - Stator - Electric starter..... | 22 |
| Drawing 01.21 - Flywheel magneto..... | 23 |
| Drawing 01.23 - Flywheel magneto cover - Oil filter..... | 24 |
| Drawing 01.25 - Reduction unit..... | 25 |
| Drawing 01.36 - Throttle body - Injector - Union pipe..... | 26 |
| Drawing 01.42 - Silencer..... | 27 |
| Drawing 01.45 - Air filter..... | 28 |
| Frame - Plastic parts - Coachwork..... | 29 |
| Drawing 02.01 - Frame/bodywork..... | 29 |
| Drawing 02.25 - Stand/s..... | 30 |
| Drawing 02.26 - Front shield..... | 31 |
| Drawing 02.30 - Front glove-box - Knee-guard panel..... | 32 |
| Drawing 02.31 - Central cover - Footrests..... | 34 |
| Drawing 02.32 - Side cover - Spoiler..... | 35 |
| Drawing 02.33 - Wheel housing - Mudguard..... | 37 |
| Drawing 02.34 - Helmet housing - Undersaddle..... | 39 |
| Drawing 02.37 - Rear cover - Splash guard..... | 40 |
| Drawing 02.38 - Plates - Emblems..... | 41 |
| Drawing 02.39 - Saddle/seats - Tool roll..... | 42 |
| Drawing 02.44 - Rear luggage rack..... | 43 |
| Drawing 02.45 - Driving mirror/s..... | 44 |
| Drawing 02.46 - Locks..... | 45 |
| Drawing 02.47 - Fuel tank..... | 46 |
| Drawing 02.53 - Supply system..... | 47 |
| Drawing 02.55 - Cooling system..... | 48 |
| Drawing 02.61 - Anti-percolation system..... | 50 |
| Handlebars/Steering..... | 51 |
| Drawing 03.01 - Handlebars coverages..... | 51 |



| | |
|--|----|
| Drawing 03.02 - Meter combination - Cruscotto..... | 52 |
| Drawing 03.06 - Handlebars - Master cil..... | 53 |
| Suspensions - Wheels..... | 54 |
| Drawing 04.01 - Swinging arm..... | 54 |
| Drawing 04.02 - Fork/steering tube - Steering bearing unit..... | 55 |
| Drawing 04.10 - Rear suspension - Shock absorber/s..... | 58 |
| Drawing 04.11 - Front wheel..... | 60 |
| Drawing 04.12 - Rear wheel..... | 61 |
| Braking system - Transmissions..... | 62 |
| Drawing 05.01 - Brakes pipes - Calipers..... | 62 |
| Drawing 05.03 - Transmissions..... | 63 |
| Electrical system..... | 64 |
| Drawing 06.01 - Selectors - Switches - Buttons..... | 64 |
| Drawing 06.03 - Front headlamps - Turn signal lamps..... | 65 |
| Drawing 06.04 - Rear headlamps - Turn signal lamps..... | 66 |
| Drawing 06.05 - Remote control switches - Battery - Horn..... | 67 |
| Drawing 06.06 - Voltage Regulators - Electronic Control Units (ecu) - H.T. Coil..... | 68 |
| Drawing 06.08 - Main cable harness..... | 69 |



Vespa GTV 250
EVG4000US5 - Vespa GTV 250 ie (USA) (2008)

Chassis prefix: ZAPM459L
Engine prefix: M452M

Products

| Code | Validity |
|------------|---------------------------------|
| EVG4000US5 | |
| EVG4EPAUS5 | Color: Avio Grey[780/A] |
| EVG4M4AUS5 | Color: Crayon Ivory[552] |
| EVG4VGAUS5 | Color: Green[305/A] |



| Code | Drawing Nr. | Pos. | Code | Drawing Nr. | Pos. | Code | Drawing Nr. | Pos. |
|--------|-------------|------|--------|-------------|------|--------|-------------|------|
| 000097 | 01.21 | 10 | 020106 | 06.06 | 11 | 217280 | 05.01 | 14 |
| 000674 | 01.05 | 7 | 020108 | 04.02 | 69 | 223605 | 03.06 | 2 |
| 002440 | 02.25 | 5 | 021108 | 04.10 | 12 | 231590 | 04.02 | 60 |
| 002440 | 04.01 | 10 | 021114 | 04.02 | 17 | 232108 | 02.25 | 5 |
| 002440 | 04.10 | 10 | 021210 | 04.02 | 20 | 232108 | 04.01 | 10 |
| 002440 | 04.10 | 5 | 030115 | 02.25 | 4 | 232108 | 04.10 | 10 |
| 003056 | 01.45 | 17 | 031056 | 06.03 | 23 | 232108 | 04.10 | 5 |
| 003056 | 01.45 | 9 | 031058 | 04.02 | 28 | 239388 | 01.05 | 10 |
| 003058 | 05.01 | 10 | 031091 | 01.36 | 7 | 239388 | 01.05 | 4 |
| 004021 | 02.33 | 25 | 031091 | 02.47 | 4 | 239388 | 01.15 | 4 |
| 004021 | 04.02 | 76 | 031119 | 04.02 | 70 | 239687 | 02.33 | 19 |
| 006078 | 06.03 | 17 | 031153 | 04.10 | 23 | 239687 | 04.02 | 79 |
| 006416 | 04.01 | 15 | 063435 | 01.10 | 16 | 241936 | 01.45 | 19 |
| 006422 | 04.02 | 26 | 071671 | 06.06 | 15 | 241936 | 02.32 | 11 |
| 006635 | 01.15 | 2 | 080341 | 06.06 | 13 | 241936 | 02.33 | 13 |
| 006635 | 04.02 | 41 | 092517 | 04.02 | 58 | 241936 | 02.46 | 17 |
| 006731 | 04.02 | 52 | 119219 | 04.02 | 53 | 241936 | 02.55 | 2 |
| 006966 | 02.33 | 5 | 122637 | 01.21 | 2 | 241936 | 02.61 | 3 |
| 006966 | 02.44 | 3 | 127927 | 05.01 | 13 | 250522 | 06.03 | 12 |
| 006966 | 06.03 | 5 | 127927 | 05.01 | 3 | 250522 | 06.04 | 13 |
| 006975 | 04.02 | 27 | 140435 | 06.08 | 17 | 252420 | 02.30 | 6 |
| 006976 | 02.33 | 17 | 145298 | 01.19 | 10 | 252945 | 06.08 | 12 |
| 006976 | 04.02 | 77 | 145298 | 01.42 | 14 | 253327 | 06.03 | 2 |
| 006976 | 06.04 | 4 | 145298 | 02.46 | 25 | 253937 | 02.46 | 8 |
| 008375 | 01.20 | 7 | 145298 | 02.53 | 6 | 254485 | 01.45 | 11 |
| 008457 | 06.03 | 15 | 145298 | 02.55 | 41 | 254485 | 02.31 | 5 |
| 008457 | 06.04 | 15 | 145298 | 02.61 | 8 | 254485 | 02.33 | 6 |
| 011109 | 04.02 | 1 | 145298 | 06.08 | 18 | 254485 | 02.37 | 3 |
| 012112 | 02.33 | 27 | 145298 | 06.08 | 22 | 254485 | 02.47 | 9 |
| 012528 | 01.23 | 13 | 145298 | 06.08 | 23 | 254485 | 02.55 | 30 |
| 012528 | 04.02 | 3 | 149104 | 04.02 | 21 | 254485 | 02.55 | 5 |
| 012533 | 01.45 | 16 | 149104 | 04.10 | 17 | 254485 | 02.55 | 9 |
| 012533 | 01.45 | 8 | 149104 | 04.11 | 4 | 254485 | 04.02 | 80 |
| 012533 | 02.34 | 4 | 149104 | 05.01 | 19 | 254485 | 06.05 | 2 |
| 012533 | 02.44 | 4 | 156205 | 06.08 | 8 | 257134 | 05.01 | 15 |
| 012535 | 04.02 | 19 | 164634 | 03.02 | 2 | 257134 | 06.08 | 19 |
| 012543 | 03.06 | 3 | 168077 | 02.55 | 25 | 257404 | 02.55 | 10 |
| 012554 | 06.06 | 7 | 174085 | 04.02 | 22 | 257614 | 02.30 | 7 |
| 012789 | 04.02 | 16 | 174088 | 04.02 | 23 | 258146 | 01.15 | 8 |
| 012789 | 04.10 | 15 | 174874 | 04.02 | 24 | 258146 | 01.45 | 6 |
| 013763 | 02.37 | 7 | 177408 | 04.02 | 29 | 258160 | 02.47 | 11 |
| 013776 | 04.10 | 16 | 177414 | 04.02 | 30 | 258249 | 02.30 | 26 |
| 013777 | 02.34 | 5 | 177436 | 04.02 | 39 | 258249 | 02.31 | 6 |
| 013777 | 02.44 | 5 | 177442 | 04.02 | 43 | 259166 | 01.45 | 15 |
| 013880 | 02.47 | 2 | 177443 | 04.02 | 44 | 259348 | 02.33 | 9 |
| 013880 | 06.06 | 9 | 177445 | 04.02 | 31 | 259348 | 04.02 | 13 |
| 013962 | 04.10 | 9 | 177451 | 04.02 | 54 | 259349 | 02.30 | 8 |
| 013963 | 02.33 | 18 | 177494 | 04.02 | 40 | 259349 | 04.02 | 14 |
| 014754 | 02.30 | 24 | 177521 | 04.02 | 32 | 259349 | 04.02 | 61 |
| 015330 | 03.06 | 5 | 177609 | 04.02 | 18 | 259372 | 02.30 | 30 |
| 016404 | 02.37 | 6 | 177610 | 04.02 | 45 | 259372 | 02.30 | 32 |
| 016405 | 06.03 | 21 | 178150 | 04.10 | 13 | 259577 | 03.01 | 4 |
| 016406 | 02.47 | 3 | 178790 | 03.06 | 4 | 259830 | 02.31 | 7 |
| 016406 | 06.05 | 6 | 179230 | 03.02 | 4 | 259830 | 06.05 | 7 |
| 016406 | 06.06 | 10 | 181351 | 02.32 | 4 | 259832 | 02.47 | 10 |
| 016408 | 04.02 | 68 | 181351 | 02.32 | 8 | 260918 | 01.36 | 3 |
| 016408 | 04.10 | 11 | 181351 | 02.33 | 3 | 260918 | 01.45 | 2 |
| 018538 | 01.11 | 18 | 182302 | 02.37 | 14 | 265451 | 05.01 | 2 |
| 018575 | 01.05 | 16 | 194423 | 04.10 | 18 | 266841 | 04.02 | 33 |
| 018575 | 01.21 | 11 | 195482 | 02.33 | 26 | 266845 | 04.01 | 6 |
| 018575 | 01.21 | 4 | 198513 | 04.02 | 55 | 267038 | 04.10 | 14 |
| 018591 | 02.37 | 5 | 199190 | 02.26 | 4 | 267958 | 02.26 | 3 |
| 018603 | 03.02 | 6 | 199190 | 02.30 | 25 | 267958 | 02.32 | 14 |
| 018640 | 01.45 | 7 | 199190 | 02.31 | 4 | 268158 | 04.10 | 6 |
| 020003 | 06.06 | 8 | 199190 | 02.32 | 18 | 268418 | 04.02 | 81 |
| 020008 | 04.10 | 4 | 199190 | 06.05 | 9 | 268596 | 02.30 | 5 |
| 020104 | 02.37 | 8 | 214191 | 03.02 | 3 | 268596 | 02.30 | 9 |



| Code | Drawing Nr. | Pos. | Code | Drawing Nr. | Pos. | Code | Drawing Nr. | Pos. |
|--------|-------------|------|--------|-------------|------|------------|-------------|------|
| 268808 | 02.33 | 24 | 432142 | 01.05 | 3 | 56391R | 04.02 | 47 |
| 269118 | 04.02 | 35 | 433232 | 01.14 | 16 | 564053 | 04.02 | 37 |
| 269755 | 01.25 | 13 | 433800 | 06.03 | 18 | 56440R | 02.25 | 1 |
| 270793 | 01.15 | 10 | 434541 | 01.18 | 27 | 564629 | 01.18 | 10 |
| 270793 | 02.55 | 3 | 434541 | 06.05 | 3 | 564761 | 05.01 | 4 |
| 270793 | 03.01 | 3 | 434885 | 01.13 | 9 | 564878 | 04.01 | 18 |
| 271147 | 04.02 | 46 | 435629 | 01.10 | 2 | 567642 | 02.37 | 10 |
| 271451 | 06.08 | 20 | 436438 | 01.10 | 7 | 57313R | 02.55 | 11 |
| 271477 | 04.02 | 59 | 436695 | 01.18 | 6 | 573422 | 02.46 | 6 |
| 271740 | 04.01 | 7 | 436788 | 02.39 | 5 | 574646 | 02.32 | 12 |
| 271807 | 04.01 | 8 | 436947 | 01.42 | 10 | 575249 | 02.30 | 27 |
| 272426 | 02.25 | 8 | 463195 | 02.32 | 9 | 575249 | 02.31 | 8 |
| 272750 | 04.10 | 27 | 478115 | 01.05 | 6 | 575249 | 02.33 | 12 |
| 272836 | 02.37 | 11 | 478115 | 01.07 | 10 | 575249 | 02.37 | 2 |
| 272836 | 02.55 | 6 | 478184 | 01.07 | 11 | 575249 | 02.46 | 11 |
| 272836 | 05.01 | 23 | 478985 | 01.15 | 3 | 575249 | 02.55 | 31 |
| 272836 | 06.04 | 5 | 479132 | 01.45 | 12 | 575607 | 02.30 | 11 |
| 272836 | 06.08 | 7 | 479515 | 01.21 | 7 | 575819 | 02.30 | 12 |
| 273460 | 04.10 | 26 | 479986 | 01.18 | 12 | 576189 | 02.30 | 28 |
| 273693 | 04.02 | 36 | 479986 | 01.23 | 8 | 576189 | 02.31 | 13 |
| 273754 | 02.25 | 3 | 480853 | 01.10 | 3 | 576189 | 02.32 | 17 |
| 274246 | 01.14 | 18 | 482305 | 01.14 | 15 | 576189 | 02.33 | 16 |
| 277916 | 01.05 | 21 | 483164 | 02.01 | 6 | 576189 | 06.05 | 10 |
| 277916 | 01.07 | 9 | 483226 | 01.14 | 3 | 576454 | 02.61 | 15 |
| 277916 | 01.18 | 9 | 483711 | 01.10 | 6 | 576464 | 02.38 | 1 |
| 285536 | 01.23 | 17 | 483767 | 01.05 | 19 | 576468 | 02.61 | 1 |
| 285846 | 01.10 | 10 | 483785 | 01.05 | 14 | 576542 | 02.53 | 7 |
| 287913 | 01.18 | 4 | 483914 | 01.10 | 9 | 576546 | 02.53 | 8 |
| 288245 | 02.37 | 12 | 483918 | 01.18 | 18 | 576702 | 02.38 | 9 |
| 288474 | 01.23 | 19 | 484034 | 01.05 | 11 | 576704 | 02.38 | 12 |
| 289731 | 01.15 | 15 | 484123 | 01.11 | 10 | 576705 | 02.38 | 8 |
| 289731 | 01.15 | 18 | 484123 | 01.23 | 12 | 576708 | 02.38 | 4 |
| 289731 | 01.15 | 5 | 484739 | 01.11 | 1 | 576953 | 02.38 | 7 |
| 289731 | 01.18 | 8 | 484740 | 01.11 | 4 | 577005 | 02.30 | 13 |
| 289731 | 02.33 | 7 | 484819 | 01.11 | 2 | 577128 | 02.46 | 19 |
| 289731 | 06.06 | 2 | 484819 | 01.11 | 5 | 577129 | 02.46 | 15 |
| 290860 | 06.08 | 12 | 484908 | 01.07 | 5 | 577131 | 02.46 | 16 |
| 291017 | 06.05 | 11 | 485047 | 01.05 | 24 | 5771695 | 02.26 | 1 |
| 292022 | 06.03 | 20 | 485080 | 01.19 | 3 | 577175 | 02.30 | 2 |
| 292022 | 06.03 | 3 | 485655 | 01.05 | 18 | 57717500EP | 02.30 | 2 |
| 292022 | 06.04 | 2 | 485703 | 01.25 | 14 | 57717500M4 | 02.30 | 2 |
| 292507 | 06.08 | 12 | 485868 | 01.18 | 21 | 57717500VG | 02.30 | 2 |
| 296141 | 02.30 | 10 | 485912 | 01.05 | 5 | 577180 | 02.31 | 2 |
| 296456 | 02.39 | 2 | 485912 | 01.25 | 5 | 577181 | 02.31 | 3 |
| 297027 | 01.10 | 18 | 486075 | 01.23 | 23 | 577182 | 02.31 | 11 |
| 297498 | 06.03 | 13 | 486081 | 01.05 | 13 | 577183 | 02.55 | 1 |
| 298581 | 02.46 | 1 | 486324 | 01.13 | 10 | 577187 | 02.55 | 16 |
| 298594 | 02.46 | 3 | 486324 | 01.14 | 19 | 577195 | 02.55 | 29 |
| 298604 | 02.01 | 10 | 486331 | 01.11 | 13 | 577201 | 02.55 | 18 |
| 298731 | 02.46 | 7 | 486336 | 01.11 | 12 | 577384 | 02.55 | 19 |
| 298838 | 02.46 | 4 | 486343 | 01.11 | 7 | 577395 | 02.30 | 29 |
| 298903 | 02.46 | 2 | 486363 | 01.07 | 4 | 577395000C | 02.30 | 29 |
| 299557 | 02.01 | 9 | 486974 | 01.11 | 15 | 577396000C | 02.30 | 31 |
| 299972 | 02.30 | 34 | 487211 | 01.25 | 12 | 577399 | 02.30 | 14 |
| 299972 | 02.46 | 14 | 487832 | 01.11 | 11 | 577400 | 02.30 | 15 |
| 319532 | 05.01 | 8 | 487833 | 01.11 | 14 | 577405000C | 02.32 | 19 |
| 319538 | 02.44 | 6 | 487936 | 01.14 | 11 | 577433 | 02.55 | 21 |
| 411296 | 01.10 | 11 | 487989 | 01.12 | 7 | 577436 | 02.55 | 12 |
| 414837 | 01.18 | 20 | 497550 | 01.02 | 3 | 577437 | 02.31 | 9 |
| 414837 | 01.20 | 2 | 497551 | 01.02 | 2 | 577447 | 02.30 | 16 |
| 414838 | 01.11 | 19 | 560173 | 03.01 | 8 | 577453 | 02.30 | 37 |
| 414838 | 01.23 | 14 | 561433 | 04.02 | 62 | 577454 | 02.46 | 5 |
| 414838 | 02.47 | 5 | 56234R | 04.10 | 1 | 577456 | 02.46 | 10 |
| 430264 | 01.15 | 12 | 56286R | 04.02 | 57 | 577468 | 02.30 | 17 |
| 430585 | 01.14 | 9 | 56330R | 04.01 | 1 | 577471 | 02.46 | 13 |
| 431065 | 01.05 | 26 | 56331R | 04.01 | 11 | 577473 | 02.32 | 16 |
| 431089 | 01.14 | 8 | 563728 | 04.10 | 19 | 57747300EP | 02.32 | 16 |



| Code | Drawing Nr. | Pos. | Code | Drawing Nr. | Pos. | Code | Drawing Nr. | Pos. |
|------------|-------------|------|------------|-------------|------|------------|-------------|------|
| 57747300M4 | 02.32 | 16 | 597679 | 04.12 | 3 | 62291450EP | 02.01 | 1 |
| 57747300VG | 02.32 | 16 | 597758 | 04.02 | 38 | 62291450M4 | 02.01 | 1 |
| 577474 | 02.32 | 15 | 597857 | 04.01 | 4 | 623013 | 02.55 | 23 |
| 57747400EP | 02.32 | 15 | 597914 | 04.01 | 5 | 623162 | 02.47 | 7 |
| 57747400M4 | 02.32 | 15 | 597944 | 04.11 | 2 | 623205 | 02.38 | 2 |
| 57747400VG | 02.32 | 15 | 598134 | 04.02 | 71 | 623361 | 06.06 | 6 |
| 577492 | 02.39 | 3 | 598143 | 04.10 | 3 | 623438 | 02.55 | 24 |
| 577594 | 02.30 | 18 | 598237 | 04.01 | 16 | 623563 | 02.37 | 4 |
| 577620 | 02.30 | 35 | 598277 | 04.11 | 2 | 623575 | 02.32 | 10 |
| 577620 | 02.33 | 28 | 598278 | 04.12 | 2 | 623576 | 02.44 | 2 |
| 577620 | 02.46 | 22 | 598615 | 04.02 | 63 | 623673 | 02.55 | 8 |
| 577856 | 02.30 | 19 | 59861500EP | 04.02 | 63 | 623743 | 02.53 | 5 |
| 577857 | 02.30 | 20 | 59861500M4 | 04.02 | 63 | 623749 | 02.55 | 20 |
| 577861 | 02.30 | 21 | 59861500VG | 04.02 | 63 | 623776 | 02.30 | 36 |
| 580160 | 02.55 | 28 | 598715 | 04.12 | 7 | 623920 | 02.44 | 7 |
| 580160 | 05.01 | 5 | 598917 | 04.01 | 2 | 623977 | 02.44 | 1 |
| 580160 | 06.08 | 5 | 599059 | 04.01 | 19 | 624258 | 02.38 | 3 |
| 580645 | 06.01 | 7 | 599077 | 04.01 | 17 | 624384 | 02.61 | 6 |
| 580653 | 06.08 | 11 | 599208 | 01.42 | 7 | 624402 | 02.55 | 7 |
| 58070R | 01.21 | 1 | 599246 | 04.01 | 11 | 624682 | 03.01 | 1 |
| 58071R | 01.21 | 3 | 599250 | 04.01 | 14 | 62468200EP | 03.01 | 1 |
| 58086R | 06.06 | 1 | 599593 | 04.10 | 28 | 62468200M4 | 03.01 | 1 |
| 58099R | 06.05 | 12 | 600161 | 04.01 | 3 | 62468200VG | 03.01 | 1 |
| 58115R | 06.05 | 8 | 601815 | 04.10 | 25 | 624683 | 03.01 | 2 |
| 58120R | 06.06 | 5 | 601978 | 02.25 | 1 | 62468300EP | 03.01 | 2 |
| 58142R | 01.20 | 1 | 620236 | 02.37 | 9 | 62468300M4 | 03.01 | 2 |
| 581440 | 06.08 | 12 | 620333 | 02.38 | 11 | 62468300VG | 03.01 | 2 |
| 581957 | 02.33 | 20 | 620334 | 02.38 | 10 | 624685 | 03.06 | 1 |
| 582034 | 03.06 | 9 | 620335 | 02.38 | 13 | 624700 | 05.03 | 3 |
| 582041 | 06.01 | 4 | 620395 | 02.01 | 3 | 624701 | 03.01 | 5 |
| 582298 | 02.25 | 2 | 620395 | 02.01 | 5 | 624702 | 02.55 | 13 |
| 582691 | 02.37 | 13 | 620415 | 02.46 | 18 | 624703 | 02.55 | 14 |
| 582787 | 04.02 | 10 | 620452 | 02.30 | 33 | 624966 | 02.39 | 1 |
| 582828 | 03.06 | 15 | 620529 | 02.38 | 6 | 624998 | 06.08 | 6 |
| 582850 | 02.25 | 7 | 620693 | 02.30 | 22 | 638534 | 02.46 | 9 |
| 582851 | 02.25 | 6 | 620737 | 02.47 | 6 | 638536 | 06.04 | 3 |
| 582951 | 06.01 | 5 | 620966 | 02.61 | 2 | 638715 | 06.03 | 8 |
| 582988 | 06.01 | 6 | 621137 | 02.32 | 5 | 638716 | 06.03 | 10 |
| 582990 | 02.46 | 20 | 62113700EP | 02.32 | 5 | 638717 | 06.04 | 6 |
| 583236 | 06.06 | 14 | 62113700M4 | 02.32 | 5 | 638718 | 06.04 | 9 |
| 583921 | 02.61 | 4 | 62113700VG | 02.32 | 5 | 638733 | 06.05 | 4 |
| 584002 | 03.02 | 7 | 621138 | 02.32 | 1 | 638792 | 06.08 | 21 |
| 584083 | 02.33 | 2 | 62113800EP | 02.32 | 1 | 638934 | 06.08 | 9 |
| 584084 | 02.33 | 4 | 62113800M4 | 02.32 | 1 | 638949 | 01.36 | 5 |
| 584121 | 02.46 | 21 | 62113800VG | 02.32 | 1 | 639026 | 06.08 | 6 |
| 584332 | 06.03 | 11 | 621141 | 02.34 | 2 | 639028 | 01.20 | 3 |
| 584332 | 06.03 | 9 | 6211434 | 02.26 | 2 | 639180 | 01.36 | 6 |
| 584332 | 06.04 | 11 | 62114340M4 | 02.26 | 2 | 639205 | 01.12 | 8 |
| 584332 | 06.04 | 8 | 62114350EP | 02.26 | 2 | 639357 | 02.53 | 10 |
| 584344 | 01.42 | 11 | 62114350VG | 02.26 | 2 | 639682 | 06.04 | 1 |
| 584520 | 06.01 | 3 | 621145 | 02.33 | 8 | 639843 | 06.08 | 4 |
| 584669 | 02.55 | 4 | 621155 | 02.34 | 1 | 639846 | 06.03 | 1 |
| 584678 | 06.04 | 10 | 621157 | 06.06 | 3 | 639849 | 06.01 | 9 |
| 584679 | 06.04 | 7 | 621365 | 02.55 | 26 | 63984900EP | 06.01 | 9 |
| 584726 | 06.03 | 19 | 621498 | 02.39 | 4 | 63984900M4 | 06.01 | 9 |
| 584925 | 02.32 | 2 | 621581 | 02.53 | 9 | 63984900VG | 06.01 | 9 |
| 584926 | 02.32 | 6 | 621585 | 02.53 | 3 | 639853 | 02.31 | 10 |
| 584995 | 02.32 | 3 | 621830 | 06.05 | 5 | 639858 | 06.01 | 10 |
| 584995 | 02.32 | 7 | 622357 | 06.04 | 12 | 63985800EP | 06.01 | 10 |
| 597149 | 04.10 | 7 | 622824 | 02.37 | 1 | 63985800M4 | 06.01 | 10 |
| 597317 | 04.01 | 12 | 62282400EP | 02.37 | 1 | 63985800VG | 06.01 | 10 |
| 597374 | 04.01 | 13 | 62282400M4 | 02.37 | 1 | 640017 | 02.55 | 15 |
| 597418 | 01.15 | 17 | 62282400VG | 02.37 | 1 | 640025 | 06.08 | 3 |
| 597528 | 04.10 | 21 | 622838 | 06.06 | 4 | 640026 | 06.08 | 2 |
| 597564 | 04.12 | 5 | 622839 | 02.55 | 17 | 64017100EP | 06.01 | 8 |
| 597565 | 04.12 | 6 | 62291400VG | 02.01 | 1 | 64017100M4 | 06.01 | 8 |
| 597679 | 04.11 | 3 | 62291401 | 02.01 | 1 | 64017100VG | 06.01 | 8 |

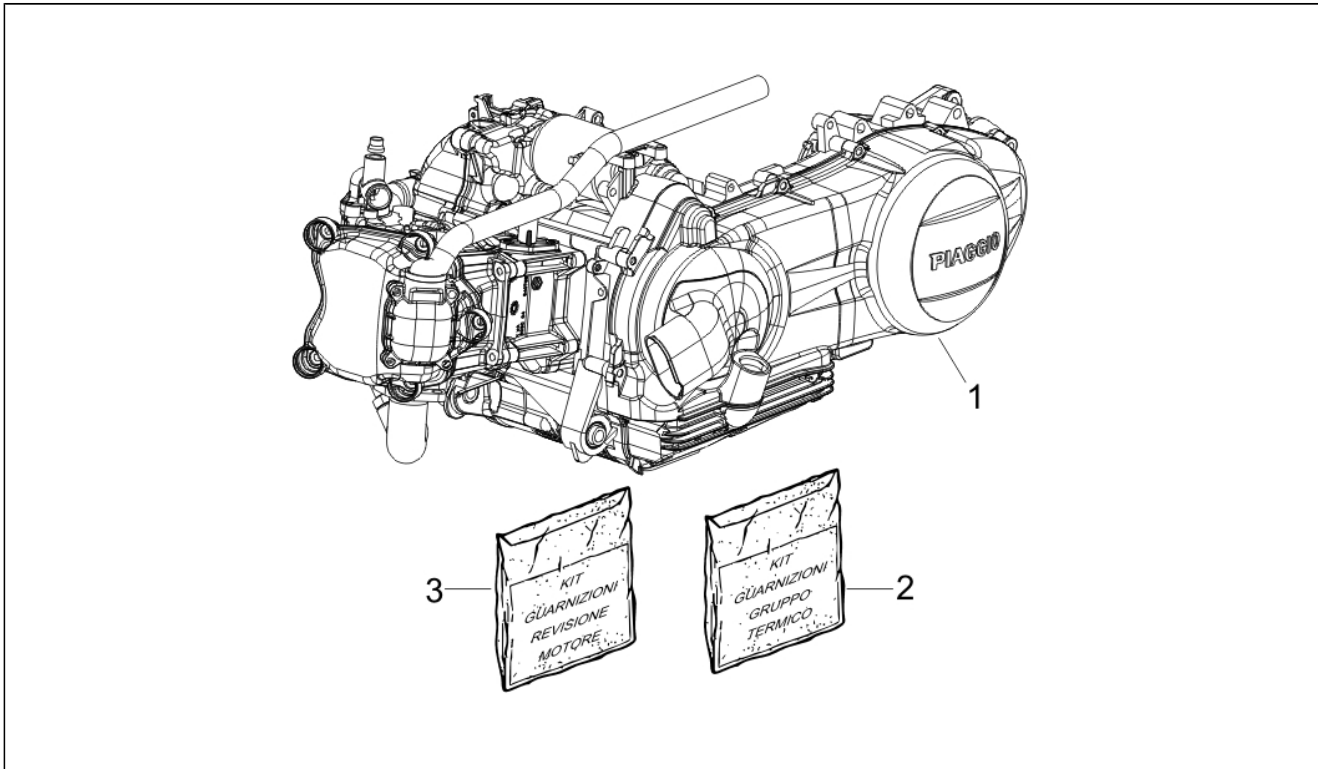


| Code | Drawing Nr. | Pos. | Code | Drawing Nr. | Pos. | Code | Drawing Nr. | Pos. |
|------------|-------------|------|--------|-------------|------|------------|-------------|------|
| 640183 | 03.02 | 1 | 709047 | 04.10 | 22 | 833669 | 01.14 | 2 |
| 640280 | 06.03 | 4 | 709047 | 04.11 | 5 | 833673 | 01.14 | 12 |
| 640289 | 06.01 | 2 | 709047 | 05.01 | 20 | 833674 | 01.14 | 13 |
| 640485 | 01.10 | 14 | 709047 | 05.01 | 9 | 833701 | 01.05 | 8 |
| 640530 | 03.02 | 5 | 709532 | 01.36 | 8 | 833722 | 01.18 | 5 |
| 640771 | 06.08 | 1 | 709646 | 04.10 | 24 | 833989 | 01.13 | 11 |
| 647078 | 05.01 | 7 | 82518R | 01.14 | 4 | 834044 | 01.14 | 10 |
| 647161 | 05.01 | 18 | 82539R | 01.05 | 9 | 834187 | 01.42 | 8 |
| 647846 | 02.33 | 10 | 82545R | 04.10 | 29 | 834266 | 01.15 | 11 |
| 64784600EP | 02.33 | 10 | 825481 | 01.42 | 13 | 840193 | 01.13 | 6 |
| 64784600M4 | 02.33 | 10 | 825758 | 01.25 | 11 | 840332 | 01.05 | 2 |
| 64784600VG | 02.33 | 10 | 82580R | 01.23 | 22 | 840344 | 01.18 | 19 |
| 647886 | 02.33 | 11 | 825952 | 01.18 | 17 | 840504 | 01.23 | 15 |
| 647887 | 02.33 | 23 | 82635R | 01.23 | 20 | 840507 | 01.23 | 21 |
| 647891 | 02.33 | 1 | 826388 | 01.42 | 6 | 840533 | 01.13 | 8 |
| 64789100EP | 02.33 | 1 | 826396 | 01.11 | 17 | 8410015 | 01.25 | 6 |
| 64789100M4 | 02.33 | 1 | 82649R | 01.18 | 15 | 8410035 | 01.25 | 8 |
| 64789100VG | 02.33 | 1 | 82650R | 01.18 | 26 | 841130 | 01.19 | 4 |
| 647892 | 02.33 | 14 | 82659R | 01.25 | 3 | 841379 | 01.13 | 7 |
| 647893 | 02.33 | 15 | 827085 | 01.05 | 23 | 841774 | 01.14 | 7 |
| 647894 | 06.03 | 16 | 82723R | 01.18 | 22 | 841782 | 01.42 | 5 |
| 647971 | 04.11 | 1 | 82737R | 01.20 | 4 | 842090 | 01.15 | 7 |
| 647971 | 04.12 | 1 | 82753R | 01.14 | 5 | 842093 | 01.15 | 9 |
| 647975 | 05.01 | 11 | 82782R | 01.18 | 23 | 842204 | 01.13 | 3 |
| 648025 | 04.02 | 34 | 827831 | 01.45 | 13 | 8423835001 | 01.06 | 1 |
| 648031 | 04.02 | 48 | 82783R | 01.18 | 16 | 8423835002 | 01.06 | 1 |
| 648059 | 02.33 | 21 | 828146 | 01.07 | 8 | 842385 | 01.21 | 9 |
| 648060 | 02.33 | 22 | 828147 | 01.07 | 8 | 842388 | 01.21 | 8 |
| 648061 | 04.02 | 75 | 828148 | 01.07 | 8 | 842389 | 01.23 | 6 |
| 648160 | 05.03 | 1 | 82817R | 01.11 | 3 | 842390 | 01.19 | 9 |
| 648162 | 05.01 | 1 | 82817R | 01.11 | 6 | 842595 | 01.23 | 3 |
| 648163 | 05.01 | 22 | 828210 | 06.06 | 16 | 842683 | 01.42 | 15 |
| 648173 | 03.06 | 7 | 828217 | 01.13 | 12 | 842703 | 01.20 | 5 |
| 648174 | 05.03 | 4 | 82823R | 01.23 | 16 | 842870 | 01.13 | 2 |
| 64831100EP | 03.06 | 6 | 82831R | 01.10 | 20 | 842908 | 01.42 | 3 |
| 64831100VG | 03.06 | 6 | 828421 | 01.12 | 5 | 843028 | 01.13 | 4 |
| 648336 | 05.01 | 12 | 828480 | 01.10 | 8 | 843517 | 01.07 | 1 |
| 648349 | 06.03 | 7 | 828653 | 01.12 | 6 | 8435190001 | 01.07 | 2 |
| 648378 | 03.06 | 12 | 828662 | 01.19 | 2 | 8435190002 | 01.07 | 2 |
| 648378 | 03.06 | 14 | 828717 | 01.14 | 6 | 8435190003 | 01.07 | 2 |
| 6483975 | 04.02 | 56 | 82871R | 01.23 | 5 | 8435190004 | 01.07 | 2 |
| 648415 | 04.02 | 51 | 82877R | 01.18 | 1 | 843568 | 01.23 | 18 |
| 648550 | 03.06 | 16 | 82881R | 01.14 | 1 | 843963 | 01.13 | 5 |
| 648551 | 03.06 | 8 | 828961 | 04.11 | 6 | 844049 | 01.14 | 17 |
| 649083 | 02.39 | 6 | 828961 | 05.01 | 21 | 844094 | 01.12 | 9 |
| 649223 | 04.12 | 4 | 82897R | 01.23 | 5 | 844160 | 01.10 | 12 |
| 649471 | 05.03 | 1 | 829040 | 01.23 | 7 | 844160 | 01.23 | 10 |
| 652706 | 06.01 | 1 | 829139 | 01.11 | 16 | 844352 | 01.18 | 1 |
| 652772 | 05.03 | 2 | 829206 | 01.25 | 4 | 844483 | 04.10 | 8 |
| 652812 | 02.30 | 1 | 829529 | 01.07 | 7 | 844582 | 01.05 | 12 |
| 65281200EP | 02.30 | 1 | 829534 | 01.12 | 1 | 844669 | 01.25 | 10 |
| 65281200M4 | 02.30 | 1 | 829536 | 01.12 | 4 | 844730 | 01.23 | 2 |
| 65281200VG | 02.30 | 1 | 829593 | 01.18 | 2 | 844758 | 01.45 | 3 |
| 652857 | 02.38 | 5 | 829661 | 01.05 | 17 | 8447595 | 01.23 | 4 |
| 653003 | 02.47 | 1 | 830056 | 01.45 | 10 | 844864 | 01.42 | 2 |
| 653019 | 03.06 | 10 | 830056 | 06.03 | 6 | 844927 | 01.42 | 4 |
| 653230 | 02.31 | 1 | 830057 | 01.45 | 18 | 844964 | 01.15 | 6 |
| 65323000EP | 02.31 | 1 | 830061 | 01.05 | 20 | 845212 | 01.05 | 15 |
| 65323000M4 | 02.31 | 1 | 830061 | 01.36 | 4 | 845604 | 01.10 | 15 |
| 65323000VG | 02.31 | 1 | 830071 | 01.25 | 7 | 845605 | 01.10 | 17 |
| 653501 | 02.55 | 22 | 830249 | 01.12 | 3 | 845753 | 01.10 | 19 |
| 654222 | 02.53 | 1 | 830486 | 01.07 | 3 | 845861 | 01.05 | 25 |
| 654224 | 02.53 | 2 | 831174 | 01.10 | 13 | 846096 | 01.18 | 7 |
| 654341 | 02.61 | 5 | 831995 | 01.45 | 5 | 846098 | 01.18 | 13 |
| 709047 | 02.01 | 8 | 831997 | 01.45 | 4 | 8462415001 | 01.05 | 1 |
| 709047 | 02.55 | 40 | 832130 | 01.05 | 22 | 8462415002 | 01.05 | 1 |
| 709047 | 04.02 | 25 | 833308 | 01.11 | 9 | 846734 | 01.19 | 1 |



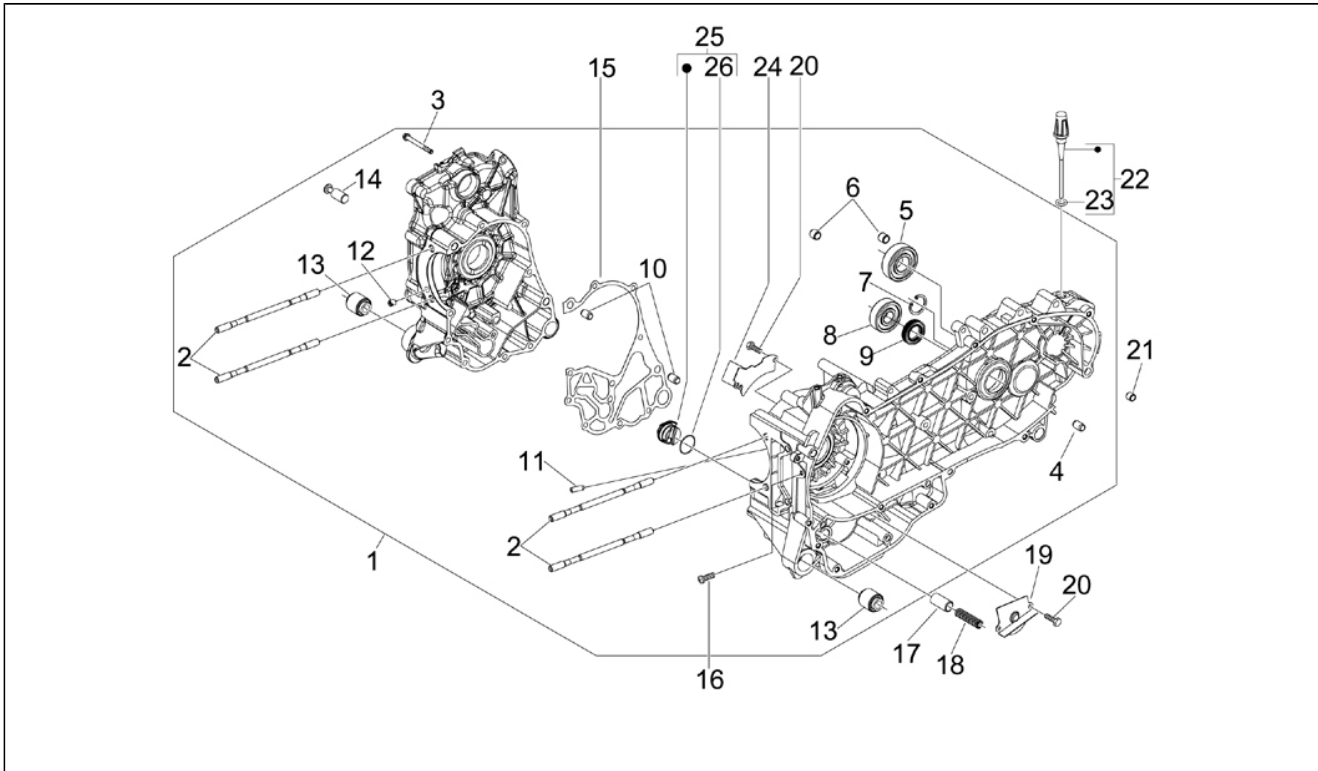
| Code | Drawing Nr. | Pos. | Code | Drawing Nr. | Pos. |
|----------|-------------|------|-----------|-------------|------|
| 846819 | 01.18 | 11 | CM017201 | 02.01 | 2 |
| 847116 | 01.18 | 14 | CM017202 | 02.01 | 4 |
| 847266 | 01.45 | 1 | CM017406 | 06.03 | 14 |
| 847516 | 01.18 | 25 | CM017406 | 06.04 | 14 |
| 847679 | 01.21 | 6 | CM017408 | 02.30 | 23 |
| 847716 | 01.23 | 9 | CM017410 | 02.30 | 4 |
| 847717 | 01.23 | 11 | CM017410 | 02.31 | 12 |
| 847718 | 01.19 | 5 | CM017410 | 02.32 | 13 |
| 847791 | 01.11 | 8 | CM017410 | 04.02 | 11 |
| 8477975 | 01.21 | 5 | CM017410 | 04.02 | 12 |
| 847928 | 01.18 | 28 | CM017413 | 04.02 | 78 |
| 847929 | 01.18 | 3 | CM023703 | 02.46 | 12 |
| 847931 | 01.25 | 9 | CM024102 | 02.61 | 11 |
| 847974 | 01.42 | 12 | CM025709 | 02.47 | 8 |
| 848039 | 04.10 | 2 | CM028201 | 02.61 | 14 |
| 8481875 | 01.25 | 1 | CM061303 | 04.02 | 2 |
| 8482385 | 01.42 | 1 | CM061304 | 04.02 | 7 |
| 8483785 | 01.23 | 1 | CM067801 | 04.01 | 9 |
| 848452 | 01.42 | 9 | CM068301 | 05.01 | 6 |
| 848724 | 01.20 | 6 | CM071805 | 06.05 | 1 |
| 849243 | 01.36 | 2 | CM073413 | 02.45 | 2 |
| 871458 | 01.15 | 14 | CM073414 | 02.45 | 1 |
| 8714725 | 01.15 | 1 | CM074101 | 05.01 | 17 |
| 872493 | 01.15 | 16 | CM078201 | 01.36 | 1 |
| 872635 | 01.12 | 2 | CM079901 | 03.06 | 13 |
| 872849 | 01.10 | 1 | CM080801 | 03.06 | 11 |
| 872999 | 01.10 | 5 | CM1425735 | 01.02 | 1 |
| 873009 | 01.10 | 4 | CM144407 | 01.13 | 1 |
| 873351 | 01.25 | 2 | CM155106 | 01.15 | 13 |
| 873980 | 01.25 | 11 | CM177906 | 02.61 | 16 |
| 949625 | 02.55 | 27 | CM177906 | 02.61 | 18 |
| 951685 | 02.34 | 3 | CM177920 | 02.61 | 17 |
| 963486 | 01.07 | 6 | | | |
| 969224 | 02.53 | 4 | | | |
| 969224 | 04.02 | 15 | | | |
| 969224 | 06.06 | 12 | | | |
| 969296 | 06.08 | 10 | | | |
| 969348 | 06.06 | 17 | | | |
| 975855 | 02.01 | 7 | | | |
| CM001903 | 02.55 | 32 | | | |
| CM001904 | 01.12 | 10 | | | |
| CM001904 | 01.12 | 11 | | | |
| CM001904 | 01.19 | 7 | | | |
| CM001904 | 01.19 | 8 | | | |
| CM001904 | 02.55 | 33 | | | |
| CM001905 | 02.55 | 34 | | | |
| CM001907 | 02.55 | 35 | | | |
| CM001908 | 02.55 | 36 | | | |
| CM001914 | 02.61 | 10 | | | |
| CM001914 | 02.61 | 12 | | | |
| CM001914 | 02.61 | 7 | | | |
| CM001915 | 02.55 | 37 | | | |
| CM001922 | 01.19 | 6 | | | |
| CM001922 | 02.55 | 39 | | | |
| CM002920 | 01.45 | 14 | | | |
| CM006307 | 02.30 | 3 | | | |
| CM006903 | 02.55 | 38 | | | |
| CM006903 | 06.08 | 13 | | | |
| CM006904 | 06.08 | 14 | | | |
| CM006906 | 06.08 | 15 | | | |
| CM006910 | 05.01 | 16 | | | |
| CM012811 | 02.46 | 24 | | | |
| CM012813 | 02.46 | 23 | | | |
| CM013201 | 02.61 | 13 | | | |
| CM013201 | 02.61 | 9 | | | |
| CM013202 | 06.08 | 16 | | | |
| CM013203 | 06.03 | 22 | | | |

| | |
|--------------------|------------------|
| Assembly | Engine |
| Code | 01.02 |
| Description | Engine, assembly |
| Revision | 1 |



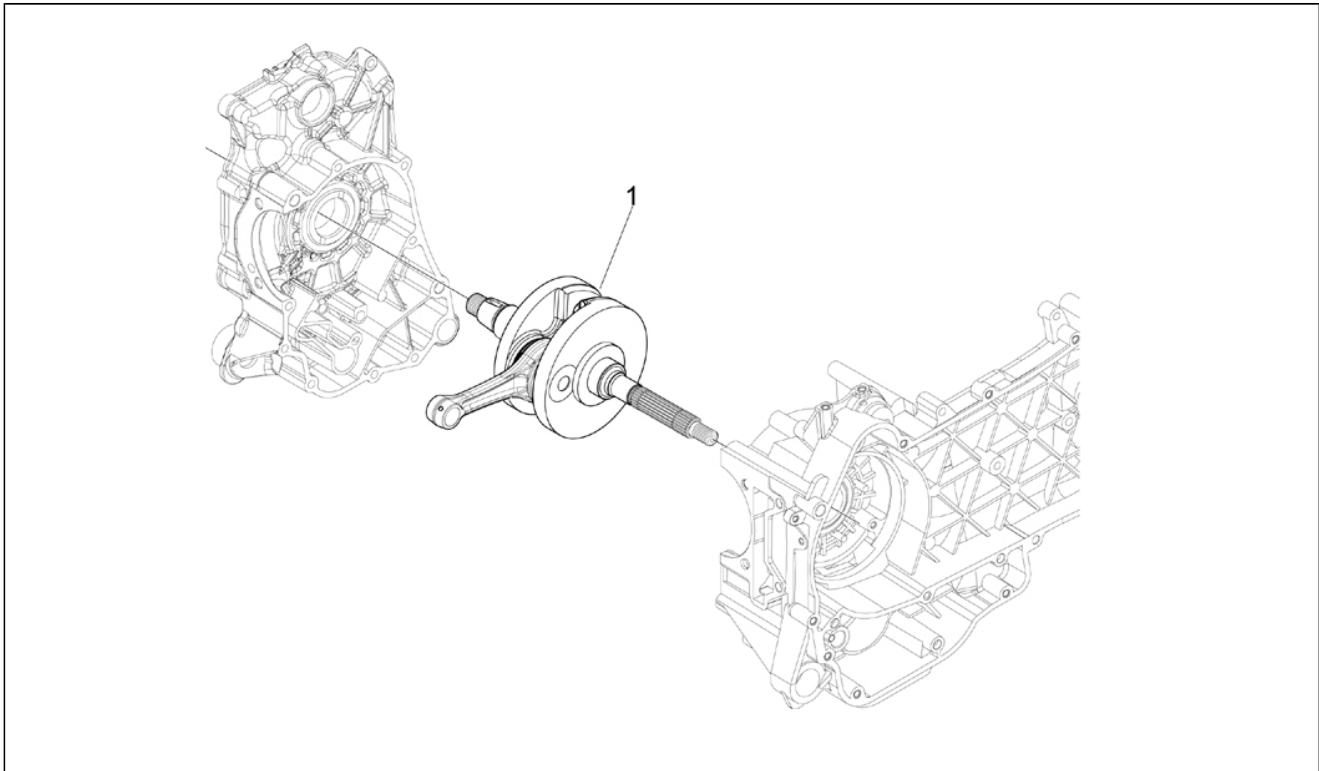
| Pos. | Code | Description | Q.ty | Variants |
|------|-----------|--------------------------|------|----------|
| 1 | CM1425735 | MOT.250 4T/4V E3 GTS USA | 1 | |
| 2 | 497551 | Oil seal and gask.set | 1 | |
| 3 | 497550 | Oil seal and gask.set | 1 | |

| | |
|--------------------|-----------|
| Assembly | Engine |
| Code | 01.05 |
| Description | Crankcase |
| Revision | 1 |



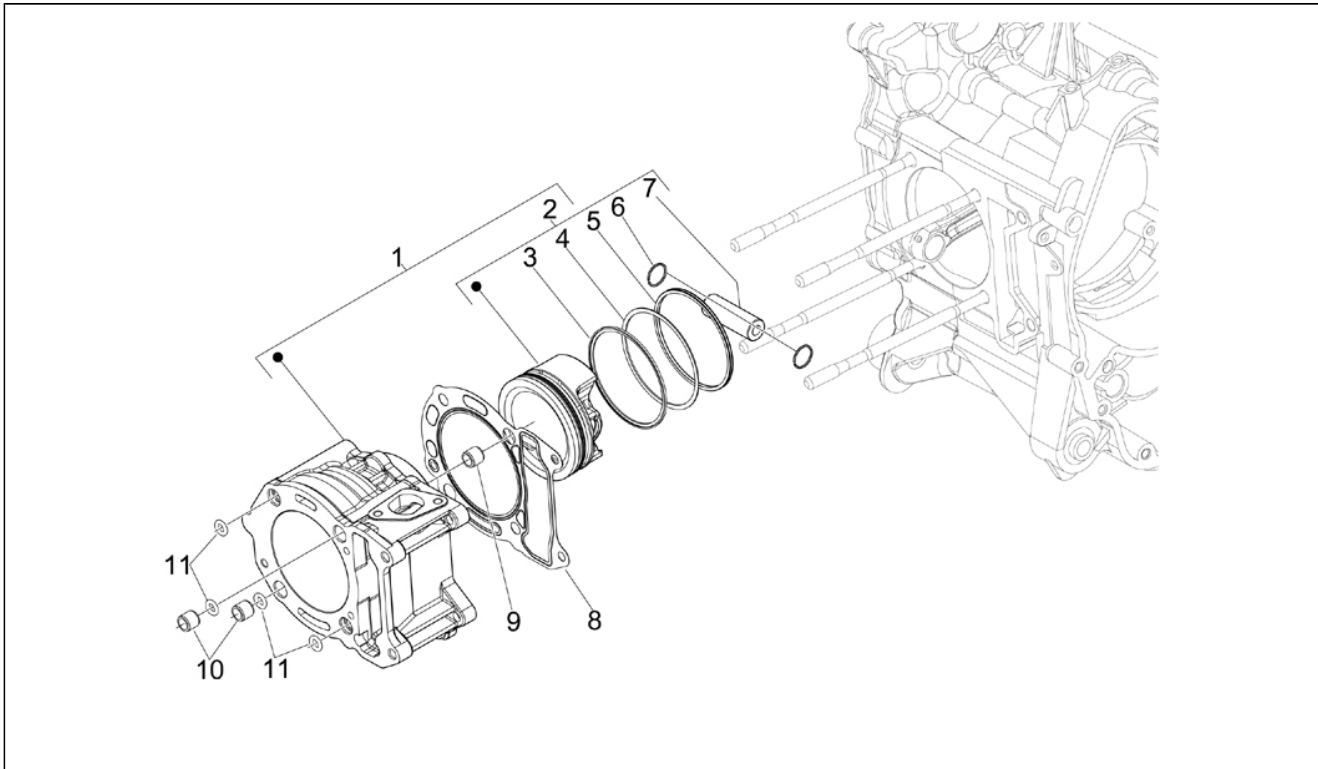
| Pos. | Code | Description | Q.ty | Variants |
|------|------------|-----------------------------|------|----------|
| 1 | 8462415001 | CRANKCASE ASSY | 1 | |
| 1 | 8462415002 | CRANKCASE ASSY CAT 2 | 1 | |
| 2 | 840332 | Stud bolt | 4 | |
| 3 | 432142 | Screw M6x60 | 10 | |
| 4 | 239388 | Pin 6,5x9,5x15 | 2 | |
| 5 | 485912 | Ball bearing 42x15x13 | 2 | |
| 6 | 478115 | Locating dowel 11x8,1x10 | 2 | |
| 7 | 000674 | Snap ring | 1 | |
| 8 | 833701 | Ball bearing 47x20x14 | 1 | |
| 9 | 82539R | Gasket ring | 1 | |
| 10 | 239388 | Pin 6,5x9,5x15 | 2 | |
| 11 | 484034 | Nozzle | 1 | |
| 12 | 844582 | Nozzle | 1 | |
| 13 | 486081 | Silent-block | 2 | |
| 14 | 483785 | Pin | 1 | |
| 15 | 845212 | Gasket | 1 | |
| 16 | 018575 | Screw | 1 | |
| 17 | 829661 | Oil pressure valve | 1 | |
| 18 | 485655 | Spring | 1 | |
| 19 | 483767 | Paratia olio inferiore | 1 | |
| 20 | 830061 | Screw w/ flange | 4 | |
| 21 | 277916 | Locating dowel | 1 | |
| 22 | 832130 | Oil level rod cpl. | 1 | |
| 23 | 827085 | Gasket ring 14,43x9,19x2,62 | 1 | |
| 24 | 485047 | Paratia olio superiore | 1 | |
| 25 | 845861 | Inserto porta filtro | 1 | |
| 26 | 431065 | Gasket | 1 | |

| | |
|--------------------|------------|
| Assembly | Engine |
| Code | 01.06 |
| Description | Crankshaft |
| Revision | 1 |



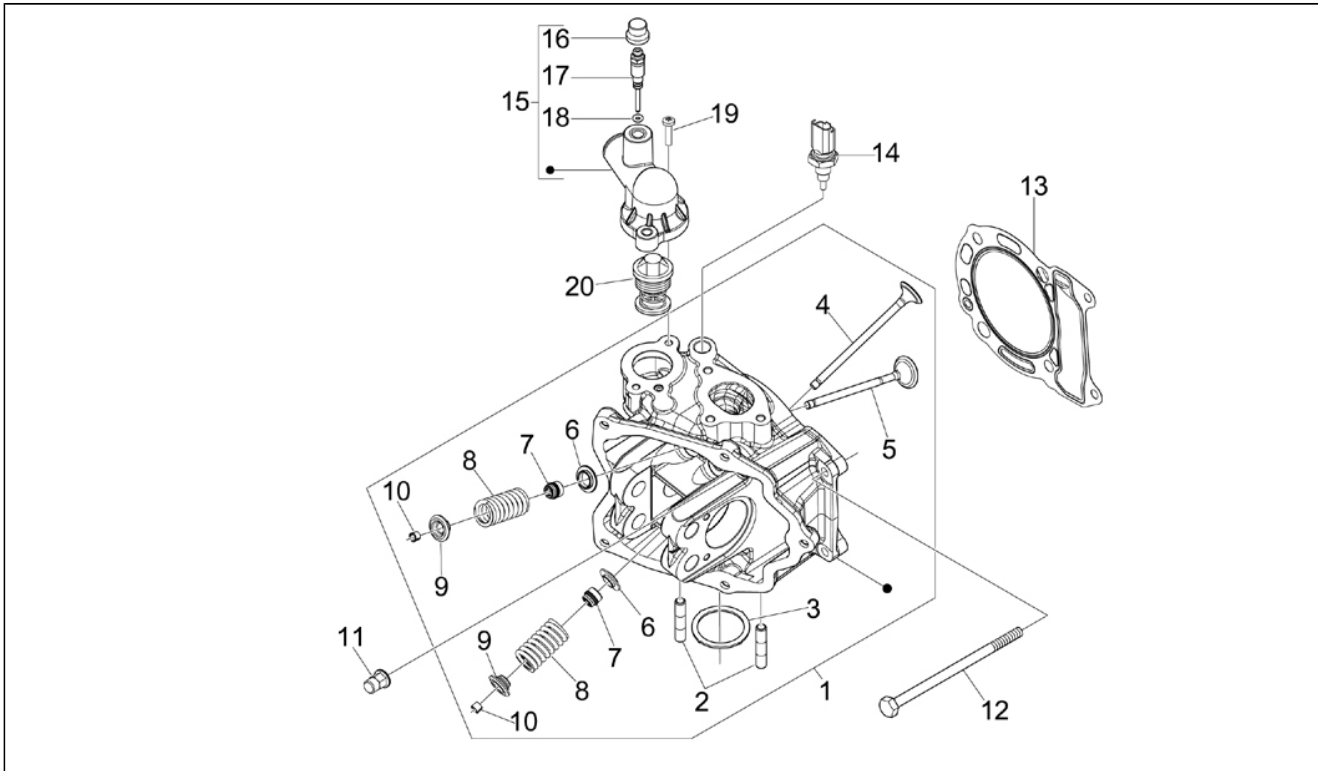
| Pos. | Code | Description | Q.ty | Variants |
|------|------------|----------------------|------|----------|
| 1 | 8423835001 | Crankshaft cpl. | 1 | |
| 1 | 8423835002 | Crankshaft cpl. cat2 | 1 | |

| | |
|--------------------|--------------------------------|
| Assembly | Engine |
| Code | 01.07 |
| Description | Cylinder-piston-wrist pin unit |
| Revision | 1 |



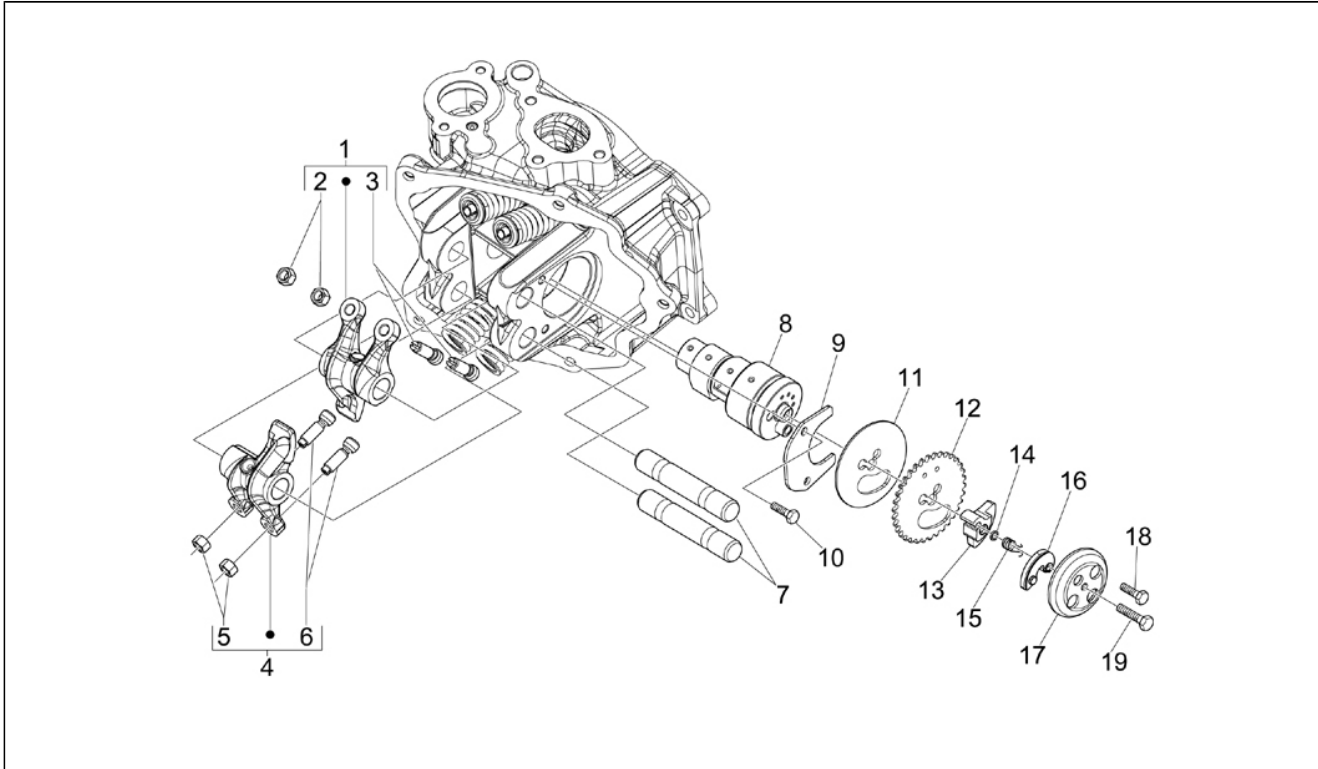
| Pos. | Code | Description | Q.ty | Variants |
|------|------------|--------------------------|------|----------|
| 1 | 843517 | Cylinder with piston | 1 | |
| 2 | 8435190001 | Piston assy | 1 | |
| 2 | 8435190002 | Piston assy | 1 | |
| 2 | 8435190003 | Piston assy | 1 | |
| 2 | 8435190004 | Piston assy | 1 | |
| 3 | 830486 | Ring | 1 | |
| 4 | 486363 | Scraper ring 72x2,5 | 1 | |
| 5 | 484908 | Scraper ring 72x1 | 1 | |
| 6 | 963486 | Snap ring | 2 | |
| 7 | 829529 | Piston pin | 1 | |
| 8 | 828146 | Cylinder base gasket 0,4 | 1 | |
| 8 | 828147 | Cylinder base gasket 0,6 | 1 | |
| 8 | 828148 | Cylinder base gasket 0,8 | 1 | |
| 9 | 277916 | Locating dowel | 2 | |
| 10 | 478115 | Locating dowel 11x8,1x10 | 2 | |
| 11 | 478184 | O-ring | 4 | |

| | |
|--------------------|-------------------|
| Assembly | Engine |
| Code | 01.10 |
| Description | Head unit - Valve |
| Revision | 1 |



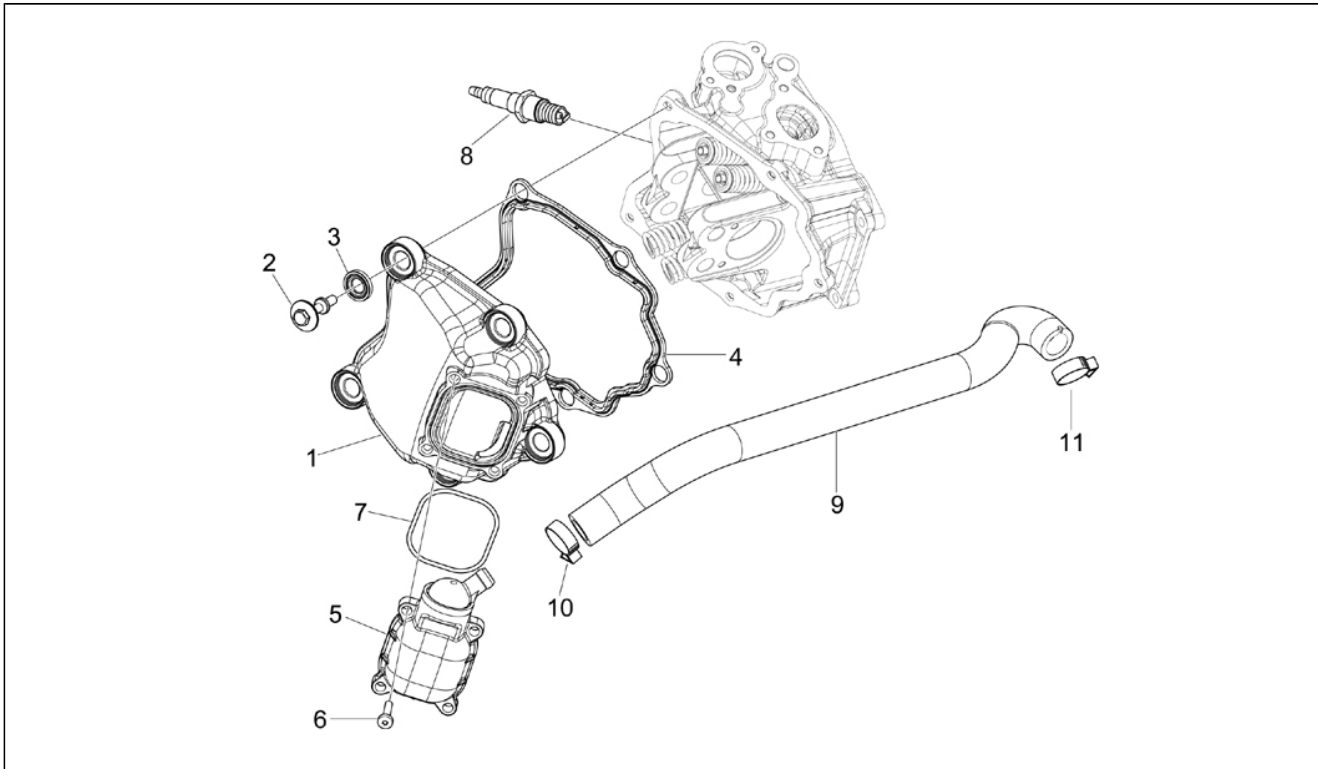
| Pos. | Code | Description | Q.ty | Variants |
|------|--------|----------------------------|------|----------|
| 1 | 872849 | CYLINDER HEAD ASSEMBLY | 1 | |
| 2 | 435629 | Stud bolt | 2 | |
| 3 | 480853 | Exhaust pipe gasket | 1 | |
| 4 | 873009 | Exhaust valve | 2 | |
| 5 | 872999 | Intake valve | 2 | |
| 6 | 483711 | Scodellino inferiore | 4 | |
| 7 | 436438 | Valve gasket ring | 4 | |
| 8 | 828480 | Spring | 4 | |
| 9 | 483914 | Scodellino superiore | 4 | |
| 10 | 285846 | Valve half-cone | 8 | |
| 11 | 411296 | Nut | 4 | |
| 12 | 844160 | Screw | 2 | |
| 13 | 831174 | Cylinder head gasket 0,3mm | 1 | |
| 14 | 640485 | Temperature gauge | 1 | |
| 15 | 845604 | Thermostat cover | 1 | |
| 16 | 063435 | Bleed valve cap | 1 | |
| 17 | 845605 | Screw | 1 | |
| 18 | 297027 | Gasket | 1 | |
| 19 | 845753 | Hex socket screw m5x20 | 2 | |
| 20 | 82831R | Thermostat | 1 | |

| | |
|--------------------|-----------------------------|
| Assembly | Engine |
| Code | 01.11 |
| Description | Rocking levers support unit |
| Revision | 1 |



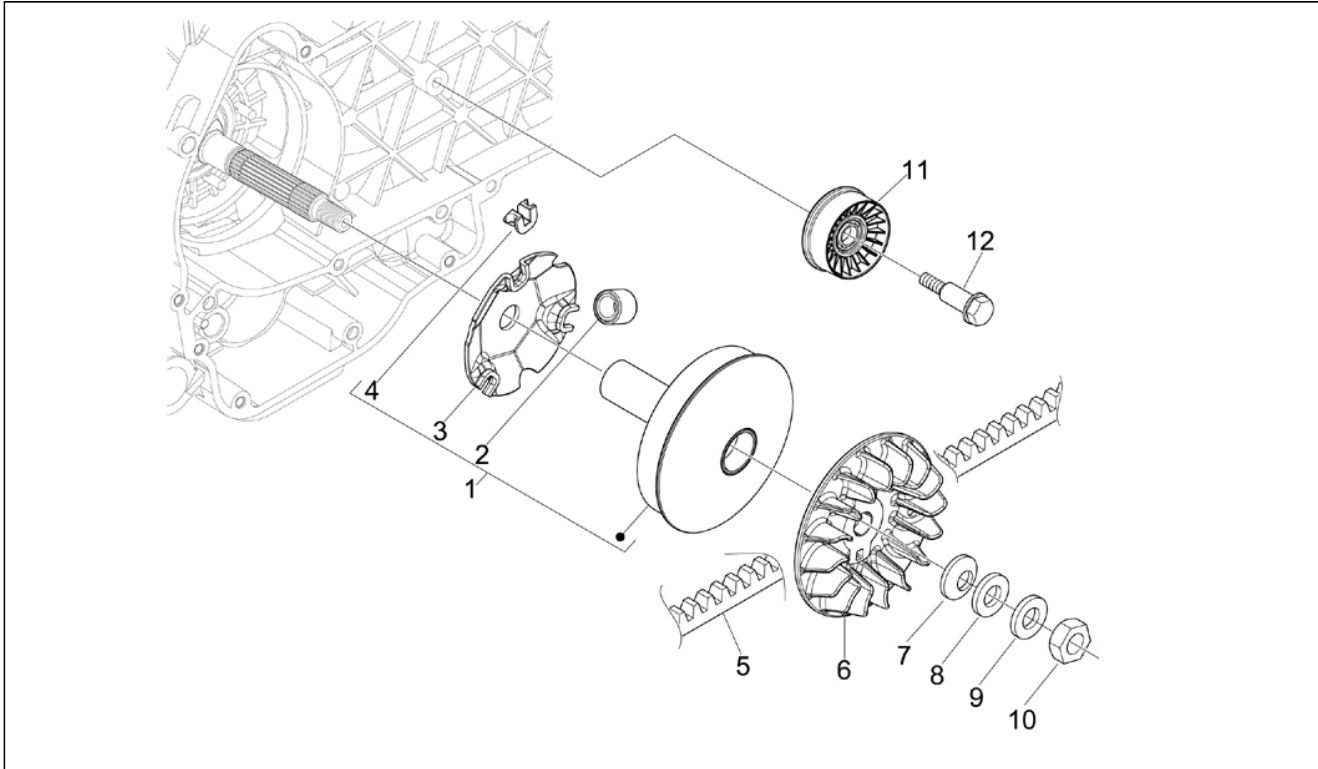
| Pos. | Code | Description | Q.ty | Variants |
|------|--------|-----------------------------|------|----------|
| 1 | 484739 | Bilanciere cpl. aspirazione | 1 | |
| 2 | 484819 | Nut | 2 | |
| 3 | 82817R | Adjuster screw | 2 | |
| 4 | 484740 | Bilanciere cpl. scarico | 1 | |
| 5 | 484819 | Nut | 2 | |
| 6 | 82817R | Adjuster screw | 2 | |
| 7 | 486343 | Rocker arms axis | 2 | |
| 8 | 847791 | CAMSHAFT WITH I.P. | 1 | |
| 9 | 833308 | Plate | 1 | |
| 10 | 484123 | Screw w/ flange | 2 | |
| 11 | 487832 | Plate | 1 | |
| 12 | 486336 | Timing system gear | 1 | |
| 13 | 486331 | Contrappeso decompressore | 1 | |
| 14 | 487833 | Gasket | 1 | |
| 15 | 486974 | Spring | 1 | |
| 16 | 829139 | Decompression counterweight | 1 | |
| 17 | 826396 | Decompression bell | 1 | |
| 18 | 018538 | Screw w/ flange M5x30 | 1 | |
| 19 | 414838 | Screw | 1 | |

| | |
|--------------------|---------------------|
| Assembly | Engine |
| Code | 01.12 |
| Description | Cylinder head cover |
| Revision | 1 |



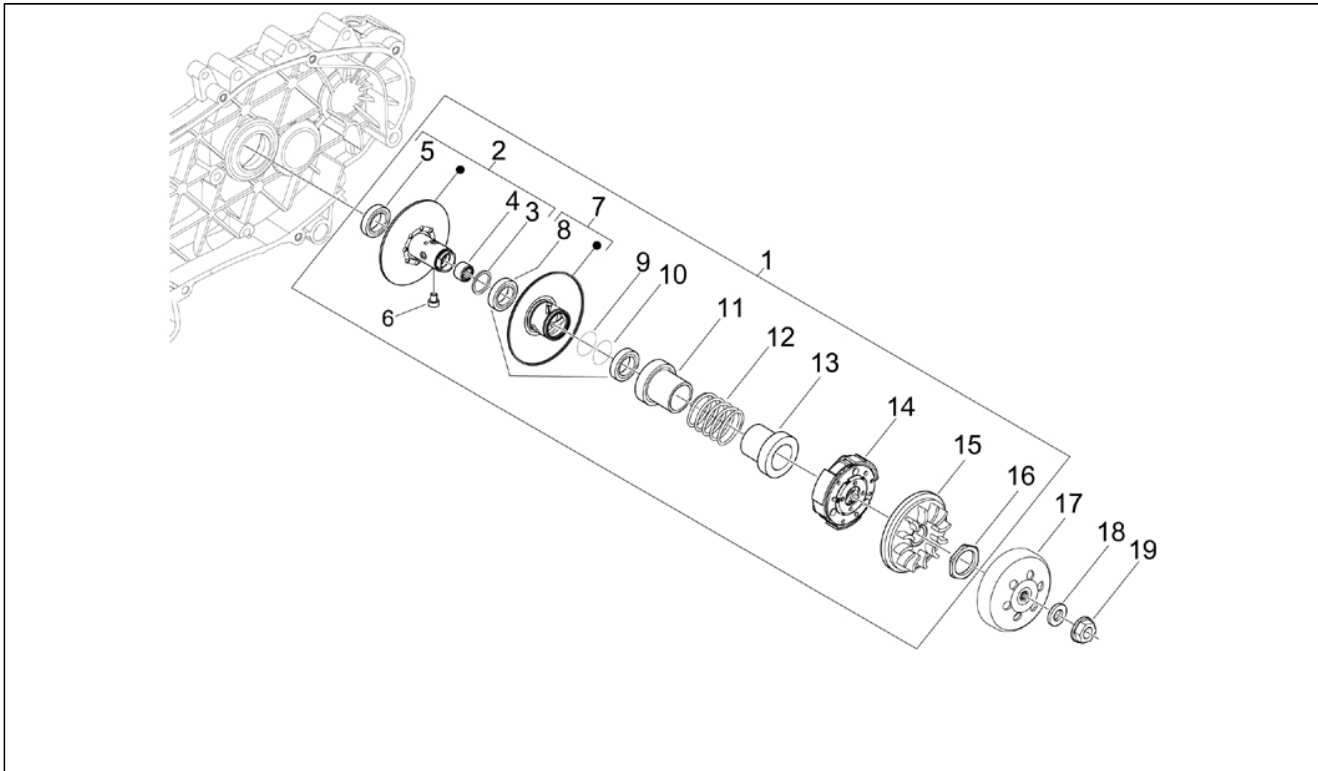
| Pos. | Code | Description | Q.ty | Variants |
|------|----------|--------------------|------|----------|
| 1 | 829534 | Head cover | 1 | |
| 2 | 872635 | Special screw | 5 | |
| 3 | 830249 | Damper drift | 5 | |
| 4 | 829536 | Head cover gasket | 1 | |
| 5 | 828421 | Oil breather valve | 1 | |
| 6 | 828653 | Screw | 8 | |
| 7 | 487989 | Gasket | 1 | |
| 8 | 639205 | Spark plug | 1 | |
| 9 | 844094 | Pipe | 1 | |
| 10 | CM001904 | Hose clamp | 1 | |
| 11 | CM001904 | Hose clamp | 1 | |

| | |
|--------------------|----------------|
| Assembly | Engine |
| Code | 01.13 |
| Description | Driving pulley |
| Revision | 1 |



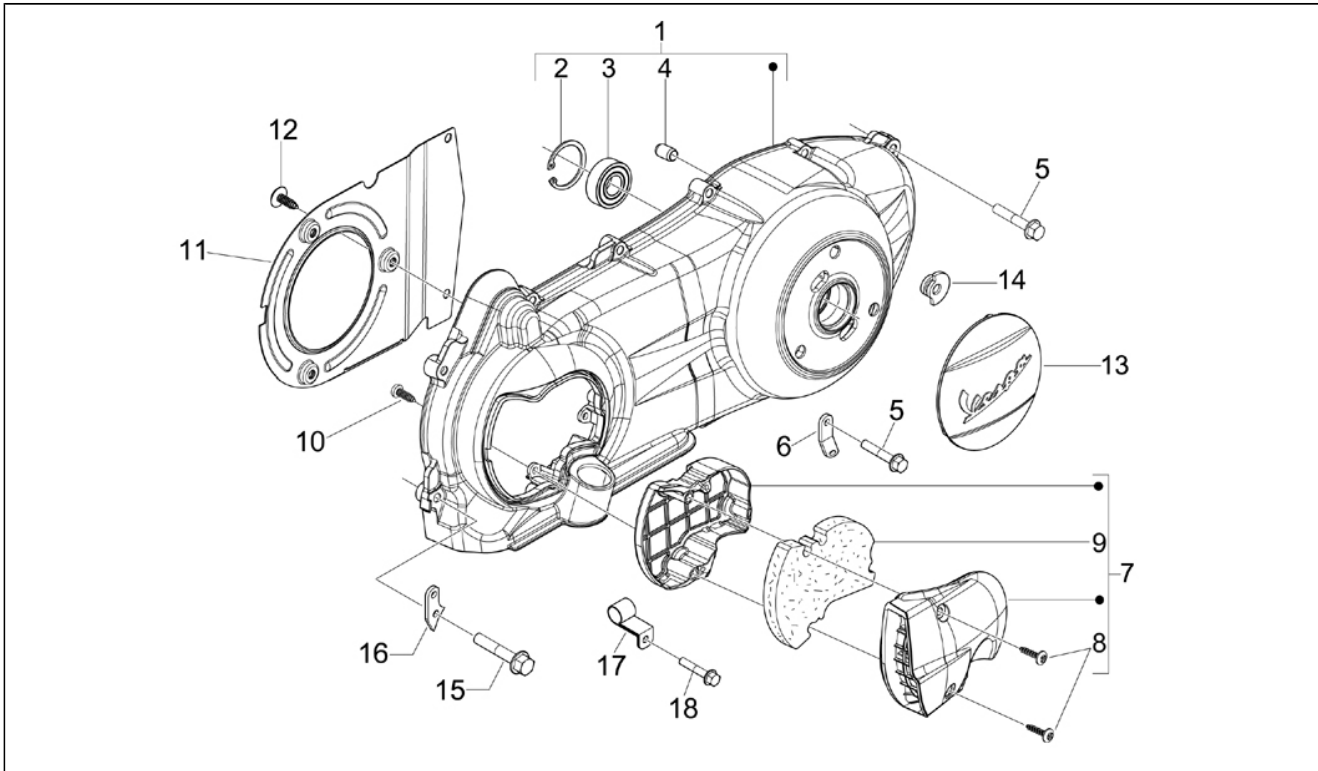
| Pos. | Code | Description | Q.ty | Variants |
|------|----------|----------------------------|------|----------|
| 1 | CM144407 | Half-pulley assy., driving | 1 | |
| 2 | 842870 | Roller | 6 | |
| 3 | 842204 | Roller contrast | 1 | |
| 4 | 843028 | Sliding block | 3 | |
| 5 | 843963 | V-belt | 1 | |
| 6 | 840193 | Fixed pulley | 1 | |
| 7 | 841379 | Washer 0,5x35x17 | 1 | |
| 8 | 840533 | Washer 2x35x17 | 1 | |
| 9 | 434885 | Plain washer | 1 | |
| 10 | 486324 | Nut | 1 | |
| 11 | 833989 | Toothed pulley | 1 | |
| 12 | 828217 | Special screw | 1 | |

| | |
|--------------------|---------------|
| Assembly | Engine |
| Code | 01.14 |
| Description | Driven pulley |
| Revision | 1 |



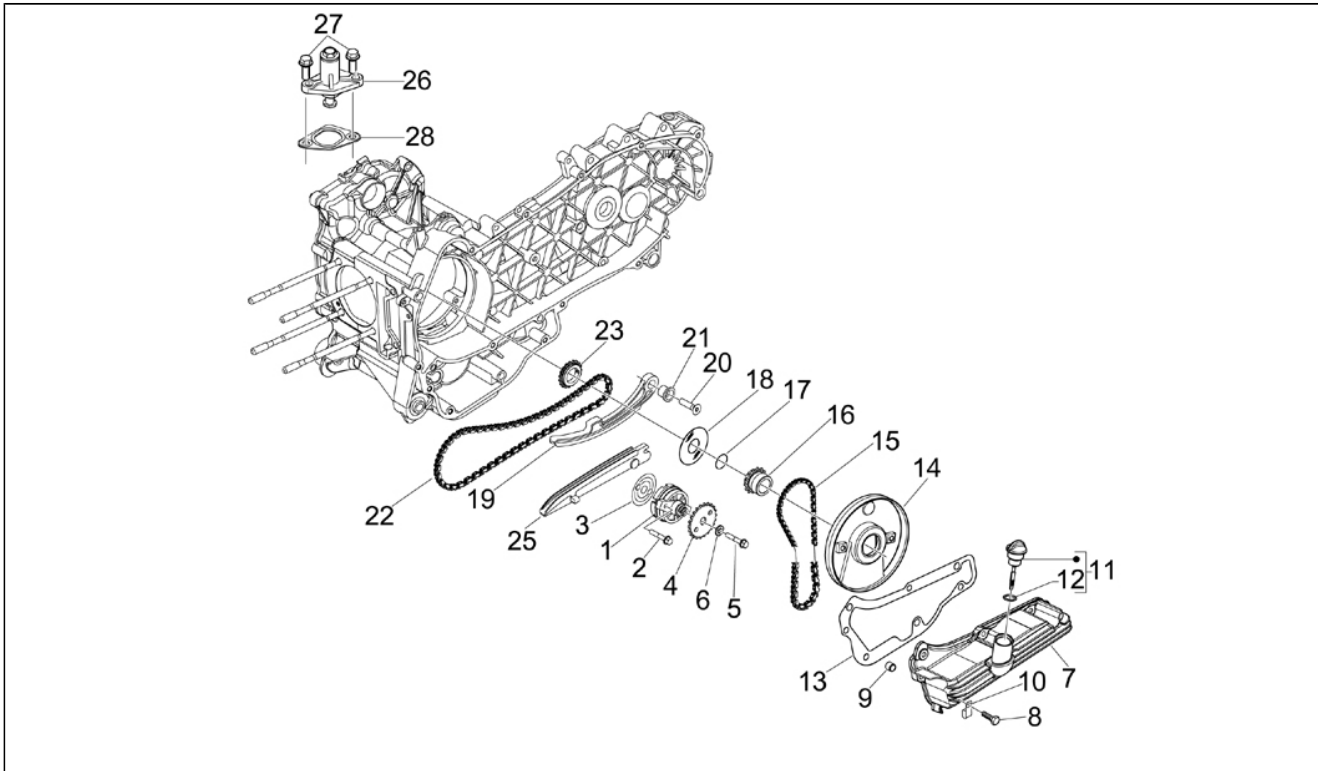
| Pos. | Code | Description | Q.ty | Variants |
|------|--------|-------------------------------|------|----------|
| 1 | 82881R | Secondary pulley | 1 | |
| 2 | 833669 | Sec. fixed sheave, complete | 1 | |
| 3 | 483226 | Snap ring | 1 | |
| 4 | 82518R | Roller cage 20x29x18 | 1 | |
| 5 | 82753R | Bearing 17x30x7 | 1 | |
| 6 | 828717 | Guide pin L=12,5 | 4 | |
| 7 | 841774 | Sec. sliding sheave, complete | 1 | |
| 8 | 431089 | Gasket ring | 2 | |
| 9 | 430585 | Gasket | 1 | |
| 10 | 834044 | O-ring | 1 | |
| 11 | 487936 | Scodellino lato frizione | 1 | |
| 12 | 833673 | Variator spring | 1 | |
| 13 | 833674 | Cup | 1 | |
| 15 | 482305 | Fan | 1 | |
| 16 | 433232 | Ring nut | 1 | |
| 17 | 844049 | Drum | 1 | |
| 18 | 274246 | Washer | 1 | |
| 19 | 486324 | Nut | 1 | |

| | |
|--------------------|-------------------------------------|
| Assembly | Engine |
| Code | 01.15 |
| Description | Crankcase cover - Crankcase cooling |
| Revision | 1 |



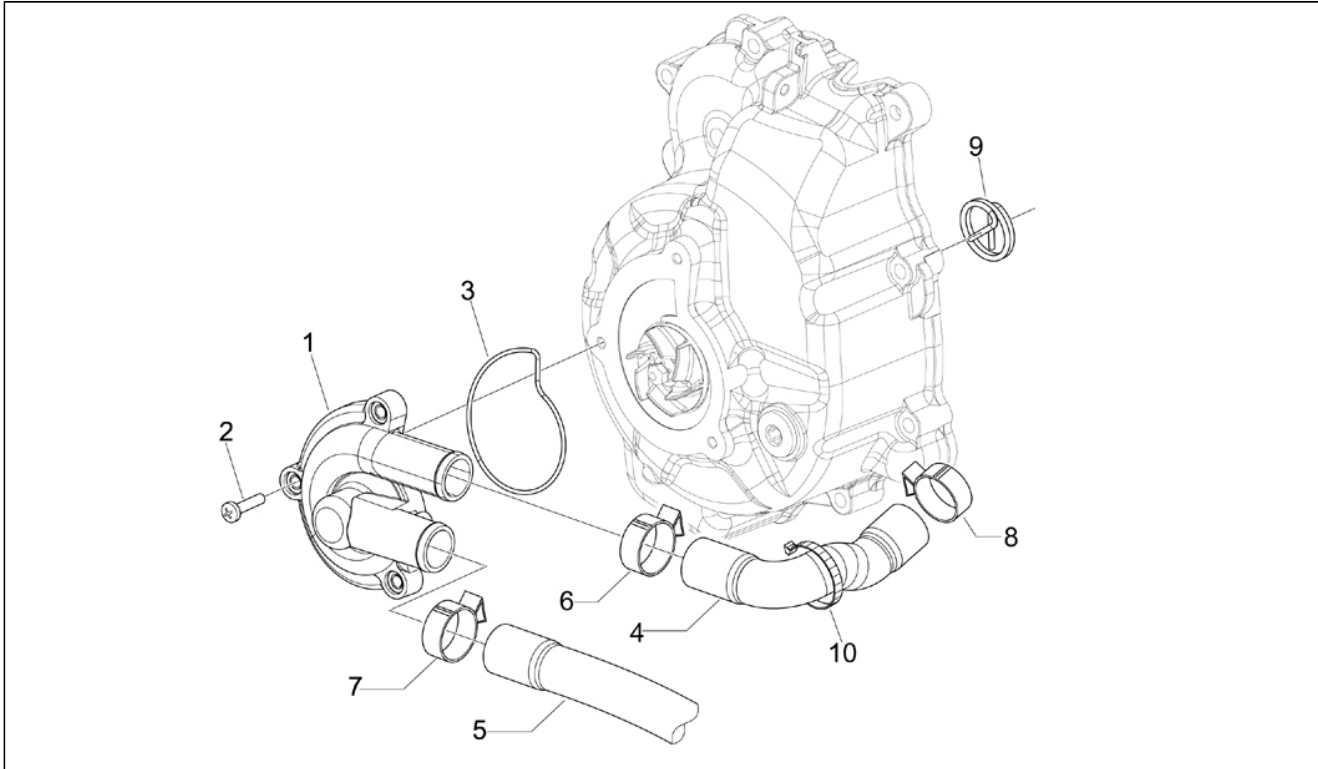
| Pos. | Code | Description | Q.ty | Variants |
|------|----------|------------------------|------|----------|
| 1 | 8714725 | Variator cover | 1 | |
| 2 | 006635 | Snap ring | 1 | |
| 3 | 478985 | Bearing | 1 | |
| 4 | 239388 | Pin 6,5x9,5x15 | 2 | |
| 5 | 289731 | Screw w/ flange M6x30 | 8 | |
| 6 | 844964 | Plate | 1 | |
| 7 | 842090 | Cover | 1 | |
| 8 | 258146 | Self-tap screw m3x20 | 2 | |
| 9 | 842093 | Filtering element | 1 | |
| 10 | 270793 | Screw | 3 | |
| 11 | 834266 | Air deflector | 1 | |
| 12 | 430264 | Screw m5x10 | 5 | |
| 13 | CM155106 | TRANSMISSION COVER CAP | 1 | |
| 14 | 871458 | Drift | 3 | |
| 15 | 289731 | Screw w/ flange M6x30 | 1 | |
| 16 | 872493 | Plate | 1 | |
| 17 | 597418 | Hose clamp | 1 | |
| 18 | 289731 | Screw w/ flange M6x30 | 1 | |

| | |
|--------------------|----------|
| Assembly | Engine |
| Code | 01.18 |
| Description | Oil pump |
| Revision | 1 |



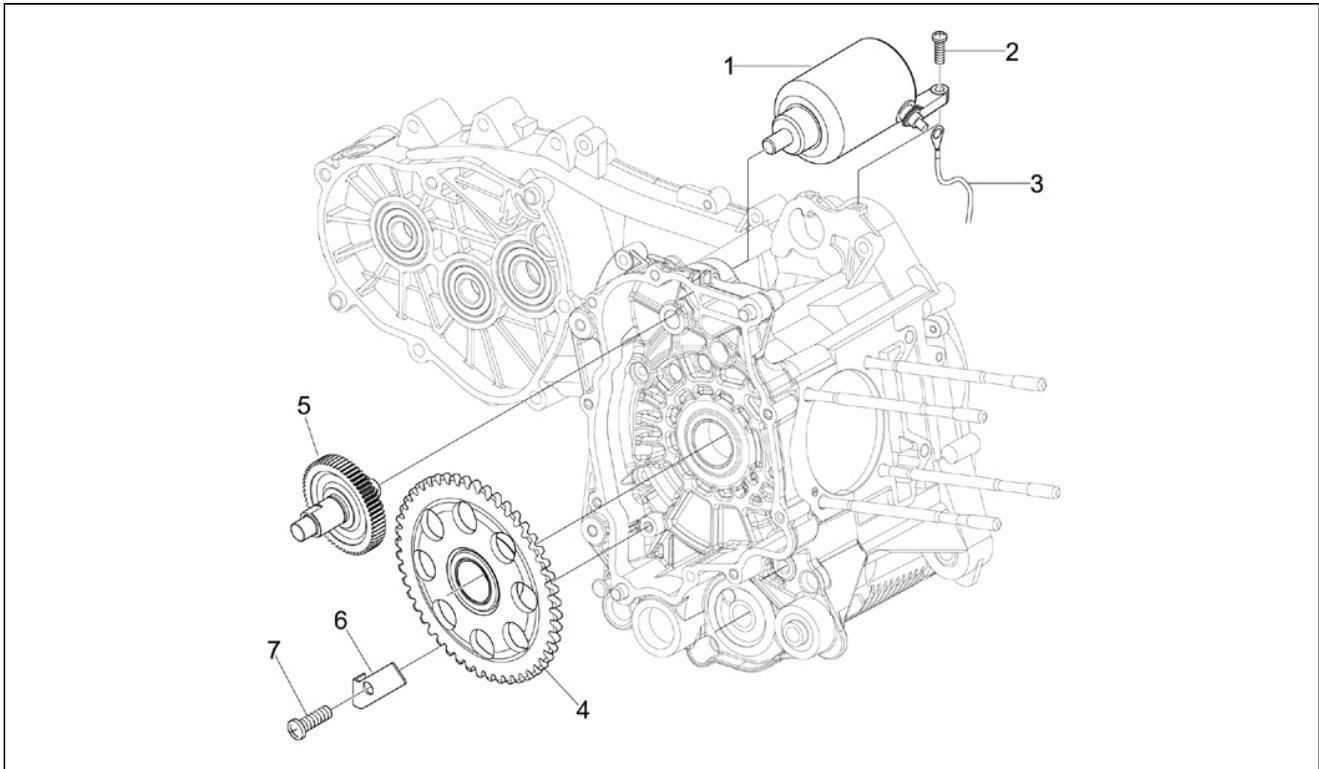
| Pos. | Code | Description | Q.ty | Variants |
|------|--------|--------------------------------|------|----------|
| 1 | 82877R | Oil pump assy. | 1 | |
| 1 | 844352 | Oil pump assy. | 1 | |
| 2 | 829593 | Screw w/ flange | 2 | |
| 3 | 847929 | Gasket | 1 | |
| 4 | 287913 | Oil pump gear | 1 | |
| 5 | 833722 | Screw w/ flange | 1 | |
| 6 | 436695 | Belleville spring | 1 | |
| 7 | 846096 | Motor oil cup | 1 | |
| 8 | 289731 | Screw w/ flange M6x30 | 7 | |
| 9 | 277916 | Locating dowel | 3 | |
| 10 | 564629 | Hose clamp | 2 | |
| 11 | 846819 | Oil filler plug | 1 | |
| 12 | 479986 | O-ring | 1 | |
| 13 | 846098 | Gasket | 1 | |
| 14 | 847116 | Timing system cover | 1 | |
| 15 | 82649R | Oil pump chain | 1 | |
| 16 | 82783R | Oil pump control pinion | 1 | |
| 17 | 825952 | Gasket ring | 1 | |
| 18 | 483918 | Oil seal washer | 1 | |
| 19 | 840344 | Chain tensioner rod | 1 | |
| 20 | 414837 | Screw w/ flange | 1 | |
| 21 | 485868 | Spacer | 1 | |
| 22 | 82723R | Camshaft chain | 1 | |
| 23 | 82782R | Timing system chain pinion cpl | 1 | |
| 25 | 847516 | Chain tensioner sliding block | 1 | |
| 26 | 82650R | Chain tensioner assy. | 1 | |
| 27 | 434541 | Screw w/ flange M6x16 | 2 | |
| 28 | 847928 | Gasket | 1 | |

| | |
|--------------------|-------------|
| Assembly | Engine |
| Code | 01.19 |
| Description | Cooler pump |
| Revision | 1 |



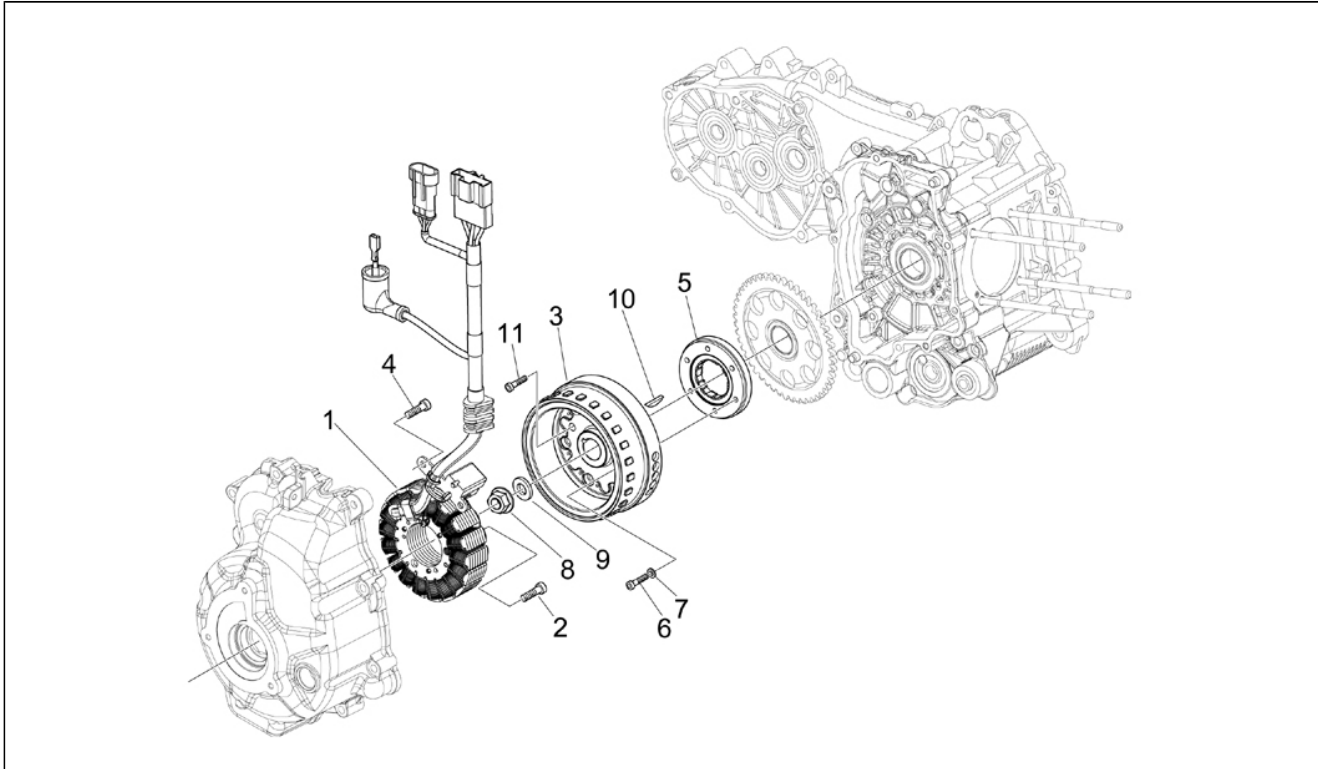
| Pos. | Code | Description | Q.ty | Variants |
|------|----------|--------------------|------|----------|
| 1 | 846734 | Water pump cover | 1 | |
| 2 | 828662 | Screw | 3 | |
| 3 | 485080 | O-ring | 1 | |
| 4 | 841130 | Pump-cylinder hose | 1 | |
| 5 | 847718 | By-pass pipe | 1 | |
| 6 | CM001922 | Hose clamp | 2 | |
| 7 | CM001904 | Hose clamp | 1 | |
| 8 | CM001904 | Hose clamp | 1 | |
| 9 | 842390 | Drive key | 1 | |
| 10 | 145298 | Fascetta a strappo | 1 | |

| | |
|--------------------|---------------------------|
| Assembly | Engine |
| Code | 01.20 |
| Description | Stater - Electric starter |
| Revision | 1 |



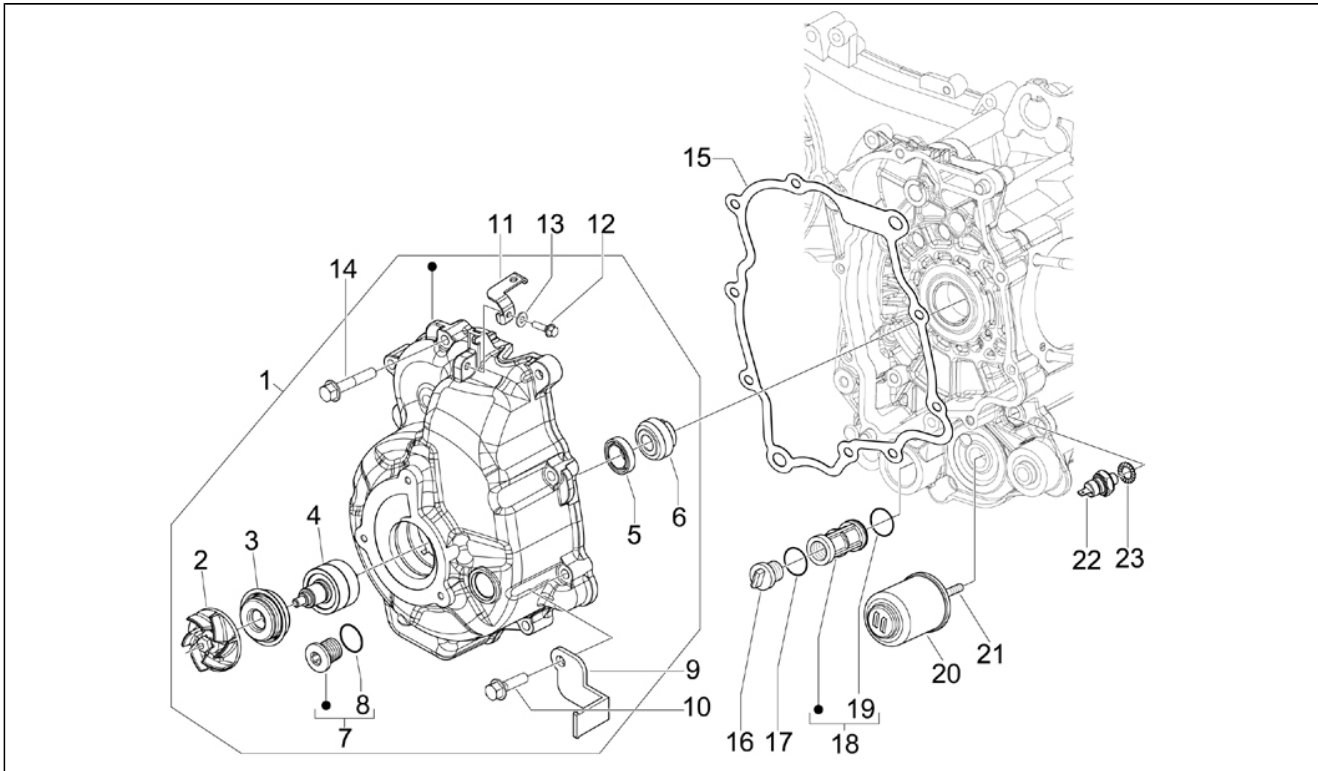
| Pos. | Code | Description | Q.ty | Variants |
|------|--------|---------------------------|------|----------|
| 1 | 58142R | Starter motor | 1 | |
| 2 | 414837 | Screw w/ flange | 2 | |
| 3 | 639028 | Relay-starter motor cable | 1 | |
| 4 | 82737R | Chain ring | 1 | |
| 5 | 842703 | Pinion, assy | 1 | |
| 6 | 848724 | Plate | 1 | |
| 7 | 008375 | Screw M6x14 | 1 | |

| | |
|--------------------|------------------|
| Assembly | Engine |
| Code | 01.21 |
| Description | Flywheel magneto |
| Revision | 1 |



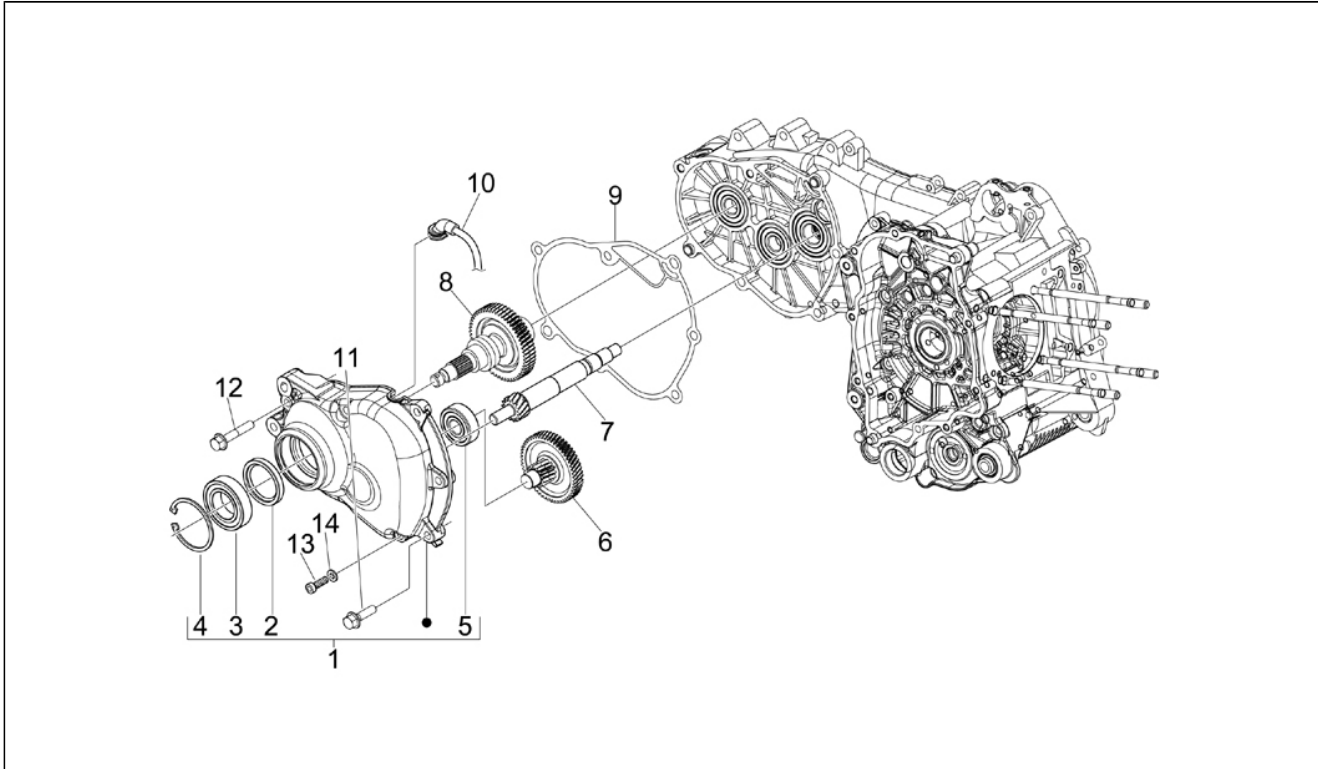
| Pos. | Code | Description | Q.ty | Variants |
|------|---------|-----------------------------|------|----------|
| 1 | 58070R | Stator cpl. | 1 | |
| 2 | 122637 | Low head socket screw M6x30 | 3 | |
| 3 | 58071R | Rotor cpl. | 1 | |
| 4 | 018575 | Screw | 2 | |
| 5 | 8477975 | Starter clutch assy. | 1 | |
| 6 | 847679 | Hex socket screw M6x24 | 6 | |
| 7 | 479515 | Break washer | 6 | |
| 8 | 842388 | Nut | 1 | |
| 9 | 842385 | Plain washer | 1 | |
| 10 | 000097 | Transmission key | 1 | |
| 11 | 018575 | Screw | 2 | |

| | |
|--------------------|-------------------------------------|
| Assembly | Engine |
| Code | 01.23 |
| Description | Flywheel magneto cover - Oil filter |
| Revision | 1 |



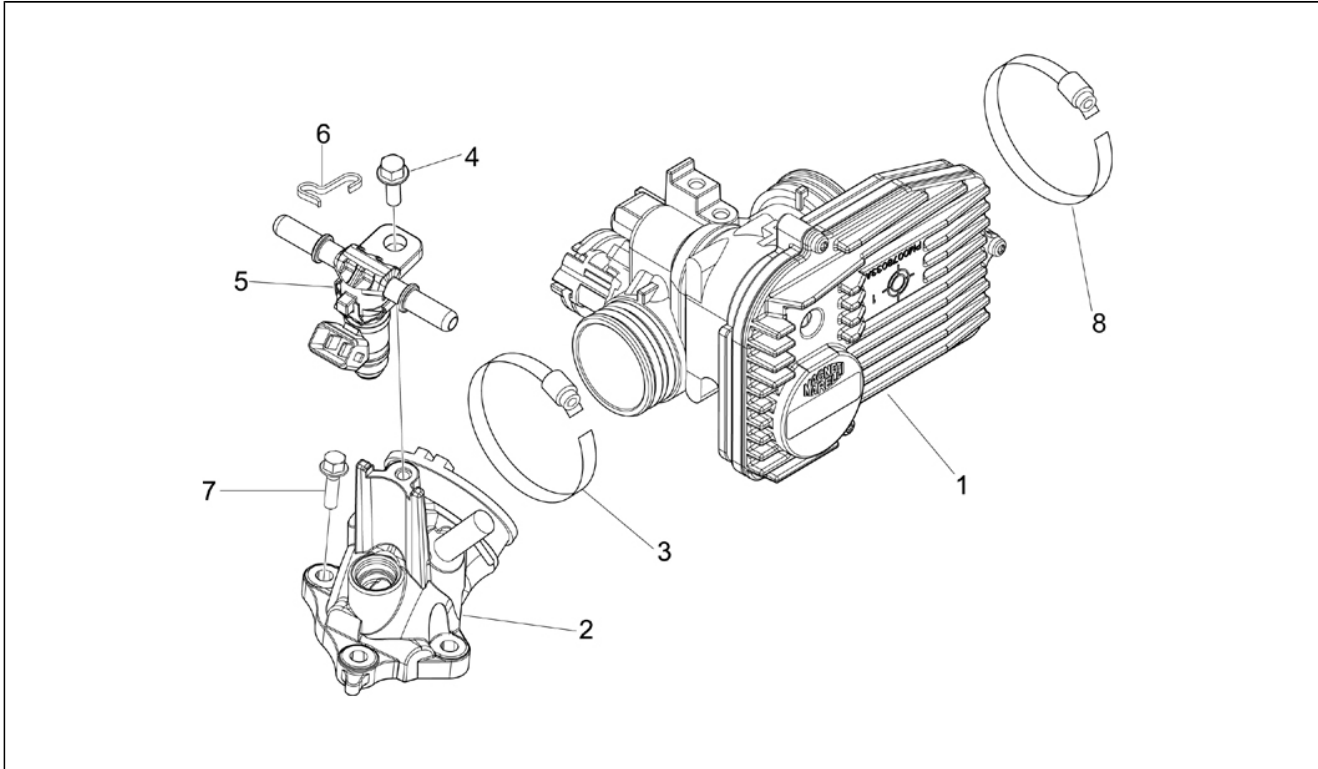
| Pos. | Code | Description | Q.ty | Variants |
|------|---------|-------------------------------------|------|----------|
| 1 | 8483785 | Flywheel cover cpl. | 1 | |
| 2 | 844730 | Fan | 1 | |
| 3 | 842595 | Gasket ring | 1 | |
| 4 | 8447595 | Water pump shaft assy. | 1 | |
| 5 | 82871R | Gasket ring | 1 | |
| 5 | 82897R | Gasket ring 20x30x5 | 1 | |
| 6 | 842389 | Pump impeller drive key | 1 | |
| 7 | 829040 | Timing plug assembly | 1 | |
| 8 | 479986 | O-ring | 1 | |
| 9 | 847716 | PLATE | 1 | |
| 10 | 844160 | Screw | 1 | |
| 11 | 847717 | Plate for brake transmission fixing | 1 | |
| 12 | 484123 | Screw w/ flange | 1 | |
| 13 | 012528 | Washer | 1 | |
| 14 | 414838 | Screw | 9 | |
| 15 | 840504 | Flywheel housing cover gasket | 1 | |
| 16 | 82823R | Oil filter plug | 1 | |
| 17 | 285536 | O-ring 31,47x1,78 | 1 | |
| 18 | 843568 | Intake oil filter | 1 | |
| 19 | 288474 | O-ring 20,35x1,78 | 1 | |
| 20 | 82635R | Oil filter | 1 | |
| 21 | 840507 | Vite speciale filtro olio | 1 | |
| 22 | 82580R | Sensore pressione olio | 1 | |
| 23 | 486075 | Washer 16X10.5X2.5 | 1 | |

| | |
|--------------------|----------------|
| Assembly | Engine |
| Code | 01.25 |
| Description | Reduction unit |
| Revision | 1 |



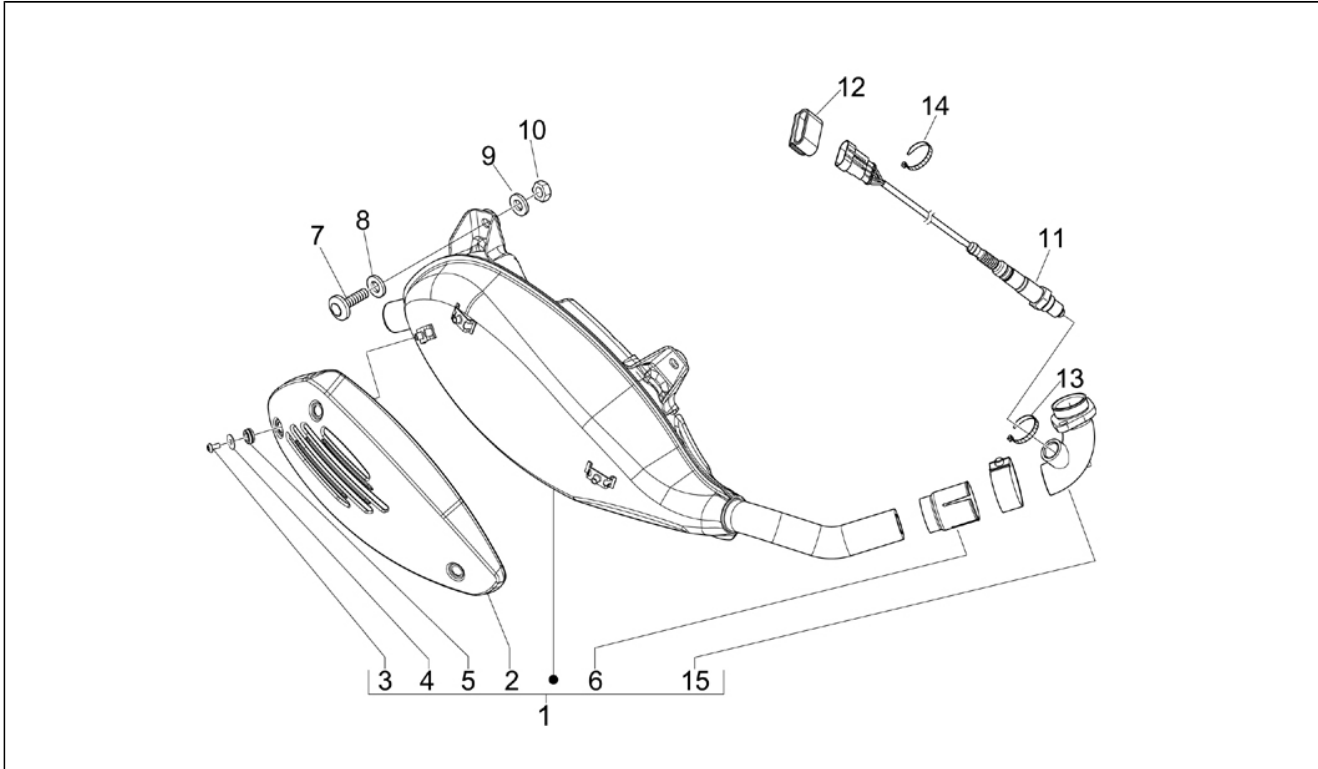
| Pos. | Code | Description | Q.ty | Variants |
|------|---------|------------------------|------|----------|
| 1 | 8481875 | Side cover | 1 | |
| 2 | 873351 | Oil seal 38x50x7 | 1 | |
| 3 | 82659R | Bearing d30x55x13 | 1 | |
| 4 | 829206 | Circlip | 1 | |
| 5 | 485912 | Ball bearing 42x15x13 | 1 | |
| 6 | 8410015 | Transmission shaft | 1 | |
| 7 | 830071 | Pulley shaft | 1 | |
| 8 | 8410035 | Rear wheel axis cpl. | 1 | |
| 9 | 847931 | Gasket | 1 | |
| 10 | 844669 | Breather pipe | 1 | |
| 11 | 825758 | Screw | 1 | |
| 11 | 873980 | Screw m8x40 | 1 | |
| 12 | 487211 | Hex screw M8x45 | 6 | |
| 13 | 269755 | Hex socket screw M8x12 | 1 | |
| 14 | 485703 | Washer | 1 | |

| | |
|--------------------|---------------------------------------|
| Assembly | Engine |
| Code | 01.36 |
| Description | Throttle body - Injector - Union pipe |
| Revision | 1 |



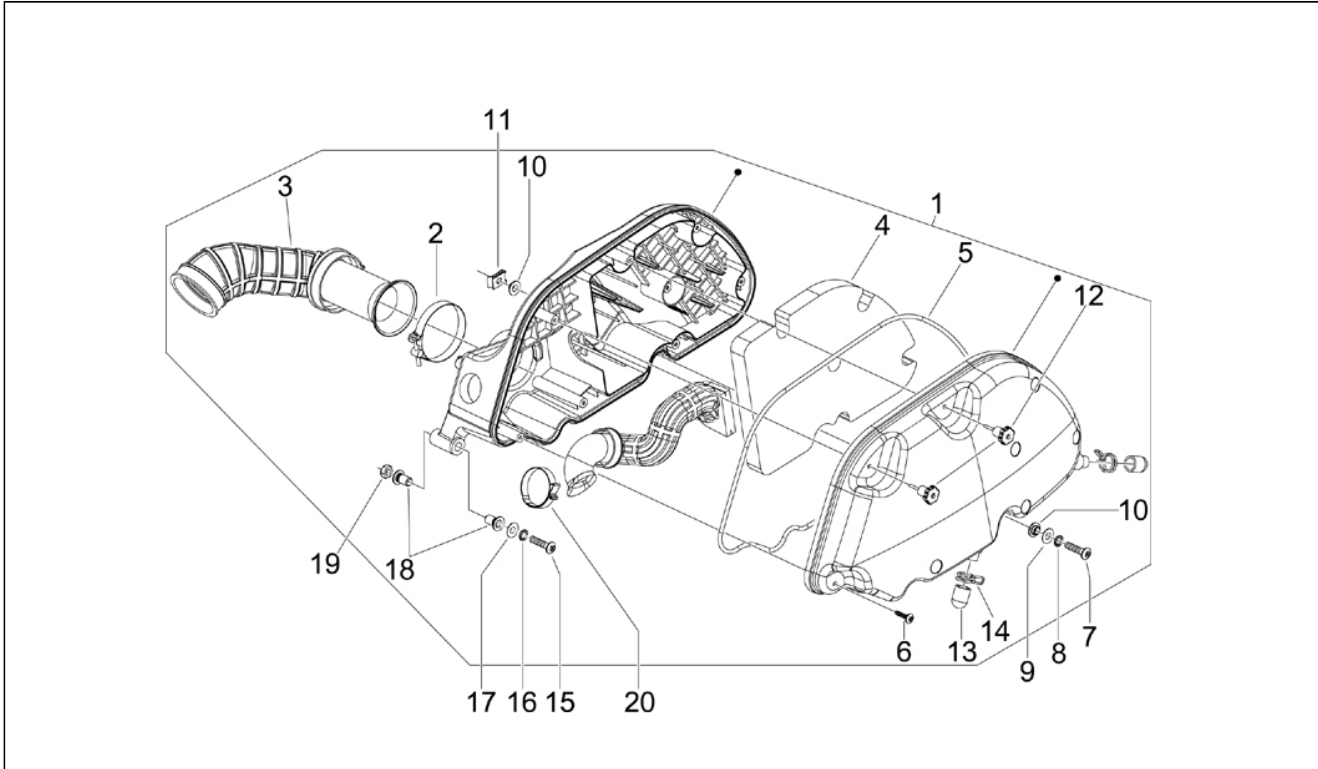
| Pos. | Code | Description | Q.ty | Variants |
|------|----------|---------------------------|------|----------|
| 1 | CM078201 | THROTTLE BODY WITH E.C.U. | 1 | |
| 2 | 849243 | UNION PIPE | 1 | |
| 3 | 260918 | Hose clamp | 1 | |
| 4 | 830061 | Screw w/ flange | 1 | |
| 5 | 638949 | FUEL INJECTOR ASSEMBLY | 1 | |
| 6 | 639180 | Spring | 1 | |
| 7 | 031091 | Screw | 3 | |
| 8 | 709532 | Hose clamp | 1 | |

| | |
|--------------------|----------|
| Assembly | Engine |
| Code | 01.42 |
| Description | Silencer |
| Revision | 1 |



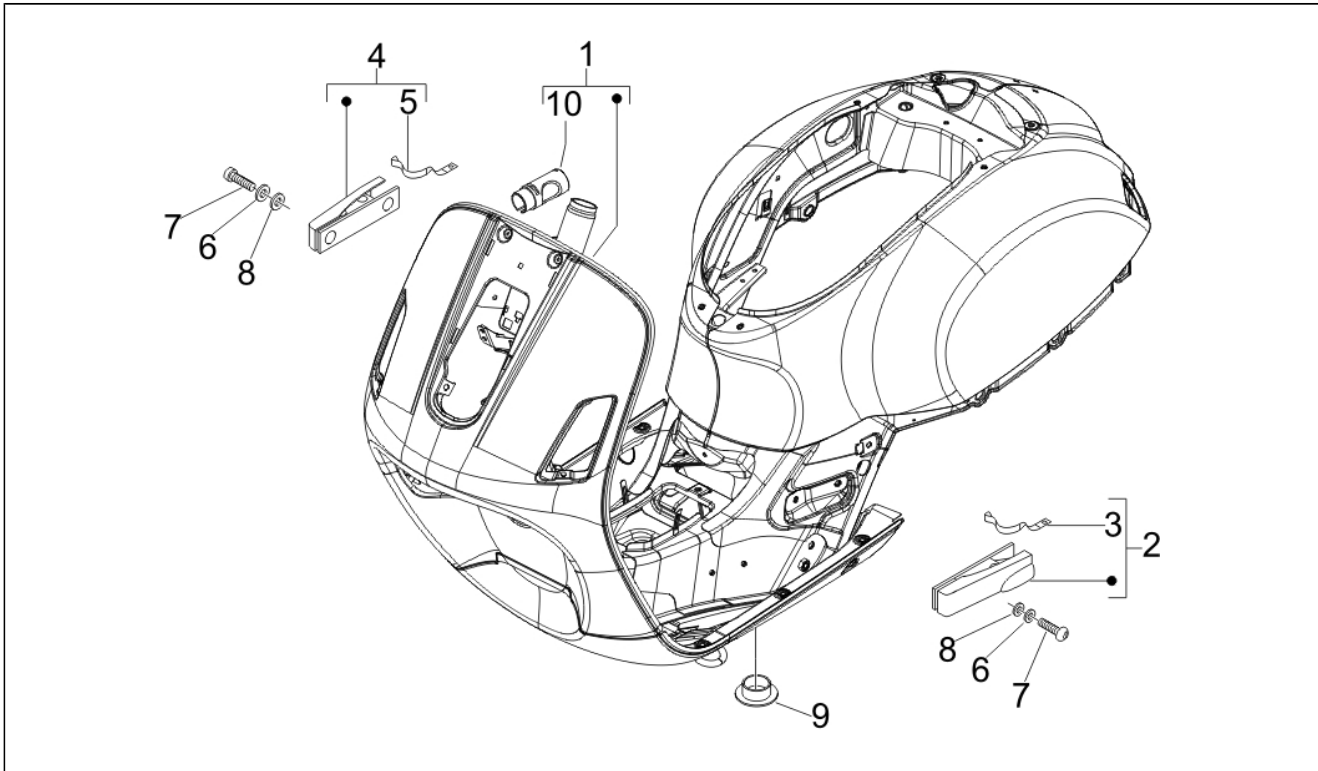
| Pos. | Code | Description | Q.ty | Variants |
|------|---------|----------------------------------|------|----------|
| 1 | 8482385 | SILINER ASSY | 1 | |
| 2 | 844864 | Protection | 1 | |
| 3 | 842908 | Screw w/ flange | 3 | |
| 4 | 844927 | Flat washer | 3 | |
| 5 | 841782 | Insulating washer | 3 | |
| 6 | 826388 | Boccola in graffite | 1 | |
| 7 | 599208 | Hex screw M8x30 | 3 | |
| 8 | 834187 | Spring washer | 3 | |
| 9 | 848452 | Flat washer | 3 | |
| 10 | 436947 | Nut 7M100 | 2 | |
| 11 | 584344 | Lamda sensor | 1 | |
| 12 | 847974 | Supporto connettore sonda lambda | 1 | |
| 13 | 825481 | Hose clamp | 1 | |
| 14 | 145298 | Fascetta a strappo | 1 | |
| 15 | 842683 | Exhaust manifold | 1 | |

| | |
|--------------------|------------|
| Assembly | Engine |
| Code | 01.45 |
| Description | Air filter |
| Revision | 1 |



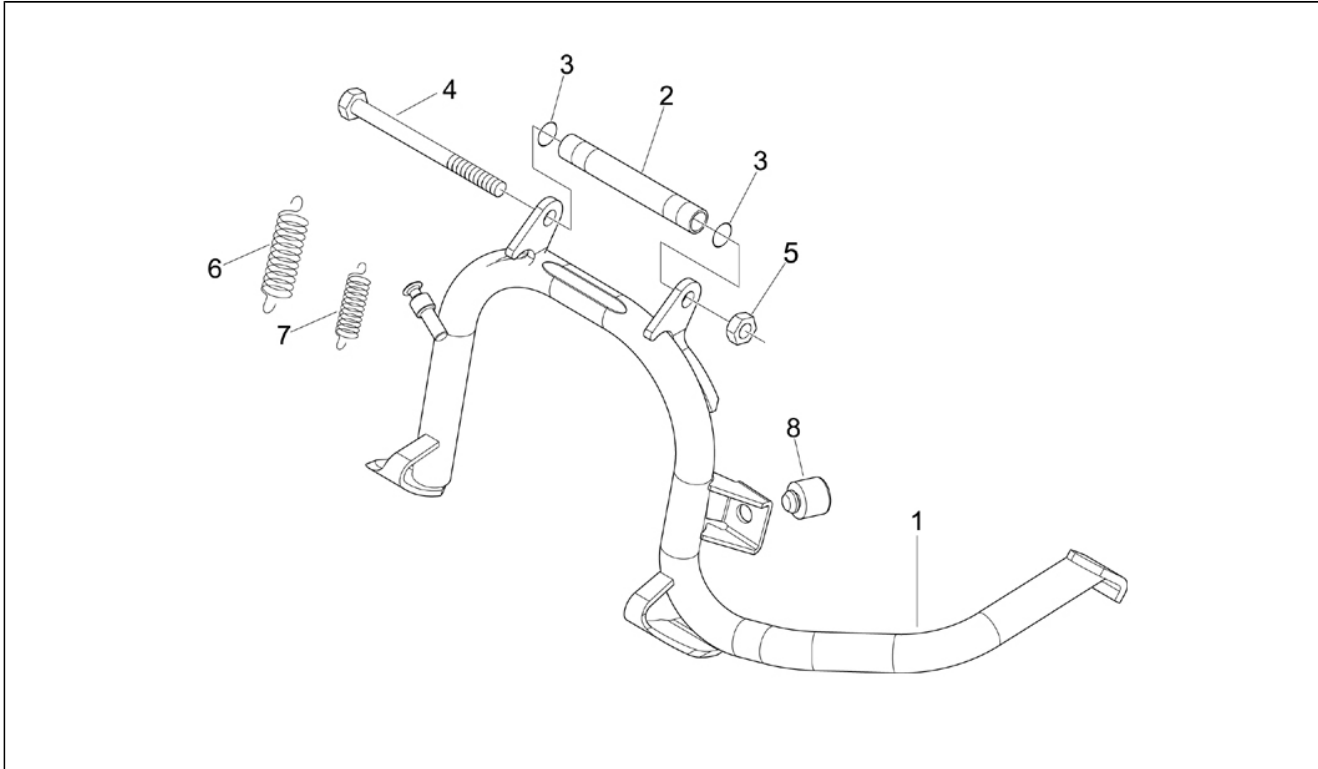
| Pos. | Code | Description | Q.ty | Variants |
|------|----------|-------------------------|------|----------|
| 1 | 847266 | Air.cl.case | 1 | |
| 2 | 260918 | Hose clamp | 1 | |
| 3 | 844758 | Manifold cleaner sleeve | 1 | |
| 4 | 831997 | Air filter | 1 | |
| 5 | 831995 | Packing | 1 | |
| 6 | 258146 | Self-tap screw m3x20 | 6 | |
| 7 | 018640 | Screw | 2 | |
| 8 | 012533 | Notched washer 6,6x11x0 | 2 | |
| 9 | 003056 | Washer 6,4x12x1 | 2 | |
| 10 | 830056 | Bush | 4 | |
| 11 | 254485 | Spring plate M6 | 2 | |
| 12 | 479132 | Knob | 2 | |
| 13 | 827831 | Cap | 2 | |
| 14 | CM002920 | Hose clamp | 2 | |
| 15 | 259166 | Screw | 1 | |
| 16 | 012533 | Notched washer 6,6x11x0 | 1 | |
| 17 | 003056 | Washer 6,4x12x1 | 1 | |
| 18 | 830057 | Bush | 2 | |
| 19 | 241936 | Nut | 1 | |

| | |
|--------------------|-----------------------------------|
| Assembly | Frame - Plastic parts - Coachwork |
| Code | 02.01 |
| Description | Frame/bodywork |
| Revision | 1 |



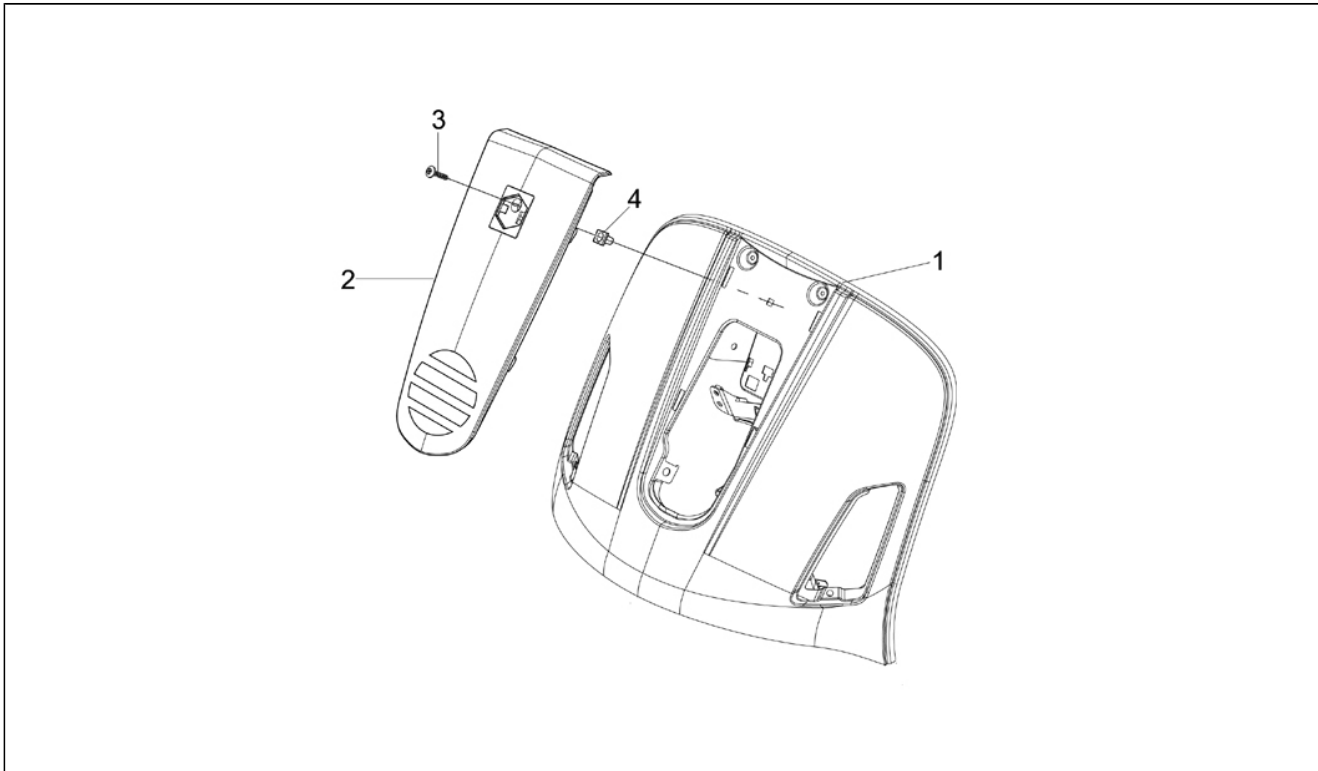
| Pos. | Code | Description | Q.ty | Variants |
|------|------------|---------------------------|------|-------------------------|
| 1 | 62291400VG | SHELL WITH I.P. | 1 | Color:Green[305/A] |
| 1 | 62291401 | FRAME VESPA GTS UNPAINTED | 1 | |
| 1 | 62291450EP | FRAME | 1 | Color:Avio Grey[780/A] |
| 1 | 62291450M4 | FRAME | 1 | Color:Crayon Ivory[552] |
| 2 | CM017201 | Footrest | 1 | |
| 3 | 620395 | Spring | 1 | |
| 4 | CM017202 | Footrest | 1 | |
| 5 | 620395 | Spring | 1 | |
| 6 | 483164 | Flat washer | 2 | |
| 7 | 975855 | Screw | 4 | |
| 8 | 709047 | Washer | 4 | |
| 9 | 299557 | Plug | 2 | |
| 10 | 298604 | Lock support | 1 | |

| | |
|--------------------|-----------------------------------|
| Assembly | Frame - Plastic parts - Coachwork |
| Code | 02.25 |
| Description | Stand/s |
| Revision | 1 |



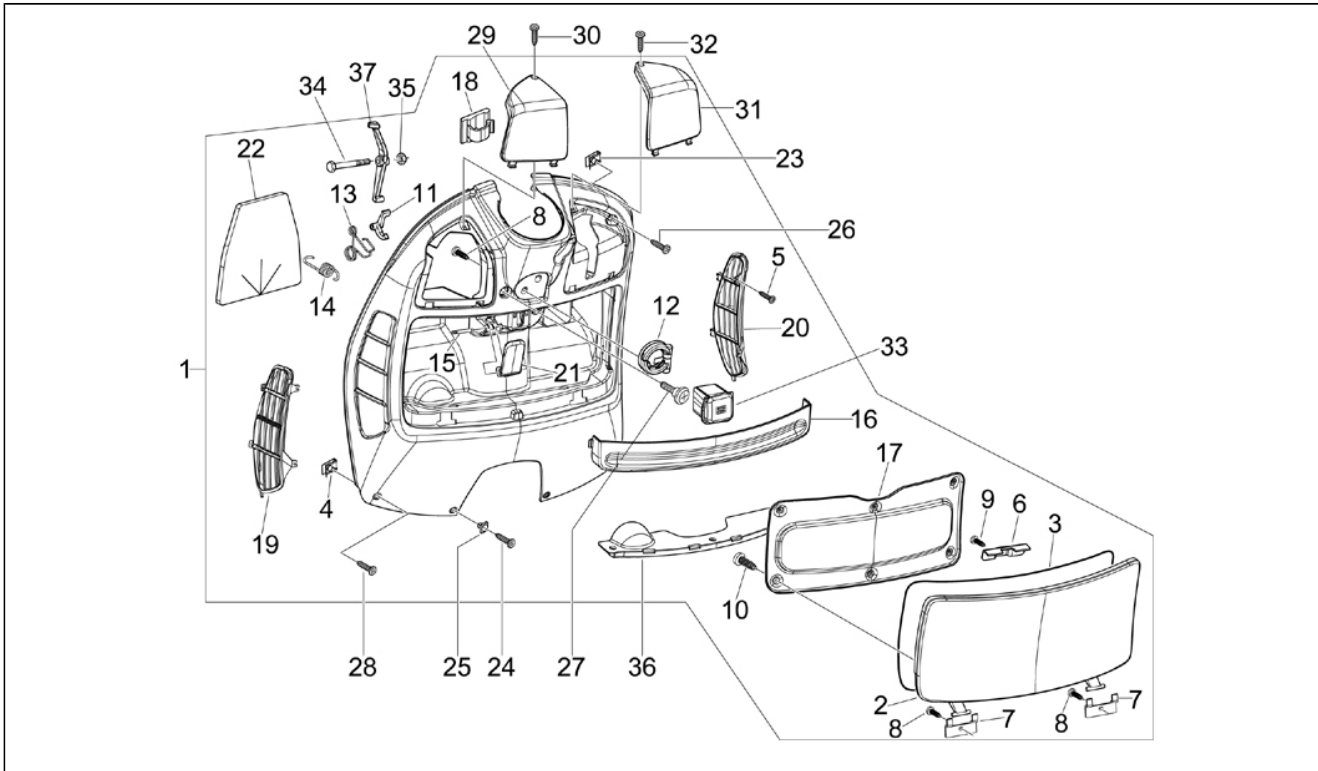
| Pos. | Code | Description | Q.ty | Variants |
|------|--------|-------------------------------|------|----------|
| 1 | 56440R | Central stand | 1 | |
| 1 | 601978 | VEHICLE CENTER STAND | 1 | |
| 2 | 582298 | Spacer | 1 | |
| 3 | 273754 | O-ring | 2 | |
| 4 | 030115 | Screw | 1 | |
| 5 | 002440 | Self-locking nut | 1 | |
| 5 | 232108 | Nut | 1 | |
| 6 | 582851 | Lateral stand spring | 1 | |
| 7 | 582850 | Internal lateral stand spring | 1 | |
| 8 | 272426 | Drift | 1 | |

| | |
|--------------------|-----------------------------------|
| Assembly | Frame - Plastic parts - Coachwork |
| Code | 02.26 |
| Description | Front shield |
| Revision | 1 |



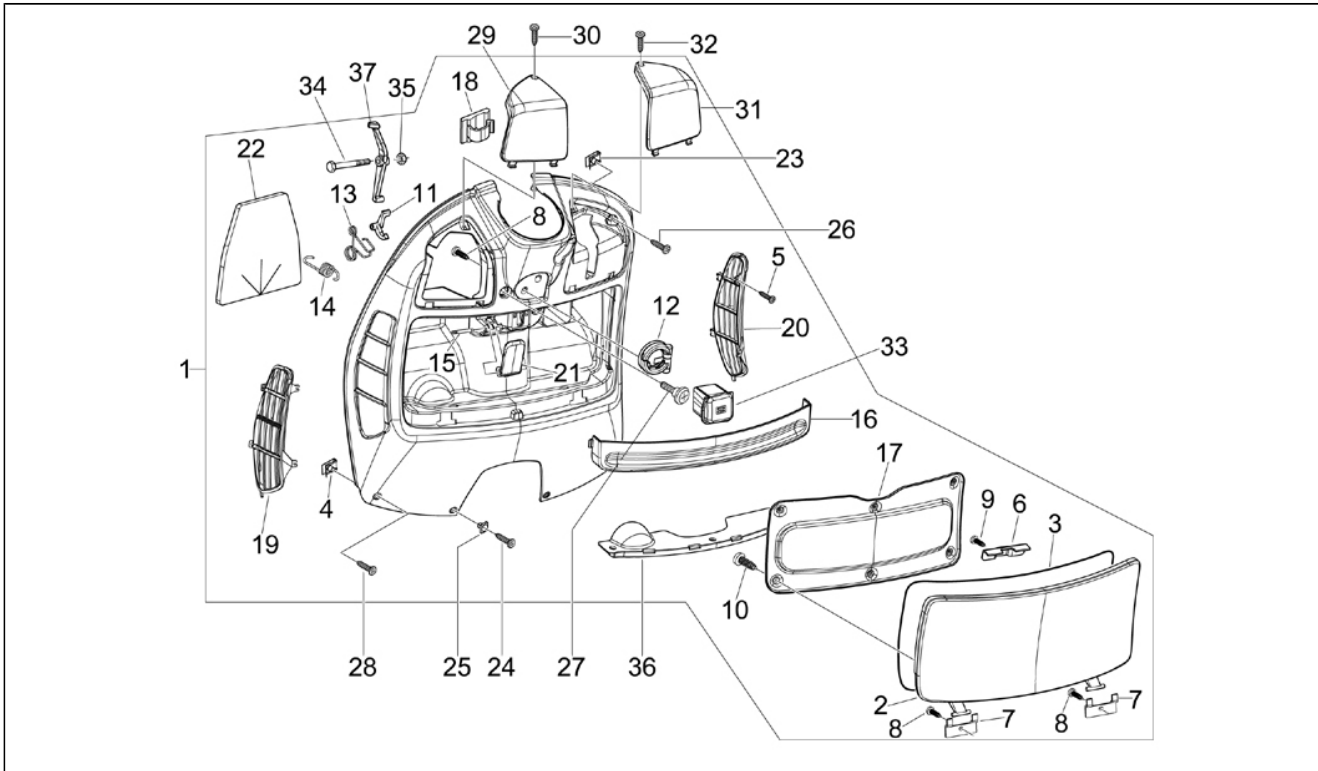
| Pos. | Code | Description | Q.ty | Variants |
|------|------------|--------------------|------|-------------------------|
| 1 | 5771695 | Front shield | 1 | |
| 2 | 6211434 | Steering cover | 1 | |
| 2 | 62114340M4 | COVERING STEEARING | 1 | Color:Crayon Ivory[552] |
| 2 | 62114350EP | HORN COVER | 1 | Color:Avio Grey[780/A] |
| 2 | 62114350VG | HANDLEBARS COVER | 1 | Color:Green[305/A] |
| 3 | 267958 | Self tapping screw | 1 | |
| 4 | 199190 | Slide piece | 1 | |

| | |
|--------------------|------------------------------------|
| Assembly | Frame - Plastic parts - Coachwork |
| Code | 02.30 |
| Description | Front glove-box - Knee-guard panel |
| Revision | 1 |



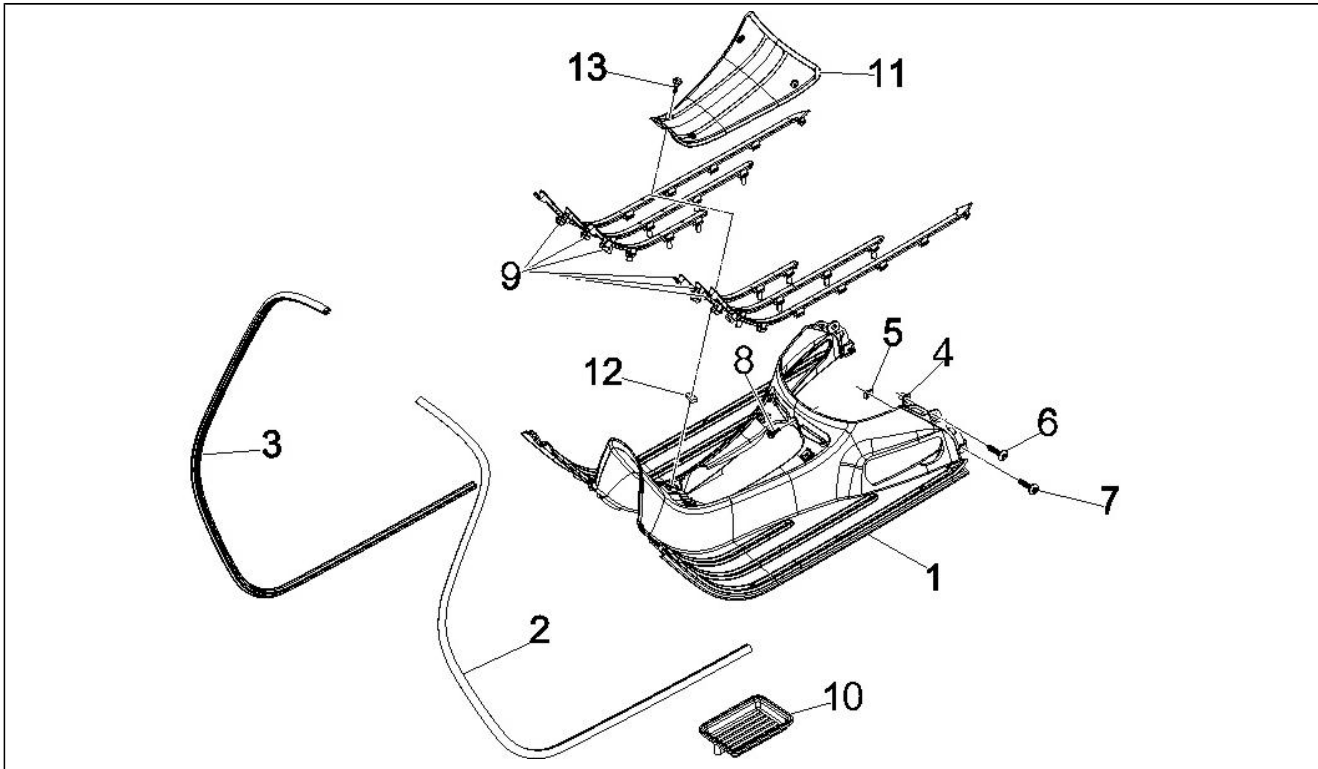
| Pos. | Code | Description | Q.ty | Variants |
|------|------------|------------------------------|------|-------------------------|
| 1 | 652812 | COMPLETE FRONT GLOVE COMPART | 1 | |
| 1 | 65281200EP | GLOVEBOX | 1 | Color:Avio Grey[780/A] |
| 1 | 65281200M4 | GLOVEBOX COMPARTMENT | 1 | Color:Crayon Ivory[552] |
| 1 | 65281200VG | GLOVEBOX COMPARTMENT | 1 | Color:Green[305/A] |
| 2 | 577175 | Top case door | 1 | |
| 2 | 57717500EP | GLOVE BOX DOOR | 1 | Color:Avio Grey[780/A] |
| 2 | 57717500M4 | GLOVE BOX FLAP | 1 | Color:Crayon Ivory[552] |
| 2 | 57717500VG | GLOVE BOX FLAP | 1 | Color:Green[305/A] |
| 3 | CM006307 | Gasket | 1 | |
| 4 | CM017410 | Spring plate | 4 | |
| 5 | 268596 | Screw | 8 | |
| 6 | 252420 | Plate | 1 | |
| 7 | 257614 | Square | 2 | |
| 8 | 259349 | Screw d4,2x13 | 4 | |
| 9 | 268596 | Screw | 2 | |
| 10 | 296141 | Self tapping screw | 6 | |
| 11 | 575607 | Hook | 1 | |
| 12 | 575819 | Bag holder hook | 1 | |
| 13 | 577005 | Spring | 1 | |
| 14 | 577399 | Spring | 1 | |
| 15 | 577400 | Pin | 1 | |
| 16 | 577447 | Rim | 1 | |
| 17 | 577468 | Counter flap | 1 | |
| 18 | 577594 | Spring clamp | 2 | |
| 19 | 577856 | Net panel (l) | 1 | |
| 20 | 577857 | Net panel (r) | 1 | |
| 21 | 577861 | Lever | 1 | |
| 22 | 620693 | Sound proof panel | 2 | |

| | |
|--------------------|------------------------------------|
| Assembly | Frame - Plastic parts - Coachwork |
| Code | 02.30 |
| Description | Front glove-box - Knee-guard panel |
| Revision | 1 |



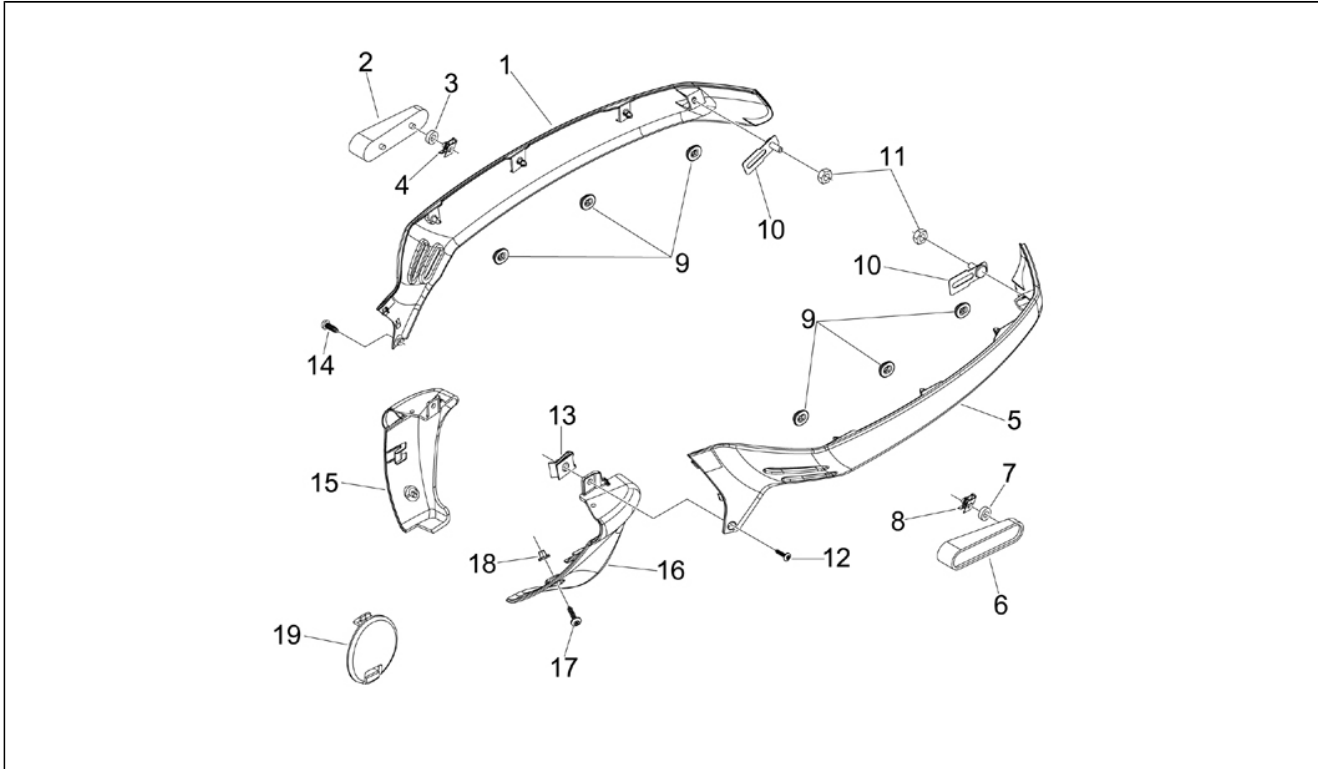
| Pos. | Code | Description | Q.ty | Variants |
|------|------------|--------------------------|------|--|
| 23 | CM017408 | Plate | 4 | |
| 24 | 014754 | Self tapping screw | 2 | |
| 25 | 199190 | Slide piece | 2 | |
| 26 | 258249 | Screw 4,2x19 | 4 | |
| 27 | 575249 | Screw | 1 | |
| 28 | 576189 | Screw d4,2x16 | 2 | |
| 29 | 577395 | Portello sx | 1 | |
| 29 | 577395000C | Portello sx | 1 | Color: Avio Grey[780/A] Color: Green[305/A] Color: Crayon Ivory[552] |
| 30 | 259372 | Screw | 1 | |
| 31 | 577396000C | Portello dx | 1 | Color: Avio Grey[780/A] Color: Green[305/A] Color: Crayon Ivory[552] |
| 32 | 259372 | Screw | 1 | |
| 33 | 620452 | Plug | 1 | |
| 34 | 299972 | Special screw | 1 | |
| 35 | 577620 | Self locking nut | 1 | |
| 36 | 623776 | paratia interna bauletto | 1 | |
| 37 | 577453 | Lock lever | 1 | |

| | |
|--------------------|-----------------------------------|
| Assembly | Frame - Plastic parts - Coachwork |
| Code | 02.31 |
| Description | Central cover - Footrests |
| Revision | 1 |



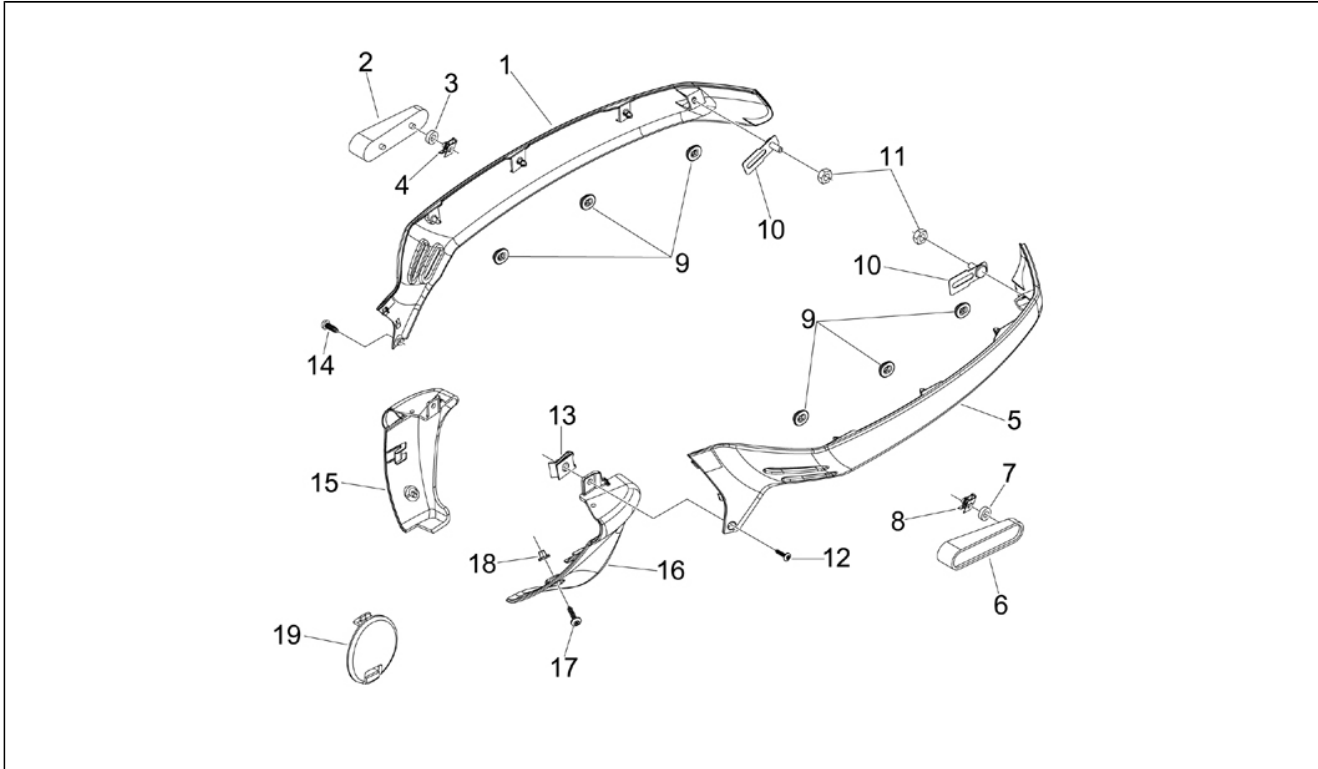
| Pos. | Code | Description | Q.ty | Variants |
|------|------------|-----------------------|------|-------------------------|
| 1 | 653230 | Footrest | 1 | |
| 1 | 65323000EP | Footrest | 1 | Color:Avio Grey[780/A] |
| 1 | 65323000M4 | FOOTREST | 1 | Color:Crayon Ivory[552] |
| 1 | 65323000VG | FOOTREST | 1 | Color:Green[305/A] |
| 2 | 577180 | Windshield beading | 1 | |
| 3 | 577181 | Windshield beading | 1 | |
| 4 | 199190 | Slide piece | 6 | |
| 5 | 254485 | Spring plate M6 | 2 | |
| 6 | 258249 | Screw 4,2x19 | 6 | |
| 7 | 259830 | Screw m6x22 | 2 | |
| 8 | 575249 | Screw | 1 | |
| 9 | 577437 | Kit strips, footboard | 1 | |
| 10 | 639853 | Battery float chamber | 1 | |
| 11 | 577182 | Plug | 1 | |
| 12 | CM017410 | Spring plate | 4 | |
| 13 | 576189 | Screw d4,2x16 | 4 | |

| | |
|--------------------|-----------------------------------|
| Assembly | Frame - Plastic parts - Coachwork |
| Code | 02.32 |
| Description | Side cover - Spoiler |
| Revision | 1 |



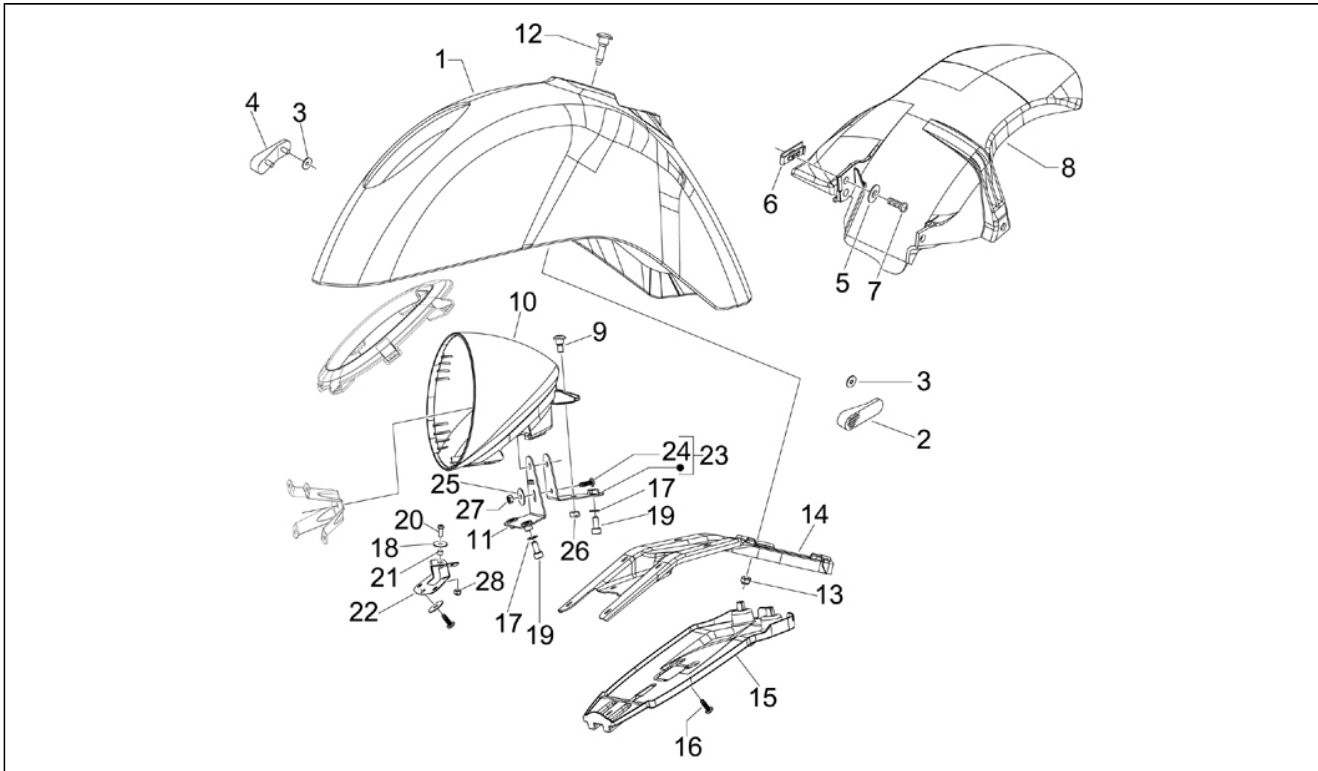
| Pos. | Code | Description | Q.ty | Variants |
|------|------------|---------------------------------|------|-------------------------|
| 1 | 621138 | RH cover | 1 | |
| 1 | 62113800EP | RH SIDE COVER | 1 | Color:Avio Grey[780/A] |
| 1 | 62113800M4 | SIDE FAIRING/RH | 1 | Color:Crayon Ivory[552] |
| 1 | 62113800VG | SIDE FAIRING/RH | 1 | Color:Green[305/A] |
| 2 | 584925 | Reflector | 1 | |
| 3 | 584995 | Gasket | 2 | |
| 4 | 181351 | Plate | 2 | |
| 5 | 621137 | LH cover | 1 | |
| 5 | 62113700EP | SIDE FAIRING/LH | 1 | Color:Avio Grey[780/A] |
| 5 | 62113700M4 | LH SIDE COVER PAINTED | 1 | Color:Crayon Ivory[552] |
| 5 | 62113700VG | LH SIDE COVER PAINTED | 1 | Color:Green[305/A] |
| 6 | 584926 | Reflector | 1 | |
| 7 | 584995 | Gasket | 2 | |
| 8 | 181351 | Plate | 2 | |
| 9 | 463195 | Elastic drift | 6 | |
| 10 | 623575 | Fairing fixing plate | 2 | |
| 11 | 241936 | Nut | 2 | |
| 12 | 574646 | SCREW | 1 | |
| 13 | CM017410 | Spring plate | 1 | |
| 14 | 267958 | Self tapping screw | 1 | |
| 15 | 577474 | RH terminal | 1 | |
| 15 | 57747400EP | FRONT EL.FOR RH SIDE FAIRING | 1 | Color:Avio Grey[780/A] |
| 15 | 57747400M4 | RH TERMINAL FOR SPOILER PAINTED | 1 | Color:Crayon Ivory[552] |
| 15 | 57747400VG | RH TERMINAL FOR SPOILER PAINTED | 1 | Color:Green[305/A] |
| 16 | 577473 | LH terminal | 1 | |
| 16 | 57747300EP | FRONT EL.FOR LH SIDE FAIRING | 1 | Color:Avio Grey[780/A] |
| 16 | 57747300M4 | LH TERMINAL FOR SPOILER PAINTED | 1 | Color:Crayon Ivory[552] |
| 16 | 57747300VG | LH TERMINAL FOR SPOILER PAINTED | 1 | Color:Green[305/A] |

| | |
|--------------------|-----------------------------------|
| Assembly | Frame - Plastic parts - Coachwork |
| Code | 02.32 |
| Description | Side cover - Spoiler |
| Revision | 1 |



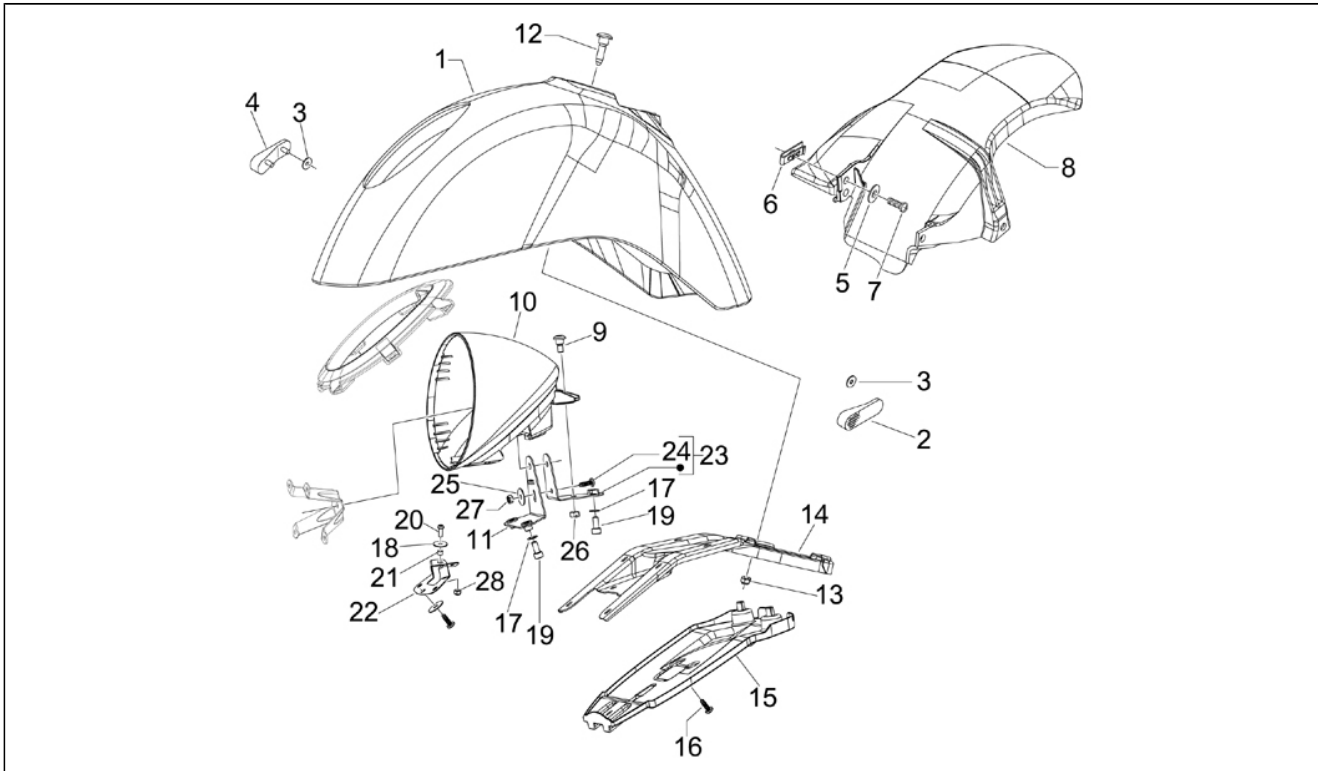
| Pos. | Code | Description | Q.ty | Variants |
|------|------------|---------------|------|---|
| 17 | 576189 | Screw d4,2x16 | 2 | |
| 18 | 199190 | Slide piece | 2 | |
| 19 | 577405000C | Tappo spoiler | 2 | Color: Avio Grey[780/A] Color: Green[305/A] Color: Crayon Ivory[552] |

| | |
|--------------------|-----------------------------------|
| Assembly | Frame - Plastic parts - Coachwork |
| Code | 02.33 |
| Description | Wheel huosing - Mudguard |
| Revision | 1 |



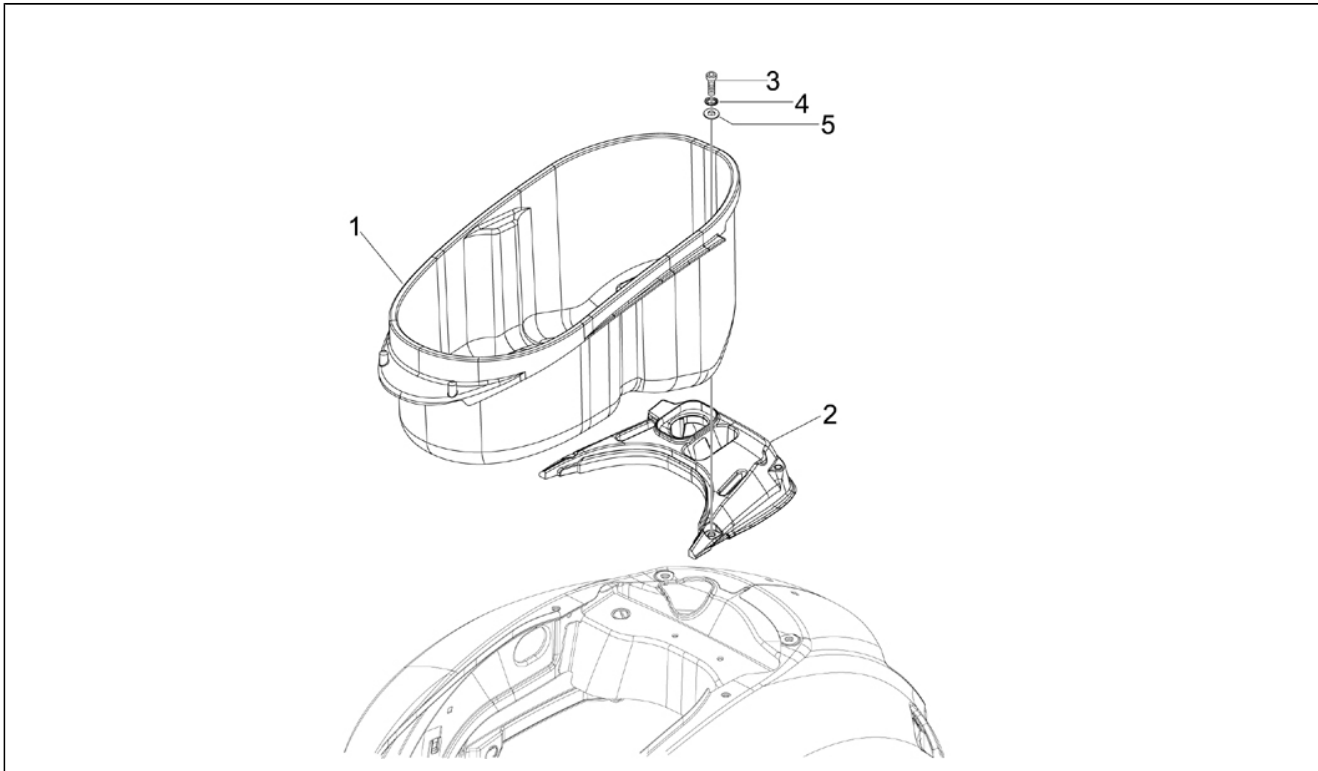
| Pos. | Code | Description | Q.ty | Variants |
|------|------------|--------------------------|------|-------------------------|
| 1 | 647891 | Front mudguard | 1 | |
| 1 | 64789100EP | FF MUDGUARD | 1 | Color:Avio Grey[780/A] |
| 1 | 64789100M4 | FF MUDGUARD | 1 | Color:Crayon Ivory[552] |
| 1 | 64789100VG | FF MUDGUARD | 1 | Color:Green[305/A] |
| 2 | 584083 | Reflector | 1 | |
| 3 | 181351 | Plate | 4 | |
| 4 | 584084 | Reflector | 1 | |
| 5 | 006966 | Spring washer 6,4x11x0,5 | 1 | |
| 6 | 254485 | Spring plate M6 | 1 | |
| 7 | 289731 | Screw w/ flange M6x30 | 1 | |
| 8 | 621145 | Front mudguard | 1 | |
| 9 | 259348 | Screw | 1 | |
| 10 | 647846 | Copertura proiettore | 1 | |
| 10 | 64784600EP | Copertura proiettore | 1 | Color:Avio Grey[780/A] |
| 10 | 64784600M4 | Copertura proiettore | 1 | Color:Crayon Ivory[552] |
| 10 | 64784600VG | Copertura proiettore | 1 | Color:Green[305/A] |
| 11 | 647886 | Staffa con pi | 1 | |
| 12 | 575249 | Screw | 3 | |
| 13 | 241936 | Nut | 3 | |
| 14 | 647892 | Headlight support clamp | 1 | |
| 15 | 647893 | Front splash guard | 1 | |
| 16 | 576189 | Screw d4,2x16 | 2 | |
| 17 | 006976 | Spring washer | 3 | |
| 18 | 013963 | Washer | 2 | |
| 19 | 239687 | Screw | 3 | |
| 20 | 581957 | Screw | 2 | |
| 21 | 648059 | Spacer | 2 | |
| 22 | 648060 | Staffa ancoraggio | 1 | |

| | |
|--------------------|-----------------------------------|
| Assembly | Frame - Plastic parts - Coachwork |
| Code | 02.33 |
| Description | Wheel huosing - Mudguard |
| Revision | 1 |



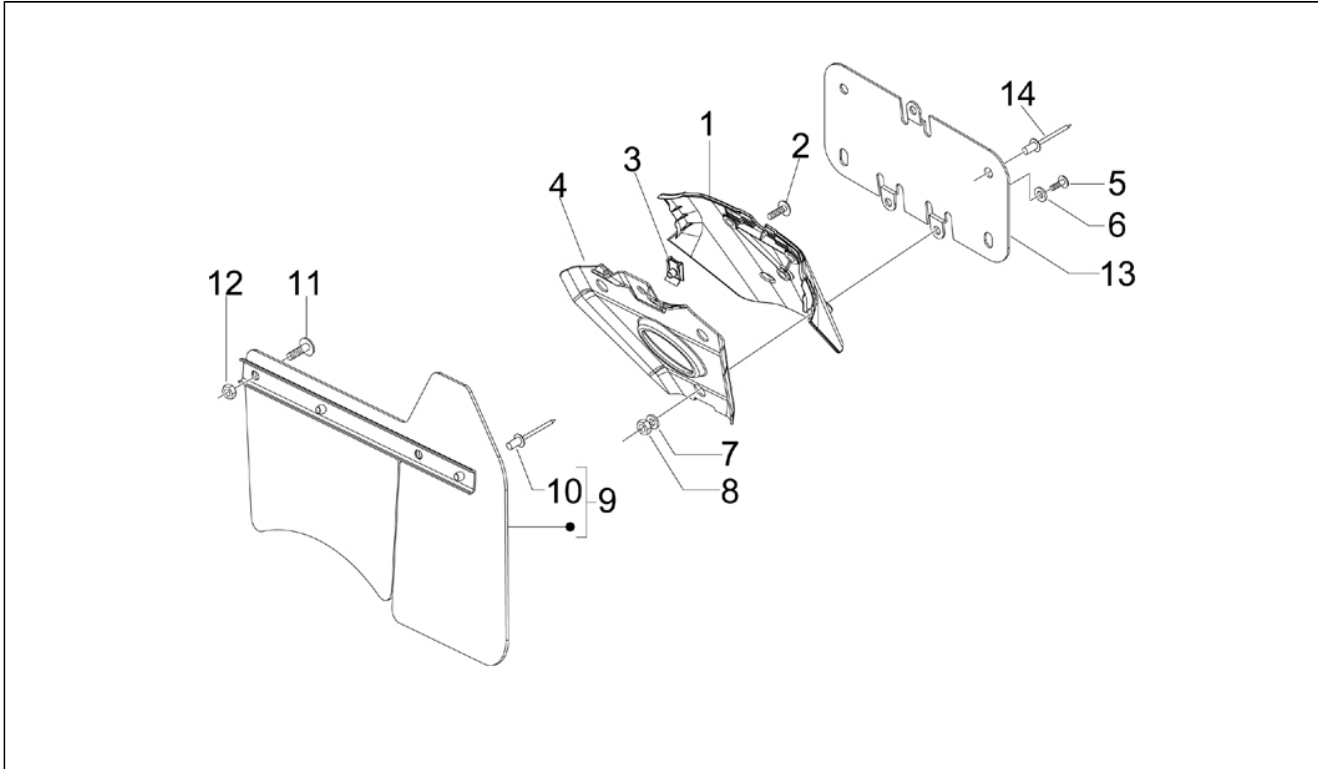
| Pos. | Code | Description | Q.ty | Variants |
|------|--------|------------------------------|------|----------|
| 23 | 647887 | Staffa ancoraggio proiettore | 1 | |
| 24 | 268808 | Screw | 1 | |
| 25 | 004021 | Washer | 1 | |
| 26 | 195482 | Self locking nut | 1 | |
| 27 | 012112 | Nut | 1 | |
| 28 | 577620 | Self locking nut | 2 | |

| | |
|--------------------|-----------------------------------|
| Assembly | Frame - Plastic parts - Coachwork |
| Code | 02.34 |
| Description | Helmet huosing - Undersaddle |
| Revision | 1 |



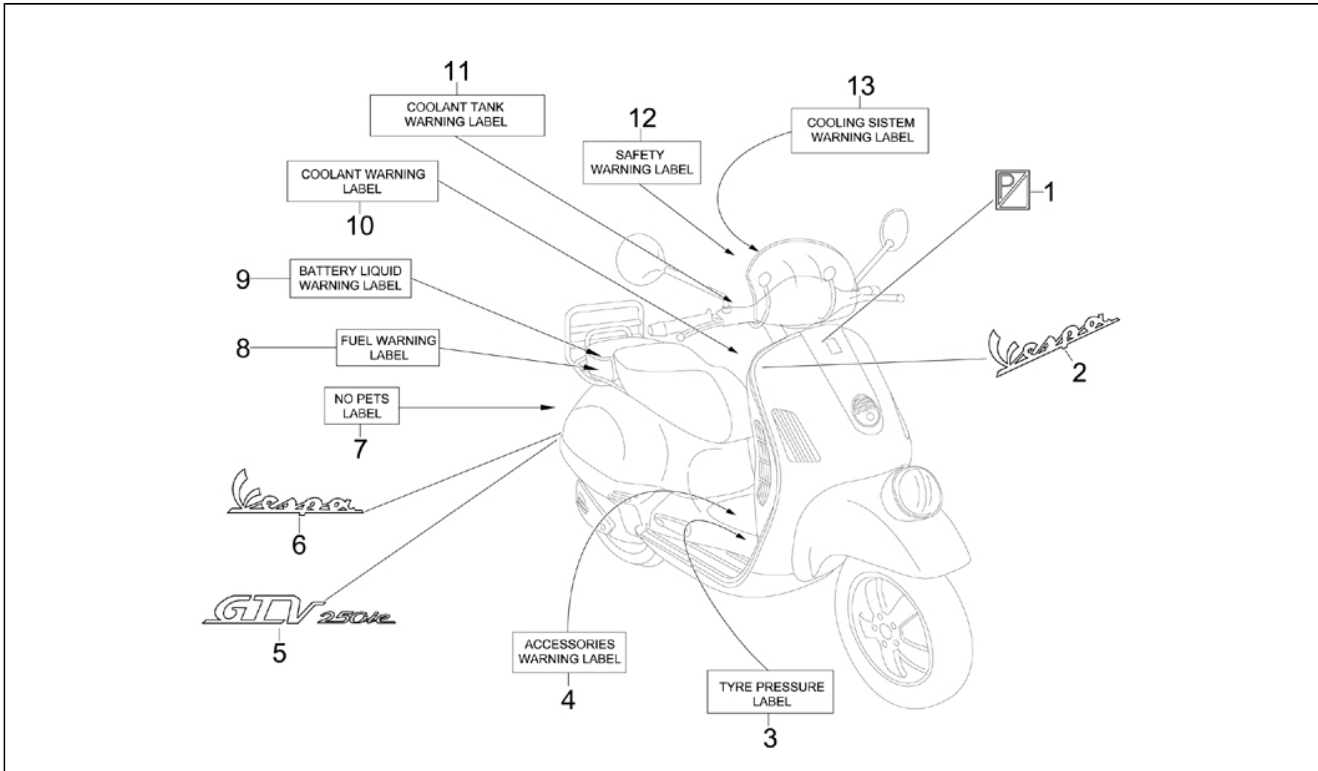
| Pos. | Code | Description | Q.ty | Variants |
|------|--------|-------------------------|------|----------|
| 1 | 621155 | Helmet compartment | 1 | |
| 2 | 621141 | Under seat cover | 1 | |
| 3 | 951685 | Screw | 2 | |
| 4 | 012533 | Notched washer 6,6x11x0 | 2 | |
| 5 | 013777 | Washer | 2 | |

| | |
|--------------------|-----------------------------------|
| Assembly | Frame - Plastic parts - Coachwork |
| Code | 02.37 |
| Description | Rear cover - Splash guard |
| Revision | 1 |



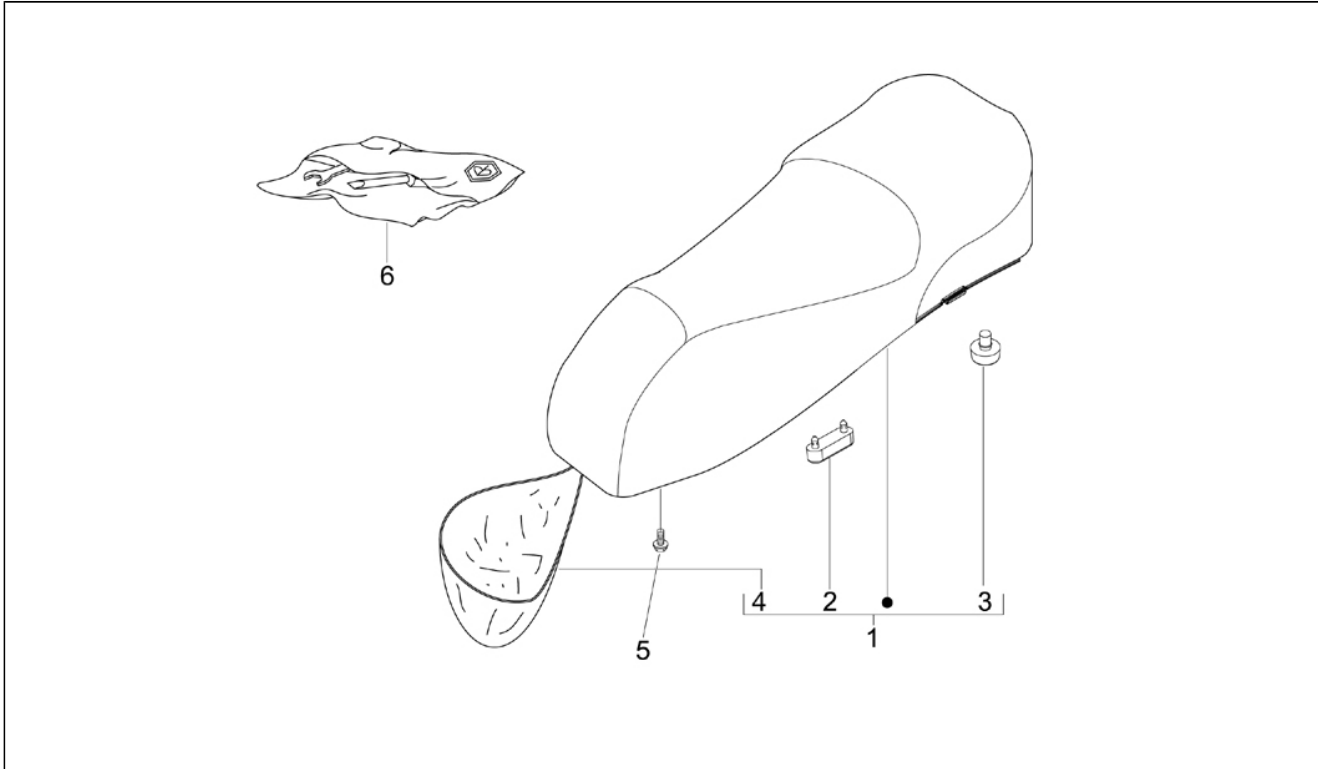
| Pos. | Code | Description | Q.ty | Variants |
|------|------------|---------------------------|------|-------------------------|
| 1 | 622824 | Rear protection | 1 | |
| 1 | 62282400EP | Plastic Main body Fairing | 1 | Color:Avio Grey[780/A] |
| 1 | 62282400M4 | RR MUDGUARD PAINTED | 1 | Color:Crayon Ivory[552] |
| 1 | 62282400VG | RR MUDGUARD PAINTED | 1 | Color:Green[305/A] |
| 2 | 575249 | Screw | 1 | |
| 3 | 254485 | Spring plate M6 | 1 | |
| 4 | 623563 | Supporto protezione post | 1 | |
| 5 | 018591 | Screw | 3 | |
| 6 | 016404 | Washer | 3 | |
| 7 | 013763 | Washer 4,2x12x1 | 3 | |
| 8 | 020104 | Nut | 3 | |
| 9 | 620236 | Splash guard | 1 | |
| 10 | 567642 | Rivet | 2 | |
| 11 | 272836 | Screw | 2 | |
| 12 | 288245 | Flanged nut M6 | 2 | |
| 13 | 582691 | Number plate holder | 1 | |
| 14 | 182302 | Rivet | 4 | |

| | |
|--------------------|-----------------------------------|
| Assembly | Frame - Plastic parts - Coachwork |
| Code | 02.38 |
| Description | Plates - Emblems |
| Revision | 1 |



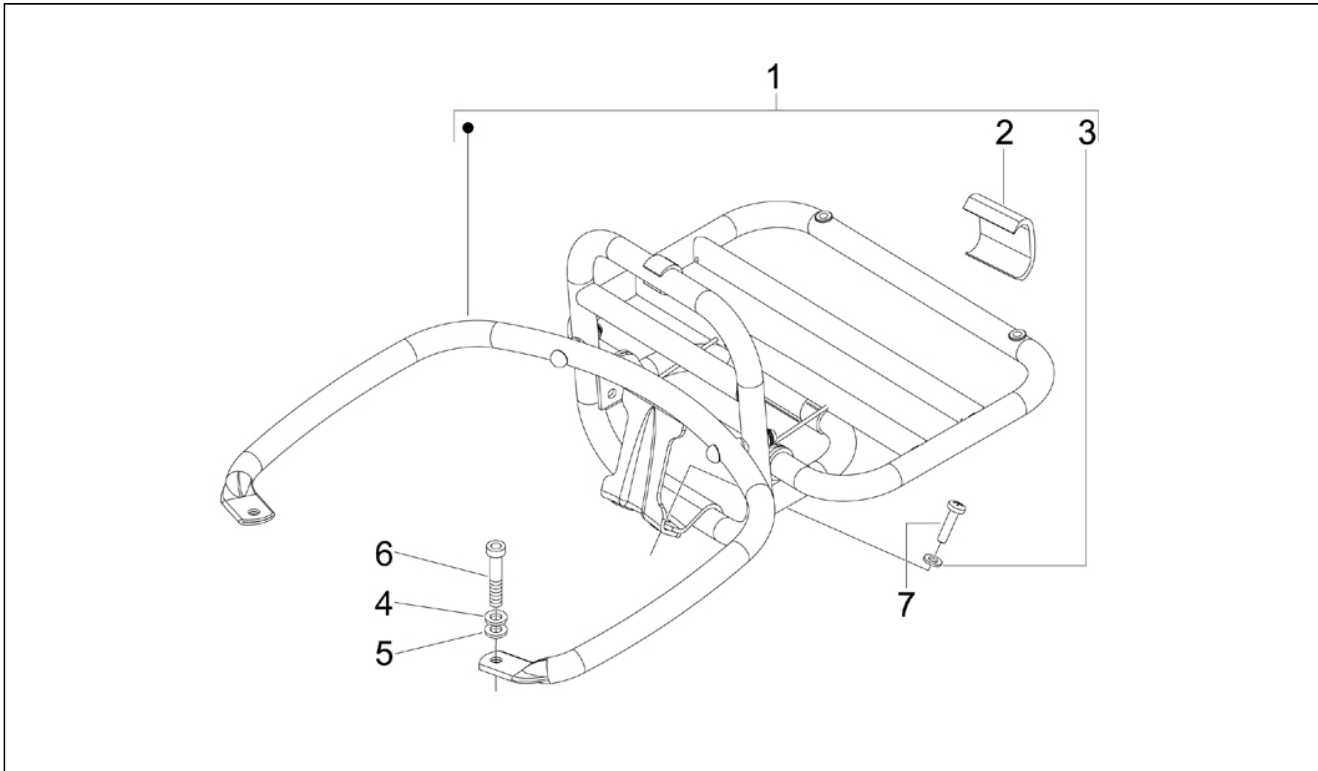
| Pos. | Code | Description | Q.ty | Variants |
|------|--------|--|------|----------|
| 1 | 576464 | Shield "Piaggio" | 1 | |
| 2 | 623205 | "Vespa" name plate | 1 | |
| 3 | 624258 | Targhetta pressione pneumatici GTS USA | 1 | |
| 4 | 576708 | Accessories sticker | 1 | |
| 5 | 652857 | "GTV250 I.E." RIGHT STICKER | 1 | |
| 6 | 620529 | "Vespa" name plate | 1 | |
| 7 | 576953 | Name plate "No pets" | 1 | |
| 8 | 576705 | Fuel decal | 1 | |
| 9 | 576702 | Battery decal | 1 | |
| 10 | 620334 | Name plate | 1 | |
| 11 | 620333 | Name plate | 1 | |
| 12 | 576704 | "Safety" plate | 1 | |
| 13 | 620335 | Name plate | 1 | |

| | |
|--------------------|-----------------------------------|
| Assembly | Frame - Plastic parts - Coachwork |
| Code | 02.39 |
| Description | Saddle/seats - Tool roll |
| Revision | 1 |



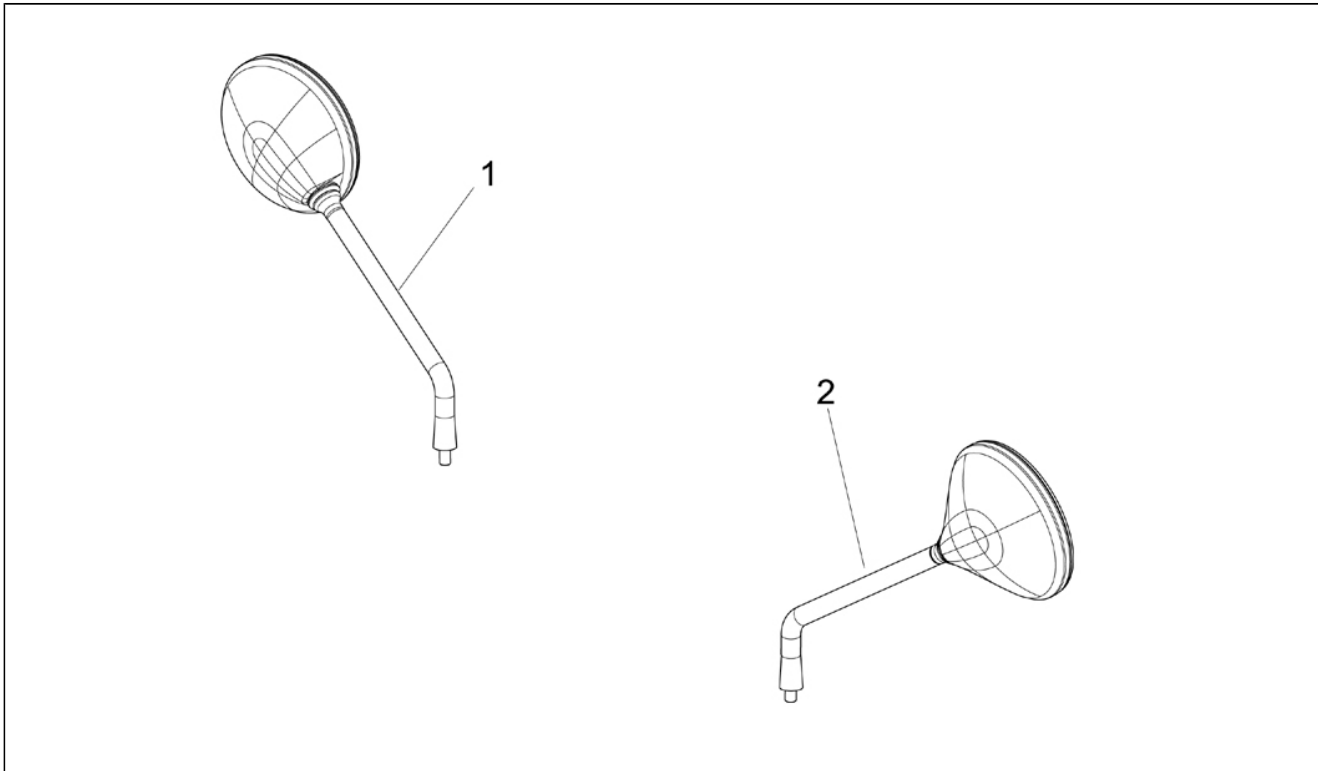
| Pos. | Code | Description | Q.ty | Variants |
|------|--------|---------------------------|------|----------|
| 1 | 624966 | COMPLETE SADDLE | 1 | |
| 2 | 296456 | Drift | 2 | |
| 3 | 577492 | Rubber spacer | 2 | |
| 4 | 621498 | Saddle guard cooling hood | 1 | |
| 5 | 436788 | Screw w/ flange | 2 | |
| 6 | 649083 | COMPLETE TOOL KIT | 1 | |

| | |
|--------------------|-----------------------------------|
| Assembly | Frame - Plastic parts - Coachwork |
| Code | 02.44 |
| Description | Rear luggage rack |
| Revision | 1 |



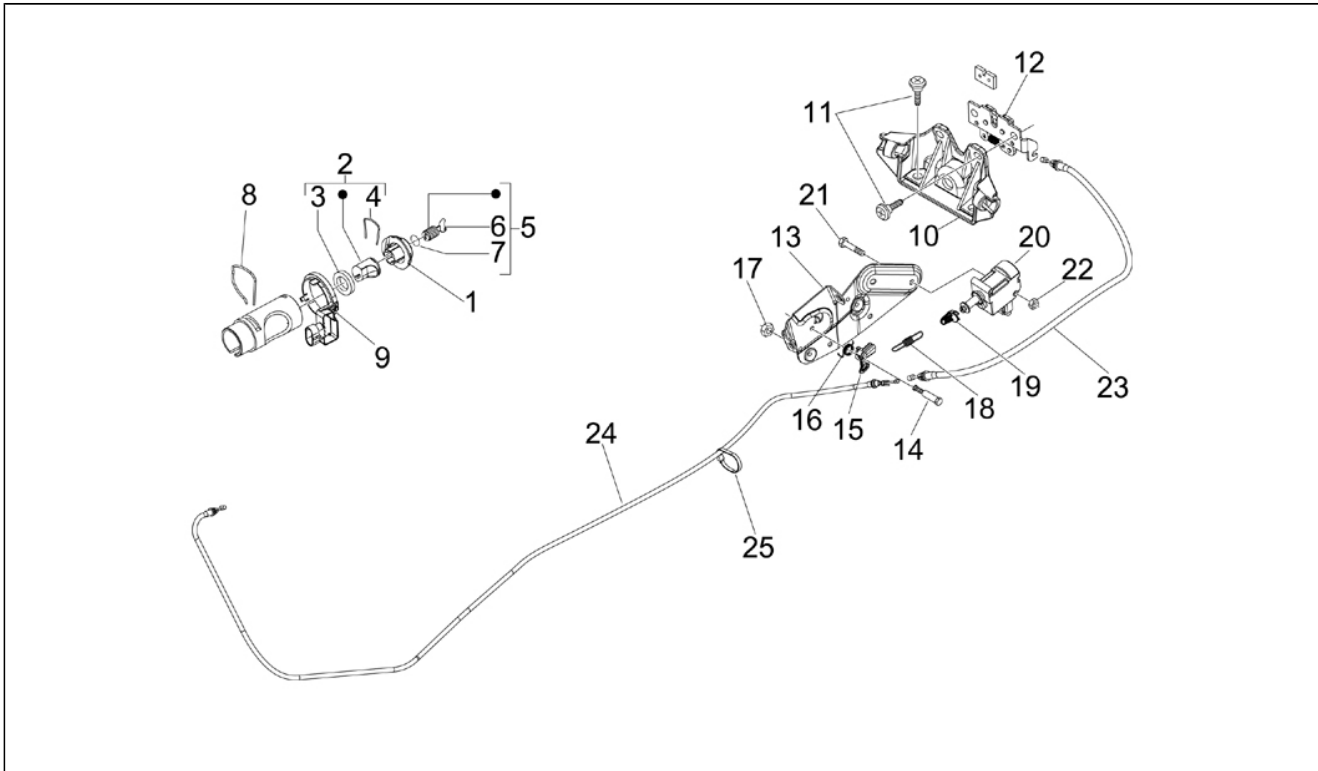
| Pos. | Code | Description | Q.ty | Variants |
|------|--------|--------------------------|------|----------|
| 1 | 623977 | Portapacchi post. compl. | 1 | |
| 2 | 623576 | Ritegno ribaltina | 1 | |
| 3 | 006966 | Spring washer 6,4x11x0,5 | 2 | |
| 4 | 012533 | Notched washer 6,6x11x0 | 4 | |
| 5 | 013777 | Washer | 4 | |
| 6 | 319538 | Screw | 2 | |
| 7 | 623920 | Screw torx | 2 | |

| | |
|--------------------|-----------------------------------|
| Assembly | Frame - Plastic parts - Coachwork |
| Code | 02.45 |
| Description | Driving mirror/s |
| Revision | 1 |



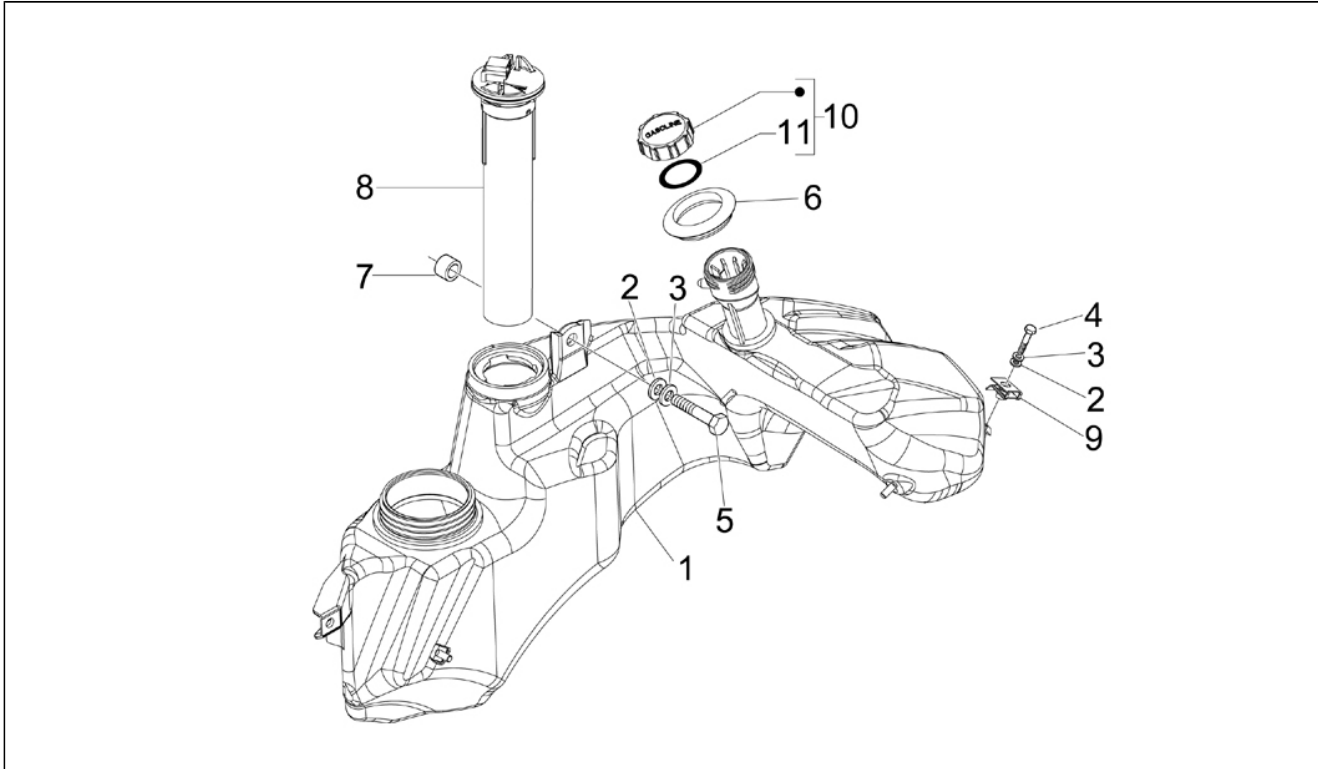
| Pos. | Code | Description | Q.ty | Variants |
|------|----------|--------------------|------|----------|
| 1 | CM073414 | RH rearview mirror | 1 | |
| 2 | CM073413 | LH rearview mirror | 1 | |

| | |
|--------------------|-----------------------------------|
| Assembly | Frame - Plastic parts - Coachwork |
| Code | 02.46 |
| Description | Locks |
| Revision | 1 |



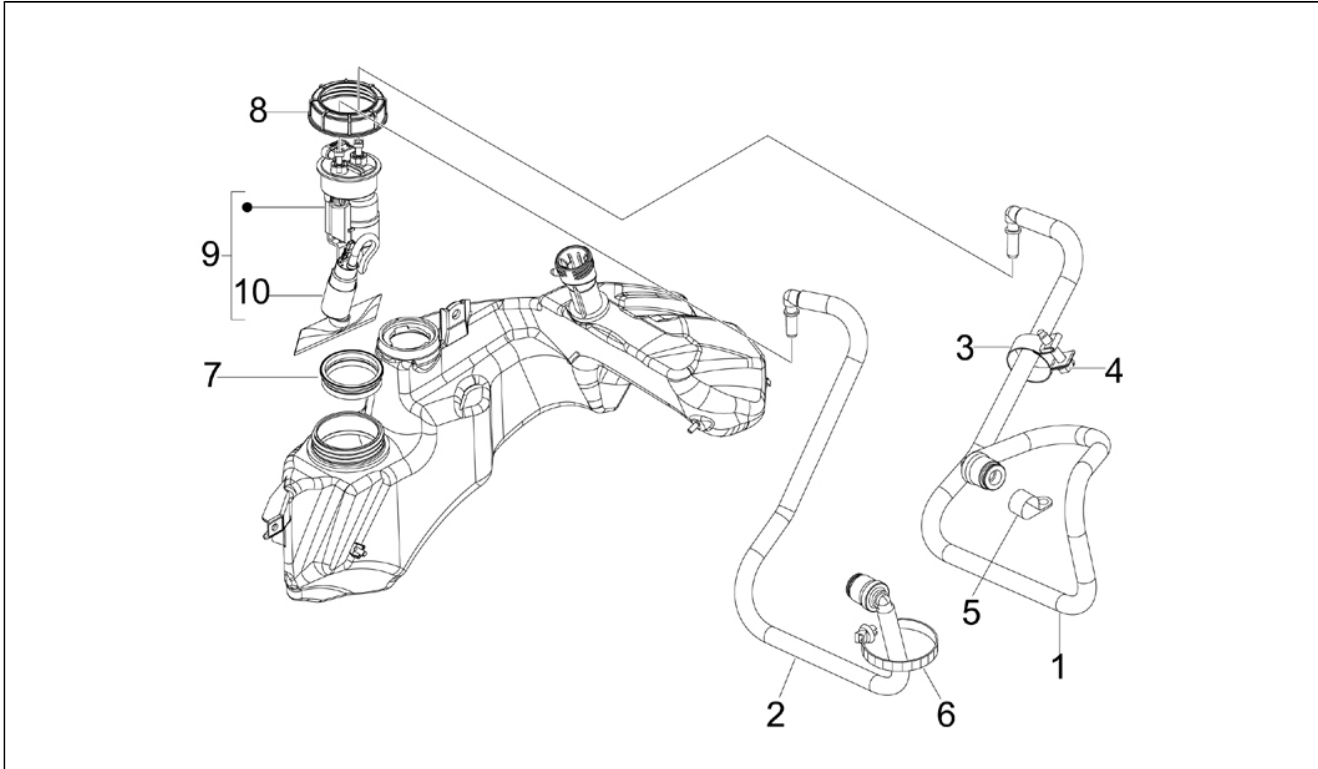
| Pos. | Code | Description | Q.ty | Variants |
|------|----------|---------------------|------|----------|
| 1 | 298581 | Lock body | 1 | |
| 2 | 298903 | Block | 1 | |
| 3 | 298594 | Washer | 1 | |
| 4 | 298838 | Spring | 1 | |
| 5 | 577454 | Cylinder with keys | 1 | |
| 6 | 573422 | Key | 1 | |
| 7 | 298731 | Gasket ring | 1 | |
| 8 | 253937 | Spring | 1 | |
| 9 | 638534 | Immobilizer antenna | 1 | |
| 10 | 577456 | Clamp | 1 | |
| 11 | 575249 | Screw | 4 | |
| 12 | CM023703 | Saddle lock | 1 | |
| 13 | 577471 | Plate | 1 | |
| 14 | 299972 | Special screw | 1 | |
| 15 | 577129 | Lever | 1 | |
| 16 | 577131 | Spring | 1 | |
| 17 | 241936 | Nut | 2 | |
| 18 | 620415 | Spring | 1 | |
| 19 | 577128 | Joint | 1 | |
| 20 | 582990 | Solenoid valve | 1 | |
| 21 | 584121 | Self tapping screw | 2 | |
| 22 | 577620 | Self locking nut | 1 | |
| 23 | CM012813 | Transmission | 1 | |
| 24 | CM012811 | Transmission | 1 | |
| 25 | 145298 | Fascetta a strappo | 1 | |

| | |
|--------------------|-----------------------------------|
| Assembly | Frame - Plastic parts - Coachwork |
| Code | 02.47 |
| Description | Fuel tank |
| Revision | 1 |



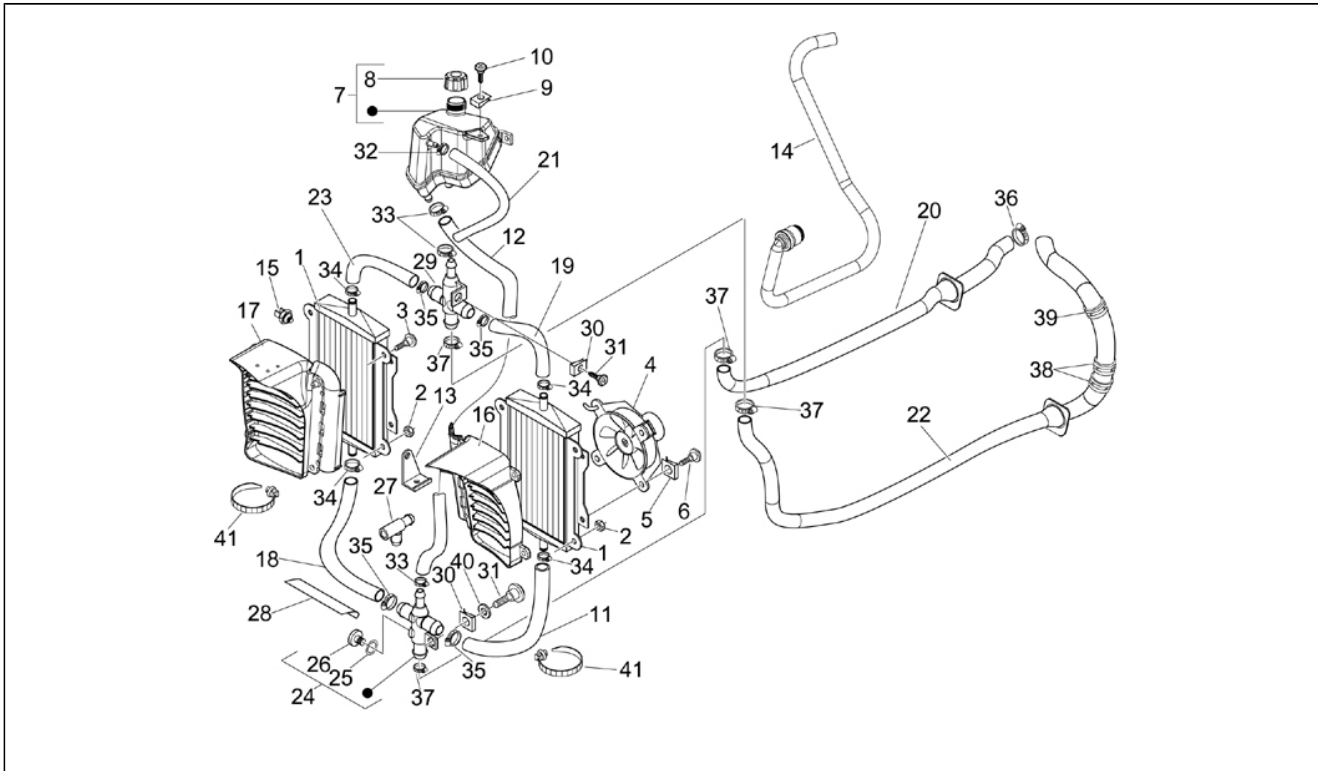
| Pos. | Code | Description | Q.ty | Variants |
|------|----------|----------------------|------|----------|
| 1 | 653003 | FUEL TANK | 1 | |
| 2 | 013880 | Washer | 3 | |
| 3 | 016406 | Washer | 3 | |
| 4 | 031091 | Screw | 2 | |
| 5 | 414838 | Screw | 1 | |
| 6 | 620737 | Filler cap rubber | 1 | |
| 7 | 623162 | Spacer | 2 | |
| 8 | CM025709 | Indicator fuel level | 1 | |
| 9 | 254485 | Spring plate M6 | 2 | |
| 10 | 259832 | Tank cap | 1 | |
| 11 | 258160 | Gasket | 1 | |

| | |
|--------------------|-----------------------------------|
| Assembly | Frame - Plastic parts - Coachwork |
| Code | 02.53 |
| Description | Supply system |
| Revision | 1 |



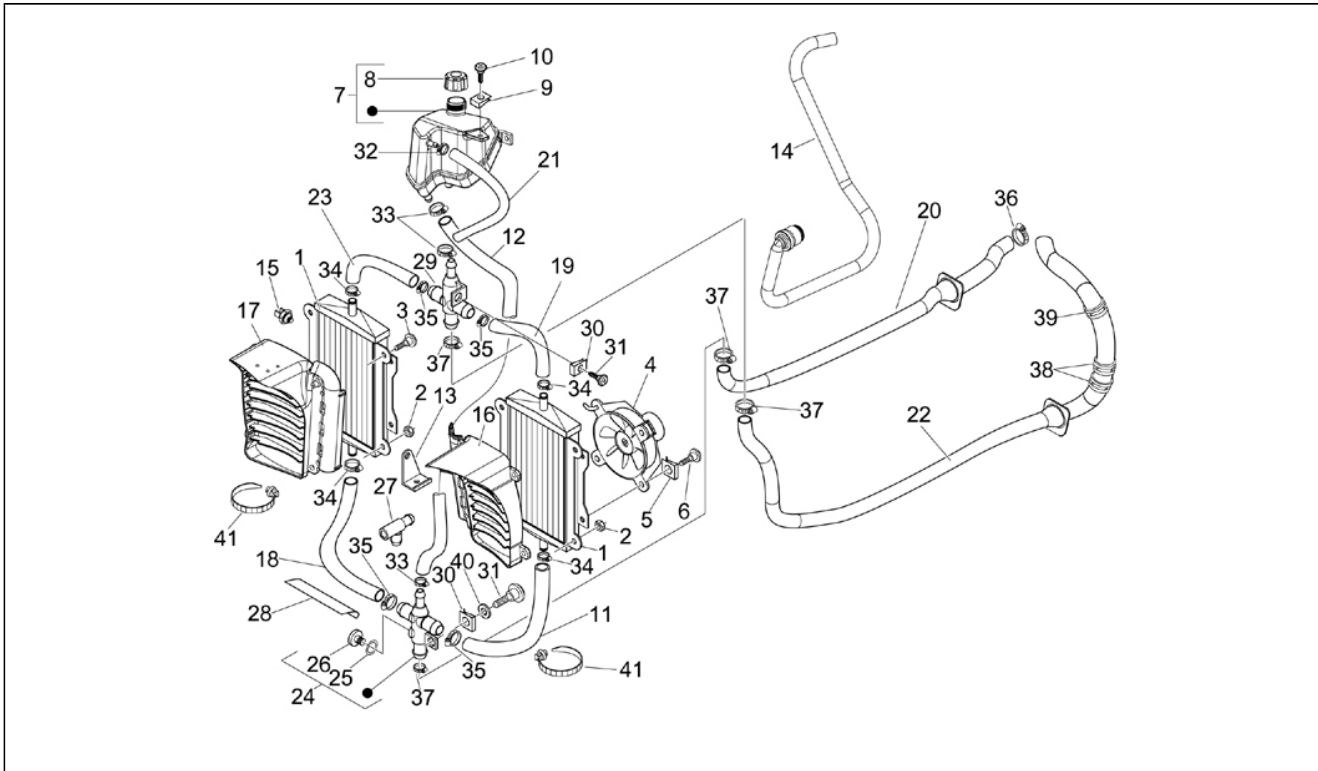
| Pos. | Code | Description | Q.ty | Variants |
|------|--------|--|------|----------|
| 1 | 654222 | COMP.DELIVERY FUEL PIPE WITH CONNECTIONS | 1 | |
| 2 | 654224 | COMP.RETURN FUEL PIPE WITH CONNECTIONS | 1 | |
| 3 | 621585 | Clamp for fixing fuel tap | 1 | |
| 4 | 969224 | Nut | 1 | |
| 5 | 623743 | Hose clamp | 1 | |
| 6 | 145298 | Fascetta a strappo | 1 | |
| 7 | 576542 | Gasket | 1 | |
| 8 | 576546 | Ring nut | 1 | |
| 9 | 621581 | V.GTS250 ELECTRIC FUEL PUMP | 1 | |
| 10 | 639357 | Filtro pompa carburante | 1 | |

| | |
|--------------------|-----------------------------------|
| Assembly | Frame - Plastic parts - Coachwork |
| Code | 02.55 |
| Description | Cooling system |
| Revision | 1 |



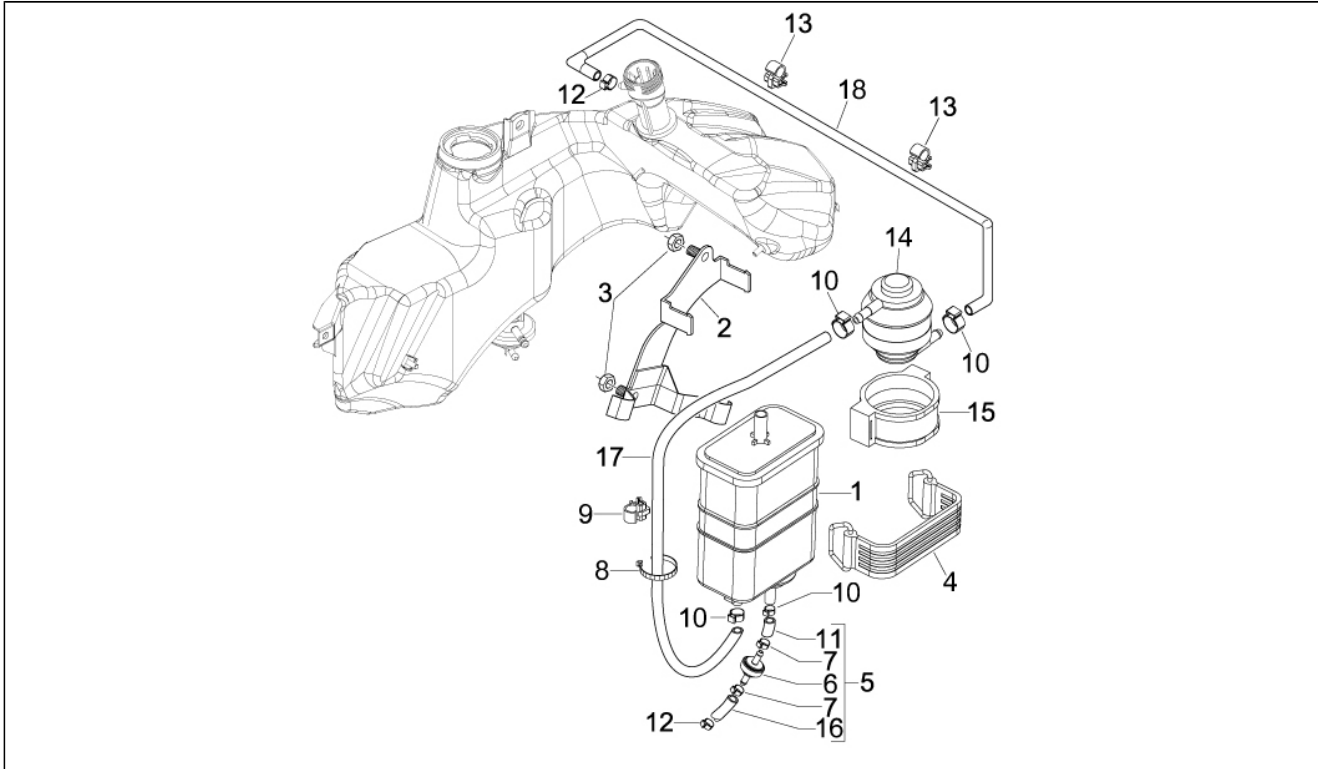
| Pos. | Code | Description | Q.ty | Variants |
|------|--------|-------------------------------|------|----------|
| 1 | 577183 | Water cooler | 2 | |
| 2 | 241936 | Nut | 6 | |
| 3 | 270793 | Screw | 2 | |
| 4 | 584669 | Fan engine | 1 | |
| 5 | 254485 | Spring plate M6 | 3 | |
| 6 | 272836 | Screw | 3 | |
| 7 | 624402 | COOLANT TANK X8 | 1 | |
| 8 | 623673 | Expansion tank plug | 1 | |
| 9 | 254485 | Spring plate M6 | 1 | |
| 10 | 257404 | Screw | 2 | |
| 11 | 57313R | Pipe | 1 | |
| 12 | 577436 | Pipe | 1 | |
| 13 | 624702 | CONNECTION SUPPORT STIRRUP | 1 | |
| 14 | 624703 | Tubo raccordo superiore | 1 | |
| 15 | 640017 | Thermal switch | 1 | |
| 16 | 577187 | Convogliatore aria Sx | 1 | |
| 17 | 622839 | Convogliatore aria Dx | 1 | |
| 18 | 577201 | Pipe | 1 | |
| 19 | 577384 | Pipe | 1 | |
| 20 | 623749 | HOSE (ENGINE RETURN) | 1 | |
| 21 | 577433 | Pipe | 1 | |
| 22 | 653501 | Head coupling tube | 1 | |
| 23 | 623013 | Pipe | 1 | |
| 24 | 623438 | Raccordo compl. di tappo | 1 | |
| 25 | 168077 | Copper gasket | 1 | |
| 26 | 621365 | Plug | 1 | |
| 27 | 949625 | Raccordo interruttore termico | 1 | |
| 28 | 580160 | Protection | 1 | |

| | |
|--------------------|-----------------------------------|
| Assembly | Frame - Plastic parts - Coachwork |
| Code | 02.55 |
| Description | Cooling system |
| Revision | 1 |



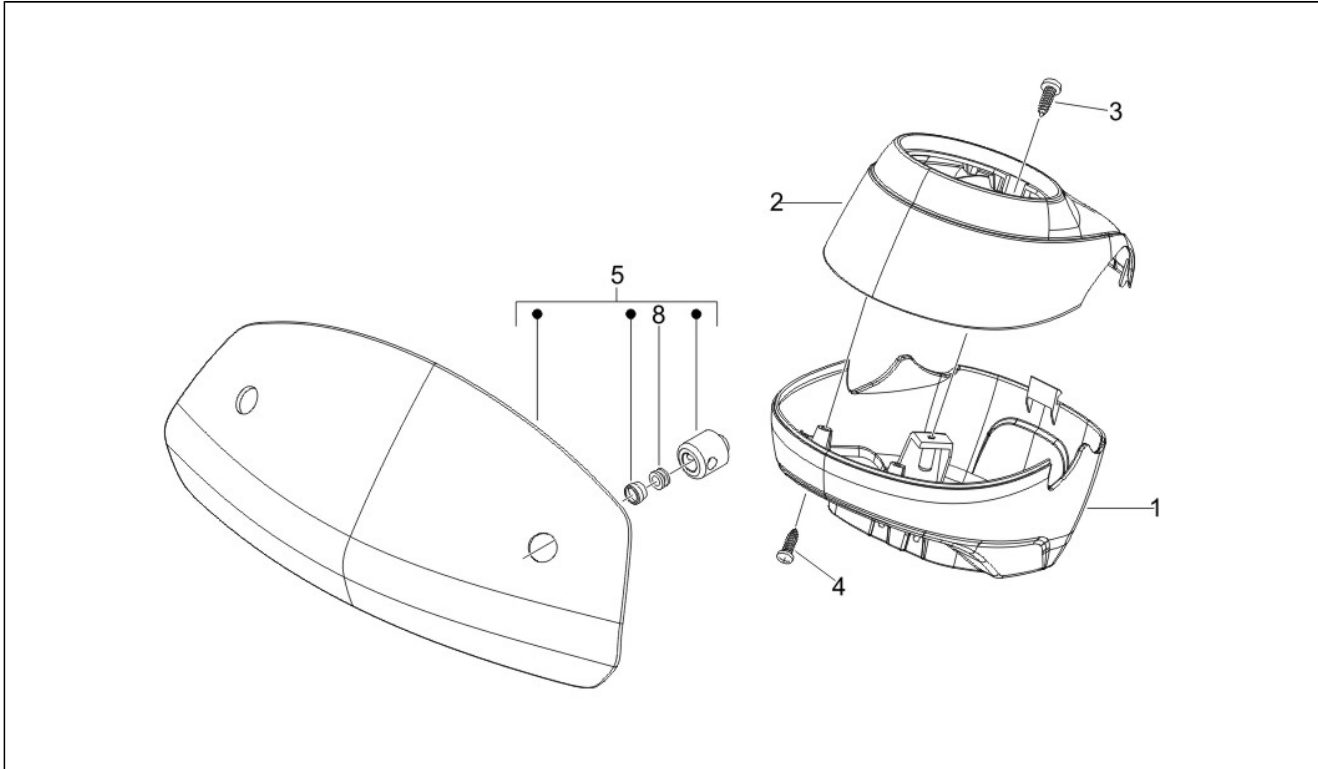
| Pos. | Code | Description | Q.ty | Variants |
|------|----------|--------------------|------|----------|
| 29 | 577195 | Union | 1 | |
| 30 | 254485 | Spring plate M6 | 2 | |
| 31 | 575249 | Screw | 2 | |
| 32 | CM001903 | Hose clamp | 1 | |
| 33 | CM001904 | Hose clamp | 3 | |
| 34 | CM001905 | Hose clamp | 4 | |
| 35 | CM001907 | Hose clamp | 4 | |
| 36 | CM001908 | Hose clamp | 1 | |
| 37 | CM001915 | Hose clamp | 4 | |
| 38 | CM006903 | Fairlead | 3 | |
| 39 | CM001922 | Hose clamp | 1 | |
| 40 | 709047 | Washer | 1 | |
| 41 | 145298 | Fascetta a strappo | 6 | |

| | |
|--------------------|-----------------------------------|
| Assembly | Frame - Plastic parts - Coachwork |
| Code | 02.61 |
| Description | Anti-percolation system |
| Revision | 1 |



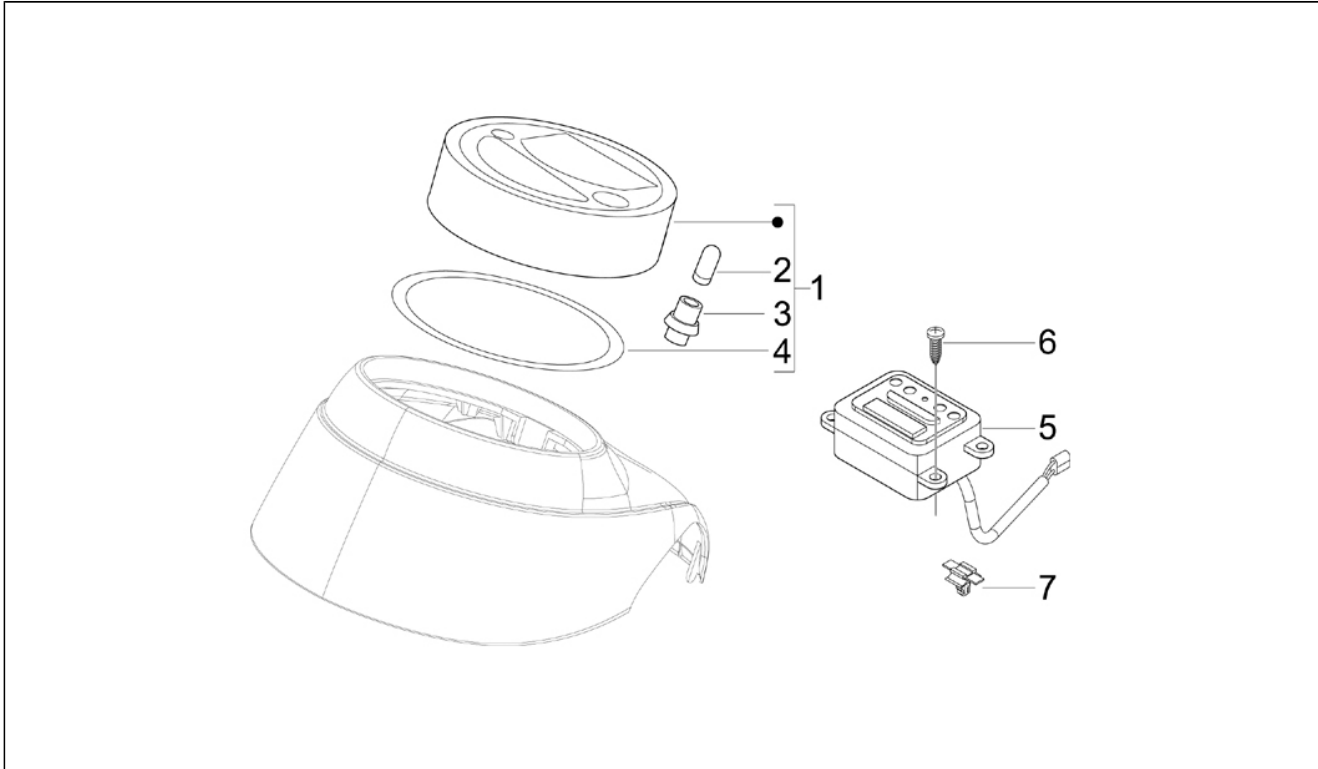
| Pos. | Code | Description | Q.ty | Variants |
|------|----------|--------------------------------|------|----------|
| 1 | 576468 | Carbon filter | 1 | |
| 2 | 620966 | Bracket | 1 | |
| 3 | 241936 | Nut | 2 | |
| 4 | 583921 | Strip | 1 | |
| 5 | 654341 | CANISTER-DEPRESSION DUCT | 1 | |
| 6 | 624384 | SAFETY VALVE | 1 | |
| 7 | CM001914 | Hose clamp | 2 | |
| 8 | 145298 | Fascetta a strappo | 1 | |
| 9 | CM013201 | Spring | 1 | |
| 10 | CM001914 | Hose clamp | 4 | |
| 11 | CM024102 | Pipe | 1 | |
| 12 | CM001914 | Hose clamp | 2 | |
| 13 | CM013201 | Spring | 2 | |
| 14 | CM028201 | Volet | 1 | |
| 15 | 576454 | Support | 1 | |
| 16 | CM177906 | Pipe L=295mm | 1 | |
| 17 | CM177920 | HOSE J30 R11-A OPPURE R12 1/4" | 1 | |
| 18 | CM177906 | Pipe L=295mm | 1 | |

| | |
|--------------------|----------------------|
| Assembly | Handlebars/Steering |
| Code | 03.01 |
| Description | Handlebars coverages |
| Revision | 1 |



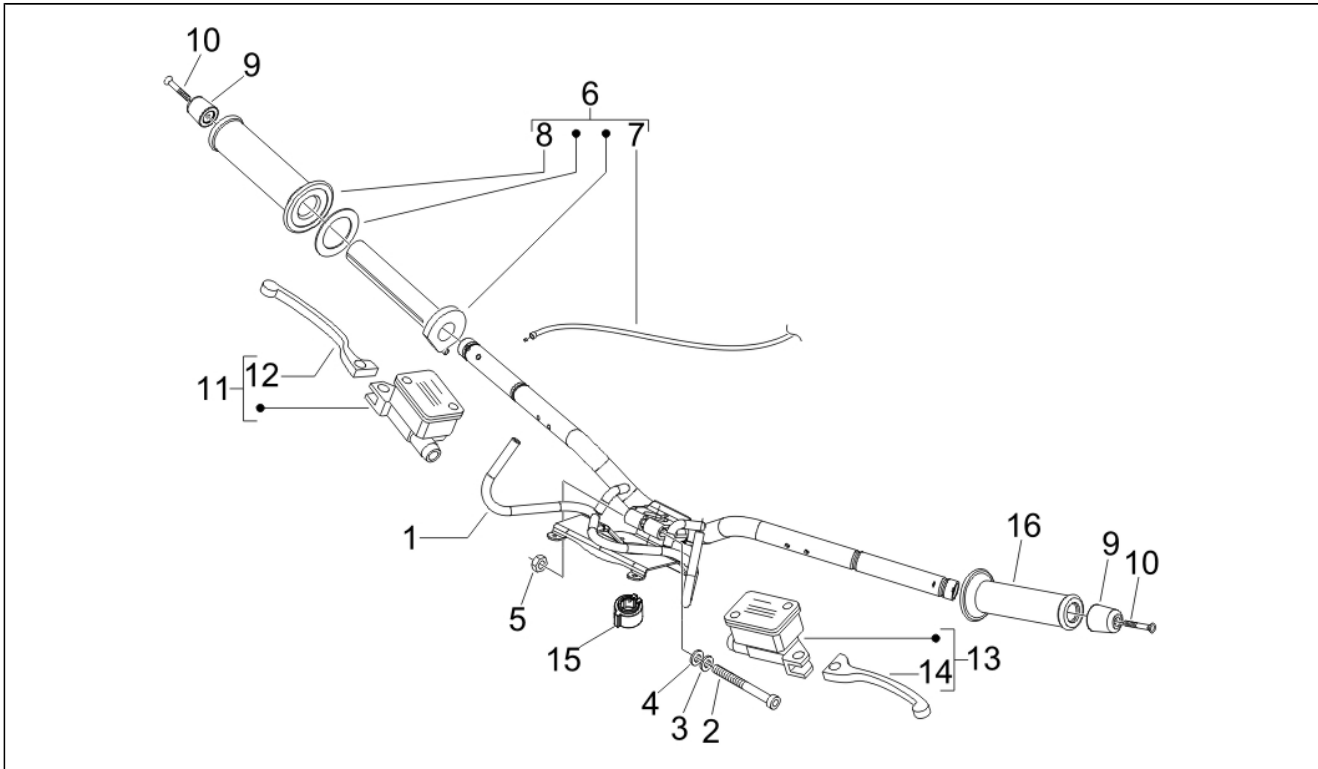
| Pos. | Code | Description | Q.ty | Variants |
|------|------------|-------------------------------|------|---------------------------------|
| 1 | 624682 | Copertura manubrio parte inf. | 1 | |
| 1 | 62468200EP | FRONT HANDLEBARS COVER | 1 | Color: Avio Grey[780/A] |
| 1 | 62468200M4 | COVER HANDLEBAR | 1 | Color: Crayon Ivory[552] |
| 1 | 62468200VG | COVER HANDLEBAR | 1 | Color: Green[305/A] |
| 2 | 624683 | Copertura manubrio parte sup. | 1 | |
| 2 | 62468300EP | REAR HANDLEBARS COVER | 1 | Color: Avio Grey[780/A] |
| 2 | 62468300M4 | COVER HANDLEBAR | 1 | Color: Crayon Ivory[552] |
| 2 | 62468300VG | COVER HANDLEBAR | 1 | Color: Green[305/A] |
| 3 | 270793 | Screw | 4 | |
| 4 | 259577 | Screw | 2 | |
| 5 | 624701 | Spoiler manubrio compl. | 1 | |
| 8 | 560173 | Rubber spacer | 2 | |

| | |
|--------------------|-------------------------------|
| Assembly | Handlebars/Steering |
| Code | 03.02 |
| Description | Meter combination - Cruscotto |
| Revision | 1 |



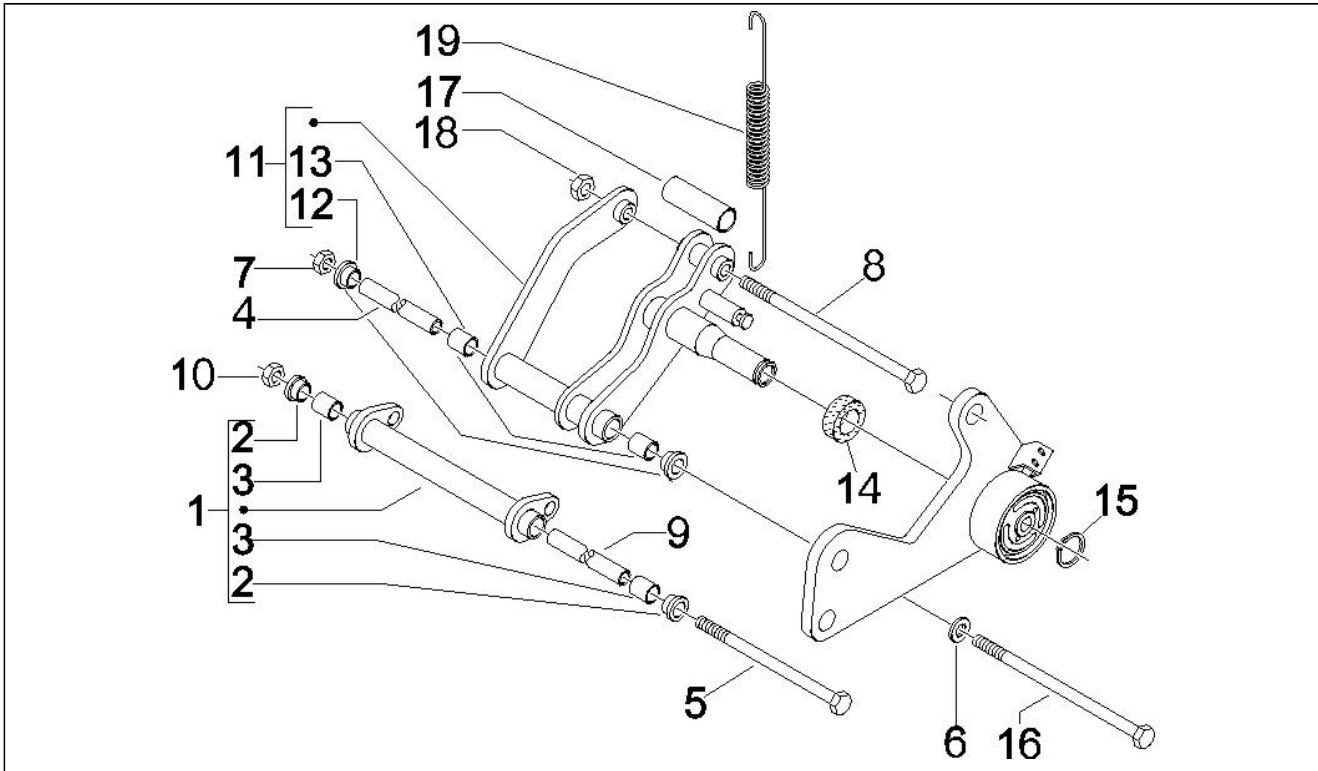
| Pos. | Code | Description | Q.ty | Variants |
|------|--------|---------------------------|------|----------|
| 1 | 640183 | SPEEDOMETER IN MILES | 1 | |
| 2 | 164634 | Lamp 12V-1,2W | 5 | |
| 3 | 214191 | Lampholder | 5 | |
| 4 | 179230 | Gasket | 1 | |
| 5 | 640530 | TELL-TALES ASSY AND CLOCK | 1 | |
| 6 | 018603 | Screw | 4 | |
| 7 | 584002 | Molletta per connettore | 4 | |

| | |
|--------------------|--------------------------|
| Assembly | Handlebars/Steering |
| Code | 03.06 |
| Description | Handlebars - Master cil. |
| Revision | 1 |



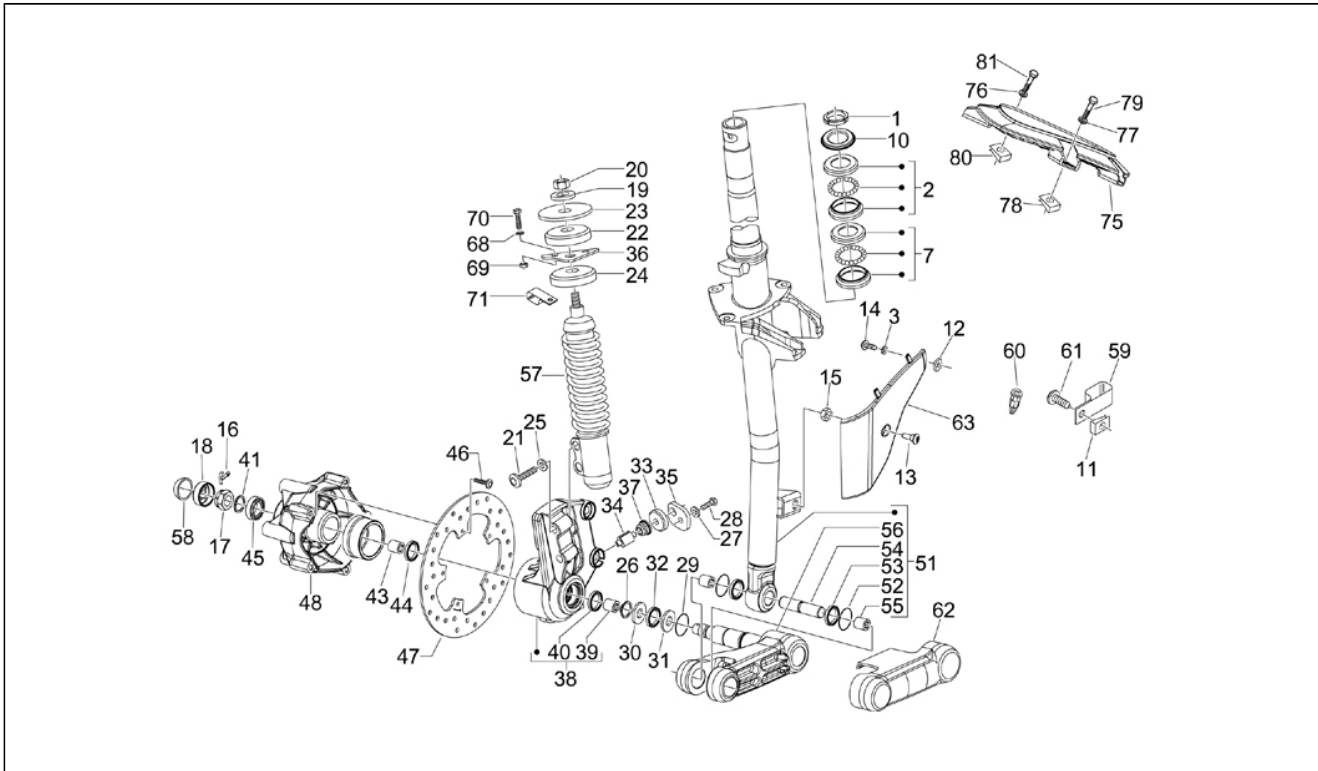
| Pos. | Code | Description | Q.ty | Variants |
|------|------------|--------------------------------------|------|------------------------|
| 1 | 624685 | Manubrio con P.I. | 1 | |
| 2 | 223605 | Screw | 1 | |
| 3 | 012543 | Plain washer | 1 | |
| 4 | 178790 | Flat washer | 1 | |
| 5 | 015330 | Nut | 1 | |
| 6 | 64831100EP | HAND GRIP WITH THROTTLE TRANSMISSION | 1 | Color:Avio Grey[780/A] |
| 6 | 64831100VG | GAS CONTR.SLEEVE WITH SWITCH | 1 | Color:Green[305/A] |
| 7 | 648173 | Throttle opening transmission | 1 | |
| 8 | 648551 | Manopola Dx compl. | 1 | |
| 9 | 582034 | Anti.v weight, chr. | 2 | |
| 10 | 653019 | Vite testa svasata | 2 | |
| 11 | CM080801 | Front master cilinder | 1 | |
| 12 | 648378 | LH brake lever | 1 | |
| 13 | CM079901 | Rear master cylinder | 1 | |
| 14 | 648378 | LH brake lever | 1 | |
| 15 | 582828 | Collar | 1 | |
| 16 | 648550 | Manopola sx completa | 1 | |

| | |
|--------------------|----------------------|
| Assembly | Suspensions - Wheels |
| Code | 04.01 |
| Description | Swinging arm |
| Revision | 1 |



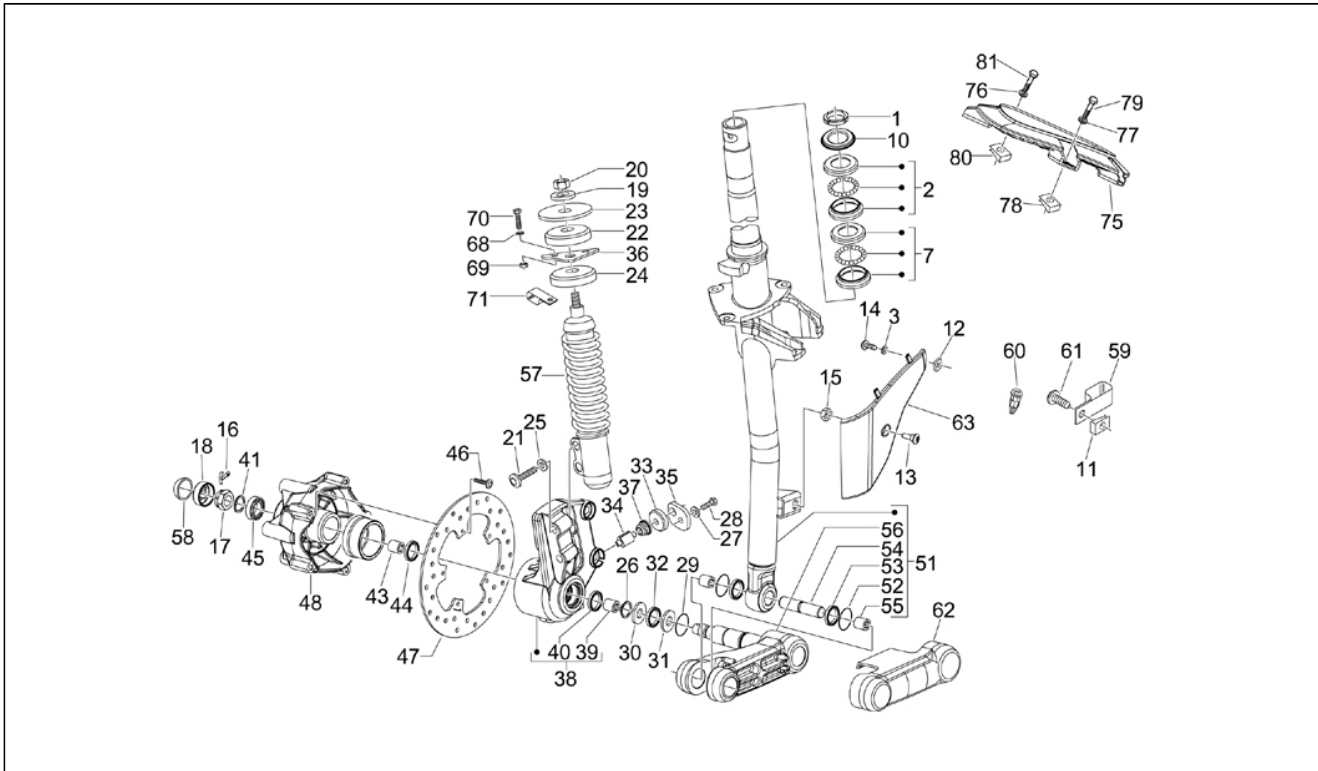
| Pos. | Code | Description | Q.ty | Variants |
|------|----------|------------------|------|----------|
| 1 | 56330R | SWINGING ARM | 1 | |
| 2 | 598917 | Bush | 2 | |
| 3 | 600161 | Roller cage | 2 | |
| 4 | 597857 | Spacer | 1 | |
| 5 | 597914 | Hex socket screw | 1 | |
| 6 | 266845 | Washer | 1 | |
| 7 | 271740 | Nut | 1 | |
| 8 | 271807 | Screw | 1 | |
| 9 | CM067801 | Spacer | 1 | |
| 10 | 002440 | Self-locking nut | 1 | |
| 10 | 232108 | Nut | 1 | |
| 11 | 56331R | SWINGING ARM | 1 | |
| 11 | 599246 | Swinging arm | 1 | |
| 12 | 597317 | Bush | 2 | |
| 13 | 597374 | Needle bearing | 2 | |
| 14 | 599250 | Drift | 1 | |
| 15 | 006416 | Circlip | 1 | |
| 16 | 598237 | Screw | 1 | |
| 17 | 599077 | Spacer | 1 | |
| 18 | 564878 | Nut | 1 | |
| 19 | 599059 | Spring | 1 | |

| | |
|--------------------|--|
| Assembly | Suspensions - Wheels |
| Code | 04.02 |
| Description | Fork/steering tube - Steering bearing unit |
| Revision | 1 |



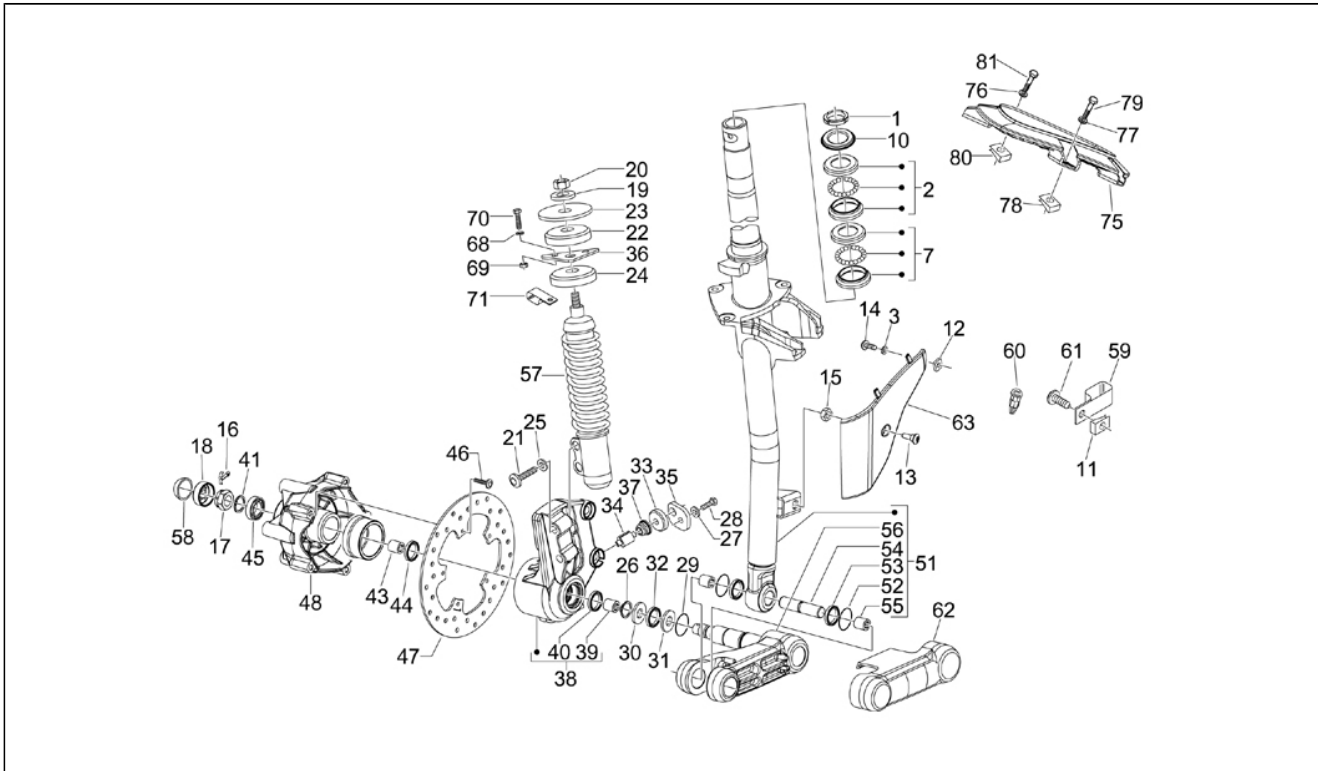
| Pos. | Code | Description | Q.ty | Variants |
|------|----------|-------------------------|------|----------|
| 1 | 011109 | Ring nut | 1 | |
| 2 | CM061303 | Upper thrust ring | 1 | |
| 3 | 012528 | Washer | 2 | |
| 7 | CM061304 | Ralla inferiore | 1 | |
| 10 | 582787 | Steering security plate | 1 | |
| 11 | CM017410 | Spring plate | 1 | |
| 12 | CM017410 | Spring plate | 2 | |
| 13 | 259348 | Screw | 1 | |
| 14 | 259349 | Screw d4,2x13 | 2 | |
| 15 | 969224 | Nut | 1 | |
| 16 | 012789 | Split pin | 1 | |
| 17 | 021114 | Nut | 1 | |
| 18 | 177609 | Cap | 1 | |
| 19 | 012535 | Washer | 1 | |
| 20 | 021210 | Nut | 1 | |
| 21 | 149104 | Screw m8x40 | 2 | |
| 22 | 174085 | Drift | 1 | |
| 23 | 174088 | Washer | 1 | |
| 24 | 174874 | Drift | 1 | |
| 25 | 709047 | Washer | 2 | |
| 26 | 006422 | Ring | 1 | |
| 27 | 006975 | Washer 5,3x10x0,5 | 1 | |
| 28 | 031058 | Screw | 1 | |
| 29 | 177408 | Ring | 1 | |
| 30 | 177414 | Washer | 1 | |
| 31 | 177445 | Washer | 1 | |
| 32 | 177521 | Ring | 1 | |
| 33 | 266841 | Drift | 1 | |

| | |
|--------------------|--|
| Assembly | Suspensions - Wheels |
| Code | 04.02 |
| Description | Fork/steering tube - Steering bearing unit |
| Revision | 1 |



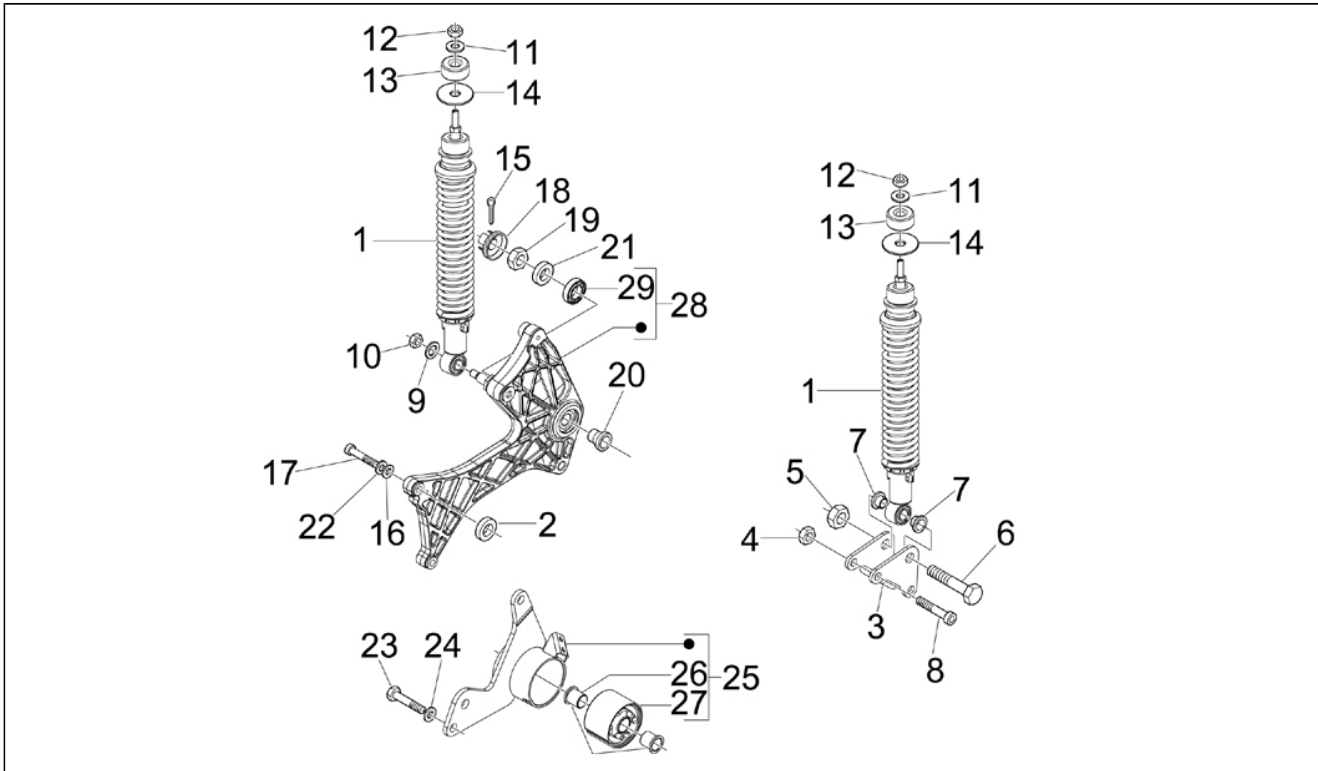
| Pos. | Code | Description | Q.ty | Variants |
|------|------------|-------------------------------|------|------------------------|
| 34 | 648025 | Sprocket wheel odometer drive | 1 | |
| 35 | 269118 | Plate | 1 | |
| 36 | 273693 | Bracket | 1 | |
| 37 | 564053 | Support | 1 | |
| 38 | 597758 | Support | 1 | |
| 39 | 177436 | Drawn cap | 2 | |
| 40 | 177494 | Ring | 1 | |
| 41 | 006635 | Snap ring | 1 | |
| 43 | 177442 | Drawn cap | 1 | |
| 44 | 177443 | Ring | 1 | |
| 45 | 177610 | Bearing | 1 | |
| 46 | 271147 | Screw | 6 | |
| 47 | 56391R | Rear brake disc | 1 | |
| 48 | 648031 | Wheel hub | 1 | |
| 51 | 648415 | STEERING PIPE WITH WISHBONE | 1 | |
| 52 | 006731 | Gasket | 2 | |
| 53 | 119219 | Oil seal | 2 | |
| 54 | 177451 | Piston pin | 1 | |
| 55 | 198513 | Drawn cap | 2 | |
| 56 | 6483975 | Left-hand suspension arm | 1 | |
| 57 | 56286R | Front shock absorber cpl. | 1 | |
| 58 | 092517 | Plug | 1 | |
| 59 | 271477 | Hose clamp | 1 | |
| 60 | 231590 | Molletta elastica | 1 | |
| 61 | 259349 | Screw d4,2x13 | 1 | |
| 62 | 561433 | Protection | 1 | |
| 63 | 598615 | Copertura sospensione ant. | 1 | |
| 63 | 59861500EP | SUSPENSION COVER (FRONT) | 1 | Color:Avio Grey[780/A] |

| | |
|--------------------|--|
| Assembly | Suspensions - Wheels |
| Code | 04.02 |
| Description | Fork/steering tube - Steering bearing unit |
| Revision | 1 |



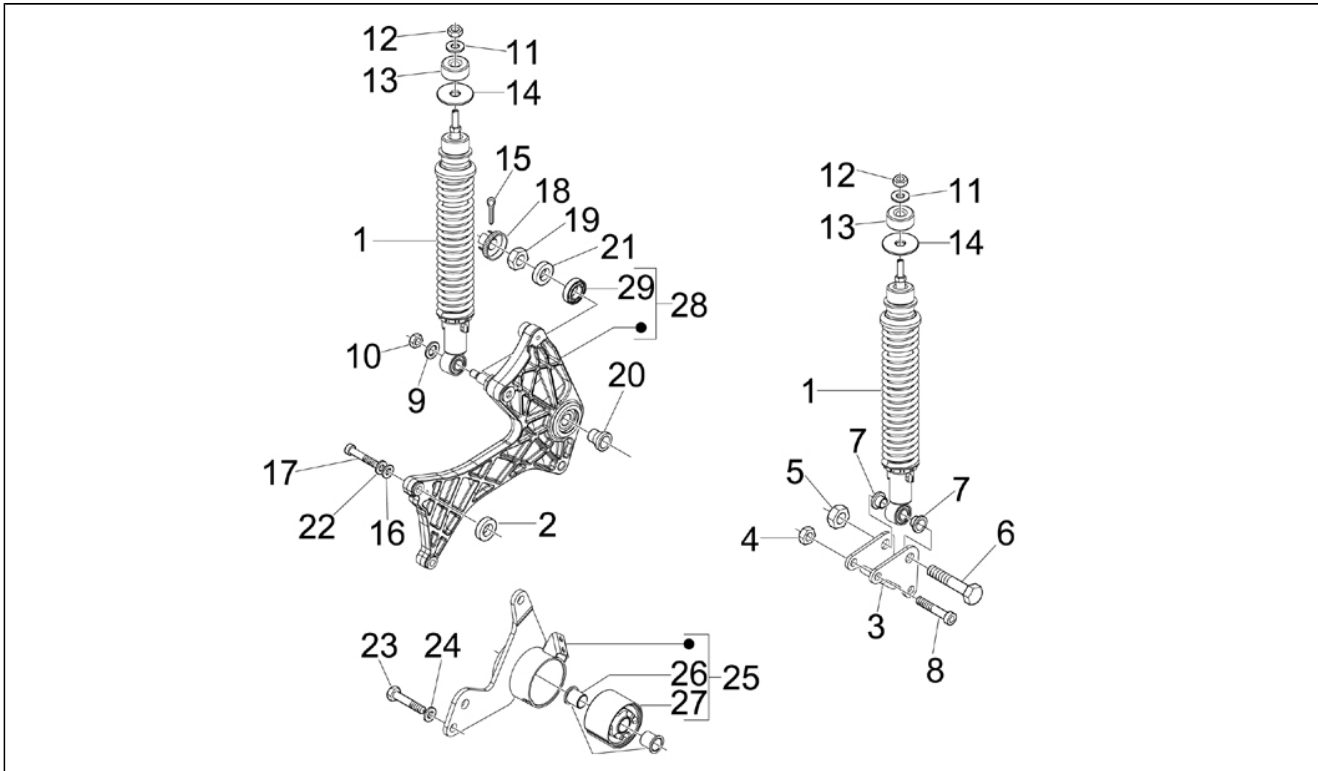
| Pos. | Code | Description | Q.ty | Variants |
|------|------------|----------------------------|------|-------------------------|
| 63 | 59861500M4 | Cover for front suspension | 1 | Color:Crayon Ivory[552] |
| 63 | 59861500VG | Cover for front suspension | 1 | Color:Green[305/A] |
| 68 | 016408 | Spring washer | 2 | |
| 69 | 020108 | Nut M8x6,5 | 2 | |
| 70 | 031119 | Screw | 2 | |
| 71 | 598134 | Hose clamp | 1 | |
| 75 | 648061 | Flangia sospensione | 1 | |
| 76 | 004021 | Washer | 1 | |
| 77 | 006976 | Spring washer | 6 | |
| 78 | CM017413 | Piastrina flangiata | 1 | |
| 79 | 239687 | Screw | 6 | |
| 80 | 254485 | Spring plate M6 | 6 | |
| 81 | 268418 | Screw | 1 | |

| | |
|--------------------|------------------------------------|
| Assembly | Suspensions - Wheels |
| Code | 04.10 |
| Description | Rear suspension - Shock absorber/s |
| Revision | 1 |



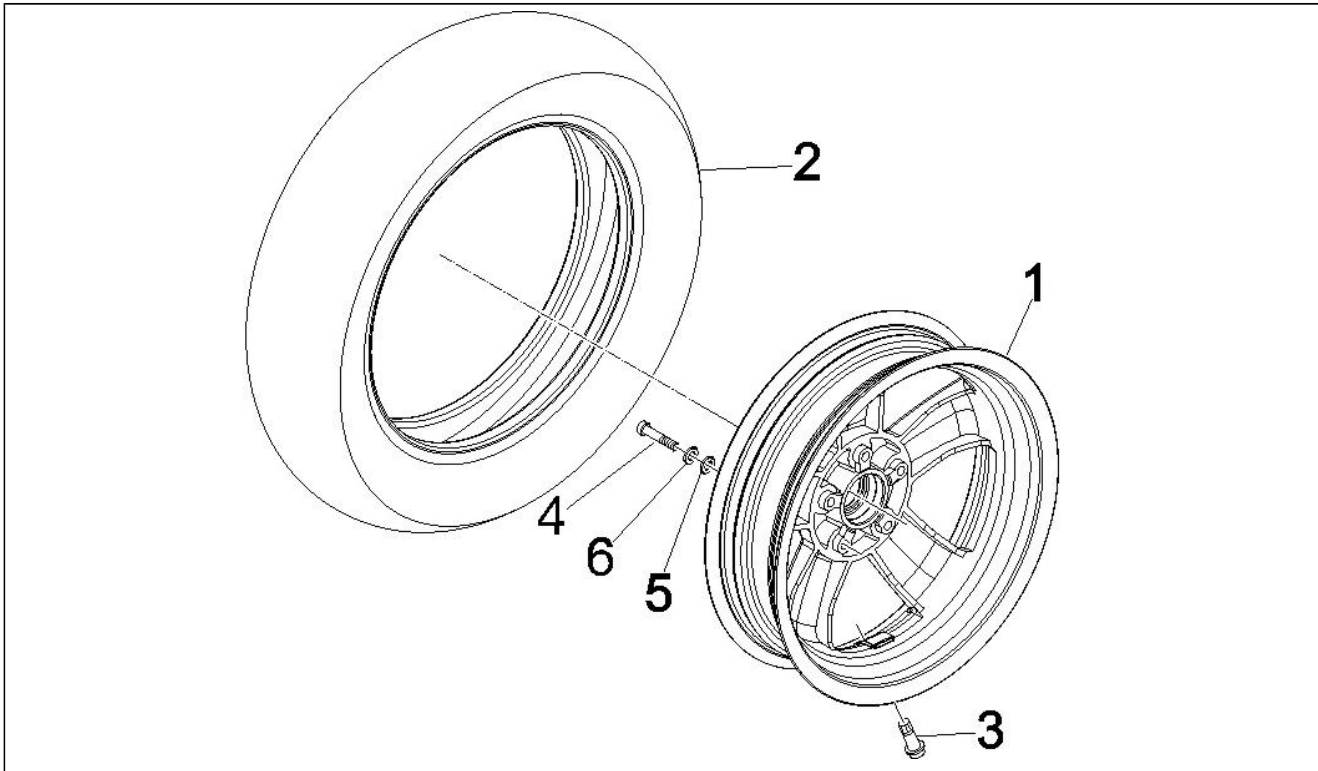
| Pos. | Code | Description | Q.ty | Variants |
|------|--------|----------------------------|------|----------|
| 1 | 56234R | Shock absorber | 2 | |
| 2 | 848039 | Distanziale ruota | 1 | |
| 3 | 598143 | Plate | 1 | |
| 4 | 020008 | Nut | 2 | |
| 5 | 002440 | Self-locking nut | 1 | |
| 5 | 232108 | Nut | 1 | |
| 6 | 268158 | Screw | 1 | |
| 7 | 597149 | Bush | 2 | |
| 8 | 844483 | Screw | 2 | |
| 9 | 013962 | Washer | 1 | |
| 10 | 002440 | Self-locking nut | 1 | |
| 10 | 232108 | Nut | 1 | |
| 11 | 016408 | Spring washer | 2 | |
| 12 | 021108 | Nut | 2 | |
| 13 | 178150 | Upper buffer | 2 | |
| 14 | 267038 | Flat washer | 2 | |
| 15 | 012789 | Split pin | 1 | |
| 16 | 013776 | Washer | 2 | |
| 17 | 149104 | Screw m8x40 | 2 | |
| 18 | 194423 | Cap | 1 | |
| 19 | 563728 | Nut M16x13 | 1 | |
| 21 | 597528 | Spacer | 1 | |
| 22 | 709047 | Washer | 2 | |
| 23 | 031153 | Bolt | 2 | |
| 24 | 709646 | Washer | 2 | |
| 25 | 601815 | Silentbloc support bracket | 1 | |
| 26 | 273460 | Bush | 2 | |
| 27 | 272750 | Drift | 1 | |

| | |
|--------------------|------------------------------------|
| Assembly | Suspensions - Wheels |
| Code | 04.10 |
| Description | Rear suspension - Shock absorber/s |
| Revision | 1 |



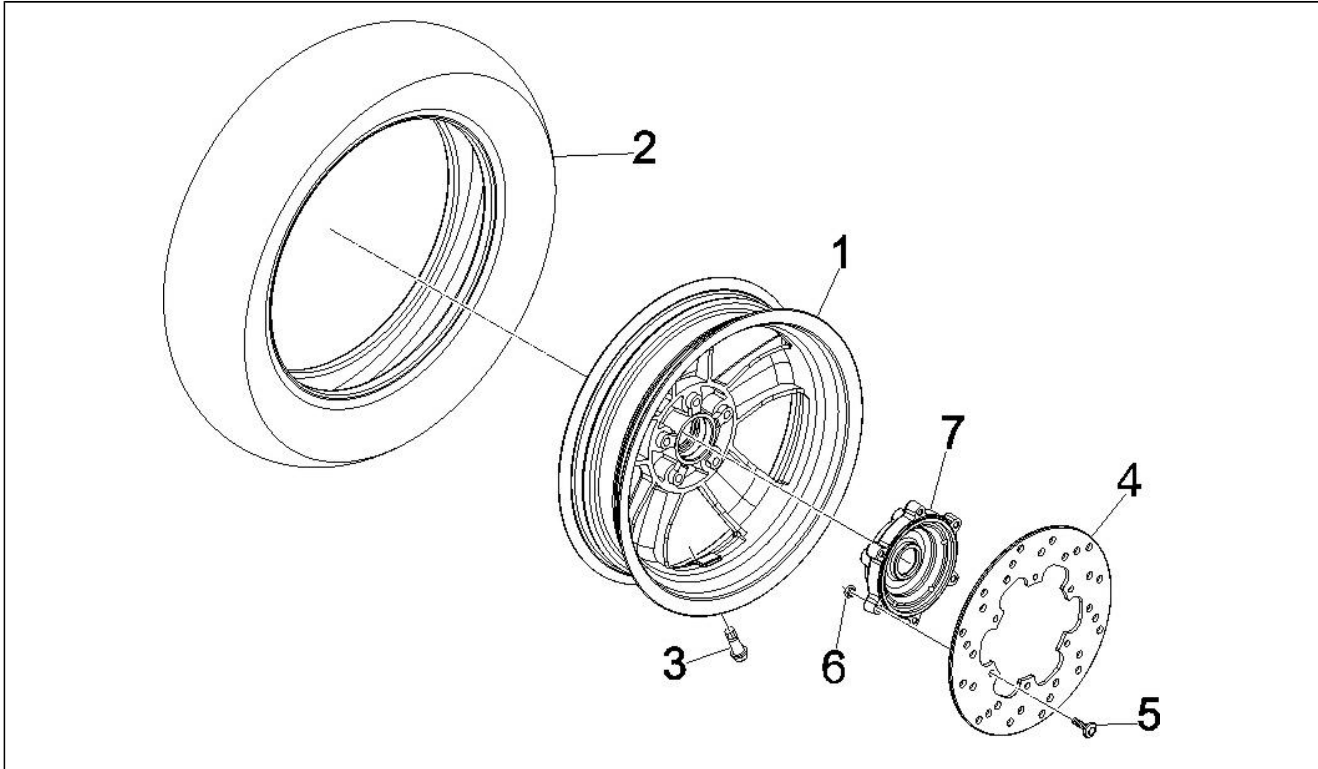
| Pos. | Code | Description | Q.ty | Variants |
|------|--------|--------------|------|----------|
| 28 | 599593 | Right arm | 1 | |
| 29 | 82545R | Ball bearing | 1 | |

| | |
|--------------------|----------------------|
| Assembly | Suspensions - Wheels |
| Code | 04.11 |
| Description | Front wheel |
| Revision | 1 |



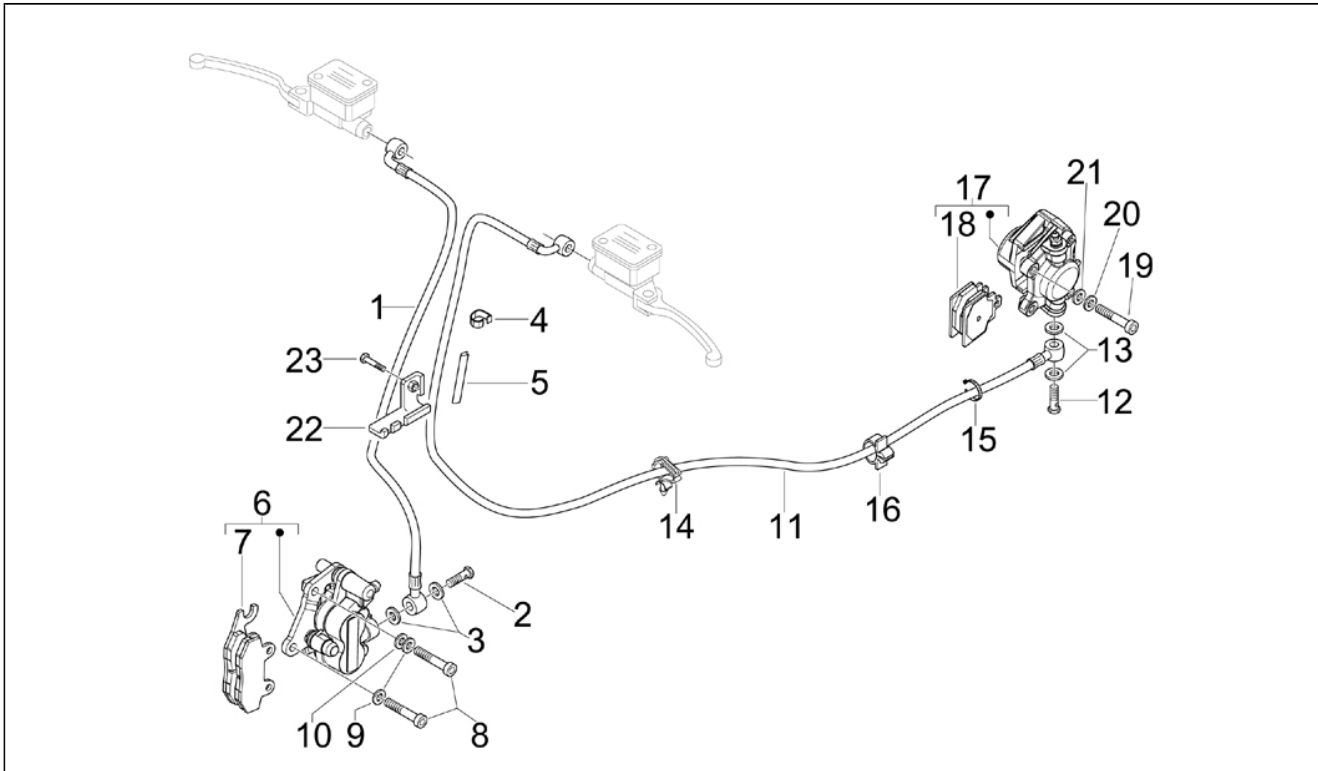
| Pos. | Code | Description | Q.ty | Variants |
|------|--------|--|------|----------|
| 1 | 647971 | Rear wheel | 1 | |
| 2 | 597944 | Tyre | 1 | |
| 2 | 598277 | Pneumatico anteriore (Sava) 120/70 R12 | 1 | |
| 3 | 597679 | Tubeless valve | 1 | |
| 4 | 149104 | Screw m8x40 | 5 | |
| 5 | 709047 | Washer | 5 | |
| 6 | 828961 | Flat washer | 5 | |

| | |
|--------------------|----------------------|
| Assembly | Suspensions - Wheels |
| Code | 04.12 |
| Description | Rear wheel |
| Revision | 1 |



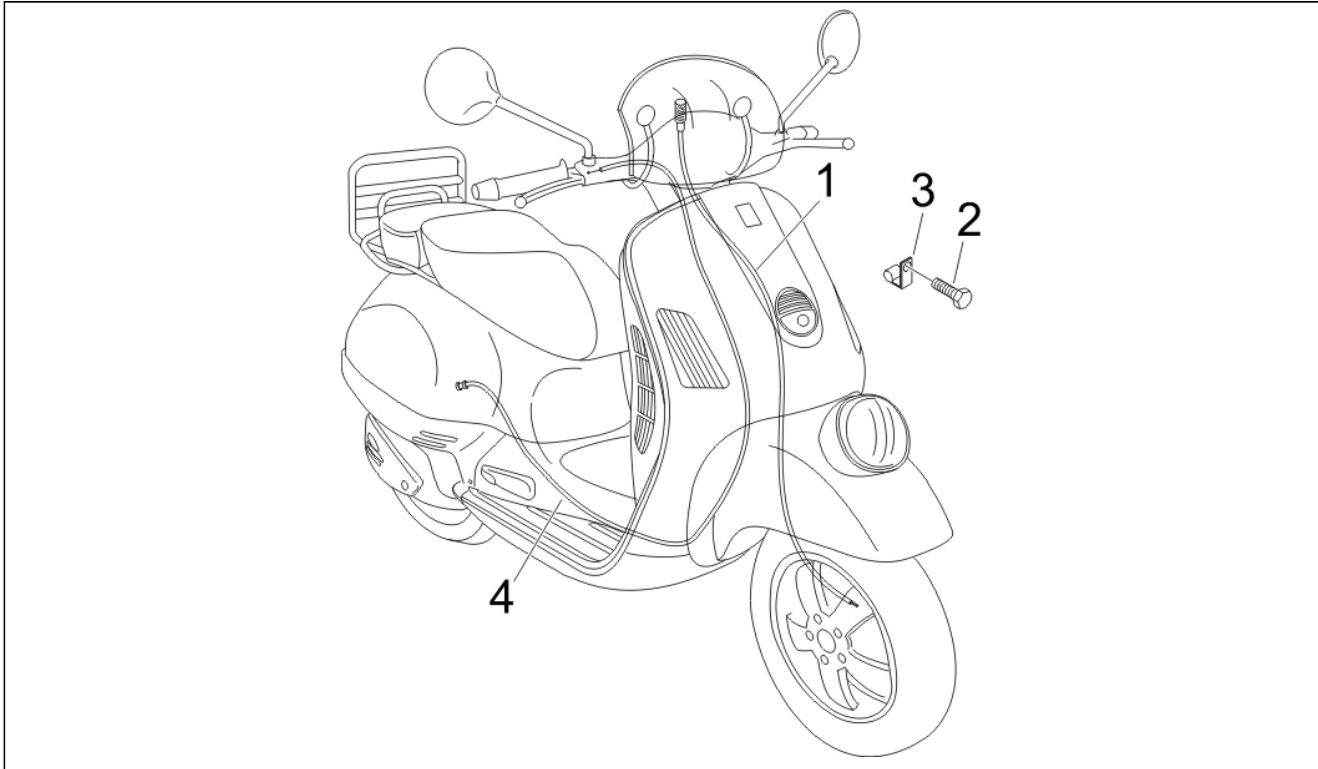
| Pos. | Code | Description | Q.ty | Variants |
|------|--------|---------------------|------|----------|
| 1 | 647971 | Rear wheel | 1 | |
| 2 | 598278 | TYRE 130/70-12 SAVA | 1 | |
| 3 | 597679 | Tubeless valve | 1 | |
| 4 | 649223 | Rear brake disc | 1 | |
| 5 | 597564 | Screw | 6 | |
| 6 | 597565 | Self locking nut | 6 | |
| 7 | 598715 | Rear wheel hub | 1 | |

| | |
|--------------------|--------------------------------|
| Assembly | Braking system - Transmissions |
| Code | 05.01 |
| Description | Brakes pipes - Calipers |
| Revision | 1 |



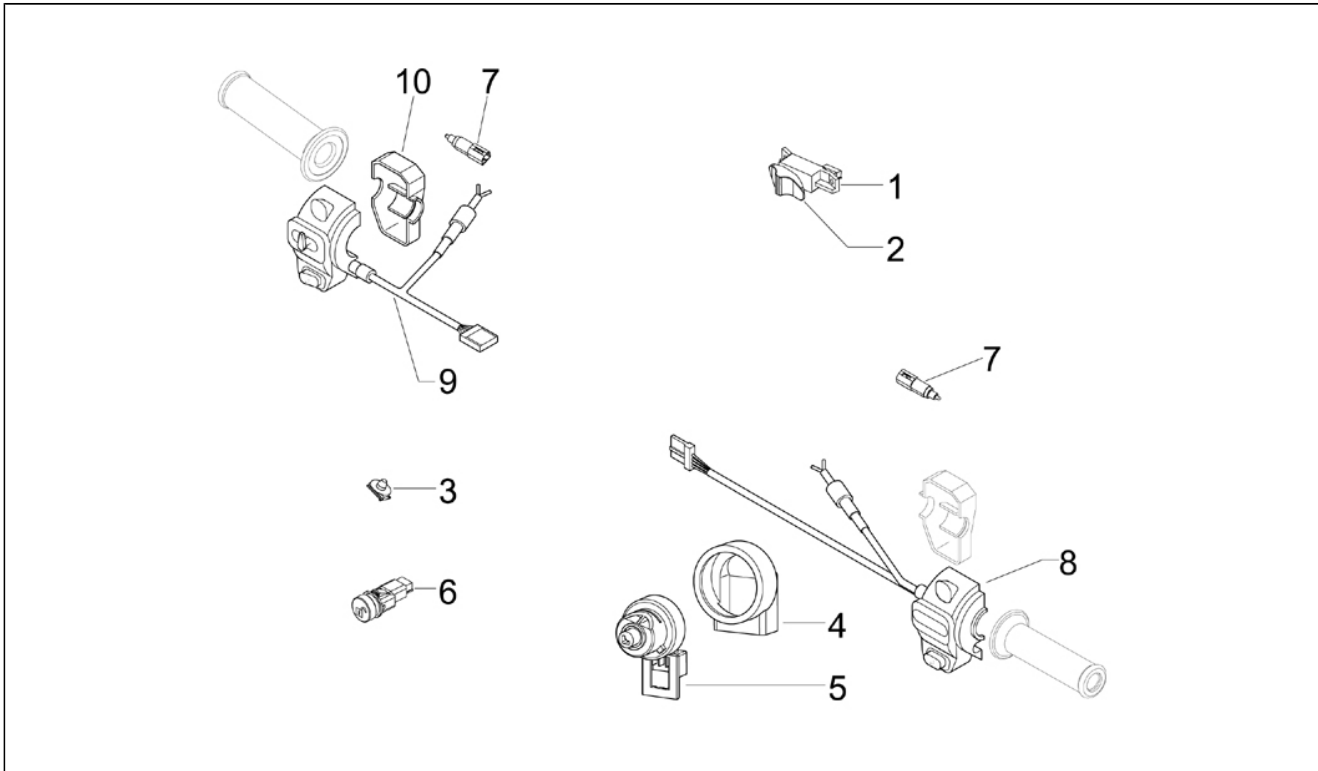
| Pos. | Code | Description | Q.ty | Variants |
|------|----------|---------------------------------|------|----------|
| 1 | 648162 | Tubazione idraulica freno ant. | 1 | |
| 2 | 265451 | Oil pipe screw | 1 | |
| 3 | 127927 | Washer | 2 | |
| 4 | 564761 | Hose clamp | 1 | |
| 5 | 580160 | Protection | 1 | |
| 6 | CM068301 | Front brake caliper | 1 | |
| 7 | 647078 | Pads pair | 1 | |
| 8 | 319532 | Screw | 2 | |
| 9 | 709047 | Washer | 2 | |
| 10 | 003058 | Washer | 1 | |
| 11 | 647975 | Tubazione idraulica freno post. | 1 | |
| 12 | 648336 | SCREW | 1 | |
| 13 | 127927 | Washer | 2 | |
| 14 | 217280 | Hose clamp | 1 | |
| 15 | 257134 | Fascetta a strappo | 1 | |
| 16 | CM006910 | Molletta | 1 | |
| 17 | CM074101 | Brake caliper | 1 | |
| 18 | 647161 | Coppia pasticche freno post. | 1 | |
| 19 | 149104 | Screw m8x40 | 2 | |
| 20 | 709047 | Washer | 2 | |
| 21 | 828961 | Flat washer | 2 | |
| 22 | 648163 | BRACKET WITH I.P. | 1 | |
| 23 | 272836 | Screw | 1 | |

| | |
|--------------------|--------------------------------|
| Assembly | Braking system - Transmissions |
| Code | 05.03 |
| Description | Transmissions |
| Revision | 1 |



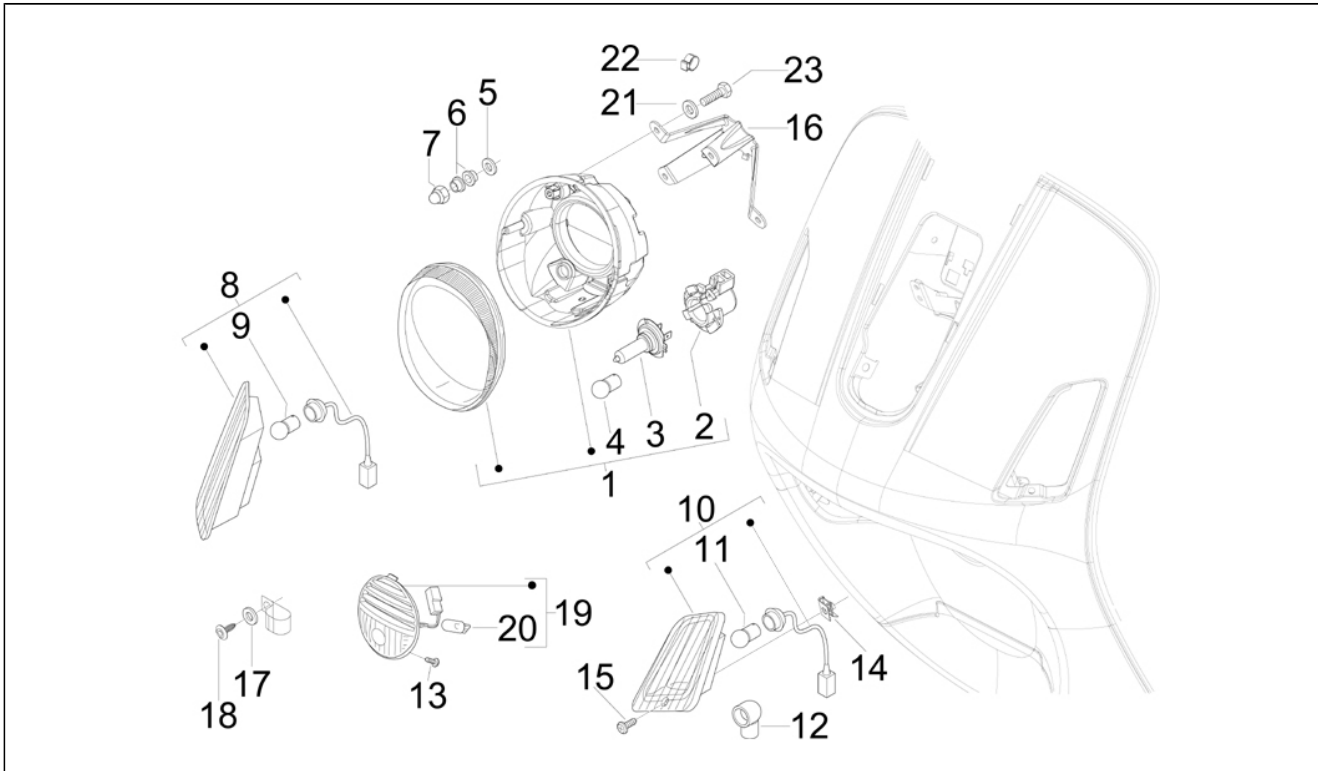
| Pos. | Code | Description | Q.ty | Variants |
|------|--------|---------------------------------------|------|----------|
| 1 | 648160 | TRANSMISSION | 1 | |
| 1 | 649471 | FLIXIBLE TRANSMISSION FOR SPEEDOMETER | 1 | |
| 2 | 652772 | Screw | 2 | |
| 3 | 624700 | SPRING CLIP | 1 | |
| 4 | 648174 | CLOSE GAS CONTROL TRANSMISSION | 1 | |

| | |
|--------------------|--------------------------------|
| Assembly | Electrical system |
| Code | 06.01 |
| Description | Selectors - Switches - Buttons |
| Revision | 1 |



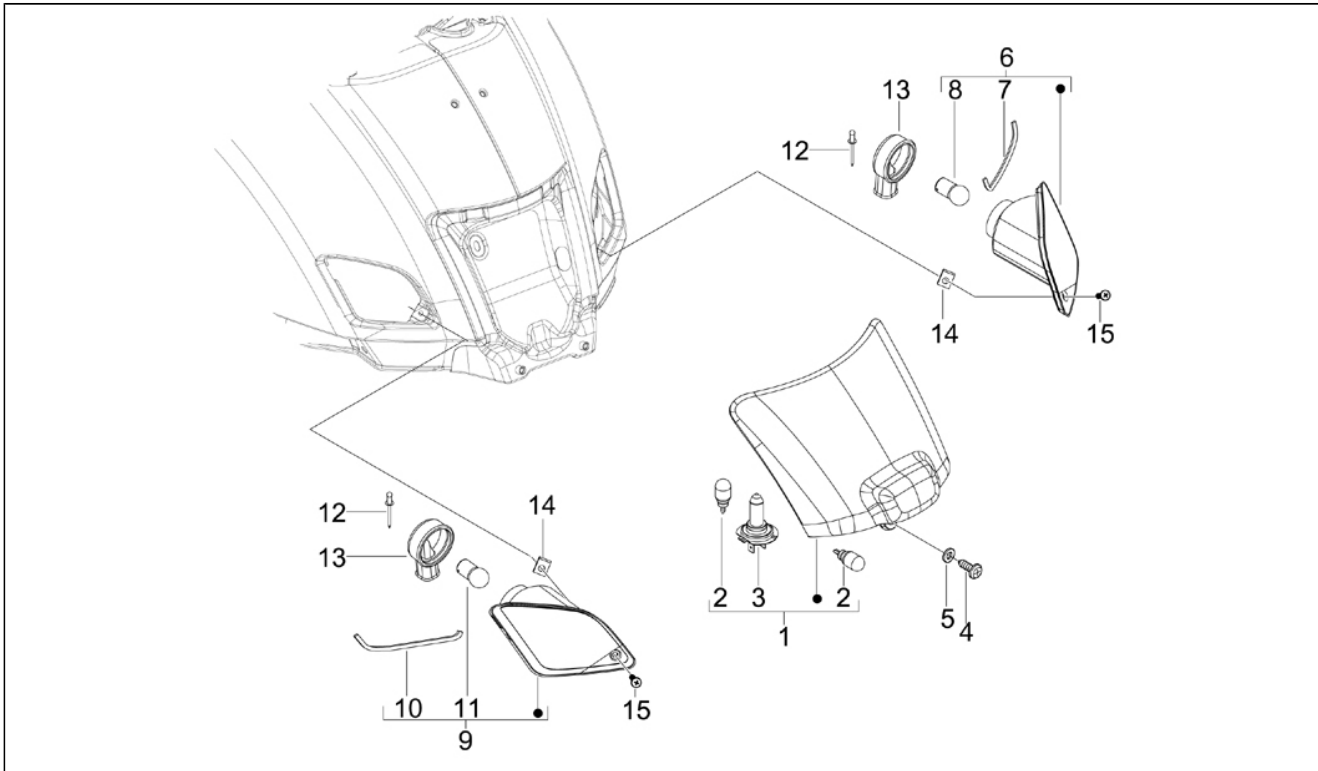
| Pos. | Code | Description | Q.ty | Variants |
|------|------------|--------------------------|------|-------------------------|
| 1 | 652706 | Staffa dispositivo lamp. | 1 | |
| 2 | 640289 | FLASHING DEVICES | 1 | |
| 3 | 584520 | Molla connettore | 4 | |
| 4 | 582041 | Commutator cap | 1 | |
| 5 | 582951 | Key switch | 1 | |
| 6 | 582988 | Saddle opening button | 1 | |
| 7 | 580645 | stop Button | 2 | |
| 8 | 64017100EP | ELECTRICAL DEVICE | 1 | Color:Avio Grey[780/A] |
| 8 | 64017100M4 | ELETTRICAL DEVICE | 1 | Color:Crayon Ivory[552] |
| 8 | 64017100VG | RH ELETTRICAL DEVICE | 1 | Color:Green[305/A] |
| 9 | 639849 | LEFT HANDLE SWITCH | 1 | |
| 9 | 63984900EP | L/H LIGHT SWITCH | 1 | Color:Avio Grey[780/A] |
| 9 | 63984900M4 | LEFT HANDLE SWITCH | 1 | Color:Crayon Ivory[552] |
| 9 | 63984900VG | LEFT HANDLE SWITCH | 1 | Color:Green[305/A] |
| 10 | 639858 | Porta dispositivo sx | 1 | |
| 10 | 63985800EP | LH SWITCH ASSY | 1 | Color:Avio Grey[780/A] |
| 10 | 63985800M4 | LH SWITCH ASSY | 1 | Color:Crayon Ivory[552] |
| 10 | 63985800VG | LH SWITCH ASSY | 1 | Color:Green[305/A] |

| | |
|--------------------|-------------------------------------|
| Assembly | Electrical system |
| Code | 06.03 |
| Description | Front headlamps - Turn signal lamps |
| Revision | 1 |



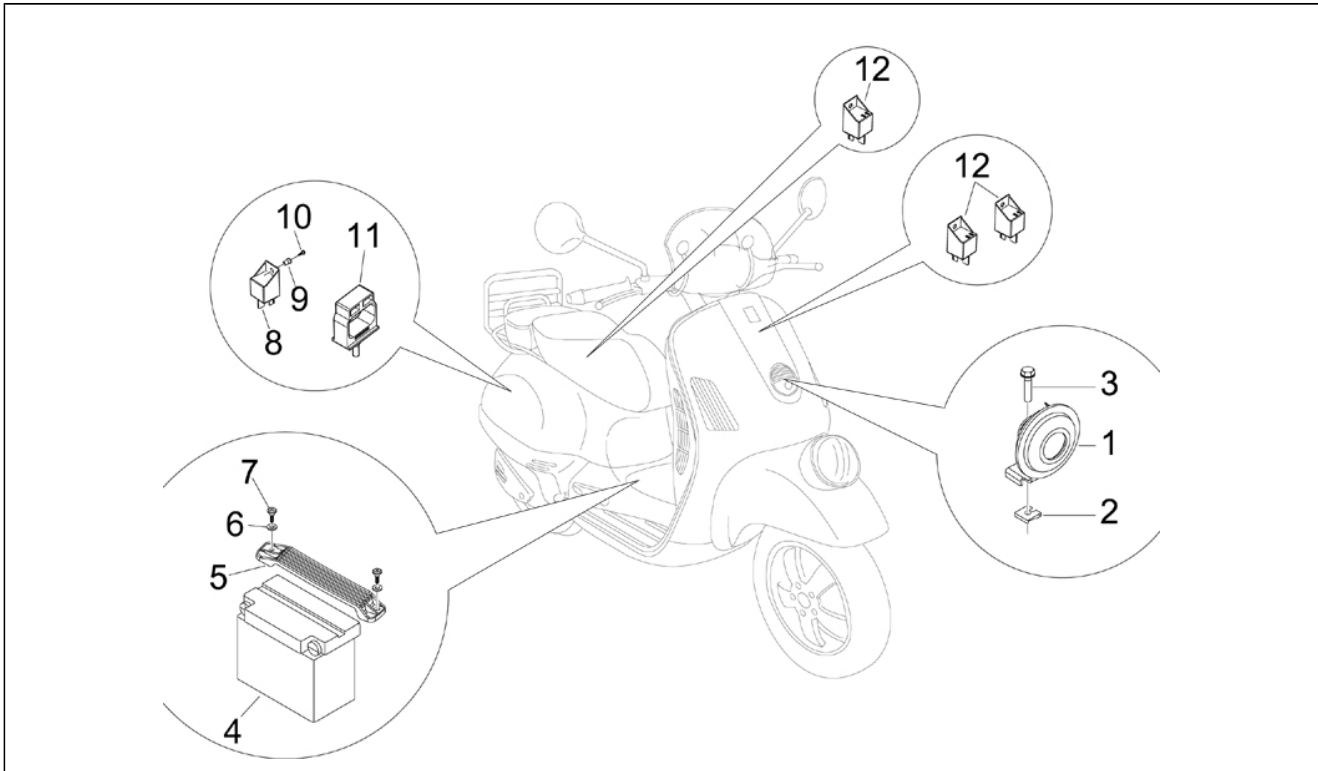
| Pos. | Code | Description | Q.ty | Variants |
|------|----------|------------------------------------|------|----------|
| 1 | 639846 | Reflector, assy. | 1 | |
| 2 | 253327 | Lampholder | 1 | |
| 3 | 292022 | Lamp WY5W | 1 | |
| 4 | 640280 | Halogen Lamp H4 60/55W 12V | 1 | |
| 5 | 006966 | Spring washer 6,4x11x0,5 | 1 | |
| 6 | 830056 | Bush | 1 | |
| 7 | 648349 | Nut | 1 | |
| 8 | 638715 | RH FF INDICATOR ASSY | 1 | |
| 9 | 584332 | Lamp, orange 12V-10W | 1 | |
| 10 | 638716 | LH TURN SIGNAL FRONT GT(OLD584971) | 1 | |
| 11 | 584332 | Lamp, orange 12V-10W | 1 | |
| 12 | 250522 | Cap | 2 | |
| 13 | 297498 | Screw | 2 | |
| 14 | CM017406 | Plate | 2 | |
| 15 | 008457 | Self-tap screw m4,2x19 | 2 | |
| 16 | 647894 | Staffa fiss. fanale ant. | 1 | |
| 17 | 006078 | Plain washer | 1 | |
| 18 | 433800 | Self-tapping screw | 1 | |
| 19 | 584726 | Fanalino posizione ant. | 1 | |
| 20 | 292022 | Lamp WY5W | 1 | |
| 21 | 016405 | Spring washer | 4 | |
| 22 | CM013203 | Molletta bordi lamiera | 1 | |
| 23 | 031056 | Screw | 4 | |

| | |
|--------------------|------------------------------------|
| Assembly | Electrical system |
| Code | 06.04 |
| Description | Rear headlamps - Turn signal lamps |
| Revision | 1 |



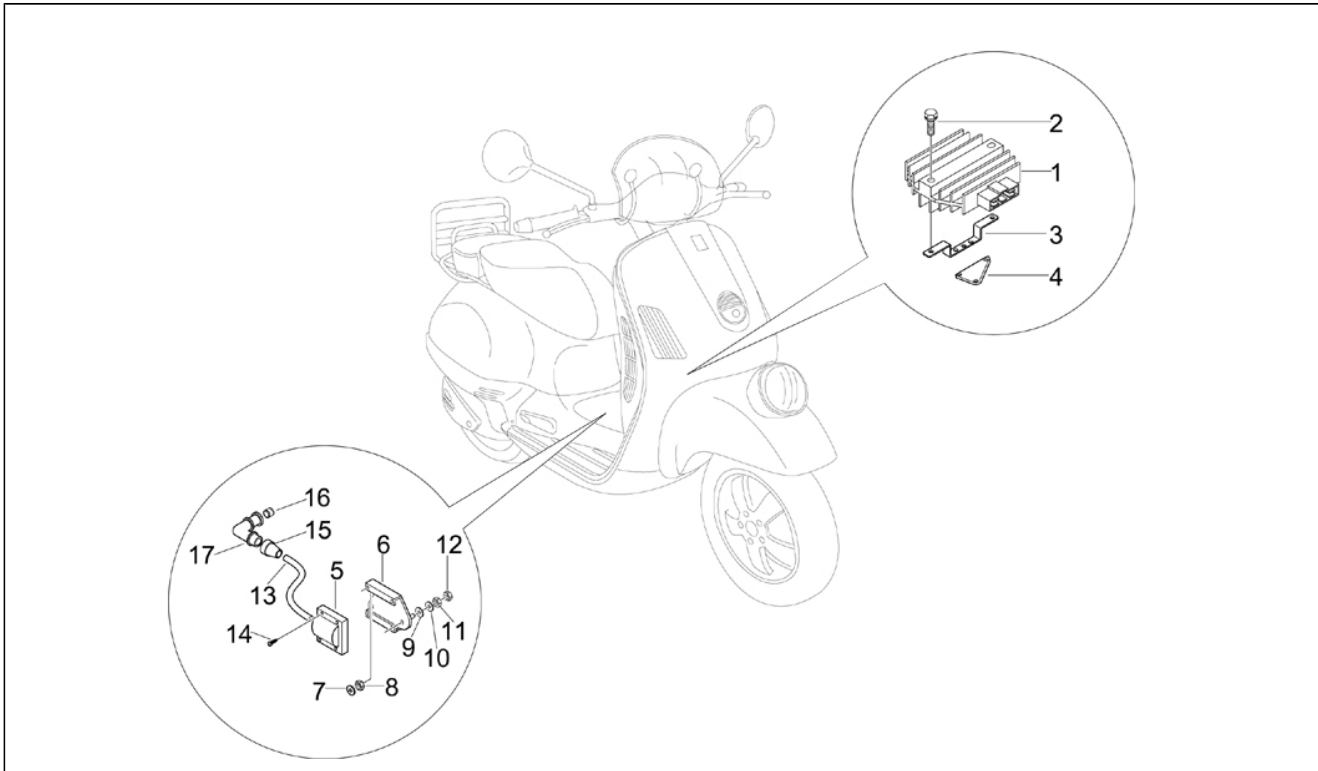
| Pos. | Code | Description | Q.ty | Variants |
|------|----------|------------------------|------|----------|
| 1 | 639682 | TAIL LAMP | 1 | |
| 2 | 292022 | Lamp WY5W | 2 | |
| 3 | 638536 | Lamp 12V-16W | 1 | |
| 4 | 006976 | Spring washer | 1 | |
| 5 | 272836 | Screw | 1 | |
| 6 | 638717 | Turn signal lamp | 1 | |
| 7 | 584679 | RH gasket | 1 | |
| 8 | 584332 | Lamp, orange 12V-10W | 1 | |
| 9 | 638718 | Turn signal lamp | 1 | |
| 10 | 584678 | LH gasket | 1 | |
| 11 | 584332 | Lamp, orange 12V-10W | 1 | |
| 12 | 622357 | Rivet | 2 | |
| 13 | 250522 | Cap | 2 | |
| 14 | CM017406 | Plate | 2 | |
| 15 | 008457 | Self-tap screw m4,2x19 | 2 | |

| | |
|--------------------|--|
| Assembly | Electrical system |
| Code | 06.05 |
| Description | Remote control switches - Battery - Horn |
| Revision | 1 |



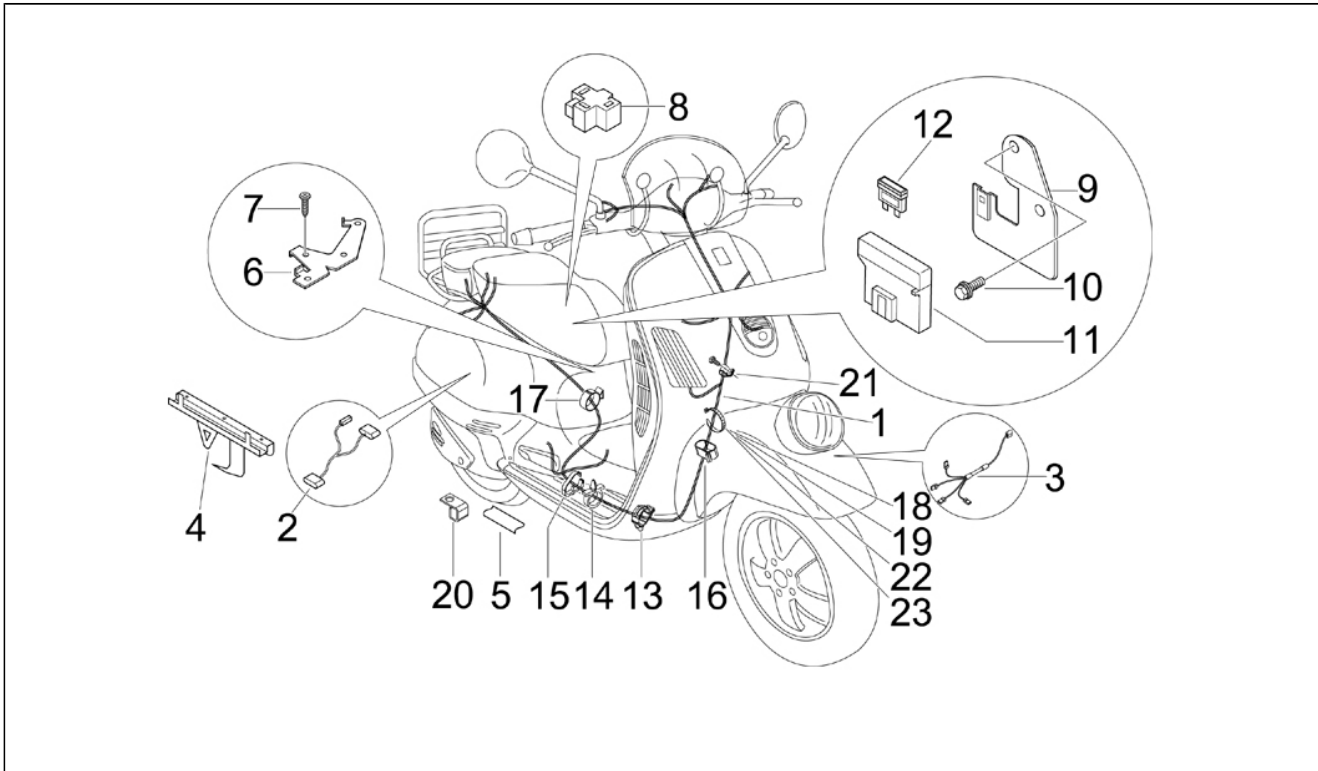
| Pos. | Code | Description | Q.ty | Variants |
|------|----------|-----------------------|------|----------|
| 1 | CM071805 | Horn | 1 | |
| 2 | 254485 | Spring plate M6 | 1 | |
| 3 | 434541 | Screw w/ flange M6x16 | 1 | |
| 4 | 638733 | Battery 12v-12ah | 1 | |
| 5 | 621830 | Battery bracket | 1 | |
| 6 | 016406 | Washer | 2 | |
| 7 | 259830 | Screw m6x22 | 2 | |
| 8 | 58115R | Relay 12V-80A | 1 | |
| 9 | 199190 | Slide piece | 1 | |
| 10 | 576189 | Screw d4,2x16 | 1 | |
| 11 | 291017 | Flexible support | 1 | |
| 12 | 58099R | Rem. control switch | 3 | |

| | |
|--------------------|---|
| Assembly | Electrical system |
| Code | 06.06 |
| Description | Voltage Regulators - Electronic Control Units (ecu) - H.T. Coil |
| Revision | 1 |



| Pos. | Code | Description | Q.ty | Variants |
|------|--------|-----------------------------|------|----------|
| 1 | 58086R | Voltage regulator | 1 | |
| 2 | 289731 | Screw w/ flange M6x30 | 2 | |
| 3 | 621157 | Sta supporto regolatore | 1 | |
| 4 | 622838 | Piastra fiss. regolatore | 1 | |
| 5 | 58120R | Coil | 1 | |
| 6 | 623361 | H.T. COIL BRACKET WITH I.P. | 1 | |
| 7 | 012554 | Washer | 4 | |
| 8 | 020003 | Nut m3 | 4 | |
| 9 | 013880 | Washer | 1 | |
| 10 | 016406 | Washer | 2 | |
| 11 | 020106 | Nut M6 | 2 | |
| 12 | 969224 | Nut | 2 | |
| 13 | 080341 | HT wire | 1 | |
| 14 | 583236 | Screw M3x20 | 4 | |
| 15 | 071671 | Insulating cap | 1 | |
| 16 | 828210 | Spark plug prot.collar | 1 | |
| 17 | 969348 | Scr. sparkplug cap | 1 | |

| | |
|--------------------|--------------------|
| Assembly | Electrical system |
| Code | 06.08 |
| Description | Main cable harness |
| Revision | 1 |



| Pos. | Code | Description | Q.ty | Variants |
|------|----------|----------------------------|------|----------|
| 1 | 640771 | WIRE GROUP OF FRAME | 1 | |
| 2 | 640026 | CABLE HARNESS | 1 | |
| 3 | 640025 | Gruppo cavetti proiettore | 1 | |
| 4 | 639843 | Clamp | 1 | |
| 5 | 580160 | Protection | 2 | |
| 6 | 624998 | Staffa supporto connettori | 1 | |
| 6 | 639026 | BRACKET | 1 | |
| 7 | 272836 | Screw | 1 | |
| 8 | 156205 | Connector | 1 | |
| 9 | 638934 | BRACKET | 1 | |
| 10 | 969296 | Screw w/ flange | 1 | |
| 11 | 580653 | Fuse holder | 2 | |
| 12 | 252945 | Fuse 7,5A | 5 | |
| 12 | 290860 | Fuse 15A | 1 | |
| 12 | 292507 | Fuse 10A | 2 | |
| 12 | 581440 | Fusibile 30A | 1 | |
| 13 | CM006903 | Fairlead | 1 | |
| 14 | CM006904 | Non return spring | 2 | |
| 15 | CM006906 | Non return spring | 1 | |
| 16 | CM013202 | Fairlead | 1 | |
| 17 | 140435 | Spring | 1 | |
| 18 | 145298 | Fascetta a strappo | 9 | |
| 19 | 257134 | Fascetta a strappo | 5 | |
| 20 | 271451 | Hose clamp | 1 | |
| 21 | 638792 | Hose clamp | 1 | |
| 22 | 145298 | Fascetta a strappo | 1 | |
| 23 | 145298 | Fascetta a strappo | 1 | |