



PIAGGIO & C.s.p.a.

Vespa®

SPARE PARTS CATALOGUE



Granturismo 200 L 2006 (USA)

Chassis prefix: ZAPM319K

Engine prefix: M443M

Vespa GT 200

EVG2000US2



Index

Finished products.....	4
Alphanumeric index.....	5
Engine.....	11
Table 01.02 - Engine, assembly.....	11
Table 01.05 - Crankcase.....	12
Table 01.06 - Crankshaft.....	14
Table 01.07 - Cylinder-piston-wrist pin unit.....	15
Table 01.10 - Head unit - Valve.....	16
Table 01.11 - Rocking levers support unit.....	17
Table 01.12 - Cylinder head cover.....	18
Table 01.13 - Driving pulley.....	19
Table 01.14 - Driven pulley.....	20
Table 01.15 - Crankcase cover - Crankcase cooling.....	21
Table 01.18 - Oil pump.....	22
Table 01.19 - Cooler pump.....	24
Table 01.20 - Stater - Electric starter.....	25
Table 01.21 - Flywheel magneto.....	26
Table 01.23 - Flywheel magneto cover - Oil filter.....	27
Table 01.25 - Reduction unit.....	29
Table 01.39 - Carburettor, assembly - Union pipe.....	30
Table 01.40 - Carburetor's components.....	31
Table 01.42 - Silencer.....	32
Table 01.45 - Air filter.....	33
Table 01.46 - Secondary air box.....	34
Frame - Plastic parts - Coachwork.....	35
Table 02.01 - Frame/bodywork.....	35
Table 02.25 - Stand/s.....	36
Table 02.26 - Front shield.....	37
Table 02.30 - Front glove-box - Knee-guard panel.....	39
Table 02.31 - Central cover - Footrests.....	42
Table 02.32 - Side cover - Spoiler.....	43
Table 02.33 - Wheel huosing - Mudguard.....	46
Table 02.34 - Helmet huosing - Undersaddle.....	47
Table 02.37 - Rear cover - Splash guard.....	48
Table 02.38 - Plates - Emblems.....	49
Table 02.39 - Saddle/seats - Tool roll.....	50
Table 02.44 - Rear luggage rack.....	51
Table 02.45 - Driving mirror/s.....	53
Table 02.46 - Locks.....	54
Table 02.47 - Fuel tank.....	55
Table 02.53 - Supply system.....	56
Table 02.55 - Cooling system.....	57
Table 02.61 - Anti-percolation system.....	59



Handlebars/Steering.....	60
Table 03.01 - Handlebars coverages.....	60
Table 03.02 - Meter combination - Cruscotto.....	64
Table 03.06 - Handlebars - Master cil.....	65
Suspensions - Wheels.....	66
Table 04.01 - Swinging arm.....	66
Table 04.02 - Fork/steering tube - Steering bearing unit.....	67
Table 04.10 - Rear suspension - Shock absorber/s.....	70
Table 04.11 - Front wheel.....	72
Table 04.12 - Rear wheel.....	73
Braking system - Transmissions.....	74
Table 05.01 - Brakes pipes - Calipers.....	74
Table 05.03 - Transmissions.....	75
Electrical system.....	76
Table 06.01 - Selectors - Switches - Buttons.....	76
Table 06.03 - Front headlamps - Turn signal lamps.....	77
Table 06.04 - Rear headlamps - Turn signal lamps.....	78
Table 06.05 - Remote control switches - Battery - Horn.....	80
Table 06.06 - Voltage Regulators - Electronic Control Units (ecu) - H.T. Coil.....	81
Table 06.08 - Main cable harness.....	82



Finished products

Code	Validity
EVG2000US2	
EVG287CUS2	Vehicle colour: White[724]
EVG2BMCUS2	Vehicle colour: EVG2BMCUS2[EVG2BMCUS2]
EVG2DAAUS2	Vehicle colour: Signal Blue[211/A]
EVG2DEAUS2	Vehicle colour: Midnight[222/A]
EVG2EDAUS2	Vehicle colour: Warm Grey[735/A]
EVG2EEAUS2	Vehicle colour: Smoky Grey[731/A]
EVG2EFAUS2	Vehicle colour: Grey[741/A]
EVG2EICUS2	Vehicle colour: Stardust Grey[760/A]
EVG2F2CUS2	Vehicle colour: Excalibur Grey[738/A]
EVG2F3AUS2	Vehicle colour: Daring Plum[146]
EVG2FACUS2	Vehicle colour: EVG2FACUS2[EVG2FACUS2]
EVG2NDAUS2	Vehicle colour: Graphite Black[79/A]
EVG2NEAUS2	Vehicle colour: BLACK[141]
EVG2VDCUS2	Vehicle colour: Iguana green[318]



Code	No. table	Pos.	Code	No. table	Pos.	Code	No. table	Pos.
000267	01.21	7	018639	06.06	2	232108	04.10	18
000674	01.05	2	018640	01.45	11	232108	04.10	23
002440	02.25	6	018640	01.45	15	239388	01.05	14
002440	04.01	10	020008	04.10	19	239388	01.15	5
002440	04.10	18	020104	02.37	8	241936	02.46	13
002440	04.10	23	020108	04.02	33	241936	02.55	11
003053	03.01	7	021108	04.10	3	241936	02.61	16
003056	01.45	12	021114	04.02	59	250522	06.03	11
003056	01.45	16	021210	04.02	15	250522	06.04	22
003058	05.01	14	030115	02.25	5	252420	02.30	6
006078	01.23	15	031058	04.02	23	252945	06.08	4
006410	01.14	15	031091	01.20	5	253327	06.03	2
006416	04.01	15	031091	01.39	3	253937	02.46	2
006422	04.02	22	031091	06.06	2	254485	01.45	14
006635	01.15	4	031119	04.02	34	254485	02.31	5
006635	04.02	57	031153	04.10	27	254485	02.37	3
006731	04.02	11	090958	02.47	7	254485	02.44	11
006965	01.23	14	092517	04.02	45	254485	02.47	9
006965	01.23	20	119219	04.02	12	254485	02.55	27
006966	02.44	7	123394	03.06	3	254485	02.55	4
006966	04.02	56	127927	05.01	9	254485	02.55	8
006975	04.02	21	140435	02.46	24	254485	06.05	10
006976	01.20	3	145298	02.55	39	255256	06.08	12
006976	01.20	4	145298	02.61	11	257134	05.01	5
008457	06.03	12	145298	05.01	22	257134	06.08	9
008457	06.04	23	145298	06.08	10	257404	02.55	3
011109	04.02	5	145298	06.08	11	257614	02.30	7
012528	04.02	63	149104	04.02	14	258146	01.15	12
012528	06.06	5	149104	04.10	9	258146	01.45	4
012533	01.45	13	149104	04.11	4	258160	02.47	4
012533	01.45	17	156205	06.08	5	258249	02.30	26
012535	04.02	17	168077	02.55	24	258249	02.31	6
012543	03.06	10	174085	04.02	19	258249	03.01	8
012789	04.02	60	174088	04.02	18	258249	06.04	8
012789	04.10	13	174874	04.02	20	258403	06.01	9
013763	02.37	9	177408	04.02	24	259348	04.02	41
013776	04.10	11	177414	04.02	25	259349	02.30	8
013777	02.44	5	177436	04.02	37	259349	04.02	42
013861	01.42	8	177442	04.02	52	259349	04.02	49
013880	02.44	6	177443	04.02	53	259372	02.30	30
013880	02.47	12	177445	04.02	26	259372	02.30	32
013962	04.10	22	177451	04.02	9	259830	02.31	7
014754	02.30	24	177494	04.02	38	259830	02.37	2
014754	02.32	5	177521	04.02	27	259830	02.44	10
015330	03.06	11	177609	04.02	58	259830	02.53	4
015585	01.18	10	177610	04.02	54	259830	06.04	4
015759	02.47	10	178150	04.10	2	259832	02.47	3
015792	01.42	6	178610	02.47	18	260918	01.45	7
015792	05.01	18	178790	03.06	12	260918	01.45	8
015804	02.47	11	181351	02.32	13	265451	05.01	10
015856	06.06	10	181351	02.32	17	266841	04.02	28
016195	01.42	19	181351	02.33	8	266845	04.01	6
016404	02.37	10	181351	02.33	9	267038	04.10	4
016405	01.42	18	194423	04.10	8	267115	03.01	9
016406	02.44	8	196868	02.47	6	267818	04.02	62
016406	02.47	13	198513	04.02	10	267819	04.02	29
016406	06.05	5	198513	04.02	8	267958	02.26	3
016408	04.02	32	199190	02.26	4	268158	04.10	20
016408	04.10	5	199190	02.30	25	268596	02.30	5
016627	04.10	22	199190	02.31	4	268596	02.30	9
018538	01.11	13	199190	02.32	7	268596	03.01	10
018575	01.05	20	199190	06.04	12	269118	04.02	30
018575	01.21	5	217280	05.01	7	269755	01.25	11
018575	01.40	19	223605	03.06	13	270423	02.53	11
018591	02.37	7	231590	04.02	48	270793	01.15	8
018639	01.20	5	232108	02.25	6	270793	02.55	10
018639	01.39	3	232108	04.01	10	270793	03.02	4



Code	No. table	Pos.	Code	No. table	Pos.	Code	No. table	Pos.
271147	04.02	55	433800	01.42	16	487459	01.23	12
271434	03.06	8	434345	01.18	12	487665	01.42	13
271452	03.06	4	434381	01.10	23	487666	01.42	12
271453	03.06	5	434541	01.18	22	487832	01.11	16
271477	01.39	9	434541	06.05	9	487833	01.11	17
271477	04.02	64	434855	01.13	5	487936	01.14	13
271740	04.01	7	434885	01.13	10	487937	01.18	11
271807	04.01	8	435629	01.10	3	487989	01.12	7
272750	04.10	26	436438	01.10	7	497182	01.02	3
272836	02.55	26	436695	01.18	27	497183	01.02	2
272836	06.06	13	436783	01.13	11	561433	04.02	51
272842	02.53	10	436783	01.21	6	56234R	04.10	1
273460	04.10	25	436788	02.39	6	56284R	02.25	1
273693	04.02	31	436947	01.42	7	56286R	04.02	13
273754	02.25	7	463195	02.32	3	562923	03.06	6
274246	01.14	19	478115	01.05	6	56330R	04.01	1
277916	01.05	17	478115	01.10	15	563728	04.10	10
277916	01.10	16	478184	01.10	25	564053	04.02	39
277916	01.18	8	478985	01.15	3	564257	04.02	2
277916	01.23	18	479132	01.45	3	564260	04.02	4
285536	01.23	22	479986	01.18	7	564573	04.02	46
285846	01.10	9	480853	01.10	2	564573	04.12	4
287913	01.18	32	482305	01.14	16	564629	01.18	31
288245	02.37	6	483164	02.01	8	56462R	05.03	1
288474	01.23	24	483226	01.14	3	564761	05.01	6
289731	01.15	15	483261	01.14	5	564878	04.01	18
289731	01.15	9	483711	01.10	6	567642	02.37	5
289731	01.18	29	483767	01.05	22	57313R	02.55	16
289731	05.01	20	483775	01.18	9	57320R	02.55	15
292022	06.03	3	483776	01.23	26	57323R	02.45	1
292022	06.04	5	483785	01.05	7	57333R	02.55	13
292507	06.08	4	483841	01.23	23	573426	02.46	8
292723	06.03	4	483889	01.13	2	574646	02.32	4
293256	06.08	4	483914	01.10	10	575249	02.30	27
294678	03.01	11	483918	01.18	30	575249	02.31	8
294723	06.01	8	484034	01.05	8	575249	02.33	2
294877	06.01	1	484123	01.11	11	575249	02.33	5
296141	02.30	10	484733	01.10	4	575249	02.46	10
296456	02.39	2	484734	01.10	5	575249	02.55	6
296458	01.23	13	484739	01.11	1	575321	02.47	5
296458	06.03	5	484740	01.11	4	575607	02.30	11
297498	06.04	26	484819	01.11	3	575819	02.30	12
298581	02.46	1	484819	01.11	5	576189	02.30	28
298604	02.01	2	484908	01.07	6	576189	02.31	13
298731	02.46	7	485047	01.05	23	576189	02.32	8
298838	02.46	4	485080	01.19	3	576454	02.61	14
298903	02.46	3	485603	01.10	13	576464	02.38	1
299557	02.01	10	485655	01.05	24	576468	02.61	1
299972	02.30	34	485703	01.25	12	576469	02.61	8
299972	02.46	16	4857135	01.13	3	576702	02.38	6
319532	05.01	13	485868	01.18	19	576704	02.38	7
319538	02.44	2	485879	01.25	15	576705	02.38	8
411296	01.10	14	485891	01.25	13	576708	02.38	9
411311	01.05	3	485912	01.05	9	576953	02.38	10
414837	01.18	18	485912	01.25	3	577005	02.30	13
414838	01.11	9	485913	01.05	10	577128	02.46	17
430264	01.15	7	486075	01.23	28	577129	02.46	18
430264	01.42	11	486081	01.05	11	577131	02.46	19
430585	01.14	9	486082	01.18	2	5771695	02.26	1
431065	01.05	30	486237	01.19	1	577174	02.30	1
431089	01.14	8	486324	01.14	20	577175	02.30	2
431860	01.05	4	486331	01.11	14	577180	02.31	2
431860	01.15	2	486336	01.11	8	577181	02.31	3
432142	01.05	18	486343	01.11	7	577182	02.31	11
432142	01.05	5	486363	01.07	5	577183	02.55	9
433122	01.42	15	486974	01.11	15	577184	02.55	29
433232	01.14	17	487211	01.25	7	577187	02.55	28



Code	No. table	Pos.	Code	No. table	Pos.	Code	No. table	Pos.
5771920087	02.39	1	57742750DE	02.26	2	582691	02.37	13
57719200D1	02.39	1	57742750EB	02.26	2	582787	04.02	6
57719200D2	02.39	1	57742750F2	02.26	2	582828	03.06	14
57719200RI	02.39	1	57742750F3	02.26	2	582850	02.25	3
577195	02.55	5	57742750ND	02.26	2	582851	02.25	4
577196	02.55	22	57742750VC	02.26	2	582930	06.08	4
577201	02.55	12	57742760D9	02.26	2	582951	06.01	6
577205	02.55	17	57742760EB	02.26	2	582988	06.01	5
57733700E9	02.44	12	57742760F2	02.26	2	582990	02.46	21
57733800E9	02.44	13	57742760VC	02.26	2	583575	06.01	10
577384	02.55	18	577433	02.55	19	583812	06.04	7
577392	02.37	1	577436	02.55	20	583921	02.61	13
5773920087	02.37	1	577437	02.31	9	584083	02.33	7
57739200BM	02.37	1	577447	02.30	16	584084	02.33	6
57739200D9	02.37	1	577453	02.30	37	584121	02.46	22
57739200DE	02.37	1	577454	02.46	6	584332	06.03	10
57739200EB	02.37	1	577456	02.46	9	584332	06.03	8
57739200EI	02.37	1	5774570095	02.44	1	584332	06.04	15
57739200F2	02.37	1	577467000C	02.44	9	584332	06.04	20
57739200F3	02.37	1	577468	02.30	17	584599	06.01	2
57739200ND	02.37	1	577471	02.46	12	584669	02.55	25
57739200VC	02.37	1	577473	02.32	9	584676	02.55	23
577393	02.32	1	5774730087	02.32	9	584678	06.04	19
5773930087	02.32	1	57747300BM	02.32	9	584679	06.04	16
57739300BM	02.32	1	57747300D9	02.32	9	584689	01.21	3
57739300D9	02.32	1	57747300DE	02.32	9	584690	01.21	2
57739300DE	02.32	1	57747300EB	02.32	9	584843	01.20	6
57739300EB	02.32	1	57747300F2	02.32	9	584925	02.32	18
57739300EI	02.32	1	57747300F3	02.32	9	584926	02.32	14
57739300F2	02.32	1	57747300ND	02.32	9	584931	02.33	11
57739300F3	02.32	1	57747300VC	02.32	9	584977	06.03	1
57739300ND	02.32	1	577474	02.32	10	584979	06.04	1
57739300VC	02.32	1	5774740087	02.32	10	584980	03.02	1
577394	02.32	2	57747400BM	02.32	10	584995	02.32	15
5773940087	02.32	2	57747400D9	02.32	10	584995	02.32	19
57739400BM	02.32	2	57747400DE	02.32	10	584995	02.33	12
57739400D9	02.32	2	57747400EB	02.32	10	597149	04.10	16
57739400DE	02.32	2	57747400EI	02.32	10	597317	04.01	12
57739400EB	02.32	2	57747400F2	02.32	10	597374	04.01	13
57739400EI	02.32	2	57747400F3	02.32	10	597418	05.01	21
57739400F2	02.32	2	57747400ND	02.32	10	597528	04.10	14
57739400F3	02.32	2	57747400VC	02.32	10	597564	04.12	5
57739400ND	02.32	2	577492	02.39	3	597565	04.12	6
57739400VC	02.32	2	577557	02.47	8	597679	04.11	3
577395	02.30	29	577594	02.30	18	597679	04.12	3
577395000C	02.30	29	577594	06.08	2	597758	04.02	36
577396000C	02.30	31	577620	02.30	35	597856	05.01	1
577397	02.01	11	577620	02.46	20	597857	04.01	4
577398	02.01	12	577856	02.30	19	597914	04.01	5
577399	02.30	14	577857	02.30	20	597944	04.11	2
577400	02.30	15	577861	02.30	21	597945	04.12	2
577405000C	02.32	11	580160	02.55	30	598134	04.02	35
5774050043	02.32	11	580160	05.01	3	598143	04.10	21
577427	02.26	2	58054R	06.06	3	598237	04.01	16
5774270087	02.26	2	580653	06.08	3	598615	04.02	40
57742700BM	02.26	2	58090R	06.06	1	598615000C	04.02	40
57742700D9	02.26	2	58099R	06.05	1	5986150087	04.02	40
57742700DE	02.26	2	581056	06.04	3	59861500BM	04.02	40
57742700EB	02.26	2	58113R	03.02	3	59861500D9	04.02	40
57742700EI	02.26	2	58115R	06.05	2	59861500DE	04.02	40
57742700F2	02.26	2	58141R	01.21	1	59861500EB	04.02	40
57742700F3	02.26	2	581560	02.25	8	59861500F2	04.02	40
57742700ND	02.26	2	581957	03.01	10	59861500F3	04.02	40
57742700VC	02.26	2	582034	03.06	9	59861500ND	04.02	40
5774275087	02.26	2	582041	06.01	7	59861500VC	04.02	40
57742750BM	02.26	2	582058	02.33	10	598619	04.11	1
57742750D9	02.26	2	582298	02.25	2	598619	04.12	1



Code	No. table	Pos.	Code	No. table	Pos.	Code	No. table	Pos.
598654	04.02	47	62191700D9	03.01	3	638536	06.04	2
598715	04.12	7	62191700DE	03.01	3	638701	06.04	9
598917	04.01	2	62191700EB	03.01	3	6387010087	06.04	9
599059	04.01	19	62191700EI	03.01	3	63870100BM	06.04	9
599077	04.01	17	62191700F2	03.01	3	63870100D9	06.04	9
599246	04.01	11	62191700F3	03.01	3	63870100DE	06.04	9
599249	04.10	24	62191700ND	03.01	3	63870100EB	06.04	9
599250	04.01	14	62191700VC	03.01	3	63870100F2	06.04	9
599350	05.03	1	621918	03.01	4	63870100F3	06.04	9
599593	04.10	6	6219180087	03.01	4	63870100ND	06.04	9
599678	03.01	3	62191800BM	03.01	4	63870100VC	06.04	9
5996780087	03.01	3	62191800D9	03.01	4	638702	06.04	6
59967800D9	03.01	3	62191800DE	03.01	4	638715	06.03	7
59967800DE	03.01	3	62191800EB	03.01	4	638716	06.03	9
59967800EB	03.01	3	62191800EI	03.01	4	638717	06.04	13
59967800EI	03.01	3	62191800F2	03.01	4	638718	06.04	17
59967800F2	03.01	3	62191800F3	03.01	4	638733	06.05	4
59967800F3	03.01	3	62191800ND	03.01	4	638853	01.12	8
59967800ND	03.01	3	62191800VC	03.01	4	638975	06.01	4
59967800VC	03.01	3	622229	02.55	14	638976	06.01	3
599679	03.01	4	622302	02.47	1	639165	06.06	12
5996790087	03.01	4	62291401	02.01	1	639212	06.06	8
59967900D9	03.01	4	6229145087	02.01	1	639414	03.02	2
59967900DE	03.01	4	62291450BM	02.01	1	639727	01.21	2
59967900EB	03.01	4	62291450D9	02.01	1	639853	02.31	10
59967900EI	03.01	4	62291450DE	02.01	1	640106	01.21	3
59967900F2	03.01	4	62291450EB	02.01	1	640112	06.08	1
59967900F3	03.01	4	62291450F2	02.01	1	646833	03.06	16
59967900ND	03.01	4	62291450F3	02.01	1	646833	03.06	18
59967900VC	03.01	4	62291450ND	02.01	1	646921	02.39	5
600161	04.01	3	62291450VC	02.01	1	647078	05.01	12
600195	05.01	4	623013	02.55	21	647161	05.01	17
600579	02.33	1	623205	02.38	3	652681	03.01	1
6005790087	02.33	1	623447	03.01	2	65268100DE	03.01	1
60057900BM	02.33	1	6234470087	03.01	2	65268100F2	03.01	1
60057900D9	02.33	1	62344700DE	03.01	2	65268100F3	03.01	1
60057900DE	02.33	1	62344700F2	03.01	2	65268100ND	03.01	1
60057900EB	02.33	1	62344700F3	03.01	2	652682	03.01	2
60057900EI	02.33	1	62344700ND	03.01	2	65268200DE	03.01	2
60057900F2	02.33	1	62344700VC	03.01	2	65268200F2	03.01	2
60057900F3	02.33	1	623448	03.01	1	65268200F3	03.01	2
60057900ND	02.33	1	6234480087	03.01	1	65268200ND	03.01	2
60057900VC	02.33	1	62344800BM	03.01	1	655554	03.06	13
6009605	04.02	7	62344800D9	03.01	1	709047	02.01	9
620050	02.53	3	62344800DE	03.01	1	709047	02.55	7
620236	02.37	4	62344800EB	03.01	1	709047	04.02	16
620333	02.38	11	62344800EI	03.01	1	709047	04.10	12
620334	02.38	12	62344800F2	03.01	1	709047	04.11	5
620335	02.38	13	62344800F3	03.01	1	709047	05.01	15
620395	02.01	4	62344800ND	03.01	1	709532	01.39	5
620395	02.01	6	62344800VC	03.01	1	709646	04.10	28
620415	02.46	23	623536	03.06	1	709674	02.44	3
620452	02.30	33	623544	02.61	2	82518R	01.14	4
620528	02.38	5	623673	02.55	2	82538R	01.18	16
620529	02.38	2	623776	02.30	38	82539R	01.05	12
620682	02.38	4	623928	02.31	1	82540R	01.05	13
620693	02.30	22	6239280087	02.31	1	82545R	04.10	7
620737	02.47	15	62392800BM	02.31	1	825481	01.23	30
620966	02.61	12	62392800D9	02.31	1	825481	02.53	14
621145	02.33	4	62392800DE	02.31	1	825529	01.23	29
621155	02.34	1	62392800EB	02.31	1	825620	01.18	13
621498	02.39	4	62392800EI	02.31	1	825758	01.25	8
621830	06.05	7	62392800F2	02.31	1	82580R	01.23	27
621914	03.01	10	62392800F3	02.31	1	825952	01.18	23
621917	03.01	3	62392800ND	02.31	1	82611R	01.20	1
6219170087	03.01	3	62392800VC	02.31	1	82612R	01.20	2
62191700BM	03.01	3	624402	02.55	1	826165	01.23	21

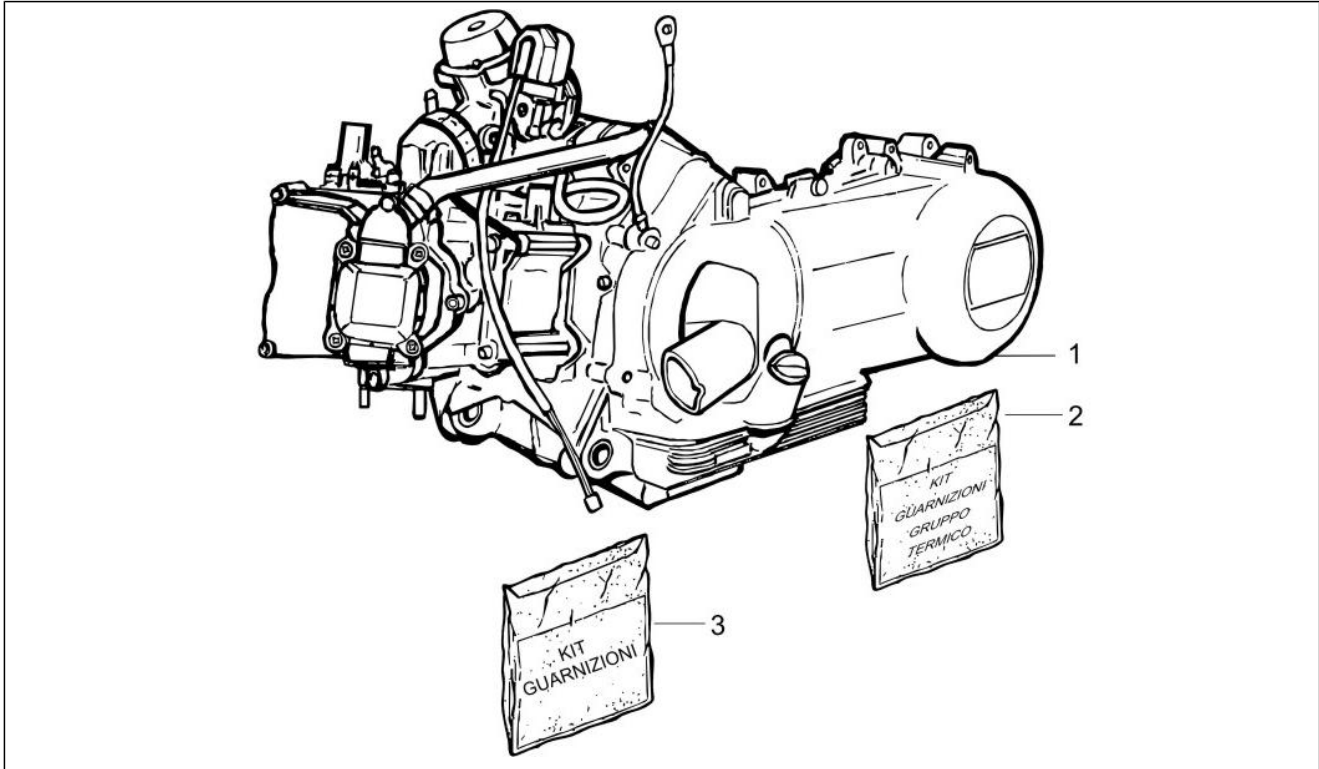


Code	No. table	Pos.	Code	No. table	Pos.	Code	No. table	Pos.
82622R	01.10	11	830486	01.07	7	844964	01.15	14
82635R	01.23	25	831174	01.10	12	845212	01.05	19
826388	01.42	2	831255	01.23	6	845633	01.23	9
826391	01.42	5	831256	01.23	3	8456335	01.23	9
826396	01.11	18	831257	01.23	4	845753	01.10	19
82644R	01.18	25	831258	01.23	5	845861	01.05	29
82649R	01.18	14	831259	01.46	1	8459345	01.11	10
82650R	01.18	20	831260	01.46	3	847116	01.18	9
82659R	01.25	2	831995	01.45	2	847594	01.10	1
827085	01.05	28	831997	01.45	5	847778	01.40	1
82731R	01.23	2	832000	01.45	1	847928	01.18	21
82745R	01.14	1	832059	01.46	5	847929	01.18	2
82782R	01.18	24	832130	01.05	27	847930	01.25	6
827831	01.45	19	8322495	01.25	1	848039	04.10	15
82783R	01.18	15	832508	01.13	6	848080	01.23	8
827921	01.10	22	833308	01.11	12	8482595	01.23	1
827939	01.45	6	833669	01.14	2	871458	01.15	16
828146	01.07	8	833672	01.14	7	872635	01.12	2
828147	01.07	8	833673	01.14	12	872908	01.23	12
828148	01.07	8	833674	01.14	11	872999	01.10	4
82817R	01.11	2	833722	01.18	28	873114	01.10	5
82817R	01.11	6	833722	01.46	4	873351	01.25	5
828210	06.06	7	833986	01.42	10	873980	01.25	8
828217	01.13	13	833989	01.13	12	875112	01.07	8
82823R	01.23	21	834044	01.14	10	875113	01.07	8
828308	01.18	26	834187	01.42	9	951685	02.44	4
82831R	01.10	17	834266	01.15	6	963486	01.07	4
828325	02.53	13	834393	01.10	18	969224	02.33	3
828325	02.61	5	834394	01.10	21	969224	04.02	43
828421	01.12	5	8347335	01.25	14	969224	06.06	4
828480	01.10	8	834774	01.13	7	969296	01.20	3
828493	01.23	19	840022	01.19	5	969296	01.20	4
828535	01.21	9	840489	01.05	15	969296	01.39	8
828535	01.23	17	840510	01.18	17	969348	06.06	6
828535	01.42	17	840815	01.13	9	975855	02.01	7
828569	01.23	16	840908	01.13	8	CM001422	02.47	14
828653	01.12	6	841051	01.42	14	CM001901	02.53	12
828662	01.19	2	8411965001	01.06	1	CM001901	02.53	5
828662	01.21	4	8411965002	01.06	1	CM001903	02.55	31
828662	01.23	7	841373	01.19	5	CM001904	01.45	18
82869R	01.21	8	8413805	01.15	1	CM001904	01.45	20
82869R	01.23	16	841695	01.39	6	CM001904	01.46	2
828708	01.12	8	842204	01.13	4	CM001904	02.55	32
828717	01.14	6	842360	01.10	26	CM001905	02.55	33
828766	01.05	25	842515	01.40	16	CM001907	02.55	34
82877R	01.18	1	842516	01.40	15	CM001908	01.19	4
82878R	01.05	12	842518	01.40	11	CM001908	02.55	14
828800	02.46	25	842519	01.40	8	CM001908	02.55	35
828831	01.40	10	8425205	01.42	1	CM001912	02.61	3
828843	01.40	7	842522	01.40	18	CM001913	02.61	4
828844	01.40	17	842523	01.40	13	CM001914	02.53	6
828961	04.11	6	842595	01.23	10	CM001914	02.53	9
829139	01.11	19	842734	01.39	2	CM001914	02.61	17
829201	01.25	5	843188	01.15	11	CM001914	02.61	6
829206	01.25	4	843190	01.15	13	CM001914	02.61	9
829375	01.05	31	843290	01.07	2	CM001915	02.55	36
829529	01.07	3	843291	01.07	1	CM001922	02.55	35
829534	01.12	1	843364	01.18	6	CM002901	01.46	7
829536	01.12	2	843400	01.46	6	CM002902	01.10	20
829593	01.18	3	843761	01.18	4	CM002902	02.47	17
829661	01.05	26	844049	01.14	18	CM002903	01.10	24
830056	01.45	9	8440494	01.14	18	CM002916	01.39	7
830057	01.45	10	844352	01.18	1	CM002919	01.45	21
830061	01.05	21	844483	04.10	17	CM004126	02.53	2
830128	01.18	5	844582	01.05	16	CM006307	02.30	3
830248	01.12	3	844669	01.25	9	CM006902	06.08	6
830249	01.12	4	844730	01.23	11	CM006903	02.55	37



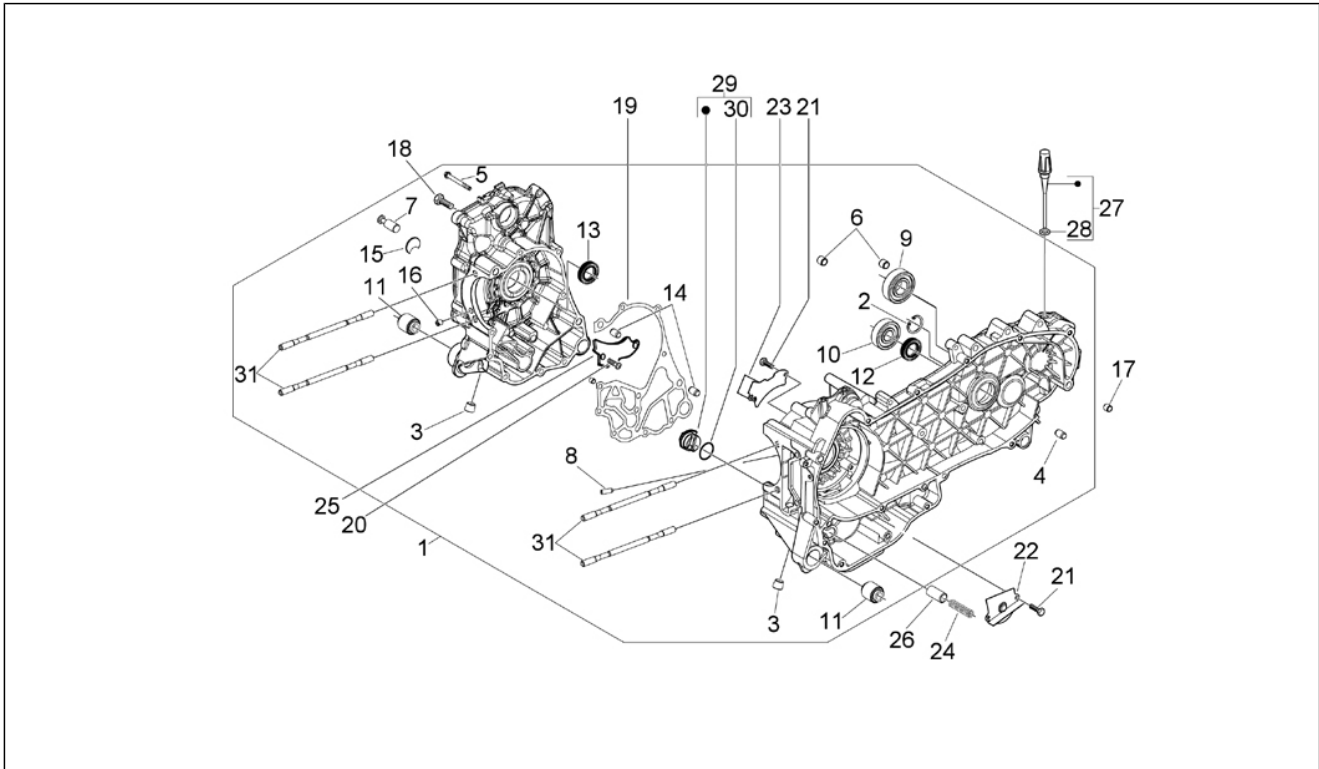
Code	No. table	Pos.
CM006903	05.01	8
CM006905	06.08	7
CM006907	06.08	8
CM012811	02.46	14
CM012813	02.46	15
CM013201	02.53	7
CM013201	02.61	10
CM017201	02.01	3
CM017202	02.01	5
CM017406	06.03	13
CM017406	06.04	24
CM017408	02.30	23
CM017409	03.01	6
CM017410	02.30	4
CM017410	02.31	12
CM017410	02.32	6
CM017410	04.02	44
CM017410	04.02	61
CM017418	03.01	5
CM017803	02.53	8
CM017812	02.61	18
CM023703	02.46	11
CM024102	02.61	7
CM025709	02.47	2
CM027707	02.45	3
CM027708	02.45	2
CM028201	02.61	15
CM060950	03.06	2
CM061303	04.02	1
CM061304	04.02	3
CM067801	04.01	9
CM068301	05.01	11
CM071806	06.05	8
CM073301	03.06	7
CM073407	02.45	3
CM073408	02.45	2
CM074101	05.01	16
CM074801	03.06	15
CM074901	03.06	17
CM120901	02.53	1
CM1212155	01.02	1
CM121908	01.15	10
CM1280085001	01.05	1
CM1280085002	01.05	1
CM128210	01.39	1
CM129902	01.40	2
CM140102	01.40	3
CM140201	01.40	9
CM140301	01.40	5
CM140401	01.40	4
CM140901	01.40	12
CM142903	01.40	6
CM1440075	01.14	14
CM144404	01.13	1
CM149403	01.40	14
CM156708	01.40	4

Group	Engine
Code	01.02
Description	Engine, assembly
Service	1



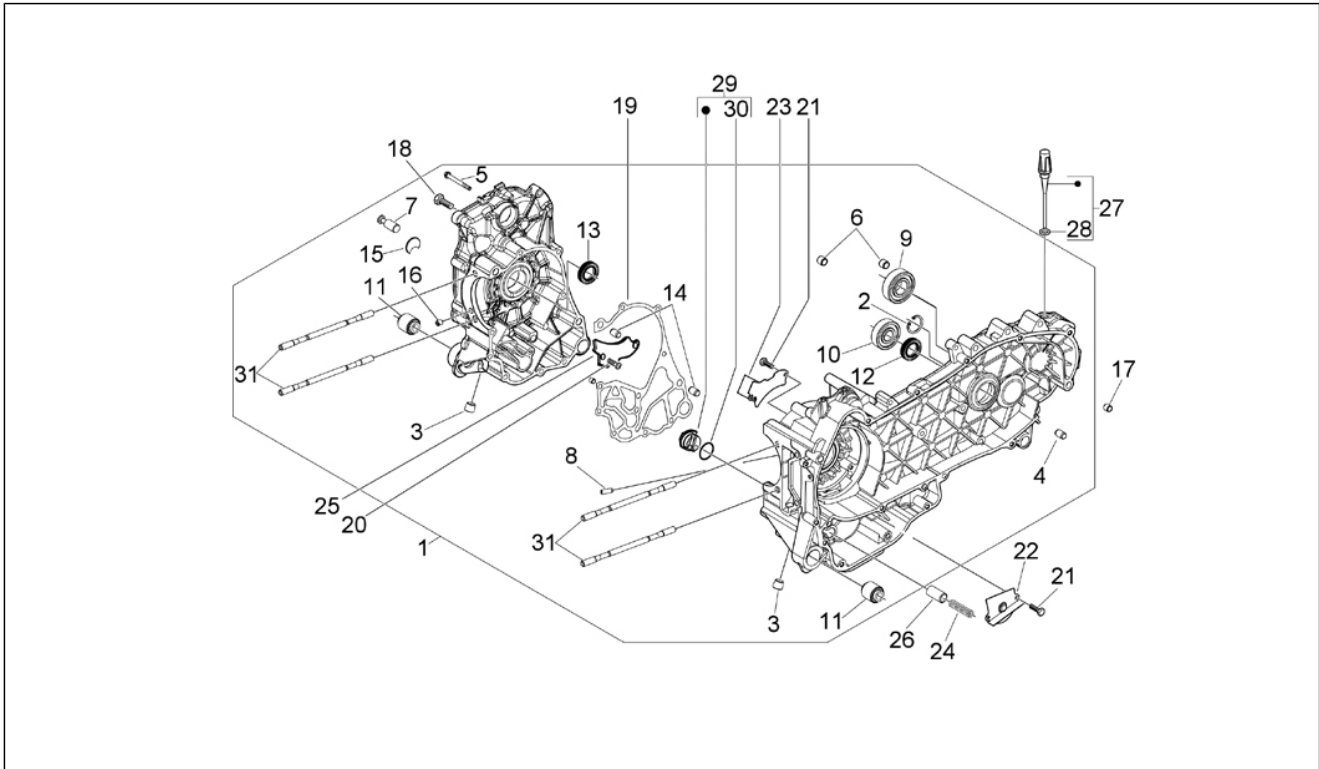
Pos.	Code	Description	Qty	Variants
1	CM1212155	***ENGINE	1	
2	497183	Gask. set thermic unit	1	
3	497182	Engine gasket set	1	

Group	Engine
Code	01.05
Description	Crankcase
Service	1



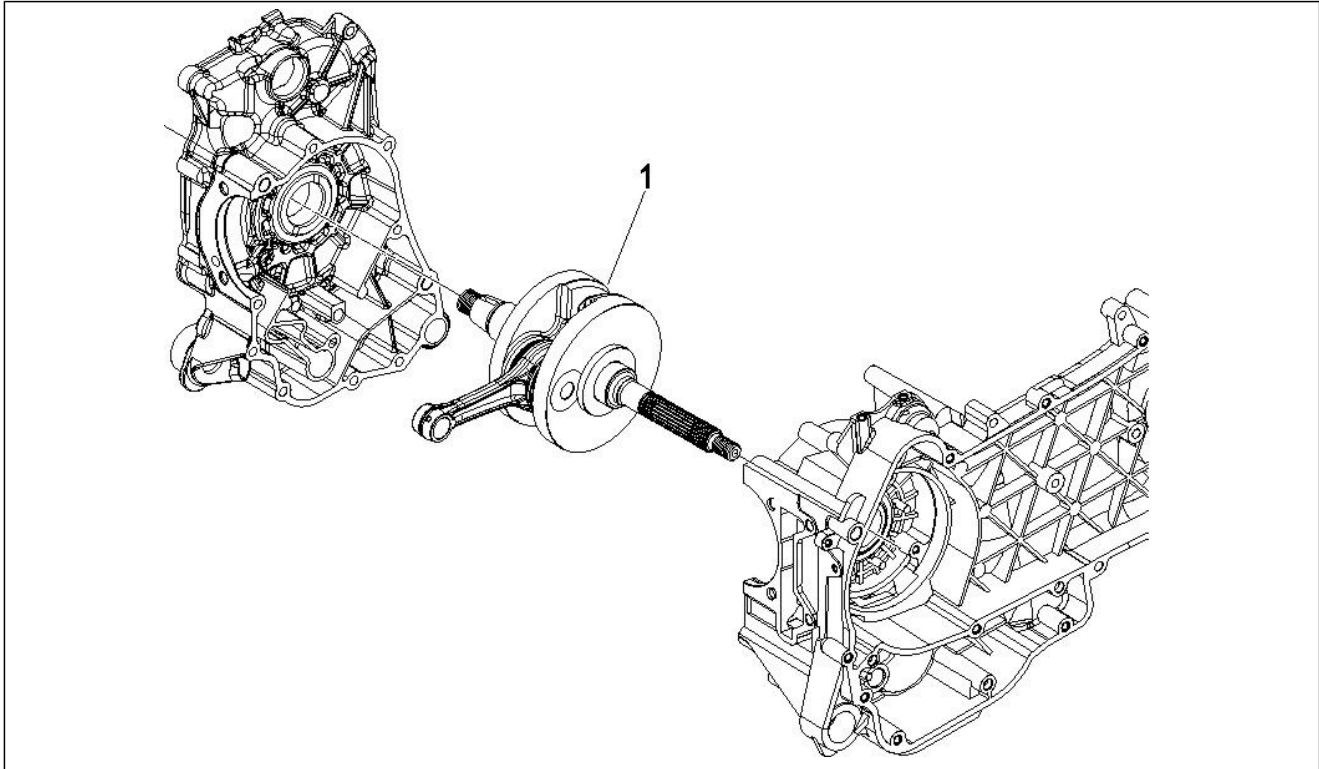
Pos.	Code	Description	Qty	Variants
1	CM1280085001	Carter motore cpl. Cat.1	1	
1	CM1280085002	Carter motore cpl. Cat.2	1	
2	000674	Circlip 25x26.9x1.2	1	
3	411311	Plug	2	
4	431860	Bush $\varnothing 8 \times \varnothing 12 \times 8$	1	
5	432142	screw M6x60	11	
6	478115	Locating dowel $\varnothing 11 \times \varnothing 8,1 \times 10$	2	
7	483785	Springs fixing pin	1	
8	484034	Nozzle	1	
9	485912	Radial ball bearing 15x42x13	1	
10	485913	Radial bearing 20x47x14	1	
11	486081	Silent-block	2	
12	82539R	Gasket ring	1	
12	82878R	Gasket ring 20-32-7	1	
13	82540R	Gasket ring	1	
14	239388	Pin 6,5x9,5x15	2	
15	840489	Cup	1	
16	844582	Nozzle D 1.1	1	
17	277916	Locating dowel	1	
18	432142	screw M6x60	11	
19	845212	Half crankcase gasket	1	
20	018575	Screw M5x10	1	
21	830061	Screw w/ flange M5x16	4	
22	483767	Lower oil bulkhead	1	
23	485047	Upper oil bulkhead	1	
24	485655	Spring	1	
25	828766	Plate	1	
26	829661	Oil pressure valve	1	

Group	Engine
Code	01.05
Description	Crankcase
Service	1



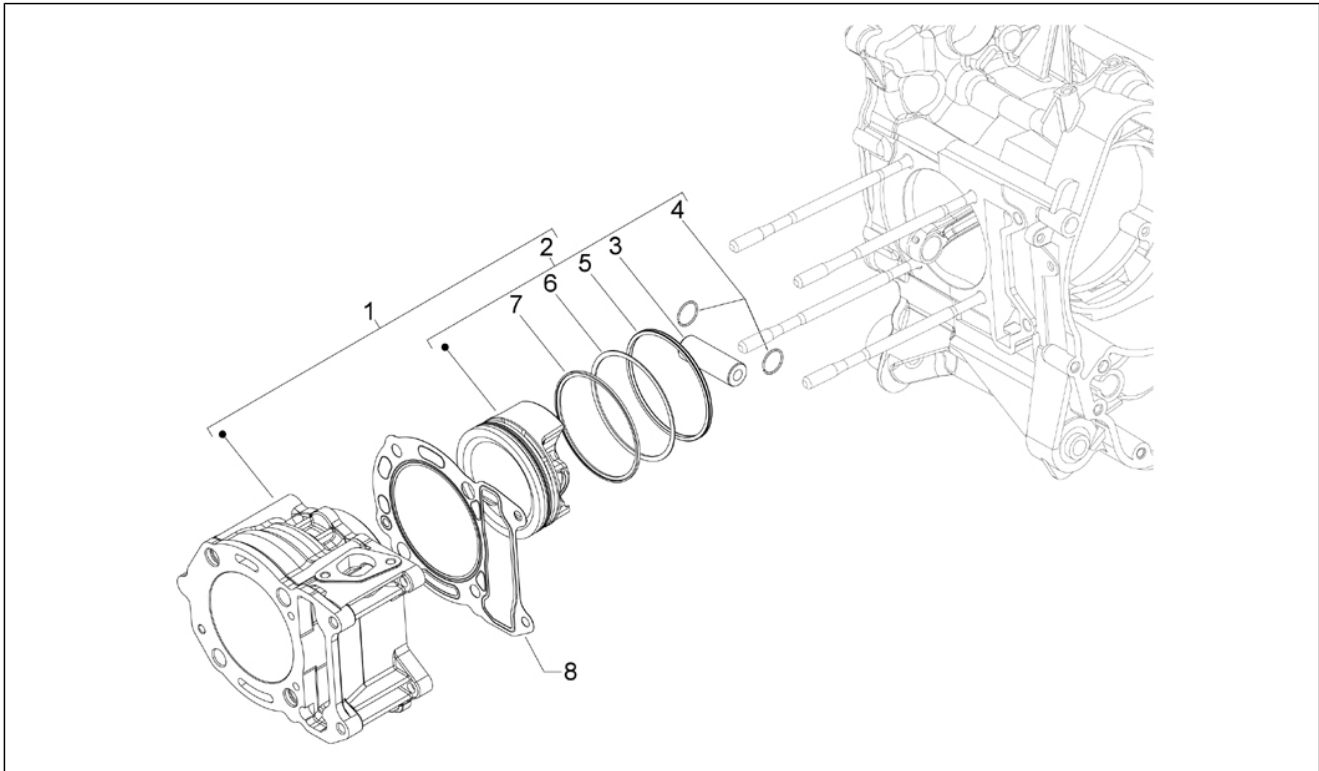
Pos.	Code	Description	Qty	Variants
27	832130	Complete oil level dipstick	1	
28	827085	Gasket ring 14,43x9,19x2,62	1	
29	845861	Filter door insert	1	
30	431065	Gasket	1	
31	829375	Stud bolt	4	

Group	Engine
Code	01.06
Description	Crankshaft
Service	1



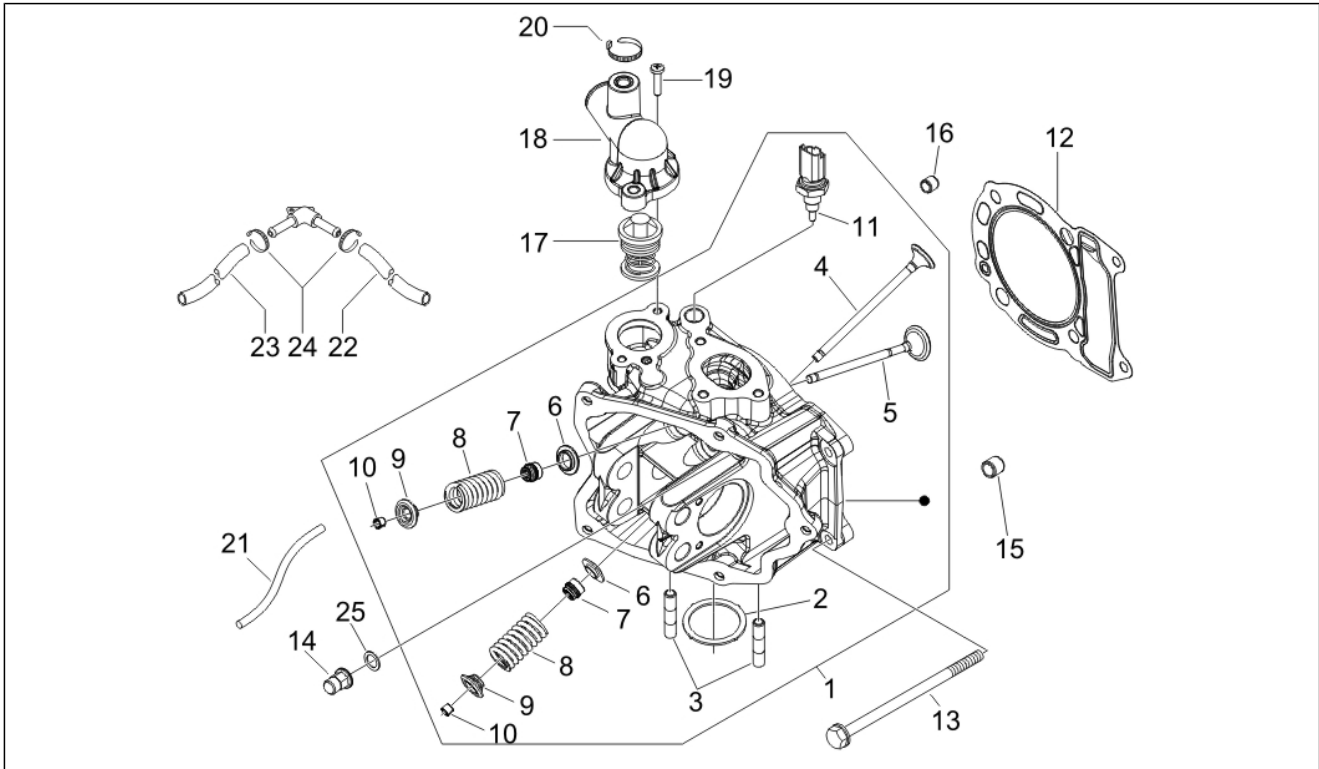
Pos.	Code	Description	Qty	Variants
1	8411965001	Crankshaft cpl.	1	
1	8411965002	Crankshaft cpl. cat2	1	

Group	Engine
Code	01.07
Description	Cylinder-piston-wrist pin unit
Service	1



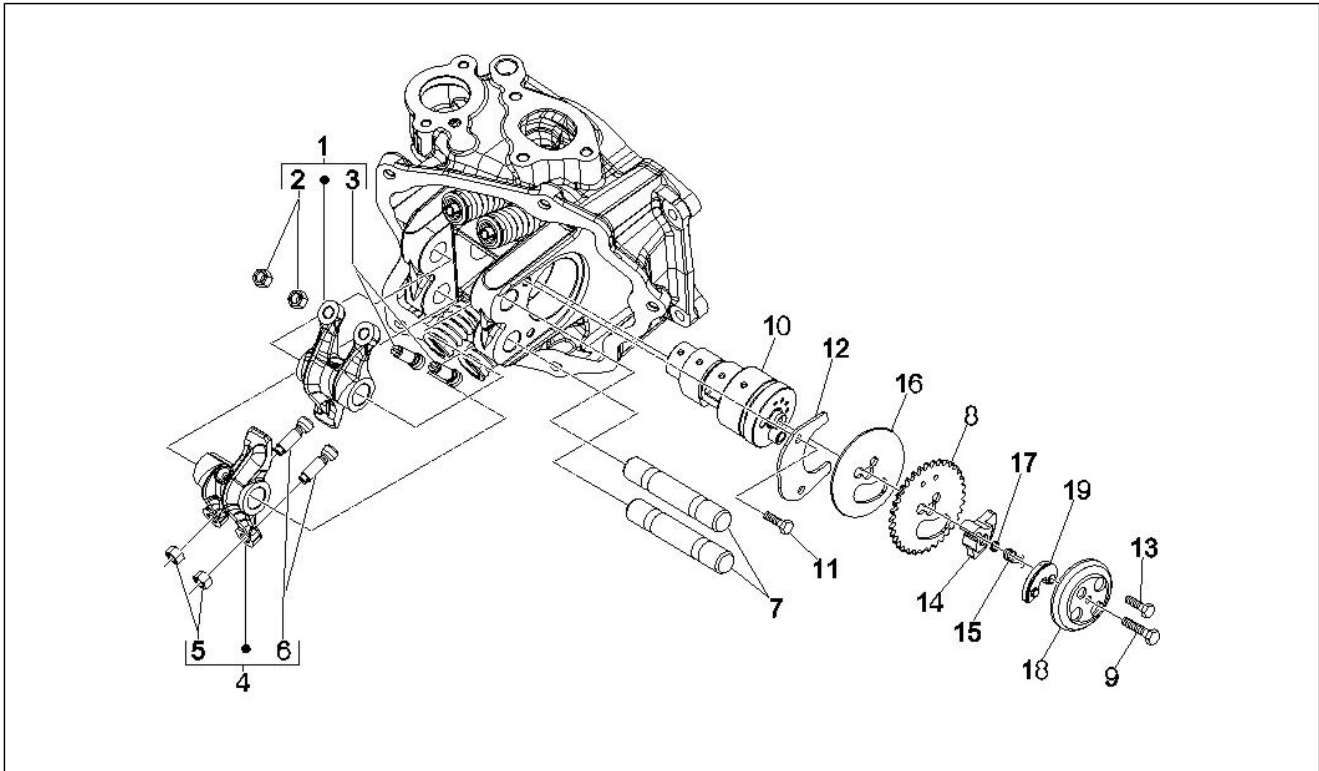
Pos.	Code	Description	Qty	Variants
1	843291	Cylinder with piston	1	
2	843290	***PISTON-PIN GROUP	1	
3	829529	Piston pin	1	
4	963486	ANELLO ELASTICO (MINGXING RICAMBI)	2	
5	486363	Scraper ring 72x2,5	1	
6	484908	Scraper ring 72x1	1	
7	830486	Ring 72x1.5	1	
8	828146	Cylinder base gasket 0,4 mm	1	
8	828147	Cylinder base gasket 0,6 mm	1	
8	828148	Cylinder base gasket 0,8 mm	1	
8	875112	Cylinder base gasket 0,4 mm	1	
8	875113	Cylinder base gasket 0,6 mm	1	

Group	Engine
Code	01.10
Description	Head unit - Valve
Service	1



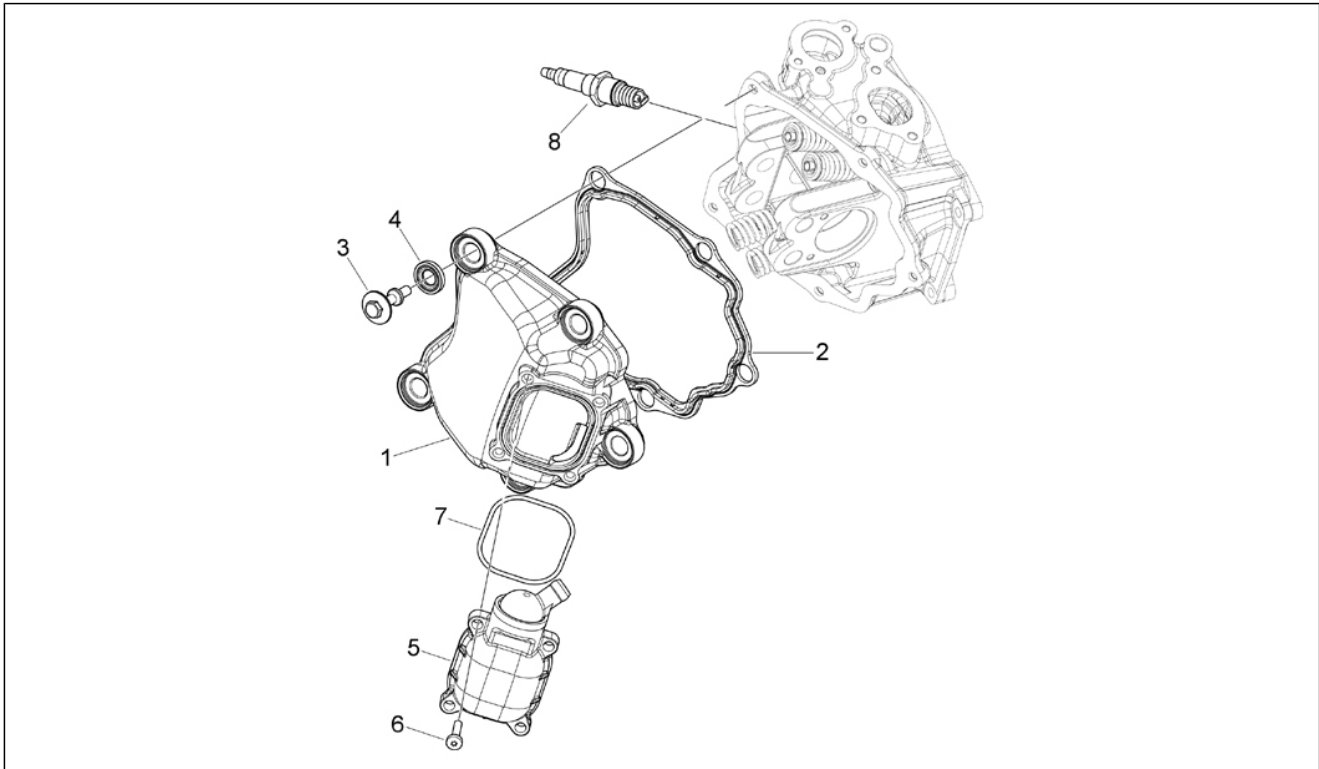
Pos.	Code	Description	Qty	Variants
1	847594	Cylinder head assembly	1	
2	480853	Exhaust pipe gasket	1	
3	435629	Stud bolt M7	2	
4	484733	Intake valve	2	
4	872999	Intake valve	2	
5	484734	Exhaust valve	2	
5	873114	Exhaust valve	2	
6	483711	Lower cap	4	
7	436438	Valve gasket ring	4	
8	828480	Spring	4	
9	285846	Valve half-cone	8	
10	483914	Upper cap	4	
11	82622R	Thermistor	1	
12	831174	Cylinder head gasket 0,3mm	1	
13	485603	Screw w/ flange	2	
14	411296	Nut M8x1,25	4	
15	478115	Locating dowel Ø11xØ8,1x10	2	
16	277916	Locating dowel	2	
17	82831R	Thermostat	1	
18	834393	Thermostat cover	1	
19	845753	Hex socket screw M5x20	2	
20	CM002902	Hose clamp	2	
21	834394	pipe	1	
22	827921	Head-carb.by-pass pipe	1	
23	434381	By-pass pipe	1	
24	CM002903	Hose clamp	4	
25	478184	O-ring	4	
26	842360	Plug M6x10	1	

Group	Engine
Code	01.11
Description	Rocking levers support unit
Service	1



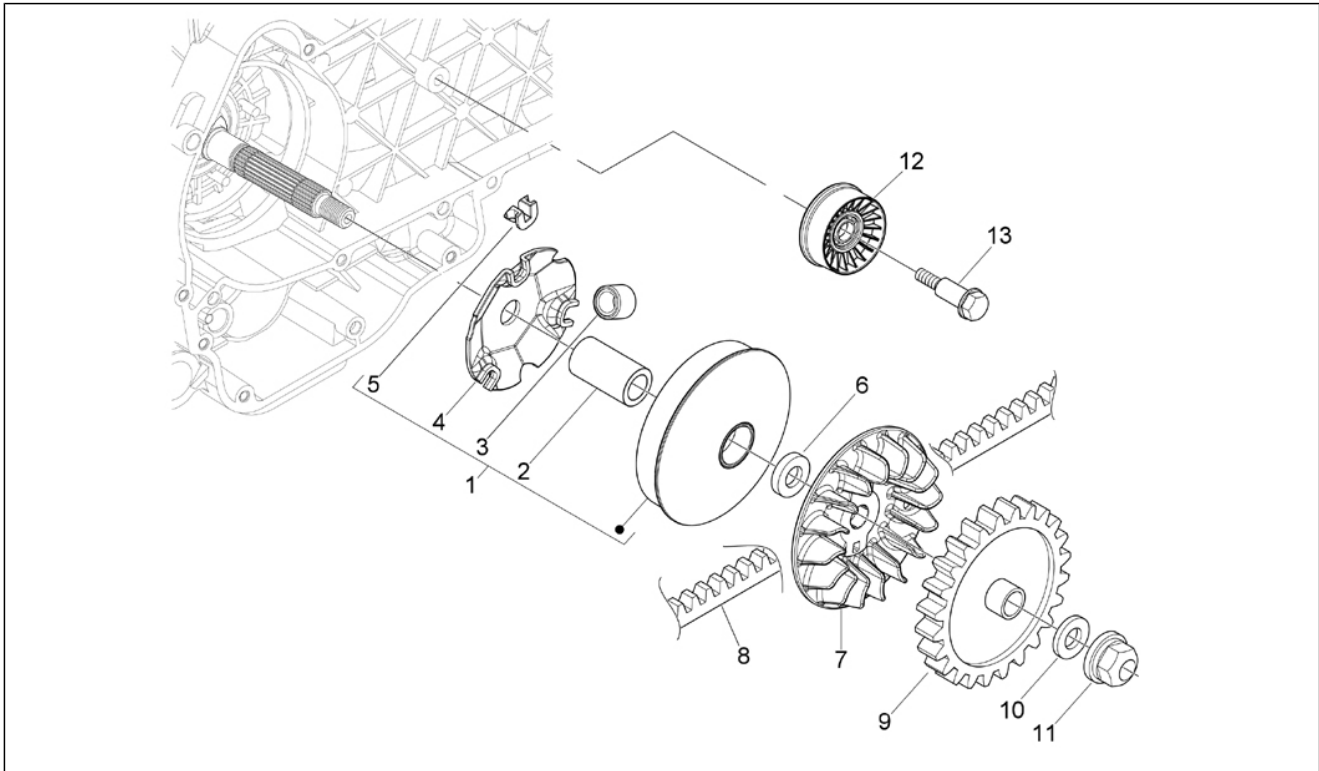
Pos.	Code	Description	Qty	Variants
1	484739	Rocker arm inlet	1	
2	82817R	Adjuster screw	2	
3	484819	Nut	2	
4	484740	Rocker arm exhaust	1	
5	484819	Nut	2	
6	82817R	Adjuster screw	2	
7	486343	Rocker arms axis	2	
8	486336	Timing system gear	1	
9	414838	screw M6x35	1	
10	8459345	Camshaft	1	
11	484123	Screw w/ flange	2	
12	833308	Camshaft plate	1	
13	018538	Hex socket screw M5x30	1	
14	486331	Decompressor counterweight	1	
15	486974	Spring	1	
16	487832	Washer	1	
17	487833	Gasket	1	
18	826396	Decompression bell	1	
19	829139	Decompression counterweight	1	

Group	Engine
Code	01.12
Description	Cylinder head cover
Service	1



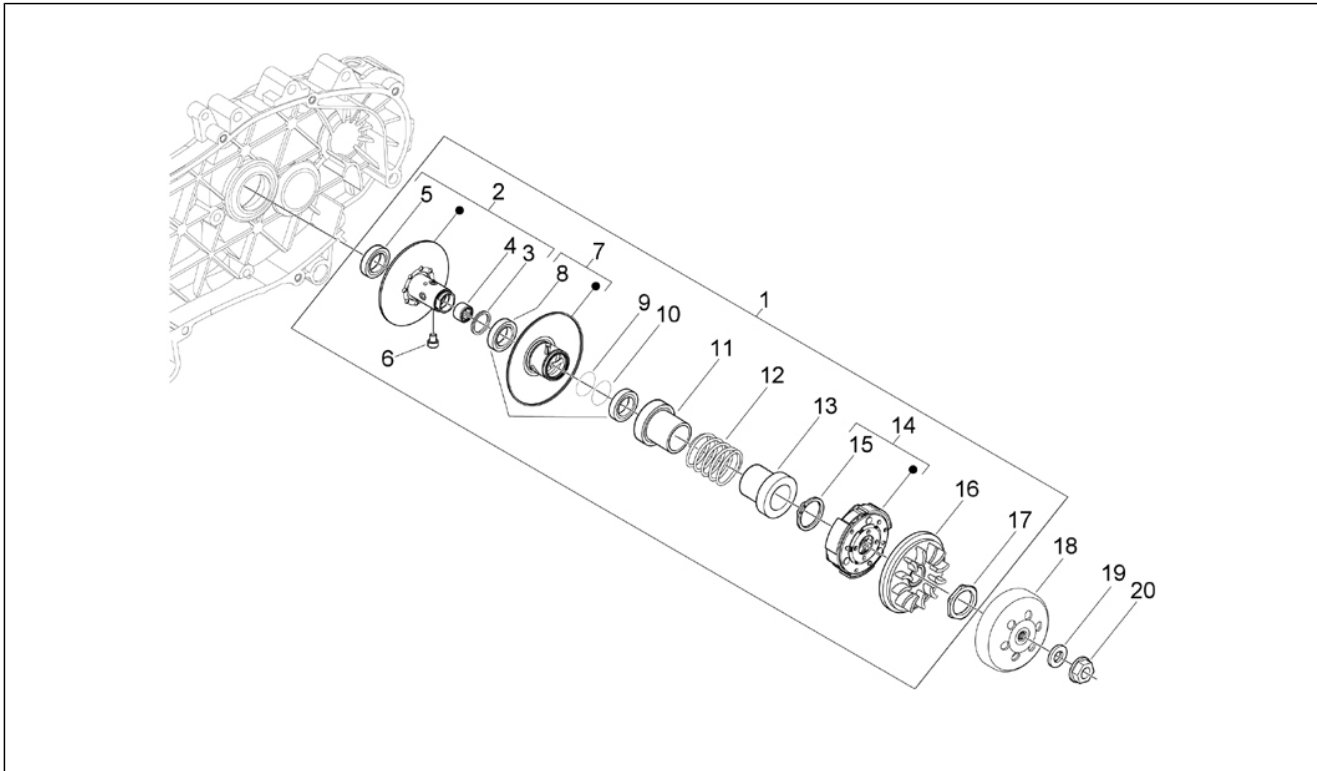
Pos.	Code	Description	Qty	Variants
1	829534	Head cover	1	
2	829536	Head cover gasket	1	
2	872635	Special screw	5	
3	830248	Special screw	5	
4	830249	Damper drift	5	
5	828421	Oil breather valve	1	
6	828653	screw	4	
7	487989	Gasket	1	
8	638853	Spark plug (NGK) CR8EB	1	
8	828708	Spark plug RG6YC (Champion)	1	

Group	Engine
Code	01.13
Description	Driving pulley
Service	1



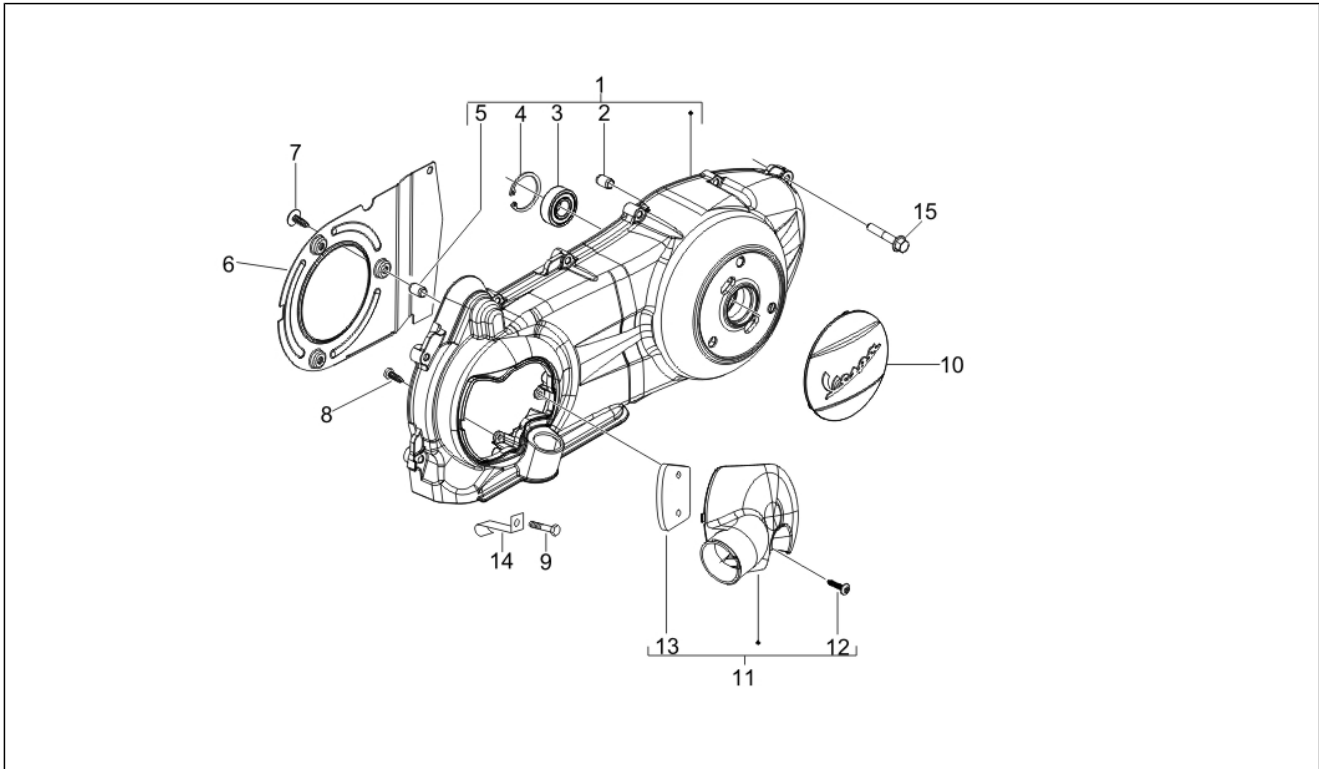
Pos.	Code	Description	Qty	Variants
1	CM144404	Half-pulley assy., driving	1	
2	483889	Spacer	1	
3	4857135	Pin roller-set	1	
4	842204	Roller contrast	1	
5	434855	Sliding block	3	
6	832508	O-ring	1	
7	834774	Fixed pulley	1	
8	840908	V-belt	1	
9	840815	Torque limiter	1	
10	434885	Plain washer 17x32x1	1	
11	436783	Nut M12	1	
12	833989	Toothed pulley	1	
13	828217	Special screw	1	

Group	Engine
Code	01.14
Description	Driven pulley
Service	1



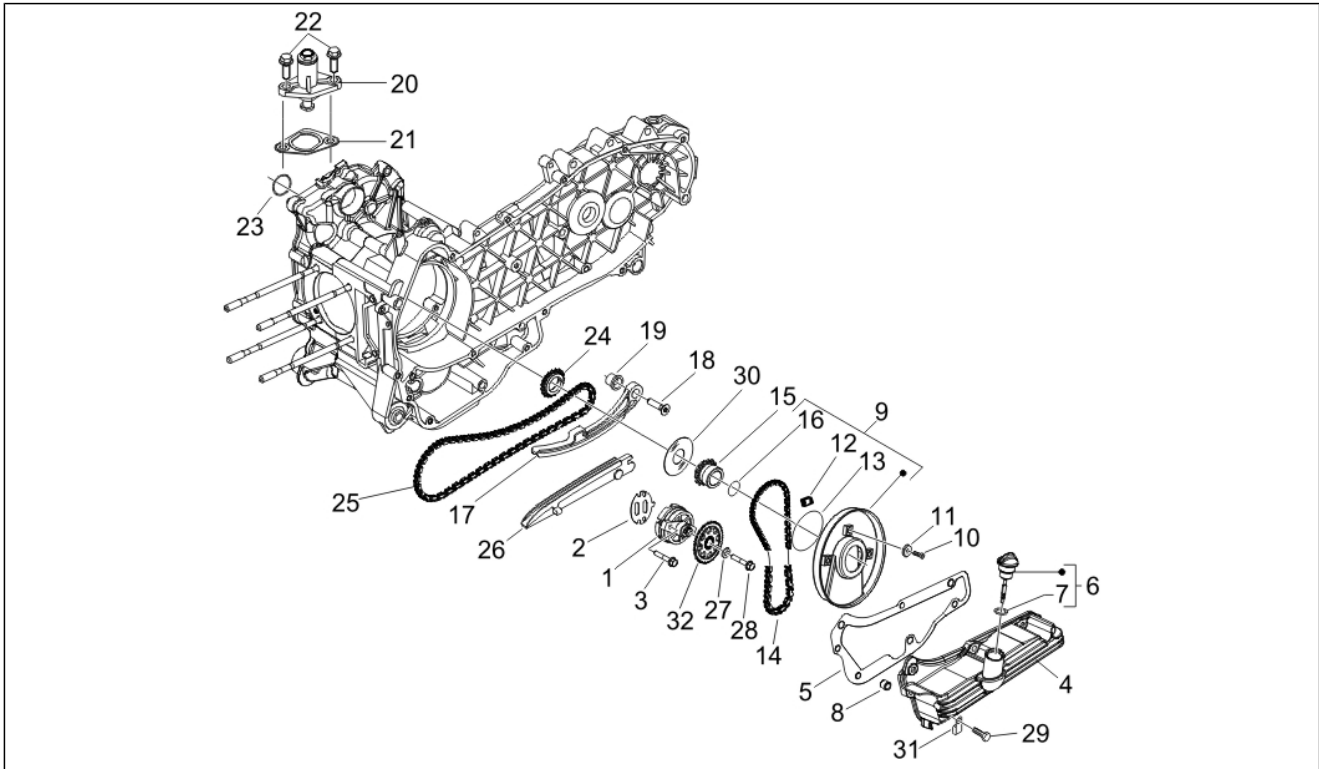
Pos.	Code	Description	Qty	Variants
1	82745R	Secondary pulley	1	
2	833669	Sec. fixed sheave, complete	1	
3	483226	Snap ring	1	
4	82518R	Roller cage 20x29x18	1	
5	483261	Radial bearing 17x30	1	
6	828717	Guide pin L=12,5	4	
7	833672	Sec. sliding sheave, complete	1	
8	431089	Gasket ring	2	
9	430585	Gasket	1	
10	834044	O-ring	1	
11	833674	Cup	1	
12	833673	Variator spring	1	
13	487936	Clutch side cap	1	
14	CM1440075	Centrifugal clutch assy	1	
15	006410	Gasket ring	3	
16	482305	Fan	1	
17	433232	Ring nut	1	
18	844049	Clutch drum	1	
18	8440494	Clutch drum	1	
19	274246	Flat washer 22x12,1x1	1	
20	486324	Nut M12x1.25	1	

Group	Engine
Code	01.15
Description	Crankcase cover - Crankcase cooling
Service	1



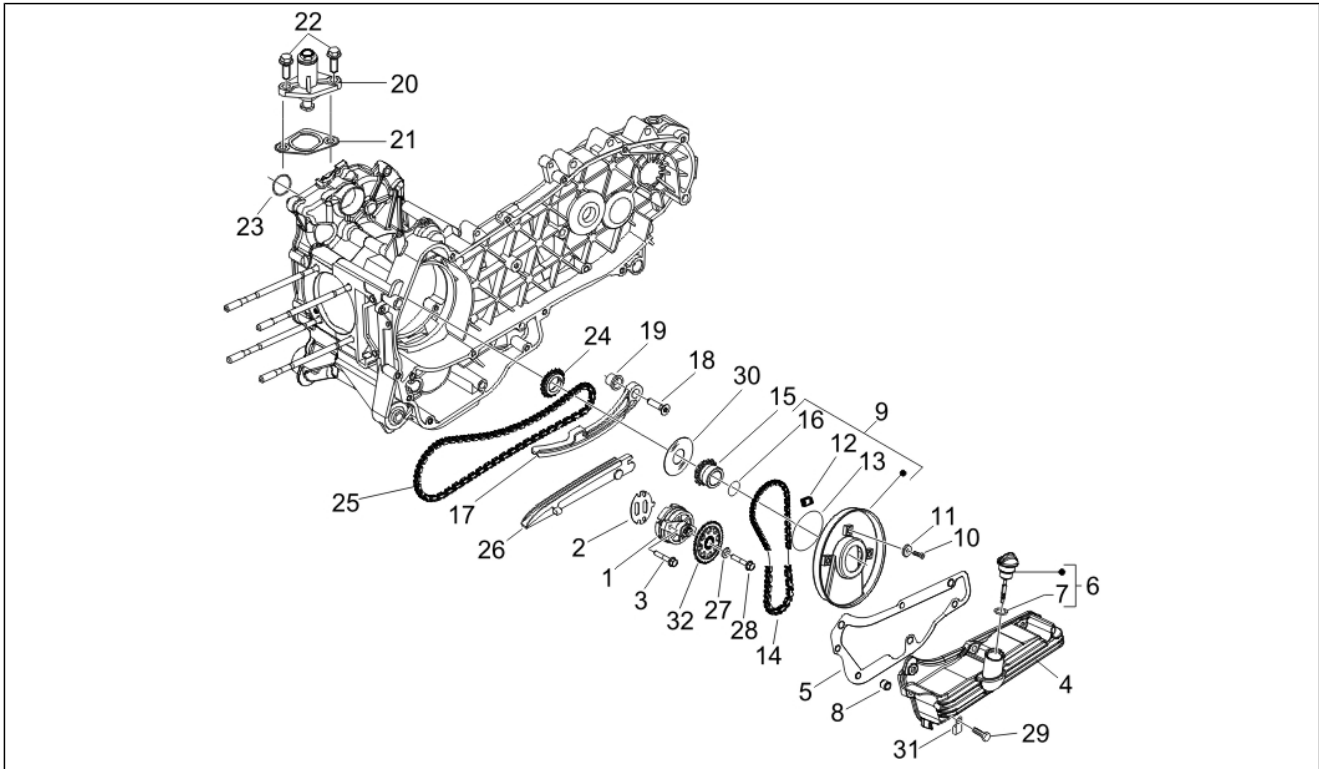
Pos.	Code	Description	Qty	Variants
1	8413805	Transmission cover cpl.	1	
2	431860	Bush $\varnothing 8 \times \varnothing 12 \times 8$	1	
3	478985	Bearing	1	
4	006635	Snap ring	1	
5	239388	Pin 6,5x9,5x15	2	
6	834266	Air deflector	1	
7	430264	Self-tapping screw	5	
8	270793	TBCIC Screw 3,8x16	3	
9	289731	Screw w/ flange M6x30	8	
10	CM121908	Plug	1	
11	843188	Cover	1	
12	258146	Self-tap screw M3x20	2	
13	843190	Filter	1	
14	844964	Hose clamp	1	
15	289731	Screw w/ flange M6x30	1	
16	871458	Mounting drift	3	

Group	Engine
Code	01.18
Description	Oil pump
Service	1



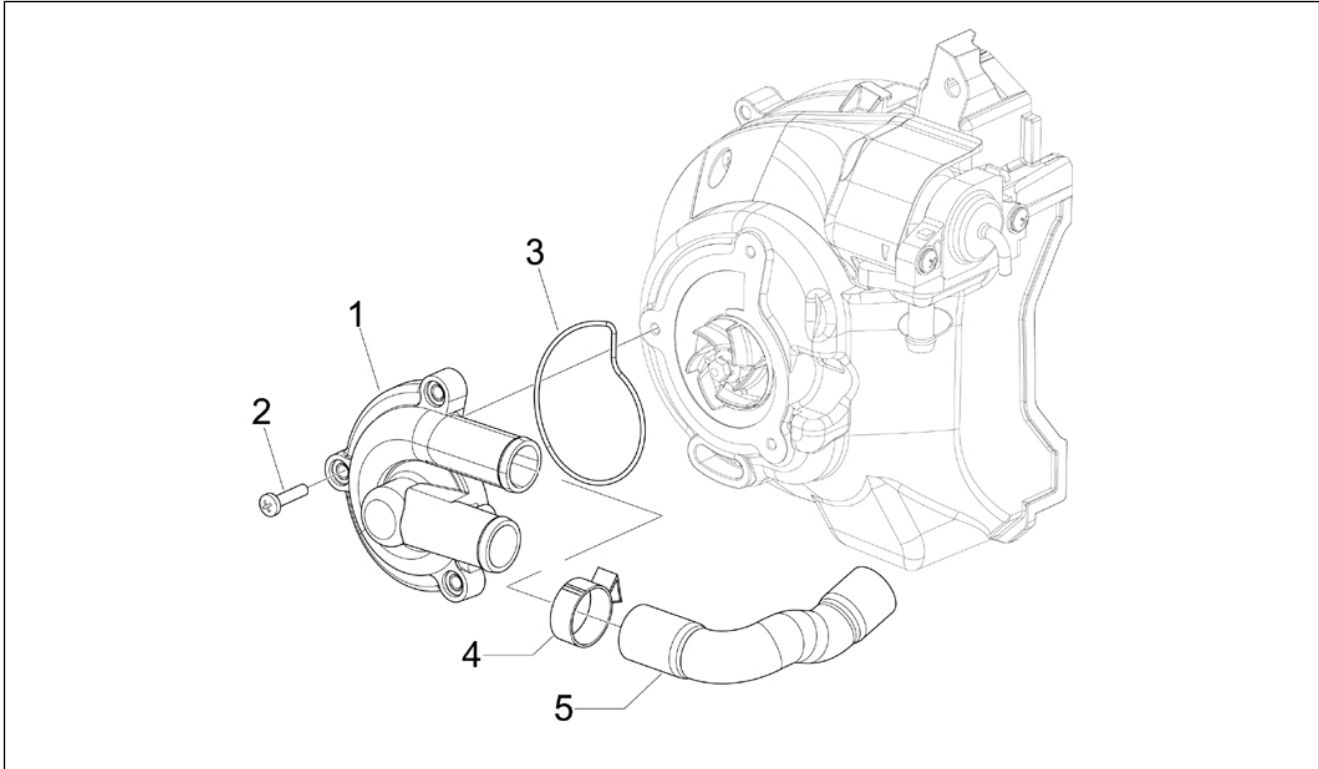
Pos.	Code	Description	Qty	Variants
1	82877R	Oil pump assembly	1	
1	844352	Oil pump assembly	1	
2	486082	Carter-oil pump gasket	1	
2	847929	Carter-oil pump gasket	1	
3	829593	Screw w/ flange M5x35	2	
4	843761	Motor oil cup	1	
5	830128	Sump gasket	1	
6	843364	Oil plug assembly	1	
7	479986	O-ring	1	
8	277916	Locating dowel	3	
9	483775	Timing system cover	1	
9	847116	Timing system cover	1	
10	015585	Self-tapping screw M5x12	3	
11	487937	Plain washer	3	
12	434345	Oil pump chain drift	1	
13	825620	Gasket ring	1	
14	82649R	Oil pump chain	1	
15	82783R	Oil pump control pinion	1	
16	82538R	Gasket ring	1	
17	840510	Chain tensioner rod	1	
18	414837	Screw w/ flange M6x25	1	
19	485868	Spacer	1	
20	82650R	Complete chain tensioner	1	
21	847928	Gasket	1	
22	434541	Screw w/ flange M6x16	2	
23	825952	Gasket ring	1	
24	82782R	Timing chain pinion	1	
25	82644R	Camshaft chain	1	

Group	Engine
Code	01.18
Description	Oil pump
Service	1



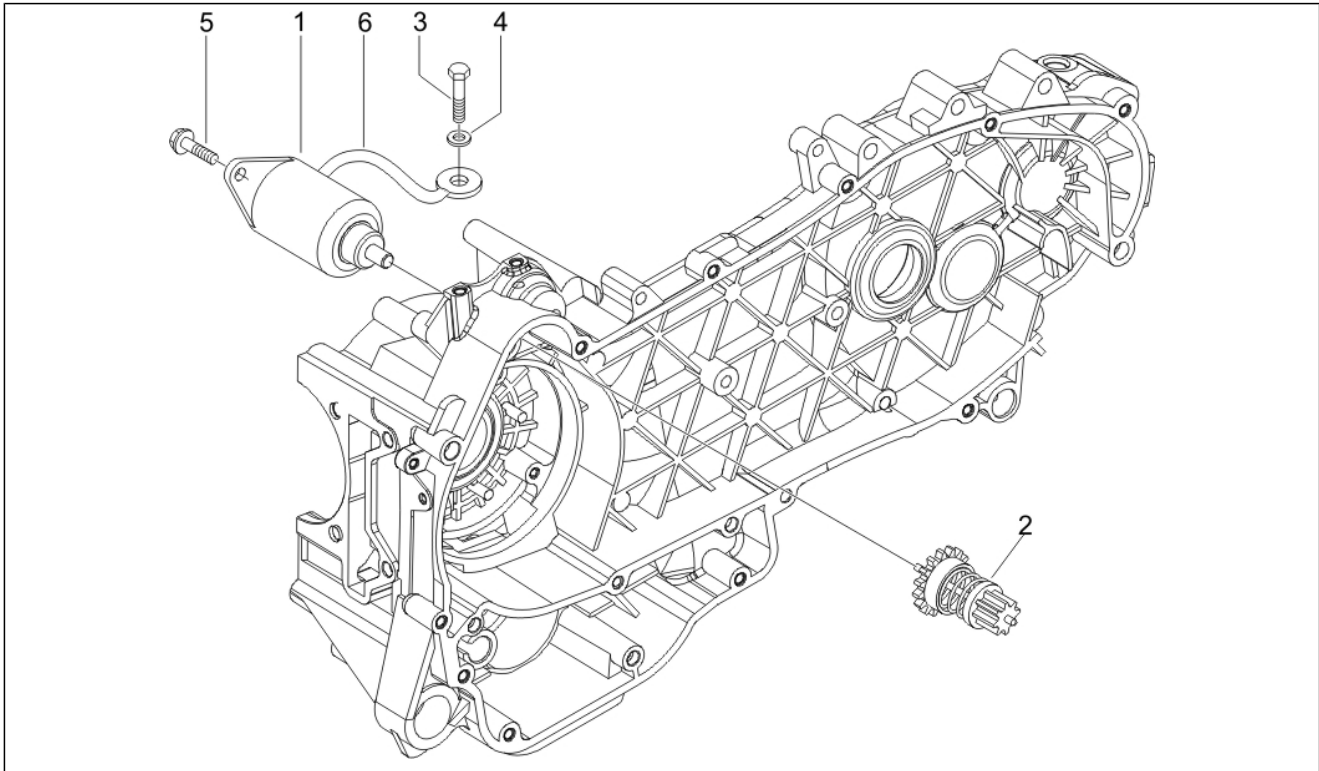
Pos.	Code	Description	Qty	Variants
26	828308	Chain tensioner sliding block	1	
27	436695	Belleville spring Ø6,4xØ20x2	1	
28	833722	Screw w/ flange M6x14	1	
29	289731	Screw w/ flange M6x30	7	
30	483918	Oil seal washer	1	
31	564629	Hose clamp	2	
32	287913	Oil pump gear	1	

Group	Engine
Code	01.19
Description	Cooler pump
Service	1



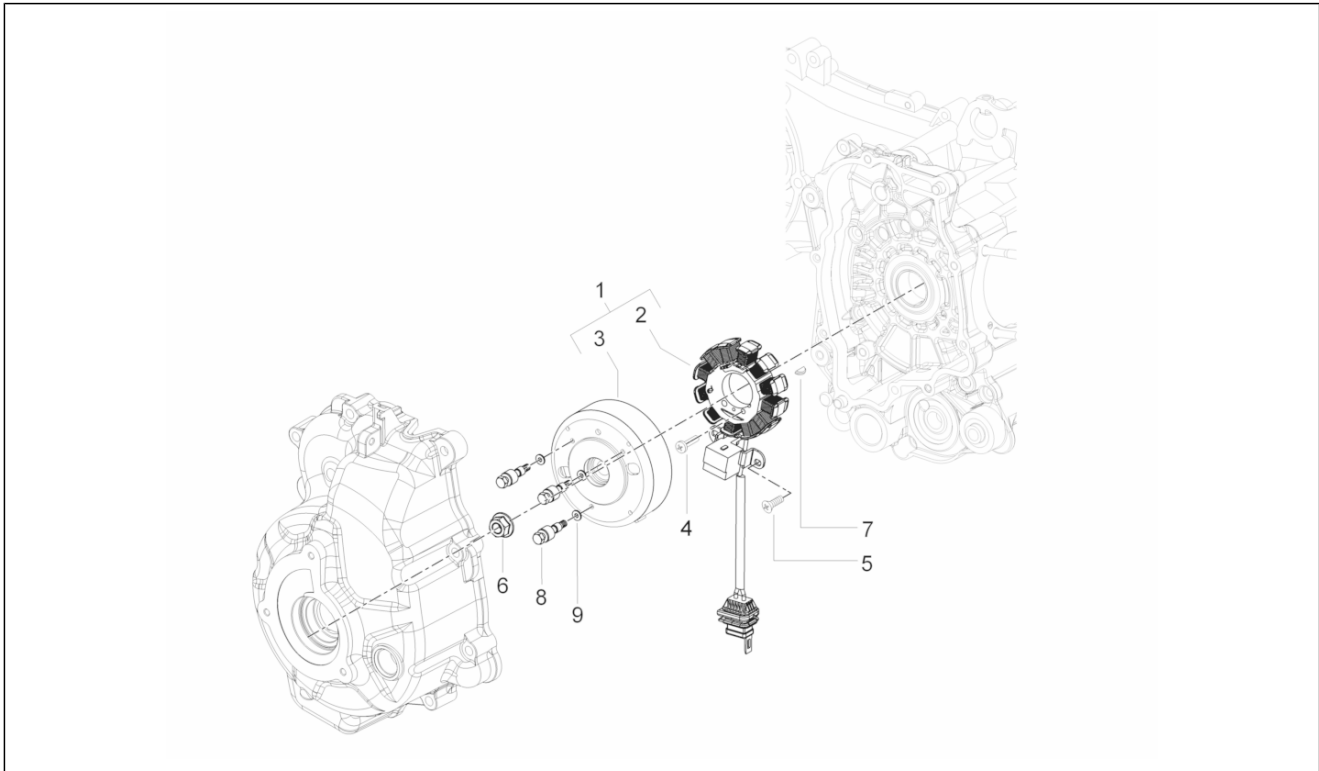
Pos.	Code	Description	Qty	Variants
1	486237	Water pump cover	1	
2	828662	Screw M5x22	3	
3	485080	O-ring	1	
4	CM001908	Hose clamp	2	
5	840022	Oil delivery pipe	1	
5	841373	Water pipe	1	

Group	Engine
Code	01.20
Description	Stater - Electric starter
Service	1



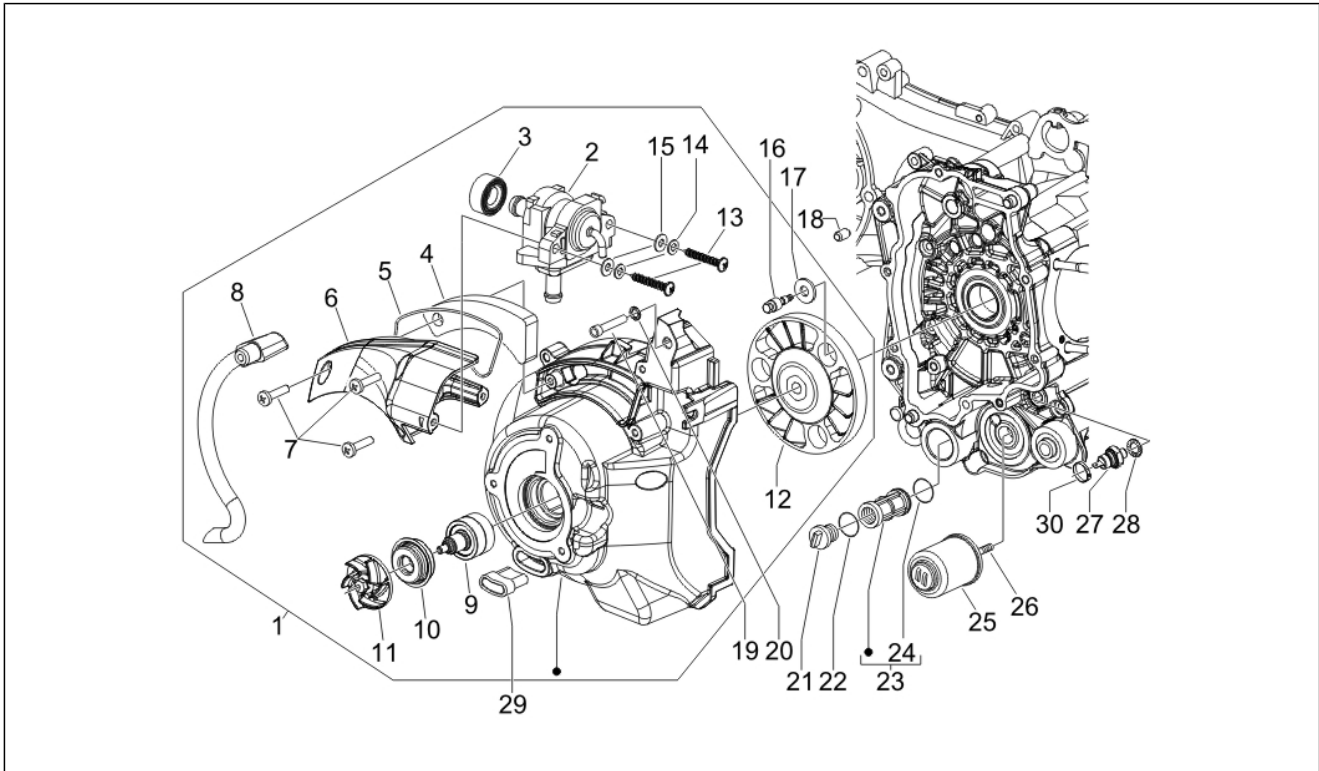
Pos.	Code	Description	Qty	Variants
1	82611R	Starter motor	1	
2	82612R	Starter motor gear	1	
3	006976	Spring washer 12x6,4x0,5	1	
3	969296	Screw w/ flange M6x10	1	
4	006976	Spring washer 12x6,4x0,5	1	
4	969296	Screw w/ flange M6x10	1	
5	018639	Hex screw M6x20	2	
5	031091	Hex screw M6x22	2	
6	584843	Ground cable	1	

Group	Engine
Code	01.21
Description	Flywheel magneto
Service	1



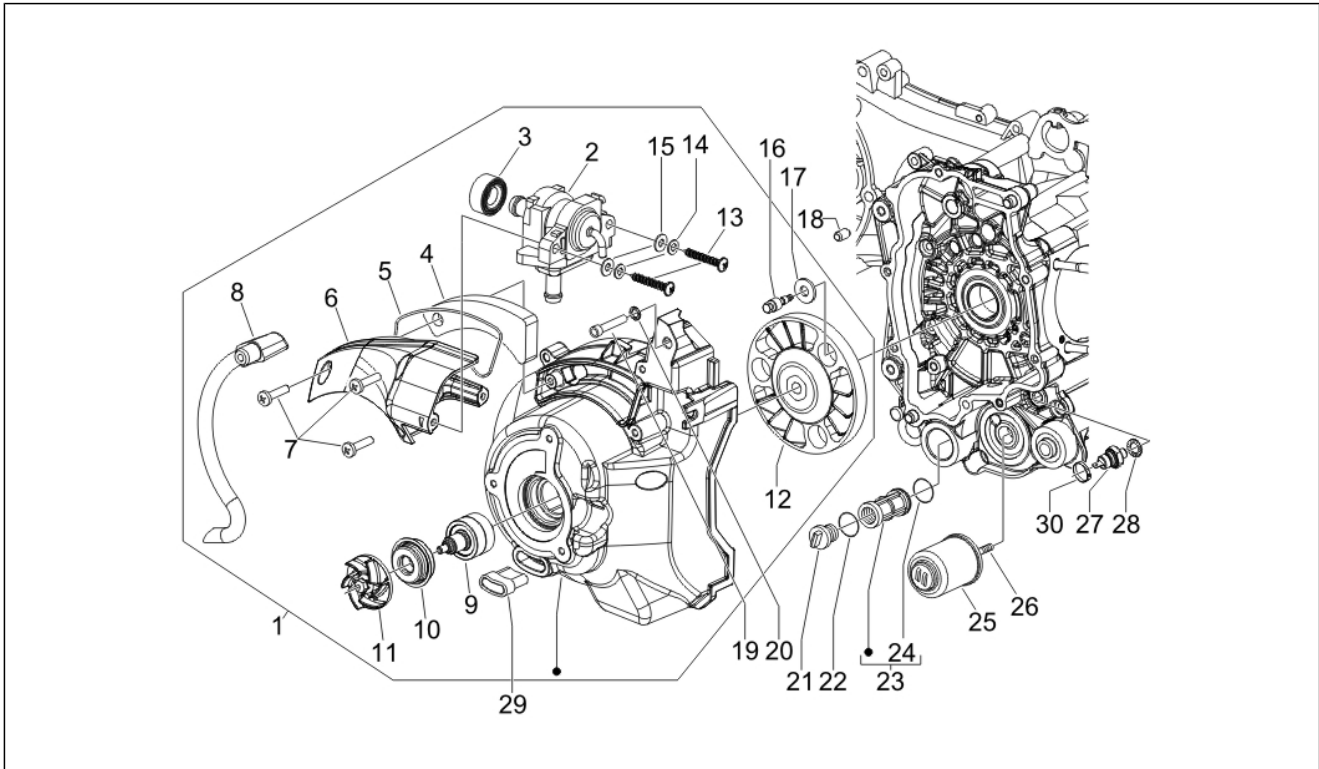
Pos.	Code	Description	Qty	Variants
1	58141R	Cdi magneto assy	1	
2	584690	Complete stator (Kokusan)	1	
2	639727	Backplate, assy KOKUSAN	1	
3	584689	Rotor, assy. MITSUBA	1	
3	640106	Rotor, assy. KOKUSAN	1	
4	828662	Screw M5x22	2	
5	018575	Screw M5x10	2	
6	436783	Nut M12	1	
7	000267	Transmission key	1	
8	82869R	Special screw	3	
9	828535	Washer	3	

Group	Engine
Code	01.23
Description	Flywheel magneto cover - Oil filter
Service	1



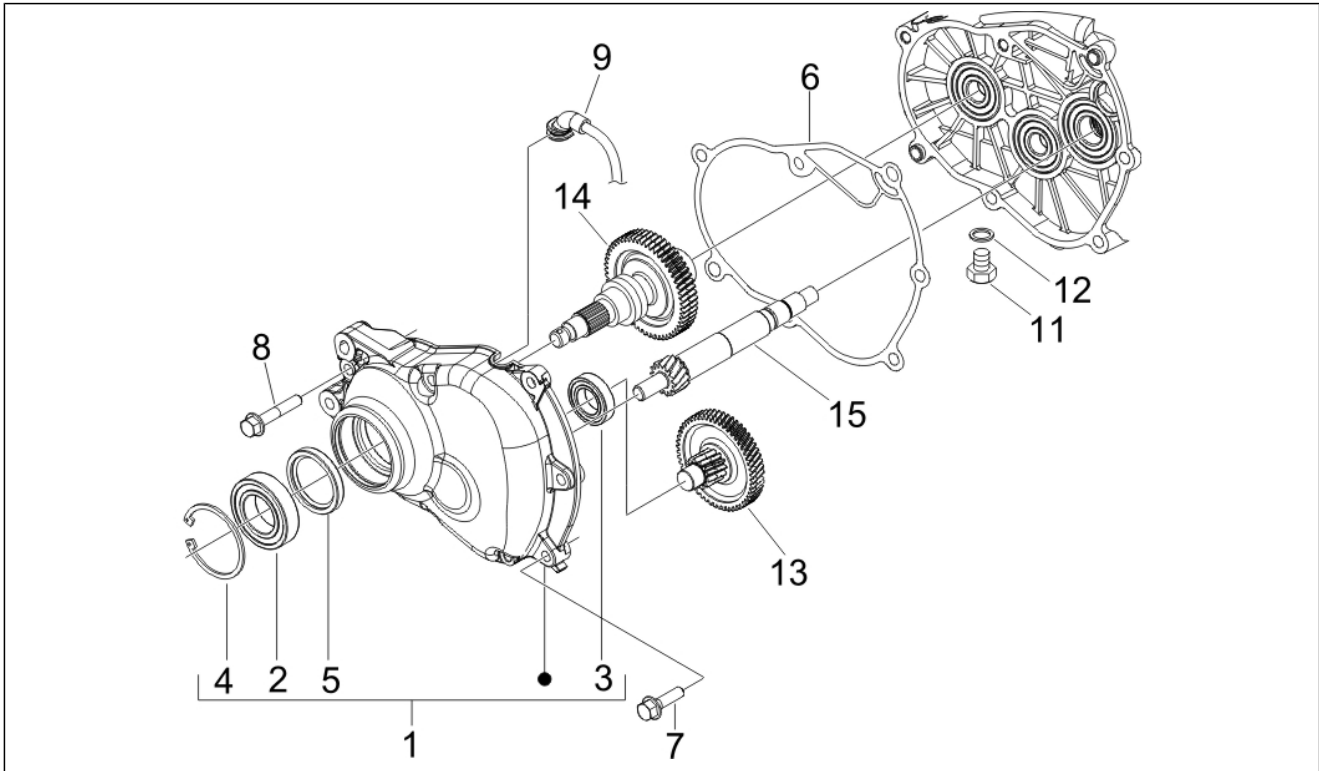
Pos.	Code	Description	Qty	Variants
1	8482595	Flywheel cover cpl.	1	
2	82731R	SAS valve	1	
3	831256	Gasket	1	
4	831257	Filter	1	
5	831258	Gasket	1	
6	831255	Cover	1	
7	828662	Screw M5x22	3	
8	848080	pipe	1	
9	845633	Water pump rod with U.P.	1	
9	8456335	Water pump shaft assy.	1	
10	842595	Gasket ring	1	
11	844730	Water pump impeller cpl.	1	
12	487459	Drive coupling	1	
12	872908	Pump impeller drive key	1	
13	296458	Self tapping screw L=35 mm	2	
14	006965	Washer 5.3x10x10	2	
15	006078	Plain washer 12x5.2x1	2	
16	828569	screw	3	
16	82869R	Special screw	3	
17	828535	Washer	3	
18	277916	Locating dowel	2	
19	828493	screw	4	
20	006965	Washer 5.3x10x10	4	
21	826165	Oil filter plug	1	
21	82823R	Oil filter plug	1	
22	285536	O-ring 31,47x1,78	1	
23	483841	Intake oil filter	1	
24	288474	O-ring 20,35x1,78	1	

Group	Engine
Code	01.23
Description	Flywheel magneto cover - Oil filter
Service	1



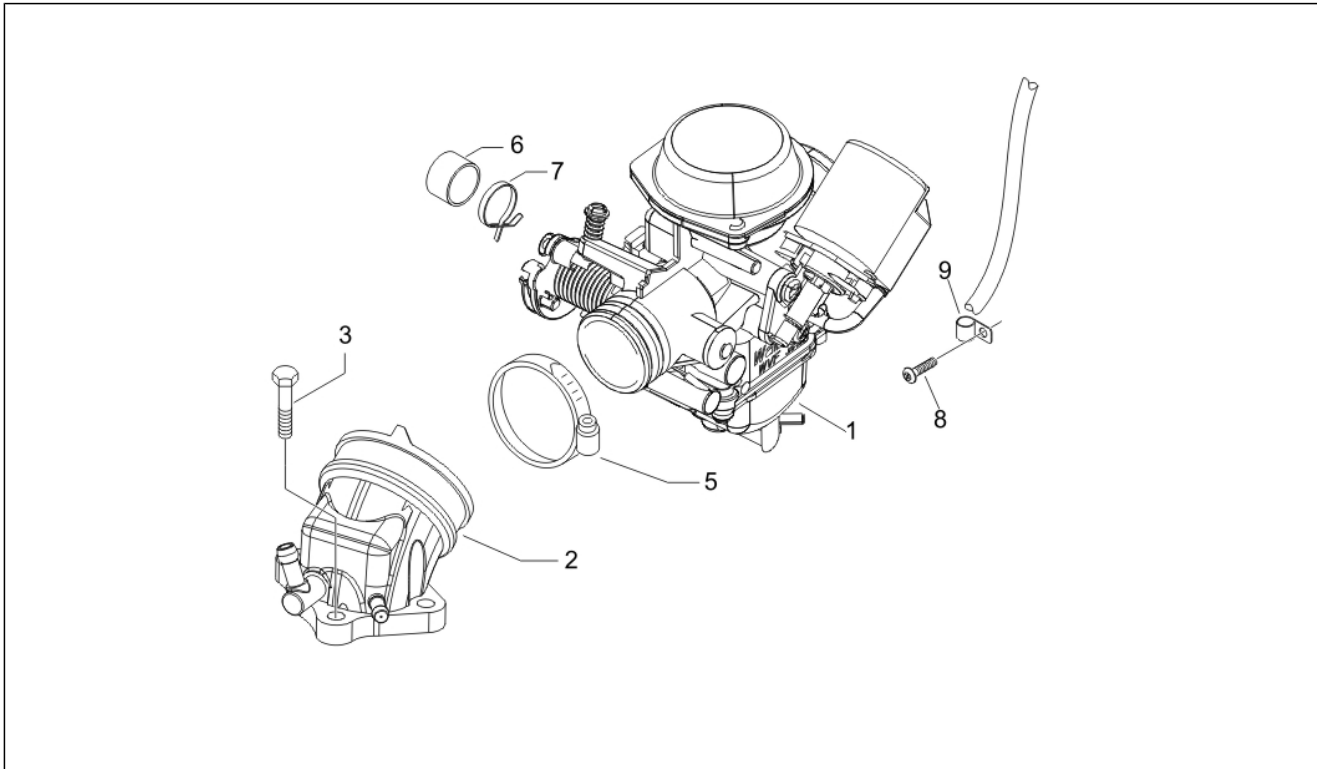
Pos.	Code	Description	Qty	Variants
25	82635R	Oil filter	1	
26	483776	Special screw	1	
27	82580R	Oil pressure sensor	1	
28	486075	Washer 10.5X16X2.5	1	
29	825529	Cover	1	
30	825481	Hose clamp	1	

Group	Engine
Code	01.25
Description	Reduction unit
Service	1



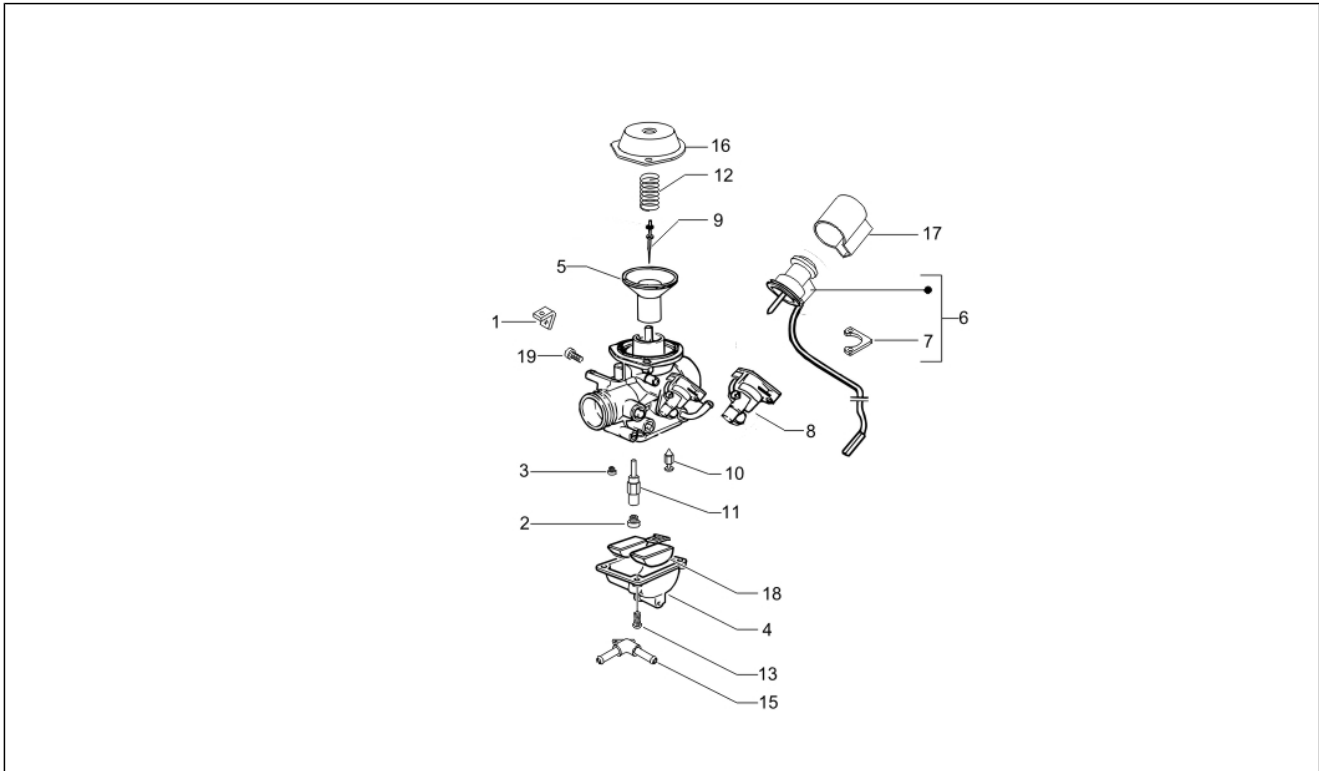
Pos.	Code	Description	Qty	Variants
1	8322495	Cover	1	
2	82659R	Radial bearing 30x55x13	1	
3	485912	Radial ball bearing 15x42x13	1	
4	829206	Circlip	1	
5	829201	Oil seal 38x50x7	1	
5	873351	Oil seal 38x50x7	1	
6	847930	Reduction unit cover gasket	1	
7	487211	Screw w/ flange M8x45	4	
8	825758	screw M8x40	3	
8	873980	Screw w/ flange M8x40	3	
9	844669	Breather pipe	1	
11	269755	Hex socket screw M8x12	1	
12	485703	Washer 8.2x12x1	1	
13	485891	Transmission shaft	1	
14	8347335	Wheel axle	1	
15	485879	Driven pulley shaft	1	

Group	Engine
Code	01.39
Description	Carburettor, assembly - Union pipe
Service	1



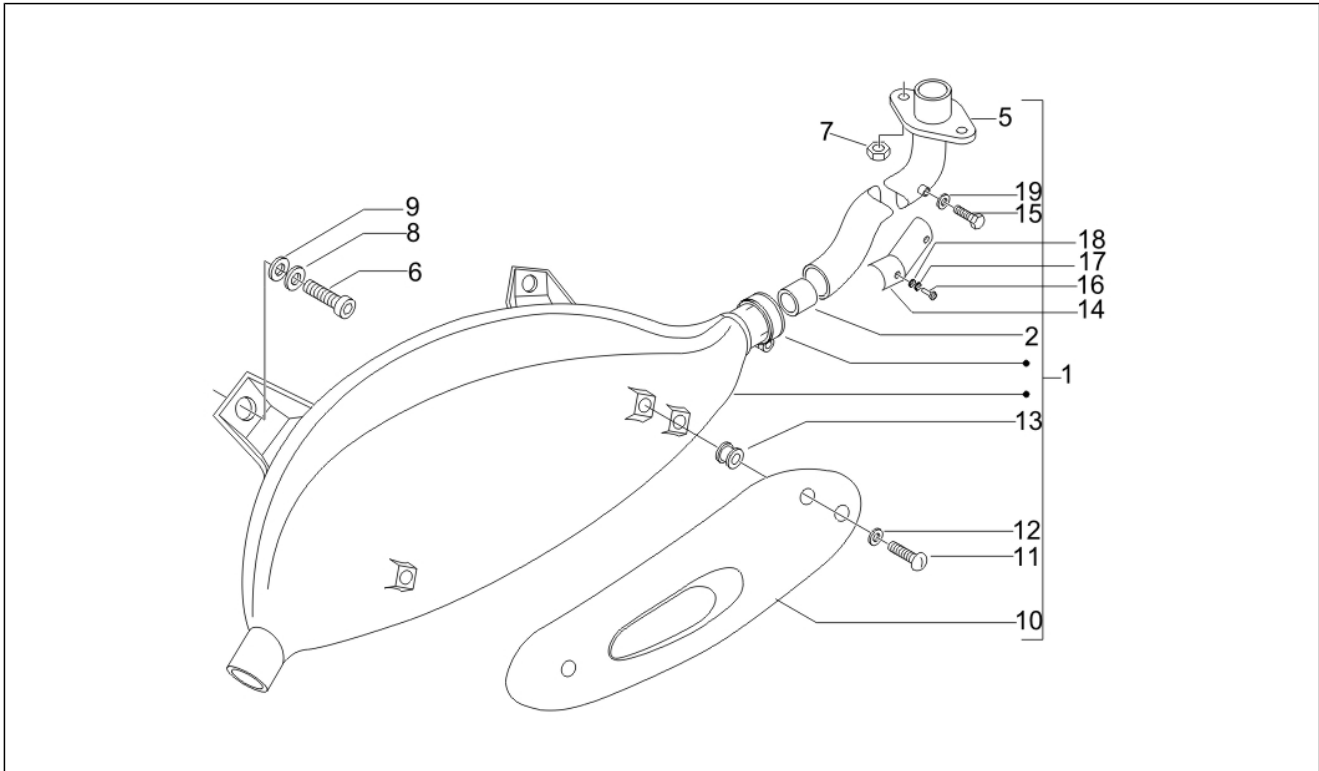
Pos.	Code	Description	Qty	Variants
1	CM128210	***Carburettor	1	
2	842734	Union pipe	1	
3	018639	Hex screw M6x20	3	
3	031091	Hex screw M6x22	3	
5	709532	Hose clamp	1	
6	841695	Air intake	1	
7	CM002916	Hose clamp	1	
8	969296	Screw w/ flange M6x10	1	
9	271477	Hose clamp	1	

Group	Engine
Code	01.40
Description	Carburetor's components
Service	1



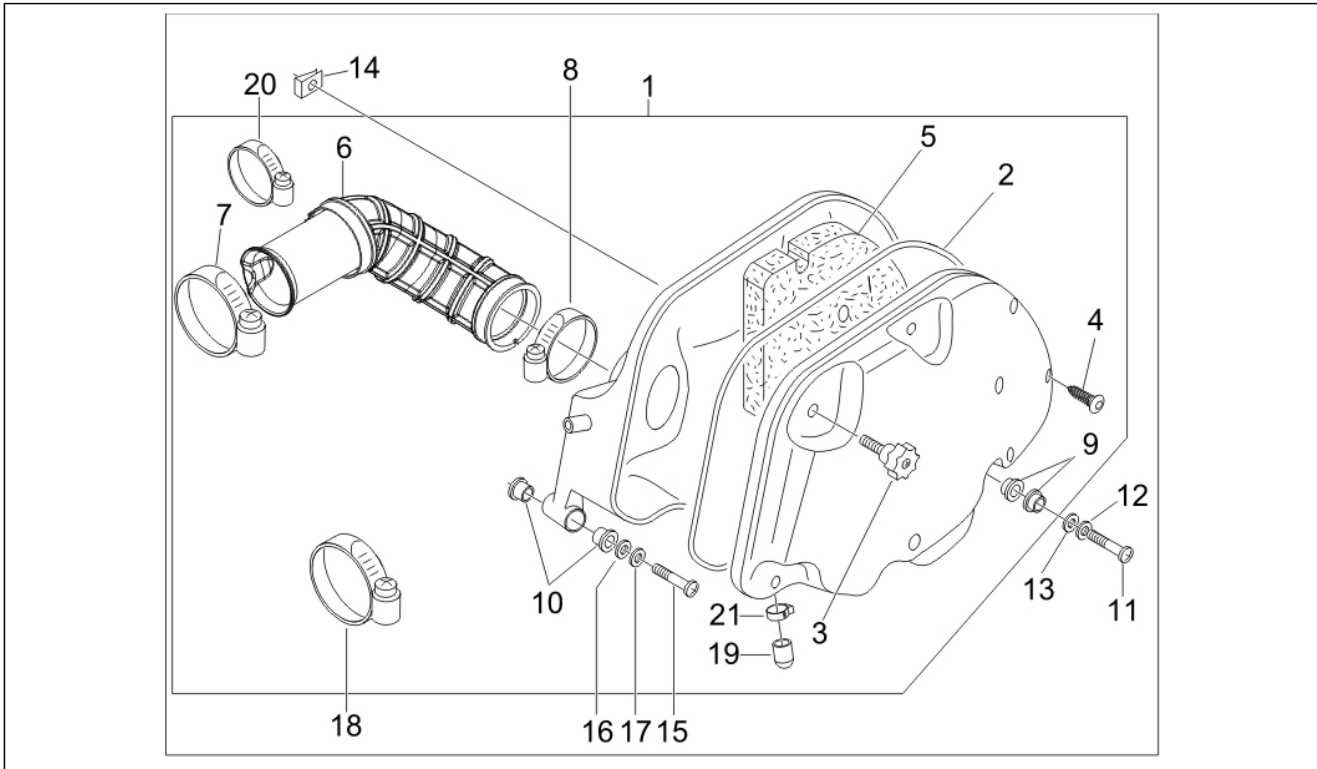
Pos.	Code	Description	Qty	Variants
1	847778	Hose clamp	1	
2	CM129902	Maximum jet	1	
3	CM140102	Idling jet	1	
4	CM140401	Float chamber	1	
4	CM156708	Acceleration pump kit	1	
5	CM140301	Diaphragm keihin	1	
6	CM142903	Automatic starter cpl.	1	
7	828843	Plate	1	
8	842519	Starter device	1	
9	CM140201	Conical pin	1	
10	828831	Petrol needle	1	
11	842518	Cup	1	
12	CM140901	Valve gas return spring	1	
13	842523	Float chamber kit	1	
14	CM149403	Adj.min.eng.speed air screw	1	
15	842516	Heater	1	
16	842515	Cover	1	
17	828844	Cap	1	
18	842522	Float kit	1	
19	018575	Screw M5x10	1	

Group	Engine
Code	01.42
Description	Silencer
Service	1



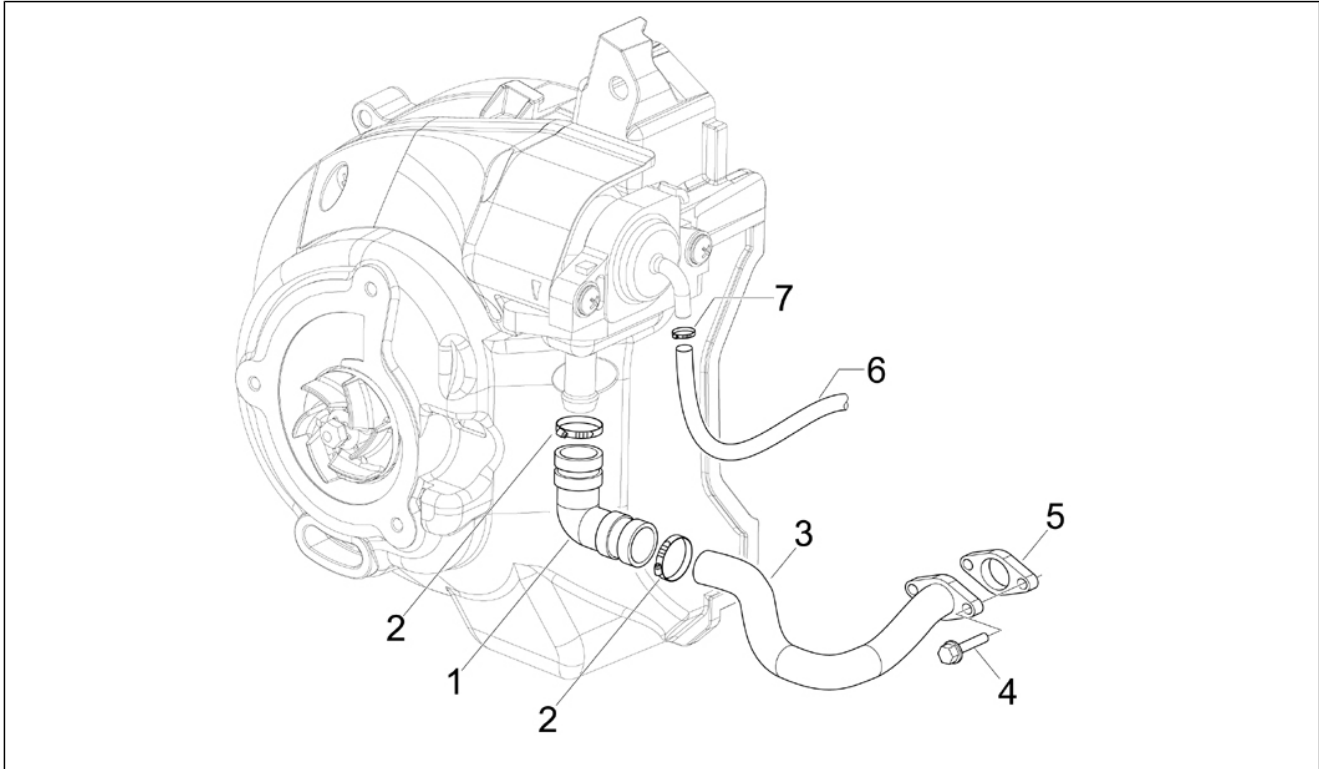
Pos.	Code	Description	Qty	Variants
1	8425205	Muffler, assy.	1	
2	826388	Graphite bushing	1	
5	826391	Flange	1	
6	015792	screw M8x30	3	
7	436947	Nut	2	
8	013861	Plain washer 8,2x20x2,5	3	
9	834187	Spring washer 16x8,2x2,2	3	
10	833986	Protection	1	
11	430264	Self-tapping screw	3	
12	487666	Washer	3	
13	487665	Pad	3	
14	841051	Protection	1	
15	433122	Screw w/ flange	1	
16	433800	Self-tapping screw	2	
17	828535	Washer	2	
18	016405	Spring washer 8,5x5,1x1,5	2	
19	016195	Washer	1	

Group	Engine
Code	01.45
Description	Air filter
Service	1



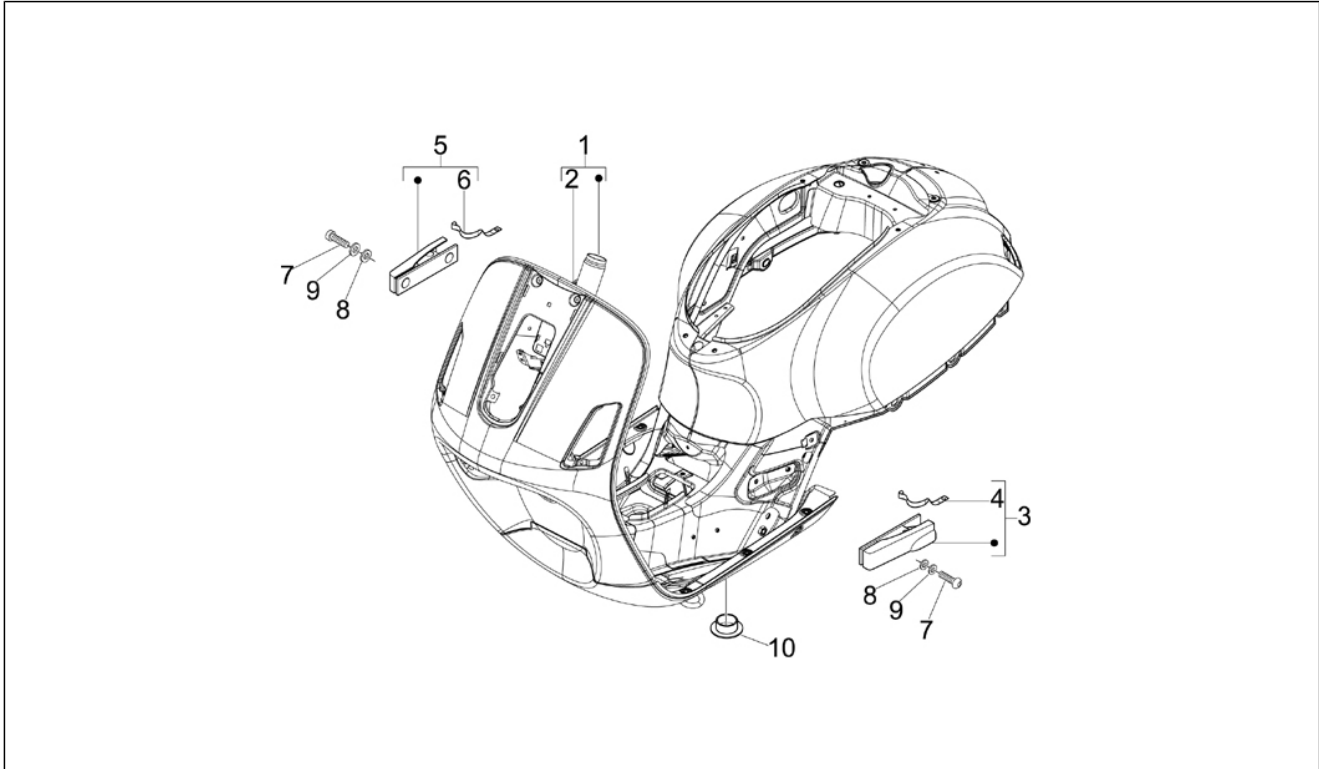
Pos.	Code	Description	Qty	Variants
1	832000	Air cleaner, assy.	1	
2	831995	Packing	1	
3	479132	Knob	2	
4	258146	Self-tap screw M3x20	6	
5	831997	Air filter	1	
6	827939	Hose	1	
7	260918	Hose clamp	1	
8	260918	Hose clamp	1	
9	830056	Knurled bushing	4	
10	830057	Bushing	2	
11	018640	Special cap screw M6x50	2	
12	003056	Flat washer 6,4x12x1	2	
13	012533	Notched washer 6,6x11x0	2	
14	254485	Spring plate M6	2	
15	018640	Special cap screw M6x50	1	
16	003056	Flat washer 6,4x12x1	1	
17	012533	Notched washer 6,6x11x0	1	
18	CM001904	Hose clamp	1	
19	827831	Cap	2	
20	CM001904	Hose clamp	1	
21	CM002919	Hose clamp	2	

Group	Engine
Code	01.46
Description	Secondary air box
Service	1



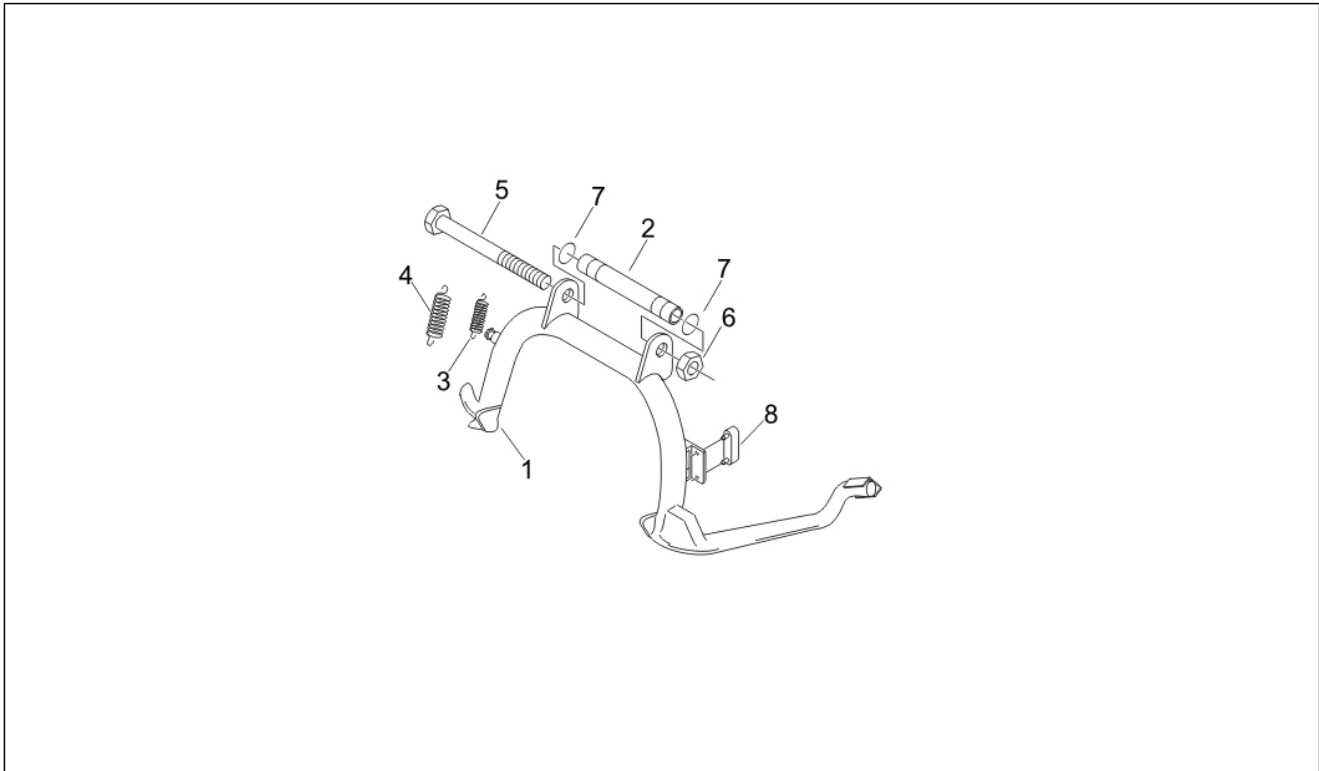
Pos.	Code	Description	Qty	Variants
1	831259	s.a.s. joint pipe	1	
2	CM001904	Hose clamp	2	
3	831260	pipe	1	
4	833722	Screw w/ flange M6x14	2	
5	832059	Gasket	1	
6	843400	Intake pipe	1	
7	CM002901	Hose clamp	2	

Group	Frame - Plastic parts - Coachwork
Code	02.01
Description	Frame/bodywork
Service	1



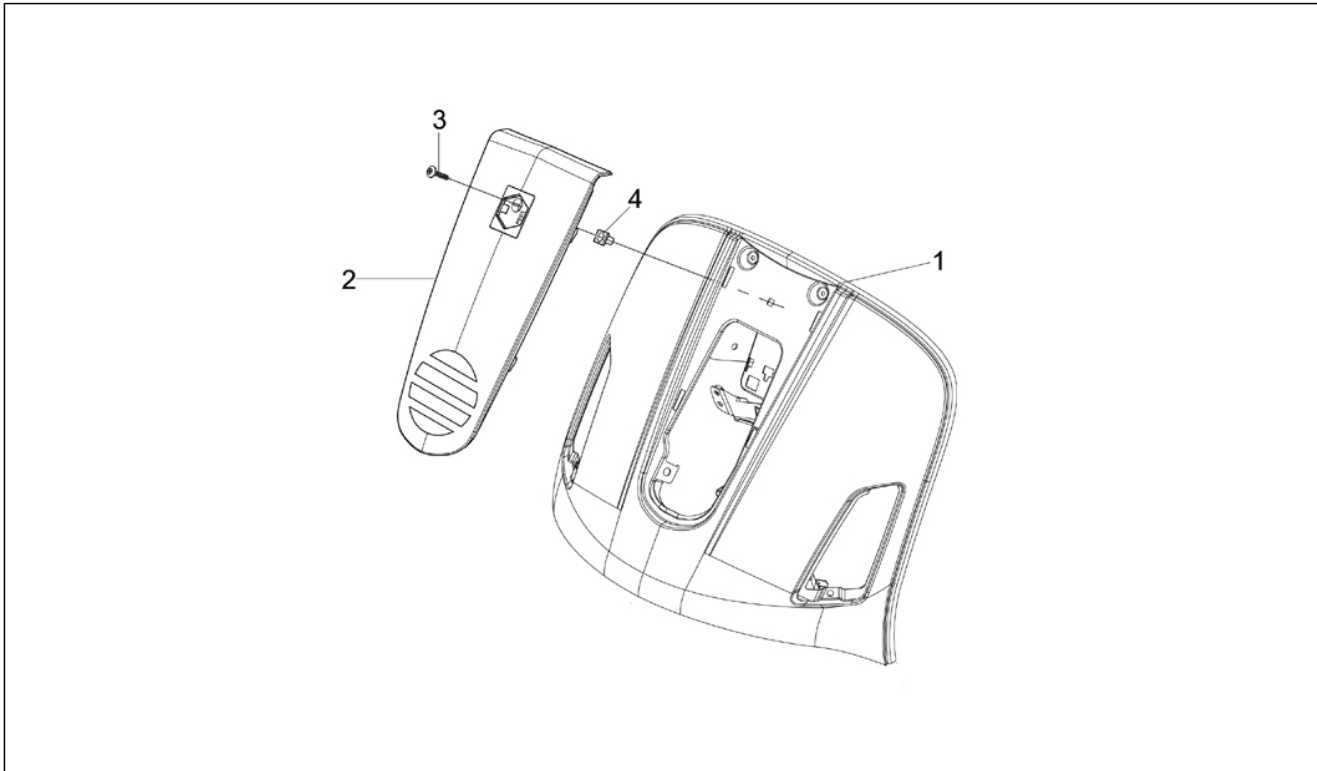
Pos.	Code	Description	Qty	Variants
1	62291401	Cataphoresis body with U.P.	1	
1	6229145087	***FRAME (GRANTURISMO)	1	Vehicle colour:White[724]
1	62291450BM	Frame	1	Vehicle colour:EVG2BMCUS2[EVG2BMCUS2]
1	62291450D9	Frame	1	Vehicle colour:Signal Blue[211/A]
1	62291450DE	Painted body with u.p.	1	Vehicle colour:Midnight[222/A]
1	62291450EB	***FRAME GTS	1	Vehicle colour:Warm Grey[735/A] Vehicle colour:Grey[741/A] Vehicle colour:Smoky Grey[731/A]
1	62291450F2	Painted body with u.p.	1	Vehicle colour:Excalibur Grey[738/A] Vehicle colour:EVG2FACUS2[EVG2FACUS2]
1	62291450F3	***FRAME GTS	1	Vehicle colour:Daring Plum[146]
1	62291450ND	Painted body with u.p.	1	Vehicle colour:Graphite Black[79/A] Vehicle colour:BLACK[141]
1	62291450VC	***FRAME GTS	1	Vehicle colour:Iguana green[318]
2	298604	Lock support	1	
3	CM017201	Footrest	1	
4	620395	Spring	1	
5	CM017202	Footrest	1	
6	620395	Spring	1	
7	975855	screw	4	
8	483164	Flat washer	2	
9	709047	Spring washer	4	
10	299557	Cover	2	
11	577397	Not available	1	
12	577398	Not available	1	

Group	Frame - Plastic parts - Coachwork
Code	02.25
Description	Stand/s
Service	1



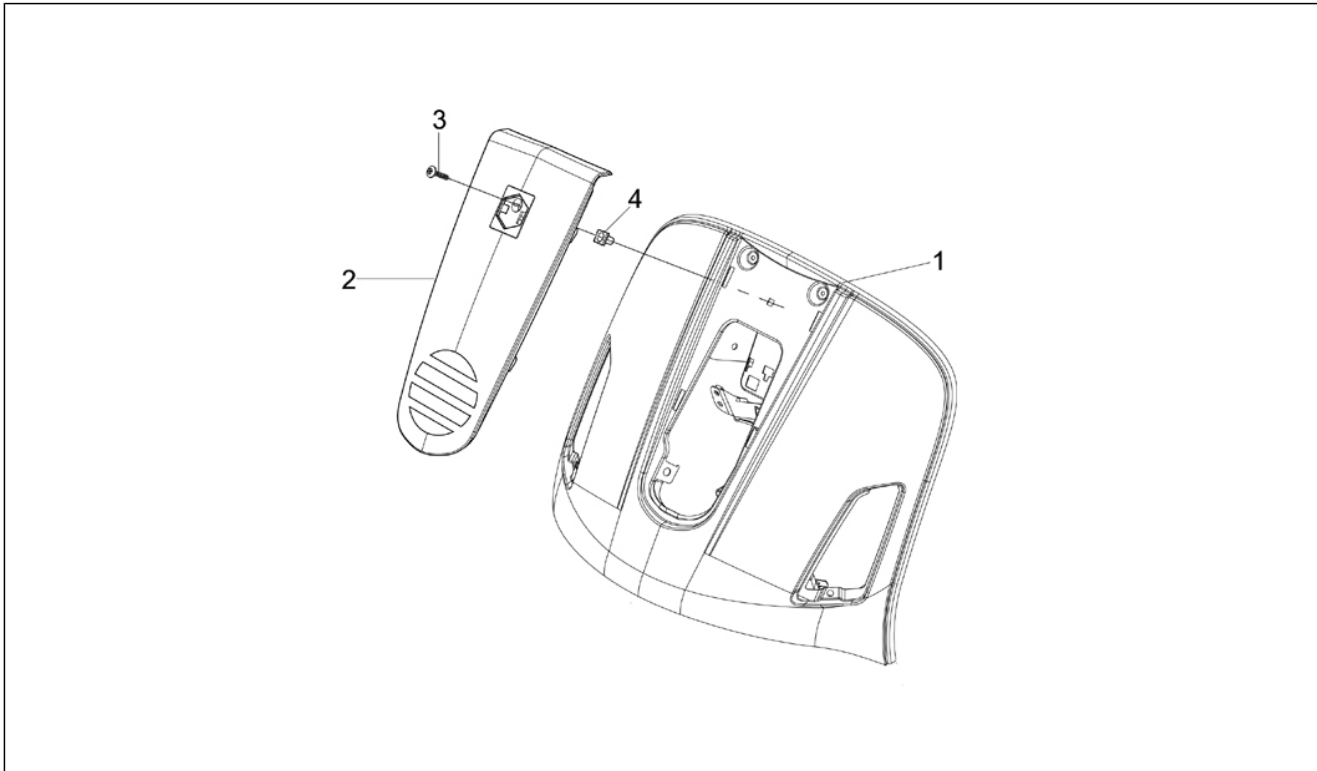
Pos.	Code	Description	Qty	Variants
1	56284R	***VEHICLE CENTER STAND GT	1	
2	582298	Spacer	1	
3	582850	Internal lateral stand spring	1	
4	582851	Lateral stand spring	1	
5	030115	Hex screw M10x130	1	
6	002440	Self locking nut M10	1	
6	232108	Self locking nut M10	1	
7	273754	O-ring	2	
8	581560	Pad	1	

Group	Frame - Plastic parts - Coachwork
Code	02.26
Description	Front shield
Service	1



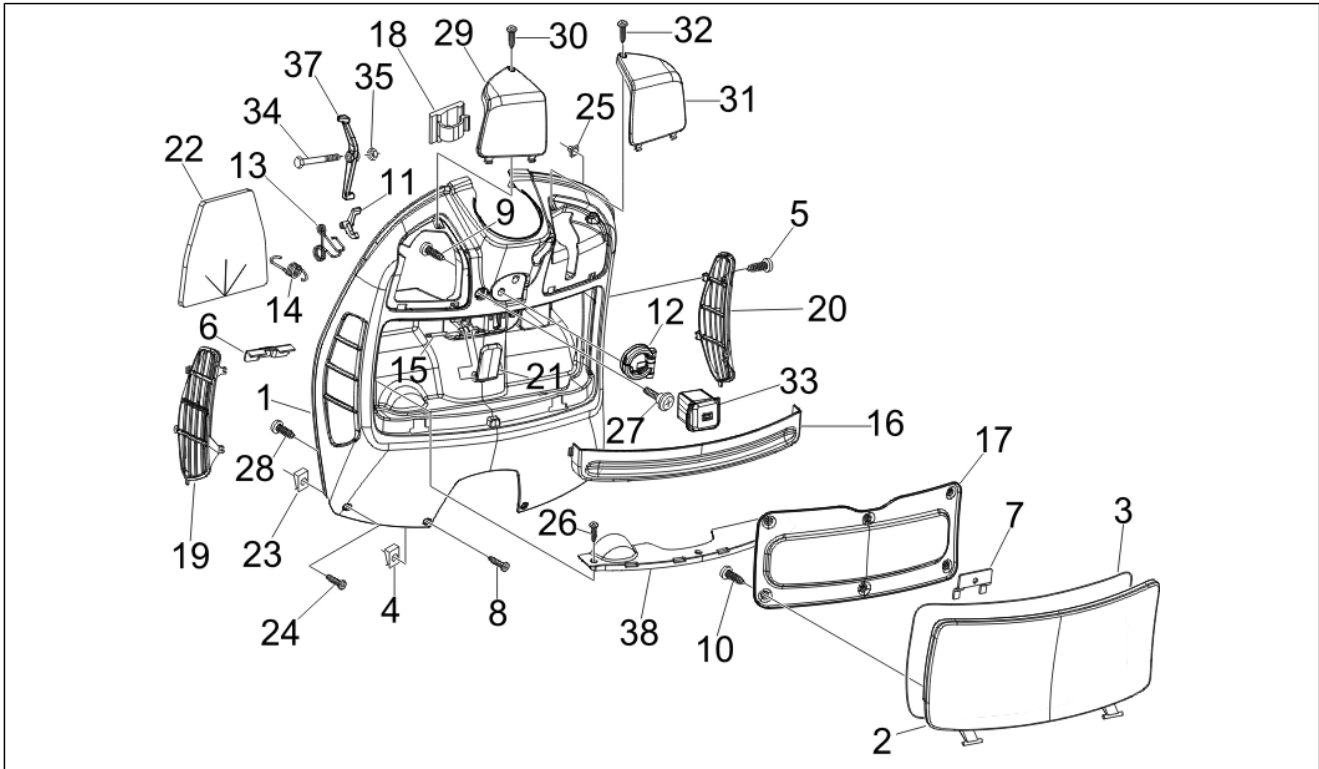
Pos.	Code	Description	Qty	Variants
1	5771695	Front shield	1	
2	577427	***Steering cover	1	
2	5774270087	***HANDLEBARS COVER	1	Vehicle colour:White[724]
2	57742700BM	***HANDLEBARS COVER	1	Vehicle colour:EVG2BMCUS2[EVG2BMCUS2]
2	57742700D9	Steering column cover	1	Vehicle colour:Signal Blue[211/A]
2	57742700DE	***HANDLEBARS COVER	1	Vehicle colour:Midnight[222/A]
2	57742700EB	Steering column cover	1	Vehicle colour:Warm Grey[735/A] Vehicle colour:Grey[741/A] Vehicle colour:Smoky Grey[731/A]
2	57742700E1	***HANDLEBARS COVER	1	Vehicle colour:Stardust Grey[760/A]
2	57742700F2	Steering column cover	1	Vehicle colour:Excalibur Grey[738/A] Vehicle colour:EVG2FACUS2[EVG2FACUS2]
2	57742700F3	***HANDLEBARS COVER	1	Vehicle colour:Daring Plum[146]
2	57742700ND	***HANDLEBARS COVER	1	Vehicle colour:Graphite Black[79/A] Vehicle colour:BLACK[141]
2	57742700VC	Steering column cover	1	Vehicle colour:Iguana green[318]
2	5774275087	***HORN COVER	1	Vehicle colour:White[724]
2	57742750BM	Steering column cover	1	Vehicle colour:EVG2BMCUS2[EVG2BMCUS2]
2	57742750D9	Steering column cover	1	Vehicle colour:Signal Blue[211/A]
2	57742750DE	***HORN COVER	1	Vehicle colour:Midnight[222/A]
2	57742750EB	Steering column cover	1	Vehicle colour:Warm Grey[735/A] Vehicle colour:Grey[741/A] Vehicle colour:Smoky Grey[731/A]
2	57742750F2	Steering column cover	1	Vehicle colour:Excalibur Grey[738/A] Vehicle colour:EVG2FACUS2[EVG2FACUS2]
2	57742750F3	***HORN COVER	1	Vehicle colour:Daring Plum[146]
2	57742750ND	Steering column cover	1	Vehicle colour:Graphite Black[79/A] Vehicle colour:BLACK[141]
2	57742750VC	Steering column cover	1	Vehicle colour:Iguana green[318]
2	57742760D9	***HANDLEBARS COVER	1	Vehicle colour:Signal Blue[211/A]

Group	Frame - Plastic parts - Coachwork
Code	02.26
Description	Front shield
Service	1



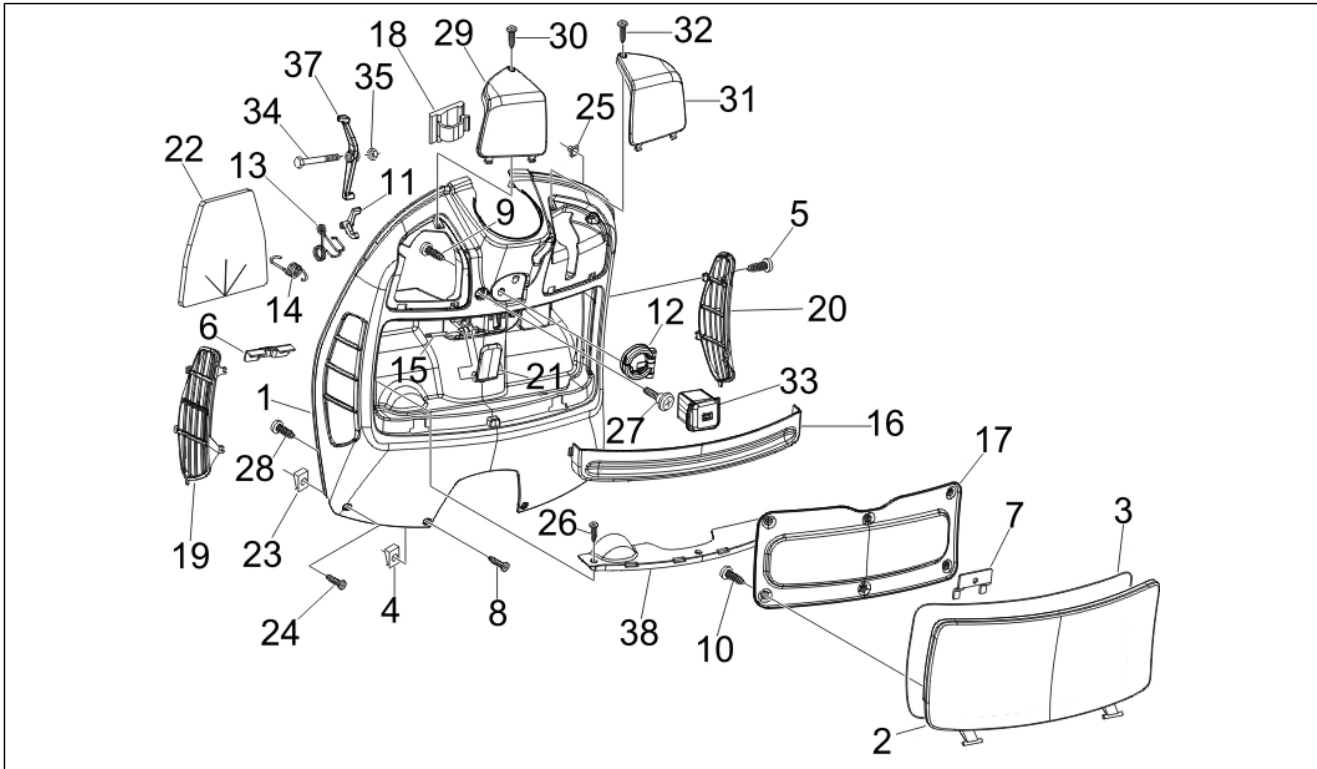
Pos.	Code	Description	Qty	Variants
2	57742760EB	***HANDLEBARS COVER	1	Vehicle colour:Warm Grey[735/A] Vehicle colour:Grey[741/A] Vehicle colour:Smoky Grey[731/A]
2	57742760F2	***HANDLEBARS COVER	1	Vehicle colour:Excalibur Grey[738/A] Vehicle colour:EVG2FACUS2[EVG2FACUS2]
2	57742760VC	***HANDLEBARS COVER	1	Vehicle colour:Iguana green[318]
3	267958	Self tapping screw L=20 mm	1	
4	199190	Expansion plug	1	

Group	Frame - Plastic parts - Coachwork
Code	02.30
Description	Front glove-box - Knee-guard panel
Service	1



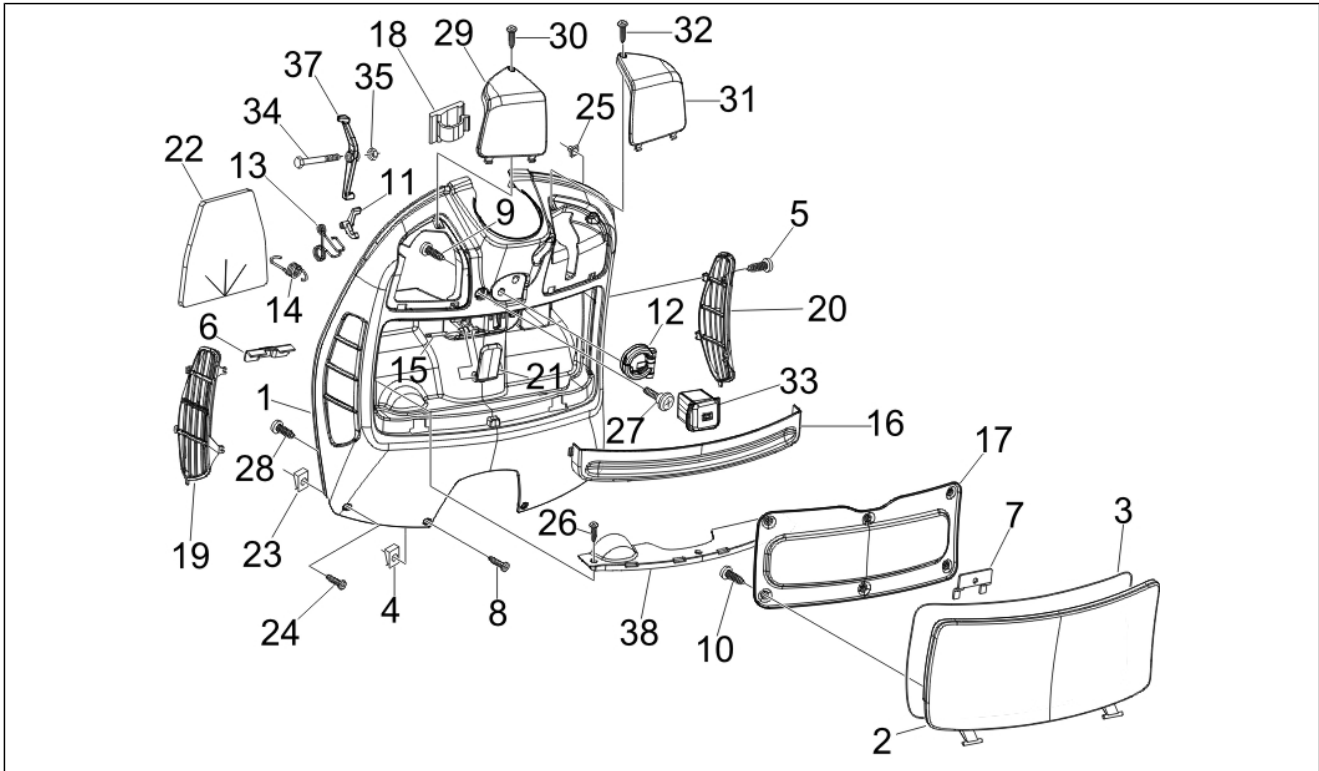
Pos.	Code	Description	Qty	Variants
1	577174	Front glove comp.	1	
2	577175	Glove compartment door	1	
3	CM006307	Gasket	1	
4	CM017410	Spring plate	4	
5	268596	Self tapping screw D4x13	8	
6	252420	Square	1	
7	257614	Square	2	
8	259349	Screw M4,2x13	4	
9	268596	Self tapping screw D4x13	2	
10	296141	Self tapping screw	6	
11	575607	Pawl	1	
12	575819	Bag holder hook	1	
13	577005	Spring	1	
14	577399	Spring	1	
15	577400	Pin	1	
16	577447	Rim	1	
17	577468	Counter flap	1	
18	577594	Spring clamp	2	
19	577856	Net panel (l)	1	
20	577857	Net panel (r)	1	
21	577861	Lever	1	
22	620693	Sound proof panel	2	
23	CM017408	Plate	4	
24	014754	Self tapping screw 4,2x25*	2	
25	199190	Expansion plug	2	
26	258249	screw 4,2x19	4	
27	575249	Screw with tang M6	1	
28	576189	Screw d4,2x16	2	

Group	Frame - Plastic parts - Coachwork
Code	02.30
Description	Front glove-box - Knee-guard panel
Service	1



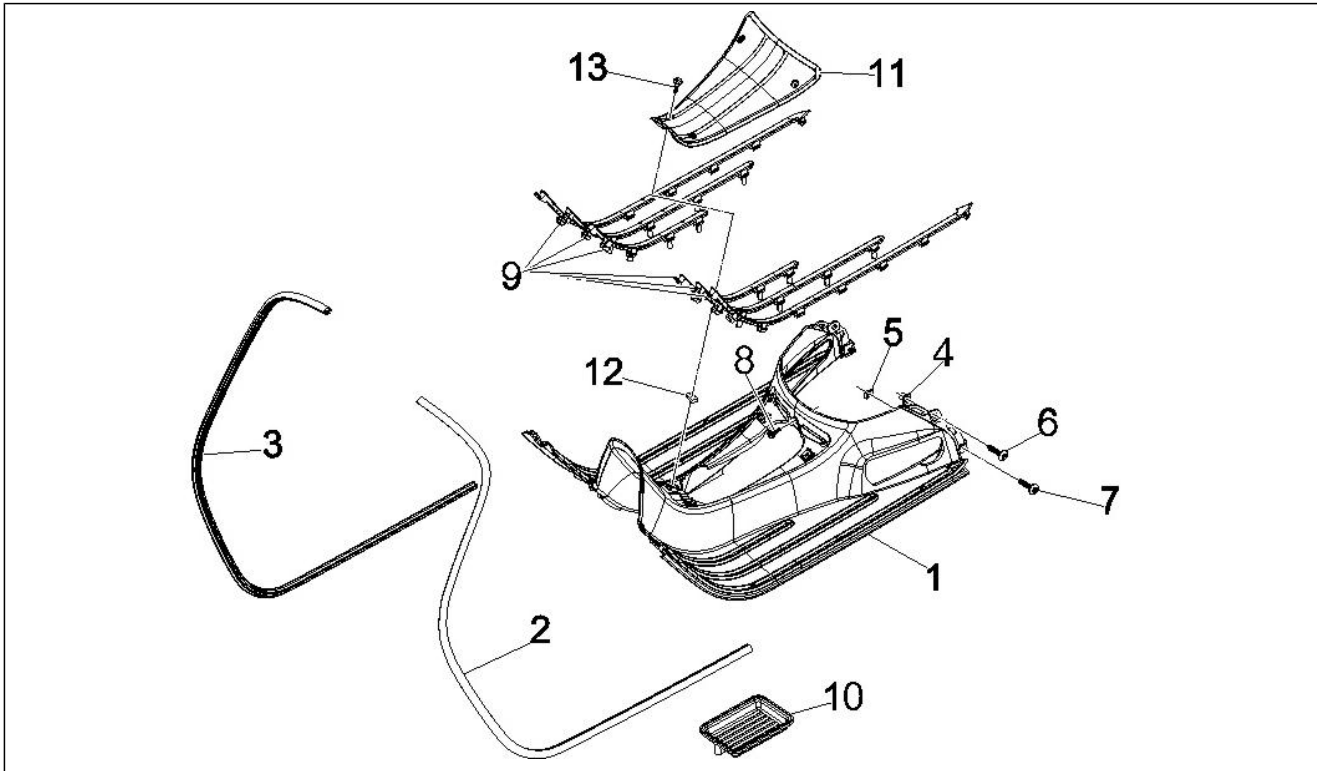
Pos.	Code	Description	Qty	Variants
29	577395	Left flap	1	
29	577395000C	Left flap	1	Vehicle colour: White[724] Vehicle colour: Iguana green[318] Vehicle colour: BLACK[141] Vehicle colour: Graphite Black[79/A] Vehicle colour: EVG2FACUS2[EVG2FACUS2] Vehicle colour: Daring Plum[146] Vehicle colour: Excalibur Grey[738/A] Vehicle colour: Stardust Grey[760/A] Vehicle colour: Grey[741/A] Vehicle colour: Smoky Grey[731/A] Vehicle colour: Warm Grey[735/A] Vehicle colour: Signal Blue[211/A] Vehicle colour: Midnight[222/A] Vehicle colour: EVG2BMCUS2[EVG2BMCUS2]
30	259372	Self tapping screw M4,2x25	1	
31	577396000C	Right flap	1	Vehicle colour: White[724] Vehicle colour: Excalibur Grey[738/A] Vehicle colour: Iguana green[318] Vehicle colour: BLACK[141] Vehicle colour: Graphite Black[79/A] Vehicle colour: EVG2FACUS2[EVG2FACUS2] Vehicle colour: Daring Plum[146] Vehicle colour: Stardust Grey[760/A] Vehicle colour: Signal Blue[211/A] Vehicle colour: Warm Grey[735/A] Vehicle colour: Smoky Grey[731/A] Vehicle colour: Grey[741/A] Vehicle colour: Midnight[222/A] Vehicle colour: EVG2BMCUS2[EVG2BMCUS2]
32	259372	Self tapping screw M4,2x25	1	
33	620452	Cover	1	
34	299972	Special screw	1	
35	577620	Self locking nut	1	
37	577453	Lock lever	1	

Group	Frame - Plastic parts - Coachwork
Code	02.30
Description	Front glove-box - Knee-guard panel
Service	1



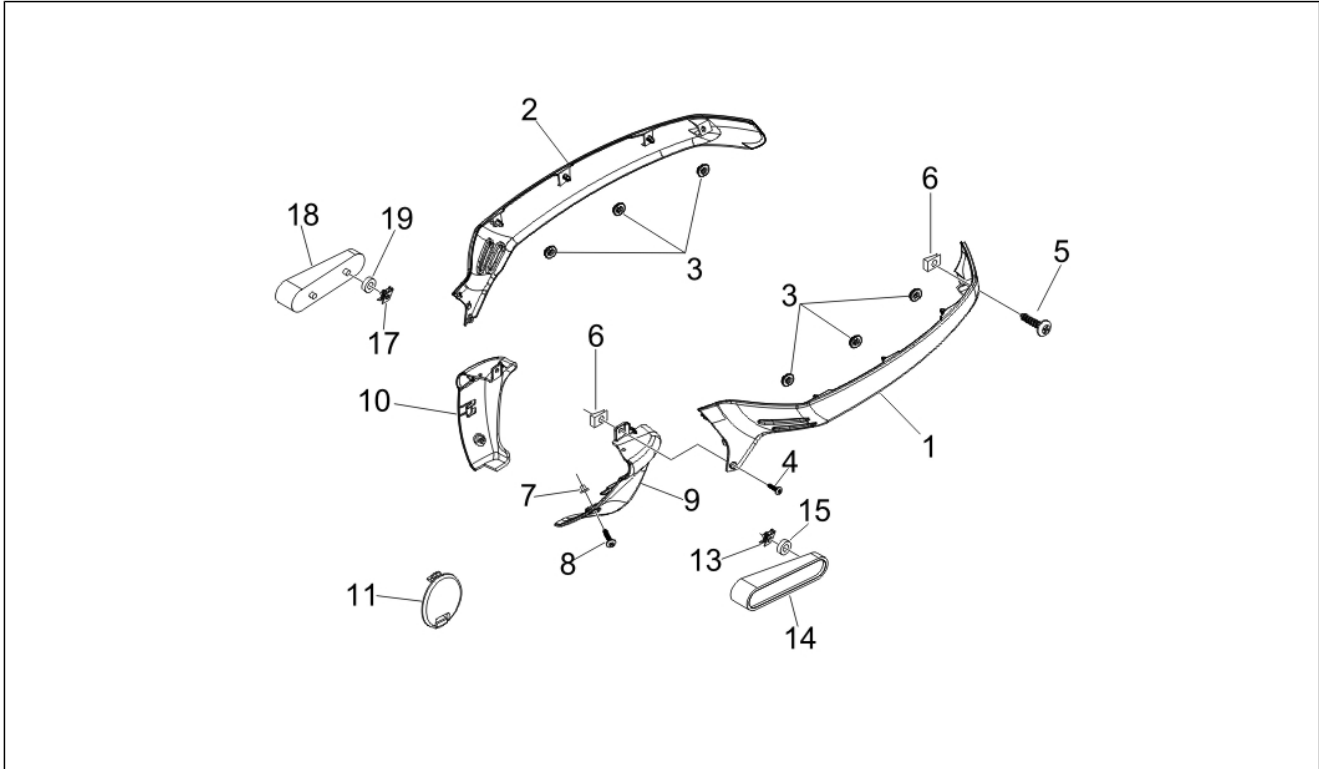
Pos.	Code	Description	Qty	Variants
38	623776	paratia interna bauletto	1	

Group	Frame - Plastic parts - Coachwork
Code	02.31
Description	Central cover - Footrests
Service	1



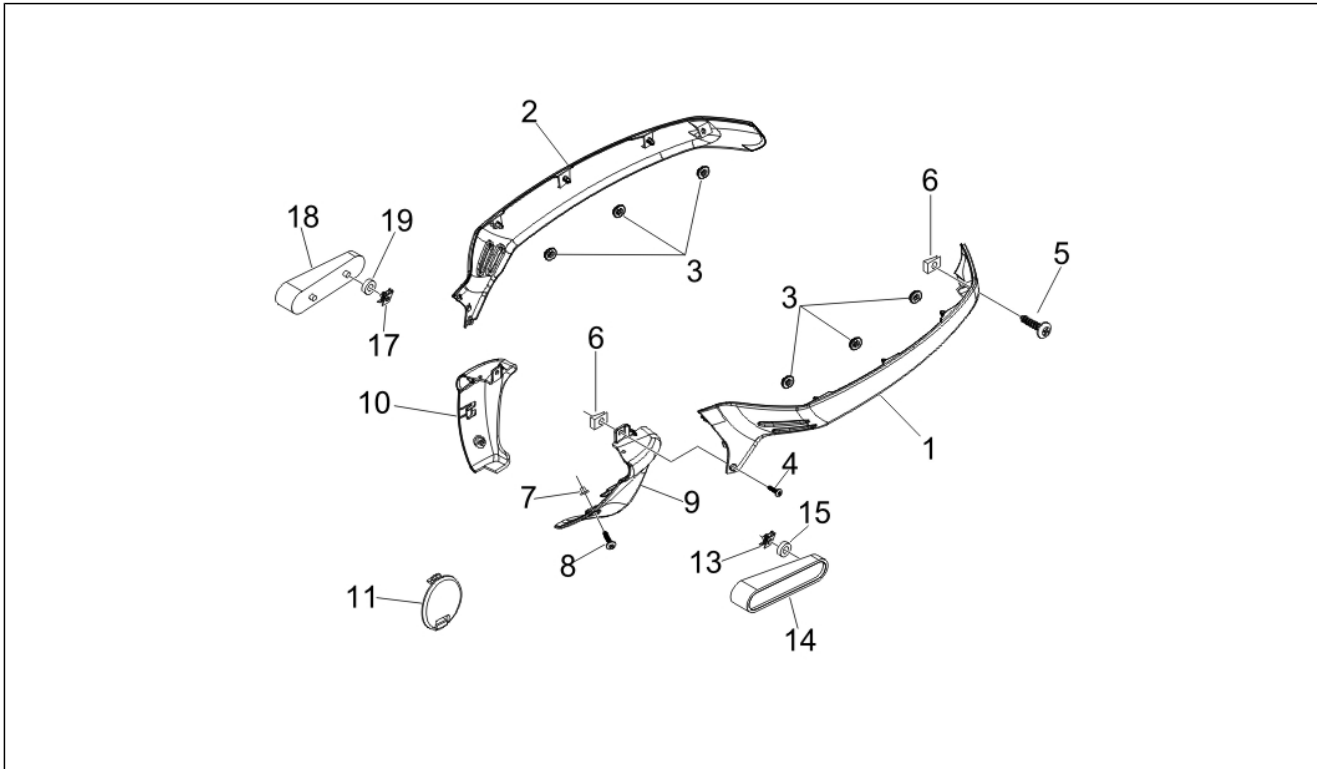
Pos.	Code	Description	Qty	Variants
1	623928	Footrest	1	
1	6239280087	***FOOTREST	1	Vehicle colour:White[724]
1	62392800BM	***FLOORBOARD	1	Vehicle colour:EVG2BMCUS2[EVG2BMCUS2]
1	62392800D9	***FLOORBOARD	1	Vehicle colour:Signal Blue[211/A]
1	62392800DE	Footrest	1	Vehicle colour:Midnight[222/A]
1	62392800EB	***FLOORBOARD	1	Vehicle colour:Warm Grey[735/A] Vehicle colour:Smoky Grey[731/A] Vehicle colour:Grey[741/A]
1	62392800EI	Footrest	1	Vehicle colour:Stardust Grey[760/A]
1	62392800F2	Footrest	1	Vehicle colour:Excalibur Grey[738/A] Vehicle colour:EVG2FACUS2[EVG2FACUS2]
1	62392800F3	***FLOORBOARD	1	Vehicle colour:Daring Plum[146]
1	62392800ND	Footrest	1	Vehicle colour:Graphite Black[79/A] Vehicle colour:BLACK[141]
1	62392800VC	***FLOORBOARD	1	Vehicle colour:Iguana green[318]
2	577180	Windshield beading	1	
3	577181	Windshield beading	1	
4	199190	Expansion plug	6	
5	254485	Spring plate M6	2	
6	258249	screw 4,2x19	6	
7	259830	Metric screw M6x20	2	
8	575249	Screw with tang M6	1	
9	577437	Kit strips, footboard	1	
10	639853	Battery float chamber	1	
11	577182	Cover	1	
12	CM017410	Spring plate	4	
13	576189	Screw d4,2x16	4	

Group	Frame - Plastic parts - Coachwork
Code	02.32
Description	Side cover - Spoiler
Service	1



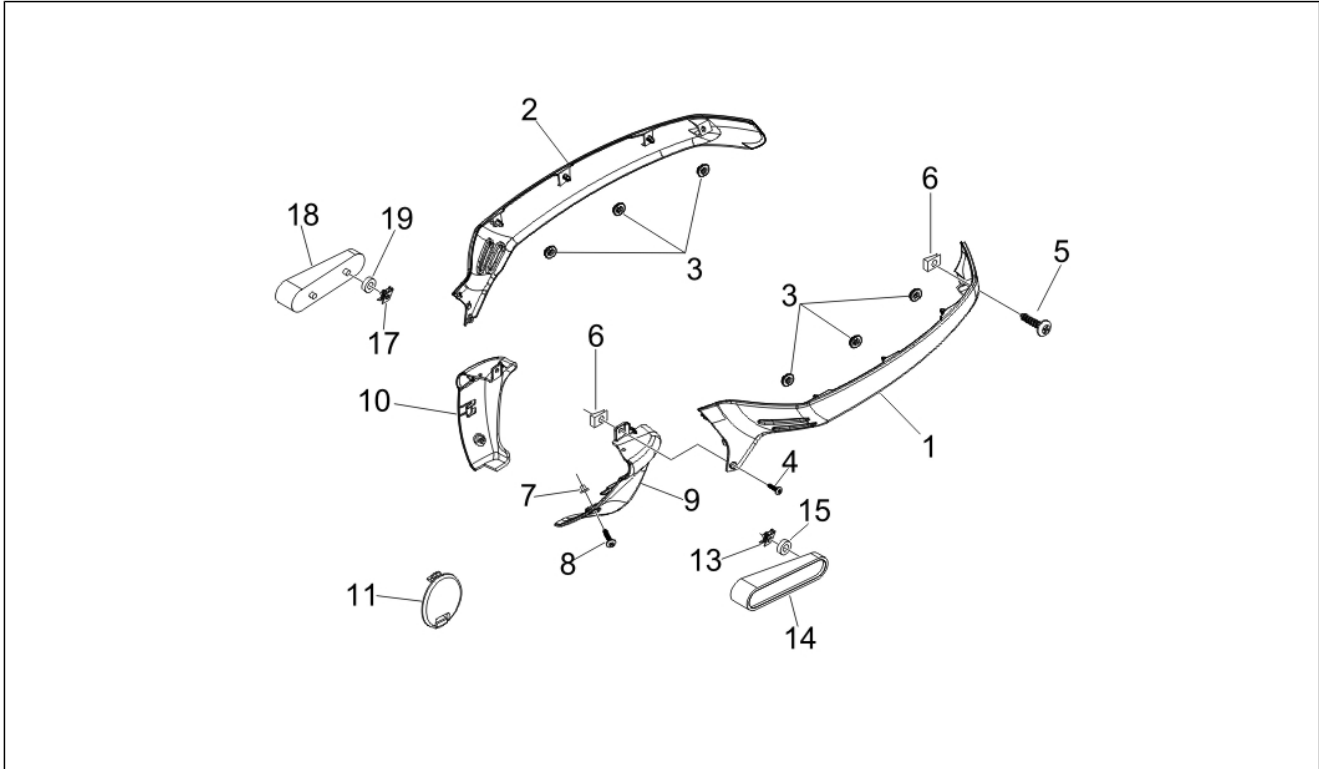
Pos.	Code	Description	Qty	Variants
1	577393	***LH SIDE COVER VESPA GT UNPAINTED	1	
1	5773930087	***SIDE FAIRING/LH	1	Vehicle colour:White[724]
1	57739300BM	Guard	1	Vehicle colour:EVG2BMCUS2[EVG2BMCUS2]
1	57739300D9	Guard	1	Vehicle colour:Signal Blue[211/A]
1	57739300DE	***SIDE FAIRING/LH	1	Vehicle colour:Midnight[222/A]
1	57739300EB	Guard	1	Vehicle colour:Warm Grey[735/A] Vehicle colour:Grey[741/A] Vehicle colour:Smoky Grey[731/A]
1	57739300EI	***PROTECTION	1	Vehicle colour:Stardust Grey[760/A]
1	57739300F2	Guard	1	Vehicle colour:Excalibur Grey[738/A] Vehicle colour:EVG2FACUS2[EVG2FACUS2]
1	57739300F3	***SIDE FAIRING/LH	1	Vehicle colour:Daring Plum[146]
1	57739300ND	Guard	1	Vehicle colour:Graphite Black[79/A] Vehicle colour:BLACK[141]
1	57739300VC	Guard	1	Vehicle colour:Iguana green[318]
2	577394	***RH SIDE COVER VESPA GT UNPAINTED	1	
2	5773940087	***RH SIDE COVER	1	Vehicle colour:White[724]
2	57739400BM	Guard	1	Vehicle colour:EVG2BMCUS2[EVG2BMCUS2]
2	57739400D9	Guard	1	Vehicle colour:Signal Blue[211/A]
2	57739400DE	***RH SIDE COVER VESPA GTS	1	Vehicle colour:Midnight[222/A]
2	57739400EB	Guard	1	Vehicle colour:Warm Grey[735/A] Vehicle colour:Grey[741/A] Vehicle colour:Smoky Grey[731/A]
2	57739400EI	***PROTECTION	1	Vehicle colour:Stardust Grey[760/A]
2	57739400F2	Guard	1	Vehicle colour:Excalibur Grey[738/A] Vehicle colour:EVG2FACUS2[EVG2FACUS2]
2	57739400F3	***RH SIDE COVER VESPA GTS	1	Vehicle colour:Daring Plum[146]
2	57739400ND	Guard	1	Vehicle colour:Graphite Black[79/A] Vehicle colour:BLACK[141]
2	57739400VC	Guard	1	Vehicle colour:Iguana green[318]

Group	Frame - Plastic parts - Coachwork
Code	02.32
Description	Side cover - Spoiler
Service	1



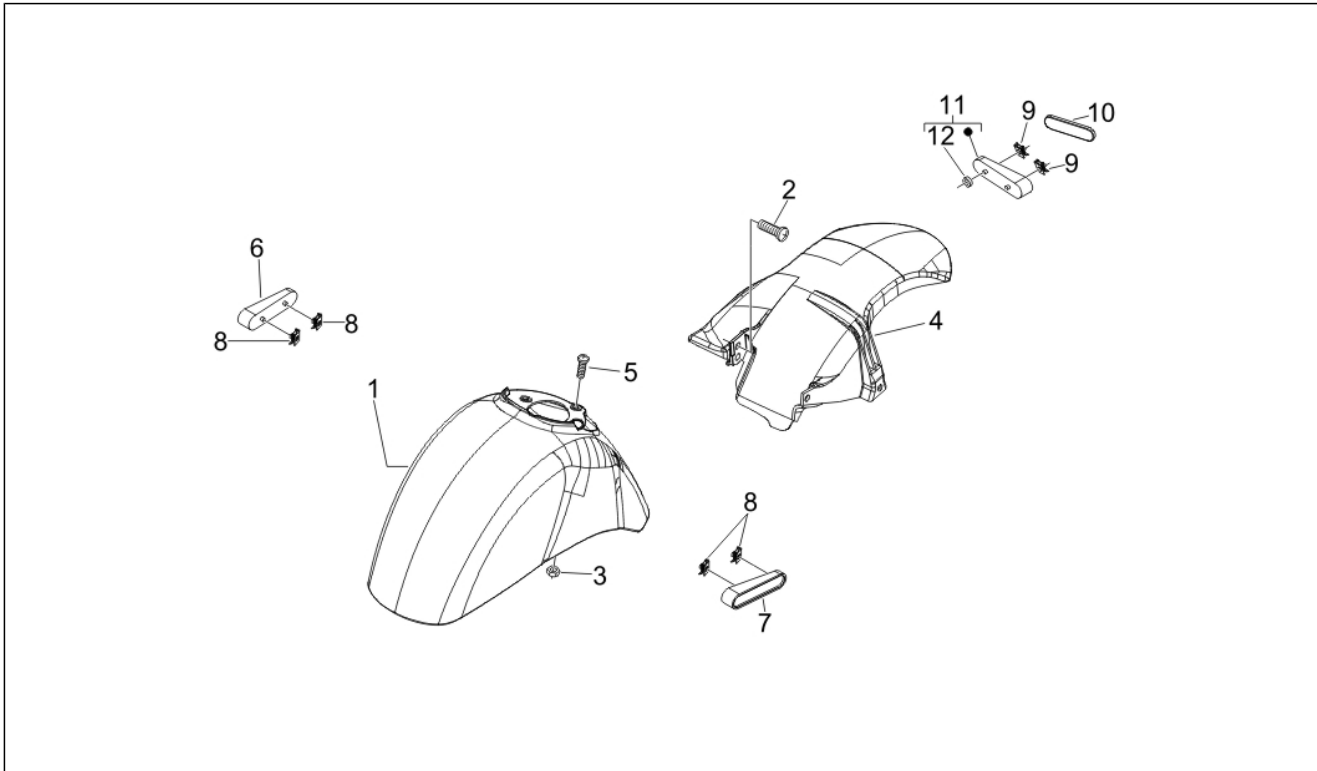
Pos.	Code	Description	Qty	Variants
3	463195	Elastic drift	6	
4	574646	Self-tapping screw	3	
5	014754	Self tapping screw 4,2x25*	2	
6	CM017410	Spring plate	3	
7	199190	Expansion plug	2	
8	576189	Screw d4,2x16	2	
9	577473	LH terminal	1	
9	5774730087	***FRONT EL.FOR LH SIDE FAIRING	1	Vehicle colour:White[724]
9	57747300BM	Terminal	1	Vehicle colour:EVG2BMCUS2[EVG2BMCUS2]
9	57747300D9	Terminal	1	Vehicle colour:Signal Blue[211/A]
9	57747300DE	LH terminal	1	Vehicle colour:Midnight[222/A]
9	57747300EB	Terminal	1	Vehicle colour:Warm Grey[735/A] Vehicle colour:Grey[741/A] Vehicle colour:Smoky Grey[731/A]
9	57747300F2	LH terminal	1	Vehicle colour:Excalibur Grey[738/A] Vehicle colour:EVG2FACUS2[EVG2FACUS2]
9	57747300F3	***FRONT EL.FOR LH SIDE FAIRING	1	Vehicle colour:Daring Plum[146]
9	57747300ND	LH terminal	1	Vehicle colour:Graphite Black[79/A] Vehicle colour:BLACK[141]
9	57747300VC	Terminal	1	Vehicle colour:Iguana green[318]
10	577474	RH terminal	1	
10	5774740087	***FRONT EL.FOR RH SIDE FAIRING	1	Vehicle colour:White[724]
10	57747400BM	Terminal	1	Vehicle colour:EVG2BMCUS2[EVG2BMCUS2]
10	57747400D9	Terminal	1	Vehicle colour:Signal Blue[211/A]
10	57747400DE	RH terminal	1	Vehicle colour:Midnight[222/A]
10	57747400EB	Terminal	1	Vehicle colour:Warm Grey[735/A] Vehicle colour:Smoky Grey[731/A] Vehicle colour:Grey[741/A]
10	57747400EI	RH terminal	1	Vehicle colour:Stardust Grey[760/A]
10	57747400F2	RH terminal	1	Vehicle colour:Excalibur Grey[738/A]

Group	Frame - Plastic parts - Coachwork
Code	02.32
Description	Side cover - Spoiler
Service	1



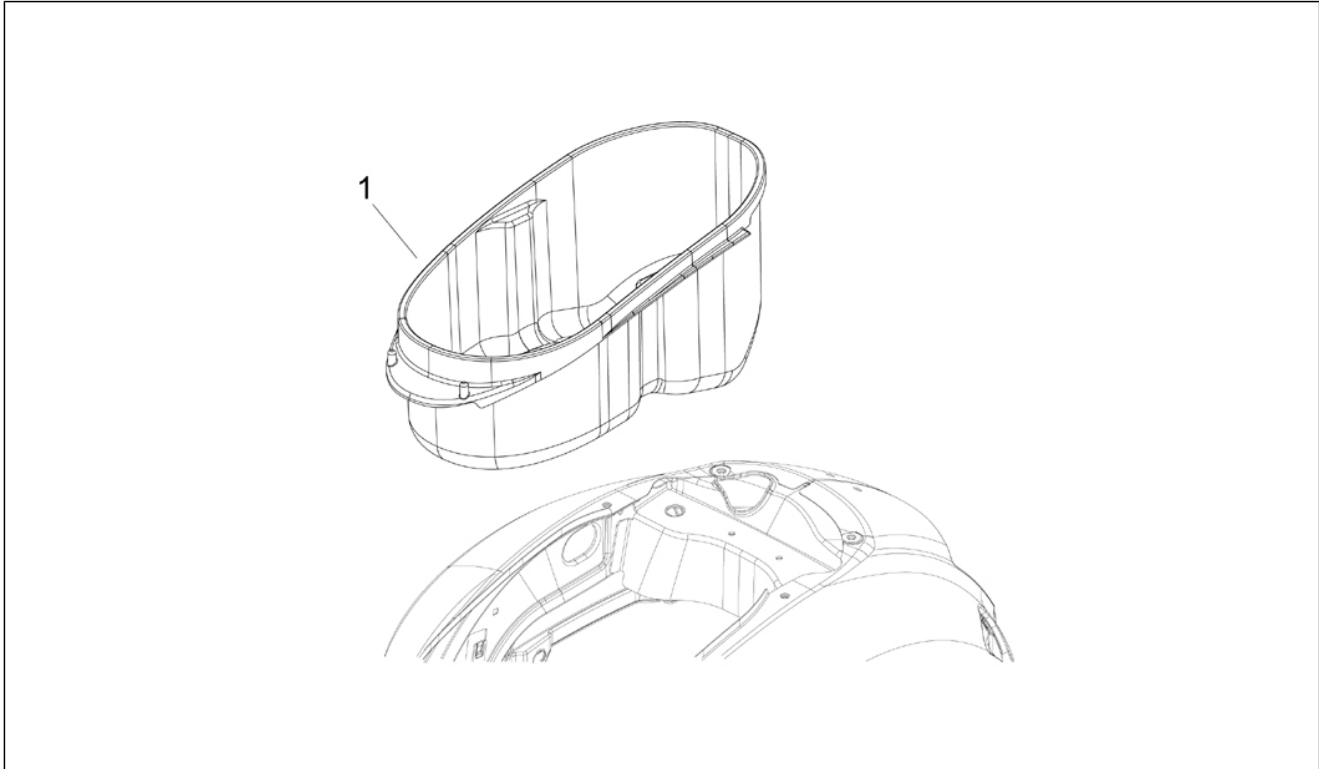
Pos.	Code	Description	Qty	Variants
				Vehicle colour:EVG2FACUS2[EVG2FACUS2]
10	57747400F3	***FRONT EL.FOR RH SIDE FAIRING	1	Vehicle colour:Daring Plum[146]
10	57747400ND	RH terminal	1	Vehicle colour:Graphite Black[79/A] Vehicle colour:BLACK[141]
10	57747400VC	RH terminal	1	Vehicle colour:Iguana green[318]
11	577405000C	Spoiler cover	2	Vehicle colour:Signal Blue[211/A] Vehicle colour:Midnight[222/A] Vehicle colour:Warm Grey[735/A] Vehicle colour:Smoky Grey[731/A] Vehicle colour:Grey[741/A] Vehicle colour:Daring Plum[146] Vehicle colour:Graphite Black[79/A] Vehicle colour:BLACK[141]
11	5774050043	Cover	2	Vehicle colour:White[724] Vehicle colour:EVG2BMCUS2[EVG2BMCUS2] Vehicle colour:Stardust Grey[760/A] Vehicle colour:Excalibur Grey[738/A] Vehicle colour:EVG2FACUS2[EVG2FACUS2] Vehicle colour:Iguana green[318]
13	181351	Spring plate	2	
14	584926	Reflector	1	
15	584995	Gasket	2	
17	181351	Spring plate	2	
18	584925	Reflector	1	
19	584995	Gasket	2	

Group	Frame - Plastic parts - Coachwork
Code	02.33
Description	Wheel huosing - Mudguard
Service	1



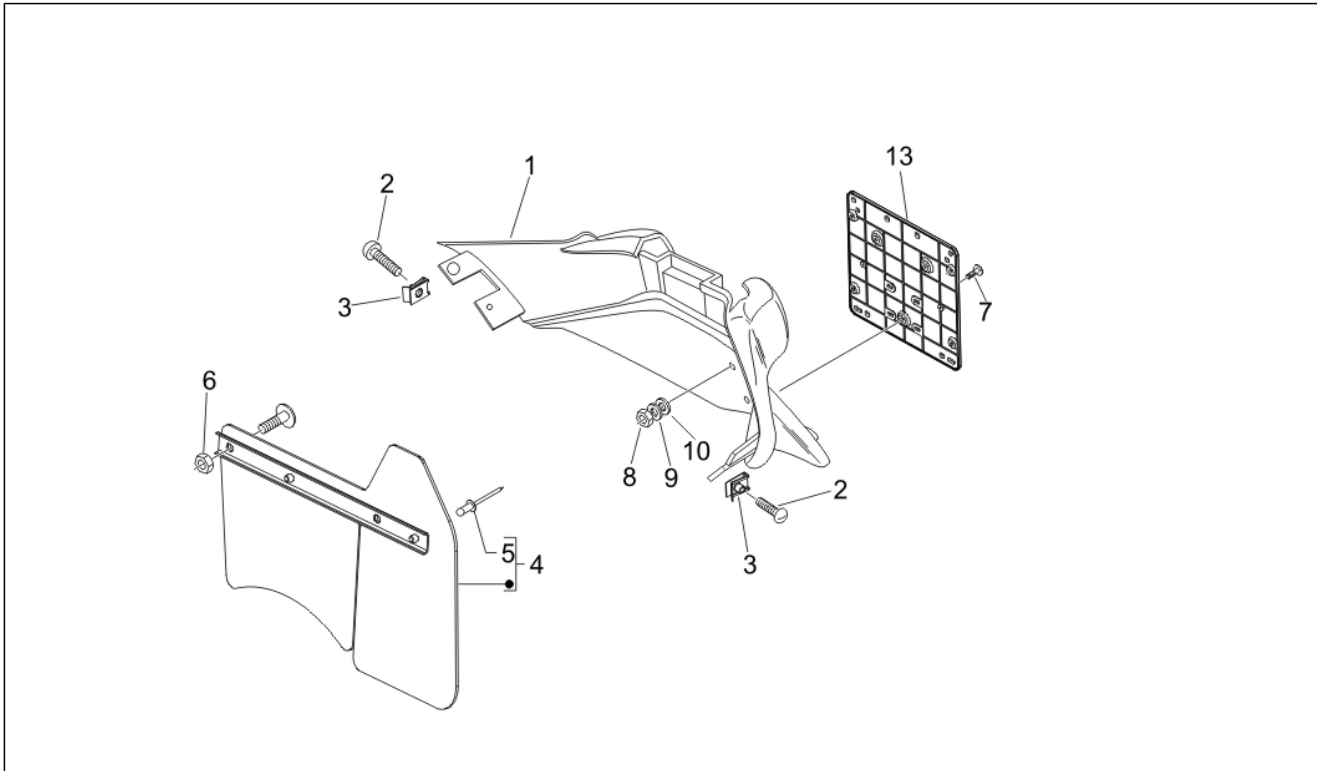
Pos.	Code	Description	Qty	Variants
1	600579	Front mudguard	1	
1	6005790087	***FF MUDGUARD VESPA GTS 250	1	Vehicle colour:White[724]
1	60057900BM	Mudguard	1	Vehicle colour:EVG2BMCUS2[EVG2BMCUS2]
1	60057900D9	Mudguard	1	Vehicle colour:Signal Blue[211/A]
1	60057900DE	Front mudguard	1	Vehicle colour:Midnight[222/A]
1	60057900EB	Mudguard	1	Vehicle colour:Warm Grey[735/A] Vehicle colour:Grey[741/A] Vehicle colour:Smoky Grey[731/A]
1	60057900EI	Front mudguard	1	Vehicle colour:Stardust Grey[760/A]
1	60057900F2	Front mudguard	1	Vehicle colour:Excalibur Grey[738/A] Vehicle colour:EVG2FACUS2[EVG2FACUS2]
1	60057900F3	***FF MUDGUARD VESPA GTS	1	Vehicle colour:Daring Plum[146]
1	60057900ND	Front mudguard	1	Vehicle colour:Graphite Black[79/A] Vehicle colour:BLACK[141]
1	60057900VC	Mudguard	1	Vehicle colour:Iguana green[318]
2	575249	Screw with tang M6	1	
3	969224	Nut	3	
4	621145	Rear mudguard	1	
5	575249	Screw with tang M6	3	
6	584084	Catadiottro laterale DX	1	
7	584083	Catadiottro laterale SX	1	
8	181351	Spring plate	4	
9	181351	Spring plate	2	
10	582058	Rear retroreflector	1	
11	584931	Maintenance	1	
12	584995	Gasket	2	

Group	Frame - Plastic parts - Coachwork
Code	02.34
Description	Helmet huosing - Undersaddle
Service	1



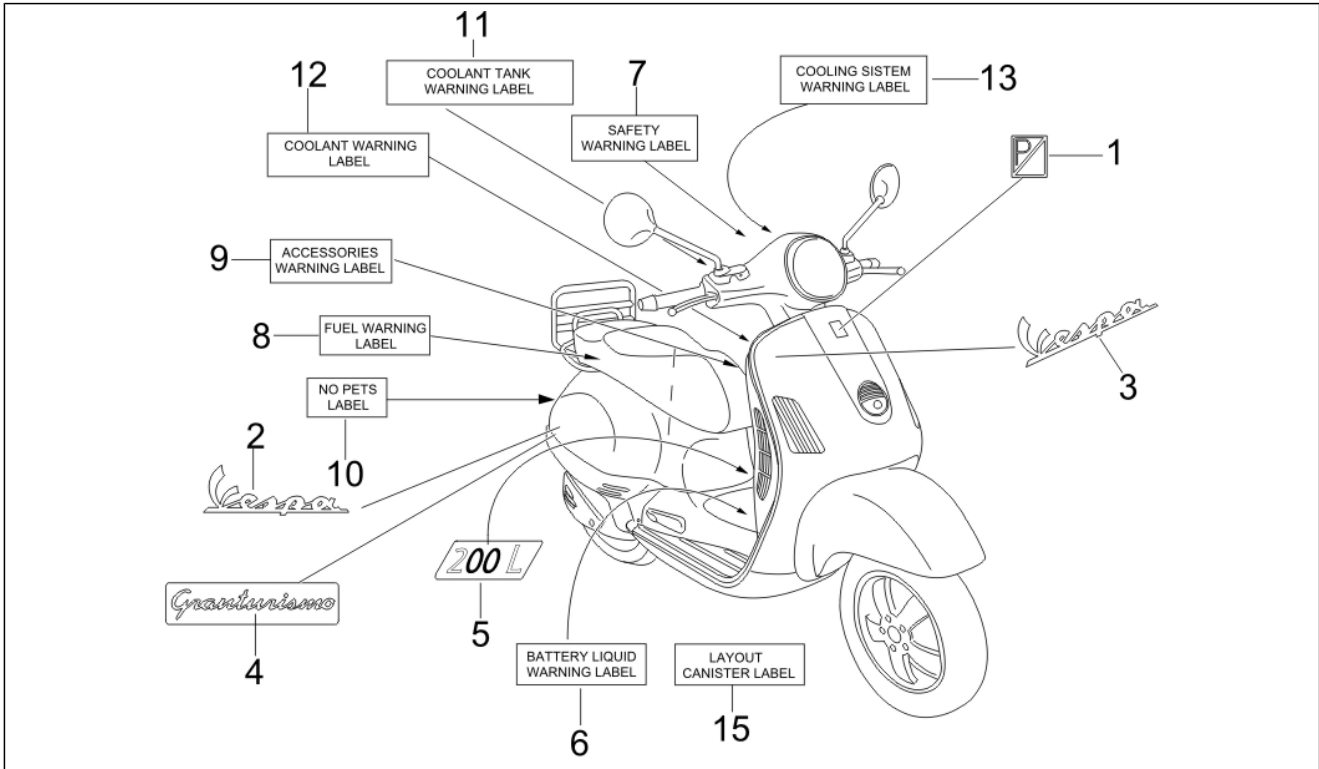
Pos.	Code	Description	Qty	Variants
1	621155	Helmet compartment	1	

Group	Frame - Plastic parts - Coachwork
Code	02.37
Description	Rear cover - Splash guard
Service	1



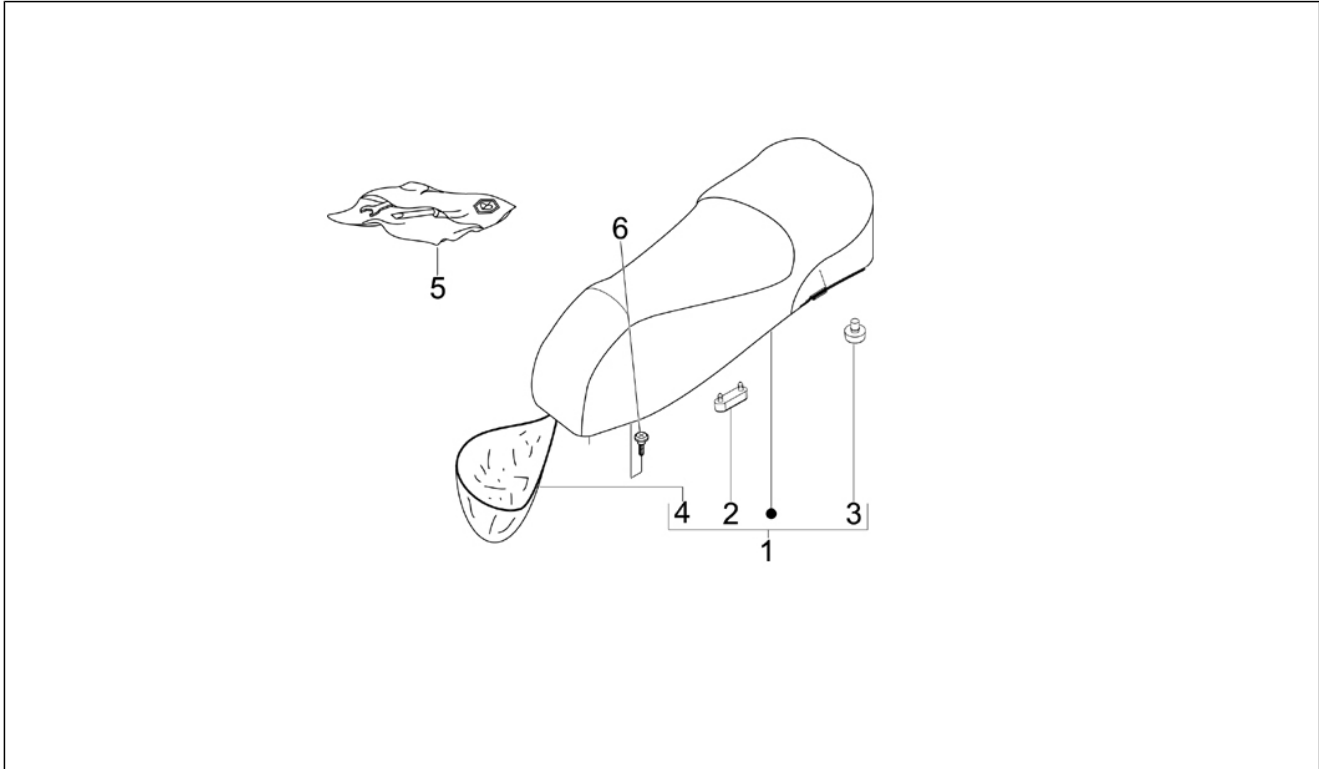
Pos.	Code	Description	Qty	Variants
1	577392	***RR MUDGUARD UNPAINTED	1	
1	5773920087	***REAR MUDGUARD GTS 250	1	Vehicle colour:White[724]
1	57739200BM	Splash guard	1	Vehicle colour:EVG2BMCUS2[EVG2BMCUS2]
1	57739200D9	Splash guard	1	Vehicle colour:Signal Blue[211/A]
1	57739200DE	***REAR MUDGUARD	1	Vehicle colour:Midnight[222/A]
1	57739200EB	Splash guard	1	Vehicle colour:Warm Grey[735/A] Vehicle colour:Smoky Grey[731/A] Vehicle colour:Grey[741/A]
1	57739200EI	***REAR PROTECTION	1	Vehicle colour:Stardust Grey[760/A]
1	57739200F2	Splash guard	1	Vehicle colour:Excalibur Grey[738/A] Vehicle colour:EVG2FACUS2[EVG2FACUS2]
1	57739200F3	***REAR MUDGUARD	1	Vehicle colour:Daring Plum[146]
1	57739200ND	Splash guard	1	Vehicle colour:Graphite Black[79/A] Vehicle colour:BLACK[141]
1	57739200VC	Splash guard	1	Vehicle colour:Iguana green[318]
2	259830	Metric screw M6x20	2	
3	254485	Spring plate M6	2	
4	620236	Splash guard	1	
5	567642	Rivet	2	
6	288245	Self locking nut M6	2	
7	018591	screw M4x14	3	
8	020104	Nut M4	3	
9	013763	Flat washer 4,2x12x1	3	
10	016404	Flat washer 4,2x7,6x0,9	3	
13	582691	Number plate holder	1	

Group	Frame - Plastic parts - Coachwork
Code	02.38
Description	Plates - Emblems
Service	1



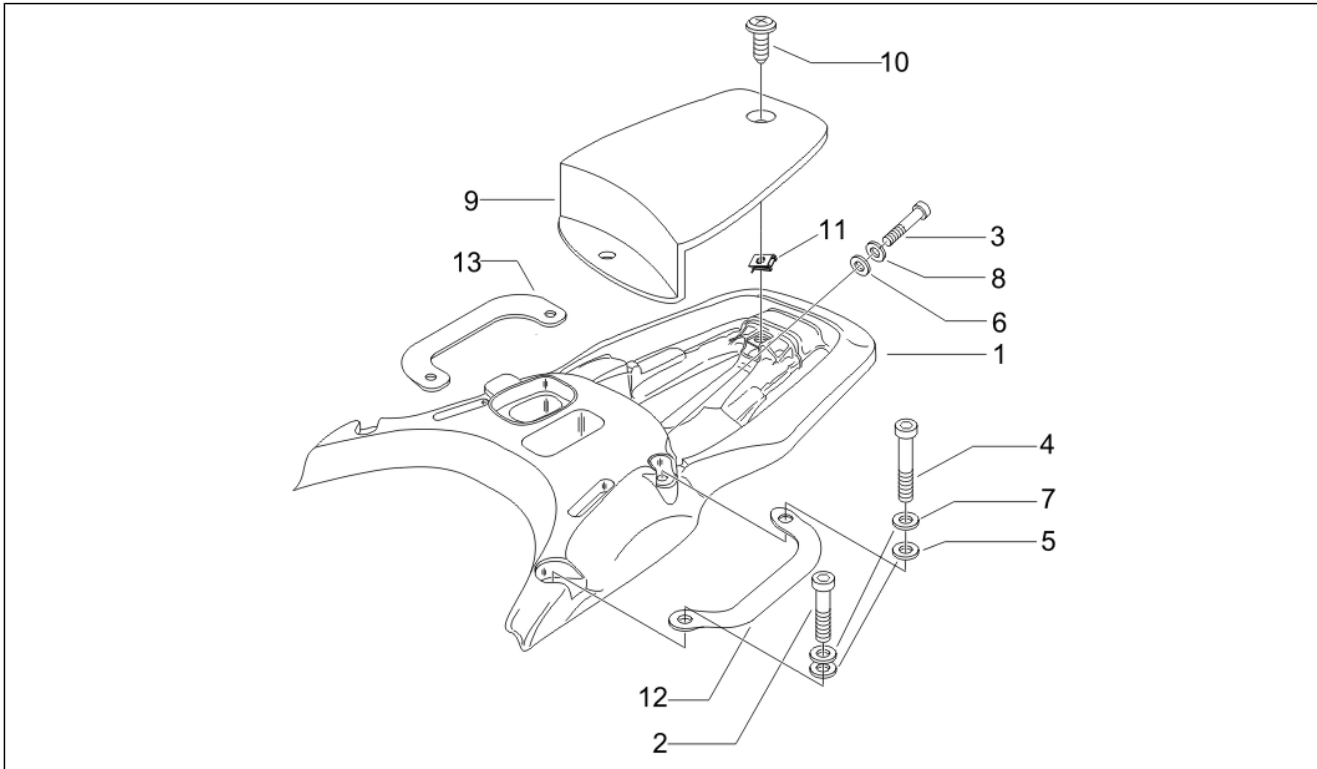
Pos.	Code	Description	Qty	Variants
1	576464	Shield "Piaggio"	1	
2	620529	Targhetta laterale "Vespa"	1	
3	623205	Targhetta frontale "Vespa"	1	
4	620682	"Granturismo" name plate	1	
5	620528	"200 L" name plate	1	
6	576702	Battery decal	1	
7	576704	"Safety" plate	1	
8	576705	Fuel decal	1	
9	576708	Accessories sticker	1	
10	576953	Name plate "No pets"	1	
11	620333	Name plate	1	
12	620334	Name plate	1	
13	620335	Name plate	1	

Group	Frame - Plastic parts - Coachwork
Code	02.39
Description	Saddle/seats - Tool roll
Service	1



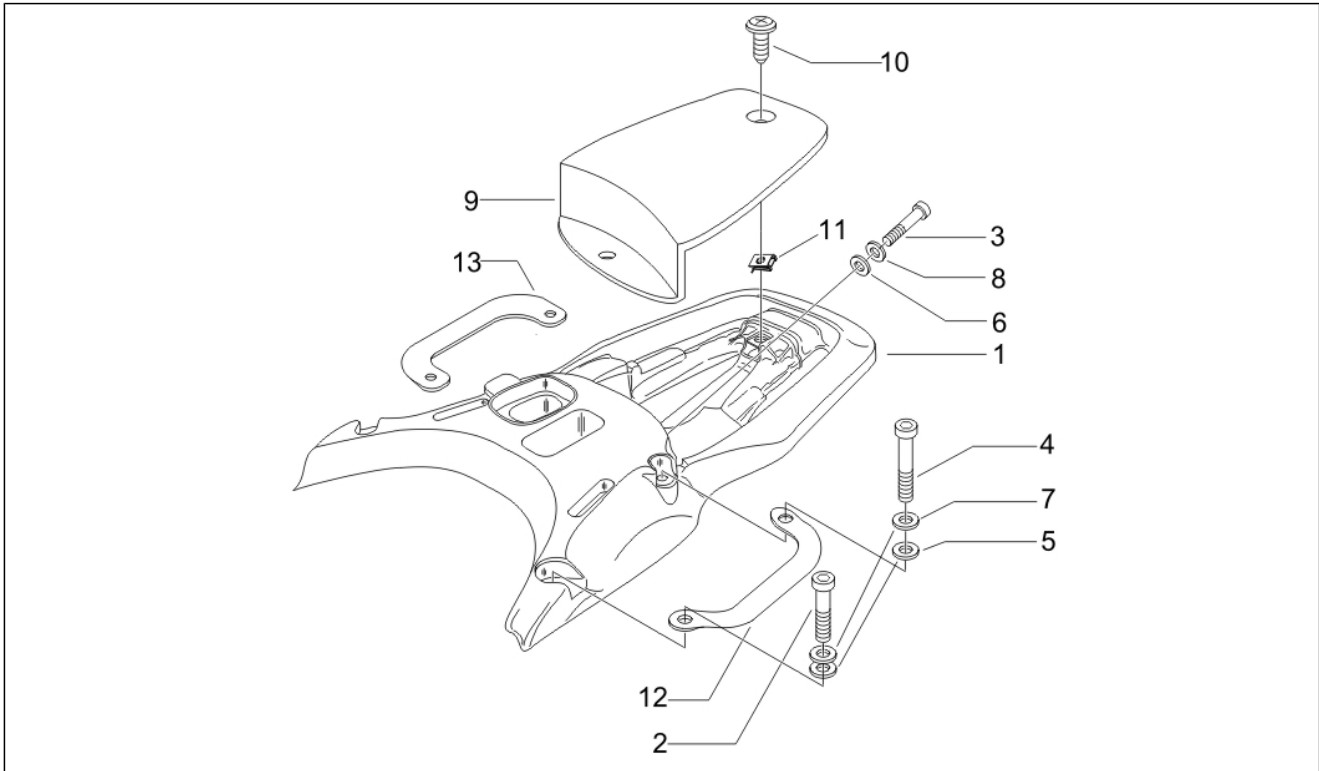
Pos.	Code	Description	Qty	Variants
1	5771920087	Saddle	1	Vehicle colour:White[724] Vehicle colour:Midnight[222/A] Vehicle colour:Smoky Grey[731/A] Vehicle colour:Grey[741/A] Vehicle colour:Stardust Grey[760/A] Vehicle colour:Iguana green[318] Vehicle colour:Graphite Black[79/A] Vehicle colour:EVG2FACUS2[EVG2FACUS2] Vehicle colour:Excalibur Grey[738/A] Vehicle colour:Signal Blue[211/A]
1	57719200D1	Saddle	1	Vehicle colour:EVG2BMCUS2[EVG2BMCUS2]
1	57719200D2	Saddle	1	Vehicle colour:Warm Grey[735/A]
1	57719200RI	***SADDLE COMPLETE	1	Vehicle colour:Daring Plum[146] Vehicle colour:BLACK[141]
2	296456	Pad	2	
3	577492	Pad	2	
4	621498	Saddle guard cooling hood	1	
5	646921	Tool roll	1	
6	436788	Screw w/ flange	2	

Group	Frame - Plastic parts - Coachwork
Code	02.44
Description	Rear luggage rack
Service	1



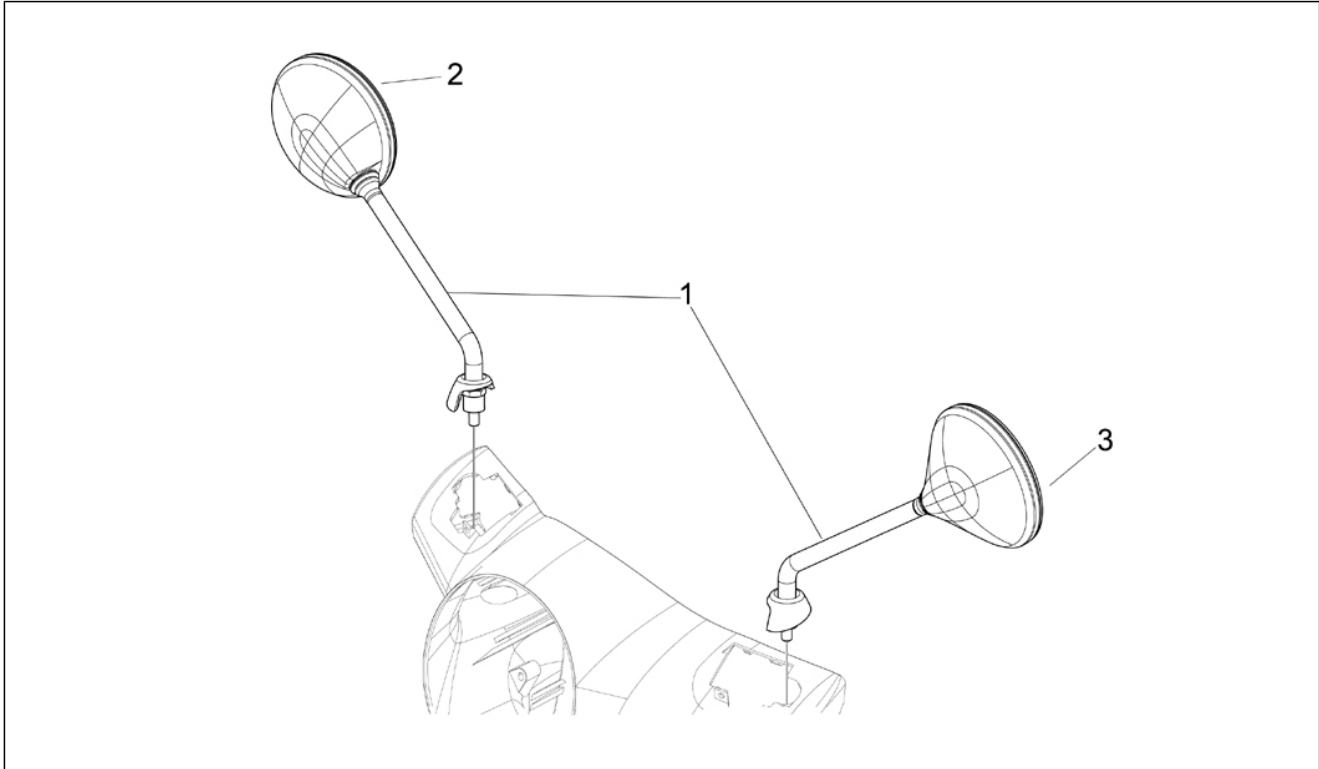
Pos.	Code	Description	Qty	Variants
1	5774570095	Luggage rack	1	Vehicle colour: White[724] Vehicle colour: Excalibur Grey[738/A] Vehicle colour: Iguana green[318] Vehicle colour: BLACK[141] Vehicle colour: Graphite Black[79/A] Vehicle colour: EVG2FACUS2[EVG2FACUS2] Vehicle colour: Daring Plum[146] Vehicle colour: Stardust Grey[760/A] Vehicle colour: Signal Blue[211/A] Vehicle colour: Warm Grey[735/A] Vehicle colour: Smoky Grey[731/A] Vehicle colour: Grey[741/A] Vehicle colour: Midnight[222/A] Vehicle colour: EVG2BMCUS2[EVG2BMCUS2]
2	319538	Hex socket screw M6x30	2	
3	709674	Hex socket screw M6x20	2	
4	951685	screw	2	
5	013777	Washer 6.4x13x1.5	4	
6	013880	Flat washer 16x6,5x1,5	2	
7	006966	Spring washer 6,4x11x0,5	4	
8	016406	Spring washer 6,4x11,8x1	2	
9	577467000C	Cover	1	Vehicle colour: White[724] Vehicle colour: Excalibur Grey[738/A] Vehicle colour: Iguana green[318] Vehicle colour: BLACK[141] Vehicle colour: Graphite Black[79/A] Vehicle colour: EVG2FACUS2[EVG2FACUS2] Vehicle colour: Daring Plum[146] Vehicle colour: Stardust Grey[760/A] Vehicle colour: Signal Blue[211/A] Vehicle colour: Warm Grey[735/A] Vehicle colour: Smoky Grey[731/A] Vehicle colour: Grey[741/A] Vehicle colour: Midnight[222/A] Vehicle colour: EVG2BMCUS2[EVG2BMCUS2]

Group	Frame - Plastic parts - Coachwork
Code	02.44
Description	Rear luggage rack
Service	1



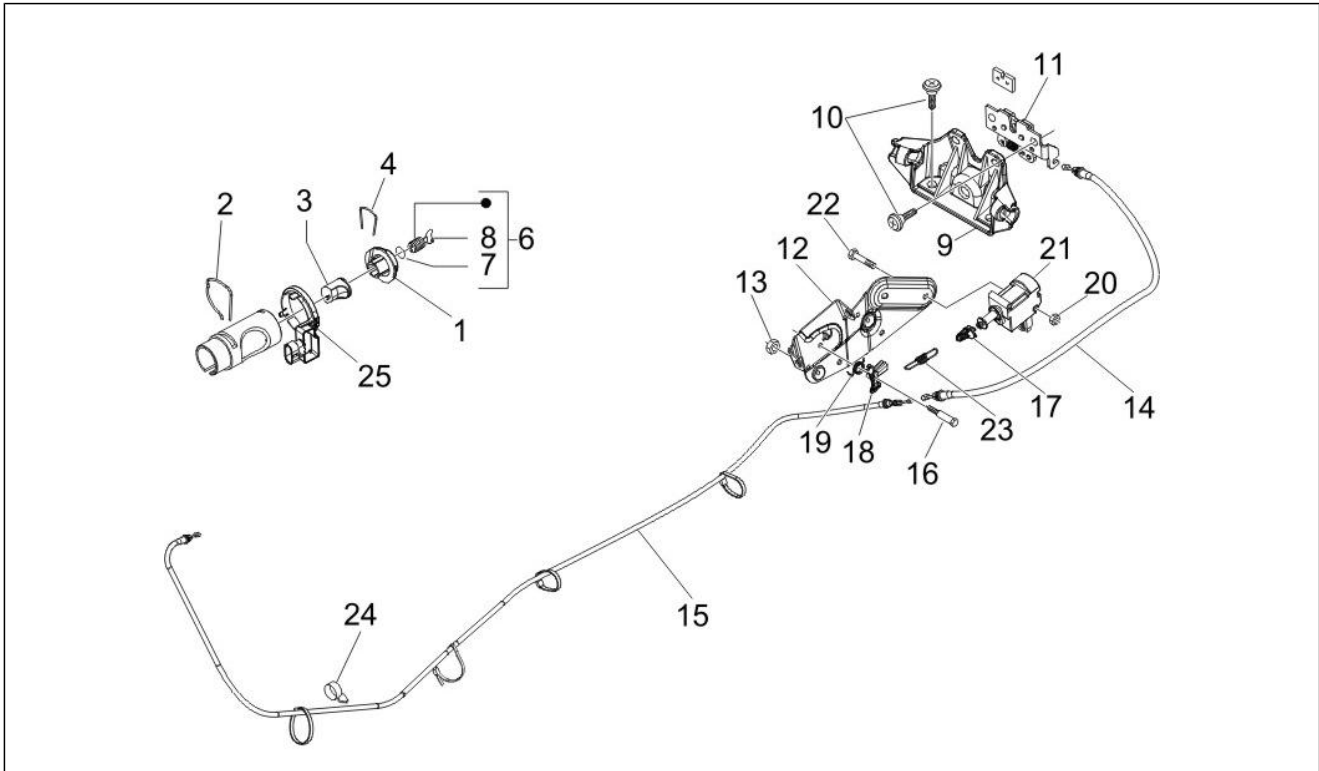
Pos.	Code	Description	Qty	Variants
10	259830	Metric screw M6x20	1	
11	254485	Spring plate M6	1	
12	57733700E9	Handle	1	Vehicle colour: White[724] Vehicle colour: Midnight[222/A] Vehicle colour: Warm Grey[735/A] Vehicle colour: Iguana green[318] Vehicle colour: BLACK[141] Vehicle colour: Graphite Black[79/A] Vehicle colour: EVG2FACUS2[EVG2FACUS2] Vehicle colour: Daring Plum[146] Vehicle colour: Excalibur Grey[738/A] Vehicle colour: Stardust Grey[760/A] Vehicle colour: Grey[741/A] Vehicle colour: Smoky Grey[731/A] Vehicle colour: EVG2BMCUS2[EVG2BMCUS2] Vehicle colour: Signal Blue[211/A]
13	57733800E9	Handle	1	Vehicle colour: White[724] Vehicle colour: Signal Blue[211/A] Vehicle colour: Warm Grey[735/A] Vehicle colour: Grey[741/A] Vehicle colour: Excalibur Grey[738/A] Vehicle colour: EVG2FACUS2[EVG2FACUS2] Vehicle colour: BLACK[141] Vehicle colour: Iguana green[318] Vehicle colour: Graphite Black[79/A] Vehicle colour: Daring Plum[146] Vehicle colour: Stardust Grey[760/A] Vehicle colour: Smoky Grey[731/A] Vehicle colour: Midnight[222/A] Vehicle colour: EVG2BMCUS2[EVG2BMCUS2]

Group	Frame - Plastic parts - Coachwork
Code	02.45
Description	Driving mirror/s
Service	1



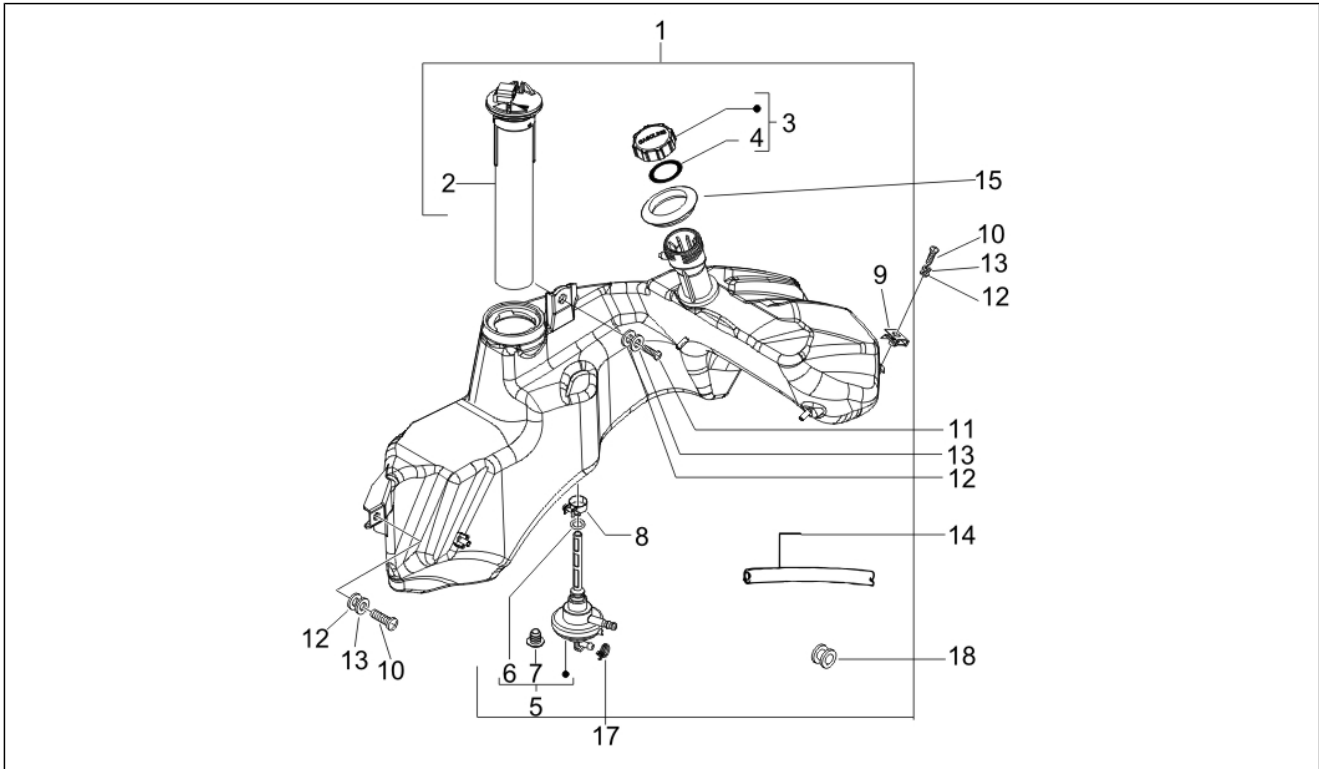
Pos.	Code	Description	Qty	Variants
1	57323R	Mirror couple	1	
2	CM027708	LH rearview mirror (Fiem)	1	
2	CM073408	RH rearview mirror (Fu Hwa)	1	
3	CM027707	RH rearview mirror (Fiem)	1	
3	CM073407	LH rearview mirror (Fu Hwa)	1	

Group	Frame - Plastic parts - Coachwork
Code	02.46
Description	Locks
Service	1



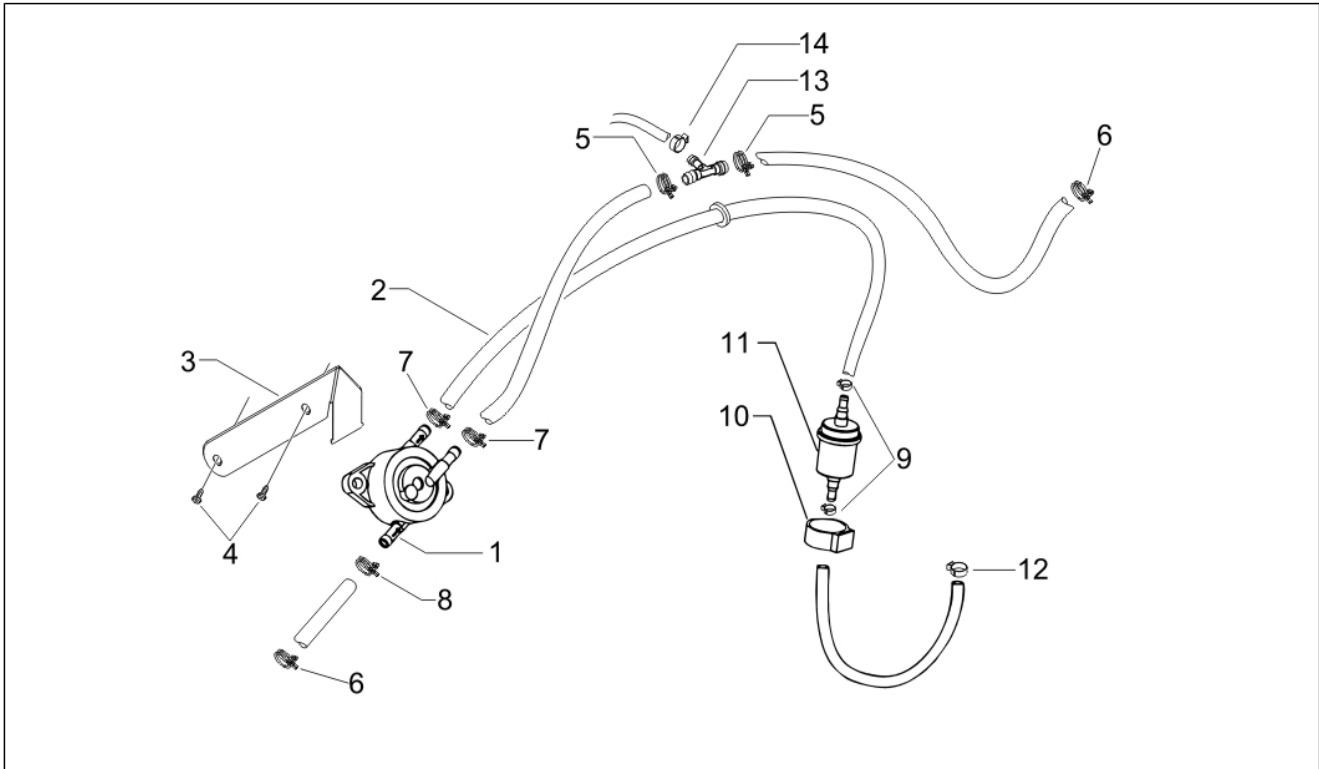
Pos.	Code	Description	Qty	Variants
1	298581	Lock body	1	
2	253937	Spring	1	
3	298903	Block	1	
4	298838	Cylinder retainer spring	1	
6	577454	Cylinder with keys	1	
7	298731	Gasket ring	1	
8	573426	Key	1	
9	577456	Bracket	1	
10	575249	Screw with tang M6	4	
11	CM023703	Saddle lock	1	
12	577471	plate	1	
13	241936	Self locking nut M6	2	
14	CM012811	Transmission	1	
15	CM012813	Transmission	1	
16	299972	Special screw	1	
17	577128	Joint	1	
18	577129	Lever	1	
19	577131	Spring	1	
20	577620	Self locking nut	2	
21	582990	Solenoid valve	1	
22	584121	Self tapping screw	2	
23	620415	Spring	1	
24	140435	Spring	1	
25	828800	Immobilizer antenna	1	

Group	Frame - Plastic parts - Coachwork
Code	02.47
Description	Fuel tank
Service	1



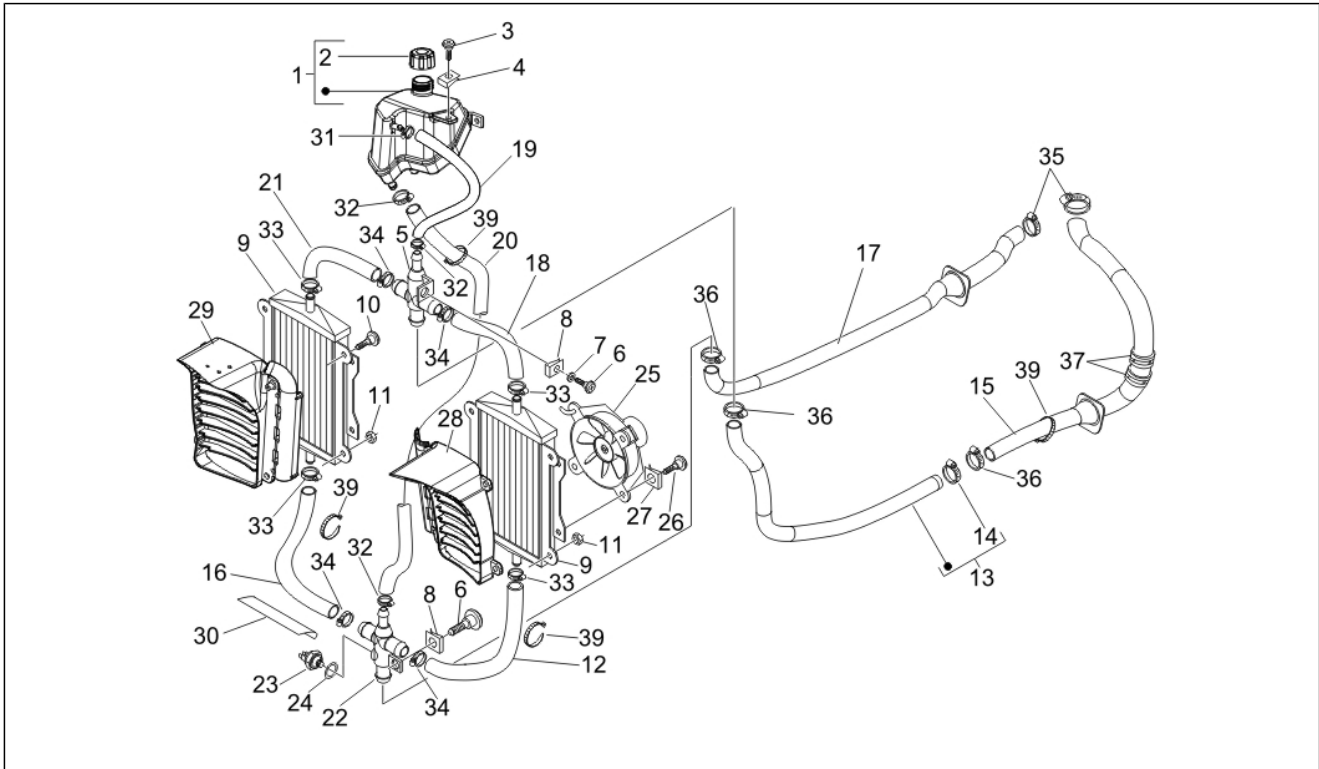
Pos.	Code	Description	Qty	Variants
1	622302	Fuel tank	1	
2	CM025709	Indicator fuel level	1	
3	259832	Tank cap	1	
4	258160	Tank cover gasket	1	
5	575321	Faucet depression press fastener	1	
6	196868	Gasket	1	
7	090958	Cover	1	
8	577557	Hose clamp	1	
9	254485	Spring plate M6	5	
10	015759	Screw M6x20	2	
11	015804	screw	1	
12	013880	Flat washer 16x6,5x1,5	3	
13	016406	Spring washer 6,4x11,8x1	3	
14	CM001422	***PIPE ->CM001405	1	
15	620737	Fuel tank gasket	1	
17	CM002902	Hose clamp	1	
18	178610	Fairlead	1	

Group	Frame - Plastic parts - Coachwork
Code	02.53
Description	Supply system
Service	1



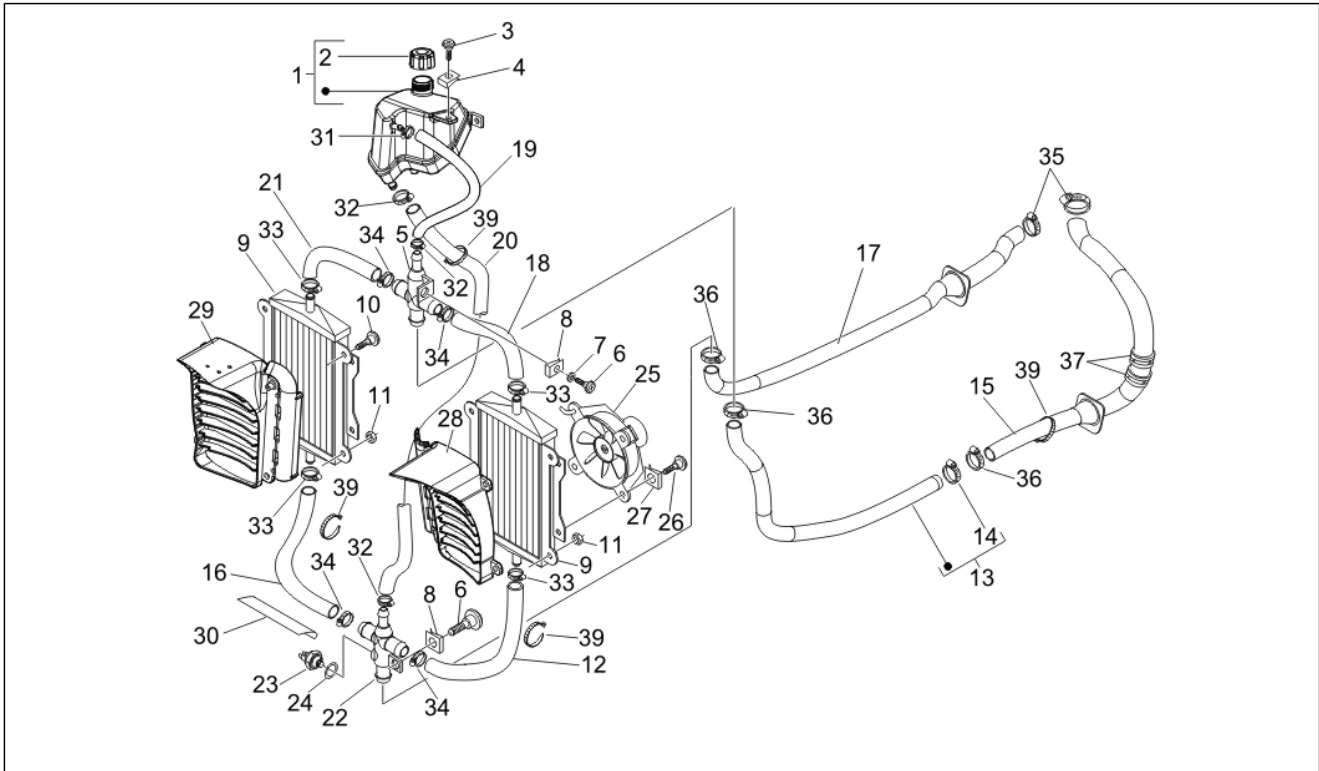
Pos.	Code	Description	Qty	Variants
1	CM120901	Fuel pump	1	
2	CM004126	Fuel pipe	1	
3	620050	Bracket	1	
4	259830	Metric screw M6x20	2	
5	CM001901	Hose clamp	2	
6	CM001914	Hose clamp	2	
7	CM013201	Spring	2	
8	CM017803	Non return spring	1	
9	CM001914	Hose clamp	2	
10	272842	Flexible support	1	
11	270423	Fuel filter	1	
12	CM001901	Hose clamp	2	
13	828325	Tee union	1	
14	825481	Hose clamp	1	

Group	Frame - Plastic parts - Coachwork
Code	02.55
Description	Cooling system
Service	1



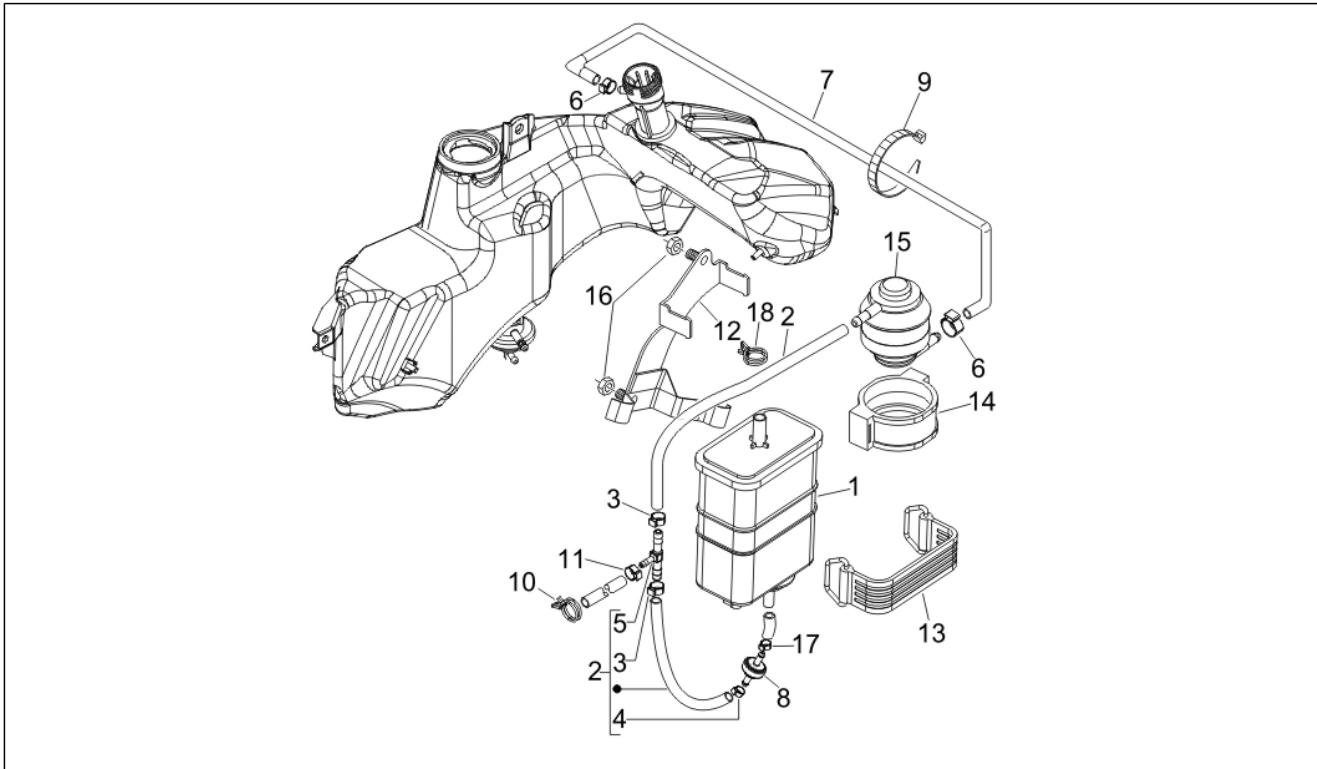
Pos.	Code	Description	Qty	Variants
1	624402	Coolant tank	1	
2	623673	Expansion tank plug	1	
3	257404	screw	2	
4	254485	Spring plate M6	1	
5	577195	Joint	1	
6	575249	Screw with tang M6	2	
7	709047	Spring washer	1	
8	254485	Spring plate M6	2	
9	577183	Water cooler	2	
10	270793	TBCIC Screw 3,8x16	2	
11	241936	Self locking nut M6	6	
12	577201	Tubo collegamento radiatore DX-raccordo inf.	1	
13	57333R	Tubo collegamento raccordo superiore	1	
14	622229	Hose clamp	1	
14	CM001908	Hose clamp	1	
15	57320R	***TUBE	1	
16	57313R	Tubo collegamento radiatore SX-raccordo inf.	1	
17	577205	pipe	1	
18	577384	pipe	1	
19	577433	pipe	1	
20	577436	pipe	1	
21	623013	pipe	1	
22	577196	Joint	1	
23	584676	Thermal switch	1	
24	168077	Copper gasket	1	
25	584669	Fan engine	1	
26	272836	Screw M6x16	3	
27	254485	Spring plate M6	3	

Group	Frame - Plastic parts - Coachwork
Code	02.55
Description	Cooling system
Service	1



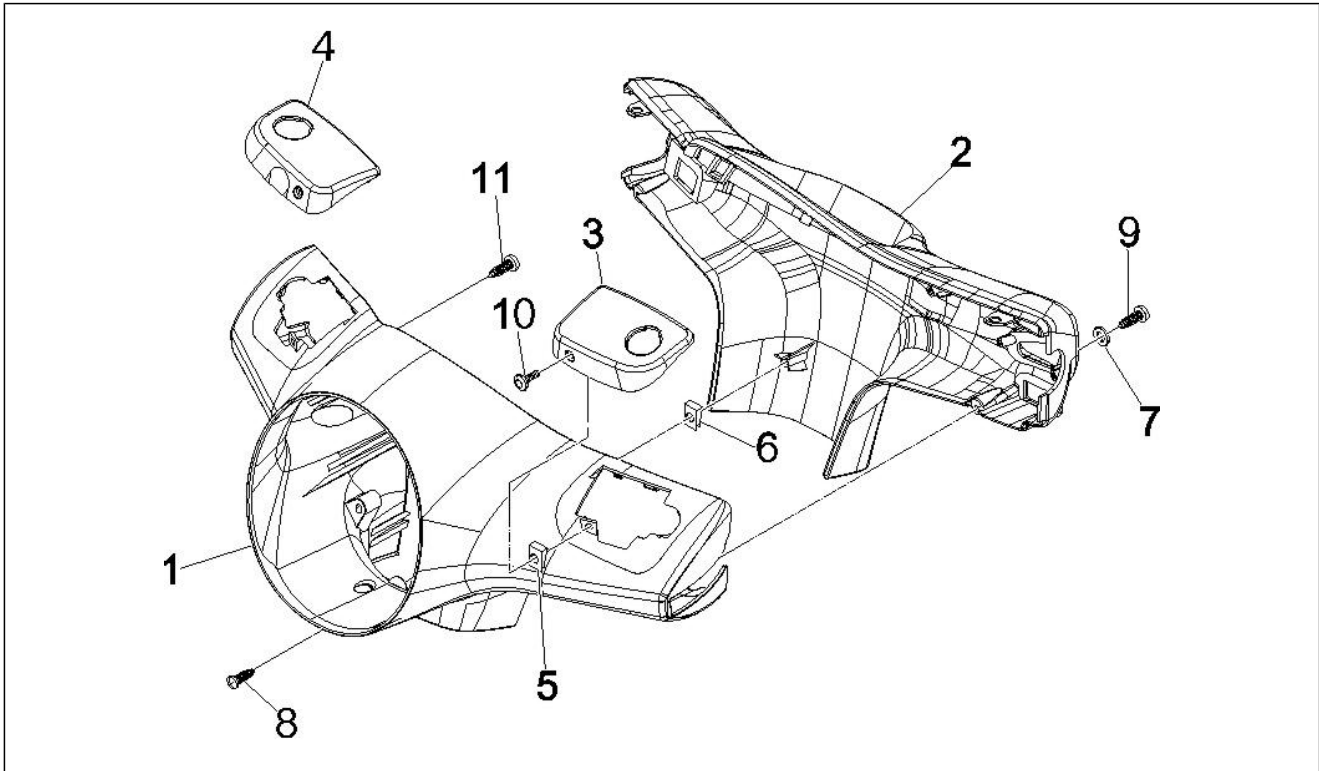
Pos.	Code	Description	Qty	Variants
28	577187	Left air duct	1	
29	577184	Air deflector	1	
30	580160	Guard	1	
31	CM001903	Hose clamp	1	
32	CM001904	Hose clamp	3	
33	CM001905	Hose clamp	4	
34	CM001907	Hose clamp	4	
35	CM001908	Hose clamp	1	
35	CM001922	Hose clamp	1	
36	CM001915	Hose clamp	3	
37	CM006903	Pipes/cables retainer spring	2	
39	145298	Lock-strap L=180mm	4	

Group	Frame - Plastic parts - Coachwork
Code	02.61
Description	Anti-percolation system
Service	1



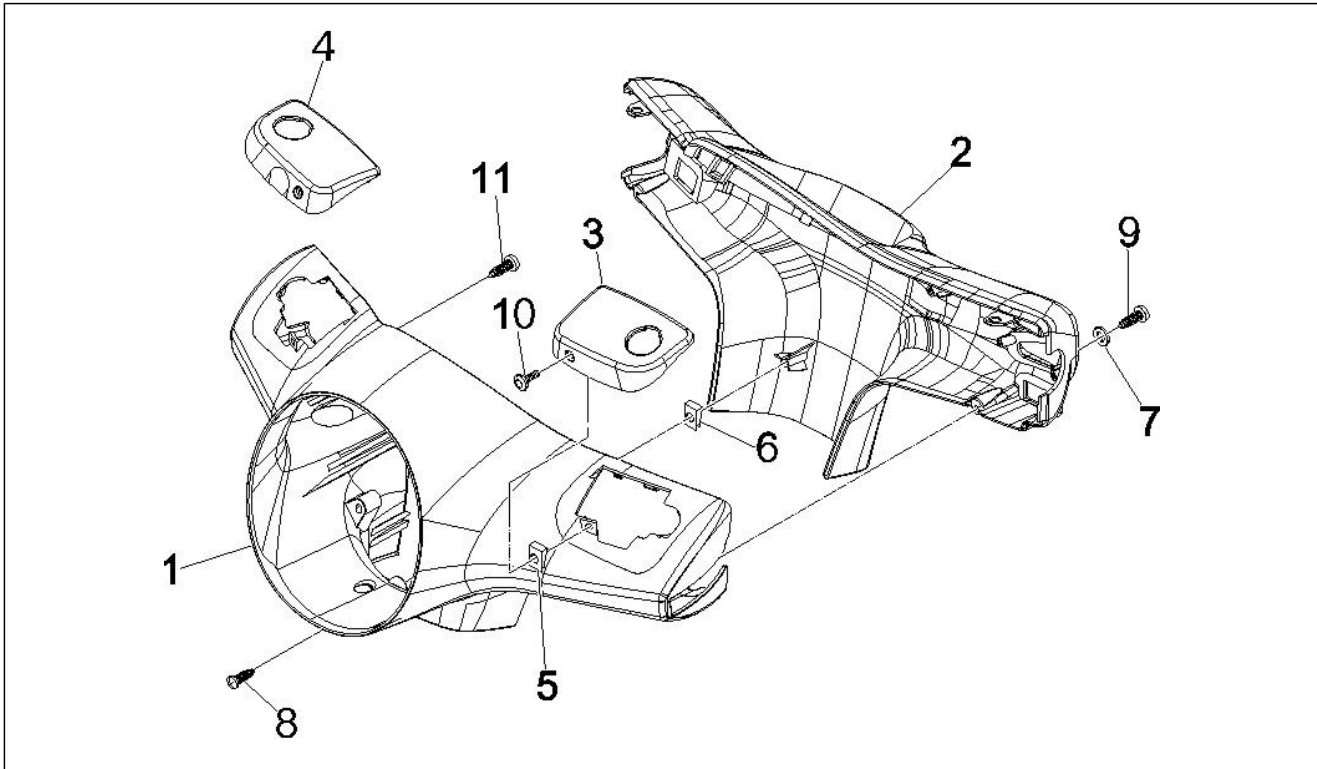
Pos.	Code	Description	Qty	Variants
1	576468	Carbon filter	1	
2	623544	***TUBE	1	
3	CM001912	Hose clamp	2	
4	CM001913	Hose clamp	2	
5	828325	Tee union	1	
6	CM001914	Hose clamp	2	
7	CM024102	pipe	1	
8	576469	Volet	1	
9	CM001914	Hose clamp	4	
10	CM013201	Spring	1	
11	145298	Lock-strap L=180mm	1	
12	620966	Bracket	1	
13	583921	Strip	1	
14	576454	Maintenance	1	
15	CM028201	Volet	1	
16	241936	Self locking nut M6	2	
17	CM001914	Hose clamp	2	
18	CM017812	***CLAMP	1	

Group	Handlebars/Steering
Code	03.01
Description	Handlebars coverages
Service	1



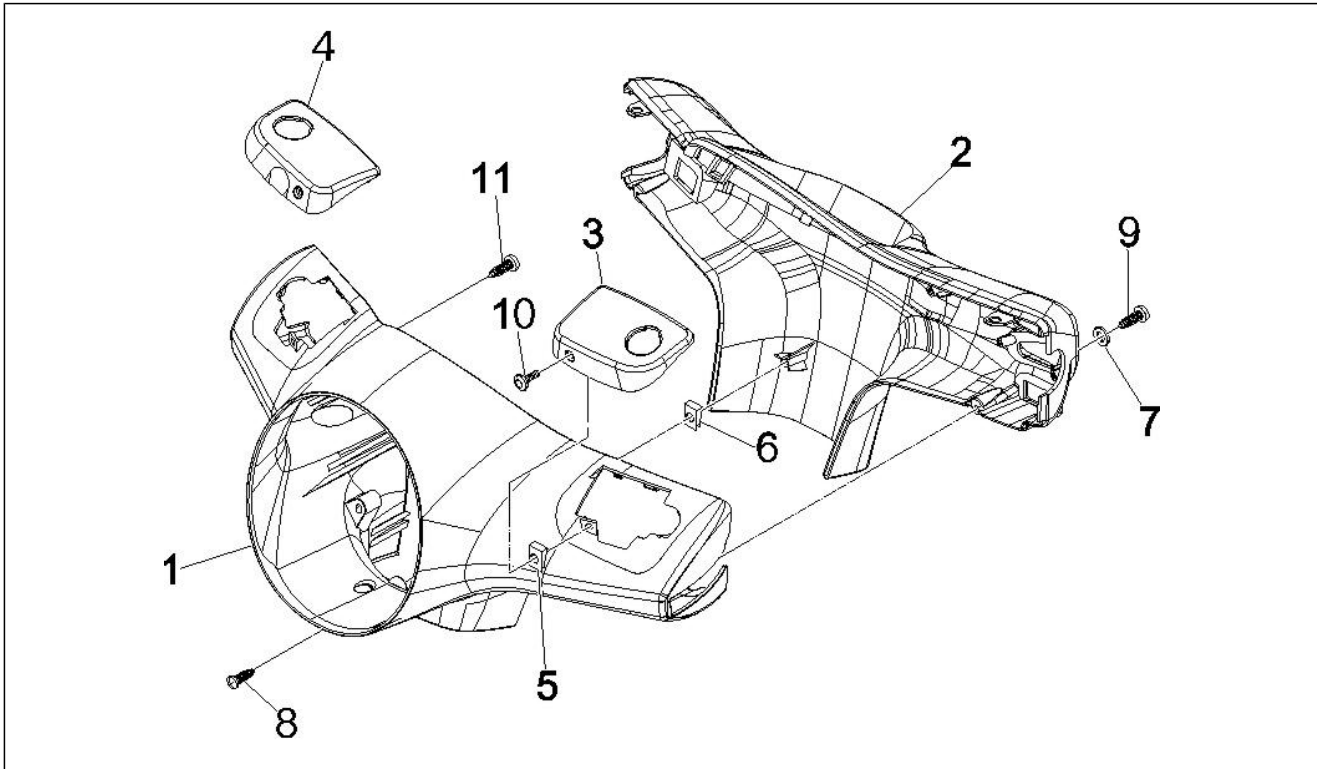
Pos.	Code	Description	Qty	Variants
1	623448	Front handlebars cover	1	
1	6234480087	Front handlebar cover	1	Vehicle colour:White[724]
1	62344800BM	Front handlebar cover	1	Vehicle colour:EVG2BMCUS2[EVG2BMCUS2]
1	62344800D9	Front handlebar cover	1	Vehicle colour:Signal Blue[211/A]
1	62344800DE	Front handlebars cover	1	Vehicle colour:Midnight[222/A]
1	62344800EB	Front handlebar cover	1	Vehicle colour:Warm Grey[735/A] Vehicle colour:Smoky Grey[731/A] Vehicle colour:Grey[741/A]
1	62344800EI	Front handlebars cover	1	Vehicle colour:Stardust Grey[760/A]
1	62344800F2	Front handlebars cover	1	Vehicle colour:Excalibur Grey[738/A] Vehicle colour:EVG2FACUS2[EVG2FACUS2]
1	62344800F3	Front handlebar cover	1	Vehicle colour:Daring Plum[146]
1	62344800ND	Front handlebar cover	1	Vehicle colour:Graphite Black[79/A] Vehicle colour:BLACK[141]
1	62344800VC	Front handlebar cover	1	Vehicle colour:Iguana green[318]
1	652681	Front handlebars cover	1	
1	65268100DE	Front handlebars cover	1	Vehicle colour:Midnight[222/A]
1	65268100F2	Front handlebars cover	1	Vehicle colour:Excalibur Grey[738/A]
1	65268100F3	Front handlebar cover	1	Vehicle colour:Daring Plum[146]
1	65268100ND	Front handlebar cover	1	Vehicle colour:BLACK[141]
2	623447	Rear handlebars cover	1	
2	6234470087	Handlebar rear cover	1	Vehicle colour:White[724]
2	62344700DE	Rear handlebars cover	1	Vehicle colour:Midnight[222/A]
2	62344700F2	Rear handlebars cover	1	Vehicle colour:Excalibur Grey[738/A] Vehicle colour:EVG2FACUS2[EVG2FACUS2]
2	62344700F3	Handlebar rear cover	1	Vehicle colour:Daring Plum[146]
2	62344700ND	Rear handlebars cover	1	Vehicle colour:Graphite Black[79/A] Vehicle colour:BLACK[141]
2	62344700VC	Handlebar rear cover	1	Vehicle colour:Iguana green[318]

Group	Handlebars/Steering
Code	03.01
Description	Handlebars coverages
Service	1



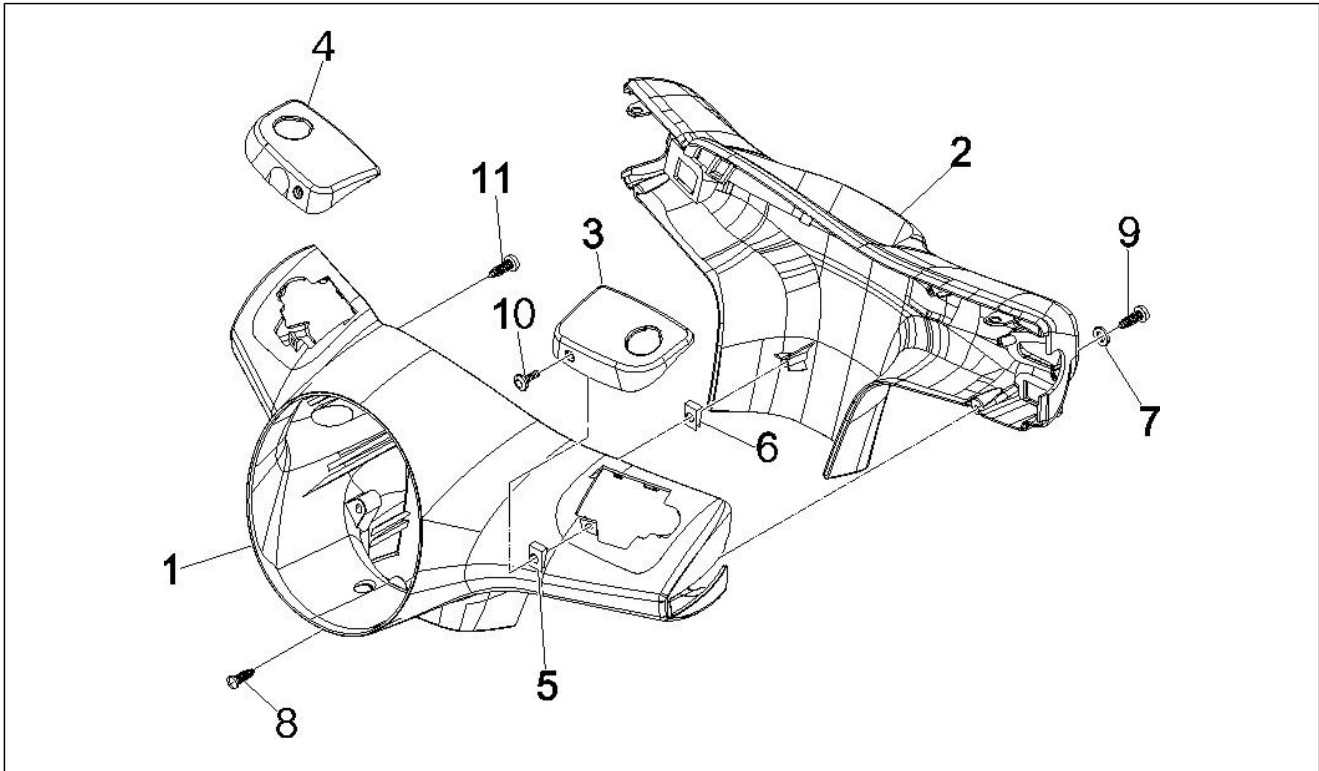
Pos.	Code	Description	Qty	Variants
2	652682	Rear handlebars cover	1	
2	65268200DE	Rear handlebars cover	1	Vehicle colour:Midnight[222/A]
2	65268200F2	Rear handlebars cover	1	Vehicle colour:Excalibur Grey[738/A]
2	65268200F3	Handlebar rear cover	1	Vehicle colour:Daring Plum[146]
2	65268200ND	Handlebar rear cover	1	Vehicle colour:BLACK[141]
3	599678	LH pump cover	1	
3	5996780087	LH pump cover	1	Vehicle colour:White[724]
3	59967800D9	LH pump cover	1	Vehicle colour:Signal Blue[211/A]
3	59967800DE	Coperchio pompa SX	1	Vehicle colour:Midnight[222/A]
3	59967800EB	LH pump cover	1	Vehicle colour:Warm Grey[735/A] Vehicle colour:Smoky Grey[731/A] Vehicle colour:Grey[741/A]
3	59967800E1	LH pump cover	1	Vehicle colour:Stardust Grey[760/A]
3	59967800F2	LH pump cover	1	Vehicle colour:Excalibur Grey[738/A] Vehicle colour:EVG2FACUS2[EVG2FACUS2]
3	59967800F3	LH pump cover	1	Vehicle colour:Daring Plum[146]
3	59967800ND	LH pump cover	1	Vehicle colour:Graphite Black[79/A] Vehicle colour:BLACK[141]
3	59967800VC	LH pump cover	1	Vehicle colour:Iguana green[318]
3	621917	LH pump cover	1	
3	6219170087	LH pump cover	1	Vehicle colour:White[724]
3	62191700BM	LH pump cover	1	Vehicle colour:EVG2BMCUS2[EVG2BMCUS2]
3	62191700D9	LH pump cover	1	Vehicle colour:Signal Blue[211/A]
3	62191700DE	LH pump cover	1	Vehicle colour:Midnight[222/A]
3	62191700EB	LH pump cover	1	Vehicle colour:Warm Grey[735/A] Vehicle colour:Grey[741/A] Vehicle colour:Smoky Grey[731/A]
3	62191700E1	LH pump cover	1	Vehicle colour:Stardust Grey[760/A]
3	62191700F2	LH pump cover	1	Vehicle colour:Excalibur Grey[738/A] Vehicle colour:EVG2FACUS2[EVG2FACUS2]

Group	Handlebars/Steering
Code	03.01
Description	Handlebars coverages
Service	1



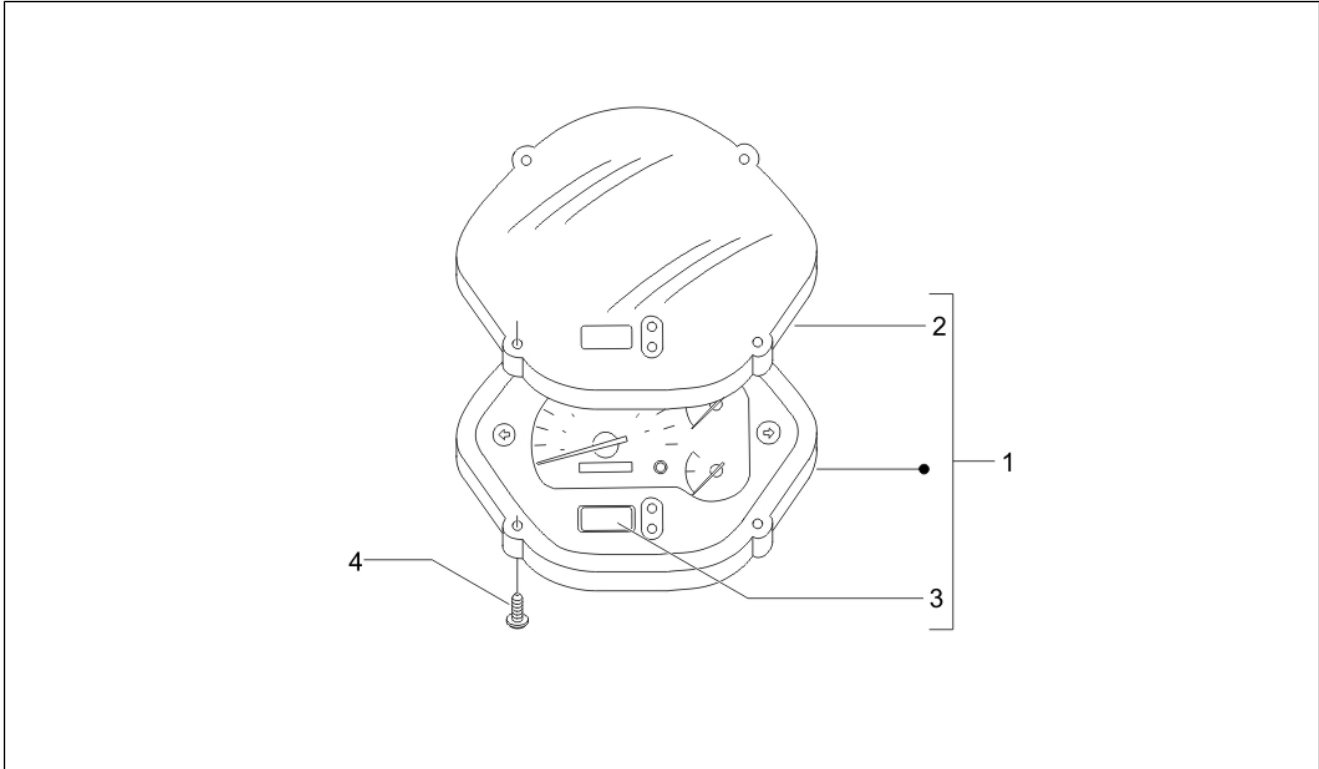
Pos.	Code	Description	Qty	Variants
3	62191700F3	LH pump cover	1	Vehicle colour:Daring Plum[146]
3	62191700ND	LH pump cover	1	Vehicle colour:Graphite Black[79/A] Vehicle colour:BLACK[141]
3	62191700VC	LH pump cover	1	Vehicle colour:Iguana green[318]
4	599679	RH pump cover	1	
4	5996790087	RH pump cover	1	Vehicle colour:White[724]
4	59967900D9	RH pump cover	1	Vehicle colour:Signal Blue[211/A]
4	59967900DE	RH pump cover	1	Vehicle colour:Midnight[222/A]
4	59967900EB	RH pump cover	1	Vehicle colour:Warm Grey[735/A] Vehicle colour:Smoky Grey[731/A] Vehicle colour:Grey[741/A]
4	59967900EI	RH pump cover	1	Vehicle colour:Stardust Grey[760/A]
4	59967900F2	RH pump cover	1	Vehicle colour:Excalibur Grey[738/A] Vehicle colour:EVG2FACUS2[EVG2FACUS2]
4	59967900F3	RH pump cover	1	Vehicle colour:Daring Plum[146]
4	59967900ND	RH pump cover	1	Vehicle colour:Graphite Black[79/A] Vehicle colour:BLACK[141]
4	59967900VC	RH pump cover	1	Vehicle colour:Iguana green[318]
4	621918	RH pump cover	1	
4	6219180087	RH pump cover	1	Vehicle colour:White[724]
4	62191800BM	RH pump cover	1	Vehicle colour:EVG2BMCUS2[EVG2BMCUS2]
4	62191800D9	RH pump cover	1	Vehicle colour:Signal Blue[211/A]
4	62191800DE	RH pump cover	1	Vehicle colour:Midnight[222/A]
4	62191800EB	RH pump cover	1	Vehicle colour:Warm Grey[735/A] Vehicle colour:Smoky Grey[731/A] Vehicle colour:Grey[741/A]
4	62191800EI	RH pump cover	1	Vehicle colour:Stardust Grey[760/A]
4	62191800F2	RH pump cover	1	Vehicle colour:Excalibur Grey[738/A] Vehicle colour:EVG2FACUS2[EVG2FACUS2]
4	62191800F3	RH pump cover	1	Vehicle colour:Daring Plum[146]

Group	Handlebars/Steering
Code	03.01
Description	Handlebars coverages
Service	1



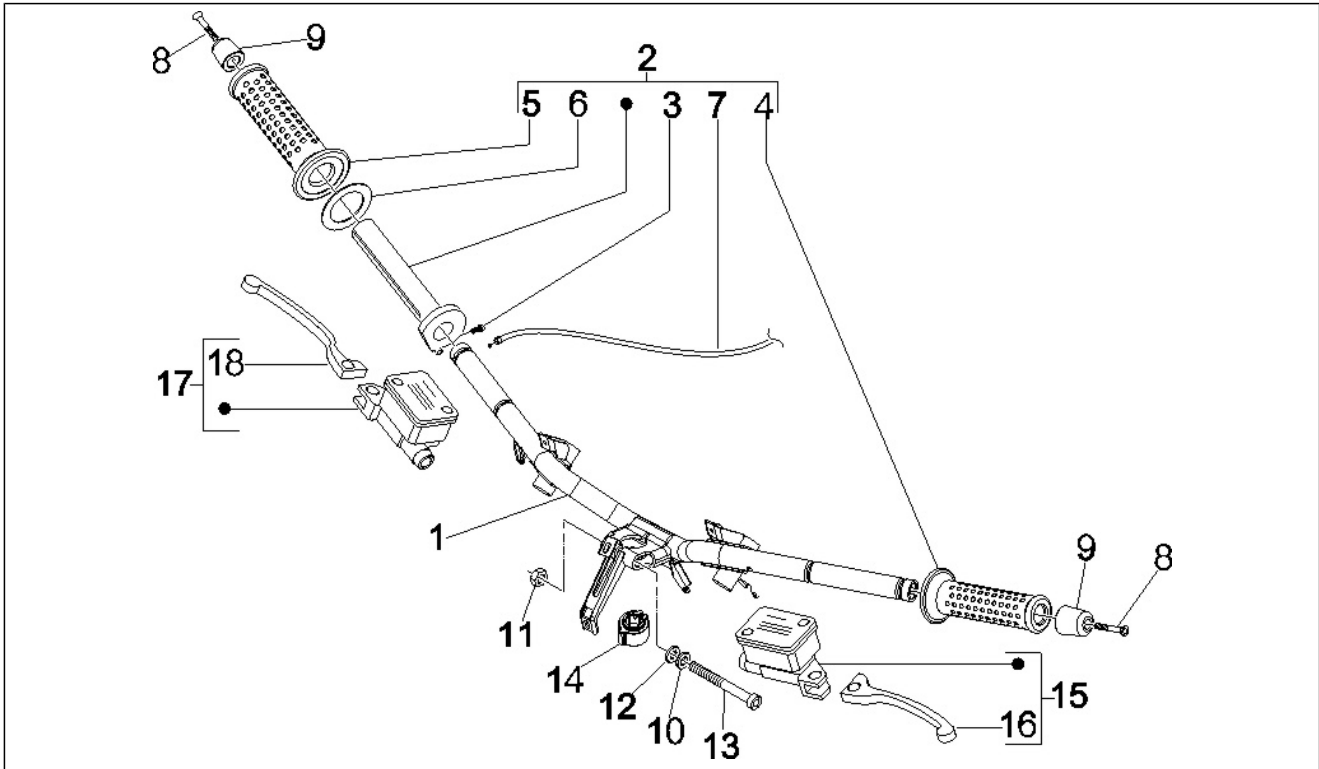
Pos.	Code	Description	Qty	Variants
4	62191800ND	RH pump cover	1	Vehicle colour:Graphite Black[79/A] Vehicle colour:BLACK[141]
4	62191800VC	RH pump cover	1	Vehicle colour:Iguana green[318]
5	CM017418	Plate	2	
6	CM017409	Spring plate	1	
7	003053	Washer	2	
8	258249	screw 4,2x19	1	
9	267115	Self tapping screw M4x16	2	
10	268596	Self tapping screw D4x13	2	
10	581957	screw	2	
10	621914	screw	2	
11	294678	Self tapping screw 3.5x16	2	

Group	Handlebars/Steering
Code	03.02
Description	Meter combination - Cruscotto
Service	1



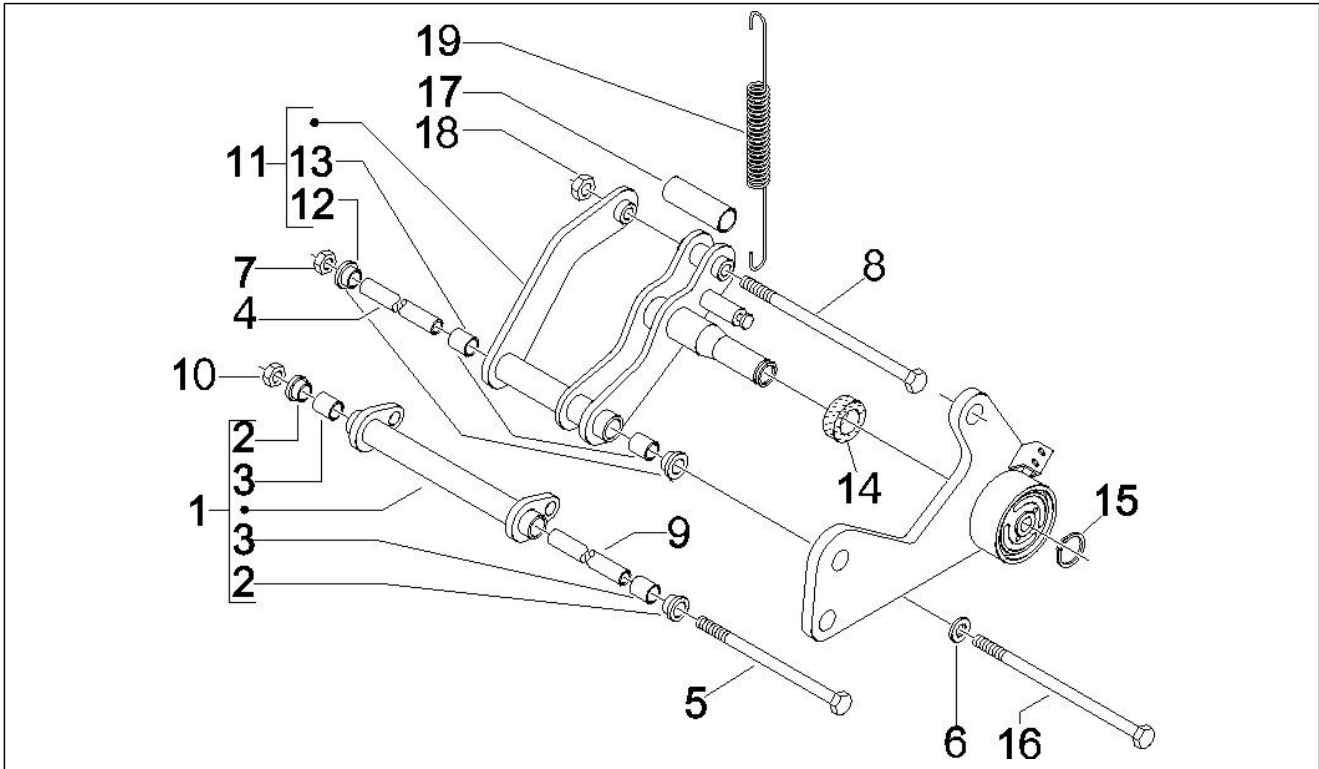
Pos.	Code	Description	Qty	Variants
1	584980	Meter combination	1	
2	639414	Instrument panel glass ECIE	1	
3	58113R	Clock	1	
4	270793	TBCIC Screw 3,8x16	4	

Group	Handlebars/Steering
Code	03.06
Description	Handlebars - Master cil.
Service	1



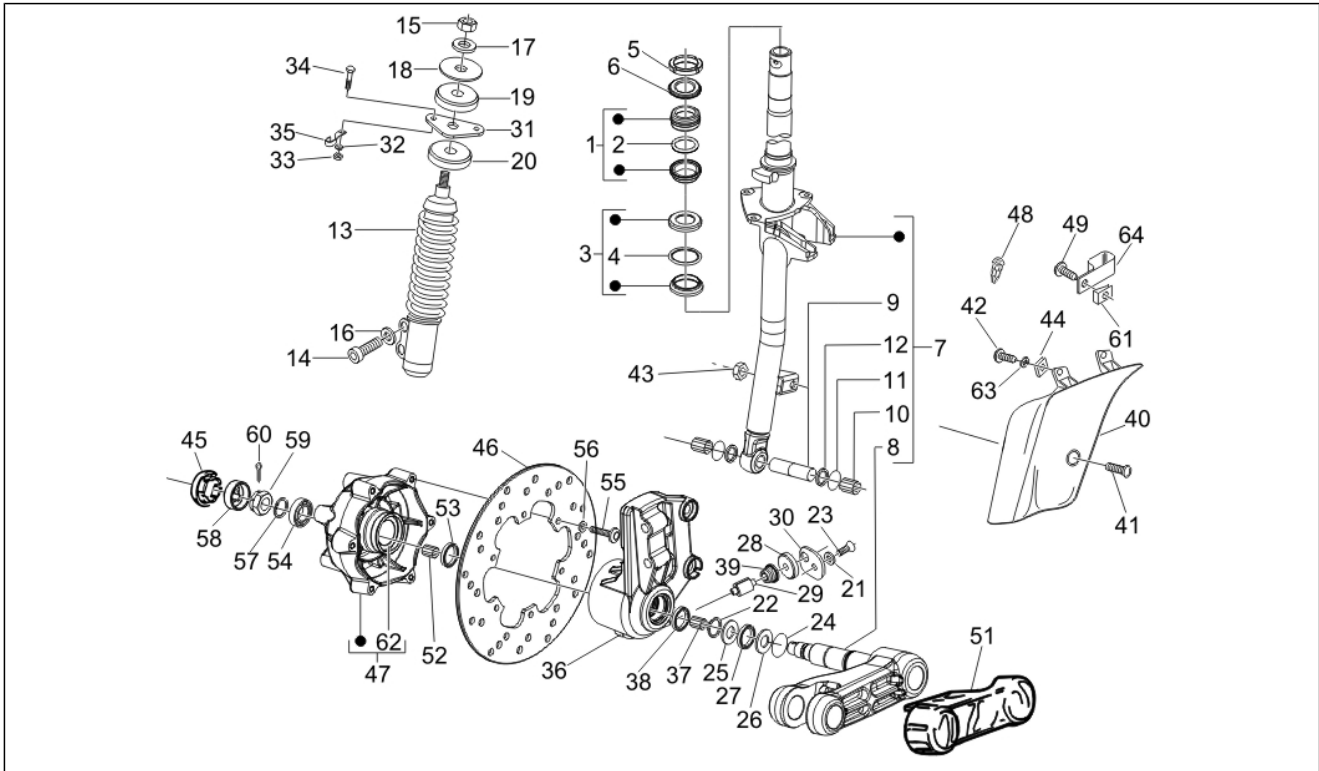
Pos.	Code	Description	Qty	Variants
1	623536	***handlebars	1	
2	CM060950	Hose	1	
3	123394	Screw with bushing	2	
4	271452	Grip, l.h.	1	
5	271453	Grip, r.h.	1	
6	562923	Ring 38,3x27x1,2	1	
7	CM073301	Transmission	1	
8	271434	screw M6x55	2	
9	582034	Anti vib.weight trailing	2	
10	012543	Flat elastic washer with internal tothing 17x10,3x2	1	
11	015330	Nut M10	1	
12	178790	Flat washer 22x10,3x2,5	1	
13	223605	screw	1	
13	655554	Hex socket screw M10x65	1	
14	582828	Collar	1	
15	CM074801	Rear master cylinder (Heng Tong)	1	
16	646833	Brake lever	1	
17	CM074901	Front brakes pump assembly (Heng Tong)	1	
18	646833	Brake lever	1	

Group	Suspensions - Wheels
Code	04.01
Description	Swinging arm
Service	1



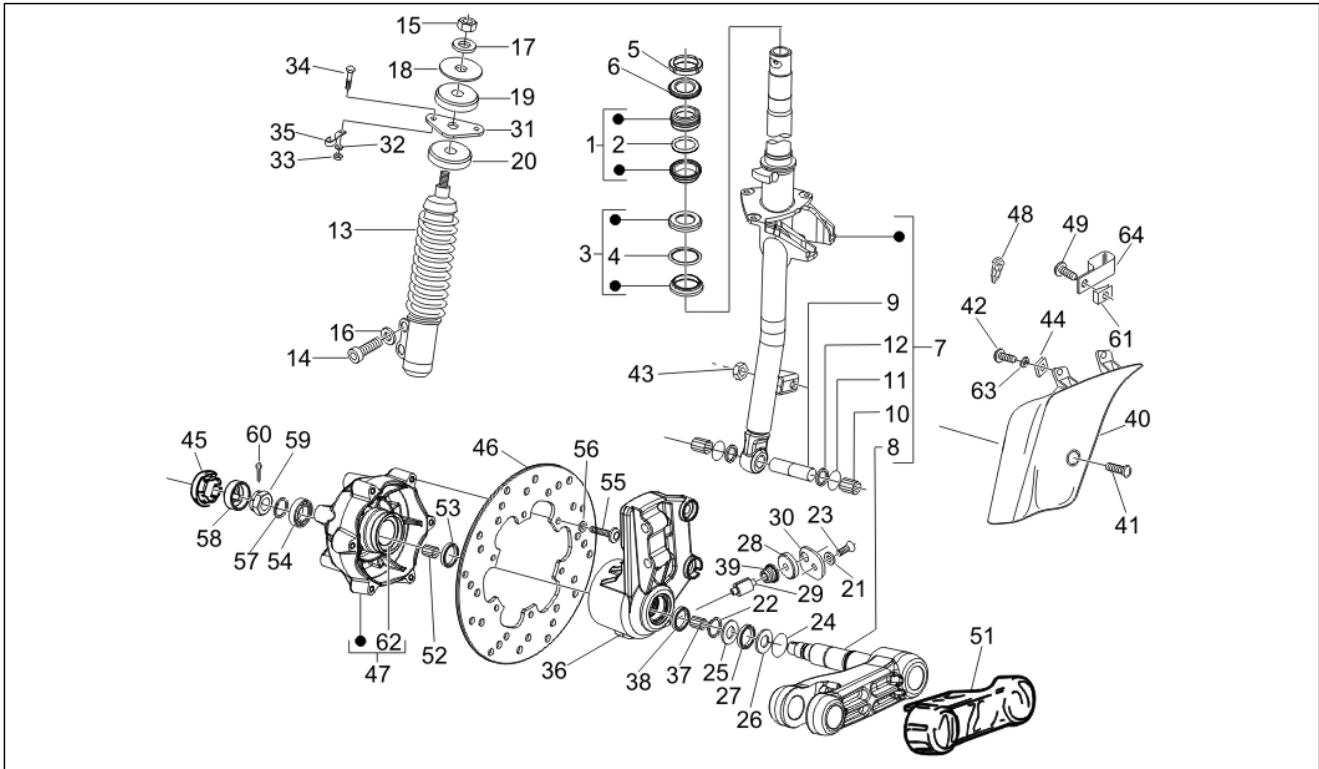
Pos.	Code	Description	Qty	Variants
1	56330R	Chassis side swinging arm	1	
2	598917	Bush	2	
3	600161	Roller cage	2	
4	597857	Spacer	1	
5	597914	Hex socket screw M12x324	1	
6	266845	Washer	1	
7	271740	Nut M12	1	
8	271807	Hex screw M10x202	1	
9	CM067801	Spacer L=183 mm	1	
10	002440	Self locking nut M10	1	
10	232108	Self locking nut M10	1	
11	599246	Engine side swinging arm	1	
12	597317	Bush	2	
13	597374	Roller cage	2	
14	599250	Silent-block	1	
15	006416	Circlip	1	
16	598237	screw	1	
17	599077	Spacer	1	
18	564878	Nut	1	
19	599059	Spring	1	

Group	Suspensions - Wheels
Code	04.02
Description	Fork/steering tube - Steering bearing unit
Service	1



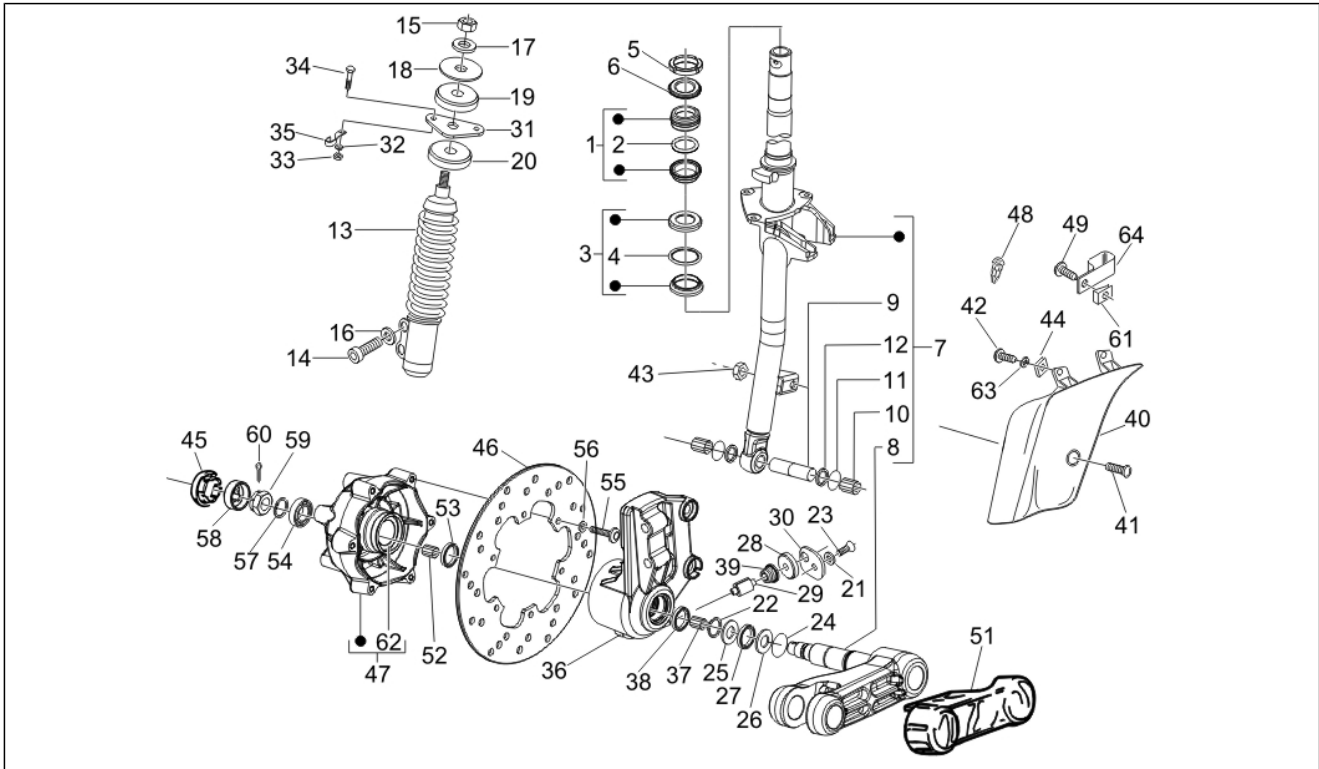
Pos.	Code	Description	Qty	Variants
1	CM061303	Upper thrust ring	1	
2	564257	Ball cage	1	
3	CM061304	Lower steering bearing	1	
4	564260	Ball cage	1	
5	011109	Steering tube ring nut	1	
6	582787	Steering security plate	1	
7	6009605	Steering column tube	1	
8	198513	Drawn cap	1	
9	177451	Piston pin	1	
10	198513	Drawn cap	2	
11	006731	Gasket	2	
12	119219	Gasket ring	2	
13	56286R	Front shock absorber cpl.	1	
14	149104	Hex socket screw M8x40	2	
15	021210	Nut	1	
16	709047	Spring washer	2	
17	012535	Washer	1	
18	174088	Washer	1	
19	174085	Pad	1	
20	174874	Pad	1	
21	006975	Washer $\varnothing 5,3 \times \varnothing 10 \times 0,5$	1	
22	006422	Ring	1	
23	031058	screw M5x16	1	
24	177408	O-ring	1	
25	177414	Washer	1	
26	177445	Washer	1	
27	177521	Ring	1	
28	266841	Pad	1	

Group	Suspensions - Wheels
Code	04.02
Description	Fork/steering tube - Steering bearing unit
Service	1



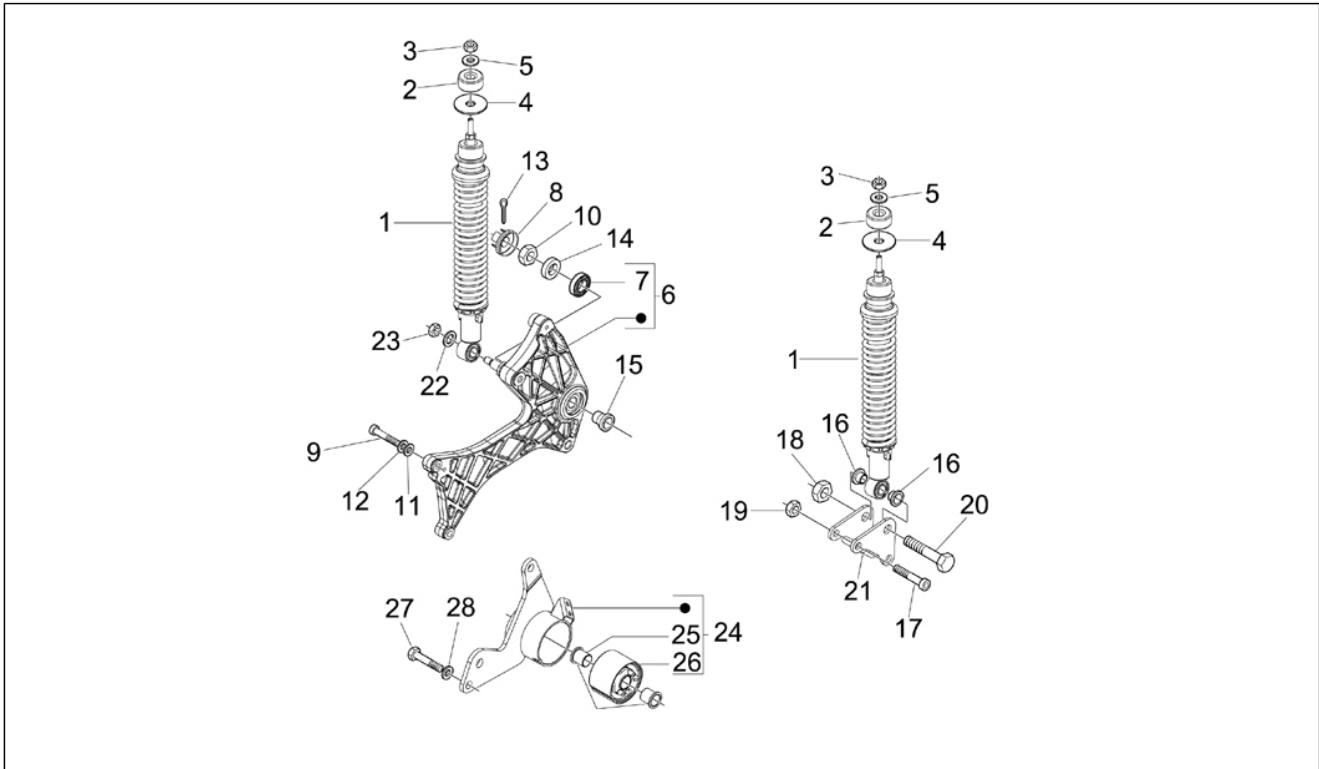
Pos.	Code	Description	Qty	Variants
29	267819	Pinion	1	
30	269118	Plate	1	
31	273693	Bracket	1	
32	016408	Spring washer 13,75x8,15x4,5	2	
33	020108	Nut M8x6,5	2	
34	031119	Hex screw M8x22	2	
35	598134	Hose clamp	1	
36	597758	Maintenance	1	
37	177436	Drawn cap	2	
38	177494	Ring	1	
39	564053	Maintenance	1	
40	598615	Front suspension cover	1	
40	598615000C	Front suspension arm cover	1	Vehicle colour:Stardust Grey[760/A] Vehicle colour:Excalibur Grey[738/A]
40	5986150087	***SUSPENSION COVER (FRONT)	1	Vehicle colour:White[724]
40	59861500BM	***SUSPENSION COVER (FRONT)	1	Vehicle colour:EVG2BMCUS2[EVG2BMCUS2]
40	59861500D9	Tyre	1	Vehicle colour:Signal Blue[211/A]
40	59861500DE	Front suspension cover	1	Vehicle colour:Midnight[222/A]
40	59861500EB	Tyre	1	Vehicle colour:Warm Grey[735/A] Vehicle colour:Grey[741/A] Vehicle colour:Smoky Grey[731/A]
40	59861500F2	Front suspension cover	1	Vehicle colour:Excalibur Grey[738/A] Vehicle colour:EVG2FACUS2[EVG2FACUS2]
40	59861500F3	***SUSPENSION COVER (FRONT)	1	Vehicle colour:Daring Plum[146]
40	59861500ND	Front suspension cover	1	Vehicle colour:Graphite Black[79/A] Vehicle colour:BLACK[141]
40	59861500VC	Tyre	1	Vehicle colour:Iguana green[318]
41	259348	Cap screw+shank	1	
42	259349	Screw M4,2x13	2	

Group	Suspensions - Wheels
Code	04.02
Description	Fork/steering tube - Steering bearing unit
Service	1



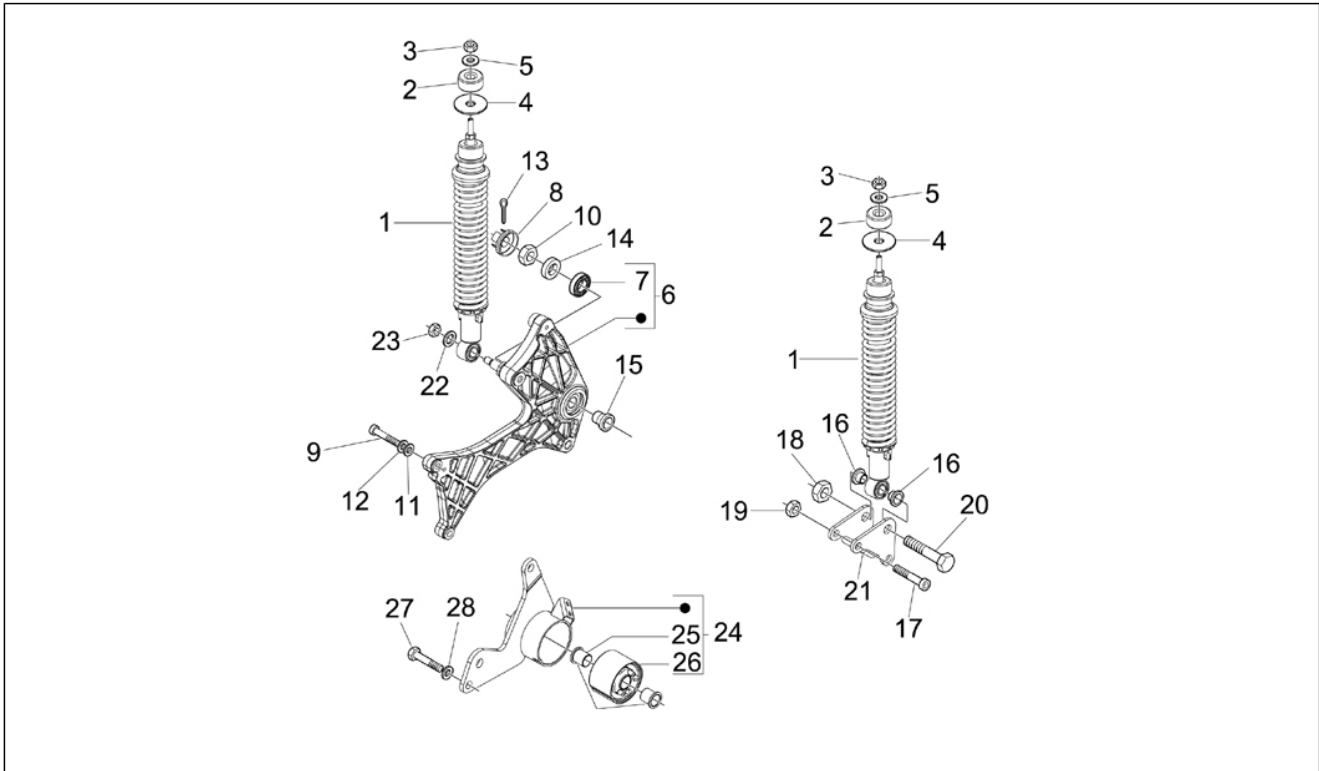
Pos.	Code	Description	Qty	Variants
43	969224	Nut	1	
44	CM017410	Spring plate	2	
45	092517	Cover	1	
46	564573	Brake disc	1	
47	598654	Hub	1	
48	231590	Elastic spring	1	
49	259349	Screw M4,2x13	1	
51	561433	Front suspension arm cover	1	
52	177442	Cage à rouleaux	1	
53	177443	Gasket ring	1	
54	177610	Bearing	1	
55	271147	Hex socket screw M6x20	6	
56	006966	Spring washer 6,4x11x0,5	6	
57	006635	Snap ring	1	
58	177609	Cap	1	
59	021114	Nut	1	
60	012789	Split pin	1	
61	CM017410	Spring plate	1	
62	267818	Ring gear counts Km socket	1	
63	012528	Washer	2	
64	271477	Hose clamp	1	

Group	Suspensions - Wheels
Code	04.10
Description	Rear suspension - Shock absorber/s
Service	1



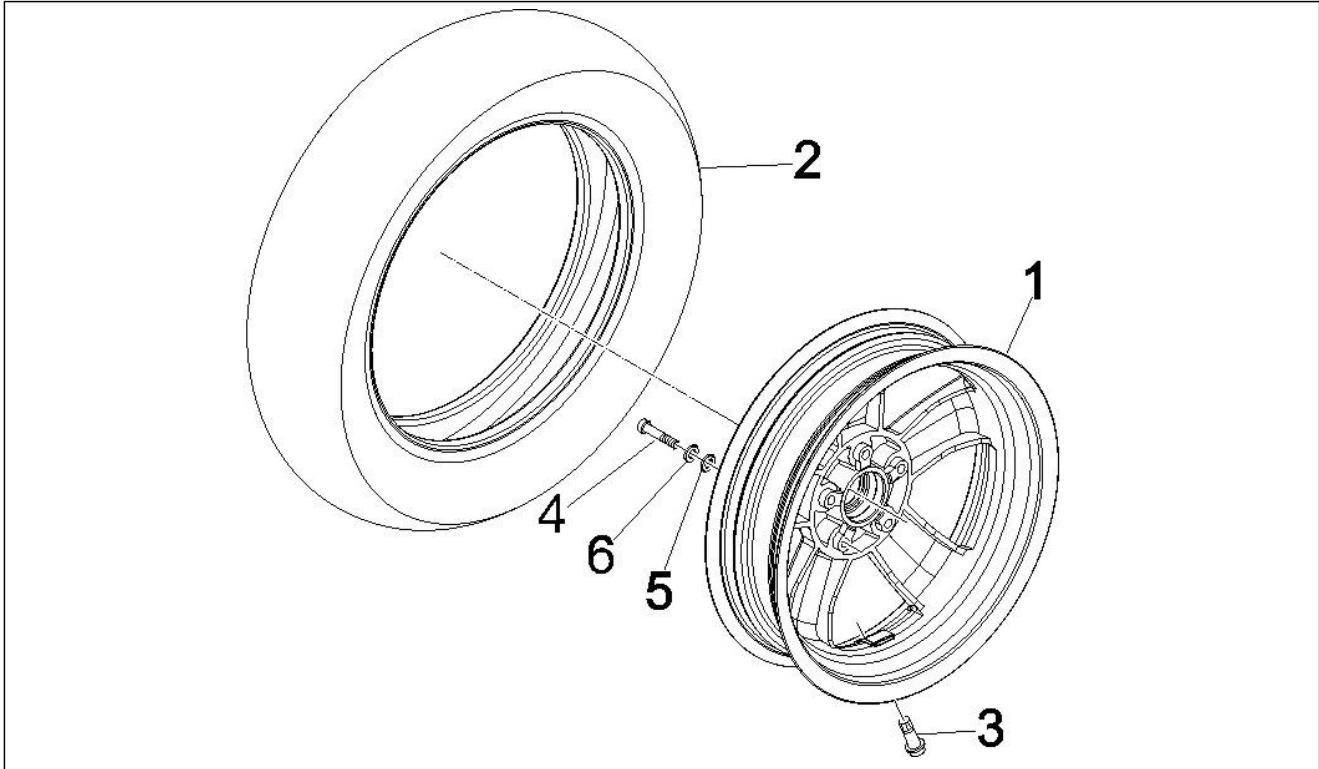
Pos.	Code	Description	Qty	Variants
1	56234R	Complete rear shock absorber	2	
2	178150	Upper buffer	2	
3	021108	Nut M8	2	
4	267038	Flat washer	2	
5	016408	Spring washer 13,75x8,15x4,5	2	
6	599593	Right arm	1	
7	82545R	Ball bearing	1	
8	194423	Cappellotto ferma dado	1	
9	149104	Hex socket screw M8x40	2	
10	563728	Nut M16x13	1	
11	013776	Washer	2	
12	709047	Spring washer	2	
13	012789	Split pin	1	
14	597528	Spacer	1	
15	848039	Wheel spacer	1	
16	597149	Bush	2	
17	844483	Hex socket screw M8x50	2	
18	002440	Self locking nut M10	1	
18	232108	Self locking nut M10	1	
19	020008	Nut M8	2	
20	268158	Screw w/ flange M10	1	
21	598143	plate	1	
22	013962	Washer	1	
22	016627	Washer	1	
23	002440	Self locking nut M10	1	
23	232108	Self locking nut M10	1	
24	599249	Bracket	1	
25	273460	Bush	2	

Group	Suspensions - Wheels
Code	04.10
Description	Rear suspension - Shock absorber/s
Service	1



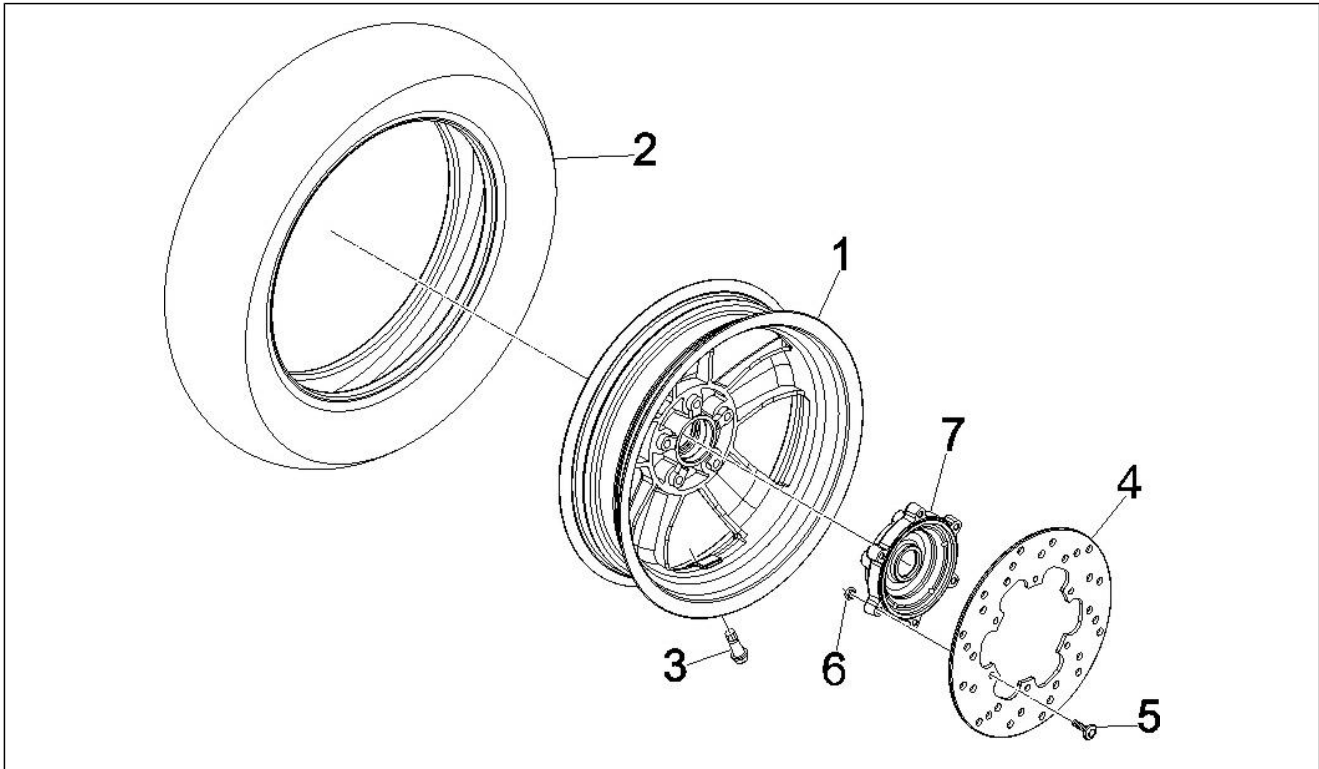
Pos.	Code	Description	Qty	Variants
26	272750	Silent-block	1	
27	031153	Bolt	2	
28	709646	Washer	2	

Group	Suspensions - Wheels
Code	04.11
Description	Front wheel
Service	1



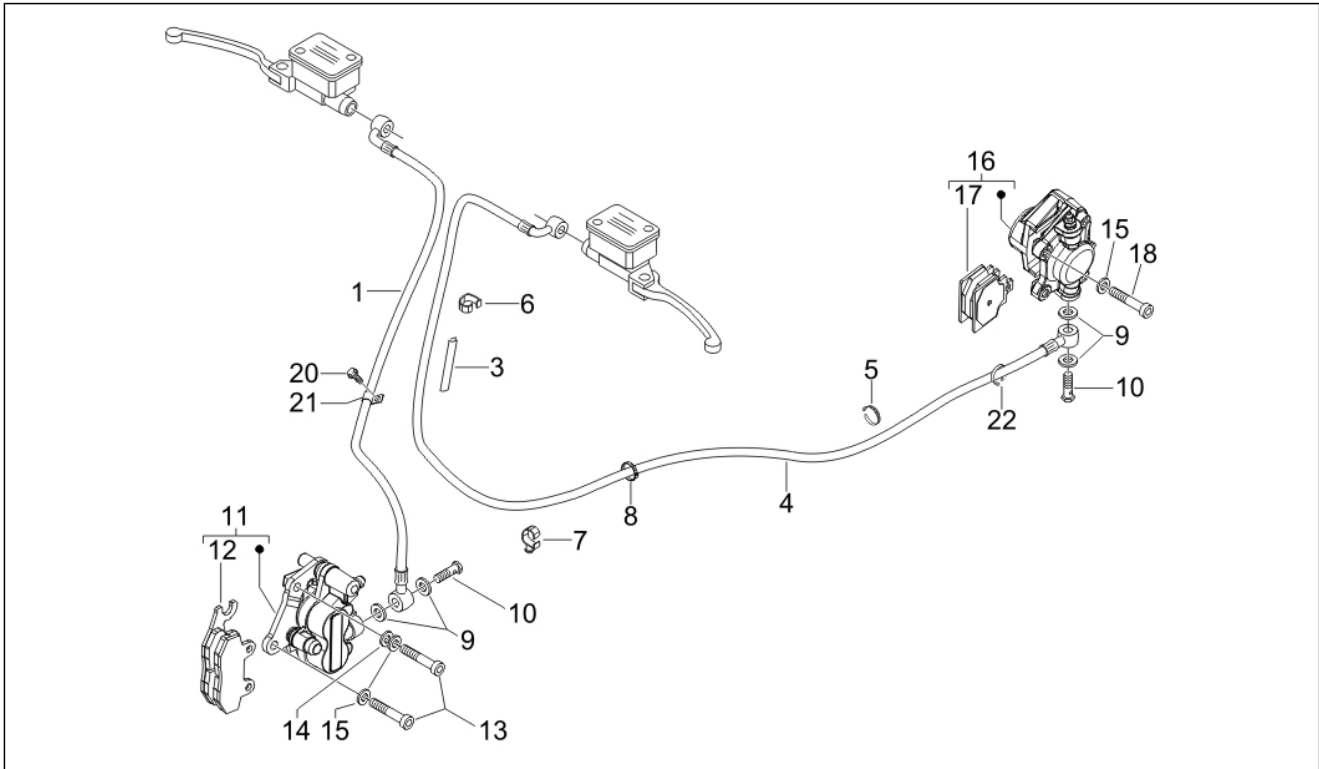
Pos.	Code	Description	Qty	Variants
1	598619	Wheel	1	
2	597944	Tyre 120/70 R12 (Pirelli)	1	
3	597679	Tubeless valve	1	
4	149104	Hex socket screw M8x40	5	
5	709047	Spring washer	5	
6	828961	Flat washer 8,2x17x2,5	5	

Group	Suspensions - Wheels
Code	04.12
Description	Rear wheel
Service	1



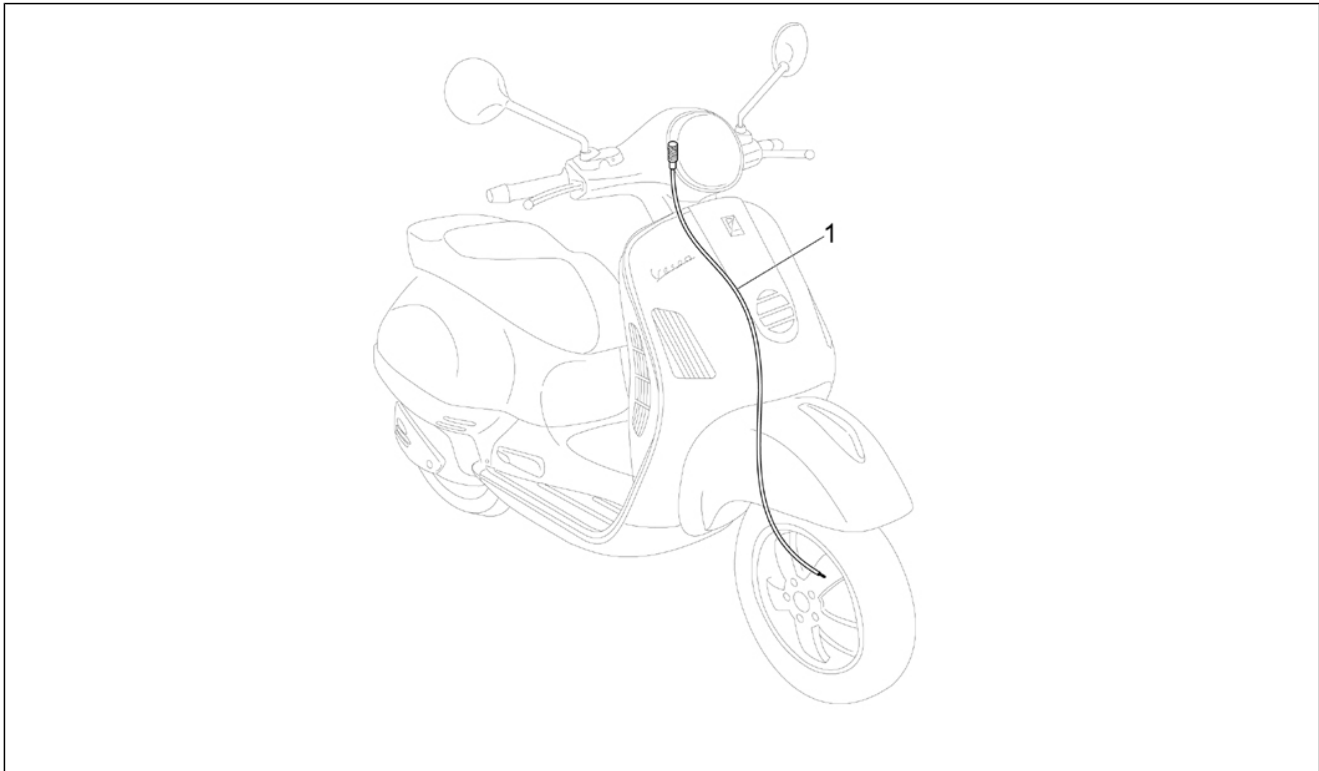
Pos.	Code	Description	Qty	Variants
1	598619	Wheel	1	
2	597945	Pneumatico (Pirelli) 130/70-12"	1	
3	597679	Tubeless valve	1	
4	564573	Brake disc	1	
5	597564	screw	6	
6	597565	Self locking nut	6	
7	598715	Rear wheel hub	1	

Group	Braking system - Transmissions
Code	05.01
Description	Brakes pipes - Calipers
Service	1



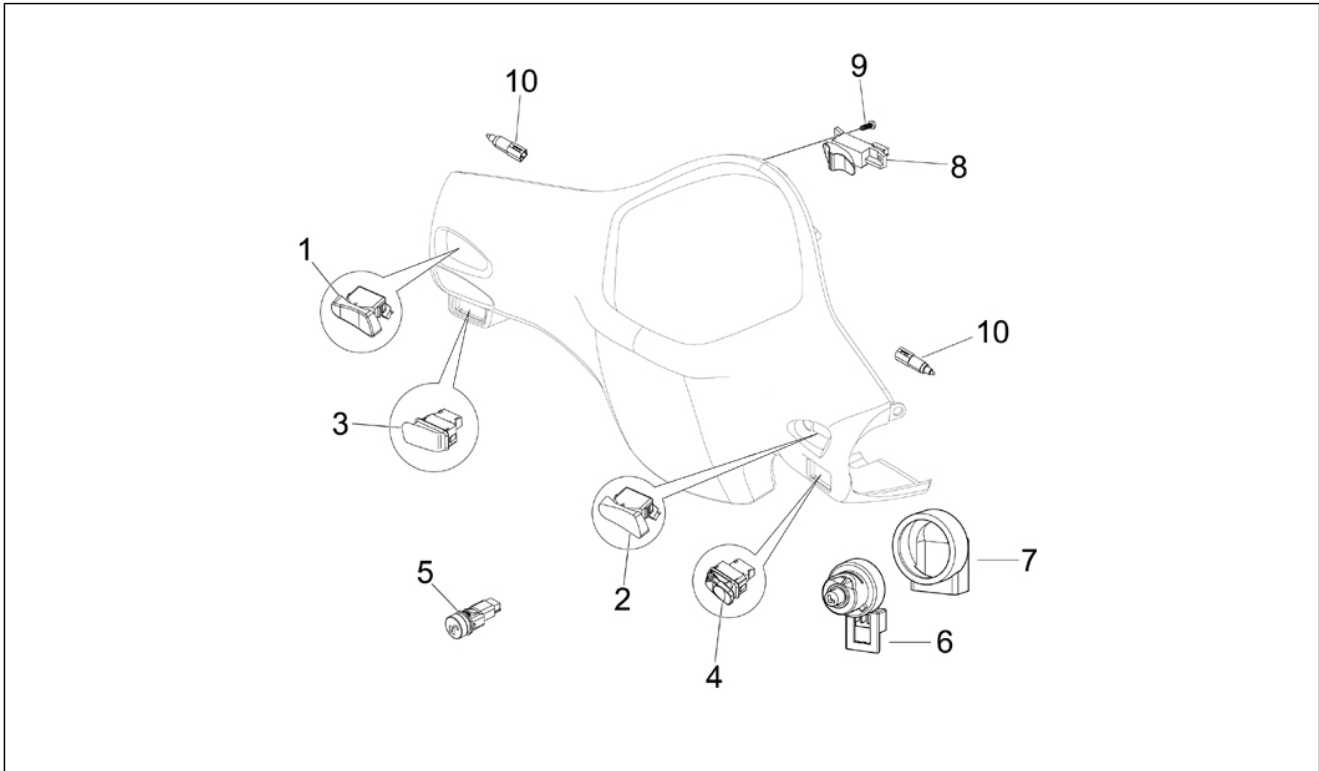
Pos.	Code	Description	Qty	Variants
1	597856	Rear brake hydraulic piping	1	
3	580160	Guard	1	
4	600195	Rear brake pipe	1	
5	257134	Lock-strap L=277	1	
6	564761	Hose clamp	1	
7	217280	Hose clamp	1	
8	CM006903	Pipes/cables retainer spring	1	
9	127927	Gasket	2	
10	265451	Oil pipe screw M10x18	1	
11	CM068301	Brake caliper (Heng Tong)	1	
12	647078	Brake pads torque (Heng Tong)	1	
13	319532	screw	2	
14	003058	Plain washer 15x8,4x1,5	1	
15	709047	Spring washer	2	
16	CM074101	Brake caliper	1	
17	647161	Rear brake pads torque.	1	
18	015792	screw M8x30	2	
20	289731	Screw w/ flange M6x30	1	
21	597418	Hose clamp	1	
22	145298	Lock-strap L=180mm	1	

Group	Braking system - Transmissions
Code	05.03
Description	Transmissions
Service	1



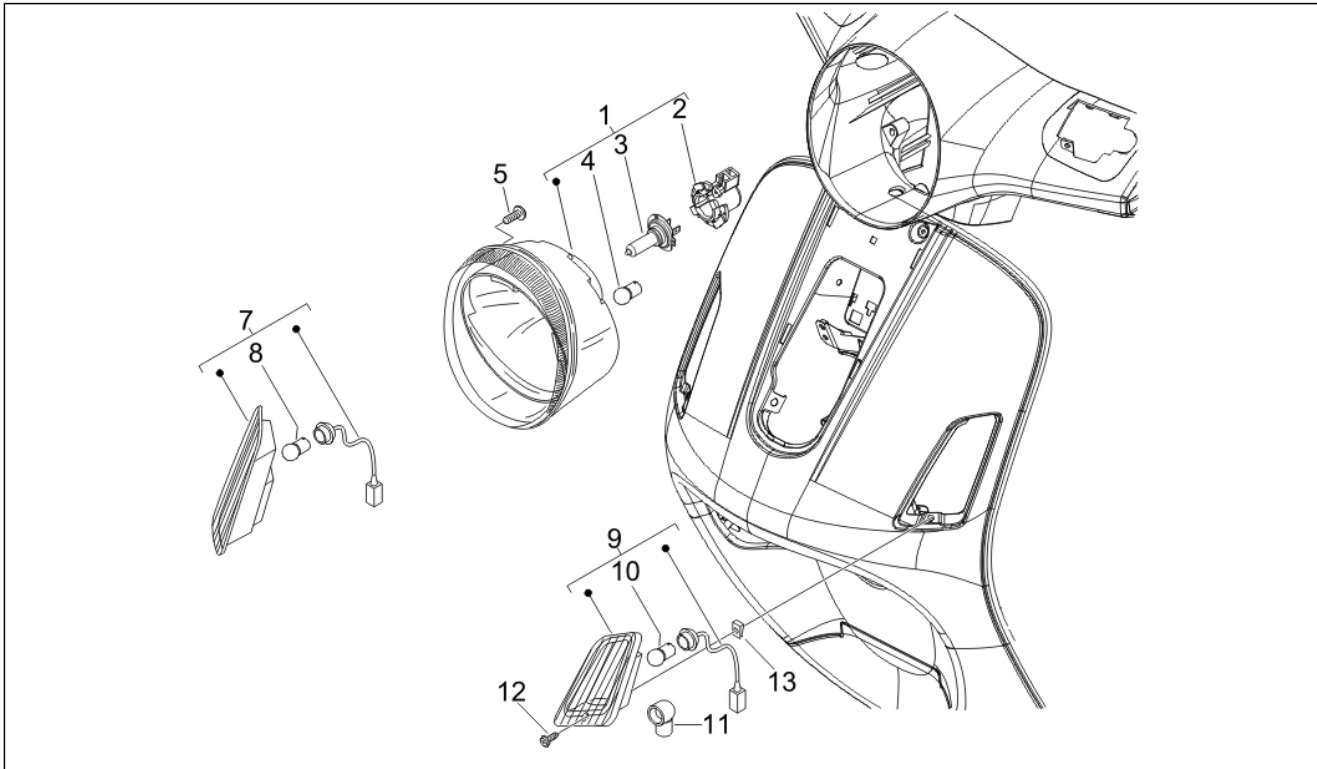
Pos.	Code	Description	Qty	Variants
1	56462R	***SPEEDOMETER FLEXIBLE SHAFT ASSY	1	
1	599350	Speedometer transmission	1	

Group	Electrical system
Code	06.01
Description	Selectors - Switches - Buttons
Service	1



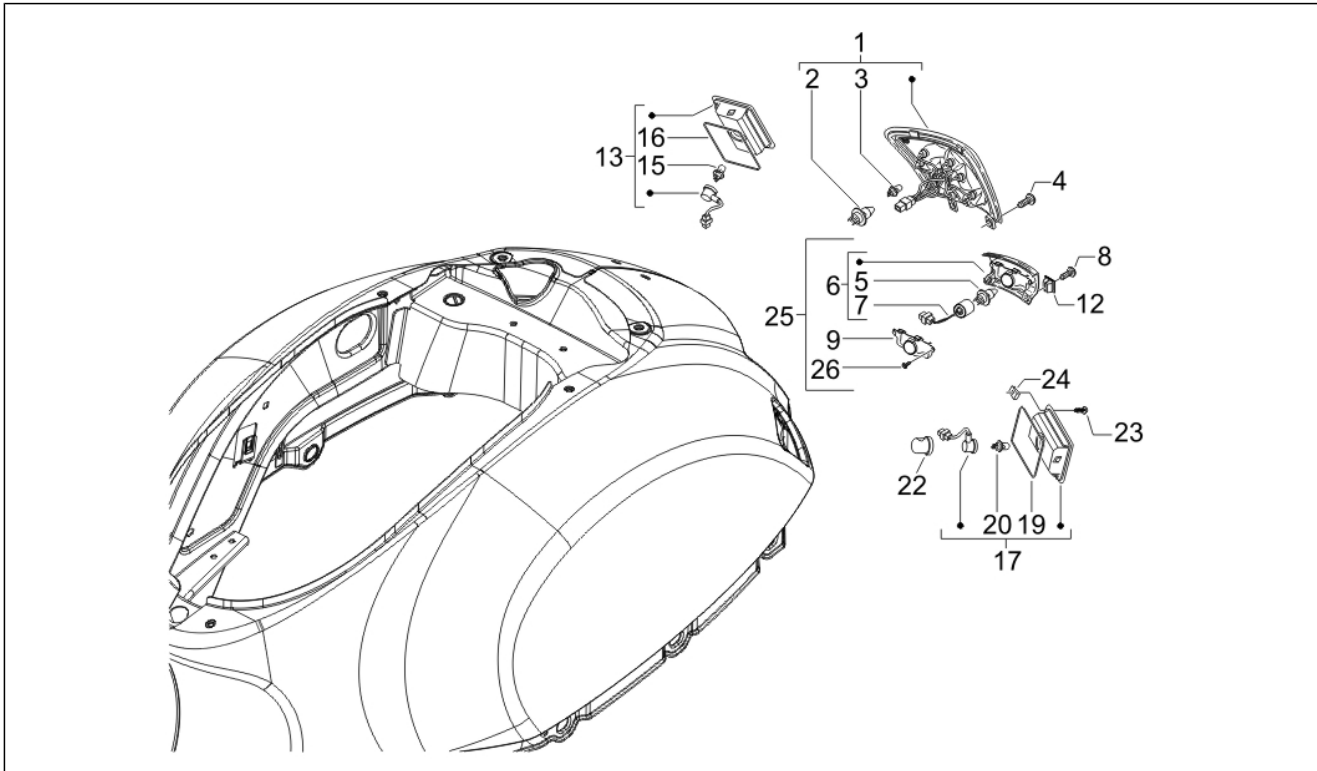
Pos.	Code	Description	Qty	Variants
1	294877	Headlight selector	1	
2	584599	Engine stop switch	1	
3	638976	Horn button	1	
4	638975	Start pushbutton	1	
5	582988	Saddle opening button	1	
6	582951	Key switch	1	
7	582041	Commutator cap	1	
8	294723	Switch	1	
9	258403	Self tapping screw 3,5x13	2	
10	583575	stop Button	2	

Group	Electrical system
Code	06.03
Description	Front headlamps - Turn signal lamps
Service	1



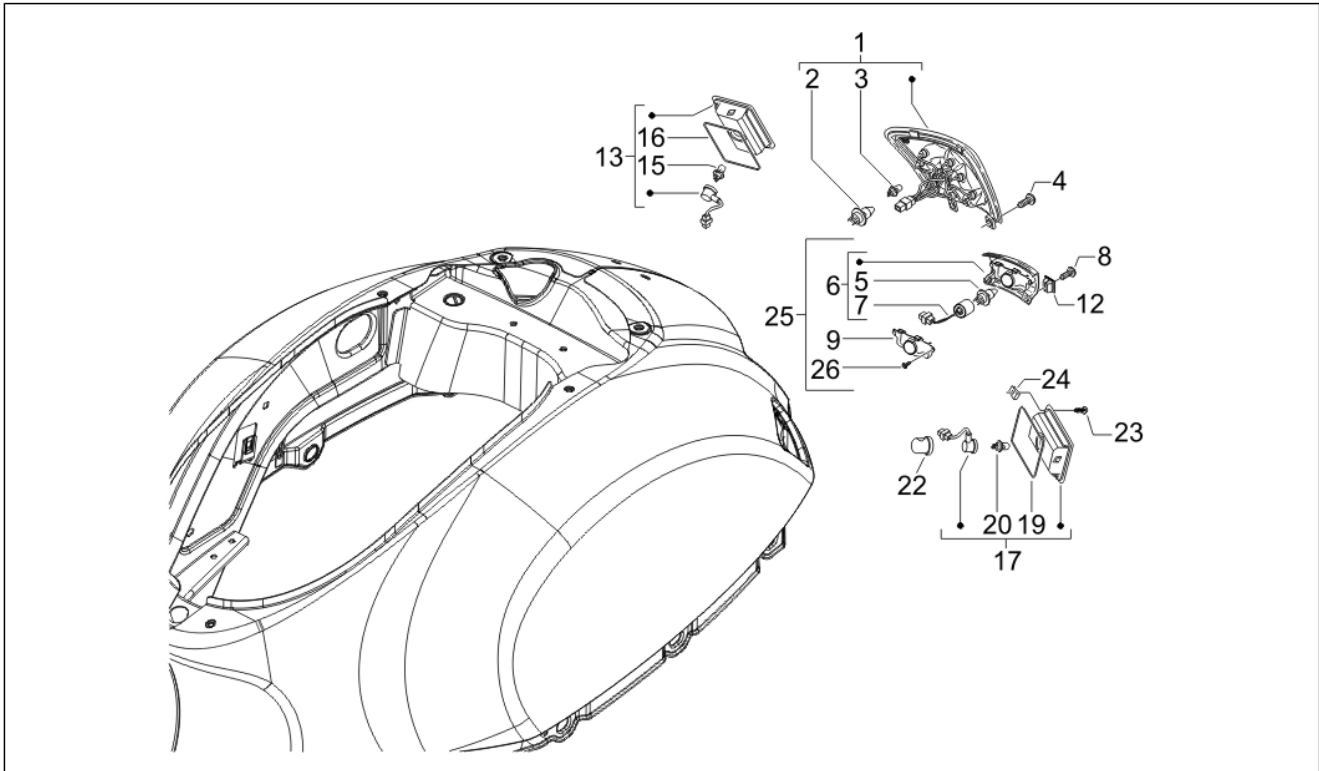
Pos.	Code	Description	Qty	Variants
1	584977	Headlamp, assy	1	
2	253327	Lampholder	1	
3	292022	Lamp 12V-5W	1	
4	292723	Lamp H4 60/55W 12V	1	
5	296458	Self tapping screw L=35 mm	4	
7	638715	RH front turn indicator	1	
8	584332	Lamp 12V-10W	1	
9	638716	LH front turn indicator	1	
10	584332	Lamp 12V-10W	1	
11	250522	Cap	2	
12	008457	Self-tap screw M4,2x19	2	
13	CM017406	Plate	2	

Group	Electrical system
Code	06.04
Description	Rear headlamps - Turn signal lamps
Service	1



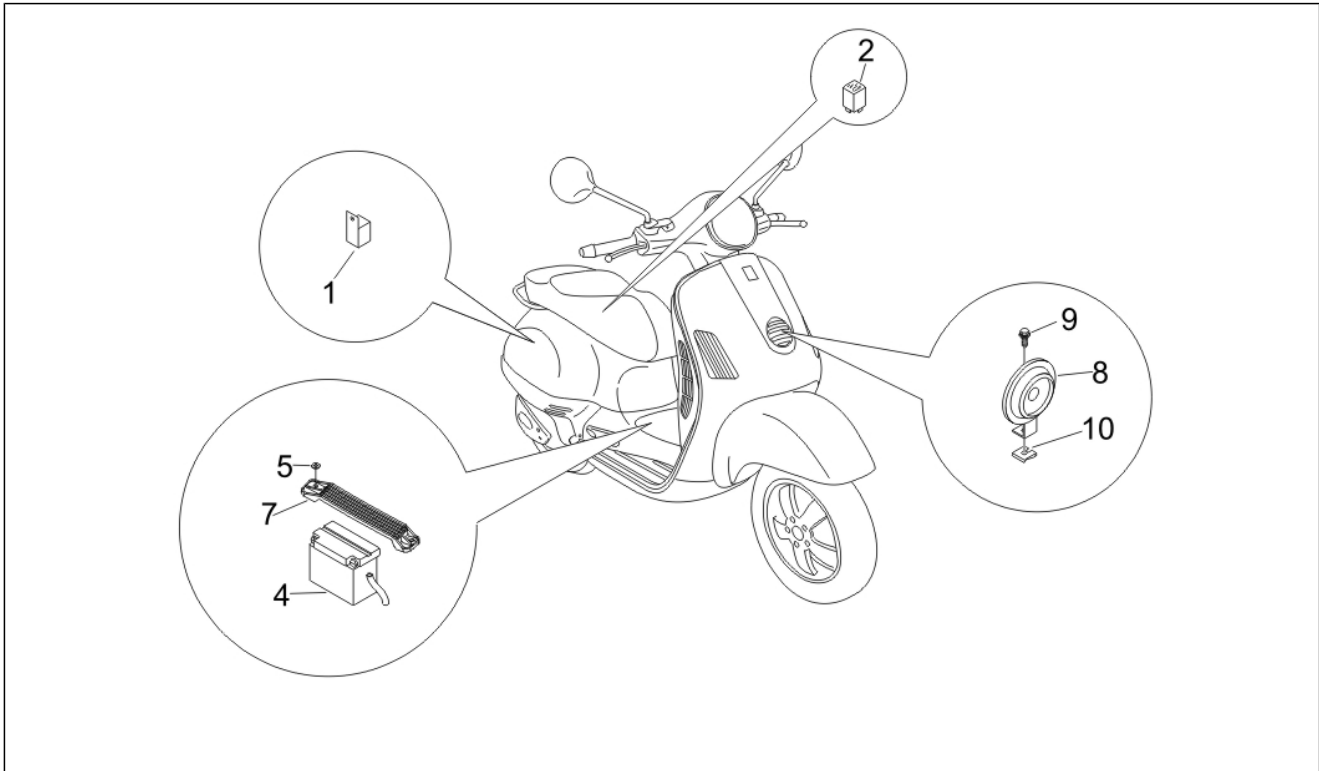
Pos.	Code	Description	Qty	Variants
1	584979	Taillight	1	
2	638536	Lamp 12V-16W	1	
3	581056	Glass lamp 12v-2,3w	2	
4	259830	Metric screw M6x20	2	
5	292022	Lamp 12V-5W	1	
6	638702	Number plate lamp	1	
7	583812	Cable harness	1	
8	258249	screw 4,2x19	2	
9	638701	***COVER NUMBER LIGHT	1	
9	6387010087	***COVER NUMBER LIGHT	1	Vehicle colour:White[724]
9	63870100BM	Number plate lamp	1	Vehicle colour:EVG2BMCUS2[EVG2BMCUS2]
9	63870100D9	Number plate lamp	1	Vehicle colour:Signal Blue[211/A]
9	63870100DE	***COVER NUMBER LIGHT	1	Vehicle colour:Midnight[222/A]
9	63870100EB	Number plate lamp	1	Vehicle colour:Warm Grey[735/A] Vehicle colour:Grey[741/A] Vehicle colour:Smoky Grey[731/A]
9	63870100F2	Number plate lamp	1	Vehicle colour:Excalibur Grey[738/A] Vehicle colour:EVG2FACUS2[EVG2FACUS2]
9	63870100F3	***COVER NUMBER LIGHT	1	Vehicle colour:Daring Plum[146]
9	63870100ND	Number plate lamp	1	Vehicle colour:Graphite Black[79/A] Vehicle colour:BLACK[141]
9	63870100VC	Number plate lamp	1	Vehicle colour:Iguana green[318]
12	199190	Expansion plug	2	
13	638717	Turn signal lamp	1	
15	584332	Lamp 12V-10W	1	
16	584679	RH gasket	1	
17	638718	Turn signal lamp	1	
19	584678	LH gasket	1	
20	584332	Lamp 12V-10W	1	

Group	Electrical system
Code	06.04
Description	Rear headlamps - Turn signal lamps
Service	1



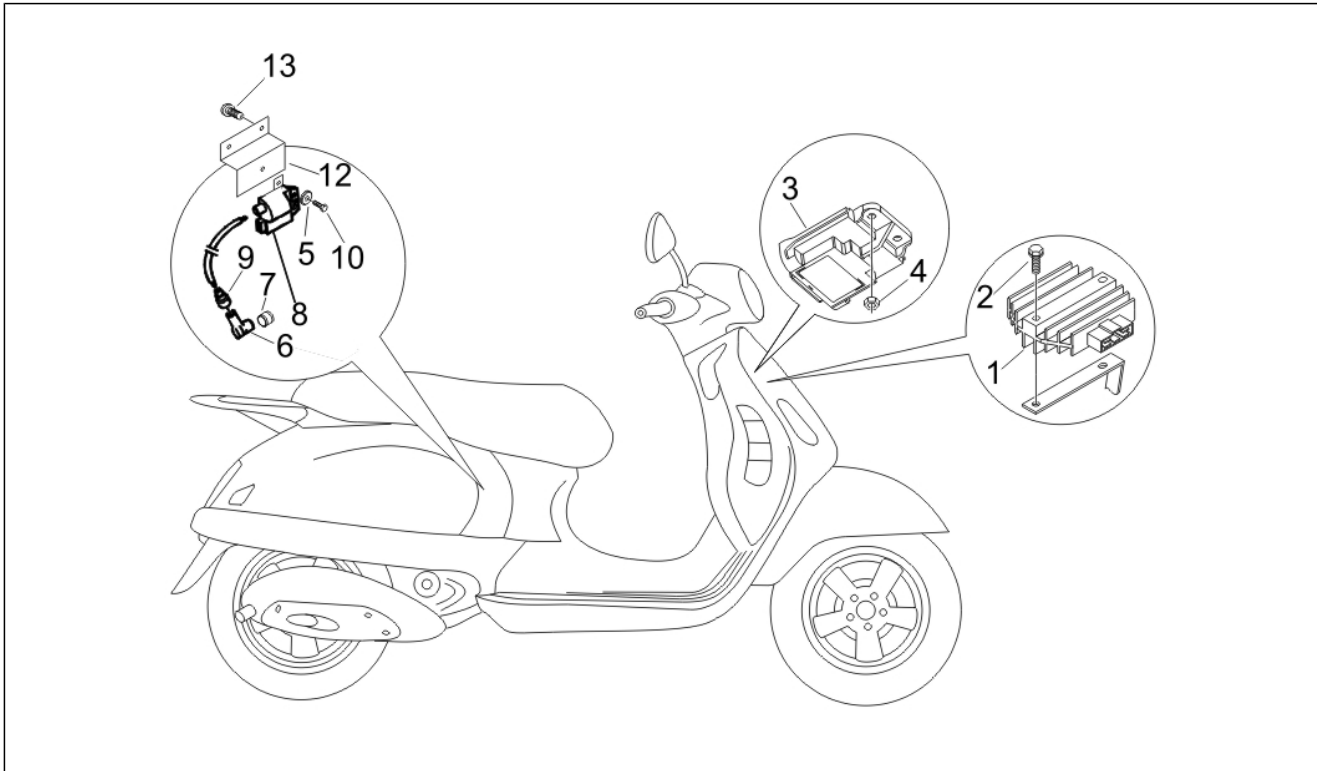
Pos.	Code	Description	Qty	Variants
22	250522	Cap	2	
23	008457	Self-tap screw M4,2x19	2	
24	CM017406	Plate	2	
26	297498	Self tapping screw M3,5x13	2	

Group	Electrical system
Code	06.05
Description	Remote control switches - Battery - Horn
Service	1



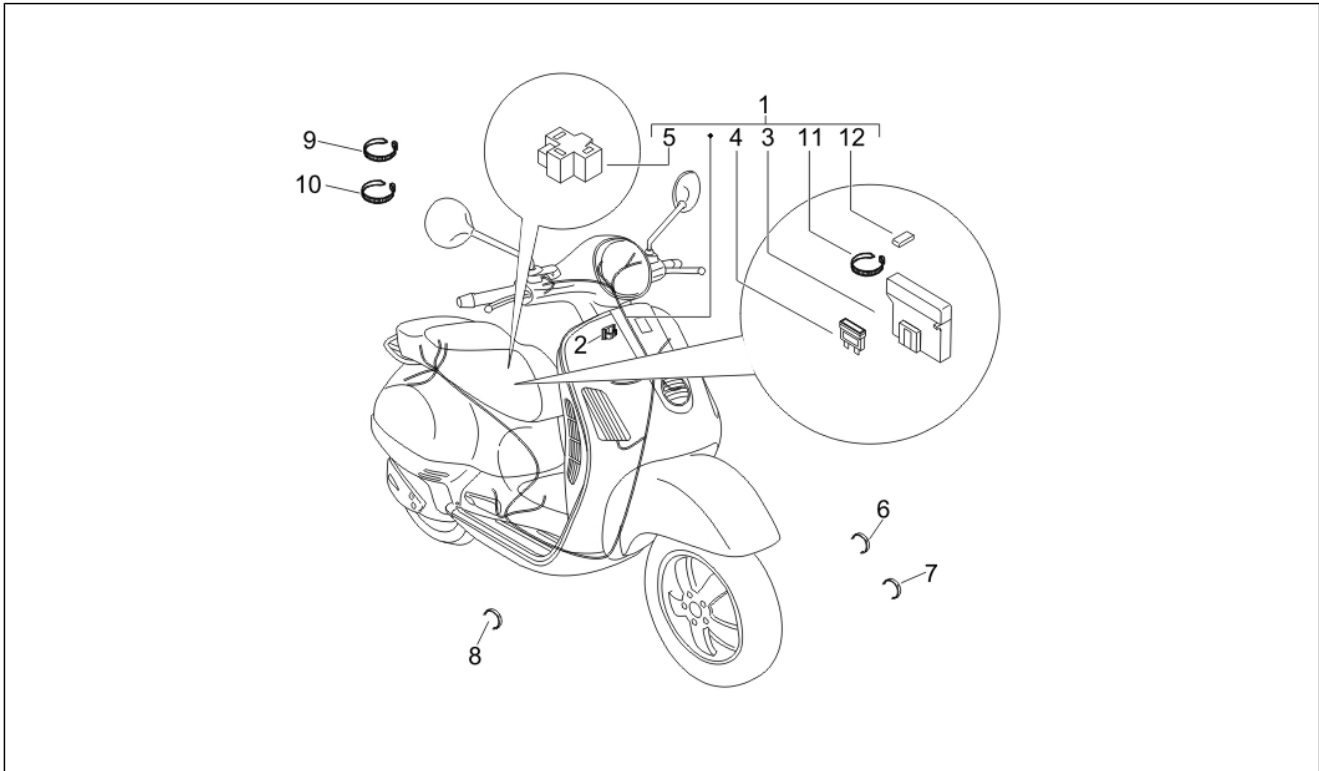
Pos.	Code	Description	Qty	Variants
1	58099R	Rem. control switch 12V-30A	1	
2	58115R	Starter relay 12V-80A	1	
4	638733	Battery Yuasa 12V-12Ah (150x85x145)	1	
5	016406	Spring washer 6,4x11,8x1	2	
7	621830	Battery bracket	1	
8	CM071806	Horn	1	
9	434541	Screw w/ flange M6x16	1	
10	254485	Spring plate M6	1	

Group	Electrical system
Code	06.06
Description	Voltage Regulators - Electronic Control Units (ecu) - H.T. Coil
Service	1



Pos.	Code	Description	Qty	Variants
1	58090R	Voltage regulator	1	
2	018639	Hex screw M6x20	2	
2	031091	Hex screw M6x22	2	
3	58054R	Electronic control unit	1	
4	969224	Nut	2	
5	012528	Washer	1	
6	969348	Screened cap	1	
7	828210	Spark plug prot.collar	1	
8	639212	***H.T. COIL	1	
10	015856	screw M5x21	1	
12	639165	***COIL STIRRUP	1	
13	272836	Screw M6x16	1	

Group	Electrical system
Code	06.08
Description	Main cable harness
Service	1



Pos.	Code	Description	Qty	Variants
1	640112	***WIRING HARNESS	1	
2	577594	Spring clamp	1	
3	580653	Fuse holder	1	
4	252945	Fuse 7,5A	2	
4	292507	Fuse 10A	1	
4	293256	Reed fuse 5a	2	
4	582930	Reed fuse 3a	1	
5	156205	Blocchetto PTF	1	
6	CM006902	Non return spring	2	
7	CM006905	Non return spring L=12	1	
8	CM006907	Pipes/cables retainer spring L=16	2	
9	257134	Lock-strap L=277	1	
10	145298	Lock-strap L=180mm	7	
11	145298	Lock-strap L=180mm	1	
12	255256	Cap	1	