

aprilia[®]

SPARE PARTS CATALOGUE



Shiver 900 MY17

Chassis prefix: ZD4KH000

Engine prefix:

SHIVER 900

9000

Index

| | |
|--|----|
| Finished products..... | 4 |
| Alphanumeric index..... | 5 |
| Frame..... | 11 |
| Table 01.010 - Frame..... | 11 |
| Table 01.020 - Foot rests..... | 13 |
| Table 01.030 - Central stand..... | 14 |
| Table 01.050 - Swing arm..... | 15 |
| Body..... | 17 |
| Table 02.030 - Front mudguard-Pillar..... | 17 |
| Table 02.080 - Side fairing..... | 18 |
| Table 02.090 - Tank cover..... | 20 |
| Table 02.120 - Saddle..... | 21 |
| Table 02.130 - Saddle compartment..... | 22 |
| Table 02.140 - Rear body..... | 23 |
| Table 02.170 - Locks..... | 25 |
| Table 02.180 - Plate set / Various..... | 26 |
| Table 02.190 - Decal..... | 27 |
| Engine..... | 28 |
| Table 03.010 - Engine-Completing part-Lever..... | 28 |
| Table 03.030 - Crankcases I..... | 29 |
| Table 03.040 - Crankcases I..... | 31 |
| Table 03.050 - Air box..... | 32 |
| Table 03.060 - Throttle body..... | 34 |
| Table 03.090 - Head cover..... | 35 |
| Table 03.100 - Cylinder head - valves..... | 36 |
| Table 03.110 - Pad..... | 37 |
| Table 03.130 - Front cylinder timing system..... | 38 |
| Table 03.140 - Rear cylinder timing system..... | 39 |
| Table 03.150 - Cylinder - Piston..... | 40 |
| Table 03.160 - Drive shaft..... | 41 |
| Table 03.170 - Gear box / Selector / Shift cam..... | 42 |
| Table 03.180 - Gear box - Gear assembly..... | 43 |
| Table 03.190 - Lubrication..... | 44 |
| Table 03.210 - Water pump..... | 45 |
| Table 03.220 - Clutch cover..... | 46 |
| Table 03.230 - Clutch..... | 47 |
| Table 03.300 - Cdi magneto assy / Ignition unit..... | 48 |
| Table 03.330 - Exhaust pipe..... | 50 |
| Suspensions..... | 51 |
| Table 04.040 - Front fork Kayaba..... | 51 |
| Table 04.080 - Shock absorber..... | 52 |
| Wheels..... | 53 |
| Table 05.010 - Front wheel..... | 53 |

| | |
|--|----|
| Table 05.020 - Rear wheel..... | 54 |
| Brake system..... | 56 |
| Table 06.010 - Front master cilinder..... | 56 |
| Table 06.020 - Front brake caliper..... | 57 |
| Table 06.030 - Rear master cylinder..... | 58 |
| Table 06.040 - Rear brake caliper..... | 59 |
| Table 06.050 - ABS Brake system..... | 60 |
| Handlebar - Controls..... | 61 |
| Table 07.010 - Steering..... | 61 |
| Table 07.020 - Handlebar - Controls..... | 62 |
| Table 07.030 - Clutch control..... | 63 |
| Lights - Instruments..... | 64 |
| Table 08.010 - Front lights..... | 64 |
| Table 08.020 - Instruments..... | 65 |
| Table 08.030 - Rear lights..... | 66 |
| Tank..... | 67 |
| Table 09.010 - Fuel tank..... | 67 |
| Table 09.020 - Fuel vapour recover system..... | 68 |
| Cooling system..... | 69 |
| Table 10.020 - Cooling system..... | 69 |
| Electrical systems..... | 71 |
| Table 11.010 - Front electrical system..... | 71 |
| Table 11.030 - Rear electrical system..... | 72 |

Finished products

| Code | Validity |
|----------------|----------|
| AP6176000EBH01 | |
| AP6176000EBH02 | |
| AP6176000EBH03 | |
| AP6176000ECH01 | |
| AP6176000ECH02 | |
| AP6176000ECH03 | |

| Code | No. table | Pos. | Code | No. table | Pos. | Code | No. table | Pos. |
|-------------|-----------|------|----------------|-----------|------|----------|-----------|------|
| | 02.080 | 20 | 1A008629 | 03.060 | 5 | 2B003891 | 02.080 | 5 |
| | 02.080 | 22 | 1A0088345 | 03.060 | 4 | 2B003892 | 02.080 | 1 |
| 000267 | 03.160 | 6 | 1A0090635 | 03.090 | 1 | 2B003893 | 02.080 | 8 |
| 000267 | 03.300 | 16 | 1A009642 | 03.190 | 25 | 2B003894 | 02.080 | 3 |
| 006450 | 03.190 | 2 | 1A009653 | 03.100 | 23 | 2B003895 | 02.080 | 24 |
| 006642 | 03.030 | 21 | 1A009782 | 03.150 | 3 | 2B003896 | 02.080 | 23 |
| 00G04401462 | 02.140 | 27 | 1D001138 | 03.190 | 10 | 2B003901 | 08.020 | 12 |
| 015935 | 03.300 | 11 | 1D002046 | 11.010 | 6 | 2B003902 | 08.020 | 6 |
| 122671 | 03.030 | 8 | 224035 | 03.040 | 4 | 2B004011 | 09.010 | 16 |
| 129953 | 08.030 | 16 | 224035 | 03.210 | 7 | 2B004037 | 03.050 | 29 |
| 195482 | 03.300 | 27 | 239388 | 03.040 | 6 | 2B004045 | 03.050 | 19 |
| 1A000849 | 03.300 | 9 | 254485 | 01.010 | 10 | 2B004056 | 03.050 | 21 |
| 1A001476E3 | 03.160 | 2 | 254485 | 03.330 | 17 | 2B004057 | 03.050 | 20 |
| 1A001476E4 | 03.160 | 2 | 254485 | 06.050 | 17 | 2B004058 | 02.080 | 6 |
| 1A001476E5 | 03.160 | 2 | 254485 | 09.020 | 15 | 2B004059 | 02.080 | 4 |
| 1A002596 | 03.230 | 8 | 267958 | 02.080 | 16 | 2B004092 | 06.050 | 2 |
| 1A002802 | 03.100 | 6 | 271740 | 01.010 | 7 | 2B004093 | 06.050 | 1 |
| 1A002803 | 03.100 | 7 | 272176 | 01.010 | 36 | 2B004095 | 06.050 | 6 |
| 1A002951 | 03.300 | 10 | 277916 | 03.030 | 24 | 2B004096 | 06.050 | 5 |
| 1A002952 | 03.100 | 20 | 277916 | 03.210 | 18 | 2B004098 | 04.040 | 1 |
| 1A002953 | 03.060 | 8 | 277916 | 03.300 | 22 | 2B004099 | 04.040 | 2 |
| 1A002954 | 03.190 | 14 | 285846 | 03.110 | 2 | 2B004100 | 01.010 | 25 |
| 1A003049 | 03.060 | 12 | 287174 | 03.190 | 17 | 2B004103 | 02.140 | 10 |
| 1A003051 | 03.100 | 24 | 289919 | 03.150 | 11 | 2B004104 | 02.140 | 8 |
| 1A003051 | 03.190 | 21 | 2920225 | 08.010 | 18 | 2B004105 | 02.140 | 9 |
| 1A003153 | 03.210 | 20 | 293717 | 01.020 | 4 | 2B004106 | 02.140 | 7 |
| 1A003631R | 03.030 | 19 | 294353 | 08.010 | 17 | 2B004159 | 07.020 | 4 |
| 1A003632R | 03.100 | 8 | 294754 | 11.030 | 14 | 2B004160 | 07.010 | 12 |
| 1A0042310A | 03.030 | 1 | 2A000927 | 03.230 | 10 | 2B004162 | 07.020 | 1 |
| 1A0042310B | 03.030 | 1 | 2A000928 | 03.230 | 3 | 2B004175 | 02.130 | 18 |
| 1A004527 | 03.170 | 1 | 2A000929 | 03.230 | 11 | 2B004176 | 02.130 | 4 |
| 1A0050110A | 03.160 | 1 | 2A000930 | 03.230 | 9 | 2B004178 | 02.130 | 1 |
| 1A0050110B | 03.160 | 1 | 2A000931 | 03.230 | 12 | 2B004179 | 03.050 | 26 |
| 1A0050110C | 03.160 | 1 | 2A000933 | 03.230 | 7 | 2B004203 | 02.130 | 14 |
| 1A0050110D | 03.160 | 1 | 2B000219 | 09.020 | 2 | 2B004204 | 02.130 | 15 |
| 1A0050110E | 03.160 | 1 | 2B000639R | 05.020 | 13 | 2B004225 | 03.010 | 10 |
| 1A0050110F | 03.160 | 1 | 2B002191 | 03.010 | 12 | 2B004255 | 09.020 | 19 |
| 1A005186 | 03.140 | 22 | 2B002193 | 03.010 | 3 | 2B004274 | 07.010 | 13 |
| 1A005187 | 03.130 | 21 | 2B002216 | 01.010 | 13 | 2B004288 | 03.010 | 16 |
| 1A005189 | 03.130 | 20 | 2B002416 | 05.010 | 10 | 2B004315 | 03.050 | 5 |
| 1A005190 | 03.130 | 22 | 2B002444 | 05.020 | 14 | 2B004336 | 08.020 | 2 |
| 1A005191 | 03.140 | 23 | 2B002476 | 03.050 | 25 | 2B004341 | 02.170 | 2 |
| 1A005192 | 03.140 | 21 | 2B002611 | 05.020 | 17 | 2B004342 | 02.170 | 1 |
| 1A005240 | 03.190 | 20 | 2B002632 | 09.020 | 10 | 2B004358 | 06.050 | 14 |
| 1A006352 | 03.130 | 9 | 2B002634 | 05.020 | 26 | 2B004399 | 04.040 | 3 |
| 1A006352 | 03.140 | 9 | 2B003043 | 05.020 | 28 | 2B004400 | 04.040 | 6 |
| 1A006650 | 03.190 | 22 | 2B003365 | 02.180 | 2 | 2B004401 | 04.040 | 7 |
| 1A0080225 | 03.150 | 1 | 2B003404 | 02.030 | 1 | 2B004402 | 04.040 | 4 |
| 1A008221 | 03.100 | 1 | 2B003810 | 03.330 | 3 | 2B004403 | 04.040 | 5 |
| 1A008221 | 03.130 | 12 | 2B003811 | 03.330 | 2 | 2B004405 | 04.040 | 8 |
| 1A008221 | 03.140 | 12 | 2B003812 | 03.330 | 1 | 2B004406 | 04.040 | 9 |
| 1A0083635 | 03.060 | 13 | 2B003813 | 03.330 | 8 | 2B004407 | 04.040 | 10 |
| 1A008364 | 03.060 | 6 | 2B003860 | 10.020 | 7 | 2B004408 | 04.040 | 11 |
| 1A008494 | 03.100 | 10 | 2B003861 | 10.020 | 11 | 2B004409 | 04.040 | 12 |
| 1A0084955 | 03.210 | 9 | 2B003862 | 10.020 | 6 | 2B004410 | 04.040 | 14 |
| 1A0084975 | 03.210 | 1 | 2B003870 | 09.020 | 7 | 2B004411 | 04.040 | 15 |
| 1A008499 | 03.220 | 14 | 2B003871 | 09.020 | 1 | 2B004412 | 04.040 | 16 |
| 1A008503 | 03.300 | 24 | 2B003873 | 09.020 | 14 | 2B004413 | 04.040 | 18 |
| 1A0085050A | 03.150 | 15 | 2B003881 | 02.090 | 2 | 2B004414 | 04.040 | 17 |
| 1A0085050B | 03.150 | 15 | 2B003883 | 02.140 | 2 | 2B004422 | 04.040 | 13 |
| 1A0085050C | 03.150 | 15 | 2B003884 | 02.140 | 3 | 2B004448 | 02.090 | 15 |
| 1A0085050D | 03.150 | 15 | 2B003886 | 02.140 | 5 | 2B004449 | 02.090 | 14 |
| 1A008508 | 03.150 | 4 | 2B003888 | 02.140 | 6 | 2B004463 | 03.050 | 24 |
| 1A008509 | 03.150 | 5 | 2B003889000H4 | 02.080 | 7 | 2B004490 | 11.030 | 13 |
| 1A008510 | 03.150 | 6 | 2B003889000XHF | 02.080 | 7 | 2D000095 | 07.020 | 11 |
| 1A008512 | 03.130 | 2 | 2B003890000H4 | 02.080 | 2 | 2D000193 | 06.050 | 4 |
| 1A008513 | 03.140 | 2 | 2B003890000XHF | 02.080 | 2 | 2D000350 | 08.020 | 1 |

| Code | No. table | Pos. | Code | No. table | Pos. | Code | No. table | Pos. |
|----------------|-----------|------|-------------|-----------|------|-------------|-----------|------|
| 2D000352 | 08.010 | 1 | 82960R | 03.190 | 12 | 851650 | 02.090 | 11 |
| 2D000353 | 09.010 | 13 | 82977R | 03.130 | 1 | 851656 | 02.130 | 2 |
| 2D000357 | 11.010 | 1 | 82979R | 03.140 | 1 | 85166100H4 | 02.090 | 1 |
| 2D000360 | 11.030 | 1 | 82991R | 03.210 | 4 | 85166100XBC | 02.090 | 1 |
| 2H000874 | 02.190 | 8 | 83013R | 03.090 | 2 | 85166100XV6 | 02.090 | 1 |
| 2H001617 | 02.190 | 7 | 83016R | 03.190 | 9 | 851680 | 02.170 | 6 |
| 2H001980 | 02.080 | 5 | 830249 | 03.090 | 4 | 851685 | 03.050 | 17 |
| 2H001981 | 02.080 | 1 | 830389 | 03.300 | 5 | 851686 | 01.010 | 26 |
| 2H001984000XN6 | 02.140 | 11 | 830390 | 03.300 | 4 | 85178200XNB | 01.050 | 1 |
| 2H001985000XN6 | 02.140 | 12 | 834232 | 10.020 | 16 | 851784 | 01.010 | 17 |
| 2H001986 | 02.190 | 3 | 834317 | 03.040 | 9 | 851785 | 03.050 | 30 |
| 2H001987 | 02.190 | 4 | 834951 | 03.210 | 17 | 851789 | 01.010 | 27 |
| 2H001988 | 02.190 | 2 | 840135 | 03.150 | 9 | 85199R | 05.020 | 7 |
| 2H001989 | 02.190 | 1 | 842291 | 03.090 | 3 | 852165 | 01.010 | 5 |
| 2H002010 | 02.190 | 5 | 846624 | 03.210 | 8 | 85221R | 07.030 | 8 |
| 2H002011 | 02.190 | 6 | 846923 | 03.100 | 2 | 852433 | 01.010 | 29 |
| 2H002055000XV6 | 02.140 | 11 | 847239 | 03.100 | 25 | 852433 | 03.330 | 16 |
| 2H002056000XV6 | 02.140 | 12 | 847537 | 03.030 | 16 | 85263R | 05.010 | 12 |
| 2H002057000XBC | 02.140 | 11 | 847906 | 03.160 | 10 | 853035 | 01.010 | 21 |
| 2H002058000XBC | 02.140 | 12 | 847915 | 03.160 | 8 | 853036 | 01.010 | 20 |
| 2H002059 | 02.190 | 4 | 847928 | 03.150 | 8 | 853037 | 01.010 | 6 |
| 2H002060 | 02.190 | 2 | 848474 | 03.030 | 11 | 853212 | 08.020 | 7 |
| 2H002061 | 02.190 | 1 | 848475 | 03.030 | 4 | 853458 | 10.020 | 30 |
| 2H002062 | 02.190 | 2 | 848647 | 03.300 | 21 | 854555 | 08.010 | 13 |
| 2H002063 | 02.190 | 1 | 848650 | 03.030 | 5 | 854556 | 08.010 | 14 |
| 2H002067 | 02.190 | 3 | 848651 | 03.030 | 3 | 854810 | 09.010 | 6 |
| 2Q000319 | 02.180 | 1 | 848714 | 03.300 | 3 | 854817 | 01.050 | 29 |
| 2Q000320 | 02.180 | 1 | 848845 | 03.300 | 19 | 854827 | 07.010 | 15 |
| 411311 | 03.100 | 21 | 849131 | 03.160 | 3 | 854830 | 11.010 | 16 |
| 414838 | 03.220 | 17 | 849244 | 03.040 | 8 | 854835 | 07.030 | 5 |
| 436438 | 03.100 | 16 | 849308 | 03.180 | 19 | 854893 | 06.040 | 6 |
| 478171 | 08.010 | 5 | 849308 | 03.180 | 9 | 854908 | 01.030 | 1 |
| 487073 | 03.030 | 17 | 849309 | 03.180 | 23 | 854946 | 03.050 | 1 |
| 487567 | 09.020 | 13 | 849310 | 03.180 | 20 | 854970 | 03.050 | 14 |
| 575268 | 01.010 | 8 | 849311 | 03.180 | 24 | 855799 | 03.100 | 11 |
| 575268 | 02.140 | 26 | 849360 | 03.170 | 2 | 856050 | 06.010 | 4 |
| 576001 | 02.090 | 4 | 849396 | 03.180 | 25 | 856050 | 07.030 | 4 |
| 581061 | 11.010 | 20 | 849424 | 03.180 | 6 | 856052 | 06.040 | 3 |
| 581440 | 11.030 | 6 | 849426 | 03.180 | 7 | 856053 | 06.030 | 20 |
| 58189R | 11.010 | 2 | 849817 | 03.130 | 10 | 856054 | 07.030 | 2 |
| 582690 | 11.030 | 5 | 849817 | 03.140 | 10 | 856069 | 03.010 | 6 |
| 583158 | 11.030 | 3 | 849827 | 03.130 | 14 | 856079 | 03.010 | 9 |
| 584344 | 03.330 | 11 | 849827 | 03.140 | 14 | 856087 | 08.030 | 18 |
| 597565 | 03.170 | 19 | 849898 | 03.060 | 7 | 856318 | 02.130 | 5 |
| 598839 | 01.020 | 21 | 8499094 | 03.130 | 5 | 856668 | 01.010 | 38 |
| 598839 | 06.030 | 17 | 8499104 | 03.140 | 6 | 856859 | 03.330 | 20 |
| 639687 | 03.300 | 29 | 85153600XNB | 01.010 | 2 | 856914 | 03.330 | 14 |
| 640168 | 03.300 | 7 | 85153700XNB | 01.010 | 3 | 857265 | 03.170 | 22 |
| 640485 | 03.100 | 19 | 851541 | 01.010 | 4 | 858074 | 02.140 | 1 |
| 642032 | 06.010 | 6 | 851550 | 01.030 | 2 | 858133 | 03.050 | 4 |
| 642032 | 07.030 | 12 | 851557 | 01.050 | 24 | 858212 | 02.140 | 16 |
| 642248 | 11.030 | 9 | 8515674 | 03.050 | 9 | 858423 | 06.010 | 5 |
| 642302 | 03.050 | 15 | 851570 | 03.050 | 13 | 858424 | 07.030 | 14 |
| 642387 | 03.300 | 6 | 851575 | 03.050 | 3 | 858788 | 01.020 | 14 |
| 654139 | 02.130 | 7 | 851581 | 03.050 | 2 | 859789 | 06.050 | 12 |
| 658830 | 11.010 | 22 | 851582 | 03.330 | 5 | 859792 | 04.040 | 20 |
| 825051 | 03.190 | 23 | 851586 | 03.330 | 10 | 859792 | 05.020 | 29 |
| 825577 | 03.030 | 12 | 851592 | 08.010 | 10 | 859793 | 02.030 | 7 |
| 825577 | 03.220 | 19 | 851597 | 10.020 | 4 | 859812 | 11.030 | 2 |
| 825597 | 03.150 | 14 | 851599 | 10.020 | 9 | 859883 | 01.010 | 39 |
| 825694 | 03.100 | 18 | 851601 | 10.020 | 10 | 859894 | 02.130 | 16 |
| 825725 | 03.300 | 18 | 851612 | 05.020 | 19 | 859946 | 01.020 | 22 |
| 82697R | 03.300 | 1 | 851630 | 11.010 | 19 | 860069 | 09.010 | 10 |
| 828116 | 03.150 | 7 | 851632 | 11.030 | 4 | 860127 | 02.170 | 3 |
| 82897R | 03.030 | 14 | 851638 | 08.030 | 1 | 860137 | 09.010 | 7 |
| 829122 | 03.030 | 2 | 851645 | 07.030 | 1 | 860328 | 10.020 | 13 |
| 829122 | 03.190 | 15 | 851649 | 02.090 | 10 | 860403 | 02.140 | 13 |

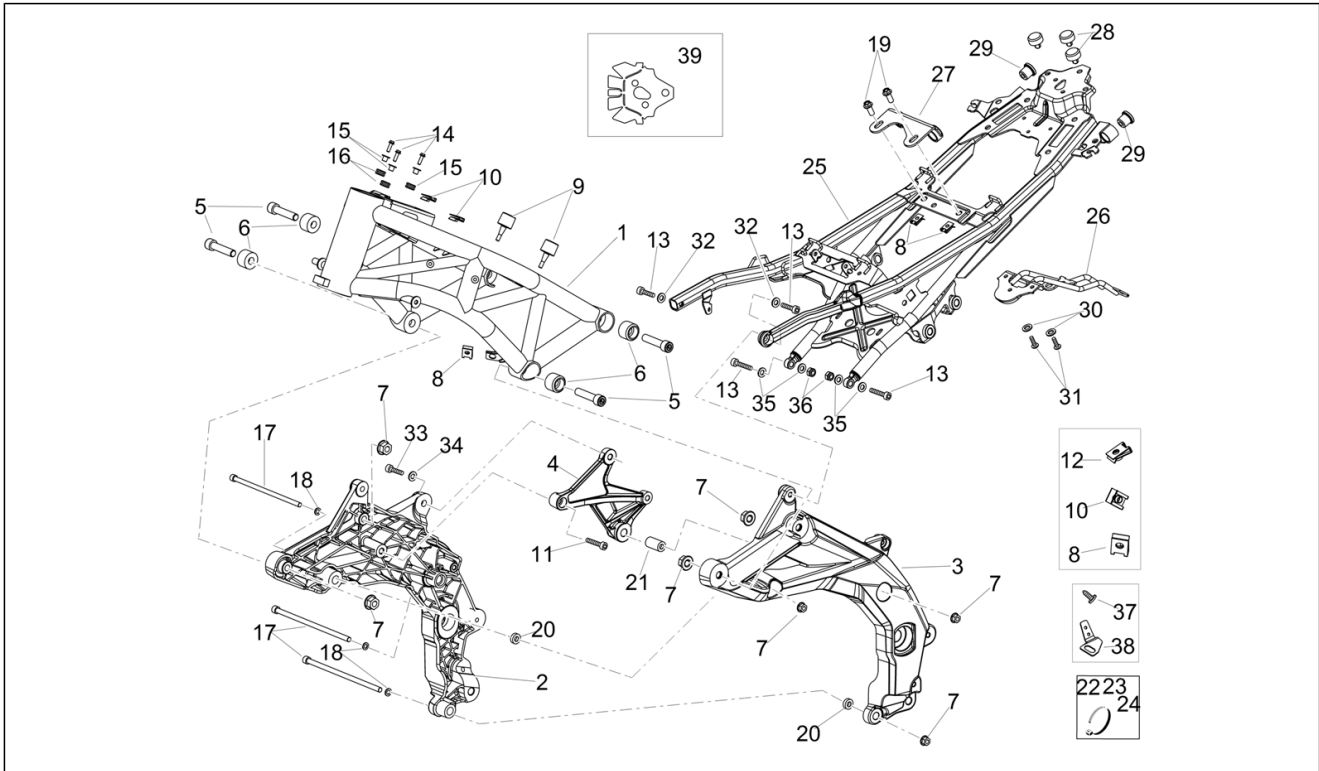
| Code | No. table | Pos. | Code | No. table | Pos. | Code | No. table | Pos. |
|---------|-----------|------|------------|-----------|------|-------------|-----------|------|
| 860482 | 06.050 | 3 | 874751 | 03.130 | 8 | 890513 | 03.050 | 6 |
| 860484 | 06.050 | 7 | 874752 | 03.140 | 8 | 890721 | 11.010 | 14 |
| 860485 | 06.050 | 8 | 875358 | 03.190 | 16 | 890760 | 03.330 | 22 |
| 860628 | 06.050 | 16 | 875814 | 03.210 | 16 | 890960 | 05.020 | 9 |
| 860629 | 06.050 | 15 | 876296 | 03.220 | 6 | 89449300XR8 | 01.010 | 1 |
| 860667 | 06.050 | 18 | 876529 | 03.210 | 3 | 894505 | 05.020 | 11 |
| 871609 | 03.220 | 12 | 876538 | 03.210 | 6 | 894584 | 01.020 | 24 |
| 871649 | 03.170 | 8 | 876558 | 03.180 | 26 | 894585 | 01.020 | 20 |
| 8716754 | 03.300 | 13 | 876559 | 03.180 | 13 | 894672 | 01.020 | 2 |
| 871748 | 03.130 | 16 | 876561 | 03.180 | 12 | 894673 | 01.020 | 1 |
| 871748 | 03.140 | 16 | 876563 | 03.180 | 1 | 894704 | 11.010 | 18 |
| 871798 | 03.130 | 15 | 876565 | 03.180 | 4 | 895033 | 05.010 | 7 |
| 871798 | 03.140 | 15 | 876566 | 03.180 | 3 | 895061 | 06.030 | 1 |
| 871901 | 03.170 | 24 | 876567 | 03.180 | 5 | 895224 | 06.030 | 3 |
| 872033 | 03.030 | 6 | 876568 | 03.180 | 2 | 89533700C1 | 02.120 | 1 |
| 872154 | 03.170 | 5 | 876569 | 03.180 | 14 | 895435 | 01.020 | 13 |
| 872174 | 03.060 | 1 | 876570 | 03.180 | 18 | 895481 | 11.030 | 7 |
| 872176 | 03.060 | 10 | 876571 | 03.180 | 15 | 895482 | 09.010 | 1 |
| 872177 | 03.060 | 11 | 876572 | 03.180 | 16 | 895871 | 02.140 | 17 |
| 872213 | 03.230 | 4 | 876573 | 03.180 | 17 | 896107 | 07.020 | 3 |
| 872230 | 03.060 | 2 | 876748 | 03.030 | 15 | 896174 | 08.020 | 13 |
| 872264 | 03.060 | 3 | 876790 | 03.220 | 5 | 896185 | 03.330 | 21 |
| 872421 | 03.220 | 2 | 876954 | 03.300 | 2 | 896336 | 06.010 | 3 |
| 872424 | 03.100 | 22 | 877069 | 03.210 | 13 | 896337 | 07.030 | 3 |
| 872560 | 03.170 | 14 | 877193 | 03.220 | 10 | 896346 | 06.010 | 2 |
| 872807 | 03.100 | 9 | 877441 | 03.170 | 21 | 896385 | 06.010 | 1 |
| 873005 | 03.100 | 4 | 877850 | 03.210 | 11 | 896494 | 01.050 | 21 |
| 873006 | 03.100 | 5 | 877884 | 03.130 | 18 | 896495 | 01.050 | 32 |
| 873082 | 03.110 | 1 | 877884 | 03.140 | 19 | 896754 | 05.010 | 1 |
| 873233 | 03.130 | 11 | 877885 | 03.130 | 23 | 896756 | 05.020 | 1 |
| 873233 | 03.140 | 11 | 877885 | 03.140 | 20 | 897007 | 06.020 | 2 |
| 873268 | 07.030 | 11 | 8781140B | 03.160 | 4 | 897008 | 06.020 | 1 |
| 873396 | 03.100 | 12 | 8781140G | 03.160 | 4 | 897009 | 06.040 | 1 |
| 873459 | 03.100 | 3 | 8781140R | 03.160 | 4 | 897118 | 06.020 | 3 |
| 873543 | 03.220 | 8 | 8781140V | 03.160 | 4 | 897119 | 06.040 | 2 |
| 873612 | 03.190 | 13 | 878115 | 03.210 | 5 | 897162 | 10.020 | 1 |
| 873772 | 03.170 | 4 | 878296 | 03.160 | 9 | 897414 | 10.020 | 8 |
| 873863 | 03.190 | 5 | 8783940001 | 03.030 | 22 | 897648 | 07.010 | 3 |
| 873866 | 03.190 | 4 | 8783940002 | 03.030 | 22 | 898468 | 09.010 | 18 |
| 873905 | 03.030 | 9 | 8783940003 | 03.030 | 22 | 898486 | 06.040 | 5 |
| 873906 | 03.190 | 8 | 8783940004 | 03.030 | 22 | 969323 | 03.190 | 19 |
| 873928 | 03.030 | 25 | 878560 | 03.130 | 3 | 969973 | 03.040 | 7 |
| 873974 | 03.190 | 7 | 878560 | 03.140 | 3 | 971718 | 03.170 | 11 |
| 874037 | 07.030 | 10 | 878654 | 03.150 | 13 | 974051 | 03.030 | 20 |
| 874191 | 03.220 | 13 | 878705 | 03.100 | 13 | 974112 | 03.030 | 13 |
| 874546 | 03.040 | 5 | 878734 | 03.210 | 2 | 974129 | 03.030 | 7 |
| 874548 | 03.010 | 14 | 878867 | 03.170 | 9 | 974130 | 03.170 | 25 |
| 874548 | 03.040 | 2 | 878867 | 03.220 | 11 | 974157 | 03.190 | 3 |
| 874549 | 03.210 | 12 | 878868 | 03.130 | 6 | 974162 | 03.180 | 11 |
| 874551 | 03.300 | 12 | 878868 | 03.140 | 5 | 974163 | 03.180 | 8 |
| 874554 | 03.150 | 10 | 878870 | 03.170 | 13 | 974165 | 03.180 | 10 |
| 874554 | 03.300 | 28 | 878871 | 03.190 | 6 | 974166 | 03.180 | 22 |
| 874554 | 11.010 | 7 | 878872 | 03.300 | 20 | 974167 | 03.180 | 21 |
| 874555 | 03.150 | 12 | 879315 | 03.230 | 6 | 974219 | 03.300 | 14 |
| 874555 | 03.300 | 23 | 8793650001 | 03.030 | 23 | 974290 | 03.190 | 18 |
| 874556 | 03.100 | 17 | 8793650002 | 03.030 | 23 | 974320 | 03.220 | 9 |
| 874557 | 03.100 | 14 | 8793650003 | 03.030 | 23 | 974320 | 03.230 | 2 |
| 874558 | 03.100 | 15 | 8793650004 | 03.030 | 23 | 974361 | 03.220 | 7 |
| 874589 | 03.150 | 2 | 879421 | 03.230 | 5 | 974517 | 03.190 | 1 |
| 8745964 | 03.130 | 4 | 879523 | 03.130 | 19 | 974556 | 03.010 | 2 |
| 8745964 | 03.140 | 4 | 879523 | 03.140 | 18 | 974558 | 03.170 | 23 |
| 874598 | 03.030 | 26 | 880473 | 03.230 | 1 | AP8101595 | 03.050 | 11 |
| 874598 | 03.040 | 1 | 880646 | 03.210 | 15 | AP8101595 | 09.020 | 3 |
| 874599 | 03.170 | 3 | 880798 | 03.210 | 21 | AP8101744 | 05.010 | 6 |
| 874660 | 03.220 | 3 | 887421 | 03.190 | 27 | AP8101744 | 05.020 | 6 |
| 874744 | 03.130 | 7 | 890498 | 09.010 | 11 | AP8101968 | 06.030 | 13 |
| 874744 | 03.140 | 7 | 890505 | 09.020 | 5 | AP8102159 | 10.020 | 32 |

| Code | No. table | Pos. | Code | No. table | Pos. | Code | No. table | Pos. |
|-----------|-----------|------|-----------|-----------|------|-----------|-----------|------|
| AP8102375 | 01.010 | 12 | AP8121015 | 01.030 | 8 | AP8144048 | 01.050 | 7 |
| AP8102375 | 02.080 | 21 | AP8121032 | 02.080 | 13 | AP8144146 | 07.010 | 5 |
| AP8102375 | 02.090 | 8 | AP8121075 | 02.080 | 9 | AP8144222 | 07.010 | 11 |
| AP8102375 | 02.130 | 10 | AP8121126 | 06.030 | 11 | AP8144245 | 03.050 | 18 |
| AP8102375 | 02.170 | 15 | AP8121133 | 01.020 | 6 | AP8144328 | 09.010 | 9 |
| AP8102375 | 08.030 | 4 | AP8121134 | 01.020 | 23 | AP8144351 | 09.010 | 4 |
| AP8102377 | 09.020 | 8 | AP8121155 | 04.080 | 5 | AP8144443 | 01.050 | 15 |
| AP8102378 | 09.010 | 12 | AP8121200 | 01.050 | 10 | AP8144444 | 01.050 | 16 |
| AP8102378 | 09.020 | 4 | AP8121201 | 01.050 | 12 | AP8144529 | 08.010 | 20 |
| AP8102381 | 02.130 | 13 | AP8121203 | 01.050 | 11 | AP8144552 | 02.130 | 6 |
| AP8102381 | 02.130 | 9 | AP8121204 | 01.050 | 6 | AP8144644 | 10.020 | 2 |
| AP8102386 | 01.010 | 23 | AP8121212 | 05.020 | 24 | AP8144662 | 08.020 | 3 |
| AP8102386 | 11.010 | 8 | AP8121213 | 05.020 | 25 | AP8145008 | 01.020 | 12 |
| AP8102524 | 01.030 | 9 | AP8121221 | 06.030 | 7 | AP8145009 | 01.020 | 11 |
| AP8102615 | 10.020 | 3 | AP8121223 | 06.030 | 4 | AP8145034 | 01.020 | 15 |
| AP8102676 | 09.010 | 2 | AP8121225 | 05.020 | 8 | AP8145035 | 01.020 | 16 |
| AP8102786 | 10.020 | 31 | AP8121455 | 03.330 | 13 | AP8150012 | 10.020 | 21 |
| AP8102913 | 02.170 | 5 | AP8121464 | 10.020 | 17 | AP8150014 | 02.090 | 5 |
| AP8104509 | 07.020 | 5 | AP8121566 | 01.020 | 5 | AP8150015 | 06.050 | 22 |
| AP8104836 | 10.020 | 5 | AP8121570 | 01.050 | 4 | AP8150017 | 01.010 | 35 |
| AP8104919 | 02.170 | 4 | AP8121716 | 06.050 | 9 | AP8150017 | 01.020 | 8 |
| AP8104921 | 07.020 | 10 | AP8121725 | 01.050 | 31 | AP8150017 | 02.140 | 29 |
| AP8104922 | 07.020 | 9 | AP8121725 | 08.010 | 3 | AP8150018 | 03.330 | 15 |
| AP8110078 | 01.050 | 2 | AP8121725 | 08.020 | 10 | AP8150020 | 06.030 | 6 |
| AP8110079 | 01.050 | 3 | AP8121773 | 02.170 | 9 | AP8150026 | 06.030 | 14 |
| AP8110081 | 05.020 | 23 | AP8121795 | 02.030 | 5 | AP8150026 | 11.010 | 21 |
| AP8110093 | 05.020 | 5 | AP8121795 | 02.080 | 12 | AP8150044 | 01.010 | 14 |
| AP8110094 | 05.010 | 3 | AP8121795 | 08.030 | 3 | AP8150044 | 03.010 | 4 |
| AP8110106 | 07.010 | 4 | AP8121811 | 03.010 | 7 | AP8150049 | 07.010 | 9 |
| AP8110110 | 01.020 | 7 | AP8121994 | 01.030 | 4 | AP8150050 | 01.030 | 11 |
| AP8112600 | 02.030 | 6 | AP8123243 | 07.010 | 8 | AP8150101 | 01.010 | 18 |
| AP8112600 | 08.030 | 2 | AP8123721 | 07.010 | 10 | AP8150137 | 06.030 | 16 |
| AP8112996 | 06.030 | 12 | AP8123934 | 02.090 | 6 | AP8150137 | 08.020 | 8 |
| AP8113003 | 06.010 | 8 | AP8124719 | 02.030 | 10 | AP8150137 | 08.030 | 14 |
| AP8113003 | 06.030 | 21 | AP8124930 | 10.020 | 19 | AP8150158 | 02.030 | 9 |
| AP8113003 | 06.040 | 8 | AP8124936 | 11.010 | 15 | AP8150170 | 01.020 | 18 |
| AP8113003 | 07.030 | 6 | AP8125687 | 01.050 | 14 | AP8150171 | 02.170 | 8 |
| AP8113004 | 06.010 | 9 | AP8125728 | 05.010 | 13 | AP8150177 | 01.030 | 12 |
| AP8113004 | 06.020 | 7 | AP8125730 | 05.020 | 21 | AP8150179 | 01.010 | 30 |
| AP8113004 | 06.030 | 22 | AP8125732 | 05.020 | 22 | AP8150182 | 03.300 | 26 |
| AP8113004 | 06.040 | 9 | AP8125763 | 01.050 | 13 | AP8150195 | 01.010 | 11 |
| AP8113004 | 07.030 | 7 | AP8125838 | 05.020 | 3 | AP8150195 | 01.020 | 3 |
| AP8117200 | 08.010 | 21 | AP8125839 | 05.020 | 4 | AP8150204 | 02.030 | 8 |
| AP8117258 | 08.030 | 19 | AP8125841 | 05.010 | 5 | AP8150248 | 02.030 | 3 |
| AP8118579 | 07.020 | 7 | AP8125842 | 05.010 | 4 | AP8150248 | 02.080 | 17 |
| AP8120001 | 02.130 | 17 | AP8126701 | 02.120 | 3 | AP8150248 | 11.030 | 10 |
| AP8120030 | 01.010 | 16 | AP8127098 | 08.030 | 11 | AP8150255 | 03.050 | 28 |
| AP8120030 | 06.050 | 23 | AP8127461 | 02.170 | 17 | AP8150255 | 08.020 | 4 |
| AP8120030 | 09.020 | 16 | AP8127489 | 08.010 | 19 | AP8150265 | 08.030 | 13 |
| AP8120030 | 10.020 | 23 | AP8127489 | 08.030 | 17 | AP8150270 | 10.020 | 20 |
| AP8120177 | 02.130 | 3 | AP8127803 | 08.030 | 9 | AP8150292 | 01.030 | 5 |
| AP8120178 | 06.030 | 10 | AP8127804 | 08.030 | 10 | AP8150298 | 02.080 | 10 |
| AP8120253 | 02.080 | 18 | AP8127856 | 01.030 | 10 | AP8150311 | 01.030 | 13 |
| AP8120416 | 11.010 | 9 | AP8128169 | 05.010 | 2 | AP8150329 | 01.010 | 33 |
| AP8120422 | 01.010 | 22 | AP8128170 | 05.020 | 2 | AP8150329 | 04.080 | 2 |
| AP8120446 | 10.020 | 12 | AP8128189 | 05.010 | 11 | AP8150334 | 01.050 | 18 |
| AP8120531 | 11.030 | 12 | AP8133944 | 06.020 | 4 | AP8150351 | 02.170 | 7 |
| AP8120536 | 03.050 | 31 | AP8133945 | 06.020 | 5 | AP8150362 | 02.080 | 15 |
| AP8120657 | 01.010 | 24 | AP8133945 | 07.030 | 9 | AP8150362 | 02.140 | 20 |
| AP8120657 | 09.020 | 20 | AP8134167 | 09.010 | 19 | AP8150376 | 01.010 | 32 |
| AP8120657 | 11.010 | 10 | AP8134419 | 02.090 | 3 | AP8150380 | 02.090 | 12 |
| AP8120712 | 02.140 | 4 | AP8134419 | 08.010 | 9 | AP8150382 | 08.030 | 8 |
| AP8120893 | 09.010 | 3 | AP8134451 | 01.020 | 10 | AP8150382 | 09.010 | 15 |
| AP8120912 | 03.010 | 11 | AP8144005 | 01.050 | 8 | AP8150413 | 01.010 | 37 |
| AP8120912 | 06.030 | 8 | AP8144006 | 01.050 | 5 | AP8150413 | 02.080 | 25 |
| AP8120952 | 10.020 | 29 | AP8144007 | 06.030 | 5 | AP8150413 | 02.140 | 18 |
| AP8121014 | 01.030 | 7 | AP8144030 | 01.010 | 9 | AP8150413 | 03.050 | 23 |

| Code | No. table | Pos. | Code | No. table | Pos. | Code | No. table | Pos. |
|-----------|-----------|------|-----------|-----------|------|-----------|-----------|------|
| AP8150413 | 11.010 | 5 | AP8152306 | 08.010 | 16 | B013074 | 03.220 | 1 |
| AP8150421 | 03.050 | 10 | AP8152306 | 08.030 | 12 | B013207 | 03.300 | 15 |
| AP8150430 | 01.050 | 20 | AP8152323 | 01.050 | 27 | B013306 | 03.170 | 6 |
| AP8150451 | 09.010 | 14 | AP8152323 | 05.010 | 14 | B013349 | 03.030 | 18 |
| AP8150453 | 02.170 | 13 | AP8152323 | 05.020 | 27 | B013373 | 03.160 | 7 |
| AP8150454 | 02.170 | 12 | AP8152324 | 01.050 | 28 | B013527 | 03.210 | 10 |
| AP8150462 | 06.030 | 9 | AP8152324 | 05.020 | 12 | B013607 | 03.220 | 18 |
| AP8150463 | 05.020 | 15 | AP8152329 | 02.130 | 12 | B013608 | 03.030 | 10 |
| AP8150500 | 02.030 | 2 | AP8152329 | 02.130 | 8 | B013745 | 03.300 | 25 |
| AP8150500 | 02.140 | 19 | AP8152329 | 02.140 | 21 | B013928 | 03.170 | 7 |
| AP8150505 | 03.330 | 18 | AP8152329 | 03.050 | 12 | B014258 | 03.210 | 22 |
| AP8150509 | 03.050 | 16 | AP8152335 | 05.010 | 15 | B014437 | 03.170 | 10 |
| AP8150509 | 08.020 | 5 | AP8152338 | 08.010 | 15 | B014440 | 03.170 | 12 |
| AP8150535 | 03.330 | 19 | AP8152339 | 02.090 | 9 | B015050 | 03.220 | 4 |
| AP8150537 | 01.020 | 17 | AP8152339 | 02.140 | 28 | B015563 | 03.300 | 17 |
| AP8150537 | 02.090 | 13 | AP8152339 | 06.040 | 7 | B016191 | 03.130 | 13 |
| AP8150540 | 07.010 | 2 | AP8152409 | 01.020 | 9 | B016191 | 03.140 | 13 |
| AP8152001 | 01.030 | 6 | AP8152411 | 04.080 | 4 | B016210 | 03.210 | 14 |
| AP8152003 | 07.020 | 6 | AP8152414 | 06.020 | 6 | B016425 | 03.060 | 9 |
| AP8152037 | 09.010 | 8 | AP8152442 | 07.010 | 16 | B016792 | 03.210 | 19 |
| AP8152108 | 08.010 | 11 | AP8152486 | 07.020 | 8 | B016796 | 03.170 | 20 |
| AP8152117 | 01.010 | 31 | AP8161083 | 10.020 | 18 | B017756 | 03.300 | 8 |
| AP8152136 | 01.050 | 19 | AP8163500 | 07.010 | 6 | B017809 | 03.170 | 15 |
| AP8152174 | 01.050 | 22 | AP8201301 | 06.030 | 15 | B043047 | 03.010 | 13 |
| AP8152176 | 01.010 | 34 | AP8201358 | 03.010 | 5 | B043317 | 05.020 | 16 |
| AP8152176 | 04.080 | 3 | AP8201358 | 03.050 | 22 | B044278 | 05.020 | 10 |
| AP8152187 | 07.010 | 14 | AP8201358 | 09.020 | 9 | B044279 | 05.010 | 8 |
| AP8152246 | 02.080 | 11 | AP8202449 | 02.080 | 14 | B044280 | 05.010 | 9 |
| AP8152267 | 01.050 | 25 | AP8202449 | 02.080 | 19 | B044413 | 02.170 | 16 |
| AP8152267 | 01.050 | 30 | AP8202449 | 02.140 | 30 | B044563 | 04.080 | 1 |
| AP8152270 | 08.030 | 5 | AP8213574 | 06.040 | 4 | B045021 | 07.020 | 2 |
| AP8152272 | 06.050 | 11 | AP8220135 | 06.010 | 7 | B045422 | 01.050 | 26 |
| AP8152273 | 04.040 | 21 | AP8220135 | 07.030 | 13 | B045422 | 05.020 | 20 |
| AP8152273 | 05.020 | 30 | AP8220150 | 03.050 | 27 | B045424 | 01.050 | 9 |
| AP8152277 | 01.020 | 27 | AP8220192 | 08.010 | 8 | B046202 | 03.130 | 17 |
| AP8152277 | 03.010 | 8 | AP8220349 | 01.010 | 28 | B046202 | 03.140 | 17 |
| AP8152277 | 06.050 | 19 | AP8220349 | 02.120 | 2 | CM001905 | 10.020 | 24 |
| AP8152278 | 06.030 | 19 | AP8220366 | 10.020 | 26 | CM154102 | 03.040 | 3 |
| AP8152279 | 06.050 | 25 | AP8220370 | 08.010 | 2 | CM154104 | 03.040 | 3 |
| AP8152279 | 09.020 | 18 | AP8220370 | 08.020 | 9 | CM159101 | 03.160 | 5 |
| AP8152279 | 10.020 | 28 | AP8220546 | 11.030 | 8 | CM159102 | 03.160 | 5 |
| AP8152280 | 02.170 | 10 | AP8221007 | 06.050 | 21 | CM1610015 | 03.010 | 1 |
| AP8152280 | 06.050 | 20 | AP8221023 | 01.010 | 15 | CM163201 | 03.110 | 3 |
| AP8152280 | 10.020 | 27 | AP8221023 | 09.020 | 17 | CM163202 | 03.110 | 3 |
| AP8152280 | 11.010 | 17 | AP8221023 | 10.020 | 22 | CM163203 | 03.110 | 3 |
| AP8152281 | 11.010 | 3 | AP8221129 | 02.140 | 15 | CM163204 | 03.110 | 3 |
| AP8152282 | 06.050 | 24 | AP8221129 | 08.010 | 12 | CM163205 | 03.110 | 3 |
| AP8152283 | 04.040 | 19 | AP8221145 | 10.020 | 25 | CM163206 | 03.110 | 3 |
| AP8152286 | 01.010 | 19 | AP8221206 | 02.140 | 14 | CM163207 | 03.110 | 3 |
| AP8152287 | 06.050 | 10 | AP8221277 | 01.020 | 19 | CM163208 | 03.110 | 3 |
| AP8152288 | 01.030 | 3 | AP8221340 | 02.140 | 22 | CM163209 | 03.110 | 3 |
| AP8152288 | 02.140 | 23 | AP8221341 | 02.140 | 25 | CM163210 | 03.110 | 3 |
| AP8152289 | 03.330 | 12 | AP8221349 | 08.010 | 7 | CM163211 | 03.110 | 3 |
| AP8152298 | 02.170 | 14 | AP8224164 | 08.030 | 6 | CM163212 | 03.110 | 3 |
| AP8152298 | 08.030 | 7 | AP8224470 | 02.030 | 4 | CM163213 | 03.110 | 3 |
| AP8152299 | 02.090 | 7 | AP8224470 | 02.140 | 24 | CM163214 | 03.110 | 3 |
| AP8152299 | 02.170 | 11 | AP8225369 | 11.030 | 11 | CM163215 | 03.110 | 3 |
| AP8152299 | 06.030 | 18 | AP8234020 | 01.050 | 23 | CM163216 | 03.110 | 3 |
| AP8152299 | 06.050 | 13 | AP9100205 | 07.010 | 7 | CM163217 | 03.110 | 3 |
| AP8152299 | 08.010 | 4 | AP9100714 | 09.020 | 11 | CM163218 | 03.110 | 3 |
| AP8152299 | 08.010 | 6 | AP9150064 | 03.170 | 17 | CM163219 | 03.110 | 3 |
| AP8152299 | 08.020 | 11 | AP9150069 | 03.170 | 16 | CM163220 | 03.110 | 3 |
| AP8152299 | 08.030 | 15 | AP9150070 | 03.170 | 18 | CM163221 | 03.110 | 3 |
| AP8152299 | 10.020 | 33 | AP9150356 | 03.220 | 16 | CM179008 | 09.020 | 6 |
| AP8152301 | 04.080 | 6 | AP9150410 | 03.220 | 15 | CM179302 | 03.010 | 15 |
| AP8152302 | 02.130 | 11 | AP9150472 | 03.190 | 11 | CM221709 | 05.020 | 18 |
| AP8152305 | 01.050 | 17 | AP9150472 | 03.190 | 26 | CM222601 | 07.010 | 1 |

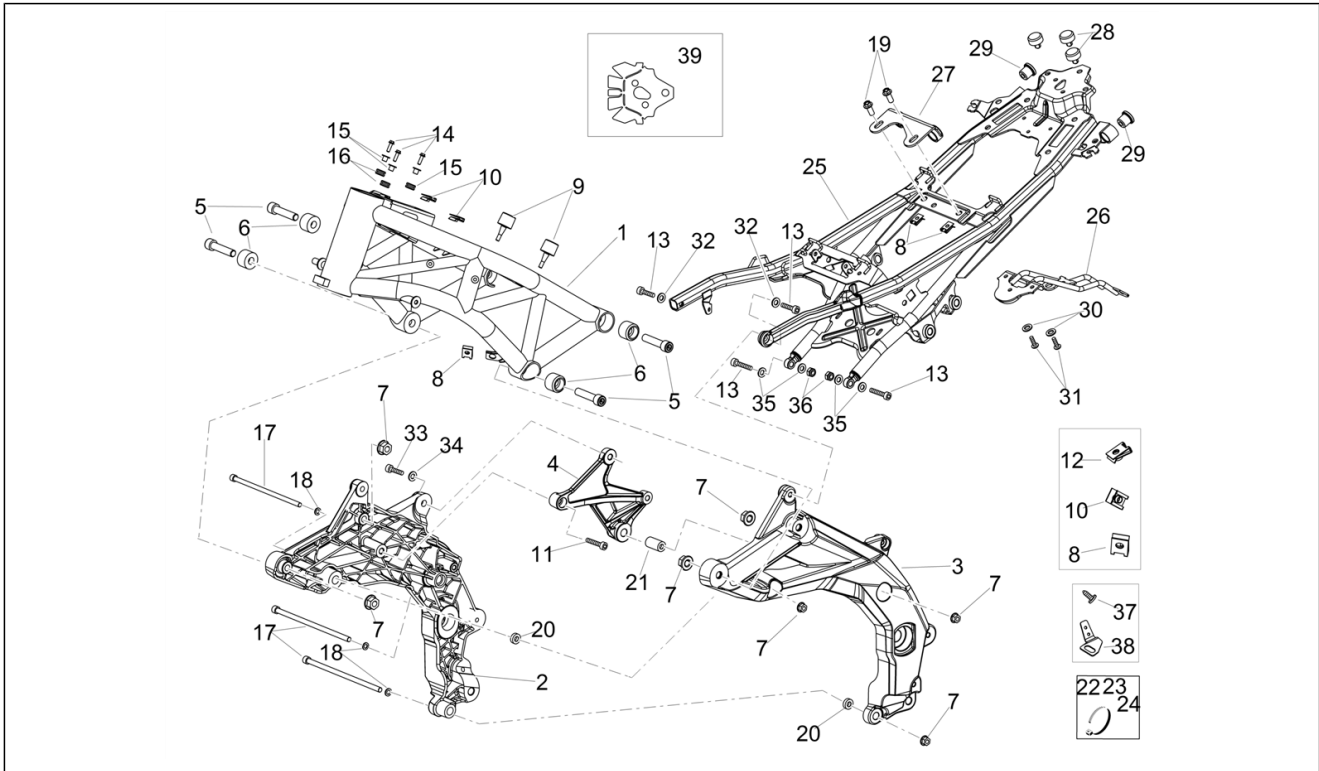
| Code | No. table | Pos. |
|---------------|------------------------|------|
| CM225607 | 11.010 | 11 |
| CM225610 | 11.010 | 13 |
| CM225615 | 11.010 | 12 |
| CM226903 | 10.020 | 14 |
| CM226906 | 10.020 | 15 |
| CM226909 | 10.020 | 34 |
| CM281705 | 11.010 | 4 |
| GU00823955080 | 09.020 | 12 |
| GU01106090 | 09.010 | 5 |
| GU01107490 | 09.010 | 17 |
| GU01154230 | 03.190 | 24 |
| GU05121630 | 03.330 | 6 |
| GU05123431 | 03.330 | 7 |
| GU05128230 | 03.330 | 9 |
| GU30027931 | 03.050 | 8 |
| GU30729330 | 03.050 | 7 |
| GU32441210 | 01.020 | 25 |
| GU32443210 | 01.020 | 26 |
| GU32443211 | 01.020 | 28 |
| GU56777300 | 06.030 | 2 |
| GU92660021 | 03.330 | 4 |

| | |
|--------------------|--------|
| Group | Frame |
| Code | 01.010 |
| Description | Frame |
| Service | 1 |



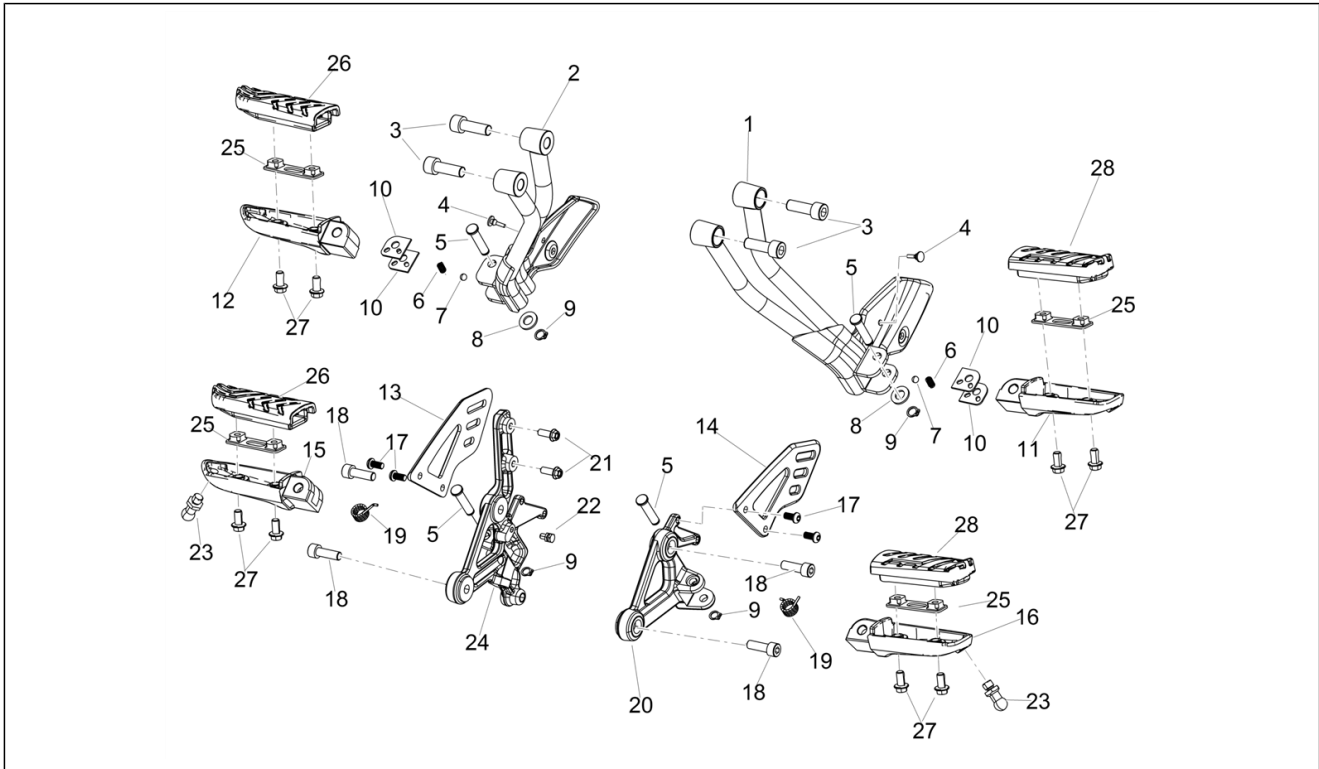
| Pos. | Code | Description | Qty | Variants |
|------|-------------|-----------------------------|-----|----------|
| 1 | 89449300XR8 | Front frame,red | 1 | |
| 2 | 85153600XNB | RH flank frame,black | 1 | |
| 3 | 85153700XNB | LH side panel, black | 1 | |
| 4 | 851541 | Shock absorber plate | 1 | |
| 5 | 852165 | Screw | 4 | |
| 6 | 853037 | Bush | 1 | |
| 7 | 271740 | Nut M12 | 7 | |
| 8 | 575268 | Spring plate M8 | 6 | |
| 9 | AP8144030 | Stand end stop | 2 | |
| 10 | 254485 | Spring plate M6 | 7 | |
| 11 | AP8150195 | Hex socket screw M10x30 | 1 | |
| 12 | AP8102375 | Clip M5 | 2 | |
| 13 | 2B002216 | Hex socket screw M 8X35 | 4 | |
| 14 | AP8150044 | Hex socket screw M6x20 | 3 | |
| 15 | AP8221023 | T bush | 3 | |
| 16 | AP8120030 | Rubber spacer | 3 | |
| 17 | 851784 | Engine pin | 3 | |
| 18 | AP8150101 | Washer 13x24x2,5* | 3 | |
| 19 | AP8152286 | Screw w/ flange M8x20 | 2 | |
| 20 | 853036 | Spacer | 2 | |
| 21 | 853035 | Spacer | 1 | |
| 22 | AP8120422 | Black hose 98x2* | 1 | |
| 23 | AP8102386 | Hose clamp 155x2 | 1 | |
| 24 | AP8120657 | Hose clamp | 1 | |
| 25 | 2B004100 | Saddle support | 1 | |
| 26 | 851686 | Number plate holder support | 1 | |
| 27 | 851789 | Exhaust pipe support clamp | 1 | |
| 28 | AP8220349 | Rubber spacer | 3 | |

| | |
|--------------------|--------|
| Group | Frame |
| Code | 01.010 |
| Description | Frame |
| Service | 1 |



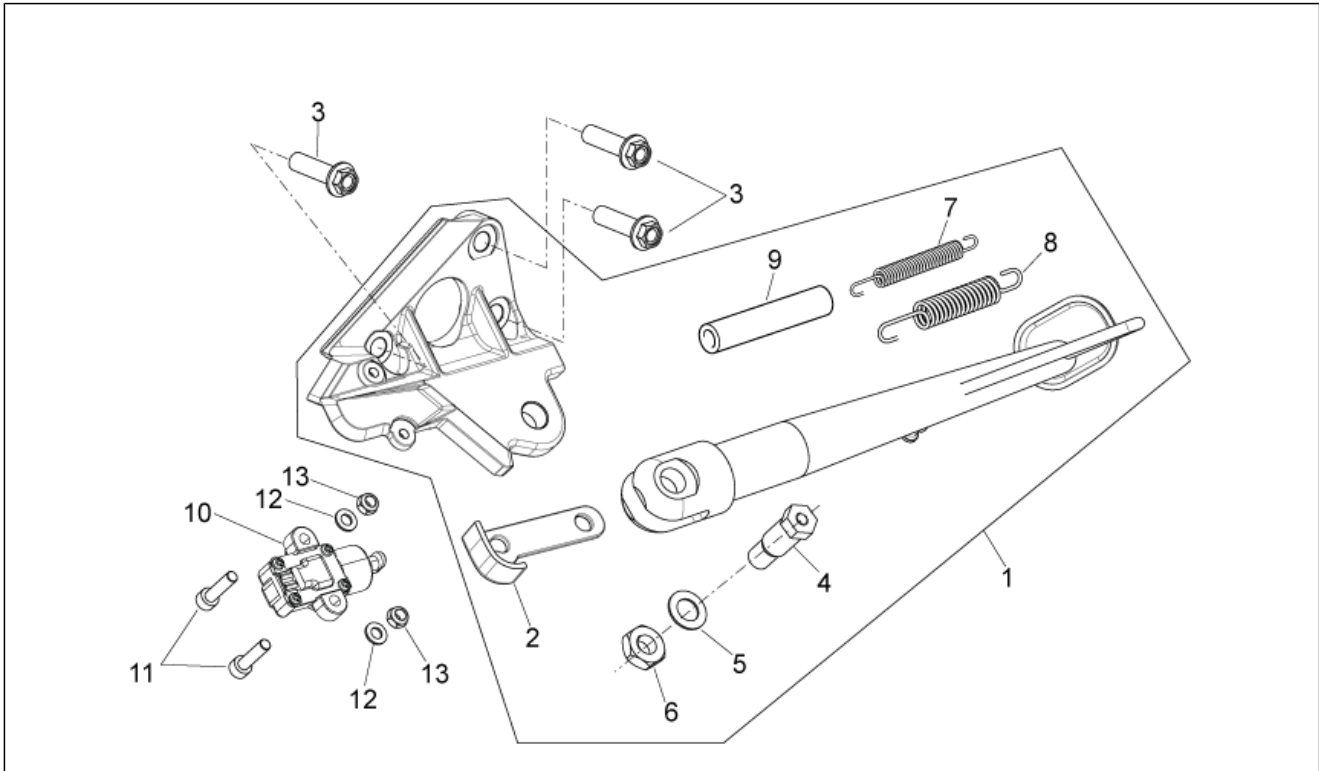
| Pos. | Code | Description | Qty | Variants |
|------|-----------|-----------------------|-----|----------|
| 29 | 852433 | Rubber spacer | 2 | |
| 30 | AP8150179 | Washer 6,6x18* | 2 | |
| 31 | AP8152117 | Vite TBEI M6x25 | 2 | |
| 32 | AP8150376 | Washer 8,5x15x0,8 | 2 | |
| 33 | AP8150329 | Hex socket screw | 1 | |
| 34 | AP8152176 | Washer 10,5X18X2* | 1 | |
| 35 | AP8150017 | Washer 8,4x16x1,6 | 4 | |
| 36 | 272176 | Nut | 12 | |
| 37 | AP8150413 | Self-tap screw 3,9x14 | 1 | |
| 38 | 856668 | Plate | 1 | |
| 39 | 859883 | Heat protection | 1 | |

| | |
|--------------------|------------|
| Group | Frame |
| Code | 01.020 |
| Description | Foot rests |
| Service | 1 |



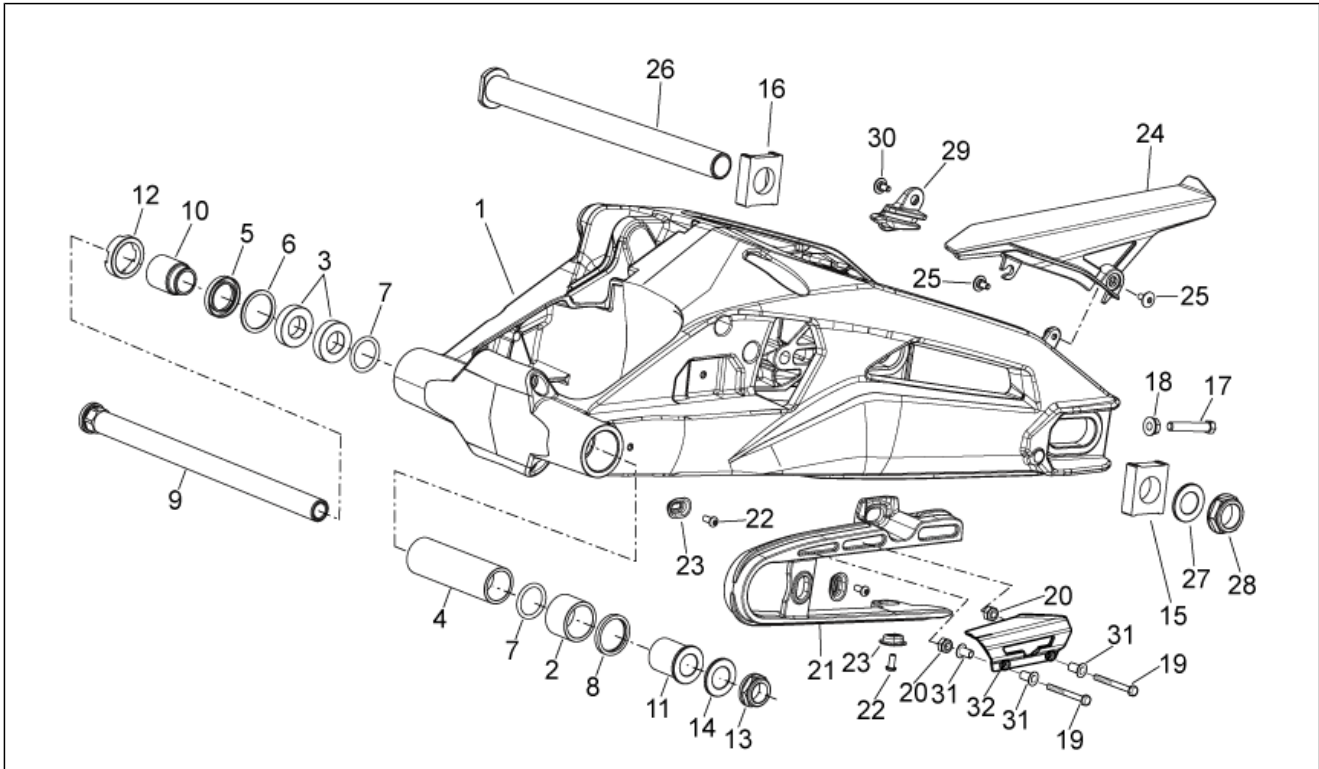
| Pos. | Code | Description | Qty | Variants |
|------|------------|-------------------------------|-----|----------|
| 1 | 894673 | LH footrest support | 1 | |
| 2 | 894672 | RH footrest support | 1 | |
| 3 | AP8150195 | Hex socket screw M10x30 | 4 | |
| 4 | 293717 | Cover | 2 | |
| 5 | AP8121566 | Footrest pin | 4 | |
| 6 | AP8121133 | Coil compress. spring | 2 | |
| 7 | AP8110110 | Ball d.7 | 2 | |
| 8 | AP8150017 | Washer 8,4x16x1,6 | 2 | |
| 9 | AP8152409 | Stop ring | 2 | |
| 10 | AP8134451 | Footrest plate | 4 | |
| 11 | AP8145009 | Rear footrest, LH | 1 | |
| 12 | AP8145008 | Rear footrest, RH | 1 | |
| 13 | 895435 | Protection RH - Front fairing | 1 | |
| 14 | 858788 | LH protection | 1 | |
| 15 | AP8145034 | RH Foot rests | 1 | |
| 16 | AP8145035 | LH Foot rests | 1 | |
| 17 | AP8150537 | Hex socket screw M6x12 | 4 | |
| 18 | AP8150170 | Hex socket screw M8x25 | 4 | |
| 19 | AP8221277 | Footrest return spring | 2 | |
| 20 | 894585 | LH front footrest bracket | 1 | |
| 21 | 598839 | Screw w/ flange | 2 | |
| 22 | 859946 | Fixing pin | 1 | |
| 23 | AP8121134 | Footrest pin | 2 | |
| 24 | 894584 | RH front footrest bracket | 1 | |
| 25 | GU32441210 | Plate | 4 | |
| 26 | GU32443210 | Support rubber part | 2 | |
| 27 | AP8152277 | Screw w/ flange M6x12 | 8 | |
| 28 | GU32443211 | Support rubber part | 2 | |

| | |
|--------------------|---------------|
| Group | Frame |
| Code | 01.030 |
| Description | Central stand |
| Service | 1 |



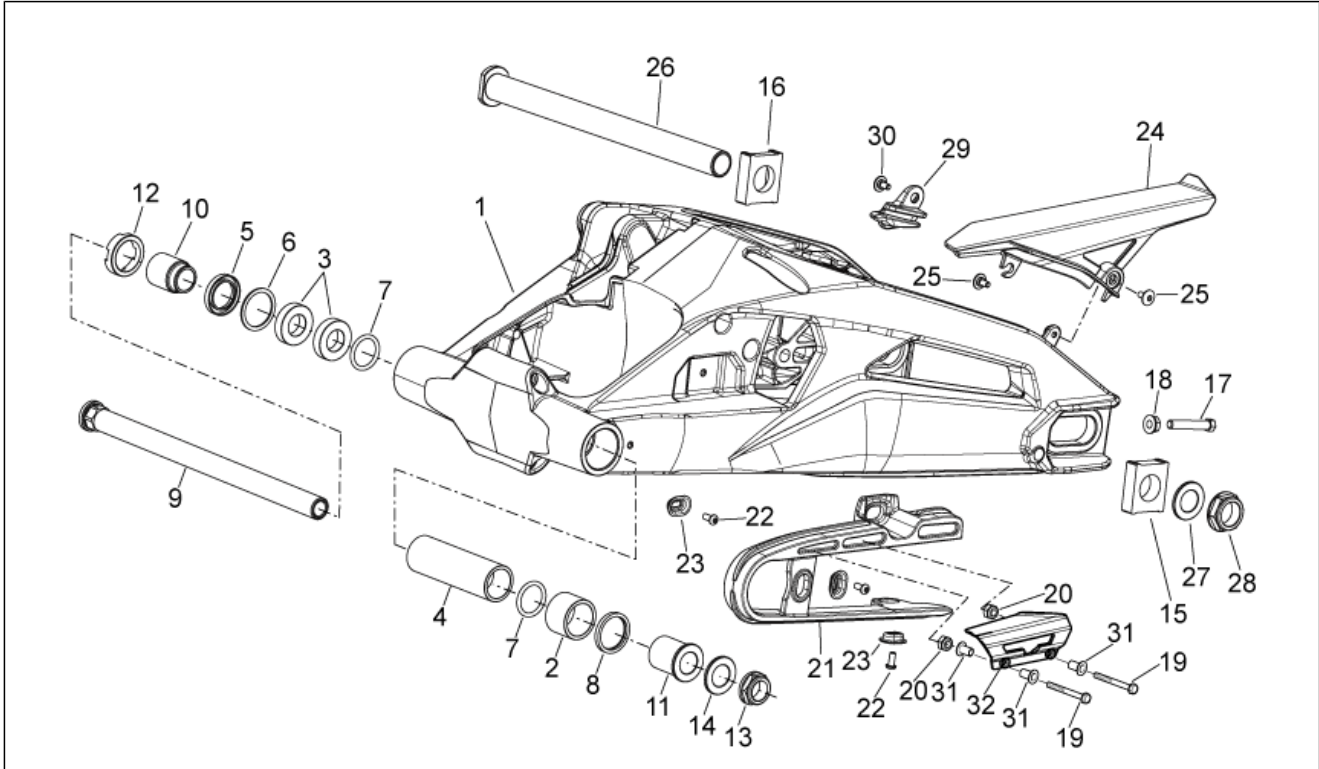
| Pos. | Code | Description | Qty | Variants |
|------|-----------|-------------------------------|-----|----------|
| 1 | 854908 | Sidestand assy | 1 | |
| 2 | 851550 | Lateral stand plate | 1 | |
| 3 | AP8152288 | Screw w/ flange M8x30 | 3 | |
| 4 | AP8121994 | Central stand fixing screw | 1 | |
| 5 | AP8150292 | Curved spring washer * | 1 | |
| 6 | AP8152001 | Low nut M10x1,25 | 1 | |
| 7 | AP8121014 | Coil pull spring | 1 | |
| 8 | AP8121015 | Lateral stand external spring | 1 | |
| 9 | AP8102524 | Stand spring protection | 1 | |
| 10 | AP8127856 | Lateral stand switch | 1 | |
| 11 | AP8150050 | Hex socket screw M5x16 | 2 | |
| 12 | AP8150177 | Washer 5,3X10X1 | 2 | |
| 13 | AP8150311 | Low self-locking nut | 2 | |

| | |
|--------------------|-----------|
| Group | Frame |
| Code | 01.050 |
| Description | Swing arm |
| Service | 1 |



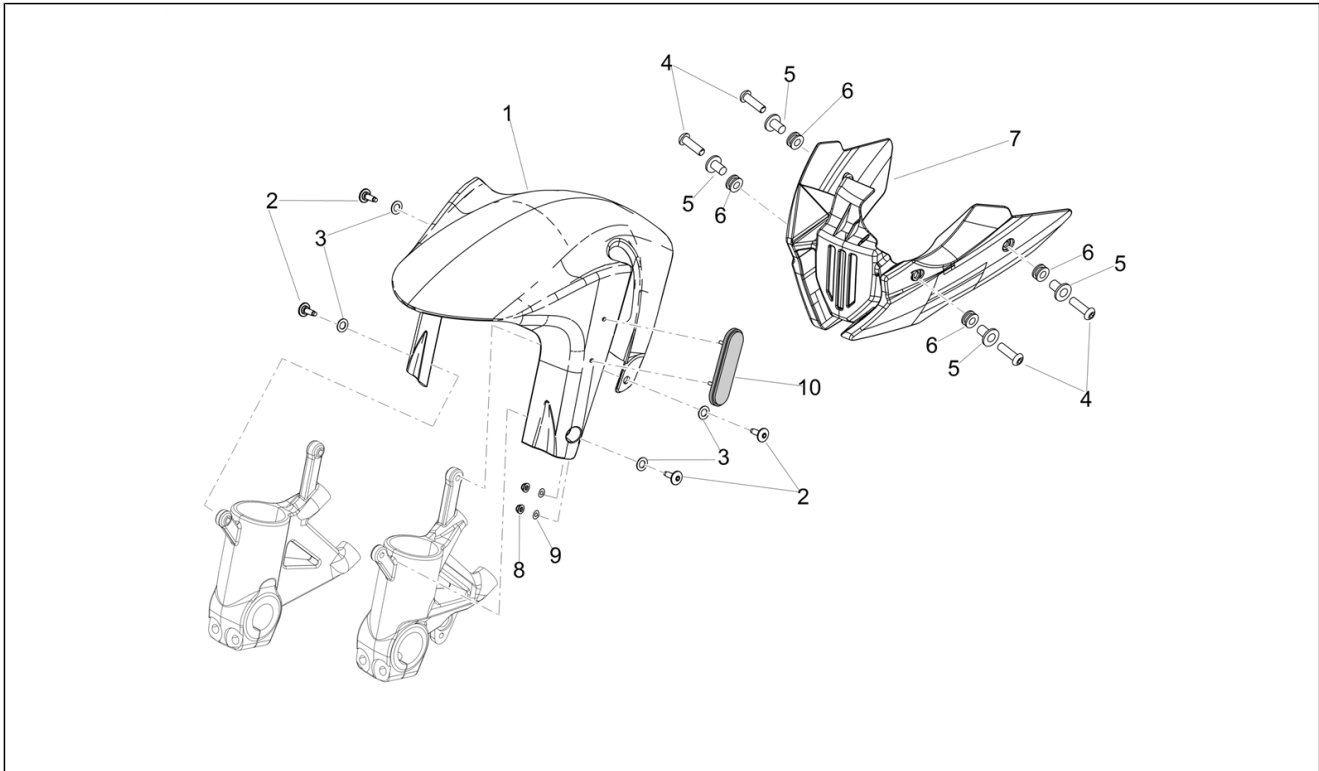
| Pos. | Code | Description | Qty | Variants |
|------|-------------|---------------------------|-----|----------|
| 1 | 85178200XNB | ***BIG FORK | 1 | |
| 2 | AP8110078 | Roller cage | 1 | |
| 3 | AP8110079 | Ball bearing | 2 | |
| 4 | AP8121570 | Internal spacer | 1 | |
| 5 | AP8144006 | Gasket ring | 1 | |
| 6 | AP8121204 | Inside circlip d37 | 1 | |
| 7 | AP8144048 | O-ring 134 | 2 | |
| 8 | AP8144005 | Gasket ring | 1 | |
| 9 | B045424 | Rear swing arm pin | 1 | |
| 10 | AP8121200 | Adjustment bush | 1 | |
| 11 | AP8121203 | Rear int.sw.arm piv.bush | 1 | |
| 12 | AP8121201 | Swing arm ring nut | 1 | |
| 13 | AP8125763 | Rear wheel spindle nut | 1 | |
| 14 | AP8125687 | Wheel pin washer | 1 | |
| 15 | AP8144443 | LH chain guide plate | 1 | |
| 16 | AP8144444 | RH chain guide plate | 1 | |
| 17 | AP8152305 | Chain tens.adjuster screw | 2 | |
| 18 | AP8150334 | Nut M8 | 2 | |
| 19 | AP8152136 | Hex socket screw M6x35 | 2 | |
| 20 | AP8150430 | Low self-locking nut | 1 | |
| 21 | 896494 | Chain guide plate | 1 | |
| 22 | AP8152174 | Hex socket screw | 3 | |
| 23 | AP8234020 | Cup for shoe | 3 | |
| 24 | 851557 | Chain guard | 1 | |
| 25 | AP8152267 | Hex socket screw M5x12 | 2 | |
| 26 | B045422 | Wheel pin | 1 | |
| 27 | AP8152323 | Washer 25,2x36x1 | 1 | |
| 28 | AP8152324 | Wheel spindle nut M25x1,5 | 1 | |

| | |
|--------------------|-----------|
| Group | Frame |
| Code | 01.050 |
| Description | Swing arm |
| Service | 1 |



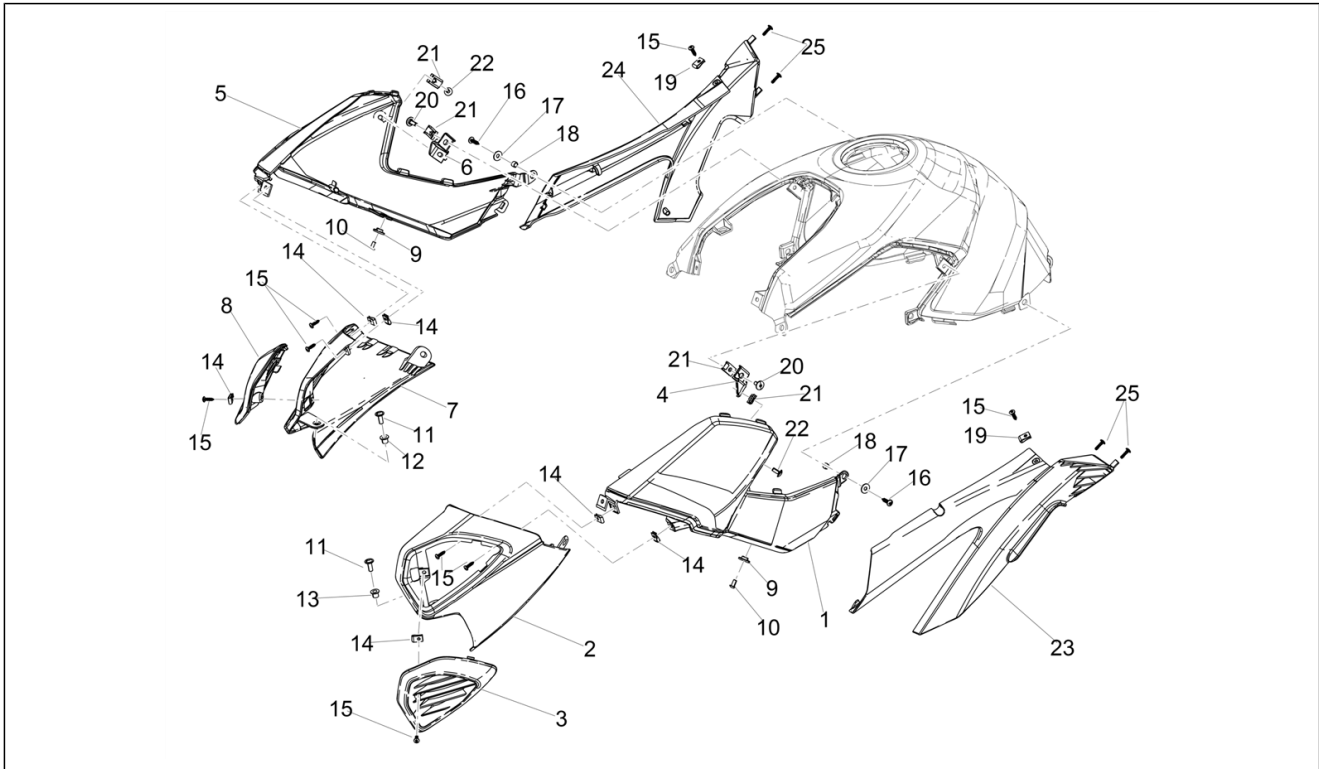
| Pos. | Code | Description | Qty | Variants |
|------|-----------|------------------------|-----|----------|
| 29 | 854817 | Sliding block | 1 | |
| 30 | AP8152267 | Hex socket screw M5x12 | 1 | |
| 31 | AP8121725 | T bush * | 4 | |
| 32 | 896495 | Chain guard | 1 | |

| | |
|--------------------|-----------------------|
| Group | Body |
| Code | 02.030 |
| Description | Front mudguard-Pillar |
| Service | 1 |



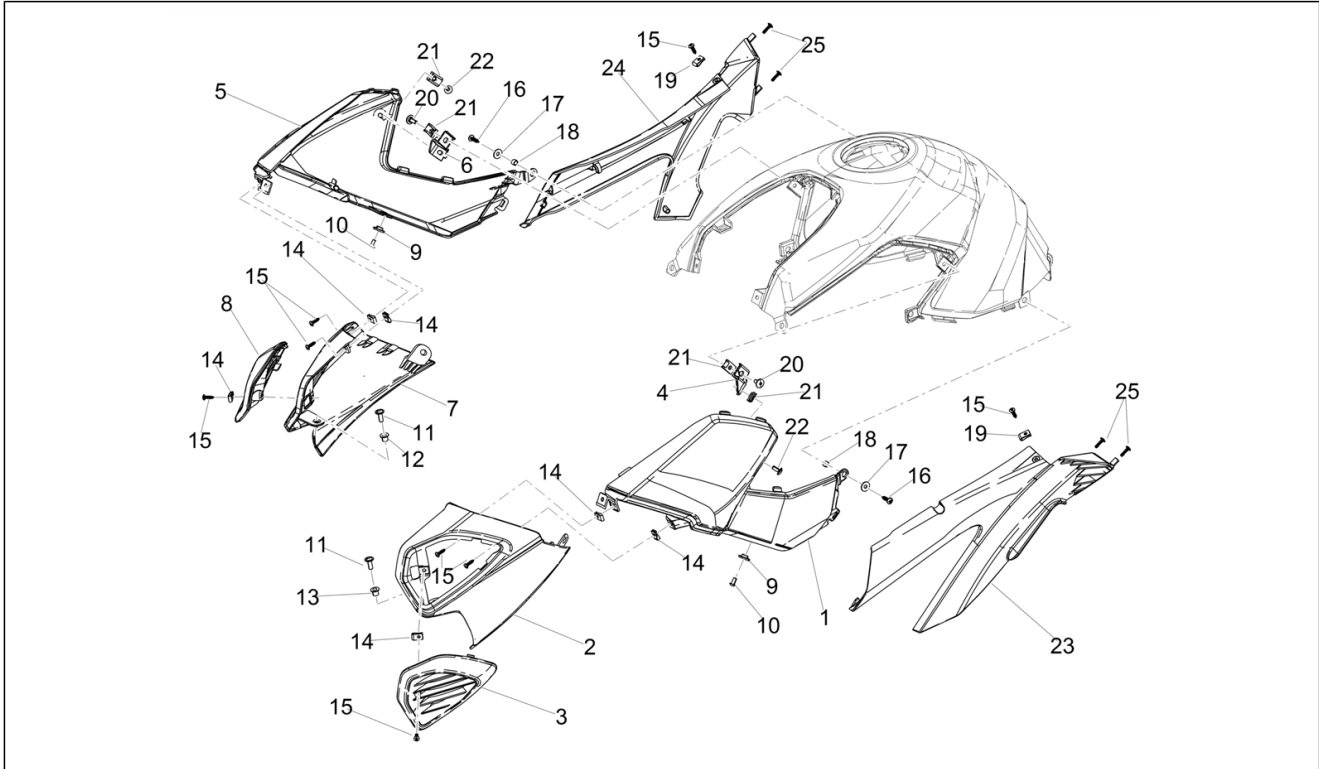
| Pos. | Code | Description | Qty | Variants |
|------|-----------|------------------------------|-----|----------|
| 1 | 2B003404 | Photoengraved front mudguard | 1 | |
| 2 | AP8150500 | Hex socket screw M5x9 | 4 | |
| 3 | AP8150248 | Washer 5,5x15x1,6 | 4 | |
| 4 | AP8224470 | Hex socket screw M6x20 | 4 | |
| 5 | AP8121795 | T bush | 4 | |
| 6 | AP8112600 | Rubber spacer | 4 | |
| 7 | 859793 | Pillar | 1 | |
| 8 | AP8150204 | Nut M4 | 4 | |
| 9 | AP8150158 | Washer 4,3X9X0,8 | 4 | |
| 10 | AP8124719 | Reflector, amber | 2 | |

| | |
|--------------------|--------------|
| Group | Body |
| Code | 02.080 |
| Description | Side fairing |
| Service | 1 |



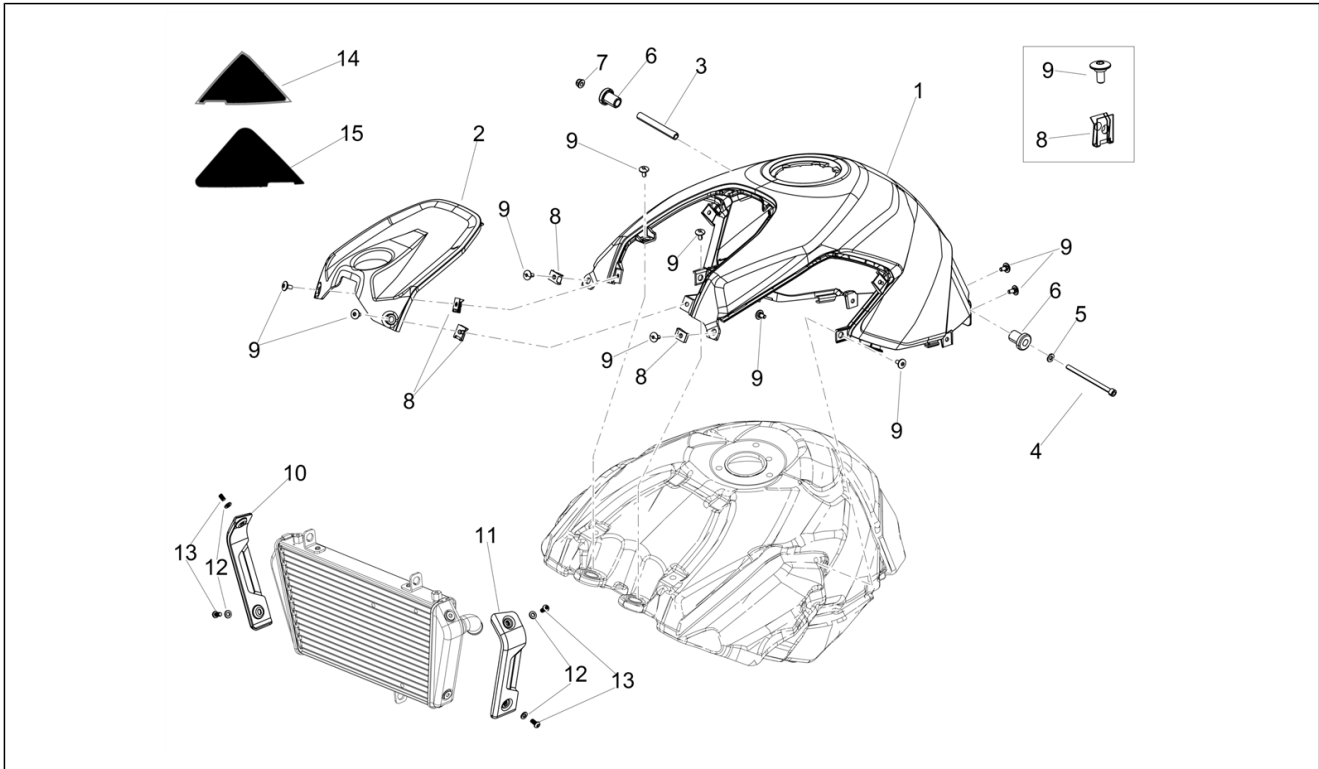
| Pos. | Code | Description | Qty | Variants |
|------|----------------|----------------------------|-----|------------------------------------|
| 1 | 2H001981 | [...] | 1 | Colour:Pulsar Grey[Grey] |
| 1 | 2B003892 | ***LH BODY SIDE COVER | 1 | Colour:[White] Raptor Green[Green] |
| 2 | 2B003890000XHF | ***LH AIR CONVEYOR COVER | 1 | Colour:[White] Raptor Green[Green] |
| 2 | 2B003890000H4 | [...] | 1 | Colour:Pulsar Grey[Grey] |
| 3 | 2B003894 | ***LH AIR CONVEYOR GRID | 1 | |
| 4 | 2B004059 | ***L.H. BODY SIDE HOLDER | 1 | |
| 5 | 2B003891 | ***RH BODY SIDE COVER | 1 | Colour:[White] Raptor Green[Green] |
| 5 | 2H001980 | ***R.H. BODY SIDE | 1 | Colour:Pulsar Grey[Grey] |
| 6 | 2B004058 | ***R.H. BODY SIDE HOLDER | 1 | |
| 7 | 2B003889000XHF | ***RH BODY SIDE COVER | 1 | Colour:[White] Raptor Green[Green] |
| 7 | 2B003889000H4 | [...] | 1 | Colour:Pulsar Grey[Grey] |
| 8 | 2B003893 | ***RH AIR CONVEYOR GRID | 1 | |
| 9 | AP8121075 | T bush * | 2 | |
| 10 | AP8150298 | Hex socket screw | 2 | |
| 11 | AP8152246 | Screw w/ flange M6x16 | 2 | |
| 12 | AP8121795 | T bush | 1 | |
| 13 | AP8121032 | Bush | 1 | |
| 14 | AP8202449 | Clip | 6 | |
| 15 | AP8150362 | Self-tapping screw * | 8 | |
| 16 | 267958 | Self tapping screw L=20 mm | 2 | |
| 17 | AP8150248 | Washer 5,5x15x1,6 | 2 | |
| 18 | AP8120253 | Spacer | 1 | |
| 19 | AP8202449 | Clip | 2 | |
| 20 | | [...] | 2 | |
| 21 | AP8102375 | Clip M5 | 4 | |
| 22 | | [...] | 1 | |
| 23 | 2B003896 | Fairing,lh. | 1 | |
| 24 | 2B003895 | Fairing,rh. | 1 | |

| | |
|--------------------|--------------|
| Group | Body |
| Code | 02.080 |
| Description | Side fairing |
| Service | 1 |



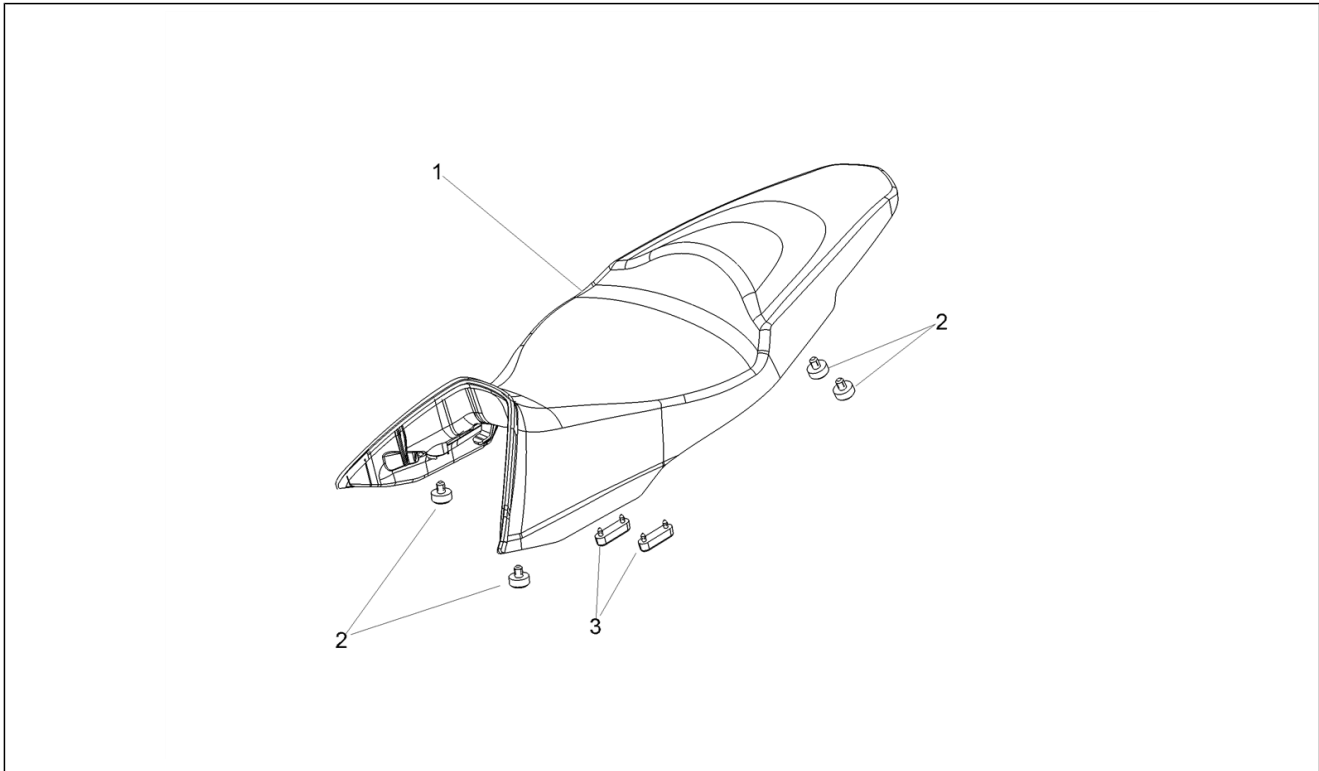
| Pos. | Code | Description | Qty | Variants |
|------|-----------|-----------------------|-----|----------|
| 25 | AP8150413 | Self-tap screw 3,9x14 | 4 | |

| | |
|--------------------|------------|
| Group | Body |
| Code | 02.090 |
| Description | Tank cover |
| Service | 1 |



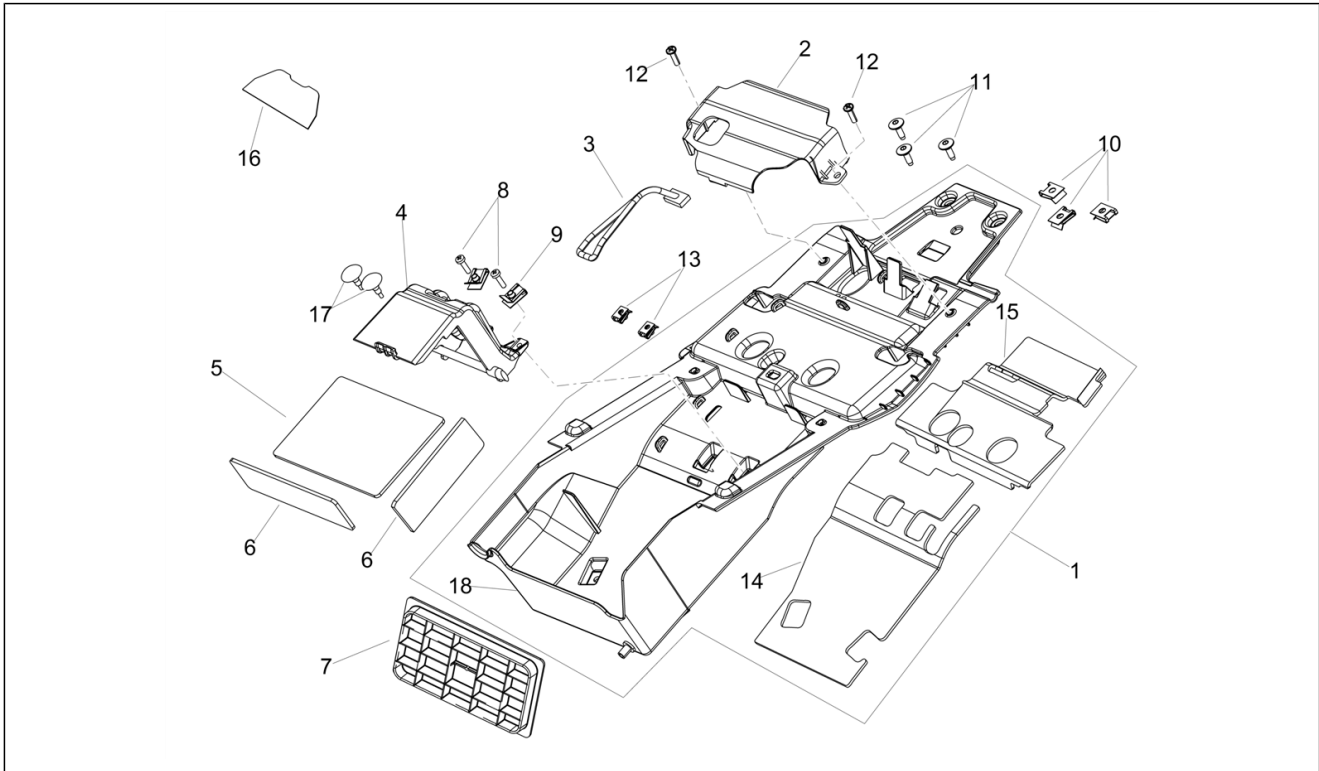
| Pos. | Code | Description | Qty | Variants |
|------|-------------|----------------------------|-----|----------------------------|
| 1 | 85166100XBC | Fuel tank cover, white | 1 | Colour:[White] |
| 1 | 85166100XV6 | Fuel tank cover, green | 1 | Colour:Raptor Green[Green] |
| 1 | 85166100H4 | Fuel tank cover, grey | 1 | Colour:Pulsar Grey[Grey] |
| 2 | 2B003881 | Cover | 1 | |
| 3 | AP8134419 | Fuel tank bush | 1 | |
| 4 | 576001 | Hex socket screw M6x100 | 1 | |
| 5 | AP8150014 | Washer 6,4x12,5* | 1 | |
| 6 | AP8123934 | Rubber spacer | 2 | |
| 7 | AP8152299 | Self-locking nut M6 | 1 | |
| 8 | AP8102375 | Clip M5 | 4 | |
| 9 | AP8152339 | Screw w/ flange M5x9 | 8 | |
| 10 | 851649 | RH water cooler protection | 1 | |
| 11 | 851650 | LH water cooler protection | 1 | |
| 12 | AP8150380 | Washer 12,5x6,4* | 4 | |
| 13 | AP8150537 | Hex socket screw M6x12 | 4 | |
| 14 | 2B004449 | LH tank cover decal | 1 | |
| 15 | 2B004448 | RH tank cover decal | 1 | |

| | |
|--------------------|--------|
| Group | Body |
| Code | 02.120 |
| Description | Saddle |
| Service | 1 |



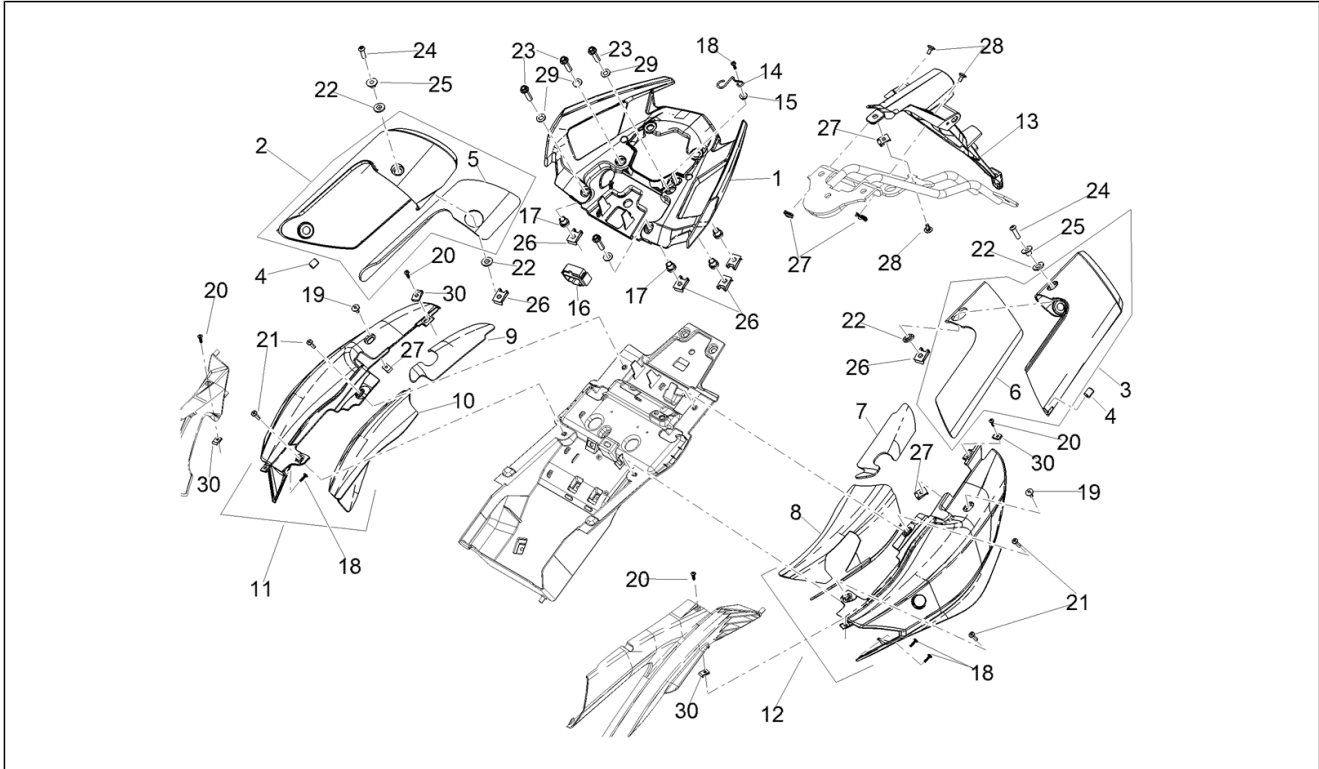
| Pos. | Code | Description | Qty | Variants |
|------|------------|-----------------------|-----|----------|
| 1 | 89533700C1 | Saddle, black (two p) | 1 | |
| 2 | AP8220349 | Rubber spacer | 4 | |
| 3 | AP8126701 | Saddle rubber | 2 | |

| | |
|--------------------|--------------------|
| Group | Body |
| Code | 02.130 |
| Description | Saddle compartment |
| Service | 1 |



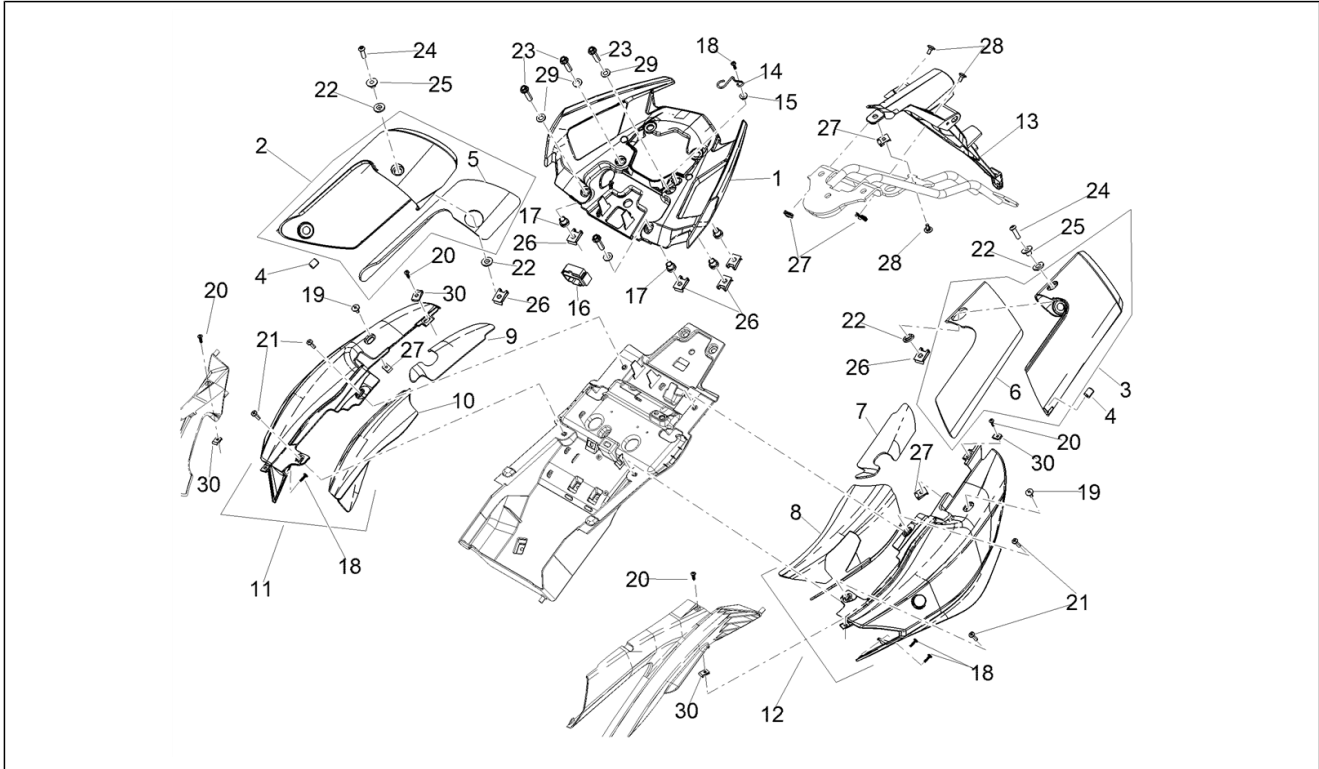
| Pos. | Code | Description | Qty | Variants |
|------|-----------|----------------------------|-----|----------|
| 1 | 2B004178 | Battery case cpl. | 1 | |
| 2 | 851656 | Battery cover | 1 | |
| 3 | AP8120177 | Elastic | 1 | |
| 4 | 2B004176 | Not available | 1 | |
| 5 | 856318 | Support rubber part | 1 | |
| 6 | AP8144552 | Lat.battery support rubber | 2 | |
| 7 | 654139 | Battery adapter | 1 | |
| 8 | AP8152329 | Phillips screw, SWP M5x20 | 2 | |
| 9 | AP8102381 | Clip M4 | 2 | |
| 10 | AP8102375 | Clip M5 | 3 | |
| 11 | AP8152302 | Screw w/ flange M5x12 | 1 | |
| 12 | AP8152329 | Phillips screw, SWP M5x20 | 3 | |
| 13 | AP8102381 | Clip M4 | 2 | |
| 14 | 2B004203 | Front fender protection | 1 | |
| 15 | 2B004204 | Guard | 1 | |
| 16 | 859894 | Protection | 1 | |
| 17 | AP8120001 | Rubber spacer | 2 | |
| 18 | 2B004175 | Battery box | 1 | |

| | |
|--------------------|-----------|
| Group | Body |
| Code | 02.140 |
| Description | Rear body |
| Service | 1 |



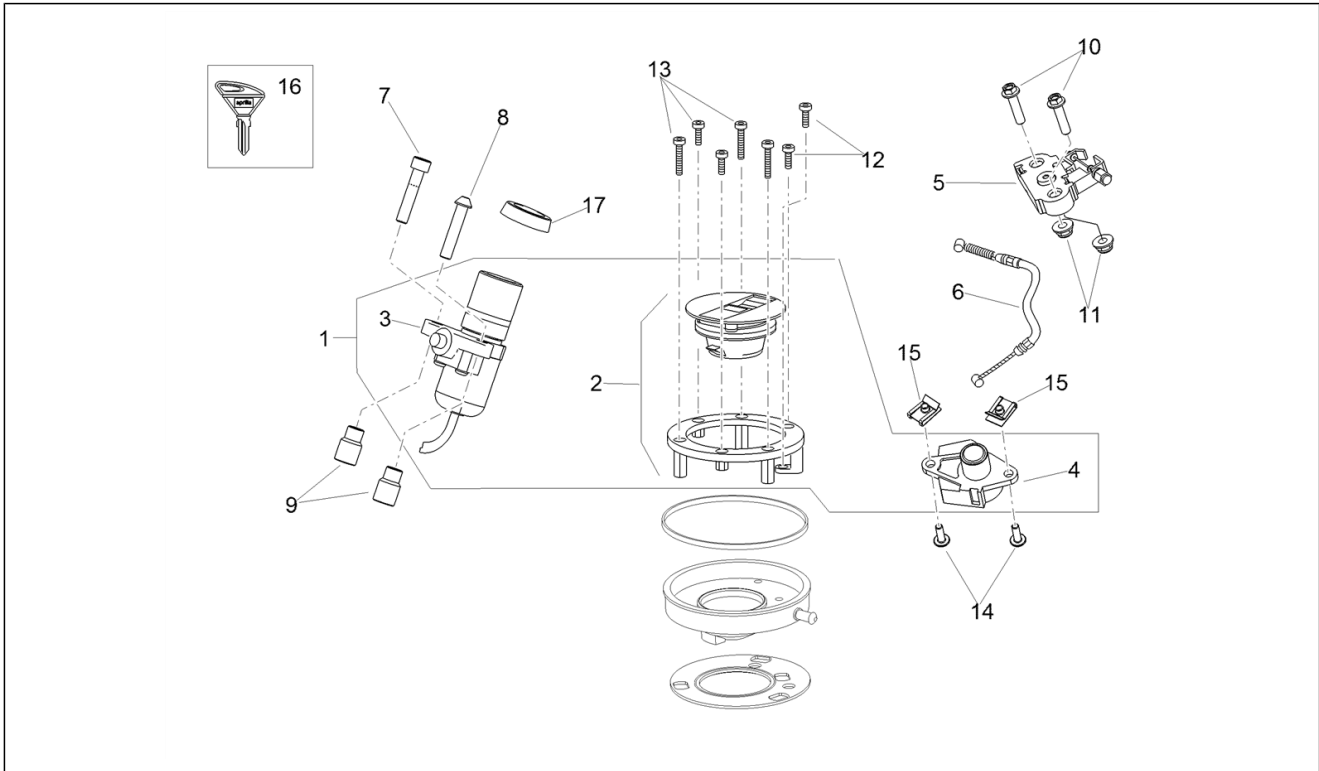
| Pos. | Code | Description | Qty | Variants |
|------|----------------|---------------------------|-----|----------------------------|
| 1 | 858074 | Rear handle | 1 | |
| 2 | 2B003883 | Right silencer cover | 1 | |
| 3 | 2B003884 | Left silencer cover | 1 | |
| 4 | AP8120712 | Rubber spacer | 4 | |
| 5 | 2B003886 | Right heat shield | 1 | |
| 6 | 2B003888 | Left heat shield | 1 | |
| 7 | 2B004106 | LH heat shield protection | 1 | |
| 8 | 2B004104 | Front left heat shield | 1 | |
| 9 | 2B004105 | RH heat shield protection | 1 | |
| 10 | 2B004103 | Front heat shield dx | 1 | |
| 11 | 2H002057000XBC | RH rear fairing, white | 1 | Colour:[White] |
| 11 | 2H002055000XV6 | RH rear fairing, green | 1 | Colour:Raptor Green[Green] |
| 11 | 2H001984000XN6 | RH rear fairing, black | 1 | Colour:Pulsar Grey[Grey] |
| 12 | 2H002056000XV6 | LH rear fairing, green | 1 | Colour:Raptor Green[Green] |
| 12 | 2H002058000XBC | LH rear fairing, white | 1 | Colour:[White] |
| 12 | 2H001985000XN6 | LH rear fairing, black | 1 | Colour:Pulsar Grey[Grey] |
| 13 | 860403 | Number plate holder | 1 | |
| 14 | AP8221206 | Helmet holder hook | 1 | |
| 15 | AP8221129 | Bush | 1 | |
| 16 | 858212 | Rubber fuse box | 1 | |
| 17 | 895871 | T bush | 4 | |
| 18 | AP8150413 | Self-tap screw 3,9x14 | 5 | |
| 19 | AP8150500 | Hex socket screw M5x9 | 2 | |
| 20 | AP8150362 | Self-tapping screw * | 2 | |
| 21 | AP8152329 | Phillips screw, SWP M5x20 | 6 | |
| 22 | AP8221340 | T bush | 12 | |
| 23 | AP8152288 | Screw w/ flange M8x30 | 4 | |
| 24 | AP8224470 | Hex socket screw M6x20 | 4 | |

| | |
|--------------------|-----------|
| Group | Body |
| Code | 02.140 |
| Description | Rear body |
| Service | 1 |



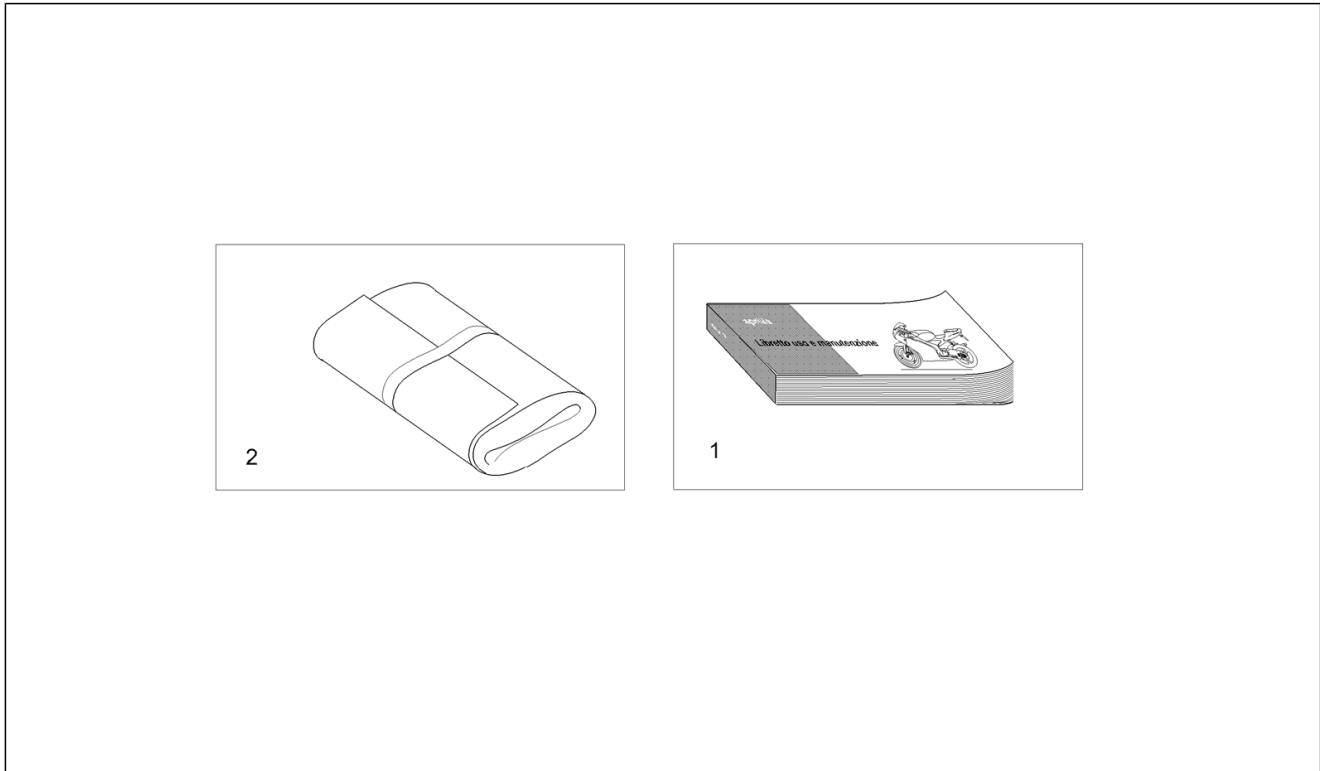
| Pos. | Code | Description | Qty | Variants |
|------|-------------|----------------------|-----|----------|
| 25 | AP8221341 | T bush | 6 | |
| 26 | 575268 | Spring plate M8 | 4 | |
| 27 | 00G04401462 | Nut D5 | 2 | |
| 28 | AP8152339 | Screw w/ flange M5x9 | 3 | |
| 29 | AP8150017 | Washer 8,4x16x1,6 | 4 | |
| 30 | AP8202449 | Clip | 2 | |

| | |
|--------------------|--------|
| Group | Body |
| Code | 02.170 |
| Description | Locks |
| Service | 1 |



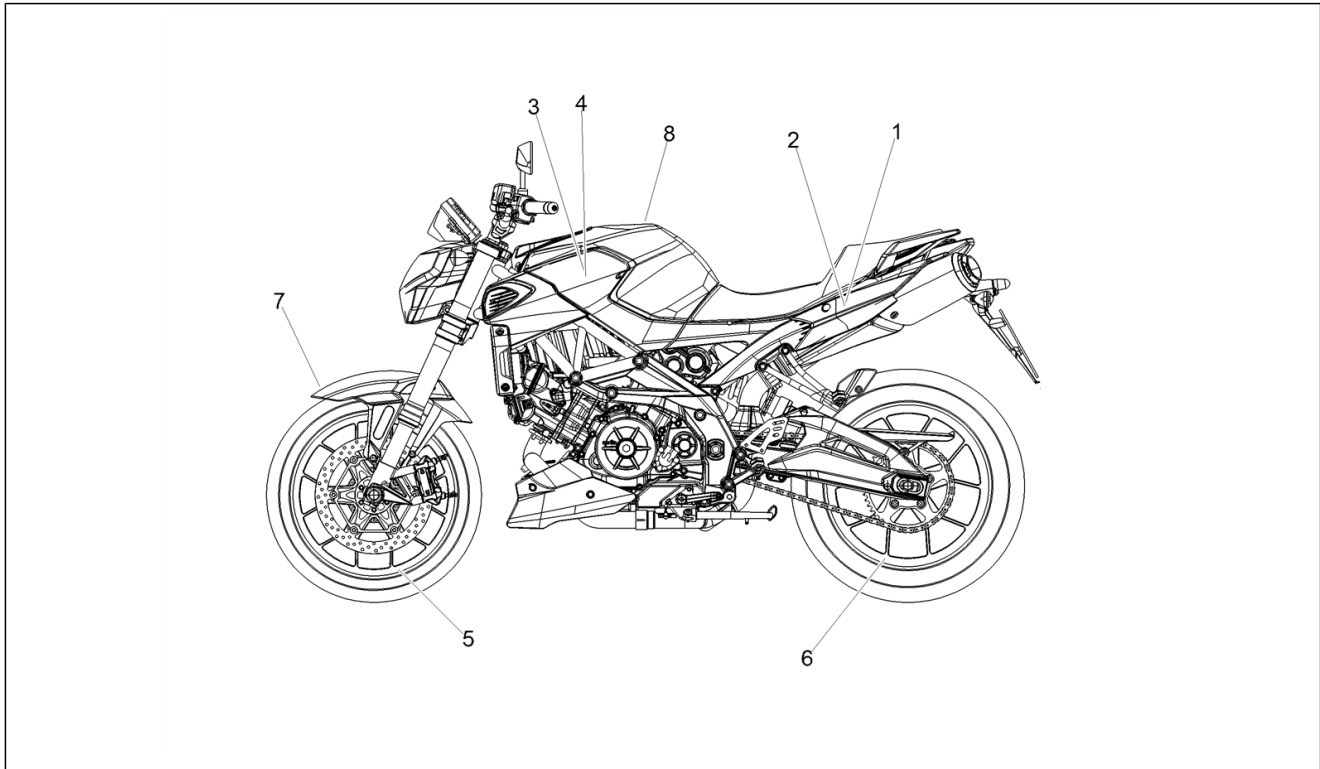
| Pos. | Code | Description | Qty | Variants |
|------|-----------|------------------------------|-----|----------|
| 1 | 2B004342 | Lock hardware kit | 1 | |
| 2 | 2B004341 | Tank cap | 1 | |
| 3 | 860127 | Main switch - steering lock | 1 | |
| 4 | AP8104919 | Saddle lock | 1 | |
| 5 | AP8102913 | Pass.saddle connecting plate | 1 | |
| 6 | 851680 | Lock cable | 1 | |
| 7 | AP8150351 | Shear rivet M8x40 | 1 | |
| 8 | AP8150171 | Hex socket screw M8x40 | 1 | |
| 9 | AP8121773 | Spacer * | 2 | |
| 10 | AP8152280 | Screw w/ flange M6x25 | 2 | |
| 11 | AP8152299 | Self-locking nut M6 | 2 | |
| 12 | AP8150454 | Hex socket screw M5x16 | 4 | |
| 13 | AP8150453 | Hex socket screw M5x30 | 3 | |
| 14 | AP8152298 | Screw w/ flange M5x16 | 2 | |
| 15 | AP8102375 | Clip M5 | 2 | |
| 16 | B044413 | "Aprilia" key with transpo. | 1 | |
| 17 | AP8127461 | Main switch seal | 1 | |

| | |
|--------------------|---------------------|
| Group | Body |
| Code | 02.180 |
| Description | Plate set / Various |
| Service | 1 |



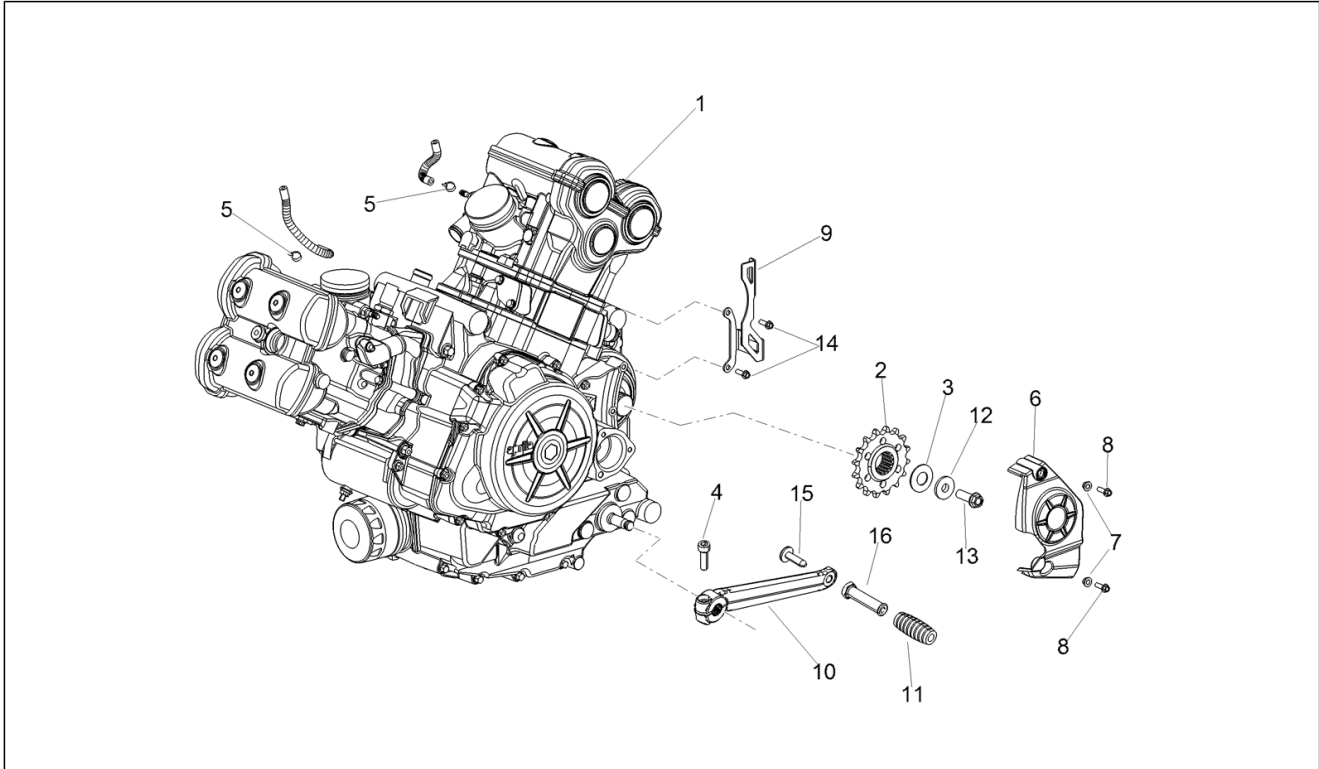
| Pos. | Code | Description | Qty | Variants |
|------|----------|---|-----|----------|
| 1 | 2Q000319 | Op's handbook I-D-F-E-UK-NL IT-DE-FR-ES | 1 | |
| 1 | 2Q000320 | Op's handbook I-D-F-E-UK-NL EN-NL-EL-DA-FI-FR | 1 | |
| 2 | 2B003365 | Toolkit | 1 | |

| | |
|--------------------|--------|
| Group | Body |
| Code | 02.190 |
| Description | Decal |
| Service | 1 |



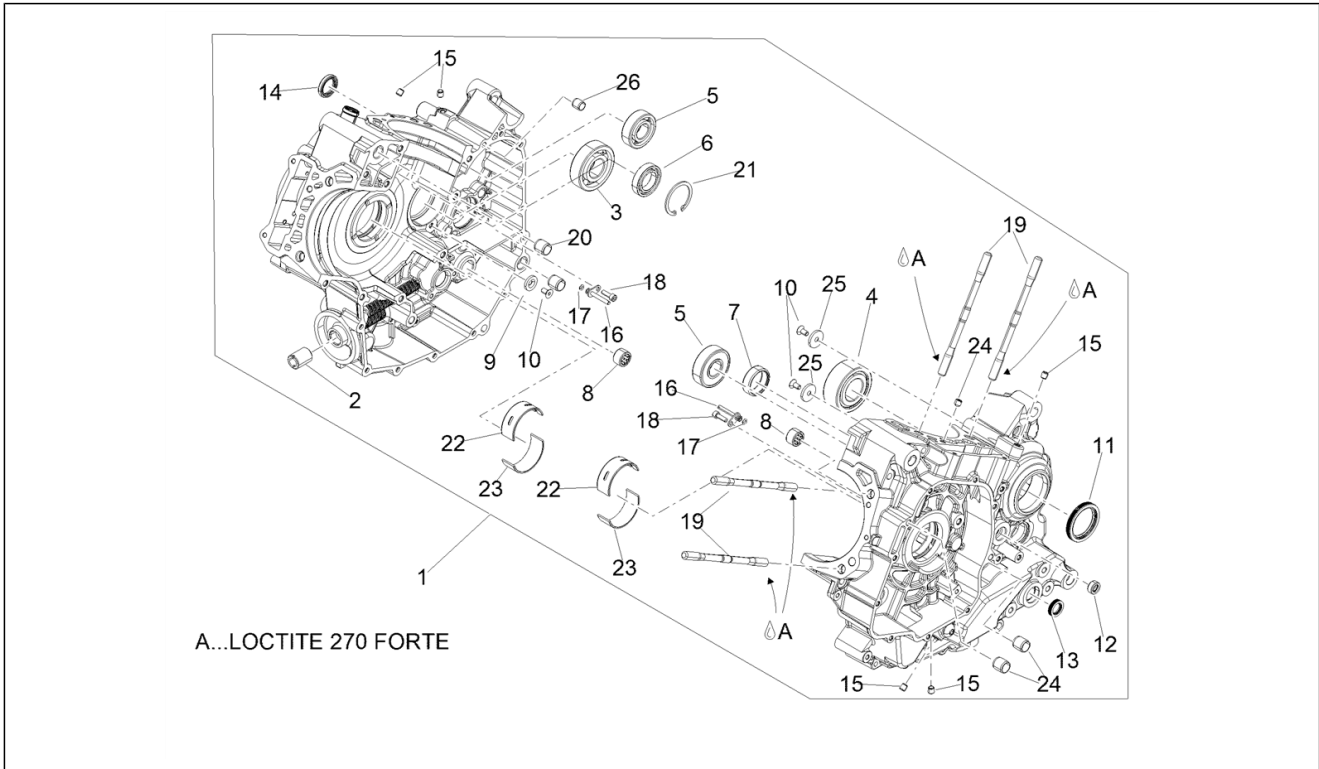
| Pos. | Code | Description | Qty | Variants |
|------|----------|--|-----|------------------------------------|
| 1 | 2H001989 | LH rear fairing decal "SHIVER 900" | 1 | Colour:Pulsar Grey[Grey] |
| 1 | 2H002063 | LH rear fairing decal "SHIVER 900" | 1 | Colour:[White] |
| 1 | 2H002061 | LH rear fairing decal "SHIVER 900" | 1 | Colour:Raptor Green[Green] |
| 2 | 2H001988 | RH rear fairing decal "SHIVER 900" | 1 | Colour:Pulsar Grey[Grey] |
| 2 | 2H002060 | RH rear fairing decal "SHIVER 900" | 1 | Colour:Raptor Green[Green] |
| 2 | 2H002062 | RH rear fairing decal "SHIVER 900" | 1 | Colour:[White] |
| 3 | 2H001986 | RH air duct, decal "APRILIA" | 1 | Colour:Pulsar Grey[Grey] |
| 3 | 2H002067 | [...] | 1 | Colour:[White] Raptor Green[Green] |
| 4 | 2H001987 | LH air duct, decal "APRILIA" | 1 | Colour:Pulsar Grey[Grey] |
| 4 | 2H002059 | ***STICKER | 1 | Colour:[White] Raptor Green[Green] |
| 5 | 2H002010 | Rim decal "BE A RACER" | 1 | |
| 6 | 2H002011 | Rim decal "BE A RACER" | 1 | |
| 7 | 2H001617 | Front mudguard decal "aprilias racing" | 1 | |
| 8 | 2H000874 | Decal 54 World Titles | 1 | |

| | |
|--------------------|------------------------------|
| Group | Engine |
| Code | 03.010 |
| Description | Engine-Completing part-Lever |
| Service | 1 |



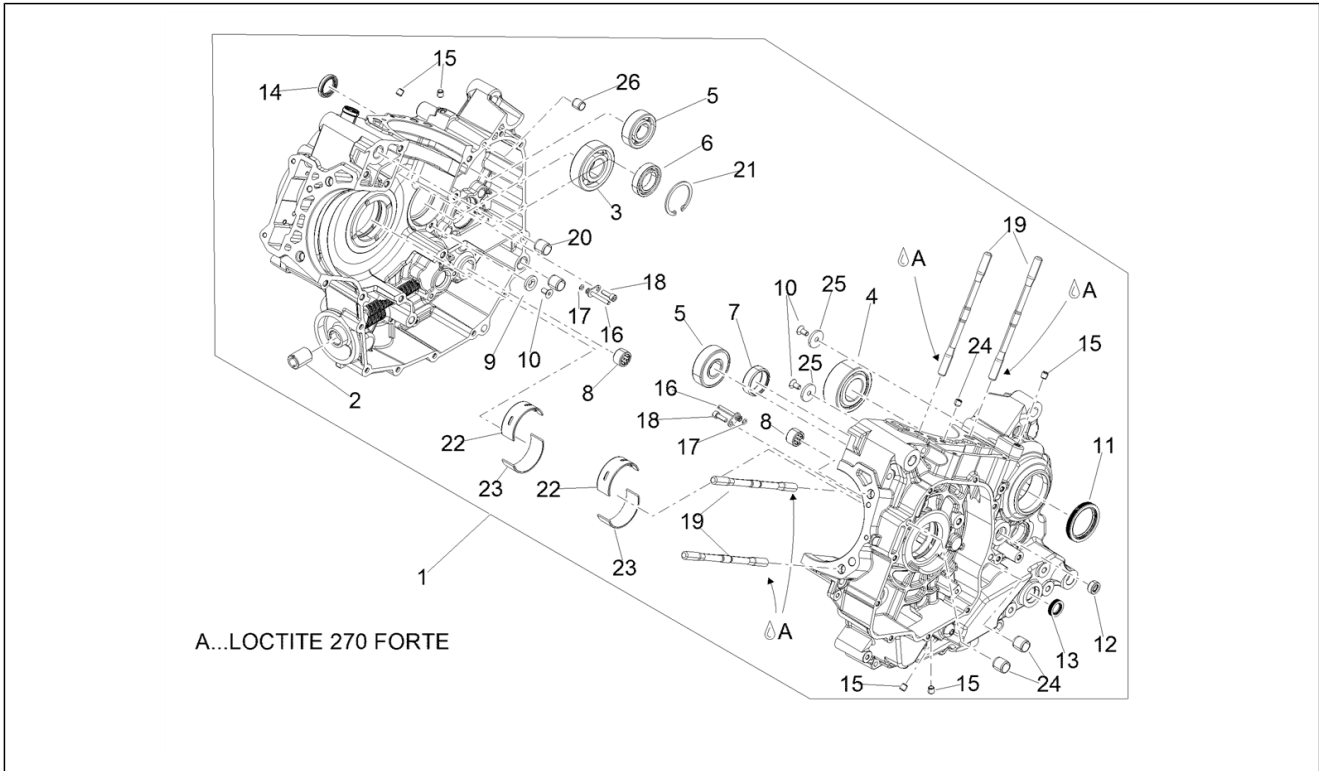
| Pos. | Code | Description | Qty | Variants |
|------|-----------|------------------------|-----|----------|
| 1 | CM1610015 | Engine 900 | 1 | |
| 2 | 974556 | Pinion Z=16 | 1 | |
| 3 | 2B002193 | Belleville spring | 1 | |
| 4 | AP8150044 | Hex socket screw M6x20 | 1 | |
| 5 | AP8201358 | Hose clamp D 11,9 | 2 | |
| 6 | 856069 | Sprocket cover | 1 | |
| 7 | AP8121811 | T bush | 2 | |
| 8 | AP8152277 | Screw w/ flange M6x12 | 2 | |
| 9 | 856079 | Plate | 1 | |
| 10 | 2B004225 | [...] | 1 | |
| 11 | AP8120912 | Lever rubber | 1 | |
| 12 | 2B002191 | T bushing | 1 | |
| 13 | B043047 | Screw w/ flange M10x25 | 1 | |
| 14 | 874548 | Screw w/ flange M6x65 | 2 | |
| 15 | CM179302 | Metric screw TBC | 1 | |
| 16 | 2B004288 | [...] | 1 | |

| | |
|--------------------|--------------|
| Group | Engine |
| Code | 03.030 |
| Description | Crankcases I |
| Service | 1 |



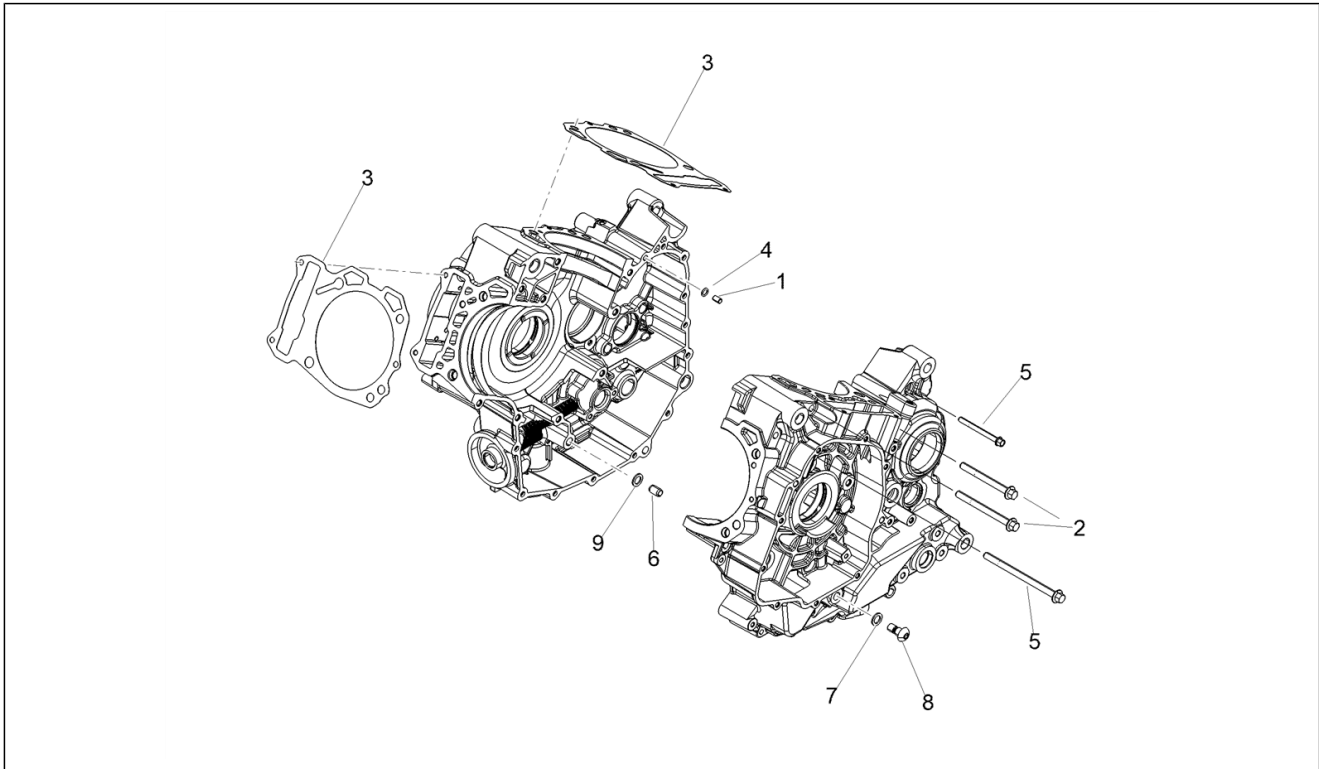
| Pos. | Code | Description | Qty | Variants |
|------|------------|-------------------------------|-----|----------|
| 1 | 1A0042310A | [...] | 1 | |
| 1 | 1A0042310B | [...] | 1 | |
| 2 | 829122 | Oil filter union | 1 | |
| 3 | 848651 | Ball bearing 25x62x17 | 1 | |
| 4 | 848475 | Ball bearing 30x62x23,8 | 1 | |
| 5 | 848650 | Ball bearing 20x47x14 | 2 | |
| 6 | 872033 | Ball bearing 25x42x9 | 1 | |
| 7 | 974129 | Roller cage 30x37x12 | 1 | |
| 8 | 122671 | Roller cage | 2 | |
| 9 | 873905 | Washer | 1 | |
| 10 | B013608 | Screw | 3 | |
| 11 | 848474 | Gasket ring | 1 | |
| 12 | 825577 | Gasket ring 8x16x7 | 1 | |
| 13 | 974112 | Gasket ring 14x22x5 | 1 | |
| 14 | 82897R | Gasket ring 20x30x5 | 1 | |
| 15 | 876748 | Plug | 5 | |
| 16 | 847537 | Oil sprayer pipe | 2 | |
| 17 | 487073 | Gasket ring | 2 | |
| 18 | B013349 | Screw | 2 | |
| 19 | 1A003631R | Stud bolt | 1 | |
| 20 | 974051 | Locating dowel (D.15,8) | 2 | |
| 21 | 006642 | Circlip | 1 | |
| 22 | 8783940001 | Bushing,red cat A | 2 | |
| 22 | 8783940002 | Bushing,blue cat B | 2 | |
| 22 | 8783940003 | Bushing,yellow cat C | 2 | |
| 22 | 8783940004 | Bushing, green cat D | 2 | |
| 23 | 8793650001 | Bearing half-shell catA rosso | 2 | |
| 23 | 8793650002 | Bearing half-shell catB blu | 2 | |

| | |
|--------------------|--------------|
| Group | Engine |
| Code | 03.030 |
| Description | Crankcases I |
| Service | 1 |



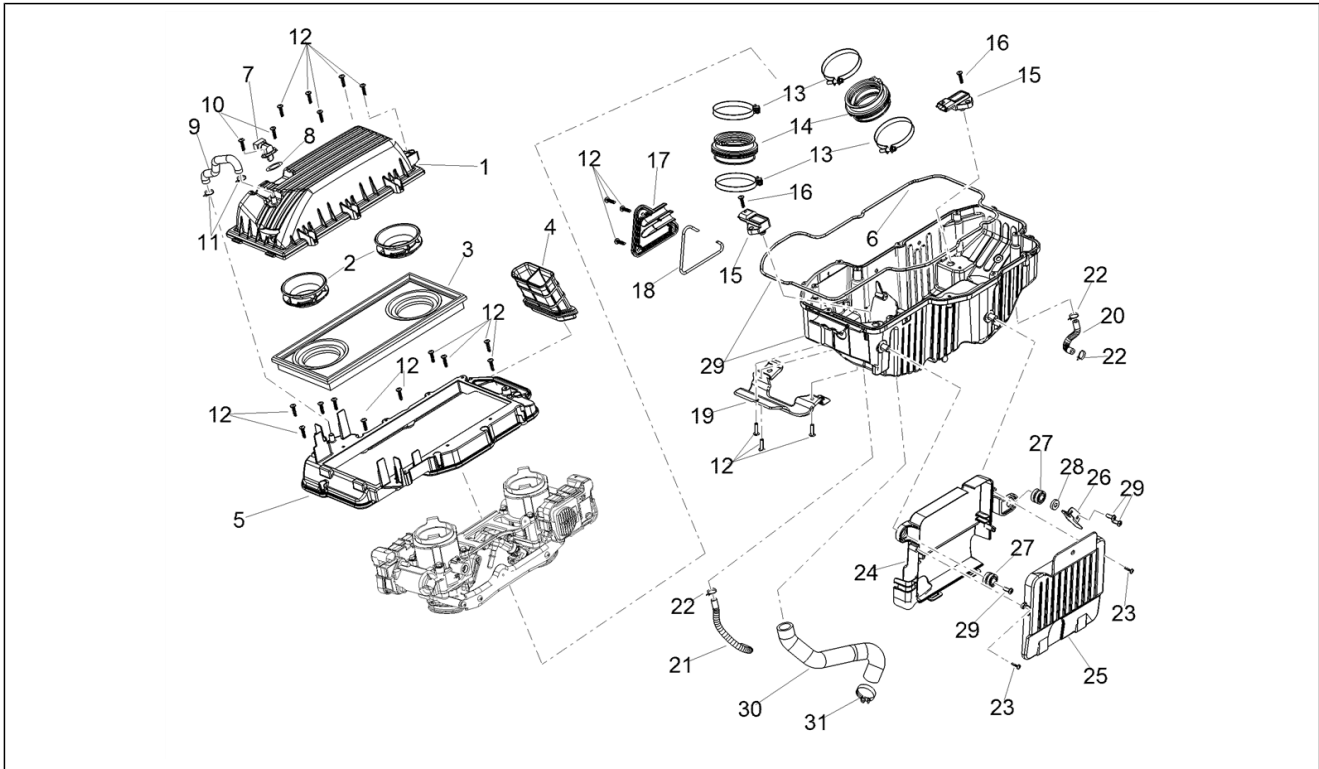
| Pos. | Code | Description | Qty | Variants |
|------|------------|--------------------------------|-----|----------|
| 23 | 8793650003 | Bearing half-shell catC giallo | 2 | |
| 23 | 8793650004 | Bearing half-shell catE verde | 2 | |
| 24 | 277916 | Locating dowel Ø7,5x12 | 2 | |
| 25 | 873928 | Washer | 2 | |
| 26 | 874598 | Locating dowel D6 | 1 | |

| | |
|--------------------|--------------|
| Group | Engine |
| Code | 03.040 |
| Description | Crankcases I |
| Service | 1 |



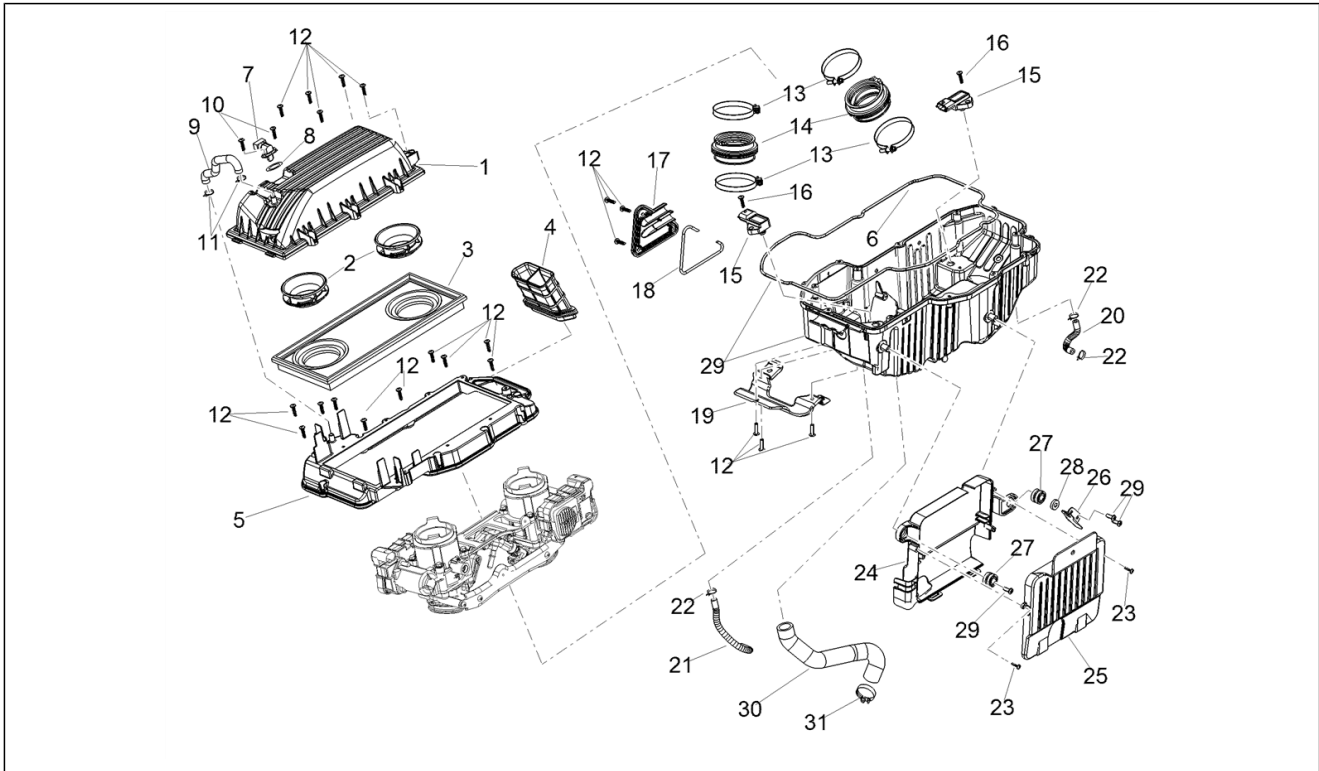
| Pos. | Code | Description | Qty | Variants |
|------|----------|--------------------------|-----|----------|
| 1 | 874598 | Locating dowel D6 | 1 | |
| 2 | 874548 | Screw w/ flange M6x65 | 7 | |
| 3 | CM154102 | Cylinder base gasket 0,6 | 2 | |
| 3 | CM154104 | Cylinder base gasket 0,5 | 2 | |
| 4 | 224035 | O-ring | 1 | |
| 5 | 874546 | Hex screw M8x80 | 7 | |
| 6 | 239388 | Pin 6,5x9,5x15 | 1 | |
| 7 | 969973 | Washer | 1 | |
| 8 | 849244 | Special screw | 1 | |
| 9 | 834317 | Gasket ring OR | 1 | |

| | |
|--------------------|---------|
| Group | Engine |
| Code | 03.050 |
| Description | Air box |
| Service | 1 |



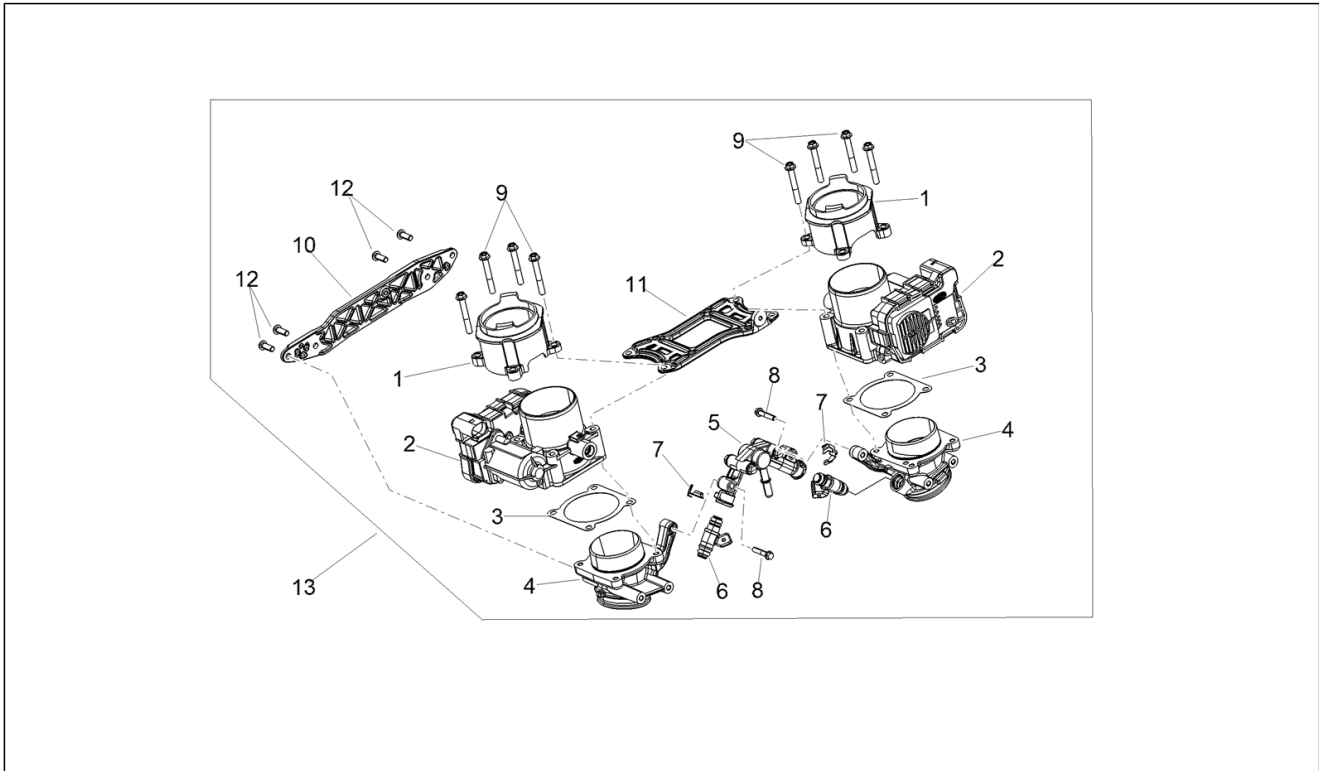
| Pos. | Code | Description | Qty | Variants |
|------|------------|---------------------------|-----|----------|
| 1 | 854946 | Filter housing cover | 1 | |
| 2 | 851581 | Air intake pipe | 1 | |
| 3 | 851575 | Air filter | 1 | |
| 4 | 858133 | Intake pipe | 1 | |
| 5 | 2B004315 | [...] | 1 | |
| 6 | 890513 | Gasket D4 | 1 | |
| 7 | GU30729330 | Air temp. Sensor | 1 | |
| 8 | GU30027931 | Gasket | 1 | |
| 9 | 8515674 | Blow-by breather pipe | 1 | |
| 10 | AP8150421 | Self-tap screw 2,9x12 | 2 | |
| 11 | AP8101595 | Hose clamp D10,1 | 2 | |
| 12 | AP8152329 | Phillips screw, SWP M5x20 | 23 | |
| 13 | 851570 | Throttle body hose | 2 | |
| 14 | 854970 | Hose clamp SM9C W1 6 | 4 | |
| 15 | 642302 | Air pressure sensor | 2 | |
| 16 | AP8150509 | Self-tap screw 5x14 | 2 | |
| 17 | 851685 | Cover | 1 | |
| 18 | AP8144245 | Gasket d.5 | 1 | |
| 19 | 2B004045 | ***CABLE DUCT | 1 | |
| 20 | 2B004057 | Rear pipe | 1 | |
| 21 | 2B004056 | Rear pipe | 1 | |
| 22 | AP8201358 | Hose clamp D 11,9 | 4 | |
| 23 | AP8150413 | Self-tap screw 3,9x14 | 2 | |
| 24 | 2B004463 | | 1 | |
| 25 | 2B002476 | Upper cover | 1 | |
| 26 | 2B004179 | Support plate | 1 | |
| 27 | AP8220150 | Rubber spacer | 2 | |
| 28 | AP8150255 | Washer 5x20x1,5 | 1 | |

| | |
|--------------------|---------|
| Group | Engine |
| Code | 03.050 |
| Description | Air box |
| Service | 1 |



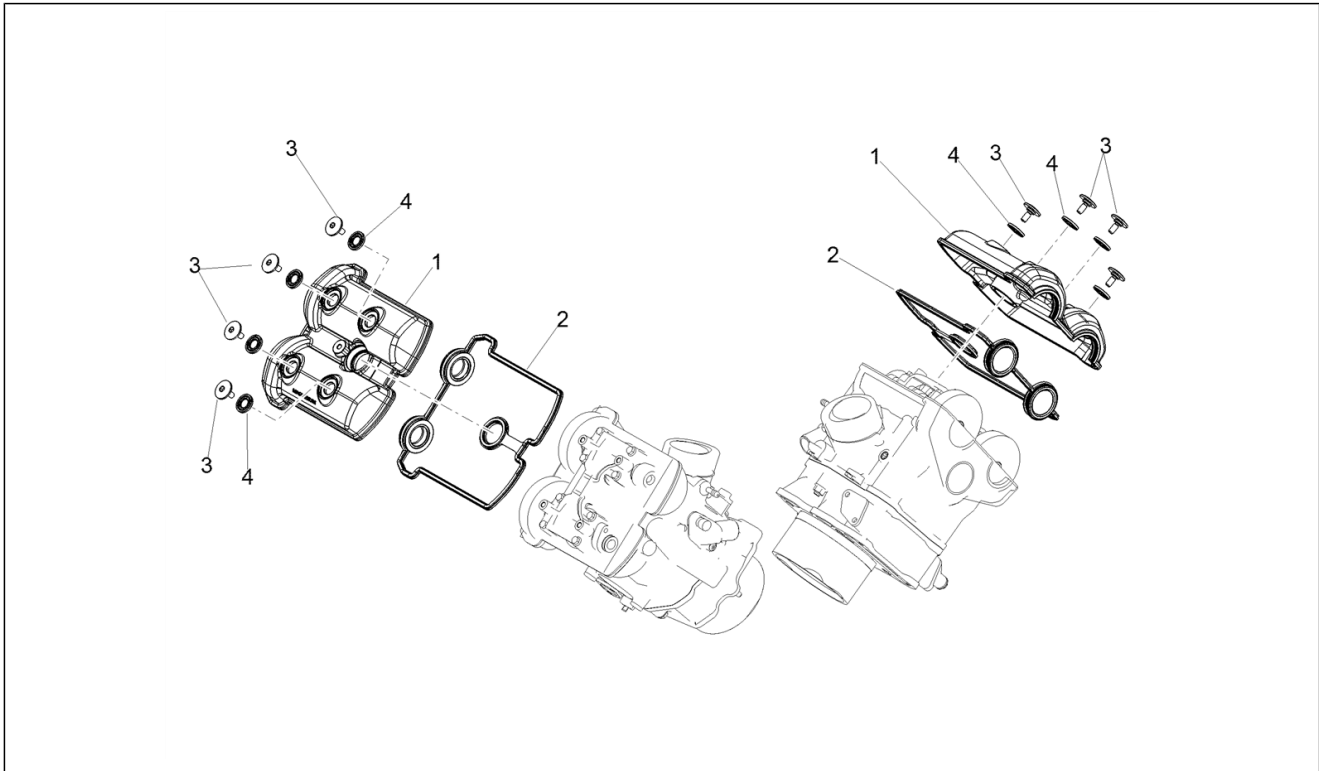
| Pos. | Code | Description | Qty | Variants |
|------|-----------|---------------------------|-----|----------|
| 29 | 2B004037 | Compl. filter casing base | 1 | |
| 30 | 851785 | Breather pipe BLOW-BY | 1 | |
| 31 | AP8120536 | Hose clip D28x8,6* | 1 | |

| | |
|--------------------|---------------|
| Group | Engine |
| Code | 03.060 |
| Description | Throttle body |
| Service | 1 |



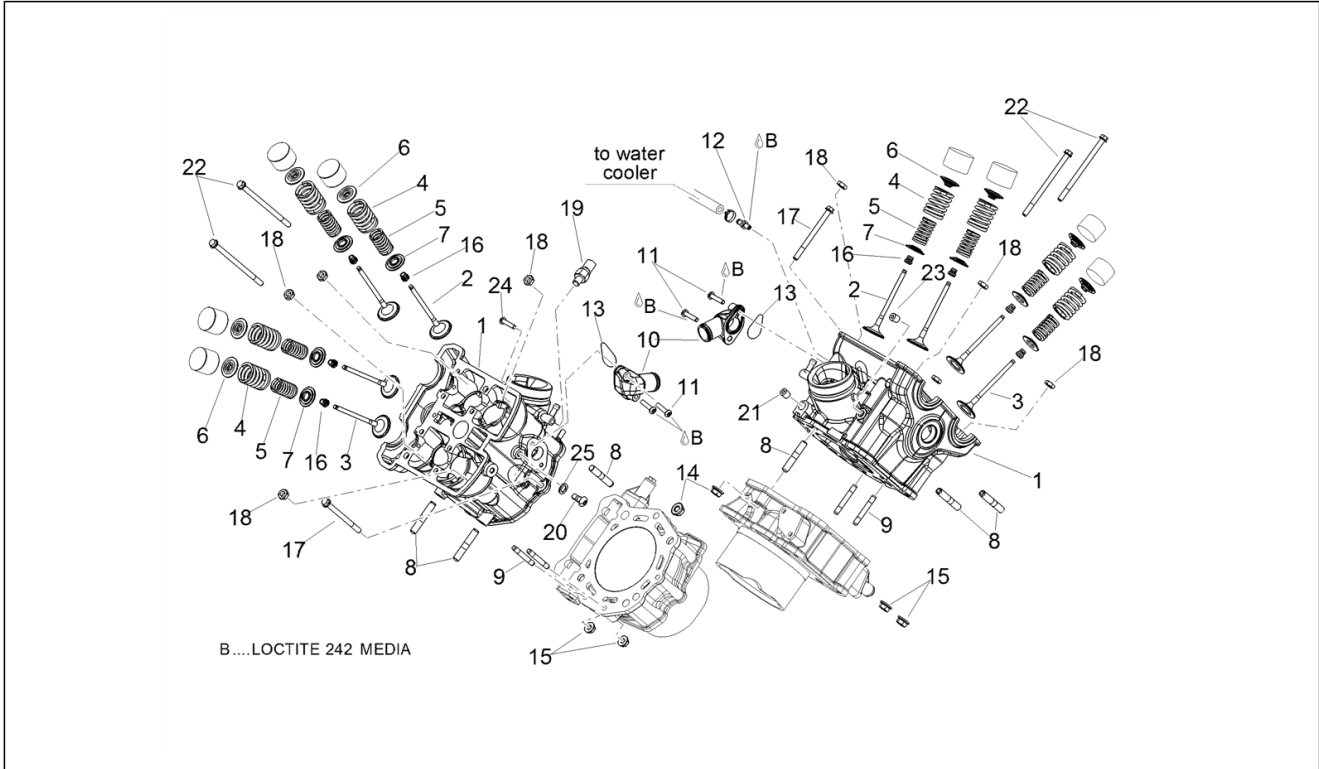
| Pos. | Code | Description | Qty | Variants |
|------|-----------|-------------------------------------|-----|----------|
| 1 | 872174 | Air filter support | 2 | |
| 2 | 872230 | Throttle body | 2 | |
| 3 | 872264 | Gasket | 2 | |
| 4 | 1A0088345 | Union | 2 | |
| 5 | 1A008629 | Bracket | 1 | |
| 6 | 1A008364 | Complete injector | 1 | |
| 7 | 849898 | Spring | 2 | |
| 8 | 1A002953 | ***FLANGED HEXAGONAL HEAD SCREW | 2 | |
| 9 | B016425 | Screw w/ flange M6x60 | 8 | |
| 10 | 872176 | plate | 1 | |
| 11 | 872177 | Upper plate | 1 | |
| 12 | 1A003049 | ***HEXAGON SOCKET BUTTON HEAD SCREW | 4 | |
| 13 | 1A0083635 | [...] | 1 | |

| | |
|--------------------|------------|
| Group | Engine |
| Code | 03.090 |
| Description | Head cover |
| Service | 1 |



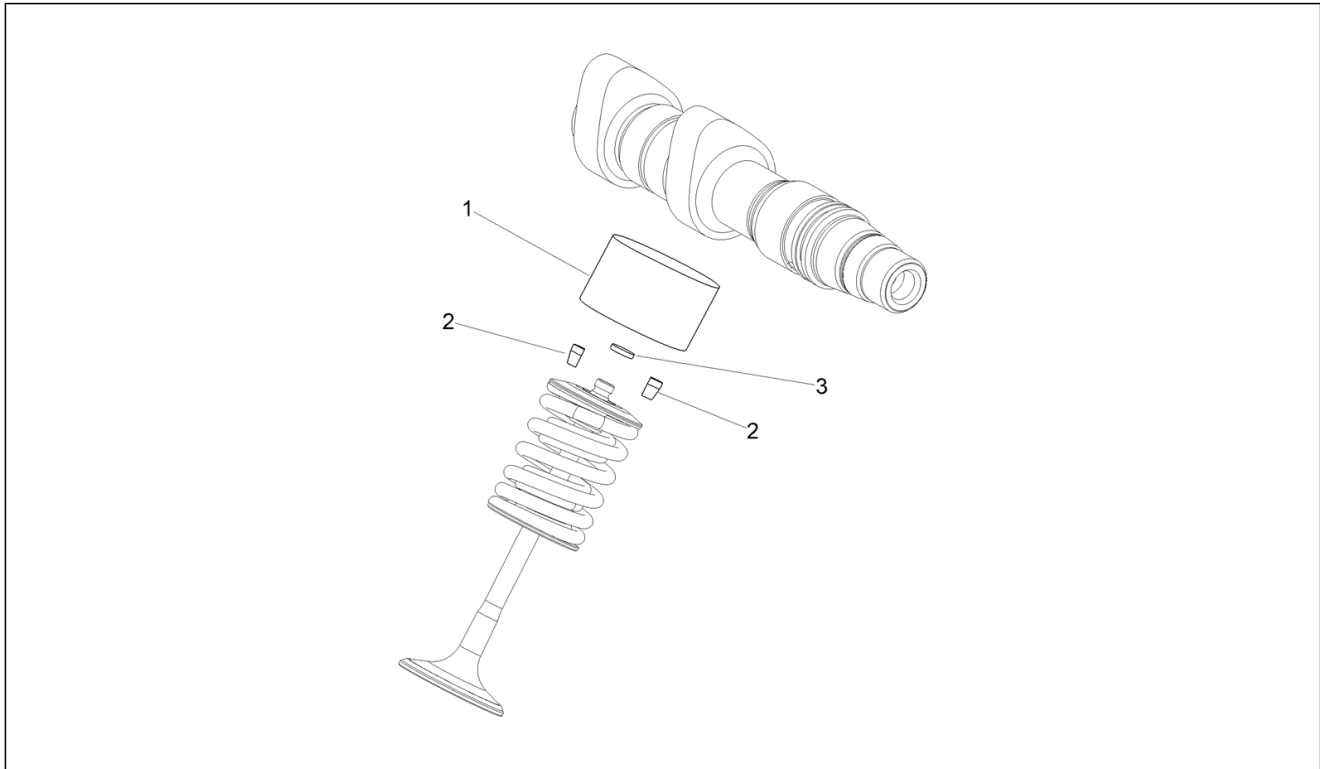
| Pos. | Code | Description | Qty | Variants |
|------|-----------|---------------------|-----|----------|
| 1 | 1A0090635 | Cylinder head cover | 2 | |
| 2 | 83013R | Head cover gasket | 1 | |
| 3 | 842291 | Special screw | 4 | |
| 4 | 830249 | Damper drift | 8 | |

| | |
|--------------------|------------------------|
| Group | Engine |
| Code | 03.100 |
| Description | Cylinder head - valves |
| Service | 1 |



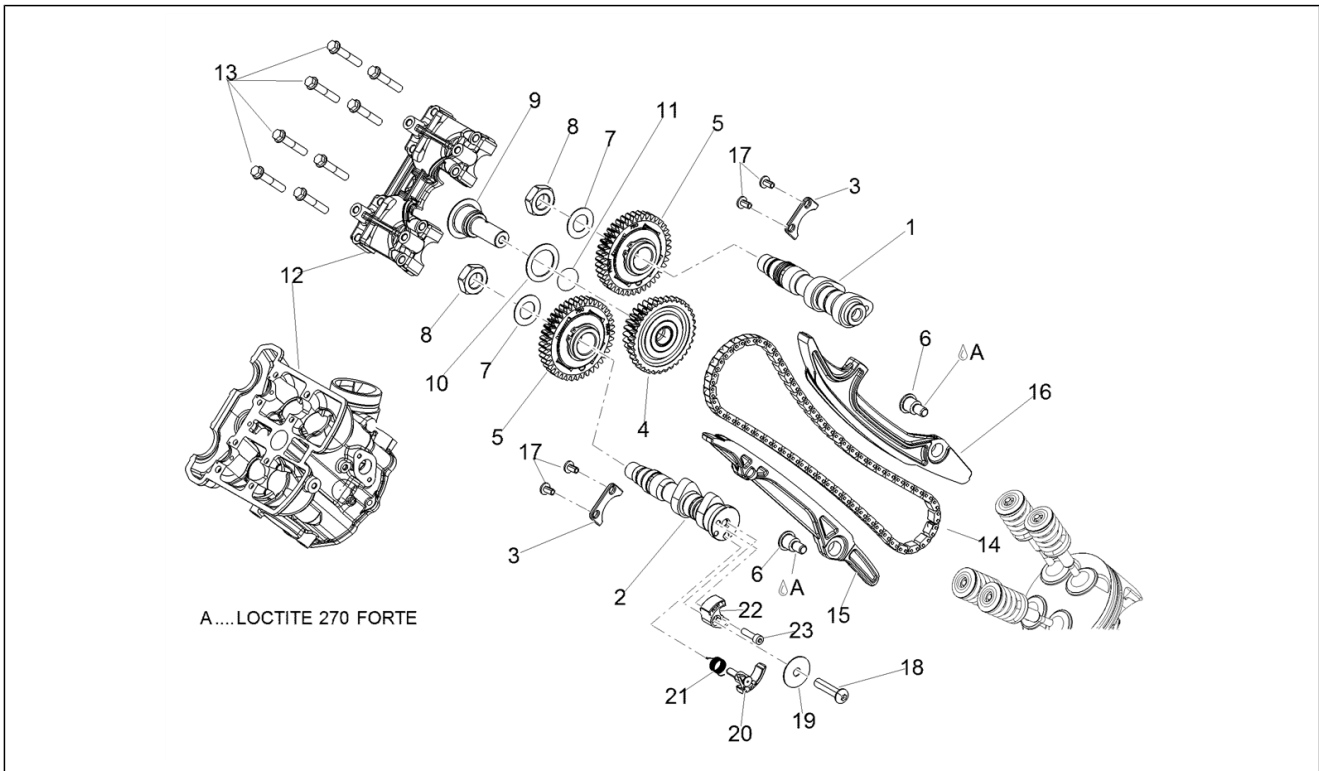
| Pos. | Code | Description | Qty | Variants |
|------|-----------|------------------------------------|-----|----------|
| 1 | 1A008221 | LH head assy with valve | 2 | |
| 2 | 846923 | Intake valve | 4 | |
| 3 | 873459 | Exhaust valve | 4 | |
| 4 | 873005 | Ext. valve spring | 8 | |
| 5 | 873006 | Int. valve spring | 8 | |
| 6 | 1A002802 | [...] | 1 | |
| 7 | 1A002803 | Lower cap | 8 | |
| 8 | 1A003632R | Stud bolt | 1 | |
| 9 | 872807 | Stud bolt | 4 | |
| 10 | 1A008494 | Water hose union | 2 | |
| 11 | 855799 | Screw w/ flange | 4 | |
| 12 | 873396 | Joint | 1 | |
| 13 | 878705 | Gasket | 2 | |
| 14 | 874557 | Flanged nut M8x1,25 | 2 | |
| 15 | 874558 | Flanged nut | 4 | |
| 16 | 436438 | Valve gasket ring | 1 | |
| 17 | 874556 | Flanged hexagon screw | 2 | |
| 18 | 825694 | Nut M10x1,25 | 8 | |
| 19 | 640485 | Temperature gauge | 1 | |
| 20 | 1A002952 | M6x12 button socket head cap screw | 1 | |
| 21 | 411311 | Plug M12x1,5 | 1 | |
| 22 | 872424 | Screw w/ flange | 4 | |
| 23 | 1A009653 | Plug M10 | 1 | |
| 24 | 1A003051 | Torx convex big end screw M5x16 | 1 | |
| 25 | 847239 | Washer | 1 | |

| | |
|--------------------|--------|
| Group | Engine |
| Code | 03.110 |
| Description | Pad |
| Service | 1 |



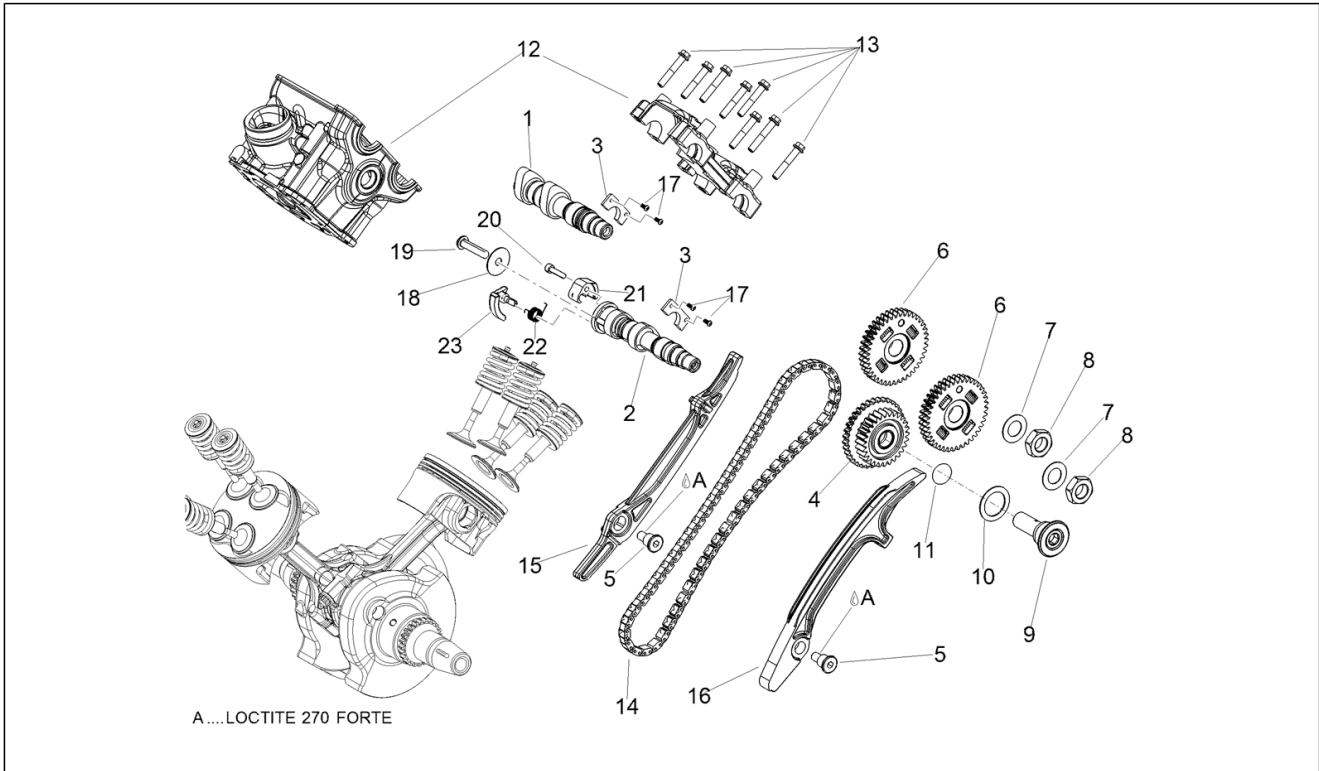
| Pos. | Code | Description | Qty | Variants |
|------|----------|------------------------|-----|----------|
| 1 | 873082 | Tappet closing | 8 | |
| 2 | 285846 | Valve half-cone | 8 | |
| 3 | CM163203 | Calibrated pad 2,50 mm | 1 | |
| 3 | CM163211 | Calibrated pad 2,90 mm | 1 | |
| 3 | CM163218 | Calibrated pad 3,25 mm | 1 | |
| 3 | CM163219 | Calibrated pad 3,30 mm | 1 | |
| 3 | CM163217 | Calibrated pad 3,20 mm | 1 | |
| 3 | CM163216 | Calibrated pad 3,15 mm | 1 | |
| 3 | CM163201 | Calibrated pad 2,40 mm | 1 | |
| 3 | CM163208 | Calibrated pad 2,75 mm | 1 | |
| 3 | CM163202 | Calibrated pad 2,45 mm | 1 | |
| 3 | CM163210 | Calibrated pad 2,85 mm | 1 | |
| 3 | CM163206 | Calibrated pad 2,65 mm | 1 | |
| 3 | CM163209 | Calibrated pad 2,80 mm | 1 | |
| 3 | CM163204 | Calibrated pad 2,55 mm | 1 | |
| 3 | CM163207 | Calibrated pad 2,70 mm | 1 | |
| 3 | CM163213 | Calibrated pad 3,00 mm | 1 | |
| 3 | CM163221 | Calibrated pad 3,40 mm | 1 | |
| 3 | CM163215 | Calibrated pad 3,10 mm | 1 | |
| 3 | CM163214 | Calibrated pad 3,05 mm | 1 | |
| 3 | CM163212 | Calibrated pad 2,95 mm | 1 | |
| 3 | CM163205 | Calibrated pad 2,60 mm | 1 | |
| 3 | CM163220 | Calibrated pad 3,35 mm | 1 | |

| | |
|--------------------|------------------------------|
| Group | Engine |
| Code | 03.130 |
| Description | Front cylinder timing system |
| Service | 1 |



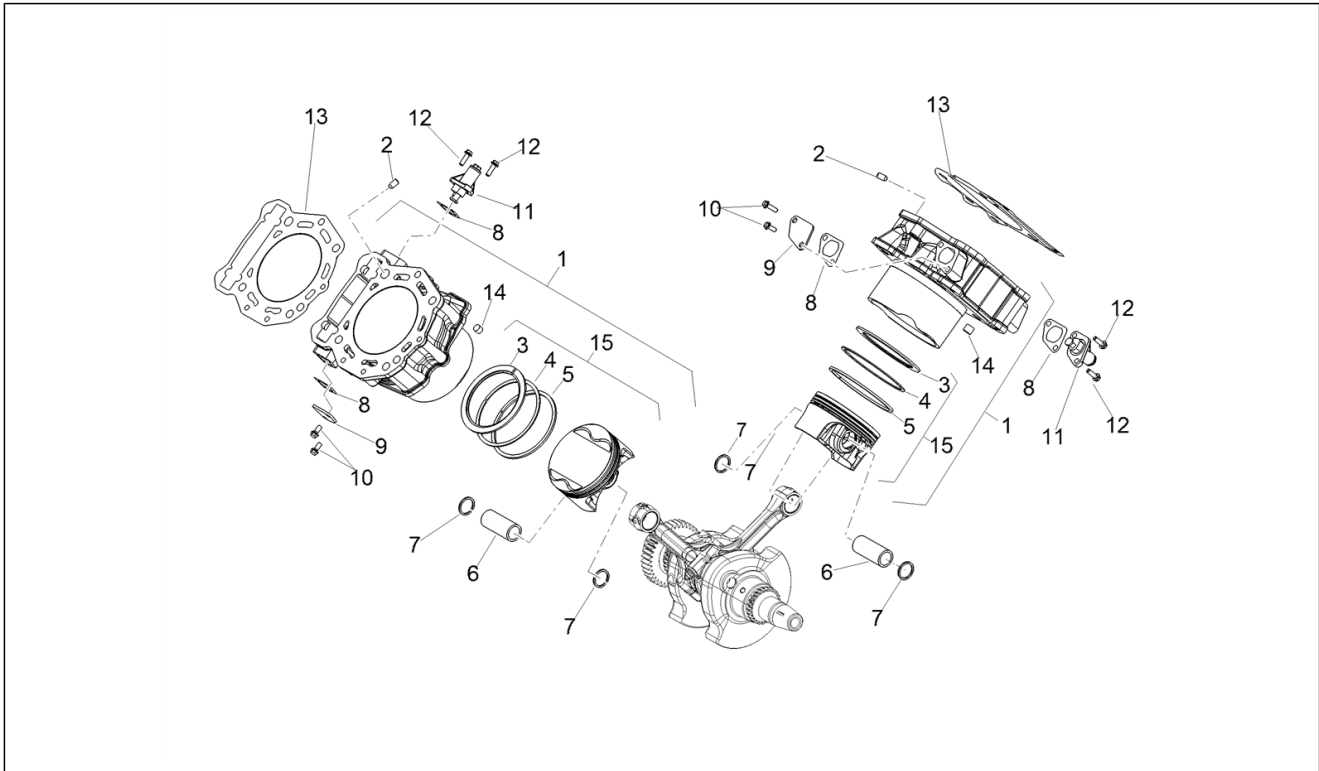
| Pos. | Code | Description | Qty | Variants |
|------|----------|-------------------------------|-----|----------|
| 1 | 82977R | Front intake camshaft | 1 | |
| 2 | 1A008512 | Exhaust camshaft | 1 | |
| 3 | 878560 | Axial lock plate | 2 | |
| 4 | 8745964 | Timing system gear cpl. | 1 | |
| 5 | 8499094 | Front timing system gear cpl. | 5 | |
| 6 | 878868 | Spacer screw M8 | 2 | |
| 7 | 874744 | Thrust washer | 2 | |
| 8 | 874751 | Nut M15x1 DX | 2 | |
| 9 | 1A006352 | Special screw | 2 | |
| 10 | 849817 | Safety washer | 2 | |
| 11 | 873233 | Gasket ring | 2 | |
| 12 | 1A008221 | LH head assy with valve | 1 | |
| 13 | B016191 | Screw w/ flange | 8 | |
| 14 | 849827 | Camshaft chain | 1 | |
| 15 | 871798 | Chain guide plate | 1 | |
| 16 | 871748 | Chain tensioner rod | 1 | |
| 17 | B046202 | Screw TB 4X12 TORX | 2 | |
| 18 | 877884 | Torx convex big end screw | 1 | |
| 19 | 879523 | Special washer | 1 | |
| 20 | 1A005189 | Decompression counterweight | 1 | |
| 21 | 1A005187 | Decompression spring | 1 | |
| 22 | 1A005190 | Decompressor counterweight | 1 | |
| 23 | 877885 | Hex socket screw | 1 | |

| | |
|--------------------|-----------------------------|
| Group | Engine |
| Code | 03.140 |
| Description | Rear cylinder timing system |
| Service | 1 |



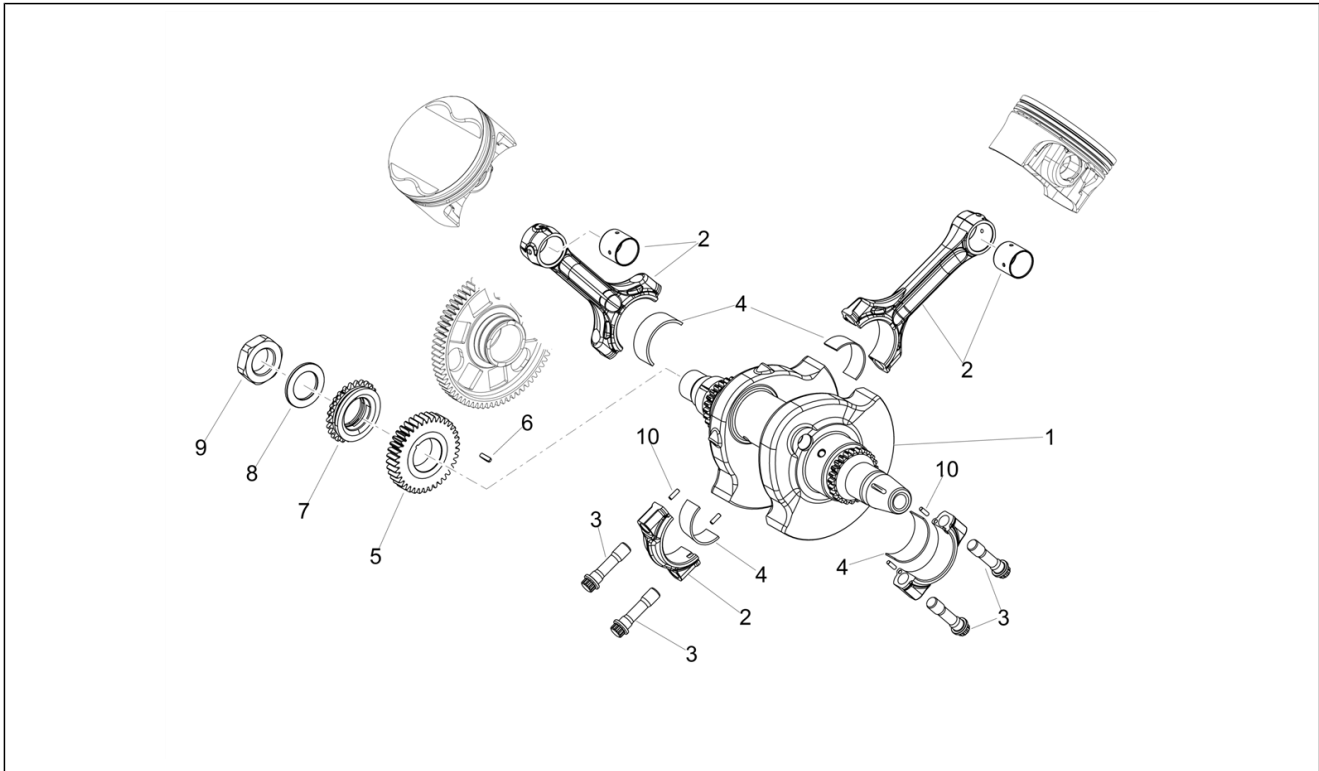
| Pos. | Code | Description | Qty | Variants |
|------|----------|------------------------------|-----|----------|
| 1 | 82979R | Rear intake camshaft | 1 | |
| 2 | 1A008513 | Rear exhaust camshaft | 1 | |
| 3 | 878560 | Axial lock plate | 1 | |
| 4 | 8745964 | Timing system gear cpl. | 1 | |
| 5 | 878868 | Spacer screw M8 | 1 | |
| 6 | 8499104 | Rear timing system gear cpl. | 1 | |
| 7 | 874744 | Thrust washer | 2 | |
| 8 | 874752 | Nut M15x1 SX | 2 | |
| 9 | 1A006352 | Special screw | 1 | |
| 10 | 849817 | Safety washer | 1 | |
| 11 | 873233 | Gasket ring | 1 | |
| 12 | 1A008221 | LH head assy with valve | 1 | |
| 13 | B016191 | Screw w/ flange | 8 | |
| 14 | 849827 | Camshaft chain | 1 | |
| 15 | 871798 | Chain guide plate | 1 | |
| 16 | 871748 | Chain tensioner rod | 1 | |
| 17 | B046202 | Screw TB 4X12 TORX | 2 | |
| 18 | 879523 | Special washer | 1 | |
| 19 | 877884 | Torx convex big end screw | 1 | |
| 20 | 877885 | Hex socket screw | 1 | |
| 21 | 1A005192 | Decompressor counterweight | 1 | |
| 22 | 1A005186 | Decompression spring | 1 | |
| 23 | 1A005191 | Decompression counterweight | 1 | |

| | |
|--------------------|-------------------|
| Group | Engine |
| Code | 03.150 |
| Description | Cylinder - Piston |
| Service | 1 |



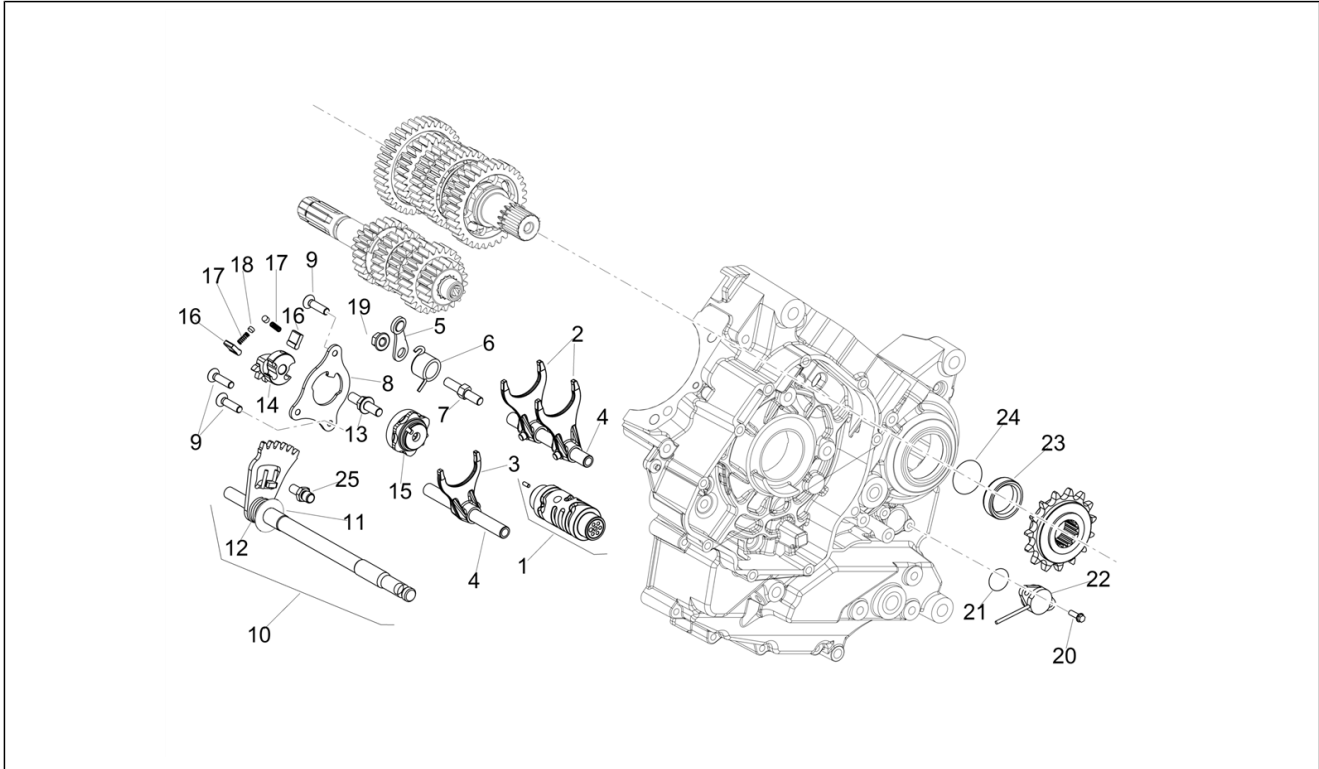
| Pos. | Code | Description | Qty | Variants |
|------|------------|-------------------------|-----|----------|
| 1 | 1A0080225 | Cylinder with piston | 2 | |
| 2 | 874589 | Calibrated dowel | 2 | |
| 3 | 1A009782 | Compression ring | 2 | |
| 4 | 1A008508 | Oil scraper ring | 2 | |
| 5 | 1A008509 | Oil scraper section | 2 | |
| 6 | 1A008510 | Piston pin | 2 | |
| 7 | 828116 | Stop ring | 4 | |
| 8 | 847928 | | 2 | |
| 9 | 840135 | Plate | 2 | |
| 10 | 874554 | Screw w/ flange M6x14 | 4 | |
| 11 | 289919 | Chain tensioner bracket | 2 | |
| 12 | 874555 | Screw w/ flange M6x16 | 4 | |
| 13 | 878654 | Cylinder head gasket | 2 | |
| 14 | 825597 | Pin 11,8X10 | 4 | |
| 15 | 1A0085050A | Complete piston cat.A | 1 | |
| 15 | 1A0085050B | Complete piston cat.B | 1 | |
| 15 | 1A0085050C | Complete piston cat.C | 1 | |
| 15 | 1A0085050D | Complete piston cat.D | 1 | |

| | |
|--------------------|-------------|
| Group | Engine |
| Code | 03.160 |
| Description | Drive shaft |
| Service | 1 |



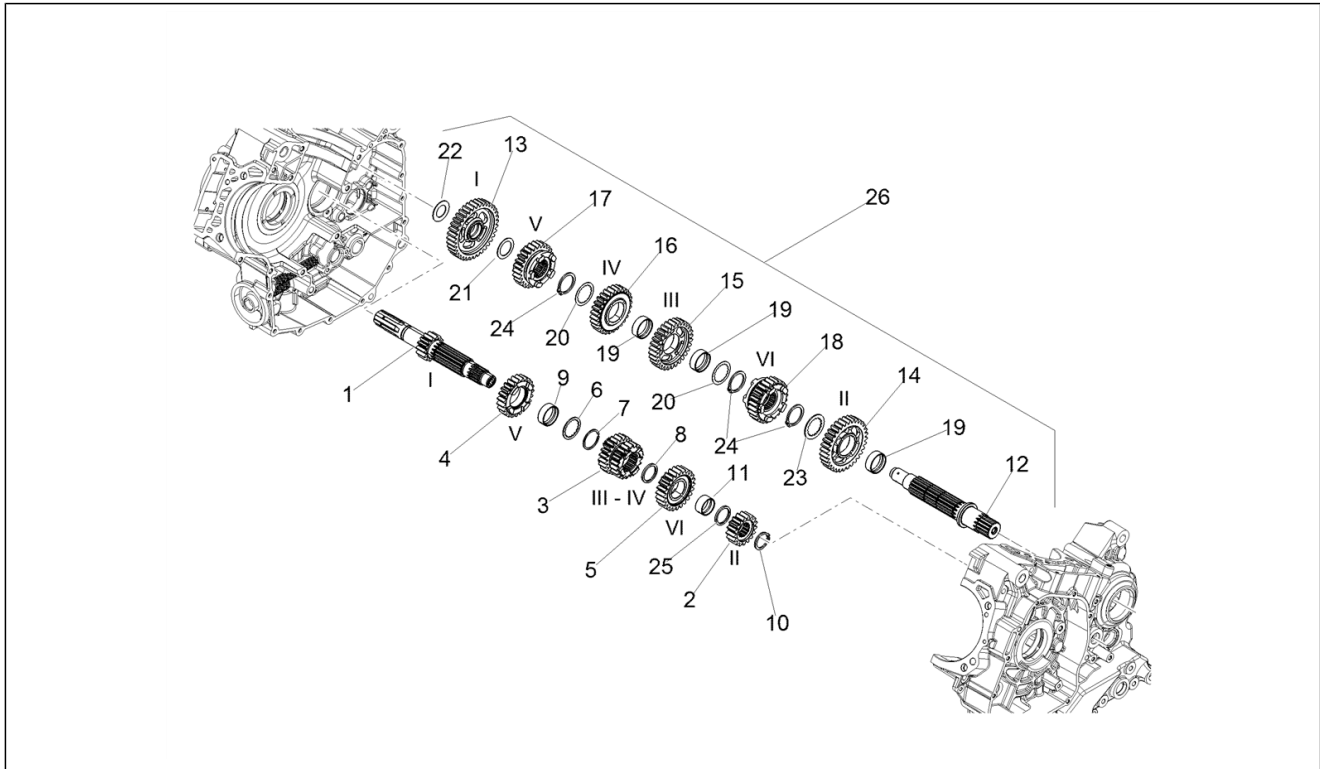
| Pos. | Code | Description | Qty | Variants |
|------|------------|----------------------------|-----|----------|
| 1 | 1A0050110A | [...] | 1 | |
| 1 | 1A0050110B | [...] | 1 | |
| 1 | 1A0050110C | [...] | 1 | |
| 1 | 1A0050110D | [...] | 1 | |
| 1 | 1A0050110E | [...] | 1 | |
| 1 | 1A0050110F | [...] | 1 | |
| 2 | 1A001476E3 | [...] | 1 | |
| 2 | 1A001476E4 | [...] | 1 | |
| 2 | 1A001476E5 | [...] | 1 | |
| 3 | 849131 | Connecting rod screw | 4 | |
| 4 | 8781140B | Bushing half-shell, blue | 4 | |
| 4 | 8781140R | Bushing half-shell, red | 4 | |
| 4 | 8781140G | Bushing half-shell, yellow | 4 | |
| 4 | 8781140V | Bearing half-shell, green | 4 | |
| 5 | CM159101 | Primary drive gear Z=40 | 1 | |
| 5 | CM159102 | Primary drive gear Z=40 | 1 | |
| 6 | 000267 | Transmission key | 2 | |
| 7 | B013373 | Water pump pinion | 1 | |
| 8 | 847915 | Flat washer | 1 | |
| 9 | 878296 | Nut | 1 | |
| 10 | 847906 | Roller | 2 | |

| | |
|--------------------|---------------------------------|
| Group | Engine |
| Code | 03.170 |
| Description | Gear box / Selector / Shift cam |
| Service | 1 |



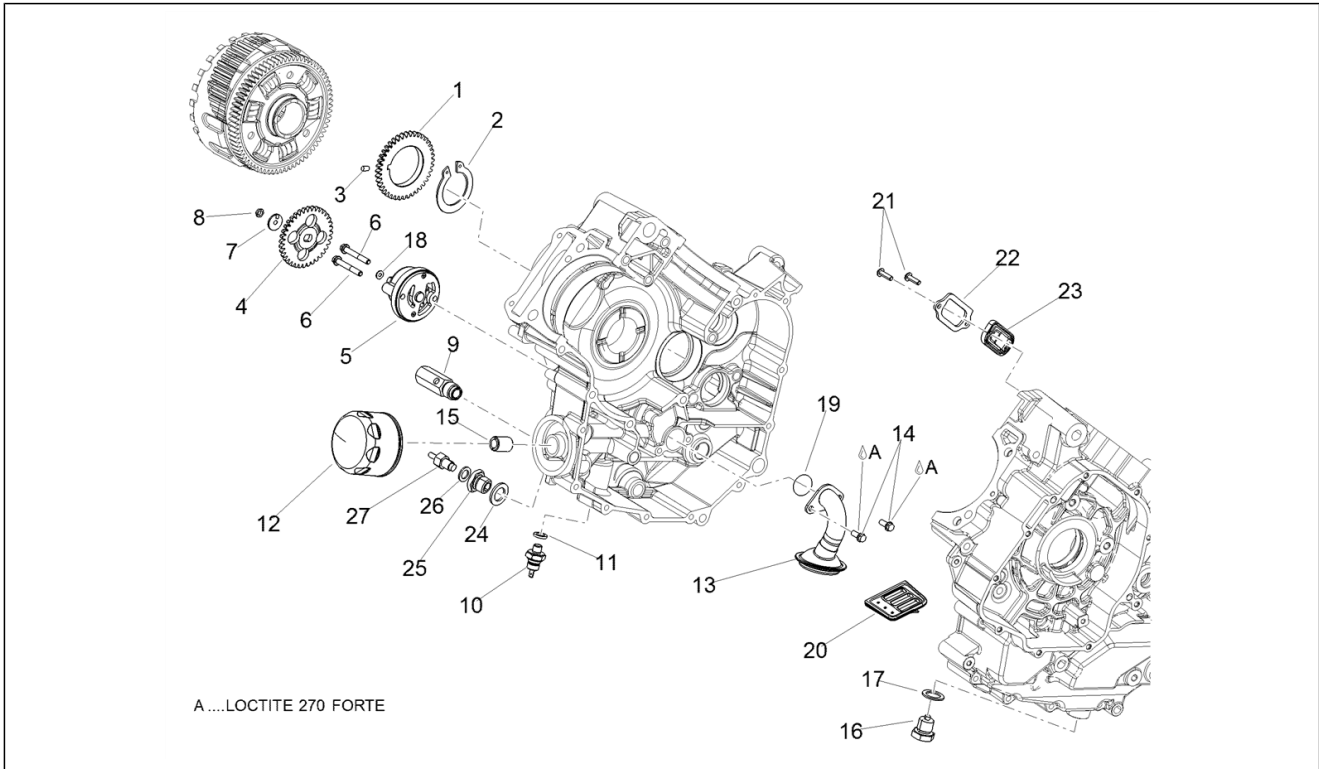
| Pos. | Code | Description | Qty | Variants |
|------|-----------|---------------------------|-----|----------|
| 1 | 1A004527 | Shift cam cpl. | 1 | |
| 2 | 849360 | Fork | 2 | |
| 3 | 874599 | Fork output | 1 | |
| 4 | 873772 | Fork shaft | 2 | |
| 5 | 872154 | Index assy. lever | 1 | |
| 6 | B013306 | Gear stop lever spring | 1 | |
| 7 | B013928 | Threaded pin | 1 | |
| 8 | 871649 | Selector lock plate | 1 | |
| 9 | 878867 | screw | 3 | |
| 10 | B014437 | Selector shaft | 1 | |
| 11 | 971718 | Flat washer 14x30x1 | 1 | |
| 12 | B014440 | Spring | 1 | |
| 13 | 878870 | Threaded pin M8x1,25 | 1 | |
| 14 | 872560 | Shift cam plate | 1 | |
| 15 | B017809 | Selector drum | 1 | |
| 16 | AP9150069 | Lever | 1 | |
| 17 | AP9150064 | Spring | 2 | |
| 18 | AP9150070 | Spring pillar | 2 | |
| 19 | 597565 | Self locking nut | 1 | |
| 20 | B016796 | Torx convex big end screw | 2 | |
| 21 | 877441 | Packing | 1 | |
| 22 | 857265 | Gear position sensor | 1 | |
| 23 | 974558 | Spacer | 1 | |
| 24 | 871901 | Gasket OR | 1 | |
| 25 | 974130 | Selector lock | 1 | |

| | |
|--------------------|--------------------------|
| Group | Engine |
| Code | 03.180 |
| Description | Gear box - Gear assembly |
| Service | 1 |



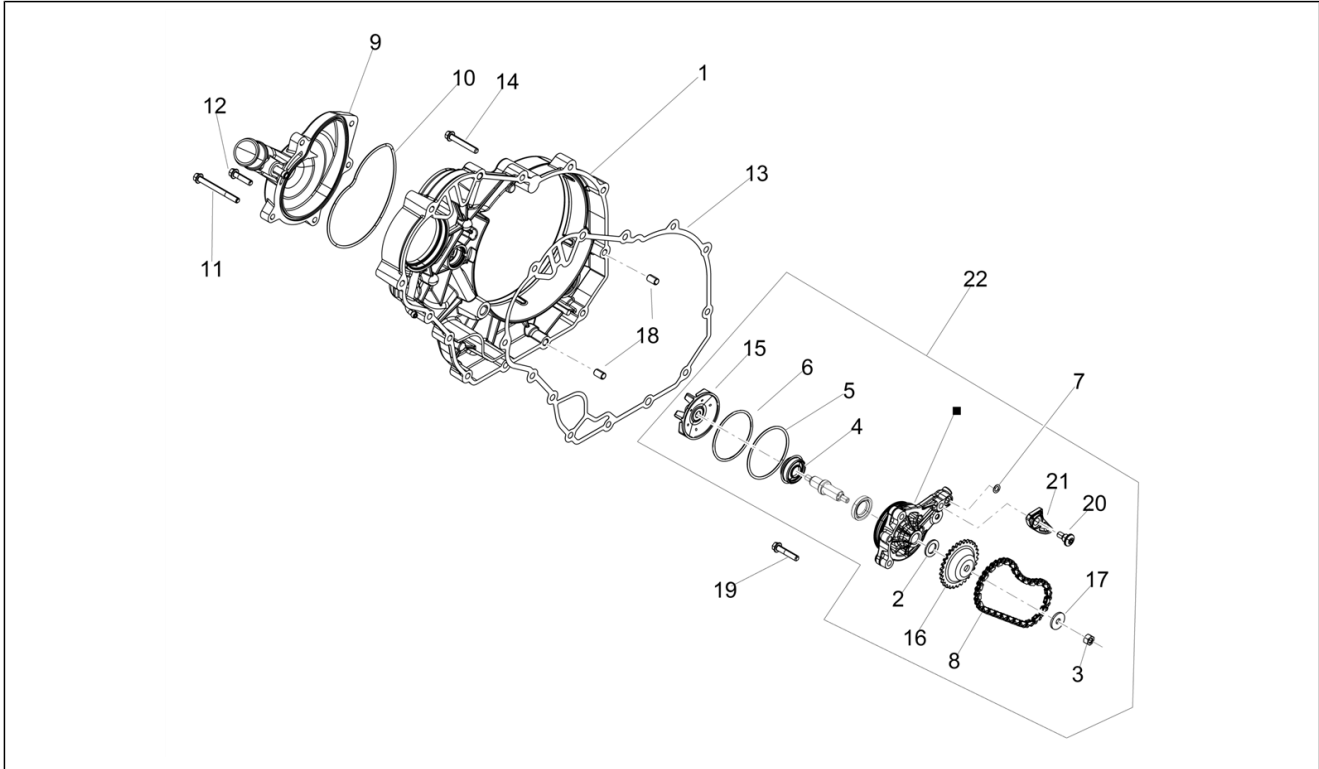
| Pos. | Code | Description | Qty | Variants |
|------|--------|--------------------------|-----|----------|
| 1 | 876563 | Primary gear shaft assy. | 1 | |
| 2 | 876568 | 2nd pinion gear | 1 | |
| 3 | 876566 | 3rd-4th pinion gear | 1 | |
| 4 | 876565 | 5th pinion gear | 1 | |
| 5 | 876567 | 6th pinion gear | 1 | |
| 6 | 849424 | Clearance washer | 1 | |
| 7 | 849426 | Snap ring | 1 | |
| 8 | 974163 | Clearance washer | 1 | |
| 9 | 849308 | Moveable bush | 1 | |
| 10 | 974165 | Snap ring | 1 | |
| 11 | 974162 | Moveable bush | 1 | |
| 12 | 876561 | Driven shaft | 1 | |
| 13 | 876559 | 1st wheel gear | 1 | |
| 14 | 876569 | 2nd wheel gear | 1 | |
| 15 | 876571 | 3rd wheel gear | 1 | |
| 16 | 876572 | 4th wheel gear | 1 | |
| 17 | 876573 | 5th wheel gear | 1 | |
| 18 | 876570 | 6th wheel gear | 1 | |
| 19 | 849308 | Moveable bush | 3 | |
| 20 | 849310 | Clearance washer | 2 | |
| 21 | 974167 | Clearance washer | 1 | |
| 22 | 974166 | Clearance washer | 1 | |
| 23 | 849309 | Clearance washer | 1 | |
| 24 | 849311 | Snap ring | 3 | |
| 25 | 849396 | Clearance washer | 1 | |
| 26 | 876558 | Gear box assy | 1 | |

| | |
|--------------------|-------------|
| Group | Engine |
| Code | 03.190 |
| Description | Lubrication |
| Service | 1 |



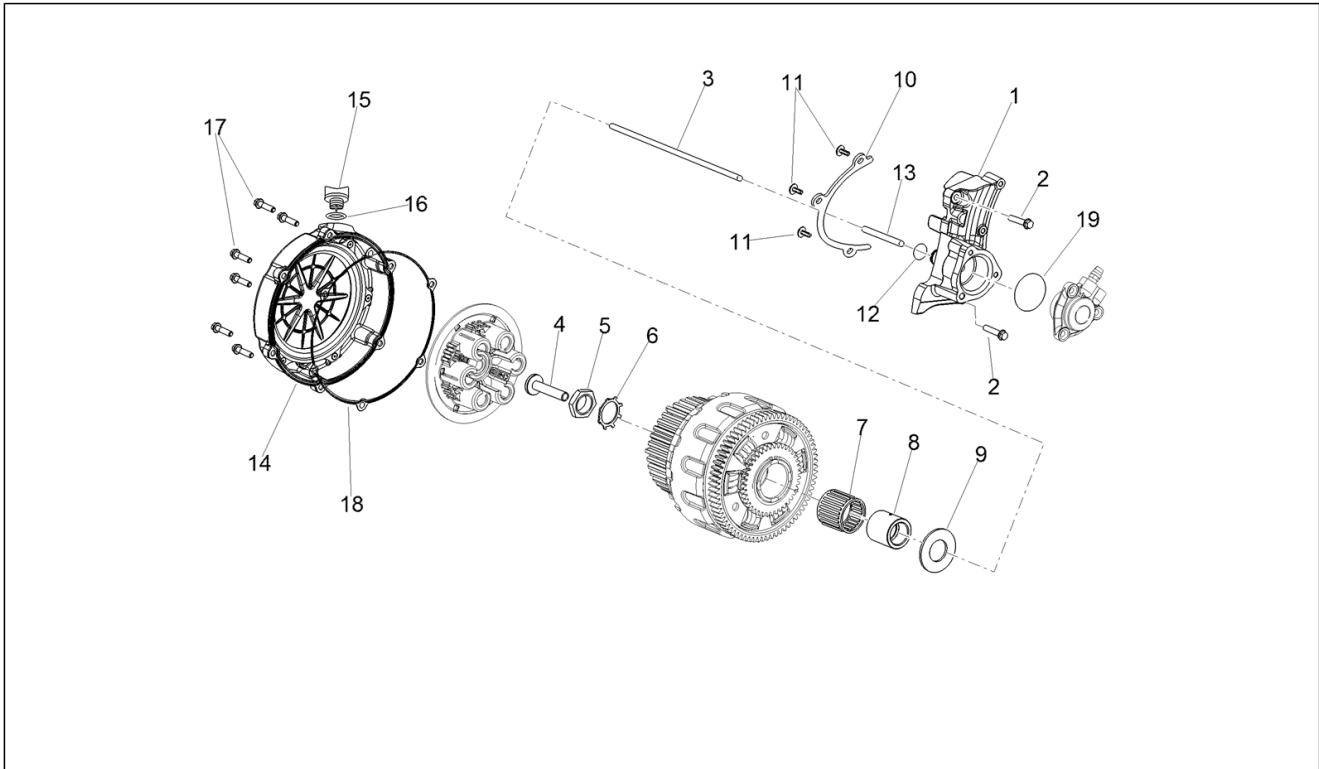
| Pos. | Code | Description | Qty | Variants |
|------|------------|---------------------------------|-----|----------|
| 1 | 974517 | Oil pump gear | 1 | |
| 2 | 006450 | Snap ring | 1 | |
| 3 | 974157 | Roller | 1 | |
| 4 | 873866 | Oil pump gear | 1 | |
| 5 | 873863 | Oil pump assy. | 1 | |
| 6 | 878871 | Screw w/ flange | 2 | |
| 7 | 873974 | Safety washer | 1 | |
| 8 | 873906 | Low nut | 1 | |
| 9 | 83016R | Oil pressure valve | 1 | |
| 10 | 1D001138 | Minimum oil pressure sensor | 1 | |
| 11 | AP9150472 | Washer 10,5x17x1,5 | 1 | |
| 12 | 82960R | Oil filter | 1 | |
| 13 | 873612 | Intake oil filter | 1 | |
| 14 | 1A002954 | Hex socket screw M6x16 | 2 | |
| 15 | 829122 | Oil filter union | 1 | |
| 16 | 875358 | Oil unload plug | 1 | |
| 17 | 287174 | Copper gasket | 1 | |
| 18 | 974290 | Shim washer | 1 | |
| 19 | 969323 | O-ring | 1 | |
| 20 | 1A005240 | Reed valve support | 1 | |
| 21 | 1A003051 | Torx convex big end screw M5x16 | 2 | |
| 22 | 1A006650 | plate | 1 | |
| 23 | 825051 | Reeds bracket | 1 | |
| 24 | GU01154230 | Gasket | 1 | |
| 25 | 1A009642 | joint.p. | 1 | |
| 26 | AP9150472 | Washer 10,5x17x1,5 | 1 | |
| 27 | 887421 | Temp. Sensor | 1 | |

| | |
|--------------------|------------|
| Group | Engine |
| Code | 03.210 |
| Description | Water pump |
| Service | 1 |



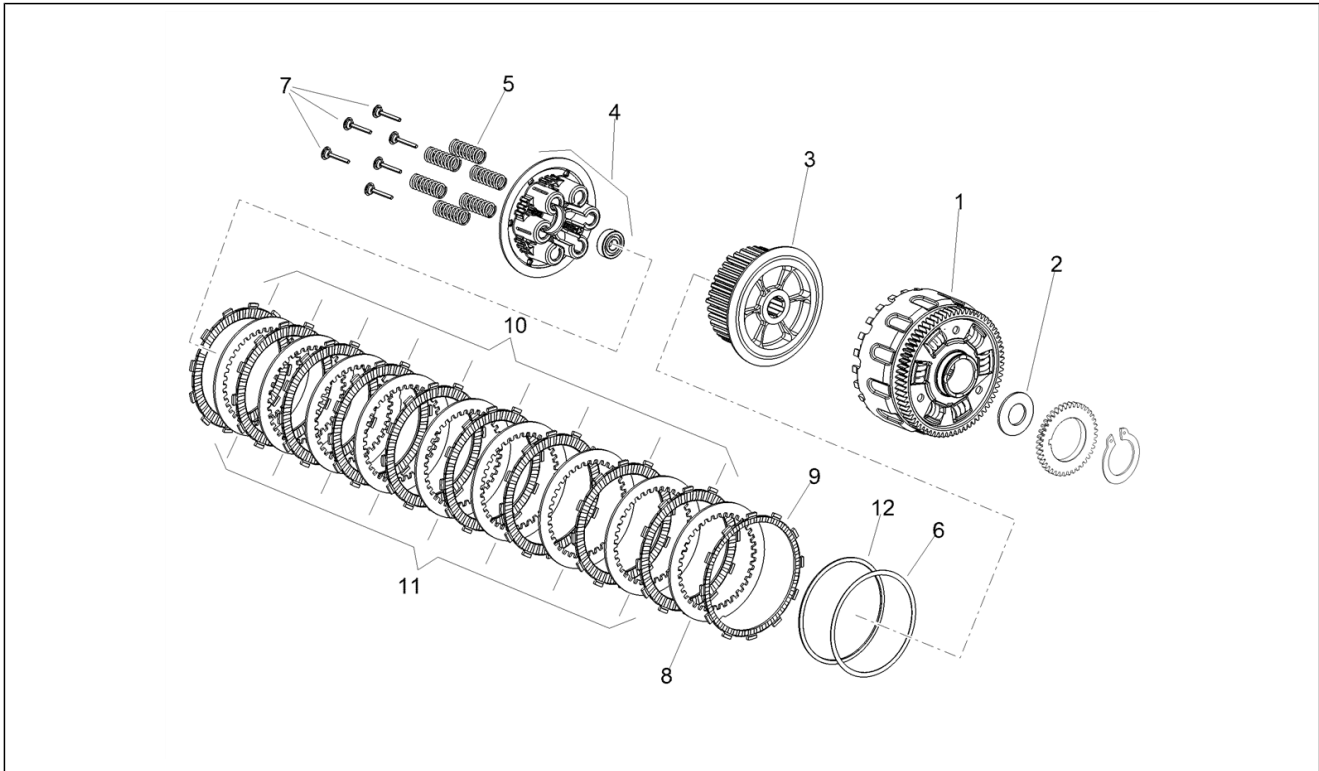
| Pos. | Code | Description | Qty | Variants |
|------|-----------|-------------------------|-----|----------|
| 1 | 1A0084975 | Clutch side cover | 1 | |
| 2 | 878734 | Shim washer | 1 | |
| 3 | 876529 | Nut M6 | 1 | |
| 4 | 82991R | Gasket ring | 1 | |
| 5 | 878115 | O-ring | 1 | |
| 6 | 876538 | O-ring | 1 | |
| 7 | 224035 | O-ring | 1 | |
| 8 | 846624 | Chain 52 | 1 | |
| 9 | 1A0084955 | Water pump cover | 1 | |
| 10 | B013527 | Water pump body seal | 1 | |
| 11 | 877850 | Screw w/ flange | 2 | |
| 12 | 874549 | Screw w/ flange | 3 | |
| 13 | 877069 | Water pump cover gasket | 1 | |
| 14 | B016210 | Screw w/ flange | 11 | |
| 15 | 880646 | Rotor | 1 | |
| 16 | 875814 | Chain ring | 1 | |
| 17 | 834951 | Conical washer | 1 | |
| 18 | 277916 | Locating dowel Ø7,5x12 | 3 | |
| 19 | B016792 | Screw w/ flange M6x30 | 3 | |
| 20 | 1A003153 | Flanged hexagon screw | 1 | |
| 21 | 880798 | water pump slider | 1 | |
| 22 | B014258 | Water pump assy | 1 | |

| | |
|--------------------|--------------|
| Group | Engine |
| Code | 03.220 |
| Description | Clutch cover |
| Service | 1 |



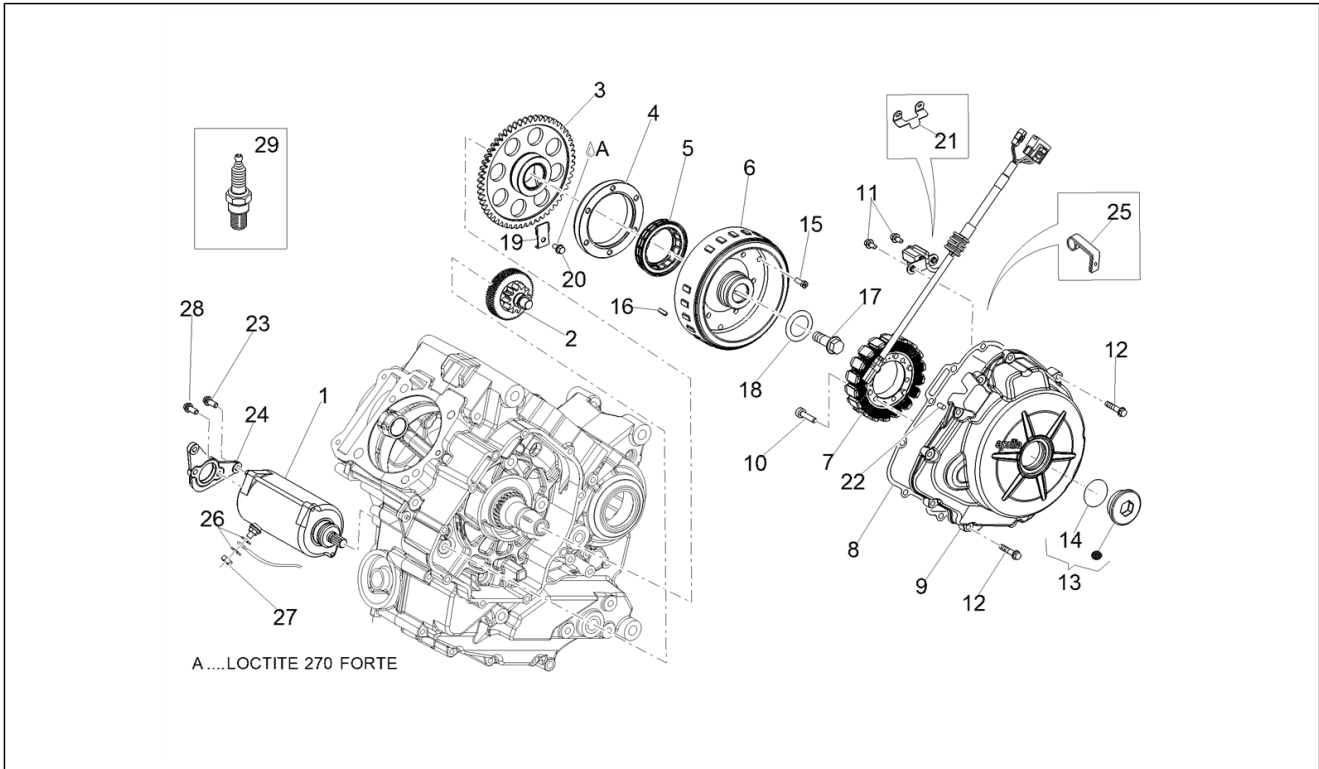
| Pos. | Code | Description | Qty | Variants |
|------|-----------|-----------------------------------|-----|----------|
| 1 | B013074 | Clutch disengagement flange BLACK | 1 | |
| 2 | 872421 | Screw w/ flange | 2 | |
| 3 | 874660 | Clutch shaft | 1 | |
| 4 | B015050 | Rod | 1 | |
| 5 | 876790 | Nut | 1 | |
| 6 | 876296 | Safety washer | 1 | |
| 7 | 974361 | Roller cage 35X40X35,8 | 1 | |
| 8 | 873543 | Spacer | 1 | |
| 9 | 974320 | Washer | 1 | |
| 10 | 877193 | Chain protection tin plate | 1 | |
| 11 | 878867 | screw | 3 | |
| 12 | 871609 | Gasket ring "OR" | 1 | |
| 13 | 874191 | Pawl clutch | 1 | |
| 14 | 1A008499 | Clutch cover | 1 | |
| 15 | AP9150410 | Oil plug M20x1,5 | 1 | |
| 16 | AP9150356 | O-ring D18,72x2,62 | 1 | |
| 17 | 414838 | screw M6x35 | 6 | |
| 18 | B013607 | Clutch crancase gasket | 1 | |
| 19 | 825577 | Gasket ring 8x16x7 | 1 | |

| | |
|--------------------|--------|
| Group | Engine |
| Code | 03.230 |
| Description | Clutch |
| Service | 1 |



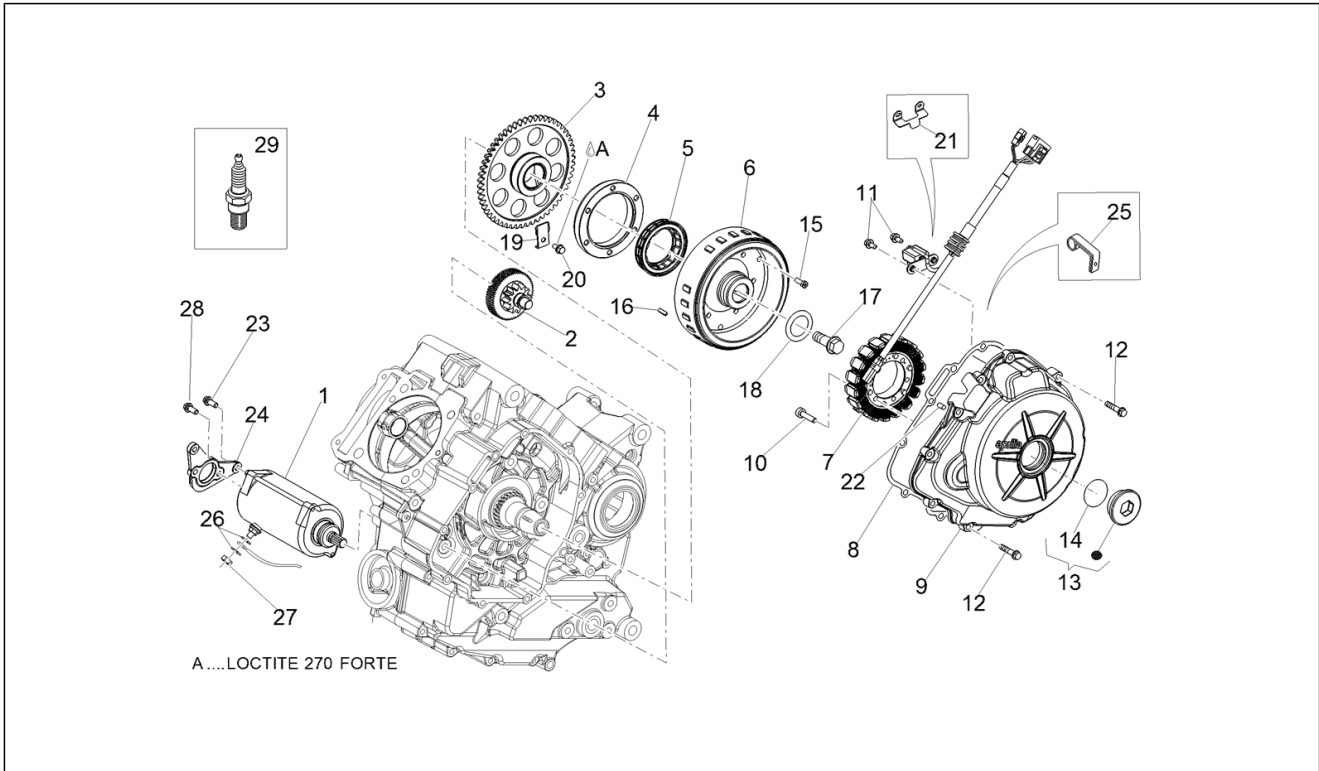
| Pos. | Code | Description | Qty | Variants |
|------|----------|-----------------------------|-----|----------|
| 1 | 880473 | Clutch housing, complete | 1 | |
| 2 | 974320 | Washer | 1 | |
| 3 | 2A000928 | Clutch hub | 1 | |
| 4 | 872213 | Clutch pressure plate | 1 | |
| 5 | 879421 | Clutch spring | 1 | |
| 6 | 879315 | Belleville spring | 1 | |
| 7 | 2A000933 | screw | 1 | |
| 8 | 1A002596 | Nitrated driven clutch disc | 1 | |
| 9 | 2A000930 | Lathed driving clutch disc | 1 | |
| 10 | 2A000927 | Driving clutch disc | 1 | |
| 11 | 2A000929 | Driven clutch disc | 1 | |
| 12 | 2A000931 | Washer | 1 | |

| | |
|--------------------|----------------------------------|
| Group | Engine |
| Code | 03.300 |
| Description | Cdi magneto assy / Ignition unit |
| Service | 1 |



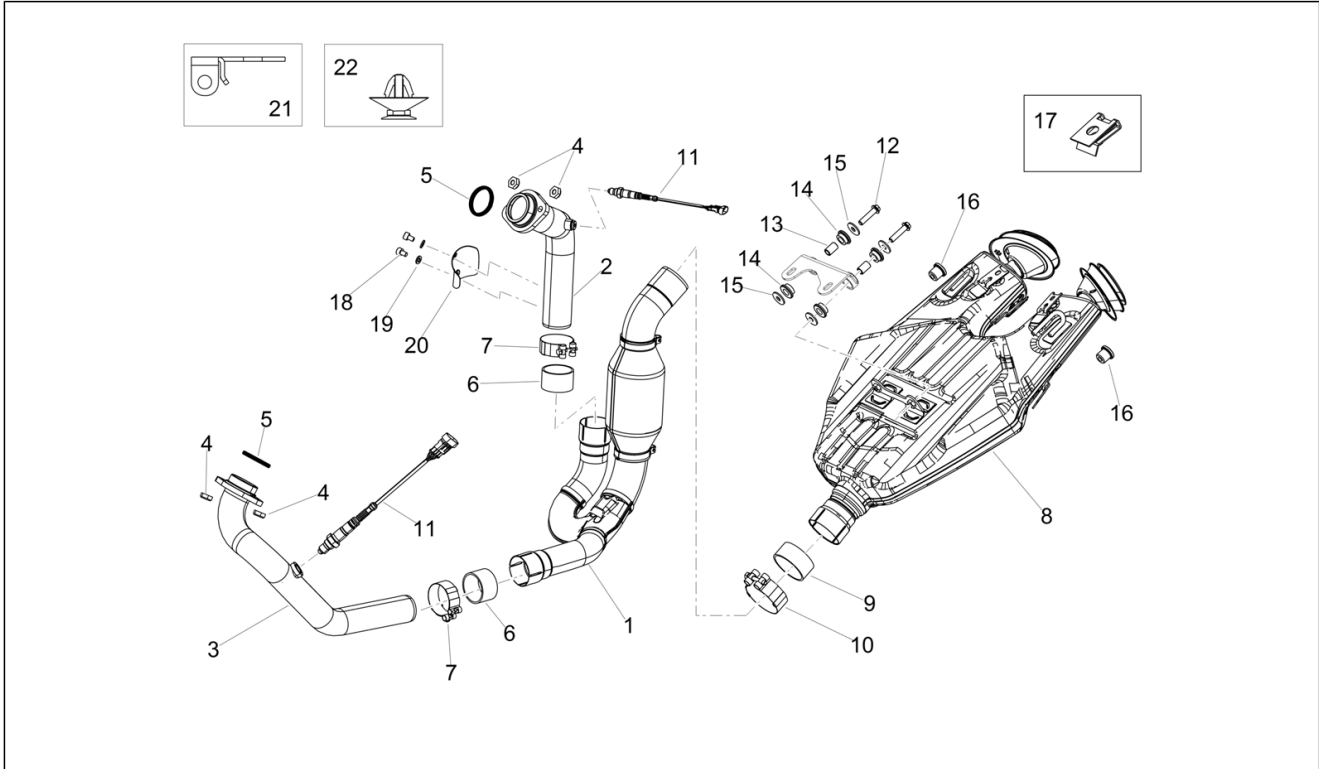
| Pos. | Code | Description | Qty | Variants |
|------|-----------|-------------------------------|-----|----------|
| 1 | 82697R | Starter motor | 1 | |
| 2 | 876954 | Torque limiter | 1 | |
| 3 | 848714 | Starter motor gear | 1 | |
| 4 | 830390 | Sprag clutch housing | 1 | |
| 5 | 830389 | Sprag clutch | 1 | |
| 6 | 642387 | Rotor cpl. | 1 | |
| 7 | 640168 | Stator cpl. | 1 | |
| 8 | B017756 | Flywheel housing cover gasket | 1 | |
| 9 | 1A000849 | Flywheel side cover | 1 | |
| 10 | 1A002951 | Hex socket screw M6x30 | 3 | |
| 11 | 015935 | TBCIC Screw M5x12 | 2 | |
| 12 | 874551 | Screw w/ flange | 10 | |
| 13 | 8716754 | Cover | 1 | |
| 14 | 974219 | Gasket | 1 | |
| 15 | B013207 | Hex socket screw M6x18 | 6 | |
| 16 | 000267 | Transmission key | 1 | |
| 17 | B015563 | Screw w/ flange M14x30 | 1 | |
| 18 | 825725 | Flat washer 14.1x30x3 | 1 | |
| 19 | 848845 | Plate | 1 | |
| 20 | 878872 | Screw w/ flange | 1 | |
| 21 | 848647 | Plate | 1 | |
| 22 | 277916 | Locating dowel Ø7,5x12 | 3 | |
| 23 | 874555 | Screw w/ flange M6x16 | 2 | |
| 24 | 1A008503 | Bracket | 1 | |
| 25 | B013745 | Hose clamp | 1 | |
| 26 | AP8150182 | Curved spring washer * | 1 | |
| 27 | 195482 | Self locking nut M6 | 1 | |
| 28 | 874554 | Screw w/ flange M6x14 | 2 | |

| | |
|--------------------|----------------------------------|
| Group | Engine |
| Code | 03.300 |
| Description | Cdi magneto assy / Ignition unit |
| Service | 1 |



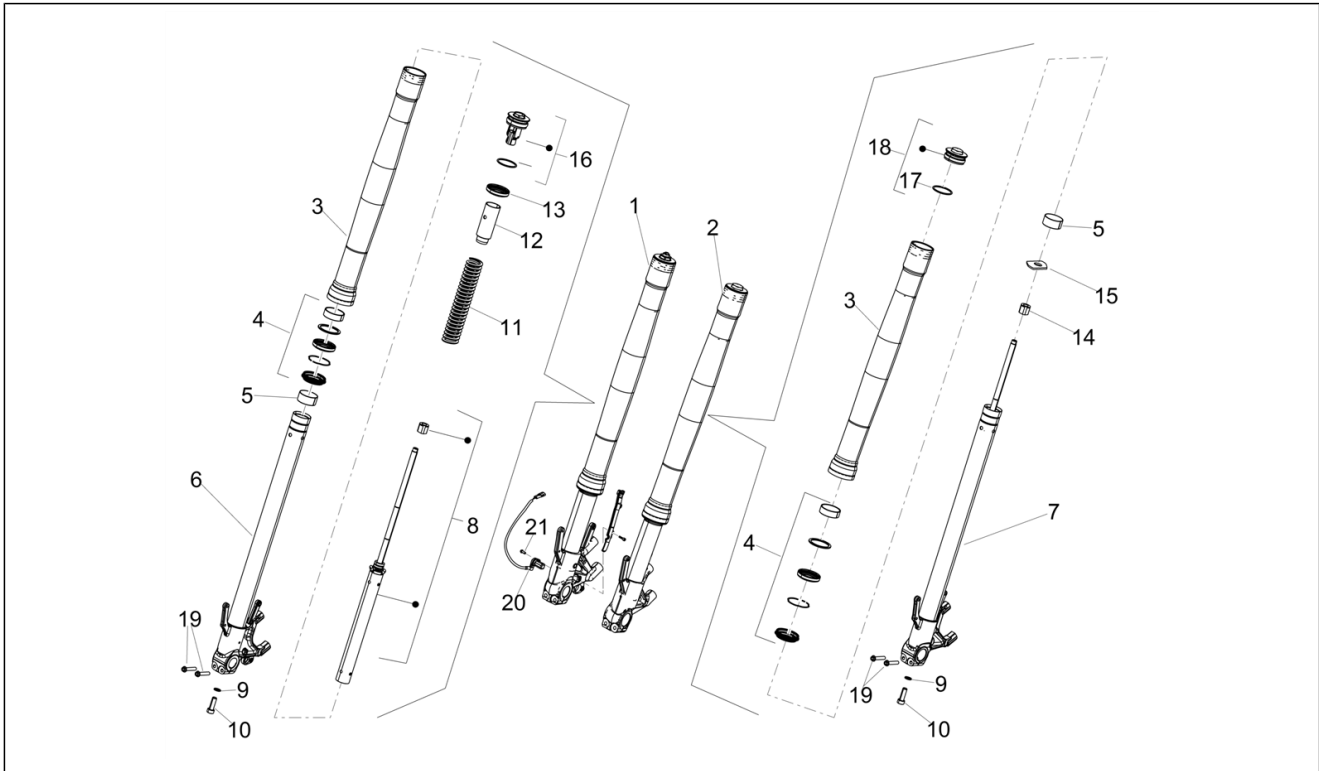
| Pos. | Code | Description | Qty | Variants |
|------|--------|-------------------|-----|----------|
| 29 | 639687 | Spark plug CR8EKB | 2 | |

| | |
|--------------------|--------------|
| Group | Engine |
| Code | 03.330 |
| Description | Exhaust pipe |
| Service | 1 |



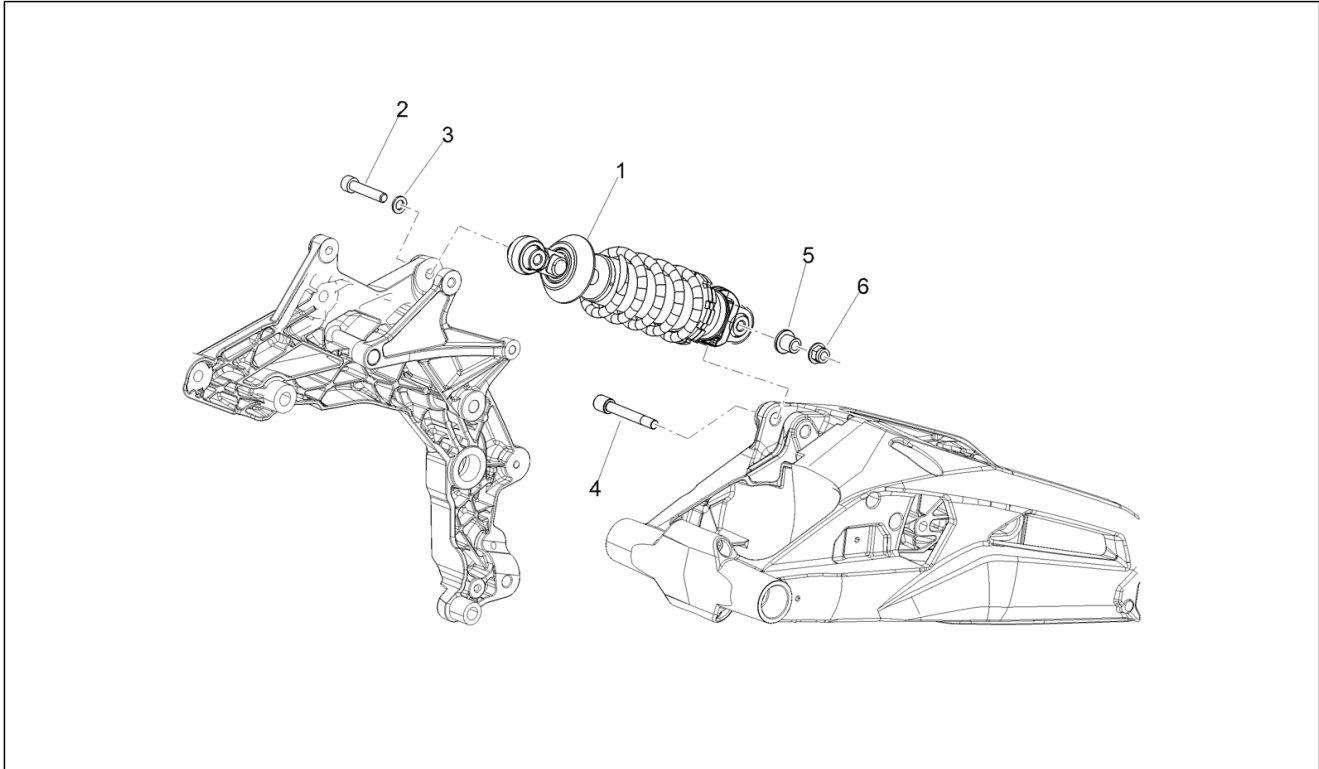
| Pos. | Code | Description | Qty | Variants |
|------|------------|----------------------------|-----|----------|
| 1 | 2B003812 | Central manifold pipe | 1 | |
| 2 | 2B003811 | Rear exhaust pipe | 1 | |
| 3 | 2B003810 | Central manifold pipe | 1 | |
| 4 | GU92660021 | Flanged nut M8 | 4 | |
| 5 | 851582 | Exhaust pipe gasket | 1 | |
| 6 | GU05121630 | Gasket | 2 | |
| 7 | GU05123431 | LH hose clamp | 2 | |
| 8 | 2B003813 | | 1 | |
| 9 | GU05128230 | Gasket | 1 | |
| 10 | 851586 | LH manifold pipe D 63 mm | 1 | |
| 11 | 584344 | Lambda sensor l. 325 mm | 1 | |
| 12 | AP8152289 | Screw w/ flange | 2 | |
| 13 | AP8121455 | Spacer bush | 2 | |
| 14 | 856914 | Rubber spacer | 4 | |
| 15 | AP8150018 | Washer | 4 | |
| 16 | 852433 | Rubber spacer | 2 | |
| 17 | 254485 | Spring plate M6 | 6 | |
| 18 | AP8150505 | Hex socket screw m4x6 inox | 2 | |
| 19 | AP8150535 | Safety washer | 2 | |
| 20 | 856859 | Shock abs. guard plate | 1 | |
| 21 | 896185 | Support clamp | 1 | |
| 22 | 890760 | Instrument support | 1 | |

| | |
|--------------------|-------------------|
| Group | Suspensions |
| Code | 04.040 |
| Description | Front fork Kayaba |
| Service | 1 |



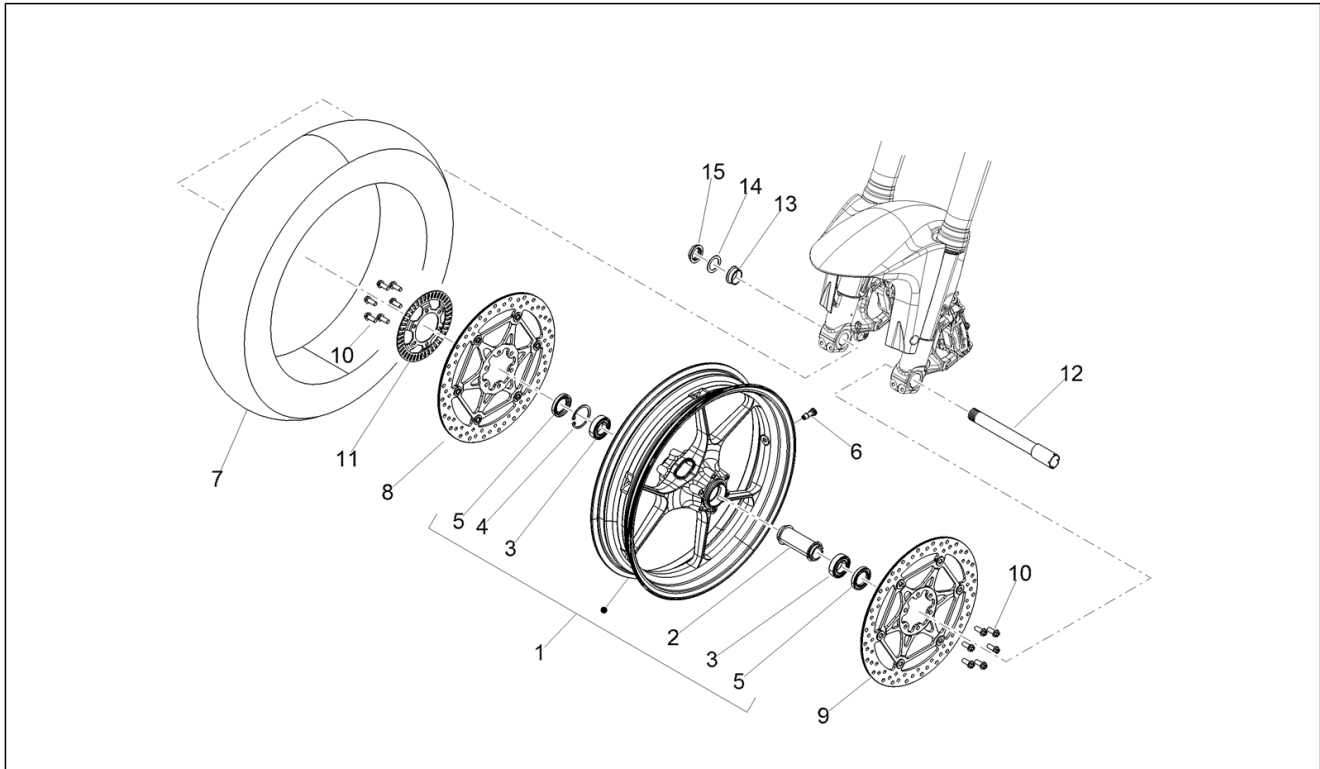
| Pos. | Code | Description | Qty | Variants |
|------|-----------|-----------------------|-----|----------|
| 1 | 2B004098 | RH hub cpl. | 1 | |
| 2 | 2B004099 | LH hub cpl. | 1 | |
| 3 | 2B004399 | Sleeve | 2 | |
| 4 | 2B004402 | Engine oil seal kit | 1 | |
| 5 | 2B004403 | Bush | 1 | |
| 6 | 2B004400 | Hub+RH fork leg | 1 | |
| 7 | 2B004401 | Hub+LH fork leg | 1 | |
| 8 | 2B004405 | [...] | 1 | |
| 9 | 2B004406 | Plain washer | 1 | |
| 10 | 2B004407 | screw | 1 | |
| 11 | 2B004408 | Spring | 1 | |
| 12 | 2B004409 | Preload tube | 1 | |
| 13 | 2B004422 | Washer | 1 | |
| 14 | 2B004410 | Plugs | 1 | |
| 15 | 2B004411 | Nut | 1 | |
| 16 | 2B004412 | RH sleeve plug | 1 | |
| 17 | 2B004414 | Ring | 1 | |
| 18 | 2B004413 | Plug with OR | 1 | |
| 19 | AP8152283 | Screw w/ flange | 1 | |
| 20 | 859792 | Sensor ABS | 1 | |
| 21 | AP8152273 | Screw w/ flange M5x15 | 1 | |

| | |
|--------------------|----------------|
| Group | Suspensions |
| Code | 04.080 |
| Description | Shock absorber |
| Service | 1 |



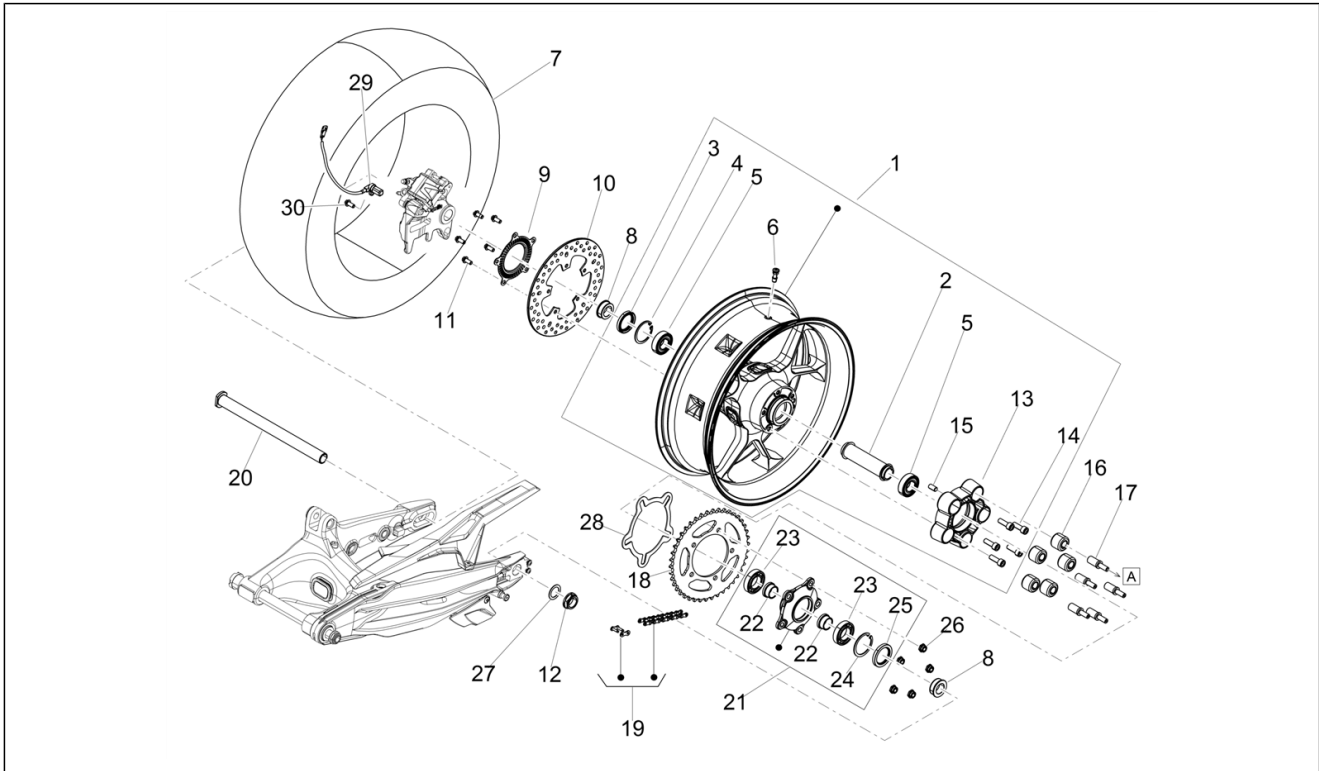
| Pos. | Code | Description | Qty | Variants |
|------|-----------|-------------------------|-----|----------|
| 1 | B044563 | Shock absorber | 1 | |
| 2 | AP8150329 | Hex socket screw | 1 | |
| 3 | AP8152176 | Washer 10,5X18X2* | 1 | |
| 4 | AP8152411 | Hex socket screw M10x59 | 1 | |
| 5 | AP8121155 | T bush * | 1 | |
| 6 | AP8152301 | Self-locking nut | 1 | |

| | |
|--------------------|-------------|
| Group | Wheels |
| Code | 05.010 |
| Description | Front wheel |
| Service | 1 |



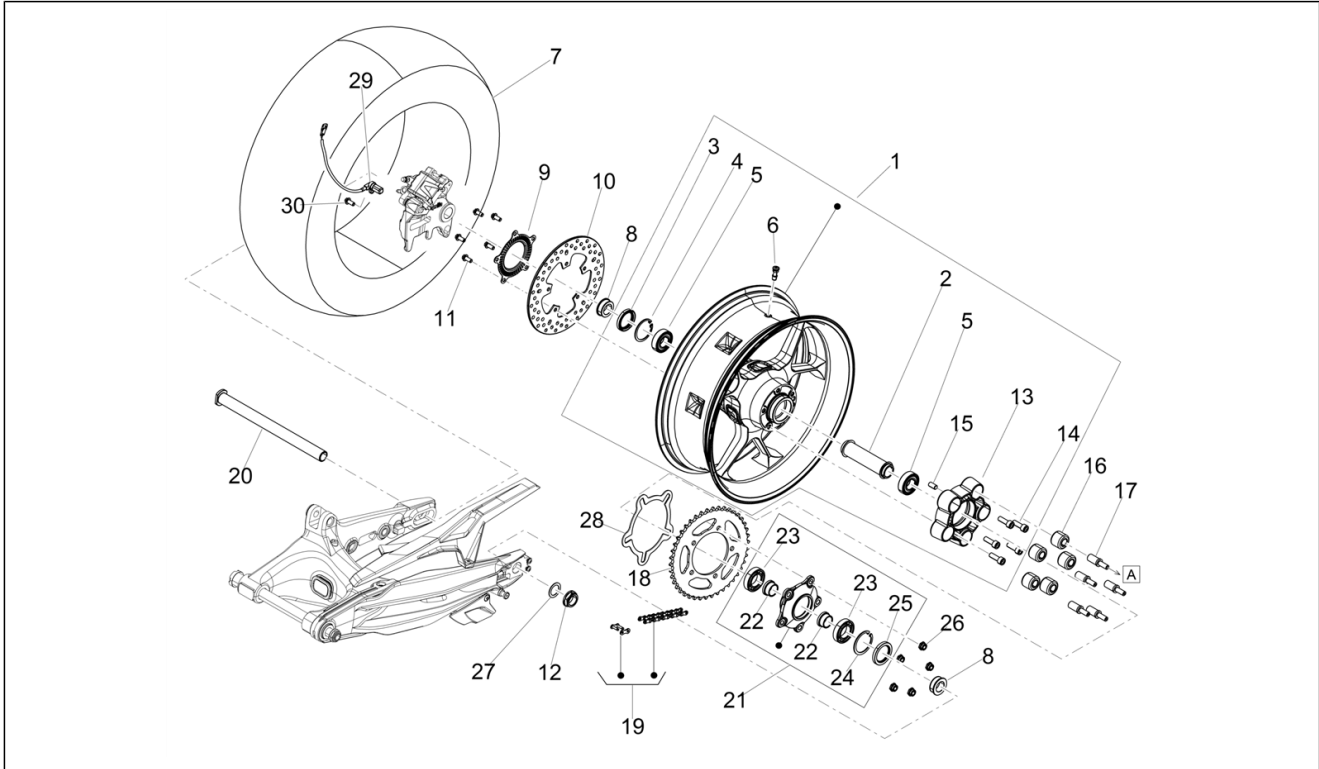
| Pos. | Code | Description | Qty | Variants |
|------|-----------|--------------------------|-----|--|
| 1 | 896754 | Front wheel, black | 1 | |
| 2 | AP8128169 | Internal spacer | 1 | |
| 3 | AP8110094 | Bearing 25x47x12 | 2 | |
| 4 | AP8125842 | Snap ring d47 | 1 | |
| 5 | AP8125841 | Gasket ring 30x47x7 | 2 | |
| 6 | AP8101744 | Tubeless tyre valve | 1 | |
| 7 | 895033 | Front tyre 120/70 ZR 17" | 1 | |
| 8 | B044279 | RH front brake disc | 1 | Technical specification:Longzhong[LZ] |
| 9 | B044280 | Front brake disc SX | 1 | Technical specification:Longzhong[LZ] |
| 10 | 2B002416 | Screw w/ flange M8x20 | 12 | |
| 11 | AP8128189 | Phonic wheel | 1 | |
| 12 | 85263R | Front wheel spindle | 1 | |
| 13 | AP8125728 | Front RH whe.ou.spacer | 1 | |
| 14 | AP8152323 | Washer 25,2x36x1 | 1 | |
| 15 | AP8152335 | Wheel spindle nut | 1 | |

| | |
|--------------------|------------|
| Group | Wheels |
| Code | 05.020 |
| Description | Rear wheel |
| Service | 1 |



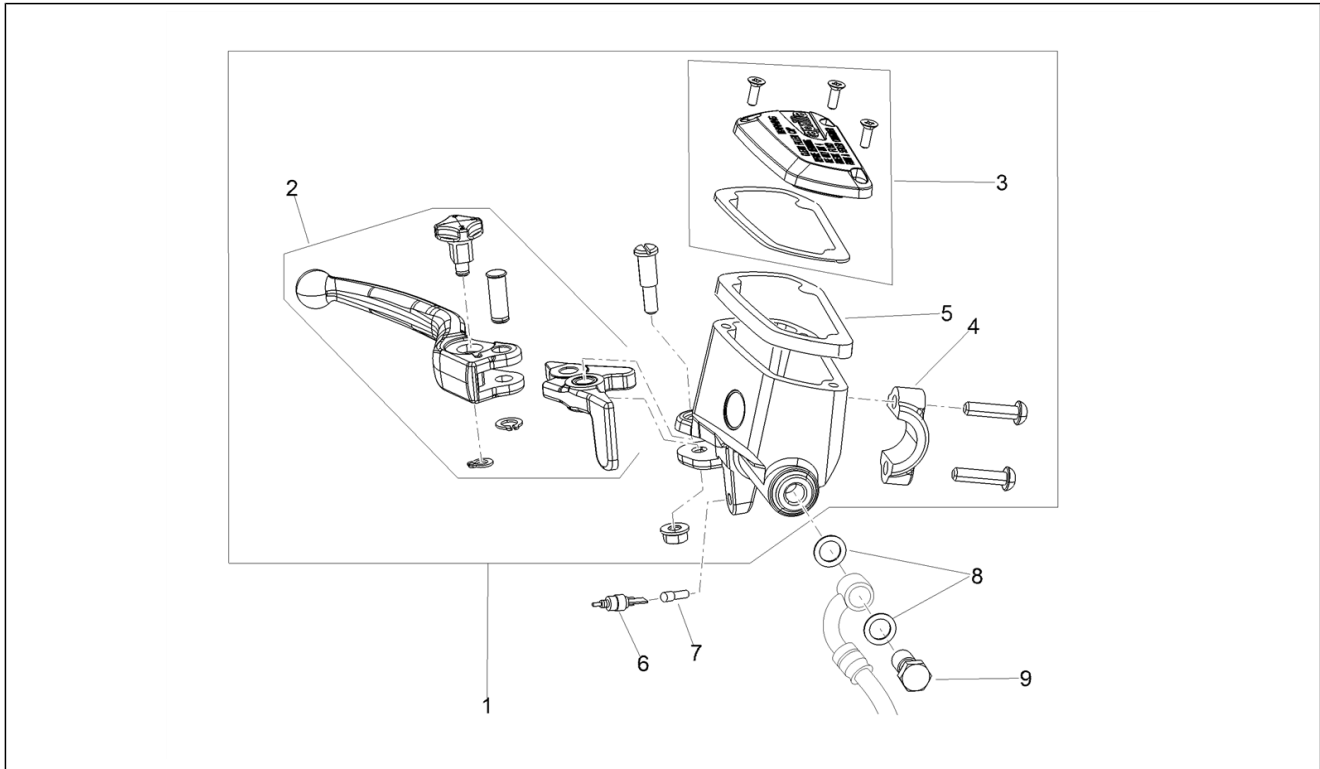
| Pos. | Code | Description | Qty | Variants |
|------|-----------|-----------------------------|-----|--|
| 1 | 896756 | Rear wheel, black 6"x17" | 1 | |
| 2 | AP8128170 | Internal spacer | 1 | |
| 3 | AP8125838 | Gasket ring 38x52x7 | 1 | |
| 4 | AP8125839 | Snap ring d52 | 1 | |
| 5 | AP8110093 | Bearing 6205-2rs1 25x52x15 | 2 | |
| 6 | AP8101744 | Tubeless tyre valve | 1 | |
| 7 | 85199R | Rear tyre 180/55-ZR17" | 1 | |
| 8 | AP8121225 | Rear wheel spacer | 2 | |
| 9 | 890960 | Phonic wheel ABS | 1 | |
| 10 | B044278 | Rear brake disc d.240 | 1 | Technical specification: Bassano Grimeca[TMB] |
| 11 | 894505 | Screw w/ flange M8x18 | 5 | |
| 12 | AP8152324 | Wheel spindle nut M25x1,5 | 1 | |
| 13 | 2B000639R | Primary drive / Cush drive | 1 | |
| 14 | 2B002444 | Pre-coated M10x30 SHC screw | 5 | |
| 15 | AP8150463 | Pin 10x20 | 1 | |
| 16 | B043317 | Flexible coupling rubber | 5 | |
| 17 | 2B002611 | cushion | 5 | |
| 18 | CM221709 | Chain ring Z=44 AL | 1 | |
| 19 | 851612 | Chain cpl conn.link | 1 | |
| 20 | B045422 | Wheel pin | 1 | |
| 21 | AP8125730 | Crown holder cpl. | 1 | |
| 22 | AP8125732 | Spring drive spacer | 2 | |
| 23 | AP8110081 | Bearing 30x55x13 | 2 | |
| 24 | AP8121212 | Inside circlip d55 | 1 | |
| 25 | AP8121213 | Gasket ring 38x55x7 | 1 | |
| 26 | 2B002634 | DAX nut M10x1,25 | 5 | |
| 27 | AP8152323 | Washer 25,2x36x1 | 1 | |
| 28 | 2B003043 | Flange | 1 | |

| | |
|--------------------|------------|
| Group | Wheels |
| Code | 05.020 |
| Description | Rear wheel |
| Service | 1 |



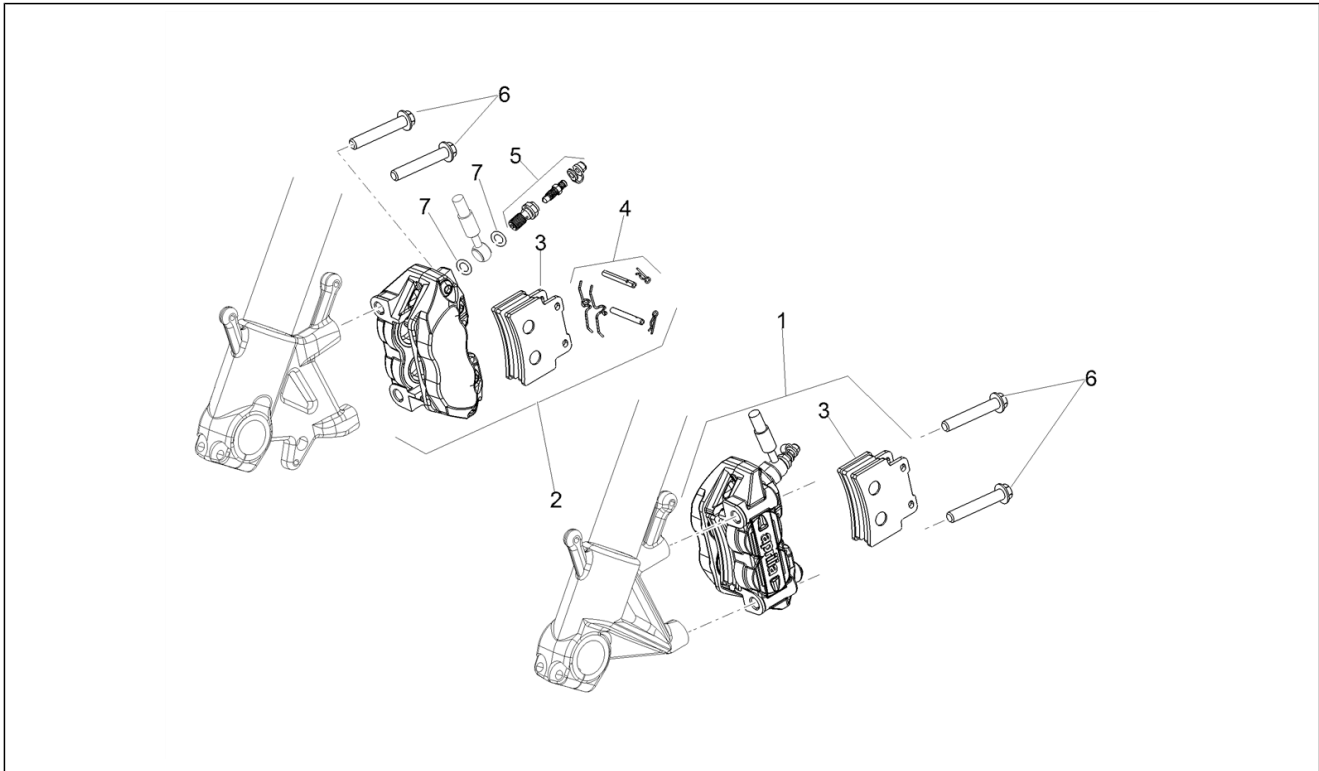
| Pos. | Code | Description | Qty | Variants |
|------|-----------|-----------------------|-----|----------|
| 29 | 859792 | Sensor ABS | 1 | |
| 30 | AP8152273 | Screw w/ flange M5x15 | 1 | |

| | |
|--------------------|-----------------------|
| Group | Brake system |
| Code | 06.010 |
| Description | Front master cilinder |
| Service | 1 |



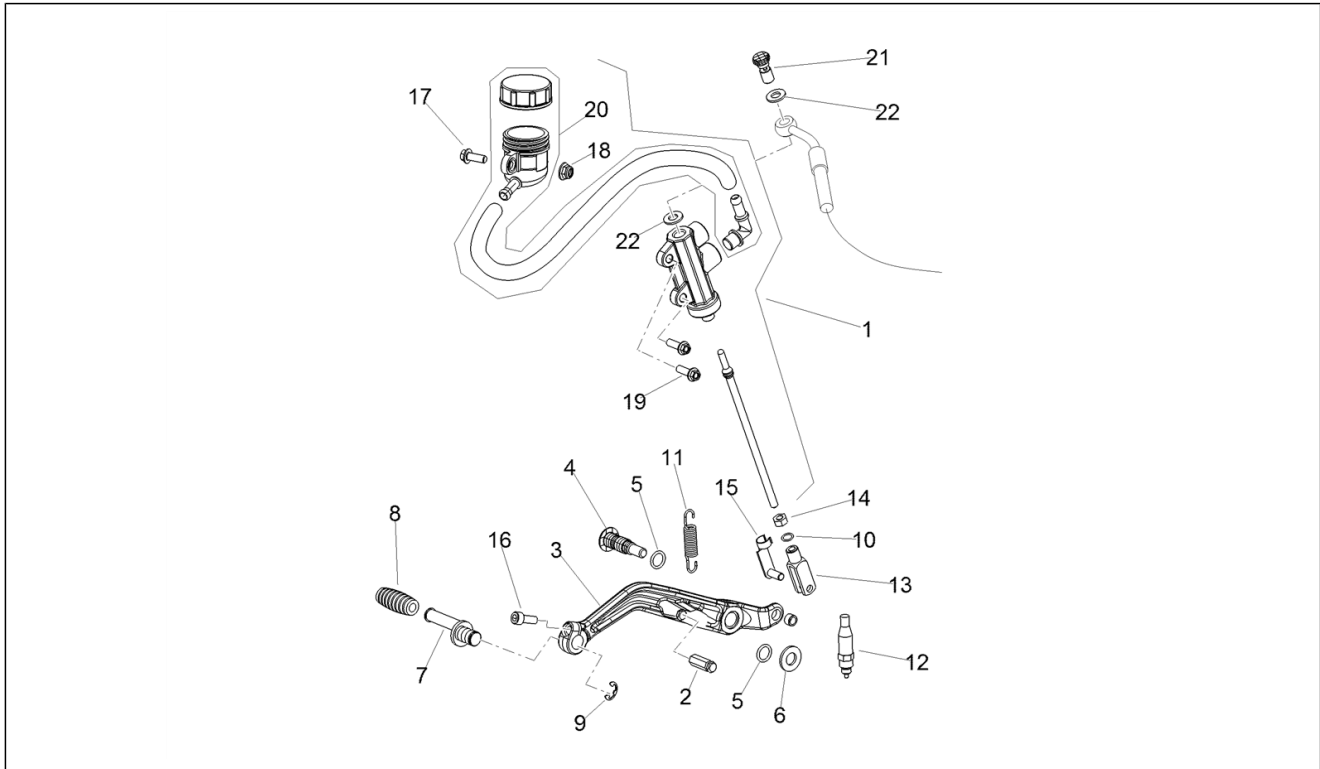
| Pos. | Code | Description | Qty | Variants |
|------|-----------|------------------------------|-----|----------|
| 1 | 896385 | Front master cilinder D15,87 | 1 | |
| 2 | 896346 | Brake lever with roller | 1 | |
| 3 | 896336 | Cover cpl. | 1 | |
| 4 | 856050 | U-bolt | 1 | |
| 5 | 858423 | Diaphragm | 1 | |
| 6 | 642032 | stop Button | 1 | |
| 7 | AP8220135 | Rubber spacer * | 1 | |
| 8 | AP8113003 | Oil pipe screw | 1 | |
| 9 | AP8113004 | Washer 10x14x1,6* | 2 | |

| | |
|--------------------|---------------------|
| Group | Brake system |
| Code | 06.020 |
| Description | Front brake caliper |
| Service | 1 |



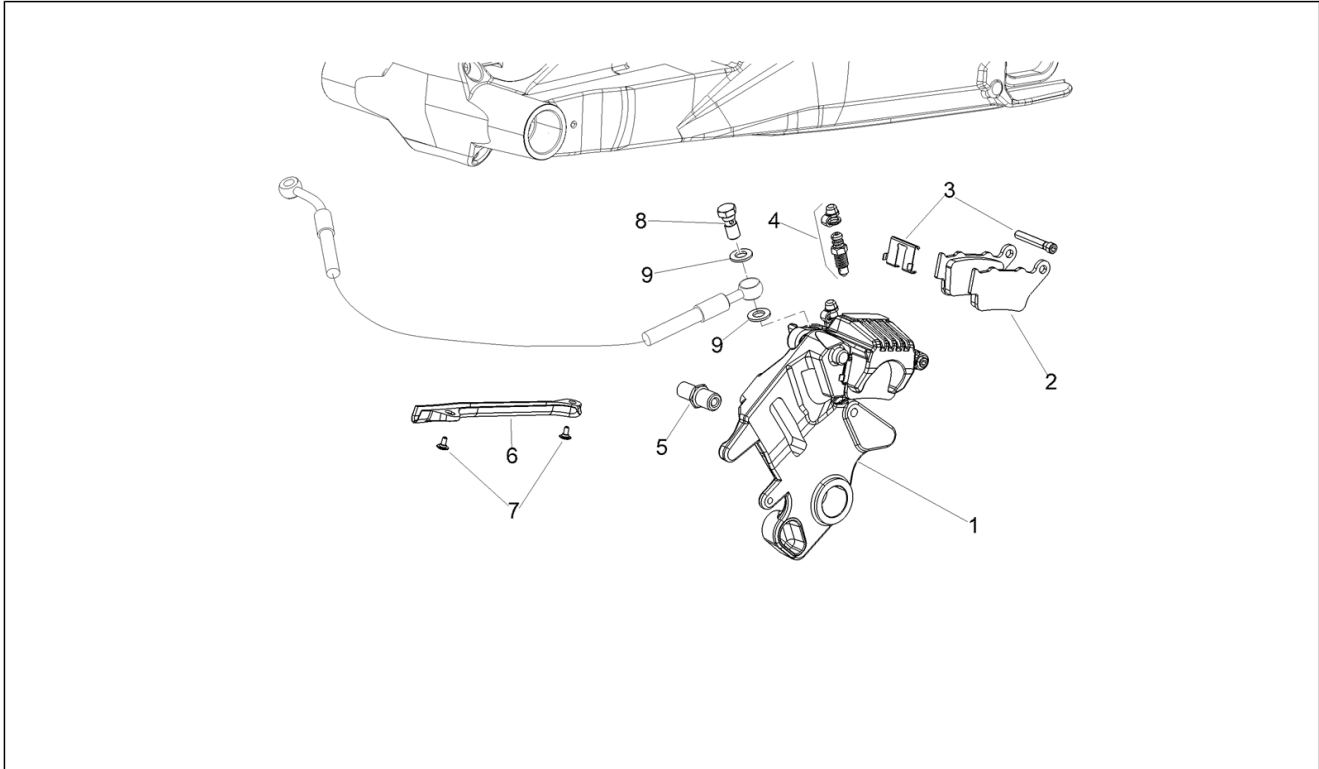
| Pos. | Code | Description | Qty | Variants |
|------|-----------|------------------------|-----|----------|
| 1 | 897008 | LH front brake caliper | 1 | |
| 2 | 897007 | RH front brake caliper | 1 | |
| 3 | 897118 | Front pads pair RH | 1 | |
| 4 | AP8133944 | Pin+Brake spring | 2 | |
| 5 | AP8133945 | Bleeder kit | 2 | |
| 6 | AP8152414 | Screw w/ flange M10x55 | 4 | |
| 7 | AP8113004 | Washer 10x14x1,6* | 4 | |

| | |
|--------------------|----------------------|
| Group | Brake system |
| Code | 06.030 |
| Description | Rear master cylinder |
| Service | 1 |



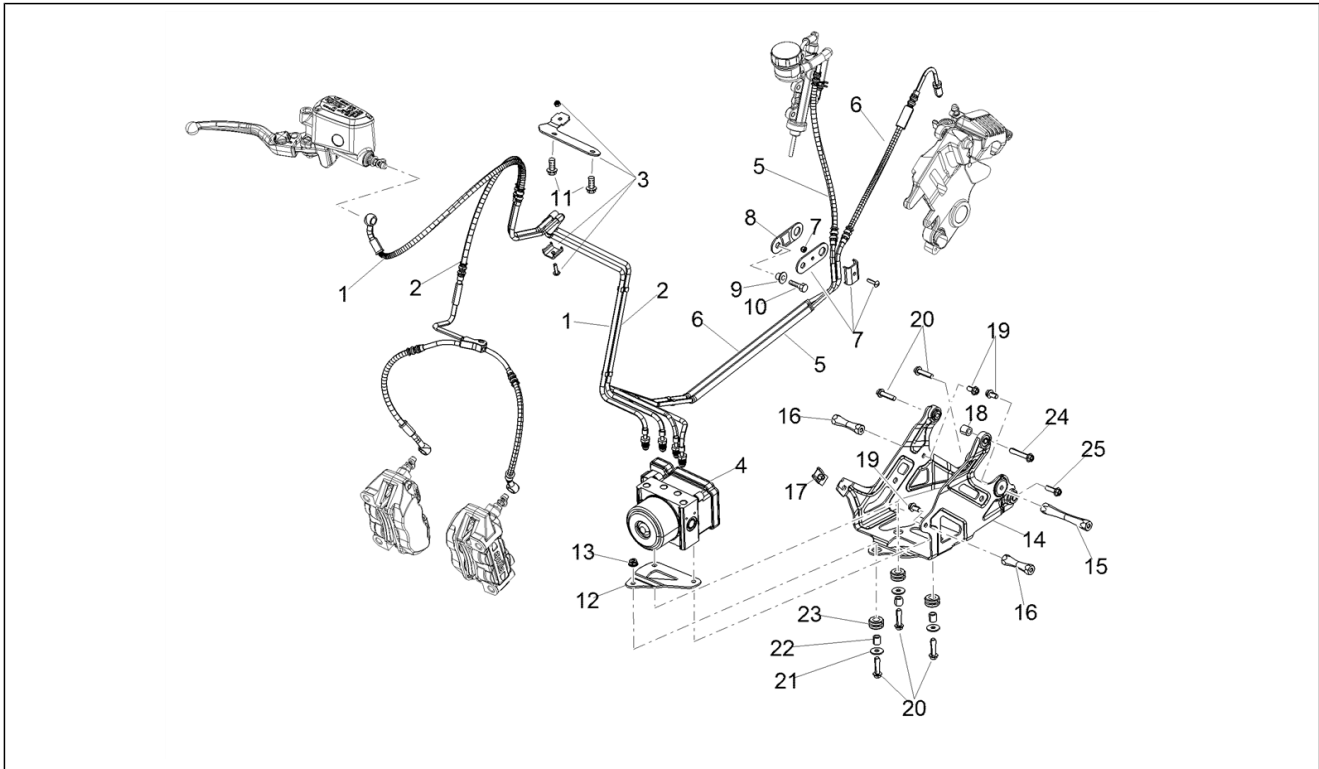
| Pos. | Code | Description | Qty | Variants |
|------|------------|----------------------------|-----|----------|
| 1 | 895061 | Brake m.cyl., w/ reservoir | 1 | |
| 2 | GU56777300 | Springs fixing pin | 1 | |
| 3 | 895224 | Rear brake lever | 1 | |
| 4 | AP8121223 | Rear brake lever pin | 1 | |
| 5 | AP8144007 | O-ring 11,11x1,78 | 2 | |
| 6 | AP8150020 | Washer 10,5x21x2* | 1 | |
| 7 | AP8121221 | Brake lever pin | 1 | |
| 8 | AP8120912 | Lever rubber | 1 | |
| 9 | AP8150462 | Circlip d9 | 1 | |
| 10 | AP8120178 | O-ring OR112 | 1 | |
| 11 | AP8121126 | Rear brake lever spring | 1 | |
| 12 | AP8112996 | Microswitch | 1 | |
| 13 | AP8101968 | Fork | 1 | |
| 14 | AP8150026 | Nut M6 | 1 | |
| 15 | AP8201301 | Gear selector fork clips | 1 | |
| 16 | AP8150137 | Hex socket screw M6x16 | 1 | |
| 17 | 598839 | Screw w/ flange | 1 | |
| 18 | AP8152299 | Self-locking nut M6 | 1 | |
| 19 | AP8152278 | Screw w/ flange M6x16 | 2 | |
| 20 | 856053 | Oil tank | 1 | |
| 21 | AP8113003 | Oil pipe screw | 1 | |
| 22 | AP8113004 | Washer 10x14x1,6* | 2 | |

| | |
|--------------------|--------------------|
| Group | Brake system |
| Code | 06.040 |
| Description | Rear brake caliper |
| Service | 1 |



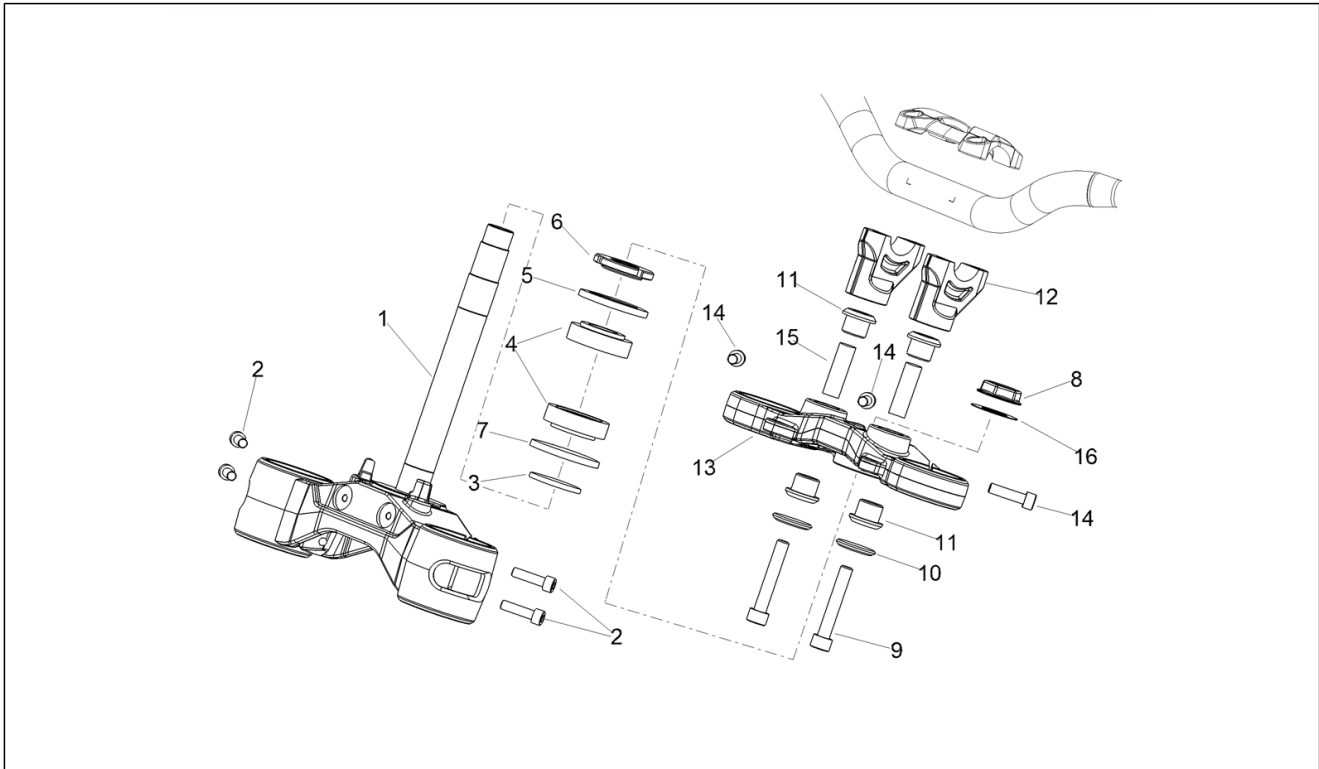
| Pos. | Code | Description | Qty | Variants |
|------|-----------|-----------------------|-----|----------|
| 1 | 897009 | Rear brake caliper | 1 | |
| 2 | 897119 | Rear pads pair | 1 | |
| 3 | 856052 | Pins+Caliper springs | 1 | |
| 4 | AP8213574 | Air bleed valve | 1 | |
| 5 | 898486 | Brake supp. plate pin | 1 | |
| 6 | 854893 | Brake hose protection | 1 | |
| 7 | AP8152339 | Screw w/ flange M5x9 | 2 | |
| 8 | AP8113003 | Oil pipe screw | 1 | |
| 9 | AP8113004 | Washer 10x14x1,6* | 2 | |

| | |
|--------------------|------------------|
| Group | Brake system |
| Code | 06.050 |
| Description | ABS Brake system |
| Service | 1 |



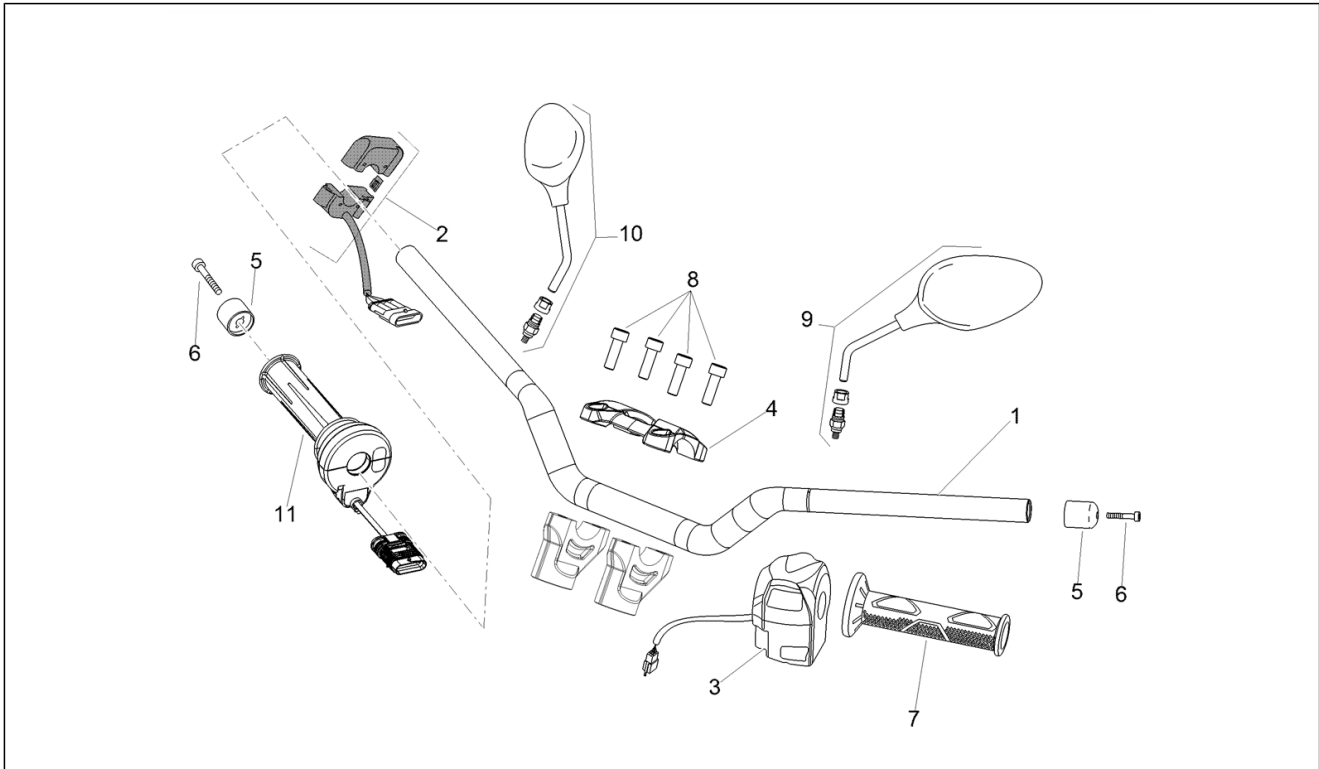
| Pos. | Code | Description | Qty | Variants |
|------|-----------|---------------------------------|-----|----------|
| 1 | 2B004093 | Brake master cylinder-HECU pipe | 1 | |
| 2 | 2B004092 | Brake calliper-HECU pipe | 1 | |
| 3 | 860482 | Plate | 1 | |
| 4 | 2D000193 | ECU ABS Cluster | 1 | |
| 5 | 2B004096 | Rear brake pipe pump-Hecu ABS | 1 | |
| 6 | 2B004095 | Rear brake pipe Hecu ABS-clamp | 1 | |
| 7 | 860484 | Plate | 1 | |
| 8 | 860485 | Plate | 1 | |
| 9 | AP8121716 | T bush | 1 | |
| 10 | AP8152287 | Screw w/ flange M8x25 | 1 | |
| 11 | AP8152272 | Screw w/ flange M5x12 | 2 | |
| 12 | 859789 | Plate | 1 | |
| 13 | AP8152299 | Self-locking nut M6 | 1 | |
| 14 | 2B004358 | [...] | 1 | |
| 15 | 860629 | Spacer | 1 | |
| 16 | 860628 | Spacer | 2 | |
| 17 | 254485 | Spring plate M6 | 1 | |
| 18 | 860667 | Spacer | 1 | |
| 19 | AP8152277 | Screw w/ flange M6x12 | 3 | |
| 20 | AP8152280 | Screw w/ flange M6x25 | 5 | |
| 21 | AP8221007 | Spacer 6,5X10X11* | 3 | |
| 22 | AP8150015 | Washer 6,6x18x1,6* | 3 | |
| 23 | AP8120030 | Rubber spacer | 3 | |
| 24 | AP8152282 | Screw w/ flange M6x35 | 1 | |
| 25 | AP8152279 | Screw w/ flange M6x20 | 1 | |

| | |
|--------------------|----------------------|
| Group | Handlebar - Controls |
| Code | 07.010 |
| Description | Steering |
| Service | 1 |



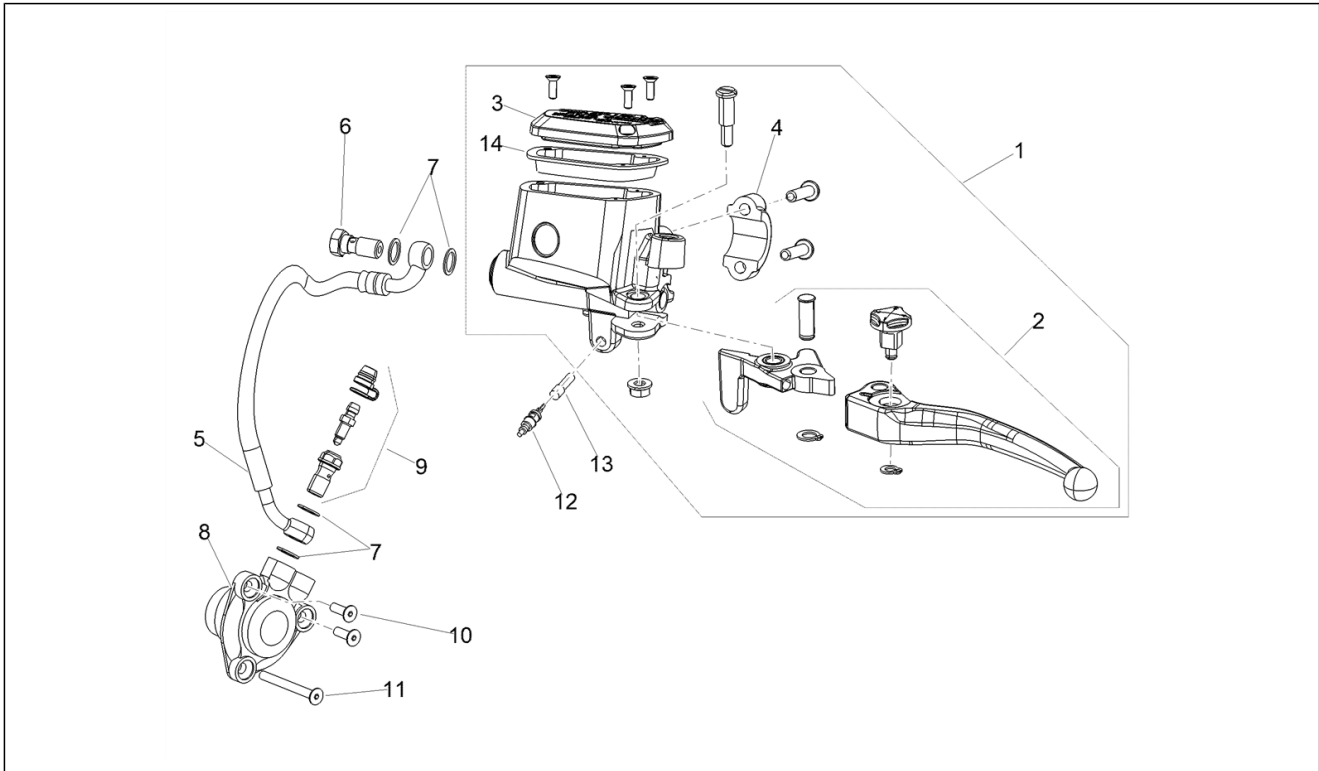
| Pos. | Code | Description | Qty | Variants |
|------|-----------|-----------------------|-----|----------|
| 1 | CM222601 | Lower fork plate | 1 | |
| 2 | AP8150540 | Screw | 4 | |
| 3 | 897648 | Washer | 1 | |
| 4 | AP8110106 | Roller bearing | 2 | |
| 5 | AP8144146 | Gasket ring | 1 | |
| 6 | AP8163500 | Ring nut | 1 | |
| 7 | AP9100205 | Lower Gasket ring | 1 | |
| 8 | AP8123243 | Flanged nut | 1 | |
| 9 | AP8150049 | screw M10x60 | 2 | |
| 10 | AP8123721 | Cup | 2 | |
| 11 | AP8144222 | Rubber spacer | 2 | |
| 12 | 2B004160 | Lower handlebar clamp | 2 | |
| 13 | 2B004274 | [...] | 1 | |
| 14 | AP8152187 | Low head socket screw | 2 | |
| 15 | 854827 | Spacer 10,1x14,1x38 | 2 | |
| 16 | AP8152442 | Stem plug washer | 1 | |

| | |
|--------------------|----------------------|
| Group | Handlebar - Controls |
| Code | 07.020 |
| Description | Handlebar - Controls |
| Service | 1 |



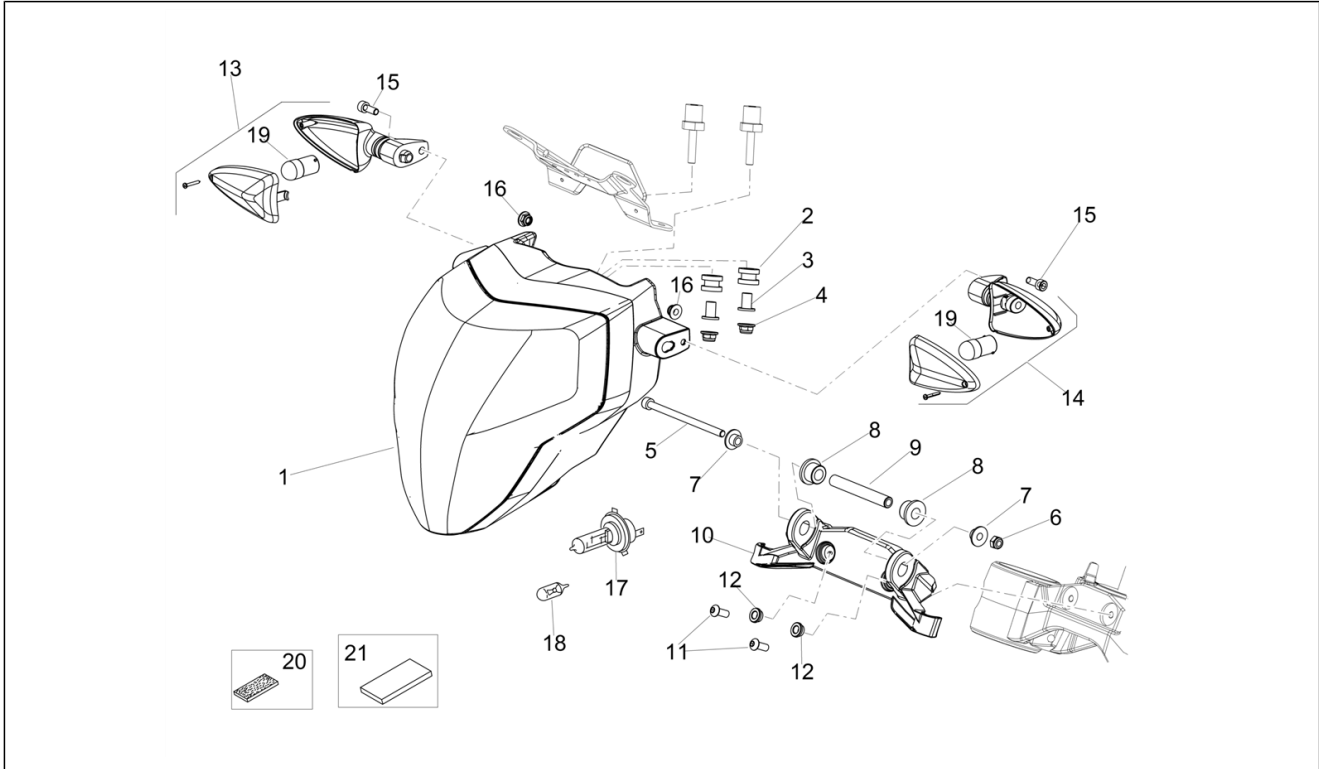
| Pos. | Code | Description | Qty | Variants |
|------|-----------|------------------------|-----|----------|
| 1 | 2B004162 | Tubular handlebar | 1 | |
| 2 | B045021 | RH lights selector | 1 | |
| 3 | 896107 | LH lights selector | 1 | |
| 4 | 2B004159 | Upper handlebar clamp | 1 | |
| 5 | AP8104509 | Anti.v weight, black | 2 | |
| 6 | AP8152003 | Hex socket screw M6x40 | 2 | |
| 7 | AP8118579 | LH hand grip | 1 | |
| 8 | AP8152486 | Screw M8x25 INOX | 4 | |
| 9 | AP8104922 | LH rearview mirror | 1 | |
| 10 | AP8104921 | RH rearview mirror | 1 | |
| 11 | 2D000095 | Electronic gas control | 1 | |

| | |
|--------------------|----------------------|
| Group | Handlebar - Controls |
| Code | 07.030 |
| Description | Clutch control |
| Service | 1 |



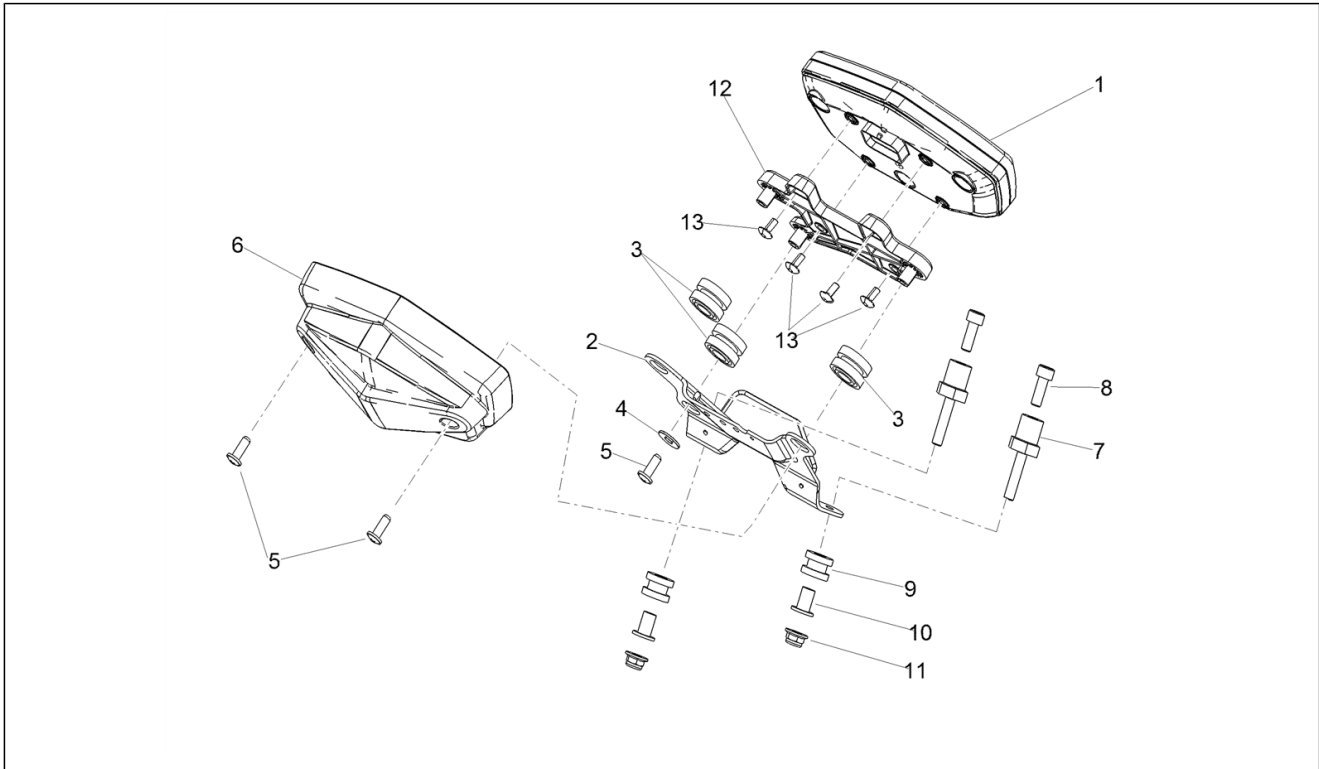
| Pos. | Code | Description | Qty | Variants |
|------|-----------|-------------------------|-----|----------|
| 1 | 851645 | Clutch pump | 1 | |
| 2 | 856054 | Clutch lever | 1 | |
| 3 | 896337 | Complete clutch cover | 1 | |
| 4 | 856050 | U-bolt | 1 | |
| 5 | 854835 | Clutch pipe | 1 | |
| 6 | AP8113003 | Oil pipe screw | 1 | |
| 7 | AP8113004 | Washer 10x14x1,6* | 4 | |
| 8 | 85221R | Clutch command cylinder | 1 | |
| 9 | AP8133945 | Bleeder kit | 1 | |
| 10 | 874037 | Screw | 2 | |
| 11 | 873268 | Screw | 1 | |
| 12 | 642032 | stop Button | 1 | |
| 13 | AP8220135 | Rubber spacer * | 1 | |
| 14 | 858424 | Diaphragm | 1 | |

| | |
|--------------------|----------------------|
| Group | Lights - Instruments |
| Code | 08.010 |
| Description | Front lights |
| Service | 1 |



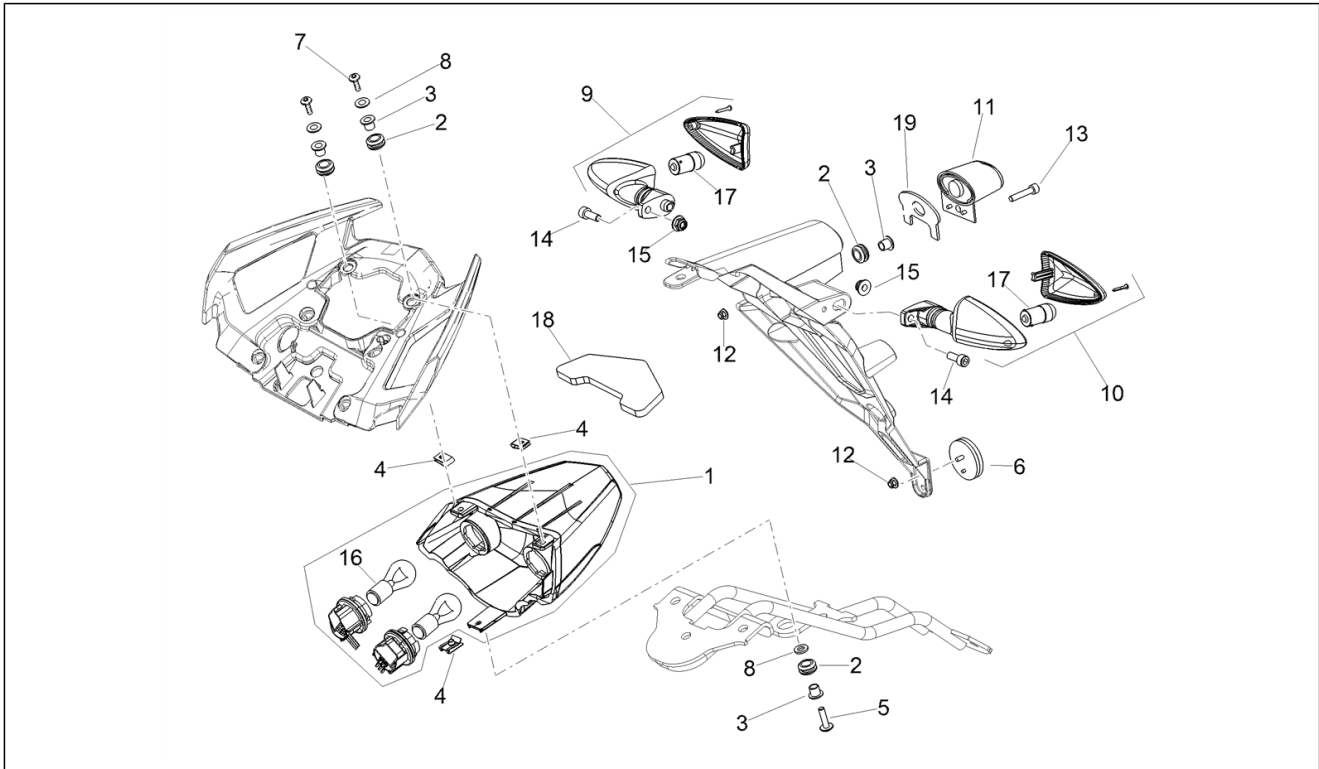
| Pos. | Code | Description | Qty | Variants |
|------|-----------|-------------------------|-----|----------|
| 1 | 2D000352 | Headlight | 1 | |
| 2 | AP8220370 | Filter housing rubber | 2 | |
| 3 | AP8121725 | T bush * | 2 | |
| 4 | AP8152299 | Self-locking nut M6 | 2 | |
| 5 | 478171 | Hex socket screw M6x100 | 1 | |
| 6 | AP8152299 | Self-locking nut M6 | 1 | |
| 7 | AP8221349 | T bush | 2 | |
| 8 | AP8220192 | Rubber spacer * | 2 | |
| 9 | AP8134419 | Fuel tank bush | 1 | |
| 10 | 851592 | Support clamp | 1 | |
| 11 | AP8152108 | Hex socket screw | 2 | |
| 12 | AP8221129 | Bush | 2 | |
| 13 | 854555 | RH front turn indicator | 1 | |
| 14 | 854556 | LH front turn indicator | 1 | |
| 15 | AP8152338 | Screw w/ flange | 2 | |
| 16 | AP8152306 | Self-locking nut M5 | 2 | |
| 17 | 294353 | Lamp H7 12V-55W | 1 | |
| 18 | 2920225 | 12V-5W bulb | 1 | |
| 19 | AP8127489 | Lamp RY10W 12V | 2 | |
| 20 | AP8144529 | Gasket | 3 | |
| 21 | AP8117200 | Adhesive sponge | 1 | |

| | |
|--------------------|----------------------|
| Group | Lights - Instruments |
| Code | 08.020 |
| Description | Instruments |
| Service | 1 |



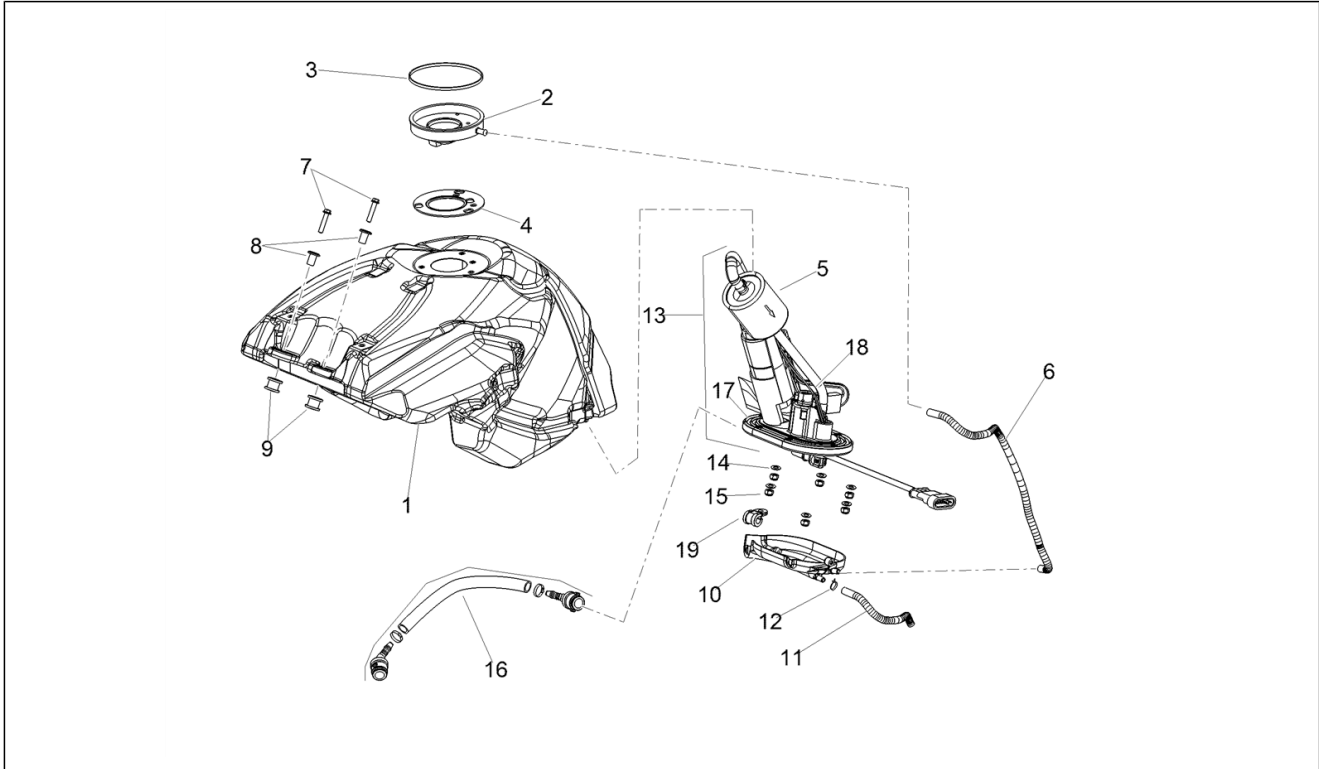
| Pos. | Code | Description | Qty | Variants |
|------|-----------|------------------------------|-----|----------|
| 1 | 2D000350 | Instrument panel | 1 | |
| 2 | 2B004336 | [...] | 1 | |
| 3 | AP8144662 | Rubber spacer | 3 | |
| 4 | AP8150255 | Washer 5x20x1,5 | 1 | |
| 5 | AP8150509 | Self-tap screw 5x14 | 3 | |
| 6 | 2B003902 | Instrument panel cover | 1 | |
| 7 | 853212 | Special screw | 2 | |
| 8 | AP8150137 | Hex socket screw M6x16 | 2 | |
| 9 | AP8220370 | Filter housing rubber | 2 | |
| 10 | AP8121725 | T bush * | 2 | |
| 11 | AP8152299 | Self-locking nut M6 | 2 | |
| 12 | 2B003901 | Adaptor | 1 | |
| 13 | 896174 | Hex socket screw Black M5x12 | 4 | |

| | |
|--------------------|----------------------|
| Group | Lights - Instruments |
| Code | 08.030 |
| Description | Rear lights |
| Service | 1 |



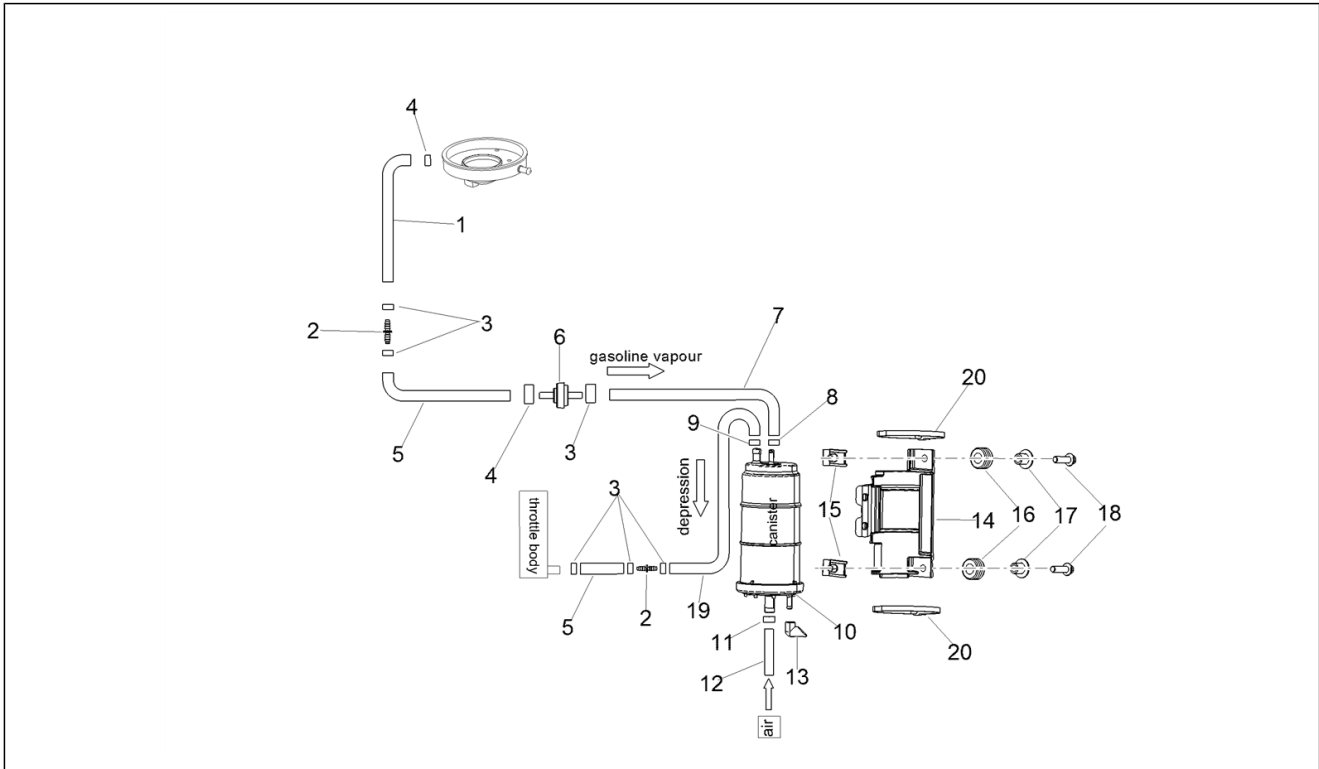
| Pos. | Code | Description | Qty | Variants |
|------|-----------|------------------------------|-----|----------|
| 1 | 851638 | Taillight | 1 | |
| 2 | AP8112600 | Rubber spacer | 4 | |
| 3 | AP8121795 | T bush | 4 | |
| 4 | AP8102375 | Clip M5 | 3 | |
| 5 | AP8152270 | Hex socket screw M5x25 | 1 | |
| 6 | AP8224164 | Rear reflector, red | 1 | |
| 7 | AP8152298 | Screw w/ flange M5x16 | 2 | |
| 8 | AP8150382 | Washer 15x5,5X1,2 | 2 | |
| 9 | AP8127803 | LH front/RH rear turn indic. | 1 | |
| 10 | AP8127804 | RH front/LH rear turn indic. | 1 | |
| 11 | AP8127098 | Number-plate light | 1 | |
| 12 | AP8152306 | Self-locking nut M5 | 1 | |
| 13 | AP8150265 | Hex socket screw M5x30 | 1 | |
| 14 | AP8150137 | Hex socket screw M6x16 | 2 | |
| 15 | AP8152299 | Self-locking nut M6 | 1 | |
| 16 | 129953 | Lamp 12V-21/5W | 1 | |
| 17 | AP8127489 | Lamp RY10W 12V | 2 | |
| 18 | 856087 | Vibration-damping rubber | 1 | |
| 19 | AP8117258 | Vibration-damping rubber | 1 | |

| | |
|--------------------|-----------|
| Group | Tank |
| Code | 09.010 |
| Description | Fuel tank |
| Service | 1 |



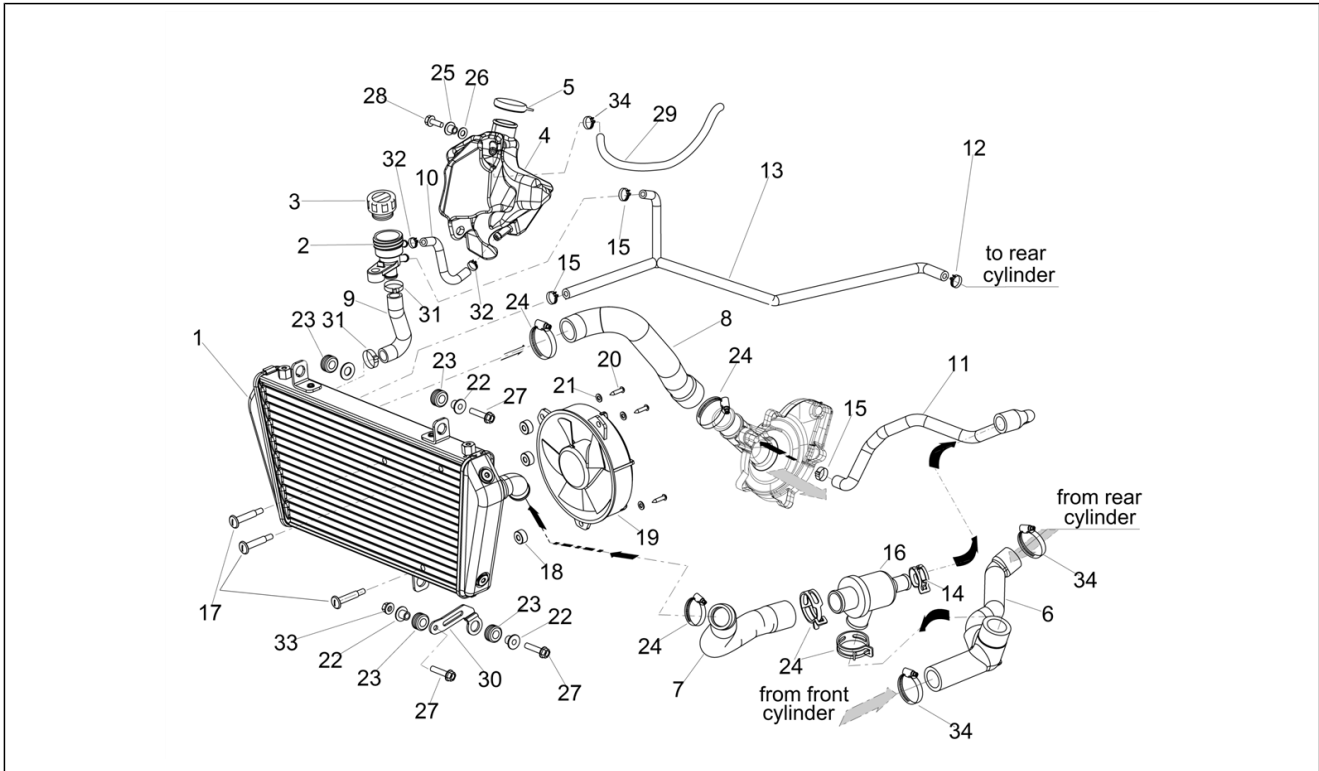
| Pos. | Code | Description | Qty | Variants |
|------|------------|-------------------------|-----|----------|
| 1 | 895482 | Fuel tank | 1 | |
| 2 | AP8102676 | Float chamber | 1 | |
| 3 | AP8120893 | Cap seal | 1 | |
| 4 | AP8144351 | Fuel tank gasket | 1 | |
| 5 | GU01106090 | Fuel filter | 1 | |
| 6 | 854810 | Breather pipe | 1 | |
| 7 | 860137 | Spacer | 1 | |
| 8 | AP8152037 | Washer | 1 | |
| 9 | AP8144328 | Rubber spacer | 2 | |
| 10 | 860069 | Fuel glass cup | 1 | |
| 11 | 890498 | Oil breather pipe D6x11 | 1 | |
| 12 | AP8102378 | Hose clamp D11,3 | 1 | |
| 13 | 2D000353 | Fuel pump | 1 | |
| 14 | AP8150451 | Low self-locking nut | 6 | |
| 15 | AP8150382 | Washer 15x5,5X1,2 | 6 | |
| 16 | 2B004011 | Fuel pipe | 1 | |
| 17 | GU01107490 | Gasket | 1 | |
| 18 | 898468 | Fuel level sensor | 1 | |
| 19 | AP8134167 | Brake hose hanger | 1 | |

| | |
|--------------------|----------------------------|
| Group | Tank |
| Code | 09.020 |
| Description | Fuel vapour recover system |
| Service | 1 |



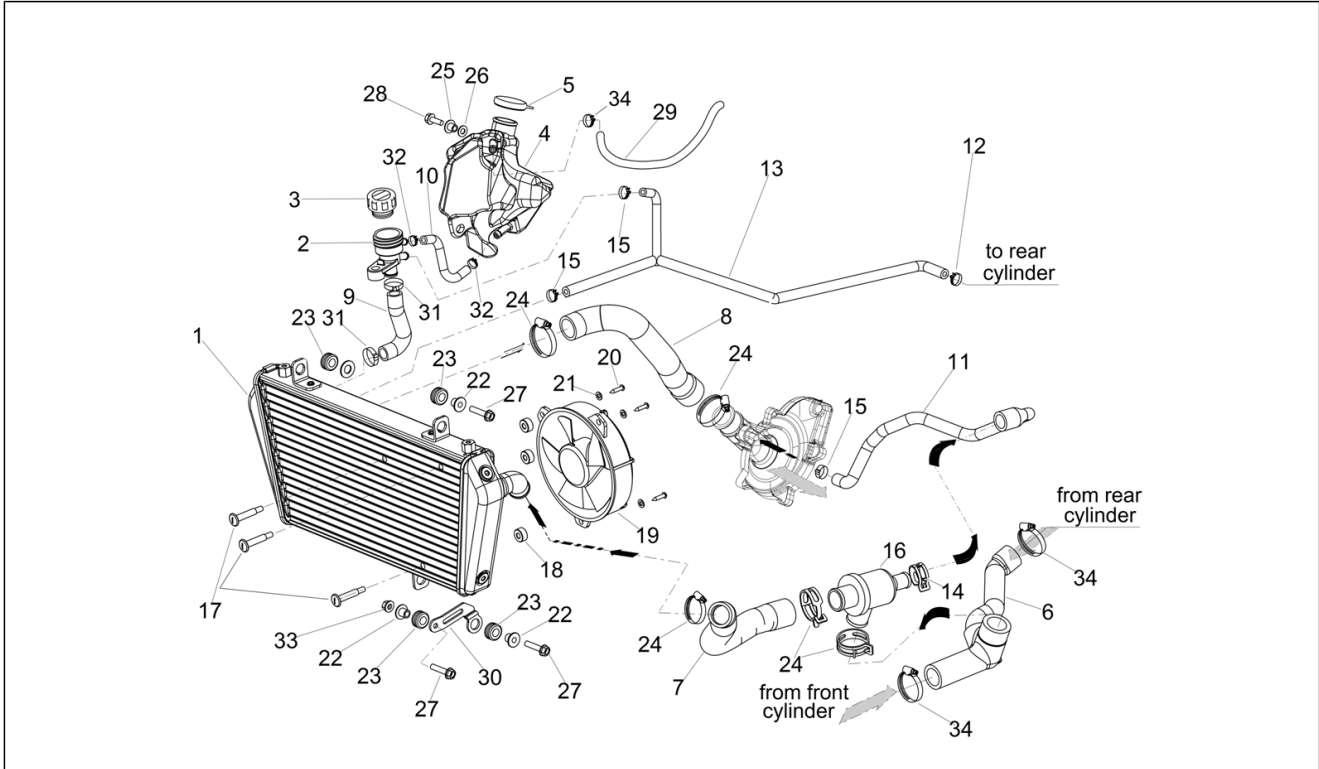
| Pos. | Code | Description | Qty | Variants |
|------|---------------|-----------------------|-----|----------|
| 1 | 2B003871 | Preformed pipe | 1 | |
| 2 | 2B000219 | Joint | 2 | |
| 3 | AP8101595 | Hose clamp D10,1 | 7 | |
| 4 | AP8102378 | Hose clamp D11,3 | 2 | |
| 5 | 890505 | Fuel pipe 5,5x10 | 2 | |
| 6 | CM179008 | Safety valve | 1 | |
| 7 | 2B003870 | Preformed pipe | 1 | |
| 8 | AP8102377 | Hose clamp D9,1* | 1 | |
| 9 | AP8201358 | Hose clamp D 11,9 | 1 | |
| 10 | 2B002632 | Canister | 1 | |
| 11 | AP9100714 | Hose clip 14,5x8 | 1 | |
| 12 | GU00823955080 | Breather pipe | 1 | |
| 13 | 487567 | Cover | 1 | |
| 14 | 2B003873 | Carbon filter support | 1 | |
| 15 | 254485 | Spring plate M6 | 2 | |
| 16 | AP8120030 | Rubber spacer | 2 | |
| 17 | AP8221023 | T bush | 2 | |
| 18 | AP8152279 | Screw w/ flange M6x20 | 2 | |
| 19 | 2B004255 | Coal filter tube | 1 | |
| 20 | AP8120657 | Hose clamp | 2 | |

| | |
|--------------------|----------------|
| Group | Cooling system |
| Code | 10.020 |
| Description | Cooling system |
| Service | 1 |



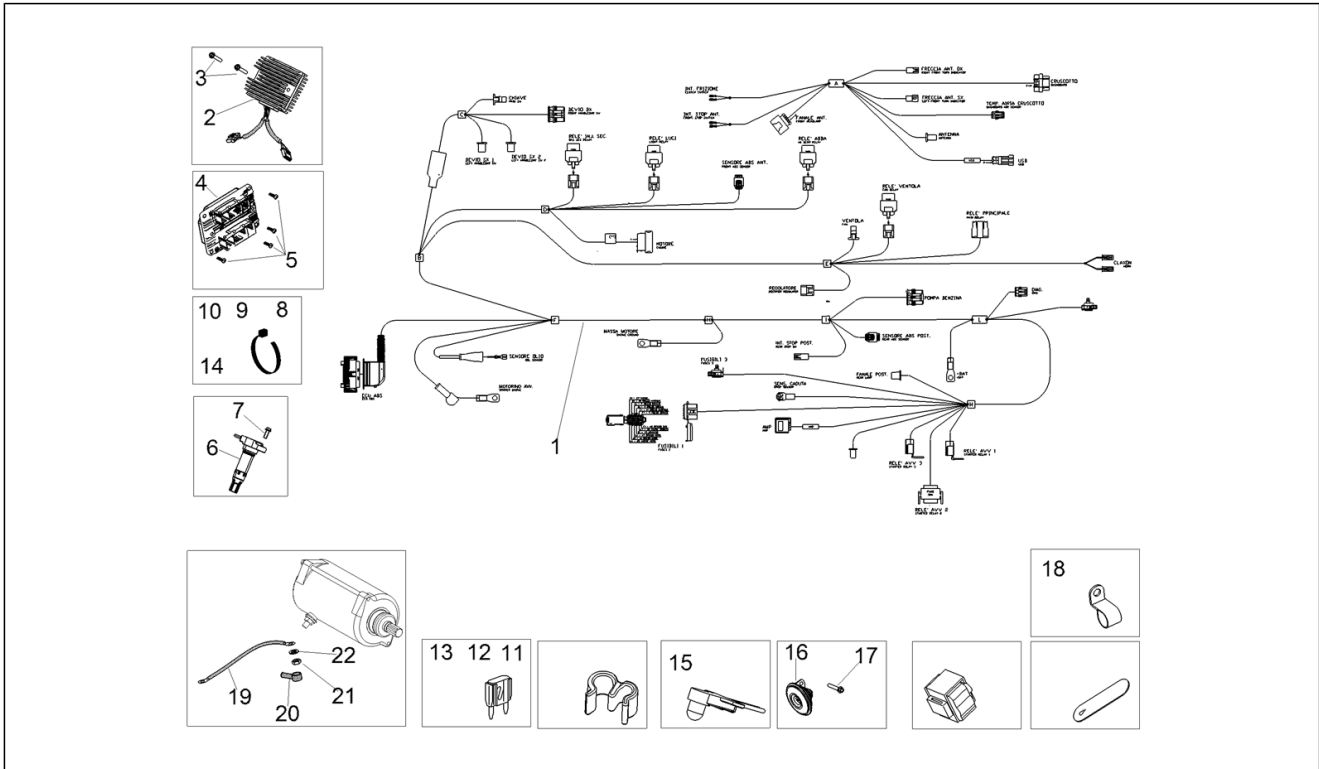
| Pos. | Code | Description | Qty | Variants |
|------|-----------|----------------------------|-----|----------|
| 1 | 897162 | Water cooler | 1 | |
| 2 | AP8144644 | Filler cap | 1 | |
| 3 | AP8102615 | Cover | 1 | |
| 4 | 851597 | Expansion tank | 1 | |
| 5 | AP8104836 | Expansion tank plug | 1 | |
| 6 | 2B003862 | 3-way pipe | 1 | |
| 7 | 2B003860 | Valve-cooler tube | 1 | |
| 8 | 897414 | Cooler-pump pipe | 1 | |
| 9 | 851599 | Water rad.feed pipe | 1 | |
| 10 | 851601 | Breather pipe | 1 | |
| 11 | 2B003861 | Motor-pump valve tube | 1 | |
| 12 | AP8120446 | Hose clip, green D11x6,6x1 | 1 | |
| 13 | 860328 | Breather pipe | 1 | |
| 14 | CM226903 | Spring clamp 22/12 | 1 | |
| 15 | CM226906 | Spring clamp 35/12 | 1 | |
| 16 | 834232 | Thermostat valve set 85°C | 1 | |
| 17 | AP8121464 | Pin | 3 | |
| 18 | AP8161083 | Spacer | 3 | |
| 19 | AP8124930 | Fan, cpl. | 1 | |
| 20 | AP8150270 | Screw 4,2x20* | 3 | |
| 21 | AP8150012 | Washer 5,3x10x1* | 3 | |
| 22 | AP8221023 | T bush | 3 | |
| 23 | AP8120030 | Rubber spacer | 3 | |
| 24 | CM001905 | Hose clamp | 3 | |
| 25 | AP8221145 | T bush * | 1 | |
| 26 | AP8220366 | Rubber spacer | 1 | |
| 27 | AP8152280 | Screw w/ flange M6x25 | 2 | |
| 28 | AP8152279 | Screw w/ flange M6x20 | 1 | |

| | |
|--------------------|----------------|
| Group | Cooling system |
| Code | 10.020 |
| Description | Cooling system |
| Service | 1 |



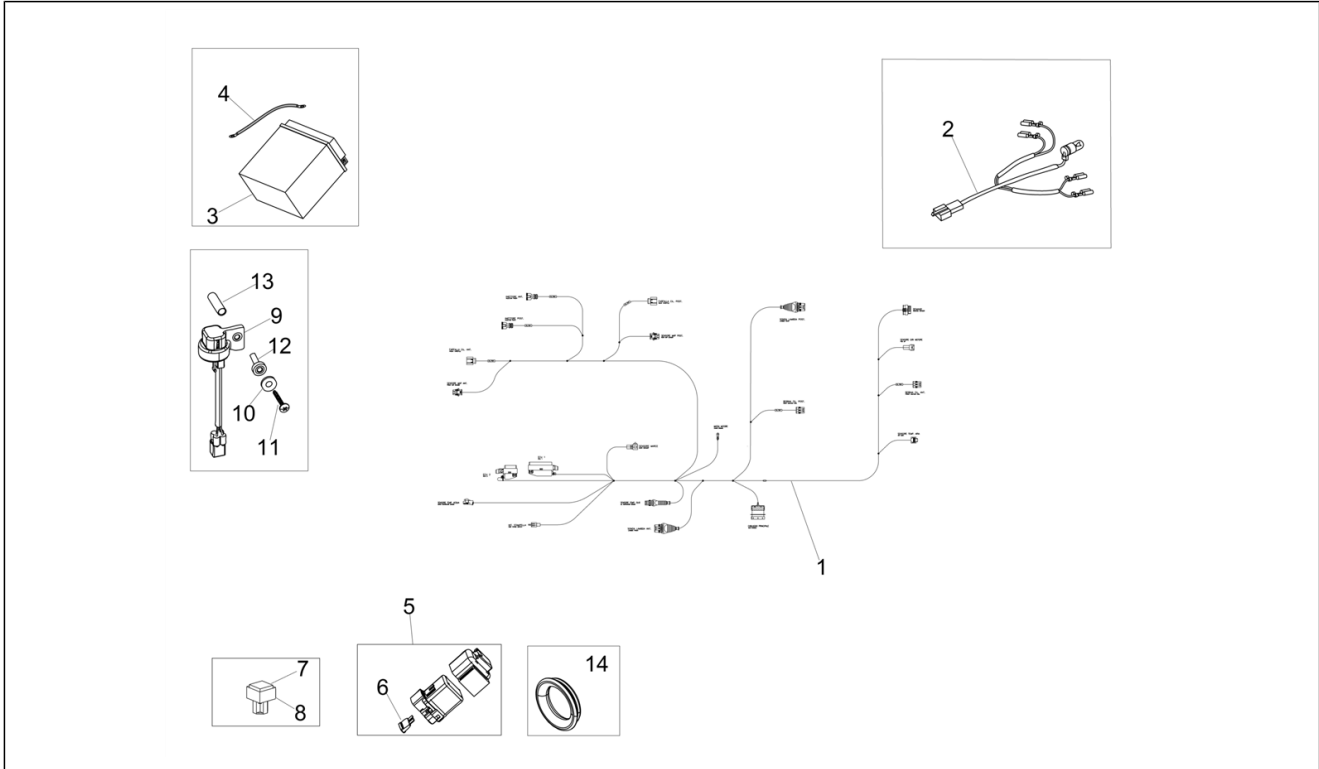
| Pos. | Code | Description | Qty | Variants |
|------|-----------|----------------------|-----|----------|
| 29 | AP8120952 | Fuel pipe 5,5x10 | 1 | |
| 30 | 853458 | Water cooler support | 1 | |
| 31 | AP8102786 | Hose clip 20x8 | 2 | |
| 32 | AP8102159 | Hose clamp | 2 | |
| 33 | AP8152299 | Self-locking nut M6 | 1 | |
| 34 | CM226909 | Spring clamp 29/12 | 2 | |

| | |
|--------------------|-------------------------|
| Group | Electrical systems |
| Code | 11.010 |
| Description | Front electrical system |
| Service | 1 |



| Pos. | Code | Description | Qty | Variants |
|------|-----------|-----------------------------|-----|----------|
| 1 | 2D000357 | Main wiring harness | 1 | |
| 2 | 58189R | Voltage regulator | 1 | |
| 3 | AP8152281 | Screw w/ flange M6x30 | 2 | |
| 4 | CM281705 | Electronic injection device | 1 | |
| 5 | AP8150413 | Self-tap screw 3,9x14 | 2 | |
| 6 | 1D002046 | HT coil | 2 | |
| 7 | 874554 | Screw w/ flange M6x14 | 2 | |
| 8 | AP8102386 | Hose clamp 155x2 | 8 | |
| 9 | AP8120416 | Black hose 178x4 | 3 | |
| 10 | AP8120657 | Hose clamp | 8 | |
| 11 | CM225607 | Fuse 7,5A | 1 | |
| 12 | CM225615 | Fuse 15A | 1 | |
| 13 | CM225610 | Fuse 10A | 1 | |
| 14 | 890721 | Wiring clip | 1 | |
| 15 | AP8124936 | Air temp. Sensor | 2 | |
| 16 | 854830 | Horn | 1 | |
| 17 | AP8152280 | Screw w/ flange M6x25 | 1 | |
| 18 | 894704 | Fairlead | 4 | |
| 19 | 851630 | Relay-starter motor cable | 1 | |
| 20 | 581061 | Cap | 1 | |
| 21 | AP8150026 | Nut M6 | 1 | |
| 22 | 658830 | Curved spring washer 6x12 | 1 | |

| | |
|--------------------|------------------------|
| Group | Electrical systems |
| Code | 11.030 |
| Description | Rear electrical system |
| Service | 1 |



| Pos. | Code | Description | Qty | Variants |
|------|-----------|--------------------------|-----|----------|
| 1 | 2D000360 | Engine wiring | 1 | |
| 2 | 859812 | Taillight wiring harn. | 1 | |
| 3 | 583158 | Battery (Yuasa) 12V-10Ah | 1 | |
| 4 | 851632 | Earth cable | 1 | |
| 5 | 582690 | Starter relay | 1 | |
| 6 | 581440 | Fuse 30A | 2 | |
| 7 | 895481 | Injection relay 12V-40W | 1 | |
| 8 | AP8220546 | Relay rubber | 1 | |
| 9 | 642248 | Fall sensor | 1 | |
| 10 | AP8150248 | Washer 5,5x15x1,6 | 1 | |
| 11 | AP8225369 | Hex socket screw | 1 | |
| 12 | AP8120531 | Rubber w/ insert | 1 | |
| 13 | 2B004490 | Bush | 1 | |
| 14 | 294754 | Fairlead | 1 | |