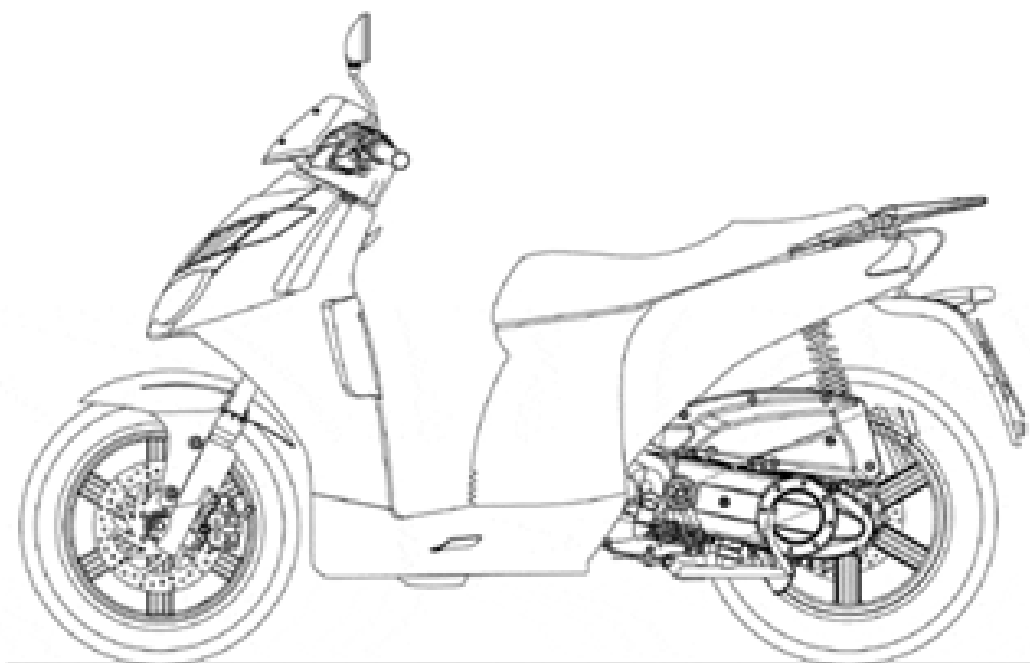




PIAGGIO & C.s.p.a.

aprilia

SPARE PARTS CATALOGUE



Sport City 125-200-250 E3 2006-2008

Chassis prefix: ZD4VB002, ZD4VBA01, ZD4VBB00, ZD4VBC00

Engine prefix:

Index

Finished products.....	4
Alphanumeric index.....	5
FRAME.....	11
Table 28.01 - Frame.....	11
Table 28.02 - Central stand.....	12
Table 28.03 - Front fork - Stem base.....	13
Table 28.04 - Kaifa front fork - Hubs, sleeves.....	14
Table 28.05 - Connecting rod.....	15
Table 28.06 - Rear shock absorber.....	16
Table 28.07 - Front body - Front fairing.....	17
Table 28.08 - Front body - Front mudguard.....	19
Table 28.09 - Front body - Front cover.....	20
Table 28.10 - Front body - Internal shield.....	21
Table 28.11 - Central body I.....	23
Table 28.12 - Central body II.....	24
Table 28.13 - Undersaddle.....	25
Table 28.14 - Saddle unit.....	26
Table 28.15 - Rear body I.....	27
Table 28.16 - Rear body II.....	28
Table 28.17 - Top box support.....	30
Table 28.18 - Dashboard.....	31
Table 28.19 - Handlebar.....	32
Table 28.20 - LH Controls.....	33
Table 28.21 - RH controls.....	34
Table 28.22 - Water cooler.....	36
Table 28.23 - Cooling system.....	37
Table 28.24 - Fuel tank I.....	38
Table 28.25 - Fuel tank II.....	39
Table 28.26 - Air box.....	40
Table 28.33 - Exhaust unit.....	41
Table 28.34 - Front wheel.....	42
Table 28.35 - Front caliper I.....	43
Table 28.36 - Front caliper II.....	44
Table 28.37 - Rear wheel.....	45
Table 28.38 - Rear caliper.....	46
Table 28.39 - Headlight.....	47
Table 28.40 - Taillight.....	49
Table 28.41 - Electrical system.....	50
Table 28.42 - Lock hardware kit.....	52
Table 28.43 - Plate set and handbooks.....	53
Table 28.65 - Fuel vapour recover system.....	54
ENGINE.....	55
Table 29.27 - Carburettor I.....	55

Table 29.28 - Carburettor II.....	56
Table 29.29 - Carburettor III.....	57
Table 29.30 - Throttle body.....	58
Table 29.31 - Secondary air.....	59
Table 29.32 - Engine.....	61
Table 29.44 - Crankcase.....	62
Table 29.45 - Drive shaft.....	63
Table 29.46 - Cylinder.....	64
Table 29.47 - Cylinder head.....	66
Table 29.48 - Camshaft.....	68
Table 29.49 - Oil breather valve.....	69
Table 29.50 - Chain tensioner.....	70
Table 29.51 - Oil filter.....	71
Table 29.52 - Clutch.....	72
Table 29.53 - Oil pump.....	74
Table 29.54 - Transmission.....	76
Table 29.55 - Variator assembly.....	77
Table 29.56 - Starter motor I.....	78
Table 29.57 - Starter motor II.....	79
Table 29.58 - Variator cover.....	80
Table 29.59 - Ignition unit I.....	81
Table 29.60 - Ignition unit II.....	83
ACCESSORIES.....	85
Table 30.61 - Acc. - Windshields.....	85
Table 30.62 - Acc. - Top/cases I.....	86
Table 30.63 - Acc. - Top/cases II.....	87
Table 30.64 - Acc. - Various.....	88
Table 30.66 - Acc. - Mechanics anti-theft.....	89

Finished products

Code	Validity
AP6223102AA602	
AP6223102AA603	
AP6223102AA605	
AP6223102AB603	
AP6223102AB605	
AP6223102EA600	
AP6223102EA602	
AP6223102EA603	
AP6223102EA604	
AP6223102EA605	
AP6223102EA706	
AP6223102EB600	
AP6223102EB602	
AP6223102EB603	
AP6223102EB604	
AP6223102EB605	
AP6223102EB706	
AP6223102EC602	
AP6223102EC603	
AP6223102EC604	
AP6223102EC605	
AP6223102EC706	
AP6223102EU601	
AP6223102EU602	
AP6223102EU603	
AP6223102EU604	
AP6223102EU605	

Code	No. table	Pos.	Code	No. table	Pos.	Code	No. table	Pos.
006647	28.33	17	AP8102375	28.16	6	AP8113867	28.35	4
431098	29.52	19	AP8102375	28.22	17	AP8113867	28.36	4
484908	29.46	6	AP8102375	28.65	12	AP8113868	28.35	8
485779	29.46	4	AP8102376	28.01	18	AP8113869	28.38	2
485914	29.46	5	AP8102376	28.12	6	AP8113870	28.38	3
486362	29.46	6	AP8102376	28.22	10	AP8113871	28.38	4
486363	29.46	5	AP8102376	28.23	9	AP8114500	28.21	17
58141R	29.59	9	AP8102376	28.41	18	AP8117266	28.33	3
623876	28.43	6	AP8102376	28.65	8	AP8118681	28.21	18
672198	28.26	6	AP8102376	29.27	8	AP8118694	28.19	1
82545R	28.33	16	AP8102378	28.24	15	AP8118699	28.20	6
82869R	29.59	8	AP8102378	28.65	20	AP8118699	28.21	6
830486	29.46	4	AP8102381	28.07	5	AP8119883	28.33	1
832870	29.44	3	AP8102504	28.65	26	AP8119895	28.33	1
840332	29.44	1	AP8102520	28.65	23	AP8119902	28.33	12
8432900001	29.46	8	AP8102523	28.42	6	AP8119904	28.33	7
8432900002	29.46	8	AP8102576	29.49	12	AP8119910	28.33	2
8432900003	29.46	8	AP8102678	28.65	1	AP8119911	28.33	2
8432900004	29.46	8	AP8102688	28.65	2	AP8120179	28.65	24
843291	29.46	7	AP8102719	28.65	3	AP8120416	28.41	13
845604	29.47	16	AP8102765	28.23	6	AP8120422	28.01	20
846097	28.33	18	AP8102873	28.65	17	AP8120428	28.24	17
847116	29.53	22	AP8102947	28.42	5	AP8120446	28.23	12
847679	29.60	29	AP8104071	28.24	20	AP8120508	28.33	15
8477975	29.60	28	AP8104072	28.24	19	AP8120615	28.26	4
847931	29.54	8	AP8104197	30.63	3	AP8120621	28.34	11
8481875	29.54	6	AP8104251	28.24	7	AP8120657	28.01	21
849040	29.59	1	AP8104406	28.24	6	AP8120657	28.41	12
849480	29.55	3	AP8104422	28.42	11	AP8120905	28.65	19
852312	30.62	3	AP8104602	30.63	5	AP8120952	28.24	11
852319	28.65	5	AP8104611	28.42	4	AP8120952	28.65	15
852320	28.65	4	AP8104612	28.42	3	AP8120956	29.49	2
852364	28.39	17	AP8104613	28.42	12	AP8121032	28.26	7
852365	28.18	1	AP8104721	28.22	1	AP8121075	28.08	10
852367	28.39	1	AP8104723	28.19	2	AP8121171	28.37	4
852368	28.40	1	AP8104724	28.19	3	AP8121172	28.37	3
853007	28.39	18	AP8104725	28.43	4	AP8121190	28.05	8
853019	28.04	3	AP8104726	28.42	1	AP8121191	28.05	4
853039	28.16	20	AP8104880	28.03	6	AP8121192	28.05	6
854013	28.43	3	AP8106776	28.65	7	AP8121194	28.34	4
854509	28.41	6	AP8110104	29.52	1	AP8121195	28.34	6
854510	28.40	3	AP8112176	28.41	25	AP8121196	28.34	5
854631	28.40	16	AP8112244	28.41	26	AP8121333	28.14	5
8714085	29.58	3	AP8112506	28.41	24	AP8121419	28.33	4
8714485	29.58	3	AP8112927	28.41	1	AP8121464	28.22	4
871458	29.58	15	AP8113003	28.20	4	AP8121617	28.02	9
872479	29.27	10	AP8113003	28.21	4	AP8121620	28.37	7
872896	28.33	2	AP8113003	28.35	10	AP8121621	28.26	8
AP8101372	28.22	12	AP8113003	28.36	6	AP8121628	28.05	7
AP8101573	28.23	4	AP8113003	28.36	8	AP8121638	28.02	8
AP8101573	29.59	14	AP8113003	28.38	9	AP8121639	29.27	7
AP8101586	28.65	18	AP8113004	28.20	5	AP8121639	29.30	7
AP8101595	28.24	13	AP8113004	28.21	5	AP8121795	28.01	14
AP8101595	28.65	16	AP8113004	28.35	9	AP8121837	28.22	11
AP8101770	28.24	9	AP8113004	28.36	5	AP8121856	29.32	5
AP8101770	28.25	12	AP8113004	28.38	8	AP8123675	28.03	4
AP8101770	29.27	9	AP8113005	28.35	7	AP8123794	28.03	3
AP8101770	29.30	8	AP8113005	28.36	12	AP8124235	28.41	30
AP8101944	28.24	22	AP8113005	28.38	6	AP8124266	28.41	28
AP8101944	28.25	15	AP8113006	28.38	5	AP8124446	28.22	3
AP8102151	28.24	18	AP8113541	28.37	8	AP8124718	28.16	11
AP8102349	28.23	7	AP8113697	28.34	8	AP8124719	28.10	8
AP8102375	28.01	19	AP8113697	28.34	8	AP8124748	28.41	20
AP8102375	28.07	6	AP8113789	29.53	4	AP8124748	28.41	20
AP8102375	28.08	7	AP8113789	29.57	1	AP8124768	28.41	27
AP8102375	28.12	5	AP8113844	28.35	1	AP8124918	28.20	1
AP8102375	28.15	7	AP8113846	28.38	1	AP8124976	28.40	9

Code	No. table	Pos.	Code	No. table	Pos.	Code	No. table	Pos.
AP8125757	28.20	15	AP8133798	28.36	3	AP8150020	28.05	12
AP8125757	28.21	15	AP8133799	28.35	4	AP8150020	28.06	7
AP8125812	28.34	2	AP8133799	28.36	4	AP8150020	28.19	7
AP8125848	28.22	5	AP8133800	28.35	6	AP8150026	28.41	17
AP8125893	29.52	3	AP8133800	28.36	11	AP8150038	28.06	6
AP8125901	28.37	6	AP8133801	28.35	8	AP8150045	28.26	15
AP8127098	28.40	7	AP8133801	28.36	10	AP8150088	28.19	6
AP8127109	28.39	9	AP8133855	28.38	1	AP8150107	28.35	3
AP8127112	28.41	2	AP8133888	28.36	9	AP8150137	28.39	15
AP8127145	28.41	8	AP8133889	28.20	9	AP8150159	28.10	9
AP8127305	28.20	7	AP8133889	28.38	11	AP8150159	28.16	12
AP8127305	28.21	7	AP8133891	28.36	1	AP8150159	28.16	24
AP8127337	28.41	10	AP8133892	28.36	2	AP8150159	28.22	6
AP8127418	28.41	11	AP8133893	28.36	1	AP8150204	28.10	10
AP8127441	28.22	2	AP8133894	28.36	2	AP8150204	28.16	13
AP8127461	28.42	13	AP8133946	28.38	2	AP8150204	28.16	25
AP8127466	28.41	3	AP8134650	28.65	6	AP8150211	28.39	19
AP8127489	28.39	16	AP8134799	28.11	3	AP8150248	28.65	11
AP8127489	28.40	15	AP8134815	28.24	12	AP8150270	28.22	8
AP8127514	28.39	10	AP8134974	28.06	9	AP8150277	28.19	4
AP8127515	28.39	11	AP8134976	28.22	13	AP8150285	28.26	17
AP8127552	28.39	12	AP8135677	28.01	5	AP8150298	28.12	8
AP8127552	28.40	12	AP8144089	28.14	6	AP8150333	28.14	3
AP8127556	28.41	9	AP8144187	28.24	3	AP8150362	28.16	17
AP8127558	28.41	7	AP8144187	28.25	3	AP8150362	28.40	8
AP8127559	28.41	6	AP8144257	28.11	1	AP8150376	28.39	23
AP8127561	28.39	3	AP8144298	28.23	11	AP8150382	28.12	10
AP8127562	28.39	2	AP8144298	28.25	14	AP8150382	28.24	14
AP8127564	28.40	1	AP8144303	28.24	10	AP8150382	28.25	11
AP8127592	28.21	1	AP8144422	28.24	8	AP8150382	28.33	10
AP8127619	28.41	20	AP8144422	28.25	6	AP8150403	28.26	16
AP8127619	28.41	20	AP8144506	28.23	5	AP8150413	28.07	7
AP8127644	28.40	3	AP8144579	29.31	2	AP8150413	28.08	8
AP8127668	28.38	12	AP8144579	29.49	5	AP8150413	28.10	3
AP8127695	28.39	1	AP8144579	29.59	23	AP8150413	28.11	10
AP8127696	28.39	1	AP8144579	29.60	14	AP8150413	28.11	2
AP8127698	28.39	8	AP8144638	28.65	25	AP8150413	28.13	3
AP8127809	28.41	11	AP8144642	28.23	2	AP8150413	28.15	6
AP8127810	28.41	6	AP8144701	28.26	13	AP8150413	28.17	3
AP8127811	28.18	1	AP8144704	28.23	14	AP8150413	28.18	4
AP8127825	28.41	29	AP8144729	28.02	7	AP8150413	28.39	7
AP8127826	28.13	2	AP8144759	28.23	13	AP8150413	28.40	6
AP8127827	28.25	4	AP8144760	28.25	8	AP8150416	28.07	10
AP8127828	28.24	5	AP8144761	28.25	9	AP8150423	28.10	6
AP8127828	28.25	5	AP8144777	28.22	18	AP8150423	28.11	6
AP8127829	28.33	6	AP8144782	28.24	2	AP8150423	28.22	7
AP8127843	28.18	1	AP8144782	28.25	2	AP8150429	28.39	21
AP8127860	28.41	33	AP8144783	29.27	6	AP8150429	28.41	19
AP8127862	28.41	3	AP8144784	28.23	3	AP8150432	28.05	10
AP8127885	28.41	35	AP8144785	28.23	16	AP8150438	28.02	5
AP8127886	28.41	34	AP8144786	28.23	17	AP8150450	28.09	5
AP8127925	28.39	2	AP8144790	28.33	11	AP8150450	28.16	15
AP8127926	28.39	3	AP8144794	29.27	6	AP8150450	28.65	27
AP8128059	28.34	10	AP8144795	28.26	5	AP8150502	28.01	13
AP8128060	28.34	1	AP8144796	29.30	6	AP8150538	28.33	9
AP8128062	28.37	2	AP8145023	28.01	1	AP8150554	28.05	15
AP8128063	28.37	1	AP8145025	28.02	1	AP8152018	28.05	11
AP8128126	28.34	1	AP8146883	28.01	2	AP8152117	28.08	11
AP8128127	28.37	1	AP8146884	28.01	3	AP8152140	28.42	8
AP8128156	28.34	1	AP8149034	28.16	21	AP8152246	28.22	15
AP8129465	28.14	1	AP8149478	28.11	7	AP8152246	28.23	10
AP8133610	28.36	10	AP8150011	28.07	11	AP8152246	28.41	21
AP8133673	28.21	9	AP8150014	28.39	20	AP8152246	28.42	9
AP8133725	28.35	2	AP8150015	28.26	14	AP8152267	28.65	10
AP8133725	28.36	3	AP8150017	28.33	14	AP8152269	28.15	5
AP8133739	28.35	1	AP8150017	28.39	22	AP8152277	28.23	15
AP8133798	28.35	2	AP8150018	28.01	22	AP8152278	28.01	17

Code	No. table	Pos.	Code	No. table	Pos.	Code	No. table	Pos.
AP8152278	28.22	14	AP8161207	28.08	4	AP8176299	29.55	18
AP8152278	28.38	13	AP8161208	28.08	5	AP8176300	29.52	15
AP8152278	28.39	14	AP8161209	28.08	6	AP8176301	29.52	9
AP8152278	28.40	14	AP8163206	28.02	3	AP8176302	29.54	13
AP8152278	28.41	15	AP8163207	28.02	4	AP8176304	29.27	3
AP8152278	28.42	7	AP8163285	28.04	1	AP8176306	29.29	11
AP8152279	28.65	9	AP8163287	28.04	3	AP8176307	29.46	8
AP8152280	28.41	16	AP8163288	28.04	4	AP8176308	29.46	8
AP8152282	28.16	22	AP8163289	28.04	5	AP8176309	29.46	8
AP8152285	28.01	12	AP8163291	28.04	7	AP8176310	29.46	8
AP8152287	28.33	13	AP8163293	28.04	9	AP8176311	29.27	4
AP8152287	28.34	9	AP8163294	28.04	10	AP8176312	29.44	11
AP8152287	28.38	7	AP8163295	28.04	11	AP8176313	29.44	11
AP8152288	28.17	4	AP8163296	28.04	12	AP8176314	29.46	8
AP8152288	28.34	9	AP8163297	28.04	13	AP8176315	29.46	8
AP8152288	28.37	9	AP8163298	28.04	14	AP8176316	29.46	8
AP8152289	28.03	5	AP8163300	28.04	16	AP8176317	29.46	8
AP8152290	28.06	3	AP8163301	28.04	17	AP8176319	29.47	11
AP8152292	28.06	8	AP8163302	28.04	18	AP8176320	29.60	1
AP8152298	28.01	16	AP8163303	28.04	19	AP8176321	29.47	10
AP8152298	28.12	11	AP8163304	28.04	20	AP8176322	29.47	8
AP8152298	28.13	4	AP8163305	28.04	21	AP8176323	29.48	5
AP8152298	28.16	5	AP8163329	28.03	1	AP8176324	29.47	18
AP8152298	28.42	10	AP8163435	28.04	2	AP8176325	29.53	3
AP8152298	28.65	13	AP8163441	28.03	2	AP8176327	29.45	2
AP8152299	28.16	23	AP8163478	28.04	15	AP8176328	29.45	2
AP8152299	28.26	18	AP8163479	28.04	8	AP8176329	29.60	10
AP8152299	28.39	13	AP8163480	28.04	6	AP8176330	29.59	22
AP8152299	28.40	13	AP8163547	28.03	1	AP8176330	29.60	22
AP8152299	28.41	14	AP8163551	28.06	1	AP8176332	29.53	25
AP8152300	28.06	4	AP8166436	28.07	8	AP8176334	29.60	9
AP8152300	28.19	5	AP8166437	28.09	8	AP8176335	29.60	18
AP8152301	28.02	6	AP8166438	28.16	10	AP8176336	29.49	6
AP8152301	28.05	13	AP8166439	28.07	9	AP8176337	29.57	4
AP8152301	28.06	2	AP8166440	28.07	9	AP8176338	29.55	1
AP8152301	28.19	8	AP8166478	28.43	5	AP8176339	29.52	15
AP8152302	28.08	9	AP8176041	28.24	4	AP8176340	29.54	13
AP8152302	28.22	16	AP8176200	29.32	1	AP8176341	29.54	2
AP8152306	28.65	14	AP8176222	29.32	1	AP8176342	29.30	1
AP8152329	28.01	15	AP8176244	29.58	14	AP8176343	29.30	5
AP8152329	28.18	3	AP8176248	29.59	1	AP8176346	29.30	3
AP8152329	28.24	16	AP8176249	29.31	11	AP8176389	29.45	2
AP8152329	28.25	10	AP8176251	29.48	5	AP8176390	29.45	2
AP8152338	28.12	9	AP8176252	29.29	8	AP8176391	29.45	2
AP8152351	28.09	11	AP8176255	29.53	11	AP8176392	29.45	2
AP8152509	28.36	8	AP8176268	29.44	11	AP8176393	29.60	2
AP8154047	28.01	11	AP8176269	29.44	11	AP8176394	29.52	12
AP8154048	28.33	8	AP8176271	29.58	10	AP8176395	29.57	3
AP8154081	28.41	36	AP8176272	29.58	9	AP8177263	29.32	4
AP8156185	28.16	16	AP8176274	29.54	6	AP8178066	28.23	1
AP8156231	28.16	7	AP8176275	29.59	19	AP8178069	28.14	2
AP8156271	28.08	1	AP8176277	29.59	2	AP8178071	28.18	2
AP8156275	28.08	1	AP8176280	29.46	7	AP8178072	28.09	2
AP8156279	28.08	1	AP8176281	29.47	10	AP8178073	28.09	4
AP8156280	28.08	1	AP8176282	29.48	5	AP8178078	28.08	2
AP8156281	28.08	1	AP8176283	29.48	4	AP8178079	28.10	2
AP8156334	28.08	1	AP8176284	29.48	3	AP8178083	28.11	4
AP8156345	28.08	1	AP8176287	29.59	10	AP8178085	28.09	1
AP8158359	28.25	7	AP8176288	29.29	9	AP8178086	28.11	9
AP8161016	28.05	14	AP8176289	29.47	15	AP8178087	28.01	10
AP8161019	28.05	5	AP8176290	29.47	19	AP8178088	28.01	8
AP8161023	28.01	4	AP8176292	29.47	21	AP8178092	28.15	3
AP8161026	28.37	10	AP8176293	29.53	15	AP8178093	28.15	2
AP8161031	28.06	5	AP8176294	29.53	6	AP8178094	28.01	9
AP8161048	30.64	2	AP8176296	29.59	9	AP8178095	28.01	7
AP8161155	28.05	3	AP8176297	29.55	2	AP8178097	28.15	4
AP8161206	28.08	3	AP8176298	29.55	17	AP8178106	28.16	3

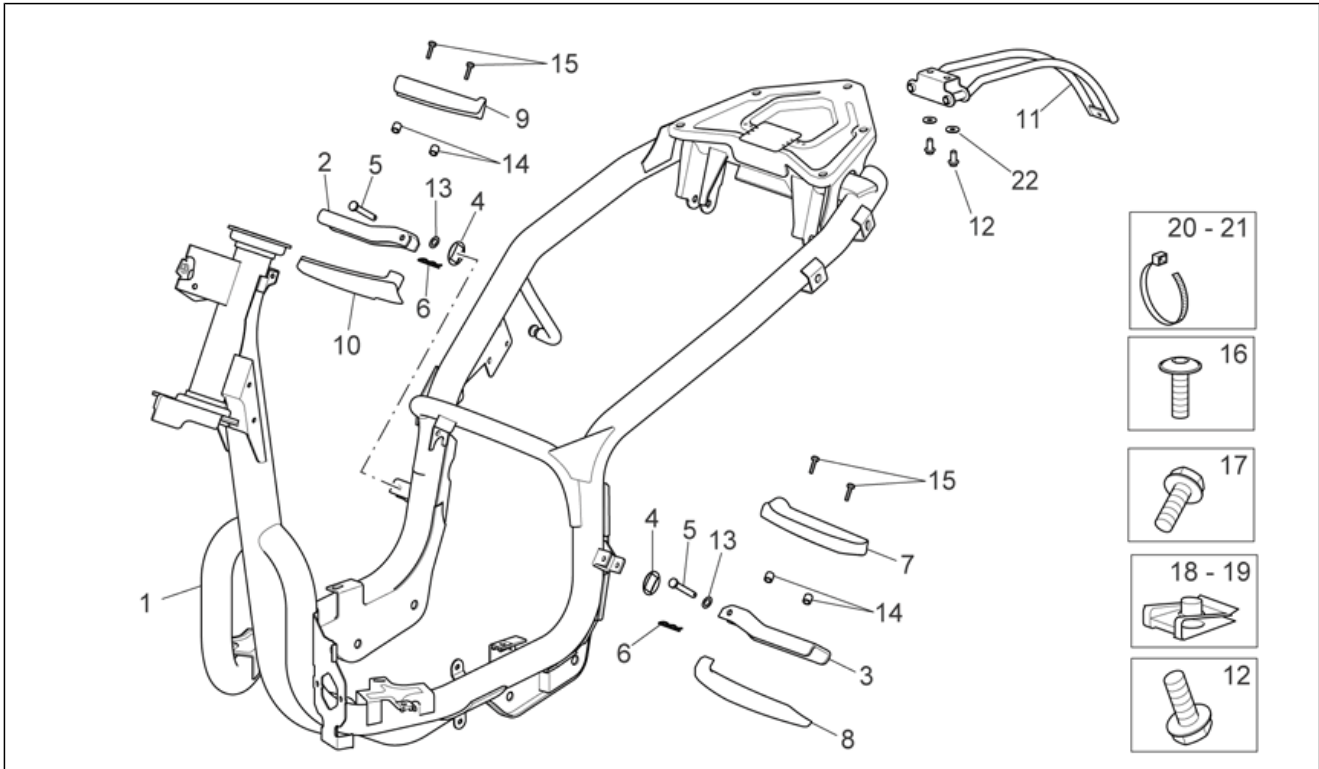
Code	No. table	Pos.	Code	No. table	Pos.	Code	No. table	Pos.
AP8178107	28.12	4	AP8184450	28.10	1	AP8213584	28.21	15
AP8178858	28.11	8	AP8184452	28.10	1	AP8213585	28.20	16
AP8178885	28.16	14	AP8184454	28.10	1	AP8213585	28.21	16
AP8178889	28.09	7	AP8184456	28.09	3	AP8213593	28.20	12
AP8179355	28.26	1	AP8184456	28.09	3	AP8213595	28.20	13
AP8179358	28.13	1	AP8184457	28.10	1	AP8213598	28.21	13
AP8179359	28.16	4	AP8184459	28.10	1	AP8213600	28.21	12
AP8179446	28.25	1	AP8184462	28.07	2	AP8213601	28.20	10
AP8179449	28.26	1	AP8184462	28.07	2	AP8213602	28.21	10
AP8179450	28.24	1	AP8184463	28.07	3	AP8213675	28.21	8
AP8179690	28.17	1	AP8184463	28.07	3	AP8213676	28.21	8
AP8179691	28.17	2	AP8184465	28.15	1	AP8220263	28.24	21
AP8179693	28.26	1	AP8184465	28.15	1	AP8220263	28.25	13
AP8179694	28.09	3	AP8184466	28.16	1	AP8220283	28.41	5
AP8179696	28.07	3	AP8184467	28.16	2	AP8220323	28.34	12
AP8179697	28.10	1	AP8184468	28.07	4	AP8220469	28.14	7
AP8179700	28.07	2	AP8184525	28.10	1	AP8220598	28.65	22
AP8179701	28.12	1	AP8184526	28.16	1	AP8220617	29.44	4
AP8179702	28.12	2	AP8184527	28.16	2	AP8221128	28.17	5
AP8179703	28.16	8	AP8184528	28.07	4	AP8221172	28.35	5
AP8179704	28.16	9	AP8187077	28.39	2	AP8221172	28.36	7
AP8179707	28.15	1	AP8187078	28.39	3	AP8221218	28.22	9
AP8179708	28.17	6	AP8187082	28.39	2	AP8224462	28.41	4
AP8179730	28.10	7	AP8187083	28.39	3	AP8224462	28.41	4
AP8179737	28.09	3	AP8187084	28.39	2	AP8225370	30.63	4
AP8179739	28.07	3	AP8187085	28.39	3	AP8229331	30.63	6
AP8179740	28.10	1	AP8187086	28.39	2	AP8235181	28.05	1
AP8179742	28.07	2	AP8187087	28.39	3	AP8235185	28.05	2
AP8179743	28.15	1	AP8201169	29.49	11	AP8235186	28.05	9
AP8179746	28.10	4	AP8201358	28.65	21	AP8248897	28.08	12
AP8179747	28.10	5	AP8201431	28.14	4	AP8268523	29.44	20
AP8179748	28.07	1	AP8201457	28.43	1	AP8268599	28.16	1
AP8179751	28.16	1	AP8201534	28.11	5	AP8268600	28.16	2
AP8179752	28.16	2	AP8201546	28.34	7	AP8268601	28.07	4
AP8179753	28.07	4	AP8201546	28.37	11	AP8276091	29.59	20
AP8179787	28.10	1	AP8201643	28.01	6	AP8276091	29.60	20
AP8179790	28.07	3	AP8201764	28.16	19	AP8277764	28.07	9
AP8179791	28.07	2	AP8202449	28.12	7	AP8277765	28.09	10
AP8179794	28.16	1	AP8213108	28.35	6	AP8515050	29.31	16
AP8179795	28.16	2	AP8213108	28.36	11	AP851704	28.41	32
AP8179796	28.07	4	AP8213298	28.20	16	AP851727	28.09	9
AP8179797	28.09	3	AP8213298	28.21	16	AP851992	28.41	31
AP8179798	28.10	1	AP8213299	28.20	3	AP852021	28.43	2
AP8179801	28.07	3	AP8213299	28.21	3	AP852044	28.41	32
AP8179802	28.07	2	AP8213382	28.20	2	AP852061	28.34	1
AP8179803	28.07	4	AP8213400	28.20	14	AP852081	28.08	13
AP8179804	28.15	1	AP8213400	28.21	14	AP8540002	29.30	9
AP8179805	28.16	1	AP8213455	28.20	11	AP8540002	29.48	12
AP8179806	28.16	2	AP8213455	28.21	11	AP8540002	29.56	2
AP8179808	28.09	3	AP8213467	28.38	10	AP8540165	29.55	6
AP8179809	28.10	1	AP8213547	28.21	8	AP8550039	29.59	15
AP8179812	28.07	3	AP8213549	28.20	8	AP8550079	29.48	8
AP8179813	28.07	2	AP8213558	28.21	8	AP8550107	29.44	8
AP8179815	28.15	1	AP8213559	28.20	8	AP8550107	29.58	7
AP8179816	28.16	1	AP8213574	28.38	5	AP8550111	29.52	13
AP8179817	28.16	2	AP8213575	28.35	7	AP8550114	29.52	11
AP8179818	28.07	4	AP8213575	28.36	12	AP8550116	29.52	8
AP8179862	28.09	6	AP8213575	28.38	6	AP8550117	29.44	21
AP8181006	28.43	3	AP8213578	28.38	4	AP8550124	29.52	7
AP8181007	28.43	3	AP8213579	28.38	10	AP8550131	29.55	7
AP8181008	28.43	3	AP8213580	28.20	2	AP8550133	29.55	8
AP8184103	28.25	1	AP8213581	28.21	2	AP8550134	29.55	9
AP8184104	28.10	1	AP8213582	28.20	3	AP8550134	29.59	16
AP8184273	28.12	3	AP8213582	28.21	3	AP8550155	29.53	23
AP8184273	28.12	3	AP8213583	28.20	14	AP8550173	29.27	1
AP8184447	28.12	3	AP8213583	28.21	14	AP8550283	29.44	2
AP8184447	28.12	3	AP8213584	28.20	15	AP8550304	29.44	18

Code	No. table	Pos.	Code	No. table	Pos.	Code	No. table	Pos.
AP8550307	28.37	5	AP8560153	29.30	4	AP8580017	29.28	10
AP8550326	29.47	5	AP8570007	29.49	8	AP8580021	29.28	15
AP8550331	29.51	1	AP8570008	29.49	10	AP8580022	29.28	16
AP8550334	29.44	14	AP8570014	29.60	28	AP8580023	29.28	17
AP8550336	29.51	3	AP8570018	29.60	21	AP8580024	29.28	18
AP8550337	29.51	7	AP8570030	29.54	11	AP8580025	29.29	3
AP8550347	29.56	4	AP8570077	29.54	9	AP8580026	29.29	7
AP8550347	29.58	4	AP8570079	29.27	2	AP8580027	29.29	5
AP8550361	29.44	17	AP8570079	29.30	2	AP8580028	29.28	19
AP8550366	28.41	23	AP8570084	29.49	6	AP8580029	29.28	20
AP8550380	29.53	12	AP8570089	29.31	3	AP8580041	29.49	9
AP8550401	29.47	1	AP8570122	28.23	8	AP8580042	29.49	7
AP8550417	29.53	26	AP8575004	29.29	10	AP8580059	29.31	15
AP8550417	29.59	4	AP8575007	29.44	19	AP8580061	28.26	9
AP8550417	29.60	4	AP8575009	29.47	17	AP8580061	29.58	13
AP8550429	29.50	3	AP8575010	29.47	20	AP8580062	29.52	18
AP8550439	29.53	7	AP8575013	29.52	4	AP8580063	29.31	5
AP8550455	28.41	22	AP8575022	29.54	8	AP8580066	28.33	5
AP8550477	29.59	18	AP8575027	29.55	6	AP8580066	29.47	14
AP8550487	29.60	30	AP8575030	29.55	13	AP8580068	29.52	2
AP8550508	29.47	2	AP8575031	29.55	16	AP8580069	29.47	6
AP8550512	29.51	5	AP8575041	29.55	11	AP8580070	29.53	9
AP8550522	29.53	21	AP8575042	29.55	11	AP8580071	29.51	8
AP8550556	29.31	8	AP8575045	29.28	2	AP8580072	29.53	14
AP8550556	29.53	8	AP8575047	29.28	5	AP8580073	28.02	2
AP8550557	29.50	1	AP8575049	29.28	12	AP8580074	29.51	2
AP8550558	29.58	8	AP8575050	29.28	13	AP8580075	29.55	5
AP8550577	29.45	4	AP8575051	29.28	14	AP8580076	29.47	3
AP8550577	29.54	14	AP8575052	29.29	6	AP8580077	29.53	18
AP8550578	29.58	6	AP8577006	29.58	12	AP8580078	29.47	7
AP8550580	29.58	5	AP8577008	29.44	22	AP8580079	29.47	8
AP8550586	29.44	13	AP8577010	29.60	26	AP8580083	29.53	27
AP8551014	29.58	2	AP8577012	29.59	6	AP8580084	29.59	13
AP8551015	29.44	12	AP8577012	29.60	6	AP8580084	29.60	13
AP8551015	29.47	12	AP8577013	29.60	7	AP8580086	29.47	11
AP8551015	29.53	29	AP8577015	29.60	19	AP8580087	29.44	15
AP8551015	29.59	21	AP8577021	29.47	9	AP8580088	29.55	4
AP8551045	29.48	10	AP8577029	29.48	16	AP8580089	29.55	3
AP8551045	29.53	10	AP8577030	29.53	2	AP8580090	29.53	1
AP8551046	29.48	2	AP8577032	29.53	16	AP8580095	29.52	16
AP8551047	29.48	1	AP8577033	29.53	17	AP8580096	29.48	18
AP8551051	29.53	30	AP8577037	29.60	23	AP8580097	29.48	7
AP8551060	29.31	1	AP8577040	29.51	2	AP8580098	29.48	6
AP8551060	29.59	11	AP8577043	29.60	16	AP8580099	29.48	8
AP8551060	29.60	11	AP8577044	29.60	17	AP8580100	29.48	17
AP8551065	29.28	7	AP8577046	29.57	2	AP8580102	29.53	5
AP8551112	29.28	11	AP8577048	29.60	25	AP8580104	29.59	5
AP8553003	29.44	5	AP8577049	29.60	24	AP8580104	29.60	5
AP8553005	29.53	11	AP8577050	29.55	2	AP8580105	29.48	11
AP8553006	29.53	28	AP8577053	29.55	6	AP8580106	29.48	19
AP8560006	29.60	15	AP8577055	29.52	6	AP8580107	29.53	24
AP8560007	29.54	12	AP8577059	29.55	11	AP8580108	29.49	4
AP8560008	29.48	12	AP8577060	29.55	15	AP8580113	29.53	20
AP8560009	29.44	9	AP8577061	29.54	1	AP8580114	29.45	1
AP8560009	29.60	27	AP8577062	29.54	13	AP8580116	29.59	19
AP8560010	29.47	22	AP8577063	29.54	2	AP8580118	29.53	19
AP8560011	29.60	8	AP8577075	29.28	6	AP8580119	29.52	10
AP8560014	29.44	6	AP8577076	29.28	21	AP8580122	29.45	3
AP8560016	29.47	13	AP8577079	29.28	8	AP8580123	28.41	2
AP8560017	29.44	7	AP8577091	29.31	17	AP8580124	29.56	1
AP8560019	29.54	5	AP8577095	29.52	14	AP8580125	29.56	3
AP8560055	29.51	4	AP8580001	29.46	2	AP8580126	29.47	18
AP8560059	29.50	2	AP8580012	29.27	5	AP8580127	29.31	4
AP8560125	29.54	3	AP8580013	29.32	3	AP8580128	29.51	6
AP8560126	29.54	7	AP8580014	29.32	2	AP8580129	29.48	15
AP8560130	29.54	4	AP8580016	29.28	9	AP8580130	29.53	16
AP8560142	29.44	16	AP8580016	29.29	4	AP8580131	29.53	13

Code	No. table	Pos.
AP8580135	29.55	10
AP8580139	29.52	6
AP8580144	29.53	25
AP8580145	29.52	17
AP8580149	29.46	1
AP8580150	29.46	1
AP8580151	29.46	1
AP8580152	28.41	23
AP8580156	29.53	2
AP8580157	29.53	3
AP8580158	29.49	1
AP8580160	29.47	4
AP8580161	29.59	17
AP8580162	29.59	7
AP8580163	29.59	8
AP8580165	29.49	3
AP8580166	29.52	5
AP8580167	29.44	10
AP8580171	29.52	12
AP8580172	28.26	3
AP8580177	29.46	2
AP8580178	28.26	5
AP8580181	28.26	2
AP8580183	28.26	12
AP8580184	28.26	10
AP8580187	29.48	13
AP8580188	29.48	14
AP8580189	29.54	10
AP8580191	29.31	7
AP8580192	29.31	6
AP8580193	29.31	12
AP8580194	29.31	9
AP8580195	29.31	10
AP8580196	29.31	11
AP8580199	29.55	14
AP8580205	29.55	12
AP8580206	29.48	9
AP8580208	29.52	4
AP8580208	29.52	4
AP8580209	29.52	6
AP8580210	29.52	10
AP8580211	29.52	9
AP8580214	29.31	13
AP8580215	29.31	14
AP8580216	29.46	3
AP8580219	28.26	11
AP8580220	29.29	2
AP8580221	29.55	3
AP8580222	29.55	1
AP8580227	29.28	3
AP8580236	29.58	11
AP8580245	29.58	9
AP8580256	29.58	1
AP8580266	29.28	1
AP8580268	29.28	4
AP8580269	29.28	5
AP8580270	29.28	14
AP8580272	29.46	7
AP8580277	29.60	12
AP8590004	29.52	15
AP8590006	29.29	1
AP8590007	29.47	9
AP8590018	29.58	1
AP8590027	29.52	12
AP8590028	29.55	1
AP8590030	28.34	2
AP8590031	28.34	3

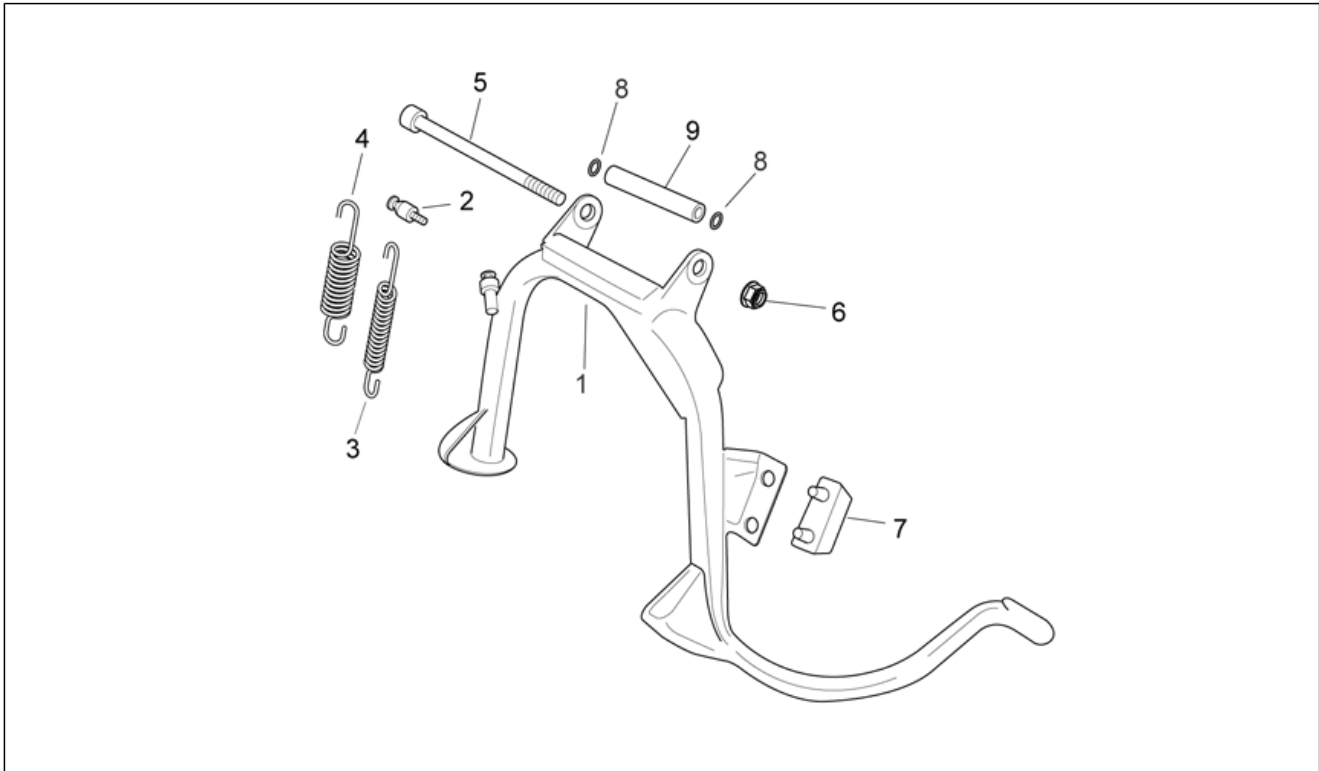
Code	No. table	Pos.
AP8590032	28.34	11
AP8590033	29.58	12
AP8590034	28.21	2
AP8590035	28.20	10
AP8590035	28.21	10
AP8590037	28.20	12
AP8590037	28.21	12
AP8590038	28.20	13
AP8590038	28.21	13
AP8590040	28.39	4
AP8590041	28.39	6
AP8590043	28.40	2
AP8590044	28.40	4
AP8590045	28.40	5
AP8590047	28.39	5
AP8590049	28.42	2
AP8590052	29.59	12
AP8590055	29.59	3
AP8590055	29.60	3
AP8700792	30.64	1
AP8700793	30.64	1
AP8700794	30.64	1
AP8706409	28.13	5
AP8706409	28.16	18
AP8720115	30.66	1
AP8720116	30.66	2
AP8720117	30.66	3
AP8720118	30.66	4
AP8791265	30.61	2
AP8791266	30.61	4
AP8791294	30.61	1
AP8791295	30.61	3
AP8792369	30.63	2
AP8792370	30.63	1
AP8796998	30.63	7
AP8797003	30.64	3
B0160495	29.54	2
CM001908	28.23	18
CM001909	28.23	19
CM126430	29.32	1
CM128211	29.27	3
CM129901	29.28	2
CM140209	29.28	4
CM143240	29.32	1
CM155103	29.58	11
CM180901	28.19	2
CM180902	28.19	3
CM220805	30.62	2
CM220806	30.62	2
CM220807	30.62	2
CM220808	30.62	2
CM221101	30.62	1
GU05751630	28.40	10
GU05751730	28.40	11

Group	FRAME
Code	28.01
Description	Frame
Service	1



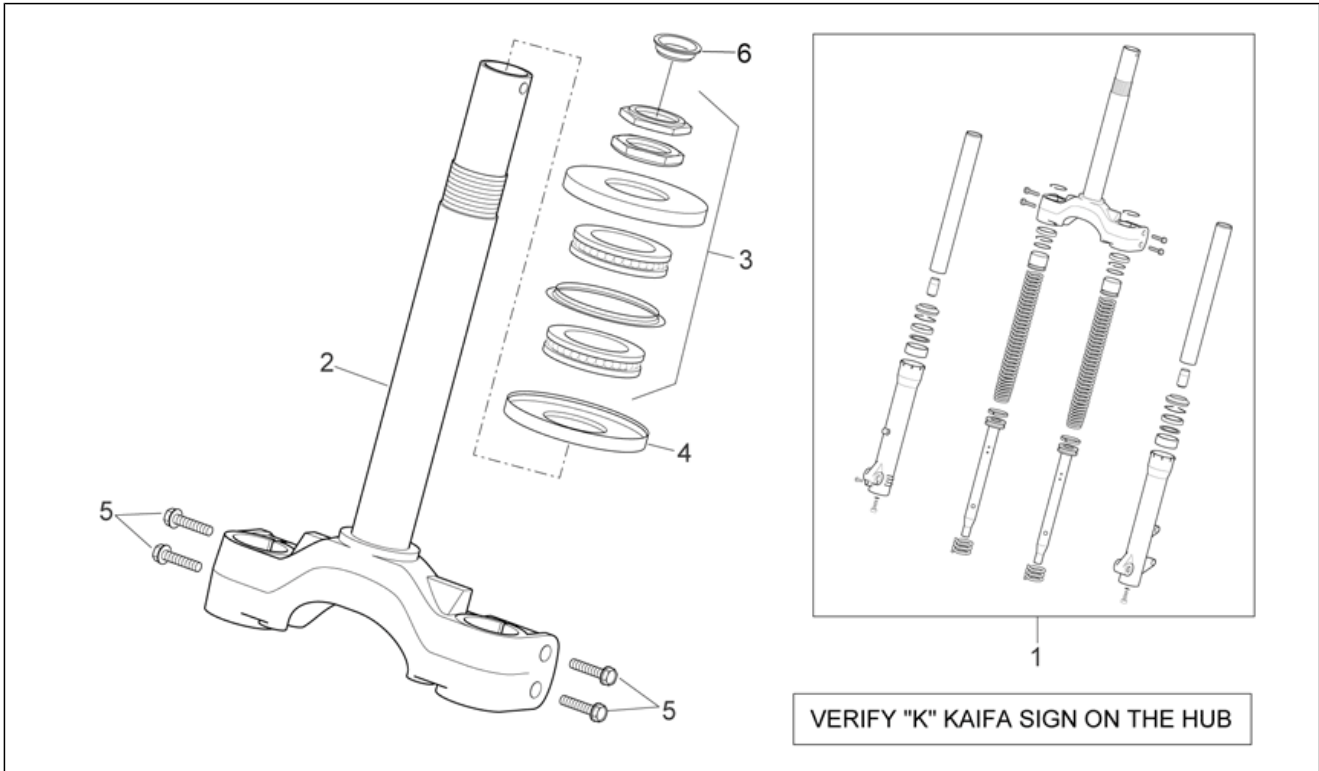
Pos.	Code	Description	Qty	Variants
1	AP8145023	Frame	1	
2	AP8146883	Rear footrest, RH	1	
3	AP8146884	Rear footrest, LH	1	
4	AP8161023	Washer hole picture	2	
5	AP8135677	Footrest pin	2	
6	AP8201643	Split pin	2	
7	AP8178095	LH rear footrests rubber	1	
8	AP8178088	LH cover rear footrest	1	
9	AP8178094	RH rear footrests rubber	1	
10	AP8178087	RH rear footrests cover	1	
11	AP8154047	Number plate holder support	1	
12	AP8152285	Screw w/ flange	2	
13	AP8150502	Washer 15x8x0,8	2	
14	AP8121795	T bush	4	
15	AP8152329	Phillips screw, SWP M5x20	4	
16	AP8152298	Screw w/ flange M5x16	2	
17	AP8152278	Screw w/ flange M6x16	2	
18	AP8102376	Clip M6	5	
19	AP8102375	Clip m5	2	
20	AP8120422	Black hose 98x2*	3	
21	AP8120657	Hose clamp	2	
22	AP8150018	Washer	2	

Group	FRAME
Code	28.02
Description	Central stand
Service	1



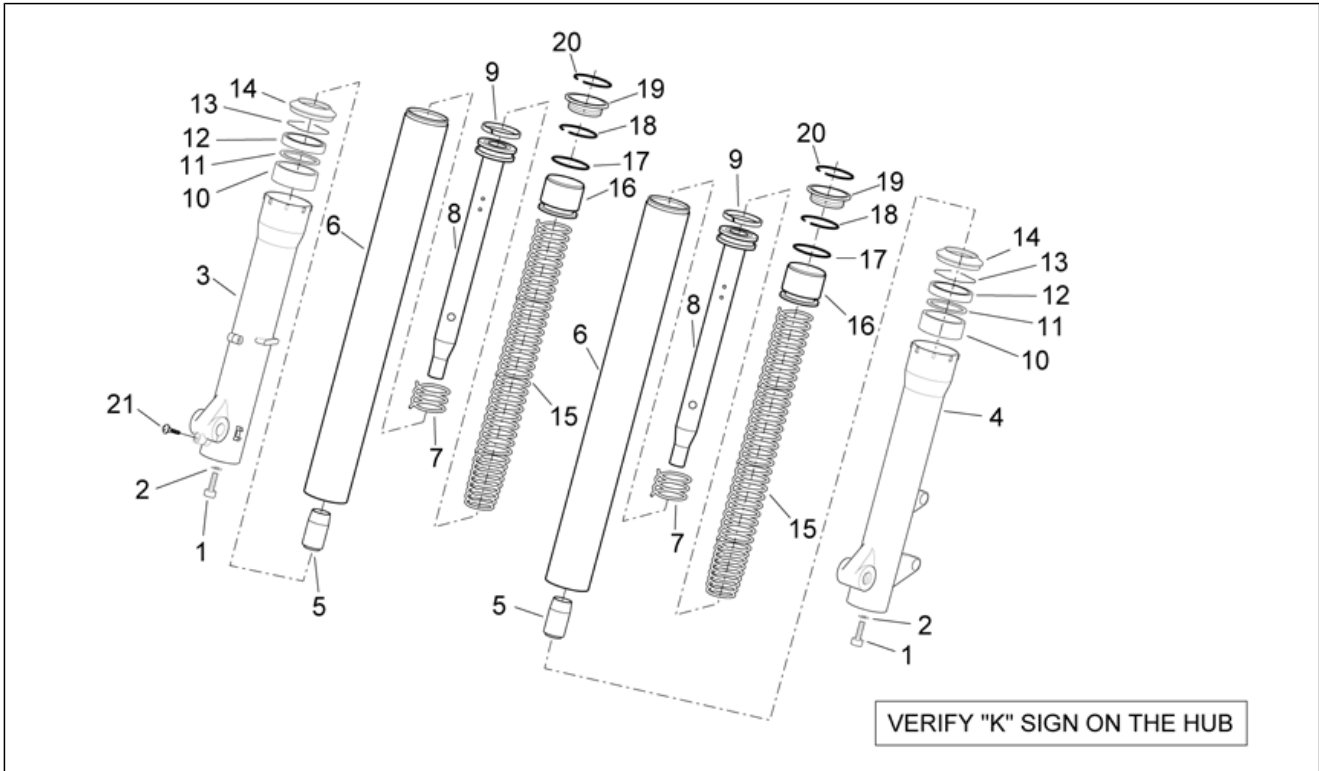
Pos.	Code	Description	Qty	Variants
1	AP8145025	Central stand	1	
2	AP8580073	Spring coupling screw	1	
3	AP8163206	Internal lateral stand spring	1	
4	AP8163207	Lateral stand spring	1	
5	AP8150438	Hex socket screw M10x130	1	
6	AP8152301	Self-locking nut	1	
7	AP8144729	Stand end stop	1	
8	AP8121638	Gasket ring	2	
9	AP8121617	Central stand spacer	1	

Group	FRAME
Code	28.03
Description	Front fork - Stem base
Service	1



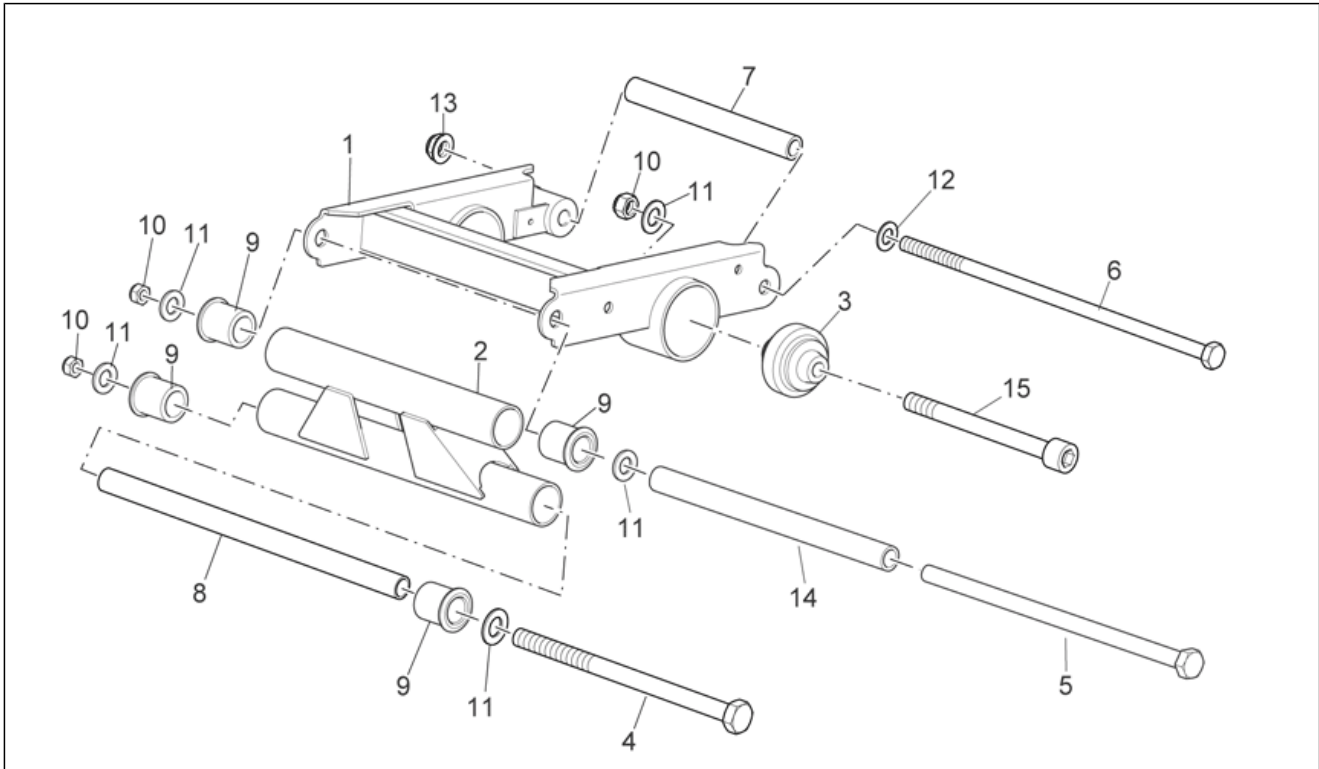
Pos.	Code	Description	Qty	Variants
1	AP8163329	Front fork	1	Technical Specifications: 125 cc version[125], 200 cc version[200]
1	AP8163547	Front fork	1	Technical Specifications: 250 cc version[250]
2	AP8163441	Stem base	1	
3	AP8123794	Ball ring set, complete	1	
4	AP8123675	Low dust cover	1	
5	AP8152289	Screw w/ flange	4	
6	AP8104880	Cover	2	

Group	FRAME
Code	28.04
Description	Kaifa front fork - Hubs, sleeves
Service	1



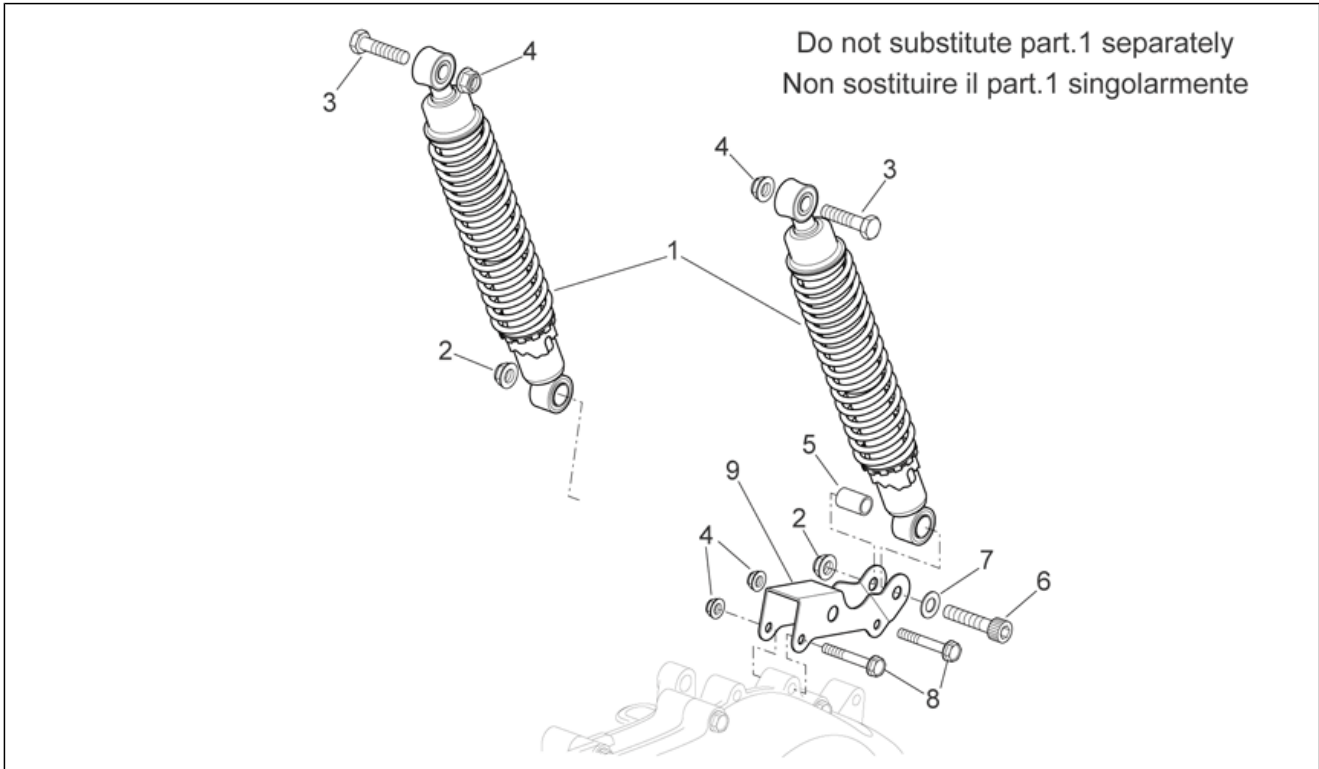
Pos.	Code	Description	Qty	Variants
1	AP8163285	screw M10x30	2	Technical Specifications: Fork with letter K on hub[K]
2	AP8163435	Seal washer	2	Technical Specifications: Fork with letter K on hub[K]
3	853019	RH sleeve L25	1	Technical Specifications: 250 cc version[250], Fork with letter K on hub[K]
3	AP8163287	RH sleeve	1	Technical Specifications: 125 cc version[125], 200 cc version[200], Fork with letter K on hub[K]
4	AP8163288	LH sleeve	1	Technical Specifications: Fork with letter K on hub[K]
5	AP8163289	Stroke limit stop	2	Technical Specifications: Fork with letter K on hub[K]
6	AP8163480	Sleeve	2	Technical Specifications: Fork with letter K on hub[K]
7	AP8163291	Return spring	2	Technical Specifications: Fork with letter K on hub[K]
8	AP8163479	Shock absorber	2	Technical Specifications: Fork with letter K on hub[K]
9	AP8163293	Ring	2	Technical Specifications: Fork with letter K on hub[K]
10	AP8163294	Bush	2	Technical Specifications: Fork with letter K on hub[K]
11	AP8163295	Oil seal washer	2	Technical Specifications: Fork with letter K on hub[K]
12	AP8163296	Oil seal	2	Technical Specifications: Fork with letter K on hub[K]
13	AP8163297	Stop ring	2	Technical Specifications: Fork with letter K on hub[K]
14	AP8163298	Dust cover	2	Technical Specifications: Fork with letter K on hub[K]
15	AP8163478	Spring	2	Technical Specifications: Fork with letter K on hub[K]
16	AP8163300	Cover	2	Technical Specifications: Fork with letter K on hub[K]
17	AP8163301	O-ring	2	Technical Specifications: Fork with letter K on hub[K]
18	AP8163302	Stop ring	2	Technical Specifications: Fork with letter K on hub[K]
19	AP8163303	Cover	2	Technical Specifications: Fork with letter K on hub[K]
20	AP8163304	Stop ring	2	Technical Specifications: Fork with letter K on hub[K]
21	AP8163305	screw	1	Technical Specifications: Fork with letter K on hub[K]

Group	FRAME
Code	28.05
Description	Connecting rod
Service	1



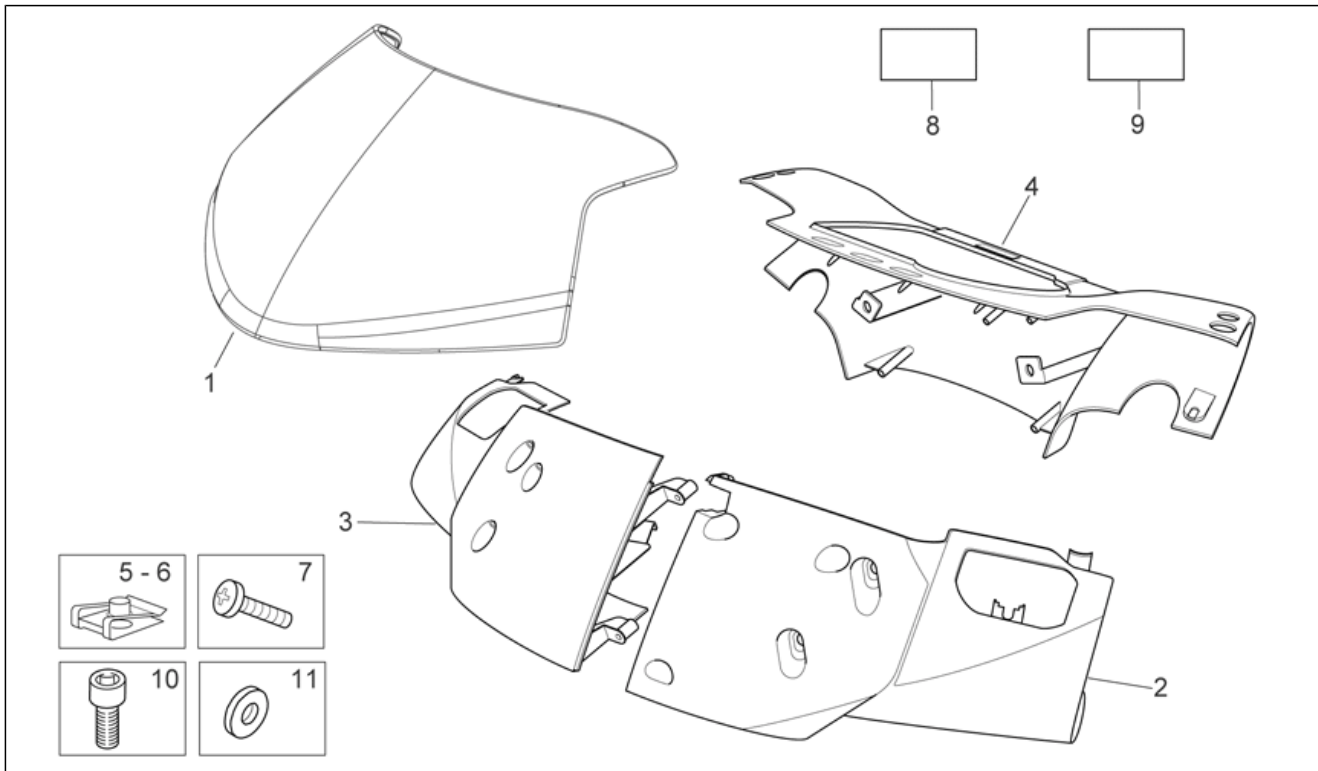
Pos.	Code	Description	Qty	Variants
1	AP8235181	Engine connecting element	1	
2	AP8235185	Frame coupling rod	1	
3	AP8161155	Silent-block	2	
4	AP8121191	Frame pivot pin	1	
5	AP8161019	Connecting rod pivot pin	1	
6	AP8121192	Engine pivot pin	1	
7	AP8121628	Spacer	1	
8	AP8121190	Rod bush	1	
9	AP8235186	Resin bush	4	
10	AP8150432	Low self-locking nut M12*	4	
11	AP8152018	Washer 12,2x22x2	5	
12	AP8150020	Washer 10,5x21x2*	1	
13	AP8152301	Self-locking nut	1	
14	AP8161016	Rod bush	1	
15	AP8150554	Hex socket screw M12x90	2	

Group	FRAME
Code	28.06
Description	Rear shock absorber
Service	1



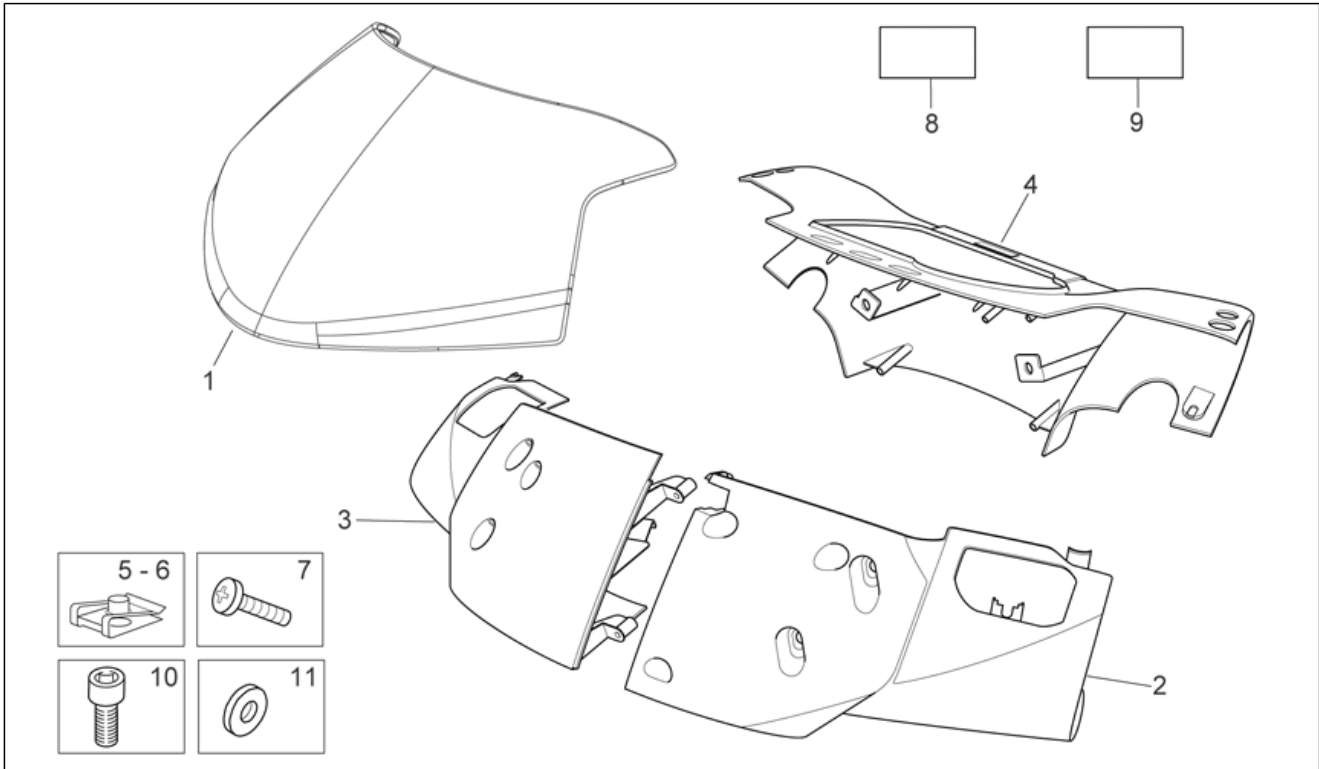
Pos.	Code	Description	Qty	Variants
1	AP8163551	Shock absorber	2	
2	AP8152301	Self-locking nut	2	
3	AP8152290	Screw w/ flange M8x40	2	
4	AP8152300	Self-locking nut M8	4	
5	AP8161031	Shock absorber bush	1	
6	AP8150038	Hex socket screw M10x45	1	
7	AP8150020	Washer 10,5x21x2*	1	
8	AP8152292	Screw w/ flange	2	
9	AP8134974	Shock absorber support	1	

Group	FRAME
Code	28.07
Description	Front body - Front fairing
Service	1



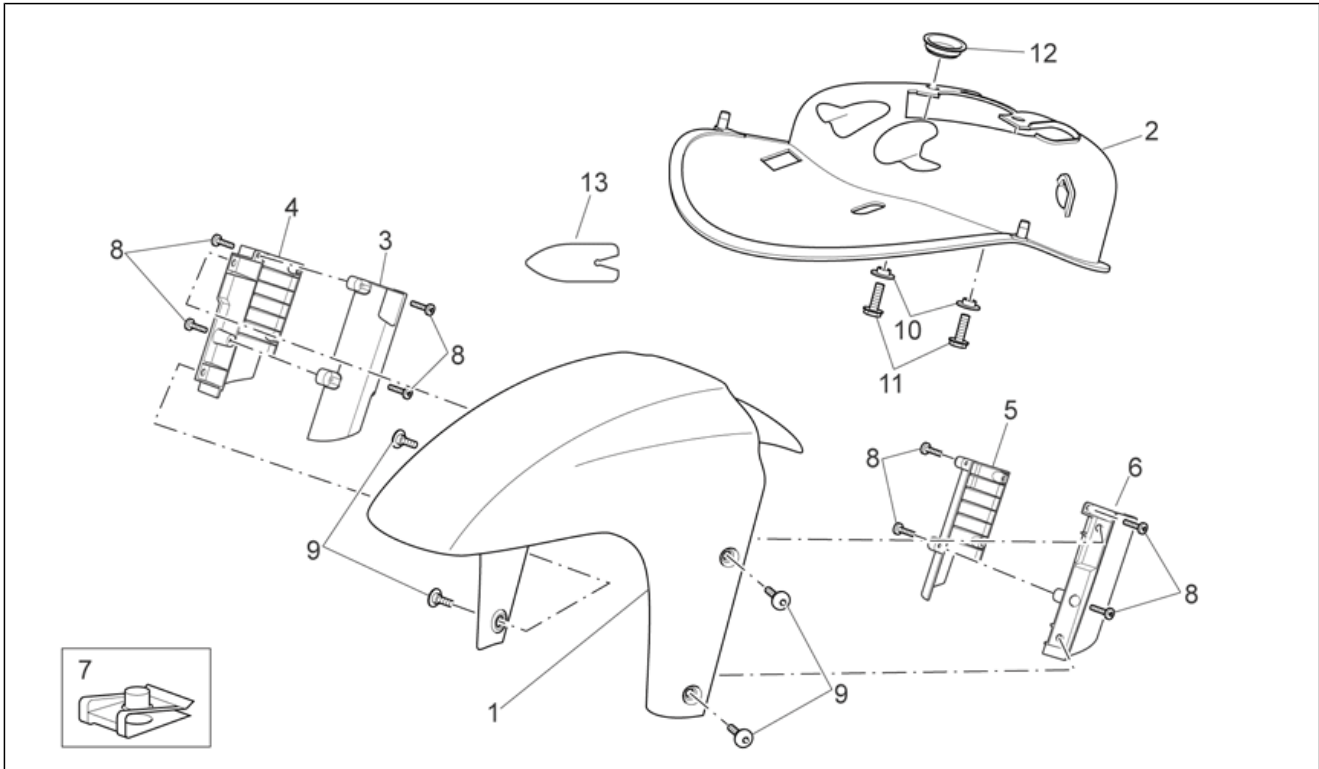
Pos.	Code	Description	Qty	Variants
1	AP8179748	Front fairing, black	1	
2	AP8179700	LH F.Dashb.panel, cyan	1	Vehicle colour:Aviation Cyan 2006 (s.t.851714)[cyan]
2	AP8179742	LH F.Dashb.panel, grey	1	Vehicle colour:Shot Grey 2006-2007(s.t.851715)[shot]
2	AP8179791	LH F.Dashb.panel, grey	1	Vehicle colour:Excalibur Grey 2006-2007 (s.t.851740)[grey]
2	AP8179802	LH F.Dashb.panel, blue	1	Vehicle colour:Couture Blue 2006-2007 (s.t.851741)[blu]
2	AP8179813	LH F.Dashb.panel, black	1	Vehicle colour:Moka Black2006-2007 (s.t.851742)[moka]
2	AP8184462	RH F.Dashb.panel, black	1	Vehicle colour:Aprilia White "PM" 2008 (s.t.856522)[white] Technical Specifications:Municipal Police[PM]
2	AP8184462	RH F.Dashb.panel, black	1	Vehicle colour:Aprilia Black 2007 (s.t.854988)[black]
3	AP8179696	RH F.Dashb.panel,cyan	1	Vehicle colour:Aviation Cyan 2006 (s.t.851714)[cyan]
3	AP8179739	RH F.Dashb.panel,grey	1	Vehicle colour:Shot Grey 2006-2007(s.t.851715)[shot]
3	AP8179790	RH F.Dashb.panel,grey	1	Vehicle colour:Excalibur Grey 2006-2007 (s.t.851740)[grey]
3	AP8179801	RH F.Dashb.panel, blue	1	Vehicle colour:Couture Blue 2006-2007 (s.t.851741)[blu]
3	AP8179812	RH F.Dashb.panel, black	1	Vehicle colour:Moka Black2006-2007 (s.t.851742)[moka]
3	AP8184463	LH F.Dashb.panel, black	1	Vehicle colour:Aprilia White "PM" 2008 (s.t.856522)[white] Technical Specifications:Municipal Police[PM]
3	AP8184463	LH F.Dashb.panel, black	1	Vehicle colour:Aprilia Black 2007 (s.t.854988)[black]
4	AP8179753	Dashboard panel, grey	1	Vehicle colour:Shot Grey 2006-2007(s.t.851715)[shot]
4	AP8179796	Dashboard panel, grey	1	Vehicle colour:Excalibur Grey 2006-2007 (s.t.851740)[grey]
4	AP8179803	Dashboard panel, blue	1	Vehicle colour:Couture Blue 2006-2007 (s.t.851741)[blu]
4	AP8179818	Dashboard panel, black	1	Vehicle colour:Moka Black2006-2007 (s.t.851742)[moka]
4	AP8184468	Dashboard panel, black	1	Vehicle colour:Aprilia Black 2007 (s.t.854988)[black]
4	AP8184528	Dashboard panel bianco	1	Vehicle colour:Aprilia White "PM" 2008 (s.t.856522)[white] Technical Specifications:Municipal Police[PM]
4	AP8268601	Dashboard panel, cyan	1	Vehicle colour:Aviation Cyan 2006 (s.t.851714)[cyan]
5	AP8102381	Clip M4	2	
6	AP8102375	Clip m5	2	
7	AP8150413	Self-tap screw 3,9x14	6	
8	AP8166436	"Aprilia" dataplate 30x15	1	

Group	FRAME
Code	28.07
Description	Front body - Front fairing
Service	1



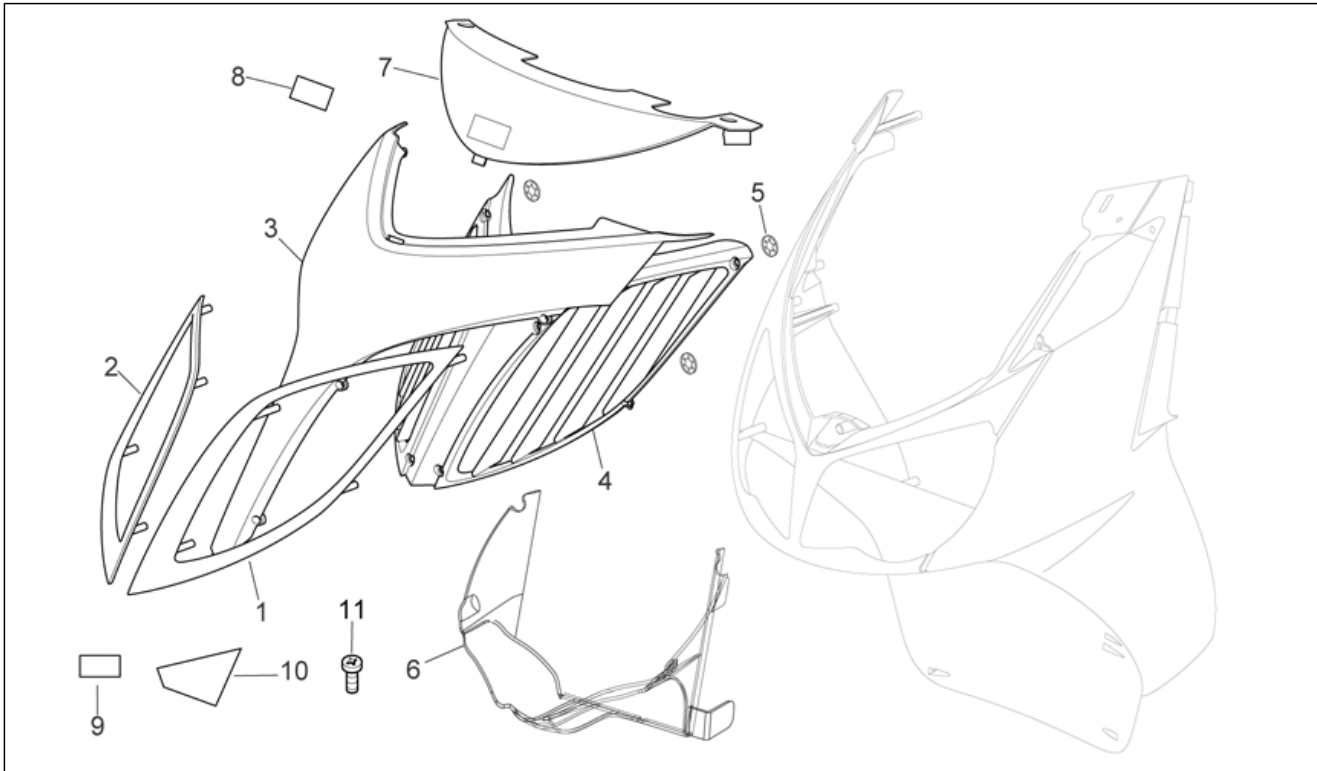
Pos.	Code	Description	Qty	Variants
9	AP8166439	Decal 125	1	Technical Specifications: 125 cc version[125]
9	AP8166440	Decal 200	1	Technical Specifications: 200 cc version[200]
9	AP8277764	Decal "Sport city"	1	Technical Specifications: 250 cc version[250]
10	AP8150416	Hex socket screw	2	
11	AP8150011	Washer 4,3x12x1	2	

Group	FRAME
Code	28.08
Description	Front body - Front mudguard
Service	1



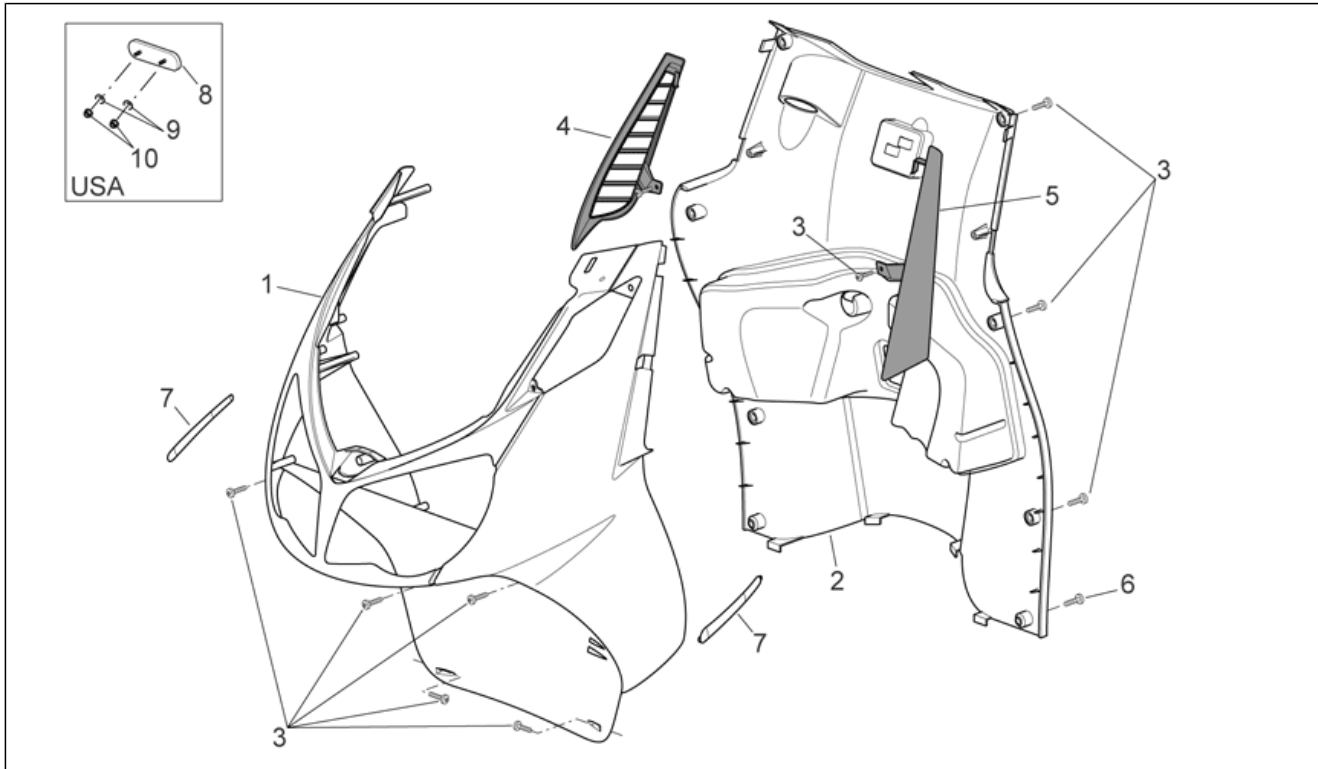
Pos.	Code	Description	Qty	Variants
1	AP8156271	Front mudguard, cyan	1	Vehicle colour:Aviation Cyan 2006 (s.t.851714)[cyan]
1	AP8156275	Front mudguard, grey	1	Vehicle colour:Shot Grey 2006-2007(s.t.851715)[shot]
1	AP8156279	Front mudguard, grey	1	Vehicle colour:Excalibur Grey 2006-2007 (s.t.851740)[grey]
1	AP8156280	Front mudguard, blue	1	Vehicle colour:Couture Blue 2006-2007 (s.t.851741)[blu]
1	AP8156281	Front mudguard, black	1	Vehicle colour:Moka Black2006-2007 (s.t.851742)[moka]
1	AP8156334	Front mudguard, black	1	Vehicle colour:Aprilia Black 2007 (s.t.854988)[black]
1	AP8156345	Front mudguard, white	1	Vehicle colour:Aprilia White "PM" 2008 (s.t.856522)[white] Technical Specifications:Municipal Police[PM]
2	AP8178078	Lower shield cover, black	1	
3	AP8161206	RH In.clump	1	
4	AP8161207	RH Ex.clump	1	
5	AP8161208	LH In.clump	1	
6	AP8161209	LH Ex.clump	1	
7	AP8102375	Clip m5	4	
8	AP8150413	Self-tap screw 3,9x14	8	
9	AP8152302	Screw w/ flange M5x12	4	
10	AP8121075	T bush *	2	
11	AP8152117	Hex socket screw	2	
12	AP8248897	Plug, met.black	1	
13	AP852081	Guard decal	2	

Group	FRAME
Code	28.09
Description	Front body - Front cover
Service	1



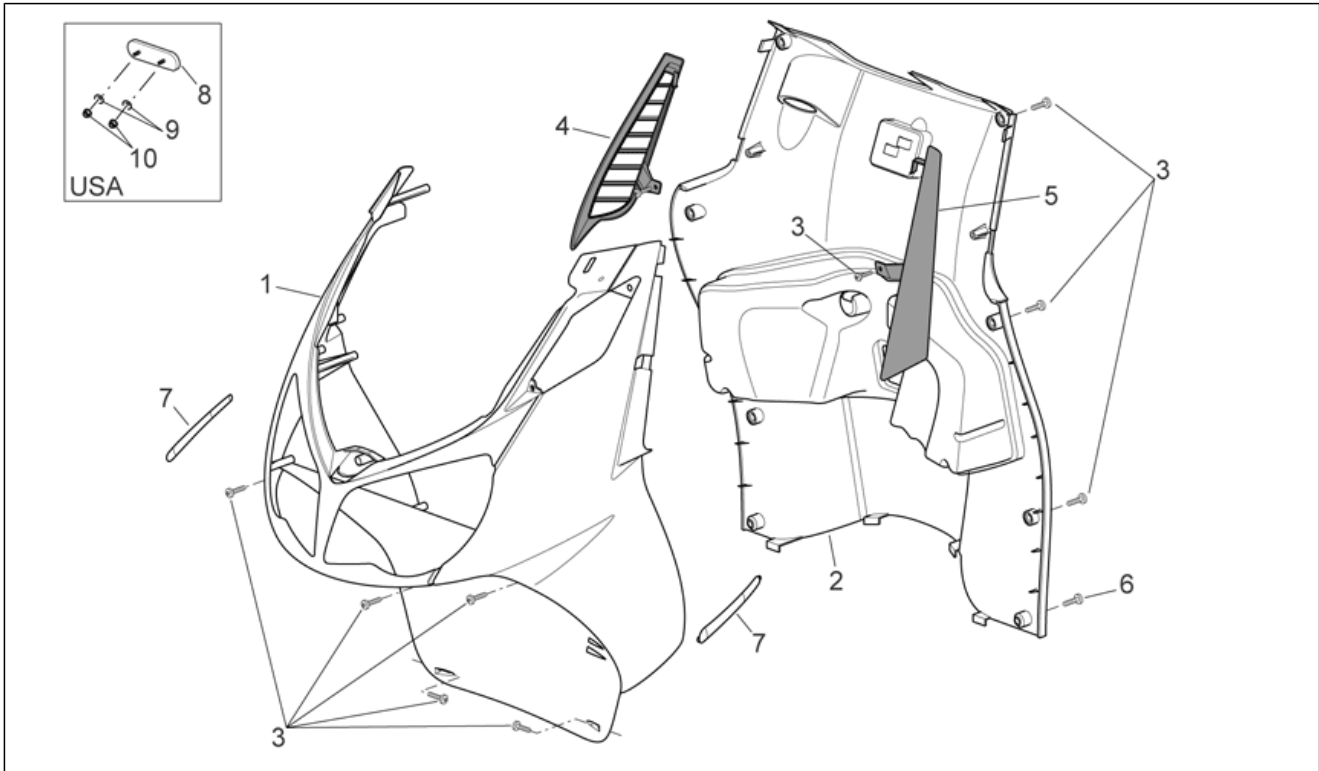
Pos.	Code	Description	Qty	Variants
1	AP8178085	LH Frame cromo	1	
2	AP8178072	RH Frame cromo	1	
3	AP8179694	Front fairing, cyan	1	Vehicle colour: Aviation Cyan 2006 (s.t.851714)[cyan]
3	AP8179737	Front fairing, grey	1	Vehicle colour: Excalibur Grey 2006-2007 (s.t.851740)[grey], Shot Grey 2006-2007(s.t.851715)[shot]
3	AP8179797	Front fairing, blue	1	Vehicle colour: Couture Blue 2006-2007 (s.t.851741)[blu]
3	AP8179808	Front fairing, black	1	Vehicle colour: Moka Black2006-2007 (s.t.851742)[moka]
3	AP8184456	Front fairing, black	1	Vehicle colour: Aprilia White "PM" 2008 (s.t.856522)[white] Technical Specifications: Municipal Police[PM]
3	AP8184456	Front fairing, black	1	Vehicle colour: Aprilia Black 2007 (s.t.854988)[black]
4	AP8178073	Water cooler grille, black	1	
5	AP8150450	Washer for shafts D5	10	
6	AP8179862	Deflector	1	
7	AP8178889	Hood fairing, black	1	
8	AP8166437	"Aprilia" dataplate 40x20	1	
9	AP851727	Maintenance	1	
10	AP8277765	Name plate "250 ie"	1	
11	AP8152351	Screw 4,2x16*	1	

Group	FRAME
Code	28.10
Description	Front body - Internal shield
Service	1



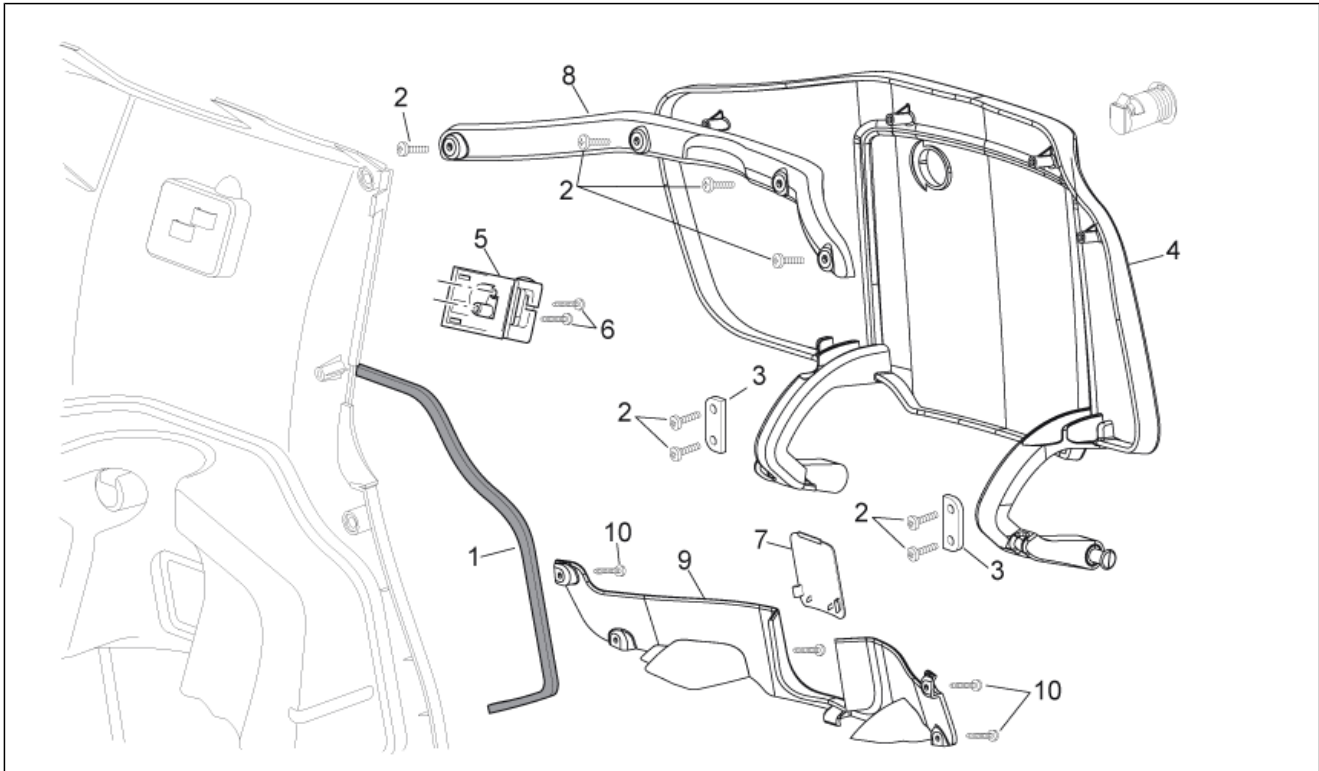
Pos.	Code	Description	Qty	Variants
1	AP8179697	External fairing, cyan	1	Vehicle colour: Aviation Cyan 2006 (s.t.851714)[cyan] Country: Australia[AA], E-I[EU], Japan[JJ], Great Britain[UK]
1	AP8179740	External fairing, grey	1	Vehicle colour: Shot Grey 2006-2007(s.t.851715)[shot] Country: Australia[AA], E-I[EU], Japan[JJ], Great Britain[UK]
1	AP8179787	External fairing, grey	1	Vehicle colour: Excalibur Grey 2006-2007 (s.t.851740)[grey] Country: Australia[AA], E-I[EU], Japan[JJ], Great Britain[UK]
1	AP8179798	External fairing, blue	1	Vehicle colour: Couture Blue 2006-2007 (s.t.851741)[blu] Country: Australia[AA], E-I[EU], Japan[JJ], Great Britain[UK]
1	AP8179809	External fairing, black	1	Vehicle colour: Moka Black2006-2007 (s.t.851742)[moka] Country: Australia[AA], E-I[EU], Japan[JJ], Great Britain[UK]
1	AP8184104	External fairing, grey	1	Vehicle colour: Shot Grey 2006-2007(s.t.851715)[shot] Country: United States of America[USA]
1	AP8184450	External fairing, black	1	Vehicle colour: Moka Black2006-2007 (s.t.851742)[moka] Country: United States of America[USA]
1	AP8184452	External fairing, blue	1	Vehicle colour: Couture Blue 2006-2007 (s.t.851741)[blu] Country: United States of America[USA]
1	AP8184454	External fairing, grey	1	Vehicle colour: Excalibur Grey 2006-2007 (s.t.851740)[grey] Country: United States of America[USA]
1	AP8184457	External fairing, black	1	Vehicle colour: Aprilia Black 2007 (s.t.854988)[black] Country: Australia[AA], E-I[EU], Japan[JJ], Great Britain[UK]
1	AP8184459	External fairing, black	1	Vehicle colour: Aprilia Black 2007 (s.t.854988)[black] Country: United States of America[USA]
1	AP8184525	External fairing, white	1	Vehicle colour: Aprilia White "PM" 2008 (s.t.856522)[white] Technical Specifications: Municipal Police[PM]
2	AP8178079	Internal shield, black	1	
3	AP8150413	Self-tap screw 3,9x14	9	
4	AP8179746	RH Water cooler grille, black	1	
5	AP8179747	LH Water cooler grille, black	1	
6	AP8150423	Screw 4,2x25*	2	
7	AP8179730	Bumper	2	
8	AP8124719	Reflector, amber	2	Country: United States of America[USA]

Group	FRAME
Code	28.10
Description	Front body - Internal shield
Service	1



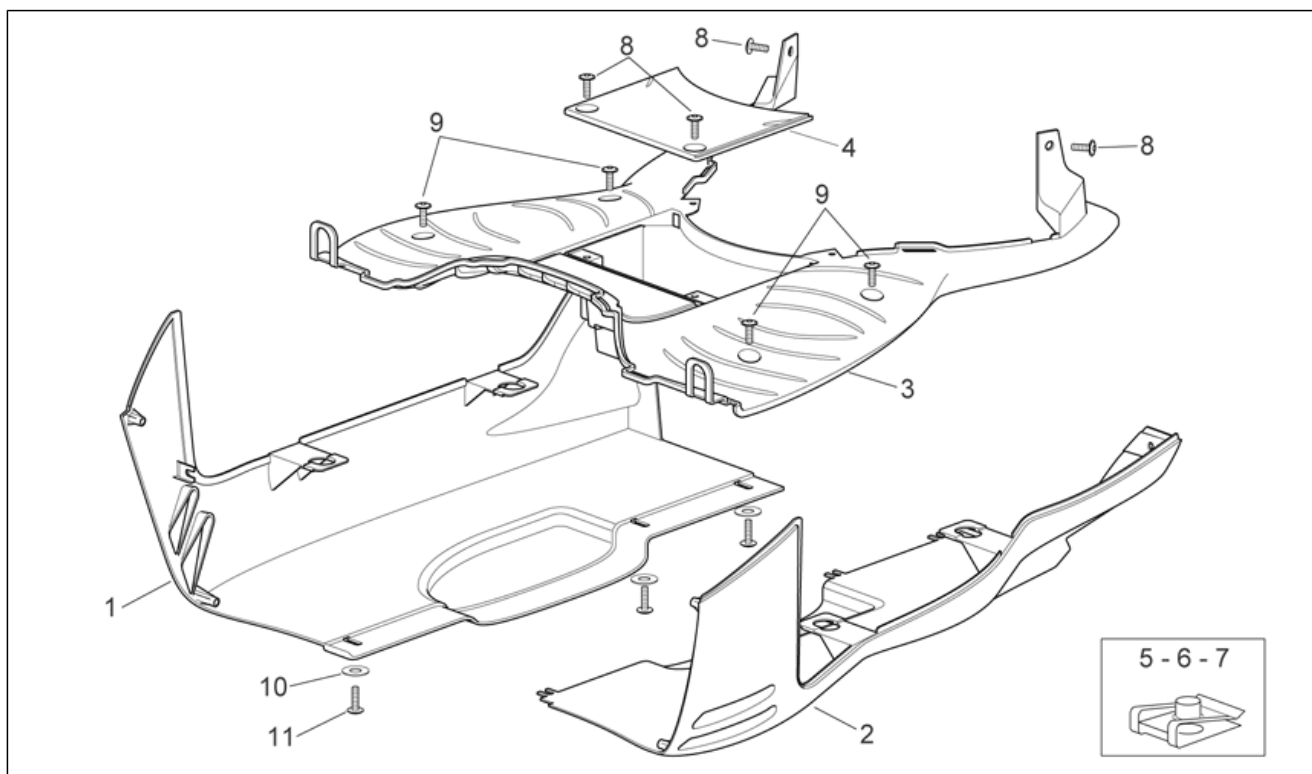
Pos.	Code	Description	Qty	Variants
9	AP8150159	Washer 4,3x16*	4	Country:United States of America[USA]
10	AP8150204	Nut M4	4	Country:United States of America[USA]

Group	FRAME
Code	28.11
Description	Central body I
Service	1



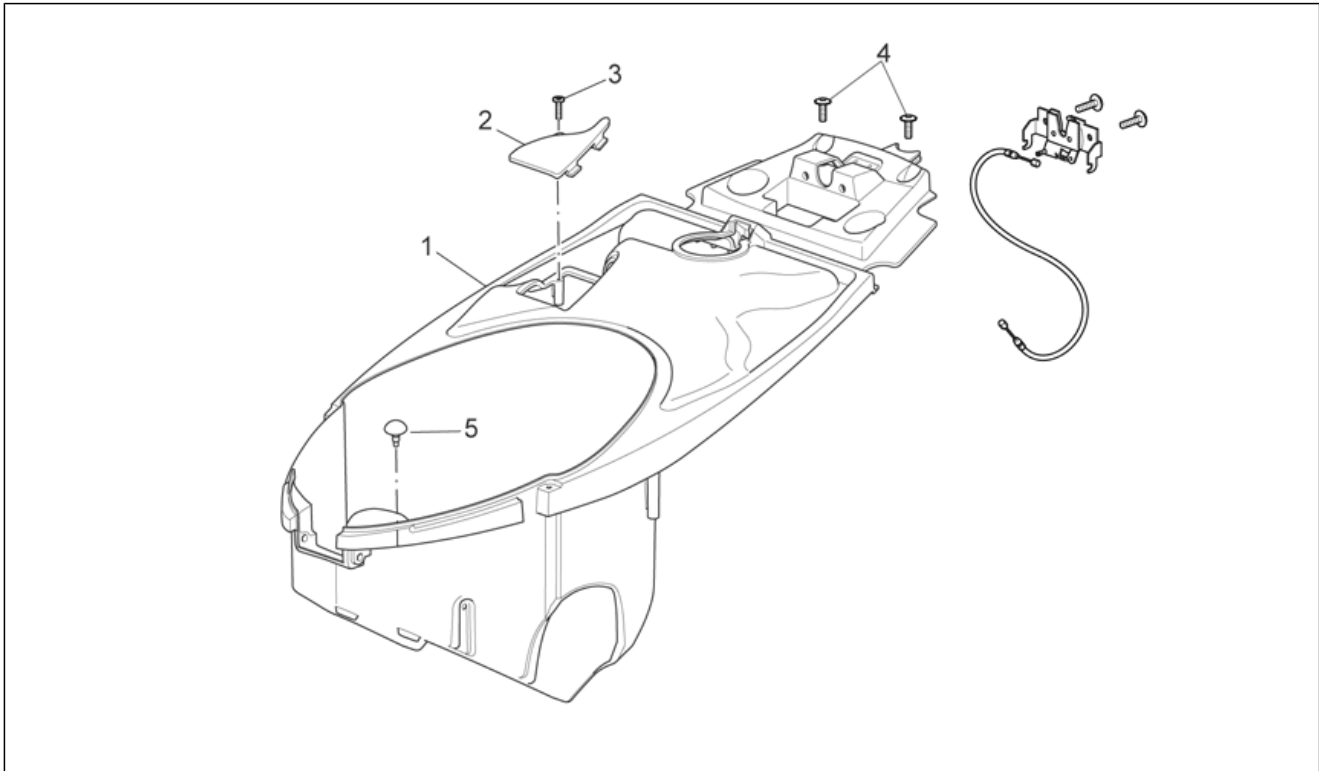
Pos.	Code	Description	Qty	Variants
1	AP8144257	Gasket	1	
2	AP8150413	Self-tap screw 3,9x14	8	
3	AP8134799	Plate	2	
4	AP8178083	Glove comp.cover, black	1	
5	AP8201534	Undersaddle hook cpl.	1	
6	AP8150423	Screw 4,2x25*	2	
7	AP8149478	Type appr.data cover, black	1	
8	AP8178858	Door Plate	1	
9	AP8178086	Glove box grille	1	
10	AP8150413	Self-tap screw 3,9x14	4	

Group	FRAME
Code	28.12
Description	Central body II
Service	1



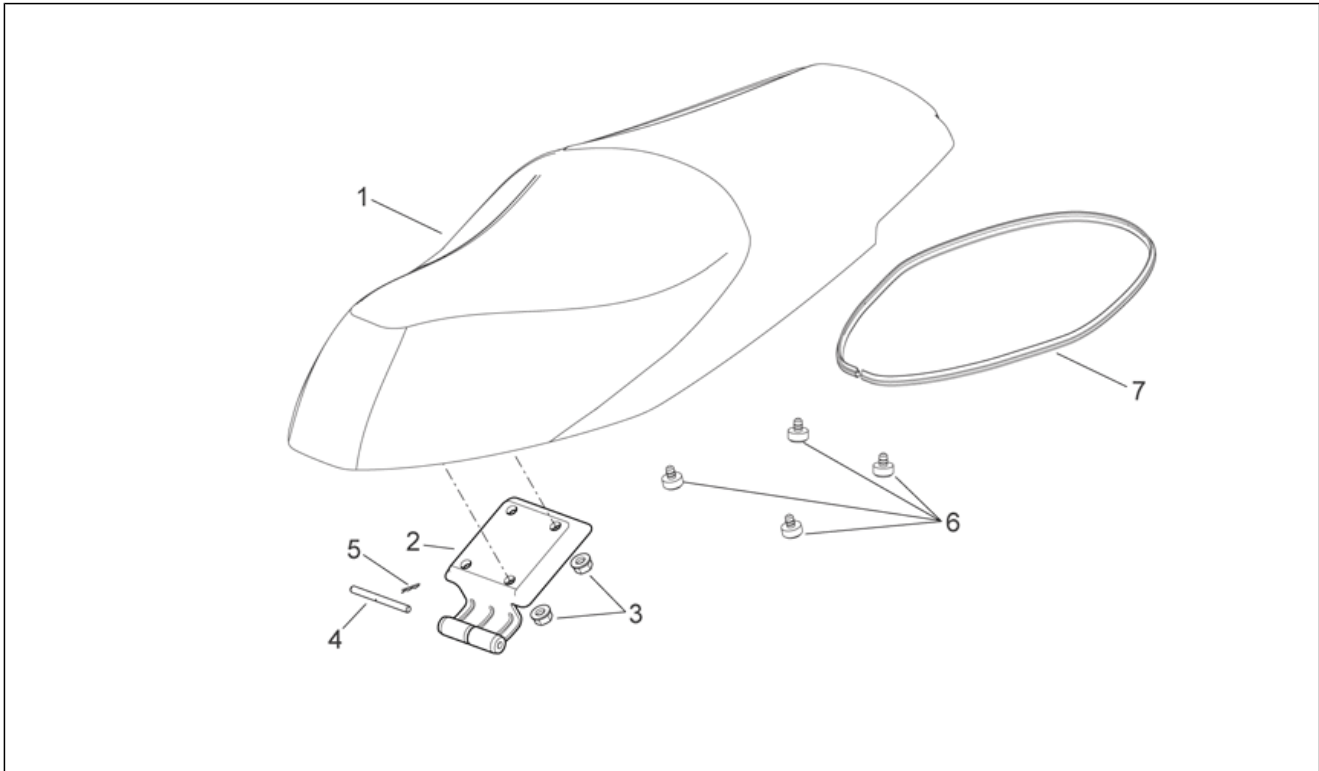
Pos.	Code	Description	Qty	Variants
1	AP8179701	RH underpanel	1	
2	AP8179702	LH underpanel	1	
3	AP8184273	Floor panel, black	1	Year:2006[6]
3	AP8184273	Floor panel, black	1	Year:2007[7]
3	AP8184447	Foot rest	1	Year:2007[7]
3	AP8184447	Foot rest	1	Year:2006[6]
4	AP8178107	Battery cover, black	1	
5	AP8102375	Clip m5	11	
6	AP8102376	Clip M6	2	
7	AP8202449	Clip	2	
8	AP8150298	Hex socket screw	4	
9	AP8152338	Screw w/ flange	6	
10	AP8150382	Washer 15x5,5X1,2	3	
11	AP8152298	Screw w/ flange M5x16	3	

Group	FRAME
Code	28.13
Description	Undersaddle
Service	1



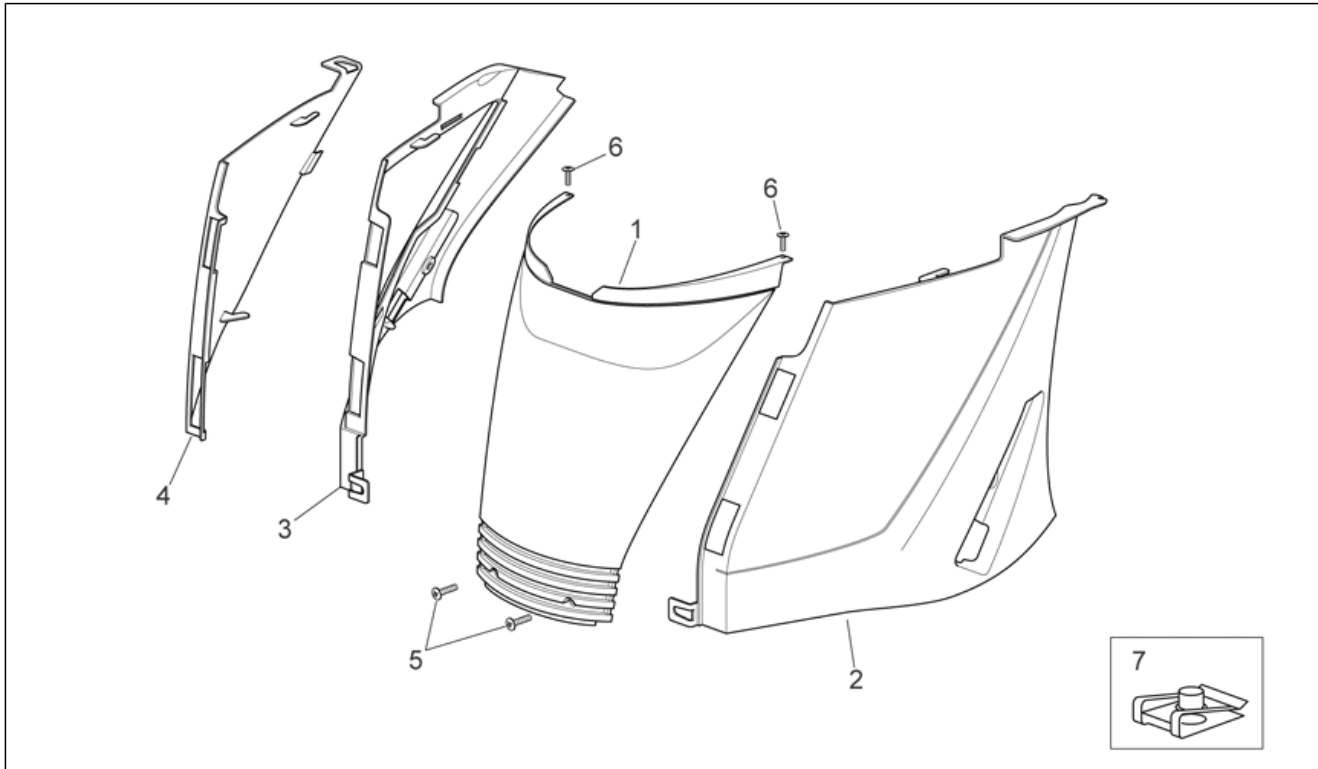
Pos.	Code	Description	Qty	Variants
1	AP8179358	Saddle compartment	1	
2	AP8127826	Cover	1	
3	AP8150413	Self-tap screw 3,9x14	1	
4	AP8152298	Screw w/ flange M5x16	2	
5	AP8706409	Rubber spacer	1	

Group	FRAME
Code	28.14
Description	Saddle unit
Service	1



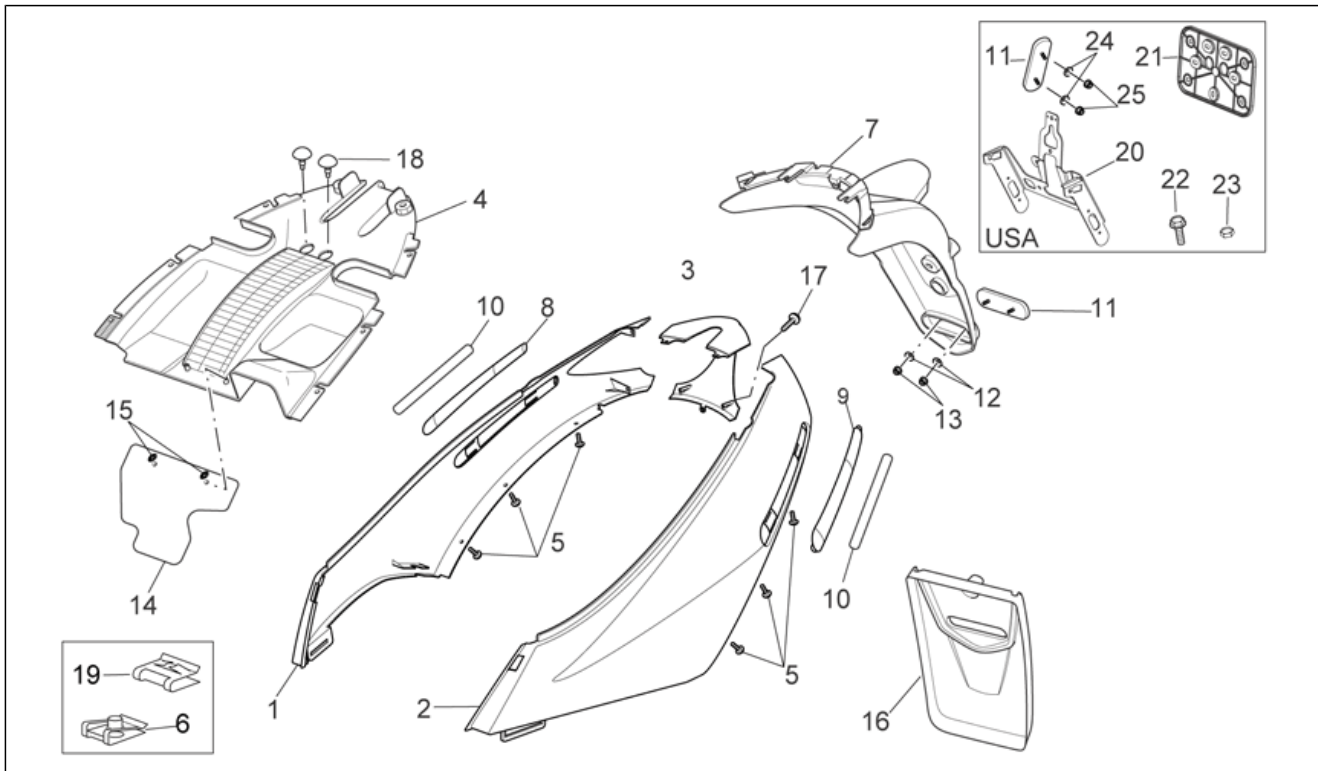
Pos.	Code	Description	Qty	Variants
1	AP8129465	Saddle, black	1	
2	AP8178069	Saddle hinge, black	1	
3	AP8150333	Serpress nut	4	
4	AP8201431	Split pin *	1	
5	AP8121333	Saddle spin	1	
6	AP8144089	Front saddle support rubber	2	
7	AP8220469	Top box weatherseal	1	

Group	FRAME
Code	28.15
Description	Rear body I
Service	1



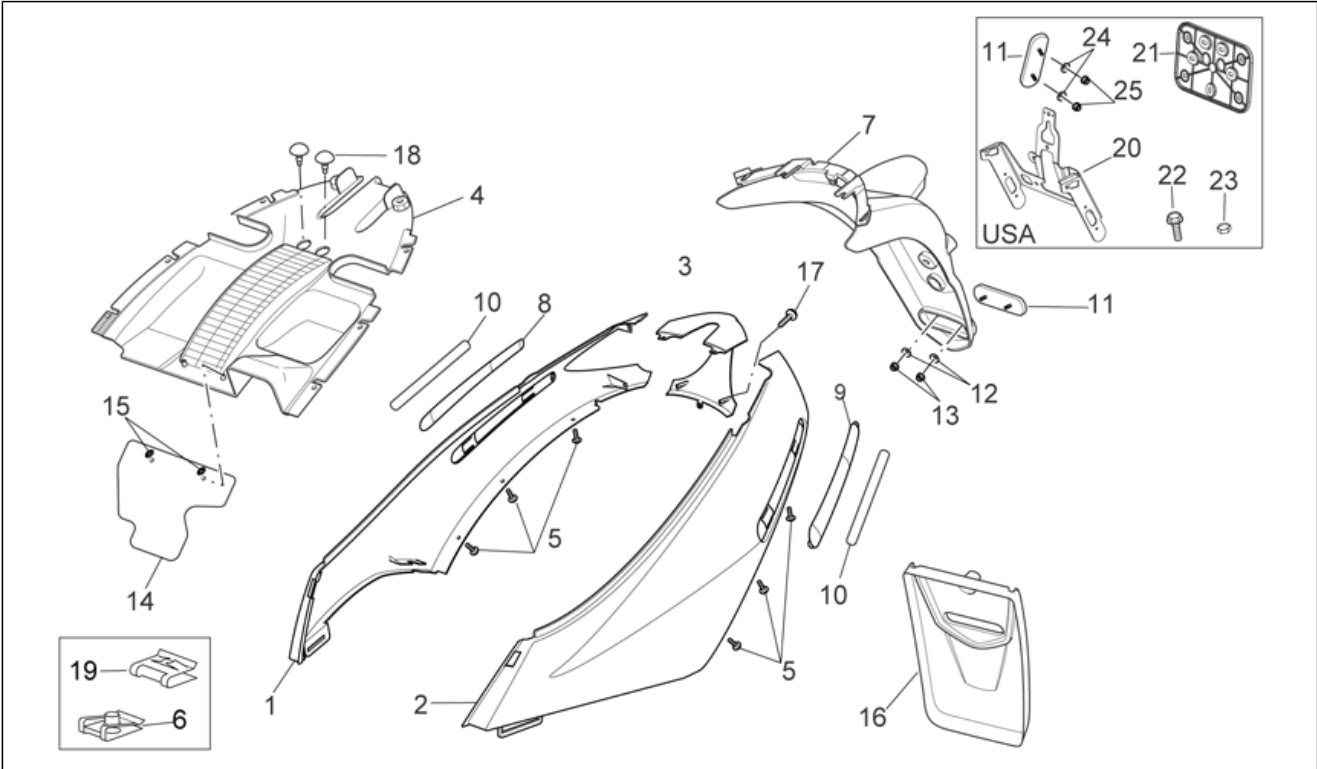
Pos.	Code	Description	Qty	Variants
1	AP8179707	C.Undersaddle, cyan	1	Vehicle colour: Aviation Cyan 2006 (s.t.851714)[cyan]
1	AP8179743	C.Undersaddle, grey	1	Vehicle colour: Excalibur Grey 2006-2007 (s.t.851740)[grey], Shot Grey 2006-2007(s.t.851715)[shot]
1	AP8179804	C.Undersaddle, blue	1	Vehicle colour: Couture Blue 2006-2007 (s.t.851741)[blu]
1	AP8179815	C.Undersaddle, black	1	Vehicle colour: Moka Black2006-2007 (s.t.851742)[moka]
1	AP8184465	C.Undersaddle, black	1	Vehicle colour: Aprilia Black 2007 (s.t.854988)[black]
1	AP8184465	C.Undersaddle, black	1	Vehicle colour: Aprilia White "PM" 2008 (s.t.856522)[white] Technical Specifications: Municipal Police[PM]
2	AP8178093	L.LH Undersaddle, black	1	
3	AP8178092	L.RH Undersaddle, black	1	
4	AP8178097	Inspection cover, black	1	
5	AP8152269	Hex socket screw	2	
6	AP8150413	Self-tap screw 3,9x14	2	
7	AP8102375	Clip m5	2	

Group	FRAME
Code	28.16
Description	Rear body II
Service	1



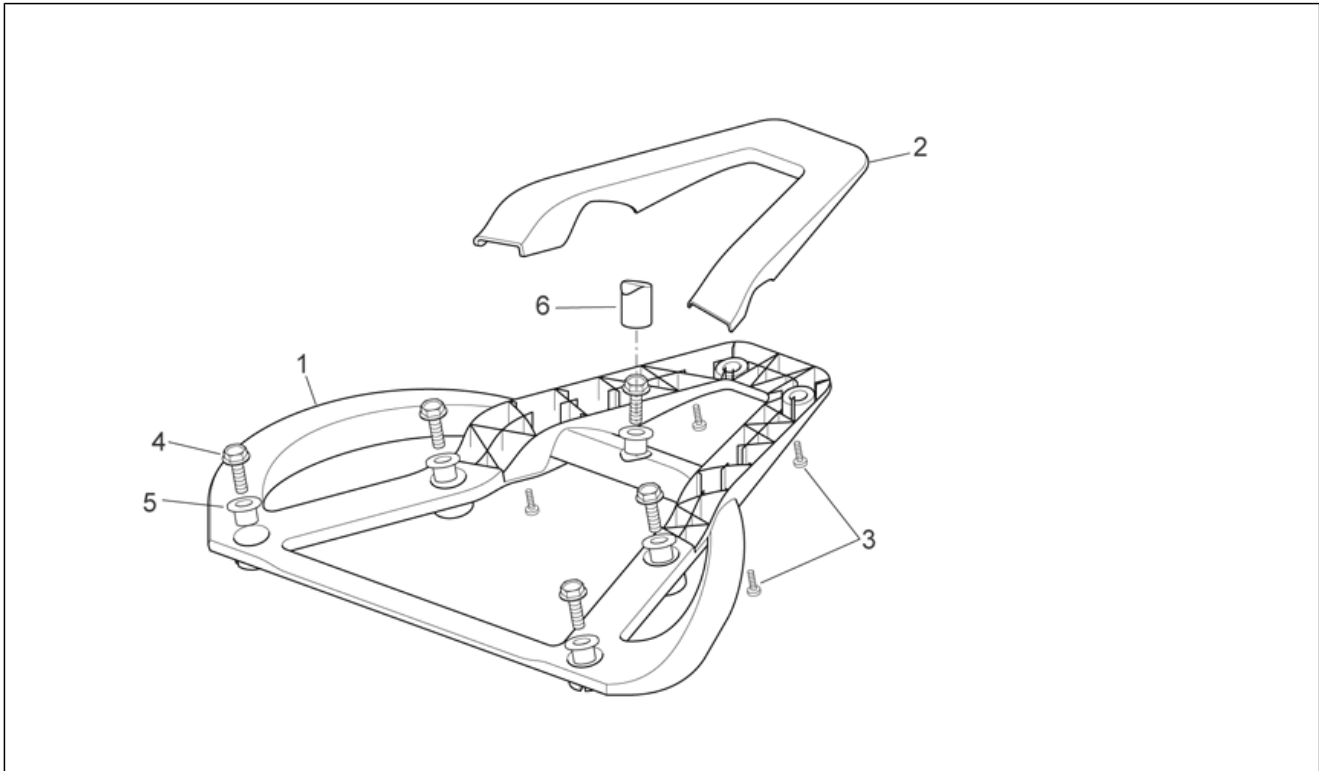
Pos.	Code	Description	Qty	Variants
1	AP8179751	RH rear fairing, grey	1	Vehicle colour:Shot Grey 2006-2007(s.t.851715)[shot]
1	AP8179794	RH rear fairing, grey	1	Vehicle colour:Excalibur Grey 2006-2007 (s.t.851740)[grey]
1	AP8179805	RH rear fairing, blue	1	Vehicle colour:Couture Blue 2006-2007 (s.t.851741)[blu]
1	AP8179816	RH rear fairing, black	1	Vehicle colour:Moka Black2006-2007 (s.t.851742)[moka]
1	AP8184466	RH rear fairing, black	1	Vehicle colour:Aprilia Black 2007 (s.t.854988)[black]
1	AP8184526	RH rear fairing, white	1	Vehicle colour:Aprilia White "PM" 2008 (s.t.856522)[white] Technical Specifications:Municipal Police[PM]
1	AP8268599	RH rear fairing, cyan	1	Vehicle colour:Aviation Cyan 2006 (s.t.851714)[cyan]
2	AP8179752	LH rear fairing, grey	1	Vehicle colour:Shot Grey 2006-2007(s.t.851715)[shot]
2	AP8179795	LH rear fairing, grey	1	Vehicle colour:Excalibur Grey 2006-2007 (s.t.851740)[grey]
2	AP8179806	LH rear fairing, blue	1	Vehicle colour:Couture Blue 2006-2007 (s.t.851741)[blu]
2	AP8179817	LH rear fairing, black	1	Vehicle colour:Moka Black2006-2007 (s.t.851742)[moka]
2	AP8184467	LH rear fairing, black	1	Vehicle colour:Aprilia Black 2007 (s.t.854988)[black]
2	AP8184527	LH rear fairing, white	1	Vehicle colour:Aprilia White "PM" 2008 (s.t.856522)[white] Technical Specifications:Municipal Police[PM]
2	AP8268600	LH rear fairing, cyan	1	Vehicle colour:Aviation Cyan 2006 (s.t.851714)[cyan]
3	AP8178106	Central Rear fairing, black	1	
4	AP8179359	Rear fairing, black	1	
5	AP8152298	Screw w/ flange M5x16	6	
6	AP8102375	Clip m5	6	
7	AP8156231	Number plate holder, black	1	
8	AP8179703	RH bumper	1	
9	AP8179704	LH bumper	1	
10	AP8166438	Name plate SportCity Cromo	2	
11	AP8124718	Rear reflector, red	3	
12	AP8150159	Washer 4,3x16*	6	
13	AP8150204	Nut M4	6	
14	AP8178885	Rear guard	1	

Group	FRAME
Code	28.16
Description	Rear body II
Service	1



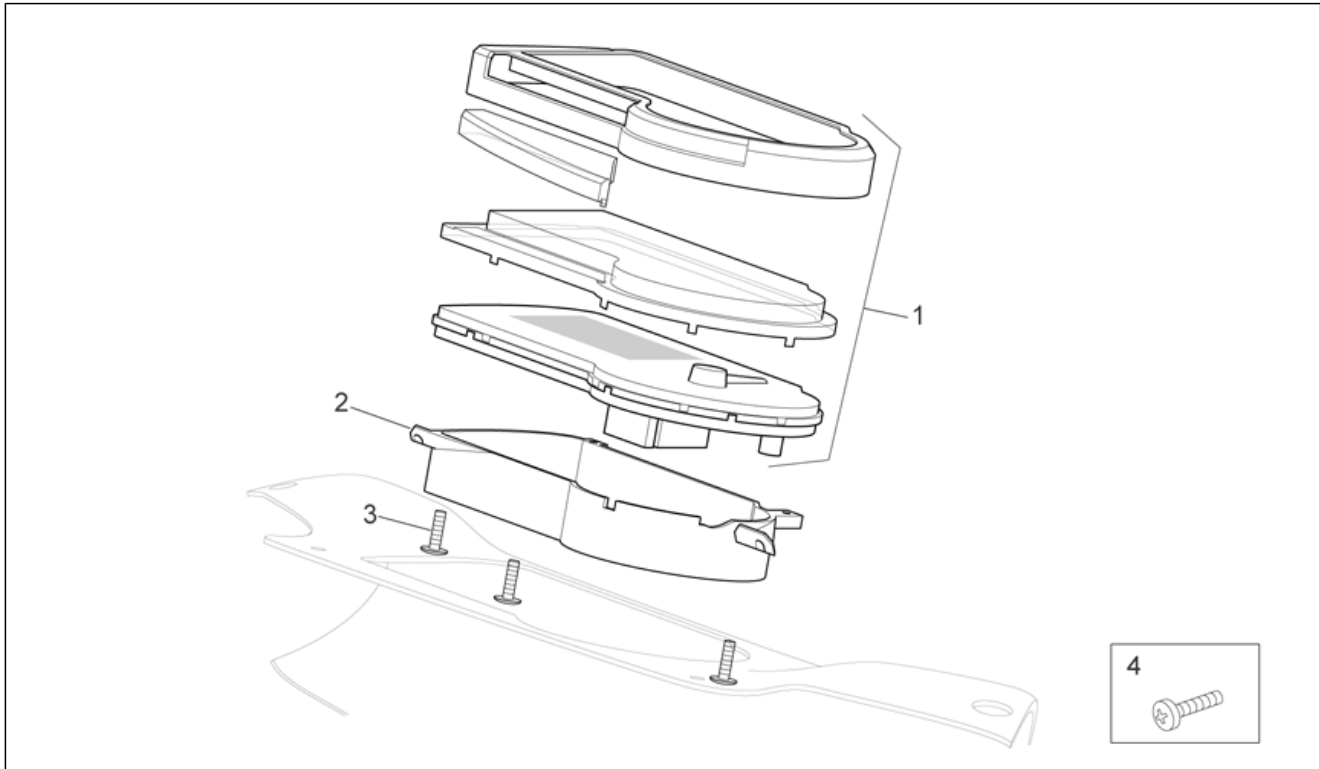
Pos.	Code	Description	Qty	Variants
15	AP8150450	Washer for shafts D5	2	
16	AP8156185	Rear splash guard	1	
17	AP8150362	Self-tapping screw *	1	
18	AP8706409	Rubber spacer	2	
19	AP8201764	Screw clip D5,5*	2	
20	853039	Maintenance indi.dire.	1	Country:United States of America[USA]
21	AP8149034	Number plate support	1	Country:United States of America[USA]
22	AP8152282	Screw w/ flange M6x35	2	Country:United States of America[USA]
23	AP8152299	Self-locking nut M6	2	Country:United States of America[USA]
24	AP8150159	Washer 4,3x16*	4	Country:United States of America[USA]
25	AP8150204	Nut M4	4	Country:United States of America[USA]

Group	FRAME
Code	28.17
Description	Top box support
Service	1



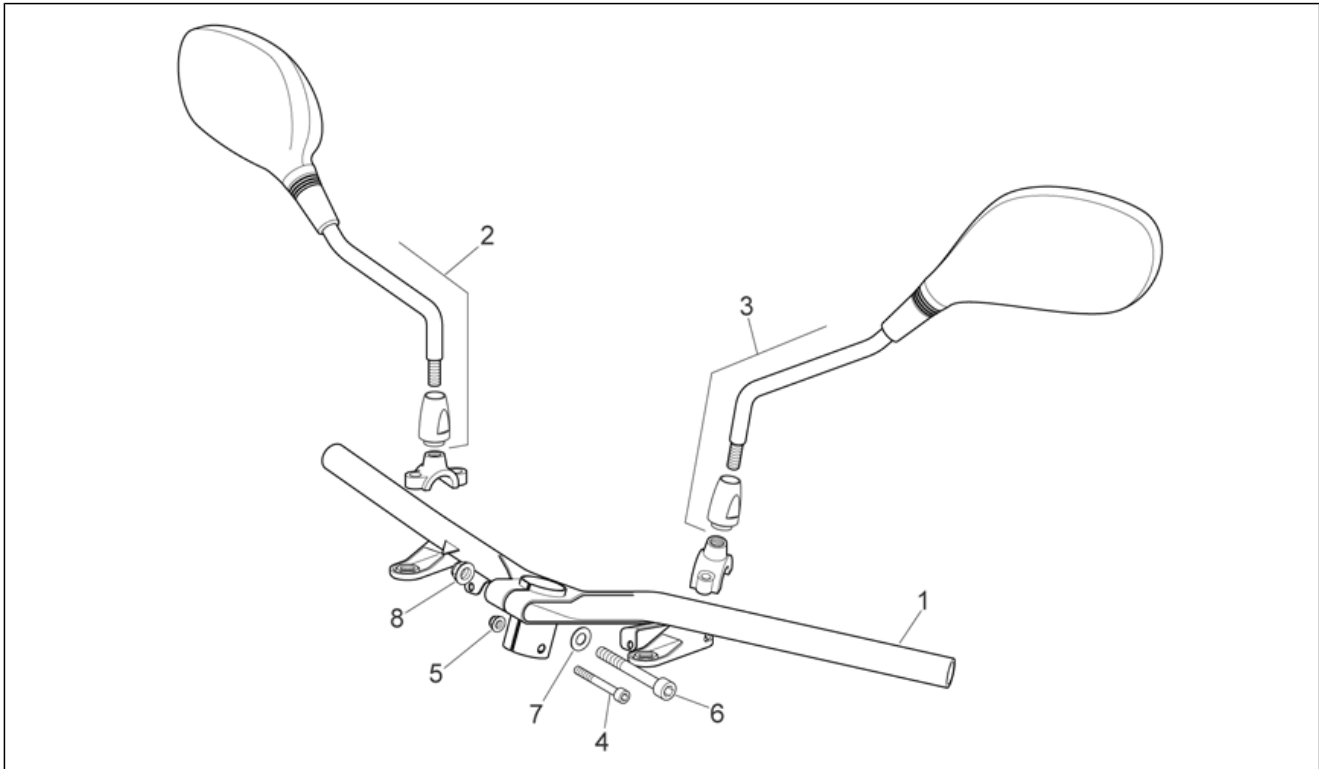
Pos.	Code	Description	Qty	Variants
1	AP8179690	Rear handle, grey	1	
2	AP8179691	Luggage rack cover, grey	1	
3	AP8150413	Self-tap screw 3,9x14	4	
4	AP8152288	Screw w/ flange	5	
5	AP8221128	T bush 8,5x10,7x12	5	
6	AP8179708	Black plug	1	

Group	FRAME
Code	28.18
Description	Dashboard
Service	1



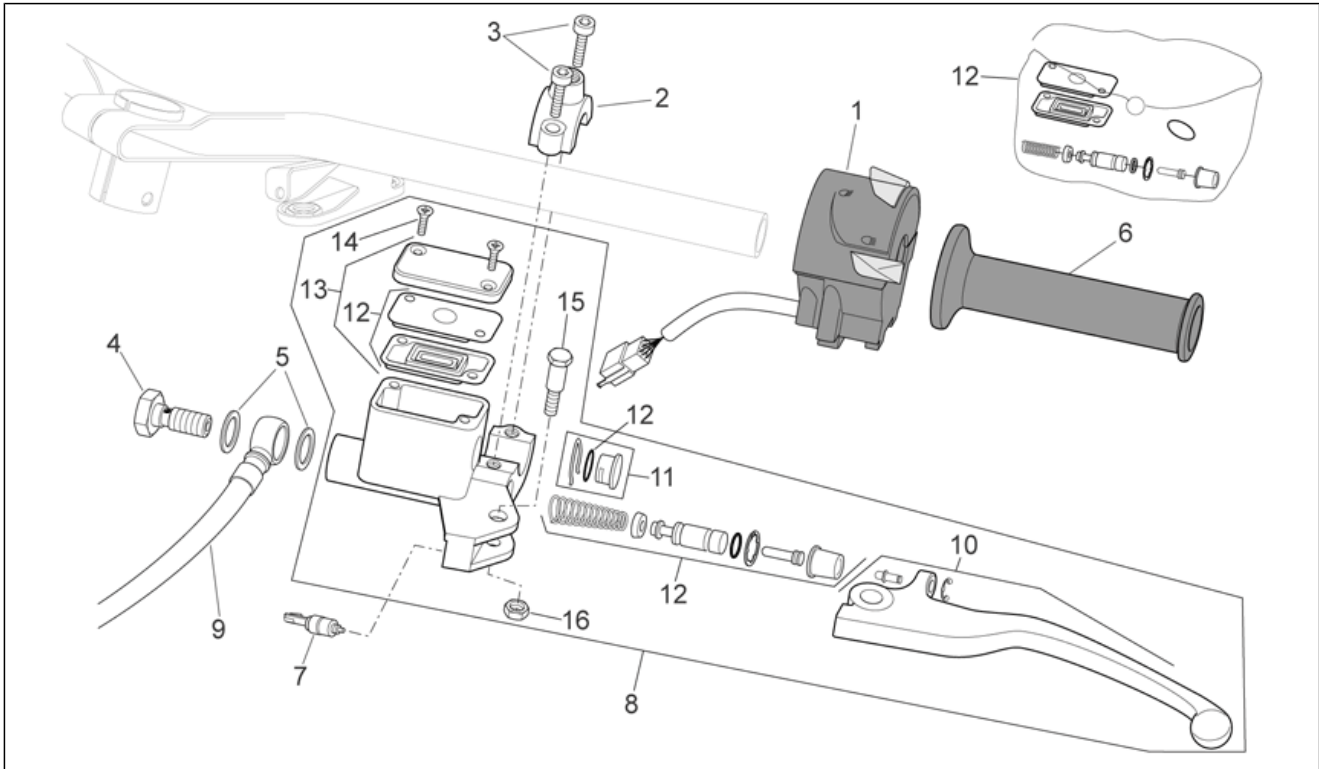
Pos.	Code	Description	Qty	Variants
1	852365	Dashboard	1	Country: United States of America[USA] Technical Specifications: 250 cc version[250]
1	AP8127811	Dashboard	1	Country: Australia[AA], E-[EU], Japan[JJ], Great Britain[UK] Technical Specifications: 250 cc version[250]
1	AP8127843	Dashboard	1	Technical Specifications: 125 cc version[125], 200 cc version[200]
2	AP8178071	Socket support	1	
3	AP8152329	Phillips screw, SWP M5x20	3	
4	AP8150413	Self-tap screw 3,9x14	4	

Group	FRAME
Code	28.19
Description	Handlebar
Service	1



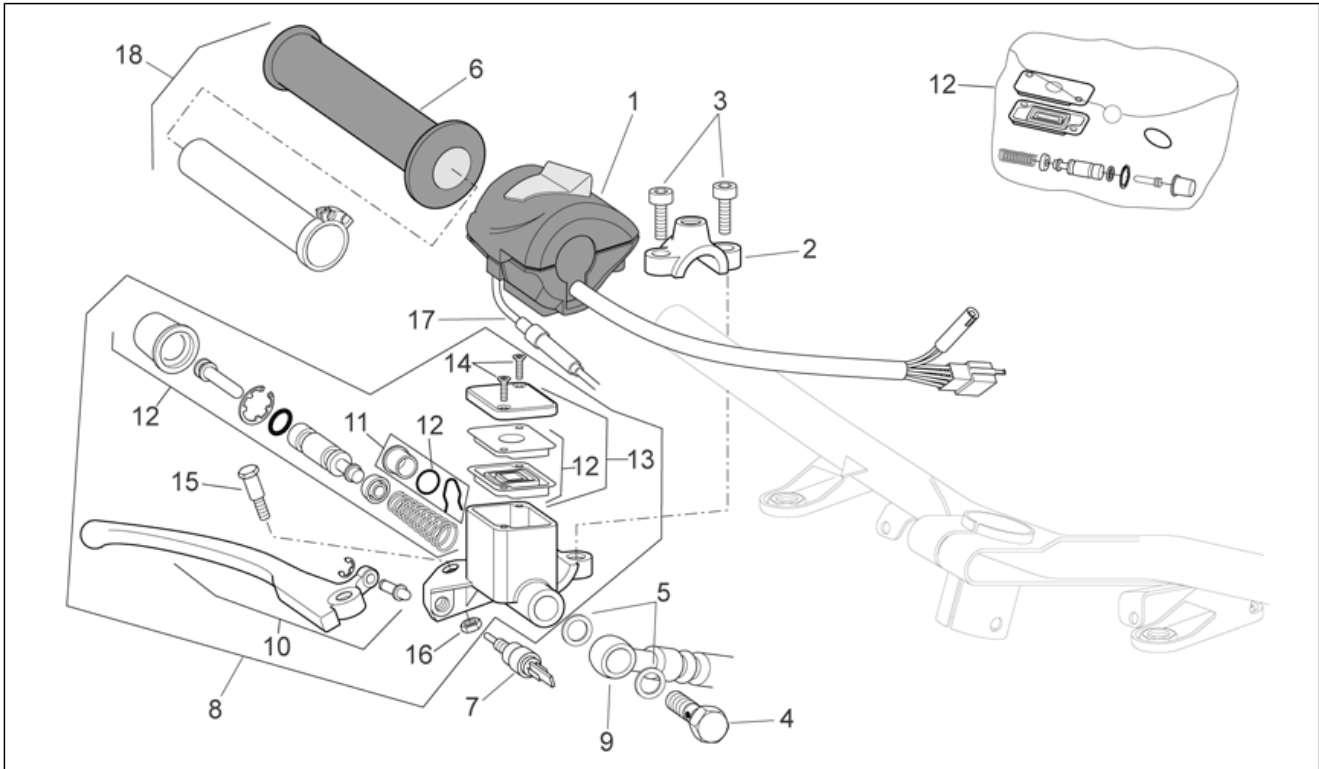
Pos.	Code	Description	Qty	Variants
1	AP8118694	Handlebar	1	
2	AP8104723	KEN SEAN right mirrors	1	Technical Specifications: Abbreviation L - E9 - 001003[B]
2	CM180901	FU-HWA right mirrors	1	Technical Specifications: Abbreviation E11 L001007[C]
3	AP8104724	KEN SEAN left mirrors	1	Technical Specifications: Abbreviation L - E9 - 001003[B]
3	CM180902	FU-HWA left mirrors	1	Technical Specifications: Abbreviation E11 L001007[C]
4	AP8150277	Hex socket screw M8x50	1	
5	AP8152300	Self-locking nut M8	1	
6	AP8150088	Hex socket screw M10x70	1	
7	AP8150020	Washer 10,5x21x2*	1	
8	AP8152301	Self-locking nut	1	

Group	FRAME
Code	28.20
Description	LH Controls
Service	1



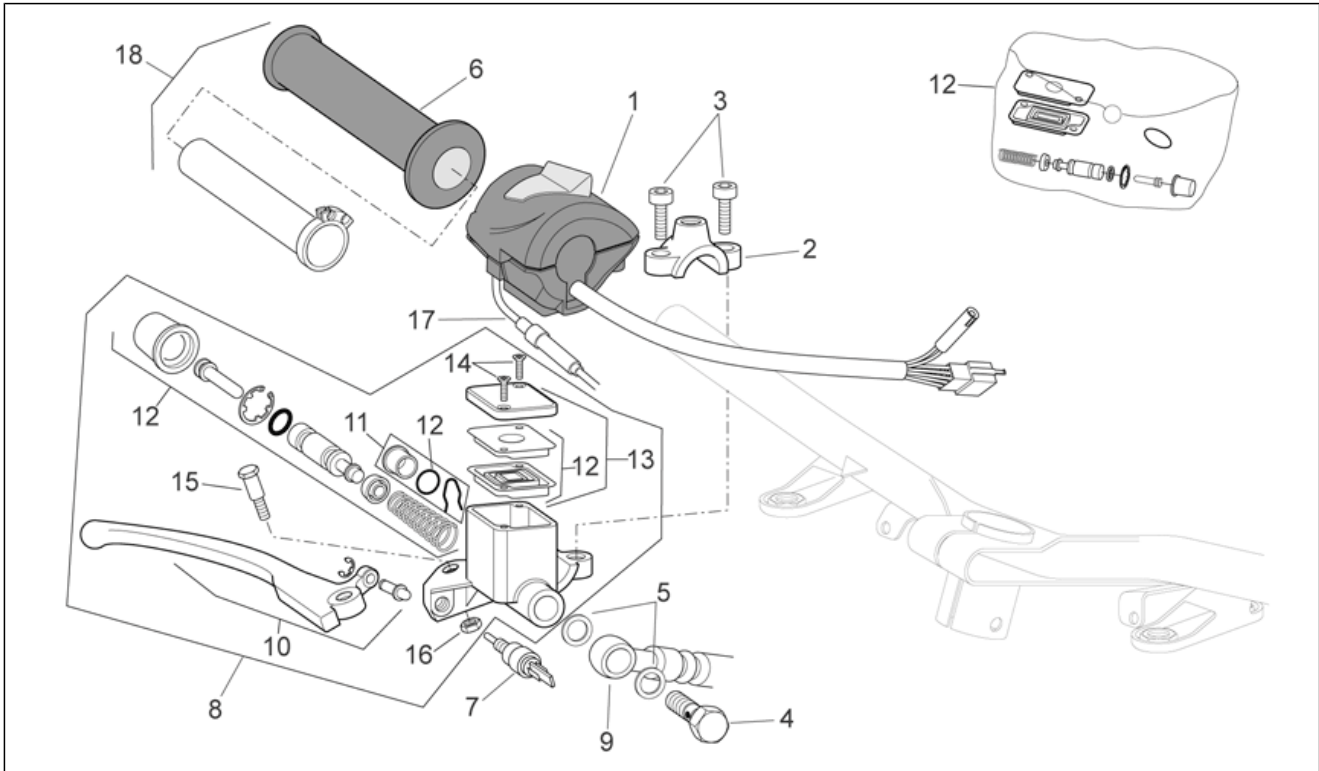
Pos.	Code	Description	Qty	Variants
1	AP8124918	LH lights selector	1	
2	AP8213382	LH U-bolt	1	Technical Specifications:Grimeca[gr]
2	AP8213580	LH U-bolt	1	Technical Specifications:HENG TONG[ht]
3	AP8213299	Cap screw	2	Technical Specifications:Grimeca[gr]
3	AP8213582	Cap screw	2	Technical Specifications:HENG TONG[ht]
4	AP8113003	Oil pipe screw *	1	
5	AP8113004	Washer 10x14x1,6*	2	
6	AP8118699	Handgrip pair, black	1	
7	AP8127305	stop Button	1	
8	AP8213549	Rear master cylinder	1	Technical Specifications:Grimeca[gr]
8	AP8213559	Rear master cylinder D.12,7	1	Technical Specifications:HENG TONG[ht]
9	AP8133889	Rear brake hose	1	
10	AP8213601	Lever assy	1	Technical Specifications:HENG TONG[ht]
10	AP8590035	Lever assy (GRIMECA)	1	Technical Specifications:Grimeca[gr]
11	AP8213455	Master cyl.level window, assy	1	Technical Specifications:Grimeca[gr]
12	AP8213593	Pump revision kit	1	Technical Specifications:HENG TONG[ht]
12	AP8590037	Pump revision kit	1	Technical Specifications:Grimeca[gr]
13	AP8213595	Tank cover, assy	1	Technical Specifications:HENG TONG[ht]
13	AP8590038	Tank cover, assy	1	Technical Specifications:Grimeca[gr]
14	AP8213400	Pump cover screw	2	Technical Specifications:Grimeca[gr]
14	AP8213583	Pump cover screw	2	Technical Specifications:HENG TONG[ht]
15	AP8125757	Lever screw	1	Technical Specifications:Grimeca[gr]
15	AP8213584	Brake lever pin	1	Technical Specifications:HENG TONG[ht]
16	AP8213298	Nut	1	Technical Specifications:Grimeca[gr]
16	AP8213585	Nut	1	Technical Specifications:HENG TONG[ht]

Group	FRAME
Code	28.21
Description	RH controls
Service	1



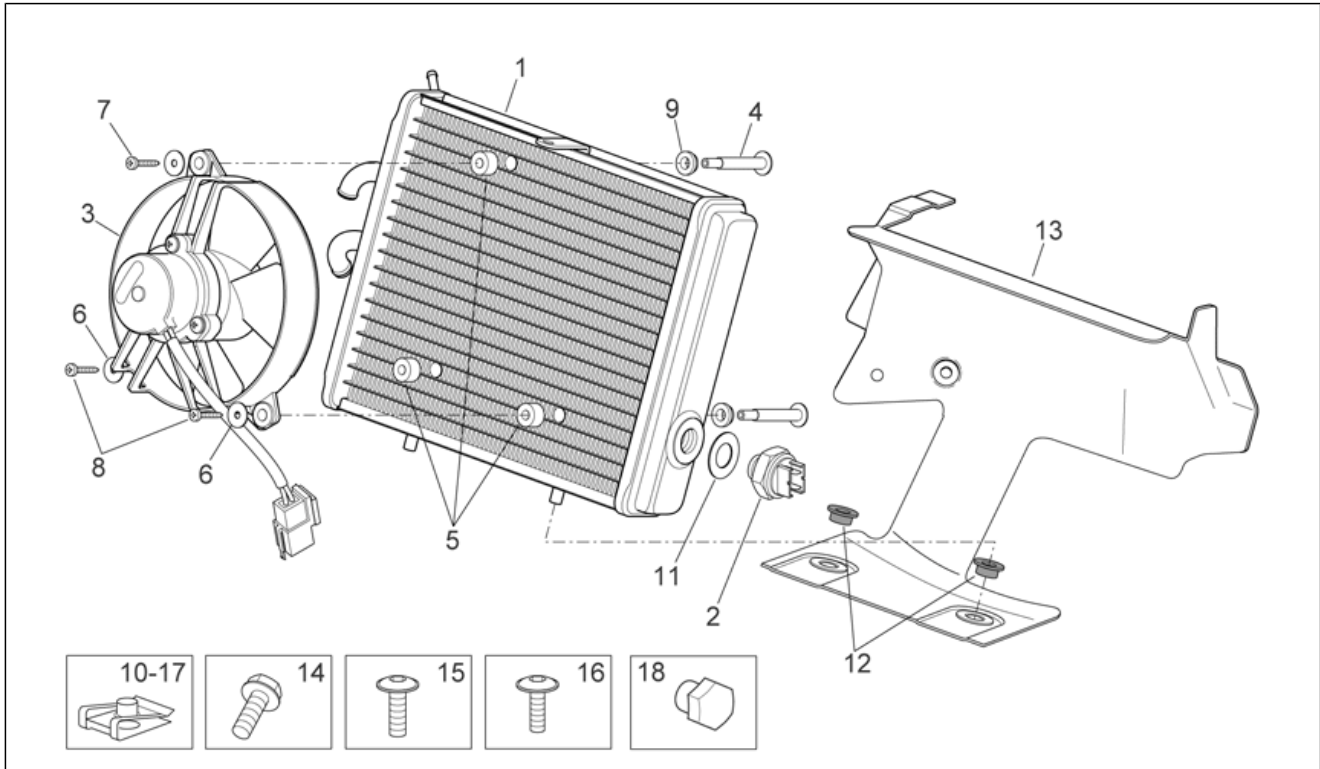
Pos.	Code	Description	Qty	Variants
1	AP8127592	RH lights selector	1	
2	AP8213581	RH U-bolt	1	Technical Specifications: HENG TONG[ht]
2	AP8590034	RH U-bolt	1	Technical Specifications: Grimeca[gr]
3	AP8213299	Cap screw	2	Technical Specifications: Grimeca[gr]
3	AP8213582	Cap screw	2	Technical Specifications: HENG TONG[ht]
4	AP8113003	Oil pipe screw *	1	
5	AP8113004	Washer 10x14x1,6*	2	
6	AP8118699	Handgrip pair, black	1	
7	AP8127305	stop Button	1	
8	AP8213547	Front master cilinder	1	Technical Specifications: 125 cc version[125], 200 cc version[200], Grimeca[gr]
8	AP8213558	Front master cilinder D.12,7	1	Technical Specifications: 125 cc version[125], 200 cc version[200], HENG TONG[ht]
8	AP8213675	Front master cilinder	1	Technical Specifications: 250 cc version[250], Grimeca[gr]
8	AP8213676	Front master cilinder (Heng Tong)	1	Technical Specifications: 250 cc version[250], HENG TONG[ht]
9	AP8133673	Front brake hose	1	
10	AP8213602	Lever assy (Heng Tong)	1	Technical Specifications: HENG TONG[ht]
10	AP8590035	Lever assy (GRIMECA)	1	Technical Specifications: Grimeca[gr]
11	AP8213455	Master cyl.level window, assy	1	Technical Specifications: Grimeca[gr]
12	AP8213600	Pump revision kit	1	Technical Specifications: 125 cc version[125], 200 cc version[200], HENG TONG[ht]
12	AP8590037	Pump revision kit	1	Technical Specifications: 125 cc version[125], 200 cc version[200], Grimeca[gr]
13	AP8213598	Tank cover	1	Technical Specifications: HENG TONG[ht]
13	AP8590038	Tank cover, assy	1	Technical Specifications: Grimeca[gr]
14	AP8213400	Pump cover screw	2	Technical Specifications: Grimeca[gr]
14	AP8213583	Pump cover screw	2	Technical Specifications: HENG TONG[ht]
15	AP8125757	Lever screw	1	Technical Specifications: Grimeca[gr]

Group	FRAME
Code	28.21
Description	RH controls
Service	1



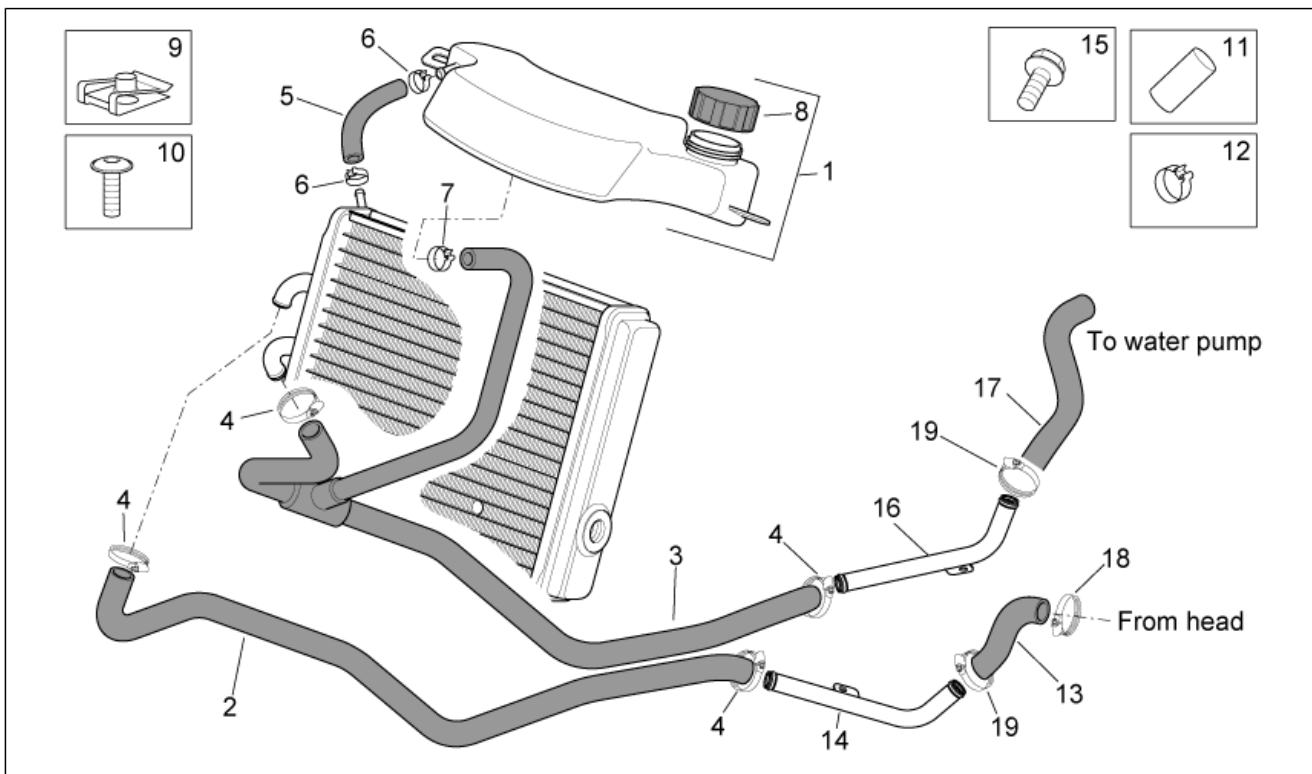
Pos.	Code	Description	Qty	Variants
15	AP8213584	Brake lever pin	1	Technical Specifications: HENG TONG[ht]
16	AP8213298	Nut	1	Technical Specifications: Grimeca[gr]
16	AP8213585	Nut	1	Technical Specifications: HENG TONG[ht]
17	AP8114500	Throttle cable	1	
18	AP8118681	Throttle with hand grip	1	

Group	FRAME
Code	28.22
Description	Water cooler
Service	1



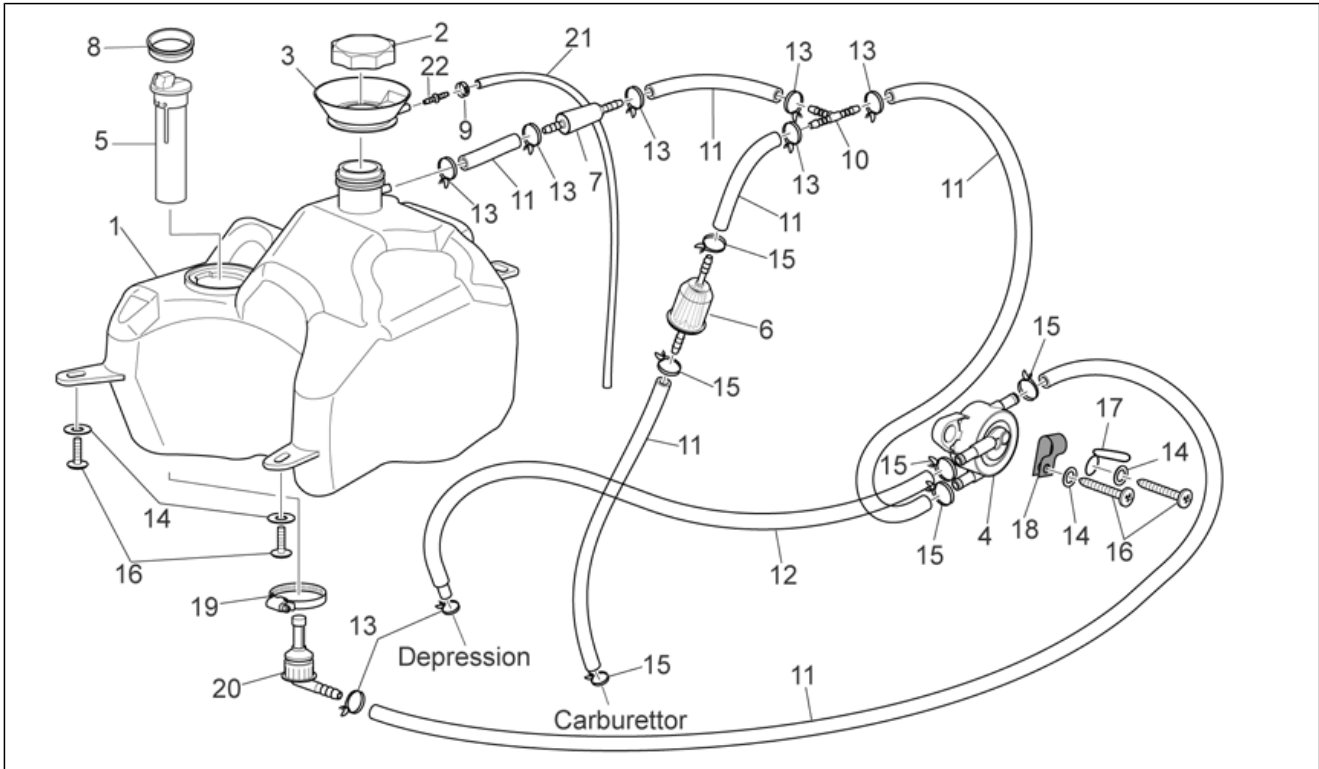
Pos.	Code	Description	Qty	Variants
1	AP8104721	Water cooler	1	
2	AP8127441	Thermal switch	1	Technical Specifications: 125 cc version[125], 200 cc version[200]
3	AP8124446	Fan, cpl.	1	
4	AP8121464	Pin	3	
5	AP8125848	Spacer	3	
6	AP8150159	Washer 4,3x16*	3	
7	AP8150423	Screw 4,2x25*	1	
8	AP8150270	Screw 4,2x20*	2	
9	AP8221218	Mudguard bush	3	
10	AP8102376	Clip M6	6	
11	AP8121837	Aluminium washer	1	
12	AP8101372	Silent-block	2	
13	AP8134976	Air duct	1	
14	AP8152278	Screw w/ flange M6x16	2	
15	AP8152246	Screw w/ flange M6x16	1	
16	AP8152302	Screw w/ flange M5x12	1	
17	AP8102375	Clip m5	1	
18	AP8144777	Plug	1	

Group	FRAME
Code	28.23
Description	Cooling system
Service	1



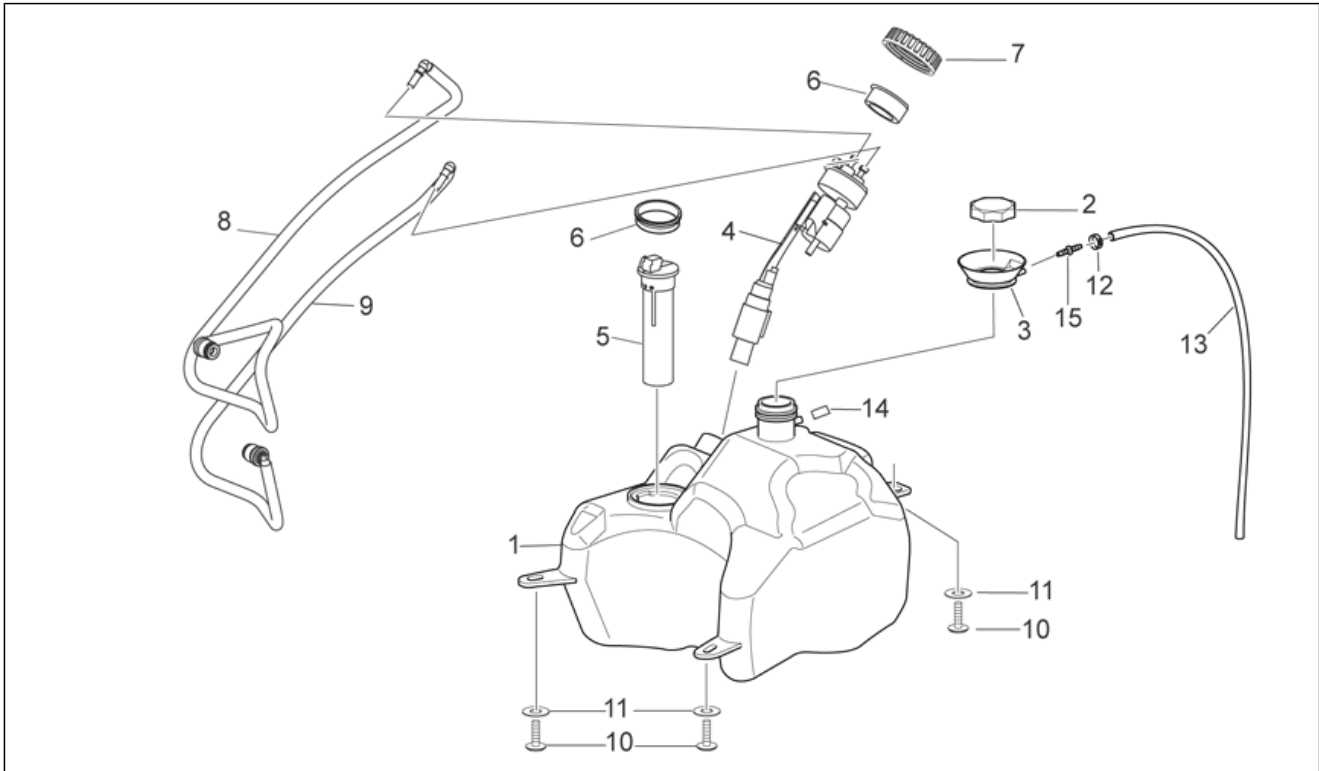
Pos.	Code	Description	Qty	Variants
1	AP8178066	Expansion tank	1	
2	AP8144642	Water cooler hose union	1	
3	AP8144784	Cooler-pump pipe	1	
4	AP8101573	Hose clamp D16-24x8*	10	
5	AP8144506	Breather pipe 7,5X3,5	1	
6	AP8102765	White hose clip D.13,5x6	2	
7	AP8102349	White hose clip D17,5x8	1	
8	AP8570122	Expansion tank plug	1	
9	AP8102376	Clip M6	3	
10	AP8152246	Screw w/ flange M6x16	2	
11	AP8144298	Breather plug	1	
12	AP8120446	Hose clip, green D11x6,6x1	1	
13	AP8144759	Head tube union	1	
14	AP8144704	Joint	1	
15	AP8152277	Screw w/ flange M6x12	1	
16	AP8144785	Joint	1	
17	AP8144786	Pump connection hose	1	
18	CM001908	Hose clamp	1	
19	CM001909	Hose clamp	1	

Group	FRAME
Code	28.24
Description	Fuel tank I
Service	1



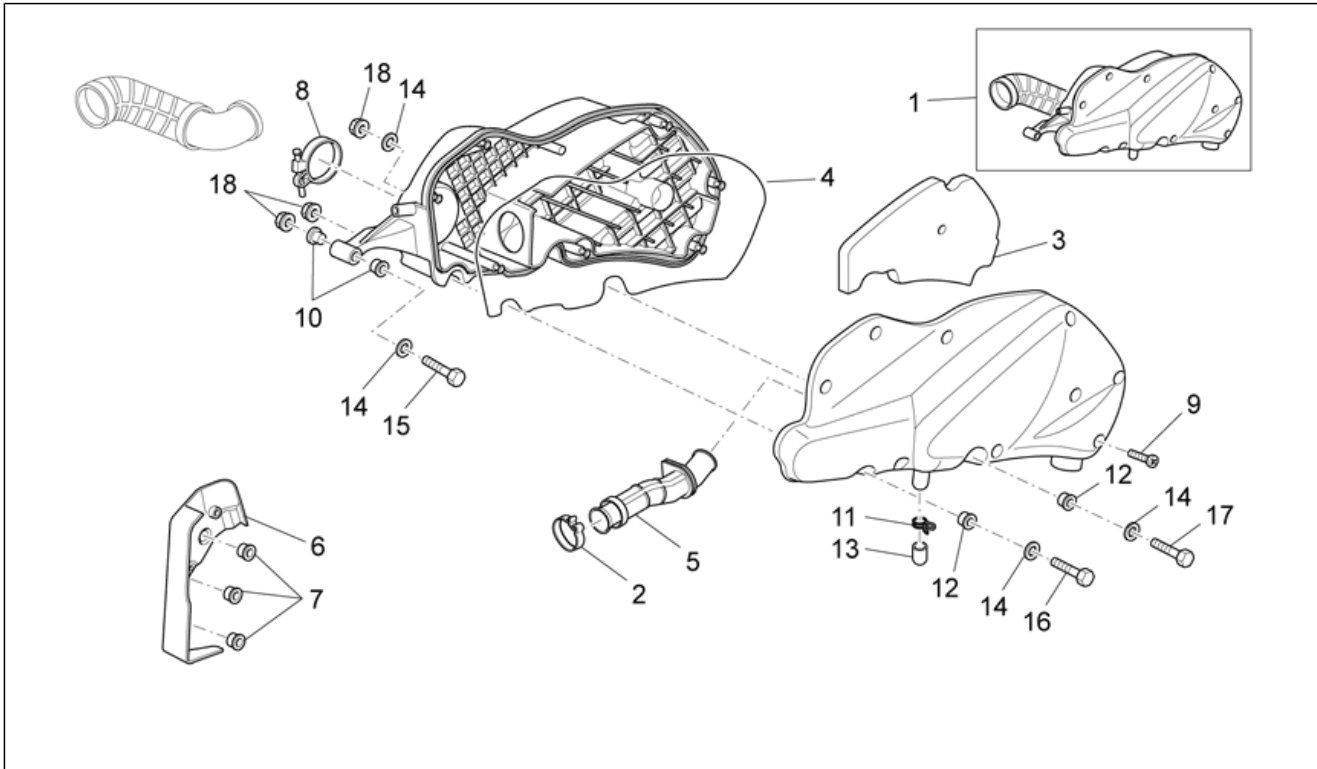
Pos.	Code	Description	Qty	Variants
1	AP8179450	Fuel tank	1	Technical Specifications: Carburettors version[carb]
2	AP8144782	Fuel filler cap	1	
3	AP8144187	Fuel collector rubber	1	
4	AP8176041	Fuel pump	1	Technical Specifications: Carburettors version[carb]
5	AP8127828	Fuel level sensor	1	Technical Specifications: Carburettors version[carb]
6	AP8104406	Fuel filter	1	
7	AP8104251	Oil breather valve	1	
8	AP8144422	Gasket	1	
9	AP8101770	Hose clip D8x5,5*	1	
10	AP8144303	3-way union	1	
11	AP8120952	Fuel pipe 5,5x10	6	
12	AP8134815	Vacuum pipe	1	
13	AP8101595	Hose clamp D10,1	4	
14	AP8150382	Washer 15x5,5X1,2	4	
15	AP8102378	Hose clamp D11,3	5	
16	AP8152329	Phillips screw, SWP M5x20	4	
17	AP8120428	Cable-guide	1	
18	AP8102151	Black hose D12*	1	
19	AP8104072	Hose clamp	1	
20	AP8104071	Union cpl.	1	
21	AP8220263	Breather pipe 4x8	1	
22	AP8101944	2-way union	1	

Group	FRAME
Code	28.25
Description	Fuel tank II
Service	1



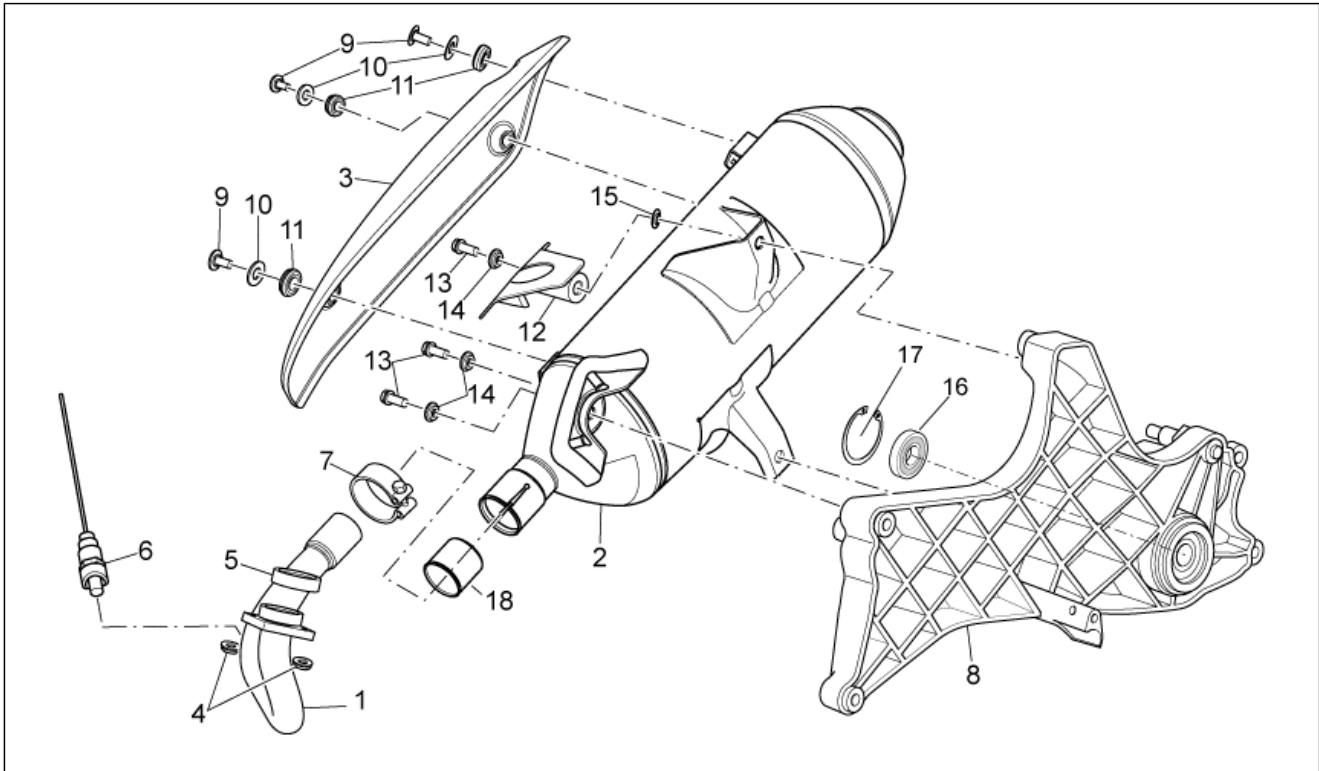
Pos.	Code	Description	Qty	Variants
1	AP8179446	Fuel tank	1	Country:Australia[AA], E-[EU], Japan[JJ], Great Britain[UK] Technical Specifications:Injection Version[i.e.]
1	AP8184103	Fuel tank	1	Country:United States of America[USA] Technical Specifications:Injection Version[i.e.]
2	AP8144782	Fuel filler cap	1	Technical Specifications:Injection Version[i.e.]
3	AP8144187	Fuel collector rubber	1	Technical Specifications:Injection Version[i.e.]
4	AP8127827	Fuel pump	1	Technical Specifications:Injection Version[i.e.]
5	AP8127828	Fuel level sensor	1	Technical Specifications:Injection Version[i.e.]
6	AP8144422	Gasket	2	
7	AP8158359	Ring nut	1	
8	AP8144760	Delivery fuel pipe	1	
9	AP8144761	Fuel return hose	1	
10	AP8152329	Phillips screw, SWP M5x20	4	
11	AP8150382	Washer 15x5,5X1,2	4	
12	AP8101770	Hose clip D8x5,5*	1	
13	AP8220263	Breather pipe 4x8	1	
14	AP8144298	Breather plug	1	
15	AP8101944	2-way union	1	

Group	FRAME
Code	28.26
Description	Air box
Service	1



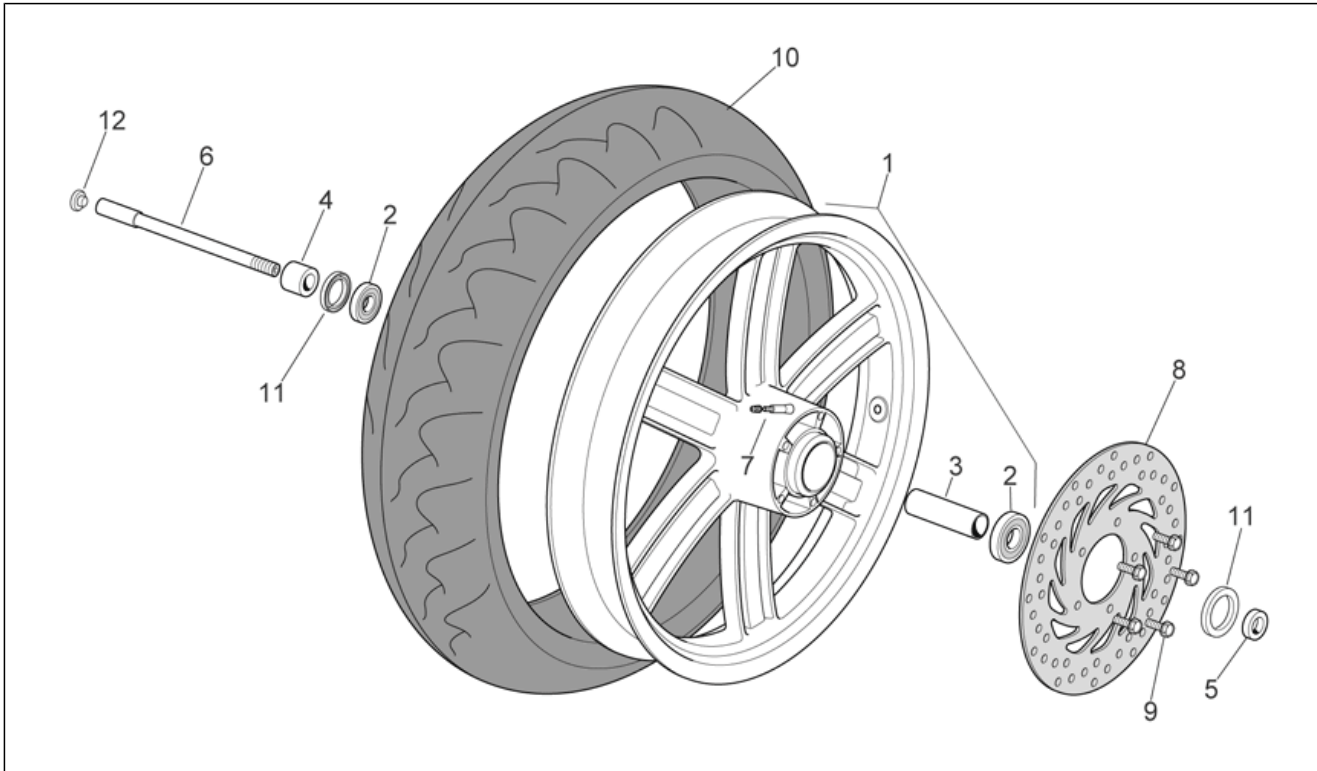
Pos.	Code	Description	Qty	Variants
1	AP8179355	Air box cpl.	1	Technical Specifications: 250 cc version[250]
1	AP8179449	Air box cpl.	1	Technical Specifications: 125 cc version[125]
1	AP8179693	Air box cpl.	1	Technical Specifications: 200 cc version[200]
2	AP8580181	Hose clamp	1	
3	AP8580172	Air filter	1	
4	AP8120615	Gasket D3	1	
5	AP8144795	Intake hose	1	Technical Specifications: 125 cc version[125], 200 cc version[200]
5	AP8580178	Air intake hose	1	Technical Specifications: 250 cc version[250]
6	672198	Air box protection	1	
7	AP8121032	Bush	3	
8	AP8121621	Hose clamp	1	
9	AP8580061	Self-tap screw 3x20	9	
10	AP8580184	Bushing	2	
11	AP8580219	Hose clamp	1	
12	AP8580183	Bushing	2	
13	AP8144701	Cap	1	
14	AP8150015	Washer 6,6x18x1,6*	3	
15	AP8150045	Hex socket screw M6x55	1	
16	AP8150403	Hex socket screw M6x45	1	
17	AP8150285	Hex socket screw M6x35	1	
18	AP8152299	Self-locking nut M6	3	

Group	FRAME
Code	28.33
Description	Exhaust unit
Service	1



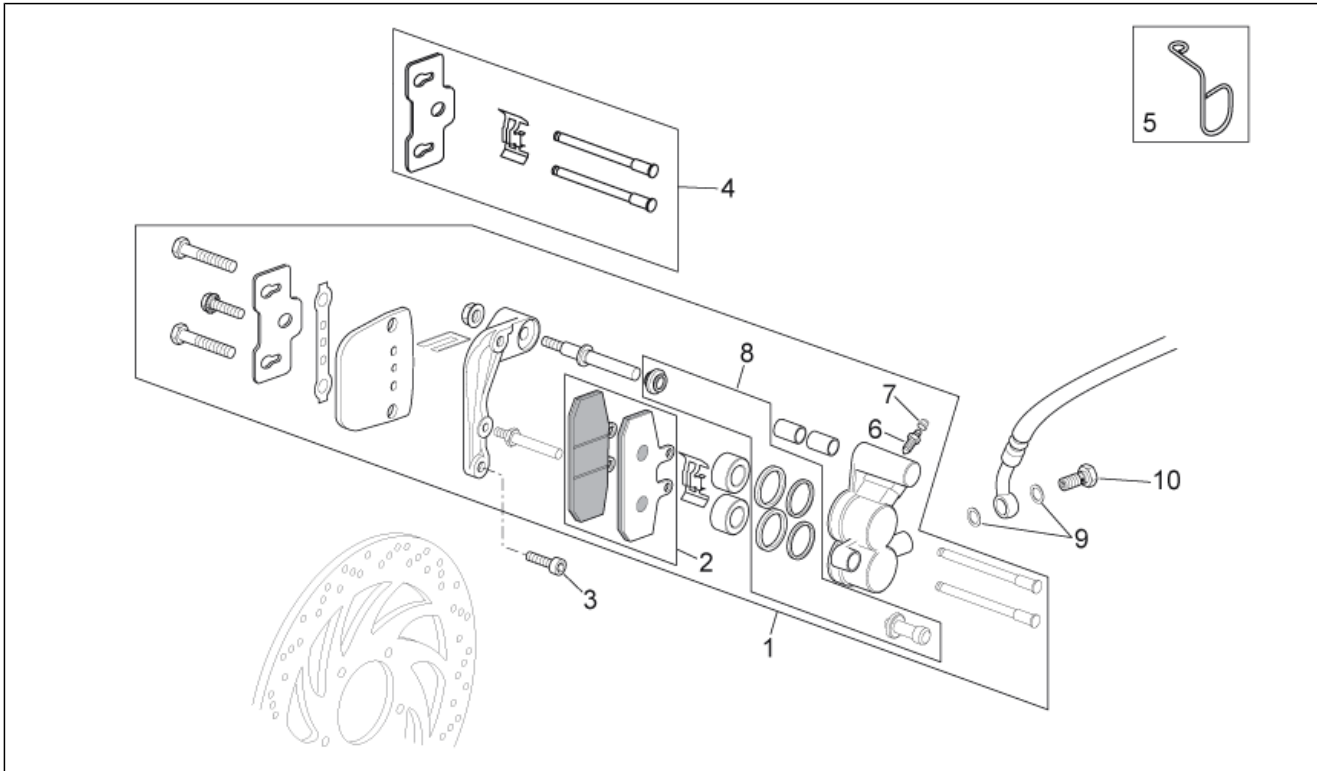
Pos.	Code	Description	Qty	Variants
1	AP8119883	Manifold	1	Technical Specifications: 250 cc version[250]
1	AP8119895	Manifold	1	Technical Specifications: 125 cc version[125], 200 cc version[200]
2	872896	Silencer	1	Country: United States of America[USA] Technical Specifications: 250 cc version[250]
2	AP8119910	Silencer	1	Country: Australia[AA], E-[EU], Japan[JJ], Great Britain[UK] Technical Specifications: 250 cc version[250]
2	AP8119911	Silencer	1	Technical Specifications: 125 cc version[125], 200 cc version[200]
3	AP8117266	Exhaust pipe protection	1	
4	AP8121419	Nut	2	
5	AP8580066	Exhaust pipe gasket	1	
6	AP8127829	Lamda sensor	1	Technical Specifications: 250 cc version[250]
7	AP8119904	Hose clamp	1	
8	AP8154048	Silencer supp. plate	1	
9	AP8150538	Hex socket screw M5x10	3	
10	AP8150382	Washer 15x5,5X1,2	3	
11	AP8144790	Rubber spacer	3	
12	AP8119902	Cover	1	
13	AP8152287	Screw w/ flange M8x25	3	
14	AP8150017	Washer 8,4x16x1,6	3	
15	AP8120508	T bush *	1	
16	82545R	Ball bearing	1	
17	006647	Circlip	1	
18	846097	Graphite bushing	1	

Group	FRAME
Code	28.34
Description	Front wheel
Service	1



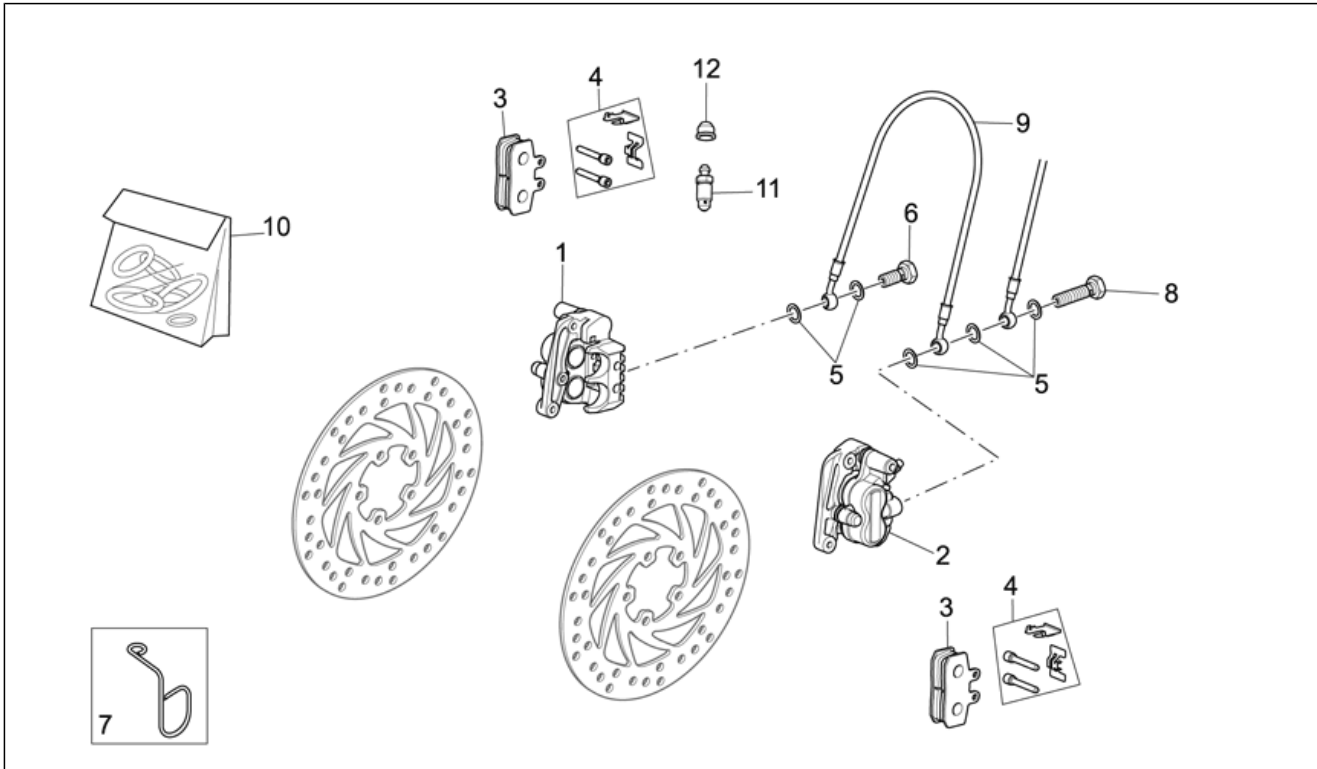
Pos.	Code	Description	Qty	Variants
1	AP8128060	Front wheel, grey	1	Technical Specifications: 125 cc version[125], 200 cc version[200], ZNL sign[zn]
1	AP8128126	Front wheel, grey	1	Technical Specifications: 125 cc version[125], 200 cc version[200], Grimeca[gr]
1	AP8128156	Front wheel, grey	1	Technical Specifications: 250 cc version[250], Grimeca[gr]
1	AP852061	Front wheel, grey	1	Technical Specifications: 250 cc version[250], ZNL sign[zn]
2	AP8125812	Bearing 15x42x13	2	Technical Specifications: Grimeca[gr]
2	AP8590030	Bearing 15X42X13	2	Technical Specifications: ZNL sign[zn]
3	AP8590031	Spacer 16X22X76.5	1	
4	AP8121194	LH spacer	1	
5	AP8121196	RH spacer	1	
6	AP8121195	Front wheel spindle	1	
7	AP8201546	Tubeless tyre valve	1	
8	AP8113697	Front brake disc d.260	2	Technical Specifications: 250 cc version[250]
8	AP8113697	Front brake disc d.260	1	Technical Specifications: 125 cc version[125], 200 cc version[200]
9	AP8152287	Screw w/ flange M8x25	10	Technical Specifications: 250 cc version[250]
9	AP8152288	Screw w/ flange	5	Technical Specifications: 125 cc version[125], 200 cc version[200]
10	AP8128059	Front tyre 120-70 15	1	
11	AP8120621	Oil seal	2	Technical Specifications: Grimeca[gr]
11	AP8590032	Oil seal 25X42X7	2	Technical Specifications: ZNL sign[zn]
12	AP8220323	Cover	1	

Group	FRAME
Code	28.35
Description	Front caliper I
Service	1



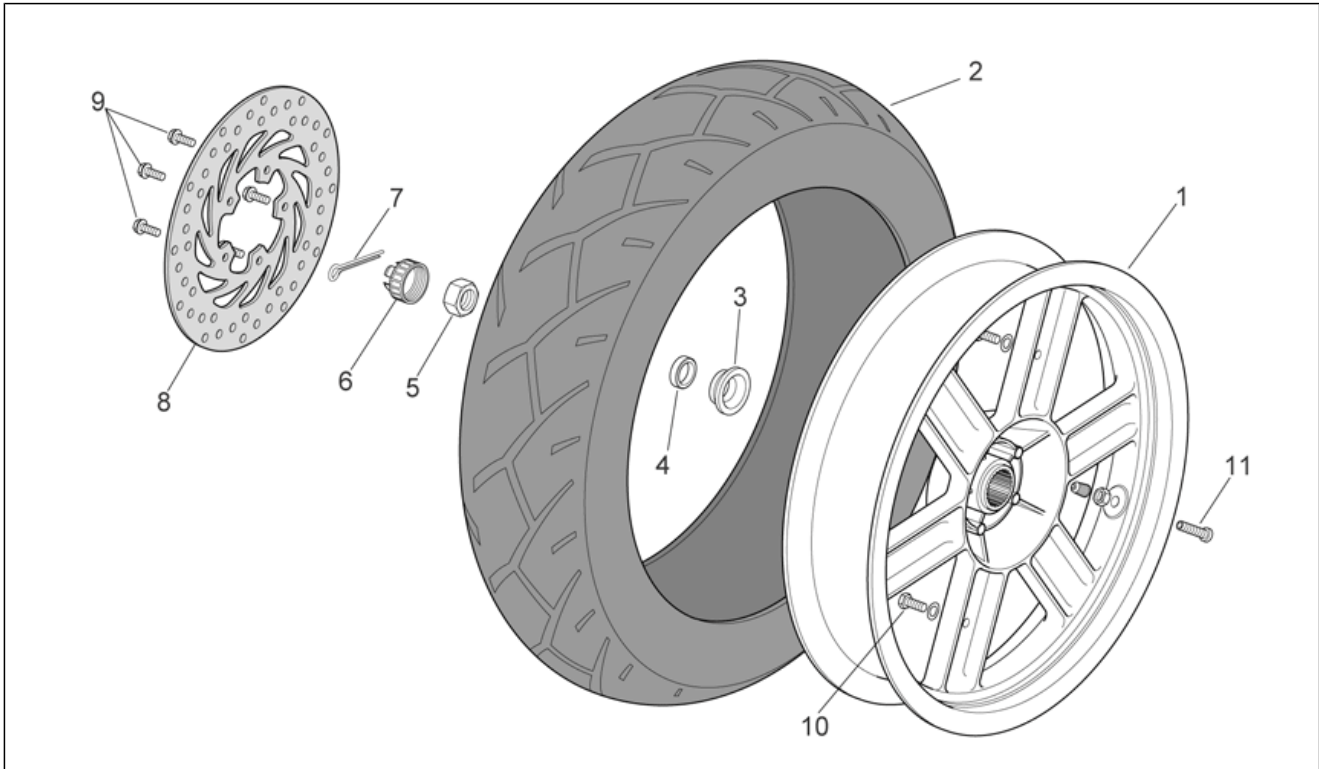
Pos.	Code	Description	Qty	Variants
1	AP8113844	Front brake caliper	1	Technical Specifications: 125 cc version[125], 200 cc version[200], Grimeca[gr]
1	AP8133739	Front brake caliper	1	Technical Specifications: 125 cc version[125], 200 cc version[200], HENG TONG[ht]
2	AP8133725	Pads pair	1	Technical Specifications: 125 cc version[125], 200 cc version[200], Grimeca[gr]
2	AP8133798	Pads pair	1	Technical Specifications: 125 cc version[125], 200 cc version[200], HENG TONG[ht]
3	AP8150107	Hex socket screw M8x30	2	
4	AP8113867	Pins+Caliper springs	1	Technical Specifications: 125 cc version[125], 200 cc version[200], Grimeca[gr]
4	AP8133799	Pins+Caliper springs	1	Technical Specifications: 125 cc version[125], 200 cc version[200], HENG TONG[ht]
5	AP8221172	Cable-guide	1	
6	AP8133800	Air bleed valve	1	Technical Specifications: 125 cc version[125], 200 cc version[200], HENG TONG[ht]
6	AP8213108	Air bleed valve	1	Technical Specifications: 125 cc version[125], 200 cc version[200], Grimeca[gr]
7	AP8113005	Bleed valve cap	1	Technical Specifications: 125 cc version[125], 200 cc version[200], Grimeca[gr]
7	AP8213575	Bleed valve cap	1	Technical Specifications: 125 cc version[125], 200 cc version[200], HENG TONG[ht]
8	AP8113868	Brake caliper rev. kit	1	Technical Specifications: 125 cc version[125], 200 cc version[200], Grimeca[gr]
8	AP8133801	Brake caliper rev. kit	1	Technical Specifications: 125 cc version[125], 200 cc version[200], HENG TONG[ht]
9	AP8113004	Washer 10x14x1,6*	2	
10	AP8113003	Oil pipe screw *	1	

Group	FRAME
Code	28.36
Description	Front caliper II
Service	1



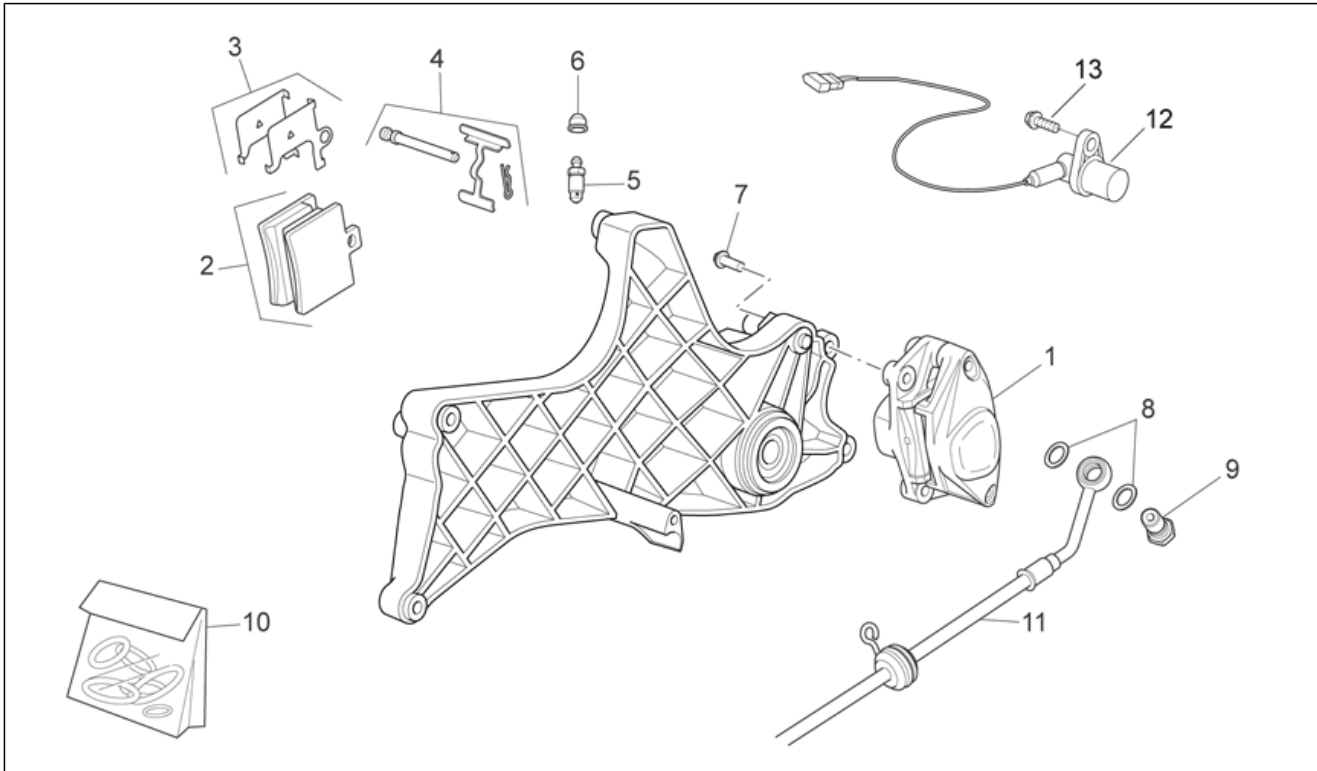
Pos.	Code	Description	Qty	Variants
1	AP8133891	RH front brake caliper	1	Technical Specifications: 250 cc version[250], Grimeca[gr]
1	AP8133893	RH front brake caliper	1	Technical Specifications: 250 cc version[250], HENG TONG[ht]
2	AP8133892	LH front brake caliper	1	Technical Specifications: 250 cc version[250], Grimeca[gr]
2	AP8133894	LH front brake caliper	1	Technical Specifications: 250 cc version[250], HENG TONG[ht]
3	AP8133725	Pads pair	1	Technical Specifications: 250 cc version[250], Grimeca[gr]
3	AP8133798	Pads pair	1	Technical Specifications: 250 cc version[250], HENG TONG[ht]
4	AP8113867	Pins+Caliper springs	1	Technical Specifications: 250 cc version[250], Grimeca[gr]
4	AP8133799	Pins+Caliper springs	1	Technical Specifications: 250 cc version[250], HENG TONG[ht]
5	AP8113004	Washer 10x14x1,6*	5	
6	AP8113003	Oil pipe screw *	1	Technical Specifications: 250 cc version[250]
7	AP8221172	Cable-guide	1	
8	AP8113003	Oil pipe screw *	1	Technical Specifications: 125 cc version[125], 200 cc version[200]
8	AP8152509	Oil pipe screw *	1	Technical Specifications: 250 cc version[250]
9	AP8133888	Front brake hose	1	Technical Specifications: 250 cc version[250]
10	AP8133610	Brake caliper rev. kit	1	Technical Specifications: 250 cc version[250], Grimeca[gr]
10	AP8133801	Brake caliper rev. kit	1	Technical Specifications: 250 cc version[250], HENG TONG[ht]
11	AP8133800	Air bleed valve	1	Technical Specifications: 250 cc version[250], HENG TONG[ht]
11	AP8213108	Air bleed valve	1	Technical Specifications: 250 cc version[250], Grimeca[gr]
12	AP8113005	Bleed valve cap	1	Technical Specifications: 250 cc version[250], Grimeca[gr]
12	AP8213575	Bleed valve cap	1	Technical Specifications: 250 cc version[250], HENG TONG[ht]

Group	FRAME
Code	28.37
Description	Rear wheel
Service	1



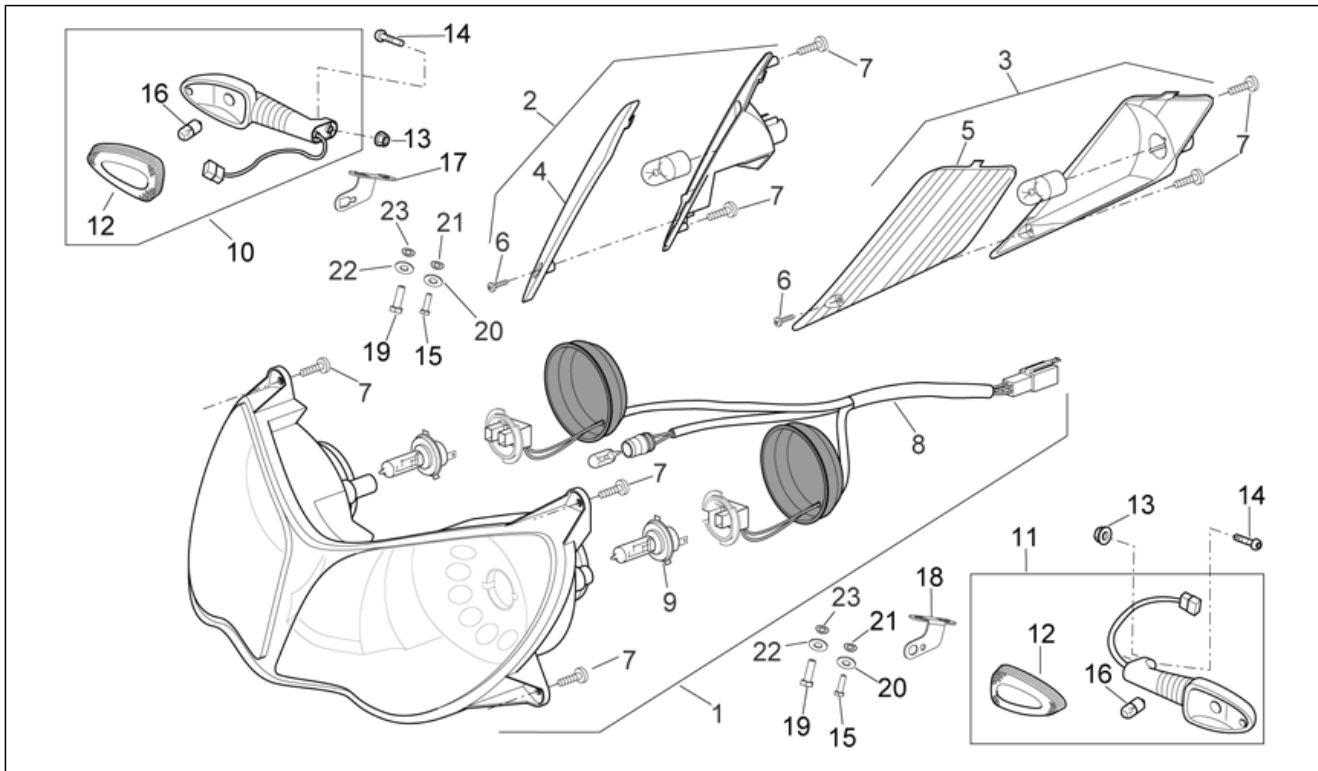
Pos.	Code	Description	Qty	Variants
1	AP8128063	Rear wheel, grey	1	Technical Specifications: ZNL sign[zn!]
1	AP8128127	Rear wheel, grey	1	Technical Specifications: Grimeca[gr]
2	AP8128062	Rear tyre 130-80 15"	1	
3	AP8121172	Rear wheel ins.spacer	1	
4	AP8121171	Outside spacer	1	
5	AP8550307	Rear wheel nut	1	
6	AP8125901	Cap	1	
7	AP8121620	Split pin	1	
8	AP8113541	Brake disc D220	1	
9	AP8152288	Screw w/ flange	5	
10	AP8161026	Speed sensor screw	2	
11	AP8201546	Tubeless tyre valve	1	

Group	FRAME
Code	28.38
Description	Rear caliper
Service	1



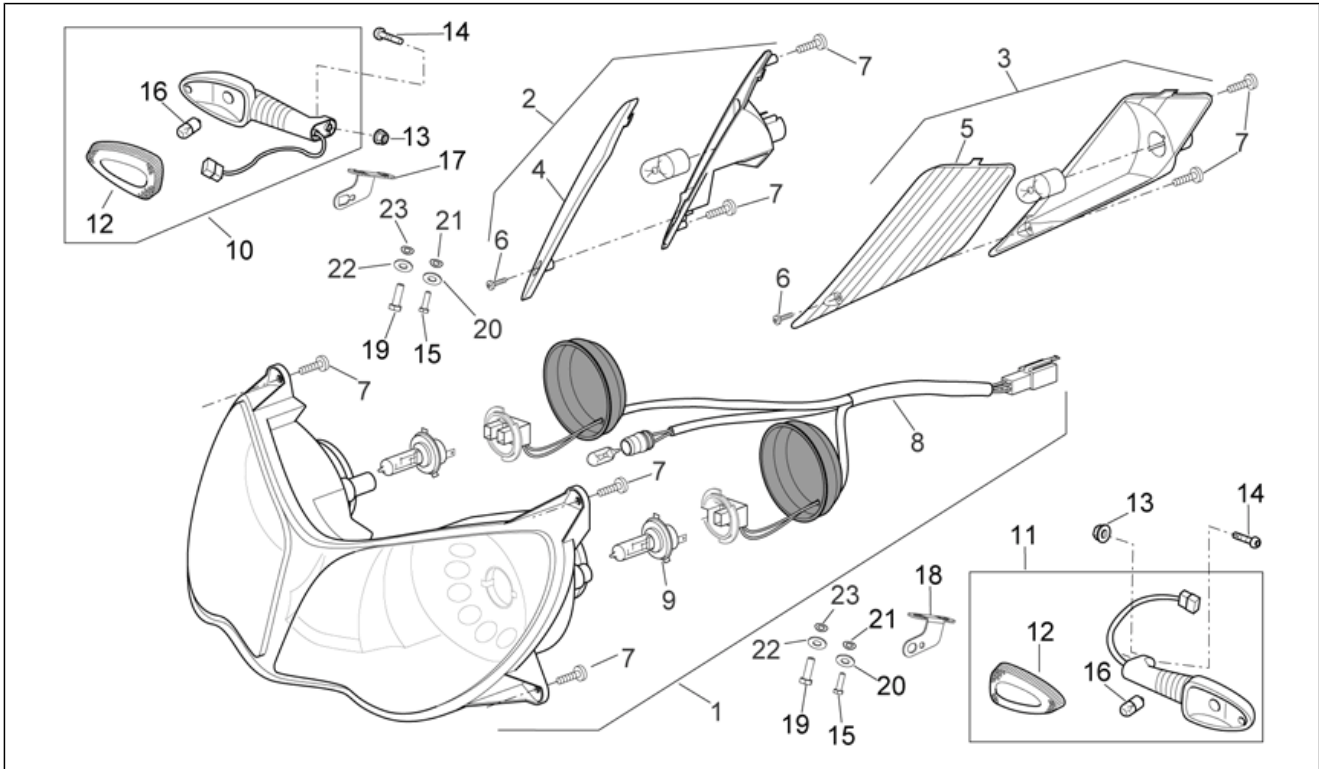
Pos.	Code	Description	Qty	Variants
1	AP8113846	Rear brake caliper D32	1	Technical Specifications:Grimeca[gr]
1	AP8133855	Rear brake caliper	1	Technical Specifications:HENG TONG[ht]
2	AP8113869	Pads pair	1	Technical Specifications:Grimeca[gr]
2	AP8133946	Rear pads pair	1	Technical Specifications:HENG TONG[ht]
3	AP8113870	F.antiwhistle plate-pair	1	Technical Specifications:Grimeca[gr]
4	AP8113871	Pin+Brake spring	1	Technical Specifications:Grimeca[gr]
4	AP8213578	Pin+Brake spring	1	Technical Specifications:HENG TONG[ht]
5	AP8113006	Air bleed valve	1	Technical Specifications:Grimeca[gr]
5	AP8213574	Air bleed valve	1	Technical Specifications:HENG TONG[ht]
6	AP8113005	Bleed valve cap	1	Technical Specifications:Grimeca[gr]
6	AP8213575	Bleed valve cap	1	Technical Specifications:HENG TONG[ht]
7	AP8152287	Screw w/ flange M8x25	2	
8	AP8113004	Washer 10x14x1,6*	2	
9	AP8113003	Oil pipe screw *	1	
10	AP8213467	Brake caliper rev. kit	1	Technical Specifications:Grimeca[gr]
10	AP8213579	Brake caliper rev. kit	1	Technical Specifications:HENG TONG[ht]
11	AP8133889	Rear brake hose	1	
12	AP8127668	Speedometer sensor cpl.	1	
13	AP8152278	Screw w/ flange M6x16	2	

Group	FRAME
Code	28.39
Description	Headlight
Service	1



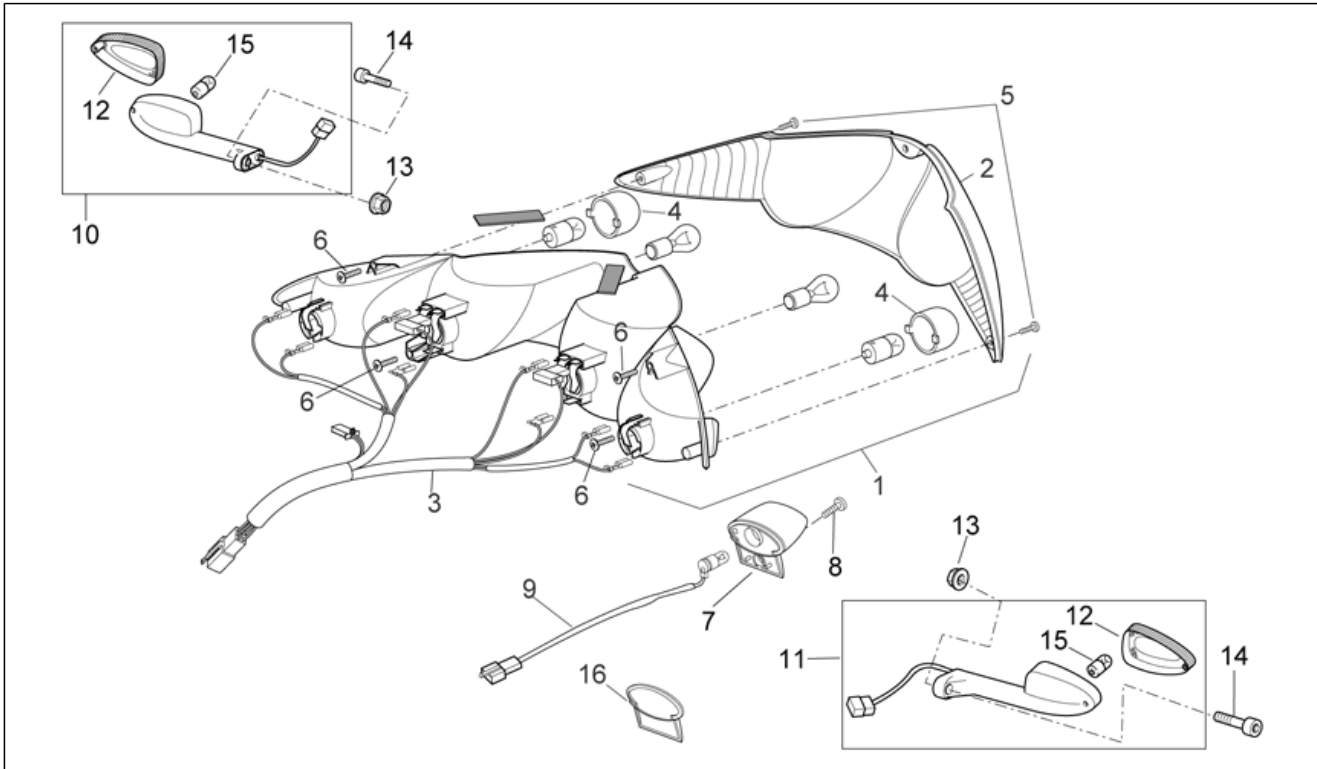
Pos.	Code	Description	Qty	Variants
1	852367	Headlight	1	Country:United States of America[USA]
1	AP8127695	Headlight	1	Country:E-I[EU]
1	AP8127696	Headlight	1	Country:Australia[AA], Japan[JJ], Great Britain[UK]
2	AP8127562	RH Turn indicator f.lens	1	Country:Australia[AA], E-I[EU], Japan[JJ], Great Britain[UK]
2	AP8127925	RH Turn indicator f.lens	1	Vehicle colour:Aprilia Black 2007 (s.t.854988)[black] Country:United States of America[USA]
2	AP8187077	RH Turn indicator f.lens	1	Vehicle colour:Shot Grey 2006-2007(s.t.851715)[shot] Country:United States of America[USA]
2	AP8187082	RH Turn indicator f.lens	1	Vehicle colour:Moka Black2006-2007 (s.t.851742)[moka] Country:United States of America[USA]
2	AP8187084	RH Turn indicator f.lens	1	Vehicle colour:Couture Blue 2006-2007 (s.t.851741)[blu] Country:United States of America[USA]
2	AP8187086	RH Turn indicator f.lens	1	Vehicle colour:Excalibur Grey 2006-2007 (s.t.851740)[grey] Country:United States of America[USA]
3	AP8127561	LH front turn indicator lens	1	Country:Australia[AA], E-I[EU], Japan[JJ], Great Britain[UK]
3	AP8127926	LH front turn indicator lens	1	Vehicle colour:Aprilia Black 2007 (s.t.854988)[black] Country:United States of America[USA]
3	AP8187078	LH front turn indicator lens	1	Vehicle colour:Shot Grey 2006-2007(s.t.851715)[shot] Country:United States of America[USA]
3	AP8187083	LH front turn indicator lens	1	Vehicle colour:Moka Black2006-2007 (s.t.851742)[moka] Country:United States of America[USA]
3	AP8187085	LH front turn indicator lens	1	Vehicle colour:Couture Blue 2006-2007 (s.t.851741)[blu] Country:United States of America[USA]
3	AP8187087	LH front turn indicator lens	1	Vehicle colour:Excalibur Grey 2006-2007 (s.t.851740)[grey] Country:United States of America[USA]
4	AP8590040	RH.turn indicator lens	1	Country:Australia[AA], E-I[EU], Japan[JJ], Great Britain[UK]
5	AP8590047	LH turn indicator lens	1	Country:Australia[AA], E-I[EU], Japan[JJ], Great Britain[UK]
6	AP8590041	screw 2,9x9,5	2	
7	AP8150413	Self-tap screw 3,9x14	8	
8	AP8127698	Headlight wiring+boots	1	
9	AP8127109	Lamp H7-12V-55W	1	

Group	FRAME
Code	28.39
Description	Headlight
Service	1



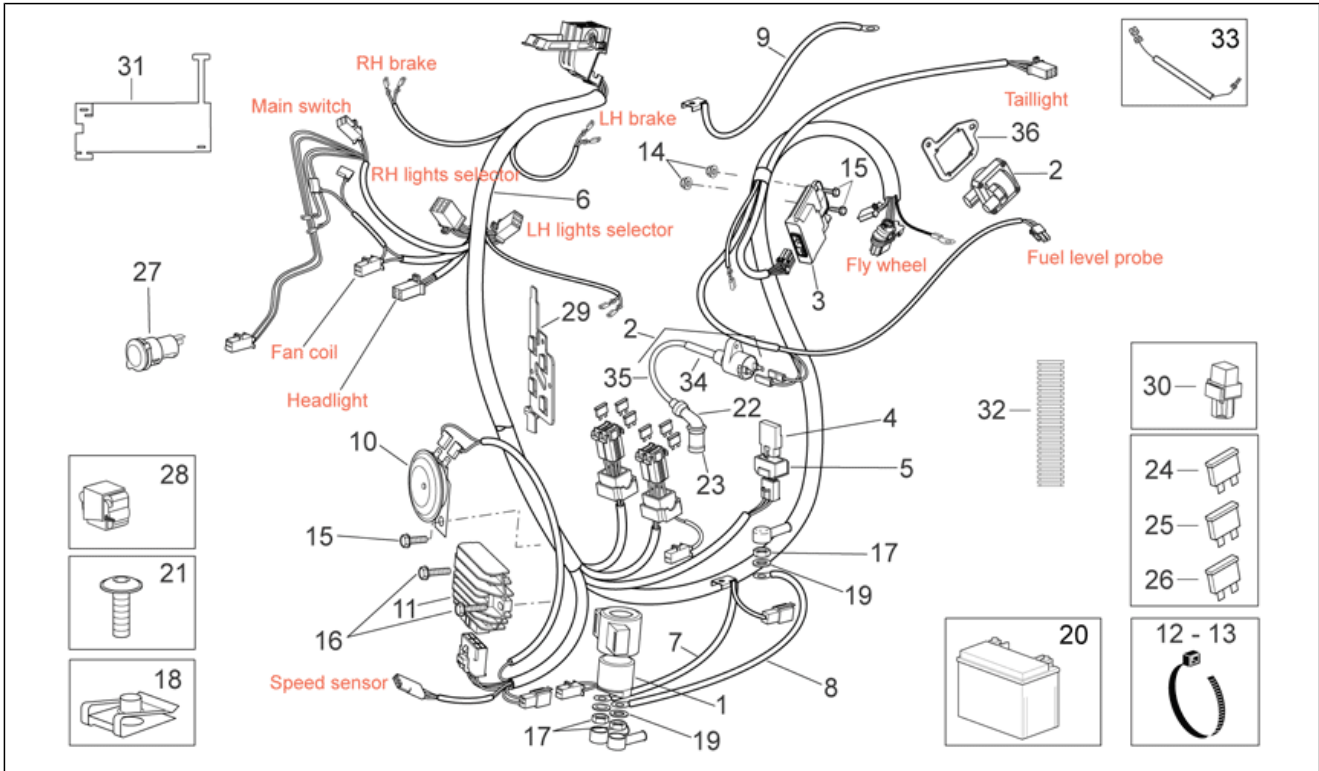
Pos.	Code	Description	Qty	Variants
10	AP8127514	RH front turn indicator	1	Country:United States of America[USA]
11	AP8127515	LH front turn indicator	1	Country:United States of America[USA]
12	AP8127552	Turn indicator lens	1	Country:United States of America[USA]
13	AP8152299	Self-locking nut M6	2	Country:United States of America[USA]
14	AP8152278	Screw w/ flange M6x16	2	Country:United States of America[USA]
15	AP8150137	Hex socket screw M6x16	2	Country:United States of America[USA]
16	AP8127489	Lamp RY10W 12V	2	Country:United States of America[USA]
17	852364	RH clamp	1	Country:United States of America[USA]
18	853007	LH clamp	1	Country:United States of America[USA]
19	AP8150211	Hex socket screw M8x16	2	Country:United States of America[USA]
20	AP8150014	Washer 6,4x12,5*	2	Country:United States of America[USA]
21	AP8150429	Spring washer 6,4x11x0,5*	2	Country:United States of America[USA]
22	AP8150017	Washer 8,4x16x1,6	2	Country:United States of America[USA]
23	AP8150376	Washer 8,5x15x0,8	2	Country:United States of America[USA]

Group	FRAME
Code	28.40
Description	Taillight
Service	1



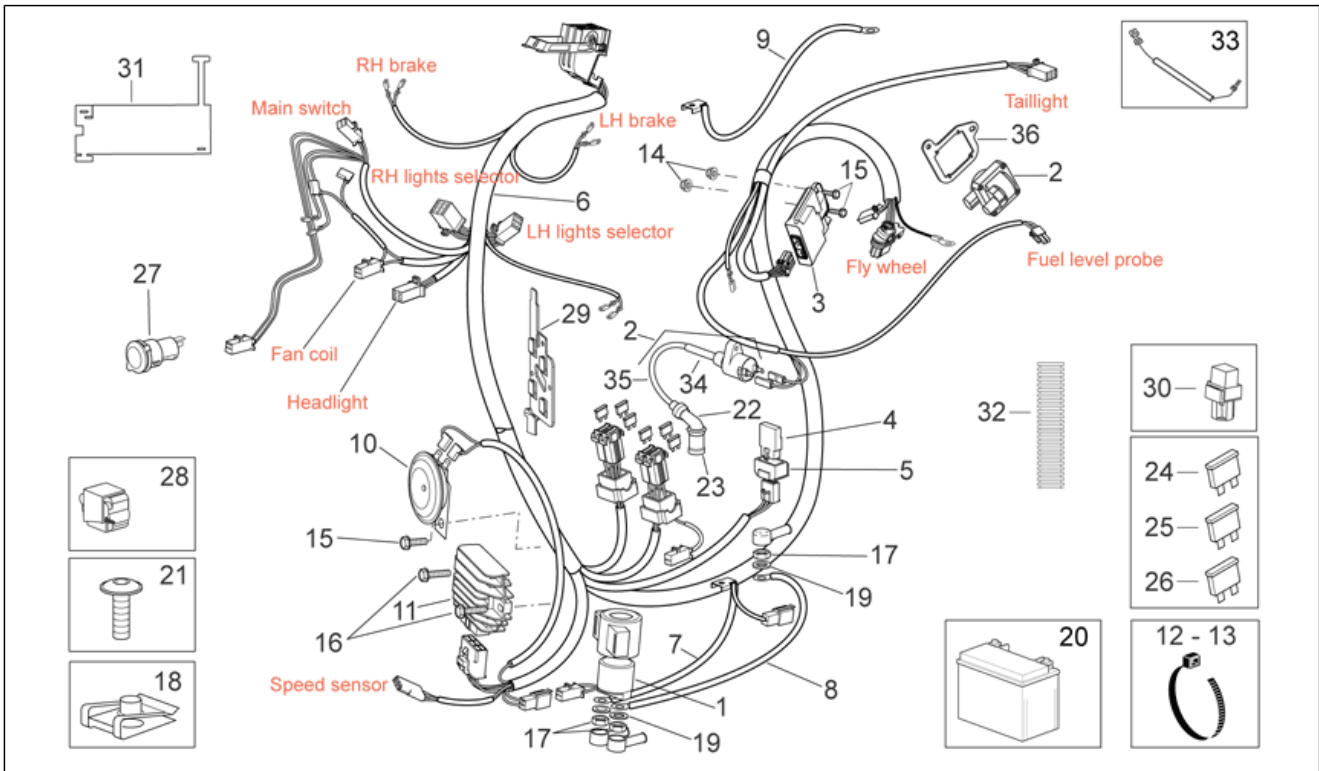
Pos.	Code	Description	Qty	Variants
1	852368	Taillight	1	Country: United States of America[USA]
1	AP8127564	Taillight	1	Country: Australia[AA], E-[EU], Japan[JJ], Great Britain[UK]
2	AP8590043	Taillight lens	1	
3	854510	Taillight wiring harness.	1	Country: United States of America[USA]
3	AP8127644	Taillight wiring harness.	1	Country: Australia[AA], E-[EU], Japan[JJ], Great Britain[UK]
4	AP8590044	Internal cup	2	
5	AP8590045	screw 3,5x9,5	2	
6	AP8150413	Self-tap screw 3,9x14	4	
7	AP8127098	Number-plate light	1	
8	AP8150362	Self-tapping screw *	1	
9	AP8124976	Plate light wiring	1	
10	GU05751630	Rear RH turn indicator	1	Country: United States of America[USA]
11	GU05751730	Rear LH turn indicator	1	Country: United States of America[USA]
12	AP8127552	Turn indicator lens	1	Country: United States of America[USA]
13	AP8152299	Self-locking nut M6	2	Country: United States of America[USA]
14	AP8152278	Screw w/ flange M6x16	2	Country: United States of America[USA]
15	AP8127489	Lamp RY10W 12V	2	Country: United States of America[USA]
16	854631	Cover	1	Country: United States of America[USA]

Group	FRAME
Code	28.41
Description	Electrical system
Service	1



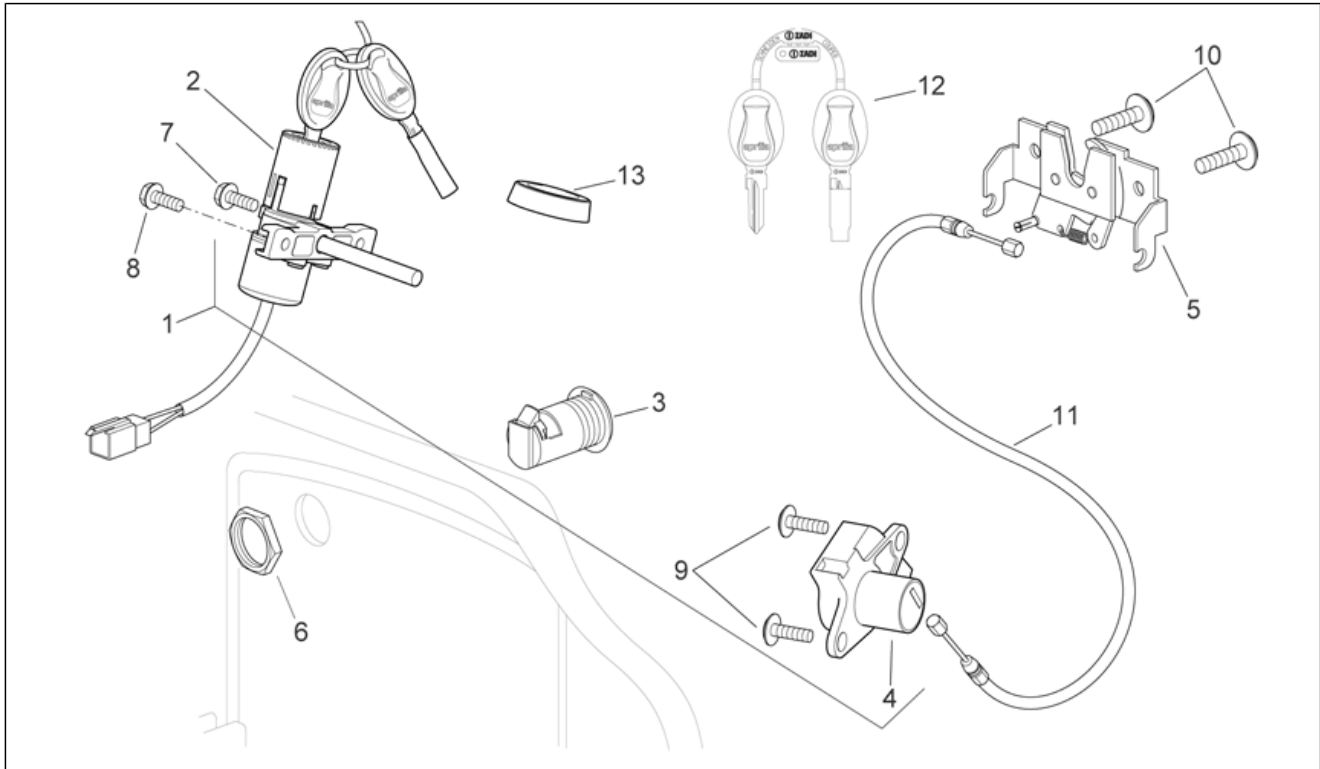
Pos.	Code	Description	Qty	Variants
1	AP8112927	Relay 12V-150A	1	
2	AP8127112	Coil	1	Technical Specifications: 250 cc version[250]
2	AP8580123	HT coil+cable	1	Technical Specifications: 125 cc version[125], 200 cc version[200]
3	AP8127466	ECU	1	Technical Specifications: 125 cc version[125]
3	AP8127862	ECU	1	Technical Specifications: 200 cc version[200]
4	AP8224462	Relay 12V/30A	3	Technical Specifications: 250 cc version[250]
4	AP8224462	Relay 12V/30A	1	Technical Specifications: 125 cc version[125], 200 cc version[200]
5	AP8220283	Rubber spacer *	1	
6	854509	Main wiring harness	1	Country: United States of America[USA] Technical Specifications: 250 cc version[250]
6	AP8127559	Main wiring harness	1	Technical Specifications: 125 cc version[125], 200 cc version[200]
6	AP8127810	Main wiring harness	1	Country: Australia[AA], E-[EU], Japan[JJ], Great Britain[UK] Technical Specifications: 250 cc version[250]
7	AP8127558	Relay battery wiring	1	
8	AP8127145	Relay-starter motor cable	1	
9	AP8127556	Ground-battery lead	1	
10	AP8127337	Horn	1	
11	AP8127418	Voltage regulator	1	Technical Specifications: 125 cc version[125], 200 cc version[200]
11	AP8127809	Voltage regulator	1	Technical Specifications: 250 cc version[250]
12	AP8120657	Hose clamp	3	
13	AP8120416	Black hose 178x4	8	
14	AP8152299	Self-locking nut M6	3	
15	AP8152278	Screw w/ flange M6x16	3	
16	AP8152280	Screw w/ flange M6x25	2	
17	AP8150026	Nut M6	3	

Group	FRAME
Code	28.41
Description	Electrical system
Service	1



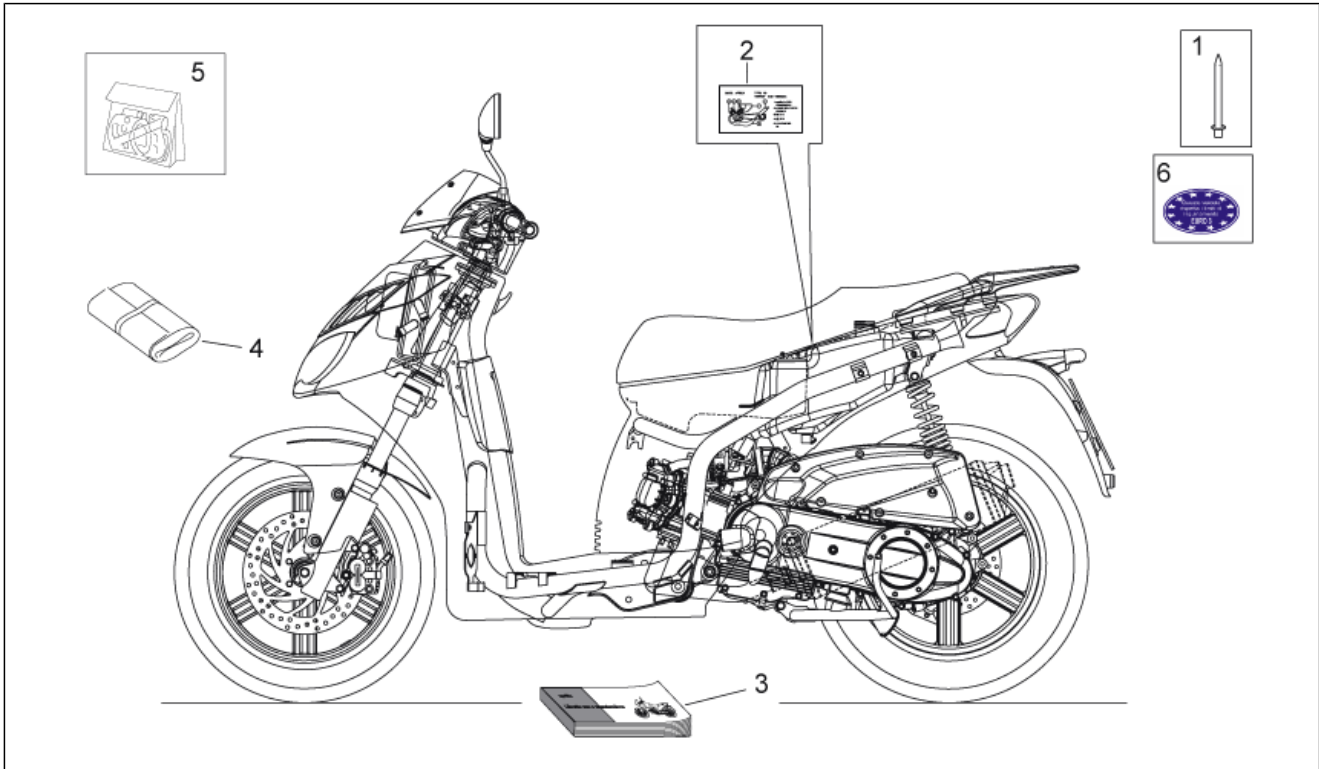
Pos.	Code	Description	Qty	Variants
18	AP8102376	Clip M6	3	
19	AP8150429	Spring washer 6,4x11x0,5*	3	
20	AP8124748	Battery YTX12-BS	1	Year:2006[6]
20	AP8124748	Battery YTX12-BS	1	Year:2007[7]
20	AP8127619	Battery YT12B-BS	1	Year:2006[6]
20	AP8127619	Battery YT12B-BS	1	Year:2007[7]
21	AP8152246	Screw w/ flange M6x16	2	
22	AP8550455	Scr. sparkplug cap	1	
23	AP8550366	Spark plug prot.collar	1	Technical Specifications:250 cc version[250]
23	AP8580152	Spark plug prot.collar	1	Technical Specifications:125 cc version[125], 200 cc version[200]
24	AP8112506	Fuse 20A	1	
25	AP8112176	Fuse 15A	2	
26	AP8112244	Fuse 7,5A	1	
27	AP8124768	Socket	1	
28	AP8124266	Inclination sensor	1	Technical Specifications:250 cc version[250]
29	AP8127825	Maintenance	1	Technical Specifications:250 cc version[250]
30	AP8124235	Flasher unit	1	Technical Specifications:250 cc version[250]
31	AP851992	Guard	1	Technical Specifications:250 cc version[250]
32	AP851704	Sheath	1	Technical Specifications:125 cc version[125], 200 cc version[200]
32	AP852044	Sheath	1	Technical Specifications:250 cc version[250]
33	AP8127860	Extension	1	
34	AP8127886	Sheath	1	Technical Specifications:250 cc version[250]
35	AP8127885	HT wire	1	Technical Specifications:250 cc version[250]
36	AP8154081	Support bracket	1	Technical Specifications:250 cc version[250]

Group	FRAME
Code	28.42
Description	Lock hardware kit
Service	1



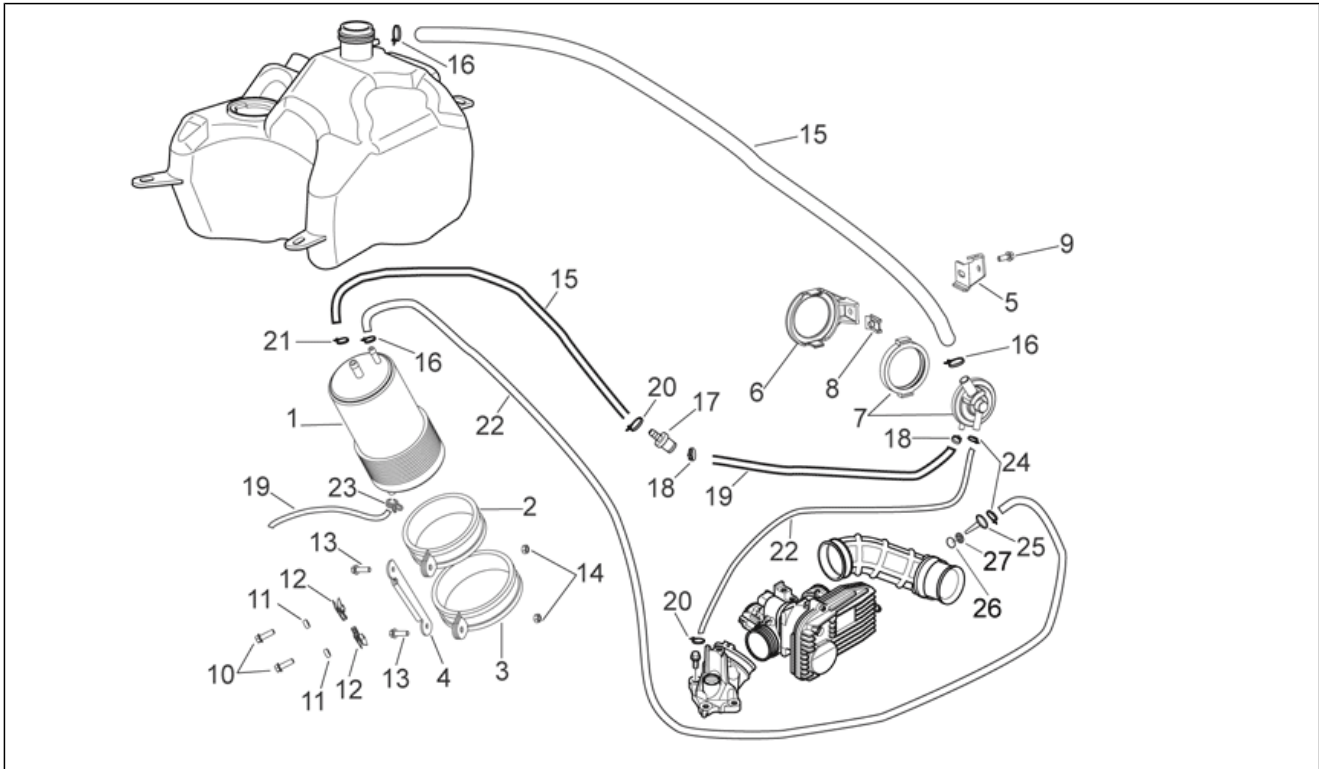
Pos.	Code	Description	Qty	Variants
1	AP8104726	Lock kit	1	
2	AP8590049	Main switch - steering lock	1	
3	AP8104612	Front box lock	1	
4	AP8104611	Saddle lock	1	
5	AP8102947	Saddle closing plate	1	
6	AP8102523	Lock nut M22x1,5	1	
7	AP8152278	Screw w/ flange M6x16	1	
8	AP8152140	Shear rivet M6x17	1	
9	AP8152246	Screw w/ flange M6x16	2	
10	AP8152298	Screw w/ flange M5x16	2	
11	AP8104422	Lock cable	1	
12	AP8104613	"Aprilia" key w/out transpo.	1	
13	AP8127461	Main switch seal	1	

Group	FRAME
Code	28.43
Description	Plate set and handbooks
Service	1



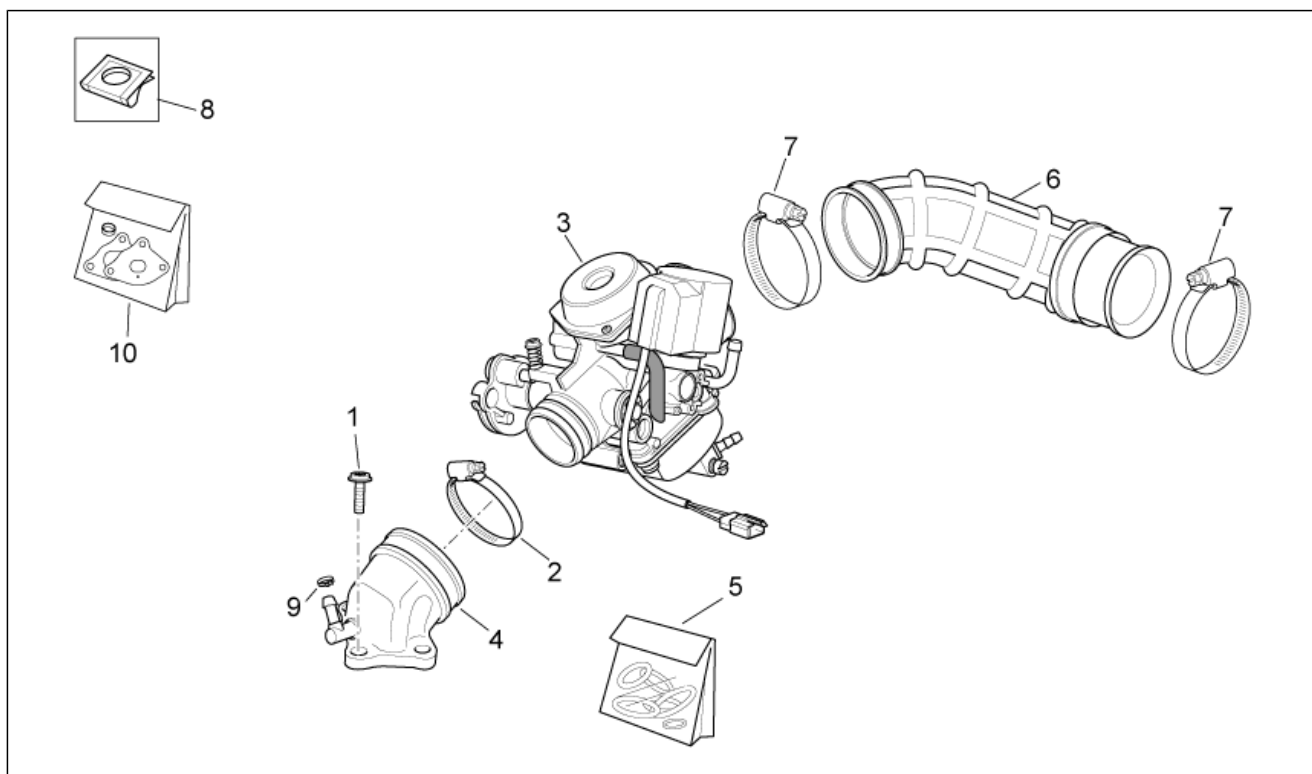
Pos.	Code	Description	Qty	Variants
1	AP8201457	Rivet *	2	
2	AP852021	Tamperproof dataplate	1	Technical Specifications: 125 cc version[125]
3	854013	Operator's handbook -USA-	1	
3	AP8181006	Operator's handbook -I-	1	
3	AP8181007	Operator's handbook -F-D-E-UK-NL-DK-	1	
3	AP8181008	Operator's handbook -GR-J-	1	
4	AP8104725	Toolkit	1	
5	AP8166478	Technical decal set	1	
6	623876	Name plate	1	Country: Japan[JJ]

Group	FRAME
Code	28.65
Description	Fuel vapour recover system
Service	1



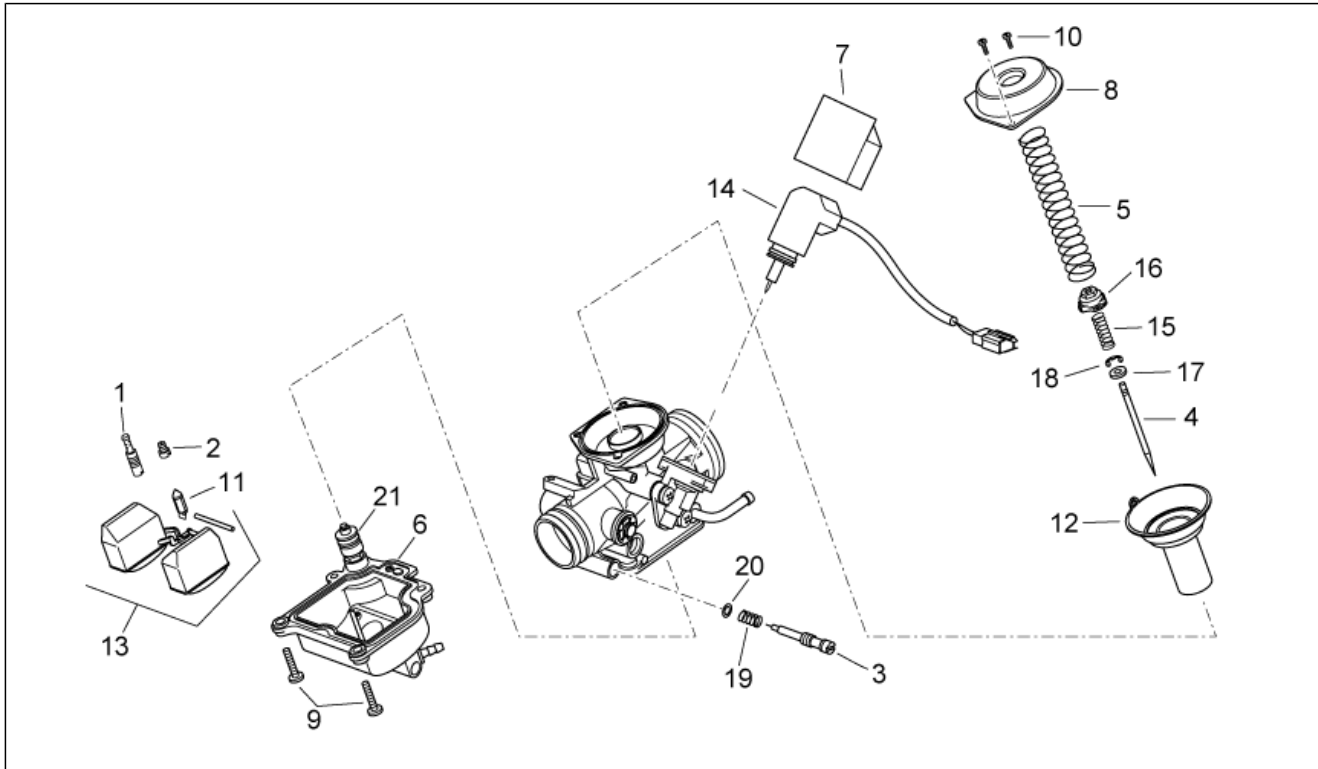
Pos.	Code	Description	Qty	Variants
1	AP8102678	Carbon filter	1	Country:United States of America[USA]
2	AP8102688	Hose clamp d.76	1	Country:United States of America[USA]
3	AP8102719	Hose clamp d.80,5	1	Country:United States of America[USA]
4	852320	Bracket	1	Country:United States of America[USA]
5	852319	Bracket	1	Country:United States of America[USA]
6	AP8134650	Valve support clamp	1	Country:United States of America[USA]
7	AP8106776	"Purge" valve	1	Country:United States of America[USA]
8	AP8102376	Clip M6	1	Country:United States of America[USA]
9	AP8152279	Screw w/ flange M6x20	1	Country:United States of America[USA]
10	AP8152267	Hex socket screw M5x12	2	Country:United States of America[USA]
11	AP8150248	Washer 5,5x15x1,6	2	Country:United States of America[USA]
12	AP8102375	Clip m5	2	Country:United States of America[USA]
13	AP8152298	Screw w/ flange M5x16	2	Country:United States of America[USA]
14	AP8152306	Self-locking nut m5	2	Country:United States of America[USA]
15	AP8120952	Fuel pipe 5,5x10	1	Country:United States of America[USA]
16	AP8101595	Hose clamp D10,1	3	Country:United States of America[USA]
17	AP8102873	Joint	1	Country:United States of America[USA]
18	AP8101586	Hose clip D.15,5x6,6	2	Country:United States of America[USA]
19	AP8120905	Fuel pipe 8x13	1	Country:United States of America[USA]
20	AP8102378	Hose clamp D11,3	2	Country:United States of America[USA]
21	AP8201358	Hose clamp D 11,9	1	Country:United States of America[USA]
22	AP8220598	Breather pipe	1	Country:United States of America[USA]
23	AP8102520	Hose clamp	1	Country:United States of America[USA]
24	AP8120179	Hose clamp D8	2	Country:United States of America[USA]
25	AP8144638	Joint	1	Country:United States of America[USA]
26	AP8102504	Rubber spacer	1	Country:United States of America[USA]
27	AP8150450	Washer for shafts D5	1	Country:United States of America[USA]

Group	ENGINE
Code	29.27
Description	Carburettor I
Service	1



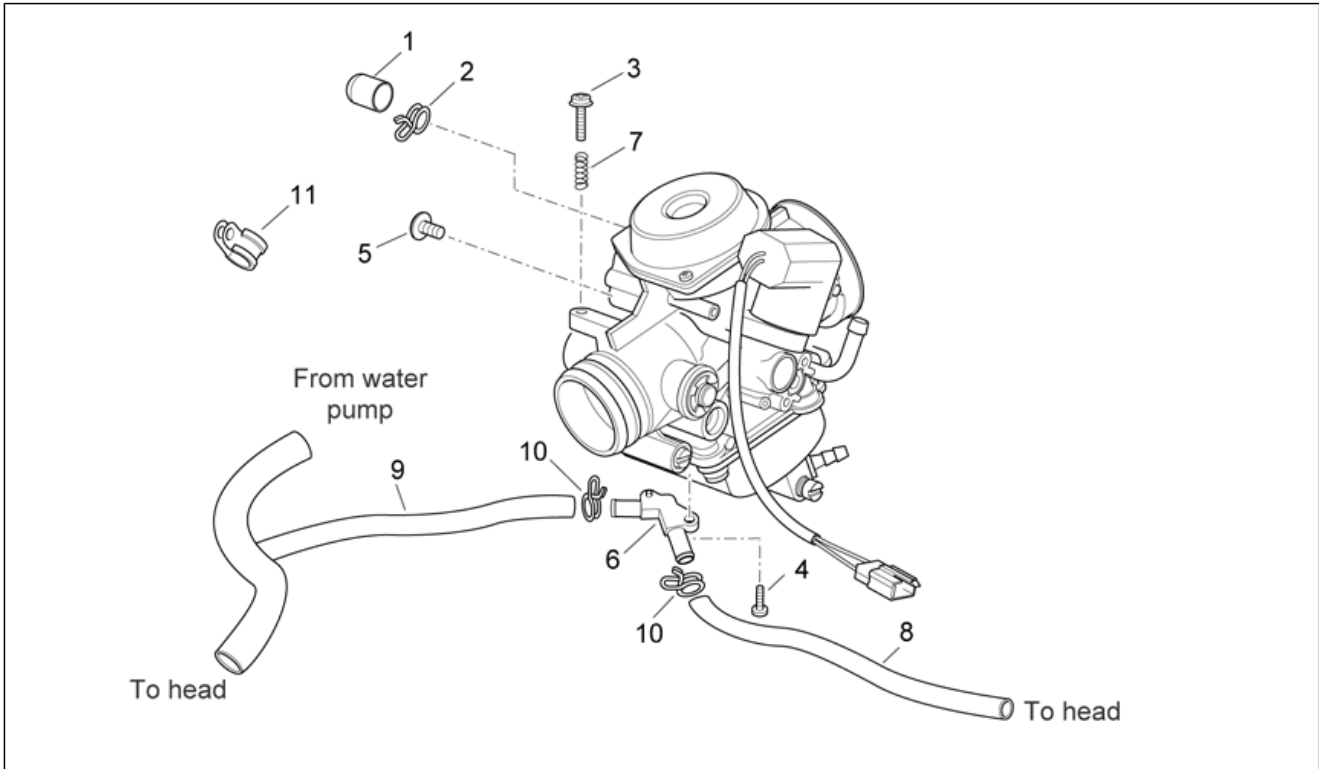
Pos.	Code	Description	Qty	Variants
1	AP8550173	Screw w/ flange M6x25	3	Technical Specifications: 125 cc version[125], 200 cc version[200]
2	AP8570079	Hose clamp	1	
3	AP8176304	Carburettor cpl.	1	Technical Specifications: 125 cc version[125]
3	CM128211	Carburettor cpl.	1	Technical Specifications: 200 cc version[200]
4	AP8176311	Intake manifold	1	Technical Specifications: 125 cc version[125], 200 cc version[200]
5	AP8580012	Carburettor gasket set	1	
6	AP8144783	Carburettor flange	1	Technical Specifications: 200 cc version[200]
6	AP8144794	Carburettor flange	1	Technical Specifications: 125 cc version[125]
7	AP8121639	Hose clamp 40-60 h9	2	
8	AP8102376	Clip M6	1	
9	AP8101770	Hose clip D8x5,5*	1	
10	872479	Reduction kit 80 Km/h	1	Technical Specifications: 125 cc version[125]

Group	ENGINE
Code	29.28
Description	Carburettor II
Service	1



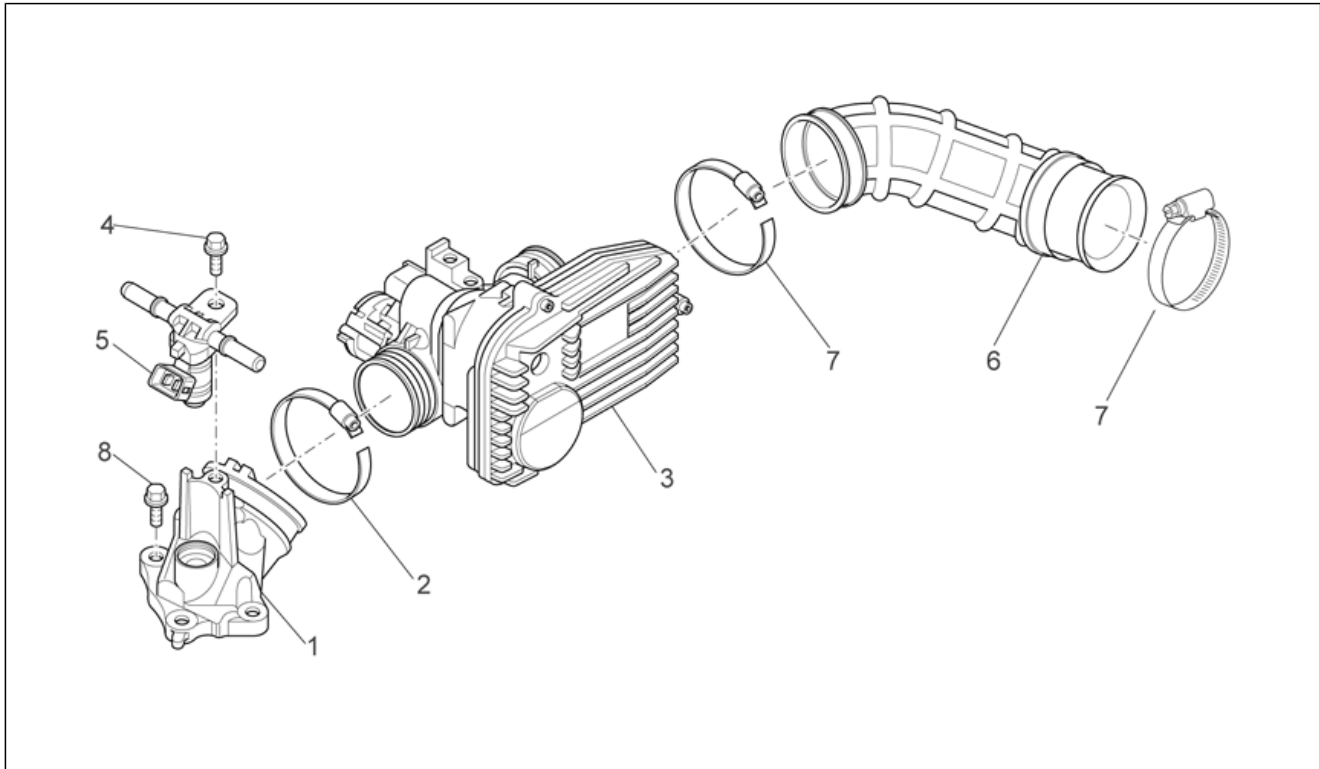
Pos.	Code	Description	Qty	Variants
1	AP8580266	Idle jet 35	1	Technical Specifications: 125 cc version[125], 200 cc version[200]
2	AP8575045	Main jet 100	1	Technical Specifications: 200 cc version[200]
2	CM129901	Main jet 90	1	Technical Specifications: 125 cc version[125]
3	AP8580227	Adj.min.eng.speed air screw	1	
4	AP8580268	Conical pin	1	Technical Specifications: 125 cc version[125]
4	CM140209	Conical pin	1	Technical Specifications: 200 cc version[200]
5	AP8575047	Valve gas return spring	1	Technical Specifications: 200 cc version[200]
5	AP8580269	Valve gas return spring	1	Technical Specifications: 125 cc version[125]
6	AP8577075	Float chamber kit	1	
7	AP8551065	Starter cover	1	
8	AP8577079	Cover	1	
9	AP8580016	screw	5	
10	AP8580017	screw	2	
11	AP8551112	Fuel closing needle	1	
12	AP8575049	Diaphragm	1	
13	AP8575050	Float kit	1	
14	AP8575051	Automatic starter cpl.	1	Technical Specifications: 200 cc version[200]
14	AP8580270	Automatic starter cpl.	1	Technical Specifications: 125 cc version[125]
15	AP8580021	Spring	1	
16	AP8580022	Cup	1	
17	AP8580023	Washer	1	
18	AP8580024	Circlip	1	
19	AP8580028	Spring	1	
20	AP8580029	Washer	1	
21	AP8577076	Acceleration pump kit	1	

Group	ENGINE
Code	29.29
Description	Carburettor III
Service	1



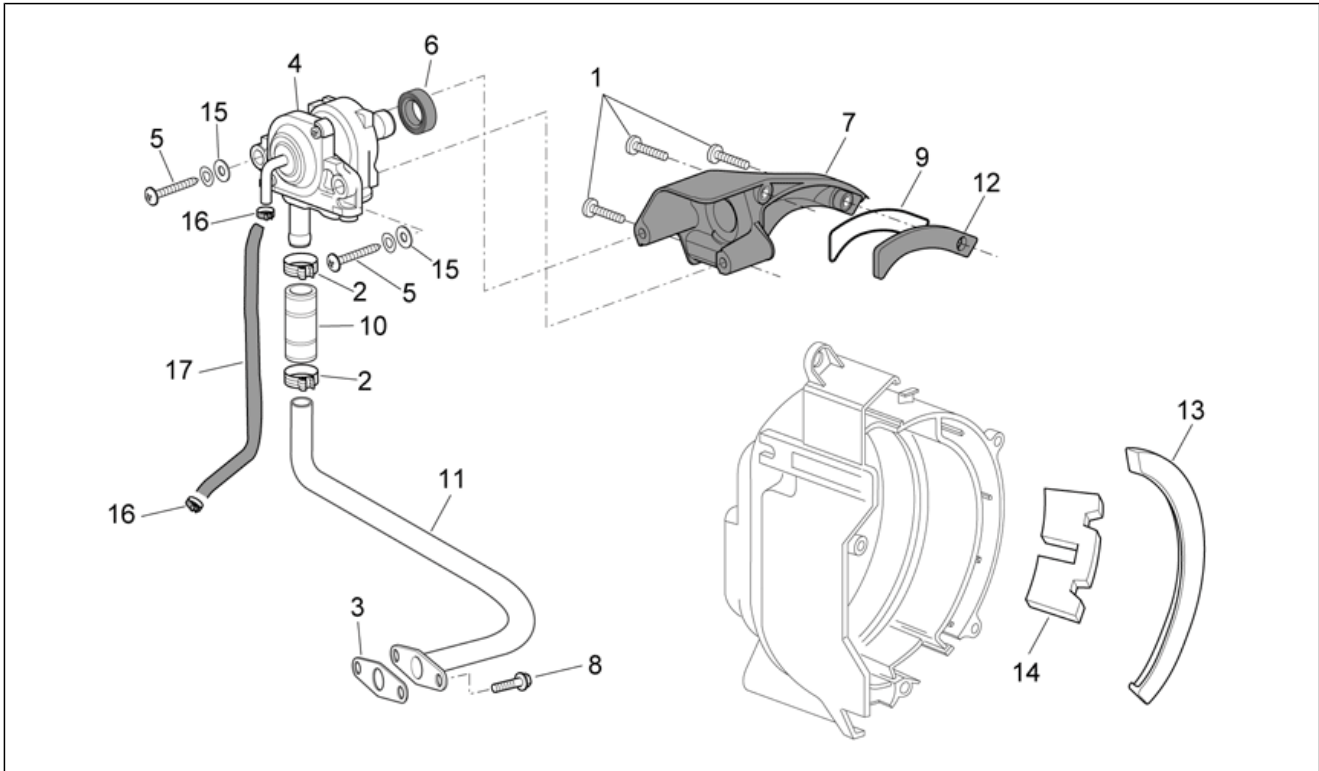
Pos.	Code	Description	Qty	Variants
1	AP8590006	Air intake	1	
2	AP8580220	Hose clamp	1	
3	AP8580025	screw	1	
4	AP8580016	screw	2	
5	AP8580027	screw	2	
6	AP8575052	Heater	1	
7	AP8580026	Spring	1	
8	AP8176252	pipe	1	
9	AP8176288	By-pass pipe	1	Technical Specifications: 125 cc version[125], 200 cc version[200]
10	AP8575004	Hose clamp	2	
11	AP8176306	Hose clamp	1	

Group	ENGINE
Code	29.30
Description	Throttle body
Service	1



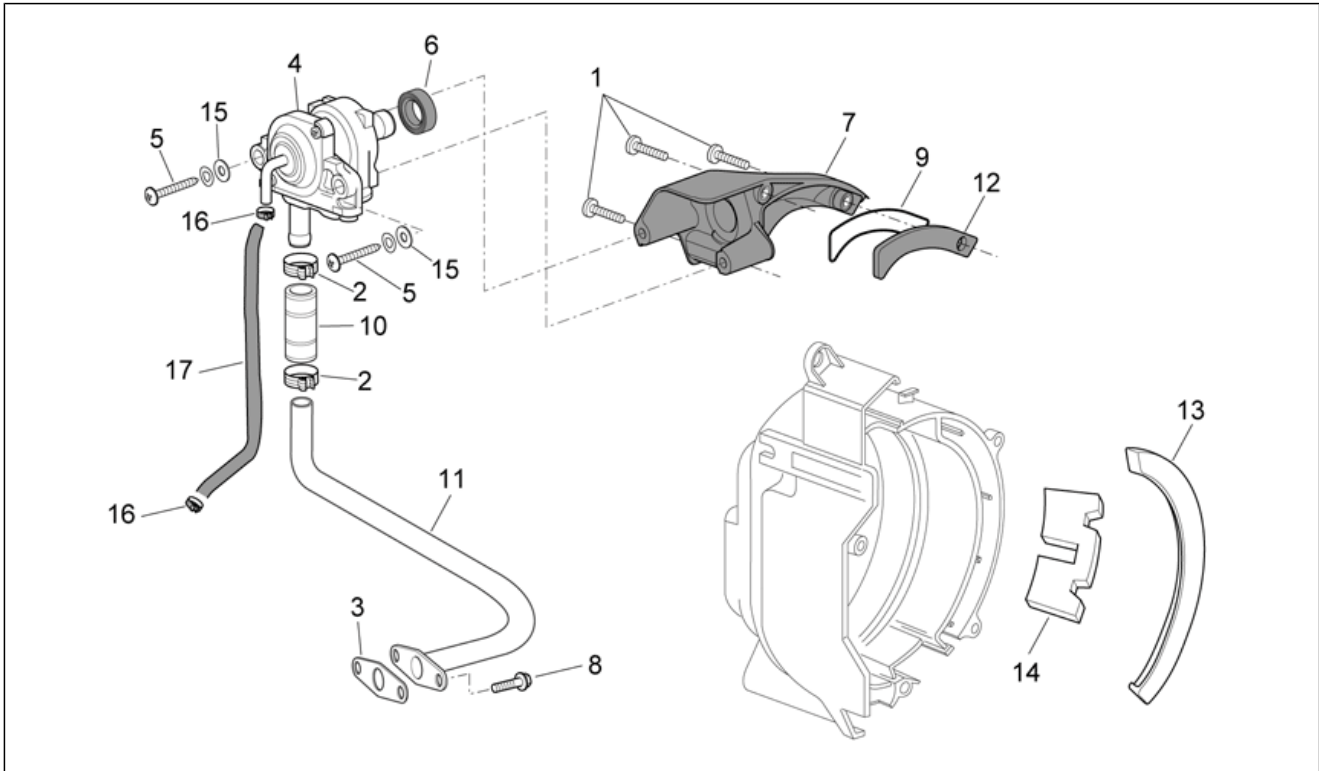
Pos.	Code	Description	Qty	Variants
1	AP8176342	Intake manifold	1	Technical Specifications: 250 cc version[250]
2	AP8570079	Hose clamp	1	
3	AP8176346	Throttle body cpl.	1	Technical Specifications: 250 cc version[250]
4	AP8560153	Screw w/ flange	1	
5	AP8176343	Injector kit complete	1	
6	AP8144796	Throttle body hose	1	Technical Specifications: 250 cc version[250]
7	AP8121639	Hose clamp 40-60 h9	2	
8	AP8101770	Hose clip D8x5,5*	1	
9	AP8540002	Screw w/ flange	3	Technical Specifications: 250 cc version[250]

Group	ENGINE
Code	29.31
Description	Secondary air
Service	1



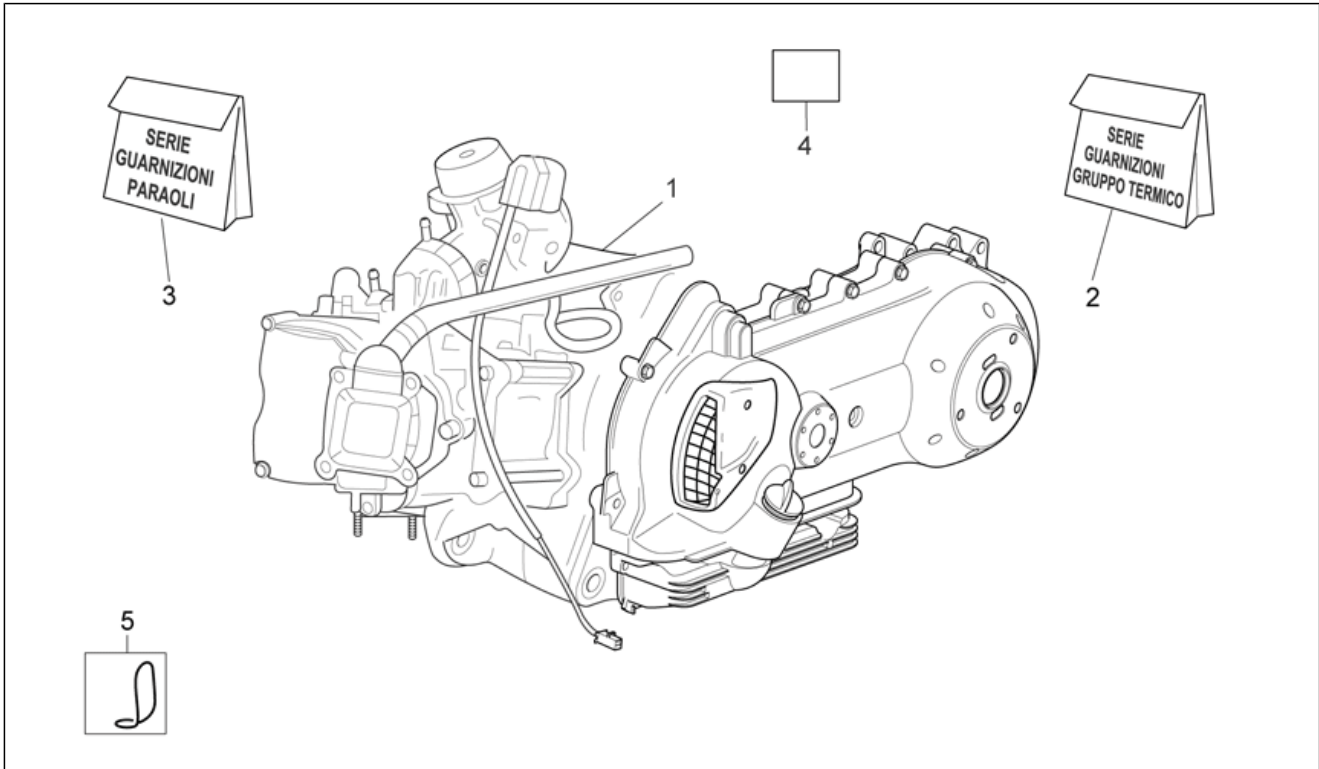
Pos.	Code	Description	Qty	Variants
1	AP8551060	Screw	3	Technical Specifications: 125 cc version[125], 200 cc version[200]
2	AP8144579	Hose clamp	2	Technical Specifications: 125 cc version[125], 200 cc version[200]
3	AP8570089	Gasket	1	Technical Specifications: 125 cc version[125], 200 cc version[200]
4	AP8580127	SAS valve	1	Technical Specifications: 125 cc version[125], 200 cc version[200]
5	AP8580063	screw	2	Technical Specifications: 125 cc version[125], 200 cc version[200]
6	AP8580192	Gasket	1	Technical Specifications: 125 cc version[125], 200 cc version[200]
7	AP8580191	Cover	1	Technical Specifications: 125 cc version[125], 200 cc version[200]
8	AP8550556	Screw w/ flange	2	Technical Specifications: 125 cc version[125], 200 cc version[200]
9	AP8580194	Gasket	1	Technical Specifications: 125 cc version[125], 200 cc version[200]
10	AP8580195	Hose union	1	Technical Specifications: 125 cc version[125], 200 cc version[200]
11	AP8176249	pipe	1	Technical Specifications: 200 cc version[200]
11	AP8580196	pipe	1	Technical Specifications: 125 cc version[125]
12	AP8580193	Filter	1	Technical Specifications: 125 cc version[125], 200 cc version[200]
13	AP8580214	Cover	1	Technical Specifications: 125 cc version[125], 200 cc version[200]
14	AP8580215	Soundproofing material	1	Technical Specifications: 125 cc version[125], 200 cc version[200]
15	AP8580059	Plain washer	2	Technical Specifications: 125 cc version[125], 200 cc version[200]
16	AP8515050	Hose clamp	2	Technical Specifications: 125 cc version[125], 200 cc version[200]

Group	ENGINE
Code	29.31
Description	Secondary air
Service	1



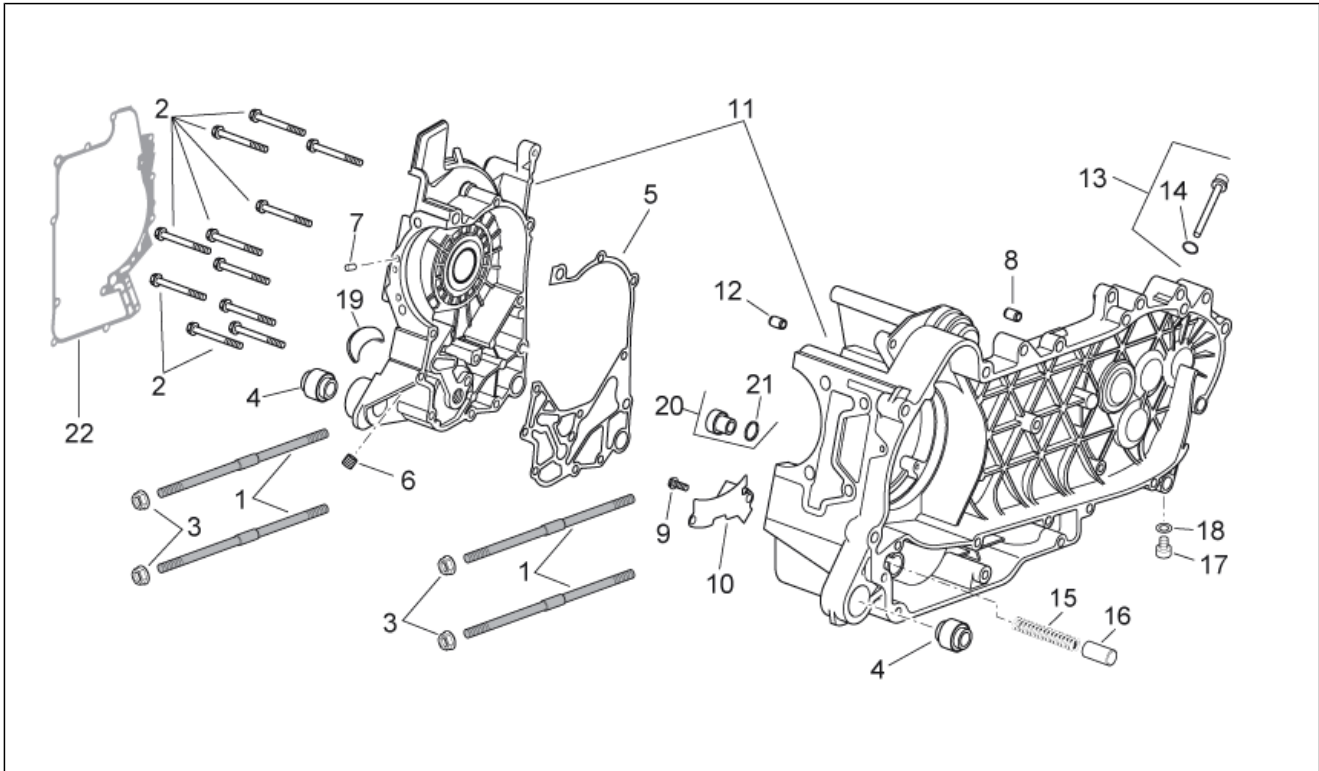
Pos.	Code	Description	Qty	Variants
17	AP8577091	Intake pipe	1	Technical Specifications: 125 cc version[125], 200 cc version[200]

Group	ENGINE
Code	29.32
Description	Engine
Service	1



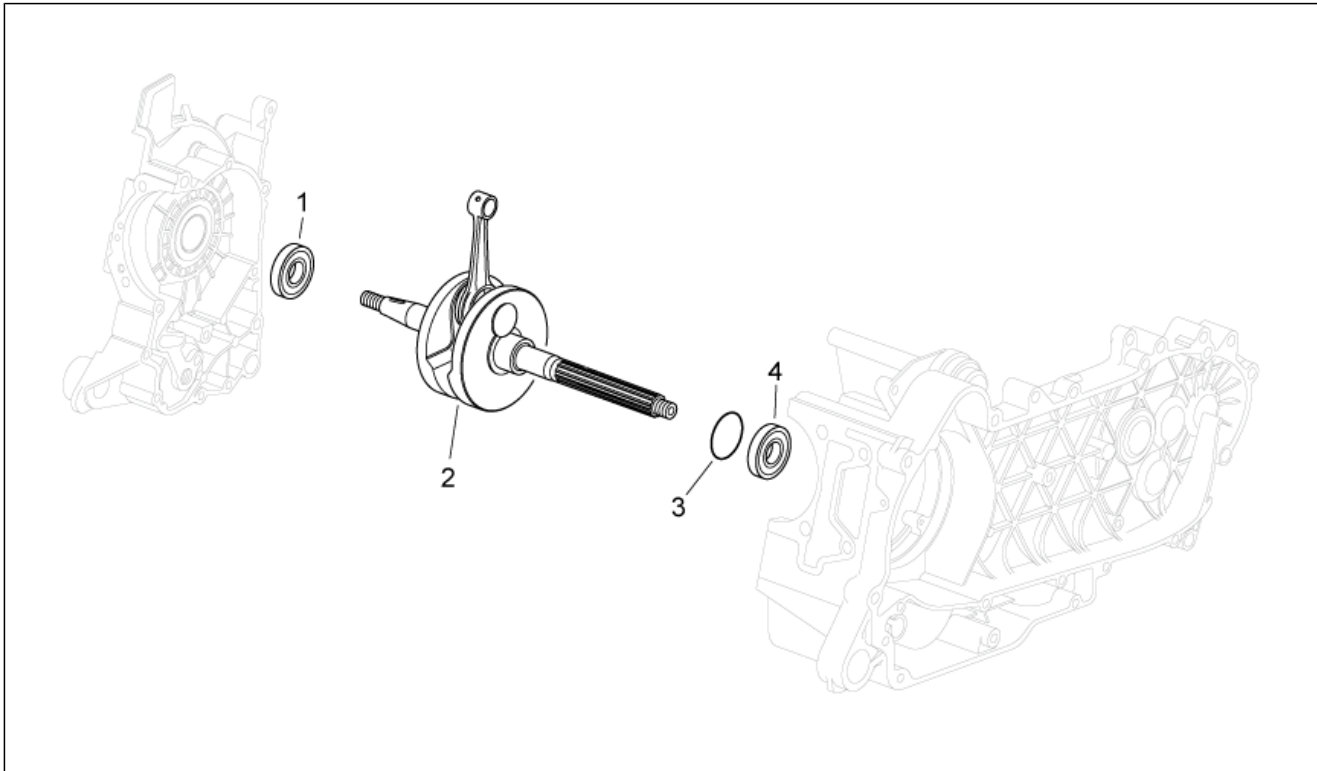
Pos.	Code	Description	Qty	Variants
1	AP8176200	Engine cpl. 250	1	Country: Australia[AA], E-[EU], Japan[JJ], Great Britain[UK] Technical Specifications: 250 cc version[250]
1	AP8176222	Engine cpl. 125	1	Technical Specifications: 125 cc version[125]
1	CM126430	Engine cpl. 200	1	Technical Specifications: 200 cc version[200]
1	CM143240	Engine cpl. 250	1	Country: United States of America[USA] Technical Specifications: 250 cc version[250]
2	AP8580014	Cylinder gasket kit	1	
3	AP8580013	Engine set gasket	1	
4	AP8177263	Decal IP 35x35	1	
5	AP8121856	Cable-guide	1	

Group	ENGINE
Code	29.44
Description	Crankcase
Service	1



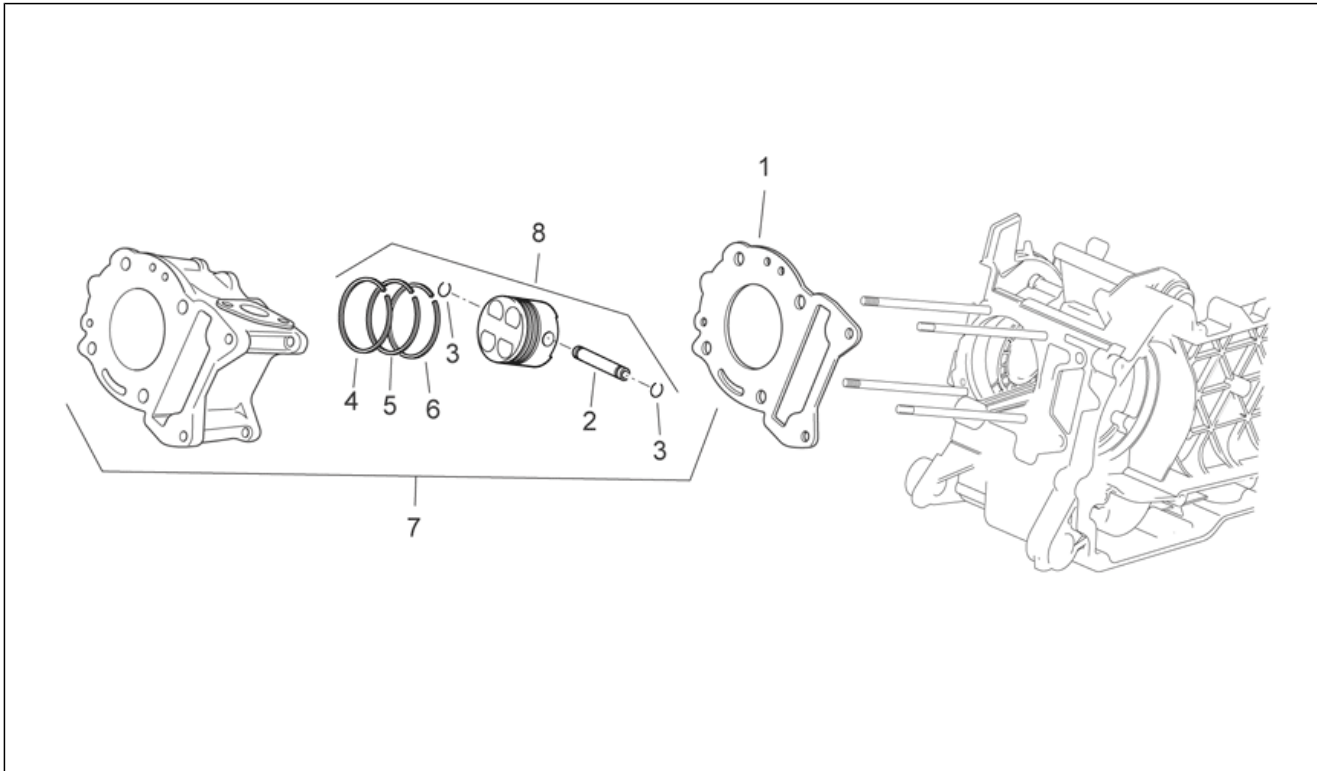
Pos.	Code	Description	Qty	Variants
1	840332	Stud bolt	4	
2	AP8550283	screw	11	
3	832870	Cap nut	4	
4	AP8220617	Silent-block	2	
5	AP8553003	Gasket	1	
6	AP8560014	Cover M12x1,5	2	
7	AP8560017	Nozzle	1	
8	AP8550107	Pin d.9,5 h=15	2	
9	AP8560009	screw	1	
10	AP8580167	plate	1	
11	AP8176268	Crankcase assy	1	Technical Specifications: 125 cc version[125], 200 cc version[200]
11	AP8176269	Crankcase assy	1	Technical Specifications: 125 cc version[125], 200 cc version[200]
11	AP8176312	Crankcase assy	1	Technical Specifications: 250 cc version[250]
11	AP8176313	Crankcase assy	1	Technical Specifications: 250 cc version[250]
12	AP8551015	Locating dowel	1	
13	AP8550586	Oil level rod cpl.	1	
14	AP8550334	O-ring	1	
15	AP8580087	Valve spring	1	
16	AP8560142	Oil pressure valve	1	
17	AP8550361	Transm.oil unload screw	1	
18	AP8550304	Alloy washer	1	
19	AP8575007	Intake oil cup	1	
20	AP8268523	Filter support insert	1	
21	AP8550117	Gasket	1	
22	AP8577008	Gasket	1	

Group	ENGINE
Code	29.45
Description	Drive shaft
Service	1



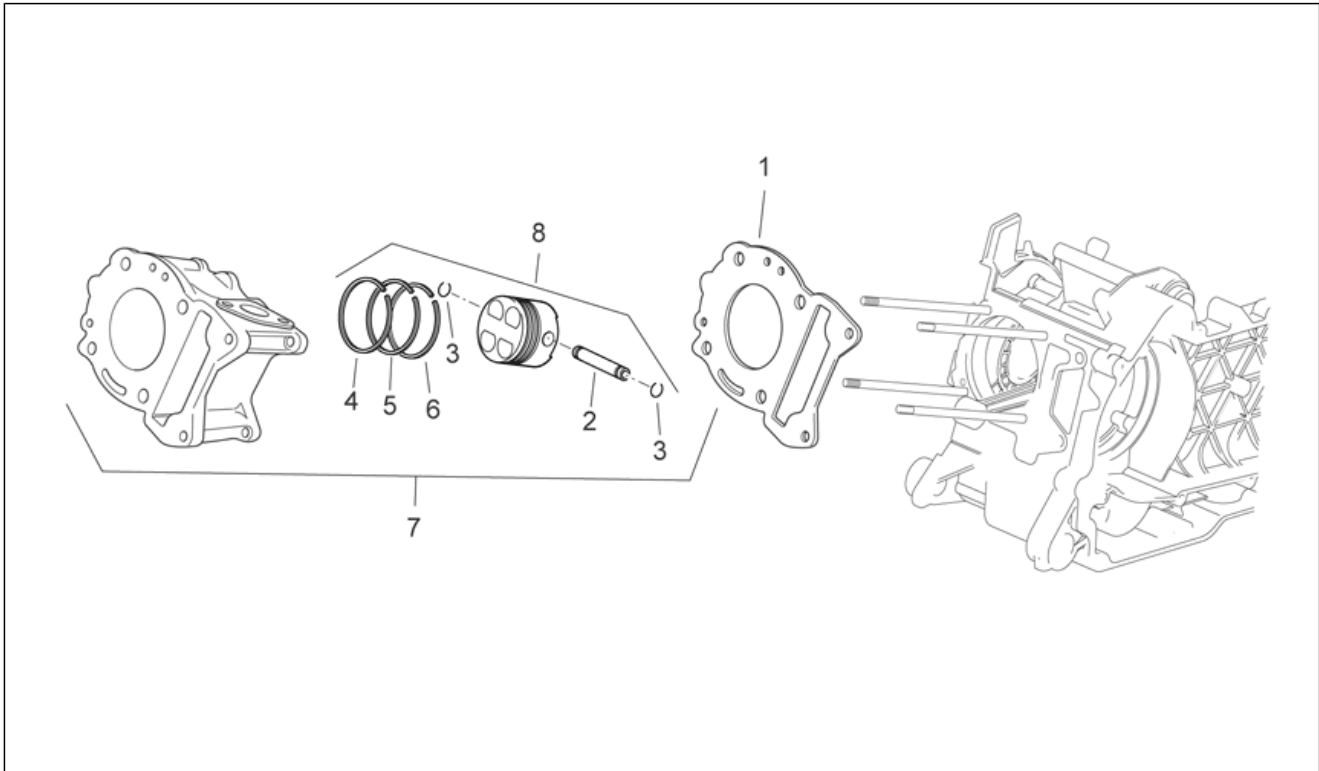
Pos.	Code	Description	Qty	Variants
1	AP8580114	Gasket ring	1	
2	AP8176327	Crankshaft cpl.	1	Technical Specifications: 250 cc version[250]
2	AP8176328	Crankshaft cpl. cat2	1	Technical Specifications: 250 cc version[250]
2	AP8176389	Crankshaft cpl.	1	Technical Specifications: 125 cc version[125]
2	AP8176390	Crankshaft cpl. cat2	1	Technical Specifications: 125 cc version[125]
2	AP8176391	Crankshaft cpl.	1	Technical Specifications: 200 cc version[200]
2	AP8176392	Crankshaft cpl. cat2	1	Technical Specifications: 200 cc version[200]
3	AP8580122	O-ring	1	
4	AP8550577	Gasket ring	1	

Group	ENGINE
Code	29.46
Description	Cylinder
Service	1



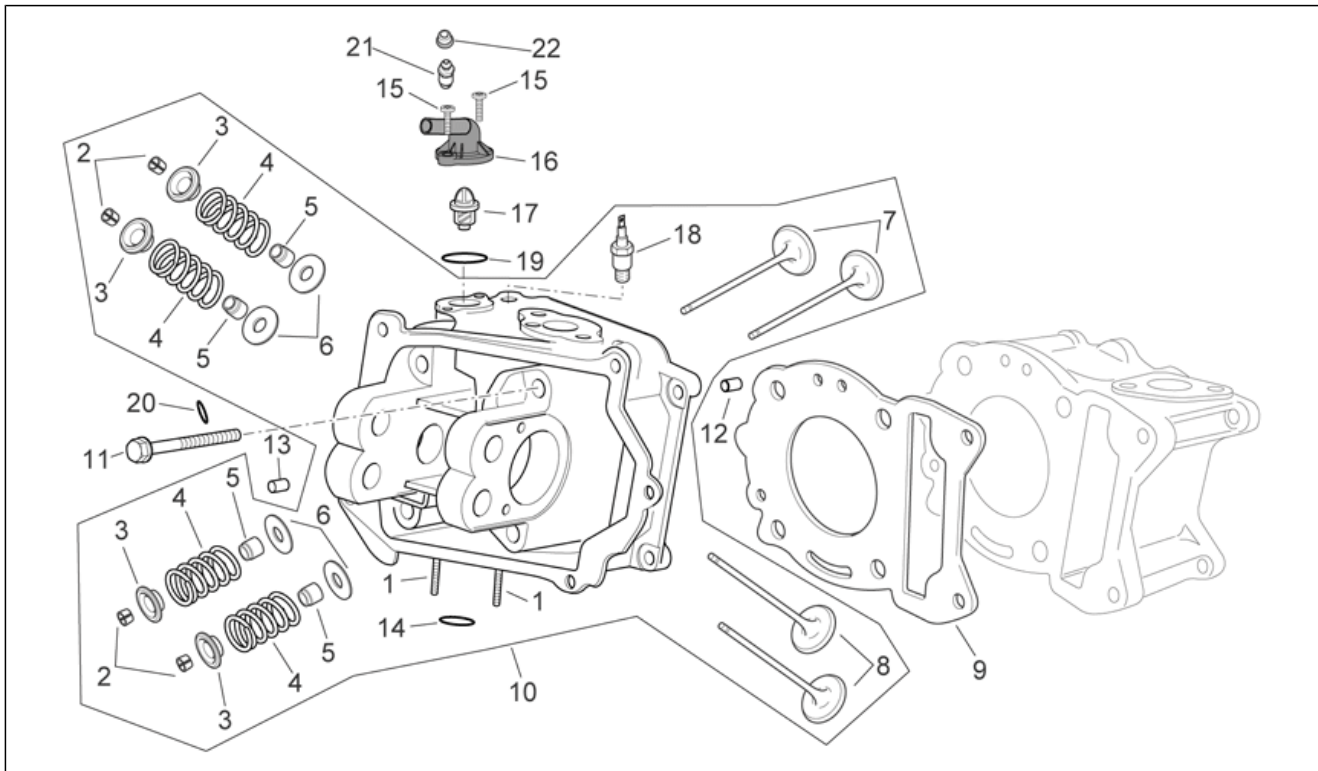
Pos.	Code	Description	Qty	Variants
1	AP8580149	Cylinder base gasket 0,4	1	
1	AP8580150	Cylinder base gasket 0,6	1	
1	AP8580151	Cylinder base gasket 0,8	1	
2	AP8580001	Piston pin	1	Technical Specifications: 125 cc version[125]
2	AP8580177	Piston pin	1	Technical Specifications: 200 cc version[200], 250 cc version[250]
3	AP8580216	Snap ring	2	
4	485779	Compression ring d.57x1	1	Technical Specifications: 125 cc version[125]
4	830486	Ring 72x1.5	1	Technical Specifications: 200 cc version[200], 250 cc version[250]
5	485914	Oil scraper ring d.57x2,5	1	Technical Specifications: 125 cc version[125]
5	486363	Scraper ring 72x2,5	1	Technical Specifications: 200 cc version[200], 250 cc version[250]
6	484908	Scraper ring 72x1	1	Technical Specifications: 200 cc version[200], 250 cc version[250]
6	486362	Oil scraper ring d.57x1	1	Technical Specifications: 125 cc version[125]
7	843291	Cylinder with piston	1	Technical Specifications: 200 cc version[200]
7	AP8176280	Cylinder with piston	1	Technical Specifications: 125 cc version[125]
7	AP8580272	Cylinder with piston	1	Technical Specifications: 250 cc version[250]
8	8432900001	Piston assy	1	Technical Specifications: 200 cc version[200]
8	8432900002	Piston assy cat2	1	Technical Specifications: 200 cc version[200]
8	8432900003	Piston assy cat3	1	Technical Specifications: 200 cc version[200]
8	8432900004	Piston assy cat4	1	Technical Specifications: 200 cc version[200]
8	AP8176307	Piston assy	1	Technical Specifications: 125 cc version[125]
8	AP8176308	Piston assy cat2	1	Technical Specifications: 125 cc version[125]
8	AP8176309	Piston assy cat3	1	Technical Specifications: 125 cc version[125]
8	AP8176310	Piston assy cat4	1	Technical Specifications: 125 cc version[125]
8	AP8176314	Piston assy	1	Technical Specifications: 250 cc version[250]
8	AP8176315	Piston assy cat2	1	Technical Specifications: 250 cc version[250]

Group	ENGINE
Code	29.46
Description	Cylinder
Service	1



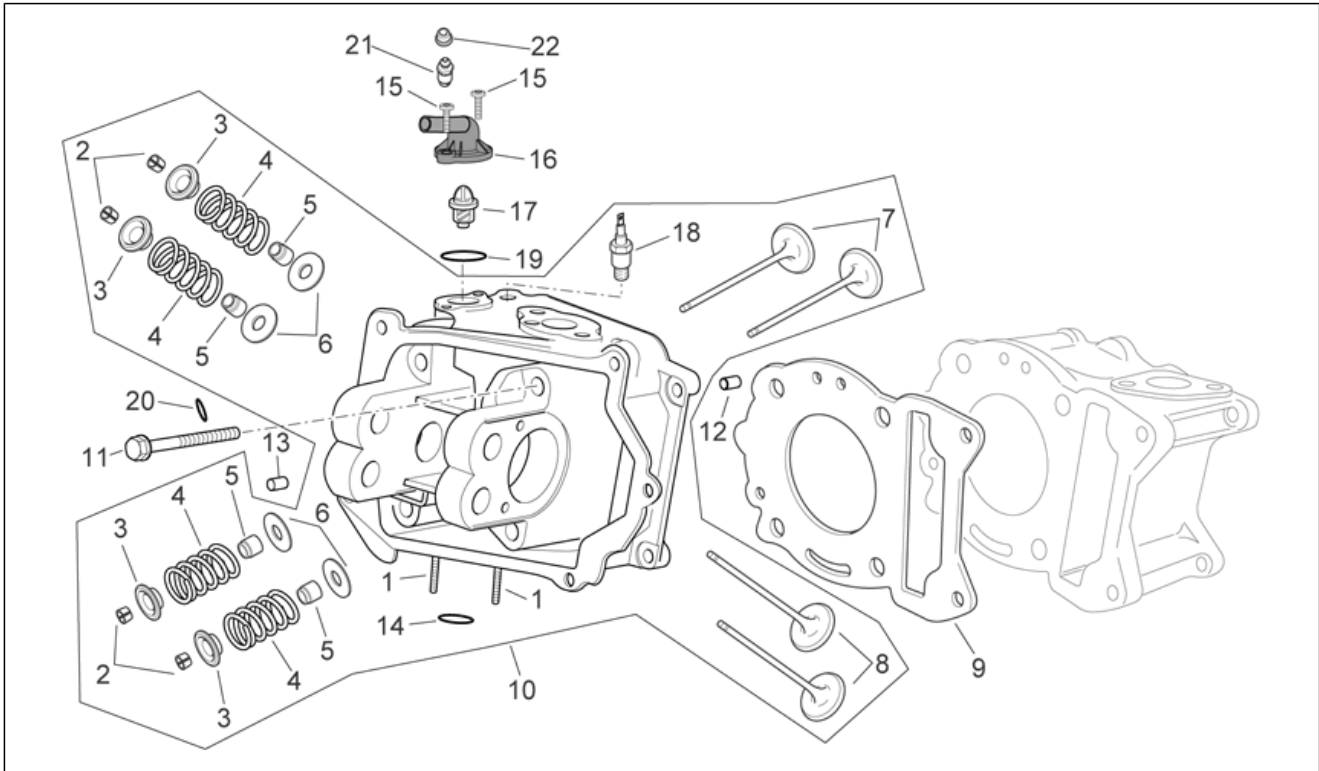
Pos.	Code	Description	Qty	Variants
8	AP8176316	Piston assy cat3	1	Technical Specifications: 250 cc version[250]
8	AP8176317	Piston assy cat4	1	Technical Specifications: 250 cc version[250]

Group	ENGINE
Code	29.47
Description	Cylinder head
Service	1



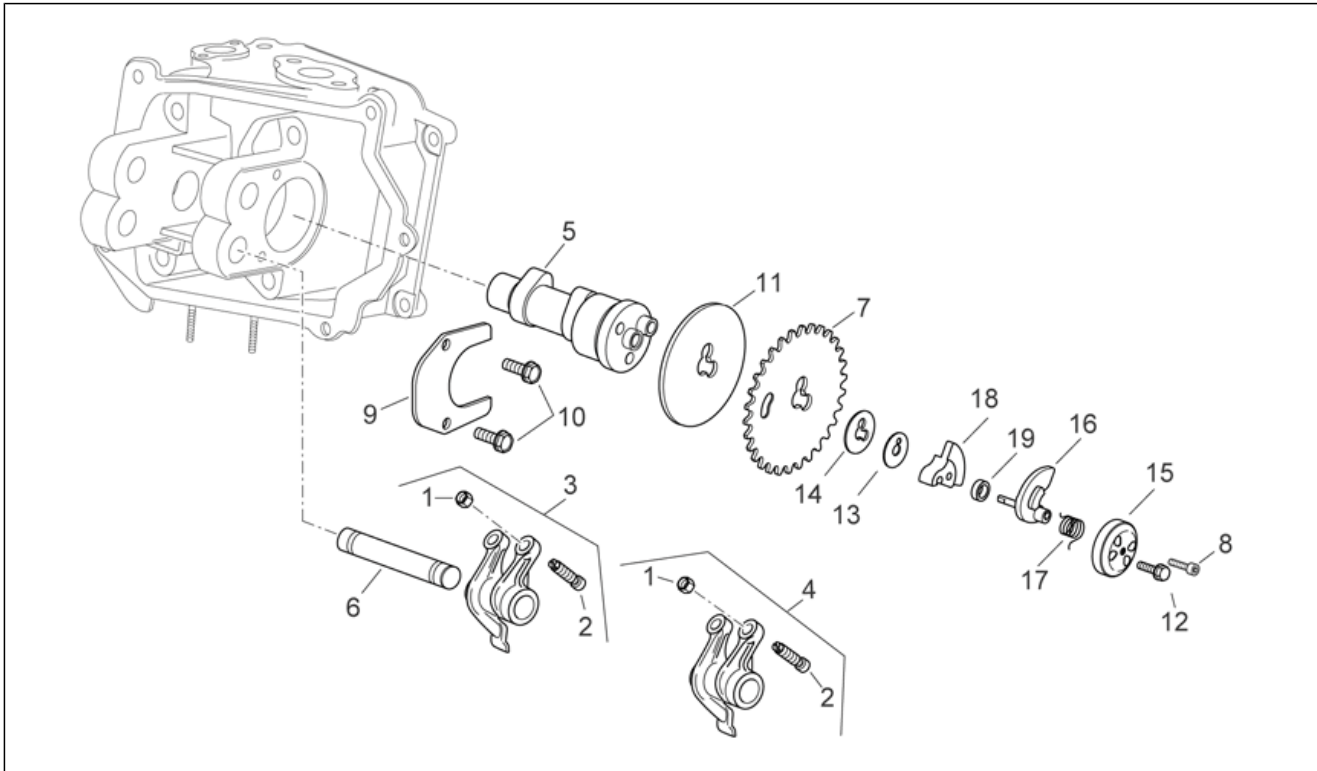
Pos.	Code	Description	Qty	Variants
1	AP8550401	Exhaust pipe stud bolt	2	
2	AP8550508	Half-cone	8	
3	AP8580076	Cup	4	
4	AP8580160	Spring	4	
5	AP8550326	Valve gasket ring	4	
6	AP8580069	Cup	4	
7	AP8580078	Intake valve	2	
8	AP8176322	Exhaust valve	2	Technical Specifications: 250 cc version[250]
8	AP8580079	Exhaust valve	2	Technical Specifications: 125 cc version[125], 200 cc version[200]
9	AP8577021	Cylinder head gasket 0,3mm	1	Technical Specifications: 200 cc version[200], 250 cc version[250]
9	AP8590007	Cylinder head gasket 0,3mm	1	Technical Specifications: 125 cc version[125]
10	AP8176281	Cylinder head assy.	1	Technical Specifications: 125 cc version[125], 200 cc version[200]
10	AP8176321	Cylinder head assy.	1	Technical Specifications: 250 cc version[250]
11	AP8176319	screw	2	Technical Specifications: 250 cc version[250]
11	AP8580086	screw	2	Technical Specifications: 125 cc version[125], 200 cc version[200]
12	AP8551015	Locating dowel	2	
13	AP8560016	Dowel	2	
14	AP8580066	Exhaust pipe gasket	1	
15	AP8176289	Hex socket screw	2	
16	845604	Thermostat cover	1	
17	AP8575009	Thermostat	1	
18	AP8176324	Thermistor	1	Technical Specifications: 250 cc version[250]
18	AP8580126	Thermistor	1	Technical Specifications: 125 cc version[125], 200 cc version[200]
19	AP8176290	Gasket	1	

Group	ENGINE
Code	29.47
Description	Cylinder head
Service	1



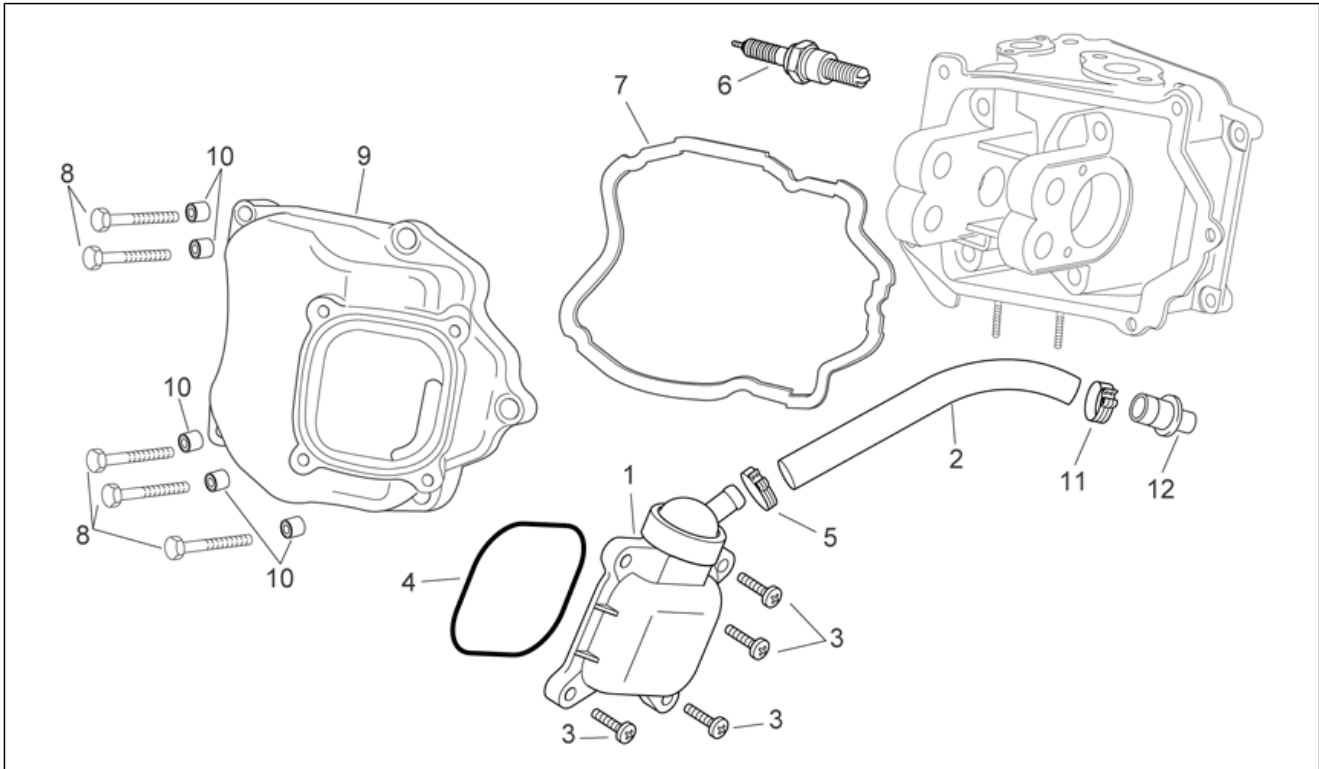
Pos.	Code	Description	Qty	Variants
20	AP8575010	O-ring	4	
21	AP8176292	screw	1	
22	AP8560010	Cap	1	

Group	ENGINE
Code	29.48
Description	Camshaft
Service	1



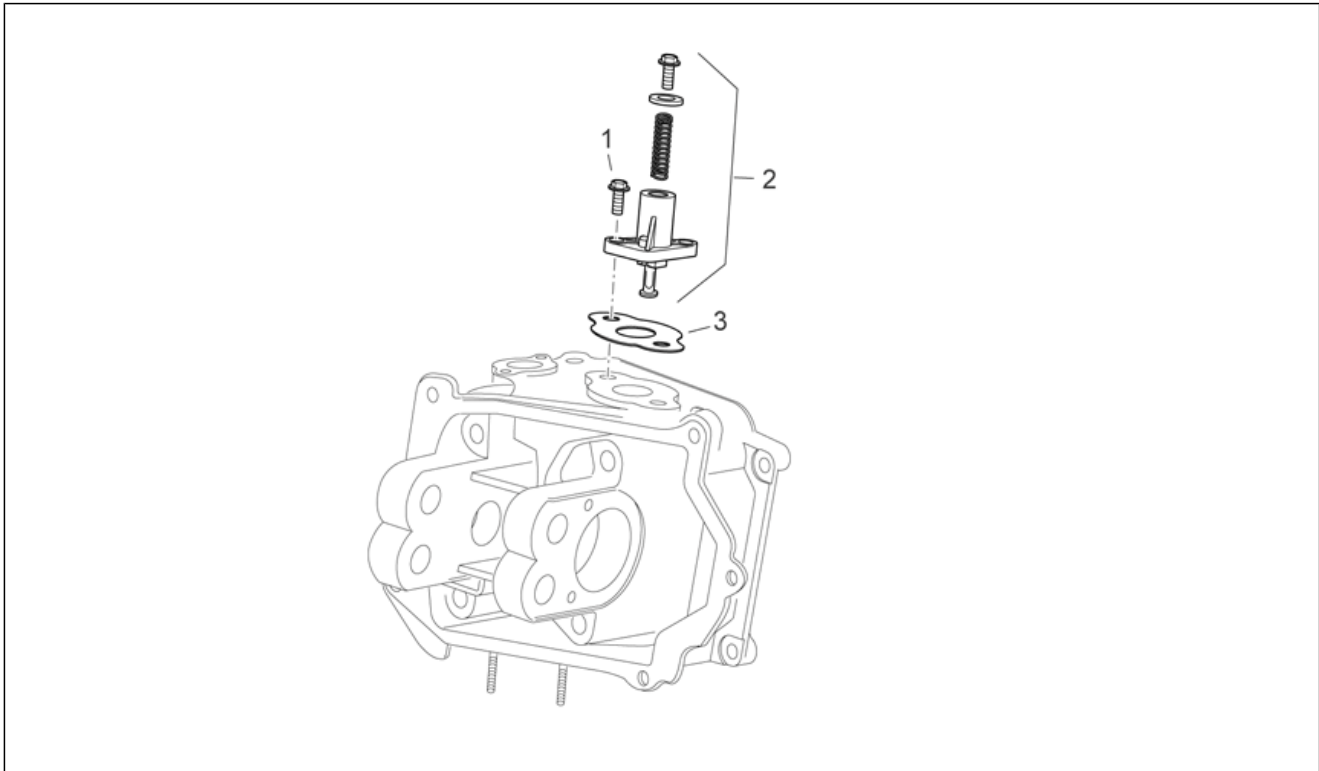
Pos.	Code	Description	Qty	Variants
1	AP8551047	Rocker arm adjuster nut	4	
2	AP8551046	Valve adj.spec.screw	4	
3	AP8176284	Rocker arm assy., exhaust	1	
4	AP8176283	Rocker arm assy., inlet	1	
5	AP8176251	Camshaft	1	Technical Specifications: 200 cc version[200]
5	AP8176282	Camshaft	1	Technical Specifications: 125 cc version[125]
5	AP8176323	Camshaft	1	Technical Specifications: 250 cc version[250]
6	AP8580098	Rocker arms axis	2	
7	AP8580097	Timing system gear	1	
8	AP8550079	screw M6x35	1	Technical Specifications: 200 cc version[200], 250 cc version[250]
8	AP8580099	Hex socket screw M5x25	1	Technical Specifications: 125 cc version[125]
9	AP8580206	plate	1	
10	AP8551045	Screw w/ flange	2	
11	AP8580105	plate	1	
12	AP8540002	Screw w/ flange	1	Technical Specifications: 125 cc version[125]
12	AP8560008	screw	1	Technical Specifications: 200 cc version[200]
13	AP8580187	Plain washer	1	Technical Specifications: 125 cc version[125]
14	AP8580188	Plain washer	1	Technical Specifications: 125 cc version[125]
15	AP8580129	Drum	1	Technical Specifications: 200 cc version[200], 250 cc version[250]
16	AP8577029	Weight	1	Technical Specifications: 200 cc version[200], 250 cc version[250]
17	AP8580100	Spring	1	Technical Specifications: 200 cc version[200], 250 cc version[250]
18	AP8580096	Counterweight	1	Technical Specifications: 200 cc version[200], 250 cc version[250]
19	AP8580106	Gasket	1	Technical Specifications: 200 cc version[200], 250 cc version[250]

Group	ENGINE
Code	29.49
Description	Oil breather valve
Service	1



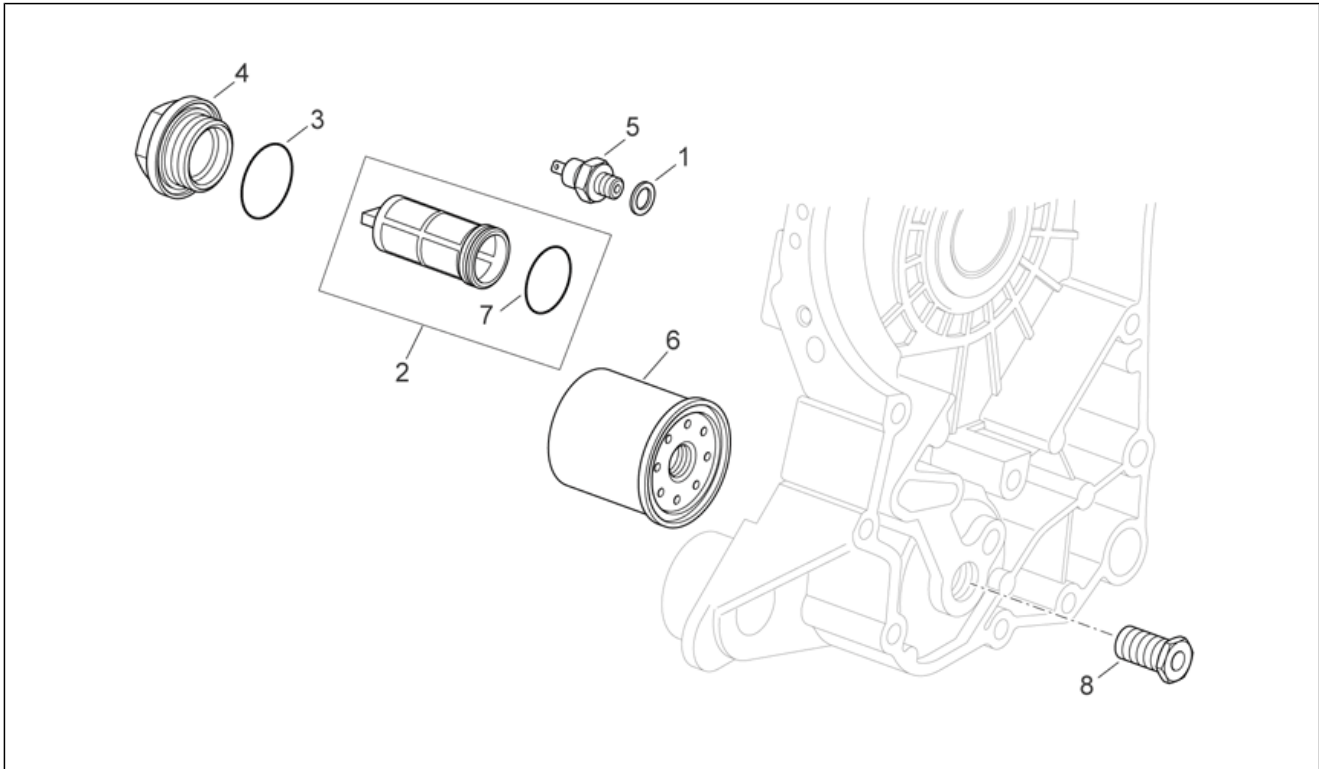
Pos.	Code	Description	Qty	Variants
1	AP8580158	Oil breather valve	1	
2	AP8120956	Breather pipe	1	
3	AP8580165	screw	4	
4	AP8580108	Gasket	1	
5	AP8144579	Hose clamp	1	
6	AP8176336	Spark plug	1	Technical Specifications: 250 cc version[250]
6	AP8570084	Spark plug CR8EB	1	Technical Specifications: 125 cc version[125], 200 cc version[200]
7	AP8580042	Gasket	1	
8	AP8570007	Screw w/ flange M6x30	5	
9	AP8580041	Head cover	1	
10	AP8570008	Pad	5	
11	AP8201169	Hose clip D22x8,6*	1	
12	AP8102576	2-way union	1	

Group	ENGINE
Code	29.50
Description	Chain tensioner
Service	1



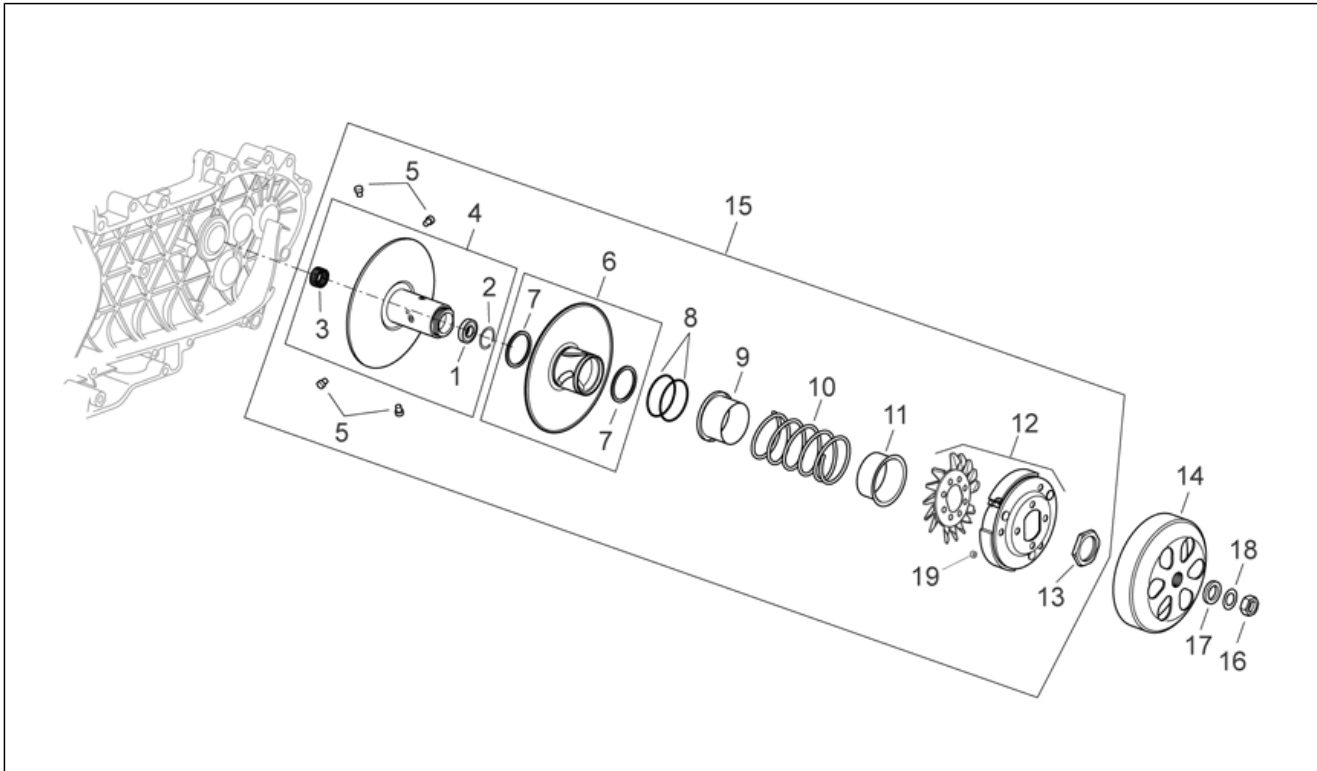
Pos.	Code	Description	Qty	Variants
1	AP8550557	Screw w/ flange M6x16	2	
2	AP8560059	Chain tensioner assy.	1	
3	AP8550429	Chain tensioner gasket	1	

Group	ENGINE
Code	29.51
Description	Oil filter
Service	1



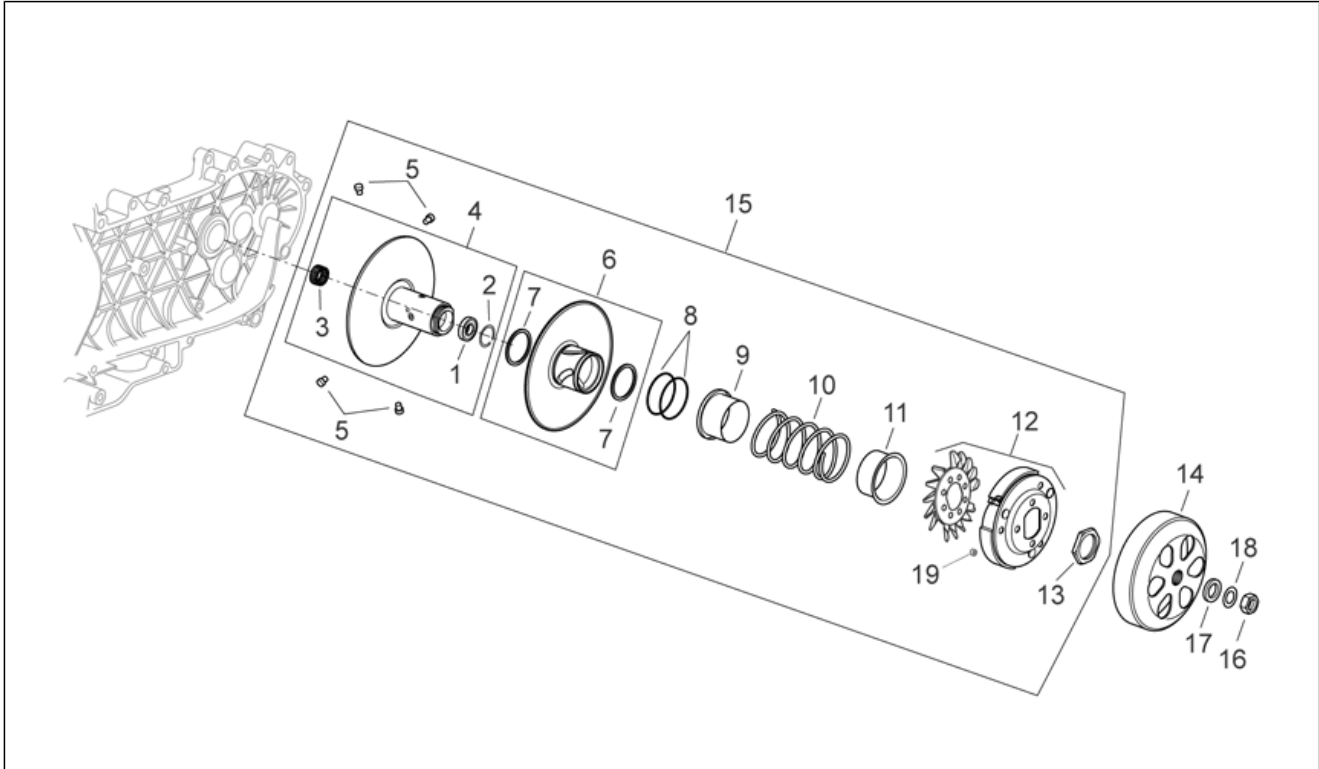
Pos.	Code	Description	Qty	Variants
1	AP8550331	Washer 16x10.5x2.5	1	
2	AP8577040	Intake oil filter	1	Technical Specifications: 250 cc version[250]
2	AP8580074	Intake oil filter	1	Technical Specifications: 125 cc version[125], 200 cc version[200]
3	AP8550336	O-ring	1	
4	AP8560055	Oil filter plug	1	
5	AP8550512	Pressure sensor	1	
6	AP8580128	Oil filter	1	
7	AP8550337	O-ring	1	
8	AP8580071	screw	1	

Group	ENGINE
Code	29.52
Description	Clutch
Service	1



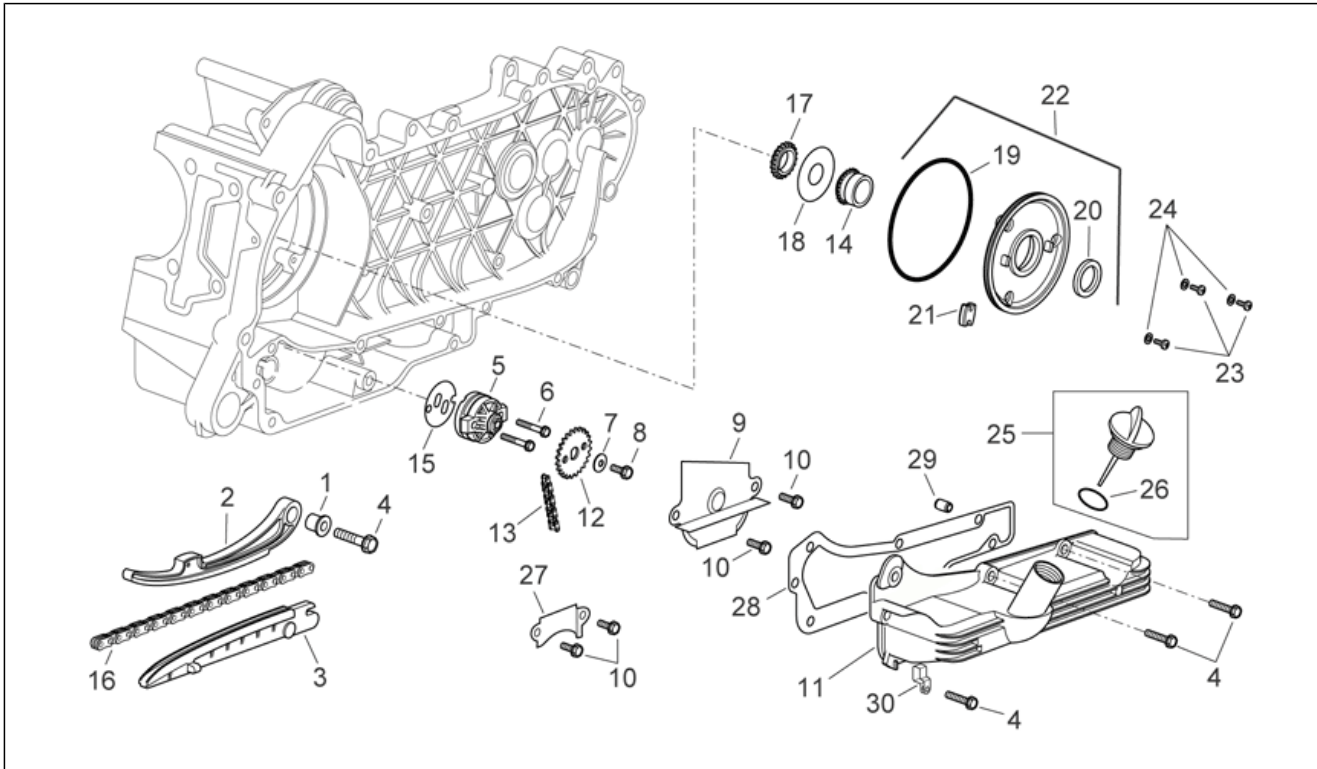
Pos.	Code	Description	Qty	Variants
1	AP8110104	Roller cage 20x29x18	1	
2	AP8580068	Snap ring	1	
3	AP8125893	Bearing 17x30x7	1	
4	AP8575013	Sec. fixed sheave, complete	1	Technical Specifications: 125 cc version[125]
4	AP8580208	Sec. fixed sheave, complete	1	Technical Specifications: 250 cc version[250]
4	AP8580208	Sec. fixed sheave, complete	1	Technical Specifications: 200 cc version[200]
5	AP8580166	Guide pin L=12,5	4	
6	AP8577055	Sec. sliding sheave, complete	1	Technical Specifications: 250 cc version[250]
6	AP8580139	Sec. sliding sheave, complete	1	Technical Specifications: 125 cc version[125]
6	AP8580209	Sec. sliding sheave, complete	1	Technical Specifications: 200 cc version[200]
7	AP8550124	Gasket ring	2	
8	AP8550116	Gasket	2	
9	AP8176301	Cup	1	Technical Specifications: 125 cc version[125]
9	AP8580211	Cup	1	Technical Specifications: 200 cc version[200], 250 cc version[250]
10	AP8580119	Variator spring	1	Technical Specifications: 125 cc version[125]
10	AP8580210	Variator spring	1	Technical Specifications: 200 cc version[200], 250 cc version[250]
11	AP8550114	Cup	1	
12	AP8176394	Centrifugal clutch assy	1	Technical Specifications: 250 cc version[250]
12	AP8580171	Centrifugal clutch assy	1	Technical Specifications: 125 cc version[125]
12	AP8590027	Centrifugal clutch assy	1	Technical Specifications: 200 cc version[200]
13	AP8550111	Ring nut	1	
14	AP8577095	Clutch drum	1	
15	AP8176300	Secondary pulley	1	Technical Specifications: 125 cc version[125]
15	AP8176339	Secondary pulley	1	Technical Specifications: 250 cc version[250]
15	AP8590004	Secondary pulley	1	Technical Specifications: 200 cc version[200]
16	AP8580095	Nut	1	

Group	ENGINE
Code	29.52
Description	Clutch
Service	1



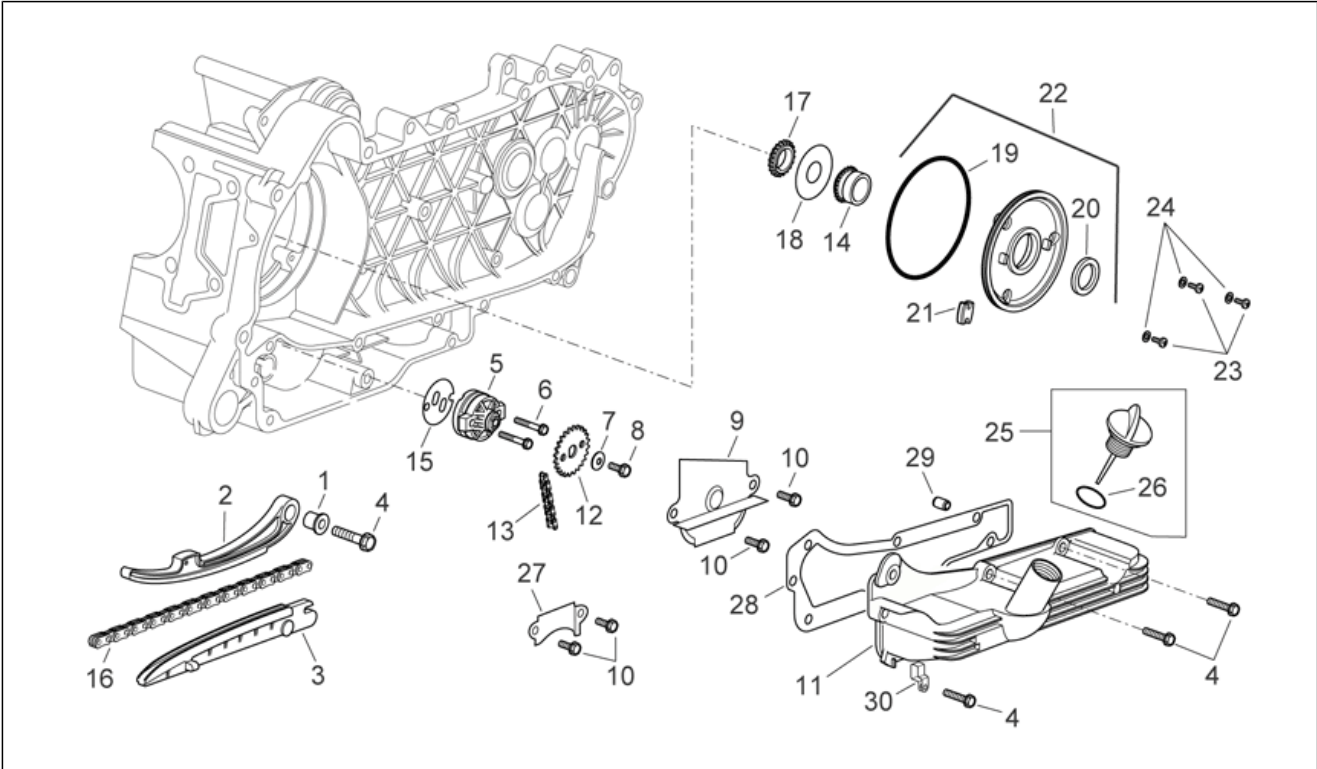
Pos.	Code	Description	Qty	Variants
17	AP8580145	Spacer	1	
18	AP8580062	Washer	1	
19	431098	Damper drift	3	

Group	ENGINE
Code	29.53
Description	Oil pump
Service	1



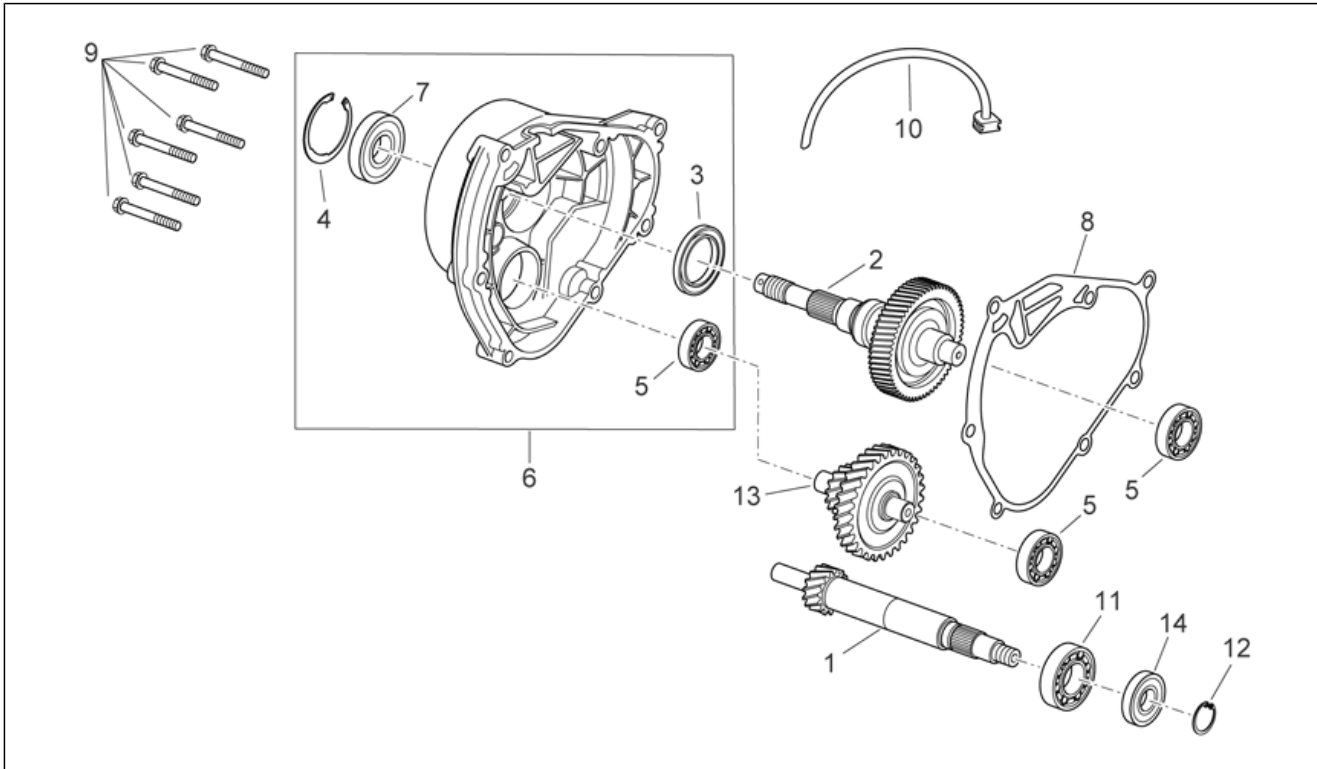
Pos.	Code	Description	Qty	Variants
1	AP8580090	Spacer	1	
2	AP8577030	Chain tensioner rod	1	Technical Specifications: 250 cc version[250]
2	AP8580156	Chain tensioner rod	1	Technical Specifications: 125 cc version[125], 200 cc version[200]
3	AP8176325	Chain tensioner sliding block	1	Technical Specifications: 250 cc version[250]
3	AP8580157	Chain tensioner sliding block	1	Technical Specifications: 125 cc version[125], 200 cc version[200]
4	AP8113789	Screw w/ flange	8	
5	AP8580102	Oil pump assy.	1	
6	AP8176294	Screw w/ flange	2	
7	AP8550439	Belleville spring	1	
8	AP8550556	Screw w/ flange	1	
9	AP8580070	Oil bulhead	1	
10	AP8551045	Screw w/ flange	4	
11	AP8176255	Motor oil cup	1	Technical Specifications: 200 cc version[200]
11	AP8553005	Motor oil cup	1	Technical Specifications: 125 cc version[125], 250 cc version[250]
12	AP8550380	Oil pump gear	1	
13	AP8580131	Oil pump chain	1	
14	AP8580072	Oil pump control pinion	1	
15	AP8176293	Gasket	1	
16	AP8577032	Camshaft chain	1	Technical Specifications: 250 cc version[250]
16	AP8580130	Camshaft chain	1	Technical Specifications: 125 cc version[125], 200 cc version[200]
17	AP8577033	Timing system chain pinion cpl	1	
18	AP8580077	Oil seal washer	1	
19	AP8580118	O-ring	1	
20	AP8580113	Gasket ring	1	
21	AP8550522	Oil pump chain drift	1	

Group	ENGINE
Code	29.53
Description	Oil pump
Service	1



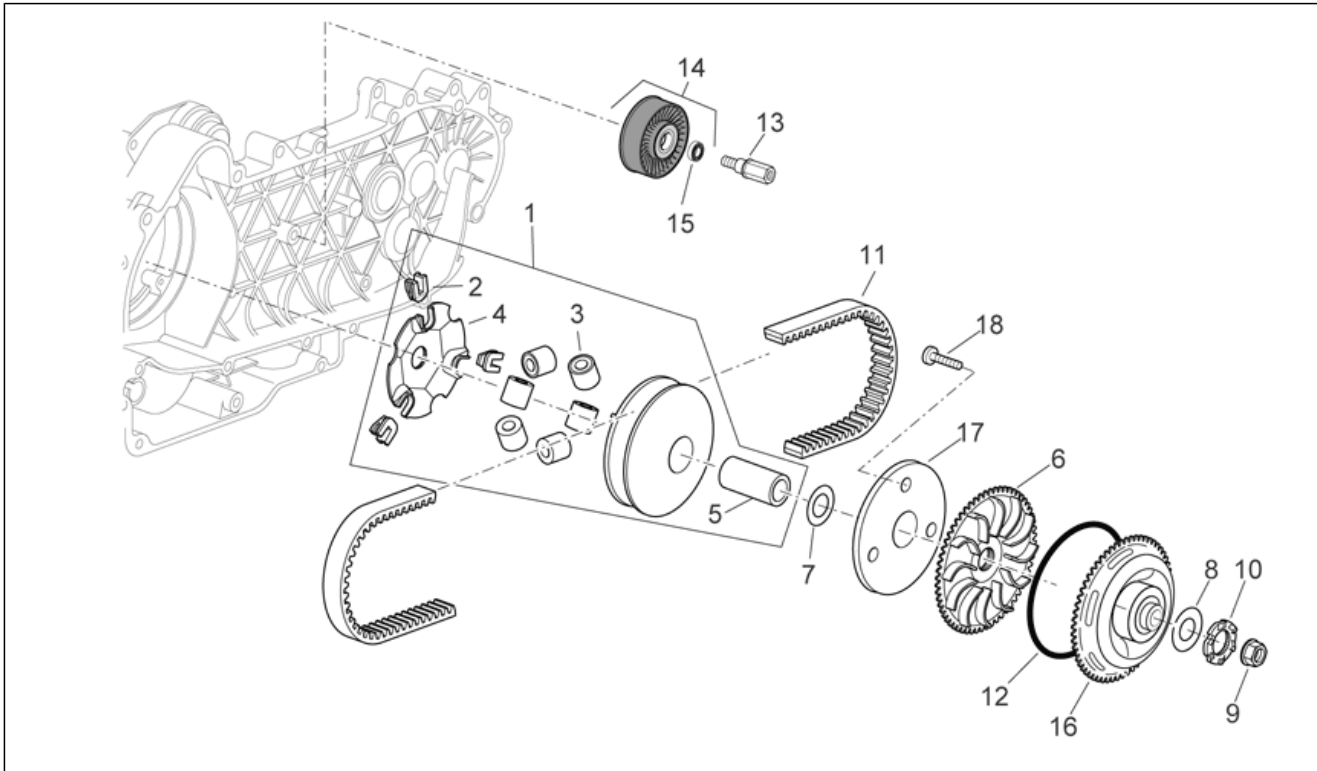
Pos.	Code	Description	Qty	Variants
22	847116	Timing system cover	1	
23	AP8550155	Hex socket screw	3	
24	AP8580107	Washer	3	
25	AP8176332	Oil filler plug	1	Technical Specifications: 250 cc version[250]
25	AP8580144	Oil filler plug	1	Technical Specifications: 125 cc version[125], 200 cc version[200]
26	AP8550417	Gasket	1	
27	AP8580083	Oil bulhead	1	
28	AP8553006	Gasket	1	
29	AP8551015	Locating dowel	3	
30	AP8551051	Hose clamp	1	

Group	ENGINE
Code	29.54
Description	Transmission
Service	1



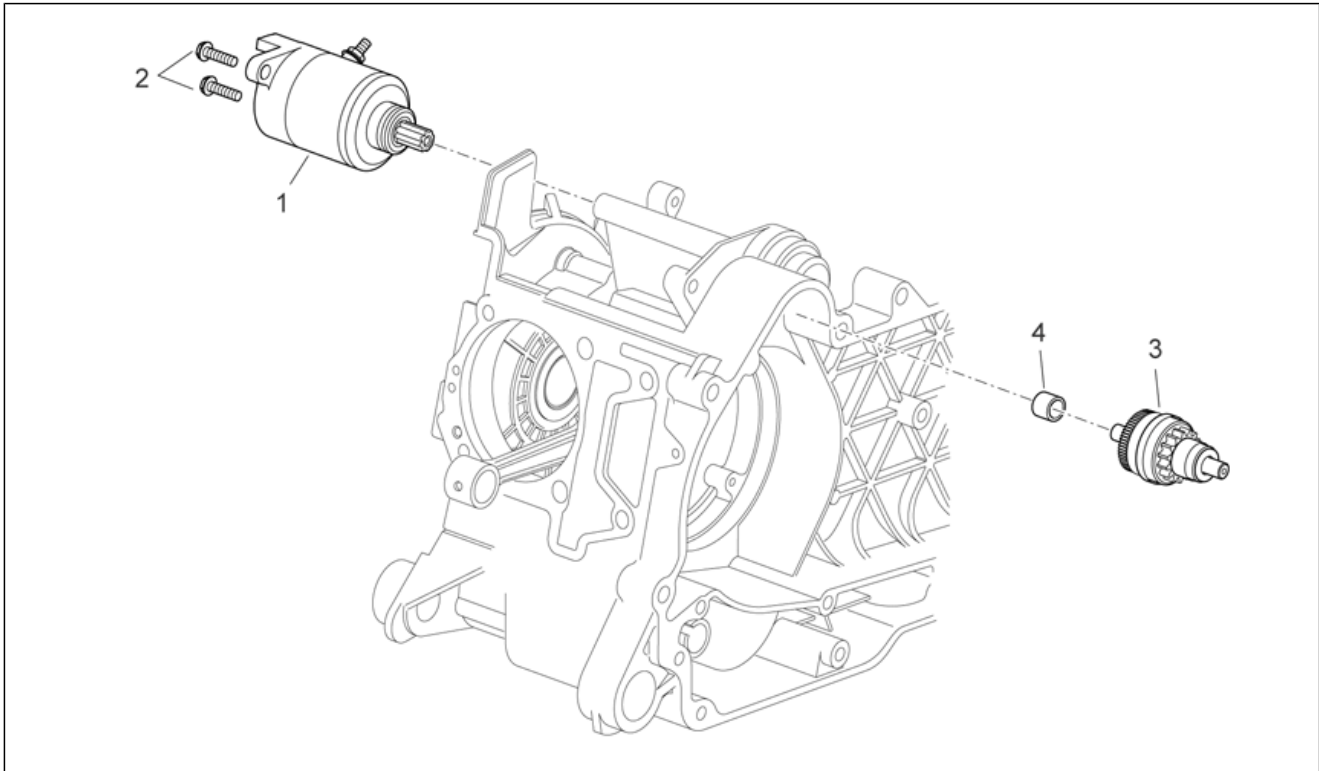
Pos.	Code	Description	Qty	Variants
1	AP8577061	Driven pulley shaft	1	
2	AP8176341	Rear wheel axis cpl.	1	Technical Specifications: 250 cc version[250]
2	AP8577063	Rear wheel axis cpl. Z=49	1	Technical Specifications: 200 cc version[200]
2	B0160495	***WHEEL SHAFT SUB-ASSY	1	Technical Specifications: 125 cc version[125]
3	AP8560125	Oil seal 38x50x7	1	
4	AP8560130	Circlip	1	
5	AP8560019	Bearing d15x42x13	3	
6	8481875	Side cover	1	Technical Specifications: 200 cc version[200]
6	AP8176274	Transmission cover cpl.	1	Technical Specifications: 125 cc version[125], 250 cc version[250]
7	AP8560126	Bearing d30x55x13	1	
8	847931	Gasket	1	Technical Specifications: 200 cc version[200]
8	AP8575022	Gasket	1	Technical Specifications: 125 cc version[125], 250 cc version[250]
9	AP8570077	screw	6	
10	AP8580189	Breather	1	
11	AP8570030	Bearing	1	
12	AP8560007	Snap ring	1	
13	AP8176302	Transmission shaft	1	Technical Specifications: 125 cc version[125]
13	AP8176340	Transmission shaft	1	Technical Specifications: 250 cc version[250]
13	AP8577062	Transmission shaft	1	Technical Specifications: 200 cc version[200]
14	AP8550577	Gasket ring	1	

Group	ENGINE
Code	29.55
Description	Variator assembly
Service	1



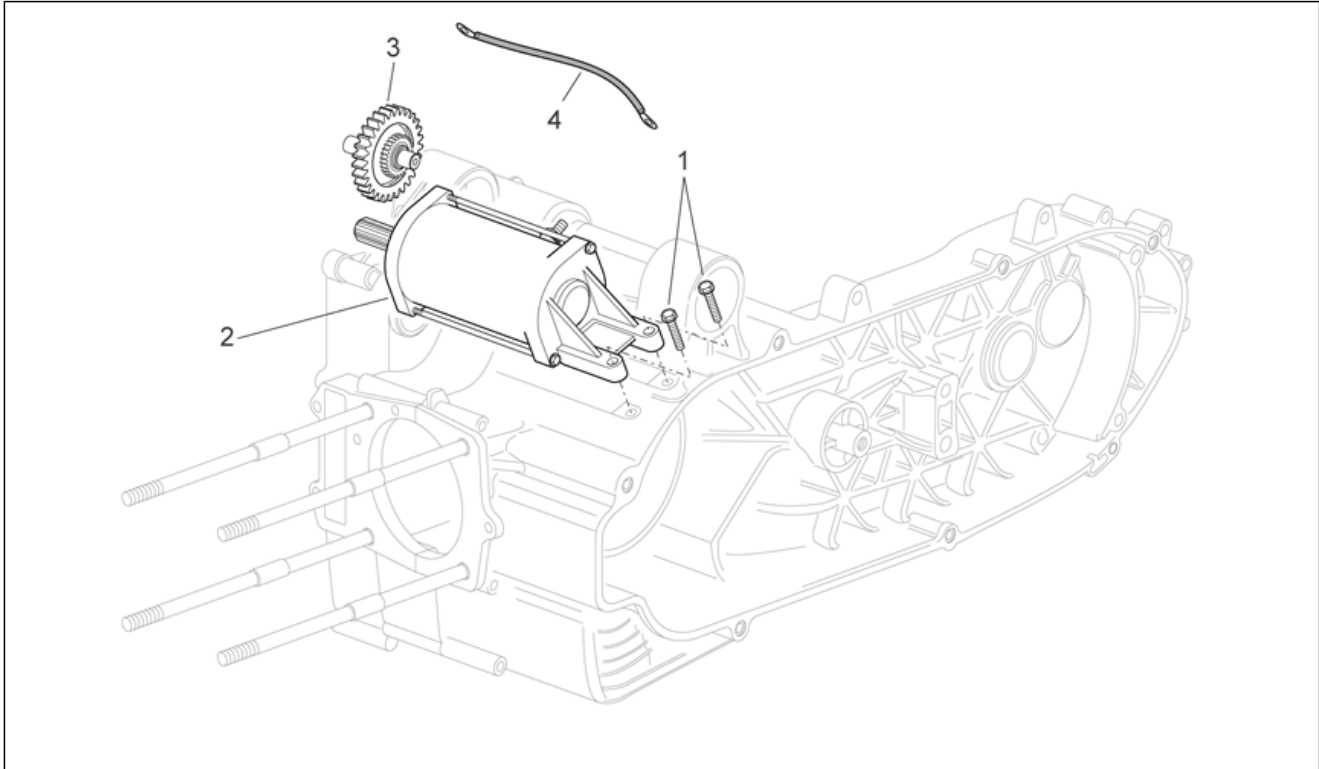
Pos.	Code	Description	Qty	Variants
1	AP8176338	Half-pulley assy., driving	1	Technical Specifications: 250 cc version[250]
1	AP8580222	Half-pulley assy., driving	1	Technical Specifications: 125 cc version[125]
1	AP8590028	Half-pulley assy., driving	1	Technical Specifications: 200 cc version[200]
2	AP8176297	Sliding block	3	Technical Specifications: 125 cc version[125], 200 cc version[200]
2	AP8577050	Sliding block	3	Technical Specifications: 250 cc version[250]
3	849480	Pin roller	6	Technical Specifications: 250 cc version[250]
3	AP8580089	Pin roller-set	1	Technical Specifications: 200 cc version[200]
3	AP8580221	Pin roller-set	1	Technical Specifications: 125 cc version[125]
4	AP8580088	Ramp plate	1	
5	AP8580075	Spacer	1	
6	AP8540165	Fixed pulley	1	Technical Specifications: 125 cc version[125]
6	AP8575027	Fixed pulley	1	Technical Specifications: 200 cc version[200]
6	AP8577053	Fixed pulley	1	Technical Specifications: 250 cc version[250]
7	AP8550131	Washer 1x32x17	1	
8	AP8550133	Washer 0,5x35x17	1	Technical Specifications: 125 cc version[125]
9	AP8550134	Nut cpl.	1	
10	AP8580135	Toothed cup	1	Technical Specifications: 125 cc version[125]
11	AP8575041	V-belt	1	Technical Specifications: 200 cc version[200]
11	AP8575042	V-belt	1	Technical Specifications: 125 cc version[125]
11	AP8577059	V-belt	1	Technical Specifications: 250 cc version[250]
12	AP8580205	O-ring	1	Technical Specifications: 200 cc version[200]
13	AP8575030	Special screw	1	
14	AP8580199	Toothed pulley	1	
15	AP8577060	Bearing	1	
16	AP8575031	Torque limiter	1	Technical Specifications: 200 cc version[200]
17	AP8176298	Plate	1	Technical Specifications: 125 cc version[125]
18	AP8176299	screw	3	Technical Specifications: 125 cc version[125]

Group	ENGINE
Code	29.56
Description	Starter motor I
Service	1



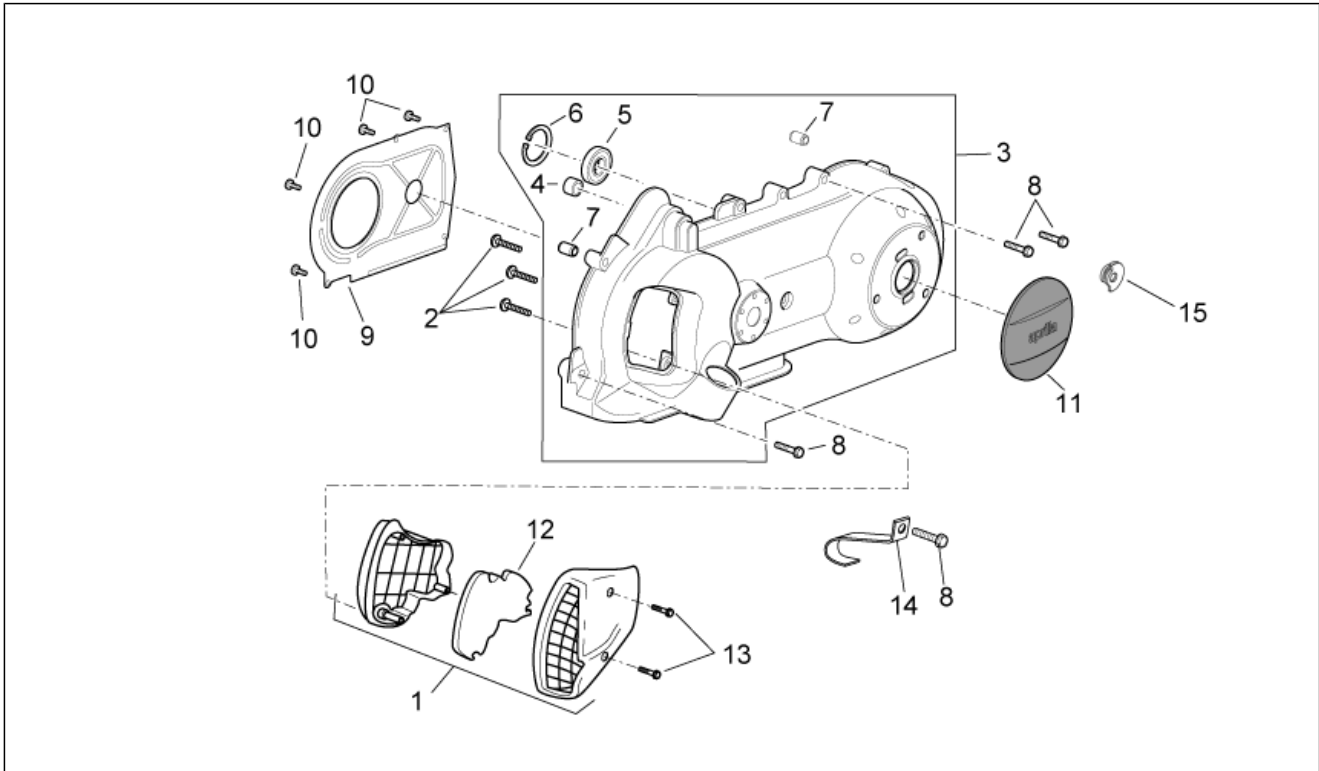
Pos.	Code	Description	Qty	Variants
1	AP8580124	Starter motor	1	Technical Specifications: 125 cc version[125], 200 cc version[200]
2	AP8540002	Screw w/ flange	2	Technical Specifications: 125 cc version[125], 200 cc version[200]
3	AP8580125	Starter motor gear	1	Technical Specifications: 125 cc version[125], 200 cc version[200]
4	AP8550347	Bush	1	Technical Specifications: 125 cc version[125], 200 cc version[200]

Group	ENGINE
Code	29.57
Description	Starter motor II
Service	1



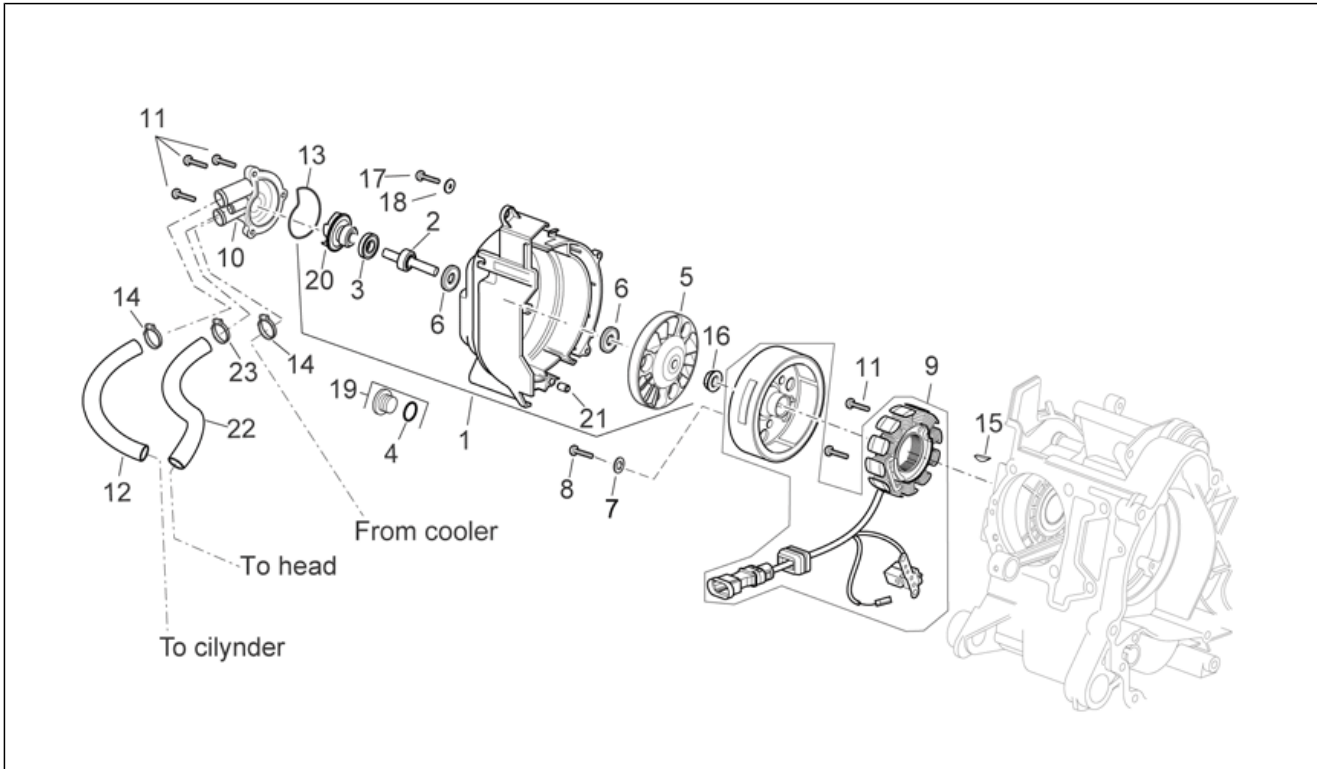
Pos.	Code	Description	Qty	Variants
1	AP8113789	Screw w/ flange	2	Technical Specifications: 250 cc version[250]
2	AP8577046	Starter motor	1	Technical Specifications: 250 cc version[250]
3	AP8176395	Starter motor gear	1	Technical Specifications: 250 cc version[250]
4	AP8176337	Wire	1	Technical Specifications: 250 cc version[250]

Group	ENGINE
Code	29.58
Description	Variator cover
Service	1



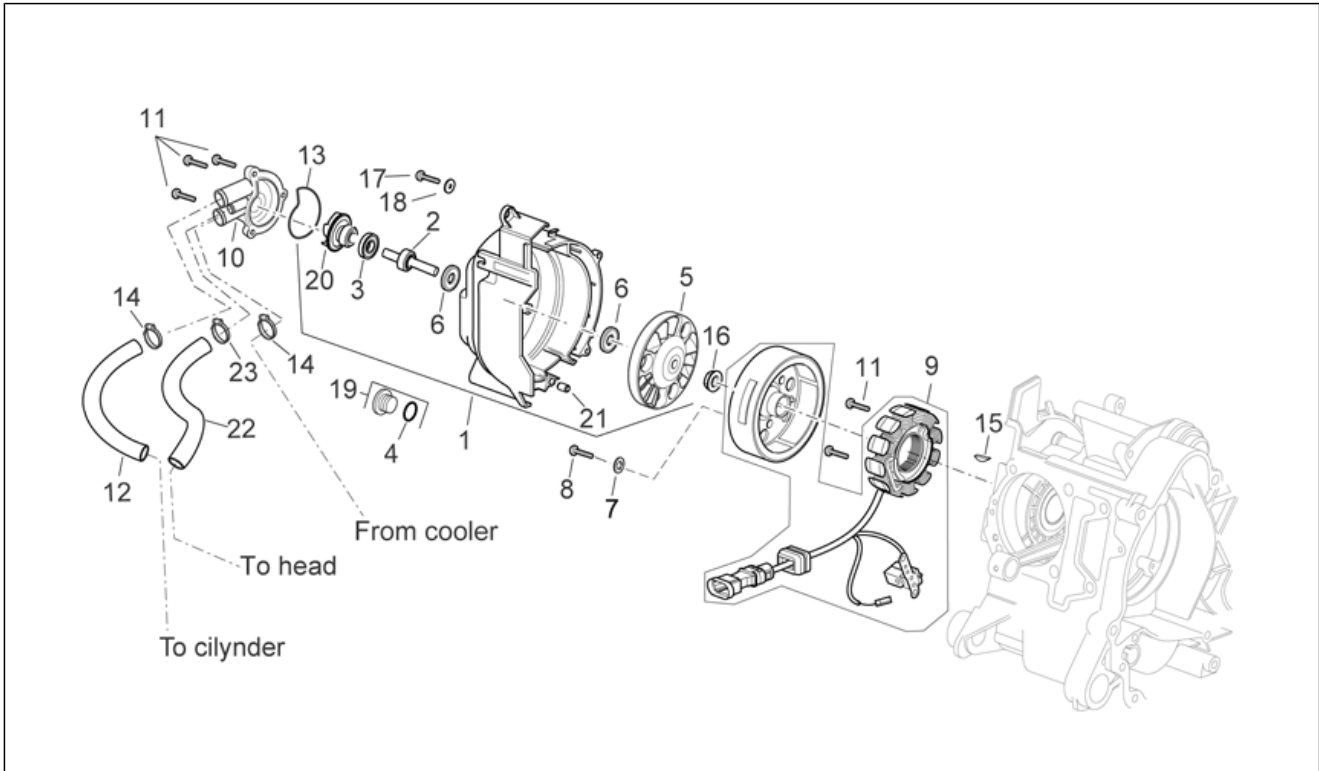
Pos.	Code	Description	Qty	Variants
1	AP8580256	Cover	1	Technical Specifications: 125 cc version[125]
1	AP8590018	Cover	1	Technical Specifications: 200 cc version[200]
2	AP8551014	screw	3	
3	8714085	Variator cover	1	Technical Specifications: 125 cc version[125]
3	8714485	Variator cover	1	Technical Specifications: 200 cc version[200], 250 cc version[250]
4	AP8550347	Bush	1	
5	AP8550580	Bearing	1	
6	AP8550578	Snap ring	1	
7	AP8550107	Pin d.9,5 h=15	2	
8	AP8550558	Screw w/ flange M6x30	8	
9	AP8176272	Air deflector	1	Technical Specifications: 125 cc version[125]
9	AP8580245	Air deflector	1	Technical Specifications: 200 cc version[200]
10	AP8176271	screw	4	
11	AP8580236	Plug	1	Technical Specifications: 125 cc version[125], 250 cc version[250]
11	CM155103	Plug	1	Technical Specifications: 200 cc version[200]
12	AP8577006	Filter	1	Technical Specifications: 125 cc version[125]
12	AP8590033	Filter	1	Technical Specifications: 200 cc version[200]
13	AP8580061	Self-tap screw 3x20	2	
14	AP8176244	Hose clamp	1	
15	871458	Retainer buffer	1	

Group	ENGINE
Code	29.59
Description	Ignition unit I
Service	1



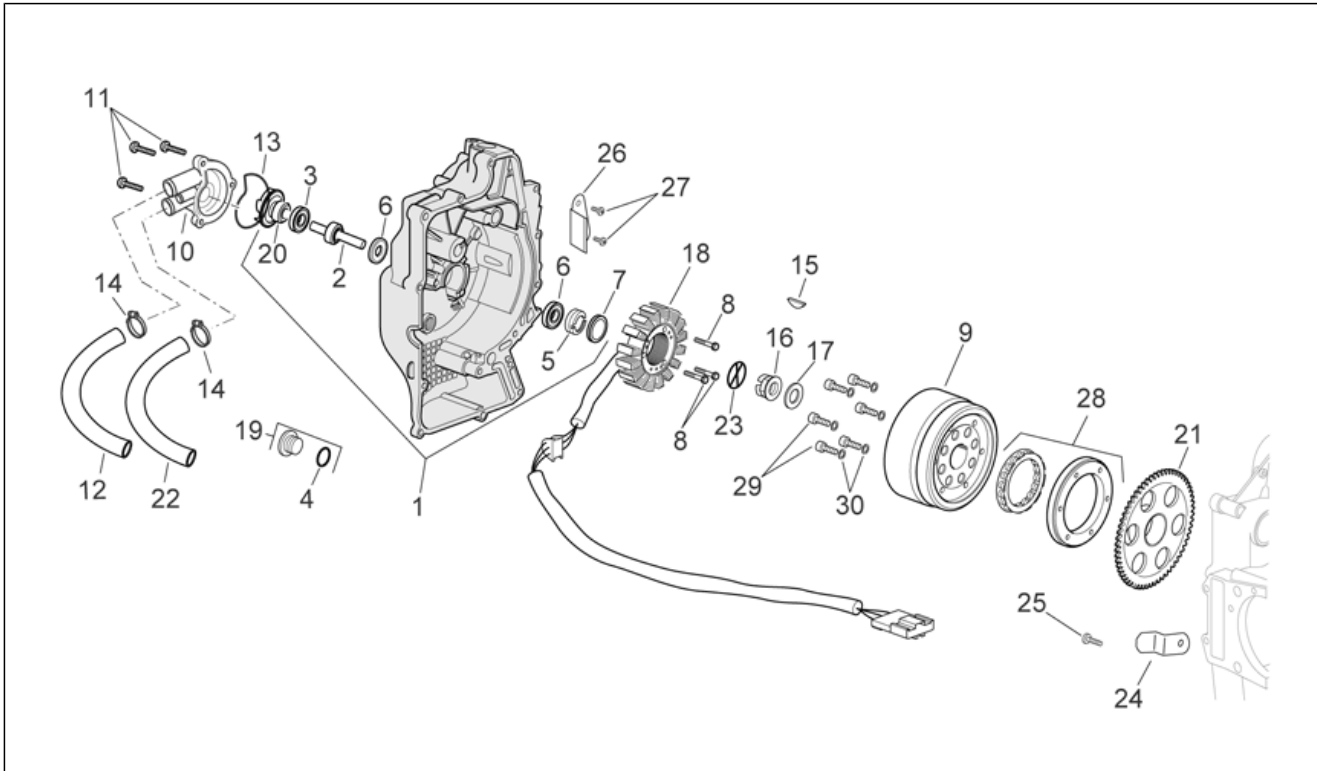
Pos.	Code	Description	Qty	Variants
1	849040	Flywheel cover cpl.	1	Technical Specifications: 125 cc version[125]
1	AP8176248	Flywheel cover cpl.	1	Technical Specifications: 200 cc version[200]
2	AP8176277	Water pump shaft assy.	1	Technical Specifications: 125 cc version[125], 200 cc version[200]
3	AP8590055	Gasket ring	1	
4	AP8550417	Gasket	1	
5	AP8580104	Pump impeller drive key	1	
6	AP8577012	Bearing 28x8x9	2	
7	AP8580162	Washer	3	
8	82869R	Special screw	3	Technical Specifications: 200 cc version[200]
8	AP8580163	Special screw	3	Technical Specifications: 125 cc version[125]
9	58141R	Cdi magneto assy	1	Technical Specifications: 200 cc version[200]
9	AP8176296	Cdi magneto assy	1	Technical Specifications: 125 cc version[125]
10	AP8176287	Water pump cover	1	Technical Specifications: 125 cc version[125], 200 cc version[200]
11	AP8551060	Screw	5	
12	AP8590052	Water pipe	1	
13	AP8580084	O-ring	1	
14	AP8101573	Hose clamp D16-24x8*	2	
15	AP8550039	Transmission key	1	
16	AP8550134	Nut cpl.	1	
17	AP8580161	screw	4	
18	AP8550477	Washer	4	
19	AP8176275	Cover	1	Technical Specifications: 125 cc version[125]
19	AP8580116	Cover	1	Technical Specifications: 200 cc version[200]
20	AP8276091	Fan	1	
21	AP8551015	Locating dowel	2	
22	AP8176330	By-pass pipe	1	Technical Specifications: 250 cc version[250]

Group	ENGINE
Code	29.59
Description	Ignition unit I
Service	1



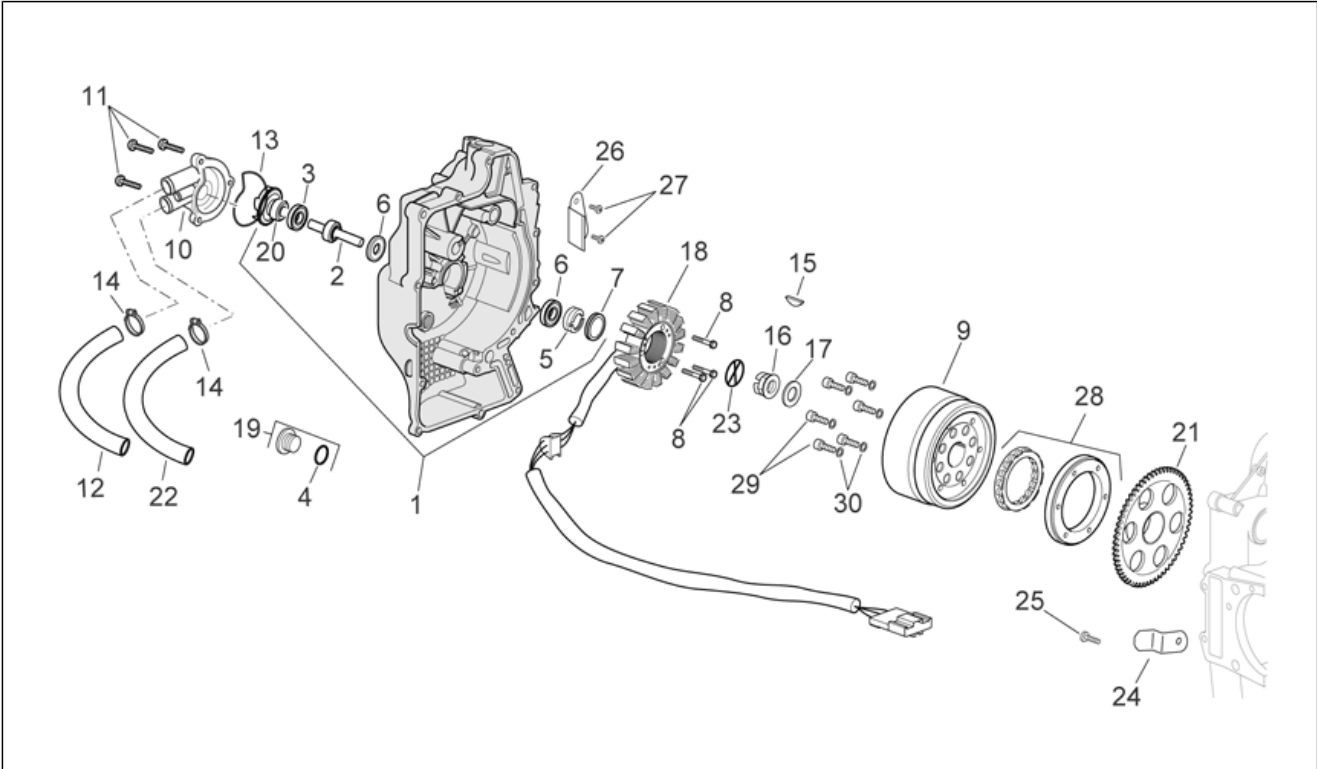
Pos.	Code	Description	Qty	Variants
23	AP8144579	Hose clamp	1	Technical Specifications:250 cc version[250]

Group	ENGINE
Code	29.60
Description	Ignition unit II
Service	1



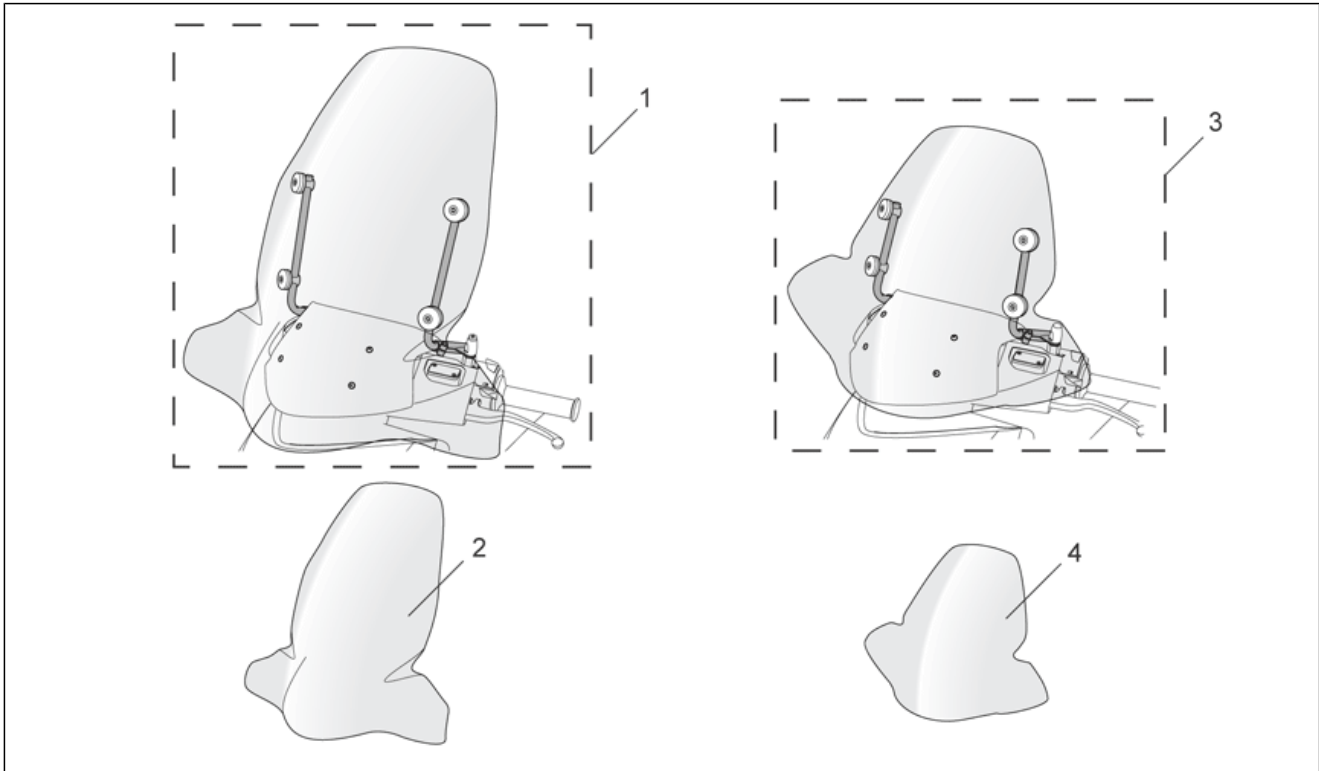
Pos.	Code	Description	Qty	Variants
1	AP8176320	Flywheel cover cpl.	1	Technical Specifications: 250 cc version[250]
2	AP8176393	Water pump shaft assy.	1	Technical Specifications: 250 cc version[250]
3	AP8590055	Gasket ring	1	
4	AP8550417	Gasket	1	
5	AP8580104	Pump impeller drive key	1	
6	AP8577012	Bearing 28x8x9	2	
7	AP8577013	Gasket ring	1	
8	AP8560011	screw M6x30	3	
9	AP8176334	Rotor cpl.	1	
10	AP8176329	Water pump cover	1	Technical Specifications: 250 cc version[250]
11	AP8551060	Screw	3	
12	AP8580277	Pump-cylinder hose	1	
13	AP8580084	O-ring	1	
14	AP8144579	Hose clamp	2	
15	AP8560006	Transmission key	1	
16	AP8577043	Special nut	1	
17	AP8577044	Plain washer	1	
18	AP8176335	Stator cpl.	1	
19	AP8577015	Cover	1	Technical Specifications: 250 cc version[250]
20	AP8276091	Fan	1	
21	AP8570018	Chain ring	1	
22	AP8176330	By-pass pipe	1	Technical Specifications: 250 cc version[250]
23	AP8577037	Drive key	1	
24	AP8577049	plate	1	
25	AP8577048	screw M6x14	1	
26	AP8577010	plate	1	
27	AP8560009	screw	2	

Group	ENGINE
Code	29.60
Description	Ignition unit II
Service	1



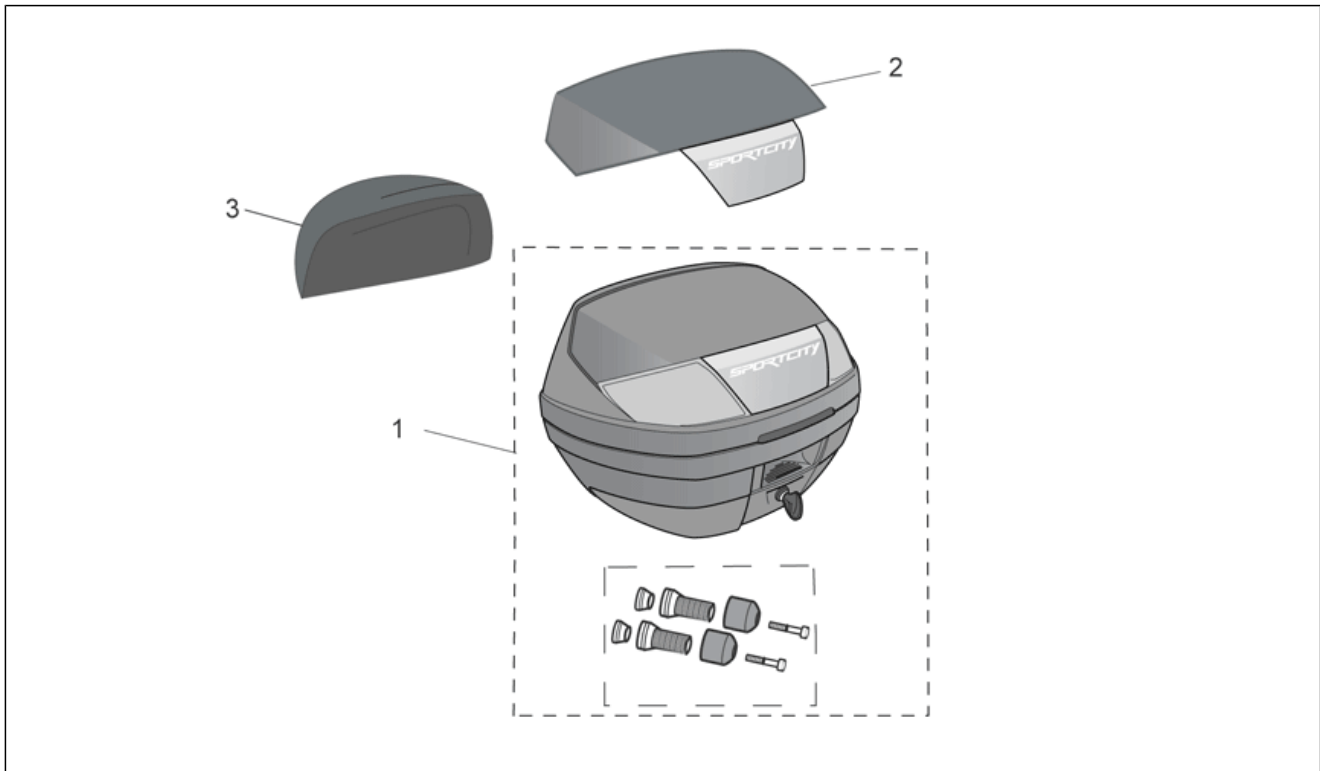
Pos.	Code	Description	Qty	Variants
28	8477975	Complete freewheel	1	Technical Specifications: With ring with a 88mm external diameter[T2]
28	AP8570014	Starter clutch assy.	1	Technical Specifications: With ring with a 98mm external diameter[T1]
29	847679	Hex socket screw M6x24	6	
30	AP8550487	Break washer	6	

Group	ACCESSORIES
Code	30.61
Description	Acc. - Windshields
Service	1



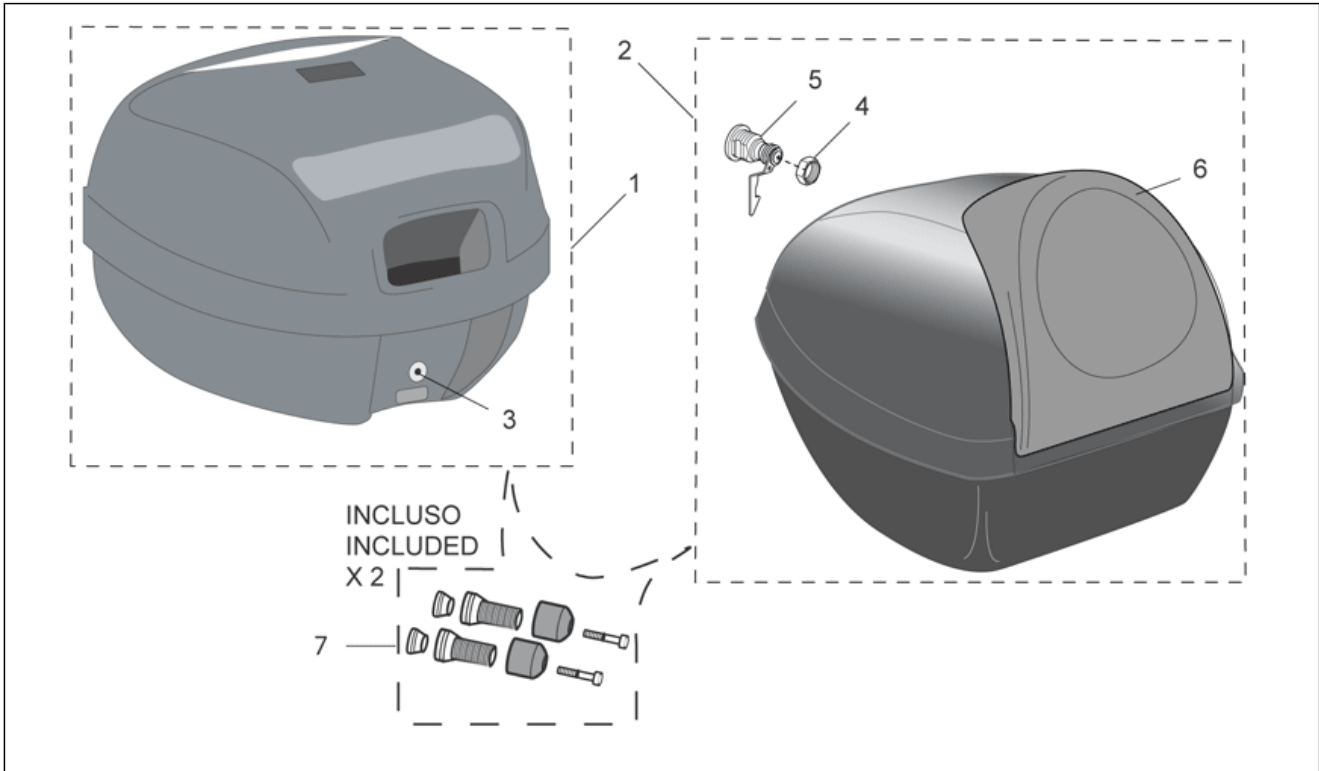
Pos.	Code	Description	Qty	Variants
1	AP8791294	Windscreen cpl. Big	1	Technical Specifications: Accessories[A]
2	AP8791265	Windscreen w/out support Big	1	Technical Specifications: Accessories[A]
3	AP8791295	Windscreen cpl. Sport	1	Technical Specifications: Accessories[A]
4	AP8791266	Windscreen w/out support Sport	1	Technical Specifications: Accessories[A]

Group	ACCESSORIES
Code	30.62
Description	Acc. - Top/cases I
Service	1



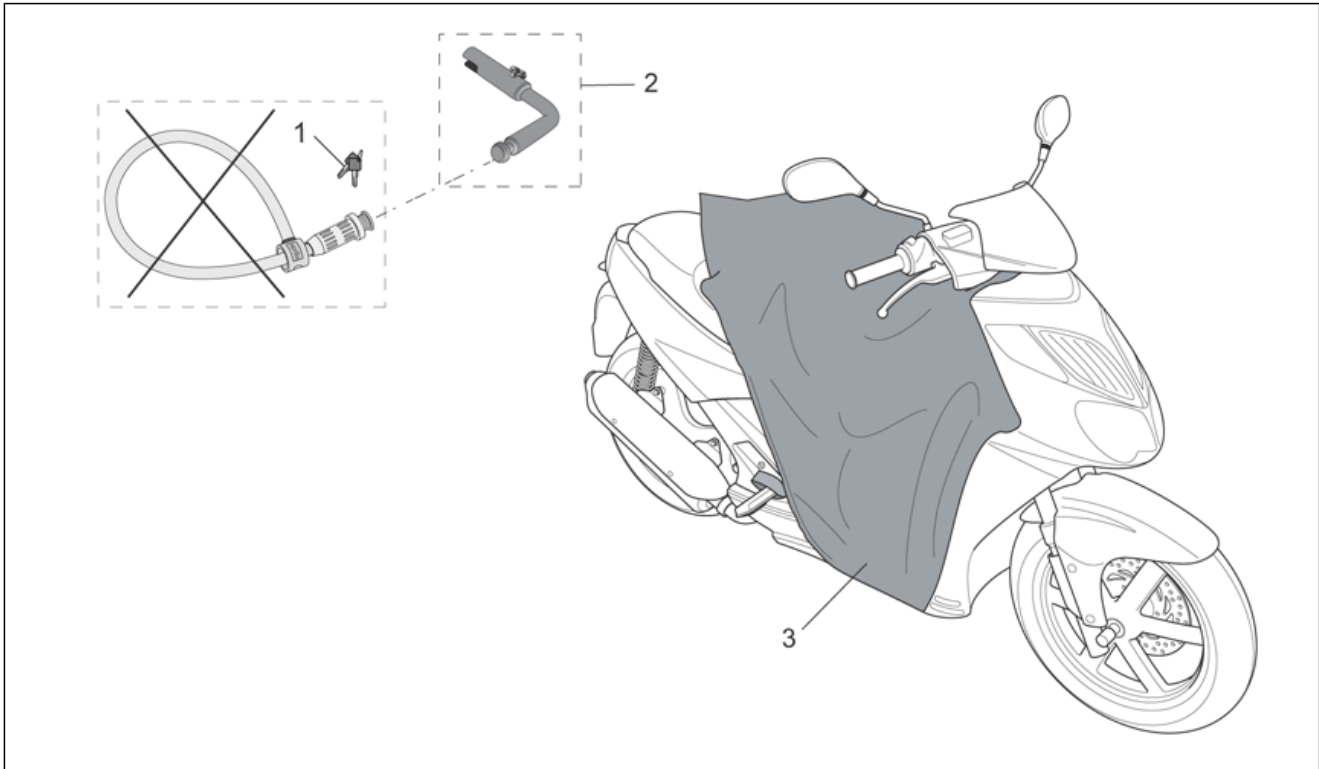
Pos.	Code	Description	Qty	Variants
1	CM221101	Top box City-35L	1	Technical Specifications: Accessories[A]
2	CM220805	Top box cover,grey City-35L	1	Vehicle colour: Excalibur Grey 2006-2007 (s.t.851740)[grey] Technical Specifications: Accessories[A]
2	CM220806	Top box cover,grey City-35L	1	Vehicle colour: Shot Grey 2006-2007(s.t.851715)[shot] Technical Specifications: Accessories[A]
2	CM220807	Top box cover,blue City-35L	1	Vehicle colour: Couture Blue 2006-2007 (s.t.851741)[blu] Technical Specifications: Accessories[A]
2	CM220808	Top box cover,black City-35L	1	Vehicle colour: Moka Black2006-2007 (s.t.851742)[moka] Technical Specifications: Accessories[A]
3	852312	Seat cushion City-35L	1	Technical Specifications: Accessories[A]

Group	ACCESSORIES
Code	30.63
Description	Acc. - Top/cases II
Service	1



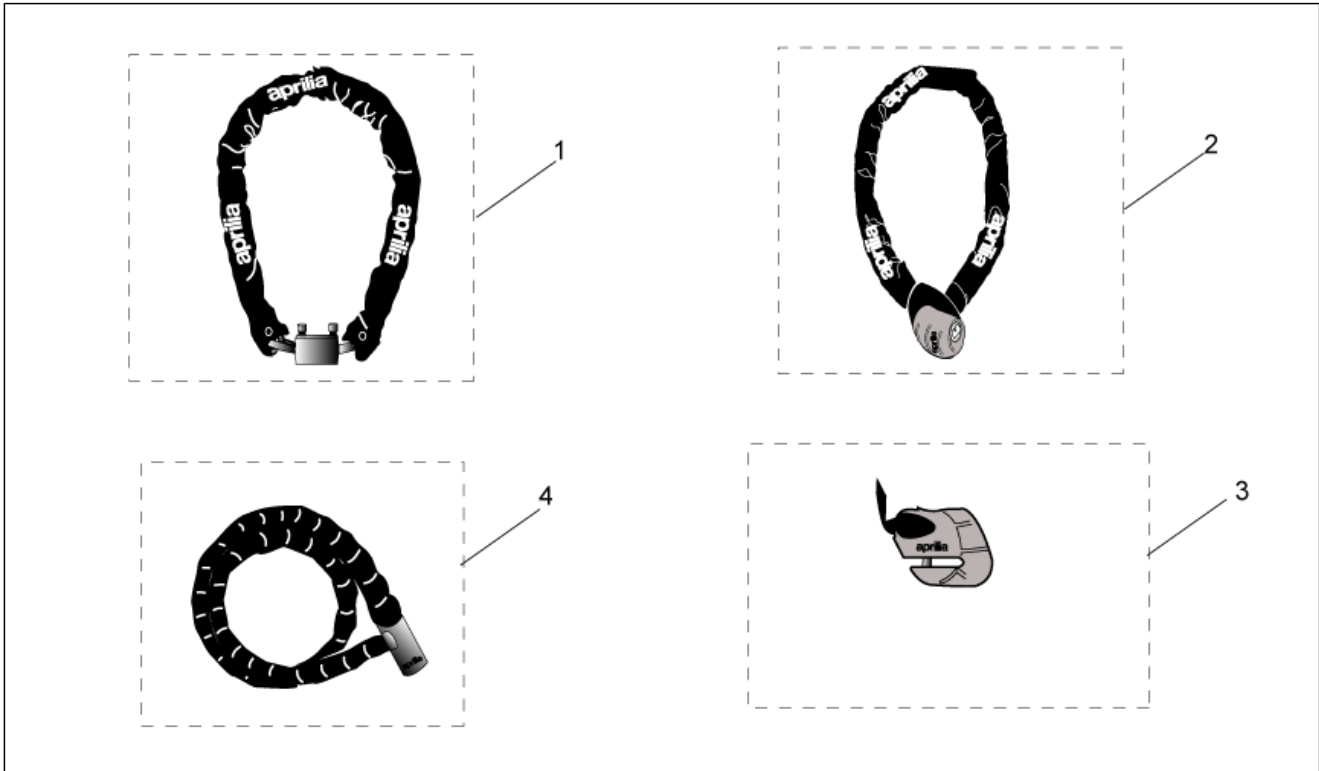
Pos.	Code	Description	Qty	Variants
1	AP8792370	Top box, embossed New-C 28L	1	Technical Specifications:Accessories[A]
2	AP8792369	Top box, black A.24L	1	Technical Specifications:Accessories[A]
3	AP8104197	Top box lock cpl.	1	Technical Specifications:Accessories[A]
4	AP8225370	Nut M26x1	1	Technical Specifications:Accessories[A]
5	AP8104602	Top box lock	1	Technical Specifications:Accessories[A]
6	AP8229331	Seat cushion	1	Technical Specifications:Accessories[A]
7	AP8796998	Pair anti.v weights	1	Technical Specifications:Accessories[A]

Group	ACCESSORIES
Code	30.64
Description	Acc. - Various
Service	1



Pos.	Code	Description	Qty	Variants
1	AP8700792	Key support B.Guard UK-D	1	Country:Germany[D], Great Britain[UK] Technical Specifications:Accessories[A]
1	AP8700793	Key support B.Guard F-NL	1	Country:France[F], Holland[NL] Technical Specifications:Accessories[A]
1	AP8700794	Key support B.Guard I-E	1	Country:Spain[E], Italy[I] Technical Specifications:Accessories[A]
2	AP8161048	Adaptor Bodyguard	1	Technical Specifications:Accessories[A]
3	AP8797003	Leg cover sheet	1	Technical Specifications:Accessories[A]

Group	ACCESSORIES
Code	30.66
Description	Acc. - Mechanics anti-theft
Service	1



Pos.	Code	Description	Qty	Variants
1	AP8720115	Iron Guard 10x150 mm	1	Technical Specifications:Accessories[A]
2	AP8720116	Iron Guard 8x120 mm	1	Technical Specifications:Accessories[A]
3	AP8720117	Iron Guard Disk 5 mm	1	Technical Specifications:Accessories[A]
4	AP8720118	Easy Guard 150 mm	1	Technical Specifications:Accessories[A]