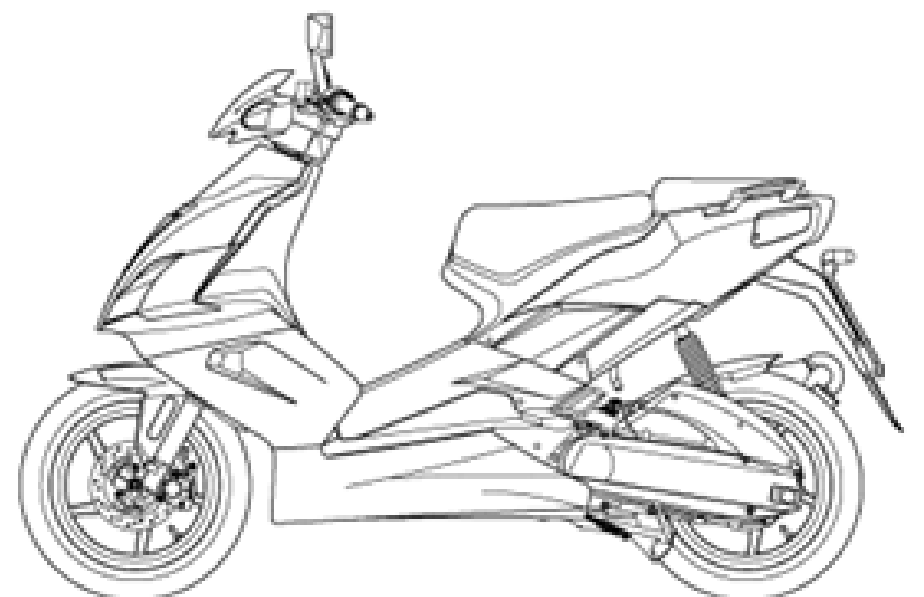




PIAGGIO & C.s.p.a.

aprilia

SPARE PARTS CATALOGUE



SR 50 H2O NEW (Di-Tech) 04-07

Chassis prefix: ZD4VF0, ZD4VFA, ZD4VFC, ZD4VM

Engine prefix:

Index

| | |
|---|----|
| Products..... | 4 |
| Part reference..... | 5 |
| FRAME..... | 9 |
| Drawing 28.01 - Frame..... | 9 |
| Drawing 28.02 - Central stand - Connecting rod..... | 10 |
| Drawing 28.03 - Front fork I..... | 11 |
| Drawing 28.04 - Front fork II..... | 12 |
| Drawing 28.05 - Front fork III..... | 13 |
| Drawing 28.06 - Front body I..... | 14 |
| Drawing 28.07 - Front body II..... | 15 |
| Drawing 28.08 - Front body III..... | 16 |
| Drawing 28.09 - Front body IV..... | 17 |
| Drawing 28.10 - Central body I..... | 18 |
| Drawing 28.11 - Central body II..... | 19 |
| Drawing 28.12 - Saddle - Handle..... | 20 |
| Drawing 28.13 - Rear body I..... | 21 |
| Drawing 28.14 - Rear body II..... | 22 |
| Drawing 28.15 - Rear body III..... | 23 |
| Drawing 28.16 - Dashboard..... | 24 |
| Drawing 28.17 - Handlebar..... | 25 |
| Drawing 28.18 - LH Controls..... | 26 |
| Drawing 28.19 - RH controls..... | 27 |
| Drawing 28.20 - Oil tank..... | 28 |
| Drawing 28.21 - Fuel tank..... | 29 |
| Drawing 28.22 - Cooling system..... | 30 |
| Drawing 28.23 - Air box..... | 31 |
| Drawing 28.25 - Exhaust pipe..... | 32 |
| Drawing 28.26 - Front wheel..... | 33 |
| Drawing 28.27 - Front brake caliper..... | 34 |
| Drawing 28.28 - Rear wheel - disc brake..... | 35 |
| Drawing 28.29 - Front lights..... | 36 |
| Drawing 28.30 - Rear lights..... | 37 |
| Drawing 28.31 - Electrical system I..... | 38 |
| Drawing 28.32 - Lock hardware kit..... | 40 |
| Drawing 28.33 - Plate set and handbook..... | 41 |
| Drawing 28.34 - Decal..... | 42 |
| ENGINE..... | 45 |
| Drawing 29.24 - Engine..... | 45 |
| Drawing 29.35 - Crank-case..... | 46 |
| Drawing 29.36 - Drive shaft..... | 47 |
| Drawing 29.37 - Compressor..... | 48 |
| Drawing 29.38 - Cylinder with piston..... | 49 |
| Drawing 29.39 - Cylinder head..... | 50 |

| | |
|---|----|
| Drawing 29.40 - Throttle body..... | 51 |
| Drawing 29.41 - Injection unit..... | 52 |
| Drawing 29.42 - Transmission cover..... | 53 |
| Drawing 29.43 - Variator..... | 54 |
| Drawing 29.44 - Clutch..... | 55 |
| Drawing 29.45 - Transmission final drive..... | 56 |
| Drawing 29.46 - Flywheel..... | 57 |
| Drawing 29.47 - Starter motor..... | 58 |
| Drawing 29.48 - Water pump..... | 59 |
| ACCESSORIES..... | 60 |
| Drawing 30.49 - Acc. - Windshields..... | 60 |
| Drawing 30.50 - Acc. - Top/cases, side cases..... | 61 |
| Drawing 30.51 - Acc. - Various..... | 62 |
| Drawing 30.52 - Acc. - Mechanics anti-theft..... | 63 |



SR 50 -125
5574 - SR 50 H2O NEW (Di-Tech) 04-07

Chassis prefix: ZD4VF0, ZD4VFA, ZD4VFC,
ZD4VM
Engine prefix:

Products

| Code | Validity |
|-------------|----------|
| no products | |

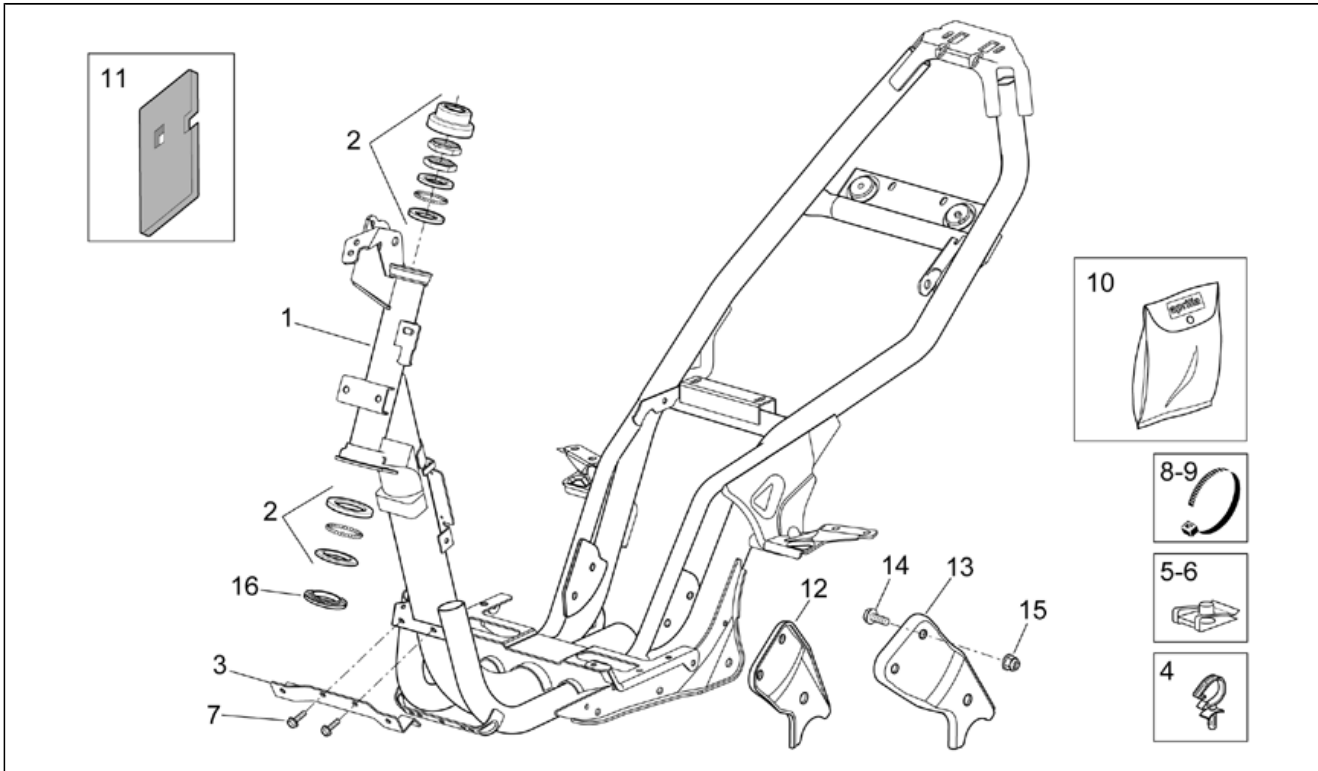
| Code | Drawing Nr. | Pos. | Code | Drawing Nr. | Pos. | Code | Drawing Nr. | Pos. |
|--------------|-------------|------|--------------|-------------|------|--------------|-------------|------|
| 0000000 | 28.26 | 1 | AP3FCN000268 | 29.35 | 3 | AP4BDN000039 | 29.44 | 10 |
| 0000000 | 28.28 | 1 | AP3FCN000269 | 29.35 | 1 | AP4BEN000010 | 29.46 | 4 |
| 0000000 | 28.29 | 8 | AP3FCN000271 | 29.47 | 11 | AP4DAN000125 | 29.48 | 17 |
| 0000000 | 28.29 | 9 | AP3GAN000051 | 29.45 | 8 | AP4DFN000032 | 29.37 | 3 |
| 0000000 | 28.30 | 10 | AP3GAN000214 | 29.36 | 4 | AP4DFN000033 | 29.40 | 9 |
| 0000000 | 28.30 | 11 | AP3HAA000044 | 29.35 | 4 | AP4DFN000033 | 29.48 | 20 |
| 0000000 | 28.31 | 21 | AP3HAA000068 | 29.35 | 12 | AP4DGN000066 | 29.46 | 3 |
| 854933 | 28.21 | 16 | AP3HAN000056 | 29.35 | 6 | AP4DGN000077 | 29.46 | 7 |
| AP1BFA000699 | 29.36 | 6 | AP3HVA000160 | 29.35 | 15 | AP4DHN000020 | 29.43 | 4 |
| AP1BHA000624 | 29.35 | 2 | AP3HZA000710 | 29.35 | 14 | AP4EEN000037 | 29.35 | 22 |
| AP1BOA000028 | 29.45 | 1 | AP3LAA000010 | 29.24 | 10 | AP4EEN000063 | 29.35 | 21 |
| AP1BOA000029 | 29.45 | 3 | AP3LAA000100 | 29.48 | 18 | AP4EEN000063 | 29.39 | 9 |
| AP2AAN000212 | 29.41 | 9 | AP3LAA000110 | 29.39 | 10 | AP4FAN000030 | 29.36 | 8 |
| AP2APN000213 | 29.42 | 2 | AP3LAA000173 | 29.48 | 11 | AP4FCN000095 | 29.48 | 15 |
| AP2AVN000256 | 29.41 | 2 | AP3LAA000586 | 29.39 | 15 | AP4GAN000025 | 29.45 | 7 |
| AP2BAA000164 | 29.39 | 12 | AP3LBA000587 | 29.48 | 2 | AP4GAN000026 | 29.35 | 10 |
| AP2BAA000643 | 29.39 | 6 | AP3LCA000101 | 29.48 | 14 | AP4GAN000083 | 29.35 | 5 |
| AP2BEN000319 | 29.39 | 4 | AP3LCA000166 | 29.48 | 16 | AP4GAN000103 | 29.48 | 21 |
| AP2BVA000040 | 29.38 | 1 | AP3LDA000109 | 29.48 | 10 | AP5RAR000104 | 29.37 | 6 |
| AP2DHN000202 | 29.48 | 8 | AP3LZA000108 | 29.48 | 1 | AP5RAR000108 | 29.41 | 12 |
| AP2EAN000081 | 29.39 | 14 | AP3MAA000450 | 29.42 | 3 | AP5RAR000109 | 29.41 | 11 |
| AP2EAN000185 | 29.37 | 5 | AP3MAN000087 | 29.43 | 14 | AP5RAR000110 | 29.41 | 13 |
| AP2EAN000257 | 29.41 | 6 | AP3MAN000264 | 29.42 | 5 | AP5RAR000112 | 29.37 | 4 |
| AP2EAN000258 | 29.41 | 5 | AP3MDA000619 | 29.44 | 9 | AP5RER000074 | 29.38 | 7 |
| AP2FBN000034 | 29.40 | 11 | AP3MDA000621 | 29.44 | 1 | AP5RER000077 | 29.38 | 7 |
| AP2FDN000175 | 29.24 | 11 | AP3MEA000620 | 29.43 | 6 | AP5RER000081 | 29.38 | 7 |
| AP2FDN000176 | 29.24 | 12 | AP3MEA000715 | 29.43 | 11 | AP5RER000084 | 29.38 | 8 |
| AP2FDN000201 | 29.40 | 5 | AP3MEA000840 | 29.43 | 11 | AP5RER000085 | 29.38 | 8 |
| AP2GAN000113 | 29.45 | 10 | AP3MEA000840 | 29.43 | 11 | AP5RER000087 | 29.38 | 8 |
| AP2GAN000219 | 29.36 | 3 | AP3MEN000255 | 29.43 | 13 | AP5RER000089 | 29.38 | 9 |
| AP2GLN000192 | 29.36 | 7 | AP3MEN000302 | 29.43 | 10 | AP5RLR000114 | 29.39 | 13 |
| AP2HAA000487 | 29.40 | 12 | AP3MZA000793 | 29.42 | 1 | AP5RMR000234 | 29.43 | 8 |
| AP2HAN000224 | 29.40 | 10 | AP3NAN000058 | 29.45 | 5 | AP5RMR000235 | 29.43 | 7 |
| AP2MCA000014 | 29.43 | 12 | AP3NAN000059 | 29.45 | 4 | AP5RMR000239 | 29.44 | 8 |
| AP2MEA000805 | 29.43 | 9 | AP3NBA000027 | 29.45 | 2 | AP5RMR000240 | 29.44 | 7 |
| AP2MEA000828 | 29.43 | 9 | AP3NVA000627 | 29.35 | 11 | AP5RMR000241 | 29.44 | 6 |
| AP2QBA000058 | 29.47 | 10 | AP3QAA000038 | 29.47 | 9 | AP5RMR000242 | 29.44 | 4 |
| AP2QBA000456 | 29.47 | 10 | AP3QAA000039 | 29.35 | 23 | AP5RMR000243 | 29.44 | 5 |
| AP2QCA000041 | 29.47 | 1 | AP3QAA000039 | 29.47 | 4 | AP5RMR000245 | 29.44 | 2 |
| AP2QCA000455 | 29.47 | 1 | AP3QEA000031 | 29.43 | 1 | AP5RMR000246 | 29.44 | 3 |
| AP3AAN000054 | 29.40 | 6 | AP3RAA000730 | 29.46 | 1 | AP5RQR000023 | 29.47 | 3 |
| AP3AAN000054 | 29.48 | 13 | AP3TAN000060 | 29.43 | 3 | AP5RQR000026 | 29.47 | 6 |
| AP3ABA000642 | 29.40 | 4 | AP3TAN000172 | 29.43 | 5 | AP5RQR000027 | 29.47 | 7 |
| AP3ABN000092 | 29.48 | 7 | AP3TDA000074 | 29.43 | 2 | AP5RQR000069 | 29.47 | 2 |
| AP3ACA000132 | 29.40 | 1 | AP3UAN000061 | 29.39 | 1 | AP5RQR000181 | 29.47 | 3 |
| AP3AEA000002 | 29.40 | 3 | AP3UAN000300 | 29.48 | 22 | AP5RQR000182 | 29.47 | 7 |
| AP3AFA000162 | 29.37 | 1 | AP4ADN000007 | 29.35 | 16 | AP5RQR000183 | 29.47 | 2 |
| AP3AGA000614 | 29.41 | 3 | AP4ADN000012 | 29.47 | 5 | AP5RSR000227 | 29.46 | 2 |
| AP3AUN000062 | 29.35 | 20 | AP4ADN000013 | 29.35 | 8 | AP5RSR000228 | 29.46 | 2 |
| AP3AUN000124 | 29.39 | 8 | AP4ADN000014 | 29.39 | 7 | AP5RZR000098 | 29.38 | 10 |
| AP3AVA000063 | 29.40 | 2 | AP4ADN000014 | 29.40 | 8 | AP5RZR000099 | 29.36 | 2 |
| AP3AVN000086 | 29.40 | 7 | AP4ADN000014 | 29.48 | 6 | AP5RZR000232 | 29.41 | 8 |
| AP3AVN000245 | 29.41 | 4 | AP4ADN000016 | 29.35 | 13 | AP8101573 | 28.22 | 19 |
| AP3BBA000606 | 29.39 | 2 | AP4ADN000016 | 29.42 | 4 | AP8101606 | 28.02 | 3 |
| AP3BDN000005 | 29.39 | 5 | AP4ADN000016 | 29.47 | 8 | AP8101743 | 28.20 | 6 |
| AP3EAN000082 | 29.48 | 3 | AP4ADN000016 | 29.48 | 12 | AP8101770 | 28.20 | 15 |
| AP3EAN000096 | 29.38 | 5 | AP4ADN000023 | 29.46 | 5 | AP8101944 | 28.20 | 9 |
| AP3EBN000046 | 29.45 | 9 | AP4ADN000027 | 29.37 | 2 | AP8101944 | 28.21 | 4 |
| AP3EBN000047 | 29.35 | 9 | AP4ADN000101 | 29.46 | 6 | AP8102223 | 28.20 | 7 |
| AP3EBN000180 | 29.36 | 5 | AP4ADN000178 | 29.35 | 17 | AP8102224 | 28.20 | 5 |
| AP3EBN000183 | 29.36 | 1 | AP4ADN000179 | 29.35 | 18 | AP8102349 | 28.22 | 11 |
| AP3ECN000080 | 29.48 | 9 | AP4AHN000067 | 29.35 | 19 | AP8102375 | 28.01 | 5 |
| AP3EDA000143 | 29.38 | 6 | AP4APN000267 | 29.39 | 3 | AP8102375 | 28.10 | 5 |
| AP3EDN000281 | 29.39 | 11 | AP4APN000267 | 29.48 | 4 | AP8102375 | 28.11 | 5 |
| AP3EDN000281 | 29.48 | 5 | AP4AUN000011 | 29.35 | 7 | AP8102375 | 28.13 | 9 |
| AP3EVA000433 | 29.38 | 4 | AP4BAN000002 | 29.38 | 2 | AP8102375 | 28.15 | 12 |
| AP3FBN000049 | 29.45 | 6 | AP4BAN000076 | 29.38 | 3 | AP8102375 | 28.20 | 11 |

| Code | Drawing Nr. | Pos. | Code | Drawing Nr. | Pos. | Code | Drawing Nr. | Pos. |
|-----------|-------------|------|-----------|-------------|------|-----------|-------------|------|
| AP8102375 | 28.21 | 15 | AP8121984 | 28.23 | 13 | AP8152018 | 28.26 | 11 |
| AP8102375 | 28.22 | 10 | AP8125743 | 28.26 | 8 | AP8152018 | 29.24 | 7 |
| AP8102375 | 28.23 | 10 | AP8125757 | 28.18 | 15 | AP8152056 | 28.26 | 4 |
| AP8102375 | 28.30 | 13 | AP8125757 | 28.19 | 15 | AP8152140 | 28.32 | 14 |
| AP8102375 | 28.31 | 16 | AP8125782 | 28.26 | 6 | AP8152194 | 28.32 | 7 |
| AP8102376 | 28.01 | 6 | AP8127098 | 28.30 | 15 | AP8152244 | 28.28 | 12 |
| AP8102376 | 28.09 | 4 | AP8127305 | 28.18 | 7 | AP8152246 | 28.14 | 12 |
| AP8102381 | 28.06 | 9 | AP8127305 | 28.19 | 7 | AP8152246 | 28.25 | 5 |
| AP8102381 | 28.08 | 12 | AP8127461 | 28.32 | 12 | AP8152246 | 28.32 | 15 |
| AP8102381 | 28.13 | 10 | AP8127477 | 28.31 | 32 | AP8152260 | 28.25 | 6 |
| AP8102600 | 28.08 | 13 | AP8133735 | 28.27 | 1 | AP8152269 | 28.06 | 12 |
| AP8102671 | 28.06 | 13 | AP8134167 | 28.09 | 10 | AP8152273 | 28.31 | 15 |
| AP8102671 | 28.17 | 10 | AP8134167 | 28.28 | 15 | AP8152277 | 28.28 | 19 |
| AP8102732 | 28.22 | 13 | AP8134460 | 28.22 | 17 | AP8152277 | 28.31 | 17 |
| AP8102738 | 28.21 | 11 | AP8144187 | 28.21 | 3 | AP8152278 | 28.01 | 7 |
| AP8102764 | 28.21 | 14 | AP8144303 | 28.21 | 8 | AP8152278 | 28.09 | 9 |
| AP8102765 | 28.22 | 12 | AP8144343 | 28.21 | 2 | AP8152278 | 28.20 | 16 |
| AP8102786 | 28.21 | 9 | AP8144506 | 28.22 | 6 | AP8152278 | 28.22 | 14 |
| AP8102947 | 28.32 | 4 | AP8144565 | 28.30 | 17 | AP8152278 | 28.31 | 3 |
| AP8104197 | 30.50 | 3 | AP8144599 | 28.09 | 6 | AP8152280 | 28.31 | 14 |
| AP8104451 | 28.09 | 14 | AP8144599 | 28.11 | 7 | AP8152286 | 28.01 | 14 |
| AP8104609 | 28.32 | 3 | AP8144691 | 28.22 | 5 | AP8152288 | 28.28 | 20 |
| AP8104611 | 28.32 | 2 | AP8144707 | 28.31 | 31 | AP8152289 | 28.27 | 7 |
| AP8104622 | 28.32 | 11 | AP8149034 | 28.15 | 19 | AP8152290 | 28.17 | 8 |
| AP8112290 | 28.31 | 18 | AP8150014 | 28.23 | 15 | AP8152290 | 28.25 | 3 |
| AP8112916 | 28.15 | 5 | AP8150017 | 28.02 | 8 | AP8152291 | 28.25 | 8 |
| AP8113003 | 28.18 | 4 | AP8150020 | 28.02 | 13 | AP8152298 | 28.09 | 5 |
| AP8113003 | 28.19 | 4 | AP8150020 | 28.17 | 6 | AP8152298 | 28.10 | 7 |
| AP8113003 | 28.27 | 5 | AP8150086 | 28.02 | 14 | AP8152298 | 28.11 | 8 |
| AP8113003 | 28.28 | 14 | AP8150086 | 28.17 | 5 | AP8152298 | 28.13 | 12 |
| AP8113004 | 28.18 | 5 | AP8150107 | 28.17 | 12 | AP8152298 | 28.15 | 7 |
| AP8113004 | 28.19 | 5 | AP8150137 | 28.32 | 13 | AP8152298 | 28.20 | 12 |
| AP8113004 | 28.27 | 6 | AP8150157 | 28.23 | 16 | AP8152298 | 28.21 | 7 |
| AP8113004 | 28.28 | 10 | AP8150158 | 28.15 | 10 | AP8152298 | 28.32 | 16 |
| AP8113005 | 28.27 | 9 | AP8150165 | 28.14 | 11 | AP8152299 | 28.31 | 33 |
| AP8113005 | 28.28 | 8 | AP8150204 | 28.15 | 11 | AP8152300 | 28.01 | 15 |
| AP8113006 | 28.27 | 8 | AP8150204 | 28.31 | 11 | AP8152300 | 28.17 | 9 |
| AP8113006 | 28.28 | 9 | AP8150220 | 28.15 | 14 | AP8152301 | 28.02 | 15 |
| AP8113122 | 28.27 | 10 | AP8150255 | 28.16 | 3 | AP8152301 | 28.17 | 7 |
| AP8113577 | 28.27 | 1 | AP8150298 | 28.30 | 8 | AP8152302 | 28.15 | 8 |
| AP8113638 | 28.27 | 2 | AP8150333 | 28.25 | 10 | AP8152302 | 28.22 | 15 |
| AP8113640 | 28.27 | 4 | AP8150373 | 28.26 | 14 | AP8152306 | 28.14 | 6 |
| AP8113869 | 28.28 | 6 | AP8150376 | 28.02 | 9 | AP8152306 | 28.15 | 16 |
| AP8113871 | 28.28 | 17 | AP8150376 | 28.25 | 2 | AP8152306 | 28.15 | 9 |
| AP8117033 | 28.14 | 13 | AP8150382 | 28.16 | 5 | AP8152318 | 29.24 | 3 |
| AP8117040 | 28.10 | 8 | AP8150413 | 28.06 | 8 | AP8152329 | 28.23 | 9 |
| AP8118699 | 28.18 | 6 | AP8150413 | 28.07 | 7 | AP8152341 | 28.09 | 8 |
| AP8118699 | 28.19 | 6 | AP8150413 | 28.08 | 9 | AP8152351 | 28.07 | 9 |
| AP8120405 | 28.31 | 8 | AP8150413 | 28.09 | 13 | AP8152351 | 28.08 | 11 |
| AP8120416 | 28.01 | 8 | AP8150413 | 28.12 | 9 | AP8152351 | 28.09 | 12 |
| AP8120416 | 28.15 | 13 | AP8150413 | 28.13 | 13 | AP8152351 | 28.10 | 6 |
| AP8120416 | 28.29 | 13 | AP8150413 | 28.16 | 6 | AP8152351 | 28.11 | 6 |
| AP8120416 | 28.31 | 28 | AP8150413 | 28.29 | 12 | AP8152477 | 28.17 | 11 |
| AP8120422 | 28.31 | 27 | AP8150416 | 28.31 | 12 | AP8166478 | 28.34 | 36 |
| AP8120446 | 28.20 | 13 | AP8150421 | 28.07 | 8 | AP8201225 | 28.20 | 8 |
| AP8120531 | 28.06 | 11 | AP8150423 | 28.08 | 8 | AP8201457 | 28.33 | 4 |
| AP8120531 | 28.09 | 7 | AP8150432 | 29.24 | 6 | AP8201534 | 28.08 | 7 |
| AP8120657 | 28.01 | 9 | AP8150444 | 28.12 | 10 | AP8201546 | 28.26 | 7 |
| AP8120657 | 28.31 | 29 | AP8150444 | 28.23 | 8 | AP8201546 | 28.28 | 5 |
| AP8120754 | 28.31 | 20 | AP8150450 | 28.07 | 6 | AP8201620 | 28.32 | 8 |
| AP8120865 | 28.26 | 9 | AP8150450 | 28.13 | 11 | AP8201643 | 28.14 | 8 |
| AP8120952 | 28.21 | 10 | AP8150471 | 28.28 | 16 | AP8201748 | 28.32 | 9 |
| AP8121075 | 28.25 | 11 | AP8150493 | 28.06 | 10 | AP8201749 | 28.32 | 10 |
| AP8121184 | 28.30 | 12 | AP8150493 | 28.29 | 11 | AP8202394 | 28.17 | 2 |
| AP8121679 | 28.14 | 10 | AP8150509 | 28.12 | 8 | AP8202395 | 28.17 | 3 |
| AP8121697 | 28.02 | 16 | AP8150509 | 28.16 | 4 | AP8202396 | 28.32 | 17 |
| AP8121811 | 28.15 | 15 | AP8150509 | 28.30 | 16 | AP8202397 | 28.33 | 3 |

| Code | Drawing Nr. | Pos. | Code | Drawing Nr. | Pos. | Code | Drawing Nr. | Pos. |
|-----------|-------------|------|-----------|-------------|------|-----------|-------------|------|
| AP8202402 | 28.21 | 12 | AP8218639 | 28.19 | 18 | AP8223052 | 28.05 | 2 |
| AP8202403 | 28.26 | 15 | AP8219212 | 28.25 | 7 | AP8223053 | 28.05 | 3 |
| AP8202406 | 28.22 | 3 | AP8219452 | 28.25 | 1 | AP8223054 | 28.05 | 9 |
| AP8202432 | 28.01 | 10 | AP8219540 | 28.25 | 12 | AP8223060 | 28.01 | 2 |
| AP8202439 | 28.33 | 3 | AP8219593 | 28.25 | 12 | AP8223101 | 29.24 | 4 |
| AP8202441 | 28.33 | 3 | AP8220104 | 28.23 | 11 | AP8224026 | 28.31 | 24 |
| AP8202442 | 28.33 | 3 | AP8220150 | 28.16 | 2 | AP8224164 | 28.15 | 18 |
| AP8202443 | 28.23 | 7 | AP8220238 | 28.02 | 7 | AP8224261 | 28.31 | 6 |
| AP8202444 | 28.23 | 12 | AP8220238 | 28.31 | 10 | AP8224296 | 28.31 | 5 |
| AP8202445 | 29.41 | 7 | AP8220263 | 28.21 | 5 | AP8224379 | 28.31 | 13 |
| AP8202449 | 28.07 | 10 | AP8220283 | 28.31 | 23 | AP8224462 | 28.31 | 26 |
| AP8202449 | 28.08 | 10 | AP8220342 | 28.31 | 19 | AP8224550 | 29.41 | 16 |
| AP8203762 | 28.03 | 4 | AP8220346 | 28.02 | 11 | AP8224586 | 28.29 | 1 |
| AP8206233 | 29.24 | 9 | AP8220349 | 28.12 | 7 | AP8224587 | 28.30 | 1 |
| AP8208708 | 28.26 | 2 | AP8220357 | 28.25 | 9 | AP8224589 | 28.29 | 2 |
| AP8208709 | 28.28 | 2 | AP8220399 | 28.02 | 12 | AP8224590 | 28.29 | 3 |
| AP8208922 | 28.26 | 2 | AP8220402 | 28.20 | 10 | AP8224591 | 28.30 | 4 |
| AP8208924 | 28.28 | 2 | AP8220421 | 28.20 | 2 | AP8224592 | 28.30 | 3 |
| AP8212588 | 28.31 | 30 | AP8220546 | 28.31 | 25 | AP8224594 | 28.16 | 1 |
| AP8212611 | 28.31 | 2 | AP8220562 | 29.24 | 2 | AP8224618 | 28.31 | 22 |
| AP8213227 | 28.27 | 3 | AP8220579 | 28.28 | 13 | AP8224619 | 28.18 | 1 |
| AP8213231 | 28.26 | 3 | AP8220592 | 28.14 | 3 | AP8224620 | 28.19 | 1 |
| AP8213231 | 28.28 | 3 | AP8220597 | 28.21 | 18 | AP8224623 | 28.09 | 11 |
| AP8213298 | 28.18 | 16 | AP8220605 | 28.23 | 14 | AP8224624 | 28.30 | 7 |
| AP8213298 | 28.19 | 16 | AP8220641 | 28.21 | 13 | AP8224637 | 28.31 | 1 |
| AP8213299 | 28.18 | 3 | AP8220641 | 29.41 | 10 | AP8224644 | 28.20 | 3 |
| AP8213299 | 28.19 | 3 | AP8220666 | 28.22 | 8 | AP8224646 | 28.29 | 1 |
| AP8213382 | 28.18 | 2 | AP8220667 | 28.22 | 7 | AP8224647 | 28.31 | 1 |
| AP8213400 | 28.18 | 14 | AP8220702 | 28.21 | 17 | AP8224649 | 28.31 | 1 |
| AP8213400 | 28.19 | 14 | AP8220706 | 28.23 | 5 | AP8224652 | 28.32 | 1 |
| AP8213455 | 28.18 | 11 | AP8220707 | 28.23 | 6 | AP8224654 | 29.41 | 15 |
| AP8213455 | 28.19 | 11 | AP8220708 | 28.20 | 4 | AP8224655 | 28.30 | 14 |
| AP8213457 | 28.28 | 18 | AP8220710 | 28.01 | 16 | AP8224656 | 28.29 | 6 |
| AP8213488 | 28.28 | 7 | AP8221036 | 28.31 | 9 | AP8224657 | 28.29 | 7 |
| AP8213546 | 28.19 | 9 | AP8221119 | 28.26 | 10 | AP8224658 | 28.30 | 2 |
| AP8213547 | 28.19 | 8 | AP8221218 | 28.15 | 6 | AP8224659 | 28.29 | 4 |
| AP8213548 | 28.18 | 9 | AP8221297 | 28.25 | 4 | AP8224660 | 28.29 | 5 |
| AP8213548 | 28.28 | 11 | AP8221307 | 29.24 | 5 | AP8224661 | 28.30 | 6 |
| AP8213549 | 28.18 | 8 | AP8221310 | 28.01 | 4 | AP8224662 | 28.30 | 5 |
| AP8213558 | 28.19 | 8 | AP8221312 | 28.32 | 6 | AP8224664 | 28.21 | 6 |
| AP8213559 | 28.18 | 8 | AP8221317 | 28.02 | 5 | AP8224666 | 28.29 | 10 |
| AP8213571 | 28.27 | 2 | AP8221318 | 28.02 | 6 | AP8225123 | 28.26 | 5 |
| AP8213572 | 28.27 | 3 | AP8221321 | 28.14 | 7 | AP8225271 | 28.26 | 12 |
| AP8213573 | 28.27 | 4 | AP8221322 | 29.24 | 8 | AP8225323 | 28.26 | 13 |
| AP8213574 | 28.27 | 8 | AP8221323 | 28.02 | 4 | AP8225358 | 28.28 | 4 |
| AP8213575 | 28.27 | 9 | AP8221328 | 28.02 | 2 | AP8225369 | 28.14 | 4 |
| AP8213576 | 28.27 | 10 | AP8222708 | 28.20 | 14 | AP8226801 | 28.15 | 3 |
| AP8213580 | 28.18 | 2 | AP8222809 | 29.24 | 1 | AP8226802 | 28.09 | 1 |
| AP8213581 | 28.19 | 2 | AP8222814 | 29.24 | 1 | AP8226843 | 28.30 | 9 |
| AP8213582 | 28.18 | 3 | AP8222818 | 29.24 | 1 | AP8226844 | 28.15 | 4 |
| AP8213582 | 28.19 | 3 | AP8223004 | 28.03 | 1 | AP8229399 | 28.12 | 1 |
| AP8213583 | 28.18 | 14 | AP8223008 | 28.03 | 5 | AP8229400 | 28.12 | 2 |
| AP8213583 | 28.19 | 14 | AP8223037 | 28.05 | 1 | AP8229401 | 28.12 | 3 |
| AP8213584 | 28.18 | 15 | AP8223038 | 28.03 | 2 | AP8229402 | 28.12 | 4 |
| AP8213584 | 28.19 | 15 | AP8223039 | 28.03 | 3 | AP8229403 | 28.12 | 5 |
| AP8213585 | 28.18 | 16 | AP8223040 | 28.05 | 4 | AP8229404 | 28.12 | 6 |
| AP8213585 | 28.19 | 16 | AP8223041 | 28.04 | 1 | AP8229413 | 28.12 | 2 |
| AP8213593 | 28.18 | 12 | AP8223042 | 28.04 | 2 | AP8234184 | 28.31 | 4 |
| AP8213595 | 28.18 | 13 | AP8223043 | 28.05 | 7 | AP8234195 | 28.14 | 5 |
| AP8213598 | 28.19 | 13 | AP8223044 | 28.05 | 8 | AP8234218 | 28.22 | 9 |
| AP8213600 | 28.19 | 12 | AP8223045 | 28.04 | 6 | AP8234232 | 28.22 | 4 |
| AP8213601 | 28.18 | 10 | AP8223046 | 28.04 | 4 | AP8234233 | 28.01 | 3 |
| AP8213602 | 28.19 | 10 | AP8223047 | 28.05 | 6 | AP8234234 | 28.31 | 7 |
| AP8214238 | 28.32 | 5 | AP8223048 | 28.05 | 5 | AP8235110 | 28.02 | 10 |
| AP8214240 | 28.19 | 17 | AP8223049 | 28.04 | 3 | AP8235165 | 28.01 | 1 |
| AP8217040 | 28.01 | 11 | AP8223050 | 28.04 | 5 | AP8235166 | 28.01 | 12 |
| AP8218638 | 28.17 | 1 | AP8223051 | 28.05 | 10 | AP8235172 | 28.01 | 13 |

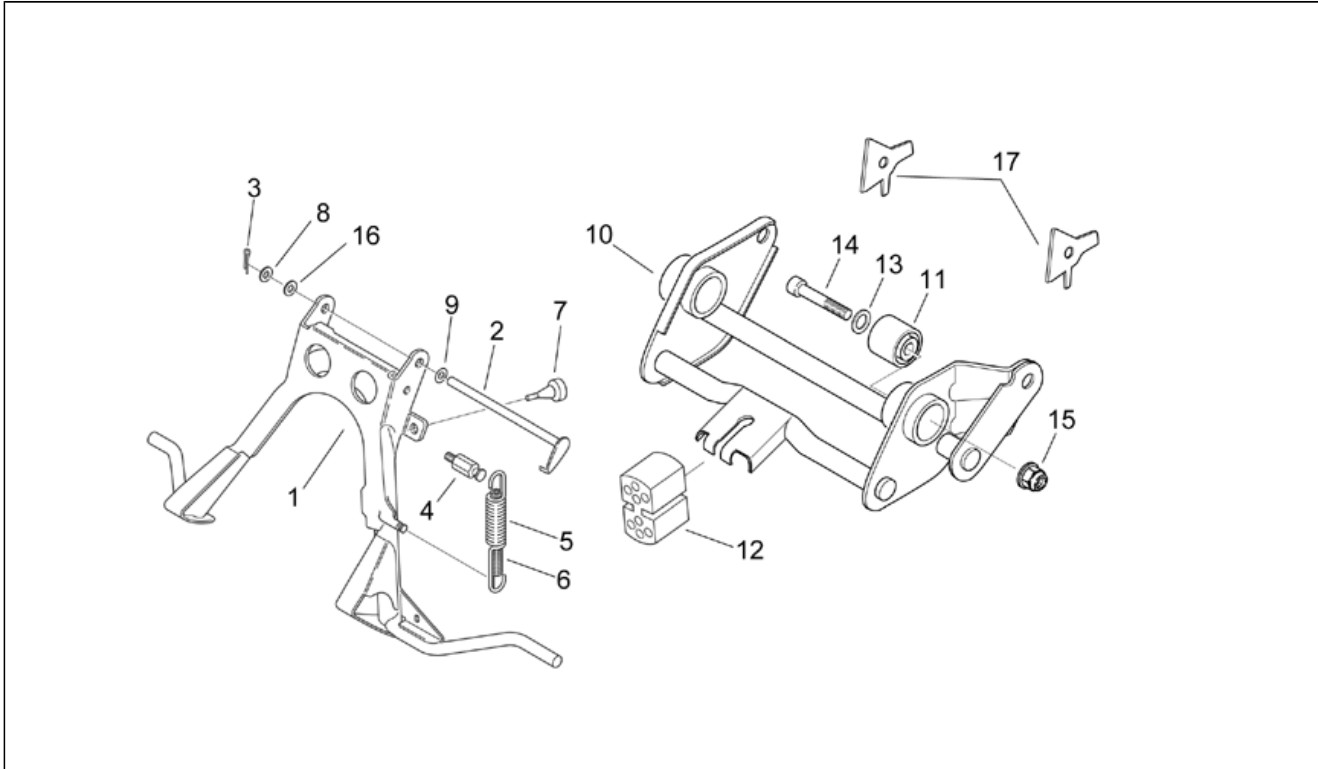
| Code | Drawing Nr. | Pos. | Code | Drawing Nr. | Pos. | Code | Drawing Nr. | Pos. |
|-----------|-------------|------|-----------|-------------|------|-----------|-------------|------|
| AP8235173 | 28.02 | 1 | AP8268325 | 28.23 | 1 | AP8277571 | 28.34 | 38 |
| AP8238769 | 28.22 | 16 | AP8268326 | 28.23 | 2 | AP8277573 | 28.34 | 39 |
| AP8258253 | 28.15 | 17 | AP8268327 | 28.23 | 3 | AP8277574 | 28.34 | 33 |
| AP8268027 | 28.23 | 17 | AP8268328 | 28.23 | 4 | AP8277579 | 28.05 | 11 |
| AP8268036 | 28.21 | 1 | AP8268337 | 28.08 | 2 | AP8277584 | 28.34 | 1 |
| AP8268037 | 28.20 | 1 | AP8268338 | 28.08 | 1 | AP8277603 | 28.34 | 34 |
| AP8268041 | 28.14 | 1 | AP8268340 | 28.07 | 1 | AP8277604 | 28.34 | 35 |
| AP8268042 | 28.15 | 2 | AP8268341 | 28.07 | 5 | AP8277608 | 28.33 | 1 |
| AP8268043 | 28.06 | 6 | AP8268342 | 28.13 | 1 | AP8277609 | 28.34 | 37 |
| AP8268044 | 28.06 | 1 | AP8268343 | 28.13 | 2 | AP8277610 | 28.34 | 40 |
| AP8268045 | 28.06 | 3 | AP8268344 | 28.11 | 1 | AP8277618 | 28.33 | 1 |
| AP8268046 | 28.10 | 3 | AP8276009 | 29.41 | 1 | AP8515041 | 29.41 | 14 |
| AP8268047 | 28.06 | 7 | AP8276090 | 29.41 | 17 | AP8570122 | 28.22 | 2 |
| AP8268048 | 28.08 | 4 | AP8277217 | 28.33 | 1 | AP8590034 | 28.19 | 2 |
| AP8268049 | 28.13 | 1 | AP8277220 | 28.33 | 2 | AP8590035 | 28.18 | 10 |
| AP8268050 | 28.13 | 2 | AP8277484 | 28.33 | 2 | AP8590037 | 28.19 | 10 |
| AP8268051 | 28.08 | 2 | AP8277485 | 28.33 | 1 | AP8590037 | 28.18 | 12 |
| AP8268052 | 28.08 | 1 | AP8277488 | 28.33 | 1 | AP8590037 | 28.19 | 12 |
| AP8268053 | 28.08 | 5 | AP8277519 | 28.34 | 1 | AP8590038 | 28.18 | 13 |
| AP8268054 | 28.07 | 3 | AP8277520 | 28.34 | 2 | AP8590038 | 28.19 | 13 |
| AP8268055 | 28.08 | 3 | AP8277521 | 28.34 | 3 | AP8700792 | 30.51 | 4 |
| AP8268057 | 28.11 | 2 | AP8277522 | 28.34 | 4 | AP8700793 | 30.51 | 4 |
| AP8268058 | 28.15 | 1 | AP8277523 | 28.34 | 5 | AP8700794 | 30.51 | 4 |
| AP8268059 | 28.07 | 1 | AP8277524 | 28.34 | 6 | AP8720115 | 30.52 | 1 |
| AP8268060 | 28.10 | 2 | AP8277525 | 28.34 | 7 | AP8720116 | 30.52 | 2 |
| AP8268061 | 28.10 | 1 | AP8277526 | 28.34 | 8 | AP8720117 | 30.52 | 3 |
| AP8268062 | 28.14 | 9 | AP8277527 | 28.34 | 9 | AP8720118 | 30.52 | 4 |
| AP8268063 | 28.11 | 3 | AP8277528 | 28.34 | 10 | AP8791240 | 30.51 | 2 |
| AP8268064 | 28.11 | 4 | AP8277529 | 28.34 | 11 | AP8791255 | 30.49 | 2 |
| AP8268065 | 28.11 | 1 | AP8277530 | 28.34 | 12 | AP8791256 | 30.49 | 1 |
| AP8268065 | 28.11 | 1 | AP8277531 | 28.34 | 13 | AP8791257 | 30.49 | 4 |
| AP8268068 | 28.10 | 4 | AP8277532 | 28.34 | 14 | AP8791258 | 30.49 | 3 |
| AP8268075 | 28.13 | 3 | AP8277533 | 28.34 | 15 | AP8792066 | 30.50 | 1 |
| AP8268076 | 28.13 | 4 | AP8277534 | 28.34 | 16 | AP8792080 | 30.50 | 2 |
| AP8268077 | 28.07 | 5 | AP8277535 | 28.34 | 17 | AP8792368 | 30.50 | 4 |
| AP8268078 | 28.07 | 4 | AP8277536 | 28.34 | 18 | AP8795049 | 30.51 | 1 |
| AP8268079 | 28.06 | 2 | AP8277537 | 28.34 | 19 | AP8797216 | 30.51 | 3 |
| AP8268080 | 28.13 | 6 | AP8277538 | 28.34 | 1 | | | |
| AP8268081 | 28.13 | 5 | AP8277539 | 28.34 | 2 | | | |
| AP8268082 | 28.08 | 6 | AP8277540 | 28.34 | 3 | | | |
| AP8268083 | 28.09 | 2 | AP8277541 | 28.34 | 4 | | | |
| AP8268084 | 28.14 | 2 | AP8277542 | 28.34 | 5 | | | |
| AP8268250 | 28.17 | 4 | AP8277543 | 28.34 | 6 | | | |
| AP8268251 | 28.06 | 4 | AP8277544 | 28.34 | 7 | | | |
| AP8268252 | 28.06 | 5 | AP8277545 | 28.34 | 8 | | | |
| AP8268253 | 28.09 | 3 | AP8277546 | 28.34 | 9 | | | |
| AP8268254 | 28.22 | 18 | AP8277547 | 28.34 | 13 | | | |
| AP8268255 | 28.30 | 9 | AP8277548 | 28.34 | 14 | | | |
| AP8268259 | 28.22 | 1 | AP8277549 | 28.34 | 15 | | | |
| AP8268262 | 28.13 | 7 | AP8277550 | 28.34 | 16 | | | |
| AP8268263 | 28.13 | 8 | AP8277551 | 28.34 | 17 | | | |
| AP8268292 | 28.07 | 2 | AP8277552 | 28.34 | 18 | | | |
| AP8268292 | 28.07 | 2 | AP8277555 | 28.34 | 1 | | | |
| AP8268292 | 28.07 | 2 | AP8277556 | 28.34 | 22 | | | |
| AP8268292 | 28.07 | 2 | AP8277557 | 28.34 | 23 | | | |
| AP8268295 | 28.08 | 2 | AP8277558 | 28.34 | 20 | | | |
| AP8268296 | 28.08 | 1 | AP8277559 | 28.34 | 24 | | | |
| AP8268297 | 28.07 | 1 | AP8277560 | 28.34 | 25 | | | |
| AP8268297 | 28.07 | 1 | AP8277561 | 28.34 | 26 | | | |
| AP8268298 | 28.07 | 5 | AP8277562 | 28.34 | 21 | | | |
| AP8268299 | 28.13 | 1 | AP8277563 | 28.34 | 27 | | | |
| AP8268300 | 28.13 | 2 | AP8277564 | 28.34 | 29 | | | |
| AP8268307 | 28.08 | 2 | AP8277565 | 28.34 | 31 | | | |
| AP8268308 | 28.08 | 1 | AP8277566 | 28.34 | 28 | | | |
| AP8268309 | 28.07 | 5 | AP8277567 | 28.34 | 30 | | | |
| AP8268310 | 28.13 | 1 | AP8277568 | 28.34 | 32 | | | |
| AP8268311 | 28.13 | 2 | AP8277570 | 28.34 | 37 | | | |

| | |
|--------------------|-------|
| Assembly | FRAME |
| Code | 28.01 |
| Description | Frame |
| Revision | 1 |



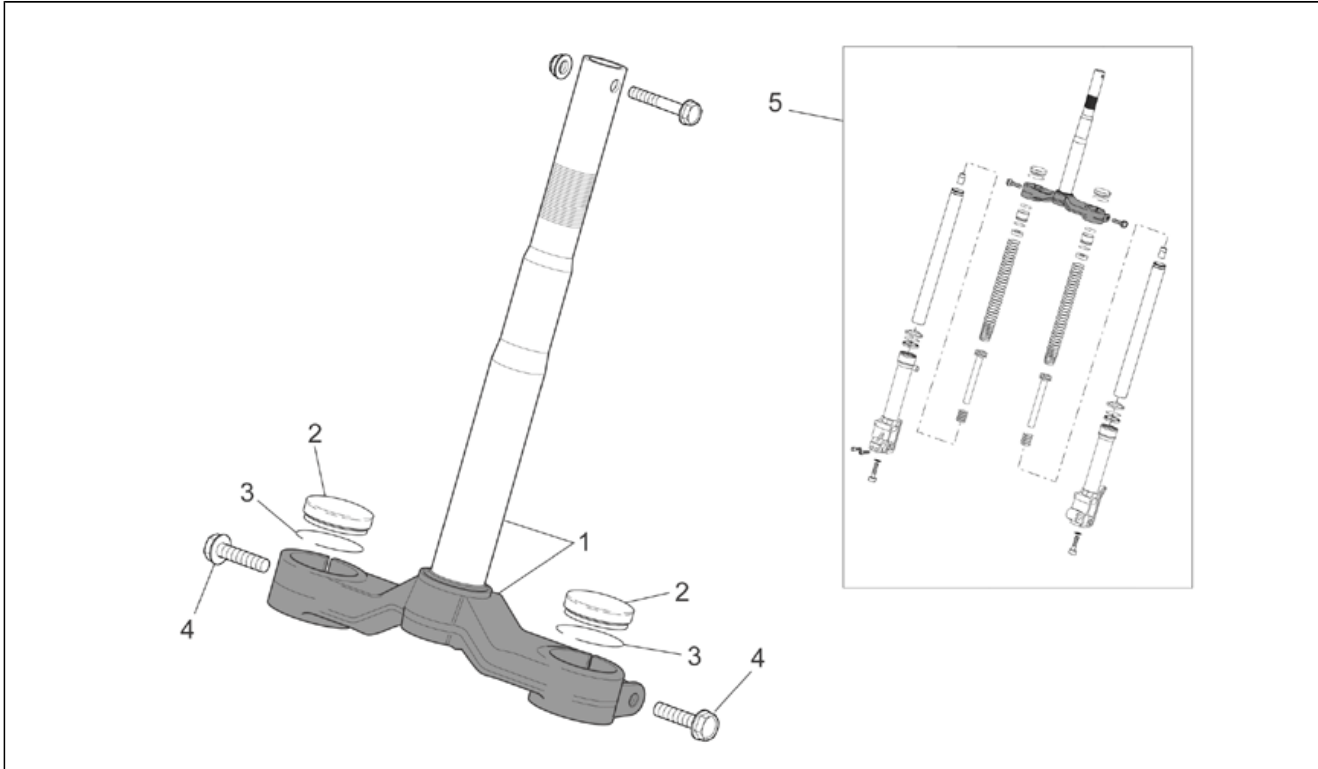
| Pos. | Code | Description | Q.ty | Variants |
|------|-----------|----------------------------|------|----------|
| 1 | AP8235165 | Frame with electro-coating | 1 | |
| 2 | AP8223060 | Ball ring set, complete | 1 | |
| 3 | AP8234233 | Support | 1 | |
| 4 | AP8221310 | Cable-guide | 2 | |
| 5 | AP8102375 | Clip M5 | 5 | |
| 6 | AP8102376 | Clip M6 | 8 | |
| 7 | AP8152278 | Screw w/ flange M6x16* | 2 | |
| 8 | AP8120416 | Black hose 178x4* | 2 | |
| 9 | AP8120657 | Hose clamp * | 1 | |
| 10 | AP8202432 | Toolkit | 1 | |
| 11 | AP8217040 | Die cut protection | 1 | |
| 12 | AP8235166 | RH support | 1 | |
| 13 | AP8235172 | LH support | 1 | |
| 14 | AP8152286 | Screw w/ flange M8x20 | 4 | |
| 15 | AP8152300 | Self-locking nut M8* | 4 | |
| 16 | AP8220710 | Lowe dust cover | 1 | |

| | |
|--------------------|--------------------------------|
| Assembly | FRAME |
| Code | 28.02 |
| Description | Central stand - Connecting rod |
| Revision | 1 |



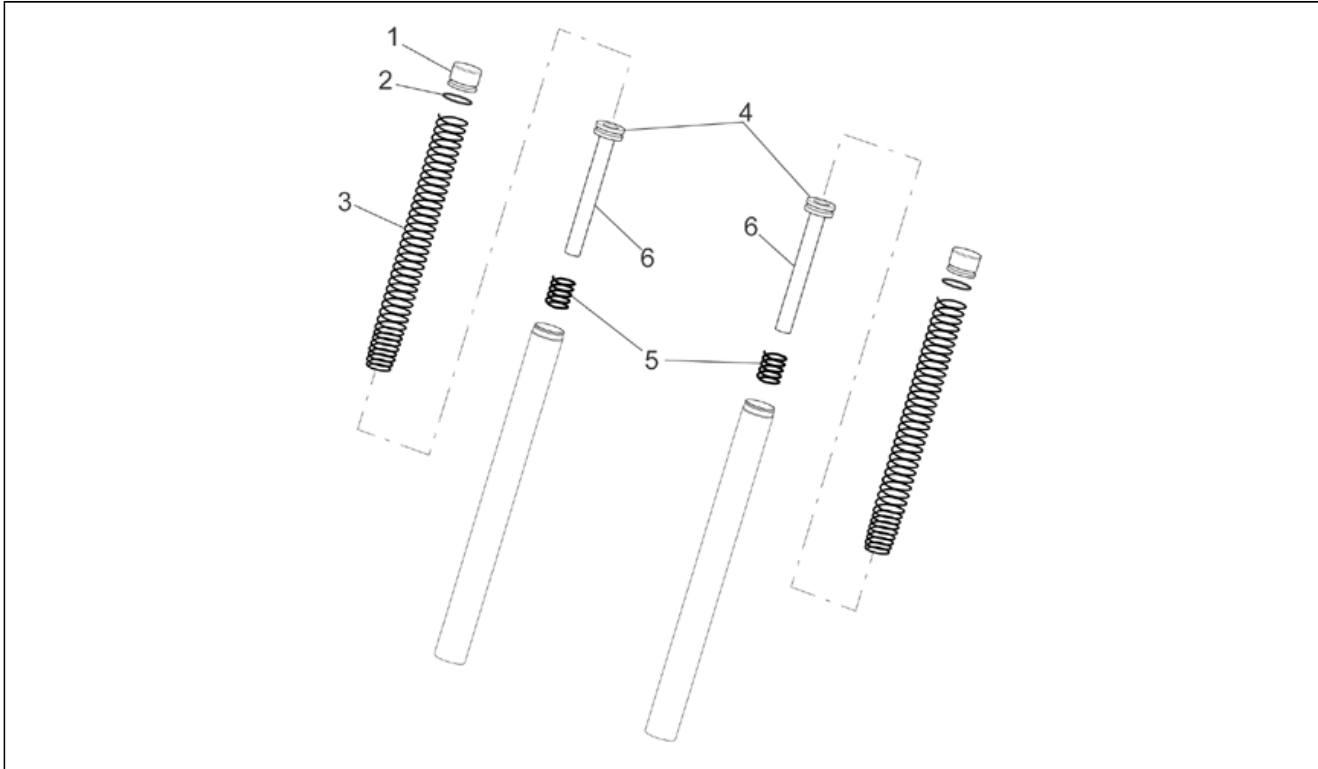
| Pos. | Code | Description | Q.ty | Variants |
|------|-----------|-------------------------------|------|----------|
| 1 | AP8235173 | Central stand | 1 | |
| 2 | AP8221328 | Stand pin mm 151,8 | 1 | |
| 3 | AP8101606 | Split pin | 1 | |
| 4 | AP8221323 | Spring coupling screw | 2 | |
| 5 | AP8221317 | Lateral stand spring | 1 | |
| 6 | AP8221318 | Internal lateral stand spring | 1 | |
| 7 | AP8220238 | Rubber spacer | 1 | |
| 8 | AP8150017 | Washer 8,4x16x1,6* | 1 | |
| 9 | AP8150376 | Washer 8,5x15x0,8 | 1 | |
| 10 | AP8235110 | Engine connecting element | 1 | |
| 11 | AP8220346 | Silent-block | 2 | |
| 12 | AP8220399 | Fasc drift | 1 | |
| 13 | AP8150020 | Washer 10,5x21x2* | 2 | |
| 14 | AP8150086 | Hex socket screw M10X55 | 2 | |
| 15 | AP8152301 | Self-locking nut M10* | 2 | |
| 16 | AP8121697 | Belleville spring | 1 | |

| | |
|--------------------|--------------|
| Assembly | FRAME |
| Code | 28.03 |
| Description | Front fork I |
| Revision | 1 |



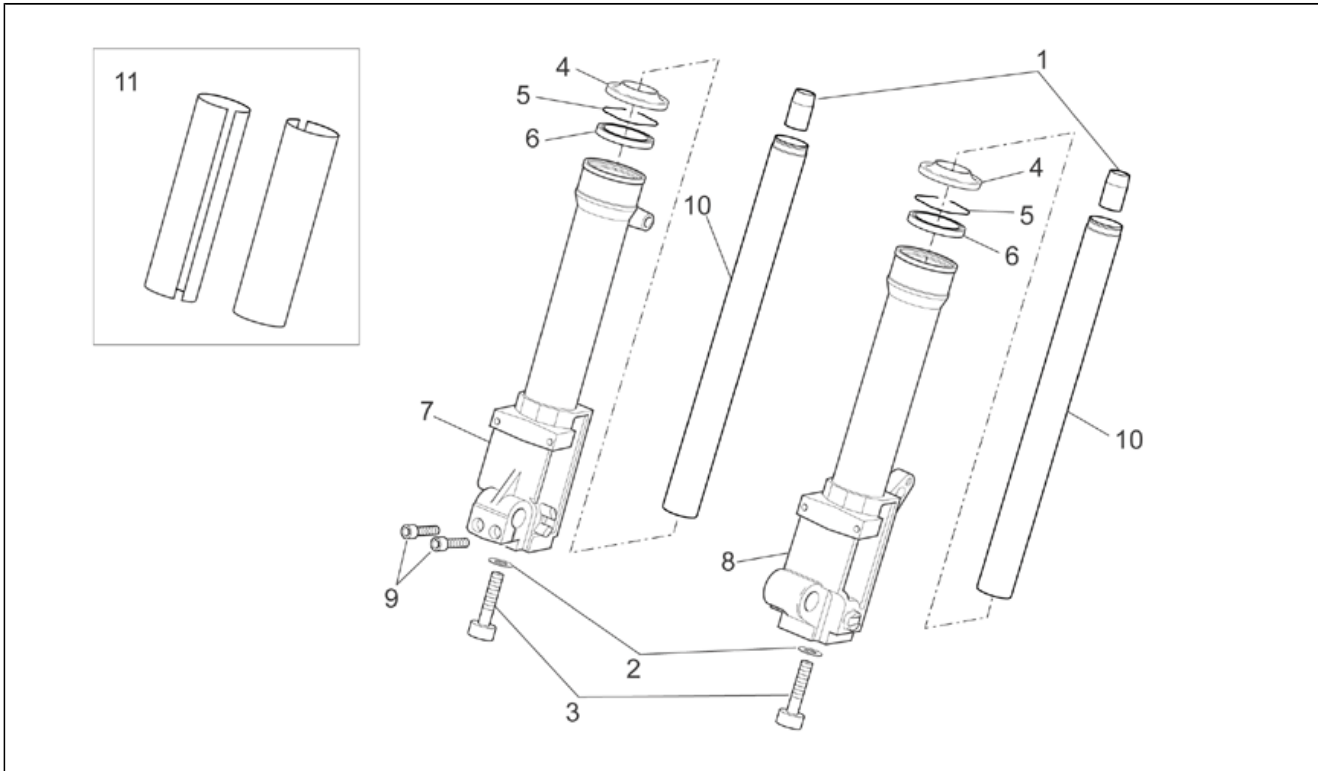
| Pos. | Code | Description | Q.ty | Variants |
|------|-----------|--------------|------|--|
| 1 | AP8223004 | Stem base | 1 | |
| 2 | AP8223038 | Plug | 2 | Technical Specifications: Mark KAIFA[K] |
| 3 | AP8223039 | Ring | 2 | Technical Specifications: Mark KAIFA[K] |
| 4 | AP8203762 | Screw M10x35 | 1 | |
| 5 | AP8223008 | Front fork | 1 | |

| | |
|--------------------|---------------|
| Assembly | FRAME |
| Code | 28.04 |
| Description | Front fork II |
| Revision | 1 |



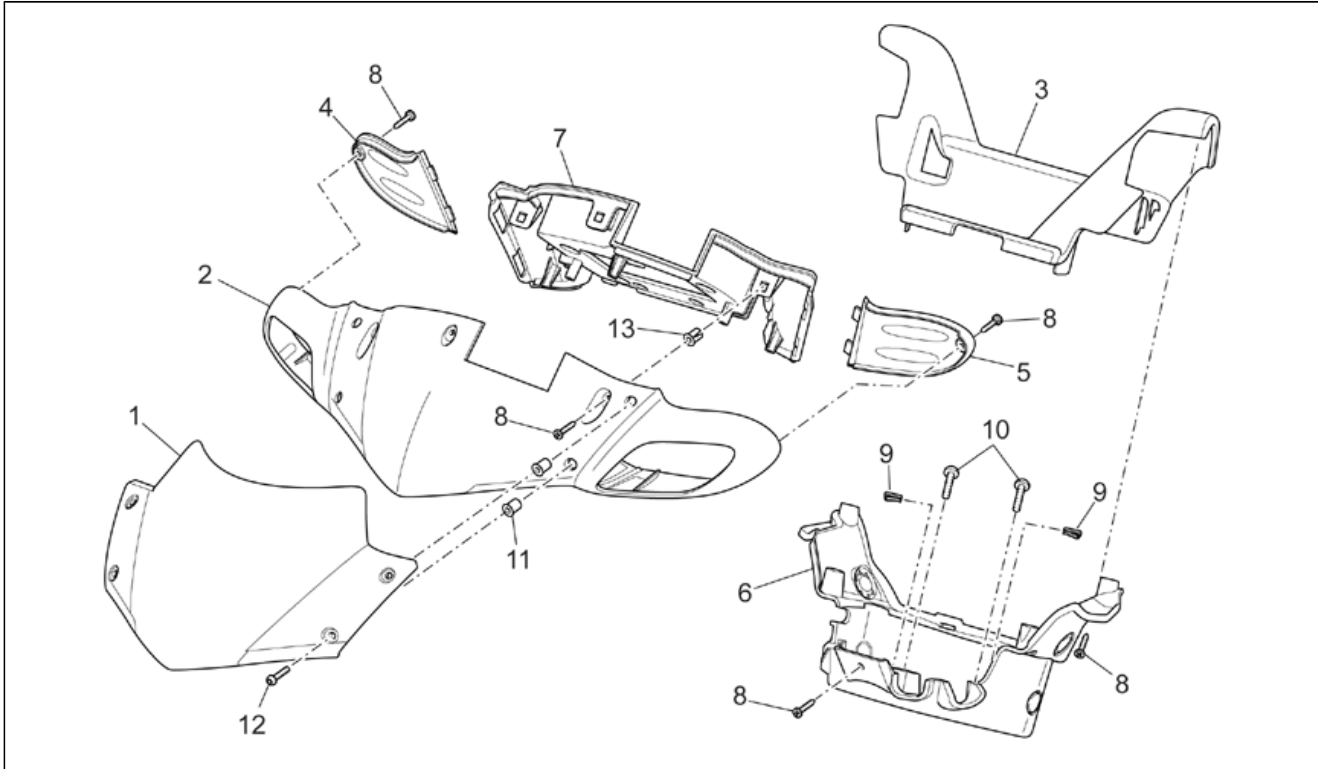
| Pos. | Code | Description | Q.ty | Variants |
|------|-----------|-------------------|------|--|
| 1 | AP8223041 | Plug | 2 | Technical Specifications:Mark KAIFA[K] |
| 2 | AP8223042 | O-ring | 2 | Technical Specifications:Mark KAIFA[K] |
| 3 | AP8223049 | Spring | 2 | Technical Specifications:Mark KAIFA[K] |
| 4 | AP8223046 | Fork pump ring | 1 | Technical Specifications:Mark KAIFA[K] |
| 5 | AP8223050 | Return spring | 2 | Technical Specifications:Mark KAIFA[K] |
| 6 | AP8223045 | Plunger, complete | 2 | Technical Specifications:Mark KAIFA[K] |

| | |
|--------------------|----------------|
| Assembly | FRAME |
| Code | 28.05 |
| Description | Front fork III |
| Revision | 1 |



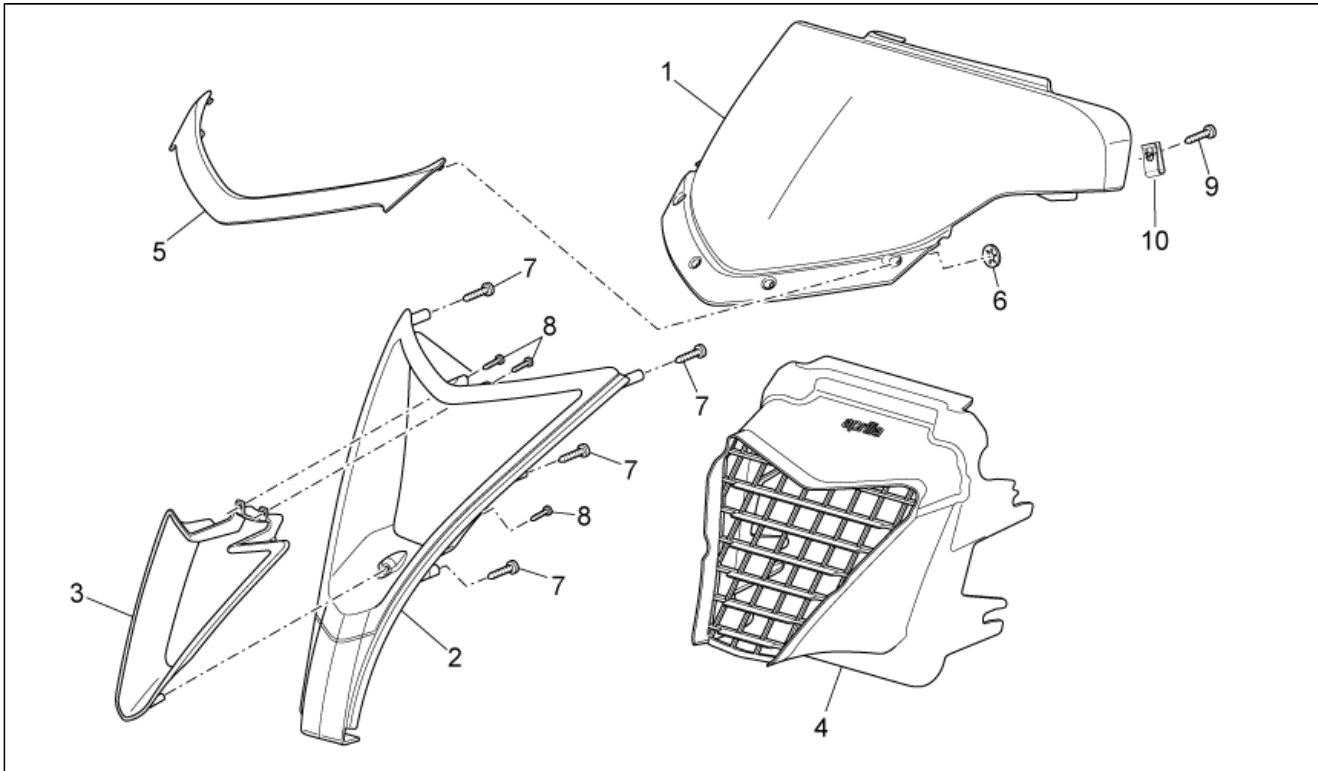
| Pos. | Code | Description | Q.ty | Variants |
|------|-----------|------------------------|------|--|
| 1 | AP8223037 | Stroke limit stop | 2 | Technical Specifications:Mark KAIFA[K] |
| 2 | AP8223052 | Washer | 2 | Technical Specifications:Mark KAIFA[K] |
| 3 | AP8223053 | Screw | 2 | Technical Specifications:Mark KAIFA[K] |
| 4 | AP8223040 | Dust cover | 2 | Technical Specifications:Mark KAIFA[K] |
| 5 | AP8223048 | Stop ring | 2 | Technical Specifications:Mark KAIFA[K] |
| 6 | AP8223047 | Oil seal | 2 | Technical Specifications:Mark KAIFA[K] |
| 7 | AP8223043 | RH sleeve | 1 | Technical Specifications:Mark KAIFA[K] |
| 8 | AP8223044 | LH sleeve | 1 | Technical Specifications:Mark KAIFA[K] |
| 9 | AP8223054 | Hex socket screw M6x20 | 2 | Technical Specifications:Mark KAIFA[K] |
| 10 | AP8223051 | Sleeve cpl. | 2 | Technical Specifications:Mark KAIFA[K] |
| 11 | AP8277579 | Front fork decal | 2 | |

| | |
|--------------------|--------------|
| Assembly | FRAME |
| Code | 28.06 |
| Description | Front body I |
| Revision | 1 |



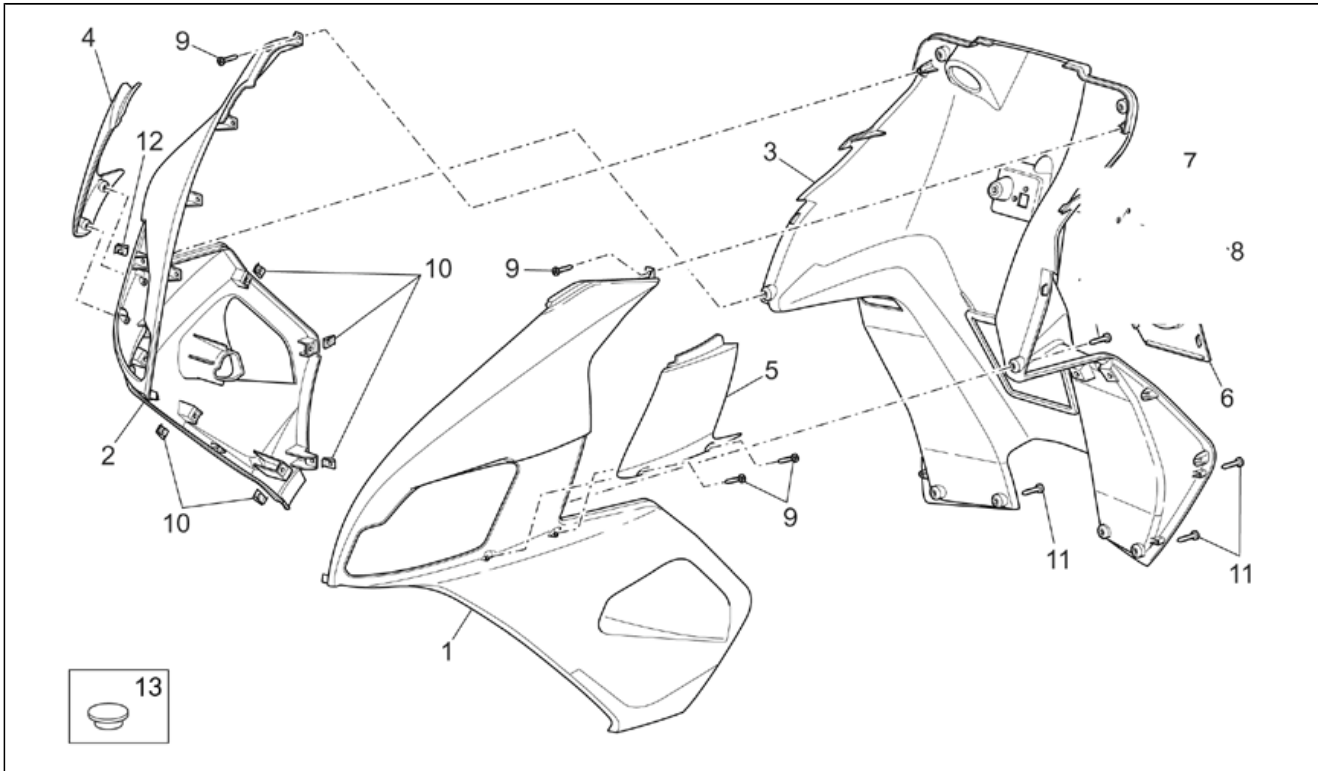
| Pos. | Code | Description | Q.ty | Variants |
|------|-----------|--------------------------------|------|----------|
| 1 | AP8268044 | Front fairing windshield,black | 1 | |
| 2 | AP8268079 | Dashboard panel, grey | 1 | |
| 3 | AP8268045 | Handlebar cover, black | 1 | |
| 4 | AP8268251 | RH turn indicator, grey | 1 | |
| 5 | AP8268252 | LH turn indicator, grey | 1 | |
| 6 | AP8268043 | Under dash, black | 1 | |
| 7 | AP8268047 | Dashboard panel, grey | 1 | |
| 8 | AP8150413 | Self-tap screw 3,9x14 | 12 | |
| 9 | AP8102381 | Clip M4 | 2 | |
| 10 | AP8150493 | Hex socket screw M4x16 | 2 | |
| 11 | AP8120531 | Rubber w/ insert * | 4 | |
| 12 | AP8152269 | Hex socket screw M5x20* | 4 | |
| 13 | AP8102671 | Plastic rivet | 3 | |

| | |
|--------------------|---------------|
| Assembly | FRAME |
| Code | 28.07 |
| Description | Front body II |
| Revision | 1 |



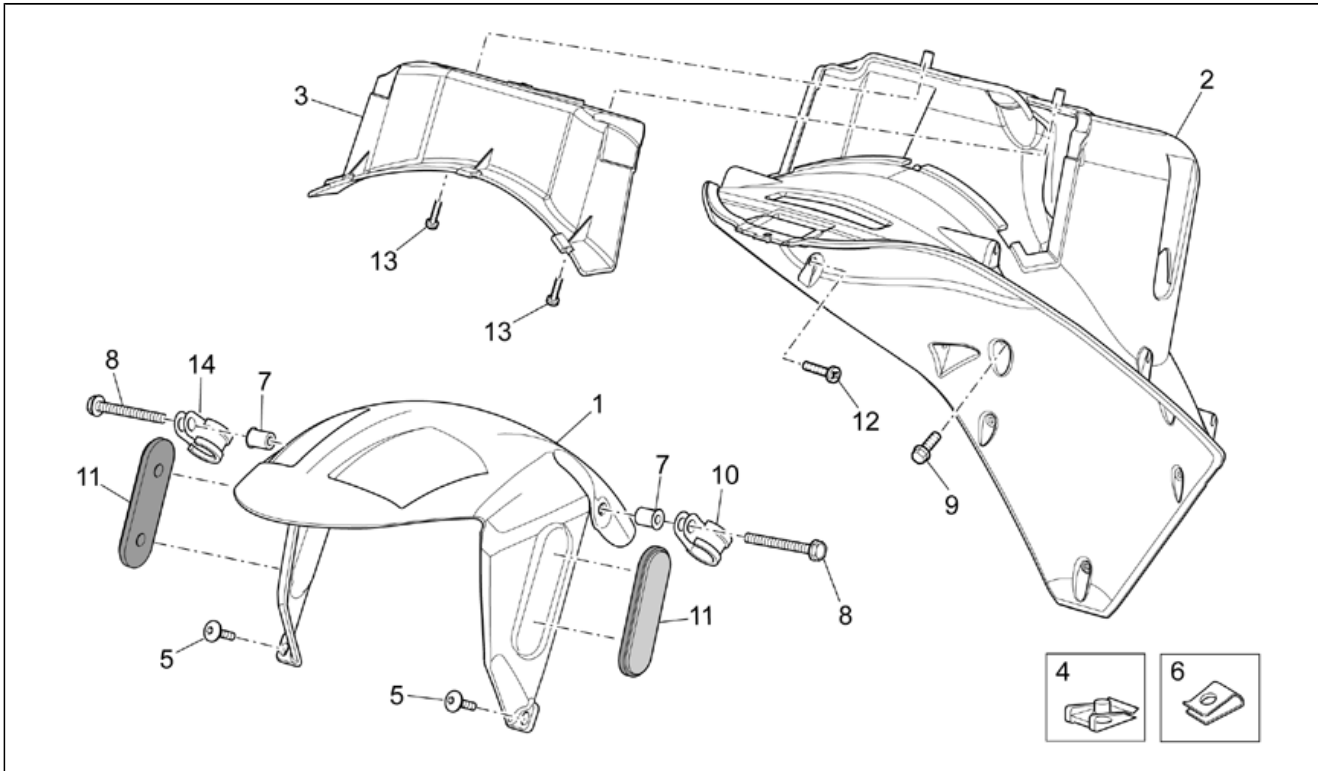
| Pos. | Code | Description | Q.ty | Variants |
|------|-----------|-----------------------|------|--|
| 1 | AP8268059 | Front fairing, black | 1 | Color:Aprilia Black (s.t.14707)[black] |
| 1 | AP8268297 | Front fairing, black | 1 | Color:Speed Orange (s.t.14721)[orange] |
| 1 | AP8268297 | Front fairing, black | 1 | Color:Aprilia White (s.t.14722)[white] |
| 1 | AP8268340 | Front fairing, blue | 1 | Color:Spiderman (s.t.14792)[spider] |
| 2 | AP8268292 | Frame grille, black | 1 | Color:Aprilia Black (s.t.14707)[black] |
| 2 | AP8268292 | Frame grille, black | 1 | Color:Speed Orange (s.t.14721)[orange] |
| 2 | AP8268292 | Frame grille, black | 1 | Color:Aprilia White (s.t.14722)[white] |
| 2 | AP8268292 | Frame grille, black | 1 | Color:Spiderman (s.t.14792)[spider] |
| 3 | AP8268054 | Radiator grille, grey | 1 | |
| 4 | AP8268078 | Air duct, black | 1 | |
| 5 | AP8268077 | Guard, black | 1 | Color:Aprilia Black (s.t.14707)[black] |
| 5 | AP8268298 | Guard, black | 1 | Color:Speed Orange (s.t.14721)[orange] |
| 5 | AP8268309 | Guard, white | 1 | Color:Aprilia White (s.t.14722)[white] |
| 5 | AP8268341 | Guard, blue | 1 | Color:Spiderman (s.t.14792)[spider] |
| 6 | AP8150450 | Washer for shafts D5 | 4 | |
| 7 | AP8150413 | Self-tap screw 3,9x14 | 6 | |
| 8 | AP8150421 | Self-tap screw 2,9x12 | 3 | |
| 9 | AP8152351 | Screw 4,2x16* | 2 | |
| 10 | AP8202449 | Clip | 2 | |

| | |
|--------------------|----------------|
| Assembly | FRAME |
| Code | 28.08 |
| Description | Front body III |
| Revision | 1 |



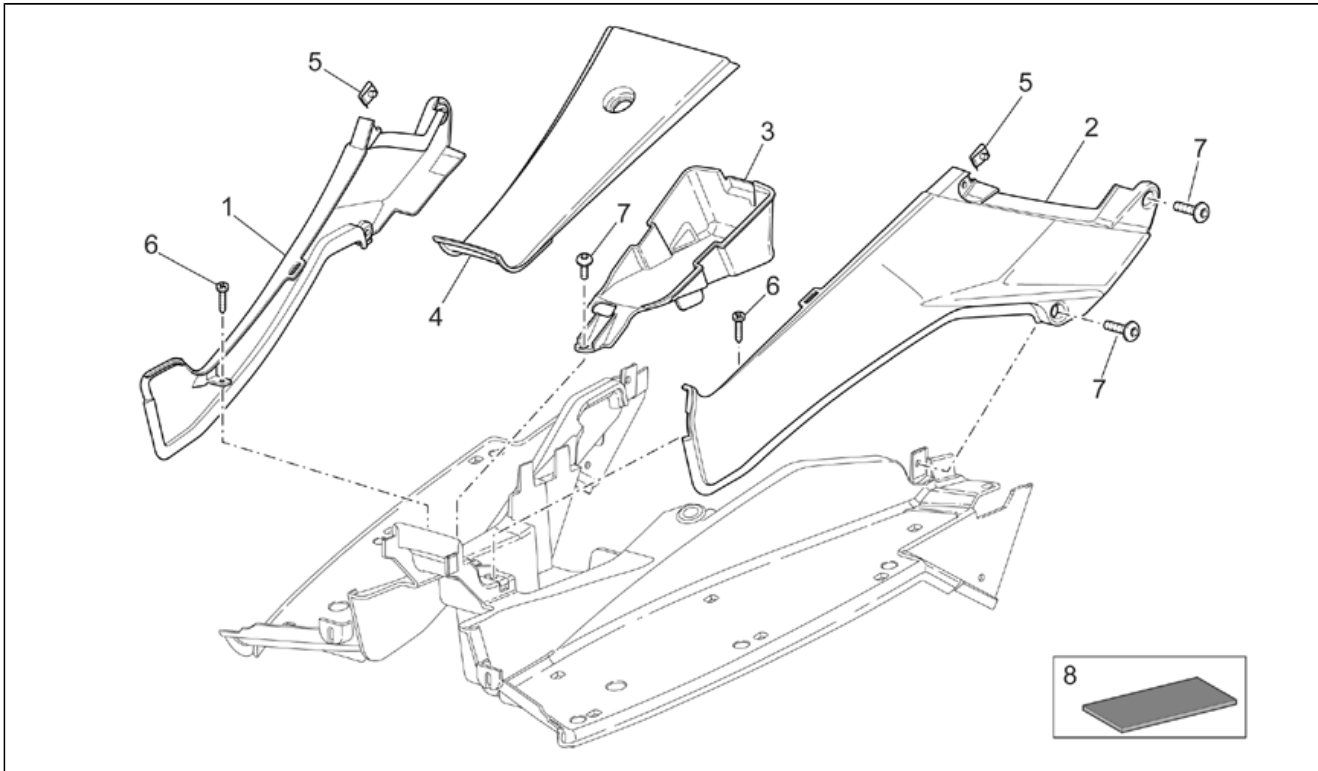
| Pos. | Code | Description | Q.ty | Variants |
|------|-----------|-----------------------------|------|--|
| 1 | AP8268052 | LH front fairing, black | 1 | Color: Aprilia Black (s.t.14707)[black] |
| 1 | AP8268296 | LH front fairing, orange | 1 | Color: Speed Orange (s.t.14721)[orange] |
| 1 | AP8268308 | LH front fairing, white | 1 | Color: Aprilia White (s.t.14722)[white] |
| 1 | AP8268338 | LH front fairing, red | 1 | Color: Spiderman (s.t.14792)[spider] |
| 2 | AP8268051 | RH front fairing, black | 1 | Color: Aprilia Black (s.t.14707)[black] |
| 2 | AP8268295 | RH front fairing, orange | 1 | Color: Speed Orange (s.t.14721)[orange] |
| 2 | AP8268307 | RH front fairing, white | 1 | Color: Aprilia White (s.t.14722)[white] |
| 2 | AP8268337 | RH front fairing, red | 1 | Color: Spiderman (s.t.14792)[spider] |
| 3 | AP8268055 | Internal shield, black | 1 | |
| 4 | AP8268048 | RH baffle, black | 1 | |
| 5 | AP8268053 | LH baffle, black | 1 | |
| 6 | AP8268082 | Type appr.data cover, black | 1 | |
| 7 | AP8201534 | Undersaddle hook cpl. | 1 | |
| 8 | AP8150423 | Screw 4,2x25* | 2 | |
| 9 | AP8150413 | Self-tap screw 3,9x14 | 6 | |
| 10 | AP8202449 | Clip | 20 | |
| 11 | AP8152351 | Screw 4,2x16* | 10 | |
| 12 | AP8102381 | Clip M4 | 4 | |
| 13 | AP8102600 | Plug | 1 | Country: California[CF], Canadian[CN] |

| | |
|--------------------|---------------|
| Assembly | FRAME |
| Code | 28.09 |
| Description | Front body IV |
| Revision | 1 |



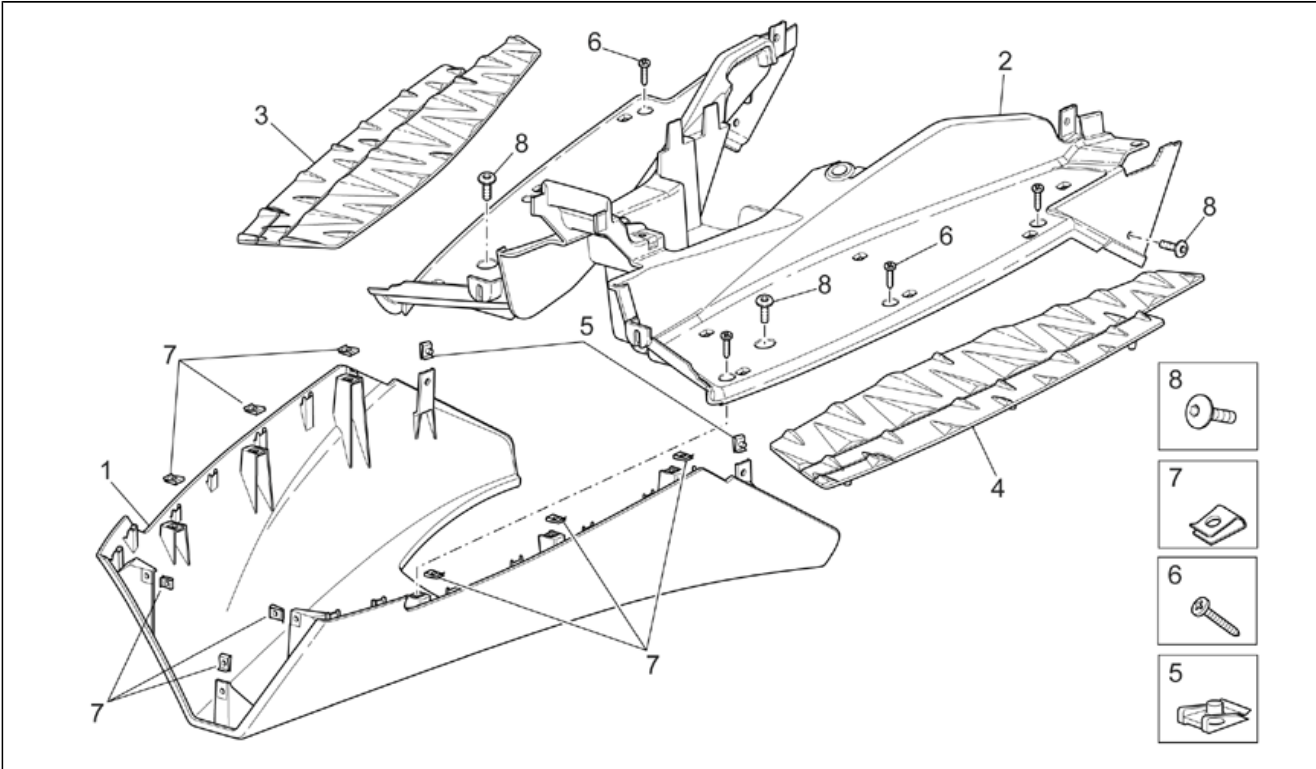
| Pos. | Code | Description | Q.ty | Variants |
|------|-----------|------------------------|------|----------|
| 1 | AP8226802 | Front mudguard, black | 1 | |
| 2 | AP8268083 | Wheel compartment | 1 | |
| 3 | AP8268253 | Wheel compartment door | 1 | |
| 4 | AP8102376 | Clip M6 | 2 | |
| 5 | AP8152298 | Screw w/ flange M5x16 | 2 | |
| 6 | AP8144599 | Screw clip | 1 | |
| 7 | AP8120531 | Rubber w/ insert * | 2 | |
| 8 | AP8152341 | Screw w/ flange M5X40 | 2 | |
| 9 | AP8152278 | Screw w/ flange M6x16* | 2 | |
| 10 | AP8134167 | Brake hose hanger | 1 | |
| 11 | AP8224623 | Reflector, amber | 2 | |
| 12 | AP8152351 | Screw 4,2x16* | 10 | |
| 13 | AP8150413 | Self-tap screw 3,9x14 | 2 | |
| 14 | AP8104451 | Cable-guide | 1 | |

| | |
|--------------------|----------------|
| Assembly | FRAME |
| Code | 28.10 |
| Description | Central body I |
| Revision | 1 |



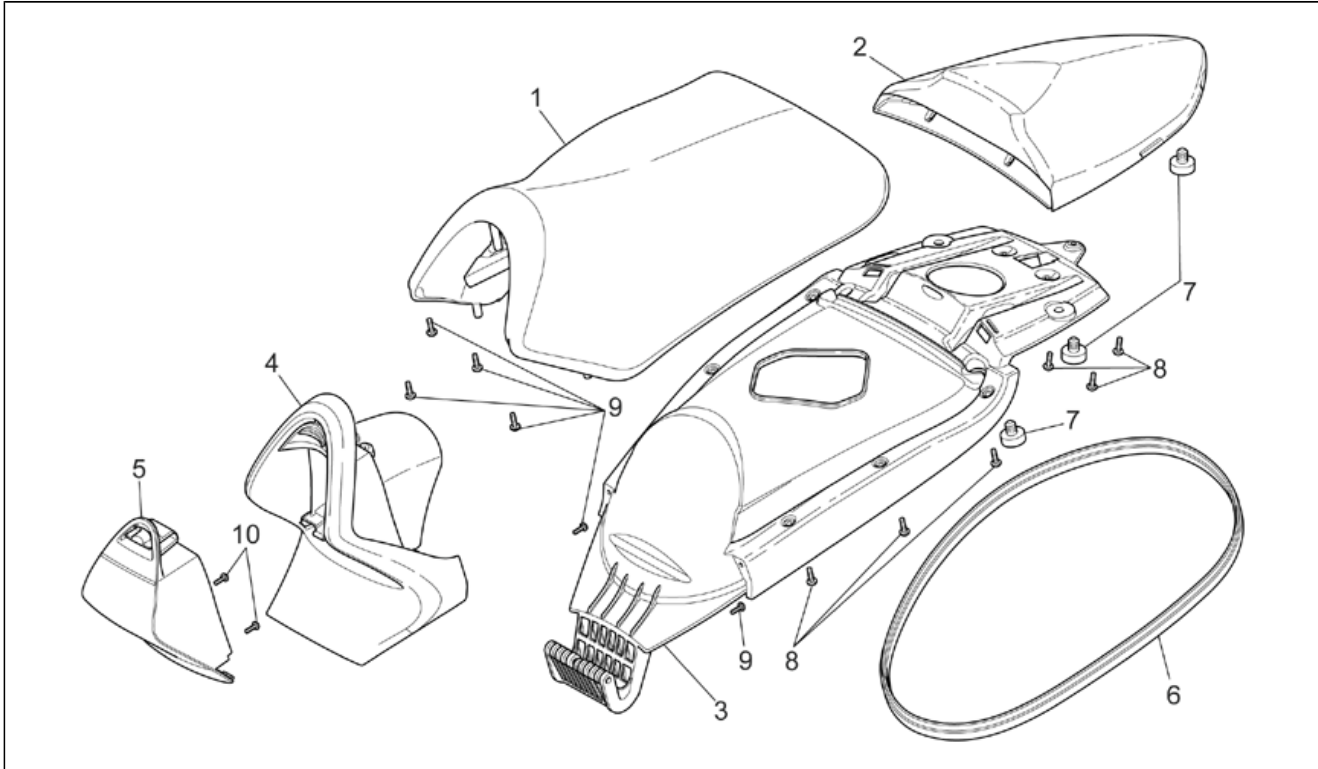
| Pos. | Code | Description | Q.ty | Variants |
|------|-----------|-----------------------------|------|----------|
| 1 | AP8268061 | RH grey tunnel | 1 | |
| 2 | AP8268060 | LH grey tunnel | 1 | |
| 3 | AP8268046 | Glove compartment | 1 | |
| 4 | AP8268068 | Tunnel cover | 1 | |
| 5 | AP8102375 | Clip M5 | 3 | |
| 6 | AP8152351 | Screw 4,2x16* | 2 | |
| 7 | AP8152298 | Screw w/ flange M5x16 | 5 | |
| 8 | AP8117040 | Adhesive sponge, black 6x60 | 1 | |

| | |
|--------------------|-----------------|
| Assembly | FRAME |
| Code | 28.11 |
| Description | Central body II |
| Revision | 1 |



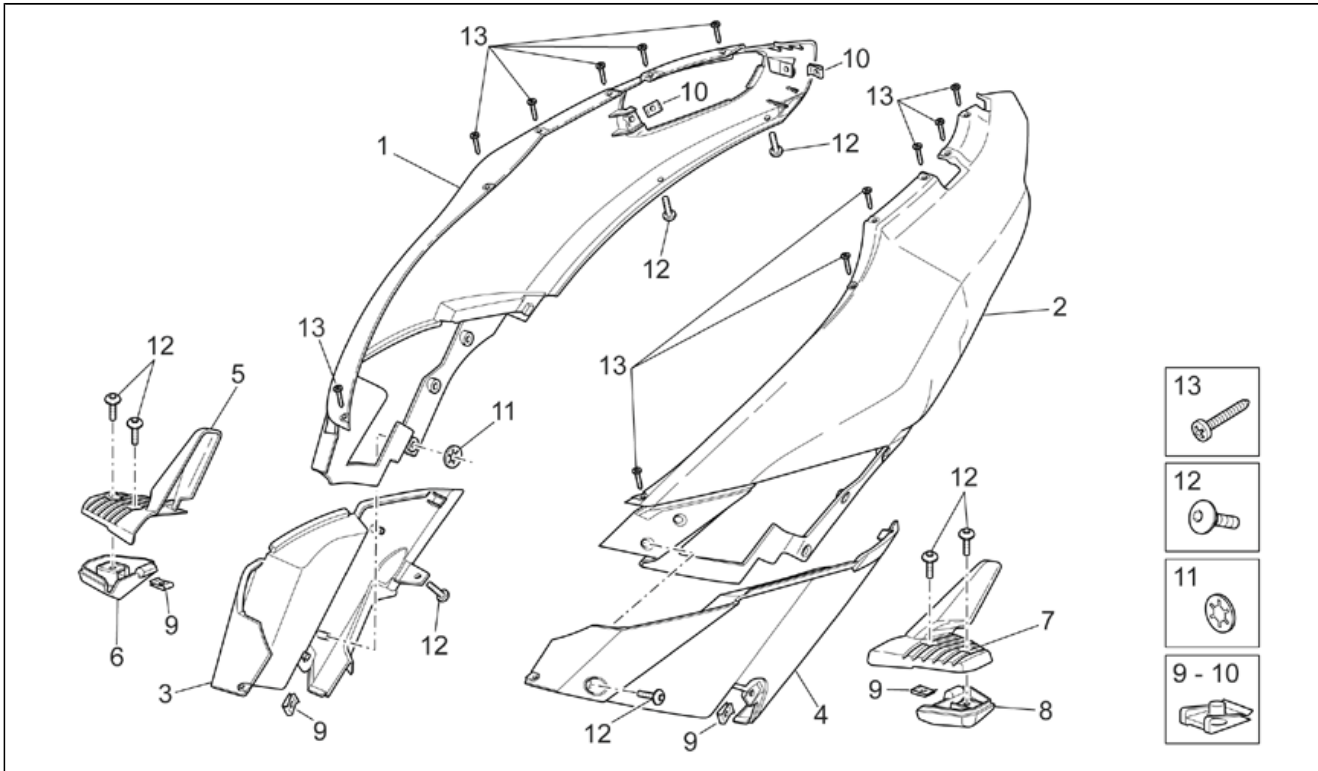
| Pos. | Code | Description | Q.ty | Variants |
|------|-----------|-----------------------|------|--|
| 1 | AP8268065 | Underpanel, black | 1 | Color: Aprilia Black (s.t.14707)[black], Speed Orange (s.t.14721)[orange] |
| 1 | AP8268065 | Underpanel, black | 1 | Color: Aprilia White (s.t.14722)[white] |
| 1 | AP8268344 | Underpanel, red | 1 | Color: Spiderman (s.t.14792)[spider] |
| 2 | AP8268057 | Floor panel, black | 1 | |
| 3 | AP8268063 | RH mat, black | 1 | |
| 4 | AP8268064 | LH mat, black | 1 | |
| 5 | AP8102375 | Clip M5 | 5 | |
| 6 | AP8152351 | Screw 4,2x16* | 9 | |
| 7 | AP8144599 | Screw clip | 13 | |
| 8 | AP8152298 | Screw w/ flange M5x16 | 8 | |

| | |
|--------------------|-----------------|
| Assembly | FRAME |
| Code | 28.12 |
| Description | Saddle - Handle |
| Revision | 1 |



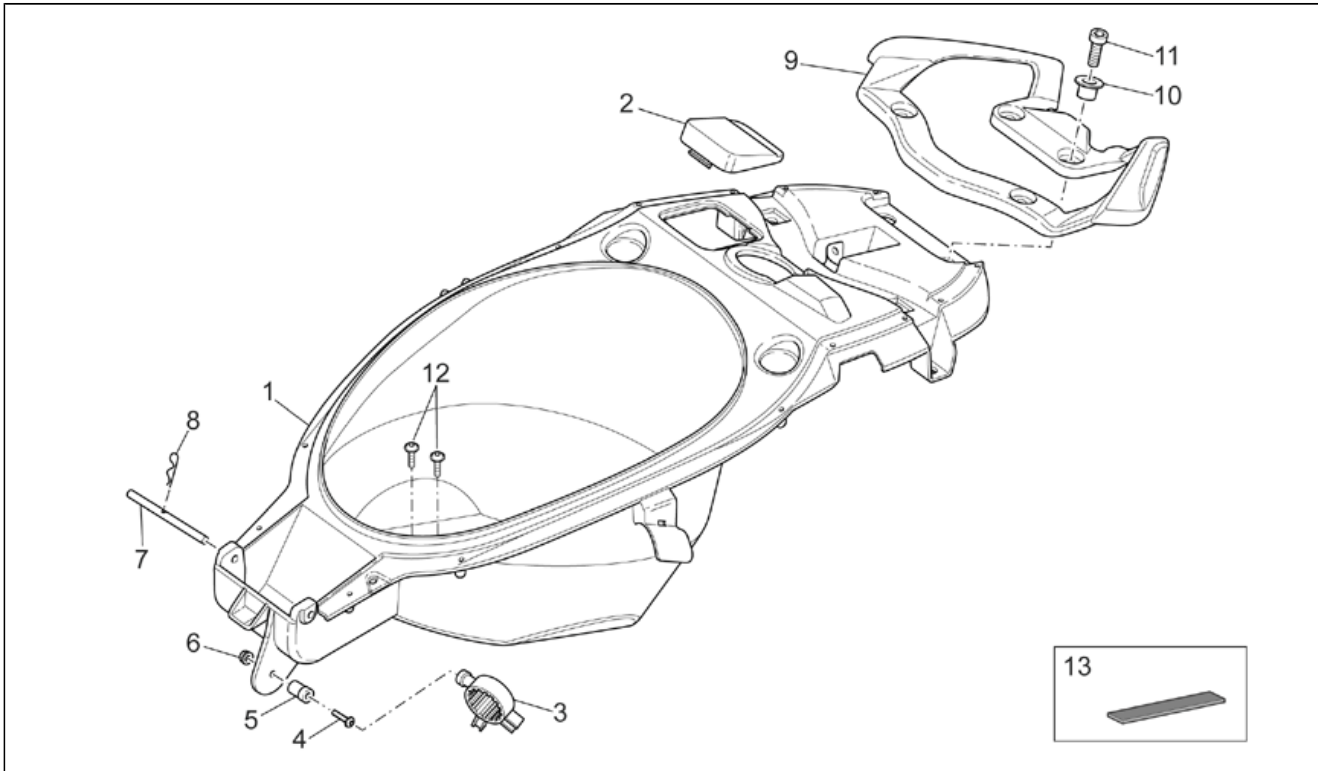
| Pos. | Code | Description | Q.ty | Variants |
|------|-----------|-----------------------|------|---|
| 1 | AP8229399 | Driver saddle, black | 1 | Color: Aprilia Black (s.t.14707)[black], Speed Orange (s.t.14721)[orange], Spiderman (s.t.14792)[spider], Aprilia White (s.t.14722)[white] |
| 2 | AP8229400 | Rear saddle, black | 1 | Color: Aprilia Black (s.t.14707)[black], Speed Orange (s.t.14721)[orange], Aprilia White (s.t.14722)[white] |
| 2 | AP8229413 | Rear saddle, red | 1 | Color: Spiderman (s.t.14792)[spider] |
| 3 | AP8229401 | Saddle bottom, cpl. | 1 | |
| 4 | AP8229402 | Saddle pillar, black | 1 | |
| 5 | AP8229403 | Cage | 1 | |
| 6 | AP8229404 | Gasket | 1 | |
| 7 | AP8220349 | Rubber spacer | 5 | |
| 8 | AP8150509 | Self-tap screw 5x14 | 9 | |
| 9 | AP8150413 | Self-tap screw 3,9x14 | 6 | |
| 10 | AP8150444 | Self-tapping screw | 2 | |

| | |
|--------------------|-------------|
| Assembly | FRAME |
| Code | 28.13 |
| Description | Rear body I |
| Revision | 1 |



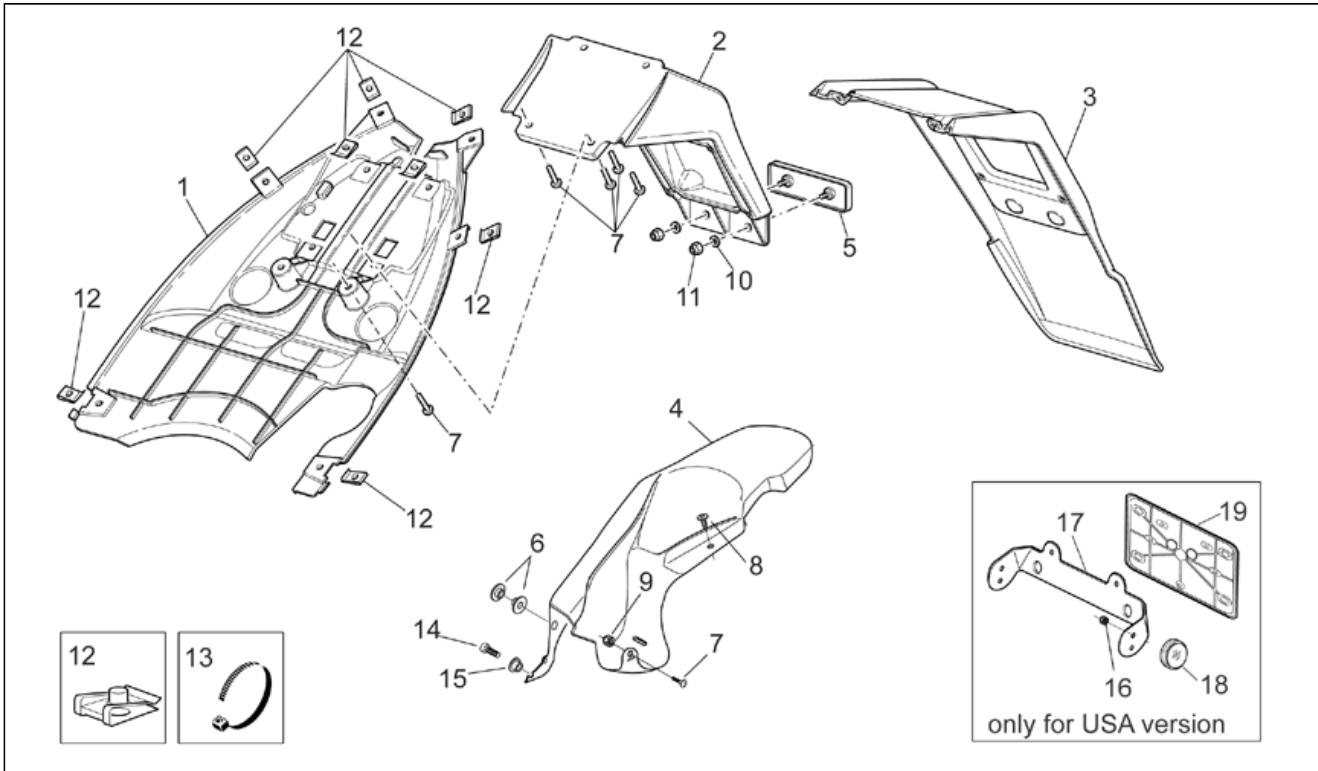
| Pos. | Code | Description | Q.ty | Variants |
|------|-----------|------------------------------|------|--|
| 1 | AP8268049 | RH side panel, black | 1 | Color:Aprilia Black (s.t.14707)[black] |
| 1 | AP8268299 | RH side panel, orange | 1 | Color:Speed Orange (s.t.14721)[orange] |
| 1 | AP8268310 | RH side panel, white | 1 | Color:Aprilia White (s.t.14722)[white] |
| 1 | AP8268342 | RH side panel, blue | 1 | Color:Spiderman (s.t.14792)[spider] |
| 2 | AP8268050 | LH side panel, black | 1 | Color:Aprilia Black (s.t.14707)[black] |
| 2 | AP8268300 | LH side panel, orange | 1 | Color:Speed Orange (s.t.14721)[orange] |
| 2 | AP8268311 | LH side panel, white | 1 | Color:Aprilia White (s.t.14722)[white] |
| 2 | AP8268343 | LH side panel, blue | 1 | Color:Spiderman (s.t.14792)[spider] |
| 3 | AP8268075 | RH Pillar, grey | 1 | |
| 4 | AP8268076 | LH Pillar, grey | 1 | |
| 5 | AP8268081 | RH cover rear footr., silver | 1 | |
| 6 | AP8268080 | RH Footrest housing, black | 1 | |
| 7 | AP8268262 | LH cover rear footr., silver | 1 | |
| 8 | AP8268263 | LH Footrest housing, black | 1 | |
| 9 | AP8102375 | Clip M5 | 4 | |
| 10 | AP8102381 | Clip M4 | 4 | |
| 11 | AP8150450 | Washer for shafts D5 | 8 | |
| 12 | AP8152298 | Screw w/ flange M5x16 | 2 | |
| 13 | AP8150413 | Self-tap screw 3,9x14 | 12 | |

| | |
|--------------------|--------------|
| Assembly | FRAME |
| Code | 28.14 |
| Description | Rear body II |
| Revision | 1 |



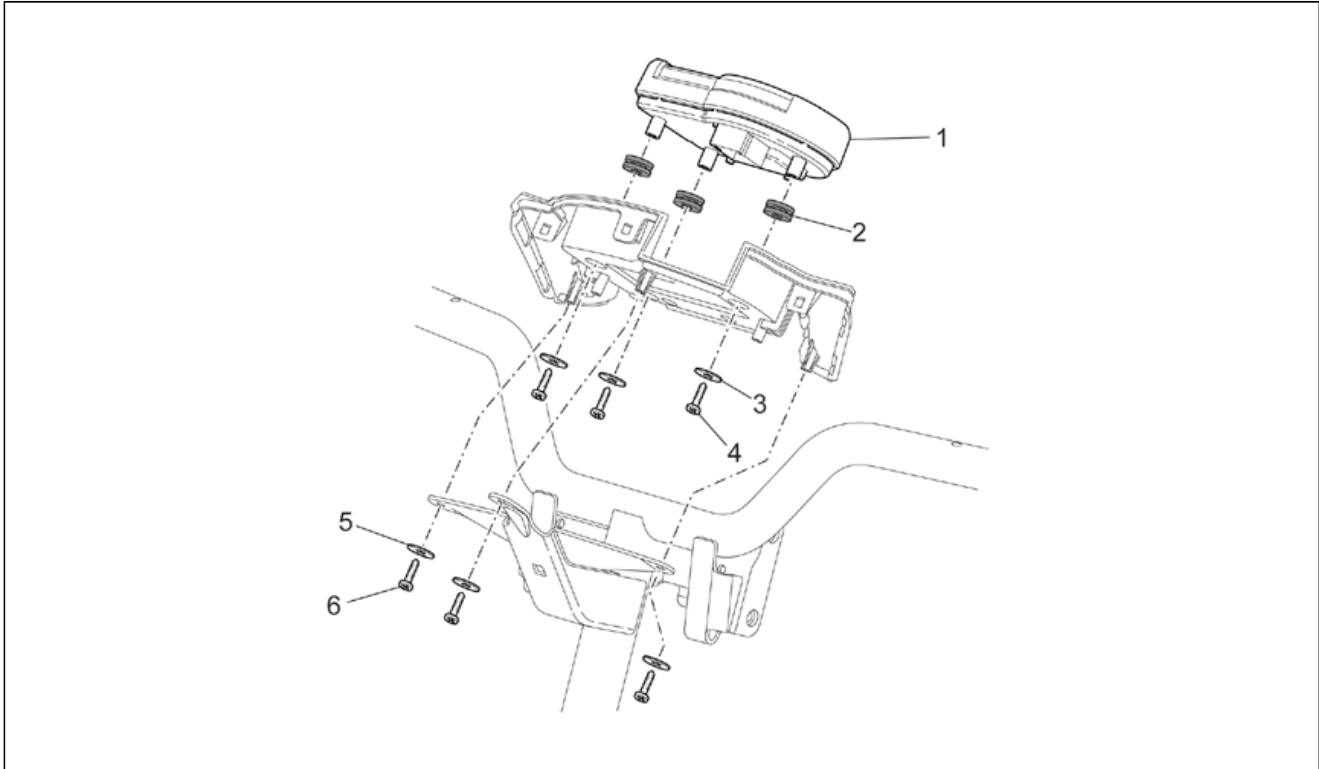
| Pos. | Code | Description | Q.ty | Variants |
|------|-----------|-------------------------|------|----------|
| 1 | AP8268041 | Helmet compartment | 1 | |
| 2 | AP8268084 | Fuel sens. cover | 1 | |
| 3 | AP8220592 | Fuel pump support | 1 | |
| 4 | AP8225369 | Hex socket screw m5x35 | 1 | |
| 5 | AP8234195 | Pin | 1 | |
| 6 | AP8152306 | Self-locking nut M5* | 1 | |
| 7 | AP8221321 | Saddle spin | 1 | |
| 8 | AP8201643 | Split pin | 1 | |
| 9 | AP8268062 | Pillion grab bar, black | 1 | |
| 10 | AP8121679 | T bush * | 4 | |
| 11 | AP8150165 | Hex socket screw M6x25* | 4 | |
| 12 | AP8152246 | Screw w/ flange M6x16* | 2 | |
| 13 | AP8117033 | Adhesive sponge | 2 | |

| | |
|--------------------|---------------|
| Assembly | FRAME |
| Code | 28.15 |
| Description | Rear body III |
| Revision | 1 |



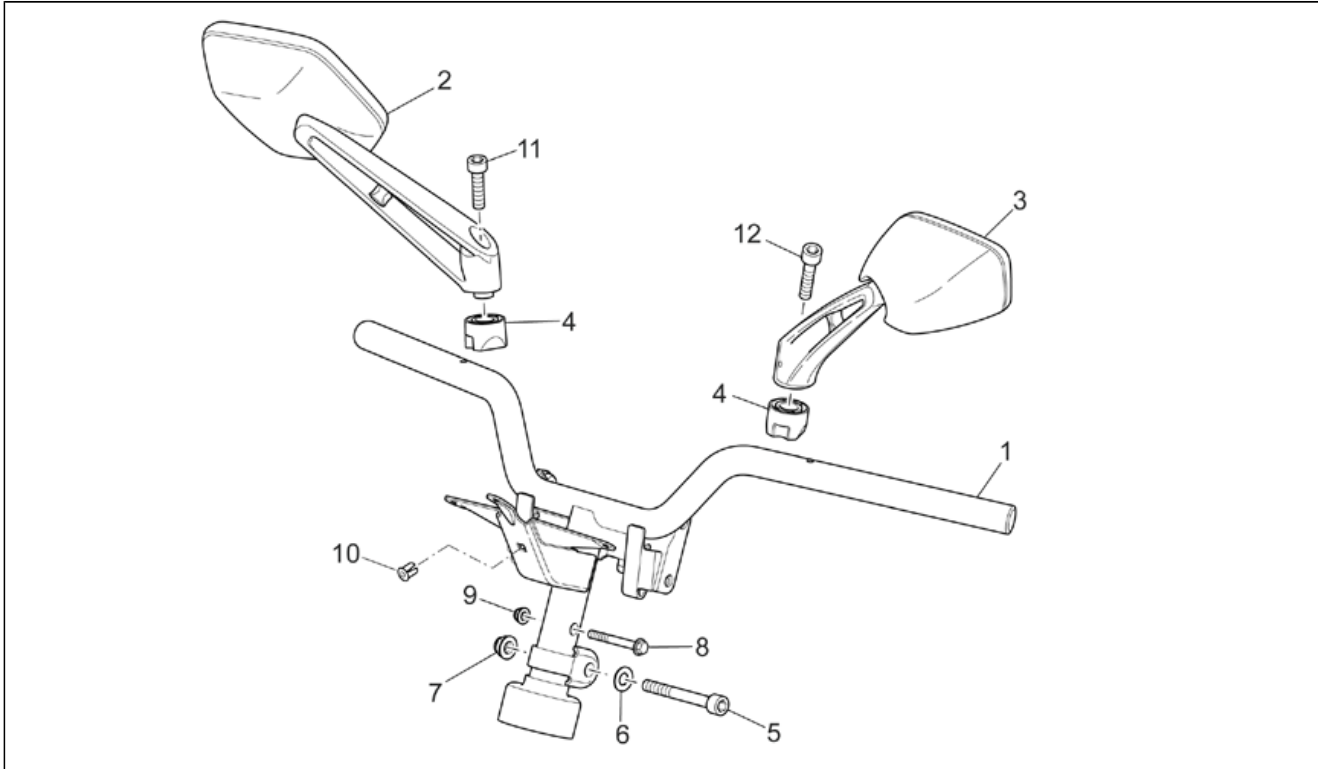
| Pos. | Code | Description | Q.ty | Variants |
|------|-----------|----------------------------|------|--------------------------------------|
| 1 | AP8268058 | Fuel tank prot., black | 1 | |
| 2 | AP8268042 | Number plate holder, black | 1 | |
| 3 | AP8226801 | Rear splash guard, black | 1 | |
| 4 | AP8226844 | Rear mudguard, black | 1 | |
| 5 | AP8112916 | Rear reflector | 1 | |
| 6 | AP8221218 | Mudguard bush | 2 | |
| 7 | AP8152298 | Screw w/ flange M5x16 | 14 | |
| 8 | AP8152302 | Screw w/ flange M5x12 | 1 | |
| 9 | AP8152306 | Self-locking nut M5* | 3 | |
| 10 | AP8150158 | Washer 4,3x9x0,8* | 2 | |
| 11 | AP8150204 | Nut M4 | 2 | |
| 12 | AP8102375 | Clip M5 | 10 | |
| 13 | AP8120416 | Black hose 178x4* | 1 | |
| 14 | AP8150220 | Hex socket screw M6x30* | 1 | |
| 15 | AP8121811 | T bush | 1 | |
| 16 | AP8152306 | Self-locking nut M5* | 4 | Country:California[CF], Canadian[CN] |
| 17 | AP8258253 | Rear reflector support | 1 | Country:California[CF], Canadian[CN] |
| 18 | AP8224164 | Rear reflector, red | 2 | Country:California[CF], Canadian[CN] |
| 19 | AP8149034 | Number plate support | 1 | Country:California[CF], Canadian[CN] |

| | |
|--------------------|-----------|
| Assembly | FRAME |
| Code | 28.16 |
| Description | Dashboard |
| Revision | 1 |



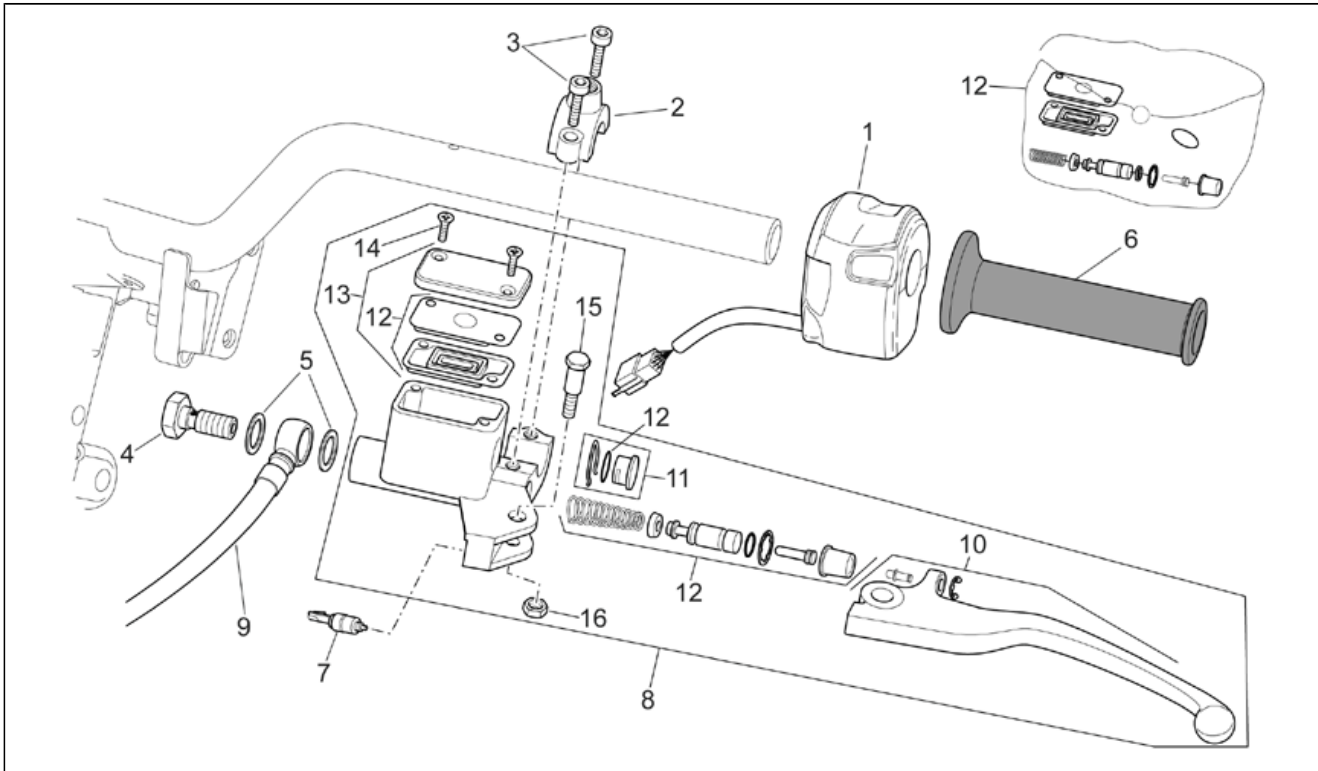
| Pos. | Code | Description | Q.ty | Variants |
|------|-----------|-----------------------|------|----------|
| 1 | AP8224594 | Dashboard | 1 | |
| 2 | AP8220150 | Rubber spacer * | 3 | |
| 3 | AP8150255 | Washer 5x20x1,5 | 3 | |
| 4 | AP8150509 | Self-tap screw 5x14 | 3 | |
| 5 | AP8150382 | Washer 15x5,5X1,2* | 3 | |
| 6 | AP8150413 | Self-tap screw 3,9x14 | 3 | |

| | |
|--------------------|-----------|
| Assembly | FRAME |
| Code | 28.17 |
| Description | Handlebar |
| Revision | 1 |



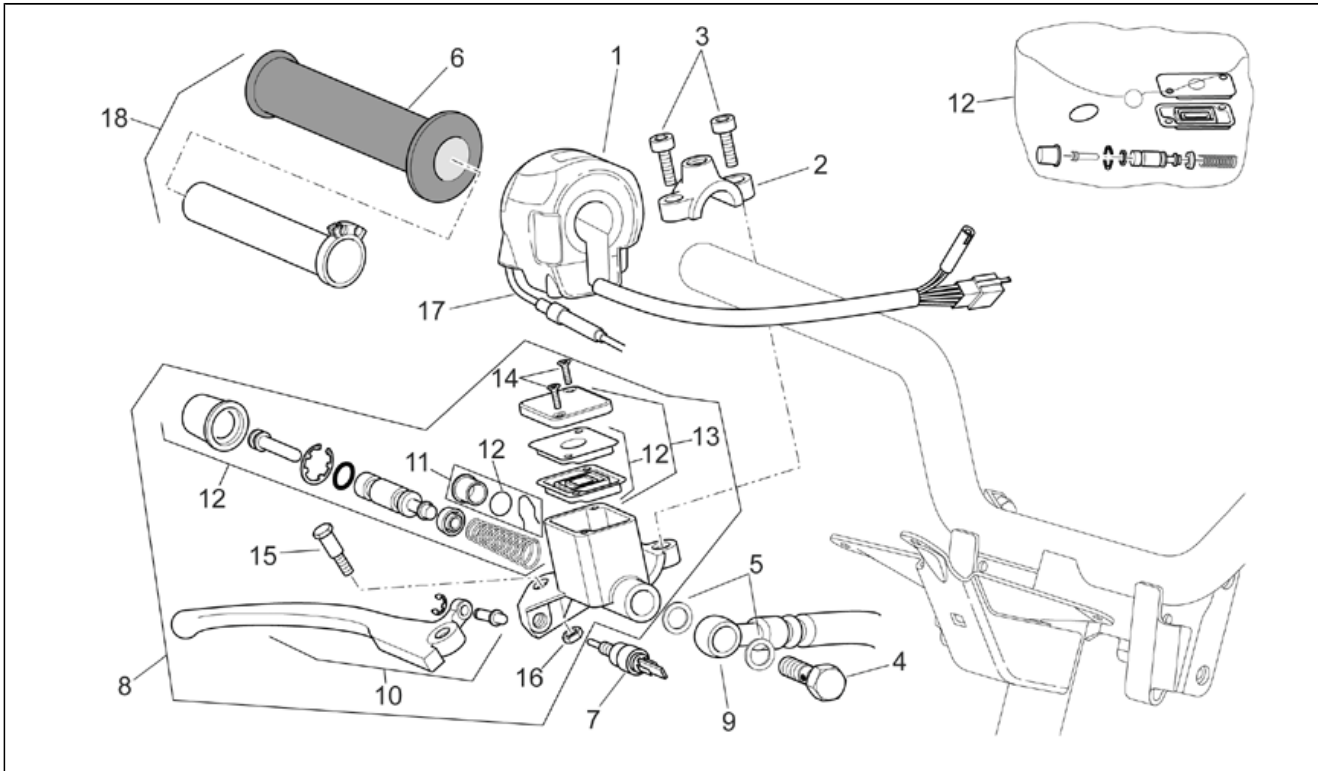
| Pos. | Code | Description | Q.ty | Variants |
|------|-----------|-------------------------|------|----------|
| 1 | AP8218638 | Handlebar w phor ctng. | 1 | |
| 2 | AP8202394 | RH rearview mirror | 1 | |
| 3 | AP8202395 | LH rearview mirror | 1 | |
| 4 | AP8268250 | Rearview mirror base | 2 | |
| 5 | AP8150086 | Hex socket screw M10X55 | 1 | |
| 6 | AP8150020 | Washer 10,5x21x2* | 1 | |
| 7 | AP8152301 | Self-locking nut M10* | 1 | |
| 8 | AP8152290 | Screw w/ flange M8x40* | 1 | |
| 9 | AP8152300 | Self-locking nut M8* | 1 | |
| 10 | AP8102671 | Plastic rivet | 1 | |
| 11 | AP8152477 | Screw M8 X 30 SX | 1 | |
| 12 | AP8150107 | Hex socket screw M8x30* | 1 | |

| | |
|--------------------|-------------|
| Assembly | FRAME |
| Code | 28.18 |
| Description | LH Controls |
| Revision | 1 |



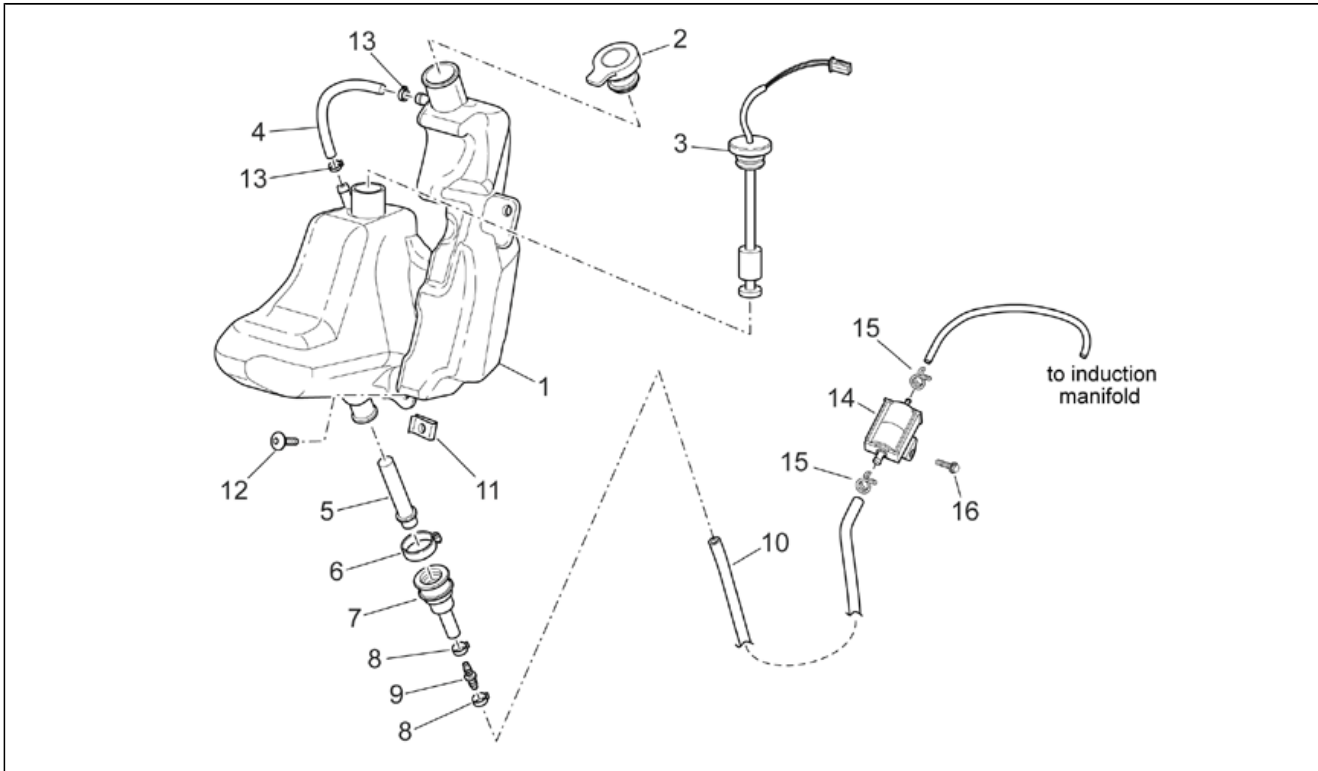
| Pos. | Code | Description | Q.ty | Variants |
|------|-----------|-------------------------------|------|---|
| 1 | AP8224619 | LH lights selector | 1 | |
| 2 | AP8213382 | LH U-bolt | 1 | Technical Specifications:Grimeca sign[gr] |
| 2 | AP8213580 | LH U-bolt | 1 | Technical Specifications:Heng Tong Sign[ht] |
| 3 | AP8213299 | Cap screw | 2 | Technical Specifications:Grimeca sign[gr] |
| 3 | AP8213582 | Cap screw | 2 | Technical Specifications:Heng Tong Sign[ht] |
| 4 | AP8113003 | Oil pipe screw * | 1 | |
| 5 | AP8113004 | Washer 10x14x1,6* | 2 | |
| 6 | AP8118699 | Handgrip pair, black | 1 | |
| 7 | AP8127305 | Brake light switch | 1 | |
| 8 | AP8213549 | Rear master cylinder | 1 | Technical Specifications:Grimeca sign[gr] |
| 8 | AP8213559 | Rear master cylinder | 1 | Technical Specifications:Heng Tong Sign[ht] |
| 9 | AP8213548 | Rear brake hose | 1 | |
| 10 | AP8213601 | Lever assy | 1 | Technical Specifications:Heng Tong Sign[ht] |
| 10 | AP8590035 | Lever assy | 1 | Technical Specifications:Grimeca sign[gr] |
| 11 | AP8213455 | Master cyl.level window, assy | 1 | Technical Specifications:Grimeca sign[gr] |
| 12 | AP8213593 | Pump revision kit | 1 | Technical Specifications:Heng Tong Sign[ht] |
| 12 | AP8590037 | Pump revision kit | 1 | Technical Specifications:Grimeca sign[gr] |
| 13 | AP8213595 | Tank cover, assy | 1 | Technical Specifications:Heng Tong Sign[ht] |
| 13 | AP8590038 | Tank cover, assy | 1 | Technical Specifications:Grimeca sign[gr] |
| 14 | AP8213400 | Pump cover screw | 2 | Technical Specifications:Grimeca sign[gr] |
| 14 | AP8213583 | Pump cover screw | 2 | Technical Specifications:Heng Tong Sign[ht] |
| 15 | AP8125757 | Lever screw | 1 | Technical Specifications:Grimeca sign[gr] |
| 15 | AP8213584 | Brake lever pin | 1 | Technical Specifications:Heng Tong Sign[ht] |
| 16 | AP8213298 | Nut | 1 | Technical Specifications:Grimeca sign[gr] |
| 16 | AP8213585 | Nut | 1 | Technical Specifications:Heng Tong Sign[ht] |

| | |
|--------------------|-------------|
| Assembly | FRAME |
| Code | 28.19 |
| Description | RH controls |
| Revision | 1 |



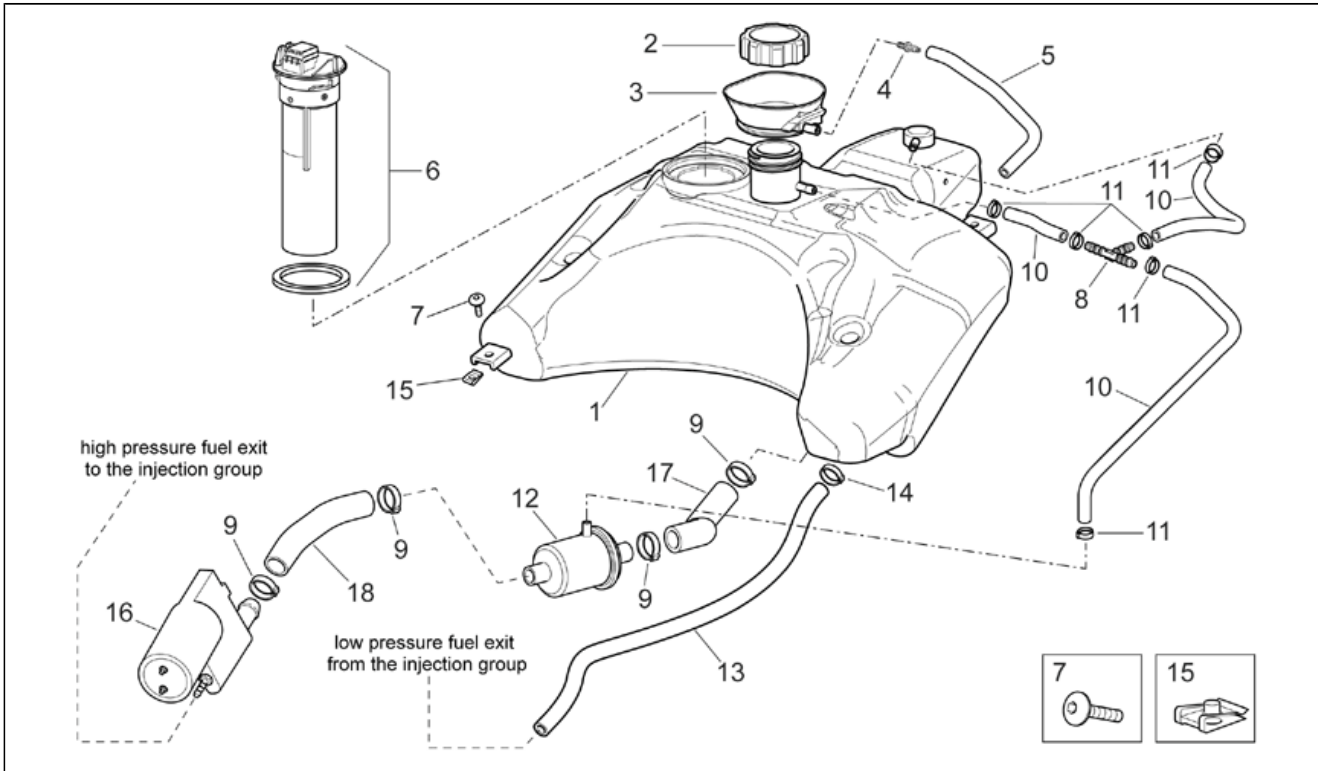
| Pos. | Code | Description | Q.ty | Variants |
|------|-----------|-------------------------------|------|---|
| 1 | AP8224620 | RH lights selector | 1 | |
| 2 | AP8213581 | RH U-bolt | 1 | Technical Specifications:Heng Tong Sign[ht] |
| 2 | AP8590034 | RH U-bolt | 1 | Technical Specifications:Grimeca sign[gr] |
| 3 | AP8213299 | Cap screw | 2 | Technical Specifications:Grimeca sign[gr] |
| 3 | AP8213582 | Cap screw | 2 | Technical Specifications:Heng Tong Sign[ht] |
| 4 | AP8113003 | Oil pipe screw * | 1 | |
| 5 | AP8113004 | Washer 10x14x1,6* | 2 | |
| 6 | AP8118699 | Handgrip pair, black | 1 | |
| 7 | AP8127305 | Brake light switch | 1 | |
| 8 | AP8213547 | Front master cilinder | 1 | Technical Specifications:Grimeca sign[gr] |
| 8 | AP8213558 | Front master cilinder | 1 | Technical Specifications:Heng Tong Sign[ht] |
| 9 | AP8213546 | Front brake hose | 1 | |
| 10 | AP8213602 | Lever assy | 1 | Technical Specifications:Heng Tong Sign[ht] |
| 10 | AP8590035 | Lever assy | 1 | Technical Specifications:Grimeca sign[gr] |
| 11 | AP8213455 | Master cyl.level window, assy | 1 | Technical Specifications:Grimeca sign[gr] |
| 12 | AP8213600 | Pump revision kit | 1 | Technical Specifications:Heng Tong Sign[ht] |
| 12 | AP8590037 | Pump revision kit | 1 | Technical Specifications:Grimeca sign[gr] |
| 13 | AP8213598 | Tank cover | 1 | Technical Specifications:Heng Tong Sign[ht] |
| 13 | AP8590038 | Tank cover, assy | 1 | Technical Specifications:Grimeca sign[gr] |
| 14 | AP8213400 | Pump cover screw | 2 | Technical Specifications:Grimeca sign[gr] |
| 14 | AP8213583 | Pump cover screw | 2 | Technical Specifications:Heng Tong Sign[ht] |
| 15 | AP8125757 | Lever screw | 1 | Technical Specifications:Grimeca sign[gr] |
| 15 | AP8213584 | Brake lever pin | 1 | Technical Specifications:Heng Tong Sign[ht] |
| 16 | AP8213298 | Nut | 1 | Technical Specifications:Grimeca sign[gr] |
| 16 | AP8213585 | Nut | 1 | Technical Specifications:Heng Tong Sign[ht] |
| 17 | AP8214240 | Throttle cable | 1 | |
| 18 | AP8218639 | Throttle with hand grip | 1 | |

| | |
|--------------------|----------|
| Assembly | FRAME |
| Code | 28.20 |
| Description | Oil tank |
| Revision | 1 |



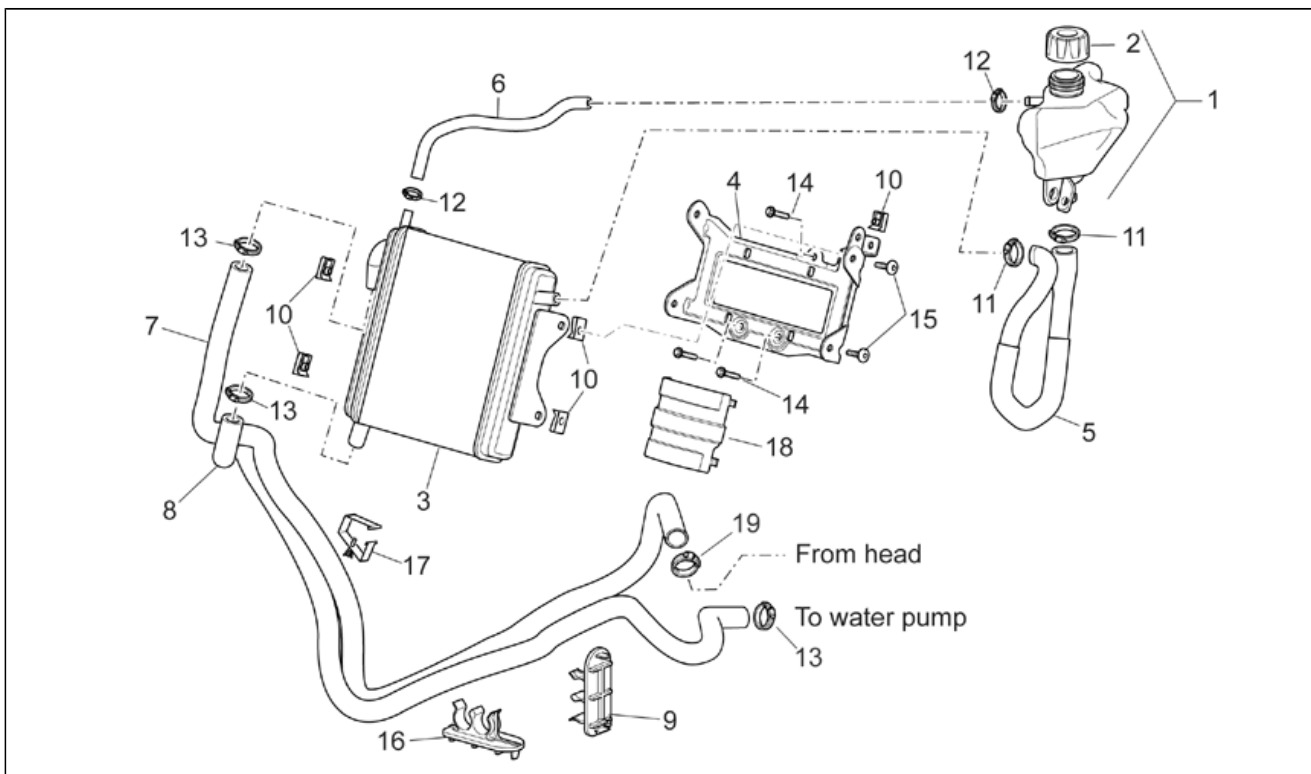
| Pos. | Code | Description | Q.ty | Variants |
|------|-----------|----------------------------|------|----------|
| 1 | AP8268037 | Oil tank | 1 | |
| 2 | AP8220421 | Oil filler cap | 1 | |
| 3 | AP8224644 | Oil reserve indicator | 1 | |
| 4 | AP8220708 | Oil pipe 6x10,5 | 1 | |
| 5 | AP8102224 | Mixer oil filter | 1 | |
| 6 | AP8101743 | Hose clip D23,5x8* | 1 | |
| 7 | AP8102223 | Rubber spacer * | 1 | |
| 8 | AP8201225 | Hose clip D8,5x5,5 | 2 | |
| 9 | AP8101944 | 2-way union | 1 | |
| 10 | AP8220402 | Pipe 5x9 | 1 | |
| 11 | AP8102375 | Clip M5 | 1 | |
| 12 | AP8152298 | Screw w/ flange M5x16 | 1 | |
| 13 | AP8120446 | Hose clip, green D11x6,6x1 | 2 | |
| 14 | AP8222708 | Oil pump | 1 | |
| 15 | AP8101770 | Hose clip D8x5,5* | 2 | |
| 16 | AP8152278 | Screw w/ flange M6x16* | 1 | |

| | |
|--------------------|-----------|
| Assembly | FRAME |
| Code | 28.21 |
| Description | Fuel tank |
| Revision | 1 |



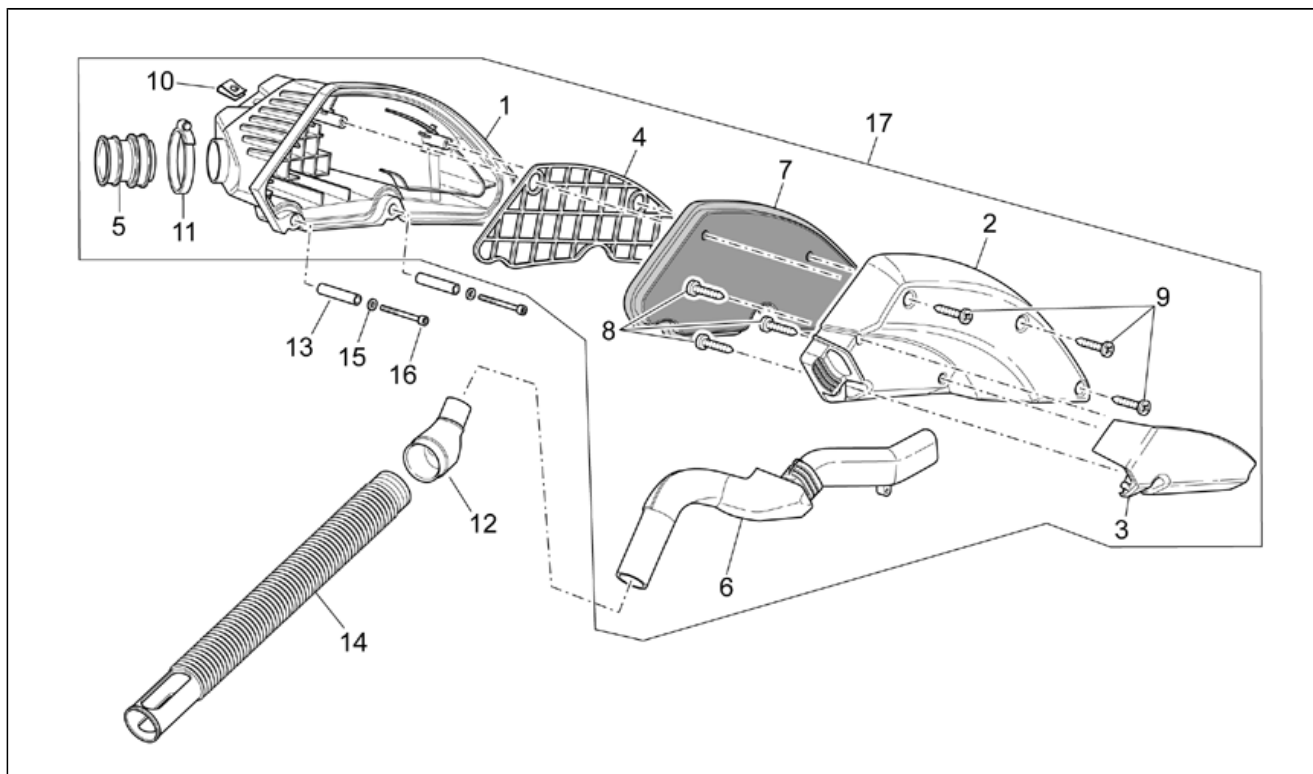
| Pos. | Code | Description | Q.ty | Variants |
|------|-----------|-------------------------|------|----------|
| 1 | AP8268036 | Fuel tank | 1 | |
| 2 | AP8144343 | Fuel filler cap | 1 | |
| 3 | AP8144187 | Fuel collector rubber | 1 | |
| 4 | AP8101944 | 2-way union | 1 | |
| 5 | AP8220263 | Breather pipe 4x8 | 1 | |
| 6 | AP8224664 | Fuel level sensor | 1 | |
| 7 | AP8152298 | Screw w/ flange M5x16 | 3 | |
| 8 | AP8144303 | 3-way union | 1 | |
| 9 | AP8102786 | Hose clip 20x8 | 4 | |
| 10 | AP8120952 | Fuel pipe 5,5x10 | 3 | |
| 11 | AP8102738 | Hose clamp | 6 | |
| 12 | AP8202402 | Fuel filter | 1 | |
| 13 | AP8220641 | High pressure pipe 7X13 | 1 | |
| 14 | AP8102764 | White hose clip d.13x6 | 1 | |
| 15 | AP8102375 | Clip M5 | 3 | |
| 16 | 854933 | Fuel pump | 1 | |
| 17 | AP8220702 | Fuel pipe | 1 | |
| 18 | AP8220597 | Fuel pipe | 1 | |

| | |
|--------------------|----------------|
| Assembly | FRAME |
| Code | 28.22 |
| Description | Cooling system |
| Revision | 1 |



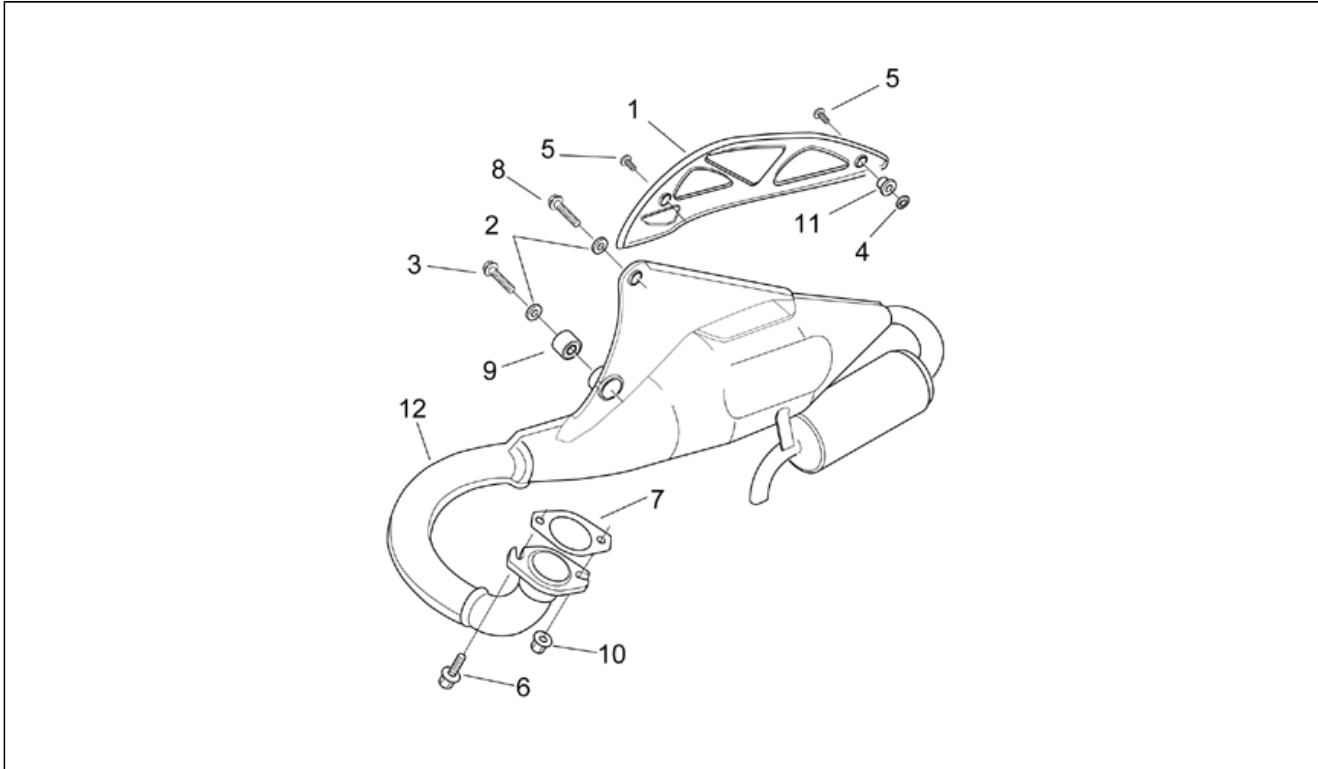
| Pos. | Code | Description | Q.ty | Variants |
|------|-----------|----------------------------|------|----------|
| 1 | AP8268259 | Expansion tank | 1 | |
| 2 | AP8570122 | Expansion tank plug | 1 | |
| 3 | AP8202406 | Water cooler | 1 | |
| 4 | AP8234232 | Water cooler support | 1 | |
| 5 | AP8144691 | Cooler-expansion tank pipe | 1 | |
| 6 | AP8144506 | Breather pipe 7,5X3,5 | 1 | |
| 7 | AP8220667 | Water cooler-head tube | 1 | |
| 8 | AP8220666 | Water cooler-pump tube | 1 | |
| 9 | AP8234218 | Water tubes holder | 1 | |
| 10 | AP8102375 | Clip M5 | 8 | |
| 11 | AP8102349 | White hose clip D17,5x8 | 2 | |
| 12 | AP8102765 | White hose clip D.13,5x6 | 2 | |
| 13 | AP8102732 | Hose clamp 17-25 | 3 | |
| 14 | AP8152278 | Screw w/ flange M6x16* | 3 | |
| 15 | AP8152302 | Screw w/ flange M5x12 | 4 | |
| 16 | AP8238769 | Water tubes holder | 1 | |
| 17 | AP8134460 | Water tubes holder | 1 | |
| 18 | AP8268254 | Wiring cover | 1 | |
| 19 | AP8101573 | Hose clamp D16-24x8* | 1 | |

| | |
|--------------------|---------|
| Assembly | FRAME |
| Code | 28.23 |
| Description | Air box |
| Revision | 1 |



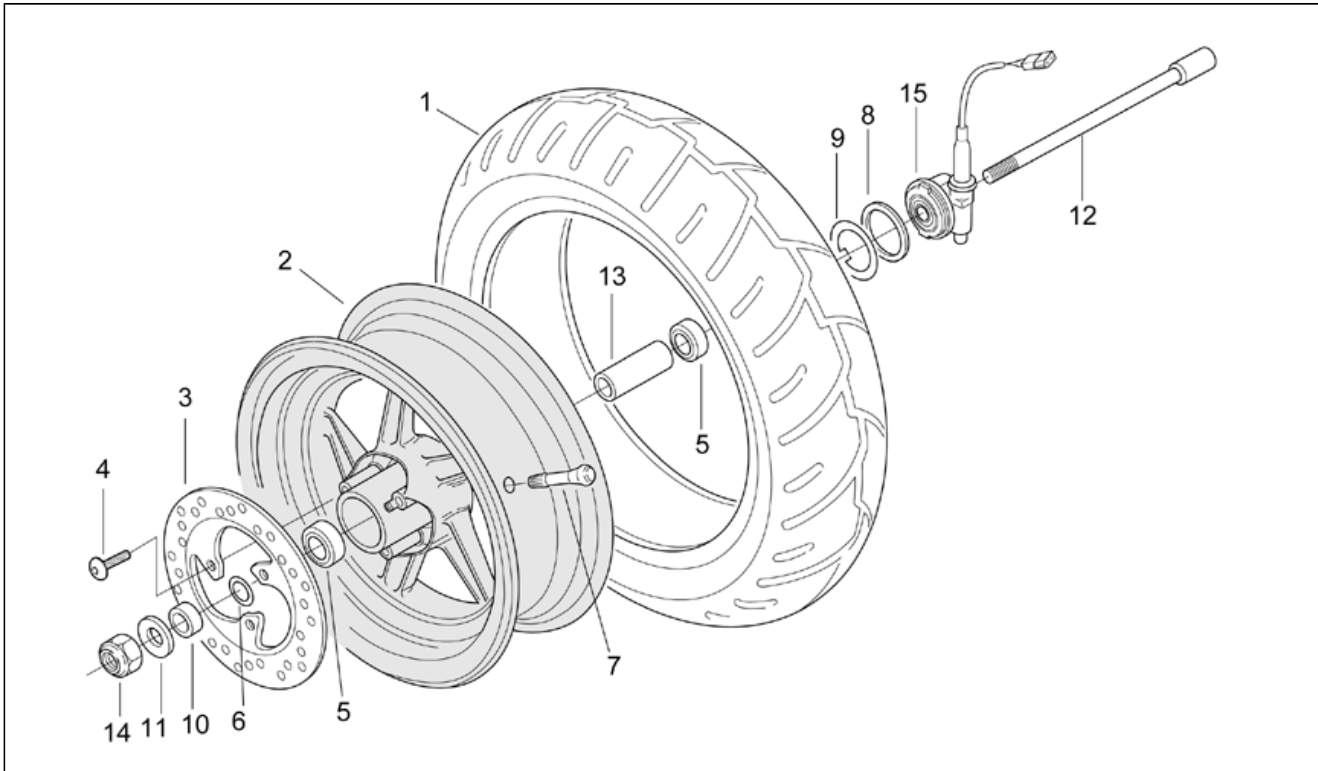
| Pos. | Code | Description | Q.ty | Variants |
|------|-----------|---------------------------|------|----------|
| 1 | AP8268325 | Filter housing base | 1 | |
| 2 | AP8268326 | Filter housing cover | 1 | |
| 3 | AP8268327 | Plug | 1 | |
| 4 | AP8268328 | Filter support guard | 1 | |
| 5 | AP8220706 | Carburettor-air box hose | 1 | |
| 6 | AP8220707 | Intake hose | 1 | |
| 7 | AP8202443 | Air filter | 1 | |
| 8 | AP8150444 | Self-tapping screw | 4 | |
| 9 | AP8152329 | Phillips screw, SWP M5X20 | 3 | |
| 10 | AP8102375 | Clip M5 | 1 | |
| 11 | AP8220104 | Hose clamp D25-45x8* | 1 | |
| 12 | AP8202444 | Union | 1 | |
| 13 | AP8121984 | Spacer | 2 | |
| 14 | AP8220605 | Pipe | 1 | |
| 15 | AP8150014 | Washer 6,4x12,5* | 2 | |
| 16 | AP8150157 | Hex socket screw M6x60 | 2 | |
| 17 | AP8268027 | Air box cpl. | 1 | |

| | |
|--------------------|--------------|
| Assembly | FRAME |
| Code | 28.25 |
| Description | Exhaust pipe |
| Revision | 1 |



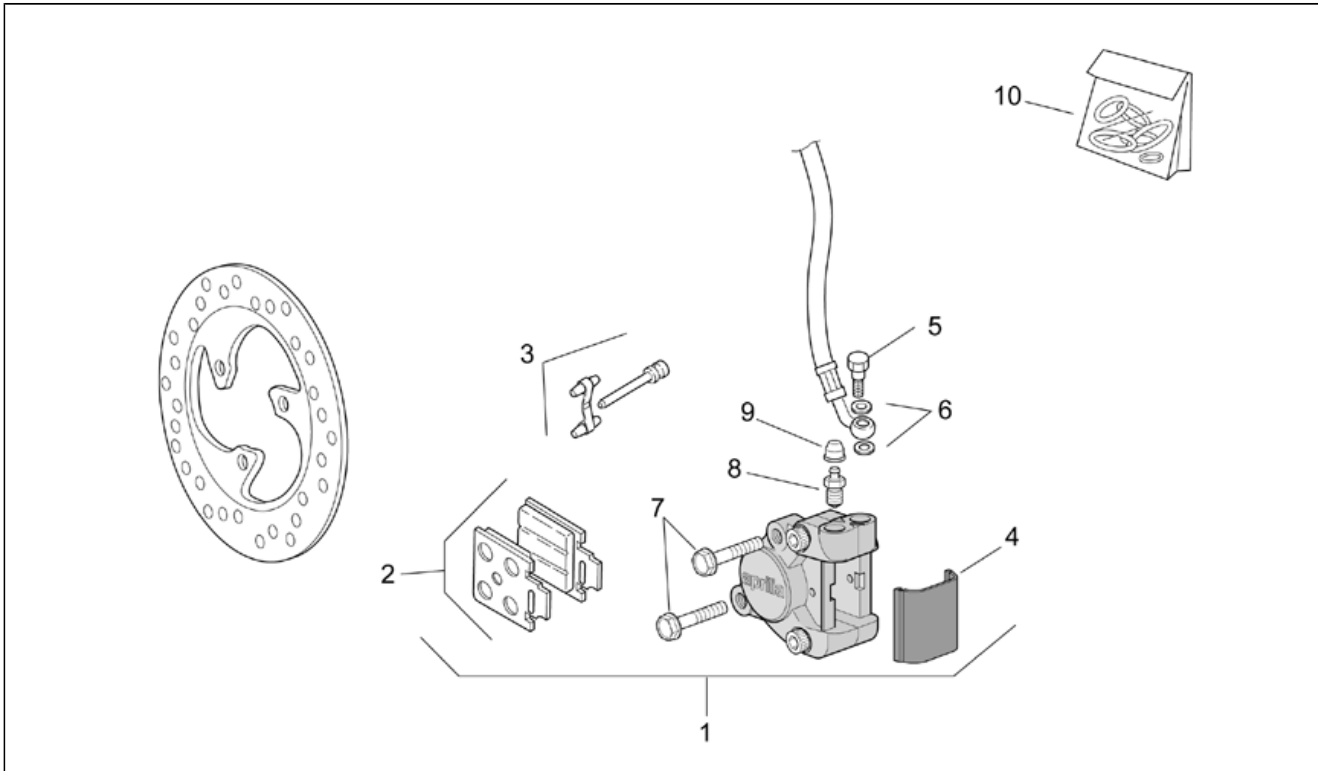
| Pos. | Code | Description | Q.ty | Variants |
|------|-----------|----------------------------|------|--|
| 1 | AP8219452 | Steel exhaust pipe prot. | 1 | |
| 2 | AP8150376 | Washer 8,5x15x0,8 | 2 | |
| 3 | AP8152290 | Screw w/ flange M8x40* | 1 | |
| 4 | AP8221297 | Insulating washer | 2 | |
| 5 | AP8152246 | Screw w/ flange M6x16* | 2 | |
| 6 | AP8152260 | Screw w/ flange M6x15* | 1 | |
| 7 | AP8219212 | Exhaust pipe gasket | 1 | |
| 8 | AP8152291 | Screw w/ flange M8x45* | 1 | |
| 9 | AP8220357 | Silent block, exhaust pipe | 1 | |
| 10 | AP8150333 | Serpress nut M6* | 1 | |
| 11 | AP8121075 | T bush * | 2 | |
| 12 | AP8219540 | Exhaust pipe | 1 | Country: California[CF], Canadian[CN] |
| 12 | AP8219593 | Exhaust pipe | 1 | Country: Australia[AA], Switzerland[CH], I-CH[EU], Italy[I] Technical Specifications: Limited version 45 Km/h[45Km], Full Power Version[f.p.] |

| | |
|--------------------|-------------|
| Assembly | FRAME |
| Code | 28.26 |
| Description | Front wheel |
| Revision | 1 |



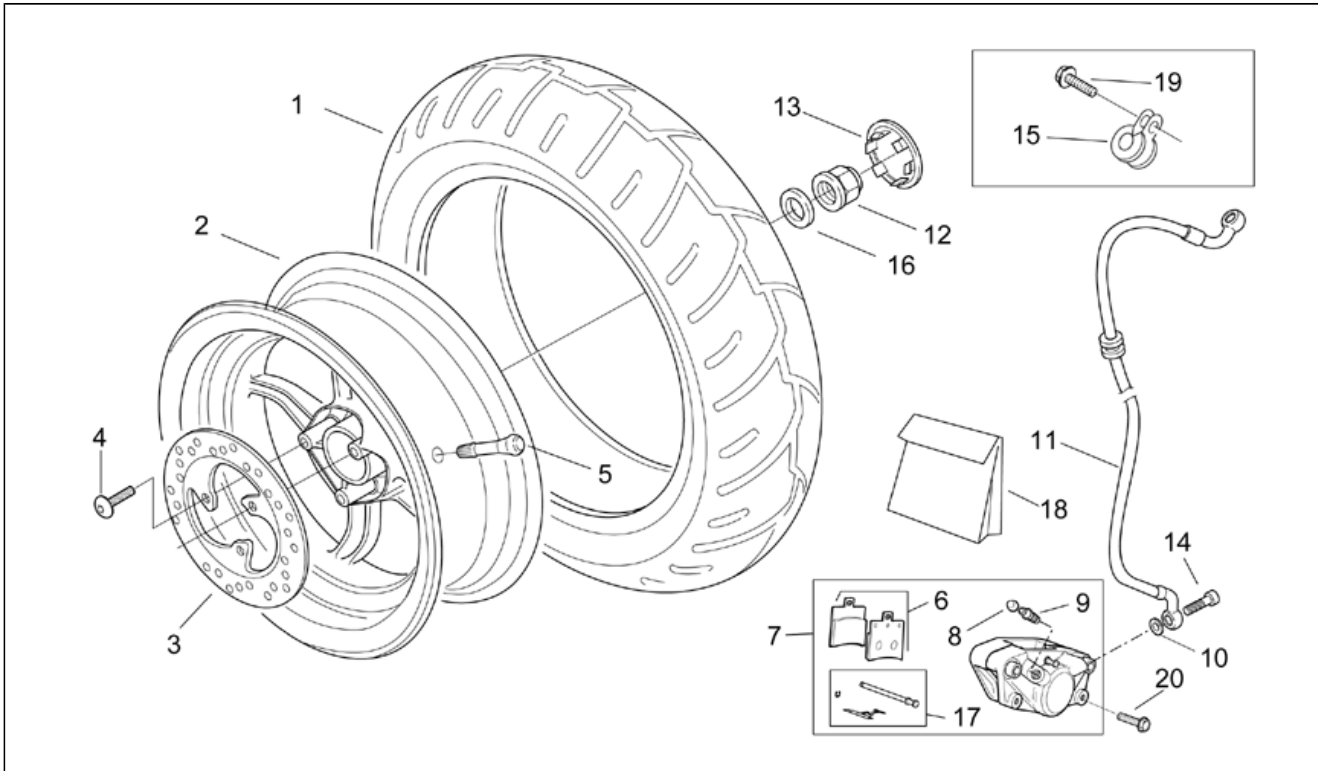
| Pos. | Code | Description | Q.ty | Variants |
|------|-----------|-------------------------------|------|---|
| 1 | 0000000 | Tyre 110/90" | 1 | |
| 2 | AP8208708 | Front wheel, blue | 1 | Technical Specifications: Grimeca sign[gr] |
| 2 | AP8208922 | Front wheel, blue | 1 | Technical Specifications: ZNL sign[znl] |
| 3 | AP8213231 | Brake disc D190 | 1 | |
| 4 | AP8152056 | Hex socket screw M8x30 | 3 | |
| 5 | AP8225123 | Bearing | 2 | |
| 6 | AP8125782 | Gasket ring | 1 | |
| 7 | AP8201546 | Tubeless tyre valve | 1 | |
| 8 | AP8125743 | Gasket ring D40x50x4 | 1 | |
| 9 | AP8120865 | Drive key | 1 | |
| 10 | AP8221119 | Front wheel spacer | 1 | |
| 11 | AP8152018 | Washer 12,2x22x2 | 1 | |
| 12 | AP8225271 | Front wheel spindle | 1 | |
| 13 | AP8225323 | Front wheel ins.spacer | 1 | |
| 14 | AP8150373 | Low self-locking nut M12x1,25 | 1 | |
| 15 | AP8202403 | Speed sensor | 1 | |

| | |
|--------------------|---------------------|
| Assembly | FRAME |
| Code | 28.27 |
| Description | Front brake caliper |
| Revision | 1 |



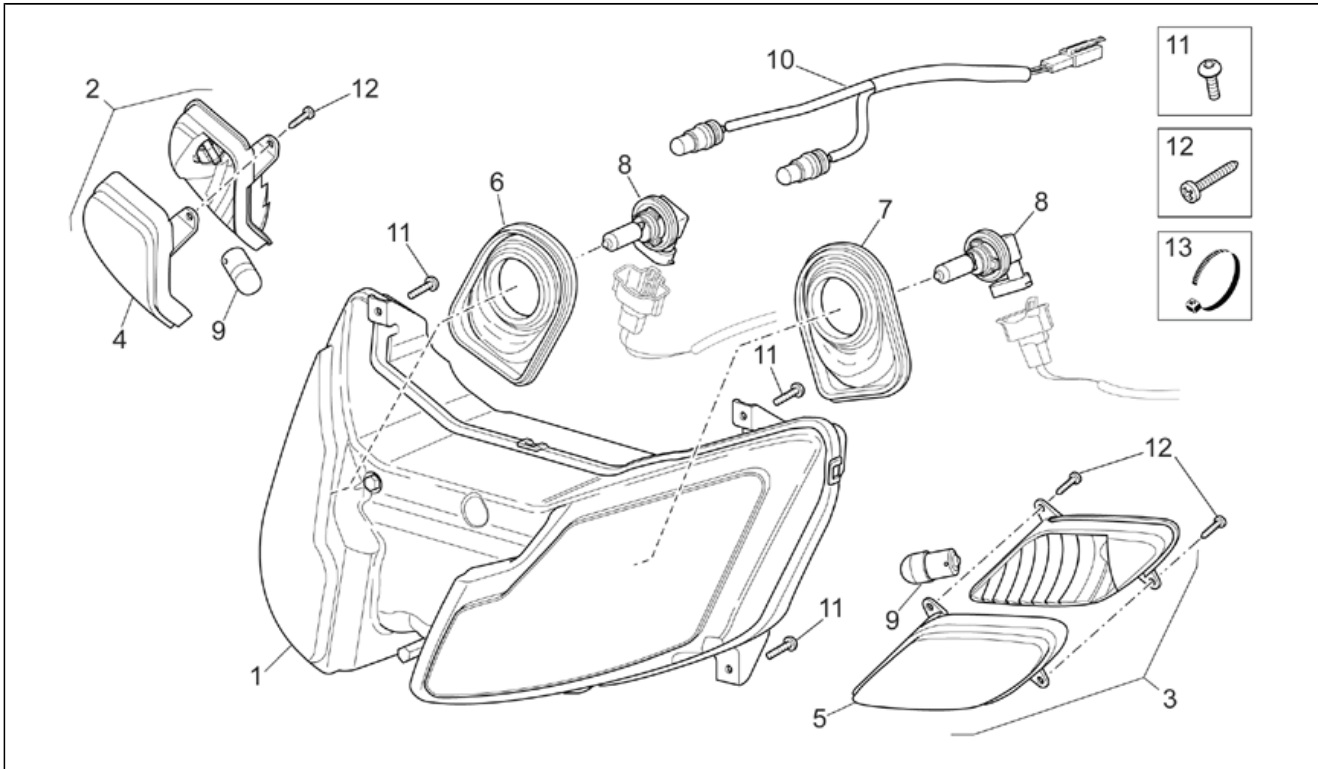
| Pos. | Code | Description | Q.ty | Variants |
|------|-----------|-------------------------------|------|---|
| 1 | AP8113577 | Front brake caliper, gold D32 | 1 | Technical Specifications: Grimeca sign[gr] |
| 1 | AP8133735 | Front brake caliper, gold D32 | 1 | Technical Specifications: Heng Tong Sign[ht] |
| 2 | AP8113638 | Pads pair | 1 | Technical Specifications: Grimeca sign[gr] |
| 2 | AP8213571 | Pads pair | 1 | Technical Specifications: Heng Tong Sign[ht] |
| 3 | AP8213227 | Pin+Brake spring | 1 | Technical Specifications: Grimeca sign[gr] |
| 3 | AP8213572 | Pin+Brake spring | 1 | Technical Specifications: Heng Tong Sign[ht] |
| 4 | AP8113640 | Brake caliper cover | 1 | Technical Specifications: Grimeca sign[gr] |
| 4 | AP8213573 | Brake caliper cover | 1 | Technical Specifications: Heng Tong Sign[ht] |
| 5 | AP8113003 | Oil pipe screw * | 1 | |
| 6 | AP8113004 | Washer 10x14x1,6* | 2 | |
| 7 | AP8152289 | Screw w/ flange M8x35* | 2 | |
| 8 | AP8113006 | Air bleed valve | 1 | Technical Specifications: Grimeca sign[gr] |
| 8 | AP8213574 | Air bleed valve | 1 | Technical Specifications: Heng Tong Sign[ht] |
| 9 | AP8113005 | Bleed valve cap | 1 | Technical Specifications: Grimeca sign[gr] |
| 9 | AP8213575 | Bleed valve cap | 1 | Technical Specifications: Heng Tong Sign[ht] |
| 10 | AP8113122 | Brake caliper rev. kit | 1 | Technical Specifications: Grimeca sign[gr] |
| 10 | AP8213576 | Brake caliper rev. kit | 1 | Technical Specifications: Heng Tong Sign[ht] |

| | |
|--------------------|-------------------------|
| Assembly | FRAME |
| Code | 28.28 |
| Description | Rear wheel - disc brake |
| Revision | 1 |



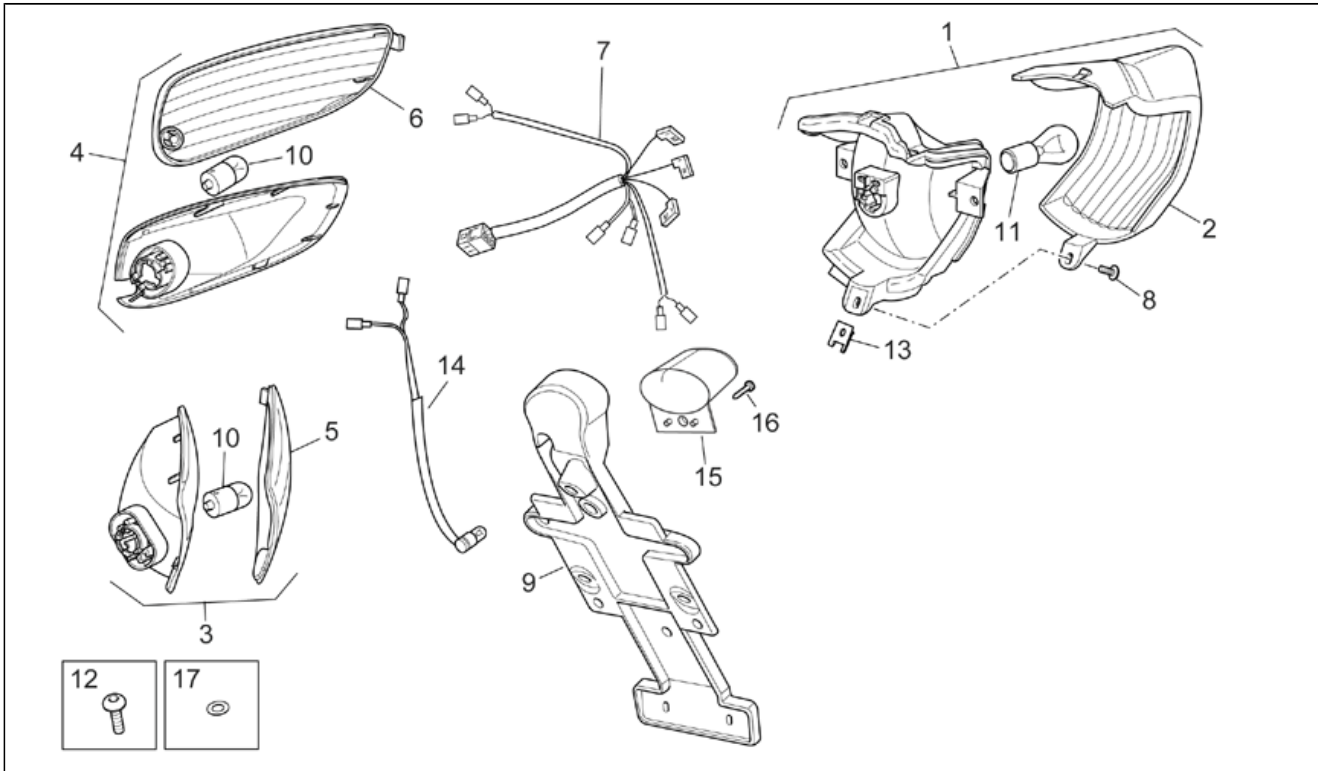
| Pos. | Code | Description | Q.ty | Variants |
|------|-----------|--------------------------|------|---|
| 1 | 0000000 | Tyre 110/90" | 1 | |
| 2 | AP8208709 | Rear wheel, blue | 1 | Technical Specifications: Grimeca sign[gr] |
| 2 | AP8208924 | Rear wheel, blue | 1 | Technical Specifications: ZNL sign[znl] |
| 3 | AP8213231 | Brake disc D190 | 1 | |
| 4 | AP8225358 | Hex socket screw M8x25 | 3 | |
| 5 | AP8201546 | Tubeless tyre valve | 1 | |
| 6 | AP8113869 | Pads pair | 1 | Technical Specifications: Grimeca sign[gr] |
| 7 | AP8213488 | Rear brake caliper, gold | 1 | Technical Specifications: Grimeca sign[gr] |
| 8 | AP8113005 | Bleed valve cap | 1 | Technical Specifications: Grimeca sign[gr] |
| 9 | AP8113006 | Air bleed valve | 1 | Technical Specifications: Grimeca sign[gr] |
| 10 | AP8113004 | Washer 10x14x1,6* | 1 | |
| 11 | AP8213548 | Rear brake hose | 1 | |
| 12 | AP8152244 | DAX flange nut M14x1,5 | 1 | |
| 13 | AP8220579 | Rear wheel plug | 1 | |
| 14 | AP8113003 | Oil pipe screw * | 1 | |
| 15 | AP8134167 | Brake hose hanger | 1 | |
| 16 | AP8150471 | Spring washer 14,5x24 | 1 | |
| 17 | AP8113871 | Pin+Brake spring | 1 | Technical Specifications: Grimeca sign[gr] |
| 18 | AP8213457 | Brake caliper rev. kit | 1 | Technical Specifications: Grimeca sign[gr] |
| 19 | AP8152277 | Screw w/ flange M6x12* | 1 | |
| 20 | AP8152288 | Screw w/ flange M8x30* | 2 | |

| | |
|--------------------|--------------|
| Assembly | FRAME |
| Code | 28.29 |
| Description | Front lights |
| Revision | 1 |



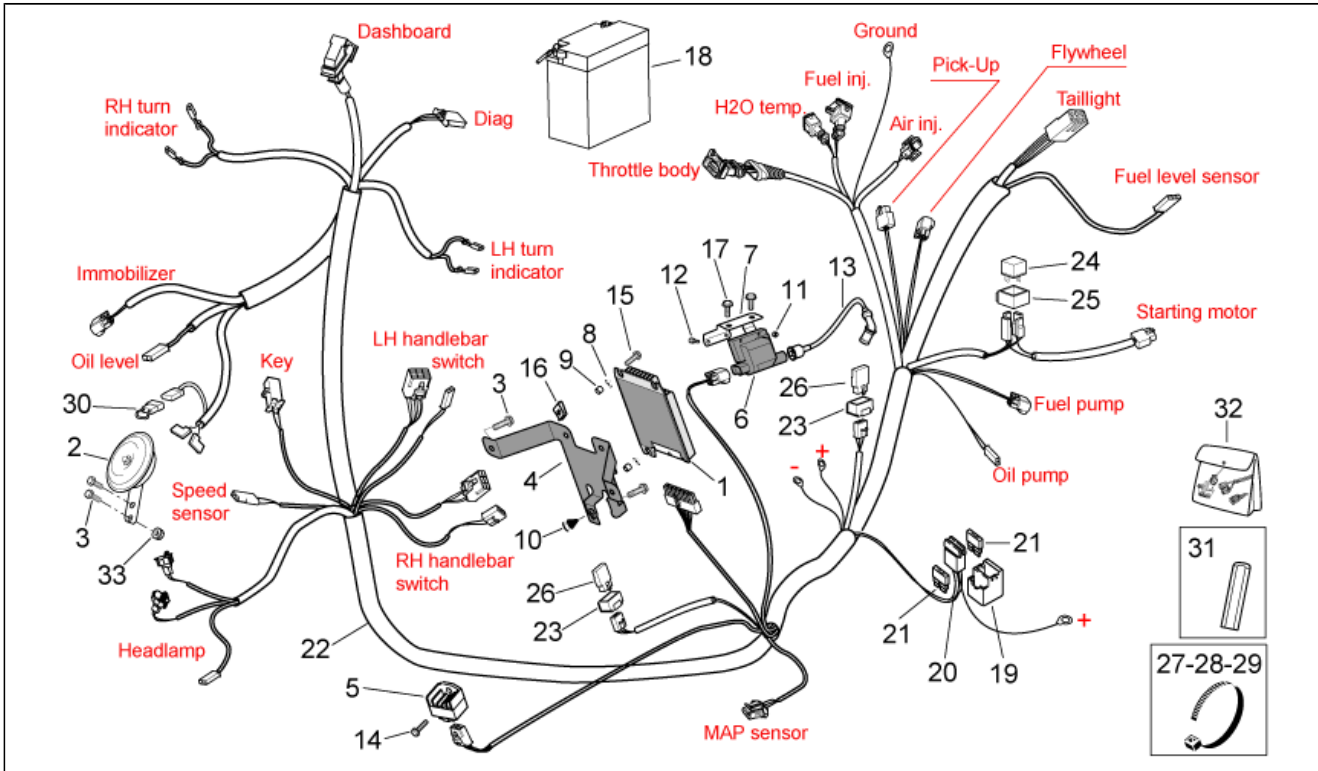
| Pos. | Code | Description | Q.ty | Variants |
|------|-----------|------------------------------|------|---|
| 1 | AP8224586 | Headlight | 1 | Country:Australia[AA], Italy[I] |
| 1 | AP8224646 | Headlight | 1 | Country:California[CF], Switzerland[CH], Canadian[CN] |
| 2 | AP8224589 | RH front turn indicator | 1 | |
| 3 | AP8224590 | LH front turn indicator | 1 | |
| 4 | AP8224659 | RH Turn indicator f.lens | 1 | |
| 5 | AP8224660 | LH front turn indicator lens | 1 | |
| 6 | AP8224656 | LH Front headlight guard | 1 | |
| 7 | AP8224657 | LH Front headlight guard | 1 | |
| 8 | 0000000 | Tyre 110/90" | 2 | |
| 9 | 0000000 | Tyre 110/90" | 2 | Country:California[CF], Switzerland[CH], Canadian[CN] |
| 10 | AP8224666 | Headlight wiring w/harness | 1 | Country:California[CF], Switzerland[CH], Canadian[CN] |
| 11 | AP8150493 | Hex socket screw M4x16 | 4 | |
| 12 | AP8150413 | Self-tap screw 3,9x14 | 4 | |
| 13 | AP8120416 | Black hose 178x4* | 1 | |

| | |
|--------------------|-------------|
| Assembly | FRAME |
| Code | 28.30 |
| Description | Rear lights |
| Revision | 1 |



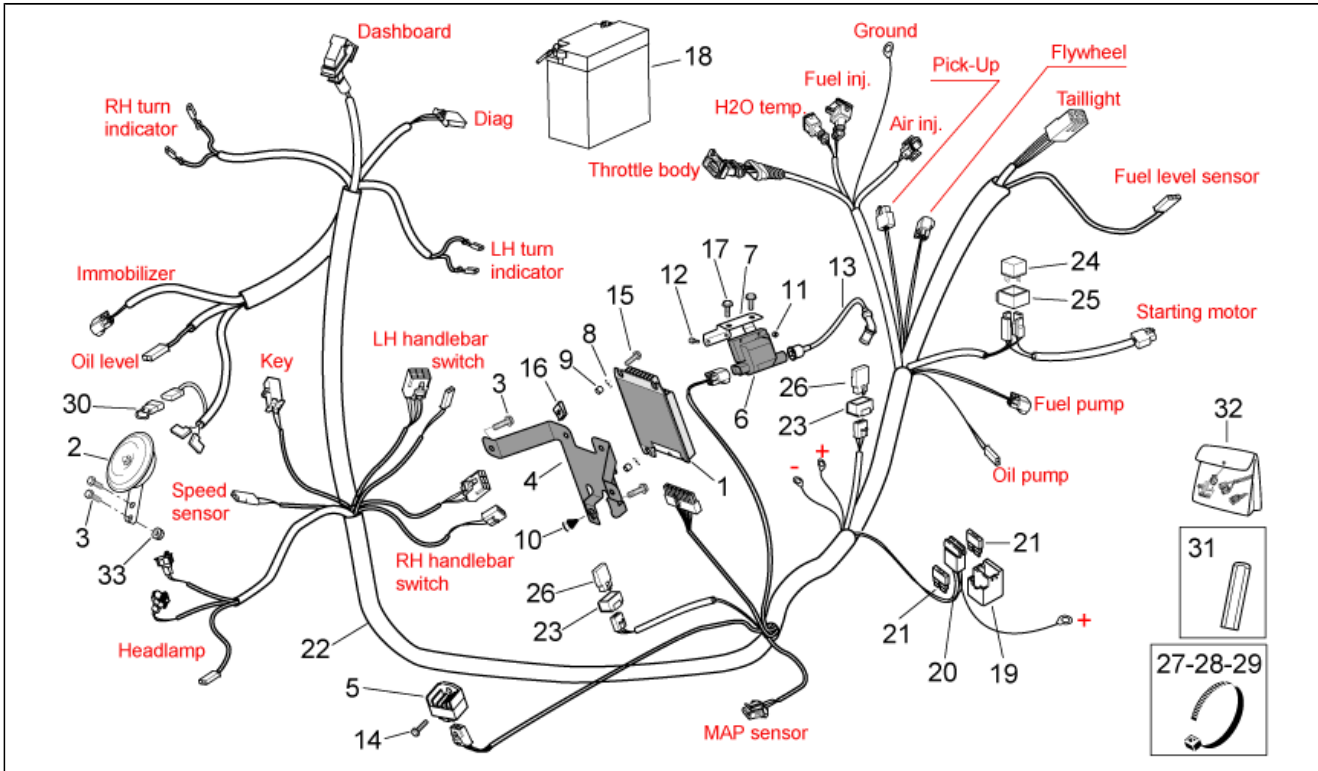
| Pos. | Code | Description | Q.ty | Variants |
|------|-----------|----------------------------|------|--|
| 1 | AP8224587 | Taillight | 1 | |
| 2 | AP8224658 | Taillight lens | 1 | |
| 3 | AP8224592 | Rear LH turn indicator | 1 | |
| 4 | AP8224591 | Rear RH turn indicator | 1 | |
| 5 | AP8224662 | LH Turn indicator r.lens | 1 | |
| 6 | AP8224661 | RH Turn indicator r.lens | 1 | |
| 7 | AP8224624 | Taillight wiring harn. | 1 | |
| 8 | AP8150298 | Hex socket screw M5x10* | 1 | |
| 9 | AP8226843 | Plate light support | 1 | Country:California[CF], Canadian[CN] |
| 9 | AP8268255 | Plate light support, black | 1 | Country:Australia[AA], Switzerland[CH] |
| 10 | 0000000 | Tyre 110/90" | 2 | |
| 11 | 0000000 | Tyre 110/90" | 1 | |
| 12 | AP8121184 | Screw M4x14 | 4 | |
| 13 | AP8102375 | Clip M5 | 1 | |
| 14 | AP8224655 | Plate light wiring | 1 | Country:Australia[AA], California[CF], Switzerland[CH], Canadian[CN] |
| 15 | AP8127098 | Number-plate light | 1 | Country:Australia[AA], California[CF], Switzerland[CH], Canadian[CN] |
| 16 | AP8150509 | Self-tap screw 5x14 | 1 | Country:Australia[AA], California[CF], Switzerland[CH], Canadian[CN] |
| 17 | AP8144565 | Nylon washer | 2 | |

| | |
|--------------------|---------------------|
| Assembly | FRAME |
| Code | 28.31 |
| Description | Electrical system I |
| Revision | 1 |



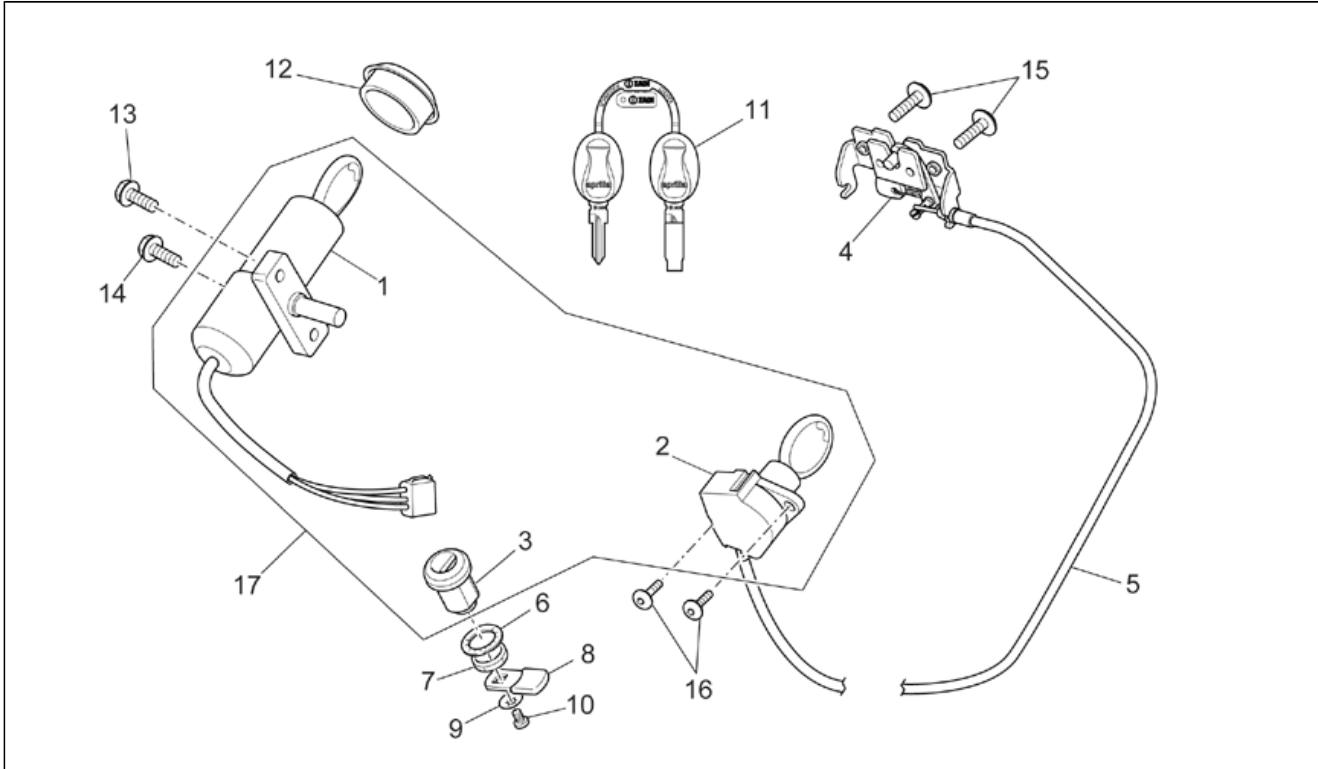
| Pos. | Code | Description | Q.ty | Variants |
|------|-----------|-----------------------------|------|---|
| 1 | AP8224637 | ECU without Pressure Sensor | 1 | Country: Australia[AA], I-CH[EU], Italy[I] Technical Specifications: Limited version 45 Km/h[45Km] |
| 1 | AP8224647 | ECU with Pressure Sensor | 1 | Country: Switzerland[CH], I-CH[EU] Technical Specifications: Full Power Version[f.p.] |
| 1 | AP8224649 | ECU with Pressure Sensor | 1 | Country: California[CF], Canadian[CN] |
| 2 | AP8212611 | Horn | 1 | |
| 3 | AP8152278 | Screw w/ flange M6x16* | 5 | |
| 4 | AP8234184 | Control unit fixing plate | 1 | |
| 5 | AP8224296 | Voltage regulator | 1 | |
| 6 | AP8224261 | HT coil | 1 | |
| 7 | AP8234234 | Coil holder | 1 | |
| 8 | AP8120405 | Rubber spacer * | 3 | |
| 9 | AP8221036 | Bush 5,3x8x7,1 | 3 | |
| 10 | AP8220238 | Rubber spacer | 1 | |
| 11 | AP8150204 | Nut M4 | 2 | |
| 12 | AP8150416 | Hex socket screw M4X20 | 2 | |
| 13 | AP8224379 | HT wire | 1 | |
| 14 | AP8152280 | Screw w/ flange M6X25 | 1 | |
| 15 | AP8152273 | Screw w/ flange M5x16 | 3 | |
| 16 | AP8102375 | Clip M5 | 3 | |
| 17 | AP8152277 | Screw w/ flange M6x12* | 2 | |
| 18 | AP8112290 | Battery | 1 | |
| 19 | AP8220342 | Rubber fuse box | 1 | |
| 20 | AP8120754 | Rubber fuse box | 1 | |
| 21 | 0000000 | Tyre 110/90" | 2 | |
| 22 | AP8224618 | Main wiring harness | 1 | |
| 23 | AP8220283 | Rubber spacer * | 2 | |
| 24 | AP8224026 | Starter relay | 1 | |

| | |
|--------------------|---------------------|
| Assembly | FRAME |
| Code | 28.31 |
| Description | Electrical system I |
| Revision | 1 |



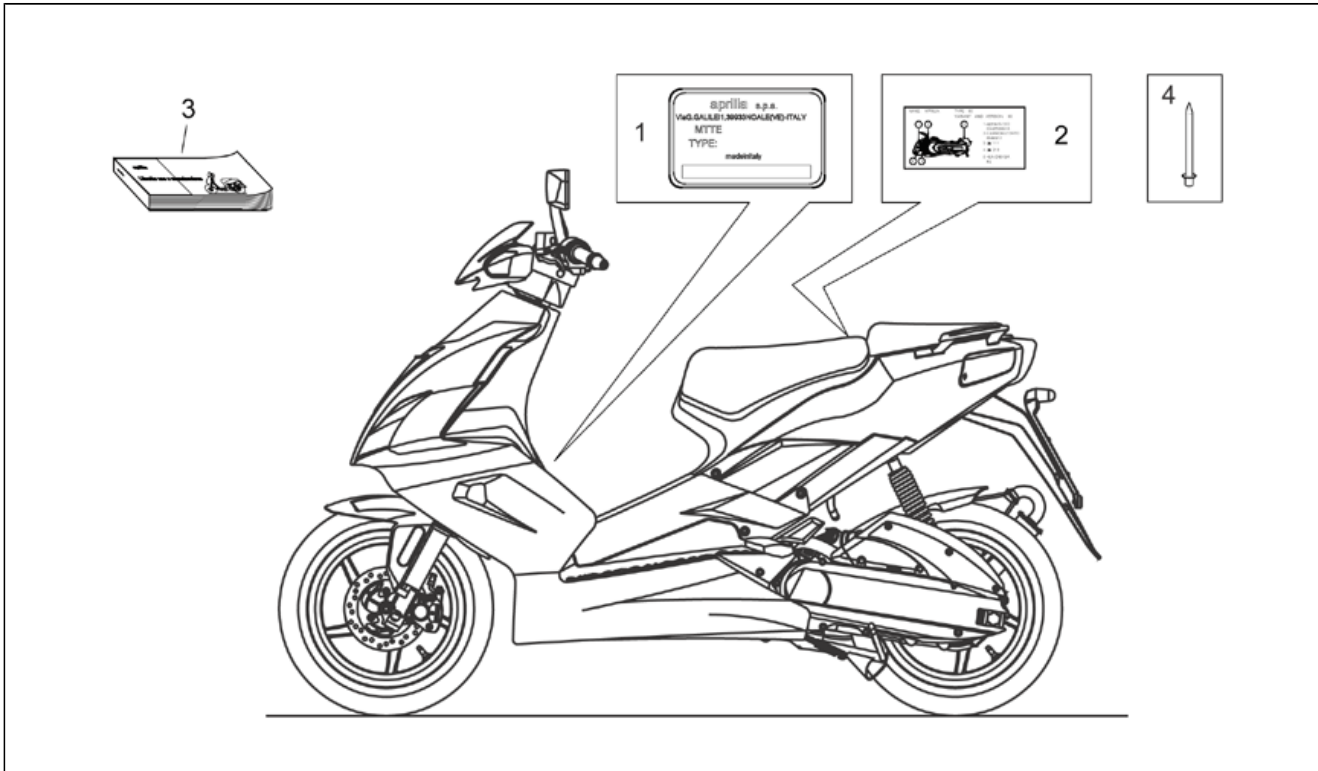
| Pos. | Code | Description | Q.ty | Variants |
|------|-----------|----------------------|------|----------|
| 25 | AP8220546 | Relay rubber | 1 | |
| 26 | AP8224462 | Relay 12V/30A | 2 | |
| 27 | AP8120422 | Black hose 98x2* | 2 | |
| 28 | AP8120416 | Black hose 178x4* | 1 | |
| 29 | AP8120657 | Hose clamp * | 1 | |
| 30 | AP8212588 | Diode | 1 | |
| 31 | AP8144707 | Gasket | 2 | |
| 32 | AP8127477 | Injection wiring | 1 | |
| 33 | AP8152299 | Self-locking nut M6* | 1 | |

| | |
|--------------------|-------------------|
| Assembly | FRAME |
| Code | 28.32 |
| Description | Lock hardware kit |
| Revision | 1 |



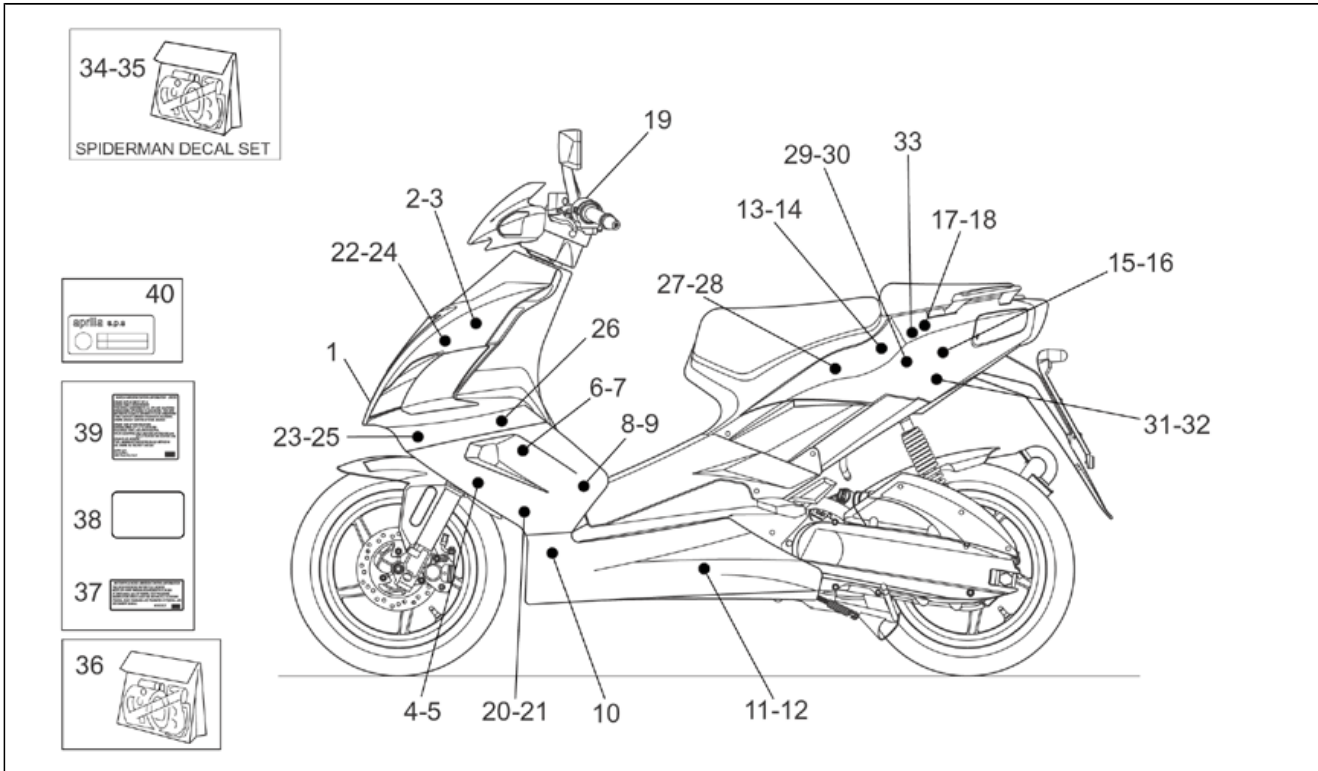
| Pos. | Code | Description | Q.ty | Variants |
|------|-----------|-----------------------------|------|----------|
| 1 | AP8224652 | Main switch - steering lock | 1 | |
| 2 | AP8104611 | Saddle lock | 1 | |
| 3 | AP8104609 | Tank door lock | 1 | |
| 4 | AP8102947 | Saddle closing plate | 1 | |
| 5 | AP8214238 | Lock cable | 1 | |
| 6 | AP8221312 | Notched washer | 1 | |
| 7 | AP8152194 | Low nut M19x1* | 1 | |
| 8 | AP8201620 | Lever | 1 | |
| 9 | AP8201748 | Washer | 1 | |
| 10 | AP8201749 | Screw M4x6 | 1 | |
| 11 | AP8104622 | "Aprilia" key with transpo. | 1 | |
| 12 | AP8127461 | Main switch seal | 1 | |
| 13 | AP8150137 | Hex socket screw M6x16* | 1 | |
| 14 | AP8152140 | Shear rivet M6x17 | 1 | |
| 15 | AP8152246 | Screw w/ flange M6x16* | 2 | |
| 16 | AP8152298 | Screw w/ flange M5x16 | 2 | |
| 17 | AP8202396 | Lock hardware kit | 1 | |

| | |
|--------------------|------------------------|
| Assembly | FRAME |
| Code | 28.33 |
| Description | Plate set and handbook |
| Revision | 1 |



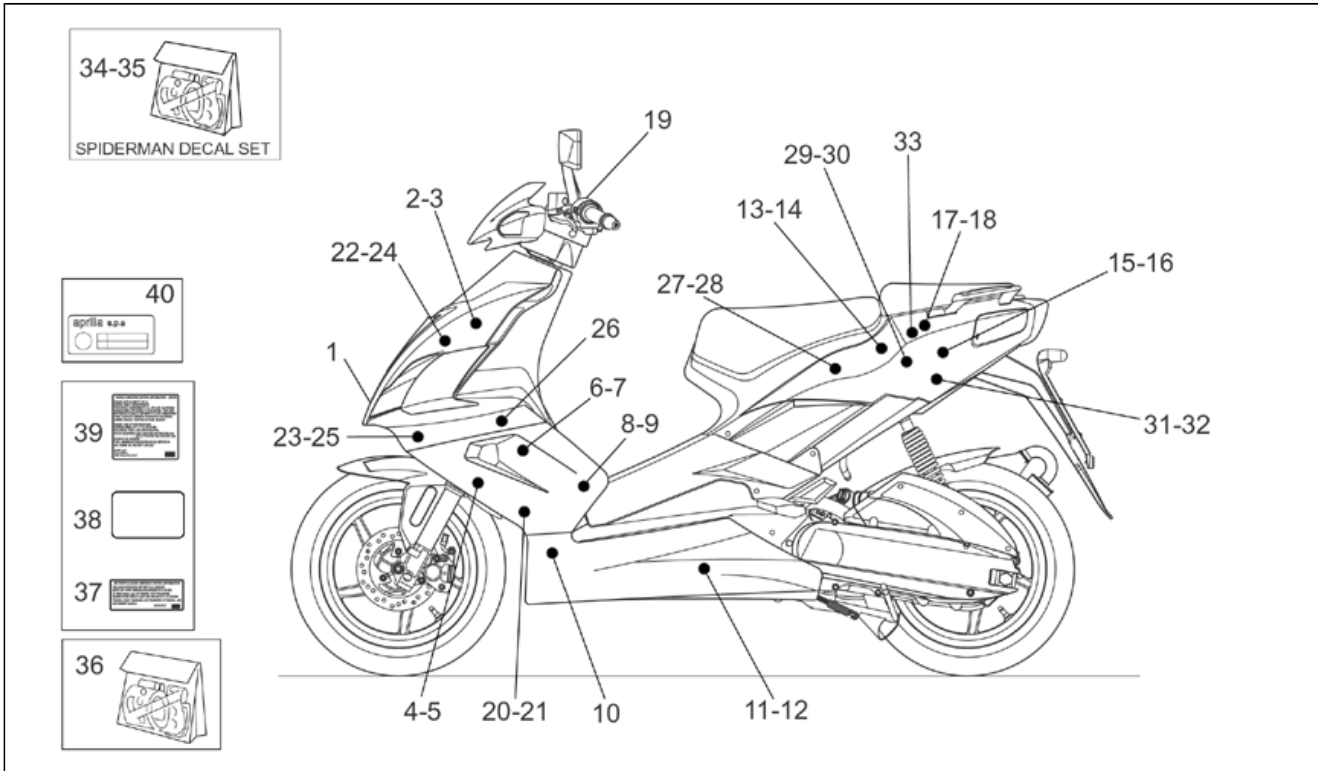
| Pos. | Code | Description | Q.ty | Variants |
|------|-----------|-----------------------------------|------|---|
| 1 | AP8277217 | Constructor dataplate | 1 | Country: Italy[I] Technical Specifications: Limited version 45 Km/h[45Km] |
| 1 | AP8277485 | Constructor dataplate | 1 | Country: Switzerland[CH] Technical Specifications: Full Power Version[f.p.] |
| 1 | AP8277488 | Constructor dataplate | 1 | Country: California[CF] |
| 1 | AP8277608 | Constructor dataplate | 1 | Country: Australia[AA] Technical Specifications: Limited version 45 Km/h[45Km] |
| 1 | AP8277618 | Constructor dataplate | 1 | Country: Canadian[CN] |
| 2 | AP8277220 | Tamperproof dataplate | 1 | Country: Italy[I] Technical Specifications: Limited version 45 Km/h[45Km] |
| 2 | AP8277484 | Tamperproof dataplate | 1 | Country: Switzerland[CH] Technical Specifications: Full Power Version[f.p.] |
| 3 | AP8202397 | Operator's handbook I | 1 | |
| 3 | AP8202439 | Operator's handbook USA | 1 | |
| 3 | AP8202441 | Operator's handbook F-D-E-UK | 1 | |
| 3 | AP8202442 | Operator's handbook NL-DK-SF-GR-J | 1 | |
| 4 | AP8201457 | Rivet * | 2 | |

| | |
|--------------------|-------|
| Assembly | FRAME |
| Code | 28.34 |
| Description | Decal |
| Revision | 1 |



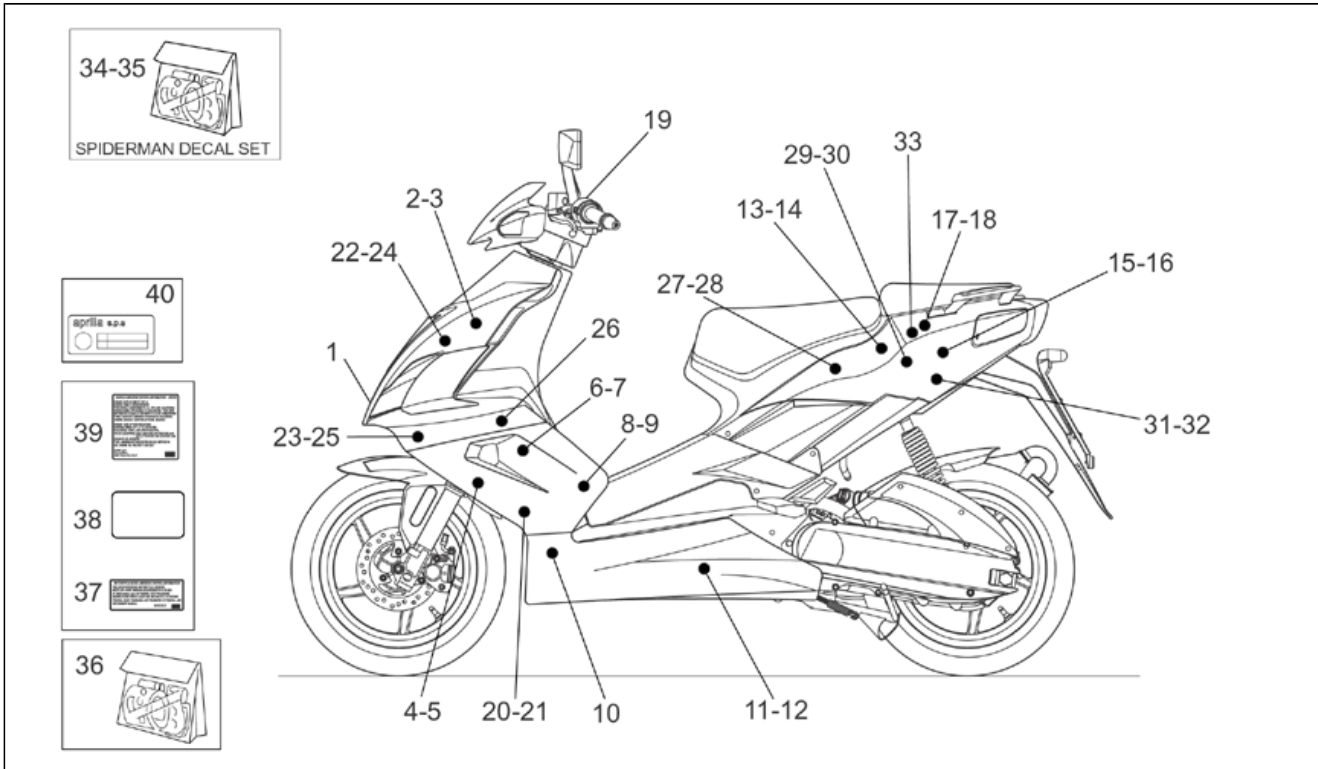
| Pos. | Code | Description | Q.ty | Variants |
|------|-----------|--------------------------------|------|--|
| 1 | AP8277519 | Frame grille dec. aprilia | 1 | Color:Aprilia Black (s.t.14707)[black] |
| 1 | AP8277538 | Frame grille dec. aprilia | 1 | Color:Speed Orange (s.t.14721)[orange] |
| 1 | AP8277555 | Frame grille dec. aprilia | 1 | Color:Aprilia White (s.t.14722)[white] |
| 1 | AP8277584 | Frame grille dec. aprilia | 1 | Color:Spiderman (s.t.14792)[spider] |
| 2 | AP8277520 | RH Front fairing dec. Criniera | 1 | Color:Aprilia Black (s.t.14707)[black] |
| 2 | AP8277539 | RH Front fairing dec. Criniera | 1 | Color:Speed Orange (s.t.14721)[orange] |
| 3 | AP8277521 | LH Front fairing dec. Criniera | 1 | Color:Aprilia Black (s.t.14707)[black] |
| 3 | AP8277540 | LH Front fairing dec. Criniera | 1 | Color:Speed Orange (s.t.14721)[orange] |
| 4 | AP8277522 | RH Front fairing dec. Lion | 1 | Color:Aprilia Black (s.t.14707)[black] |
| 4 | AP8277541 | RH Front fairing dec. Lion | 1 | Color:Speed Orange (s.t.14721)[orange] |
| 5 | AP8277523 | LH Front fairing dec. Lion | 1 | Color:Aprilia Black (s.t.14707)[black] |
| 5 | AP8277542 | LH Front fairing dec. Lion | 1 | Color:Speed Orange (s.t.14721)[orange] |
| 6 | AP8277524 | RH Front fairing dec. Fregio | 1 | Color:Aprilia Black (s.t.14707)[black] |
| 6 | AP8277543 | RH Front fairing dec. Fregio | 1 | Color:Speed Orange (s.t.14721)[orange] |
| 7 | AP8277525 | LH Front fairing dec. Fregio | 1 | Color:Aprilia Black (s.t.14707)[black] |
| 7 | AP8277544 | LH Front fairing dec. Fregio | 1 | Color:Speed Orange (s.t.14721)[orange] |
| 8 | AP8277526 | RH Front fairing dec. Fregio | 1 | Color:Aprilia Black (s.t.14707)[black] |
| 8 | AP8277545 | RH Front fairing dec. Fregio | 1 | Color:Speed Orange (s.t.14721)[orange] |
| 9 | AP8277527 | LH Front fairing dec. Fregio | 1 | Color:Aprilia Black (s.t.14707)[black] |
| 9 | AP8277546 | LH Front fairing dec. Fregio | 1 | Color:Speed Orange (s.t.14721)[orange] |
| 10 | AP8277528 | Underpanel dec. IP | 2 | Color:Aprilia Black (s.t.14707)[black], Speed Orange (s.t.14721)[orange] |
| 11 | AP8277529 | RH underpanel dec. aprilia | 1 | Color:Aprilia Black (s.t.14707)[black], Speed Orange (s.t.14721)[orange], Aprilia White (s.t.14722)[white] |
| 12 | AP8277530 | LH underpanel dec. aprilia | 1 | Color:Aprilia Black (s.t.14707)[black], Speed Orange (s.t.14721)[orange], Aprilia White (s.t.14722)[white] |
| 13 | AP8277531 | RH rear fairing dec. Criniera | 1 | Color:Aprilia Black (s.t.14707)[black] |
| 13 | AP8277547 | RH rear fairing dec. Criniera | 1 | Color:Speed Orange (s.t.14721)[orange] |
| 14 | AP8277532 | LH rear fairing dec. Criniera | 1 | Color:Aprilia Black (s.t.14707)[black] |

| | |
|--------------------|-------|
| Assembly | FRAME |
| Code | 28.34 |
| Description | Decal |
| Revision | 1 |



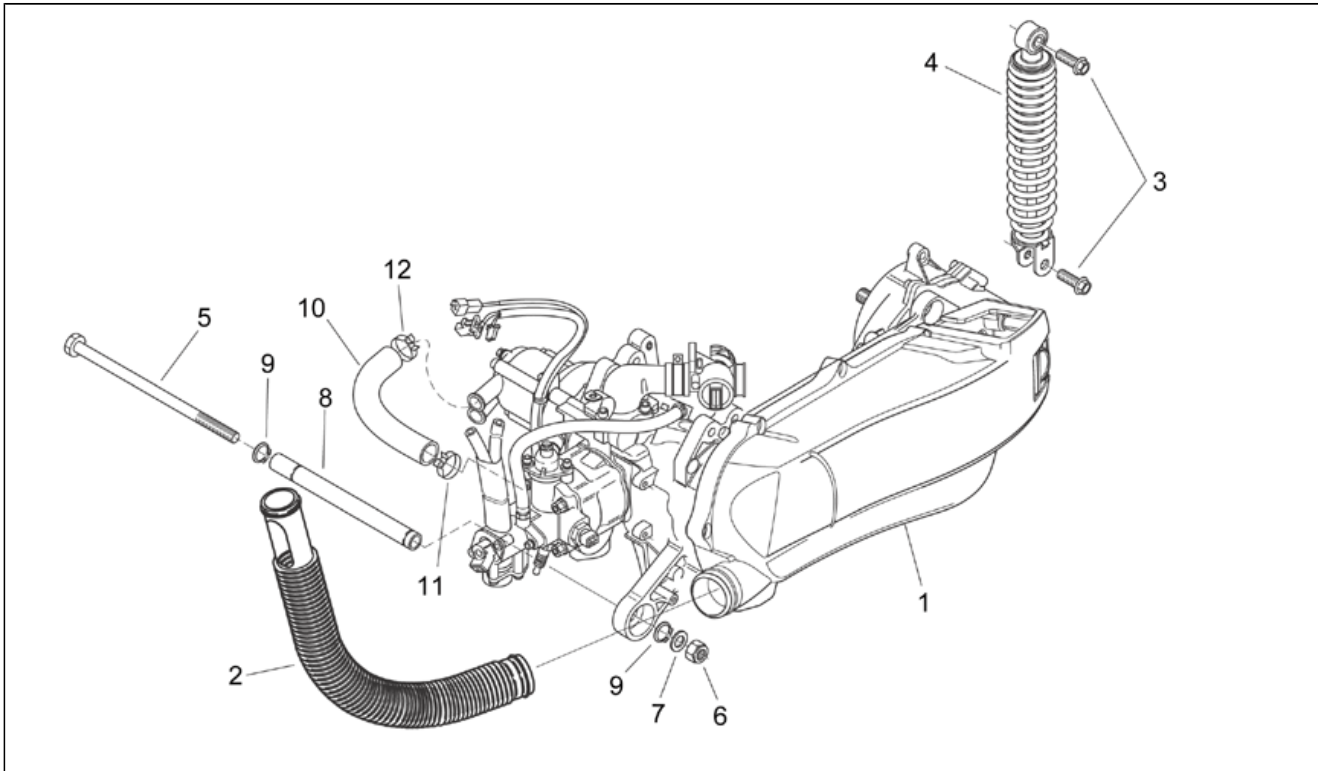
| Pos. | Code | Description | Q.ty | Variants |
|------|-----------|-------------------------------|------|---|
| 14 | AP8277548 | LH rear fairing dec. Criniera | 1 | Color:Speed Orange (s.t.14721)[orange] |
| 15 | AP8277533 | RH rear fairing dec. Criniera | 1 | Color:Aprilia Black (s.t.14707)[black] |
| 15 | AP8277549 | RH rear fairing dec. Criniera | 1 | Color:Speed Orange (s.t.14721)[orange] |
| 16 | AP8277534 | LH rear fairing dec. Criniera | 1 | Color:Aprilia Black (s.t.14707)[black] |
| 16 | AP8277550 | LH rear fairing dec. Criniera | 1 | Color:Speed Orange (s.t.14721)[orange] |
| 17 | AP8277535 | RH rear fairing dec. | 1 | Color:Aprilia Black (s.t.14707)[black] |
| 17 | AP8277551 | RH rear fairing dec. | 1 | Color:Speed Orange (s.t.14721)[orange] |
| 18 | AP8277536 | LH rear fairing dec. | 1 | Color:Aprilia Black (s.t.14707)[black] |
| 18 | AP8277552 | LH rear fairing dec. | 1 | Color:Speed Orange (s.t.14721)[orange] |
| 19 | AP8277537 | Handlebar dec. Lion 40x40 | 1 | Color:Aprilia Black (s.t.14707)[black], Speed Orange (s.t.14721)[orange], Spiderman (s.t.14792)[spider], Aprilia White (s.t.14722)[white] |
| 20 | AP8277558 | RH Front fairing dec. IP | 1 | Color:Aprilia White (s.t.14722)[white] |
| 21 | AP8277562 | LH Front fairing dec. IP | 1 | Color:Aprilia White (s.t.14722)[white] |
| 22 | AP8277556 | RH fairing dec., black 1 | 1 | Color:Aprilia White (s.t.14722)[white] |
| 23 | AP8277557 | RH fairing dec., black 2 | 1 | Color:Aprilia White (s.t.14722)[white] |
| 24 | AP8277559 | LH fairing dec., black 1 | 1 | Color:Aprilia White (s.t.14722)[white] |
| 25 | AP8277560 | LH fairing dec., black 2 | 1 | Color:Aprilia White (s.t.14722)[white] |
| 26 | AP8277561 | LH fairing dec., black 3 | 1 | Color:Aprilia White (s.t.14722)[white] |
| 27 | AP8277563 | RH rear fairing dec., black 1 | 1 | Color:Aprilia White (s.t.14722)[white] |
| 28 | AP8277566 | LH rear fairing dec. 1 | 1 | Color:Aprilia White (s.t.14722)[white] |
| 29 | AP8277564 | RH rear fairing dec., black 2 | 1 | Color:Aprilia White (s.t.14722)[white] |
| 30 | AP8277567 | LH rear fairing decal red 2 | 1 | Color:Aprilia White (s.t.14722)[white] |
| 31 | AP8277565 | RH rear fairing dec., black 3 | 1 | Color:Aprilia White (s.t.14722)[white] |
| 32 | AP8277568 | LH rear fairing decal red 3 | 1 | Color:Aprilia White (s.t.14722)[white] |
| 33 | AP8277574 | Rear fairing decal Factory | 2 | Color:Aprilia Black (s.t.14707)[black], Speed Orange (s.t.14721)[orange], Spiderman (s.t.14792)[spider], Aprilia White (s.t.14722)[white] |
| 34 | AP8277603 | RH Decal set | 1 | Color:Spiderman (s.t.14792)[spider] |

| | |
|--------------------|-------|
| Assembly | FRAME |
| Code | 28.34 |
| Description | Decal |
| Revision | 1 |



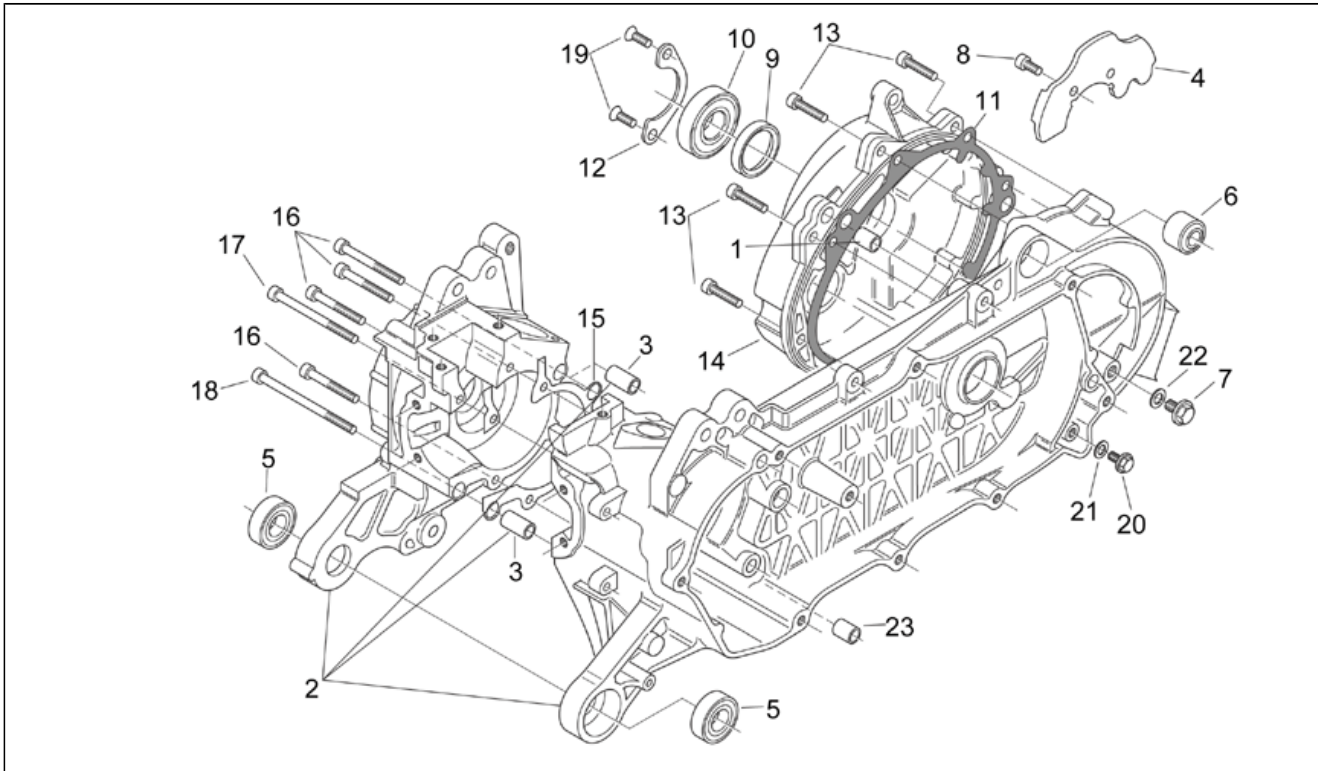
| Pos. | Code | Description | Q.ty | Variants |
|------|-----------|--------------------------|------|--------------------------------------|
| 35 | AP8277604 | LH Decal set | 1 | Color:Spiderman (s.t.14792)[spider] |
| 36 | AP8166478 | Technical decal set | 1 | |
| 37 | AP8277570 | Noise emission sticker | 1 | Country:California[CF], Canadian[CN] |
| 37 | AP8277609 | Noise emission sticker | 1 | Country:Australia[AA] |
| 38 | AP8277571 | Tyre pressure decal | 1 | Country:California[CF], Canadian[CN] |
| 39 | AP8277573 | Emission control sticker | 1 | Country:California[CF], Canadian[CN] |
| 40 | AP8277610 | ECE dataplate | 1 | Country:Australia[AA] |

| | |
|--------------------|--------|
| Assembly | ENGINE |
| Code | 29.24 |
| Description | Engine |
| Revision | 1 |



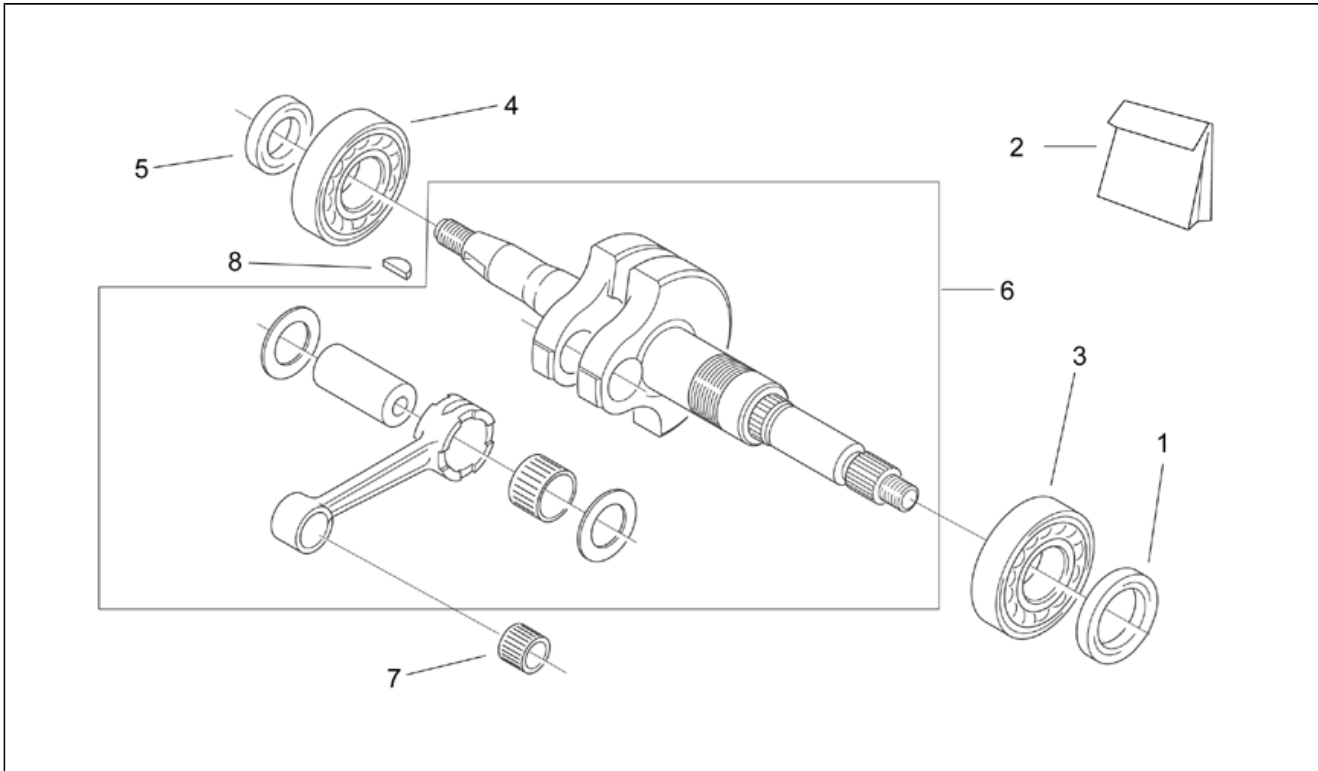
| Pos. | Code | Description | Q.ty | Variants |
|------|--------------|---------------------------|------|---|
| 1 | AP8222809 | Engine e.i. | 1 | Country: Australia[AA], I-CH[EU], Italy[I] Technical Specifications: Limited version 45 Km/h[45Km] |
| 1 | AP8222814 | Engine e.i. | 1 | Country: Switzerland[CH], I-CH[EU] Technical Specifications: Full Power Version[f.p.] |
| 1 | AP8222818 | Engine e.i. | 1 | Country: California[CF], Canadian[CN] |
| 2 | AP8220562 | Variator air intake | 1 | |
| 3 | AP8152318 | Screw w/ flange M10x35 | 2 | |
| 4 | AP8223101 | Shock absorber | 1 | |
| 5 | AP8221307 | Pin M12 | 1 | |
| 6 | AP8150432 | Low self-locking nut M12* | 1 | |
| 7 | AP8152018 | Washer 12,2x22x2 | 1 | |
| 8 | AP8221322 | Engine pivot pin bush | 1 | |
| 9 | AP8206233 | Outside circlip D17 | 2 | |
| 10 | AP3LAA000010 | Pump-cylinder hose | 1 | |
| 11 | AP2FDN000175 | Hose clamp | 1 | |
| 12 | AP2FDN000176 | Hose clamp | 1 | |

| | |
|--------------------|------------|
| Assembly | ENGINE |
| Code | 29.35 |
| Description | Crank-case |
| Revision | 1 |



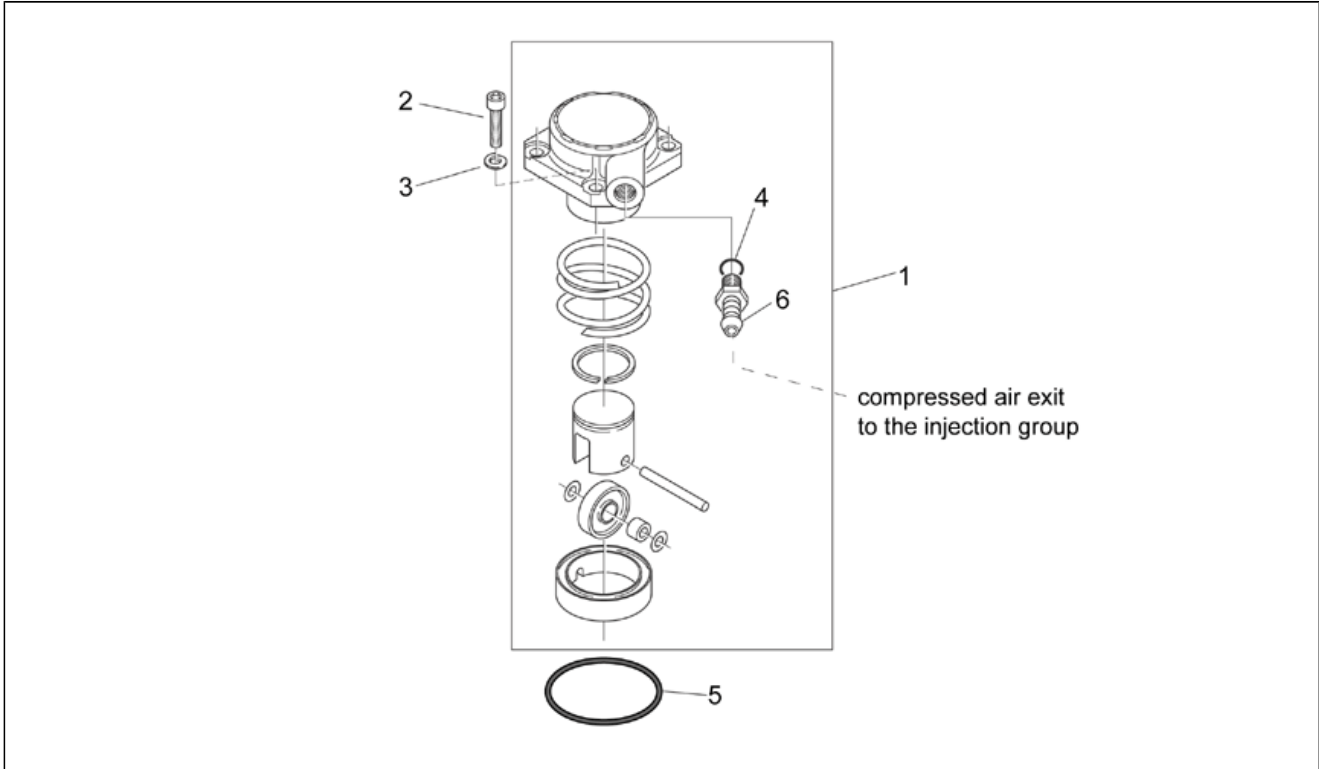
| Pos. | Code | Description | Q.ty | Variants |
|------|--------------|-------------------------|------|----------|
| 1 | AP3FCN000269 | Pin | 2 | |
| 2 | AP1BHA000624 | Crankcase assy | 1 | |
| 3 | AP3FCN000268 | Pin | 2 | |
| 4 | AP3HAA000044 | Drive plate | 1 | |
| 5 | AP4GAN000083 | Bearing d17x35x10 | 1 | |
| 6 | AP3HAN000056 | Silent-block | 1 | |
| 7 | AP4AUN000011 | Screw w/ flange m8x12 | 1 | |
| 8 | AP4ADN000013 | Screw m6x12 | 2 | |
| 9 | AP3EBN000047 | Oil seal 29x42x6 | 1 | |
| 10 | AP4GAN000026 | Bearing d22x50x14 | 1 | |
| 11 | AP3NVA000627 | Paper gasket | 1 | |
| 12 | AP3HAA000068 | Bearing fixing plate | 1 | |
| 13 | AP4ADN000016 | Hex socket screw m6x25 | 8 | |
| 14 | AP3HZA000710 | Transmission cover | 1 | |
| 15 | AP3HVA000160 | Gasket | 1 | |
| 16 | AP4ADN000007 | Hex socket screw m6x55 | 4 | |
| 17 | AP4ADN000178 | Hex socket screw m6x75 | 1 | |
| 18 | AP4ADN000179 | Hex socket screw m6x100 | 1 | |
| 19 | AP4AHN000067 | Screw m6x16 | 2 | |
| 20 | AP3AUN000062 | Screw w/ flange m6x12 | 1 | |
| 21 | AP4EEN000063 | Aluminium washer | 1 | |
| 22 | AP4EEN000037 | Aluminium washer | 1 | |
| 23 | AP3QAA000039 | Bush | 1 | |

| | |
|--------------------|-------------|
| Assembly | ENGINE |
| Code | 29.36 |
| Description | Drive shaft |
| Revision | 1 |



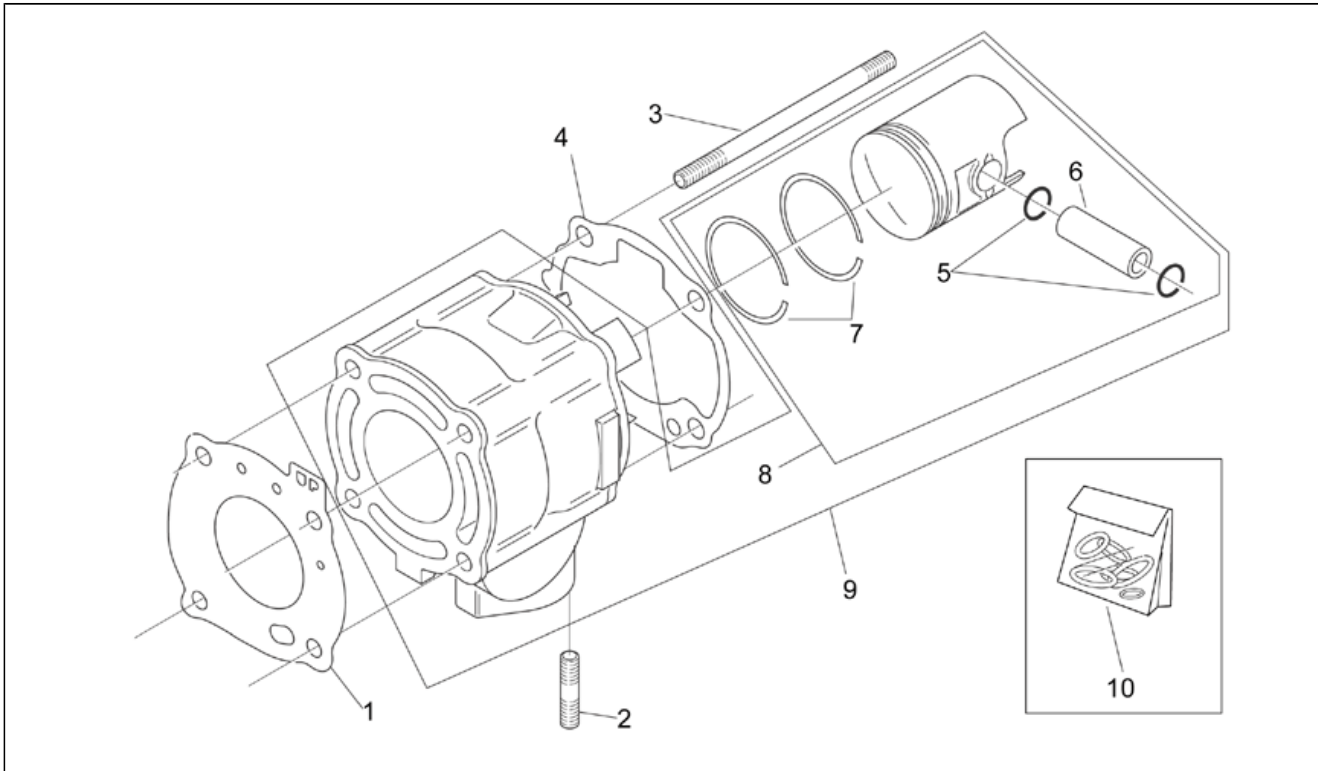
| Pos. | Code | Description | Q.ty | Variants |
|------|--------------|----------------------|------|----------|
| 1 | AP3EBN000183 | Oil seal 25X37X6 | 1 | |
| 2 | AP5RZR000099 | Oil seals - set | 1 | |
| 3 | AP2GAN000219 | Bearing | 1 | |
| 4 | AP3GAN000214 | Bearing | 1 | |
| 5 | AP3EBN000180 | Oil seal 17X27X6 | 1 | |
| 6 | AP1BFA000699 | Crankshaft cpl. | 1 | |
| 7 | AP2GLN000192 | Pin cage 12x16x16 | 1 | |
| 8 | AP4FAN000030 | Flywheel magneto key | 1 | |

| | |
|--------------------|------------|
| Assembly | ENGINE |
| Code | 29.37 |
| Description | Compressor |
| Revision | 1 |



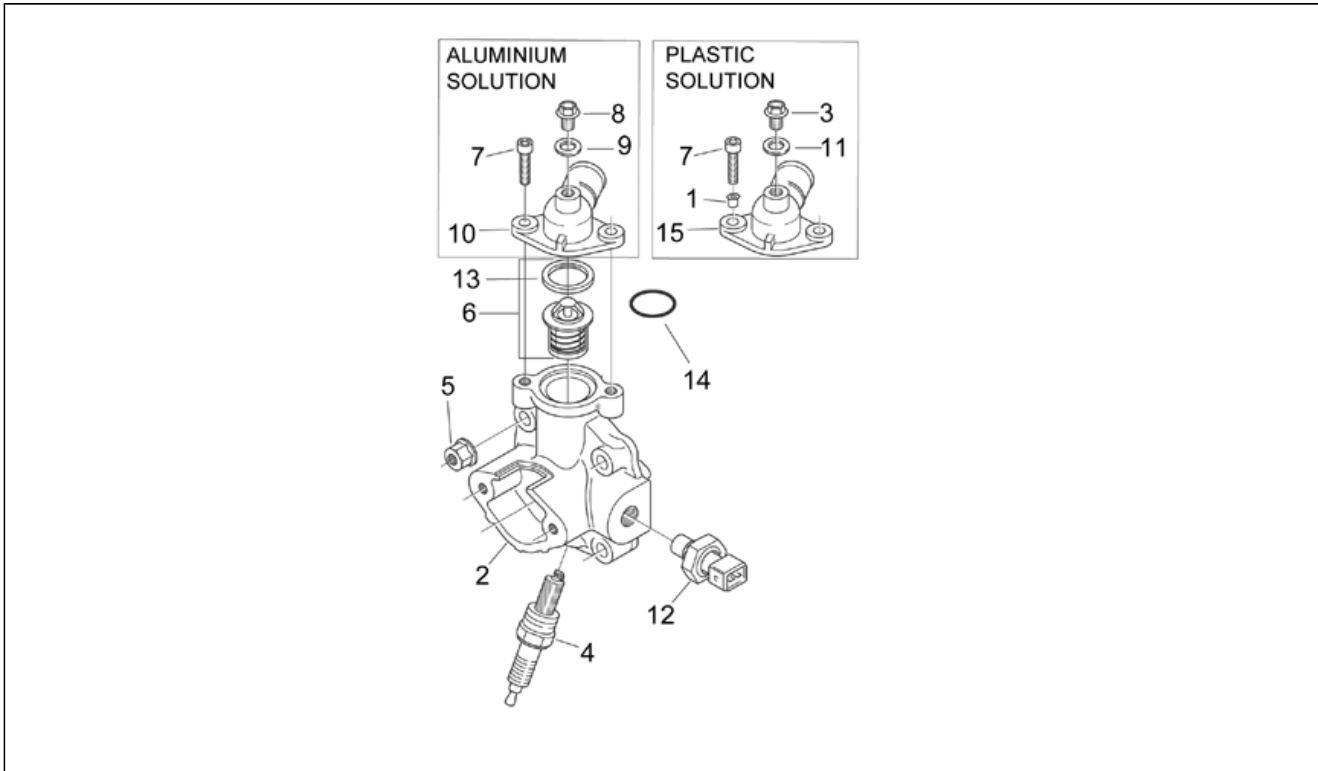
| Pos. | Code | Description | Q.ty | Variants |
|------|--------------|----------------------|------|----------|
| 1 | AP3AFA000162 | Compressor | 1 | |
| 2 | AP4ADN000027 | Screw m5x20 | 4 | |
| 3 | AP4DFN000032 | Washer | 4 | |
| 4 | AP5RAR000112 | O-ring | 1 | |
| 5 | AP2EAN000185 | O-ring 44,2x1,8 | 1 | |
| 6 | AP5RAR000104 | Compressor connector | 1 | |

| | |
|--------------------|----------------------|
| Assembly | ENGINE |
| Code | 29.38 |
| Description | Cylinder with piston |
| Revision | 1 |



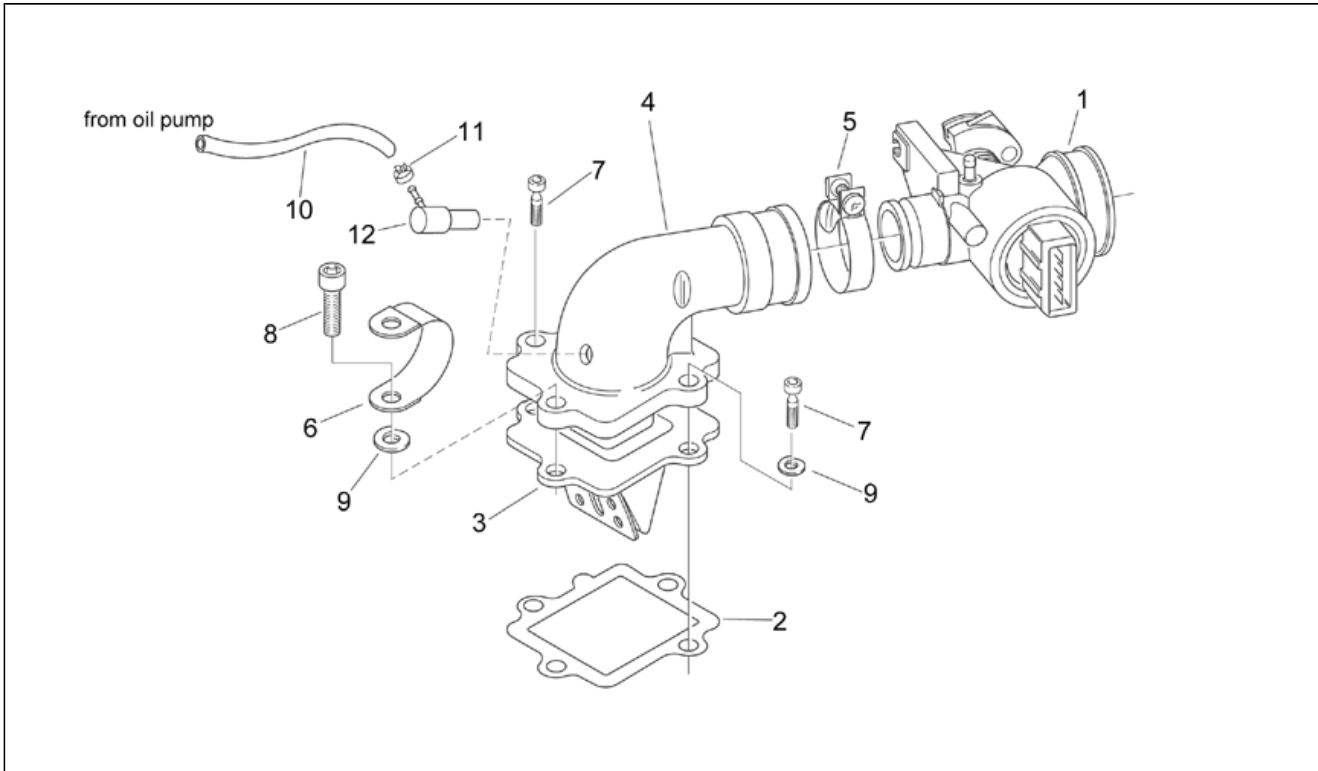
| Pos. | Code | Description | Q.ty | Variants |
|------|--------------|-----------------------|------|----------|
| 1 | AP2BVA000040 | Cylinder head gasket | 1 | |
| 2 | AP4BAN000002 | Stud bolt m6x16 | 1 | |
| 3 | AP4BAN000076 | Stud bolt m6x95 | 4 | |
| 4 | AP3EVA000433 | Cylinder base gasket | 1 | |
| 5 | AP3EAN000096 | Stop ring | 2 | |
| 6 | AP3EDA000143 | Piston pin | 1 | |
| 7 | AP5RER000074 | Piston ring set d41 | 1 | |
| 7 | AP5RER000077 | Piston ring set d41,5 | 1 | |
| 7 | AP5RER000081 | Piston ring set d42 | 1 | |
| 8 | AP5RER000084 | Piston assy d41 | 1 | |
| 8 | AP5RER000085 | Piston assy d41,5 | 1 | |
| 8 | AP5RER000087 | Piston assy d42 | 1 | |
| 9 | AP5RER000089 | Cylinder with piston | 1 | |
| 10 | AP5RZR000098 | Gasket set | 1 | |

| | |
|--------------------|---------------|
| Assembly | ENGINE |
| Code | 29.39 |
| Description | Cylinder head |
| Revision | 1 |



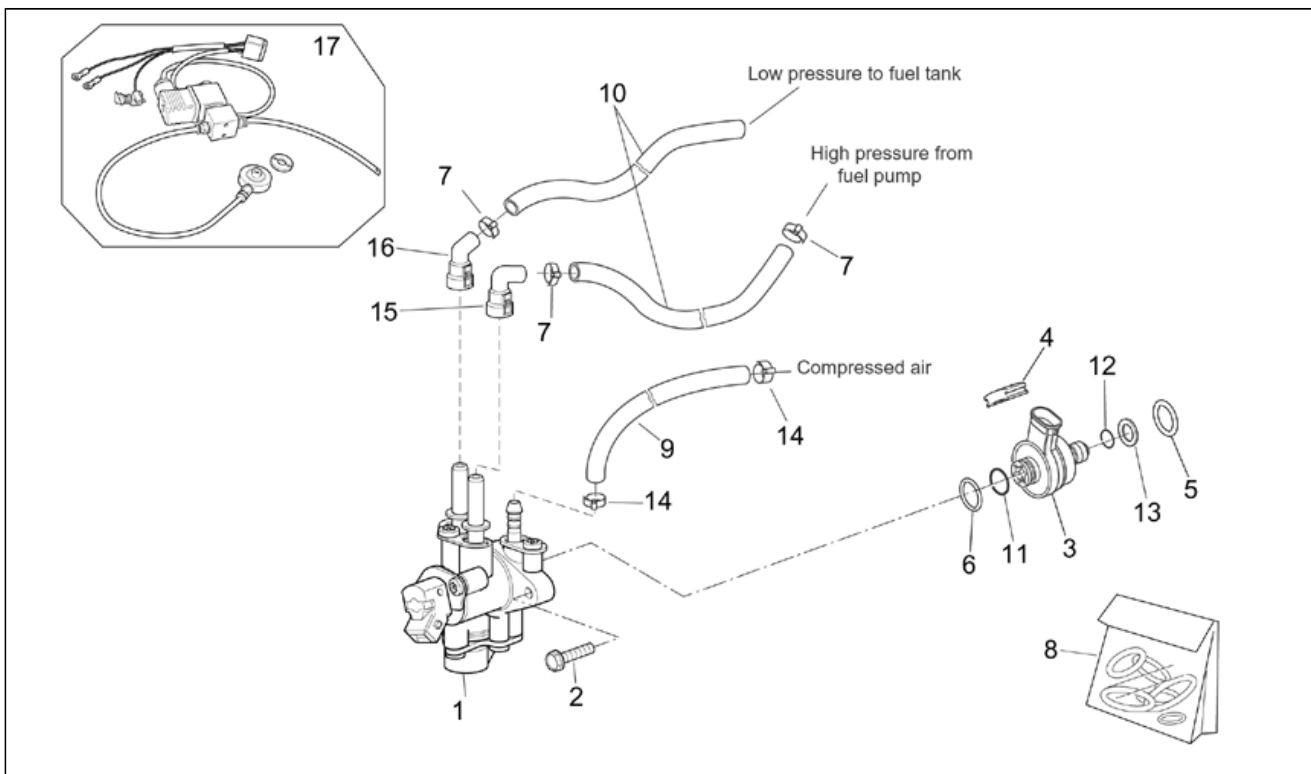
| Pos. | Code | Description | Q.ty | Variants |
|------|--------------|------------------------------|------|----------|
| 1 | AP3UAN000061 | T bush | 2 | |
| 2 | AP3BBA000606 | Cylinder head | 1 | |
| 3 | AP4APN000267 | Self-tap screw 5,5x13 | 1 | |
| 4 | AP2BEN000319 | Spark plug NGK ZMR7AP | 1 | |
| 5 | AP3BDN000005 | Flanged nut m6 | 4 | |
| 6 | AP2BAA000643 | Thermostat | 1 | |
| 7 | AP4ADN000014 | Screw m6x20 | 2 | |
| 8 | AP3AUN000124 | Screw w/ flange M6X8 | 1 | |
| 9 | AP4EEN000063 | Aluminium washer | 1 | |
| 10 | AP3LAA000110 | Aluminium water outlet union | 1 | |
| 11 | AP3EDN000281 | Paper gasket | 1 | |
| 12 | AP2BAA000164 | Thermistor | 1 | |
| 13 | AP5RLR000114 | Thermostat gasket | 1 | |
| 14 | AP2EAN000081 | O-ring | 1 | |
| 15 | AP3LAA000586 | Plastic water outlet union | 1 | |

| | |
|--------------------|---------------|
| Assembly | ENGINE |
| Code | 29.40 |
| Description | Throttle body |
| Revision | 1 |



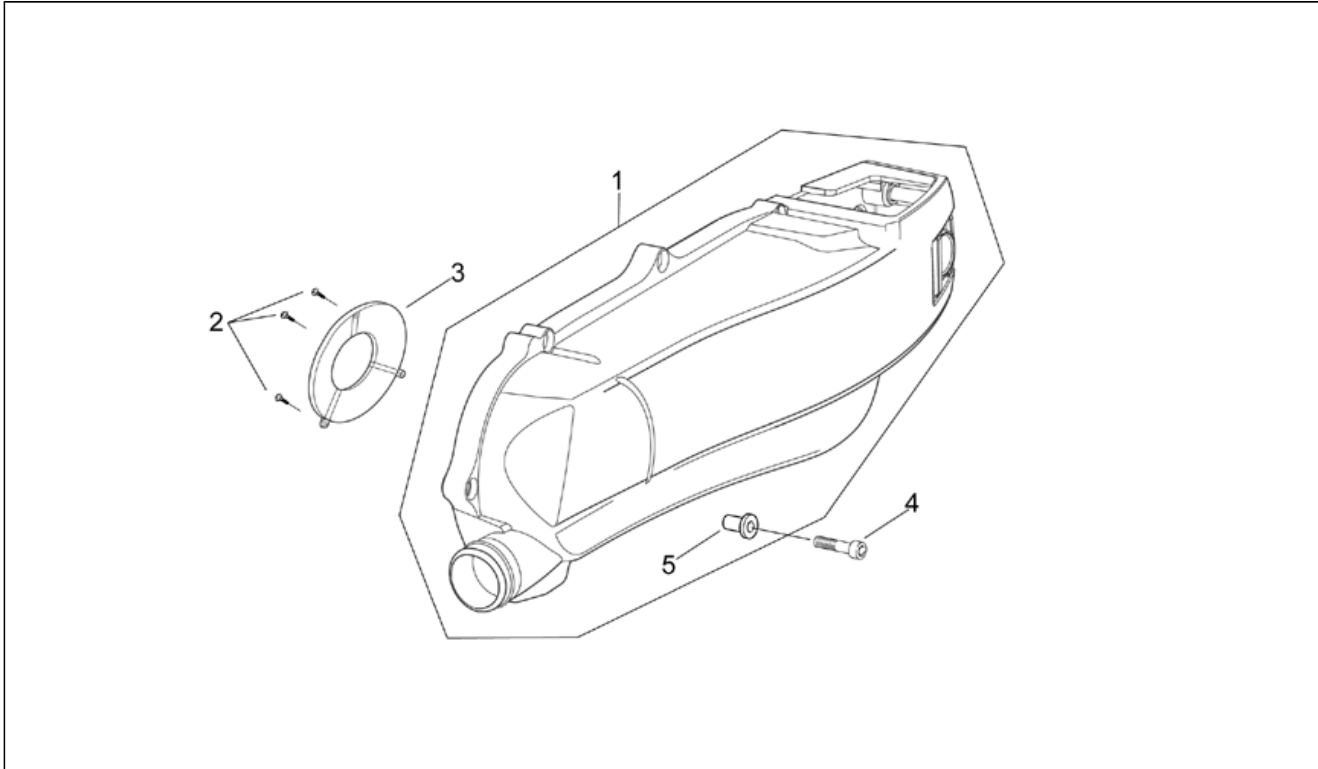
| Pos. | Code | Description | Q.ty | Variants |
|------|--------------|-----------------------------|------|----------|
| 1 | AP3ACA000132 | Throttle body cpl. | 1 | |
| 2 | AP3AVA000063 | Fuel intake valve gasket | 1 | |
| 3 | AP3AEA000002 | Reed valve assy | 1 | |
| 4 | AP3ABA000642 | Intake manifold | 1 | |
| 5 | AP2FDN000201 | Hose clamp | 1 | |
| 6 | AP3AAN000054 | Hose clamp | 1 | |
| 7 | AP3AVN000086 | Shear rivet m6x20 | 2 | |
| 8 | AP4ADN000014 | Screw m6x20 | 2 | |
| 9 | AP4DFN000033 | Washer | 3 | |
| 10 | AP2HAN000224 | Oil pipe | 1 | |
| 11 | AP2FBN000034 | Hose clamp | 1 | |
| 12 | AP2HAA000487 | Brass oil anti-return valve | 1 | |

| | |
|--------------------|----------------|
| Assembly | ENGINE |
| Code | 29.41 |
| Description | Injection unit |
| Revision | 1 |



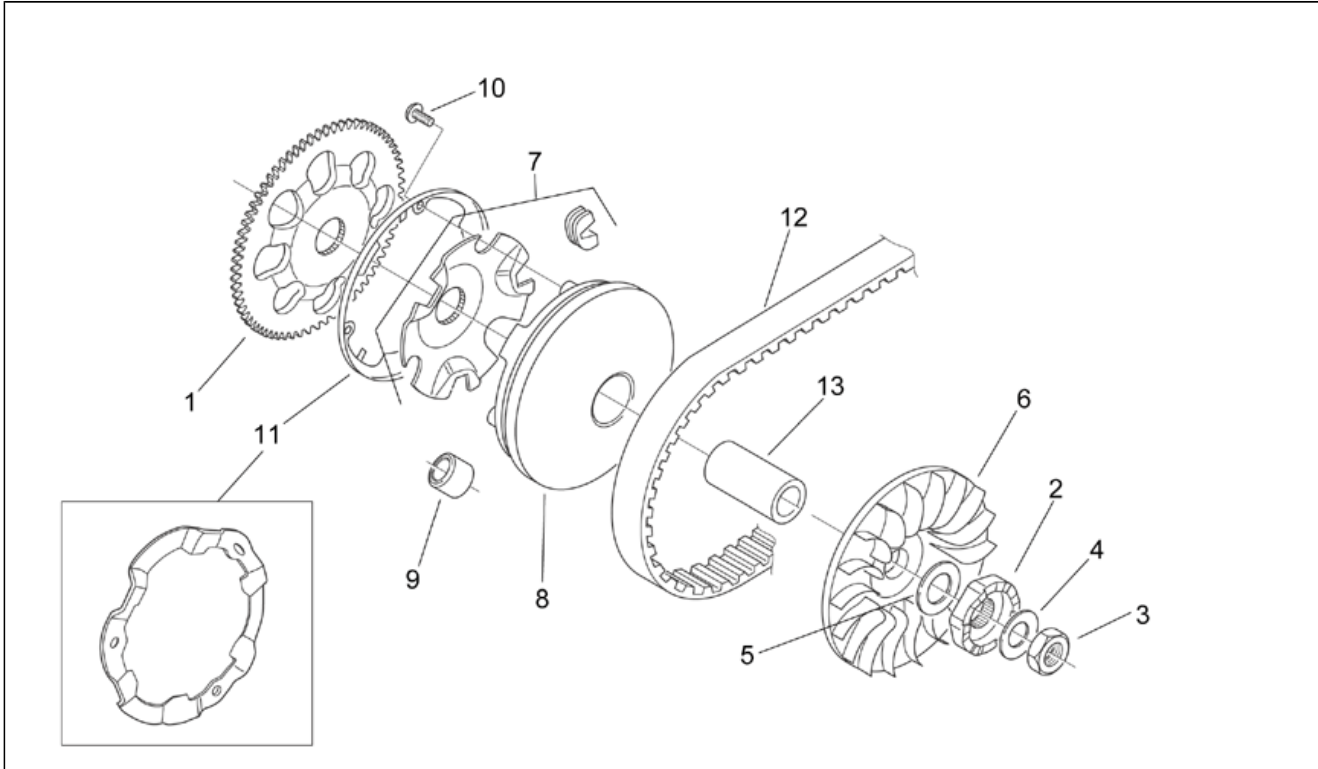
| Pos. | Code | Description | Q.ty | Variants |
|------|--------------|--------------------------|------|----------|
| 1 | AP8276009 | Inlet valve | 1 | |
| 2 | AP2AVN000256 | Screw | 2 | |
| 3 | AP3AGA000614 | Air injector | 1 | |
| 4 | AP3AVN000245 | Lockup rubber | 1 | |
| 5 | AP2EAN000258 | O-ring | 1 | |
| 6 | AP2EAN000257 | O-ring | 1 | |
| 7 | AP8202445 | Hose clip | 3 | |
| 8 | AP5RZR000232 | O-ring kit | 1 | |
| 9 | AP2AAN000212 | High pressure pipe | 1 | |
| 10 | AP8220641 | High pressure pipe 7X13 | 2 | |
| 11 | AP5RAR000109 | Upper O-ring | 1 | |
| 12 | AP5RAR000108 | Lower O-ring | 1 | |
| 13 | AP5RAR000110 | Teflon ring | 1 | |
| 14 | AP8515041 | Hose clamp | 2 | |
| 15 | AP8224654 | Quick connector 90° | 1 | |
| 16 | AP8224550 | Quick connector 45° | 1 | |
| 17 | AP8276090 | Emulsion bleed valve kit | 1 | |

| | |
|--------------------|--------------------|
| Assembly | ENGINE |
| Code | 29.42 |
| Description | Transmission cover |
| Revision | 1 |



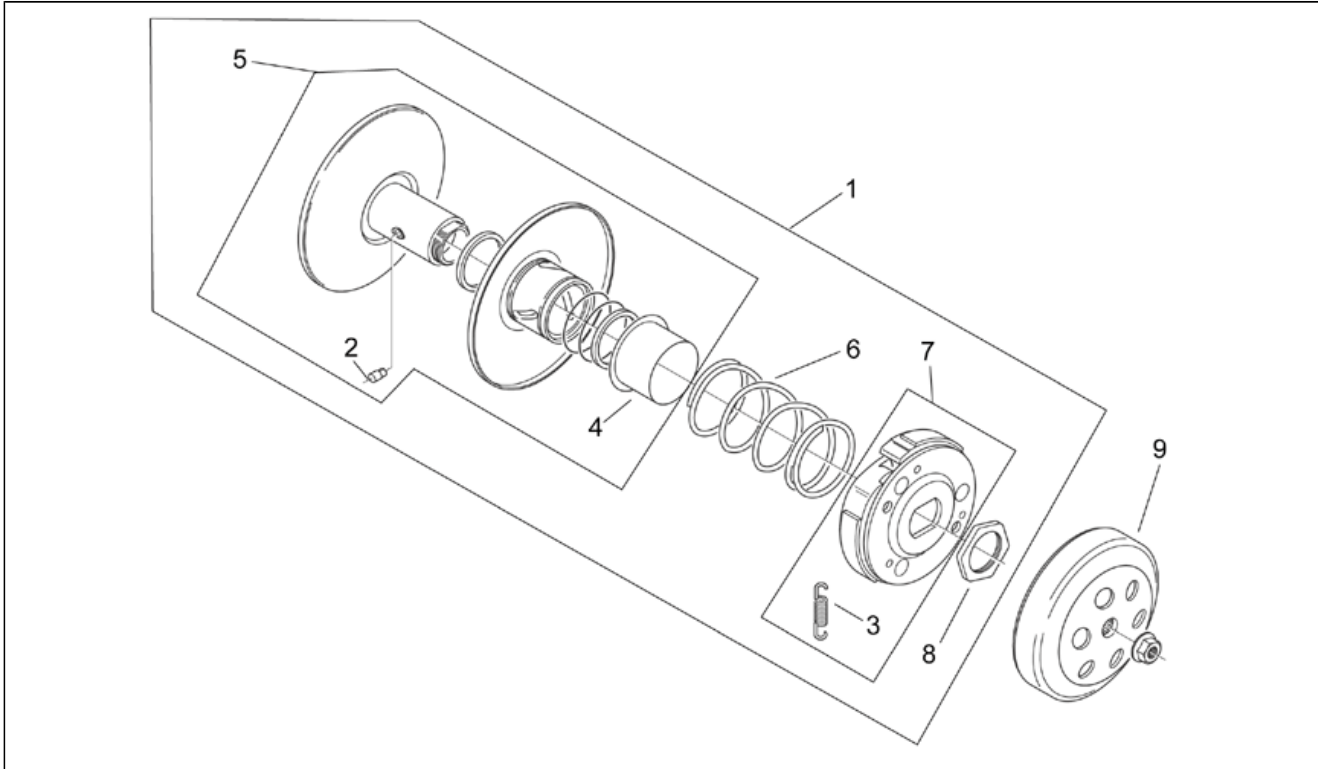
| Pos. | Code | Description | Q.ty | Variants |
|------|--------------|------------------------|------|----------|
| 1 | AP3MZA000793 | Variator cover | 1 | |
| 2 | AP2APN000213 | Self-tap screw 3,9x14 | 3 | |
| 3 | AP3MAA000450 | Duct bulkhead | 1 | |
| 4 | AP4ADN000016 | Hex socket screw m6x25 | 8 | |
| 5 | AP3MAN000264 | T bush | 8 | |

| | |
|--------------------|----------|
| Assembly | ENGINE |
| Code | 29.43 |
| Description | Variator |
| Revision | 1 |



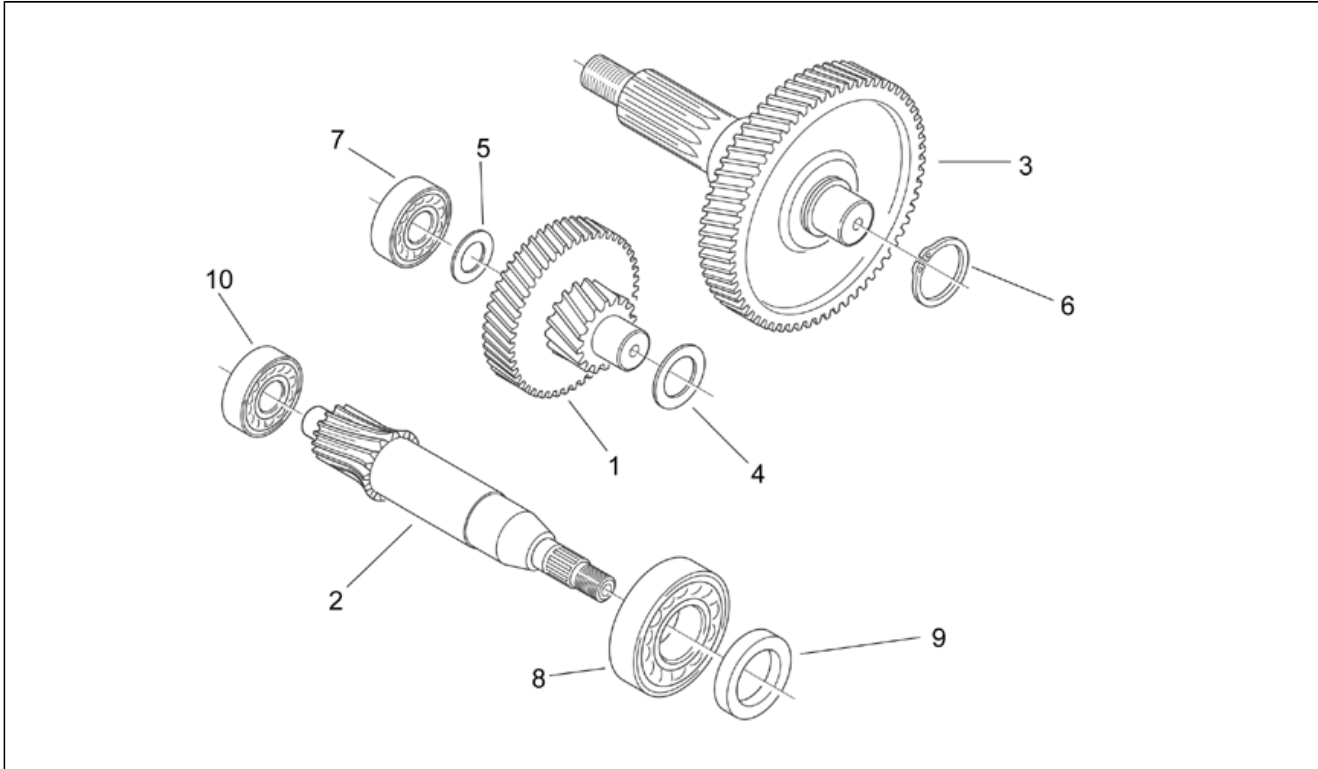
| Pos. | Code | Description | Q.ty | Variants |
|------|--------------|--------------------------|------|--|
| 1 | AP3QEA000031 | Starter motor gear | 1 | |
| 2 | AP3TDA000074 | Toothed start clutch cup | 1 | |
| 3 | AP3TAN000060 | Low nut m12x1,25 | 1 | |
| 4 | AP4DHN000020 | Belleville spring | 1 | |
| 5 | AP3TAN000172 | Spacer 14,3x23x1 | 1 | |
| 6 | AP3MEA000620 | Fixed pulley | 1 | |
| 7 | AP5RMR000235 | Ramp plate | 1 | |
| 8 | AP5RMR000234 | Pulley assy., driving | 1 | |
| 9 | AP2MEA000805 | Pin roller 11,3g | 6 | Country:California[CF], Canadian[CN] |
| 9 | AP2MEA000828 | Pin roller 6,8 g. | 6 | Country:I-CH[EU] |
| 10 | AP3MEN000302 | Screw | 3 | |
| 11 | AP3MEA000715 | Pulley cover 2 mm | 1 | Country: Australia[AA], I-CH[EU], Italy[I] Technical Specifications:Limited version 45 Km/h[45Km] |
| 11 | AP3MEA000840 | Pulley cover 0,5 mm | 1 | Country: Switzerland[CH], I-CH[EU] Technical Specifications:Full Power Version[f.p.] |
| 11 | AP3MEA000840 | Pulley cover 0,5 mm | 1 | Country:California[CF], Canadian[CN] |
| 12 | AP2MCA000014 | Vee-Belt | 1 | |
| 13 | AP3MEN000255 | Bush | 1 | |
| 14 | AP3MAN000087 | Spacer 4 mm | 1 | Country:California[CF], Canadian[CN] |

| | |
|--------------------|--------|
| Assembly | ENGINE |
| Code | 29.44 |
| Description | Clutch |
| Revision | 1 |



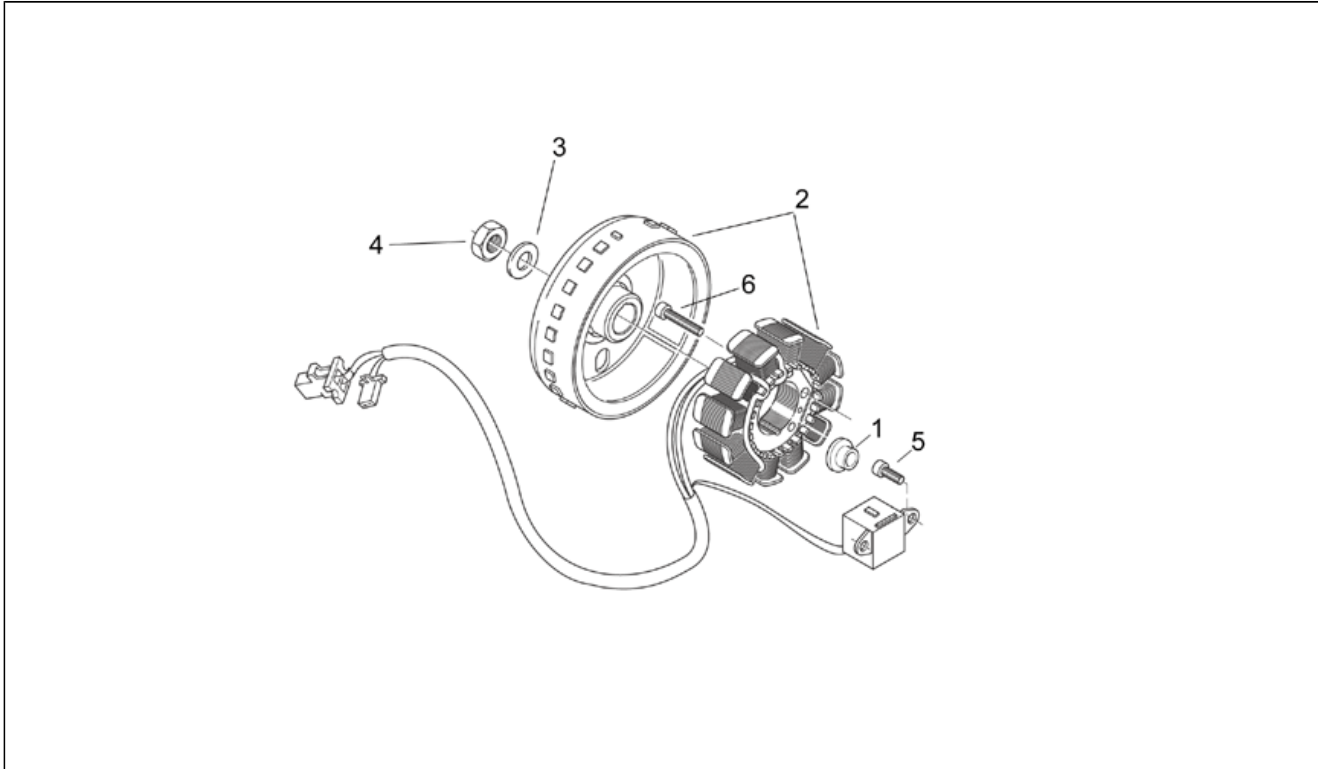
| Pos. | Code | Description | Q.ty | Variants |
|------|--------------|--------------------------------|------|----------|
| 1 | AP3MDA000621 | Secondary pulley | 1 | |
| 2 | AP5RMR000245 | Guide pin | 3 | |
| 3 | AP5RMR000246 | Brake shoes return spring 12Kg | 1 | |
| 4 | AP5RMR000242 | Variator spring cup | 1 | |
| 5 | AP5RMR000243 | Sliding secondary pulley | 1 | |
| 6 | AP5RMR000241 | Sec. sheave spring | 1 | |
| 7 | AP5RMR000240 | Centrifugal clutch assy | 1 | |
| 8 | AP5RMR000239 | Nut | 1 | |
| 9 | AP3MDA000619 | Clutch drum | 1 | |
| 10 | AP4BDN000039 | Flanged nut m10x1,5 | 1 | |

| | |
|--------------------|--------------------------|
| Assembly | ENGINE |
| Code | 29.45 |
| Description | Transmission final drive |
| Revision | 1 |



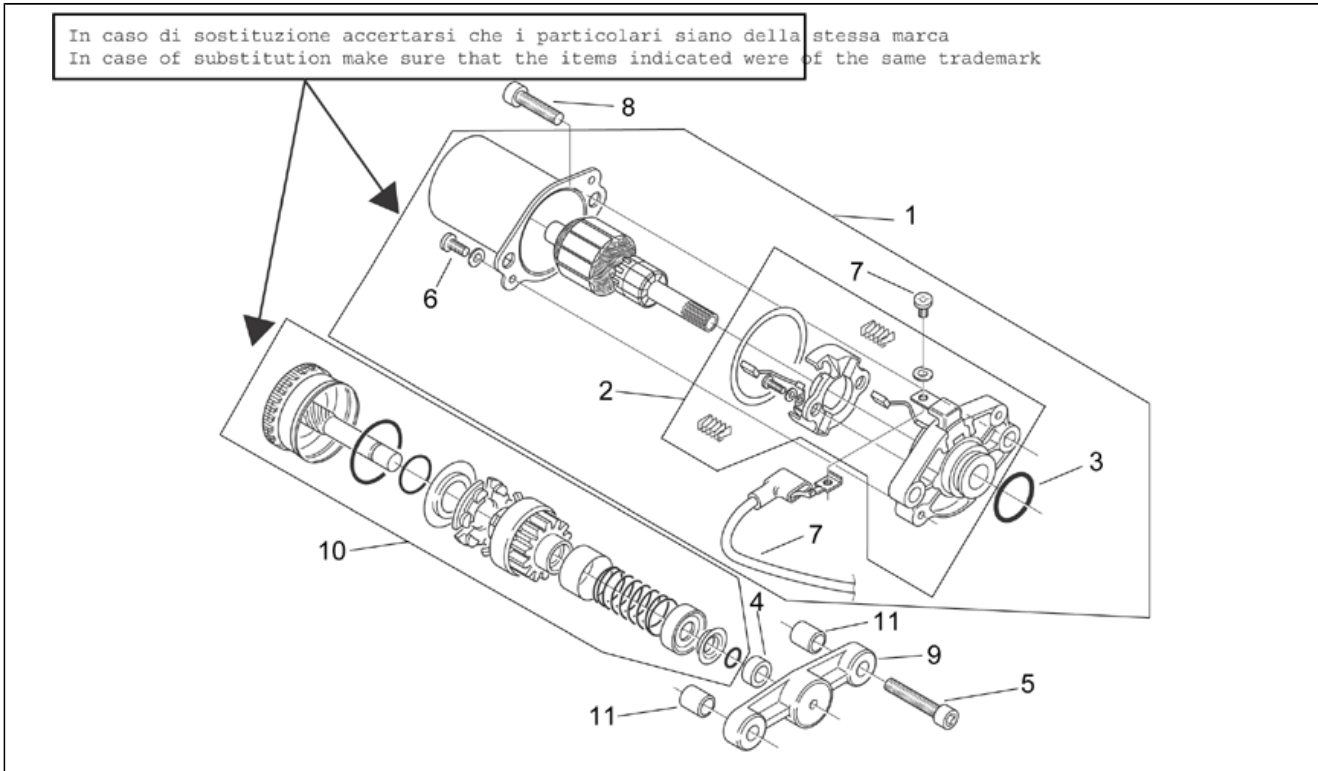
| Pos. | Code | Description | Q.ty | Variants |
|------|--------------|------------------------|------|----------|
| 1 | AP1BOA000028 | Idle gear assy Z=17/51 | 1 | |
| 2 | AP3NBA000027 | Drive shaft Z=15 | 1 | |
| 3 | AP1BOA000029 | Drive shaft assy Z=64 | 1 | |
| 4 | AP3NAN000059 | LH Thrust washer | 1 | |
| 5 | AP3NAN000058 | RH Thrust washer | 1 | |
| 6 | AP3FBN000049 | Circlip | 1 | |
| 7 | AP4GAN000025 | Bearing d12x32x10 | 1 | |
| 8 | AP3GAN000051 | Bearing d22x50x14 | 1 | |
| 9 | AP3EBN000046 | Oil seal 22x32x5 | 1 | |
| 10 | AP2GAN000113 | Bearing d12X32X10 | 1 | |

| | |
|--------------------|----------|
| Assembly | ENGINE |
| Code | 29.46 |
| Description | Flywheel |
| Revision | 1 |



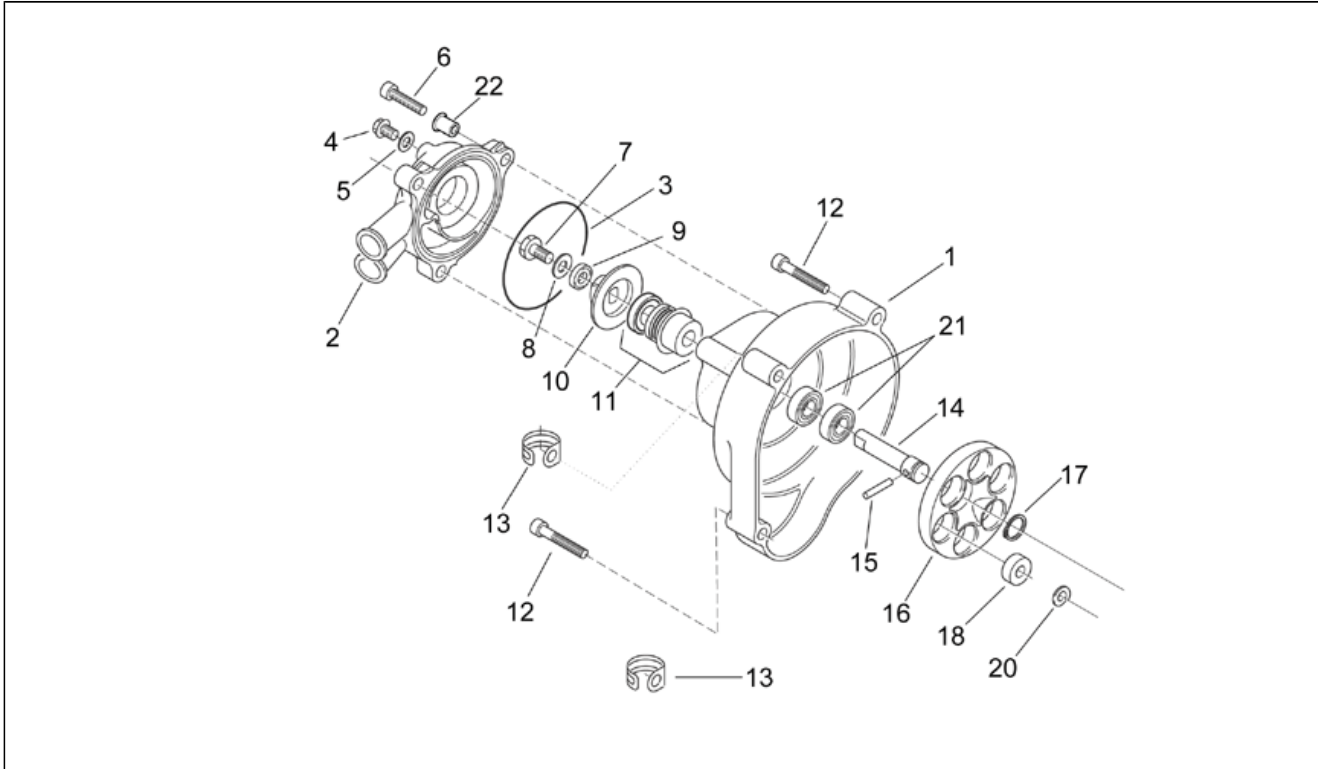
| Pos. | Code | Description | Q.ty | Variants |
|------|--------------|---------------|------|---|
| 1 | AP3RAA000730 | Bush | 1 | |
| 2 | AP5RSR000227 | Flywheel cpl. | 1 | Technical Specifications: Mark MITSUBA[M] |
| 2 | AP5RSR000228 | Flywheel cpl. | 1 | Technical Specifications: Mark DUCATI ENERGIA[D] |
| 3 | AP4DGN000066 | Plain washer | 2 | |
| 4 | AP4BEN000010 | Nut m10x1,25 | 1 | |
| 5 | AP4ADN000023 | Screw m5x12 | 2 | |
| 6 | AP4ADN000101 | Screw m5x25 | 2 | |
| 7 | AP4DGN000077 | Plain washer | 1 | |

| | |
|--------------------|---------------|
| Assembly | ENGINE |
| Code | 29.47 |
| Description | Starter motor |
| Revision | 1 |



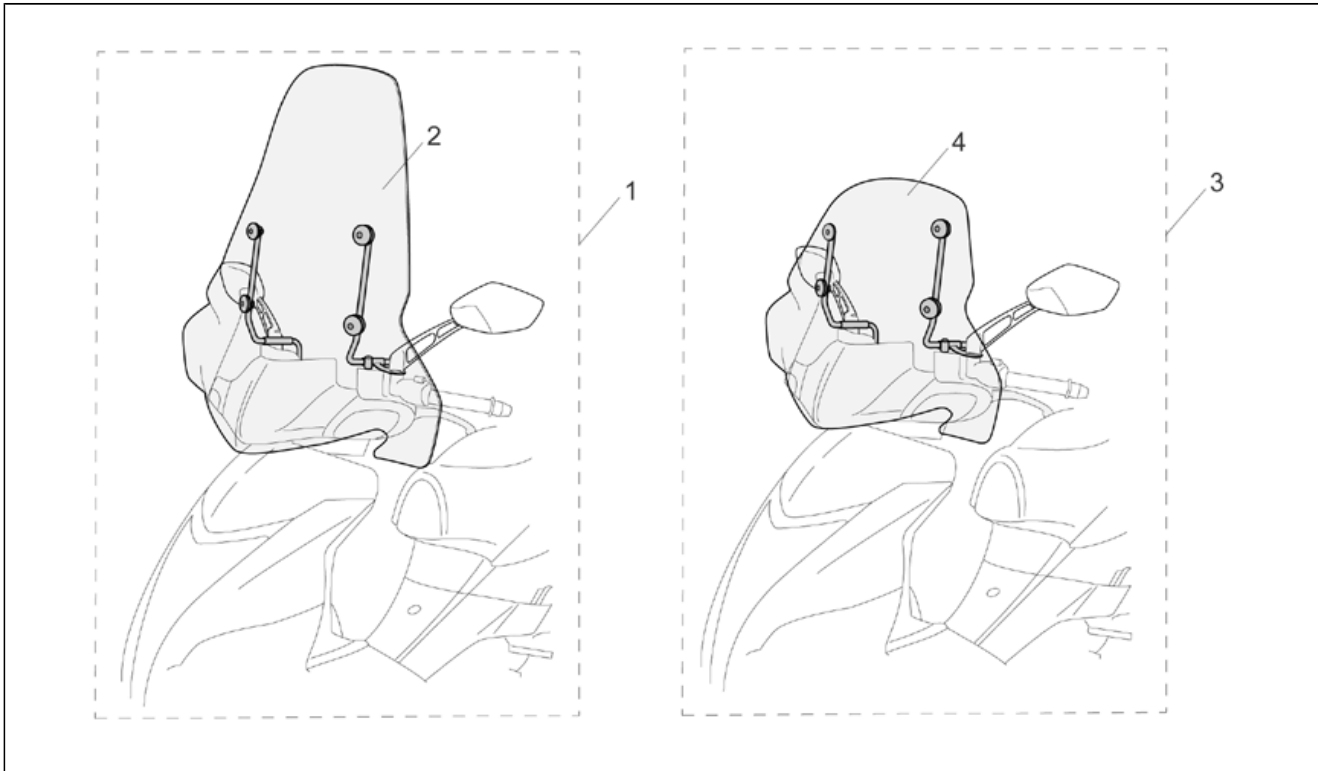
| Pos. | Code | Description | Q.ty | Variants |
|------|--------------|----------------------------|------|---|
| 1 | AP2QCA000041 | Starter motor | 1 | Technical Specifications: Mark MITSUBA[M] |
| 1 | AP2QCA000455 | Starter motor | 1 | Technical Specifications: Mark DUCATI ENERGIA[D] |
| 2 | AP5RQR000069 | Starter motor revision kit | 1 | Technical Specifications: Mark MITSUBA[M] |
| 2 | AP5RQR000183 | Starter motor revision kit | 1 | Technical Specifications: Mark DUCATI ENERGIA[D] |
| 3 | AP5RQR000023 | O-ring | 1 | Technical Specifications: Mark MITSUBA[M] |
| 3 | AP5RQR000181 | O-ring | 1 | Technical Specifications: Mark DUCATI ENERGIA[D] |
| 4 | AP3QAA000039 | Bush | 1 | |
| 5 | AP4ADN000012 | Hex socket screw m6x30 | 2 | |
| 6 | AP5RQR000026 | Screw | 2 | |
| 7 | AP5RQR000027 | Wiring with screw | 1 | Technical Specifications: Mark MITSUBA[M] |
| 7 | AP5RQR000182 | Wiring | 1 | Technical Specifications: Mark DUCATI ENERGIA[D] |
| 8 | AP4ADN000016 | Hex socket screw m6x25 | 2 | |
| 9 | AP3QAA000038 | Bendix support | 1 | |
| 10 | AP2QBA000058 | Bendix | 1 | Technical Specifications: Mark MITSUBA[M] |
| 10 | AP2QBA000456 | Bendix | 1 | Technical Specifications: Mark DUCATI ENERGIA[D] |
| 11 | AP3FCN000271 | Pin | 2 | |

| | |
|--------------------|------------|
| Assembly | ENGINE |
| Code | 29.48 |
| Description | Water pump |
| Revision | 1 |



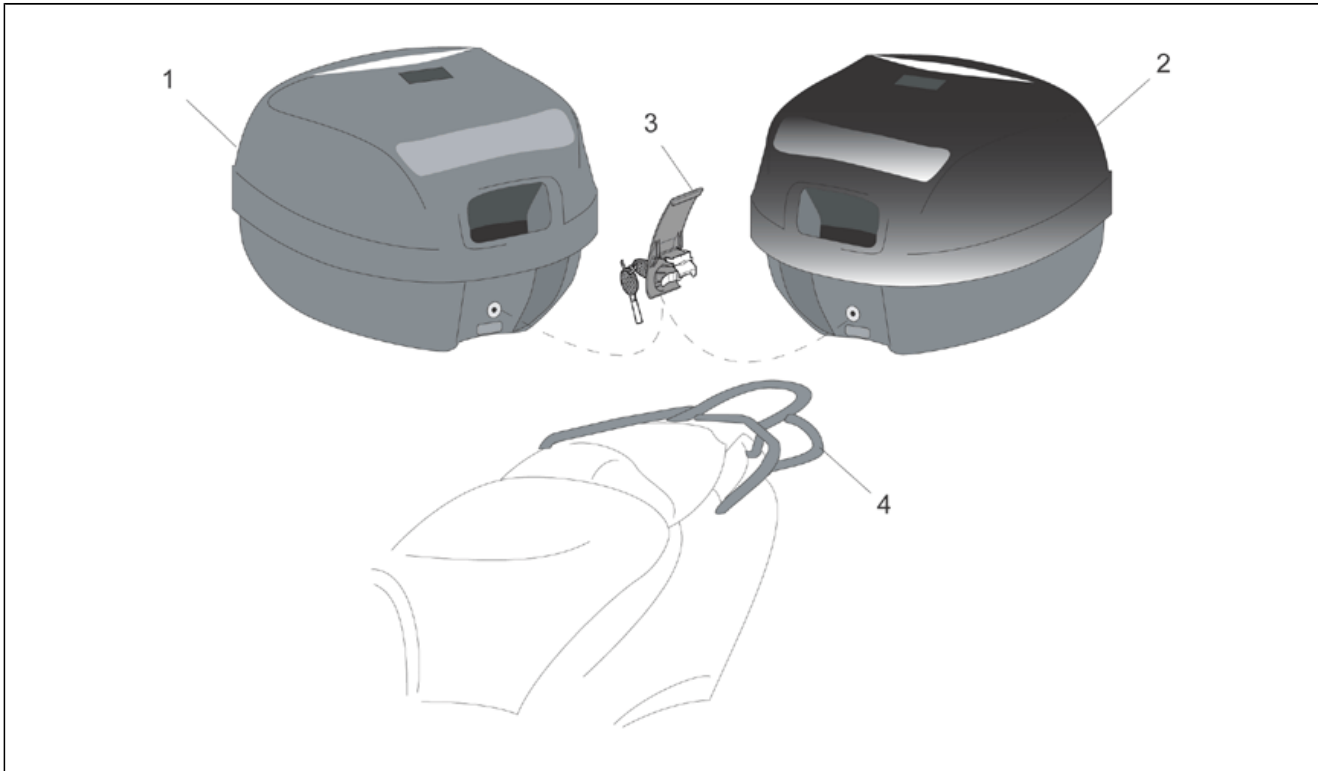
| Pos. | Code | Description | Q.ty | Variants |
|------|--------------|---------------------------|------|----------|
| 1 | AP3LZA000108 | Flywheel cover, black | 1 | |
| 2 | AP3LBA000587 | Plastic water pump casing | 1 | |
| 3 | AP3EAN000082 | O-ring 65x2,1 | 1 | |
| 4 | AP4APN000267 | Self-tap screw 5,5x13 | 1 | |
| 5 | AP3EDN000281 | Paper gasket | 1 | |
| 6 | AP4ADN000014 | Screw m6x20 | 3 | |
| 7 | AP3ABN000092 | Impeller fixing screw | 1 | |
| 8 | AP2DHN000202 | Elastic plate m6 | 1 | |
| 9 | AP3ECN000080 | Seal washer | 1 | |
| 10 | AP3LDA000109 | Impeller | 1 | |
| 11 | AP3LAA000173 | Pump mechanical seal | 1 | |
| 12 | AP4ADN000016 | Hex socket screw m6x25 | 4 | |
| 13 | AP3AAN000054 | Hose clamp | 2 | |
| 14 | AP3LCA000101 | Impeller shaft | 1 | |
| 15 | AP4FCN000095 | Roller d2,5x19,8 | 1 | |
| 16 | AP3LCA000166 | Pump impeller drive key | 1 | |
| 17 | AP4DAN000125 | Circlip d12 | 1 | |
| 18 | AP3LAA000100 | Pump drive pin grommet | 3 | |
| 20 | AP4DFN000033 | Washer | 3 | |
| 21 | AP4GAN000103 | Ball bearing 6900 | 2 | |
| 22 | AP3UAN000300 | T bush | 3 | |

| | |
|--------------------|--------------------|
| Assembly | ACCESSORIES |
| Code | 30.49 |
| Description | Acc. - Windshields |
| Revision | 1 |



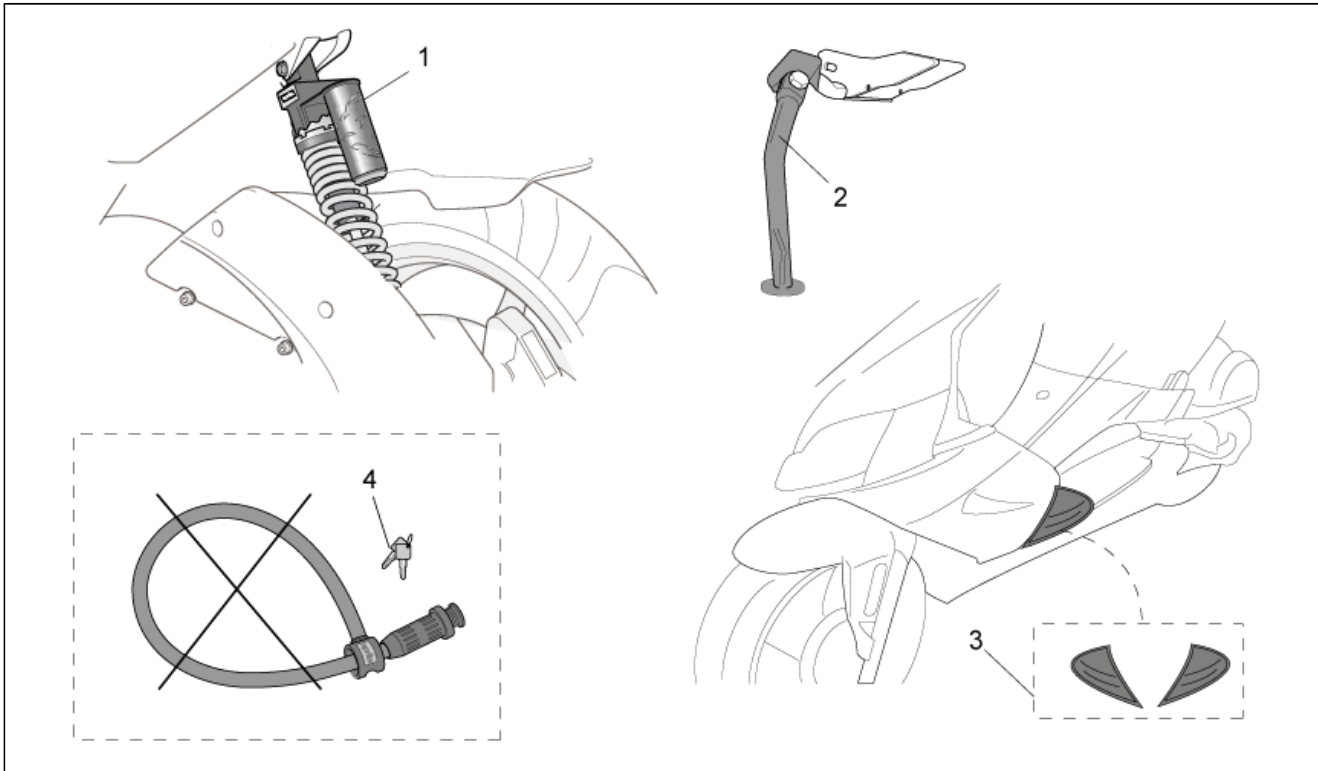
| Pos. | Code | Description | Q.ty | Variants |
|------|-----------|--------------------------------|------|--|
| 1 | AP8791256 | Windscreen cpl. Big | 1 | Technical Specifications:Accessories[A] |
| 2 | AP8791255 | Windscreen w/out support Big | 1 | Technical Specifications:Accessories[A] |
| 3 | AP8791258 | Windscreen cpl. Sport | 1 | Technical Specifications:Accessories[A] |
| 4 | AP8791257 | Windscreen w/out support Sport | 1 | Technical Specifications:Accessories[A] |

| | |
|--------------------|------------------------------|
| Assembly | ACCESSORIES |
| Code | 30.50 |
| Description | Acc. - Top/cases, side cases |
| Revision | 1 |



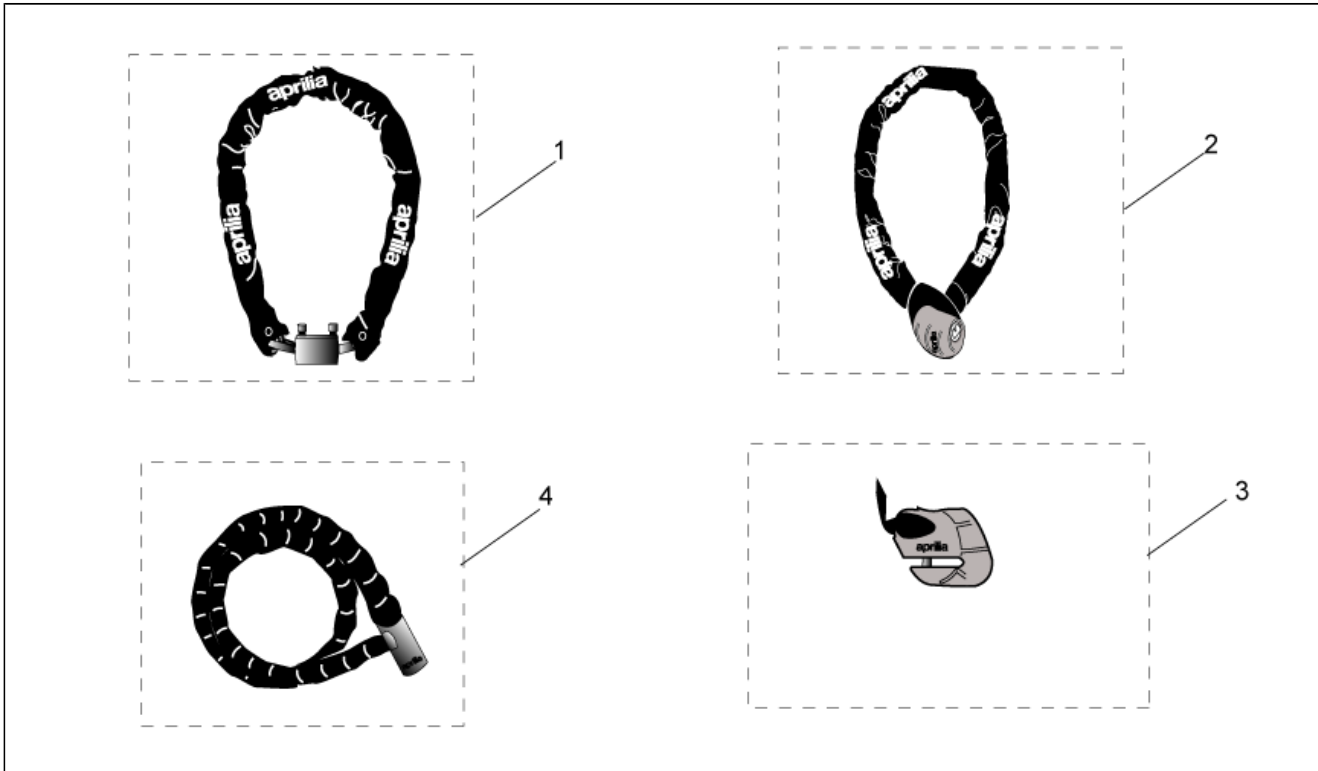
| Pos. | Code | Description | Q.ty | Variants |
|------|-----------|-----------------------------|------|---|
| 1 | AP8792066 | Top box, embossed New-C 32L | 1 | Technical Specifications:Accessories[A] |
| 2 | AP8792080 | Top box, A.black New-C 28L | 1 | Technical Specifications:Accessories[A] |
| 3 | AP8104197 | Top box lock cpl. | 1 | Technical Specifications:Accessories[A] |
| 4 | AP8792368 | Top box support Conc/New-C | 1 | Technical Specifications:Accessories[A] |

| | |
|--------------------|----------------|
| Assembly | ACCESSORIES |
| Code | 30.51 |
| Description | Acc. - Various |
| Revision | 1 |



| Pos. | Code | Description | Q.ty | Variants |
|------|-----------|--------------------------|------|--|
| 1 | AP8795049 | Rear shock absorber | 1 | Technical Specifications: Accessories[A] |
| 2 | AP8791240 | Lateral stand | 1 | Technical Specifications: Accessories[A] |
| 3 | AP8797216 | Baffle Kit | 1 | Technical Specifications: Accessories[A] |
| 4 | AP8700792 | Key support B.Guard UK-D | 1 | Country: Germany[D], Great Britain[UK] Technical Specifications: Accessories[A] |
| 4 | AP8700793 | Key support B.Guard F-NL | 1 | Country: France[F], Holland[NL] Technical Specifications: Accessories[A] |
| 4 | AP8700794 | Key support B.Guard I-E | 1 | Country: Spain[E], Italy[I] Technical Specifications: Accessories[A] |

| | |
|--------------------|-----------------------------|
| Assembly | ACCESSORIES |
| Code | 30.52 |
| Description | Acc. - Mechanics anti-theft |
| Revision | 1 |



| Pos. | Code | Description | Q.ty | Variants |
|------|-----------|----------------------|------|---|
| 1 | AP8720115 | Iron Guard 10x150 mm | 1 | Technical Specifications:Accessories[A] |
| 2 | AP8720116 | Iron Guard 8x120 mm | 1 | Technical Specifications:Accessories[A] |
| 3 | AP8720117 | Iron Guard Disk 5 mm | 1 | Technical Specifications:Accessories[A] |
| 4 | AP8720118 | Easy Guard 150 mm | 1 | Technical Specifications:Accessories[A] |