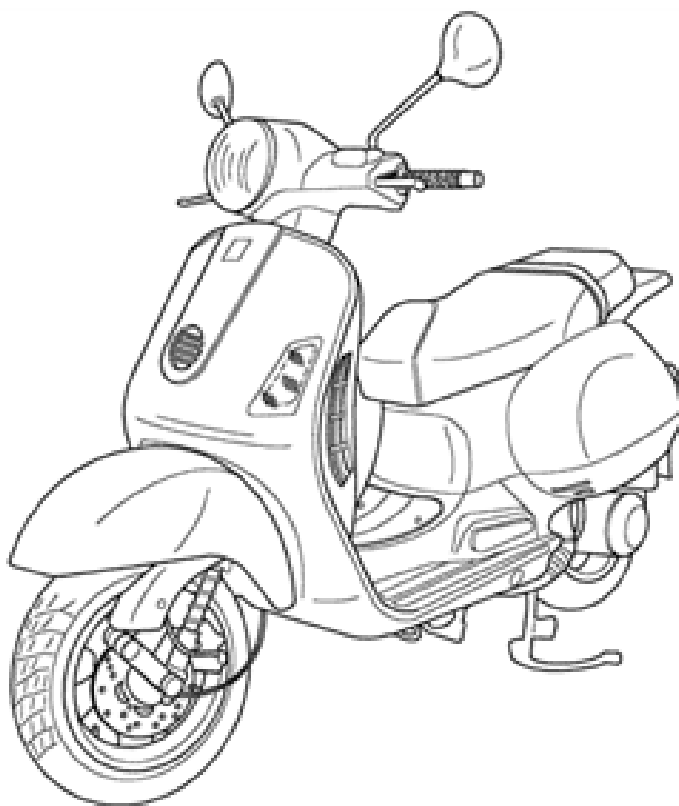




PIAGGIO & C.s.p.a.

Vespa[®]

SPARE PARTS CATALOGUE



Granturismo 200 L (U.S.A.)

Chassis prefix: ZAPM319K

Engine prefix: M316M

Index

Finished products.....	4
Alphanumeric index.....	5
Electrical equipment.....	10
Table T41 - Front lights-rear lights.....	10
Table T42 - Electrical device-electric horn.....	11
Table T43 - Electrical device-speedometers kms.....	12
Engine.....	13
Table T1 - Engine.....	13
Table T10 - Driven pulley.....	14
Table T11 - Pump group-oil pan.....	15
Table T12 - rear wheel shaft.....	17
Table T13 - Driving pulley.....	18
Table T14 - Electric starter-damper pulley.....	19
Table T15 - Crankase cooling.....	20
Table T16 - Flywheel magneto-secondary air box.....	21
Table T17 - Belt cooling box.....	23
Table T18 - Carburettor.....	24
Table T19 - Carburettor.....	25
Table T2 - Crankase.....	27
Table T20 - Air filter.....	28
Table T21 - Silencer.....	29
Table T3 - Crankshaft.....	30
Table T4 - Cylinder-piston-wrist pin, assy.....	31
Table T5 - Head-valves.....	32
Table T6 - Rocker levers support.....	33
Table T7 - Oil drain valve.....	34
Table T8 - Chain tightener-by-pass valve.....	35
Table T9 - Oil filter.....	36
Handlebars.....	37
Table T36 - Handlebars.....	37
Transmissions.....	38
Table T40 - Locks.....	38
Suspensions-Wheels.....	39
Table T33 - Steering column-disc brake.....	39
Table T34 - Rear dampers.....	41
Table T38 - Brake calipers-brake pipes.....	42
Table T44 - Front wheel.....	43
Table T45 - Rear wheel.....	44
Chassis.....	45
Table T22 - Bodywork.....	45
Table T23 - Central stand.....	48
Table T24 - Rubber mat.....	49
Table T25 - Emblems.....	50



Table T26 - Front top case.....	51
Table T27 - Splash guard.....	53
Table T28 - Front and rear mudguard.....	54
Table T29 - Tank.....	55
Table T29A - Canister unit.....	56
Table T30 - Fuel pump.....	57
Table T31 - Cooling system.....	58
Table T32 - Steering bearing ball tracks.....	60
Table T35 - Handlebar covers.....	61
Table T37 - Swinging arm.....	63
Table T39 - Seddle.....	64



Finished products

Code	Validity
EVG2000US1	
EVG29BAUS1	
EVG2BGCUS1	
EVG2D9AUS1	
EVG2ECAUS1	
EVG2F2CUS1	
EVG2VCCUS1	



Code	No. table	Pos.	Code	No. table	Pos.	Code	No. table	Pos.
000267	T16	6	109960	T30	6	259830	T27	5
000674	T12	16	119219	T33	10	259830	T30	2
002613	T36	20	119219	T33	32	259830	T39	2
003056	T20	8	123394	T36	18	259830	T41	8
003058	T38	8	127927	T38	11	259832	T29	3
006078	T16	26	145298	T31	29	260918	T20	9
006416	T37	8	149104	T33	9	265451	T38	10
006422	T33	23	149104	T44	8	266841	T33	24
006635	T15	7	149104	T45	16	266845	T37	24
006635	T44	11	168077	T31	20	267038	T34	10
006731	T33	2	174085	T33	18	267038	T34	11
006965	T16	29	174088	T33	7	267115	T22	21
006966	T39	15	174874	T33	19	267115	T35	6
006966	T44	15	177408	T33	22	267818	T44	16
006975	T33	16	177414	T33	20	267958	T22	5
008080	T26	16	177436	T33	5	268158	T34	13
008457	T41	12	177442	T44	17	268596	T26	2
011109	T32	5	177443	T44	18	268596	T35	7
012528	T42	6	177445	T33	15	269145	T36	16
012533	T20	7	177451	T33	13	269755	T8	7
012535	T33	8	177494	T33	4	270423	T30	4
012543	T36	15	177521	T33	21	270793	T31	13
012789	T44	3	177609	T44	5	270793	T39	17
012789	T45	11	177610	T44	13	270793	T43	11
013763	T27	8	178149	T34	4	271147	T44	14
013776	T45	12	178150	T34	2	271434	T36	9
013777	T39	14	178790	T36	3	271452	T36	13
013861	T21	2	181351	T22	23	271453	T36	6
013880	T29	12	181351	T27	14	271477	T28	11
013880	T39	12	181351	T28	14	271740	T37	7
014754	T22	21	181746	T41	10	271807	T37	23
015330	T36	4	182546	T44	20	271807	T37	4
015585	T11	25	191189	T23	9	272750	T37	20
015759	T29	11	194423	T45	2	272836	T31	21
015792	T21	1	196868	T29	8	272836	T42	8
015792	T38	9	199190	T22	6	272842	T30	5
015804	T29	13	199190	T26	11	273460	T37	21
015856	T42	5	223605	T36	2	273693	T33	17
016195	T21	6	232108	T23	1	273754	T23	5
016404	T27	7	232108	T34	3	274246	T10	18
016406	T29	10	232108	T34	5	277916	T11	11
016406	T39	13	232108	T37	19	277916	T16	10
016408	T22	16	239388	T15	5	277916	T2	12
016408	T33	27	239388	T2	9	277916	T5	10
016627	T34	7	252420	T26	8	285536	T9	3
018508	T35	4	252945	T42	4	285846	T5	1
018575	T2	10	253937	T40	5	287913	T11	14
018575	T43	8	254485	T27	6	288245	T31	14
018591	T27	2	254485	T29	7	288245	T40	8
018640	T20	6	254485	T31	11	289731	T15	11
020008	T34	6	254485	T39	4	292022	T41	3
020104	T27	4	254485	T42	2	292022	T41	6
020105	T36	17	255473	T42	22	292507	T42	4
020108	T33	26	257614	T26	9	292723	T41	4
021108	T34	9	258146	T15	9	293256	T42	4
021114	T44	4	258146	T20	4	293549	T43	6
021210	T33	3	258160	T29	4	293550	T43	1
030115	T23	14	258249	T35	8	294152	T31	12
031058	T33	12	258249	T41	14	294723	T43	4
031091	T14	1	258403	T43	9	294877	T43	2
031091	T42	15	259348	T28	9	295788	T23	8
031091	T6	17	259349	T17	3	295789	T23	7
031119	T33	25	259349	T26	14	296170	T39	3
031153	T37	13	259349	T28	10	296456	T39	5
077023	T32	4	259349	T28	6	296458	T16	30
077024	T32	3	259372	T26	3	296458	T41	2
109960	T17	1	259830	T22	19	297498	T26	15



Code	No. table	Pos.	Code	No. table	Pos.	Code	No. table	Pos.
298581	T40	4	485603	T5	9	575321	T29	6
298604	T22	2	485655	T8	4	575607	T26	18
298731	T40	3	485703	T8	6	575819	T26	6
298838	T40	13	485710	T13	2	576189	T22	18
298903	T40	6	4857135	T13	4	576454	T29A	9
299557	T22	17	485868	T11	1	576461	T29A	10
299972	T40	14	4858795	T12	1	576464	T22	4
319532	T38	12	4858915	T12	9	576468	T29A	1
319538	T39	11	485912	T12	13	576469	T29A	6
411296	T2	4	485912	T12	5	576702	T24	5
411311	T2	7	486075	T9	1	576704	T35	10
414837	T11	4	486081	T2	5	576705	T39	18
414837	T11	6	486082	T11	17	576708	T26	25
414838	T6	9	486216	T16	13	576953	T27	12
430264	T15	3	486237	T16	18	577005	T26	12
430264	T21	8	486324	T10	16	577128	T40	7
430585	T10	8	486331	T6	8	577129	T40	22
431089	T10	7	486336	T6	7	577131	T40	12
431860	T14	6	486343	T6	6	5771540090	T22	1
431860	T15	2	486363	T4	5	57715400BG	T22	1
432142	T2	3	486974	T6	10	57715400D9	T22	1
432334	T34	12	487211	T12	7	57715400E9	T22	1
433122	T21	5	487343	T11	18	57715400F2	T22	1
433232	T10	13	487383	T12	12	57715400VC	T22	1
433391	T13	9	487459	T16	17	5771730090	T24	1
433477	T11	7	487666	T21	10	57717300BG	T24	1
434345	T11	23	487832	T6	14	57717300D9	T24	1
434541	T42	12	487833	T6	15	57717300E9	T24	1
434541	T8	1	487936	T10	11	57717300F2	T24	1
4348555	T13	3	487937	T11	29	57717300VC	T24	1
434885	T13	5	487948	T12	11	5771740090	T26	1
435629	T5	12	487989	T7	3	57717400BG	T26	1
436438	T5	4	488045	T21	3	57717400D9	T26	1
436695	T11	8	497042	T36	11	57717400E9	T26	1
436783	T13	10	497116	T38	6	57717400F2	T26	1
436783	T16	3	497182	T1	3	57717400VC	T26	1
436947	T21	7	497183	T1	2	5771750090	T26	4
463195	T22	7	497348	T38	5	57717500BG	T26	4
478115	T5	11	497398	T43	12	57717500D9	T26	4
478985	T15	6	497412	T42	21	57717500E9	T26	4
479132	T20	12	56002R	T32	1	57717500F2	T26	4
479986	T11	28	56003R	T32	2	57717500VC	T26	4
480853	T5	13	56056R	T38	1	577176	T27	11
482305	T10	19	56127R	T37	3	577180	T22	11
483226	T10	2	56140R5	T33	29	577181	T22	11
483261	T10	3	561433	T33	30	577182	T24	4
483711	T5	5	562923	T36	19	577183	T31	31
483767	T11	10	563728	T45	3	577184	T31	23
483776	T9	8	564053	T33	14	577187	T31	23
483784	T11	16	564257	T32	3	5771920083	T39	1
483785	T9	7	564260	T32	4	5771920084	T39	1
483841	T9	2	564573	T44	6	577195	T31	6
483914	T5	2	564573	T45	17	577196	T31	19
483918	T11	20	564629	T11	27	577201	T31	9
484034	T2	8	564878	T37	22	577202	T31	8
484123	T11	13	567642	T27	9	577205	T31	7
484123	T6	12	57313R	T31	8	57733700E9	T39	7
484654	T6	2	57314R	T31	18	57733800E9	T39	7
484733	T5	6	57317R	T31	3	577384	T31	15
484734	T5	6	573426	T40	1	577385	T31	16
4847395	T6	3	573454	T31	2	577388	T29	1
4847405	T6	4	574633	T30	15	5773920090	T27	3
484819	T6	1	575249	T26	7	57739200BG	T27	3
484908	T4	4	575249	T28	4	57739200D9	T27	3
485047	T11	30	575249	T28	8	57739200EB	T27	3
485080	T16	19	575249	T31	10	57739200F2	T27	3
485084	T16	12	575249	T40	16	57739200VC	T27	3



Code	No. table	Pos.	Code	No. table	Pos.	Code	No. table	Pos.
5773930090	T22	10	582851	T23	6	59817700D9	T35	3
57739300BG	T22	10	582988	T43	3	59817700EB	T35	3
57739300D9	T22	10	582990	T40	10	59817700F2	T35	3
57739300EB	T22	10	5833910090	T35	2	59817700VC	T35	3
57739300F2	T22	10	58339100BG	T35	2	598237	T37	18
57739300VC	T22	10	58339100D9	T35	2	5983610090	T35	1
5773940090	T22	10	58339100EB	T35	2	59836100BG	T35	1
57739400BG	T22	10	58339100F2	T35	2	59836100D9	T35	1
57739400D9	T22	10	58339100VC	T35	2	59836100EB	T35	1
57739400EB	T22	10	583407	T36	1	59836100F2	T35	1
57739400F2	T22	10	583527	T41	11	59836100VC	T35	1
57739400VC	T22	10	583575	T36	12	5983670090	T28	2
577395000C	T26	19	583684	T42	18	59836700BG	T28	2
577396000C	T26	19	583772	T23	11	59836700D9	T28	2
577399	T26	13	583812	T41	19	59836700EB	T28	2
577405000C	T22	12	583841	T41	18	59836700F2	T28	2
5774050043	T22	12	583864	T41	20	59836700VC	T28	2
5774270090	T22	3	583921	T29A	12	5986150090	T28	7
57742700BG	T22	3	584083	T28	13	59861500BG	T28	7
57742700D9	T22	3	584084	T28	13	59861500D9	T28	7
57742700EB	T22	3	584121	T40	20	59861500EB	T28	7
57742700F2	T22	3	584521	T42	10	59861500F2	T28	7
57742700VC	T22	3	584599	T43	5	59861500VC	T28	7
577433	T31	17	584669	T31	22	598619	T44	12
577436	T31	18	584884	T27	1	598619	T45	1
577437	T24	2	584925	T22	22	598654	T44	7
577447	T26	21	584926	T22	22	598715	T45	10
577454	T40	2	584931	T27	15	598869	T37	1
577456	T40	15	584934	T24	3	598917	T37	15
5774570095	T39	8	584970	T41	16	599020	T23	2
577467000C	T39	16	584971	T41	16	599059	T37	16
577468	T26	5	584972	T41	9	599077	T37	9
577471	T40	17	584973	T41	9	599097	T23	3
5774730090	T22	9	5849740090	T41	13	599246	T37	5
57747300BG	T22	9	58497400BG	T41	13	599249	T37	11
57747300D9	T22	9	58497400D9	T41	13	599250	T37	10
57747300EB	T22	9	58497400EB	T41	13	599350	T42	19
57747300F2	T22	9	58497400F2	T41	13	599380	T44	19
57747300VC	T22	9	58497400VC	T41	13	5994675	T33	31
5774740090	T22	9	584977	T41	1	599593	T45	8
57747400BG	T22	9	584979	T41	5	600161	T37	12
57747400D9	T22	9	584980	T43	10	600195	T38	4
57747400EB	T22	9	597317	T37	6	602263M	T7	9
57747400F2	T22	9	597390	T45	4	620021	T31	3
57747400VC	T22	9	597528	T45	5	620046	T31	5
577492	T39	6	597564	T45	14	620050	T30	3
577557	T29	5	597565	T45	15	620236	T27	10
577620	T40	21	597679	T44	2	620333	T26	23
5778560043	T26	17	597679	T45	6	620334	T26	26
5778570043	T26	17	597758	T33	6	620335	T26	24
577861	T26	10	597765	T33	1	620395	T22	14
580139	T42	21	597796	T34	1	620398	T17	4
58054R	T42	11	597857	T37	17	620415	T40	9
58057R	T43	6	597859	T45	8	620452	T26	22
58058R	T43	1	597944	T44	1	620460	T17	2
580653	T42	3	597945	T45	7	620528	T25	3
580886	T43	13	598017	T38	3	620529	T25	2
581056	T41	7	598134	T33	28	620530	T25	4
581560	T23	13	598143	T34	8	620553	T15	8
581904	T41	17	5981760090	T35	3	620682	T25	1
582034	T36	8	59817600BG	T35	3	620966	T29A	11
582058	T27	13	59817600D9	T35	3	621145	T28	1
582298	T23	12	59817600EB	T35	3	621827	T31	1
582661	T26	21	59817600F2	T35	3	621830	T42	20
582787	T32	6	59817600VC	T35	3	623673	T31	2
582828	T32	7	5981770090	T35	3	638548	T42	1
582850	T23	10	59817700BG	T35	3	709047	T33	11



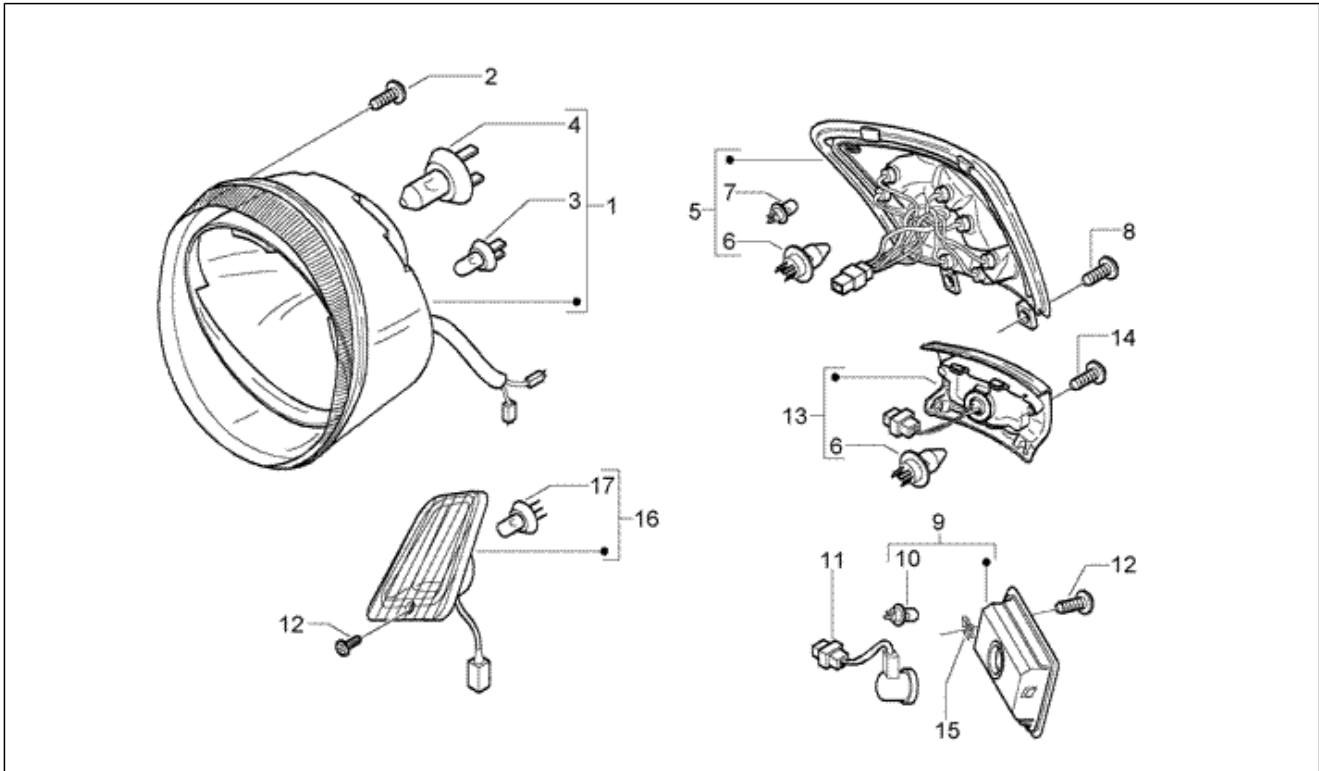
Code	No. table	Pos.	Code	No. table	Pos.	Code	No. table	Pos.
709047	T38	7	828135	T16	5	832059	T16	38
709047	T44	10	828146	T4	1	832130	T3	4
709047	T45	13	828147	T4	1	8322495	T12	6
709532	T18	3	828148	T4	1	832354	T5	8
709646	T37	14	82817R	T6	2	833308	T6	11
812592	T39	10	828210	T42	17	833669	T10	4
812592	T39	9	82823R	T9	4	833672	T10	6
82501R	T42	14	828297	T3	2	833673	T10	10
82517R	T10	14	828303	T11	2	833674	T10	9
82518R	T10	1	828308	T11	3	833701	T12	14
82538R	T11	22	828325	T18	6	833722	T11	9
82539R	T12	15	828325	T29A	2	833722	T16	35
82540R	T3	1	828325	T30	11	833989	T14	4
82545R	T45	9	828421	T7	1	833989	T14	5
825529	T16	11	828480	T5	3	834119	T16	37
825595	T11	19	828493	T16	28	834153	T16	36
825620	T11	21	828535	T16	25	834187	T22	15
825758	T12	17	828569	T16	21	834254	T8	3
82580R	T9	5	828653	T7	2	834266	T15	4
825952	T3	6	828662	T16	1	834353	T7	7
82611R	T14	2	828662	T16	20	834393	T5	14
82612R	T14	3	828662	T16	9	834394	T5	20
826165	T9	4	828662	T5	15	8347335	T12	2
82622R	T5	17	828717	T10	5	834774	T13	7
82635R	T9	6	828742	T19	11	840022	T16	22
826396	T6	16	828766	T2	11	840311	T10	12
82644R	T11	5	828800	T40	11	840453	T19	30
82649R	T11	15	828831	T19	15	840506	T21	4
82650R	T8	2	828843	T19	29	840815	T13	8
82653R	T16	7	828844	T19	16	840908	T13	6
82659R	T12	8	828875	T11	24	8411965001	T3	3
826768	T19	19	828961	T44	9	8411965002	T3	3
826770	T19	12	8291395	T6	13	8413625	T16	8
826780	T19	22	829201	T12	3	8413805	T15	10
826786	T19	15	829206	T12	4	841695	T18	11
826811	T19	14	829337	T42	13	841695	T19	20
826812	T19	10	829375	T2	2	842168	T21	12
826818	T19	25	829523	T11	12	842462	T4	7
826820	T19	26	829526	T2	6	842515	T19	21
826821	T19	2	829529	T4	2	842516	T19	11
826822	T19	1	829534	T7	4	842518	T19	26
826824	T19	23	829536	T7	10	842519	T19	31
826825	T19	7	829661	T8	5	8425205	T21	9
826826	T19	9	8299365	T6	5	842522	T19	10
826839	T19	4	829983	T5	7	842522	T19	33
826843	T19	3	8300530001	T4	6	842523	T19	12
826866	T19	16	8300530002	T4	6	842734	T18	2
826974	T45	9	8300530003	T4	6	843362	T5	6
827085	T3	5	8300530004	T4	6	843364	T11	26
82710R	T5	16	830056	T20	5	843506	T5	8
827149	T16	14	830057	T20	11	843761	T11	12
82715R	T18	4	830128	T11	31	844049	T10	14
82725R	T10	15	830248	T7	5	844094	T7	7
82731R	T16	27	830249	T7	6	844352	T11	18
82745R	T10	15	830486	T4	8	844483	T34	12
827467	T19	21	830487	T18	1	8447485	T16	8
82751R	T10	14	830862	T12	10	846819	T11	26
82753R	T10	3	831174	T5	7	963486	T4	3
827699	T13	1	831255	T16	2	967351	T23	4
827714	T16	16	831256	T16	24	969224	T28	3
827761	T11	26	831257	T16	15	969224	T42	7
82783R	T11	16	831258	T16	34	969348	T42	16
827856	T19	14	831259	T16	31	CM001424	T18	10
827877	T10	17	831260	T16	33	CM001424	T29	9
827921	T5	18	831995	T20	3	CM001424	T30	13
827939	T20	10	831997	T20	2	CM001519	T18	8
828090	T16	4	832000	T20	1	CM001903	T31	4



Code	No. table	Pos.
CM001904	T16	32
CM001904	T31	24
CM001904	T7	8
CM001905	T31	25
CM001907	T31	26
CM001908	T16	23
CM001908	T31	27
CM001912	T29A	4
CM001913	T29A	5
CM001914	T29A	7
CM001914	T30	7
CM001915	T31	28
CM002901	T18	5
CM002901	T30	10
CM002903	T5	19
CM002904	T18	7
CM002916	T18	12
CM002916	T19	28
CM004126	T30	12
CM004126	T30	14
CM006307	T26	20
CM006903	T31	30
CM007504	T29A	3
CM007504	T30	8
CM007504	T30	9
CM007515	T29A	13
CM012811	T40	18
CM012813	T40	19
CM017201	T22	13
CM017202	T22	13
CM017403	T35	5
CM017406	T41	15
CM017409	T35	9
CM017410	T17	5
CM017410	T22	20
CM017410	T22	8
CM017410	T28	12
CM017410	T28	5
CM017901	T18	9
CM024102	T29A	8
CM060950	T36	5
CM066909	T29	2
CM067801	T37	2
CM071806	T42	9
CM073301	T36	7
CM073404	T43	7
CM073405	T43	7
CM074101	T38	2
CM074801	T36	14
CM074901	T36	10
CM105303	T19	17
CM105410	T19	18
CM106402	T19	5
CM106506	T19	24
CM107902	T19	27
CM109809	T19	13
CM119202	T19	32
CM120901	T30	1
CM1212145	T1	1
CM121907	T15	1
CM1280085001	T2	1
CM1280085002	T2	1
CM129701	T19	8
CM129802	T19	6
CM129902	T19	18
CM140102	T19	17
CM140201	T19	24

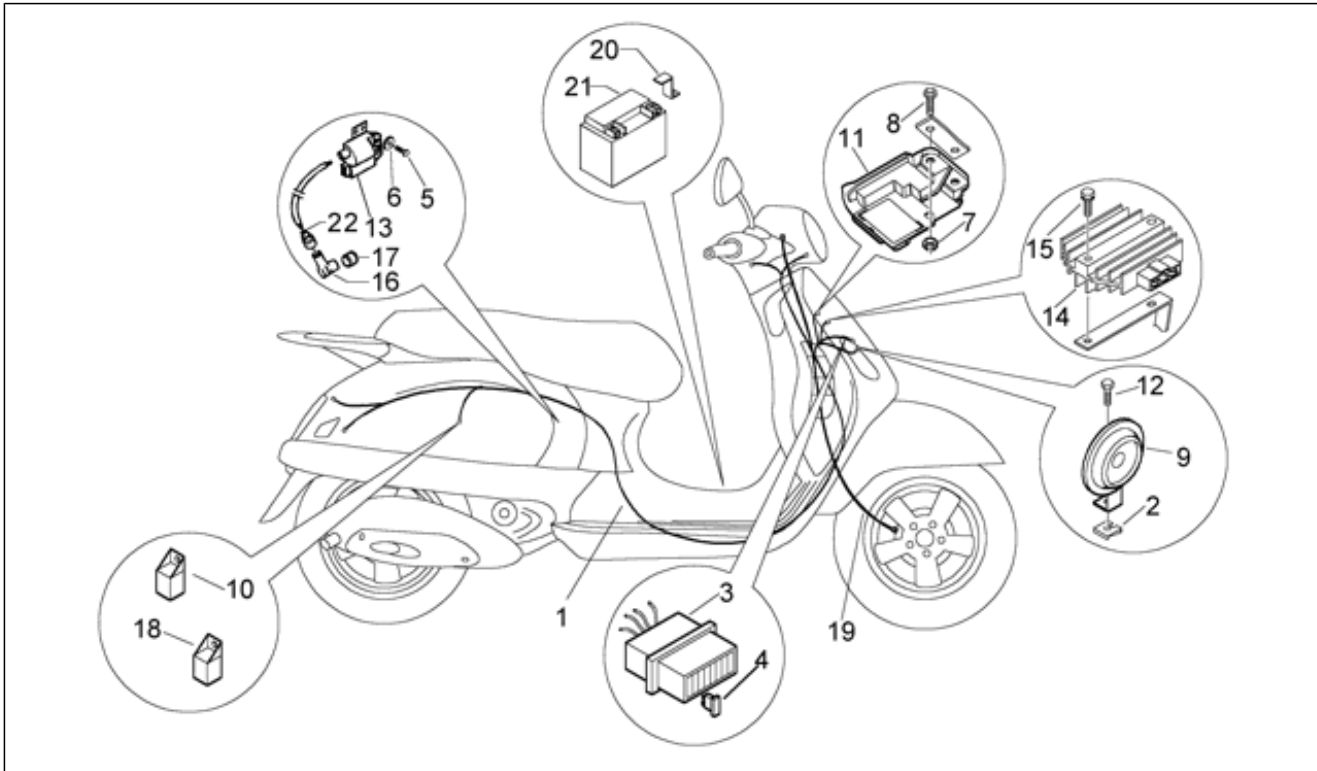
Code	No. table	Pos.
CM140301	T19	8
CM140401	T19	13
CM140901	T19	27
CM142903	T19	6

Group	Electrical equipment
Code	T41
Description	Front lights-rear lights
Service	1



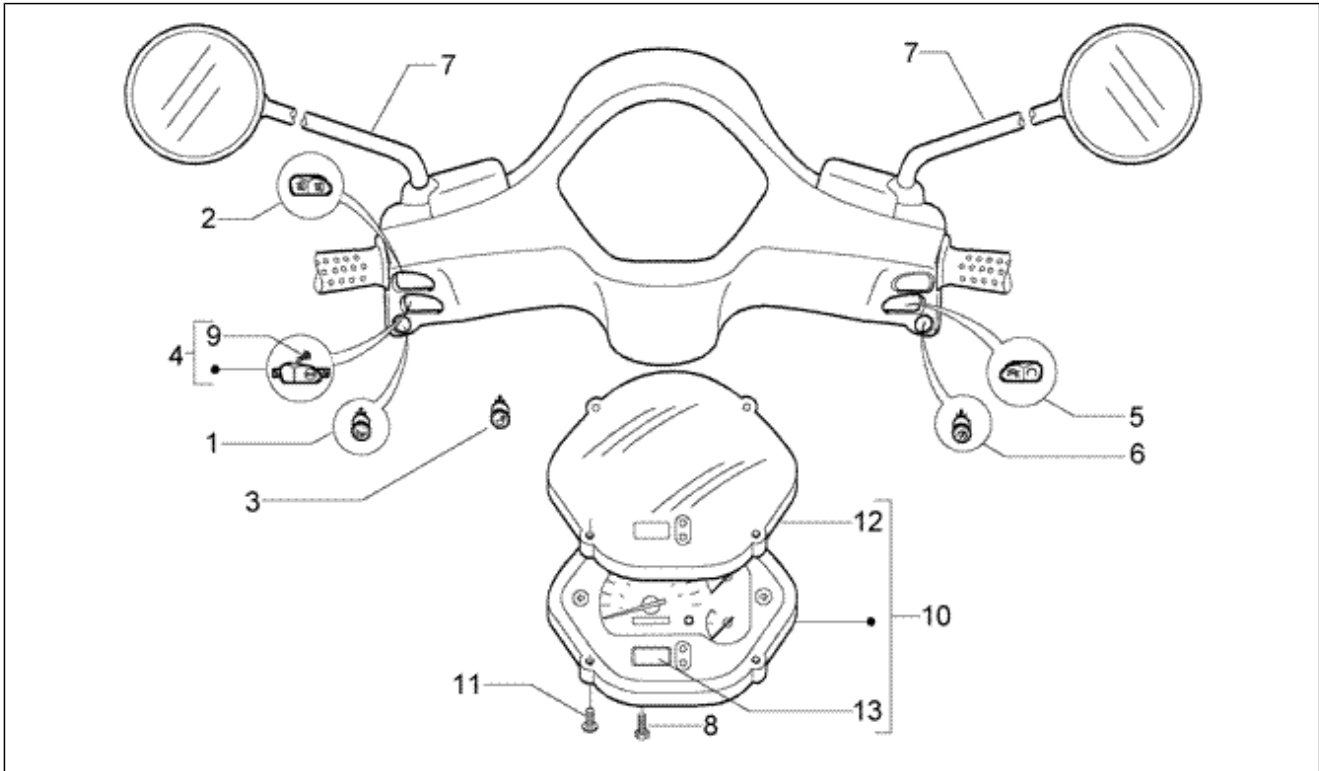
Pos.	Code	Description	Qty	Variants
1	584977	Headlamp, assy	1	
2	296458	Self tapping screw L=35 mm	4	
3	292022	Lamp 12V-5W	1	
4	292723	Lamp H4 60/55W 12V	1	
5	584979	Taillight	1	
6	292022	Lamp 12V-5W	2	
7	581056	Glass lamp 12v-2,3w	6	
8	259830	Metric screw M6x20	2	
9	584972	Turn signal lamp	1	
9	584973	Turn signal lamp	1	
10	181746	Lamp 12V-10W	2	
11	583527	Lampholder	2	
12	008457	Self-tap screw M4,2x19	4	
13	5849740090	Number plate lamp	1	
13	58497400BG	Number plate lamp	1	
13	58497400D9	Number plate lamp	1	
13	58497400EB	Number plate lamp	1	
13	58497400F2	Number plate lamp	1	
13	58497400VC	Number plate lamp	1	
14	258249	screw 4,2x19	2	
15	CM017406	Plate	2	
16	584970	Turn signal lamp	1	
16	584971	Turn signal lamp	1	
17	581904	Lamp	4	
18	583841	Cable harness	1	
19	583812	Cable harness	1	
20	583864	Cable harness	2	

Group	Electrical equipment
Code	T42
Description	Electrical device-electric horn
Service	1



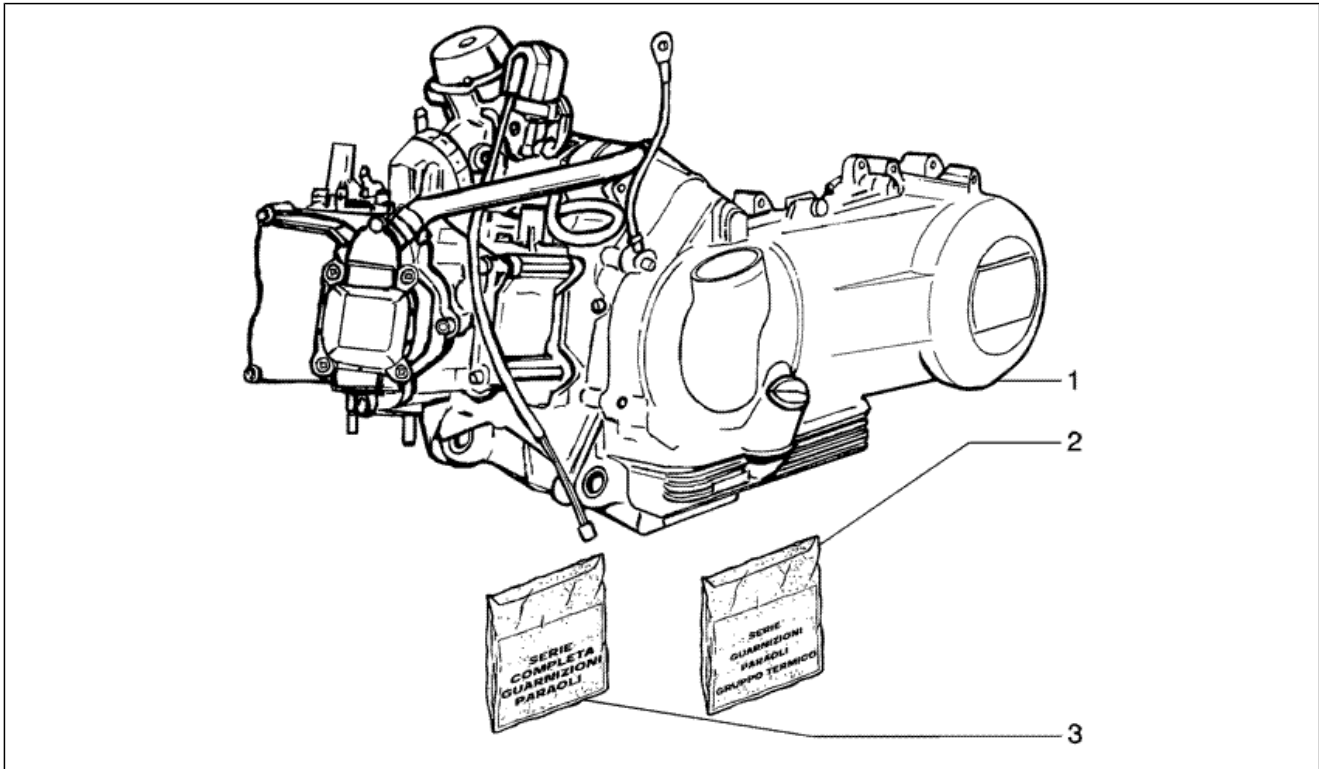
Pos.	Code	Description	Qty	Variants
1	638548	Cable harness	1	
2	254485	Spring plate M6	1	
3	580653	Fuse holder	1	
4	252945	Fuse 7,5A	3	
4	292507	Fuse 10A	1	
4	293256	Reed fuse 5a	2	
5	015856	screw M5x21	1	
6	012528	Washer	1	
7	969224	Nut	2	
8	272836	Screw M6x16	1	
9	CM071806	Horn	1	
10	584521	Rem. control switch 12V-80A	1	
11	58054R	Electronic control unit	1	
12	434541	Screw w/ flange M6x16	1	
13	829337	HT coil+cable	1	
14	82501R	Voltage regulator	1	
15	031091	Hex screw M6x22	2	
16	969348	Screened cap	1	
17	828210	Spark plug prot.collar	1	
18	583684	Rem. control switch 12v-30a	1	
19	599350	Speedometer transmission	1	
20	621830	Battery bracket	1	
21	497412	Battery	1	
21	580139	Battery	1	
22	255473	Cap	1	

Group	Electrical equipment
Code	T43
Description	Electrical device-speedometers kms.
Service	1



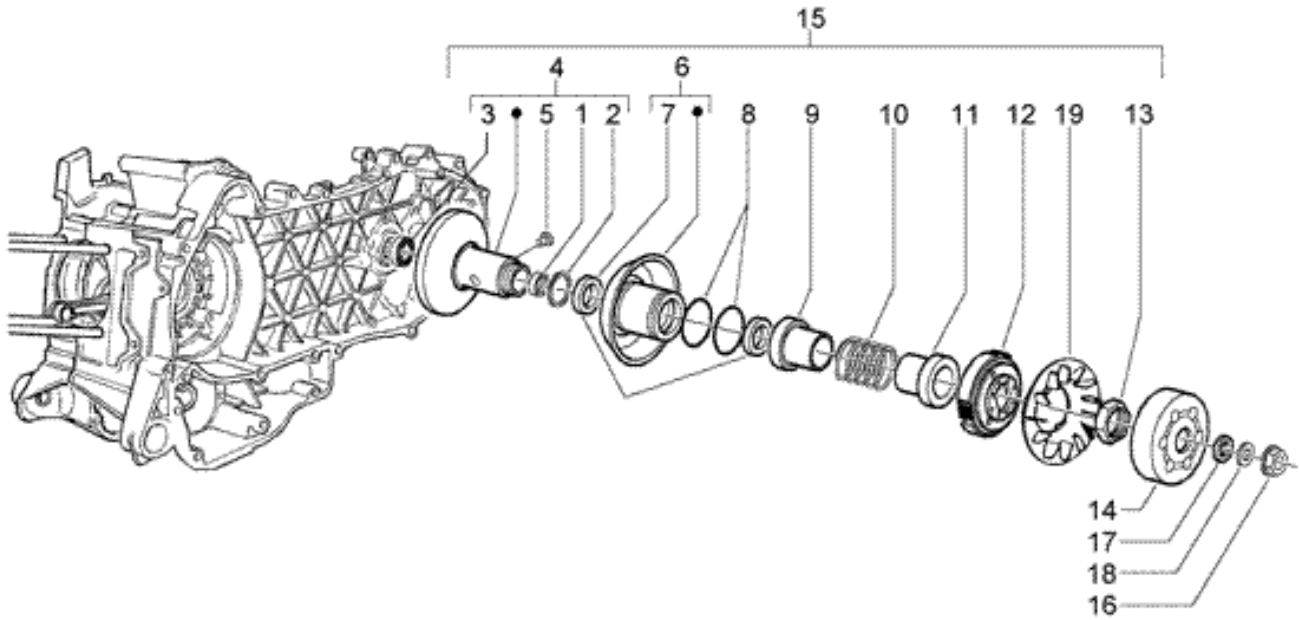
Pos.	Code	Description	Qty	Variants
1	293550	Horn button	1	
1	58058R	Horn button	1	
2	294877	Headlight selector	1	
3	582988	Saddle opening button	1	
4	294723	Switch	1	
5	584599	Engine stop switch	1	
6	293549	Start pushbutton	1	
6	58057R	Start pushbutton	1	
7	CM073404	Driving mirror	1	
7	CM073405	RH rearview mirror	1	
8	018575	Screw M5x10	1	
9	258403	Self tapping screw 3,5x13	2	
10	584980	Meter combination	1	
11	270793	TBCIC Screw 3,8x16	4	
12	497398	Glass	1	
13	580886	Digital clock	1	

Group	Engine
Code	T1
Description	Engine
Service	1



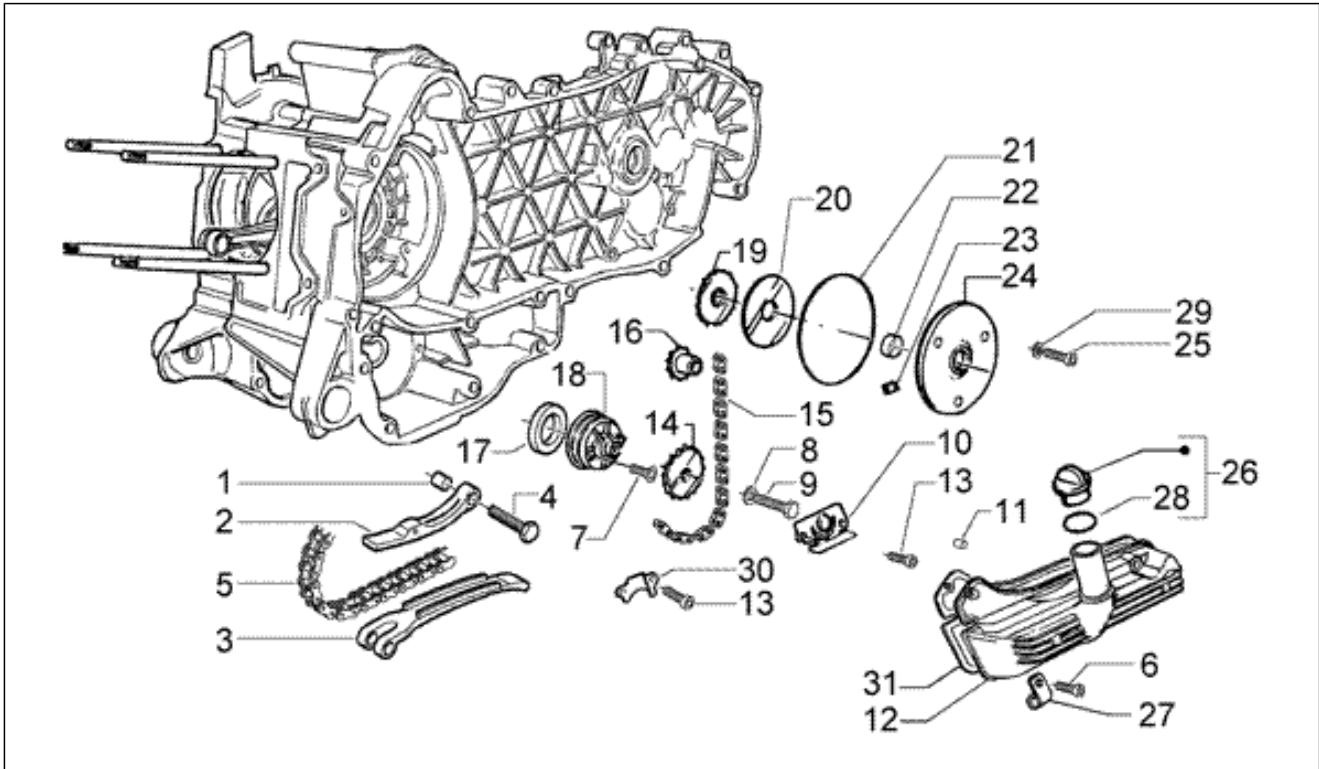
Pos.	Code	Description	Qty	Variants
1	CM1212145	Engine	1	
2	497183	Gask. set thermic unit	1	
3	497182	Engine gasket set	1	

Group	Engine
Code	T10
Description	Driven pulley
Service	1



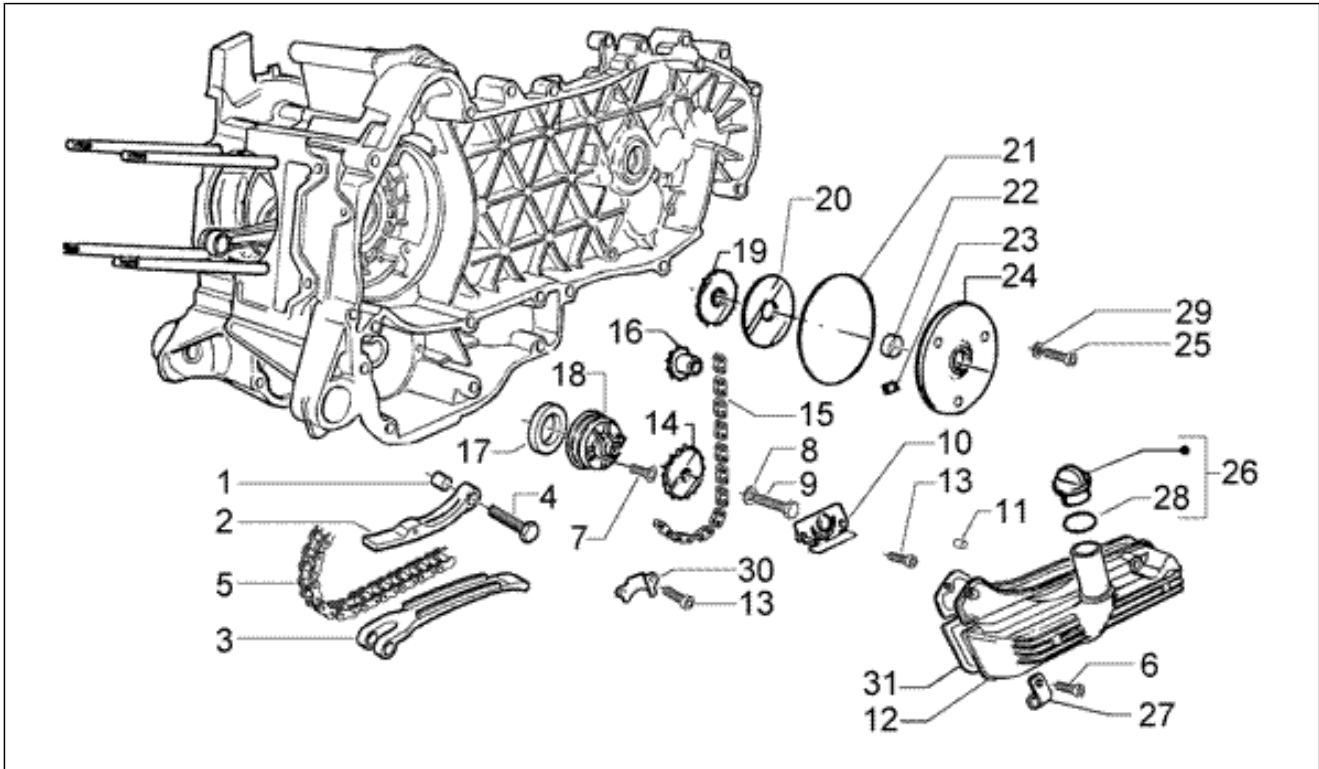
Pos.	Code	Description	Qty	Variants
1	82518R	Roller cage 20x29x18	1	
2	483226	Snap ring	1	
3	483261	Radial bearing 17x30	1	
3	82753R	Bearing 17x30x7	1	
4	833669	Sec. fixed sheave, complete	1	
5	828717	Guide pin L=12,5	4	
6	833672	Sec. sliding sheave, complete	1	
7	431089	Gasket ring	2	
8	430585	Gasket	2	
9	833674	Cup	1	
10	833673	Variator spring	1	
11	487936	Clutch side cap	1	
12	840311	Clutch, assy.	1	
13	433232	Ring nut	1	
14	82517R	Clutch drum	1	
14	82751R	Clutch drum	1	
14	844049	Clutch drum	1	
15	82725R	Pulley	1	
15	82745R	Secondary pulley	1	
16	486324	Nut M12x1.25	1	
17	827877	Spacer	1	
18	274246	Flat washer 22x12,1x1	1	
19	482305	Fan	1	

Group	Engine
Code	T11
Description	Pump group-oil pan
Service	1



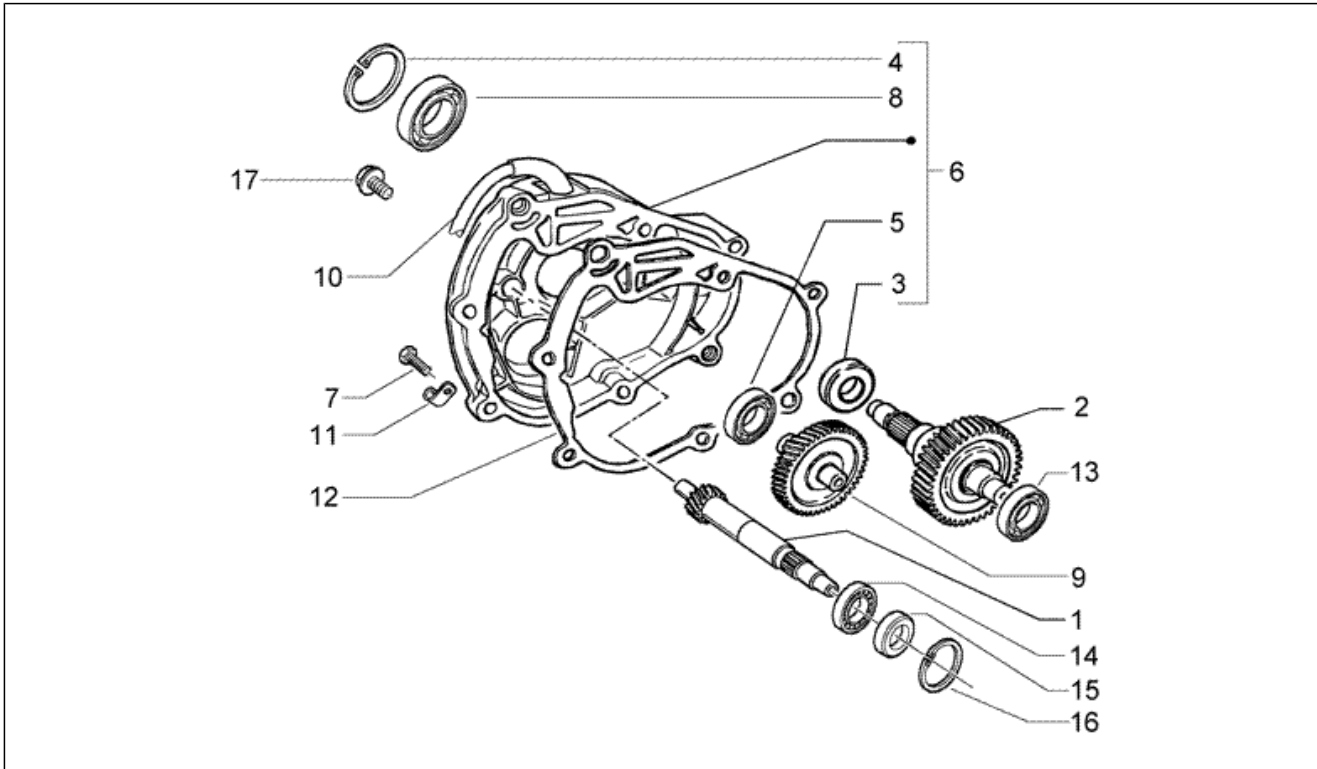
Pos.	Code	Description	Qty	Variants
1	485868	Spacer	1	
2	828303	Chain tensioner rod	1	
3	828308	Chain tensioner sliding block	1	
4	414837	Screw w/ flange M6x25	1	
5	82644R	Camshaft chain	1	
6	414837	Screw w/ flange M6x25	7	
7	433477	Screw w/ flange	4	
8	436695	Belleville spring $\varnothing 6,4 \times \varnothing 20 \times 2$	1	
9	833722	Screw w/ flange M6x14	1	
10	483767	Lower oil bulkhead	1	
11	277916	Locating dowel	3	
12	829523	Pan oil	1	
12	843761	Motor oil cup	1	
13	484123	Screw w/ flange	4	
14	287913	Oil pump gear	1	
15	82649R	Oil pump chain	1	
16	483784	Oil pump control pinion	1	
16	82783R	Oil pump control pinion	1	
17	486082	Carter-oil pump gasket	1	
18	487343	Oil pump	1	
18	844352	Oil pump assembly	1	
19	825595	Timing pinion	1	
20	483918	Oil seal washer	1	
21	825620	Gasket ring	1	
22	82538R	Gasket ring	1	
23	434345	Oil pump chain drift	1	
24	828875	Cover	1	
25	015585	Self-tapping screw M5x12	3	

Group	Engine
Code	T11
Description	Pump group-oil pan
Service	1



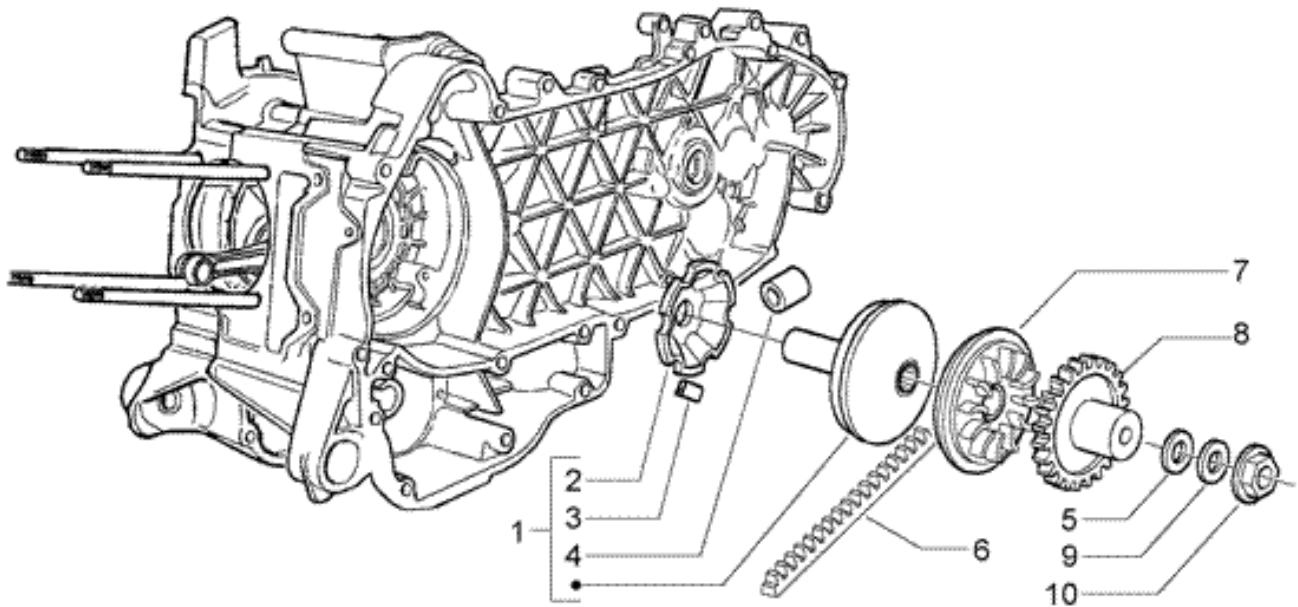
Pos.	Code	Description	Qty	Variants
26	827761	Oil plug assembly	1	
26	843364	Oil plug assembly	1	
26	846819	Oil filler plug	1	
27	564629	Hose clamp	2	
28	479986	O-ring	1	
29	487937	Plain washer	3	
30	485047	Upper oil bulkhead	1	
31	830128	Sump gasket	1	

Group	Engine
Code	T12
Description	rear wheel shaft
Service	1



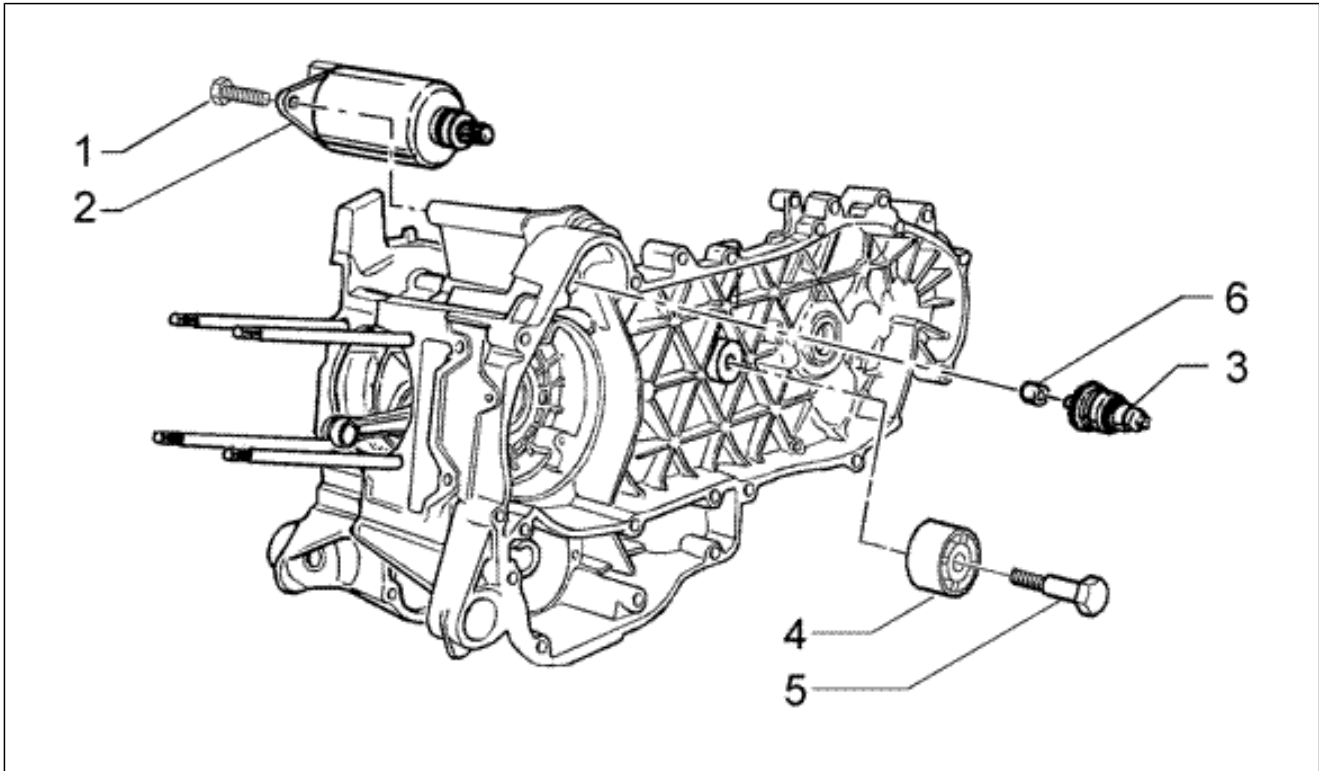
Pos.	Code	Description	Qty	Variants
1	4858795	Driven pulley shaft	1	
2	8347335	Wheel axle	1	
3	829201	Oil seal 38x50x7	1	
4	829206	Circlip	1	
5	485912	Radial ball bearing 15x42x13	1	
6	8322495	Cover	1	
7	487211	Screw w/ flange M8x45	4	
8	82659R	Radial bearing 30x55x13	1	
9	4858915	Transmission shaft	1	
10	830862	Breather	1	
11	487948	Hose clamp	1	
12	487383	Gasket	1	
13	485912	Radial ball bearing 15x42x13	1	
14	833701	Radial ball bearing 20x47x14	1	
15	82539R	Gasket ring	1	
16	000674	Circlip 25x26.9x1.2	1	
17	825758	screw M8x40	3	

Group	Engine
Code	T13
Description	Driving pulley
Service	1



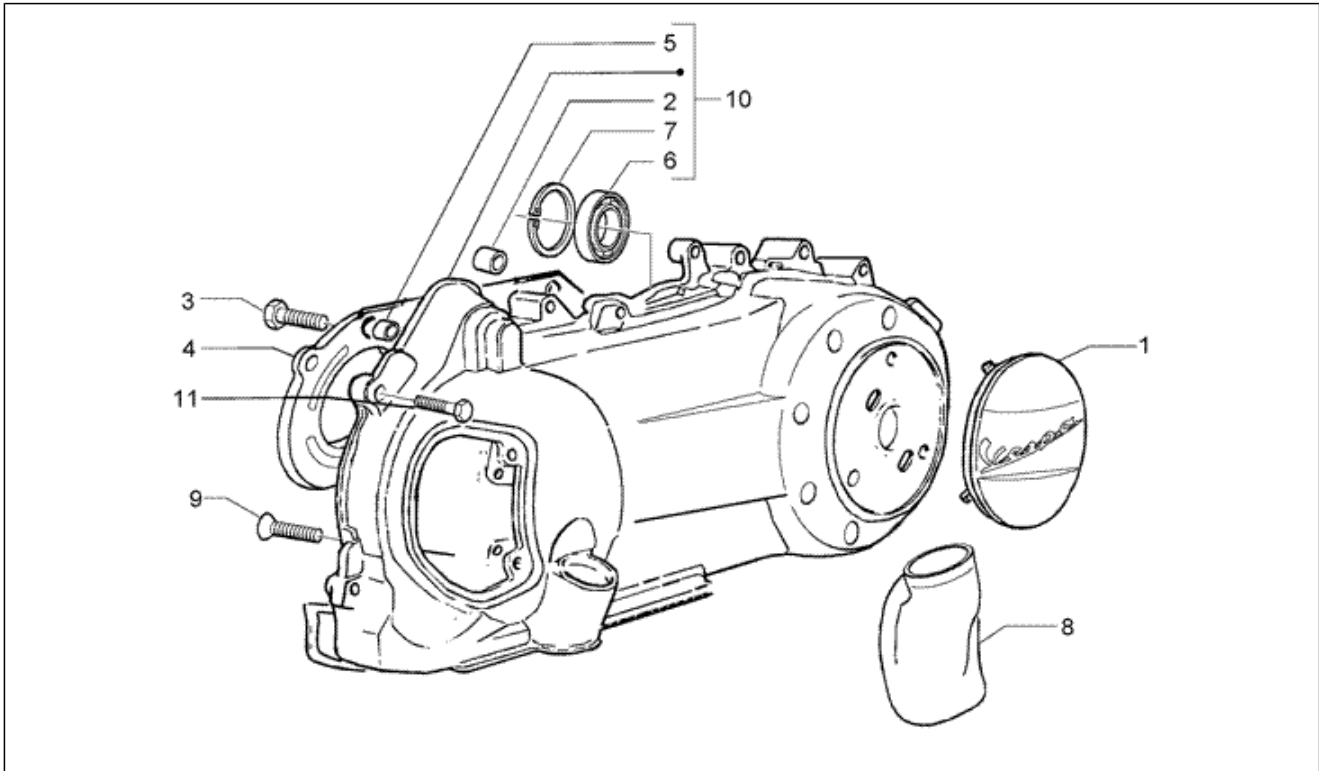
Pos.	Code	Description	Qty	Variants
1	827699	Roller housing	1	
2	485710	Roller contrast	1	
3	4348555	Sliding block	3	
4	4857135	Pin roller-set	1	
5	434885	Plain washer 17x32x1	1	
6	840908	V-belt	1	
7	834774	Fixed pulley	1	
8	840815	Torque limiter	1	
9	433391	Plain washer	1	
10	436783	Nut M12	1	

Group	Engine
Code	T14
Description	Electric starter-damper pulley
Service	1



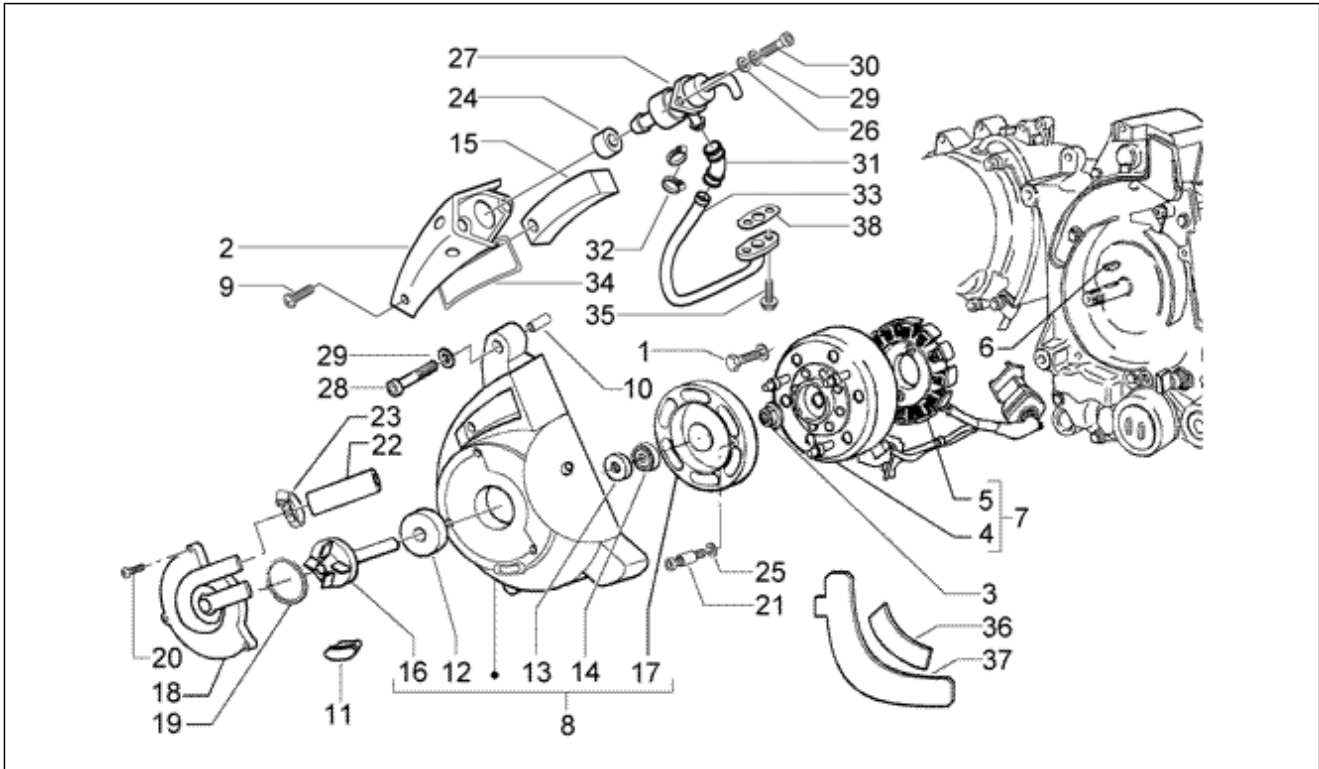
Pos.	Code	Description	Qty	Variants
1	031091	Hex screw M6x22	1	
2	82611R	Starter motor	1	
3	82612R	Starter motor gear	1	
4	833989	Toothed pulley	1	
5	833989	Toothed pulley	1	
6	431860	Bush Ø8xØ12x8	1	

Group	Engine
Code	T15
Description	Crankcase cooling
Service	1



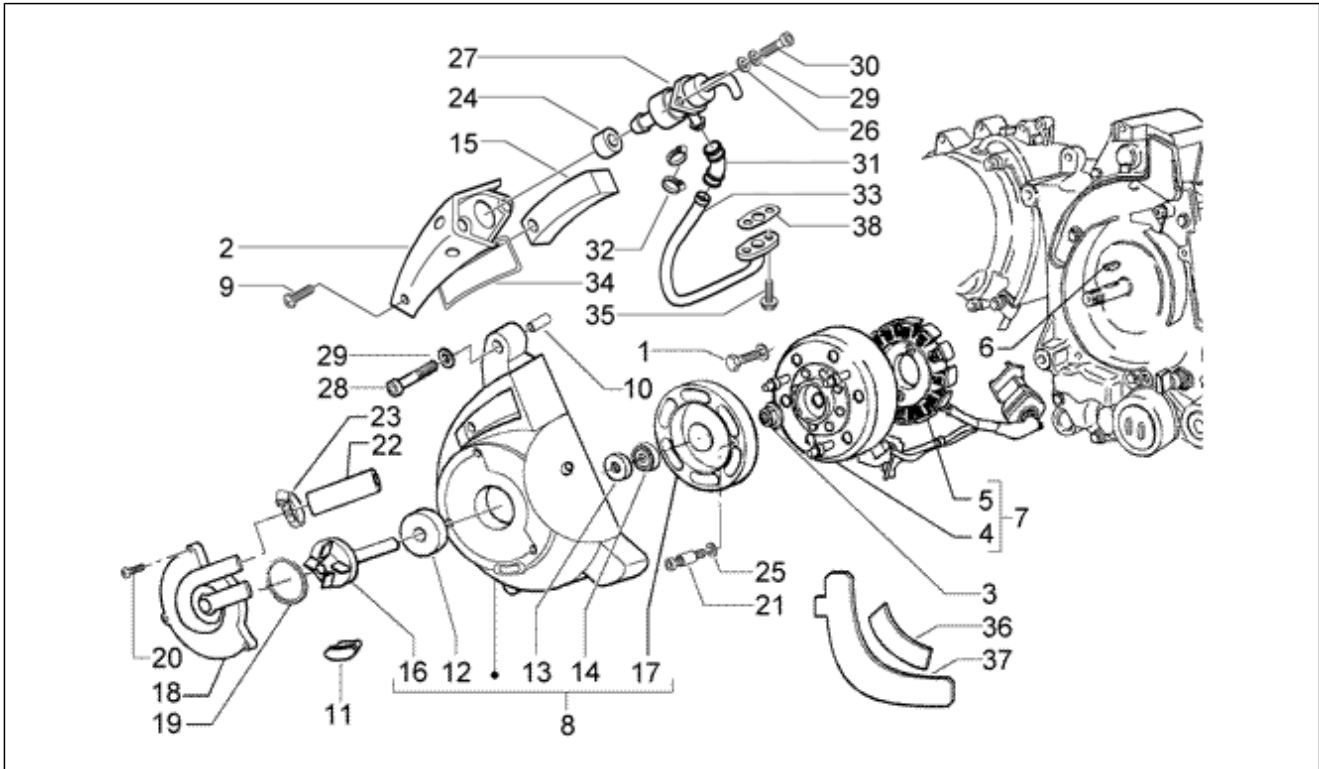
Pos.	Code	Description	Qty	Variants
1	CM121907	Plug	1	
2	431860	Bush $\varnothing 8 \times \varnothing 12 \times 8$	1	
3	430264	Self-tapping screw	4	
4	834266	Air deflector	1	
5	239388	Pin 6,5x9,5x15	2	
6	478985	Bearing	1	
7	006635	Snap ring	1	
8	620553	Cooling Cover	1	
9	258146	Self-tap screw M3x20	2	
10	8413805	Transmission cover cpl.	1	
11	289731	Screw w/ flange M6x30	9	

Group	Engine
Code	T16
Description	Flywheel magneto-secondary air box
Service	1



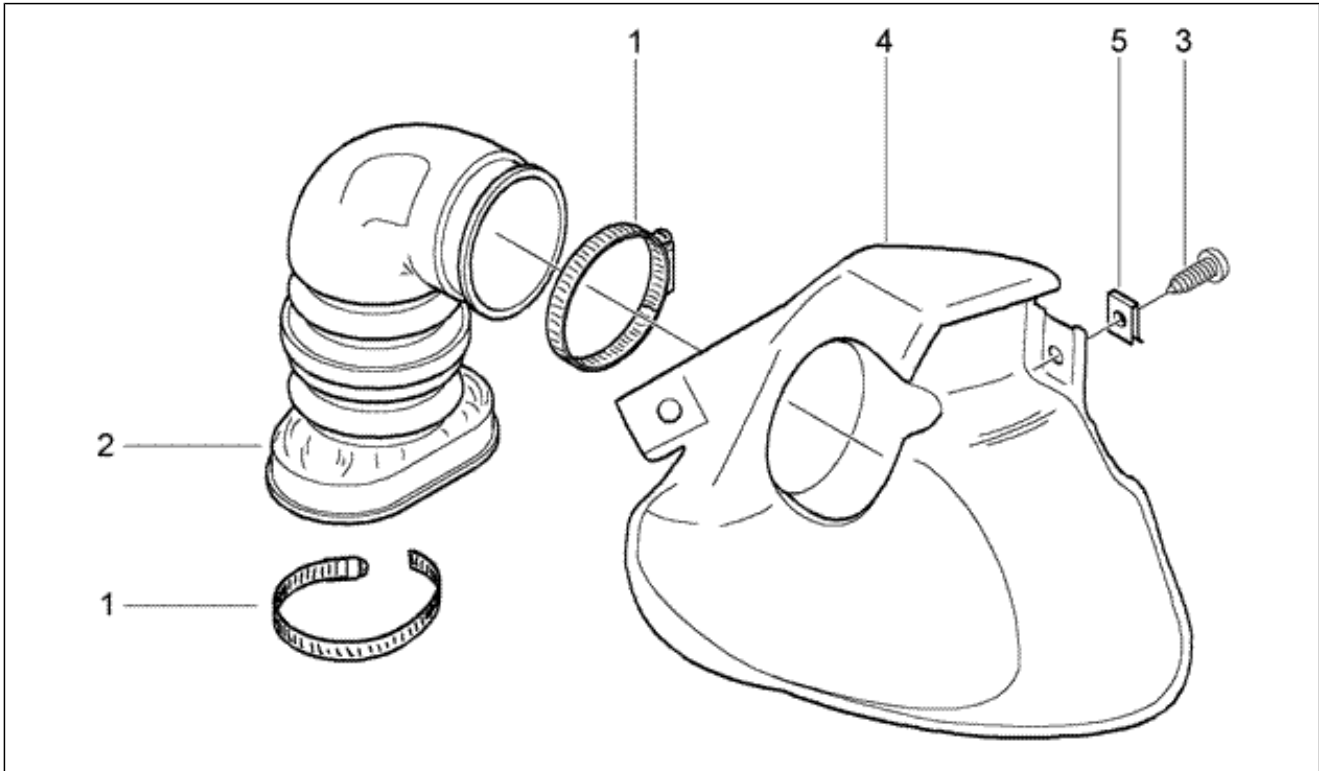
Pos.	Code	Description	Qty	Variants
1	828662	Screw M5x22	2	
2	831255	Cover	1	
3	436783	Nut M12	1	
4	828090	Rotor, assy.	1	
5	828135	Backplate, assy	1	
6	000267	Transmission key	1	
7	82653R	Cdi magneto assy	1	
8	8413625	Flywheel cover	1	
8	8447485	Flywheel cover	1	
9	828662	Screw M5x22	3	
10	277916	Locating dowel	2	
11	825529	Cover	1	
12	485084	Gasket ring	1	
13	486216	Ceramic insert	1	
14	827149	Ball bearing	2	
15	831257	Filter	1	
16	827714	Water pump shaft assy.	1	
17	487459	Drive coupling	1	
18	486237	Water pump cover	1	
19	485080	O-ring	1	
20	828662	Screw M5x22	3	
21	828569	screw	3	
22	840022	Oil delivery pipe	1	
23	CM001908	Hose clamp	2	
24	831256	Gasket	1	
25	828535	Washer	3	
26	006078	Plain washer 12x5.2x1	2	
27	82731R	SAS valve	1	

Group	Engine
Code	T16
Description	Flywheel magneto-secondary air box
Service	1



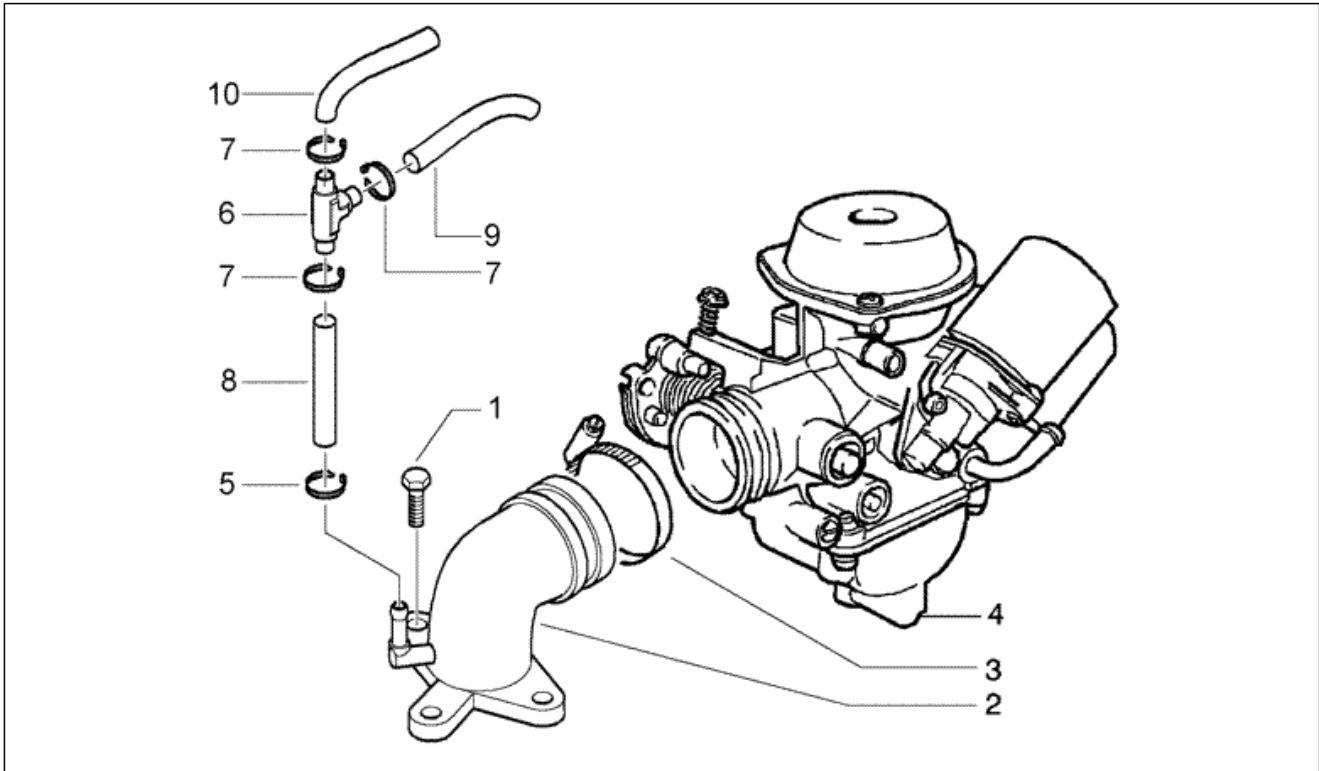
Pos.	Code	Description	Qty	Variants
28	828493	screw	4	
29	006965	Washer 5.3x10x10	6	
30	296458	Self tapping screw L=35 mm	2	
31	831259	s.a.s. joint pipe	1	
32	CM001904	Hose clamp	2	
33	831260	pipe	1	
34	831258	Gasket	1	
35	833722	Screw w/ flange M6x14	2	
36	834153	Soundproofing material	1	
37	834119	Cover	1	
38	832059	Gasket	1	

Group	Engine
Code	T17
Description	Belt cooling box
Service	1



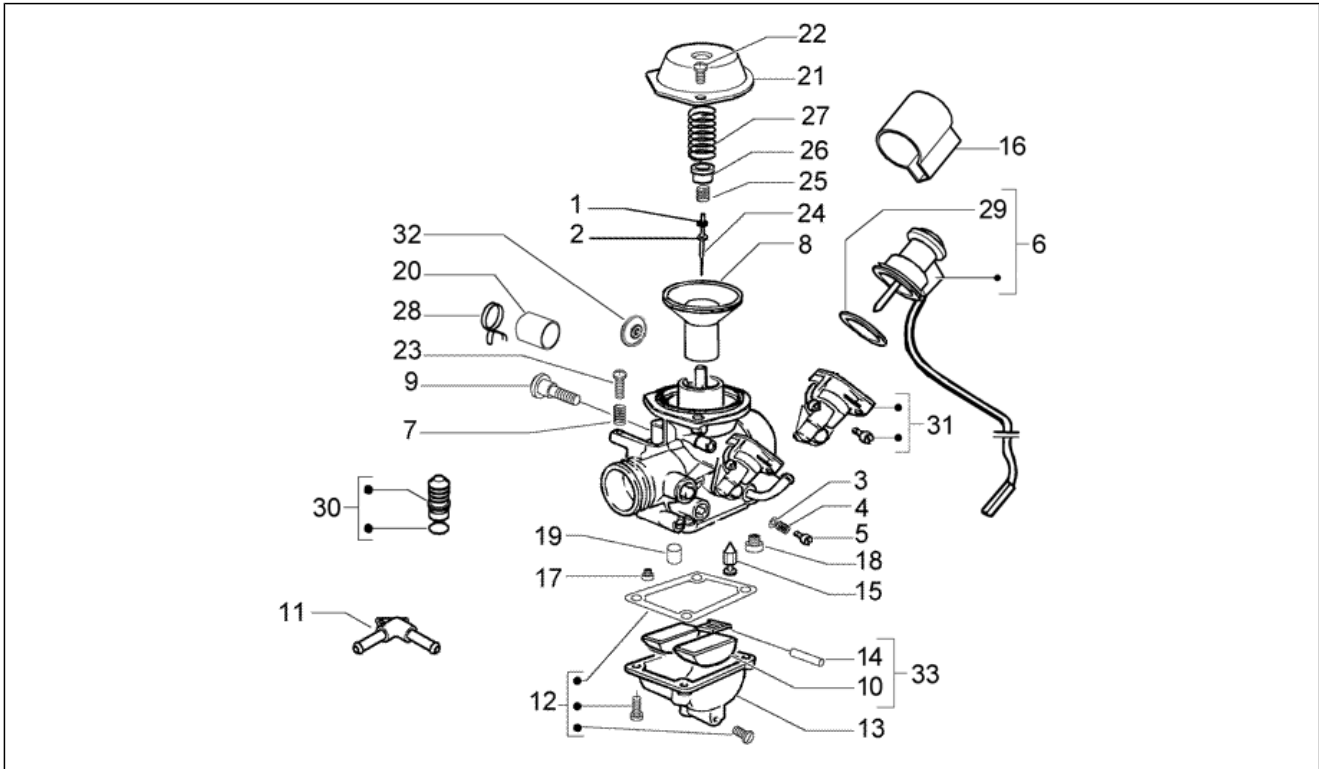
Pos.	Code	Description	Qty	Variants
1	109960	Hose clamp	1	
2	620460	Bellows	2	
3	259349	Screw M4,2x13	2	
4	620398	Cooling box	1	
5	CM017410	Spring plate	2	

Group	Engine
Code	T18
Description	Carburettor
Service	1



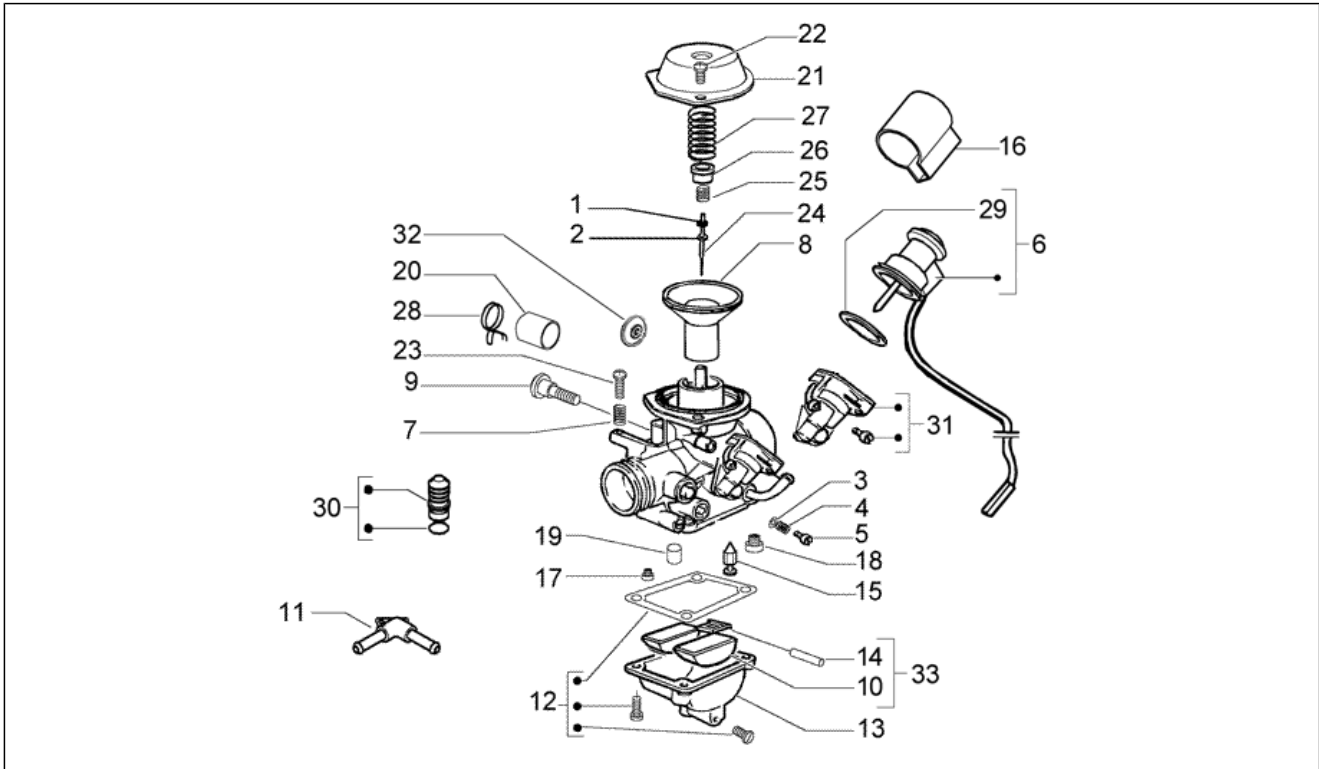
Pos.	Code	Description	Qty	Variants
1	830487	screw M6x25	3	
2	842734	Union pipe	1	
3	709532	Hose clamp	1	
4	82715R	Carburettor assy.	1	
5	CM002901	Hose clamp	1	
6	828325	Tee union	1	
7	CM002904	Hose clamp	3	
8	CM001519	Breather pipe	1	
9	CM017901	Breather pipe	1	
10	CM001424	Tank pipe	1	
11	841695	Air intake	1	
12	CM002916	Hose clamp	1	

Group	Engine
Code	T19
Description	Carburettor
Service	1



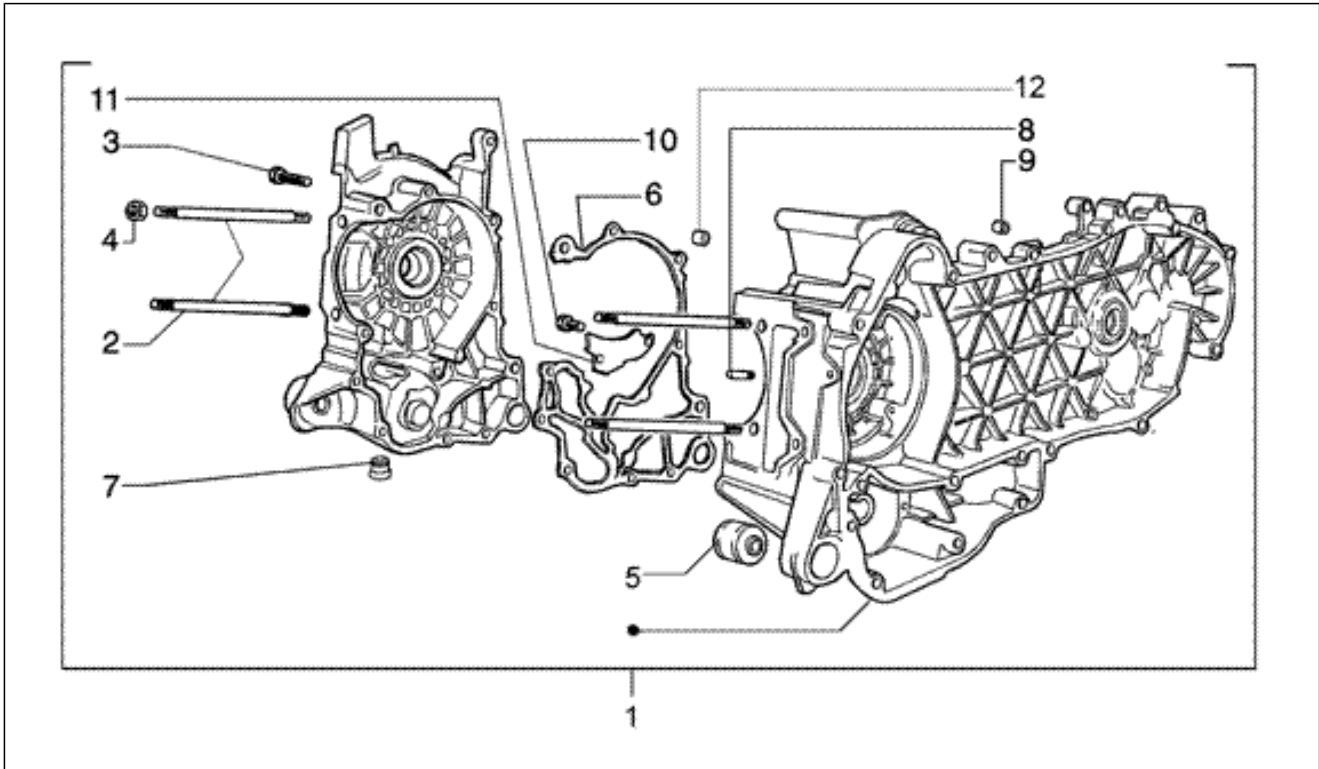
Pos.	Code	Description	Qty	Variants
1	826822	Circlip	1	
2	826821	Washer	1	
3	826843	Washer	1	
4	826839	Spring	1	
5	CM106402	Adj.min.eng.speed air screw	1	
6	CM129802	Starter	1	
6	CM142903	Automatic starter cpl.	1	
7	826825	Spring	1	
8	CM129701	Diaphragm Walbro	1	
8	CM140301	Diaphragm keihin	1	
9	826826	screw	2	
10	826812	Float	1	
10	842522	Float kit	1	
11	828742	Heater	1	
11	842516	Heater	1	
12	826770	screw	5	
12	842523	Float chamber kit	1	
13	CM109809	Float chamber	1	
13	CM140401	Float chamber	1	
14	826811	Pin	1	
14	827856	Lock	1	
15	826786	Petrol needle	1	
15	828831	Petrol needle	1	
16	826866	Starter cover	1	
16	828844	Cap	1	
17	CM105303	Idling jet	1	
17	CM140102	Idling jet	1	
18	CM105410	Maximum jet	1	

Group	Engine
Code	T19
Description	Carburettor
Service	1



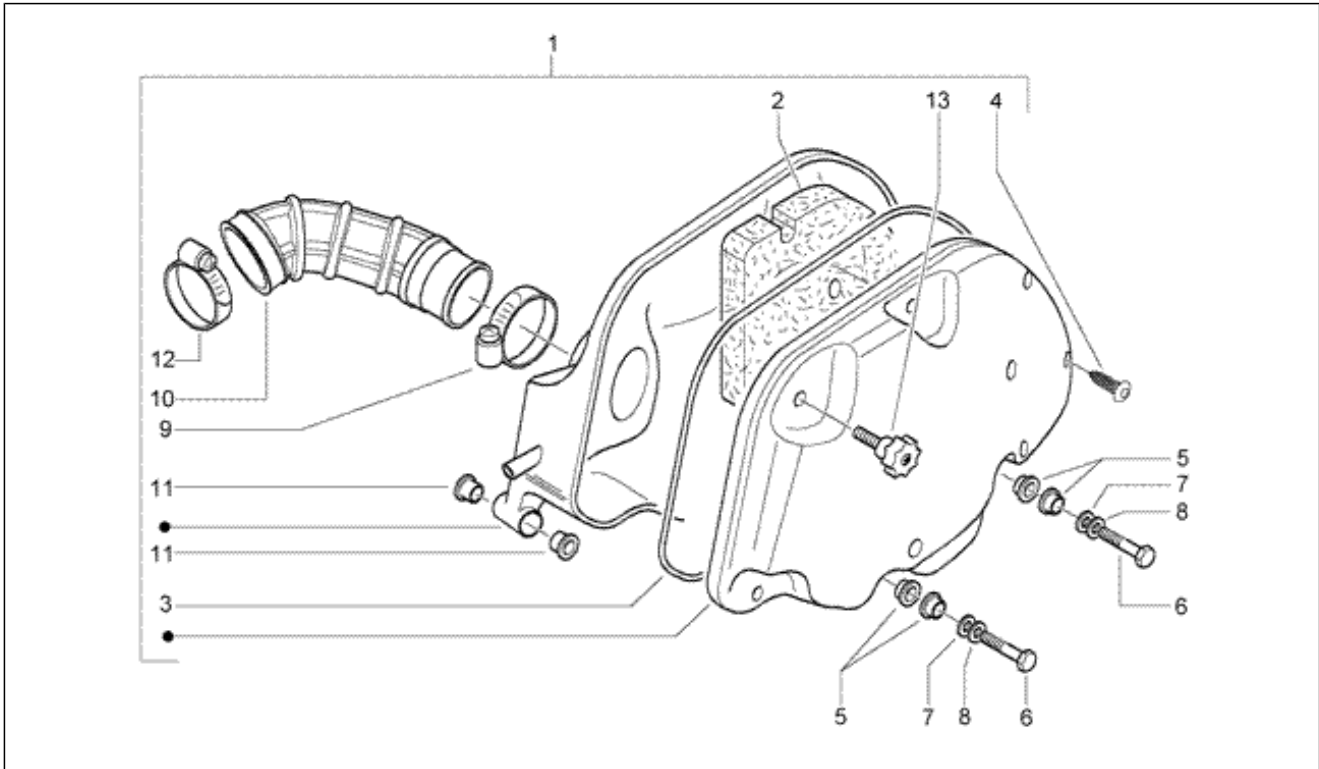
Pos.	Code	Description	Qty	Variants
18	CM129902	Maximum jet	1	
19	826768	Starter cap	1	
20	841695	Air intake	1	
21	827467	Gas valve cover	1	
21	842515	Cover	1	
22	826780	screw	5	
23	826824	screw	1	
24	CM106506	Conical pin	1	
24	CM140201	Conical pin	1	
25	826818	Spring	1	
26	826820	Cup	1	
26	842518	Cup	1	
27	CM107902	Gas valve spring	1	
27	CM140901	Valve gas return spring	1	
28	CM002916	Hose clamp	1	
29	828843	Plate	1	
30	840453	Bellows kit	1	
31	842519	Starter device	1	
32	CM119202	CUT-OFF device membrane	1	
33	842522	Float kit	1	

Group	Engine
Code	T2
Description	Crankcase
Service	1



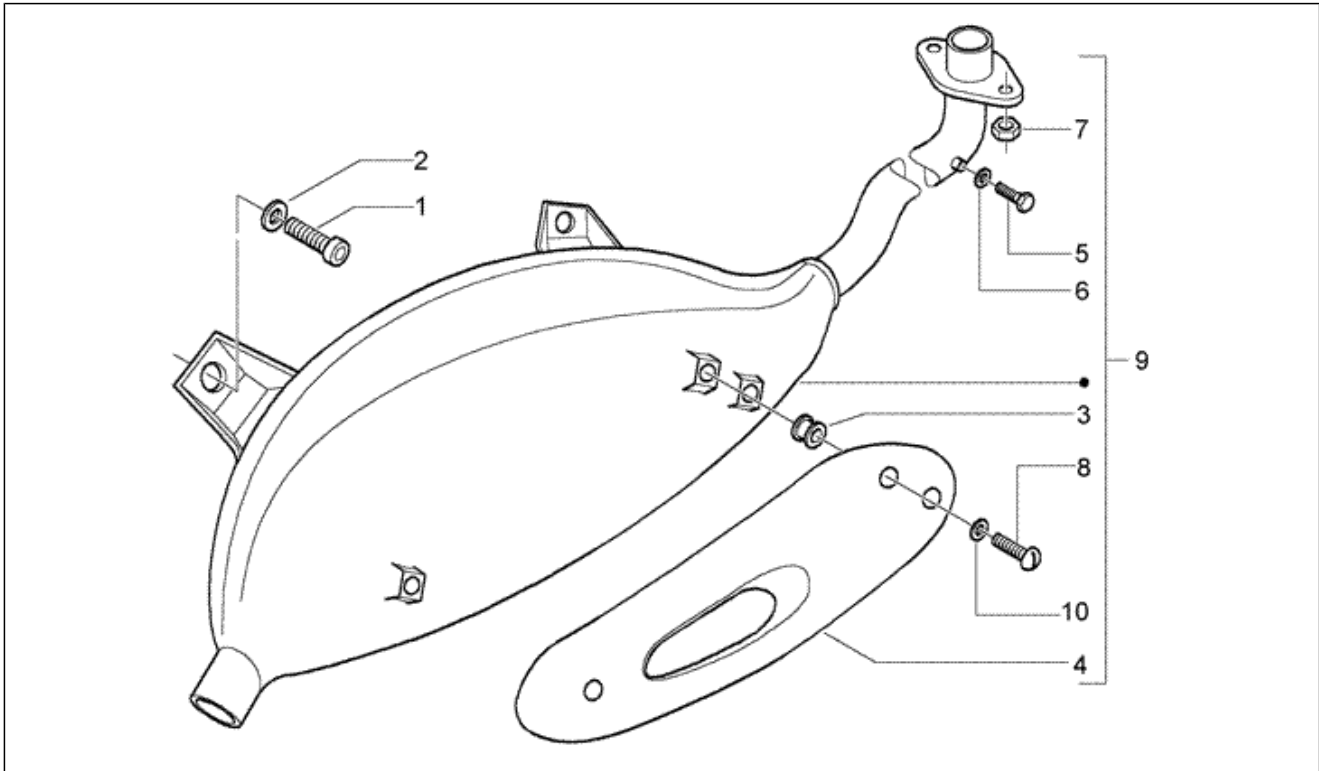
Pos.	Code	Description	Qty	Variants
1	CM1280085001	Carter motore cpl. Cat.1	1	
1	CM1280085002	Carter motore cpl. Cat.2	1	
2	829375	Stud bolt	4	
3	432142	screw M6x60	11	
4	411296	Nut M8x1,25	4	
5	486081	Silent-block	2	
6	829526	Gasket	1	
7	411311	Plug	2	
8	484034	Nozzle	1	
9	239388	Pin 6,5x9,5x15	2	
10	018575	Screw M5x10	1	
11	828766	Plate	1	
12	277916	Locating dowel	1	

Group	Engine
Code	T20
Description	Air filter
Service	1



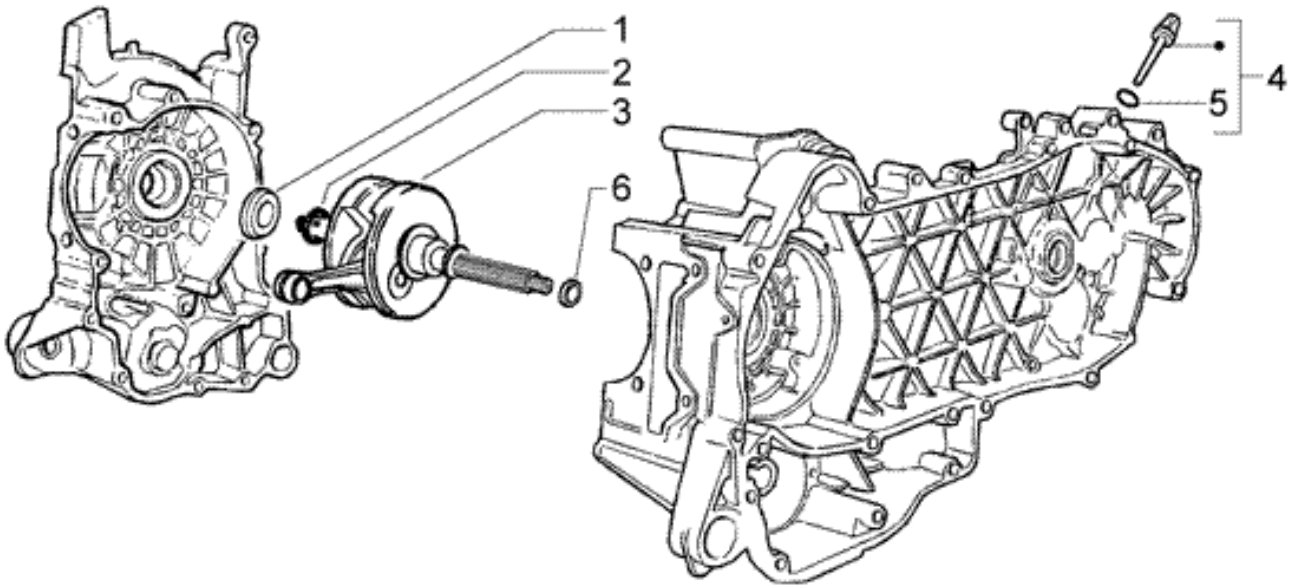
Pos.	Code	Description	Qty	Variants
1	832000	Air cleaner, assy.	1	
2	831997	Air filter	1	
3	831995	Packing	1	
4	258146	Self-tap screw M3x20	6	
5	830056	Knurled bushing	4	
6	018640	Special cap screw M6x50	3	
7	012533	Notched washer 6,6x11x0	2	
8	003056	Flat washer 6,4x12x1	2	
9	260918	Hose clamp	2	
10	827939	Hose	1	
11	830057	Bushing	2	
12	479132	Knob	2	

Group	Engine
Code	T21
Description	Silencer
Service	1



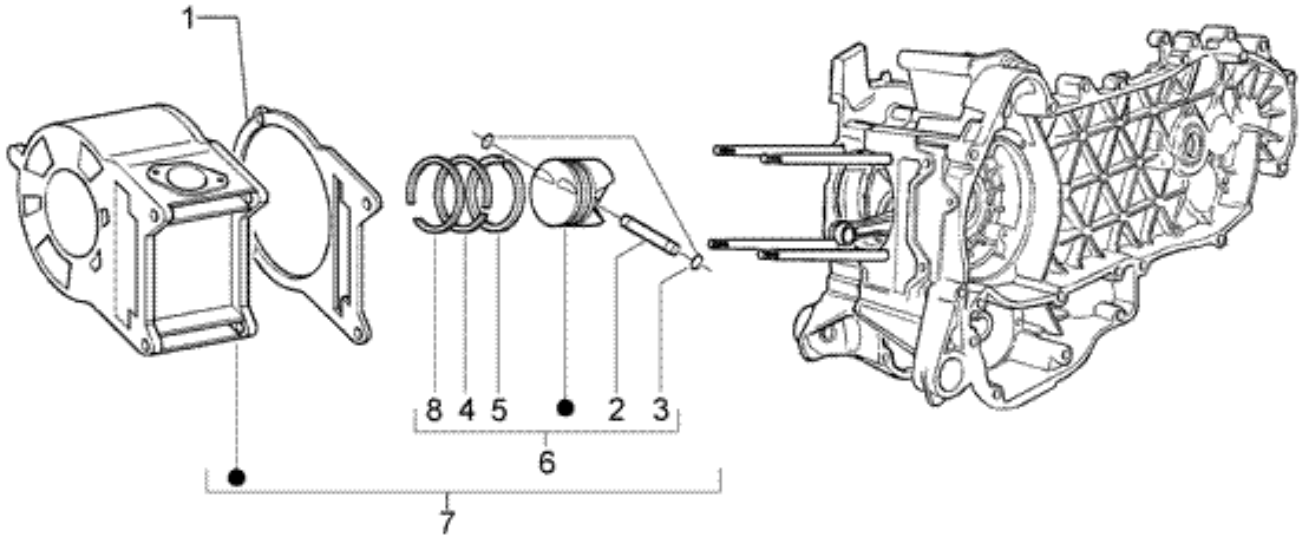
Pos.	Code	Description	Qty	Variants
1	015792	screw M8x30	3	
2	013861	Plain washer 8,2x20x2,5	3	
3	488045	Spacer	3	
4	840506	Protection	1	
5	433122	Screw w/ flange	1	
6	016195	Washer	1	
7	436947	Nut	2	
8	430264	Self-tapping screw	3	
9	8425205	Muffler, assy.	1	
10	487666	Washer	3	
12	842168	Manifold	1	

Group	Engine
Code	T3
Description	Crankshaft
Service	1



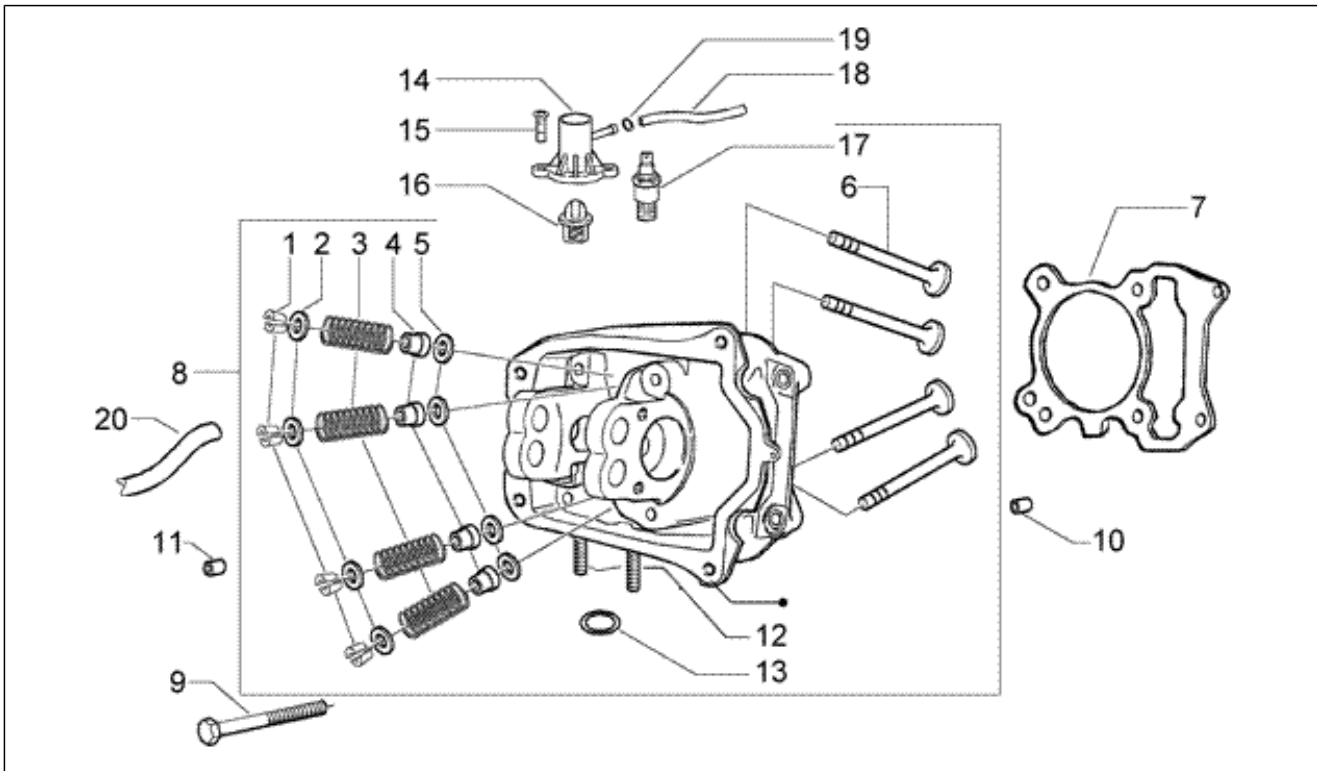
Pos.	Code	Description	Qty	Variants
1	82540R	Gasket ring	1	
2	828297	Washer	2	
3	8411965001	Crankshaft cpl.	1	
3	8411965002	Crankshaft cpl. cat2	2	
4	832130	Complete oil level dipstick	1	
5	827085	Gasket ring 14,43x9,19x2,62	1	
6	825952	Gasket ring	1	

Group	Engine
Code	T4
Description	Cylinder-piston-wrist pin, assy
Service	1



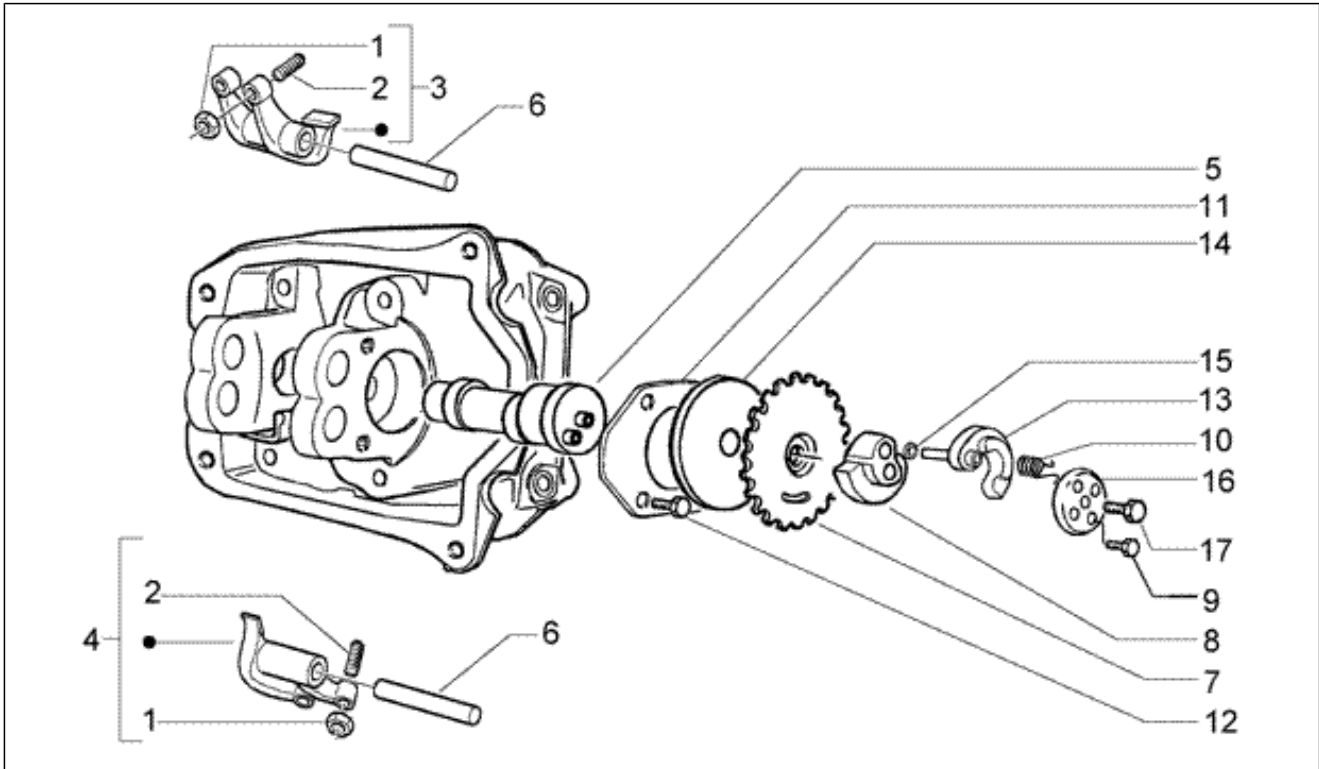
Pos.	Code	Description	Qty	Variants
1	828146	Cylinder base gasket 0,4 mm	1	
1	828147	Cylinder base gasket 0,6 mm	1	
1	828148	Cylinder base gasket 0,8 mm	1	
2	829529	Piston pin	1	
3	963486	ANELLO ELASTICO (MINGXING RICAMBI)	2	
4	484908	Scraper ring 72x1	1	
5	486363	Scraper ring 72x2,5	1	
6	8300530001	Piston-wrist pin assy.	1	
6	8300530002	Piston-wrist pin assy.	1	
6	8300530003	Piston-wrist pin assy.	1	
6	8300530004	Piston-wrist pin assy.	1	
7	842462	Cylinder assy	1	
8	830486	Ring 72x1.5	1	

Group	Engine
Code	T5
Description	Head-valves
Service	1



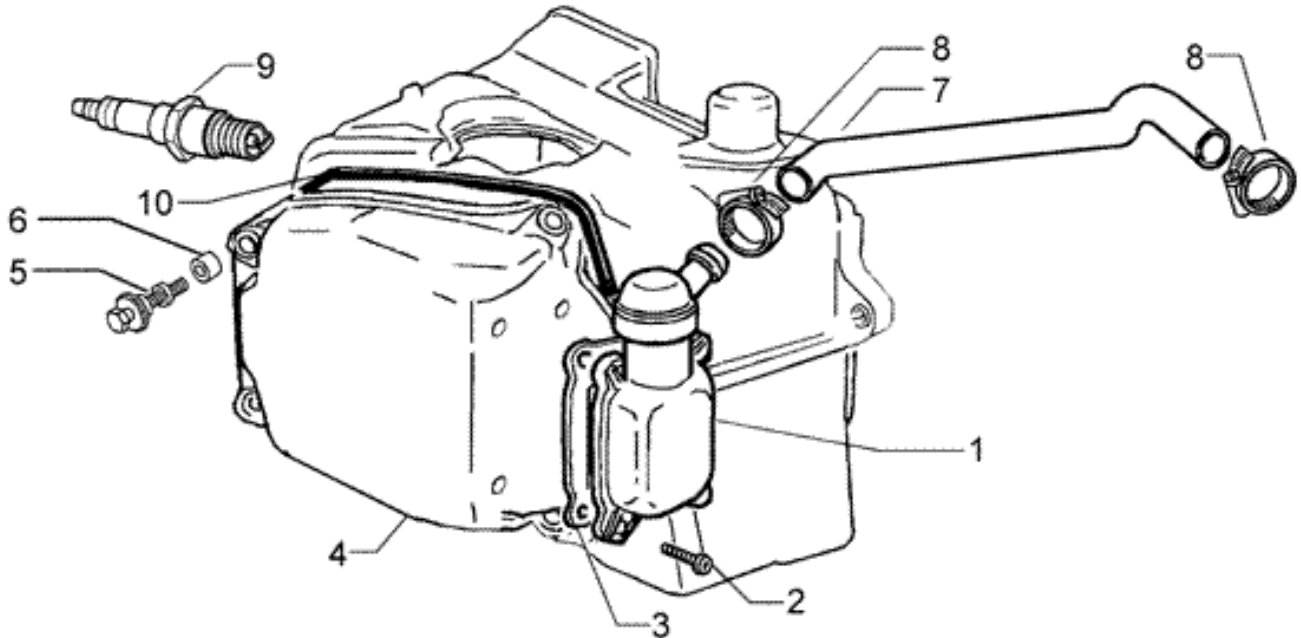
Pos.	Code	Description	Qty	Variants
1	285846	Valve half-cone	8	
2	483914	Upper cap	4	
3	828480	Spring	4	
4	436438	Valve gasket ring	4	
5	483711	Lower cap	4	
6	484733	Intake valve	2	
6	484734	Exhaust valve	2	
6	843362	Intake valve	1	
7	829983	Cylinder/head gasket	1	
7	831174	Cylinder head gasket 0,3mm	1	
8	832354	Cylinder head	1	
8	843506	Cylinder head	1	
9	485603	Screw w/ flange	2	
10	277916	Locating dowel	2	
11	478115	Locating dowel $\varnothing 11 \times \varnothing 8,1 \times 10$	2	
12	435629	Stud bolt M7	2	
13	480853	Exhaust pipe gasket	1	
14	834393	Thermostat cover	1	
15	828662	Screw M5x22	2	
16	82710R	Water thermostat	1	
17	82622R	Thermistor	1	
18	827921	Head-carb.by-pass pipe	1	
19	CM002903	Hose clamp	4	
20	834394	pipe	1	

Group	Engine
Code	T6
Description	Rocker levers support
Service	1



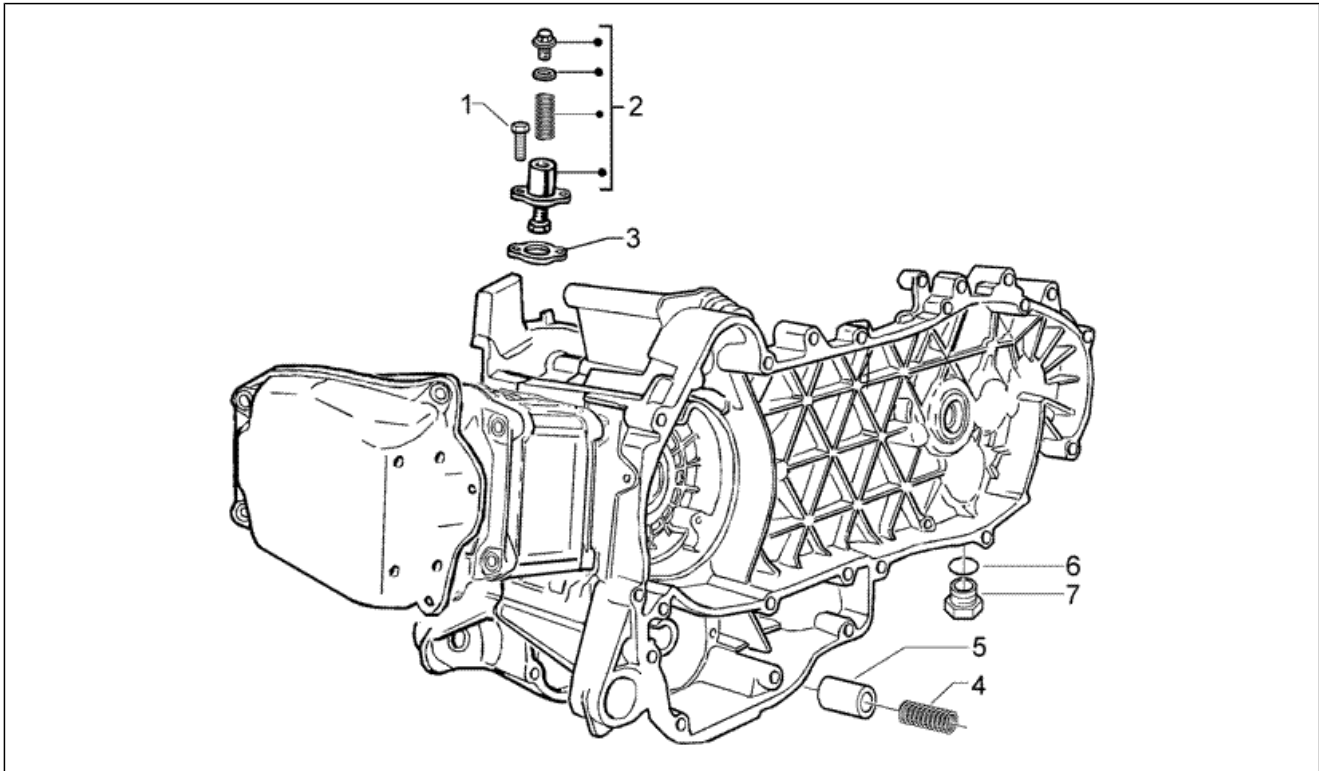
Pos.	Code	Description	Qty	Variants
1	484819	Nut	4	
2	484654	Screw m6x14,6	4	
2	82817R	Adjuster screw	1	
3	4847395	Bilanciere lato aspirazione completo	1	
4	4847405	Rocker arm assy., exhaust	1	
5	8299365	Camshaft	1	
6	486343	Rocker arms axis	2	
7	486336	Timing system gear	1	
8	486331	Decompressor counterweight	1	
9	414838	screw M6x35	1	
10	486974	Spring	1	
11	833308	Camshaft plate	1	
12	484123	Screw w/ flange	2	
13	8291395	Decompression counterweight	1	
14	487832	Washer	1	
15	487833	Gasket	1	
16	826396	Decompression bell	1	
17	031091	Hex screw M6x22	1	

Group	Engine
Code	T7
Description	Oil drain valve
Service	1



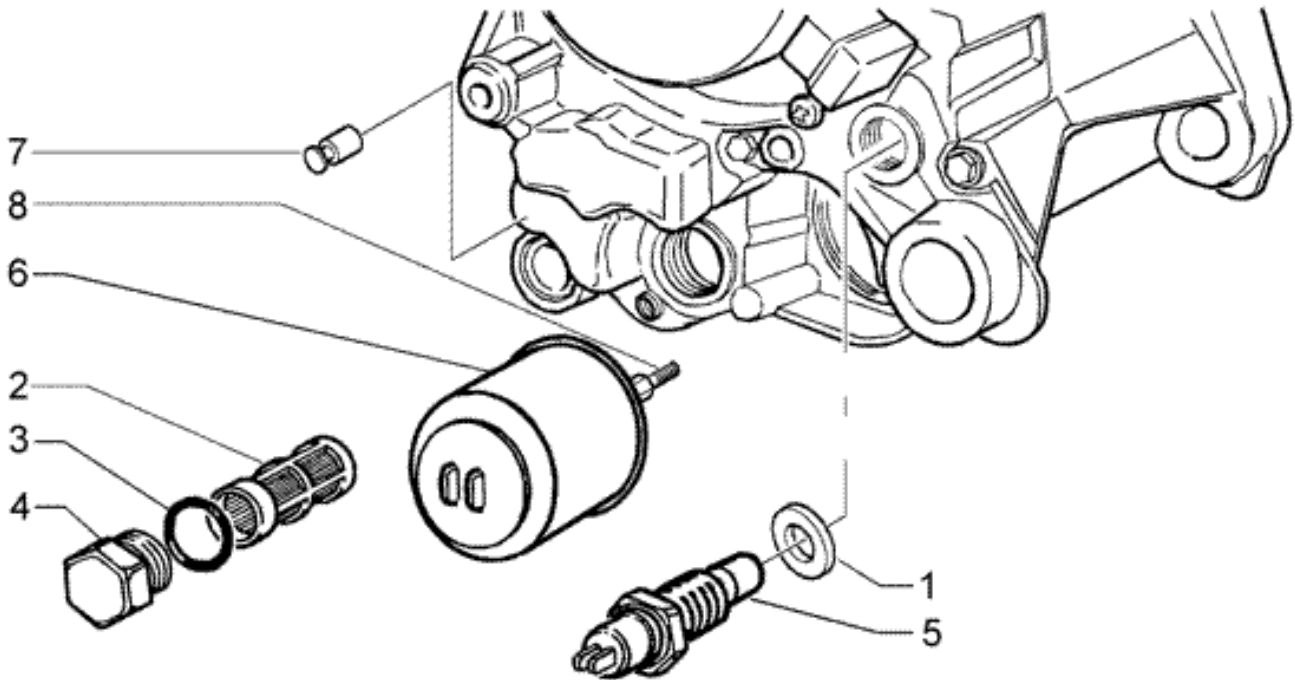
Pos.	Code	Description	Qty	Variants
1	828421	Oil breather valve	1	
2	828653	screw	4	
3	487989	Gasket	1	
4	829534	Head cover	1	
5	830248	Special screw	5	
6	830249	Damper drift	5	
7	834353	Breather pipe	1	
7	844094	Engine oil breather pipe	1	
8	CM001904	Hose clamp	2	
9	602263M	Spark plug	1	
10	829536	Head cover gasket	1	

Group	Engine
Code	T8
Description	Chain tightener-by-pass valve
Service	1



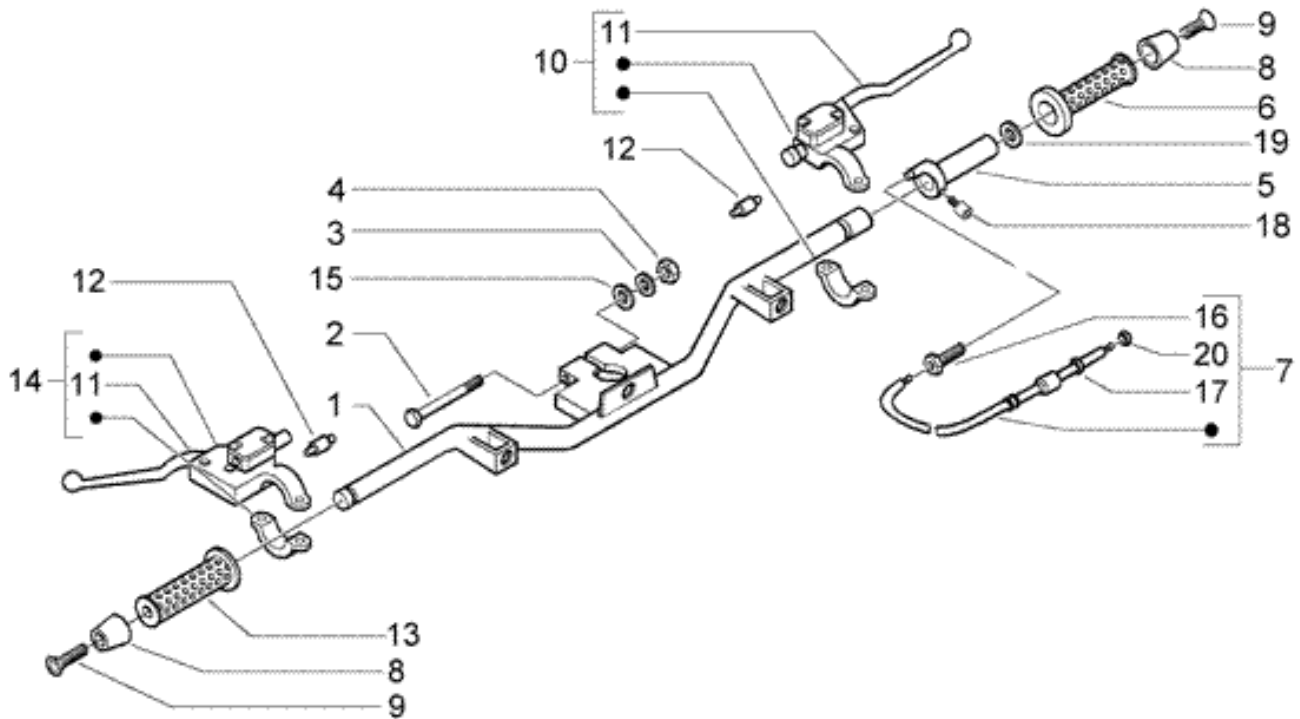
Pos.	Code	Description	Qty	Variants
1	434541	Screw w/ flange M6x16	2	
2	82650R	Complete chain tensioner	1	
3	834254	Gasket	1	
4	485655	Spring	1	
5	829661	Oil pressure valve	1	
6	485703	Washer 8.2x12x1	1	
7	269755	Hex socket screw M8x12	1	

Group	Engine
Code	T9
Description	Oil filter
Service	1



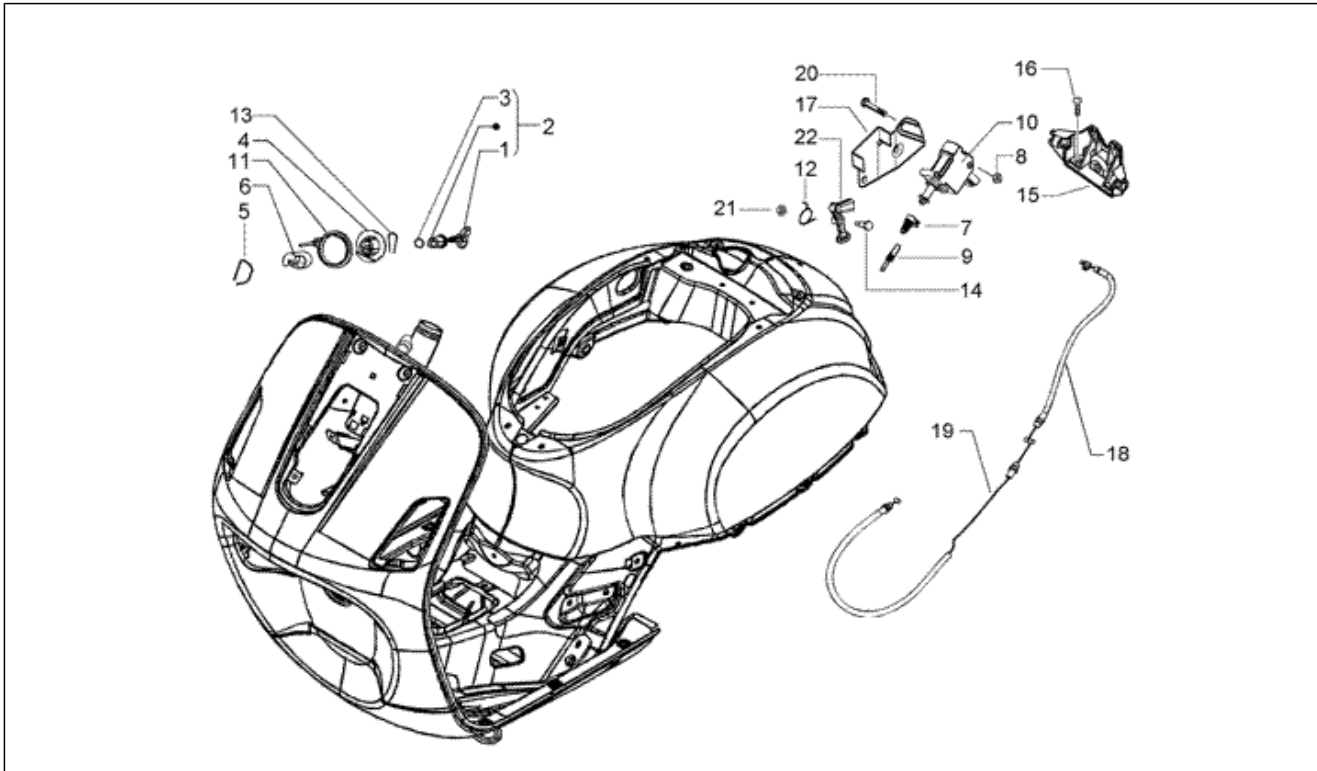
Pos.	Code	Description	Qty	Variants
1	486075	Washer 10.5X16X2.5	1	
2	483841	Intake oil filter	1	
3	285536	O-ring 31,47x1,78	2	
4	826165	Oil filter plug	1	
4	82823R	Oil filter plug	1	
5	82580R	Oil pressure sensor	1	
6	82635R	Oil filter	1	
7	483785	Springs fixing pin	1	
8	483776	Special screw	1	

Group	Handlebars
Code	T36
Description	Handlebars
Service	1



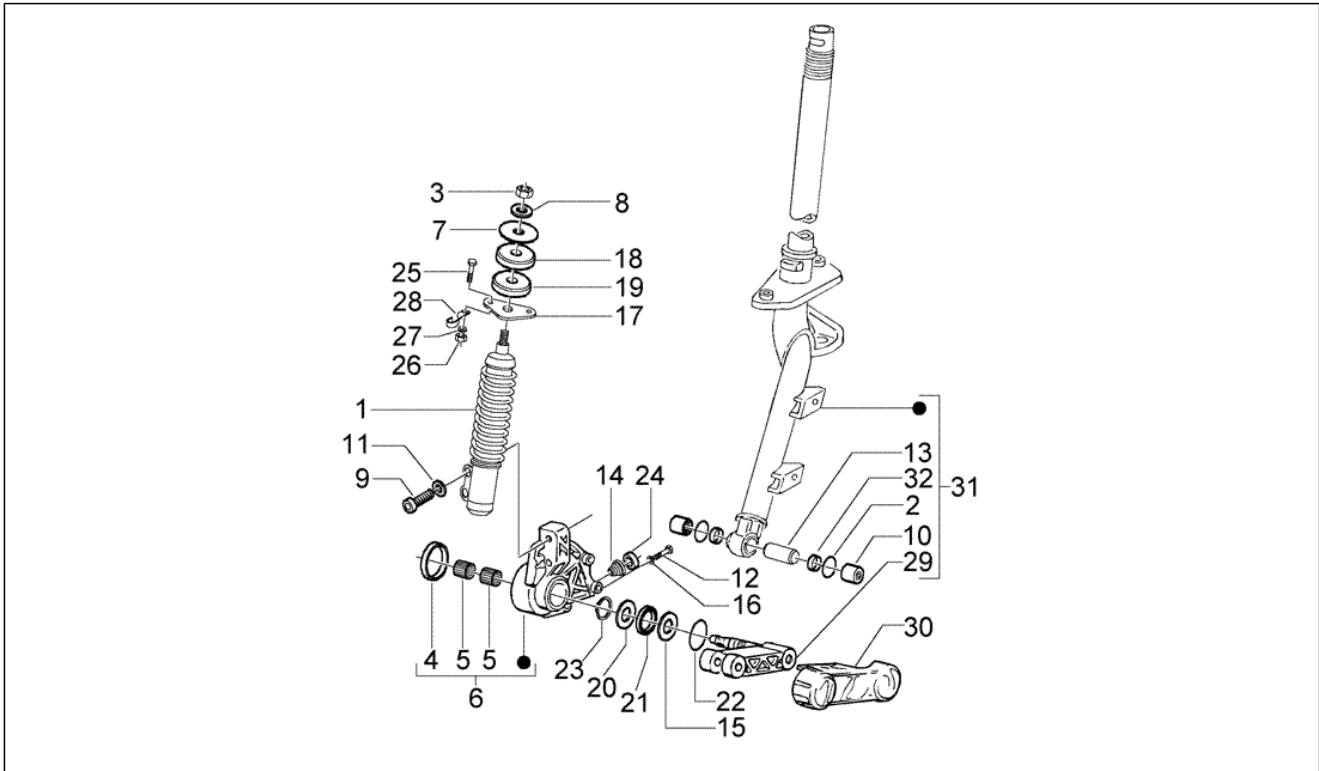
Pos.	Code	Description	Qty	Variants
1	583407	Handlebar	1	
2	223605	screw	1	
3	178790	Flat washer 22x10,3x2,5	1	
4	015330	Nut M10	1	
5	CM060950	Hose	1	
6	271453	Grip, r.h.	1	
7	CM073301	Transmission	1	
8	582034	Anti vib.weight trailing	2	
9	271434	screw M6x55	2	
10	CM074901	Front brakes pump assembly (Heng Tong)	1	
11	497042	Fr. br. lever	2	
12	583575	stop Button	2	
13	271452	Grip, l.h.	1	
14	CM074801	Rear master cylinder (Heng Tong)	1	
15	012543	Flat elastic washer with internal tothing 17x10,3x2	1	
16	269145	Adjuster screw	1	
17	020105	Nut	1	
18	123394	Screw with bushing	2	
19	562923	Ring 38,3x27x1,2	1	
20	002613	Nut	1	

Group	Transmissions
Code	T40
Description	Locks
Service	1



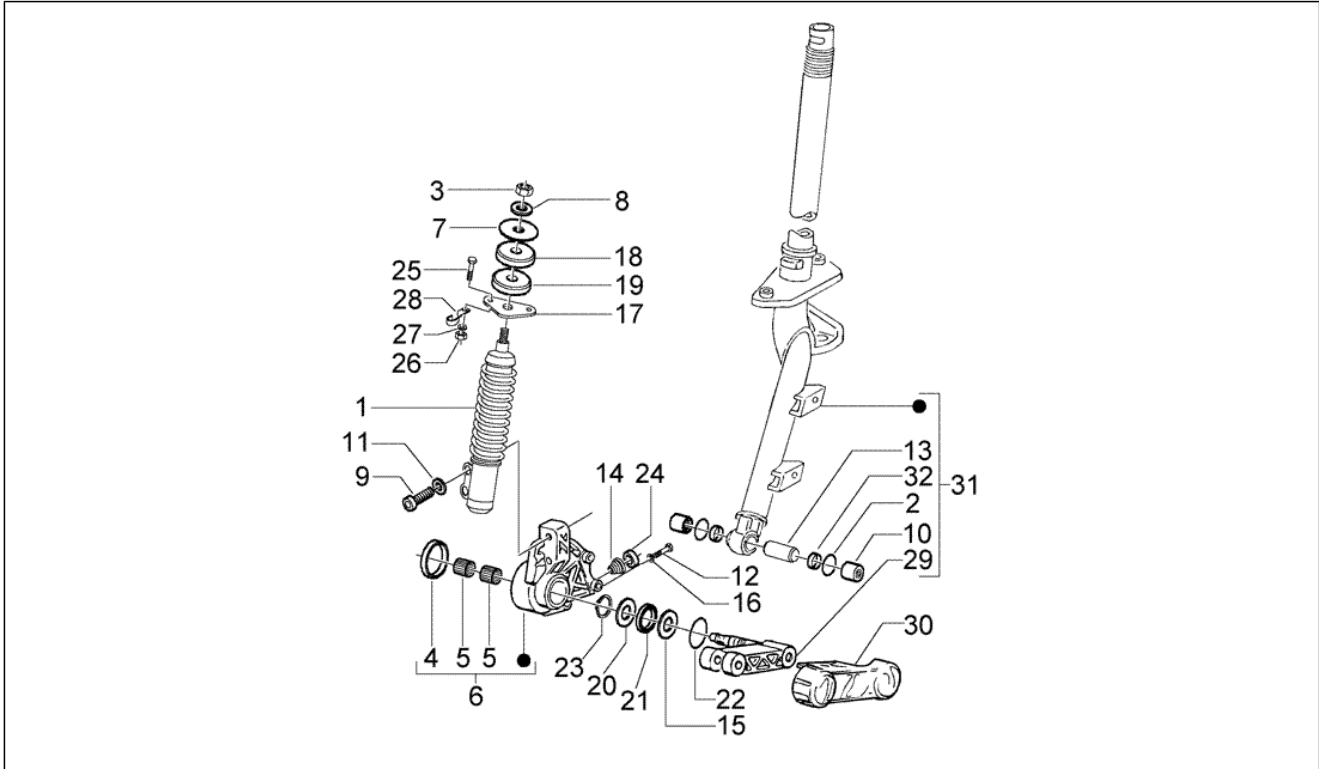
Pos.	Code	Description	Qty	Variants
1	573426	Key	1	
2	577454	Cylinder with keys	1	
3	298731	Gasket ring	1	
4	298581	Lock body	1	
5	253937	Spring	1	
6	298903	Block	1	
7	577128	Joint	1	
8	288245	Self locking nut M6	2	
9	620415	Spring	1	
10	582990	Solenoid valve	1	
11	828800	Immobilizer antenna	1	
12	577131	Spring	1	
13	298838	Cylinder retainer spring	1	
14	299972	Special screw	1	
15	577456	Bracket	1	
16	575249	Screw with tang M6	4	
17	577471	plate	1	
18	CM012811	Transmission	1	
19	CM012813	Transmission	1	
20	584121	Self tapping screw	2	
21	577620	Self locking nut	3	
22	577129	Lever	1	

Group	Suspensions-Wheels
Code	T33
Description	Steering column-disc brake
Service	1



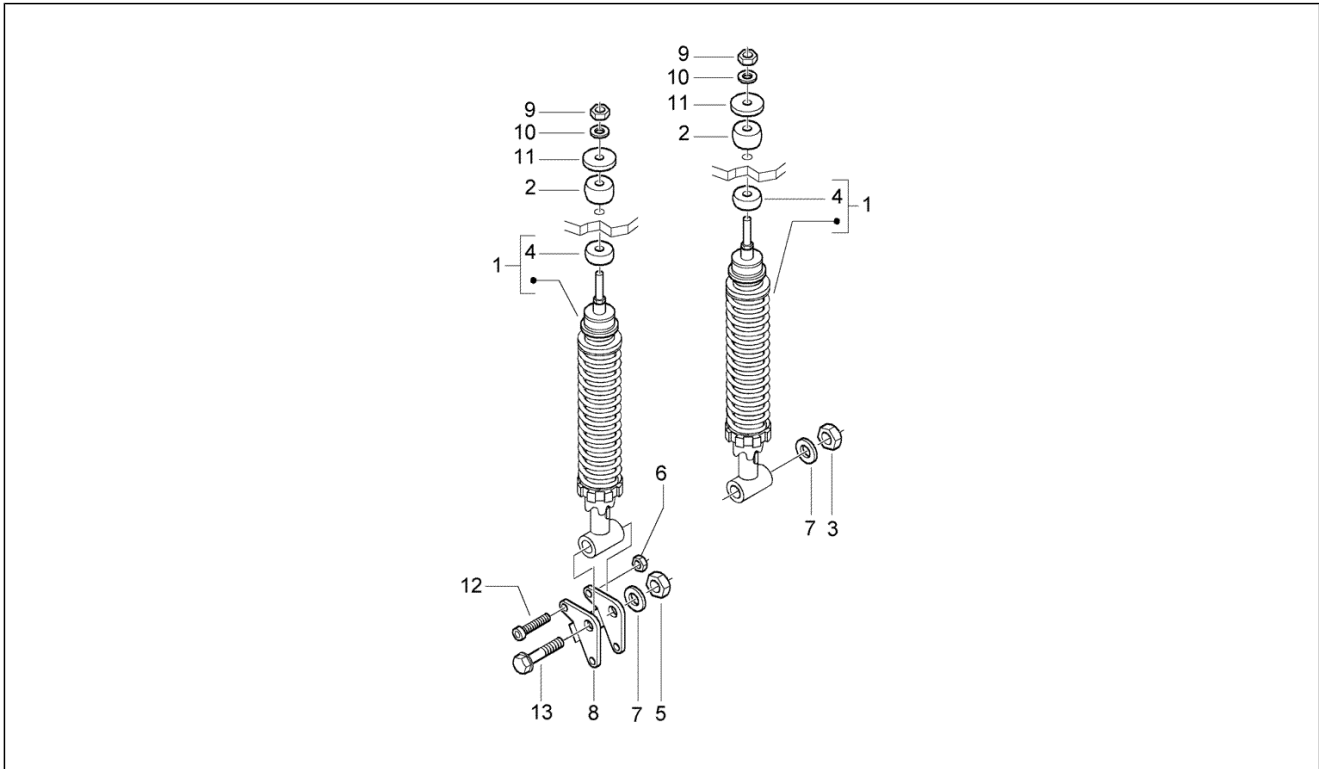
Pos.	Code	Description	Qty	Variants
1	597765	Shock absorber	1	
2	006731	Gasket	2	
3	021210	Nut	1	
4	177494	Ring	1	
5	177436	Drawn cap	2	
6	597758	Maintenance	1	
7	174088	Washer	1	
8	012535	Washer	1	
9	149104	Hex socket screw M8x40	2	
10	119219	Gasket ring	2	
11	709047	Spring washer	2	
12	031058	screw M5x16	1	
13	177451	Piston pin	1	
14	564053	Maintenance	1	
15	177445	Washer	1	
16	006975	Washer Ø5,3xØ10x0,5	1	
17	273693	Bracket	1	
18	174085	Pad	1	
19	174874	Pad	1	
20	177414	Washer	1	
21	177521	Ring	1	
22	177408	O-ring	1	
23	006422	Ring	1	
24	266841	Pad	1	
25	031119	Hex screw M8x22	2	
26	020108	Nut M8x6,5	2	
27	016408	Spring washer 13,75x8,15x4,5	2	
28	598134	Hose clamp	1	

Group	Suspensions-Wheels
Code	T33
Description	Steering column-disc brake
Service	1



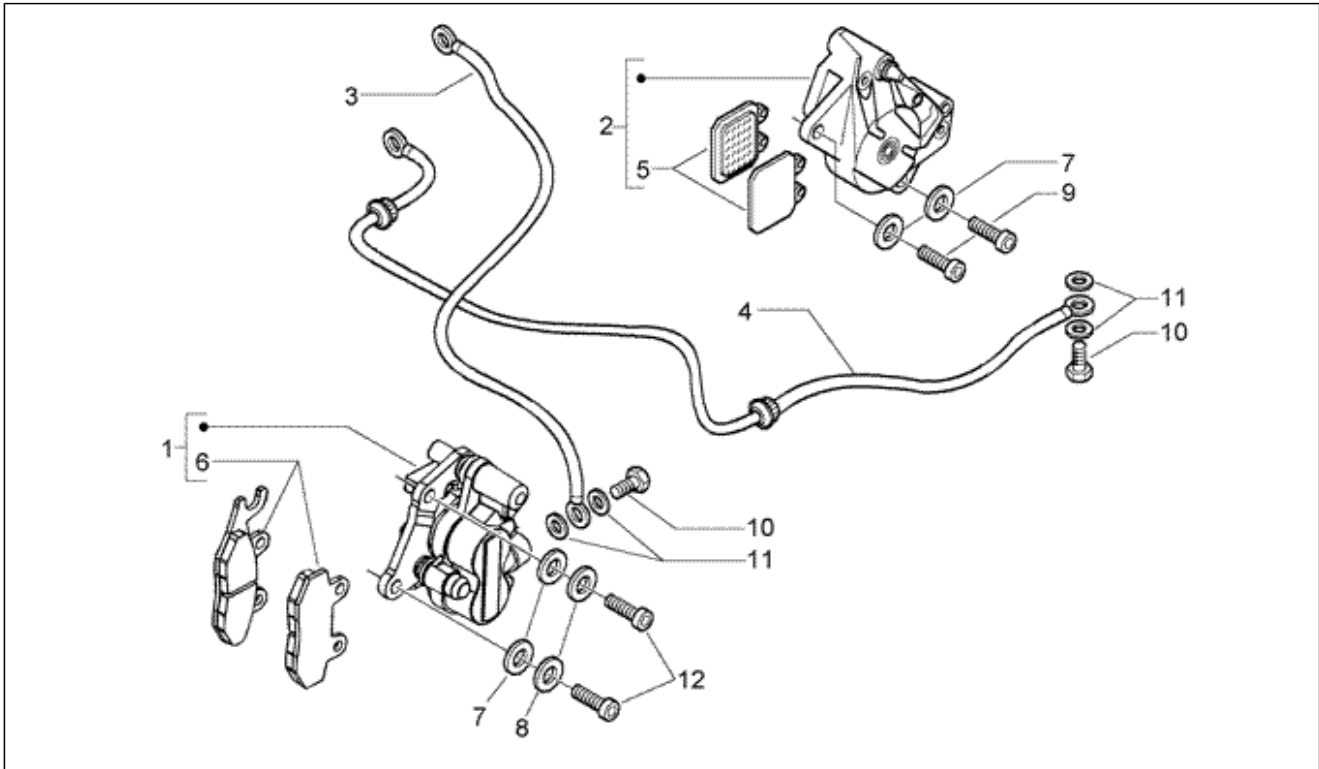
Pos.	Code	Description	Qty	Variants
29	56140R5	Suspension arm	1	
30	561433	Front suspension arm cover	1	
31	5994675	Steering column tube	1	
32	119219	Gasket ring	2	

Group	Suspensions-Wheels
Code	T34
Description	Rear dampers
Service	1



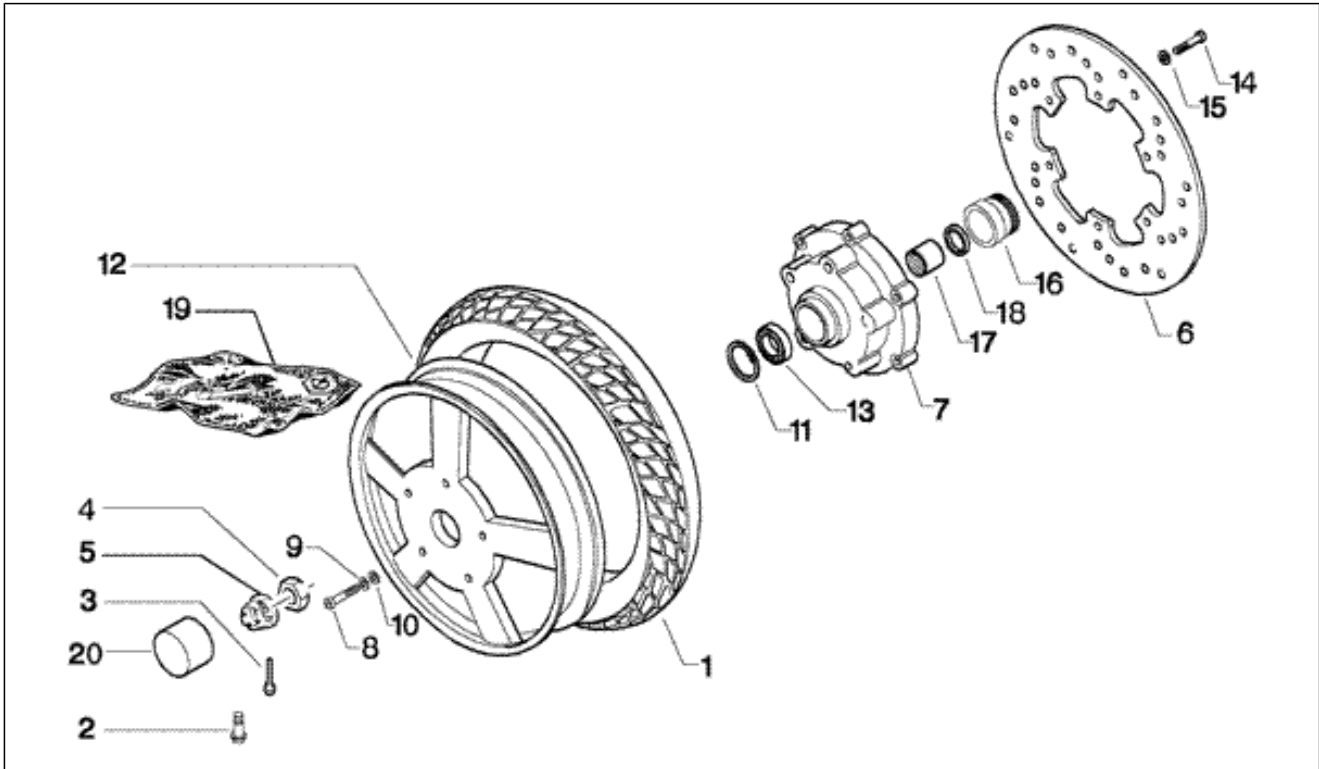
Pos.	Code	Description	Qty	Variants
1	597796	Shock absorber	2	
2	178150	Upper buffer	2	
3	232108	Self locking nut M10	1	
4	178149	Lower buffer	2	
5	232108	Self locking nut M10	1	
6	020008	Nut M8	2	
7	016627	Washer	1	
8	598143	plate	1	
9	021108	Nut M8	2	
10	267038	Flat washer	2	
11	267038	Flat washer	2	
12	432334	Screw m8x50	2	
12	844483	Hex socket screw M8x50	2	
13	268158	Screw w/ flange M10	1	

Group	Suspensions-Wheels
Code	T38
Description	Brake calipers-brake pipes
Service	1



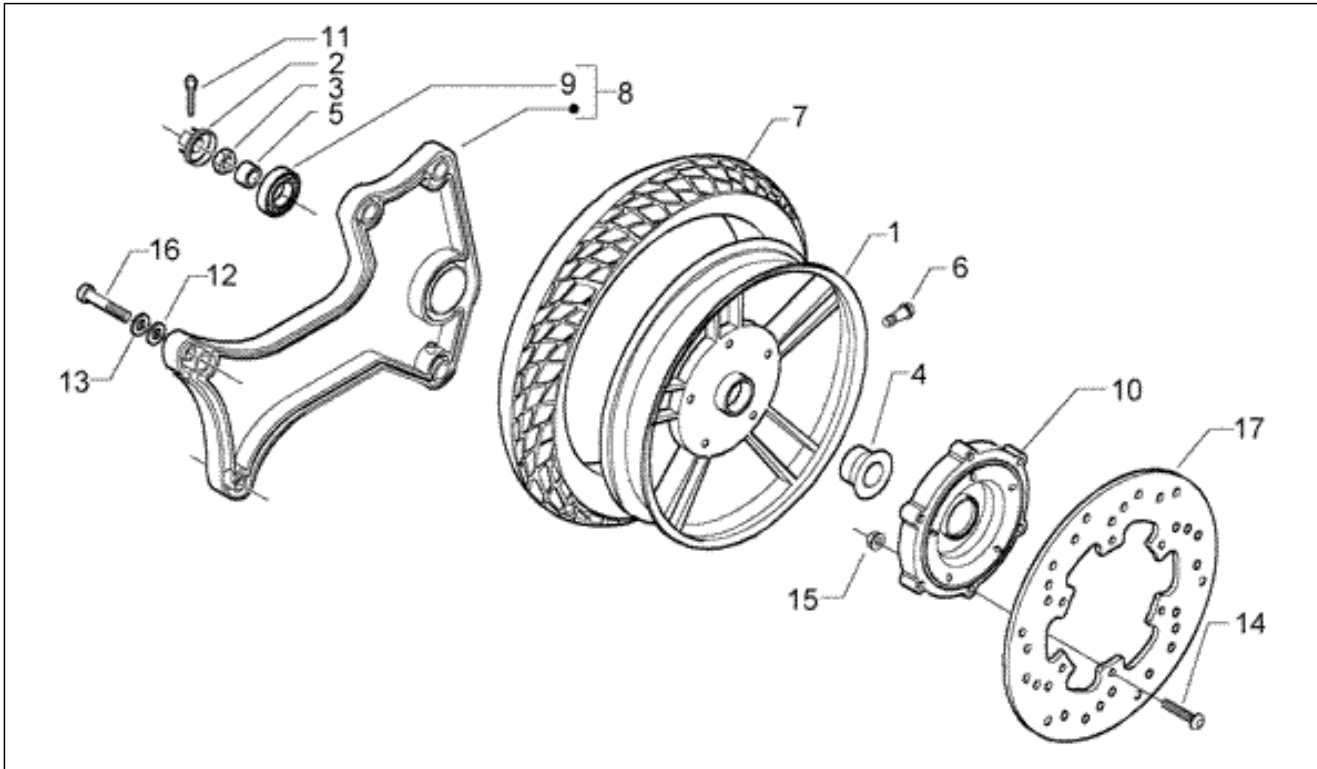
Pos.	Code	Description	Qty	Variants
1	56056R	Brake caliper	1	
2	CM074101	Brake caliper	1	
3	598017	Front brake tube	1	
4	600195	Rear brake pipe	1	
5	497348	Brake pads kit	1	
6	497116	Brake pads kit	1	
7	709047	Spring washer	6	
8	003058	Plain washer 15x8,4x1,5	2	
9	015792	screw M8x30	2	
10	265451	Oil pipe screw M10x18	2	
11	127927	Gasket	4	
12	319532	screw	2	

Group	Suspensions-Wheels
Code	T44
Description	Front wheel
Service	1



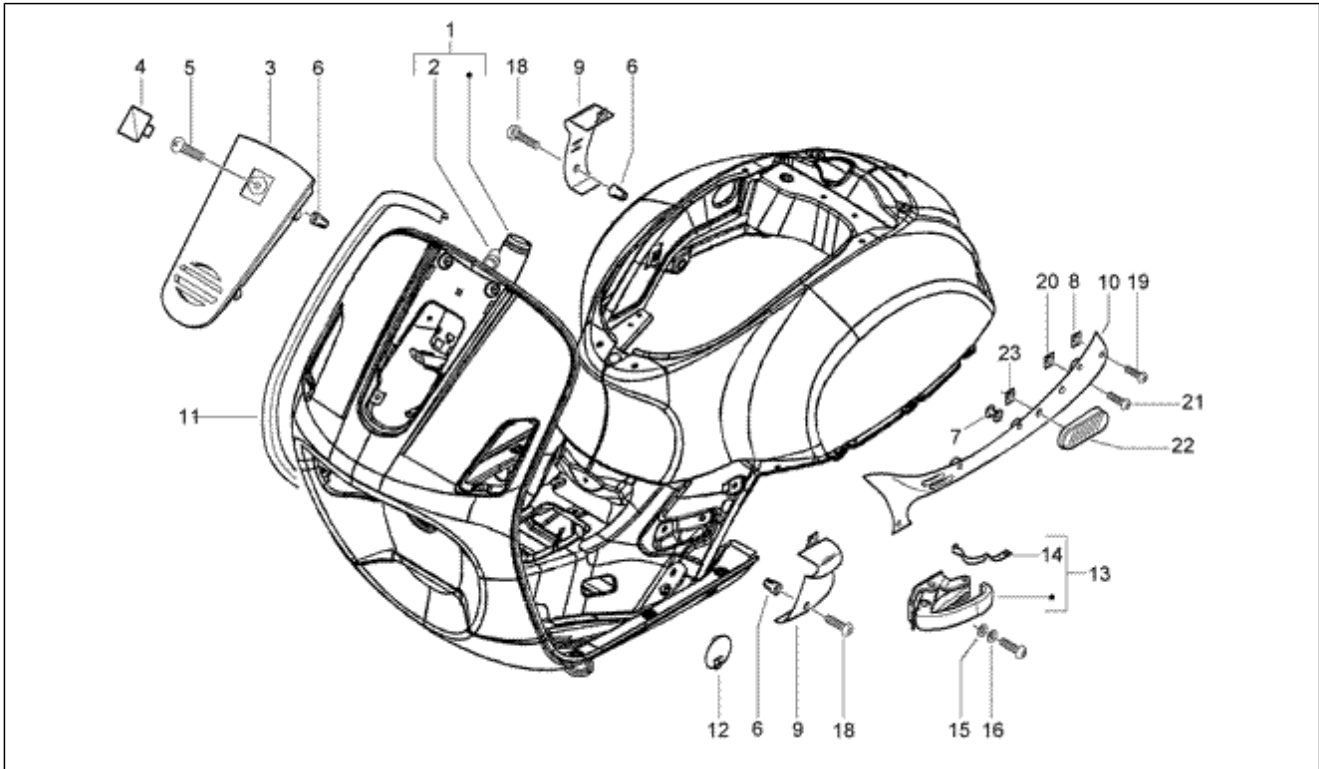
Pos.	Code	Description	Qty	Variants
1	597944	Tyre 120/70 R12 (Pirelli)	1	
2	597679	Tubeless valve	1	
3	012789	Split pin	1	
4	021114	Nut	1	
5	177609	Cap	1	
6	564573	Brake disc	1	
7	598654	Hub	1	
8	149104	Hex socket screw M8x40	5	
9	828961	Flat washer 8,2x17x2,5	5	
10	709047	Spring washer	5	
11	006635	Snap ring	1	
12	598619	Wheel	1	
13	177610	Bearing	1	
14	271147	Hex socket screw M6x20	6	
15	006966	Spring washer 6,4x11x0,5	6	
16	267818	Ring gear counts Km socket	1	
17	177442	Cage à rouleaux	1	
18	177443	Gasket ring	1	
19	599380	Tool roll	1	
20	182546	Cover	1	

Group	Suspensions-Wheels
Code	T45
Description	Rear wheel
Service	1



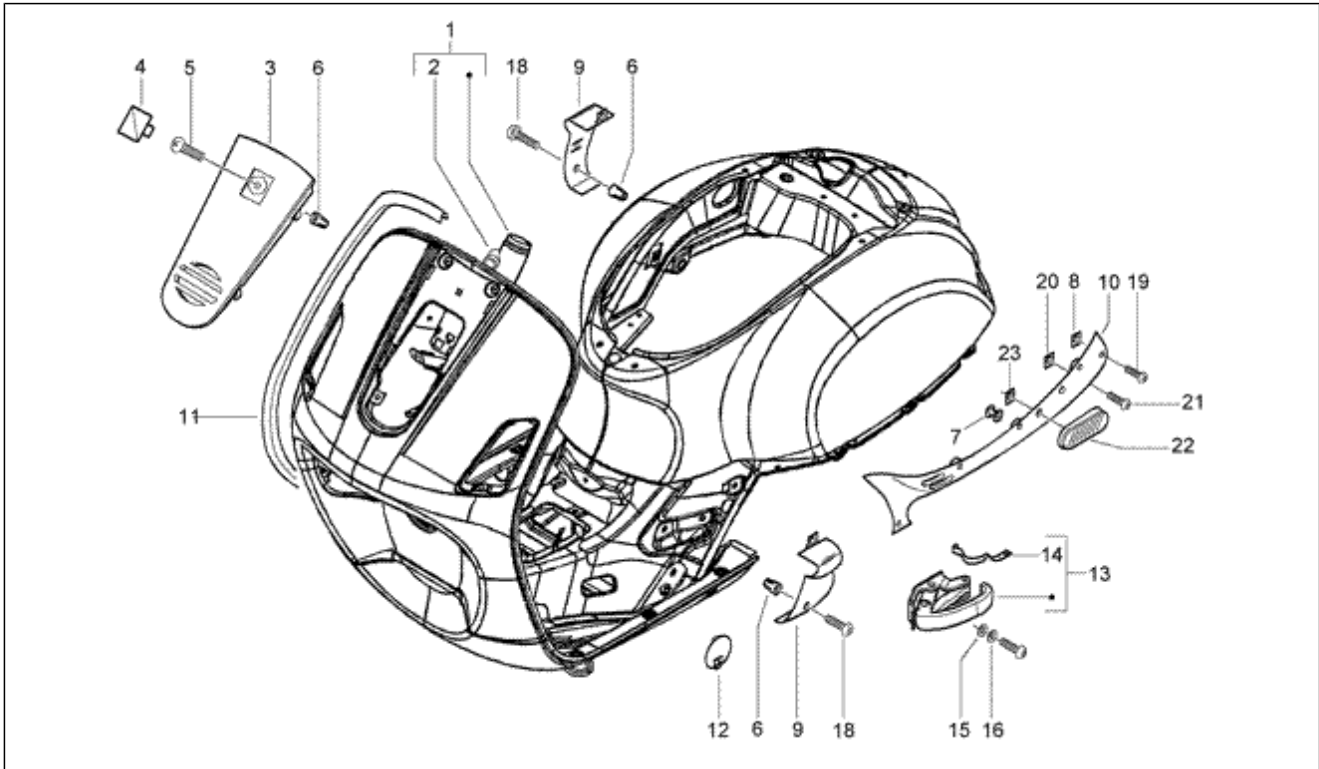
Pos.	Code	Description	Qty	Variants
1	598619	Wheel	1	
2	194423	Cappellotto ferma dado	1	
3	563728	Nut M16x13	1	
4	597390	Spacer	1	
5	597528	Spacer	1	
6	597679	Tubeless valve	1	
7	597945	Pneumatico (Pirelli) 130/70-12"	1	
8	597859	Suspension arm	1	
8	599593	Right arm	1	
9	82545R	Ball bearing	1	
9	826974	Radial bearing 17x47x14	1	
10	598715	Rear wheel hub	1	
11	012789	Split pin	1	
12	013776	Washer	2	
13	709047	Spring washer	2	
14	597564	screw	6	
15	597565	Self locking nut	6	
16	149104	Hex socket screw M8x40	2	
17	564573	Brake disc	1	

Group	Chassis
Code	T22
Description	Bodywork
Service	1



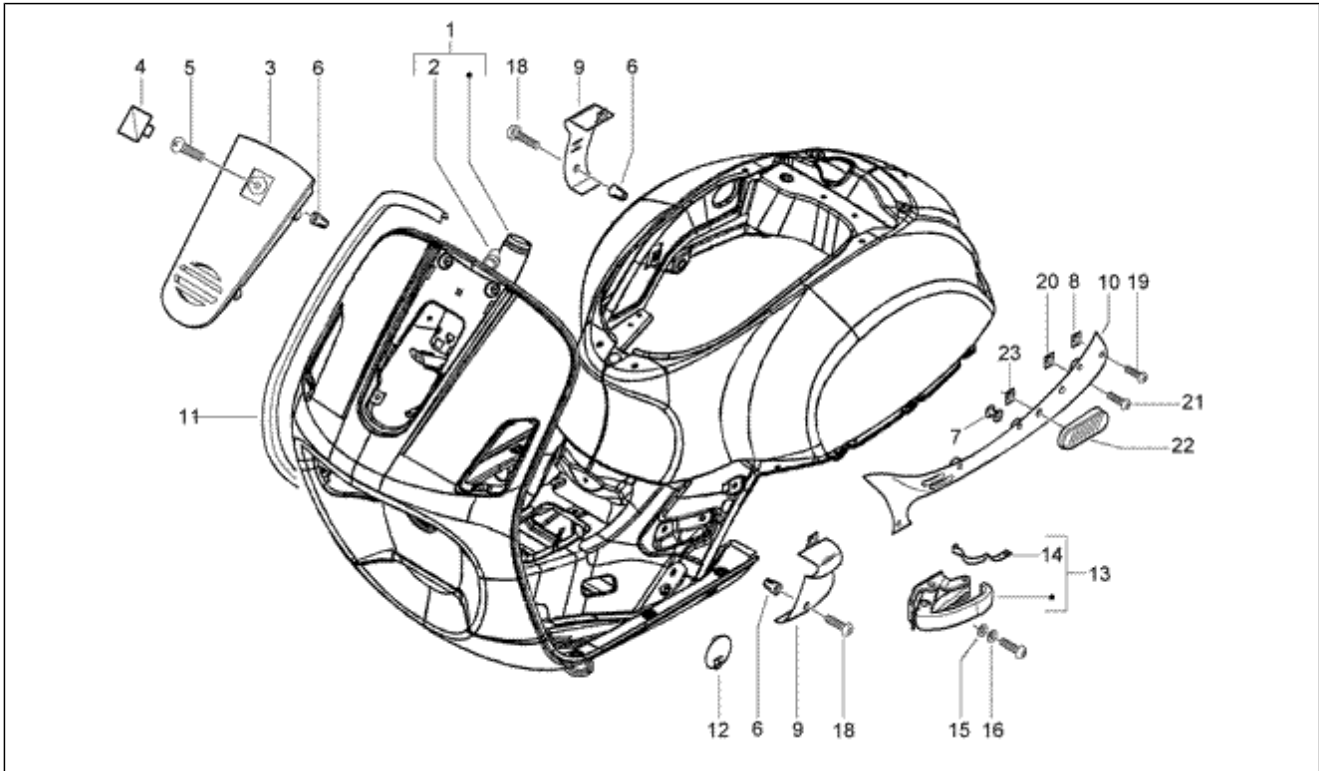
Pos.	Code	Description	Qty	Variants
1	5771540090	Frame	1	
1	57715400BG	Frame	1	
1	57715400D9	Frame	1	
1	57715400EB	Frame	1	
1	57715400F2	Frame	1	
1	57715400VC	Frame	1	
2	298604	Lock support	1	
3	5774270090	Steering column cover	1	
3	57742700BG	Steering column cover	1	
3	57742700D9	Steering column cover	1	
3	57742700EB	Steering column cover	1	
3	57742700F2	Steering column cover	1	
3	57742700VC	Steering column cover	1	
4	576464	Shield "Piaggio"	1	
5	267958	Self tapping screw L=20 mm	1	
6	199190	Expansion plug	2	
7	463195	Elastic drift	6	
8	CM017410	Spring plate	4	
9	5774730090	LH terminal	1	
9	57747300BG	Terminal	1	
9	57747300D9	Terminal	1	
9	57747300EB	Terminal	1	
9	57747300F2	LH terminal	1	
9	57747300VC	Terminal	1	
9	5774740090	RH terminal	1	
9	57747400BG	Terminal	1	
9	57747400D9	Terminal	1	
9	57747400EB	Terminal	1	

Group	Chassis
Code	T22
Description	Bodywork
Service	1



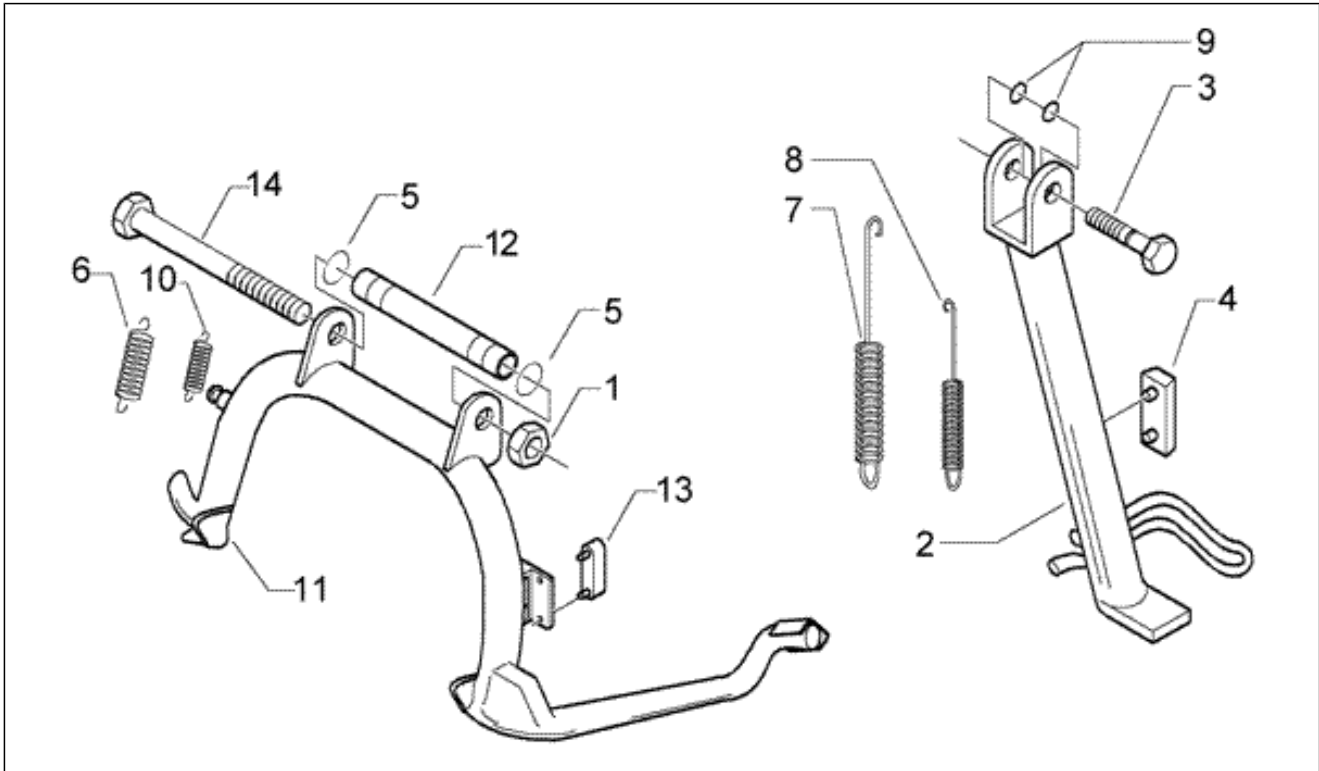
Pos.	Code	Description	Qty	Variants
9	57747400F2	RH terminal	1	
9	57747400VC	RH terminal	1	
10	5773930090	Guard	1	
10	57739300BG	Guard	1	
10	57739300D9	Guard	1	
10	57739300EB	Guard	1	
10	57739300F2	Guard	1	
10	57739300VC	Guard	1	
10	5773940090	Guard	1	
10	57739400BG	Guard	1	
10	57739400D9	Guard	1	
10	57739400EB	Guard	1	
10	57739400F2	Guard	1	
10	57739400VC	Guard	1	
11	577180	Windshield beading	1	
11	577181	Windshield beading	1	
12	577405000C	Spoiler cover	2	
12	5774050043	Cover	2	
13	CM017201	Footrest	1	
13	CM017202	Footrest	1	
14	620395	Spring	2	
15	834187	Spring washer 16x8,2x2,2	4	
16	016408	Spring washer 13,75x8,15x4,5	4	
17	299557	Cover	2	
18	576189	Screw d4,2x16	4	
19	259830	Metric screw M6x20	2	
20	CM017410	Spring plate	2	
21	014754	Self tapping screw 4,2x25*	2	

Group	Chassis
Code	T22
Description	Bodywork
Service	1



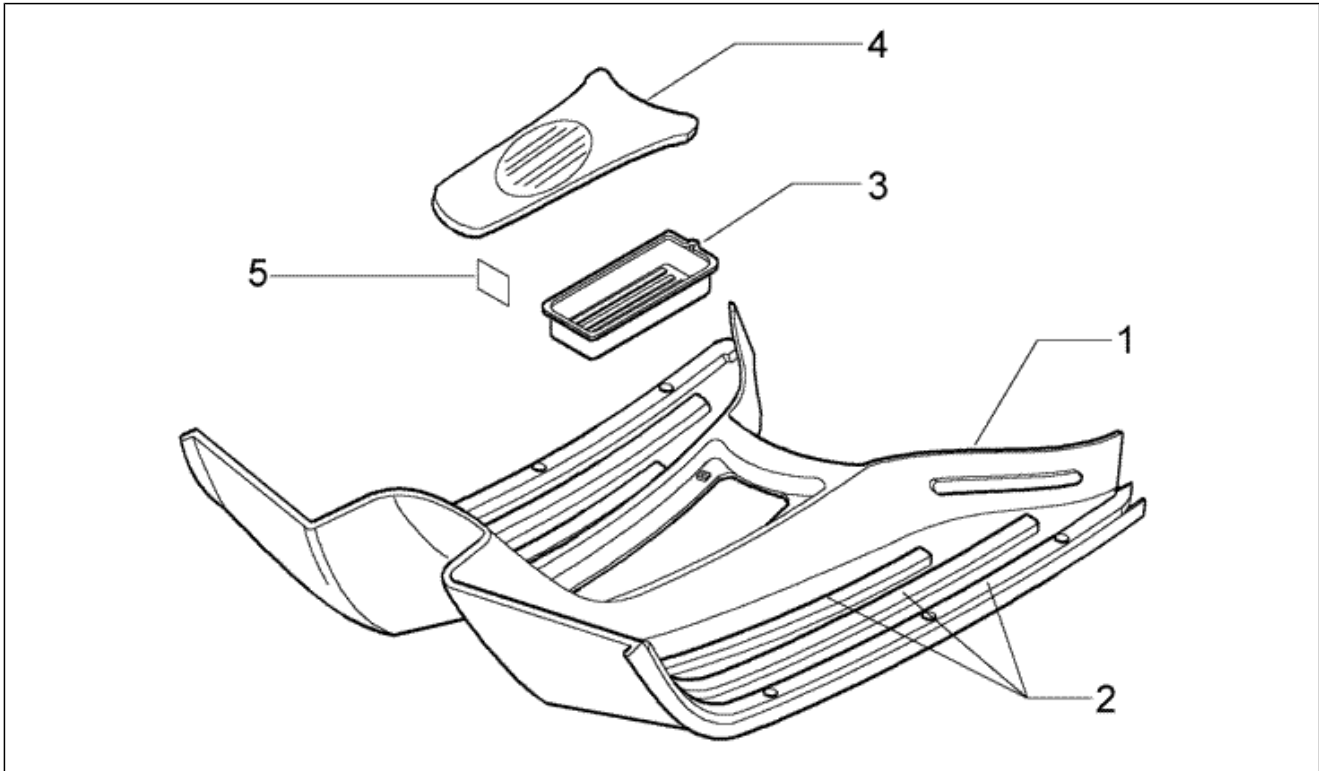
Pos.	Code	Description	Qty	Variants
21	267115	Self tapping screw M4x16	2	
22	584925	Reflector	1	
22	584926	Reflector	1	
23	181351	Spring plate	4	

Group	Chassis
Code	T23
Description	Central stand
Service	1



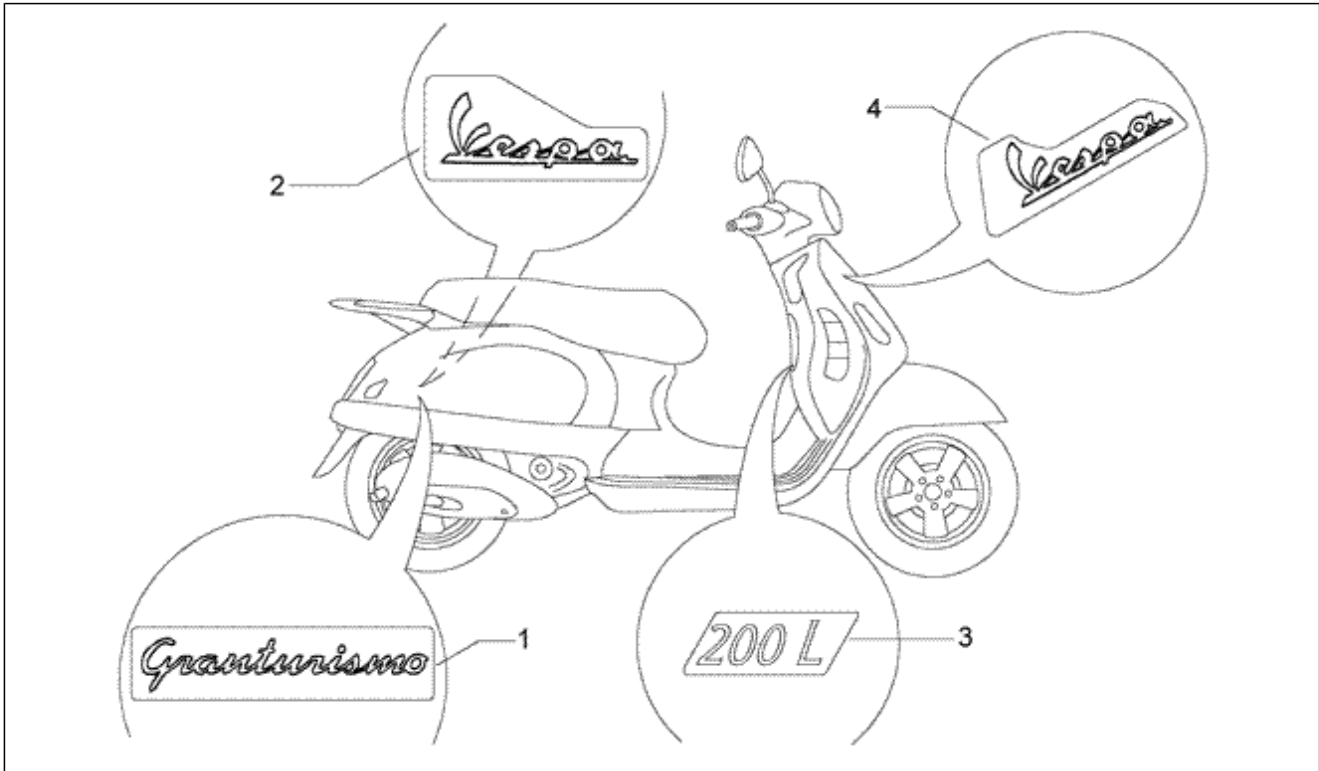
Pos.	Code	Description	Qty	Variants
1	232108	Self locking nut M10	1	
2	599020	Lateral stand	1	
3	599097	Stand pin	1	
4	967351	Pad	1	
5	273754	O-ring	2	
6	582851	Lateral stand spring	1	
7	295789	Spring	1	
8	295788	Spring	1	
9	191189	Gasket	2	
10	582850	Internal lateral stand spring	1	
11	583772	Central stand	1	
12	582298	Spacer	1	
13	581560	Pad	1	
14	030115	Hex screw M10x130	1	

Group	Chassis
Code	T24
Description	Rubber mat
Service	1



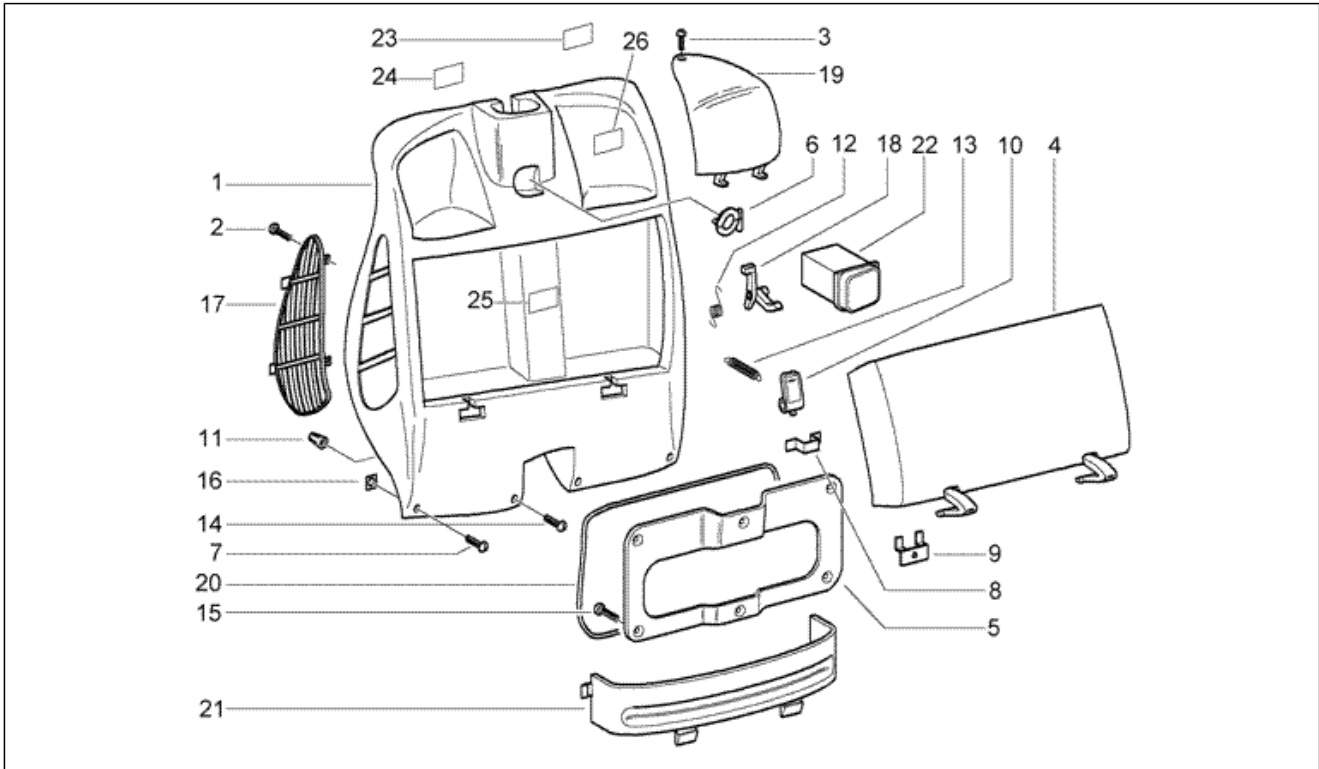
Pos.	Code	Description	Qty	Variants
1	5771730090	Footrest	1	
1	57717300BG	Footrest	1	
1	57717300D9	Footrest	1	
1	57717300EB	Footrest	1	
1	57717300F2	Footrest	1	
1	57717300VC	Footrest	1	
2	577437	Kit strips, footboard	1	
3	584934	Float chamber	1	
4	577182	Cover	1	
5	576702	Battery decal	1	

Group	Chassis
Code	T25
Description	Emblemes
Service	1



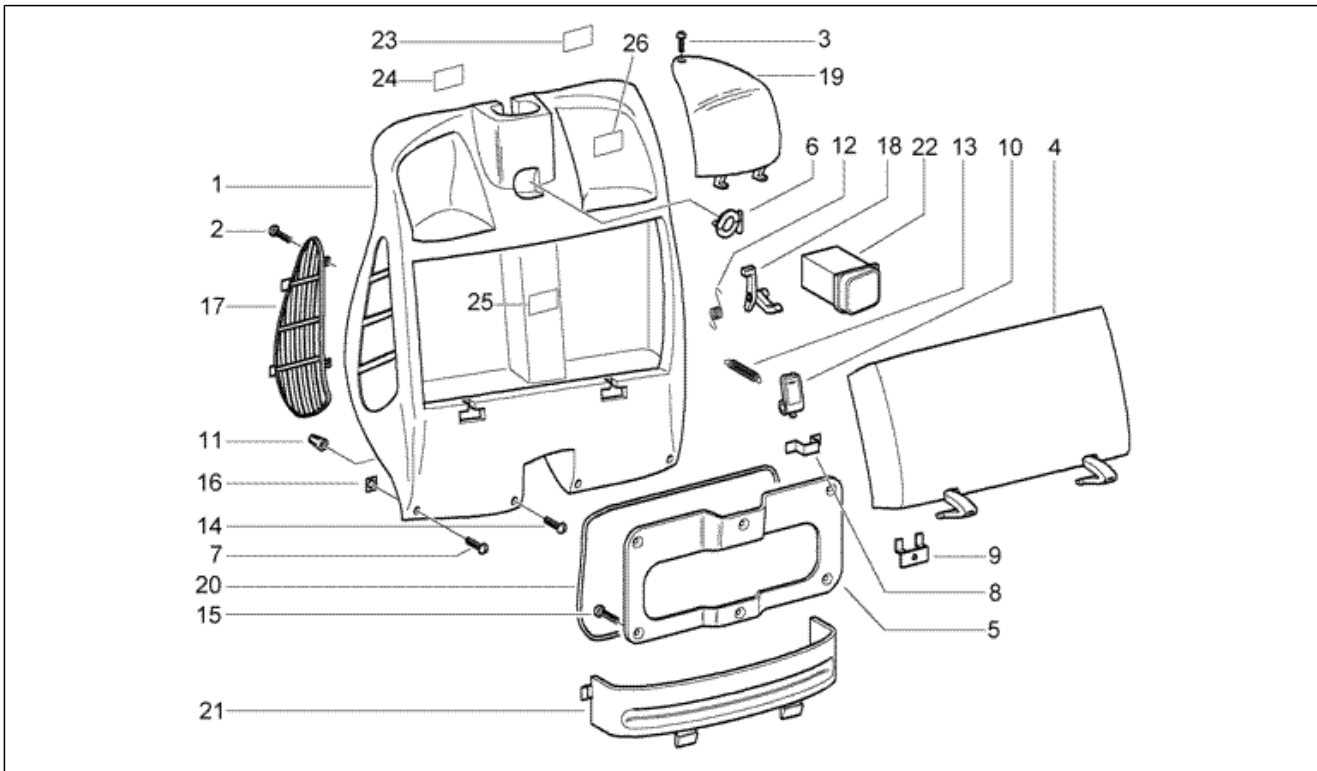
Pos.	Code	Description	Qty	Variants
1	620682	"Granturismo" name plate	1	
2	620529	Targhetta laterale "Vespa"	1	
3	620528	"200 L" name plate	1	
4	620530	Targhetta frontale "Vespa"	1	

Group	Chassis
Code	T26
Description	Front top case
Service	1



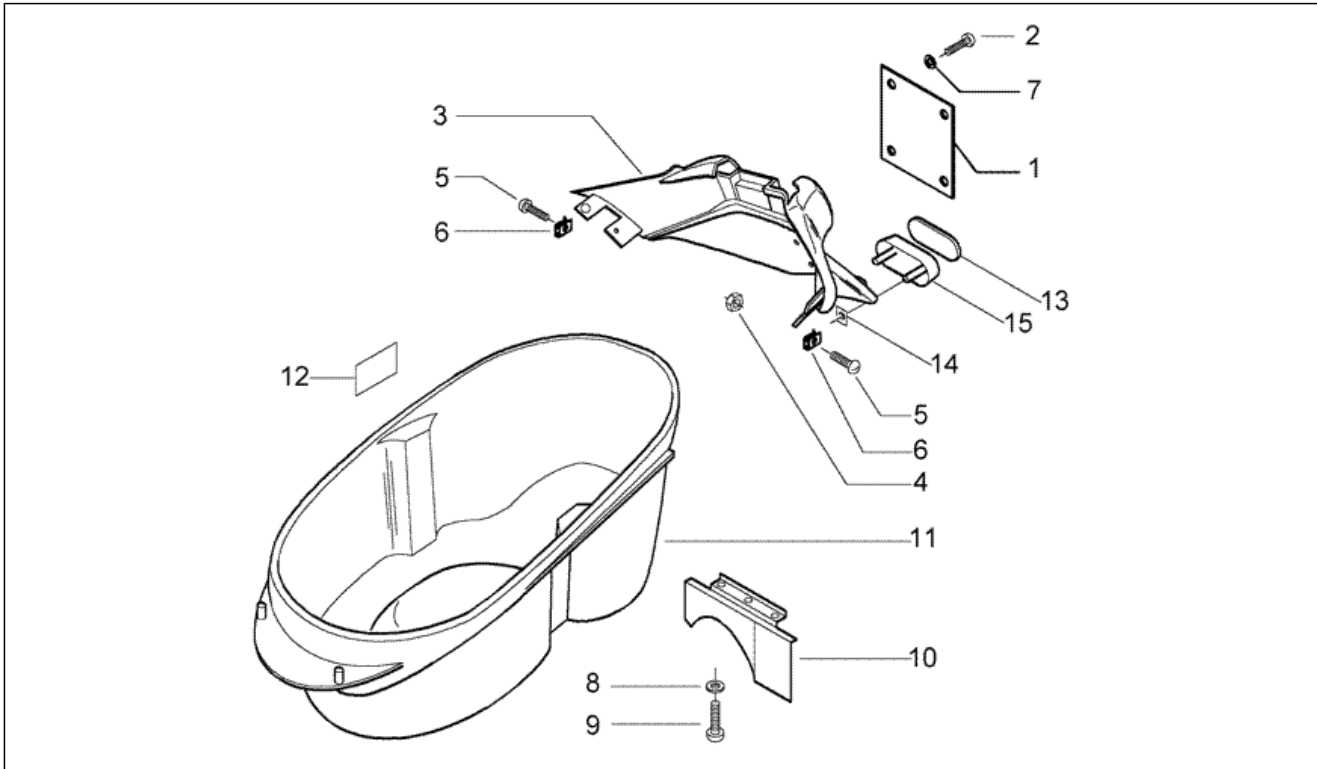
Pos.	Code	Description	Qty	Variants
1	5771740090	Front glove comp.	1	
1	57717400BG	Top box	1	
1	57717400D9	Top box	1	
1	57717400EB	Top box	1	
1	57717400F2	Front glove comp.	1	
1	57717400VC	Top box	1	
2	268596	Self tapping screw D4x13	8	
3	259372	Self tapping screw M4,2x25	2	
4	5771750090	Glove compartment door	1	
4	57717500BG	Flap	1	
4	57717500D9	Flap	1	
4	57717500EB	Flap	1	
4	57717500F2	Glove compartment door	1	
4	57717500VC	Flap	1	
5	577468	Counter flap	1	
6	575819	Bag holder hook	1	
7	575249	Screw with tang M6	1	
8	252420	Square	1	
9	257614	Square	2	
10	577861	Lever	1	
11	199190	Expansion plug	2	
12	577005	Spring	1	
13	577399	Spring	1	
14	259349	Screw M4,2x13	2	
15	297498	Self tapping screw M3,5x13	6	
16	008080	Plate	4	
17	5778560043	Net panel (l)	1	
17	5778570043	Net panel (r)	1	

Group	Chassis
Code	T26
Description	Front top case
Service	1



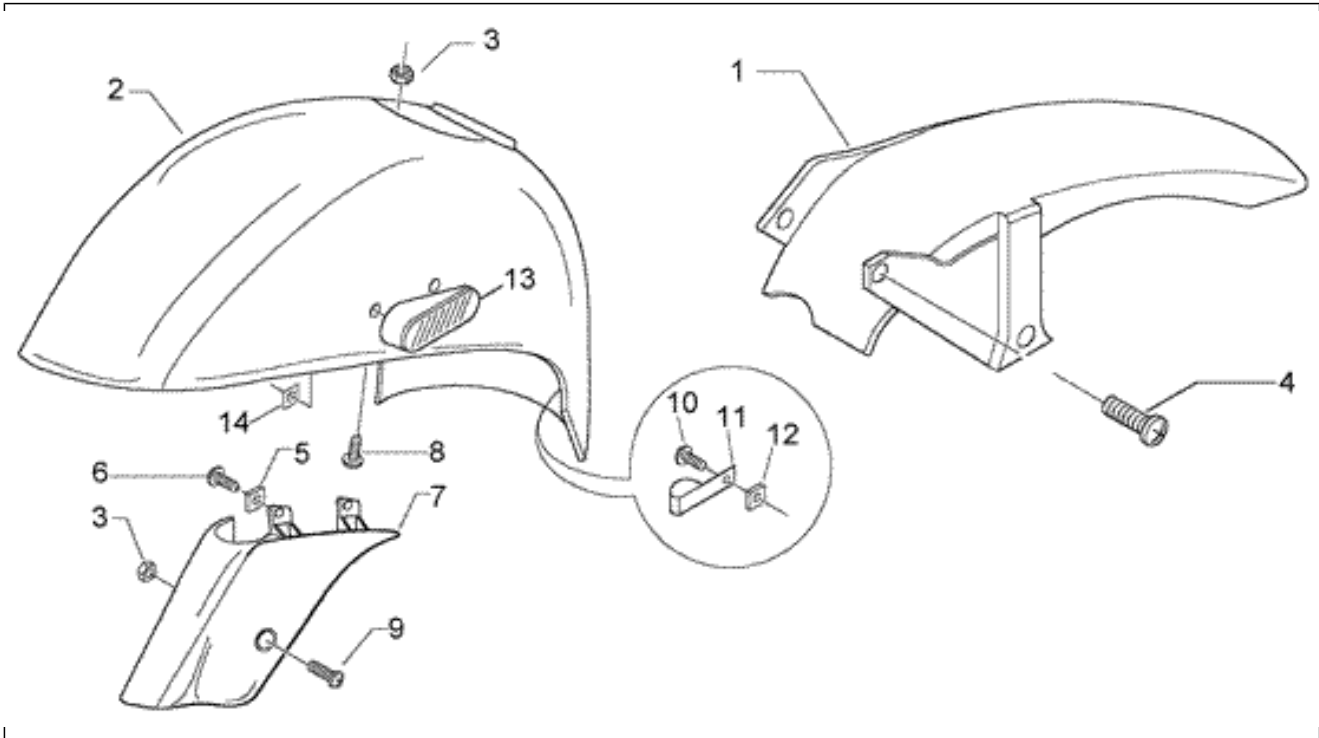
Pos.	Code	Description	Qty	Variants
18	575607	Pawl	1	
19	577395000C	Left flap	1	
19	577396000C	Right flap	1	
20	CM006307	Gasket	1	
21	577447	Rim	1	
21	582661	Frame	1	
22	620452	Cover	1	
23	620333	Name plate	1	
24	620335	Name plate	1	
25	576708	Accessories sticker	1	
26	620334	Name plate	1	

Group	Chassis
Code	T27
Description	Splash guard
Service	1



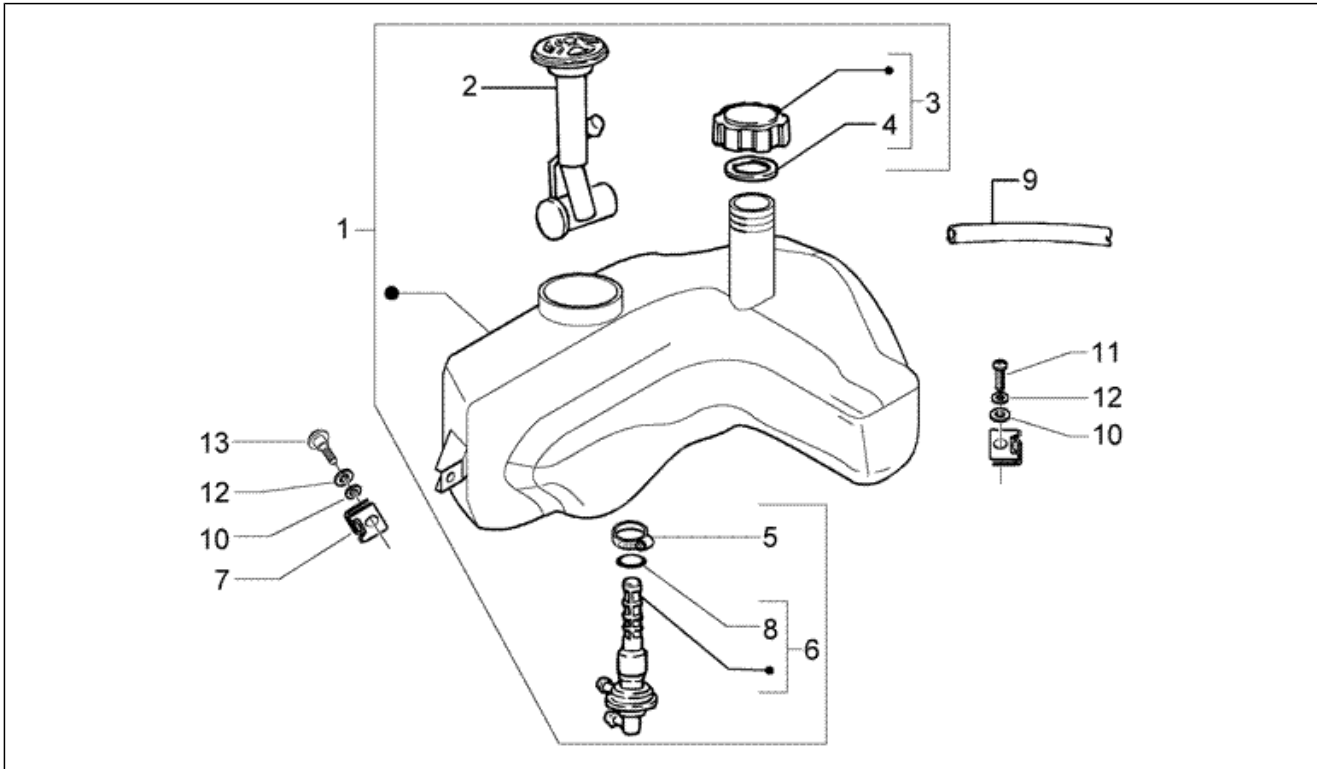
Pos.	Code	Description	Qty	Variants
1	584884	Number plate holder	1	
2	018591	screw M4x14	3	
3	5773920090	Splash guard	1	
3	57739200BG	Splash guard	1	
3	57739200D9	Splash guard	1	
3	57739200EB	Splash guard	1	
3	57739200F2	Splash guard	1	
3	57739200VC	Splash guard	1	
4	020104	Nut M4	3	
5	259830	Metric screw M6x20	2	
6	254485	Spring plate M6	2	
7	016404	Flat washer 4,2x7,6x0,9	3	
8	013763	Flat washer 4,2x12x1	3	
9	567642	Rivet	2	
10	620236	Splash guard	1	
11	577176	Helmet compartment	1	
12	576953	Name plate "No pets"	1	
13	582058	Rear retroreflector	1	
14	181351	Spring plate	2	
15	584931	Maintenance	1	

Group	Chassis
Code	T28
Description	Front and rear mudguard
Service	1



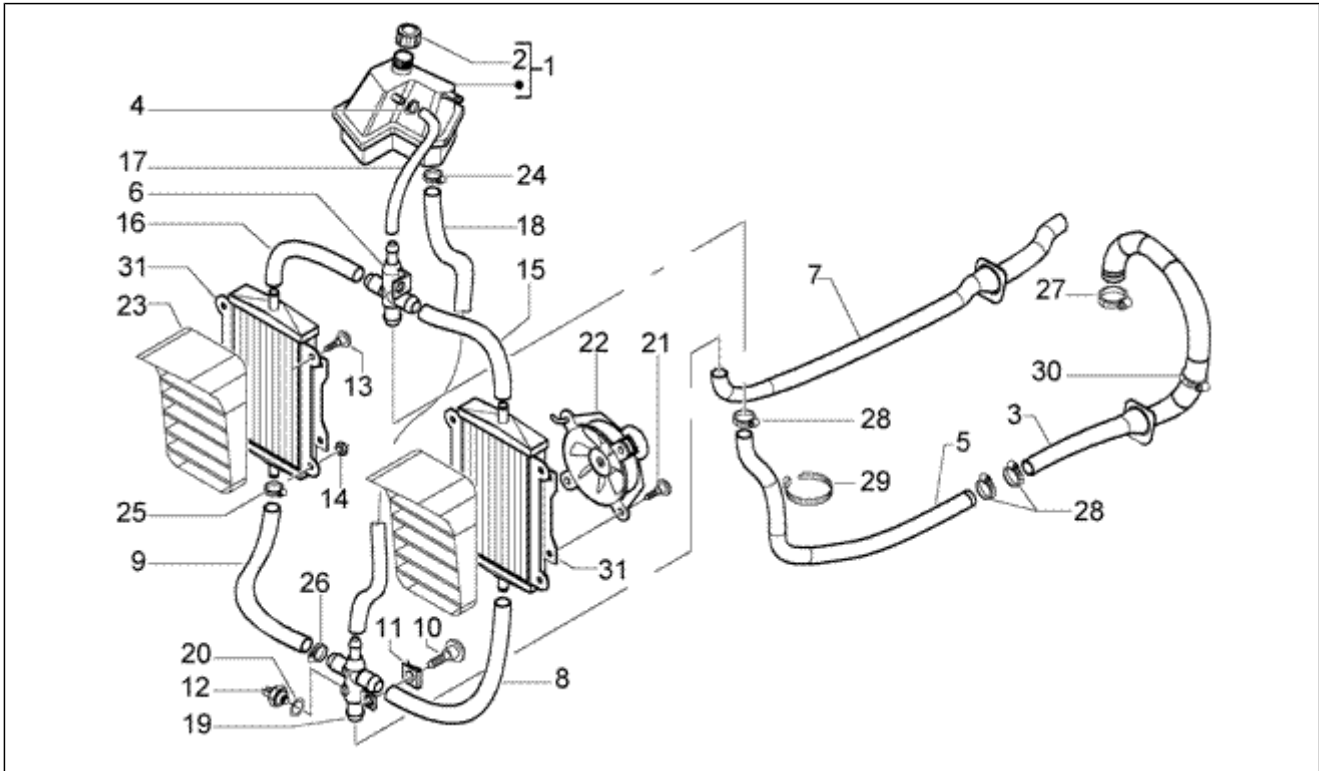
Pos.	Code	Description	Qty	Variants
1	621145	Rear mudguard	1	
2	5983670090	Mudguard	1	
2	59836700BG	Mudguard	1	
2	59836700D9	Mudguard	1	
2	59836700EB	Mudguard	1	
2	59836700F2	Mudguard	1	
2	59836700VC	Mudguard	1	
3	969224	Nut	4	
4	575249	Screw with tang M6	1	
5	CM017410	Spring plate	2	
6	259349	Screw M4,2x13	2	
7	5986150090	Front suspension cover	1	
7	59861500BG	Tyre	1	
7	59861500D9	Tyre	1	
7	59861500EB	Tyre	1	
7	59861500F2	Front suspension cover	1	
7	59861500VC	Tyre	1	
8	575249	Screw with tang M6	3	
9	259348	Cap screw+shank	1	
10	259349	Screw M4,2x13	1	
11	271477	Hose clamp	1	
12	CM017410	Spring plate	1	
13	584083	Catadiottro laterale SX	1	
13	584084	Catadiottro laterale DX	1	
14	181351	Spring plate	4	

Group	Chassis
Code	T29
Description	Tank
Service	1



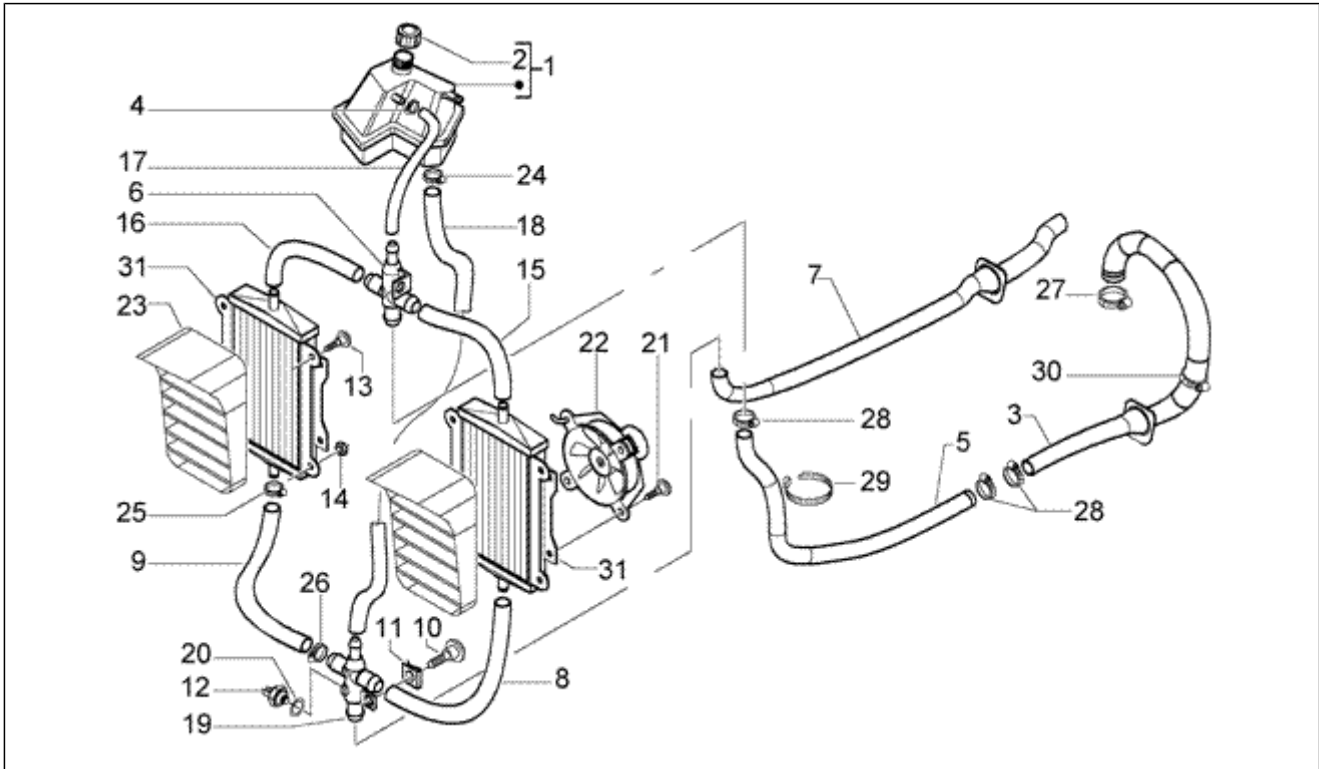
Pos.	Code	Description	Qty	Variants
1	577388	Fuel tank	1	
2	CM066909	Level gauge	1	
3	259832	Tank cap	1	
4	258160	Tank cover gasket	1	
5	577557	Hose clamp	1	
6	575321	Faucet depression press fastener	1	
7	254485	Spring plate M6	5	
8	196868	Gasket	1	
9	CM001424	Tank pipe	1	
10	016406	Spring washer 6,4x11,8x1	3	
11	015759	Screw M6x20	2	
12	013880	Flat washer 16x6,5x1,5	3	
13	015804	screw	1	

Group	Chassis
Code	T31
Description	Cooling system
Service	1



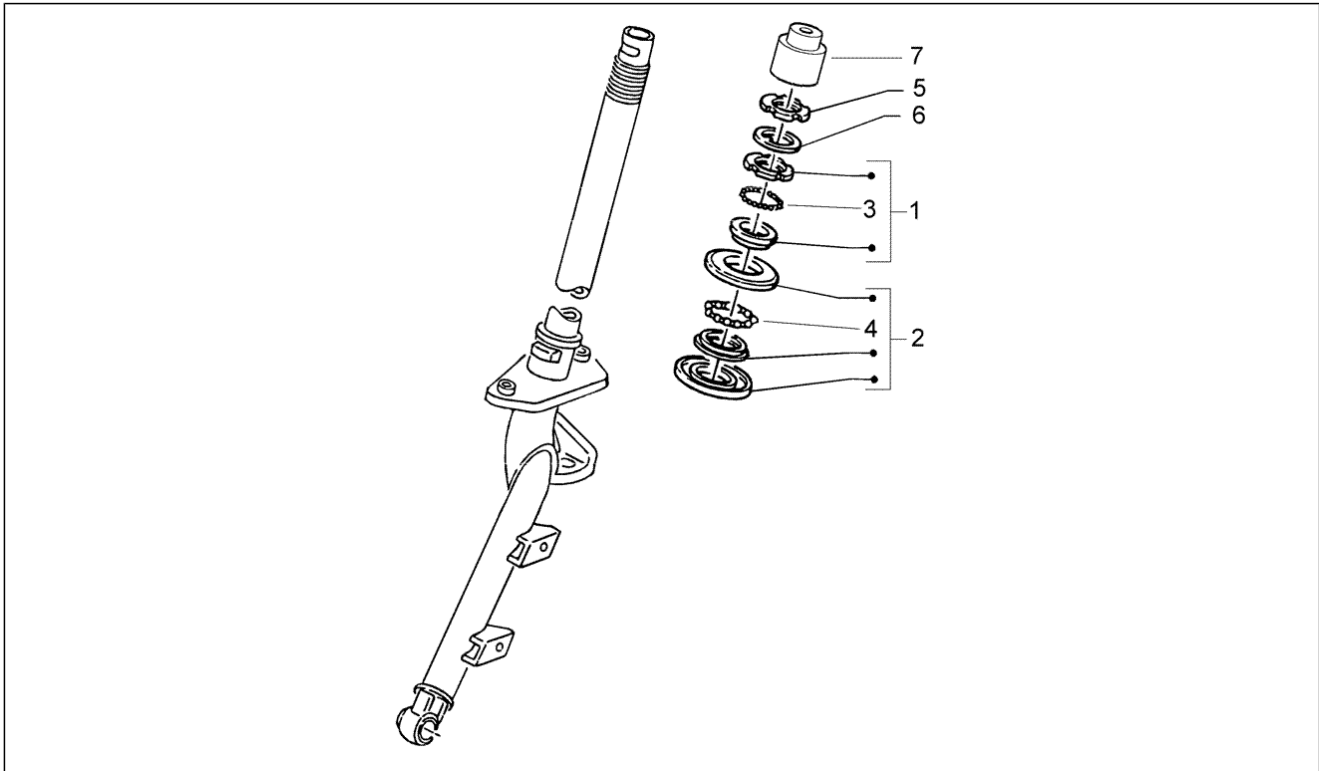
Pos.	Code	Description	Qty	Variants
1	621827	Coolant tank	1	
2	573454	Tank cap	1	
2	623673	Expansion tank plug	1	
3	57317R	Radiator-head pipe fitting link	1	
3	620021	Radiator-head pipe fitting link	1	
4	CM001903	Hose clamp	1	
5	620046	pipe	1	
6	577195	Joint	1	
7	577205	pipe	1	
8	57313R	Tubo collegamento radiatore SX-raccordo inf.	1	
8	577202	Tubo collegamento radiatore SX-raccordo inf.	1	
9	577201	Tubo collegamento radiatore DX-raccordo inf.	1	
10	575249	Screw with tang M6	4	
11	254485	Spring plate M6	6	
12	294152	Thermal switch	1	
13	270793	TBCIC Screw 3,8x16	2	
14	288245	Self locking nut M6	6	
15	577384	pipe	1	
16	577385	pipe	1	
17	577433	pipe	1	
18	57314R	pipe	1	
18	577436	pipe	1	
19	577196	Joint	1	
20	168077	Copper gasket	1	
21	272836	Screw M6x16	3	
22	584669	Fan engine	1	
23	577184	Air deflector	1	
23	577187	Left air duct	1	

Group	Chassis
Code	T31
Description	Cooling system
Service	1



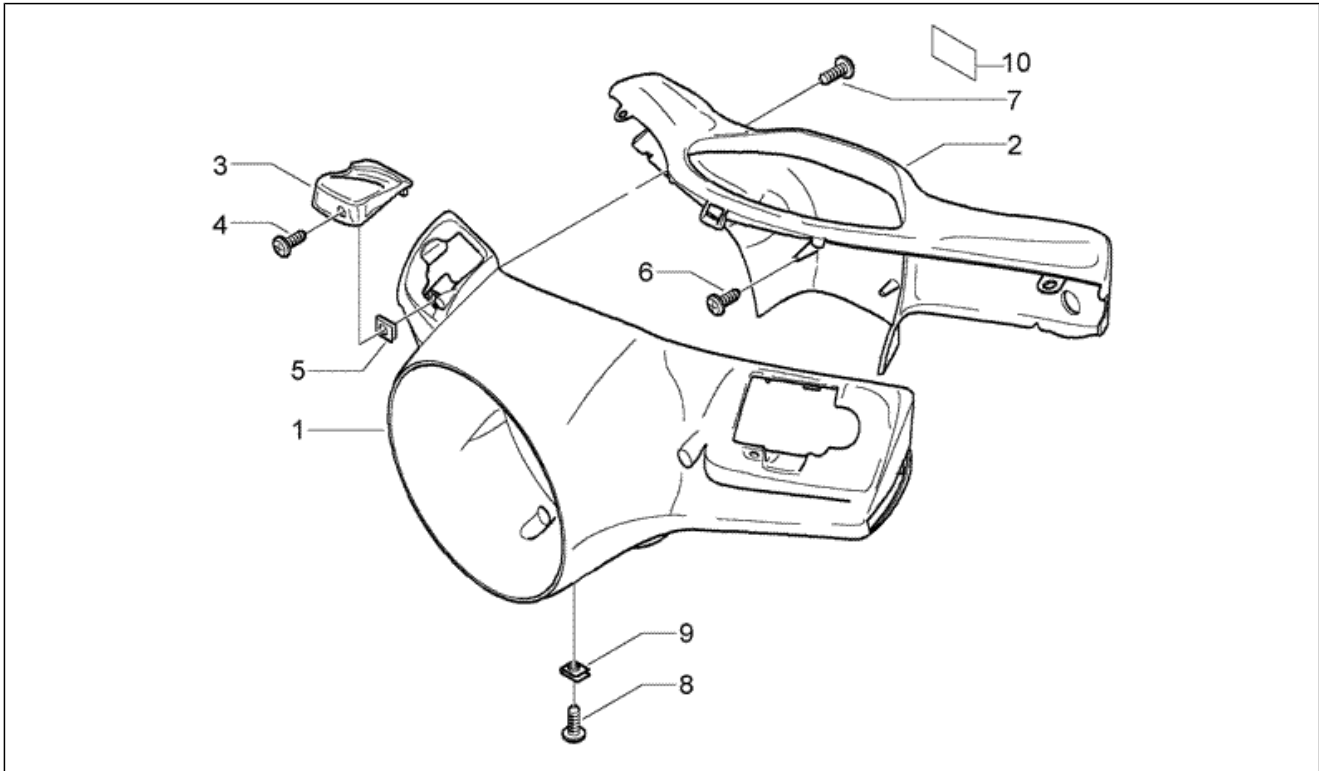
Pos.	Code	Description	Qty	Variants
24	CM001904	Hose clamp	3	
25	CM001905	Hose clamp	4	
26	CM001907	Hose clamp	4	
27	CM001908	Hose clamp	3	
28	CM001915	Hose clamp	3	
29	145298	Lock-strap L=180mm	3	
30	CM006903	Pipes/cables retainer spring	2	
31	577183	Water cooler	2	

Group	Chassis
Code	T32
Description	Steering bearing ball tracks
Service	1



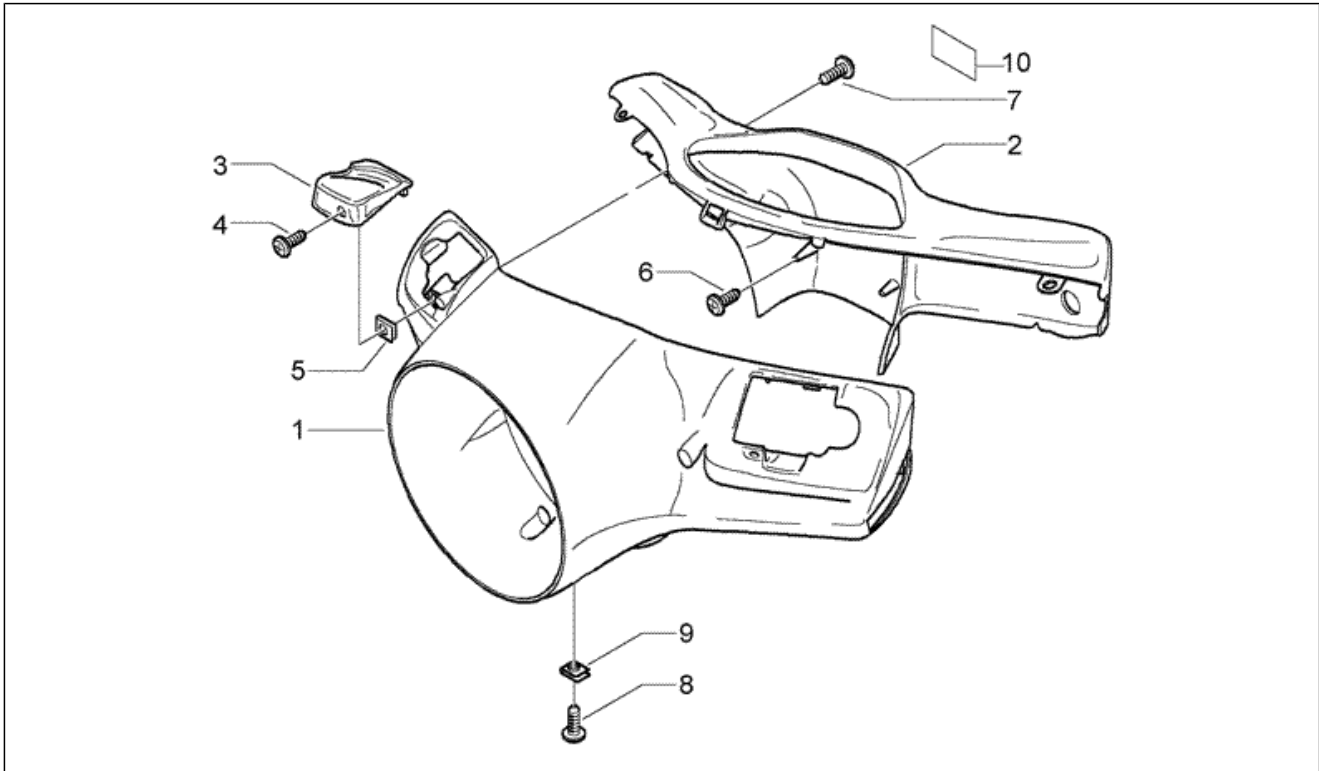
Pos.	Code	Description	Qty	Variants
1	56002R	Steering bearing assy.	1	
2	56003R	Steering bearing assy.	1	
3	077024	Ball cage	1	
3	564257	Ball cage	1	
4	077023	Ball cage	1	
4	564260	Ball cage	1	
5	011109	Steering tube ring nut	1	
6	582787	Steering security plate	1	
7	582828	Collar	1	

Group	Chassis
Code	T35
Description	Handlebar covers
Service	1



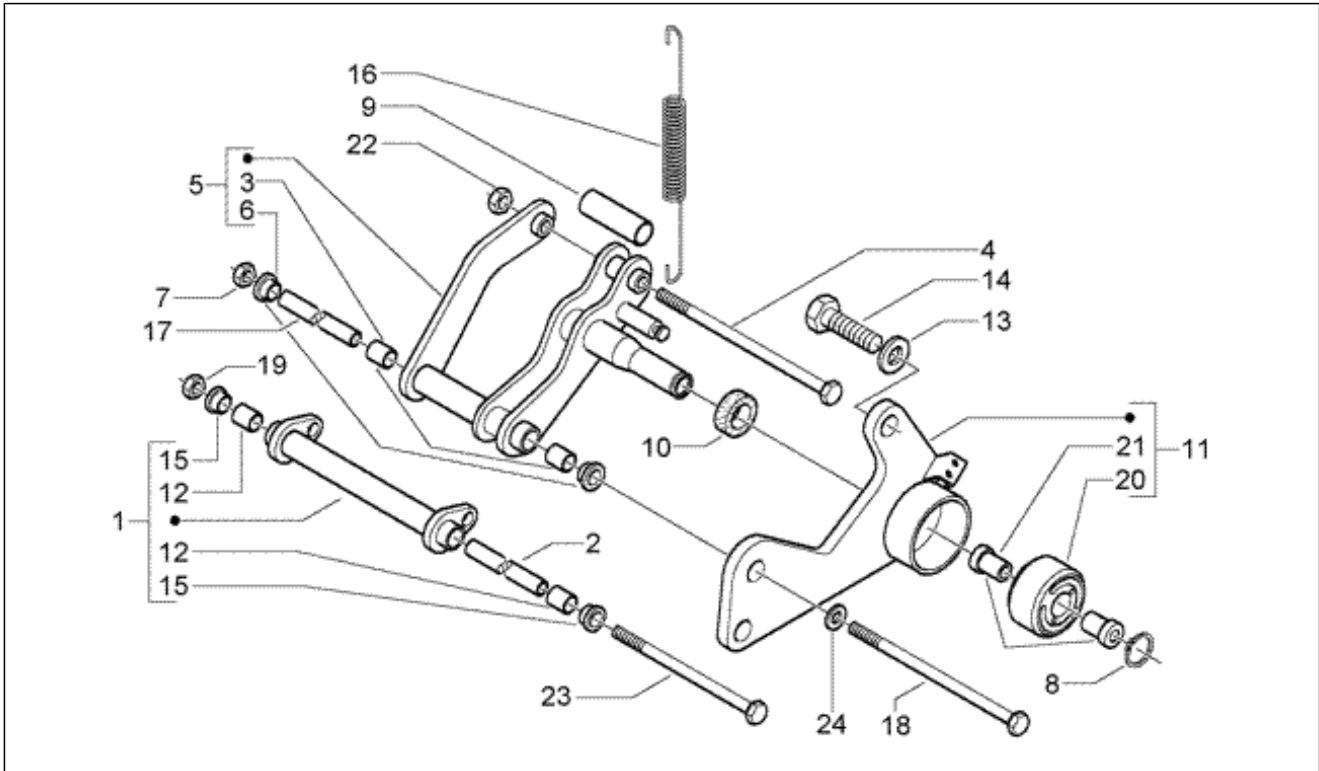
Pos.	Code	Description	Qty	Variants
1	5983610090	Handlebar cover	1	
1	59836100BG	Handlebar cover	1	
1	59836100D9	Handlebar cover	1	
1	59836100EB	Handlebar cover	1	
1	59836100F2	Handlebar cover	1	
1	59836100VC	Handlebar cover	1	
2	5833910090	Handlebar cover	1	
2	58339100BG	Handlebar cover	1	
2	58339100D9	Handlebar cover	1	
2	58339100EB	Handlebar cover	1	
2	58339100F2	Handlebar cover	1	
2	58339100VC	Handlebar cover	1	
3	5981760090	Pump cover	1	
3	59817600BG	Pump cover	1	
3	59817600D9	Pump cover	1	
3	59817600EB	Pump cover	1	
3	59817600F2	Pump cover	1	
3	59817600VC	Pump cover	1	
3	5981770090	Pump cover	1	
3	59817700BG	Pump cover	1	
3	59817700D9	Pump cover	1	
3	59817700EB	Pump cover	1	
3	59817700F2	Pump cover	1	
3	59817700VC	Pump cover	1	
4	018508	screw	2	
5	CM017403	Spring plate	2	
6	267115	Self tapping screw M4x16	4	
7	268596	Self tapping screw D4x13	2	

Group	Chassis
Code	T35
Description	Handlebar covers
Service	1



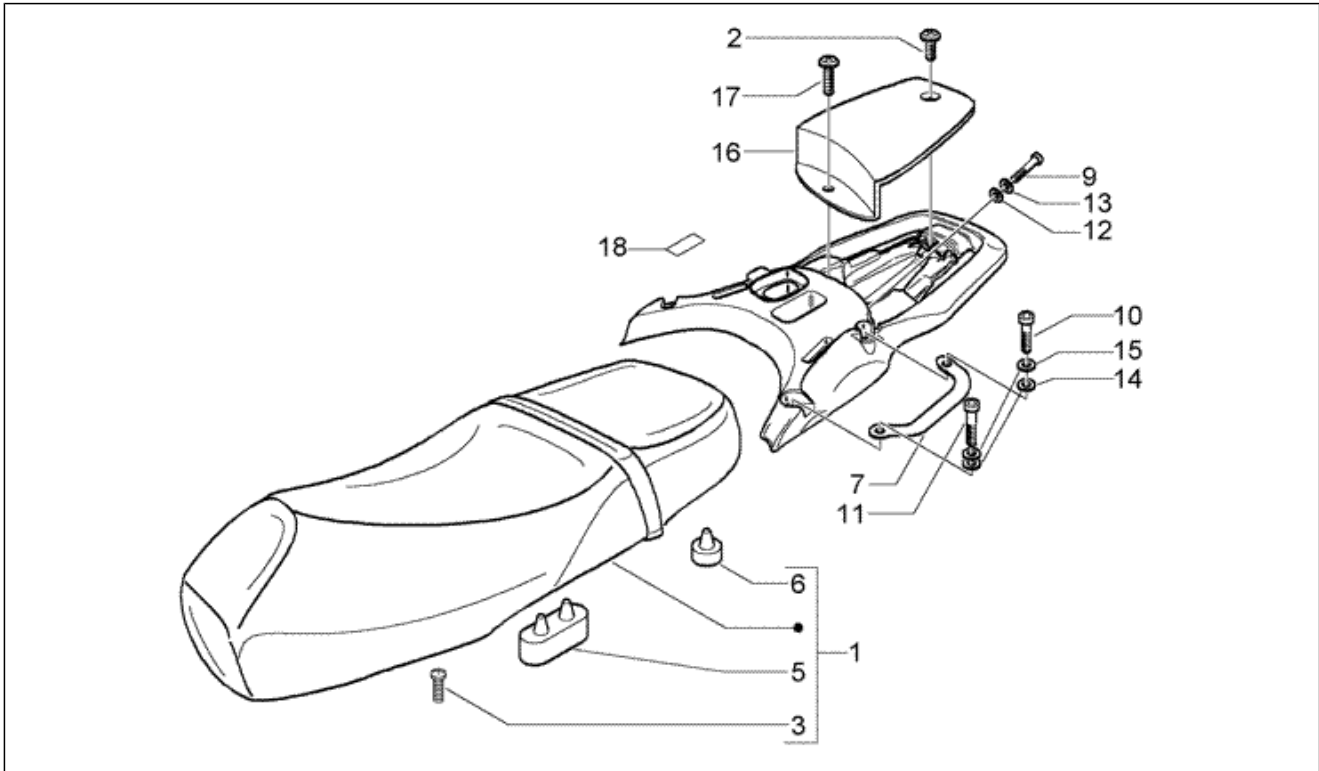
Pos.	Code	Description	Qty	Variants
8	258249	screw 4,2x19	1	
9	CM017409	Spring plate	1	
10	576704	"Safety" plate	1	

Group	Chassis
Code	T37
Description	Swinging arm
Service	1



Pos.	Code	Description	Qty	Variants
1	598869	Swinging arm	1	
2	CM067801	Spacer L=183 mm	1	
3	56127R	Roller cage	2	
4	271807	Hex screw M10x202	1	
5	599246	Engine side swinging arm	1	
6	597317	Bush	2	
7	271740	Nut M12	1	
8	006416	Circlip	1	
9	599077	Spacer	1	
10	599250	Silent-block	1	
11	599249	Bracket	1	
12	600161	Roller cage	2	
13	031153	Bolt	2	
14	709646	Washer	2	
15	598917	Bush	2	
16	599059	Spring	1	
17	597857	Spacer	1	
18	598237	screw	1	
19	232108	Self locking nut M10	1	
20	272750	Silent-block	1	
21	273460	Bush	2	
22	564878	Nut	1	
23	271807	Hex screw M10x202	1	
24	266845	Washer	1	

Group	Chassis
Code	T39
Description	Saddle
Service	1



Pos.	Code	Description	Qty	Variants
1	5771920083	Saddle assembly	1	
1	5771920084	Saddle assembly	1	
2	259830	Metric screw M6x20	1	
3	296170	screw M6x14	2	
4	254485	Spring plate M6	1	
5	296456	Pad	2	
6	577492	Pad	2	
7	57733700E9	Handle	1	
7	57733800E9	Handle	1	
8	5774570095	Luggage rack	1	
9	812592	screw	2	
10	812592	screw	2	
11	319538	Hex socket screw M6x30	2	
12	013880	Flat washer 16x6,5x1,5	2	
13	016406	Spring washer 6,4x11,8x1	2	
14	013777	Washer 6.4x13x1.5	4	
15	006966	Spring washer 6,4x11x0,5	4	
16	577467000C	Cover	1	
17	270793	TBCIC Screw 3,8x16	1	
18	576705	Fuel decal	1	