



PIAGGIO & C.s.p.a.

aprilia

SPARE PARTS CATALOGUE



MXV 450 Cross 2008-2010

Chassis prefix: ZD4VTC0C

Engine prefix:

Index

| | |
|-------------------------------------------------|----|
| Finished products..... | 4 |
| Alphanumeric index..... | 5 |
| FRAME..... | 10 |
| Table 28.01 - Frame..... | 10 |
| Table 28.02 - Foot rests..... | 11 |
| Table 28.03 - Steering..... | 12 |
| Table 28.04 - Front fork..... | 13 |
| Table 28.05 - Swing arm..... | 14 |
| Table 28.06 - Rear shock absorber..... | 15 |
| Table 28.07 - Front body I..... | 16 |
| Table 28.08 - Front body II..... | 17 |
| Table 28.09 - Fuel tank..... | 18 |
| Table 28.10 - Saddle..... | 19 |
| Table 28.11 - Central body..... | 20 |
| Table 28.12 - Rear body..... | 21 |
| Table 28.13 - Handlebar - Controls..... | 22 |
| Table 28.14 - Cooling system..... | 23 |
| Table 28.15 - Air box..... | 24 |
| Table 28.16 - Exhaust unit..... | 25 |
| Table 28.17 - Front wheel..... | 26 |
| Table 28.18 - Rear wheel..... | 27 |
| Table 28.19 - Front brake system..... | 28 |
| Table 28.20 - Rear brake system..... | 29 |
| Table 28.21 - Electrical system..... | 30 |
| Table 28.22 - Completing part..... | 31 |
| ENGINE..... | 32 |
| Table 29.23 - Engine..... | 32 |
| Table 29.24 - Crankcase I..... | 33 |
| Table 29.25 - Crankcase II..... | 35 |
| Table 29.26 - Oil pump..... | 37 |
| Table 29.27 - Lubrication..... | 38 |
| Table 29.28 - Drive shaft..... | 39 |
| Table 29.29 - Cylinder with piston..... | 40 |
| Table 29.30 - Cylinder head..... | 41 |
| Table 29.31 - Valves..... | 42 |
| Table 29.32 - Valves pads..... | 43 |
| Table 29.33 - Front cylinder timing system..... | 45 |
| Table 29.34 - Rear cylinder timing system..... | 46 |
| Table 29.35 - Transmission shaft..... | 47 |
| Table 29.36 - Gear box selector I..... | 48 |
| Table 29.37 - Gear box selector II..... | 49 |
| Table 29.38 - Primary gear shaft..... | 50 |
| Table 29.39 - Driven shaft..... | 51 |

| | |
|-------------------------------------|----|
| Table 29.40 - Clutch I..... | 52 |
| Table 29.41 - Water pump..... | 53 |
| Table 29.42 - Starter assembly..... | 54 |
| Table 29.43 - Throttle body..... | 55 |
| Table 29.44 - Ignition unit..... | 56 |

Finished products

| Code | Validity |
|----------------|----------|
| AP61446M4EA800 | |
| AP61446M4EA801 | |
| AP61446M4EB800 | |
| AP61446M4EB801 | |
| AP61446M4EC800 | |
| AP61446M4EC801 | |
| AP61477M4EAB00 | |
| AP61477M4EAB01 | |

| Code | No. table | Pos. | Code | No. table | Pos. | Code | No. table | Pos. |
|---------|-----------|------|------------|-----------|------|------------|-----------|------|
| 000674 | 29.25 | 4 | 851058 | 29.26 | 14 | 853567 | 28.13 | 2 |
| 006411 | 29.26 | 21 | 851059 | 29.26 | 19 | 853696 | 28.13 | 4 |
| 006415 | 29.36 | 4 | 85105R | 29.33 | 10 | 853836 | 29.27 | 4 |
| 006417 | 29.42 | 9 | 85105R | 29.34 | 10 | 853837 | 29.27 | 5 |
| 006612 | 29.33 | 9 | 851062 | 29.42 | 11 | 853838 | 29.27 | 7 |
| 006612 | 29.34 | 9 | 85106R | 29.35 | 2 | 853845 | 29.30 | 22 |
| 006642 | 29.33 | 11 | 85107R | 28.06 | 6 | 853849 | 29.37 | 19 |
| 006642 | 29.34 | 11 | 85108R | 29.40 | 7 | 8538504 | 29.36 | 1 |
| 013777 | 29.43 | 14 | 851105 | 28.01 | 1 | 853852 | 29.25 | 29 |
| 015585 | 28.05 | 15 | 85110R | 29.40 | 4 | 853871 | 29.43 | 5 |
| 015585 | 28.09 | 6 | 85111R | 29.40 | 3 | 853877 | 29.43 | 6 |
| 145298 | 28.21 | 18 | 851126 | 29.42 | 7 | 853895 | 29.23 | 2 |
| 191189 | 29.43 | 21 | 851127 | 29.42 | 14 | 853916 | 29.23 | 8 |
| 254485 | 28.08 | 6 | 851128 | 29.42 | 15 | 853982 | 28.04 | 5 |
| 254485 | 28.09 | 12 | 851149 | 29.42 | 18 | 854000 | 28.04 | 16 |
| 254485 | 28.11 | 6 | 85114R | 29.25 | 19 | 854088 | 28.22 | 4 |
| 254485 | 28.12 | 14 | 851150 | 29.42 | 16 | 855001 | 28.04 | 19 |
| 257134 | 28.21 | 17 | 851194 | 29.24 | 11 | 855003 | 29.25 | 23 |
| 258469 | 29.43 | 20 | 851195 | 29.24 | 33 | 855005 | 29.42 | 13 |
| 274246 | 29.35 | 10 | 851200 | 29.42 | 10 | 855006 | 29.42 | 5 |
| 2879633 | 29.25 | 33 | 8512065001 | 29.28 | 1 | 855011 | 29.44 | 1 |
| 295591 | 29.42 | 4 | 8512065002 | 29.28 | 1 | 855031 | 29.25 | 3 |
| 479986 | 29.25 | 30 | 851210 | 29.24 | 1 | 855034 | 29.30 | 6 |
| 484034 | 29.24 | 32 | 851215 | 29.28 | 7 | 855080 | 28.15 | 2 |
| 484993 | 29.44 | 6 | 851217 | 29.25 | 8 | 855102 | 29.34 | 14 |
| 485693 | 29.25 | 26 | 851219 | 29.25 | 7 | 855136 | 29.30 | 8 |
| 496404 | 28.21 | 13 | 851220 | 29.25 | 1 | 855142 | 29.30 | 24 |
| 576542 | 28.09 | 7 | 851221 | 29.25 | 5 | 855143 | 29.30 | 25 |
| 576546 | 28.09 | 11 | 851225 | 28.15 | 1 | 855150 | 28.21 | 7 |
| 58090R | 28.21 | 5 | 851227 | 29.40 | 9 | 855159 | 28.14 | 1 |
| 598839 | 28.05 | 17 | 851235 | 29.27 | 2 | 855160 | 28.14 | 2 |
| 598839 | 28.07 | 14 | 851236 | 29.27 | 1 | 855161 | 28.18 | 21 |
| 598839 | 28.12 | 9 | 851240 | 29.25 | 35 | 855162 | 28.13 | 10 |
| 598839 | 28.16 | 15 | 851245 | 28.03 | 1 | 855163 | 28.21 | 11 |
| 598839 | 28.20 | 21 | 851248 | 28.04 | 1 | 855166 | 28.14 | 8 |
| 598839 | 29.33 | 12 | 851249 | 28.04 | 2 | 855167 | 28.14 | 9 |
| 598839 | 29.34 | 12 | 851252 | 28.06 | 3 | 855180 | 29.44 | 7 |
| 598839 | 29.41 | 3 | 8512555 | 29.23 | 1 | 855185 | 29.43 | 2 |
| 639687 | 29.44 | 8 | 851256 | 28.11 | 10 | 85518600AA | 28.10 | 1 |
| 709674 | 29.43 | 10 | 851257 | 28.15 | 5 | 855197 | 28.15 | 12 |
| 826118 | 29.43 | 15 | 851258 | 28.15 | 14 | 855203 | 28.17 | 18 |
| 82650R | 29.33 | 20 | 851259 | 28.15 | 16 | 855218 | 29.38 | 1 |
| 82650R | 29.34 | 20 | 851260 | 28.15 | 17 | 855219 | 29.38 | 9 |
| 828909 | 29.24 | 28 | 851262 | 28.15 | 4 | 855220 | 29.38 | 6 |
| 828922 | 29.24 | 29 | 851272 | 28.13 | 11 | 855221 | 29.38 | 8 |
| 830061 | 29.43 | 16 | 851275 | 28.09 | 1 | 855222 | 29.39 | 1 |
| 834044 | 29.30 | 12 | 851295 | 29.27 | 11 | 855223 | 29.39 | 12 |
| 840542 | 29.24 | 30 | 851298 | 29.29 | 3 | 855224 | 29.39 | 3 |
| 840542 | 29.44 | 5 | 851318 | 29.33 | 15 | 855225 | 29.39 | 8 |
| 844211 | 29.35 | 7 | 851319 | 29.40 | 1 | 855226 | 29.39 | 6 |
| 847928 | 29.33 | 19 | 851324 | 29.40 | 5 | 855234 | 29.39 | 19 |
| 847928 | 29.34 | 19 | 851327 | 29.40 | 15 | 855252 | 29.25 | 22 |
| 851007 | 29.28 | 2 | 851346 | 29.33 | 16 | 855260 | 29.25 | 24 |
| 851008 | 29.35 | 1 | 851346 | 29.34 | 16 | 855269 | 28.02 | 12 |
| 851010 | 29.41 | 12 | 851349 | 29.24 | 31 | 855487 | 29.30 | 2 |
| 851011 | 29.35 | 11 | 851357 | 29.28 | 3 | 855506 | 28.20 | 13 |
| 851012 | 29.25 | 20 | 851358 | 29.42 | 19 | 855507 | 29.33 | 5 |
| 851013 | 29.41 | 11 | 851359 | 28.13 | 13 | 855508 | 29.34 | 5 |
| 851017 | 29.25 | 21 | 851360 | 28.13 | 14 | 855522 | 29.30 | 23 |
| 851029 | 28.03 | 8 | 851468 | 29.33 | 8 | 855528 | 29.42 | 8 |
| 85102R | 29.38 | 3 | 851468 | 29.34 | 8 | 855530 | 29.28 | 9 |
| 851030 | 28.03 | 7 | 851469 | 29.39 | 18 | 855535 | 29.42 | 6 |
| 851038 | 29.29 | 2 | 851471 | 28.01 | 11 | 855550 | 28.05 | 1 |
| 85103R | 29.39 | 16 | 851480 | 29.41 | 9 | 855552 | 28.05 | 8 |
| 85104R | 29.33 | 2 | 852038 | 28.07 | 20 | 855553 | 28.05 | 9 |
| 85104R | 29.34 | 2 | 853517 | 29.27 | 8 | 855554 | 28.09 | 8 |
| 85104R | 29.37 | 17 | 853518 | 29.42 | 20 | 855556 | 28.21 | 1 |

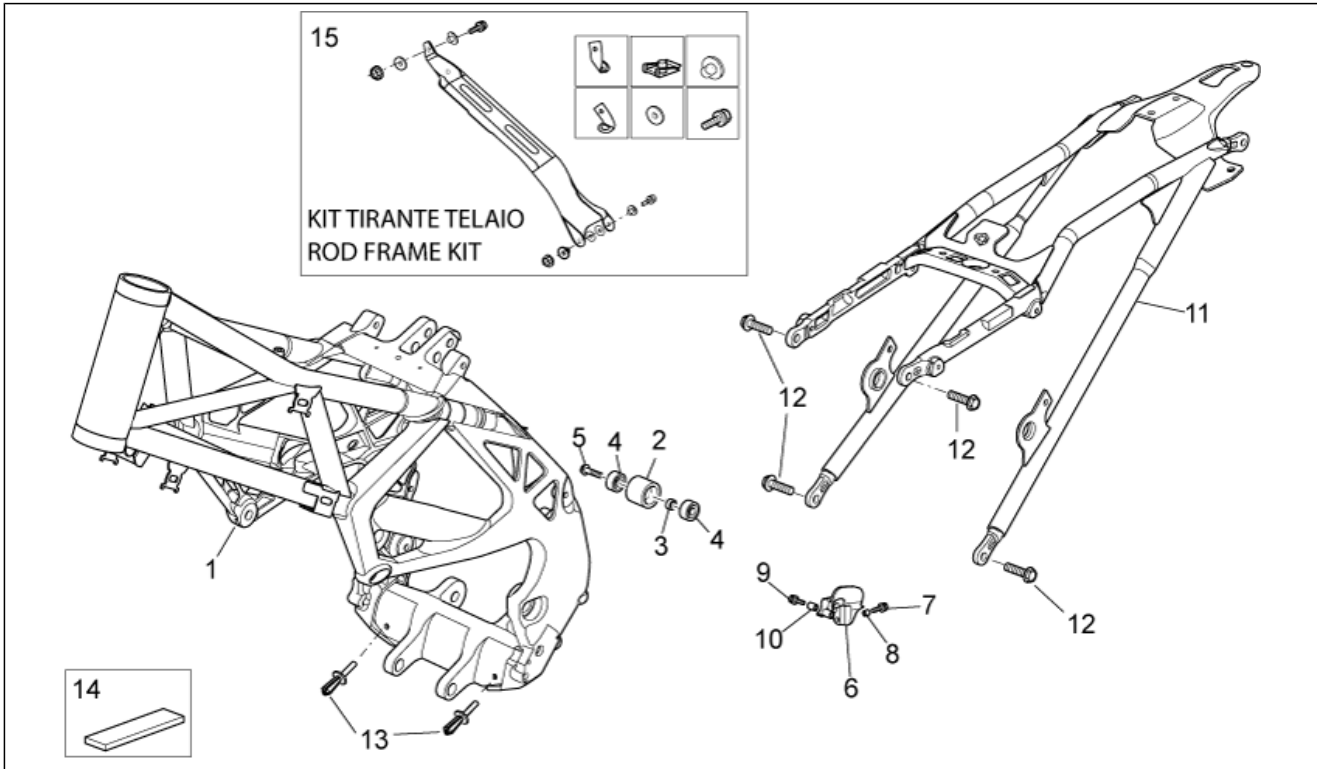
| Code | No. table | Pos. | Code | No. table | Pos. | Code | No. table | Pos. |
|-------------|-----------|------|-------------|-----------|------|-----------|-----------|------|
| 855557 | 28.21 | 3 | 855923 | 28.16 | 8 | 899088 | 28.12 | 13 |
| 855558 | 28.08 | 9 | 855924 | 28.16 | 7 | 899089 | 28.12 | 19 |
| 855559 | 28.08 | 11 | 8559284 | 29.43 | 1 | 899090 | 28.12 | 20 |
| 8555600XR3 | 28.08 | 1 | 855944 | 28.06 | 21 | 899114 | 28.12 | 17 |
| 85556100XR3 | 28.08 | 2 | 855949 | 28.08 | 15 | 899115 | 28.12 | 18 |
| 855562 | 28.05 | 21 | 855950 | 28.08 | 16 | 899117 | 28.01 | 11 |
| 855565 | 28.05 | 12 | 855956 | 28.06 | 19 | 969296 | 28.12 | 8 |
| 855571 | 28.13 | 1 | 855957 | 28.06 | 20 | AP8101595 | 28.14 | 14 |
| 855578 | 28.06 | 2 | 855959 | 28.06 | 22 | AP8101595 | 28.15 | 9 |
| 855595 | 28.08 | 7 | 855960 | 28.11 | 5 | AP8101606 | 28.02 | 11 |
| 855605 | 28.08 | 10 | 855983 | 28.14 | 13 | AP8101928 | 28.20 | 20 |
| 855611 | 28.17 | 5 | 855995 | 28.16 | 6 | AP8101985 | 28.10 | 6 |
| 855613 | 28.18 | 5 | 855996 | 28.16 | 5 | AP8102375 | 28.08 | 8 |
| 855625 | 28.17 | 16 | 855997 | 28.16 | 4 | AP8102375 | 28.15 | 20 |
| 855625 | 28.18 | 15 | 855998 | 28.16 | 2 | AP8102377 | 28.15 | 7 |
| 855626 | 28.18 | 17 | 855999 | 28.16 | 3 | AP8102377 | 29.24 | 26 |
| 855627 | 28.21 | 9 | 856000 | 28.16 | 1 | AP8102525 | 29.30 | 26 |
| 855628 | 28.21 | 10 | 858033 | 28.03 | 2 | AP8109001 | 28.17 | 3 |
| 855632 | 29.31 | 9 | 858247 | 28.13 | 16 | AP8109144 | 28.18 | 3 |
| 855696 | 28.20 | 5 | 858305 | 28.13 | 12 | AP8110067 | 29.25 | 32 |
| 855697 | 28.05 | 13 | 858528 | 28.04 | 4 | AP8117033 | 28.01 | 14 |
| 855706 | 29.27 | 10 | 858530 | 28.04 | 12 | AP8120001 | 28.18 | 23 |
| 855722 | 28.05 | 23 | 858545 | 28.10 | 5 | AP8120223 | 28.14 | 19 |
| 855728 | 29.43 | 3 | 858545 | 28.12 | 15 | AP8120253 | 28.01 | 8 |
| 855731 | 28.21 | 14 | 873804 | 29.25 | 27 | AP8120405 | 28.07 | 11 |
| 855737 | 28.09 | 16 | 890521 | 28.04 | 3 | AP8120446 | 29.43 | 4 |
| 855740 | 28.09 | 3 | 890522 | 28.04 | 10 | AP8120593 | 28.15 | 6 |
| 855743 | 28.17 | 1 | 890575 | 28.07 | 18 | AP8120615 | 28.15 | 13 |
| 855744 | 28.18 | 1 | 890689 | 28.22 | 1 | AP8120657 | 28.15 | 15 |
| 855745 | 28.17 | 2 | 890691 | 28.07 | 19 | AP8120670 | 28.11 | 14 |
| 855746 | 28.18 | 2 | 890692 | 28.08 | 20 | AP8120876 | 28.15 | 10 |
| 855747 | 28.17 | 15 | 890694 | 28.08 | 19 | AP8121266 | 28.14 | 20 |
| 855748 | 28.18 | 14 | 890695 | 28.11 | 16 | AP8121334 | 28.17 | 14 |
| 855753 | 28.16 | 10 | 890696 | 28.11 | 17 | AP8121334 | 28.18 | 9 |
| 855755 | 28.19 | 7 | 890697 | 28.12 | 12 | AP8121736 | 28.11 | 9 |
| 855767 | 29.42 | 12 | 890698 | 28.12 | 13 | AP8121811 | 28.09 | 5 |
| 855769 | 28.20 | 9 | 890699 | 28.12 | 16 | AP8121856 | 29.30 | 19 |
| 855771 | 29.43 | 12 | 89100200XR3 | 28.12 | 11 | AP8121862 | 29.24 | 24 |
| 855788 | 28.16 | 11 | 89100300XN4 | 28.11 | 1 | AP8144038 | 28.15 | 8 |
| 855789 | 29.38 | 11 | 891012 | 28.17 | 20 | AP8144064 | 28.11 | 8 |
| 855799 | 28.01 | 9 | 891013 | 28.18 | 22 | AP8150009 | 28.18 | 18 |
| 855799 | 29.44 | 2 | 891018 | 28.22 | 7 | AP8150015 | 28.07 | 13 |
| 855822 | 28.22 | 2 | 891048 | 29.42 | 3 | AP8150015 | 28.12 | 10 |
| 855825 | 28.09 | 10 | 891049 | 29.42 | 2 | AP8150015 | 28.16 | 14 |
| 855827 | 28.09 | 2 | 891055 | 28.22 | 3 | AP8150016 | 28.09 | 13 |
| 855828 | 28.09 | 17 | 891060 | 29.42 | 1 | AP8150017 | 28.02 | 10 |
| 855849 | 29.23 | 7 | 891170 | 29.31 | 7 | AP8150017 | 28.20 | 19 |
| 855850 | 28.08 | 14 | 891194 | 28.06 | 2 | AP8150027 | 28.05 | 11 |
| 855851 | 28.08 | 17 | 891217 | 28.02 | 13 | AP8150159 | 28.21 | 2 |
| 855852 | 28.20 | 10 | 891223 | 28.01 | 1 | AP8150169 | 28.20 | 18 |
| 855853 | 28.20 | 11 | 891226 | 28.05 | 1 | AP8150246 | 28.07 | 7 |
| 855854 | 28.20 | 12 | 891283 | 28.01 | 15 | AP8150255 | 28.05 | 25 |
| 855855 | 28.20 | 8 | 893186 | 28.04 | 13 | AP8150265 | 28.14 | 18 |
| 855856 | 28.20 | 22 | 893188 | 28.04 | 17 | AP8150413 | 28.15 | 19 |
| 855860 | 29.40 | 14 | 893189 | 28.04 | 18 | AP8150413 | 28.15 | 3 |
| 855861 | 28.08 | 18 | 893190 | 28.04 | 14 | AP8150413 | 28.21 | 6 |
| 855885 | 29.40 | 13 | 896128 | 28.22 | 1 | AP8150423 | 28.15 | 11 |
| 855886 | 29.23 | 11 | 896129 | 28.08 | 21 | AP8150444 | 28.08 | 13 |
| 855887 | 29.23 | 14 | 896130 | 28.08 | 22 | AP8150460 | 28.21 | 4 |
| 855888 | 29.23 | 15 | 896568 | 29.29 | 1 | AP8150509 | 29.43 | 13 |
| 855898 | 28.22 | 5 | 898345 | 28.08 | 21 | AP8152018 | 28.06 | 13 |
| 855899 | 28.22 | 6 | 898346 | 28.08 | 22 | AP8152058 | 28.02 | 8 |
| 85590100XR3 | 28.12 | 2 | 89835600XR3 | 28.08 | 1 | AP8152117 | 28.12 | 6 |
| 85590200XR3 | 28.12 | 1 | 89835700XR3 | 28.08 | 2 | AP8152176 | 28.02 | 9 |
| 85590310XN4 | 28.11 | 1 | 899085 | 28.11 | 16 | AP8152184 | 28.14 | 17 |
| 855914 | 28.10 | 2 | 899086 | 28.11 | 17 | AP8152244 | 28.05 | 7 |
| 855922 | 28.10 | 4 | 899087 | 28.12 | 12 | AP8152267 | 28.08 | 12 |

| Code | No. table | Pos. | Code | No. table | Pos. | Code | No. table | Pos. |
|-----------|-----------|------|-----------|-----------|------|-----------|-----------|------|
| AP8152272 | 28.01 | 7 | AP9100026 | 28.03 | 3 | AP9100423 | 28.21 | 8 |
| AP8152272 | 29.37 | 18 | AP9100028 | 28.03 | 4 | AP9100425 | 28.13 | 17 |
| AP8152272 | 29.44 | 4 | AP9100053 | 28.05 | 26 | AP9100427 | 28.15 | 18 |
| AP8152274 | 28.11 | 7 | AP9100053 | 28.07 | 4 | AP9100432 | 28.18 | 19 |
| AP8152274 | 29.25 | 25 | AP9100053 | 28.08 | 5 | AP9100434 | 28.05 | 20 |
| AP8152274 | 29.33 | 3 | AP9100053 | 28.11 | 3 | AP9100434 | 28.11 | 13 |
| AP8152274 | 29.34 | 3 | AP9100053 | 28.12 | 3 | AP9100434 | 28.12 | 5 |
| AP8152277 | 28.07 | 12 | AP9100057 | 28.17 | 13 | AP9100434 | 28.16 | 13 |
| AP8152277 | 28.09 | 14 | AP9100087 | 28.10 | 3 | AP9100439 | 28.03 | 13 |
| AP8152277 | 28.14 | 16 | AP9100111 | 28.06 | 9 | AP9100439 | 28.06 | 15 |
| AP8152277 | 29.24 | 3 | AP9100123 | 28.05 | 6 | AP9100440 | 28.07 | 17 |
| AP8152277 | 29.30 | 14 | AP9100171 | 28.17 | 6 | AP9100441 | 28.07 | 10 |
| AP8152277 | 29.37 | 6 | AP9100173 | 28.01 | 2 | AP9100442 | 28.06 | 14 |
| AP8152277 | 29.42 | 17 | AP9100174 | 28.01 | 3 | AP9100451 | 29.23 | 16 |
| AP8152279 | 28.14 | 15 | AP9100175 | 28.01 | 4 | AP9100451 | 29.39 | 7 |
| AP8152279 | 29.25 | 13 | AP9100176 | 28.06 | 1 | AP9100456 | 28.14 | 11 |
| AP8152279 | 29.40 | 21 | AP9100177 | 28.06 | 7 | AP9100457 | 28.17 | 4 |
| AP8152280 | 28.04 | 15 | AP9100178 | 28.06 | 5 | AP9100462 | 28.18 | 4 |
| AP8152280 | 28.09 | 15 | AP9100179 | 28.06 | 10 | AP9100472 | 28.19 | 9 |
| AP8152280 | 28.13 | 8 | AP9100182 | 28.06 | 23 | AP9100472 | 28.20 | 6 |
| AP8152280 | 28.16 | 12 | AP9100184 | 28.06 | 8 | AP9100473 | 28.19 | 10 |
| AP8152280 | 28.19 | 6 | AP9100186 | 28.06 | 11 | AP9100473 | 28.20 | 7 |
| AP8152280 | 29.23 | 3 | AP9100193 | 28.02 | 1 | AP9100475 | 28.20 | 1 |
| AP8152280 | 29.25 | 2 | AP9100194 | 28.02 | 2 | AP9100477 | 28.20 | 16 |
| AP8152280 | 29.26 | 5 | AP9100195 | 28.02 | 3 | AP9100484 | 28.13 | 5 |
| AP8152280 | 29.30 | 4 | AP9100196 | 28.02 | 4 | AP9100501 | 28.07 | 16 |
| AP8152281 | 29.23 | 13 | AP9100197 | 28.02 | 5 | AP9100501 | 28.09 | 18 |
| AP8152281 | 29.26 | 7 | AP9100202 | 28.05 | 2 | AP9100505 | 29.23 | 17 |
| AP8152282 | 29.25 | 9 | AP9100203 | 28.05 | 3 | AP9100505 | 29.39 | 9 |
| AP8152283 | 29.24 | 7 | AP9100204 | 28.03 | 6 | AP9100548 | 28.07 | 15 |
| AP8152283 | 29.41 | 2 | AP9100205 | 28.03 | 9 | AP9100549 | 28.06 | 12 |
| AP8152284 | 28.05 | 18 | AP9100208 | 28.06 | 18 | AP9100557 | 28.14 | 7 |
| AP8152284 | 28.07 | 8 | AP9100212 | 28.18 | 12 | AP9100565 | 28.05 | 14 |
| AP8152285 | 29.24 | 23 | AP9100213 | 28.18 | 13 | AP9100593 | 29.23 | 4 |
| AP8152286 | 28.02 | 8 | AP9100214 | 28.18 | 6 | AP9100594 | 28.12 | 7 |
| AP8152287 | 28.01 | 12 | AP9100215 | 28.18 | 10 | AP9100595 | 28.18 | 16 |
| AP8152288 | 28.01 | 5 | AP9100216 | 28.17 | 8 | AP9100604 | 28.06 | 16 |
| AP8152289 | 28.13 | 3 | AP9100216 | 28.18 | 7 | AP9100633 | 28.07 | 6 |
| AP8152290 | 28.03 | 14 | AP9100224 | 28.17 | 12 | AP9100643 | 29.23 | 6 |
| AP8152290 | 28.19 | 8 | AP9100225 | 28.17 | 7 | AP9100645 | 28.08 | 4 |
| AP8152301 | 29.23 | 12 | AP9100226 | 28.17 | 10 | AP9100645 | 28.11 | 4 |
| AP8152305 | 28.05 | 10 | AP9100227 | 28.17 | 11 | AP9100645 | 28.12 | 4 |
| AP8152315 | 29.23 | 5 | AP9100227 | 28.18 | 8 | AP9100661 | 28.11 | 12 |
| AP8152323 | 28.05 | 22 | AP9100228 | 28.17 | 9 | AP9100683 | 28.11 | 15 |
| AP8152339 | 28.07 | 3 | AP9100229 | 28.17 | 17 | AP9100688 | 28.01 | 6 |
| AP8156343 | 28.07 | 9 | AP9100252 | 28.16 | 9 | AP9100697 | 28.14 | 12 |
| AP8156344 | 28.07 | 2 | AP9100256 | 28.19 | 11 | AP9100706 | 28.19 | 5 |
| AP8163069 | 28.04 | 6 | AP9100257 | 28.19 | 1 | AP9100724 | 28.01 | 10 |
| AP8163070 | 28.04 | 7 | AP9100275 | 28.02 | 6 | AP9100739 | 28.21 | 12 |
| AP8163071 | 28.04 | 8 | AP9100287 | 28.05 | 19 | AP9100767 | 28.09 | 4 |
| AP8163072 | 28.04 | 9 | AP9100289 | 28.06 | 17 | AP9100776 | 28.03 | 12 |
| AP8163369 | 28.04 | 11 | AP9100290 | 28.20 | 14 | AP9100778 | 28.11 | 11 |
| AP8184606 | 28.11 | 2 | AP9100291 | 28.20 | 15 | AP9100785 | 28.19 | 2 |
| AP8184813 | 28.07 | 1 | AP9100293 | 28.03 | 10 | AP9100786 | 28.19 | 3 |
| AP8184814 | 28.11 | 2 | AP9100297 | 28.13 | 2 | AP9100787 | 28.19 | 4 |
| AP8201169 | 28.14 | 10 | AP9100318 | 28.17 | 19 | AP9100788 | 28.19 | 12 |
| AP8201431 | 28.07 | 5 | AP9100318 | 28.18 | 24 | AP9100789 | 28.19 | 13 |
| AP8202058 | 28.01 | 13 | AP9100354 | 28.20 | 17 | AP9100790 | 28.19 | 14 |
| AP8202058 | 28.05 | 24 | AP9100366 | 28.08 | 3 | AP9100791 | 28.19 | 15 |
| AP8218628 | 28.13 | 15 | AP9100367 | 29.23 | 10 | AP9100792 | 28.19 | 16 |
| AP8220238 | 28.15 | 21 | AP9100374 | 29.23 | 9 | AP9100793 | 28.20 | 3 |
| AP8220402 | 28.09 | 9 | AP9100376 | 28.14 | 3 | AP9100794 | 28.20 | 2 |
| AP8220402 | 28.14 | 5 | AP9100386 | 29.40 | 11 | AP9100795 | 28.20 | 4 |
| AP8220709 | 28.21 | 16 | AP9100387 | 29.44 | 3 | AP9100939 | 28.13 | 6 |
| AP8234020 | 28.05 | 16 | AP9100390 | 28.02 | 7 | AP9100940 | 28.13 | 7 |
| AP9100007 | 28.06 | 4 | AP9100412 | 28.03 | 11 | AP9100941 | 28.13 | 9 |
| AP9100021 | 28.03 | 5 | AP9100413 | 28.18 | 11 | AP9100946 | 28.14 | 4 |

| Code | No. table | Pos. | Code | No. table | Pos. | Code | No. table | Pos. |
|-----------|-----------|------|-----------|-----------|------|-----------|-----------|------|
| AP9100952 | 28.05 | 4 | AP9150174 | 29.24 | 18 | AP9150394 | 29.24 | 5 |
| AP9100952 | 28.05 | 5 | AP9150174 | 29.25 | 28 | AP9150395 | 29.25 | 12 |
| AP9101010 | 29.43 | 7 | AP9150174 | 29.30 | 20 | AP9150396 | 29.26 | 16 |
| AP9101011 | 29.43 | 8 | AP9150181 | 29.30 | 16 | AP9150402 | 29.28 | 5 |
| AP9101012 | 29.43 | 9 | AP9150190 | 29.40 | 10 | AP9150410 | 29.25 | 14 |
| AP9101014 | 29.43 | 11 | AP9150191 | 29.40 | 18 | AP9150435 | 29.24 | 8 |
| AP9150005 | 29.37 | 1 | AP9150194 | 29.40 | 19 | AP9150436 | 29.28 | 4 |
| AP9150006 | 29.36 | 5 | AP9150216 | 29.38 | 2 | AP9150440 | 29.24 | 12 |
| AP9150007 | 29.29 | 4 | AP9150216 | 29.39 | 2 | AP9150441 | 29.24 | 13 |
| AP9150009 | 29.30 | 7 | AP9150217 | 29.26 | 11 | AP9150443 | 29.26 | 22 |
| AP9150010 | 29.30 | 9 | AP9150220 | 29.36 | 8 | AP9150443 | 29.41 | 10 |
| AP9150012 | 29.33 | 17 | AP9150231 | 29.33 | 18 | AP9150454 | 29.28 | 11 |
| AP9150012 | 29.34 | 17 | AP9150232 | 29.40 | 20 | AP9150455 | 29.28 | 11 |
| AP9150022 | 29.31 | 1 | AP9150234 | 29.40 | 8 | AP9150461 | 29.26 | 10 |
| AP9150023 | 29.31 | 2 | AP9150235 | 29.40 | 12 | AP9150462 | 29.25 | 31 |
| AP9150024 | 29.31 | 5 | AP9150236 | 29.28 | 12 | AP9150463 | 29.26 | 18 |
| AP9150025 | 29.31 | 6 | AP9150238 | 29.36 | 3 | AP9150464 | 29.41 | 8 |
| AP9150028 | 29.31 | 3 | AP9150284 | 29.40 | 6 | AP9150469 | 29.30 | 15 |
| AP9150043 | 29.37 | 4 | AP9150288 | 29.28 | 8 | AP9150471 | 29.24 | 21 |
| AP9150044 | 29.36 | 6 | AP9150290 | 29.35 | 9 | AP9150473 | 29.25 | 16 |
| AP9150051 | 29.36 | 7 | AP9150291 | 29.26 | 9 | AP9150476 | 29.27 | 6 |
| AP9150060 | 29.37 | 11 | AP9150292 | 29.41 | 7 | AP9150483 | 29.35 | 6 |
| AP9150061 | 29.37 | 15 | AP9150294 | 29.38 | 10 | AP9150484 | 29.41 | 1 |
| AP9150062 | 29.37 | 12 | AP9150294 | 29.39 | 13 | AP9150489 | 29.24 | 6 |
| AP9150063 | 29.36 | 2 | AP9150296 | 29.38 | 12 | AP9150505 | 29.33 | 13 |
| AP9150064 | 29.37 | 9 | AP9150296 | 29.39 | 10 | AP9150505 | 29.34 | 13 |
| AP9150067 | 29.37 | 3 | AP9150297 | 29.38 | 4 | AP9150507 | 29.33 | 14 |
| AP9150068 | 29.37 | 10 | AP9150297 | 29.39 | 4 | AP9150522 | 29.25 | 18 |
| AP9150069 | 29.37 | 7 | AP9150302 | 29.38 | 5 | AP9150525 | 29.28 | 6 |
| AP9150070 | 29.37 | 8 | AP9150302 | 29.39 | 5 | AP9150526 | 29.24 | 27 |
| AP9150071 | 29.26 | 1 | AP9150303 | 29.33 | 4 | AP9150533 | 29.24 | 20 |
| AP9150073 | 29.37 | 5 | AP9150303 | 29.34 | 4 | CM002908 | 29.43 | 19 |
| AP9150074 | 29.26 | 20 | AP9150304 | 29.34 | 6 | CM223801 | 28.14 | 21 |
| AP9150075 | 29.26 | 15 | AP9150312 | 29.30 | 18 | CM2376025 | 29.33 | 1 |
| AP9150076 | 29.26 | 13 | AP9150317 | 29.30 | 1 | CM2377025 | 29.34 | 1 |
| AP9150078 | 29.24 | 25 | AP9150323 | 29.28 | 11 | CM238206 | 28.18 | 20 |
| AP9150091 | 29.37 | 14 | AP9150327 | 29.34 | 15 | CM238404 | 28.14 | 6 |
| AP9150093 | 29.37 | 13 | AP9150343 | 29.29 | 5 | CM238801 | 29.32 | 1 |
| AP9150094 | 29.25 | 11 | AP9150346 | 29.24 | 22 | CM238801 | 29.32 | 1 |
| AP9150096 | 29.33 | 7 | AP9150347 | 29.27 | 3 | CM238802 | 29.32 | 1 |
| AP9150096 | 29.34 | 7 | AP9150348 | 29.35 | 5 | CM238803 | 29.32 | 1 |
| AP9150104 | 29.31 | 4 | AP9150349 | 29.24 | 19 | CM238804 | 29.32 | 1 |
| AP9150106 | 29.31 | 8 | AP9150349 | 29.25 | 34 | CM238804 | 29.32 | 1 |
| AP9150110 | 29.30 | 11 | AP9150349 | 29.30 | 17 | CM238805 | 29.32 | 1 |
| AP9150111 | 29.30 | 10 | AP9150349 | 29.30 | 21 | CM238806 | 29.32 | 1 |
| AP9150113 | 29.30 | 3 | AP9150349 | 29.30 | 21 | CM238807 | 29.32 | 1 |
| AP9150114 | 29.30 | 5 | AP9150350 | 29.24 | 17 | CM238808 | 29.32 | 1 |
| AP9150115 | 29.24 | 15 | AP9150351 | 29.25 | 17 | CM238809 | 29.32 | 1 |
| AP9150116 | 29.24 | 14 | AP9150352 | 29.41 | 5 | CM238810 | 29.32 | 1 |
| AP9150117 | 29.24 | 16 | AP9150353 | 29.24 | 10 | CM238811 | 29.32 | 1 |
| AP9150118 | 29.25 | 6 | AP9150356 | 29.25 | 15 | CM238812 | 29.32 | 1 |
| AP9150119 | 29.41 | 4 | AP9150357 | 29.39 | 15 | CM238813 | 29.32 | 1 |
| AP9150121 | 29.30 | 13 | AP9150358 | 29.40 | 16 | CM238814 | 29.32 | 1 |
| AP9150127 | 29.28 | 10 | AP9150359 | 29.40 | 17 | CM238815 | 29.32 | 1 |
| AP9150130 | 29.35 | 4 | AP9150361 | 29.39 | 14 | CM238816 | 29.32 | 1 |
| AP9150132 | 29.41 | 6 | AP9150362 | 29.38 | 7 | CM238817 | 29.32 | 1 |
| AP9150138 | 29.33 | 6 | AP9150365 | 29.37 | 16 | CM238818 | 29.32 | 1 |
| AP9150142 | 29.34 | 18 | AP9150371 | 29.39 | 11 | CM238819 | 29.32 | 1 |
| AP9150145 | 29.24 | 4 | AP9150375 | 29.37 | 2 | CM238820 | 29.32 | 1 |
| AP9150146 | 29.24 | 2 | AP9150376 | 29.26 | 8 | CM238821 | 29.32 | 1 |
| AP9150149 | 29.24 | 9 | AP9150377 | 29.26 | 2 | CM238822 | 29.32 | 1 |
| AP9150150 | 29.25 | 10 | AP9150382 | 29.39 | 17 | CM238823 | 29.32 | 1 |
| AP9150157 | 29.26 | 3 | AP9150384 | 29.40 | 2 | CM238824 | 29.32 | 1 |
| AP9150158 | 29.26 | 4 | AP9150385 | 29.26 | 12 | CM238825 | 29.32 | 1 |
| AP9150160 | 29.26 | 17 | AP9150387 | 29.35 | 3 | CM238826 | 29.32 | 1 |
| AP9150162 | 29.26 | 6 | AP9150389 | 29.35 | 12 | CM238827 | 29.32 | 1 |
| AP9150167 | 29.27 | 9 | AP9150390 | 29.35 | 8 | CM238828 | 29.32 | 1 |
| | | | AP9150393 | 29.36 | 9 | CM238829 | 29.32 | 1 |

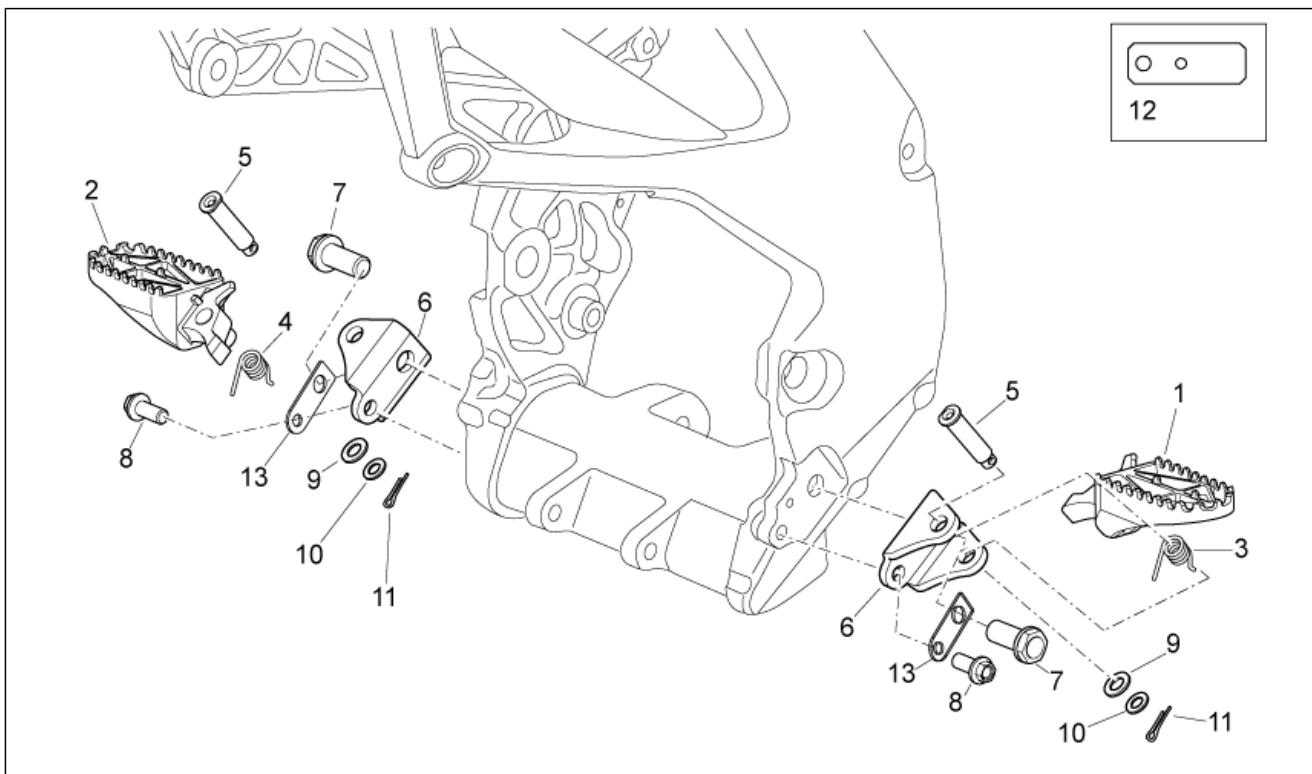
| Code | No. table | Pos. |
|------------|-----------------------|------|
| CM238830 | 29.32 | 1 |
| CM238831 | 29.32 | 1 |
| CM238832 | 29.32 | 1 |
| CM238833 | 29.32 | 1 |
| CM238834 | 29.32 | 1 |
| CM238835 | 29.32 | 1 |
| CM238836 | 29.32 | 1 |
| CM238837 | 29.32 | 1 |
| CM238838 | 29.32 | 1 |
| CM238839 | 29.32 | 1 |
| CM239301 | 29.43 | 18 |
| CM239302 | 29.43 | 17 |
| GU03741370 | 28.21 | 15 |

| | |
|--------------------|-------|
| Group | FRAME |
| Code | 28.01 |
| Description | Frame |
| Service | 1 |



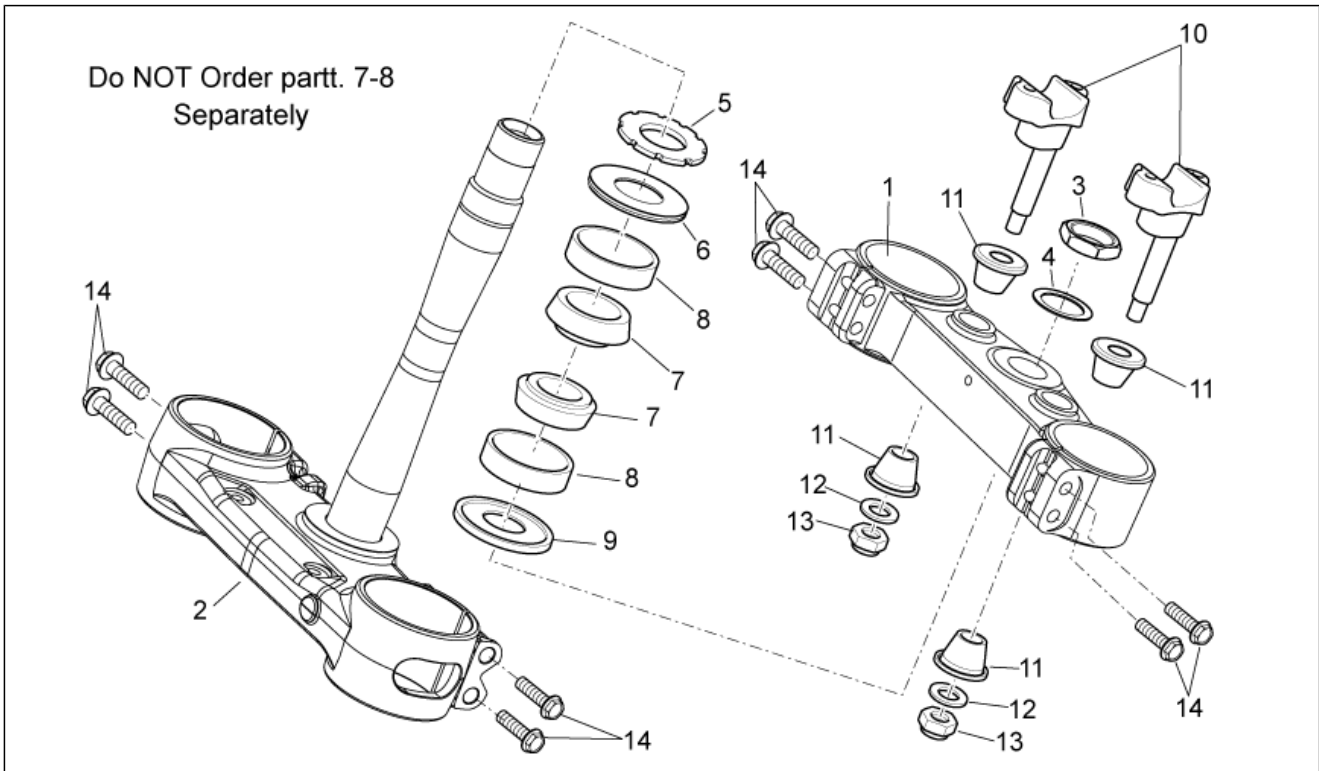
| Pos. | Code | Description | Qty | Variants |
|------|-----------|--------------------------|-----|-----------------------|
| 1 | 851105 | Frame | 1 | Year:2008-2009[08-09] |
| 1 | 891223 | Frame | 1 | Year:2010[A] |
| 2 | AP9100173 | Black chain guide roller | 1 | |
| 3 | AP9100174 | Spacer | 1 | |
| 4 | AP9100175 | Ball bearing 8x22x7 | 2 | |
| 5 | AP8152288 | Screw w/ flange | 1 | |
| 6 | AP9100688 | Lower chain guide plate | 1 | |
| 7 | AP8152272 | Screw w/ flange | 1 | |
| 8 | AP8120253 | Spacer * | 1 | |
| 9 | 855799 | Screw w/ flange | 1 | |
| 10 | AP9100724 | Spacer | 1 | |
| 11 | 851471 | Saddle support | 1 | Year:2008-2009[08-09] |
| 11 | 899117 | Saddle support | 1 | Year:2010[A] |
| 12 | AP8152287 | Screw w/ flange | 4 | |
| 13 | AP8202058 | Plastic rivet, black | 2 | |
| 14 | AP8117033 | Adhesive sponge | 3 | |
| 15 | 891283 | Frame reinforcement kit | 1 | Year:2008-2009[08-09] |

| | |
|--------------------|------------|
| Group | FRAME |
| Code | 28.02 |
| Description | Foot rests |
| Service | 1 |



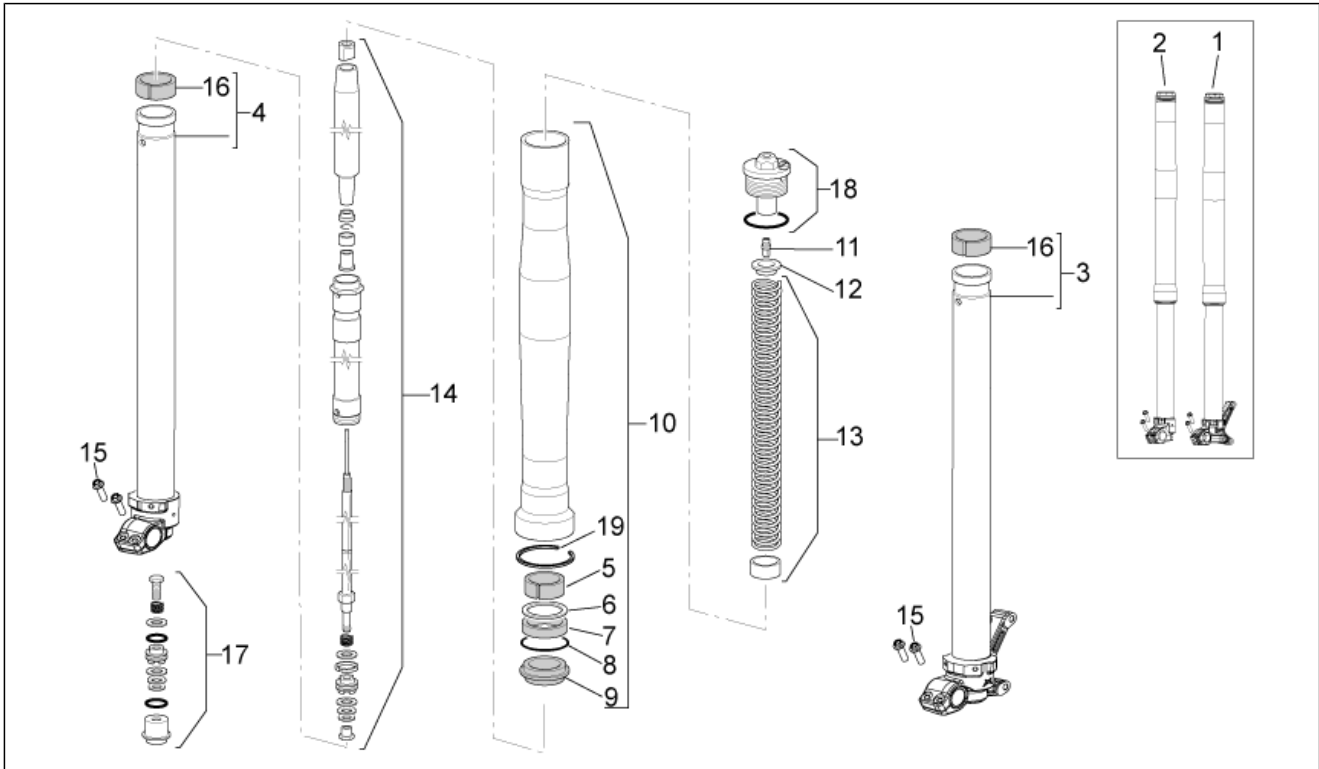
| Pos. | Code | Description | Qty | Variants |
|------|-----------|------------------------|-----|-----------------------|
| 1 | AP9100193 | LH footrest | 1 | |
| 2 | AP9100194 | RH footrest | 1 | |
| 3 | AP9100195 | Spring LH | 1 | |
| 4 | AP9100196 | Spring RH | 1 | |
| 5 | AP9100197 | Pin | 2 | |
| 6 | AP9100275 | Footrest support | 2 | |
| 7 | AP9100390 | Screw M12x1,25 | 2 | |
| 8 | AP8152058 | Hex socket screw M8x20 | 2 | Year:2010[A] |
| 8 | AP8152286 | Screw w/ flange M8x20 | 2 | Year:2008-2009[08-09] |
| 9 | AP8152176 | Washer 10,5X18X2* | 2 | |
| 10 | AP8150017 | Washer 8,4x16x1,6* | 2 | |
| 11 | AP8101606 | Split pin | 2 | |
| 12 | 855269 | LH int.sheet plate | 2 | |
| 13 | 891217 | Plate | 2 | Year:2010[A] |

| | |
|--------------------|----------|
| Group | FRAME |
| Code | 28.03 |
| Description | Steering |
| Service | 1 |



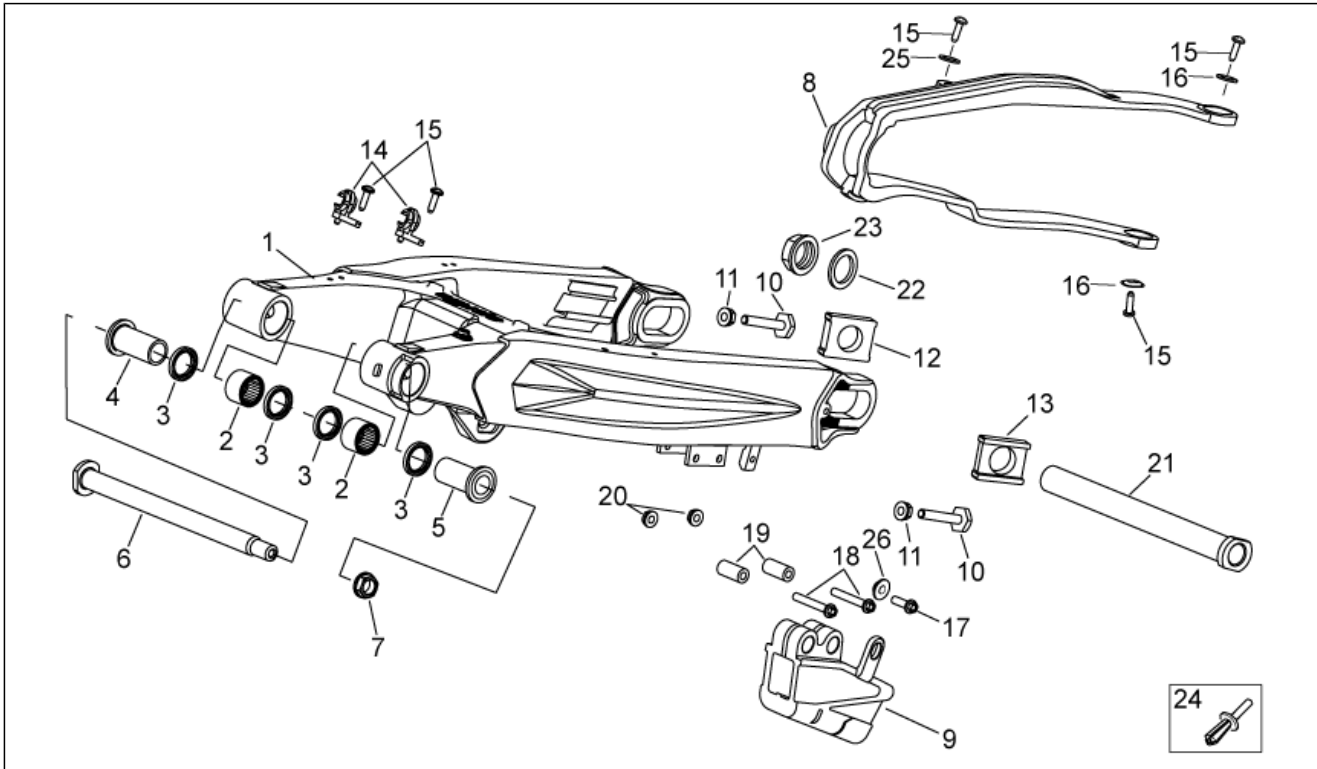
| Pos. | Code | Description | Qty | Variants |
|------|-----------|-------------------------------|-----|----------|
| 1 | 851245 | Upper plate | 1 | |
| 2 | 858033 | Base with pivot steering | 1 | |
| 3 | AP9100026 | Spindle nut | 1 | |
| 4 | AP9100028 | Washer 26,5x36x1 | 1 | |
| 5 | AP9100021 | Ring nut | 1 | |
| 6 | AP9100204 | Upper Gasket ring | 1 | |
| 7 | 851030 | Bearing | 2 | |
| 8 | 851029 | Fifth wheel | 2 | |
| 9 | AP9100205 | Lower Gasket ring | 1 | |
| 10 | AP9100293 | Lower U-bolt | 2 | |
| 11 | AP9100412 | Silent-block | 4 | |
| 12 | AP9100776 | Washer 10.1x23x2.5 | 2 | |
| 13 | AP9100439 | Low self-locking nut M10x1,25 | 2 | |
| 14 | AP8152290 | Screw w/ flange | 8 | |

| | |
|--------------------|------------|
| Group | FRAME |
| Code | 28.04 |
| Description | Front fork |
| Service | 1 |



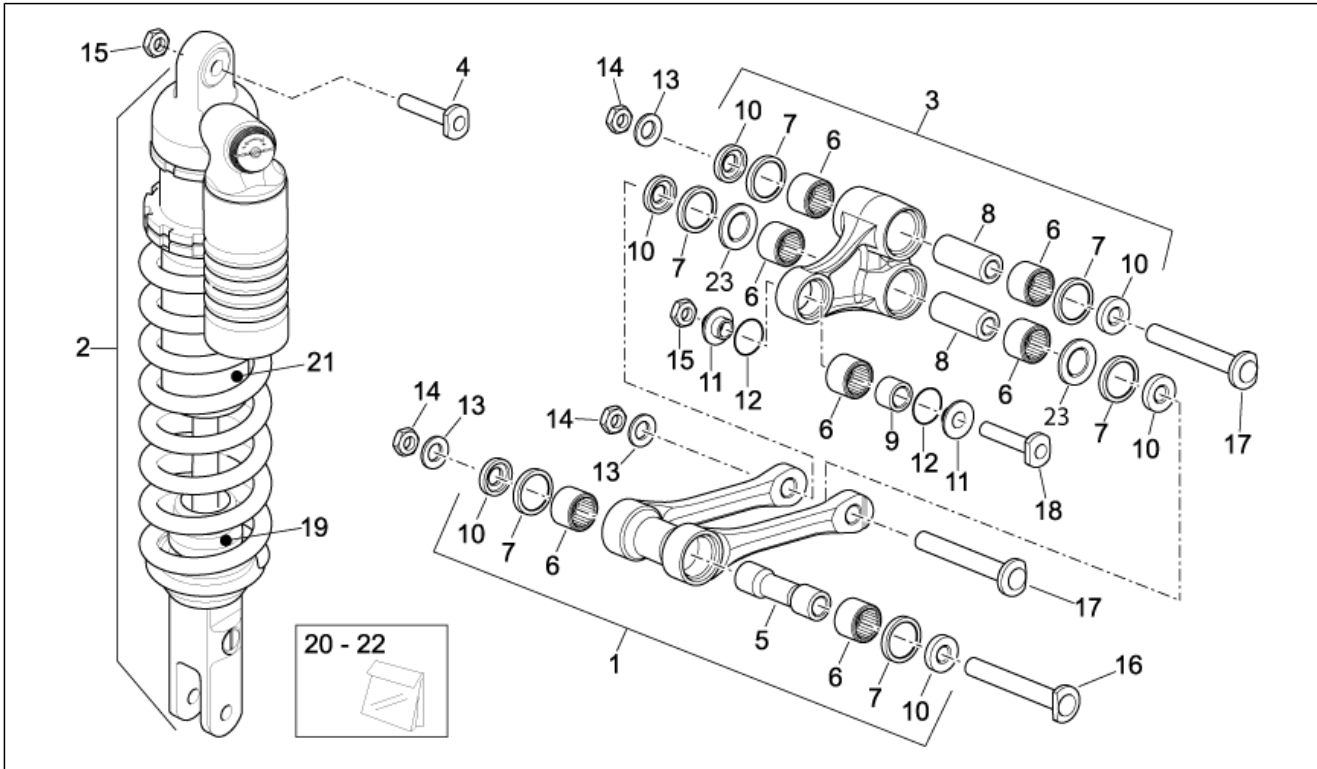
| Pos. | Code | Description | Qty | Variants |
|------|-----------|--------------------------|-----|---------------------------------------|
| 1 | 851248 | LH hub cpl. | 1 | Technical Specifications:Marzocchi[M] |
| 2 | 851249 | RH hub cpl. | 1 | Technical Specifications:Marzocchi[M] |
| 3 | 890521 | Hub+LH fork leg | 1 | Technical Specifications:Marzocchi[M] |
| 4 | 858528 | Hub+RH fork leg | 1 | Technical Specifications:Marzocchi[M] |
| 5 | 853982 | Upper bush 50x15 | 2 | Technical Specifications:Marzocchi[M] |
| 6 | AP8163069 | Ring | 2 | Technical Specifications:Marzocchi[M] |
| 7 | AP8163070 | Oil seal | 2 | Technical Specifications:Marzocchi[M] |
| 8 | AP8163071 | Stop ring | 2 | Technical Specifications:Marzocchi[M] |
| 9 | AP8163072 | Dust cover | 2 | Technical Specifications:Marzocchi[M] |
| 10 | 890522 | Sleeve cpl. | 2 | Technical Specifications:Marzocchi[M] |
| 11 | AP8163369 | Screw complete TCIC M4x6 | 2 | Technical Specifications:Marzocchi[M] |
| 12 | 858530 | Ring spring D.50 | 2 | Technical Specifications:Marzocchi[M] |
| 13 | 893186 | Spring kit | 2 | Technical Specifications:Marzocchi[M] |
| 14 | 893190 | Plunger, complete | 2 | Technical Specifications:Marzocchi[M] |
| 15 | AP8152280 | Screw w/ flange M6x25 | 4 | Technical Specifications:Marzocchi[M] |
| 16 | 854000 | Lower bush | 2 | Technical Specifications:Marzocchi[M] |
| 17 | 893188 | Valve d.50 | 2 | Technical Specifications:Marzocchi[M] |
| 18 | 893189 | Plug cpl. d.50 | 2 | Technical Specifications:Marzocchi[M] |
| 19 | 855001 | Stop ring d.62x2,0 | 2 | Technical Specifications:Marzocchi[M] |

| | |
|--------------------|-----------|
| Group | FRAME |
| Code | 28.05 |
| Description | Swing arm |
| Service | 1 |



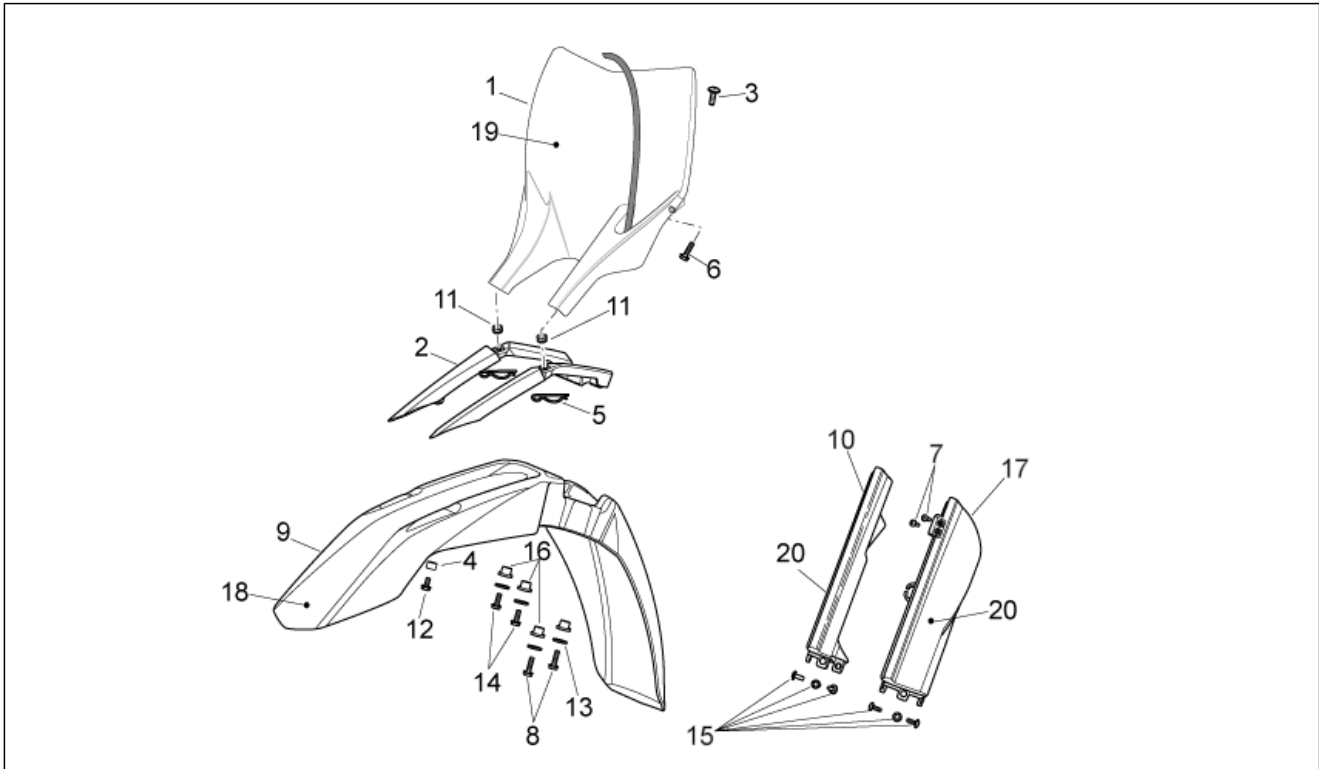
| Pos. | Code | Description | Qty | Variants |
|------|-----------|--------------------------------|-----|-----------------------|
| 1 | 855550 | Swing arm | 1 | Year:2008-2009[08-09] |
| 1 | 891226 | Swing arm | 1 | Year:2010[A] |
| 2 | AP9100202 | Roller cage 22x29x30 | 2 | |
| 3 | AP9100203 | Gasket ring 22x29x4 | 4 | |
| 4 | AP9100952 | Piston pin L=47,5 | 1 | |
| 5 | AP9100952 | Piston pin L=47,5 | 1 | |
| 6 | AP9100123 | Rear swing arm pin M14 L=244 | 1 | |
| 7 | AP8152244 | DAX flange nut M14x1,5 | 1 | |
| 8 | 855552 | Chain guide plate | 1 | |
| 9 | 855553 | Chain guide plate | 1 | |
| 10 | AP8152305 | Chain tens.adjuster screw | 2 | |
| 11 | AP8150027 | Nut M8 | 2 | |
| 12 | 855565 | LH chain guide plate | 1 | |
| 13 | 855697 | RH chain guide plate | 1 | |
| 14 | AP9100565 | Brake hose cable guide | 2 | |
| 15 | 015585 | Self-tapping screw | 5 | |
| 16 | AP8234020 | Cup for shoe | 2 | |
| 17 | 598839 | Screw w/ flange | 1 | |
| 18 | AP8152284 | Screw w/ flange | 2 | |
| 19 | AP9100287 | Bush | 2 | |
| 20 | AP9100434 | Self-locking nut M6x1 | 2 | |
| 21 | 855562 | Rear wheel spindle M25 L=266,5 | 1 | |
| 22 | AP8152323 | Washer 25,2x36x1 | 1 | |
| 23 | 855722 | Wheel spindle nut M25x1,5 | 1 | |
| 24 | AP8202058 | Plastic rivet, black | 2 | Year:2008-2009[08-09] |
| 25 | AP8150255 | Washer 5x20x1,5 | 1 | |
| 26 | AP9100053 | Bush d.10-h.3,5 | 1 | |

| | |
|--------------------|---------------------|
| Group | FRAME |
| Code | 28.06 |
| Description | Rear shock absorber |
| Service | 1 |



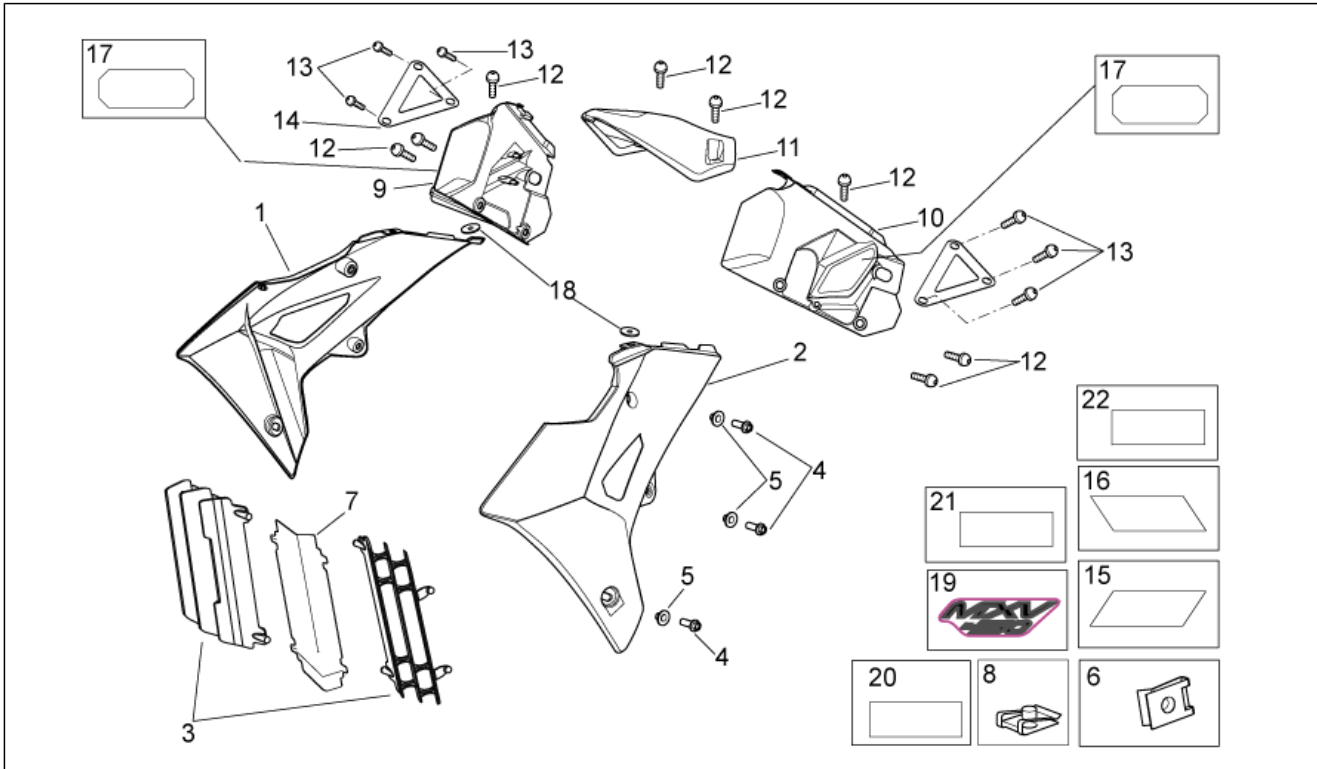
| Pos. | Code | Description | Qty | Variants |
|------|-----------|-------------------------------|-----|-----------------------|
| 1 | AP9100176 | Single conrod comp. | 1 | |
| 2 | 855578 | Rear shock absorber MXV | 1 | Year:2008-2009[08-09] |
| 2 | 891194 | Rear shock absorber MXV | 1 | Year:2010[A] |
| 3 | 851252 | Double conrod comp. | 1 | |
| 4 | AP9100007 | Screw M10x1,25 L=53 | 1 | |
| 5 | AP9100178 | Piston pin | 1 | |
| 6 | 85107R | Needle bearing 20x27x15 | 7 | |
| 7 | AP9100177 | Gasket ring 25x32x4 | 6 | |
| 8 | AP9100184 | Piston pin | 2 | |
| 9 | AP9100111 | Spacer | 1 | |
| 10 | AP9100179 | Spacer | 6 | |
| 11 | AP9100186 | Outside spacer | 2 | |
| 12 | AP9100549 | O-ring 1,5x24 | 2 | |
| 13 | AP8152018 | Washer 12,2x22x2 | 3 | |
| 14 | AP9100442 | Low self-locking nut M12x1,25 | 3 | |
| 15 | AP9100439 | Low self-locking nut M10x1,25 | 2 | |
| 16 | AP9100604 | Screw M12x1,25 L=120 | 1 | |
| 17 | AP9100289 | Screw M12x1,25 L=95 | 2 | |
| 18 | AP9100208 | Screw M10x1,25 L=44 | 1 | |
| 19 | 855956 | Drift | 1 | |
| 20 | 855957 | Gasket set | 1 | |
| 21 | 855944 | Sleeve unit | 1 | |
| 22 | 855959 | Sleeve gasket set | 1 | |
| 23 | AP9100182 | Flat washer 31x20,2x1,4 | 2 | |

| | |
|--------------------|--------------|
| Group | FRAME |
| Code | 28.07 |
| Description | Front body I |
| Service | 1 |



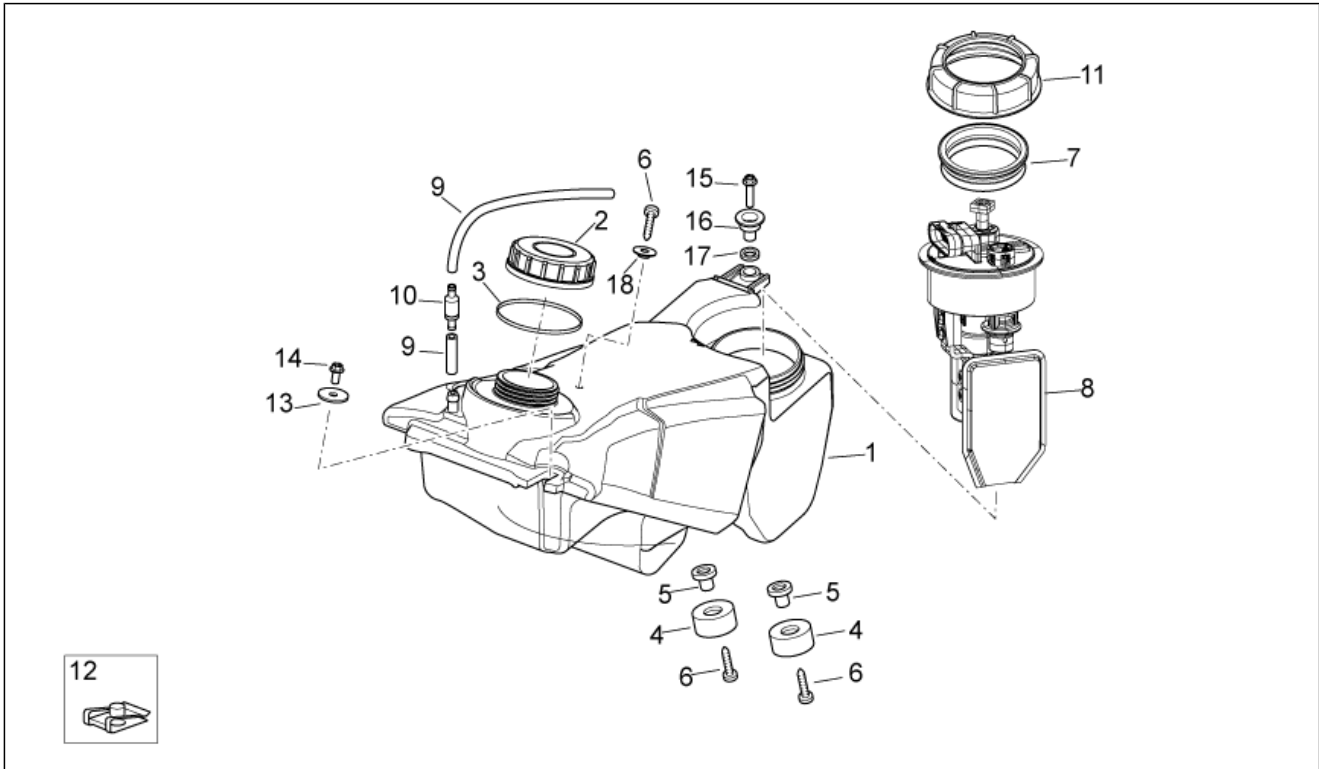
| Pos. | Code | Description | Qty | Variants |
|------|-----------|-----------------------------------|-----|---------------------------------------------------------|
| 1 | AP8184813 | Number plate | 1 | Technical Specifications: With decals applied[D] |
| 2 | AP8156344 | Tie rod | 1 | |
| 3 | AP8152339 | Screw w/ flange M5x9 | 1 | |
| 4 | AP9100053 | Bush d.10-h.3,5 | 2 | |
| 5 | AP8201431 | Split pin * | 2 | |
| 6 | AP9100633 | Special cap screw T autof. 4,2x13 | 1 | |
| 7 | AP8150246 | Screw | 2 | |
| 8 | AP8152284 | Screw w/ flange | 2 | |
| 9 | AP8156343 | Front mudguard, red | 1 | |
| 10 | AP9100441 | RH sleeve guard, black | 1 | |
| 11 | AP8120405 | Rubber spacer * | 2 | |
| 12 | AP8152277 | Screw w/ flange | 2 | |
| 13 | AP8150015 | Washer 6,6x18x1,6* | 4 | |
| 14 | 598839 | Screw w/ flange | 2 | |
| 15 | AP9100548 | Screw complete M6x1 | 6 | |
| 16 | AP9100501 | T bush 20x0,5x3,5 | 4 | |
| 17 | AP9100440 | LH sleeve guard, black | 1 | |
| 18 | 890575 | Front mudguard decal | 1 | |
| 19 | 890691 | Numberplate | 1 | |
| 20 | 852038 | Decal "AGIP APRILIA" | 2 | |

| | |
|--------------------|---------------|
| Group | FRAME |
| Code | 28.08 |
| Description | Front body II |
| Service | 1 |



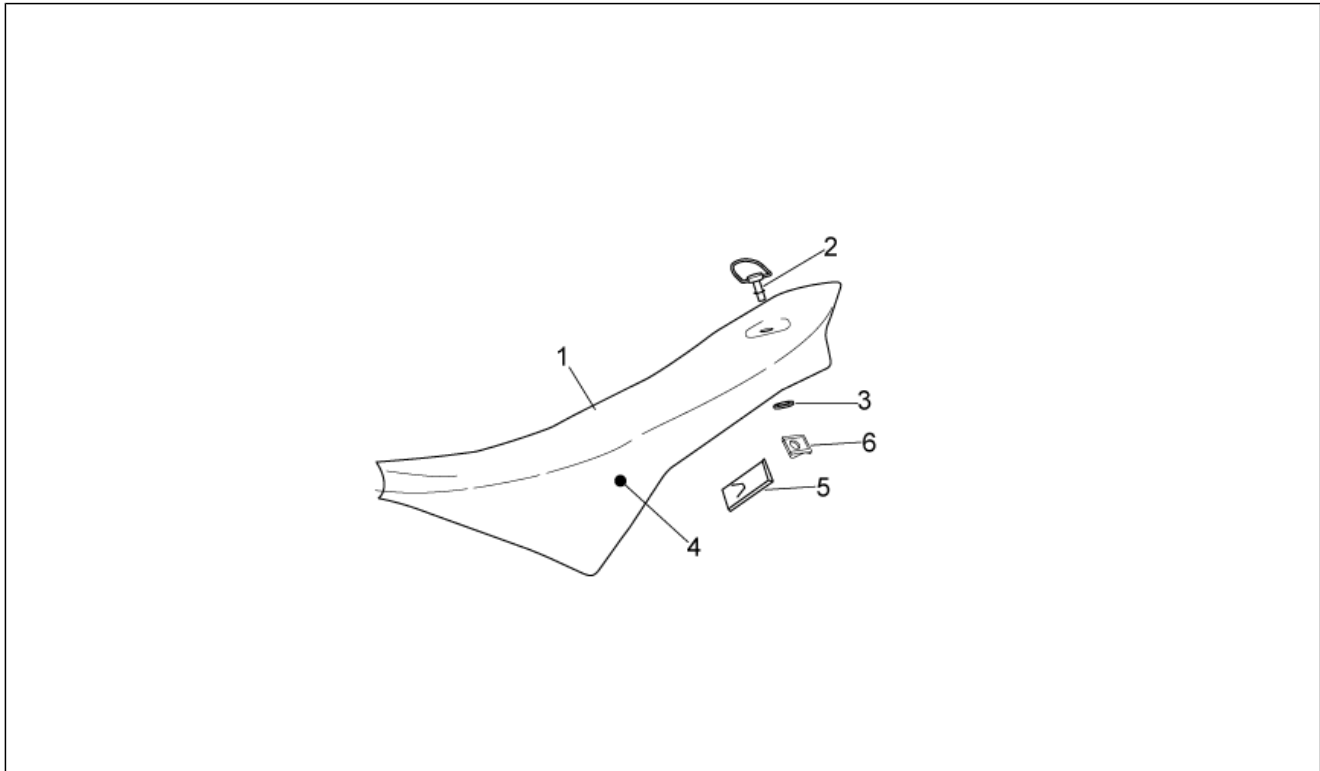
| Pos. | Code | Description | Qty | Variants |
|------|-------------|----------------------------|-----|-----------------------------------------------------------------|
| 1 | 8555600XR3 | RH air duct | 1 | Year:2008-2009[08-09] |
| 1 | 89835600XR3 | RH air duct, red | 1 | Year:2011[B] Technical Specifications:With decals applied[D] |
| 2 | 85556100XR3 | LH air duct | 1 | Year:2008-2009[08-09] |
| 2 | 89835700XR3 | LH air duct, red | 1 | Year:2011[B] Technical Specifications:With decals applied[D] |
| 3 | AP9100366 | Water cooler grille | 2 | |
| 4 | AP9100645 | Screw w/ flange M6x16 inox | 6 | |
| 5 | AP9100053 | Bush d.10-h.3,5 | 6 | |
| 6 | 254485 | Spring plate M6 | 6 | |
| 7 | 855595 | Front fairing | 1 | |
| 8 | AP8102375 | Clip m5 | 2 | |
| 9 | 855558 | Air filter RH Covers | 1 | |
| 10 | 855605 | Air filter LH Covers | 1 | |
| 11 | 855559 | Cover | 1 | |
| 12 | AP8152267 | Hex socket screw | 8 | |
| 13 | AP8150444 | Self-tapping screw | 6 | |
| 14 | 855850 | Plate | 2 | |
| 15 | 855949 | RH sponge | 1 | |
| 16 | 855950 | LH sponge | 1 | |
| 17 | 855851 | Filter air intake | 2 | |
| 18 | 855861 | Bush | 2 | |
| 19 | 890694 | Decal "MXV" | 2 | Year:2008-2009[08-09] |
| 20 | 890692 | Decal "APRILiA" | 2 | Year:2008-2009[08-09] |
| 21 | 896129 | Sticker RH "MXV" | 1 | Year:2010[A] |
| 21 | 898345 | Sticker RH "MXV" | 1 | Year:2011[B] |
| 22 | 896130 | Sticker LH "MXV" | 1 | Year:2010[A] |
| 22 | 898346 | Sticker LH "MXV" | 1 | Year:2011[B] |

| | |
|--------------------|-----------|
| Group | FRAME |
| Code | 28.09 |
| Description | Fuel tank |
| Service | 1 |



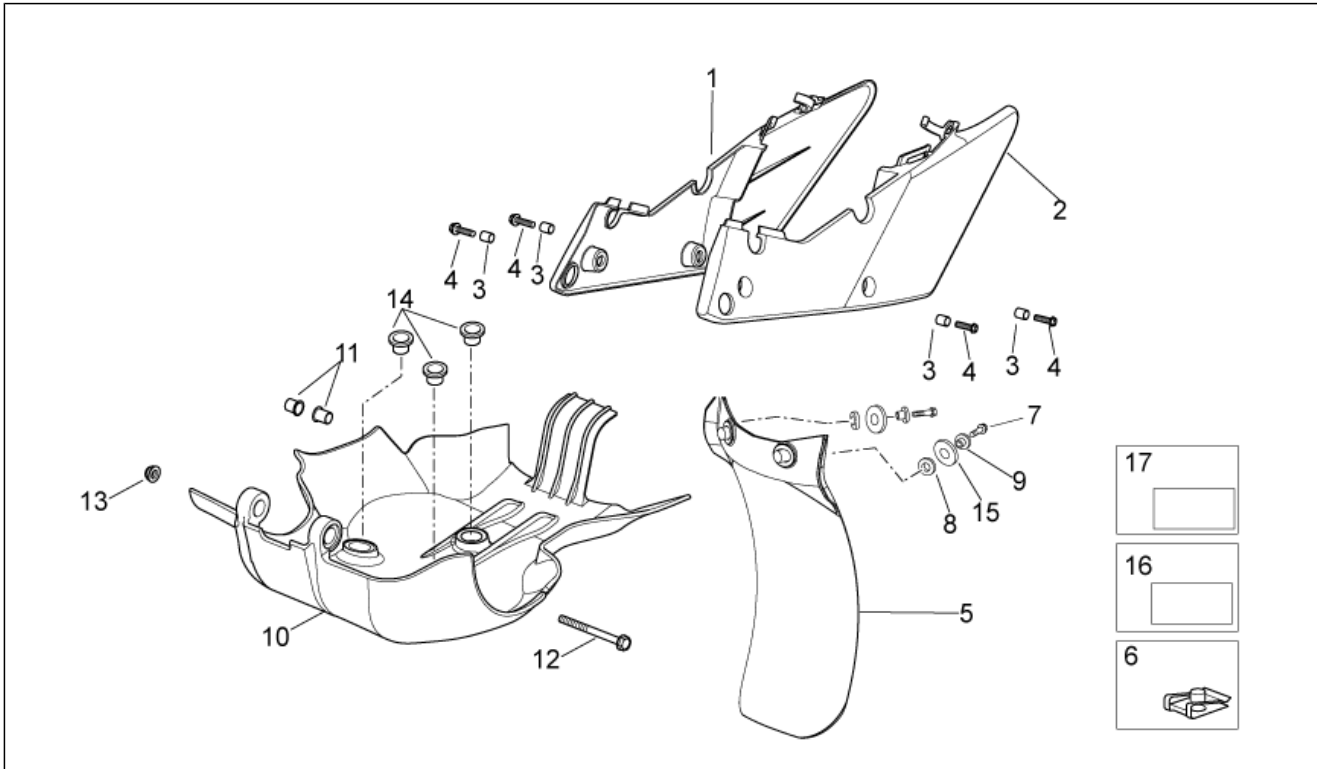
| Pos. | Code | Description | Qty | Variants |
|------|-----------|-----------------------|-----|----------|
| 1 | 851275 | Fuel tank | 1 | |
| 2 | 855827 | Plug | 1 | |
| 3 | 855740 | Gasket | 1 | |
| 4 | AP9100767 | Rubber spacer 26x12,2 | 2 | |
| 5 | AP8121811 | T bush | 2 | |
| 6 | 015585 | Self-tapping screw | 2 | |
| 7 | 576542 | Gasket | 1 | |
| 8 | 855554 | Fuel pump cpl. | 1 | |
| 9 | AP8220402 | Pipe 5x9 | 2 | |
| 10 | 855825 | Valve | 1 | |
| 11 | 576546 | Ring nut | 1 | |
| 12 | 254485 | Spring plate M6 | 1 | |
| 13 | AP8150016 | Washer 6,6x18x1,6 | 1 | |
| 14 | AP8152277 | Screw w/ flange | 1 | |
| 15 | AP8152280 | Screw w/ flange M6x25 | 1 | |
| 16 | 855737 | Bush | 1 | |
| 17 | 855828 | Washer | 1 | |
| 18 | AP9100501 | T bush 20x0,5x3,5 | 1 | |

| | |
|--------------------|--------|
| Group | FRAME |
| Code | 28.10 |
| Description | Saddle |
| Service | 1 |



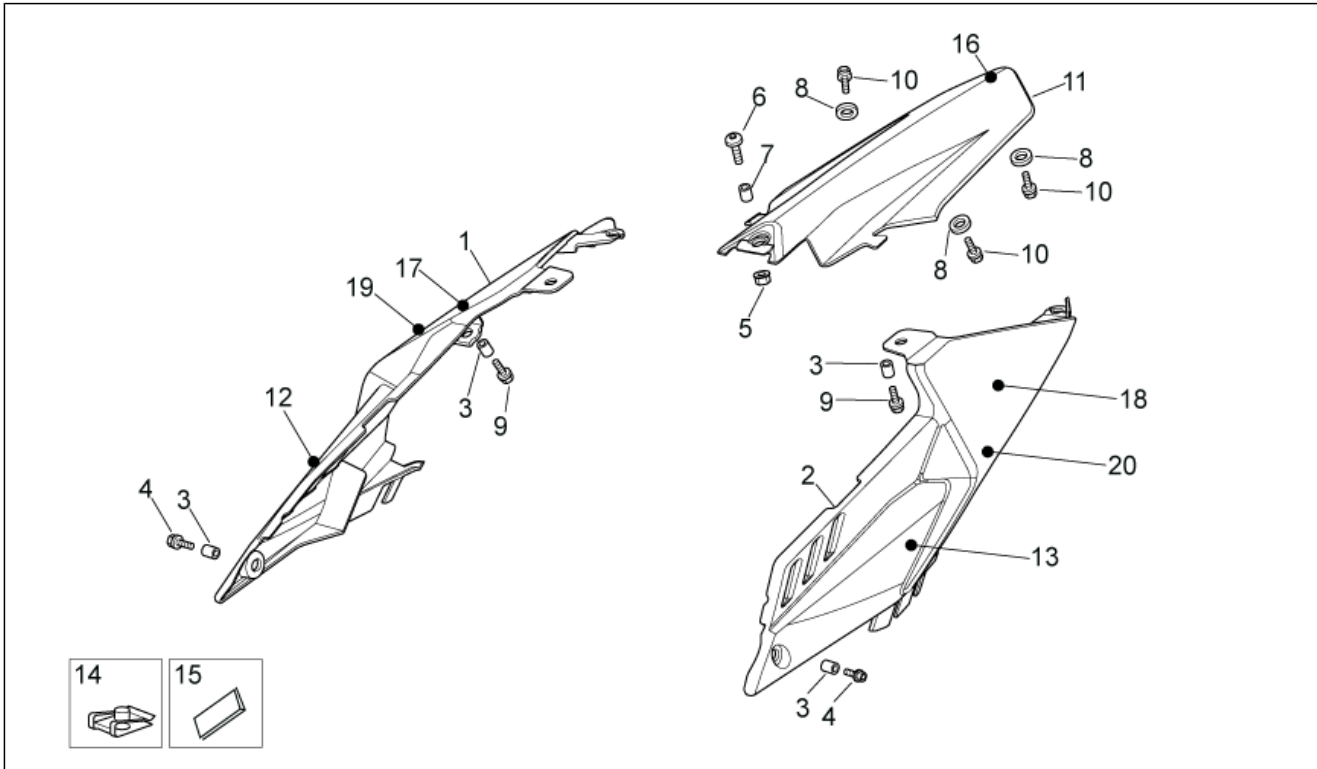
| Pos. | Code | Description | Qty | Variants |
|------|------------|-----------------|-----|----------|
| 1 | 85518600AA | Saddle | 1 | |
| 2 | 855914 | Release device | 1 | |
| 3 | AP9100087 | Washer Teflon | 1 | |
| 4 | 855922 | Saddle casing | 1 | |
| 5 | 858545 | Heat protection | 1 | |
| 6 | AP8101985 | Special clip | 1 | |

| | |
|--------------------|--------------|
| Group | FRAME |
| Code | 28.11 |
| Description | Central body |
| Service | 1 |



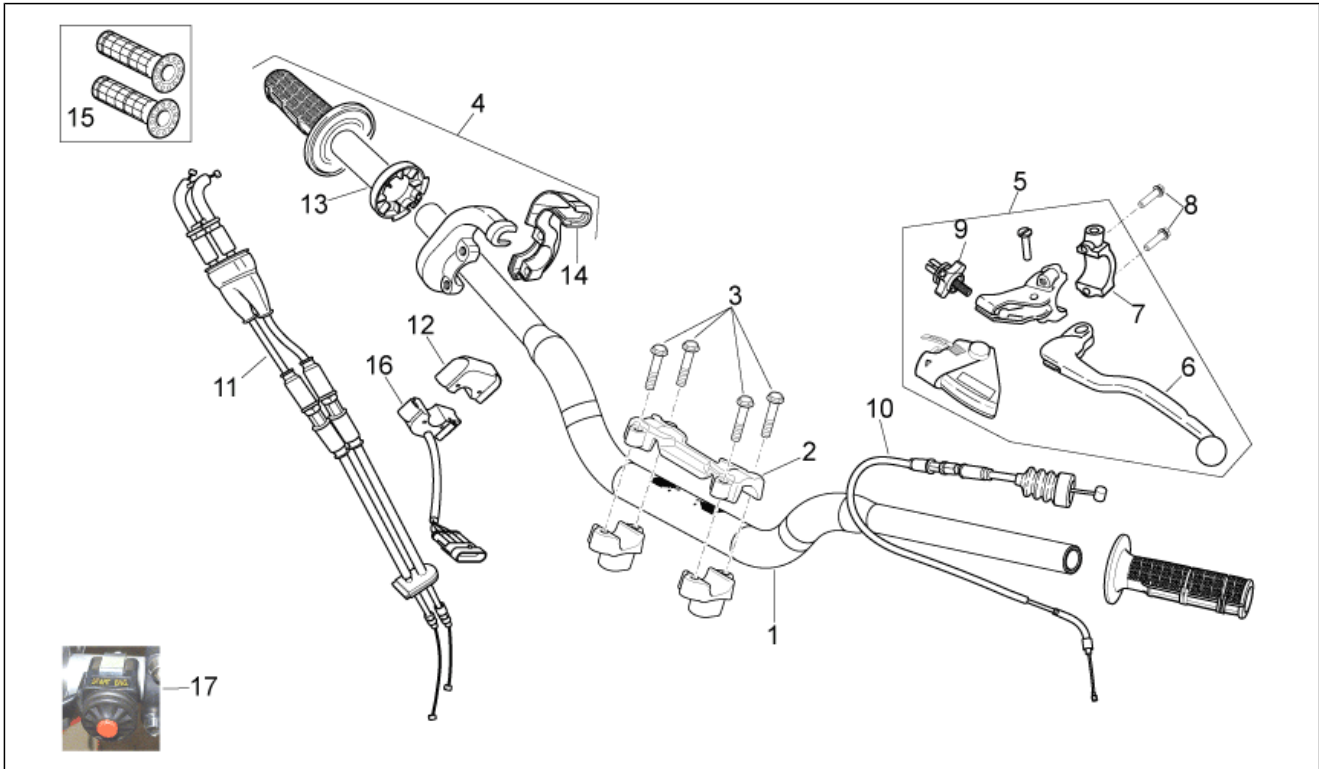
| Pos. | Code | Description | Qty | Variants |
|------|-------------|----------------------------|-----|------------------------------------------------------------------------------------------|
| 1 | 85590310XN4 | RH side panel, black | 1 | Technical Specifications: No decals[ND] |
| 1 | 89100300XN4 | RH side panel, black | 1 | Year: 2008-2009[08-09] Technical Specifications: With decals applied[D] |
| 2 | AP8184606 | LH side panel, black | 1 | Technical Specifications: No decals[ND] |
| 2 | AP8184814 | LH side panel, black | 1 | Year: 2008-2009[08-09] Technical Specifications: With decals applied[D] |
| 3 | AP9100053 | Bush d.10-h.3,5 | 4 | |
| 4 | AP9100645 | Screw w/ flange M6x16 inox | 4 | |
| 5 | 855960 | Shock absorber cover | 1 | |
| 6 | 254485 | Spring plate M6 | 2 | |
| 7 | AP8152274 | Screw w/ flange M5x20 | 2 | |
| 8 | AP8144064 | Heat shield washer | 2 | |
| 9 | AP8121736 | T bush | 2 | |
| 10 | 851256 | Sump guard | 1 | |
| 11 | AP9100778 | Bush | 2 | |
| 12 | AP9100661 | Screw w/ flange M6x1 L=95 | 1 | |
| 13 | AP9100434 | Self-locking nut M6x1 | 1 | |
| 14 | AP8120670 | Rubber spacer * | 3 | |
| 15 | AP9100683 | Washer 18x10,5x0,5 | 2 | |
| 16 | 890695 | RH side panel decal | 1 | Year: 2008-2009[08-09] |
| 16 | 899085 | RH side panel decal | 1 | Year: 2010[A] |
| 17 | 890696 | LH side panel decal | 1 | Year: 2008-2009[08-09] |
| 17 | 899086 | LH side panel decal | 1 | Year: 2010[A] |

| | |
|--------------------|-----------|
| Group | FRAME |
| Code | 28.12 |
| Description | Rear body |
| Service | 1 |



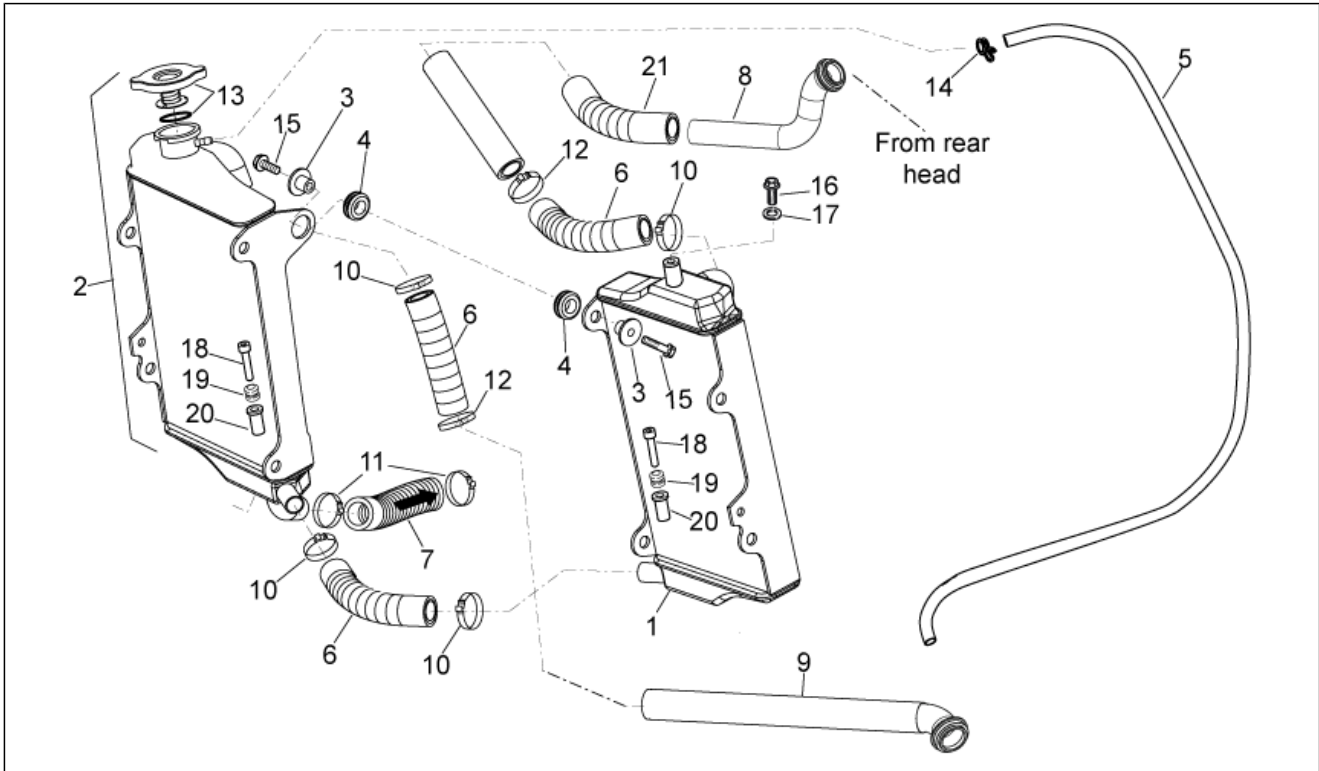
| Pos. | Code | Description | Qty | Variants |
|------|-------------|------------------------------|-----|---------------------------------------------------------|
| 1 | 85590200XR3 | Rh rear fairing | 1 | |
| 2 | 85590100XR3 | Lh rear fairing | 1 | |
| 3 | AP9100053 | Bush d.10-h.3,5 | 4 | |
| 4 | AP9100645 | Screw w/ flange M6x16 inox | 2 | |
| 5 | AP9100434 | Self-locking nut M6x1 | 1 | |
| 6 | AP8152117 | Hex socket screw | 1 | |
| 7 | AP9100594 | Bush 10x7 | 1 | |
| 8 | 969296 | Screw w/ flange | 3 | |
| 9 | 598839 | Screw w/ flange | 2 | |
| 10 | AP8150015 | Washer 6,6x18x1,6* | 3 | |
| 11 | 89100200XR3 | Rear mudguard | 1 | Technical Specifications: With decals applied[D] |
| 12 | 890697 | RH rear fairing decal | 1 | Year: 2008-2009[08-09] |
| 12 | 899087 | RH rear fairing decal | 1 | Year: 2010[A] |
| 13 | 890698 | LH rear fairing decal | 1 | Year: 2008-2009[08-09] |
| 13 | 899088 | LH rear fairing decal | 1 | Year: 2010[A] |
| 14 | 254485 | Spring plate M6 | 2 | |
| 15 | 858545 | Heat protection | 1 | |
| 16 | 890699 | Decal "APRILIA" | 1 | |
| 17 | 899114 | Dec.triangle Rear fairing dx | 1 | Year: 2010[A] |
| 18 | 899115 | Dec.triangle Rear fairing sx | 1 | Year: 2010[A] |
| 19 | 899089 | RH rear fairing decal | 1 | Year: 2010[A] |
| 20 | 899090 | LH rear fairing decal | 1 | Year: 2010[A] |

| | |
|--------------------|----------------------|
| Group | FRAME |
| Code | 28.13 |
| Description | Handlebar - Controls |
| Service | 1 |



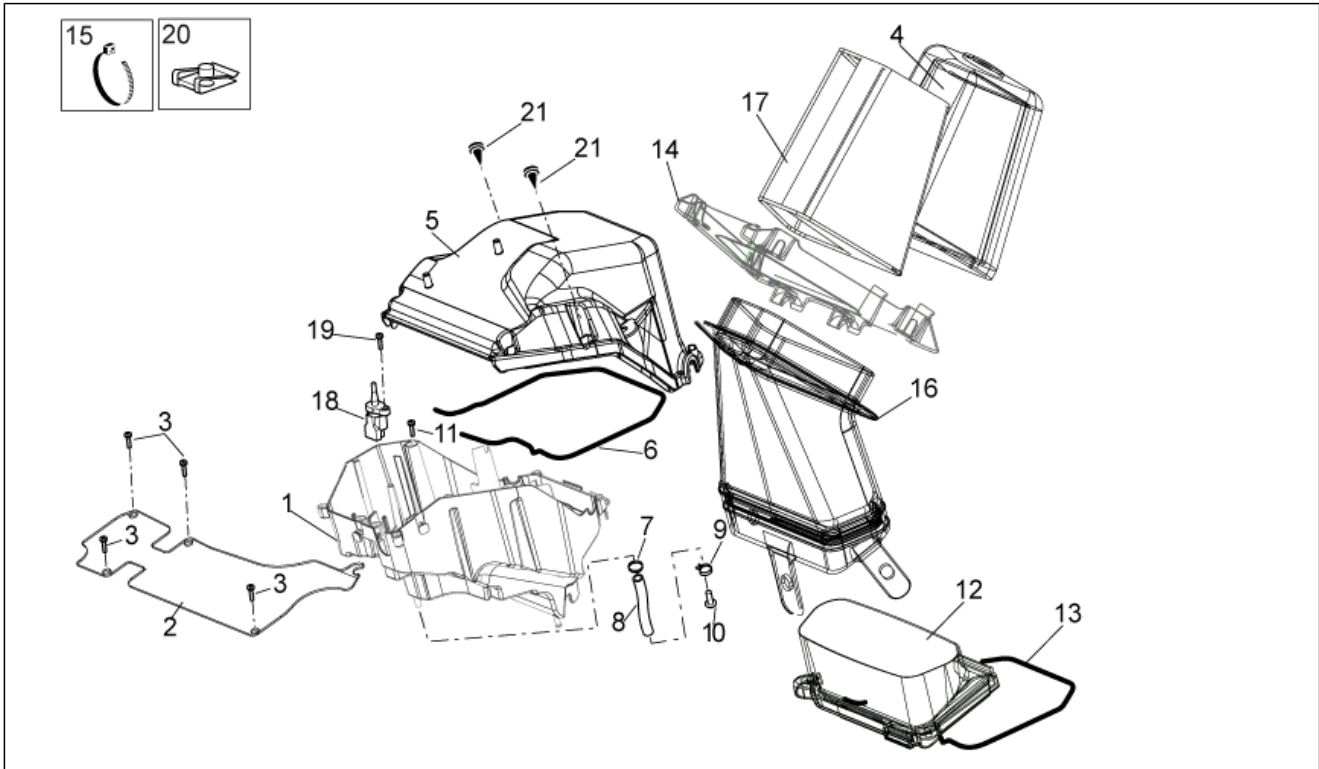
| Pos. | Code | Description | Qty | Variants |
|------|-----------|---------------------------|-----|-----------------------|
| 1 | 855571 | Handlebar | 1 | |
| 2 | 853567 | Upper U-bolt | 1 | Year:2008-2009[08-09] |
| 2 | AP9100297 | Upper U-bolt | 1 | Year:2010[A] |
| 3 | AP8152289 | Screw w/ flange | 4 | |
| 4 | 853696 | Throttle+hand grip | 1 | |
| 5 | AP9100484 | Clutch control | 1 | |
| 6 | AP9100939 | Clutch lever | 1 | |
| 7 | AP9100940 | U-bolt | 1 | |
| 8 | AP8152280 | Screw w/ flange M6x25 | 2 | |
| 9 | AP9100941 | Clutch cable register | 1 | |
| 10 | 855162 | Clutch transmission | 1 | |
| 11 | 851272 | Gas lever transmission | 1 | |
| 12 | 858305 | Map switch Lower shell | 1 | |
| 13 | 851359 | Progressive Throttle pipe | 1 | |
| 14 | 851360 | U-bolt | 1 | |
| 15 | AP8218628 | Handgrip pair, black | 1 | |
| 16 | 858247 | Map switch | 1 | |
| 17 | AP9100425 | Button engine stop | 1 | |

| | |
|--------------------|----------------|
| Group | FRAME |
| Code | 28.14 |
| Description | Cooling system |
| Service | 1 |



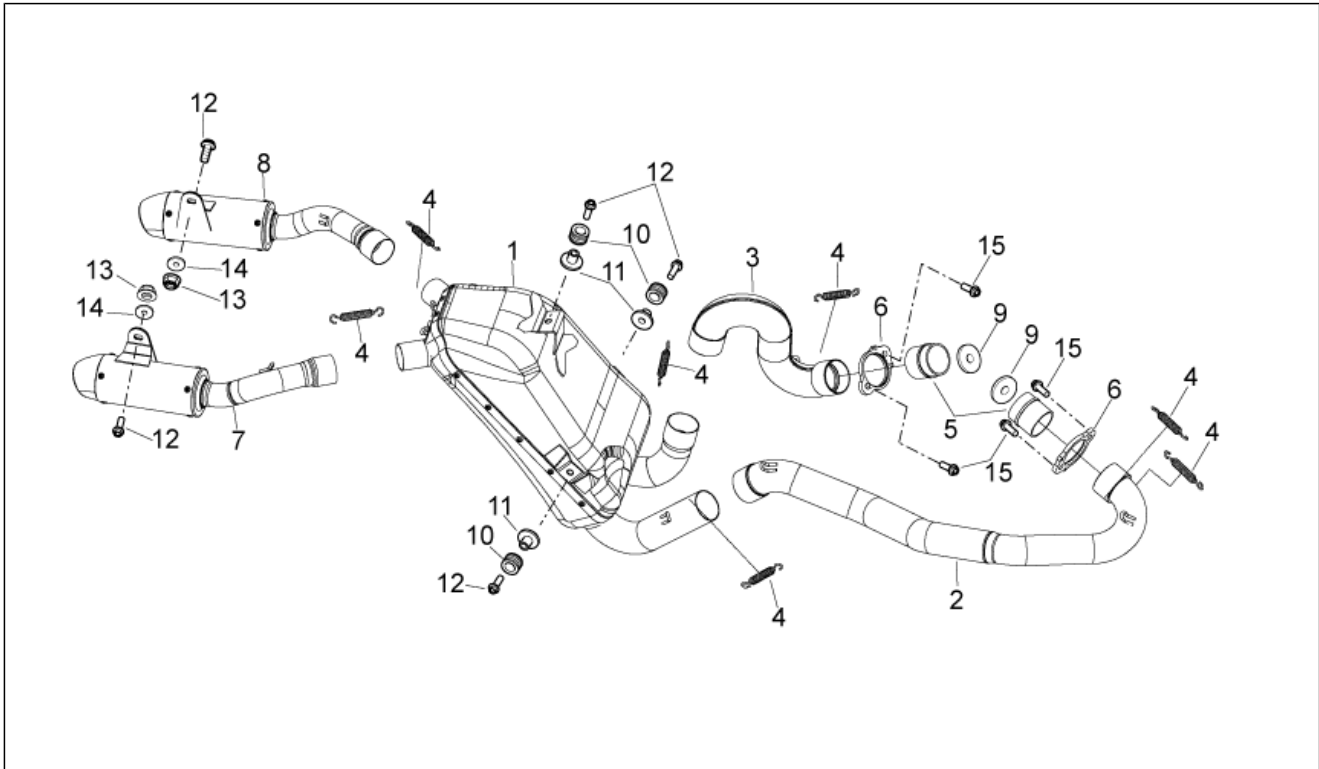
| Pos. | Code | Description | Qty | Variants |
|------|-----------|----------------------------|-----|----------|
| 1 | 855159 | Water cooler, LH | 1 | |
| 2 | 855160 | Water cooler, RH | 1 | |
| 3 | AP9100376 | Bush | 2 | |
| 4 | AP9100946 | Silent-block * | 2 | |
| 5 | AP8220402 | Pipe 5x9 | 1 | |
| 6 | CM238404 | Pipe | 3 | |
| 7 | AP9100557 | Cooler-pump pipe 27x19x145 | 1 | |
| 8 | 855166 | Water cooler-head tube | 1 | |
| 9 | 855167 | Water cooler-head tube | 1 | |
| 10 | AP8201169 | Hose clip D22x8,6* | 4 | |
| 11 | AP9100456 | Hose clip 26x8 | 2 | |
| 12 | AP9100697 | Hose clip 21x8 | 2 | |
| 13 | 855983 | Water cooler filler cap | 1 | |
| 14 | AP8101595 | Hose clamp D10,1* | 1 | |
| 15 | AP8152279 | Screw w/ flange M6x20 | 2 | |
| 16 | AP8152277 | Screw w/ flange | 1 | |
| 17 | AP8152184 | Washer 6,4x12* | 1 | |
| 18 | AP8150265 | Hex socket screw | 2 | |
| 19 | AP8120223 | Rubber spacer * | 2 | |
| 20 | AP8121266 | T bush | 2 | |
| 21 | CM223801 | Fuel pipe | 1 | |

| | |
|--------------------|---------|
| Group | FRAME |
| Code | 28.15 |
| Description | Air box |
| Service | 1 |



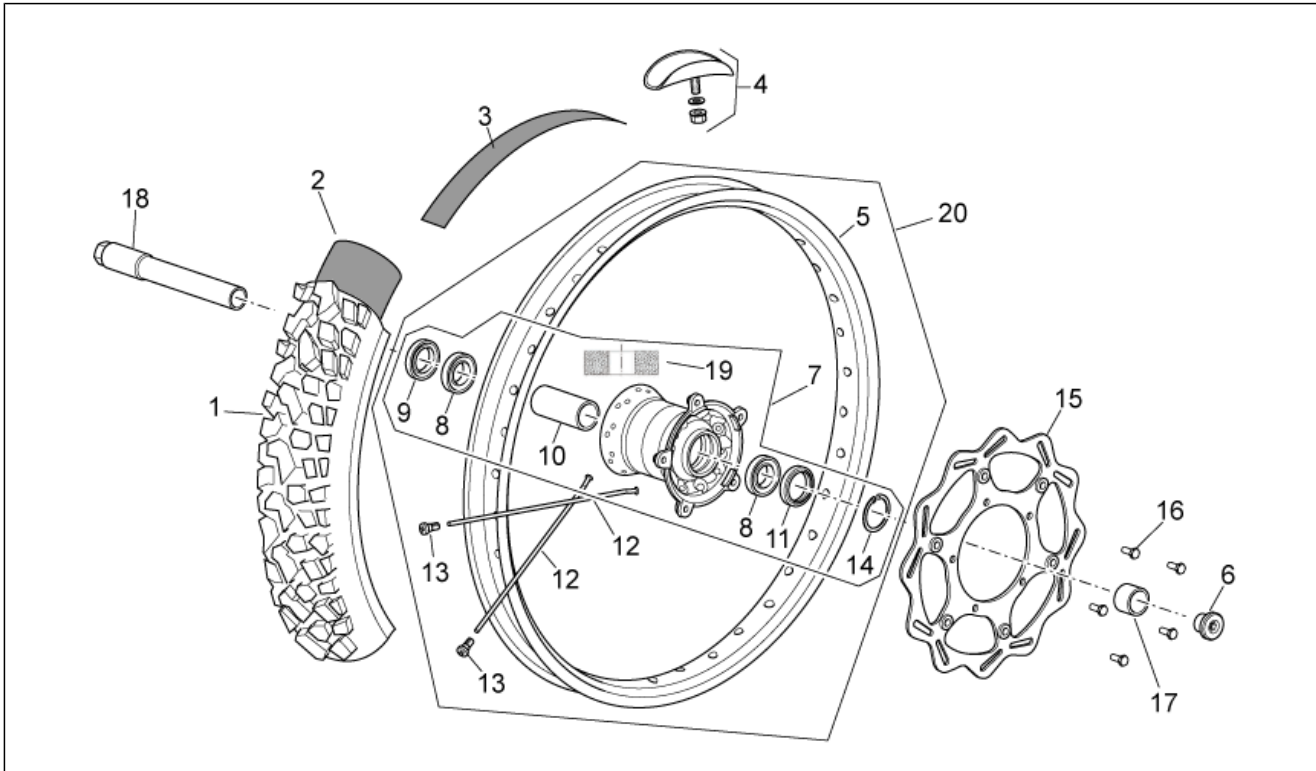
| Pos. | Code | Description | Qty | Variants |
|------|-----------|-----------------------|-----|----------|
| 1 | 851225 | Filter housing base | 1 | |
| 2 | 855080 | Filter housing cover | 1 | |
| 3 | AP8150413 | Self-tap screw 3,9x14 | 4 | |
| 4 | 851262 | Air filter | 1 | |
| 5 | 851257 | Box cover | 1 | |
| 6 | AP8120593 | Gasket D4 | 1 | |
| 7 | AP8102377 | Hose clamp D9,1* | 1 | |
| 8 | AP8144038 | Fuel pipe 6x10 | 1 | |
| 9 | AP8101595 | Hose clamp D10,1* | 1 | |
| 10 | AP8120876 | Plug | 1 | |
| 11 | AP8150423 | Screw 4,2x25* | 8 | |
| 12 | 855197 | Connecting | 1 | |
| 13 | AP8120615 | Gasket D3 | 1 | |
| 14 | 851258 | Frame | 1 | |
| 15 | AP8120657 | Hose clamp * | 4 | |
| 16 | 851259 | Air duct | 1 | |
| 17 | 851260 | Drum | 1 | |
| 18 | AP9100427 | Air temp. Sensor | 1 | |
| 19 | AP8150413 | Self-tap screw 3,9x14 | 1 | |
| 20 | AP8102375 | Clip m5 | 4 | |
| 21 | AP8220238 | Rubber spacer | 2 | |

| | |
|--------------------|--------------|
| Group | FRAME |
| Code | 28.16 |
| Description | Exhaust unit |
| Service | 1 |



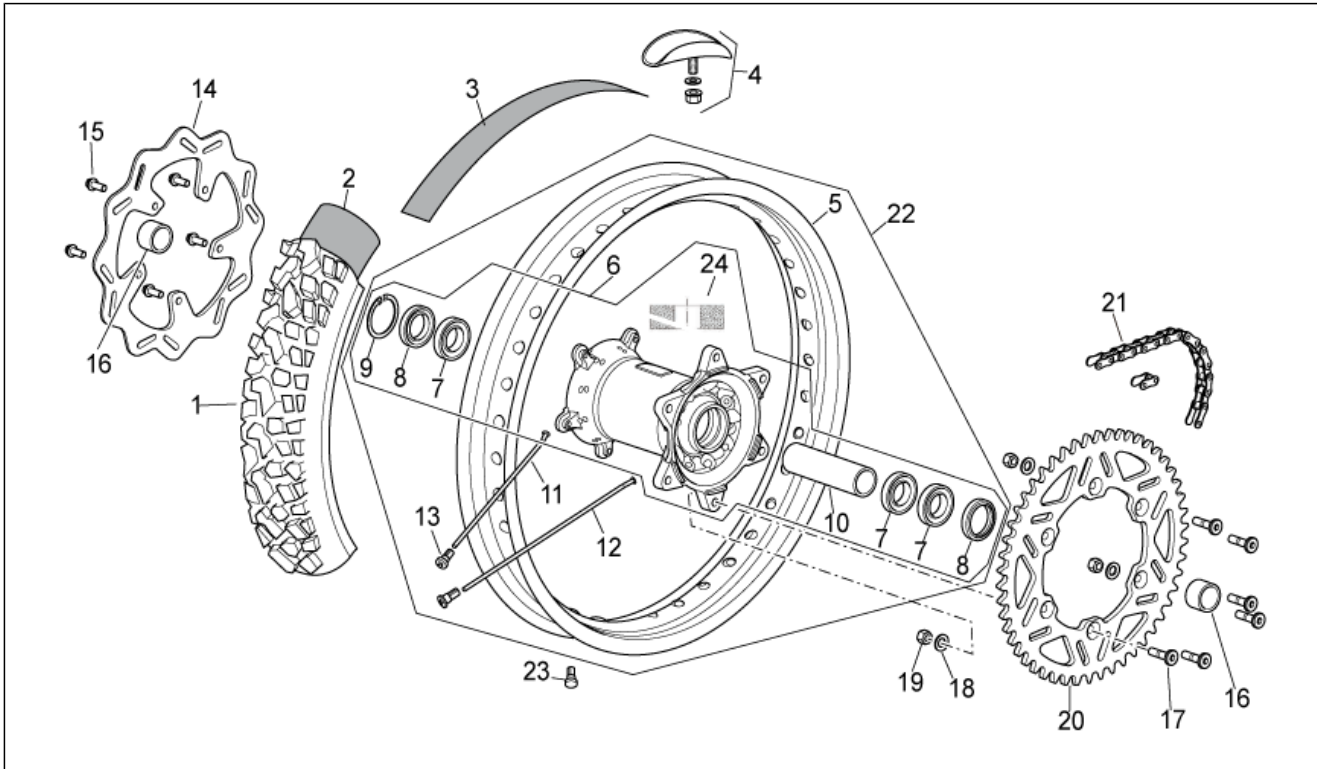
| Pos. | Code | Description | Qty | Variants |
|------|-----------|-----------------------|-----|----------|
| 1 | 856000 | Silencer | 1 | |
| 2 | 855998 | Front. Exhaust pipe | 1 | |
| 3 | 855999 | Rear exhaust pipe | 1 | |
| 4 | 855997 | Exhaust pipes spring | 7 | |
| 5 | 855996 | Bush | 2 | |
| 6 | 855995 | Flange | 2 | |
| 7 | 855924 | RH terminal | 1 | |
| 8 | 855923 | LH terminal | 1 | |
| 9 | AP9100252 | Exhaust pipe gasket | 2 | |
| 10 | 855753 | Silent-block | 3 | |
| 11 | 855788 | Spacer | 3 | |
| 12 | AP8152280 | Screw w/ flange M6x25 | 5 | |
| 13 | AP9100434 | Self-locking nut M6x1 | 2 | |
| 14 | AP8150015 | Washer 6,6x18x1,6* | 2 | |
| 15 | 598839 | Screw w/ flange | 4 | |

| | |
|--------------------|-------------|
| Group | FRAME |
| Code | 28.17 |
| Description | Front wheel |
| Service | 1 |



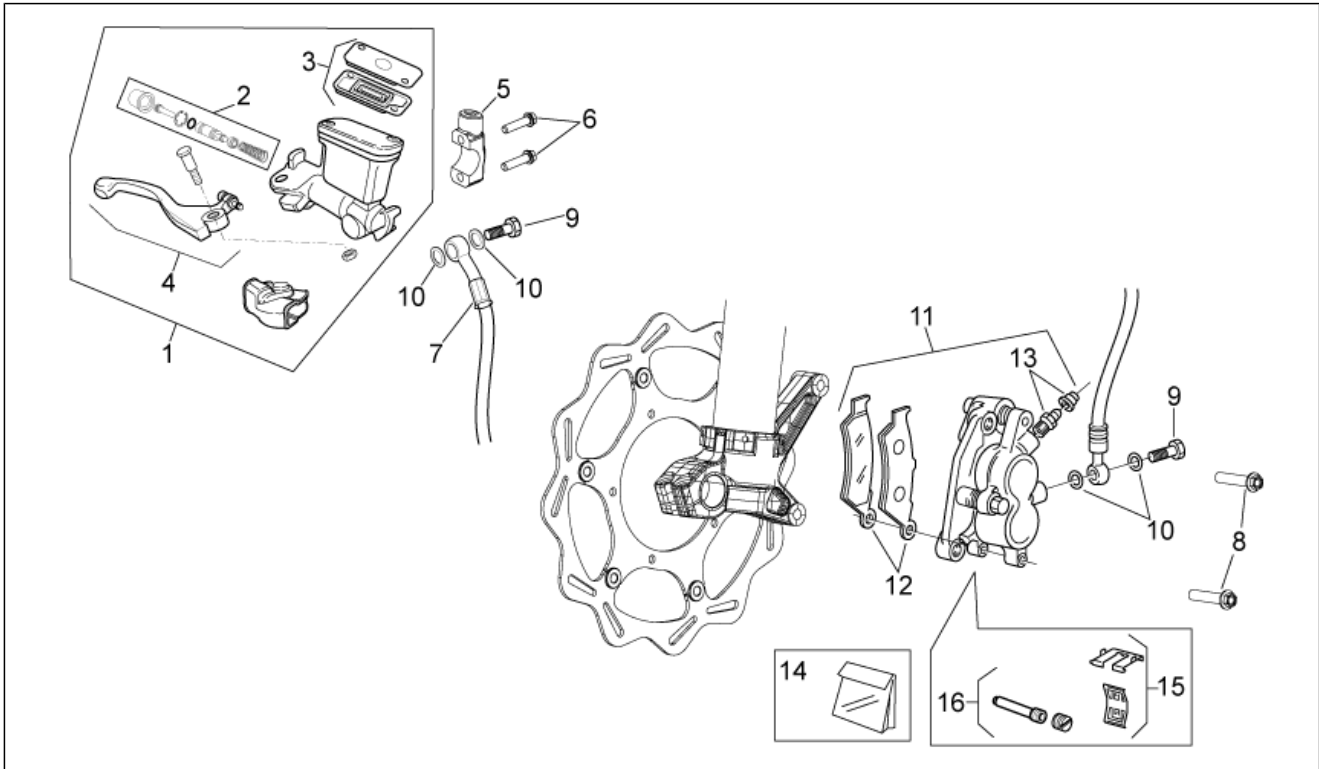
| Pos. | Code | Description | Qty | Variants |
|------|-----------|-----------------------------|-----|----------|
| 1 | 855743 | Front/rear tyre 90/90X21" | 1 | |
| 2 | 855745 | Inner tube 21" | 1 | |
| 3 | AP8109001 | Front wheel flap 21" | 1 | |
| 4 | AP9100457 | Clamp | 1 | |
| 5 | 855611 | Front wheel 1,6x21" | 1 | |
| 6 | AP9100171 | Plug M22 | 1 | |
| 7 | AP9100225 | Front hub | 1 | |
| 8 | AP9100216 | Ball bearing 25x42x9 | 2 | |
| 9 | AP9100228 | Gasket ring 28x42x7 | 1 | |
| 10 | AP9100226 | Internal spacer L=69,7 | 1 | |
| 11 | AP9100227 | Gasket ring 32x42x7 | 1 | |
| 12 | AP9100224 | Spoke d.3,5-21"-l.233 | 36 | |
| 13 | AP9100057 | Nipple | 36 | |
| 14 | AP8121334 | Circlip D.42 | 1 | |
| 15 | 855747 | Front brake disc d.270 | 1 | |
| 16 | 855625 | Screw w/ flange | 5 | |
| 17 | AP9100229 | Outside spacer L=26,3 | 1 | |
| 18 | 855203 | Front wheel spindle L=221,5 | 1 | |
| 19 | AP9100318 | Spacer | 1 | |
| 20 | 891012 | Front wheel 21" | 1 | |

| | |
|--------------------|------------|
| Group | FRAME |
| Code | 28.18 |
| Description | Rear wheel |
| Service | 1 |



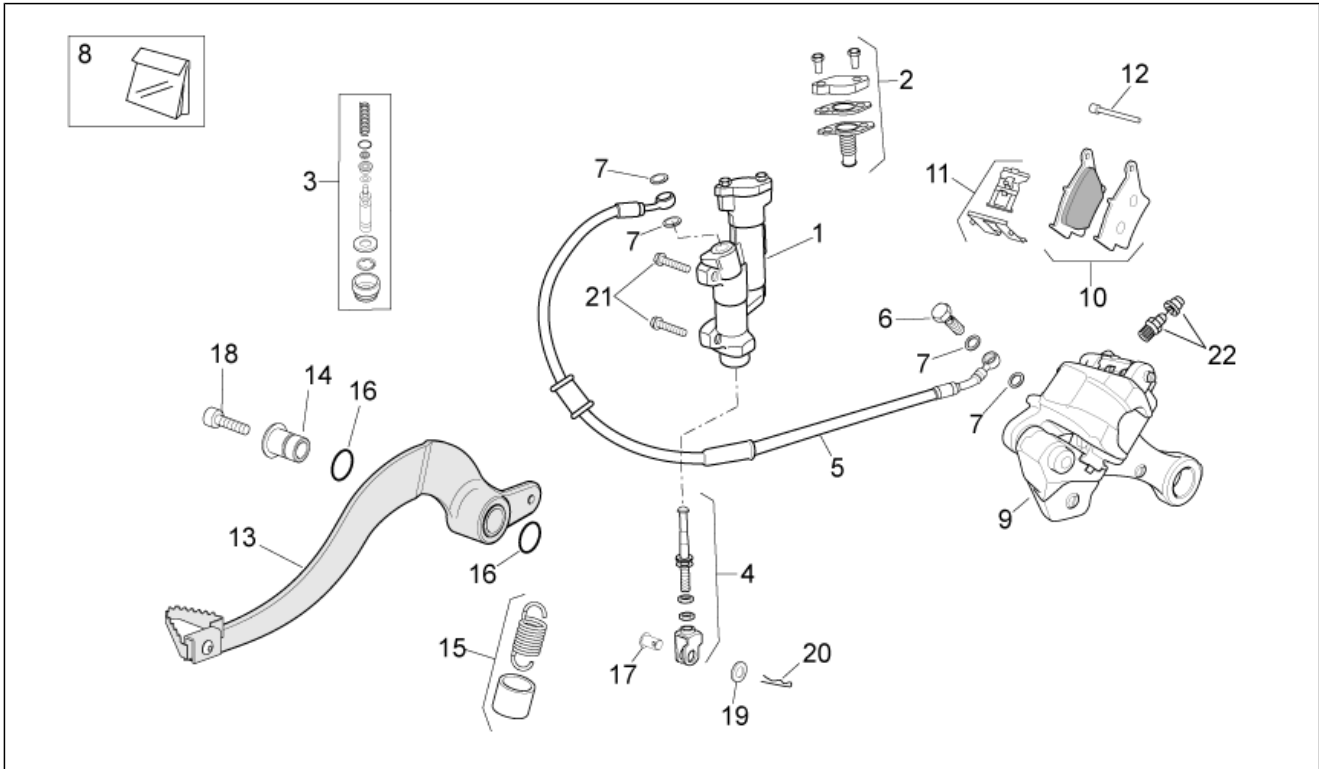
| Pos. | Code | Description | Qty | Variants |
|------|-----------|------------------------------|-----|----------|
| 1 | 855744 | Rear tyre 110/90X19" | 1 | |
| 2 | 855746 | Inner tube 19" | 1 | |
| 3 | AP8109144 | Rear wheel flap | 1 | |
| 4 | AP9100462 | Tyre clamp | 1 | |
| 5 | 855613 | Rear wheel 2,15X19" | 1 | |
| 6 | AP9100214 | Rear hub | 1 | |
| 7 | AP9100216 | Ball bearing 25x42x9 | 3 | |
| 8 | AP9100227 | Gasket ring 32x42x7 | 2 | |
| 9 | AP8121334 | Circlip D.42 | 1 | |
| 10 | AP9100215 | Internal spacer L=106,5 | 1 | |
| 11 | AP9100413 | Spoke d.4-19"-l.20 | 18 | |
| 12 | AP9100212 | Spoke d.4-19"-l.2 | 18 | |
| 13 | AP9100213 | Nipple d.4 | 36 | |
| 14 | 855748 | Rear brake disc d.240 | 1 | |
| 15 | 855625 | Screw w/ flange | 5 | |
| 16 | AP9100595 | Outside spacer L=21,9 | 2 | |
| 17 | 855626 | Screw M8x30 | 6 | |
| 18 | AP8150009 | Washer | 6 | |
| 19 | AP9100432 | Low self-locking nut M8x1,25 | 6 | |
| 20 | CM238206 | Chain ring Z=49 | 1 | |
| 21 | 855161 | Chain 5/8"x1/4" | 1 | |
| 22 | 891013 | Rear wheel 19" | 1 | |
| 23 | AP8120001 | Rubber spacer | 1 | |
| 24 | AP9100318 | Spacer | 1 | |

| | |
|--------------------|--------------------|
| Group | FRAME |
| Code | 28.19 |
| Description | Front brake system |
| Service | 1 |



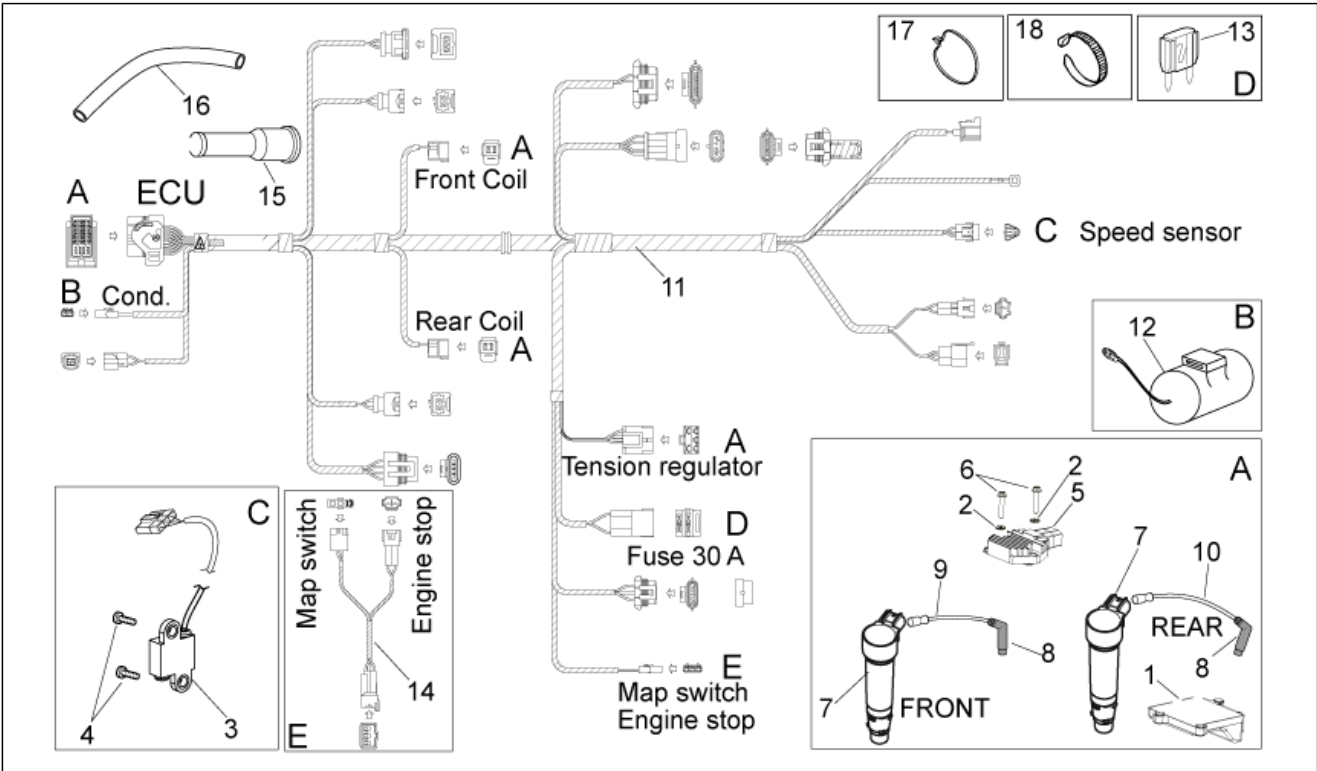
| Pos. | Code | Description | Qty | Variants |
|------|-----------|------------------------------|-----|----------|
| 1 | AP9100257 | Front master cilinder Nissin | 1 | |
| 2 | AP9100785 | Piston, kit | 1 | |
| 3 | AP9100786 | Plug revision kit | 1 | |
| 4 | AP9100787 | Lever overhaul kit | 1 | |
| 5 | AP9100706 | Collar | 1 | |
| 6 | AP8152280 | Screw w/ flange M6x25 | 2 | |
| 7 | 855755 | Front brake hose | 1 | |
| 8 | AP8152290 | Screw w/ flange | 2 | |
| 9 | AP9100472 | Hex screw M10x1,25 | 2 | |
| 10 | AP9100473 | Washer 14x10,2x1 | 4 | |
| 11 | AP9100256 | Front brake caliper | 1 | |
| 12 | AP9100788 | Pads pair | 1 | |
| 13 | AP9100789 | Bleeder kit | 1 | |
| 14 | AP9100790 | Brake caliper rev. kit | 1 | |
| 15 | AP9100791 | Spring | 1 | |
| 16 | AP9100792 | Pin | 1 | |

| | |
|--------------------|-------------------|
| Group | FRAME |
| Code | 28.20 |
| Description | Rear brake system |
| Service | 1 |



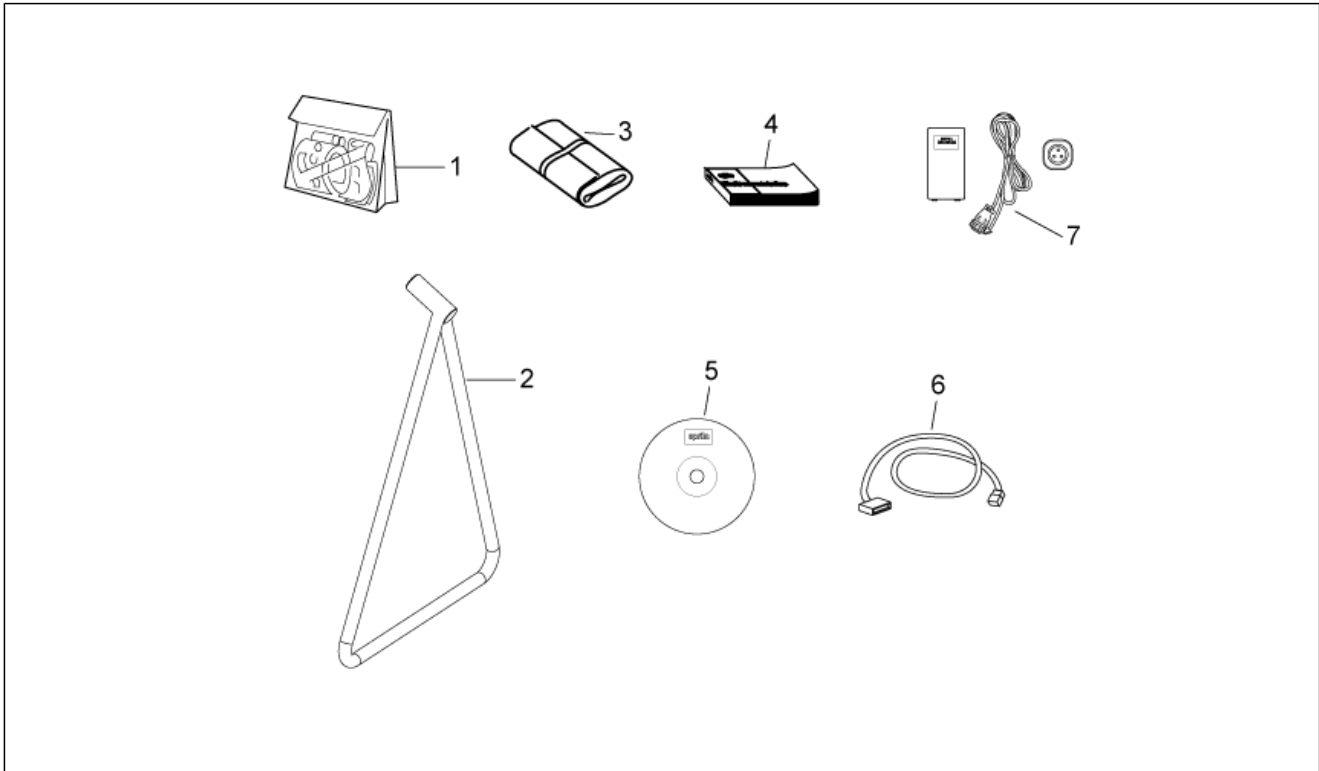
| Pos. | Code | Description | Qty | Variants |
|------|-----------|------------------------|-----|----------|
| 1 | AP9100475 | Rear master cylinder | 1 | |
| 2 | AP9100794 | Plug revision kit | 1 | |
| 3 | AP9100793 | Piston, kit | 1 | |
| 4 | AP9100795 | Lever overhaul kit | 1 | |
| 5 | 855696 | Rear brake hose | 1 | |
| 6 | AP9100472 | Hex screw M10x1,25 | 2 | |
| 7 | AP9100473 | Washer 14x10,2x1 | 4 | |
| 8 | 855855 | Brake caliper rev. kit | 1 | |
| 9 | 855769 | Rear brake caliper | 1 | |
| 10 | 855852 | Pads pair | 1 | |
| 11 | 855853 | Spring | 1 | |
| 12 | 855854 | Pin | 1 | |
| 13 | 855506 | Rear brake lever | 1 | |
| 14 | AP9100290 | Bush | 1 | |
| 15 | AP9100291 | Spring | 1 | |
| 16 | AP9100477 | O-ring 18x2 | 2 | |
| 17 | AP9100354 | Rear brake lever pin | 1 | |
| 18 | AP8150169 | Hex socket screw | 1 | |
| 19 | AP8150017 | Washer 8,4x16x1,6* | 1 | |
| 20 | AP8101928 | Split pin | 1 | |
| 21 | 598839 | Screw w/ flange | 2 | |
| 22 | 855856 | Bleeder kit | 1 | |

| | |
|--------------------|-------------------|
| Group | FRAME |
| Code | 28.21 |
| Description | Electrical system |
| Service | 1 |



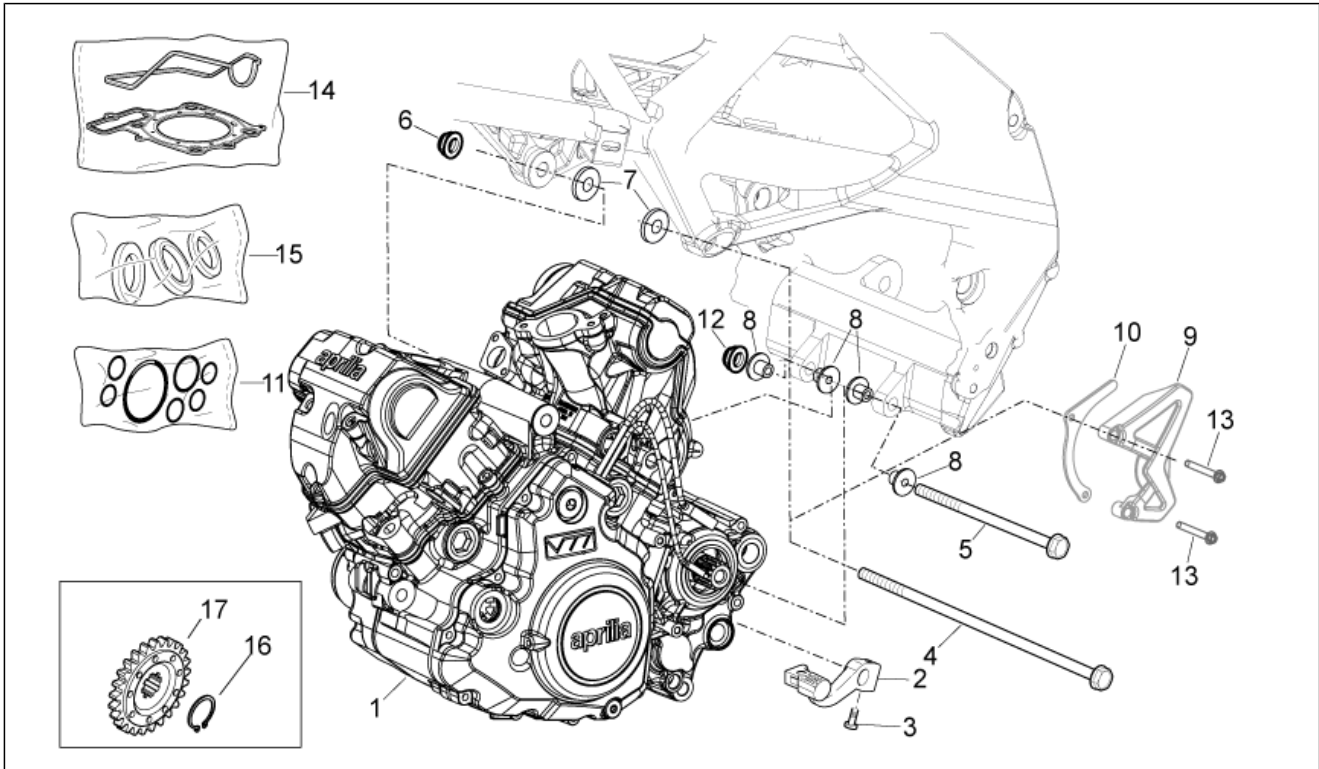
| Pos. | Code | Description | Qty | Variants |
|------|------------|--------------------------|-----|----------|
| 1 | 855556 | Electronic control unit | 1 | |
| 2 | AP8150159 | Washer 4,3x16* | 2 | |
| 3 | 855557 | Speed sensor | 1 | |
| 4 | AP8150460 | Self-tapping screw M4x12 | 2 | |
| 5 | 58090R | Voltage regulator | 1 | |
| 6 | AP8150413 | Self-tap screw 3,9x14 | 2 | |
| 7 | 855150 | Coil | 2 | |
| 8 | AP9100423 | Sparkplug cap | 2 | |
| 9 | 855627 | Wire | 1 | |
| 10 | 855628 | Wire | 1 | |
| 11 | 855163 | Main wiring harness | 1 | |
| 12 | AP9100739 | Capacitor 10000 Uf | 1 | |
| 13 | 496404 | Fuse 30A | 1 | |
| 14 | 855731 | Main switch wiring | 1 | |
| 15 | GU03741370 | Cap | 1 | |
| 16 | AP8220709 | Pipe cover | 1 | |
| 17 | 257134 | Cable tie | 1 | |
| 18 | 145298 | Cable tie | 3 | |

| | |
|--------------------|-----------------|
| Group | FRAME |
| Code | 28.22 |
| Description | Completing part |
| Service | 1 |



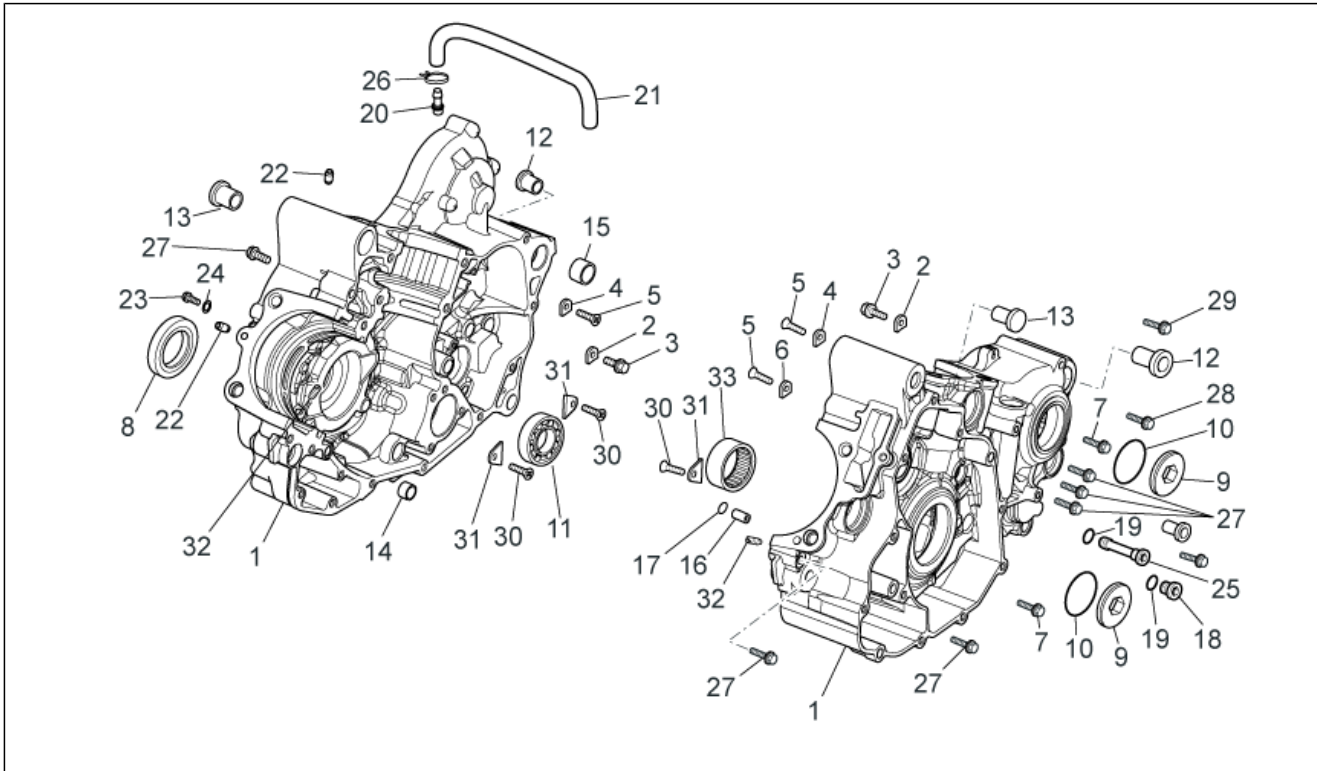
| Pos. | Code | Description | Qty | Variants |
|------|--------|-------------------------------------------|-----|-----------------------|
| 1 | 890689 | Decal set | 1 | Year:2008-2009[08-09] |
| 1 | 896128 | Decal set | 1 | Year:2010[A] |
| 2 | 855822 | Central stand | 1 | |
| 3 | 891055 | Toolkit | 1 | |
| 4 | 854088 | Op's handbook I-D-F-E-UK-NL I-D-F-E-UK-NL | 1 | |
| 5 | 855898 | Software CD | 1 | |
| 6 | 855899 | Axone-PC cable connection | 1 | |
| 7 | 891018 | HT wire | 1 | |

| | |
|--------------------|--------|
| Group | ENGINE |
| Code | 29.23 |
| Description | Engine |
| Service | 1 |



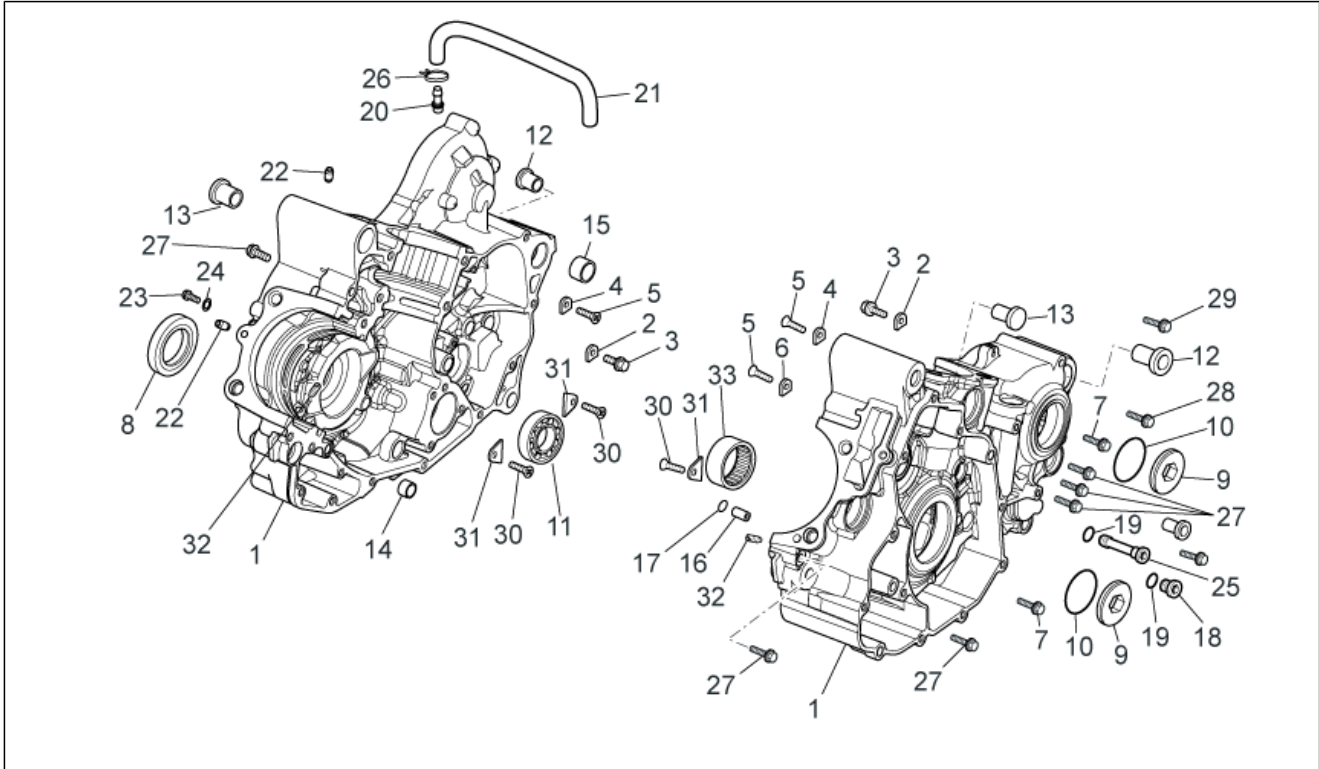
| Pos. | Code | Description | Qty | Variants |
|------|-----------|---------------------------|-----|----------|
| 1 | 8512555 | Engine | 1 | |
| 2 | 853895 | Gear lever | 1 | |
| 3 | AP8152280 | Screw w/ flange M6x25 | 1 | |
| 4 | AP9100593 | Screw M10x1,25 L=202 | 1 | |
| 5 | AP8152315 | Screw w/ flange M10x110 | 1 | |
| 6 | AP9100643 | Self-locking nut M10x1,25 | 1 | |
| 7 | 855849 | Washer 28x10,5x3 | 2 | |
| 8 | 853916 | Bush | 4 | |
| 9 | AP9100374 | Sprocket cover | 1 | |
| 10 | AP9100367 | Chain guide | 1 | |
| 11 | 855886 | OR set | 1 | |
| 12 | AP8152301 | Self-locking nut | 1 | |
| 13 | AP8152281 | Screw w/ flange | 2 | |
| 14 | 855887 | Gasket set | 1 | |
| 15 | 855888 | Oil seals - set | 1 | |
| 16 | AP9100451 | Outside circlip D25 | 1 | |
| 17 | AP9100505 | Pinion Z=14 | 1 | |

| | |
|--------------------|-------------|
| Group | ENGINE |
| Code | 29.24 |
| Description | Crankcase I |
| Service | 1 |



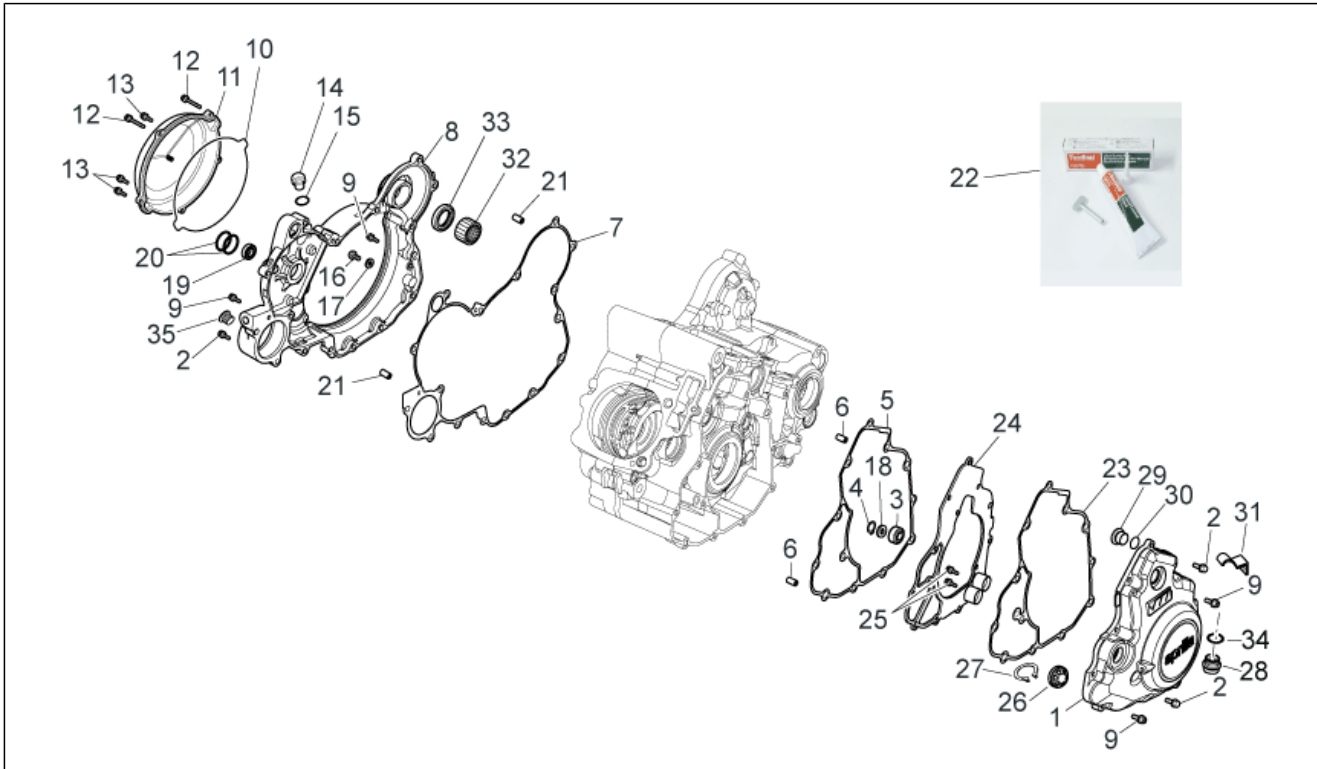
| Pos. | Code | Description | Qty | Variants |
|------|-----------|-------------------------|-----|----------|
| 1 | 851210 | Carter, pair | 1 | |
| 2 | AP9150146 | Check bearing plate | 3 | |
| 3 | AP8152277 | Screw w/ flange | 3 | |
| 4 | AP9150145 | Check bearing plate | 2 | |
| 5 | AP9150394 | Screw M6x12 | 3 | |
| 6 | AP9150489 | Check bearing plate | 1 | |
| 7 | AP8152283 | Screw w/ flange | 8 | |
| 8 | AP9150435 | Oil seal D32x45x6 | 1 | |
| 9 | AP9150149 | Plug | 2 | |
| 10 | AP9150353 | O-ring D26,65x2,62 | 2 | |
| 11 | 851194 | Ball bearing | 1 | |
| 12 | AP9150440 | T bush 34x21x10,5-L18 | 2 | |
| 13 | AP9150441 | T bush 28x13x10,5-L11,5 | 2 | |
| 14 | AP9150116 | Bush D16x19X13 | 1 | |
| 15 | AP9150115 | Bush D18x21X19 | 1 | |
| 16 | AP9150117 | Pin D7,2x9x12 | 1 | |
| 17 | AP9150350 | O-ring D8,73x1,78 | 1 | |
| 18 | AP9150174 | Oil unload plug | 1 | |
| 19 | AP9150349 | Seal washer D12x18x1,5 | 2 | |
| 20 | AP9150533 | Union | 1 | |
| 21 | AP9150471 | Breather pipe | 1 | |
| 22 | AP9150346 | Jet | 2 | |
| 23 | AP8152285 | Screw w/ flange | 1 | |
| 24 | AP8121862 | Washer D8x16x1,5 | 1 | |
| 25 | AP9150078 | Oil unload plug | 1 | |
| 26 | AP8102377 | Hose clamp D9,1* | 1 | |
| 27 | AP9150526 | Screw w/ flange M7X1X42 | 8 | |
| 28 | 828909 | Screw w/ flange M6x65 | 1 | |

| | |
|--------------------|-------------|
| Group | ENGINE |
| Code | 29.24 |
| Description | Crankcase I |
| Service | 1 |



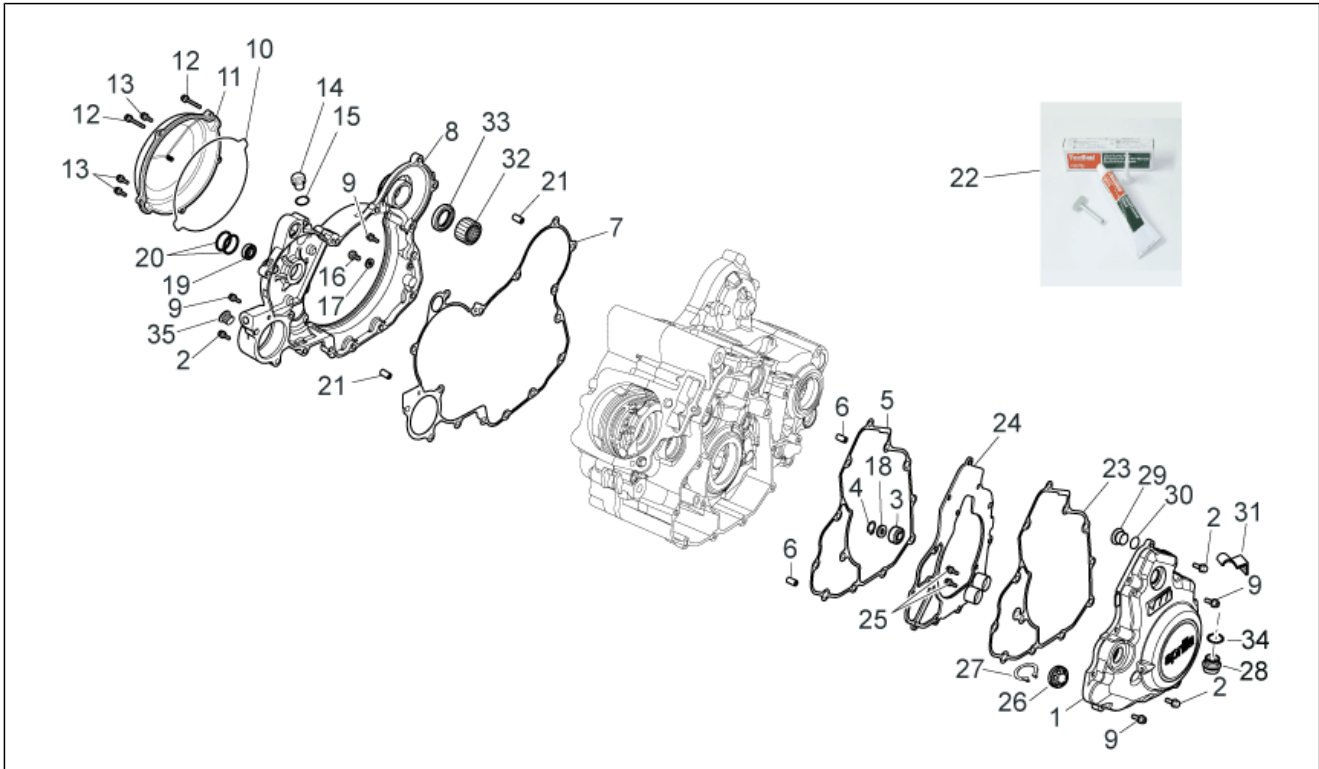
| Pos. | Code | Description | Qty | Variants |
|------|--------|-----------------------|-----|----------|
| 29 | 828922 | Screw w/ flange M6x75 | 1 | |
| 30 | 840542 | Screw | 3 | |
| 31 | 851349 | Check bearing plate | 3 | |
| 32 | 484034 | Nozzle | 2 | |
| 33 | 851195 | Roller bearing | 1 | |

| | |
|--------------------|--------------|
| Group | ENGINE |
| Code | 29.25 |
| Description | Crankcase II |
| Service | 1 |



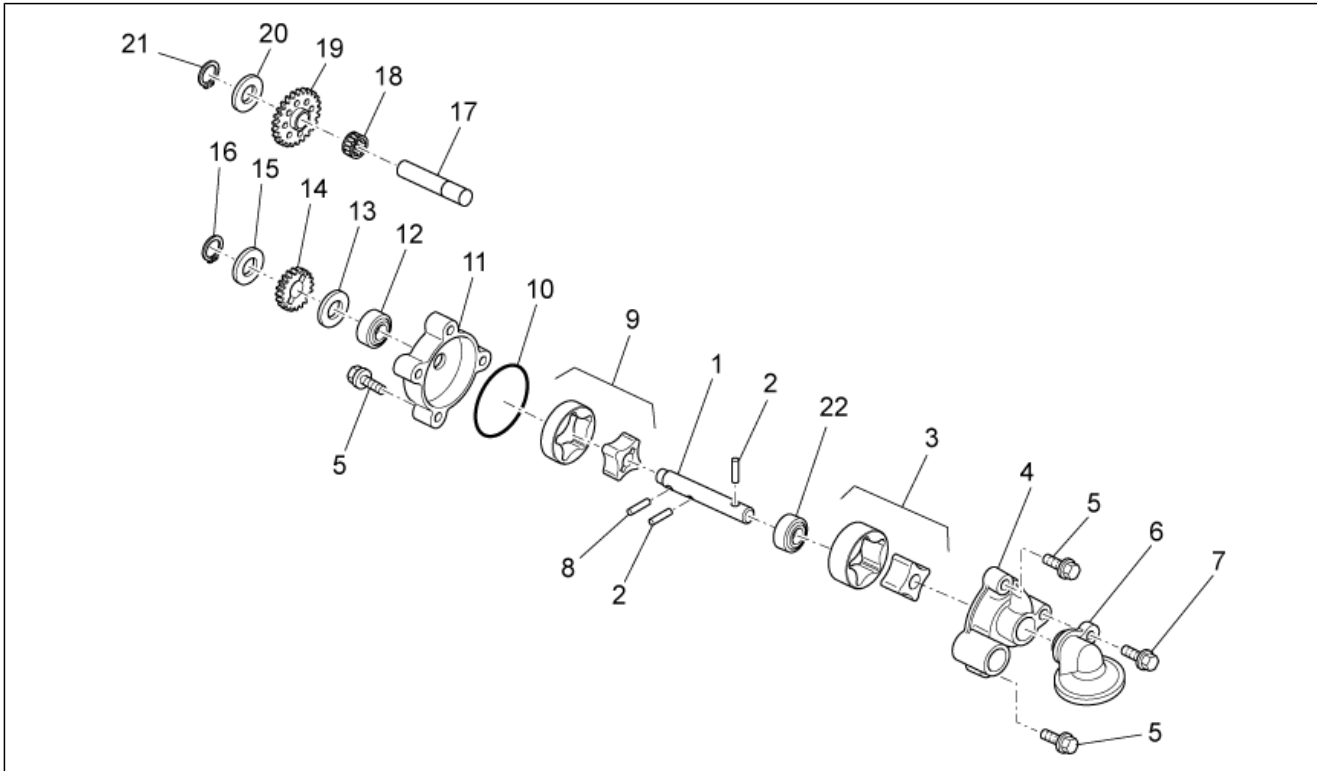
| Pos. | Code | Description | Qty | Variants |
|------|-----------|------------------------------|-----|----------|
| 1 | 851220 | Ignition cover | 1 | |
| 2 | AP8152280 | Screw w/ flange M6x25 | 22 | |
| 3 | 855031 | Oil seal D12x22x6 | 1 | |
| 4 | 000674 | Circlip | 1 | |
| 5 | 851221 | Cover gasket | 1 | |
| 6 | AP9150118 | Bush D6,2x8X15 | 2 | |
| 7 | 851219 | Gasket | 1 | |
| 8 | 851217 | Clutch side cover | 1 | |
| 9 | AP8152282 | Screw w/ flange M6x35 | 4 | |
| 10 | AP9150150 | O-ring D171,13x2,62 | 1 | |
| 11 | AP9150094 | Complete clutch cover | 1 | |
| 12 | AP9150395 | Screw w/ flange M6x60 | 1 | |
| 13 | AP8152279 | Screw w/ flange M6x20 | 4 | |
| 14 | AP9150410 | Oil plug M20x1,5 | 1 | |
| 15 | AP9150356 | O-ring D18,72x2,62 | 1 | |
| 16 | AP9150473 | Hex socket screw M6x10 | 1 | |
| 17 | AP9150351 | Seal washer D6x12x1 | 1 | |
| 18 | AP9150522 | Oil seal cup | 1 | |
| 19 | 85114R | ***DRIV.PULLEY SHAFT BEARING | 1 | |
| 20 | 851012 | O-ring 20x1 | 2 | |
| 21 | 851017 | Bush D6,2x7,8X15 | 2 | |
| 22 | 855252 | Sealing compound | 1 | |
| 23 | 855003 | Gasket | 1 | |
| 24 | 855260 | Flange | 1 | |
| 25 | AP8152274 | Screw w/ flange M5x20 | 2 | |
| 26 | 485693 | Oil level indicator | 1 | |
| 27 | 873804 | Snap ring | 1 | |
| 28 | AP9150174 | Oil unload plug | 1 | |

| | |
|--------------------|--------------|
| Group | ENGINE |
| Code | 29.25 |
| Description | Crankcase II |
| Service | 1 |



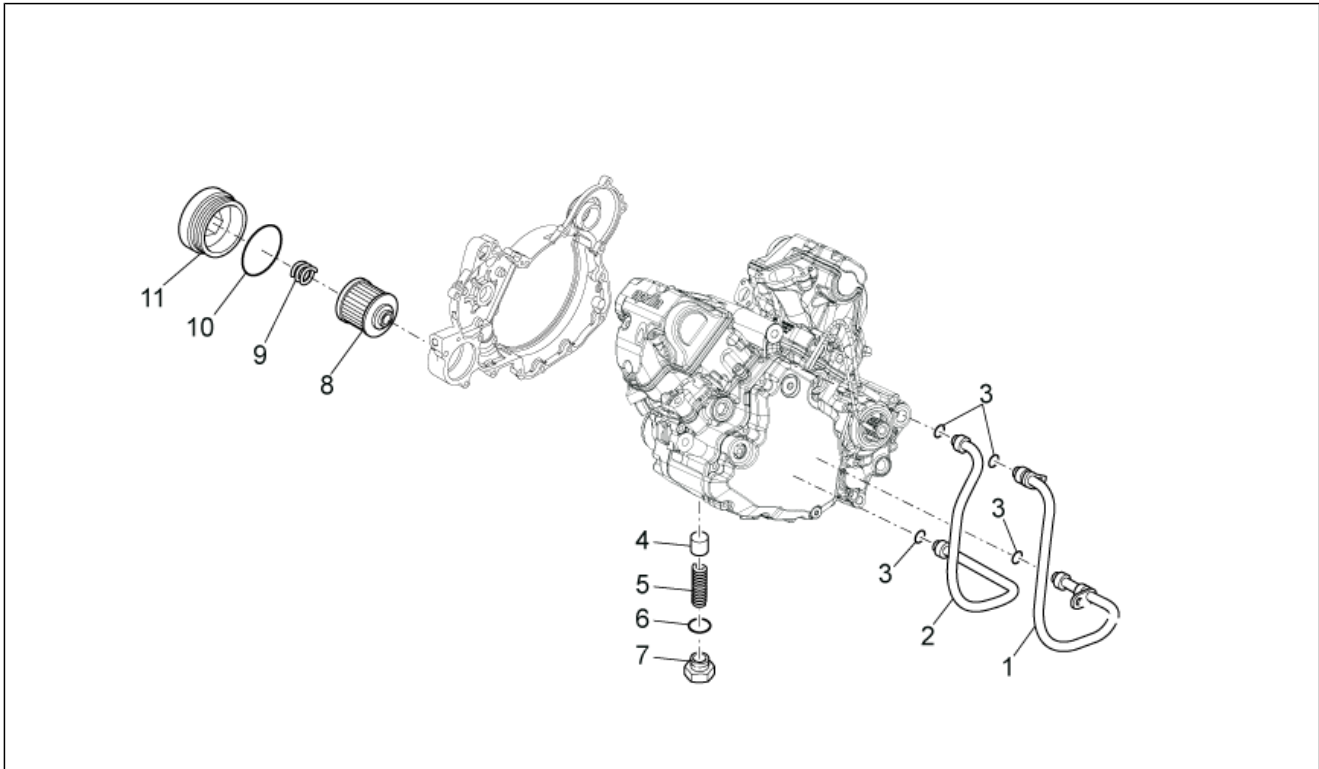
| Pos. | Code | Description | Qty | Variants |
|------|-----------|-------------------------|-----|----------|
| 29 | 853852 | Oil load plug | 1 | |
| 30 | 479986 | O-ring | 1 | |
| 31 | AP9150462 | Fairlead | 1 | |
| 32 | AP8110067 | Needle bearing 22x28x16 | 1 | |
| 33 | 2879633 | Gasket ring | 1 | |
| 34 | AP9150349 | Seal washer D12x18x1,5 | 1 | |
| 35 | 851240 | Plug | 1 | |

| | |
|--------------------|----------|
| Group | ENGINE |
| Code | 29.26 |
| Description | Oil pump |
| Service | 1 |



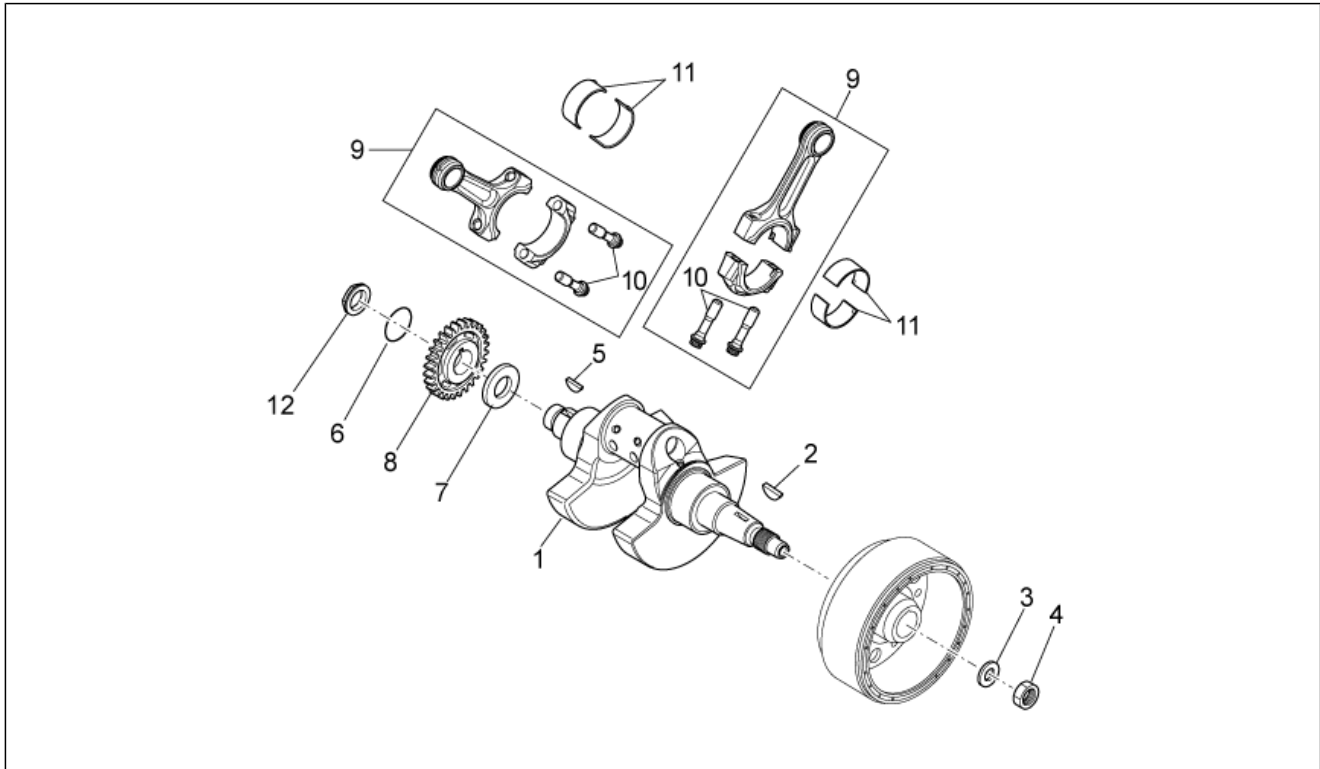
| Pos. | Code | Description | Qty | Variants |
|------|-----------|---------------------------------|-----|----------|
| 1 | AP9150071 | Oil pump shaft assy. | 1 | |
| 2 | AP9150377 | Pin 4x15,8 | 2 | |
| 3 | AP9150157 | Internal and external rotor H19 | 1 | |
| 4 | AP9150158 | Oil pump housing | 1 | |
| 5 | AP8152280 | Screw w/ flange M6x25 | 6 | |
| 6 | AP9150162 | Filter with net-air intake | 1 | |
| 7 | AP8152281 | Screw w/ flange | 1 | |
| 8 | AP9150376 | Pin 4x13,8 | 1 | |
| 9 | AP9150291 | Internal and external rotor H8 | 1 | |
| 10 | AP9150461 | O-ring D44,17x1,78 | 1 | |
| 11 | AP9150217 | Oil pump housing | 1 | |
| 12 | AP9150385 | Oil seal D19x10x7/5.5 | 1 | |
| 13 | AP9150076 | Clearance washer 10,1x23 | 1 | |
| 14 | 851058 | Oil pump gear Z=12 | 1 | |
| 15 | AP9150075 | Clearance washer 9,1x16x | 1 | |
| 16 | AP9150396 | Circlip 9x1 | 1 | |
| 17 | AP9150160 | Pin 4x25,8 | 1 | |
| 18 | AP9150463 | Roller cage D11x16x10 | 1 | |
| 19 | 851059 | Idle gear Z=19 | 1 | |
| 20 | AP9150074 | Clearance washer 11,1x18 | 1 | |
| 21 | 006411 | Circlip D11 | 1 | |
| 22 | AP9150443 | Oil seal D10x16x4 | 1 | |

| | |
|--------------------|-------------|
| Group | ENGINE |
| Code | 29.27 |
| Description | Lubrication |
| Service | 1 |



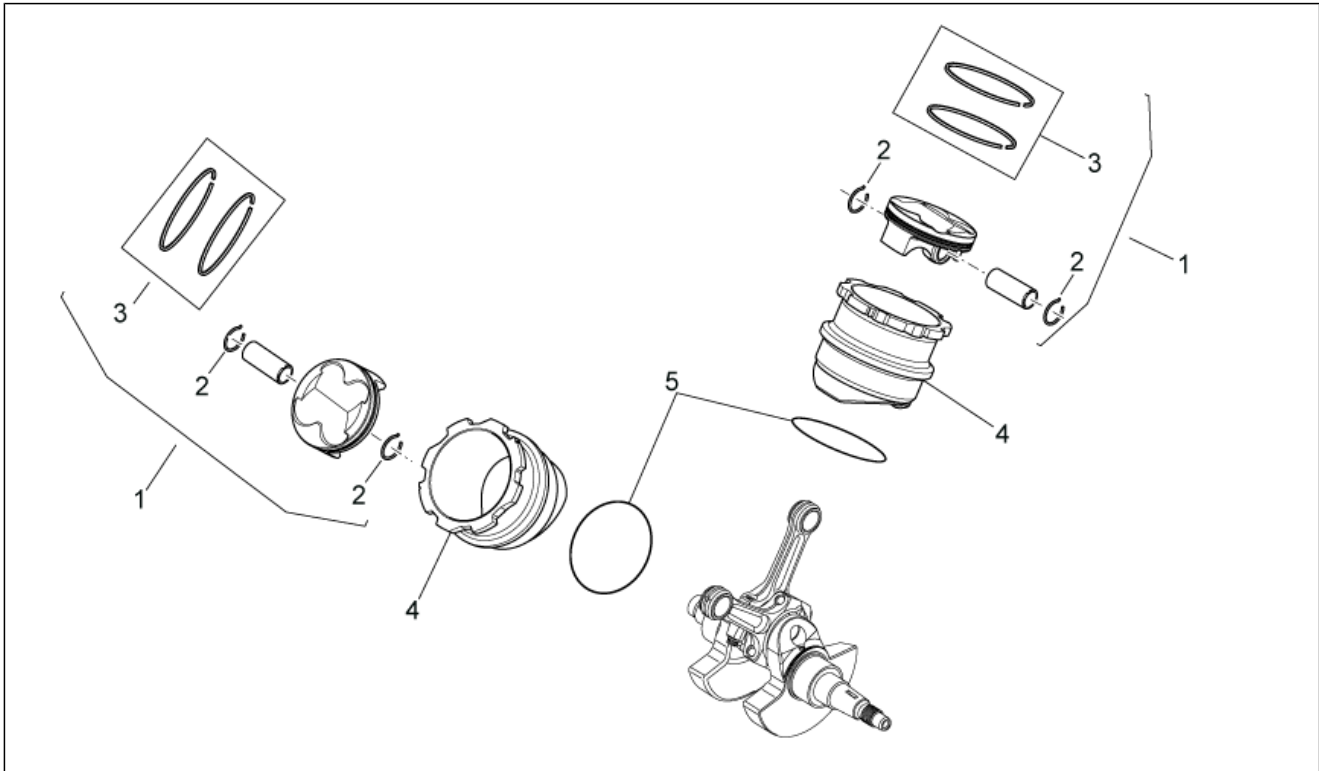
| Pos. | Code | Description | Qty | Variants |
|------|-----------|----------------------------|-----|----------|
| 1 | 851236 | Pipe | 1 | |
| 2 | 851235 | Pipe | 1 | |
| 3 | AP9150347 | O-ring D11x2 | 4 | |
| 4 | 853836 | Pressure adj. piston | 1 | |
| 5 | 853837 | Spring | 1 | |
| 6 | AP9150476 | O-ring D11,11x1,78 | 1 | |
| 7 | 853838 | Valve closer screw M14x1,5 | 1 | |
| 8 | 853517 | Oil filter | 1 | |
| 9 | AP9150167 | Spring | 1 | |
| 10 | 855706 | O-ring D53x3 | 1 | |
| 11 | 851295 | Oil filter cover | 1 | |

| | |
|--------------------|-------------|
| Group | ENGINE |
| Code | 29.28 |
| Description | Drive shaft |
| Service | 1 |



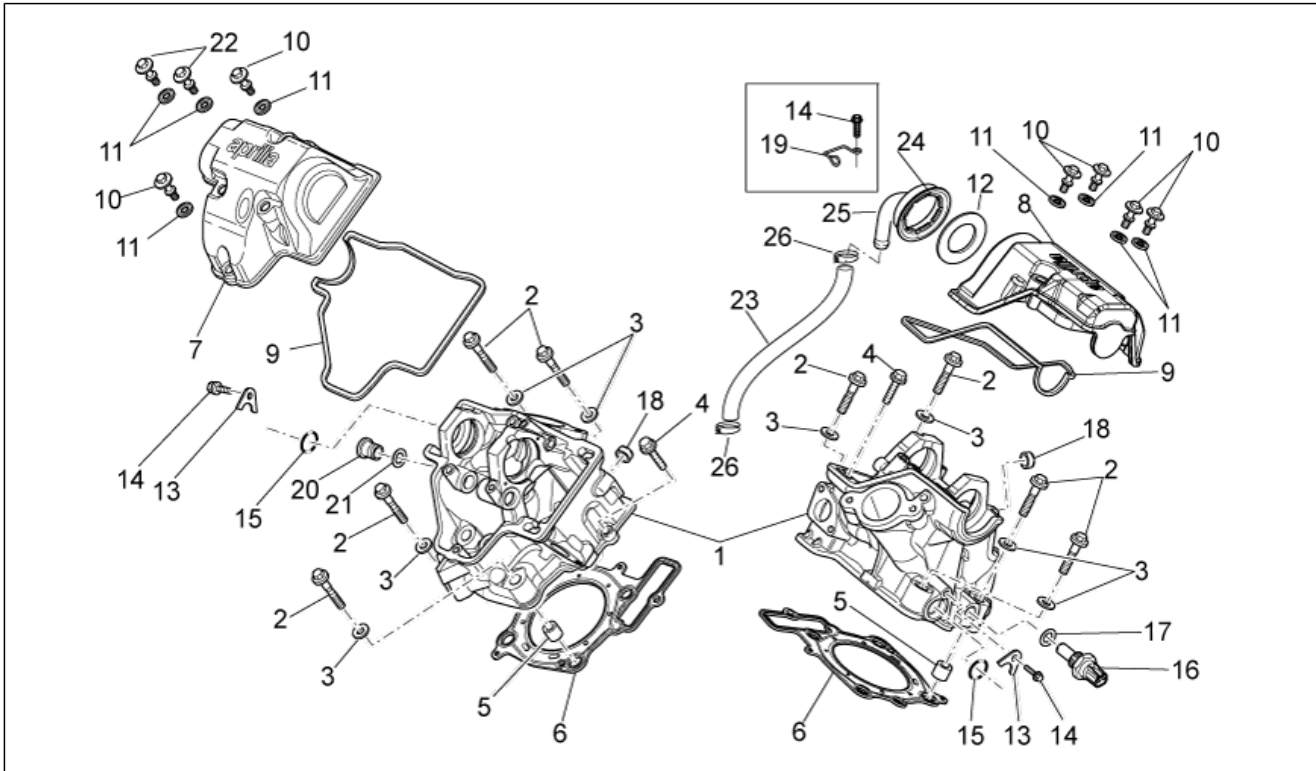
| Pos. | Code | Description | Qty | Variants |
|------|------------|----------------------------|-----|----------|
| 1 | 8512065001 | Crankshaft cpl.,cat.1 | 1 | |
| 1 | 8512065002 | Crankshaft cpl.,cat.2 | 1 | |
| 2 | 851007 | Flywheel key D3x4,8 | 1 | |
| 3 | 851357 | Washer D15x28x2,5 | 1 | |
| 4 | AP9150436 | Nut M14x1 | 1 | |
| 5 | AP9150402 | Transmission key 4x6,5 | 1 | |
| 6 | AP9150525 | O-ring D16x3,5 | 1 | |
| 7 | 851215 | Spacer | 1 | |
| 8 | AP9150288 | Pinion | 1 | |
| 9 | 855530 | Connecting rod cpl. | 2 | |
| 10 | AP9150127 | Connecting rod screw | 4 | |
| 11 | AP9150323 | Bushing, green 35x38x16,5 | 4 | |
| 11 | AP9150454 | Bushing, blue 35x38x16,5 | 4 | |
| 11 | AP9150455 | Bushing, yellow 35x38x16,5 | 4 | |
| 12 | AP9150236 | Flanged nut M18x1,25 | 1 | |

| | |
|--------------------|----------------------|
| Group | ENGINE |
| Code | 29.29 |
| Description | Cylinder with piston |
| Service | 1 |



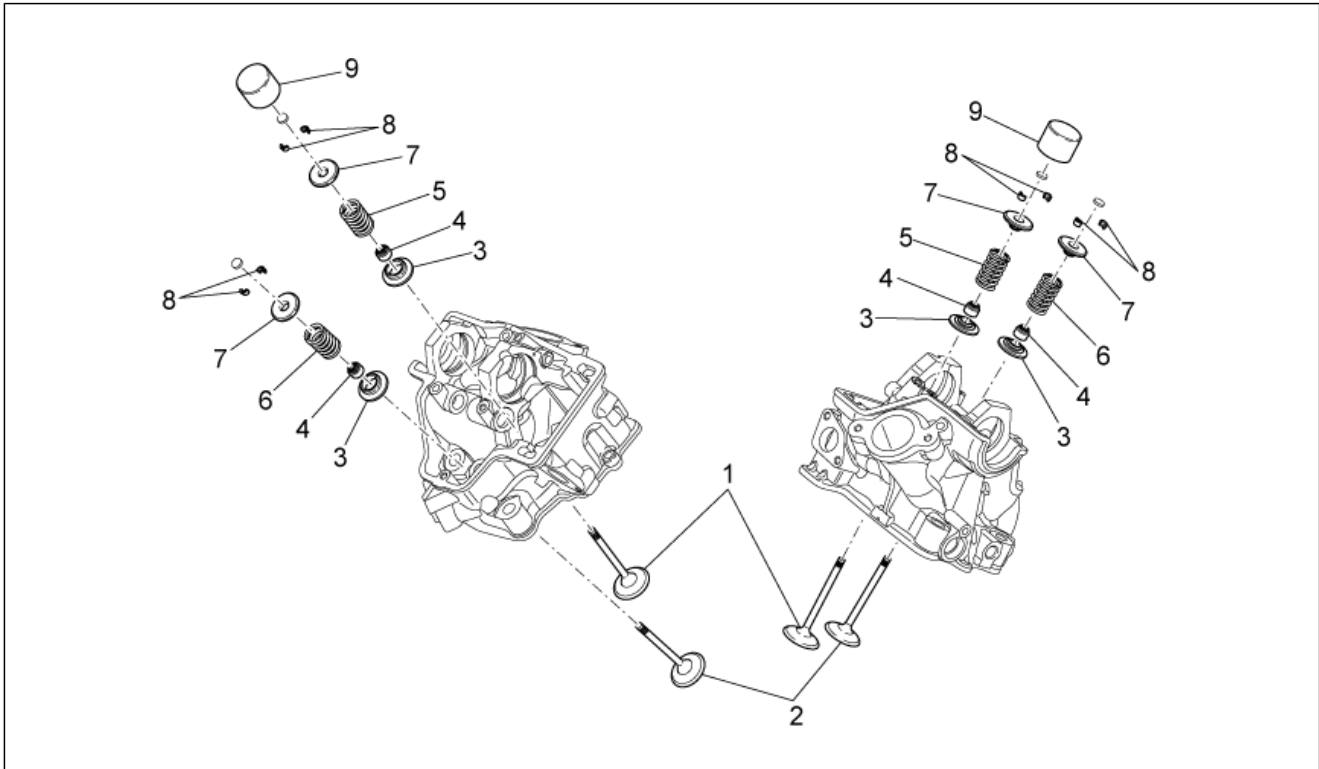
| Pos. | Code | Description | Qty | Variants |
|------|-----------|----------------------|-----|----------|
| 1 | 896568 | Piston assy | 2 | |
| 2 | 851038 | Stop ring | 4 | |
| 3 | 851298 | Piston rings set D76 | 2 | |
| 4 | AP9150007 | Cylinder D76 | 2 | |
| 5 | AP9150343 | O-ring D82,22x2,62 | 2 | |

| | |
|--------------------|---------------|
| Group | ENGINE |
| Code | 29.30 |
| Description | Cylinder head |
| Service | 1 |



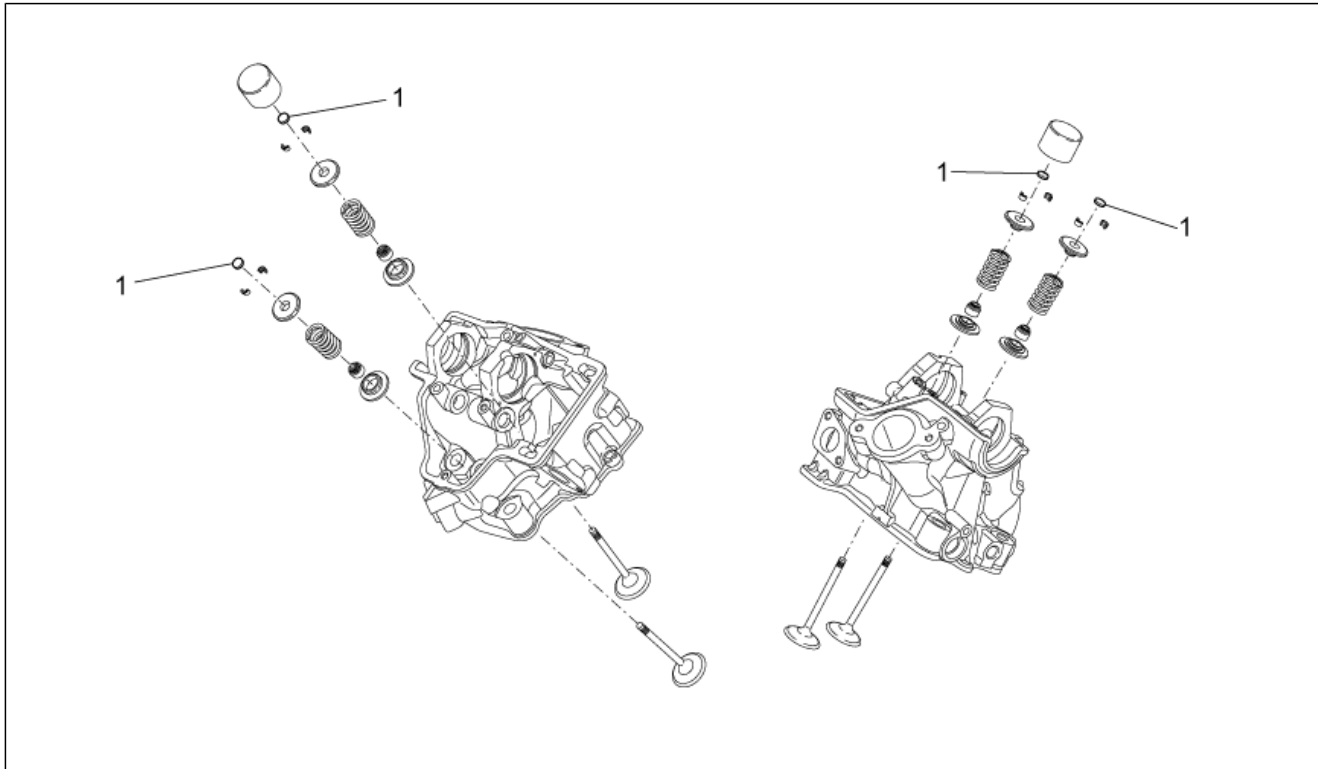
| Pos. | Code | Description | Qty | Variants |
|------|-----------|--------------------------|-----|----------|
| 1 | AP9150317 | Cylinder head assy. | 2 | |
| 2 | 855487 | Screw w/ flange M10x58,5 | 8 | |
| 3 | AP9150113 | Washer D10x20x2 | 8 | |
| 4 | AP8152280 | Screw w/ flange M6x25 | 2 | |
| 5 | AP9150114 | Bush | 4 | |
| 6 | 855034 | Cylinder head gasket | 2 | |
| 7 | AP9150009 | Head cover | 1 | |
| 8 | 855136 | Head cover | 1 | |
| 9 | AP9150010 | Cover gasket | 2 | |
| 10 | AP9150111 | Special screw | 6 | |
| 11 | AP9150110 | Gasket | 8 | |
| 12 | 834044 | O-ring | 1 | |
| 13 | AP9150121 | Plate | 2 | |
| 14 | AP8152277 | Screw w/ flange | 3 | |
| 15 | AP9150469 | O-ring D13,95x2,62 | 2 | |
| 16 | AP9150181 | Temp. Sensor H2O | 1 | |
| 17 | AP9150349 | Seal washer D12x18x1,5 | 1 | |
| 18 | AP9150312 | Plug D20 | 2 | |
| 19 | AP8121856 | Cable-guide | 1 | |
| 20 | AP9150174 | Oil unload plug | 1 | |
| 21 | AP9150349 | Seal washer D12x18x1,5 | 1 | |
| 22 | 853845 | Special screw | 2 | |
| 23 | 855522 | Pipe Blow-By | 1 | |
| 24 | 855142 | Bush | 1 | |
| 25 | 855143 | Blow-by flange | 1 | |
| 26 | AP8102525 | Hose cock | 2 | |

| | |
|--------------------|--------|
| Group | ENGINE |
| Code | 29.31 |
| Description | Valves |
| Service | 1 |



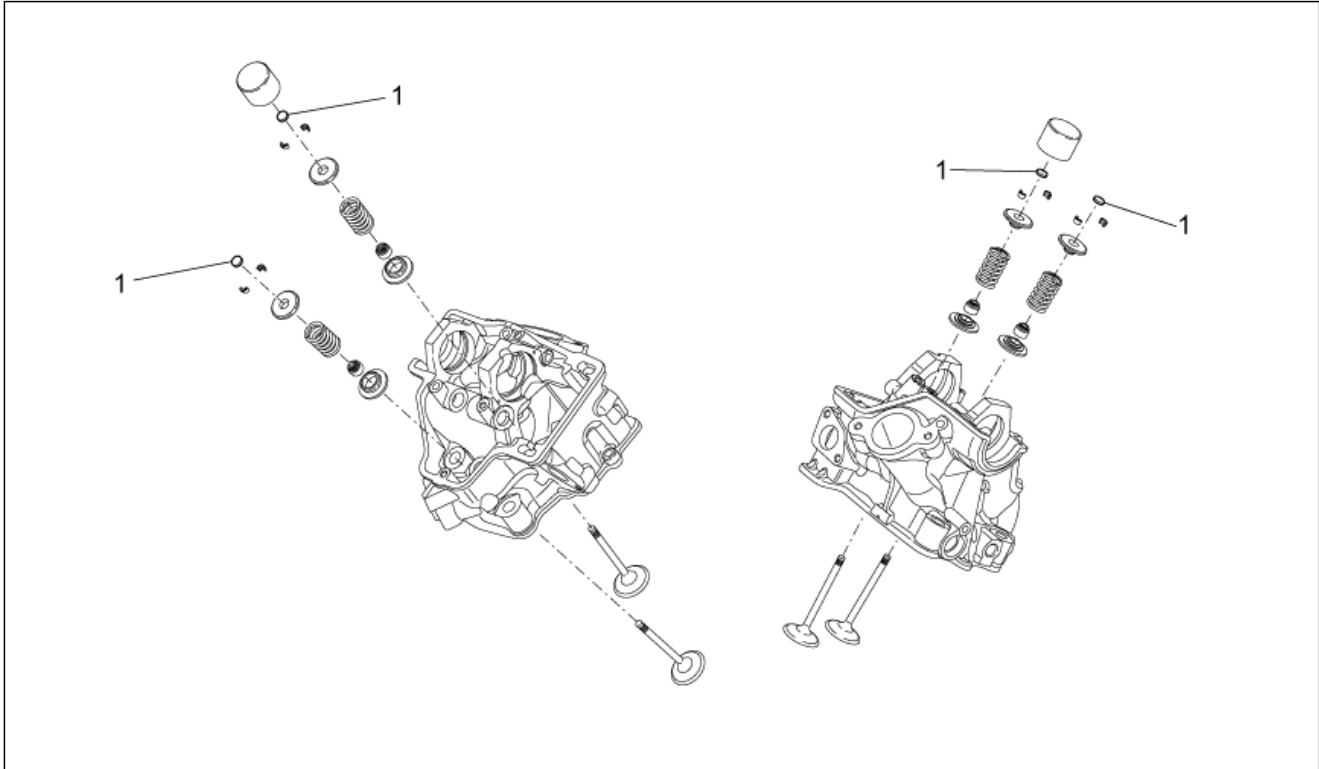
| Pos. | Code | Description | Qty | Variants |
|------|-----------|----------------------|-----|----------|
| 1 | AP9150022 | Intake valve | 4 | |
| 2 | AP9150023 | Exhaust valve | 4 | |
| 3 | AP9150028 | Lower cup | 8 | |
| 4 | AP9150104 | Valve stem seal D5 | 8 | |
| 5 | AP9150024 | Intake valve spring | 4 | |
| 6 | AP9150025 | Exhaust valve spring | 4 | |
| 7 | 891170 | Upper cup | 8 | |
| 8 | AP9150106 | Valve half-cone | 16 | |
| 9 | 855632 | Valve lifter bucket | 4 | |

| | |
|--------------------|-------------|
| Group | ENGINE |
| Code | 29.32 |
| Description | Valves pads |
| Service | 1 |



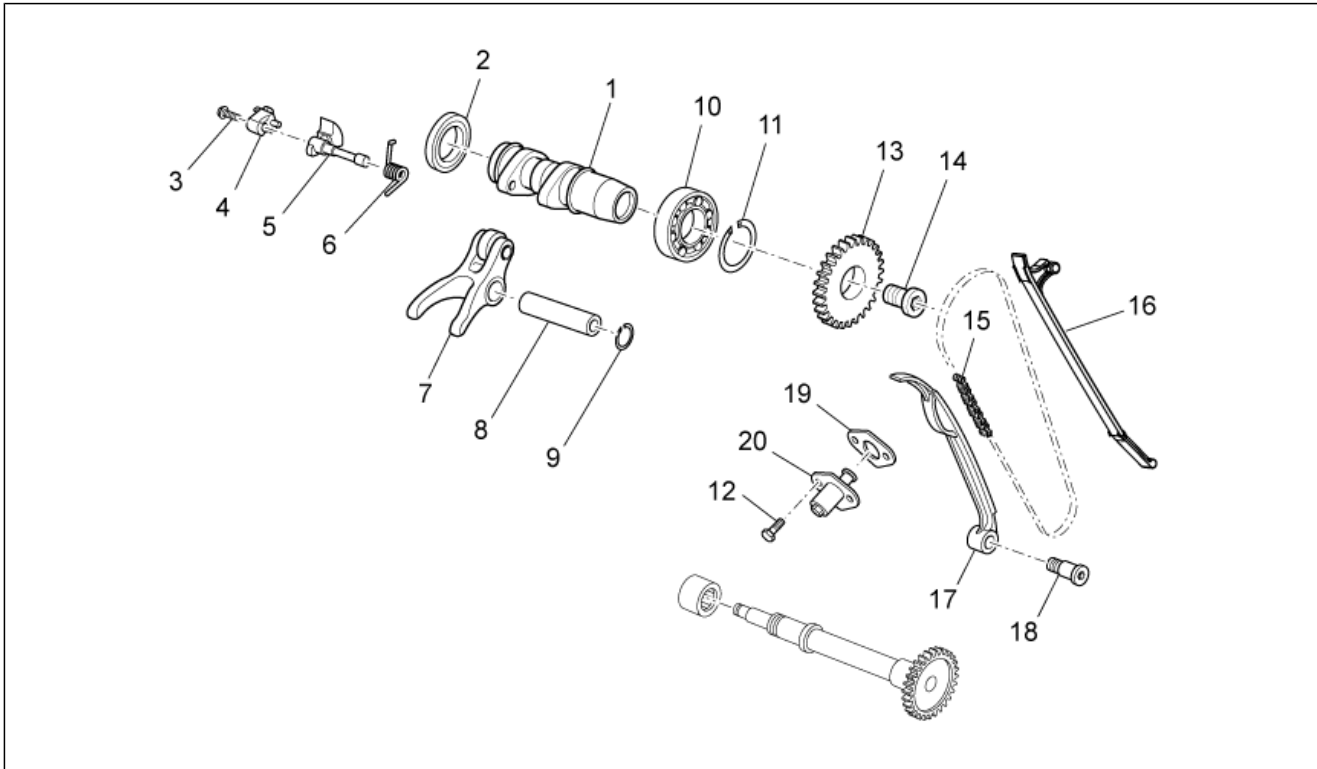
| Pos. | Code | Description | Qty | Variants |
|------|----------|--------------|-----|----------|
| 1 | CM238801 | Pad 1,5 | 8 | |
| 1 | CM238801 | Pad 1,5 | 8 | |
| 1 | CM238802 | Pad SP.1,525 | 8 | |
| 1 | CM238803 | Pad SP.1,550 | 8 | |
| 1 | CM238804 | Pad SP.1,575 | 8 | |
| 1 | CM238805 | Pad SP.1,6 | 8 | |
| 1 | CM238806 | Pad SP.1,625 | 8 | |
| 1 | CM238807 | Pad SP.1,650 | 8 | |
| 1 | CM238808 | Pad SP.1,675 | 8 | |
| 1 | CM238809 | Pad SP.1,7 | 8 | |
| 1 | CM238810 | Pad SP.1,725 | 8 | |
| 1 | CM238811 | Pad SP.1,750 | 8 | |
| 1 | CM238812 | Pad SP.1,775 | 8 | |
| 1 | CM238813 | Pad SP.1,8 | 8 | |
| 1 | CM238814 | Pad SP.1,825 | 8 | |
| 1 | CM238815 | Pad SP.1,850 | 8 | |
| 1 | CM238816 | Pad SP.1,875 | 8 | |
| 1 | CM238817 | Pad SP.1,9 | 8 | |
| 1 | CM238818 | Pad SP.1,925 | 8 | |
| 1 | CM238819 | Pad SP.1,950 | 8 | |
| 1 | CM238820 | Pad SP.1,975 | 8 | |
| 1 | CM238821 | Pad SP.2,0 | 8 | |
| 1 | CM238822 | Pad SP.2,025 | 8 | |
| 1 | CM238823 | Pad SP.2,050 | 8 | |
| 1 | CM238824 | Pad SP.2,075 | 8 | |
| 1 | CM238825 | Pad SP.2,1 | 8 | |
| 1 | CM238826 | Pad SP.2,125 | 8 | |
| 1 | CM238827 | Pad SP.2,150 | 8 | |

| | |
|--------------------|-------------|
| Group | ENGINE |
| Code | 29.32 |
| Description | Valves pads |
| Service | 1 |



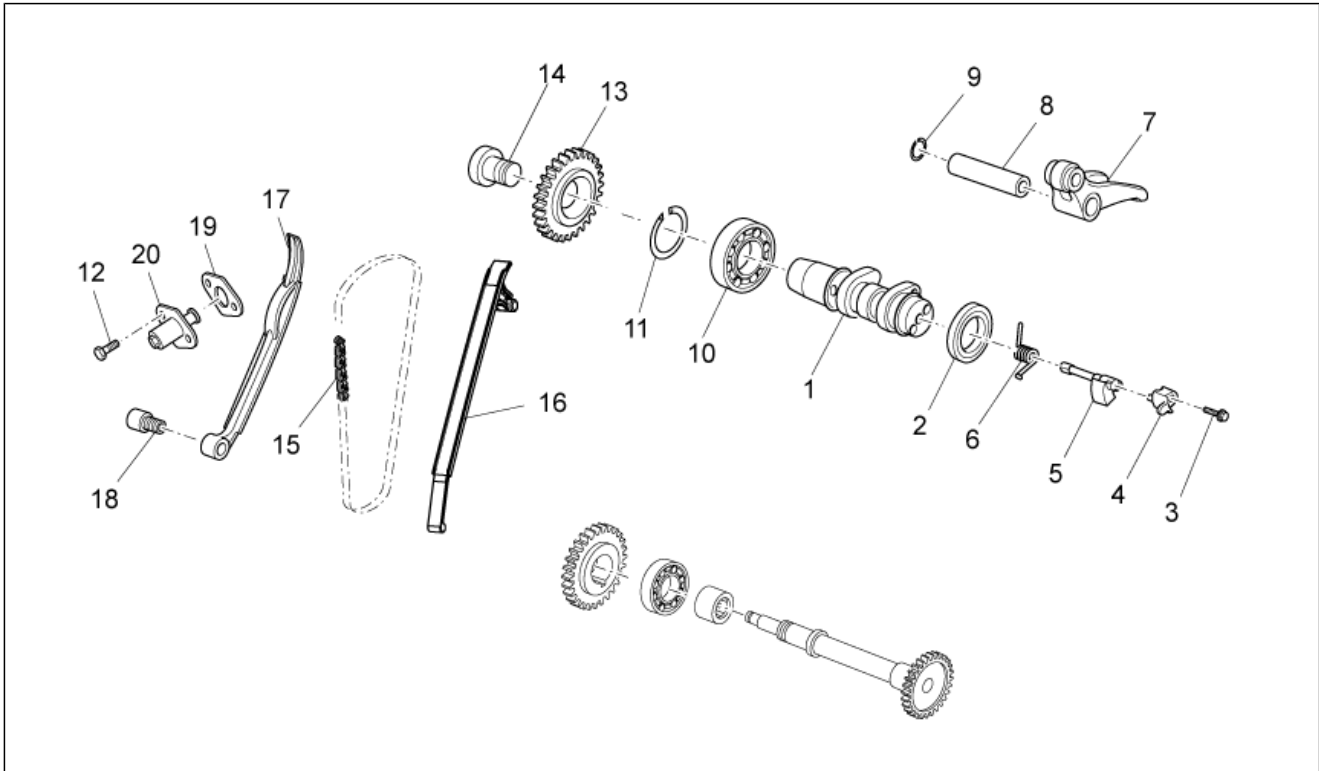
| Pos. | Code | Description | Qty | Variants |
|------|----------|--------------|-----|----------|
| 1 | CM238828 | Pad SP.2,175 | 8 | |
| 1 | CM238829 | Pad SP.2,2 | 8 | |
| 1 | CM238830 | Pad SP.2,225 | 8 | |
| 1 | CM238831 | Pad SP.2,250 | 8 | |
| 1 | CM238832 | Pad SP.2,275 | 8 | |
| 1 | CM238833 | Pad SP.2,3 | 8 | |
| 1 | CM238834 | Pad SP.2,325 | 8 | |
| 1 | CM238835 | Pad SP.2,350 | 8 | |
| 1 | CM238836 | Pad SP.2,375 | 8 | |
| 1 | CM238837 | Pad SP.2,4 | 8 | |
| 1 | CM238838 | Pad SP.2,425 | 8 | |
| 1 | CM238839 | Pad SP.2,450 | 8 | |

| | |
|--------------------|------------------------------|
| Group | ENGINE |
| Code | 29.33 |
| Description | Front cylinder timing system |
| Service | 1 |



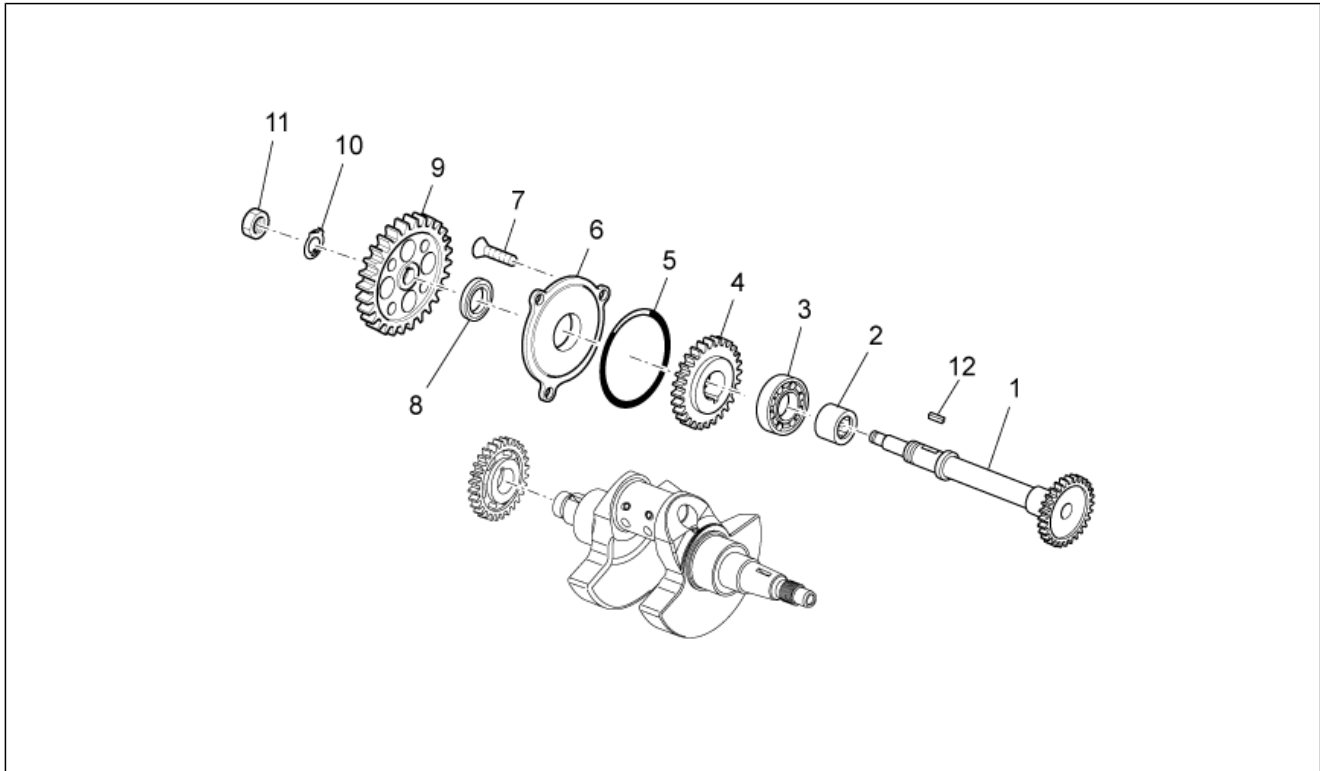
| Pos. | Code | Description | Qty | Variants |
|------|-----------|-------------------------------|-----|----------|
| 1 | CM2376025 | Camshaft cpl. | 1 | |
| 2 | 85104R | Ball bearing D25x37x7 | 1 | |
| 3 | AP8152274 | Screw w/ flange M5x20 | 1 | |
| 4 | AP9150303 | Block | 1 | |
| 5 | 855507 | Front valve control | 1 | |
| 6 | AP9150138 | Spring | 1 | |
| 7 | AP9150096 | Rocker arm exhaust | 1 | |
| 8 | 851468 | Rocker shaft | 1 | |
| 9 | 006612 | Snap ring | 1 | |
| 10 | 85105R | Ball bearing D25x42x9 | 1 | |
| 11 | 006642 | Circlip | 2 | |
| 12 | 598839 | Screw w/ flange | 2 | |
| 13 | AP9150505 | Timing gear Z=21 | 1 | |
| 14 | AP9150507 | Special screw M16x1 | 1 | |
| 15 | 851318 | Camshaft chain | 1 | |
| 16 | 851346 | Chain guide plate | 1 | |
| 17 | AP9150012 | Chain tensioner sliding block | 1 | |
| 18 | AP9150231 | Screw M6x12 | 1 | |
| 19 | 847928 | Gasket | 1 | |
| 20 | 82650R | Tendicatena completo | 1 | |

| | |
|--------------------|-----------------------------|
| Group | ENGINE |
| Code | 29.34 |
| Description | Rear cylinder timing system |
| Service | 1 |



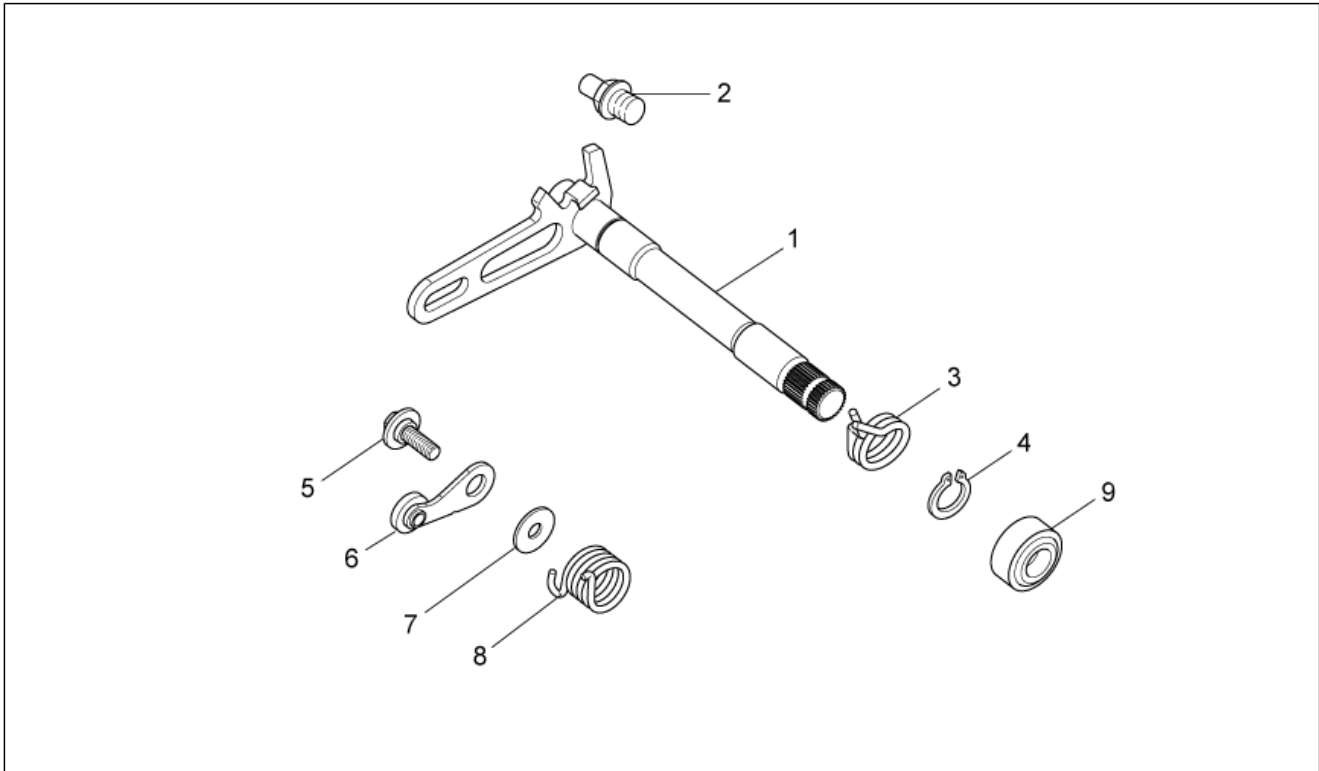
| Pos. | Code | Description | Qty | Variants |
|------|-----------|-------------------------------|-----|----------|
| 1 | CM2377025 | Camshaft cpl. | 1 | |
| 2 | 85104R | Ball bearing D25x37x7 | 1 | |
| 3 | AP8152274 | Screw w/ flange M5x20 | 1 | |
| 4 | AP9150303 | Block | 1 | |
| 5 | 855508 | Rear valve control | 1 | |
| 6 | AP9150304 | Spring | 1 | |
| 7 | AP9150096 | Rocker arm exhaust | 1 | |
| 8 | 851468 | Rocker shaft | 1 | |
| 9 | 006612 | Snap ring | 1 | |
| 10 | 85105R | Ball bearing D25x42x9 | 1 | |
| 11 | 006642 | Circlip | 2 | |
| 12 | 598839 | Screw w/ flange | 2 | |
| 13 | AP9150505 | Timing gear Z=21 | 1 | |
| 14 | 855102 | Special screw M16x1 | 1 | |
| 15 | AP9150327 | Camshaft chain | 1 | |
| 16 | 851346 | Chain guide plate | 1 | |
| 17 | AP9150012 | Chain tensioner sliding block | 1 | |
| 18 | AP9150142 | Screw M6x12 | 1 | |
| 19 | 847928 | Gasket | 1 | |
| 20 | 82650R | Tendicatena completo | 1 | |

| | |
|--------------------|--------------------|
| Group | ENGINE |
| Code | 29.35 |
| Description | Transmission shaft |
| Service | 1 |



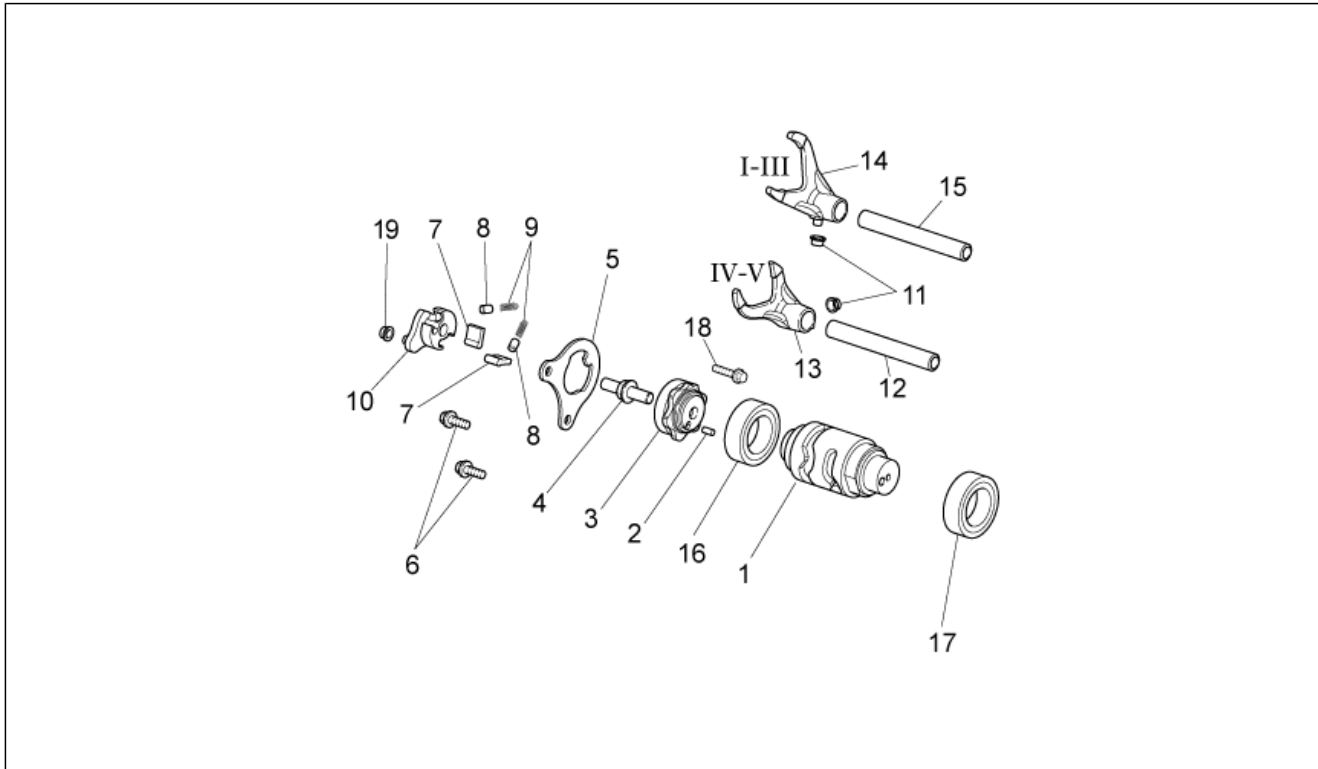
| Pos. | Code | Description | Qty | Variants |
|------|-----------|-------------------------|-----|----------|
| 1 | 851008 | Transmission shaft Z=21 | 1 | |
| 2 | 85106R | Bearing D14x22x13 | 1 | |
| 3 | AP9150387 | Ball bearing D12x28x8 | 1 | |
| 4 | AP9150130 | Timing gear Z=21 | 1 | |
| 5 | AP9150348 | O-ring D79x1,78 | 1 | |
| 6 | AP9150483 | Flange | 1 | |
| 7 | 844211 | Hex socket screw | 3 | |
| 8 | AP9150390 | Oil seal D28x20x6 | 1 | |
| 9 | AP9150290 | Timing gear Z=46 | 1 | |
| 10 | 274246 | Flat washer 22x12,1x1 | 1 | |
| 11 | 851011 | Nut M12x1x4,5 | 1 | |
| 12 | AP9150389 | Transmission key 4x4x18 | 1 | |

| | |
|--------------------|---------------------|
| Group | ENGINE |
| Code | 29.36 |
| Description | Gear box selector I |
| Service | 1 |



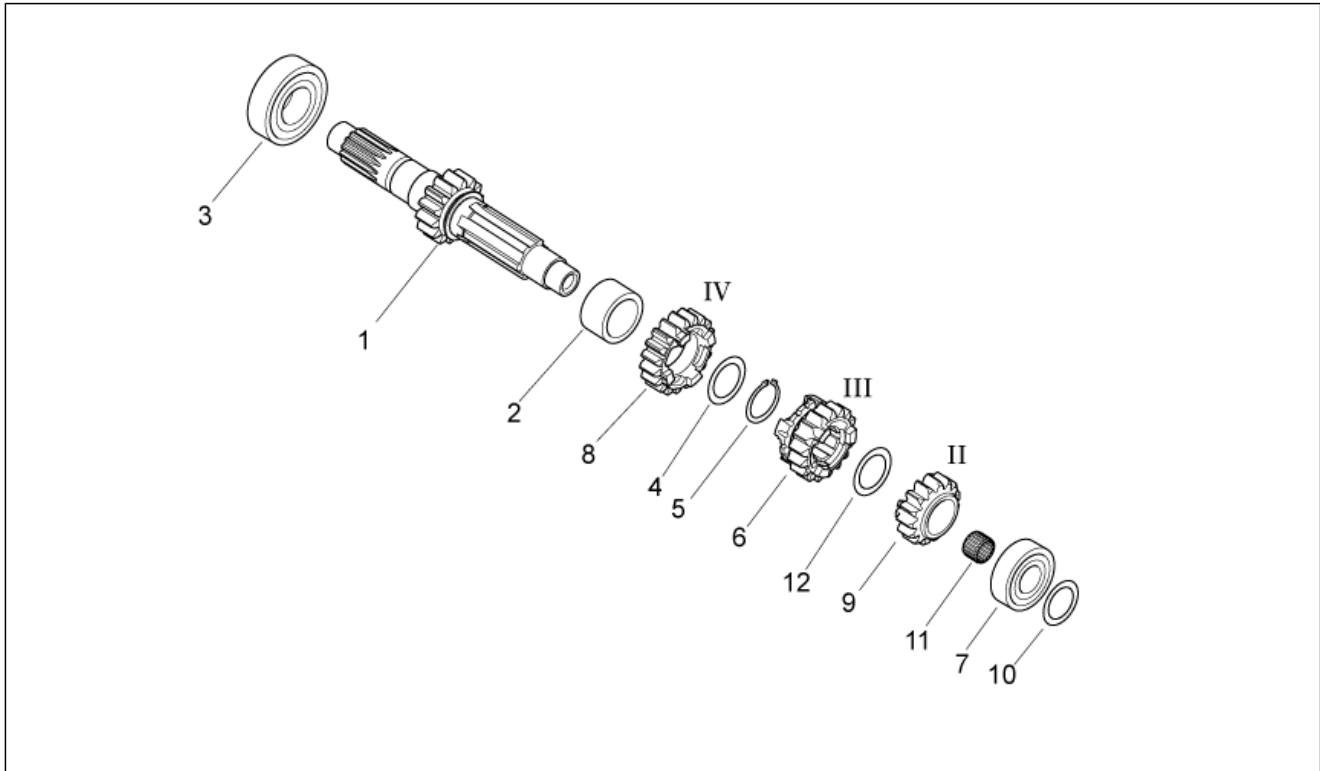
| Pos. | Code | Description | Qty | Variants |
|------|-----------|---------------------------|-----|----------|
| 1 | 8538504 | Gearshift shaft+pawl assy | 1 | |
| 2 | AP9150063 | Selector lock | 1 | |
| 3 | AP9150238 | Spring | 1 | |
| 4 | 006415 | Circlip D.15 | 1 | |
| 5 | AP9150006 | Screw w/ flange M6x15 | 1 | |
| 6 | AP9150044 | Index assy. lever | 1 | |
| 7 | AP9150051 | Washer D6,3x18x1 | 1 | |
| 8 | AP9150220 | Spring | 1 | |
| 9 | AP9150393 | Oil seal D21x15x3 | 1 | |

| | |
|--------------------|----------------------|
| Group | ENGINE |
| Code | 29.37 |
| Description | Gear box selector II |
| Service | 1 |



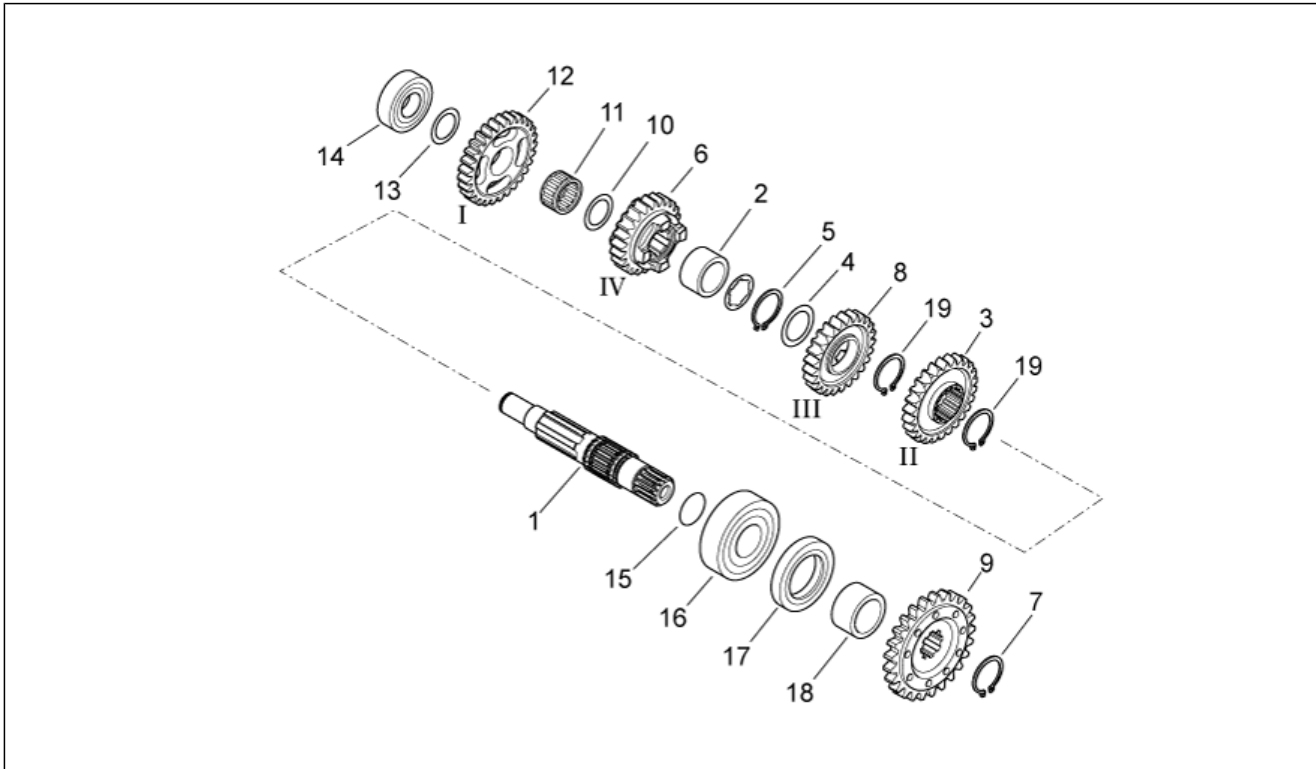
| Pos. | Code | Description | Qty | Variants |
|------|-----------|-----------------------|-----|----------|
| 1 | AP9150005 | Shift cam pl. | 1 | |
| 2 | AP9150375 | Roller D4 | 1 | |
| 3 | AP9150067 | Selector drum | 1 | |
| 4 | AP9150043 | Threaded pin M8x1,25 | 1 | |
| 5 | AP9150073 | Selector lock plate | 1 | |
| 6 | AP8152277 | Screw w/ flange | 2 | |
| 7 | AP9150069 | Lever | 2 | |
| 8 | AP9150070 | Spring pillar | 2 | |
| 9 | AP9150064 | Spring | 2 | |
| 10 | AP9150068 | Shift cam plate | 1 | |
| 11 | AP9150060 | Bush D6x8x5 | 2 | |
| 12 | AP9150062 | Fork shaft L72,5 | 1 | |
| 13 | AP9150093 | Fork 4a-5a | 1 | |
| 14 | AP9150091 | Fork 1a-3a | 1 | |
| 15 | AP9150061 | Fork shaft L93 | 1 | |
| 16 | AP9150365 | Ball bearing D25x42x9 | 1 | |
| 17 | 85104R | Ball bearing D25x37x7 | 1 | |
| 18 | AP8152272 | Screw w/ flange | 1 | |
| 19 | 853849 | Bush D10 SP5 | 1 | |

| | |
|--------------------|--------------------|
| Group | ENGINE |
| Code | 29.38 |
| Description | Primary gear shaft |
| Service | 1 |



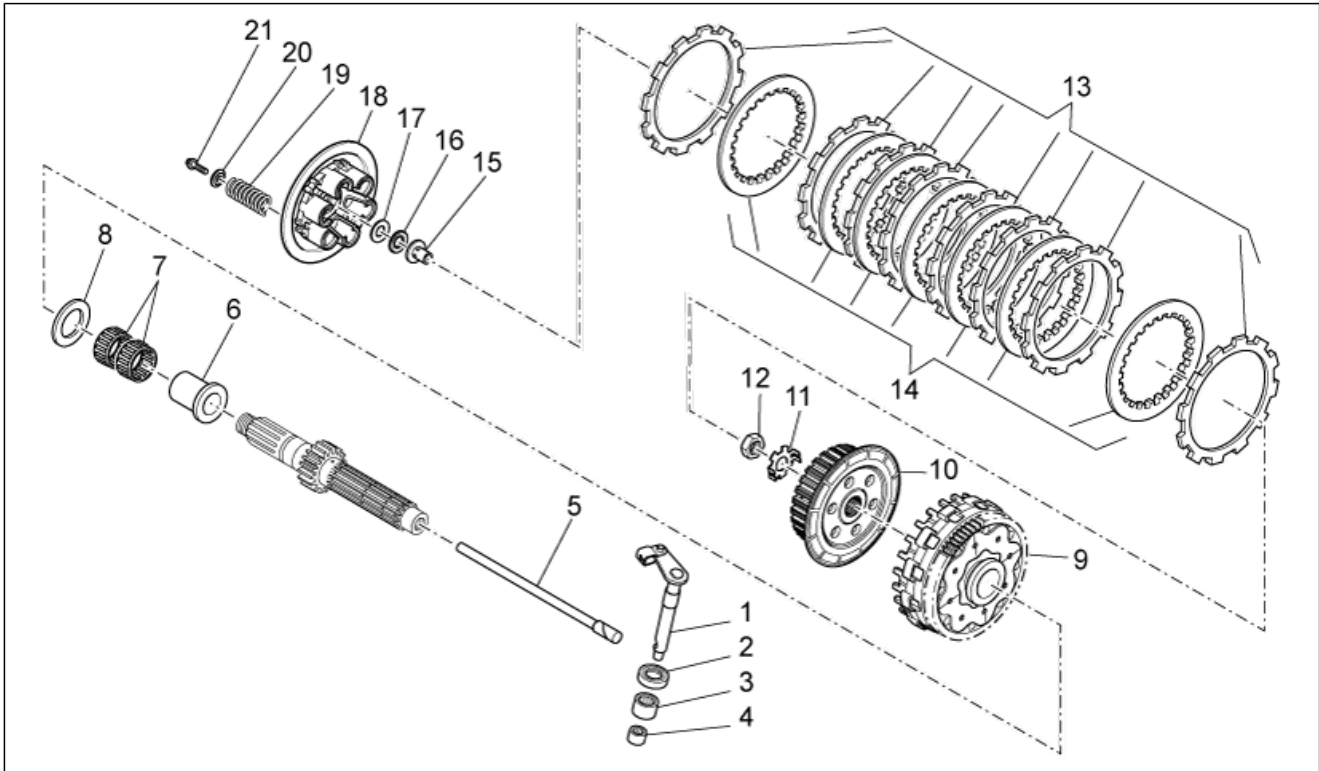
| Pos. | Code | Description | Qty | Variants |
|------|-----------|-----------------------------|-----|----------|
| 1 | 855218 | Primary gear shaft | 1 | |
| 2 | AP9150216 | Bush D25x28x9,9 | 1 | |
| 3 | 85102R | Ball bearing D25x52x1 | 1 | |
| 4 | AP9150297 | Plain washer D25,1x30,8x0,5 | 1 | |
| 5 | AP9150302 | Outside circlip D25 | 1 | |
| 6 | 855220 | 3rd pinion gear | 1 | |
| 7 | AP9150362 | Ball bearing D17x40x12 | 1 | |
| 8 | 855221 | 4th pinion gear | 1 | |
| 9 | 855219 | 2nd pinion gear | 1 | |
| 10 | AP9150294 | Washer D17,1x27,8x0,8 | 1 | |
| 11 | 855789 | Roller cage | 1 | |
| 12 | AP9150296 | Washer D20,1x28,8x0,8 | 1 | |

| | |
|--------------------|--------------|
| Group | ENGINE |
| Code | 29.39 |
| Description | Driven shaft |
| Service | 1 |



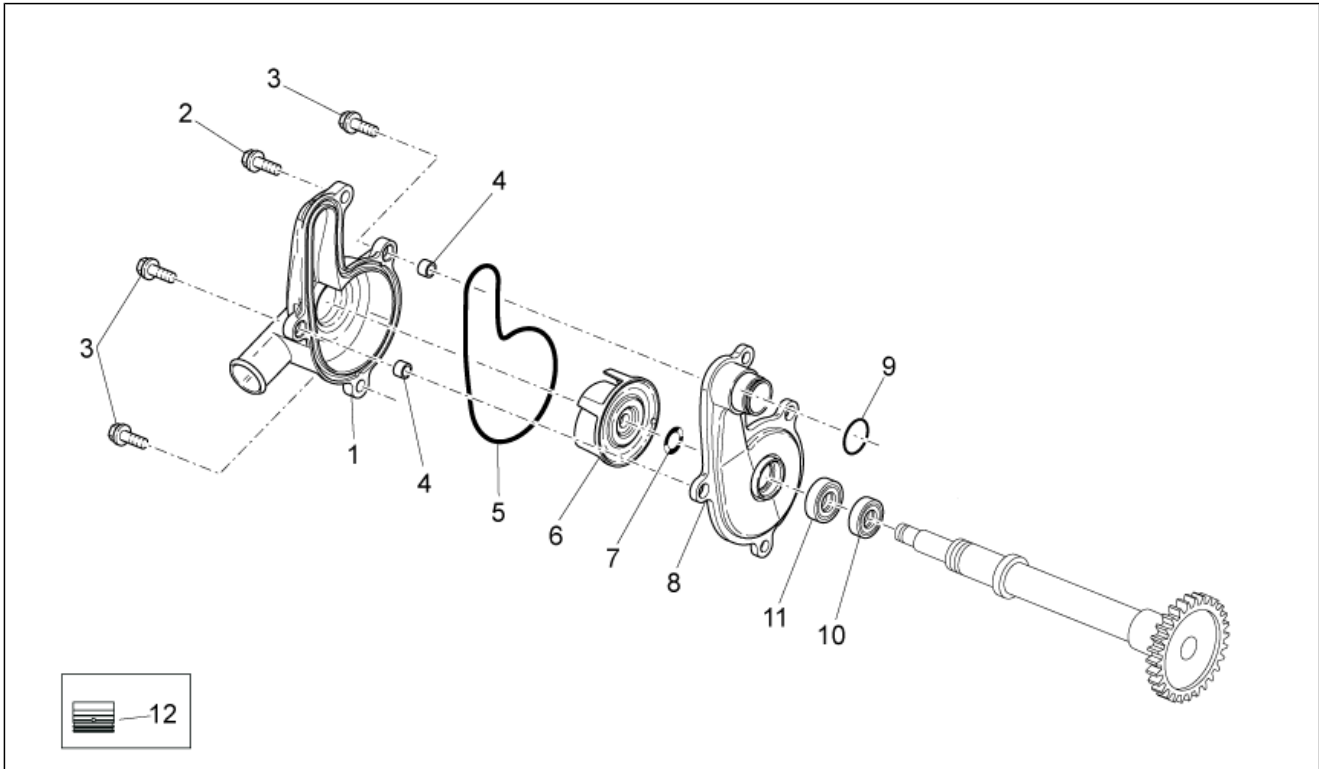
| Pos. | Code | Description | Qty | Variants |
|------|-----------|-----------------------------|-----|----------|
| 1 | 855222 | Driven shaft | 1 | |
| 2 | AP9150216 | Bush D25x28x9,9 | 1 | |
| 3 | 855224 | 2nd wheel gear | 1 | |
| 4 | AP9150297 | Plain washer D25,1x30,8x0,5 | 2 | |
| 5 | AP9150302 | Outside circlip D25 | 1 | |
| 6 | 855226 | 4th wheel gear | 1 | |
| 7 | AP9100451 | Outside circlip D25 | 1 | |
| 8 | 855225 | 3rd wheel gear | 1 | |
| 9 | AP9100505 | Pinion Z=14 | 1 | |
| 10 | AP9150296 | Washer D20,1x28,8x0,8 | 1 | |
| 11 | AP9150371 | Roller cage D20x24x10 | 1 | |
| 12 | 855223 | 1st wheel gear | 1 | |
| 13 | AP9150294 | Washer D17,1x27,8x0,8 | 1 | |
| 14 | AP9150361 | Ball bearing D17x47x14 | 1 | |
| 15 | AP9150357 | O-ring D21,95x1,78 | 1 | |
| 16 | 85103R | Ball bearing D25x52x15 | 1 | |
| 17 | AP9150382 | Oil seal D40x32x5 | 1 | |
| 18 | 851469 | Spacer 25x32x14 | 1 | |
| 19 | 855234 | Seeger | 2 | |

| | |
|--------------------|----------|
| Group | ENGINE |
| Code | 29.40 |
| Description | Clutch I |
| Service | 1 |



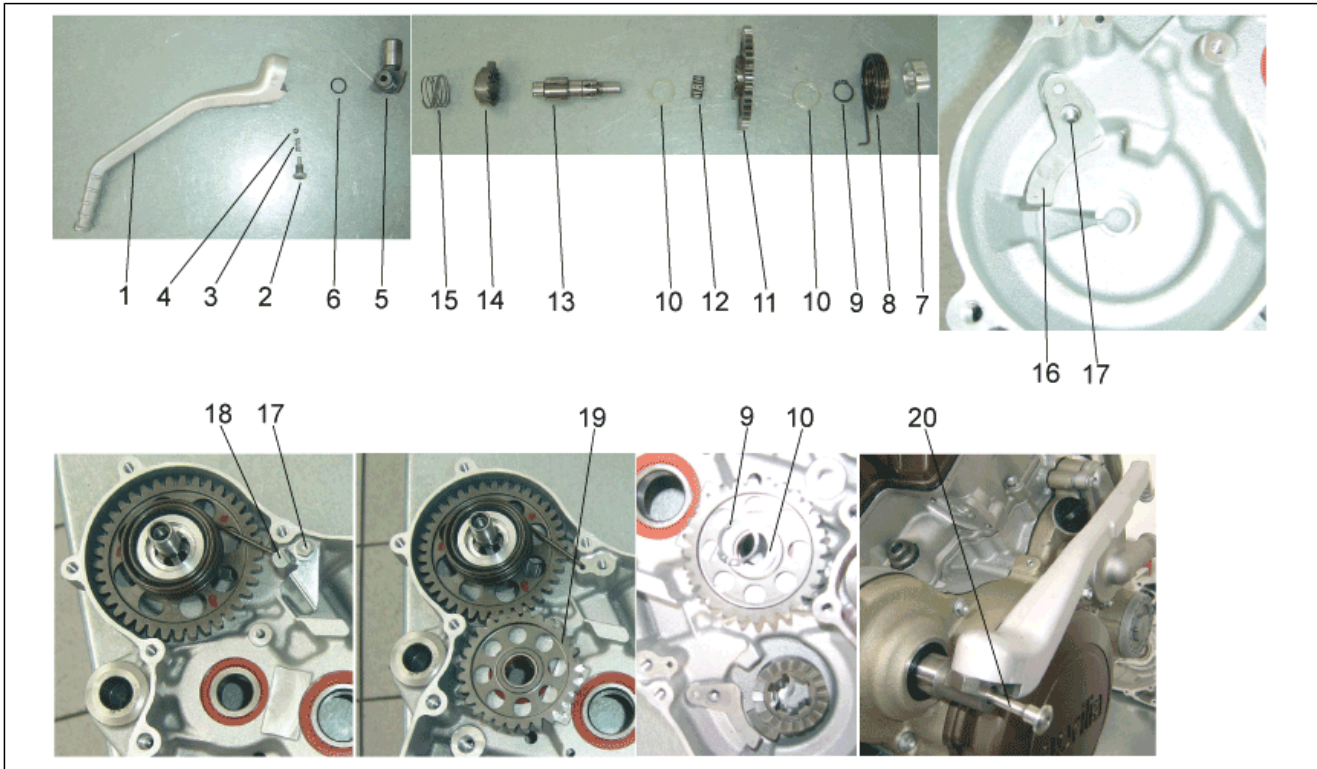
| Pos. | Code | Description | Qty | Variants |
|------|-----------|--------------------------|-----|----------|
| 1 | 851319 | Clutch release shaft | 1 | |
| 2 | AP9150384 | Oil seal D12x19x5 | 1 | |
| 3 | 85111R | Roller cage D12x16x10 | 1 | |
| 4 | 85110R | Roller cage D8x12x10 | 1 | |
| 5 | 851324 | Rod | 1 | |
| 6 | AP9150284 | Spacer 25x32x22 | 1 | |
| 7 | 85108R | Roller cage D28x33x13 | 2 | |
| 8 | AP9150234 | Washer D23x46x3 | 1 | |
| 9 | 851227 | Clutch housing, complete | 1 | |
| 10 | AP9150190 | Aluminium clutch drum | 1 | |
| 11 | AP9100386 | Safety washer | 1 | |
| 12 | AP9150235 | Nut M18x1,25 | 1 | |
| 13 | 855885 | Lined clutch discs 8 pc. | 1 | |
| 14 | 855860 | Steel clutch discs 7 pc. | 1 | |
| 15 | 851327 | Pawl clutch | 1 | |
| 16 | AP9150358 | Roller cage D12x26x2 | 1 | |
| 17 | AP9150359 | Fifth wheel D12x26x1 | 1 | |
| 18 | AP9150191 | Clutch pressure plate | 1 | |
| 19 | AP9150194 | Clutch spring | 6 | |
| 20 | AP9150232 | Cup | 6 | |
| 21 | AP8152279 | Screw w/ flange M6x20 | 6 | |

| | |
|--------------------|------------|
| Group | ENGINE |
| Code | 29.41 |
| Description | Water pump |
| Service | 1 |



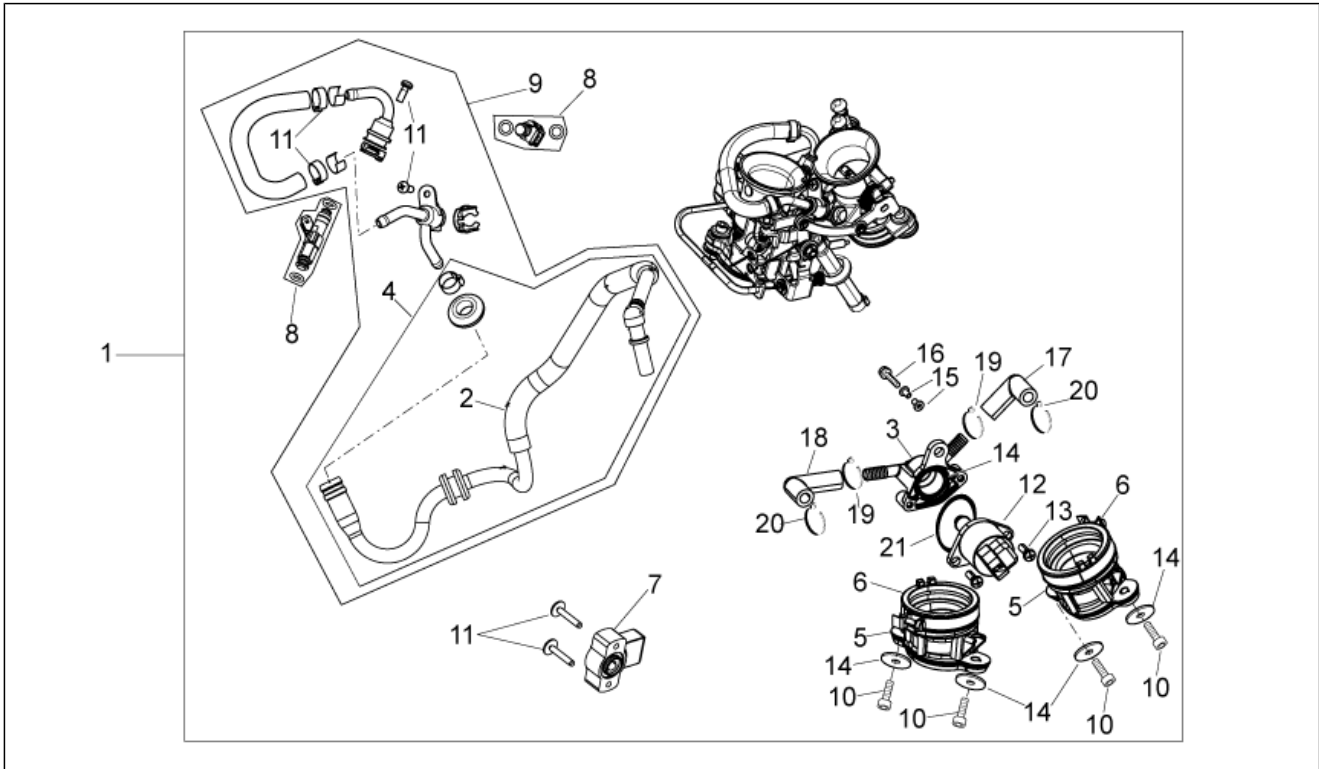
| Pos. | Code | Description | Qty | Variants |
|------|-----------|--------------------------|-----|----------|
| 1 | AP9150484 | Water pump cover | 1 | |
| 2 | AP8152283 | Screw w/ flange | 1 | |
| 3 | 598839 | Screw w/ flange | 3 | |
| 4 | AP9150119 | Bush D8x6,4x9,8 | 2 | |
| 5 | AP9150352 | O-ring D88,57x2,62 | 1 | |
| 6 | AP9150132 | Water pump impeller cpl. | 1 | |
| 7 | AP9150292 | Washer D12,d7.05 SP1 | 1 | |
| 8 | AP9150464 | Water pump flange | 1 | |
| 9 | 851480 | O-ring D18x2,5 | 1 | |
| 10 | AP9150443 | Oil seal D10x16x4 | 1 | |
| 11 | 851013 | Oil seal D10x18x5/8 | 1 | |
| 12 | 851010 | Cover Bush RH Carter | 1 | |

| | |
|--------------------|------------------|
| Group | ENGINE |
| Code | 29.42 |
| Description | Starter assembly |
| Service | 1 |



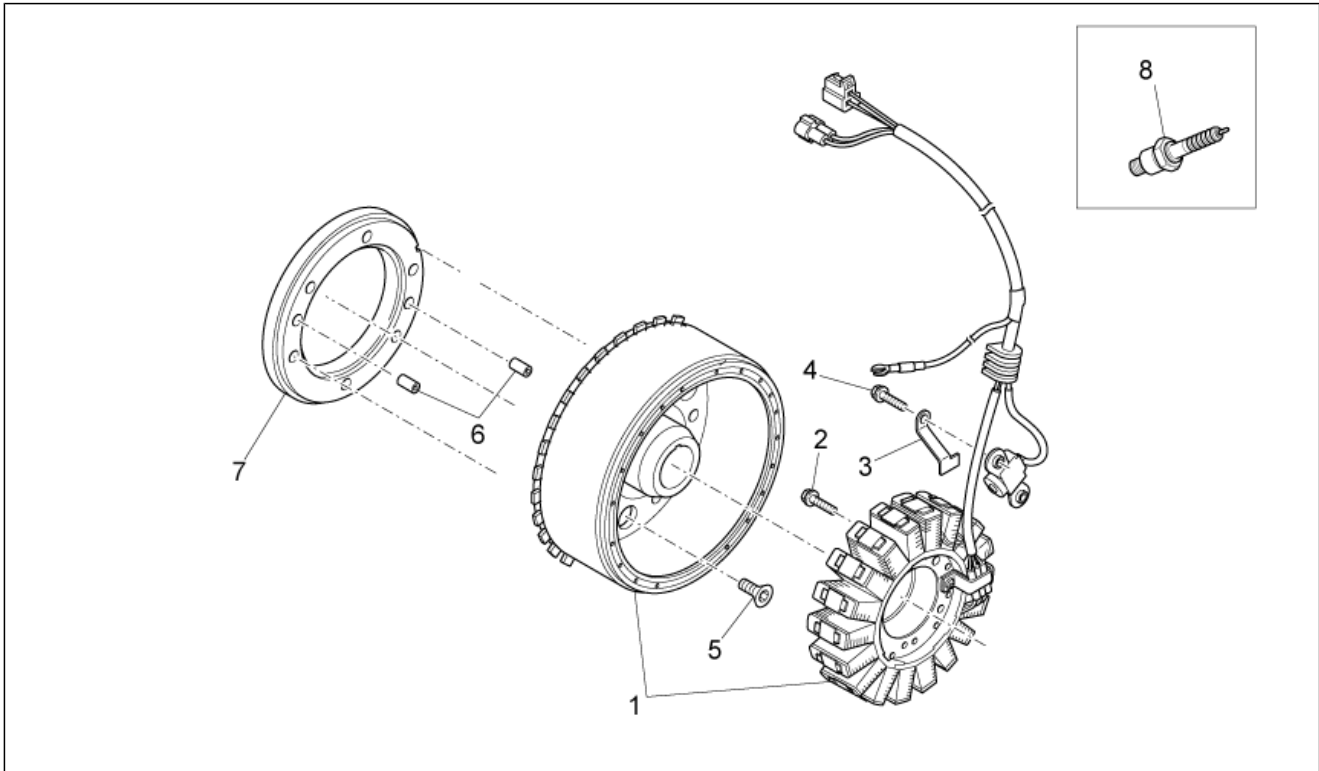
| Pos. | Code | Description | Qty | Variants |
|------|-----------|-----------------------|-----|----------|
| 1 | 891060 | Starter lever | 1 | |
| 2 | 891049 | Lever screw | 1 | |
| 3 | 891048 | Coil compress. spring | 1 | |
| 4 | 295591 | Ball D6 | 1 | |
| 5 | 855006 | Extension | 1 | |
| 6 | 855535 | O-ring 17x1 | 1 | |
| 7 | 851126 | Cup | 1 | |
| 8 | 855528 | Return spring | 1 | |
| 9 | 006417 | Seeger | 2 | |
| 10 | 851200 | Washer 17,1x25x0,8 | 3 | |
| 11 | 851062 | Gear | 1 | |
| 12 | 855767 | Roller cage 17x21x10 | 1 | |
| 13 | 855005 | Starter shaft | 1 | |
| 14 | 851127 | Starter plate | 1 | |
| 15 | 851128 | Spring cable lever | 1 | |
| 16 | 851150 | Plate | 1 | |
| 17 | AP8152277 | Screw w/ flange | 2 | |
| 18 | 851149 | Plate | 1 | |
| 19 | 851358 | Intermediate gear | 1 | |
| 20 | 853518 | Pin fixing screw | 1 | |

| | |
|--------------------|---------------|
| Group | ENGINE |
| Code | 29.43 |
| Description | Throttle body |
| Service | 1 |



| Pos. | Code | Description | Qty | Variants |
|------|-----------|----------------------------|-----|----------|
| 1 | 8559284 | Throttle body | 1 | |
| 2 | 855185 | Pipe | 1 | |
| 3 | 855728 | Stepper motor body | 1 | |
| 4 | AP8120446 | Hose clip, green D11x6,6x1 | 1 | |
| 5 | 853871 | Spacer | 2 | |
| 6 | 853877 | Hose clamp | 2 | |
| 7 | AP9101010 | Potentiometer | 1 | |
| 8 | AP9101011 | Injector | 2 | |
| 9 | AP9101012 | Fuel rail cpl | 1 | |
| 10 | 709674 | Hex socket screw M6x20 | 4 | |
| 11 | AP9101014 | Screw kit, clamps, clip | 1 | |
| 12 | 855771 | Stepper motor | 1 | |
| 13 | AP8150509 | Self-tap screw 5x14 | 2 | |
| 14 | 013777 | Washer | 4 | |
| 15 | 826118 | Washer | 2 | |
| 16 | 830061 | Screw w/ flange | 1 | |
| 17 | CM239302 | Pipe | 1 | |
| 18 | CM239301 | Pipe | 1 | |
| 19 | CM002908 | Hose clamp | 2 | |
| 20 | 258469 | Hose clamp | 2 | |
| 21 | 191189 | Gasket | 1 | |

| | |
|--------------------|---------------|
| Group | ENGINE |
| Code | 29.44 |
| Description | Ignition unit |
| Service | 1 |



| Pos. | Code | Description | Qty | Variants |
|------|-----------|-------------------|-----|----------|
| 1 | 855011 | Cdi magneto assy | 1 | |
| 2 | 855799 | Screw w/ flange | 3 | |
| 3 | AP9100387 | Plate | 1 | |
| 4 | AP8152272 | Screw w/ flange | 2 | |
| 5 | 840542 | Screw | 6 | |
| 6 | 484993 | Locating dowel | 2 | |
| 7 | 855180 | Inertial ring | 1 | |
| 8 | 639687 | Spark plug CR8EKB | 2 | |