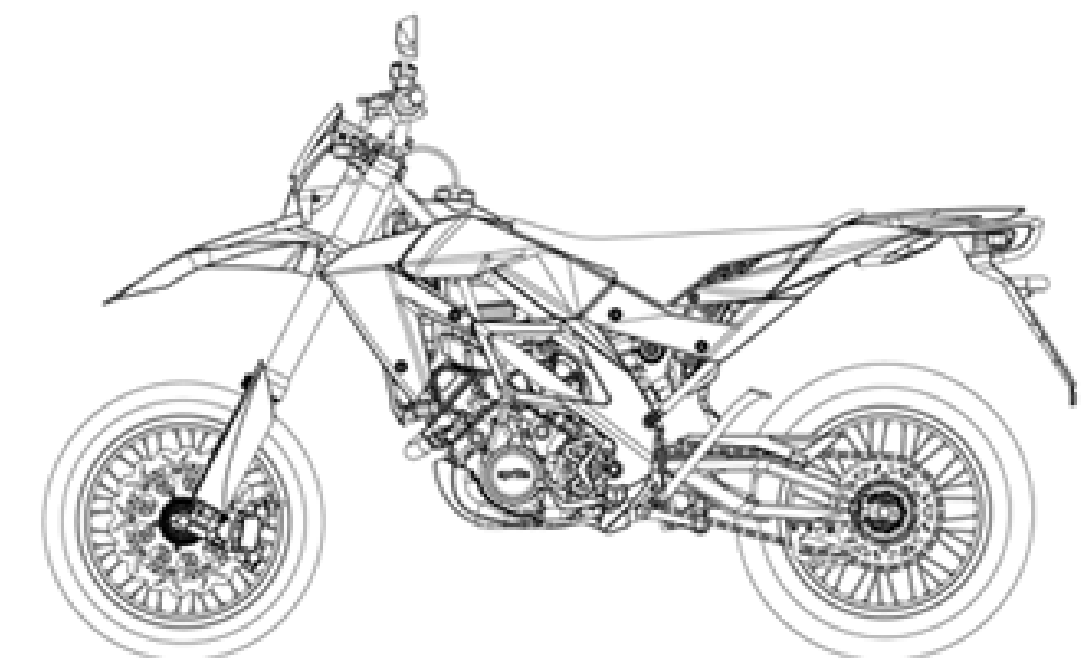




PIAGGIO & C.s.p.a.

aprilia

SPARE PARTS CATALOGUE



RXV-SXV 450-550 2008

Chassis prefix: ZD4VPT, ZD4VPU40,
ZD4VPU50, ZD4VPX, ZD4VSR00, ZD4VSS00



PIAGGIO & C.s.p.a.



Engine prefix:

Index

| | |
|---|----|
| Finished products..... | 5 |
| Alphanumeric index..... | 6 |
| FRAME..... | 13 |
| Table 28.01 - Frame..... | 13 |
| Table 28.02 - Foot rests..... | 15 |
| Table 28.03 - Central stand..... | 16 |
| Table 28.04 - Steering I..... | 17 |
| Table 28.05 - Front fork I..... | 18 |
| Table 28.06 - Fork II..... | 20 |
| Table 28.07 - Swing arm..... | 21 |
| Table 28.08 - Rear shock absorber..... | 23 |
| Table 28.09 - Front body I..... | 25 |
| Table 28.10 - Front body II..... | 27 |
| Table 28.11 - Fuel tank..... | 28 |
| Table 28.12 - Oil tank..... | 30 |
| Table 28.13 - Saddle..... | 31 |
| Table 28.14 - Central body..... | 32 |
| Table 28.15 - Rear body I..... | 34 |
| Table 28.16 - Rear body II..... | 36 |
| Table 28.17 - Dashboard..... | 37 |
| Table 28.18 - Controls..... | 38 |
| Table 28.19 - Cooling system..... | 39 |
| Table 28.20 - Air box..... | 41 |
| Table 28.21 - Exhaust unit I..... | 42 |
| Table 28.22 - Front wheel I..... | 44 |
| Table 28.23 - Front wheel II..... | 46 |
| Table 28.24 - Rear wheel I..... | 48 |
| Table 28.25 - Rear wheel II..... | 50 |
| Table 28.26 - Front brake system I..... | 52 |
| Table 28.27 - Front brake system II..... | 54 |
| Table 28.28 - Rear brake system..... | 56 |
| Table 28.29 - Front lights..... | 57 |
| Table 28.30 - Rear lights..... | 59 |
| Table 28.31 - Electrical system I..... | 60 |
| Table 28.32 - Electrical system II..... | 62 |
| Table 28.33 - Completing part..... | 64 |
| Table 28.56 - Secondary air..... | 66 |
| Table 28.57 - Fuel vapour recover system..... | 68 |
| Table 28.58 - Plates-Front body Decals..... | 69 |
| Table 28.59 - Central body Decals..... | 71 |
| Table 28.60 - Rear body Decals..... | 73 |
| Table 28.61 - Exhaust unit II..... | 75 |
| ENGINE..... | 77 |

| | |
|---|-----|
| Table 29.34 - Engine..... | 77 |
| Table 29.35 - Crankcase I..... | 79 |
| Table 29.36 - Crankcase II..... | 81 |
| Table 29.37 - Oil pump..... | 82 |
| Table 29.38 - Lubrication..... | 83 |
| Table 29.39 - Drive shaft..... | 84 |
| Table 29.40 - Cylinder with piston..... | 85 |
| Table 29.41 - Cylinder head..... | 86 |
| Table 29.42 - Valves..... | 87 |
| Table 29.43 - Valves pads..... | 88 |
| Table 29.44 - Front cylinder timing system..... | 89 |
| Table 29.45 - Rear cylinder timing system..... | 91 |
| Table 29.46 - Transmission shaft..... | 93 |
| Table 29.47 - Gear box selector I..... | 94 |
| Table 29.48 - Gear box selector II..... | 95 |
| Table 29.49 - Primary gear shaft..... | 96 |
| Table 29.50 - Driven shaft..... | 97 |
| Table 29.51 - Clutch I..... | 99 |
| Table 29.52 - Water pump..... | 100 |
| Table 29.53 - Starter motor..... | 101 |
| Table 29.54 - Throttle body..... | 102 |
| Table 29.55 - Ignition unit..... | 104 |

Finished products

| Code | Validity |
|----------------|----------|
| AP61447R5AC801 | |
| AP61447R5EA800 | |
| AP61447R5EA801 | |
| AP61447R5EB801 | |
| AP61447R5EC801 | |
| AP61447R5UB801 | |
| AP61449S5YC800 | |
| AP61449S5YC801 | |
| AP61456R5EA900 | |
| AP61456R5EA901 | |
| AP61456R5EB900 | |
| AP61456R5EB901 | |
| AP61456R5EC901 | |
| AP61474R5EB900 | |
| AP61474R5EB902 | |

| Code | No. table | Pos. | Code | No. table | Pos. | Code | No. table | Pos. |
|--------|-----------|------|---------|-----------|------|-------------|-----------|------|
| 639687 | 29.55 | 10 | 854038 | 28.33 | 12 | 855835 | 29.34 | 15 |
| 833658 | 29.54 | 18 | 854039 | 28.33 | 12 | 855929 | 29.54 | 15 |
| 844211 | 29.46 | 7 | 855022 | 28.56 | 4 | 855930 | 29.54 | 16 |
| 849801 | 29.53 | 5 | 855023 | 28.56 | 2 | 855947 | 29.54 | 2 |
| 849802 | 29.53 | 6 | 855024 | 28.56 | 3 | 855948 | 29.54 | 9 |
| 849803 | 29.53 | 7 | 855025 | 28.21 | 1 | 856062 | 28.57 | 13 |
| 851000 | 29.44 | 1 | 855026 | 28.21 | 2 | 856063 | 28.57 | 10 |
| 851001 | 29.45 | 1 | 855027 | 28.56 | 8 | 856161 | 28.57 | 12 |
| 851002 | 29.44 | 1 | 855028 | 28.56 | 12 | 856334 | 28.58 | 1 |
| 851003 | 29.45 | 1 | 855029 | 28.57 | 1 | 856335 | 28.59 | 5 |
| 851007 | 29.39 | 2 | 855034 | 29.41 | 6 | 856336 | 28.59 | 6 |
| 851009 | 29.46 | 1 | 855035 | 29.41 | 6 | 856337 | 28.59 | 7 |
| 851010 | 29.36 | 20 | 855036 | 28.21 | 1 | 856338 | 28.59 | 8 |
| 851011 | 29.46 | 11 | 855037 | 28.21 | 1 | 856339 | 28.58 | 6 |
| 851012 | 29.36 | 21 | 855038 | 28.29 | 1 | 856340 | 28.58 | 4 |
| 851013 | 29.52 | 11 | 855039 | 28.30 | 1 | 856340 | 28.58 | 4 |
| 851017 | 29.36 | 22 | 855041 | 28.15 | 11 | 856341 | 28.58 | 5 |
| 851019 | 29.36 | 9 | 855042 | 28.33 | 18 | 856341 | 28.58 | 5 |
| 851023 | 28.31 | 2 | 855043 | 28.18 | 5 | 856342 | 28.59 | 1 |
| 851029 | 28.04 | 7 | 855044 | 28.29 | 18 | 856343 | 28.59 | 2 |
| 851030 | 28.04 | 8 | 855045 | 28.29 | 19 | 856346 | 28.59 | 3 |
| 851035 | 29.40 | 1 | 855046 | 28.15 | 14 | 856347 | 28.59 | 4 |
| 851039 | 29.40 | 1 | 855048 | 28.11 | 1 | 856348 | 28.60 | 3 |
| 851042 | 29.40 | 2 | 855049 | 28.18 | 1 | 856349 | 28.60 | 4 |
| 851045 | 29.40 | 2 | 855050 | 28.15 | 23 | 856350 | 28.60 | 5 |
| 851063 | 28.22 | 20 | 855052 | 28.17 | 1 | 856351 | 28.60 | 6 |
| 851064 | 28.23 | 19 | 855053 | 28.31 | 19 | 856352 | 28.60 | 7 |
| 851065 | 28.24 | 23 | 855053 | 28.32 | 29 | 856353 | 28.60 | 8 |
| 851066 | 28.25 | 22 | 855054 | 28.56 | 1 | 856355 | 28.60 | 9 |
| 85114R | 29.35 | 38 | 855055 | 28.56 | 9 | 856356 | 28.60 | 10 |
| 851156 | 28.58 | 12 | 855056 | 28.56 | 10 | 856357 | 28.58 | 7 |
| 851171 | 28.21 | 26 | 855057 | 28.56 | 5 | 856359 | 28.60 | 3 |
| 851172 | 28.21 | 25 | 855066 | 28.11 | 1 | 856360 | 28.60 | 4 |
| 851240 | 29.38 | 18 | 855071 | 28.16 | 5 | 856361 | 28.60 | 5 |
| 851252 | 28.08 | 3 | 855078 | 28.30 | 12 | 856362 | 28.60 | 6 |
| 851280 | 28.03 | 4 | 855081 | 28.20 | 20 | 856363 | 28.60 | 11 |
| 851280 | 28.06 | 11 | 855082 | 28.57 | 3 | 856364 | 28.60 | 9 |
| 851283 | 29.52 | 9 | 855083 | 28.13 | 1 | 856365 | 28.60 | 10 |
| 851288 | 28.01 | 1 | 855086 | 28.21 | 1 | 856564 | 28.58 | 1 |
| 851290 | 28.05 | 2 | 855087 | 28.21 | 2 | 856565 | 28.59 | 9 |
| 851291 | 28.05 | 1 | 855104 | 28.09 | 1 | 856566 | 28.59 | 10 |
| 851292 | 28.08 | 2 | 855111 | 28.32 | 22 | 856567 | 28.59 | 11 |
| 851295 | 29.38 | 22 | 855128 | 28.33 | 1 | 856568 | 28.59 | 12 |
| 851298 | 29.40 | 3 | 855129 | 28.33 | 14 | 856569 | 28.59 | 13 |
| 851315 | 29.36 | 4 | 855131 | 28.33 | 15 | 856570 | 28.59 | 14 |
| 851348 | 28.27 | 25 | 855132 | 28.33 | 16 | 856571 | 28.58 | 1 |
| 851351 | 28.26 | 7 | 855139 | 28.29 | 9 | 856610 | 28.29 | 16 |
| 851359 | 28.18 | 17 | 855139 | 28.29 | 9 | 856665 | 28.31 | 23 |
| 851360 | 28.18 | 18 | 855140 | 28.29 | 8 | 856681 | 28.13 | 1 |
| 851363 | 28.33 | 9 | 855140 | 28.29 | 8 | 856682 | 28.13 | 1 |
| 851364 | 28.33 | 8 | 855173 | 28.13 | 1 | 856870 | 28.58 | 9 |
| 851366 | 28.27 | 1 | 855177 | 28.04 | 16 | 856875 | 28.58 | 8 |
| 851367 | 28.27 | 3 | 855182 | 28.56 | 6 | 856877 | 28.58 | 11 |
| 851368 | 28.27 | 10 | 855183 | 28.56 | 8 | 856897 | 28.56 | 26 |
| 851369 | 28.20 | 19 | 855184 | 28.56 | 13 | 856912 | 28.33 | 17 |
| 851436 | 29.51 | 9 | 855213 | 29.54 | 1 | 856932 | 28.11 | 3 |
| 851448 | 28.61 | 26 | 855214 | 29.54 | 1 | 856941 | 28.21 | 3 |
| 851449 | 28.61 | 25 | 855236 | 29.54 | 19 | 856946 | 28.21 | 5 |
| 851495 | 28.61 | 27 | 855252 | 29.36 | 23 | 856947 | 28.21 | 4 |
| 853513 | 28.01 | 1 | 8553745 | 29.39 | 1 | 858044 | 28.20 | 17 |
| 853519 | 29.54 | 1 | 855490 | 29.54 | 12 | 858069 | 28.60 | 1 |
| 853520 | 29.54 | 1 | 855601 | 29.40 | 3 | 858070 | 28.58 | 2 |
| 853691 | 28.20 | 1 | 855604 | 28.32 | 32 | 858071 | 28.58 | 3 |
| 853693 | 28.20 | 1 | 855796 | 28.06 | 3 | 858077 | 28.60 | 2 |
| 853695 | 28.20 | 2 | 855797 | 28.06 | 4 | 858078 | 28.60 | 1 |
| 853696 | 28.18 | 6 | 855798 | 28.06 | 5 | 858079 | 28.60 | 2 |
| 853976 | 28.18 | 13 | 855834 | 29.34 | 15 | 85813800XN4 | 28.09 | 2 |

| Code | No. table | Pos. | Code | No. table | Pos. | Code | No. table | Pos. |
|-------------|-----------|------|-----------|-----------|------|-----------|-----------|------|
| 85813900XN4 | 28.09 | 2 | AP8102378 | 28.19 | 23 | AP8127098 | 28.30 | 2 |
| 858142 | 28.21 | 27 | AP8102525 | 28.12 | 13 | AP8127121 | 28.29 | 17 |
| 858171 | 28.59 | 1 | AP8102678 | 28.57 | 2 | AP8127391 | 28.31 | 14 |
| 858172 | 28.59 | 2 | AP8102688 | 28.57 | 7 | AP8127489 | 28.29 | 20 |
| 858173 | 28.59 | 3 | AP8102719 | 28.57 | 8 | AP8127489 | 28.30 | 7 |
| 858174 | 28.59 | 4 | AP8102764 | 28.57 | 11 | AP8127783 | 28.29 | 9 |
| 858246 | 28.31 | 22 | AP8102903 | 28.12 | 10 | AP8127783 | 28.30 | 6 |
| 858247 | 28.18 | 20 | AP8102998 | 28.57 | 16 | AP8127784 | 28.29 | 8 |
| 858305 | 28.18 | 16 | AP8104124 | 28.19 | 31 | AP8127784 | 28.30 | 5 |
| 858388 | 28.09 | 3 | AP8104329 | 28.20 | 6 | AP8134677 | 28.16 | 3 |
| 858409 | 28.61 | 30 | AP8104666 | 28.57 | 15 | AP8140710 | 28.33 | 2 |
| 858500 | 28.58 | 4 | AP8104921 | 28.18 | 14 | AP8144038 | 28.20 | 9 |
| 858501 | 28.58 | 5 | AP8104922 | 28.18 | 15 | AP8144064 | 28.14 | 8 |
| 858502 | 28.60 | 11 | AP8108672 | 28.23 | 12 | AP8144065 | 28.20 | 21 |
| 858503 | 28.61 | 31 | AP8109001 | 28.22 | 3 | AP8144087 | 28.61 | 24 |
| 858512 | 28.61 | 1 | AP8109170 | 28.23 | 1 | AP8144277 | 28.61 | 12 |
| 858513 | 28.61 | 2 | AP8109281 | 28.24 | 3 | AP8144443 | 28.07 | 16 |
| 858514 | 28.61 | 3 | AP8109306 | 28.23 | 2 | AP8144444 | 28.07 | 15 |
| 858515 | 28.61 | 4 | AP8109309 | 28.23 | 3 | AP8144506 | 28.19 | 17 |
| 858516 | 28.61 | 5 | AP8112176 | 28.32 | 17 | AP8144516 | 28.04 | 18 |
| 858517 | 28.61 | 6 | AP8112202 | 28.15 | 12 | AP8144538 | 28.01 | 15 |
| 858519 | 28.61 | 7 | AP8112202 | 28.16 | 16 | AP8144538 | 28.32 | 4 |
| 858520 | 28.61 | 8 | AP8112244 | 28.32 | 16 | AP8149034 | 28.16 | 2 |
| 858521 | 28.61 | 9 | AP8112600 | 28.17 | 2 | AP8150009 | 28.61 | 20 |
| 858522 | 28.61 | 10 | AP8112600 | 28.29 | 14 | AP8150011 | 28.16 | 8 |
| 858523 | 28.61 | 11 | AP8117004 | 28.32 | 28 | AP8150011 | 28.29 | 5 |
| 858524 | 28.61 | 13 | AP8117041 | 28.19 | 29 | AP8150011 | 28.31 | 5 |
| 858525 | 28.61 | 18 | AP8119603 | 28.21 | 18 | AP8150012 | 28.30 | 13 |
| 858540 | 28.61 | 19 | AP8120001 | 28.32 | 3 | AP8150013 | 28.17 | 5 |
| 858589 | 28.01 | 1 | AP8120223 | 28.12 | 14 | AP8150013 | 28.19 | 8 |
| 858590 | 28.04 | 2 | AP8120253 | 28.01 | 10 | AP8150015 | 28.09 | 9 |
| 858592 | 28.21 | 28 | AP8120313 | 28.01 | 12 | AP8150015 | 28.15 | 9 |
| 859702 | 28.29 | 1 | AP8120405 | 28.09 | 7 | AP8150015 | 28.21 | 22 |
| 859723 | 28.58 | 10 | AP8120422 | 29.54 | 13 | AP8150015 | 28.56 | 18 |
| 859728 | 28.31 | 19 | AP8120446 | 28.19 | 28 | AP8150017 | 28.02 | 10 |
| 859728 | 28.32 | 29 | AP8120446 | 28.57 | 14 | AP8150017 | 28.24 | 18 |
| 859762 | 28.13 | 5 | AP8120455 | 28.19 | 32 | AP8150017 | 28.25 | 19 |
| 859802 | 28.06 | 1 | AP8120508 | 28.61 | 22 | AP8150017 | 28.28 | 21 |
| 859803 | 28.06 | 2 | AP8120593 | 28.20 | 16 | AP8150017 | 28.29 | 10 |
| 859990 | 28.58 | 1 | AP8120870 | 28.21 | 19 | AP8150017 | 28.31 | 17 |
| 859991 | 28.58 | 2 | AP8120876 | 28.19 | 6 | AP8150026 | 28.56 | 25 |
| 859992 | 28.58 | 3 | AP8120876 | 28.20 | 11 | AP8150026 | 28.57 | 5 |
| 859999 | 28.33 | 13 | AP8120952 | 28.19 | 16 | AP8150044 | 28.11 | 9 |
| 860129 | 28.33 | 1 | AP8120952 | 28.19 | 22 | AP8150051 | 28.03 | 11 |
| 860593 | 29.54 | 14 | AP8120987 | 28.12 | 12 | AP8150064 | 28.04 | 17 |
| 891170 | 29.42 | 7 | AP8121075 | 28.13 | 6 | AP8150070 | 28.22 | 16 |
| 894814 | 28.06 | 15 | AP8121170 | 28.21 | 16 | AP8150070 | 28.23 | 15 |
| 894816 | 28.06 | 16 | AP8121334 | 28.22 | 14 | AP8150114 | 28.30 | 15 |
| AP8101372 | 28.14 | 15 | AP8121334 | 28.23 | 13 | AP8150137 | 28.56 | 17 |
| AP8101586 | 28.12 | 11 | AP8121334 | 28.24 | 9 | AP8150159 | 28.01 | 16 |
| AP8101586 | 28.56 | 16 | AP8121334 | 28.25 | 8 | AP8150159 | 28.30 | 11 |
| AP8101595 | 28.20 | 8 | AP8121475 | 28.04 | 15 | AP8150160 | 28.56 | 22 |
| AP8101606 | 28.02 | 11 | AP8121638 | 28.12 | 5 | AP8150169 | 28.28 | 20 |
| AP8101928 | 28.28 | 22 | AP8121665 | 28.29 | 15 | AP8150170 | 28.61 | 17 |
| AP8102273 | 28.56 | 15 | AP8121736 | 28.14 | 9 | AP8150204 | 28.01 | 17 |
| AP8102375 | 28.09 | 5 | AP8121795 | 28.15 | 22 | AP8150204 | 28.16 | 9 |
| AP8102375 | 28.14 | 6 | AP8121795 | 28.16 | 14 | AP8150204 | 28.31 | 6 |
| AP8102375 | 28.15 | 20 | AP8121795 | 28.17 | 3 | AP8150211 | 28.33 | 4 |
| AP8102376 | 28.10 | 6 | AP8121811 | 28.11 | 8 | AP8150246 | 28.09 | 16 |
| AP8102376 | 28.15 | 15 | AP8121856 | 29.41 | 18 | AP8150272 | 28.32 | 27 |
| AP8102376 | 28.15 | 21 | AP8121862 | 29.35 | 25 | AP8150349 | 28.33 | 3 |
| AP8102376 | 28.19 | 15 | AP8121915 | 28.27 | 22 | AP8150376 | 28.31 | 16 |
| AP8102376 | 28.21 | 20 | AP8124235 | 28.31 | 18 | AP8150411 | 28.56 | 11 |
| AP8102376 | 28.56 | 7 | AP8124273 | 28.32 | 11 | AP8150413 | 28.20 | 14 |
| AP8102377 | 28.20 | 10 | AP8124718 | 28.16 | 4 | AP8150413 | 28.29 | 3 |
| AP8102377 | 28.56 | 28 | AP8124930 | 28.19 | 4 | AP8150413 | 28.30 | 10 |
| AP8102377 | 29.35 | 31 | AP8125853 | 29.47 | 4 | AP8150413 | 28.30 | 4 |

| Code | No. table | Pos. | Code | No. table | Pos. | Code | No. table | Pos. |
|-----------|-----------|------|-----------|-----------|------|-----------|-----------|------|
| AP8150429 | 28.22 | 19 | AP8152279 | 28.21 | 12 | AP8184507 | 28.14 | 1 |
| AP8150429 | 28.23 | 18 | AP8152279 | 28.56 | 19 | AP8184510 | 28.15 | 2 |
| AP8150429 | 28.32 | 26 | AP8152279 | 28.56 | 23 | AP8184511 | 28.15 | 1 |
| AP8150431 | 28.20 | 22 | AP8152279 | 28.61 | 23 | AP8184512 | 28.15 | 2 |
| AP8150444 | 28.11 | 20 | AP8152279 | 29.36 | 2 | AP8184513 | 28.15 | 1 |
| AP8150450 | 28.15 | 13 | AP8152279 | 29.51 | 21 | AP8184517 | 28.09 | 2 |
| AP8150450 | 28.16 | 10 | AP8152280 | 28.05 | 15 | AP8184520 | 28.14 | 2 |
| AP8150451 | 28.17 | 4 | AP8152280 | 28.15 | 5 | AP8184590 | 28.14 | 1 |
| AP8150451 | 28.19 | 9 | AP8152280 | 28.18 | 10 | AP8184591 | 28.14 | 2 |
| AP8150460 | 28.31 | 21 | AP8152280 | 28.26 | 6 | AP8201169 | 28.19 | 24 |
| AP8150475 | 28.29 | 4 | AP8152280 | 28.27 | 14 | AP8201431 | 28.11 | 10 |
| AP8150515 | 28.07 | 18 | AP8152280 | 29.34 | 3 | AP8202058 | 28.07 | 27 |
| AP8152001 | 28.03 | 6 | AP8152280 | 29.36 | 3 | AP8218628 | 28.18 | 19 |
| AP8152018 | 28.08 | 13 | AP8152280 | 29.37 | 5 | AP8220191 | 28.19 | 30 |
| AP8152082 | 28.30 | 14 | AP8152280 | 29.41 | 4 | AP8220283 | 28.31 | 13 |
| AP8152108 | 28.16 | 6 | AP8152281 | 28.11 | 13 | AP8220402 | 28.11 | 21 |
| AP8152112 | 28.31 | 15 | AP8152281 | 28.31 | 8 | AP8220598 | 28.31 | 3 |
| AP8152117 | 28.15 | 6 | AP8152281 | 29.34 | 13 | AP8220598 | 28.56 | 27 |
| AP8152123 | 28.03 | 12 | AP8152281 | 29.37 | 7 | AP8220620 | 28.11 | 2 |
| AP8152123 | 28.32 | 25 | AP8152281 | 29.53 | 2 | AP8221129 | 28.56 | 21 |
| AP8152137 | 28.29 | 12 | AP8152282 | 29.36 | 10 | AP8221129 | 28.57 | 4 |
| AP8152137 | 28.30 | 8 | AP8152283 | 28.09 | 11 | AP8221198 | 28.29 | 6 |
| AP8152169 | 28.11 | 9 | AP8152283 | 28.56 | 24 | AP8224462 | 28.31 | 12 |
| AP8152176 | 28.02 | 9 | AP8152283 | 29.34 | 14 | AP8224655 | 28.30 | 3 |
| AP8152181 | 28.29 | 13 | AP8152283 | 29.35 | 7 | AP8234020 | 28.07 | 19 |
| AP8152244 | 28.07 | 7 | AP8152283 | 29.52 | 2 | AP8257609 | 28.58 | 13 |
| AP8152262 | 28.07 | 14 | AP8152285 | 29.35 | 24 | AP8267395 | 28.58 | 14 |
| AP8152262 | 28.29 | 11 | AP8152286 | 28.02 | 8 | AP8560104 | 29.35 | 33 |
| AP8152267 | 28.19 | 7 | AP8152286 | 28.61 | 15 | AP8560106 | 29.35 | 34 |
| AP8152272 | 28.01 | 9 | AP8152287 | 28.33 | 11 | AP9100007 | 28.08 | 4 |
| AP8152272 | 28.32 | 13 | AP8152288 | 28.21 | 9 | AP9100021 | 28.04 | 5 |
| AP8152272 | 29.48 | 19 | AP8152288 | 28.61 | 16 | AP9100026 | 28.04 | 3 |
| AP8152272 | 29.48 | 23 | AP8152289 | 28.01 | 7 | AP9100028 | 28.04 | 4 |
| AP8152272 | 29.55 | 4 | AP8152289 | 28.18 | 3 | AP9100053 | 28.09 | 17 |
| AP8152273 | 28.11 | 18 | AP8152289 | 28.61 | 28 | AP9100053 | 28.10 | 5 |
| AP8152274 | 28.14 | 7 | AP8152290 | 28.04 | 14 | AP9100053 | 28.14 | 3 |
| AP8152274 | 29.44 | 3 | AP8152290 | 28.26 | 17 | AP9100053 | 28.15 | 3 |
| AP8152274 | 29.45 | 3 | AP8152290 | 28.61 | 14 | AP9100053 | 28.16 | 12 |
| AP8152275 | 28.01 | 11 | AP8152298 | 28.57 | 9 | AP9100056 | 28.24 | 11 |
| AP8152275 | 29.55 | 2 | AP8152299 | 28.16 | 7 | AP9100057 | 28.22 | 13 |
| AP8152277 | 28.07 | 20 | AP8152299 | 28.30 | 9 | AP9100060 | 28.07 | 9 |
| AP8152277 | 28.09 | 8 | AP8152300 | 28.61 | 21 | AP9100061 | 28.07 | 8 |
| AP8152277 | 28.11 | 5 | AP8152300 | 28.61 | 29 | AP9100065 | 28.01 | 13 |
| AP8152277 | 28.15 | 19 | AP8152305 | 28.07 | 13 | AP9100078 | 28.11 | 6 |
| AP8152277 | 28.32 | 24 | AP8152323 | 28.07 | 25 | AP9100080 | 28.11 | 4 |
| AP8152277 | 29.35 | 27 | AP8152324 | 28.07 | 26 | AP9100081 | 28.11 | 12 |
| AP8152277 | 29.35 | 3 | AP8152339 | 28.09 | 6 | AP9100082 | 28.11 | 11 |
| AP8152277 | 29.38 | 2 | AP8152339 | 28.15 | 18 | AP9100084 | 28.11 | 1 |
| AP8152277 | 29.41 | 13 | AP8152342 | 28.21 | 21 | AP9100087 | 28.13 | 3 |
| AP8152277 | 29.48 | 6 | AP8152351 | 28.20 | 7 | AP9100104 | 28.07 | 1 |
| AP8152278 | 28.09 | 10 | AP8156340 | 28.15 | 10 | AP9100106 | 28.23 | 11 |
| AP8152278 | 28.21 | 14 | AP8156341 | 28.15 | 10 | AP9100107 | 28.25 | 11 |
| AP8152278 | 28.24 | 15 | AP8156343 | 28.09 | 4 | AP9100109 | 28.07 | 10 |
| AP8152278 | 28.25 | 14 | AP8161006 | 28.03 | 5 | AP9100111 | 28.08 | 9 |
| AP8152278 | 28.28 | 23 | AP8163094 | 28.05 | 6 | AP9100114 | 28.08 | 2 |
| AP8152278 | 28.31 | 11 | AP8163095 | 28.05 | 7 | AP9100120 | 28.07 | 1 |
| AP8152278 | 29.36 | 14 | AP8163096 | 28.05 | 8 | AP9100123 | 28.07 | 6 |
| AP8152278 | 29.44 | 12 | AP8163097 | 28.05 | 9 | AP9100171 | 28.22 | 6 |
| AP8152278 | 29.45 | 12 | AP8163370 | 28.05 | 11 | AP9100171 | 28.23 | 5 |
| AP8152278 | 29.52 | 3 | AP8176099 | 28.32 | 15 | AP9100173 | 28.01 | 4 |
| AP8152279 | 28.13 | 7 | AP8176214 | 29.51 | 13 | AP9100174 | 28.01 | 5 |
| AP8152279 | 28.14 | 14 | AP8176215 | 29.51 | 14 | AP9100175 | 28.01 | 6 |
| AP8152279 | 28.15 | 16 | AP8184489 | 28.09 | 2 | AP9100176 | 28.08 | 1 |
| AP8152279 | 28.15 | 17 | AP8184502 | 28.10 | 2 | AP9100177 | 28.08 | 7 |
| AP8152279 | 28.15 | 8 | AP8184503 | 28.10 | 1 | AP9100177 | 28.08 | 7 |
| AP8152279 | 28.16 | 13 | AP8184504 | 28.14 | 2 | AP9100178 | 28.08 | 5 |
| AP8152279 | 28.16 | 15 | AP8184505 | 28.14 | 1 | AP9100179 | 28.08 | 10 |

| Code | No. table | Pos. | Code | No. table | Pos. | Code | No. table | Pos. |
|-----------|-----------|------|-----------|-----------|------|-----------|-----------|------|
| AP9100181 | 28.08 | 6 | AP9100325 | 28.32 | 10 | AP9100462 | 28.24 | 4 |
| AP9100181 | 28.08 | 6 | AP9100327 | 28.32 | 14 | AP9100466 | 28.24 | 14 |
| AP9100182 | 28.08 | 23 | AP9100334 | 28.25 | 17 | AP9100466 | 28.25 | 13 |
| AP9100184 | 28.08 | 8 | AP9100336 | 28.24 | 20 | AP9100467 | 28.24 | 17 |
| AP9100186 | 28.08 | 11 | AP9100343 | 28.12 | 1 | AP9100467 | 28.25 | 18 |
| AP9100193 | 28.02 | 1 | AP9100347 | 28.14 | 10 | AP9100472 | 28.26 | 9 |
| AP9100194 | 28.02 | 2 | AP9100348 | 28.19 | 1 | AP9100472 | 28.28 | 6 |
| AP9100195 | 28.02 | 3 | AP9100349 | 28.19 | 2 | AP9100473 | 28.26 | 10 |
| AP9100196 | 28.02 | 4 | AP9100354 | 28.28 | 19 | AP9100473 | 28.28 | 7 |
| AP9100197 | 28.02 | 5 | AP9100356 | 28.28 | 15 | AP9100475 | 28.28 | 1 |
| AP9100202 | 28.07 | 2 | AP9100358 | 29.38 | 5 | AP9100477 | 28.28 | 18 |
| AP9100203 | 28.07 | 3 | AP9100362 | 29.38 | 6 | AP9100478 | 28.28 | 5 |
| AP9100204 | 28.04 | 6 | AP9100365 | 28.13 | 2 | AP9100479 | 28.28 | 9 |
| AP9100205 | 28.04 | 9 | AP9100366 | 28.10 | 3 | AP9100486 | 28.18 | 12 |
| AP9100208 | 28.08 | 18 | AP9100367 | 29.34 | 10 | AP9100487 | 28.32 | 9 |
| AP9100211 | 28.24 | 12 | AP9100371 | 28.32 | 6 | AP9100494 | 29.54 | 3 |
| AP9100213 | 28.24 | 13 | AP9100372 | 28.32 | 8 | AP9100496 | 28.12 | 9 |
| AP9100214 | 28.24 | 6 | AP9100374 | 29.34 | 9 | AP9100501 | 28.09 | 12 |
| AP9100215 | 28.24 | 10 | AP9100375 | 28.11 | 24 | AP9100504 | 28.14 | 5 |
| AP9100216 | 28.22 | 8 | AP9100375 | 28.19 | 12 | AP9100506 | 28.19 | 3 |
| AP9100216 | 28.23 | 7 | AP9100376 | 28.19 | 10 | AP9100507 | 28.22 | 1 |
| AP9100216 | 28.24 | 7 | AP9100381 | 29.34 | 12 | AP9100508 | 28.24 | 2 |
| AP9100216 | 28.25 | 6 | AP9100383 | 29.34 | 11 | AP9100510 | 28.24 | 1 |
| AP9100221 | 28.07 | 24 | AP9100386 | 29.51 | 11 | AP9100512 | 28.32 | 1 |
| AP9100223 | 28.03 | 7 | AP9100387 | 29.55 | 3 | AP9100513 | 28.18 | 5 |
| AP9100224 | 28.22 | 12 | AP9100389 | 28.01 | 14 | AP9100514 | 28.18 | 4 |
| AP9100225 | 28.22 | 7 | AP9100390 | 28.02 | 7 | AP9100515 | 28.33 | 1 |
| AP9100225 | 28.23 | 6 | AP9100393 | 28.32 | 7 | AP9100516 | 28.17 | 1 |
| AP9100226 | 28.22 | 10 | AP9100409 | 28.21 | 6 | AP9100517 | 28.09 | 1 |
| AP9100226 | 28.23 | 10 | AP9100411 | 29.34 | 2 | AP9100518 | 28.31 | 20 |
| AP9100227 | 28.22 | 11 | AP9100412 | 28.04 | 11 | AP9100519 | 28.18 | 21 |
| AP9100227 | 28.23 | 9 | AP9100414 | 28.21 | 3 | AP9100522 | 28.29 | 1 |
| AP9100227 | 28.24 | 8 | AP9100415 | 28.11 | 19 | AP9100523 | 28.30 | 1 |
| AP9100227 | 28.25 | 7 | AP9100416 | 28.11 | 14 | AP9100525 | 29.50 | 19 |
| AP9100228 | 28.22 | 9 | AP9100417 | 28.28 | 8 | AP9100526 | 28.25 | 2 |
| AP9100228 | 28.23 | 8 | AP9100418 | 28.26 | 8 | AP9100527 | 28.25 | 3 |
| AP9100229 | 28.22 | 17 | AP9100419 | 28.03 | 3 | AP9100528 | 28.23 | 14 |
| AP9100229 | 28.23 | 16 | AP9100423 | 28.31 | 10 | AP9100531 | 28.24 | 21 |
| AP9100230 | 28.22 | 18 | AP9100424 | 28.31 | 7 | AP9100533 | 28.24 | 22 |
| AP9100230 | 28.23 | 17 | AP9100427 | 28.20 | 13 | AP9100542 | 28.04 | 1 |
| AP9100238 | 28.21 | 10 | AP9100428 | 28.20 | 15 | AP9100548 | 28.09 | 15 |
| AP9100241 | 28.21 | 11 | AP9100429 | 28.31 | 9 | AP9100549 | 28.08 | 12 |
| AP9100243 | 28.01 | 18 | AP9100432 | 28.24 | 19 | AP9100550 | 29.34 | 12 |
| AP9100244 | 28.21 | 4 | AP9100432 | 28.25 | 20 | AP9100553 | 28.19 | 20 |
| AP9100249 | 28.21 | 5 | AP9100433 | 28.07 | 21 | AP9100554 | 28.19 | 21 |
| AP9100252 | 28.21 | 15 | AP9100433 | 29.34 | 13 | AP9100555 | 28.19 | 18 |
| AP9100256 | 28.26 | 11 | AP9100434 | 28.07 | 23 | AP9100557 | 28.19 | 19 |
| AP9100257 | 28.26 | 1 | AP9100434 | 28.12 | 8 | AP9100558 | 28.32 | 12 |
| AP9100261 | 28.24 | 5 | AP9100434 | 28.14 | 13 | AP9100559 | 28.25 | 10 |
| AP9100262 | 28.22 | 5 | AP9100434 | 28.21 | 13 | AP9100560 | 28.25 | 4 |
| AP9100264 | 28.07 | 6 | AP9100434 | 28.56 | 20 | AP9100561 | 28.23 | 4 |
| AP9100267 | 28.12 | 18 | AP9100435 | 28.07 | 11 | AP9100565 | 28.07 | 17 |
| AP9100270 | 28.07 | 24 | AP9100437 | 28.04 | 2 | AP9100569 | 28.25 | 12 |
| AP9100275 | 28.02 | 6 | AP9100439 | 28.04 | 13 | AP9100584 | 28.25 | 9 |
| AP9100281 | 28.13 | 4 | AP9100439 | 28.08 | 15 | AP9100587 | 28.20 | 5 |
| AP9100287 | 28.07 | 22 | AP9100440 | 28.09 | 13 | AP9100588 | 28.20 | 4 |
| AP9100288 | 28.16 | 11 | AP9100441 | 28.09 | 14 | AP9100593 | 29.34 | 4 |
| AP9100289 | 28.08 | 17 | AP9100442 | 28.08 | 14 | AP9100594 | 28.15 | 7 |
| AP9100290 | 28.28 | 16 | AP9100443 | 29.34 | 5 | AP9100595 | 28.24 | 16 |
| AP9100291 | 28.28 | 17 | AP9100447 | 28.31 | 1 | AP9100595 | 28.25 | 15 |
| AP9100292 | 29.38 | 7 | AP9100451 | 29.50 | 20 | AP9100596 | 28.25 | 16 |
| AP9100293 | 28.04 | 10 | AP9100455 | 28.20 | 12 | AP9100600 | 29.50 | 19 |
| AP9100297 | 28.18 | 2 | AP9100456 | 28.19 | 25 | AP9100604 | 28.08 | 16 |
| AP9100301 | 28.21 | 24 | AP9100456 | 28.56 | 14 | AP9100608 | 28.25 | 1 |
| AP9100302 | 28.21 | 23 | AP9100457 | 28.22 | 4 | AP9100610 | 28.16 | 1 |
| AP9100315 | 28.01 | 13 | AP9100458 | 28.22 | 2 | AP9100616 | 28.07 | 12 |
| AP9100322 | 28.25 | 5 | AP9100461 | 28.22 | 15 | AP9100634 | 28.29 | 16 |

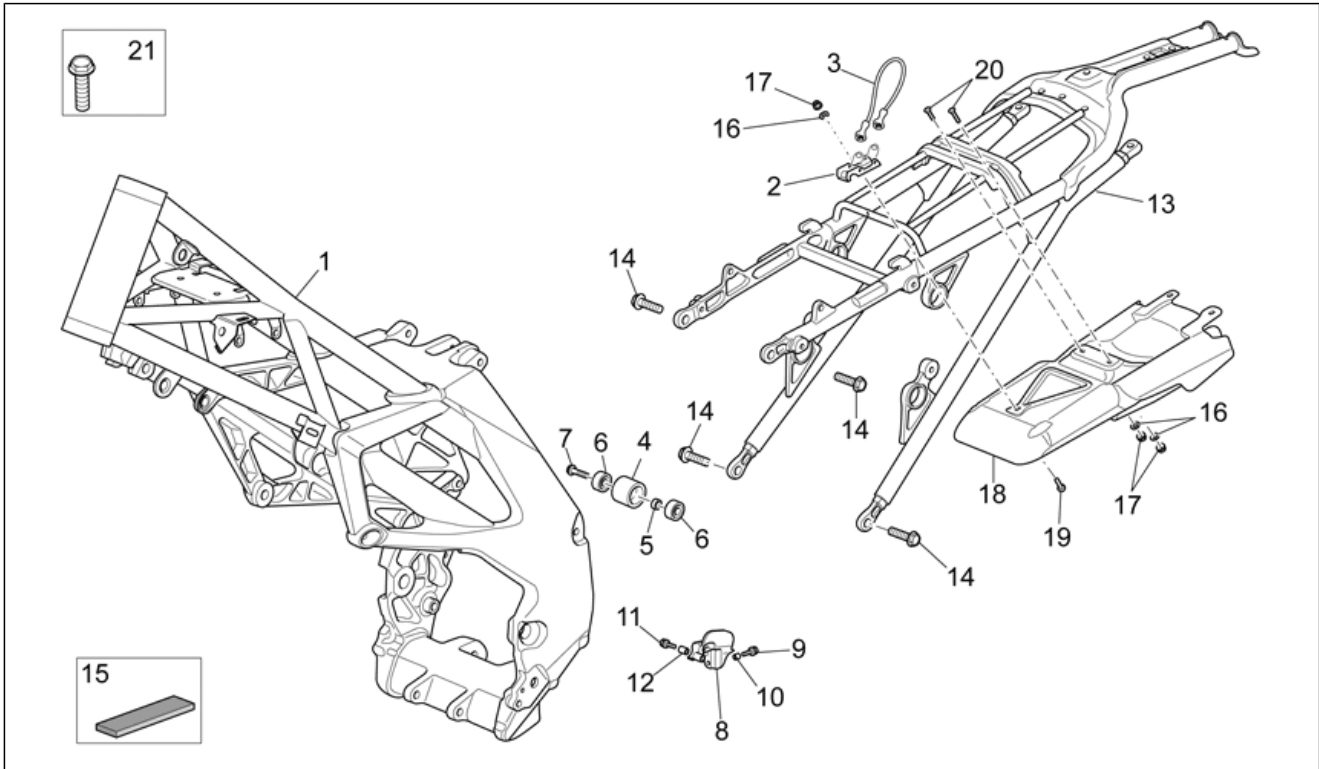
| Code | No. table | Pos. | Code | No. table | Pos. | Code | No. table | Pos. |
|-----------|-----------|------|-----------|-----------|------|-----------|-----------|------|
| AP9100635 | 28.29 | 2 | AP9100798 | 28.28 | 11 | AP9100967 | 28.11 | 22 |
| AP9100636 | 28.18 | 7 | AP9100799 | 28.28 | 13 | AP9100969 | 28.19 | 11 |
| AP9100638 | 28.12 | 6 | AP9100800 | 28.28 | 12 | AP9100997 | 28.32 | 31 |
| AP9100638 | 28.57 | 6 | AP9100802 | 28.18 | 13 | AP9100998 | 29.35 | 36 |
| AP9100643 | 29.34 | 6 | AP9100808 | 28.08 | 19 | AP9100999 | 29.41 | 21 |
| AP9100645 | 28.10 | 4 | AP9100814 | 28.08 | 20 | AP9101000 | 28.32 | 2 |
| AP9100645 | 28.14 | 4 | AP9100815 | 28.08 | 20 | AP9101008 | 29.54 | 5 |
| AP9100645 | 28.15 | 4 | AP9100817 | 28.08 | 21 | AP9101009 | 29.54 | 6 |
| AP9100661 | 28.12 | 7 | AP9100820 | 28.08 | 22 | AP9101010 | 29.54 | 7 |
| AP9100661 | 28.14 | 12 | AP9100834 | 28.03 | 1 | AP9101011 | 29.54 | 8 |
| AP9100663 | 28.19 | 14 | AP9100835 | 28.03 | 1 | AP9101012 | 29.54 | 9 |
| AP9100665 | 28.12 | 16 | AP9100836 | 28.03 | 10 | AP9101013 | 29.54 | 10 |
| AP9100668 | 28.03 | 8 | AP9100837 | 28.33 | 10 | AP9101014 | 29.54 | 11 |
| AP9100669 | 28.03 | 9 | AP9100845 | 28.21 | 7 | AP9101017 | 28.20 | 18 |
| AP9100683 | 29.34 | 8 | AP9100847 | 28.05 | 3 | AP9150003 | 29.48 | 13 |
| AP9100684 | 29.34 | 8 | AP9100848 | 28.05 | 4 | AP9150004 | 29.48 | 1 |
| AP9100685 | 29.34 | 8 | AP9100849 | 28.05 | 10 | AP9150006 | 29.47 | 5 |
| AP9100686 | 29.34 | 8 | AP9100850 | 28.05 | 12 | AP9150007 | 29.40 | 4 |
| AP9100687 | 29.34 | 7 | AP9100851 | 28.05 | 13 | AP9150009 | 29.41 | 7 |
| AP9100688 | 28.01 | 8 | AP9100852 | 28.05 | 14 | AP9150010 | 29.41 | 8 |
| AP9100697 | 28.19 | 27 | AP9100853 | 28.05 | 17 | AP9150011 | 29.44 | 16 |
| AP9100703 | 28.20 | 3 | AP9100854 | 28.05 | 18 | AP9150011 | 29.45 | 16 |
| AP9100707 | 28.26 | 5 | AP9100855 | 28.05 | 5 | AP9150012 | 29.44 | 17 |
| AP9100709 | 29.54 | 2 | AP9100856 | 28.05 | 16 | AP9150012 | 29.45 | 17 |
| AP9100712 | 28.27 | 24 | AP9100857 | 28.05 | 19 | AP9150018 | 29.39 | 10 |
| AP9100713 | 28.27 | 15 | AP9100858 | 28.05 | 20 | AP9150019 | 29.39 | 1 |
| AP9100714 | 28.19 | 26 | AP9100859 | 28.05 | 21 | AP9150022 | 29.42 | 1 |
| AP9100714 | 29.54 | 4 | AP9100872 | 28.06 | 6 | AP9150023 | 29.42 | 2 |
| AP9100715 | 28.25 | 21 | AP9100873 | 28.06 | 7 | AP9150024 | 29.42 | 5 |
| AP9100724 | 28.01 | 12 | AP9100874 | 28.06 | 8 | AP9150025 | 29.42 | 6 |
| AP9100725 | 28.32 | 5 | AP9100875 | 28.06 | 9 | AP9150028 | 29.42 | 3 |
| AP9100736 | 28.21 | 8 | AP9100876 | 28.06 | 10 | AP9150040 | 29.51 | 5 |
| AP9100739 | 28.32 | 20 | AP9100877 | 28.06 | 12 | AP9150043 | 29.48 | 4 |
| AP9100742 | 28.32 | 18 | AP9100878 | 28.06 | 13 | AP9150044 | 29.47 | 6 |
| AP9100747 | 28.29 | 7 | AP9100879 | 28.06 | 14 | AP9150048 | 29.47 | 1 |
| AP9100749 | 28.27 | 23 | AP9100905 | 28.27 | 20 | AP9150051 | 29.47 | 7 |
| AP9100752 | 28.28 | 25 | AP9100906 | 28.27 | 16 | AP9150060 | 29.48 | 11 |
| AP9100755 | 28.21 | 17 | AP9100907 | 28.27 | 17 | AP9150061 | 29.48 | 17 |
| AP9100756 | 28.33 | 7 | AP9100908 | 28.27 | 18 | AP9150062 | 29.48 | 14 |
| AP9100757 | 28.33 | 6 | AP9100909 | 28.27 | 19 | AP9150063 | 29.47 | 2 |
| AP9100763 | 28.27 | 21 | AP9100910 | 28.27 | 13 | AP9150064 | 29.48 | 9 |
| AP9100765 | 28.32 | 23 | AP9100911 | 28.27 | 12 | AP9150065 | 29.39 | 7 |
| AP9100766 | 28.01 | 2 | AP9100912 | 28.27 | 11 | AP9150066 | 29.39 | 8 |
| AP9100767 | 28.11 | 7 | AP9100914 | 28.27 | 9 | AP9150067 | 29.48 | 3 |
| AP9100768 | 28.01 | 20 | AP9100915 | 28.27 | 8 | AP9150068 | 29.48 | 10 |
| AP9100769 | 28.01 | 19 | AP9100916 | 28.27 | 7 | AP9150069 | 29.48 | 7 |
| AP9100770 | 28.01 | 3 | AP9100917 | 28.27 | 6 | AP9150070 | 29.48 | 8 |
| AP9100776 | 28.04 | 12 | AP9100918 | 28.27 | 5 | AP9150071 | 29.37 | 1 |
| AP9100778 | 28.14 | 11 | AP9100919 | 28.27 | 4 | AP9150072 | 29.48 | 12 |
| AP9100780 | 28.19 | 5 | AP9100921 | 28.27 | 2 | AP9150073 | 29.48 | 5 |
| AP9100781 | 28.19 | 13 | AP9100930 | 28.11 | 15 | AP9150074 | 29.37 | 20 |
| AP9100782 | 28.32 | 19 | AP9100931 | 28.11 | 16 | AP9150075 | 29.37 | 15 |
| AP9100783 | 28.32 | 21 | AP9100936 | 28.33 | 5 | AP9150076 | 29.37 | 13 |
| AP9100785 | 28.26 | 2 | AP9100939 | 28.18 | 8 | AP9150078 | 29.35 | 28 |
| AP9100786 | 28.26 | 3 | AP9100940 | 28.18 | 9 | AP9150090 | 29.53 | 1 |
| AP9100787 | 28.26 | 4 | AP9100941 | 28.18 | 11 | AP9150091 | 29.48 | 16 |
| AP9100788 | 28.26 | 12 | AP9100945 | 28.31 | 4 | AP9150093 | 29.48 | 15 |
| AP9100789 | 28.26 | 13 | AP9100948 | 28.19 | 33 | AP9150094 | 29.36 | 12 |
| AP9100789 | 28.28 | 24 | AP9100950 | 28.12 | 15 | AP9150096 | 29.44 | 7 |
| AP9100790 | 28.26 | 14 | AP9100951 | 28.12 | 17 | AP9150096 | 29.45 | 7 |
| AP9100791 | 28.26 | 15 | AP9100952 | 28.07 | 4 | AP9150101 | 29.44 | 8 |
| AP9100792 | 28.26 | 16 | AP9100952 | 28.07 | 5 | AP9150101 | 29.45 | 8 |
| AP9100793 | 28.28 | 3 | AP9100953 | 28.07 | 5 | AP9150102 | 29.44 | 9 |
| AP9100794 | 28.28 | 2 | AP9100959 | 28.32 | 30 | AP9150102 | 29.45 | 9 |
| AP9100795 | 28.28 | 4 | AP9100964 | 28.03 | 2 | AP9150104 | 29.42 | 4 |
| AP9100796 | 28.28 | 14 | AP9100965 | 28.31 | 20 | AP9150106 | 29.42 | 8 |
| AP9100797 | 28.28 | 10 | AP9100966 | 28.11 | 23 | AP9150107 | 29.42 | 9 |

| Code | No. table | Pos. | Code | No. table | Pos. | Code | No. table | Pos. |
|-----------|-----------|------|-----------|-----------|------|-----------|-----------|------|
| AP9150109 | 29.35 | 29 | AP9150231 | 29.44 | 18 | AP9150349 | 29.35 | 20 |
| AP9150110 | 29.41 | 10 | AP9150232 | 29.51 | 20 | AP9150349 | 29.35 | 30 |
| AP9150111 | 29.41 | 9 | AP9150234 | 29.51 | 8 | AP9150349 | 29.41 | 16 |
| AP9150112 | 29.41 | 2 | AP9150235 | 29.51 | 12 | AP9150349 | 29.41 | 20 |
| AP9150113 | 29.41 | 3 | AP9150236 | 29.39 | 13 | AP9150350 | 29.35 | 18 |
| AP9150114 | 29.41 | 5 | AP9150237 | 29.50 | 18 | AP9150351 | 29.36 | 18 |
| AP9150115 | 29.35 | 16 | AP9150238 | 29.47 | 3 | AP9150352 | 29.52 | 5 |
| AP9150116 | 29.35 | 15 | AP9150246 | 29.50 | 12 | AP9150353 | 29.35 | 10 |
| AP9150117 | 29.35 | 17 | AP9150247 | 29.50 | 9 | AP9150355 | 29.38 | 21 |
| AP9150118 | 29.36 | 7 | AP9150248 | 29.50 | 8 | AP9150356 | 29.36 | 16 |
| AP9150119 | 29.52 | 4 | AP9150249 | 29.50 | 6 | AP9150357 | 29.50 | 15 |
| AP9150120 | 29.41 | 11 | AP9150250 | 29.50 | 3 | AP9150358 | 29.51 | 16 |
| AP9150121 | 29.41 | 12 | AP9150252 | 29.49 | 9 | AP9150359 | 29.51 | 17 |
| AP9150123 | 29.40 | 3 | AP9150253 | 29.49 | 8 | AP9150360 | 29.49 | 12 |
| AP9150127 | 29.39 | 11 | AP9150254 | 29.49 | 6 | AP9150361 | 29.50 | 14 |
| AP9150132 | 29.52 | 6 | AP9150255 | 29.49 | 3 | AP9150362 | 29.49 | 11 |
| AP9150133 | 29.44 | 15 | AP9150256 | 29.49 | 1 | AP9150363 | 29.50 | 16 |
| AP9150133 | 29.45 | 15 | AP9150258 | 29.50 | 12 | AP9150364 | 29.44 | 2 |
| AP9150138 | 29.44 | 6 | AP9150259 | 29.50 | 9 | AP9150364 | 29.45 | 2 |
| AP9150140 | 29.44 | 20 | AP9150260 | 29.50 | 8 | AP9150364 | 29.48 | 22 |
| AP9150140 | 29.45 | 20 | AP9150261 | 29.50 | 6 | AP9150365 | 29.48 | 21 |
| AP9150141 | 29.44 | 19 | AP9150262 | 29.50 | 3 | AP9150366 | 29.46 | 2 |
| AP9150141 | 29.45 | 19 | AP9150263 | 29.50 | 1 | AP9150367 | 29.51 | 7 |
| AP9150142 | 29.45 | 18 | AP9150265 | 29.49 | 9 | AP9150369 | 29.53 | 8 |
| AP9150143 | 29.43 | 1 | AP9150266 | 29.49 | 8 | AP9150370 | 29.50 | 11 |
| AP9150145 | 29.35 | 4 | AP9150267 | 29.49 | 7 | AP9150372 | 29.44 | 10 |
| AP9150146 | 29.35 | 2 | AP9150267 | 29.50 | 7 | AP9150372 | 29.45 | 10 |
| AP9150148 | 29.36 | 8 | AP9150268 | 29.49 | 6 | AP9150373 | 29.51 | 4 |
| AP9150149 | 29.35 | 9 | AP9150269 | 29.49 | 3 | AP9150374 | 29.51 | 3 |
| AP9150150 | 29.36 | 11 | AP9150270 | 29.49 | 1 | AP9150375 | 29.48 | 2 |
| AP9150152 | 29.36 | 1 | AP9150273 | 29.46 | 4 | AP9150376 | 29.37 | 8 |
| AP9150153 | 29.36 | 6 | AP9150280 | 29.38 | 3 | AP9150377 | 29.37 | 2 |
| AP9150157 | 29.37 | 3 | AP9150281 | 29.38 | 1 | AP9150380 | 29.55 | 7 |
| AP9150158 | 29.37 | 4 | AP9150284 | 29.51 | 6 | AP9150382 | 29.50 | 17 |
| AP9150159 | 29.37 | 14 | AP9150285 | 29.46 | 9 | AP9150384 | 29.51 | 2 |
| AP9150160 | 29.37 | 17 | AP9150291 | 29.37 | 9 | AP9150385 | 29.37 | 12 |
| AP9150161 | 29.37 | 19 | AP9150292 | 29.52 | 7 | AP9150387 | 29.46 | 3 |
| AP9150162 | 29.37 | 6 | AP9150294 | 29.49 | 10 | AP9150389 | 29.46 | 12 |
| AP9150166 | 29.38 | 19 | AP9150294 | 29.50 | 13 | AP9150390 | 29.46 | 8 |
| AP9150167 | 29.38 | 20 | AP9150296 | 29.50 | 10 | AP9150391 | 29.44 | 11 |
| AP9150168 | 29.38 | 8 | AP9150297 | 29.49 | 4 | AP9150391 | 29.45 | 11 |
| AP9150169 | 29.38 | 9 | AP9150297 | 29.50 | 4 | AP9150393 | 29.47 | 9 |
| AP9150170 | 29.38 | 11 | AP9150299 | 29.46 | 10 | AP9150394 | 29.35 | 5 |
| AP9150171 | 29.38 | 12 | AP9150300 | 29.44 | 16 | AP9150395 | 29.34 | 14 |
| AP9150172 | 29.38 | 16 | AP9150300 | 29.45 | 16 | AP9150395 | 29.36 | 13 |
| AP9150173 | 29.38 | 14 | AP9150301 | 29.40 | 4 | AP9150396 | 29.37 | 16 |
| AP9150174 | 28.12 | 2 | AP9150302 | 29.49 | 5 | AP9150397 | 29.37 | 21 |
| AP9150174 | 29.35 | 19 | AP9150302 | 29.50 | 5 | AP9150398 | 29.38 | 17 |
| AP9150174 | 29.41 | 19 | AP9150303 | 29.44 | 4 | AP9150401 | 29.55 | 5 |
| AP9150180 | 29.55 | 1 | AP9150303 | 29.45 | 4 | AP9150402 | 29.39 | 5 |
| AP9150181 | 29.41 | 15 | AP9150304 | 29.45 | 6 | AP9150410 | 28.12 | 4 |
| AP9150184 | 29.48 | 18 | AP9150311 | 29.50 | 1 | AP9150410 | 29.36 | 15 |
| AP9150190 | 29.51 | 10 | AP9150312 | 29.41 | 17 | AP9150417 | 29.43 | 1 |
| AP9150191 | 29.51 | 18 | AP9150315 | 29.39 | 10 | AP9150418 | 29.43 | 1 |
| AP9150194 | 29.51 | 19 | AP9150317 | 29.41 | 1 | AP9150419 | 29.43 | 1 |
| AP9150195 | 29.51 | 15 | AP9150321 | 29.38 | 13 | AP9150420 | 29.43 | 1 |
| AP9150196 | 29.51 | 1 | AP9150323 | 29.39 | 12 | AP9150421 | 29.43 | 1 |
| AP9150204 | 29.55 | 8 | AP9150324 | 29.35 | 11 | AP9150422 | 29.43 | 1 |
| AP9150205 | 29.55 | 6 | AP9150327 | 29.44 | 15 | AP9150423 | 29.43 | 1 |
| AP9150208 | 29.53 | 9 | AP9150327 | 29.45 | 15 | AP9150424 | 29.43 | 1 |
| AP9150209 | 29.53 | 3 | AP9150338 | 29.40 | 3 | AP9150425 | 29.43 | 1 |
| AP9150210 | 29.39 | 9 | AP9150343 | 29.40 | 5 | AP9150426 | 29.43 | 1 |
| AP9150216 | 29.49 | 2 | AP9150344 | 29.35 | 35 | AP9150427 | 29.43 | 1 |
| AP9150216 | 29.50 | 2 | AP9150346 | 29.35 | 23 | AP9150428 | 29.43 | 1 |
| AP9150217 | 29.37 | 11 | AP9150347 | 29.38 | 4 | AP9150429 | 29.43 | 1 |
| AP9150218 | 29.50 | 18 | AP9150348 | 29.46 | 5 | AP9150430 | 29.43 | 1 |
| AP9150220 | 29.47 | 8 | AP9150349 | 28.12 | 3 | AP9150431 | 29.43 | 1 |

| Code | No. table | Pos. |
|-----------|-----------|------|
| AP9150432 | 29.43 | 1 |
| AP9150433 | 29.43 | 1 |
| AP9150434 | 29.43 | 1 |
| AP9150435 | 29.35 | 8 |
| AP9150436 | 29.39 | 4 |
| AP9150437 | 29.39 | 3 |
| AP9150439 | 29.35 | 26 |
| AP9150440 | 29.35 | 12 |
| AP9150441 | 29.35 | 13 |
| AP9150442 | 29.35 | 14 |
| AP9150443 | 29.37 | 22 |
| AP9150443 | 29.52 | 10 |
| AP9150446 | 29.53 | 4 |
| AP9150448 | 29.44 | 5 |
| AP9150450 | 29.45 | 5 |
| AP9150450 | 29.45 | 5 |
| AP9150451 | 29.55 | 9 |
| AP9150454 | 29.39 | 12 |
| AP9150455 | 29.39 | 12 |
| AP9150456 | 29.35 | 11 |
| AP9150457 | 29.35 | 11 |
| AP9150461 | 29.37 | 10 |
| AP9150462 | 29.48 | 24 |
| AP9150463 | 29.37 | 18 |
| AP9150464 | 29.52 | 8 |
| AP9150469 | 29.41 | 14 |
| AP9150471 | 29.35 | 22 |
| AP9150472 | 29.38 | 23 |
| AP9150473 | 29.36 | 17 |
| AP9150476 | 29.38 | 10 |
| AP9150477 | 29.38 | 15 |
| AP9150479 | 29.48 | 20 |
| AP9150483 | 29.46 | 6 |
| AP9150484 | 29.52 | 1 |
| AP9150489 | 29.35 | 6 |
| AP9150492 | 29.34 | 16 |
| AP9150493 | 29.34 | 17 |
| AP9150500 | 29.53 | 10 |
| AP9150506 | 29.44 | 13 |
| AP9150506 | 29.45 | 13 |
| AP9150507 | 29.44 | 14 |
| AP9150508 | 29.45 | 14 |
| AP9150522 | 29.36 | 19 |
| AP9150524 | 29.36 | 5 |
| AP9150525 | 29.39 | 6 |
| AP9150526 | 29.35 | 32 |
| AP9150533 | 29.35 | 21 |
| AP9150545 | 29.35 | 37 |
| CM002902 | 29.54 | 17 |
| CM002904 | 29.54 | 20 |
| CM155401 | 29.35 | 1 |
| CM155402 | 29.35 | 1 |
| CM155403 | 29.35 | 1 |
| CM155404 | 29.35 | 1 |
| CM2362045 | 29.34 | 1 |
| CM2362055 | 29.34 | 1 |
| CM2362075 | 29.34 | 1 |
| CM2362085 | 29.34 | 1 |
| CM2363045 | 29.34 | 1 |
| CM2363055 | 29.34 | 1 |
| CM2363075 | 29.34 | 1 |
| CM2363085 | 29.34 | 1 |
| CM238602 | 29.44 | 5 |
| CM238603 | 29.44 | 5 |
| CM238604 | 29.44 | 5 |
| CM238605 | 29.44 | 5 |
| CM238606 | 29.44 | 5 |

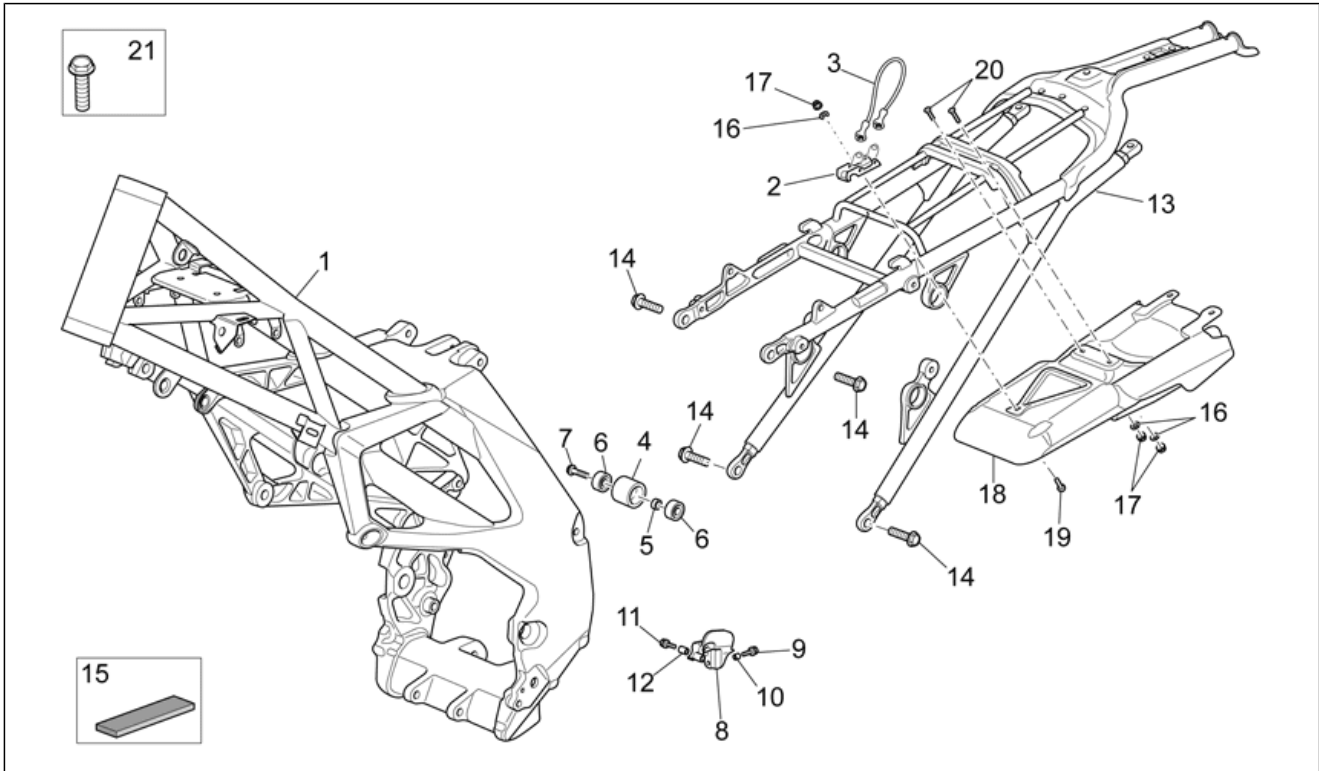
| Code | No. table | Pos. |
|------------|-----------|------|
| GU01103090 | 28.11 | 17 |
| GU05781630 | 28.09 | 18 |

| | |
|--------------------|-------|
| Group | FRAME |
| Code | 28.01 |
| Description | Frame |
| Service | 1 |



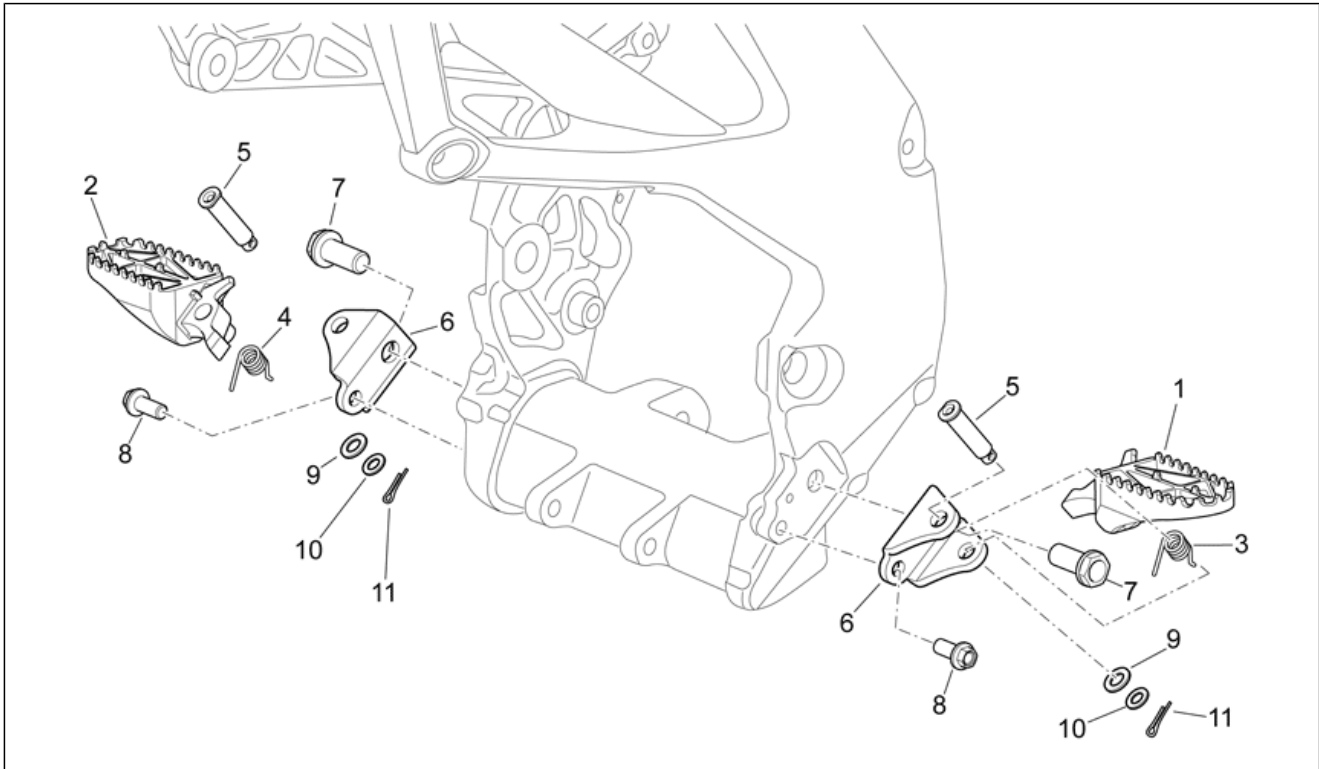
| Pos. | Code | Description | Qty | Variants |
|------|-----------|--------------------------|-----|--|
| 1 | 851288 | Frame | 1 | Country: United States of America[USA] Technical Specifications: Enduro 450 Version[RX45], Enduro 550 Version[RX55] |
| 1 | 853513 | Frame | 1 | Technical Specifications: Motard Version 450[SX45], Motard Version 550[SX55] |
| 1 | 858589 | Frame | 1 | Country: EU[EU] Technical Specifications: Enduro 450 Version[RX45], Enduro 550 Version[RX55] |
| 2 | AP9100766 | Plate | 1 | |
| 3 | AP9100770 | Wire | 1 | |
| 4 | AP9100173 | Black chain guide roller | 1 | |
| 5 | AP9100174 | Spacer | 1 | |
| 6 | AP9100175 | Ball bearing 8x22x7 | 2 | |
| 7 | AP8152289 | Screw w/ flange | 1 | |
| 8 | AP9100688 | Lower chain guide plate | 1 | |
| 9 | AP8152272 | Screw w/ flange M5x12 | 1 | |
| 10 | AP8120253 | Spacer | 1 | |
| 11 | AP8152275 | Screw w/ flange M5x25 | 1 | |
| 12 | AP8120313 | Spacer H11,5 | 1 | Technical Specifications: Motard Version 450[SX45], Motard Version 550[SX55] |
| 12 | AP9100724 | Spacer | 1 | Technical Specifications: Enduro 450 Version[RX45], Enduro 550 Version[RX55] |
| 13 | AP9100065 | Saddle support | 1 | Technical Specifications: Enduro 450 Version[RX45], Enduro 550 Version[RX55] |
| 13 | AP9100315 | Saddle support | 1 | Technical Specifications: Motard Version 450[SX45], Motard Version 550[SX55] |
| 14 | AP9100389 | Screw w/ flange M10x1,25 | 4 | |
| 15 | AP8144538 | Gasket | 2 | |
| 16 | AP8150159 | Washer 4,3x16* | 3 | |
| 17 | AP8150204 | Nut M4 | 3 | |

| | |
|--------------------|-------|
| Group | FRAME |
| Code | 28.01 |
| Description | Frame |
| Service | 1 |



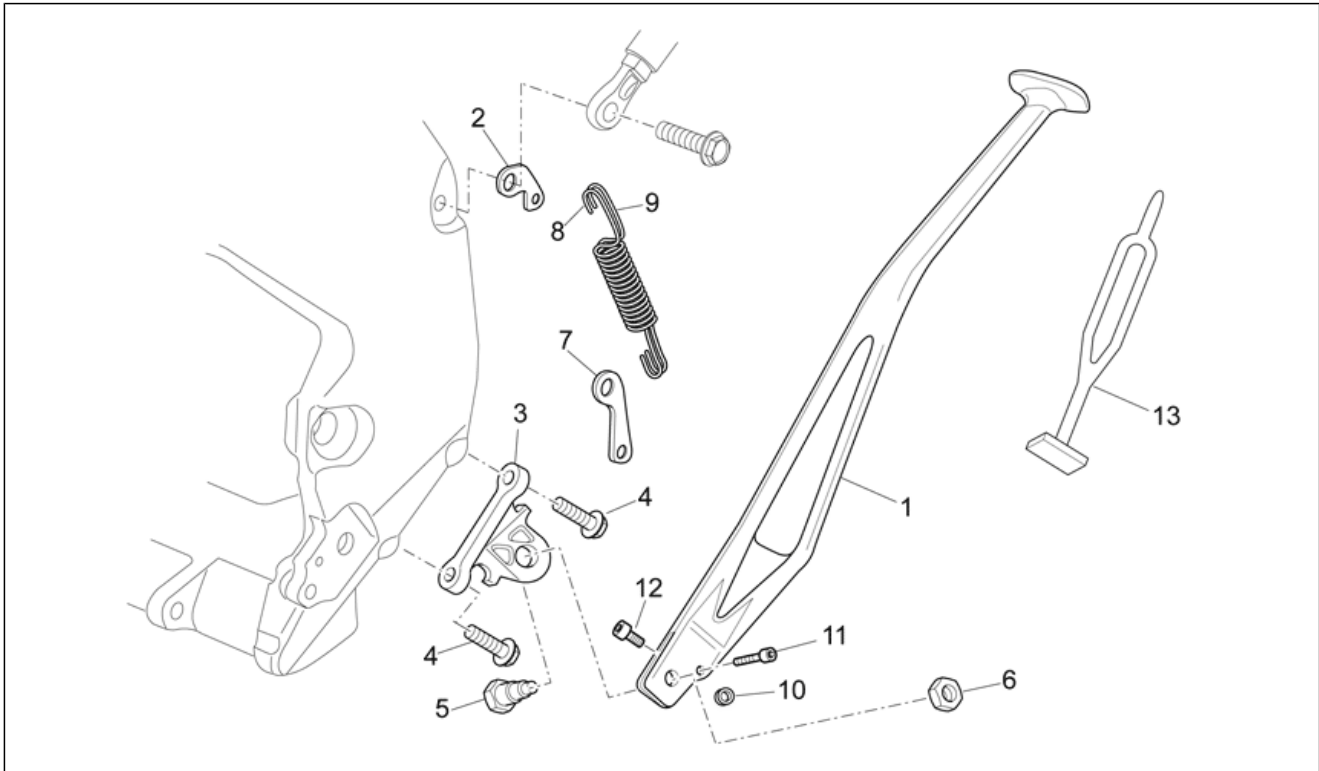
| Pos. | Code | Description | Qty | Variants |
|------|-----------|-----------------------------|-----|----------|
| 18 | AP9100243 | Heat protection | 1 | |
| 19 | AP9100769 | Hex socket screw M4x10 inox | 1 | |
| 20 | AP9100768 | screw M4x12 | 2 | |

| | |
|--------------------|------------|
| Group | FRAME |
| Code | 28.02 |
| Description | Foot rests |
| Service | 1 |



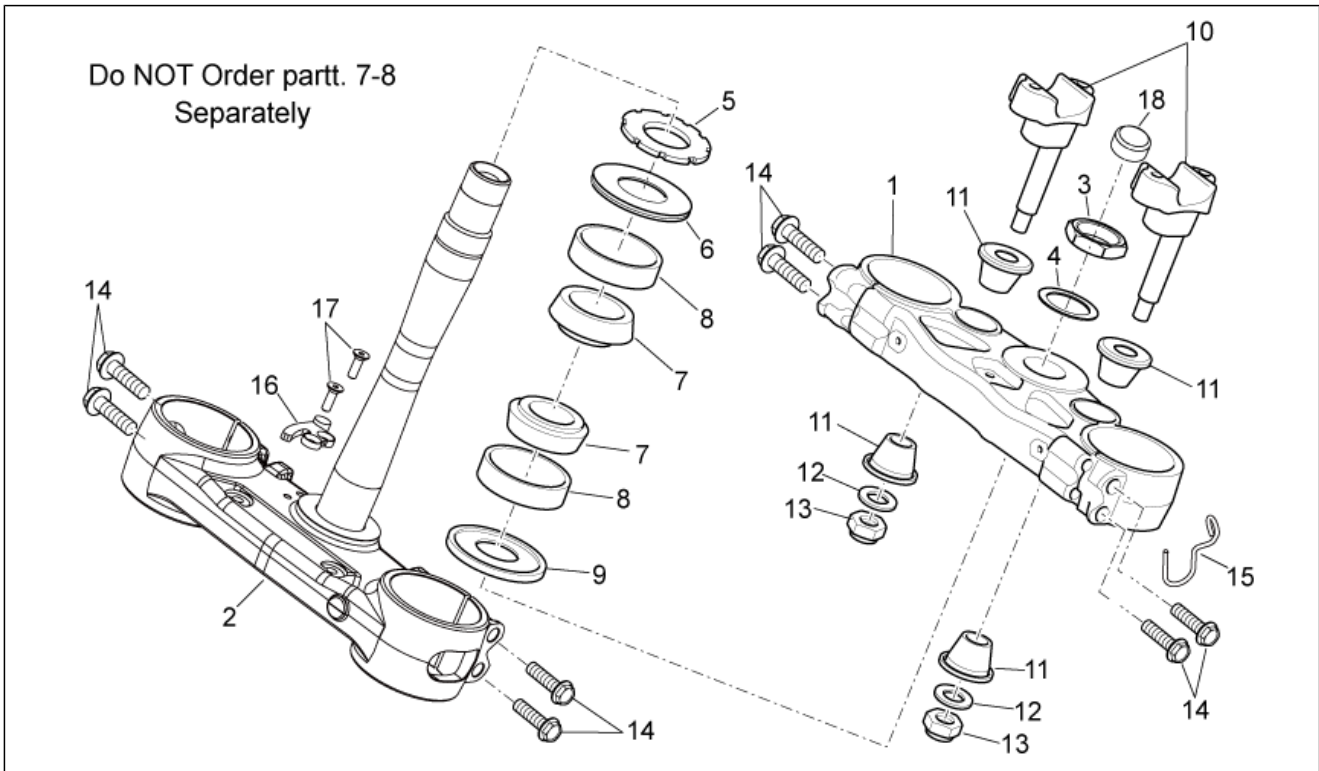
| Pos. | Code | Description | Qty | Variants |
|------|-----------|-----------------------|-----|----------|
| 1 | AP9100193 | LH footrest | 1 | |
| 2 | AP9100194 | RH footrest | 1 | |
| 3 | AP9100195 | Spring LH | 1 | |
| 4 | AP9100196 | Spring RH | 1 | |
| 5 | AP9100197 | Pin | 2 | |
| 6 | AP9100275 | Footrest support | 2 | |
| 7 | AP9100390 | screw M12x1,25 | 2 | |
| 8 | AP8152286 | Screw w/ flange M8x20 | 2 | |
| 9 | AP8152176 | Washer 10,5X18X2* | 2 | |
| 10 | AP8150017 | Washer 8,4x16x1,6 | 2 | |
| 11 | AP8101606 | Split pin | 2 | |

| | |
|--------------------|---------------|
| Group | FRAME |
| Code | 28.03 |
| Description | Central stand |
| Service | 1 |



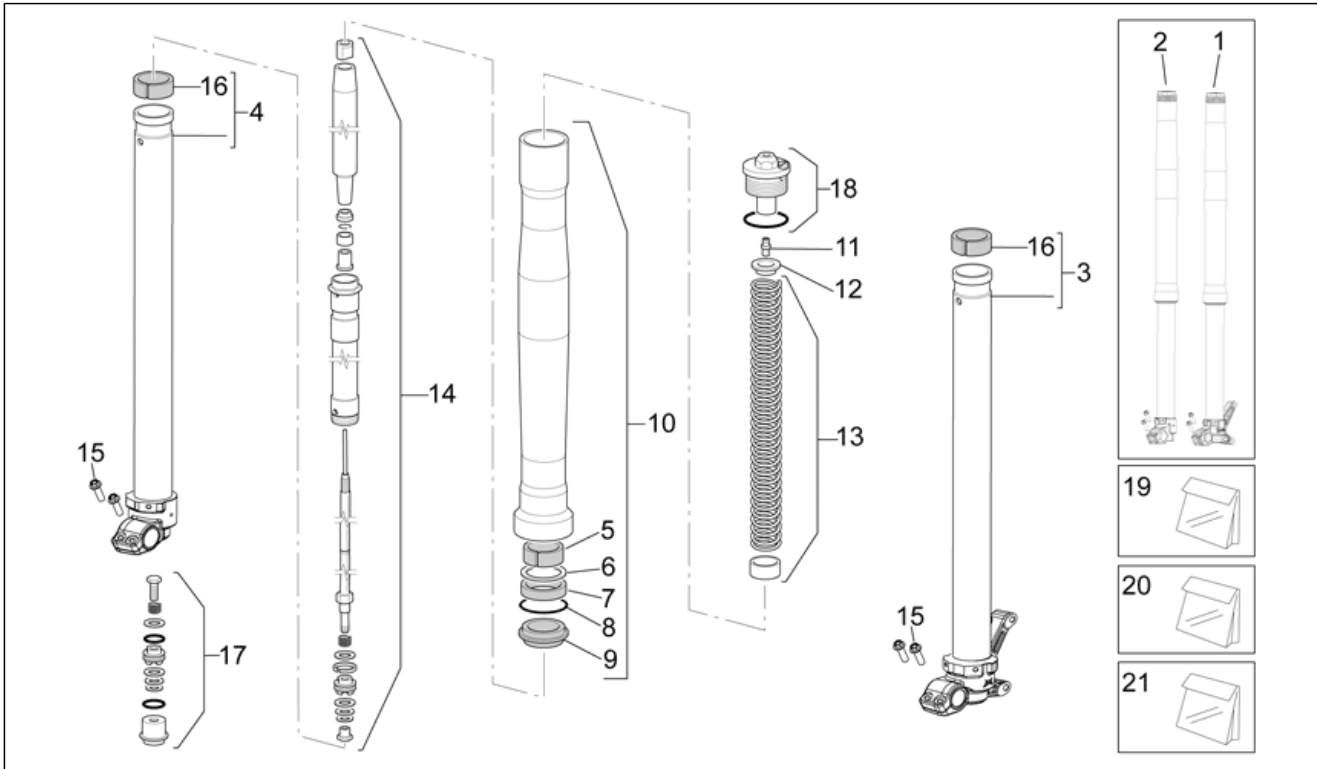
| Pos. | Code | Description | Qty | Variants |
|------|-----------|----------------------------|-----|---|
| 1 | AP9100834 | Central stand | 1 | Technical Specifications: Enduro 450 Version[RX45], Enduro 550 Version[RX55] |
| 1 | AP9100835 | Central stand | 1 | Technical Specifications: Motard Version 450[SX45], Motard Version 550[SX55] |
| 2 | AP9100964 | Plate | 1 | |
| 3 | AP9100419 | Stand plate | 1 | |
| 4 | 851280 | Screw w/ flange | 2 | |
| 5 | AP8161006 | Central stand fixing screw | 1 | |
| 6 | AP8152001 | Low nut M10x1,25 | 1 | |
| 7 | AP9100223 | Lateral stand plate | 1 | |
| 8 | AP9100668 | Outer spring | 1 | |
| 9 | AP9100669 | Inner spring | 1 | |
| 10 | AP9100836 | Bush 8x5x7,8 | 1 | |
| 11 | AP8150051 | Hex socket screw | 1 | |
| 12 | AP8152123 | Hex socket screw | 1 | |

| | |
|--------------------|------------|
| Group | FRAME |
| Code | 28.04 |
| Description | Steering I |
| Service | 1 |



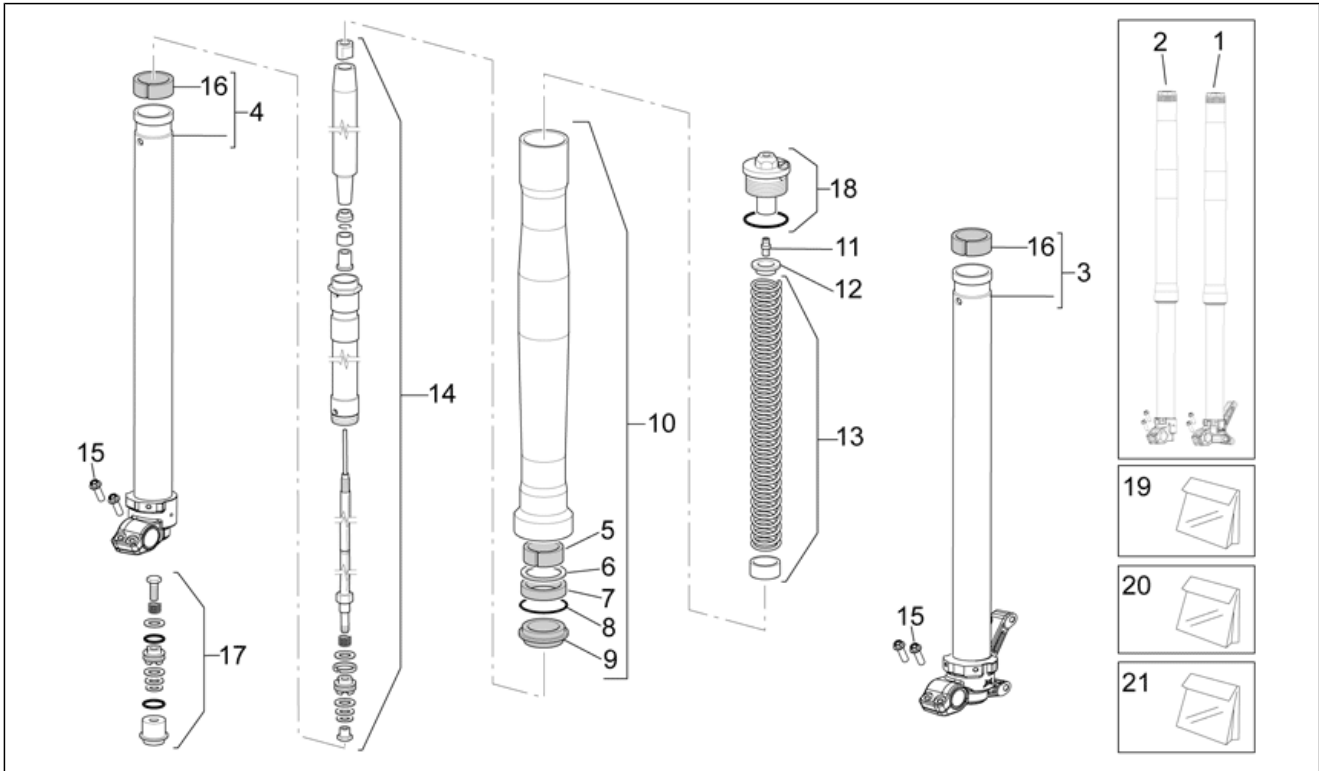
| Pos. | Code | Description | Qty | Variants |
|------|-----------|-------------------------------|-----|---|
| 1 | AP9100542 | Upper plate | 1 | |
| 2 | 858590 | Stem base | 1 | Technical Specifications: Enduro 450 Version[RX45], Enduro 550 Version[RX55] |
| 2 | AP9100437 | Stem base | 1 | Technical Specifications: Motard Version 450[SX45], Motard Version 550[SX55] |
| 3 | AP9100026 | Spindle nut | 1 | |
| 4 | AP9100028 | Washer 26,5x36x1 | 1 | |
| 5 | AP9100021 | Ring nut | 1 | |
| 6 | AP9100204 | Upper Gasket ring | 1 | |
| 7 | 851029 | Fifth wheel | 2 | |
| 8 | 851030 | Bearing | 2 | |
| 9 | AP9100205 | Lower Gasket ring | 1 | |
| 10 | AP9100293 | Lower U-bolt | 2 | |
| 11 | AP9100412 | Silent-block | 4 | |
| 12 | AP9100776 | Washer 10.1x23x2.5 | 2 | |
| 13 | AP9100439 | Low self-locking nut M10x1,25 | 2 | |
| 14 | AP8152290 | Screw w/ flange M8x40 | 8 | |
| 15 | AP8121475 | Fairlead | 1 | Country: EU[EU] |
| 16 | 855177 | Plate | 1 | |
| 17 | AP8150064 | Screw | 2 | |
| 18 | AP8144516 | Handle plug | 1 | Technical Specifications: Enduro 450 Version[RX45], Enduro 550 Version[RX55] |

| | |
|--------------------|--------------|
| Group | FRAME |
| Code | 28.05 |
| Description | Front fork l |
| Service | 1 |



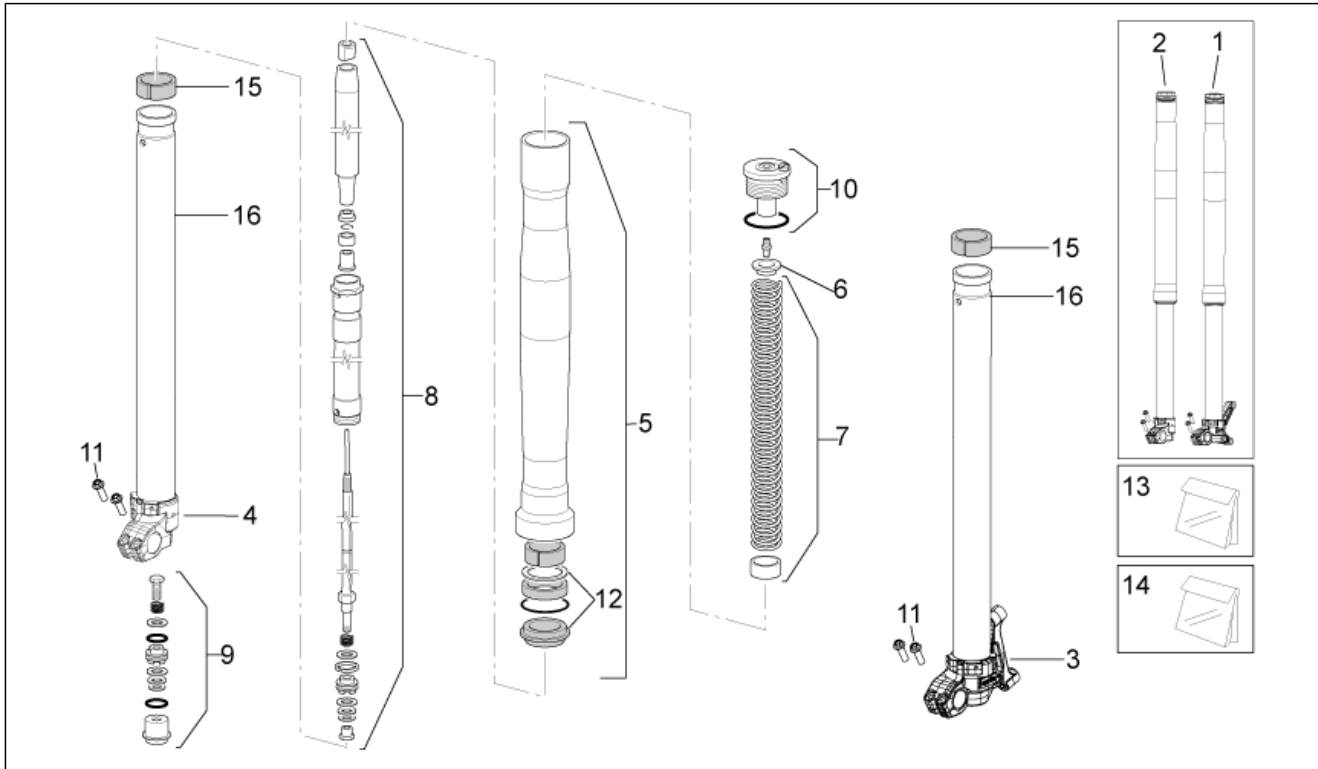
| Pos. | Code | Description | Qty | Variants |
|------|-----------|-----------------------|-----|---|
| 1 | 851291 | LH hub cpl. | 1 | Technical Specifications: Enduro 450 Version[RX45], Enduro 550 Version[RX55] |
| 2 | 851290 | RH hub cpl. | 1 | Technical Specifications: Enduro 450 Version[RX45], Enduro 550 Version[RX55] |
| 3 | AP9100847 | Hub+LH fork leg | 1 | Technical Specifications: Enduro 450 Version[RX45], Enduro 550 Version[RX55] |
| 4 | AP9100848 | Hub+RH fork leg | 1 | Technical Specifications: Enduro 450 Version[RX45], Enduro 550 Version[RX55] |
| 5 | AP9100855 | Upper bush 45x15 | 2 | Technical Specifications: Enduro 450 Version[RX45], Enduro 550 Version[RX55] |
| 6 | AP8163094 | Cup 58x46x3 | 2 | Technical Specifications: Enduro 450 Version[RX45], Enduro 550 Version[RX55] |
| 7 | AP8163095 | Gasket ring 45x58x11 | 2 | Technical Specifications: Enduro 450 Version[RX45], Enduro 550 Version[RX55] |
| 8 | AP8163096 | Stop ring D.63 | 2 | Technical Specifications: Enduro 450 Version[RX45], Enduro 550 Version[RX55] |
| 9 | AP8163097 | Dust cover D.45 | 2 | Technical Specifications: Enduro 450 Version[RX45], Enduro 550 Version[RX55] |
| 10 | AP9100849 | Sleeve cpl. | 2 | Technical Specifications: Enduro 450 Version[RX45], Enduro 550 Version[RX55] |
| 11 | AP8163370 | Dowel+O-ring | 2 | Technical Specifications: Enduro 450 Version[RX45], Enduro 550 Version[RX55] |
| 12 | AP9100850 | Ring spring d.40 | 2 | Technical Specifications: Enduro 450 Version[RX45], Enduro 550 Version[RX55] |
| 13 | AP9100851 | Spring kit | 2 | Technical Specifications: Enduro 450 Version[RX45], Enduro 550 Version[RX55] |
| 14 | AP9100852 | Plunger, complete | 2 | Technical Specifications: Enduro 450 Version[RX45], Enduro 550 Version[RX55] |
| 15 | AP8152280 | Screw w/ flange M6x25 | 4 | Technical Specifications: Enduro 450 Version[RX45], Enduro 550 Version[RX55] |
| 16 | AP9100856 | Lower bush 45x20 | 2 | Technical Specifications: Enduro 450 Version[RX45], Enduro 550 Version[RX55] |

| | |
|--------------------|--------------|
| Group | FRAME |
| Code | 28.05 |
| Description | Front fork I |
| Service | 1 |



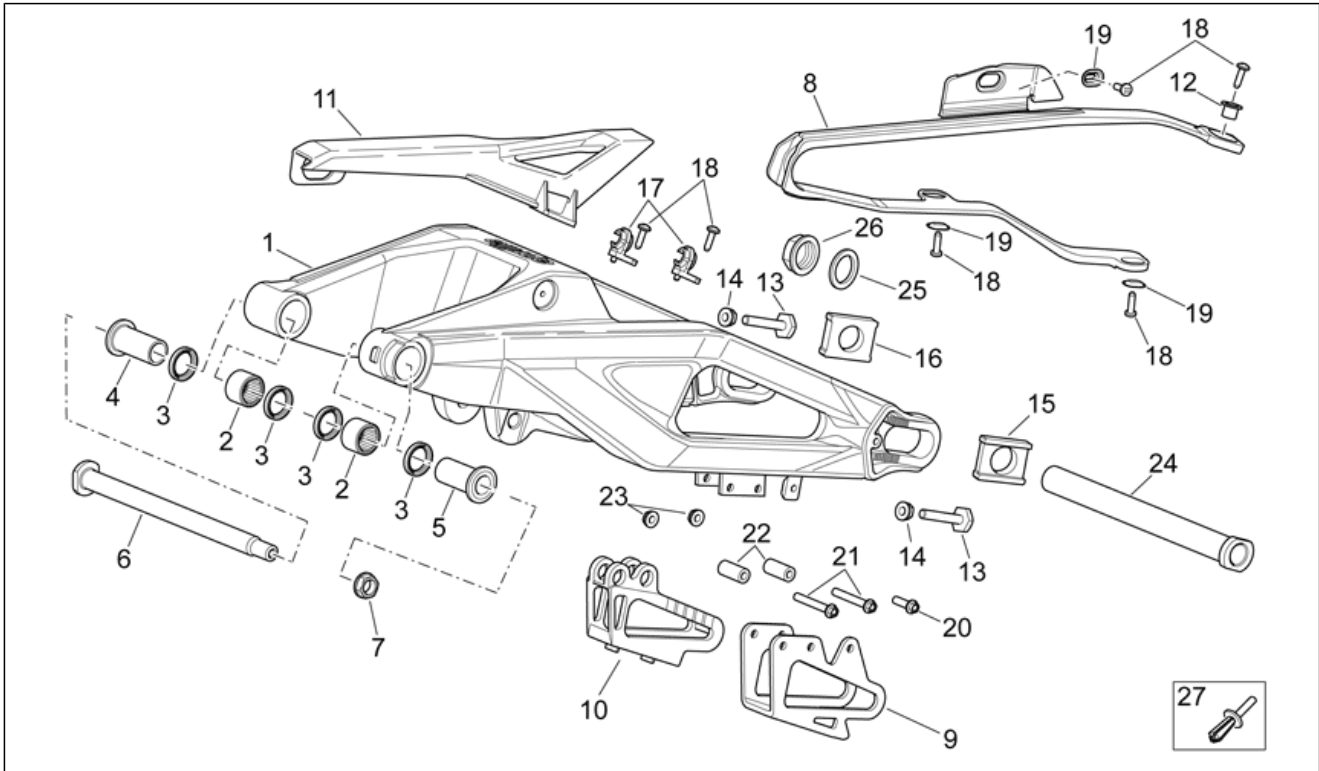
| Pos. | Code | Description | Qty | Variants |
|------|-----------|---------------------|-----|---|
| 17 | AP9100853 | Valve d.45 | 2 | Technical Specifications: Enduro 450 Version[RX45], Enduro 550 Version[RX55] |
| 18 | AP9100854 | Plug cpl. d.45 | 2 | Technical Specifications: Enduro 450 Version[RX45], Enduro 550 Version[RX55] |
| 19 | AP9100857 | Seal rings fork kit | 1 | Technical Specifications: Enduro 450 Version[RX45], Enduro 550 Version[RX55] |
| 20 | AP9100858 | Gaskets set d.45 | 1 | Technical Specifications: Enduro 450 Version[RX45], Enduro 550 Version[RX55] |
| 21 | AP9100859 | Bushes kit | 1 | Technical Specifications: Enduro 450 Version[RX45], Enduro 550 Version[RX55] |

| | |
|--------------------|---------|
| Group | FRAME |
| Code | 28.06 |
| Description | Fork II |
| Service | 1 |



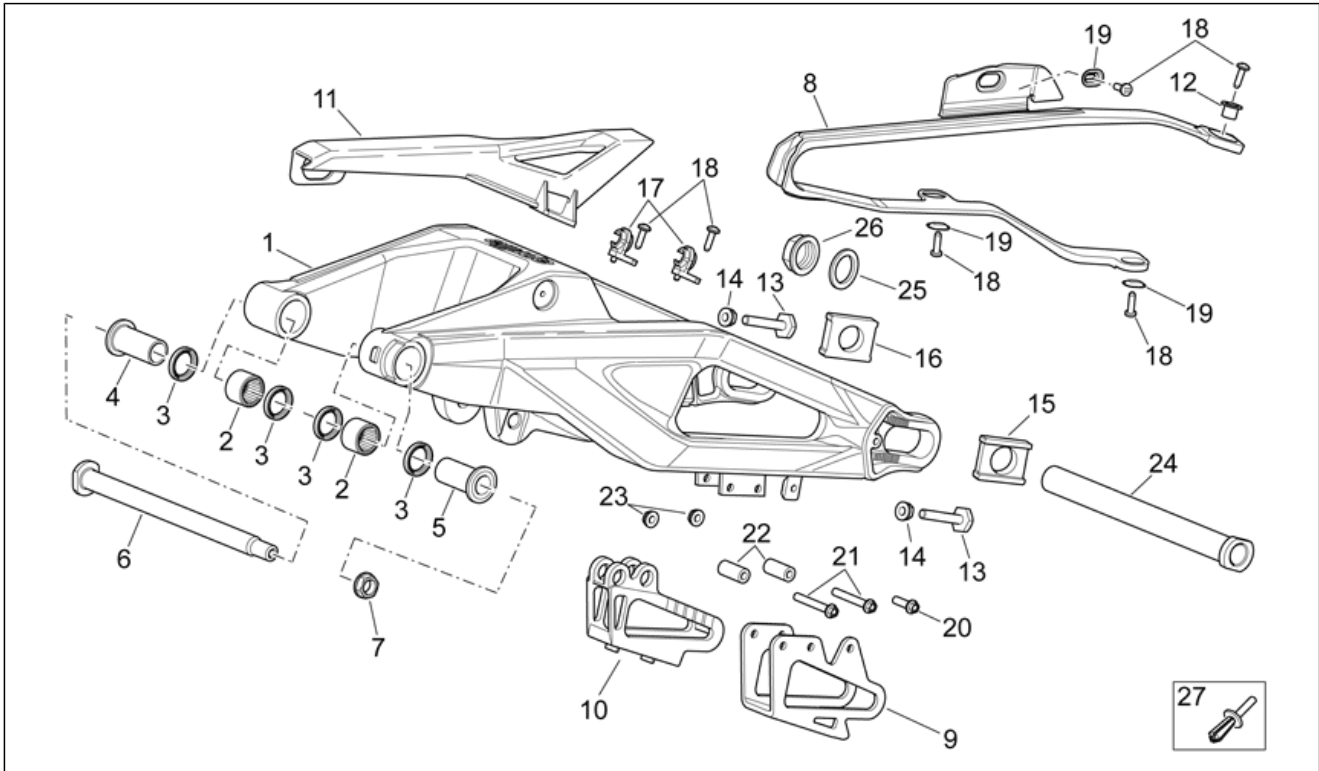
| Pos. | Code | Description | Qty | Variants |
|------|-----------|-------------------------|-----|---|
| 1 | 859802 | LH hub cpl. | 1 | Technical Specifications: Motard Version 450[SX45], Motard Version 550[SX55] |
| 2 | 859803 | RH hub cpl. | 1 | Technical Specifications: Motard Version 450[SX45], Motard Version 550[SX55] |
| 3 | 855796 | LH wheel carrier | 1 | Technical Specifications: Motard Version 450[SX45], Motard Version 550[SX55] |
| 4 | 855797 | RH wheel carrier | 1 | Technical Specifications: Motard Version 450[SX45], Motard Version 550[SX55] |
| 5 | 855798 | Sleeve cpl. | 2 | Technical Specifications: Motard Version 450[SX45], Motard Version 550[SX55] |
| 6 | AP9100872 | Ring spring D.40 | 2 | Technical Specifications: Motard Version 450[SX45], Motard Version 550[SX55] |
| 7 | AP9100873 | Spring kit | 2 | Technical Specifications: Motard Version 450[SX45], Motard Version 550[SX55] |
| 8 | AP9100874 | Plunger, complete | 2 | Technical Specifications: Motard Version 450[SX45], Motard Version 550[SX55] |
| 9 | AP9100875 | Valve D.45 | 2 | Technical Specifications: Motard Version 450[SX45], Motard Version 550[SX55] |
| 10 | AP9100876 | Plug cpl. D.45 | 2 | Technical Specifications: Motard Version 450[SX45], Motard Version 550[SX55] |
| 11 | 851280 | Screw w/ flange | 4 | Technical Specifications: Motard Version 450[SX45], Motard Version 550[SX55] |
| 12 | AP9100877 | Dust cover+oil seal kit | 1 | Technical Specifications: Motard Version 450[SX45], Motard Version 550[SX55] |
| 13 | AP9100878 | Gaskets set d.48 | 1 | Technical Specifications: Motard Version 450[SX45], Motard Version 550[SX55] |
| 14 | AP9100879 | Bushes kit | 1 | Technical Specifications: Motard Version 450[SX45], Motard Version 550[SX55] |
| 15 | 894814 | Bushing | 2 | Technical Specifications: Motard Version 450[SX45], Motard Version 550[SX55] |
| 16 | 894816 | Front fork tube | 2 | Technical Specifications: Motard Version 450[SX45], Motard Version 550[SX55] |

| | |
|--------------------|-----------|
| Group | FRAME |
| Code | 28.07 |
| Description | Swing arm |
| Service | 1 |



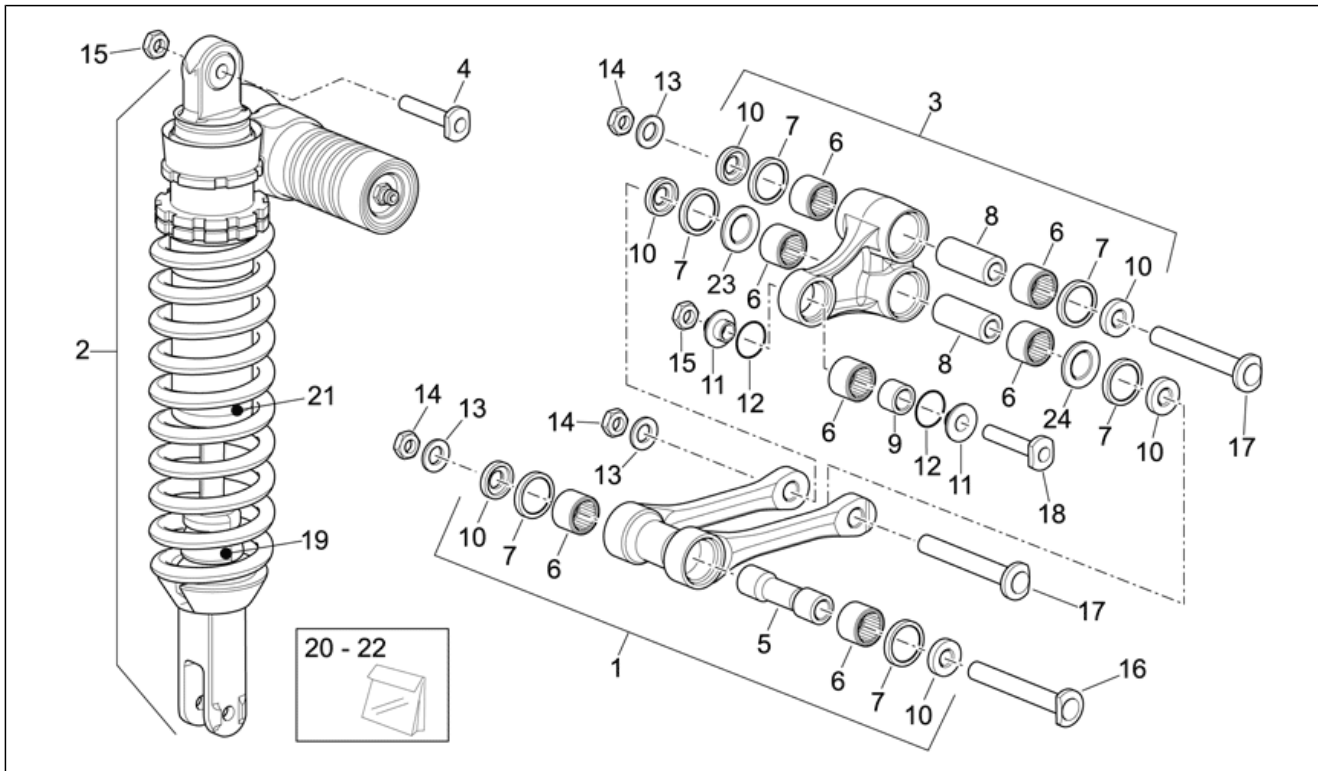
| Pos. | Code | Description | Qty | Variants |
|------|-----------|---------------------------------------|-----|---|
| 1 | AP9100104 | Swing arm | 1 | Technical Specifications: Enduro 450 Version[RX45], Enduro 550 Version[RX55] |
| 1 | AP9100120 | Swing arm | 1 | Technical Specifications: Motard Version 450[SX45], Motard Version 550[SX55] |
| 2 | AP9100202 | Roller cage 22x29x30 | 2 | |
| 3 | AP9100203 | Gasket ring 22x29x4 | 4 | |
| 4 | AP9100952 | Piston pin L=47,5 | 1 | |
| 5 | AP9100952 | Piston pin L=47,5 | 1 | Technical Specifications: Enduro 450 Version[RX45], Enduro 550 Version[RX55] |
| 5 | AP9100953 | Piston pin L=59,5 | 1 | Technical Specifications: Motard Version 450[SX45], Motard Version 550[SX55] |
| 6 | AP9100123 | Rear swing arm pin M14 L=244 | 1 | Technical Specifications: Enduro 450 Version[RX45], Enduro 550 Version[RX55] |
| 6 | AP9100264 | Rear swing arm pin M14 L=256 | 1 | Technical Specifications: Motard Version 450[SX45], Motard Version 550[SX55] |
| 7 | AP8152244 | DAX flange nut M14x1,5 | 1 | |
| 8 | AP9100061 | Sliding block | 1 | |
| 9 | AP9100060 | Chain guide | 1 | |
| 10 | AP9100109 | Chain guide plate | 1 | |
| 11 | AP9100435 | Chain guard | 1 | |
| 12 | AP9100616 | Bush | 1 | |
| 13 | AP8152305 | Chain tens.adjuster screw | 2 | |
| 14 | AP8152262 | Low nut | 2 | |
| 15 | AP8144444 | RH chain guide plate | 1 | |
| 16 | AP8144443 | LH chain guide plate | 1 | |
| 17 | AP9100565 | Brake hose cable guide | 2 | |
| 18 | AP8150515 | Light adjustment self-threading screw | 6 | |
| 19 | AP8234020 | Cup for shoe | 3 | |
| 20 | AP8152277 | Screw w/ flange M6x12 | 1 | |

| | |
|--------------------|-----------|
| Group | FRAME |
| Code | 28.07 |
| Description | Swing arm |
| Service | 1 |



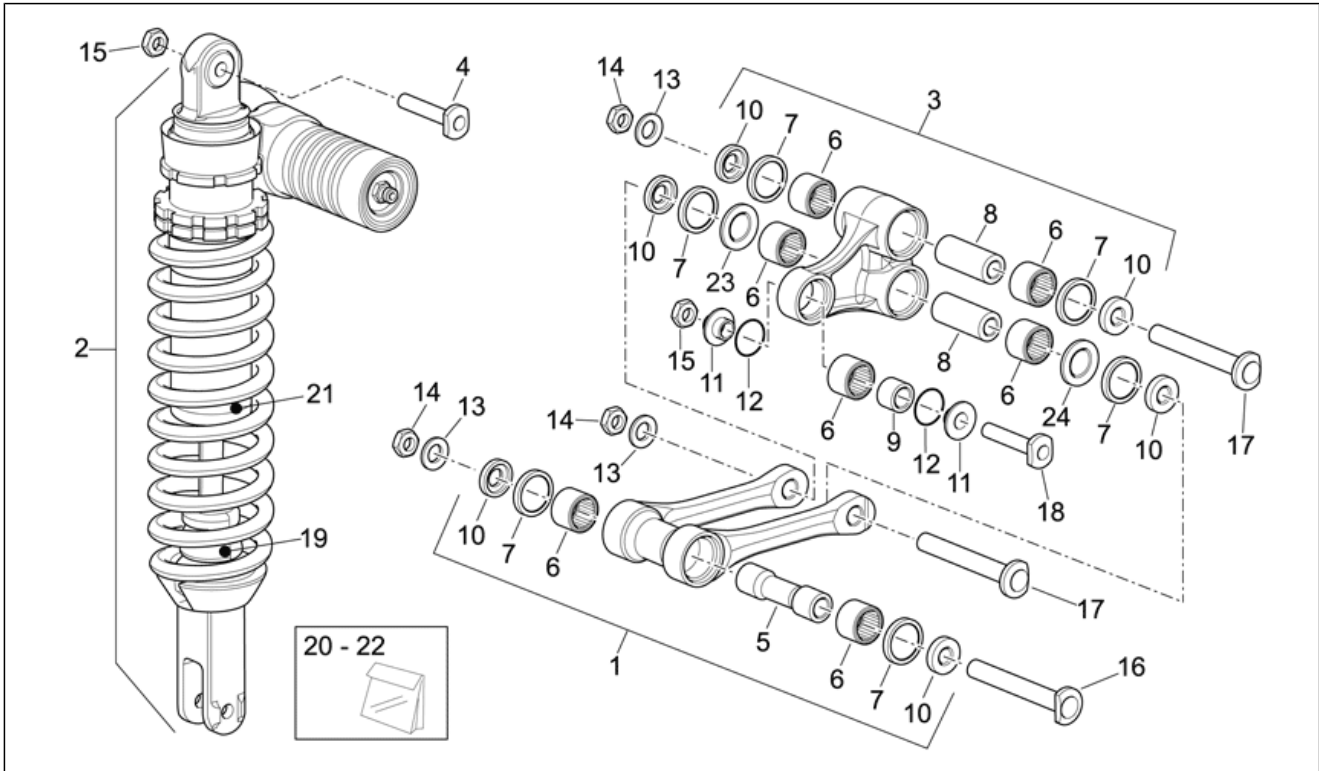
| Pos. | Code | Description | Qty | Variants |
|------|-----------|--------------------------------|-----|---|
| 21 | AP9100433 | Screw w/ flange M6x50 | 2 | |
| 22 | AP9100287 | Bush | 2 | |
| 23 | AP9100434 | Self-locking nut M6x1 | 2 | |
| 24 | AP9100221 | Rear wheel spindle M25 L=266,5 | 1 | Technical Specifications: Enduro 450 Version[RX45], Enduro 550 Version[RX55] |
| 24 | AP9100270 | Rear wheel spindle M25 L=318,5 | 1 | Technical Specifications: Motard Version 450[SX45], Motard Version 550[SX55] |
| 25 | AP8152323 | Washer 25,2x36x1 | 1 | |
| 26 | AP8152324 | Wheel spindle nut M25x1,5 | 1 | |
| 27 | AP8202058 | Plastic rivet, black | 4 | |

| | |
|--------------------|---------------------|
| Group | FRAME |
| Code | 28.08 |
| Description | Rear shock absorber |
| Service | 1 |



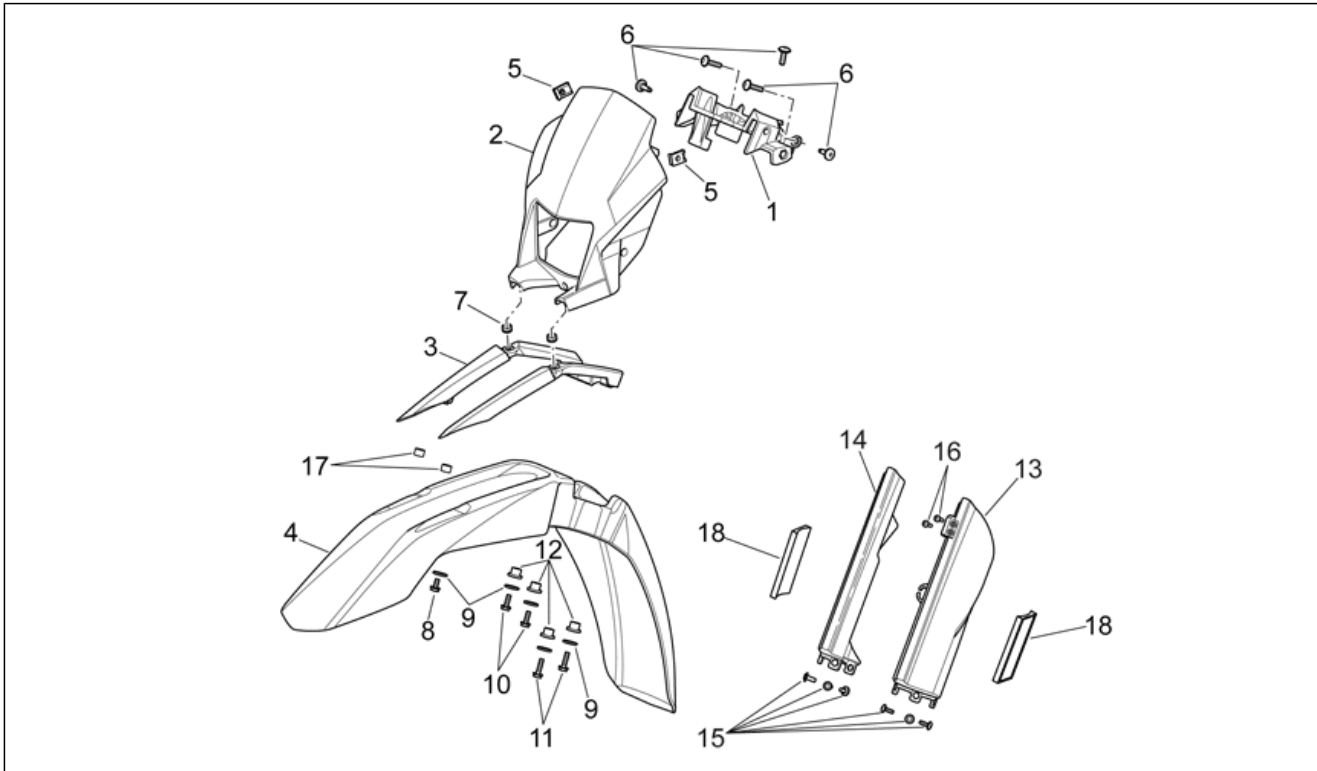
| Pos. | Code | Description | Qty | Variants |
|------|-----------|-------------------------------|-----|---|
| 1 | AP9100176 | Single conrod comp. | 1 | |
| 2 | 851292 | Rear shock absorber RXV | 1 | Technical Specifications: Enduro 450 Version[RX45], Enduro 550 Version[RX55] |
| 2 | AP9100114 | Rear shock absorber SXV | 1 | Technical Specifications: Motard Version 450[SX45], Motard Version 550[SX55] |
| 3 | 851252 | Double conrod comp. | 1 | |
| 4 | AP9100007 | screw M10x1,25 L=53 | 1 | |
| 5 | AP9100178 | Piston pin | 1 | |
| 6 | AP9100181 | Cage à rouleaux 20x27x15 | 5 | |
| 6 | AP9100181 | Cage à rouleaux 20x27x15 | 2 | |
| 7 | AP9100177 | Gasket ring 25x32x4 | 4 | |
| 7 | AP9100177 | Gasket ring 25x32x4 | 2 | |
| 8 | AP9100184 | Piston pin | 2 | |
| 9 | AP9100111 | Spacer | 1 | |
| 10 | AP9100179 | Spacer | 6 | |
| 11 | AP9100186 | Outside spacer | 2 | |
| 12 | AP9100549 | O-ring 1,5x24 | 2 | |
| 13 | AP8152018 | Washer 12,2x22x2 | 3 | |
| 14 | AP9100442 | Low self-locking nut M12x1,25 | 3 | |
| 15 | AP9100439 | Low self-locking nut M10x1,25 | 2 | |
| 16 | AP9100604 | screw M12x1,25 L=120 | 1 | |
| 17 | AP9100289 | screw M12x1,25 L=95 | 2 | |
| 18 | AP9100208 | screw M10x1,25 L=44 | 1 | |
| 19 | AP9100808 | Pad | 1 | |
| 20 | AP9100814 | Gasket set | 1 | Technical Specifications: Enduro 450 Version[RX45], Enduro 550 Version[RX55] |
| 20 | AP9100815 | Gasket set | 1 | Technical Specifications: Motard Version 450[SX45], Motard Version 550[SX55] |
| 21 | AP9100817 | Sleeve unit | 1 | |

| | |
|--------------------|---------------------|
| Group | FRAME |
| Code | 28.08 |
| Description | Rear shock absorber |
| Service | 1 |



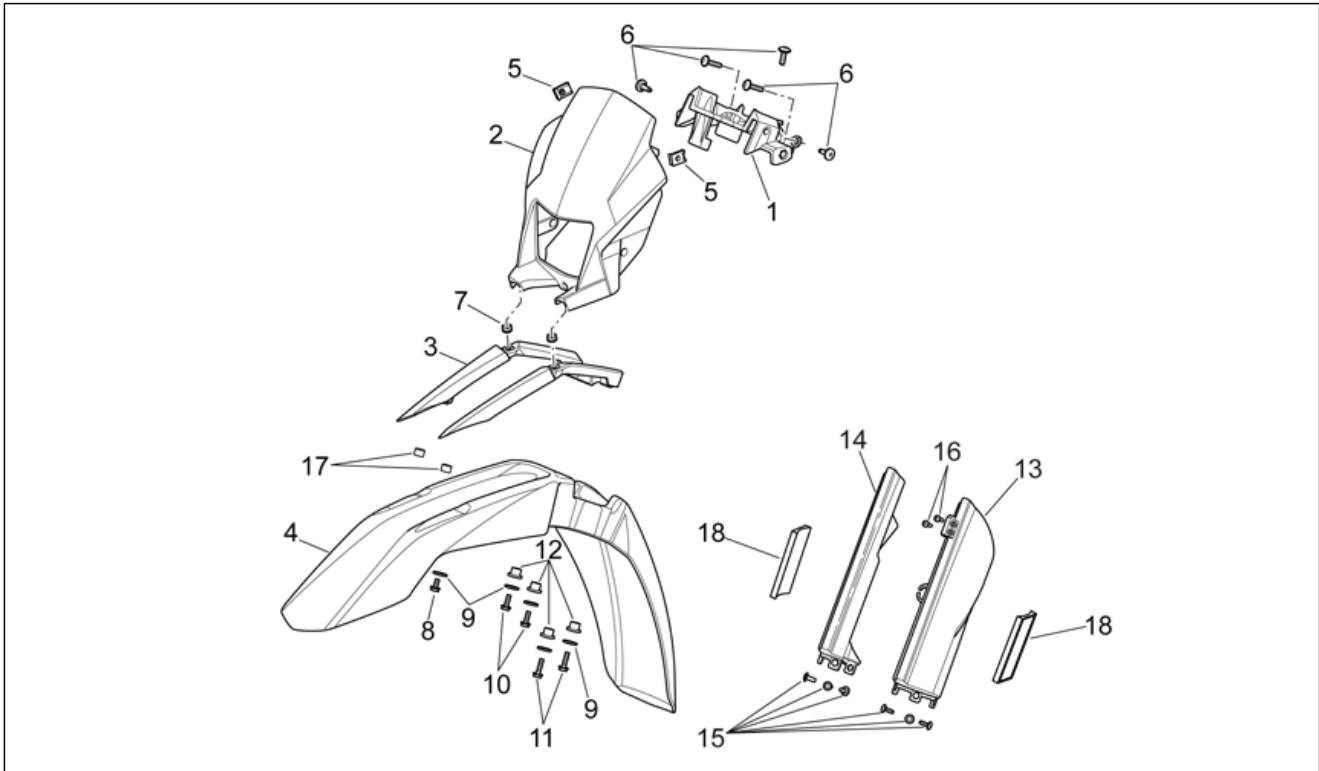
| Pos. | Code | Description | Qty | Variants |
|------|-----------|-------------------------|-----|----------|
| 22 | AP9100820 | Sleeve gasket set | 1 | |
| 23 | AP9100182 | Flat washer 31x20,2x1,4 | 2 | |

| | |
|--------------------|--------------|
| Group | FRAME |
| Code | 28.09 |
| Description | Front body I |
| Service | 1 |



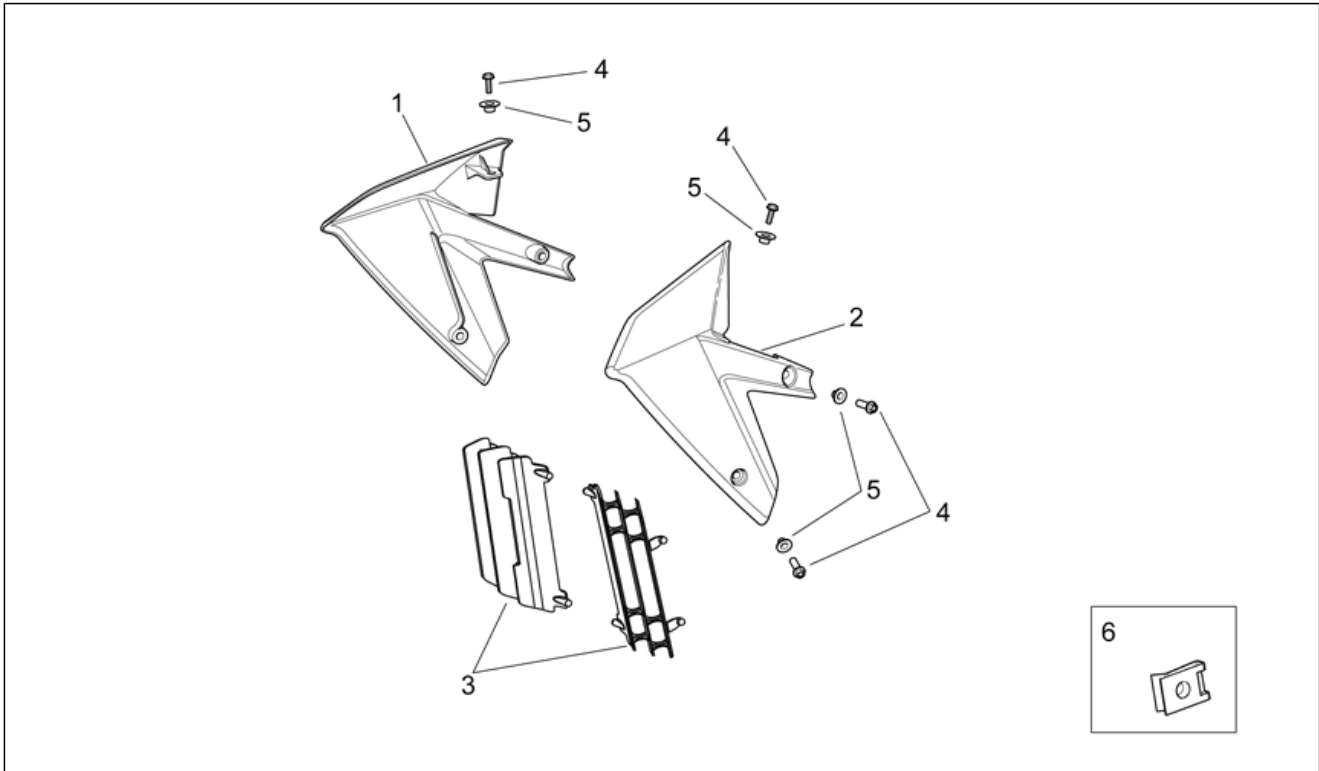
| Pos. | Code | Description | Qty | Variants |
|------|-------------|------------------------|-----|--|
| 1 | 855104 | Socket support | 1 | Technical Specifications: Enduro 450 Version[RX45], Enduro 550 Version[RX55] |
| 1 | AP9100517 | Socket support | 1 | Technical Specifications: Motard Version 450[SX45], Motard Version 550[SX55] |
| 2 | 85813800XN4 | Windshield | 1 | Vehicle colour: Off-White 2008 (s.t.856588/91)[white] Country: EU[EU] Technical Specifications: Enduro 450 Version[RX45], Enduro 550 Version[RX55] |
| 2 | 85813900XN4 | Windshield | 1 | Vehicle colour: Off-Black 2008 (s.t.856589/92)[black] Country: EU[EU] Technical Specifications: Motard Version 450[SX45], Motard Version 550[SX55] |
| 2 | AP8184489 | Windshield | 1 | Vehicle colour: Off-Black 2008 (s.t.856589/92)[black] Country: United States of America[USA] Technical Specifications: Motard Version 450[SX45], Motard Version 550[SX55] |
| 2 | AP8184517 | Windshield | 1 | Vehicle colour: Off-White 2008 (s.t.856588/91)[white] Country: United States of America[USA] Technical Specifications: Enduro 450 Version[RX45], Enduro 550 Version[RX55] |
| 3 | 858388 | Tie rod | 1 | |
| 4 | AP8156343 | Front mudguard, red | 1 | |
| 5 | AP8102375 | Clip m5 | 2 | |
| 6 | AP8152339 | Screw w/ flange M5x9 | 5 | |
| 7 | AP8120405 | Rubber spacer | 2 | |
| 8 | AP8152277 | Screw w/ flange M6x12 | 2 | |
| 9 | AP8150015 | Washer 6,6x18x1,6* | 6 | |
| 10 | AP8152278 | Screw w/ flange M6x16 | 2 | |
| 11 | AP8152283 | Screw w/ flange | 2 | |
| 12 | AP9100501 | T bush 20x0,5x3,5 | 4 | |
| 13 | AP9100440 | LH sleeve guard, black | 1 | |
| 14 | AP9100441 | RH sleeve guard, black | 1 | |

| | |
|--------------------|--------------|
| Group | FRAME |
| Code | 28.09 |
| Description | Front body I |
| Service | 1 |



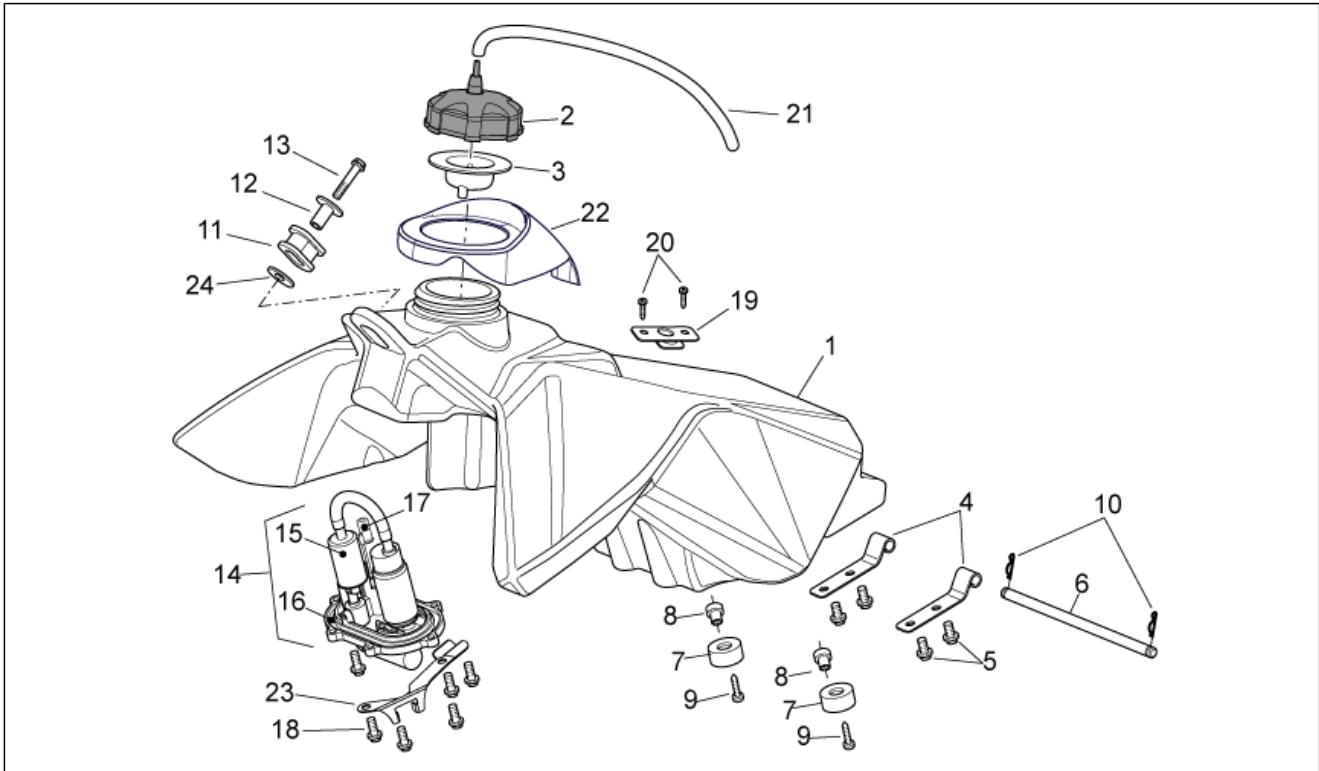
| Pos. | Code | Description | Qty | Variants |
|------|------------|---------------------|-----|---|
| 15 | AP9100548 | Screw complete M6x1 | 6 | |
| 16 | AP8150246 | Screw | 2 | |
| 17 | AP9100053 | Bush d.10-h.3,5 | 2 | |
| 18 | GU05781630 | Reflector, amber | 2 | Country: United States of America[USA] |

| | |
|--------------------|---------------|
| Group | FRAME |
| Code | 28.10 |
| Description | Front body II |
| Service | 1 |



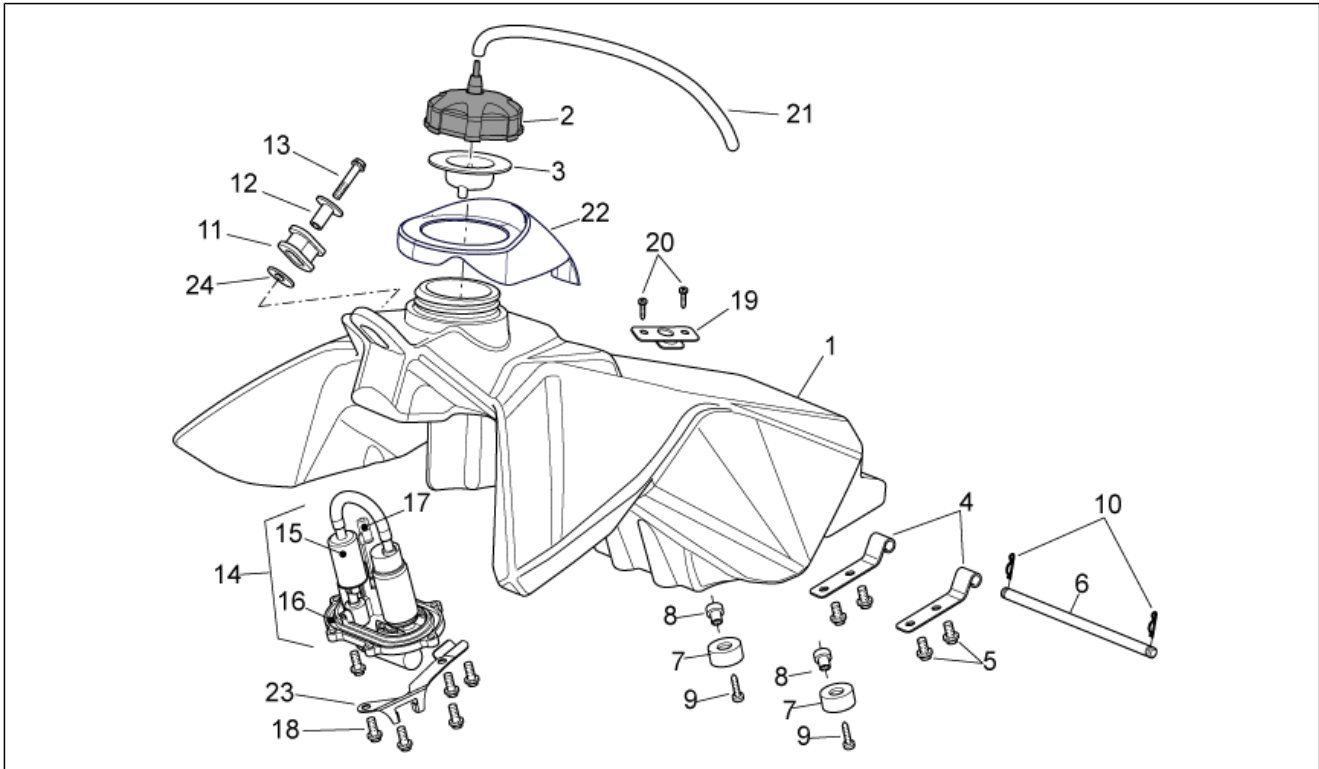
| Pos. | Code | Description | Qty | Variants |
|------|-----------|----------------------------|-----|----------|
| 1 | AP8184503 | RH air duct | 1 | |
| 2 | AP8184502 | LH air duct | 1 | |
| 3 | AP9100366 | Water cooler grille | 2 | |
| 4 | AP9100645 | Screw w/ flange M6x16 inox | 6 | |
| 5 | AP9100053 | Bush d.10-h.3,5 | 6 | |
| 6 | AP8102376 | Clip M6 | 6 | |

| | |
|--------------------|-----------|
| Group | FRAME |
| Code | 28.11 |
| Description | Fuel tank |
| Service | 1 |



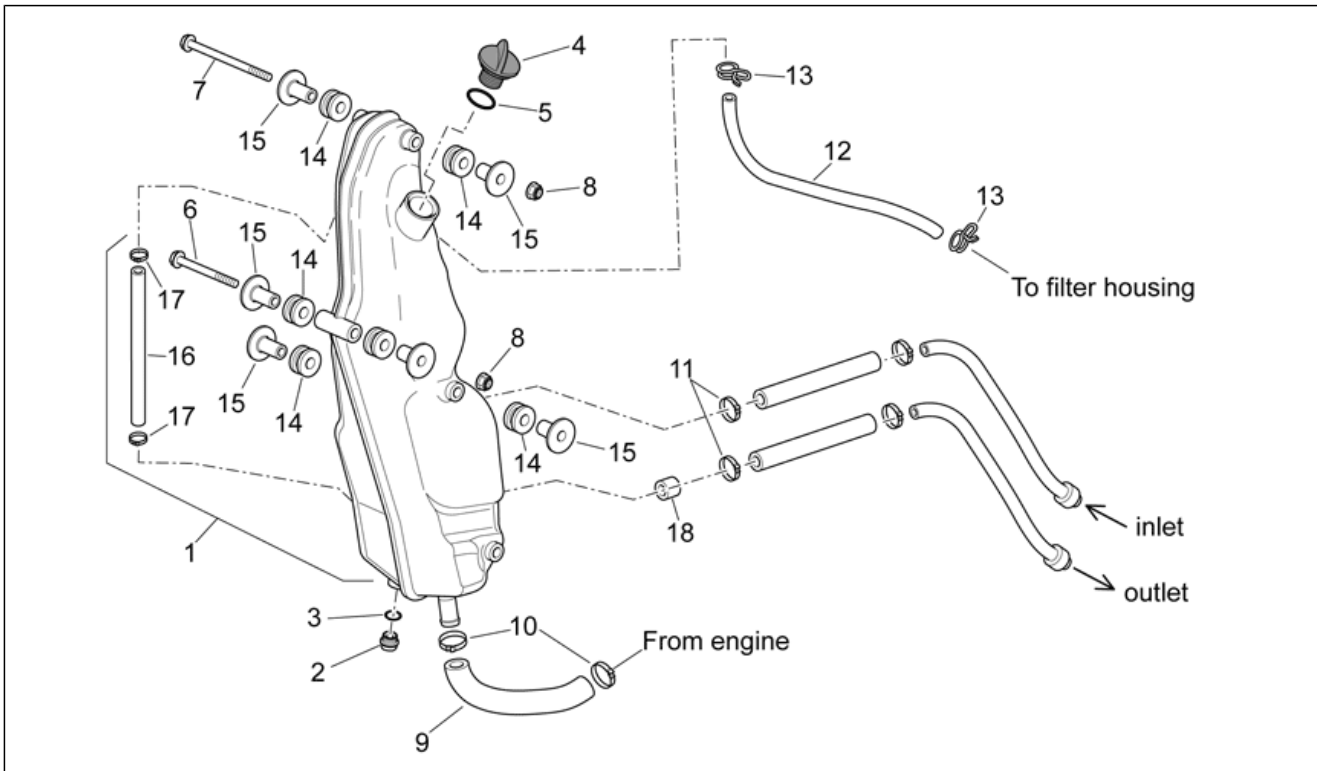
| Pos. | Code | Description | Qty | Variants |
|------|------------|------------------------|-----|---|
| 1 | 855048 | Fuel tank | 1 | Country:EU[EU] Technical Specifications:Enduro 450 Version[RX45], Enduro 550 Version[RX55] |
| 1 | 855066 | Fuel tank | 1 | Country:United States of America[USA] |
| 1 | AP9100084 | Fuel tank | 1 | Country:EU[EU] Technical Specifications:Motard Version 450[SX45], Motard Version 550[SX55] |
| 2 | AP8220620 | Cover | 1 | |
| 3 | 856932 | Gasket | 1 | |
| 4 | AP9100080 | Plate | 2 | |
| 5 | AP8152277 | Screw w/ flange M6x12 | 4 | |
| 6 | AP9100078 | Pin | 1 | |
| 7 | AP9100767 | Rubber spacer 26x12,2 | 2 | |
| 8 | AP8121811 | T bush | 2 | |
| 9 | AP8150044 | Hex socket screw M6x20 | 2 | Country:United States of America[USA] |
| 9 | AP8152169 | Screw 4,8x19* | 2 | Country:EU[EU] |
| 10 | AP8201431 | Split pin * | 2 | |
| 11 | AP9100082 | Pad | 1 | |
| 12 | AP9100081 | Bush | 1 | |
| 13 | AP8152281 | Screw w/ flange M6x30 | 1 | |
| 14 | AP9100416 | Fuel pump cpl. | 1 | |
| 15 | AP9100930 | Fuel filter | 1 | |
| 16 | AP9100931 | Gasket | 1 | |
| 17 | GU01103090 | Thermistor | 1 | |
| 18 | AP8152273 | Screw w/ flange M5X15 | 6 | |
| 19 | AP9100415 | plate | 1 | |
| 20 | AP8150444 | Self-tapping screw | 2 | |
| 21 | AP8220402 | pipe 5x9 | 1 | |
| 22 | AP9100967 | Fuel tank cover | 1 | |

| | |
|--------------------|-----------|
| Group | FRAME |
| Code | 28.11 |
| Description | Fuel tank |
| Service | 1 |



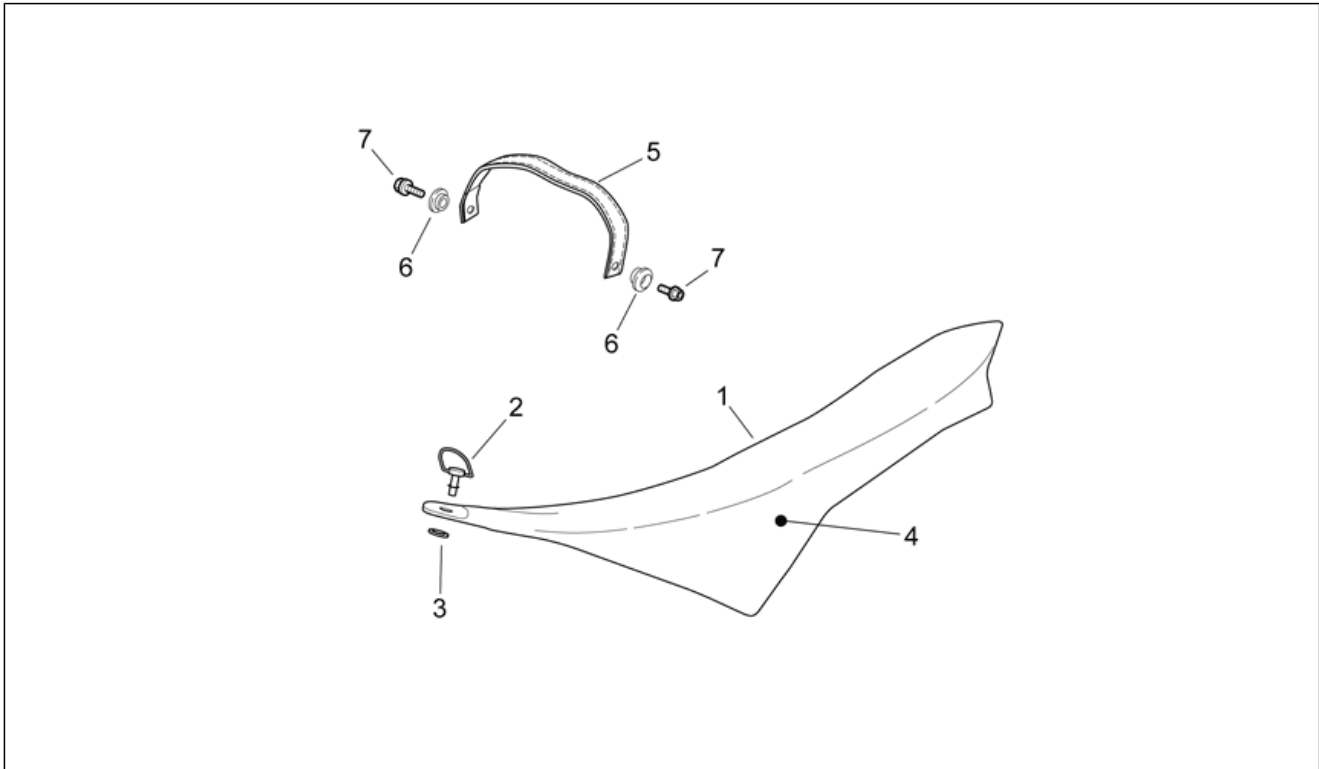
| Pos. | Code | Description | Qty | Variants |
|------|-----------|-------------------|-----|----------|
| 23 | AP9100966 | Plate | 1 | |
| 24 | AP9100375 | Washer 24,8x6,2x1 | 1 | |

| | |
|--------------------|----------|
| Group | FRAME |
| Code | 28.12 |
| Description | Oil tank |
| Service | 1 |



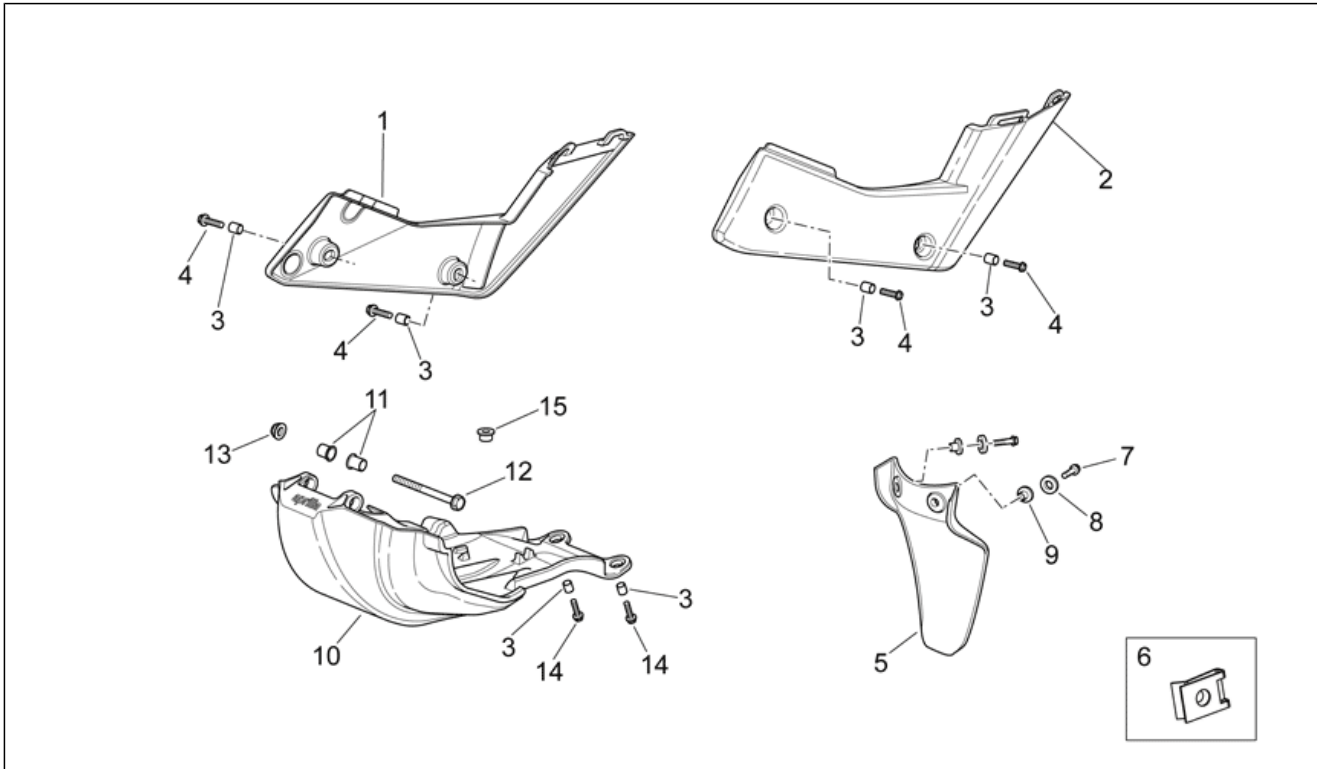
| Pos. | Code | Description | Qty | Variants |
|------|-----------|---------------------------|-----|----------|
| 1 | AP9100343 | Oil tank | 1 | |
| 2 | AP9150174 | Oil unload plug | 1 | |
| 3 | AP9150349 | Seal washer D12x18x1,5 | 1 | |
| 4 | AP9150410 | Oil plug M20x1,5 | 1 | |
| 5 | AP8121638 | Gasket ring | 1 | |
| 6 | AP9100638 | Screw w/ flange M6x70 | 1 | |
| 7 | AP9100661 | Screw w/ flange M6x1 L=95 | 1 | |
| 8 | AP9100434 | Self-locking nut M6x1 | 2 | |
| 9 | AP9100496 | pipe Blow-By | 1 | |
| 10 | AP8102903 | Hose clip D16,5X6,6 | 2 | |
| 11 | AP8101586 | Hose clip D.15,5x6,6 | 2 | |
| 12 | AP8120987 | pipe 9x14 | 1 | |
| 13 | AP8102525 | Hose cock | 2 | |
| 14 | AP8120223 | Rubber spacer * | 6 | |
| 15 | AP9100950 | Bush D14-D9-d6.5-H12 | 6 | |
| 16 | AP9100665 | Oil level pipe | 1 | |
| 17 | AP9100951 | Hose clip | 2 | |
| 18 | AP9100267 | Rubber pipe 12,8x8,8 L=28 | 1 | |

| | |
|--------------------|--------|
| Group | FRAME |
| Code | 28.13 |
| Description | Saddle |
| Service | 1 |



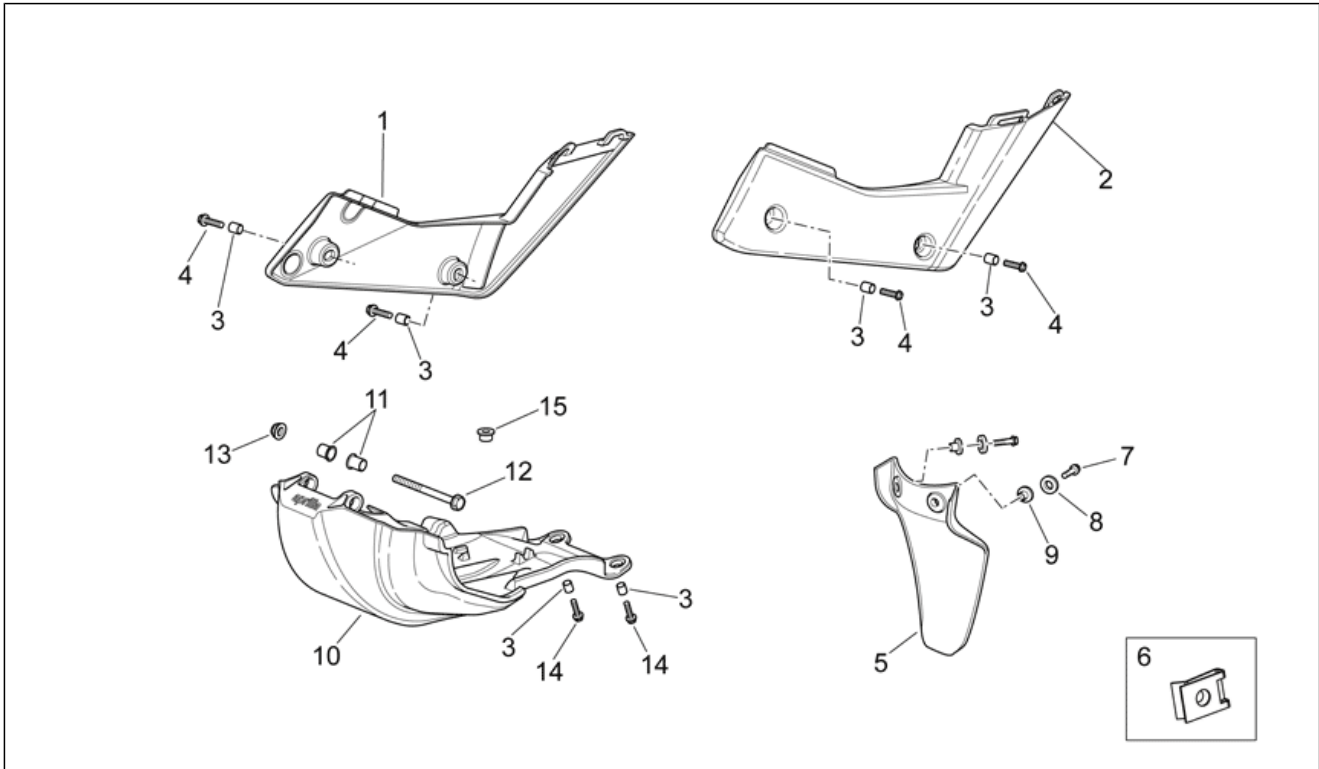
| Pos. | Code | Description | Qty | Variants |
|------|-----------|-----------------------|-----|--|
| 1 | 855083 | Saddle | 1 | Vehicle colour: Off-White 2008 (s.t.856588/91)[white] Country: United States of America[USA] Technical Specifications: Enduro 450 Version[RX45], Enduro 550 Version[RX55] |
| 1 | 855173 | Saddle | 1 | Vehicle colour: Off-White 2008 (s.t.856588/91)[white] Country: EU[EU] Technical Specifications: Enduro 450 Version[RX45], Enduro 550 Version[RX55] |
| 1 | 856681 | Saddle | 1 | Vehicle colour: Off-Black 2008 (s.t.856589/92)[black] Country: United States of America[USA] Technical Specifications: Motard Version 450[SX45], Motard Version 550[SX55] |
| 1 | 856682 | Saddle | 1 | Vehicle colour: Off-Black 2008 (s.t.856589/92)[black] Country: EU[EU] Technical Specifications: Motard Version 450[SX45], Motard Version 550[SX55] |
| 2 | AP9100365 | Release device | 1 | |
| 3 | AP9100087 | Washer Teflon | 1 | |
| 4 | AP9100281 | Saddle casing | 1 | |
| 5 | 859762 | Pillion seat strap | 1 | Technical Specifications: Motard Version 450[SX45], Motard Version 550[SX55] |
| 6 | AP8121075 | T bush * | 2 | Technical Specifications: Motard Version 450[SX45], Motard Version 550[SX55] |
| 7 | AP8152279 | Screw w/ flange M6x20 | 2 | Technical Specifications: Motard Version 450[SX45], Motard Version 550[SX55] |

| | |
|--------------------|--------------|
| Group | FRAME |
| Code | 28.14 |
| Description | Central body |
| Service | 1 |



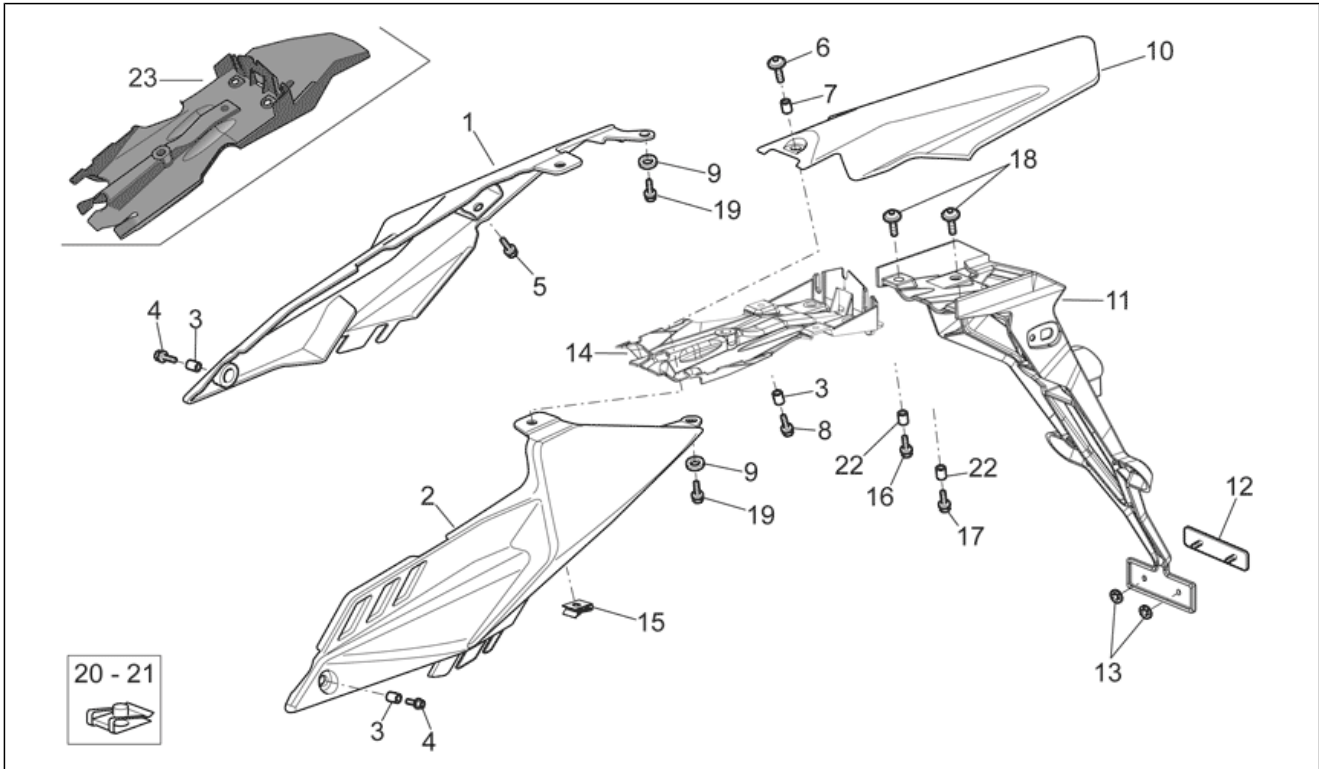
| Pos. | Code | Description | Qty | Variants |
|------|-----------|----------------------------|-----|--|
| 1 | AP8184505 | RH side panel, red | 1 | Vehicle colour: Off-Black 2008 (s.t.856589/92)[black] Technical Specifications: Motard Version 450[SX45], Motard Version 550[SX55] |
| 1 | AP8184507 | RH side panel, black | 1 | Vehicle colour: Off-White 2008 (s.t.856588/91)[white] Country: United States of America[USA] Technical Specifications: Enduro 450 Version[RX45], Enduro 550 Version[RX55] |
| 1 | AP8184590 | RH side panel, black | 1 | Vehicle colour: Off-White 2008 (s.t.856588/91)[white] Country: EU[EU] Technical Specifications: Enduro 450 Version[RX45], Enduro 550 Version[RX55] |
| 2 | AP8184504 | LH side panel, red | 1 | Vehicle colour: Off-Black 2008 (s.t.856589/92)[black] Technical Specifications: Motard Version 450[SX45], Motard Version 550[SX55] |
| 2 | AP8184520 | LH side panel, black | 1 | Vehicle colour: Off-White 2008 (s.t.856588/91)[white] Country: United States of America[USA] Technical Specifications: Enduro 450 Version[RX45], Enduro 550 Version[RX55] |
| 2 | AP8184591 | LH side panel, black | 1 | Vehicle colour: Off-White 2008 (s.t.856588/91)[white] Country: EU[EU] Technical Specifications: Enduro 450 Version[RX45], Enduro 550 Version[RX55] |
| 3 | AP9100053 | Bush d.10-h.3,5 | 6 | |
| 4 | AP9100645 | Screw w/ flange M6x16 inox | 4 | |
| 5 | AP9100504 | Shock absorber cover | 1 | |
| 6 | AP8102375 | Clip m5 | 2 | |
| 7 | AP8152274 | Screw w/ flange M5x20 | 2 | |
| 8 | AP8144064 | Heat shield washer | 2 | |
| 9 | AP8121736 | T bush | 2 | |
| 10 | AP9100347 | Sump guard | 1 | |
| 11 | AP9100778 | Bush | 2 | |
| 12 | AP9100661 | Screw w/ flange M6x1 L=95 | 1 | |

| | |
|--------------------|--------------|
| Group | FRAME |
| Code | 28.14 |
| Description | Central body |
| Service | 1 |



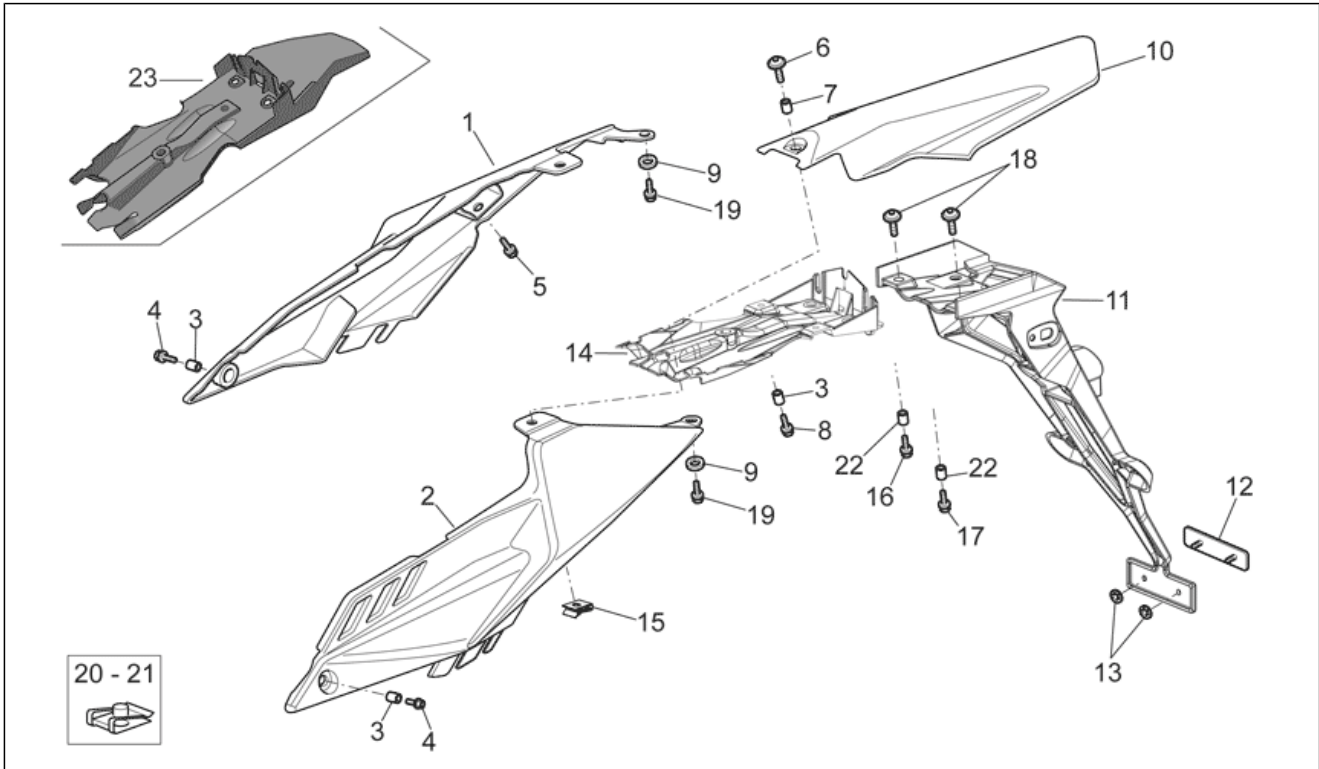
| Pos. | Code | Description | Qty | Variants |
|------|-----------|-----------------------|-----|----------|
| 13 | AP9100434 | Self-locking nut M6x1 | 1 | |
| 14 | AP8152279 | Screw w/ flange M6x20 | 2 | |
| 15 | AP8101372 | Silent-block | 1 | |

| | |
|--------------------|-------------|
| Group | FRAME |
| Code | 28.15 |
| Description | Rear body I |
| Service | 1 |



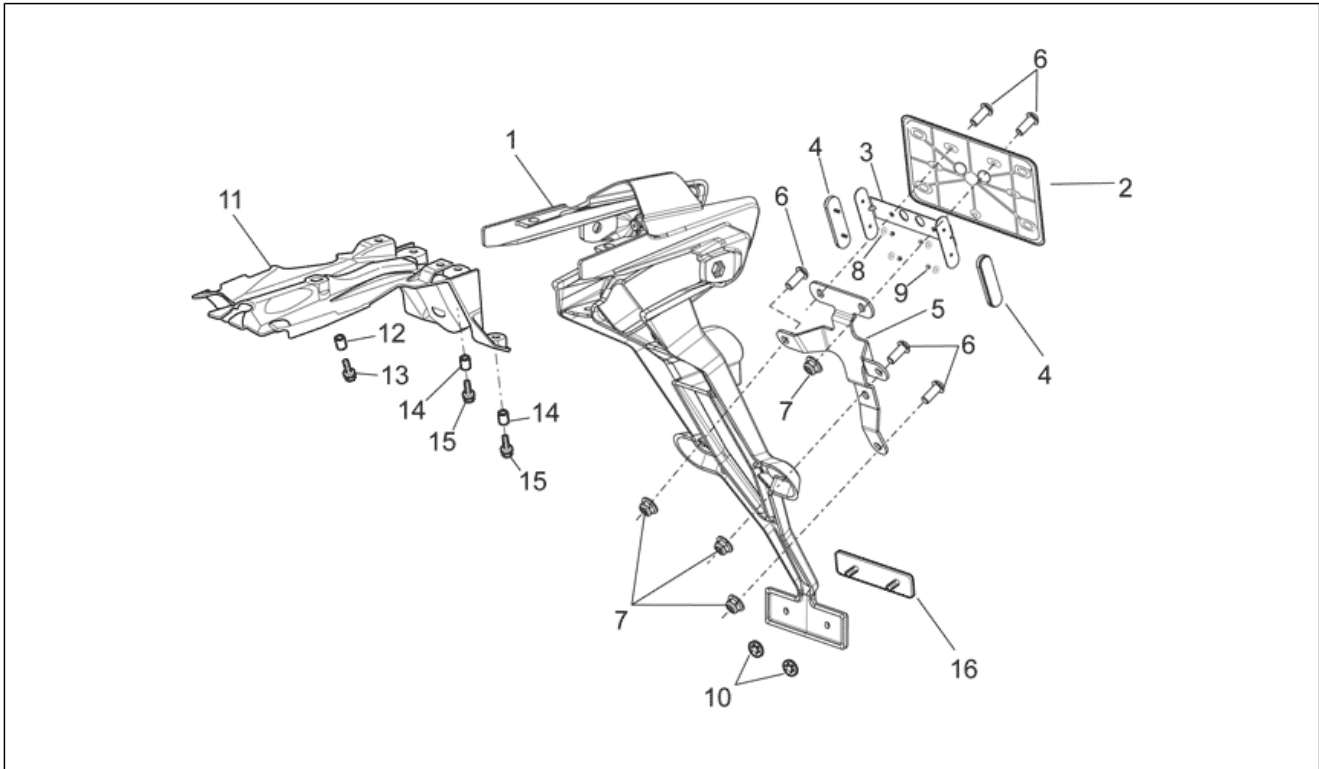
| Pos. | Code | Description | Qty | Variants |
|------|-----------|----------------------------|-----|---|
| 1 | AP8184511 | Rh rear fairing | 1 | Vehicle colour: Off-Black 2008 (s.t.856589/92)[black] Technical Specifications: Motard Version 450[SX45], Motard Version 550[SX55] |
| 1 | AP8184513 | Rh rear fairing | 1 | Vehicle colour: Off-White 2008 (s.t.856588/91)[white] Technical Specifications: Enduro 450 Version[RX45], Enduro 550 Version[RX55] |
| 2 | AP8184510 | Lh rear fairing | 1 | Vehicle colour: Off-Black 2008 (s.t.856589/92)[black] Technical Specifications: Motard Version 450[SX45], Motard Version 550[SX55] |
| 2 | AP8184512 | Lh rear fairing | 1 | Vehicle colour: Off-White 2008 (s.t.856588/91)[white] Technical Specifications: Enduro 450 Version[RX45], Enduro 550 Version[RX55] |
| 3 | AP9100053 | Bush d.10-h.3,5 | 3 | |
| 4 | AP9100645 | Screw w/ flange M6x16 inox | 2 | |
| 5 | AP8152280 | Screw w/ flange M6x25 | 2 | |
| 6 | AP8152117 | Hex socket screw | 1 | |
| 7 | AP9100594 | Bush 10x7 | 1 | |
| 8 | AP8152279 | Screw w/ flange M6x20 | 1 | |
| 9 | AP8150015 | Washer 6,6x18x1,6* | 2 | |
| 10 | AP8156340 | Rear mudguard | 1 | Vehicle colour: Off-Black 2008 (s.t.856589/92)[black] Technical Specifications: Motard Version 450[SX45], Motard Version 550[SX55] |
| 10 | AP8156341 | Rear mudguard | 1 | Vehicle colour: Off-White 2008 (s.t.856588/91)[white] Technical Specifications: Enduro 450 Version[RX45], Enduro 550 Version[RX55] |
| 11 | 855041 | Number plate holder | 1 | Country: EU[EU] |
| 12 | AP8112202 | Rear reflector | 1 | |
| 13 | AP8150450 | Washer for shafts D5 | 1 | |
| 14 | 855046 | Saddle supp.lower lockup | 1 | |
| 15 | AP8102376 | Clip M6 | 1 | |
| 16 | AP8152279 | Screw w/ flange M6x20 | 2 | |

| | |
|--------------------|-------------|
| Group | FRAME |
| Code | 28.15 |
| Description | Rear body I |
| Service | 1 |



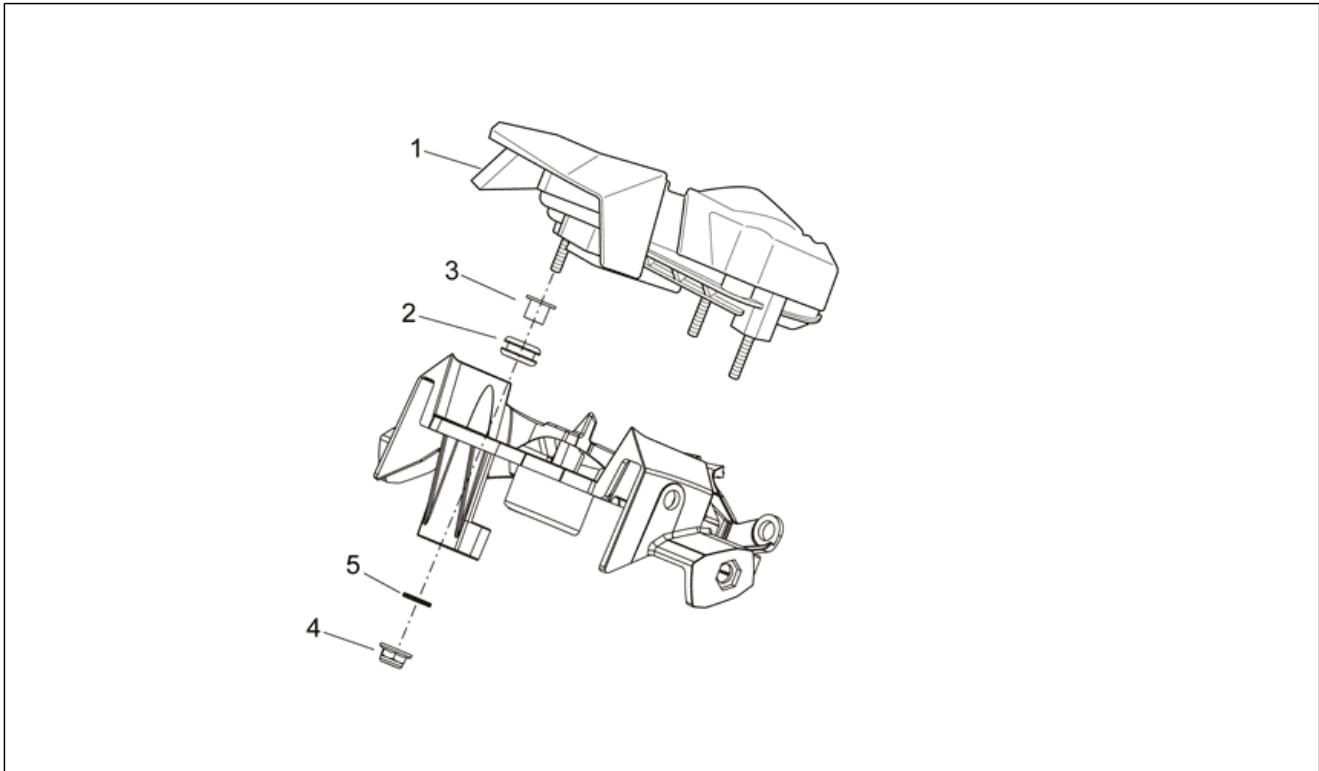
| Pos. | Code | Description | Qty | Variants |
|------|-----------|-------------------------|-----|---|
| 17 | AP8152279 | Screw w/ flange M6x20 | 1 | |
| 18 | AP8152339 | Screw w/ flange M5x9 | 2 | |
| 19 | AP8152277 | Screw w/ flange M6x12 | 2 | |
| 20 | AP8102375 | Clip m5 | 4 | |
| 21 | AP8102376 | Clip M6 | 3 | |
| 22 | AP8121795 | T bush | 2 | |
| 23 | 855050 | Rac.number plate holder | 1 | Technical Specifications: Enduro 450 Version[RX45], Enduro 550 Version[RX55] |

| | |
|--------------------|--------------|
| Group | FRAME |
| Code | 28.16 |
| Description | Rear body II |
| Service | 1 |



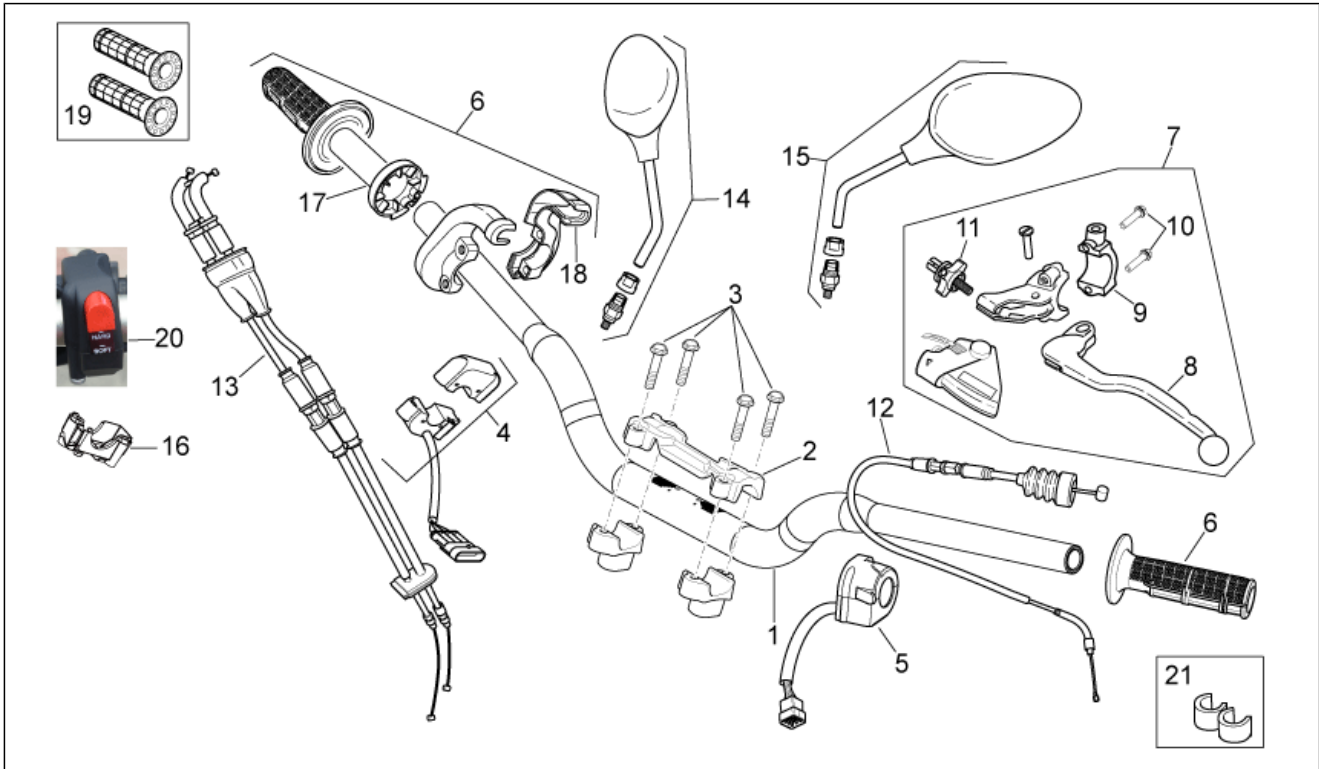
| Pos. | Code | Description | Qty | Variants |
|------|-----------|--------------------------|-----|---------------------------------------|
| 1 | AP9100610 | Number plate holder | 1 | Country:United States of America[USA] |
| 2 | AP8149034 | Number plate support | 1 | Country:United States of America[USA] |
| 3 | AP8134677 | Reflector support | 1 | Country:United States of America[USA] |
| 4 | AP8124718 | Rear reflector, red | 2 | Country:United States of America[USA] |
| 5 | 855071 | Maintenance | 1 | Country:United States of America[USA] |
| 6 | AP8152108 | Hex socket screw | 8 | Country:United States of America[USA] |
| 7 | AP8152299 | Self-locking nut M6 | 8 | Country:United States of America[USA] |
| 8 | AP8150011 | Washer 4,3x12x1 | 4 | Country:United States of America[USA] |
| 9 | AP8150204 | Nut M4 | 4 | Country:United States of America[USA] |
| 10 | AP8150450 | Washer for shafts D5 | 4 | Country:United States of America[USA] |
| 11 | AP9100288 | Saddle supp.lower lockup | 1 | Country:United States of America[USA] |
| 12 | AP9100053 | Bush d.10-h.3,5 | 3 | Country:United States of America[USA] |
| 13 | AP8152279 | Screw w/ flange M6x20 | 1 | Country:United States of America[USA] |
| 14 | AP8121795 | T bush | 2 | Country:United States of America[USA] |
| 15 | AP8152279 | Screw w/ flange M6x20 | 4 | Country:United States of America[USA] |
| 16 | AP8112202 | Rear reflector | 1 | Country:United States of America[USA] |

| | |
|--------------------|-----------|
| Group | FRAME |
| Code | 28.17 |
| Description | Dashboard |
| Service | 1 |



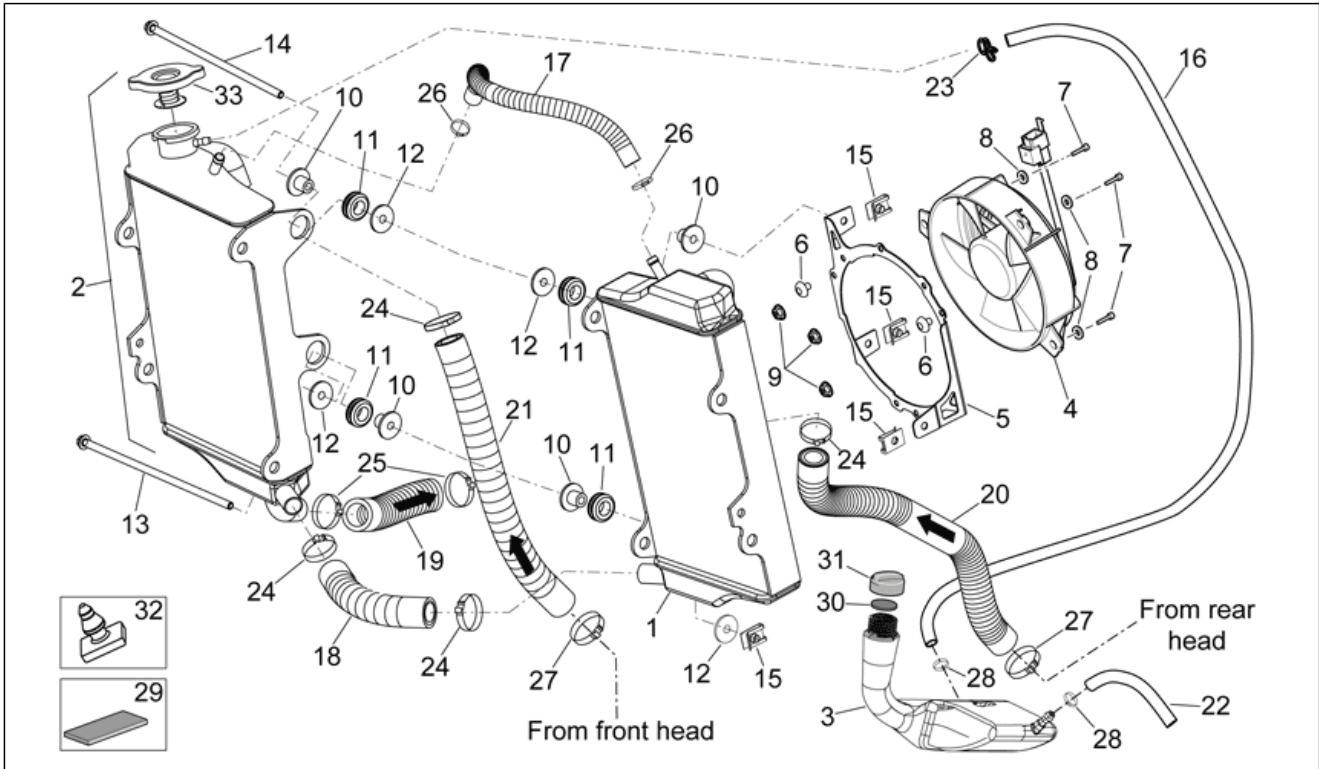
| Pos. | Code | Description | Qty | Variants |
|------|-----------|----------------------|-----|---|
| 1 | 855052 | Dashboard | 1 | Technical Specifications: Enduro 450 Version[RX45], Enduro 550 Version[RX55] |
| 1 | AP9100516 | Dashboard | 1 | Technical Specifications: Motard Version 450[SX45], Motard Version 550[SX55] |
| 2 | AP8112600 | Rubber spacer | 3 | |
| 3 | AP8121795 | T bush | 3 | |
| 4 | AP8150451 | Low self-locking nut | 3 | |
| 5 | AP8150013 | Washer 5,5x15x1,6* | 3 | |

| | |
|--------------------|----------|
| Group | FRAME |
| Code | 28.18 |
| Description | Controls |
| Service | 1 |



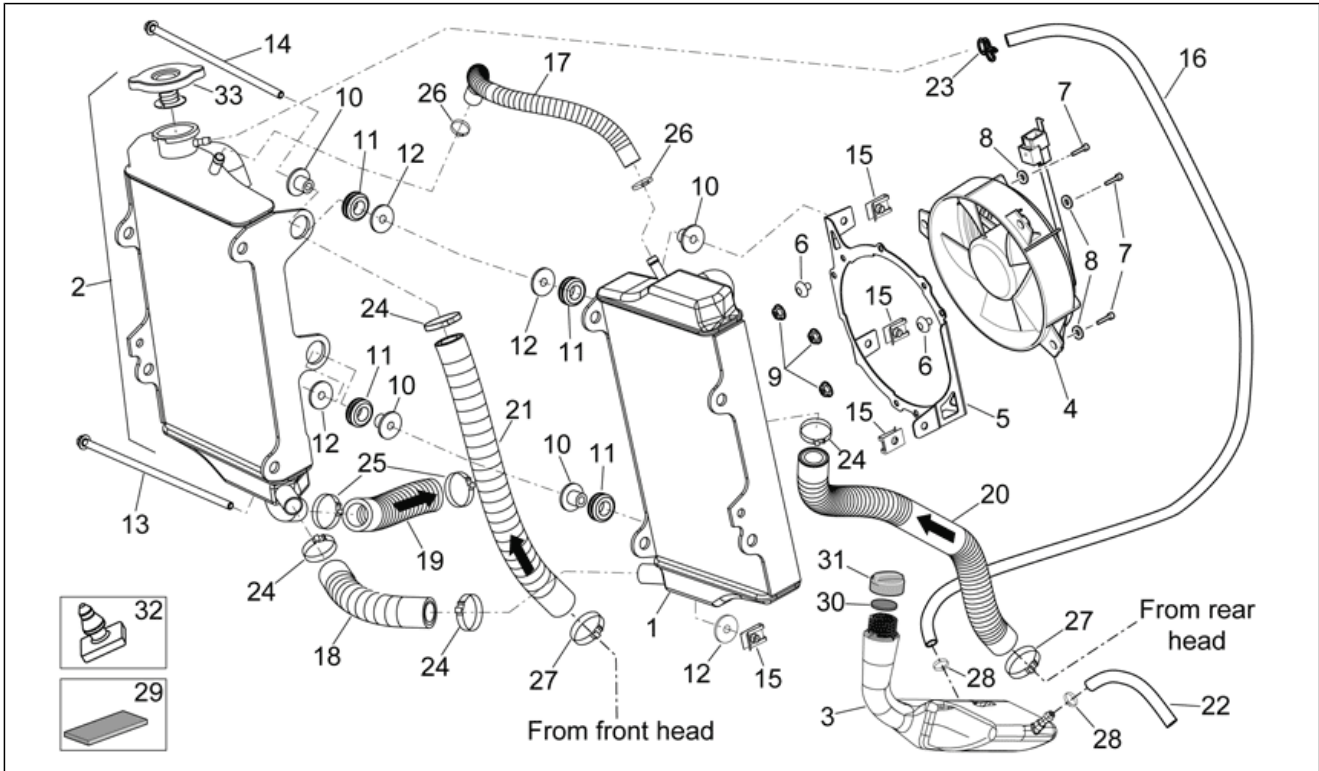
| Pos. | Code | Description | Qty | Variants |
|------|-----------|-----------------------------|-----|---|
| 1 | 855049 | Handlebar | 1 | |
| 2 | AP9100297 | Upper U-bolt | 1 | |
| 3 | AP8152289 | Screw w/ flange | 4 | |
| 4 | AP9100514 | RH lights selector | 1 | |
| 5 | 855043 | LH lights selector | 1 | Technical Specifications: Enduro 450 Version[RX45], Enduro 550 Version[RX55] |
| 5 | AP9100513 | LH lights selector | 1 | Technical Specifications: Motard Version 450[SX45], Motard Version 550[SX55] |
| 6 | 853696 | Throttle+hand grip | 1 | |
| 7 | AP9100636 | Clutch control | 1 | |
| 8 | AP9100939 | Clutch lever | 1 | |
| 9 | AP9100940 | U-bolt | 1 | |
| 10 | AP8152280 | Screw w/ flange M6x25 | 2 | |
| 11 | AP9100941 | Clutch cable register | 1 | |
| 12 | AP9100486 | Clutch control transmission | 1 | |
| 13 | 853976 | Gas lever transmission | 1 | Technical Specifications: Motard Version 450[SX45], Motard Version 550[SX55] |
| 13 | AP9100802 | Gas lever transmission | 1 | Technical Specifications: Enduro 450 Version[RX45], Enduro 550 Version[RX55] |
| 14 | AP8104921 | RH rearview mirror | 1 | |
| 15 | AP8104922 | LH rearview mirror | 1 | |
| 16 | 858305 | Map switch Lower shell | 1 | |
| 17 | 851359 | Progressive Throttle pipe | 1 | |
| 18 | 851360 | U-bolt | 1 | |
| 19 | AP8218628 | Handgrip pair, black | 1 | |
| 20 | 858247 | Map switch | 1 | |
| 21 | AP9100519 | Spring | 3 | |

| | |
|--------------------|----------------|
| Group | FRAME |
| Code | 28.19 |
| Description | Cooling system |
| Service | 1 |



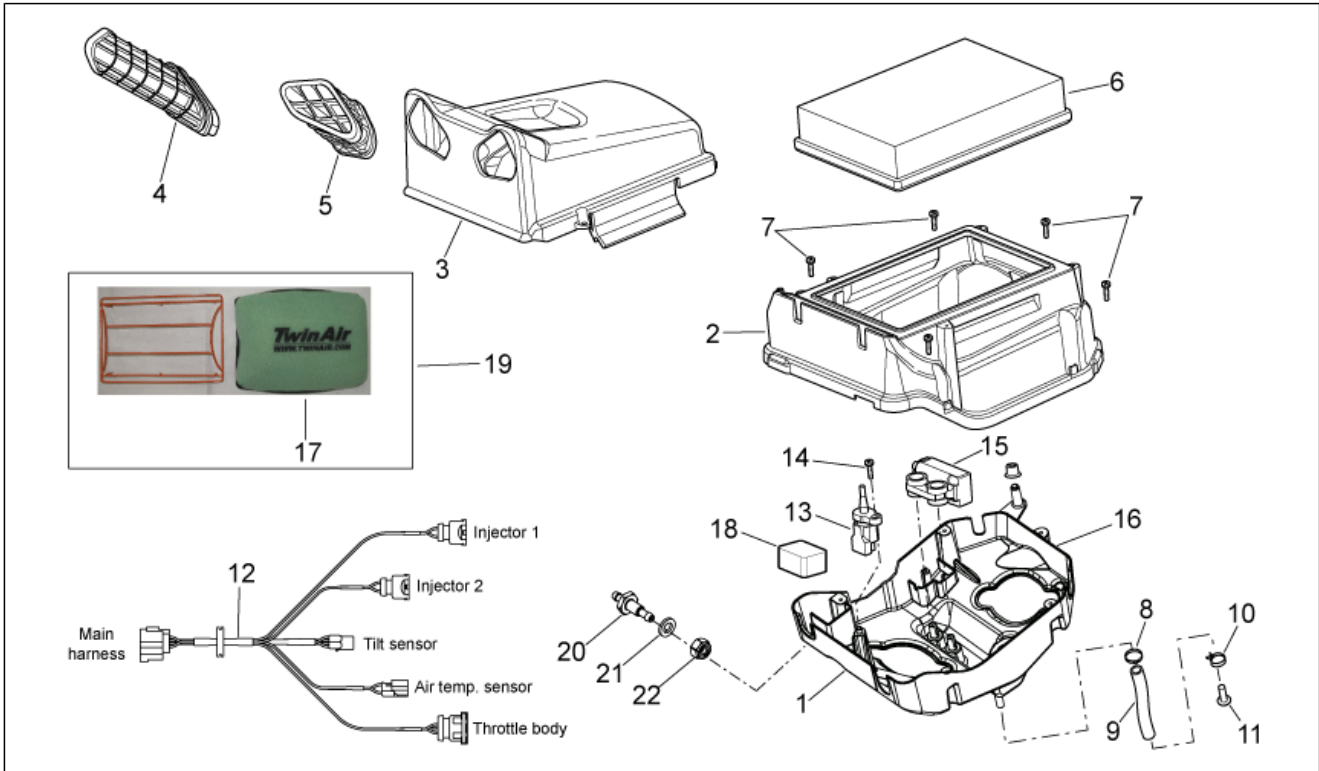
| Pos. | Code | Description | Qty | Variants |
|------|-----------|----------------------------|-----|----------|
| 1 | AP9100348 | Water cooler, LH | 1 | |
| 2 | AP9100349 | Water cooler, RH | 1 | |
| 3 | AP9100506 | Expansion tank | 1 | |
| 4 | AP8124930 | Fan, cpl. | 1 | |
| 5 | AP9100780 | Fan support | 1 | |
| 6 | AP8120876 | Plug | 2 | |
| 7 | AP8152267 | Hex socket screw M5x12 | 3 | |
| 8 | AP8150013 | Washer 5,5x15x1,6* | 3 | |
| 9 | AP8150451 | Low self-locking nut | 3 | |
| 10 | AP9100376 | Bush | 4 | |
| 11 | AP9100969 | Silent-block * | 4 | |
| 12 | AP9100375 | Washer 24,8x6,2x1 | 4 | |
| 13 | AP9100781 | Screw w/ flange M6x133 | 1 | |
| 14 | AP9100663 | Screw w/ flange M6x122 | 1 | |
| 15 | AP8102376 | Clip M6 | 3 | |
| 16 | AP8120952 | Fuel pipe 5,5x10 | 1 | |
| 17 | AP8144506 | Breather pipe 7,5X3,5 | 1 | |
| 18 | AP9100555 | pipe 23x15x135 | 1 | |
| 19 | AP9100557 | Cooler-pump pipe 27x19x145 | 1 | |
| 20 | AP9100553 | pipe 23x15x380 | 1 | |
| 21 | AP9100554 | pipe 23x15x295 | 1 | |
| 22 | AP8120952 | Fuel pipe 5,5x10 | 1 | |
| 23 | AP8102378 | Hose clamp D11,3 | 1 | |
| 24 | AP8201169 | Hose clip D22x8,6* | 4 | |
| 25 | AP9100456 | Hose clip 26x8 | 2 | |
| 26 | AP9100714 | Hose clip 14,5x8 | 2 | |
| 27 | AP9100697 | Hose clip 21x8 | 2 | |
| 28 | AP8120446 | Hose clip, green D11x6,6x1 | 2 | |

| | |
|--------------------|----------------|
| Group | FRAME |
| Code | 28.19 |
| Description | Cooling system |
| Service | 1 |



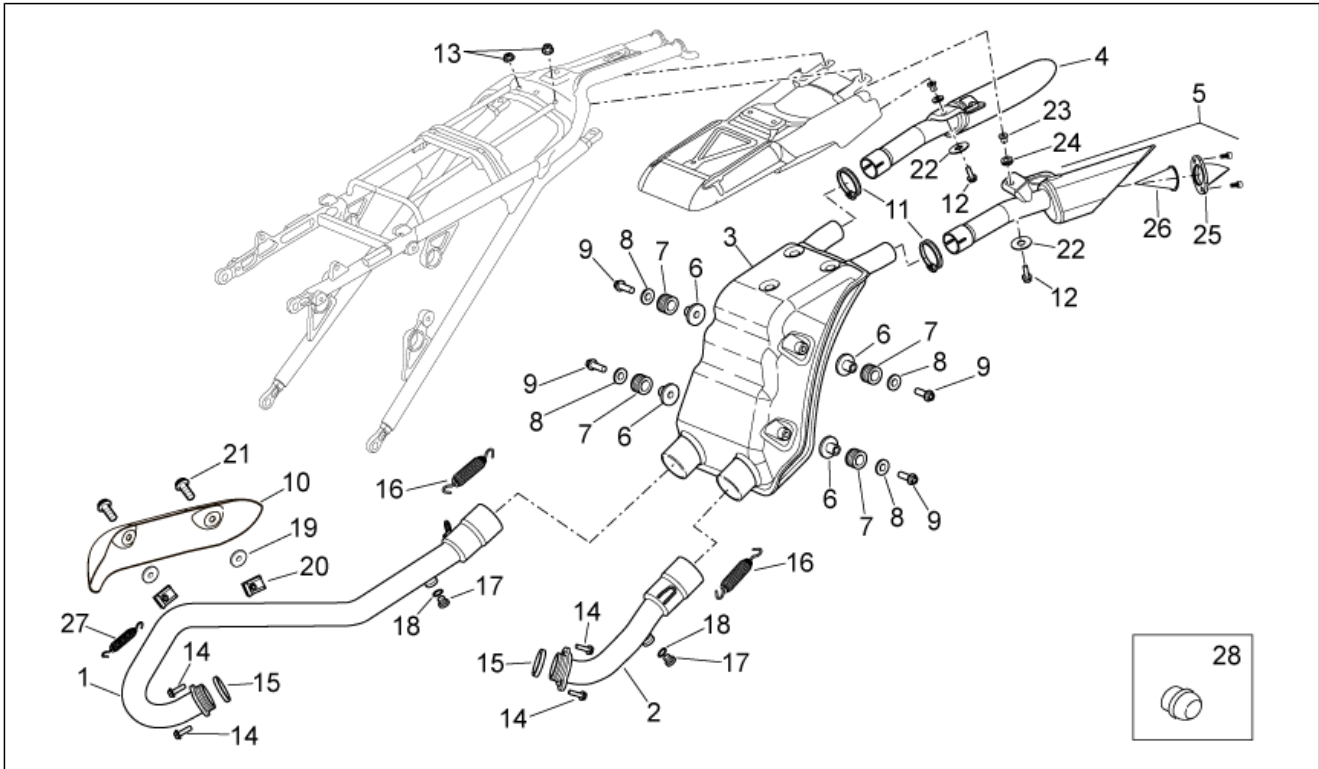
| Pos. | Code | Description | Qty | Variants |
|------|-----------|-------------------------|-----|----------|
| 29 | AP8117041 | Adhesive sponge 6x30 | 2 | |
| 30 | AP8220191 | Gasket | 1 | |
| 31 | AP8104124 | Expansion tank plug | 1 | |
| 32 | AP8120455 | Rubber spacer | 1 | |
| 33 | AP9100948 | Water cooler filler cap | 1 | |

| | |
|--------------------|---------|
| Group | FRAME |
| Code | 28.20 |
| Description | Air box |
| Service | 1 |



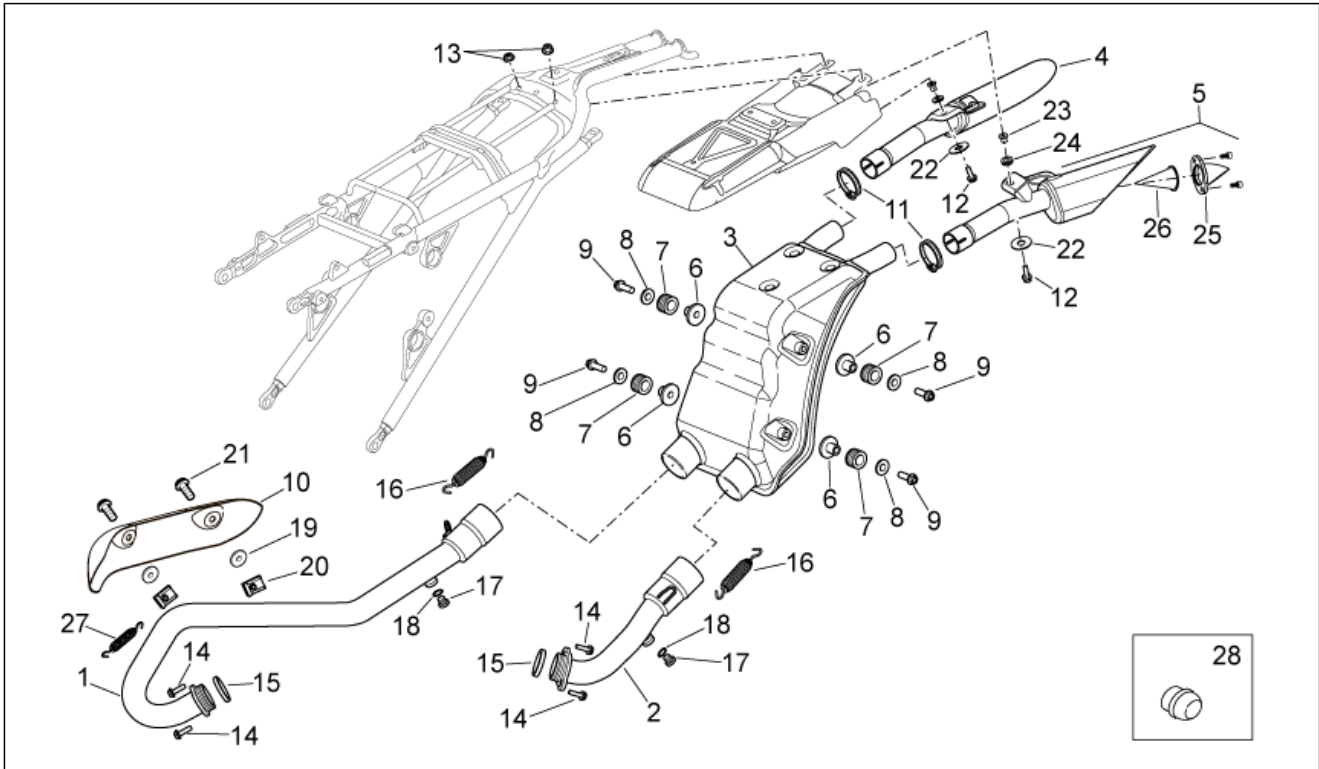
| Pos. | Code | Description | Qty | Variants |
|------|-----------|-----------------------|-----|---|
| 1 | 853691 | Filter housing base | 1 | Technical Specifications: Enduro 450 Version[RX45], Motard Version 450[SX45] |
| 1 | 853693 | Filter housing base | 1 | Technical Specifications: Enduro 550 Version[RX55], Motard Version 550[SX55] |
| 2 | 853695 | Filter housing body | 1 | |
| 3 | AP9100703 | Cover | 1 | |
| 4 | AP9100588 | RH air intake | 1 | |
| 5 | AP9100587 | LH air intake | 1 | |
| 6 | AP8104329 | Air filter | 1 | Technical Specifications: Motard Version 450[SX45], Motard Version 550[SX55] |
| 7 | AP8152351 | Screw 4,2x16* | 5 | |
| 8 | AP8101595 | Hose clamp D10,1 | 1 | |
| 9 | AP8144038 | Fuel pipe 6x10 | 1 | |
| 10 | AP8102377 | Hose clamp D9,1* | 1 | |
| 11 | AP8120876 | Plug | 1 | |
| 12 | AP9100455 | Wiring | 1 | |
| 13 | AP9100427 | Air temp. Sensor | 1 | |
| 14 | AP8150413 | Self-tap screw 3,9x14 | 1 | |
| 15 | AP9100428 | Security sensor | 1 | |
| 16 | AP8120593 | Gasket D4 | 1 | |
| 17 | 858044 | Air filter | 1 | Technical Specifications: Enduro 450 Version[RX45], Enduro 550 Version[RX55] |
| 18 | AP9101017 | Filter Blow-by | 1 | |
| 19 | 851369 | Racing filter kit | 1 | Technical Specifications: Enduro 450 Version[RX45], Enduro 550 Version[RX55] |
| 20 | 855081 | Nozzle | 1 | |
| 21 | AP8144065 | Rubber spacer | 1 | |
| 22 | AP8150431 | Low nut M8 | 1 | |

| | |
|--------------------|----------------|
| Group | FRAME |
| Code | 28.21 |
| Description | Exhaust unit I |
| Service | 1 |



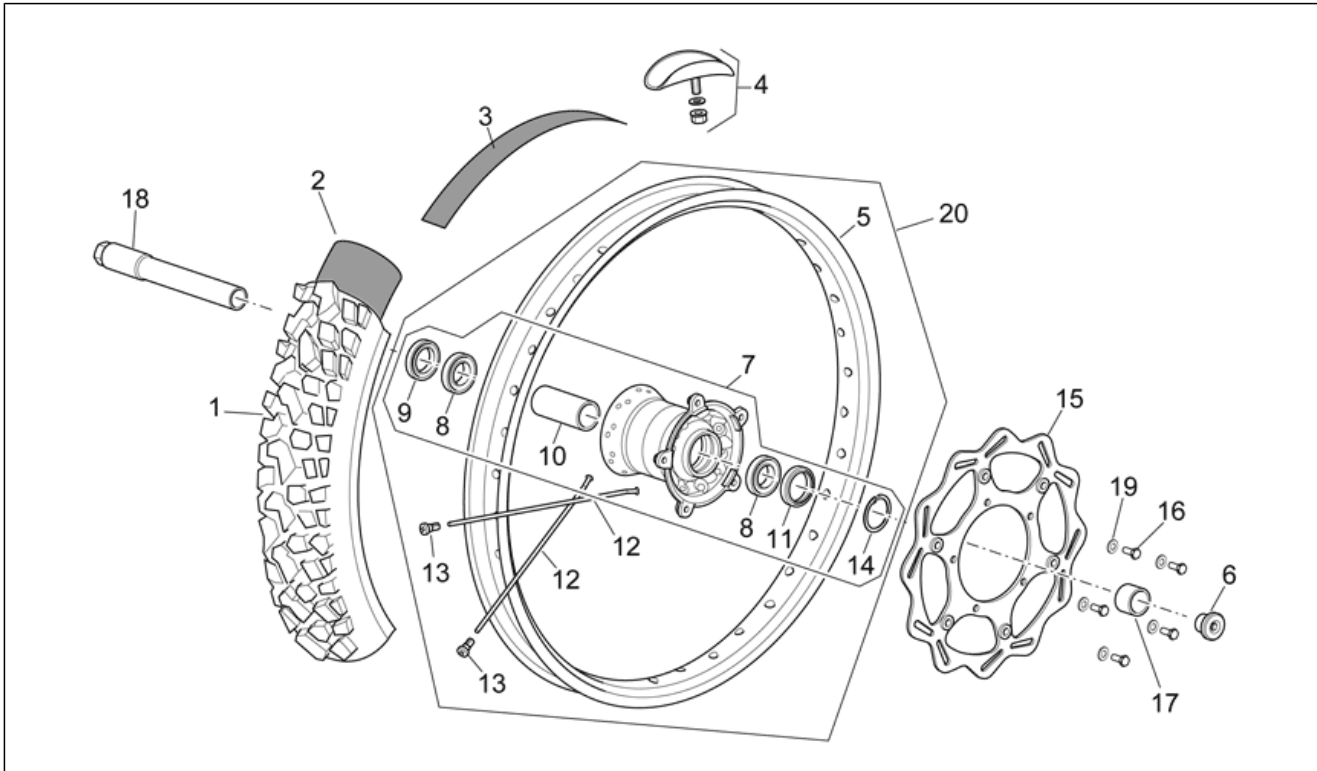
| Pos. | Code | Description | Qty | Variants |
|------|-----------|------------------------|-----|--|
| 1 | 855025 | Front. Exhaust pipe | 1 | Country: United States of America[USA] Technical Specifications: Enduro 550 Version[RX55], Motard Version 550[SX55] |
| 1 | 855036 | Front. Exhaust pipe | 1 | Country: EU[EU] Technical Specifications: Enduro 450 Version[RX45], Motard Version 450[SX45] |
| 1 | 855037 | Front. Exhaust pipe | 1 | Country: EU[EU] Technical Specifications: Enduro 550 Version[RX55], Motard Version 550[SX55] |
| 1 | 855086 | Front. Exhaust pipe | 1 | Country: United States of America[USA] Technical Specifications: Enduro 450 Version[RX45], Motard Version 450[SX45] |
| 2 | 855026 | Rear exhaust pipe | 1 | Technical Specifications: Enduro 550 Version[RX55], Motard Version 550[SX55] |
| 2 | 855087 | Rear exhaust pipe | 1 | Technical Specifications: Enduro 450 Version[RX45], Motard Version 450[SX45] |
| 3 | 856941 | Silencer | 1 | Country: United States of America[USA] |
| 3 | AP9100414 | Silencer | 1 | Country: EU[EU] |
| 4 | 856947 | RH terminal | 1 | Country: United States of America[USA] |
| 4 | AP9100244 | RH terminal | 1 | Country: EU[EU] |
| 5 | 856946 | LH terminal | 1 | Country: United States of America[USA] |
| 5 | AP9100249 | LH terminal | 1 | Country: EU[EU] |
| 6 | AP9100409 | Bush | 4 | |
| 7 | AP9100845 | Silent-block | 4 | |
| 8 | AP9100736 | Washer 8,3x20x1,5 | 4 | |
| 9 | AP8152288 | Screw w/ flange | 4 | |
| 10 | AP9100238 | RH exhaust pipe shield | 1 | |
| 11 | AP9100241 | Hose clamp D.30 | 2 | |
| 12 | AP8152279 | Screw w/ flange M6x20 | 2 | |
| 13 | AP9100434 | Self-locking nut M6x1 | 2 | |
| 14 | AP8152278 | Screw w/ flange M6x16 | 4 | |

| | |
|--------------------|----------------|
| Group | FRAME |
| Code | 28.21 |
| Description | Exhaust unit I |
| Service | 1 |



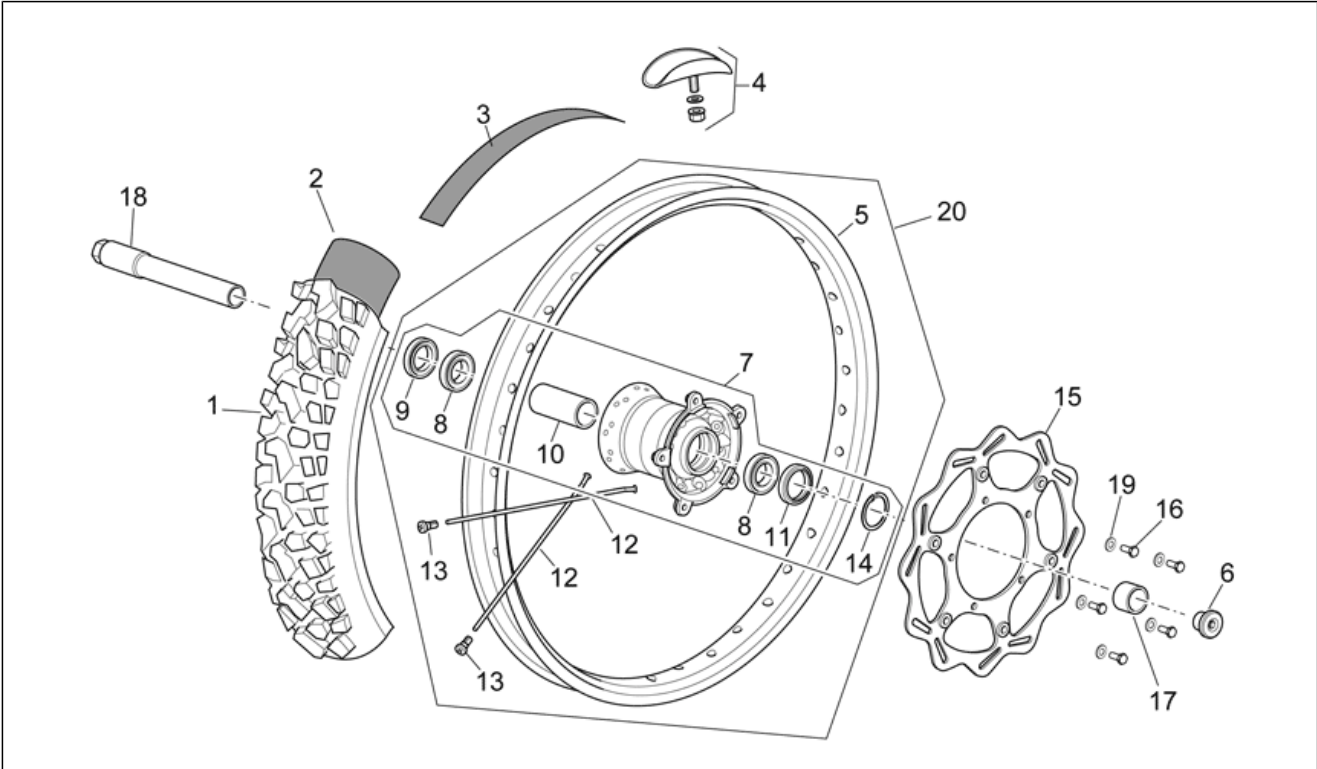
| Pos. | Code | Description | Qty | Variants |
|------|-----------|-----------------------|-----|---|
| 15 | AP9100252 | Exhaust pipe gasket | 2 | |
| 16 | AP8121170 | Spring | 2 | |
| 17 | AP9100755 | CO intake screw | 2 | |
| 18 | AP8119603 | Washer 10x14x1 | 2 | |
| 19 | AP8120870 | Insulating washer | 2 | |
| 20 | AP8102376 | Clip M6 | 2 | |
| 21 | AP8152342 | Screw w/ flange M6x12 | 2 | |
| 22 | AP8150015 | Washer 6,6x18x1,6* | 2 | |
| 23 | AP9100302 | T bush | 2 | |
| 24 | AP9100301 | Rubber spacer | 2 | |
| 25 | 851172 | Bottom | 2 | Country: United States of America[USA] |
| 26 | 851171 | Spark arrester | 2 | Country: United States of America[USA] |
| 27 | 858142 | Exhaust pipes spring | 1 | Country: EU[EU] |
| 28 | 858592 | Ogive | 2 | |

| | |
|--------------------|---------------|
| Group | FRAME |
| Code | 28.22 |
| Description | Front wheel I |
| Service | 1 |



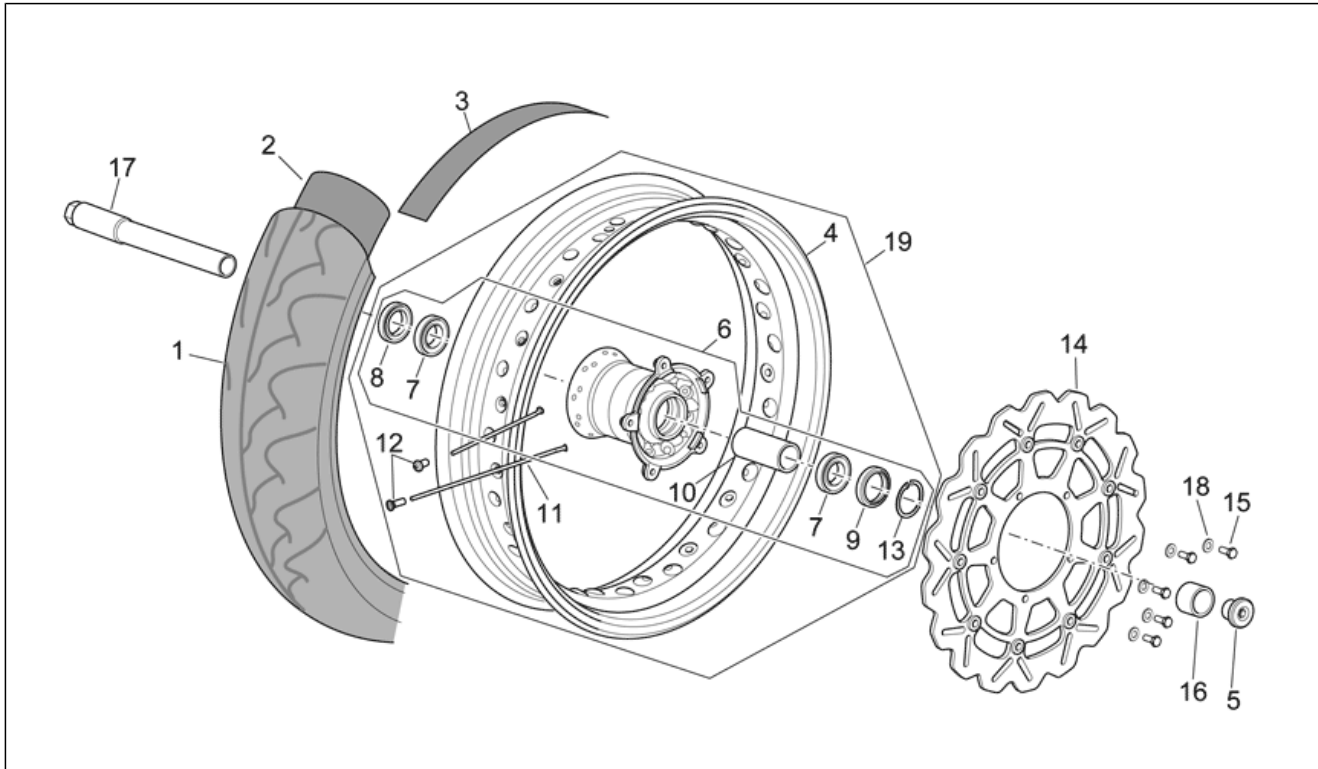
| Pos. | Code | Description | Qty | Variants |
|------|-----------|------------------------|-----|---|
| 1 | AP9100507 | Front tyre 90/90X21" | 1 | Technical Specifications: Enduro 450 Version[RX45], Enduro 550 Version[RX55] |
| 2 | AP9100458 | Inner tube 21" | 1 | Technical Specifications: Enduro 450 Version[RX45], Enduro 550 Version[RX55] |
| 3 | AP8109001 | Front wheel flap 21" | 1 | Technical Specifications: Enduro 450 Version[RX45], Enduro 550 Version[RX55] |
| 4 | AP9100457 | Bracket | 1 | Technical Specifications: Enduro 450 Version[RX45], Enduro 550 Version[RX55] |
| 5 | AP9100262 | Front wheel 1,6x21" | 1 | Technical Specifications: Enduro 450 Version[RX45], Enduro 550 Version[RX55] |
| 6 | AP9100171 | Cover M22 | 1 | Technical Specifications: Enduro 450 Version[RX45], Enduro 550 Version[RX55] |
| 7 | AP9100225 | Front hub | 1 | Technical Specifications: Enduro 450 Version[RX45], Enduro 550 Version[RX55] |
| 8 | AP9100216 | Ball bearing 25x42x9 | 2 | Technical Specifications: Enduro 450 Version[RX45], Enduro 550 Version[RX55] |
| 9 | AP9100228 | Gasket ring 28x42x7 | 1 | Technical Specifications: Enduro 450 Version[RX45], Enduro 550 Version[RX55] |
| 10 | AP9100226 | Internal spacer L=69,7 | 1 | Technical Specifications: Enduro 450 Version[RX45], Enduro 550 Version[RX55] |
| 11 | AP9100227 | Gasket ring 32x42x7 | 1 | Technical Specifications: Enduro 450 Version[RX45], Enduro 550 Version[RX55] |
| 12 | AP9100224 | Spoke d.3,5-21"-l.233 | 36 | Technical Specifications: Enduro 450 Version[RX45], Enduro 550 Version[RX55] |
| 13 | AP9100057 | Nipple | 36 | Technical Specifications: Enduro 450 Version[RX45], Enduro 550 Version[RX55] |
| 14 | AP8121334 | Circlip D.42 | 1 | Technical Specifications: Enduro 450 Version[RX45], Enduro 550 Version[RX55] |
| 15 | AP9100461 | Front brake disc d.270 | 1 | Technical Specifications: Enduro 450 Version[RX45], Enduro 550 Version[RX55] |
| 16 | AP8150070 | Hex screw M6x16 | 5 | Technical Specifications: Enduro 450 Version[RX45], Enduro 550 Version[RX55] |

| | |
|--------------------|---------------|
| Group | FRAME |
| Code | 28.22 |
| Description | Front wheel I |
| Service | 1 |



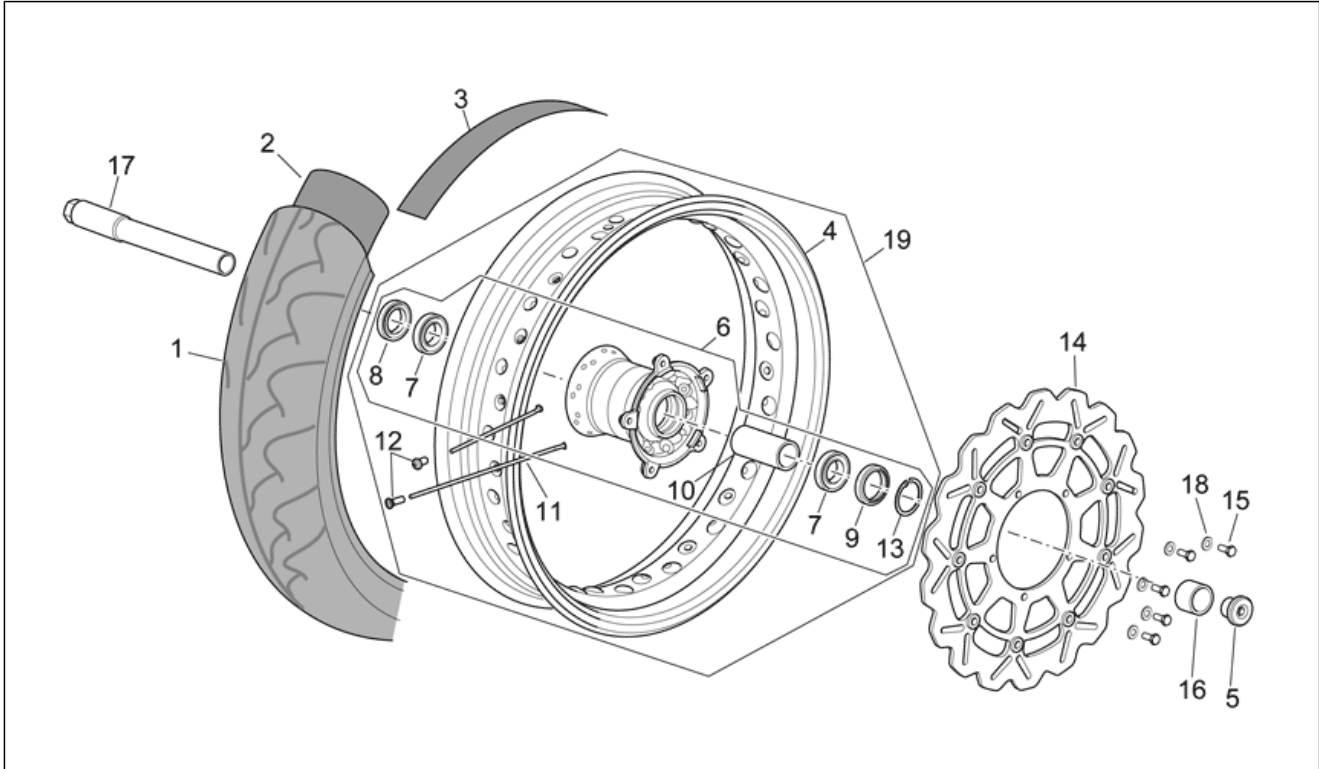
| Pos. | Code | Description | Qty | Variants |
|------|-----------|-----------------------------|-----|---|
| 17 | AP9100229 | Outside spacer L=26,3 | 1 | Technical Specifications: Enduro 450 Version[RX45], Enduro 550 Version[RX55] |
| 18 | AP9100230 | Front wheel spindle L=221,5 | 1 | Technical Specifications: Enduro 450 Version[RX45], Enduro 550 Version[RX55] |
| 19 | AP8150429 | Spring washer 6,4x11x0,5* | 5 | Technical Specifications: Enduro 450 Version[RX45], Enduro 550 Version[RX55] |
| 20 | 851063 | Front wheel 21" | 1 | Technical Specifications: Enduro 450 Version[RX45], Enduro 550 Version[RX55] |

| | |
|--------------------|----------------|
| Group | FRAME |
| Code | 28.23 |
| Description | Front wheel II |
| Service | 1 |



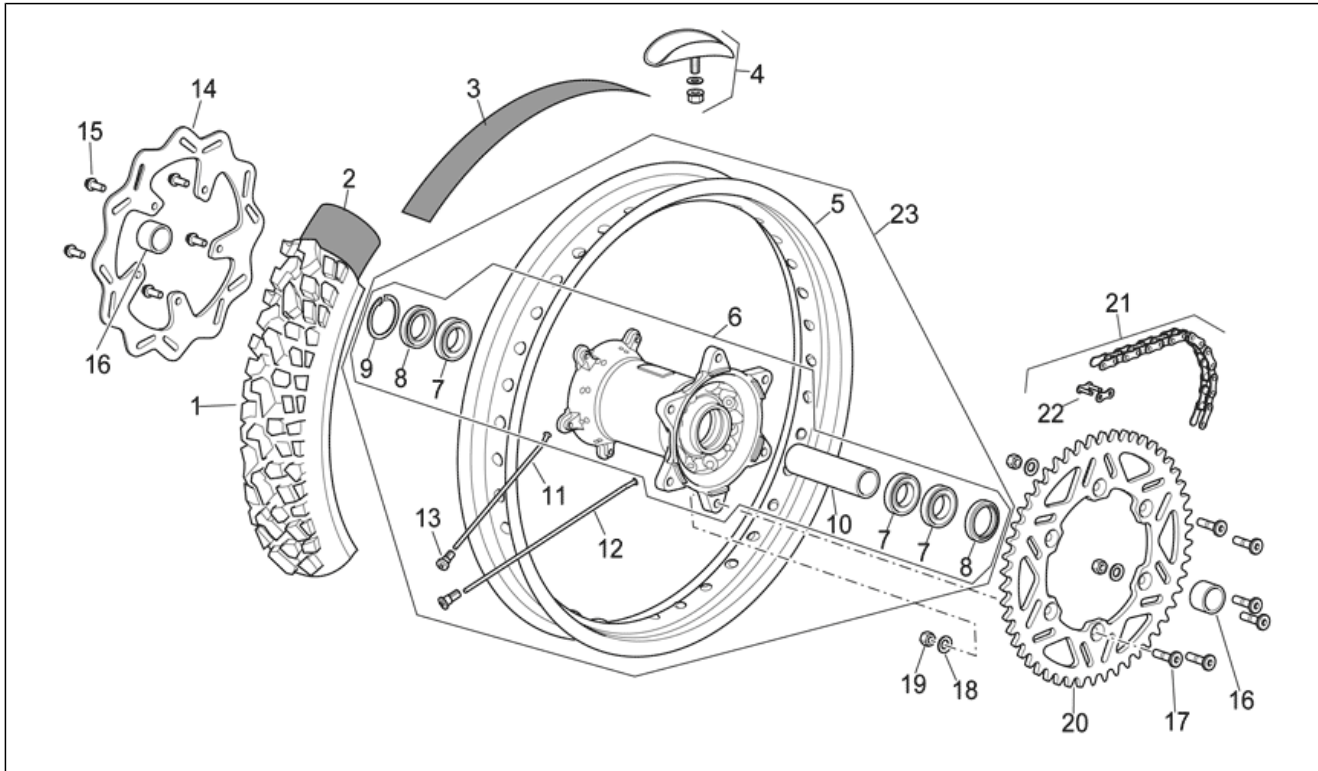
| Pos. | Code | Description | Qty | Variants |
|------|-----------|------------------------------------|-----|---|
| 1 | AP8109170 | Front/rear tyre 110/70X17" Pirelli | 1 | Technical Specifications: Motard Version 450[SX45], Motard Version 550[SX55] |
| 2 | AP8109306 | Inner tube 17" | 1 | Technical Specifications: Motard Version 450[SX45], Motard Version 550[SX55] |
| 3 | AP8109309 | Flap 17" | 1 | Technical Specifications: Motard Version 450[SX45], Motard Version 550[SX55] |
| 4 | AP9100561 | Front wheel 3,5X17" | 1 | Technical Specifications: Motard Version 450[SX45], Motard Version 550[SX55] |
| 5 | AP9100171 | Cover M22 | 1 | Technical Specifications: Motard Version 450[SX45], Motard Version 550[SX55] |
| 6 | AP9100225 | Front hub | 1 | Technical Specifications: Motard Version 450[SX45], Motard Version 550[SX55] |
| 7 | AP9100216 | Ball bearing 25x42x9 | 2 | Technical Specifications: Motard Version 450[SX45], Motard Version 550[SX55] |
| 8 | AP9100228 | Gasket ring 28x42x7 | 1 | Technical Specifications: Motard Version 450[SX45], Motard Version 550[SX55] |
| 9 | AP9100227 | Gasket ring 32x42x7 | 1 | Technical Specifications: Motard Version 450[SX45], Motard Version 550[SX55] |
| 10 | AP9100226 | Internal spacer L=69,7 | 1 | Technical Specifications: Motard Version 450[SX45], Motard Version 550[SX55] |
| 11 | AP9100106 | Spoke d.3,5-17" | 36 | Technical Specifications: Motard Version 450[SX45], Motard Version 550[SX55] |
| 12 | AP8108672 | Nipples D3,5 | 36 | Technical Specifications: Motard Version 450[SX45], Motard Version 550[SX55] |
| 13 | AP8121334 | Circlip D.42 | 1 | Technical Specifications: Motard Version 450[SX45], Motard Version 550[SX55] |
| 14 | AP9100528 | Front brake disc d.320 | 1 | Technical Specifications: Motard Version 450[SX45], Motard Version 550[SX55] |
| 15 | AP8150070 | Hex screw M6x16 | 5 | Technical Specifications: Motard Version 450[SX45], Motard Version 550[SX55] |
| 16 | AP9100229 | Outside spacer L=26,3 | 1 | Technical Specifications: Motard Version 450[SX45], Motard Version 550[SX55] |

| | |
|--------------------|----------------|
| Group | FRAME |
| Code | 28.23 |
| Description | Front wheel II |
| Service | 1 |



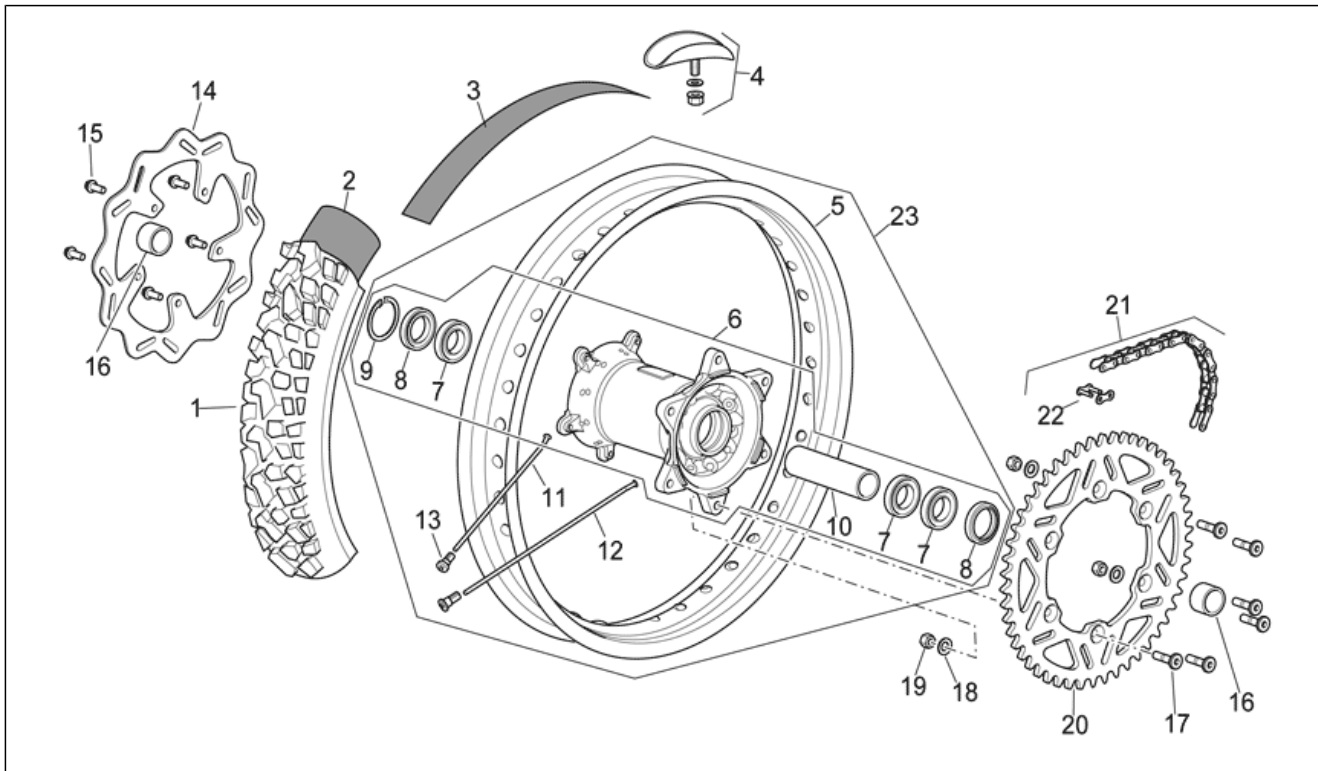
| Pos. | Code | Description | Qty | Variants |
|------|-----------|-----------------------------|-----|---|
| 17 | AP9100230 | Front wheel spindle L=221,5 | 1 | Technical Specifications: Motard Version 450[SX45], Motard Version 550[SX55] |
| 18 | AP8150429 | Spring washer 6,4x11x0,5* | 5 | Technical Specifications: Motard Version 450[SX45], Motard Version 550[SX55] |
| 19 | 851064 | Front wheel 17" | 1 | Technical Specifications: Motard Version 450[SX45], Motard Version 550[SX55] |

| | |
|--------------------|--------------|
| Group | FRAME |
| Code | 28.24 |
| Description | Rear wheel I |
| Service | 1 |



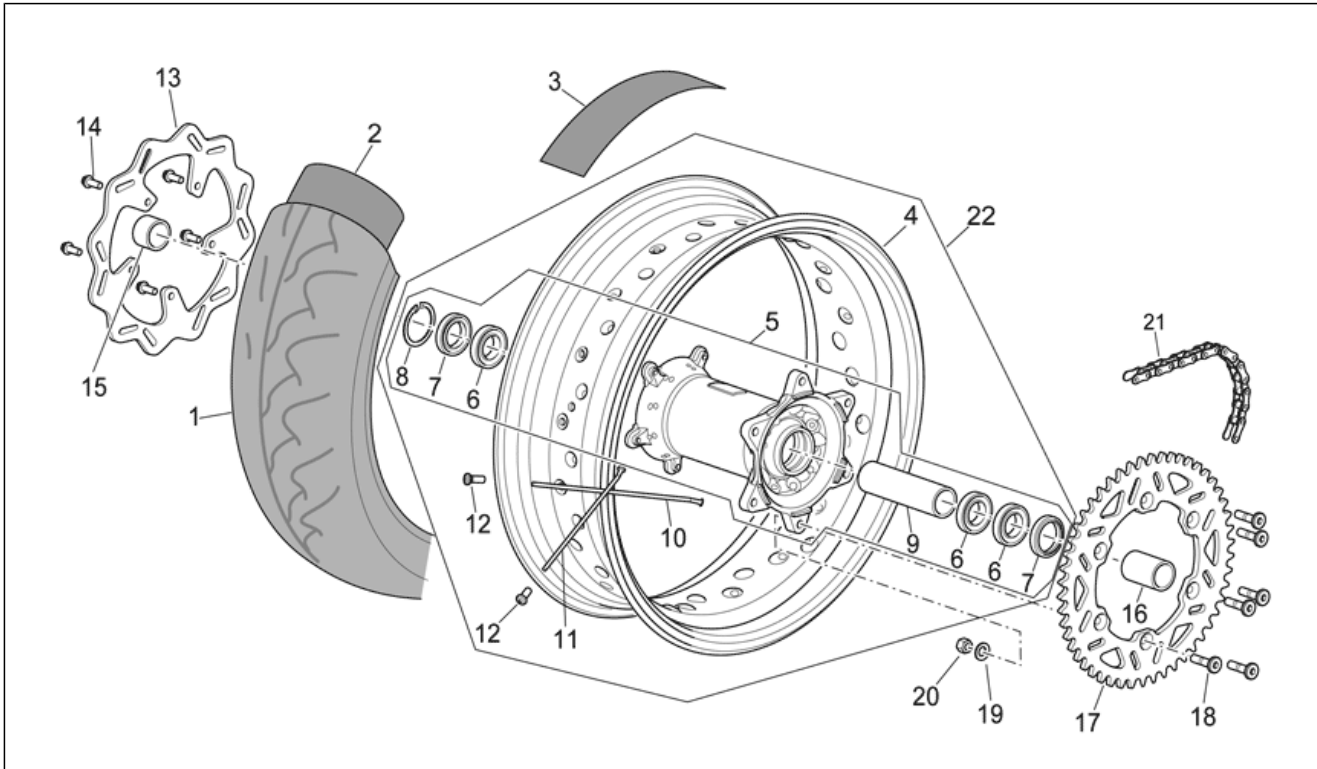
| Pos. | Code | Description | Qty | Variants |
|------|-----------|-------------------------|-----|---|
| 1 | AP9100510 | Rear tyre 140/80X18" | 1 | Technical Specifications: Enduro 450 Version[RX45], Enduro 550 Version[RX55] |
| 2 | AP9100508 | Inner tube 18" | 1 | Technical Specifications: Enduro 450 Version[RX45], Enduro 550 Version[RX55] |
| 3 | AP8109281 | Rear wheel flap 18" | 1 | Technical Specifications: Enduro 450 Version[RX45], Enduro 550 Version[RX55] |
| 4 | AP9100462 | Tyre clamp | 1 | Technical Specifications: Enduro 450 Version[RX45], Enduro 550 Version[RX55] |
| 5 | AP9100261 | Rear wheel 2,15X18" | 1 | Technical Specifications: Enduro 450 Version[RX45], Enduro 550 Version[RX55] |
| 6 | AP9100214 | Rear hub | 1 | Technical Specifications: Enduro 450 Version[RX45], Enduro 550 Version[RX55] |
| 7 | AP9100216 | Ball bearing 25x42x9 | 3 | Technical Specifications: Enduro 450 Version[RX45], Enduro 550 Version[RX55] |
| 8 | AP9100227 | Gasket ring 32x42x7 | 2 | Technical Specifications: Enduro 450 Version[RX45], Enduro 550 Version[RX55] |
| 9 | AP8121334 | Circlip D.42 | 1 | Technical Specifications: Enduro 450 Version[RX45], Enduro 550 Version[RX55] |
| 10 | AP9100215 | Internal spacer L=106,5 | 1 | Technical Specifications: Enduro 450 Version[RX45], Enduro 550 Version[RX55] |
| 11 | AP9100056 | Spoke d.4-18"-l.196,5 | 18 | Technical Specifications: Enduro 450 Version[RX45], Enduro 550 Version[RX55] |
| 12 | AP9100211 | Spoke d.4-18"-l.199,5 | 18 | Technical Specifications: Enduro 450 Version[RX45], Enduro 550 Version[RX55] |
| 13 | AP9100213 | Nipple d.4 | 36 | Technical Specifications: Enduro 450 Version[RX45], Enduro 550 Version[RX55] |
| 14 | AP9100466 | Rear brake disc d.240 | 1 | Technical Specifications: Enduro 450 Version[RX45], Enduro 550 Version[RX55] |
| 15 | AP8152278 | Screw w/ flange M6x16 | 5 | Technical Specifications: Enduro 450 Version[RX45], Enduro 550 Version[RX55] |
| 16 | AP9100595 | Outside spacer L=21,9 | 2 | Technical Specifications: Enduro 450 Version[RX45], Enduro 550 Version[RX55] |

| | |
|--------------------|--------------|
| Group | FRAME |
| Code | 28.24 |
| Description | Rear wheel I |
| Service | 1 |



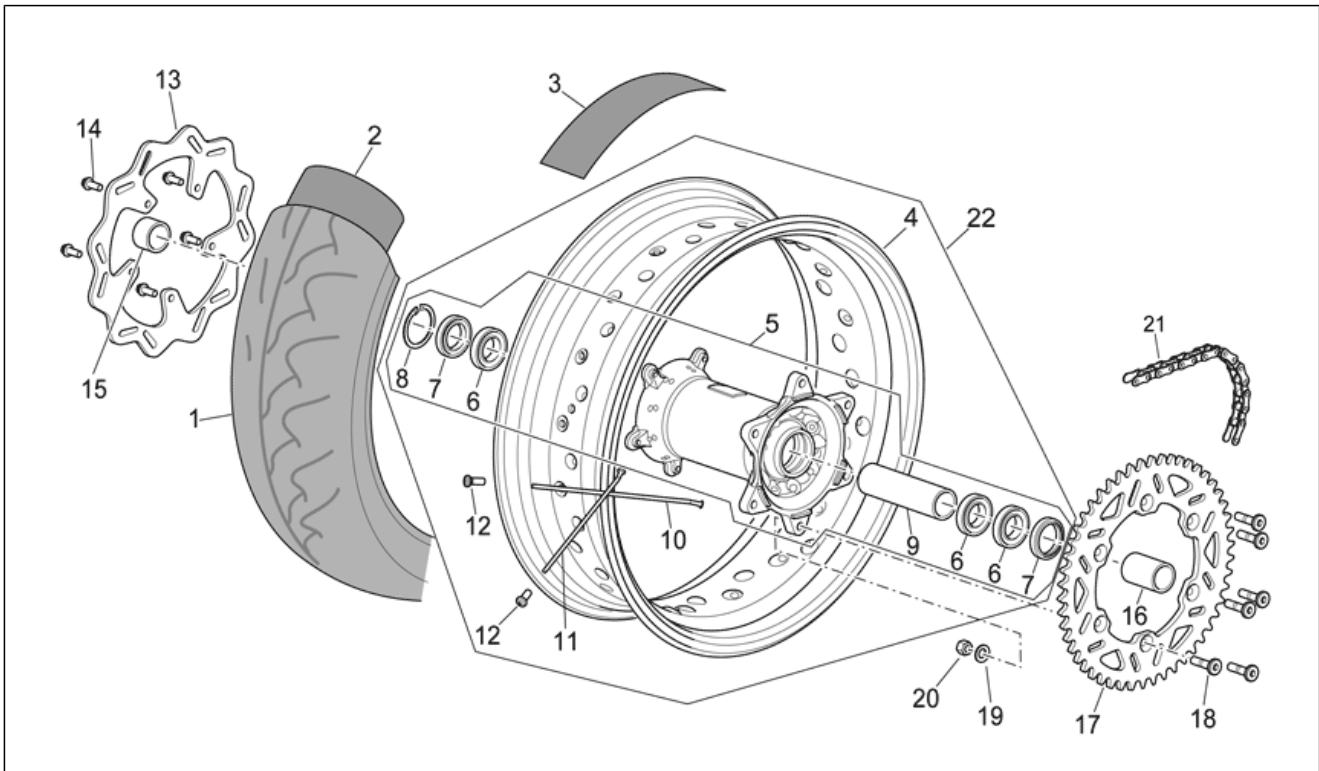
| Pos. | Code | Description | Qty | Variants |
|------|-----------|------------------------------|-----|---|
| 17 | AP9100467 | Screw M8x30 | 6 | Technical Specifications: Enduro 450 Version[RX45], Enduro 550 Version[RX55] |
| 18 | AP8150017 | Washer 8,4x16x1,6 | 6 | Technical Specifications: Enduro 450 Version[RX45], Enduro 550 Version[RX55] |
| 19 | AP9100432 | Low self-locking nut M8x1,25 | 6 | Technical Specifications: Enduro 450 Version[RX45], Enduro 550 Version[RX55] |
| 20 | AP9100336 | Chain ring Z=48 | 1 | Technical Specifications: Enduro 450 Version[RX45], Enduro 550 Version[RX55] |
| 21 | AP9100531 | Chain | 1 | Technical Specifications: Enduro 450 Version[RX45], Enduro 550 Version[RX55] |
| 22 | AP9100533 | Connecting link 5/8x1/4 | 1 | Technical Specifications: Enduro 450 Version[RX45], Enduro 550 Version[RX55] |
| 23 | 851065 | Rear wheel 18" | 1 | Technical Specifications: Enduro 450 Version[RX45], Enduro 550 Version[RX55] |

| | |
|--------------------|---------------|
| Group | FRAME |
| Code | 28.25 |
| Description | Rear wheel II |
| Service | 1 |



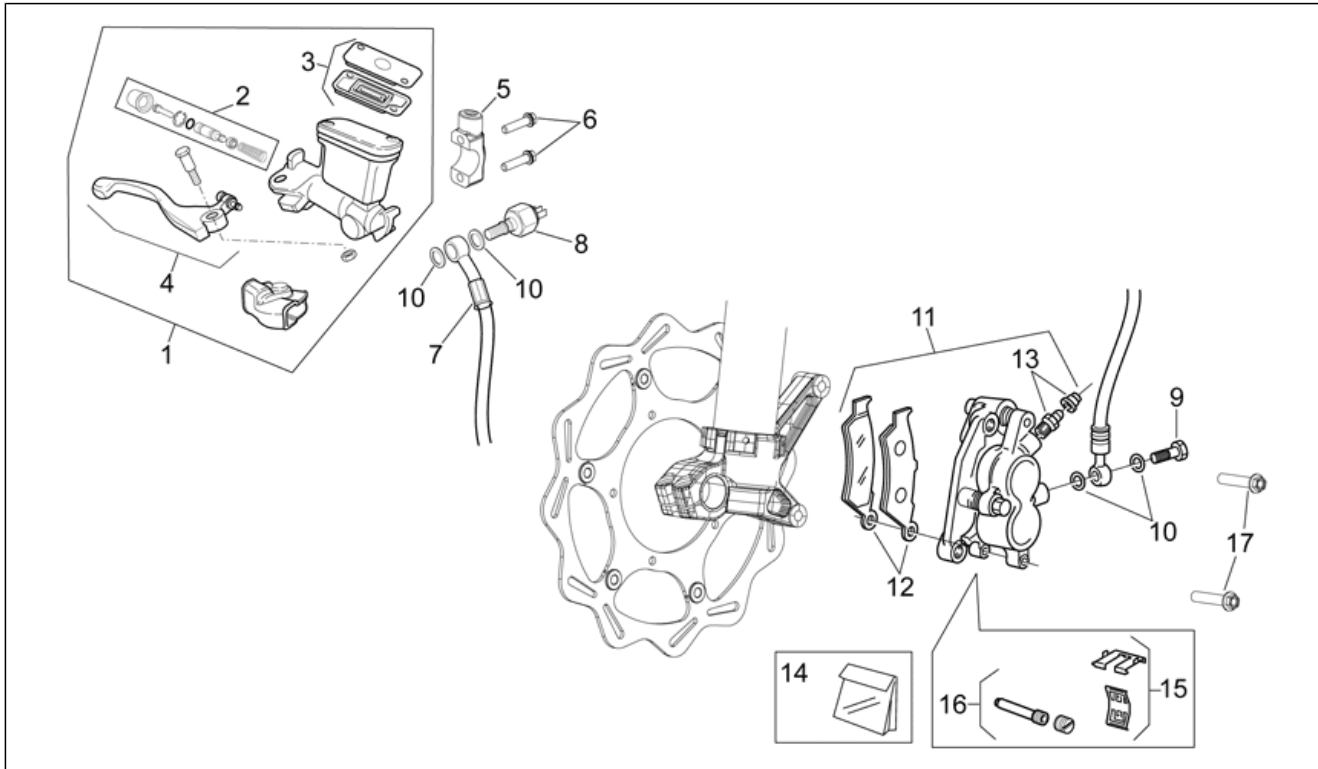
| Pos. | Code | Description | Qty | Variants |
|------|-----------|-------------------------|-----|---|
| 1 | AP9100608 | Rear tyre 180/55X17" | 1 | Technical Specifications: Motard Version 450[SX45], Motard Version 550[SX55] |
| 2 | AP9100526 | Inner tube 17" | 1 | Technical Specifications: Motard Version 450[SX45], Motard Version 550[SX55] |
| 3 | AP9100527 | Flap 17" | 1 | Technical Specifications: Motard Version 450[SX45], Motard Version 550[SX55] |
| 4 | AP9100560 | Rear wheel 5,5X17" | 1 | Technical Specifications: Motard Version 450[SX45], Motard Version 550[SX55] |
| 5 | AP9100322 | Rear hub | 1 | Technical Specifications: Motard Version 450[SX45], Motard Version 550[SX55] |
| 6 | AP9100216 | Ball bearing 25x42x9 | 3 | Technical Specifications: Motard Version 450[SX45], Motard Version 550[SX55] |
| 7 | AP9100227 | Gasket ring 32x42x7 | 2 | Technical Specifications: Motard Version 450[SX45], Motard Version 550[SX55] |
| 8 | AP8121334 | Circlip D.42 | 1 | Technical Specifications: Motard Version 450[SX45], Motard Version 550[SX55] |
| 9 | AP9100584 | Internal spacer L=134,3 | 1 | Technical Specifications: Motard Version 450[SX45], Motard Version 550[SX55] |
| 10 | AP9100559 | Spoke 4-17"-l.189 | 18 | Technical Specifications: Motard Version 450[SX45], Motard Version 550[SX55] |
| 11 | AP9100107 | Spoke d.4-17"-l.184 | 18 | Technical Specifications: Motard Version 450[SX45], Motard Version 550[SX55] |
| 12 | AP9100569 | Nipple d.4 | 36 | Technical Specifications: Motard Version 450[SX45], Motard Version 550[SX55] |
| 13 | AP9100466 | Rear brake disc d.240 | 1 | Technical Specifications: Motard Version 450[SX45], Motard Version 550[SX55] |
| 14 | AP8152278 | Screw w/ flange M6x16 | 5 | Technical Specifications: Motard Version 450[SX45], Motard Version 550[SX55] |
| 15 | AP9100595 | Outside spacer L=21,9 | 1 | Technical Specifications: Motard Version 450[SX45], Motard Version 550[SX55] |
| 16 | AP9100596 | Outside spacer L=45,1 | 1 | Technical Specifications: Motard Version 450[SX45], Motard Version 550[SX55] |

| | |
|--------------------|---------------|
| Group | FRAME |
| Code | 28.25 |
| Description | Rear wheel II |
| Service | 1 |



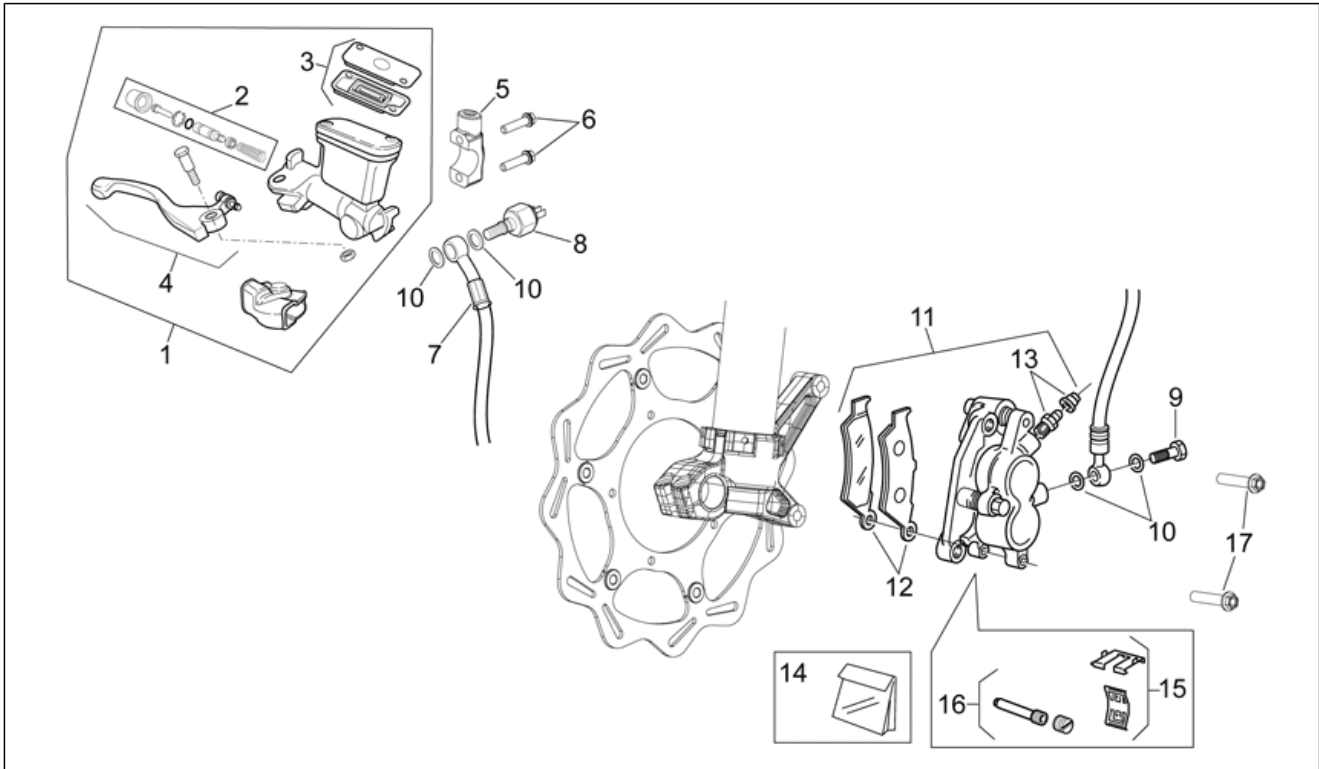
| Pos. | Code | Description | Qty | Variants |
|------|-----------|------------------------------|-----|---|
| 17 | AP9100334 | Chain ring Z=46 | 1 | Technical Specifications: Motard Version 450[SX45], Motard Version 550[SX55] |
| 18 | AP9100467 | Screw M8x30 | 6 | Technical Specifications: Motard Version 450[SX45], Motard Version 550[SX55] |
| 19 | AP8150017 | Washer 8,4x16x1,6 | 6 | Technical Specifications: Motard Version 450[SX45], Motard Version 550[SX55] |
| 20 | AP9100432 | Low self-locking nut M8x1,25 | 6 | Technical Specifications: Motard Version 450[SX45], Motard Version 550[SX55] |
| 21 | AP9100715 | Chain 5/8x1/4 | 1 | Technical Specifications: Motard Version 450[SX45], Motard Version 550[SX55] |
| 22 | 851066 | Rear wheel 17" | 1 | Technical Specifications: Motard Version 450[SX45], Motard Version 550[SX55] |

| | |
|--------------------|----------------------|
| Group | FRAME |
| Code | 28.26 |
| Description | Front brake system I |
| Service | 1 |



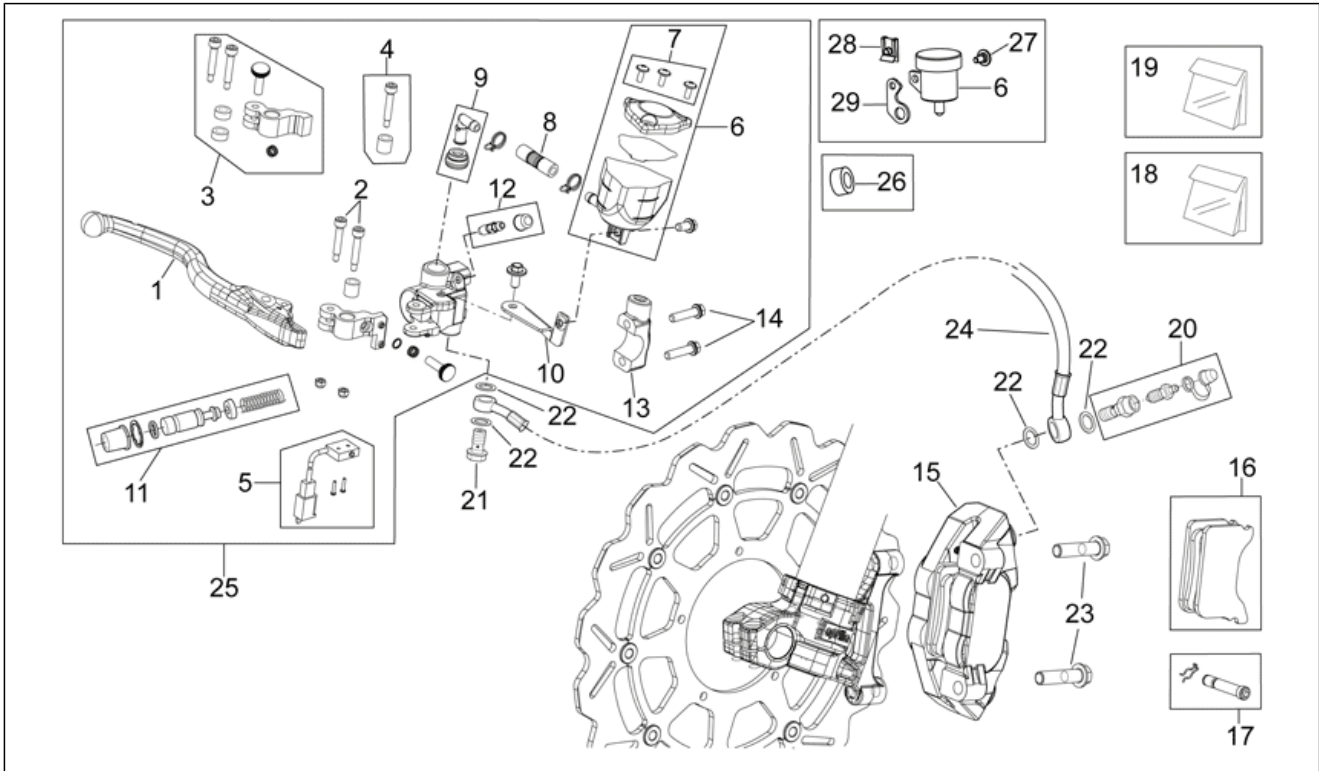
| Pos. | Code | Description | Qty | Variants |
|------|-----------|------------------------------|-----|---|
| 1 | AP9100257 | Front master cilinder Nissin | 1 | Technical Specifications: Enduro 450 Version[RX45], Enduro 550 Version[RX55] |
| 2 | AP9100785 | Piston, kit | 1 | Technical Specifications: Enduro 450 Version[RX45], Enduro 550 Version[RX55] |
| 3 | AP9100786 | Plug revision kit | 1 | Technical Specifications: Enduro 450 Version[RX45], Enduro 550 Version[RX55] |
| 4 | AP9100787 | Lever overhaul kit | 1 | Technical Specifications: Enduro 450 Version[RX45], Enduro 550 Version[RX55] |
| 5 | AP9100707 | Collar | 1 | Technical Specifications: Enduro 450 Version[RX45], Enduro 550 Version[RX55] |
| 6 | AP8152280 | Screw w/ flange M6x25 | 2 | Technical Specifications: Enduro 450 Version[RX45], Enduro 550 Version[RX55] |
| 7 | 851351 | Front brake hose | 1 | Technical Specifications: Enduro 450 Version[RX45], Enduro 550 Version[RX55] |
| 8 | AP9100418 | Front brake light sw. | 1 | Technical Specifications: Enduro 450 Version[RX45], Enduro 550 Version[RX55] |
| 9 | AP9100472 | Hex screw M10x1,25 | 1 | Technical Specifications: Enduro 450 Version[RX45], Enduro 550 Version[RX55] |
| 10 | AP9100473 | Washer 14x10,2x1 | 4 | Technical Specifications: Enduro 450 Version[RX45], Enduro 550 Version[RX55] |
| 11 | AP9100256 | Front brake caliper | 1 | Technical Specifications: Enduro 450 Version[RX45], Enduro 550 Version[RX55] |
| 12 | AP9100788 | Pads pair | 1 | Technical Specifications: Enduro 450 Version[RX45], Enduro 550 Version[RX55] |
| 13 | AP9100789 | Bleeder kit | 1 | Technical Specifications: Enduro 450 Version[RX45], Enduro 550 Version[RX55] |
| 14 | AP9100790 | Brake caliper rev. kit | 1 | Technical Specifications: Enduro 450 Version[RX45], Enduro 550 Version[RX55] |
| 15 | AP9100791 | Spring | 1 | Technical Specifications: Enduro 450 Version[RX45], Enduro 550 Version[RX55] |
| 16 | AP9100792 | Pin | 1 | Technical Specifications: Enduro 450 Version[RX45], Enduro 550 Version[RX55] |

| | |
|--------------------|----------------------|
| Group | FRAME |
| Code | 28.26 |
| Description | Front brake system I |
| Service | 1 |



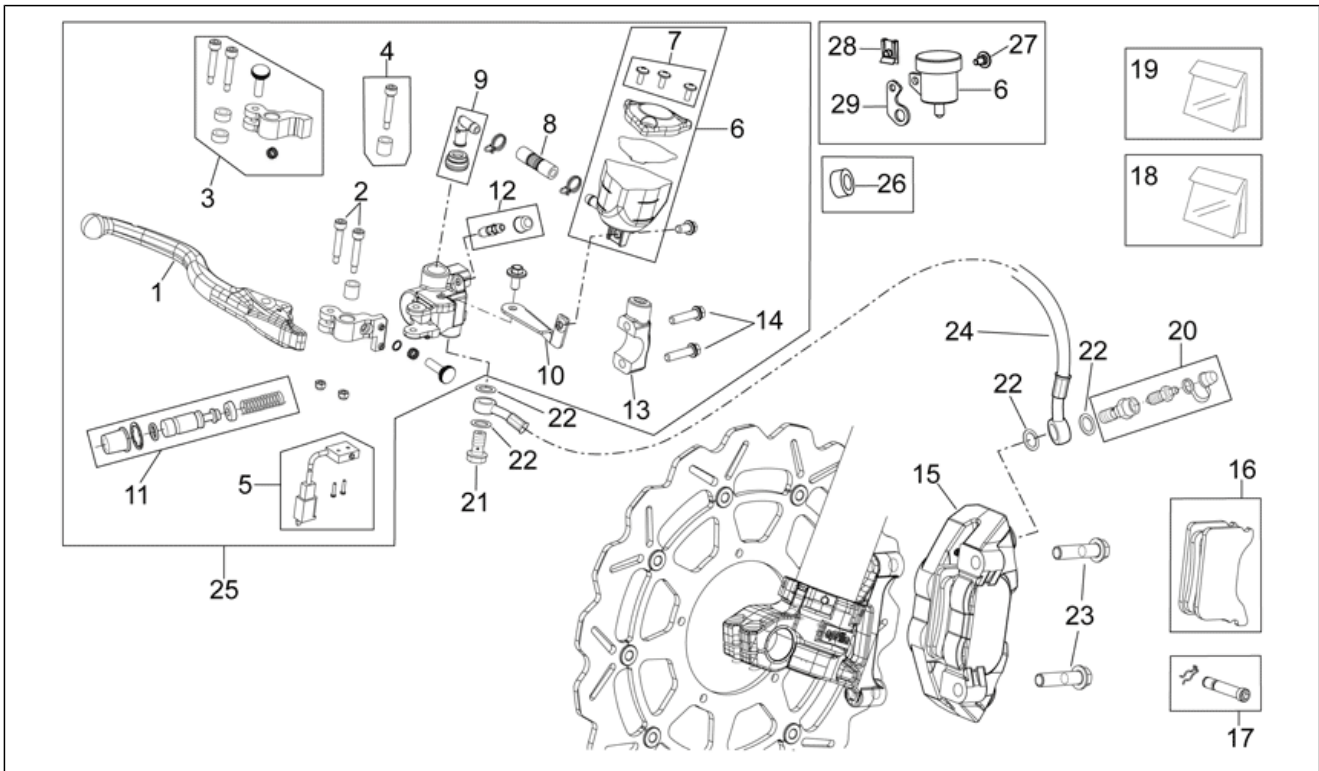
| Pos. | Code | Description | Qty | Variants |
|------|-----------|-----------------------|-----|---|
| 17 | AP8152290 | Screw w/ flange M8x40 | 2 | Technical Specifications: Enduro 450 Version[RX45], Enduro 550 Version[RX55] |

| | |
|--------------------|-----------------------|
| Group | FRAME |
| Code | 28.27 |
| Description | Front brake system II |
| Service | 1 |



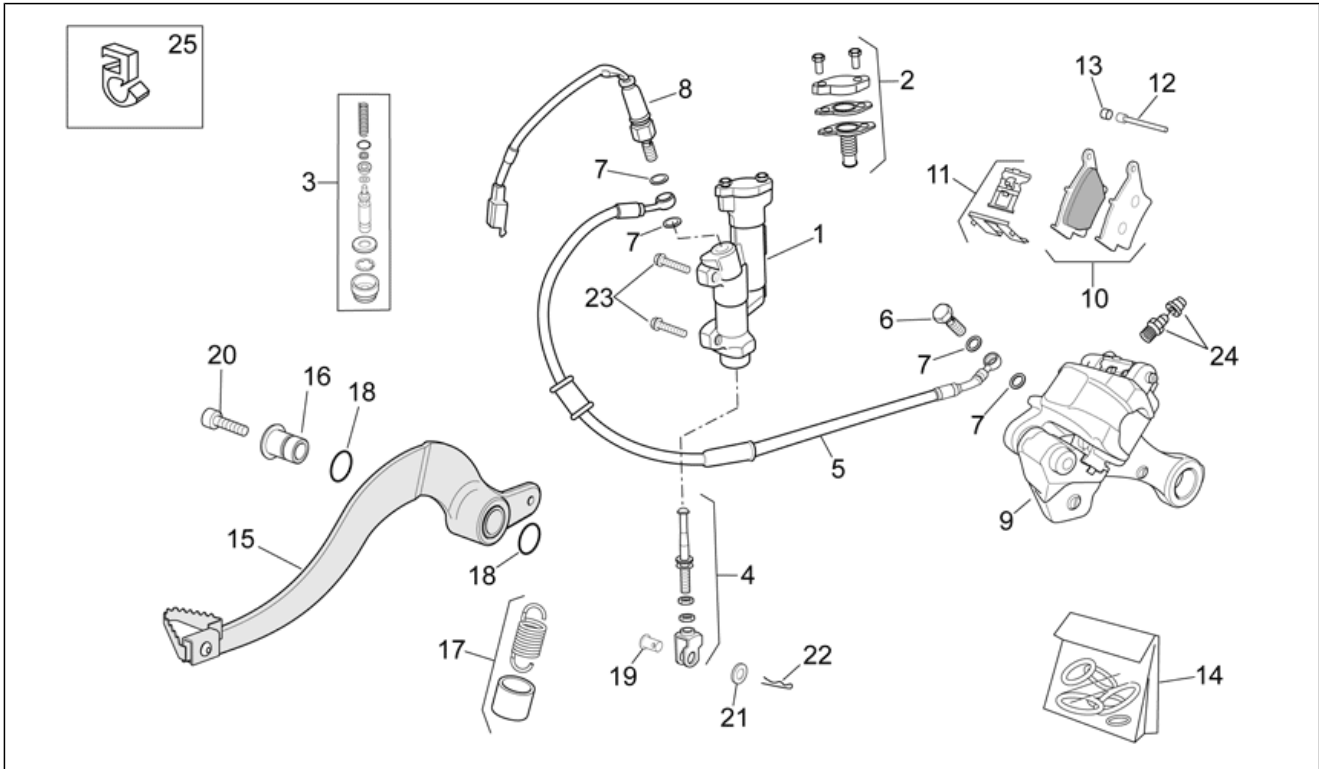
| Pos. | Code | Description | Qty | Variants |
|------|-----------|-----------------------|-----|---|
| 1 | 851366 | Lever | 1 | Technical Specifications: Motard Version 450[SX45], Motard Version 550[SX55] |
| 2 | AP9100921 | screw | 1 | Technical Specifications: Motard Version 450[SX45], Motard Version 550[SX55] |
| 3 | 851367 | Lever overhaul kit | 1 | Technical Specifications: Motard Version 450[SX45], Motard Version 550[SX55] |
| 4 | AP9100919 | Pressing kit | 1 | Technical Specifications: Motard Version 450[SX45], Motard Version 550[SX55] |
| 5 | AP9100918 | Stop switch | 1 | Technical Specifications: Motard Version 450[SX45], Motard Version 550[SX55] |
| 6 | AP9100917 | Oil tank | 1 | Technical Specifications: Motard Version 450[SX45], Motard Version 550[SX55] |
| 7 | AP9100916 | screw | 1 | Technical Specifications: Motard Version 450[SX45], Motard Version 550[SX55] |
| 8 | AP9100915 | Brake fluid line | 1 | Technical Specifications: Motard Version 450[SX45], Motard Version 550[SX55] |
| 9 | AP9100914 | Joint | 1 | Technical Specifications: Motard Version 450[SX45], Motard Version 550[SX55] |
| 10 | 851368 | Plate | 1 | Technical Specifications: Motard Version 450[SX45], Motard Version 550[SX55] |
| 11 | AP9100912 | Pump revision kit | 1 | Technical Specifications: Motard Version 450[SX45], Motard Version 550[SX55] |
| 12 | AP9100911 | Bleeder kit | 1 | Technical Specifications: Motard Version 450[SX45], Motard Version 550[SX55] |
| 13 | AP9100910 | U-bolt | 1 | Technical Specifications: Motard Version 450[SX45], Motard Version 550[SX55] |
| 14 | AP8152280 | Screw w/ flange M6x25 | 2 | Technical Specifications: Motard Version 450[SX45], Motard Version 550[SX55] |
| 15 | AP9100713 | Front brake caliper | 1 | Technical Specifications: Motard Version 450[SX45], Motard Version 550[SX55] |
| 16 | AP9100906 | Pads pair | 1 | Technical Specifications: Motard Version 450[SX45], Motard Version 550[SX55] |

| | |
|--------------------|-----------------------|
| Group | FRAME |
| Code | 28.27 |
| Description | Front brake system II |
| Service | 1 |



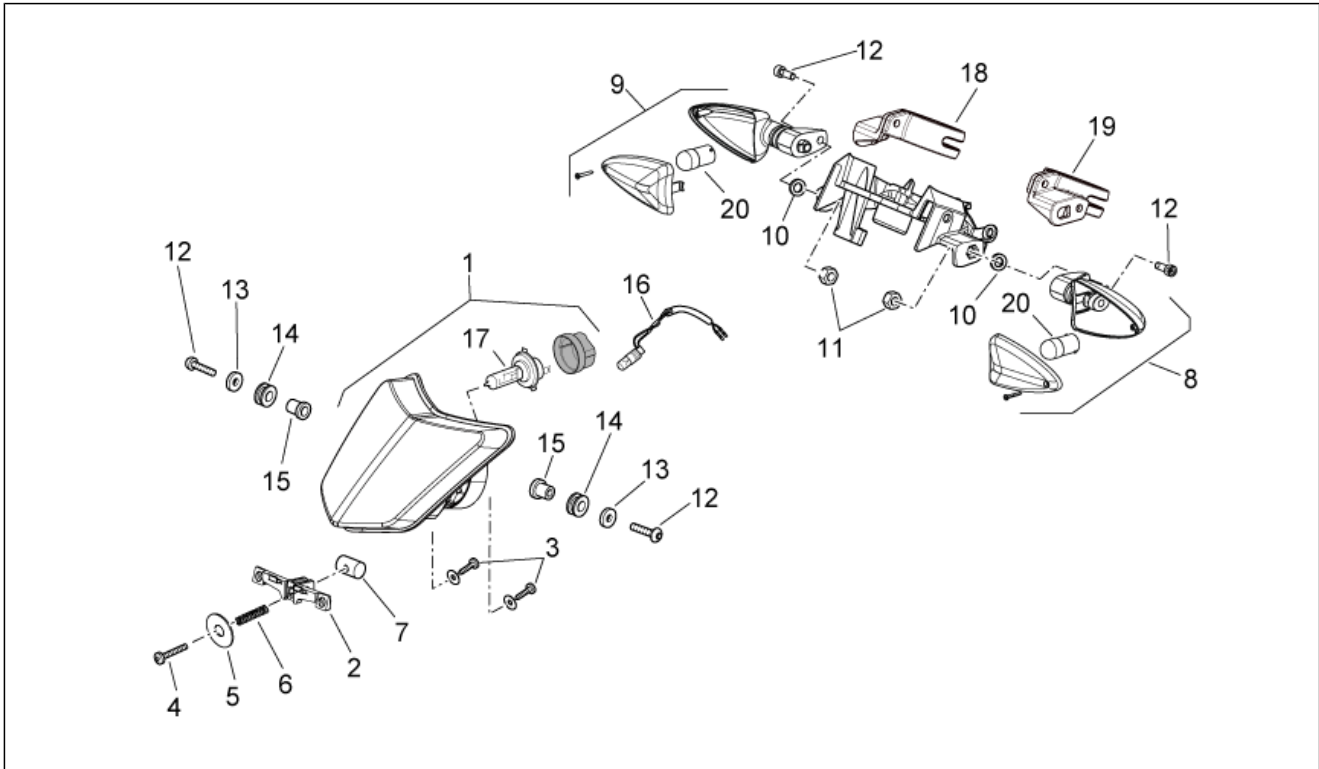
| Pos. | Code | Description | Qty | Variants |
|------|-----------|-----------------------------|-----|---|
| 17 | AP9100907 | Pin with cotter | 1 | Technical Specifications: Motard Version 450[SX45], Motard Version 550[SX55] |
| 18 | AP9100908 | Brake caliper rev. kit | 1 | Technical Specifications: Motard Version 450[SX45], Motard Version 550[SX55] |
| 19 | AP9100909 | Brake pistons, pair | 1 | Technical Specifications: Motard Version 450[SX45], Motard Version 550[SX55] |
| 20 | AP9100905 | Bleeder revision kit | 1 | Technical Specifications: Motard Version 450[SX45], Motard Version 550[SX55] |
| 21 | AP9100763 | Oil pipe screw | 1 | Technical Specifications: Motard Version 450[SX45], Motard Version 550[SX55] |
| 22 | AP8121915 | Gasket | 4 | Technical Specifications: Motard Version 450[SX45], Motard Version 550[SX55] |
| 23 | AP9100749 | Screw w/ flange M10x1,25x40 | 2 | Technical Specifications: Motard Version 450[SX45], Motard Version 550[SX55] |
| 24 | AP9100712 | Front brake hose | 1 | Technical Specifications: Motard Version 450[SX45], Motard Version 550[SX55] |
| 25 | 851348 | Front master cilinder FTE | 1 | Technical Specifications: Motard Version 450[SX45], Motard Version 550[SX55] |

| | |
|--------------------|-------------------|
| Group | FRAME |
| Code | 28.28 |
| Description | Rear brake system |
| Service | 1 |



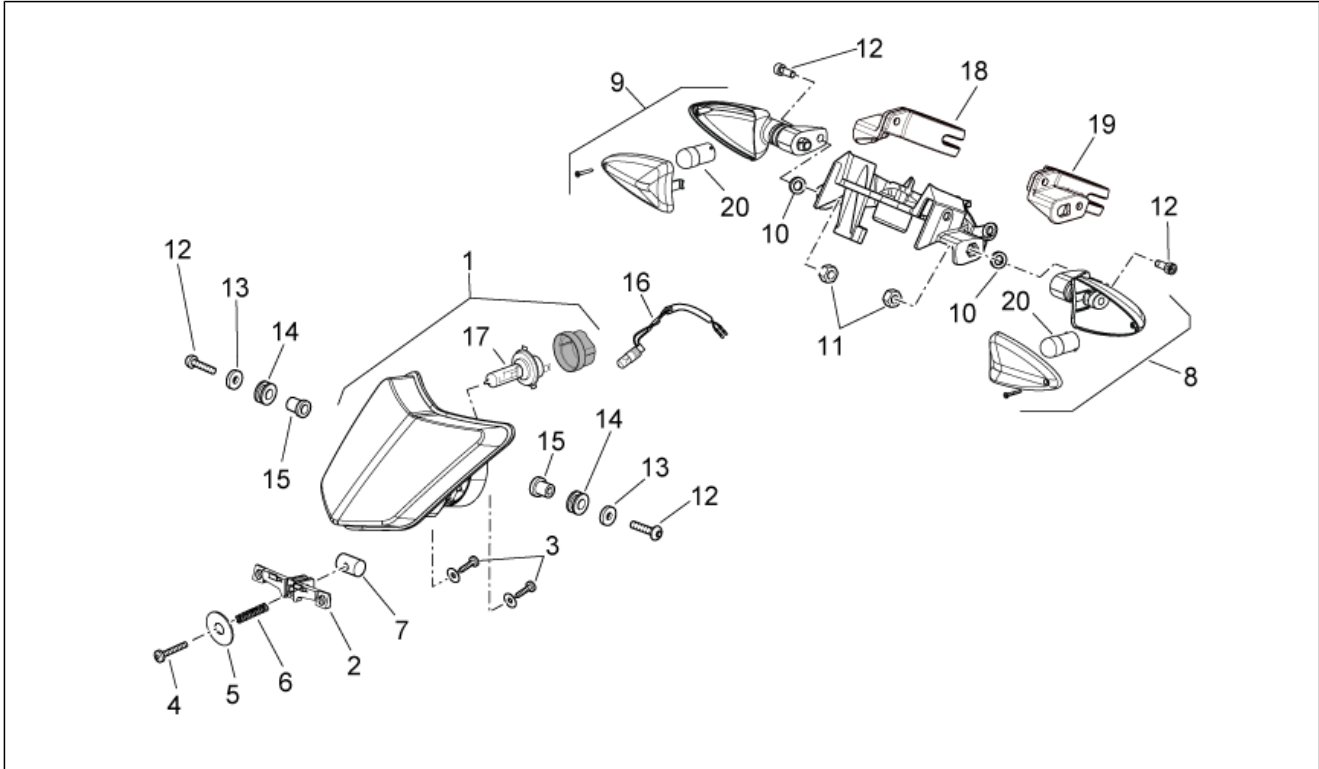
| Pos. | Code | Description | Qty | Variants |
|------|-----------|------------------------|-----|----------|
| 1 | AP9100475 | Rear master cylinder | 1 | |
| 2 | AP9100794 | Plug revision kit | 1 | |
| 3 | AP9100793 | Piston, kit | 1 | |
| 4 | AP9100795 | Lever overhaul kit | 1 | |
| 5 | AP9100478 | Rear brake hose | 1 | |
| 6 | AP9100472 | Hex screw M10x1,25 | 2 | |
| 7 | AP9100473 | Washer 14x10,2x1 | 4 | |
| 8 | AP9100417 | Stop switch | 1 | |
| 9 | AP9100479 | Rear brake caliper | 1 | |
| 10 | AP9100797 | Pads pair | 1 | |
| 11 | AP9100798 | Spring | 1 | |
| 12 | AP9100800 | Pin with cotter | 1 | |
| 13 | AP9100799 | Cover | 1 | |
| 14 | AP9100796 | Brake caliper rev. kit | 1 | |
| 15 | AP9100356 | Rear brake lever | 1 | |
| 16 | AP9100290 | Bush | 1 | |
| 17 | AP9100291 | Spring | 1 | |
| 18 | AP9100477 | O-ring 18x2 | 2 | |
| 19 | AP9100354 | Rear brake lever pin | 1 | |
| 20 | AP8150169 | Hex socket screw M8x20 | 1 | |
| 21 | AP8150017 | Washer 8,4x16x1,6 | 1 | |
| 22 | AP8101928 | Split pin | 1 | |
| 23 | AP8152278 | Screw w/ flange M6x16 | 2 | |
| 24 | AP9100789 | Bleeder kit | 1 | |
| 25 | AP9100752 | Spring | 2 | |

| | |
|--------------------|--------------|
| Group | FRAME |
| Code | 28.29 |
| Description | Front lights |
| Service | 1 |



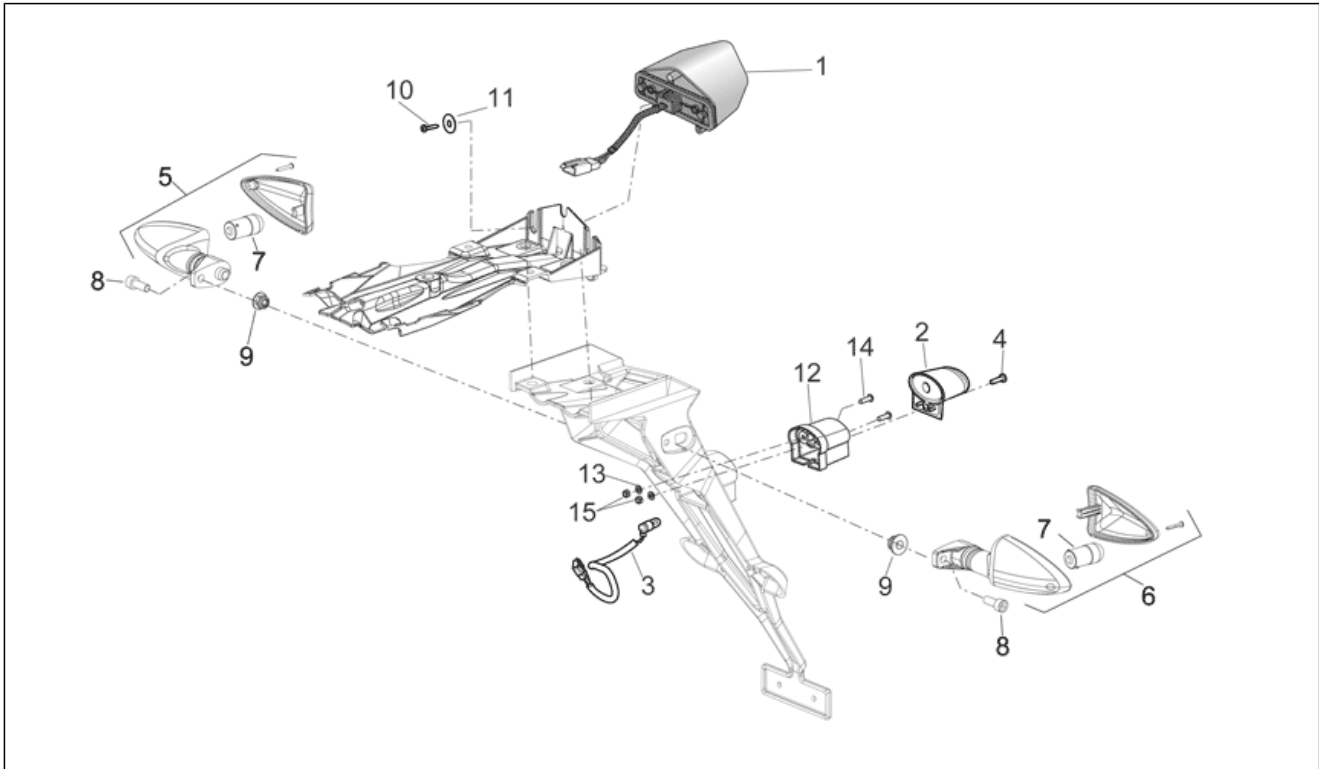
| Pos. | Code | Description | Qty | Variants |
|------|-----------|------------------------------|-----|---|
| 1 | 855038 | Headlight | 1 | Country:EU[EU] |
| 1 | 859702 | Headlight | 1 | Country:Great Britain[UK] |
| 1 | AP9100522 | Headlight | 1 | Country:United States of America[USA] |
| 2 | AP9100635 | Headlight adjuster rod | 1 | Country:United States of America[USA] |
| 3 | AP8150413 | Self-tap screw 3,9x14 | 2 | Country:United States of America[USA] |
| 4 | AP8150475 | Screw M4x45 z.b. | 1 | Country:United States of America[USA] |
| 5 | AP8150011 | Washer 4,3x12x1 | 1 | Country:United States of America[USA] |
| 6 | AP8221198 | Headlight adjuster spring | 1 | Country:United States of America[USA] |
| 7 | AP9100747 | Bush | 1 | Country:United States of America[USA] |
| 8 | 855140 | LH front/RH rear turn indic. | 1 | Country:EU[EU] Technical Specifications:Motard Version 450[SX45], Motard Version 550[SX55] |
| 8 | 855140 | LH front/RH rear turn indic. | 1 | Country:United States of America[USA] |
| 8 | AP8127784 | LH front/RH rear turn indic. | 1 | Country:EU[EU] Technical Specifications:Enduro 450 Version[RX45], Enduro 550 Version[RX55] |
| 9 | 855139 | RH front/LH rear turn indic. | 1 | Country:EU[EU] Technical Specifications:Motard Version 450[SX45], Motard Version 550[SX55] |
| 9 | 855139 | RH front/LH rear turn indic. | 1 | Country:United States of America[USA] |
| 9 | AP8127783 | RH front/LH rear turn indic. | 1 | Country:EU[EU] Technical Specifications:Enduro 450 Version[RX45], Enduro 550 Version[RX55] |
| 10 | AP8150017 | Washer 8,4x16x1,6 | 2 | |
| 11 | AP8152262 | Low nut | 2 | |
| 12 | AP8152137 | Hex socket screw M6x20 | 4 | |
| 13 | AP8152181 | Washer 6,4x15x1 | 2 | |
| 14 | AP8112600 | Rubber spacer | 2 | |
| 15 | AP8121665 | T bush | 2 | |
| 16 | 856610 | Town lights switch wiring | 1 | Country:EU[EU] |

| | |
|--------------------|--------------|
| Group | FRAME |
| Code | 28.29 |
| Description | Front lights |
| Service | 1 |



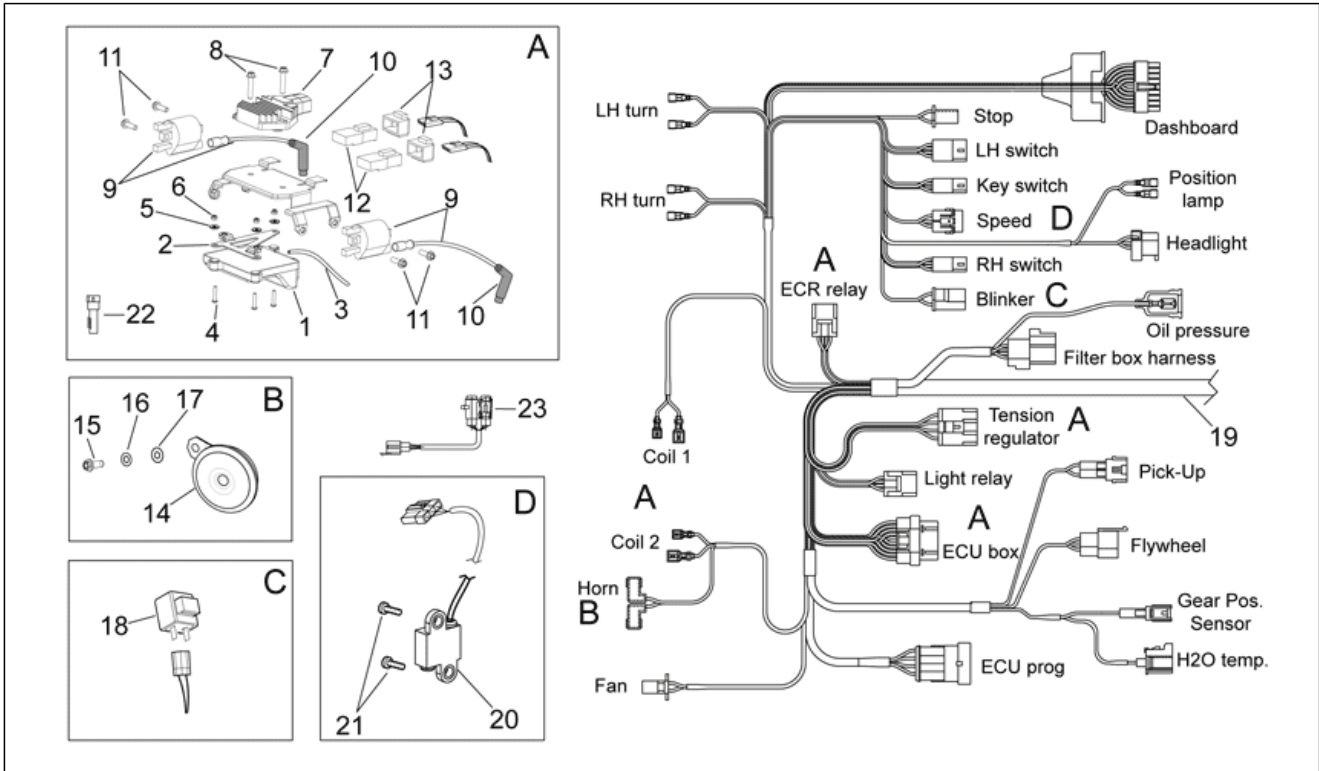
| Pos. | Code | Description | Qty | Variants |
|------|-----------|--------------------|-----|---|
| 16 | AP9100634 | Wiring | 1 | Country:United States of America[USA] |
| 17 | AP8127121 | Lamp H4 60/55W 12V | 2 | |
| 18 | 855044 | RH support | 1 | Technical Specifications:Enduro 450 Version[RX45], Enduro 550 Version[RX55] |
| 19 | 855045 | LH support | 1 | Technical Specifications:Enduro 450 Version[RX45], Enduro 550 Version[RX55] |
| 20 | AP8127489 | Lamp RY10W 12V | 2 | |

| | |
|--------------------|-------------|
| Group | FRAME |
| Code | 28.30 |
| Description | Rear lights |
| Service | 1 |



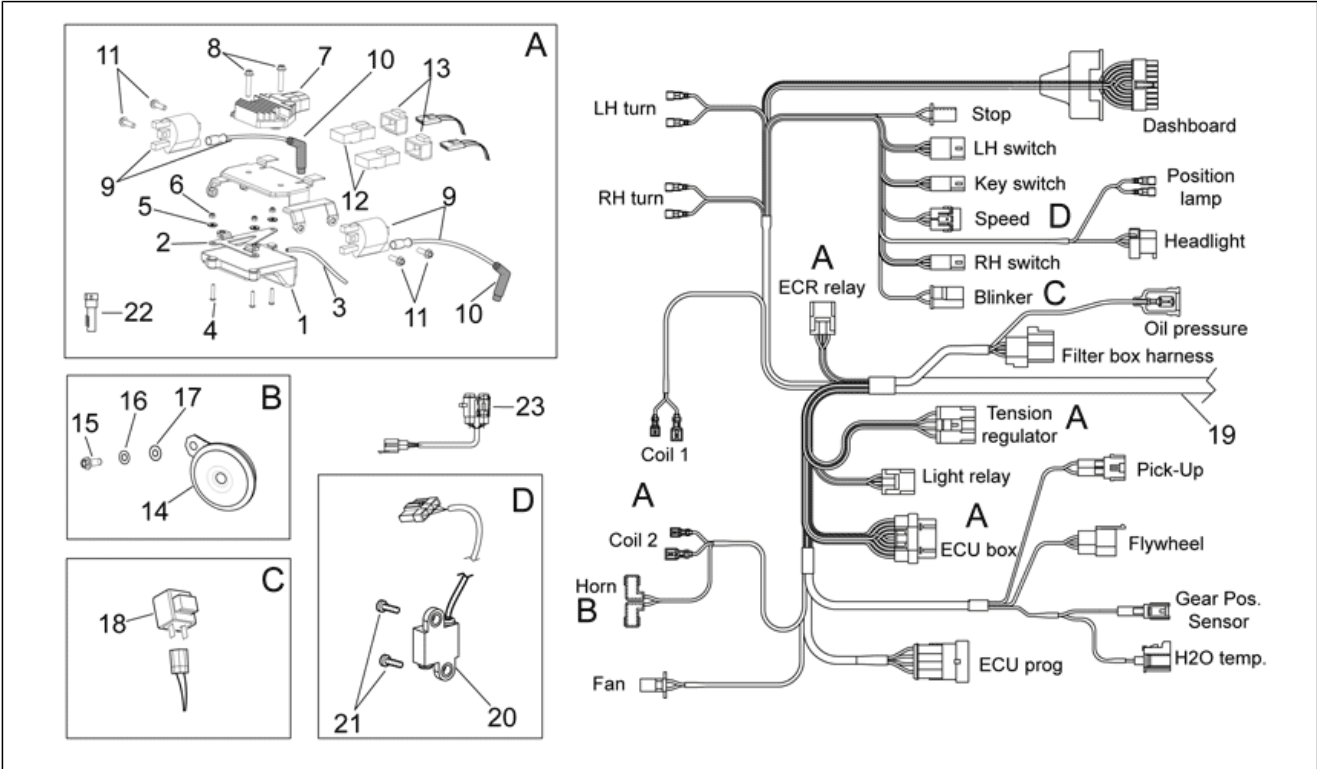
| Pos. | Code | Description | Qty | Variants |
|------|-----------|------------------------------|-----|---------------------------------------|
| 1 | 855039 | Taillight | 1 | Country:EU[EU] |
| 1 | AP9100523 | Taillight | 1 | Country:United States of America[USA] |
| 2 | AP8127098 | Number-plate light | 1 | |
| 3 | AP8224655 | Plate light wiring | 1 | |
| 4 | AP8150413 | Self-tap screw 3,9x14 | 1 | |
| 5 | AP8127784 | LH front/RH rear turn indic. | 1 | |
| 6 | AP8127783 | RH front/LH rear turn indic. | 1 | |
| 7 | AP8127489 | Lamp RY10W 12V | 2 | |
| 8 | AP8152137 | Hex socket screw M6x20 | 2 | |
| 9 | AP8152299 | Self-locking nut M6 | 2 | |
| 10 | AP8150413 | Self-tap screw 3,9x14 | 3 | |
| 11 | AP8150159 | Washer 4,3x16* | 3 | |
| 12 | 855078 | Extension | 1 | Country:United States of America[USA] |
| 13 | AP8150012 | Washer 5,3x10x1* | 2 | Country:United States of America[USA] |
| 14 | AP8152082 | screw | 2 | Country:United States of America[USA] |
| 15 | AP8150114 | Low self-locking nut | 2 | Country:United States of America[USA] |

| | |
|--------------------|---------------------|
| Group | FRAME |
| Code | 28.31 |
| Description | Electrical system I |
| Service | 1 |



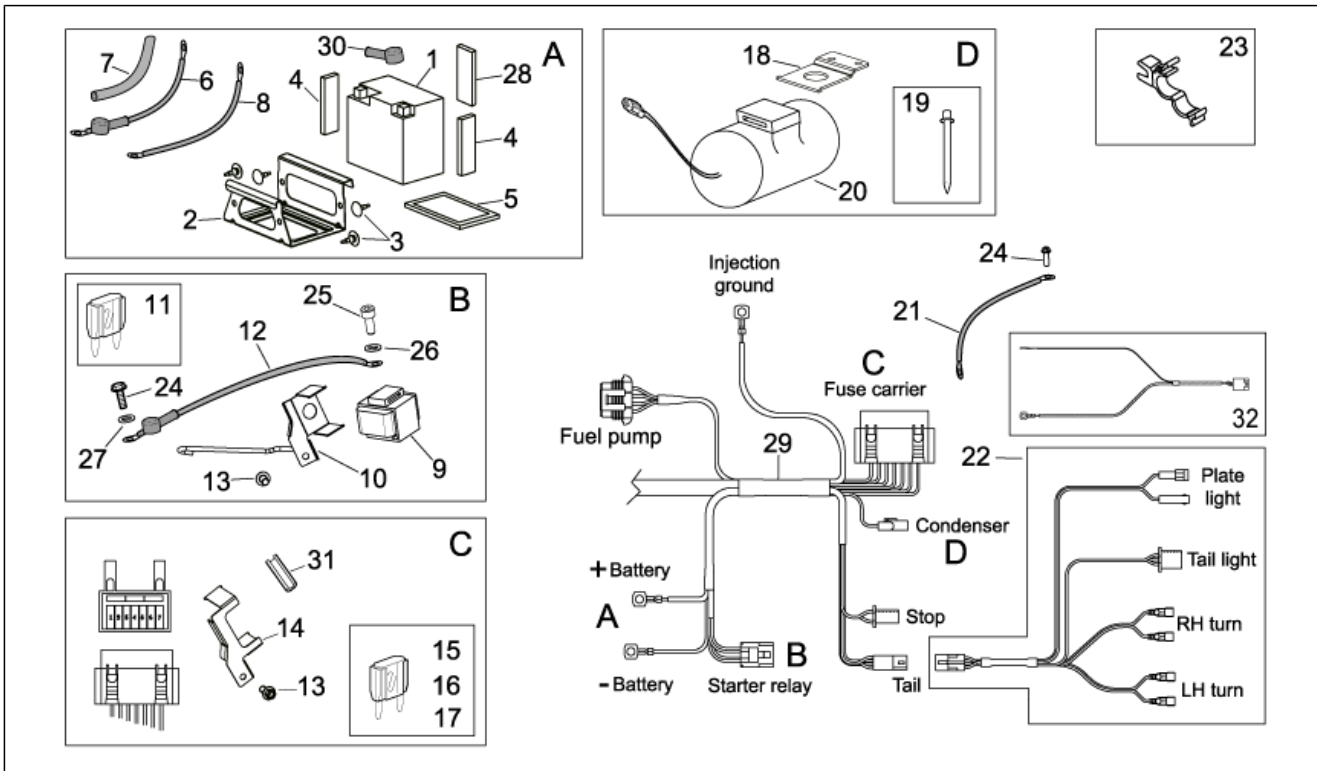
| Pos. | Code | Description | Qty | Variants |
|------|-----------|----------------------------|-----|---|
| 1 | AP9100447 | Electronic control unit | 1 | |
| 2 | 851023 | Control unit support plate | 1 | |
| 3 | AP8220598 | Breather pipe | 1 | |
| 4 | AP9100945 | Hex socket screw M4x20 | 3 | |
| 5 | AP8150011 | Washer 4,3x12x1 | 3 | |
| 6 | AP8150204 | Nut M4 | 3 | |
| 7 | AP9100424 | Voltage regulator | 1 | |
| 8 | AP8152281 | Screw w/ flange M6x30 | 2 | |
| 9 | AP9100429 | Coil | 2 | |
| 10 | AP9100423 | Sparkplug cap | 2 | |
| 11 | AP8152278 | Screw w/ flange M6x16 | 4 | |
| 12 | AP8224462 | Relay 12V/30A | 2 | |
| 13 | AP8220283 | Rubber spacer * | 2 | |
| 14 | AP8127391 | Horn | 1 | |
| 15 | AP8152112 | Hex socket screw | 1 | |
| 16 | AP8150376 | Washer 8,5x15x0,8 | 1 | |
| 17 | AP8150017 | Washer 8,4x16x1,6 | 1 | |
| 18 | AP8124235 | Flasher unit | 1 | |
| 19 | 855053 | Main wiring harness | 1 | Technical Specifications: Enduro 450 Version[RX45], Enduro 550 Version[RX55] |
| 19 | 859728 | Main wiring harness | 1 | Technical Specifications: Motard Version 450[SX45], Motard Version 550[SX55] |
| 20 | AP9100518 | Speed sensor | 1 | Technical Specifications: Motard Version 450[SX45], Motard Version 550[SX55] |
| 20 | AP9100965 | Speed sensor | 1 | Technical Specifications: Enduro 450 Version[RX45], Enduro 550 Version[RX55] |
| 21 | AP8150460 | Self-tapping screw M4x12 | 2 | |
| 22 | 858246 | Protection box | 1 | Technical Specifications: Enduro 450 Version[RX45], Enduro 550 Version[RX55] |

| | |
|--------------------|---------------------|
| Group | FRAME |
| Code | 28.31 |
| Description | Electrical system I |
| Service | 1 |



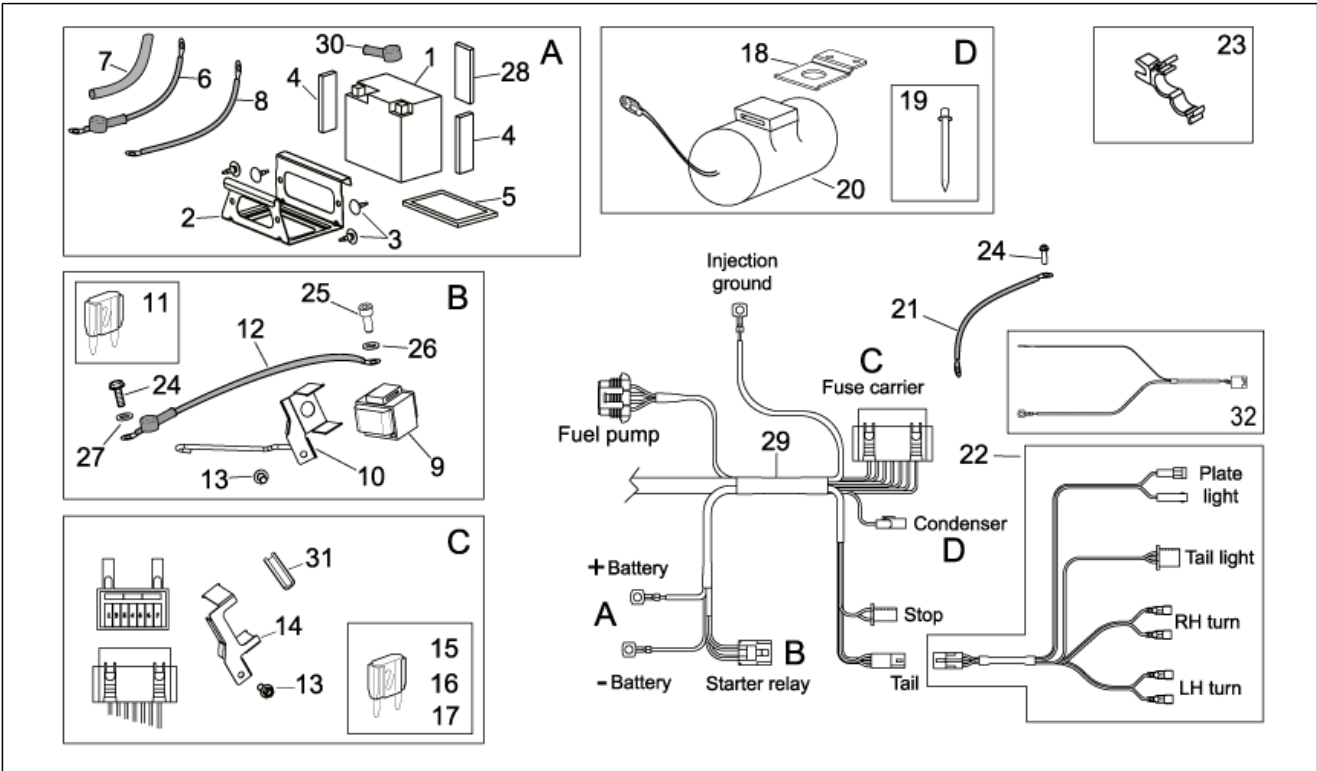
| Pos. | Code | Description | Qty | Variants |
|------|--------|---------------------|-----|----------|
| 23 | 856665 | Indicators assembly | 1 | |

| | |
|--------------------|----------------------|
| Group | FRAME |
| Code | 28.32 |
| Description | Electrical system II |
| Service | 1 |



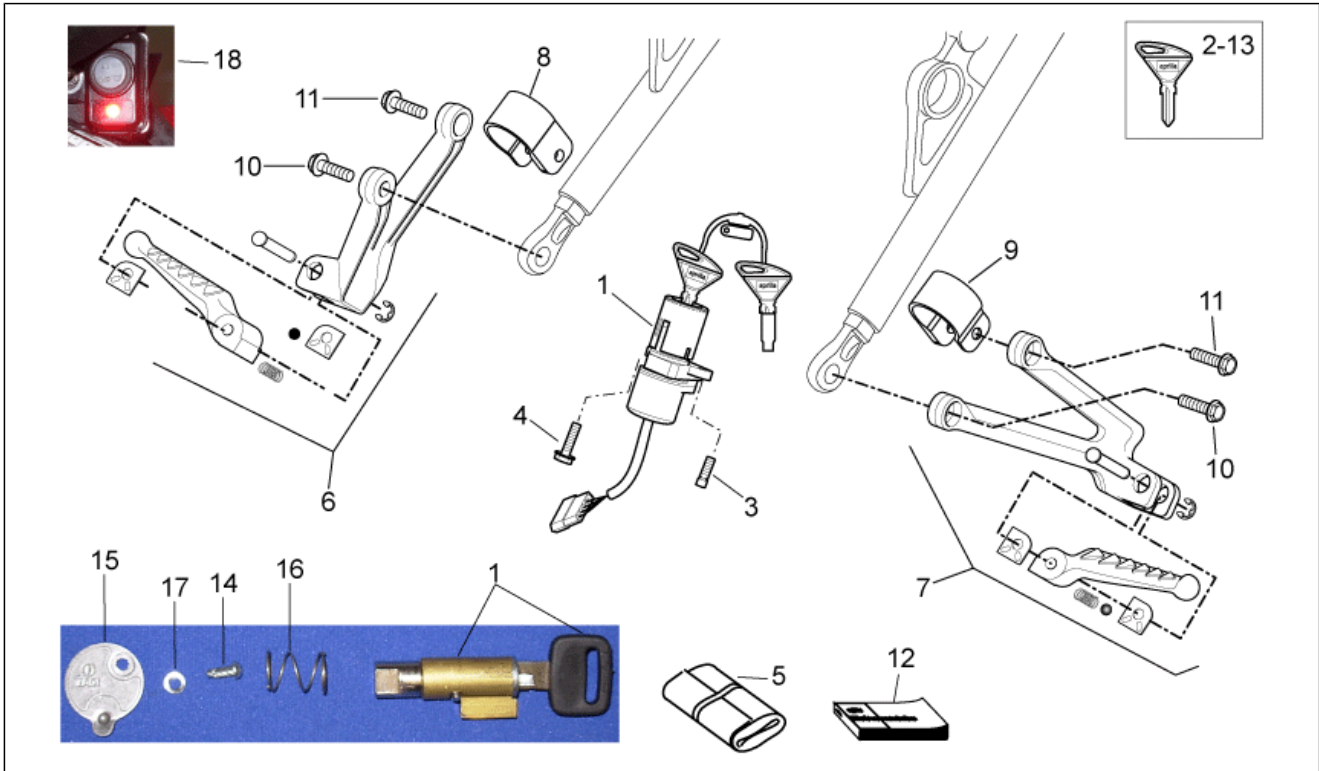
| Pos. | Code | Description | Qty | Variants |
|------|-----------|---------------------------------|-----|----------|
| 1 | AP9100512 | Battery | 1 | |
| 2 | AP9101000 | Battery case cpl. | 1 | |
| 3 | AP8120001 | Rubber spacer | 4 | |
| 4 | AP8144538 | Gasket | 2 | |
| 5 | AP9100725 | Rubber spacer | 1 | |
| 6 | AP9100371 | Relay battery wiring | 1 | |
| 7 | AP9100393 | Rubber pipe 12,8x8,8 L=120 | 1 | |
| 8 | AP9100372 | Ground-battery lead | 1 | |
| 9 | AP9100487 | Starter relay | 1 | |
| 10 | AP9100325 | Plate | 1 | |
| 11 | AP8124273 | Fuse 30a | 2 | |
| 12 | AP9100558 | Starter motor wiring harness | 1 | |
| 13 | AP8152272 | Screw w/ flange M5x12 | 2 | |
| 14 | AP9100327 | Fuse block support | 1 | |
| 15 | AP8176099 | Fuse | 3 | |
| 16 | AP8112244 | Fuse 7,5A | 4 | |
| 17 | AP8112176 | Fuse 15A | 3 | |
| 18 | AP9100742 | Plate | 1 | |
| 19 | AP9100782 | Tearing rivet inox | 1 | |
| 20 | AP9100739 | Condenser 10000 Uf | 1 | |
| 21 | AP9100783 | Engine-frame ground wiring | 1 | |
| 22 | 855111 | Taillight wiring harn. | 1 | |
| 23 | AP9100765 | Spring | 1 | |
| 24 | AP8152277 | Screw w/ flange M6x12 | 1 | |
| 25 | AP8152123 | Hex socket screw | 2 | |
| 26 | AP8150429 | Spring washer 6,4x11x0,5* | 2 | |
| 27 | AP8150272 | Curved spring washer 5,3x10x0,5 | 1 | |
| 28 | AP8117004 | Adhesive sponge 15x8 | 1 | |

| | |
|--------------------|----------------------|
| Group | FRAME |
| Code | 28.32 |
| Description | Electrical system II |
| Service | 1 |



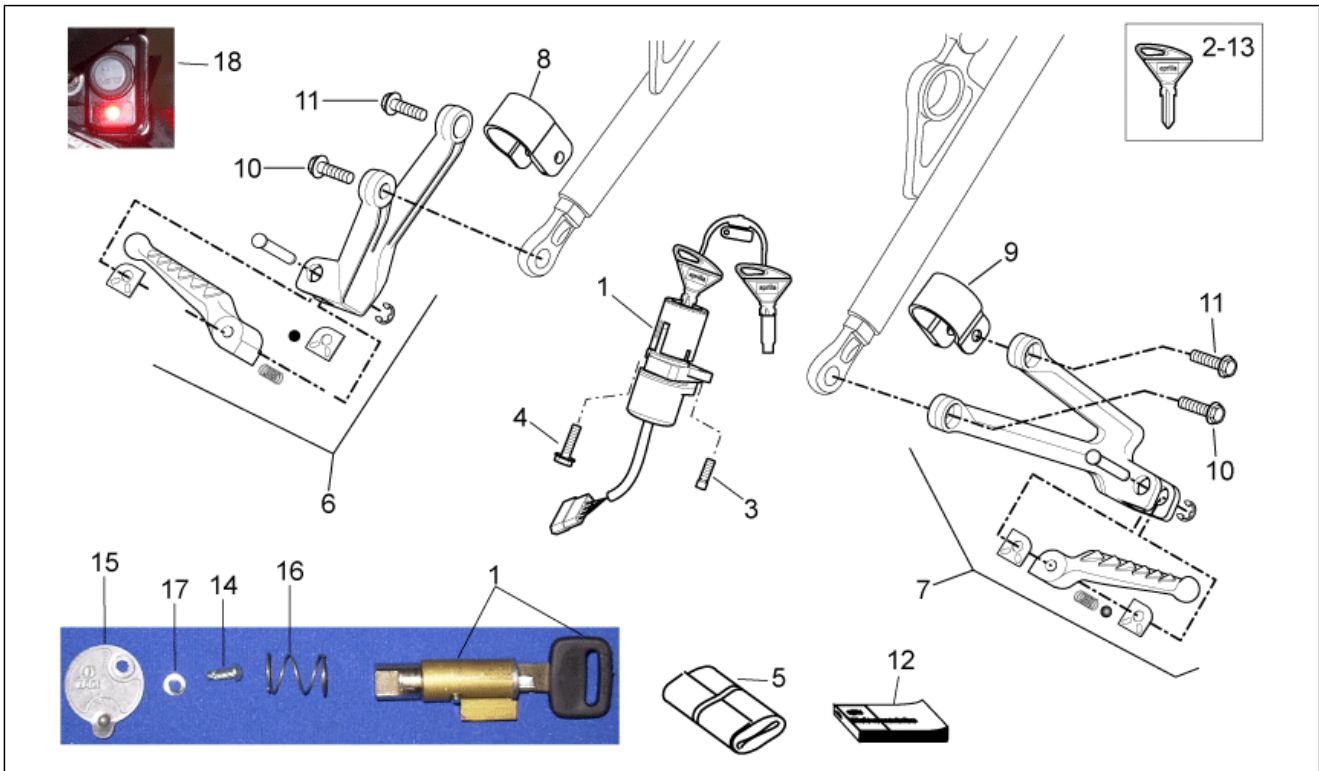
| Pos. | Code | Description | Qty | Variants |
|------|-----------|---------------------|-----|---|
| 29 | 855053 | Main wiring harness | 1 | Technical Specifications: Enduro 450 Version[RX45], Enduro 550 Version[RX55] |
| 29 | 859728 | Main wiring harness | 1 | Technical Specifications: Motard Version 450[SX45], Motard Version 550[SX55] |
| 30 | AP9100959 | Terminal cap | 1 | |
| 31 | AP9100997 | Gasket | 1 | |
| 32 | 855604 | Wiring switch | 1 | |

| | |
|--------------------|-----------------|
| Group | FRAME |
| Code | 28.33 |
| Description | Completing part |
| Service | 1 |



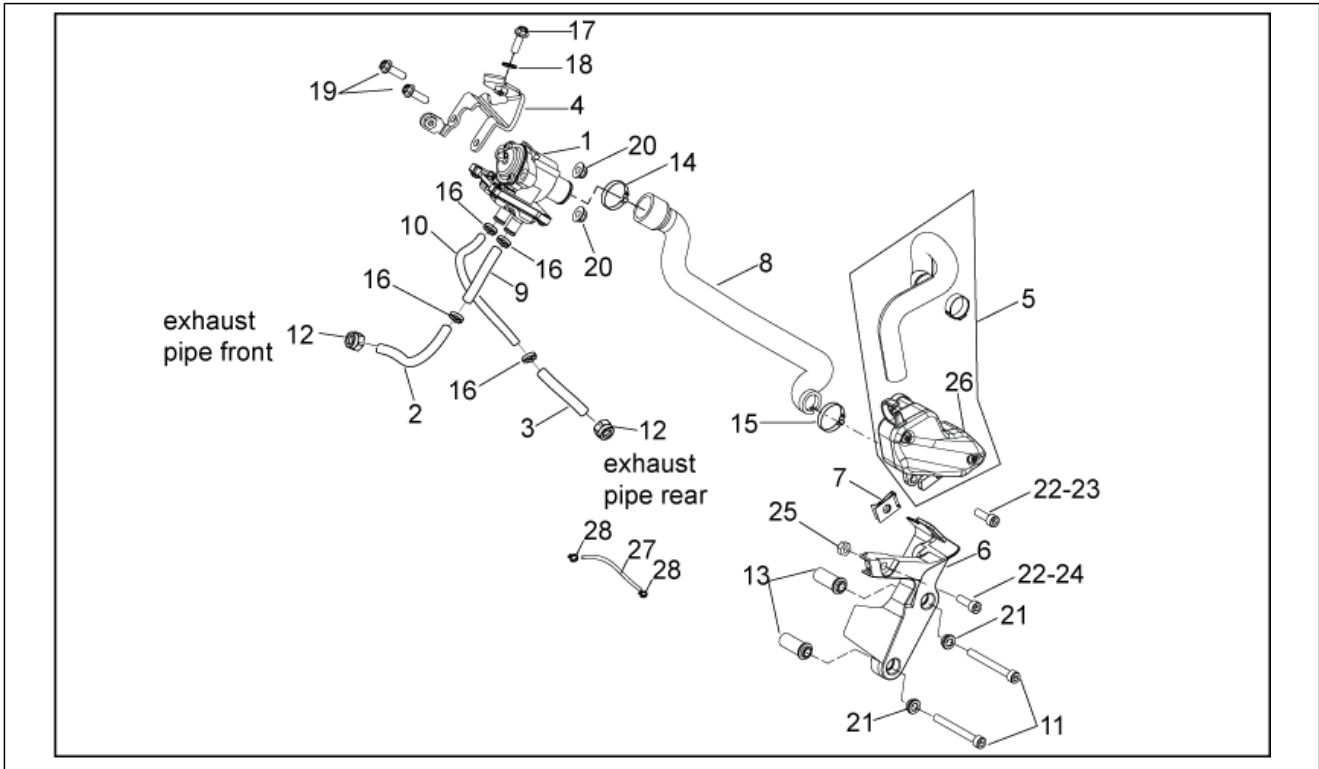
| Pos. | Code | Description | Qty | Variants |
|------|-----------|------------------------------|-----|--|
| 1 | 855128 | Main switch - steering lock | 1 | Country: EU[EU] Technical Specifications: Enduro 450 Version[RX45], Enduro 550 Version[RX55] |
| 1 | 860129 | Main switch - steering lock | 1 | Country: United States of America[USA] Technical Specifications: Enduro 450 Version[RX45], Enduro 550 Version[RX55] |
| 1 | AP9100515 | Main switch - steering lock | 1 | Technical Specifications: Motard Version 450[SX45], Motard Version 550[SX55] |
| 2 | AP8140710 | "Aprilia" key w/out transpo. | 1 | Technical Specifications: Motard Version 450[SX45], Motard Version 550[SX55] |
| 3 | AP8150349 | Special screw M8x15 | 1 | Technical Specifications: Motard Version 450[SX45], Motard Version 550[SX55] |
| 4 | AP8150211 | Hex socket screw M8x16 | 1 | Technical Specifications: Motard Version 450[SX45], Motard Version 550[SX55] |
| 5 | AP9100936 | Toolkit | 1 | |
| 6 | AP9100757 | RH footrest support | 1 | Country: United States of America[USA] Technical Specifications: Motard Version 450[SX45], Motard Version 550[SX55] |
| 7 | AP9100756 | LH footrest support | 1 | Country: United States of America[USA] Technical Specifications: Motard Version 450[SX45], Motard Version 550[SX55] |
| 8 | 851364 | RH support | 1 | Country: United States of America[USA] Technical Specifications: Motard Version 450[SX45], Motard Version 550[SX55] |
| 9 | 851363 | LH support | 1 | Country: United States of America[USA] Technical Specifications: Motard Version 450[SX45], Motard Version 550[SX55] |
| 10 | AP9100837 | Screw w/ flange M10x1,25x36 | 2 | Country: United States of America[USA] Technical Specifications: Motard Version 450[SX45], Motard Version 550[SX55] |
| 11 | AP8152287 | Screw w/ flange M8x25 | 2 | Country: United States of America[USA] Technical Specifications: Motard Version 450[SX45], Motard Version 550[SX55] |

| | |
|--------------------|-----------------|
| Group | FRAME |
| Code | 28.33 |
| Description | Completing part |
| Service | 1 |



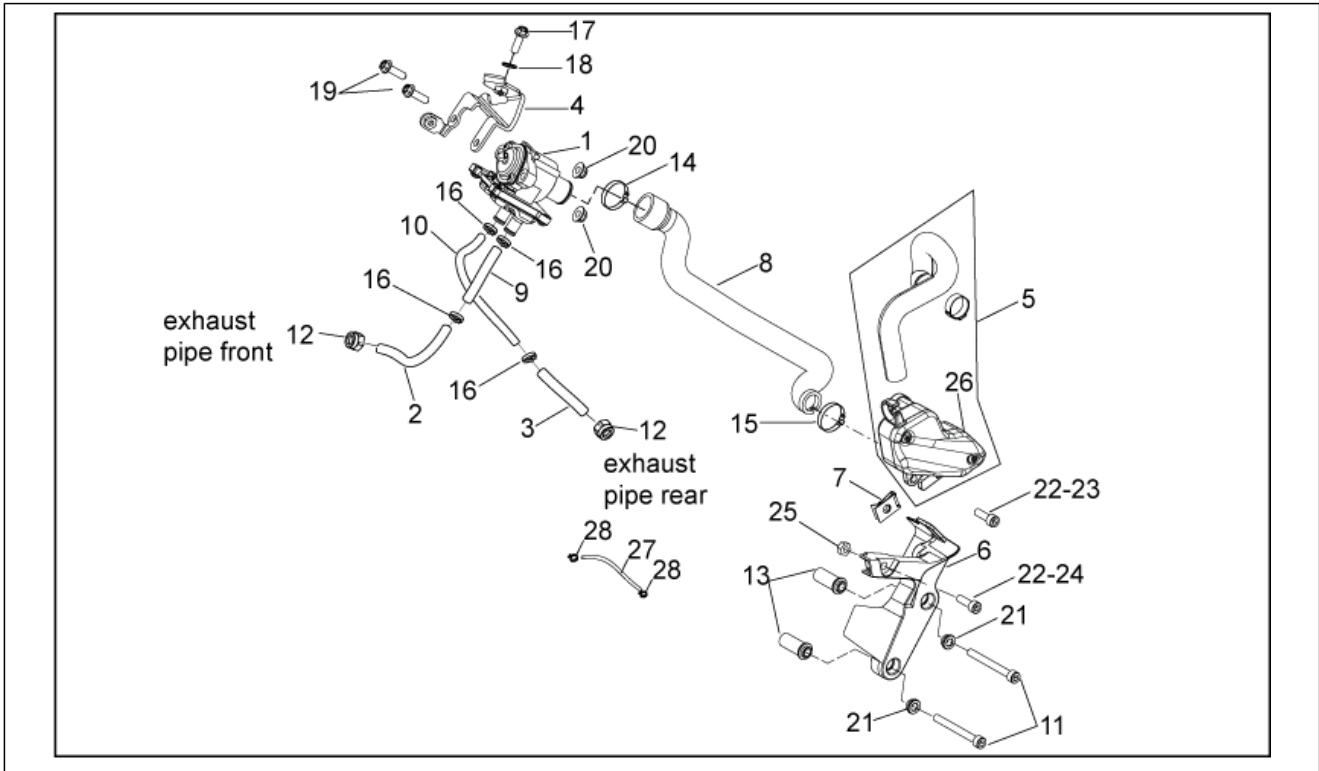
| Pos. | Code | Description | Qty | Variants |
|------|--------|---|-----|---|
| 12 | 854038 | Op's handbook I-D-F-E-UK-NL I-D-F-E-UK-NL | 1 | Technical Specifications: Enduro 450 Version[RX45], Enduro 550 Version[RX55] |
| 12 | 854039 | Op's handbook I-D-F-E-UK-NL I-D-F-E-UK-NL | 1 | Technical Specifications: Motard Version 450[SX45], Motard Version 550[SX55] |
| 13 | 859999 | "Aprilia" key w/out transpo. | 1 | Technical Specifications: Enduro 450 Version[RX45], Enduro 550 Version[RX55] |
| 14 | 855129 | Rivet | 1 | Country: EU[EU] Technical Specifications: Enduro 450 Version[RX45], Enduro 550 Version[RX55] |
| 15 | 855131 | Cover | 1 | Country: EU[EU] Technical Specifications: Enduro 450 Version[RX45], Enduro 550 Version[RX55] |
| 16 | 855132 | Spring | 1 | Country: EU[EU] Technical Specifications: Enduro 450 Version[RX45], Enduro 550 Version[RX55] |
| 17 | 856912 | Washer | 1 | Country: EU[EU] Technical Specifications: Enduro 450 Version[RX45], Enduro 550 Version[RX55] |
| 18 | 855042 | Switch start/stop | 1 | Technical Specifications: Enduro 450 Version[RX45], Enduro 550 Version[RX55] |

| | |
|--------------------|---------------|
| Group | FRAME |
| Code | 28.56 |
| Description | Secondary air |
| Service | 1 |



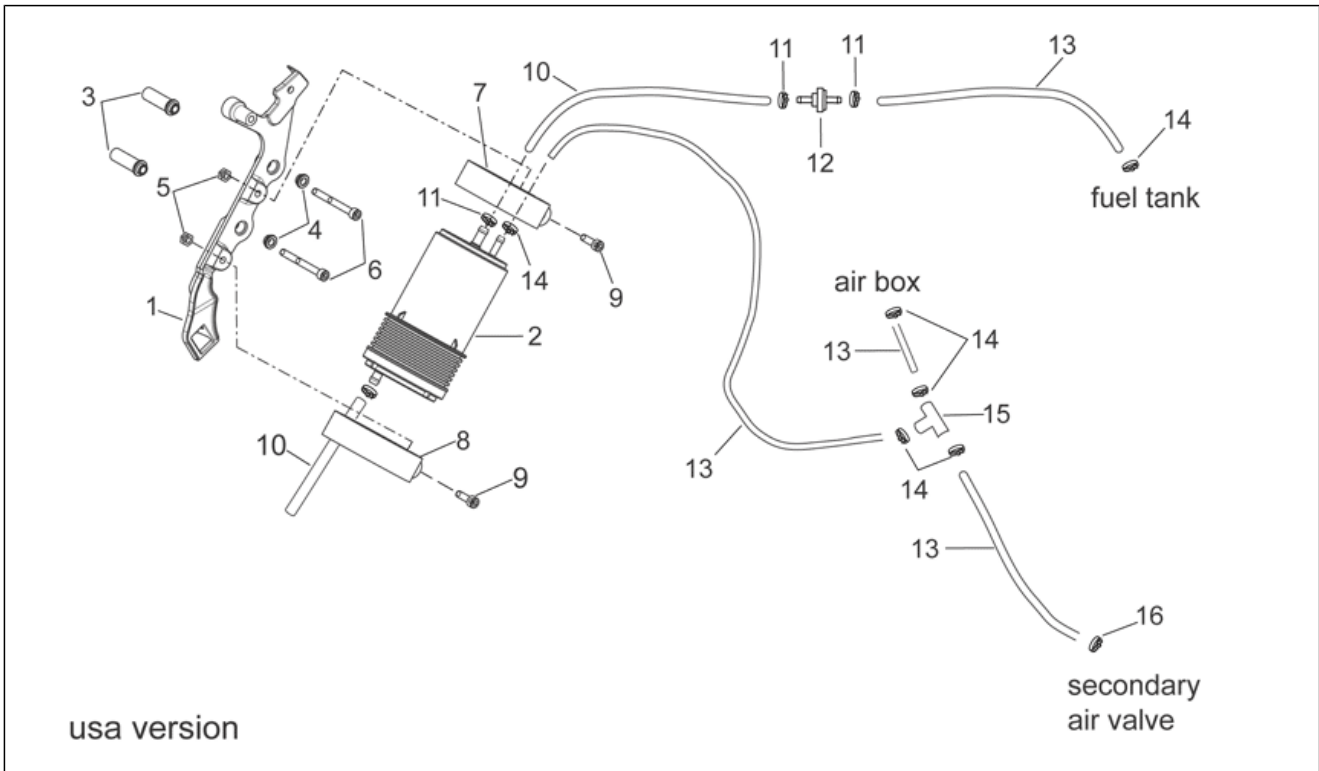
| Pos. | Code | Description | Qty | Variants |
|------|-----------|------------------------|-----|---------------------------------------|
| 1 | 855054 | SAS valve | 1 | |
| 2 | 855023 | Front. Exhaust pipe | 1 | |
| 3 | 855024 | Rear exhaust pipe | 1 | |
| 4 | 855022 | Valve support | 1 | |
| 5 | 855057 | Sas box | 1 | |
| 6 | 855182 | Sas box support | 1 | |
| 7 | AP8102376 | Clip M6 | 1 | |
| 8 | 855027 | pipe | 1 | Country:United States of America[USA] |
| 8 | 855183 | pipe | 1 | Country:EU[EU] |
| 9 | 855055 | Front. Exhaust pipe | 1 | |
| 10 | 855056 | Rear exhaust pipe | 1 | |
| 11 | AP8150411 | Hex socket screw | 2 | |
| 12 | 855028 | Nut | 1 | |
| 13 | 855184 | Bush | 2 | |
| 14 | AP9100456 | Hose clip 26x8 | 1 | |
| 15 | AP8102273 | Hose clip | 1 | |
| 16 | AP8101586 | Hose clip D.15,5x6,6 | 4 | |
| 17 | AP8150137 | Hex socket screw | 1 | |
| 18 | AP8150015 | Washer 6,6x18x1,6* | 1 | |
| 19 | AP8152279 | Screw w/ flange M6x20 | 2 | |
| 20 | AP9100434 | Self-locking nut M6x1 | 2 | |
| 21 | AP8221129 | Bush | 2 | |
| 22 | AP8150160 | Hex socket screw M6x20 | 2 | Country:EU[EU] |
| 23 | AP8152279 | Screw w/ flange M6x20 | 1 | Country:United States of America[USA] |
| 24 | AP8152283 | Screw w/ flange | 1 | Country:United States of America[USA] |
| 25 | AP8150026 | Nut M6 | 1 | |
| 26 | 856897 | Valve cover sas | 1 | |
| 27 | AP8220598 | Breather pipe | 1 | |

| | |
|--------------------|---------------|
| Group | FRAME |
| Code | 28.56 |
| Description | Secondary air |
| Service | 1 |



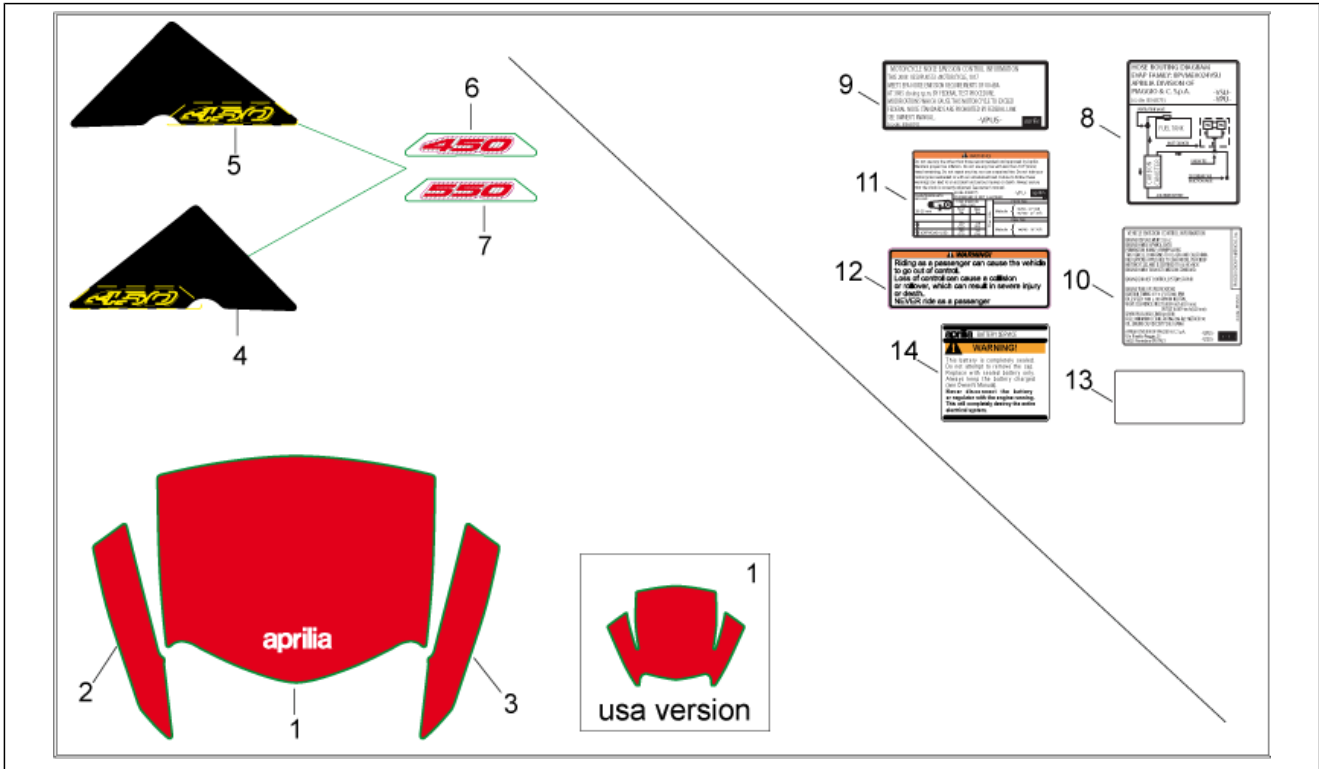
| Pos. | Code | Description | Qty | Variants |
|------|-----------|------------------|-----|----------|
| 28 | AP8102377 | Hose clamp D9,1* | 2 | |

| | |
|--------------------|----------------------------|
| Group | FRAME |
| Code | 28.57 |
| Description | Fuel vapour recover system |
| Service | 1 |



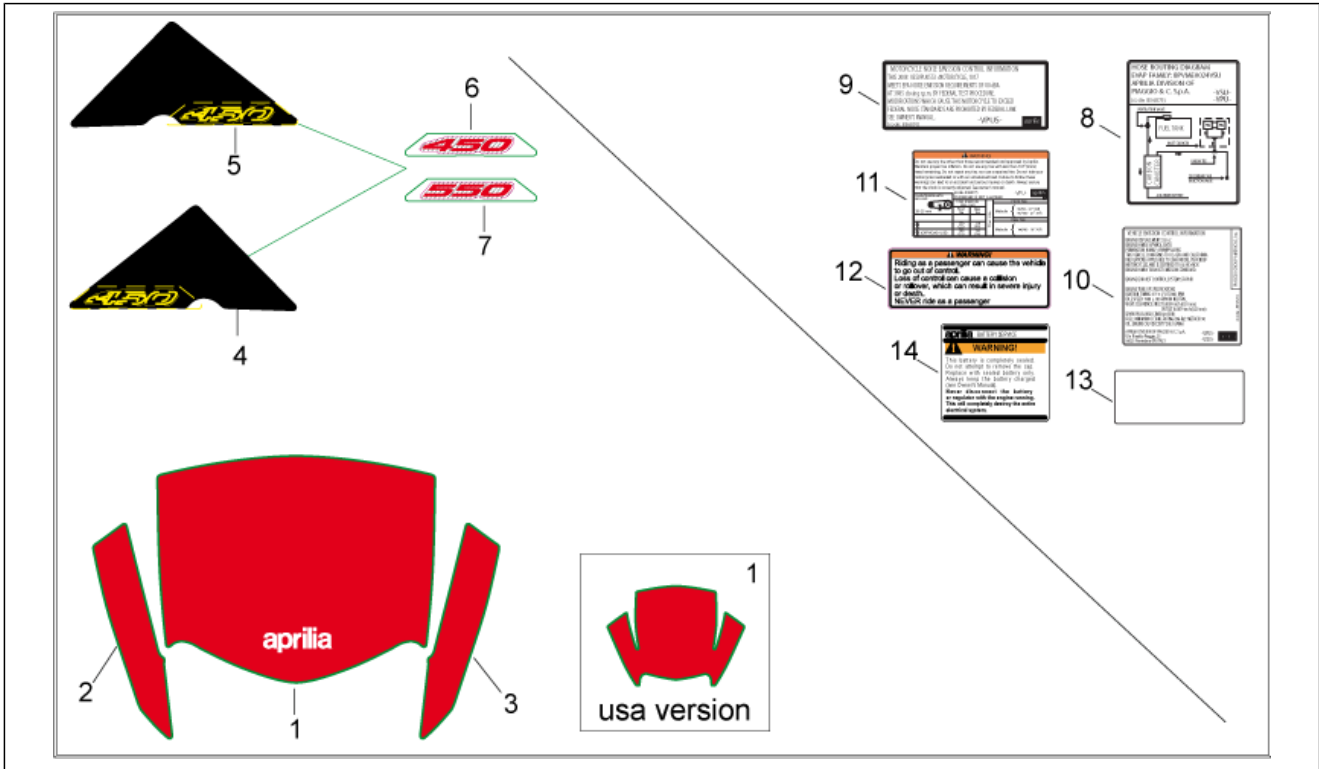
| Pos. | Code | Description | Qty | Variants |
|------|-----------|----------------------------|-----|---------------------------------------|
| 1 | 855029 | Maintenance | 1 | Country:United States of America[USA] |
| 2 | AP8102678 | Carbon filter | 1 | Country:United States of America[USA] |
| 3 | 855082 | Bush | 2 | Country:United States of America[USA] |
| 4 | AP8221129 | Bush | 2 | Country:United States of America[USA] |
| 5 | AP8150026 | Nut M6 | 3 | Country:United States of America[USA] |
| 6 | AP9100638 | Screw w/ flange M6x70 | 2 | Country:United States of America[USA] |
| 7 | AP8102688 | Hose clamp d.76 | 1 | Country:United States of America[USA] |
| 8 | AP8102719 | Hose clamp d.80,5 | 1 | Country:United States of America[USA] |
| 9 | AP8152298 | Screw w/ flange M5x16 | 2 | Country:United States of America[USA] |
| 10 | 856063 | pipe SAE 30 d.12,7x6,35 | 2 | Country:United States of America[USA] |
| 11 | AP8102764 | White hose clip d.13x6 | 4 | Country:United States of America[USA] |
| 12 | 856161 | Valve "roll over" | 1 | Country:United States of America[USA] |
| 13 | 856062 | pipe SAE 30 d.11,11x4,8 | 3 | Country:United States of America[USA] |
| 14 | AP8120446 | Hose clip, green D11x6,6x1 | 5 | Country:United States of America[USA] |
| 15 | AP8104666 | 3-way union | 1 | Country:United States of America[USA] |
| 16 | AP8102998 | Hose clamp d.9,5 | 1 | Country:United States of America[USA] |

| | |
|--------------------|--------------------------|
| Group | FRAME |
| Code | 28.58 |
| Description | Plates-Front body Decals |
| Service | 1 |



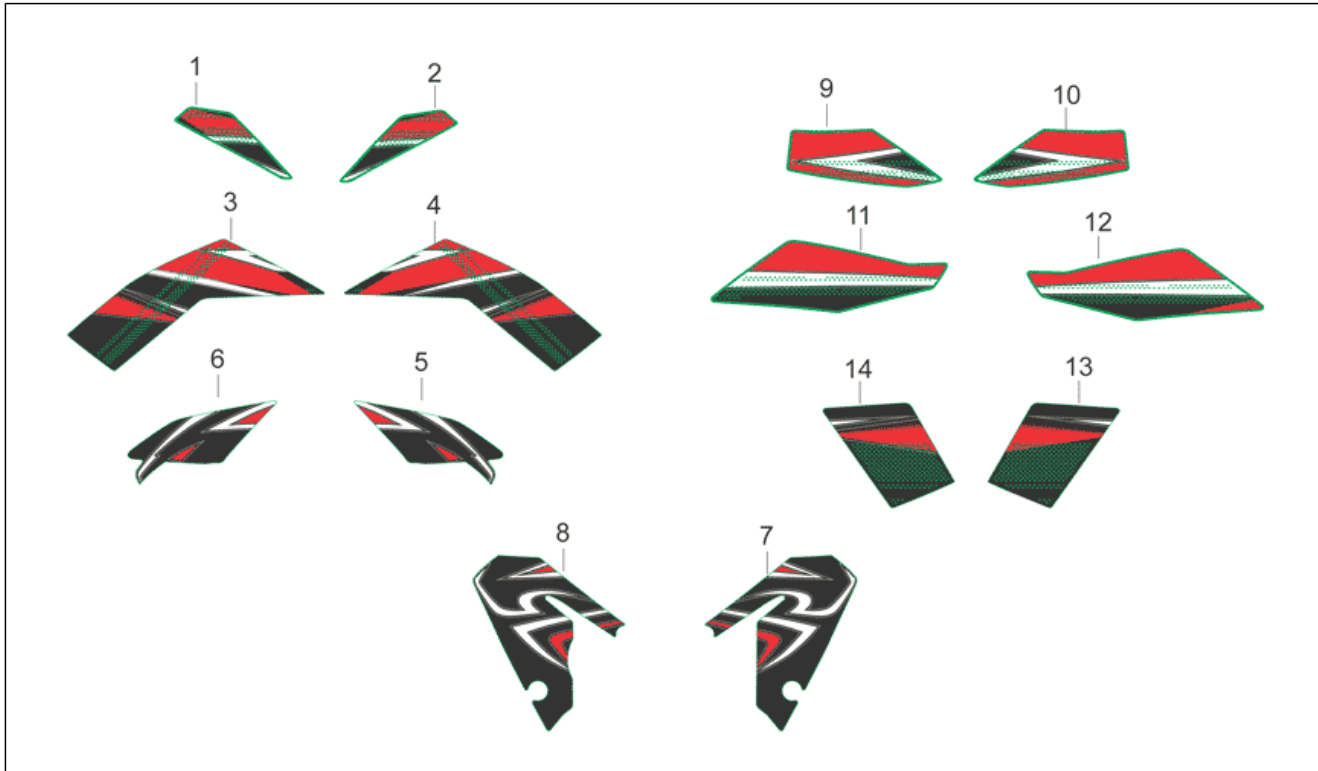
| Pos. | Code | Description | Qty | Variants |
|------|--------|---------------------|-----|--|
| 1 | 856334 | Windshield decal | 1 | Vehicle colour: Off-White 2008 (s.t.856588/91)[white] Country: EU[EU] Technical Specifications: Enduro 450 Version[RX45], Enduro 550 Version[RX55] |
| 1 | 856564 | Windshield decal | 1 | Vehicle colour: Off-White 2008 (s.t.856588/91)[white] Country: United States of America[USA] Technical Specifications: Enduro 450 Version[RX45], Enduro 550 Version[RX55] |
| 1 | 856571 | Windshield decal | 1 | Vehicle colour: Off-Black 2008 (s.t.856589/92)[black] Country: United States of America[USA] Technical Specifications: Motard Version 450[SX45], Motard Version 550[SX55] |
| 1 | 859990 | Windshield decal | 1 | Vehicle colour: Off-Black 2008 (s.t.856589/92)[black] Country: EU[EU] Technical Specifications: Motard Version 450[SX45], Motard Version 550[SX55] |
| 2 | 858070 | RH Windshield decal | 1 | Vehicle colour: Off-White 2008 (s.t.856588/91)[white] Country: EU[EU] Technical Specifications: Enduro 450 Version[RX45], Enduro 550 Version[RX55] |
| 2 | 859991 | RH Windshield decal | 1 | Vehicle colour: Off-Black 2008 (s.t.856589/92)[black] Country: EU[EU] Technical Specifications: Motard Version 450[SX45], Motard Version 550[SX55] |
| 3 | 858071 | LH Windshield decal | 1 | Vehicle colour: Off-White 2008 (s.t.856588/91)[white] Country: EU[EU] Technical Specifications: Enduro 450 Version[RX45], Enduro 550 Version[RX55] |
| 3 | 859992 | LH Windshield decal | 1 | Vehicle colour: Off-Black 2008 (s.t.856589/92)[black] Country: EU[EU] Technical Specifications: Motard Version 450[SX45], Motard Version 550[SX55] |
| 4 | 856340 | RH side panel decal | 1 | Technical Specifications: Motard Version 450[SX45], Motard Version 550[SX55] |

| | |
|--------------------|--------------------------|
| Group | FRAME |
| Code | 28.58 |
| Description | Plates-Front body Decals |
| Service | 1 |



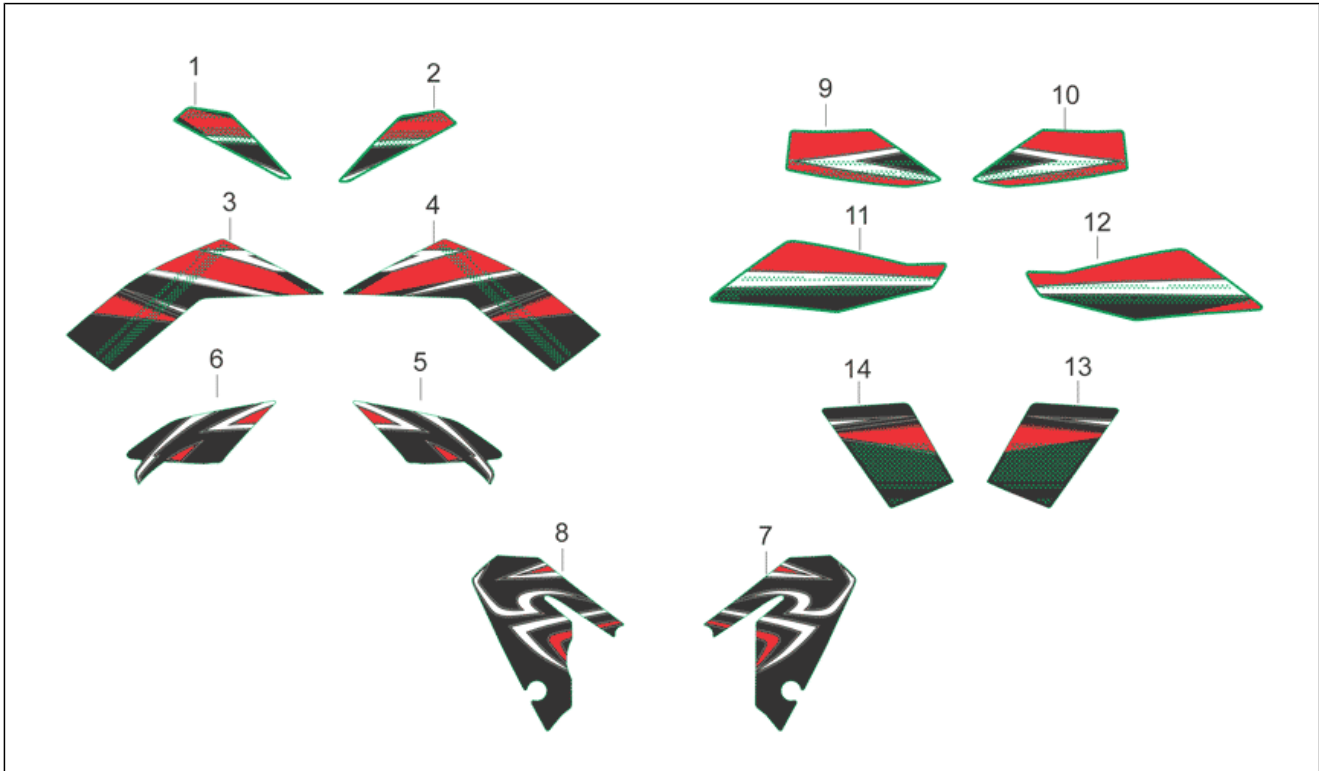
| Pos. | Code | Description | Qty | Variants |
|------|-----------|---------------------------|-----|--|
| 4 | 856340 | RH side panel decal | 1 | Country: United States of America[USA] Technical Specifications: Enduro 450 Version[RX45], Enduro 550 Version[RX55] |
| 4 | 858500 | RH side panel decal | 1 | Country: EU[EU] Technical Specifications: Enduro 450 Version[RX45], Enduro 550 Version[RX55] |
| 5 | 856341 | LH side panel decal | 1 | Technical Specifications: Motard Version 450[SX45], Motard Version 550[SX55] |
| 5 | 856341 | LH side panel decal | 1 | Country: United States of America[USA] Technical Specifications: Enduro 450 Version[RX45], Enduro 550 Version[RX55] |
| 5 | 858501 | LH side panel decal | 1 | Country: EU[EU] Technical Specifications: Enduro 450 Version[RX45], Enduro 550 Version[RX55] |
| 6 | 856339 | Decal 450 | 2 | |
| 7 | 856357 | Decal 550 | 2 | |
| 8 | 856875 | Shed scheme decal | 1 | Country: United States of America[USA] |
| 9 | 856870 | Noise emission sticker | 1 | Country: United States of America[USA] |
| 10 | 859723 | Emission control sticker | 1 | Country: United States of America[USA] |
| 11 | 856877 | Tyre pressure decal | 1 | Country: United States of America[USA] |
| 12 | 851156 | Single-seater saddle dec. | 1 | |
| 13 | AP8257609 | Mirror decal | 2 | |
| 14 | AP8267395 | Battery decal | 1 | |

| | |
|--------------------|---------------------|
| Group | FRAME |
| Code | 28.59 |
| Description | Central body Decals |
| Service | 1 |



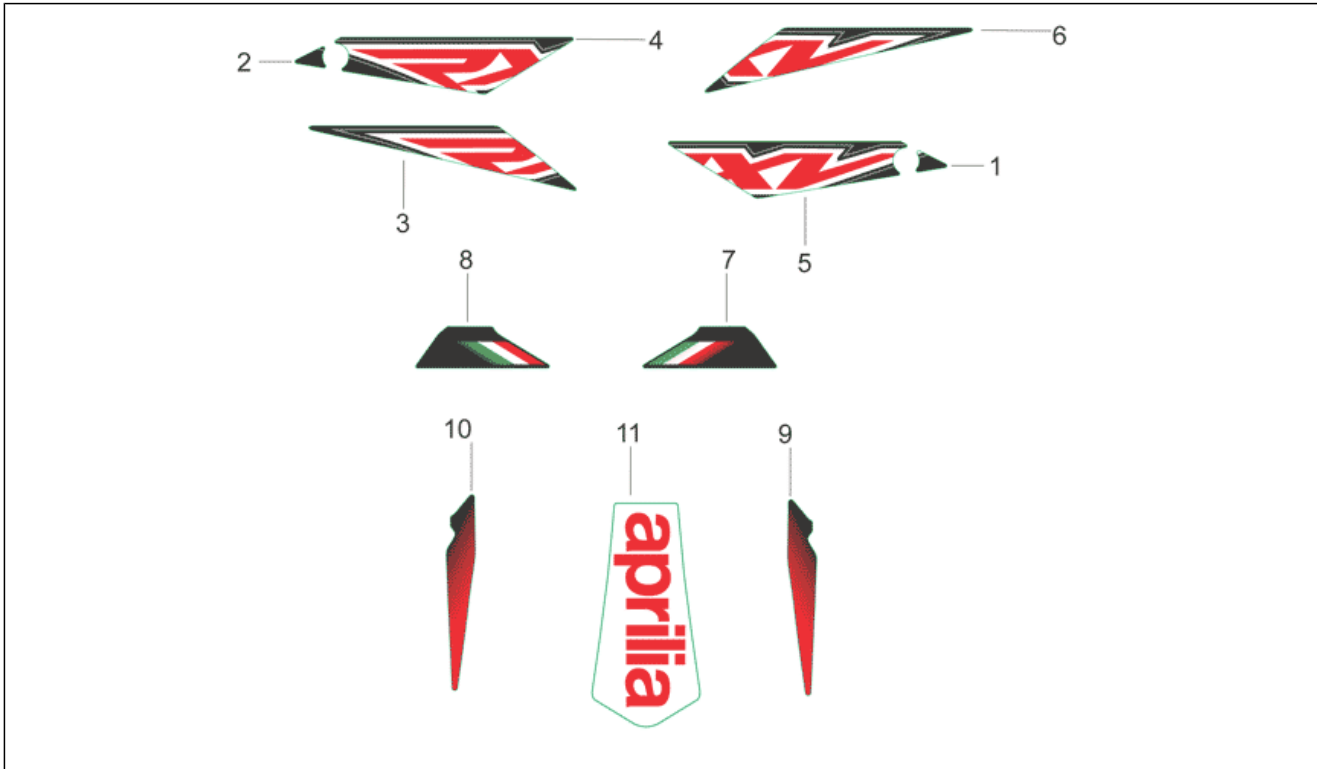
| Pos. | Code | Description | Qty | Variants |
|------|--------|----------------------------|-----|---|
| 1 | 856342 | Up.RH Fuel tank decal | 1 | Country: EU[EU] Technical Specifications: Enduro 450 Version[RX45], Enduro 550 Version[RX55] |
| 1 | 858171 | Up.RH Fuel tank decal | 1 | Country: EU[EU] Technical Specifications: Motard Version 450[SX45], Motard Version 550[SX55] |
| 2 | 856343 | Up.LH Fuel tank decal | 1 | Country: EU[EU] Technical Specifications: Enduro 450 Version[RX45], Enduro 550 Version[RX55] |
| 2 | 858172 | Up.LH Fuel tank decal | 1 | Country: EU[EU] Technical Specifications: Motard Version 450[SX45], Motard Version 550[SX55] |
| 3 | 856346 | Rear RH fuel tank decal | 1 | Country: EU[EU] Technical Specifications: Enduro 450 Version[RX45], Enduro 550 Version[RX55] |
| 3 | 858173 | Rear RH fuel tank decal | 1 | Country: EU[EU] Technical Specifications: Motard Version 450[SX45], Motard Version 550[SX55] |
| 4 | 856347 | Rear LH fuel tank decal | 1 | Country: EU[EU] Technical Specifications: Enduro 450 Version[RX45], Enduro 550 Version[RX55] |
| 4 | 858174 | Rear LH fuel tank decal | 1 | Country: EU[EU] Technical Specifications: Motard Version 450[SX45], Motard Version 550[SX55] |
| 5 | 856335 | Up.RH air duct, decal Lion | 1 | |
| 6 | 856336 | Up.LH air duct, decal Lion | 1 | |
| 7 | 856337 | Lo.RH air duct, decal Lion | 1 | |
| 8 | 856338 | Lo.LH air duct, decal Lion | 1 | |
| 9 | 856565 | Up.RH Fuel tank decal | 1 | Country: United States of America[USA] |
| 10 | 856566 | Up.LH Fuel tank decal | 1 | Country: United States of America[USA] |
| 11 | 856567 | Lo.RH Fuel tank decal | 1 | Country: United States of America[USA] |
| 12 | 856568 | Lo.LH Fuel tank decal | 1 | Country: United States of America[USA] |

| | |
|--------------------|---------------------|
| Group | FRAME |
| Code | 28.59 |
| Description | Central body Decals |
| Service | 1 |



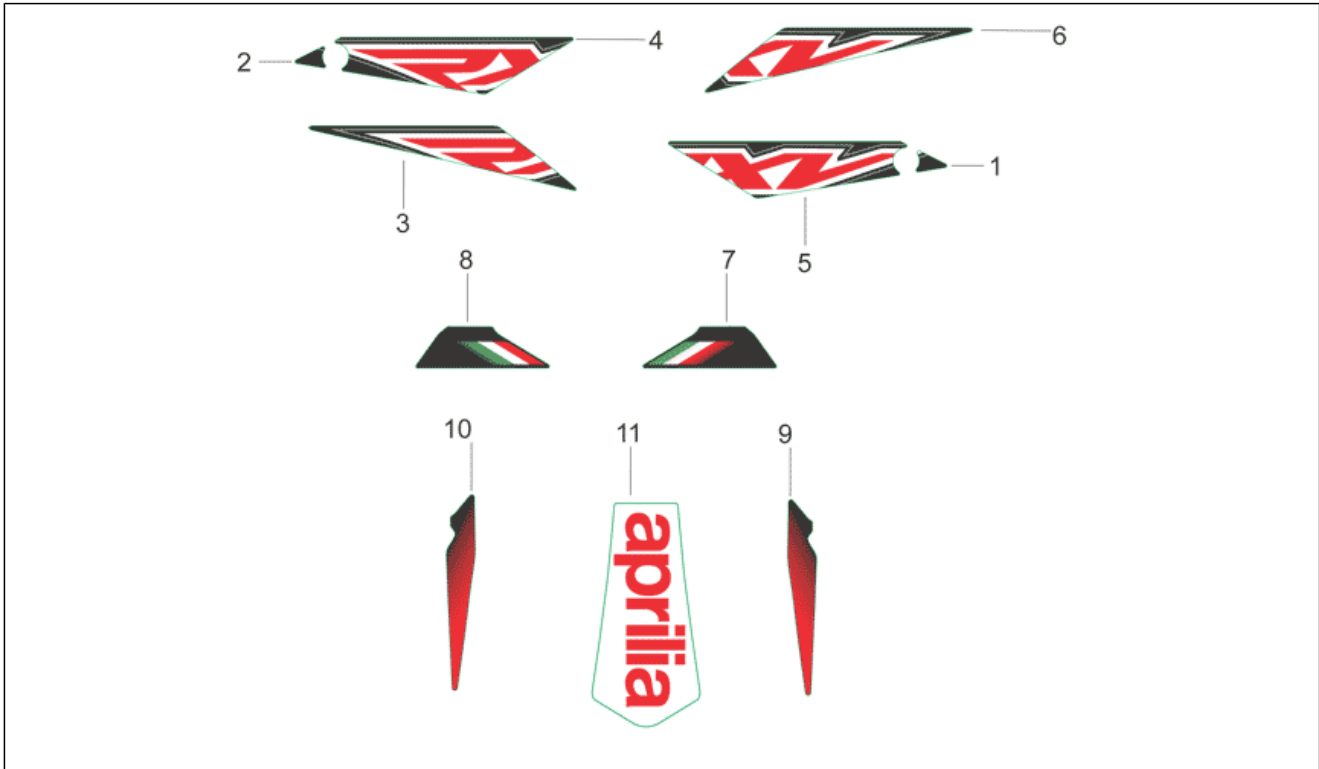
| Pos. | Code | Description | Qty | Variants |
|------|--------|-------------------------|-----|---------------------------------------|
| 13 | 856569 | Rear RH fuel tank decal | 1 | Country:United States of America[USA] |
| 14 | 856570 | Rear LH fuel tank decal | 1 | Country:United States of America[USA] |

| | |
|--------------------|------------------|
| Group | FRAME |
| Code | 28.60 |
| Description | Rear body Decals |
| Service | 1 |



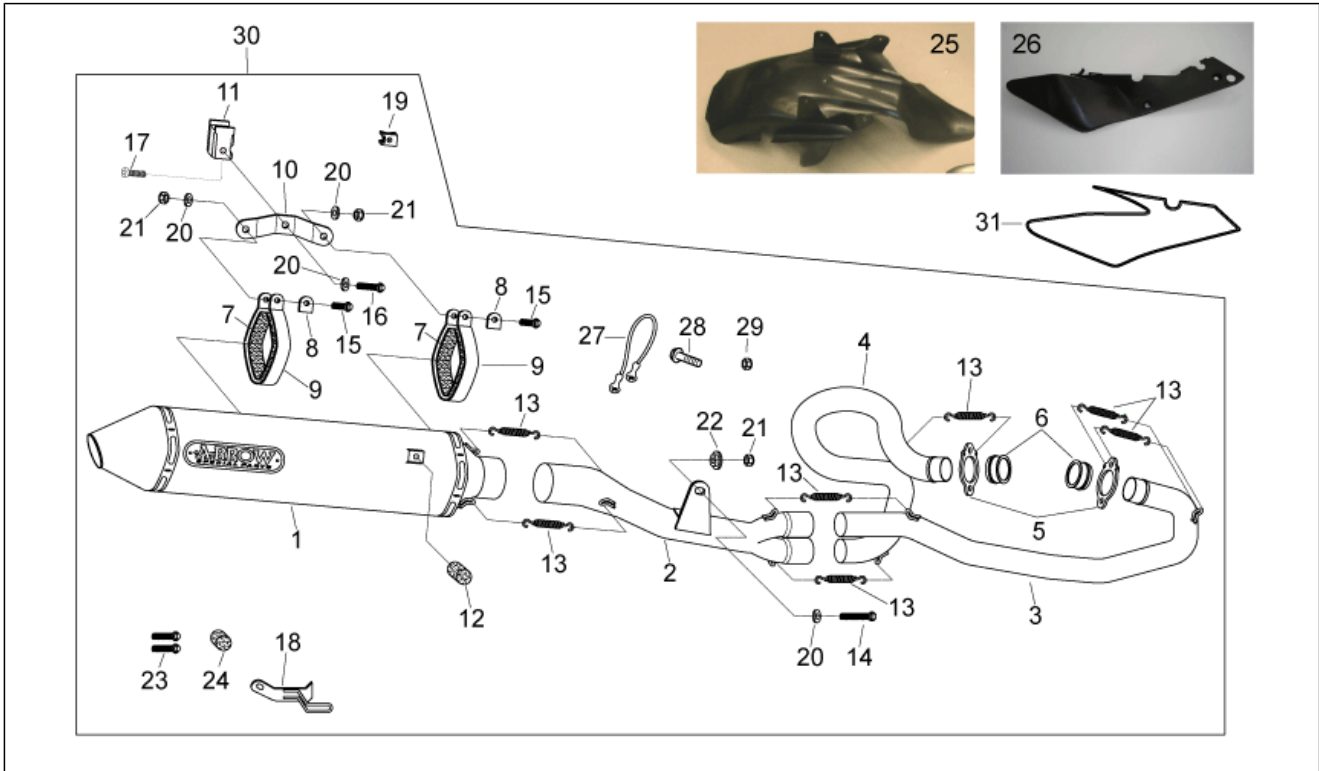
| Pos. | Code | Description | Qty | Variants |
|------|--------|--------------------------|-----|---|
| 1 | 858069 | Front RH decal triangle | 1 | Technical Specifications: Enduro 450 Version[RX45], Enduro 550 Version[RX55] |
| 1 | 858078 | Front RH decal triangle | 1 | Technical Specifications: Motard Version 450[SX45], Motard Version 550[SX55] |
| 2 | 858077 | Front LH decal triangle | 1 | Technical Specifications: Enduro 450 Version[RX45], Enduro 550 Version[RX55] |
| 2 | 858079 | Front LH decal triangle | 1 | Technical Specifications: Motard Version 450[SX45], Motard Version 550[SX55] |
| 3 | 856348 | Rear RH fairing decal | 1 | Technical Specifications: Enduro 450 Version[RX45], Enduro 550 Version[RX55] |
| 3 | 856359 | Rear RH fairing decal | 1 | Technical Specifications: Motard Version 450[SX45], Motard Version 550[SX55] |
| 4 | 856349 | Front LH fairing decal | 1 | Technical Specifications: Enduro 450 Version[RX45], Enduro 550 Version[RX55] |
| 4 | 856360 | Front LH fairing decal | 1 | Technical Specifications: Motard Version 450[SX45], Motard Version 550[SX55] |
| 5 | 856350 | Rear DH fairing decal | 1 | Technical Specifications: Enduro 450 Version[RX45], Enduro 550 Version[RX55] |
| 5 | 856361 | Rear DH fairing decal | 1 | Technical Specifications: Motard Version 450[SX45], Motard Version 550[SX55] |
| 6 | 856351 | Rear LH fairing decal | 1 | Technical Specifications: Enduro 450 Version[RX45], Enduro 550 Version[RX55] |
| 6 | 856362 | Rear LH fairing decal | 1 | Technical Specifications: Motard Version 450[SX45], Motard Version 550[SX55] |
| 7 | 856352 | Rear DH fairing decal | 1 | |
| 8 | 856353 | Rear LH fairing decal | 1 | |
| 9 | 856355 | Sticker rear mudguard RH | 1 | Technical Specifications: Enduro 450 Version[RX45], Enduro 550 Version[RX55] |
| 9 | 856364 | Sticker rear mudguard RH | 1 | Technical Specifications: Motard Version 450[SX45], Motard Version 550[SX55] |
| 10 | 856356 | Sticker rear mudguard LH | 1 | Technical Specifications: Enduro 450 Version[RX45], Enduro 550 Version[RX55] |

| | |
|--------------------|------------------|
| Group | FRAME |
| Code | 28.60 |
| Description | Rear body Decals |
| Service | 1 |



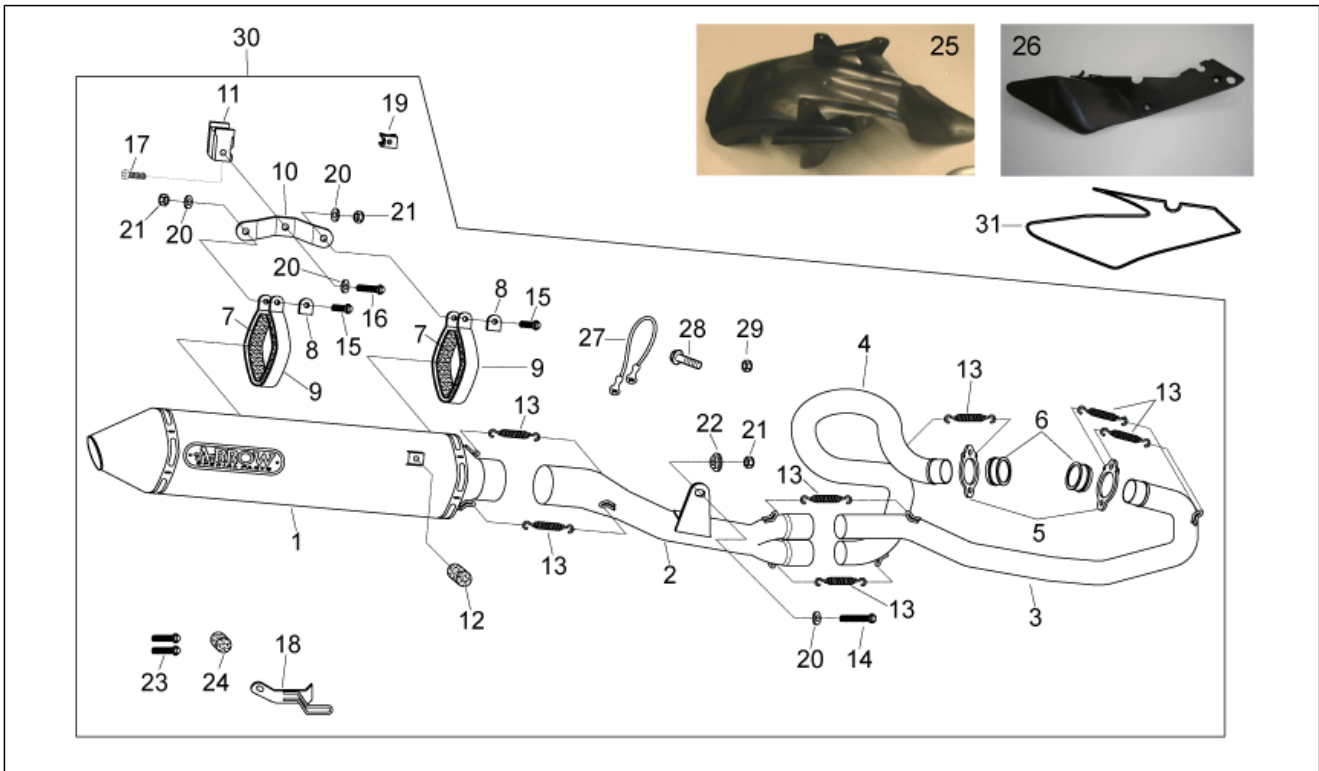
| Pos. | Code | Description | Qty | Variants |
|------|--------|--------------------------|-----|---|
| 10 | 856365 | Sticker rear mudguard LH | 1 | Technical Specifications: Motard Version 450[SX45], Motard Version 550[SX55] |
| 11 | 856363 | Sticker rear mudguard | 1 | Technical Specifications: Motard Version 450[SX45], Motard Version 550[SX55] |
| 11 | 858502 | Sticker rear mudguard | 1 | Technical Specifications: Enduro 450 Version[RX45], Enduro 550 Version[RX55] |

| | |
|--------------------|-----------------|
| Group | FRAME |
| Code | 28.61 |
| Description | Exhaust unit II |
| Service | 1 |



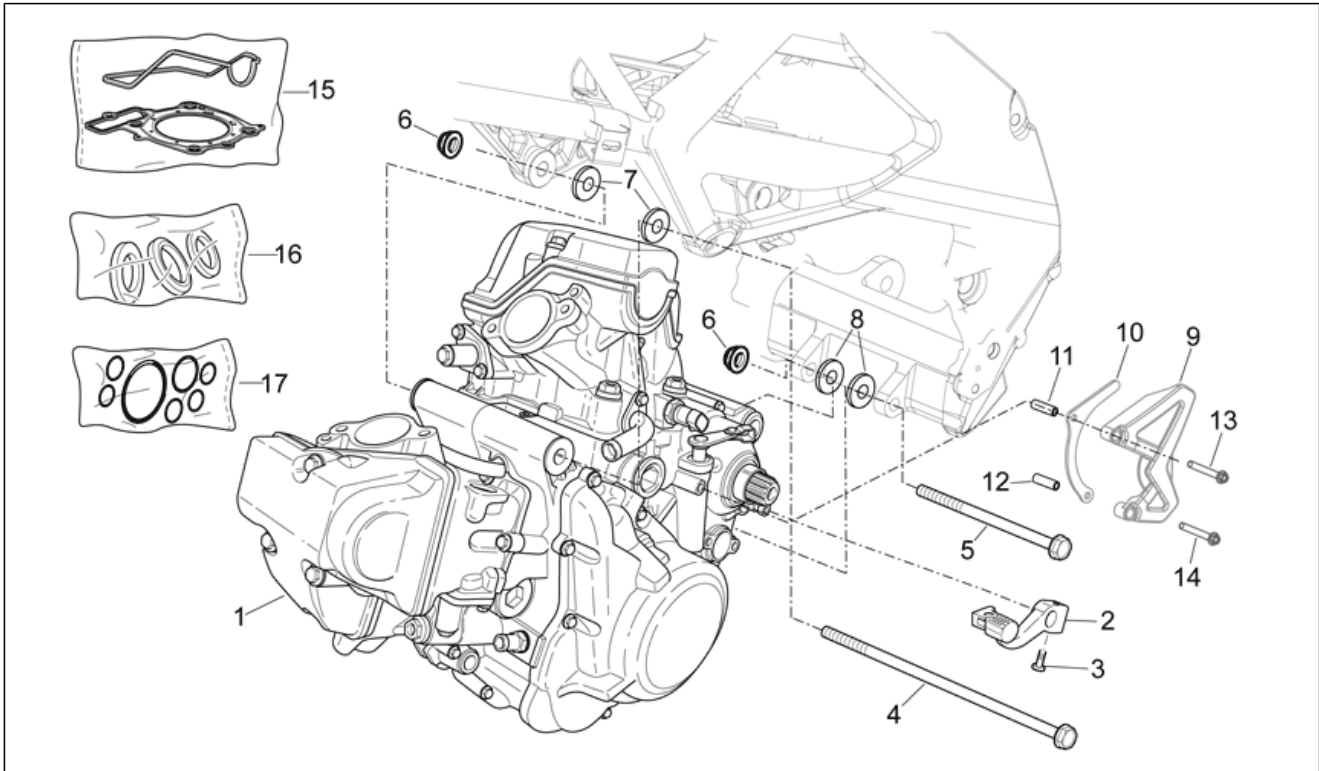
| Pos. | Code | Description | Qty | Variants |
|------|-----------|-----------------------|-----|---|
| 1 | 858512 | Silencer | 1 | Technical Specifications: Enduro 450 Version[RX45], Enduro 550 Version[RX55] |
| 2 | 858513 | Joint | 1 | Technical Specifications: Enduro 450 Version[RX45], Enduro 550 Version[RX55] |
| 3 | 858514 | Front. Exhaust pipe | 1 | Technical Specifications: Enduro 450 Version[RX45], Enduro 550 Version[RX55] |
| 4 | 858515 | Rear exhaust pipe | 1 | Technical Specifications: Enduro 450 Version[RX45], Enduro 550 Version[RX55] |
| 5 | 858516 | Flange | 2 | Technical Specifications: Enduro 450 Version[RX45], Enduro 550 Version[RX55] |
| 6 | 858517 | Bushing | 2 | Technical Specifications: Enduro 450 Version[RX45], Enduro 550 Version[RX55] |
| 7 | 858519 | Gasket | 2 | Technical Specifications: Enduro 450 Version[RX45], Enduro 550 Version[RX55] |
| 8 | 858520 | Plate | 2 | Technical Specifications: Enduro 450 Version[RX45], Enduro 550 Version[RX55] |
| 9 | 858521 | Hose clamp | 2 | Technical Specifications: Enduro 450 Version[RX45], Enduro 550 Version[RX55] |
| 10 | 858522 | Bracket | 1 | Technical Specifications: Enduro 450 Version[RX45], Enduro 550 Version[RX55] |
| 11 | 858523 | Spacer | 1 | Technical Specifications: Enduro 450 Version[RX45], Enduro 550 Version[RX55] |
| 12 | AP8144277 | Stand end stop | 1 | Technical Specifications: Enduro 450 Version[RX45], Enduro 550 Version[RX55] |
| 13 | 858524 | Spring | 7 | Technical Specifications: Enduro 450 Version[RX45], Enduro 550 Version[RX55] |
| 14 | AP8152290 | Screw w/ flange M8x40 | 1 | Technical Specifications: Enduro 450 Version[RX45], Enduro 550 Version[RX55] |
| 15 | AP8152286 | Screw w/ flange M8x20 | 2 | Technical Specifications: Enduro 450 Version[RX45], Enduro 550 Version[RX55] |
| 16 | AP8152288 | Screw w/ flange | 1 | Technical Specifications: Enduro 450 Version[RX45], Enduro 550 Version[RX55] |

| | |
|--------------------|-----------------|
| Group | FRAME |
| Code | 28.61 |
| Description | Exhaust unit II |
| Service | 1 |



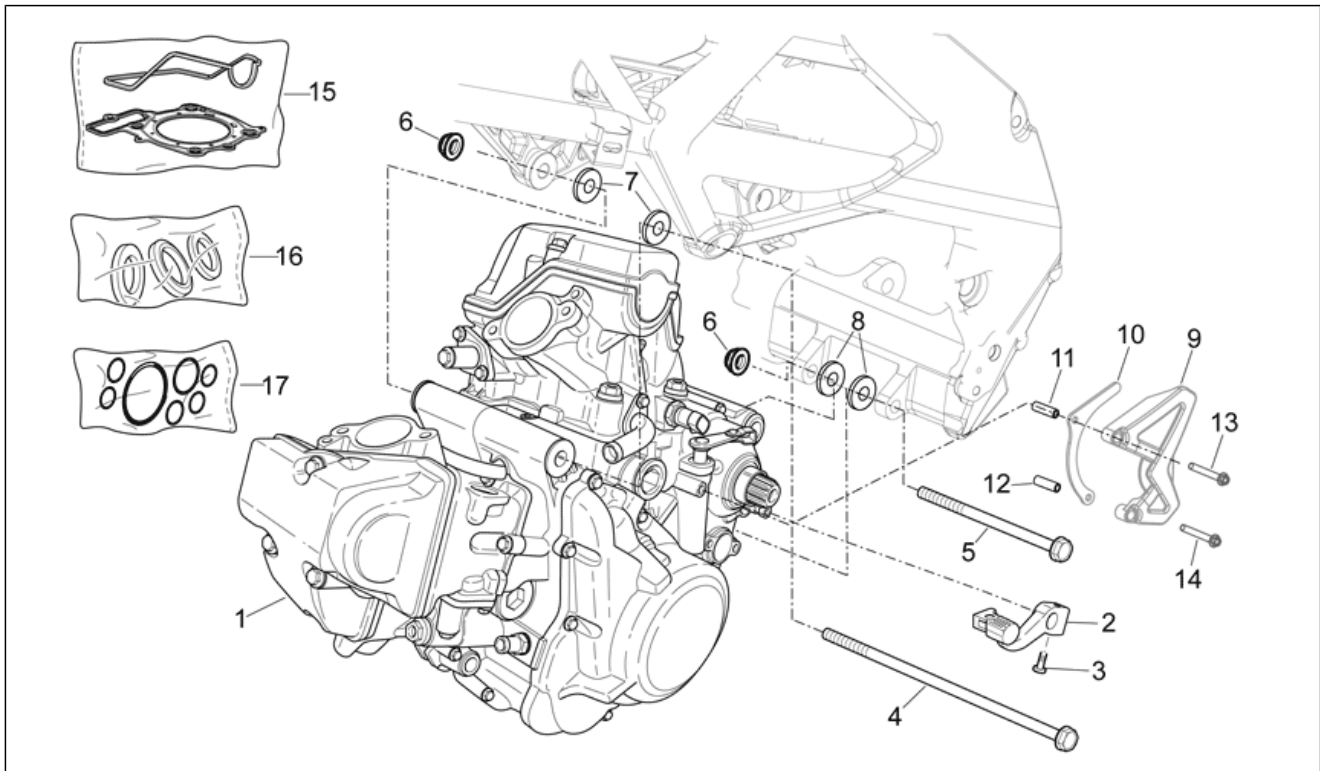
| Pos. | Code | Description | Qty | Variants |
|------|-----------|------------------------|-----|---|
| 17 | AP8150170 | Hex socket screw M8x25 | 1 | Technical Specifications: Enduro 450 Version[RX45], Enduro 550 Version[RX55] |
| 18 | 858525 | Plate | 1 | Technical Specifications: Enduro 450 Version[RX45], Enduro 550 Version[RX55] |
| 19 | 858540 | Clip | 1 | Technical Specifications: Enduro 450 Version[RX45], Enduro 550 Version[RX55] |
| 20 | AP8150009 | Washer | 4 | Technical Specifications: Enduro 450 Version[RX45], Enduro 550 Version[RX55] |
| 21 | AP8152300 | Self-locking nut M8 | 3 | Technical Specifications: Enduro 450 Version[RX45], Enduro 550 Version[RX55] |
| 22 | AP8120508 | T bush * | 1 | Technical Specifications: Enduro 450 Version[RX45], Enduro 550 Version[RX55] |
| 23 | AP8152279 | Screw w/ flange M6x20 | 2 | Technical Specifications: Enduro 450 Version[RX45], Enduro 550 Version[RX55] |
| 24 | AP8144087 | Rubber spacer | 1 | Technical Specifications: Enduro 450 Version[RX45], Enduro 550 Version[RX55] |
| 25 | 851449 | Guard | 1 | Technical Specifications: Enduro 450 Version[RX45], Enduro 550 Version[RX55] |
| 26 | 851448 | RH side panel, Racing | 1 | Technical Specifications: Enduro 450 Version[RX45], Enduro 550 Version[RX55] |
| 27 | 851495 | Wire | 1 | Technical Specifications: Enduro 450 Version[RX45], Enduro 550 Version[RX55] |
| 28 | AP8152289 | Screw w/ flange | 4 | Technical Specifications: Enduro 450 Version[RX45], Enduro 550 Version[RX55] |
| 29 | AP8152300 | Self-locking nut M8 | 3 | Technical Specifications: Enduro 450 Version[RX45], Enduro 550 Version[RX55] |
| 30 | 858409 | Exhaust unit KIT | 1 | Technical Specifications: Enduro 450 Version[RX45], Enduro 550 Version[RX55] |
| 31 | 858503 | Decal Racing | 1 | Technical Specifications: Enduro 450 Version[RX45], Enduro 550 Version[RX55] |

| | |
|--------------------|--------|
| Group | ENGINE |
| Code | 29.34 |
| Description | Engine |
| Service | 1 |



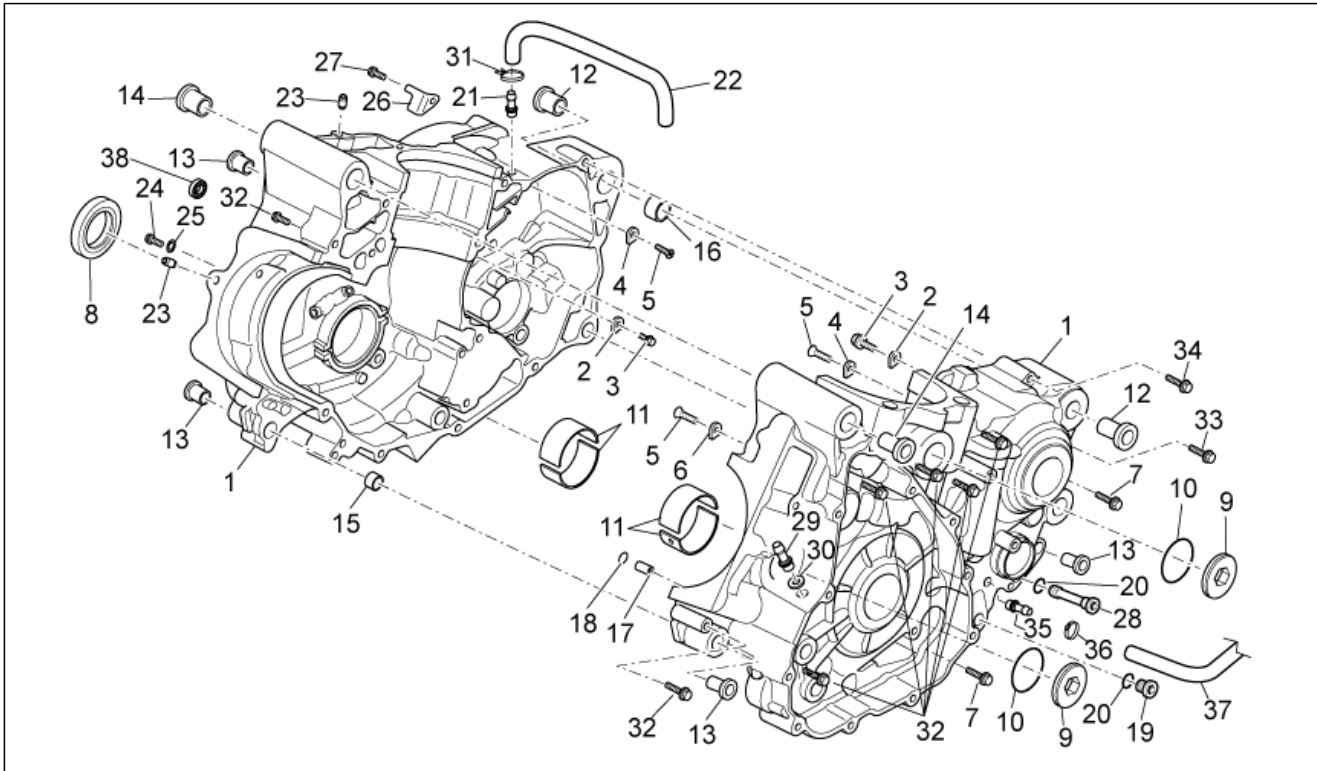
| Pos. | Code | Description | Qty | Variants |
|------|-----------|---------------------------|-----|--|
| 1 | CM2362045 | Engine | 1 | Country: EU[EU] Technical Specifications: Enduro 450 Version[RX45] |
| 1 | CM2362055 | Engine | 1 | Country: EU[EU] Technical Specifications: Motard Version 450[SX45] |
| 1 | CM2362075 | Engine | 1 | Country: United States of America[USA] Technical Specifications: Enduro 450 Version[RX45] |
| 1 | CM2362085 | Engine | 1 | Country: United States of America[USA] Technical Specifications: Motard Version 450[SX45] |
| 1 | CM2363045 | Engine | 1 | Country: EU[EU] Technical Specifications: Enduro 550 Version[RX55] |
| 1 | CM2363055 | Engine | 1 | Country: EU[EU] Technical Specifications: Motard Version 550[SX55] |
| 1 | CM2363075 | Engine | 1 | Country: United States of America[USA] Technical Specifications: Enduro 550 Version[RX55] |
| 1 | CM2363085 | Engine | 1 | Country: United States of America[USA] Technical Specifications: Motard Version 550[SX55] |
| 2 | AP9100411 | Gear lever | 1 | |
| 3 | AP8152280 | Screw w/ flange M6x25 | 1 | |
| 4 | AP9100593 | screw M10x1,25 L=202 | 1 | |
| 5 | AP9100443 | screw M10x1,25 L=102 | 1 | |
| 6 | AP9100643 | Self-locking nut M10x1,25 | 2 | |
| 7 | AP9100687 | Washer 28x10,5x3 | 2 | |
| 8 | AP9100683 | Washer 18x10,5x0,5 | 2 | |
| 8 | AP9100684 | Washer 18x10,5x1 | 2 | |
| 8 | AP9100685 | Washer 18x10,5x1,5 | 2 | |
| 8 | AP9100686 | Washer 18x10,5x2 | 2 | |
| 9 | AP9100374 | Sprocket cover | 1 | |
| 10 | AP9100367 | Chain guide | 1 | |
| 11 | AP9100383 | Bush | 1 | Technical Specifications: Motard Version 450[SX45], Motard Version 550[SX55] |

| | |
|--------------------|--------|
| Group | ENGINE |
| Code | 29.34 |
| Description | Engine |
| Service | 1 |



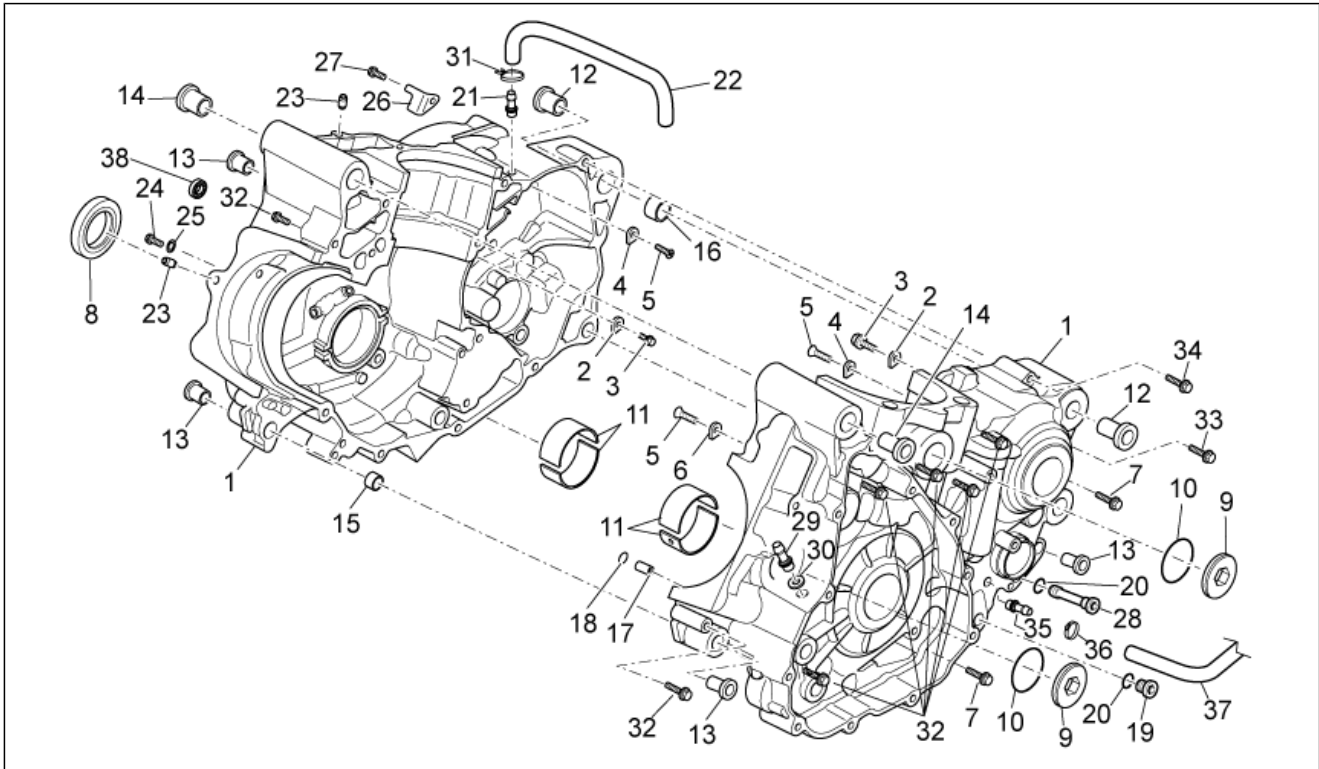
| Pos. | Code | Description | Qty | Variants |
|------|-----------|-----------------------|-----|---|
| 12 | AP9100381 | Bush | 1 | Technical Specifications: Motard Version 450[SX45], Motard Version 550[SX55] |
| 12 | AP9100550 | Bush | 1 | Technical Specifications: Enduro 450 Version[RX45], Enduro 550 Version[RX55] |
| 13 | AP8152281 | Screw w/ flange M6x30 | 1 | Technical Specifications: Enduro 450 Version[RX45], Enduro 550 Version[RX55] |
| 13 | AP9100433 | Screw w/ flange M6x50 | 1 | Technical Specifications: Motard Version 450[SX45], Motard Version 550[SX55] |
| 14 | AP8152283 | Screw w/ flange | 1 | Technical Specifications: Enduro 450 Version[RX45], Enduro 550 Version[RX55] |
| 14 | AP9150395 | Screw w/ flange M6x60 | 1 | Technical Specifications: Motard Version 450[SX45], Motard Version 550[SX55] |
| 15 | 855834 | Gasket set | 1 | Technical Specifications: Enduro 450 Version[RX45], Motard Version 450[SX45] |
| 15 | 855835 | Gasket set | 1 | Technical Specifications: Enduro 550 Version[RX55], Motard Version 550[SX55] |
| 16 | AP9150492 | Oil seals - set | 1 | |
| 17 | AP9150493 | OR set | 1 | |

| | |
|--------------------|-------------|
| Group | ENGINE |
| Code | 29.35 |
| Description | Crankcase I |
| Service | 1 |



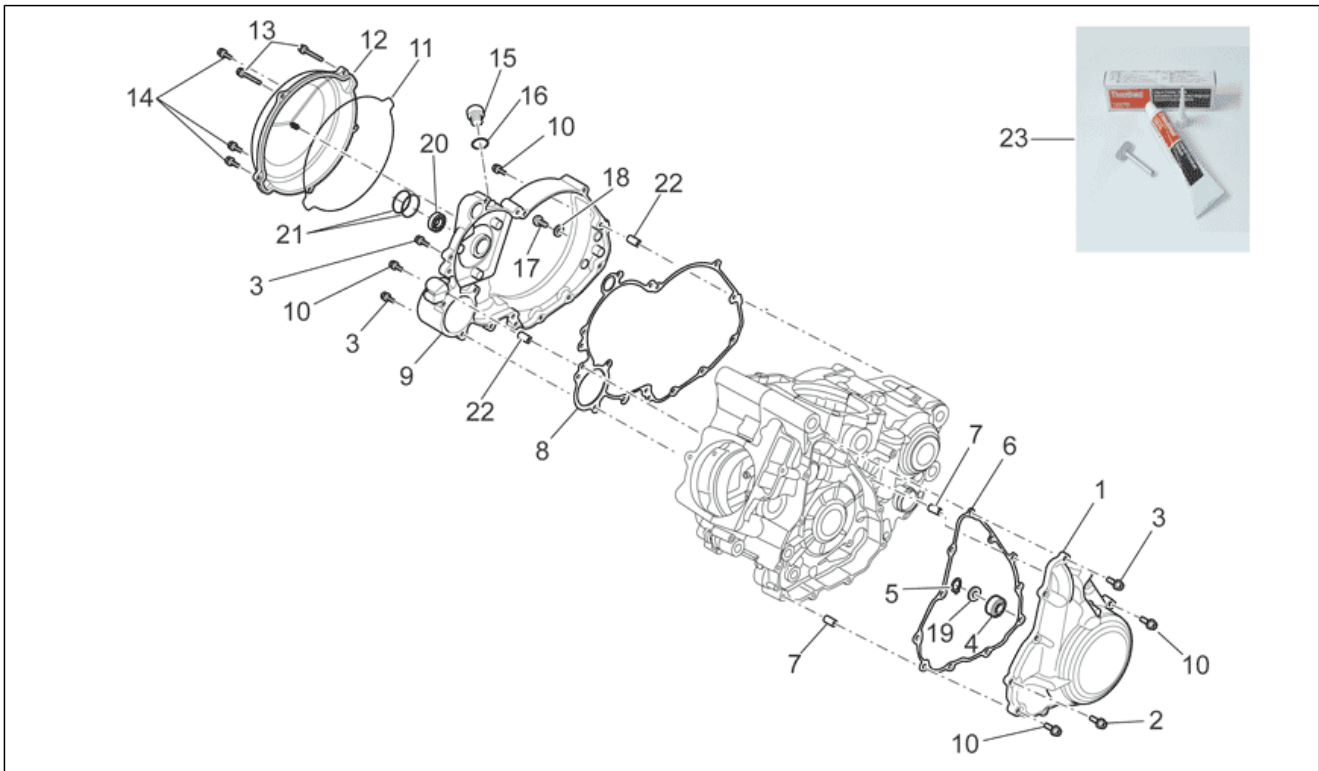
| Pos. | Code | Description | Qty | Variants |
|------|-----------|----------------------------|-----|---|
| 1 | CM155401 | Carter, pair | 1 | Technical Specifications: Enduro 450 Version[RX45] |
| 1 | CM155402 | Carter, pair | 1 | Technical Specifications: Motard Version 450[SX45] |
| 1 | CM155403 | Carter, pair | 1 | Technical Specifications: Enduro 550 Version[RX55] |
| 1 | CM155404 | Carter, pair | 1 | Technical Specifications: Motard Version 550[SX55] |
| 2 | AP9150146 | Check bearing plate | 3 | |
| 3 | AP8152277 | Screw w/ flange M6x12 | 3 | |
| 4 | AP9150145 | Check bearing plate | 2 | |
| 5 | AP9150394 | Screw M6x12 | 3 | |
| 6 | AP9150489 | Check bearing plate | 1 | |
| 7 | AP8152283 | Screw w/ flange | 6 | |
| 8 | AP9150435 | Oil seal D32x45x6 | 1 | |
| 9 | AP9150149 | Cover | 2 | |
| 10 | AP9150353 | O-ring D26,65x2,62 | 2 | |
| 11 | AP9150324 | Bearing half-shell, green | 4 | |
| 11 | AP9150456 | Bushing half-shell, blue | 4 | |
| 11 | AP9150457 | Bushing half-shell, yellow | 4 | |
| 12 | AP9150440 | T bush 34x21x10,5-L18 | 2 | |
| 13 | AP9150441 | T bush 28x13x10,5-L11,5 | 2 | |
| 14 | AP9150442 | T bush 19x13x10,5-L11,5 | 4 | |
| 15 | AP9150116 | Bush D16x19X13 | 1 | |
| 16 | AP9150115 | Bush D18x21X19 | 1 | |
| 17 | AP9150117 | Pin D7,2x9x12 | 1 | |
| 18 | AP9150350 | O-ring D8,73x1,78 | 1 | |
| 19 | AP9150174 | Oil unload plug | 1 | |
| 20 | AP9150349 | Seal washer D12x18x1,5 | 2 | |
| 21 | AP9150533 | Joint | 1 | |
| 22 | AP9150471 | Breather pipe | 1 | |
| 23 | AP9150346 | Jet | 2 | |

| | |
|--------------------|-------------|
| Group | ENGINE |
| Code | 29.35 |
| Description | Crankcase I |
| Service | 1 |



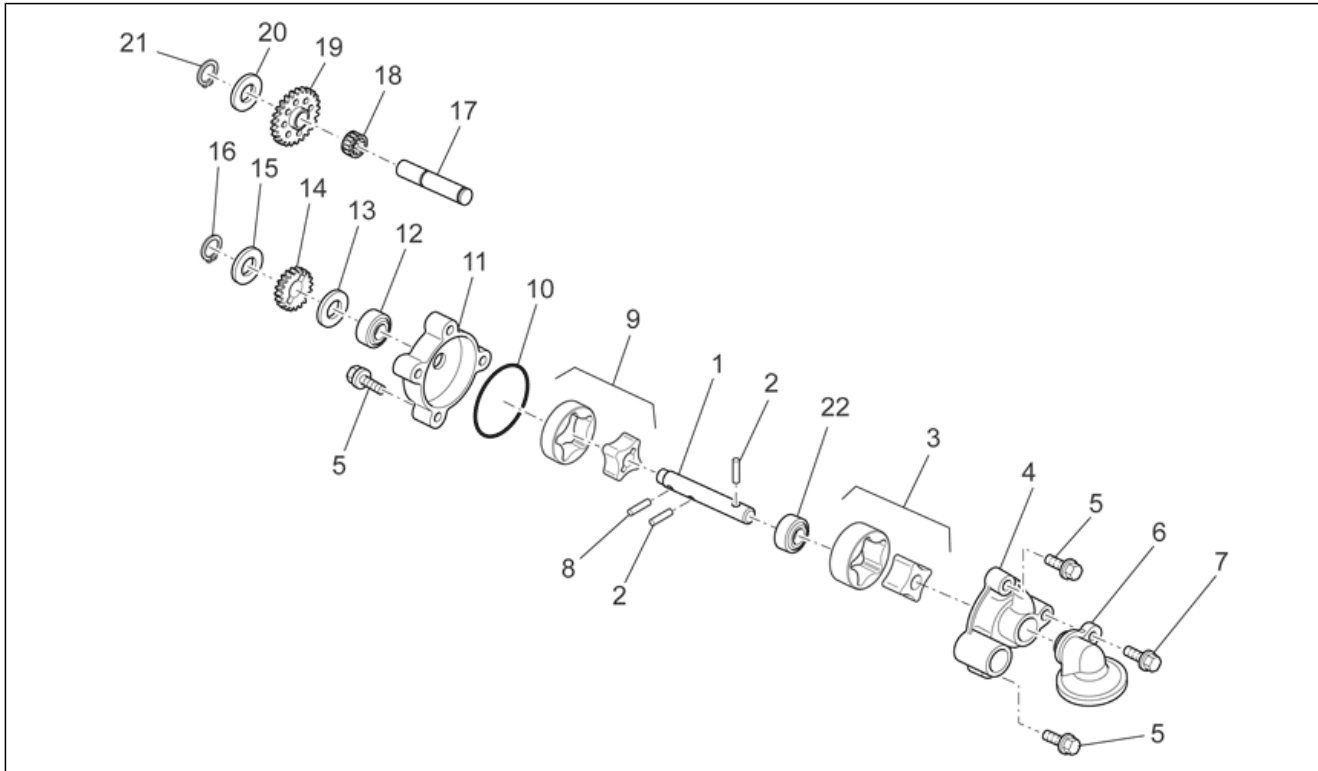
| Pos. | Code | Description | Qty | Variants |
|------|-----------|-------------------------|-----|----------|
| 24 | AP8152285 | Screw w/ flange | 1 | |
| 25 | AP8121862 | Washer D8x16x1,5 | 1 | |
| 26 | AP9150439 | Plate | 1 | |
| 27 | AP8152277 | Screw w/ flange M6x12 | 1 | |
| 28 | AP9150078 | Oil unload plug | 1 | |
| 29 | AP9150109 | Joint | 1 | |
| 30 | AP9150349 | Seal washer D12x18x1,5 | 1 | |
| 31 | AP8102377 | Hose clamp D9,1* | 1 | |
| 32 | AP9150526 | Screw w/ flange M7X1X42 | 7 | |
| 33 | AP8560104 | Screw w/ flange M6x65 | 1 | |
| 34 | AP8560106 | Screw w/ flange M6x75 | 1 | |
| 35 | AP9150344 | Joint | 1 | |
| 36 | AP9100998 | Hose clip | 1 | |
| 37 | AP9150545 | Breather pipe 5x9 | 1 | |
| 38 | 85114R | Radial bearing | 1 | |

| | |
|--------------------|--------------|
| Group | ENGINE |
| Code | 29.36 |
| Description | Crankcase II |
| Service | 1 |



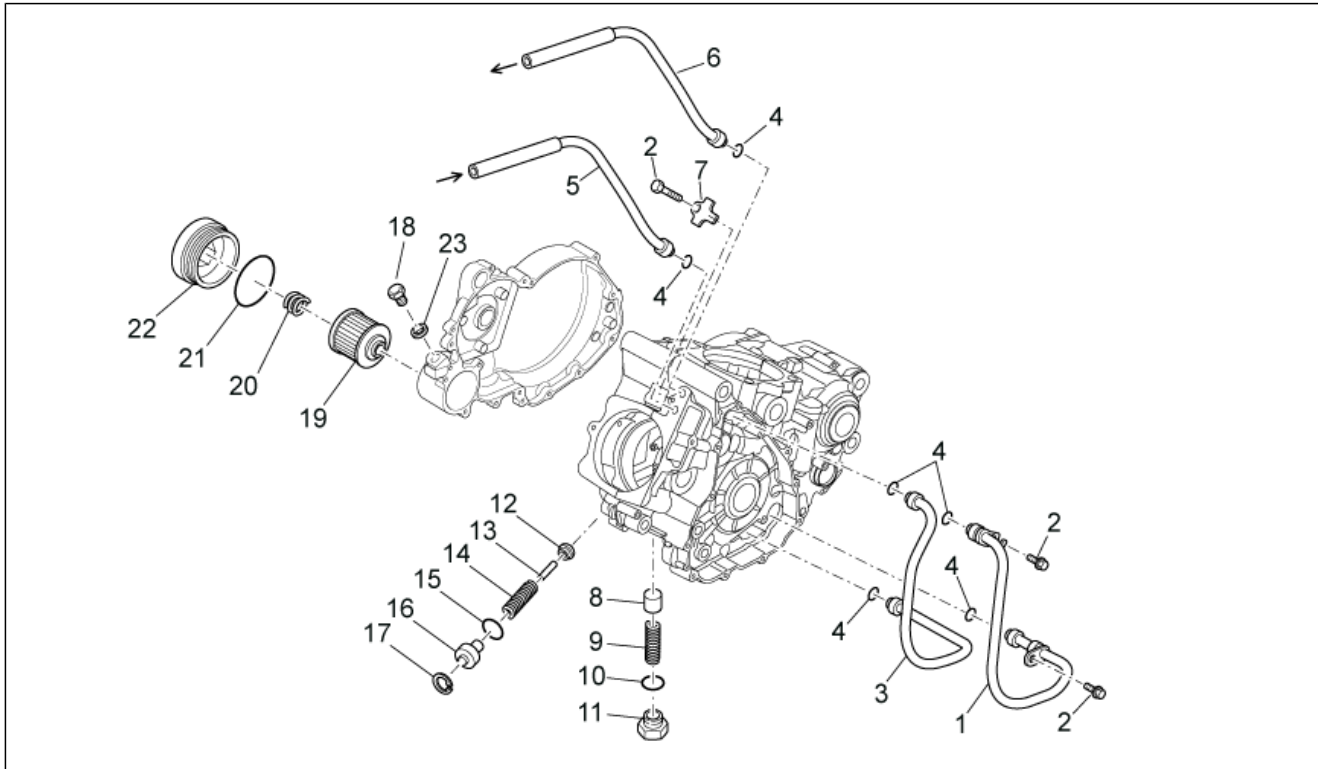
| Pos. | Code | Description | Qty | Variants |
|------|-----------|--------------------------------|-----|----------|
| 1 | AP9150152 | Ignition cover | 1 | |
| 2 | AP8152279 | Screw w/ flange M6x20 | 9 | |
| 3 | AP8152280 | Screw w/ flange M6x25 | 10 | |
| 4 | 851315 | Oil seal D12x22x5,5 | 1 | |
| 5 | AP9150524 | Circlip D25 | 1 | |
| 6 | AP9150153 | Gasket | 1 | |
| 7 | AP9150118 | Bush D6,2x8X15 | 2 | |
| 8 | AP9150148 | Gasket | 1 | |
| 9 | 851019 | Clutch side cover | 1 | |
| 10 | AP8152282 | Screw w/ flange M6x35 | 4 | |
| 11 | AP9150150 | O-ring D171,13x2,62 | 1 | |
| 12 | AP9150094 | Complete clutch cover | 1 | |
| 13 | AP9150395 | Screw w/ flange M6x60 | 2 | |
| 14 | AP8152278 | Screw w/ flange M6x16 | 3 | |
| 15 | AP9150410 | Oil plug M20x1,5 | 1 | |
| 16 | AP9150356 | O-ring D18,72x2,62 | 1 | |
| 17 | AP9150473 | Hex socket screw M6x10 | 1 | |
| 18 | AP9150351 | Seal washer D6x12x1 | 1 | |
| 19 | AP9150522 | Oil seal cup | 1 | |
| 20 | 851010 | Cover bushing Clutch crankcase | 1 | |
| 21 | 851012 | O-ring 20x1 | 2 | |
| 22 | 851017 | Bush D6,2x7,8X15 | 2 | |
| 23 | 855252 | Sealing compound | 1 | |

| | |
|--------------------|----------|
| Group | ENGINE |
| Code | 29.37 |
| Description | Oil pump |
| Service | 1 |



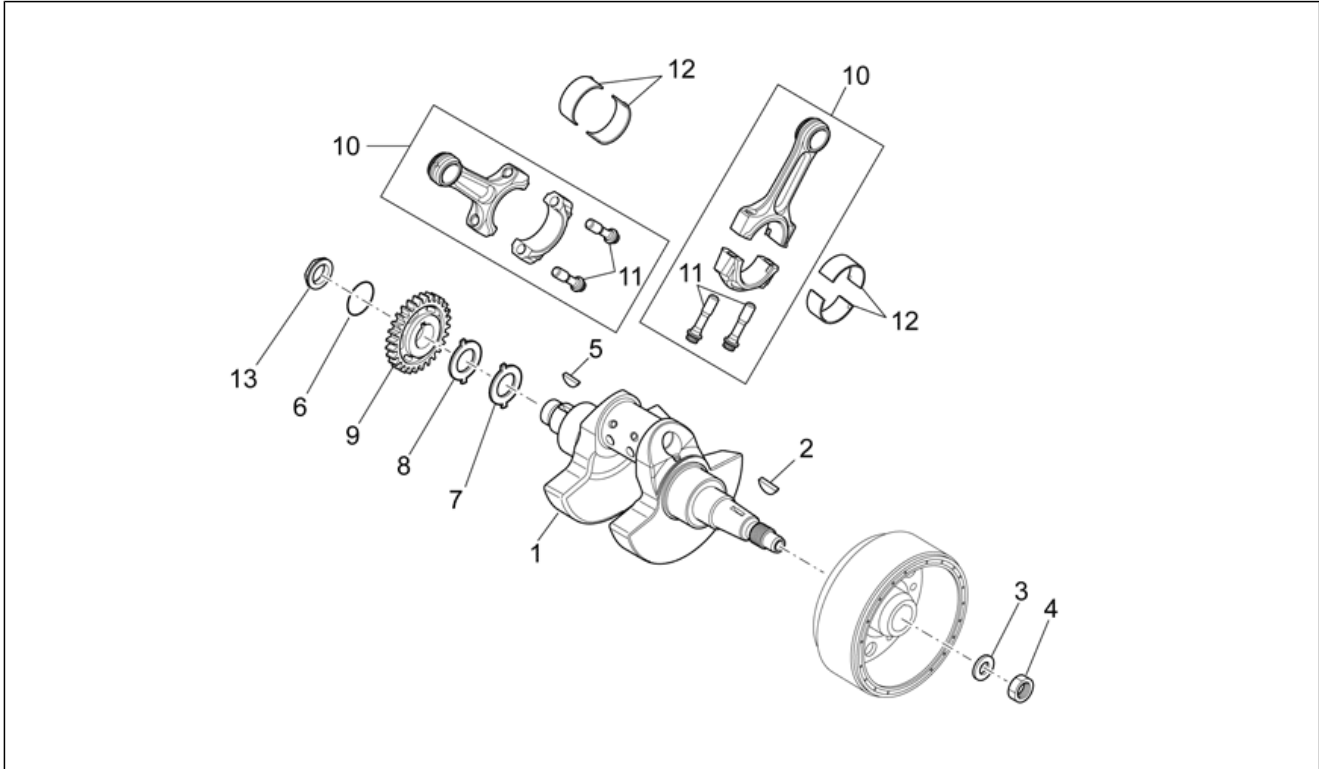
| Pos. | Code | Description | Qty | Variants |
|------|-----------|---------------------------------|-----|----------|
| 1 | AP9150071 | Oil pump shaft assy. | 1 | |
| 2 | AP9150377 | Pin 4x15,8 | 2 | |
| 3 | AP9150157 | Internal and external rotor H19 | 1 | |
| 4 | AP9150158 | Oil pump housing | 1 | |
| 5 | AP8152280 | Screw w/ flange M6x25 | 6 | |
| 6 | AP9150162 | Filter with net-air intake | 1 | |
| 7 | AP8152281 | Screw w/ flange M6x30 | 1 | |
| 8 | AP9150376 | Pin 4x13,8 | 1 | |
| 9 | AP9150291 | Internal and external rotor H8 | 1 | |
| 10 | AP9150461 | O-ring D44,17x1,78 | 1 | |
| 11 | AP9150217 | Oil pump housing | 1 | |
| 12 | AP9150385 | Oil seal D19x10x7/5.5 | 1 | |
| 13 | AP9150076 | Clearance washer 10,1x23 | 1 | |
| 14 | AP9150159 | Oil pump gear Z=12 | 1 | |
| 15 | AP9150075 | Clearance washer 9,1x16x | 1 | |
| 16 | AP9150396 | Circlip 9x1 | 1 | |
| 17 | AP9150160 | Pin 4x25,8 | 1 | |
| 18 | AP9150463 | Roller cage D11x16x10 | 1 | |
| 19 | AP9150161 | Idle gear Z=22 | 1 | |
| 20 | AP9150074 | Clearance washer 11,1x18 | 1 | |
| 21 | AP9150397 | Circlip D11 | 1 | |
| 22 | AP9150443 | Oil seal D10x16x4 | 1 | |

| | |
|--------------------|-------------|
| Group | ENGINE |
| Code | 29.38 |
| Description | Lubrication |
| Service | 1 |



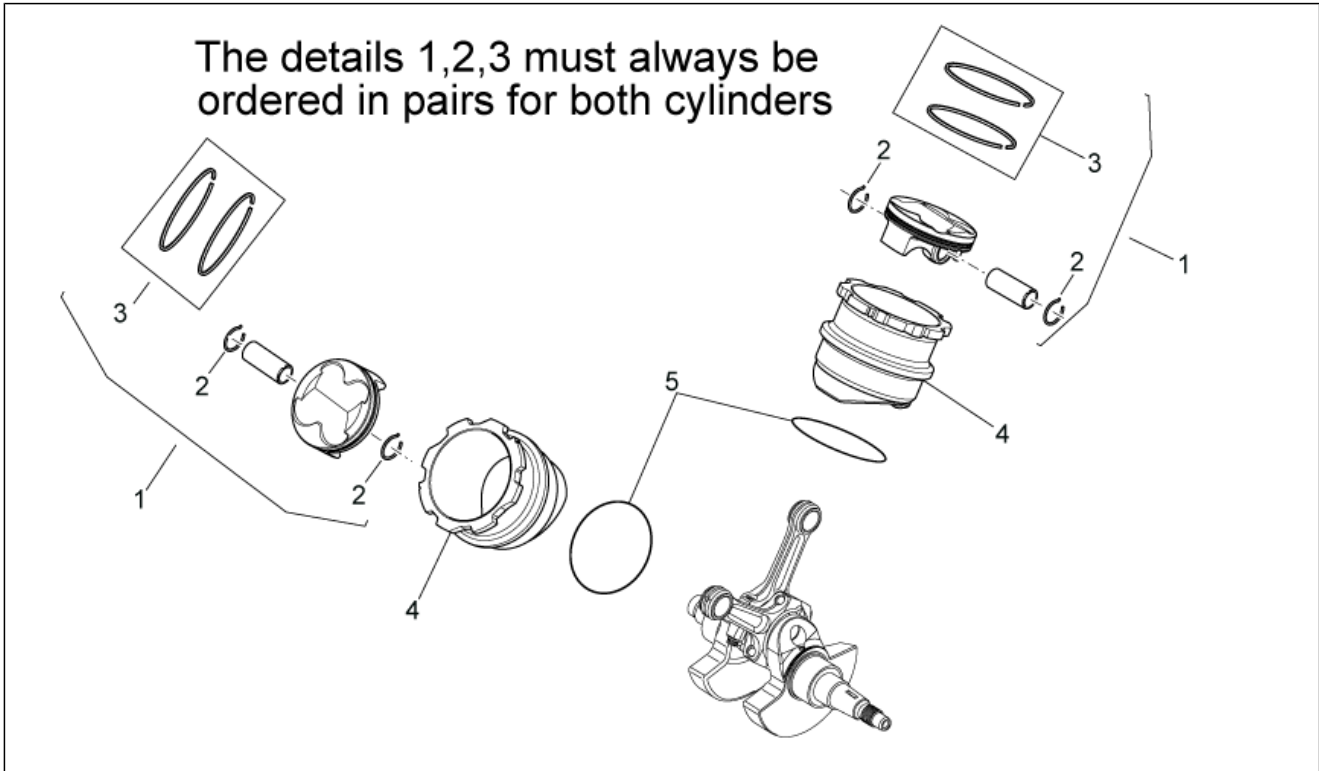
| Pos. | Code | Description | Qty | Variants |
|------|-----------|----------------------------|-----|----------|
| 1 | AP9150281 | Oil outlet pipe | 1 | |
| 2 | AP8152277 | Screw w/ flange M6x12 | 3 | |
| 3 | AP9150280 | Oil inlet pipe | 1 | |
| 4 | AP9150347 | O-ring D11x2 | 6 | |
| 5 | AP9100358 | Oil outlet pipe | 1 | |
| 6 | AP9100362 | Oil inlet pipe | 1 | |
| 7 | AP9100292 | Lock plate | 1 | |
| 8 | AP9150168 | Pressure adj. piston | 1 | |
| 9 | AP9150169 | Spring | 1 | |
| 10 | AP9150476 | O-ring D11,11x1,78 | 1 | |
| 11 | AP9150170 | Valve closer screw M14x1,5 | 1 | |
| 12 | AP9150171 | Oil anti-return valve | 1 | |
| 13 | AP9150321 | Pin | 1 | |
| 14 | AP9150173 | Spring | 1 | |
| 15 | AP9150477 | O-ring D14x1,78 | 1 | |
| 16 | AP9150172 | Coupling bush | 1 | |
| 17 | AP9150398 | Circlip D18 | 1 | |
| 18 | 851240 | Plug | 1 | |
| 19 | AP9150166 | Oil filter | 1 | |
| 20 | AP9150167 | Spring | 1 | |
| 21 | AP9150355 | O-ring D53,65x2,68 | 1 | |
| 22 | 851295 | Oil filter cover | 1 | |
| 23 | AP9150472 | Washer 10,5x17x1,5 | 1 | |

| | |
|--------------------|-------------|
| Group | ENGINE |
| Code | 29.39 |
| Description | Drive shaft |
| Service | 1 |



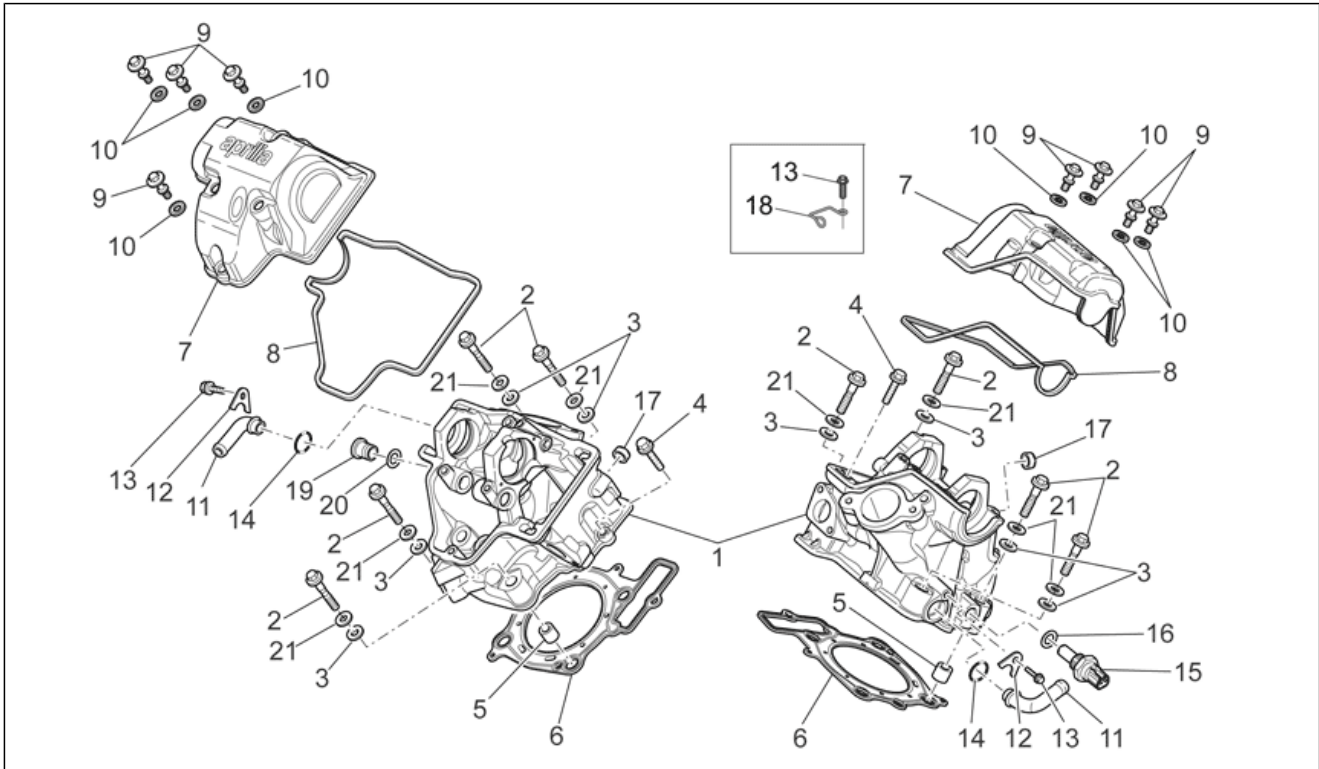
| Pos. | Code | Description | Qty | Variants |
|------|-----------|----------------------------|-----|---|
| 1 | 8553745 | Drive shaft | 1 | Technical Specifications: Enduro 550 Version[RX55], Motard Version 550[SX55] |
| 1 | AP9150019 | Drive shaft | 1 | Technical Specifications: Enduro 450 Version[RX45], Motard Version 450[SX45] |
| 2 | 851007 | Flywheel key D3x4,8 | 1 | |
| 3 | AP9150437 | Washer D15x28x2,5 | 1 | |
| 4 | AP9150436 | Nut M14x1 | 1 | |
| 5 | AP9150402 | Transmission key 4x6,5 | 1 | |
| 6 | AP9150525 | O-ring D16x3,5 | 1 | |
| 7 | AP9150065 | Fifth wheel 44x53x2 | 1 | |
| 8 | AP9150066 | Fifth wheel 36x50x1,4 | 1 | |
| 9 | AP9150210 | Pinion | 1 | |
| 10 | AP9150018 | Connecting rod cpl. | 2 | Technical Specifications: Enduro 450 Version[RX45], Motard Version 450[SX45] |
| 10 | AP9150315 | Connecting rod cpl. | 2 | Technical Specifications: Enduro 550 Version[RX55], Motard Version 550[SX55] |
| 11 | AP9150127 | Connecting rod screw | 4 | |
| 12 | AP9150323 | Bushing, green 35x38x16,5 | 4 | |
| 12 | AP9150454 | Bushing, blue 35x38x16,5 | 4 | |
| 12 | AP9150455 | Bushing, yellow 35x38x16,5 | 4 | |
| 13 | AP9150236 | Flanged nut M18x1,25 | 1 | |

| | |
|--------------------|----------------------|
| Group | ENGINE |
| Code | 29.40 |
| Description | Cylinder with piston |
| Service | 1 |



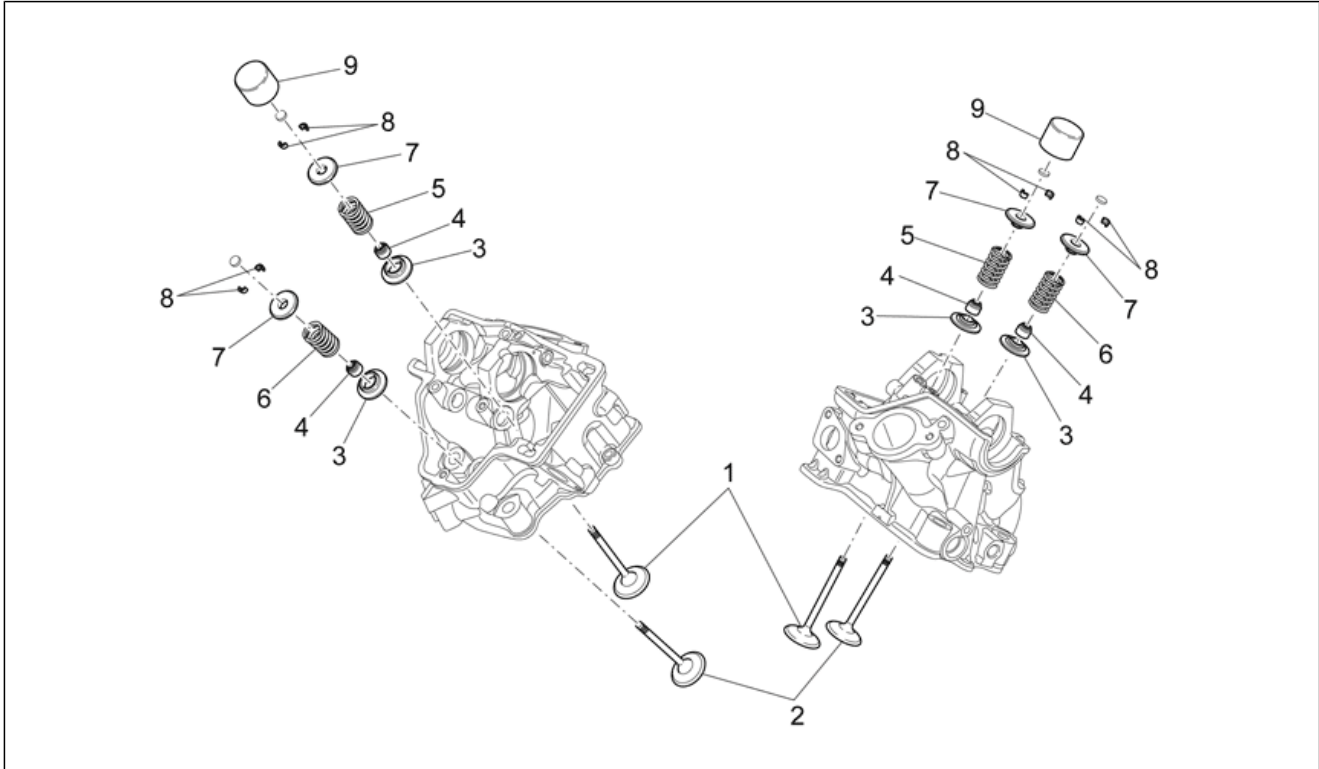
| Pos. | Code | Description | Qty | Variants |
|------|-----------|----------------------|-----|---|
| 1 | 851035 | Piston assy D76 | 2 | Technical Specifications: Supplier "Asso"[A], Enduro 450 Version[RX45], Motard Version 450[SX45] |
| 1 | 851039 | Piston assy D80 | 2 | Technical Specifications: Supplier "Asso"[A], Enduro 550 Version[RX55], Motard Version 550[SX55] |
| 2 | 851042 | Stop ring | 4 | Technical Specifications: Enduro 550 Version[RX55], Motard Version 550[SX55] |
| 2 | 851045 | Stop ring | 4 | Technical Specifications: Enduro 450 Version[RX45], Motard Version 450[SX45] |
| 3 | 851298 | Piston rings set D76 | 2 | Technical Specifications: Supplier "Asso"[A], Enduro 450 Version[RX45], Motard Version 450[SX45] |
| 3 | 855601 | Piston rings set D80 | 2 | Technical Specifications: Supplier "Asso"[A], Enduro 550 Version[RX55], Motard Version 550[SX55] |
| 3 | AP9150123 | Piston rings set D76 | 2 | Technical Specifications: 450 version[450], Supplier "Duraldur"[D] |
| 3 | AP9150338 | Piston rings set D80 | 2 | Technical Specifications: 550 version[550], Supplier "Duraldur"[D] |
| 4 | AP9150007 | Cylinder D76 | 2 | Technical Specifications: Enduro 450 Version[RX45], Motard Version 450[SX45] |
| 4 | AP9150301 | Cylinder D80 | 2 | Technical Specifications: Enduro 550 Version[RX55], Motard Version 550[SX55] |
| 5 | AP9150343 | O-ring D82,22x2,62 | 2 | |

| | |
|--------------------|---------------|
| Group | ENGINE |
| Code | 29.41 |
| Description | Cylinder head |
| Service | 1 |



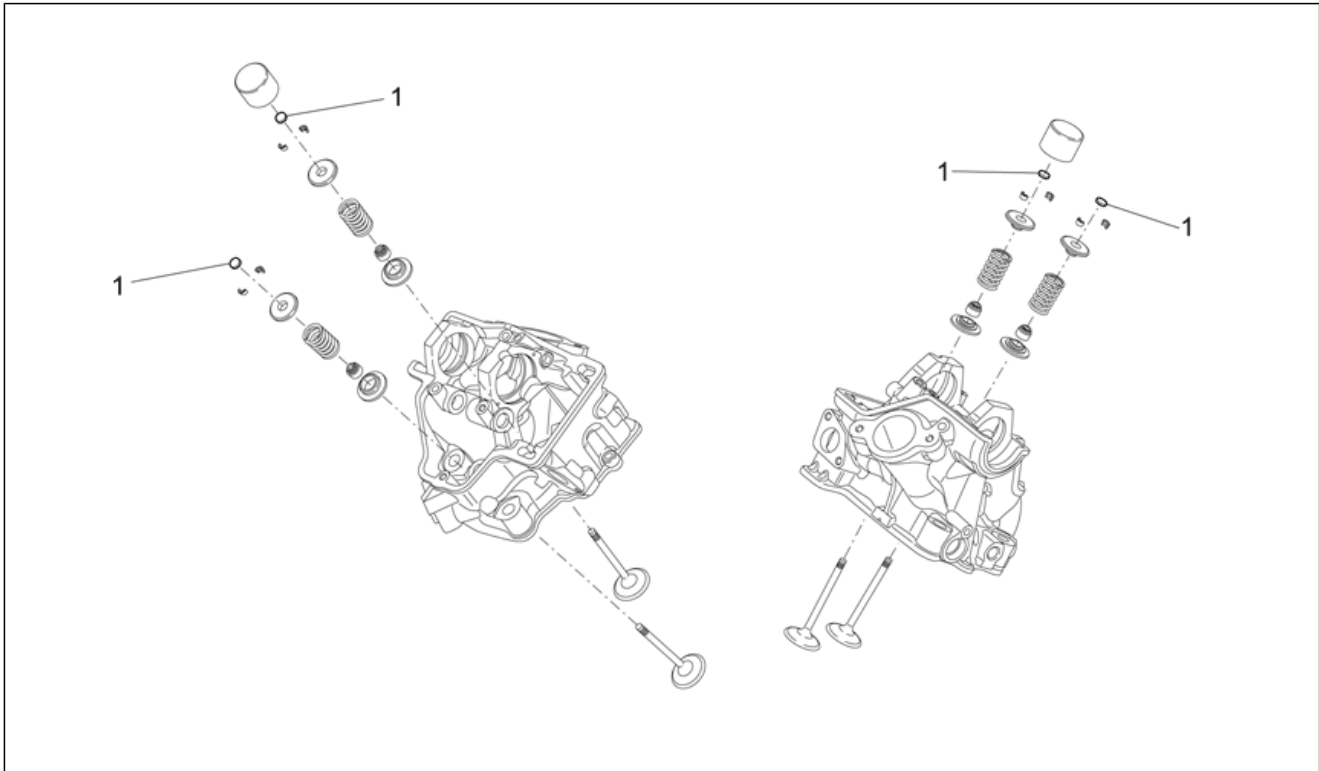
| Pos. | Code | Description | Qty | Variants |
|------|-----------|--------------------------|-----|---|
| 1 | AP9150317 | Cylinder head assy. | 2 | |
| 2 | AP9150112 | Screw w/ flange M10x58,5 | 8 | |
| 3 | AP9150113 | Washer D10x20x2 | 8 | |
| 4 | AP8152280 | Screw w/ flange M6x25 | 2 | |
| 5 | AP9150114 | Bush | 4 | |
| 6 | 855034 | Cylinder head gasket | 2 | Technical Specifications: Enduro 450 Version[RX45], Motard Version 450[SX45] |
| 6 | 855035 | Cylinder head gasket | 2 | Technical Specifications: Enduro 550 Version[RX55], Motard Version 550[SX55] |
| 7 | AP9150009 | Head cover | 2 | |
| 8 | AP9150010 | Cover gasket | 2 | |
| 9 | AP9150111 | Special screw | 8 | |
| 10 | AP9150110 | Gasket | 8 | |
| 11 | AP9150120 | Joint | 2 | |
| 12 | AP9150121 | Plate | 2 | |
| 13 | AP8152277 | Screw w/ flange M6x12 | 3 | |
| 14 | AP9150469 | O-ring D13,95x2,62 | 2 | |
| 15 | AP9150181 | Temp. Sensor H2O | 1 | |
| 16 | AP9150349 | Seal washer D12x18x1,5 | 1 | |
| 17 | AP9150312 | Cover D20 | 2 | |
| 18 | AP8121856 | Cable-guide | 1 | |
| 19 | AP9150174 | Oil unload plug | 1 | |
| 20 | AP9150349 | Seal washer D12x18x1,5 | 1 | |
| 21 | AP9100999 | Spring washer | 8 | |

| | |
|--------------------|--------|
| Group | ENGINE |
| Code | 29.42 |
| Description | Valves |
| Service | 1 |



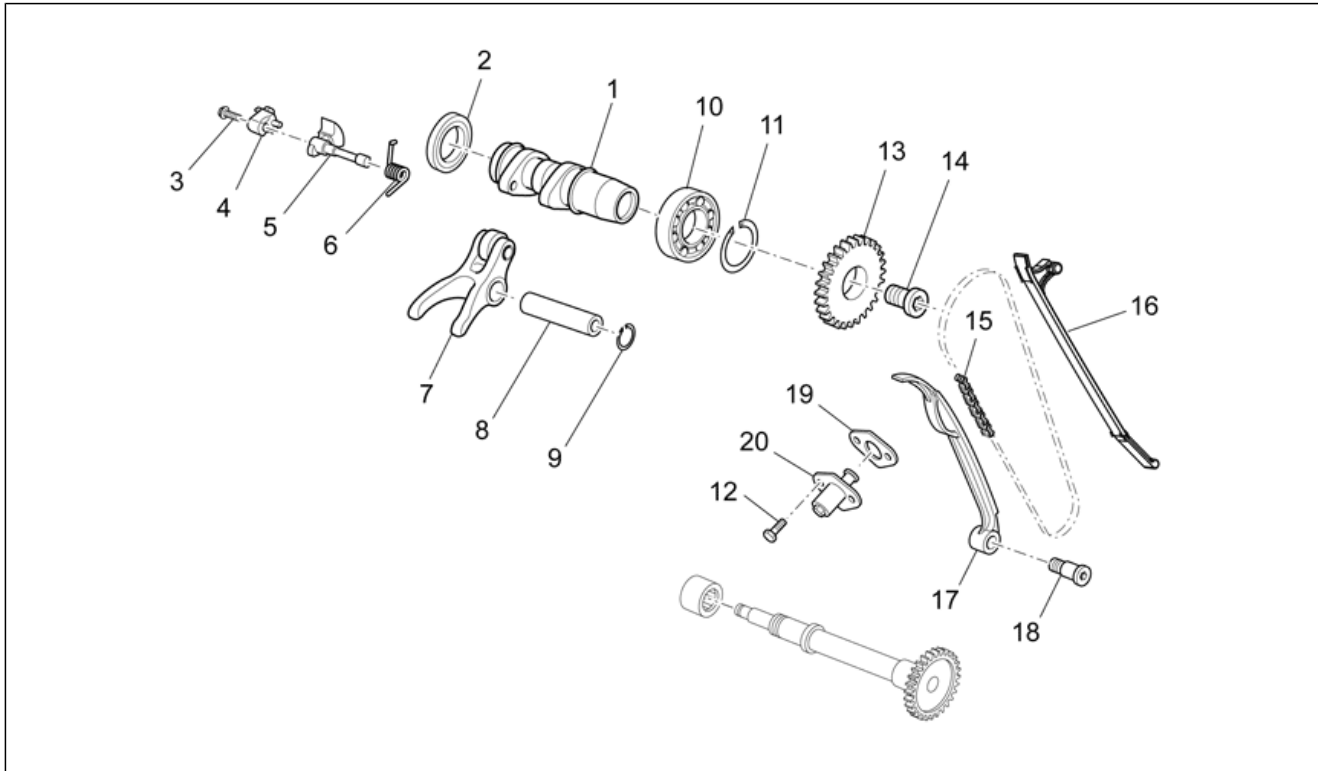
| Pos. | Code | Description | Qty | Variants |
|------|-----------|----------------------|-----|----------|
| 1 | AP9150022 | Intake valve | 4 | |
| 2 | AP9150023 | Exhaust valve | 4 | |
| 3 | AP9150028 | Lower cup | 8 | |
| 4 | AP9150104 | Valve stem seal D5 | 8 | |
| 5 | AP9150024 | Intake valve spring | 4 | |
| 6 | AP9150025 | Exhaust valve spring | 4 | |
| 7 | 891170 | Upper cup | 8 | |
| 8 | AP9150106 | Valve half-cone | 16 | |
| 9 | AP9150107 | Valve lifter bucket | 4 | |

| | |
|--------------------|-------------|
| Group | ENGINE |
| Code | 29.43 |
| Description | Valves pads |
| Service | 1 |



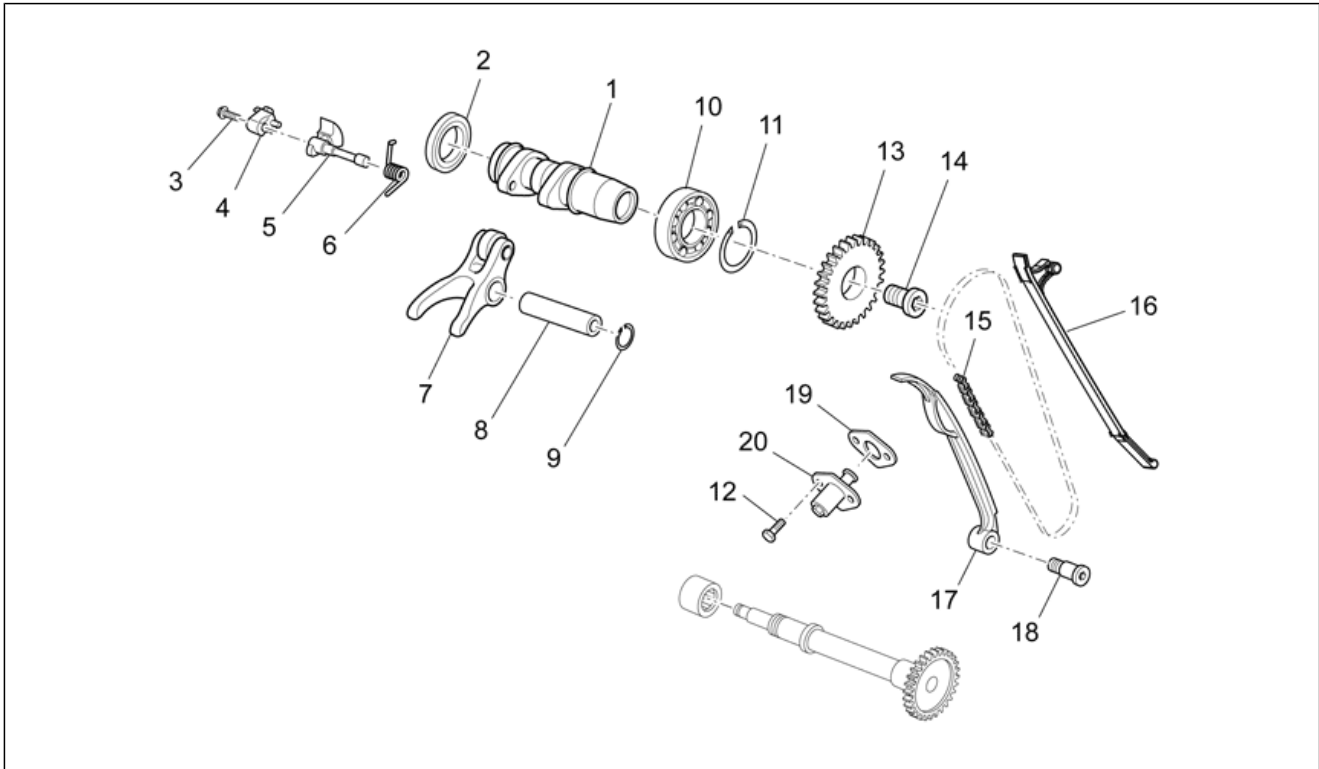
| Pos. | Code | Description | Qty | Variants |
|------|-----------|-------------|-----|----------|
| 1 | AP9150143 | Pad 1,40 | 8 | |
| 1 | AP9150417 | Pad 1,45 | 1 | |
| 1 | AP9150418 | Pad 1,50 | 1 | |
| 1 | AP9150419 | Pad 1,55 | 1 | |
| 1 | AP9150420 | Pad 1,60 | 1 | |
| 1 | AP9150421 | Pad 1,65 | 1 | |
| 1 | AP9150422 | Pad 1,70 | 1 | |
| 1 | AP9150423 | Pad 1,75 | 1 | |
| 1 | AP9150424 | Pad 1,80 | 1 | |
| 1 | AP9150425 | Pad 1,85 | 1 | |
| 1 | AP9150426 | Pad 1,90 | 1 | |
| 1 | AP9150427 | Pad 1,95 | 1 | |
| 1 | AP9150428 | Pad 2,00 | 1 | |
| 1 | AP9150429 | Pad 2,05 | 1 | |
| 1 | AP9150430 | Pad 2,10 | 1 | |
| 1 | AP9150431 | Pad 2,15 | 1 | |
| 1 | AP9150432 | Pad 2,20 | 1 | |
| 1 | AP9150433 | Pad 2,25 | 1 | |
| 1 | AP9150434 | Pad 2,30 | 1 | |

| | |
|--------------------|------------------------------|
| Group | ENGINE |
| Code | 29.44 |
| Description | Front cylinder timing system |
| Service | 1 |



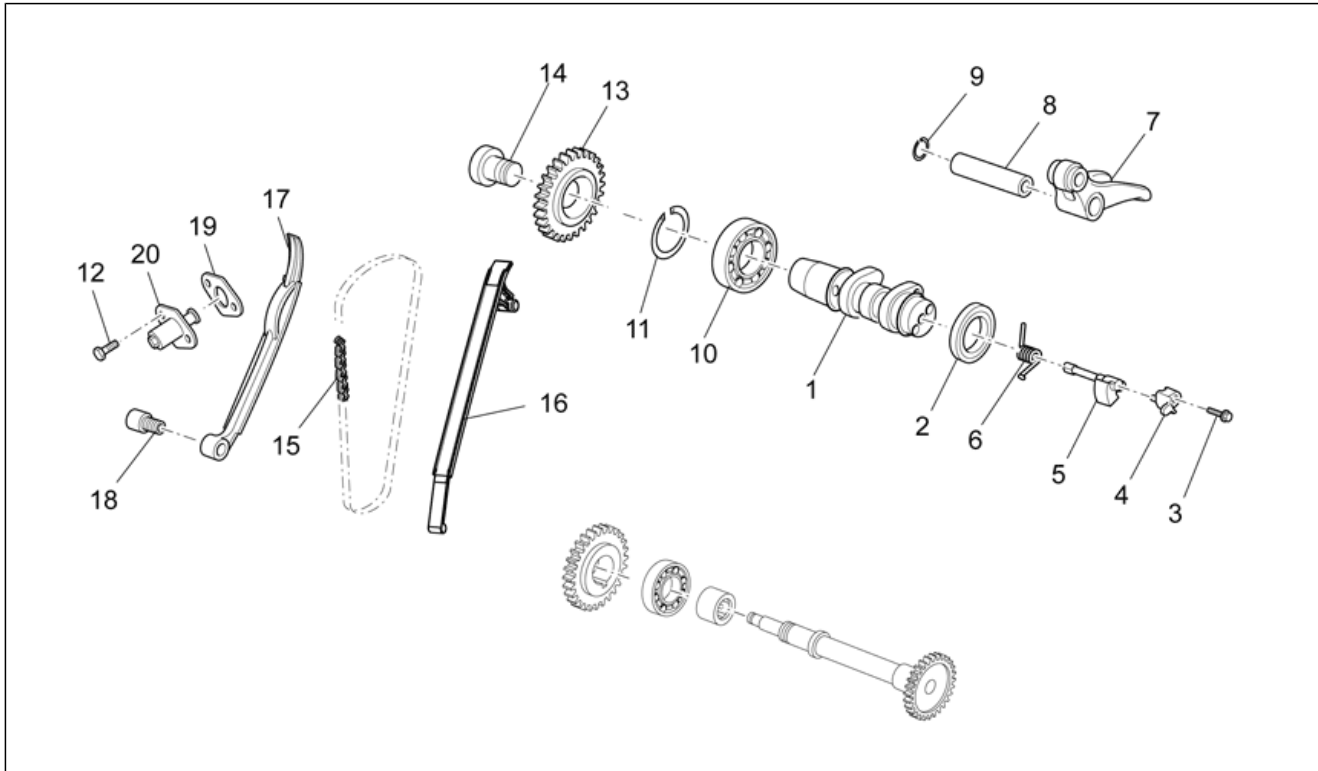
| Pos. | Code | Description | Qty | Variants |
|------|-----------|----------------------------|-----|---|
| 1 | 851000 | Front camshaft | 1 | Technical Specifications: Motard Version 450[SX45], Motard Version 550[SX55] |
| 1 | 851002 | Front camshaft | 1 | Technical Specifications: Enduro 450 Version[RX45], Enduro 550 Version[RX55] |
| 2 | AP9150364 | Ball bearing D25x37x7 | 1 | |
| 3 | AP8152274 | Screw w/ flange M5x20 | 1 | |
| 4 | AP9150303 | Block | 1 | |
| 5 | AP9150448 | Front valve control | 1 | |
| 5 | CM238602 | Front valve control "5.90" | 1 | |
| 5 | CM238603 | Front valve control "5.85" | 1 | |
| 5 | CM238604 | Front valve control "5.80" | 1 | |
| 5 | CM238605 | Front valve control "5.75" | 1 | |
| 5 | CM238606 | Front valve control "5.70" | 1 | |
| 6 | AP9150138 | Spring | 1 | |
| 7 | AP9150096 | Rocker arm exhaust | 1 | |
| 8 | AP9150101 | Rocker shaft | 1 | |
| 9 | AP9150102 | Snap ring | 1 | |
| 10 | AP9150372 | Ball bearing D25x42x9 | 1 | |
| 11 | AP9150391 | Snap ring D42 | 2 | |
| 12 | AP8152278 | Screw w/ flange M6x16 | 2 | |
| 13 | AP9150506 | Timing gear Z=22 | 1 | |
| 14 | AP9150507 | Special screw M16x1 | 1 | |
| 15 | AP9150133 | Camshaft chain | 1 | Technical Specifications: Enduro 450 Version[RX45], Motard Version 450[SX45] |
| 15 | AP9150327 | Camshaft chain | 1 | Technical Specifications: Enduro 550 Version[RX55], Motard Version 550[SX55] |
| 16 | AP9150011 | Chain guide plate L177 | 1 | Technical Specifications: Enduro 450 Version[RX45], Motard Version 450[SX45] |

| | |
|--------------------|------------------------------|
| Group | ENGINE |
| Code | 29.44 |
| Description | Front cylinder timing system |
| Service | 1 |



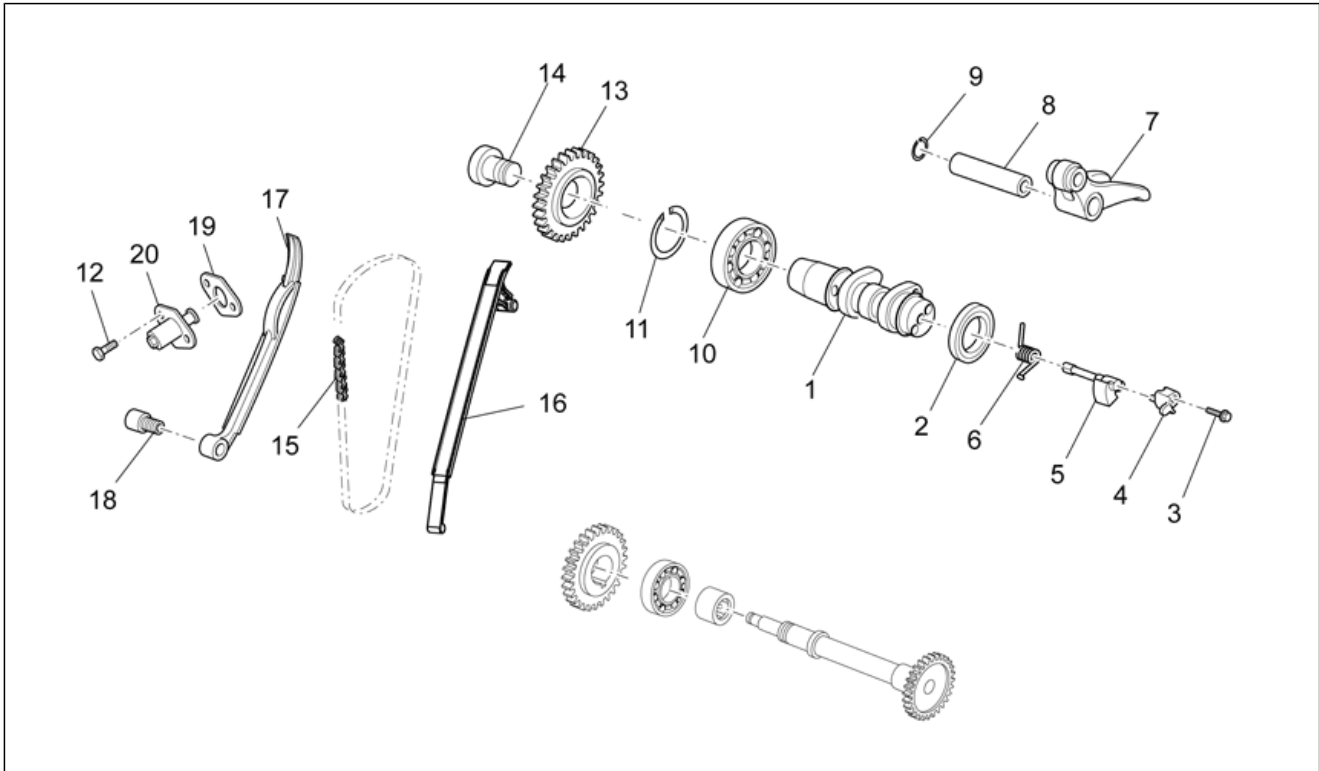
| Pos. | Code | Description | Qty | Variants |
|------|-----------|-------------------------------|-----|---|
| 16 | AP9150300 | Chain guide plate L186 | 1 | Technical Specifications: Enduro 550 Version[RX55], Motard Version 550[SX55] |
| 17 | AP9150012 | Chain tensioner sliding block | 1 | Technical Specifications: Enduro 550 Version[RX55], Motard Version 550[SX55] |
| 18 | AP9150231 | Screw M6x12 | 1 | |
| 19 | AP9150141 | Chain tensioner gasket | 1 | |
| 20 | AP9150140 | Chain tensioner | 1 | |

| | |
|--------------------|-----------------------------|
| Group | ENGINE |
| Code | 29.45 |
| Description | Rear cylinder timing system |
| Service | 1 |



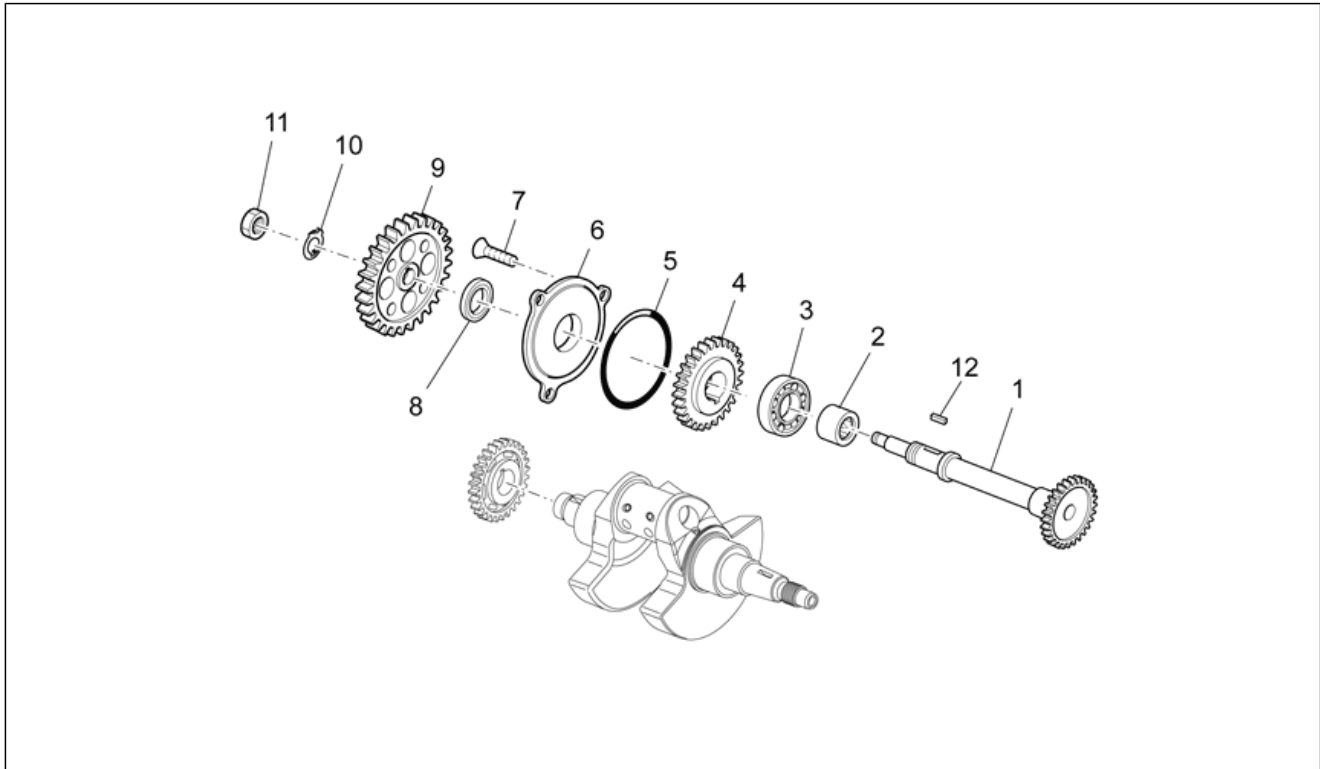
| Pos. | Code | Description | Qty | Variants |
|------|-----------|-------------------------------|-----|---|
| 1 | 851001 | Rear camshaft | 1 | Technical Specifications: Motard Version 450[SX45], Motard Version 550[SX55] |
| 1 | 851003 | Rear camshaft | 1 | Technical Specifications: Enduro 450 Version[RX45], Enduro 550 Version[RX55] |
| 2 | AP9150364 | Ball bearing D25x37x7 | 1 | |
| 3 | AP8152274 | Screw w/ flange M5x20 | 1 | |
| 4 | AP9150303 | Block | 1 | |
| 5 | AP9150450 | Rear valve control | 1 | Technical Specifications: Enduro 450 Version[RX45], Enduro 550 Version[RX55] |
| 5 | AP9150450 | Rear valve control | 1 | Technical Specifications: Motard Version 450[SX45], Motard Version 550[SX55] |
| 6 | AP9150304 | Spring | 1 | |
| 7 | AP9150096 | Rocker arm exhaust | 1 | |
| 8 | AP9150101 | Rocker shaft | 1 | |
| 8 | AP9150102 | Snap ring | 1 | |
| 10 | AP9150372 | Ball bearing D25x42x9 | 1 | |
| 11 | AP9150391 | Snap ring D42 | 2 | |
| 12 | AP8152278 | Screw w/ flange M6x16 | 2 | |
| 13 | AP9150506 | Timing gear Z=22 | 1 | |
| 14 | AP9150508 | Special screw M16x1 | 1 | |
| 15 | AP9150133 | Camshaft chain | 1 | Technical Specifications: Enduro 450 Version[RX45], Motard Version 450[SX45] |
| 15 | AP9150327 | Camshaft chain | 1 | Technical Specifications: Enduro 550 Version[RX55], Motard Version 550[SX55] |
| 16 | AP9150011 | Chain guide plate L177 | 1 | Technical Specifications: Enduro 450 Version[RX45], Motard Version 450[SX45] |
| 16 | AP9150300 | Chain guide plate L186 | 1 | Technical Specifications: Enduro 550 Version[RX55], Motard Version 550[SX55] |
| 17 | AP9150012 | Chain tensioner sliding block | 1 | Technical Specifications: Enduro 550 Version[RX55], Motard Version 550[SX55] |

| | |
|--------------------|-----------------------------|
| Group | ENGINE |
| Code | 29.45 |
| Description | Rear cylinder timing system |
| Service | 1 |



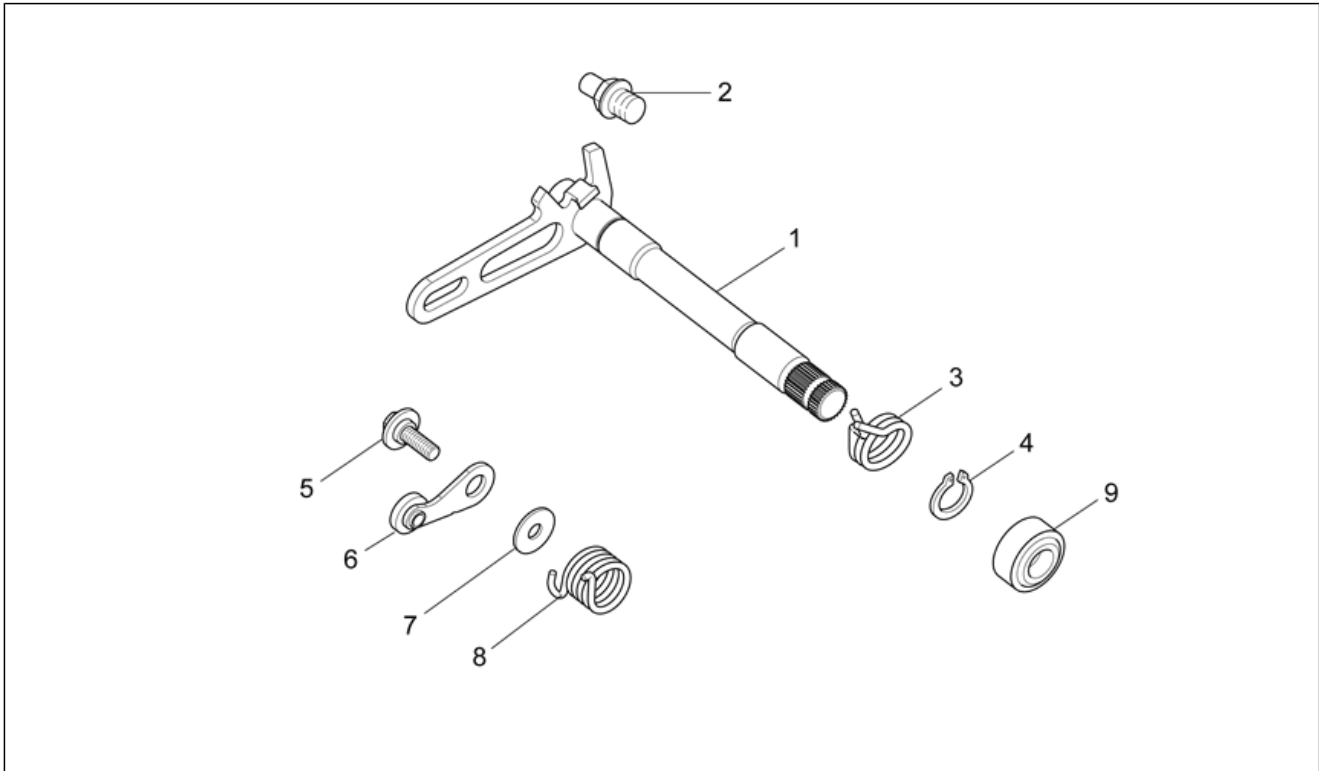
| Pos. | Code | Description | Qty | Variants |
|------|-----------|------------------------|-----|----------|
| 18 | AP9150142 | Screw M6x12 | 1 | |
| 19 | AP9150141 | Chain tensioner gasket | 1 | |
| 20 | AP9150140 | Chain tensioner | 1 | |

| | |
|--------------------|--------------------|
| Group | ENGINE |
| Code | 29.46 |
| Description | Transmission shaft |
| Service | 1 |



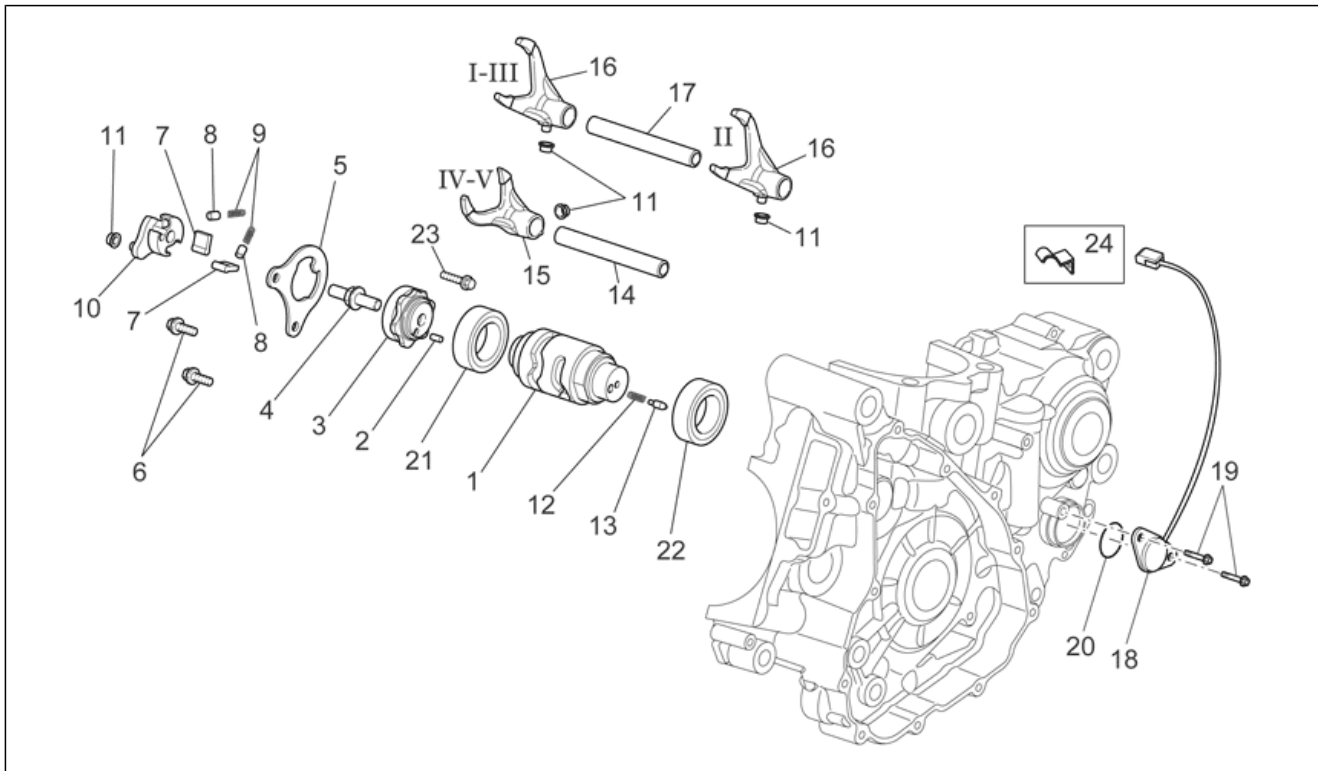
| Pos. | Code | Description | Qty | Variants |
|------|-----------|-------------------------|-----|----------|
| 1 | 851009 | Transmission shaft Z=20 | 1 | |
| 2 | AP9150366 | Bearing D14x22x13 | 1 | |
| 3 | AP9150387 | Ball bearing D12x28x8 | 1 | |
| 4 | AP9150273 | Timing gear Z=20 | 1 | |
| 5 | AP9150348 | O-ring D79x1,78 | 1 | |
| 6 | AP9150483 | Flange | 1 | |
| 7 | 844211 | Hex socket screw | 3 | |
| 8 | AP9150390 | Oil seal D28x20x6 | 1 | |
| 9 | AP9150285 | Timing gear Z=40 | 1 | |
| 10 | AP9150299 | Safety washer | 1 | |
| 11 | 851011 | Nut M12x1x4,5 | 1 | |
| 12 | AP9150389 | Transmission key 4x4x18 | 1 | |

| | |
|--------------------|---------------------|
| Group | ENGINE |
| Code | 29.47 |
| Description | Gear box selector I |
| Service | 1 |



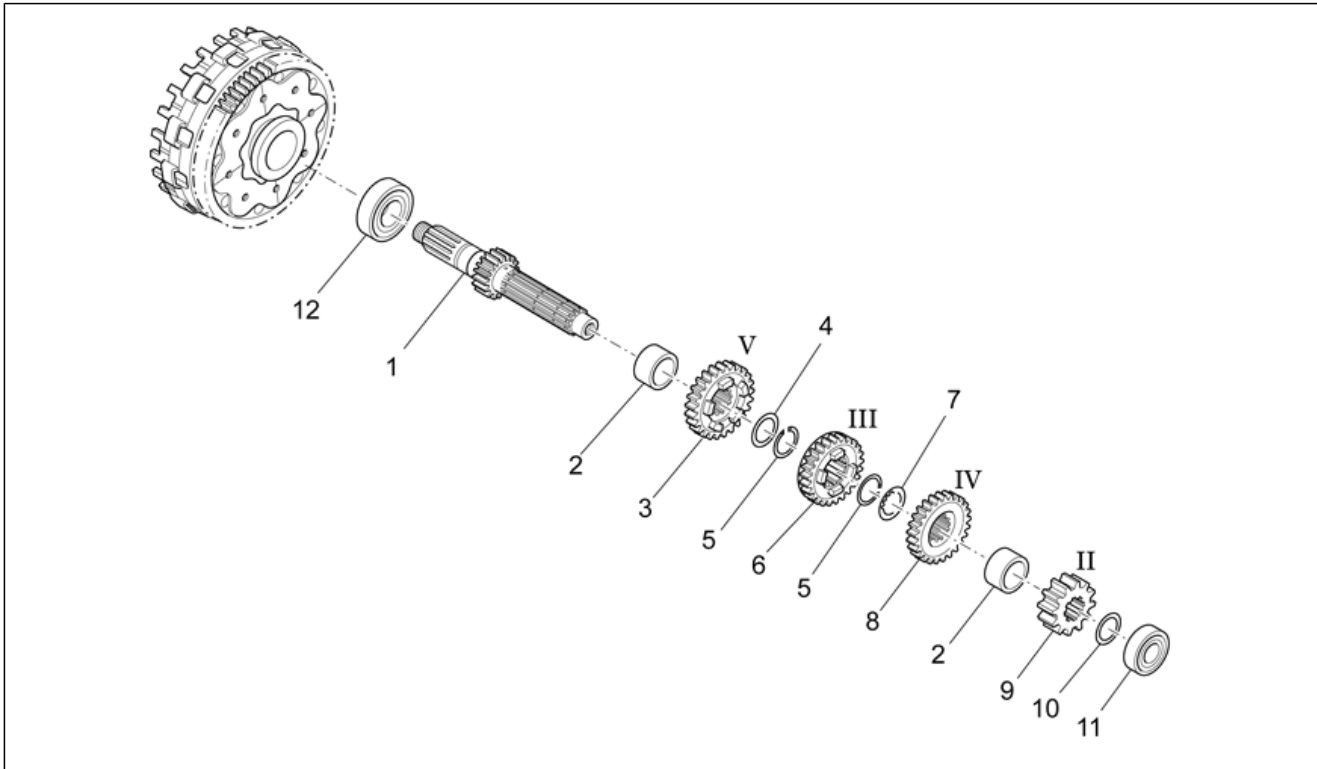
| Pos. | Code | Description | Qty | Variants |
|------|-----------|---------------------------|-----|----------|
| 1 | AP9150048 | Gearshift shaft+pawl assy | 1 | |
| 2 | AP9150063 | Selector lock | 1 | |
| 3 | AP9150238 | Spring | 1 | |
| 4 | AP8125853 | Circlip D.15 | 1 | |
| 5 | AP9150006 | Screw w/ flange M6x15 | 1 | |
| 6 | AP9150044 | Index assy. lever | 1 | |
| 7 | AP9150051 | Washer D6,3x18x1 | 1 | |
| 8 | AP9150220 | Spring | 1 | |
| 9 | AP9150393 | Oil seal D21x15x3 | 1 | |

| | |
|--------------------|----------------------|
| Group | ENGINE |
| Code | 29.48 |
| Description | Gear box selector II |
| Service | 1 |



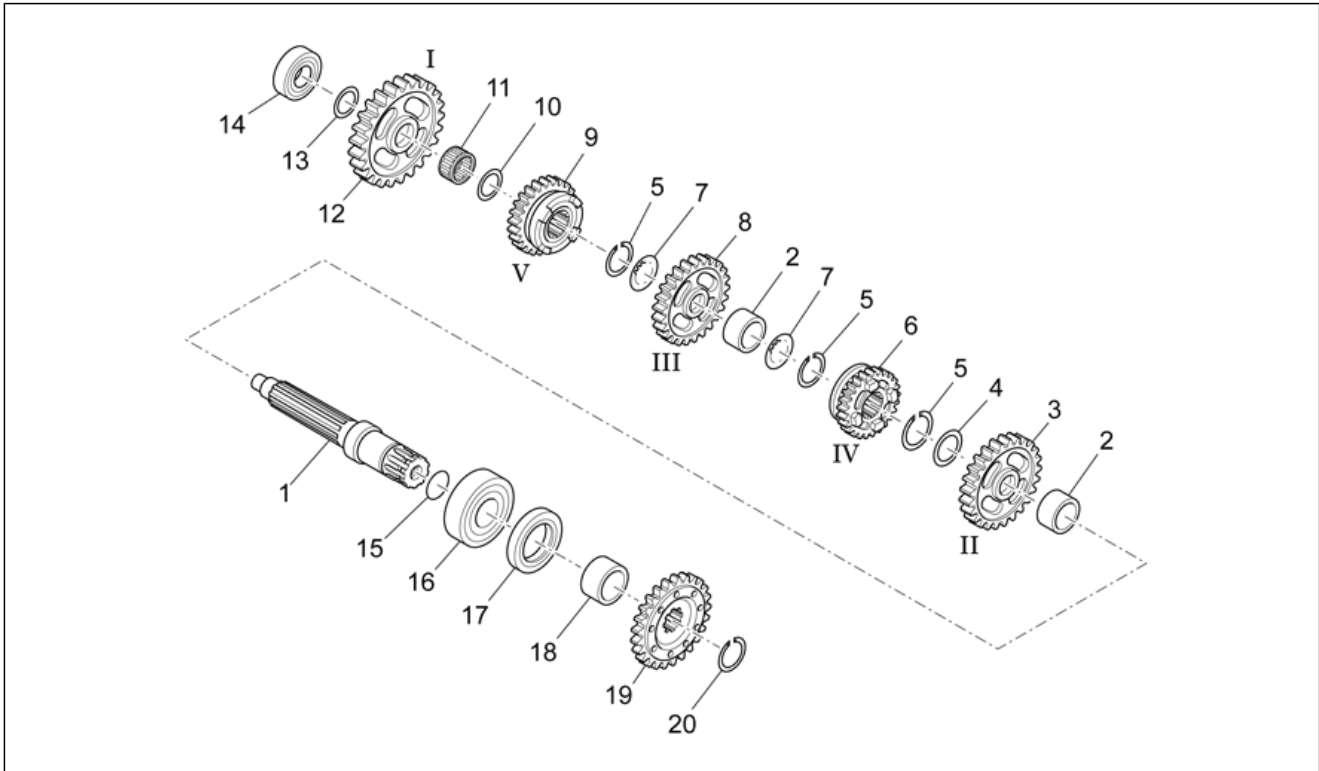
| Pos. | Code | Description | Qty | Variants |
|------|-----------|-----------------------|-----|----------|
| 1 | AP9150004 | Shift cam cpl. | 1 | |
| 2 | AP9150375 | Roller D4 | 1 | |
| 3 | AP9150067 | Selector drum | 1 | |
| 4 | AP9150043 | Threaded pin M8x1,25 | 1 | |
| 5 | AP9150073 | Selector lock plate | 1 | |
| 6 | AP8152277 | Screw w/ flange M6x12 | 2 | |
| 7 | AP9150069 | Lever | 2 | |
| 8 | AP9150070 | Spring pillar | 2 | |
| 9 | AP9150064 | Spring | 2 | |
| 10 | AP9150068 | Shift cam plate | 1 | |
| 11 | AP9150060 | Bushing D6x8x5 | 4 | |
| 12 | AP9150072 | Spring | 1 | |
| 13 | AP9150003 | Spring pillar | 1 | |
| 14 | AP9150062 | Fork shaft L72,5 | 1 | |
| 15 | AP9150093 | Fork 4a-5a | 1 | |
| 16 | AP9150091 | Fork 1a-3a | 2 | |
| 17 | AP9150061 | Fork shaft L93 | 1 | |
| 18 | AP9150184 | Gearbox sensor | 1 | |
| 19 | AP8152272 | Screw w/ flange M5x12 | 2 | |
| 20 | AP9150479 | O-ring D23,52x1,78 | 1 | |
| 21 | AP9150365 | Ball bearing D25x42x9 | 1 | |
| 22 | AP9150364 | Ball bearing D25x37x7 | 1 | |
| 23 | AP8152272 | Screw w/ flange M5x12 | 1 | |
| 24 | AP9150462 | Fairlead | 1 | |

| | |
|--------------------|--------------------|
| Group | ENGINE |
| Code | 29.49 |
| Description | Primary gear shaft |
| Service | 1 |



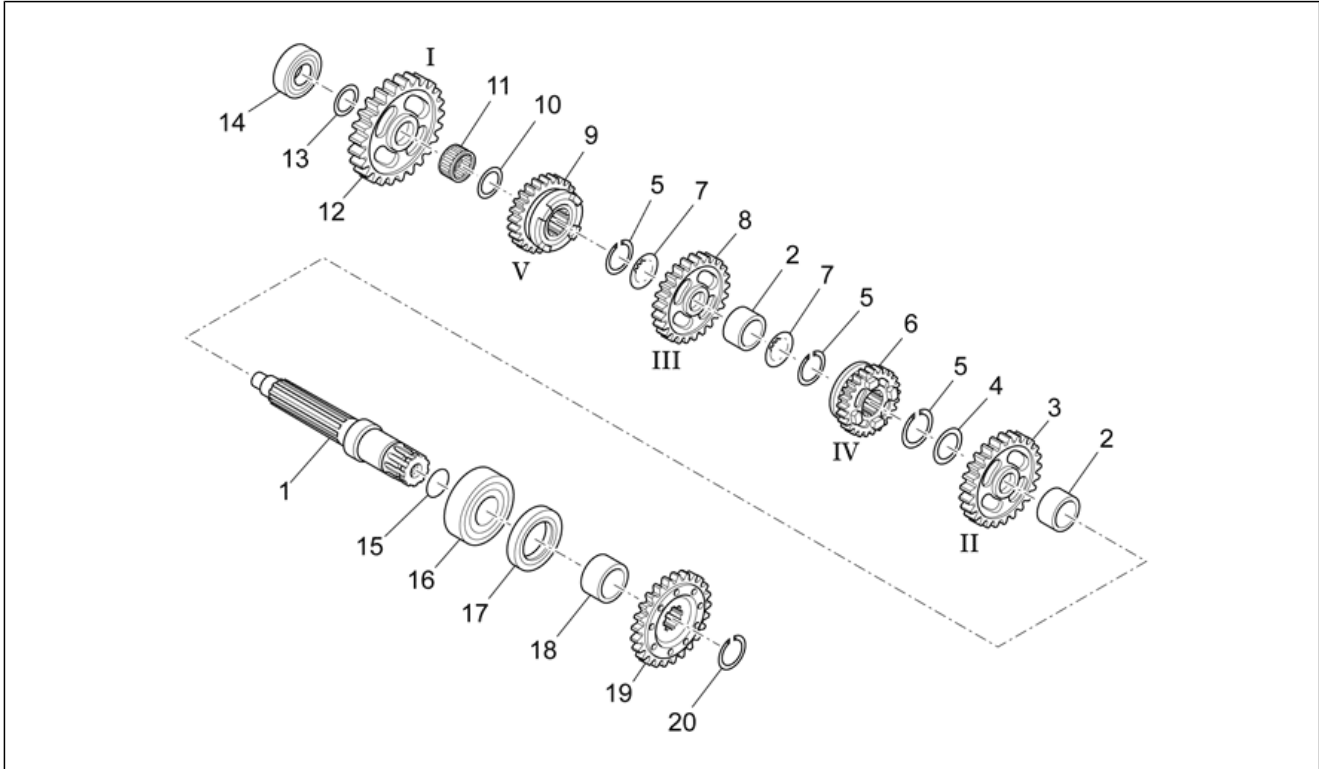
| Pos. | Code | Description | Qty | Variants |
|------|-----------|------------------------------|-----|---|
| 1 | AP9150256 | Primary gear shaft Z=12 | 1 | Technical Specifications: Enduro 450 Version[RX45], Enduro 550 Version[RX55] |
| 1 | AP9150270 | Primary gear shaft Z=13 | 1 | Technical Specifications: Motard Version 450[SX45], Motard Version 550[SX55] |
| 2 | AP9150216 | Bushing D25x28x9,9 | 2 | |
| 3 | AP9150255 | Gear 5a su prim.Z=21 | 1 | Technical Specifications: Enduro 450 Version[RX45], Enduro 550 Version[RX55] |
| 3 | AP9150269 | Gear 5a su prim.Z=21 | 1 | Technical Specifications: Motard Version 450[SX45], Motard Version 550[SX55] |
| 4 | AP9150297 | Plain washer D25,1x30,8x0,5 | 1 | |
| 5 | AP9150302 | Outside circlip D25 | 2 | |
| 6 | AP9150254 | Gear 3a su prim.Z=15 | 1 | Technical Specifications: Enduro 450 Version[RX45], Enduro 550 Version[RX55] |
| 6 | AP9150268 | Gear 3a su prim.Z=16 | 1 | Technical Specifications: Motard Version 450[SX45], Motard Version 550[SX55] |
| 7 | AP9150267 | Special washer D25,1x30,8x0, | 1 | |
| 8 | AP9150253 | Gear 4a su prim.Z=19 | 1 | Technical Specifications: Enduro 450 Version[RX45], Enduro 550 Version[RX55] |
| 8 | AP9150266 | Gear 4a su prim.Z=20 | 1 | Technical Specifications: Motard Version 450[SX45], Motard Version 550[SX55] |
| 9 | AP9150252 | Gear 2a su prim.Z=13 | 1 | Technical Specifications: Enduro 450 Version[RX45], Enduro 550 Version[RX55] |
| 9 | AP9150265 | Gear 2a su prim.Z=15 | 1 | Technical Specifications: Motard Version 450[SX45], Motard Version 550[SX55] |
| 10 | AP9150294 | Washer D17,1x27,8x0,8 | 1 | |
| 11 | AP9150362 | Ball bearing D17x40x12 | 1 | |
| 12 | AP9150360 | Ball bearing D25x52x1 | 1 | |

| | |
|--------------------|--------------|
| Group | ENGINE |
| Code | 29.50 |
| Description | Driven shaft |
| Service | 1 |



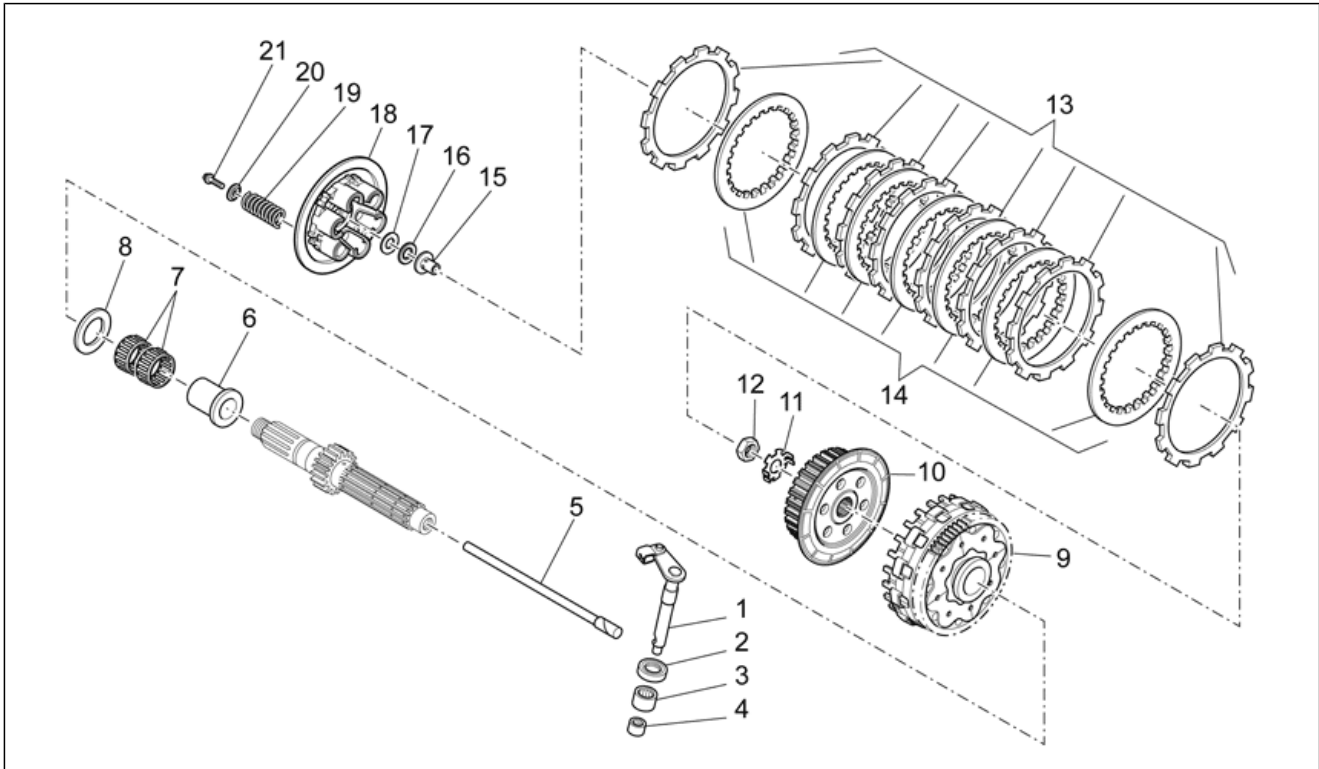
| Pos. | Code | Description | Qty | Variants |
|------|-----------|------------------------------|-----|---|
| 1 | AP9150263 | Driven shaft | 1 | Technical Specifications: Motard Version 450[SX45], Motard Version 550[SX55] |
| 1 | AP9150311 | Driven shaft | 1 | Technical Specifications: Enduro 450 Version[RX45], Enduro 550 Version[RX55] |
| 2 | AP9150216 | Bushing D25x28x9,9 | 2 | |
| 3 | AP9150250 | 2nd wheel gear Z=25 | 1 | Technical Specifications: Enduro 450 Version[RX45], Enduro 550 Version[RX55] |
| 3 | AP9150262 | 2nd wheel gear Z=27 | 1 | Technical Specifications: Motard Version 450[SX45], Motard Version 550[SX55] |
| 4 | AP9150297 | Plain washer D25,1x30,8x0,5 | 1 | |
| 5 | AP9150302 | Outside circlip D25 | 3 | |
| 6 | AP9150249 | 4th wheel gear Z=24 | 1 | Technical Specifications: Enduro 450 Version[RX45], Enduro 550 Version[RX55] |
| 6 | AP9150261 | 4th wheel gear Z=23 | 1 | Technical Specifications: Motard Version 450[SX45], Motard Version 550[SX55] |
| 7 | AP9150267 | Special washer D25,1x30,8x0, | 2 | |
| 8 | AP9150248 | 3rd wheel gear Z=23 | 1 | Technical Specifications: Enduro 450 Version[RX45], Enduro 550 Version[RX55] |
| 8 | AP9150260 | 3rd wheel gear Z=23 | 1 | Technical Specifications: Motard Version 450[SX45], Motard Version 550[SX55] |
| 9 | AP9150247 | 5th wheel gear Z=22 | 1 | Technical Specifications: Enduro 450 Version[RX45], Enduro 550 Version[RX55] |
| 9 | AP9150259 | 5th wheel gear Z=21 | 1 | Technical Specifications: Motard Version 450[SX45], Motard Version 550[SX55] |
| 10 | AP9150296 | Washer D20,1x28,8x0,8 | 1 | |
| 11 | AP9150370 | Roller cage D20x24x10 | 1 | |
| 12 | AP9150246 | 1st wheel gear Z=31 | 1 | Technical Specifications: Enduro 450 Version[RX45], Enduro 550 Version[RX55] |
| 12 | AP9150258 | 1st wheel gear Z=30 | 1 | Technical Specifications: Motard Version 450[SX45], Motard Version 550[SX55] |
| 13 | AP9150294 | Washer D17,1x27,8x0,8 | 1 | |

| | |
|--------------------|--------------|
| Group | ENGINE |
| Code | 29.50 |
| Description | Driven shaft |
| Service | 1 |



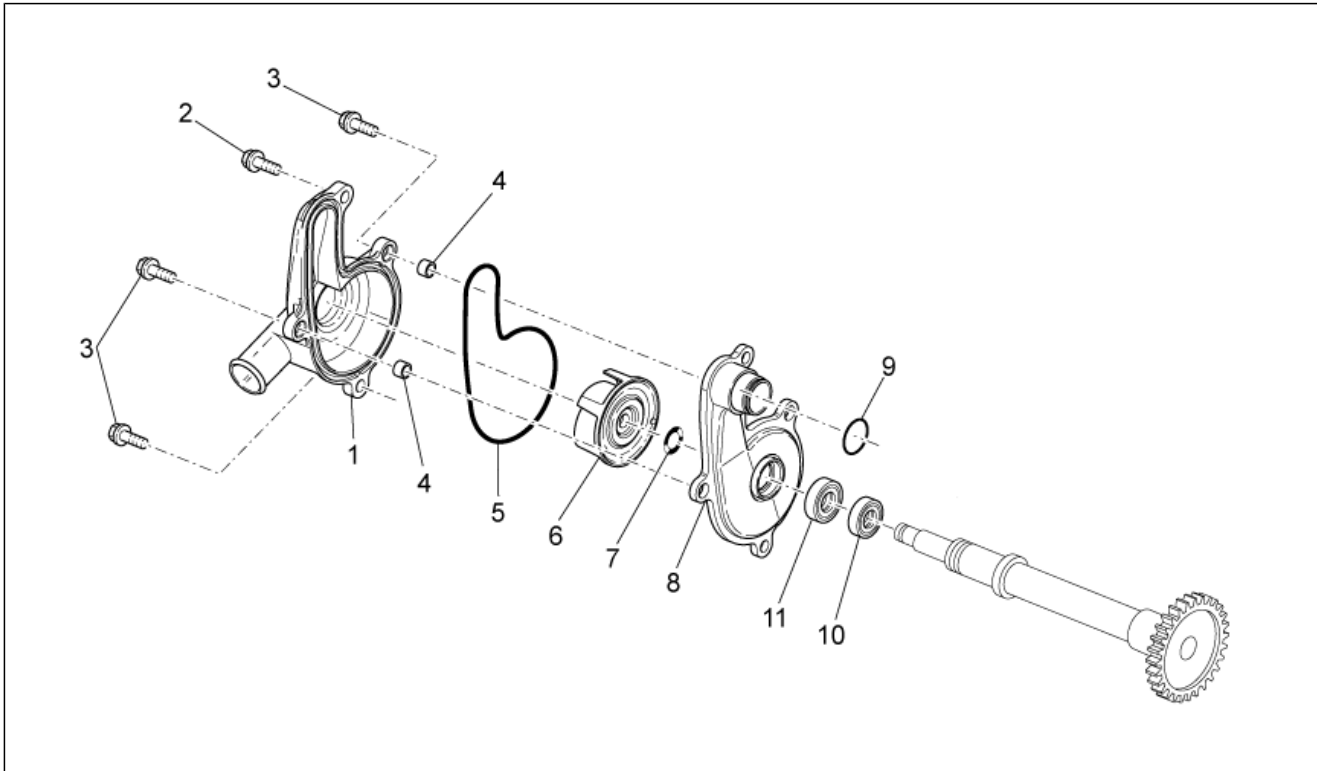
| Pos. | Code | Description | Qty | Variants |
|------|-----------|------------------------|-----|---|
| 14 | AP9150361 | Ball bearing D17x47x14 | 1 | |
| 15 | AP9150357 | O-ring D21,95x1,78 | 1 | |
| 16 | AP9150363 | Ball bearing D25x52x15 | 1 | |
| 17 | AP9150382 | Oil seal D40x32x5 | 1 | |
| 18 | AP9150218 | Spacer 25x32x14 | 1 | Technical Specifications: Enduro 450 Version[RX45], Enduro 550 Version[RX55] |
| 18 | AP9150237 | Spacer 25x32x22 | 1 | Technical Specifications: Motard Version 450[SX45], Motard Version 550[SX55] |
| 19 | AP9100525 | Pinion | 1 | Technical Specifications: Enduro 450 Version[RX45], Enduro 550 Version[RX55], Motard Version 450[SX45] |
| 19 | AP9100600 | Pinion Z=16 | 1 | Technical Specifications: Motard Version 550[SX55] |
| 20 | AP9100451 | Outside circlip D25 | 1 | |

| | |
|--------------------|----------|
| Group | ENGINE |
| Code | 29.51 |
| Description | Clutch I |
| Service | 1 |



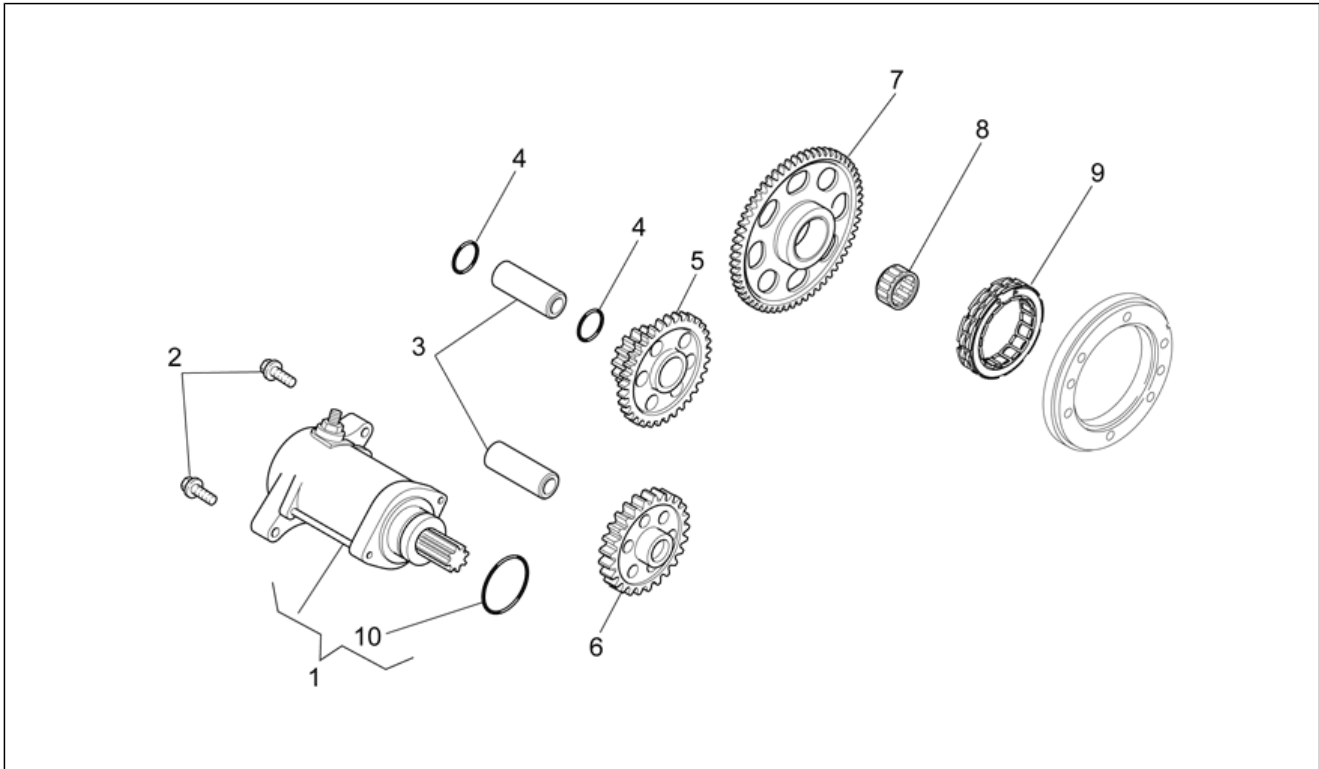
| Pos. | Code | Description | Qty | Variants |
|------|-----------|--------------------------|-----|----------|
| 1 | AP9150196 | Clutch release shaft | 1 | |
| 2 | AP9150384 | Oil seal D12x19x5 | 1 | |
| 3 | AP9150374 | Roller cage D12x16x10 | 1 | |
| 4 | AP9150373 | Roller cage D8x12x10 | 1 | |
| 5 | AP9150040 | Rod | 1 | |
| 6 | AP9150284 | Spacer 25x32x22 | 1 | |
| 7 | AP9150367 | Roller cage D28x33x13 | 2 | |
| 8 | AP9150234 | Washer D23x46x3 | 1 | |
| 9 | 851436 | Clutch housing, complete | 1 | |
| 10 | AP9150190 | Aluminium clutch drum | 1 | |
| 11 | AP9100386 | Safety washer | 1 | |
| 12 | AP9150235 | Nut M18x1,25 | 1 | |
| 13 | AP8176214 | Lined clutch disc 8 pz. | 1 | |
| 14 | AP8176215 | Steel clutch disc 7 pz. | 1 | |
| 15 | AP9150195 | Pawl clutch | 1 | |
| 16 | AP9150358 | Roller cage D12x26x2 | 1 | |
| 17 | AP9150359 | Fifth wheel D12x26x1 | 1 | |
| 18 | AP9150191 | Clutch pressure plate | 1 | |
| 19 | AP9150194 | Clutch spring | 6 | |
| 20 | AP9150232 | Cup | 6 | |
| 21 | AP8152279 | Screw w/ flange M6x20 | 6 | |

| | |
|--------------------|------------|
| Group | ENGINE |
| Code | 29.52 |
| Description | Water pump |
| Service | 1 |



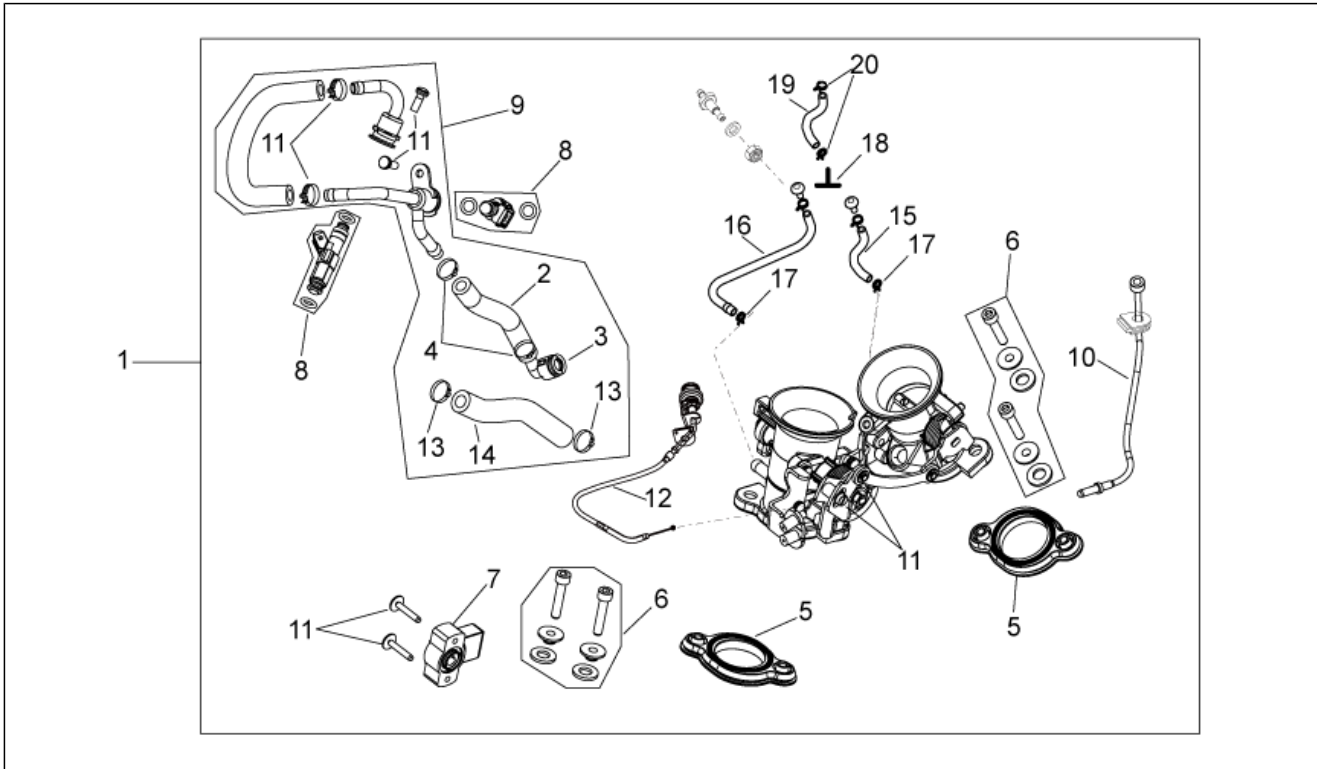
| Pos. | Code | Description | Qty | Variants |
|------|-----------|--------------------------|-----|----------|
| 1 | AP9150484 | Water pump cover | 1 | |
| 2 | AP8152283 | Screw w/ flange | 1 | |
| 3 | AP8152278 | Screw w/ flange M6x16 | 3 | |
| 4 | AP9150119 | Bush D8x6,4X9,8 | 2 | |
| 5 | AP9150352 | O-ring D88,57x2,62 | 1 | |
| 6 | AP9150132 | Water pump impeller cpl. | 1 | |
| 7 | AP9150292 | Washer D12,d7.05 SP1 | 1 | |
| 8 | AP9150464 | Water pump flange | 1 | |
| 9 | 851283 | O-ring D18x1,8 | 1 | |
| 10 | AP9150443 | Oil seal D10x16x4 | 1 | |
| 11 | 851013 | Oil seal D10x18x5/8 | 1 | |

| | |
|--------------------|---------------|
| Group | ENGINE |
| Code | 29.53 |
| Description | Starter motor |
| Service | 1 |



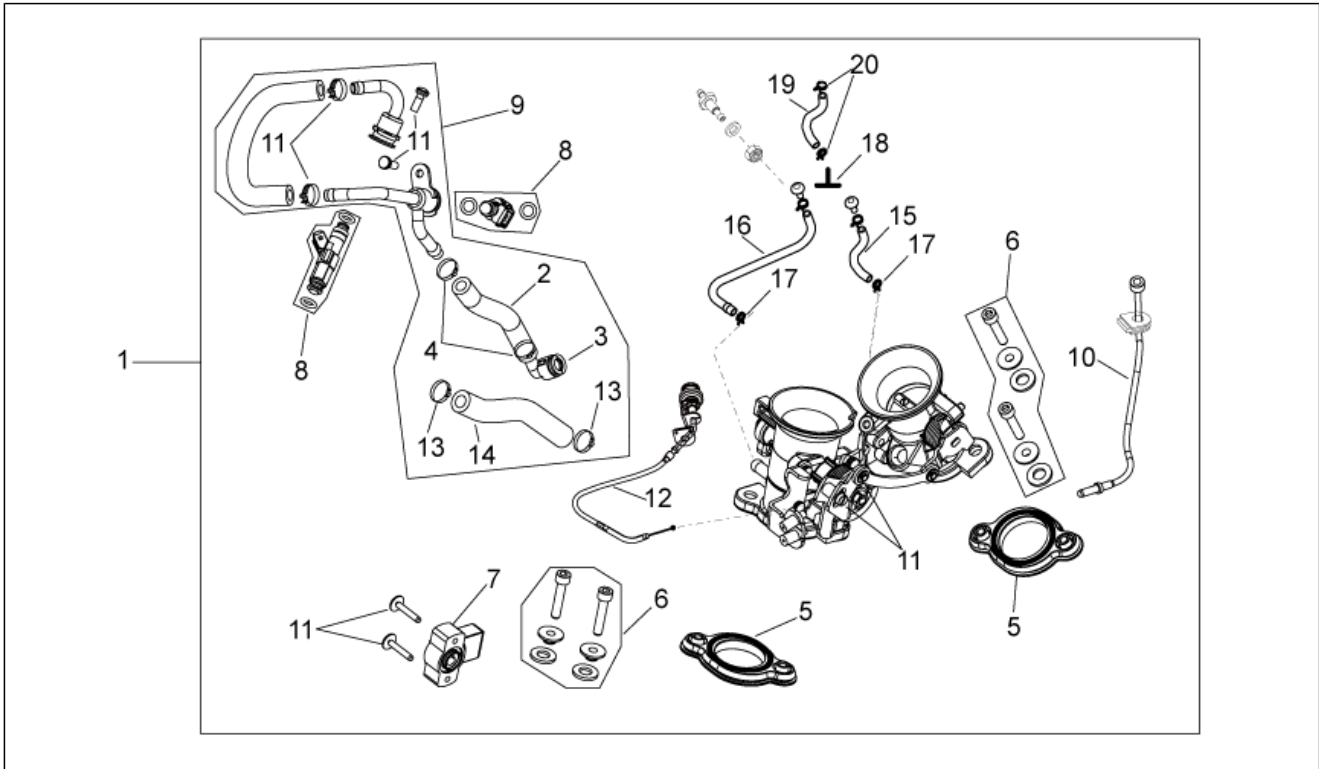
| Pos. | Code | Description | Qty | Variants |
|------|-----------|----------------------------|-----|----------|
| 1 | AP9150090 | Starter motor w/out wiring | 1 | |
| 2 | AP8152281 | Screw w/ flange M6x30 | 2 | |
| 3 | AP9150209 | Pin | 2 | |
| 4 | AP9150446 | O-ring D10,5x1 | 2 | |
| 5 | 849801 | Double gear Z=9/55 | 1 | |
| 6 | 849802 | Intermediate gear Z=22 | 1 | |
| 7 | 849803 | Sprag clutch gear Z=52 | 1 | |
| 8 | AP9150369 | Roller cage D26x30x17 | 2 | |
| 9 | AP9150208 | Starter clutch assy. | 1 | |
| 10 | AP9150500 | O-ring D25x2,5 | 1 | |

| | |
|--------------------|---------------|
| Group | ENGINE |
| Code | 29.54 |
| Description | Throttle body |
| Service | 1 |



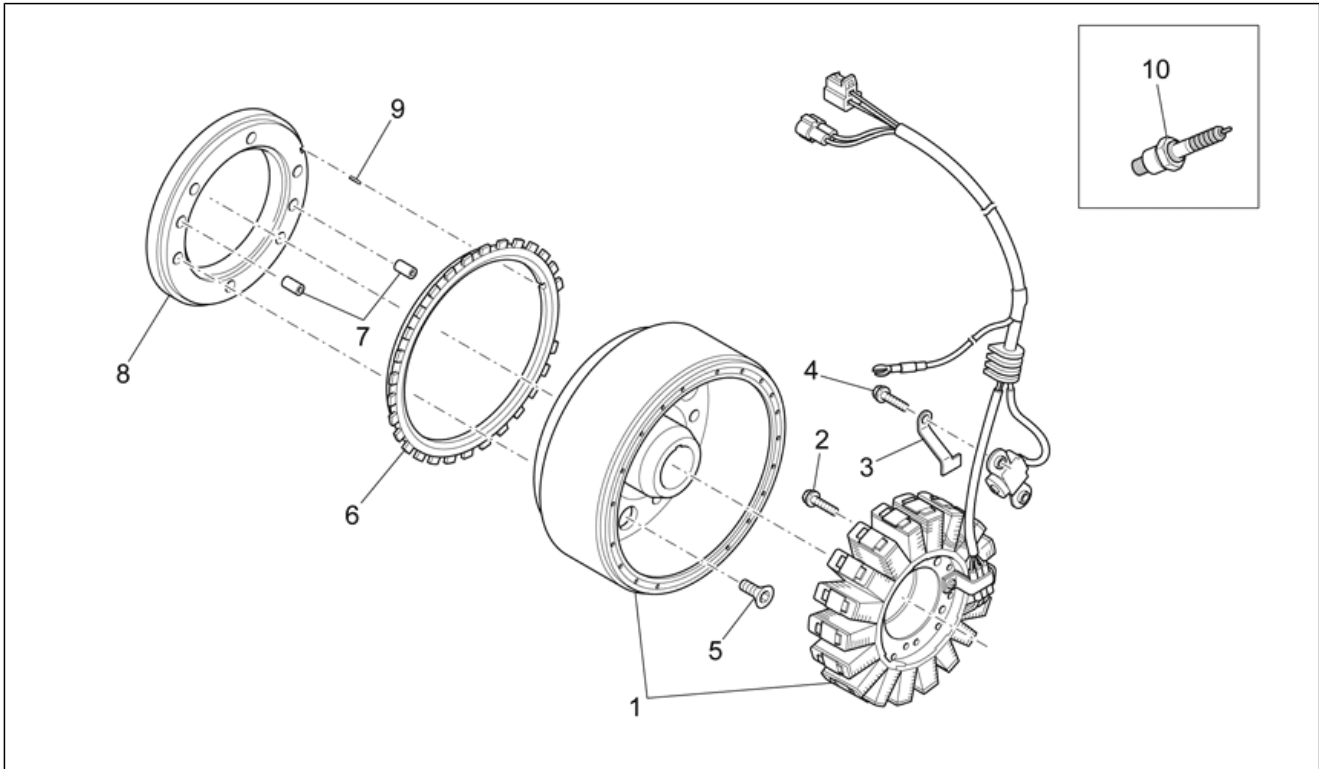
| Pos. | Code | Description | Qty | Variants |
|------|-----------|-------------------------|-----|--|
| 1 | 853519 | Throttle body | 1 | Country: EU[EU] Technical Specifications: Enduro 450 Version[RX45], Motard Version 450[SX45] |
| 1 | 853520 | Throttle body | 1 | Country: EU[EU] Technical Specifications: Enduro 550 Version[RX55], Motard Version 550[SX55] |
| 1 | 855213 | Throttle body | 1 | Country: United States of America[USA] Technical Specifications: Enduro 450 Version[RX45], Motard Version 450[SX45] |
| 1 | 855214 | Throttle body | 1 | Country: United States of America[USA] Technical Specifications: Enduro 550 Version[RX55], Motard Version 550[SX55] |
| 2 | 855947 | pipe benz.7,5x14,5 | 1 | Country: United States of America[USA] |
| 2 | AP9100709 | pipe benz.7,5x14,5 | 1 | Country: EU[EU] |
| 3 | AP9100494 | Joint | 1 | |
| 4 | AP9100714 | Hose clip 14,5x8 | 2 | |
| 5 | AP9101008 | Gaskets set | 1 | |
| 6 | AP9101009 | Screw kit | 1 | |
| 7 | AP9101010 | Potentiometer | 1 | |
| 8 | AP9101011 | Injector | 2 | |
| 9 | 855948 | Fuel rail cpl | 1 | Country: United States of America[USA] |
| 9 | AP9101012 | Fuel rail cpl | 1 | Country: EU[EU] |
| 10 | AP9101013 | Min.eng.spd adj.cable | 1 | |
| 11 | AP9101014 | Screw kit, clamps, clip | 1 | |
| 12 | 855490 | Choke cable | 1 | |
| 13 | AP8120422 | Black hose 98x2* | 2 | Country: United States of America[USA] |
| 14 | 860593 | Hose | 1 | Country: United States of America[USA] |
| 15 | 855929 | pipe | 1 | |
| 16 | 855930 | pipe | 1 | |
| 17 | CM002902 | Hose clamp | 1 | |

| | |
|--------------------|---------------|
| Group | ENGINE |
| Code | 29.54 |
| Description | Throttle body |
| Service | 1 |



| Pos. | Code | Description | Qty | Variants |
|------|----------|--------------|-----|----------|
| 18 | 833658 | Vacuum union | 1 | |
| 19 | 855236 | Rubber pipe | 1 | |
| 20 | CM002904 | Hose clamp | 1 | |

| | |
|--------------------|---------------|
| Group | ENGINE |
| Code | 29.55 |
| Description | Ignition unit |
| Service | 1 |



| Pos. | Code | Description | Qty | Variants |
|------|-----------|--------------------------------|-----|----------|
| 1 | AP9150180 | Cdi magneto assy | 1 | |
| 2 | AP8152275 | Screw w/ flange M5x25 | 3 | |
| 3 | AP9100387 | Plate | 1 | |
| 4 | AP8152272 | Screw w/ flange M5x12 | 2 | |
| 5 | AP9150401 | Screw | 6 | |
| 6 | AP9150205 | Wheel speed sensor, left front | 1 | |
| 7 | AP9150380 | Pin D5x8 | 2 | |
| 8 | AP9150204 | Flange | 1 | |
| 9 | AP9150451 | Washer D13,5x21x1 | 1 | |
| 10 | 639687 | Spark plug CR8EKB | 2 | |