

**aprilia**<sup>®</sup>

## **SPARE PARTS CATALOGUE**



### **Tuono 1000 V4 R APRC ABS 2014**

Chassis prefix: ZD4TYB02, ZD4TYB03, ZD4TYCA0,  
ZD4TYCB04FS, ZD4TYCB05, ZD4TYCB06



Engine prefix:

## Index

Finished products.....	5
Alphanumeric index.....	6
FRAME.....	13
Table 28.01 - Frame I.....	13
Table 28.02 - Frame II.....	14
Table 28.03 - Foot rests.....	15
Table 28.04 - Central stand.....	16
Table 28.05 - Steering.....	17
Table 28.06 - Front fork.....	18
Table 28.07 - Swing arm.....	19
Table 28.08 - Rear shock absorber.....	21
Table 28.09 - Front body I.....	22
Table 28.10 - Front body II.....	23
Table 28.11 - Front body III.....	25
Table 28.12 - Rear body I.....	26
Table 28.13 - Rear body II.....	27
Table 28.14 - Fuel tank.....	28
Table 28.15 - Saddle.....	30
Table 28.16 - Undersaddle.....	31
Table 28.17 - Dashboard.....	32
Table 28.18 - Handlebar - Controls.....	33
Table 28.19 - Clutch lever.....	34
Table 28.20 - Front master cilinder.....	35
Table 28.21 - Cooling system.....	36
Table 28.22 - Oil radiator.....	38
Table 28.23 - Air box.....	39
Table 28.24 - Throttle body.....	40
Table 28.25 - Exhaust pipe I.....	41
Table 28.26 - Front wheel.....	43
Table 28.27 - Front brake caliper.....	44
Table 28.28 - Rear wheel.....	45
Table 28.29 - Rear master cylinder.....	46
Table 28.30 - Rear brake caliper.....	47
Table 28.31 - Headlight.....	48
Table 28.32 - Taillight.....	49
Table 28.33 - Electrical system I.....	50
Table 28.34 - Electrical system II.....	51
Table 28.35 - Electrical system III.....	52
Table 28.36 - Lock hardware kit.....	53
Table 28.55 - Plate set and decal.....	54
Table 28.56 - Fuel vapour recover system.....	55
Table 28.57 - Rear body II.....	56
Table 28.58 - Rear body III.....	57

---

Table 28.59 - ABS brake system.....	58
ENGINE.....	59
Table 29.37 - Engine.....	59
Table 29.38 - Crank-case I.....	60
Table 29.39 - Drive shaft.....	62
Table 29.40 - Cylinder - Piston.....	64
Table 29.41 - Valves cover.....	65
Table 29.42 - Cylinder head - valves.....	66
Table 29.43 - Valves pads.....	67
Table 29.44 - Front cylinder timing system.....	70
Table 29.45 - Rear cylinder timing system.....	71
Table 29.46 - Gear box.....	72
Table 29.47 - Clutch I.....	74
Table 29.48 - Clutch II.....	75
Table 29.49 - Clutch cover.....	76
Table 29.50 - Ignition unit.....	77
Table 29.51 - Cover.....	78
Table 29.52 - Lubrication.....	79
Table 29.53 - Secondary air.....	81
Table 29.54 - Water pump.....	82

## Finished products

Code	Validity
AP6129000ACE00	
AP6129000ACE01	
AP6129000EBD00	
AP6129000EBD01	
AP6129000EBE00	
AP6129000EBE01	
AP6129000EBE04	
AP6129001EBE00	
AP6129001EBE01	
AP6129001EBE04	
AP6129002JCE00	
AP6129002JCE04	
AP6129100CCE00	
AP6129100CCE01	
AP6129100CCE04	
AP6129100YCE00	
AP6129100YCE01	
AP6129100YCE04	
AP6129101CCF00	
AP6129101CCF01	
AP6129101CCF04	
AP6129101YCF00	
AP6129101YCF01	
AP6129101YCF04	

Code	No. table	Pos.	Code	No. table	Pos.	Code	No. table	Pos.
006412	29.52	16	828325	28.56	18	857106	29.40	7
006630	29.51	13	840509	28.25	33	857107	29.40	2
020006	28.29	2	840893	29.52	7	857108	29.40	3
122675	29.49	12	840893	29.54	4	857109	29.38	20
224035	29.42	23	841821	28.10	19	8571170001	29.39	4
231590	28.27	11	843213	28.04	7	8571170002	29.39	4
235779	29.50	8	845978	28.25	36	8571170003	29.39	4
254485	28.10	6	847075	29.49	18	857118	29.39	12
254485	28.12	4	851586	28.25	8	857121	29.39	11
254485	28.25	14	852029	28.07	32	857123	29.46	36
277330	29.52	25	852090	28.25	3	857125	29.40	9
289731	29.52	15	85216R	29.46	1	857126	29.40	8
2A000069	29.46	1	852398	28.18	16	857127	29.38	22
2A000166FF	29.39	2	852480	29.37	3	857127	29.49	18
2B000051	28.14	28	852702	28.20	10	857128	29.38	11
2B000187	28.55	7	852702	28.29	13	8571300001	29.39	8
2B000188	28.55	8	852702	28.30	5	8571300002	29.39	8
2B000189	28.55	6	852702	28.59	8	8571300003	29.39	8
2B002563	28.10	9	852703	28.20	22	8571320001	29.39	7
2B003035	28.25	11	854811	28.35	7	8571320002	29.39	7
2B003044	28.25	8	854909	29.46	44	8571320003	29.39	7
2B003807	28.20	27	854951	29.46	45	857139	29.38	19
2D000015	28.34	2	856027	28.18	12	857140	29.38	18
2D000037	28.14	36	856062	28.56	11	857143	29.52	13
2D000062	28.33	11	856063	28.56	4	857144	29.38	25
2D000062	28.34	14	856082	28.21	45	857147	29.52	22
2D000064	28.25	27	856279	28.21	10	857152	29.52	8
2G000010	28.55	7	856543	28.21	28	857166	29.52	1
2H000184000NI	28.09	7	856630	29.53	3	857168	29.52	10
2H000185000NI	28.10	13	856631	29.53	1	857169	29.52	3
2H000186000NI	28.10	12	856632	29.53	2	857175	29.46	8
2H000187	28.09	10	857008	29.44	4	857176	29.44	13
2H000188	28.10	16	857008	29.45	4	857176	29.45	13
2H000487	28.16	8	857016	29.42	24	857176	29.51	5
2L000182	28.55	9	857017	29.42	22	857176	29.52	4
2R000041	29.42	12	857018	29.42	9	857181	29.53	7
2R000042	29.42	13	857023	29.42	10	857184	29.52	21
2R000309	28.33	24	857024	29.42	15	857185	29.46	27
411209	29.38	5	857035	29.42	2	857187	29.52	11
411209	29.42	5	857042	29.42	4	857189	29.52	9
411209	29.49	5	857043	29.41	8	857192	29.52	28
436438	29.42	11	857044	29.42	20	857193	29.52	19
436947	28.25	2	857045	29.42	19	857206	29.39	6
478895	29.42	14	857046	29.42	17	857208	29.42	7
485693	29.49	7	857047	29.42	18	857209	29.54	1
575249	28.16	3	857048	29.42	27	857222	29.54	3
575249	28.17	11	857048	29.51	7	857229	29.46	33
576836	28.14	12	857066	29.42	21	857230	29.46	31
581957	28.09	4	857067	29.42	16	857231	29.46	30
582690	28.34	6	857070	29.49	9	857232	29.46	28
584344	28.25	6	857071	29.41	2	857233	29.46	16
584509	28.33	14	857074	29.41	9	857234	29.46	29
598838	28.01	2	857077	29.39	13	857236	29.46	10
598839	28.25	23	857078	29.49	10	857237	29.46	11
598839	29.37	1	857082	29.42	25	857238	29.46	20
622055	28.21	2	857083	29.42	26	857239	29.46	19
638562	28.24	6	857084	29.41	4	857240	29.46	22
6389915	29.49	11	857085	29.42	3	857241	29.46	18
639792	28.34	1	857087	29.38	2	857242	29.46	21
640485	28.21	25	857090	29.38	17	857244	29.46	17
641541	29.52	18	857094	29.44	10	857245	29.46	24
648708	28.07	20	857094	29.45	10	857246	29.46	23
658830	28.20	26	857096	29.44	11	857247	29.46	13
658830	28.56	24	857096	29.45	11	857248	29.46	14
709099	29.52	26	857098	29.44	12	857249	29.38	15
825431	29.50	6	857098	29.45	12	857250	29.46	7
825597	29.42	8	857105	29.40	6	857251	29.46	35

Code	No. table	Pos.	Code	No. table	Pos.	Code	No. table	Pos.
857253	29.46	41	858488	28.21	15	872117	29.51	10
857260	29.46	51	858489	28.22	13	873804	29.49	8
857261	29.46	52	858539	28.18	19	874550	29.40	10
857265	29.46	47	858580	28.33	19	884033	28.29	10
857271	29.46	5	858580	28.36	7	884033	29.37	22
857274	29.46	37	858707	28.07	2	890499	28.56	3
857278	29.46	40	858708	28.07	5	890509	28.20	12
857279	29.46	46	858710	28.01	12	890787	28.17	7
857284	29.46	9	858712	28.01	20	890827	29.46	43
857290	29.50	7	858718	28.01	8	890924	28.19	1
857298	29.50	5	858725	28.32	1	890928	28.25	28
857300	29.50	3	858727	29.53	8	890931	28.21	6
857301	29.50	4	858730	28.32	1	890932	28.35	14
857303	28.24	1	858731	28.28	7	890938	28.23	3
857304	28.24	2	858732	28.22	11	890960	28.28	25
857305	28.24	3	858738	28.25	1	890964	28.10	17
857306	28.24	11	858739	28.25	9	893044	28.04	8
857308	29.46	12	858740	28.25	10	893045	28.04	9
857309	29.46	15	8587414	28.25	5	893102	28.11	14
857312	29.38	14	858770	28.07	1	893107	28.14	10
857312	29.49	17	858780	28.07	7	893134	28.19	3
857313	29.49	18	858781	28.07	23	893134	28.29	17
857314	29.49	20	858782	28.13	9	893137	28.30	2
857318	29.49	15	858783	28.07	8	893138	28.29	11
857328	29.46	25	858785	28.29	5	893224	28.21	19
857427	29.38	4	858787	28.03	12	893240	28.23	1
857429	29.49	2	858788	28.03	13	893255	28.35	13
857435	29.51	9	858790	28.22	1	893273	28.14	13
857436	29.49	3	858791	28.30	14	893513	28.21	22
857439	29.52	20	858803	28.05	2	893514	28.21	20
857445	29.40	4	858808	28.23	19	893767	29.47	1
857451	29.49	6	858819	28.01	6	893768	29.47	2
8574540001	29.38	10	858833	28.12	14	893769	29.47	3
8574540002	29.38	10	858834	28.12	15	893770	29.47	4
8574540003	29.38	10	858836	28.16	1	893772	29.47	6
857458	29.46	34	858840	28.13	2	893773	29.48	1
857459	29.46	32	858840	28.58	1	893774	29.48	2
857460	29.49	23	858842	28.57	8	893778	29.48	9
857461	29.49	19	858849	28.02	1	893779	29.48	10
85746200XNB	29.51	6	858863	28.04	1	893780	29.48	11
857463	29.51	4	858868	28.13	23	893782	29.48	15
8574705	29.44	1	858873	28.24	9	893783	29.48	4
8574715	29.45	1	858874	28.24	8	893784	29.48	5
857476	29.44	7	858880	28.23	5	893823	28.21	21
857476	29.45	7	858881	28.23	21	893926	28.19	2
857477	29.44	8	858882	28.35	5	893933	28.29	1
857477	29.45	8	858883	28.35	8	893934	28.24	10
857480	29.51	12	858884	28.14	34	893937	28.20	6
857489	29.52	27	858885	28.14	6	893940	29.48	6
857495	29.38	23	858886	28.14	16	893941	29.48	7
857496	29.38	24	858887	28.14	8	893942	29.48	12
857497	29.52	6	858902	28.30	6	893943	29.48	13
857498	29.49	16	858916	28.33	16	893944	29.48	14
857501	29.41	5	858918	28.08	2	893954	28.21	5
857502	29.52	1	858927	28.22	7	893968	29.54	5
857538	29.44	6	858931	28.23	7	893969	28.30	8
857538	29.45	6	858932	28.23	6	894015	28.23	12
857539	29.44	9	858941	28.04	4	894019	28.55	11
857539	29.45	9	858955	28.36	5	894027	28.01	4
857540	29.52	3	859754	28.28	18	894056	28.36	13
857546	29.44	3	859777	28.06	11	894195	28.12	17
857546	29.45	3	859792	28.06	6	894195	28.15	4
858212	28.34	7	859792	28.30	3	894198	28.14	37
858475	28.21	26	859946	28.29	9	894201	28.03	15
858476	28.21	8	860138	28.56	7	894228	28.25	24
858477	28.21	11	871094	28.56	26	894505	28.30	12
858478	28.21	17	871094	29.51	8	894566	28.13	13

Code	No. table	Pos.	Code	No. table	Pos.	Code	No. table	Pos.
894566	28.57	9	897450	29.50	12	899068	28.14	4
894604	28.14	36	897471	29.51	2	899133	28.09	11
894657	28.13	19	897474	29.39	14	899134	28.09	1
894658	28.24	7	897478	29.39	5	899135	28.09	2
894714	28.55	10	897479	29.39	9	899136	28.09	6
894794	29.48	3	897482	28.13	3	899137	28.09	19
894821	29.47	5	897482	28.58	2	899138	28.10	11
894899	28.57	19	897584	28.18	13	899148	28.11	2
894900	28.57	10	897594	29.37	14	899190	28.02	2
895109	28.23	9	8976535002	29.39	2	899191	29.37	24
895110	28.23	13	8976535003	29.39	2	899206	28.05	25
895250	28.04	1	8976535004	29.39	2	899299	29.40	5
895316	29.50	11	8976535005	29.39	2	899331	28.21	31
895352	28.07	33	897775	28.21	3	899332	28.25	22
895353	28.07	34	897828	28.03	1	899334	28.18	7
895450	28.21	37	897829	28.03	8	899335	28.18	8
895481	28.34	4	897830	28.03	2	899336	28.19	4
895487	28.58	3	897831	28.03	25	899339	28.08	1
895488	28.58	5	897832	28.03	20	899427	28.05	12
895701	28.34	15	897833	28.03	24	899446	28.33	1
895845	28.01	10	897834	28.03	21	899483	29.48	16
895914	28.58	4	897835	28.03	22	899484	29.39	10
895915	28.10	7	898047	28.21	39	8995034	29.49	1
895916	28.09	5	898133	29.37	5	899524	28.25	37
895959	28.14	35	898134	29.37	12	899549	28.14	5
896011	28.26	3	898252	28.16	2	899565	29.39	3
896012	28.26	4	898255	28.28	2	899599	29.46	49
896150	28.18	14	898268	29.51	4	899600	28.17	8
896174	28.10	20	898269	29.51	12	899601	29.49	22
896174	28.10	4	898272	29.37	2	899605	28.10	10
896174	28.12	11	898276	29.37	7	899642	28.21	30
896221	29.50	1	898374	29.54	2	899650	28.31	7
896358	28.28	3	898383	28.25	12	899651	28.09	11
896565	28.24	12	898385	28.25	13	8997555	29.52	5
896566	28.24	13	898407	29.41	1	899769	29.50	2
896567	28.24	14	898410	29.41	3	899788	28.56	22
896573	28.24	15	89841400XNB	29.51	3	899811	28.27	4
896574	28.24	16	898427	28.01	13	899856	28.10	9
896575	28.24	17	898428	28.01	14	899861	28.17	1
896663	28.18	18	898429	28.01	3	899862	29.50	9
896715	28.34	5	898463	29.37	13	899881	28.21	41
896754	28.26	2	898486	28.30	1	899919	28.09	12
896875	28.23	22	898613	28.31	1	974060	29.38	30
896892	28.35	16	898616	28.31	8	974229	29.49	13
896896	28.30	15	898633	29.38	12	AP8101595	28.20	13
896909	28.23	15	898633	29.46	26	AP8101595	28.21	44
896962	28.01	1	898634	29.46	2	AP8101744	28.26	13
897113	28.25	11	898635	29.46	3	AP8101744	28.28	20
897331	28.06	7	898636	29.46	50	AP8101861	28.03	18
897335	28.06	12	898642	28.17	5	AP8102239	28.56	6
897336	28.06	13	898643	28.17	6	AP8102273	28.21	16
897337	28.06	14	898680	28.05	13	AP8102349	28.22	8
897339	28.06	17	898681	28.20	15	AP8102375	28.10	6
897341	28.06	19	898682	29.42	1	AP8102375	28.14	22
897342	28.06	20	898694	28.29	3	AP8102375	28.16	7
897343	28.06	21	898695	28.29	4	AP8102375	28.17	12
897344	28.06	22	89887400NI	28.12	12	AP8102375	28.31	6
897360	29.37	15	89887500NI	28.12	13	AP8102378	28.21	42
897434	29.38	3	8988800XH5	28.12	18	AP8102381	28.59	11
897434	29.42	6	898881	28.02	3	AP8102520	28.21	43
897434	29.50	3	89888200C1	28.15	1	AP8102520	28.56	2
897435	29.38	26	89888300C1	28.15	3	AP8102523	28.36	12
897436	29.38	27	899007	28.36	14	AP8102524	28.04	10
897443	29.41	7	899008	28.36	14	AP8102544	28.02	7
897444	29.44	5	899009	28.36	14	AP8102678	28.56	1
897444	29.45	5	899010	28.36	14	AP8102688	28.56	20
897446	29.50	10	899049	28.05	3	AP8102719	28.56	21



Code	No. table	Pos.	Code	No. table	Pos.	Code	No. table	Pos.
AP8102764	28.56	12	AP8120876	28.04	14	AP8134640	28.25	30
AP8102902	28.01	7	AP8120912	28.29	7	AP8134783	28.57	3
AP8102913	28.36	4	AP8120912	29.37	17	AP8134829	28.03	16
AP8102998	28.56	10	AP8120952	28.21	29	AP8134948	28.36	11
AP8104329	28.23	11	AP8121032	28.59	18	AP8140711	28.36	2
AP8104390	28.02	8	AP8121032	29.53	9	AP8144005	28.07	12
AP8104509	28.18	9	AP8121075	28.07	16	AP8144006	28.07	10
AP8104719	28.36	6	AP8121075	28.33	7	AP8144007	28.29	8
AP8104803	28.14	27	AP8121096	28.33	20	AP8144007	29.37	21
AP8104803	28.36	10	AP8121133	28.03	19	AP8144008	28.22	14
AP8106389	28.22	9	AP8121155	28.08	7	AP8144012	29.52	23
AP8106389	29.52	24	AP8121170	28.25	4	AP8144033	28.21	12
AP8110065	28.07	29	AP8121199	28.25	17	AP8144046	28.33	15
AP8110065	28.08	3	AP8121201	28.07	6	AP8144048	28.07	9
AP8110068	28.07	30	AP8121203	28.07	18	AP8144061	28.35	10
AP8110068	28.08	4	AP8121204	28.07	11	AP8144087	28.23	8
AP8110077	28.05	4	AP8121207	28.05	5	AP8144158	28.14	32
AP8110078	28.07	3	AP8121212	28.28	13	AP8144424	29.49	14
AP8110079	28.07	4	AP8121213	28.28	11	AP8144443	28.07	21
AP8110081	28.28	14	AP8121221	28.29	6	AP8144444	28.07	22
AP8110093	28.28	15	AP8121221	29.37	16	AP8144558	28.25	18
AP8110094	28.26	5	AP8121224	28.03	5	AP8144563	28.09	18
AP8112600	28.12	2	AP8121267	28.56	9	AP8144563	28.10	2
AP8112600	28.13	21	AP8121346	28.05	9	AP8144563	28.11	10
AP8112600	28.57	11	AP8121428	28.22	6	AP8144563	28.58	9
AP8112916	28.13	6	AP8121455	28.25	19	AP8144564	28.09	3
AP8112916	28.57	5	AP8121520	28.18	20	AP8144565	28.14	33
AP8113004	28.20	9	AP8121566	28.03	4	AP8144616	28.09	17
AP8113004	28.29	12	AP8121570	28.07	26	AP8144616	28.10	1
AP8113004	28.30	4	AP8121592	28.28	21	AP8144616	28.11	9
AP8113004	28.59	7	AP8121725	28.25	31	AP8144616	28.58	8
AP8113070	28.27	5	AP8121728	28.21	34	AP8144707	28.02	10
AP8113070	28.30	11	AP8121991	28.21	35	AP8144713	28.14	7
AP8113230	28.20	23	AP8121991	28.33	10	AP8144720	28.21	38
AP8113499	28.20	3	AP8123641	28.05	6	AP8145022	28.20	5
AP8113598	28.20	2	AP8123642	28.05	7	AP8146516	28.08	9
AP8113719	28.20	8	AP8123643	28.05	8	AP8146518	28.08	5
AP8113752	28.30	9	AP8123644	28.05	19	AP8148824	28.07	28
AP8113753	28.30	10	AP8124288	28.20	11	AP8149034	28.57	16
AP8117004	28.12	16	AP8124719	28.11	11	AP8150011	28.21	23
AP8117033	28.02	6	AP8125687	28.07	19	AP8150011	28.59	20
AP8117033	28.21	7	AP8125728	28.26	9	AP8150012	28.04	12
AP8117258	28.13	22	AP8125730	28.28	10	AP8150017	28.33	22
AP8117258	28.57	12	AP8125731	28.28	6	AP8150018	28.25	20
AP8118492	28.18	2	AP8125732	28.28	12	AP8150018	28.25	25
AP8118566	28.18	3	AP8125827	28.26	7	AP8150020	28.28	27
AP8118567	28.18	4	AP8125838	28.28	17	AP8150020	29.37	20
AP8120030	28.09	13	AP8125839	28.28	19	AP8150044	29.38	13
AP8120030	28.17	9	AP8125841	28.26	8	AP8150044	29.52	12
AP8120030	28.20	17	AP8125842	28.26	14	AP8150107	28.01	18
AP8120030	28.21	14	AP8125848	28.10	21	AP8150137	28.22	12
AP8120030	28.22	4	AP8127098	28.13	5	AP8150137	28.56	25
AP8120030	28.59	17	AP8127098	28.57	13	AP8150137	29.53	10
AP8120177	28.15	5	AP8127109	28.31	2	AP8150158	28.11	12
AP8120190	28.18	15	AP8127489	28.09	22	AP8150158	28.13	8
AP8120223	28.25	32	AP8127489	28.13	18	AP8150158	28.21	33
AP8120223	28.59	14	AP8127803	28.09	21	AP8150164	28.03	23
AP8120253	28.10	22	AP8127803	28.13	14	AP8150179	28.10	23
AP8120253	28.25	38	AP8127804	28.09	20	AP8150179	28.13	11
AP8120253	29.37	8	AP8127804	28.13	15	AP8150179	28.33	6
AP8120405	28.35	15	AP8127856	28.04	15	AP8150182	28.13	12
AP8120428	28.10	18	AP8128169	28.26	6	AP8150195	28.05	17
AP8120446	28.56	8	AP8128170	28.28	16	AP8150195	28.28	24
AP8120573	28.21	40	AP8128189	28.26	15	AP8150204	28.11	13
AP8120622	28.10	5	AP8128231	28.28	23	AP8150204	28.13	7
AP8120663	28.14	14	AP8134167	28.20	20	AP8150204	28.21	24
AP8120822	28.29	15	AP8134451	28.03	17	AP8150204	28.57	6

Code	No. table	Pos.	Code	No. table	Pos.	Code	No. table	Pos.
AP8150204	28.57	7	AP8152043	28.59	19	AP8152305	28.07	14
AP8150220	28.05	23	AP8152108	28.09	23	AP8152306	28.57	2
AP8150236	28.05	11	AP8152108	28.13	16	AP8152306	28.58	7
AP8150236	28.25	16	AP8152108	28.57	18	AP8152318	28.04	2
AP8150236	28.33	21	AP8152112	28.25	26	AP8152318	29.46	42
AP8150248	28.04	13	AP8152117	28.09	16	AP8152323	28.26	12
AP8150248	28.11	7	AP8152117	28.10	24	AP8152323	28.28	22
AP8150255	28.14	24	AP8152128	28.33	5	AP8152324	28.28	9
AP8150255	28.17	3	AP8152137	28.13	10	AP8152329	28.13	4
AP8150272	28.11	6	AP8152137	28.20	16	AP8152329	28.23	10
AP8150285	28.14	19	AP8152154	28.01	19	AP8152329	28.23	14
AP8150285	28.36	9	AP8152154	28.05	14	AP8152329	28.23	4
AP8150285	29.38	21	AP8152154	28.33	23	AP8152329	28.24	5
AP8150292	28.01	11	AP8152166	29.38	29	AP8152335	28.26	10
AP8150292	28.04	6	AP8152166	29.46	6	AP8152339	28.10	8
AP8150311	28.04	11	AP8152181	28.57	17	AP8152339	28.14	20
AP8150334	28.07	15	AP8152186	28.59	16	AP8152384	28.05	10
AP8150340	28.20	14	AP8152238	28.05	15	AP8152398	28.01	15
AP8150342	28.05	22	AP8152238	28.33	17	AP8152409	28.03	6
AP8150376	28.25	15	AP8152246	28.12	6	AP8152410	28.01	9
AP8150376	28.33	3	AP8152246	28.14	18	AP8152411	28.08	10
AP8150376	29.37	19	AP8152267	28.06	9	AP8152412	28.08	6
AP8150380	28.12	7	AP8152267	28.07	25	AP8152413	28.08	11
AP8150382	28.35	3	AP8152267	28.57	4	AP8152414	28.20	21
AP8150382	28.58	10	AP8152269	28.11	5	AP8152414	28.27	10
AP8150413	28.13	1	AP8152272	28.21	18	AP8152441	28.01	17
AP8150420	28.12	10	AP8152272	29.51	1	AP8157100	28.55	1
AP8150420	28.32	2	AP8152273	28.14	15	AP8157770	28.05	16
AP8150421	28.23	18	AP8152273	28.20	24	AP8157770	28.12	19
AP8150429	28.03	11	AP8152274	28.59	15	AP8161127	28.14	11
AP8150429	29.49	4	AP8152277	28.05	18	AP8163498	28.05	21
AP8150429	29.51	11	AP8152277	28.22	10	AP8201727	28.22	15
AP8150429	29.52	17	AP8152277	29.41	6	AP8201749	28.06	18
AP8150430	28.07	17	AP8152279	28.21	4	AP8201755	28.02	4
AP8150431	28.25	21	AP8152279	28.30	13	AP8201808	28.18	11
AP8150431	29.37	18	AP8152279	28.33	9	AP8213057	28.20	7
AP8150436	28.28	8	AP8152279	29.37	9	AP8220150	28.17	4
AP8150444	28.21	13	AP8152279	29.49	21	AP8220150	28.35	4
AP8150462	28.29	16	AP8152280	28.22	2	AP8220177	29.37	6
AP8150462	29.37	23	AP8152280	29.38	6	AP8220186	28.10	3
AP8150463	28.28	26	AP8152280	29.46	48	AP8220186	28.32	3
AP8150468	28.07	31	AP8152281	28.25	29	AP8220283	28.31	3
AP8150468	28.12	1	AP8152282	28.25	39	AP8220283	28.33	13
AP8150469	28.02	5	AP8152283	28.06	23	AP8220283	28.34	13
AP8150474	28.20	19	AP8152284	29.38	8	AP8220323	28.02	9
AP8150500	28.11	8	AP8152285	28.33	2	AP8220366	28.14	31
AP8150500	28.17	10	AP8152286	28.26	11	AP8220488	28.21	46
AP8150500	28.31	5	AP8152286	28.30	18	AP8221023	28.09	14
AP8150503	28.07	27	AP8152289	29.38	9	AP8221023	28.20	18
AP8150505	28.14	23	AP8152294	29.38	7	AP8221023	28.21	9
AP8150506	28.01	5	AP8152298	28.16	6	AP8221023	28.22	3
AP8150509	28.12	9	AP8152298	28.30	17	AP8221023	28.59	10
AP8150509	28.17	2	AP8152298	28.32	5	AP8221036	28.32	4
AP8150509	28.35	11	AP8152298	28.58	6	AP8221129	28.36	8
AP8150509	28.35	2	AP8152299	28.09	15	AP8221145	28.21	32
AP8150522	28.13	20	AP8152299	28.13	17	AP8221145	28.35	9
AP8150522	28.57	14	AP8152299	28.16	5	AP8221150	28.21	36
AP8150536	28.14	9	AP8152299	28.22	5	AP8221150	28.56	5
AP8150536	28.56	23	AP8152299	28.33	8	AP8221311	28.56	13
AP8150537	28.03	14	AP8152299	28.35	12	AP8221349	28.30	16
AP8150538	28.14	21	AP8152299	28.56	17	AP8224164	28.57	1
AP8150540	28.03	9	AP8152299	28.57	15	AP8224462	28.31	4
AP8150540	28.05	1	AP8152301	28.01	16	AP8224462	28.33	12
AP8150540	28.05	26	AP8152301	28.08	8	AP8224462	28.34	12
AP8152001	28.04	5	AP8152302	28.07	24	AP8224470	28.03	10
AP8152003	28.18	10	AP8152302	28.15	2	AP8224470	28.12	3
AP8152043	28.18	17	AP8152302	28.16	4	AP8224470	28.29	18

Code	No. table	Pos.	Code	No. table	Pos.	Code	No. table	Pos.
AP8224470	29.37	4	B044607	28.59	3	CM002916	28.23	2
AP8225369	28.04	3	B044608	28.20	25	CM002916	29.53	5
AP8234020	28.07	13	B044608	28.27	9	CM101711	29.52	14
AP8257609	28.55	2	B044608	28.59	2	CM178411	28.56	16
AP8257755	28.55	3	B044615	28.33	11	CM178412	28.56	19
AP8257794	28.55	5	B044615	28.34	14	CM178413	28.56	14
AP8267395	28.55	4	B044620	28.05	20	CM223401	29.43	1
AP8277381	28.55	12	B044620	28.33	18	CM223402	29.43	1
AP8706087	28.59	13	B044640	28.34	3	CM223403	29.43	1
AP9100053	28.59	12	B044724BL	29.39	4	CM223404	29.43	1
AP9100456	28.21	27	B044724GI	29.39	4	CM223405	29.43	1
AP9100519	28.19	5	B044724VE	29.39	4	CM223406	29.43	1
AP9100594	28.12	5	B044760	28.59	6	CM223407	29.43	1
AP9100846	28.05	24	B044778	28.31	9	CM223408	29.43	1
AP9150006	29.46	39	B045008	28.25	34	CM223409	29.43	1
AP9150051	29.46	38	B045009	28.25	35	CM223410	29.43	1
AP9150145	29.38	28	B045021	28.18	6	CM223411	29.43	1
AP9150145	29.46	4	B045033	28.28	5	CM223412	29.43	1
B043213	28.09	8	B045094	28.14	29	CM223413	29.43	1
B043231	29.54	6	B045095	28.59	22	CM223414	29.43	1
B043246	28.10	15	B045137	28.30	7	CM223415	29.43	1
B043247	28.10	14	B045183	28.11	4	CM223416	29.43	1
B043248	28.11	3	B045220	28.06	1	CM223417	29.43	1
B043254	28.12	8	B045221	28.06	2	CM223418	29.43	1
B043283	28.25	11	B045360	29.38	19	CM223419	29.43	1
B043455	28.26	1	B045373	28.14	30	CM223420	29.43	1
B043457	28.28	1	B045374	28.14	2	CM223421	29.43	1
B043488	28.33	4	B045412AA	29.39	1	CM223422	29.43	1
B043489	28.27	8	B045412CC	29.39	1	CM223423	29.43	1
B043542	29.49	24	B045412DD	29.39	1	CM223424	29.43	1
B043561	28.06	3	B045412FF	29.39	1	CM223425	29.43	1
B043562	28.06	4	B0454575	29.39	15	CM223426	29.43	1
B043563	28.06	5	B0454754BB	29.39	2	CM223427	29.43	1
B043564	28.06	8	B0454754CC	29.39	2	CM223428	29.43	1
B043619	28.31	7	B0454754DD	29.39	2	CM223429	29.43	1
B043680	28.19	6	B0454754EE	29.39	2	CM224903	28.28	4
B043807	29.41	10	B045476	29.44	14	CM225401	29.53	6
B043834	29.37	11	B045476	29.45	14	CM225605	28.34	8
B0438525	29.38	1	B045627	28.25	11	CM225607	28.34	9
B043864	28.14	26	B045753	28.21	1	CM225615	28.34	10
B043920	28.36	1	B045770	28.14	30	CM225730	28.34	11
B043925	28.14	17	B045771	28.14	2	CM2268045	29.37	10
B043929	28.14	25	B045785	28.09	9	CM2268055	29.37	10
B043929	28.36	3	B045786	28.09	10	CM227601	29.40	1
B043945	29.47	8	B045787	28.10	16	CM227602	29.40	1
B0439474	29.47	7	B045788	28.14	29	CM228002	29.43	1
B044275	29.48	8	B045793	28.11	4	CM228004	29.43	1
B044279	28.26	3	B04580600NI	28.14	1	CM228006	29.43	1
B044280	28.26	4	B04580700NI	28.14	1	CM228008	29.43	1
B044414	28.35	6	B04582800XB9	28.14	1	CM228010	29.43	1
B044474	29.47	9	B04582900XB9	28.14	1	CM228012	29.43	1
B0444875	29.44	2	B04583100NI	28.09	7	CM228014	29.43	1
B0444875	29.45	2	B04583200XB9	28.10	13	CM228016	29.43	1
B04454700NI	28.14	3	B04583300XB9	28.10	12	CM228018	29.43	1
B044551	28.59	21	B046072	29.52	2	CM228020	29.43	1
B044586	28.29	14	B046156	28.11	1	CM228022	29.43	1
B044592	28.59	4	B046157	28.11	1	CM228024	29.43	1
B044593	28.59	5	B046202	29.38	18	CM228026	29.43	1
B044594	28.59	9	B046351	28.06	5	CM228028	29.43	1
B044596	28.27	1	B046352	28.06	24	CM228030	29.43	1
B044597	28.27	2	B046353	28.06	15	CM228032	29.43	1
B044598	28.27	6	B046354	28.06	10	CM228034	29.43	1
B044601	28.27	3	B046355	28.06	16	CM228036	29.43	1
B044605	28.20	4	CM001901	28.56	15	CM228038	29.43	1
B044606	28.59	1	CM001905	29.53	4	CM228040	29.43	1
B044607	28.20	1	CM001927	28.23	20	CM228042	29.43	1
B044607	28.27	7	CM002903	28.24	4	CM228044	29.43	1

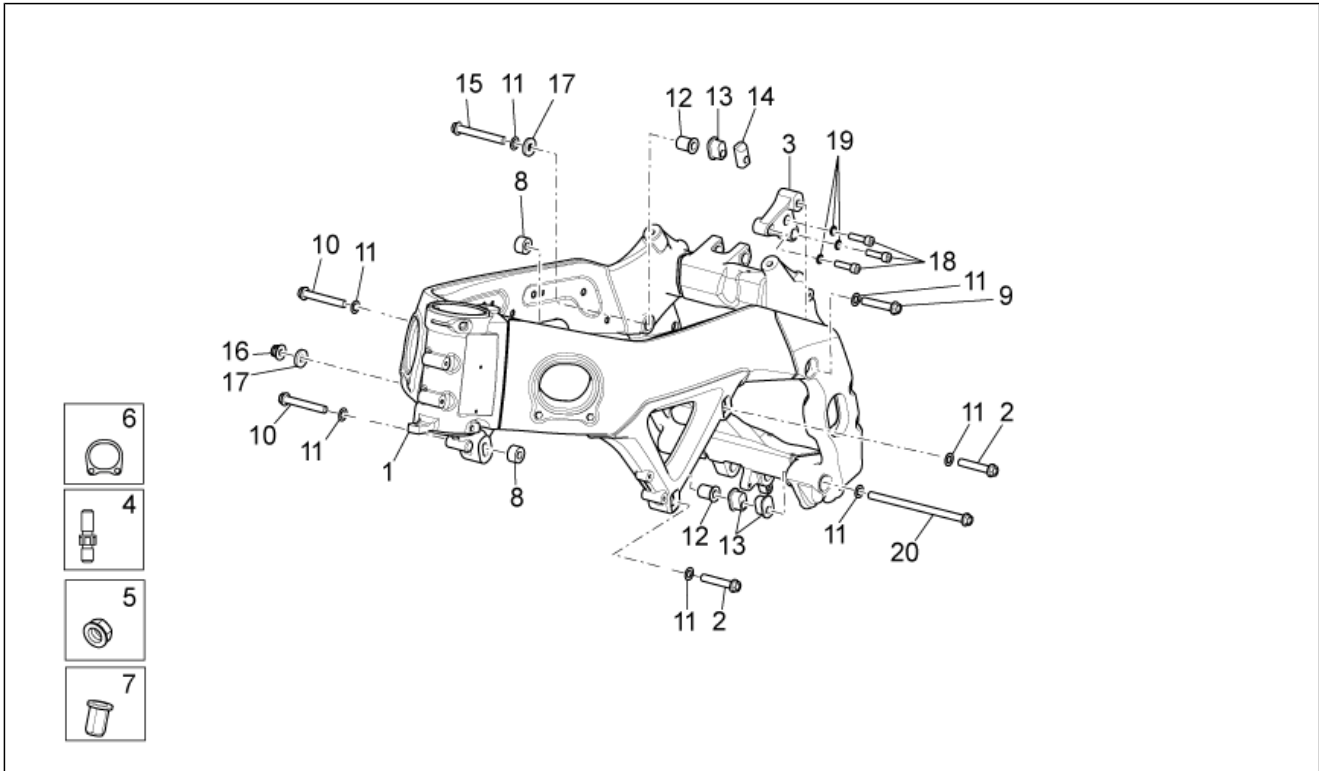


TUONO 1000  
3993 - Tuono 1000 V4 R APRC ABS 2014

Chassis prefix: ZD4TYB02, ZD4TYB03,  
ZD4TYCA0, ZD4TYCB04FS, ZD4TYCB05,  
ZD4TYCB06  
Engine prefix:

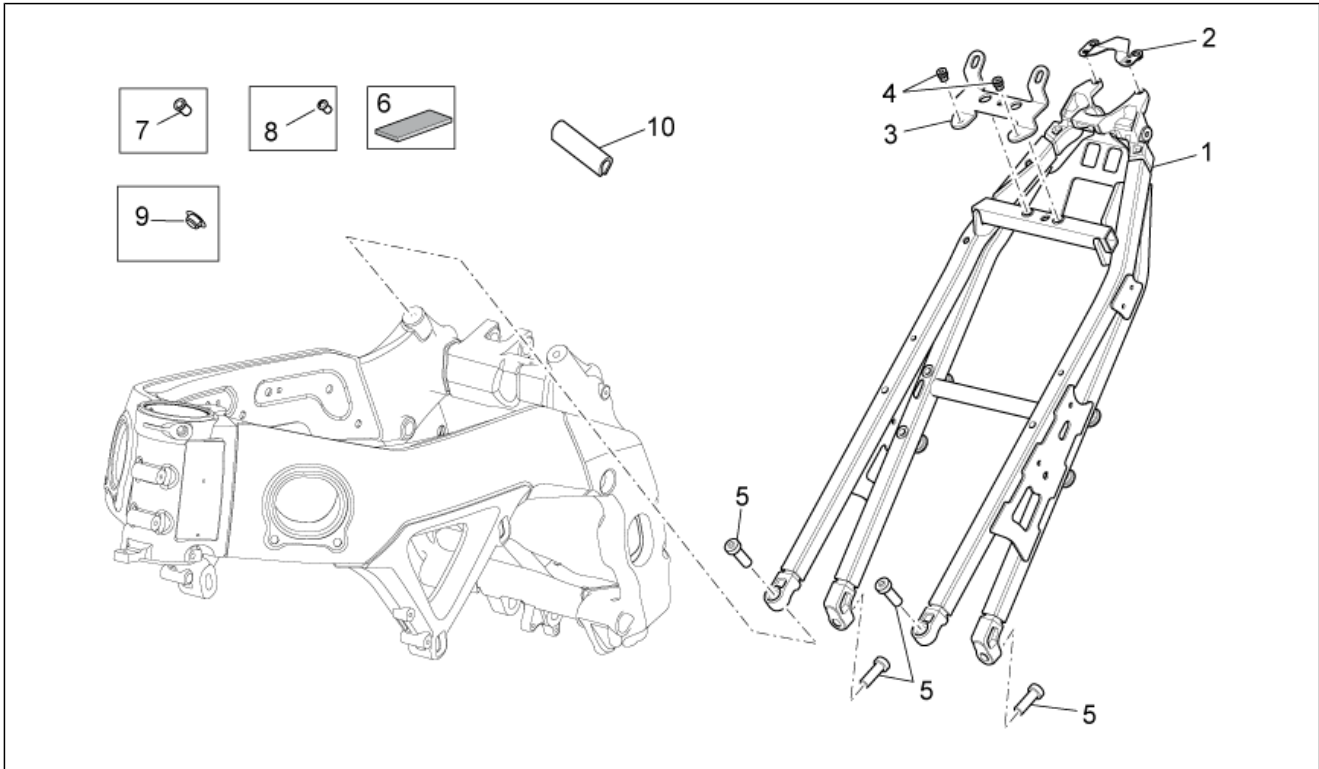
Code	No. table	Pos.
CM228046	<a href="#">29.43</a>	1
CM228048	<a href="#">29.43</a>	1
CM228050	<a href="#">29.43</a>	1
CM228052	<a href="#">29.43</a>	1
CM228054	<a href="#">29.43</a>	1
CM228056	<a href="#">29.43</a>	1
CM228222	<a href="#">28.35</a>	1
GU01603380	<a href="#">28.18</a>	1
GU01603480	<a href="#">28.18</a>	5
GU05128230	<a href="#">28.25</a>	7
GU05677730	<a href="#">28.03</a>	7
GU30027931	<a href="#">28.23</a>	16
GU30441005	<a href="#">28.03</a>	3
GU30729330	<a href="#">28.23</a>	17
GU90706009	<a href="#">29.38</a>	16

<b>Group</b>	FRAME
<b>Code</b>	28.01
<b>Description</b>	Frame I
<b>Service</b>	1



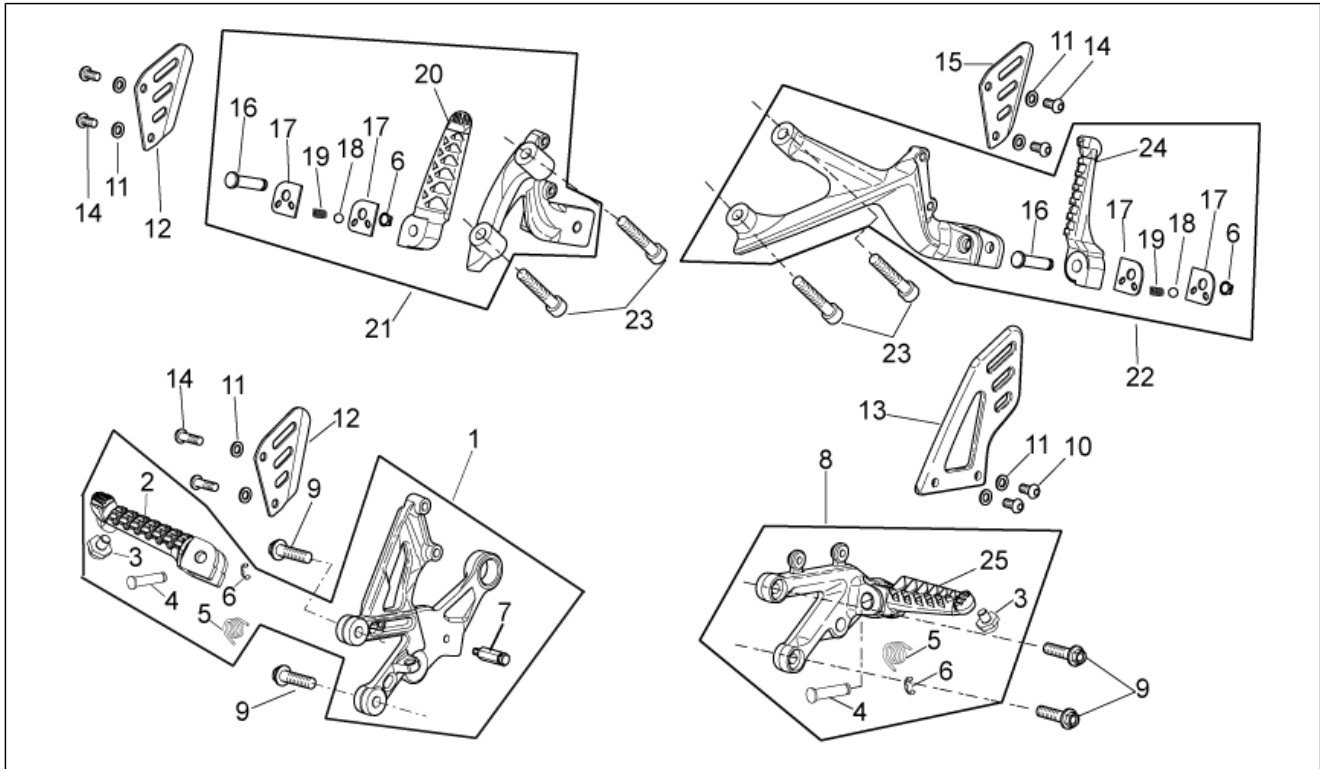
Pos.	Code	Description	Qty	Variants
1	896962	Frame	1	
2	598838	Screw w/ flange	2	
3	898429	Engine support pos. 0	1	
4	894027	Pin	4	
5	AP8150506	Flanged nut	4	
6	858819	RH-LH Gasket	2	
7	AP8102902	Hex threaded insert	4	
8	858718	RH spacer	2	
9	AP8152410	Screw w/ flange M10x55	1	
10	895845	Hex screw FLANG.M 10	2	
11	AP8150292	Curved spring washer *	7	
12	858710	Bush	2	
13	898427	Rear Insert pos. 0	3	
14	898428	M10 insert pos. 0	1	
15	AP8152398	Screw w/ flange M10x80	1	
16	AP8152301	Self-locking nut	1	
17	AP8152441	Washer 10,5x25x4	2	
18	AP8150107	Hex socket screw M8x30	3	
19	AP8152154	Washer 8,4x13*	3	
20	858712	Pin	1	

<b>Group</b>	FRAME
<b>Code</b>	28.02
<b>Description</b>	Frame II
<b>Service</b>	1



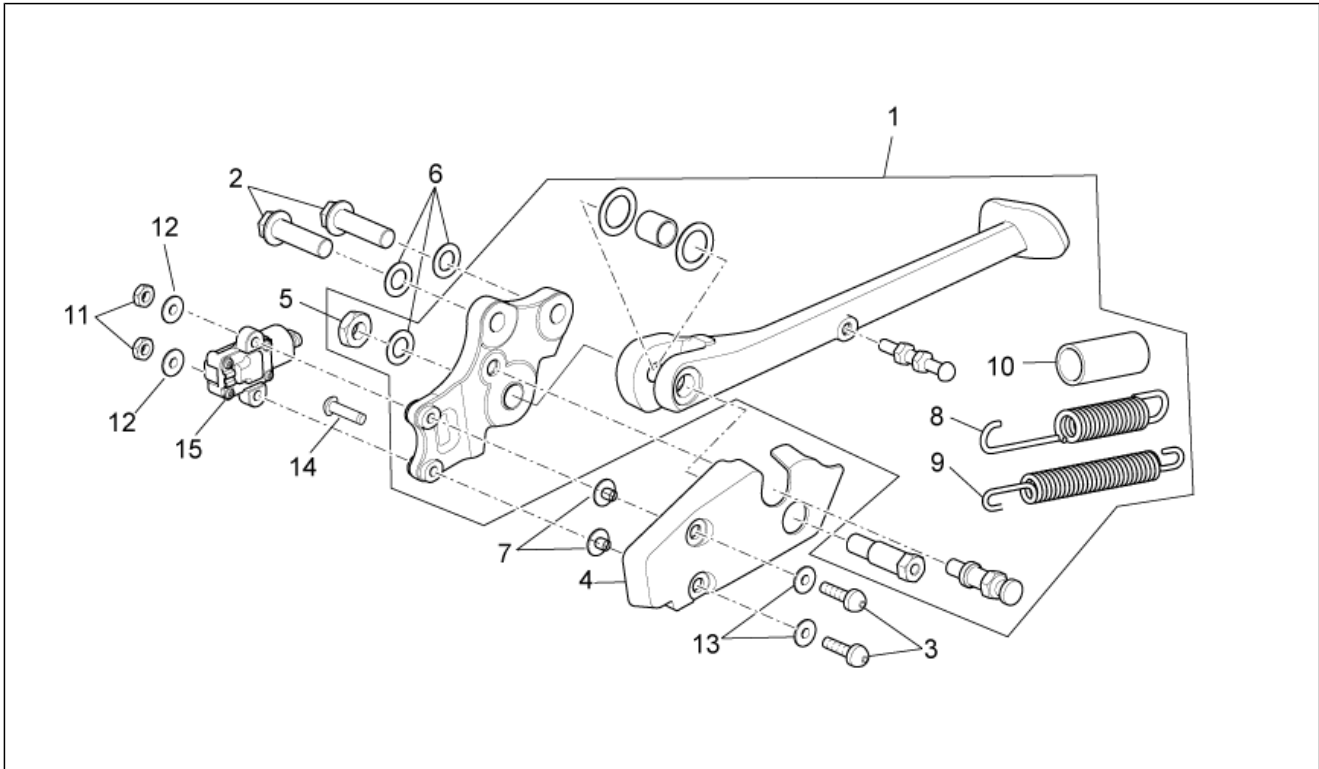
Pos.	Code	Description	Qty	Variants
1	858849	Saddle support	1	
2	899190	Headlight support clamp	1	
3	898881	Support bracket	1	
4	AP8201755	Threaded rivet	2	
5	AP8150469	Hex socket screw M10x30	4	
6	AP8117033	Adhesive sponge	1	
7	AP8102544	Threaded rivet M6	4	
8	AP8104390	Threaded rivet	6	
9	AP8220323	Cover	1	
10	AP8144707	Gasket	1	

<b>Group</b>	FRAME
<b>Code</b>	28.03
<b>Description</b>	Foot rests
<b>Service</b>	1



Pos.	Code	Description	Qty	Variants
1	897828	RH front footrest bracket	1	
2	897830	RH Foot rests	1	
3	GU30441005	Pin	2	
4	AP8121566	Footrest pin	2	
5	AP8121224	Footrest return spring	2	
6	AP8152409	Stop ring	2	
7	GU05677730	Springs fixing pin	1	
8	897829	LH front footrest bracket	1	
9	AP8150540	Screw	4	
10	AP8224470	Hex socket screw M6x20	2	
11	AP8150429	Spring washer 6,4x11x0,5*	8	
12	858787	RH protection	2	
13	858788	LH protection	1	
14	AP8150537	Hex socket screw M6x12	6	
15	894201	LH rear footrest guard	1	
16	AP8134829	Footrest pin	2	
17	AP8134451	Footrest plate	4	
18	AP8101861	Ball D6,35	2	
19	AP8121133	Coil compress. spring	2	
20	897832	Rear footrest, RH	1	
21	897834	Rear footrest, RH cpl	1	
22	897835	Rear footrest, LH	1	
23	AP8150164	Hex socket screw M8x45	4	
24	897833	Rear footrest, LH	1	
25	897831	LH Foot rests	1	

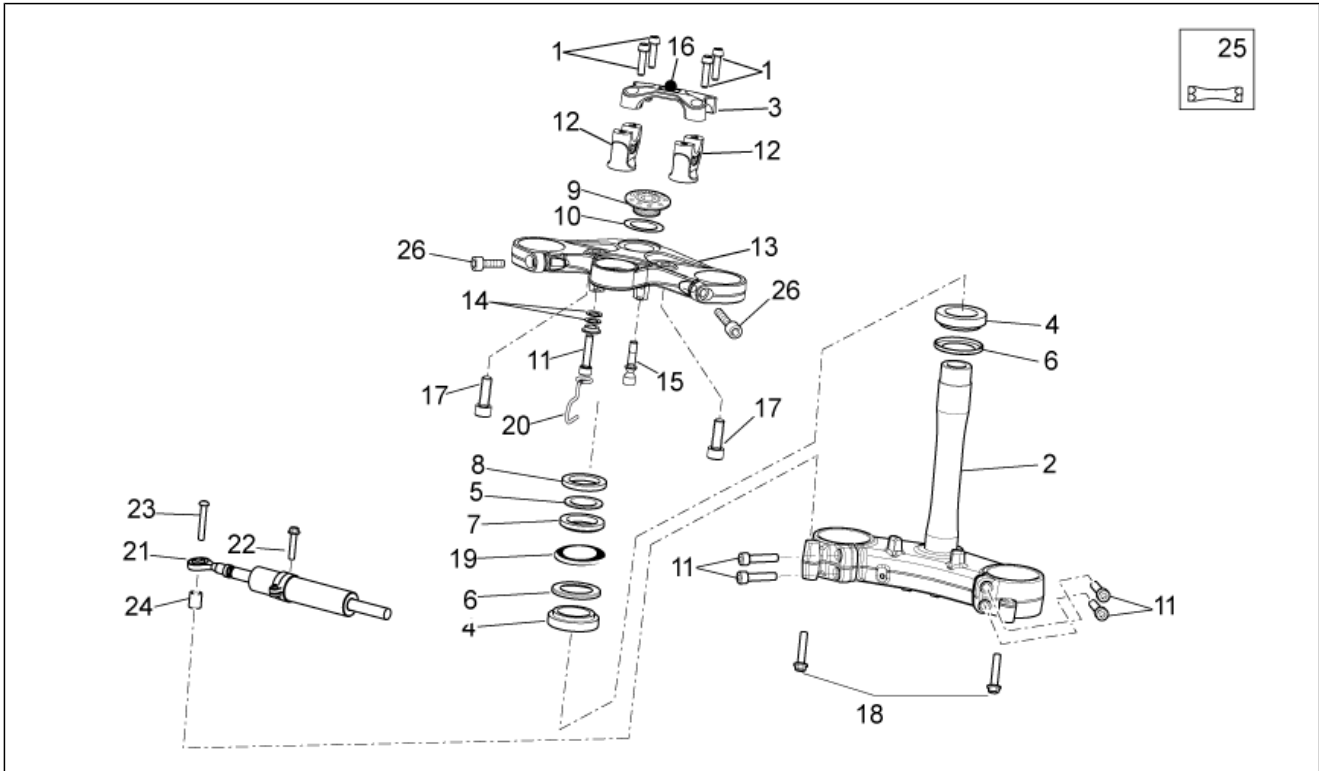
<b>Group</b>	FRAME
<b>Code</b>	28.04
<b>Description</b>	Central stand
<b>Service</b>	1



Pos.	Code	Description	Qty	Variants
1	858863	Stand cpl.	1	Country: europe[EU], Japan[JP]
1	895250	Stand cpl.	1	Country: Canadian[CA], United States of America[USA]
2	AP8152318	Screw w/ flange M10x35	2	
3	AP8225369	Hex socket screw	2	
4	858941	Guard	1	
5	AP8152001	Low nut M10x1,25	1	
6	AP8150292	Curved spring washer *	3	
7	843213	T bush	2	
8	893044	Outer spring	1	
9	893045	Inner spring	1	
10	AP8102524	Stand spring protection	1	
11	AP8150311	Low self-locking nut	2	
12	AP8150012	Washer 5,3x10x1*	2	
13	AP8150248	Washer 5,5x15x1,6	2	
14	AP8120876	Plug	1	
15	AP8127856	Lateral stand switch	1	

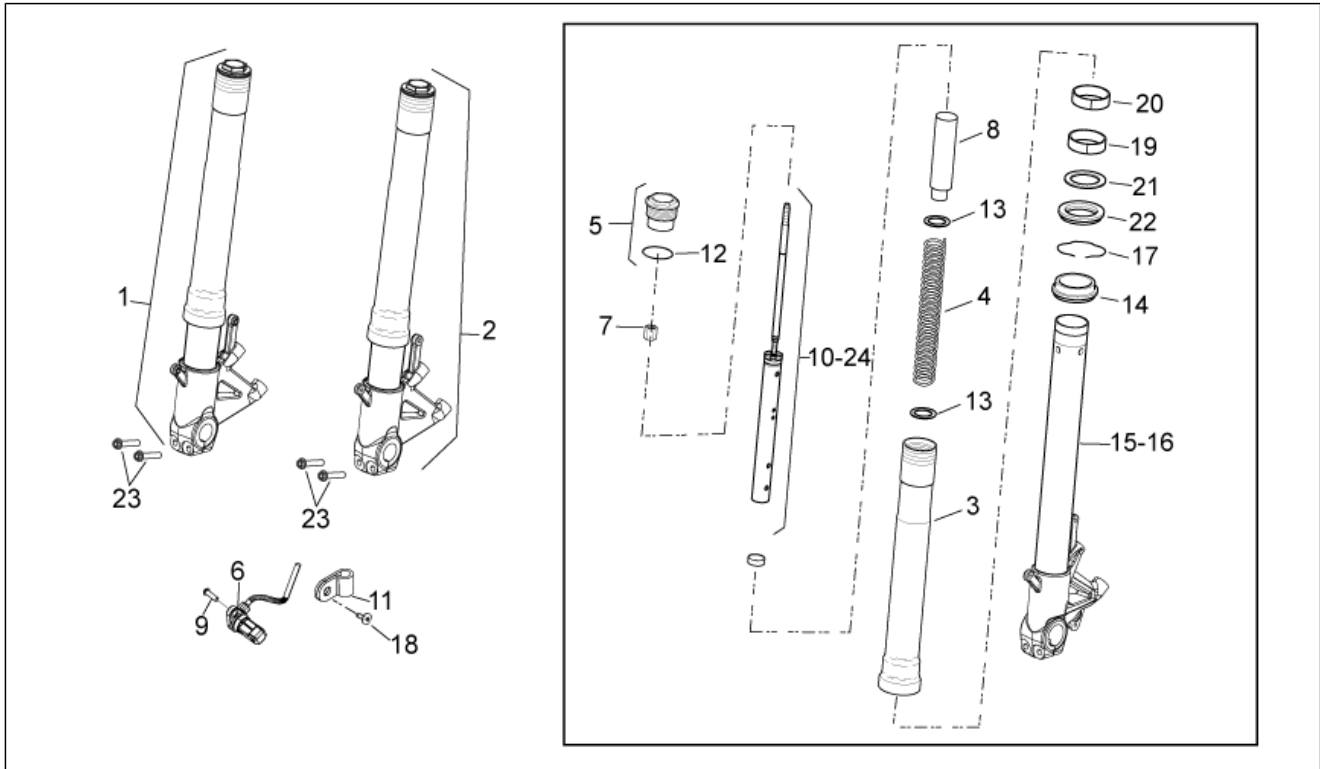


<b>Group</b>	FRAME
<b>Code</b>	28.05
<b>Description</b>	Steering
<b>Service</b>	1



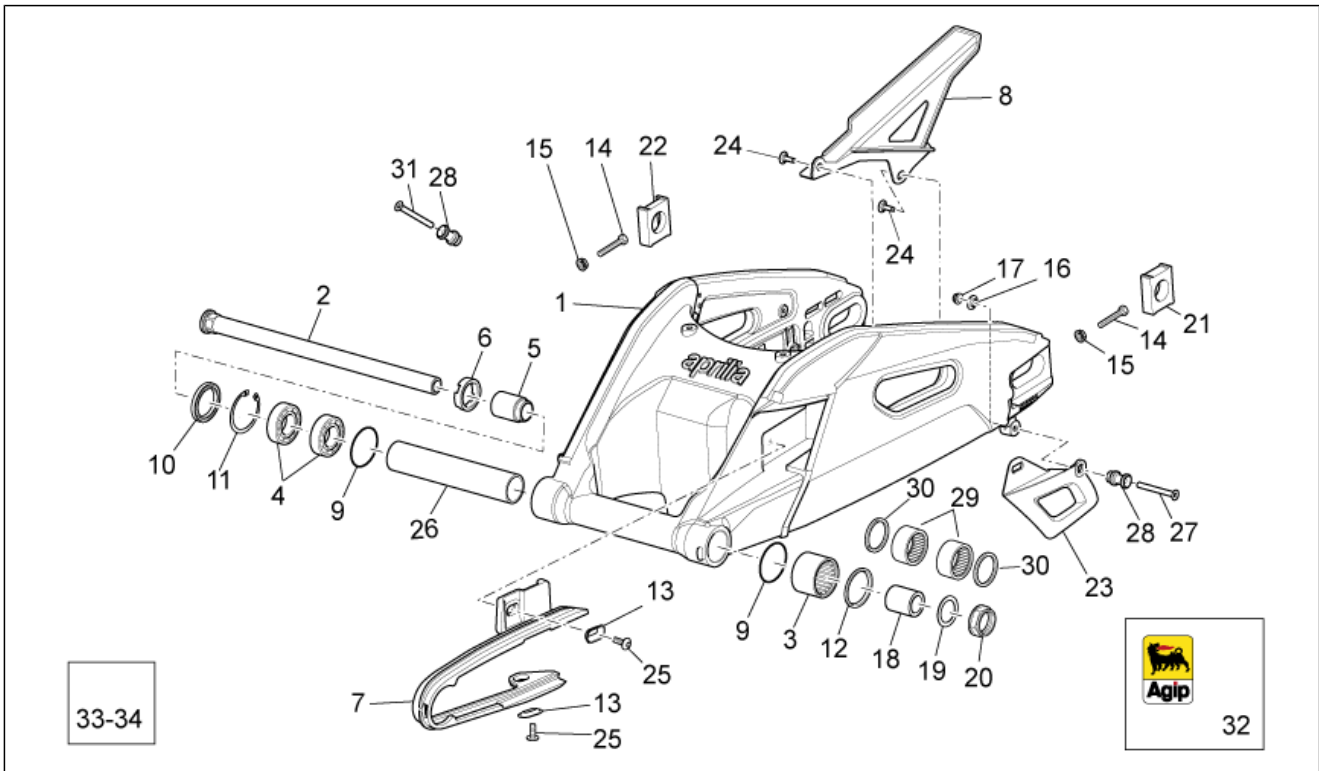
Pos.	Code	Description	Qty	Variants
1	AP8150540	Screw	4	
2	858803	Lower plate	1	
3	899049	Upper U-bolt	1	
4	AP8110077	Axial ball bearing	2	
5	AP8121207	Steering security plate	1	
6	AP8123641	Dust cover ring	2	
7	AP8123642	Ring nut	1	
8	AP8123643	Return ring nut	1	
9	AP8121346	Upper plate fixing bush	1	
10	AP8152384	Stem plug washer	1	
11	AP8150236	Hex socket screw M8x35	5	
12	899427	Lower U-bolt	2	
13	898680	Fork upper plate	1	
14	AP8152154	Washer 8,4x13*	2	
15	AP8152238	Shear rivet M8x28	1	
16	AP8157770	"Aprilia" dataplate	1	
17	AP8150195	Hex socket screw M10x30	2	
18	AP8152277	Screw w/ flange M6x12	2	
19	AP8123644	Dust cover ring	1	
20	B044620	Fairlead	1	
21	AP8163498	Steering shock absorber	1	
22	AP8150342	Hex socket screw M6x70	1	
23	AP8150220	Hex socket screw M6x30	1	
24	AP9100846	Bush 10x6,5x3,5	1	
25	899206	Shock abs. spacer	1	
26	AP8150540	Screw	2	

<b>Group</b>	FRAME
<b>Code</b>	28.06
<b>Description</b>	Front fork
<b>Service</b>	1



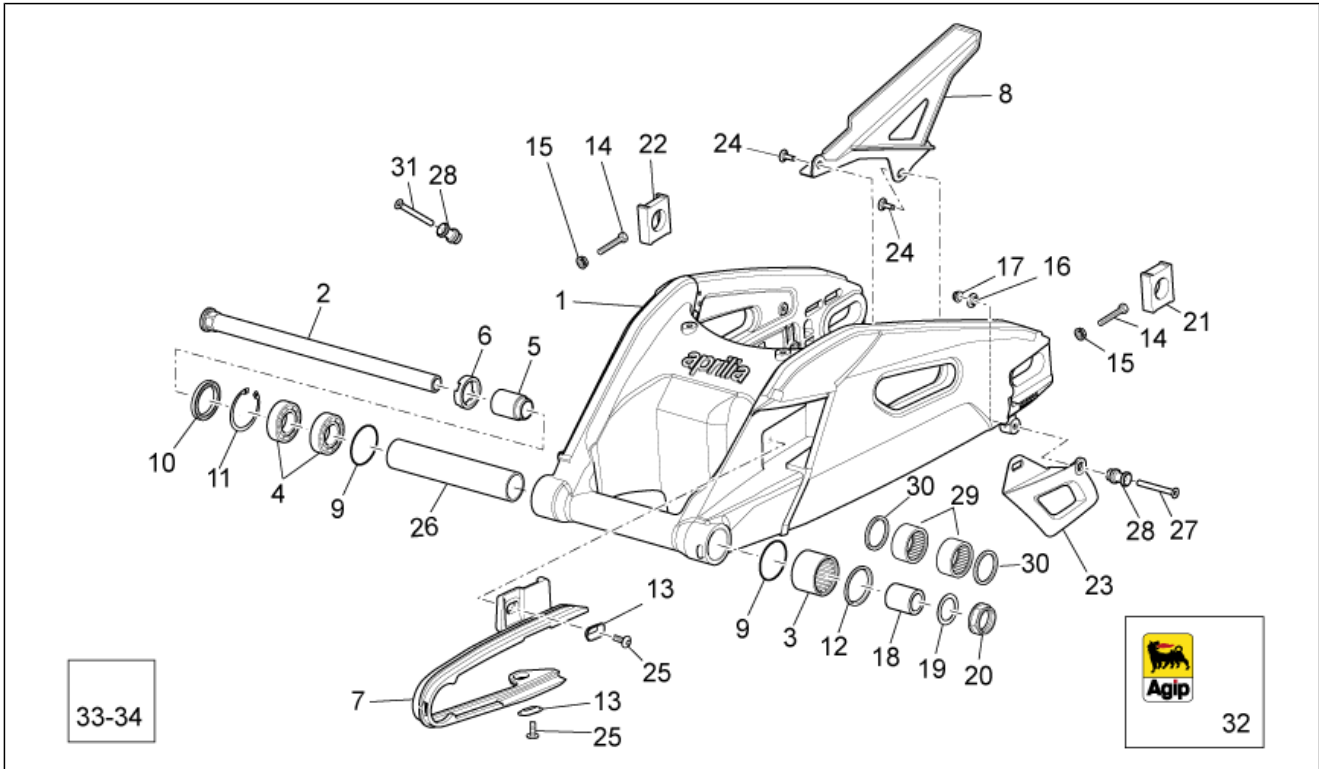
Pos.	Code	Description	Qty	Variants
1	B045220	RH hub	1	
2	B045221	LH hub	1	
3	B043561	Sleeve	2	
4	B043562	Fork spring	2	
5	B043563	LH fork plug	2	
5	B046351	Right fork cap	1	
6	859792	Sensor ABS	1	
7	897331	Nut	2	
8	B043564	Preload tube	2	
9	AP8152267	Hex socket screw M5x12	3	
10	B046354	LH plunger, complete	1	
11	859777	Fairlead	1	
12	897335	O-ring	2	
13	897336	Washer	4	
14	897337	Dust cover	2	
15	B046353	Hub+RH fork leg	1	
16	B046355	Hub+LH fork leg	1	
17	897339	Circlip	2	
18	AP8201749	Screw M4x6	1	
19	897341	Spring guide bush	2	
20	897342	Bush	2	
21	897343	Special washer	2	
22	897344	Oil seal	2	
23	AP8152283	Screw w/ flange	4	
24	B046352	RH plunger, complete	1	

<b>Group</b>	FRAME
<b>Code</b>	28.07
<b>Description</b>	Swing arm
<b>Service</b>	1



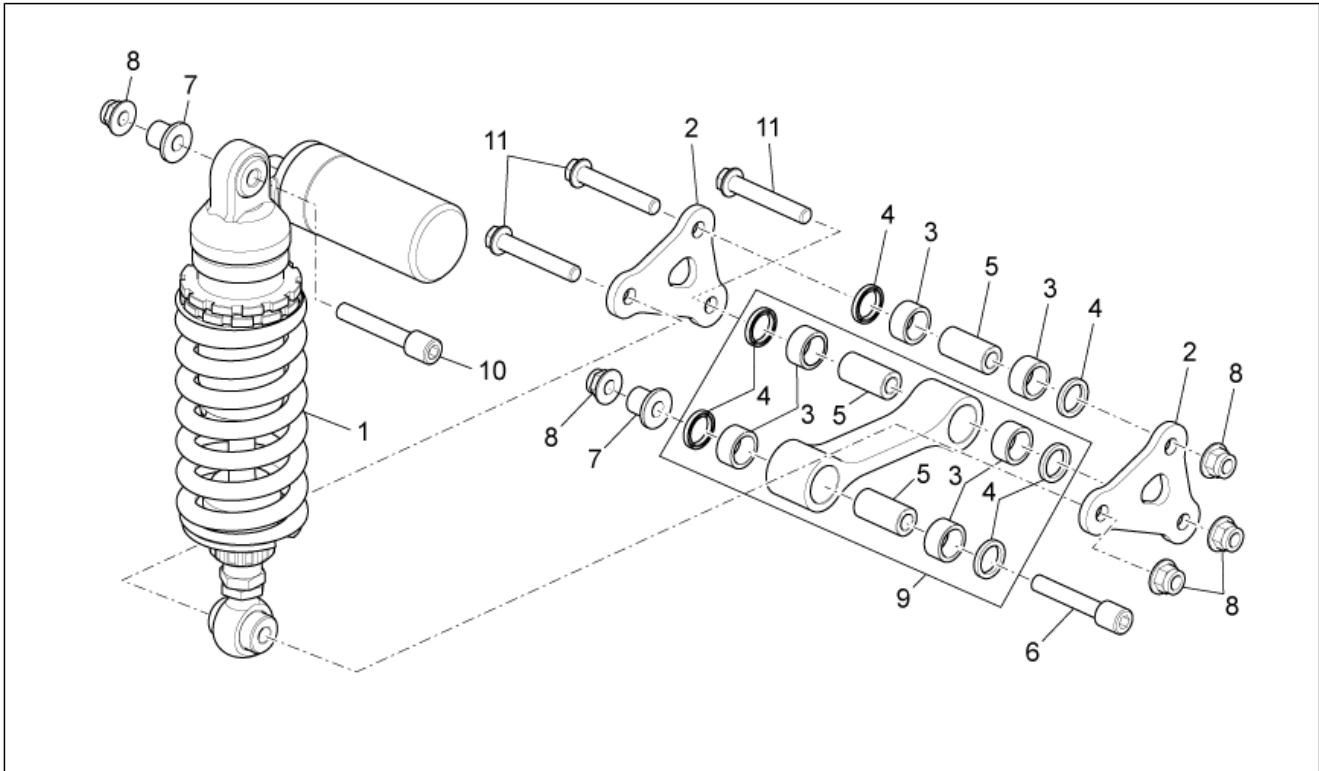
Pos.	Code	Description	Qty	Variants
1	858770	Swing arm	1	
2	858707	Rear swing arm pin	1	
3	AP8110078	Roller cage	1	
4	AP8110079	Ball bearing	2	
5	858708	Adjustment bush	1	
6	AP8121201	Swing arm ring nut	1	
7	858780	Chain guide plate	1	
8	858783	Chain guard	1	
9	AP8144048	O-ring 134	2	
10	AP8144006	Gasket ring	1	
11	AP8121204	Inside circlip d37	1	
12	AP8144005	Gasket ring	1	
13	AP8234020	Cup for shoe	2	
14	AP8152305	Chain tens.adjuster screw	2	
15	AP8150334	Nut M8	2	
16	AP8121075	T bush *	1	
17	AP8150430	Low self-locking nut	1	
18	AP8121203	Rear int.sw.arm piv.bush	1	
19	AP8125687	Wheel pin washer	1	
20	648708	Rear wheel spindle nut	1	
21	AP8144443	LH chain guide plate	1	
22	AP8144444	RH chain guide plate	1	
23	858781	Chain guide plate	1	
24	AP8152302	Screw w/ flange M5x12	3	
25	AP8152267	Hex socket screw M5x12	2	
26	AP8121570	Internal spacer	1	
27	AP8150503	Screw	1	
28	AP8148824	Maintenance	2	

<b>Group</b>	FRAME
<b>Code</b>	28.07
<b>Description</b>	Swing arm
<b>Service</b>	1



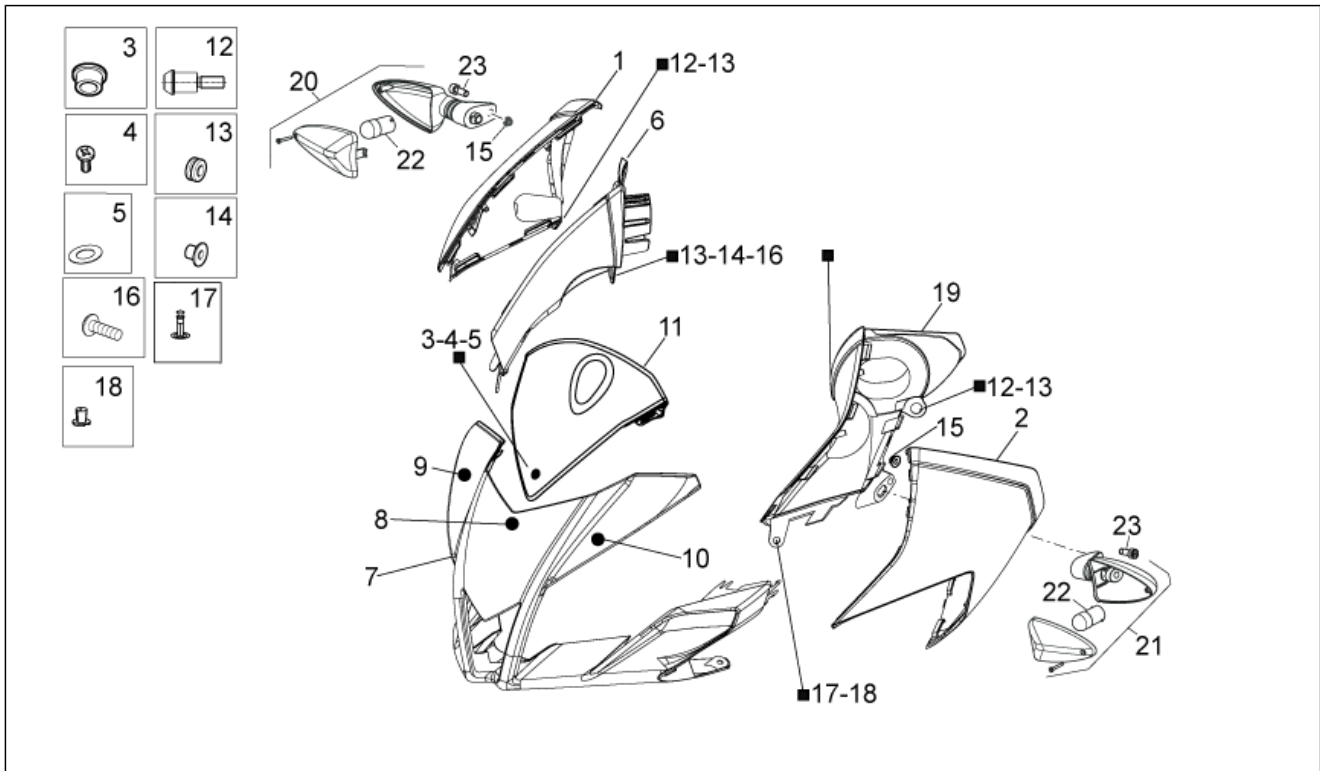
Pos.	Code	Description	Qty	Variants
29	AP8110065	Roller cage	2	
30	AP8110068	Oil seal D18x24x3	2	
31	AP8150468	Screw M6x40	1	
32	852029	Decal "AGIP"	2	
33	895352	RH heel guard decal	1	
34	895353	LH heel guard decal	1	

<b>Group</b>	FRAME
<b>Code</b>	28.08
<b>Description</b>	Rear shock absorber
<b>Service</b>	1



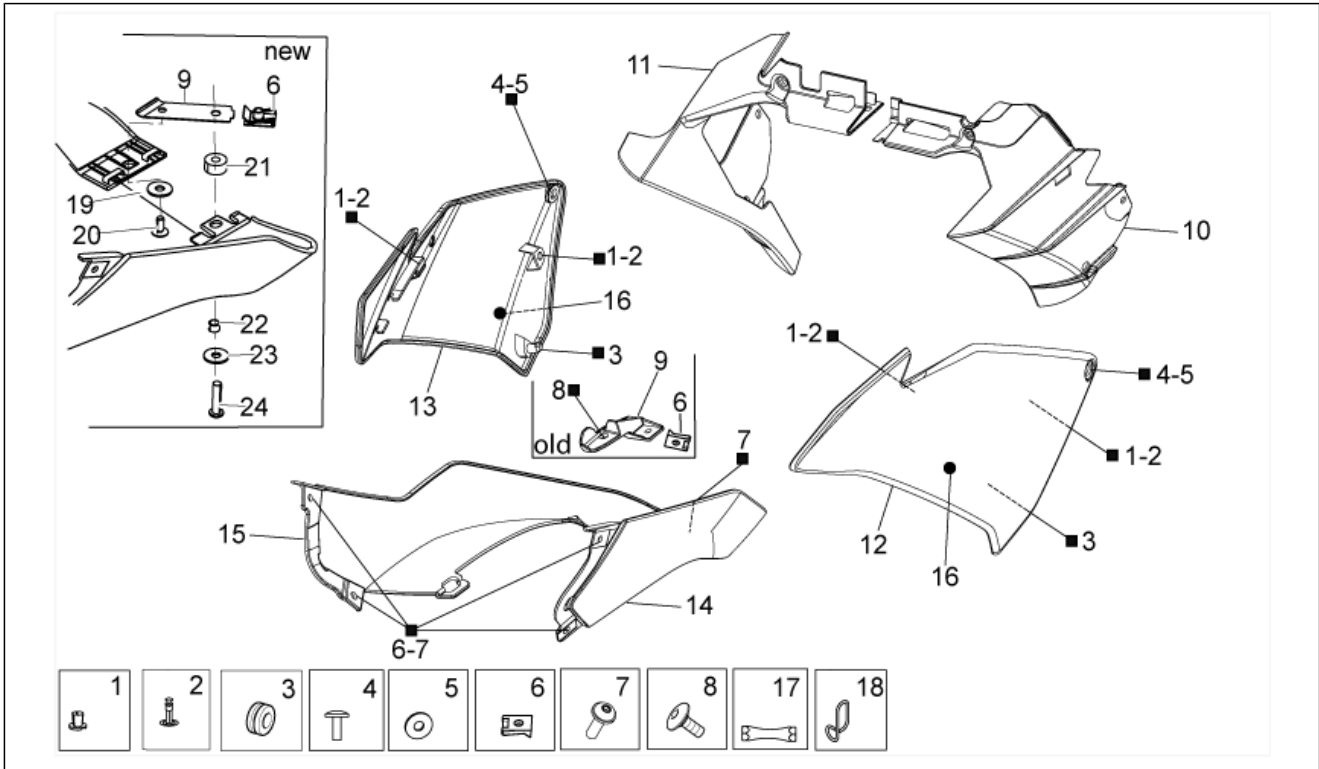
Pos.	Code	Description	Qty	Variants
1	899339	Shock absorber	1	
2	858918	Double conrod	2	
3	AP8110065	Roller cage	4	
4	AP8110068	Oil seal D18x24x3	4	
5	AP8146518	Piston pin L=36	3	
6	AP8152412	Hex socket screw M10x72	1	
7	AP8121155	T bush *	2	
8	AP8152301	Self-locking nut	5	
9	AP8146516	Single conrod comp.	1	
10	AP8152411	Hex socket screw M10x59	1	
11	AP8152413	Screw w/ flange M10x61	3	

<b>Group</b>	FRAME
<b>Code</b>	28.09
<b>Description</b>	Front body I
<b>Service</b>	1



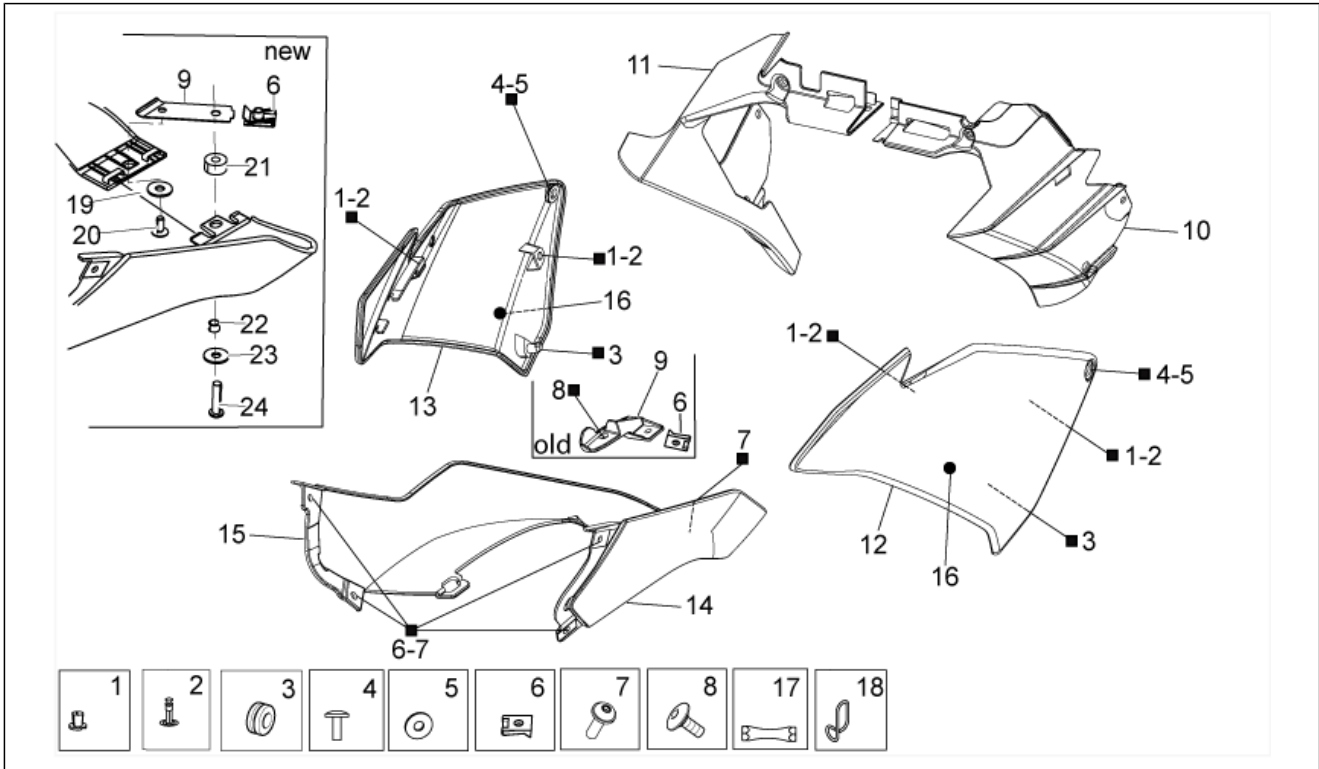
Pos.	Code	Description	Qty	Variants
1	899134	RH Upper Air duct	1	
2	899135	LH Upper Air duct	1	
3	AP8144564	Rubber w/ insert M4	1	
4	581957	Hex socket screw	1	
5	895916	Plastic washer	1	
6	899136	RH Lower Air duct	1	
7	2H000184000NI	Front fairing, black	1	<b>Vehicle colour:</b> Competition Black[black] <b>Technical specification:</b> With decals applied[D]
7	B04583100NI	Front fairing, black	1	<b>Vehicle colour:</b> Aprilia white[white] <b>Technical specification:</b> With decals applied[D]
8	B043213	Decal "Italia"	1	
9	B045785	RH Front fairing decal	1	<b>Vehicle colour:</b> Aprilia white[white]
10	2H000187	LH Front fairing decal "APRC TUONO V4"	1	<b>Vehicle colour:</b> Competition Black[black]
10	B045786	LH Front fairing decal "APRC TUONO V4"	1	<b>Vehicle colour:</b> Aprilia white[white]
11	899133	Windshield	1	<b>Country:</b> europe[EU], Japan[JP]
11	899651	Windshield	1	<b>Country:</b> Australia[AU], Canadian[CA], United States of America[USA]
12	899919	Threaded pin	2	
13	AP8120030	Rubber spacer	4	
14	AP8221023	T bush	2	
15	AP8152299	Self-locking nut M6	2	
16	AP8152117	Vite TBEI M6x25	2	
17	AP8144616	Rivet, female	2	
18	AP8144563	Rivet, male	2	
19	899137	LH Lower Air duct	1	
20	AP8127804	RH front/LH rear turn indic.	1	
21	AP8127803	LH front/RH rear turn indic.	1	
22	AP8127489	Lamp RY10W 12V	2	
23	AP8152108	Hex socket screw	2	

<b>Group</b>	FRAME
<b>Code</b>	28.10
<b>Description</b>	Front body II
<b>Service</b>	1



Pos.	Code	Description	Qty	Variants
1	AP8144616	Rivet, female	4	
2	AP8144563	Rivet, male	4	
3	AP8220186	Rubber spacer	2	
4	896174	Hex socket screw Black M5x12	2	
5	AP8120622	Front dust cover ring	2	
6	254485	Spring plate M6	1	<b>Technical specification:</b> New fastening[New]
6	AP8102375	Clip M5	1	<b>Technical specification:</b> Old fastening[Old]
7	895915	Hex socket screw	1	
8	AP8152339	Screw w/ flange M5x9	1	<b>Technical specification:</b> Old fastening[Old]
9	2B002563	Lower bracket	1	<b>Technical specification:</b> New fastening[New]
9	899856	Fixing bracket	1	<b>Technical specification:</b> Old fastening[Old]
10	899605	Upper Frame SX	1	
11	899138	Upper Frame DX	1	
12	2H000186000NI	LH lat.fairing, black	1	<b>Vehicle colour:</b> Competition Black[black] <b>Technical specification:</b> With decals applied[D]
12	B04583300XB9	LH side fairing, white	1	<b>Vehicle colour:</b> Aprilia white[white] <b>Technical specification:</b> With decals applied[D]
13	2H000185000NI	RH lat.fairing, black	1	<b>Vehicle colour:</b> Competition Black[black] <b>Technical specification:</b> With decals applied[D]
13	B04583200XB9	RH side fairing, white	1	<b>Vehicle colour:</b> Aprilia white[white] <b>Technical specification:</b> With decals applied[D]
14	B043247	Left pillar	1	
15	B043246	Right pillar	1	
16	2H000188	Left-right side fairing decal "TUONO V4"	2	<b>Vehicle colour:</b> Competition Black[black]
16	B045787	Left-right side fairing decal "TUONO V4"	2	<b>Vehicle colour:</b> Aprilia white[white]
17	890964	Spacer	1	
18	AP8120428	Cable-guide	1	
19	841821	Washer 6,6x18x1,6	1	<b>Technical specification:</b> New fastening[New]
20	896174	Hex socket screw Black M5x12	1	<b>Technical specification:</b> New fastening[New]

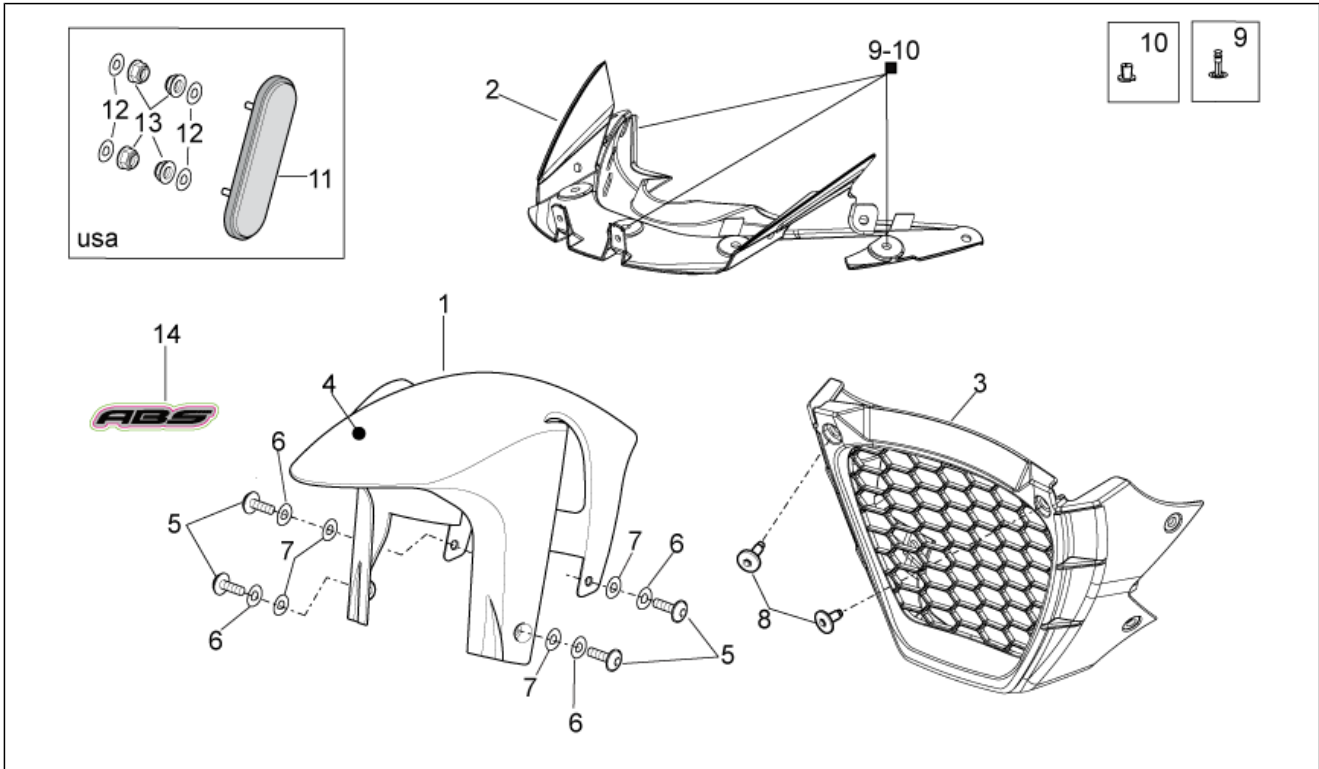
<b>Group</b>	FRAME
<b>Code</b>	28.10
<b>Description</b>	Front body II
<b>Service</b>	1



Pos.	Code	Description	Qty	Variants
21	AP8125848	Spacer	1	Technical specification:New fastening[New]
22	AP8120253	Spacer	0	Technical specification:New fastening[New]
23	AP8150179	Washer 6,6x18*	1	Technical specification:New fastening[New]
24	AP8152117	Vite TBEI M6x25	1	Technical specification:New fastening[New]

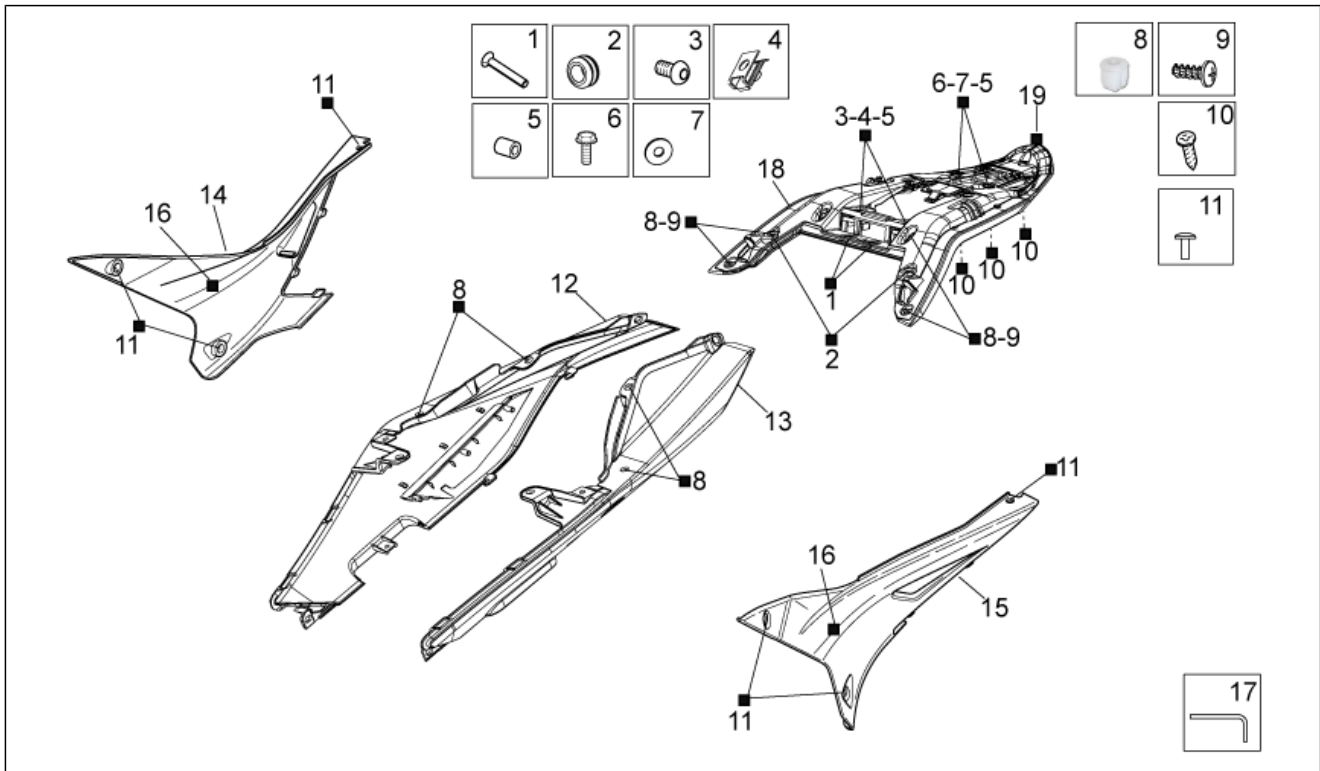


<b>Group</b>	FRAME
<b>Code</b>	28.11
<b>Description</b>	Front body III
<b>Service</b>	1



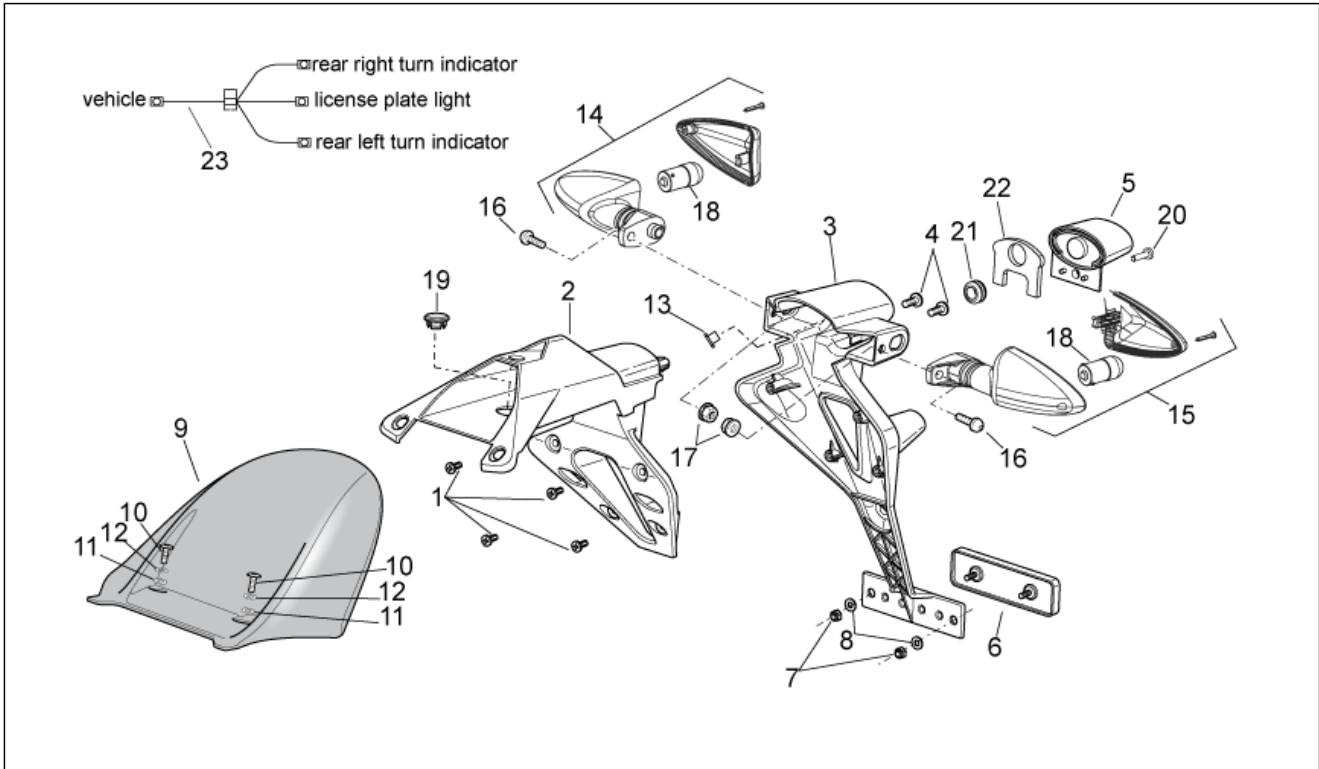
Pos.	Code	Description	Qty	Variants
1	B046156	Photoengraved front mudguard	1	Country:Australia[AU], europe[EU], Japan[JP]
1	B046157	Photoengraved front mudguard	1	Country:Canadian[CA], United States of America[USA]
2	899148	Front fairing lower lockup	1	
3	B043248	Pillar	1	
4	B045183	Front mudguard decal Aprilia Racing	1	Vehicle colour:Aprilia white[white]
4	B045793	Front mudguard decal "aprilia racing"	1	Vehicle colour:Competition Black[black]
5	AP8152269	Hex socket screw	4	
6	AP8150272	Curved spring washer 5,3x10x0,5	4	
7	AP8150248	Washer 5,5x15x1,6	4	
8	AP8150500	Hex socket screw M5x9	2	
9	AP8144616	Rivet, female	5	
10	AP8144563	Rivet, male	5	
11	AP8124719	Reflector, amber	2	Country:Canadian[CA], United States of America[USA]
12	AP8150158	Washer 4,3X9X0,8	4	Country:Canadian[CA], United States of America[USA]
13	AP8150204	Nut M4	4	Country:Canadian[CA], United States of America[USA]
14	893102	Front mudguard decal ABS	1	

<b>Group</b>	FRAME
<b>Code</b>	28.12
<b>Description</b>	Rear body I
<b>Service</b>	1



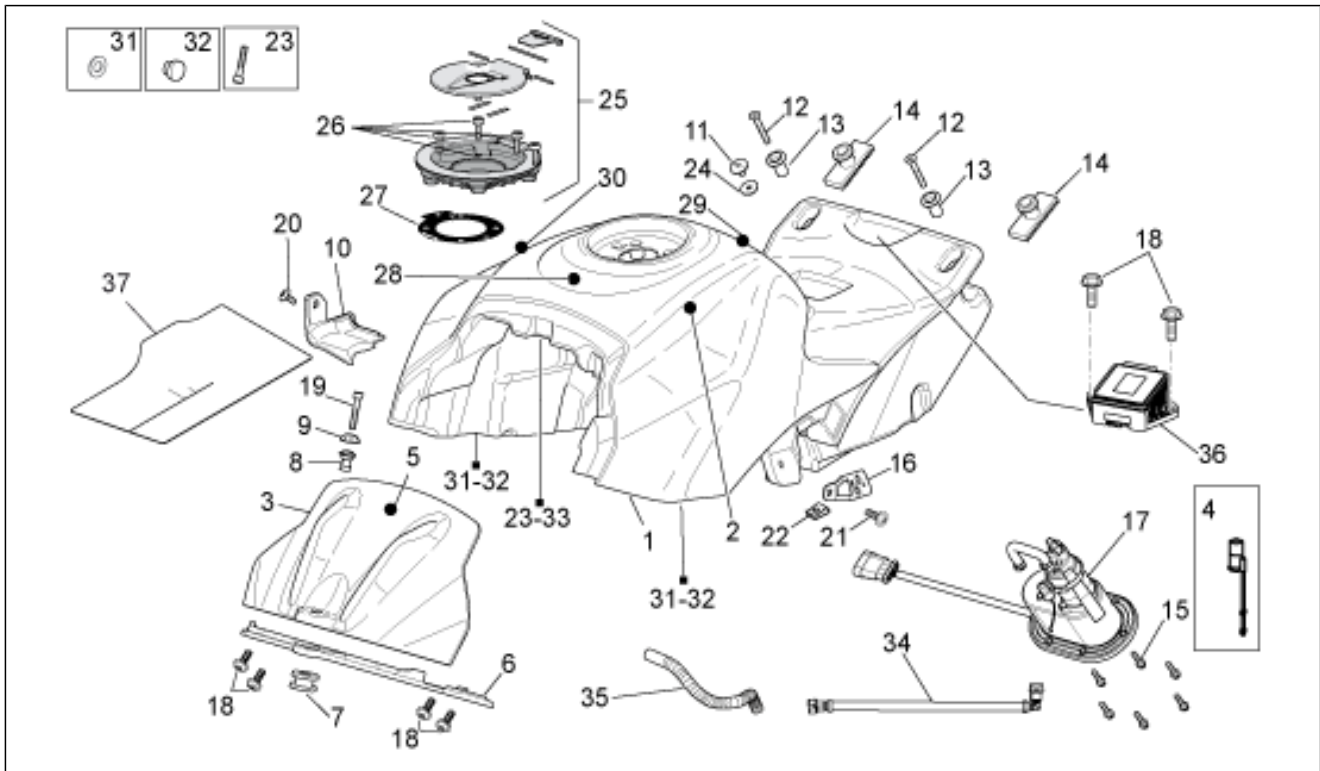
Pos.	Code	Description	Qty	Variants
1	AP8150468	Screw M6x40	2	
2	AP8112600	Rubber spacer	2	
3	AP8224470	Hex socket screw M6x20	2	
4	254485	Spring plate M6	2	
5	AP9100594	Bush 10x7	4	
6	AP8152246	Screw w/ flange M6x16	2	
7	AP8150380	Washer 12,5x6,4*	2	
8	B043254	female screw insert	8	
9	AP8150509	Self-tap screw 5x14	4	
10	AP8150420	Self-tapping screw *	6	
11	896174	Hex socket screw Black M5x12	6	
12	89887400NI	RH rear fairing, black	1	
13	89887500NI	LH rear fairing, black	1	
14	858833	RH side panel	1	
15	858834	LH side panel	1	
16	AP8117004	Adhesive sponge 15x8	2	
17	894195	Hex key	1	
18	8988800XH5	Rear handle	1	
19	AP8157770	"Aprilia" dataplate	1	

<b>Group</b>	FRAME
<b>Code</b>	28.13
<b>Description</b>	Rear body II
<b>Service</b>	1



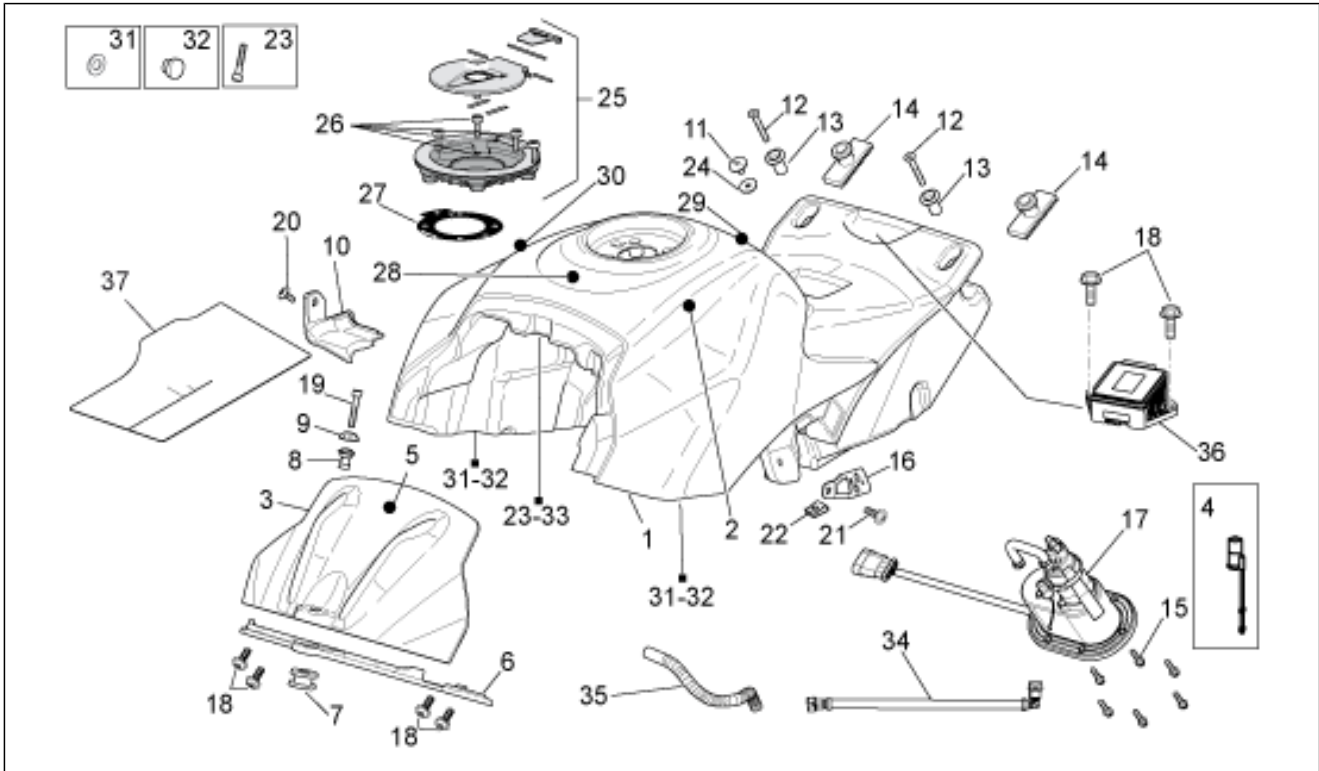
Pos.	Code	Description	Qty	Variants
1	AP8150413	Self-tap screw 3,9x14	4	
2	858840	Upper Number plate holder	1	
3	897482	Number plate holder	1	
4	AP8152329	Phillips screw, SWP M5x20	3	
5	AP8127098	Number-plate light	1	
6	AP8112916	Rear reflector	1	
7	AP8150204	Nut M4	2	
8	AP8150158	Washer 4,3X9X0,8	2	
9	858782	Rear mudguard	1	
10	AP8152137	Hex socket screw M6x20	2	
11	AP8150179	Washer 6,6x18*	2	
12	AP8150182	Curved spring washer *	2	
13	894566	T bush	1	
14	AP8127803	LH front/RH rear turn indic.	1	
15	AP8127804	RH front/LH rear turn indic.	1	
16	AP8152108	Hex socket screw	2	
17	AP8152299	Self-locking nut M6	2	
18	AP8127489	Lamp RY10W 12V	2	
19	894657	Cover	1	
20	AP8150522	Screw 4,2x16	1	
21	AP8112600	Rubber spacer	1	
22	AP8117258	Vibration-damping rubber	1	
23	858868	Taillight wiring harness.	1	

<b>Group</b>	FRAME
<b>Code</b>	28.14
<b>Description</b>	Fuel tank
<b>Service</b>	1



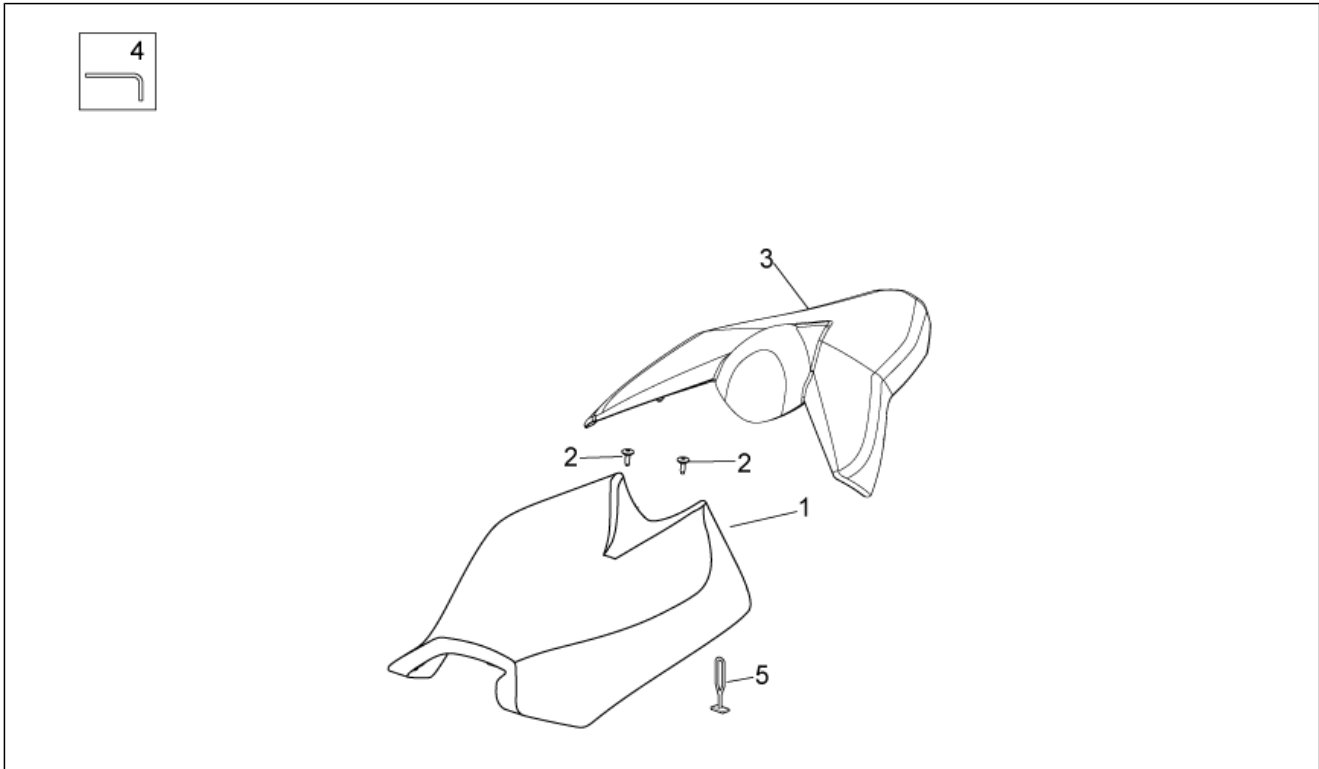
Pos.	Code	Description	Qty	Variants
1	B04580600NI	Fuel tank, black	1	<b>Vehicle colour:</b> Competition Black[black] <b>Country:</b> Australia[AU], europe[EU], Japan[JP] <b>Technical specification:</b> With decals applied[D]
1	B04580700NI	Fuel tank, black	1	<b>Vehicle colour:</b> Competition Black[black] <b>Country:</b> Canadian[CA], United States of America[USA] <b>Technical specification:</b> With decals applied[D]
1	B04582800XB9	Fuel tank, white	1	<b>Vehicle colour:</b> Aprilia white[white] <b>Country:</b> europe[EU], Japan[JP] <b>Technical specification:</b> With decals applied[D]
1	B04582900XB9	Fuel tank, white USA	1	<b>Vehicle colour:</b> Aprilia white[white] <b>Country:</b> Canadian[CA], United States of America[USA] <b>Technical specification:</b> With decals applied[D]
2	B045374	LH Fuel tank decal Aprilia	1	<b>Vehicle colour:</b> Aprilia white[white]
2	B045771	Fuel tank decal "aprilia"	1	<b>Vehicle colour:</b> Competition Black[black]
3	B04454700NI	Fuel tank cover, black	1	
4	899068	Fuel level sensor	1	
5	899549	Fuel tank decal "1 RSV4"	1	
6	858885	Front support	1	
7	AP8144713	Rubber spacer	1	
8	858887	T bush	1	
9	AP8150536	Special washer	1	
10	893107	Bracket	1	
11	AP8161127	Fixing pin	1	
12	576836	screw	2	
13	893273	Spacer	2	
14	AP8120663	Rubber spacer *	2	
15	AP8152273	Screw w/ flange M5x15	6	
16	858886	LH support	1	
17	B043925	Fuel pump cpl.	1	
18	AP8152246	Screw w/ flange M6x16	6	

<b>Group</b>	FRAME
<b>Code</b>	28.14
<b>Description</b>	Fuel tank
<b>Service</b>	1



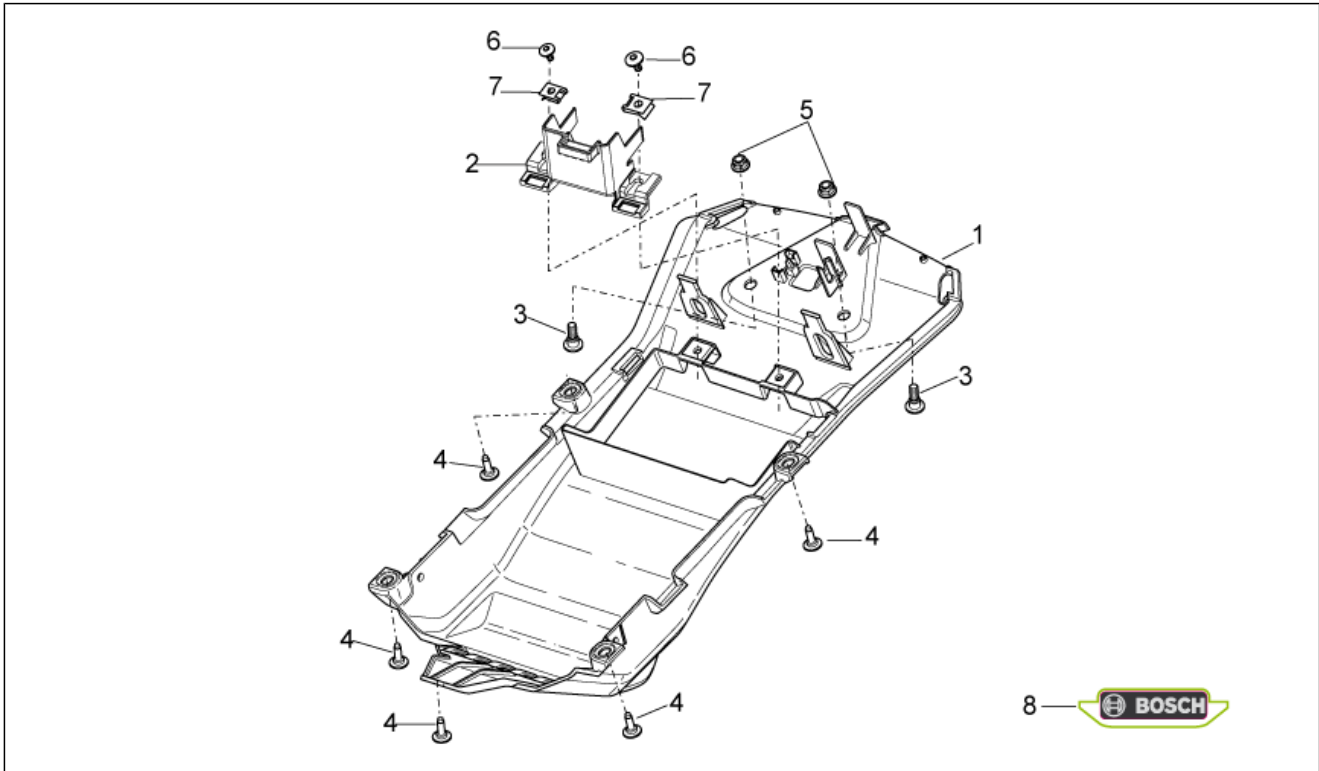
Pos.	Code	Description	Qty	Variants
19	AP8150285	Hex socket screw M6x35	1	
20	AP8152339	Screw w/ flange M5x9	1	
21	AP8150538	Hex socket screw M5x10	1	
22	AP8102375	Clip M5	1	
23	AP8150505	Hex socket screw m4x6 inox	1	
24	AP8150255	Washer 5x20x1,5	1	
25	B043929	Fuel filler cap and lock	1	
26	B043864	Hex socket screw M5x14	4	
27	AP8104803	Fuel filler cap gasket	1	
28	2B000051	Decal 51 world championships	1	
29	B045094	Tank guard decal	1	Vehicle colour:Competition Black[black]
29	B045788	Tank guard decal	1	Vehicle colour:Aprilia white[white]
30	B045373	RH Fuel tank decal Aprilia	1	Vehicle colour:Aprilia white[white]
30	B045770	Right tank decal "aprilia"	1	Vehicle colour:Competition Black[black]
31	AP8220366	Rubber spacer	2	
32	AP8144158	Rubber spacer	2	
33	AP8144565	Nylon washer	1	
34	858884	Fuel pipe	1	
35	895959	Breather pipe	2	
36	2D000037	Security sensor	0	
36	894604	Inclination sensor	1	
37	894198	Heat protection	1	

<b>Group</b>	FRAME
<b>Code</b>	28.15
<b>Description</b>	Saddle
<b>Service</b>	1



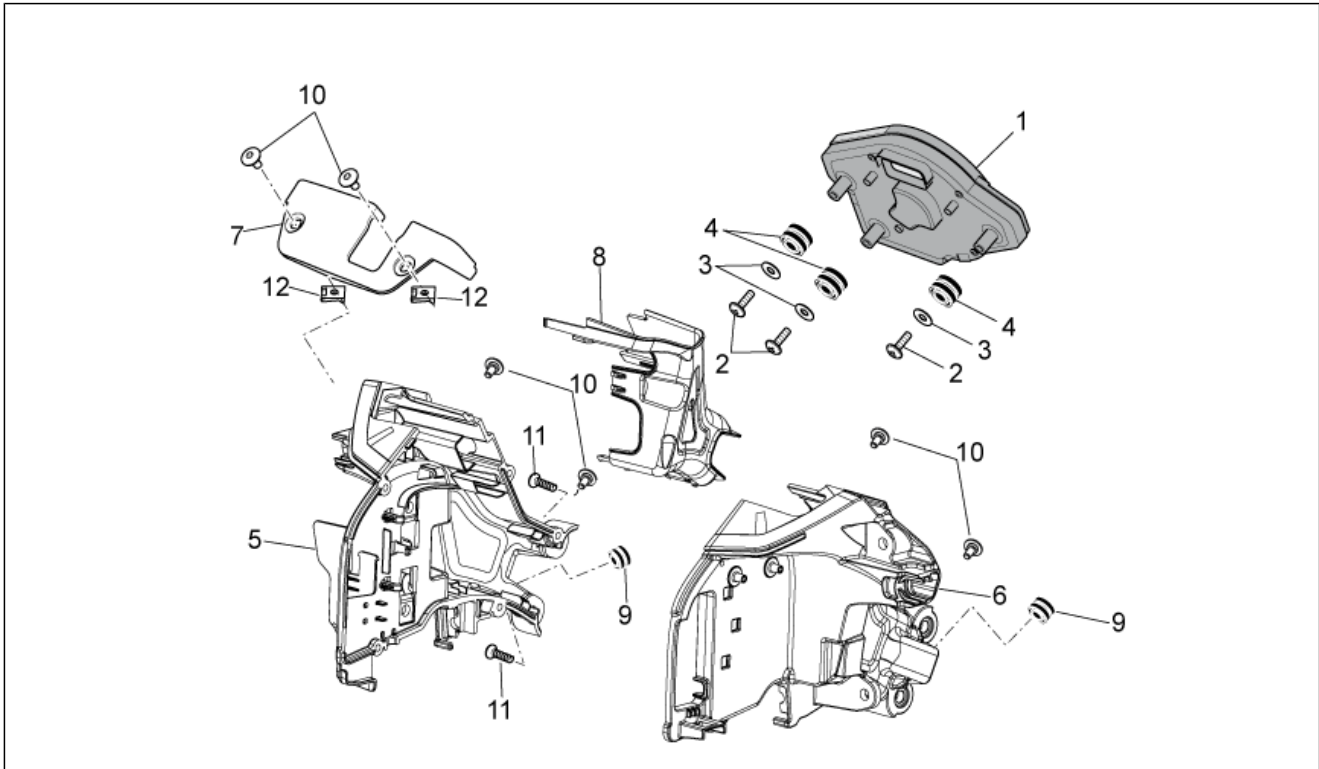
Pos.	Code	Description	Qty	Variants
1	89888200C1	Driver saddle, black	1	Vehicle colour:Competition Black[black], Aprilia white[white]
2	AP8152302	Screw w/ flange M5x12	2	
3	89888300C1	Rear saddle, black	1	Vehicle colour:Competition Black[black], Aprilia white[white]
4	894195	Hex key	1	
5	AP8120177	Elastic	1	

<b>Group</b>	FRAME
<b>Code</b>	28.16
<b>Description</b>	Undersaddle
<b>Service</b>	1



Pos.	Code	Description	Qty	Variants
1	858836	Saddle supp.lower lockup	1	
2	898252	Battery bracket	1	
3	575249	Metric screw TBC	2	
4	AP8152302	Screw w/ flange M5x12	4	
5	AP8152299	Self-locking nut M6	2	
6	AP8152298	Screw w/ flange M5x16	2	
7	AP8102375	Clip M5	7	
8	2H000487	RH-LH decal BOSCH	2	

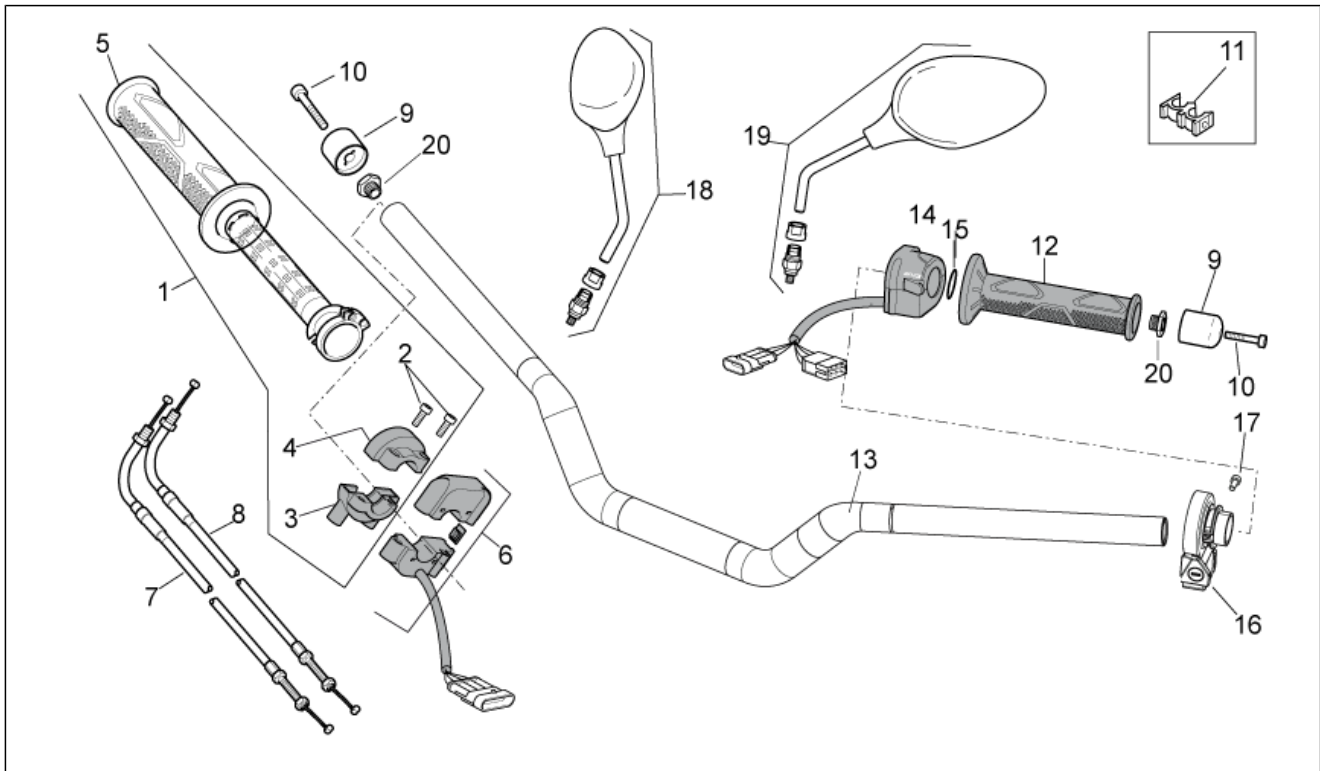
<b>Group</b>	FRAME
<b>Code</b>	28.17
<b>Description</b>	Dashboard
<b>Service</b>	1



Pos.	Code	Description	Qty	Variants
1	899861	Dashboard	1	
2	AP8150509	Self-tap screw 5x14	3	
3	AP8150255	Washer 5x20x1,5	3	
4	AP8220150	Rubber spacer	3	
5	898642	RH support	1	
6	898643	LH support	1	
7	890787	Cover	1	
8	899600	Intermediate shell	1	
9	AP8120030	Rubber spacer	2	
10	AP8150500	Hex socket screw M5x9	6	
11	575249	Metric screw TBC	2	
12	AP8102375	Clip M5	2	

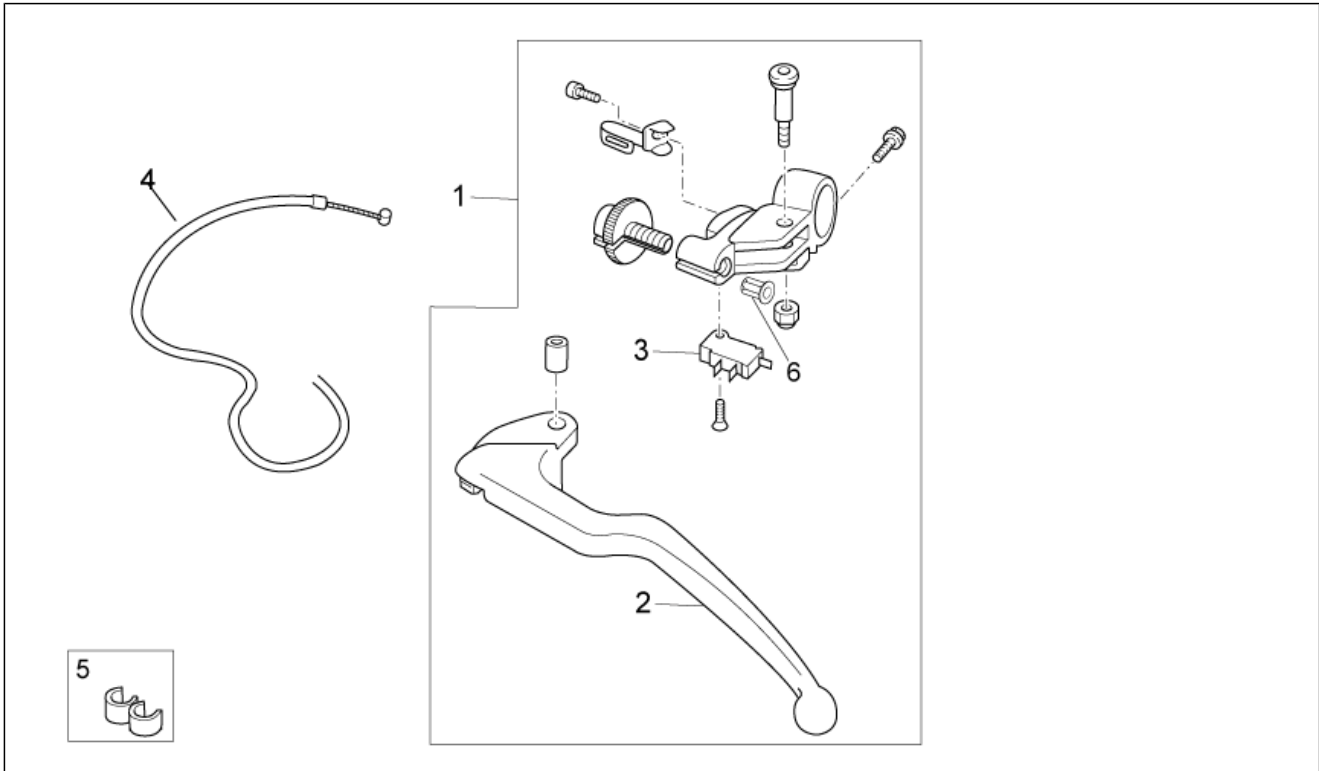


<b>Group</b>	FRAME
<b>Code</b>	28.18
<b>Description</b>	Handlebar - Controls
<b>Service</b>	1



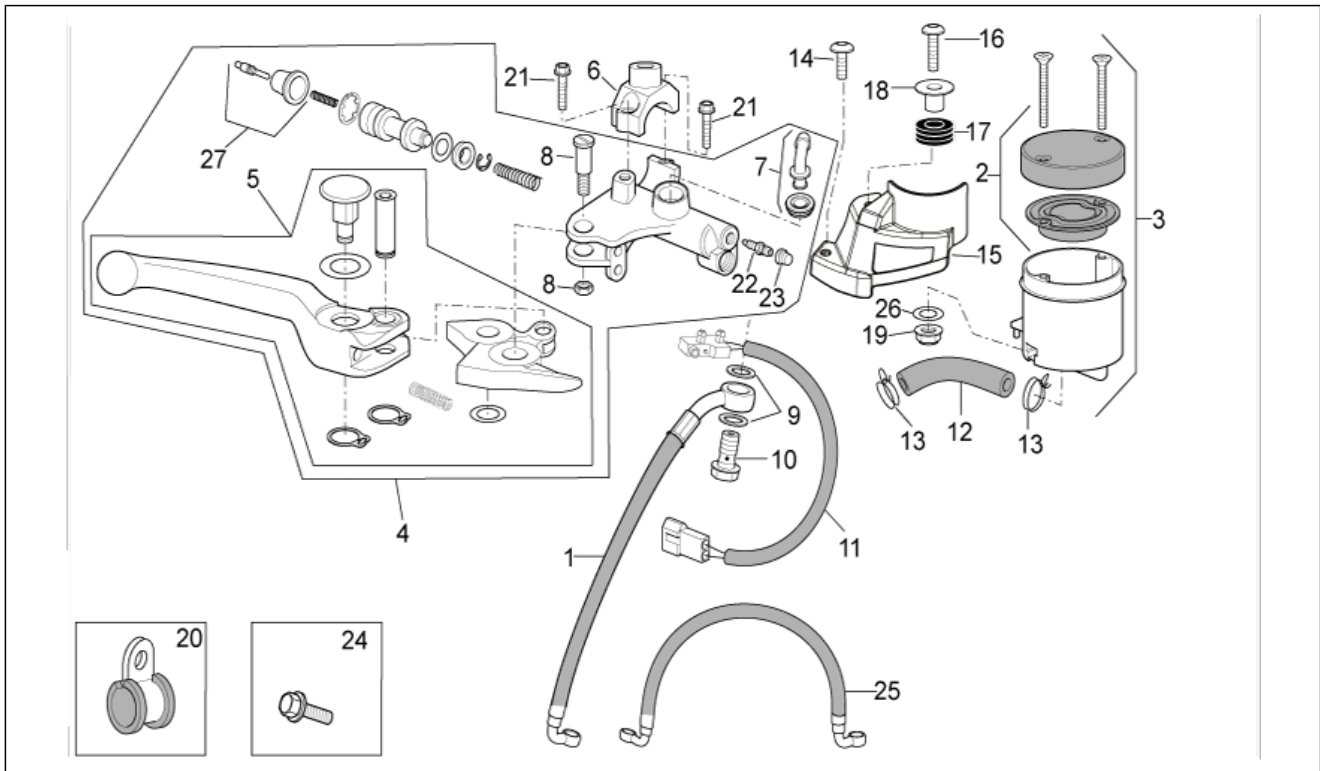
Pos.	Code	Description	Qty	Variants
1	GU01603380	Throttle cpl.	1	
2	AP8118492	Cap screw	2	
3	AP8118566	Front gas lever U-bolt	1	
4	AP8118567	Rear gas lever U-bolt	1	
5	GU01603480	Throttle with hand grip	1	
6	B045021	RH lights selector	1	
7	899334	Gas trasmission delivery	1	
8	899335	Gas trasmission return	1	
9	AP8104509	Anti.v weight, black	2	
10	AP8152003	Hex socket screw M6x40	2	
11	AP8201808	Cable-guide D8	1	
12	856027	LH hand grip	1	
13	897584	Handlebar	1	
14	896150	LH lights selector	1	
15	AP8120190	O-ring 3075	1	
16	852398	Selector control bracket	1	<b>Technical specification:</b>
17	AP8152043	Hex socket screw M4x10	1	<b>Technical specification:</b>
18	896663	Rh side mirror	1	
19	858539	Lh side mirror	1	
20	AP8121520	Anti vib.weight trailing	2	

<b>Group</b>	FRAME
<b>Code</b>	28.19
<b>Description</b>	Clutch lever
<b>Service</b>	1



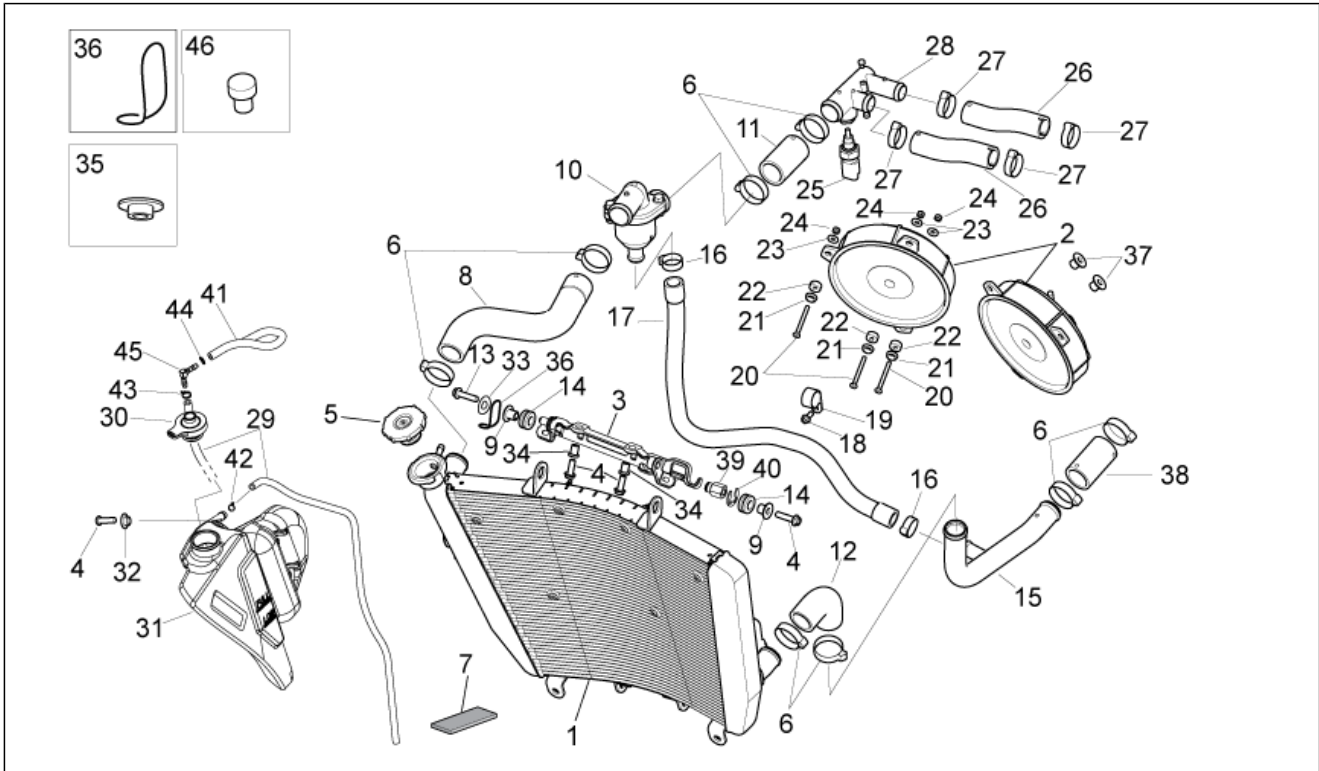
Pos.	Code	Description	Qty	Variants
1	890924	Clutch lever cpl.	1	
2	893926	Clutch lever	1	
3	893134	[...]	1	
4	899336	Clutch cable	1	
5	AP9100519	Spring	1	
6	B043680	Guide bushing	1	

<b>Group</b>	FRAME
<b>Code</b>	28.20
<b>Description</b>	Front master cilinder
<b>Service</b>	1



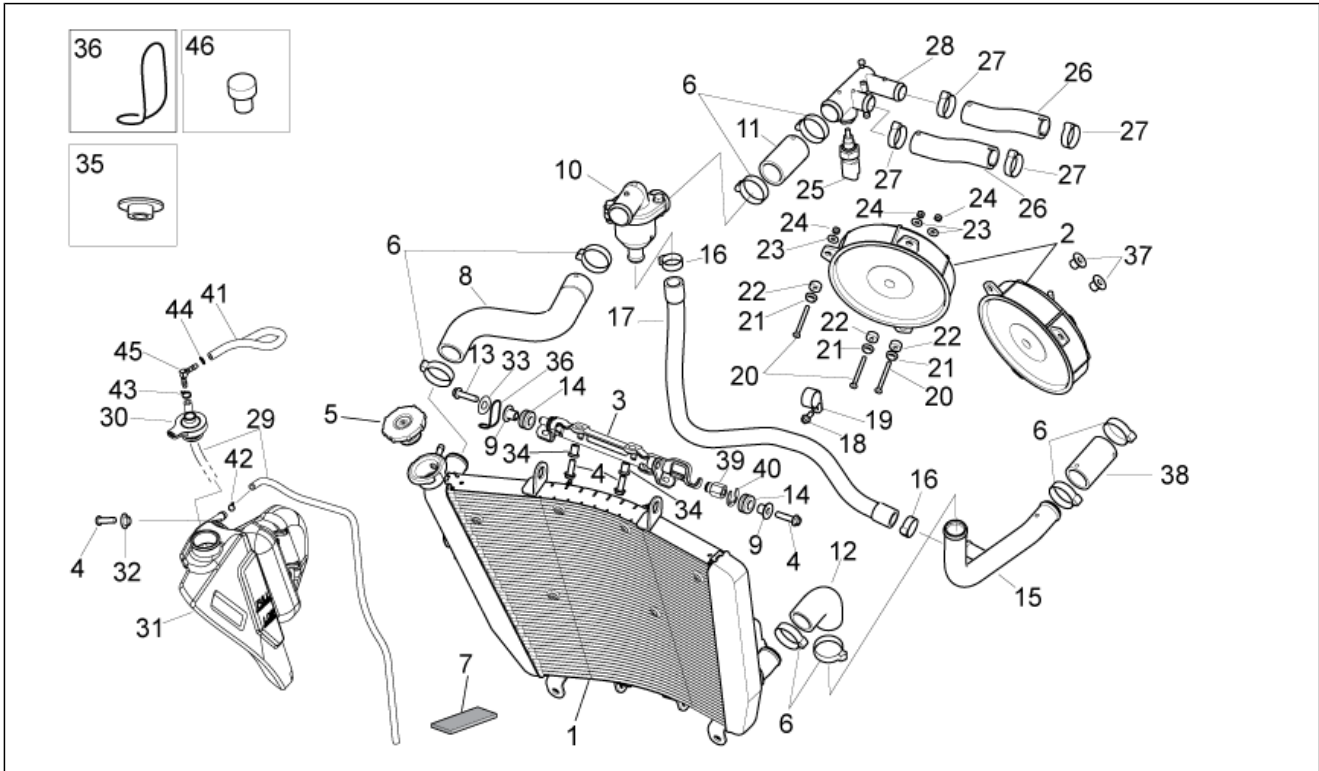
Pos.	Code	Description	Qty	Variants
1	B044607	Front brake pipe Hecu ABS-clamp	1	
2	AP8113598	Pil brake tank plug	1	
3	AP8113499	Brake oil tank	1	
4	B044605	Front master cilinder	1	
5	AP8145022	Front brake lever	1	
6	893937	U-bolt	1	
7	AP8213057	Rear brake pump union	1	
8	AP8113719	Lever pin	1	
9	AP8113004	Washer 10x14x1,6*	2	
10	852702	Oil pipe screw	1	
11	AP8124288	Stop switch	1	
12	890509	Rubber pipe	1	
13	AP8101595	Hose clamp D10,1	2	
14	AP8150340	Hex socket screw	1	
15	898681	Oil brake tank supp.	1	
16	AP8152137	Hex socket screw M6x20	1	
17	AP8120030	Rubber spacer	1	
18	AP8221023	T bush	1	
19	AP8150474	Stainless cap nut M6	1	
20	AP8134167	Brake hose hanger	1	
21	AP8152414	Screw w/ flange M10x55	1	
22	852703	Air bleed valve	1	
23	AP8113230	Bleed valve cap	1	
24	AP8152273	Screw w/ flange M5x15	1	
25	B044608	front brake pipe clamp-clamp	1	
26	658830	Curved spring washer 6x12	1	
27	2B003807	Pump revision kit	1	

<b>Group</b>	FRAME
<b>Code</b>	28.21
<b>Description</b>	Cooling system
<b>Service</b>	1



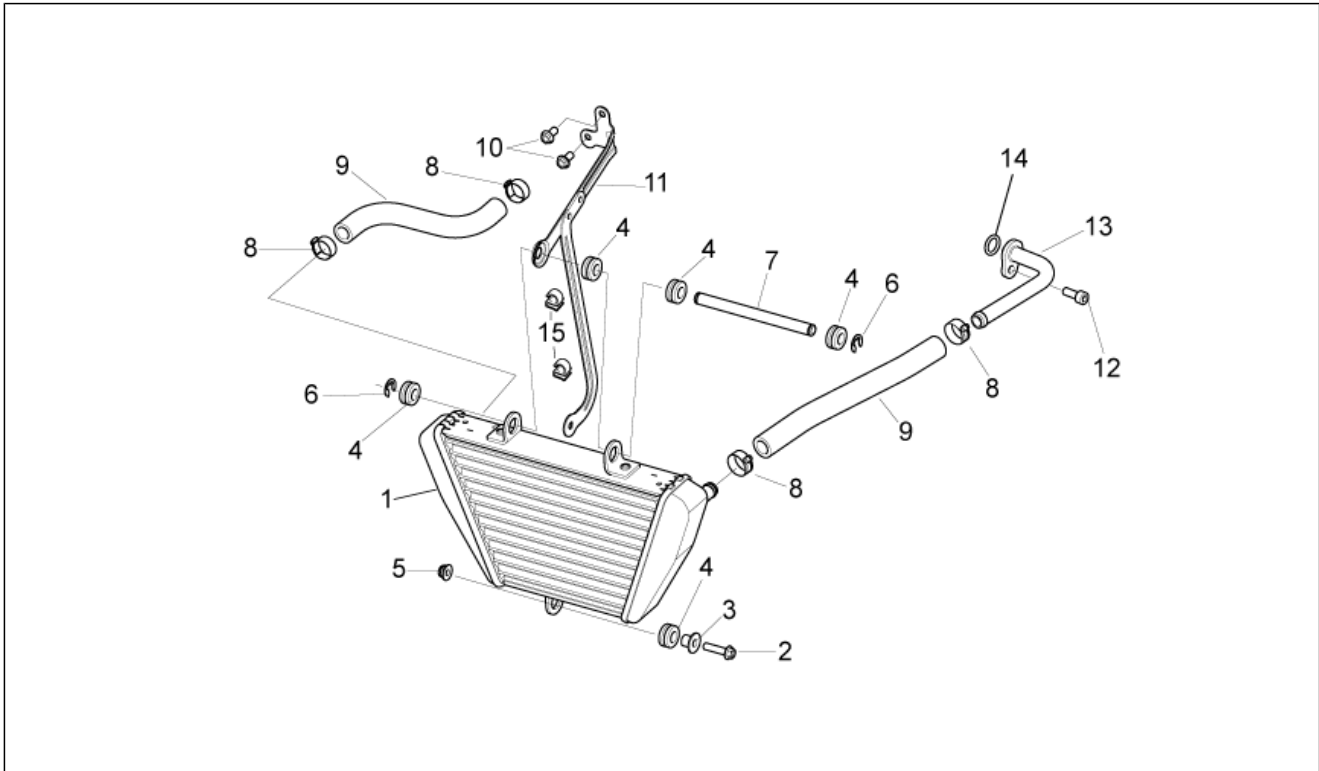
Pos.	Code	Description	Qty	Variants
1	B045753	Water cooler	1	
2	622055	Fan, cpl.	2	
3	897775	Water cooler upper support	1	
4	AP8152279	Screw w/ flange M6x20	4	
5	893954	Cover	1	
6	890931	Hose clamp	10	
7	AP8117033	Adhesive sponge	2	
8	858476	Thermostat-cooler pipe	1	
9	AP8221023	T bush	2	
10	856279	Thermostat valve set 75°C	1	
11	858477	Hose	1	
12	AP8144033	Thermostat-pump pipe	1	
13	AP8150444	Self-tapping screw	1	
14	AP8120030	Rubber spacer	2	
15	858488	Cooler-pump pipe	1	
16	AP8102273	Hose clip	2	
17	858478	Thermostat-engine pipe	1	
18	AP8152272	Screw w/ flange M5x12	1	
19	893224	Hose clamp	1	
20	893514	Screw	6	
21	893823	Washer d4,5	6	
22	893513	Spacer	6	
23	AP8150011	Washer 4,3x12x1	6	
24	AP8150204	Nut M4	6	
25	640485	Temperature gauge	1	
26	858475	Engine-manifold pipe	2	
27	AP9100456	Hose clip 26x8	4	
28	856543	Manifold	1	

<b>Group</b>	FRAME
<b>Code</b>	28.21
<b>Description</b>	Cooling system
<b>Service</b>	1



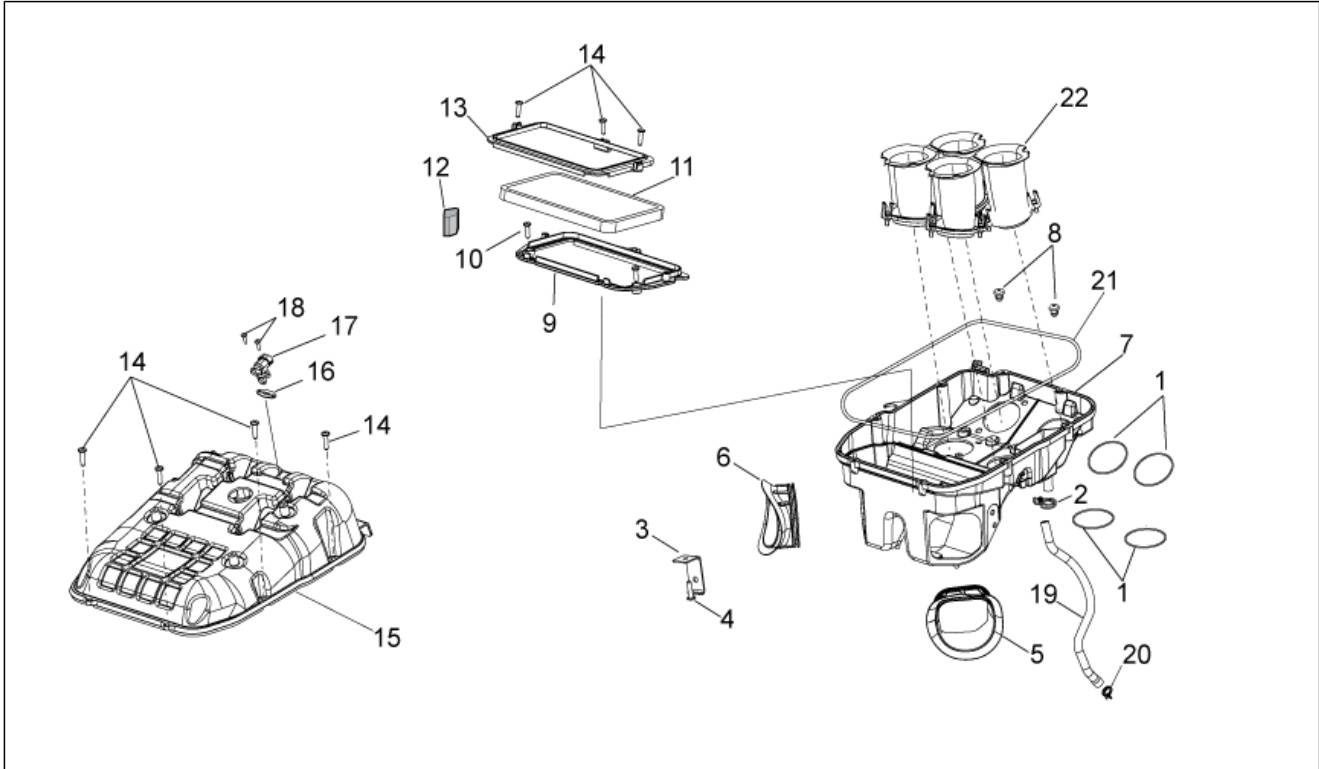
Pos.	Code	Description	Qty	Variants
29	AP8120952	Fuel pipe 5,5x10	2	
30	899642	Expansion tank plug	1	
31	899331	Expansion tank	1	
32	AP8221145	T bush *	1	
33	AP8150158	Washer 4,3X9X0,8	1	
34	AP8121728	T bush	2	
35	AP8121991	Bush	1	
36	AP8221150	Cable-guide	1	
37	895450	Bush	2	
38	AP8144720	Hose	1	
39	898047	Threaded insert M6x16	1	
40	AP8120573	Stop ring	1	
41	899881	Cooler-expansion tank pipe	1	
42	AP8102378	Hose clamp D11,3	1	
43	AP8102520	Hose clamp	1	
44	AP8101595	Hose clamp D10,1	1	
45	856082	2-way union	1	
46	AP8220488	Mushroom rubber	2	

<b>Group</b>	FRAME
<b>Code</b>	28.22
<b>Description</b>	Oil radiator
<b>Service</b>	1



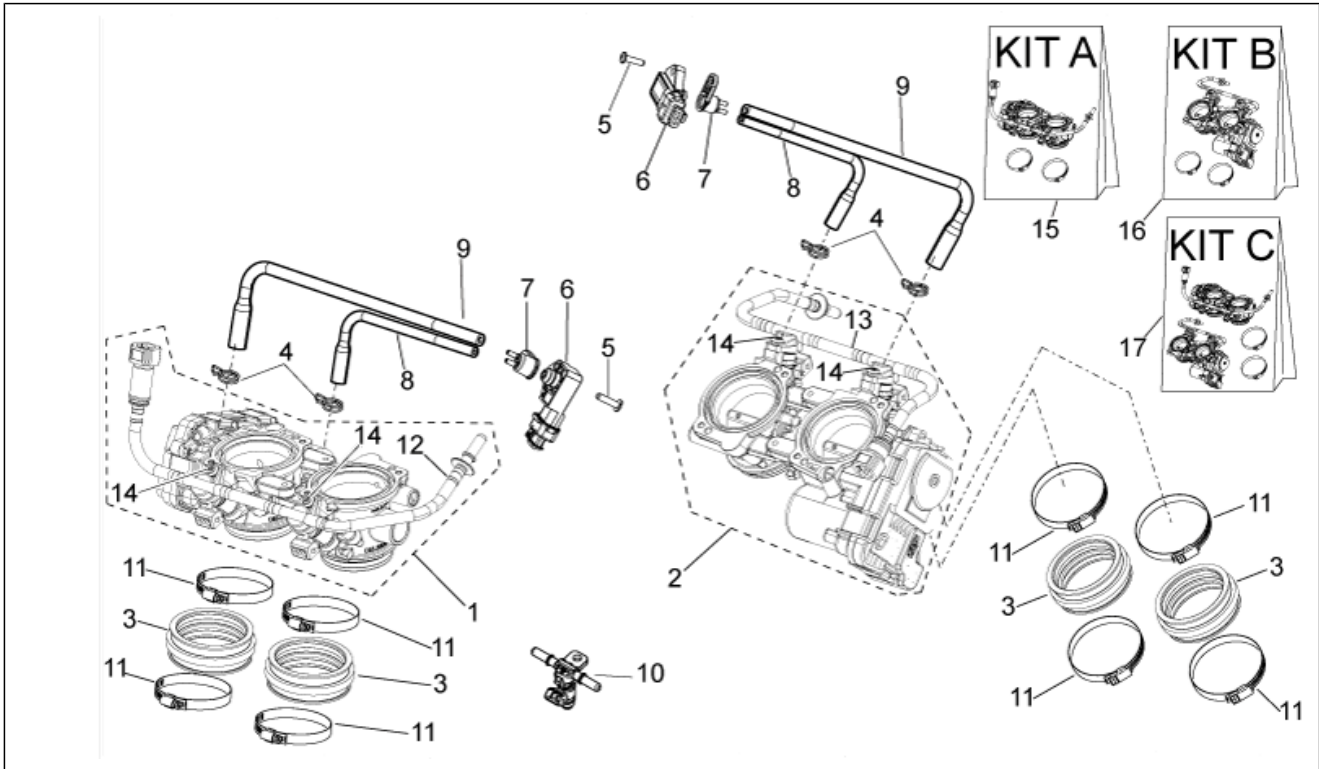
Pos.	Code	Description	Qty	Variants
1	858790	Oil cooler	1	
2	AP8152280	Screw w/ flange M6x25	1	
3	AP8221023	T bush	1	
4	AP8120030	Rubber spacer	5	
5	AP8152299	Self-locking nut M6	1	
6	AP8121428	Circlip d8	2	
7	858927	Spacer	1	
8	AP8102349	White hose clip D17,5x8	4	
9	AP8106389	Oil pipe 12x19	2	
10	AP8152277	Screw w/ flange M6x12	2	
11	858732	Water cooler support	1	
12	AP8150137	Hex socket screw M6x16	1	
13	858489	Pipe	1	
14	AP8144008	O-ring 115	1	
15	AP8201727	Black cable guide	2	

<b>Group</b>	FRAME
<b>Code</b>	28.23
<b>Description</b>	Air box
<b>Service</b>	1



Pos.	Code	Description	Qty	Variants
1	893240	O-ring 56,82X2,62	4	
2	CM002916	Hose clamp	1	
3	890938	Bracket	1	
4	AP8152329	Phillips screw, SWP M5x20	1	
5	858880	LH Hose	1	
6	858932	RH Hose	1	
7	858931	Filter housing base	1	
8	AP8144087	Rubber spacer	2	
9	895109	Maintenance	1	
10	AP8152329	Phillips screw, SWP M5x20	2	
11	AP8104329	Air filter	1	
12	894015	Filter blow-by	1	
13	895110	Covers	1	
14	AP8152329	Phillips screw, SWP M5x20	7	
15	896909	Filter housing cover	1	
16	GU30027931	Gasket	1	
17	GU30729330	Air temp. Sensor	1	
18	AP8150421	Self-tap screw 2,9x12	1	
19	858808	pipe blow-by	1	
20	CM001927	Hose clamp	1	
21	858881	Gasket	1	
22	896875	Intake duct	1	

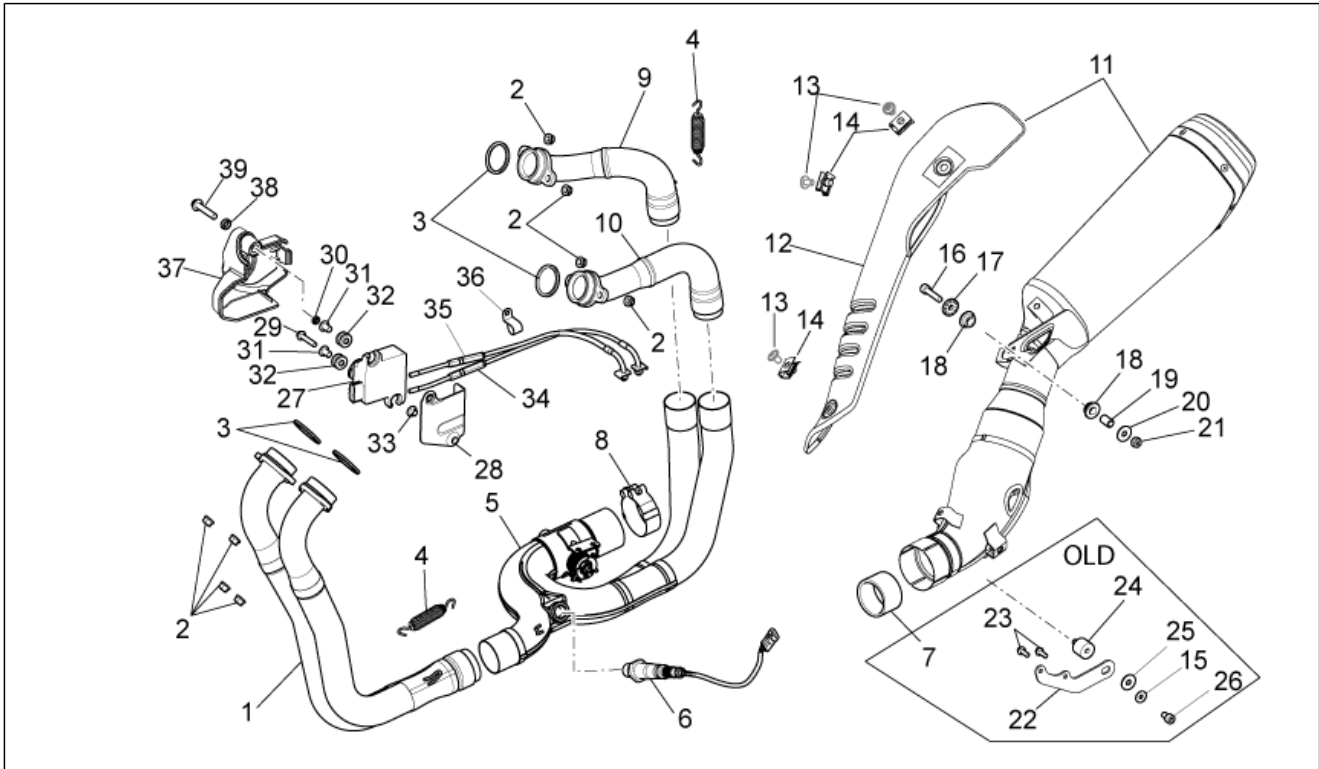
<b>Group</b>	FRAME
<b>Code</b>	28.24
<b>Description</b>	Throttle body
<b>Service</b>	1



Pos.	Code	Description	Qty	Variants
1	857303	Front Throttle body	1	
2	857304	Rear Throttle body	1	
3	857305	Union	4	
4	CM002903	Hose clamp	4	
5	AP8152329	Phillips screw, SWP M5x20	2	
6	638562	Air pressure sensor	2	
7	894658	Joint	2	
8	858874	pipe	2	
9	858873	pipe	2	
10	893934	Injector Marelli IWP162 (*)	4	
11	857306	Hose clamp	8	
12	896565	Fuel pipe, cpl. ant.	1	
13	896566	Fuel pipe, cpl. post.	1	
14	896567	Sec. screw	4	
15	896573	Throttle body KIT ant.	1	
16	896574	Throttle body KIT post.	1	
17	896575	Throttle body KIT ant. + post.	1	

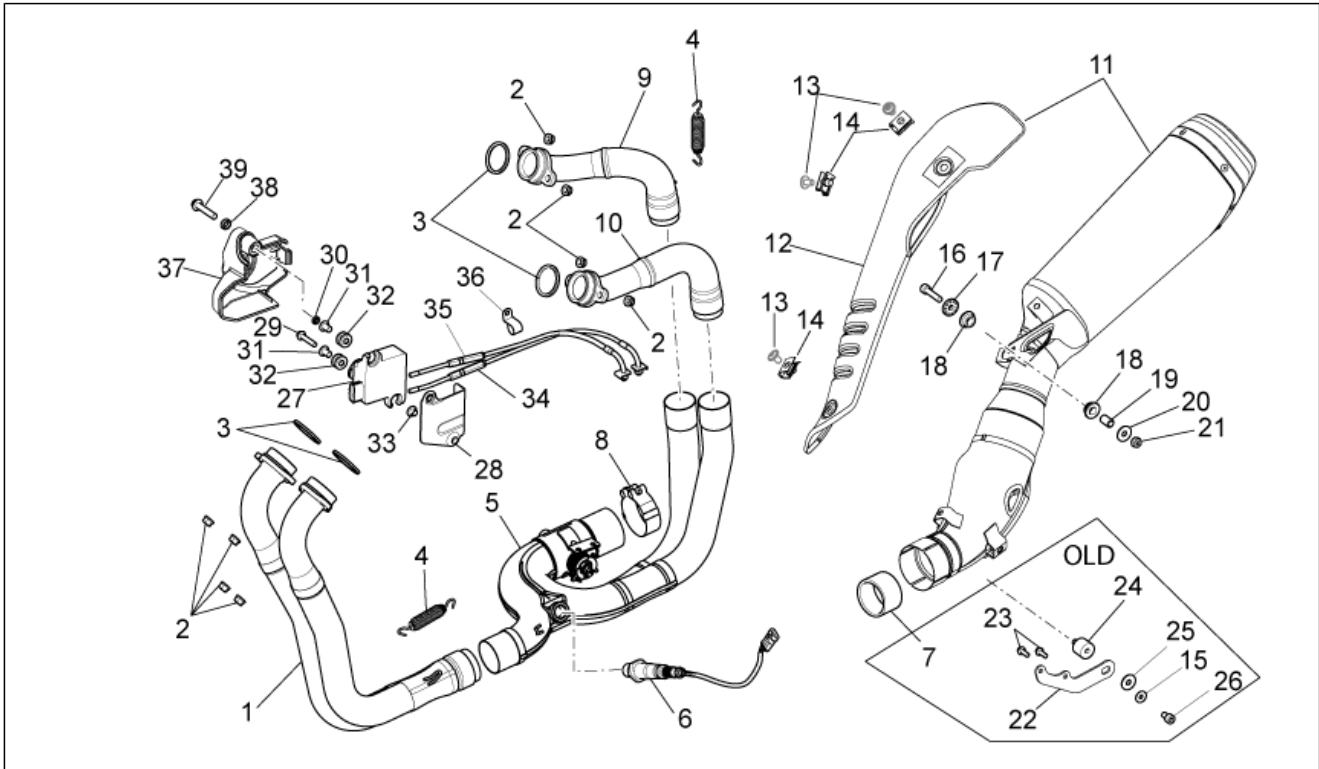


<b>Group</b>	FRAME
<b>Code</b>	28.25
<b>Description</b>	Exhaust pipe I
<b>Service</b>	1



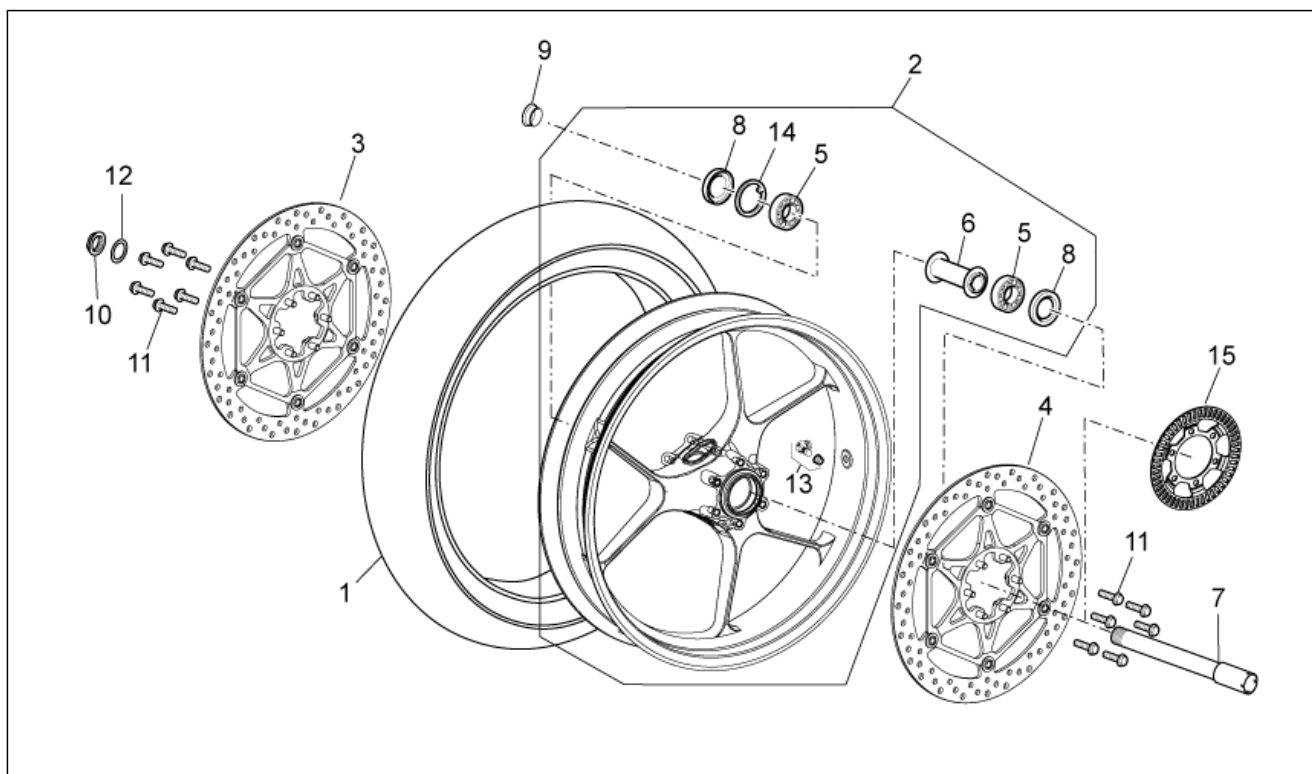
Pos.	Code	Description	Qty	Variants
1	858738	Front. Exhaust pipe	1	
2	436947	Nut	8	
3	852090	Exhaust pipe gasket	4	
4	AP8121170	Spring	3	
5	8587414	Central exhaust manifold	1	
6	584344	Lambda sensor I. 325 mm	1	
7	GU05128230	Gasket	1	<b>Technical specification:</b> Old fastening[Old]
8	2B003044	Hose clamp D 57 mm	1	<b>Technical specification:</b> New fastening[New]
8	851586	LH manifold pipe D 63 mm	1	<b>Technical specification:</b> Old fastening[Old]
9	858739	RH rear exhaust pipe	1	
10	858740	LH rear exhaust pipe	1	
11	2B003035	Silencer	1	<b>Country:</b> europa[EU] <b>Technical specification:</b> New fastening[New]
11	897113	Silencer	1	<b>Country:</b> Canadian[CA], United States of America[USA]
11	B043283	Silencer	1	<b>Country:</b> Japan[JP]
11	B045627	Silencer	1	<b>Country:</b> europa[EU] <b>Technical specification:</b> Old fastening[Old]
12	898383	Exhaust pipe heat prot.	1	
13	898385	Torx Screw M6x10	3	
14	254485	Spring plate M6	3	
15	AP8150376	Washer 8,5x15x0,8	1	<b>Technical specification:</b> Old fastening[Old]
16	AP8150236	Hex socket screw M8x35	1	
17	AP8121199	Bush	1	
18	AP8144558	Rubber spacer	2	
19	AP8121455	Spacer bush	1	
20	AP8150018	Washer	1	
21	AP8150431	Low nut M8	1	
22	899332	Bracket	1	<b>Technical specification:</b> Old fastening[Old]

<b>Group</b>	FRAME
<b>Code</b>	28.25
<b>Description</b>	Exhaust pipe I
<b>Service</b>	1



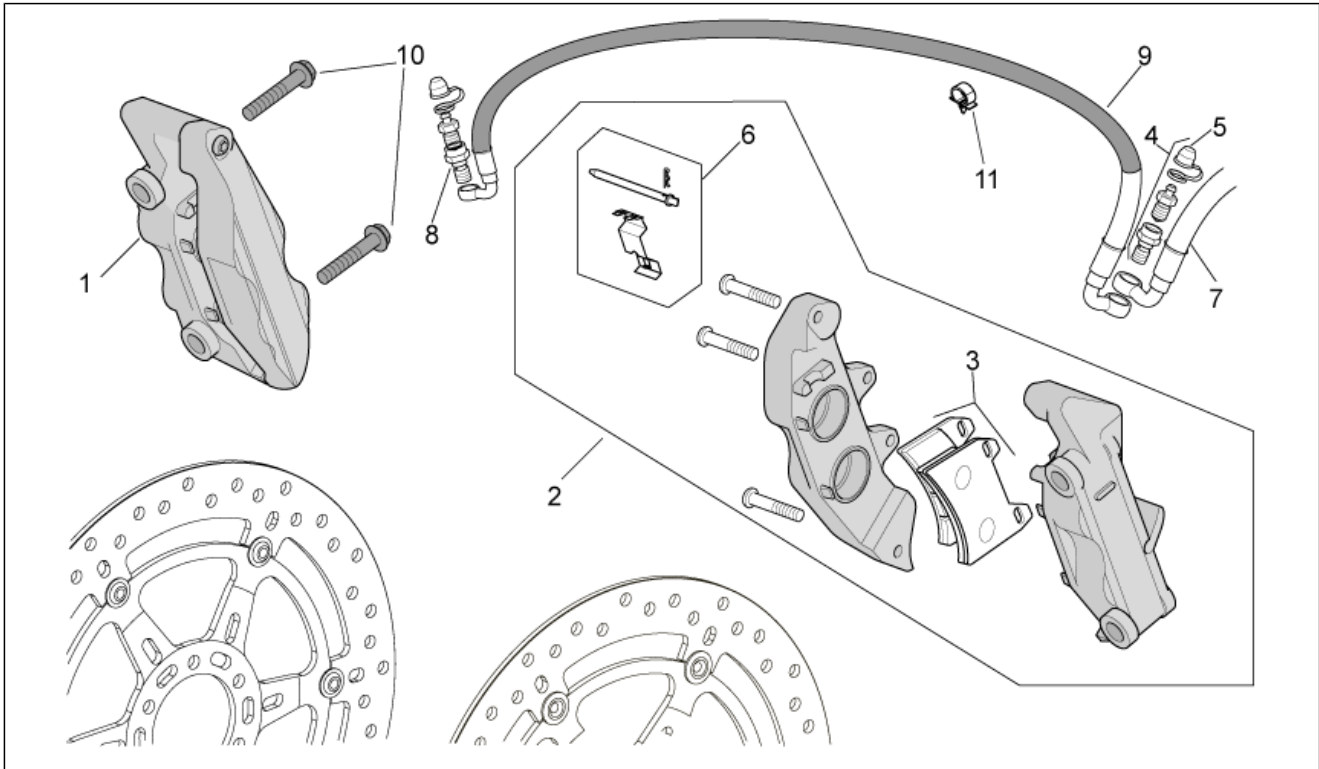
Pos.	Code	Description	Qty	Variants
23	598839	Screw w/ flange	2	<b>Technical specification:</b> Old fastening[Old]
24	894228	Silent-block	1	<b>Technical specification:</b> Old fastening[Old]
25	AP8150018	Washer	1	<b>Technical specification:</b> Old fastening[Old]
26	AP8152112	Hex socket screw	1	<b>Technical specification:</b> Old fastening[Old]
27	2D000064	Exhaust valve actuator	1	
28	890928	Heat protection	1	
29	AP8152281	Screw w/ flange M6x30	1	
30	AP8134640	Air box spacer	1	
31	AP8121725	T bush *	2	
32	AP8120223	Rubber spacer *	2	
33	840509	Spacer	1	
34	B045008	Gas trasmission return	1	
35	B045009	Gas trasmission delivery	1	
36	845978	Hose clamp	1	
37	899524	exhaust valve actuator cover	1	
38	AP8120253	Spacer	1	
39	AP8152282	Screw w/ flange M6x35	1	

<b>Group</b>	FRAME
<b>Code</b>	28.26
<b>Description</b>	Front wheel
<b>Service</b>	1



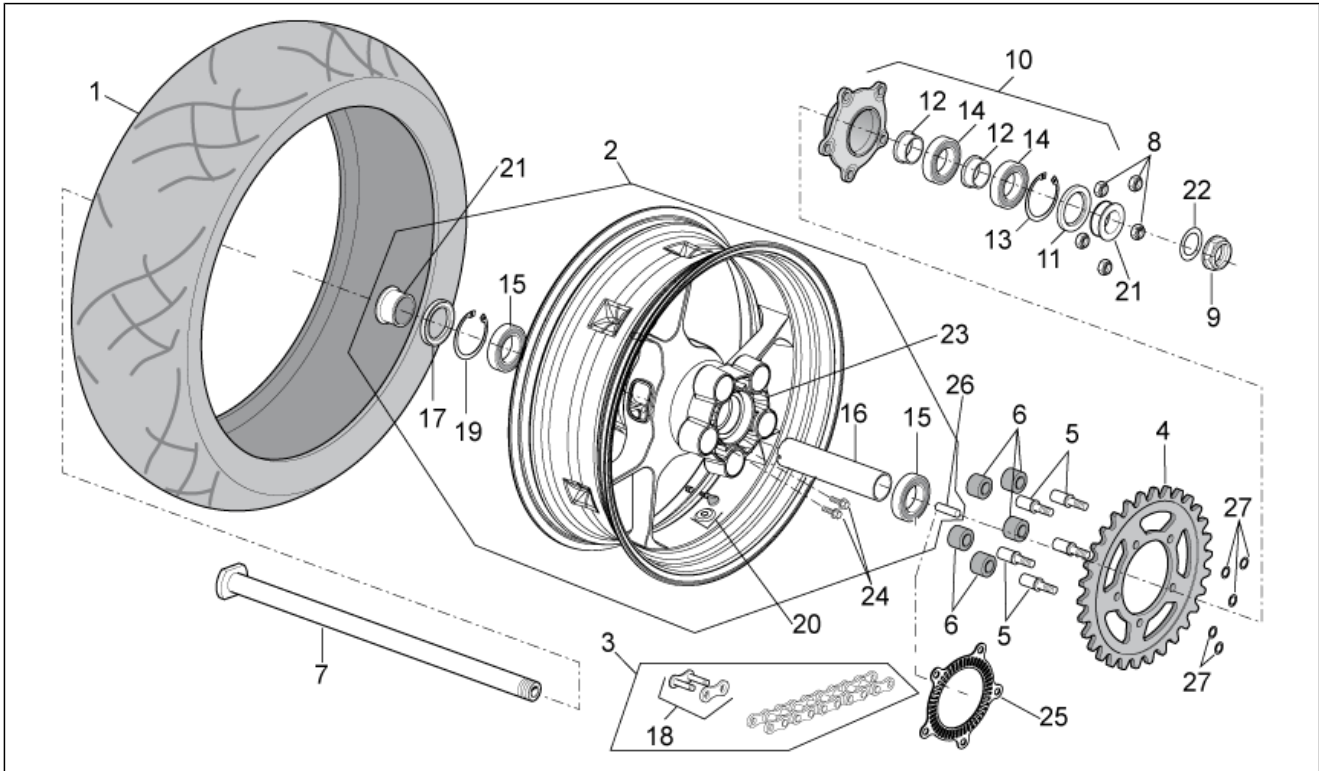
Pos.	Code	Description	Qty	Variants
1	B043455	(Pirelli) Front tyre	1	
2	896754	Front wheel, black	1	
3	896011	Front brake disc DX	1	<b>Technical specification:</b> Tmb[TMB]
3	B044279	RH front brake disc	1	<b>Technical specification:</b> Longzhong[Lg]
4	896012	Front brake disc SX	1	<b>Technical specification:</b> Tmb[TMB]
4	B044280	Front brake disc SX	1	<b>Technical specification:</b> Longzhong[Lg]
5	AP8110094	Bearing 25x47x12	2	
6	AP8128169	Internal spacer	1	
7	AP8125827	Front wheel spindle	1	
8	AP8125841	Gasket ring 30x47x7	2	
9	AP8125728	Front RH whe.ou.spacer	1	
10	AP8152335	Wheel spindle nut	1	
11	AP8152286	Screw w/ flange M8x20	12	
12	AP8152323	Washer 25,2x36x1	1	
13	AP8101744	Tubeless tyre valve	1	
14	AP8125842	Snap ring d47	1	
15	AP8128189	Phonic wheel	1	

<b>Group</b>	FRAME
<b>Code</b>	28.27
<b>Description</b>	Front brake caliper
<b>Service</b>	1



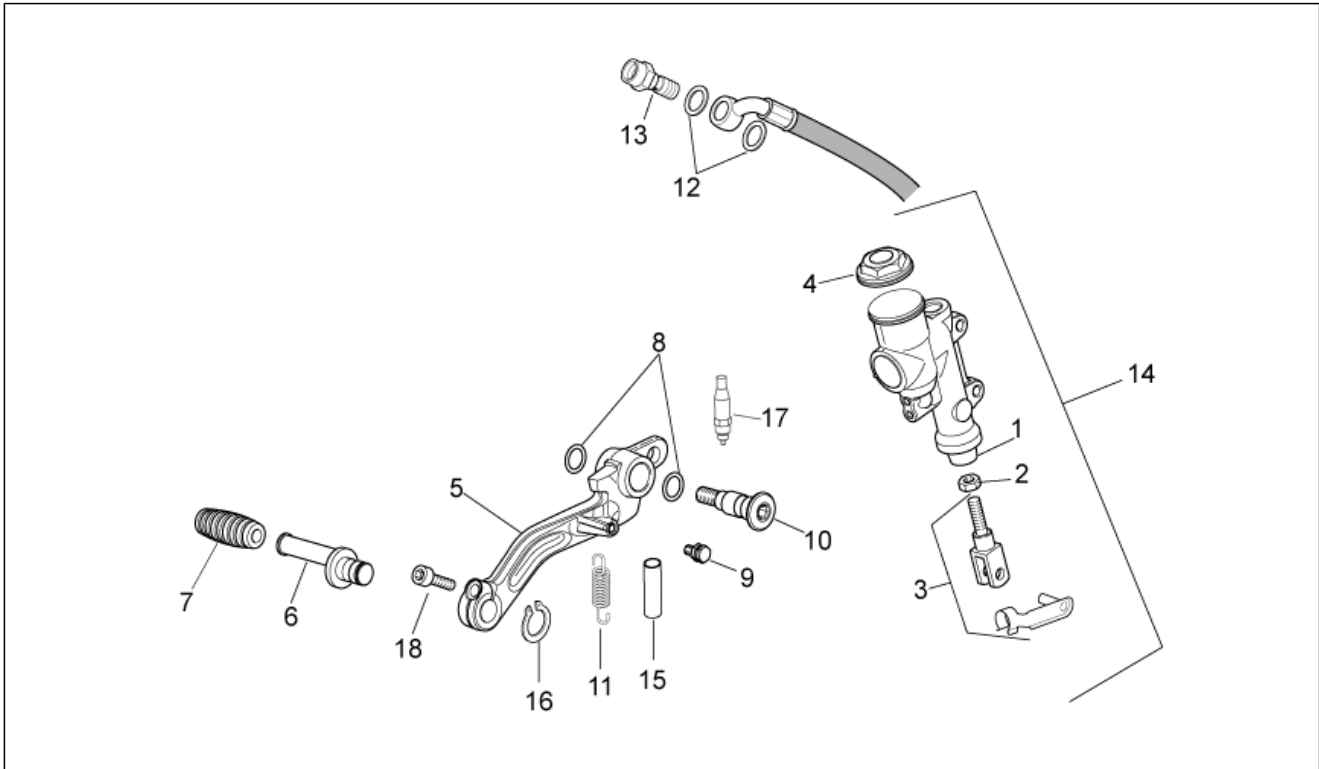
Pos.	Code	Description	Qty	Variants
1	B044596	***M432 right front caliper	1	
2	B044597	***M432 left front caliper	1	
3	B044601	***Brake pads, pair	2	
4	899811	Tube clamping screw	1	
5	AP8113070	Bleed valve cap	2	
6	B044598	Pins+spring+cotter pin kit	2	
7	B044607	Front brake pipe Hecu ABS-clamp	1	
8	B043489	Tube clamping screw	1	
9	B044608	front brake pipe clamp-clamp	1	
10	AP8152414	Screw w/ flange M10x55	4	
11	231590	Elastic spring	1	

<b>Group</b>	FRAME
<b>Code</b>	28.28
<b>Description</b>	Rear wheel
<b>Service</b>	1



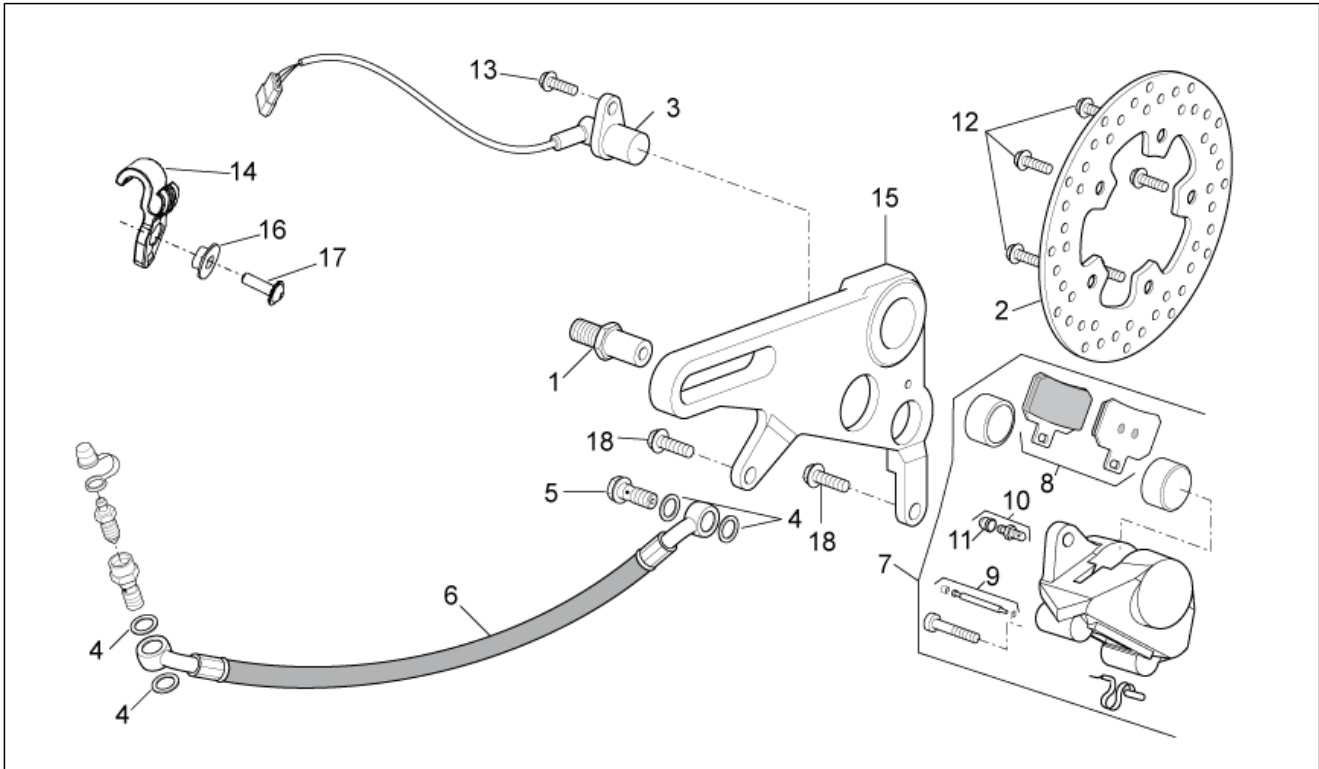
Pos.	Code	Description	Qty	Variants
1	B043457	Rear tyre 190/55 ZR 17"	1	
2	898255	Rear wheel, black 6.00X17	1	
3	896358	Chain cpl conn.link	1	
4	CM224903	Chain ring Z=42	1	
5	B045033	Pin	5	
6	AP8125731	Flexible coupling rubber	5	
7	858731	Rear wheel spindle	1	
8	AP8150436	Low self-locking nut	5	
9	AP8152324	Wheel spindle nut M25x1,5	1	
10	AP8125730	Crown holder cpl.	1	
11	AP8121213	Gasket ring 38x55x7	1	
12	AP8125732	Spring drive spacer	2	
13	AP8121212	Inside circlip d55	1	
14	AP8110081	Bearing 30x55x13	2	
15	AP8110093	Bearing 6205-2rs1 25x52x15	2	
16	AP8128170	Internal spacer	1	
17	AP8125838	Gasket ring 38x52x7	1	
18	859754	Connecting link	1	
19	AP8125839	Snap ring d52	1	
20	AP8101744	Tubeless tyre valve	1	
21	AP8121592	Rear wheel spacer	2	
22	AP8152323	Washer 25,2x36x1	1	
23	AP8128231	Rear wheel spring drive holder	1	
24	AP8150195	Hex socket screw M10x30	10	
25	890960	Phonic wheel ABS	1	<b>Technical specification:</b>
26	AP8150463	Pin 10x20	1	
27	AP8150020	Washer 10,5x21x2*	5	

<b>Group</b>	FRAME
<b>Code</b>	28.29
<b>Description</b>	Rear master cylinder
<b>Service</b>	1



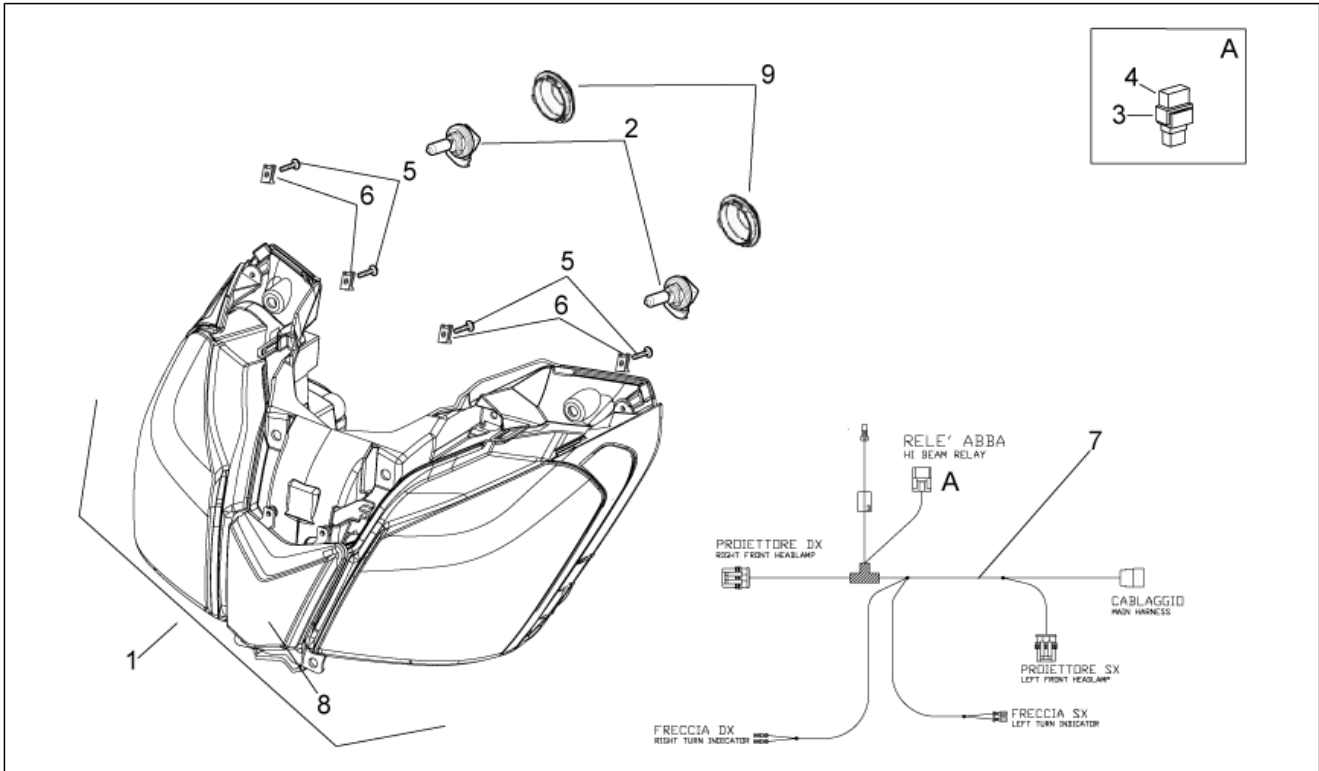
Pos.	Code	Description	Qty	Variants
1	893933	Rubber bellows	1	
2	020006	Nut	1	
3	898694	Push rod set	1	
4	898695	Plug	1	
5	858785	Rear brake lever	1	
6	AP8121221	Brake lever pin	1	
7	AP8120912	Lever rubber	1	
8	AP8144007	O-ring 11,11x1,78	2	
9	859946	Fixing pin	1	
10	884033	Lever pin	1	
11	893138	Spring	1	
12	AP8113004	Washer 10x14x1,6*	2	
13	852702	Oil pipe screw	1	
14	B044586	Rear master cylinder	1	
15	AP8120822	Silent block, spring	1	
16	AP8150462	Circlip d9	1	
17	893134	[...]	1	
18	AP8224470	Hex socket screw M6x20	1	

<b>Group</b>	FRAME
<b>Code</b>	28.30
<b>Description</b>	Rear brake caliper
<b>Service</b>	1



Pos.	Code	Description	Qty	Variants
1	898486	Brake supp. plate pin	1	
2	893137	Rear brake disc	1	
3	859792	Sensor ABS	1	
4	AP8113004	Washer 10x14x1,6*	4	
5	852702	Oil pipe screw	1	
6	858902	Rear brake hose	1	
7	B045137	Rear brake caliper P32	1	
8	893969	Pads pair	1	
9	AP8113752	Pin+split pin	1	
10	AP8113753	Air bleed valve	1	
11	AP8113070	Bleed valve cap	1	
12	894505	Screw w/ flange M8x18	7	
13	AP8152279	Screw w/ flange M6x20	1	
14	858791	Rear brake hose support	1	
15	896896	Rear brake caliper support	1	
16	AP8221349	T bush	1	
17	AP8152298	Screw w/ flange M5x16	5	
18	AP8152286	Screw w/ flange M8x20	2	

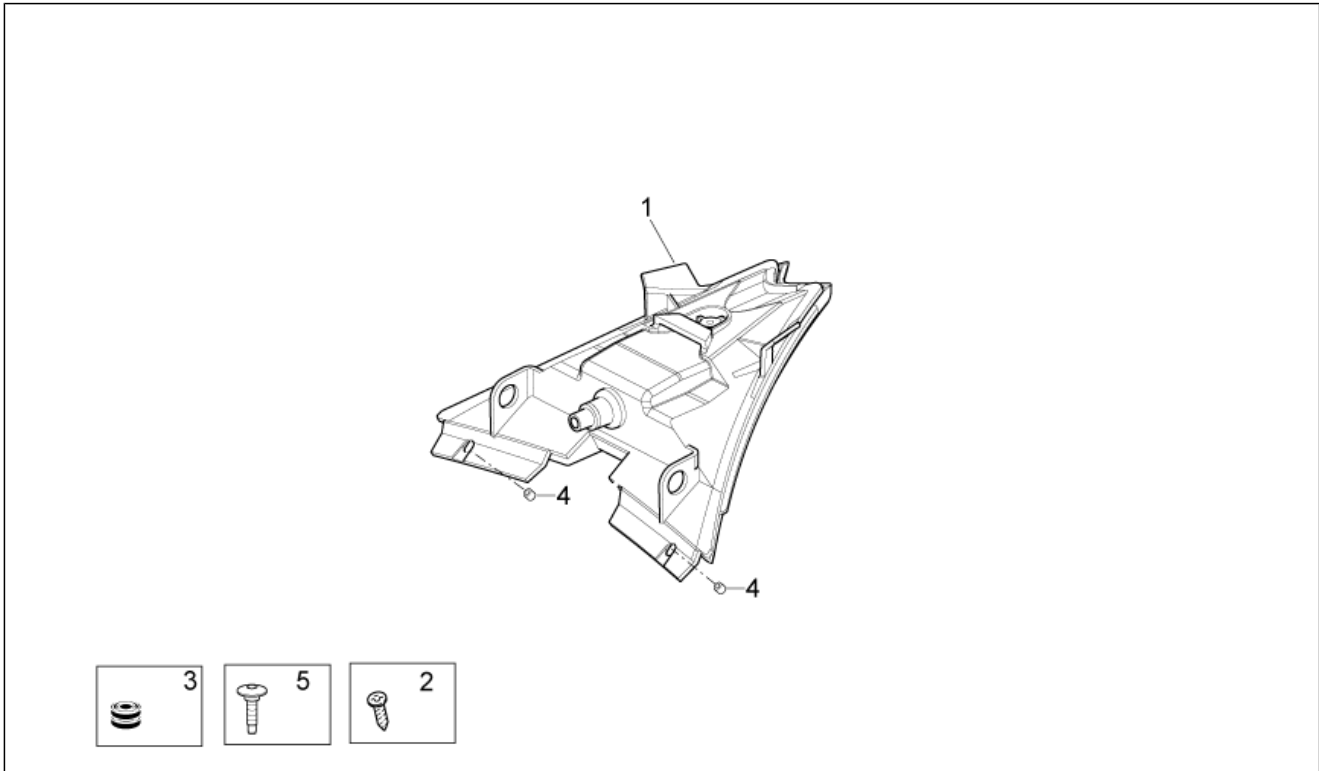
<b>Group</b>	FRAME
<b>Code</b>	28.31
<b>Description</b>	Headlight
<b>Service</b>	1



Pos.	Code	Description	Qty	Variants
1	898613	Headlight	1	
2	AP8127109	Lamp H7 12V-55W	2	
3	AP8220283	Rubber spacer *	5	
4	AP8224462	Relay 12V-30A	5	
5	AP8150500	Hex socket screw M5x9	4	
6	AP8102375	Clip M5	4	
7	899650	Headlight wiring w/harness	1	Country:europa[EU], Japan[JP]
7	B043619	Headlight wiring w/harness	1	Country:Canadian[CA], United States of America[USA]
8	898616	Side light	1	
9	B044778	Headlight plug	1	

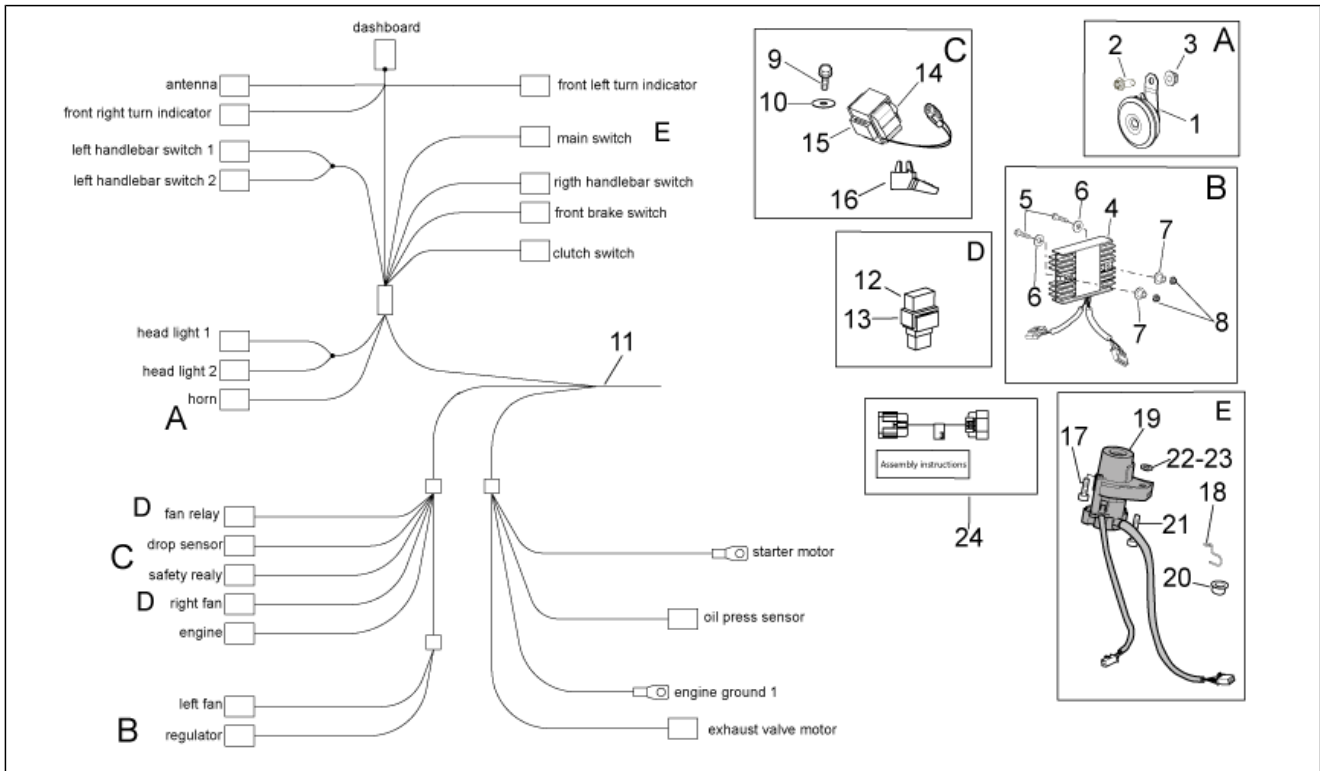


<b>Group</b>	FRAME
<b>Code</b>	28.32
<b>Description</b>	Taillight
<b>Service</b>	1



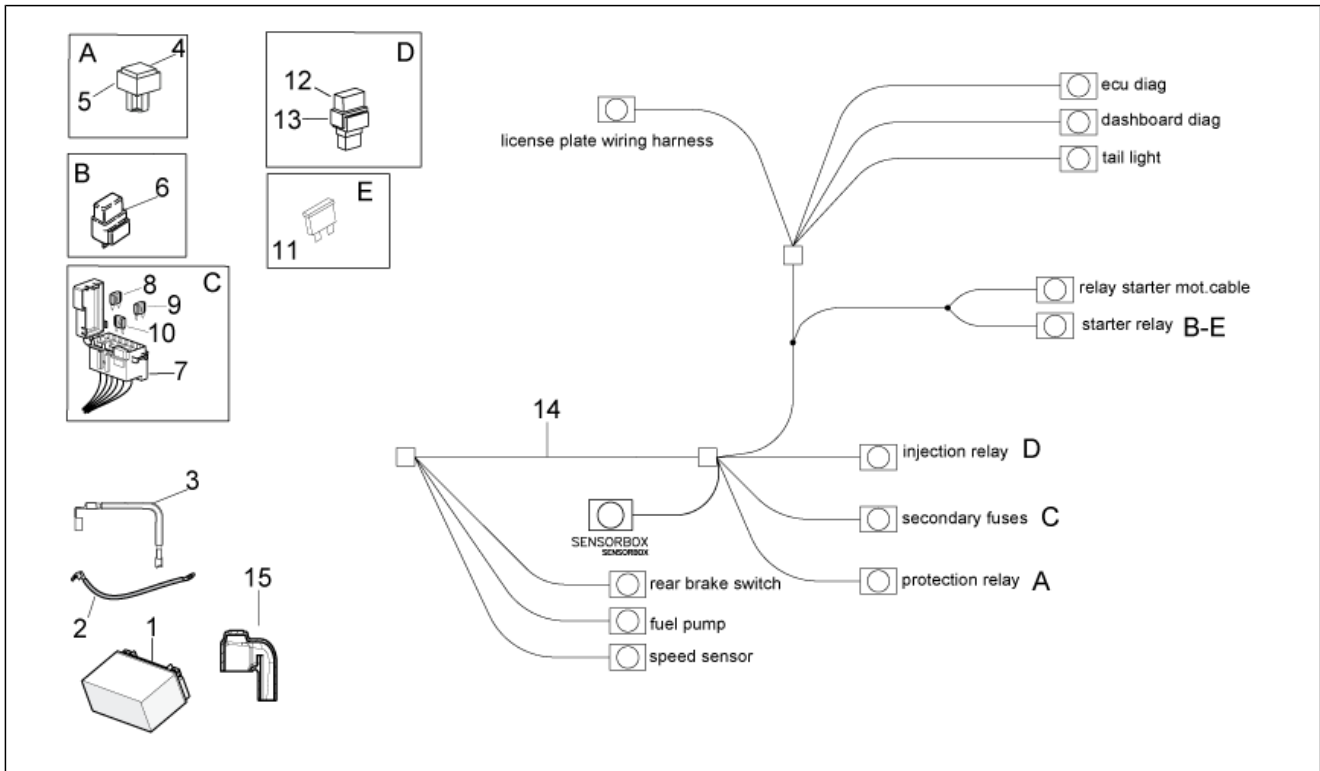
Pos.	Code	Description	Qty	Variants
1	858725	Taillight	1	Country:europa[EU], Japan[JP]
1	858730	Taillight	1	Country:Canadian[CA], United States of America[USA]
2	AP8150420	Self-tapping screw *	1	
3	AP8220186	Rubber spacer	2	
4	AP8221036	Bushing 5,3x8x7,1	2	
5	AP8152298	Screw w/ flange M5x16	2	

<b>Group</b>	FRAME
<b>Code</b>	28.33
<b>Description</b>	Electrical system I
<b>Service</b>	1



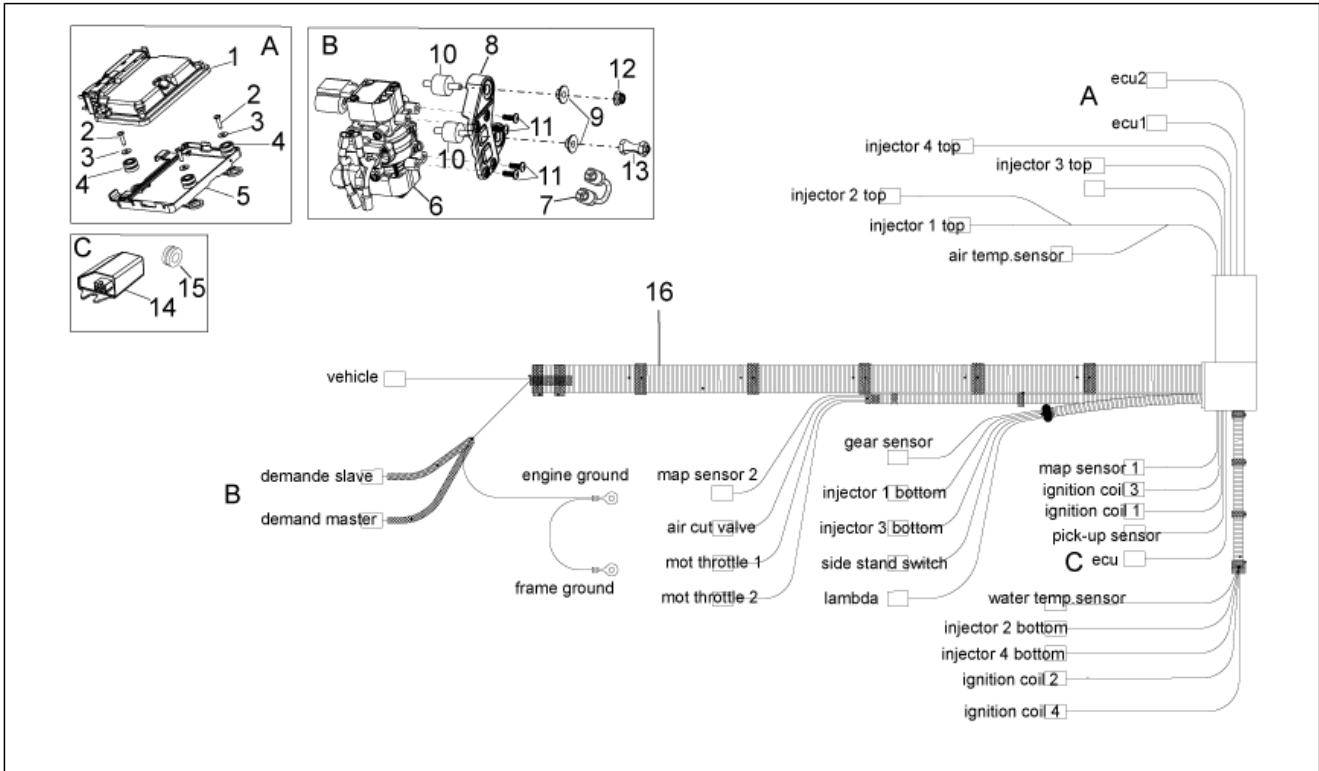
Pos.	Code	Description	Qty	Variants
1	899446	Horn	1	
2	AP8152285	Screw w/ flange	1	
3	AP8150376	Washer 8,5x15x0,8	1	
4	B043488	Voltage regulator	1	
5	AP8152128	Hex socket screw M6x30	2	
6	AP8150179	Washer 6,6x18*	2	
7	AP8121075	T bush *	2	
8	AP8152299	Self-locking nut M6	2	
9	AP8152279	Screw w/ flange M6x20	1	
10	AP8121991	Bush	1	
11	2D000062	Main wiring harness	1	
11	B044615	Main cable harness T.C.+ABS	1	
12	AP8224462	Relay 12V-30A	5	
13	AP8220283	Rubber spacer *	5	
14	584509	Fall sensor	1	
15	AP8144046	Rubber sensor support	1	
16	858916	Sensor support	1	
17	AP8152238	Shear rivet M8x28	1	
18	B044620	Fairlead	1	
19	858580	Main switch - steering lock	1	
20	AP8121096	T bush 8,2x12x4	1	
21	AP8150236	Hex socket screw M8x35	1	
22	AP8150017	Washer 8,4x16x1,6	1	
23	AP8152154	Washer 8,4x13*	2	
24	2R000309	Kit interfaccia	1	

<b>Group</b>	FRAME
<b>Code</b>	28.34
<b>Description</b>	Electrical system II
<b>Service</b>	1



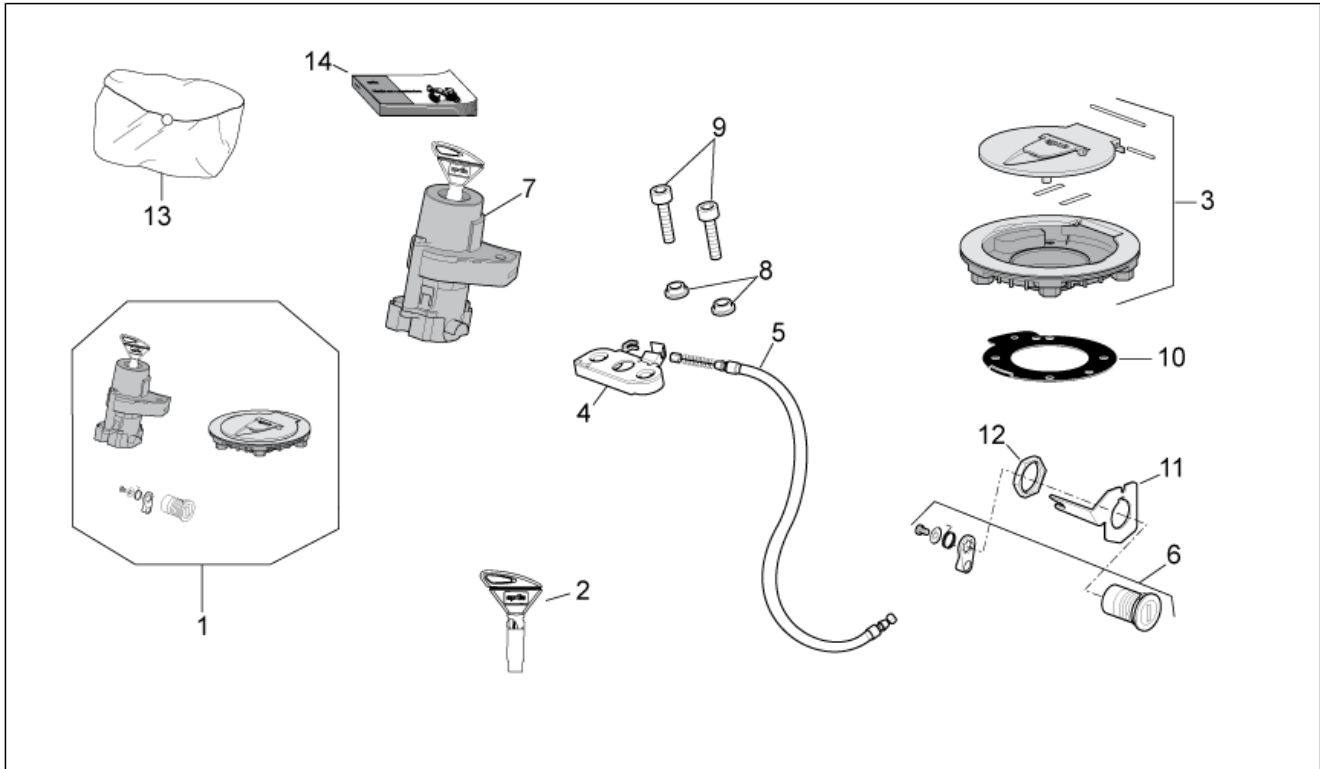
Pos.	Code	Description	Qty	Variants
1	639792	Battery 12V-12Ah	1	
2	2D000015	Battery cable	1	
3	B044640	Relay battery wiring	1	
4	895481	Injection relay 12V-40W	1	
5	896715	Relay rubber	1	
6	582690	Starter relay	1	
7	858212	Rubber fuse box	1	
8	CM225605	Fuse 5A	2	
9	CM225607	Fuse 7,5A	1	
10	CM225615	Fuse 15A	3	
11	CM225730	Fuse 30A	1	
12	AP8224462	Relay 12V-30A	5	
13	AP8220283	Rubber spacer *	5	
14	2D000062	Main wiring harness	1	
14	B044615	Main cable harness T.C.+ABS	1	
15	895701	Terminal cap	1	

<b>Group</b>	FRAME
<b>Code</b>	28.35
<b>Description</b>	Electrical system III
<b>Service</b>	1



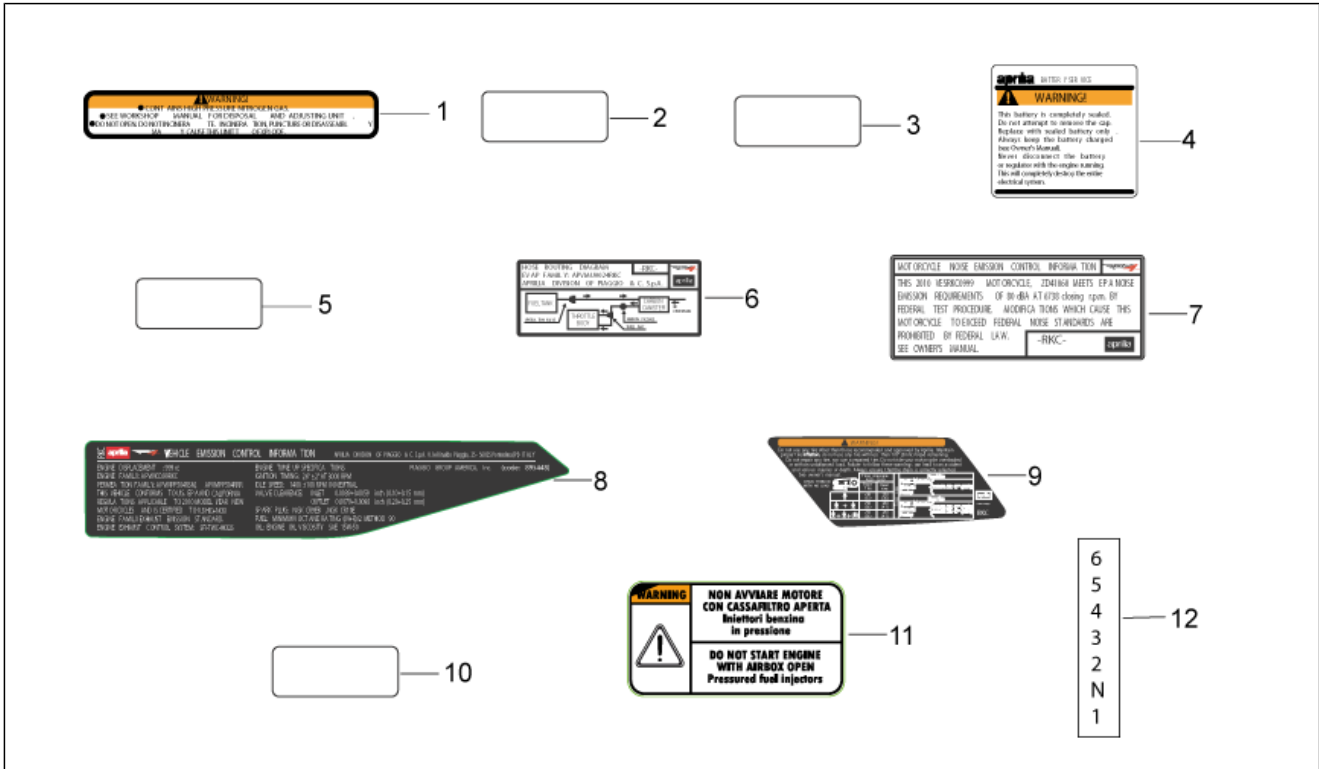
Pos.	Code	Description	Qty	Variants
1	CM228222	Electronic control unit	1	
2	AP8150509	Self-tap screw 5x14	3	
3	AP8150382	Washer 15x5,5X1,2	3	
4	AP8220150	Rubber spacer	3	
5	858882	Maintenance	1	
6	B044414	Accelerator position sensor	1	
7	854811	Rubber spacer	1	
8	858883	Support bracket	1	
9	AP8221145	T bush *	2	
10	AP8144061	Silent-block	2	
11	AP8150509	Self-tap screw 5x14	4	
12	AP8152299	Self-locking nut M6	1	
13	893255	Spacer	1	
14	890932	Variable ducts ECU	1	
15	AP8120405	Rubber spacer	2	
16	896892	Engine wiring	1	

<b>Group</b>	FRAME
<b>Code</b>	28.36
<b>Description</b>	Lock hardware kit
<b>Service</b>	1



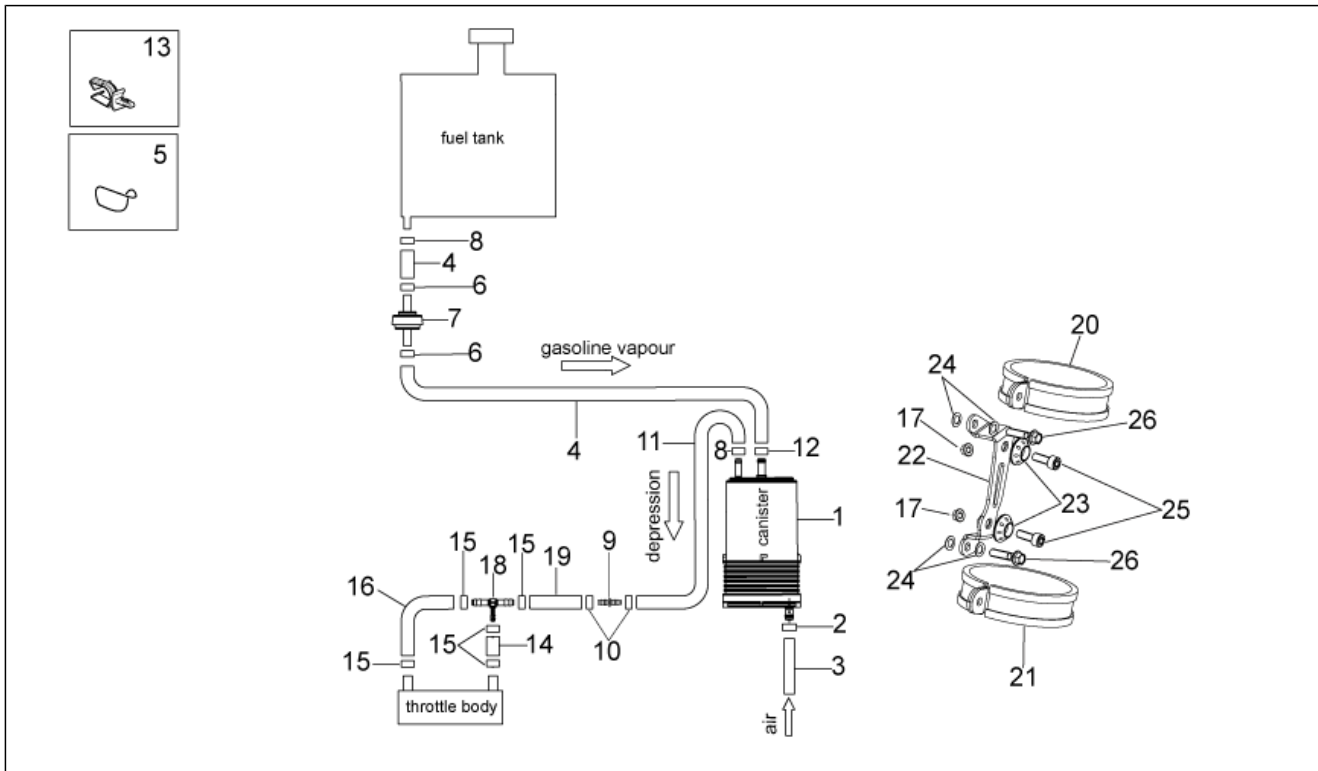
Pos.	Code	Description	Qty	Variants
1	B043920	Lock kit	1	
2	AP8140711	"Aprilia" key with transpo.	1	
3	B043929	Fuel filler cap and lock	1	
4	AP8102913	Pass.saddle connecting plate	1	
5	858955	Lock cable	1	
6	AP8104719	Seat lock with key	1	
7	858580	Main switch - steering lock	1	
8	AP8221129	Bush	2	
9	AP8150285	Hex socket screw M6x35	2	
10	AP8104803	Fuel filler cap gasket	1	
11	AP8134948	Plate	1	
12	AP8102523	Lock nut M22x1,5	1	
13	894056	Toolkit	1	
14	899007	Op's handbook I-D-F-E-UK-NL I-D-F-E	1	
14	899008	Op's handbook I-D-F-E-UK-NL UK-NL-GR-DK-SF-F	1	
14	899009	Op's handbook I-D-F-E-UK-NL J-UK	1	
14	899010	Op's handbook I-D-F-E-UK-NL USA-CDN-E-I	1	

<b>Group</b>	FRAME
<b>Code</b>	28.55
<b>Description</b>	Plate set and decal
<b>Service</b>	1



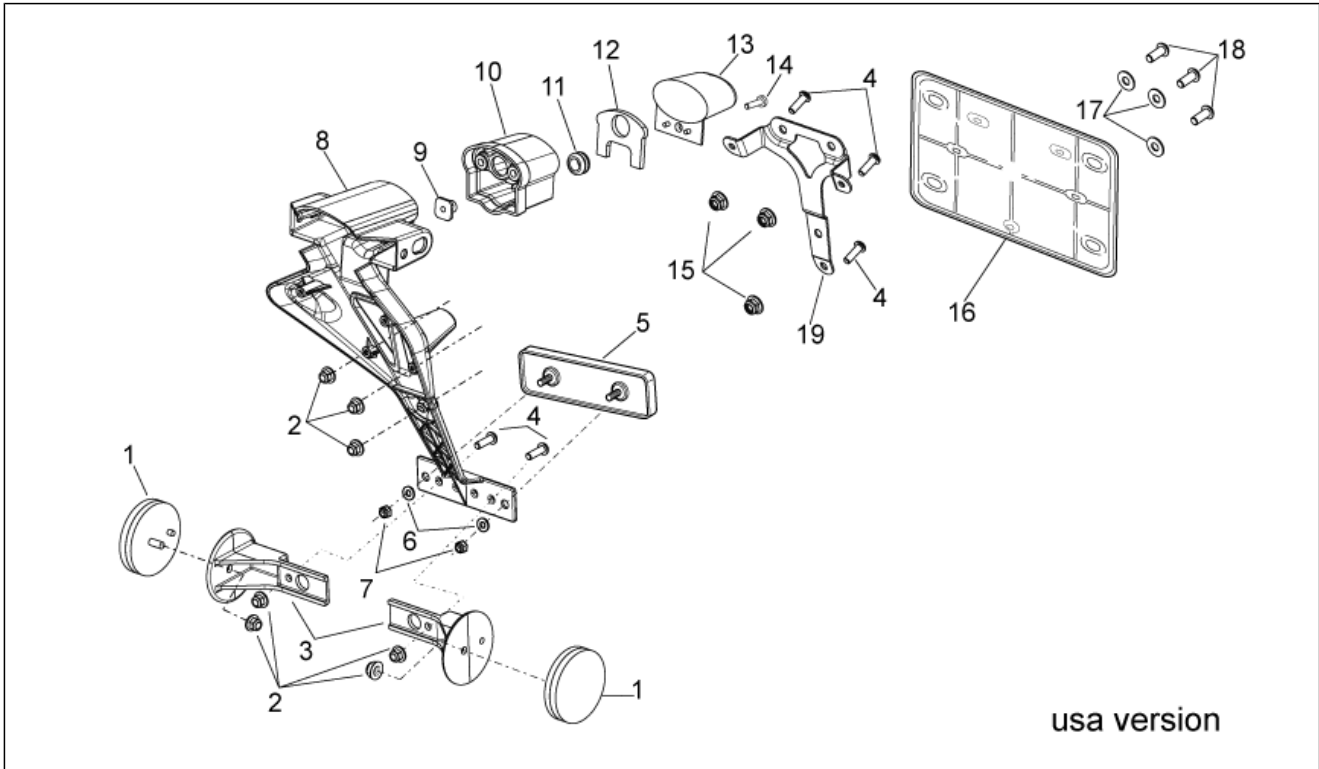
Pos.	Code	Description	Qty	Variants
1	AP8157100	Decal Shock Adsorber	1	Country:Canadian[CA], United States of America[USA]
2	AP8257609	Mirror decal	2	Country:Canadian[CA], United States of America[USA]
3	AP8257755	Liquid cooling sticker	1	Country:Canadian[CA], United States of America[USA]
4	AP8267395	Battery decal	1	Country:Canadian[CA], United States of America[USA]
5	AP8257794	Battery decal	1	Country:Canadian[CA], United States of America[USA]
6	2B000189	Carbon filter sticker	1	Country:Canadian[CA], United States of America[USA]
7	2B000187	Noise emission sticker	1	Country:Canadian[CA], United States of America[USA]
7	2G000010	Noise emission sticker	1	Country:Australia[AU]
8	2B000188	Emission control sticker	1	Country:Canadian[CA], United States of America[USA]
9	2L000182	Tyre pressure decal	1	Country:Canadian[CA], United States of America[USA]
10	894714	Rear brake pump decal	1	Country:Canadian[CA], United States of America[USA]
11	894019	Filter box decal	1	Country:Canadian[CA], United States of America[USA]
12	AP8277381	Gear Decal	1	Country:Japan[JP]

<b>Group</b>	FRAME
<b>Code</b>	28.56
<b>Description</b>	Fuel vapour recover system
<b>Service</b>	1



Pos.	Code	Description	Qty	Variants
1	AP8102678	Carbon filter	1	Country:Canadian[CA], United States of America[USA]
2	AP8102520	Hose clamp	1	Country:Canadian[CA], United States of America[USA]
3	890499	Fuel pipe 8x13	1	Country:Canadian[CA], United States of America[USA]
4	856063	pipe SAE 30 d.12,7x6,35	2	Country:Canadian[CA], United States of America[USA]
5	AP8221150	Cable-guide	1	Country:Canadian[CA], United States of America[USA]
6	AP8102239	Hose clamp 12,5x8	2	Country:Canadian[CA], United States of America[USA]
7	860138	Valve	1	Country:Canadian[CA], United States of America[USA]
8	AP8120446	Hose clip, green D11x6,6x1	2	Country:Canadian[CA], United States of America[USA]
9	AP8121267	Choke hold	1	Country:Canadian[CA], United States of America[USA]
10	AP8102998	Hose clamp d.9,5	2	Country:Canadian[CA], United States of America[USA]
11	856062	pipe SAE 30 d.11,11x4,8	1	Country:Canadian[CA], United States of America[USA]
12	AP8102764	White hose clip d.13x6	1	Country:Canadian[CA], United States of America[USA]
13	AP8221311	Fairlead d18	1	Country:Canadian[CA], United States of America[USA]
14	CM178413	pipe SAE 30 L.50	1	Country:Canadian[CA], United States of America[USA]
15	CM001901	Hose clamp	5	Country:Canadian[CA], United States of America[USA]
16	CM178411	pipe SAE 30 L.130	1	Country:Canadian[CA], United States of America[USA]
17	AP8152299	Self-locking nut M6	2	Country:Canadian[CA], United States of America[USA]
18	828325	Tee union	1	Country:Canadian[CA], United States of America[USA]
19	CM178412	pipe SAE L.90	1	Country:Canadian[CA], United States of America[USA]
20	AP8102688	Hose clamp d.76	1	Country:Canadian[CA], United States of America[USA]
21	AP8102719	Hose clamp d.80,5	1	Country:Canadian[CA], United States of America[USA]
22	899788	Carbon filter support	1	Country:Canadian[CA], United States of America[USA]
23	AP8150536	Special washer	4	Country:Canadian[CA], United States of America[USA]
24	658830	Curved spring washer 6x12	2	Country:Canadian[CA], United States of America[USA]
25	AP8150137	Hex socket screw M6x16	2	Country:Canadian[CA], United States of America[USA]
26	871094	Screw w/ flange	2	Country:Canadian[CA], United States of America[USA]

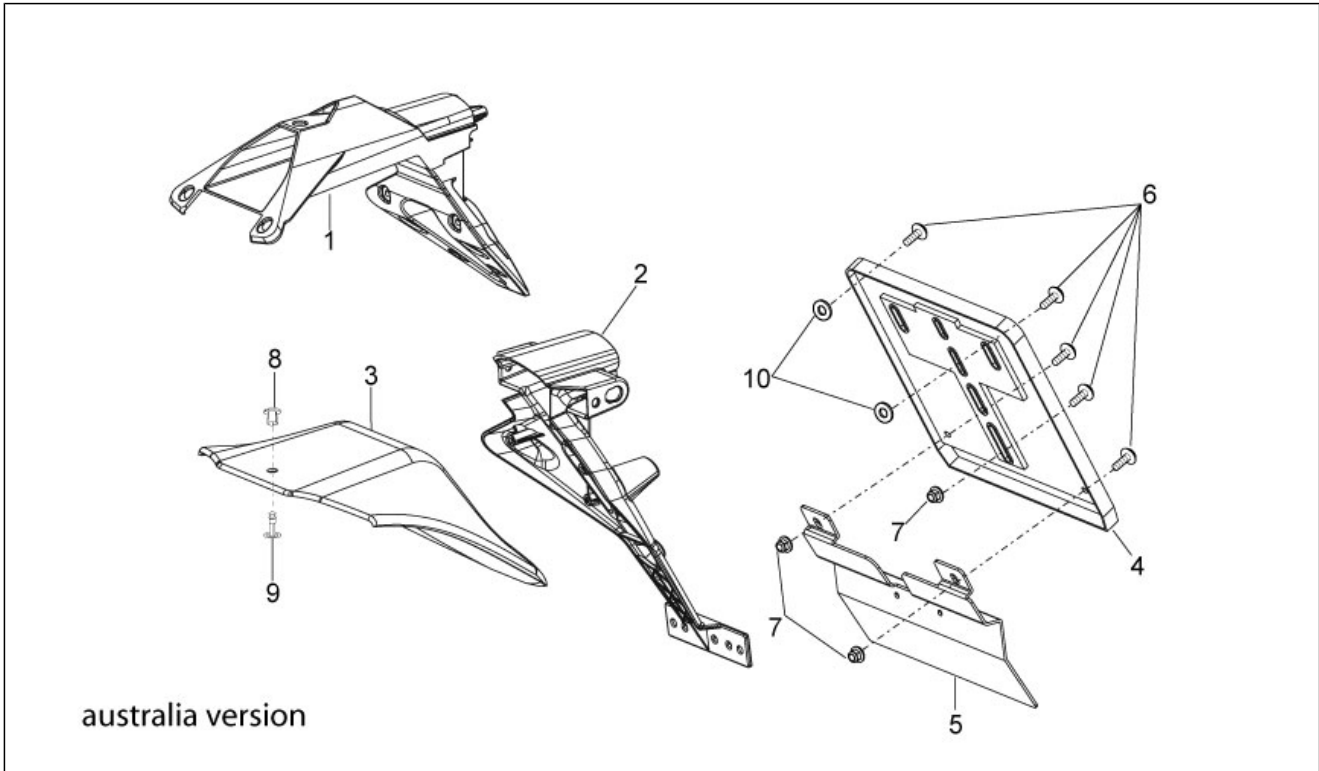
<b>Group</b>	FRAME
<b>Code</b>	28.57
<b>Description</b>	Rear body II
<b>Service</b>	1



Pos.	Code	Description	Qty	Variants
1	AP8224164	Rear reflector, red	2	Country:Canadian[CA], United States of America[USA]
2	AP8152306	Self-locking nut M5	7	Country:Canadian[CA], United States of America[USA]
3	AP8134783	Reflector support	2	Country:Canadian[CA], United States of America[USA]
4	AP8152267	Hex socket screw M5x12	5	Country:Canadian[CA], United States of America[USA]
5	AP8112916	Rear reflector	1	Country:Canadian[CA], United States of America[USA]
6	AP8150204	Nut M4	2	Country:Canadian[CA], United States of America[USA]
7	AP8150204	Nut M4	2	Country:Canadian[CA], United States of America[USA]
8	858842	Lower Number plate holder	1	Country:Canadian[CA], United States of America[USA]
9	894566	T bush	1	Country:Canadian[CA], United States of America[USA]
10	894900	Extension	1	Country:Canadian[CA], United States of America[USA]
11	AP8112600	Rubber spacer	1	Country:Canadian[CA], United States of America[USA]
12	AP8117258	Vibration-damping rubber	1	Country:Canadian[CA], United States of America[USA]
13	AP8127098	Number-plate light	1	Country:Canadian[CA], United States of America[USA]
14	AP8150522	Screw 4,2x16	1	Country:Canadian[CA], United States of America[USA]
15	AP8152299	Self-locking nut M6	3	Country:Canadian[CA], United States of America[USA]
16	AP8149034	Number plate support	1	Country:Canadian[CA], United States of America[USA]
17	AP8152181	Washer 6,4x15x1	3	Country:Canadian[CA], United States of America[USA]
18	AP8152108	Hex socket screw	3	Country:Canadian[CA], United States of America[USA]
19	894899	Maintenance	1	Country:Canadian[CA], United States of America[USA]

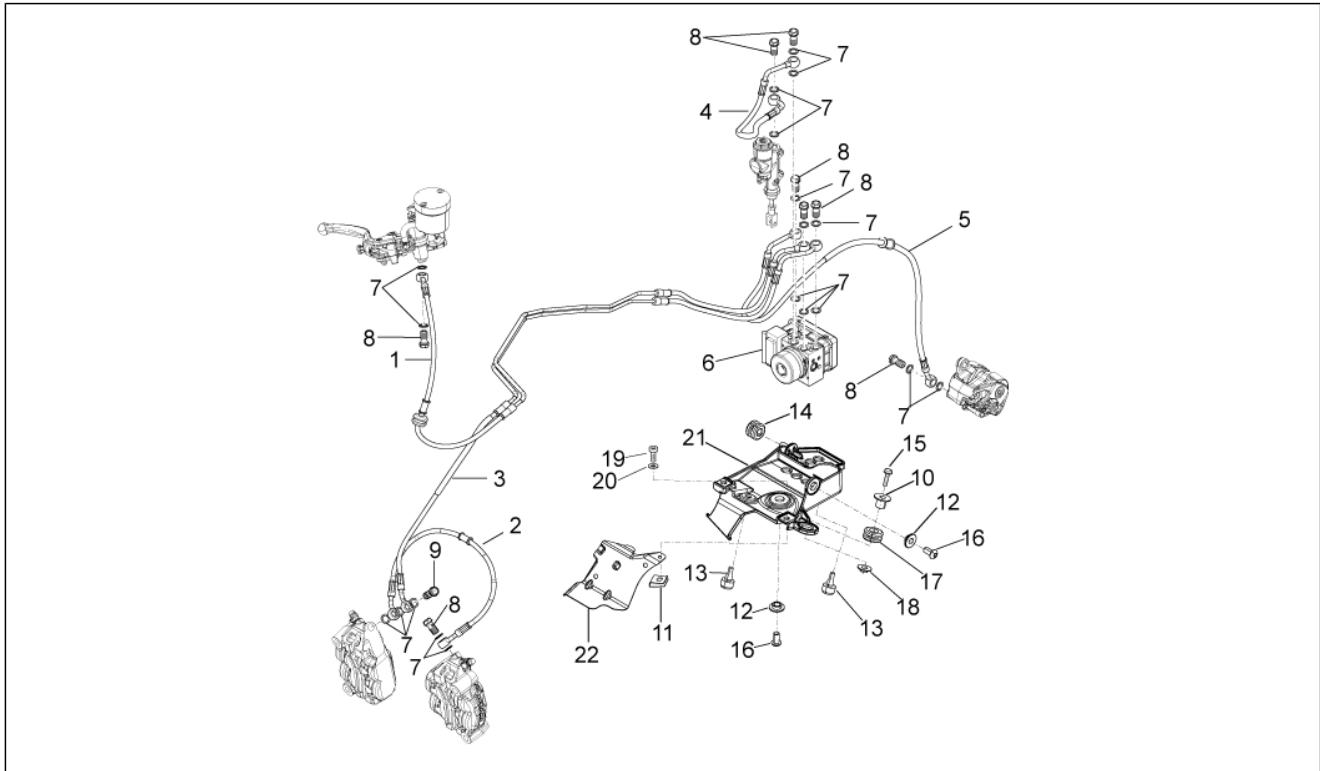


<b>Group</b>	FRAME
<b>Code</b>	28.58
<b>Description</b>	Rear body III
<b>Service</b>	1



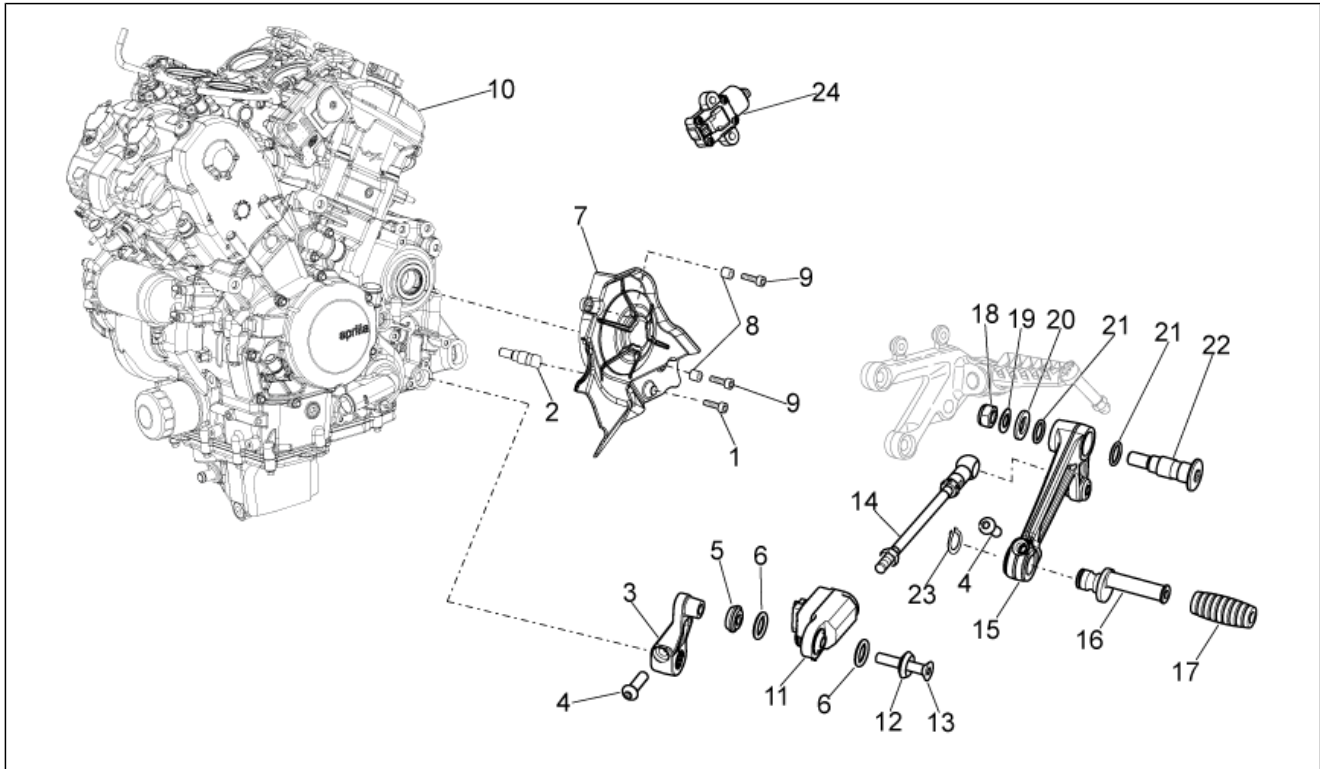
Pos.	Code	Description	Qty	Variants
1	858840	Upper Number plate holder	1	Country:Australia[AU]
2	897482	Number plate holder	1	Country:Australia[AU]
3	895487	Upper Rear mudguard	1	Country:Australia[AU]
4	895914	Number plate holder	1	Country:Australia[AU]
5	895488	Lower Rear mudguard	1	Country:Australia[AU]
6	AP8152298	Screw w/ flange M5x16	5	Country:Australia[AU]
7	AP8152306	Self-locking nut M5	3	Country:Australia[AU]
8	AP8144616	Rivet, female	1	Country:Australia[AU]
9	AP8144563	Rivet, male	1	Country:Australia[AU]
10	AP8150382	Washer 15x5,5X1,2	2	Country:Australia[AU]

<b>Group</b>	FRAME
<b>Code</b>	28.59
<b>Description</b>	ABS brake system
<b>Service</b>	1



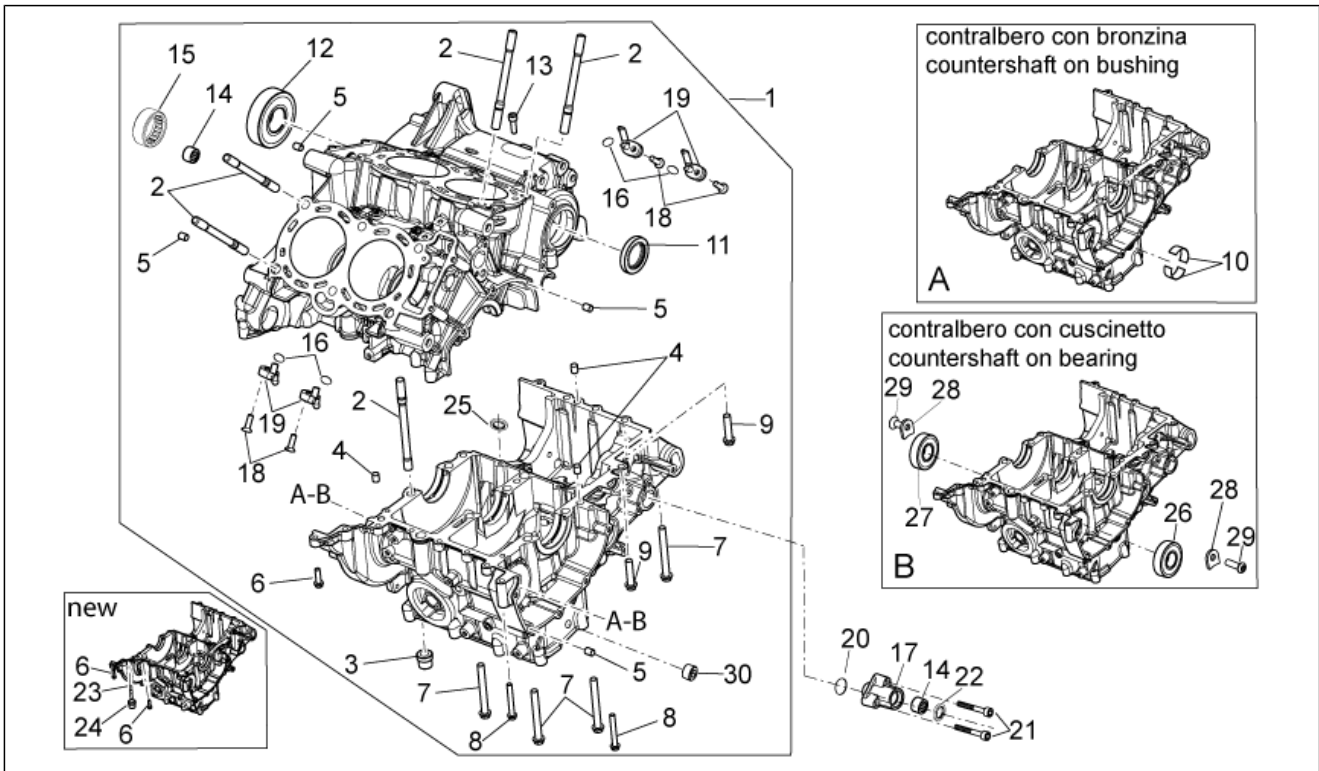
Pos.	Code	Description	Qty	Variants
1	B044606	Front brake pipe pump-Hecu ABS	1	
2	B044608	front brake pipe clamp-clamp	1	
3	B044607	Front brake pipe Hecu ABS-clamp	1	
4	B044592	Rear brake pipe pump-Hecu ABS	1	
5	B044593	Rear brake pipe Hecu ABS-clamp	1	
6	B044760	ABS control unit	1	
7	AP8113004	Washer 10x14x1,6*	19	
8	852702	Oil pipe screw	8	
9	B044594	Dual brake pipe screw	1	
10	AP8221023	T bush	1	
11	AP8102381	Clip M4	1	
12	AP9100053	Bush d.10-h.3,5	2	
13	AP8706087	Rubber spacer	1	
14	AP8120223	Rubber spacer *	1	
15	AP8152274	Screw w/ flange M5x20	1	
16	AP8152186	Hex socket screw M6x12	2	
17	AP8120030	Rubber spacer	1	
18	AP8121032	Bush	1	
19	AP8152043	Hex socket screw M4x10	1	
20	AP8150011	Washer 4,3x12x1	1	
21	B044551	ABS control unit support	1	
22	B045095	Protection	1	

<b>Group</b>	ENGINE
<b>Code</b>	29.37
<b>Description</b>	Engine
<b>Service</b>	1



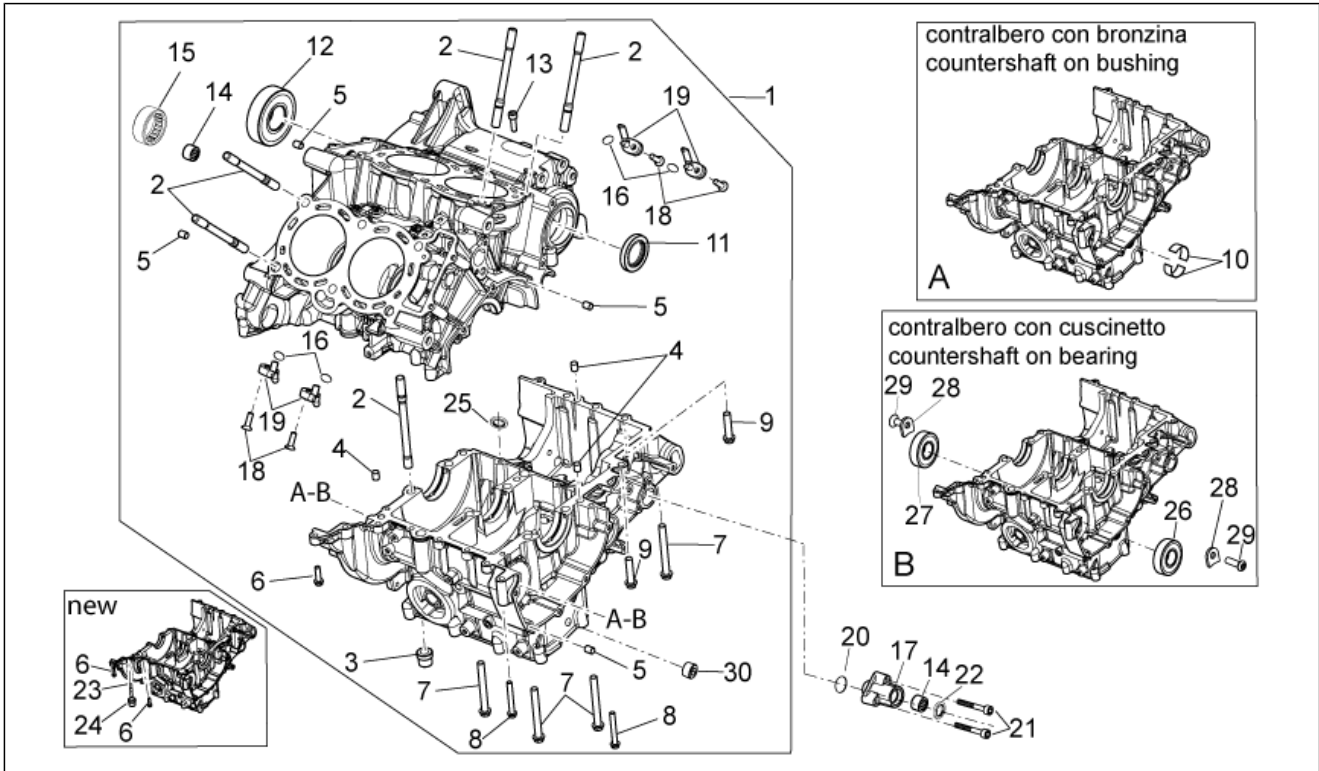
Pos.	Code	Description	Qty	Variants
1	598839	Screw w/ flange	1	
2	898272	Spacer	1	
3	852480	Gear lever	1	
4	AP8224470	Hex socket screw M6x20	2	
5	898133	Bush	1	
6	AP8220177	O-ring 115	2	
7	898276	Sprocket cover, black	1	
8	AP8120253	Spacer	2	
9	AP8152279	Screw w/ flange M6x20	2	
10	CM2268045	Engine cpl.	1	Country:Canadian[CA], United States of America[USA]
10	CM2268055	Engine cpl.	1	Country:Australia[AU], europe[EU], Japan[JP]
11	B043834	Quick shift device	1	
12	898134	Bush	1	
13	898463	Screw M6x35	1	
14	897594	Gear control tie rod	1	
15	897360	Gear lever	1	
16	AP8121221	Brake lever pin	1	
17	AP8120912	Lever rubber	1	
18	AP8150431	Low nut M8	1	
19	AP8150376	Washer 8,5x15x0,8	1	
20	AP8150020	Washer 10,5x21x2*	1	
21	AP8144007	O-ring 11,11x1,78	2	
22	884033	Lever pin	1	
23	AP8150462	Circlip d9	1	
24	899191	Microswitch	1	

<b>Group</b>	ENGINE
<b>Code</b>	29.38
<b>Description</b>	Crank-case I
<b>Service</b>	1



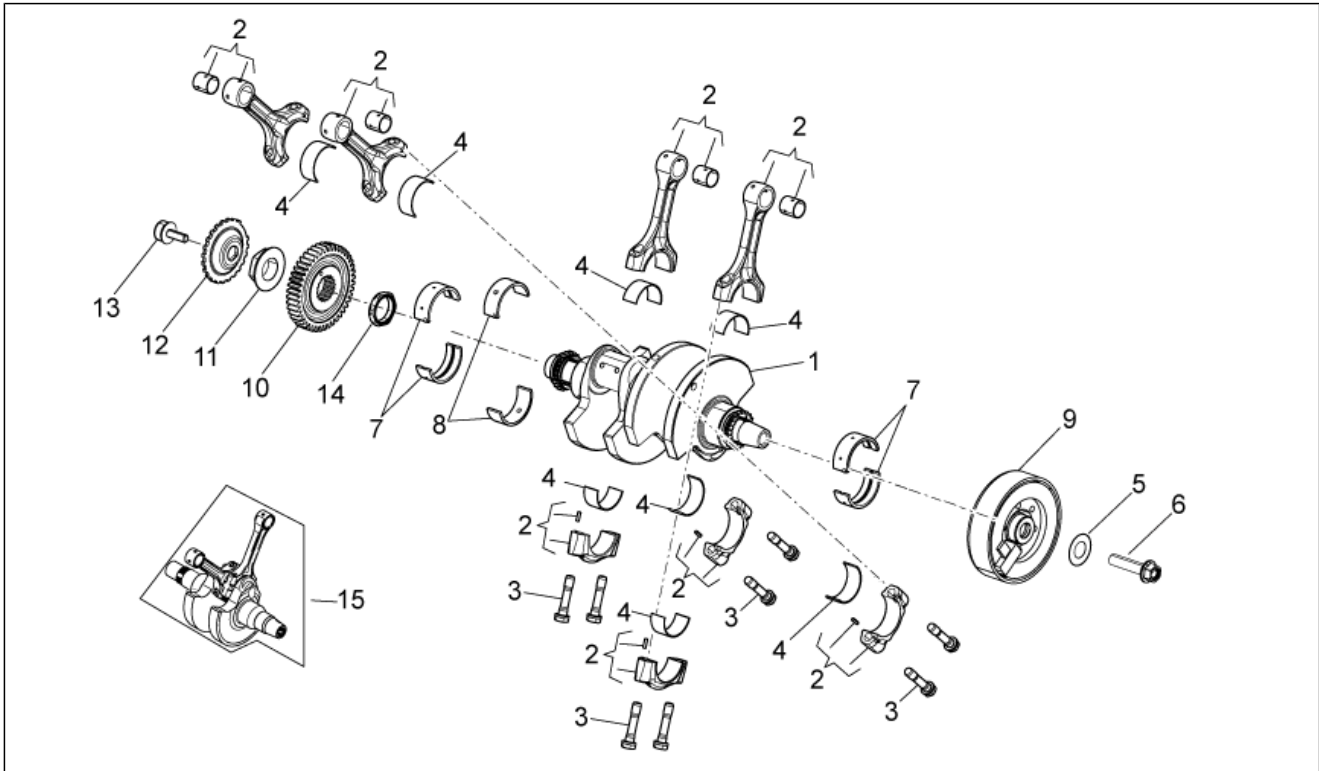
Pos.	Code	Description	Qty	Variants
1	B0438525	Carter, pair	1	
2	857087	Stud bolt m10x126	14	
3	897434	Flanged nut M10x1	6	
4	857427	Pin M8x12	3	
5	411209	Pin	4	
6	AP8152280	Screw w/ flange M6x25	6	
7	AP8152294	Screw w/ flange	4	
8	AP8152284	Screw w/ flange	2	
9	AP8152289	Screw w/ flange	4	
10	8574540001	Bushing, red	4	
10	8574540002	Bushing, blue	4	
10	8574540003	Bushing, yellow	4	
11	857128	Gasket ring 30x47x7	1	
12	898633	Ball bearing 30X72X19	1	
13	AP8150044	Hex socket screw M6x20	1	
14	857312	Roller cage 12X18X12	2	
15	857249	Roller cage HK1512	1	
16	GU90706009	O-ring 6x1	4	
17	857090	Maintenance	1	
18	857140	Special cap screw M5x16	4	
18	B046202	Screw TB 4X12 TORX	4	
19	857139	Piston oil jet	4	
19	B045360	Piston cooling jet	4	
20	857109	Gasket ring 17,12X2,62	1	
21	AP8150285	Hex socket screw M6x35	2	
22	857127	Gasket ring 12x22	1	
23	857495	Stud bolt	1	
24	857496	Special nut	1	

<b>Group</b>	ENGINE
<b>Code</b>	29.38
<b>Description</b>	Crank-case I
<b>Service</b>	1



Pos.	Code	Description	Qty	Variants
25	857144	O-ring	1	
26	897435	Bearing	1	
27	897436	Bearing	1	
28	AP9150145	Check bearing plate	2	
29	AP8152166	screw M6x16	2	
30	974060	Plug M16X1,5	3	

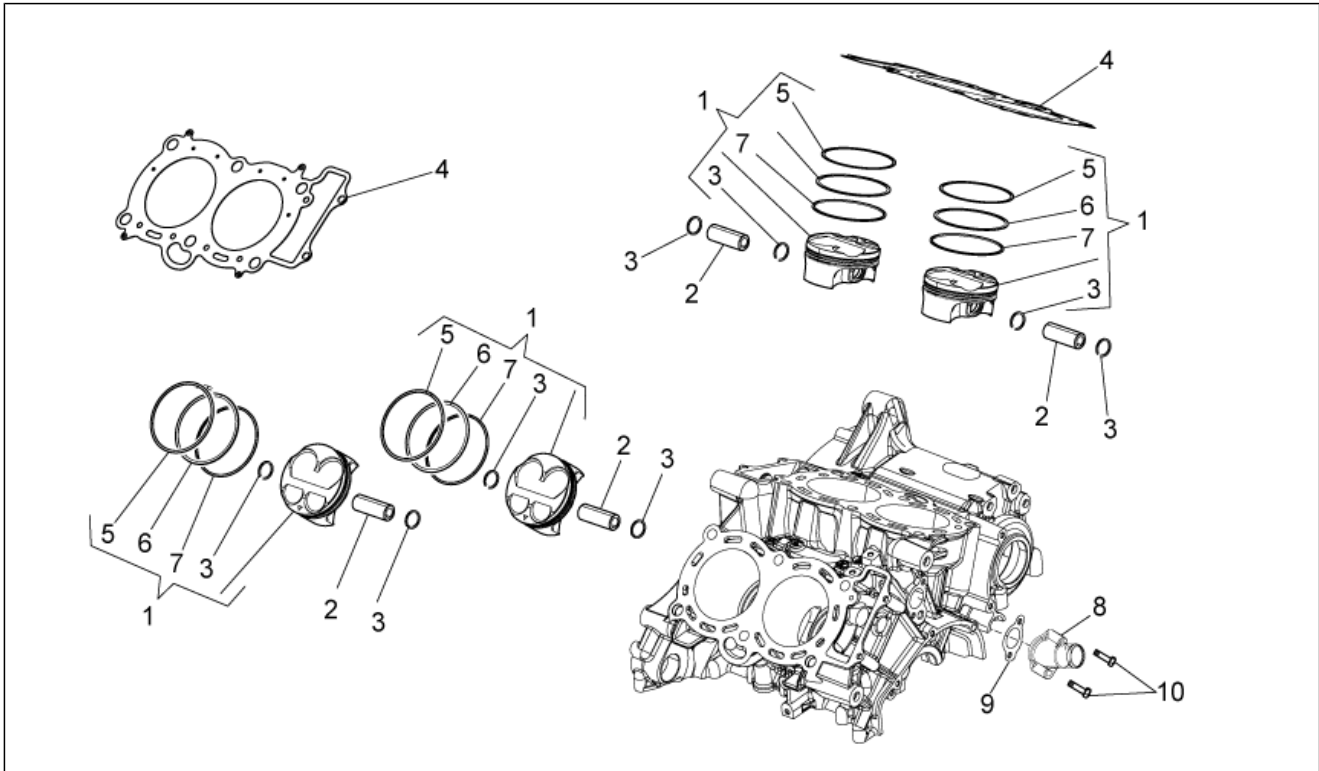
<b>Group</b>	ENGINE
<b>Code</b>	29.39
<b>Description</b>	Drive shaft
<b>Service</b>	1



Pos.	Code	Description	Qty	Variants
1	B045412AA	Crankshaft cpl. Cat. AA	1	<b>Technical specification:</b> For ZZ/AA/BB class connecting rods[B1]
1	B045412CC	Crankshaft cpl. Cat. CC	1	<b>Technical specification:</b> For CC class connecting rods[B2]
1	B045412DD	Crankshaft cpl. Cat. DD	1	<b>Technical specification:</b> For DD class connecting rods[B3]
1	B045412FF	Crankshaft cpl. Cat. FF	1	<b>Technical specification:</b> For EE/FF/GG class connecting rod[B4]
2	2A000166FF	***CONNECTING ROD ASSY	1	
2	8976535002	Connecting rod BB 359-362	1	<b>Technical specification:</b> For shafts of AA/BB class[A5]
2	8976535003	Connecting rod CC 356-359	1	<b>Technical specification:</b> For shafts of CC class[A6]
2	8976535004	Connecting rod DD gr.353-356	1	<b>Technical specification:</b> For shafts of DD class[A3]
2	8976535005	Connecting rod EE 350-353	1	<b>Technical specification:</b> For shafts of EE/FF class[A4]
2	B0454754BB	Connecting rod cpl. Cat. BB	1	<b>Technical specification:</b> For shafts of AA/BB class[A5]
2	B0454754CC	Connecting rod cpl. Cat. CC	1	<b>Technical specification:</b> For shafts of CC class[A6]
2	B0454754DD	Connecting rod cpl. Cat. DD	1	<b>Technical specification:</b> For shafts of DD class[A3]
2	B0454754EE	Connecting rod cpl. Cat. EE	1	<b>Technical specification:</b> For shafts of EE/FF class[A4]
3	899565	Connecting rod screw	8	
4	8571170001	Bushing half-shell, red	2	
4	8571170002	Bushing half-shell, blue	2	
4	8571170003	Bushing half-shell, yellow	2	
4	B044724BL	Blue bushing half-shell (new) H 15.8mm	2	
4	B044724GI	Yellow bushing half-shell (new) H 15.8mm	2	
4	B044724VE	Green bushing half-shell (new) H 15.8mm	2	
5	897478	Washer 12x26.5x3	1	
6	857206	Screw w/ flange M12X1,25X50	1	
7	8571320001	Bushing half-shell, red	4	
7	8571320002	Bushing half-shell, blue	4	
7	8571320003	Bushing half-shell, yellow	4	
8	8571300001	Bushing half-shell, red	2	



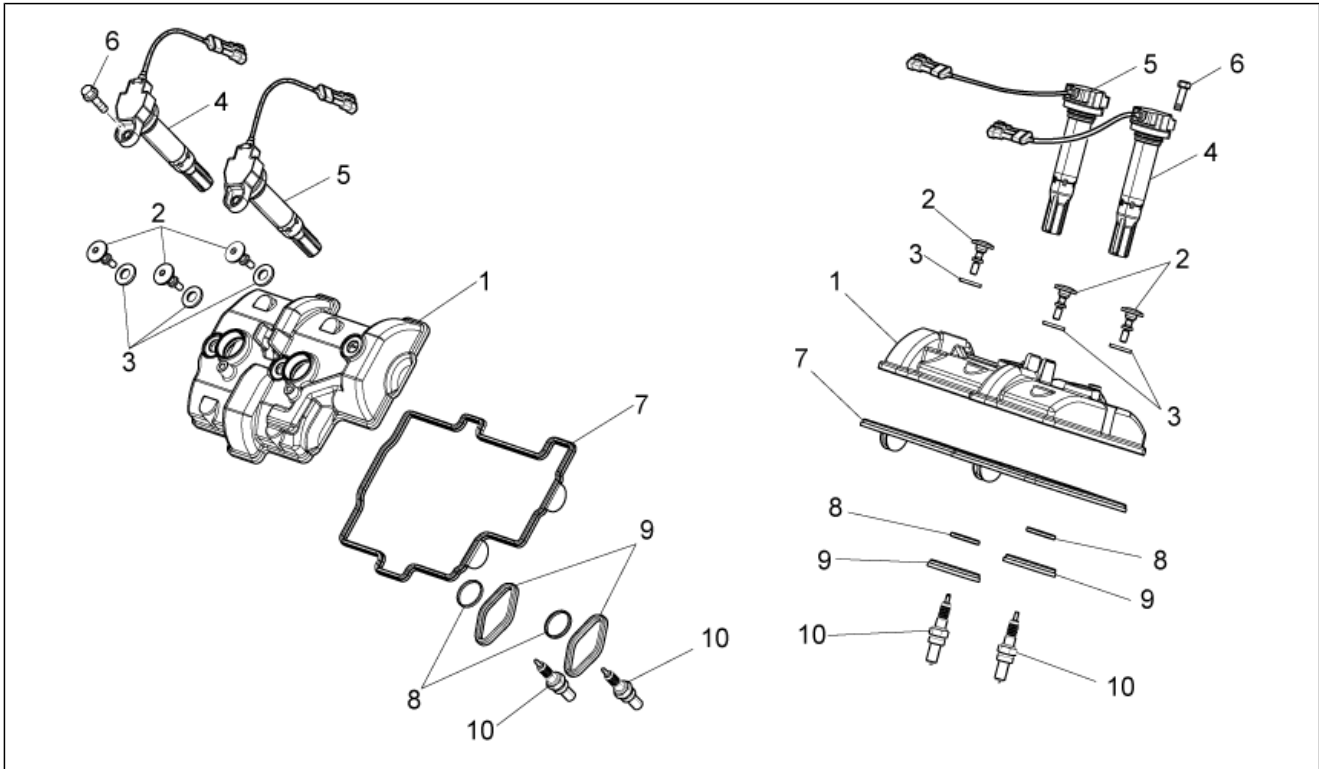
<b>Group</b>	ENGINE
<b>Code</b>	29.40
<b>Description</b>	Cylinder - Piston
<b>Service</b>	1



Pos.	Code	Description	Qty	Variants
1	CM227601	Complete piston A (AT brand)	4	Technical specification: ""AT"" brand"[AT]
1	CM227602	Complete piston B (BT brand)	4	Technical specification: ""BT"" brand"[BT]
2	857107	Piston pin 17x10x45	4	
3	857108	Stop ring D 17	4	
4	857445	Cylinder head gasket	2	
5	899299	Piston ring KDN5 mark	4	Technical specification: ""KDN5"" brand"[KDN5]
6	857105	Piston ring	4	
7	857106	Piston ring	4	
8	857126	Joint	1	
9	857125	Gasket	1	
10	874550	Screw w/ flange	2	

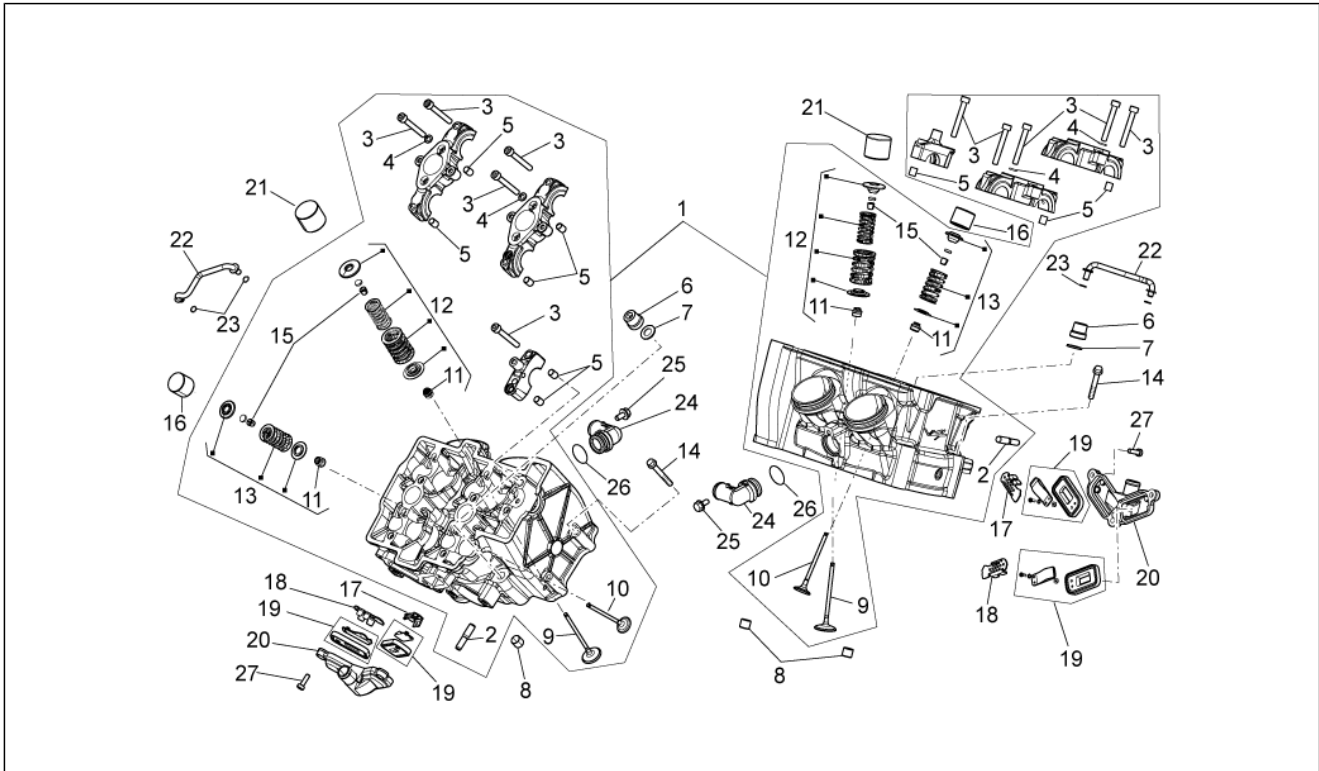


<b>Group</b>	ENGINE
<b>Code</b>	29.41
<b>Description</b>	Valves cover
<b>Service</b>	1



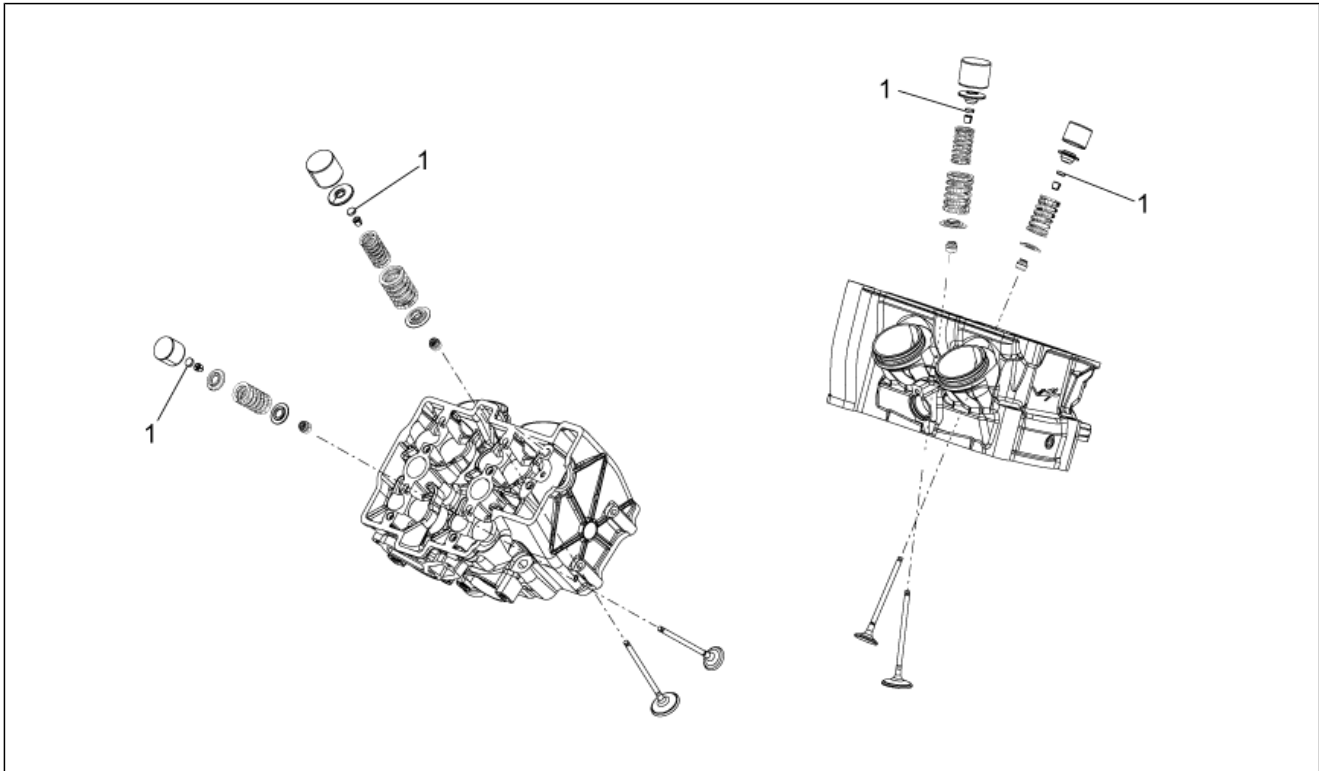
Pos.	Code	Description	Qty	Variants
1	898407	Head cover	2	
2	857071	Special screw	6	
3	898410	Damper drift	6	
4	857084	HT coil short cable	2	
5	857501	HT coil long cable	2	
6	AP8152277	Screw w/ flange M6x12	4	
7	897443	Valve cover gasket	2	
8	857043	Gasket	2	
9	857074	Gasket	2	
10	B043807	Spark plug NGK CR9EKB	4	

<b>Group</b>	ENGINE
<b>Code</b>	29.42
<b>Description</b>	Cylinder head - valves
<b>Service</b>	1



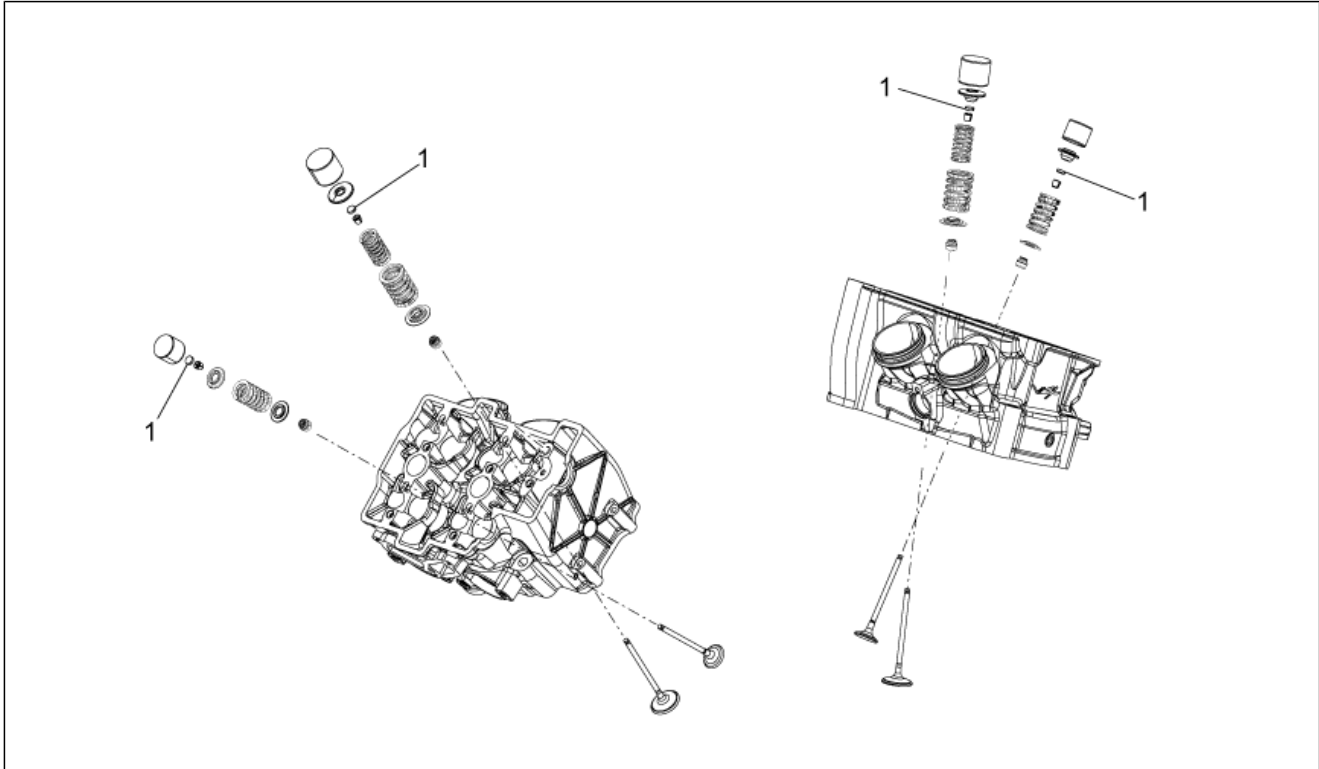
Pos.	Code	Description	Qty	Variants
1	8986822	Cylinder head assy.	2	
2	857035	Stud bolt m10x171	8	
3	857085	Hex socket screw M6x45	20	
4	857042	Copper washer	8	
5	411209	Pin	12	
6	897434	Flanged nut M10x1	12	
7	857208	Washer 19 x 10,5 x 1,6	12	
8	825597	Pin 11,8X10	4	
9	857018	Valve, in	8	
10	857023	Exhaust valve 26 mm	8	
11	436438	Valve gasket ring	16	
12	2R000041	Intake valve spring kit	1	
13	2R000042	Exhaust valve spring kit	1	
14	478895	Screw w/ flange	4	
15	857024	Valve half-cone	32	
16	857067	Valve lifter bucket	8	
17	857046	Spark arrester	2	
18	857047	Spark arrester	2	
19	857045	Reed valve	4	
20	857044	Cover reed valve	2	
21	857066	Valve lifter bucket	8	
22	857017	Oil sprayer pipe	2	
23	224035	O-ring	4	
24	857016	Angular union	2	
25	857082	Screw w/ flange M6x12	2	
26	857083	O-ring	2	
27	857048	screw M5x16	6	

<b>Group</b>	ENGINE
<b>Code</b>	29.43
<b>Description</b>	Valves pads
<b>Service</b>	1



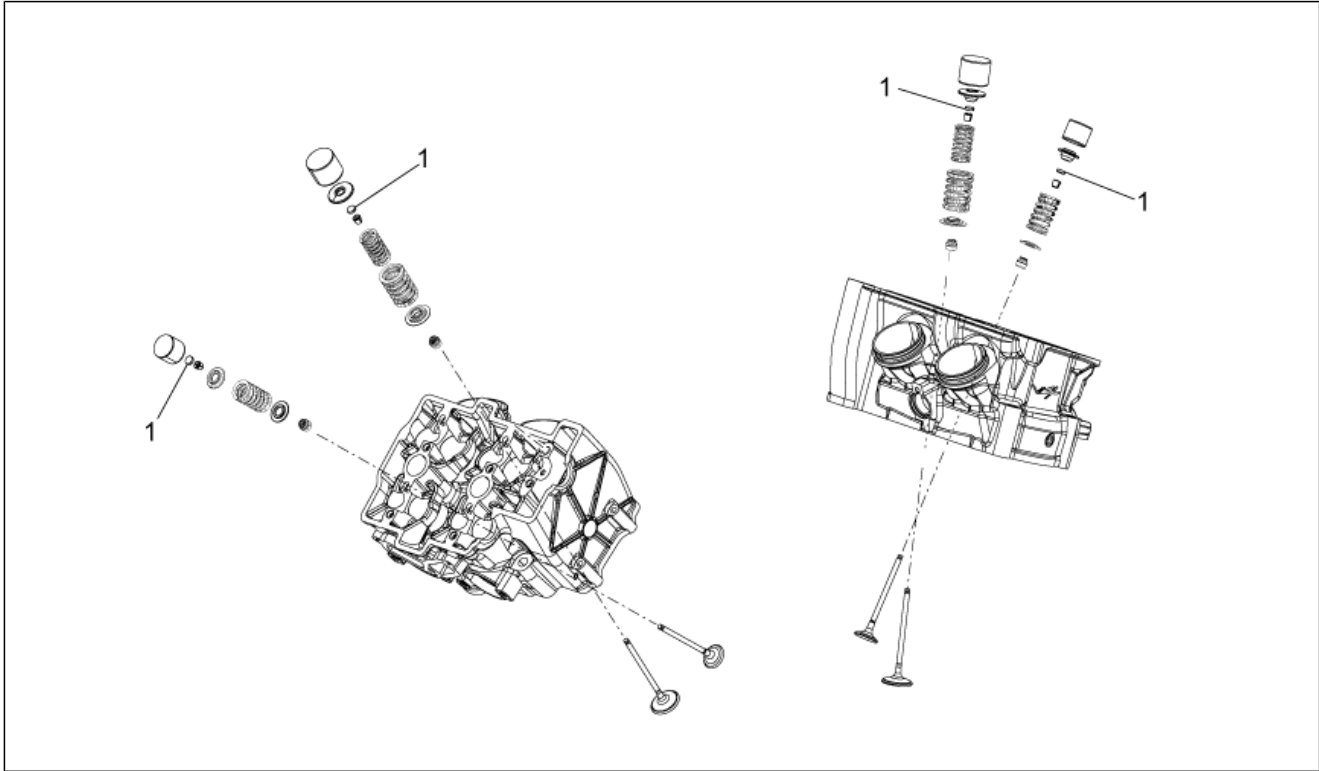
Pos.	Code	Description	Qty	Variants
1	CM223401	Pad 1,75	1	
1	CM223402	Pad 1,80	1	
1	CM223403	Pad 1,85	1	
1	CM223404	Pad 1,90	1	
1	CM223405	Pad 1,95	1	
1	CM223406	Pad 2	1	
1	CM223407	Pad 2,05	1	
1	CM223408	Pad 2,1	1	
1	CM223409	Pad 2,15	1	
1	CM223410	Pad 2,2	1	
1	CM223411	Pad 2,25	1	
1	CM223412	Pad 2,3	1	
1	CM223413	Pad 2,35	1	
1	CM223414	Pad 2,4	1	
1	CM223415	Pad 2,45	1	
1	CM223416	Pad 2,50	1	
1	CM223417	Pad 2,55	1	
1	CM223418	Pad 2,6	1	
1	CM223419	Pad 2,65	1	
1	CM223420	Pad 2,7	1	
1	CM223421	Pad 2,75	1	
1	CM223422	Pad 2,8	1	
1	CM223423	Pad 2,85	1	
1	CM223424	Pad 2,9	1	
1	CM223425	Pad 2,95	1	
1	CM223426	Pad 3	1	
1	CM223427	Pad 3,05	1	
1	CM223428	Pad 3,10	1	

<b>Group</b>	ENGINE
<b>Code</b>	29.43
<b>Description</b>	Valves pads
<b>Service</b>	1



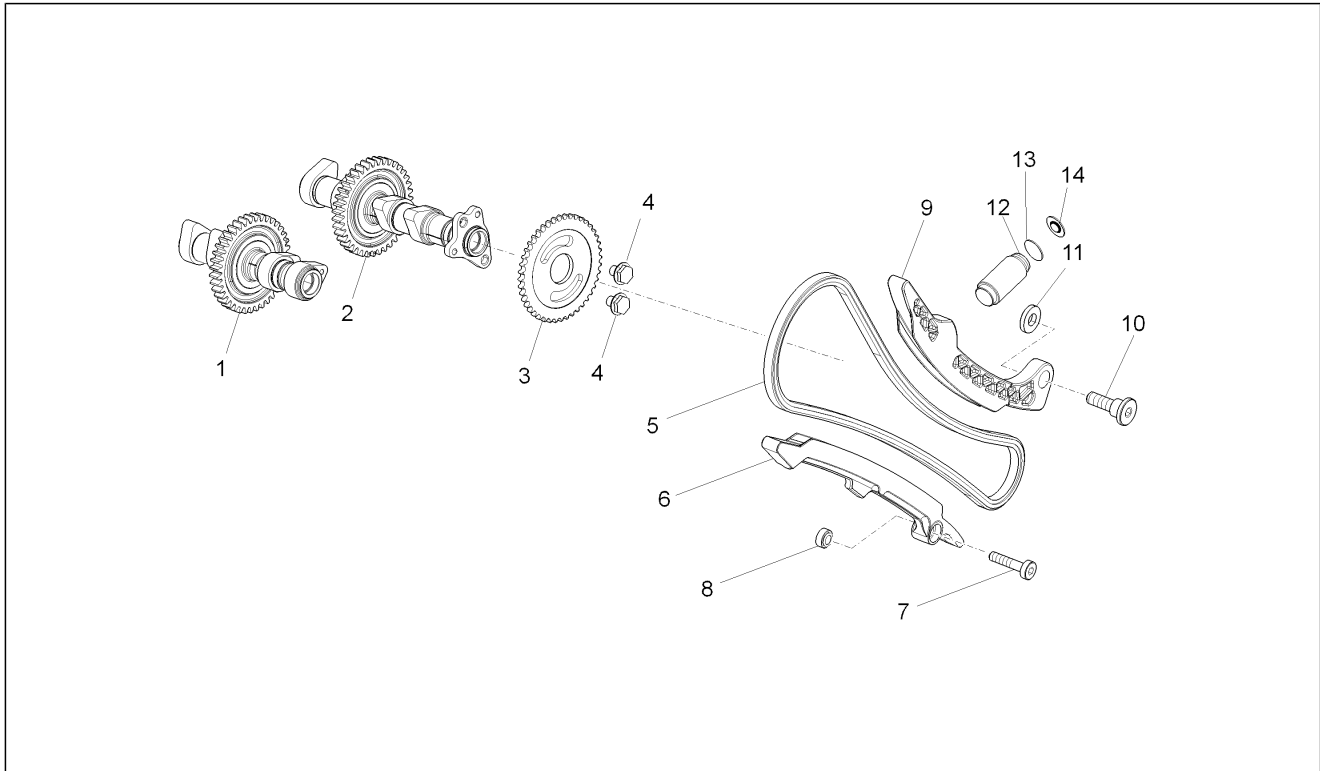
Pos.	Code	Description	Qty	Variants
1	CM223429	Pad 3,15	1	
1	CM228002	Pad 1,77	1	
1	CM228004	Pad 1,82	1	
1	CM228006	Pad 1,87	1	
1	CM228008	Pad 1,92	1	
1	CM228010	Pad 1,97	1	
1	CM228012	Pad 2,02	1	
1	CM228014	Pad 2,07	1	
1	CM228016	Pad 2,12	1	
1	CM228018	Pad 2,17	1	
1	CM228020	Pad 2,22	1	
1	CM228022	Pad 2,27	1	
1	CM228024	Pad 2,32	1	
1	CM228026	Pad 2,37	1	
1	CM228028	Pad 2,42	1	
1	CM228030	Pad 2,47	1	
1	CM228032	Pad 2,52	1	
1	CM228034	Pad 2,57	1	
1	CM228036	Pad 2,62	1	
1	CM228038	Pad 2,67	1	
1	CM228040	Pad 2,72	1	
1	CM228042	Pad 2,77	1	
1	CM228044	Pad 2,82	1	
1	CM228046	Pad 2,87	1	
1	CM228048	Pad 2,92	1	
1	CM228050	Pad 2,97	1	
1	CM228052	Pad 3,02	1	
1	CM228054	Pad 3,07	1	

<b>Group</b>	ENGINE
<b>Code</b>	29.43
<b>Description</b>	Valves pads
<b>Service</b>	1



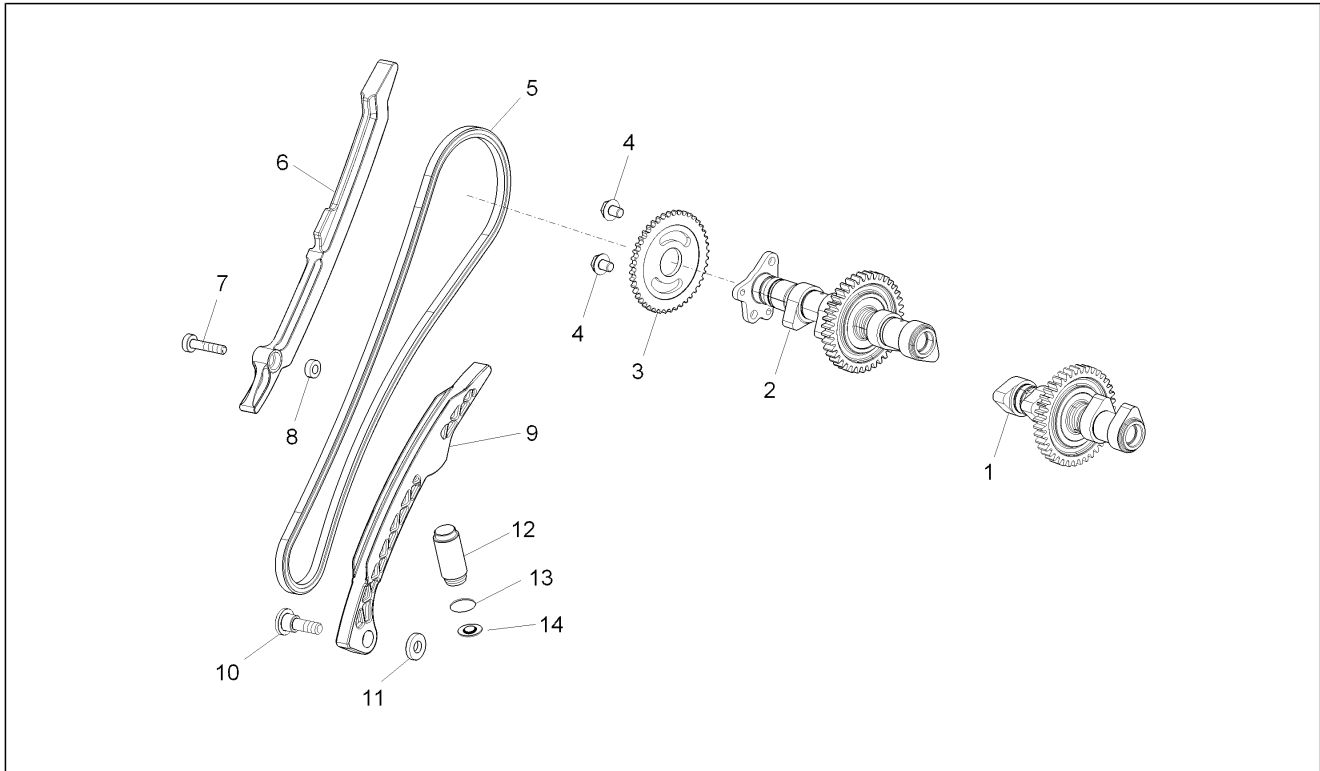
Pos.	Code	Description	Qty	Variants
1	CM228056	Pad 3,12	1	

<b>Group</b>	ENGINE
<b>Code</b>	29.44
<b>Description</b>	Front cylinder timing system
<b>Service</b>	1



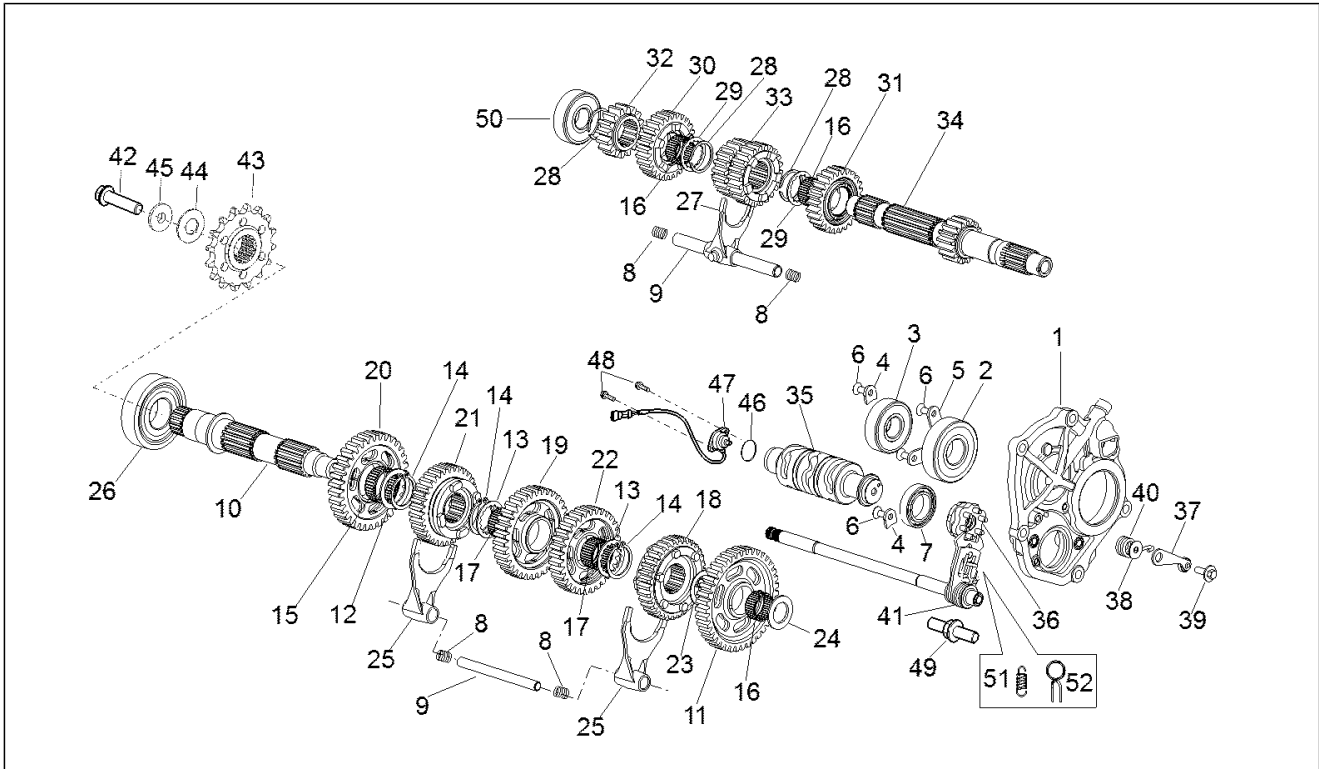
Pos.	Code	Description	Qty	Variants
1	8574705	Exhaust camshaft	1	
2	B0444875	Intake camshaft	1	
3	857546	Timing system gear Z=44	1	
4	857008	Screw w/ flange M8x10,3	2	
5	897444	Driving chain	1	
6	857538	Chain guide plate	1	
7	857476	Special screw M6x18	1	
8	857477	Bushing	1	
9	857539	Chain tensioner sliding block	1	
10	857094	Special screw M8	1	
11	857096	Washer 18,5x8,5x3,3	1	
12	857098	Chain stretching drive	1	
13	857176	O-ring	1	
14	B045476	Washer 15x6x2	1	

<b>Group</b>	ENGINE
<b>Code</b>	29.45
<b>Description</b>	Rear cylinder timing system
<b>Service</b>	1



Pos.	Code	Description	Qty	Variants
1	8574715	Exhaust camshaft	1	
2	B0444875	Intake camshaft	1	
3	857546	Timing system gear Z=44	1	
4	857008	Screw w/ flange M8x10,3	2	
5	897444	Driving chain	1	
6	857538	Chain guide plate	1	
7	857476	Special screw M6x18	1	
8	857477	Bushing	1	
9	857539	Chain tensioner sliding block	1	
10	857094	Special screw M8	1	
11	857096	Washer 18,5x8,5x3,3	1	
12	857098	Chain stretching drive	1	
13	857176	O-ring	1	
14	B045476	Washer 15x6x2	1	

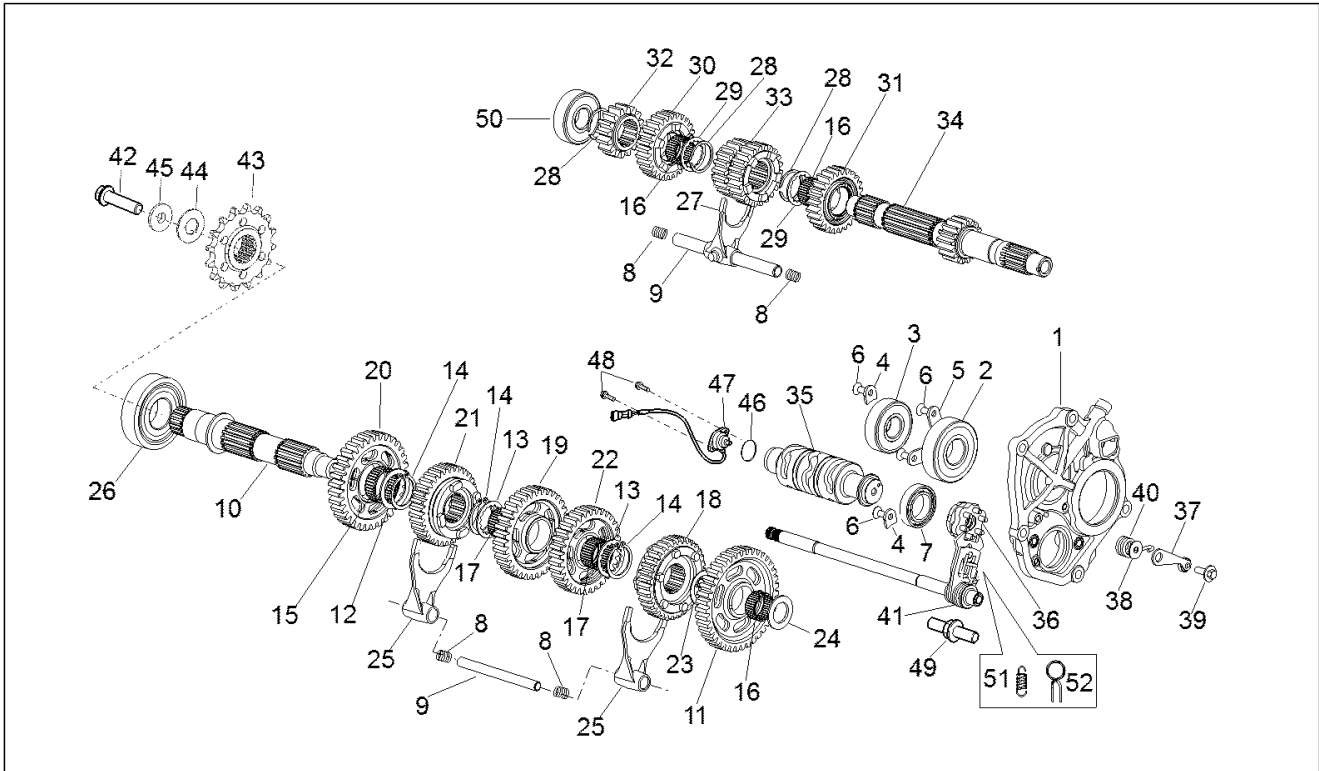
<b>Group</b>	ENGINE
<b>Code</b>	29.46
<b>Description</b>	Gear box
<b>Service</b>	1



Pos.	Code	Description	Qty	Variants
1	2A000069	Trasmission support	1	
1	85216R	Trasmission support	1	
2	898634	Ball bearing 25x62x17	1	
3	898635	Ball bearing 20x52x15	1	
4	AP9150145	Check bearing plate	1	
5	857271	Check bearing plate	2	
6	AP8152166	screw M6x16	3	
7	857250	Ball bearing 25x42x9	1	
8	857175	Spring	4	
9	857284	Fork shaft	2	
10	857236	Driven shaft	1	
11	857237	1st wheel gear Z=39	1	
12	857308	Washer 30x40x1,5	1	
13	857247	Clearance washer	2	
14	857248	Circlip D30	3	
15	857309	Roller cage 30x35x13	1	
16	857233	Roller cage 24x28x13	3	
17	857244	Roller cage 26x30x15,6	2	
18	857241	5th wheel gear Z=34	1	
19	857239	3rd wheel gear Z=34	1	
20	857238	2nd wheel gear Z=33	1	
21	857242	6th wheel gear Z=33	1	
22	857240	4th wheel gear Z=32	1	
23	857246	Washer 24x35x1	1	
24	857245	Washer 20,1x33,5x2,5	1	
25	857328	Fork	2	
26	898633	Ball bearing 30X72X19	1	
27	857185	Fork	1	

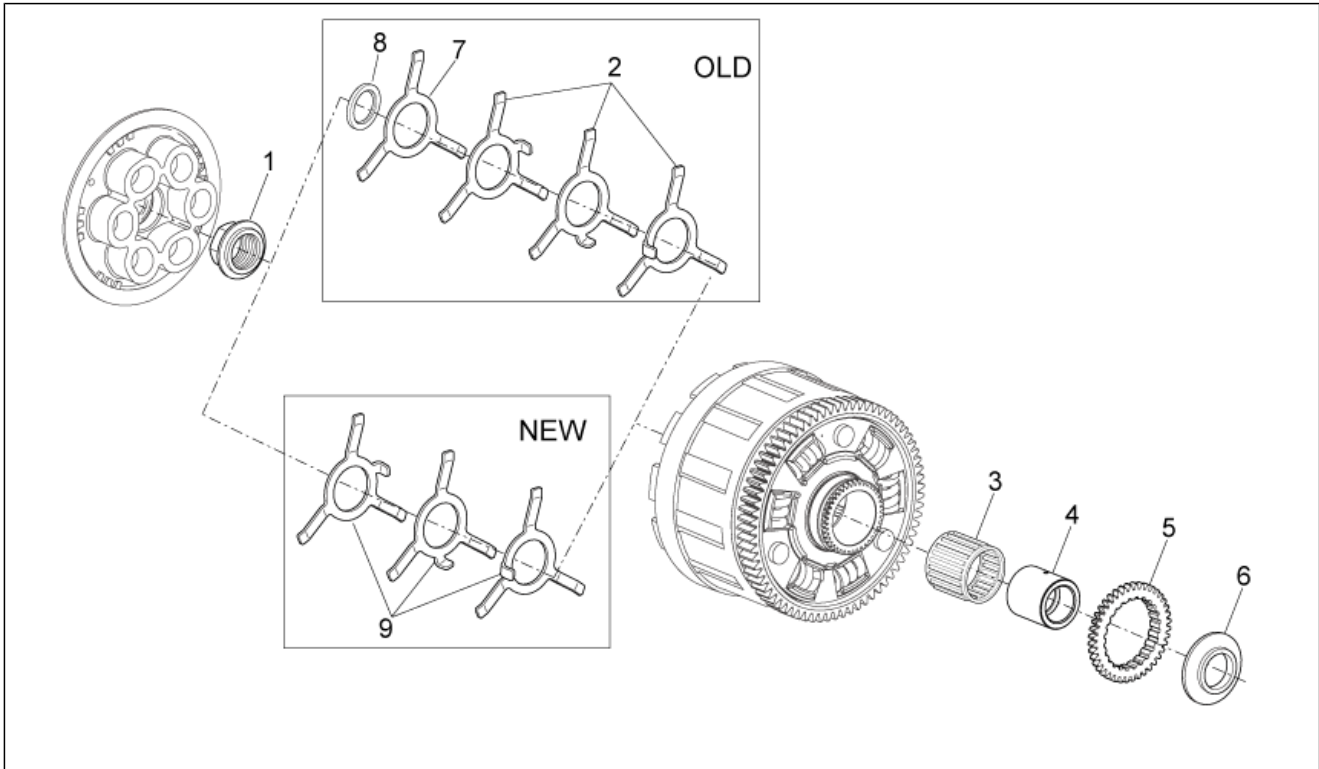


<b>Group</b>	ENGINE
<b>Code</b>	29.46
<b>Description</b>	Gear box
<b>Service</b>	1



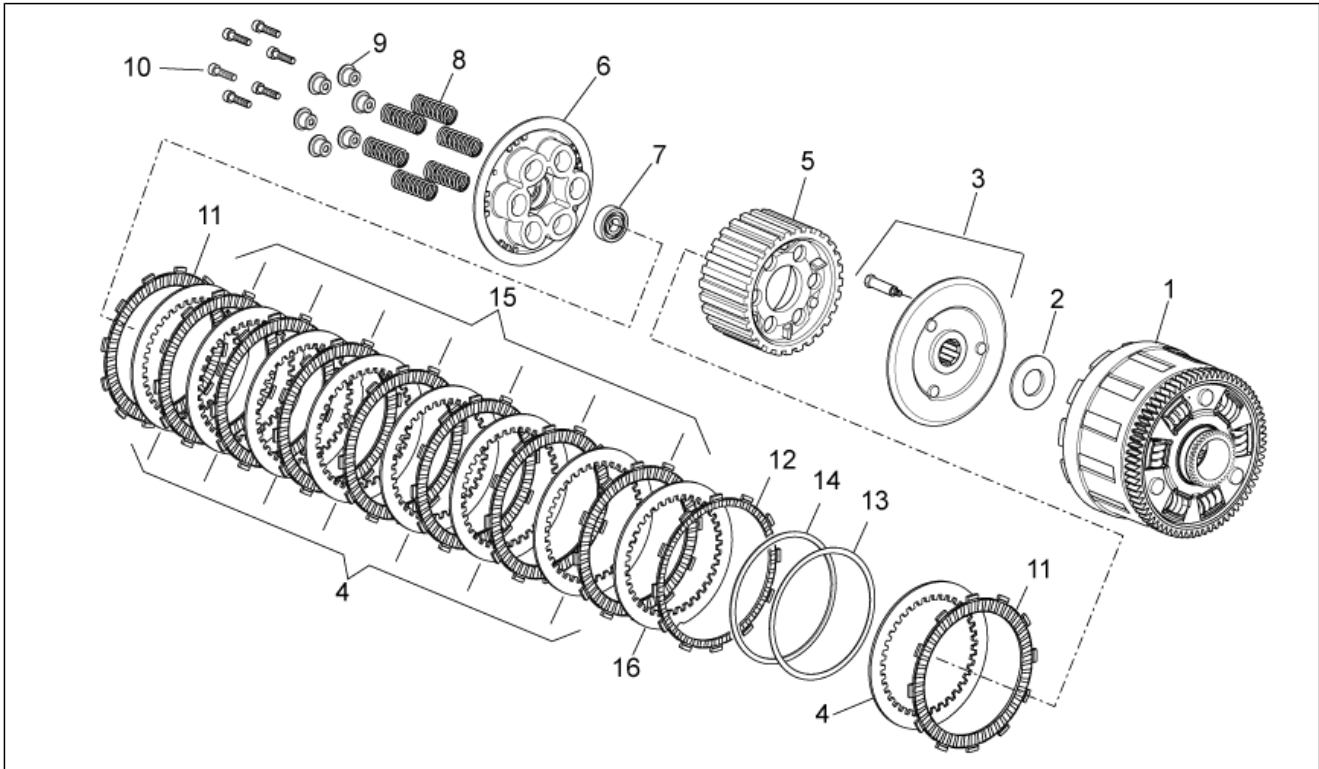
Pos.	Code	Description	Qty	Variants
28	857232	Washer for shafts	3	
29	857234	Clearance washer	2	
30	857231	6th pinion gear Z=27	1	
31	857230	5th pinion gear Z=26	1	
32	857459	2nd pinion gear Z=16	1	
33	857229	3rd-4th pinion gear Z=20/Z=22	1	
34	857458	Primary gear shaft	1	
35	857251	Shift cam	1	
36	857123	Index washer	1	
37	857274	Index assy. lever	1	
38	AP9150051	Washer D6,3x18x1	1	
39	AP9150006	Screw w/ flange M6x15	1	
40	857278	Spring	1	
41	857253	Gear shaft+spring cpl.	1	
42	AP8152318	Screw w/ flange M10x35	3	
43	890827	Pinion Z=16	1	
44	854909	Belleville spring	1	
45	854951	T bush	2	
46	857279	O-ring	1	
47	857265	Gear position sensor	1	
48	AP8152280	Screw w/ flange M6x25	2	
49	899599	Threaded pin	1	
50	898636	Ball bearing 20x52x15	1	
51	857260	Fasten spring	1	
52	857261	Spring	1	

<b>Group</b>	ENGINE
<b>Code</b>	29.47
<b>Description</b>	Clutch I
<b>Service</b>	1



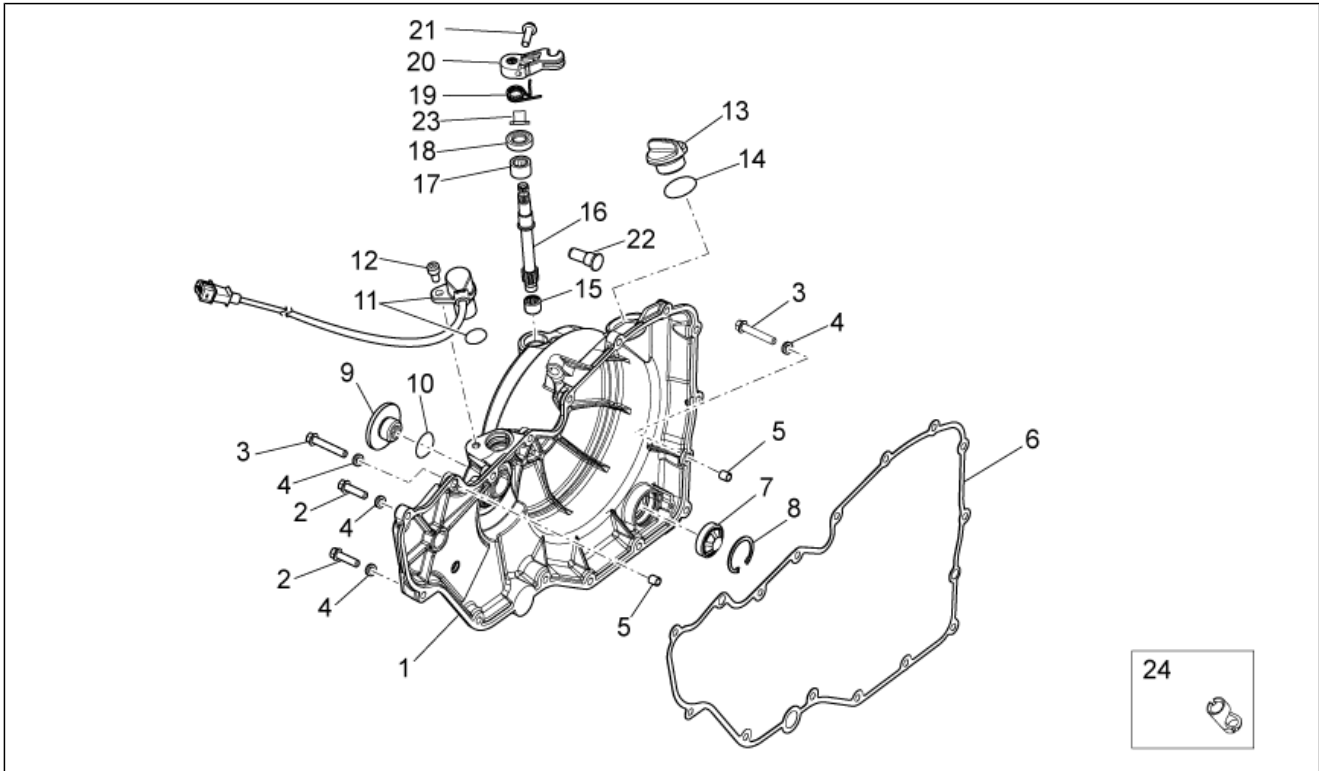
Pos.	Code	Description	Qty	Variants
1	893767	Nut	1	
2	893768	Belleville spring sp.0,8	3	
3	893769	Roller cage 35x40x35,8	1	
4	893770	Spacer	1	
5	894821	Oil pump gear Z=39	1	
6	893772	Washer 58x25x8	1	
7	B0439474	Belleville spring sp.0,8	1	
8	B043945	Washer 20,5x30x0.8	1	
9	B044474	Belleville spring sp.0,9	3	

<b>Group</b>	ENGINE
<b>Code</b>	29.48
<b>Description</b>	Clutch II
<b>Service</b>	1



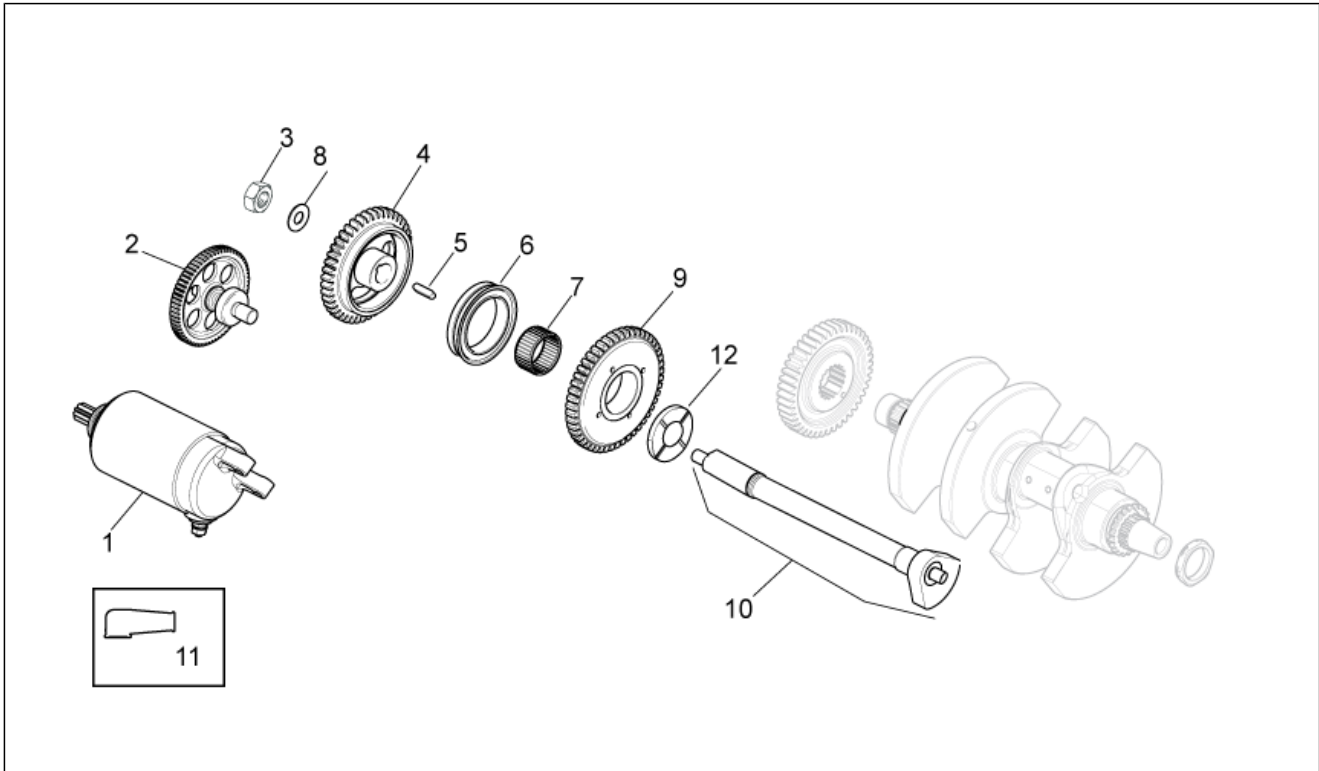
Pos.	Code	Description	Qty	Variants
1	893773	Clutch housing, complete	1	
2	893774	Washer 25,5x47x2,5	1	
3	894794	Support assy.	1	
4	893783	Driven clutch disc	8	
5	893784	Aluminium clutch drum	1	
6	893940	Clutch pressure plate	1	
7	893941	Bearing	1	
8	B044275	Clutch spring	6	
9	893778	Spring seat	6	
10	893779	Hex socket screw M6	6	
11	893780	Driving clutch disc	2	
12	893942	Clutch disc	1	
13	893943	Spring	1	
14	893944	Seat judder spring	1	
15	893782	Driving clutch disc	7	
16	899483	Driven clutch disc	1	

<b>Group</b>	ENGINE
<b>Code</b>	29.49
<b>Description</b>	Clutch cover
<b>Service</b>	1



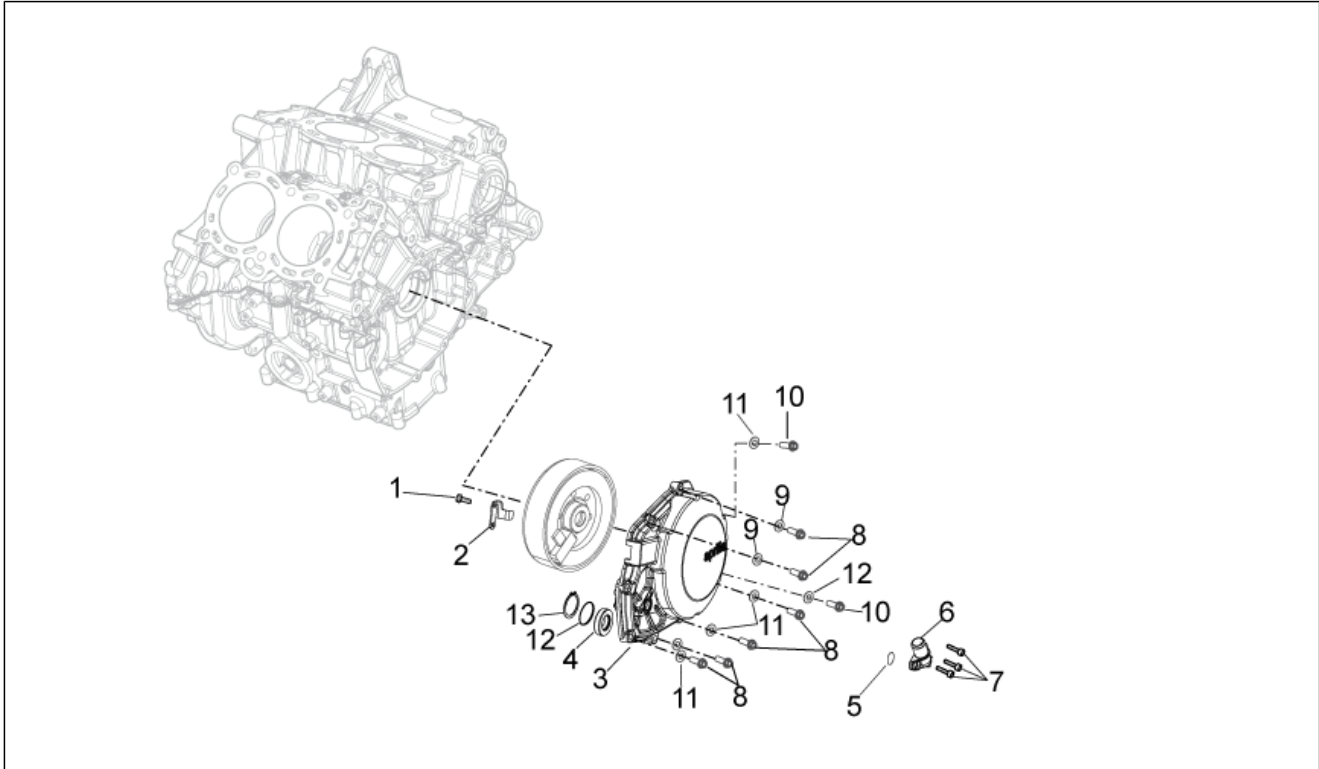
Pos.	Code	Description	Qty	Variants
1	8995034	Clutch cover alu	1	
2	857429	Screw w/ flange	16	
3	857436	Screw w/ flange	2	
4	AP8150429	Spring washer 6,4x11x0,5*	18	
5	411209	Pin	2	
6	857451	Gasket	1	
7	485693	Oil level indicator	1	
8	873804	Snap ring	1	
9	857070	Inspection cover	1	
10	857078	O-ring	1	
11	6389915	Phase/revolution sensor	1	
12	122675	Hex socket screw	1	
13	974229	Oil load plug	1	
14	AP8144424	O-ring 4075	1	
15	857318	Roller cage	1	
16	857498	Shaft pin d.12	1	
17	857312	Roller cage 12X18X12	1	
18	847075	Oil seal 12x20	1	
18	857127	Gasket ring 12x22	1	
18	857313	Gasket ring 10x20	1	
19	857461	Clutch lever return spring	1	
20	857314	Clutch control lever	1	
21	AP8152279	Screw w/ flange M6x20	1	
22	899601	Pawl clutch	1	
23	857460	T bush	1	
24	B043542	Clutch control pin bushing	1	

<b>Group</b>	ENGINE
<b>Code</b>	29.50
<b>Description</b>	Ignition unit
<b>Service</b>	1



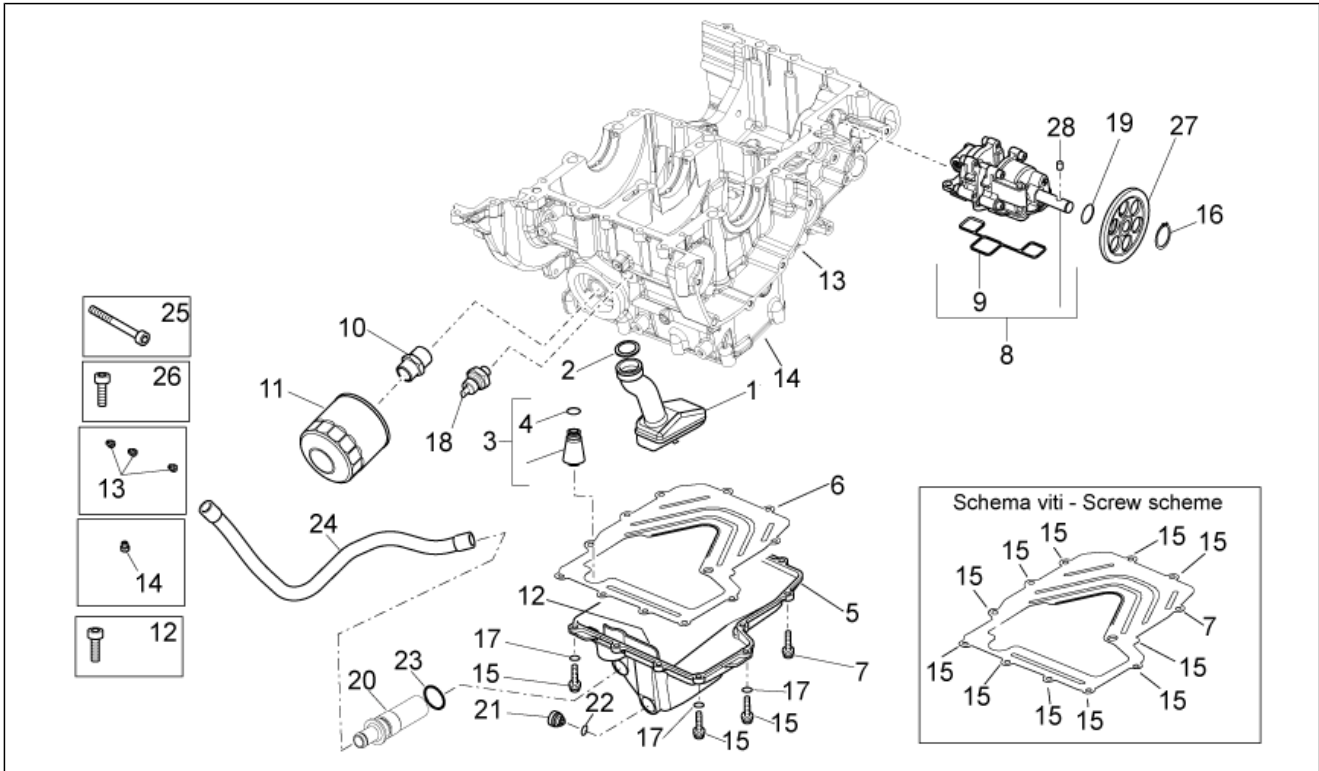
Pos.	Code	Description	Qty	Variants
1	896221	Grey starter motor "Mitsuba"	1	
2	899769	Electric starter gear Z=11/64	1	
3	857300	Nut M10x1	1	
3	897434	Flanged nut M10x1	1	
4	857301	Balance shaft Gear Z=44	1	
5	857298	Tab	1	
6	825431	Complete freewheel	1	
7	857290	Roller cage 30X35X17	1	
8	235779	Washer	1	
9	899862	Sprag clutch gear Z=50	1	
10	897446	Balance shaft	1	
11	895316	Cap	1	
12	897450	Fifth wheel	1	

<b>Group</b>	ENGINE
<b>Code</b>	29.51
<b>Description</b>	Cover
<b>Service</b>	1



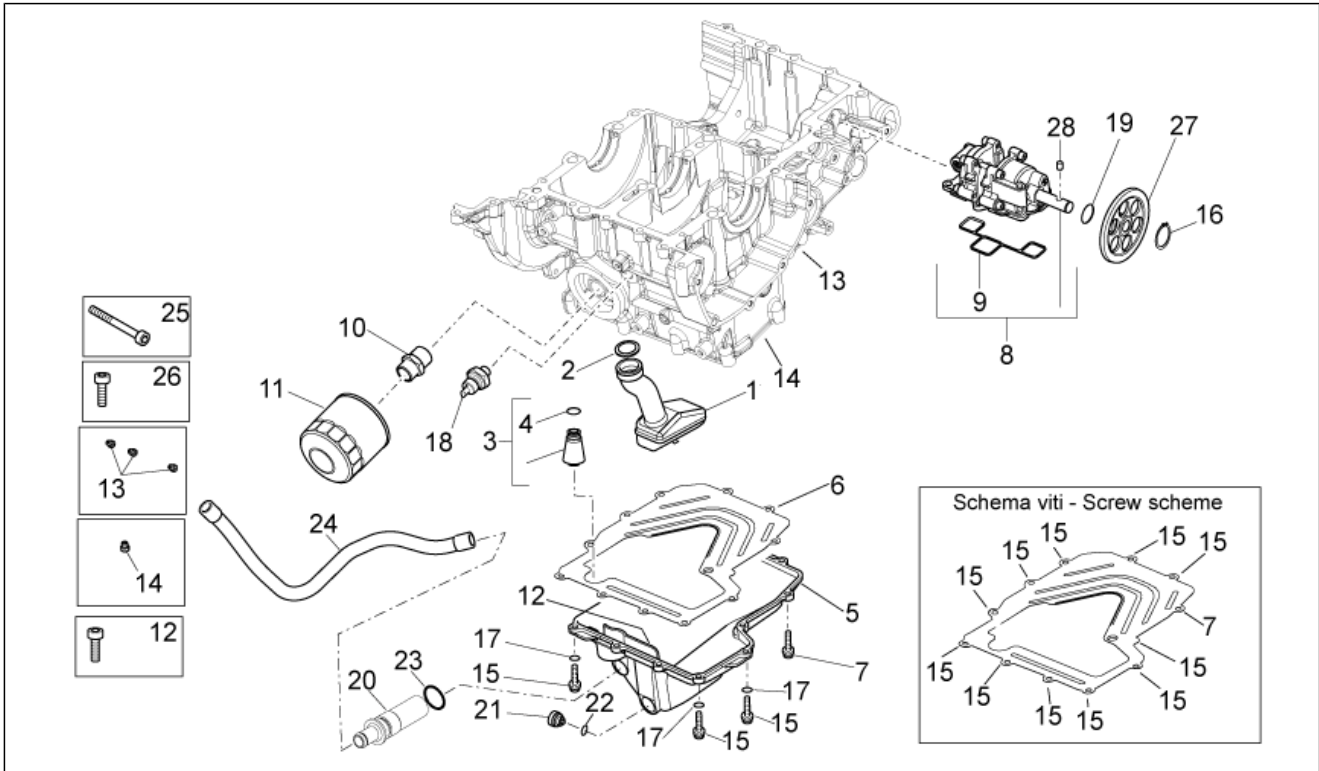
Pos.	Code	Description	Qty	Variants
1	AP8152272	Screw w/ flange M5x12	1	
2	897471	Bracket	1	
3	89841400XNB	Alternator cover black	1	
4	857463	Gasket ring 14x30x7	1	
4	898268	Gasket ring 18x30x7	1	
5	857176	O-ring	1	
6	85746200XNB	Blow-by outlet Blow-by	1	
7	857048	screw M5x16	3	
8	871094	Screw w/ flange	6	
9	857435	Washer	2	
10	872117	Screw w/ flange	2	
11	AP8150429	Spring washer 6,4x11x0,5*	6	
12	857480	Clearance washer	1	
12	898269	Clearance washer	1	
13	006630	Snap ring	1	

<b>Group</b>	ENGINE
<b>Code</b>	29.52
<b>Description</b>	Lubrication
<b>Service</b>	1



Pos.	Code	Description	Qty	Variants
1	857166	Oil strainer	1	
1	857502	Oil strainer	1	
2	B046072	Or packing 24x2,5 - 80 FKM	1	
3	857169	Oil valve cpl.	1	
3	857540	Oil valve cpl.	1	
4	857176	O-ring	1	
5	8997555	Motor oil cup	1	
6	857497	Gasket new type	1	
7	840893	Hex socket screw M6x25	1	
8	857152	Oil pump assy.	1	
9	857189	O-ring	1	
10	857168	Oil filter union	1	
11	857187	Oil filter	1	
12	AP8150044	Hex socket screw M6x20	1	
13	857143	Jet	3	
14	CM101711	Main jet 60	1	
15	289731	Screw w/ flange M6x30	11	
16	006412	Circlip	1	
17	AP8150429	Spring washer 6,4x11x0,5*	11	
18	641541	Oil pressure sensor	1	
19	857193	Safety washer D=21	1	
20	857439	Oil hose union	1	
21	857184	Cover	1	
22	857147	Gasket OR	1	
23	AP8144012	O-ring 121	1	
24	AP8106389	Oil pipe 12x19	1	
25	277330	Hex socket screw	1	
26	709099	Hex socket screw M6x16	5	

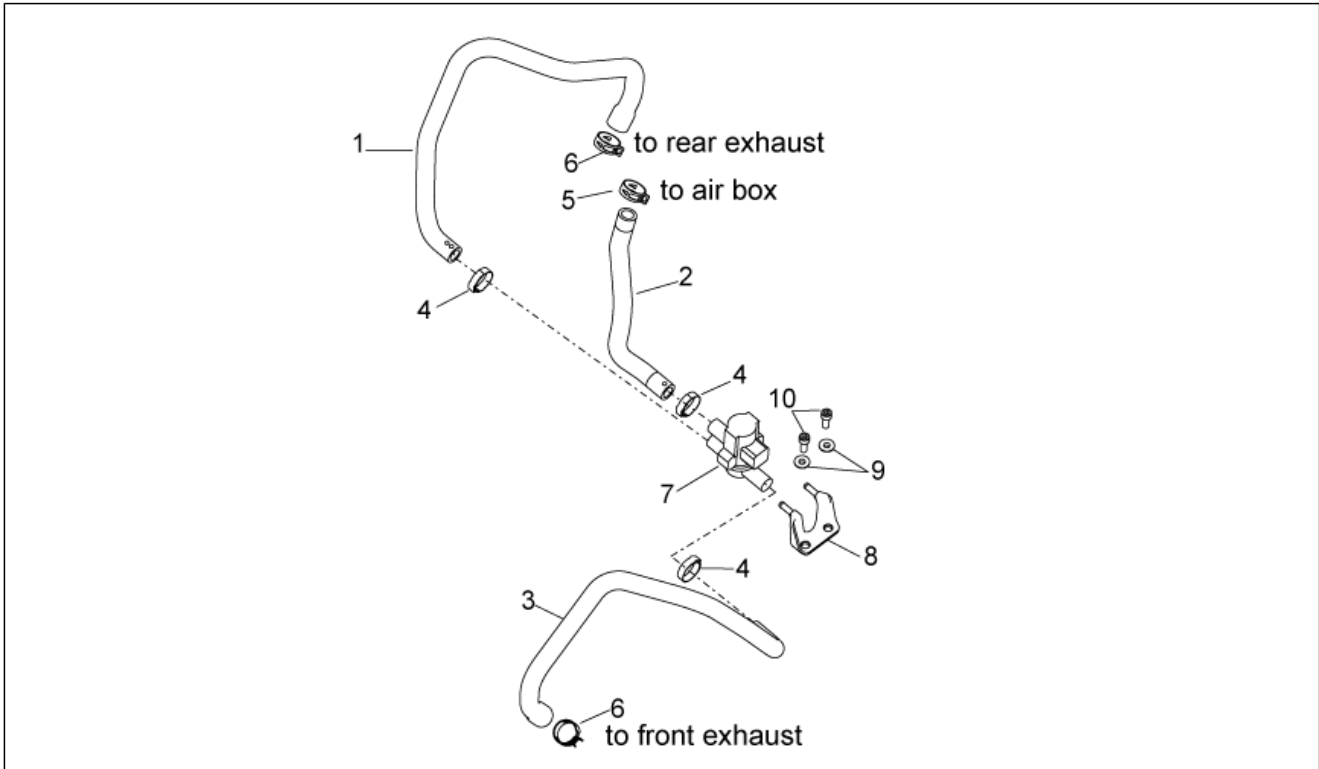
<b>Group</b>	ENGINE
<b>Code</b>	29.52
<b>Description</b>	Lubrication
<b>Service</b>	1



Pos.	Code	Description	Qty	Variants
27	857489	Oil pump gear Z=36	1	
28	857192	Roller 5X19,8	1	

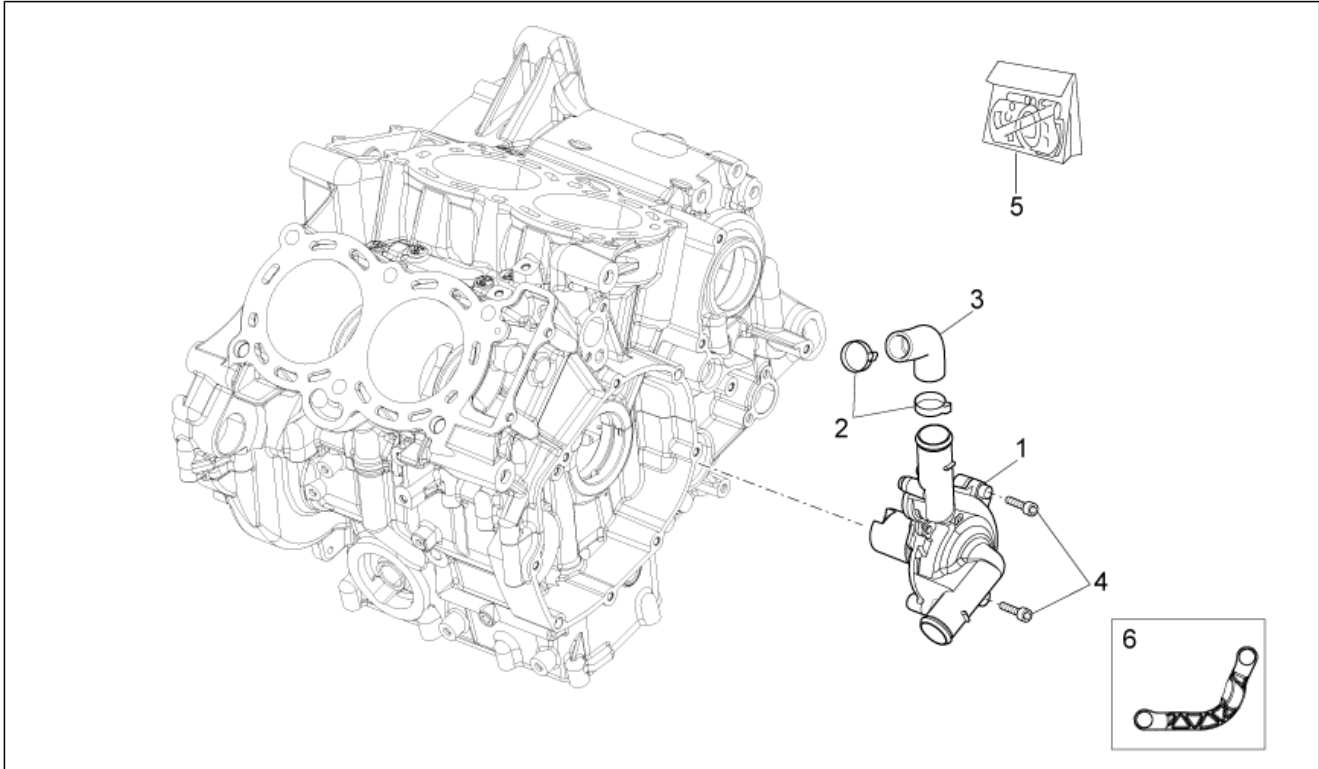


<b>Group</b>	ENGINE
<b>Code</b>	29.53
<b>Description</b>	Secondary air
<b>Service</b>	1



Pos.	Code	Description	Qty	Variants
1	856631	pipe	1	
2	856632	pipe	1	
3	856630	pipe	1	
4	CM001905	Hose clamp	3	
5	CM002916	Hose clamp	1	
6	CM225401	Hose clamp	2	
7	857181	SAS valve	1	
8	858727	Bracket	1	
9	AP8121032	Bush	2	
10	AP8150137	Hex socket screw M6x16	2	

<b>Group</b>	ENGINE
<b>Code</b>	29.54
<b>Description</b>	Water pump
<b>Service</b>	1



Pos.	Code	Description	Qty	Variants
1	857209	Water pump assy	1	
2	898374	Hose clamp	2	
3	857222	Delivery water pipe	1	
4	840893	Hex socket screw M6x25	2	
5	893968	Water pump kit	1	
6	B043231	Water pump cap	1	