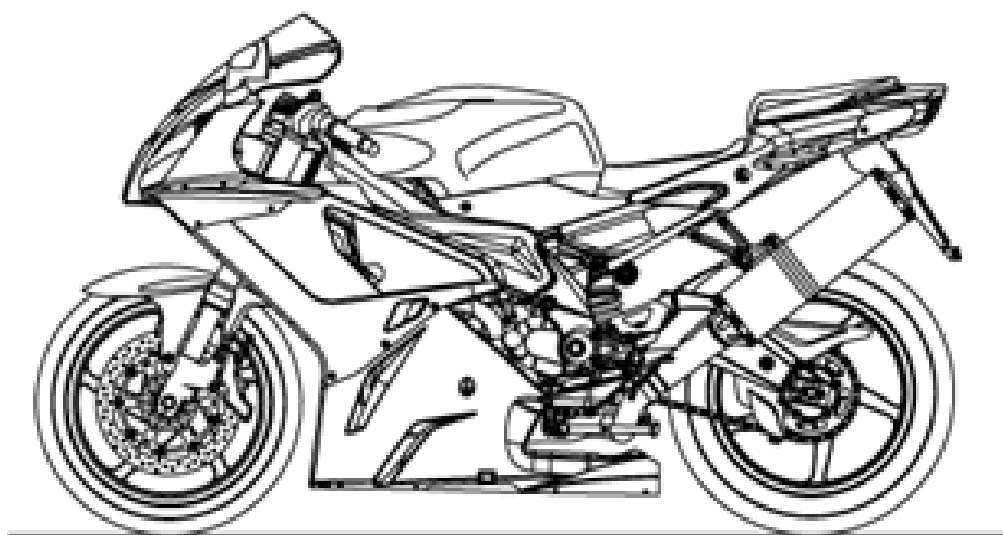




PIAGGIO & C.s.p.a.

aprilia

SPARE PARTS CATALOGUE



RSV 1000 2004-2008

Chassis prefix: ZD4RR0, ZD4RRA, ZD4RRB, ZD4RRC, ZD4RRD, ZD4RRE,
ZD4RRF, ZD4RRG, ZD4RRH, ZD4RRK, ZD4RRTR, ZD4RRU, ZD4RRX

RSV 2 1000

3974



PIAGGIO & C.s.p.a.



Engine prefix:

Index

Finished products.....	5
Alphanumeric index.....	7
FRAME.....	19
Table 28.07 - Frame I.....	19
Table 28.08 - Frame II.....	21
Table 28.09 - Foot rests.....	22
Table 28.10 - Central stand.....	25
Table 28.11 - Steering.....	26
Table 28.12 - Front fork I.....	29
Table 28.13 - Fron fork II.....	32
Table 28.14 - Front fork III.....	35
Table 28.15 - Swing arm.....	38
Table 28.16 - Connecting rod - rear shock abs.....	40
Table 28.17 - Front body - Front fairing.....	41
Table 28.18 - Front body - Duct.....	50
Table 28.19 - Front body - Front mudguard.....	52
Table 28.20 - Front body - Fairings I.....	58
Table 28.21 - Front body - Fairings II.....	62
Table 28.22 - Fuel tank.....	68
Table 28.23 - Fuel vapour recover system.....	78
Table 28.24 - Saddle.....	80
Table 28.25 - Rear body - Rear fairing I.....	84
Table 28.26 - Rear body - Rear fairing II.....	87
Table 28.27 - Undersaddle.....	94
Table 28.28 - Rear mudguard.....	95
Table 28.29 - Dashboard.....	97
Table 28.30 - Handlebar - Controls.....	98
Table 28.31 - Clutch pump.....	100
Table 28.32 - Front master cilinder.....	102
Table 28.33 - Cooling system.....	104
Table 28.34 - Expansion tank.....	106
Table 28.35 - Oil radiator.....	107
Table 28.36 - Oil tank.....	108
Table 28.37 - Air box.....	109
Table 28.38 - Fuel pump.....	110
Table 28.40 - Exhaust pipe.....	111
Table 28.41 - Front wheel R version.....	113
Table 28.42 - Front wheel Factory - Dream I.....	114
Table 28.43 - Front wheel Factory - Dream II.....	117
Table 28.44 - Front brake caliper I.....	118
Table 28.45 - Front brake caliper II.....	119
Table 28.46 - Rear wheel R version.....	120
Table 28.47 - Rear wheel Factory - Dream I.....	122

Table 28.48 - Rear wheel Factory - Dream II.....	127
Table 28.49 - Rear master cylinder.....	129
Table 28.50 - Rear brake caliper.....	131
Table 28.51 - Headlight.....	132
Table 28.52 - Taillight.....	133
Table 28.53 - Electrical system I.....	135
Table 28.54 - Electrical system II.....	137
Table 28.55 - Lock hardware kit.....	138
Table 28.56 - Plate set and handbooks.....	139
Table 28.76 - Decal My 04-05-06.....	142
Table 28.77 - Decal My 2007 - 2008.....	148
ENGINE.....	156
Table 29.39 - Engine.....	156
Table 29.57 - Crankcases I.....	158
Table 29.58 - Crankcases II.....	159
Table 29.59 - Oil pump.....	161
Table 29.60 - Crankshaft I.....	162
Table 29.61 - Crankshaft II.....	163
Table 29.62 - Valves cover.....	165
Table 29.63 - Cylinder head and valves.....	167
Table 29.64 - Valves pads.....	169
Table 29.65 - Front cylinder timing system.....	171
Table 29.66 - Rear cylinder timing system.....	172
Table 29.67 - Gear box selector.....	174
Table 29.68 - Gear box.....	175
Table 29.69 - Clutch I.....	176
Table 29.70 - Clutch II.....	177
Table 29.71 - Water pump.....	178
Table 29.72 - Ignition unit.....	180
Table 29.73 - Throttle body.....	183
Table 29.74 - Sealing and lubricating agents.....	184
ACCESSORIES.....	185
Table 30.01 - Acc. - Cyclistic components.....	185
Table 30.02 - Acc. - Special body parts.....	186
Table 30.03 - Acc. - Performance parts I.....	188
Table 30.04 - Acc. - Performance parts II.....	189
Table 30.05 - Acc. - Performance parts III.....	190
Table 30.06 - Acc. - Various.....	191
Table 30.75 - Acc. - Performance parts EVO.....	192
Table 30.78 - Acc. - Mechanics anti-theft.....	193

Finished products

Code	Validity
AP6116200AA601	
AP6116200AA602	
AP6116200AA603	
AP6116200AA704	
AP6116200AA705	
AP6116200AB704	
AP6116200AB705	
AP6116200AC809	
AP6116200AC811	
AP6116200AC812	
AP6116200AU601	
AP6116200AU602	
AP6116200AU603	
AP6116200EA704	
AP6116200EA705	
AP6116200EA706	
AP6116200EA811	
AP6116200EB704	
AP6116200EB705	
AP6116200EB706	
AP6116200EB809	
AP6116200EB811	
AP6116200EB812	
AP6116200EC704	
AP6116200EC705	
AP6116200EC809	
AP6116200EC811	
AP6116200EC812	
AP6116200EL601	
AP6116200EL602	
AP6116200EL603	
AP6116200ES601	
AP6116200ES602	
AP6116200ES603	
AP6116200EU601	
AP6116200EU602	
AP6116200EU603	
AP6116200EU704	
AP6116200EU705	
AP6116200GB601	
AP6116200GB602	
AP6116200GB603	

Code	Validity
AP6116200IT601	
AP6116200IT602	
AP6116200IT603	
AP6116200UB704	
AP6116200UB705	
AP6116200UB706	
AP6116200UB809	
AP6116200UB811	
AP6116200UB812	
AP6116200UC704	
AP6116200UC705	
AP6116200UC809	
AP6116200UC811	
AP6116200UC812	
AP6116200UK601	
AP6116200UK602	
AP6116200UK603	
AP6116200UK704	
AP6116200UK705	
AP6116203JC809	
AP6116203JC812	
AP61162F0AA601	
AP61162F0AB707	
AP61162F0AB708	
AP61162F0AU601	
AP61162F0EA707	
AP61162F0EA708	
AP61162F0EB707	
AP61162F0EB708	
AP61162F0EC708	
AP61162F0EL601	
AP61162F0ES601	
AP61162F0EU601	
AP61162F0GB601	
AP61162F0IT601	
AP61162F0NL601	
AP61162F0UB707	
AP61162F0UB708	
AP61162F0UC707	
AP61162F0UC708	
AP61162F0UK601	

Code	No. table	Pos.	Code	No. table	Pos.	Code	No. table	Pos.
0000000	28.41	7	853291	28.77	6	AP0220392	29.68	1
0000000	28.42	1	853292	28.77	23	AP0220400	29.68	10
0000000	28.43	13	853293	28.77	24	AP0220410	29.71	4
0000000	28.46	5	853294	28.77	11	AP0220423	29.59	1
0000000	28.47	1	853375	28.42	2	AP0220440	29.66	1
0000000	28.48	5	853376	28.47	2	AP0220441	29.66	1
0000000	28.51	7	853413	28.77	11	AP0220442	29.66	1
0000000	28.52	13	853413	28.77	11	AP0220455	29.69	6
0000000	29.74	6	853436	28.22	20	AP0222425	29.62	12
0000000	29.74	7	853441	28.77	27	AP0222425	29.62	12
852029	28.77	13	853442	28.77	28	AP0222425	29.62	12
852382	28.22	21	853443	28.77	29	AP0222500	29.71	18
852572	28.22	20	853444	28.77	30	AP0222512	29.71	19
852578	28.77	11	853445	28.77	31	AP0224090	29.62	17
852583	28.77	9	853446	28.77	15	AP0227180	29.69	12
852586	28.77	10	853447	28.77	16	AP0227442	29.67	20
852621	28.40	1	853453	28.77	15	AP0227685	29.71	6
852622	28.40	2	853454	28.77	16	AP0227714	29.67	27
852784	28.77	9	853455	28.77	5	AP0227716	29.67	11
853018	28.77	1	853456	28.77	6	AP0229301	29.57	4
853173	28.56	2	853460	28.77	4	AP0229301	29.72	4
853174	28.56	2	853461	28.77	4	AP0229385	29.57	6
853175	28.56	2	853478	28.77	11	AP0229385	29.67	14
853176	28.56	2	854560	28.77	9	AP0230510	29.63	18
853184	28.77	2	854890	28.77	33	AP0232210	29.63	5
853185	28.77	3	854891	28.77	32	AP0232430	29.59	13
853186	28.77	4	856062	28.23	14	AP0232430	29.71	5
853186	28.77	4	856063	28.23	15	AP0232625	29.58	14
853187	28.77	4	856161	28.23	3	AP0232730	29.59	2
853187	28.77	4	860079	28.77	4	AP0232970	29.59	4
853188	28.77	5	860080	28.77	4	AP0233711	29.57	9
853188	28.77	5	860081	28.77	5	AP0233721	29.60	23
853189	28.77	6	860082	28.77	6	AP0233722	29.60	23
853189	28.77	6	860083	28.77	9	AP0233723	29.60	23
853190	28.77	7	860084	28.22	20	AP0233740	29.57	8
853190	28.77	7	860085	28.77	26	AP0233741	29.57	8
853191	28.77	8	860089	28.77	27	AP0233743	29.57	8
853191	28.77	8	860090	28.77	30	AP0233745	29.57	7
853192	28.77	9	860091	28.77	31	AP0233746	29.57	7
853194	28.22	20	860092	28.77	2	AP0233748	29.57	7
853200	28.17	27	860093	28.77	3	AP0233780	29.71	11
853201	28.17	27	860094	28.77	4	AP0233790	29.71	10
853202	28.77	2	860095	28.77	4	AP0233791	29.71	10
853203	28.77	3	860096	28.77	5	AP0233793	29.71	10
853204	28.77	5	860097	28.77	6	AP0233820	29.57	9
853205	28.77	6	860098	28.77	7	AP0233822	29.57	9
853206	28.77	7	860099	28.77	8	AP0236252	29.61	9
853206	28.77	7	860100	28.77	9	AP0236253	29.61	9
853207	28.77	8	860630	28.77	1	AP0236300	29.65	5
853207	28.77	8	890435	28.38	1	AP0236300	29.66	31
853208	28.77	9	AP0210415	29.58	4	AP0236310	29.65	6
853275	28.77	15	AP0211620	29.59	5	AP0236310	29.66	6
853276	28.77	16	AP0211632	29.59	8	AP0236322	29.65	3
853277	28.77	14	AP0211683	29.66	4	AP0236365	29.67	22
853278	28.77	2	AP0211684	29.66	4	AP0236370	29.58	26
853279	28.77	3	AP0211685	29.66	4	AP0236380	29.66	9
853280	28.77	25	AP0211756	29.66	25	AP0238130	29.70	18
853281	28.77	12	AP0211766	29.65	4	AP0238135	29.70	11
853282	28.77	17	AP0216222	29.61	5	AP0238140	29.70	15
853283	28.77	18	AP0217486	29.60	2	AP0238201	29.63	20
853284	28.77	19	AP0219340	29.66	20	AP0238211	29.63	19
853285	28.77	20	AP0219350	29.60	21	AP0239247	29.67	13
853286	28.77	21	AP0219360	29.60	12	AP0239390	29.70	6
853287	28.77	22	AP0219365	29.60	8	AP0239422	29.67	16
853288	28.77	7	AP0220372	29.60	15	AP0239430	29.67	15
853289	28.77	8	AP0220386	29.65	12	AP0239449	29.59	10
853290	28.77	5	AP0220386	29.66	12	AP0239450	29.67	23

Code	No. table	Pos.	Code	No. table	Pos.	Code	No. table	Pos.
AP0239480	29.69	9	AP0253957	29.63	21	AP0266145	29.72	30
AP0240081	29.62	7	AP0253965	29.63	17	AP0266536	29.72	27
AP0240170	29.62	16	AP0253974	29.64	1	AP0267150	29.62	9
AP0240181	29.71	25	AP0253975	29.64	1	AP0268740	29.58	10
AP0240275	29.66	29	AP0253976	29.64	1	AP0268751	29.58	10
AP0240331	29.63	10	AP0253977	29.64	1	AP0274020	29.73	8
AP0240331	29.71	21	AP0253978	29.64	1	AP0274030	29.73	5
AP0240400	29.65	1	AP0253979	29.64	1	AP0274040	29.62	12
AP0240580	29.72	21	AP0253980	29.64	1	AP0274040	29.62	12
AP0240960	29.65	18	AP0253981	29.64	1	AP0274055	28.37	17
AP0241236	29.62	23	AP0253982	29.64	1	AP0274055	29.73	10
AP0241261	29.58	29	AP0253983	29.64	1	AP0281223	29.68	19
AP0241501	29.58	15	AP0253984	29.64	1	AP0281241	29.73	2
AP0241531	29.58	12	AP0253985	29.64	1	AP0294354	29.72	26
AP0241540	29.72	14	AP0253986	29.64	1	AP0294356	29.72	1
AP0241580	29.58	1	AP0253987	29.64	1	AP0295667	29.60	1
AP0241601	29.62	13	AP0253988	29.64	1	AP0295667	29.61	1
AP0241625	29.62	1	AP0253989	29.64	1	AP0295760	29.60	22
AP0241631	29.72	25	AP0253990	29.63	23	AP0295760	29.66	24
AP0241650	29.59	11	AP0254027	29.63	15	AP0295765	29.60	7
AP0241761	29.71	27	AP0254030	29.64	1	AP0295765	29.65	9
AP0241782	29.58	7	AP0254031	29.64	1	AP0295770	29.60	9
AP0241811	29.71	14	AP0254032	29.64	1	AP0295775	29.66	18
AP0241816	29.72	16	AP0254033	29.64	1	AP0295783	29.60	11
AP0241821	28.31	19	AP0254034	29.64	1	AP0295783	29.70	4
AP0241821	29.58	28	AP0254035	29.64	1	AP0295795	29.70	8
AP0241821	29.59	12	AP0254036	29.64	1	AP0295858	29.61	3
AP0241821	29.63	4	AP0254037	29.64	1	AP0296170	29.74	8
AP0241854	29.58	6	AP0254038	29.64	1	AP0296961	29.57	1
AP0241932	29.58	2	AP0254039	29.64	1	AP0296970	29.73	1
AP0241932	29.67	9	AP0254040	29.64	1	AP0296988	29.72	8
AP0242091	29.62	4	AP0254041	29.64	1	AP0297386	29.74	5
AP0242206	29.70	13	AP0254042	29.64	1	AP0297616	29.74	4
AP0242851	29.62	18	AP0254043	29.64	1	AP0297942	29.72	32
AP0242874	29.60	16	AP0254044	29.64	1	AP0297957	29.65	19
AP0242950	29.69	3	AP0254295	29.63	16	AP0297957	29.66	19
AP0244211	29.62	22	AP0254870	29.63	15	AP0427106	29.68	16
AP0244211	29.66	8	AP0256187	29.58	5	AP0430622	29.61	11
AP0244211	29.67	10	AP0256497	29.58	20	AP0430782	29.72	24
AP0245330	29.59	15	AP0256510	29.59	9	AP0440101	29.71	15
AP0245436	29.61	6	AP0256529	29.58	21	AP0440130	29.62	14
AP0245440	29.67	18	AP0256680	29.59	3	AP0440260	29.60	3
AP0245815	29.68	4	AP0258310	29.67	6	AP0442130	29.69	16
AP0245830	29.69	2	AP0258328	29.67	8	AP0610151	29.71	9
AP0245840	29.60	13	AP0258351	29.67	4	AP0610233	29.58	31
AP0245860	29.60	10	AP0258361	29.67	3	AP0610705	29.72	15
AP0246055	29.66	17	AP0258376	29.67	5	AP0610710	29.62	5
AP0246570	29.60	5	AP0258380	29.67	2	AP0610715	29.62	3
AP0247614	29.70	14	AP0259500	29.58	27	AP0610992	29.71	24
AP0247940	29.67	17	AP0259517	29.69	7	AP0613412	29.61	13
AP0247972	29.70	9	AP0259520	29.69	1	AP0613413	29.61	13
AP0247974	29.70	10	AP0259535	29.70	7	AP0613418	29.61	4
AP0247980	29.65	17	AP0259583	29.70	5	AP0613419	29.61	4
AP0247980	29.66	27	AP0259588	29.70	16	AP0613465	29.63	1
AP0248375	29.67	12	AP0260890	29.69	14	AP0613467	29.63	8
AP0250130	29.66	3	AP0265045	29.72	11	AP0620203	29.65	13
AP0250140	29.72	2	AP0265246	28.53	13	AP0620203	29.66	13
AP0250311	29.62	6	AP0265246	29.72	31	AP0620235	29.67	1
AP0250450	29.58	24	AP0265920	29.72	19	AP0620235	29.67	26
AP0250640	29.62	24	AP0265920	29.72	19	AP0623160	29.63	1
AP0250640	29.62	24	AP0265920	29.72	19	AP0623162	29.63	8
AP0251100	29.62	11	AP0266030	29.72	20	AP0623365	29.63	1
AP0251390	29.72	17	AP0266070	28.53	10	AP0623367	29.63	8
AP0251830	29.62	8	AP0266070	29.72	28	AP0627120	29.68	3
AP0253645	29.63	22	AP0266140	28.53	12	AP0627132	29.68	6
AP0253921	29.63	3	AP0266140	29.72	29	AP0627190	29.65	7
AP0253926	29.63	2	AP0266145	28.53	11	AP0627190	29.66	15

Code	No. table	Pos.	Code	No. table	Pos.	Code	No. table	Pos.
AP0627200	29.60	17	AP0664981	29.72	27	AP0945665	29.67	21
AP0627210	29.67	24	AP0664981	29.72	27	AP0946015	29.60	6
AP0627220	29.70	12	AP0664981	29.72	27	AP0950141	29.58	8
AP0627230	29.69	13	AP0684310	29.61	2	AP0950141	29.71	17
AP0627260	29.70	1	AP0684311	29.61	2	AP0950141	29.71	23
AP0627270	29.72	13	AP0684690	29.61	2	AP0956169	29.71	26
AP0627280	29.69	15	AP0684691	29.61	2	AP0956275	29.59	7
AP0627530	29.69	10	AP0684795	29.60	1	AP0956745	29.58	30
AP0627535	29.69	10	AP0684795	29.61	1	AP0960112	29.73	9
AP0627910	29.70	3	AP0685210	29.61	2	AP0966570	29.72	19
AP0631220	29.73	7	AP0685211	29.61	2	AP0966570	29.72	19
AP0632010	29.57	2	AP0685330	29.72	33	AP0966570	29.72	19
AP0632010	29.71	7	AP0827110	29.68	18	AP0966570	29.72	19
AP0632070	29.68	7	AP0827305	29.66	11	AP0966570	29.72	19
AP0632124	29.58	17	AP0831160	29.66	5	AP0966570	29.72	19
AP0632130	29.69	8	AP0832144	29.58	13	AP0966970	29.73	4
AP0632161	29.65	8	AP0832144	29.67	19	AP8101595	28.23	9
AP0632161	29.66	23	AP0832360	29.66	2	AP8101595	28.31	15
AP0634475	29.59	6	AP0840371	29.65	16	AP8101595	28.32	13
AP0634475	29.70	2	AP0840371	29.66	16	AP8101595	28.34	9
AP0634483	29.59	14	AP0840391	29.66	22	AP8101595	28.37	23
AP0634490	29.71	3	AP0840657	29.62	10	AP8101595	28.49	3
AP0634500	29.60	19	AP0840861	29.71	22	AP8101744	28.41	1
AP0634500	29.71	2	AP0840880	29.58	16	AP8101744	28.43	2
AP0634595	29.72	7	AP0840880	29.58	32	AP8101744	28.46	7
AP0634600	29.72	6	AP0840880	29.63	11	AP8101744	28.48	7
AP0634610	29.60	18	AP0840880	29.63	14	AP8101861	28.09	19
AP0634622	29.68	17	AP0840880	29.63	6	AP8101927	28.33	23
AP0634642	29.68	9	AP0840880	29.72	23	AP8101968	28.49	9
AP0634657	29.68	11	AP0840882	29.72	3	AP8101985	28.08	14
AP0634662	29.68	5	AP0841521	29.58	9	AP8101985	28.20	18
AP0634670	29.68	13	AP0841841	29.71	16	AP8101985	28.21	18
AP0634682	29.68	14	AP0845030	29.65	10	AP8102159	28.23	18
AP0634697	29.68	2	AP0845030	29.66	30	AP8102159	29.39	14
AP0634702	29.68	15	AP0850050	29.58	23	AP8102239	28.38	13
AP0634712	29.68	8	AP0860662	29.73	11	AP8102349	28.35	8
AP0634721	29.68	12	AP0874487	29.73	6	AP8102349	28.36	10
AP0634732	29.60	14	AP0897651	29.74	1	AP8102375	28.21	21
AP0634732	29.65	15	AP0899784	29.74	3	AP8102375	28.24	15
AP0634732	29.66	14	AP0899788	29.74	2	AP8102377	28.23	11
AP0634739	29.65	14	AP0922245	29.62	15	AP8102377	28.37	24
AP0634740	29.72	5	AP0927863	29.63	9	AP8102378	28.23	8
AP0640400	29.60	4	AP0927945	29.63	12	AP8102378	28.34	8
AP0640450	29.61	10	AP0927945	29.63	13	AP8102381	28.52	12
AP0640581	29.62	20	AP0927945	29.63	7	AP8102503	28.22	13
AP0641505	29.72	12	AP0929500	29.57	3	AP8102523	28.55	14
AP0650210	29.62	19	AP0929500	29.66	26	AP8102524	28.10	3
AP0650240	29.71	20	AP0929650	29.57	10	AP8102544	28.07	11
AP0650315	29.71	12	AP0929650	29.61	8	AP8102544	28.08	22
AP0650320	29.58	25	AP0929930	29.57	5	AP8102615	28.33	13
AP0650330	29.71	8	AP0929930	29.60	20	AP8102618	28.36	4
AP0650337	29.58	22	AP0929930	29.71	1	AP8102678	28.23	1
AP0650340	29.72	22	AP0932335	29.58	19	AP8102731	28.35	14
AP0650345	29.62	2	AP0932335	29.67	7	AP8102738	28.23	9
AP0650370	29.71	13	AP0932428	29.58	18	AP8102764	28.23	16
AP0650390	29.61	7	AP0932585	29.58	11	AP8102786	28.36	17
AP0650500	29.58	3	AP0940560	29.66	7	AP8102828	28.36	2
AP0659110	29.72	9	AP0940590	29.65	2	AP8102913	28.55	4
AP0659550	29.72	10	AP0940631	29.65	11	AP8102998	28.23	17
AP0659800	29.69	5	AP0940631	29.66	28	AP8104097	28.33	14
AP0661011	29.73	3	AP0940637	29.61	12	AP8104124	28.34	2
AP0664040	29.62	21	AP0940741	29.67	25	AP8104329	28.37	3
AP0664981	29.72	27	AP0941121	29.66	10	AP8104333	28.55	1
AP0664981	29.72	27	AP0941506	29.69	11	AP8104333	28.55	1
AP0664981	29.72	27	AP0941835	29.70	17	AP8104334	28.56	2
AP0664981	29.72	27	AP0941935	29.72	18	AP8104335	28.37	4
AP0664981	29.72	27	AP0942570	29.66	21	AP8104336	28.18	12

Code	No. table	Pos.	Code	No. table	Pos.	Code	No. table	Pos.
AP8104338	28.33	12	AP8104954	28.56	2	AP8113070	28.31	10
AP8104341	28.35	2	AP8104955	28.56	2	AP8113070	28.45	5
AP8104343	28.17	2	AP8104956	28.56	2	AP8113230	28.44	5
AP8104344	28.17	3	AP8104996	29.39	13	AP8113230	28.49	32
AP8104374	28.38	4	AP8106381	28.31	4	AP8113230	28.50	11
AP8104438	28.18	8	AP8106387	28.36	5	AP8113288	28.49	6
AP8104452	28.35	3	AP8106388	28.35	1	AP8113499	28.32	3
AP8104509	28.30	1	AP8106389	28.35	11	AP8113553	28.31	2
AP8104509	28.30	1	AP8106389	28.36	6	AP8113553	28.49	2
AP8104509	28.30	1	AP8106443	28.38	10	AP8113598	28.32	2
AP8104525	28.37	15	AP8106444	28.38	11	AP8113612	28.50	2
AP8104540	28.33	27	AP8106806	28.46	19	AP8113752	28.50	9
AP8104594	28.18	13	AP8106806	28.48	19	AP8113753	28.50	10
AP8104614	28.23	3	AP8106867	29.69	5	AP8113761	28.49	31
AP8104641	28.56	1	AP8106873	29.39	3	AP8113762	28.49	30
AP8104666	28.23	13	AP8106874	29.39	2	AP8113897	28.50	7
AP8104691	28.56	2	AP8106875	29.39	1	AP8113898	28.50	8
AP8104692	28.56	2	AP8106875	29.39	1	AP8113926	28.41	8
AP8104693	28.56	2	AP8106875	29.39	1	AP8113926	28.42	3
AP8104694	28.56	2	AP8106880	28.31	5	AP8113926	28.42	3
AP8104695	28.56	2	AP8106881	28.38	14	AP8113926	28.43	8
AP8104704	28.56	2	AP8106915	29.69	4	AP8113926	28.44	7
AP8104719	28.55	6	AP8106935	28.31	12	AP8113926	28.45	7
AP8104720	28.22	12	AP8107145	28.46	2	AP8113973	28.44	4
AP8104720	28.22	12	AP8107145	28.47	4	AP8113984	28.32	1
AP8104720	28.55	3	AP8107145	28.47	4	AP8113984	28.45	8
AP8104720	28.55	3	AP8107145	28.48	2	AP8114411	28.55	5
AP8104728	28.42	12	AP8107146	28.46	1	AP8114439	28.30	7
AP8104728	28.42	12	AP8107146	28.47	3	AP8114440	28.30	8
AP8104728	28.47	20	AP8107146	28.47	3	AP8116071	28.12	20
AP8104728	28.47	20	AP8107146	28.48	1	AP8116071	28.12	20
AP8104751	28.17	8	AP8107150	28.46	25	AP8116071	28.13	17
AP8104754	28.17	10	AP8107150	28.47	18	AP8116071	28.13	17
AP8104755	28.17	16	AP8107150	28.47	18	AP8117174	28.22	2
AP8104756	28.17	9	AP8107150	28.48	4	AP8117189	28.20	15
AP8104757	28.17	17	AP8107151	28.47	4	AP8117190	28.20	16
AP8104758	28.17	11	AP8108675	28.41	9	AP8117235	28.24	5
AP8104759	28.17	5	AP8108932	28.42	2	AP8117236	28.24	4
AP8104759	28.17	5	AP8108934	28.47	2	AP8117240	28.22	3
AP8104759	28.17	5	AP8108934	30.01	3	AP8117267	28.21	16
AP8104760	28.17	6	AP8108994	28.42	2	AP8117268	28.21	15
AP8104760	28.17	6	AP8109256	28.42	1	AP8117275	28.22	18
AP8104760	28.17	6	AP8109256	28.42	1	AP8117276	28.27	16
AP8104790	28.55	11	AP8109257	28.47	1	AP8118492	28.30	15
AP8104803	28.22	17	AP8109284	28.42	1	AP8118501	28.30	9
AP8104803	28.55	12	AP8109285	28.47	1	AP8118566	28.30	14
AP8104828	28.33	1	AP8109330	28.47	1	AP8118567	28.30	16
AP8104860	28.17	2	AP8110065	28.16	3	AP8118637	28.30	6
AP8104860	28.17	2	AP8110068	28.16	4	AP8118647	28.30	4
AP8104861	28.17	3	AP8110077	28.11	10	AP8118648	28.30	3
AP8104861	28.17	3	AP8110078	28.15	3	AP8118649	28.30	4
AP8104870	28.56	2	AP8110079	28.15	4	AP8118649	28.30	4
AP8104871	28.56	2	AP8110081	28.46	23	AP8118650	28.30	3
AP8104872	28.56	2	AP8110081	28.47	14	AP8118650	28.30	3
AP8104873	28.56	2	AP8110081	28.47	14	AP8119497	28.40	17
AP8104874	28.56	2	AP8110081	28.48	20	AP8119648	28.40	4
AP8104875	28.17	2	AP8110093	28.47	15	AP8119650	28.40	5
AP8104876	28.17	3	AP8110093	28.47	15	AP8119651	28.40	3
AP8104879	28.27	12	AP8110094	28.42	4	AP8119654	28.40	1
AP8104888	28.17	2	AP8110094	28.42	4	AP8119655	28.40	2
AP8104888	28.17	2	AP8112600	28.27	11	AP8119708	28.40	7
AP8104889	28.17	3	AP8112600	28.33	24	AP8119716	28.40	1
AP8104889	28.17	3	AP8112916	28.28	4	AP8119717	28.40	2
AP8104950	28.30	1	AP8112927	28.54	3	AP8119837	28.40	1
AP8104951	28.55	1	AP8112996	28.49	28	AP8119838	28.40	2
AP8104952	28.56	2	AP8113004	28.36	11	AP8119877	28.40	4
AP8104953	28.56	2	AP8113004	28.40	18	AP8119878	28.40	5

Code	No. table	Pos.	Code	No. table	Pos.	Code	No. table	Pos.
AP8120001	28.15	34	AP8121267	28.23	2	AP8123821	28.12	16
AP8120030	28.18	21	AP8121313	28.35	15	AP8123821	28.14	16
AP8120030	28.32	17	AP8121322	28.25	7	AP8123822	28.13	4
AP8120030	28.33	20	AP8121346	28.11	6	AP8123823	28.13	5
AP8120030	28.35	7	AP8121375	28.10	5	AP8123824	28.13	6
AP8120030	28.37	18	AP8121407	28.50	1	AP8123824	28.14	20
AP8120030	28.53	9	AP8121409	28.36	9	AP8123825	28.13	8
AP8120116	29.39	15	AP8121421	28.22	5	AP8123825	28.14	22
AP8120178	28.49	10	AP8121429	28.10	5	AP8123826	28.13	11
AP8120179	28.23	10	AP8121455	28.09	24	AP8123826	28.14	23
AP8120179	28.27	14	AP8121455	28.40	13	AP8123827	28.13	9
AP8120190	28.36	16	AP8121520	28.30	2	AP8123827	28.14	24
AP8120196	28.36	14	AP8121538	28.38	6	AP8123828	28.13	10
AP8120253	28.26	22	AP8121566	28.09	4	AP8123828	28.14	25
AP8120253	29.39	7	AP8121570	28.15	26	AP8123829	28.12	3
AP8120428	28.53	18	AP8121592	28.47	21	AP8123830	28.12	9
AP8120446	29.39	12	AP8121592	28.47	21	AP8123831	28.12	5
AP8120531	28.52	7	AP8121597	28.07	4	AP8123832	28.12	6
AP8120582	28.33	29	AP8121658	28.35	19	AP8123832	28.14	6
AP8120615	28.37	8	AP8121659	28.35	18	AP8123833	28.12	12
AP8120622	28.17	26	AP8121663	28.17	25	AP8123834	28.12	13
AP8120622	28.20	11	AP8121663	28.20	10	AP8123834	28.14	13
AP8120622	28.21	20	AP8121663	28.21	19	AP8123835	28.12	7
AP8120657	28.54	12	AP8121718	28.22	5	AP8123835	28.14	7
AP8120876	28.37	10	AP8121728	28.18	18	AP8123836	28.12	8
AP8120912	28.49	11	AP8121741	28.08	15	AP8123836	28.14	8
AP8120912	29.39	9	AP8121795	28.27	10	AP8123934	28.22	7
AP8120952	28.18	19	AP8121795	28.33	16	AP8123975	28.12	17
AP8120952	28.23	7	AP8121862	28.36	20	AP8123975	28.12	17
AP8120952	28.34	4	AP8121890	28.08	17	AP8123975	28.13	14
AP8120965	28.22	14	AP8121890	28.15	28	AP8123975	28.13	14
AP8120980	28.33	9	AP8121915	28.31	18	AP8123977	28.12	19
AP8120992	28.38	9	AP8121915	28.32	9	AP8123977	28.12	19
AP8121014	28.10	6	AP8121915	28.44	10	AP8123977	28.13	16
AP8121020	28.53	20	AP8121915	28.45	10	AP8123977	28.13	16
AP8121023	28.37	26	AP8121915	28.49	29	AP8124266	28.54	8
AP8121032	28.15	31	AP8121915	28.50	4	AP8124273	28.54	11
AP8121041	28.11	12	AP8121927	28.49	14	AP8124528	28.50	3
AP8121075	28.08	9	AP8121991	28.08	20	AP8124664	28.38	7
AP8121075	28.15	29	AP8121995	28.07	8	AP8124719	28.19	3
AP8121075	28.53	22	AP8121996	28.07	5	AP8124748	28.54	10
AP8121075	28.53	29	AP8121997	28.07	6	AP8124855	28.33	2
AP8121133	28.09	20	AP8123637	28.12	1	AP8124929	28.33	5
AP8121155	28.16	7	AP8123637	28.13	1	AP8124981	28.37	11
AP8121170	28.40	8	AP8123638	28.12	2	AP8125687	28.15	19
AP8121179	29.73	12	AP8123638	28.13	2	AP8125728	28.41	2
AP8121184	28.17	15	AP8123641	28.11	8	AP8125728	28.42	8
AP8121199	28.40	13	AP8123642	28.11	4	AP8125728	28.42	8
AP8121200	28.15	5	AP8123643	28.11	3	AP8125728	28.43	7
AP8121201	28.15	6	AP8123644	28.11	7	AP8125730	28.46	11
AP8121203	28.15	18	AP8123806	28.13	7	AP8125730	28.47	10
AP8121204	28.15	11	AP8123806	28.14	21	AP8125730	28.47	10
AP8121207	28.11	5	AP8123810	28.12	4	AP8125730	28.48	11
AP8121212	28.46	22	AP8123810	28.14	4	AP8125731	28.46	6
AP8121212	28.47	13	AP8123811	28.13	12	AP8125731	28.47	6
AP8121212	28.47	13	AP8123811	28.14	26	AP8125731	28.47	6
AP8121212	28.48	22	AP8123812	28.13	13	AP8125731	28.48	6
AP8121213	28.46	21	AP8123812	28.14	27	AP8125732	28.46	24
AP8121213	28.47	11	AP8123815	28.12	11	AP8125732	28.47	12
AP8121213	28.47	11	AP8123815	28.14	11	AP8125732	28.47	12
AP8121213	28.48	21	AP8123816	28.12	10	AP8125732	28.48	18
AP8121221	28.49	12	AP8123816	28.14	10	AP8125763	28.15	20
AP8121221	29.39	8	AP8123817	28.14	12	AP8125773	28.41	10
AP8121223	28.49	13	AP8123819	28.12	14	AP8125773	28.43	5
AP8121224	28.09	5	AP8123819	28.14	14	AP8125777	28.41	11
AP8121225	28.46	8	AP8123820	28.12	15	AP8125777	28.43	4
AP8121225	28.48	8	AP8123820	28.14	15	AP8125778	28.41	12

Code	No. table	Pos.	Code	No. table	Pos.	Code	No. table	Pos.
AP8125779	28.41	13	AP8127555	28.53	1	AP8129441	28.24	1
AP8125779	28.43	6	AP8127555	28.55	7	AP8129441	28.24	1
AP8125786	28.46	15	AP8127597	28.52	4	AP8129448	28.24	1
AP8125786	28.48	15	AP8127598	28.52	5	AP8129450	28.25	9
AP8125788	28.46	17	AP8127599	28.52	6	AP8129467	28.26	6
AP8125788	28.48	17	AP8127601	28.51	4	AP8129467	28.26	6
AP8125827	28.41	6	AP8127635	28.53	4	AP8129467	28.26	6
AP8125827	28.42	6	AP8127635	28.53	4	AP8129467	28.26	6
AP8125827	28.42	6	AP8127635	28.53	4	AP8129468	28.26	7
AP8125827	28.43	12	AP8127635	28.53	4	AP8129468	28.26	7
AP8125831	28.46	12	AP8127635	28.54	1	AP8129468	28.26	7
AP8125831	28.47	7	AP8127635	28.54	1	AP8129468	28.26	7
AP8125831	28.47	7	AP8127635	28.54	1	AP8129473	28.24	1
AP8125831	28.48	12	AP8127635	28.54	1	AP8129473	28.24	1
AP8125838	28.47	17	AP8127681	28.53	4	AP8129473	28.24	1
AP8125838	28.47	17	AP8127681	28.53	4	AP8129473	28.24	1
AP8125839	28.47	19	AP8127681	28.53	4	AP8129474	28.26	6
AP8125839	28.47	19	AP8127681	28.54	1	AP8129474	28.26	6
AP8125841	28.42	7	AP8127681	28.54	1	AP8129474	28.26	6
AP8125841	28.42	7	AP8127681	28.54	1	AP8129474	28.26	6
AP8125842	28.42	13	AP8127681	28.54	1	AP8129474	28.26	6
AP8125842	28.42	13	AP8127682	28.52	3	AP8129475	28.26	7
AP8125843	28.42	5	AP8127682	28.52	1	AP8129475	28.26	7
AP8125843	28.42	5	AP8127683	28.52	1	AP8129475	28.26	7
AP8125843	28.42	5	AP8127684	28.52	2	AP8129475	28.26	7
AP8125912	28.46	4	AP8127688	28.38	5	AP8129475	28.26	7
AP8126701	28.24	7	AP8127689	28.29	1	AP8133544	28.50	6
AP8126702	28.24	10	AP8127689	28.29	1	AP8133590	28.45	1
AP8126948	28.28	1	AP8127699	28.17	6	AP8133591	28.45	2
AP8126948	28.28	1	AP8127699	28.17	6	AP8133592	28.44	3
AP8126948	28.28	1	AP8127700	28.17	5	AP8133592	28.45	3
AP8126948	28.28	1	AP8127700	28.17	5	AP8133593	28.44	6
AP8126948	28.28	1	AP8127701	28.52	4	AP8133593	28.45	6
AP8126949	28.28	2	AP8127701	28.52	4	AP8133594	28.31	20
AP8126949	28.28	2	AP8127702	28.52	5	AP8133594	28.32	10
AP8126949	28.28	2	AP8127721	28.52	3	AP8133594	28.32	10
AP8126982	28.19	1	AP8127723	28.52	3	AP8133594	28.44	11
AP8126983	28.28	1	AP8127773	28.40	9	AP8133594	28.50	5
AP8126983	28.28	1	AP8127774	28.40	10	AP8133595	28.31	11
AP8127144	28.53	3	AP8127776	29.62	25	AP8133595	28.45	4
AP8127145	28.54	6	AP8127833	28.29	1	AP8133595	28.45	4
AP8127148	28.54	2	AP8128041	28.42	2	AP8133597	28.31	9
AP8127149	28.54	7	AP8128042	28.47	2	AP8133597	28.45	9
AP8127150	28.53	4	AP8128071	28.46	3	AP8133618	28.32	1
AP8127150	28.53	4	AP8128072	28.46	16	AP8133618	28.44	9
AP8127150	28.53	4	AP8128133	28.43	1	AP8133663	28.32	4
AP8127150	28.53	4	AP8128147	28.41	9	AP8133664	28.32	5
AP8127150	28.54	1	AP8128154	28.47	2	AP8133665	28.31	17
AP8127150	28.54	1	AP8128169	28.43	3	AP8133665	28.32	6
AP8127150	28.54	1	AP8128170	28.48	16	AP8133666	28.31	16
AP8127150	28.54	1	AP8128191	28.48	3	AP8133666	28.32	8
AP8127152	28.51	1	AP8128204	28.42	2	AP8133667	28.31	7
AP8127153	28.52	3	AP8128206	28.47	2	AP8133668	28.31	6
AP8127176	28.18	11	AP8128206	28.47	2	AP8133751	28.41	8
AP8127283	28.51	2	AP8128228	28.42	2	AP8133751	28.42	3
AP8127284	28.52	1	AP8128230	28.47	2	AP8133751	28.44	7
AP8127284	28.52	1	AP8128231	28.46	4	AP8133751	28.45	7
AP8127285	28.52	2	AP8129319	28.24	1	AP8133872	28.31	13
AP8127285	28.52	2	AP8129321	28.25	4	AP8133872	28.49	5
AP8127319	28.10	8	AP8129330	28.25	8	AP8133873	28.31	1
AP8127345	28.53	28	AP8129331	28.25	9	AP8133873	28.49	1
AP8127365	28.30	5	AP8129417	28.24	1	AP8133875	28.49	7
AP8127371	28.51	1	AP8129420	28.24	1	AP8133901	28.40	19
AP8127372	28.51	2	AP8129422	28.24	1	AP8133902	28.49	8
AP8127391	28.53	5	AP8129423	28.25	9	AP8134167	28.32	20
AP8127429	28.53	2	AP8129423	28.25	8	AP8134378	28.40	13
AP8127432	28.32	11	AP8129423	28.25	8	AP8134383	28.32	15
AP8127442	28.51	3	AP8129424	28.25	9	AP8134384	28.49	25
AP8127510	28.55	10	AP8129441	28.24	1	AP8134396	28.25	6
AP8127543	28.52	3	AP8129441	28.24	1	AP8134415	28.49	24
						AP8134419	28.22	8

Code	No. table	Pos.	Code	No. table	Pos.	Code	No. table	Pos.
AP8134451	28.09	17	AP8144563	28.17	23	AP8150018	28.09	25
AP8134541	28.09	3	AP8144563	28.20	13	AP8150018	28.40	14
AP8134654	28.25	10	AP8144563	28.21	13	AP8150020	28.49	16
AP8134654	28.26	20	AP8144563	28.24	12	AP8150026	28.27	13
AP8134766	28.18	1	AP8144563	28.25	11	AP8150026	28.33	18
AP8134767	28.08	2	AP8144563	28.26	14	AP8150026	28.49	17
AP8134774	28.35	5	AP8144563	28.27	8	AP8150044	28.49	18
AP8134775	28.08	1	AP8144564	28.17	14	AP8150044	29.39	10
AP8134779	28.50	15	AP8144564	28.21	22	AP8150044	29.39	6
AP8134781	28.50	14	AP8144565	28.17	20	AP8150046	28.53	16
AP8134783	28.28	5	AP8144565	28.52	11	AP8150107	28.11	14
AP8134786	28.09	14	AP8144581	28.37	9	AP8150137	28.30	11
AP8134788	28.27	6	AP8144582	28.18	10	AP8150137	28.36	15
AP8134829	28.09	16	AP8144605	28.37	27	AP8150137	29.39	4
AP8134830	28.09	15	AP8144606	28.36	13	AP8150158	28.19	8
AP8134831	28.08	8	AP8144616	28.17	24	AP8150158	28.28	9
AP8134850	28.08	7	AP8144616	28.20	12	AP8150164	28.53	16
AP8134851	28.08	5	AP8144616	28.21	12	AP8150165	28.30	11
AP8134852	28.33	3	AP8144616	28.24	11	AP8150179	28.53	25
AP8134853	28.33	4	AP8144616	28.25	7	AP8150195	28.46	20
AP8134854	28.08	4	AP8144616	28.26	13	AP8150196	28.10	10
AP8134855	28.27	3	AP8144616	28.27	7	AP8150202	28.53	19
AP8134884	28.23	4	AP8144624	28.15	23	AP8150204	28.19	7
AP8134887	28.10	2	AP8144644	28.33	10	AP8150204	28.28	10
AP8134889	28.53	14	AP8144645	28.33	15	AP8150220	28.55	9
AP8134921	28.08	3	AP8144718	28.33	8	AP8150236	28.30	10
AP8134948	28.55	13	AP8144719	28.33	7	AP8150263	28.11	16
AP8134949	28.55	5	AP8144720	28.33	25	AP8150272	28.31	25
AP8134955	28.09	10	AP8144732	28.33	26	AP8150272	28.37	20
AP8140711	28.55	2	AP8144733	28.33	22	AP8150277	28.49	27
AP8140907	28.56	1	AP8144781	28.22	12	AP8150292	28.08	12
AP8144005	28.15	12	AP8144781	28.55	3	AP8150292	28.10	11
AP8144006	28.15	10	AP8145020	28.15	1	AP8150334	28.15	15
AP8144007	28.49	15	AP8145044	28.07	1	AP8150351	28.53	15
AP8144008	28.35	4	AP8145053	28.07	1	AP8150382	28.17	18
AP8144015	28.18	20	AP8145055	28.10	1	AP8150382	28.19	5
AP8144015	29.39	11	AP8146487	28.07	1	AP8150382	28.29	4
AP8144033	28.33	6	AP8146500	28.07	2	AP8150382	28.51	6
AP8144038	28.37	25	AP8146501	28.09	8	AP8150403	28.49	26
AP8144046	28.54	9	AP8146502	28.09	9	AP8150406	28.37	19
AP8144048	28.15	9	AP8146503	28.09	1	AP8150413	28.18	23
AP8144061	28.35	13	AP8146504	28.09	2	AP8150413	28.26	9
AP8144061	28.36	8	AP8146506	28.18	2	AP8150429	28.09	23
AP8144069	28.38	12	AP8146516	28.16	9	AP8150429	28.28	13
AP8144081	28.26	16	AP8146518	28.16	5	AP8150429	28.32	21
AP8144090	28.36	3	AP8146520	28.15	2	AP8150430	28.34	7
AP8144151	28.31	14	AP8146557	28.16	2	AP8150436	28.46	10
AP8144151	28.32	12	AP8146566	28.09	14	AP8150436	28.47	8
AP8144151	28.49	4	AP8146567	28.09	15	AP8150436	28.47	8
AP8144158	28.22	16	AP8146616	28.09	13	AP8150436	28.48	10
AP8144200	28.36	7	AP8146617	28.09	32	AP8150444	28.25	13
AP8144328	28.22	4	AP8146731	28.10	2	AP8150450	28.20	9
AP8144443	28.15	21	AP8146732	28.10	1	AP8150450	28.21	10
AP8144444	28.15	22	AP8146740	28.07	1	AP8150454	28.22	15
AP8144445	28.15	23	AP8146787	28.49	23	AP8150459	28.22	9
AP8144449	28.33	11	AP8146802	28.09	1	AP8150462	28.49	19
AP8144456	28.37	7	AP8146803	28.09	2	AP8150462	29.39	5
AP8144457	28.18	4	AP8146829	28.07	1	AP8150463	28.46	18
AP8144463	28.15	7	AP8146862	28.09	7	AP8150468	28.08	18
AP8144475	28.38	8	AP8146944	28.10	1	AP8150469	28.07	9
AP8144476	28.38	3	AP8146974	28.07	1	AP8150469	28.07	9
AP8144518	28.35	6	AP8146974	28.07	1	AP8150474	28.32	19
AP8144551	28.37	16	AP8149034	28.28	6	AP8150480	28.10	4
AP8144552	28.27	4	AP8149165	28.37	12	AP8150493	28.52	10
AP8144553	28.27	2	AP8150011	28.26	18	AP8150503	28.15	27
AP8144558	28.09	22	AP8150014	28.22	11	AP8150505	28.40	6
AP8144558	28.40	12	AP8150015	28.36	18	AP8150506	28.40	16

Code	No. table	Pos.	Code	No. table	Pos.	Code	No. table	Pos.
AP8150509	28.29	3	AP8152298	28.24	13	AP8152442	28.11	9
AP8150535	28.40	20	AP8152298	28.27	5	AP8152443	29.71	25
AP8150536	28.22	19	AP8152298	28.28	7	AP8152446	28.30	12
AP8150537	28.09	11	AP8152298	28.51	5	AP8152447	28.09	27
AP8150537	28.31	21	AP8152298	28.52	8	AP8152448	28.09	12
AP8150537	28.32	14	AP8152299	28.15	17	AP8152448	28.11	14
AP8150538	28.31	22	AP8152299	28.17	7	AP8152449	28.11	16
AP8150539	28.31	23	AP8152299	28.22	10	AP8152449	28.30	10
AP8150540	28.09	12	AP8152299	28.28	12	AP8152450	28.09	26
AP8150540	28.11	14	AP8152299	28.32	19	AP8152450	28.40	15
AP8150542	28.07	13	AP8152299	28.35	12	AP8152452	28.11	13
AP8150543	28.30	10	AP8152299	28.36	12	AP8152452	28.18	15
AP8152001	28.10	4	AP8152299	28.53	24	AP8152454	28.22	6
AP8152003	28.30	12	AP8152301	28.07	10	AP8152455	28.22	15
AP8152043	28.26	17	AP8152301	28.10	13	AP8152456	29.39	6
AP8152117	28.35	9	AP8152301	28.16	8	AP8152458	28.15	24
AP8152128	28.53	23	AP8152302	28.15	24	AP8152458	28.19	4
AP8152238	28.53	15	AP8152302	28.20	8	AP8152458	28.24	6
AP8152246	28.08	10	AP8152302	28.24	6	AP8152458	28.28	7
AP8152246	28.21	17	AP8152302	28.26	10	AP8152459	28.09	11
AP8152246	28.28	11	AP8152302	28.27	9	AP8152460	28.20	8
AP8152246	28.37	14	AP8152302	28.28	7	AP8152461	28.31	22
AP8152267	28.15	25	AP8152302	28.50	16	AP8152462	28.31	21
AP8152268	28.21	11	AP8152302	28.52	9	AP8152462	28.32	14
AP8152272	28.18	16	AP8152305	28.15	14	AP8152463	28.10	12
AP8152273	28.31	22	AP8152306	28.15	33	AP8152463	28.50	13
AP8152273	28.49	20	AP8152306	28.28	8	AP8152464	28.32	16
AP8152277	28.09	11	AP8152306	28.31	23	AP8152465	28.31	23
AP8152277	28.19	6	AP8152317	28.07	3	AP8152466	28.17	7
AP8152277	28.31	21	AP8152317	28.07	7	AP8152466	28.32	19
AP8152277	28.32	14	AP8152323	28.41	4	AP8152467	28.31	24
AP8152277	28.33	17	AP8152323	28.42	11	AP8152469	28.17	15
AP8152278	28.08	11	AP8152323	28.42	11	AP8152479	28.22	6
AP8152278	28.34	6	AP8152323	28.43	9	AP8152486	28.09	27
AP8152278	28.35	17	AP8152323	28.46	14	AP8154046	28.15	30
AP8152279	28.10	12	AP8152323	28.47	22	AP8154069	28.09	28
AP8152279	28.11	13	AP8152323	28.47	22	AP8154070	28.09	29
AP8152279	28.18	15	AP8152323	28.48	14	AP8154071	28.09	30
AP8152279	28.23	5	AP8152324	28.46	13	AP8154072	28.09	31
AP8152279	28.24	9	AP8152324	28.47	9	AP8154073	28.32	15
AP8152279	28.49	22	AP8152324	28.47	9	AP8154074	28.31	3
AP8152279	28.50	13	AP8152324	28.48	13	AP8156012	28.19	1
AP8152280	28.32	16	AP8152329	28.17	19	AP8156012	28.19	1
AP8152281	28.11	17	AP8152329	28.18	17	AP8156012	28.19	1
AP8152281	28.22	6	AP8152329	28.37	13	AP8156012	28.19	1
AP8152281	28.35	16	AP8152329	28.37	22	AP8156031	28.19	1
AP8152282	28.08	16	AP8152329	28.51	5	AP8156040	28.19	1
AP8152283	28.08	21	AP8152335	28.41	5	AP8156041	28.19	1
AP8152283	28.25	12	AP8152335	28.42	9	AP8156041	28.19	1
AP8152283	28.26	21	AP8152335	28.42	9	AP8156041	28.19	1
AP8152285	28.36	21	AP8152335	28.43	10	AP8156075	28.19	1
AP8152286	28.41	3	AP8152336	28.44	8	AP8156087	28.28	2
AP8152286	28.42	10	AP8152384	28.11	9	AP8156093	28.19	1
AP8152286	28.42	10	AP8152386	28.08	19	AP8156094	28.19	1
AP8152286	28.43	11	AP8152409	28.09	18	AP8156164	28.19	1
AP8152286	28.50	12	AP8152409	28.09	6	AP8156164	28.19	1
AP8152287	28.09	27	AP8152410	28.08	13	AP8156164	28.19	1
AP8152288	28.09	12	AP8152411	28.16	10	AP8156164	28.19	1
AP8152290	28.13	3	AP8152412	28.16	6	AP8156165	28.28	1
AP8152290	28.14	17	AP8152413	28.16	11	AP8156165	28.28	1
AP8152291	28.09	26	AP8152414	28.45	11	AP8156165	28.28	1
AP8152291	28.40	15	AP8152425	29.39	4	AP8156165	28.28	1
AP8152298	28.15	32	AP8152426	28.49	18	AP8156176	28.19	1
AP8152298	28.19	4	AP8152426	29.39	10	AP8156182	28.19	1
AP8152298	28.20	14	AP8152430	28.07	9	AP8156186	28.19	1
AP8152298	28.20	17	AP8152440	28.10	9	AP8156186	28.19	1
AP8152298	28.21	14	AP8152442	28.11	9	AP8156186	28.19	1

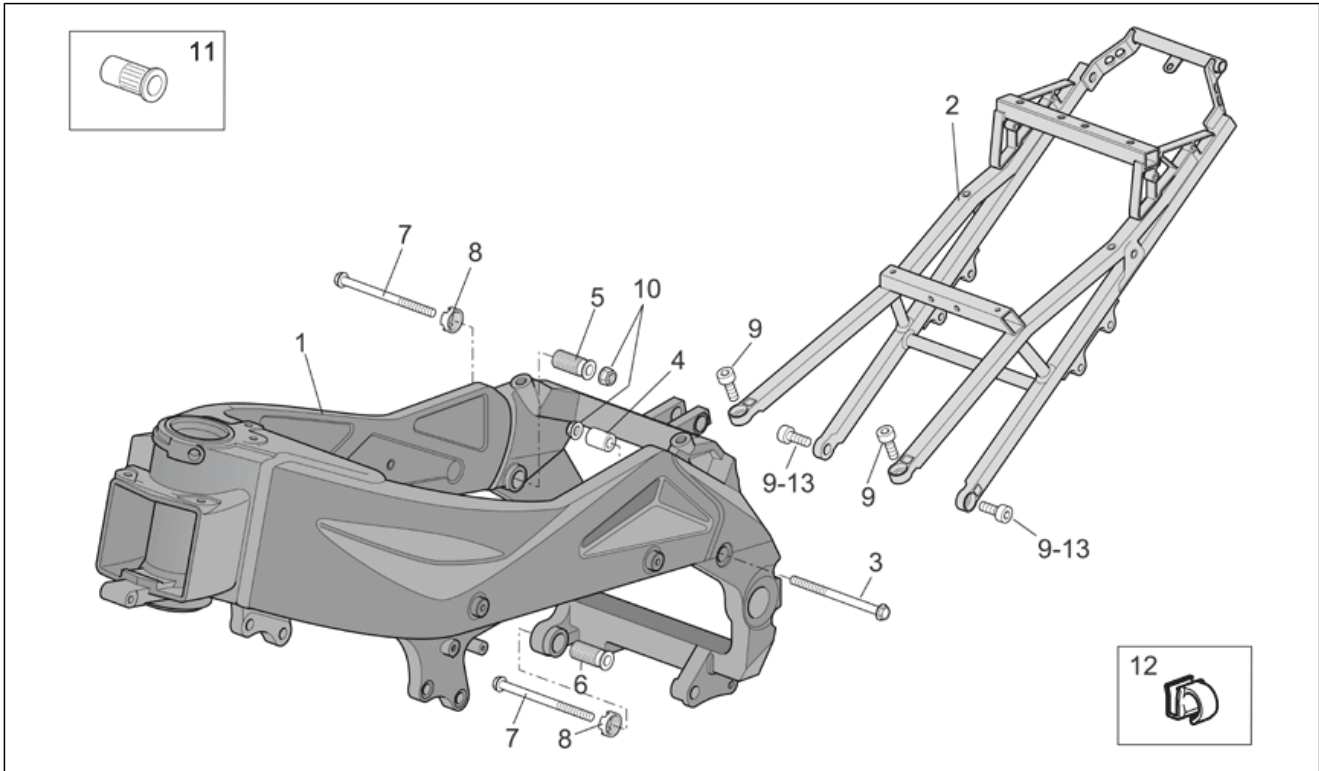
Code	No. table	Pos.	Code	No. table	Pos.	Code	No. table	Pos.
AP8156234	28.19	1	AP8158660	28.17	22	AP8166124	28.76	3
AP8156243	28.19	1	AP8158661	28.17	4	AP8166125	28.76	1
AP8156244	28.19	1	AP8158662	28.17	1	AP8166126	28.76	2
AP8156245	28.19	1	AP8158663	28.24	2	AP8166127	28.76	4
AP8156246	28.19	1	AP8158664	28.24	3	AP8166169	28.76	1
AP8156254	28.19	1	AP8158665	28.25	1	AP8166170	28.76	1
AP8156324	28.19	1	AP8158666	28.25	2	AP8166171	28.76	1
AP8156325	28.19	1	AP8158669	28.08	6	AP8166172	28.76	2
AP8156353	28.19	1	AP8158910	28.20	4	AP8166173	28.76	2
AP8156354	28.19	1	AP8158911	28.20	5	AP8166174	28.76	2
AP8156359	28.19	1	AP8158912	28.25	3	AP8166175	28.76	3
AP8156360	28.19	1	AP8158984	28.09	21	AP8166176	28.76	3
AP8156371	28.19	1	AP8158984	28.40	11	AP8166177	28.76	3
AP8156372	28.19	1	AP8161015	28.20	10	AP8166178	28.76	4
AP8157770	28.11	18	AP8161138	29.73	12	AP8166179	28.76	4
AP8158111	28.37	1	AP8163057	28.12	18	AP8166180	28.76	4
AP8158112	28.37	2	AP8163057	28.12	18	AP8166181	28.76	5
AP8158113	28.18	5	AP8163057	28.13	15	AP8166182	28.76	5
AP8158114	28.18	6	AP8163057	28.13	15	AP8166478	28.76	5
AP8158115	28.18	9	AP8163060	28.11	1	AP8166540	28.76	1
AP8158116	28.18	7	AP8163060	28.11	1	AP8166541	28.76	1
AP8158119	28.37	6	AP8163061	28.11	2	AP8166542	28.76	1
AP8158120	28.36	1	AP8163061	28.11	2	AP8166543	28.76	1
AP8158121	28.22	1	AP8163062	28.12	1	AP8166544	28.76	1
AP8158121	28.22	1	AP8163062	28.12	1	AP8166545	28.76	1
AP8158121	28.22	1	AP8163062	28.13	1	AP8166549	28.76	2
AP8158123	28.40	9	AP8163062	28.13	1	AP8166550	28.76	2
AP8158124	28.19	2	AP8163063	28.12	2	AP8166551	28.76	2
AP8158126	28.20	6	AP8163063	28.12	2	AP8166555	28.76	3
AP8158126	28.21	6	AP8163063	28.13	2	AP8166556	28.76	3
AP8158126	28.21	6	AP8163063	28.13	2	AP8166556	28.76	3
AP8158127	28.20	7	AP8163064	28.11	11	AP8166559	28.76	4
AP8158127	28.21	7	AP8163064	28.11	11	AP8166560	28.76	4
AP8158127	28.21	7	AP8163065	28.16	1	AP8166560	28.76	4
AP8158128	28.20	3	AP8163121	28.11	1	AP8166561	28.76	4
AP8158128	28.21	3	AP8163122	28.11	2	AP8166561	28.76	4
AP8158128	28.21	3	AP8163125	28.16	1	AP8166562	28.76	4
AP8158130	28.20	1	AP8163125	28.16	1	AP8166616	28.76	5
AP8158131	28.20	2	AP8163170	28.11	6	AP8166617	28.76	5
AP8158132	28.17	21	AP8163170	28.11	6	AP8166739	28.56	3
AP8158132	28.17	21	AP8163451	28.14	1	AP8166743	28.56	6
AP8158132	28.17	21	AP8163452	28.14	2	AP8166744	28.56	7
AP8158132	28.17	21	AP8163481	28.13	18	AP8166852	28.56	3
AP8158133	28.17	22	AP8163481	28.13	18	AP8166868	28.22	20
AP8158133	28.17	22	AP8163492	28.14	18	AP8166868	28.22	20
AP8158133	28.17	22	AP8163493	28.14	19	AP8166868	28.22	20
AP8158133	28.17	22	AP8163494	28.14	3	AP8166881	28.21	23
AP8158138	28.25	5	AP8163495	28.14	5	AP8166882	28.22	20
AP8158138	28.26	5	AP8163496	28.14	9	AP8166883	28.77	26
AP8158139	28.24	2	AP8163562	28.11	1	AP8166893	28.22	20
AP8158139	28.24	2	AP8166101	28.56	3	AP8166905	28.24	16
AP8158139	28.24	2	AP8166102	28.56	3	AP8166912	28.56	5
AP8158139	28.24	2	AP8166109	28.76	5	AP8166913	28.56	5
AP8158140	28.24	3	AP8166110	28.76	3	AP8166985	28.17	27
AP8158140	28.24	3	AP8166111	28.76	1	AP8166986	28.15	36
AP8158140	28.24	3	AP8166112	28.76	2	AP8166990	28.76	5
AP8158140	28.24	3	AP8166113	28.76	4	AP8166994	28.76	1
AP8158142	28.25	1	AP8166114	28.76	3	AP8166995	28.76	1
AP8158143	28.25	2	AP8166115	28.76	1	AP8166996	28.76	2
AP8158146	28.27	1	AP8166116	28.76	2	AP8166997	28.76	2
AP8158147	28.34	1	AP8166117	28.76	4	AP8166998	28.76	2
AP8158148	28.15	8	AP8166118	28.76	3	AP8166998	28.76	2
AP8158460	28.40	10	AP8166119	28.76	1	AP8166999	28.76	6
AP8158654	28.22	1	AP8166120	28.76	2	AP8167547	28.56	3
AP8158657	28.20	1	AP8166121	28.76	4	AP8167560	28.36	19
AP8158658	28.20	2	AP8166122	28.76	5	AP8168611	28.20	4
AP8158659	28.17	21	AP8166123	28.76	5	AP8168611	28.20	4

Code	No. table	Pos.	Code	No. table	Pos.	Code	No. table	Pos.
AP8168611	28.20	4	AP8178030	28.20	2	AP8178760	28.24	3
AP8168611	28.20	4	AP8178031	28.25	1	AP8178760	28.24	3
AP8168612	28.20	5	AP8178032	28.25	2	AP8178860	28.25	2
AP8168612	28.20	5	AP8178110	28.17	12	AP8178874	28.17	4
AP8168612	28.20	5	AP8178110	28.17	12	AP8178903	28.22	1
AP8168612	28.20	5	AP8178111	28.17	13	AP8178904	28.20	1
AP8168785	28.17	1	AP8178111	28.17	13	AP8178905	28.20	2
AP8168874	28.17	4	AP8178114	28.25	1	AP8178906	28.25	1
AP8168929	28.17	1	AP8178115	28.25	2	AP8178915	28.22	1
AP8168977	28.15	8	AP8178117	28.18	14	AP8178936	28.18	14
AP8168978	28.36	1	AP8178118	28.18	3	AP8178938	28.17	1
AP8168979	28.22	1	AP8178118	28.18	3	AP8178939	28.17	12
AP8168981	28.17	1	AP8178119	28.22	1	AP8178940	28.17	13
AP8168982	28.20	3	AP8178120	28.17	4	AP8178941	28.22	1
AP8168986	28.17	12	AP8178139	28.17	12	AP8178942	28.22	1
AP8168987	28.17	13	AP8178139	28.17	12	AP8178943	28.17	4
AP8168994	28.22	1	AP8178139	28.17	12	AP8178944	28.20	1
AP8168996	28.17	4	AP8178140	28.17	13	AP8178945	28.20	2
AP8176032	28.38	2	AP8178140	28.17	13	AP8178946	28.25	1
AP8176033	28.44	1	AP8178140	28.17	13	AP8178947	28.25	2
AP8176034	28.44	2	AP8178168	28.22	1	AP8178955	28.22	1
AP8176046	28.37	5	AP8178168	28.22	1	AP8178956	28.22	1
AP8176049	29.39	1	AP8178169	28.22	1	AP8178957	28.17	4
AP8176062	29.73	13	AP8178171	28.17	4	AP8178958	28.20	1
AP8176099	28.53	26	AP8178172	28.20	1	AP8178959	28.20	2
AP8176100	28.53	27	AP8178173	28.20	2	AP8178960	28.25	1
AP8176101	28.47	16	AP8178174	28.25	2	AP8178961	28.25	2
AP8176101	28.47	16	AP8178177	28.20	1	AP8179075	28.26	15
AP8176115	29.39	1	AP8178178	28.20	2	AP8179259	28.09	1
AP8176115	29.39	1	AP8178179	28.25	2	AP8179260	28.09	2
AP8176115	29.39	1	AP8178180	28.17	12	AP8179261	28.21	4
AP8176115	29.39	1	AP8178181	28.17	13	AP8179262	28.21	5
AP8176142	29.39	1	AP8178182	28.25	2	AP8179263	28.18	22
AP8176142	29.39	1	AP8178240	28.20	1	AP8179264	28.17	1
AP8176172	29.39	1	AP8178241	28.20	2	AP8179265	28.21	1
AP8176193	28.31	8	AP8178271	28.17	1	AP8179266	28.21	2
AP8177263	28.15	35	AP8178272	28.17	1	AP8179267	28.21	8
AP8177594	28.56	3	AP8178273	28.17	1	AP8179268	28.21	9
AP8177596	28.56	3	AP8178447	28.22	1	AP8179272	28.22	1
AP8177600	28.56	5	AP8178753	28.17	21	AP8179273	28.17	4
AP8177601	28.56	6	AP8178753	28.17	21	AP8179274	28.17	12
AP8177602	28.56	7	AP8178753	28.17	21	AP8179274	28.17	12
AP8177737	28.56	3	AP8178753	28.17	21	AP8179275	28.17	13
AP8177738	28.56	3	AP8178754	28.17	22	AP8179275	28.17	13
AP8177739	28.56	4	AP8178754	28.17	22	AP8179277	28.26	1
AP8177740	28.56	5	AP8178754	28.17	22	AP8179287	28.27	3
AP8177792	28.15	36	AP8178754	28.17	22	AP8179353	28.21	4
AP8177975	28.56	3	AP8178755	28.17	13	AP8179354	28.21	5
AP8177977	28.56	9	AP8178755	28.17	13	AP8179389	28.21	8
AP8177978	28.56	8	AP8178755	28.17	13	AP8179390	28.21	9
AP8178004	28.20	1	AP8178755	28.17	13	AP8179393	28.26	4
AP8178005	28.20	2	AP8178755	28.17	13	AP8179402	28.24	3
AP8178012	28.18	14	AP8178756	28.17	12	AP8179403	28.24	2
AP8178015	28.22	1	AP8178756	28.17	12	AP8179417	28.24	2
AP8178015	28.22	1	AP8178756	28.17	12	AP8179418	28.24	3
AP8178015	28.22	1	AP8178756	28.17	12	AP8179429	28.24	2
AP8178016	28.17	4	AP8178756	28.17	12	AP8179429	28.24	2
AP8178020	28.22	1	AP8178757	28.20	4	AP8179429	28.24	2
AP8178022	28.22	1	AP8178757	28.20	4	AP8179430	28.24	3
AP8178024	28.22	1	AP8178757	28.20	4	AP8179430	28.24	3
AP8178025	28.22	1	AP8178758	28.20	5	AP8179430	28.24	3
AP8178026	28.22	1	AP8178758	28.20	5	AP8179435	28.26	2
AP8178026	28.22	1	AP8178758	28.20	5	AP8179436	28.26	3
AP8178026	28.22	1	AP8178759	28.24	2	AP8179451	28.22	1
AP8178027	28.22	1	AP8178759	28.24	2	AP8179452	28.22	1
AP8178028	28.17	4	AP8178759	28.24	2	AP8179453	28.21	1
AP8178029	28.20	1	AP8178760	28.24	3	AP8179454	28.21	2

Code	No. table	Pos.	Code	No. table	Pos.	Code	No. table	Pos.
AP8179455	28.26	1	AP8184400	28.17	4	AP8234020	28.15	13
AP8179456	28.26	2	AP8184401	28.21	1	AP851699	30.02	6
AP8179457	28.26	4	AP8184402	28.21	2	AP8700792	30.06	4
AP8179461	28.22	1	AP8184403	28.26	1	AP8700793	30.06	4
AP8179462	28.22	1	AP8184404	28.26	2	AP8700794	30.06	4
AP8179463	28.21	1	AP8184406	28.26	4	AP8705021	30.06	2
AP8179464	28.21	2	AP8184649	28.26	3	AP8720115	30.78	1
AP8179465	28.26	1	AP8184676	28.22	1	AP8720116	30.78	2
AP8179466	28.26	2	AP8184677	28.22	1	AP8720117	30.78	3
AP8179467	28.26	4	AP8184678	28.22	1	AP8720118	30.78	4
AP8179483	28.22	1	AP8184679	28.22	1	AP8791264	30.01	4
AP8179484	28.26	4	AP8184680	28.17	4	AP8792156	30.06	1
AP8179497	28.22	1	AP8184681	28.18	22	AP8793686	30.01	5
AP8179501	28.22	1	AP8184682	28.21	1	AP8793700	30.02	9
AP8179831	28.26	3	AP8184683	28.21	2	AP8794042	30.06	5
AP8184315	28.22	1	AP8184684	28.21	8	AP8795039	30.05	1
AP8184316	28.22	1	AP8184685	28.21	9	AP8795040	30.01	7
AP8184317	28.17	4	AP8184686	28.26	1	AP8795041	28.16	1
AP8184318	28.21	1	AP8184687	28.26	2	AP8795041	30.01	6
AP8184319	28.21	2	AP8184688	28.26	3	AP8795042	28.16	1
AP8184320	28.21	8	AP8184689	28.26	4	AP8795042	30.01	6
AP8184320	28.21	8	AP8184698	28.22	1	AP8795043	30.01	2
AP8184320	28.21	8	AP8184699	28.22	1	AP8795044	30.01	3
AP8184321	28.21	9	AP8184700	28.17	4	AP8795046	30.05	2
AP8184321	28.21	9	AP8184701	28.21	1	AP8795047	30.05	3
AP8184321	28.21	9	AP8184702	28.21	2	AP8795048	30.05	4
AP8184322	28.26	1	AP8184703	28.21	8	AP8796055	30.02	7
AP8184323	28.26	2	AP8184704	28.21	9	AP8796196	30.01	2
AP8184324	28.26	3	AP8184705	28.26	1	AP8796519	30.03	10
AP8184325	28.26	4	AP8184706	28.26	2	AP8796519	30.04	13
AP8184332	28.22	1	AP8184708	28.26	4	AP8796519	30.75	13
AP8184333	28.22	1	AP8187000	28.76	6	AP8796520	30.04	16
AP8184334	28.17	4	AP8201301	28.49	21	AP8796775	28.11	15
AP8184335	28.21	1	AP8201727	28.07	12	AP8796775	30.01	1
AP8184335	28.21	1	AP8201727	28.33	21	AP8796775	30.01	1
AP8184336	28.21	2	AP8201755	28.15	16	AP8796779	30.02	6
AP8184336	28.21	2	AP8212588	28.53	6	AP8796780	30.02	2
AP8184337	28.26	1	AP8213057	28.32	7	AP8796782	30.02	1
AP8184338	28.26	2	AP8220095	28.37	21	AP8796783	30.02	5
AP8184339	28.26	3	AP8220150	28.29	2	AP8796784	30.02	3
AP8184340	28.26	4	AP8220191	28.34	3	AP8796785	30.02	4
AP8184349	28.22	1	AP8220238	28.26	8	AP8796788	30.04	2
AP8184350	28.22	1	AP8220238	28.53	21	AP8796789	30.04	3
AP8184351	28.17	4	AP8220263	28.23	6	AP8796790	30.04	4
AP8184352	28.21	1	AP8220269	28.33	28	AP8796790	30.75	4
AP8184353	28.21	2	AP8220283	28.53	8	AP8796791	30.04	5
AP8184354	28.21	8	AP8220283	28.54	5	AP8796791	30.75	5
AP8184355	28.21	9	AP8220349	28.26	19	AP8796792	30.03	4
AP8184356	28.24	2	AP8220598	28.27	15	AP8796792	30.04	6
AP8184357	28.24	3	AP8221023	28.32	18	AP8796793	30.03	5
AP8184358	28.26	1	AP8221023	28.33	19	AP8796793	30.04	7
AP8184359	28.26	2	AP8221023	28.35	10	AP8796794	30.04	8
AP8184360	28.26	3	AP8221036	28.24	14	AP8796795	30.04	9
AP8184361	28.26	4	AP8221043	28.30	13	AP8796796	30.04	10
AP8184362	28.19	1	AP8221129	28.55	8	AP8796797	30.04	11
AP8184363	28.19	1	AP8221145	28.24	8	AP8796798	30.04	12
AP8184383	28.22	1	AP8221145	28.26	11	AP8796835	30.06	3
AP8184384	28.22	1	AP8221145	28.34	5	AP8796999	30.04	1
AP8184385	28.17	4	AP8221171	28.53	17	AP8797156	30.04	2
AP8184386	28.21	1	AP8221197	28.10	7	AP8797157	30.04	3
AP8184387	28.21	2	AP8221310	28.23	12	AP8797158	30.04	15
AP8184388	28.21	8	AP8224164	28.28	3	AP8797159	30.03	8
AP8184389	28.21	9	AP8224462	28.53	7	AP8797159	30.04	14
AP8184393	28.26	4	AP8224462	28.54	4	AP8797162	28.25	2
AP8184394	28.07	1	AP8224470	28.11	13	AP8797162	30.02	8
AP8184398	28.22	1	AP8224470	28.26	12	AP8797163	28.25	2
AP8184399	28.22	1	AP8224470	28.32	16	AP8797163	30.02	8

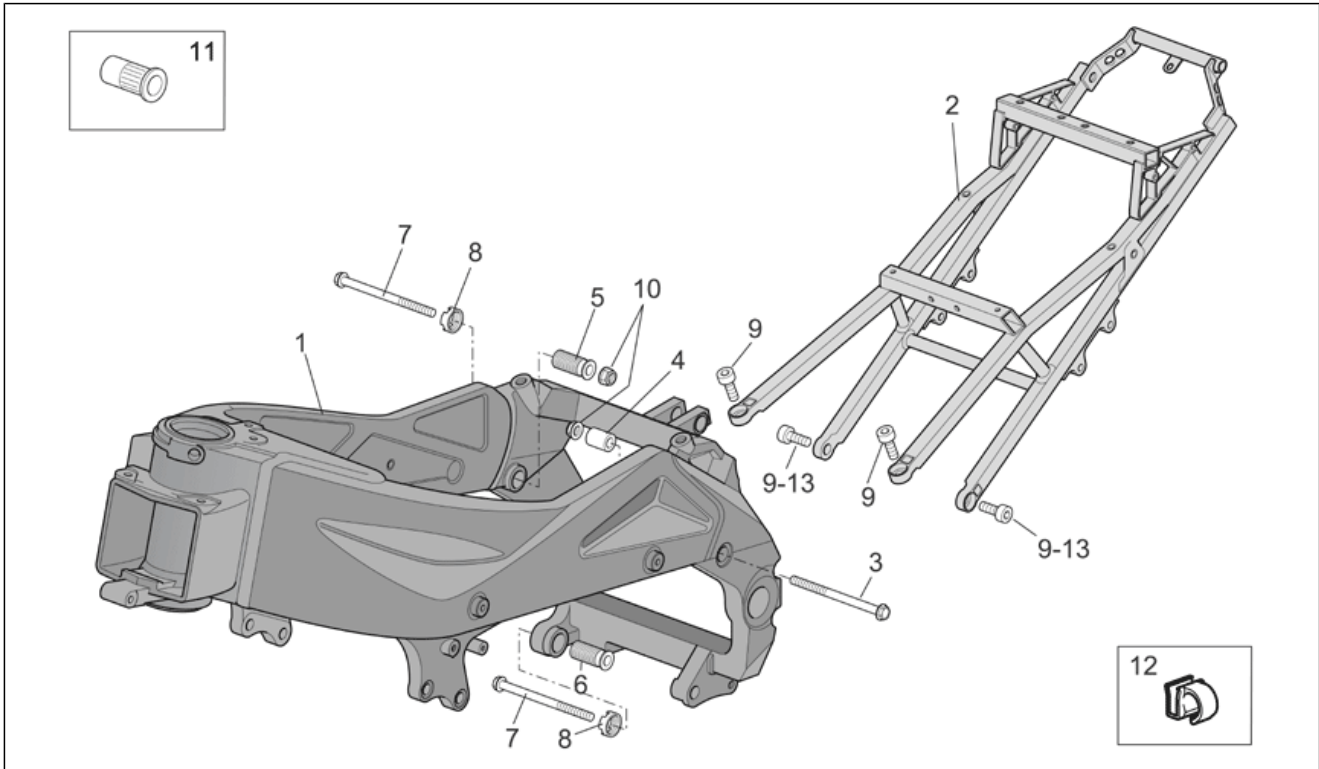
Code	No. table	Pos.
AP8797164	28.25	2
AP8797164	30.02	8
AP8797215	30.03	11
AP8797215	30.04	16
AP8797215	30.75	14
AP8797217	30.02	7
AP8797221	30.03	1
AP8797222	30.03	2
AP8797223	30.03	3
AP8797224	30.03	9
AP8797225	30.03	6
AP8797226	30.03	7
AP8797231	30.03	12
AP8797232	30.75	1
AP8797233	30.75	2
AP8797234	30.75	3
AP8797235	30.75	6
AP8797236	30.75	7
AP8797237	30.75	8
AP8797238	30.75	9
AP8797239	30.75	10
AP8797240	30.75	11
AP8797241	30.75	12
AP8797242	30.75	15
AP8797243	30.75	16
AP8797413	30.02	4
AP8797414	30.02	3
AP8797420	30.02	8
AP8798000	30.04	15
B045033	28.46	9
B045033	28.47	5
B045033	28.47	5
B045033	28.48	9

Group	FRAME
Code	28.07
Description	Frame I
Service	1



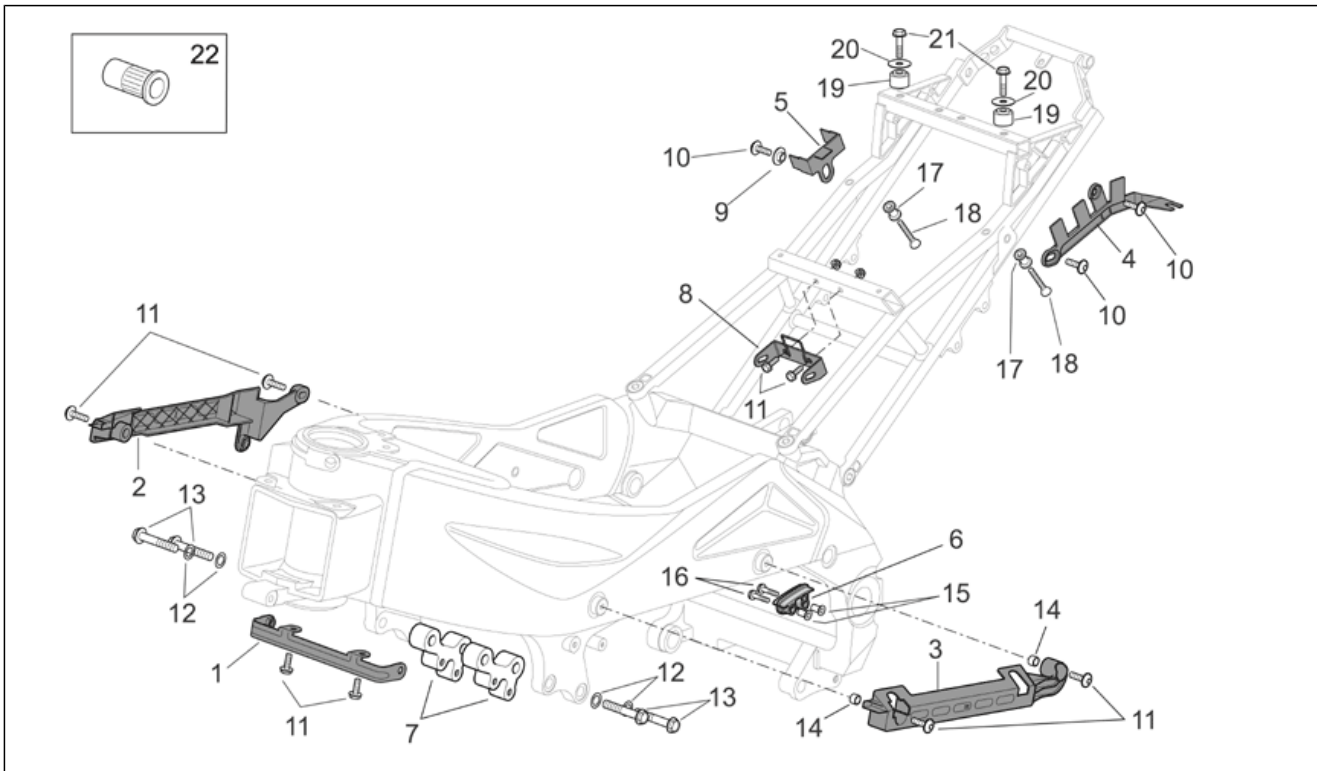
Pos.	Code	Description	Qty	Variants
1	AP8145044	Frame, gold	1	Year:2006[6] Vehicle colour:Aprilia black 2005-2006[a.blk] Technical Specifications:Factory "R" RSV Version[FAC]
1	AP8145053	Frame, black	1	Year:2006[6] Vehicle colour:Aprilia black 2005-2006[a.blk], Fluo Red 2005-2006[r.fluo] Technical Specifications:RSV Mille "R" Version[R]
1	AP8146487	Frame	1	Year:2004[4], 2005[5] Technical Specifications:RSV Mille "R" Version[R]
1	AP8146740	Frame	1	Year:2004[4], 2005[5] Technical Specifications:Factory "R" RSV Version[FAC]
1	AP8146829	Frame	1	Year:2004[4] Technical Specifications:"Nera" Dream RSV Version[DRE]
1	AP8146974	Frame	1	Year:2006[6] Vehicle colour:Aprilia White 2006 (s.t.15178)[white] Technical Specifications:RSV Mille "R" Version[R]
1	AP8146974	Frame	1	Year:2007[7], 2008[8] Technical Specifications:RSV Mille "R" Version[R]
1	AP8184394	Frame	1	Year:2007[7], 2008[8] Technical Specifications:Factory "R" RSV Version[FAC]
2	AP8146500	Saddle support	1	
3	AP8152317	Screw w/ flange M10x100	1	
4	AP8121597	Spacer	1	
5	AP8121996	Upper adjustment bush	1	
6	AP8121997	Lower adjustment bush	1	
7	AP8152317	Screw w/ flange M10x100	1	
8	AP8121995	Eng.connect.elem.ring nut	2	
9	AP8150469	Hex socket screw M10x30	4	Year:2006[6], 2007[7], 2008[8] Technical Specifications:RSV Mille "R" Version[R]
9	AP8150469	Hex socket screw M10x30	4	Year:2004[4], 2005[5] Technical Specifications:Factory "R" RSV Version[FAC], RSV Mille "R" Version[R]

Group	FRAME
Code	28.07
Description	Frame I
Service	1



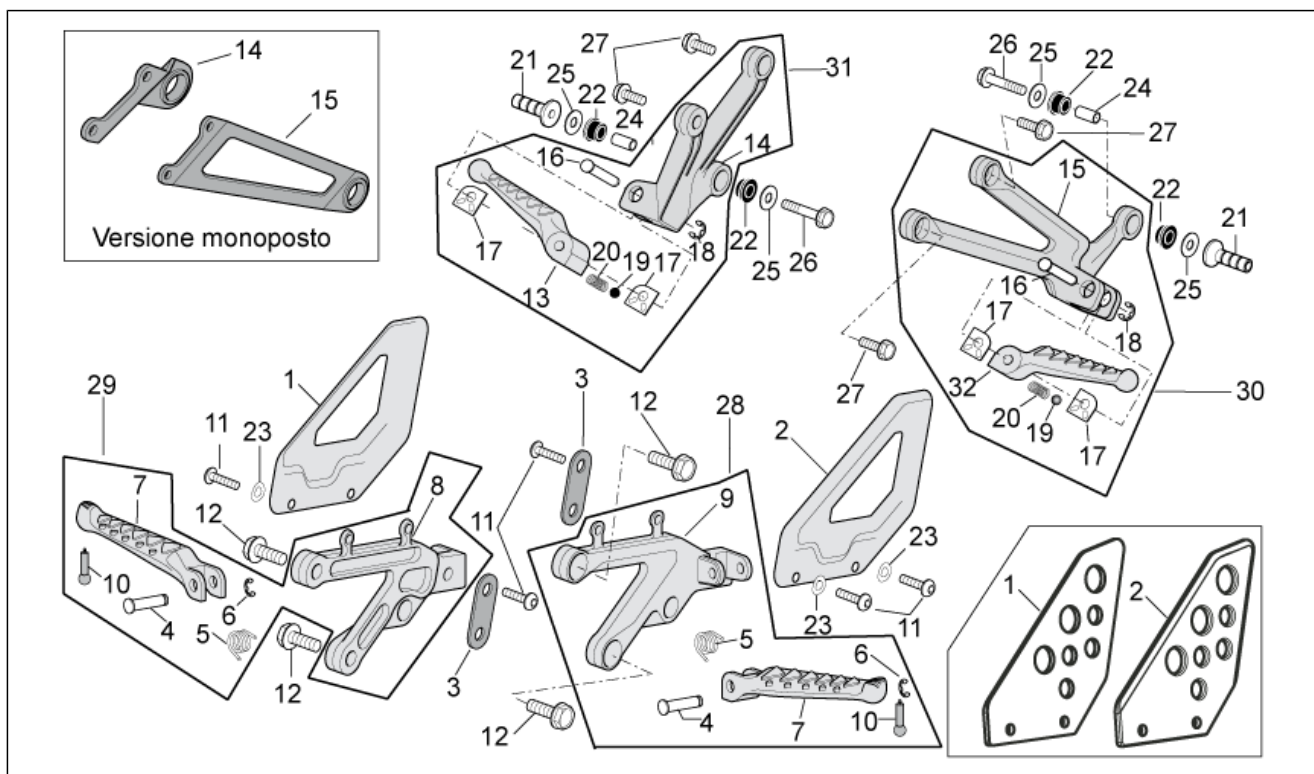
Pos.	Code	Description	Qty	Variants
9	AP8152430	Screw M10x30	4	Year:2004[4] Technical Specifications:"Nera" Dream RSV Version[DRE]
10	AP8152301	Self-locking nut	4	
11	AP8102544	Threaded rivet M6	12	
12	AP8201727	Black cable guide	1	
13	AP8150542	Screw M10x30	2	Year:2006[6], 2007[7], 2008[8] Technical Specifications:Factory "R" RSV Version[FAC]

Group	FRAME
Code	28.08
Description	Frame II
Service	1



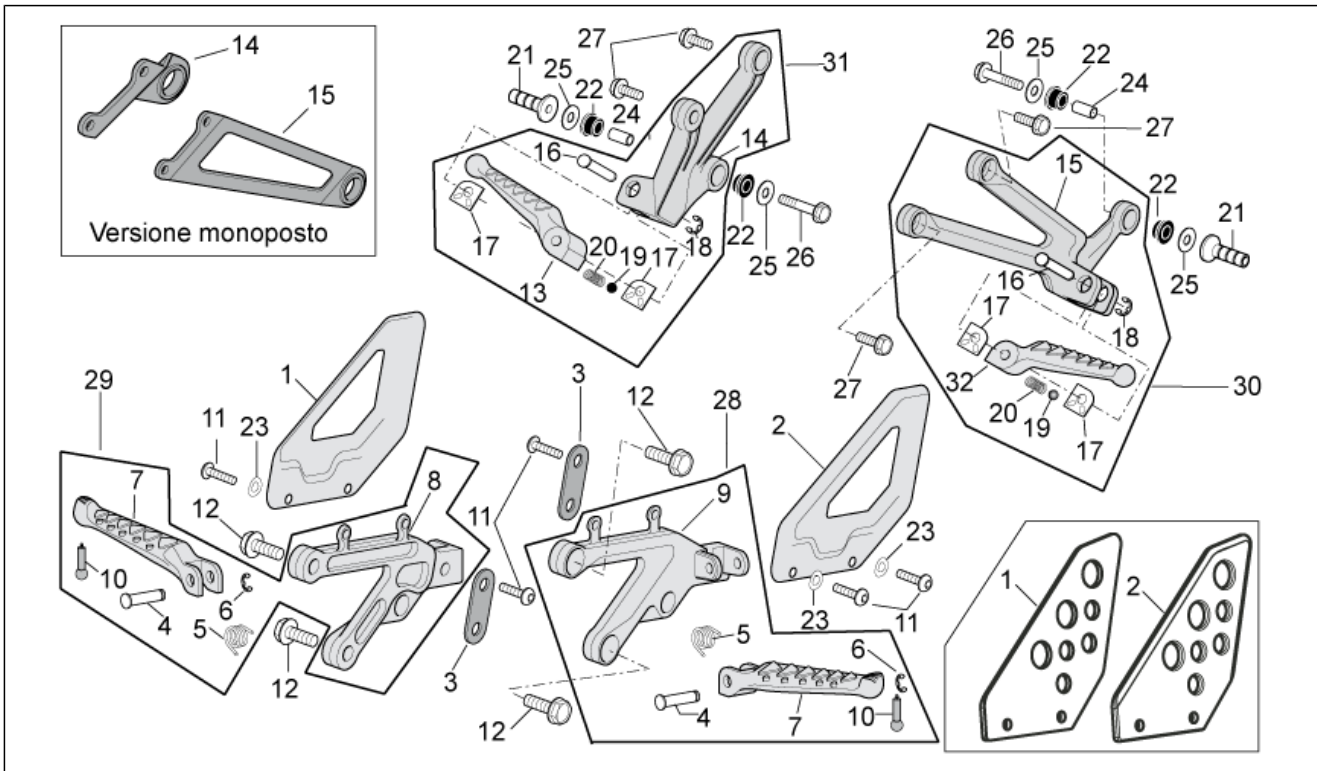
Pos.	Code	Description	Qty	Variants
1	AP8134775	Water cooler upper support	1	
2	AP8134767	RH front fairing support	1	
3	AP8134921	LH front fairing support	1	
4	AP8134854	Relais support	1	
5	AP8134851	Relais support	1	
6	AP8158669	Chain guide plate	1	
7	AP8134850	Eng. connecting spacer	2	
8	AP8134831	Plate	1	
9	AP8121075	T bush *	1	
10	AP8152246	Screw w/ flange M6x16	3	
11	AP8152278	Screw w/ flange M6x16	8	
12	AP8150292	Curved spring washer *	4	
13	AP8152410	Screw w/ flange M10x55	4	
14	AP8101985	Special clip	2	
15	AP8121741	Dashboard bush	2	
16	AP8152282	Screw w/ flange M6x35	2	
17	AP8121890	Rear stand bush	2	
18	AP8150468	Screw M6x40	2	
19	AP8152386	Spacer	2	
20	AP8121991	Bush	2	
21	AP8152283	Screw w/ flange	2	
22	AP8102544	Threaded rivet M6	12	

Group	FRAME
Code	28.09
Description	Foot rests
Service	1



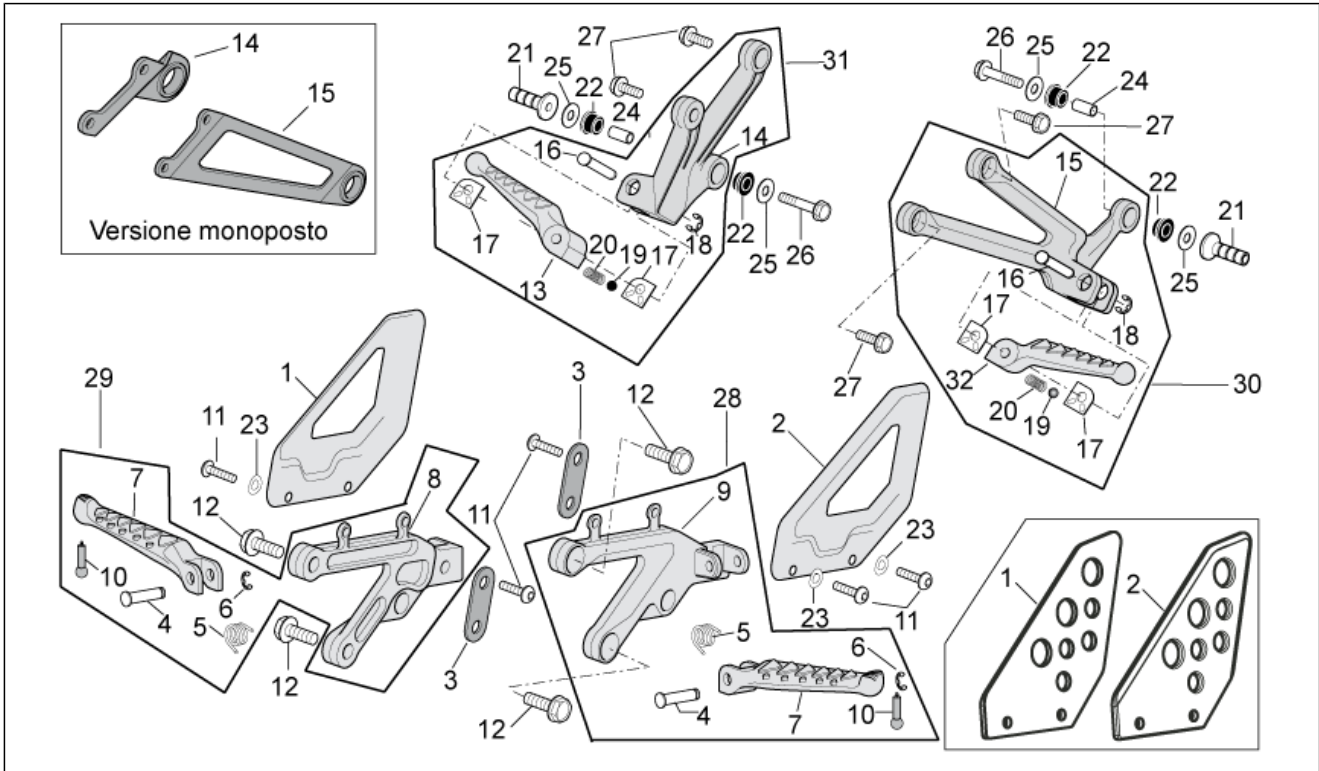
Pos.	Code	Description	Qty	Variants
1	AP8146503	RH front footrest guard	1	Year:2004[4], 2005[5] Technical Specifications:Factory "R" RSV Version[FAC], RSV Mille "R" Version[R]
1	AP8146802	RH front footrest guard	1	Year:2004[4], 2005[5] Technical Specifications:"Nera" Dream RSV Version[DRE]
1	AP8179259	RH front footrest guard	1	Year:2006[6], 2007[7], 2008[8] Technical Specifications:Factory "R" RSV Version[FAC], RSV Mille "R" Version[R]
2	AP8146504	LH front footrest guard	1	Year:2004[4], 2005[5] Technical Specifications:Factory "R" RSV Version[FAC], RSV Mille "R" Version[R]
2	AP8146803	LH front footrest guard	1	Year:2004[4], 2005[5] Technical Specifications:"Nera" Dream RSV Version[DRE]
2	AP8179260	LH front footrest guard	1	Year:2006[6], 2007[7], 2008[8] Technical Specifications:Factory "R" RSV Version[FAC], RSV Mille "R" Version[R]
3	AP8134541	Fairing fixing plate	2	
4	AP8121566	Footrest pin	2	
5	AP8121224	Footrest return spring	2	
6	AP8152409	Stop ring	2	
7	AP8146862	Front footrest, pair	1	Year:2004[4], 2005[5], 2006[6], 2007[7], 2008[8]
8	AP8146501	RH front footrest bracket	1	Year:2004[4], 2005[5]
9	AP8146502	LH front footrest bracket	1	Year:2004[4], 2005[5]
10	AP8134955	Footrest pin	2	
11	AP8150537	Hex socket screw M6x12	6	Year:2006[6], 2007[7], 2008[8] Technical Specifications:Factory "R" RSV Version[FAC], RSV Mille "R" Version[R]
11	AP8152277	Screw w/ flange M6x12	6	Year:2004[4], 2005[5] Technical Specifications:Factory "R" RSV Version[FAC], RSV Mille "R" Version[R]
11	AP8152459	Screw M6x10	4	Year:2004[4] Technical Specifications:"Nera" Dream RSV Version[DRE]

Group	FRAME
Code	28.09
Description	Foot rests
Service	1



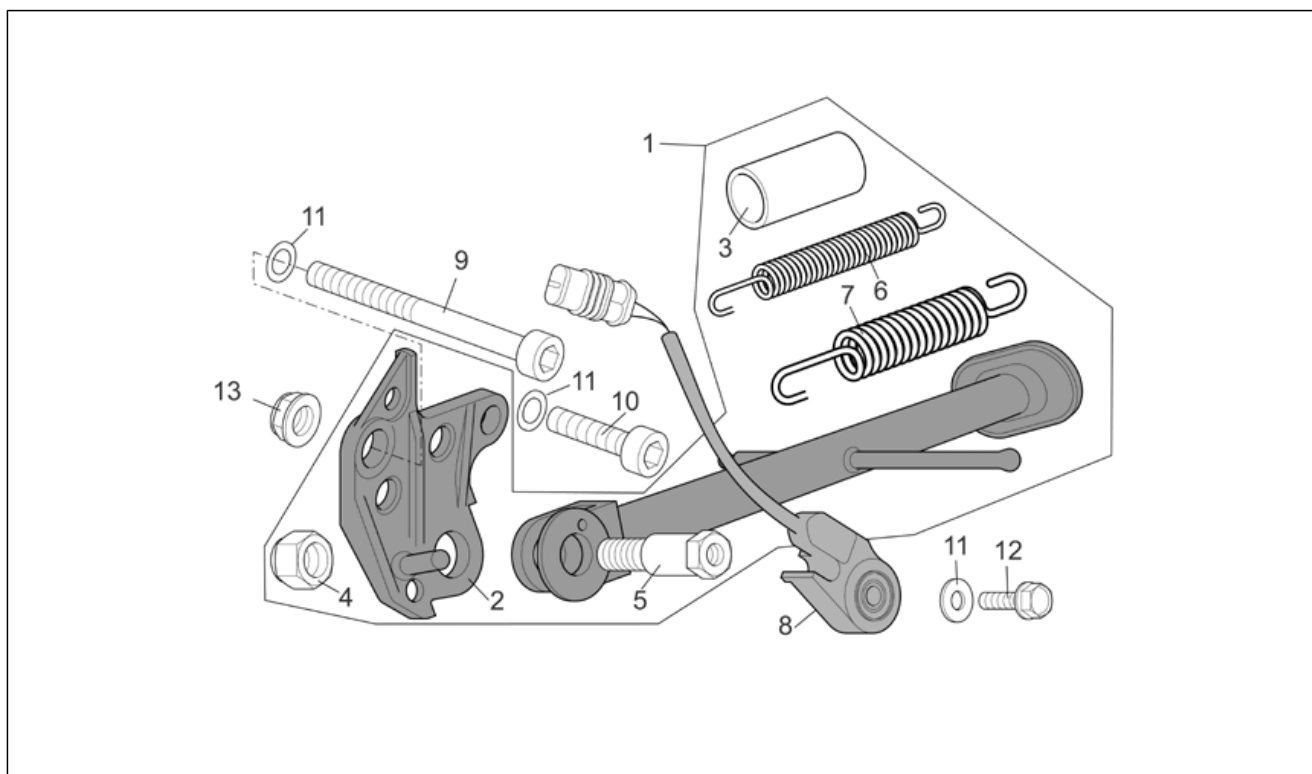
Pos.	Code	Description	Qty	Variants
12	AP8150540	Screw	4	Year:2006[6], 2007[7], 2008[8] Technical Specifications:Factory "R" RSV Version[FAC], RSV Mille "R" Version[R]
12	AP8152288	Screw w/ flange	4	Year:2004[4], 2005[5] Technical Specifications:Factory "R" RSV Version[FAC], RSV Mille "R" Version[R]
12	AP8152448	Screw M8x30	4	Year:2004[4] Technical Specifications:"Nera" Dream RSV Version[DRE]
13	AP8146616	Rear footrest, RH	1	Year:2004[4], 2005[5], 2006[6], 2007[7], 2008[8]
14	AP8134786	RH support	1	Year:2004[4], 2005[5] Technical Specifications:Single-saddle version[Mono]
14	AP8146566	RH footrest support	1	Year:2004[4], 2005[5] Technical Specifications:Double-saddle version[Bip]
15	AP8134830	LH support	1	Year:2004[4], 2005[5] Technical Specifications:Single-saddle version[Mono]
15	AP8146567	LH footrest support	1	Year:2004[4], 2005[5] Technical Specifications:Double-saddle version[Bip]
16	AP8134829	Footrest pin	2	
17	AP8134451	Footrest plate	4	
18	AP8152409	Stop ring	2	
19	AP8101861	Ball D6,35	2	
20	AP8121133	Coil compress. spring	2	
21	AP8158984	Silencer protection	2	
22	AP8144558	Rubber spacer	4	
23	AP8150429	Spring washer 6,4x11x0,5*	4	
24	AP8121455	Spacer bush	2	
25	AP8150018	Washer	4	
26	AP8152291	Screw w/ flange	2	Technical Specifications:Factory "R" RSV Version[FAC], RSV Mille "R" Version[R]
26	AP8152450	Screw M8x40	2	Technical Specifications:"Nera" Dream RSV Version[DRE]
27	AP8152287	Screw w/ flange M8x25	4	Year:2004[4], 2005[5]

Group	FRAME
Code	28.09
Description	Foot rests
Service	1



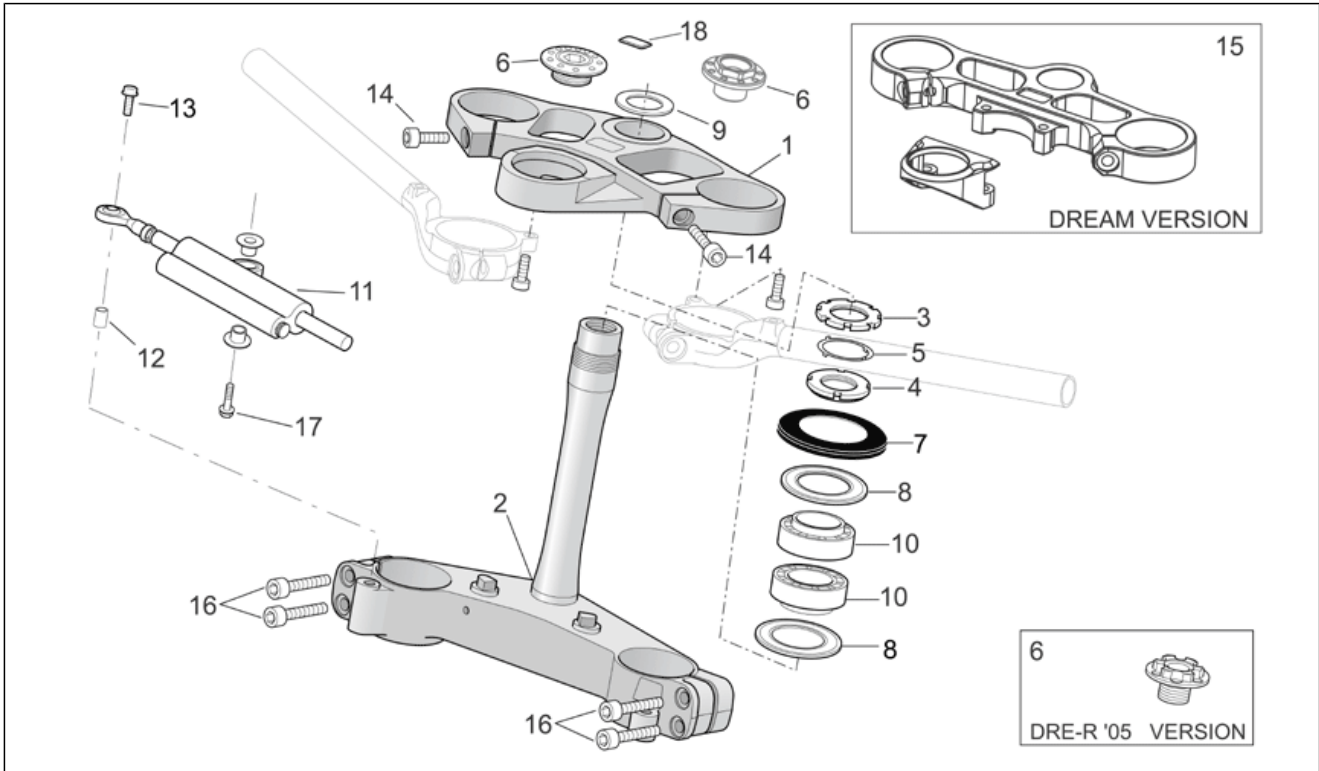
Pos.	Code	Description	Qty	Variants
				Technical Specifications: Factory "R" RSV Version[FAC], RSV Mille "R" Version[R]
27	AP8152447	Screw M8x20	4	Year: 2004[4] Technical Specifications: "Nera" Dream RSV Version[DRE]
27	AP8152486	Screw M8x25 INOX	4	Year: 2006[6], 2007[7], 2008[8] Technical Specifications: Factory "R" RSV Version[FAC], RSV Mille "R" Version[R]
28	AP8154069	LH front footrest bracket	1	Year: 2006[6], 2007[7], 2008[8]
29	AP8154070	RH front footrest bracket	1	Year: 2006[6], 2007[7], 2008[8]
30	AP8154071	LH footrest support	1	Year: 2006[6], 2007[7], 2008[8]
31	AP8154072	RH footrest support	1	Year: 2006[6], 2007[7], 2008[8]
32	AP8146617	Rear footrest, LH	1	Year: 2004[4], 2005[5], 2006[6], 2007[7], 2008[8]

Group	FRAME
Code	28.10
Description	Central stand
Service	1



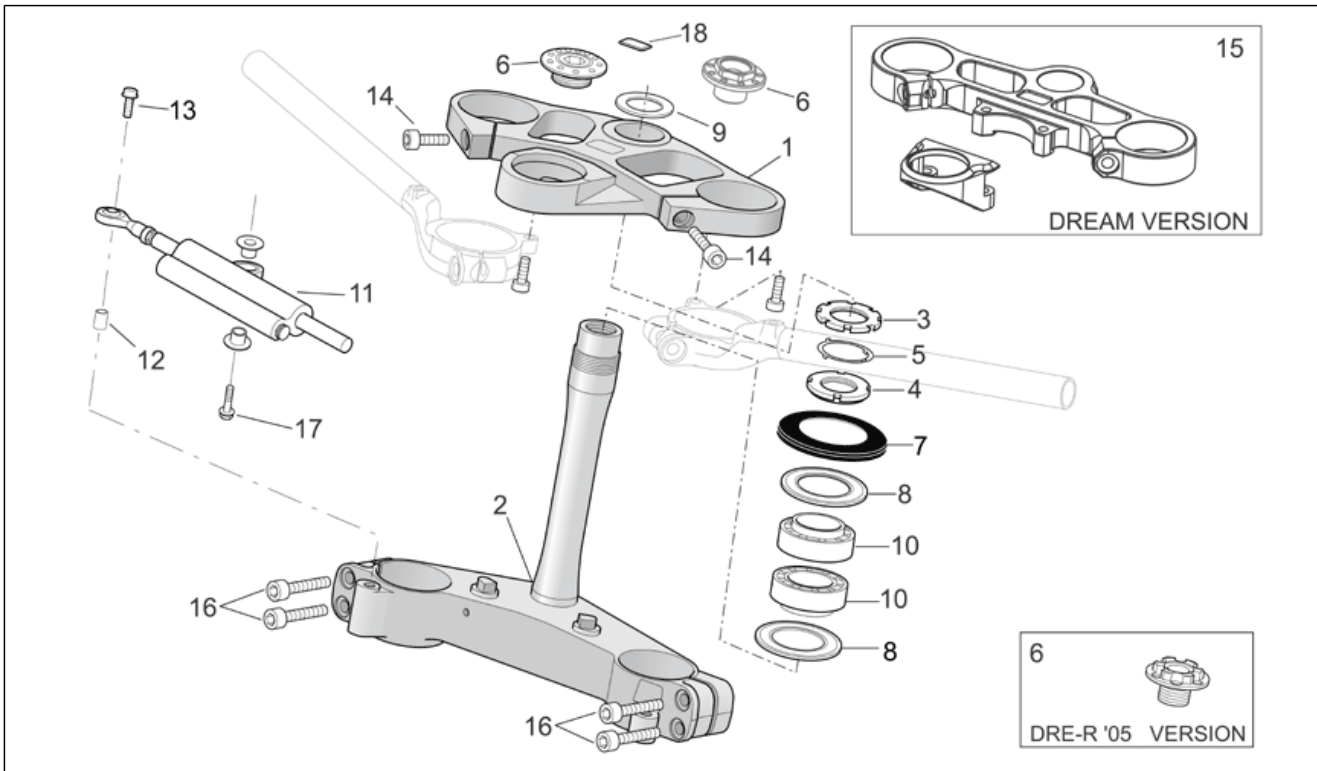
Pos.	Code	Description	Qty	Variants
1	AP8145055	Stand cpl.	1	Year:2006[6], 2007[7] Country:Australia[AA], B, GR, E, F, I, NL[EU], Japan[JJ], Mexico[ME], Great Britain[UK]
1	AP8146732	Stand cpl.	1	Year:2004[4], 2005[5], 2006[6], 2007[7], 2008[8] Country:Canadian[CN], United States of America[USA]
1	AP8146944	Stand cpl.	1	Year:2004[4], 2005[5] Country:Australia[AA], B, GR, E, F, I, NL[EU], Japan[JJ], Mexico[ME], Great Britain[UK]
2	AP8134887	plate	1	Country:Australia[AA], B, GR, E, F, I, NL[EU], Japan[JJ], Mexico[ME], Great Britain[UK]
2	AP8146731	plate	1	Year:2004[4], 2005[5], 2006[6], 2007[7], 2008[8] Country:Canadian[CN], United States of America[USA]
3	AP8102524	Stand spring protection	1	
4	AP8150480	Low self-locking nut M10x1,25	1	Country:Australia[AA], B, GR, E, F, I, NL[EU], Japan[JJ], Mexico[ME], Great Britain[UK]
4	AP8152001	Low nut M10x1,25	1	Year:2004[4], 2005[5], 2006[6], 2007[7], 2008[8] Country:Canadian[CN], United States of America[USA]
5	AP8121375	Central stand fixing screw	1	Country:Australia[AA], B, GR, E, F, I, NL[EU], Japan[JJ], Mexico[ME], Great Britain[UK]
5	AP8121429	Central stand fixing screw	1	Year:2004[4], 2005[5], 2006[6], 2007[7], 2008[8] Country:Canadian[CN], United States of America[USA]
6	AP8121014	Coil pull spring *	1	
7	AP8221197	Lateral stand spring	1	
8	AP8127319	Rotary switch	1	
9	AP8152440	screw	1	
10	AP8150196	Hex socket screw	1	
11	AP8150292	Curved spring washer *	2	
12	AP8152279	Screw w/ flange M6x20	1	Technical Specifications:Factory "R" RSV Version[FAC], RSV Mille "R" Version[R]
12	AP8152463	Screw M6x20	1	Technical Specifications:"Nera" Dream RSV Version[DRE]
13	AP8152301	Self-locking nut	1	

Group	FRAME
Code	28.11
Description	Steering
Service	1



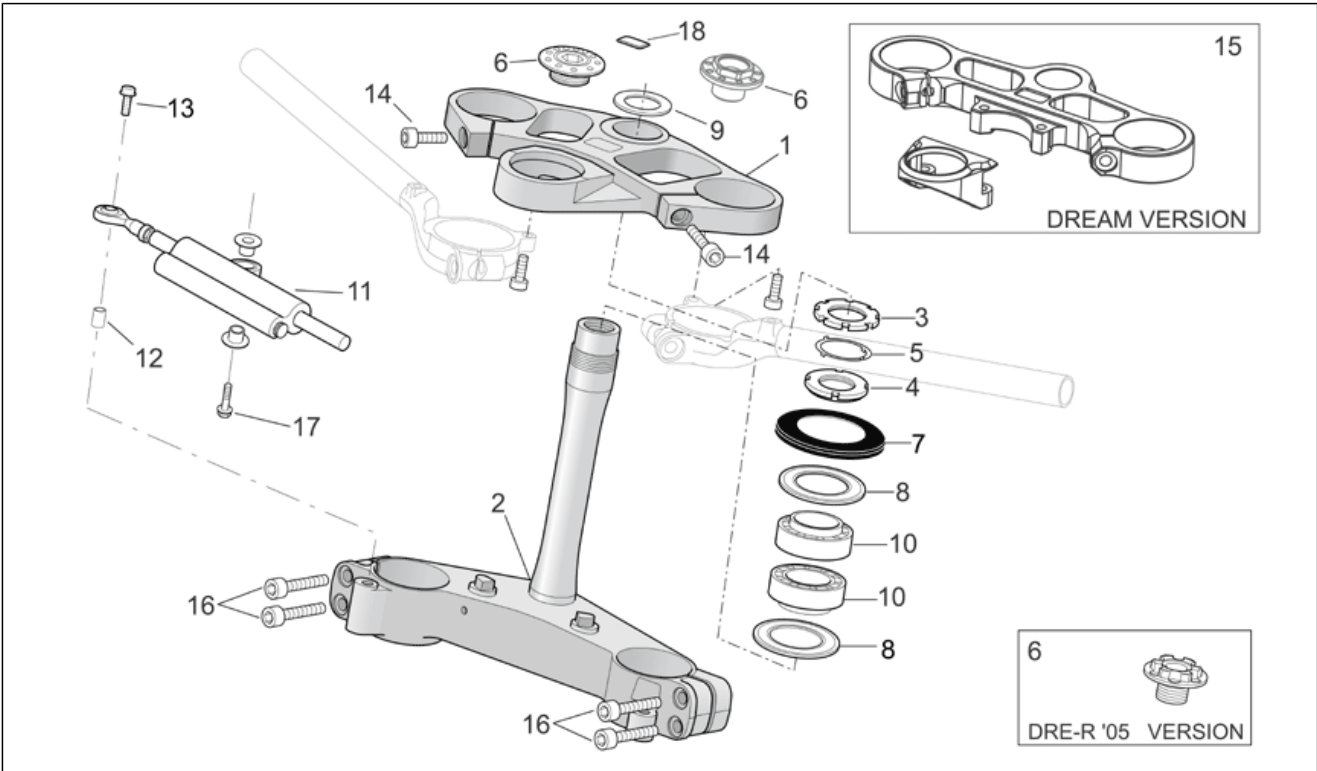
Pos.	Code	Description	Qty	Variants
1	AP8163060	Fork upper plate	1	Year:2005[5], 2006[6], 2007[7], 2008[8] Technical Specifications:RSV Mille "R" Version[R]
1	AP8163060	Fork upper plate	1	Year:2004[4], 2005[5] Technical Specifications:Factory "R" RSV Version[FAC]
1	AP8163121	Fork upper plate	1	Year:2004[4] Technical Specifications:RSV Mille "R" Version[R]
1	AP8163562	Fork upper plate	1	Year:2006[6], 2007[7], 2008[8] Technical Specifications:Factory "R" RSV Version[FAC]
2	AP8163061	Lower plate	1	Year:2006[6], 2007[7], 2008[8] Technical Specifications:RSV Mille "R" Version[R]
2	AP8163061	Lower plate	1	Technical Specifications:"Nera" Dream RSV Version[DRE], Factory "R" RSV Version[FAC]
2	AP8163122	Lower plate	1	Year:2004[4], 2005[5] Technical Specifications:RSV Mille "R" Version[R]
3	AP8123643	Return ring nut	1	
4	AP8123642	Ring nut	1	
5	AP8121207	Steering security plate	1	
6	AP8121346	Upper plate fixing bush	1	Year:2004[4], 2005[5] Technical Specifications:RSV Mille "R" Version[R]
6	AP8163170	Upper plate fixing bush	1	Year:2004[4], 2005[5] Technical Specifications:"Nera" Dream RSV Version[DRE], Factory "R" RSV Version[FAC]
6	AP8163170	Upper plate fixing bush	1	Year:2006[6], 2007[7], 2008[8] Technical Specifications:Factory "R" RSV Version[FAC], RSV Mille "R" Version[R]
7	AP8123644	Dust cover ring	1	Year:2006[6], 2007[7], 2008[8] Technical Specifications:Factory "R" RSV Version[FAC], RSV Mille "R" Version[R]
8	AP8123641	Dust cover ring	2	
9	AP8152384	Stem plug washer	1	Year:2004[4], 2005[5] Technical Specifications:RSV Mille "R" Version[R]
9	AP8152442	Stem plug washer	1	Year:2006[6], 2007[7], 2008[8]

Group	FRAME
Code	28.11
Description	Steering
Service	1



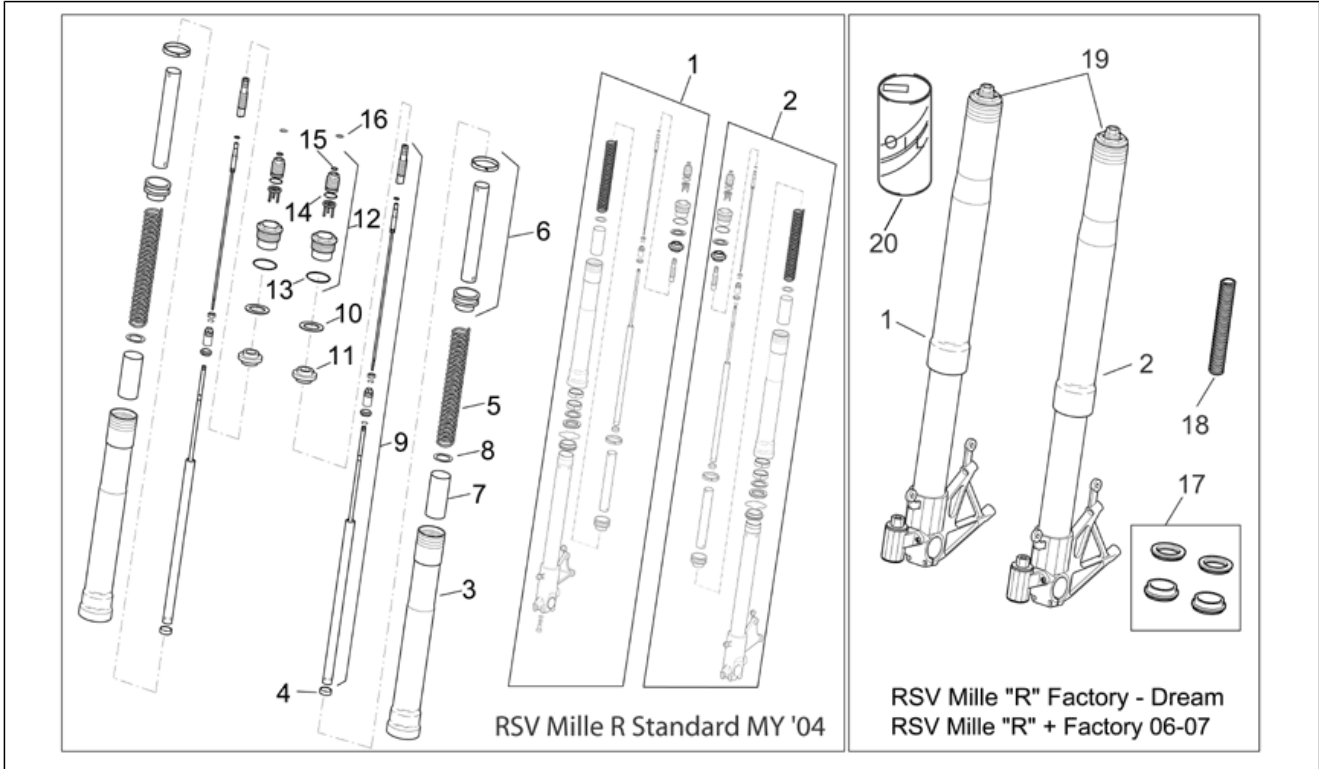
Pos.	Code	Description	Qty	Variants
				Technical Specifications: Factory "R" RSV Version[FAC], RSV Mille "R" Version[R]
9	AP8152442	Stem plug washer	1	Year: 2004[4], 2005[5] Technical Specifications: "Nera" Dream RSV Version[DRE], Factory "R" RSV Version[FAC]
10	AP8110077	Axial ball bearing	2	
11	AP8163064	Steering shock absorber	1	Year: 2006[6], 2007[7], 2008[8] Technical Specifications: Factory "R" RSV Version[FAC]
11	AP8163064	Steering shock absorber	1	Year: 2004[4], 2005[5] Technical Specifications: "Nera" Dream RSV Version[DRE], Factory "R" RSV Version[FAC]
12	AP8121041	Spacer *	1	Year: 2004[4], 2005[5], 2006[6], 2007[7], 2008[8] Technical Specifications: "Nera" Dream RSV Version[DRE], Factory "R" RSV Version[FAC]
13	AP8152279	Screw w/ flange M6x20	1	Year: 2004[4], 2005[5] Technical Specifications: Factory "R" RSV Version[FAC]
13	AP8152452	Screw M6x20	1	Year: 2004[4] Technical Specifications: "Nera" Dream RSV Version[DRE]
13	AP8224470	Hex socket screw M6x20	1	Year: 2006[6], 2007[7], 2008[8] Technical Specifications: Factory "R" RSV Version[FAC]
14	AP8150107	Hex socket screw M8x30	2	Year: 2004[4], 2005[5] Technical Specifications: Factory "R" RSV Version[FAC], RSV Mille "R" Version[R]
14	AP8150540	Screw	2	Year: 2006[6], 2007[7], 2008[8] Technical Specifications: Factory "R" RSV Version[FAC], RSV Mille "R" Version[R]
14	AP8152448	Screw M8x30	2	Year: 2004[4], 2005[5] Technical Specifications: "Nera" Dream RSV Version[DRE]
15	AP8796775	Fork upper plate alu	1	Technical Specifications: "Nera" Dream RSV Version[DRE]
16	AP8150263	Hex socket screw M10x75	4	Technical Specifications: Factory "R" RSV Version[FAC], RSV Mille "R" Version[R]
16	AP8152449	Screw M8x35	4	Technical Specifications: "Nera" Dream RSV Version[DRE]

Group	FRAME
Code	28.11
Description	Steering
Service	1



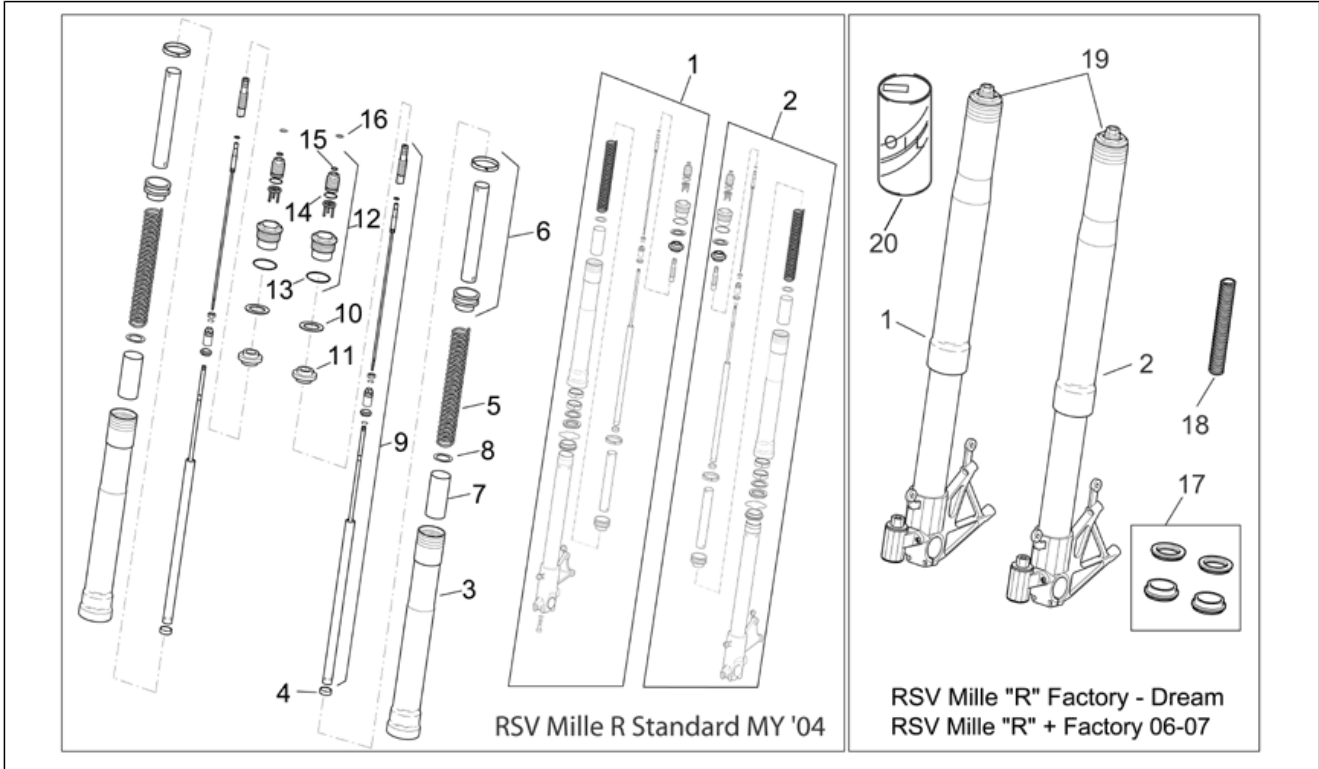
Pos.	Code	Description	Qty	Variants
17	AP8152281	Screw w/ flange M6x30	1	Technical Specifications: "Nera" Dream RSV Version[DRE], Factory "R" RSV Version[FAC]
18	AP8157770	"Aprilia" dataplate	1	Technical Specifications: "Nera" Dream RSV Version[DRE], Factory "R" RSV Version[FAC]

Group	FRAME
Code	28.12
Description	Front fork I
Service	1



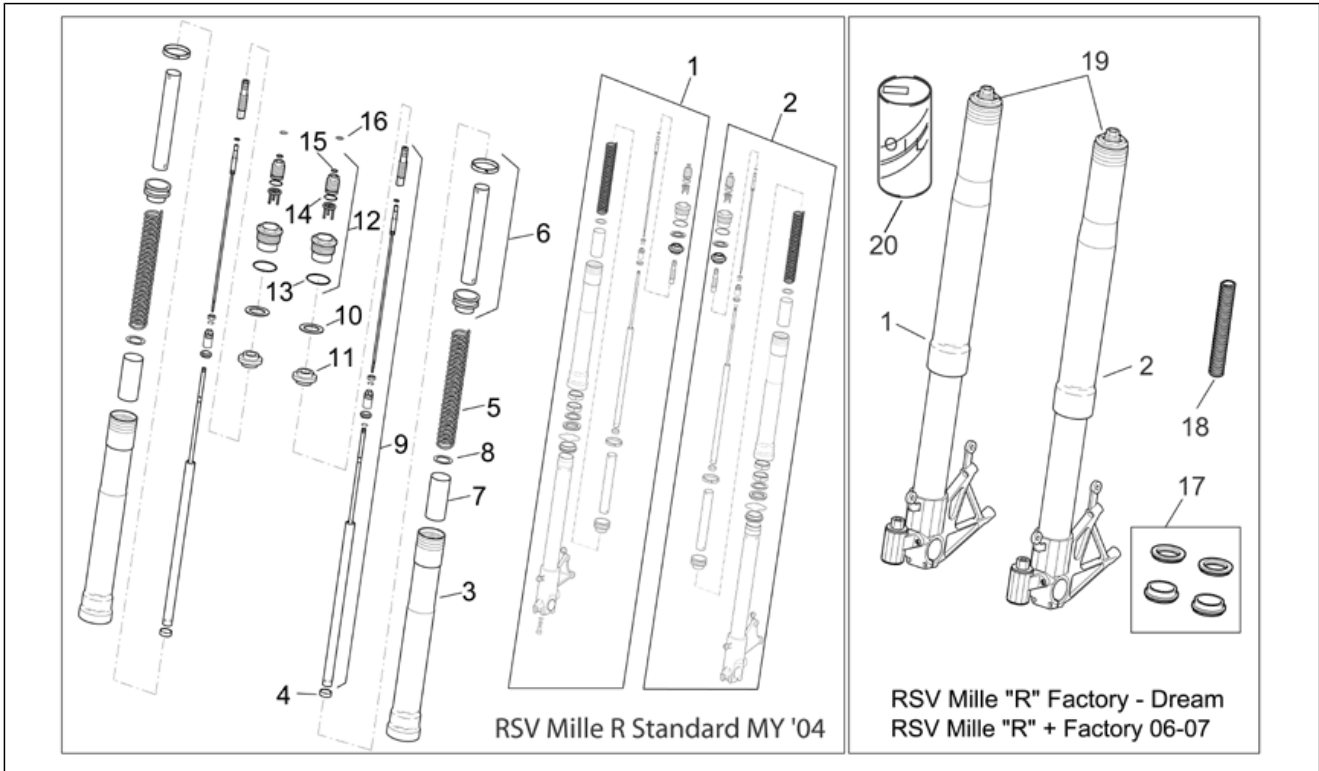
Pos.	Code	Description	Qty	Variants
1	AP8123637	RH hub cpl.	1	Year:2004[4] Technical Specifications:RSV Mille "R" Version[R], For standard brake caliper[sc]
1	AP8163062	RH hub cpl.	1	Year:2004[4], 2005[5] Technical Specifications:"Nera" Dream RSV Version[DRE], Factory "R" RSV Version[FAC], For radial brake caliper[rc]
1	AP8163062	RH hub cpl.	1	Year:2006[6], 2007[7], 2008[8] Technical Specifications:For radial brake caliper[rc]
2	AP8123638	LH hub cpl.	1	Year:2004[4] Technical Specifications:RSV Mille "R" Version[R], For standard brake caliper[sc]
2	AP8163063	LH hub cpl.	1	Year:2004[4], 2005[5] Technical Specifications:"Nera" Dream RSV Version[DRE], Factory "R" RSV Version[FAC], For radial brake caliper[rc]
2	AP8163063	LH hub cpl.	1	Year:2006[6], 2007[7], 2008[8] Technical Specifications:For radial brake caliper[rc]
3	AP8123829	Sleeve	2	Year:2004[4] Technical Specifications:RSV Mille "R" Version[R], For standard brake caliper[sc]
4	AP8123810	Plunger attachment bush	2	Year:2004[4] Technical Specifications:RSV Mille "R" Version[R], For standard brake caliper[sc]
5	AP8123831	Spring	2	Year:2004[4] Technical Specifications:RSV Mille "R" Version[R], For standard brake caliper[sc]
6	AP8123832	Preload tube cpl.	2	Year:2004[4] Technical Specifications:RSV Mille "R" Version[R], For standard brake caliper[sc]
7	AP8123835	Spacer	2	Year:2004[4] Technical Specifications:RSV Mille "R" Version[R], For standard brake caliper[sc]
8	AP8123836	Washer	2	Year:2004[4] Technical Specifications:RSV Mille "R" Version[R], For standard brake caliper[sc]

Group	FRAME
Code	28.12
Description	Front fork I
Service	1



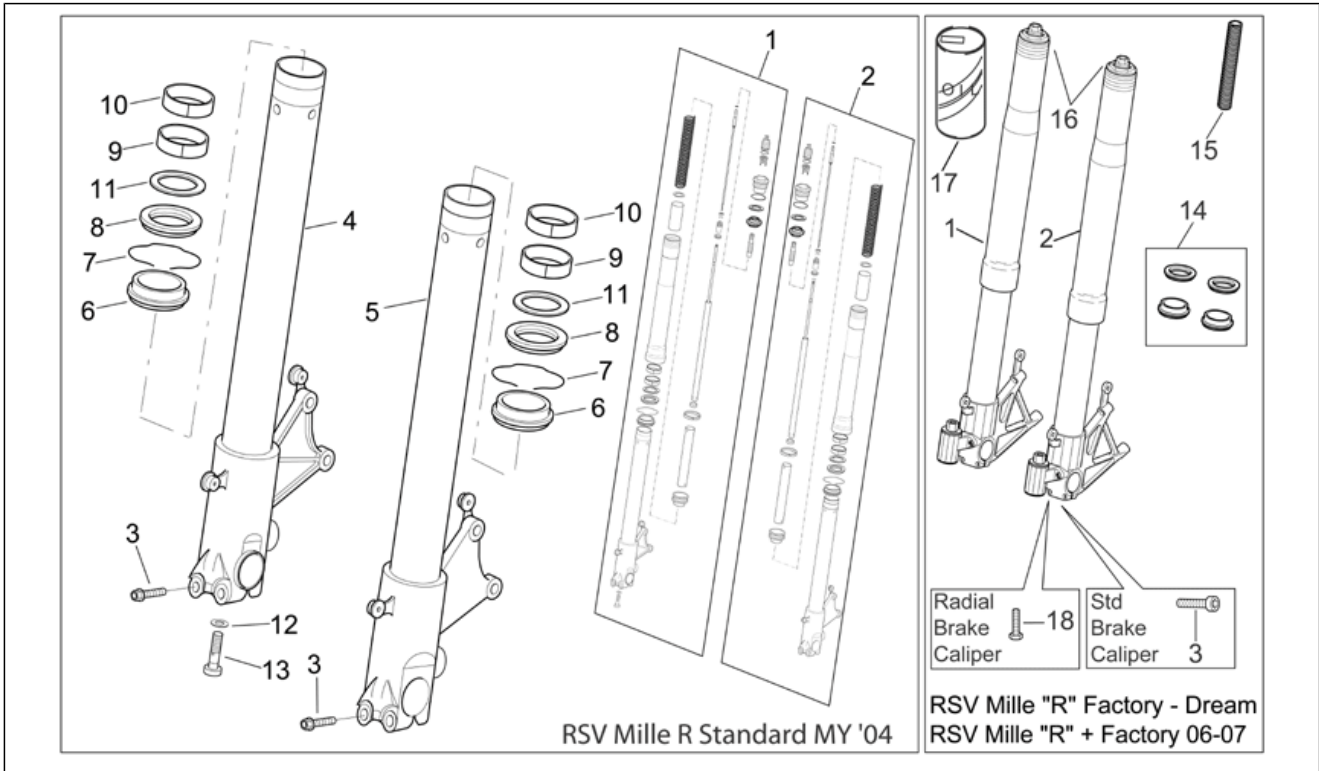
Pos.	Code	Description	Qty	Variants
9	AP8123830	Plunger, complete	2	Year:2004[4] Technical Specifications:RSV Mille "R" Version[R], For standard brake caliper[sc]
10	AP8123816	Washer	2	Year:2004[4] Technical Specifications:RSV Mille "R" Version[R], For standard brake caliper[sc]
11	AP8123815	Ring	2	Year:2004[4] Technical Specifications:RSV Mille "R" Version[R], For standard brake caliper[sc]
12	AP8123833	Sleeve plug cpl.	2	Year:2004[4] Technical Specifications:RSV Mille "R" Version[R], For standard brake caliper[sc]
13	AP8123834	O-ring	2	Year:2004[4] Technical Specifications:RSV Mille "R" Version[R], For standard brake caliper[sc]
14	AP8123819	O-ring	2	Year:2004[4] Technical Specifications:RSV Mille "R" Version[R], For standard brake caliper[sc]
15	AP8123820	O-ring	2	Year:2004[4] Technical Specifications:RSV Mille "R" Version[R], For standard brake caliper[sc]
16	AP8123821	Stop ring	2	Year:2004[4] Technical Specifications:RSV Mille "R" Version[R], For standard brake caliper[sc]
17	AP8123975	Front fork revision kit	1	Year:2006[6], 2007[7], 2008[8] Technical Specifications:For radial brake caliper[rc]
17	AP8123975	Front fork revision kit	1	Year:2004[4], 2005[5] Technical Specifications:"Nera" Dream RSV Version[DRE], Factory "R" RSV Version[FAC], For radial brake caliper[rc]
18	AP8163057	Spring	2	Year:2004[4], 2005[5] Technical Specifications:"Nera" Dream RSV Version[DRE], Factory "R" RSV Version[FAC], For radial brake caliper[rc]
18	AP8163057	Spring	2	Year:2006[6], 2007[7], 2008[8] Technical Specifications:For radial brake caliper[rc]

Group	FRAME
Code	28.12
Description	Front fork I
Service	1



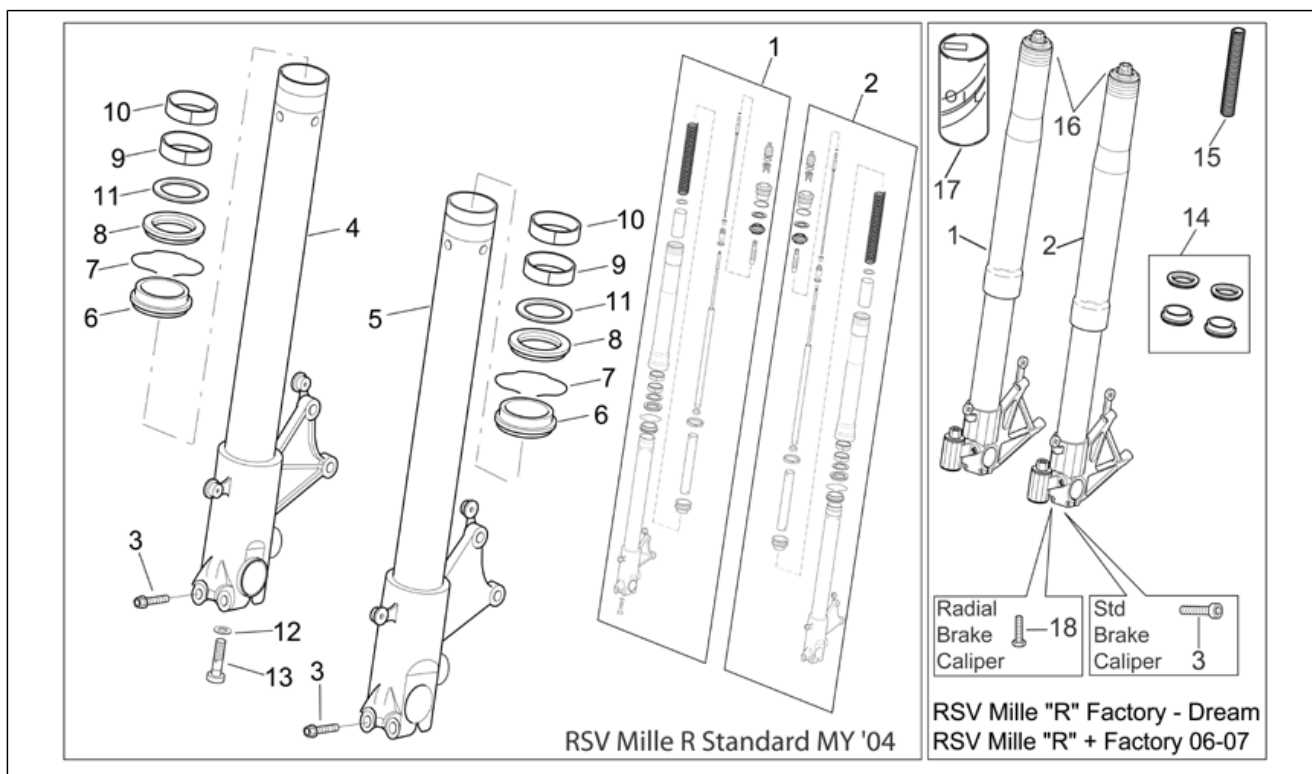
Pos.	Code	Description	Qty	Variants
19	AP8123977	Plug cpl.	2	Year:2004[4], 2005[5] Technical Specifications:"Nera" Dream RSV Version[DRE], Factory "R" RSV Version[FAC], For radial brake caliper[rc]
19	AP8123977	Plug cpl.	2	Year:2006[6], 2007[7], 2008[8] Technical Specifications:For radial brake caliper[rc]
20	AP8116071	Front fork oil 1 lt.	1	Year:2006[6], 2007[7], 2008[8] Technical Specifications:For radial brake caliper[rc]
20	AP8116071	Front fork oil 1 lt.	1	Year:2004[4], 2005[5] Technical Specifications:"Nera" Dream RSV Version[DRE], Factory "R" RSV Version[FAC], For radial brake caliper[rc]

Group	FRAME
Code	28.13
Description	Fron fork II
Service	1



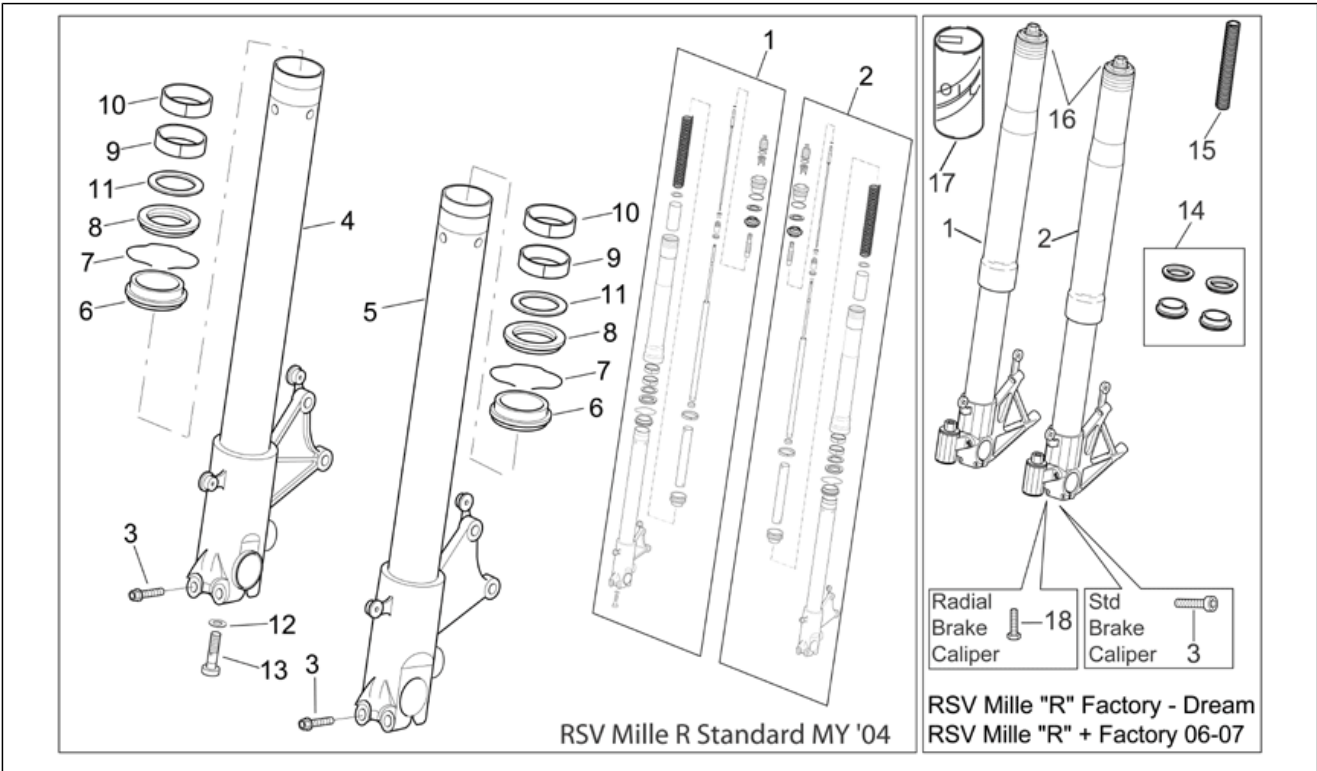
Pos.	Code	Description	Qty	Variants
1	AP8123637	RH hub cpl.	1	Year: 2004[4] Technical Specifications: RSV Mille "R" Version[R], For standard brake caliper[sc]
1	AP8163062	RH hub cpl.	1	Year: 2006[6], 2007[7], 2008[8] Technical Specifications: For radial brake caliper[rc]
1	AP8163062	RH hub cpl.	1	Year: 2004[4], 2005[5] Technical Specifications: "Nera" Dream RSV Version[DRE], Factory "R" RSV Version[FAC], For radial brake caliper[rc]
2	AP8123638	LH hub cpl.	1	Year: 2004[4] Technical Specifications: RSV Mille "R" Version[R], For standard brake caliper[sc]
2	AP8163063	LH hub cpl.	1	Year: 2006[6], 2007[7], 2008[8] Technical Specifications: For radial brake caliper[rc]
2	AP8163063	LH hub cpl.	1	Year: 2004[4], 2005[5] Technical Specifications: "Nera" Dream RSV Version[DRE], Factory "R" RSV Version[FAC], For radial brake caliper[rc]
3	AP8152290	Screw w/ flange M8x40	4	Year: 2004[4] Technical Specifications: RSV Mille "R" Version[R], For standard brake caliper[sc]
4	AP8123822	Hub+RH fork leg	1	Year: 2004[4] Technical Specifications: RSV Mille "R" Version[R], For standard brake caliper[sc]
5	AP8123823	Hub+LH fork leg	1	Year: 2004[4] Technical Specifications: RSV Mille "R" Version[R], For standard brake caliper[sc]
6	AP8123824	Dust cover	2	Year: 2004[4] Technical Specifications: RSV Mille "R" Version[R], For standard brake caliper[sc]
7	AP8123806	Circlip	2	Year: 2004[4] Technical Specifications: RSV Mille "R" Version[R], For standard brake caliper[sc]
8	AP8123825	Oil seal	2	Year: 2004[4] Technical Specifications: RSV Mille "R" Version[R], For standard brake caliper[sc]

Group	FRAME
Code	28.13
Description	Fron fork II
Service	1



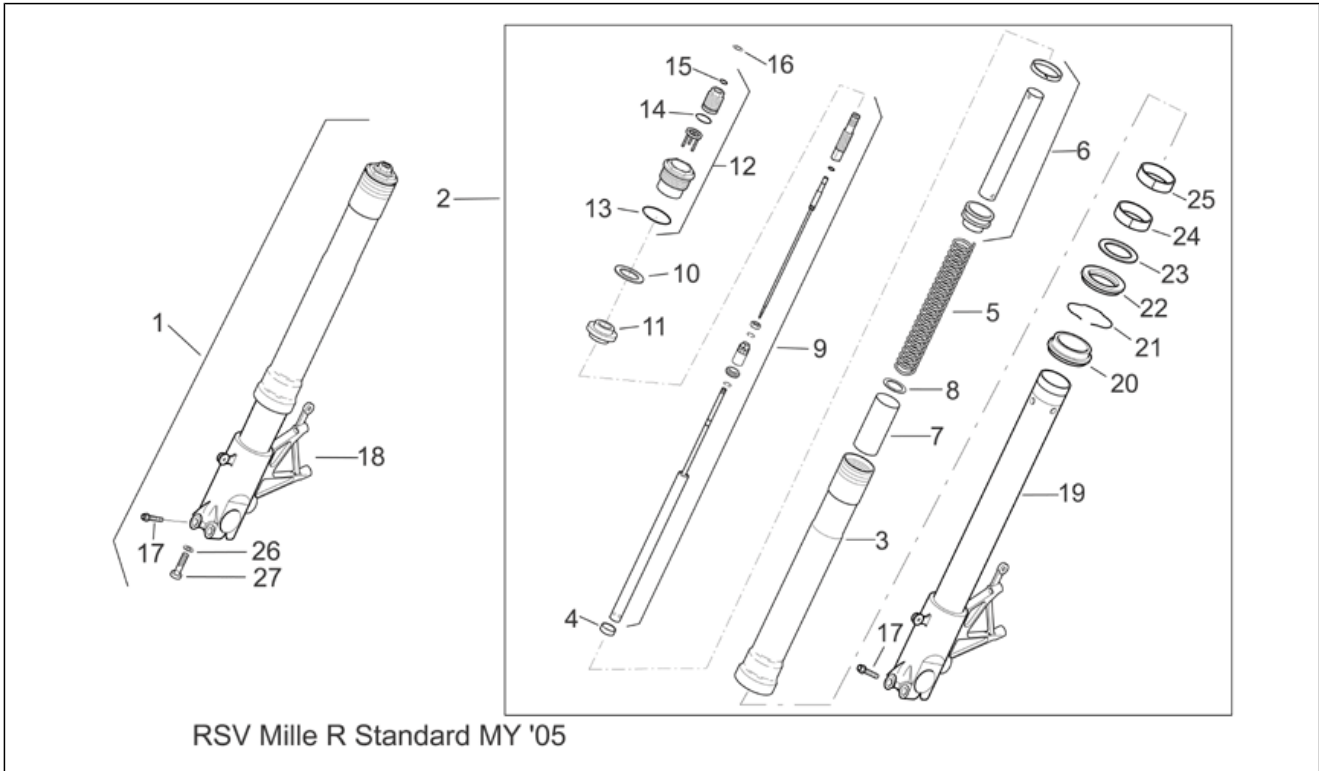
Pos.	Code	Description	Qty	Variants
9	AP8123827	Bush D.47,1xd.43xh.20	2	Year: 2004[4] Technical Specifications: RSV Mille "R" Version[R], For standard brake caliper[sc]
10	AP8123828	Bush D.44,5xd.41,1xh.20	2	Year: 2004[4] Technical Specifications: RSV Mille "R" Version[R], For standard brake caliper[sc]
11	AP8123826	Ring	2	Year: 2004[4] Technical Specifications: RSV Mille "R" Version[R], For standard brake caliper[sc]
12	AP8123811	Special washer	2	Year: 2004[4] Technical Specifications: RSV Mille "R" Version[R], For standard brake caliper[sc]
13	AP8123812	screw M10x1,5	2	Year: 2004[4] Technical Specifications: RSV Mille "R" Version[R], For standard brake caliper[sc]
14	AP8123975	Front fork revision kit	1	Year: 2006[6], 2007[7], 2008[8] Technical Specifications: For radial brake caliper[rc]
14	AP8123975	Front fork revision kit	1	Year: 2004[4], 2005[5] Technical Specifications: "Nera" Dream RSV Version[DRE], Factory "R" RSV Version[FAC], For radial brake caliper[rc]
15	AP8163057	Spring	2	Year: 2004[4], 2005[5] Technical Specifications: "Nera" Dream RSV Version[DRE], Factory "R" RSV Version[FAC], For radial brake caliper[rc]
15	AP8163057	Spring	2	Year: 2006[6], 2007[7], 2008[8] Technical Specifications: For radial brake caliper[rc]
16	AP8123977	Plug cpl.	2	Year: 2006[6], 2007[7], 2008[8] Technical Specifications: For radial brake caliper[rc]
16	AP8123977	Plug cpl.	2	Year: 2004[4], 2005[5] Technical Specifications: "Nera" Dream RSV Version[DRE], Factory "R" RSV Version[FAC], For radial brake caliper[rc]
17	AP8116071	Front fork oil 1 lt.	1	Year: 2004[4], 2005[5] Technical Specifications: "Nera" Dream RSV Version[DRE], Factory "R" RSV Version[FAC], For radial brake caliper[rc]

Group	FRAME
Code	28.13
Description	Fron fork II
Service	1



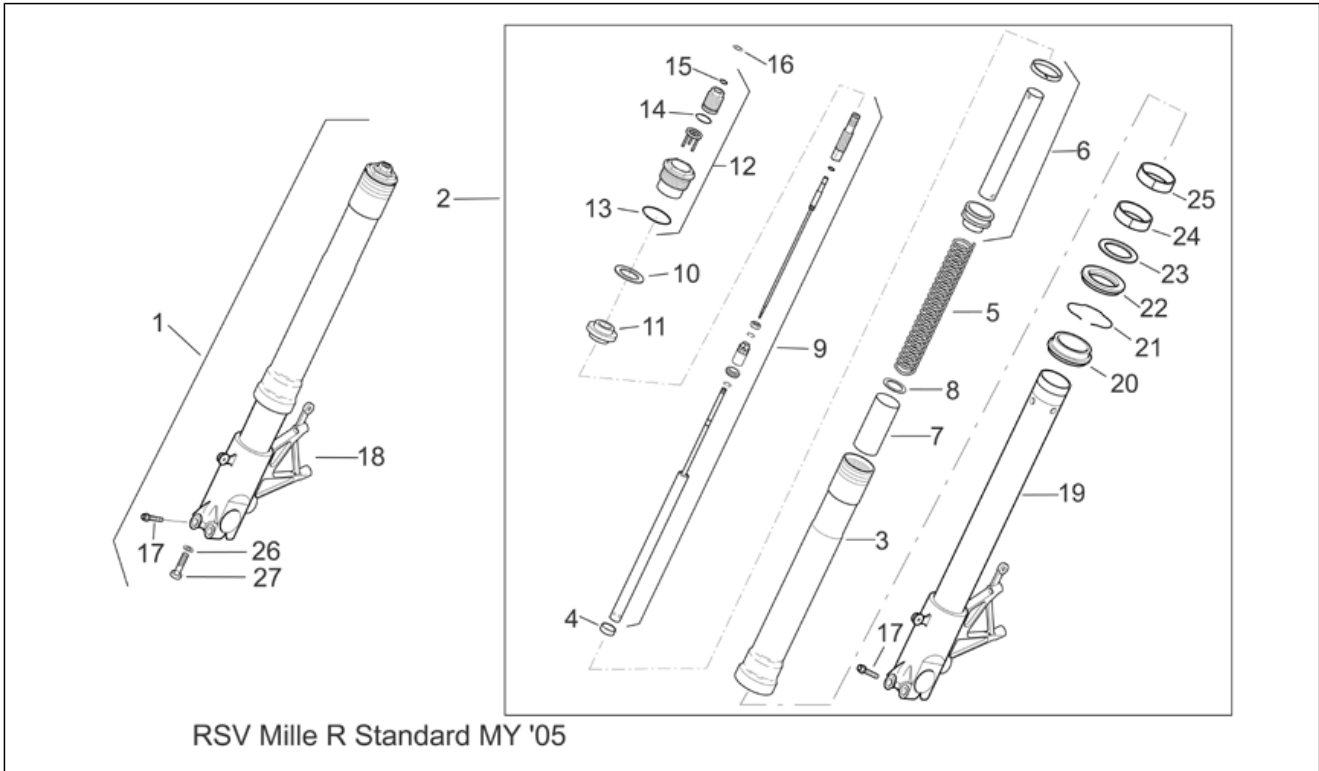
Pos.	Code	Description	Qty	Variants
17	AP8116071	Front fork oil 1 lt.	1	Year:2006[6], 2007[7], 2008[8] Technical Specifications: For radial brake caliper[rc]
18	AP8163481	screw	4	Year:2006[6], 2007[7], 2008[8] Technical Specifications: For radial brake caliper[rc]
18	AP8163481	screw	4	Year:2004[4], 2005[5] Technical Specifications: "Nera" Dream RSV Version[DRE], Factory "R" RSV Version[FAC], For radial brake caliper[rc]

Group	FRAME
Code	28.14
Description	Front fork III
Service	1



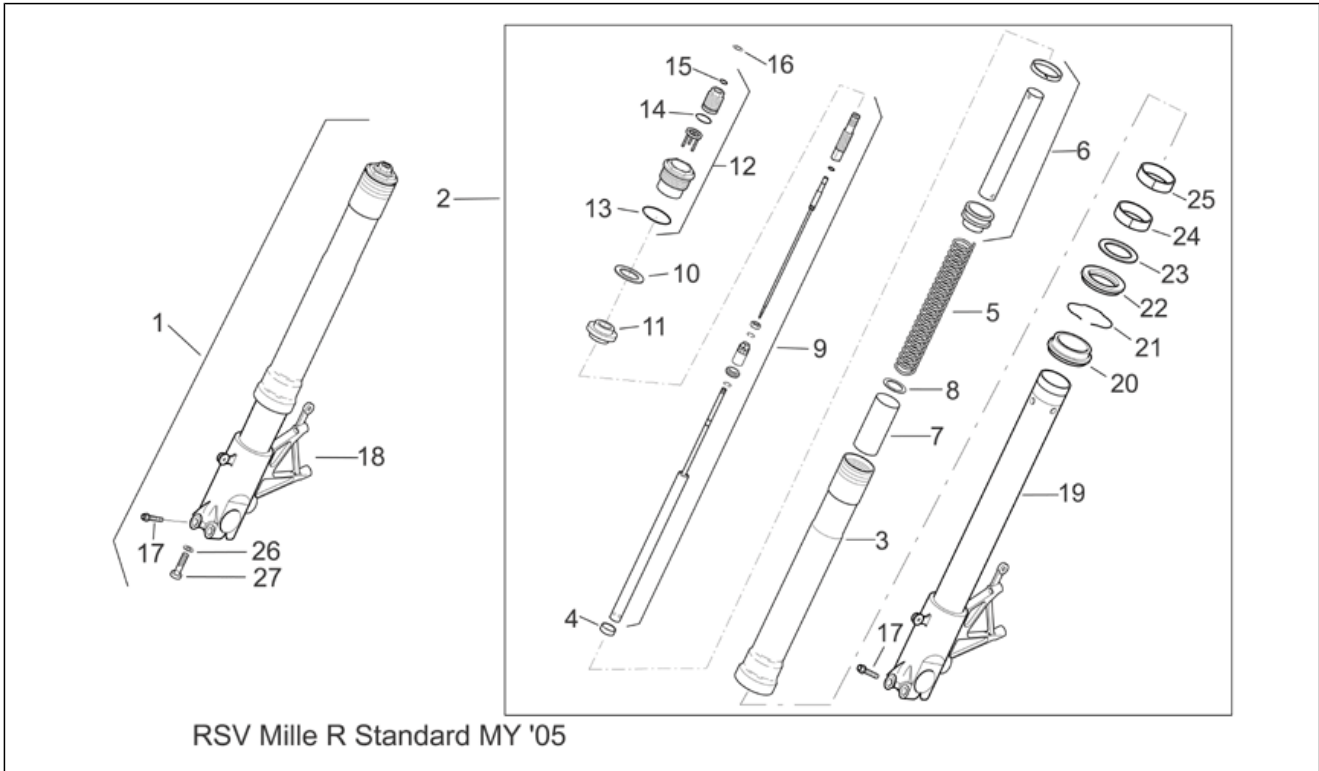
Pos.	Code	Description	Qty	Variants
1	AP8163451	RH radial sleeve	1	Year:2005[5] Technical Specifications:RSV Mille "R" Version[R], For radial brake caliper[rc]
2	AP8163452	LH radial sleeve	1	Year:2005[5] Technical Specifications:RSV Mille "R" Version[R], For radial brake caliper[rc]
3	AP8163494	Sleeve	2	Year:2005[5] Technical Specifications:RSV Mille "R" Version[R], For radial brake caliper[rc]
4	AP8123810	Plunger attachment bush	2	Year:2005[5] Technical Specifications:RSV Mille "R" Version[R], For radial brake caliper[rc]
5	AP8163495	Spring	2	Year:2005[5] Technical Specifications:RSV Mille "R" Version[R], For radial brake caliper[rc]
6	AP8123832	Preload tube cpl.	2	Year:2005[5] Technical Specifications:RSV Mille "R" Version[R], For radial brake caliper[rc]
7	AP8123835	Spacer	2	Year:2005[5] Technical Specifications:RSV Mille "R" Version[R], For radial brake caliper[rc]
8	AP8123836	Washer	2	Year:2005[5] Technical Specifications:RSV Mille "R" Version[R], For radial brake caliper[rc]
9	AP8163496	Plunger, complete	2	Year:2005[5] Technical Specifications:RSV Mille "R" Version[R], For radial brake caliper[rc]
10	AP8123816	Washer	2	Year:2005[5] Technical Specifications:RSV Mille "R" Version[R], For radial brake caliper[rc]
11	AP8123815	Ring	2	Year:2005[5] Technical Specifications:RSV Mille "R" Version[R], For radial brake caliper[rc]
12	AP8123817	Sleeve plug cpl.	2	Year:2005[5]

Group	FRAME
Code	28.14
Description	Front fork III
Service	1



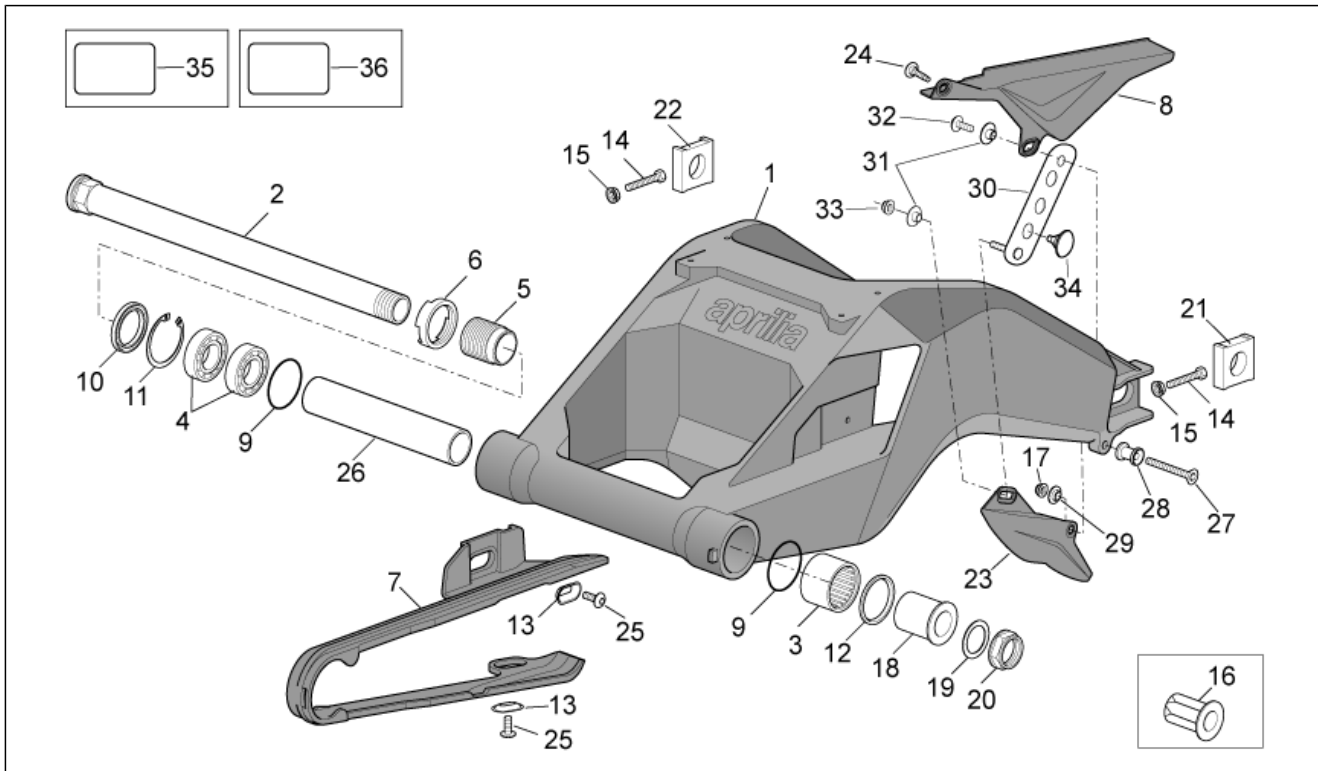
Pos.	Code	Description	Qty	Variants
				Technical Specifications: RSV Mille "R" Version[R], For radial brake caliper[rc]
13	AP8123834	O-ring	2	Year: 2005[5] Technical Specifications: RSV Mille "R" Version[R], For radial brake caliper[rc]
14	AP8123819	O-ring	2	Year: 2005[5] Technical Specifications: RSV Mille "R" Version[R], For radial brake caliper[rc]
15	AP8123820	O-ring	2	Year: 2005[5] Technical Specifications: RSV Mille "R" Version[R], For radial brake caliper[rc]
16	AP8123821	Stop ring	2	Year: 2005[5] Technical Specifications: RSV Mille "R" Version[R], For radial brake caliper[rc]
17	AP8152290	Screw w/ flange M8x40	4	Year: 2005[5] Technical Specifications: RSV Mille "R" Version[R], For radial brake caliper[rc]
18	AP8163492	Hub+RH fork leg	1	Year: 2005[5] Technical Specifications: RSV Mille "R" Version[R], For radial brake caliper[rc]
19	AP8163493	Hub+LH fork leg	1	Year: 2005[5] Technical Specifications: RSV Mille "R" Version[R], For radial brake caliper[rc]
20	AP8123824	Dust cover	2	Year: 2005[5] Technical Specifications: RSV Mille "R" Version[R], For radial brake caliper[rc]
21	AP8123806	Circlip	2	Year: 2005[5] Technical Specifications: RSV Mille "R" Version[R], For radial brake caliper[rc]
22	AP8123825	Oil seal	2	Year: 2005[5] Technical Specifications: RSV Mille "R" Version[R], For radial brake caliper[rc]
23	AP8123826	Ring	2	Year: 2005[5]

Group	FRAME
Code	28.14
Description	Front fork III
Service	1



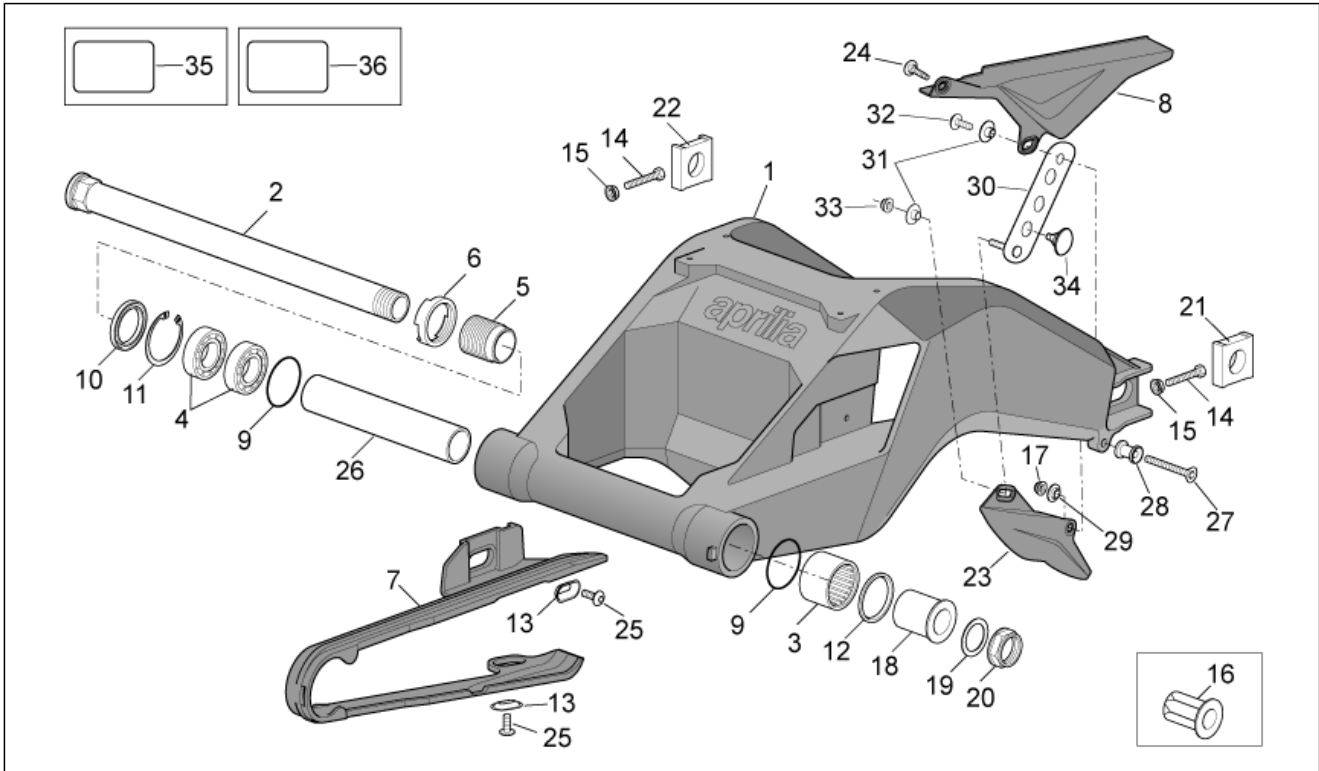
Pos.	Code	Description	Qty	Variants
				Technical Specifications: RSV Mille "R" Version[R], For radial brake caliper[rc]
24	AP8123827	Bush D.47,1xd.43xh.20	2	Year: 2005[5] Technical Specifications: RSV Mille "R" Version[R], For radial brake caliper[rc]
25	AP8123828	Bush D.44,5xd.41,1xh.20	2	Year: 2005[5] Technical Specifications: RSV Mille "R" Version[R], For radial brake caliper[rc]
26	AP8123811	Special washer	2	Year: 2005[5] Technical Specifications: RSV Mille "R" Version[R], For radial brake caliper[rc]
27	AP8123812	screw M10x1,5	2	Year: 2005[5] Technical Specifications: RSV Mille "R" Version[R], For radial brake caliper[rc]

Group	FRAME
Code	28.15
Description	Swing arm
Service	1



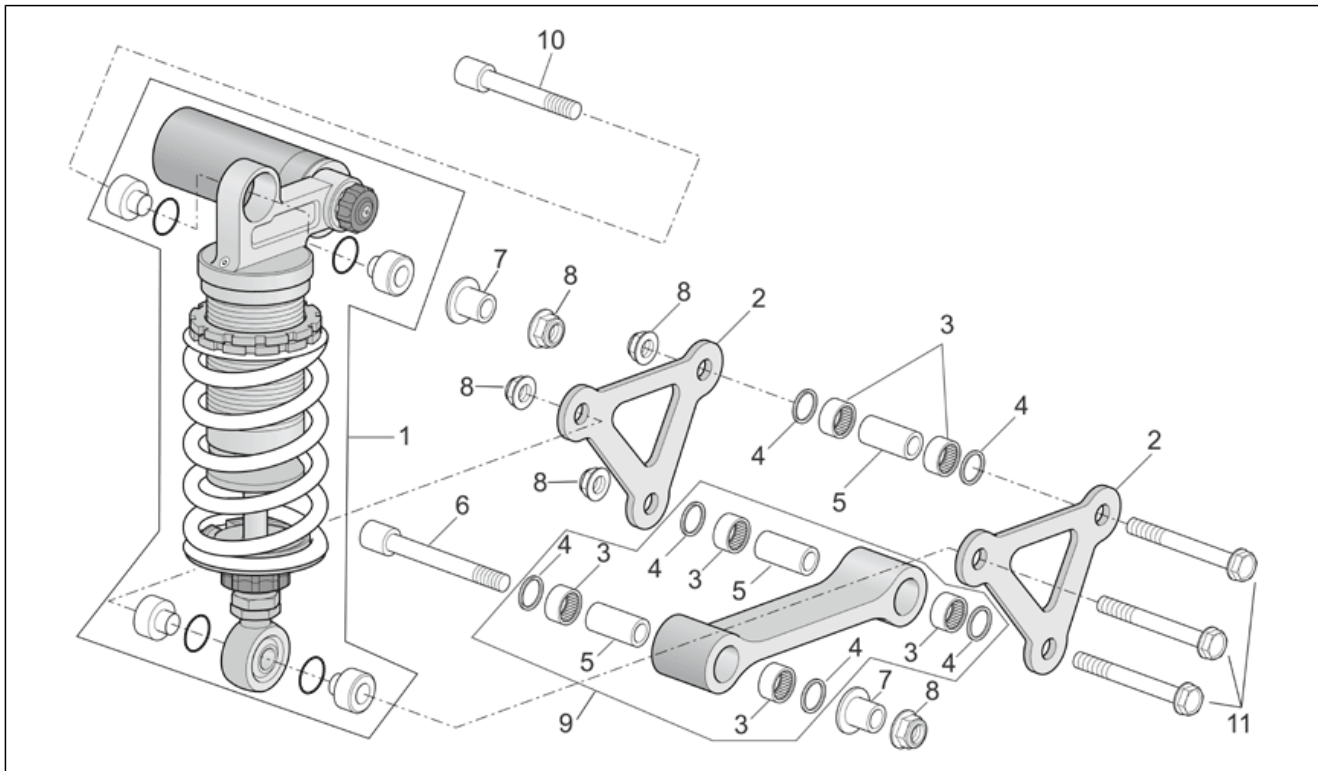
Pos.	Code	Description	Qty	Variants
1	AP8145020	Swing arm	1	
2	AP8146520	Rear swing arm pin	1	
3	AP8110078	Cage à rouleaux	1	
4	AP8110079	Ball bearing	2	
5	AP8121200	Adjustment bush	1	
6	AP8121201	Swing arm ring nut	1	
7	AP8144463	Chain guide plate	1	
8	AP8158148	Chain guard	1	Technical Specifications: Factory "R" RSV Version[FAC], RSV Mille "R" Version[R]
8	AP8168977	Chain guard	1	Year: 2004[4] Technical Specifications: "Nera" Dream RSV Version[DRE]
9	AP8144048	O-ring 134	2	
10	AP8144006	Gasket ring	1	
11	AP8121204	Inside circlip d37	1	
12	AP8144005	Gasket ring	1	
13	AP8234020	Cup for shoe	2	
14	AP8152305	Chain tens.adjuster screw	2	
15	AP8150334	Nut M8	2	
16	AP8201755	Threaded rivet	4	
17	AP8152299	Self-locking nut M6	1	
18	AP8121203	Rear int.sw.arm piv.bush	1	
19	AP8125687	Wheel pin washer	1	
20	AP8125763	Rear wheel spindle nut	1	
21	AP8144443	LH chain guide plate	1	
22	AP8144444	RH chain guide plate	1	
23	AP8144445	Chain guide plate	1	Technical Specifications: Factory "R" RSV Version[FAC], RSV Mille "R" Version[R]
23	AP8144624	Chain guide plate	1	Year: 2004[4] Technical Specifications: "Nera" Dream RSV Version[DRE]

Group	FRAME
Code	28.15
Description	Swing arm
Service	1



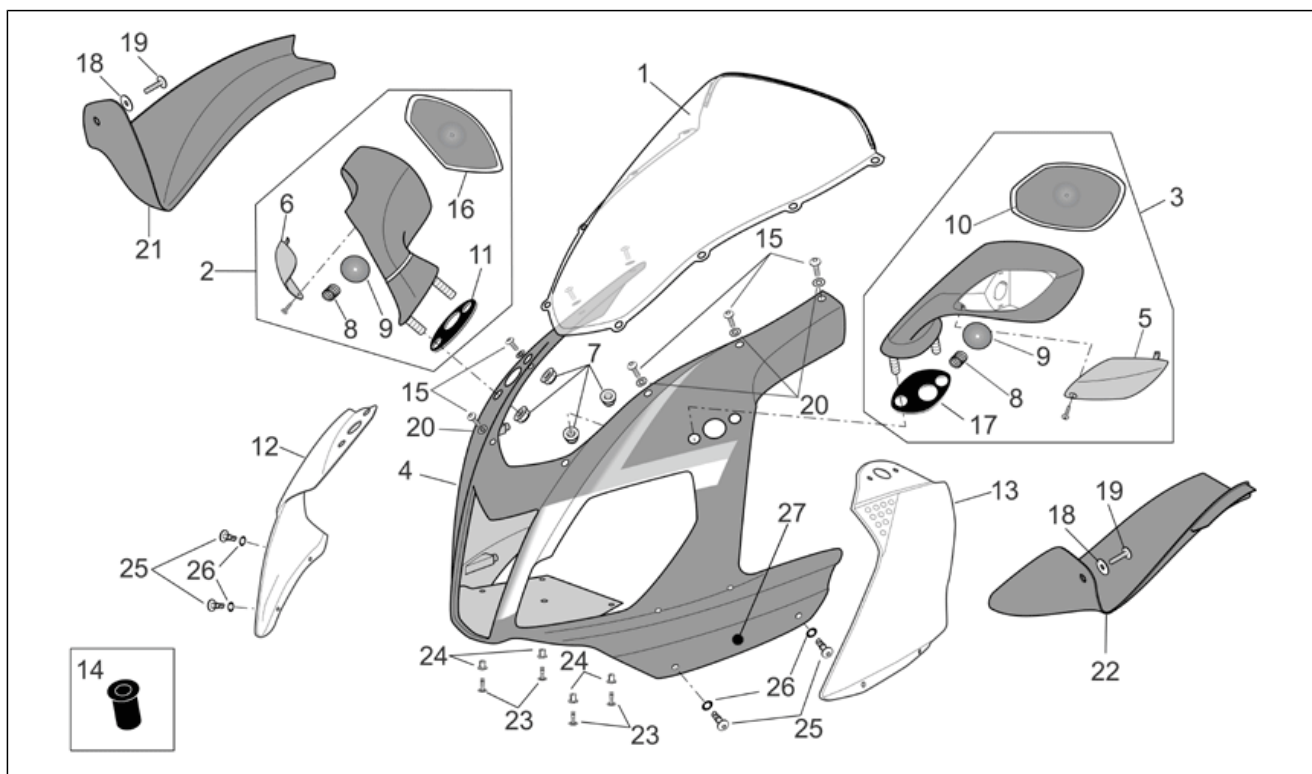
Pos.	Code	Description	Qty	Variants
24	AP8152302	Screw w/ flange M5x12	1	Technical Specifications: Factory "R" RSV Version[FAC], RSV Mille "R" Version[R]
24	AP8152458	Screw	1	Year: 2004[4] Technical Specifications: "Nera" Dream RSV Version[DRE]
25	AP8152267	Hex socket screw M5x12	2	
26	AP8121570	Internal spacer	1	
27	AP8150503	Screw	2	
28	AP8121890	Rear stand bush	2	
29	AP8121075	T bush *	1	
30	AP8154046	Chain guide support plate	1	
31	AP8121032	Bush	2	
32	AP8152298	Screw w/ flange M5x16	1	
33	AP8152306	Self-locking nut m5	1	
34	AP8120001	Rubber spacer	1	
35	AP8177263	Decal IP 35x35	2	
36	AP8166986	Tyre pressure decal	1	Year: 2006[6], 2007[7], 2008[8] Technical Specifications: Factory "R" RSV Version[FAC]
36	AP8177792	Chain decal	1	Year: 2006[6], 2007[7], 2008[8] Technical Specifications: RSV Mille "R" Version[R]

Group	FRAME
Code	28.16
Description	Connecting rod - rear shock abs.
Service	1



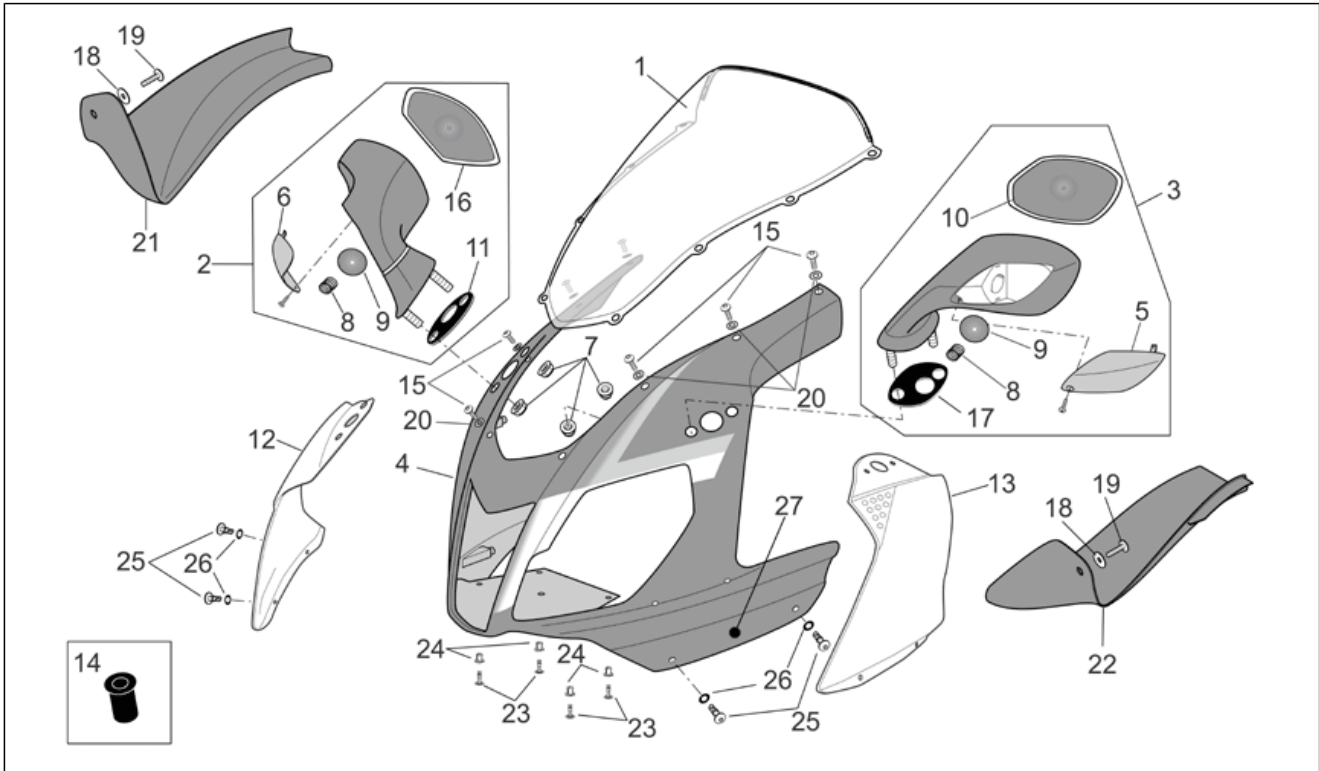
Pos.	Code	Description	Qty	Variants
1	AP8163065	Shock absorber	1	Year:2006[6], 2007[7], 2008[8] Technical Specifications:Factory "R" RSV Version[FAC]
1	AP8163125	Shock absorber	1	Year:2006[6], 2007[7], 2008[8] Technical Specifications:RSV Mille "R" Version[R]
1	AP8163125	Shock absorber	1	Year:2004[4], 2005[5] Technical Specifications:RSV Mille "R" Version[R]
1	AP8795041	Shock absorber Ohlins-Alu	1	Year:2004[4] Technical Specifications:"Nera" Dream RSV Version[DRE]
1	AP8795042	Shock absorber Ohlins-Inox	1	Year:2004[4], 2005[5] Technical Specifications:Factory "R" RSV Version[FAC]
2	AP8146557	Double conrod	2	
3	AP8110065	Cage à rouleaux	6	
4	AP8110068	Oil seal D18x24x3	6	
5	AP8146518	Piston pin L=36	3	
6	AP8152412	Hex socket screw M10x72	1	
7	AP8121155	T bush *	2	
8	AP8152301	Self-locking nut	6	
9	AP8146516	Single conrod comp.	1	
10	AP8152411	Hex socket screw M10x59	1	
11	AP8152413	Screw w/ flange M10x61	3	

Group	FRAME
Code	28.17
Description	Front body - Front fairing
Service	1



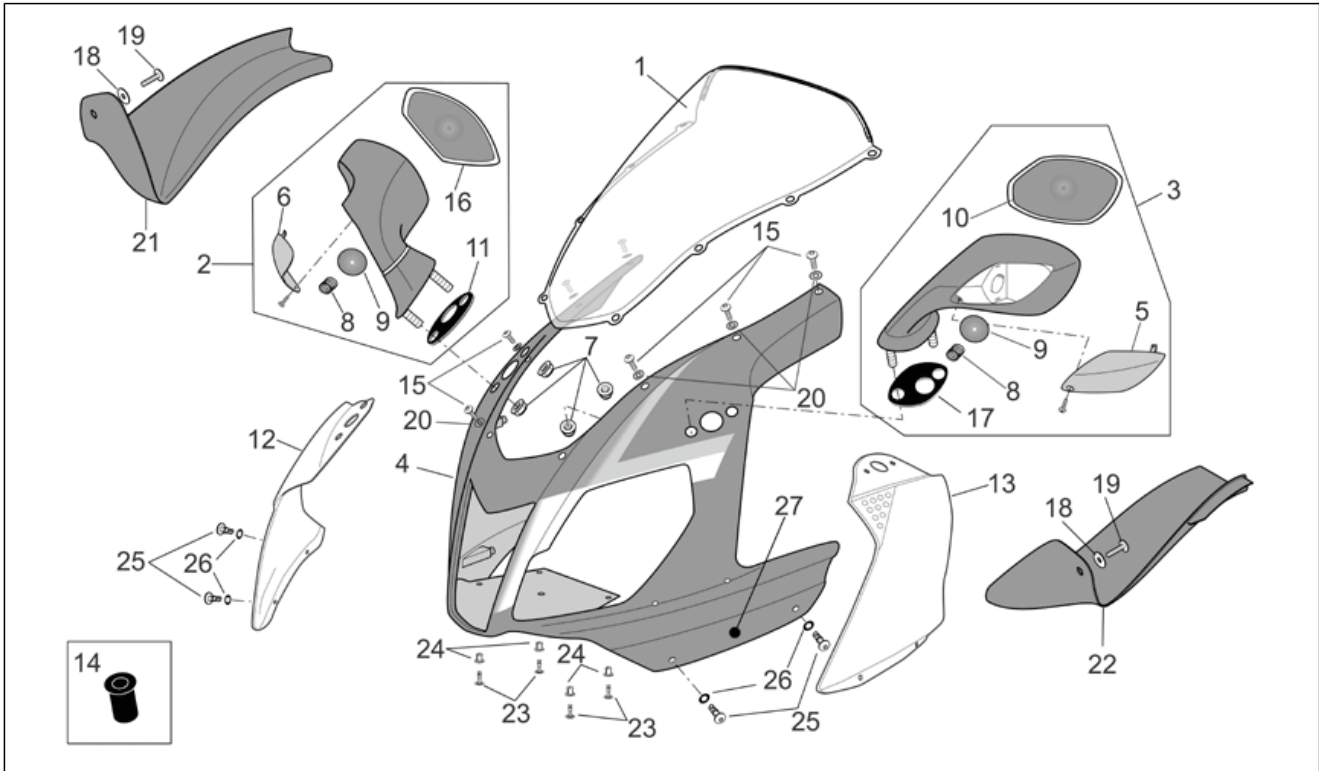
Pos.	Code	Description	Qty	Variants
1	AP8158662	Windshield	1	Year:2005[5] Country:Australia[AA], B, GR, E, F, I, NL[EU], Japan[JJ], Mexico[ME], Great Britain[UK] Technical Specifications:Factory "R" RSV Version[FAC], RSV Mille "R" Version[R]
1	AP8168785	Windshield	1	Year:2005[5], 2006[6], 2007[7], 2008[8] Country:Canadian[CN], United States of America[USA] Technical Specifications:Factory "R" RSV Version[FAC], RSV Mille "R" Version[R]
1	AP8168929	Windshield	1	Year:2004[4] Country:B, GR, E, F, I, NL[EU], Japan[JJ], Mexico[ME], Great Britain[UK] Technical Specifications:Factory "R" RSV Version[FAC]
1	AP8168981	Windshield	1	Year:2004[4] Country:B, GR, E, F, I, NL[EU], Japan[JJ], Mexico[ME], Great Britain[UK] Technical Specifications:"Nera" Dream RSV Version[DRE]
1	AP8178271	Windshield	1	Year:2004[4] Country:B, GR, E, F, I, NL[EU], Japan[JJ], Mexico[ME], Great Britain[UK] Technical Specifications:RSV Mille "R" Version[R]
1	AP8178272	Windshield	1	Year:2004[4] Country:Australia[AA], Canadian[CN], United States of America[USA] Technical Specifications:Factory "R" RSV Version[FAC], RSV Mille "R" Version[R]
1	AP8178273	Windshield	1	Year:2004[4] Country:United States of America[USA] Technical Specifications:"Nera" Dream RSV Version[DRE]
1	AP8178938	Windshield	1	Year:2008[8] Vehicle colour:Aprilia Black 2008 (s.t.859822)[black08], Planet Blue 2008 (s.t.860005)[blu], Ice White 2008 (s.t.860006)[ice] Country:Australia[AA], United States of America[USA] Technical Specifications:RSV Mille "R" Version[R]

Group	FRAME
Code	28.17
Description	Front body - Front fairing
Service	1



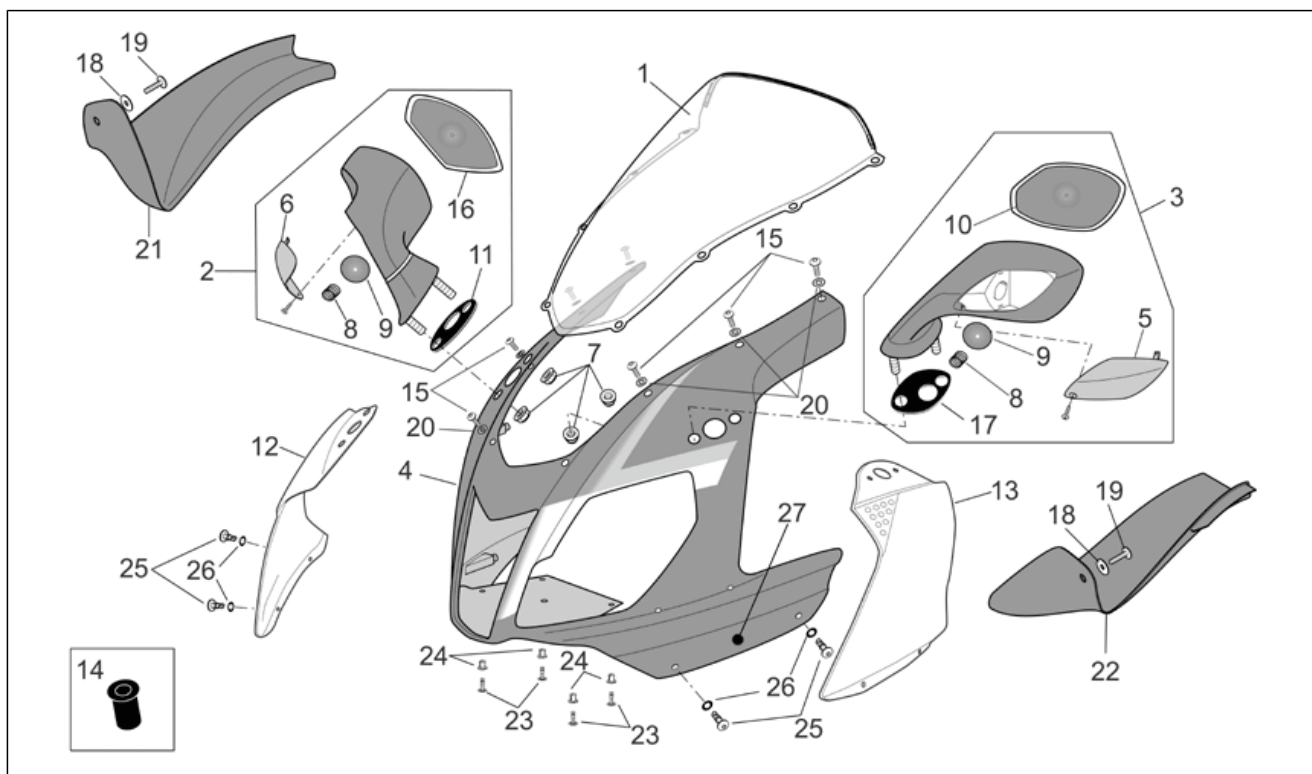
Pos.	Code	Description	Qty	Variants
1	AP8179264	Windshield	1	Year:2006[6], 2007[7], 2008[8] Country:Australia[AA], B, GR, E, F, I, NL[EU], Japan[JJ], Mexico[ME], Great Britain[UK] Technical Specifications:Factory "R" RSV Version[FAC], RSV Mille "R" Version[R]
2	AP8104343	RH rearview mirror	1	Year:2004[4]
2	AP8104860	RH rearview mirror	1	Year:2006[6], 2007[7] Country:Australia[AA], B, GR, E, F, I, NL[EU], Japan[JJ], Mexico[ME], Great Britain[UK]
2	AP8104860	RH rearview mirror	1	Year:2005[5] Country:Australia[AA], B, GR, E, F, I, NL[EU], Japan[JJ], Mexico[ME], Great Britain[UK]
2	AP8104875	RH rearview mirror	1	Year:2005[5], 2006[6], 2007[7], 2008[8] Country:Canadian[CN], United States of America[USA]
2	AP8104888	RH rearview mirror	1	Year:2005[5] Country:Australia[AA], B, GR, E, F, I, NL[EU], Japan[JJ], Mexico[ME], Great Britain[UK]
2	AP8104888	RH rearview mirror	1	Year:2005[5] Country:Australia[AA], B, GR, E, F, I, NL[EU], Japan[JJ], Mexico[ME], Great Britain[UK]
3	AP8104344	LH rearview mirror	1	Year:2004[4]
3	AP8104861	LH rearview mirror	1	Year:2006[6], 2007[7] Country:Australia[AA], B, GR, E, F, I, NL[EU], Japan[JJ], Mexico[ME], Great Britain[UK]
3	AP8104861	LH rearview mirror	1	Year:2005[5] Country:Australia[AA], B, GR, E, F, I, NL[EU], Japan[JJ], Mexico[ME], Great Britain[UK]
3	AP8104876	LH rearview mirror	1	Year:2005[5], 2006[6], 2007[7], 2008[8] Country:Canadian[CN], United States of America[USA]
3	AP8104889	LH rearview mirror	1	Year:2005[5] Country:Australia[AA], B, GR, E, F, I, NL[EU], Japan[JJ], Mexico[ME], Great Britain[UK]
3	AP8104889	LH rearview mirror	1	Year:2005[5]

Group	FRAME
Code	28.17
Description	Front body - Front fairing
Service	1



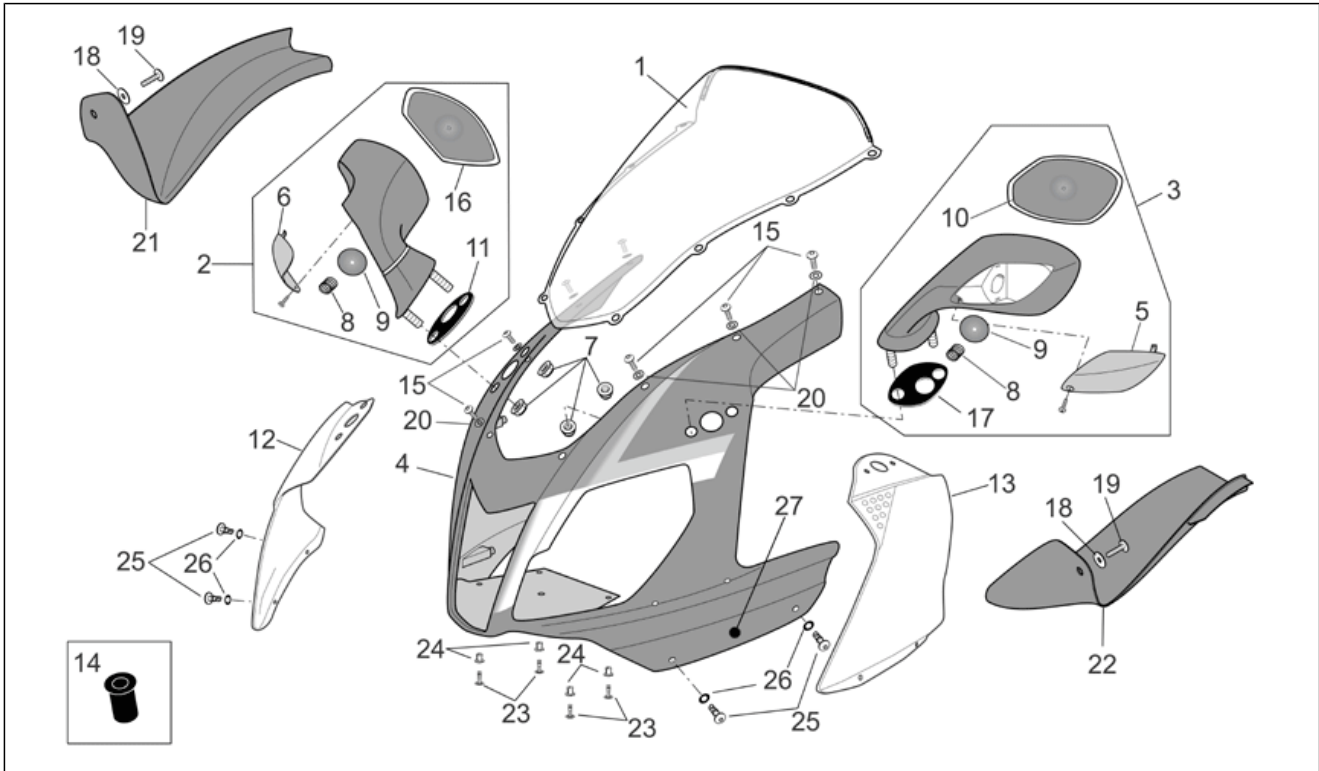
Pos.	Code	Description	Qty	Variants
				Country:Australia[AA], B, GR, E, F, I, NL[EU], Japan[JJ], Mexico[ME], Great Britain[UK]
4	AP8158661	Front fairing, grey	1	Year:2004[4] Vehicle colour:Lead grey 2004[g] Technical Specifications:RSV Mille "R" Version[R]
4	AP8168874	Front fairing, black	1	Year:2004[4] Vehicle colour:Aprilia black 2004[n] Technical Specifications:Factory "R" RSV Version[FAC]
4	AP8168996	Front fairing, grey	1	Year:2004[4] Vehicle colour:Lead grey 2004[g] Technical Specifications:Factory "R" RSV Version[FAC]
4	AP8178016	Front fairing, black	1	Year:2004[4] Vehicle colour:Aprilia black 2004[n] Technical Specifications:RSV Mille "R" Version[R]
4	AP8178028	Front fairing, red	1	Year:2004[4] Vehicle colour:Fluo Red 2004[r] Technical Specifications:RSV Mille "R" Version[R]
4	AP8178120	Front fairing,transp.varn.	1	Year:2004[4] Technical Specifications:"Nera" Dream RSV Version[DRE]
4	AP8178171	Front fairing, red	1	Year:2004[4] Vehicle colour:Fluo Red 2004[r] Technical Specifications:Factory "R" RSV Version[FAC]
4	AP8178874	Front fairing, black	1	Year:2005[5] Vehicle colour:Aprilia black 2005-2006[a.blk] Technical Specifications:Factory "R" RSV Version[FAC], RSV Mille "R" Version[R]
4	AP8178943	Front fairing, red	1	Year:2005[5] Vehicle colour:Fluo Red 2005-2006[r.fluo] Technical Specifications:Factory "R" RSV Version[FAC], RSV Mille "R" Version[R]
4	AP8178957	Front fairing, silver	1	Year:2005[5] Vehicle colour:Silver Mirror 2005[s.mir] Technical Specifications:Factory "R" RSV Version[FAC], RSV Mille "R" Version[R]

Group	FRAME
Code	28.17
Description	Front body - Front fairing
Service	1



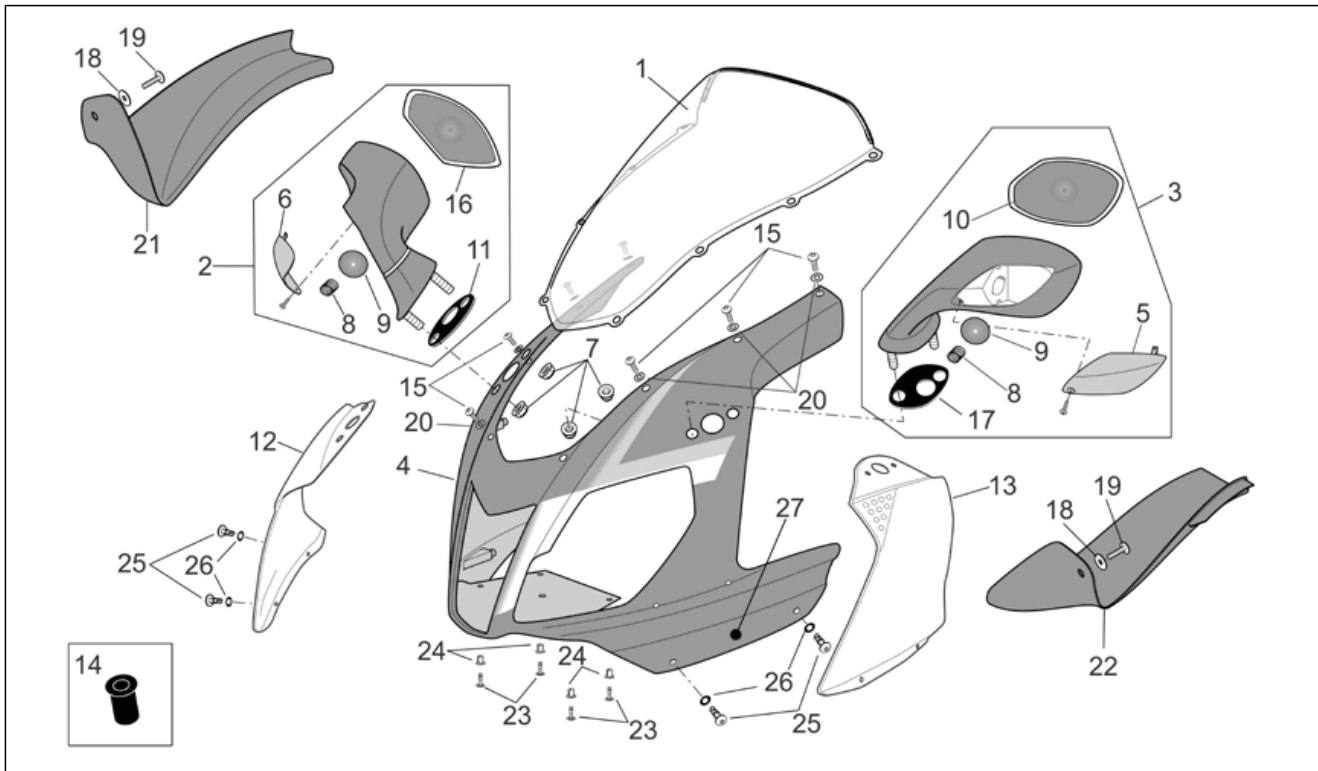
Pos.	Code	Description	Qty	Variants
4	AP8179273	Front fairing, grey	1	Year:2006[6] Technical Specifications:With decals applied[D], Factory "R" RSV Version[FAC], RSV Mille "R" Version[R]
4	AP8184317	Front fairing, black	1	Year:2007[7], 2008[8] Vehicle colour:Aprilia Black 2007 (s.t.853153)[black], Aprilia Black 2008 (s.t.859822)[black08] Technical Specifications:RSV Mille "R" Version[R]
4	AP8184334	Front fairing, grey	1	Year:2007[7], 2008[8] Vehicle colour:Platinum Grey 2007 (s.t.853154)[grey] Technical Specifications:RSV Mille "R" Version[R]
4	AP8184351	Front fairing v.lilla	1	Year:2007[7] Vehicle colour:Bol D'or 2007 (s.t.853155)[bol dor] Technical Specifications:RSV Mille "R" Version[R]
4	AP8184385	Front fairing, black	1	Year:2007[7], 2008[8] Vehicle colour:Dark Lion 2007 (s.t.853378)[dark] Technical Specifications:Factory "R" RSV Version[FAC]
4	AP8184400	Front fairing, black/white	1	Year:2007[7] Vehicle colour:Red Lion 2007 (s.t.853379)[red] Technical Specifications:Factory "R" RSV Version[FAC]
4	AP8184680	Front fairing, blue	1	Year:2008[8] Vehicle colour:Planet Blue 2008 (s.t.860005)[blu] Technical Specifications:RSV Mille "R" Version[R]
4	AP8184700	Front fairing, white	1	Year:2008[8] Vehicle colour:Ice White 2008 (s.t.860006)[ice] Technical Specifications:With decals applied[D], RSV Mille "R" Version[R]
5	AP8104759	LH orange lens	1	Year:2005[5], 2006[6], 2007[7], 2008[8] Country:Canadian[CN], United States of America[USA]
5	AP8104759	LH orange lens	1	Year:2005[5] Country:Australia[AA], B, GR, E, F, I, NL[EU], Japan[JJ], Mexico[ME], Great Britain[UK]
5	AP8104759	LH orange lens	1	Year:2005[5] Country:Australia[AA], B, GR, E, F, I, NL[EU], Japan[JJ], Mexico[ME], Great Britain[UK]

Group	FRAME
Code	28.17
Description	Front body - Front fairing
Service	1



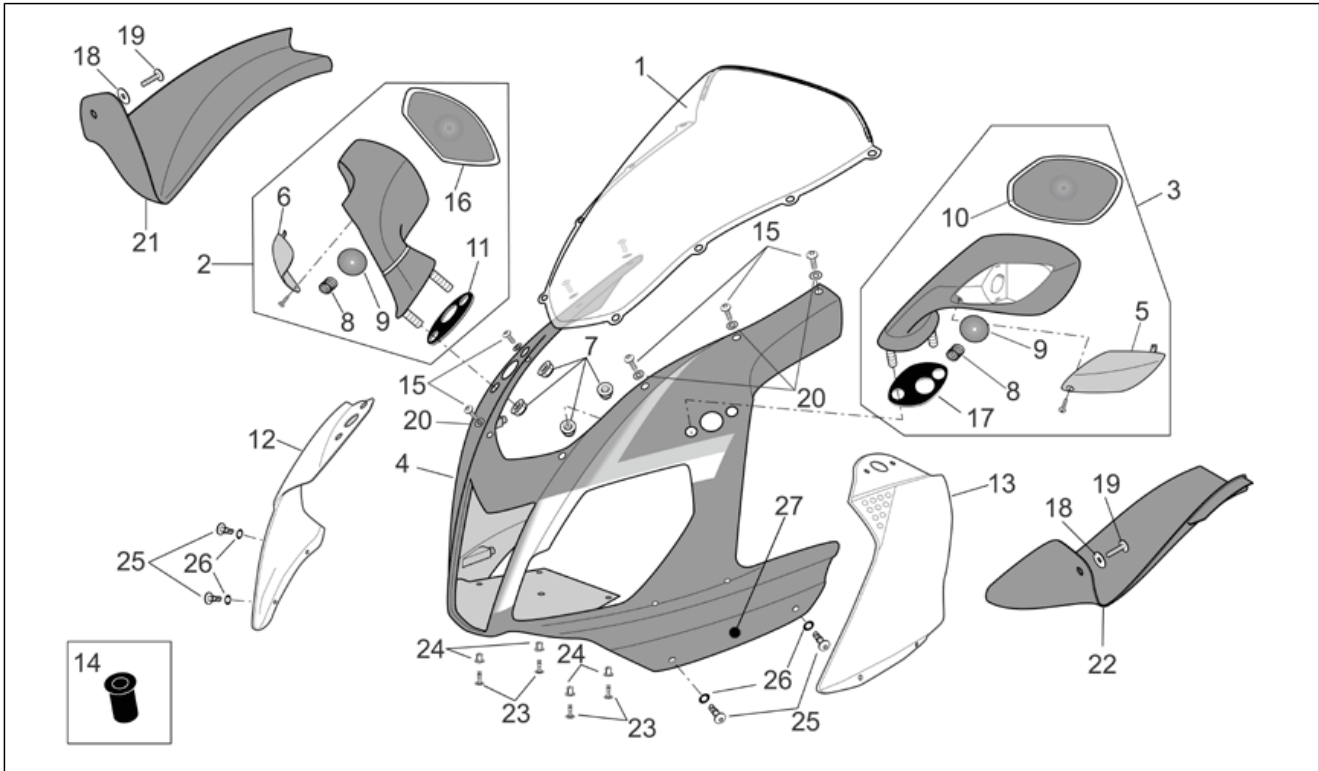
Pos.	Code	Description	Qty	Variants
5	AP8127700	LH transparent lens	1	Year:2006[6], 2007[7] Country:Australia[AA], B, GR, E, F, I, NL[EU], Japan[JJ], Mexico[ME], Great Britain[UK]
5	AP8127700	LH transparent lens	1	Year:2005[5] Country:Australia[AA], B, GR, E, F, I, NL[EU], Japan[JJ], Mexico[ME], Great Britain[UK]
6	AP8104760	RH orange lens	1	Year:2005[5] Country:Australia[AA], B, GR, E, F, I, NL[EU], Japan[JJ], Mexico[ME], Great Britain[UK]
6	AP8104760	RH orange lens	1	Year:2005[5] Country:Australia[AA], B, GR, E, F, I, NL[EU], Japan[JJ], Mexico[ME], Great Britain[UK]
6	AP8104760	RH orange lens	1	Year:2005[5], 2006[6], 2007[7], 2008[8] Country:Canadian[CN], United States of America[USA]
6	AP8127699	RH transparent lens	1	Year:2005[5] Country:Australia[AA], B, GR, E, F, I, NL[EU], Japan[JJ], Mexico[ME], Great Britain[UK]
6	AP8127699	RH transparent lens	1	Year:2006[6], 2007[7] Country:Australia[AA], B, GR, E, F, I, NL[EU], Japan[JJ], Mexico[ME], Great Britain[UK]
7	AP8152299	Self-locking nut M6	4	Technical Specifications:Factory "R" RSV Version[FAC], RSV Mille "R" Version[R]
7	AP8152466	Nut M6	4	Technical Specifications:"Nera" Dream RSV Version[DRE]
8	AP8104751	Spring	2	
9	AP8104756	Cup	2	
10	AP8104754	LH rearview mirror	1	
11	AP8104758	RH gasket	1	
12	AP8168986	RH baffle, carb.	1	Year:2004[4] Technical Specifications:"Nera" Dream RSV Version[DRE]
12	AP8178110	RH baffle, black	1	Year:2008[8] Vehicle colour:Planet Blue 2008 (s.t.860005)[blu], Ice White 2008 (s.t.860006)[ice] Technical Specifications:RSV Mille "R" Version[R]

Group	FRAME
Code	28.17
Description	Front body - Front fairing
Service	1



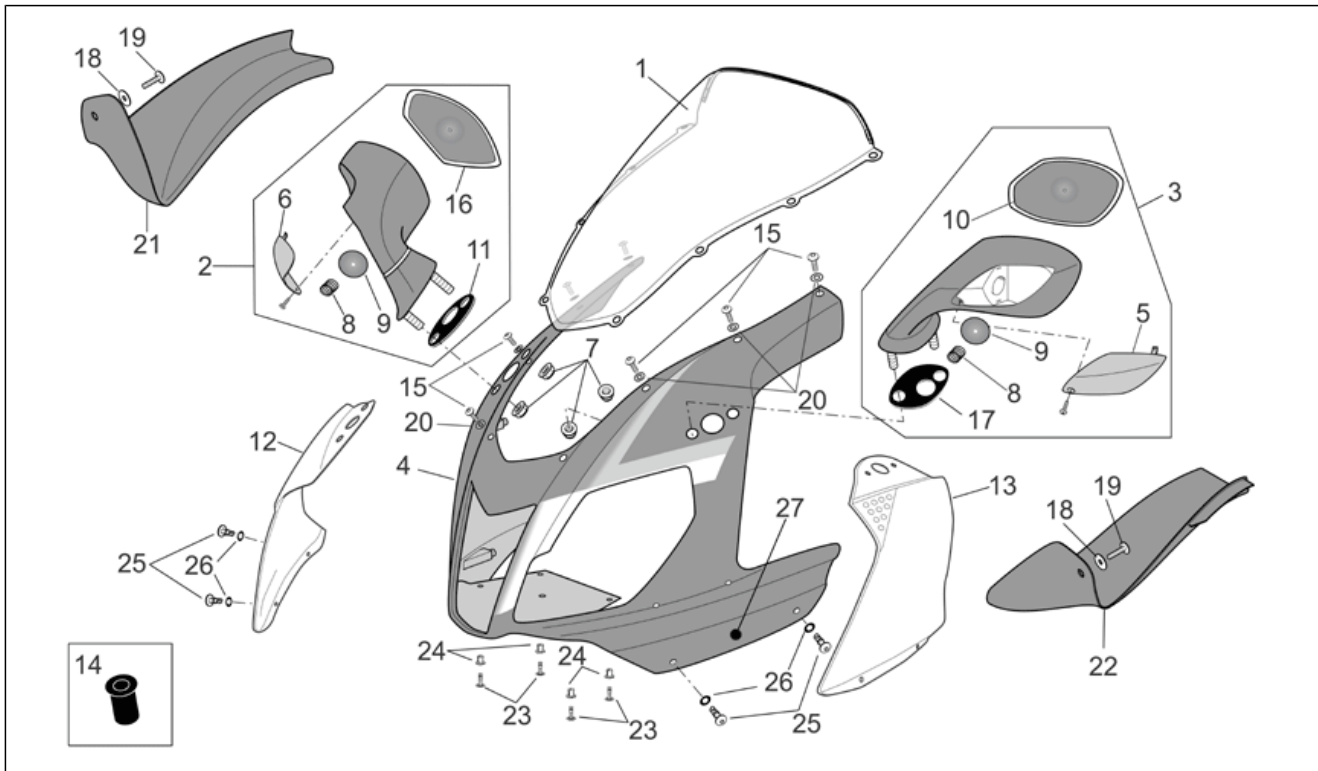
Pos.	Code	Description	Qty	Variants
12	AP8178110	RH baffle, black	1	Year:2004[4] Vehicle colour:Aprilia black 2004[n] Technical Specifications:RSV Mille "R" Version[R]
12	AP8178139	RH baffle, carb.	1	Year:2005[5] Technical Specifications:Factory "R" RSV Version[FAC]
12	AP8178139	RH baffle, carb.	1	Year:2004[4] Technical Specifications:Factory "R" RSV Version[FAC]
12	AP8178139	RH baffle, carb.	1	Year:2004[4] Technical Specifications:Factory "R" RSV Version[FAC]
12	AP8178180	RH baffle, grey	1	Year:2004[4] Vehicle colour:Lead grey 2004[g], Fluo Red 2004[r] Technical Specifications:RSV Mille "R" Version[R]
12	AP8178756	RH baffle, carb.	1	Year:2004[4] Technical Specifications:Factory "R" RSV Version[FAC]
12	AP8178756	RH baffle, carb.	1	Year:2006[6] Vehicle colour:Aprilia black 2005-2006[a.blk] Technical Specifications:Factory "R" RSV Version[FAC]
12	AP8178756	RH baffle, carb.	1	Year:2005[5] Technical Specifications:Factory "R" RSV Version[FAC]
12	AP8178756	RH baffle, carb.	1	Year:2005[5] Technical Specifications:Factory "R" RSV Version[FAC]
12	AP8178756	RH baffle, carb.	1	Year:2007[7], 2008[8] Technical Specifications:Factory "R" RSV Version[FAC]
12	AP8178939	RH baffle, black	1	Year:2005[5] Technical Specifications:RSV Mille "R" Version[R]
12	AP8179274	RH baffle, black	1	Year:2007[7], 2008[8] Technical Specifications:RSV Mille "R" Version[R]
12	AP8179274	RH baffle, black	1	Year:2006[6] Vehicle colour:Aprilia black 2005-2006[a.blk], Fluo Red 2005-2006[r.fluo], Aprilia White 2006 (s.t.15178)[white] Technical Specifications:RSV Mille "R" Version[R]
13	AP8168987	LH baffle, carb.	1	Year:2004[4] Technical Specifications:"Nera" Dream RSV Version[DRE]

Group	FRAME
Code	28.17
Description	Front body - Front fairing
Service	1



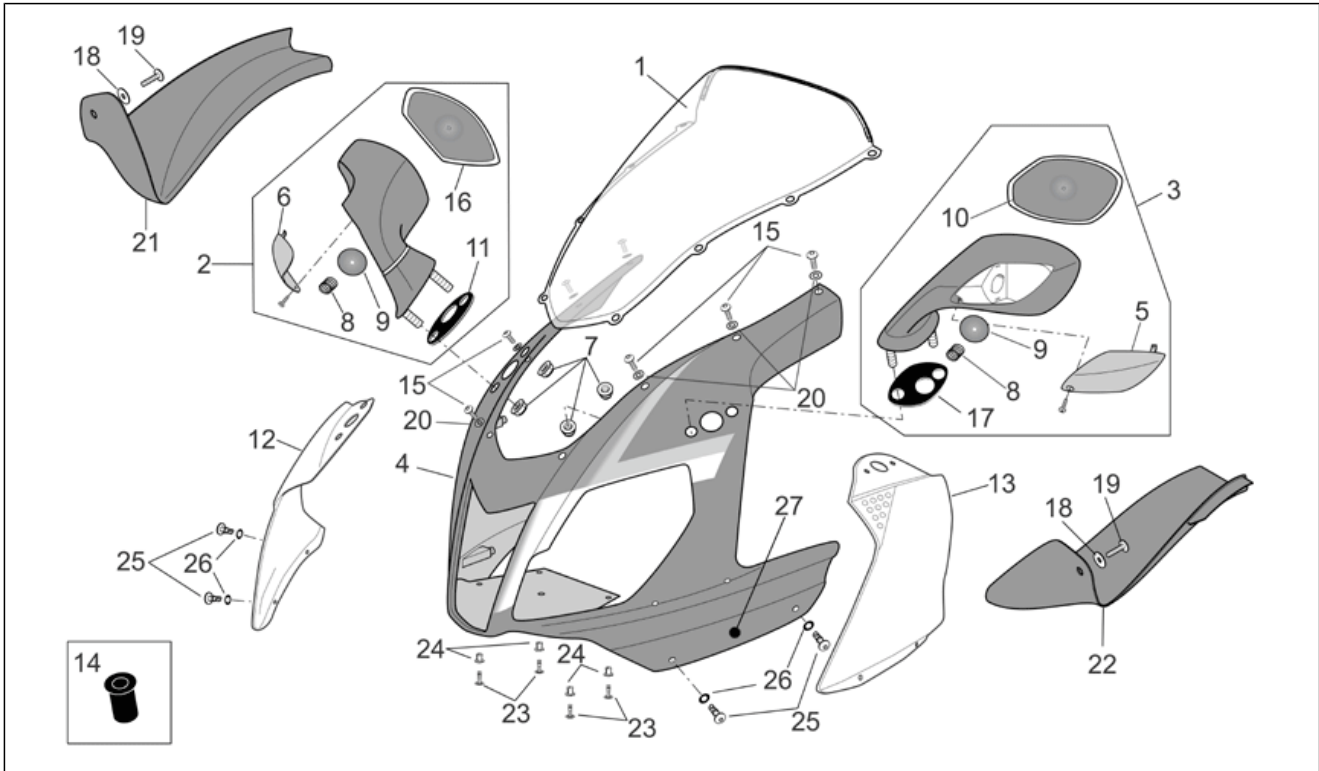
Pos.	Code	Description	Qty	Variants
13	AP8178111	LH baffle, black	1	Year:2008[8] Vehicle colour:Planet Blue 2008 (s.t.860005)[blu], Ice White 2008 (s.t.860006)[ice] Technical Specifications:RSV Mille "R" Version[R]
13	AP8178111	LH baffle, black	1	Year:2004[4] Vehicle colour:Aprilia black 2004[n] Technical Specifications:RSV Mille "R" Version[R]
13	AP8178140	LH baffle, carb.	1	Year:2004[4] Technical Specifications:Factory "R" RSV Version[FAC]
13	AP8178140	LH baffle, carb.	1	Year:2005[5] Technical Specifications:Factory "R" RSV Version[FAC]
13	AP8178140	LH baffle, carb.	1	Year:2004[4] Technical Specifications:Factory "R" RSV Version[FAC]
13	AP8178181	LH baffle, grey	1	Year:2004[4] Vehicle colour:Lead grey 2004[g], Fluo Red 2004[r] Technical Specifications:RSV Mille "R" Version[R]
13	AP8178755	LH baffle, carb.	1	Year:2005[5] Technical Specifications:Factory "R" RSV Version[FAC]
13	AP8178755	LH baffle, carb.	1	Year:2007[7], 2008[8] Technical Specifications:Factory "R" RSV Version[FAC]
13	AP8178755	LH baffle, carb.	1	Year:2004[4] Technical Specifications:Factory "R" RSV Version[FAC]
13	AP8178755	LH baffle, carb.	1	Year:2005[5] Technical Specifications:Factory "R" RSV Version[FAC]
13	AP8178755	LH baffle, carb.	1	Year:2006[6] Vehicle colour:Aprilia black 2005-2006[a.blk] Technical Specifications:Factory "R" RSV Version[FAC]
13	AP8178940	LH baffle, black	1	Year:2005[5] Technical Specifications:RSV Mille "R" Version[R]
13	AP8179275	LH baffle, black	1	Year:2007[7], 2008[8] Technical Specifications:RSV Mille "R" Version[R]
13	AP8179275	LH baffle, black	1	Year:2006[6]

Group	FRAME
Code	28.17
Description	Front body - Front fairing
Service	1



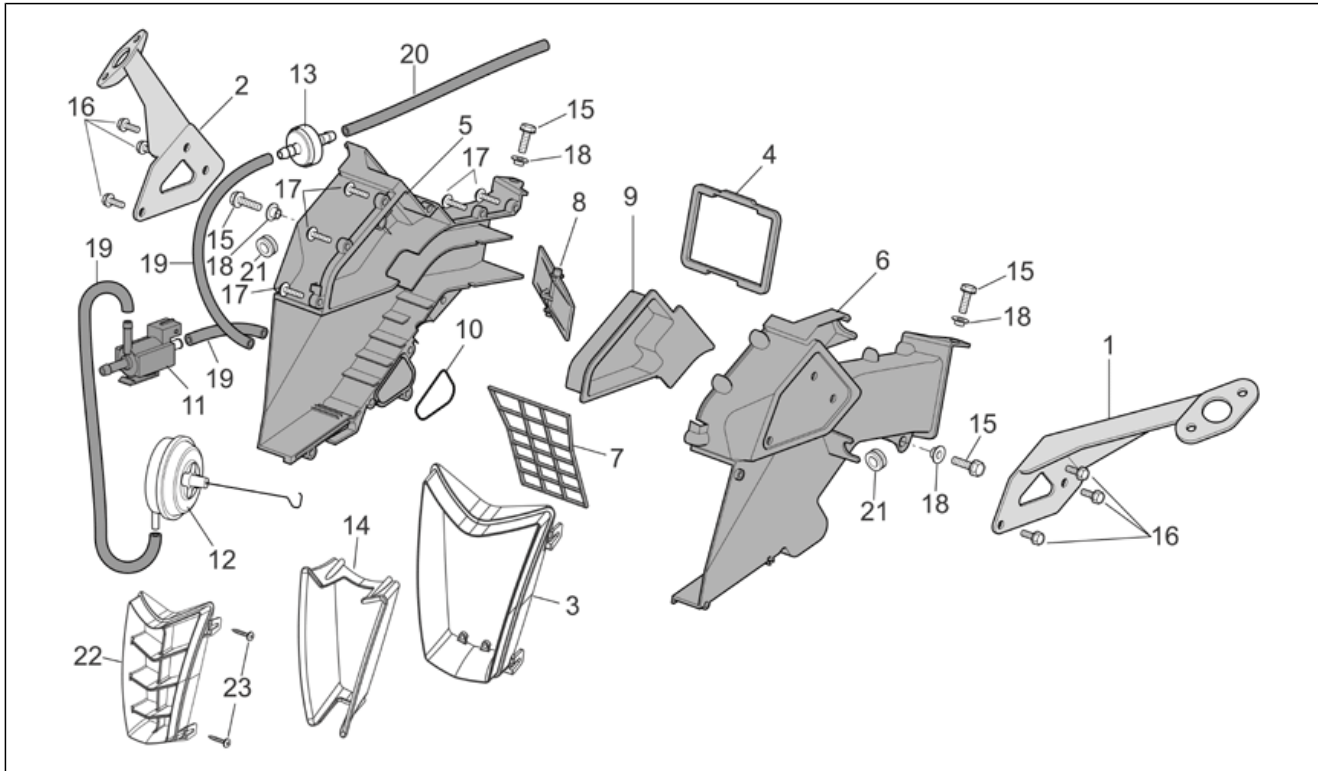
Pos.	Code	Description	Qty	Variants
				Vehicle colour: Aprilia black 2005-2006[a.blk], Fluo Red 2005-2006[r.fluo], Aprilia White 2006 (s.t.15178)[white] Technical Specifications: RSV Mille "R" Version[R]
14	AP8144564	Rubber w/ insert M4	12	
15	AP8121184	Screw M4x14	8	Technical Specifications: Factory "R" RSV Version[FAC], RSV Mille "R" Version[R]
15	AP8152469	Screw M4x12	8	Technical Specifications: "Nera" Dream RSV Version[DRE]
16	AP8104755	RH rearview mirror	1	
17	AP8104757	LH gasket	1	
18	AP8150382	Washer 15x5,5X1,2	2	
19	AP8152329	Phillips screw, SWP M5x20	2	
20	AP8144565	Nylon washer	8	
21	AP8158132	Upper RH fairing, carb.	1	Year: 2004[4] Technical Specifications: "Nera" Dream RSV Version[DRE]
21	AP8158132	Upper RH fairing, carb.	1	Year: 2005[5] Technical Specifications: Factory "R" RSV Version[FAC]
21	AP8158132	Upper RH fairing, carb.	1	Year: 2004[4] Technical Specifications: Factory "R" RSV Version[FAC]
21	AP8158132	Upper RH fairing, carb.	1	Year: 2004[4] Technical Specifications: Factory "R" RSV Version[FAC]
21	AP8158659	Upper RH fairing	1	Technical Specifications: RSV Mille "R" Version[R]
21	AP8178753	Upper RH fairing, carb.	1	Year: 2006[6], 2007[7], 2008[8] Technical Specifications: Factory "R" RSV Version[FAC]
21	AP8178753	Upper RH fairing, carb.	1	Year: 2005[5] Technical Specifications: Factory "R" RSV Version[FAC]
21	AP8178753	Upper RH fairing, carb.	1	Year: 2004[4] Technical Specifications: Factory "R" RSV Version[FAC]
21	AP8178753	Upper RH fairing, carb.	1	Year: 2005[5] Technical Specifications: Factory "R" RSV Version[FAC]
22	AP8158133	Upper LH fairing, carb.	1	Year: 2004[4] Technical Specifications: Factory "R" RSV Version[FAC]

Group	FRAME
Code	28.17
Description	Front body - Front fairing
Service	1



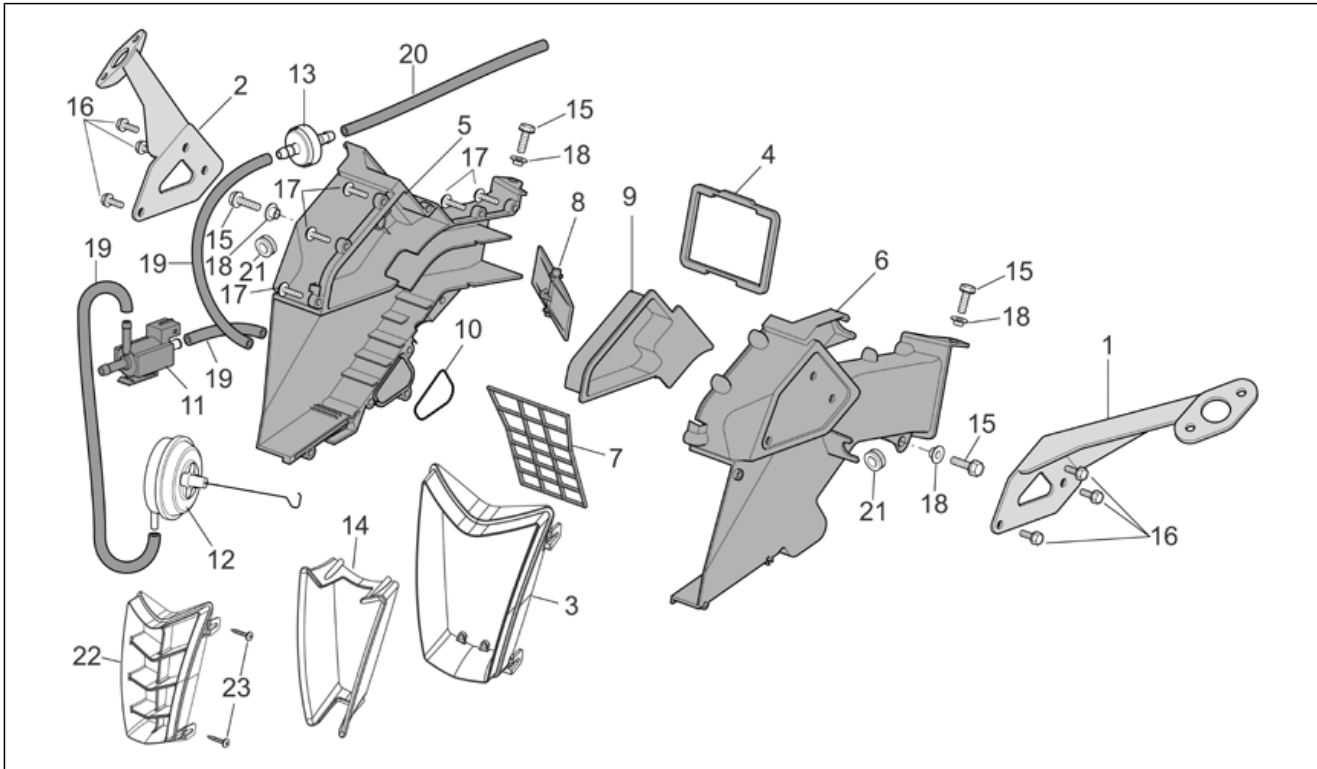
Pos.	Code	Description	Qty	Variants
22	AP8158133	Upper LH fairing, carb.	1	Year:2004[4] Technical Specifications:Factory "R" RSV Version[FAC]
22	AP8158133	Upper LH fairing, carb.	1	Year:2004[4] Technical Specifications:"Nera" Dream RSV Version[DRE]
22	AP8158133	Upper LH fairing, carb.	1	Year:2005[5] Technical Specifications:Factory "R" RSV Version[FAC]
22	AP8158660	Upper LH fairing	1	Technical Specifications:RSV Mille "R" Version[R]
22	AP8178754	Upper LH fairing, carb.	1	Year:2005[5] Technical Specifications:Factory "R" RSV Version[FAC]
22	AP8178754	Upper LH fairing, carb.	1	Year:2006[6], 2007[7], 2008[8] Technical Specifications:Factory "R" RSV Version[FAC]
22	AP8178754	Upper LH fairing, carb.	1	Year:2004[4] Technical Specifications:Factory "R" RSV Version[FAC]
22	AP8178754	Upper LH fairing, carb.	1	Year:2005[5] Technical Specifications:Factory "R" RSV Version[FAC]
23	AP8144563	Rivet, male	4	
24	AP8144616	Rivet, female	4	
25	AP8121663	screw	4	
26	AP8120622	Front dust cover ring	4	
27	853200	Decal V60	2	Year:2006[6] Technical Specifications:RSV Mille "R" Version[R]
27	853201	Decal	1	Year:2006[6] Technical Specifications:RSV Mille "R" Version[R]
27	AP8166985	Decal RSV	2	Year:2006[6] Technical Specifications:Factory "R" RSV Version[FAC]

Group	FRAME
Code	28.18
Description	Front body - Duct
Service	1



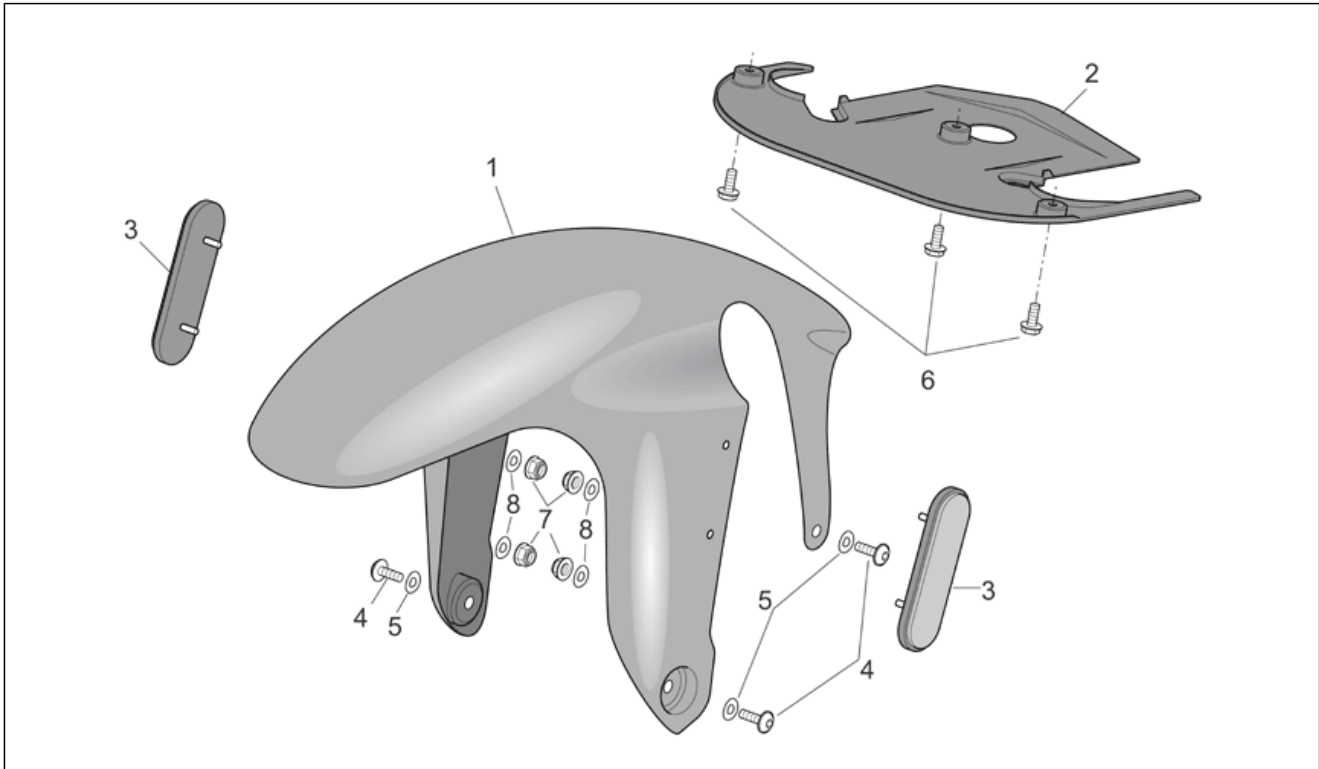
Pos.	Code	Description	Qty	Variants
1	AP8134766	Mirror support, LH	1	
2	AP8146506	Mirror support, RH	1	
3	AP8178118	Ext.Cornice	1	Year: 2004[4] Technical Specifications: "Nera" Dream RSV Version[DRE]
3	AP8178118	Ext.Cornice	1	Year: 2004[4], 2005[5] Technical Specifications: Factory "R" RSV Version[FAC], RSV Mille "R" Version[R]
4	AP8144457	Gasket	1	
5	AP8158113	RH air duct	1	
6	AP8158114	LH air duct	1	
7	AP8158116	Grid	1	
8	AP8104438	Throttle-valve	1	
9	AP8158115	Diaphragm	1	
10	AP8144582	Ring	1	
11	AP8127176	Solenoid valve 3vie	1	
12	AP8104336	Control valve cpl.	1	
13	AP8104594	Anti-return valve	1	
14	AP8178012	Int.Cornice	1	Year: 2004[4] Technical Specifications: Factory "R" RSV Version[FAC], RSV Mille "R" Version[R]
14	AP8178117	Int.Cornice	1	Year: 2004[4] Technical Specifications: "Nera" Dream RSV Version[DRE]
14	AP8178936	Int.frame, grey	1	Year: 2005[5] Technical Specifications: Factory "R" RSV Version[FAC], RSV Mille "R" Version[R]
15	AP8152279	Screw w/ flange M6x20	4	Technical Specifications: Factory "R" RSV Version[FAC], RSV Mille "R" Version[R]
15	AP8152452	Screw M6x20	4	Technical Specifications: "Nera" Dream RSV Version[DRE]
16	AP8152272	Screw w/ flange M5x12	6	
17	AP8152329	Phillips screw, SWP M5x20	11	

Group	FRAME
Code	28.18
Description	Front body - Duct
Service	1



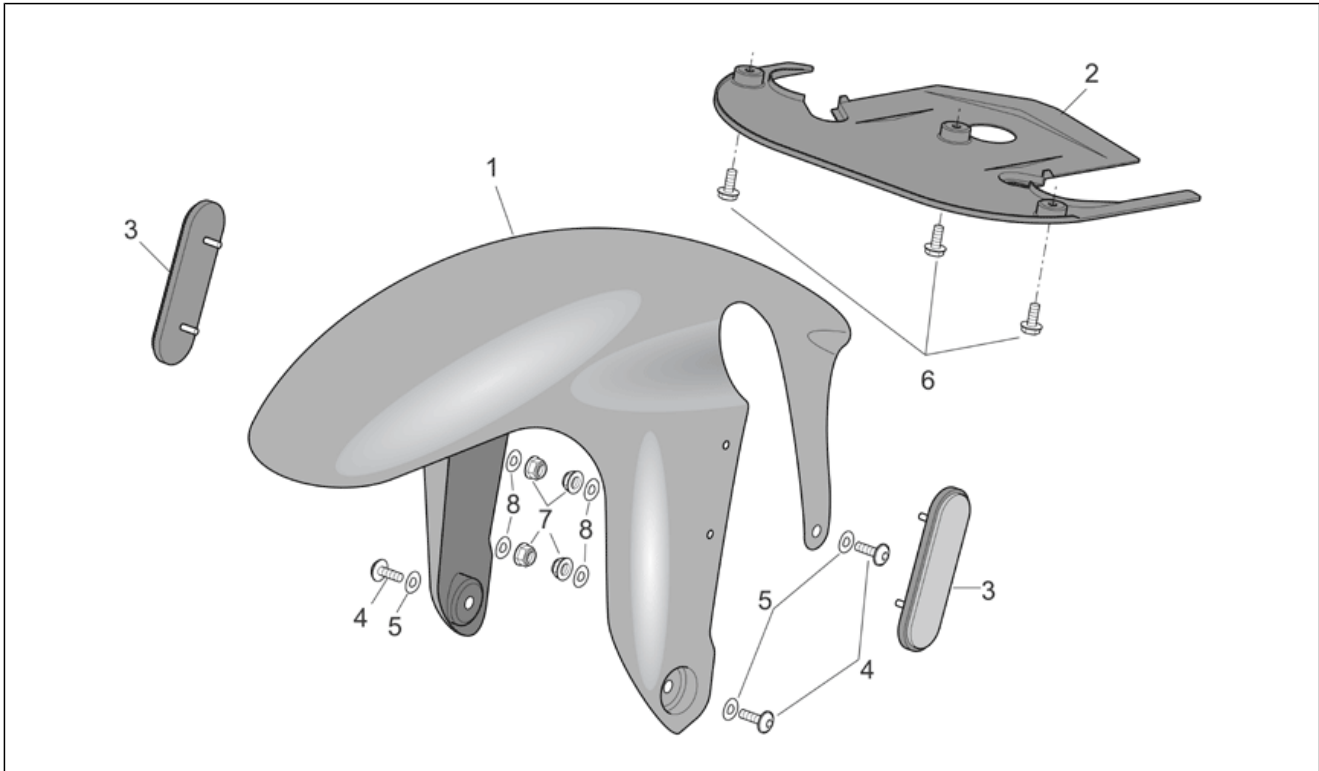
Pos.	Code	Description	Qty	Variants
18	AP8121728	T bush	4	
19	AP8120952	Fuel pipe 5,5x10	3	
20	AP8144015	Oil pipe 6x12	1	
21	AP8120030	Rubber spacer	2	
22	AP8179263	Guard, black	1	Year: 2006[6], 2007[7], 2008[8] Vehicle colour: Aprilia black 2005-2006[a.blk], Aprilia Black 2007 (s.t.853153)[black], Bol D'or 2007 (s.t.853155)[bol dor], Dark Lion 2007 (s.t.853378)[dark], Lead grey 2004[g], Platinum Grey 2007 (s.t.853154)[grey], Aprilia black 2004[n], Fluo Red 2004[r], Fluo Red 2005-2006[r.fluo], Red Lion 2007 (s.t.853379)[red] Technical Specifications: Factory "R" RSV Version[FAC], RSV Mille "R" Version[R]
22	AP8184681	Guard, black	1	Year: 2008[8] Vehicle colour: Planet Blue 2008 (s.t.860005)[blu] Technical Specifications: RSV Mille "R" Version[R]
23	AP8150413	Self-tap screw 3,9x14	1	Year: 2006[6], 2007[7], 2008[8] Technical Specifications: Factory "R" RSV Version[FAC], RSV Mille "R" Version[R]

Group	FRAME
Code	28.19
Description	Front body - Front mudguard
Service	1



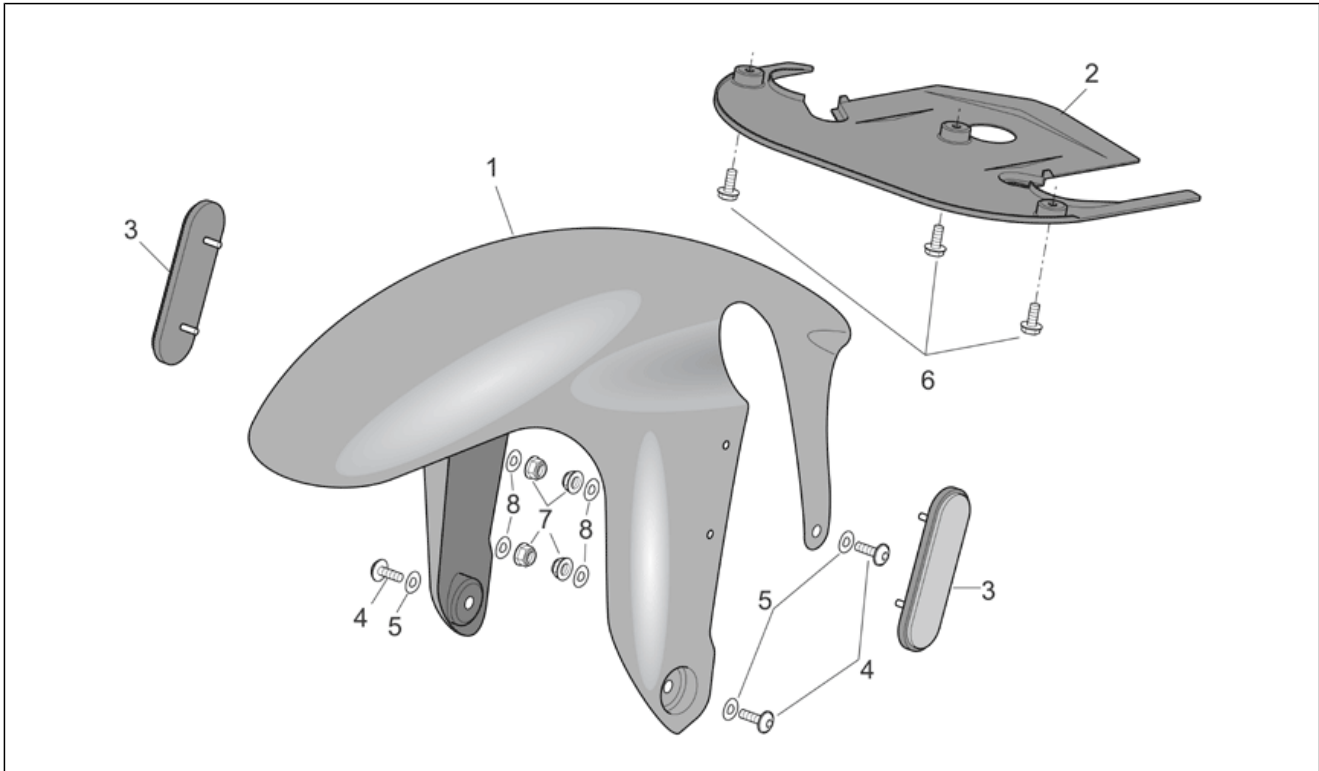
Pos.	Code	Description	Qty	Variants
1	AP8126982	Front mudguard, grey	1	Year: 2004[4] Vehicle colour: Lead grey 2004[g] Country: Australia[AA], B, GR, E, F, I, NL[EU], Japan[JJ], Mexico[ME], Great Britain[UK] Technical Specifications: RSV Mille "R" Version[R]
1	AP8156012	Front mudguard, carb.	1	Year: 2004[4] Country: Australia[AA], B, GR, E, F, I, NL[EU], Japan[JJ], Mexico[ME], Great Britain[UK] Technical Specifications: Factory "R" RSV Version[FAC]
1	AP8156012	Front mudguard, carb.	1	Year: 2005[5] Country: Australia[AA], B, GR, E, F, I, NL[EU], Japan[JJ], Mexico[ME], Great Britain[UK] Technical Specifications: Factory "R" RSV Version[FAC]
1	AP8156012	Front mudguard, carb.	1	Year: 2004[4] Country: Australia[AA], B, GR, E, F, I, NL[EU], Japan[JJ], Mexico[ME], Great Britain[UK] Technical Specifications: "Nera" Dream RSV Version[DRE]
1	AP8156012	Front mudguard, carb.	1	Year: 2004[4] Country: Australia[AA], B, GR, E, F, I, NL[EU], Japan[JJ], Mexico[ME], Great Britain[UK] Technical Specifications: Factory "R" RSV Version[FAC]
1	AP8156031	Front mudguard, black	1	Year: 2004[4] Vehicle colour: Aprilia black 2004[n] Country: Australia[AA], B, GR, E, F, I, NL[EU], Japan[JJ], Mexico[ME], Great Britain[UK] Technical Specifications: RSV Mille "R" Version[R]
1	AP8156040	Front mudguard, black	1	Year: 2004[4] Vehicle colour: Aprilia black 2004[n] Country: Canadian[CN], United States of America[USA] Technical Specifications: RSV Mille "R" Version[R]
1	AP8156041	Front mudguard, carb.	1	Year: 2005[5] Country: Canadian[CN], United States of America[USA] Technical Specifications: Factory "R" RSV Version[FAC]
1	AP8156041	Front mudguard, carb.	1	Year: 2004[4] Country: Canadian[CN], United States of America[USA]

Group	FRAME
Code	28.19
Description	Front body - Front mudguard
Service	1



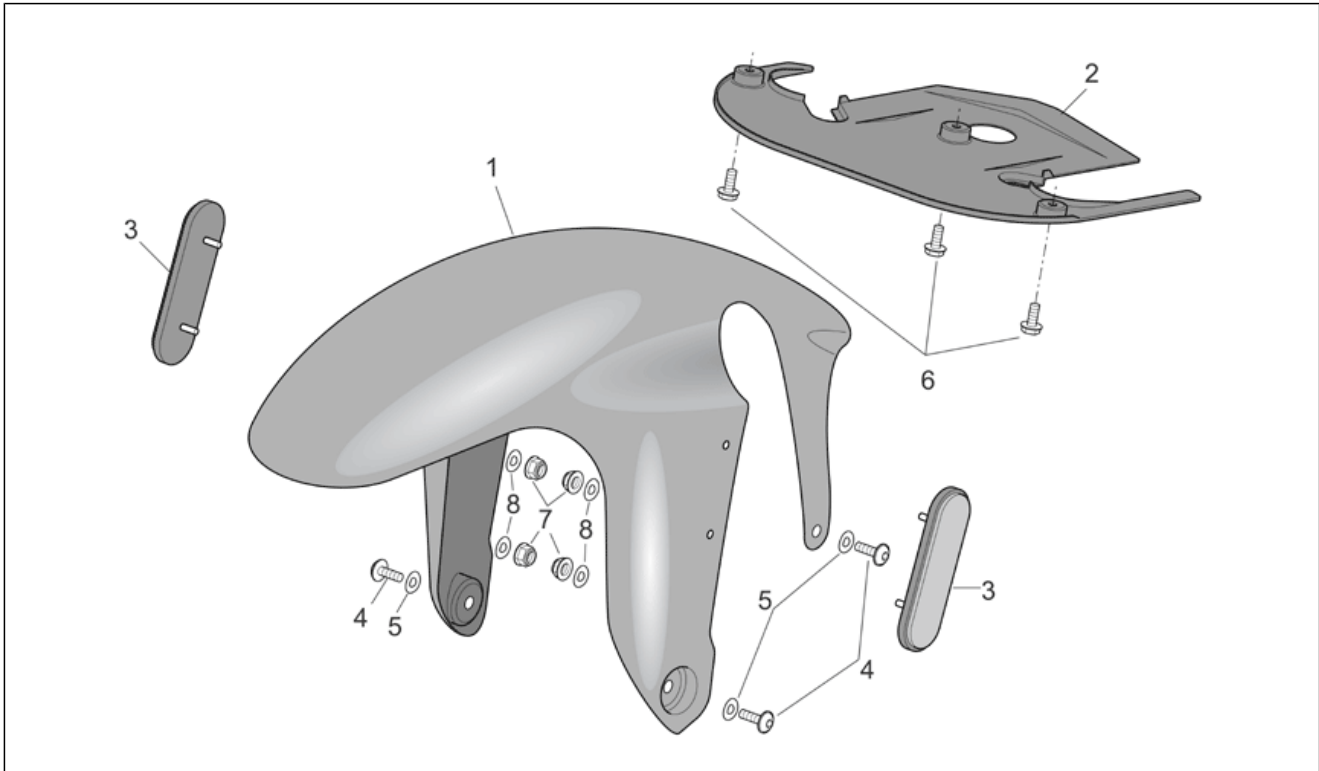
Pos.	Code	Description	Qty	Variants
				Technical Specifications: Factory "R" RSV Version[FAC]
1	AP8156041	Front mudguard, carb.	1	Year: 2004[4] Country: Canadian[CN], United States of America[USA] Technical Specifications: "Nera" Dream RSV Version[DRE]
1	AP8156075	Front mudguard, grey	1	Year: 2004[4] Vehicle colour: Lead grey 2004[g] Country: Canadian[CN], United States of America[USA] Technical Specifications: RSV Mille "R" Version[R]
1	AP8156093	Front mudguard, red	1	Year: 2004[4] Vehicle colour: Fluo Red 2004[r] Country: Australia[AA], B, GR, E, F, I, NL[EU], Japan[JJ], Mexico[ME], Great Britain[UK] Technical Specifications: RSV Mille "R" Version[R]
1	AP8156094	Front mudguard, red	1	Year: 2004[4] Vehicle colour: Fluo Red 2004[r] Country: Canadian[CN], United States of America[USA] Technical Specifications: RSV Mille "R" Version[R]
1	AP8156164	Front mudguard, carb.	1	Year: 2004[4] Country: Australia[AA], B, GR, E, F, I, NL[EU], Japan[JJ], Mexico[ME], Great Britain[UK] Technical Specifications: Factory "R" RSV Version[FAC]
1	AP8156164	Front mudguard, carb.	1	Year: 2006[6], 2007[7] Country: Australia[AA], B, GR, E, F, I, NL[EU], Japan[JJ], Mexico[ME], Great Britain[UK] Technical Specifications: Factory "R" RSV Version[FAC]
1	AP8156164	Front mudguard, carb.	1	Year: 2005[5] Country: Australia[AA], B, GR, E, F, I, NL[EU], Japan[JJ], Mexico[ME], Great Britain[UK] Technical Specifications: Factory "R" RSV Version[FAC]
1	AP8156164	Front mudguard, carb.	1	Year: 2005[5] Country: Australia[AA], B, GR, E, F, I, NL[EU], Japan[JJ], Mexico[ME], Great Britain[UK] Technical Specifications: Factory "R" RSV Version[FAC]
1	AP8156176	Front mudguard, black	1	Year: 2005[5]

Group	FRAME
Code	28.19
Description	Front body - Front mudguard
Service	1



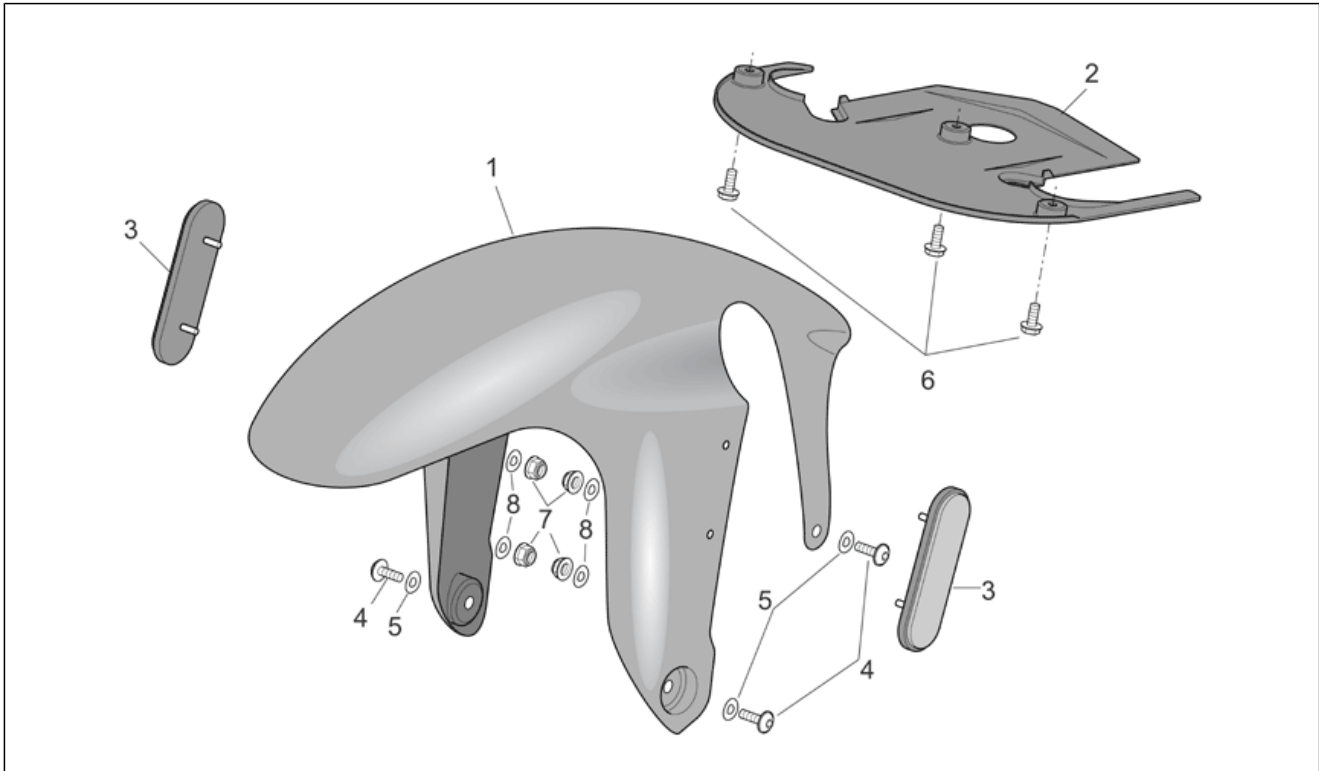
Pos.	Code	Description	Qty	Variants
				Country: Australia[AA], B, GR, E, F, I, NL[EU], Japan[JJ], Mexico[ME], Great Britain[UK] Technical Specifications: RSV Mille "R" Version[R]
1	AP8156182	Front mudguard, black	1	Year: 2005[5] Country: Canadian[CN], United States of America[USA] Technical Specifications: RSV Mille "R" Version[R]
1	AP8156186	Front mudguard, carb.	1	Year: 2005[5] Country: Canadian[CN], United States of America[USA] Technical Specifications: Factory "R" RSV Version[FAC]
1	AP8156186	Front mudguard, carb.	1	Year: 2005[5] Country: Canadian[CN], United States of America[USA] Technical Specifications: Factory "R" RSV Version[FAC]
1	AP8156186	Front mudguard, carb.	1	Year: 2006[6], 2007[7], 2008[8] Country: Canadian[CN], United States of America[USA] Technical Specifications: Factory "R" RSV Version[FAC]
1	AP8156234	Front mudguard, black	1	Year: 2006[6] Vehicle colour: Aprilia black 2005-2006[a.blk] Country: Australia[AA], B, GR, E, F, I, NL[EU], Japan[JJ], Mexico[ME], Great Britain[UK] Technical Specifications: With decals applied[D], RSV Mille "R" Version[R]
1	AP8156243	Front mudguard, red	1	Year: 2006[6] Vehicle colour: Fluo Red 2005-2006[r.fluo] Country: Australia[AA], B, GR, E, F, I, NL[EU], Japan[JJ], Mexico[ME], Great Britain[UK] Technical Specifications: With decals applied[D], RSV Mille "R" Version[R]
1	AP8156244	Front mudguard, red	1	Year: 2006[6] Vehicle colour: Fluo Red 2005-2006[r.fluo] Country: Canadian[CN], United States of America[USA] Technical Specifications: With decals applied[D], RSV Mille "R" Version[R]
1	AP8156245	Front mudguard, black	1	Year: 2006[6] Vehicle colour: Aprilia White 2006 (s.t.15178)[white]

Group	FRAME
Code	28.19
Description	Front body - Front mudguard
Service	1



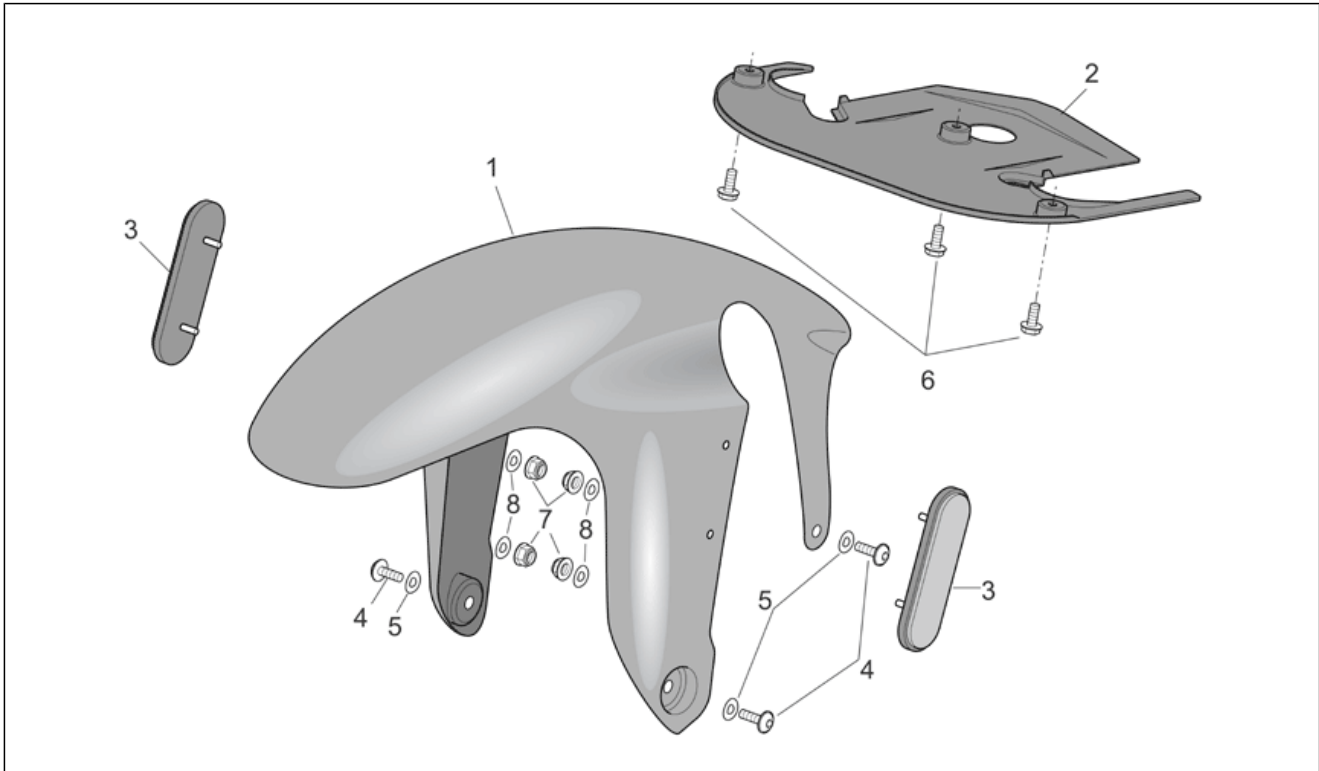
Pos.	Code	Description	Qty	Variants
				Country: Australia[AA], B, GR, E, F, I, NL[EU], Japan[JJ], Mexico[ME], Great Britain[UK] Technical Specifications: With decals applied[D], RSV Mille "R" Version[R]
1	AP8156246	Front mudguard, black	1	Year: 2006[6] Vehicle colour: Aprilia White 2006 (s.t.15178)[white] Country: Canadian[CN], United States of America[USA] Technical Specifications: With decals applied[D], RSV Mille "R" Version[R]
1	AP8156254	Front mudguard, black	1	Year: 2006[6] Vehicle colour: Aprilia black 2005-2006[a.blk] Country: Canadian[CN], United States of America[USA] Technical Specifications: With decals applied[D], RSV Mille "R" Version[R]
1	AP8156324	Front mudguard, red	1	Year: 2007[7] Vehicle colour: Aprilia black 2005-2006[a.blk], Platinum Grey 2007 (s.t.853154)[grey] Country: Australia[AA], B, GR, E, F, I, NL[EU], Japan[JJ], Mexico[ME], Great Britain[UK] Technical Specifications: With decals applied[D], RSV Mille "R" Version[R]
1	AP8156325	Front mudguard, red	1	Year: 2007[7], 2008[8] Vehicle colour: Aprilia black 2005-2006[a.blk], Platinum Grey 2007 (s.t.853154)[grey] Country: Canadian[CN], United States of America[USA] Technical Specifications: With decals applied[D], RSV Mille "R" Version[R]
1	AP8156353	Front mudguard, black	1	Year: 2008[8] Vehicle colour: Aprilia Black 2008 (s.t.859822)[black08] Country: Australia[AA], B, GR, E, F, I, NL[EU], Japan[JJ], Mexico[ME], Great Britain[UK] Technical Specifications: With decals applied[D], RSV Mille "R" Version[R]
1	AP8156354	Front mudguard, black	1	Year: 2008[8] Vehicle colour: Aprilia Black 2008 (s.t.859822)[black08] Country: Canadian[CN], United States of America[USA]

Group	FRAME
Code	28.19
Description	Front body - Front mudguard
Service	1



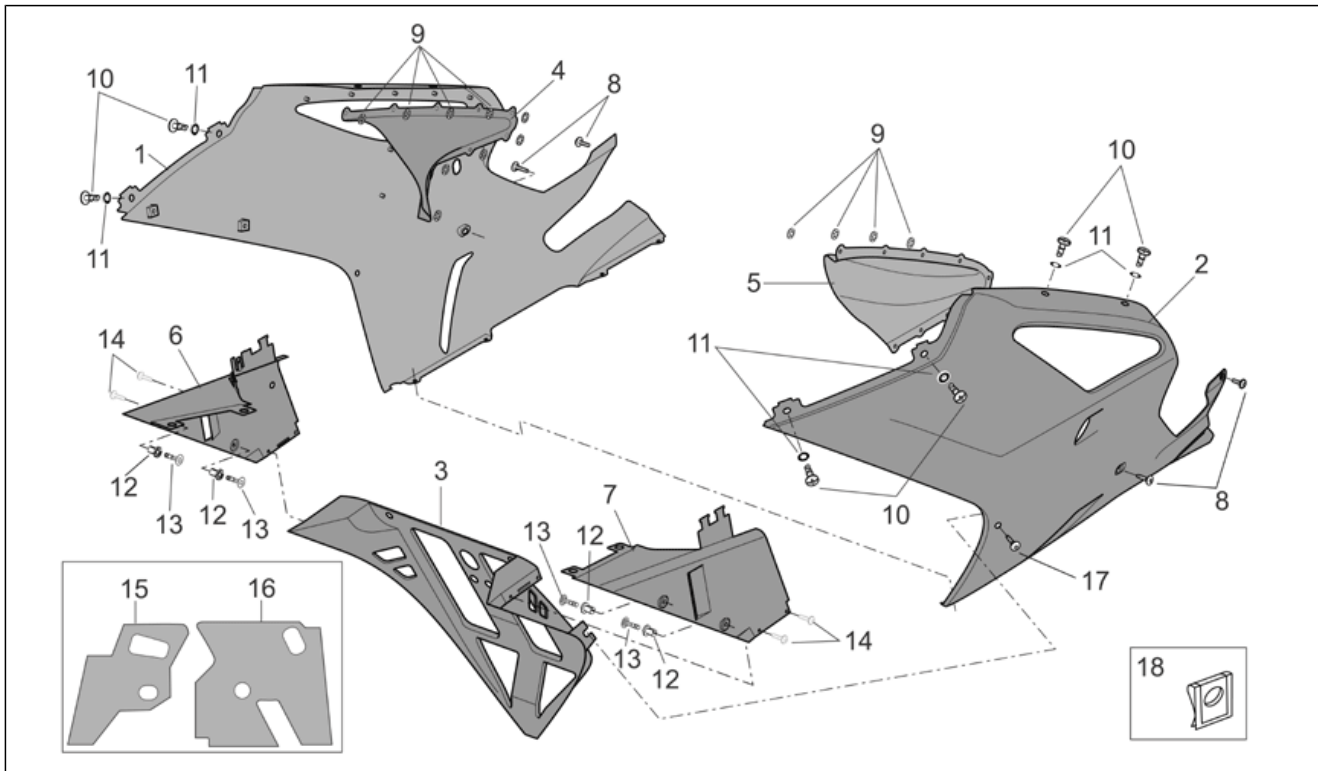
Pos.	Code	Description	Qty	Variants
				Technical Specifications: With decals applied[D], RSV Mille "R" Version[R]
1	AP8156359	Front mudguard, white	1	Year: 2008[8] Vehicle colour: Ice White 2008 (s.t.860006)[ice] Country: Australia[AA], B, GR, E, F, I, NL[EU], Japan[JJ], Mexico[ME], Great Britain[UK] Technical Specifications: With decals applied[D], RSV Mille "R" Version[R]
1	AP8156360	Front mudguard, white	1	Year: 2008[8] Vehicle colour: Ice White 2008 (s.t.860006)[ice] Country: Canadian[CN], United States of America[USA] Technical Specifications: With decals applied[D], RSV Mille "R" Version[R]
1	AP8156371	Front mudguard, blue	1	Year: 2008[8] Vehicle colour: Planet Blue 2008 (s.t.860005)[blu] Country: Australia[AA], B, GR, E, F, I, NL[EU], Japan[JJ], Mexico[ME], Great Britain[UK] Technical Specifications: With decals applied[D], RSV Mille "R" Version[R]
1	AP8156372	Front mudguard, blue	1	Year: 2008[8] Vehicle colour: Planet Blue 2008 (s.t.860005)[blu] Country: Canadian[CN], United States of America[USA] Technical Specifications: With decals applied[D], RSV Mille "R" Version[R]
1	AP8184362	Front mudguard, red	1	Year: 2007[7] Vehicle colour: Bol D'or 2007 (s.t.853155)[bol dor] Country: Australia[AA], B, GR, E, F, I, NL[EU], Japan[JJ], Mexico[ME], Great Britain[UK] Technical Specifications: With decals applied[D], RSV Mille "R" Version[R]
1	AP8184363	Front mudguard, red	1	Year: 2007[7] Vehicle colour: Bol D'or 2007 (s.t.853155)[bol dor] Country: Canadian[CN], United States of America[USA] Technical Specifications: With decals applied[D], RSV Mille "R" Version[R]

Group	FRAME
Code	28.19
Description	Front body - Front mudguard
Service	1



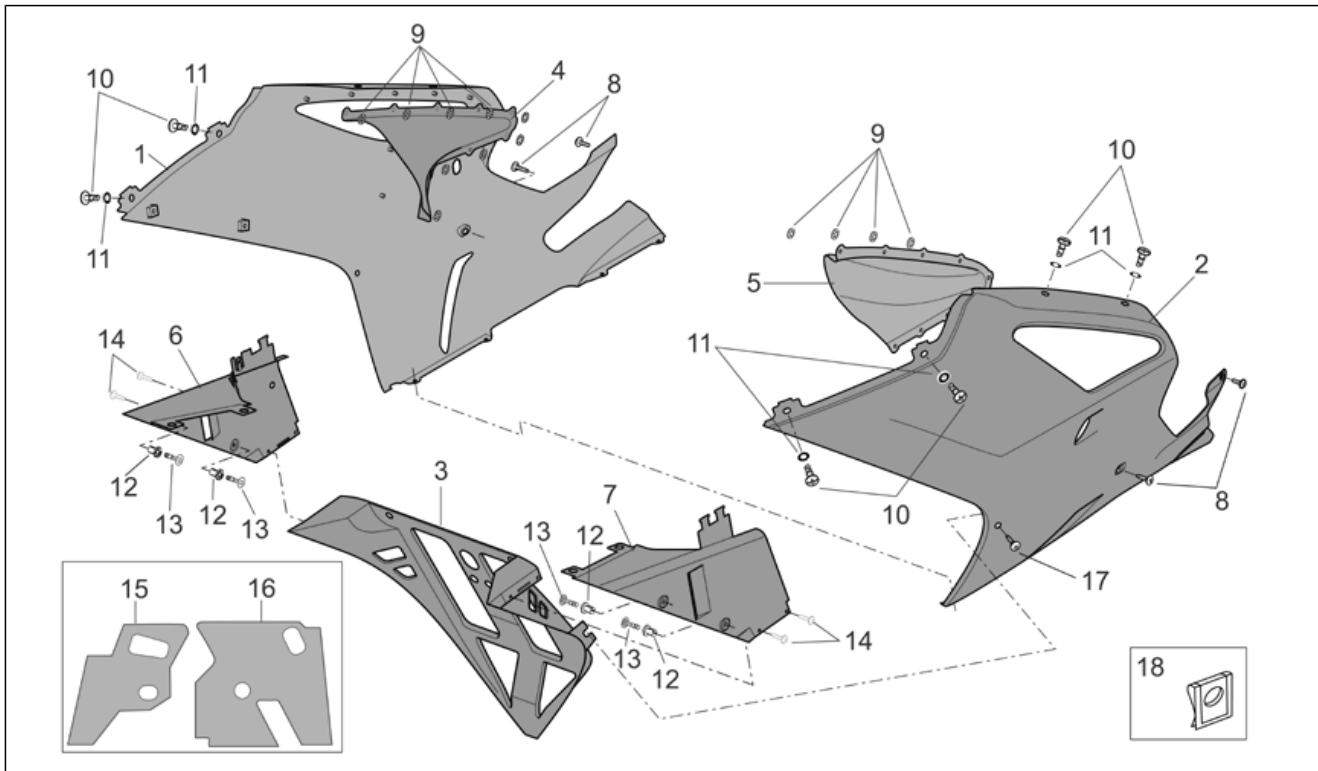
Pos.	Code	Description	Qty	Variants
2	AP8158124	Front fairing lower lockup	1	
3	AP8124719	Reflector, amber	2	Country:Canadian[CN], United States of America[USA]
4	AP8152298	Screw w/ flange M5x16	4	Technical Specifications:Factory "R" RSV Version[FAC], RSV Mille "R" Version[R]
4	AP8152458	Screw	4	Technical Specifications:"Nera" Dream RSV Version[DRE]
5	AP8150382	Washer 15x5,5X1,2	4	
6	AP8152277	Screw w/ flange M6x12	3	
7	AP8150204	Nut M4	4	
8	AP8150158	Washer 4,3X9X0,8	4	

Group	FRAME
Code	28.20
Description	Front body - Fairings I
Service	1



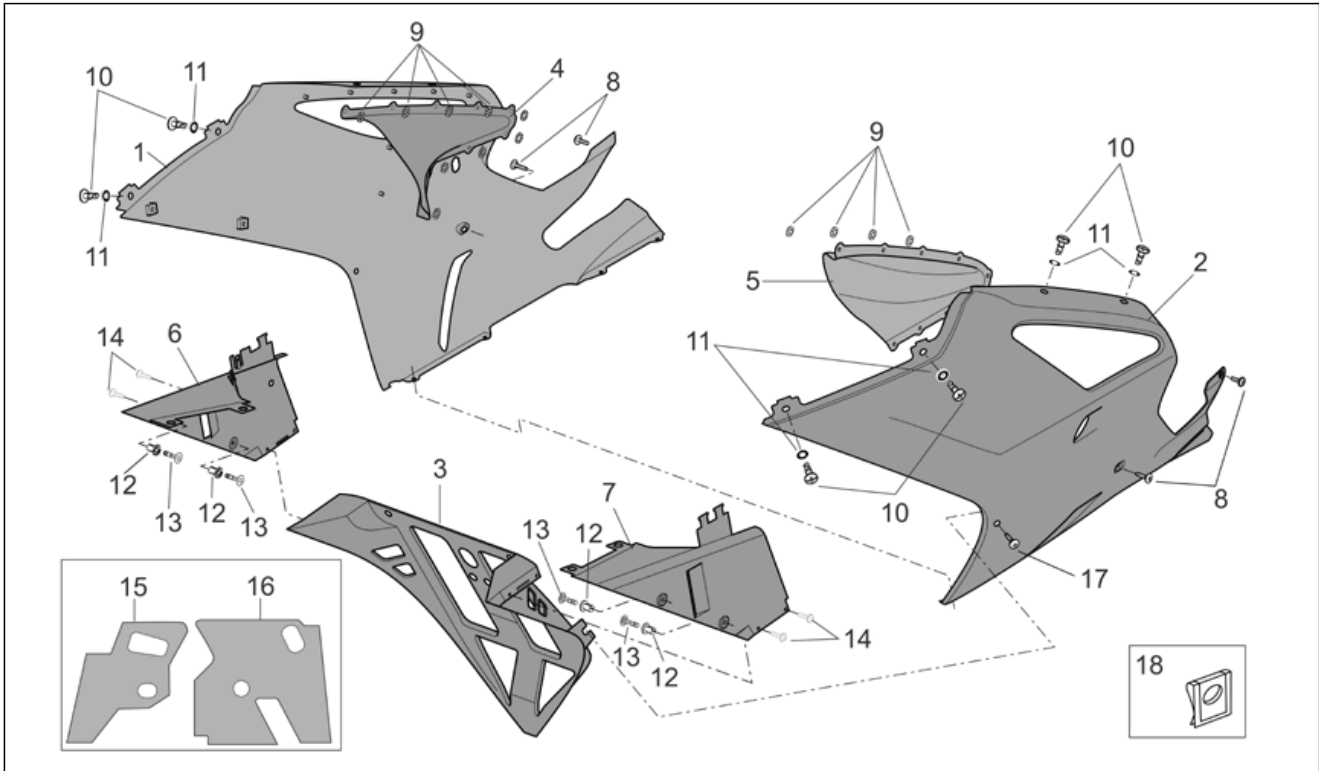
Pos.	Code	Description	Qty	Variants
1	AP8158130	RH lat.fairing, black	1	Year:2004[4] Vehicle colour:Aprilia black 2004[n] Technical Specifications:Factory "R" RSV Version[FAC]
1	AP8158657	RH lat.fairing, grey	1	Year:2004[4] Vehicle colour:Lead grey 2004[g] Technical Specifications:RSV Mille "R" Version[R]
1	AP8178004	RH lat.fairing, grey	1	Year:2004[4] Vehicle colour:Lead grey 2004[g] Technical Specifications:Factory "R" RSV Version[FAC]
1	AP8178029	RH lat.fairing, grey	1	Year:2004[4] Vehicle colour:Fluo Red 2004[r] Technical Specifications:RSV Mille "R" Version[R]
1	AP8178172	RH lat.fairing, grey	1	Year:2004[4] Vehicle colour:Fluo Red 2004[r] Technical Specifications:Factory "R" RSV Version[FAC]
1	AP8178177	RH lat.fairing, black	1	Year:2004[4] Vehicle colour:Aprilia black 2004[n] Technical Specifications:RSV Mille "R" Version[R]
1	AP8178240	RH lateral fairing, transp.	1	Year:2004[4] Technical Specifications:"Nera" Dream RSV Version[DRE]
1	AP8178904	RH lat.fairing, black	1	Year:2005[5] Vehicle colour:Aprilia black 2005-2006[a.blk] Technical Specifications:Factory "R" RSV Version[FAC], RSV Mille "R" Version[R]
1	AP8178944	RH lat.fairing, black	1	Year:2005[5] Vehicle colour:Fluo Red 2005-2006[r.fluo] Technical Specifications:Factory "R" RSV Version[FAC], RSV Mille "R" Version[R]
1	AP8178958	RH lat.fairing, grey	1	Year:2005[5] Vehicle colour:Silver Mirror 2005[s.mir] Technical Specifications:Factory "R" RSV Version[FAC], RSV Mille "R" Version[R]
2	AP8158131	LH lat.fairing, black	1	Year:2004[4] Vehicle colour:Aprilia black 2004[n]

Group	FRAME
Code	28.20
Description	Front body - Fairings I
Service	1



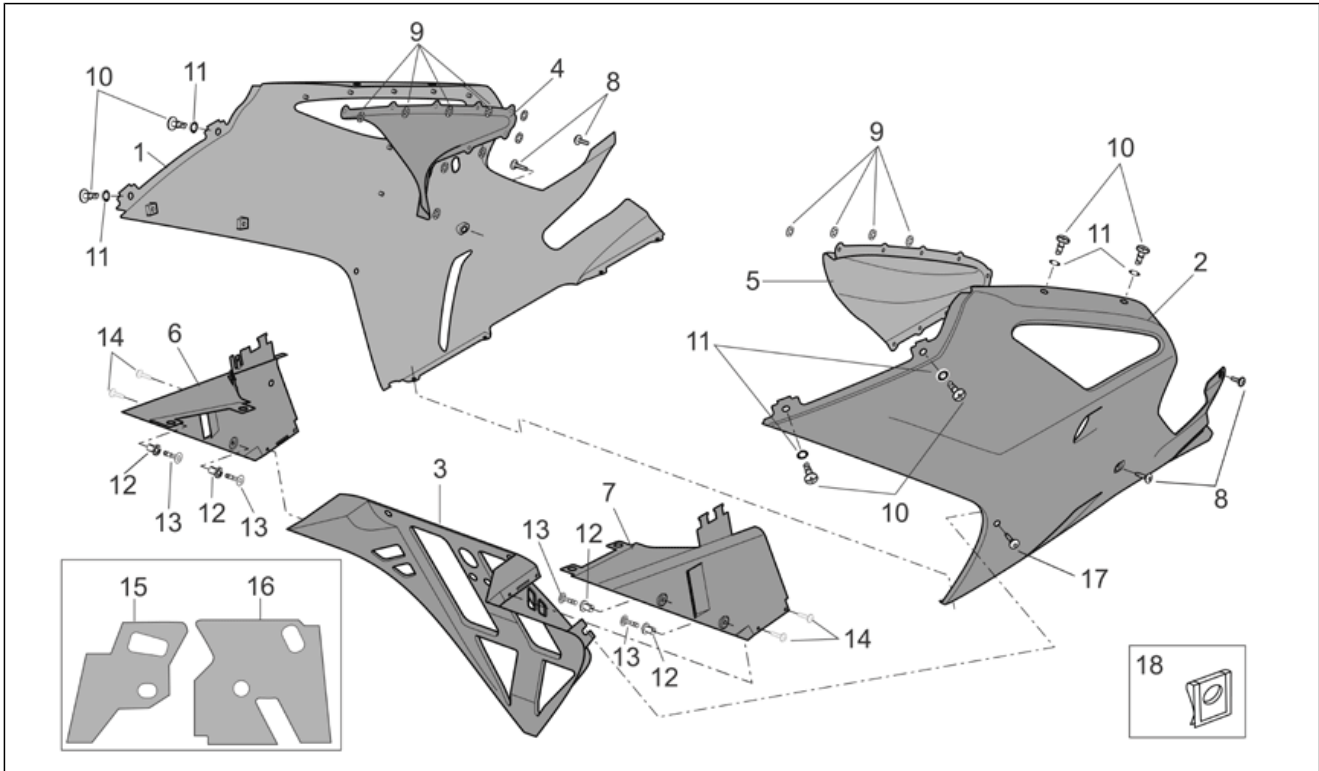
Pos.	Code	Description	Qty	Variants
				Technical Specifications: Factory "R" RSV Version[FAC]
2	AP8158658	LH lat.fairing, grey	1	Year: 2004[4] Vehicle colour: Lead grey 2004[g] Technical Specifications: RSV Mille "R" Version[R]
2	AP8178005	LH lat.fairing, grey	1	Year: 2004[4] Vehicle colour: Lead grey 2004[g] Technical Specifications: Factory "R" RSV Version[FAC]
2	AP8178030	LH lat.fairing, grey	1	Year: 2004[4] Vehicle colour: Fluo Red 2004[r] Technical Specifications: RSV Mille "R" Version[R]
2	AP8178173	LH lat.fairing, grey	1	Year: 2004[4] Vehicle colour: Fluo Red 2004[r] Technical Specifications: Factory "R" RSV Version[FAC]
2	AP8178178	LH lat.fairing, black	1	Year: 2004[4] Vehicle colour: Aprilia black 2004[n] Technical Specifications: RSV Mille "R" Version[R]
2	AP8178241	LH lateral fairing, transp.	1	Year: 2004[4] Technical Specifications: "Nera" Dream RSV Version[DRE]
2	AP8178905	LH lat.fairing, black	1	Year: 2005[5] Vehicle colour: Aprilia black 2005-2006[a.blk] Technical Specifications: Factory "R" RSV Version[FAC], RSV Mille "R" Version[R]
2	AP8178945	LH lat.fairing, black	1	Year: 2005[5] Vehicle colour: Fluo Red 2005-2006[r.fluo] Technical Specifications: Factory "R" RSV Version[FAC], RSV Mille "R" Version[R]
2	AP8178959	LH lat.fairing, grey	1	Year: 2005[5] Vehicle colour: Silver Mirror 2005[s.mir] Technical Specifications: Factory "R" RSV Version[FAC], RSV Mille "R" Version[R]
3	AP8158128	Pillar	1	Year: 2004[4], 2005[5] Technical Specifications: Factory "R" RSV Version[FAC], RSV Mille "R" Version[R]
3	AP8168982	Pillar	1	Year: 2004[4], 2005[5]

Group	FRAME
Code	28.20
Description	Front body - Fairings I
Service	1



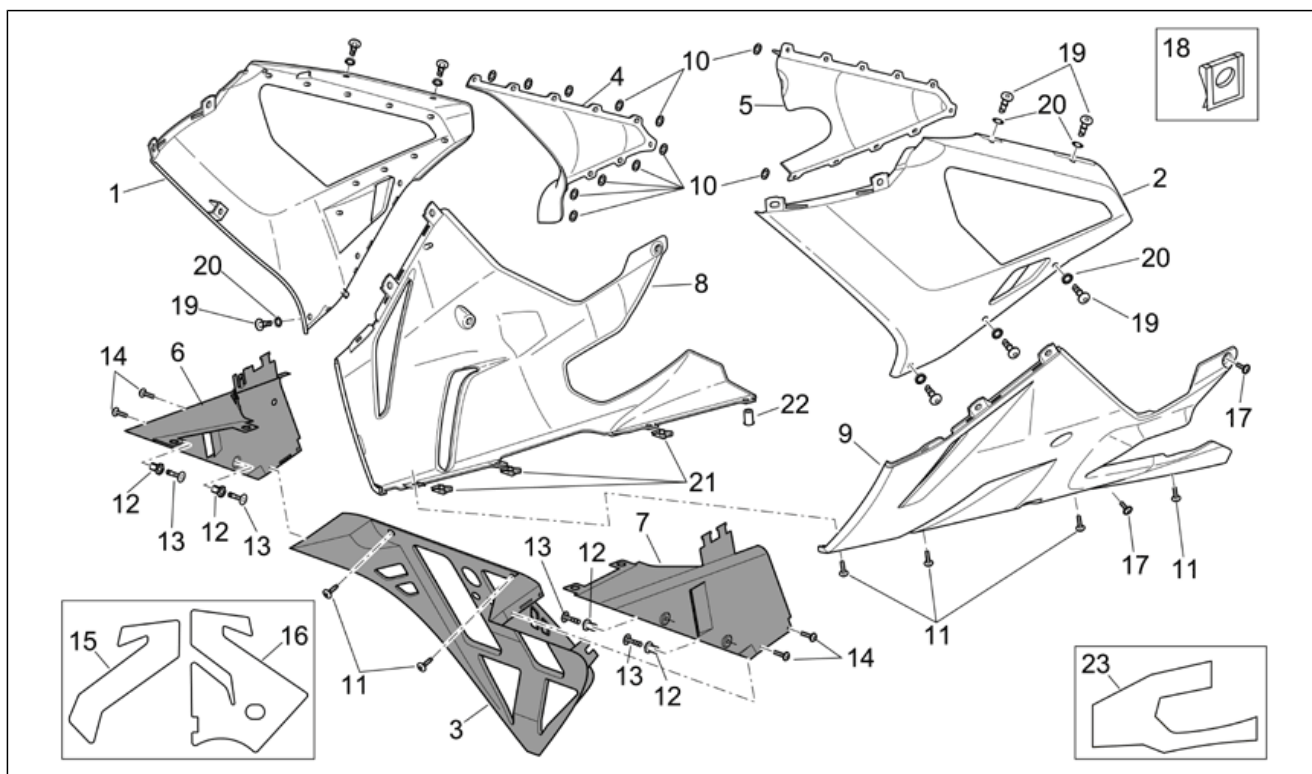
Pos.	Code	Description	Qty	Variants
				Technical Specifications: "Nera" Dream RSV Version[DRE]
4	AP8158910	RH puller	1	Year: 2004[4]
4	AP8168611	RH puller	1	Technical Specifications: RSV Mille "R" Version[R]
4	AP8168611	RH puller	1	Year: 2004[4] Technical Specifications: "Nera" Dream RSV Version[DRE]
4	AP8168611	RH puller	1	Year: 2005[5] Technical Specifications: Factory "R" RSV Version[FAC]
4	AP8168611	RH puller	1	Year: 2004[4] Technical Specifications: Factory "R" RSV Version[FAC]
4	AP8168611	RH puller	1	Year: 2004[4] Technical Specifications: Factory "R" RSV Version[FAC]
4	AP8178757	RH puller, carb.	1	Year: 2004[4] Technical Specifications: Factory "R" RSV Version[FAC]
4	AP8178757	RH puller, carb.	1	Year: 2005[5] Technical Specifications: Factory "R" RSV Version[FAC]
4	AP8178757	RH puller, carb.	1	Year: 2005[5] Technical Specifications: Factory "R" RSV Version[FAC]
5	AP8158911	LH puller	1	Year: 2004[4] Technical Specifications: RSV Mille "R" Version[R]
5	AP8168612	LH puller	1	Year: 2004[4] Technical Specifications: "Nera" Dream RSV Version[DRE]
5	AP8168612	LH puller	1	Year: 2004[4] Technical Specifications: Factory "R" RSV Version[FAC]
5	AP8168612	LH puller	1	Year: 2004[4] Technical Specifications: Factory "R" RSV Version[FAC]
5	AP8168612	LH puller	1	Year: 2005[5] Technical Specifications: Factory "R" RSV Version[FAC]
5	AP8178758	LH puller, carb.	1	Year: 2005[5] Technical Specifications: Factory "R" RSV Version[FAC]
5	AP8178758	LH puller, carb.	1	Year: 2004[4] Technical Specifications: Factory "R" RSV Version[FAC]
5	AP8178758	LH puller, carb.	1	Year: 2005[5]

Group	FRAME
Code	28.20
Description	Front body - Fairings I
Service	1



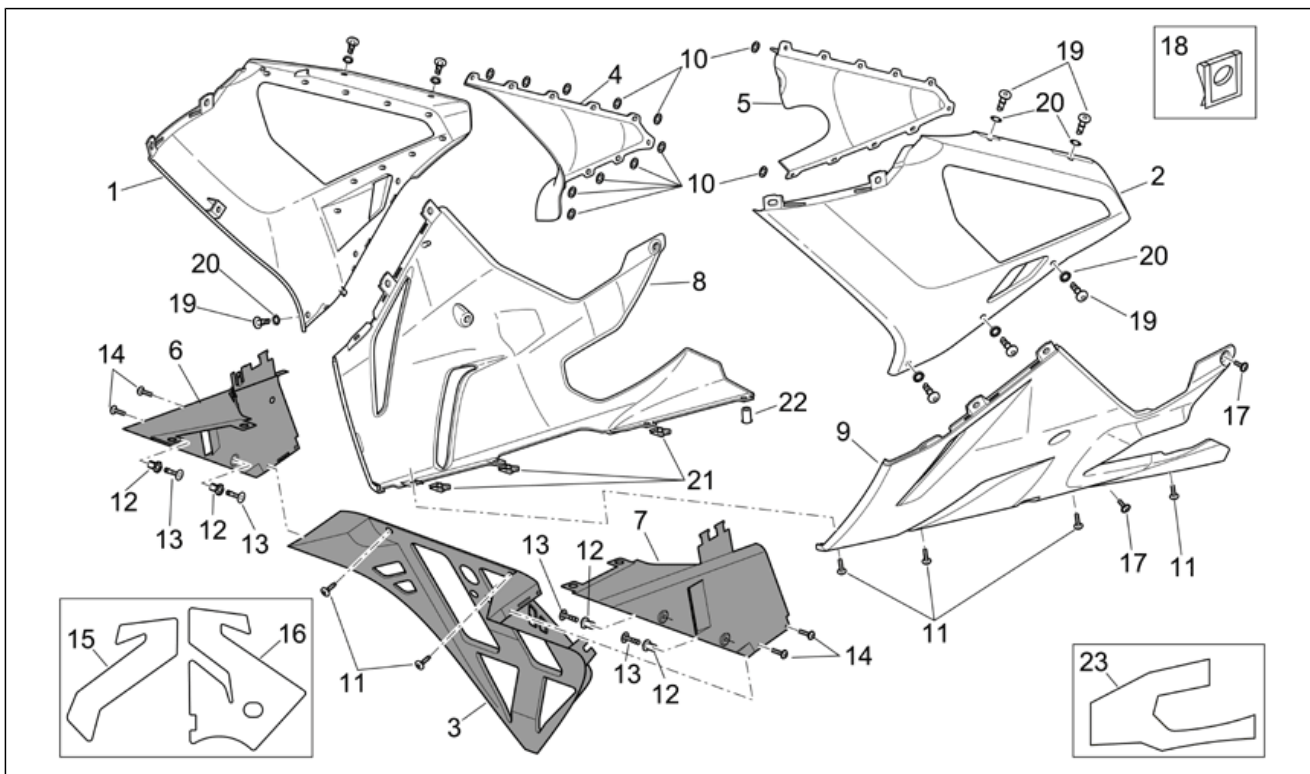
Pos.	Code	Description	Qty	Variants
				Technical Specifications: Factory "R" RSV Version[FAC]
6	AP8158126	RH internal fairing	1	Year: 2004[4], 2005[5]
7	AP8158127	LH internal fairing	1	Year: 2004[4], 2005[5]
8	AP8152302	Screw w/ flange M5x12	4	Year: 2004[4], 2005[5] Technical Specifications: Factory "R" RSV Version[FAC], RSV Mille "R" Version[R]
8	AP8152460	Screw M6x15	4	Year: 2004[4], 2005[5] Technical Specifications: "Nera" Dream RSV Version[DRE]
9	AP8150450	Washer for shafts D5	18	Year: 2004[4], 2005[5]
10	AP8121663	screw	8	Year: 2004[4], 2005[5] Technical Specifications: Factory "R" RSV Version[FAC], RSV Mille "R" Version[R]
10	AP8161015	Fixing pin	8	Year: 2004[4], 2005[5] Technical Specifications: "Nera" Dream RSV Version[DRE]
11	AP8120622	Front dust cover ring	8	Year: 2004[4], 2005[5]
12	AP8144616	Rivet, female	2	Year: 2004[4], 2005[5]
13	AP8144563	Rivet, male	2	Year: 2004[4], 2005[5]
14	AP8152298	Screw w/ flange M5x16	4	Year: 2004[4], 2005[5]
15	AP8117189	Acoustic insulation panel, RH	1	Year: 2004[4], 2005[5]
16	AP8117190	Acoustic insulation panel, LH	1	Year: 2004[4], 2005[5]
17	AP8152298	Screw w/ flange M5x16	2	Year: 2004[4], 2005[5]
18	AP8101985	Special clip	10	Year: 2004[4], 2005[5]

Group	FRAME
Code	28.21
Description	Front body - Fairings II
Service	1



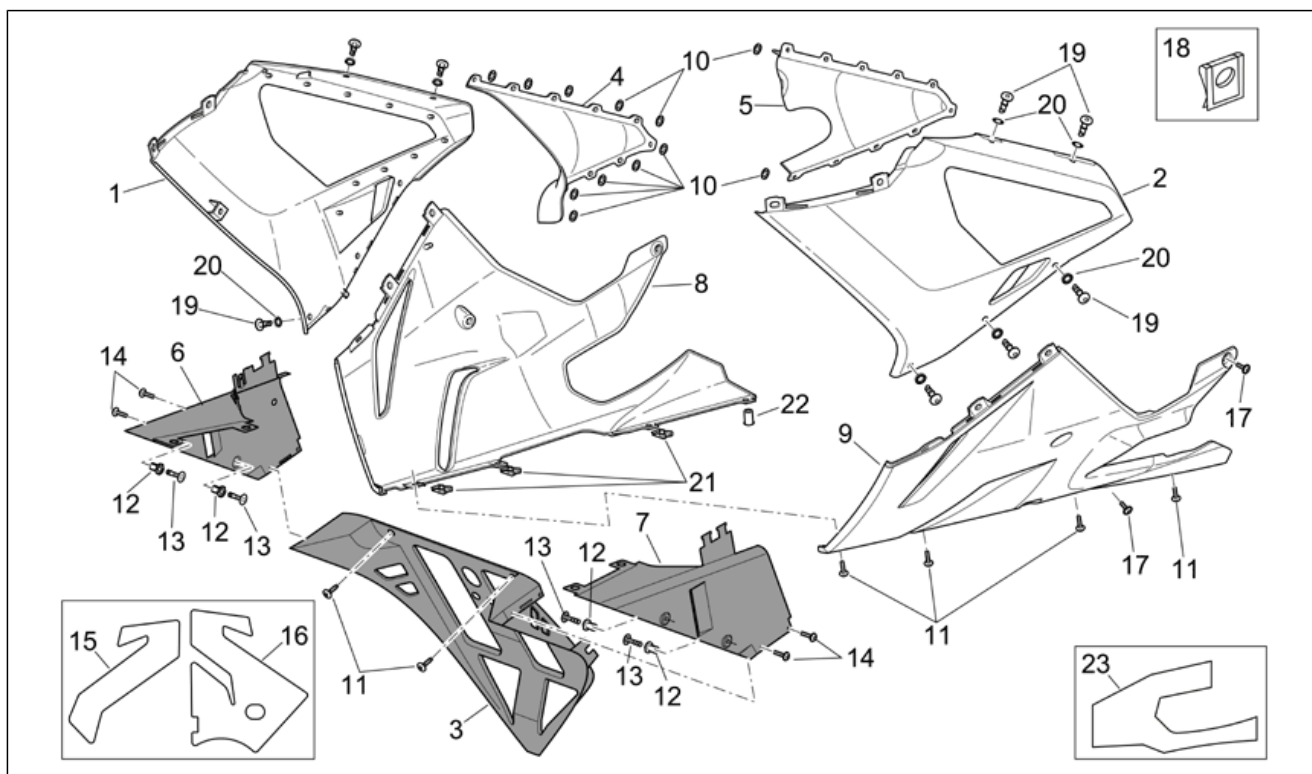
Pos.	Code	Description	Qty	Variants
1	AP8179265	RH side panel upper, black	1	Year: 2006[6] Vehicle colour: Aprilia black 2005-2006[a.blk] Technical Specifications: With decals applied[D], Factory "R" RSV Version[FAC], RSV Mille "R" Version[R]
1	AP8179453	RH side panel upper, red	1	Year: 2006[6] Vehicle colour: Fluo Red 2005-2006[r.fluo] Technical Specifications: With decals applied[D], RSV Mille "R" Version[R]
1	AP8179463	RH side panel upper, white	1	Year: 2006[6] Vehicle colour: Aprilia White 2006 (s.t.15178)[white] Technical Specifications: With decals applied[D], RSV Mille "R" Version[R]
1	AP8184318	RH side panel upper v.grigio	1	Year: 2007[7], 2008[8] Vehicle colour: Aprilia Black 2007 (s.t.853153)[black], Aprilia Black 2008 (s.t.859822)[black08] Technical Specifications: With decals applied[D], Factory "R" RSV Version[FAC], RSV Mille "R" Version[R]
1	AP8184335	RH side panel upper v.grigio	1	Year: 2008[8] Vehicle colour: Platinum Grey 2007 (s.t.853154)[grey] Technical Specifications: With decals applied[D], RSV Mille "R" Version[R]
1	AP8184335	RH side panel upper v.grigio	1	Year: 2007[7] Vehicle colour: Platinum Grey 2007 (s.t.853154)[grey] Technical Specifications: With decals applied[D], Factory "R" RSV Version[FAC], RSV Mille "R" Version[R]
1	AP8184352	RH side panel upper, red	1	Year: 2007[7] Vehicle colour: Bol D'or 2007 (s.t.853155)[bol dor] Technical Specifications: With decals applied[D], Factory "R" RSV Version[FAC], RSV Mille "R" Version[R]
1	AP8184386	RH side panel upper, black	1	Year: 2007[7], 2008[8] Vehicle colour: Dark Lion 2007 (s.t.853378)[dark] Technical Specifications: With decals applied[D], Factory "R" RSV Version[FAC]
1	AP8184401	RH side panel upper, black	1	Year: 2007[7] Vehicle colour: Red Lion 2007 (s.t.853379)[red]

Group	FRAME
Code	28.21
Description	Front body - Fairings II
Service	1



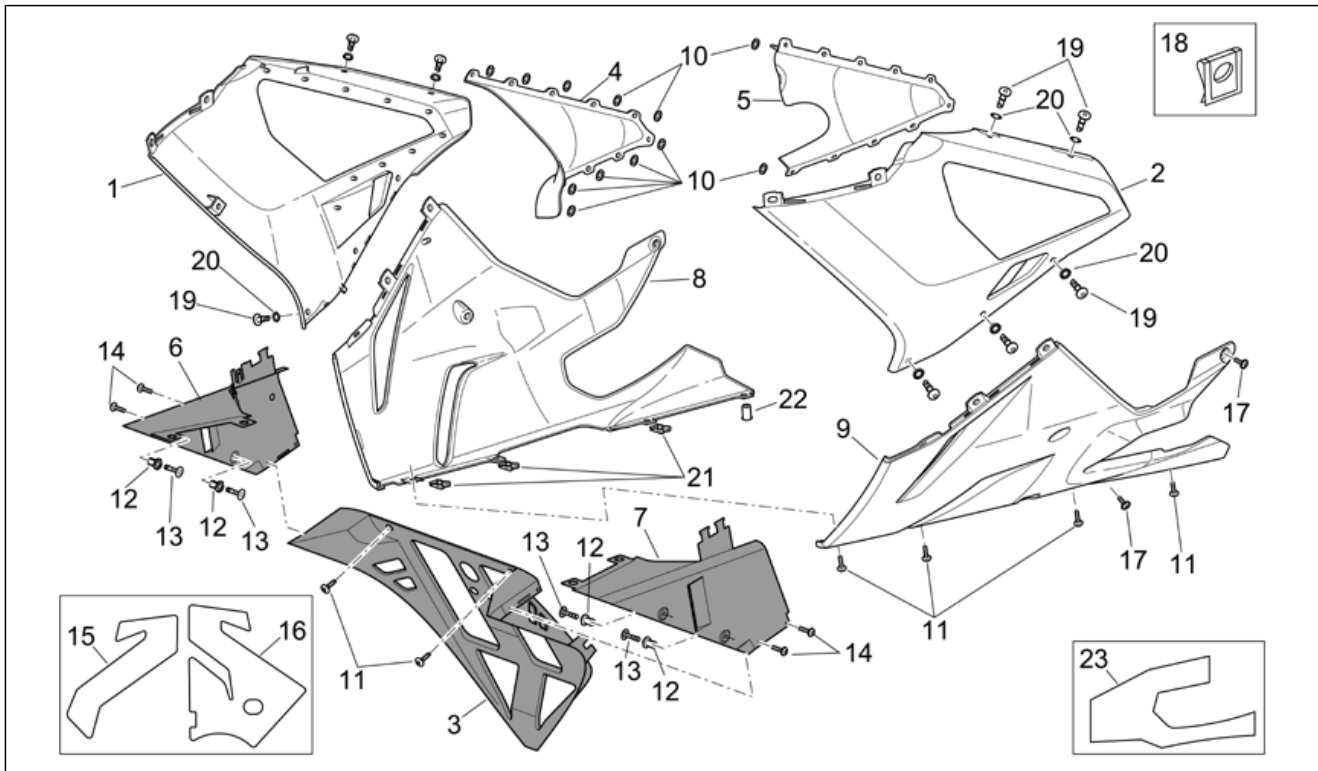
Pos.	Code	Description	Qty	Variants
				Technical Specifications: With decals applied[D], Factory "R" RSV Version[FAC]
1	AP8184682	RH side panel upper v.blu	1	Year: 2008[8] Vehicle colour: Planet Blue 2008 (s.t.860005)[blu] Technical Specifications: With decals applied[D]
1	AP8184701	RH side panel upper v.argento	1	Year: 2008[8] Vehicle colour: Ice White 2008 (s.t.860006)[ice] Technical Specifications: With decals applied[D]
2	AP8179266	LH side panel upper, black	1	Year: 2006[6] Vehicle colour: Aprilia black 2005-2006[a.blk] Technical Specifications: With decals applied[D], Factory "R" RSV Version[FAC], RSV Mille "R" Version[R]
2	AP8179454	LH side panel upper, red	1	Year: 2006[6] Vehicle colour: Fluo Red 2005-2006[r.fluo] Technical Specifications: With decals applied[D], RSV Mille "R" Version[R]
2	AP8179464	LH side panel upper, white	1	Year: 2006[6] Vehicle colour: Aprilia White 2006 (s.t.15178)[white] Technical Specifications: With decals applied[D], RSV Mille "R" Version[R]
2	AP8184319	LH side panel upper v.grigio	1	Year: 2007[7], 2008[8] Vehicle colour: Aprilia Black 2007 (s.t.853153)[black], Aprilia Black 2008 (s.t.859822)[black08] Technical Specifications: With decals applied[D], Factory "R" RSV Version[FAC], RSV Mille "R" Version[R]
2	AP8184336	LH side panel upper v.grigio	1	Year: 2007[7] Vehicle colour: Platinum Grey 2007 (s.t.853154)[grey] Technical Specifications: With decals applied[D], Factory "R" RSV Version[FAC], RSV Mille "R" Version[R]
2	AP8184336	LH side panel upper v.grigio	1	Year: 2008[8] Vehicle colour: Platinum Grey 2007 (s.t.853154)[grey] Technical Specifications: With decals applied[D], RSV Mille "R" Version[R]
2	AP8184353	LH side panel upper, red	1	Year: 2007[7] Vehicle colour: Bol D'or 2007 (s.t.853155)[bol dor]

Group	FRAME
Code	28.21
Description	Front body - Fairings II
Service	1



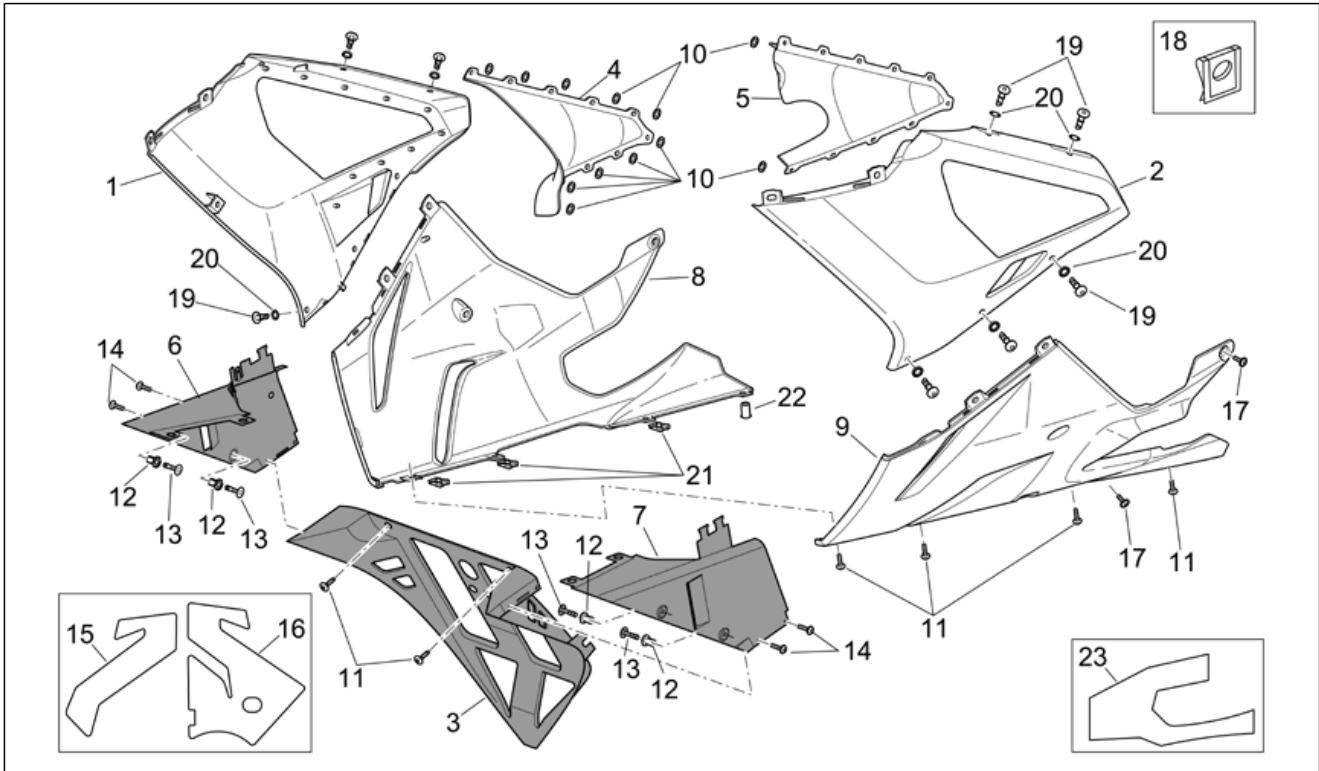
Pos.	Code	Description	Qty	Variants
				Technical Specifications: With decals applied[D], Factory "R" RSV Version[FAC], RSV Mille "R" Version[R]
2	AP8184387	LH side panel upper, black	1	Year: 2007[7], 2008[8] Vehicle colour: Dark Lion 2007 (s.t.853378)[dark] Technical Specifications: With decals applied[D], Factory "R" RSV Version[FAC]
2	AP8184402	LH side panel upper, black	1	Year: 2007[7] Vehicle colour: Red Lion 2007 (s.t.853379)[red] Technical Specifications: With decals applied[D], Factory "R" RSV Version[FAC]
2	AP8184683	LH side panel upper v.blu	1	Year: 2008[8] Vehicle colour: Planet Blue 2008 (s.t.860005)[blu] Technical Specifications: With decals applied[D]
2	AP8184702	LH side panel upper v.argento	1	Year: 2008[8] Vehicle colour: Ice White 2008 (s.t.860006)[ice] Technical Specifications: With decals applied[D]
3	AP8158128	Pillar	1	Year: 2006[6], 2007[7] Technical Specifications: Factory "R" RSV Version[FAC], RSV Mille "R" Version[R]
3	AP8158128	Pillar	1	Year: 2008[8] Technical Specifications: RSV Mille "R" Version[R]
4	AP8179261	RH puller	1	Year: 2006[6], 2007[7], 2008[8] Technical Specifications: RSV Mille "R" Version[R]
4	AP8179353	RH puller	1	Year: 2006[6], 2007[7], 2008[8] Technical Specifications: Factory "R" RSV Version[FAC]
5	AP8179262	LH puller	1	Year: 2006[6], 2007[7], 2008[8] Technical Specifications: RSV Mille "R" Version[R]
5	AP8179354	LH puller	1	Year: 2006[6], 2007[7], 2008[8] Technical Specifications: Factory "R" RSV Version[FAC]
6	AP8158126	RH internal fairing	1	Year: 2008[8]
6	AP8158126	RH internal fairing	1	Year: 2006[6], 2007[7]
7	AP8158127	LH internal fairing	1	Year: 2006[6], 2007[7]
7	AP8158127	LH internal fairing	1	Year: 2008[8]

Group	FRAME
Code	28.21
Description	Front body - Fairings II
Service	1



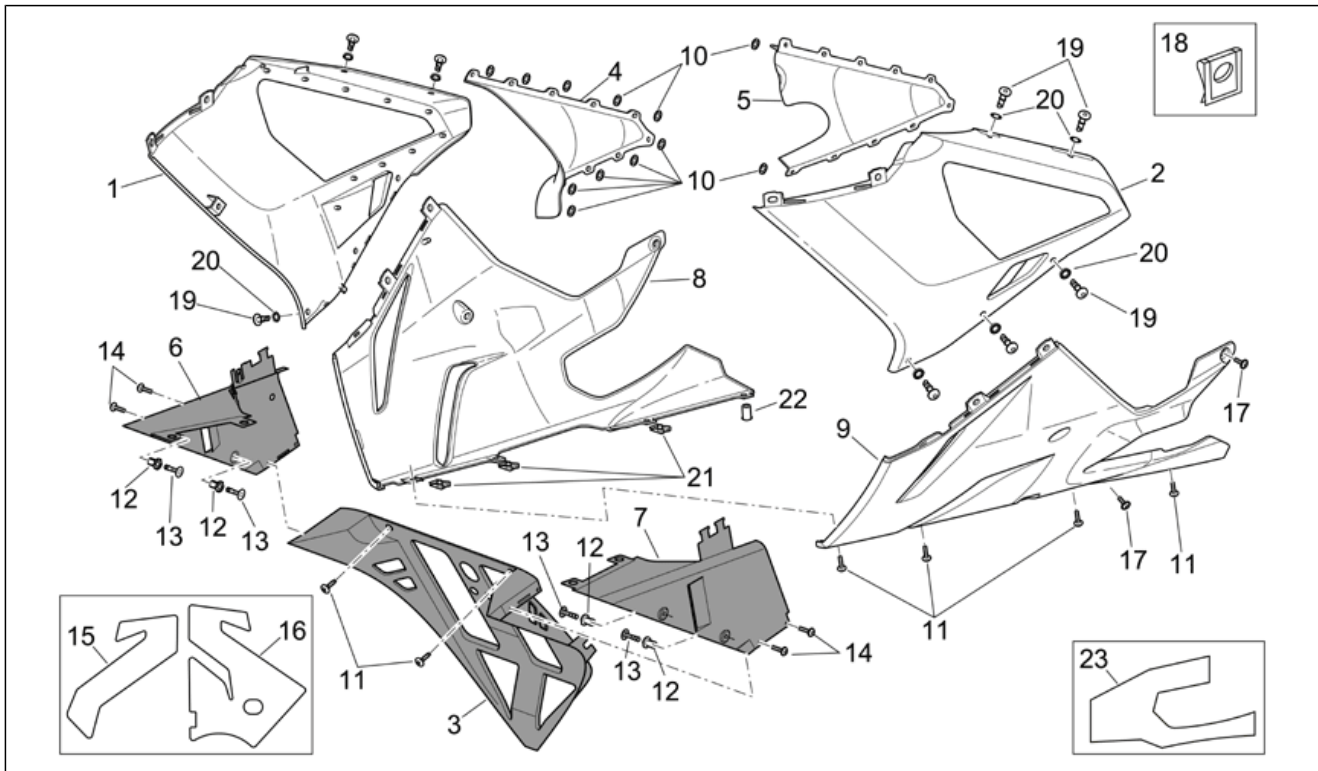
Pos.	Code	Description	Qty	Variants
8	AP8179267	Lower RH side panel, grey	1	Year: 2006[6] Vehicle colour: Aprilia black 2005-2006[a.blk], Fluo Red 2005-2006[r.fluo], Aprilia White 2006 (s.t.15178)[white] Technical Specifications: With decals applied[D], RSV Mille "R" Version[R]
8	AP8179389	Lower RH side panel, grey	1	Year: 2006[6] Vehicle colour: Aprilia black 2005-2006[a.blk] Technical Specifications: With decals applied[D], Factory "R" RSV Version[FAC]
8	AP8184320	RH side panel,lower v.rosso	1	Year: 2008[8] Vehicle colour: Aprilia Black 2008 (s.t.859822)[black08], Platinum Grey 2007 (s.t.853154)[grey] Technical Specifications: With decals applied[D], RSV Mille "R" Version[R]
8	AP8184320	RH side panel,lower v.rosso	1	Year: 2007[7] Vehicle colour: Aprilia black 2005-2006[a.blk], Platinum Grey 2007 (s.t.853154)[grey], Red Lion 2007 (s.t.853379)[red] Technical Specifications: With decals applied[D], RSV Mille "R" Version[R]
8	AP8184320	RH side panel,lower v.rosso	1	Year: 2007[7] Vehicle colour: Red Lion 2007 (s.t.853379)[red] Technical Specifications: With decals applied[D], Factory "R" RSV Version[FAC]
8	AP8184354	RH side panel,lower v.bianco	1	Year: 2007[7] Vehicle colour: Bol D'or 2007 (s.t.853155)[bol dor] Technical Specifications: With decals applied[D], RSV Mille "R" Version[R]
8	AP8184388	RH side panel,lower v.nero	1	Year: 2007[7], 2008[8] Vehicle colour: Dark Lion 2007 (s.t.853378)[dark] Technical Specifications: With decals applied[D], Factory "R" RSV Version[FAC]
8	AP8184684	RH side panel,lower	1	Year: 2008[8] Vehicle colour: Planet Blue 2008 (s.t.860005)[blu]

Group	FRAME
Code	28.21
Description	Front body - Fairings II
Service	1



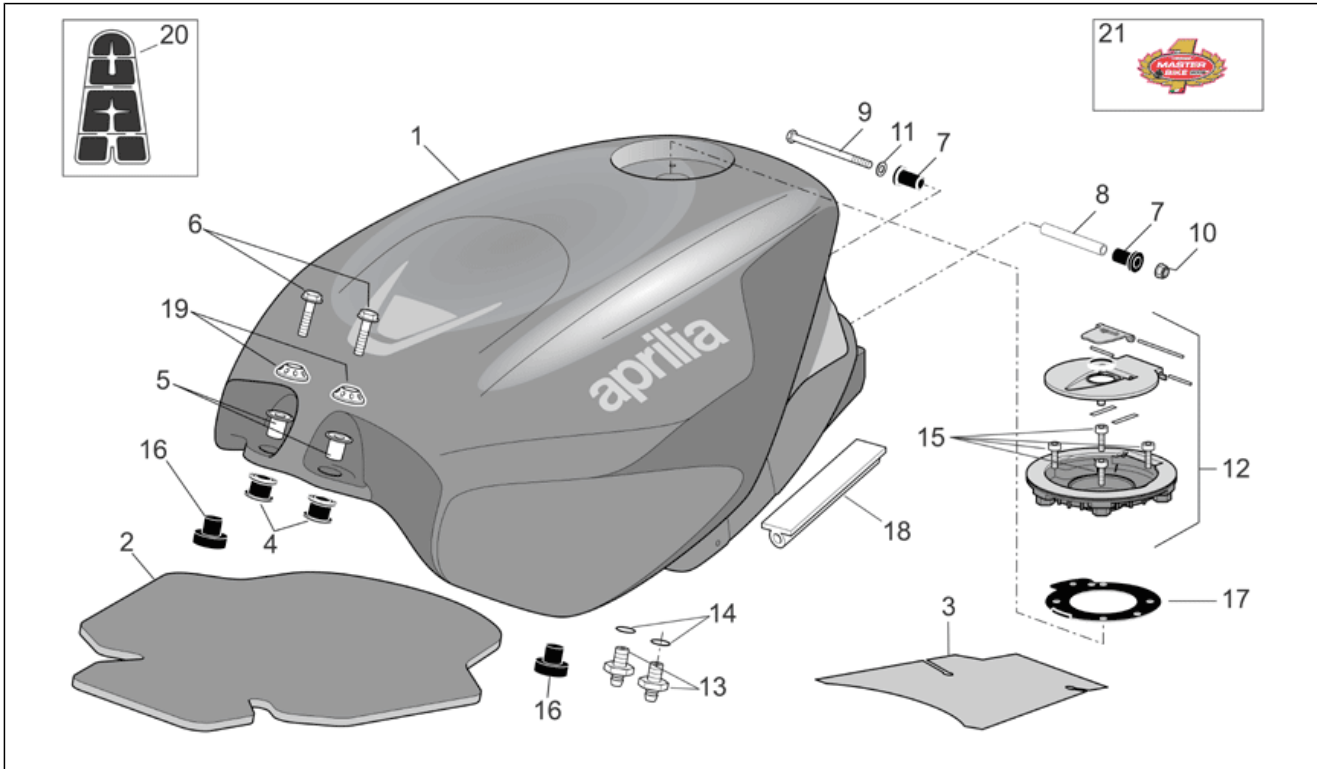
Pos.	Code	Description	Qty	Variants
				Technical Specifications: With decals applied[D], RSV Mille "R" Version[R]
8	AP8184703	RH side panel,lower	1	Year: 2008[8] Vehicle colour: Ice White 2008 (s.t.860006)[ice] Technical Specifications: With decals applied[D], RSV Mille "R" Version[R]
9	AP8179268	Lower LH side panel, grey	1	Year: 2006[6] Vehicle colour: Aprilia black 2005-2006[a.blk], Fluo Red 2005-2006[r.fluo], Aprilia White 2006 (s.t.15178)[white] Technical Specifications: With decals applied[D], RSV Mille "R" Version[R]
9	AP8179390	Lower LH side panel, grey	1	Year: 2006[6] Vehicle colour: Aprilia black 2005-2006[a.blk] Technical Specifications: With decals applied[D], Factory "R" RSV Version[FAC]
9	AP8184321	LH side panel, lower v.rosso	1	Year: 2007[7] Vehicle colour: Red Lion 2007 (s.t.853379)[red] Technical Specifications: With decals applied[D], Factory "R" RSV Version[FAC]
9	AP8184321	LH side panel, lower v.rosso	1	Year: 2008[8] Vehicle colour: Aprilia Black 2008 (s.t.859822)[black08], Platinum Grey 2007 (s.t.853154)[grey] Technical Specifications: With decals applied[D], RSV Mille "R" Version[R]
9	AP8184321	LH side panel, lower v.rosso	1	Year: 2007[7] Vehicle colour: Aprilia black 2005-2006[a.blk], Platinum Grey 2007 (s.t.853154)[grey], Red Lion 2007 (s.t.853379)[red] Technical Specifications: With decals applied[D], RSV Mille "R" Version[R]
9	AP8184355	LH side panel, lower v.bianco	1	Year: 2007[7] Vehicle colour: Bol D'or 2007 (s.t.853155)[bol dor] Technical Specifications: With decals applied[D], RSV Mille "R" Version[R]
9	AP8184389	LH side panel, lower v.nero	1	Year: 2007[7], 2008[8]

Group	FRAME
Code	28.21
Description	Front body - Fairings II
Service	1



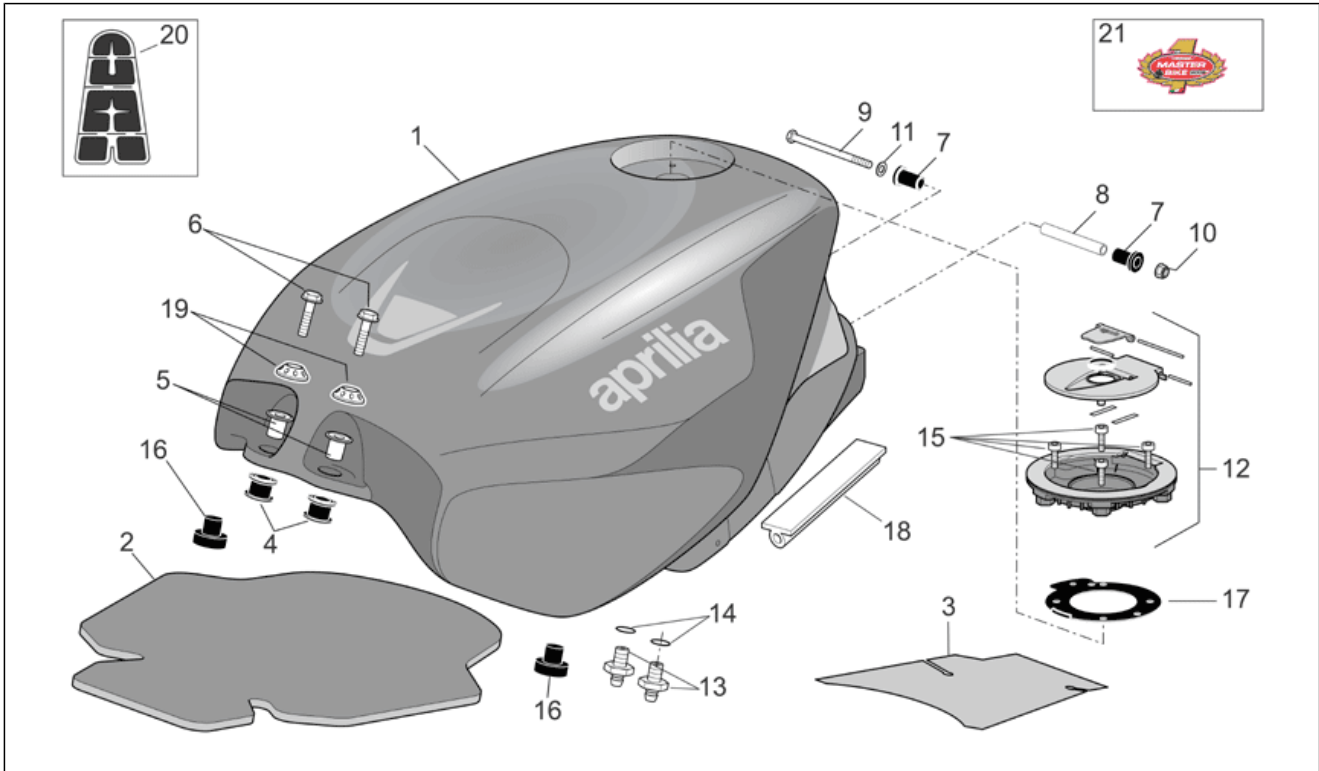
Pos.	Code	Description	Qty	Variants
				Vehicle colour: Dark Lion 2007 (s.t.853378)[dark] Technical Specifications: With decals applied[D], Factory "R" RSV Version[FAC]
9	AP8184685	LH side panel, lower	1	Year: 2008[8] Vehicle colour: Planet Blue 2008 (s.t.860005)[blu] Technical Specifications: With decals applied[D], RSV Mille "R" Version[R]
9	AP8184704	LH side panel, lower	1	Year: 2008[8] Vehicle colour: Ice White 2008 (s.t.860006)[ice] Technical Specifications: With decals applied[D], RSV Mille "R" Version[R]
10	AP8150450	Washer for shafts D5	20	Year: 2006[6], 2007[7], 2008[8]
11	AP8152268	Hex socket screw M5x16	6	Year: 2006[6], 2007[7], 2008[8]
12	AP8144616	Rivet, female	2	Year: 2006[6], 2007[7], 2008[8]
13	AP8144563	Rivet, male	2	Year: 2006[6], 2007[7], 2008[8]
14	AP8152298	Screw w/ flange M5x16	4	Year: 2006[6], 2007[7], 2008[8]
15	AP8117268	Acoustic insulation panel, LH	1	Year: 2006[6], 2007[7], 2008[8]
16	AP8117267	Acoustic insulation panel, RH	1	Year: 2006[6], 2007[7], 2008[8]
17	AP8152246	Screw w/ flange M6x16	4	Year: 2006[6], 2007[7], 2008[8]
18	AP8101985	Special clip	10	Year: 2006[6], 2007[7], 2008[8]
19	AP8121663	screw	14	Year: 2006[6], 2007[7], 2008[8]
20	AP8120622	Front dust cover ring	14	Year: 2006[6], 2007[7], 2008[8]
21	AP8102375	Clip m5	3	Year: 2006[6], 2007[7], 2008[8]
22	AP8144564	Rubber w/ insert M4	1	Year: 2006[6], 2007[7], 2008[8]
23	AP8166881	Heat protection	1	Year: 2006[6], 2007[7], 2008[8]

Group	FRAME
Code	28.22
Description	Fuel tank
Service	1



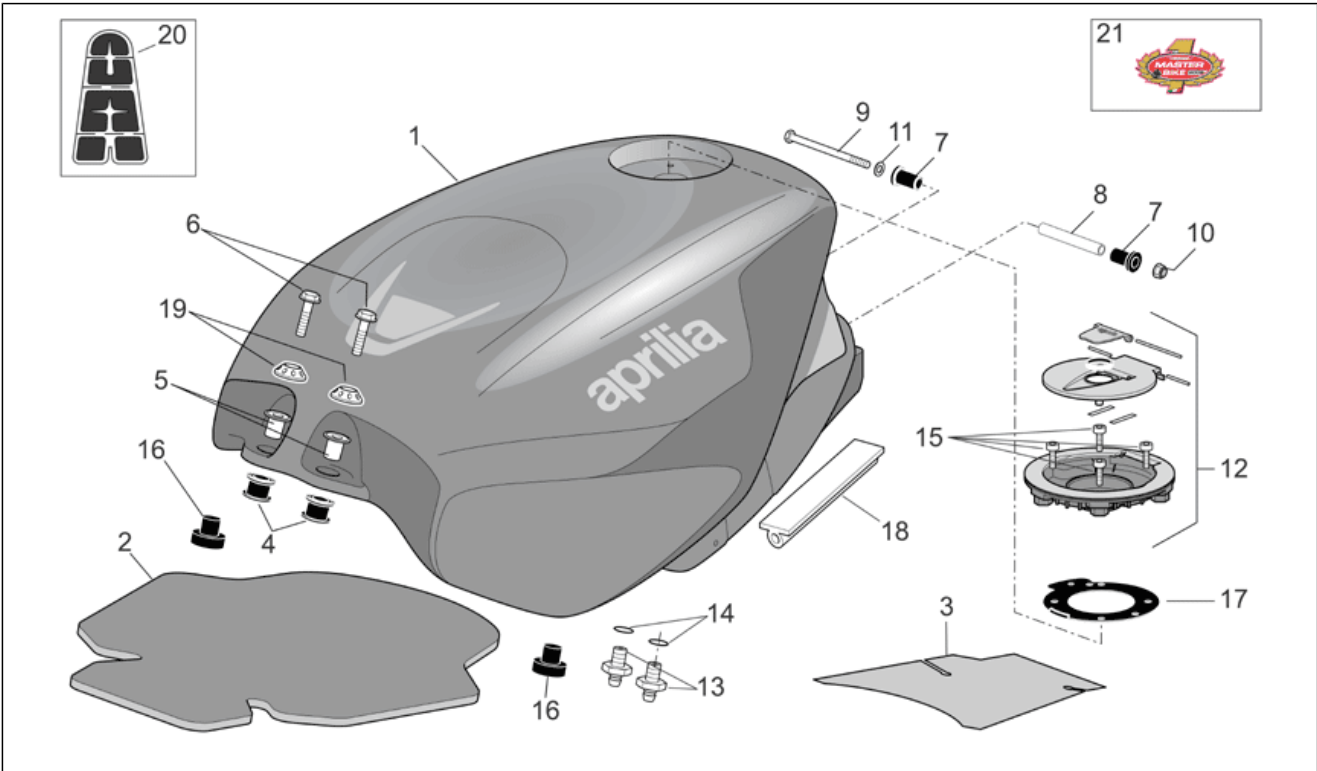
Pos.	Code	Description	Qty	Variants
1	AP8158121	Fuel tank, black	1	Year:2004[4] Vehicle colour:Aprilia black 2004[n] Country:B, GR, E, F, I, NL[EU], Japan[JJ], Mexico[ME], Great Britain[UK] Technical Specifications:Factory "R" RSV Version[FAC]
1	AP8158121	Fuel tank, black	1	Year:2004[4] Vehicle colour:Aprilia black 2004[n] Country:B, GR, E, F, I, NL[EU], Japan[JJ], Mexico[ME], Great Britain[UK] Technical Specifications:Factory "R" RSV Version[FAC]
1	AP8158121	Fuel tank, black	1	Year:2004[4] Vehicle colour:Aprilia black 2004[n] Country:B, GR, E, F, I, NL[EU], Japan[JJ], Mexico[ME], Great Britain[UK] Technical Specifications:Factory "R" RSV Version[FAC], See technical communication 33/2003[TC33]
1	AP8158654	Fuel tank, grey	1	Year:2004[4] Vehicle colour:Lead grey 2004[g] Country:B, GR, E, F, I, NL[EU], Japan[JJ], Mexico[ME], Great Britain[UK] Technical Specifications:RSV Mille "R" Version[R]
1	AP8168979	Fuel tank cover, transp.	1	Year:2004[4] Country:B, GR, E, F, I, NL[EU], Japan[JJ], Mexico[ME], Great Britain[UK] Technical Specifications:"Nera" Dream RSV Version[DRE]
1	AP8168994	Fuel tank, grey	1	Year:2004[4] Vehicle colour:Lead grey 2004[g] Country:B, GR, E, F, I, NL[EU], Japan[JJ], Mexico[ME], Great Britain[UK] Technical Specifications:Factory "R" RSV Version[FAC]
1	AP8178015	Fuel tank, black	1	Year:2004[4] Vehicle colour:Aprilia black 2004[n] Country:B, GR, E, F, I, NL[EU], Japan[JJ], Mexico[ME], Great Britain[UK] Technical Specifications:RSV Mille "R" Version[R], See technical communication 33/2003[TC33]

Group	FRAME
Code	28.22
Description	Fuel tank
Service	1



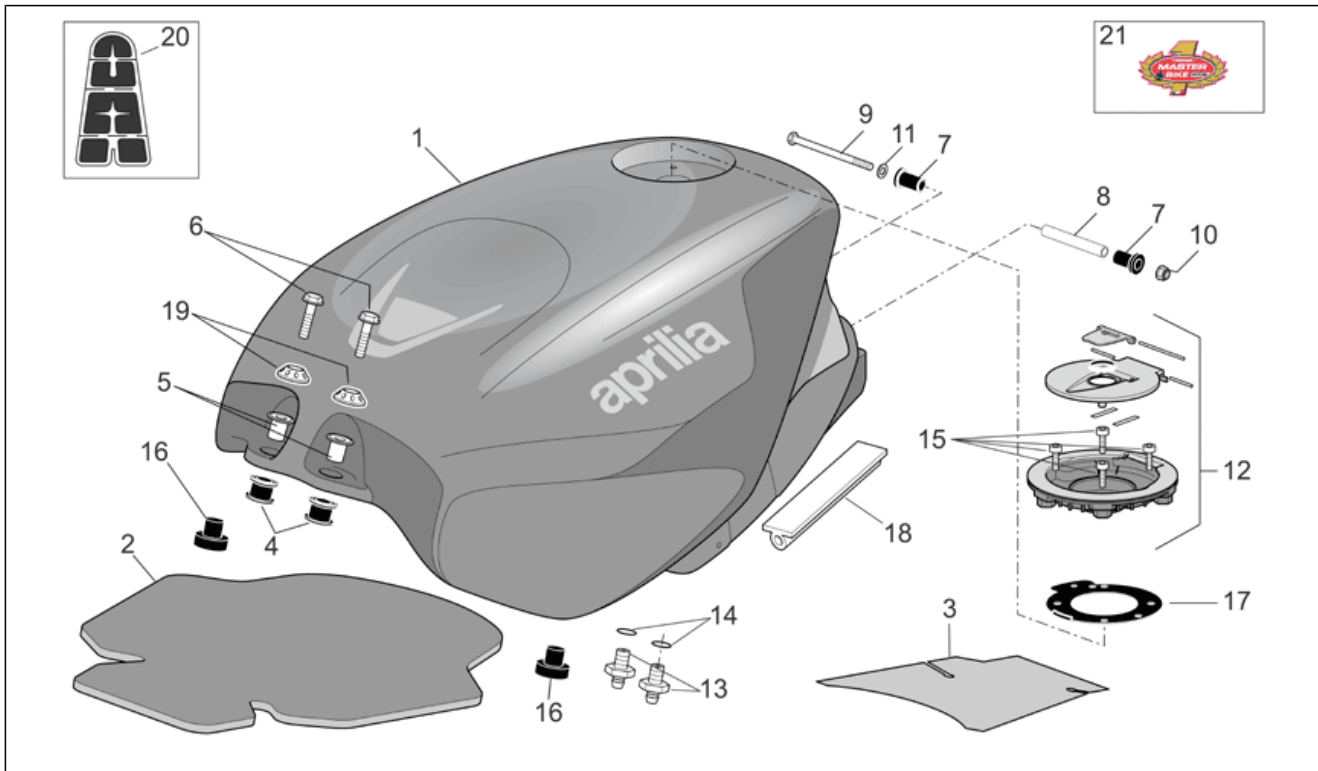
Pos.	Code	Description	Qty	Variants
1	AP8178015	Fuel tank, black	1	Year: 2004[4] Vehicle colour: Aprilia black 2004[n] Country: B, GR, E, F, I, NL[EU], Japan[JJ], Mexico[ME], Great Britain[UK] Technical Specifications: RSV Mille "R" Version[R]
1	AP8178015	Fuel tank, black	1	Year: 2004[4] Vehicle colour: Aprilia black 2004[n] Country: B, GR, E, F, I, NL[EU], Japan[JJ], Mexico[ME], Great Britain[UK] Technical Specifications: RSV Mille "R" Version[R]
1	AP8178020	Fuel tank, black	1	Year: 2004[4] Vehicle colour: Aprilia black 2004[n] Country: Australia[AA], Canadian[CN], United States of America[USA] Technical Specifications: RSV Mille "R" Version[R]
1	AP8178022	Fuel tank, grey	1	Year: 2004[4] Vehicle colour: Lead grey 2004[g] Country: Australia[AA], Canadian[CN], United States of America[USA] Technical Specifications: Factory "R" RSV Version[FAC]
1	AP8178024	Fuel tank, black	1	Year: 2004[4] Vehicle colour: Aprilia black 2004[n] Country: Australia[AA], Canadian[CN], United States of America[USA] Technical Specifications: Factory "R" RSV Version[FAC]
1	AP8178025	Fuel tank, grey	1	Year: 2004[4] Vehicle colour: Lead grey 2004[g] Country: Australia[AA], Canadian[CN], United States of America[USA] Technical Specifications: RSV Mille "R" Version[R]
1	AP8178026	Fuel tank, red	1	Year: 2004[4] Vehicle colour: Fluo Red 2004[r] Country: B, GR, E, F, I, NL[EU], Japan[JJ], Mexico[ME], Great Britain[UK] Technical Specifications: RSV Mille "R" Version[R]

Group	FRAME
Code	28.22
Description	Fuel tank
Service	1



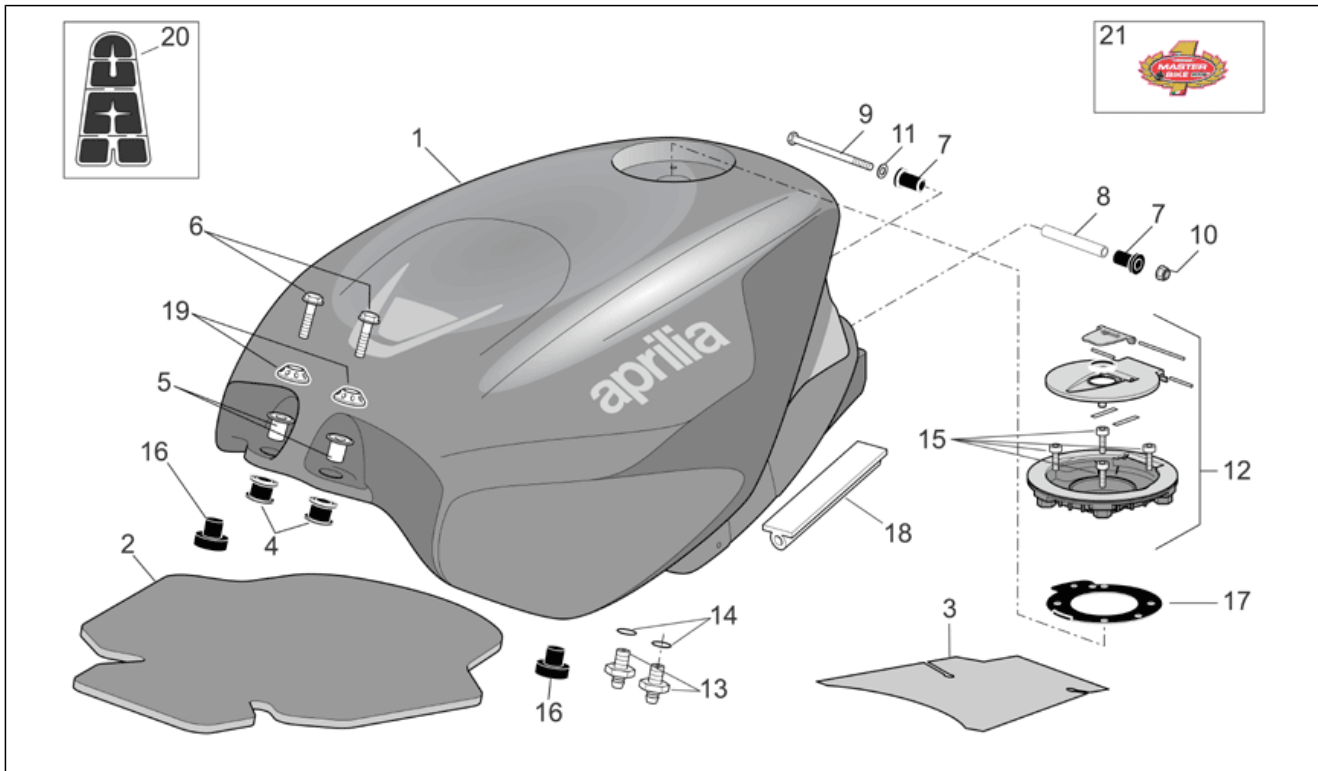
Pos.	Code	Description	Qty	Variants
1	AP8178026	Fuel tank, red	1	Year:2004[4] Vehicle colour:Fluo Red 2004[r] Country:B, GR, E, F, I, NL[EU], Japan[JJ], Mexico[ME], Great Britain[UK] Technical Specifications:RSV Mille "R" Version[R]
1	AP8178026	Fuel tank, red	1	Year:2004[4] Vehicle colour:Fluo Red 2004[r] Country:B, GR, E, F, I, NL[EU], Japan[JJ], Mexico[ME], Great Britain[UK] Technical Specifications:RSV Mille "R" Version[R], See technical communication 33/2003[TC33]
1	AP8178027	Fuel tank, red	1	Year:2004[4] Vehicle colour:Fluo Red 2004[r] Country:Australia[AA], Canadian[CN], United States of America[USA] Technical Specifications:RSV Mille "R" Version[R]
1	AP8178119	Fuel tank cover, transp.	1	Year:2004[4] Country:Australia[AA], Canadian[CN], United States of America[USA] Technical Specifications:"Nera" Dream RSV Version[DRE]
1	AP8178168	Fuel tank, red	1	Year:2004[4] Vehicle colour:Fluo Red 2004[r] Country:B, GR, E, F, I, NL[EU], Japan[JJ], Mexico[ME], Great Britain[UK] Technical Specifications:Factory "R" RSV Version[FAC]
1	AP8178168	Fuel tank, red	1	Year:2004[4] Vehicle colour:Fluo Red 2004[r] Country:B, GR, E, F, I, NL[EU], Japan[JJ], Mexico[ME], Great Britain[UK] Technical Specifications:Factory "R" RSV Version[FAC]
1	AP8178169	Fuel tank, red	1	Year:2004[4] Vehicle colour:Fluo Red 2004[r] Country:Australia[AA], Canadian[CN], United States of America[USA] Technical Specifications:Factory "R" RSV Version[FAC]

Group	FRAME
Code	28.22
Description	Fuel tank
Service	1



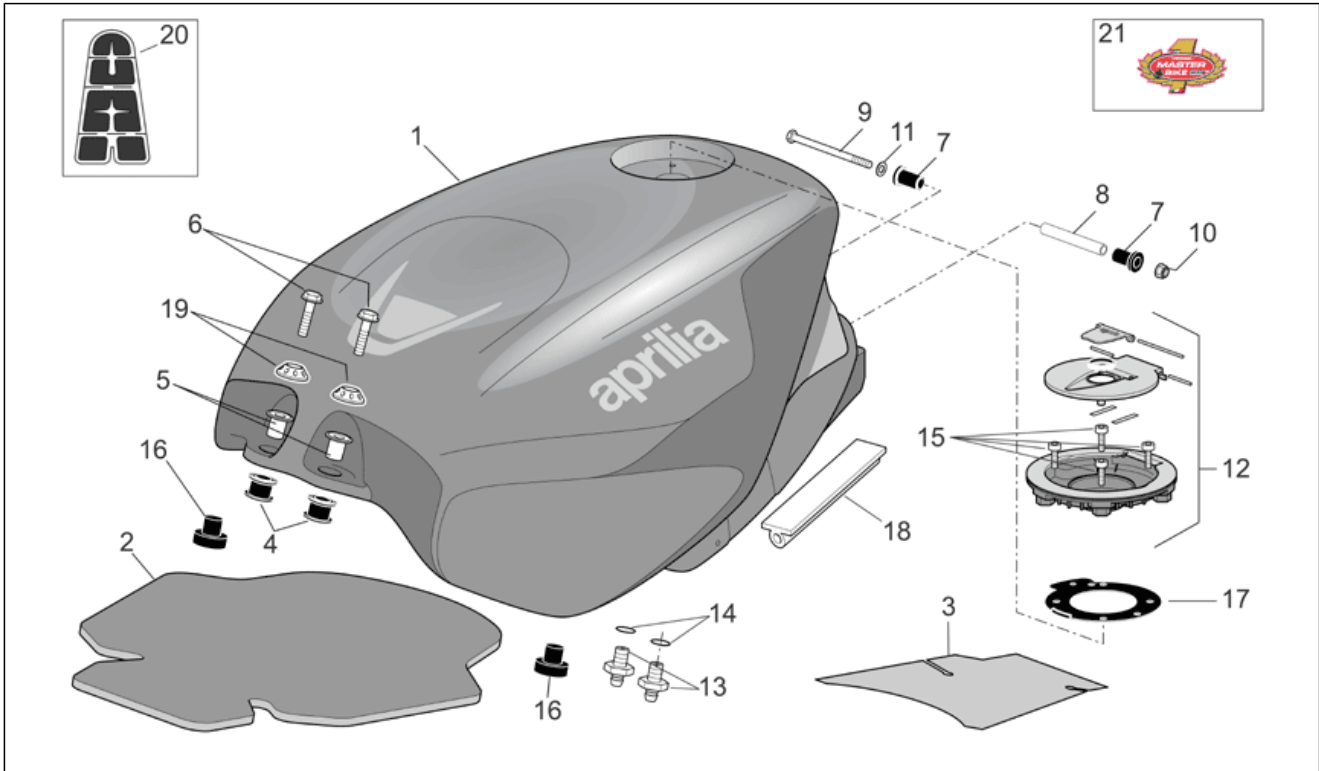
Pos.	Code	Description	Qty	Variants
1	AP8178447	Fuel tank, red	1	Year: 2004[4] Vehicle colour: Fluo Red 2004[r] Country: B, GR, E, F, I, NL[EU], Japan[J], Mexico[ME], Great Britain[UK] Technical Specifications: Factory "R" RSV Version[FAC], See technical communication 33/2003[TC33]
1	AP8178903	Fuel tank, black	1	Year: 2005[5] Vehicle colour: Aprilia black 2005-2006[a.blk] Technical Specifications: Factory "R" RSV Version[FAC], RSV Mille "R" Version[R]
1	AP8178915	Fuel tank, black	1	Year: 2005[5] Vehicle colour: Aprilia black 2005-2006[a.blk] Country: Canadian[CN], United States of America[USA] Technical Specifications: Factory "R" RSV Version[FAC], RSV Mille "R" Version[R]
1	AP8178941	Fuel tank, red	1	Year: 2005[5] Vehicle colour: Fluo Red 2005-2006[r.fluo] Technical Specifications: Factory "R" RSV Version[FAC], RSV Mille "R" Version[R]
1	AP8178942	Fuel tank, red	1	Year: 2005[5] Vehicle colour: Fluo Red 2005-2006[r.fluo] Country: Canadian[CN], United States of America[USA] Technical Specifications: Factory "R" RSV Version[FAC], RSV Mille "R" Version[R]
1	AP8178955	Fuel tank, silver	1	Year: 2005[5] Vehicle colour: Silver Mirror 2005[s.mir] Technical Specifications: Factory "R" RSV Version[FAC], RSV Mille "R" Version[R]
1	AP8178956	Fuel tank, grey	1	Year: 2005[5] Vehicle colour: Silver Mirror 2005[s.mir] Country: Canadian[CN], United States of America[USA] Technical Specifications: Factory "R" RSV Version[FAC], RSV Mille "R" Version[R]
1	AP8179272	Fuel tank, black	1	Year: 2006[6] Vehicle colour: Aprilia black 2005-2006[a.blk]

Group	FRAME
Code	28.22
Description	Fuel tank
Service	1



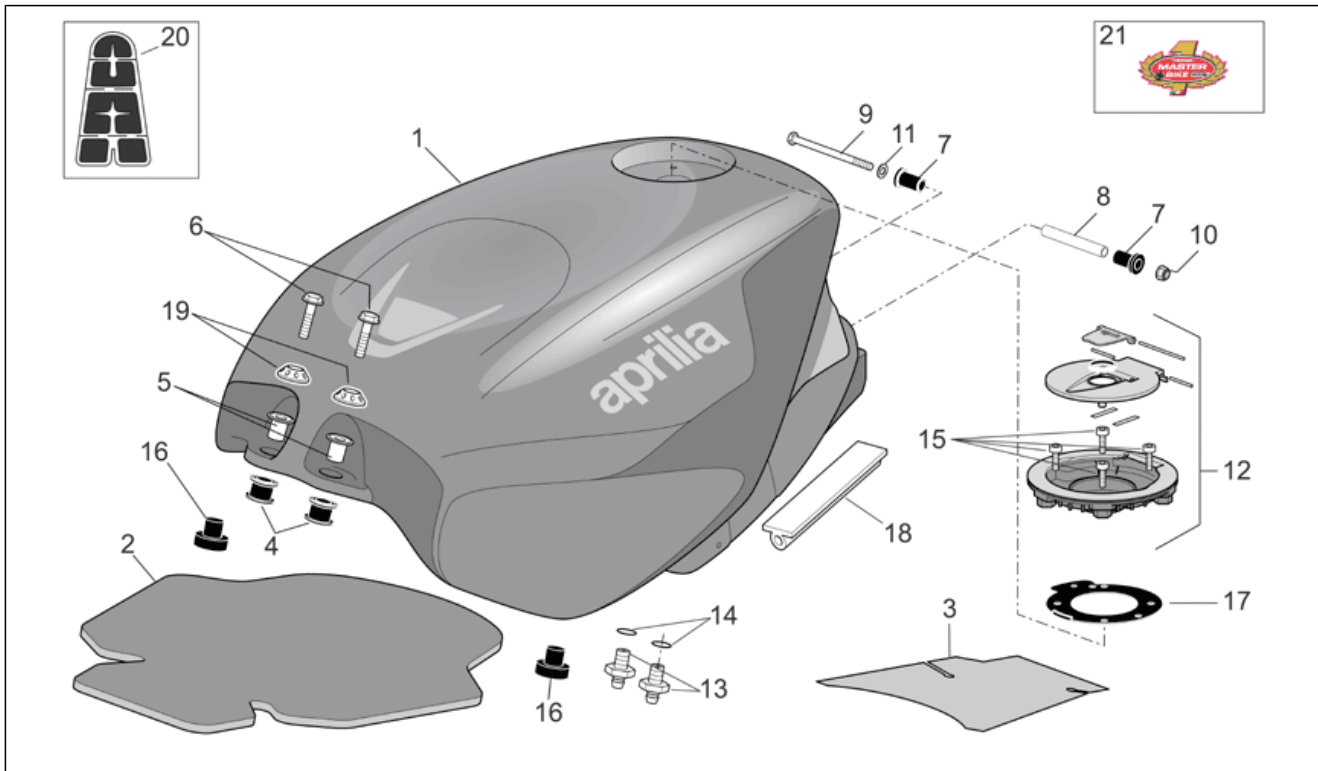
Pos.	Code	Description	Qty	Variants
				Country:Australia[AA], B, GR, E, F, I, NL[EU], Japan[JJ], Mexico[ME], Great Britain[UK] Technical Specifications:With decals applied[D], RSV Mille "R" Version[R]
1	AP8179451	Fuel tank, red	1	Year:2006[6] Vehicle colour:Fluo Red 2005-2006[r.fluo] Country:Australia[AA], B, GR, E, F, I, NL[EU], Japan[JJ], Mexico[ME], Great Britain[UK] Technical Specifications:With decals applied[D], RSV Mille "R" Version[R]
1	AP8179452	Fuel tank, red	1	Year:2006[6] Vehicle colour:Fluo Red 2005-2006[r.fluo] Country:Canadian[CN], United States of America[USA] Technical Specifications:With decals applied[D], RSV Mille "R" Version[R]
1	AP8179461	Fuel tank, white	1	Year:2006[6] Vehicle colour:Aprilia White 2006 (s.t.15178)[white] Country:Australia[AA], B, GR, E, F, I, NL[EU], Japan[JJ], Mexico[ME], Great Britain[UK] Technical Specifications:With decals applied[D], RSV Mille "R" Version[R]
1	AP8179462	Fuel tank, red	1	Year:2006[6] Vehicle colour:Aprilia White 2006 (s.t.15178)[white] Country:Canadian[CN], United States of America[USA] Technical Specifications:With decals applied[D], RSV Mille "R" Version[R]
1	AP8179483	Fuel tank, black	1	Year:2006[6] Vehicle colour:Aprilia black 2005-2006[a.blk] Country:Australia[AA], B, GR, E, F, I, NL[EU], Japan[JJ], Mexico[ME], Great Britain[UK] Technical Specifications:With decals applied[D], Factory "R" RSV Version[FAC]
1	AP8179497	Fuel tank, black	1	Year:2006[6] Vehicle colour:Aprilia black 2005-2006[a.blk] Country:Canadian[CN], United States of America[USA]

Group	FRAME
Code	28.22
Description	Fuel tank
Service	1



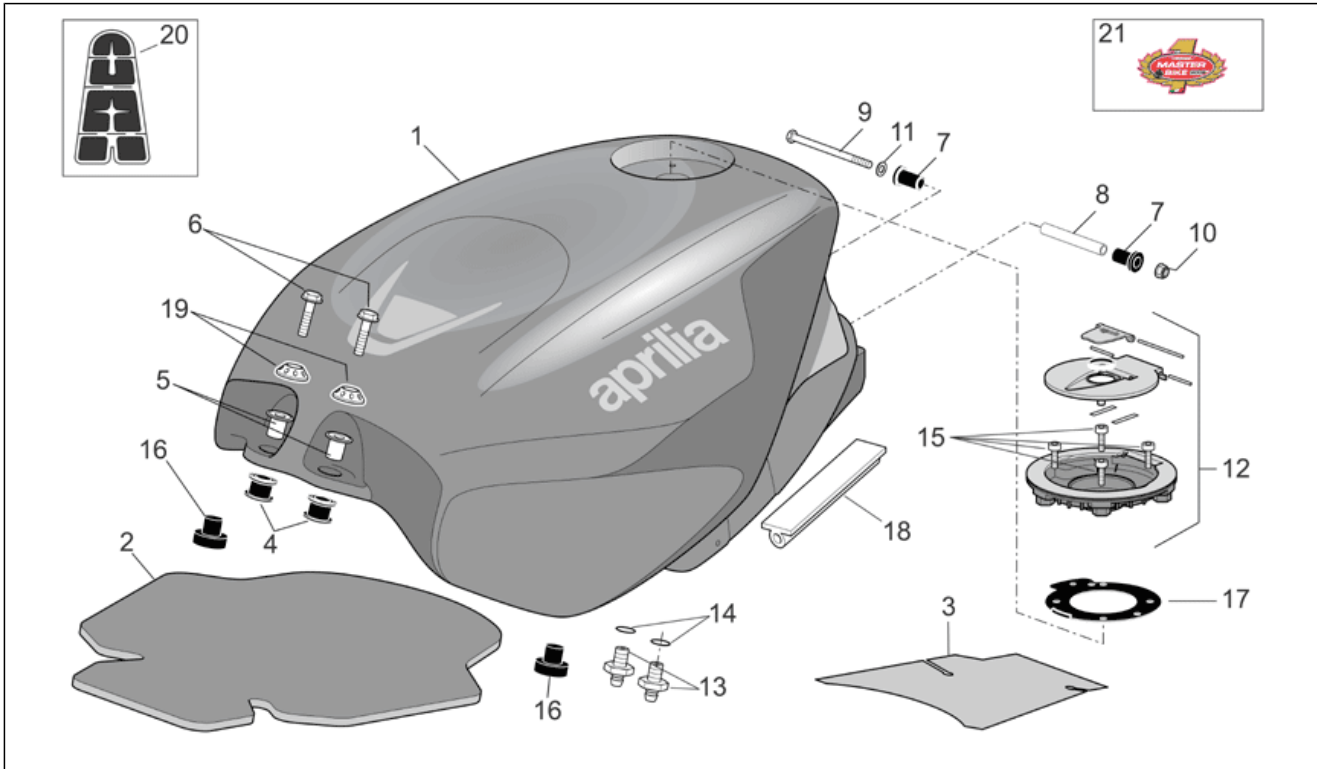
Pos.	Code	Description	Qty	Variants
				Technical Specifications: With decals applied[D], RSV Mille "R" Version[R]
1	AP8179501	Fuel tank, black	1	Year: 2006[6] Vehicle colour: Aprilia black 2005-2006[a.blk] Country: Canadian[CN], United States of America[USA] Technical Specifications: With decals applied[D], Factory "R" RSV Version[FAC]
1	AP8184315	Fuel tank, black	1	Year: 2007[7] Vehicle colour: Aprilia Black 2007 (s.t.853153)[black] Country: Australia[AA], B, GR, E, F, I, NL[EU], Japan[JJ], Mexico[ME], Great Britain[UK] Technical Specifications: RSV Mille "R" Version[R]
1	AP8184316	Fuel tank, black	1	Year: 2007[7] Vehicle colour: Aprilia Black 2007 (s.t.853153)[black] Country: Canadian[CN], United States of America[USA] Technical Specifications: RSV Mille "R" Version[R]
1	AP8184332	Fuel tank, grey	1	Year: 2007[7] Vehicle colour: Platinum Grey 2007 (s.t.853154)[grey] Country: Australia[AA], B, GR, E, F, I, NL[EU], Japan[JJ], Mexico[ME], Great Britain[UK] Technical Specifications: RSV Mille "R" Version[R]
1	AP8184333	Fuel tank, grey	1	Year: 2007[7], 2008[8] Vehicle colour: Platinum Grey 2007 (s.t.853154)[grey] Country: Canadian[CN], United States of America[USA] Technical Specifications: RSV Mille "R" Version[R]
1	AP8184349	Fuel tank, red	1	Year: 2007[7] Vehicle colour: Bol D'or 2007 (s.t.853155)[bol dor] Country: Australia[AA], B, GR, E, F, I, NL[EU], Japan[JJ], Mexico[ME], Great Britain[UK] Technical Specifications: RSV Mille "R" Version[R]
1	AP8184350	Fuel tank, red	1	Year: 2007[7] Vehicle colour: Bol D'or 2007 (s.t.853155)[bol dor] Country: Canadian[CN], United States of America[USA] Technical Specifications: RSV Mille "R" Version[R]
1	AP8184383	Fuel tank, black	1	Year: 2007[7]

Group	FRAME
Code	28.22
Description	Fuel tank
Service	1



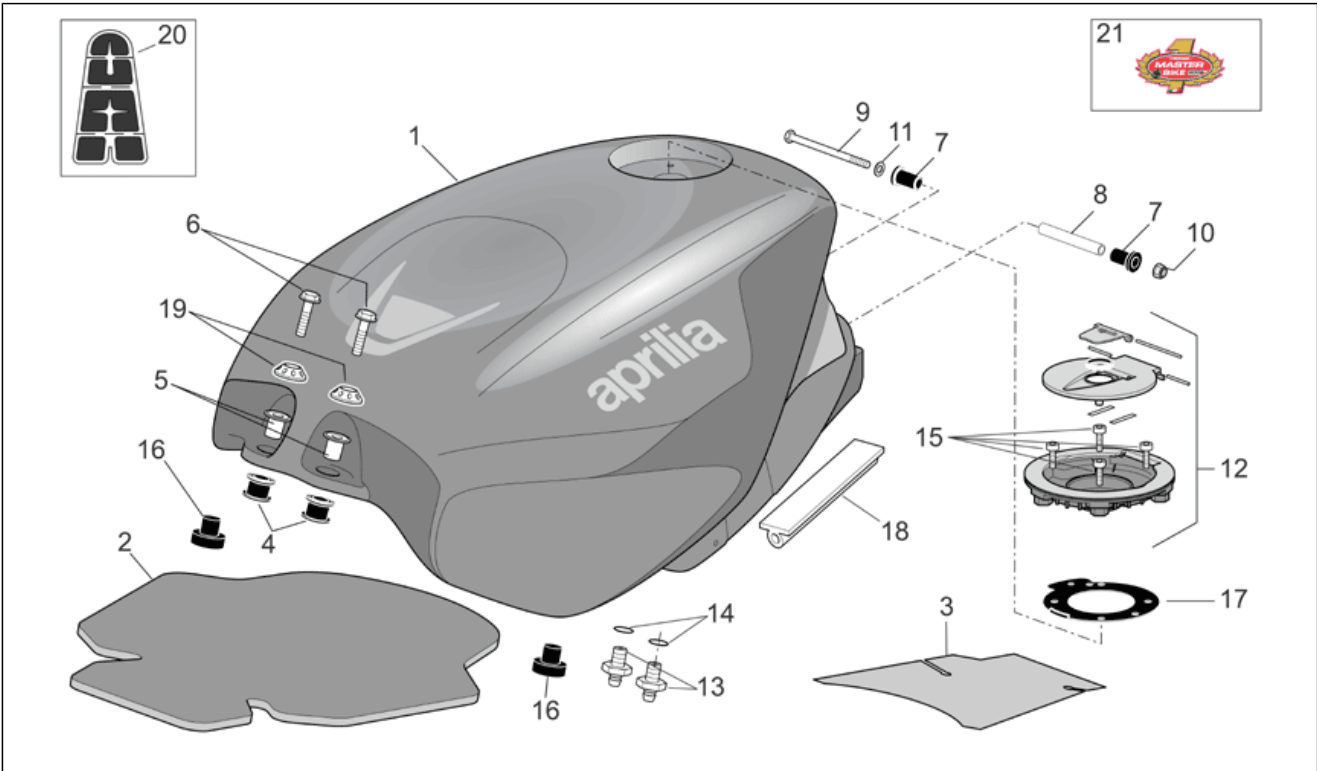
Pos.	Code	Description	Qty	Variants
				Vehicle colour: Dark Lion 2007 (s.t.853378)[dark] Country: Australia[AA], B, GR, E, F, I, NL[EU], Japan[JJ], Mexico[ME], Great Britain[UK] Technical Specifications: Factory "R" RSV Version[FAC]
1	AP8184384	Fuel tank, black	1	Year: 2007[7], 2008[8] Vehicle colour: Dark Lion 2007 (s.t.853378)[dark] Country: Canadian[CN], United States of America[USA] Technical Specifications: Factory "R" RSV Version[FAC]
1	AP8184398	Fuel tank, black/white	1	Year: 2007[7] Vehicle colour: Red Lion 2007 (s.t.853379)[red] Country: Australia[AA], B, GR, E, F, I, NL[EU], Japan[JJ], Mexico[ME], Great Britain[UK] Technical Specifications: Factory "R" RSV Version[FAC]
1	AP8184399	Fuel tank, black/white	1	Year: 2007[7] Vehicle colour: Red Lion 2007 (s.t.853379)[red] Country: Canadian[CN], United States of America[USA] Technical Specifications: Factory "R" RSV Version[FAC]
1	AP8184676	Fuel tank, black	1	Year: 2008[8] Vehicle colour: Aprilia Black 2008 (s.t.859822)[black08] Country: Australia[AA], B, GR, E, F, I, NL[EU], Japan[JJ], Mexico[ME], Great Britain[UK] Technical Specifications: RSV Mille "R" Version[R]
1	AP8184677	Fuel tank, black	1	Year: 2008[8] Vehicle colour: Aprilia Black 2008 (s.t.859822)[black08] Country: Canadian[CN], United States of America[USA] Technical Specifications: RSV Mille "R" Version[R]
1	AP8184678	Fuel tank, blue	1	Year: 2008[8] Vehicle colour: Planet Blue 2008 (s.t.860005)[blu] Country: Australia[AA], B, GR, E, F, I, NL[EU], Japan[JJ], Mexico[ME], Great Britain[UK] Technical Specifications: RSV Mille "R" Version[R]
1	AP8184679	Fuel tank, blue	1	Year: 2008[8] Vehicle colour: Planet Blue 2008 (s.t.860005)[blu] Country: Canadian[CN], United States of America[USA] Technical Specifications: RSV Mille "R" Version[R]

Group	FRAME
Code	28.22
Description	Fuel tank
Service	1



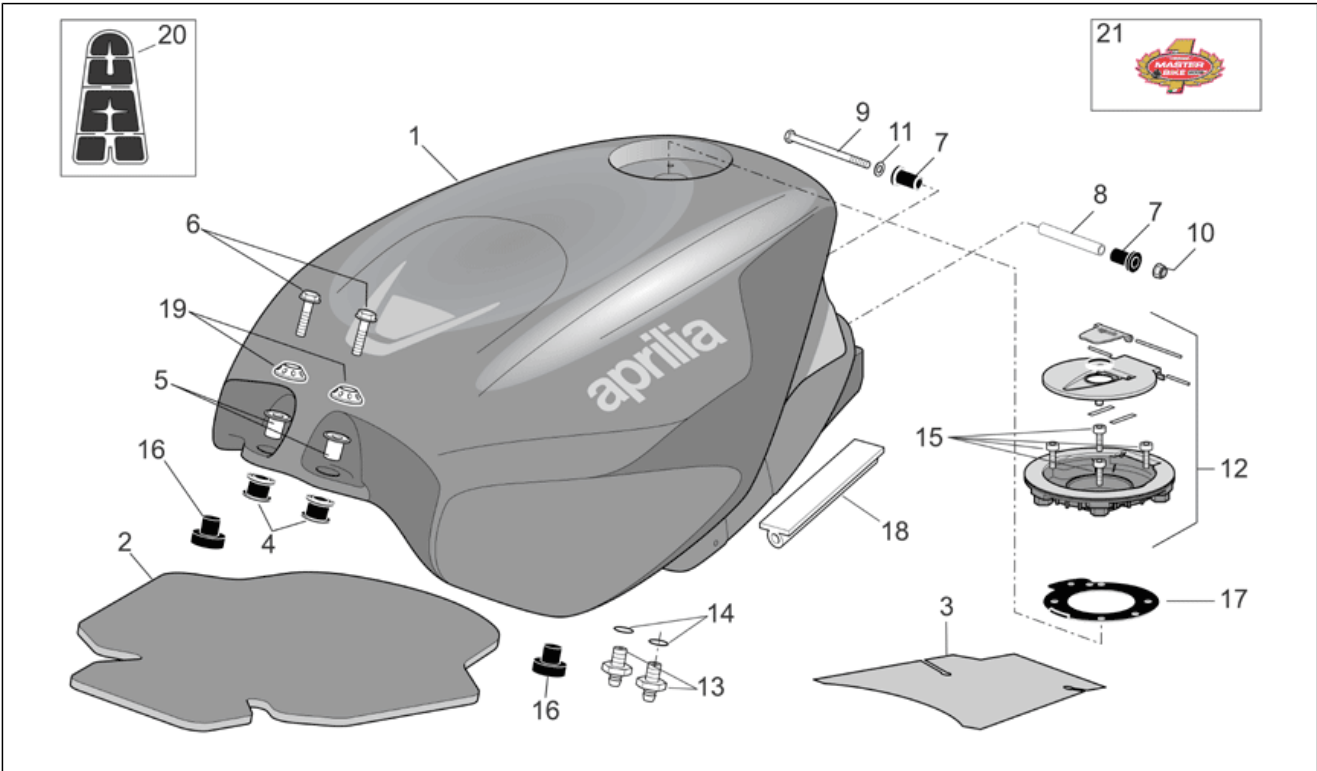
Pos.	Code	Description	Qty	Variants
1	AP8184698	Fuel tank, white	1	Year:2008[8] Vehicle colour:Ice White 2008 (s.t.860006)[ice] Country:Australia[AA], B, GR, E, F, I, NL[EU], Japan[JJ], Mexico[ME], Great Britain[UK] Technical Specifications:RSV Mille "R" Version[R]
1	AP8184699	Fuel tank, white	1	Year:2008[8] Vehicle colour:Ice White 2008 (s.t.860006)[ice] Country:Canadian[CN], United States of America[USA] Technical Specifications:RSV Mille "R" Version[R]
2	AP8117174	F.Tank acoustic insul. Panel	1	
3	AP8117240	Fuel tank heat protection	1	
4	AP8144328	Rubber spacer	2	
5	AP8121421	T bush	2	Year:2004[4], 2005[5]
5	AP8121718	Headlight bush	2	Year:2006[6], 2007[7], 2008[8] Technical Specifications:Factory "R" RSV Version[FAC], RSV Mille "R" Version[R]
6	AP8152281	Screw w/ flange M6x30	2	Year:2004[4], 2005[5] Technical Specifications:Factory "R" RSV Version[FAC], RSV Mille "R" Version[R]
6	AP8152454	Screw M6x30	2	Year:2004[4] Technical Specifications:"Nera" Dream RSV Version[DRE]
6	AP8152479	Hex socket screw M6x30	2	Year:2006[6], 2007[7], 2008[8] Technical Specifications:Factory "R" RSV Version[FAC], RSV Mille "R" Version[R]
7	AP8123934	Rubber spacer	2	
8	AP8134419	Fuel tank bush	1	
9	AP8150459	Hex screw M6x90	1	
10	AP8152299	Self-locking nut M6	1	
11	AP8150014	Washer 6,4x12,5*	1	
12	AP8104720	Fuel filler cap	1	Year:2004[4], 2005[5] Technical Specifications:See technical communication 33/2003[TC33]

Group	FRAME
Code	28.22
Description	Fuel tank
Service	1



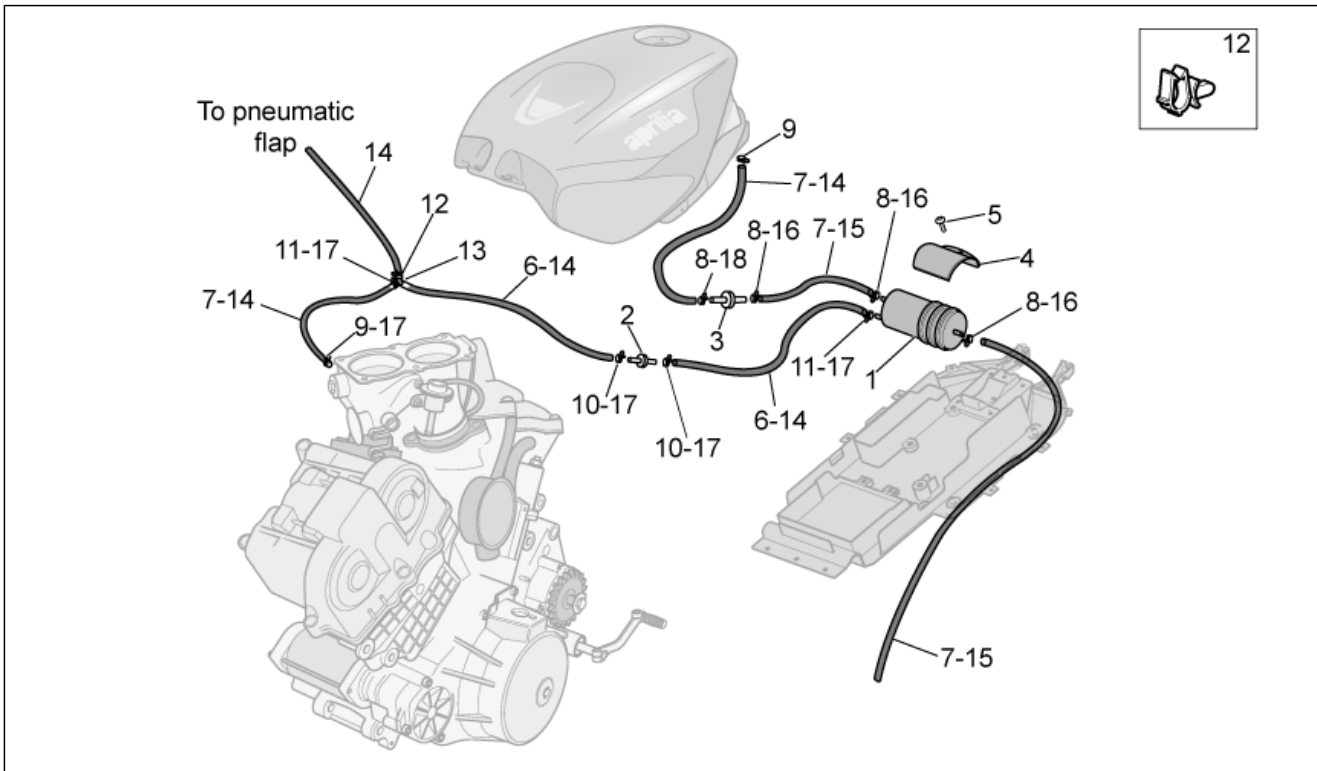
Pos.	Code	Description	Qty	Variants
12	AP8104720	Fuel filler cap	1	Year:2006[6], 2007[7], 2008[8] Technical Specifications:RSV Mille "R" Version[R]
12	AP8144781	Fuel filler cap	1	Year:2006[6], 2007[7], 2008[8] Technical Specifications:Factory "R" RSV Version[FAC]
13	AP8102503	Hose holder union	2	
14	AP8120965	O-ring 2018	1	
15	AP8150454	Hex socket screw M5x16	4	Technical Specifications:Factory "R" RSV Version[FAC], RSV Mille "R" Version[R]
15	AP8152455	Screw	4	Technical Specifications:"Nera" Dream RSV Version[DRE]
16	AP8144158	Rubber spacer	2	
17	AP8104803	Fuel filler cap gasket	1	Year:2004[4] Vehicle colour:Aprilia black 2004[n], Fluo Red 2004[r] Country:B, GR, E, F, I, NL[EU], Japan[JJ], Mexico[ME], Great Britain[UK] Technical Specifications:Factory "R" RSV Version[FAC], RSV Mille "R" Version[R], See technical communication 33/2003[TC33]
18	AP8117275	Heat protection gasket	2	Year:2006[6], 2007[7], 2008[8]
19	AP8150536	Special washer	2	Year:2006[6], 2007[7], 2008[8]
20	852572	Tank guard decal	1	Year:2007[7] Vehicle colour:Red Lion 2007 (s.t.853379)[red] Technical Specifications:Factory "R" RSV Version[FAC]
20	853194	Tank guard decal	1	Year:2007[7], 2008[8] Vehicle colour:Platinum Grey 2007 (s.t.853154)[grey] Technical Specifications:RSV Mille "R" Version[R]
20	853436	Tank guard decal	1	Year:2007[7], 2008[8] Vehicle colour:Dark Lion 2007 (s.t.853378)[dark] Technical Specifications:Factory "R" RSV Version[FAC]
20	860084	Tank guard decal	1	Year:2008[8] Vehicle colour:Ice White 2008 (s.t.860006)[ice] Technical Specifications:RSV Mille "R" Version[R]
20	AP8166868	Tank guard decal	1	Year:2008[8] Vehicle colour:Aprilia Black 2008 (s.t.859822)[black08]

Group	FRAME
Code	28.22
Description	Fuel tank
Service	1



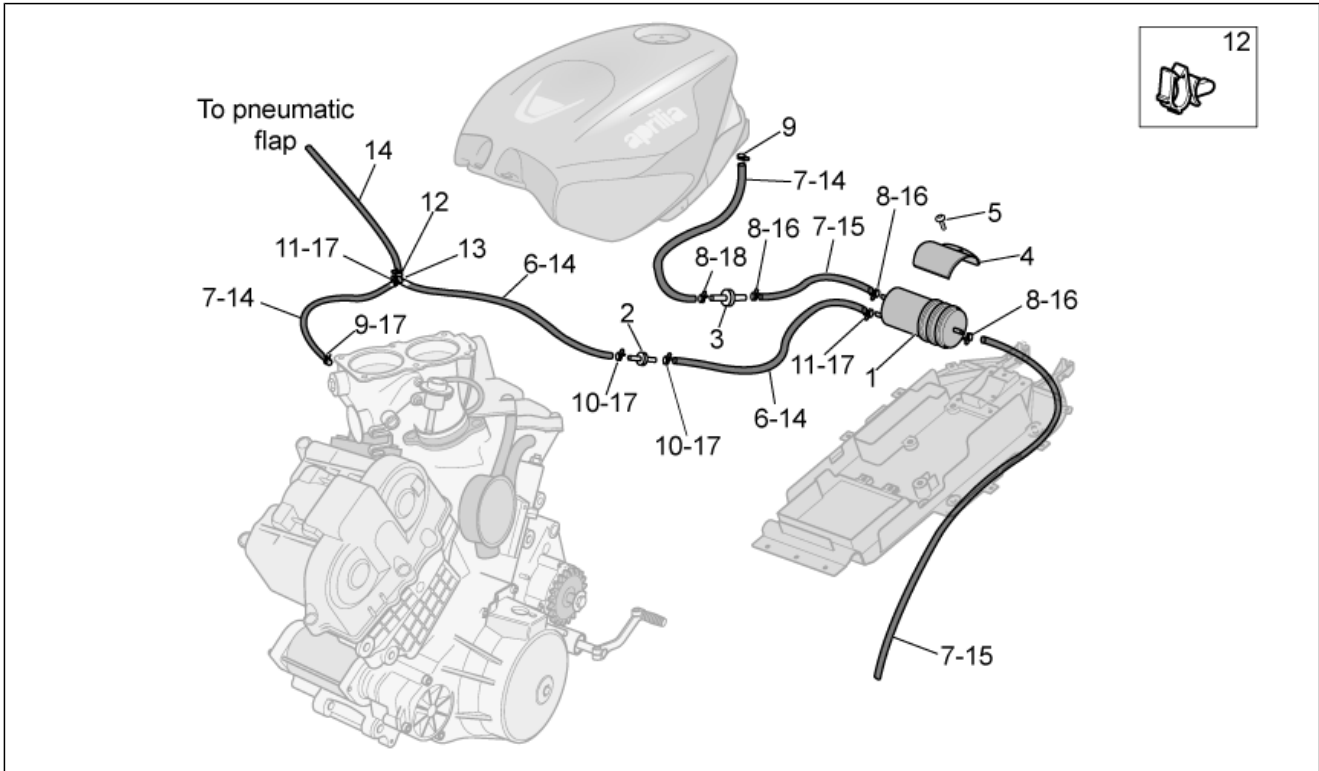
Pos.	Code	Description	Qty	Variants
				Technical Specifications: RSV Mille "R" Version[R]
20	AP8166868	Tank guard decal	1	Year: 2006[6] Technical Specifications: RSV Mille "R" Version[R]
20	AP8166868	Tank guard decal	1	Year: 2007[7] Vehicle colour: Aprilia Black 2007 (s.t.853153)[black] Technical Specifications: RSV Mille "R" Version[R]
20	AP8166882	Tank guard decal	1	Year: 2007[7] Vehicle colour: Bol D'or 2007 (s.t.853155)[bol dor] Technical Specifications: RSV Mille "R" Version[R]
20	AP8166893	Tank guard decal	1	Year: 2006[6] Technical Specifications: Factory "R" RSV Version[FAC]
21	852382	"Master Bike" Decal	1	

Group	FRAME
Code	28.23
Description	Fuel vapour recover system
Service	1



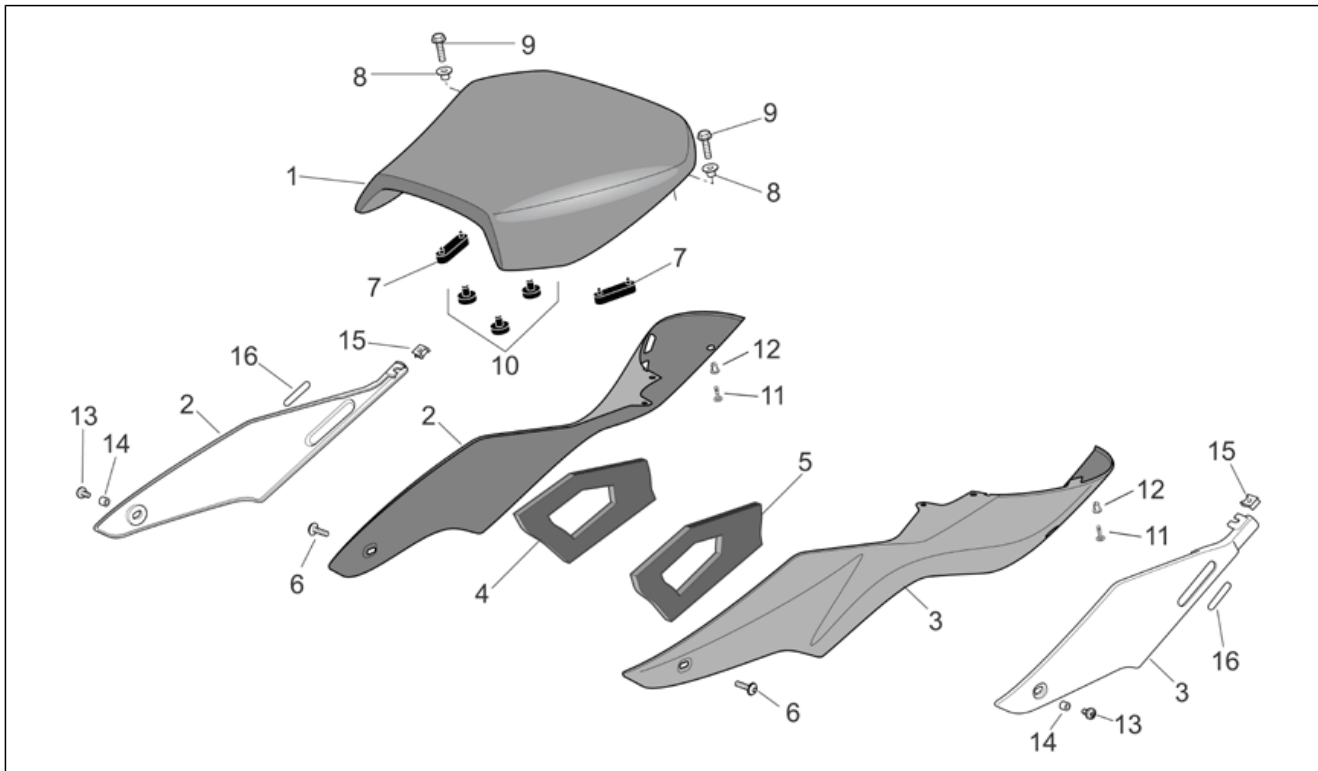
Pos.	Code	Description	Qty	Variants
1	AP8102678	Carbon filter	1	Country:United States of America[USA]
2	AP8121267	Choke hold	1	Country:United States of America[USA]
3	856161	Valve "roll over"	1	Year:2008[8] Country:United States of America[USA]
3	AP8104614	Pressure valve	1	Year:2005[5], 2006[6], 2007[7] Country:United States of America[USA]
4	AP8134884	Canister support plate	1	Country:United States of America[USA]
5	AP8152279	Screw w/ flange M6x20	1	Country:United States of America[USA]
6	AP8220263	Breather pipe 4x8	2	Year:2006[6], 2007[7] Country:United States of America[USA]
7	AP8120952	Fuel pipe 5,5x10	4	Year:2006[6], 2007[7] Country:United States of America[USA]
8	AP8102378	Hose clamp D11,3	4	Year:2006[6], 2007[7] Country:United States of America[USA]
9	AP8101595	Hose clamp D10,1	2	Year:2006[6], 2007[7] Country:United States of America[USA]
9	AP8102738	Hose clamp	1	Year:2008[8] Country:United States of America[USA]
10	AP8120179	Hose clamp D8	2	Year:2006[6], 2007[7] Country:United States of America[USA]
11	AP8102377	Hose clamp D9,1*	3	Year:2006[6], 2007[7] Country:United States of America[USA]
12	AP8221310	Cable-guide	1	Country:United States of America[USA]
13	AP8104666	3-way union	1	Country:United States of America[USA]
14	856062	pipe SAE 30 d.11,11x4,8	3	Year:2008[8] Country:United States of America[USA]
15	856063	pipe SAE 30 d.12,7x6,35	2	Year:2008[8] Country:United States of America[USA]
16	AP8102764	White hose clip d.13x6	3	Year:2008[8] Country:United States of America[USA]
17	AP8102998	Hose clamp d.9,5	7	Year:2008[8]

Group	FRAME
Code	28.23
Description	Fuel vapour recover system
Service	1



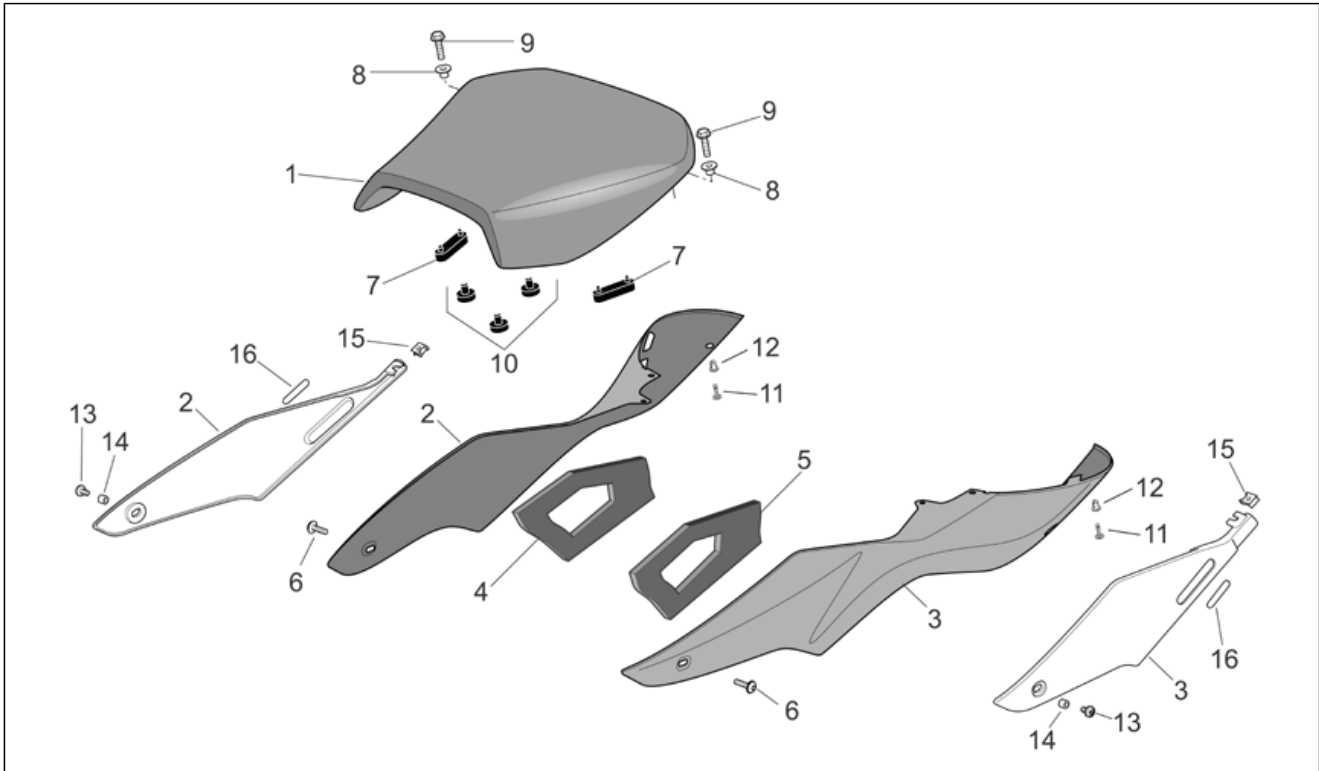
Pos.	Code	Description	Qty	Variants
				Country:United States of America[USA]
18	AP8102159	Hose clamp	1	Year:2008[8] Country:United States of America[USA]

Group	FRAME
Code	28.24
Description	Saddle
Service	1



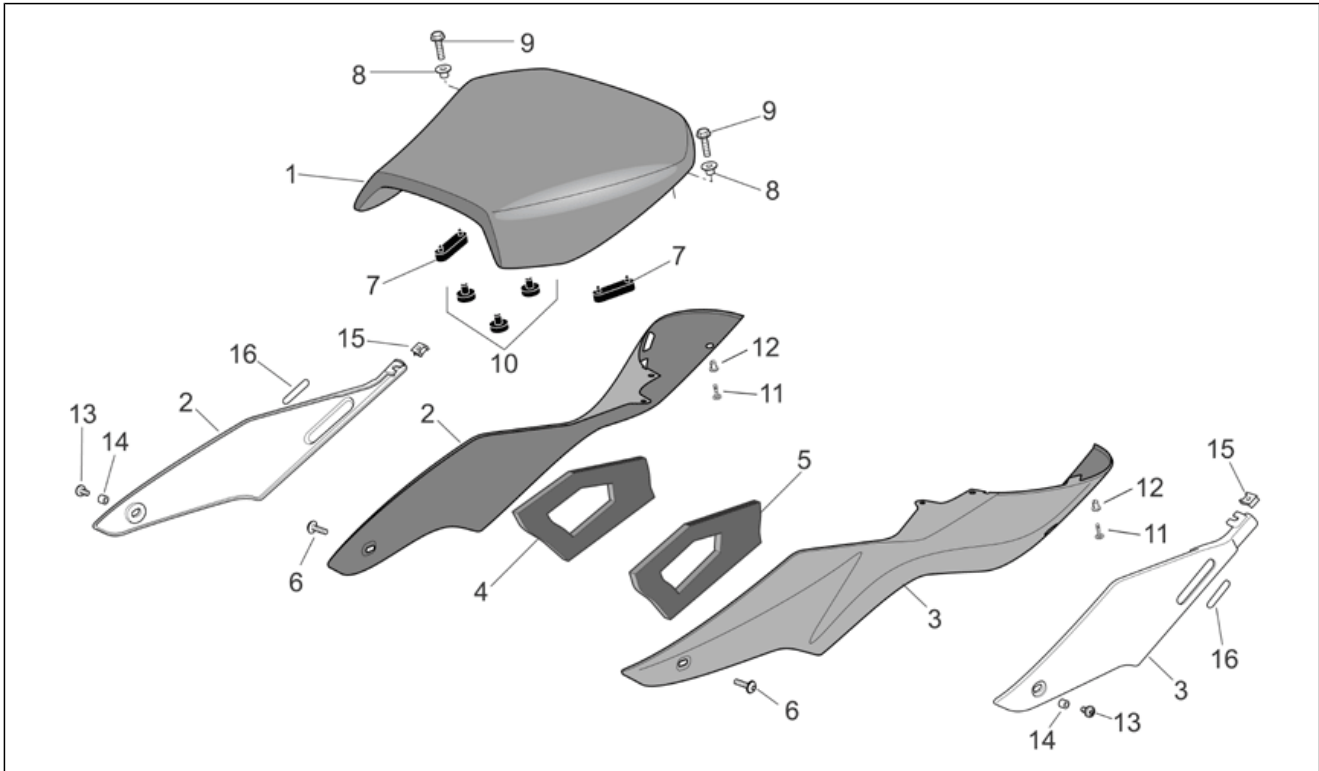
Pos.	Code	Description	Qty	Variants
1	AP8129319	Driver saddle	1	Year:2004[4] Technical Specifications:RSV Mille "R" Version[R]
1	AP8129417	Driver saddle	1	Technical Specifications:"Nera" Dream RSV Version[DRE]
1	AP8129420	Driver saddle	1	Year:2004[4] Technical Specifications:Factory "R" RSV Version[FAC]
1	AP8129441	Driver saddle, black	1	Year:2006[6] Vehicle colour:Aprilia black 2005-2006[a.blk], Fluo Red 2005-2006[r.fluo] Technical Specifications:RSV Mille "R" Version[R]
1	AP8129441	Driver saddle, black	1	Year:2006[6] Vehicle colour:Aprilia black 2005-2006[a.blk] Technical Specifications:Factory "R" RSV Version[FAC]
1	AP8129441	Driver saddle, black	1	Year:2007[7], 2008[8] Vehicle colour:Aprilia Black 2008 (s.t.859822)[black08], Planet Blue 2008 (s.t.860005)[blu], Bol D'or 2007 (s.t.853155)[bol dor], Ice White 2008 (s.t.860006)[ice] Technical Specifications:RSV Mille "R" Version[R]
1	AP8129441	Driver saddle, black	1	Year:2007[7], 2008[8] Vehicle colour:Dark Lion 2007 (s.t.853378)[dark] Technical Specifications:Factory "R" RSV Version[FAC]
1	AP8129448	Driver saddle	1	Year:2005[5] Technical Specifications:Factory "R" RSV Version[FAC], RSV Mille "R" Version[R]
1	AP8129473	Driver saddle, red	1	Year:2007[7] Vehicle colour:Aprilia black 2005-2006[a.blk], Platinum Grey 2007 (s.t.853154)[grey] Technical Specifications:RSV Mille "R" Version[R]
1	AP8129473	Driver saddle, red	1	Year:2006[6] Vehicle colour:Aprilia White 2006 (s.t.15178)[white] Technical Specifications:RSV Mille "R" Version[R]
1	AP8129473	Driver saddle, red	1	Year:2008[8] Vehicle colour:Platinum Grey 2007 (s.t.853154)[grey] Technical Specifications:RSV Mille "R" Version[R]
1	AP8129473	Driver saddle, red	1	Year:2007[7]

Group	FRAME
Code	28.24
Description	Saddle
Service	1



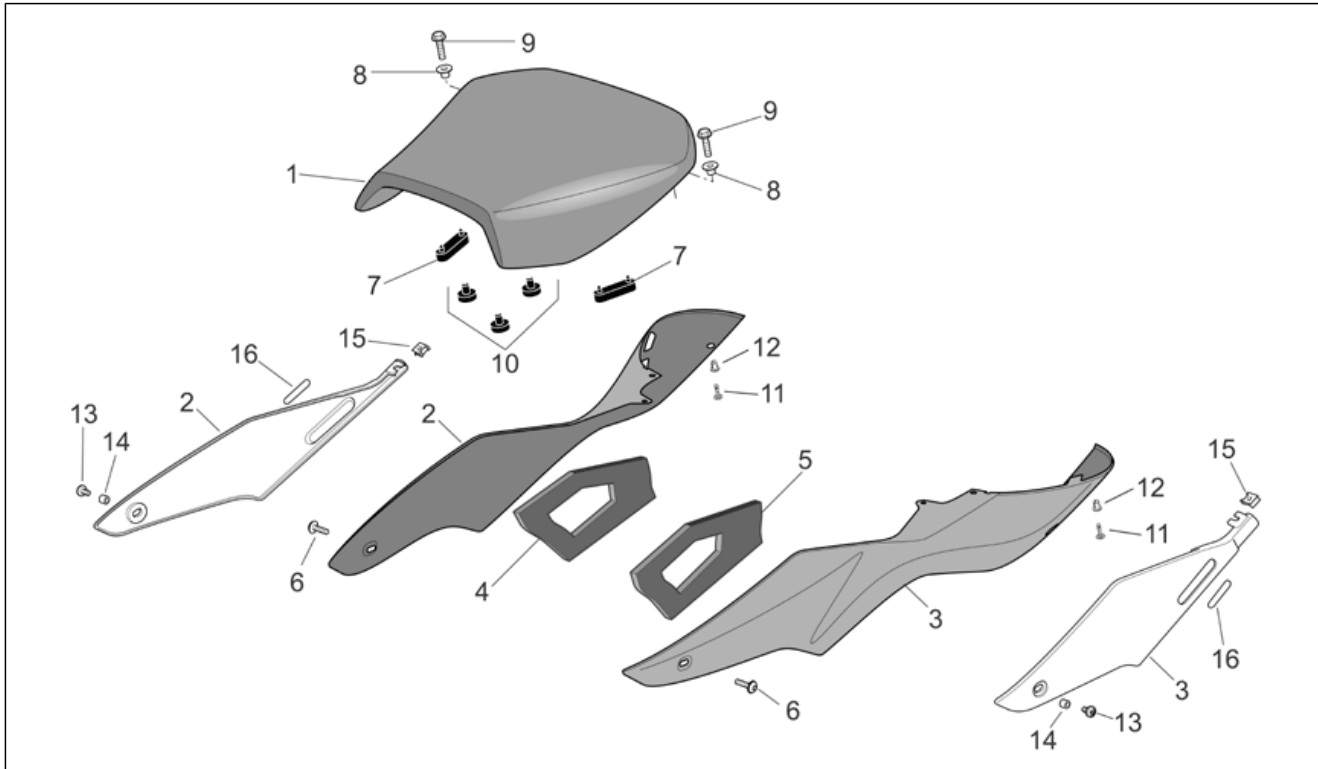
Pos.	Code	Description	Qty	Variants
				Vehicle colour: Red Lion 2007 (s.t.853379)[red] Technical Specifications: Factory "R" RSV Version[FAC]
2	AP8158139	RH side panel, carb.	1	Year: 2004[4] Technical Specifications: Factory "R" RSV Version[FAC]
2	AP8158139	RH side panel, carb.	1	Technical Specifications: "Nera" Dream RSV Version[DRE]
2	AP8158139	RH side panel, carb.	1	Year: 2004[4] Technical Specifications: Factory "R" RSV Version[FAC]
2	AP8158139	RH side panel, carb.	1	Year: 2005[5] Technical Specifications: Factory "R" RSV Version[FAC]
2	AP8158663	RH side panel	1	Year: 2005[5] Vehicle colour: Aprilia black 2005-2006[a.blk], Fluo Red 2005-2006[r.fluo], Silver Mirror 2005[s.mir] Technical Specifications: RSV Mille "R" Version[R]
2	AP8178759	RH side panel, carb.	1	Year: 2005[5] Technical Specifications: Factory "R" RSV Version[FAC]
2	AP8178759	RH side panel, carb.	1	Year: 2005[5] Technical Specifications: Factory "R" RSV Version[FAC]
2	AP8178759	RH side panel, carb.	1	Year: 2004[4] Technical Specifications: Factory "R" RSV Version[FAC]
2	AP8179403	RH side panel, carb.	1	Year: 2006[6], 2007[7], 2008[8] Technical Specifications: Factory "R" RSV Version[FAC]
2	AP8179417	RH side panel, black	1	Year: 2008[8] Vehicle colour: Planet Blue 2008 (s.t.860005)[blu], Ice White 2008 (s.t.860006)[ice] Technical Specifications: RSV Mille "R" Version[R]
2	AP8179429	RH side panel, grey	1	Year: 2006[6] Technical Specifications: RSV Mille "R" Version[R]
2	AP8179429	RH side panel, grey	1	Year: 2007[7] Vehicle colour: Aprilia black 2005-2006[a.blk], Platinum Grey 2007 (s.t.853154)[grey] Technical Specifications: RSV Mille "R" Version[R]
2	AP8179429	RH side panel, grey	1	Year: 2008[8]

Group	FRAME
Code	28.24
Description	Saddle
Service	1



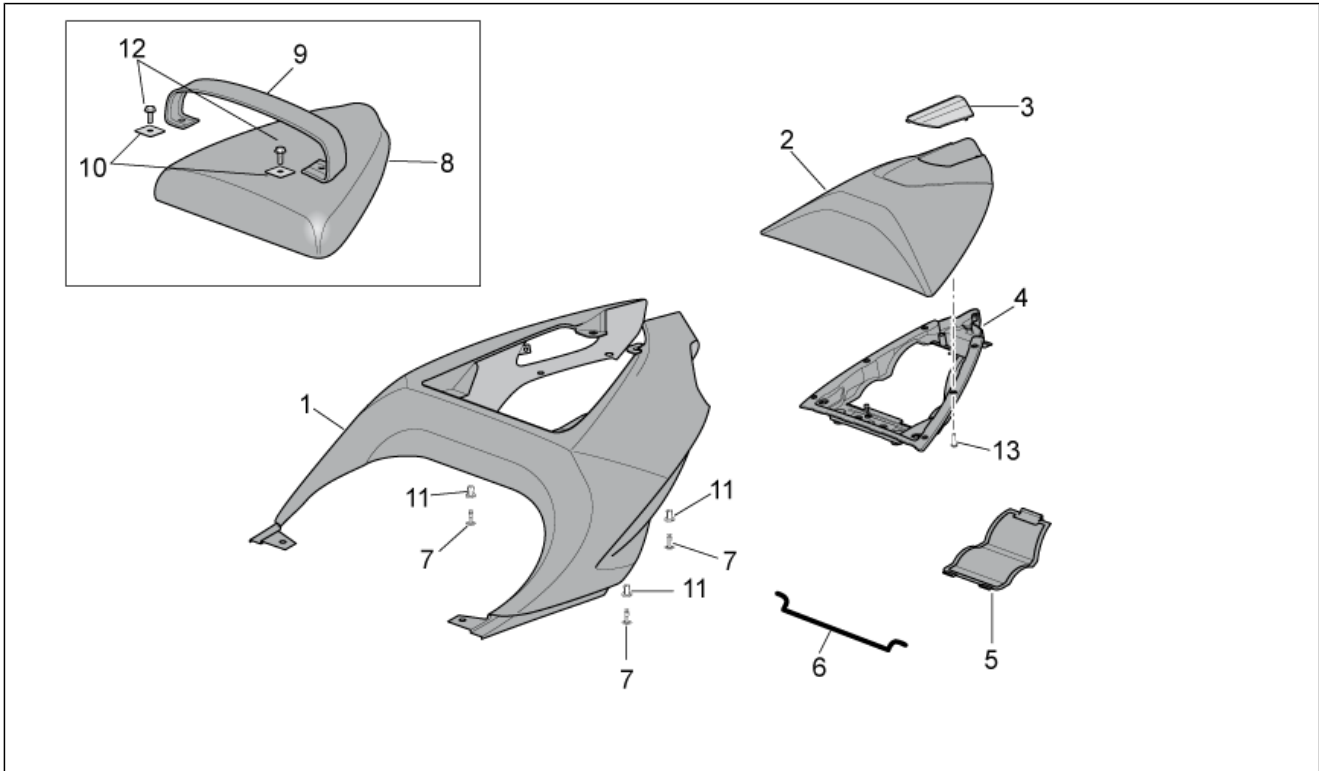
Pos.	Code	Description	Qty	Variants
				Vehicle colour: Aprilia Black 2008 (s.t.859822)[black08], Platinum Grey 2007 (s.t.853154)[grey] Technical Specifications: RSV Mille "R" Version[R]
2	AP8184356	RH side panel, red	1	Year: 2007[7] Vehicle colour: Bol D'or 2007 (s.t.853155)[bol dor] Technical Specifications: RSV Mille "R" Version[R]
3	AP8158140	LH side panel, carb.	1	Year: 2004[4] Technical Specifications: Factory "R" RSV Version[FAC]
3	AP8158140	LH side panel, carb.	1	Year: 2004[4] Technical Specifications: Factory "R" RSV Version[FAC]
3	AP8158140	LH side panel, carb.	1	Year: 2005[5] Technical Specifications: Factory "R" RSV Version[FAC]
3	AP8158140	LH side panel, carb.	1	Technical Specifications: "Nera" Dream RSV Version[DRE]
3	AP8158664	LH side panel	1	Year: 2005[5] Vehicle colour: Aprilia black 2005-2006[a.blk], Fluo Red 2005-2006[r.fluo], Silver Mirror 2005[s.mir] Technical Specifications: RSV Mille "R" Version[R]
3	AP8178760	LH side panel, carb.	1	Year: 2005[5] Technical Specifications: Factory "R" RSV Version[FAC]
3	AP8178760	LH side panel, carb.	1	Year: 2005[5] Technical Specifications: Factory "R" RSV Version[FAC]
3	AP8178760	LH side panel, carb.	1	Year: 2004[4] Technical Specifications: Factory "R" RSV Version[FAC]
3	AP8179402	LH side panel, carb.	1	Year: 2006[6], 2007[7], 2008[8] Technical Specifications: Factory "R" RSV Version[FAC]
3	AP8179418	LH side panel, black	1	Year: 2008[8] Vehicle colour: Planet Blue 2008 (s.t.860005)[blu], Ice White 2008 (s.t.860006)[ice] Technical Specifications: RSV Mille "R" Version[R]
3	AP8179430	LH side panel, grey	1	Year: 2006[6] Technical Specifications: RSV Mille "R" Version[R]
3	AP8179430	LH side panel, grey	1	Year: 2008[8]

Group	FRAME
Code	28.24
Description	Saddle
Service	1



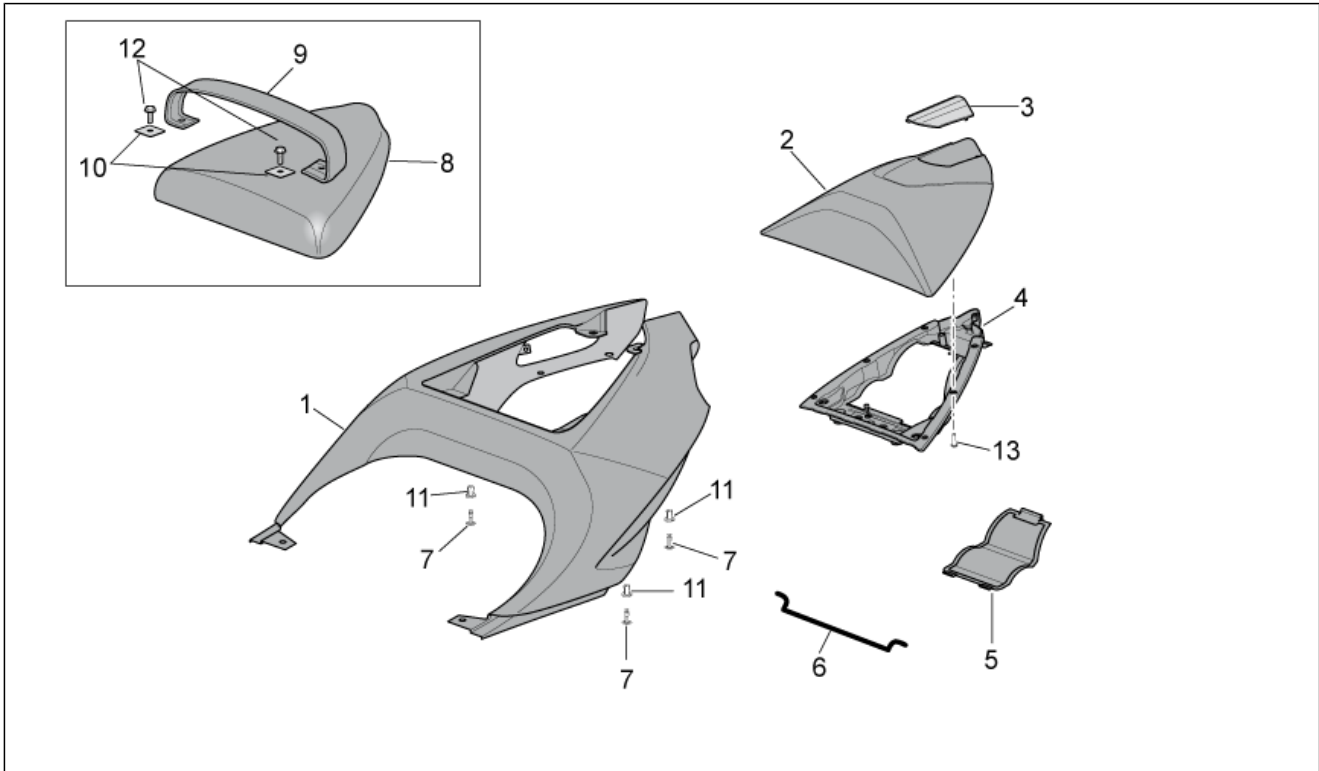
Pos.	Code	Description	Qty	Variants
				Vehicle colour: Aprilia Black 2008 (s.t.859822)[black08], Platinum Grey 2007 (s.t.853154)[grey] Technical Specifications: RSV Mille "R" Version[R]
3	AP8179430	LH side panel, grey	1	Year: 2007[7] Vehicle colour: Aprilia black 2005-2006[a.blk], Platinum Grey 2007 (s.t.853154)[grey] Technical Specifications: RSV Mille "R" Version[R]
3	AP8184357	LH side panel, red	1	Year: 2007[7] Vehicle colour: Bol D'or 2007 (s.t.853155)[bol dor] Technical Specifications: RSV Mille "R" Version[R]
4	AP8117236	RH adhesive sponge	1	
5	AP8117235	LH adhesive sponge	1	
6	AP8152302	Screw w/ flange M5x12	2	Technical Specifications: Factory "R" RSV Version[FAC], RSV Mille "R" Version[R]
6	AP8152458	Screw	2	Technical Specifications: "Nera" Dream RSV Version[DRE]
7	AP8126701	Saddle rubber	2	
8	AP8221145	T bush *	2	
9	AP8152279	Screw w/ flange M6x20	2	
10	AP8126702	Rubber spacer	6	
11	AP8144616	Rivet, female	2	
12	AP8144563	Rivet, male	2	
13	AP8152298	Screw w/ flange M5x16	2	Year: 2006[6], 2007[7], 2008[8] Technical Specifications: Factory "R" RSV Version[FAC], RSV Mille "R" Version[R]
14	AP8221036	Bushing 5,3x8x7,1	2	Year: 2006[6], 2007[7], 2008[8] Technical Specifications: Factory "R" RSV Version[FAC], RSV Mille "R" Version[R]
15	AP8102375	Clip m5	2	Year: 2006[6], 2007[7], 2008[8] Technical Specifications: Factory "R" RSV Version[FAC], RSV Mille "R" Version[R]
16	AP8166905	Decal R 1000	2	Year: 2006[6] Technical Specifications: RSV Mille "R" Version[R]

Group	FRAME
Code	28.25
Description	Rear body - Rear fairing I
Service	1



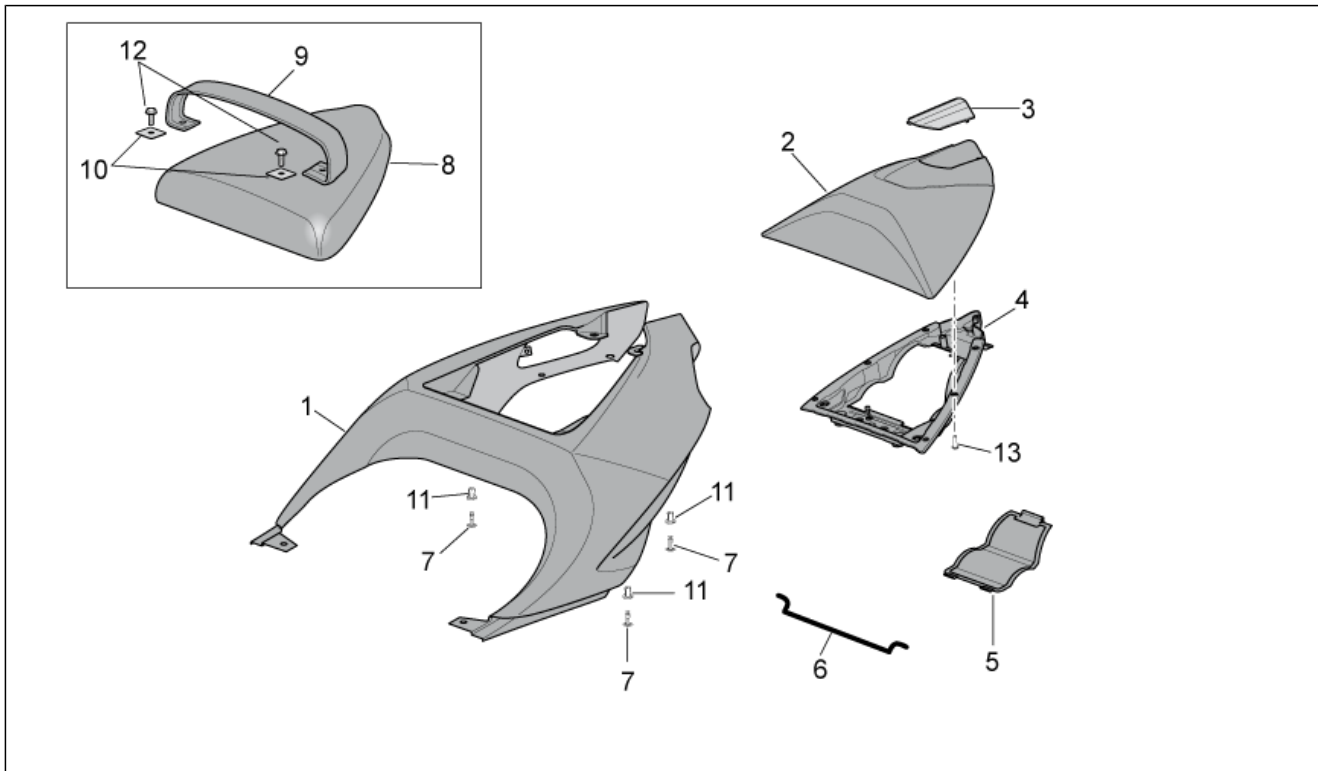
Pos.	Code	Description	Qty	Variants
1	AP8158142	Rear fairing	1	Year:2004[4] Vehicle colour:Aprilia black 2004[n] Technical Specifications:Factory "R" RSV Version[FAC], RSV Mille "R" Version[R]
1	AP8158665	Rear fairing	1	Year:2004[4] Vehicle colour:Lead grey 2004[g] Technical Specifications:Factory "R" RSV Version[FAC], RSV Mille "R" Version[R]
1	AP8178031	Rear fairing	1	Year:2004[4] Vehicle colour:Fluo Red 2004[r] Technical Specifications:Factory "R" RSV Version[FAC], RSV Mille "R" Version[R]
1	AP8178114	Rear fairing, transp.	1	Year:2004[4] Technical Specifications:"Nera" Dream RSV Version[DRE]
1	AP8178906	Rear fairing	1	Year:2005[5] Vehicle colour:Aprilia black 2005-2006[a.blk] Technical Specifications:Factory "R" RSV Version[FAC], RSV Mille "R" Version[R]
1	AP8178946	Rear fairing, red	1	Year:2005[5] Vehicle colour:Fluo Red 2005-2006[r.fluo] Technical Specifications:Factory "R" RSV Version[FAC], RSV Mille "R" Version[R]
1	AP8178960	Rear fairing, silver	1	Year:2005[5] Vehicle colour:Silver Mirror 2005[s.mir] Technical Specifications:Factory "R" RSV Version[FAC], RSV Mille "R" Version[R]
2	AP8158143	Saddle cover, black	1	Year:2004[4] Vehicle colour:Aprilia black 2004[n] Technical Specifications:Factory "R" RSV Version[FAC]
2	AP8158666	Saddle cover, grey	1	Year:2004[4] Vehicle colour:Lead grey 2004[g] Technical Specifications:RSV Mille "R" Version[R]
2	AP8178032	Saddle cover, red	1	Year:2004[4] Vehicle colour:Fluo Red 2004[r]

Group	FRAME
Code	28.25
Description	Rear body - Rear fairing I
Service	1



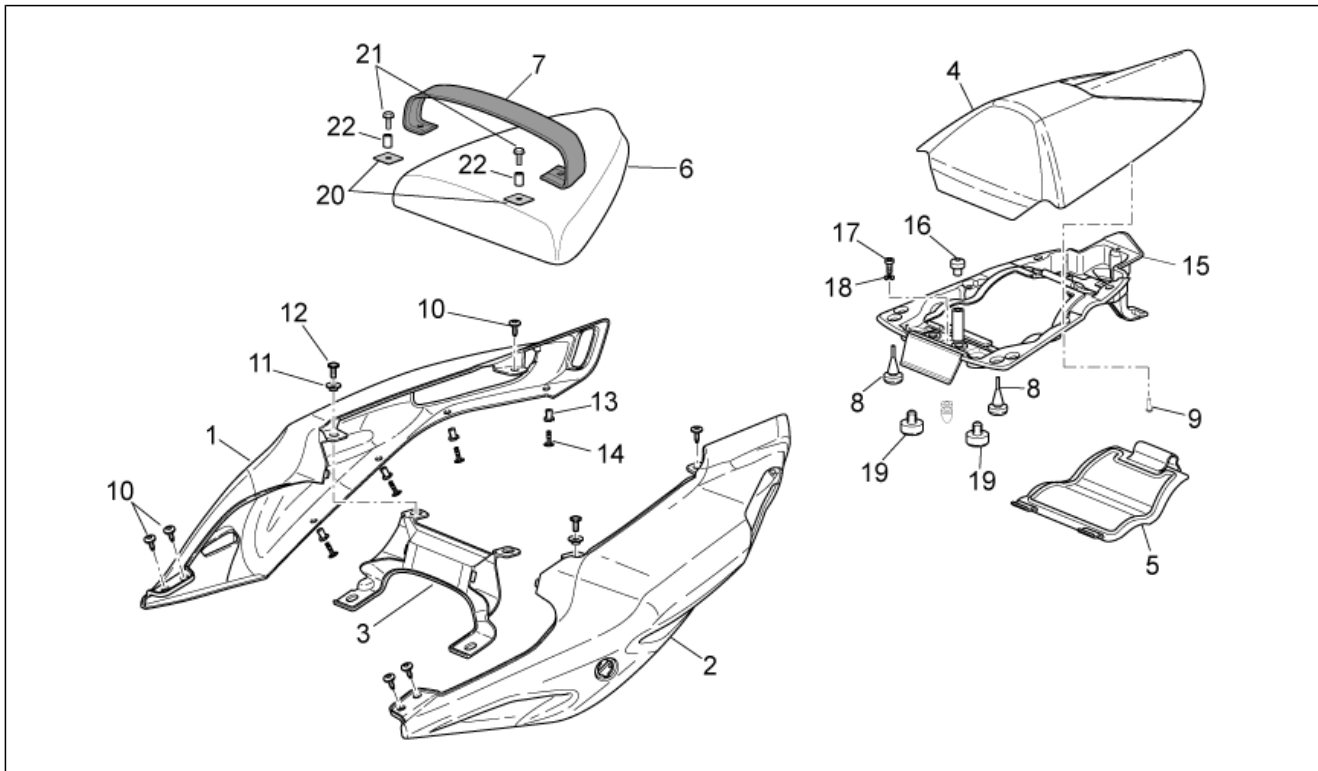
Pos.	Code	Description	Qty	Variants
				Technical Specifications: RSV Mille "R" Version[R]
2	AP8178115	Saddle cover, transp.	1	Year: 2004[4] Technical Specifications: "Nera" Dream RSV Version[DRE]
2	AP8178174	Saddle cover, red	1	Year: 2004[4] Vehicle colour: Fluo Red 2004[r] Technical Specifications: Factory "R" RSV Version[FAC]
2	AP8178179	Saddle cover, black	1	Year: 2004[4] Vehicle colour: Aprilia black 2004[n] Technical Specifications: RSV Mille "R" Version[R]
2	AP8178182	Saddle cover, grey	1	Year: 2004[4] Vehicle colour: Lead grey 2004[g] Technical Specifications: Factory "R" RSV Version[FAC]
2	AP8178860	Saddle cover, black	1	Year: 2005[5] Vehicle colour: Aprilia black 2005-2006[a.blk] Technical Specifications: Factory "R" RSV Version[FAC]
2	AP8178947	Saddle cover, red	1	Year: 2005[5] Vehicle colour: Fluo Red 2005-2006[r.fluo] Technical Specifications: Factory "R" RSV Version[FAC]
2	AP8178961	Saddle cover silver	1	Year: 2005[5] Vehicle colour: Silver Mirror 2005[s.mir] Technical Specifications: Factory "R" RSV Version[FAC]
2	AP8797162	Saddle cover kit, red	1	Year: 2005[5] Vehicle colour: Fluo Red 2005-2006[r.fluo] Technical Specifications: See accessories catalogue[opt], RSV Mille "R" Version[R]
2	AP8797163	Saddle cover kit, black	1	Year: 2005[5] Vehicle colour: Aprilia black 2005-2006[a.blk] Technical Specifications: See accessories catalogue[opt], RSV Mille "R" Version[R]
2	AP8797164	Saddle cover kit, silver	1	Year: 2005[5] Vehicle colour: Silver Mirror 2005[s.mir] Technical Specifications: See accessories catalogue[opt], RSV Mille "R" Version[R]
3	AP8158912	Window	1	Year: 2004[4], 2005[5]

Group	FRAME
Code	28.25
Description	Rear body - Rear fairing I
Service	1



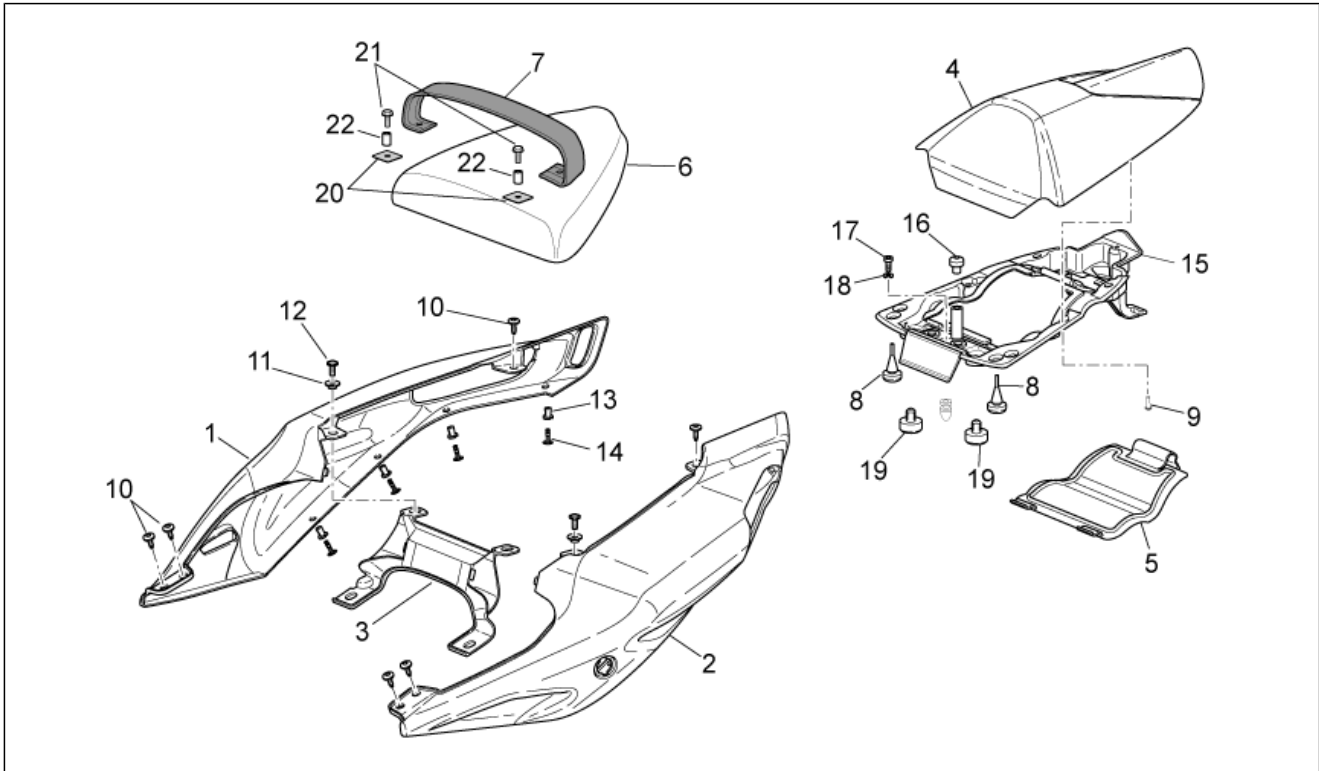
Pos.	Code	Description	Qty	Variants
4	AP8129321	Saddle cover base	1	Year:2004[4], 2005[5]
5	AP8158138	Door	1	Year:2004[4], 2005[5]
6	AP8134396	Fuel tank support rod	1	Year:2004[4], 2005[5]
7	AP8121322	Fixing pin	8	Year:2004[4], 2005[5] Technical Specifications:"Nera" Dream RSV Version[DRE]
7	AP8144616	Rivet, female	4	Year:2004[4], 2005[5] Technical Specifications:Factory "R" RSV Version[FAC], RSV Mille "R" Version[R]
8	AP8129330	Rear saddle	1	Year:2004[4] Technical Specifications:RSV Mille "R" Version[R]
8	AP8129423	Rear saddle	1	Year:2004[4] Technical Specifications:"Nera" Dream RSV Version[DRE]
8	AP8129423	Rear saddle	1	Year:2005[5] Technical Specifications:Factory "R" RSV Version[FAC], RSV Mille "R" Version[R]
8	AP8129423	Rear saddle	1	Year:2004[4] Technical Specifications:Factory "R" RSV Version[FAC]
9	AP8129331	Pillion seat strap	1	Year:2004[4] Technical Specifications:RSV Mille "R" Version[R]
9	AP8129422	Pillion seat strap	1	Year:2004[4] Technical Specifications:Factory "R" RSV Version[FAC]
9	AP8129424	Pillion seat strap	1	Year:2004[4] Technical Specifications:"Nera" Dream RSV Version[DRE]
9	AP8129450	Pillion seat strap	1	Year:2005[5] Technical Specifications:Factory "R" RSV Version[FAC], RSV Mille "R" Version[R]
10	AP8134654	Plate	2	Year:2004[4], 2005[5]
11	AP8144563	Rivet, male	4	Year:2004[4], 2005[5]
12	AP8152283	Screw w/ flange	2	Year:2004[4], 2005[5]
13	AP8150444	Self-tapping screw	7	Year:2004[4], 2005[5]

Group	FRAME
Code	28.26
Description	Rear body - Rear fairing II
Service	1



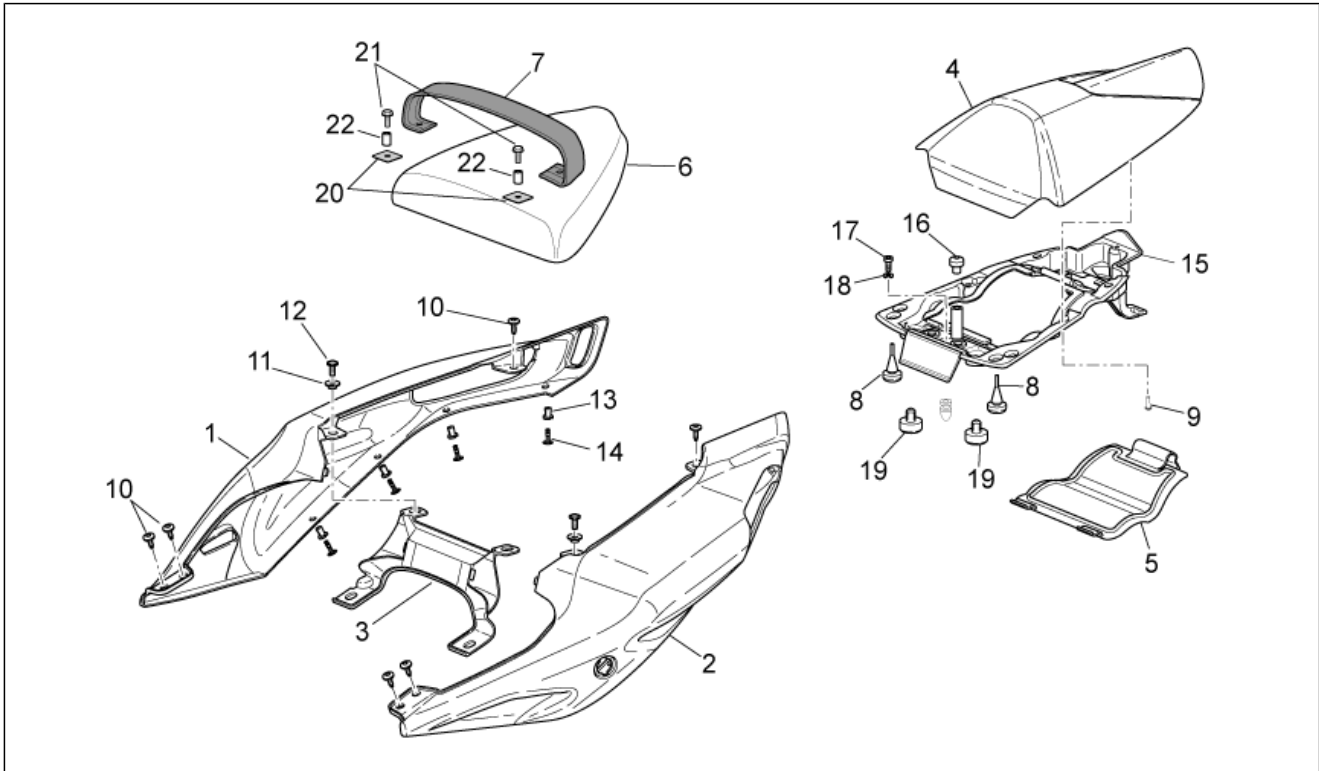
Pos.	Code	Description	Qty	Variants
1	AP8179277	RH rear fairing, black	1	Year: 2006[6] Vehicle colour: Aprilia black 2005-2006[a.blk] Technical Specifications: With decals applied[D], Factory "R" RSV Version[FAC], RSV Mille "R" Version[R]
1	AP8179455	RH rear fairing, grey	1	Year: 2006[6] Vehicle colour: Fluo Red 2005-2006[r.fluo] Technical Specifications: With decals applied[D], RSV Mille "R" Version[R]
1	AP8179465	RH rear fairing, white	1	Year: 2006[6] Vehicle colour: Aprilia White 2006 (s.t.15178)[white] Technical Specifications: With decals applied[D], RSV Mille "R" Version[R]
1	AP8184322	RH rear fairing, black	1	Year: 2007[7], 2008[8] Vehicle colour: Aprilia Black 2007 (s.t.853153)[black], Aprilia Black 2008 (s.t.859822)[black08] Technical Specifications: With decals applied[D], Factory "R" RSV Version[FAC], RSV Mille "R" Version[R]
1	AP8184337	RH rear fairing, grey	1	Year: 2007[7], 2008[8] Vehicle colour: Platinum Grey 2007 (s.t.853154)[grey] Technical Specifications: With decals applied[D], RSV Mille "R" Version[R]
1	AP8184358	RH rear fairing, red	1	Year: 2007[7] Vehicle colour: Bol D'or 2007 (s.t.853155)[bol dor] Technical Specifications: With decals applied[D], RSV Mille "R" Version[R]
1	AP8184403	RH rear fairing, white	1	Year: 2007[7] Vehicle colour: Red Lion 2007 (s.t.853379)[red] Technical Specifications: With decals applied[D], Factory "R" RSV Version[FAC]
1	AP8184686	RH rear fairing, blue	1	Year: 2008[8] Vehicle colour: Planet Blue 2008 (s.t.860005)[blu] Technical Specifications: With decals applied[D], RSV Mille "R" Version[R]
1	AP8184705	RH rear fairing, white	1	Year: 2008[8] Vehicle colour: Ice White 2008 (s.t.860006)[ice]

Group	FRAME
Code	28.26
Description	Rear body - Rear fairing II
Service	1



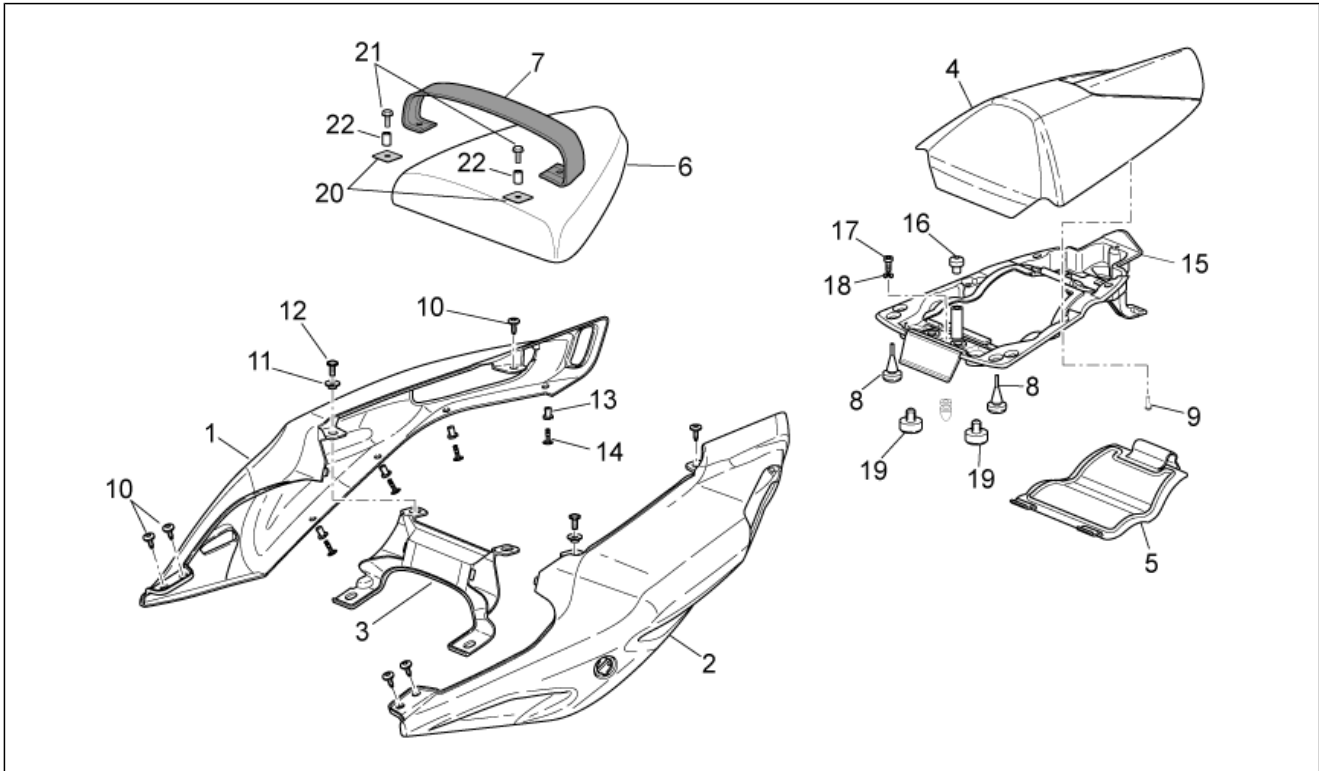
Pos.	Code	Description	Qty	Variants
				Technical Specifications: With decals applied[D], RSV Mille "R" Version[R]
2	AP8179435	LH rear fairing, black	1	Year: 2006[6] Vehicle colour: Aprilia black 2005-2006[a.blk] Technical Specifications: With decals applied[D], Factory "R" RSV Version[FAC], RSV Mille "R" Version[R]
2	AP8179456	LH rear fairing, grey	1	Year: 2006[6] Vehicle colour: Fluo Red 2005-2006[r.fluo] Technical Specifications: With decals applied[D], RSV Mille "R" Version[R]
2	AP8179466	LH rear fairing, white	1	Year: 2006[6] Vehicle colour: Aprilia White 2006 (s.t.15178)[white] Technical Specifications: With decals applied[D], RSV Mille "R" Version[R]
2	AP8184323	LH rear fairing, black	1	Year: 2007[7], 2008[8] Vehicle colour: Aprilia Black 2007 (s.t.853153)[black], Aprilia Black 2008 (s.t.859822)[black08], Dark Lion 2007 (s.t.853378)[dark] Technical Specifications: With decals applied[D], Factory "R" RSV Version[FAC], RSV Mille "R" Version[R]
2	AP8184338	LH rear fairing, grey	1	Year: 2007[7], 2008[8] Vehicle colour: Platinum Grey 2007 (s.t.853154)[grey] Technical Specifications: With decals applied[D], RSV Mille "R" Version[R]
2	AP8184359	LH rear fairing, red	1	Year: 2007[7] Vehicle colour: Bol D'or 2007 (s.t.853155)[bol dor] Technical Specifications: With decals applied[D], RSV Mille "R" Version[R]
2	AP8184404	LH rear fairing, white	1	Year: 2007[7] Vehicle colour: Red Lion 2007 (s.t.853379)[red] Technical Specifications: With decals applied[D], Factory "R" RSV Version[FAC]
2	AP8184687	LH rear fairing, blue	1	Year: 2008[8] Vehicle colour: Planet Blue 2008 (s.t.860005)[blu]

Group	FRAME
Code	28.26
Description	Rear body - Rear fairing II
Service	1



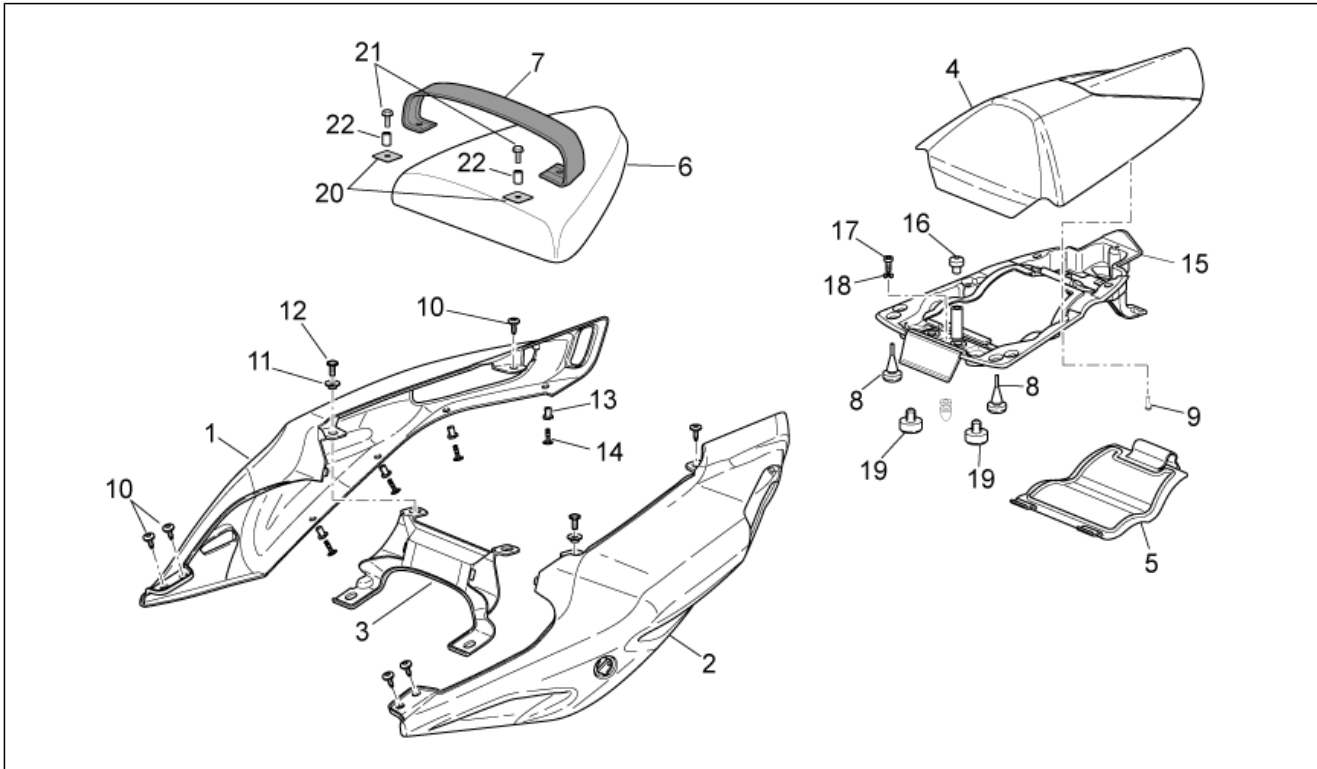
Pos.	Code	Description	Qty	Variants
				Technical Specifications: With decals applied[D], RSV Mille "R" Version[R]
2	AP8184706	LH rear fairing, white	1	Year: 2008[8] Vehicle colour: Ice White 2008 (s.t.860006)[ice] Technical Specifications: With decals applied[D], RSV Mille "R" Version[R]
3	AP8179436	Rear fairing, grey	1	Year: 2006[6]
3	AP8179831	Rear fairing, white	1	Year: 2007[7] Vehicle colour: Red Lion 2007 (s.t.853379)[red] Technical Specifications: Factory "R" RSV Version[FAC]
3	AP8184324	Rear fairing, black	1	Year: 2007[7], 2008[8] Vehicle colour: Aprilia Black 2007 (s.t.853153)[black], Aprilia Black 2008 (s.t.859822)[black08] Technical Specifications: Factory "R" RSV Version[FAC], RSV Mille "R" Version[R]
3	AP8184339	Rear fairing, grey	1	Year: 2007[7], 2008[8] Vehicle colour: Platinum Grey 2007 (s.t.853154)[grey] Technical Specifications: RSV Mille "R" Version[R]
3	AP8184360	Rear fairing, red	1	Year: 2007[7] Vehicle colour: Bol D'or 2007 (s.t.853155)[bol dor] Technical Specifications: RSV Mille "R" Version[R]
3	AP8184649	Rear fairing, white	1	Year: 2008[8] Vehicle colour: Ice White 2008 (s.t.860006)[ice] Technical Specifications: RSV Mille "R" Version[R]
3	AP8184688	Rear fairing, blue	1	Year: 2008[8] Vehicle colour: Planet Blue 2008 (s.t.860005)[blu] Technical Specifications: RSV Mille "R" Version[R]
4	AP8179393	Saddle cover, black	1	Year: 2006[6] Vehicle colour: Aprilia black 2005-2006[a.blk] Technical Specifications: With decals applied[D], RSV Mille "R" Version[R]
4	AP8179457	Saddle cover, red	1	Year: 2006[6] Vehicle colour: Fluo Red 2005-2006[r.fluo]

Group	FRAME
Code	28.26
Description	Rear body - Rear fairing II
Service	1



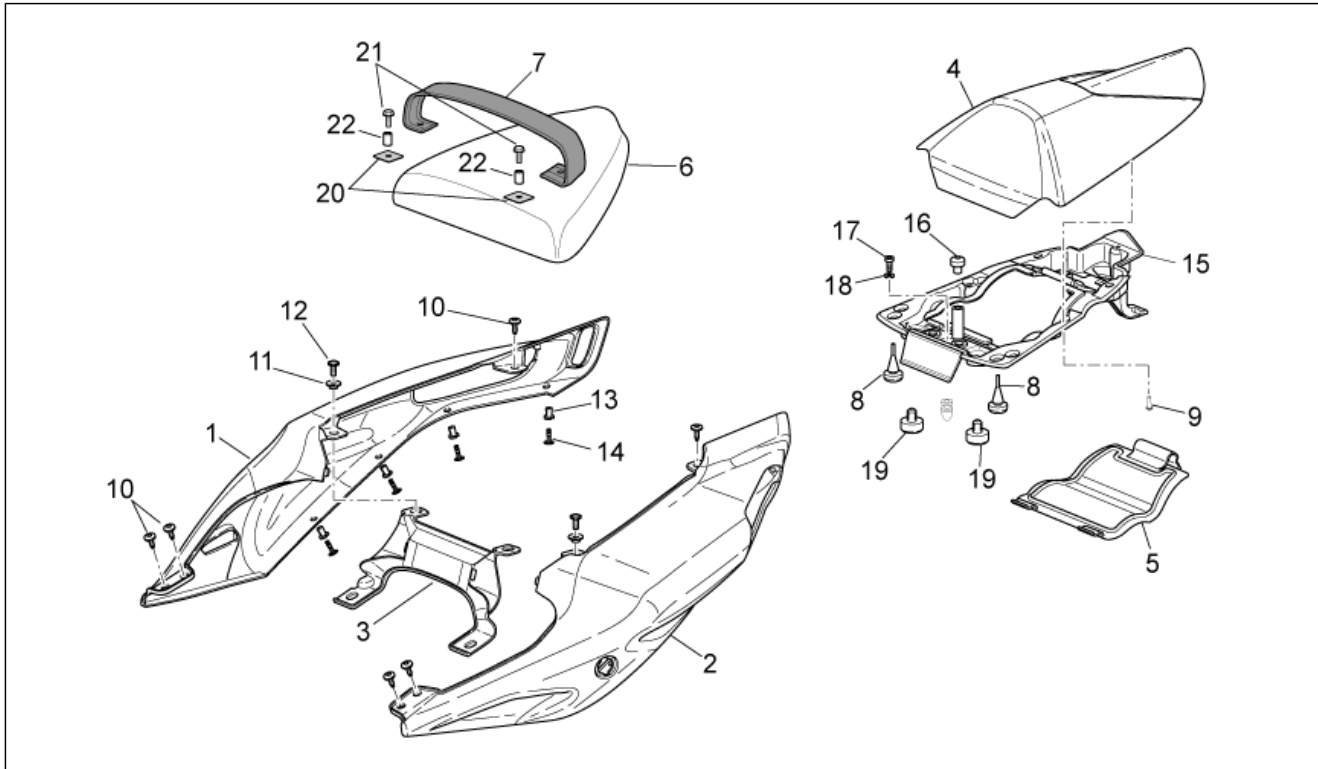
Pos.	Code	Description	Qty	Variants
				Technical Specifications: With decals applied[D], RSV Mille "R" Version[R]
4	AP8179467	Seat cover, white	1	Year: 2006[6] Vehicle colour: Aprilia White 2006 (s.t.15178)[white] Technical Specifications: With decals applied[D], RSV Mille "R" Version[R]
4	AP8179484	Saddle cover, black	1	Year: 2006[6] Vehicle colour: Aprilia black 2005-2006[a.blk] Technical Specifications: With decals applied[D], Factory "R" RSV Version[FAC]
4	AP8184325	Saddle cover, black	1	Year: 2008[8] Vehicle colour: Aprilia Black 2007 (s.t.853153)[black], Aprilia Black 2008 (s.t.859822)[black08] Technical Specifications: With decals applied[D], RSV Mille "R" Version[R]
4	AP8184340	Saddle cover, grey	1	Year: 2007[7], 2008[8] Vehicle colour: Platinum Grey 2007 (s.t.853154)[grey] Technical Specifications: With decals applied[D], RSV Mille "R" Version[R]
4	AP8184361	Saddle cover, black	1	Year: 2007[7] Vehicle colour: Bol D'or 2007 (s.t.853155)[bol dor] Technical Specifications: With decals applied[D], RSV Mille "R" Version[R]
4	AP8184393	Saddle cover, black	1	Year: 2007[7], 2008[8] Vehicle colour: Dark Lion 2007 (s.t.853378)[dark] Technical Specifications: With decals applied[D], Factory "R" RSV Version[FAC]
4	AP8184406	Saddle cover, black	1	Year: 2007[7] Vehicle colour: Red Lion 2007 (s.t.853379)[red] Technical Specifications: With decals applied[D], Factory "R" RSV Version[FAC]
4	AP8184689	Saddle cover, blue	1	Year: 2008[8] Vehicle colour: Planet Blue 2008 (s.t.860005)[blu] Technical Specifications: With decals applied[D], RSV Mille "R" Version[R]

Group	FRAME
Code	28.26
Description	Rear body - Rear fairing II
Service	1



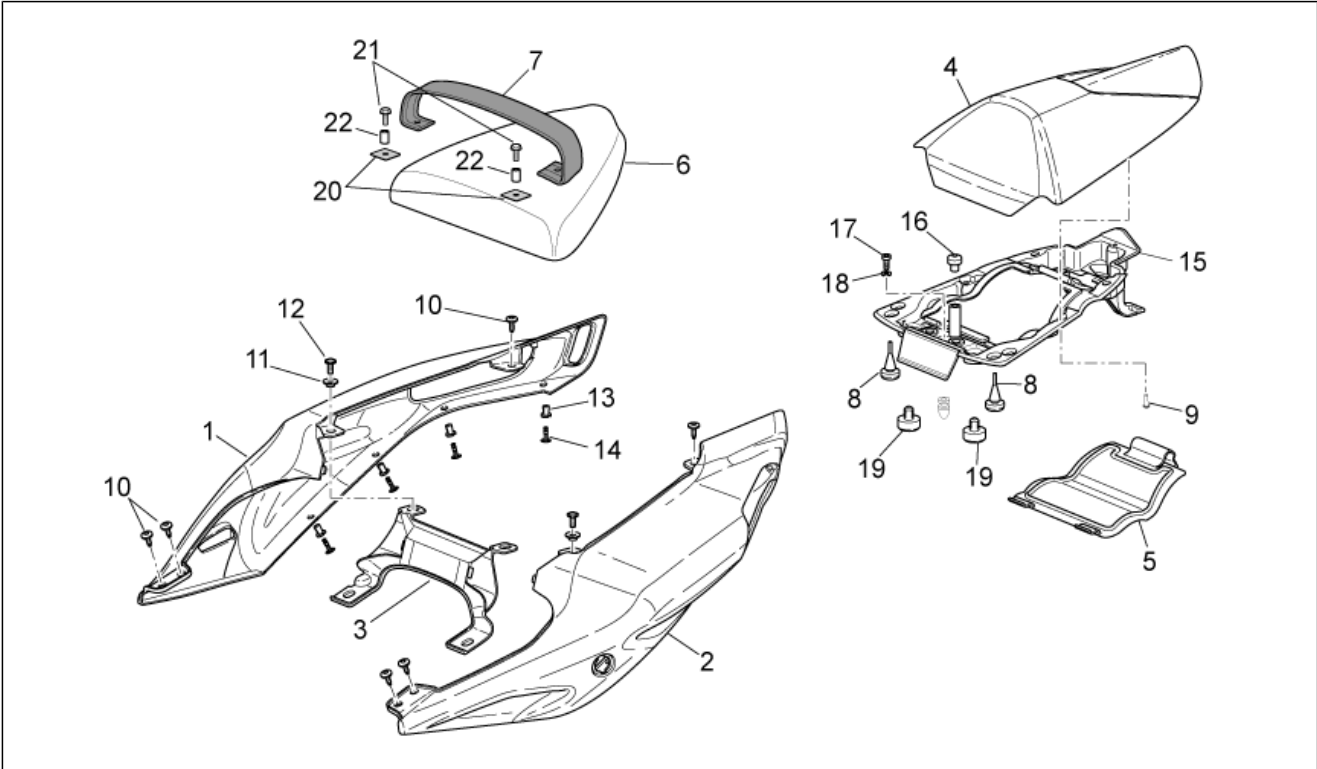
Pos.	Code	Description	Qty	Variants
4	AP8184708	Seat cover, white	1	Year:2008[8] Vehicle colour:Ice White 2008 (s.t.860006)[ice] Technical Specifications:With decals applied[D], RSV Mille "R" Version[R]
5	AP8158138	Door	1	Year:2006[6], 2007[7], 2008[8]
6	AP8129467	Rear saddle, black	1	Year:2007[7], 2008[8] Vehicle colour:Aprilia Black 2008 (s.t.859822)[black08], Planet Blue 2008 (s.t.860005)[blu], Bol D'or 2007 (s.t.853155)[bol dor], Ice White 2008 (s.t.860006)[ice] Technical Specifications:RSV Mille "R" Version[R]
6	AP8129467	Rear saddle, black	1	Year:2006[6] Vehicle colour:Aprilia black 2005-2006[a.blk], Aprilia White 2006 (s.t.15178)[white] Technical Specifications:RSV Mille "R" Version[R]
6	AP8129467	Rear saddle, black	1	Year:2007[7], 2008[8] Vehicle colour:Dark Lion 2007 (s.t.853378)[dark] Technical Specifications:Factory "R" RSV Version[FAC]
6	AP8129467	Rear saddle, black	1	Year:2006[6] Vehicle colour:Aprilia black 2005-2006[a.blk] Technical Specifications:Factory "R" RSV Version[FAC]
6	AP8129474	Rear saddle, red	1	Year:2008[8] Vehicle colour:Platinum Grey 2007 (s.t.853154)[grey] Technical Specifications:RSV Mille "R" Version[R]
6	AP8129474	Rear saddle, red	1	Year:2007[7] Vehicle colour:Aprilia black 2005-2006[a.blk], Platinum Grey 2007 (s.t.853154)[grey] Technical Specifications:RSV Mille "R" Version[R]
6	AP8129474	Rear saddle, red	1	Year:2007[7] Vehicle colour:Red Lion 2007 (s.t.853379)[red] Technical Specifications:Factory "R" RSV Version[FAC]
6	AP8129474	Rear saddle, red	1	Year:2006[6] Vehicle colour:Fluo Red 2005-2006[r.fluo] Technical Specifications:RSV Mille "R" Version[R]
7	AP8129468	Pillion seat strap, black	1	Year:2006[6]

Group	FRAME
Code	28.26
Description	Rear body - Rear fairing II
Service	1



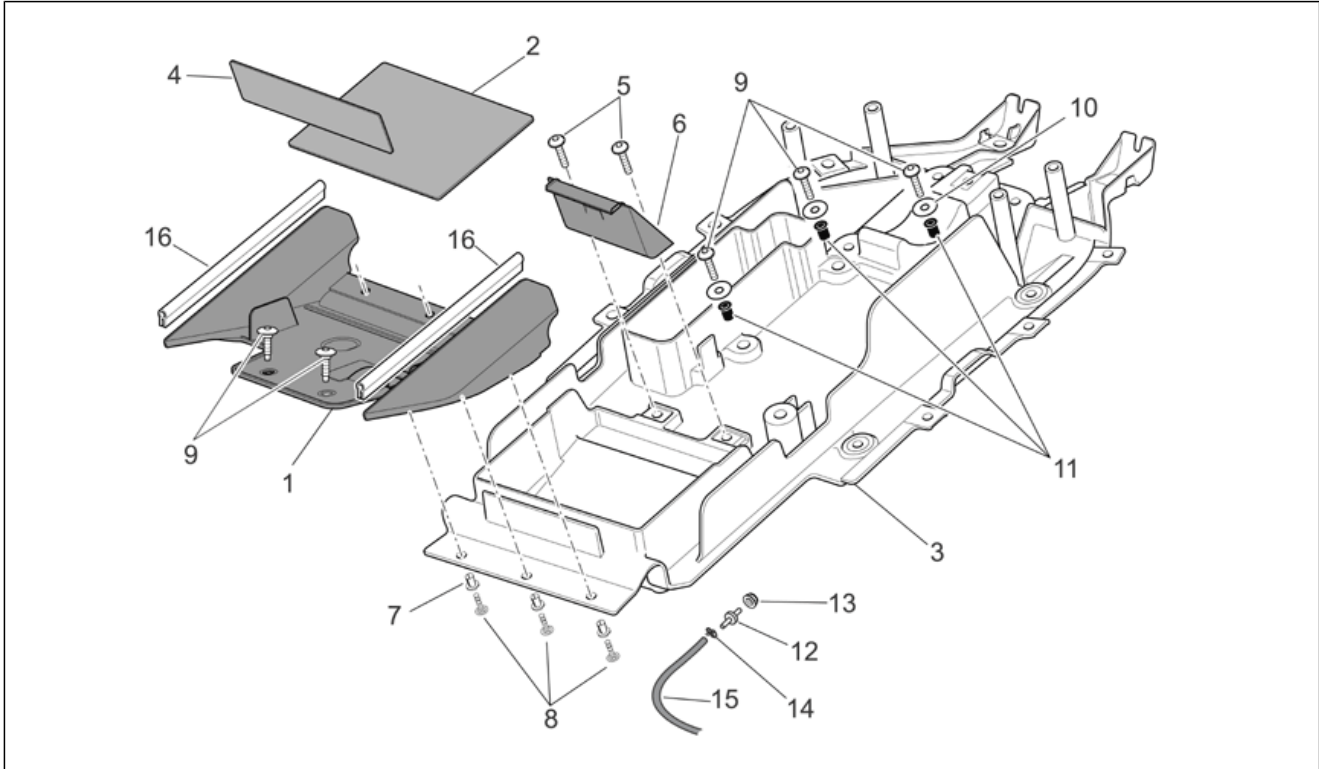
Pos.	Code	Description	Qty	Variants
				Vehicle colour: Aprilia black 2005-2006[a.blk] Technical Specifications: Factory "R" RSV Version[FAC]
7	AP8129468	Pillion seat strap, black	1	Year: 2006[6] Vehicle colour: Aprilia black 2005-2006[a.blk], Aprilia White 2006 (s.t.15178)[white] Technical Specifications: RSV Mille "R" Version[R]
7	AP8129468	Pillion seat strap, black	1	Year: 2007[7], 2008[8] Vehicle colour: Aprilia Black 2008 (s.t.859822)[black08], Planet Blue 2008 (s.t.860005)[blu], Bol D'or 2007 (s.t.853155)[bol dor], Ice White 2008 (s.t.860006)[ice] Technical Specifications: RSV Mille "R" Version[R]
7	AP8129468	Pillion seat strap, black	1	Year: 2007[7], 2008[8] Vehicle colour: Dark Lion 2007 (s.t.853378)[dark] Technical Specifications: Factory "R" RSV Version[FAC]
7	AP8129475	Pillion seat strap, red	1	Year: 2006[6] Vehicle colour: Fluo Red 2005-2006[r.fluo] Technical Specifications: RSV Mille "R" Version[R]
7	AP8129475	Pillion seat strap, red	1	Year: 2008[8] Vehicle colour: Platinum Grey 2007 (s.t.853154)[grey] Technical Specifications: RSV Mille "R" Version[R]
7	AP8129475	Pillion seat strap, red	1	Year: 2007[7] Vehicle colour: Aprilia black 2005-2006[a.blk], Platinum Grey 2007 (s.t.853154)[grey] Technical Specifications: RSV Mille "R" Version[R]
7	AP8129475	Pillion seat strap, red	1	Year: 2007[7] Vehicle colour: Red Lion 2007 (s.t.853379)[red] Technical Specifications: Factory "R" RSV Version[FAC]
8	AP8220238	Rubber spacer	2	Year: 2006[6], 2007[7], 2008[8]
9	AP8150413	Self-tap screw 3,9x14	7	Year: 2006[6], 2007[7], 2008[8]
10	AP8152302	Screw w/ flange M5x12	6	Year: 2006[6], 2007[7], 2008[8]
11	AP8221145	T bush *	2	Year: 2006[6], 2007[7], 2008[8]
12	AP8224470	Hex socket screw M6x20	2	Year: 2006[6], 2007[7], 2008[8]
13	AP8144616	Rivet, female	8	Year: 2006[6], 2007[7], 2008[8]

Group	FRAME
Code	28.26
Description	Rear body - Rear fairing II
Service	1



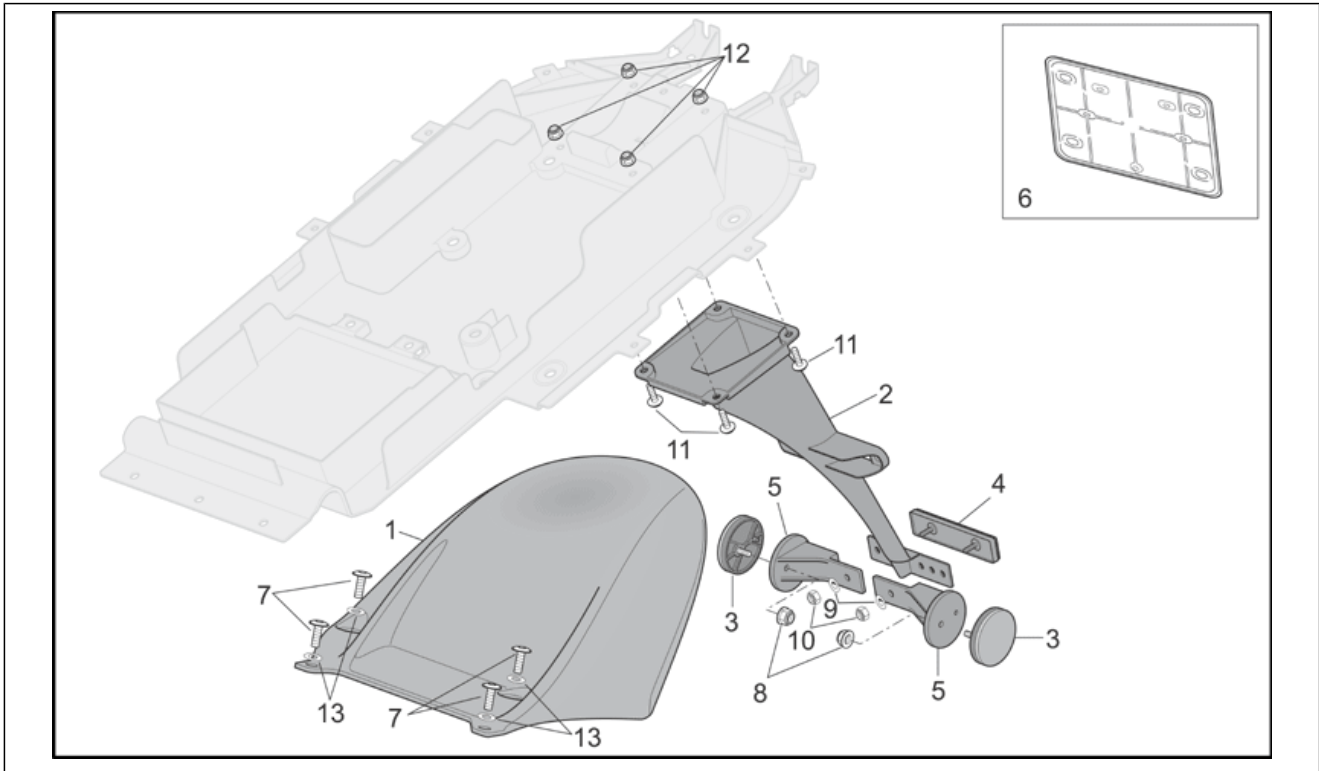
Pos.	Code	Description	Qty	Variants
14	AP8144563	Rivet, male	8	Year:2006[6], 2007[7], 2008[8]
15	AP8179075	Saddle cover base	1	Year:2006[6], 2007[7], 2008[8]
16	AP8144081	Rubber spacer	1	Year:2006[6], 2007[7], 2008[8]
17	AP8152043	Hex socket screw M4x10	1	Year:2006[6], 2007[7], 2008[8]
18	AP8150011	Washer 4,3x12x1	1	Year:2006[6], 2007[7], 2008[8]
19	AP8220349	Rubber spacer	2	Year:2006[6], 2007[7], 2008[8]
20	AP8134654	Plate	2	Year:2006[6], 2007[7], 2008[8]
21	AP8152283	Screw w/ flange	2	Year:2006[6], 2007[7], 2008[8]
22	AP8120253	Spacer	2	Year:2006[6], 2007[7], 2008[8]

Group	FRAME
Code	28.27
Description	Undersaddle
Service	1



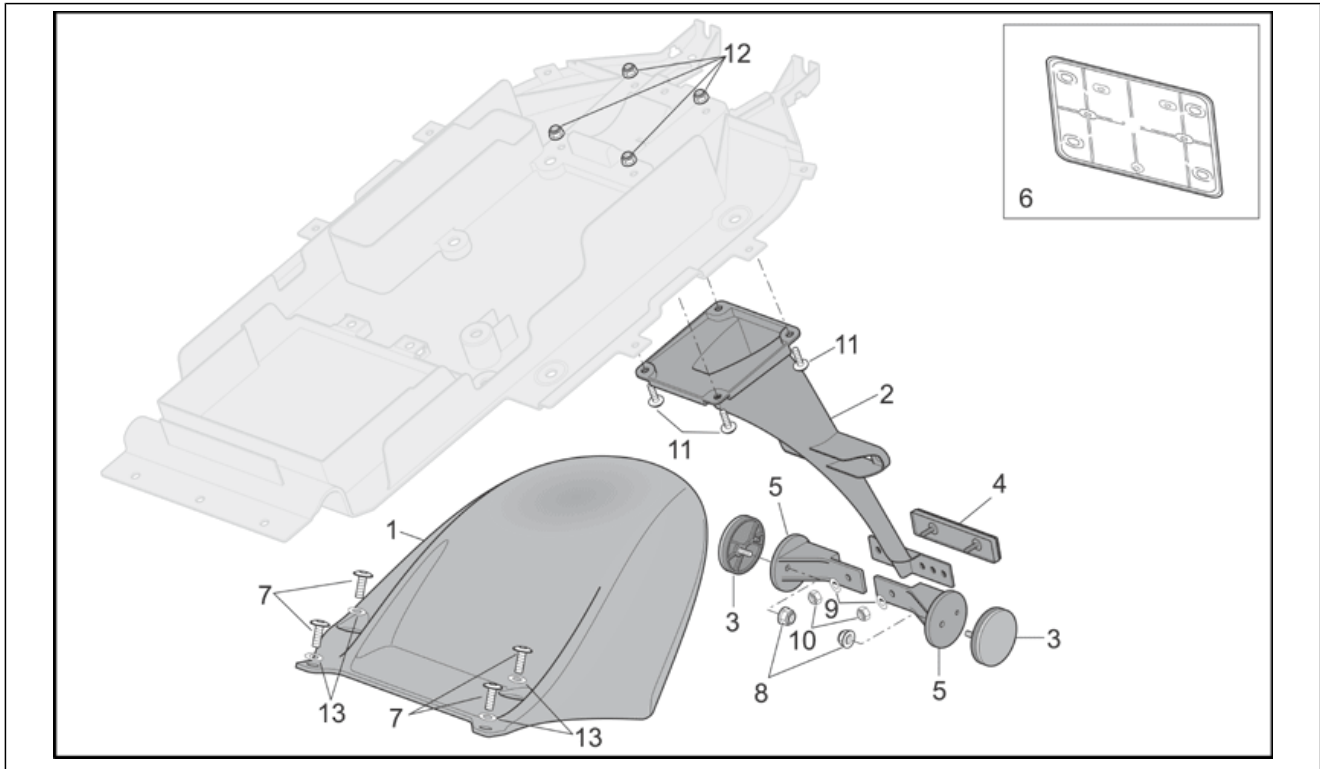
Pos.	Code	Description	Qty	Variants
1	AP8158146	Saddle supp.front lockup	1	
2	AP8144553	Support rubber part	1	
3	AP8134855	Saddle supp.rear lockup	1	Year:2004[4], 2005[5]
3	AP8179287	Saddle supp.lower lockup	1	Year:2006[6], 2007[7], 2008[8]
4	AP8144552	Support rubber part	1	
5	AP8152298	Screw w/ flange M5x16	2	
6	AP8134788	Bracket	1	
7	AP8144616	Rivet, female	3	
8	AP8144563	Rivet, male	3	
9	AP8152302	Screw w/ flange M5x12	2	
10	AP8121795	T bush	3	
11	AP8112600	Rubber spacer	3	
12	AP8104879	Pipe holder	1	
13	AP8150026	Nut M6	1	
14	AP8120179	Hose clamp D8	1	
15	AP8220598	Breather pipe	1	
16	AP8117276	Heat protection gasket	2	

Group	FRAME
Code	28.28
Description	Rear mudguard
Service	1



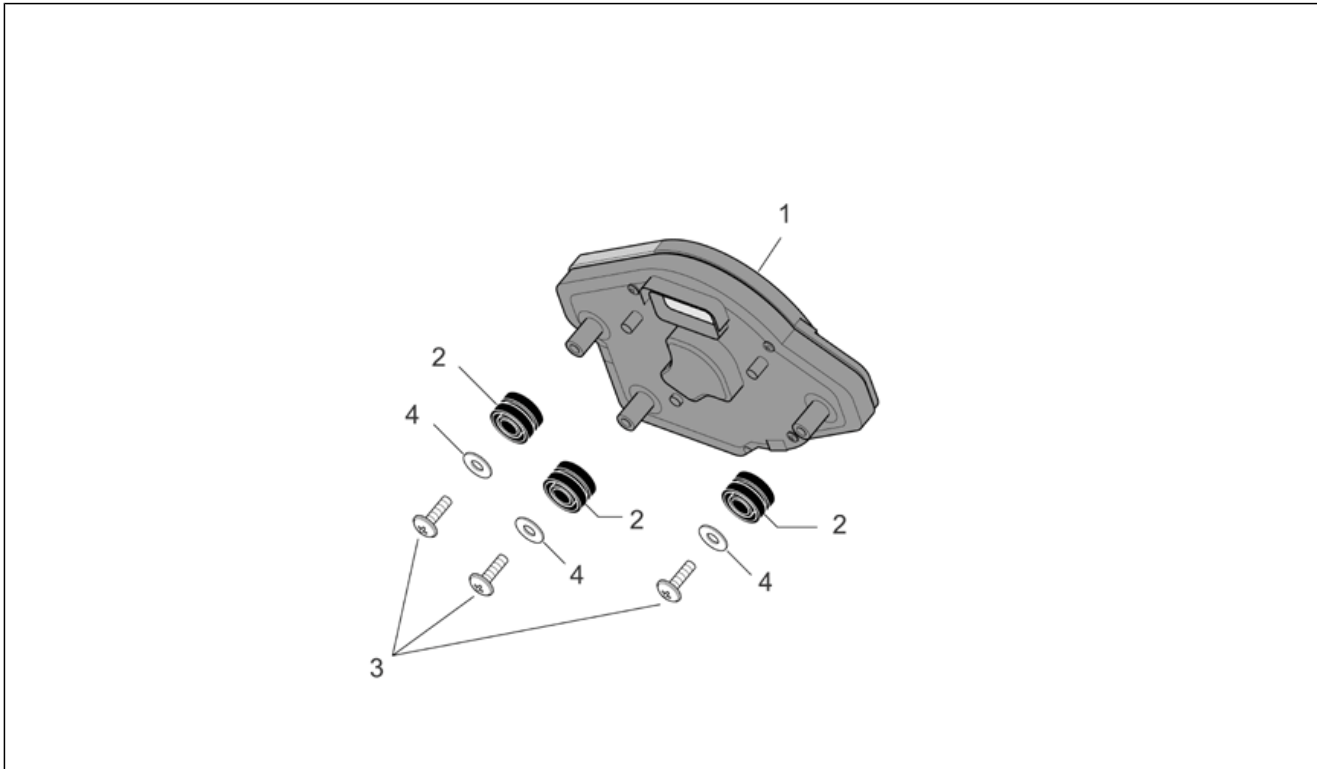
Pos.	Code	Description	Qty	Variants
1	AP8126948	Rear mudguard	1	Year:2004[4] Technical Specifications:Factory "R" RSV Version[FAC]
1	AP8126948	Rear mudguard	1	Year:2004[4] Technical Specifications:"Nera" Dream RSV Version[DRE]
1	AP8126948	Rear mudguard	1	Year:2004[4] Technical Specifications:Factory "R" RSV Version[FAC]
1	AP8126948	Rear mudguard	1	Year:2005[5] Technical Specifications:Factory "R" RSV Version[FAC]
1	AP8126983	Rear mudguard	1	Year:2004[4], 2005[5] Technical Specifications:RSV Mille "R" Version[R]
1	AP8126983	Rear mudguard	1	Year:2006[6], 2007[7], 2008[8] Technical Specifications:RSV Mille "R" Version[R]
1	AP8156165	Rear mudguard, carb.	1	Year:2005[5] Technical Specifications:Factory "R" RSV Version[FAC]
1	AP8156165	Rear mudguard, carb.	1	Year:2006[6], 2007[7], 2008[8] Technical Specifications:Factory "R" RSV Version[FAC]
1	AP8156165	Rear mudguard, carb.	1	Year:2005[5] Technical Specifications:Factory "R" RSV Version[FAC]
1	AP8156165	Rear mudguard, carb.	1	Year:2004[4] Technical Specifications:Factory "R" RSV Version[FAC]
2	AP8126949	Number plate holder	1	Year:2008[8] Technical Specifications:RSV Mille "R" Version[R]
2	AP8126949	Number plate holder	1	Technical Specifications:Factory "R" RSV Version[FAC], RSV Mille "R" Version[R]
2	AP8156087	Number plate holder	1	Technical Specifications:"Nera" Dream RSV Version[DRE]
3	AP8224164	Rear reflector, red	2	Country:Australia[AA], Canadian[CN], United States of America[USA]
4	AP8112916	Rear reflector	1	
5	AP8134783	Reflector support	2	Country:Australia[AA], Canadian[CN], United States of America[USA]
6	AP8149034	Number plate support	1	Country:Australia[AA], Canadian[CN], United States of America[USA]

Group	FRAME
Code	28.28
Description	Rear mudguard
Service	1



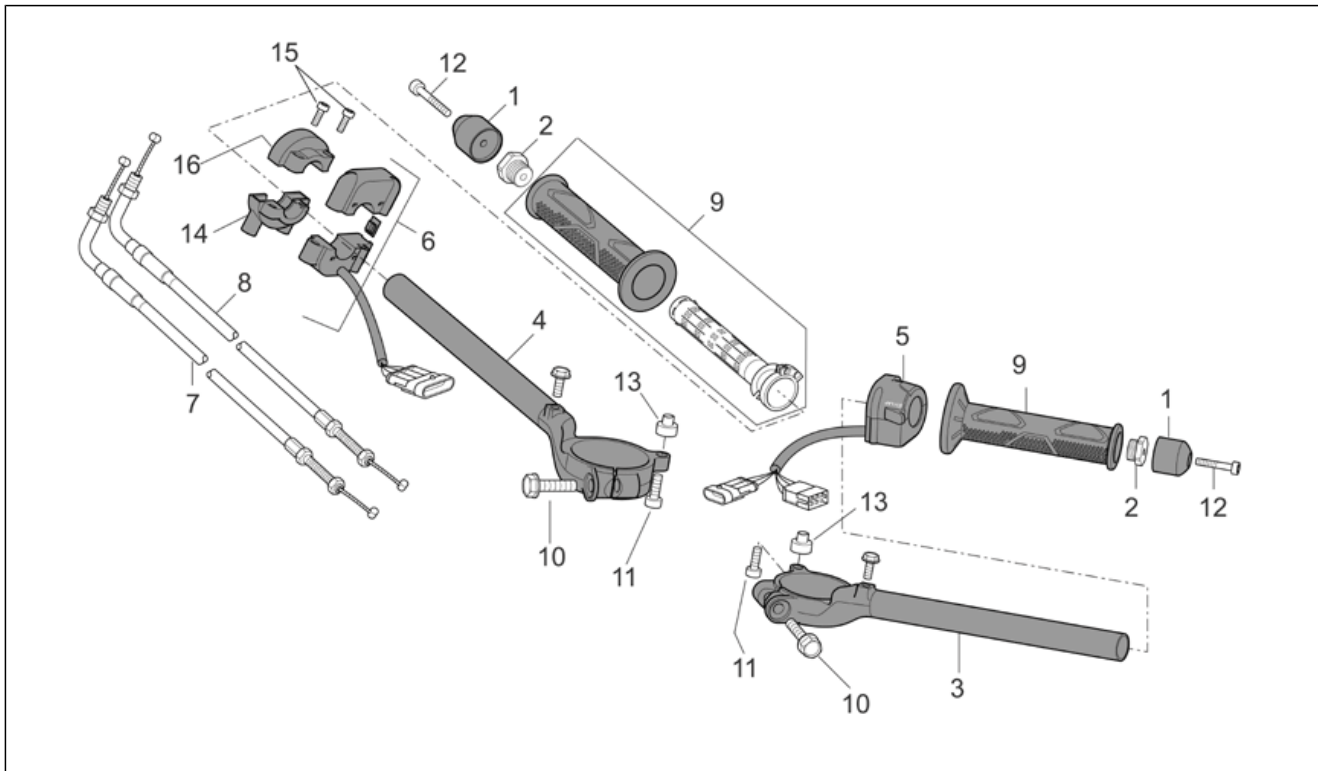
Pos.	Code	Description	Qty	Variants
7	AP8152298	Screw w/ flange M5x16	4	Technical Specifications: Factory "R" RSV Version[FAC]
7	AP8152302	Screw w/ flange M5x12	4	Technical Specifications: RSV Mille "R" Version[R]
7	AP8152458	Screw	4	Technical Specifications: "Nera" Dream RSV Version[DRE]
8	AP8152306	Self-locking nut m5	2	
9	AP8150158	Washer 4,3X9X0,8	2	
10	AP8150204	Nut M4	2	
11	AP8152246	Screw w/ flange M6x16	4	
12	AP8152299	Self-locking nut M6	4	
13	AP8150429	Spring washer 6,4x11x0,5*	4	Technical Specifications: Factory "R" RSV Version[FAC]

Group	FRAME
Code	28.29
Description	Dashboard
Service	1



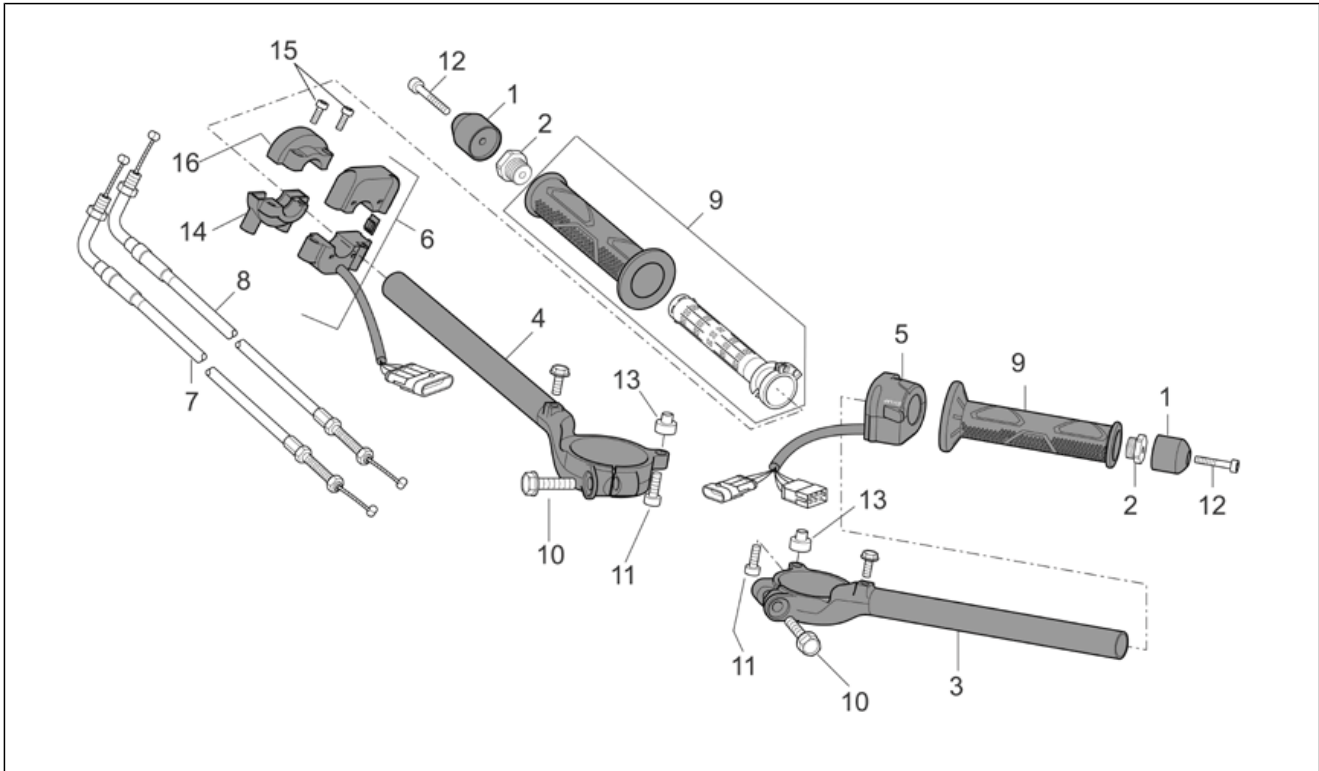
Pos.	Code	Description	Qty	Variants
1	AP8127689	Dashboard complete	1	Year:2004[4], 2005[5]
1	AP8127689	Dashboard complete	1	Year:2006[6], 2007[7], 2008[8] Technical Specifications:RSV Mille "R" Version[R]
1	AP8127833	Dashboard complete	1	Year:2006[6], 2007[7], 2008[8] Technical Specifications:Factory "R" RSV Version[FAC]
2	AP8220150	Rubber spacer	3	
3	AP8150509	Self-tap screw 5x14	3	
4	AP8150382	Washer 15x5,5X1,2	3	

Group	FRAME
Code	28.30
Description	Handlebar - Controls
Service	1



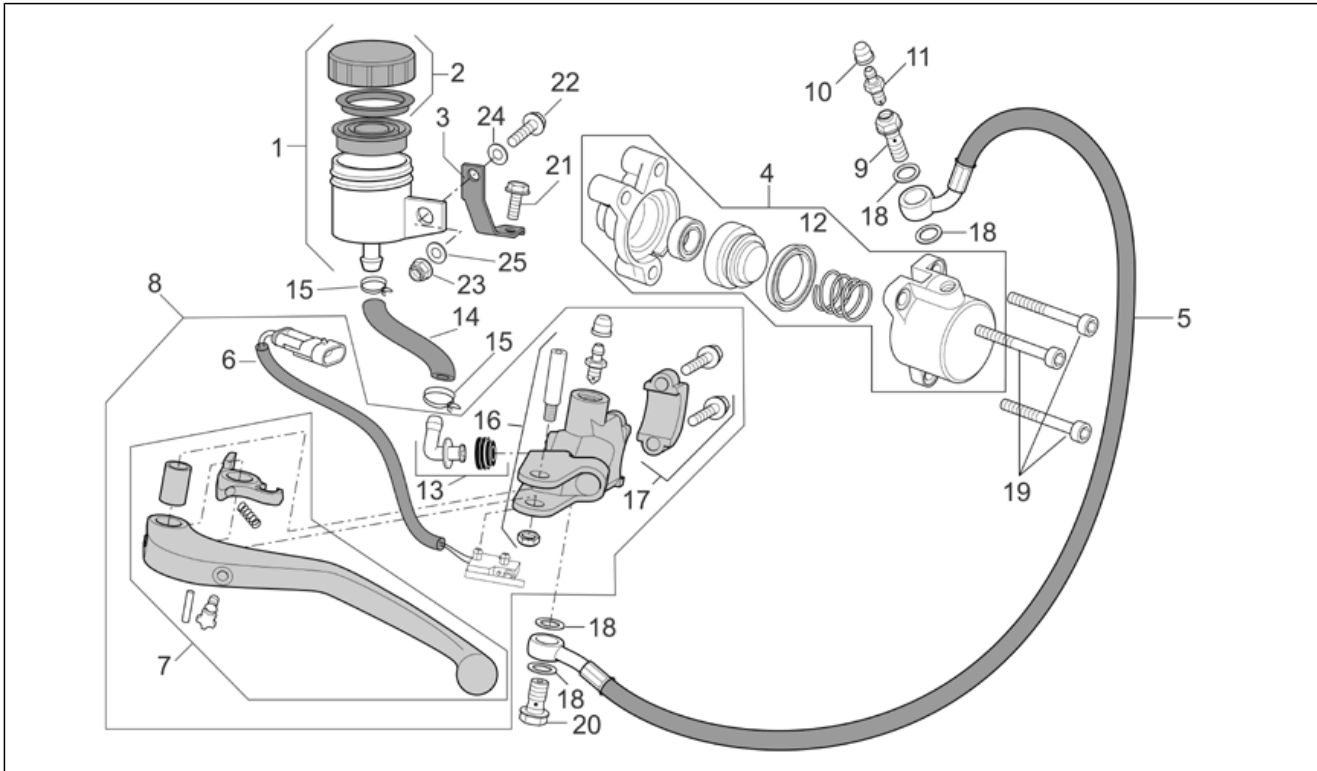
Pos.	Code	Description	Qty	Variants
1	AP8104509	Anti.v weight, black	2	Year:2006[6], 2007[7], 2008[8] Technical Specifications:RSV Mille "R" Version[R]
1	AP8104509	Anti.v weight, black	2	Year:2008[8] Technical Specifications:Factory "R" RSV Version[FAC]
1	AP8104509	Anti.v weight, black	2	Year:2004[4], 2005[5] Technical Specifications:"Nera" Dream RSV Version[DRE], Factory "R" RSV Version[FAC], RSV Mille "R" Version[R]
1	AP8104950	Anti.v weight, bronze	2	Year:2006[6], 2007[7] Technical Specifications:Factory "R" RSV Version[FAC]
2	AP8121520	Anti vib.weight trailing	2	
3	AP8118648	Left half handlebar d.53	1	Year:2004[4] Technical Specifications:RSV Mille "R" Version[R]
3	AP8118650	Left half handlebar d.51,1	1	Year:2005[5], 2006[6], 2007[7], 2008[8] Technical Specifications:RSV Mille "R" Version[R]
3	AP8118650	Left half handlebar d.51,1	1	Technical Specifications:"Nera" Dream RSV Version[DRE], Factory "R" RSV Version[FAC]
4	AP8118647	Right half handlebar d.53	1	Year:2004[4] Technical Specifications:RSV Mille "R" Version[R]
4	AP8118649	Right half handlebar d.51,1	1	Technical Specifications:"Nera" Dream RSV Version[DRE], Factory "R" RSV Version[FAC]
4	AP8118649	Right half handlebar d.51,1	1	Year:2005[5], 2006[6], 2007[7], 2008[8] Technical Specifications:RSV Mille "R" Version[R]
5	AP8127365	LH lights selector	1	
6	AP8118637	Engine stop-start device	1	
7	AP8114439	Gas trasmission delivery	1	
8	AP8114440	Gas trasmission return	1	
9	AP8118501	Handgrip pair, black	1	
10	AP8150236	Hex socket screw M8x35	2	Year:2004[4], 2005[5] Technical Specifications:Factory "R" RSV Version[FAC], RSV Mille "R" Version[R]
10	AP8150543	Screw M8x35	2	Year:2006[6], 2007[7], 2008[8]

Group	FRAME
Code	28.30
Description	Handlebar - Controls
Service	1



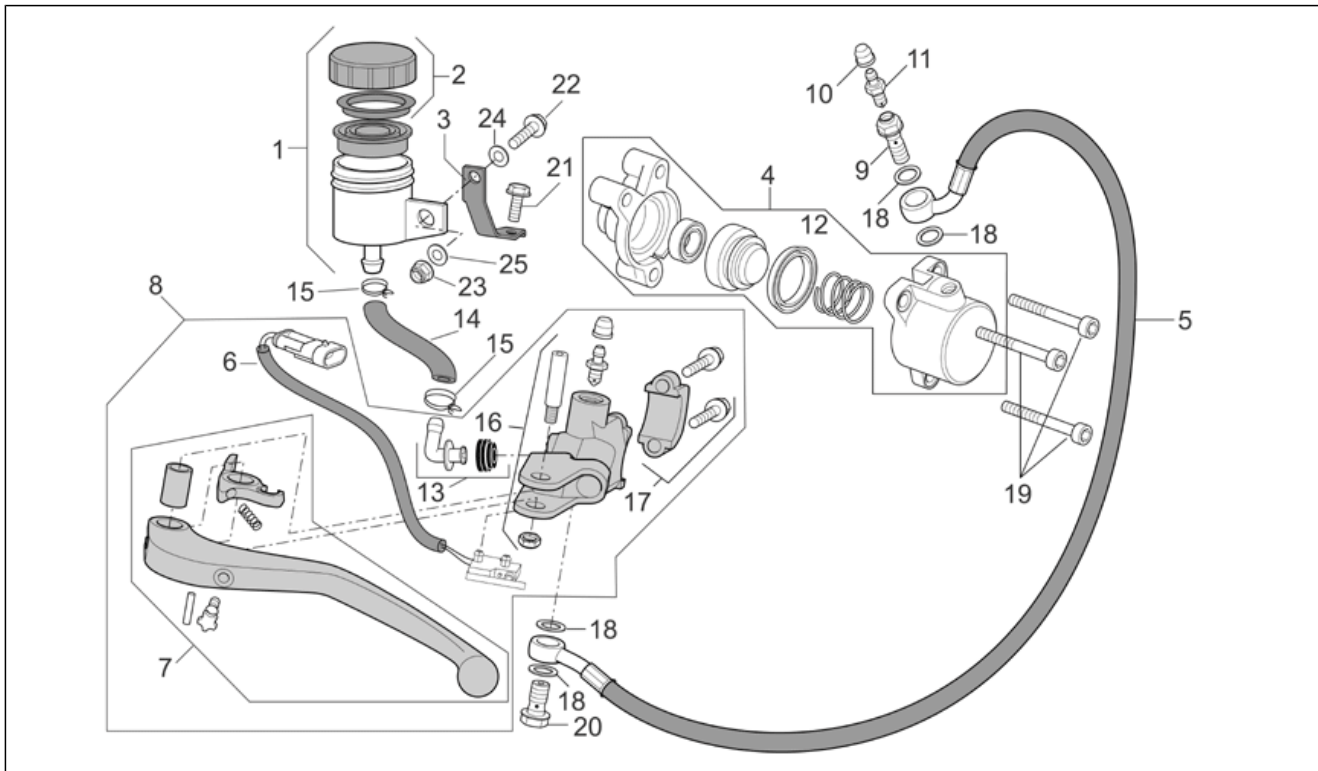
Pos.	Code	Description	Qty	Variants
				Technical Specifications: Factory "R" RSV Version[FAC], RSV Mille "R" Version[R]
10	AP8152449	Screw M8x35	2	Technical Specifications: "Nera" Dream RSV Version[DRE]
11	AP8150137	Hex socket screw M6x16	2	Technical Specifications: Factory "R" RSV Version[FAC], RSV Mille "R" Version[R]
11	AP8150165	Hex socket screw M6x25	2	Technical Specifications: "Nera" Dream RSV Version[DRE]
12	AP8152003	Hex socket screw M6x40	2	Technical Specifications: Factory "R" RSV Version[FAC], RSV Mille "R" Version[R]
12	AP8152446	Screw M6x40	2	Technical Specifications: "Nera" Dream RSV Version[DRE]
13	AP8221043	Spacer bush *	2	Technical Specifications: "Nera" Dream RSV Version[DRE]
14	AP8118566	Front gas lever U-bolt	1	
15	AP8118492	Cap screw	2	
16	AP8118567	Rear gas lever U-bolt	1	

Group	FRAME
Code	28.31
Description	Clutch pump
Service	1



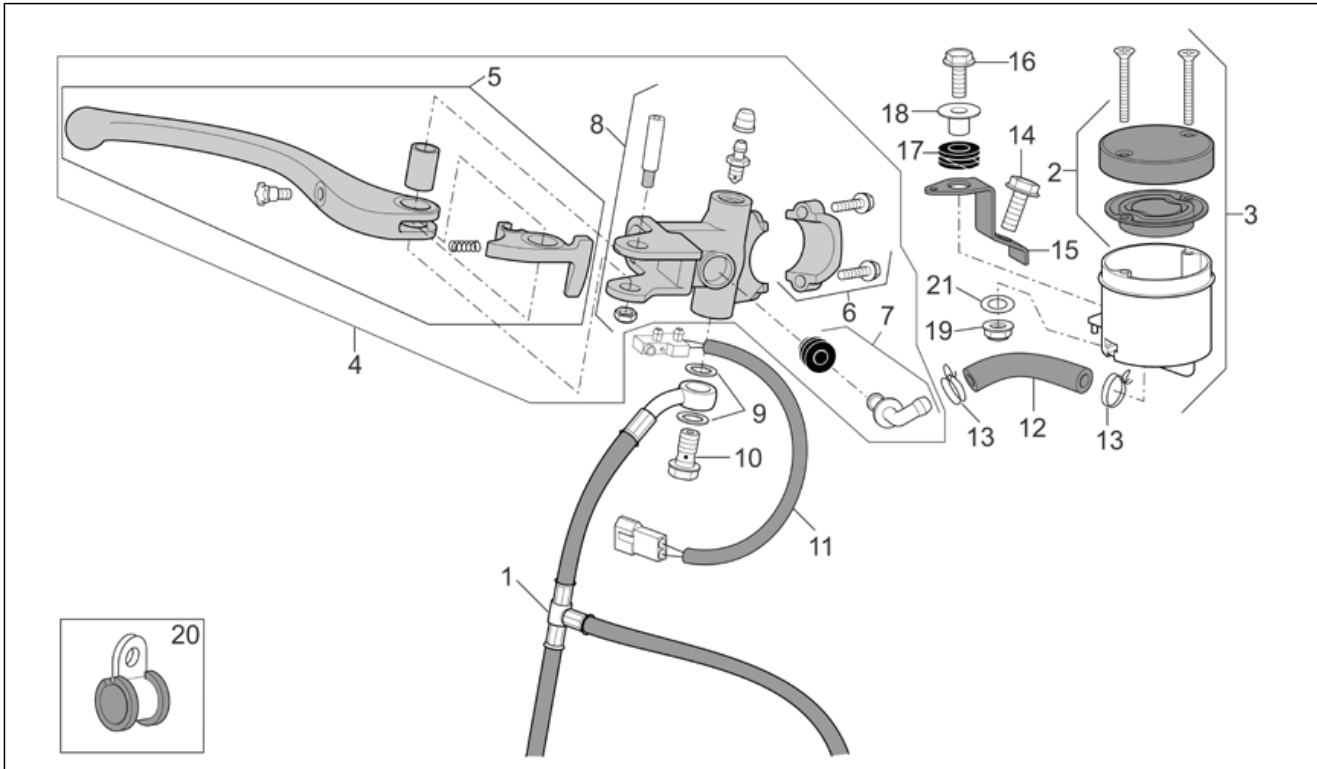
Pos.	Code	Description	Qty	Variants
1	AP8133873	Brake oil tank complete	1	
2	AP8113553	Tank cap	1	
3	AP8154074	Oil tank plate	1	
4	AP8106381	Clutch command cylinder	1	
5	AP8106880	Clutch pipe	1	
6	AP8133668	Microswitch	1	
7	AP8133667	Clutch lever	1	
8	AP8176193	Clutch pump	1	
9	AP8133597	screw	1	
10	AP8113070	Bleed valve cap	1	
11	AP8133595	Air bleed valve	1	
12	AP8106935	Gasket	1	
13	AP8133872	Rear brake pump union	1	
14	AP8144151	Rubber pipe	1	
15	AP8101595	Hose clamp D10,1	2	
16	AP8133666	Lever pin	1	
17	AP8133665	U-bolt	1	
18	AP8121915	Gasket	4	
19	AP0241821	Hex socket screw M6x45	3	
20	AP8133594	Oil pipe screw	1	
21	AP8150537	Hex socket screw M6x12	1	Year:2006[6], 2007[7], 2008[8] Technical Specifications:Factory "R" RSV Version[FAC], RSV Mille "R" Version[R]
21	AP8152277	Screw w/ flange M6x12	1	Year:2004[4], 2005[5] Technical Specifications:Factory "R" RSV Version[FAC], RSV Mille "R" Version[R]
21	AP8152462	Screw M6x10	1	Year:2004[4] Technical Specifications:"Nera" Dream RSV Version[DRE]
22	AP8150538	Hex socket screw M5x10	1	Year:2006[6], 2007[7], 2008[8]

Group	FRAME
Code	28.31
Description	Clutch pump
Service	1



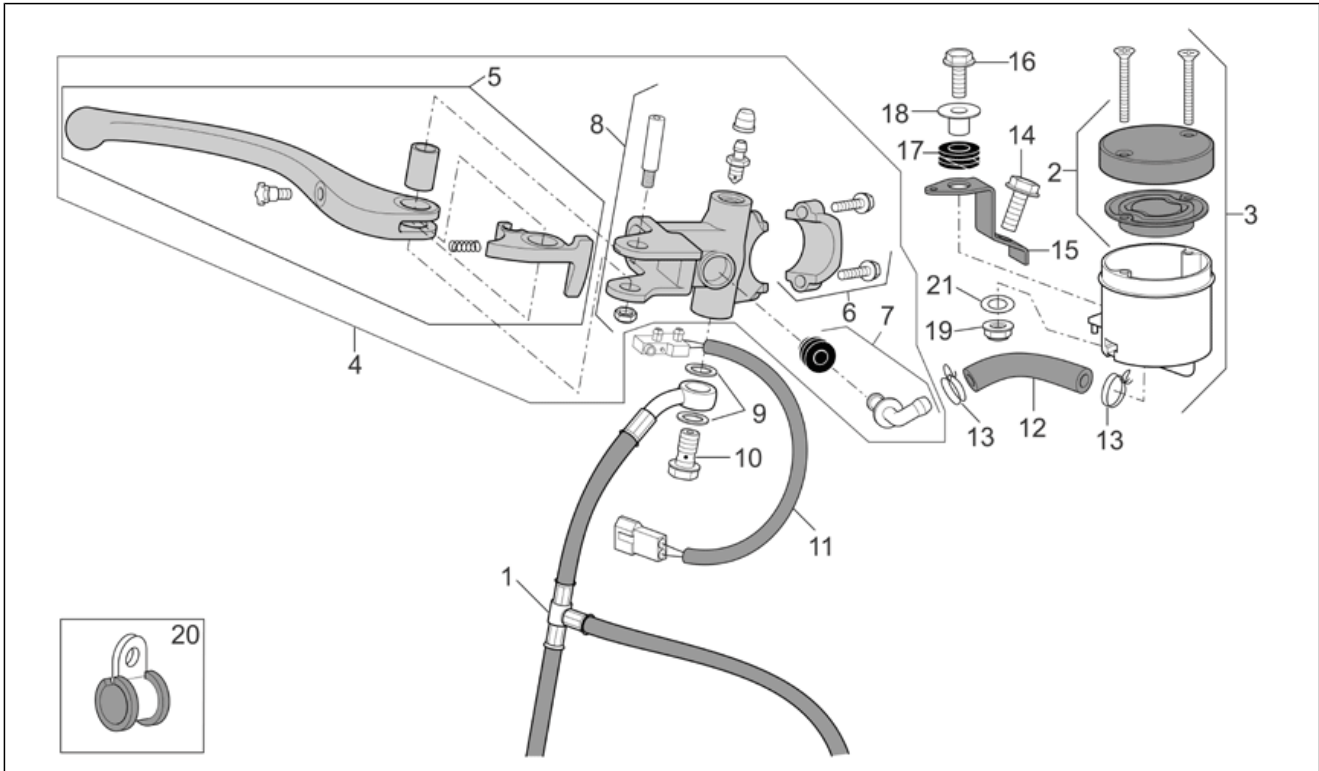
Pos.	Code	Description	Qty	Variants
				Technical Specifications: Factory "R" RSV Version[FAC], RSV Mille "R" Version[R]
22	AP8152273	Screw w/ flange M5X15	1	Year: 2004[4], 2005[5] Technical Specifications: Factory "R" RSV Version[FAC], RSV Mille "R" Version[R]
22	AP8152461	Screw	1	Year: 2004[4] Technical Specifications: "Nera" Dream RSV Version[DRE]
23	AP8150539	Cap nut	1	Year: 2006[6], 2007[7], 2008[8] Technical Specifications: Factory "R" RSV Version[FAC], RSV Mille "R" Version[R]
23	AP8152306	Self-locking nut m5	1	Year: 2004[4], 2005[5] Technical Specifications: Factory "R" RSV Version[FAC], RSV Mille "R" Version[R]
23	AP8152465	Self-locking nut	1	Year: 2004[4] Technical Specifications: "Nera" Dream RSV Version[DRE]
24	AP8152467	Washer d.5,2	1	Year: 2004[4] Technical Specifications: "Nera" Dream RSV Version[DRE]
25	AP8150272	Curved spring washer 5,3x10x0,5	1	Year: 2006[6], 2007[7], 2008[8] Technical Specifications: Factory "R" RSV Version[FAC], RSV Mille "R" Version[R]

Group	FRAME
Code	28.32
Description	Front master cilinder
Service	1



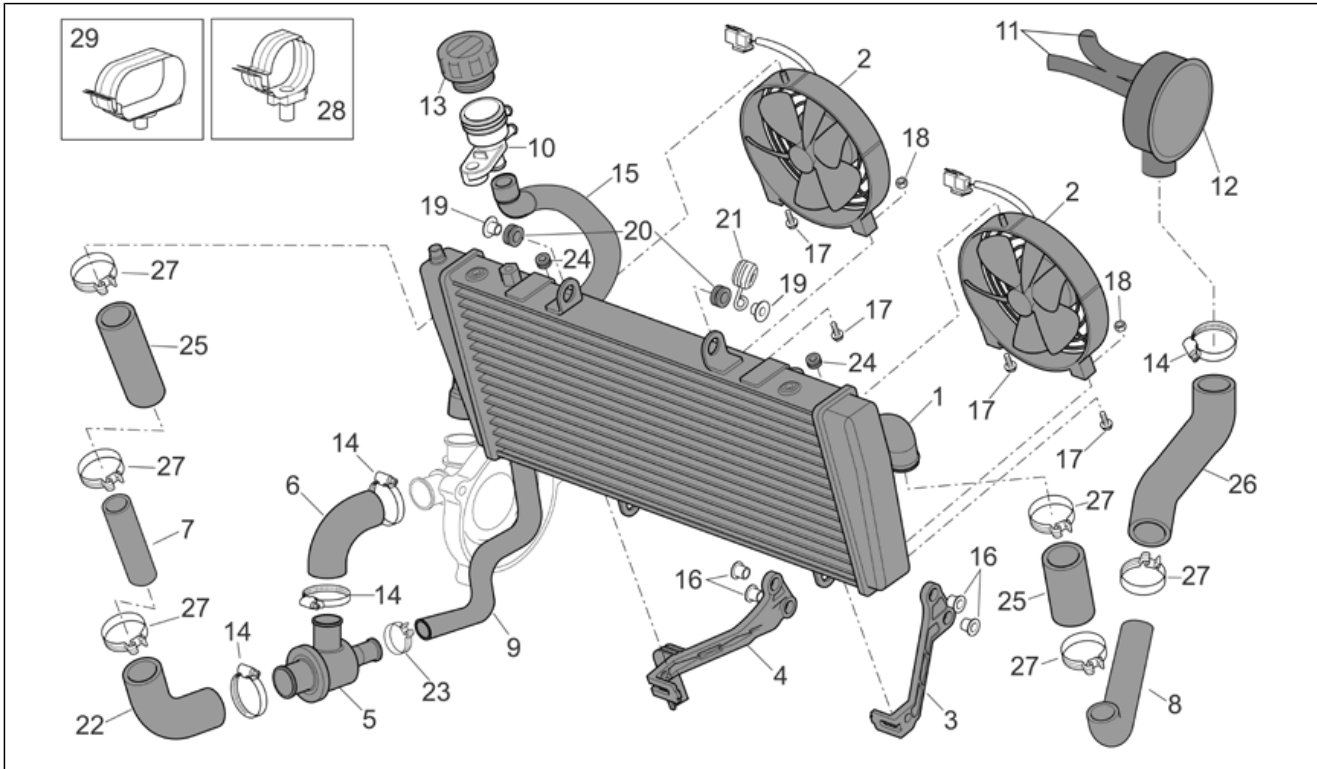
Pos.	Code	Description	Qty	Variants
1	AP8113984	Front brake hose	1	Technical Specifications: For radial brake caliper[rc]
1	AP8133618	Front brake hose	1	Technical Specifications: For standard brake caliper[sc]
2	AP8113598	Pil brake tank plug	1	
3	AP8113499	Brake oil tank	1	
4	AP8133663	Front master cilinder	1	
5	AP8133664	Front brake lever	1	
6	AP8133665	U-bolt	1	
7	AP8213057	Rear brake pump union	1	
8	AP8133666	Lever pin	1	
9	AP8121915	Gasket	6	
10	AP8133594	Oil pipe screw	3	
11	AP8127432	Stop switch	1	
12	AP8144151	Rubber pipe	1	
13	AP8101595	Hose clamp D10,1	2	
14	AP8150537	Hex socket screw M6x12	1	Year: 2006[6], 2007[7], 2008[8] Technical Specifications: Factory "R" RSV Version[FAC], RSV Mille "R" Version[R]
14	AP8152277	Screw w/ flange M6x12	1	Year: 2004[4], 2005[5] Technical Specifications: Factory "R" RSV Version[FAC], RSV Mille "R" Version[R]
14	AP8152462	Screw M6x10	1	Year: 2004[4] Technical Specifications: "Nera" Dream RSV Version[DRE]
15	AP8134383	Oil tank plate	1	Year: 2004[4], 2005[5]
15	AP8154073	Oil tank plate	1	Year: 2006[6], 2007[7], 2008[8]
16	AP8152280	Screw w/ flange M6x25	1	Year: 2004[4], 2005[5] Technical Specifications: Factory "R" RSV Version[FAC], RSV Mille "R" Version[R]
16	AP8152464	Screw M6x25	1	Year: 2004[4] Technical Specifications: "Nera" Dream RSV Version[DRE]
16	AP8224470	Hex socket screw M6x20	1	Year: 2006[6], 2007[7], 2008[8]

Group	FRAME
Code	28.32
Description	Front master cilinder
Service	1



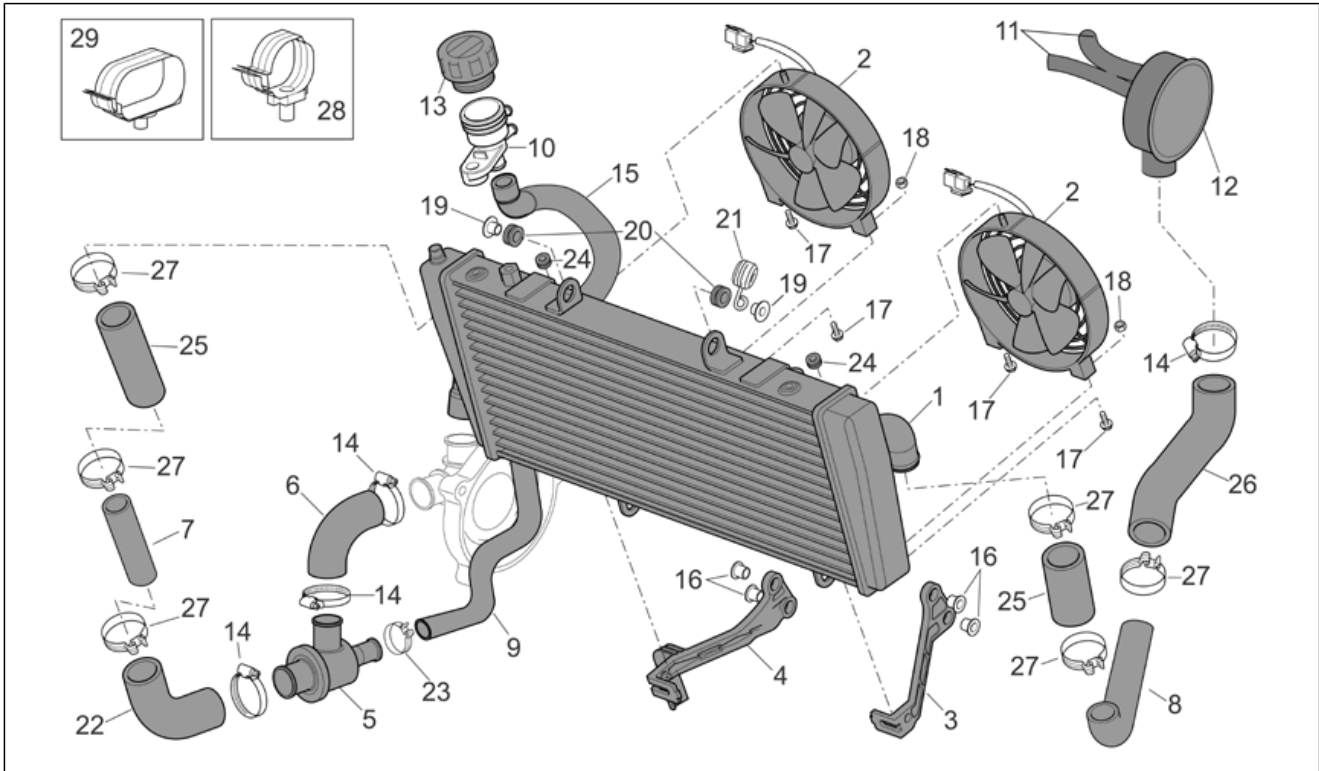
Pos.	Code	Description	Qty	Variants
				Technical Specifications: Factory "R" RSV Version[FAC], RSV Mille "R" Version[R]
17	AP8120030	Rubber spacer	1	
18	AP8221023	T bush	1	
19	AP8150474	Stainless cap nut M6	1	Year: 2006[6], 2007[7], 2008[8] Technical Specifications: Factory "R" RSV Version[FAC], RSV Mille "R" Version[R]
19	AP8152299	Self-locking nut M6	1	Year: 2004[4], 2005[5] Technical Specifications: Factory "R" RSV Version[FAC], RSV Mille "R" Version[R]
19	AP8152466	Nut M6	1	Year: 2004[4] Technical Specifications: "Nera" Dream RSV Version[DRE]
20	AP8134167	Brake hose hanger	1	
21	AP8150429	Spring washer 6,4x11x0,5*	1	Year: 2006[6], 2007[7], 2008[8] Technical Specifications: Factory "R" RSV Version[FAC], RSV Mille "R" Version[R]

Group	FRAME
Code	28.33
Description	Cooling system
Service	1



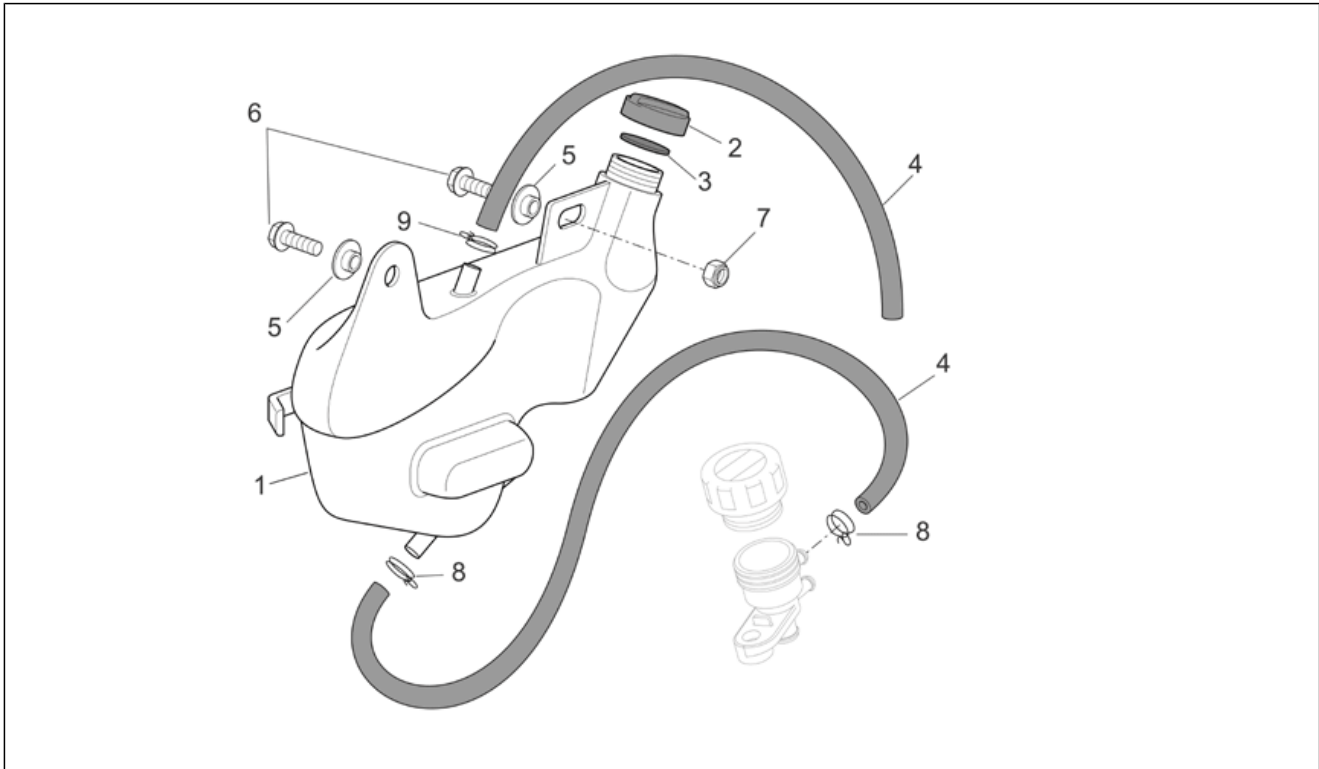
Pos.	Code	Description	Qty	Variants
1	AP8104828	Water cooler	1	
2	AP8124855	Fan, cpl.	2	
3	AP8134852	LH inf.water cooler holder	1	
4	AP8134853	RH inf.water cooler holder	1	
5	AP8124929	Thermostat valve set 75°C	1	
6	AP8144033	Thermostat-pump pipe	1	
7	AP8144719	Thermostat-cooler pipe	1	
8	AP8144718	Cooler-manifold pipe	1	
9	AP8120980	Thermostat-engine pipe	1	
10	AP8144644	Filler cap	1	
11	AP8144449	pipe	2	
12	AP8104338	Three-way manifold	1	
13	AP8102615	Cover	1	
14	AP8104097	Hose clamp	4	
15	AP8144645	pipe	1	
16	AP8121795	T bush	4	
17	AP8152277	Screw w/ flange M6x12	4	
18	AP8150026	Nut M6	4	
19	AP8221023	T bush	2	
20	AP8120030	Rubber spacer	2	
21	AP8201727	Black cable guide	1	
22	AP8144733	Hose	1	
23	AP8101927	Hose clip D23,5x8*	2	
24	AP8112600	Rubber spacer	2	
25	AP8144720	Hose	2	
26	AP8144732	pipe	1	
27	AP8104540	Hose clip D31x9*	6	
28	AP8220269	Cable-guide	1	

Group	FRAME
Code	28.33
Description	Cooling system
Service	1



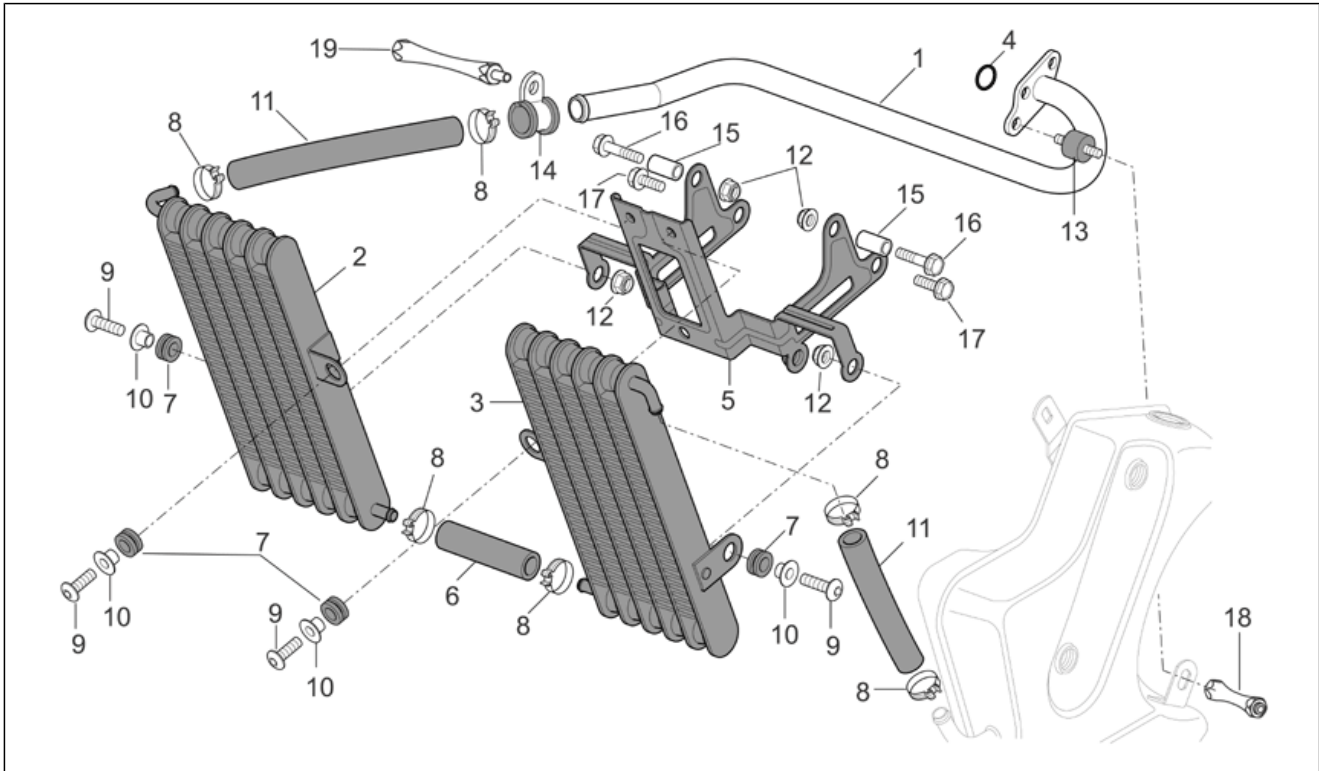
Pos.	Code	Description	Qty	Variants
29	AP8120582	Cable-guide	1	

Group	FRAME
Code	28.34
Description	Expansion tank
Service	1



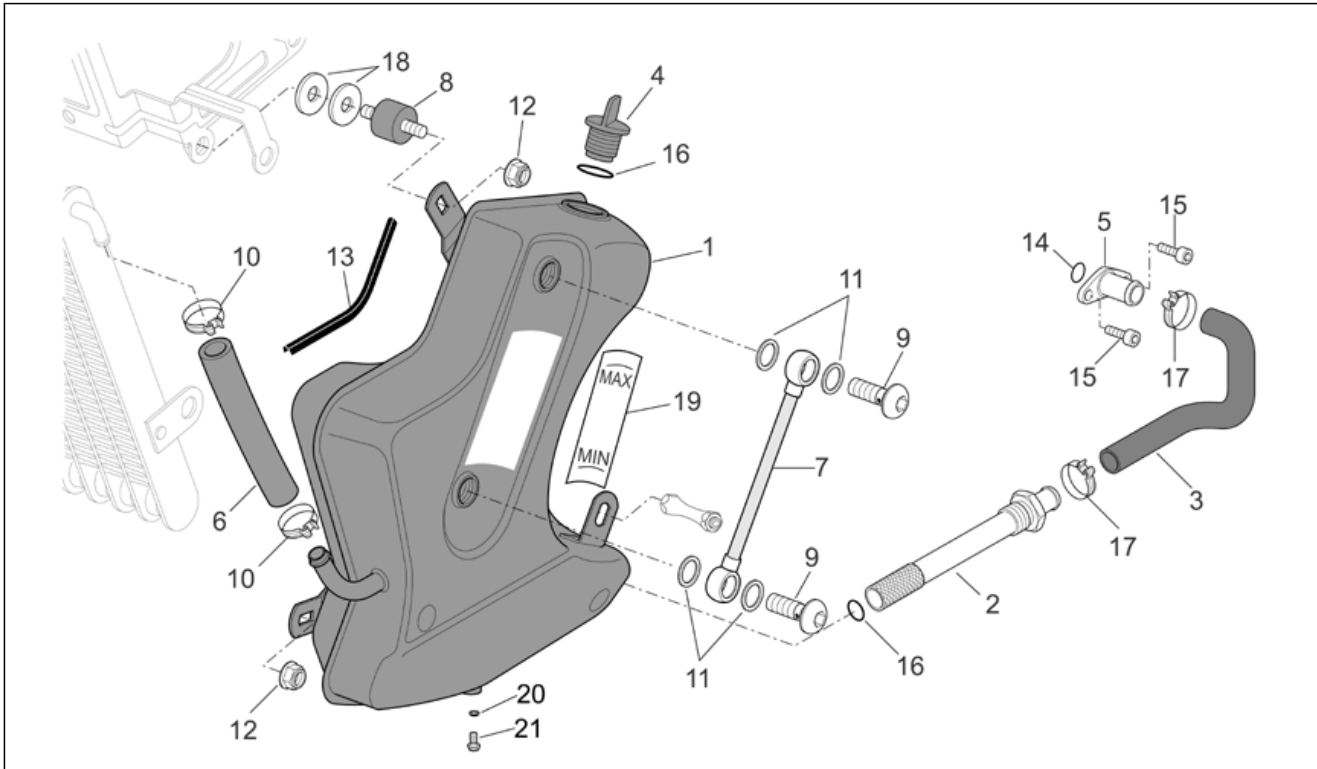
Pos.	Code	Description	Qty	Variants
1	AP8158147	Expansion tank	1	
2	AP8104124	Expansion tank plug	1	
3	AP8220191	Gasket	1	
4	AP8120952	Fuel pipe 5,5x10	1	
5	AP8221145	T bush *	2	
6	AP8152278	Screw w/ flange M6x16	2	
7	AP8150430	Low self-locking nut	1	
8	AP8102378	Hose clamp D11,3	1	
9	AP8101595	Hose clamp D10,1	1	

Group	FRAME
Code	28.35
Description	Oil radiator
Service	1



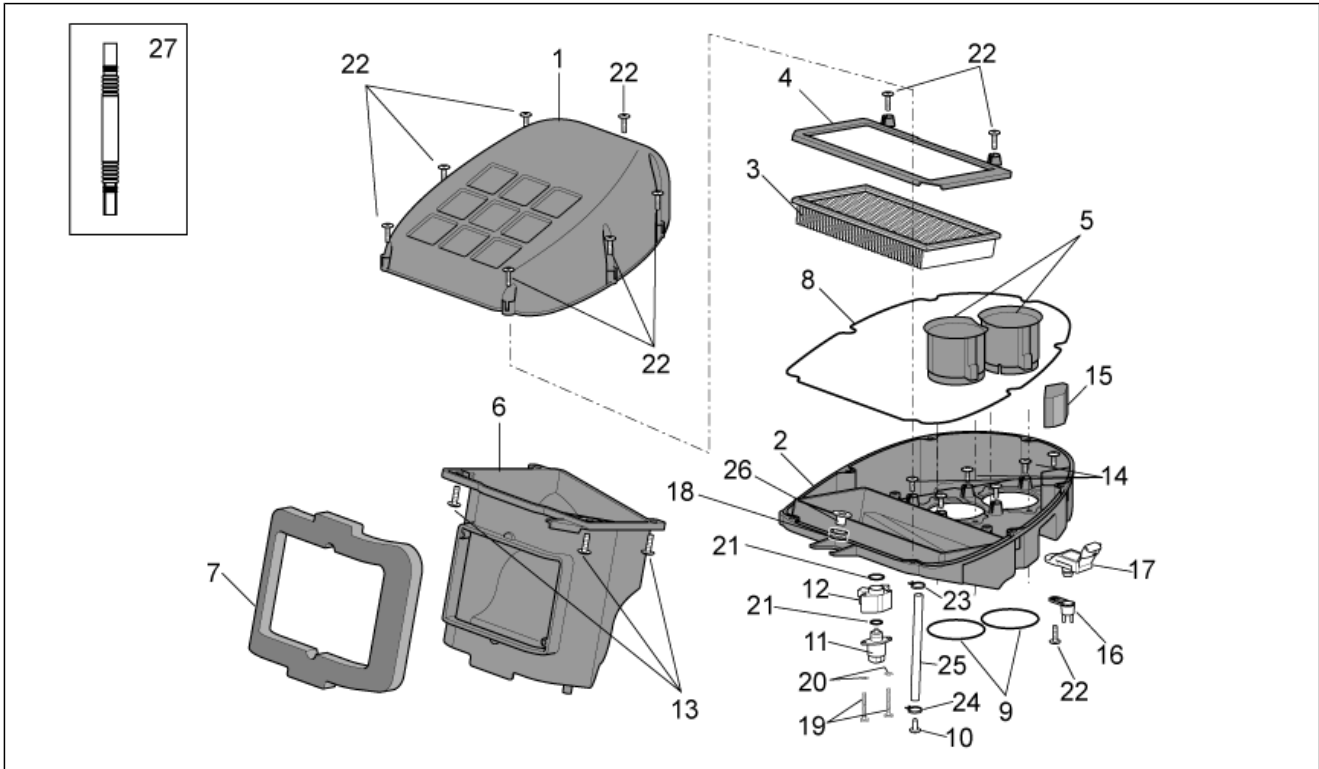
Pos.	Code	Description	Qty	Variants
1	AP8106388	Oil pipe	1	
2	AP8104341	Water cooler, RH	1	
3	AP8104452	Water cooler, LH	1	
4	AP8144008	O-ring 115	1	
5	AP8134774	Water cooler support	1	
6	AP8144518	pipe	1	
7	AP8120030	Rubber spacer	4	
8	AP8102349	White hose clip D17,5x8	6	
9	AP8152117	Hex socket screw	4	
10	AP8221023	T bush	4	
11	AP8106389	Oil pipe 12x19	2	
12	AP8152299	Self-locking nut M6	3	
13	AP8144061	Silent-block	1	
14	AP8102731	Hose clamp	1	
15	AP8121313	Conical bush	2	
16	AP8152281	Screw w/ flange M6x30	2	
17	AP8152278	Screw w/ flange M6x16	2	
18	AP8121659	LH fairing spacer	1	
19	AP8121658	RH fairing spacer	1	

Group	FRAME
Code	28.36
Description	Oil tank
Service	1



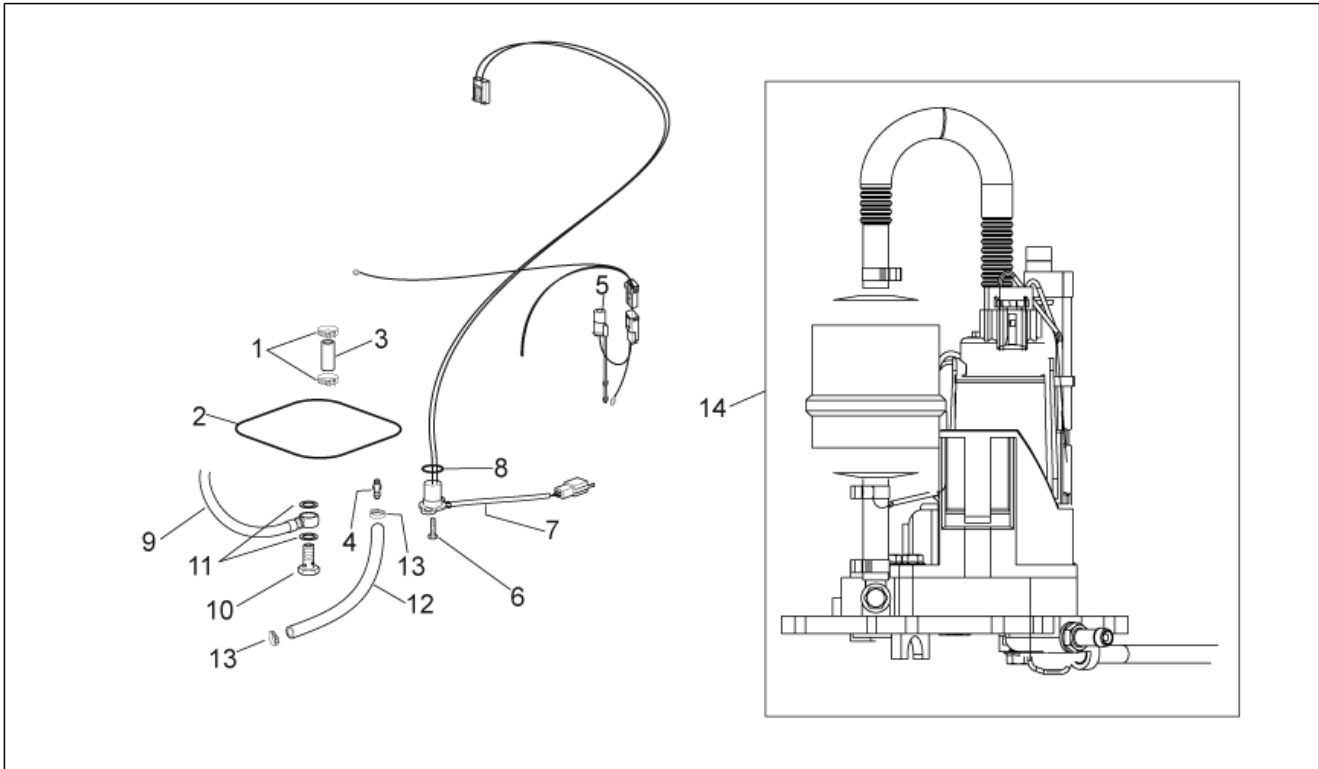
Pos.	Code	Description	Qty	Variants
1	AP8158120	Oil tank, black	1	
1	AP8168978	Inox Oil tank	1	
2	AP8102828	Oil filter cpl.	1	
3	AP8144090	Oil pipe	1	
4	AP8102618	Oil filler cap	1	
5	AP8106387	Oil pipe	1	
6	AP8106389	Oil pipe 12x19	2	
7	AP8144200	Oil level pipe	1	
8	AP8144061	Silent-block	3	
9	AP8121409	Oil pipe screw	2	
10	AP8102349	White hose clip D17,5x8	2	
11	AP8113004	Washer 10x14x1,6*	4	
12	AP8152299	Self-locking nut M6	2	
13	AP8144606	Gasket 10X5	1	
14	AP8120196	O-ring 3056	1	
15	AP8150137	Hex socket screw M6x16	2	
16	AP8120190	O-ring 3075	2	
17	AP8102786	Hose clip 20x8	2	
18	AP8150015	Washer 6,6x18x1,6*	6	
19	AP8167560	Oil decal Max-Min	1	
20	AP8121862	Washer D8x16x1,5	1	
21	AP8152285	Screw w/ flange	1	

Group	FRAME
Code	28.37
Description	Air box
Service	1



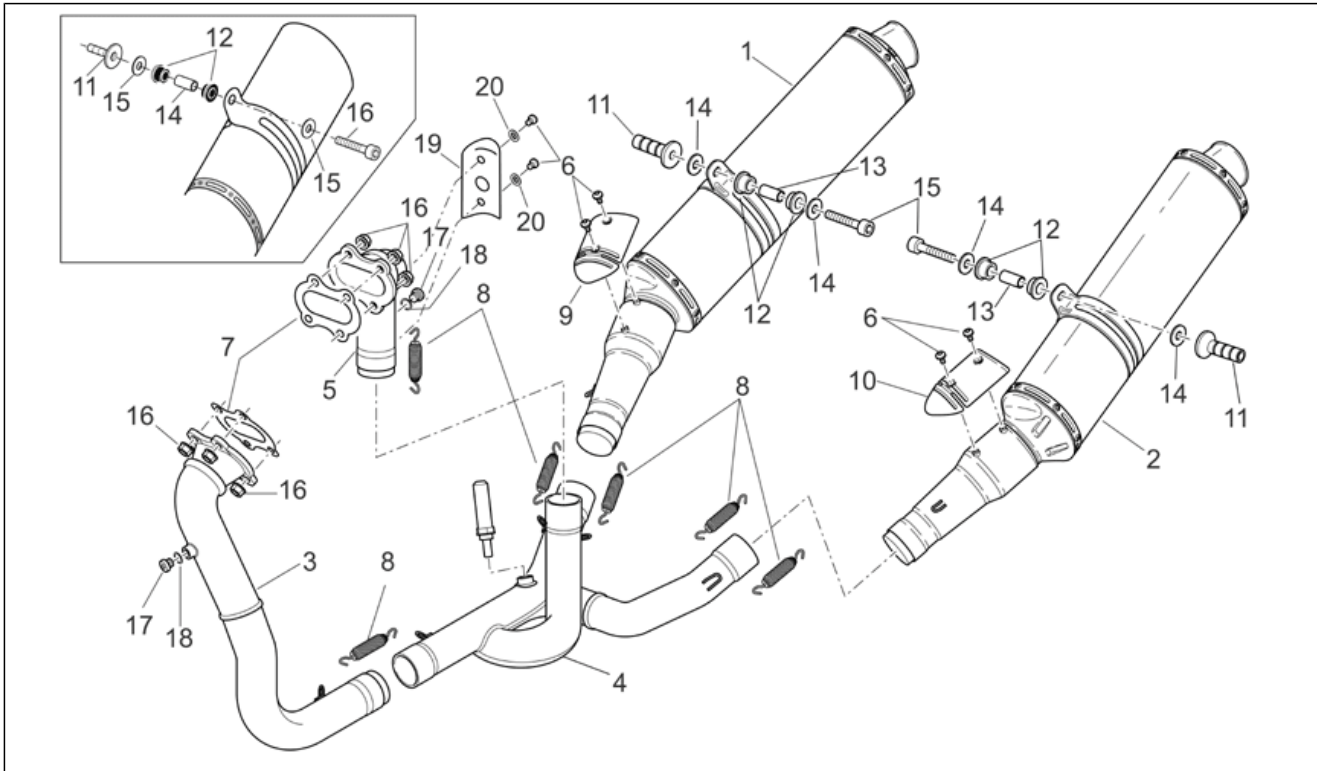
Pos.	Code	Description	Qty	Variants
1	AP8158111	Filter housing cover	1	
2	AP8158112	Filter housing base	1	
3	AP8104329	Air filter	1	
4	AP8104335	Frame	1	
5	AP8176046	Intake opening	2	
6	AP8158119	Intake manifold	1	
7	AP8144456	Gasket	1	
8	AP8120615	Gasket D3	1	
9	AP8144581	O-ring 3231	2	
10	AP8120876	Plug	1	
11	AP8124981	Min.regulation engine	1	
12	AP8149165	Min.adj.valve	1	
13	AP8152329	Phillips screw, SWP M5x20	4	
14	AP8152246	Screw w/ flange M6x16	6	
15	AP8104525	Filter blow-by	1	
16	AP8144551	Joint	1	
17	AP0274055	Pressure sensor	2	
18	AP8120030	Rubber spacer	1	
19	AP8150406	Screw	2	
20	AP8150272	Curved spring washer 5,3x10x0,5	2	
21	AP8220095	O-ring	2	
22	AP8152329	Phillips screw, SWP M5x20	7	
23	AP8101595	Hose clamp D10,1	1	
24	AP8102377	Hose clamp D9,1*	1	
25	AP8144038	Fuel pipe 6x10	1	
26	AP8121023	Headlight adjuster spring	1	
27	AP8144605	pipe	1	

Group	FRAME
Code	28.38
Description	Fuel pump
Service	1



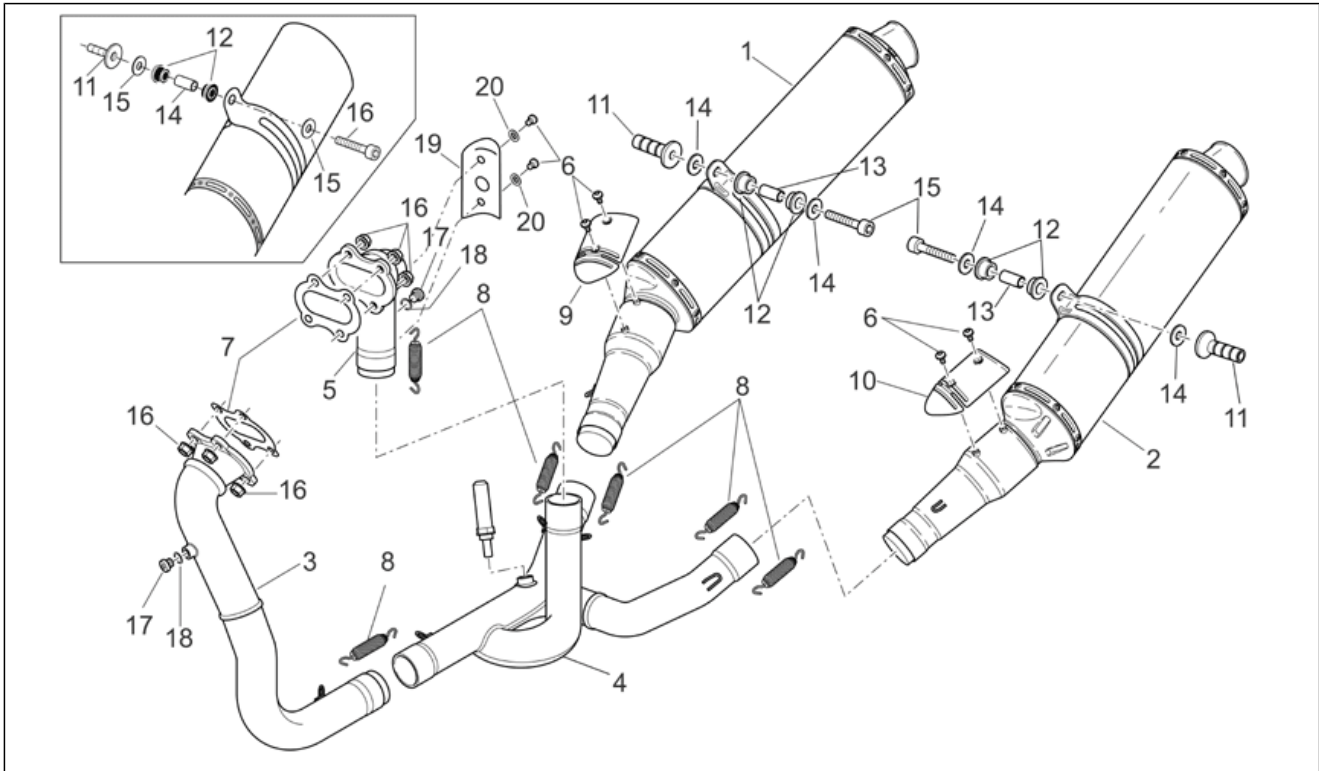
Pos.	Code	Description	Qty	Variants
1	890435	Hose clamp	2	
2	AP8176032	Gasket ring	1	
3	AP8144476	Fuel pipe	1	
4	AP8104374	Joint	1	
5	AP8127688	Level sensor	1	
6	AP8121538	screw	2	
7	AP8124664	Fuel pump wiring	1	
8	AP8144475	Gasket ring	1	
9	AP8120992	Fuel pipe	1	
10	AP8106443	Bored screw	1	
11	AP8106444	Gasket 18x12,2x1,5	2	
12	AP8144069	Fuel pipe 6x13	1	
13	AP8102239	Hose clamp 12,5x8	2	
14	AP8106881	Fuel pump cpl.	1	

Group	FRAME
Code	28.40
Description	Exhaust pipe
Service	1



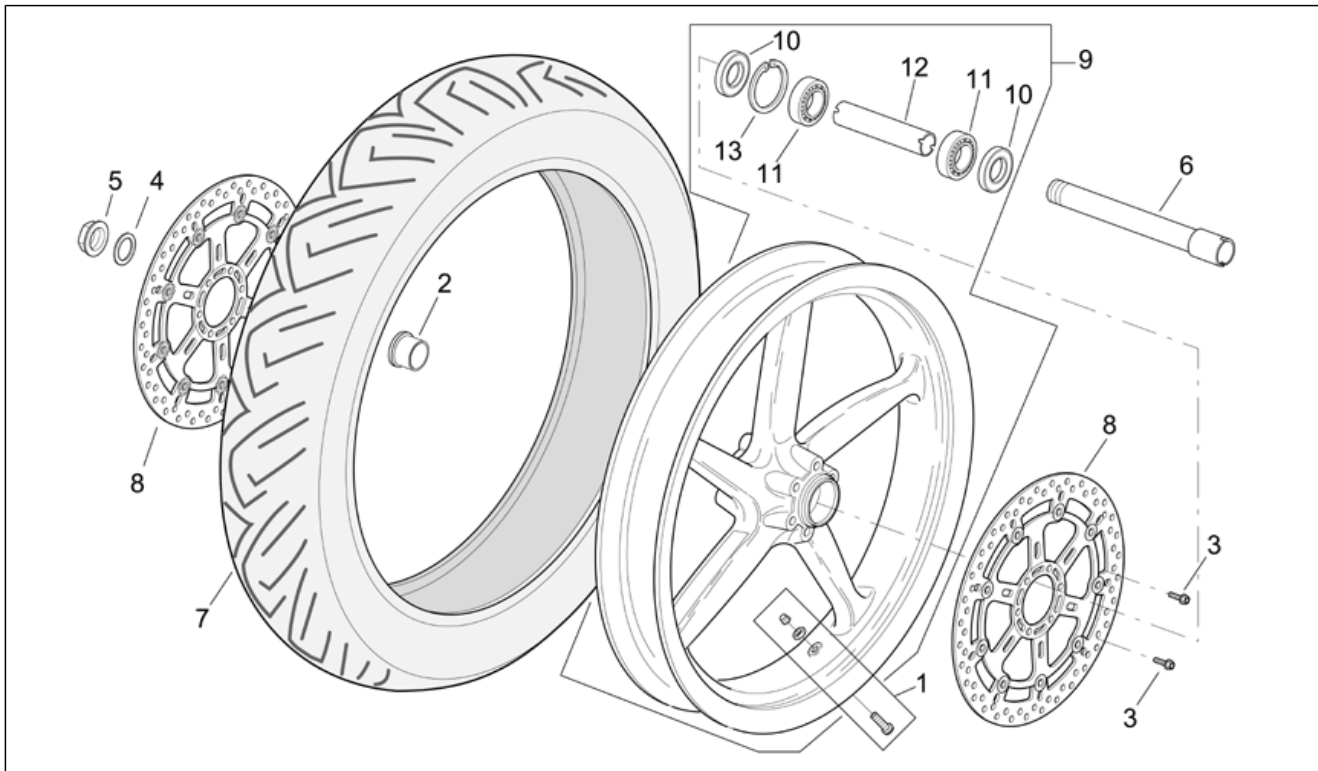
Pos.	Code	Description	Qty	Variants
1	852621	RH silencer, polished	1	Year:2007[7], 2008[8]
1	AP8119654	RH silencer	1	Year:2004[4] Technical Specifications:"Nera" Dream RSV Version[DRE]
1	AP8119716	RH silencer	1	Year:2004[4], 2005[5] Technical Specifications:Factory "R" RSV Version[FAC], RSV Mille "R" Version[R]
1	AP8119837	RH silencer, polished	1	Year:2006[6]
2	852622	LH silencer, polished	1	Year:2007[7], 2008[8]
2	AP8119655	LH silencer	1	Year:2004[4] Technical Specifications:"Nera" Dream RSV Version[DRE]
2	AP8119717	LH silencer	1	Year:2004[4], 2005[5] Technical Specifications:Factory "R" RSV Version[FAC], RSV Mille "R" Version[R]
2	AP8119838	LH silencer, polished	1	Year:2006[6]
3	AP8119651	Front. Exhaust pipe	1	
4	AP8119648	Central exhaust manifold	1	Year:2004[4], 2005[5]
4	AP8119877	Central exhaust manifold	1	Year:2006[6], 2007[7], 2008[8]
5	AP8119650	Rear exhaust pipe	1	Year:2004[4], 2005[5]
5	AP8119878	Rear exhaust pipe	1	Year:2006[6], 2007[7], 2008[8]
6	AP8150505	Hex socket screw m4x6 inox	6	
7	AP8119708	Exhaust pipe gasket	2	
8	AP8121170	Spring	6	
9	AP8127773	Silencer dx protection	1	Year:2006[6], 2007[7], 2008[8]
9	AP8158123	Silencer dx protection	1	Year:2004[4], 2005[5]
10	AP8127774	Silencer sx protection	1	Year:2006[6], 2007[7], 2008[8]
10	AP8158460	Silencer sx protection	1	Year:2004[4], 2005[5]
11	AP8158984	Silencer protection	2	
12	AP8144558	Rubber spacer	4	
13	AP8121199	Bush	2	Year:2004[4], 2005[5]

Group	FRAME
Code	28.40
Description	Exhaust pipe
Service	1



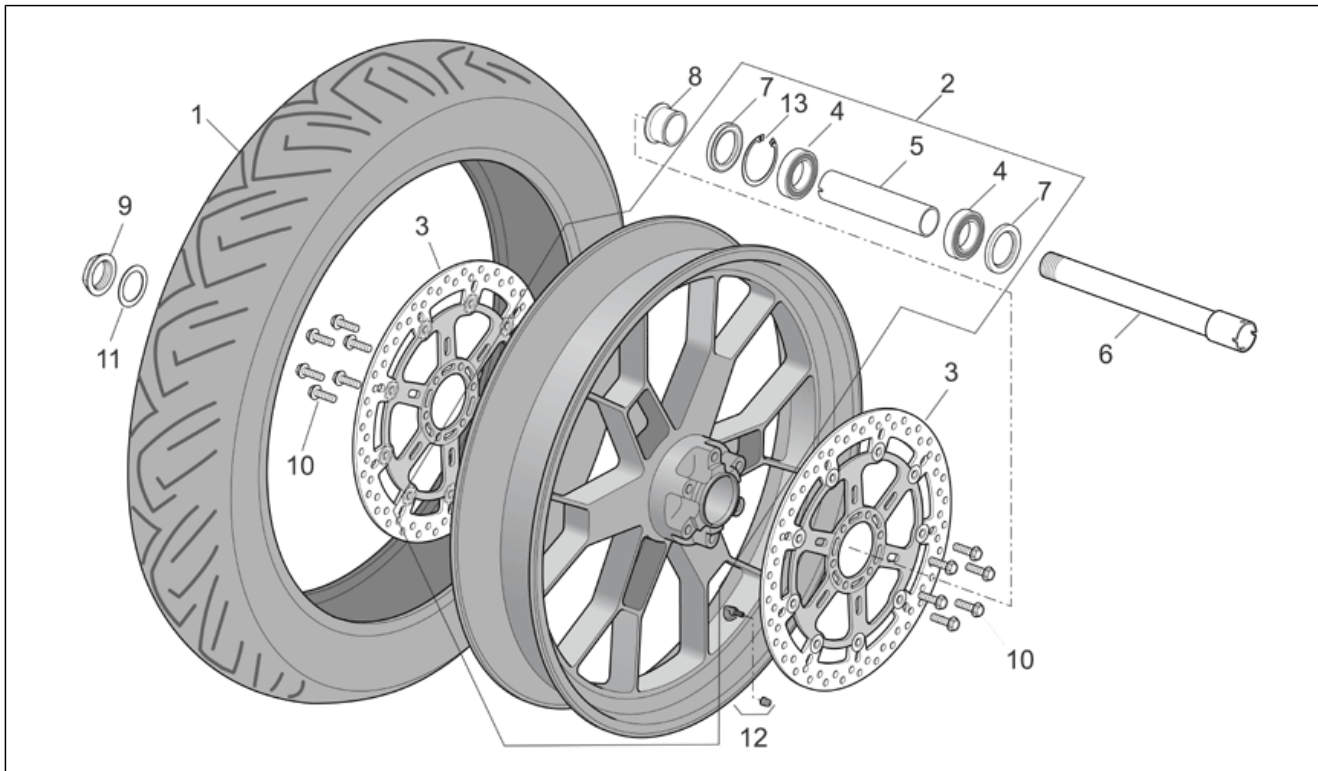
Pos.	Code	Description	Qty	Variants
				Technical Specifications: "Nera" Dream RSV Version[DRE], Single-saddle version[Mono]
13	AP8121455	Spacer bush	2	Year: 2006[6], 2007[7], 2008[8]
13	AP8134378	Silencer fixing bush	2	Year: 2004[4], 2005[5] Technical Specifications: Factory "R" RSV Version[FAC], Single-saddle version[Mono], RSV Mille "R" Version[R]
14	AP8150018	Washer	4	
15	AP8152291	Screw w/ flange	2	Year: 2004[4], 2005[5], 2006[6], 2007[7], 2008[8] Technical Specifications: Factory "R" RSV Version[FAC], RSV Mille "R" Version[R]
15	AP8152450	Screw M8x40	2	Year: 2004[4] Technical Specifications: "Nera" Dream RSV Version[DRE]
16	AP8150506	Flanged nut	8	
17	AP8119497	CO intake screw	2	
18	AP8113004	Washer 10x14x1,6*	2	
19	AP8133901	Heat protection	1	Year: 2006[6], 2007[7], 2008[8]
20	AP8150535	Safety washer	2	Year: 2006[6], 2007[7], 2008[8]

Group	FRAME
Code	28.41
Description	Front wheel R version
Service	1



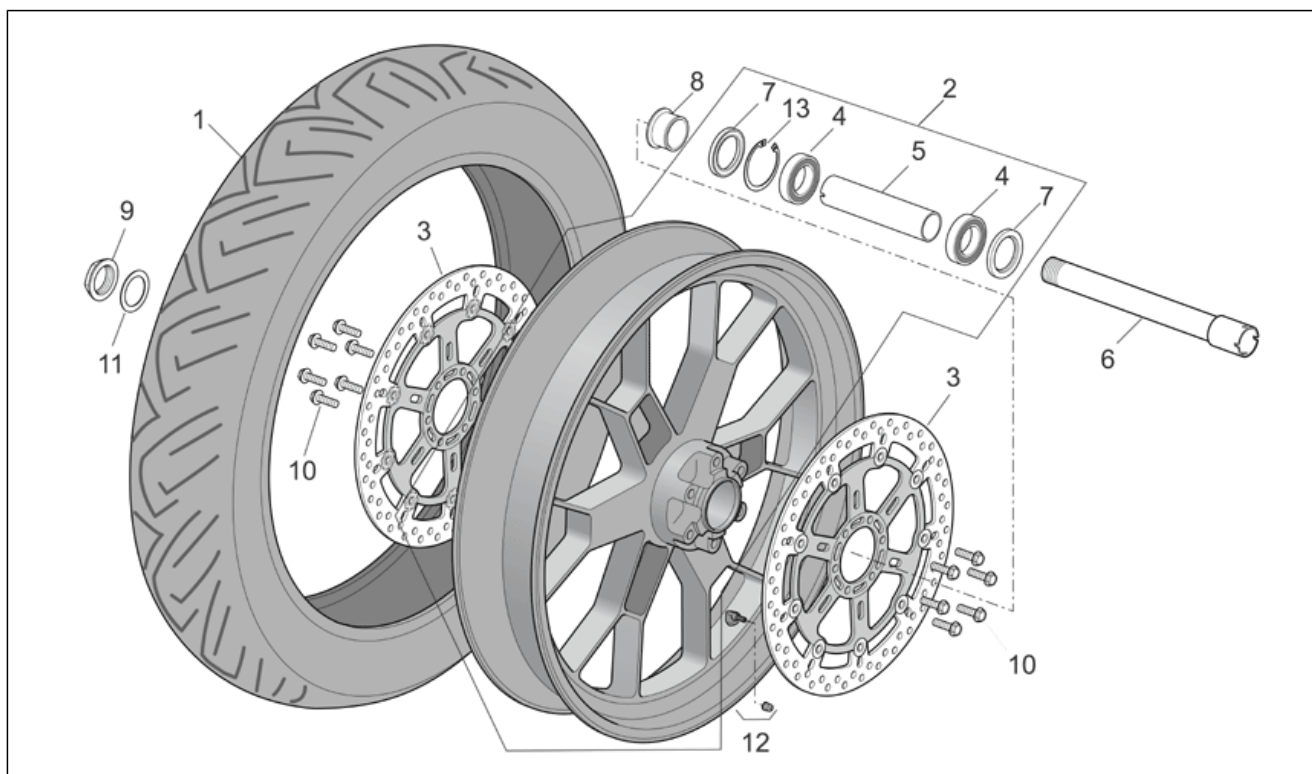
Pos.	Code	Description	Qty	Variants
1	AP8101744	Tubeless tyre valve	1	Year:2004[4], 2005[5] Technical Specifications:RSV Mille "R" Version[R]
2	AP8125728	Front RH whe.ou.spacer	1	Year:2004[4], 2005[5] Technical Specifications:RSV Mille "R" Version[R]
3	AP8152286	Screw w/ flange M8x20	12	Year:2004[4], 2005[5] Technical Specifications:RSV Mille "R" Version[R]
4	AP8152323	Washer 25,2x36x1	1	Year:2004[4], 2005[5] Technical Specifications:RSV Mille "R" Version[R]
5	AP8152335	Wheel spindle nut	1	Year:2004[4], 2005[5] Technical Specifications:RSV Mille "R" Version[R]
6	AP8125827	Front wheel spindle	1	Year:2004[4], 2005[5] Technical Specifications:RSV Mille "R" Version[R]
7	0000000	Tyre	1	Year:2004[4], 2005[5] Technical Specifications:RSV Mille "R" Version[R]
8	AP8113926	Front brake disc 320	2	Year:2004[4], 2005[5] Technical Specifications:Brembo[B], RSV Mille "R" Version[R]
8	AP8133751	Front brake disc	2	Year:2004[4], 2005[5] Technical Specifications:RSV Mille "R" Version[R], Unisunstar[U]
9	AP8108675	Front wheel, grey	1	Year:2004[4] Technical Specifications:RSV Mille "R" Version[R]
9	AP8128147	Front wheel, grey	1	Year:2005[5] Technical Specifications:RSV Mille "R" Version[R]
10	AP8125773	Gasket ring 30x47x7	2	Year:2004[4], 2005[5] Technical Specifications:RSV Mille "R" Version[R]
11	AP8125777	Ball bearing 25x47x12	2	Year:2004[4], 2005[5] Technical Specifications:RSV Mille "R" Version[R]
12	AP8125778	Internal spacer	1	Year:2004[4], 2005[5] Technical Specifications:RSV Mille "R" Version[R]
13	AP8125779	Circlip	1	Year:2004[4], 2005[5] Technical Specifications:RSV Mille "R" Version[R]

Group	FRAME
Code	28.42
Description	Front wheel Factory - Dream I
Service	1



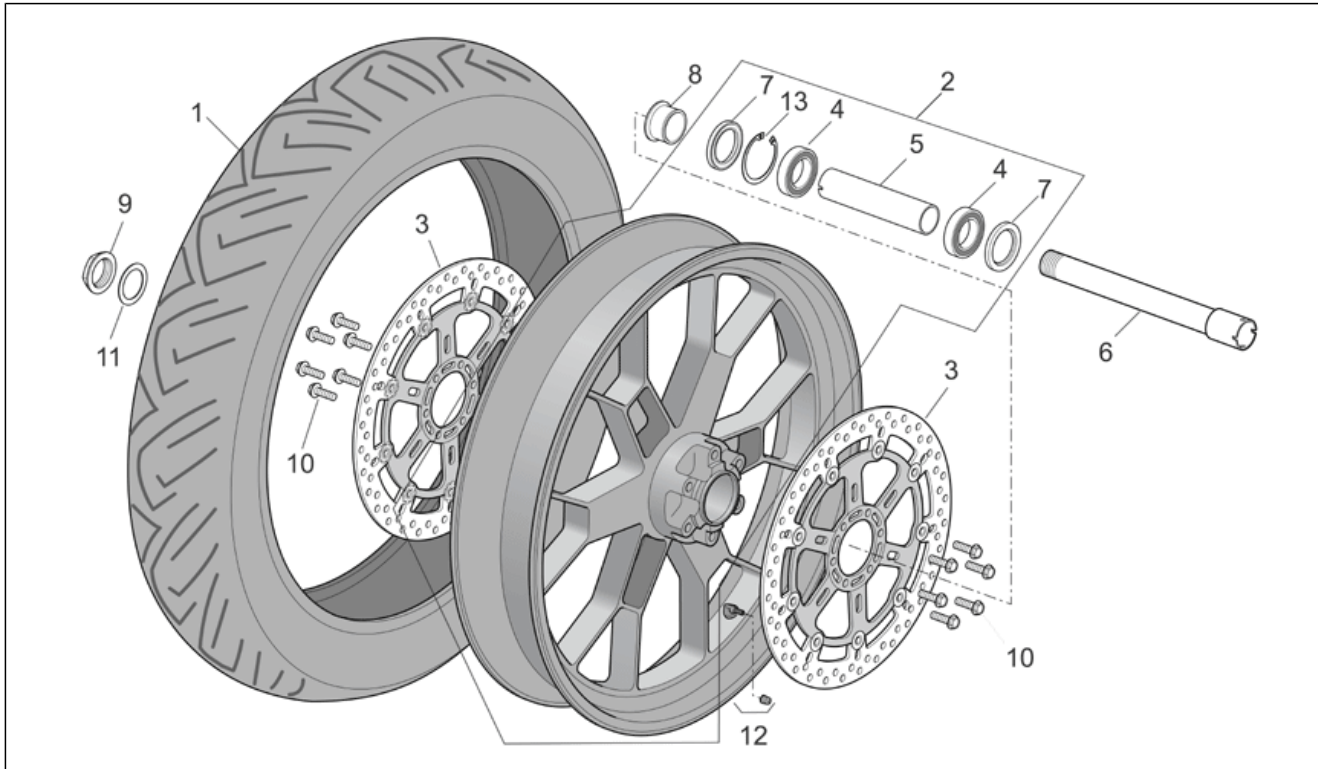
Pos.	Code	Description	Qty	Variants
1	0000000	Tyre	1	Year:2004[4], 2005[5], 2006[6] Technical Specifications:"Nera" Dream RSV Version[DRE], Factory "R" RSV Version[FAC]
1	AP8109256	Front/rear tyre 120/70 ZR 17" Pirelli	1	Year:2008[8] Technical Specifications:Factory "R" RSV Version[FAC]
1	AP8109256	Front/rear tyre 120/70 ZR 17" Pirelli	1	Year:2007[7] Technical Specifications:Factory "R" RSV Version[FAC], RSV Mille "R" Version[R]
1	AP8109284	Front/rear tyre 120/70 ZR 17" Pirelli	1	Year:2008[8] Technical Specifications:RSV Mille "R" Version[R]
2	853375	Front wheel, gold	1	Year:2007[7], 2008[8] Technical Specifications:Factory "R" RSV Version[FAC]
2	AP8108932	Front wheel, gold	1	Year:2006[6] Technical Specifications:Factory "R" RSV Version[FAC]
2	AP8108994	Front wheel, blue OZ-Alu	1	Year:2004[4], 2005[5] Technical Specifications:Factory "R" RSV Version[FAC]
2	AP8128041	Front wheel	1	Year:2004[4], 2005[5] Technical Specifications:"Nera" Dream RSV Version[DRE]
2	AP8128204	Front wheel, red	1	Year:2007[7], 2008[8] Vehicle colour:Aprilia black 2005-2006[a.blk], Aprilia Black 2007 (s.t.853153)[black], Bol D'or 2007 (s.t.853155)[bol dor], Dark Lion 2007 (s.t.853378)[dark], Lead grey 2004[g], Platinum Grey 2007 (s.t.853154)[grey], Aprilia black 2004[n], Fluo Red 2004[r], Fluo Red 2005-2006[r.fluo], Red Lion 2007 (s.t.853379)[red] Technical Specifications:RSV Mille "R" Version[R]
2	AP8128228	Front wheel, black	1	Year:2008[8] Vehicle colour:Aprilia Black 2008 (s.t.859822)[black08], Planet Blue 2008 (s.t.860005)[blu], Ice White 2008 (s.t.860006)[ice] Technical Specifications:RSV Mille "R" Version[R]
3	AP8113926	Front brake disc 320	2	Year:2007[7], 2008[8] Technical Specifications:Factory "R" RSV Version[FAC], RSV Mille "R" Version[R]

Group	FRAME
Code	28.42
Description	Front wheel Factory - Dream I
Service	1



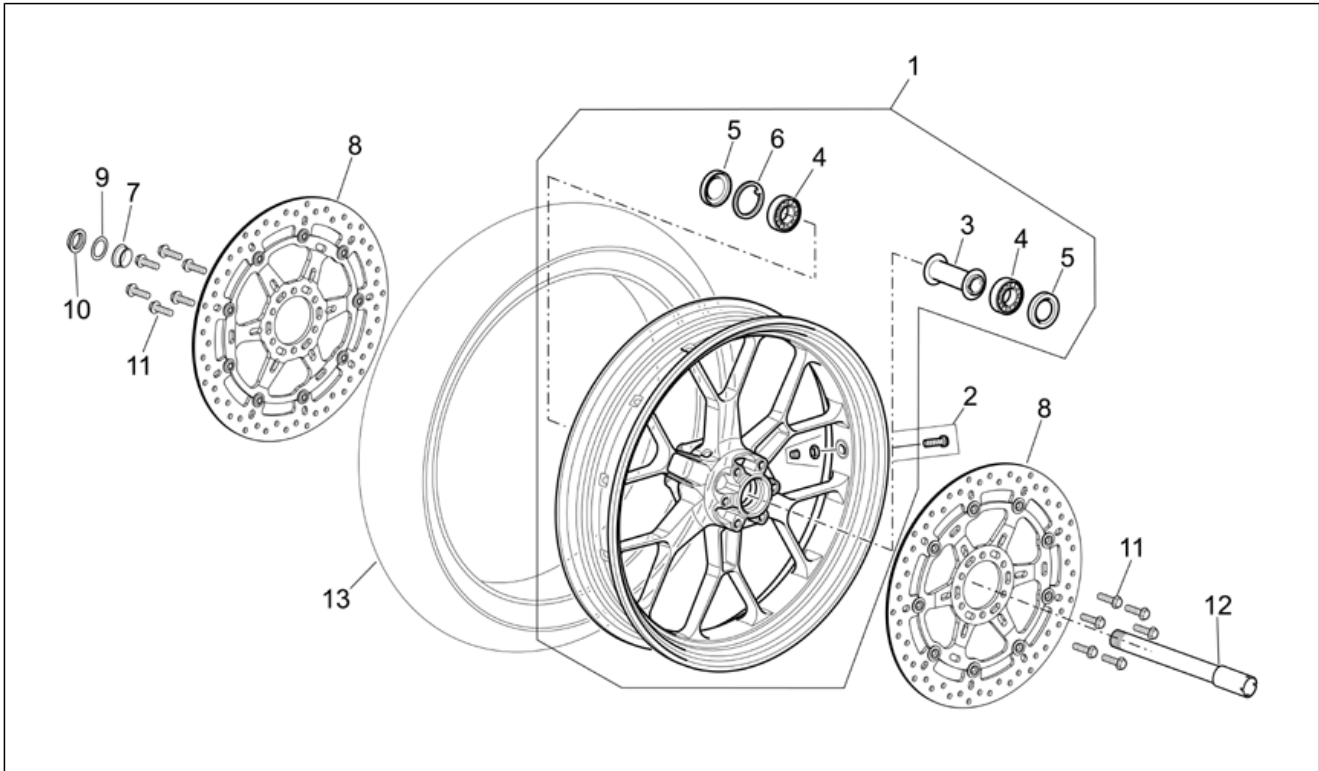
Pos.	Code	Description	Qty	Variants
3	AP8113926	Front brake disc 320	2	Year:2004[4], 2005[5], 2006[6] Technical Specifications:Brembo[B], "Nera" Dream RSV Version[DRE], Factory "R" RSV Version[FAC]
3	AP8133751	Front brake disc	2	Year:2004[4], 2005[5], 2006[6] Technical Specifications:"Nera" Dream RSV Version[DRE], Factory "R" RSV Version[FAC], Unisunstar[U]
4	AP8110094	Bearing 25x47x12	2	Year:2007[7], 2008[8] Technical Specifications:Factory "R" RSV Version[FAC], RSV Mille "R" Version[R]
4	AP8110094	Bearing 25x47x12	2	Year:2004[4], 2005[5], 2006[6] Technical Specifications:"Nera" Dream RSV Version[DRE], Factory "R" RSV Version[FAC]
5	AP8125843	Internal spacer	1	Year:2007[7], 2008[8] Technical Specifications:Factory "R" RSV Version[FAC], RSV Mille "R" Version[R]
5	AP8125843	Internal spacer	1	Year:2004[4], 2005[5], 2006[6] Technical Specifications:"Nera" Dream RSV Version[DRE], Factory "R" RSV Version[FAC]
6	AP8125827	Front wheel spindle	1	Year:2007[7], 2008[8] Technical Specifications:Factory "R" RSV Version[FAC], RSV Mille "R" Version[R]
6	AP8125827	Front wheel spindle	1	Year:2004[4], 2005[5], 2006[6] Technical Specifications:"Nera" Dream RSV Version[DRE], Factory "R" RSV Version[FAC]
7	AP8125841	Gasket ring 30x47x7	2	Year:2004[4], 2005[5], 2006[6] Technical Specifications:"Nera" Dream RSV Version[DRE], Factory "R" RSV Version[FAC]
7	AP8125841	Gasket ring 30x47x7	2	Year:2007[7], 2008[8] Technical Specifications:Factory "R" RSV Version[FAC], RSV Mille "R" Version[R]
8	AP8125728	Front RH whe.ou.spacer	1	Year:2007[7], 2008[8] Technical Specifications:Factory "R" RSV Version[FAC], RSV Mille "R" Version[R]
8	AP8125728	Front RH whe.ou.spacer	1	Year:2004[4], 2005[5], 2006[6]

Group	FRAME
Code	28.42
Description	Front wheel Factory - Dream I
Service	1



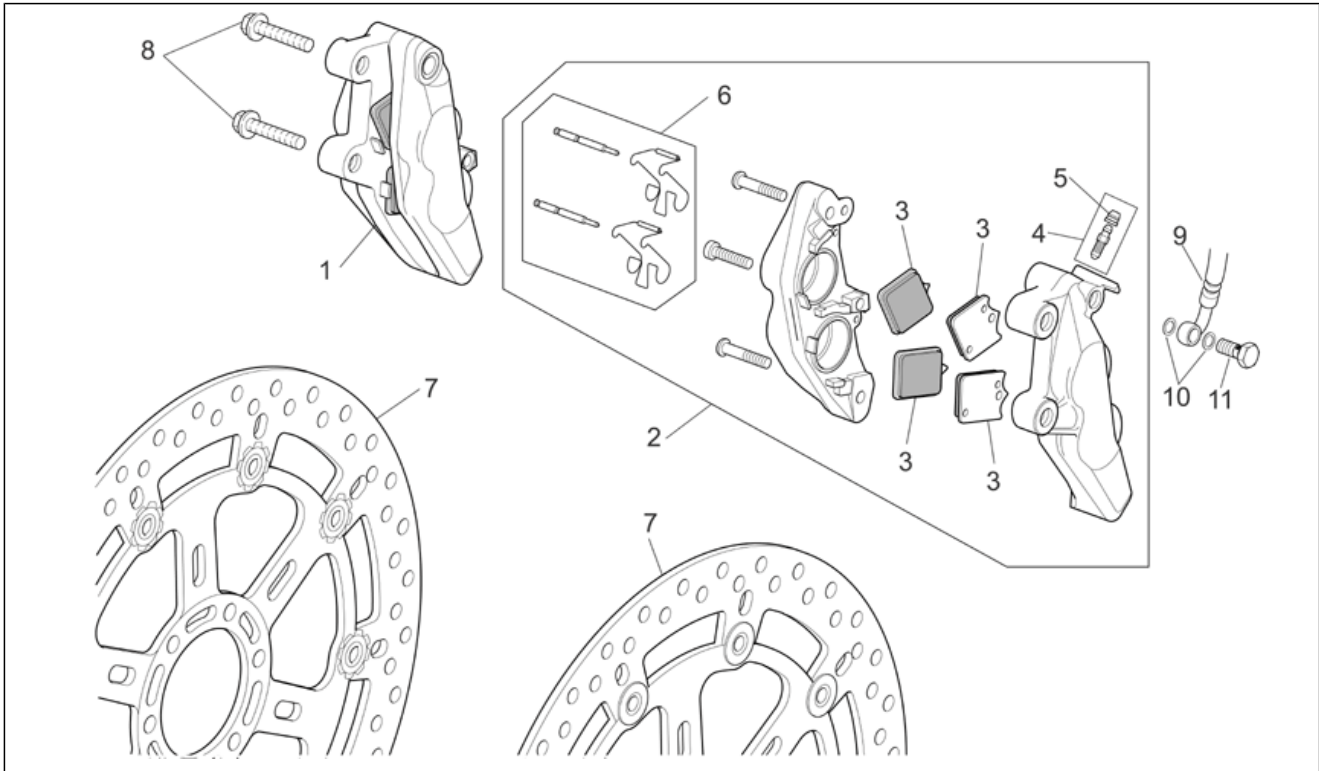
Pos.	Code	Description	Qty	Variants
				Technical Specifications: "Nera" Dream RSV Version[DRE], Factory "R" RSV Version[FAC]
9	AP8152335	Wheel spindle nut	1	Year: 2004[4], 2005[5], 2006[6] Technical Specifications: "Nera" Dream RSV Version[DRE], Factory "R" RSV Version[FAC]
9	AP8152335	Wheel spindle nut	1	Year: 2007[7], 2008[8] Technical Specifications: Factory "R" RSV Version[FAC], RSV Mille "R" Version[R]
10	AP8152286	Screw w/ flange M8x20	12	Year: 2007[7], 2008[8] Technical Specifications: Factory "R" RSV Version[FAC], RSV Mille "R" Version[R]
10	AP8152286	Screw w/ flange M8x20	12	Year: 2004[4], 2005[5], 2006[6] Technical Specifications: "Nera" Dream RSV Version[DRE], Factory "R" RSV Version[FAC]
11	AP8152323	Washer 25,2x36x1	1	Year: 2007[7], 2008[8] Technical Specifications: Factory "R" RSV Version[FAC], RSV Mille "R" Version[R]
11	AP8152323	Washer 25,2x36x1	1	Year: 2004[4], 2005[5], 2006[6] Technical Specifications: "Nera" Dream RSV Version[DRE], Factory "R" RSV Version[FAC]
12	AP8104728	Tubeless tyre valve 90°	1	Year: 2004[4], 2005[5], 2006[6] Technical Specifications: "Nera" Dream RSV Version[DRE], Factory "R" RSV Version[FAC]
12	AP8104728	Tubeless tyre valve 90°	1	Year: 2007[7], 2008[8] Technical Specifications: Factory "R" RSV Version[FAC], RSV Mille "R" Version[R]
13	AP8125842	Snap ring d47	1	Year: 2004[4], 2005[5], 2006[6] Technical Specifications: "Nera" Dream RSV Version[DRE], Factory "R" RSV Version[FAC]
13	AP8125842	Snap ring d47	1	Year: 2007[7], 2008[8] Technical Specifications: Factory "R" RSV Version[FAC], RSV Mille "R" Version[R]

Group	FRAME
Code	28.43
Description	Front wheel Factory - Dream II
Service	1



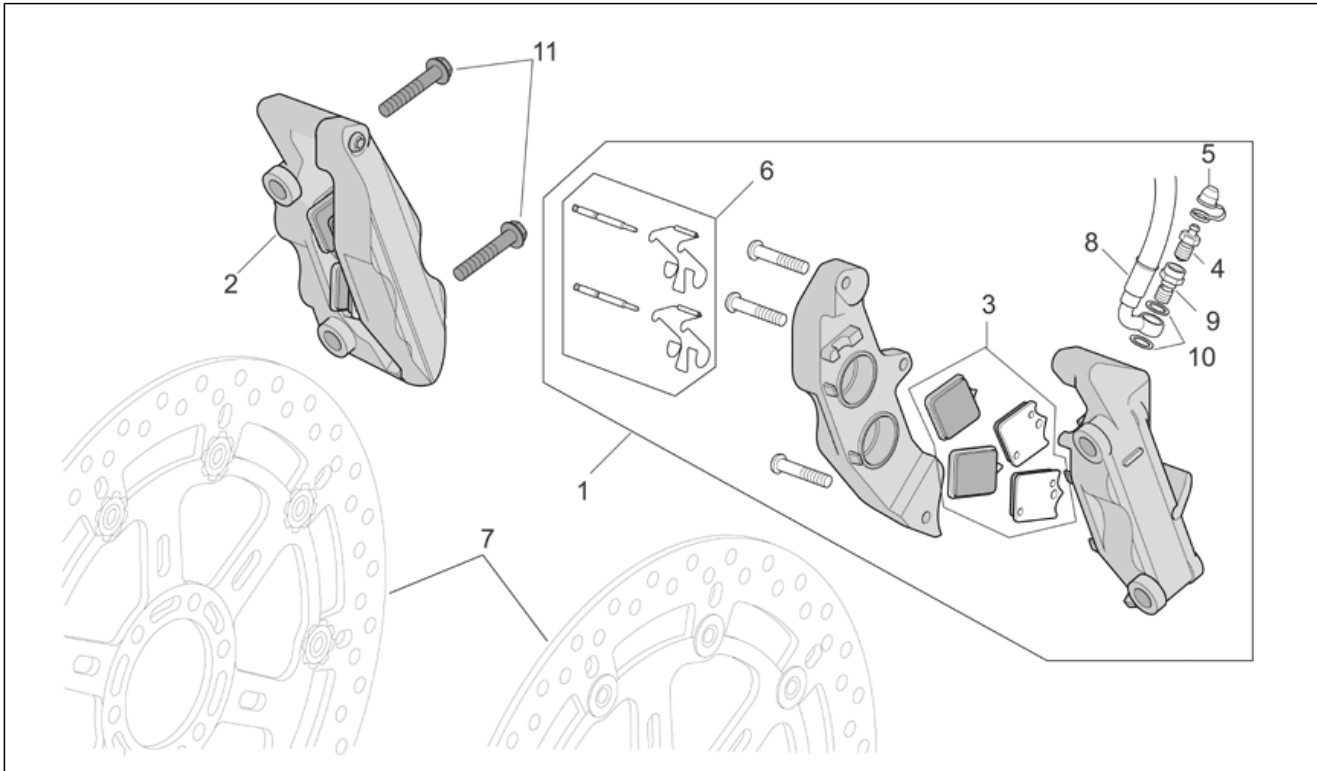
Pos.	Code	Description	Qty	Variants
1	AP8128133	Front wheel, blue	1	Year:2006[6] Technical Specifications:RSV Mille "R" Version[R], ZNL sign[zn]
2	AP8101744	Tubeless tyre valve	1	Year:2006[6] Technical Specifications:RSV Mille "R" Version[R]
3	AP8128169	Internal spacer	1	Year:2006[6] Technical Specifications:RSV Mille "R" Version[R]
4	AP8125777	Ball bearing 25x47x12	2	Year:2006[6] Technical Specifications:RSV Mille "R" Version[R]
5	AP8125773	Gasket ring 30x47x7	2	Year:2006[6] Technical Specifications:RSV Mille "R" Version[R]
6	AP8125779	Circlip	1	Year:2006[6] Technical Specifications:RSV Mille "R" Version[R]
7	AP8125728	Front RH whe.ou.spacer	1	Year:2006[6] Technical Specifications:RSV Mille "R" Version[R]
8	AP8113926	Front brake disc 320	2	Year:2006[6] Technical Specifications:Brembo[B], RSV Mille "R" Version[R]
9	AP8152323	Washer 25,2x36x1	1	Year:2006[6] Technical Specifications:RSV Mille "R" Version[R]
10	AP8152335	Wheel spindle nut	1	Year:2006[6] Technical Specifications:RSV Mille "R" Version[R]
11	AP8152286	Screw w/ flange M8x20	12	Year:2006[6] Technical Specifications:RSV Mille "R" Version[R]
12	AP8125827	Front wheel spindle	1	Year:2006[6] Technical Specifications:RSV Mille "R" Version[R]
13	0000000	Tyre	1	Year:2006[6] Technical Specifications:RSV Mille "R" Version[R]

Group	FRAME
Code	28.44
Description	Front brake caliper I
Service	1



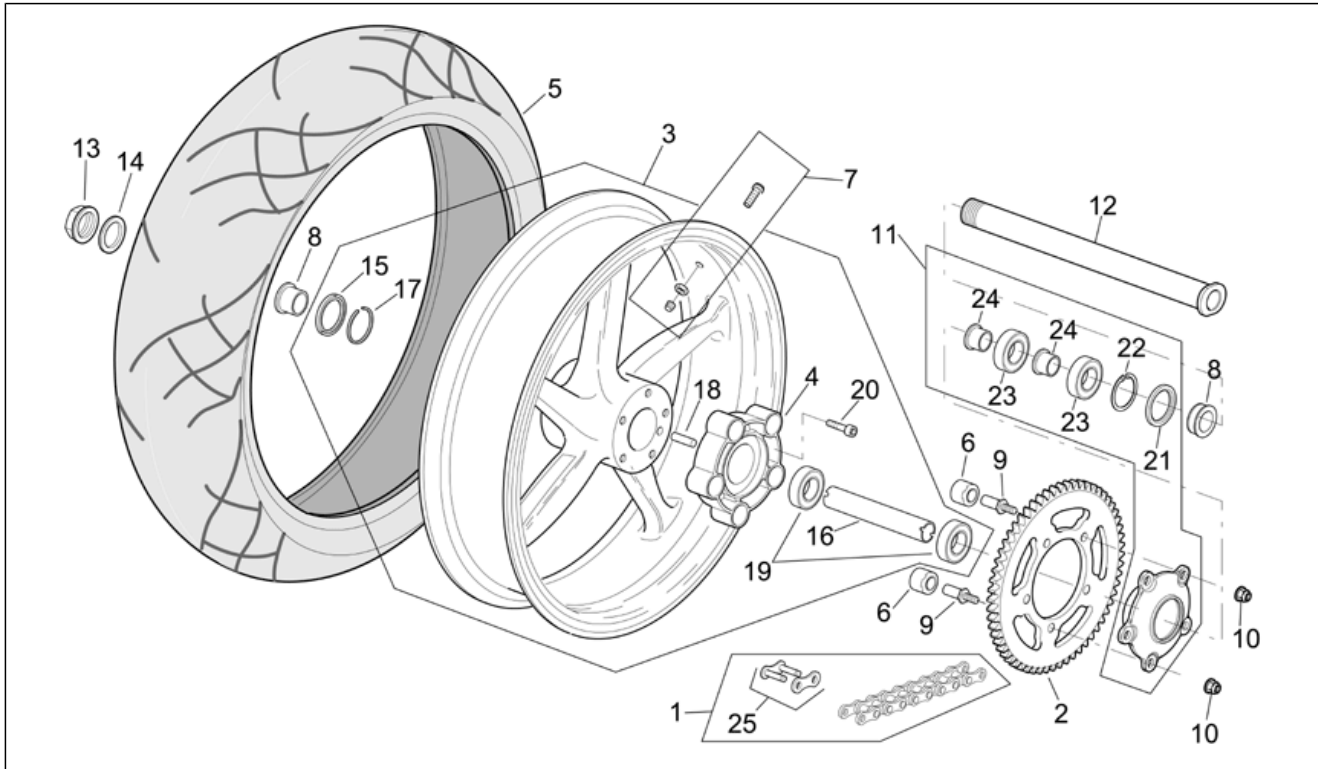
Pos.	Code	Description	Qty	Variants
1	AP8176033	RH Front brake caliper, gold	1	Technical Specifications: For standard brake caliper[sc]
2	AP8176034	LH Front brake caliper, gold	1	Technical Specifications: For standard brake caliper[sc]
3	AP8133592	Pads 4 pc.	2	Technical Specifications: For standard brake caliper[sc]
4	AP8113973	Air bleed valve	2	Technical Specifications: For standard brake caliper[sc]
5	AP8113230	Bleed valve cap	2	Technical Specifications: For standard brake caliper[sc]
6	AP8133593	Pin+Brake spring	2	Technical Specifications: For standard brake caliper[sc]
7	AP8113926	Front brake disc 320	2	Technical Specifications: Brembo[B], For standard brake caliper[sc]
7	AP8133751	Front brake disc	2	Technical Specifications: For standard brake caliper[sc], Unisunstar[U]
8	AP8152336	Screw w/ flange M10x1,25	4	Technical Specifications: For standard brake caliper[sc]
9	AP8133618	Front brake hose	1	Technical Specifications: For standard brake caliper[sc]
10	AP8121915	Gasket	2	
11	AP8133594	Oil pipe screw	1	

Group	FRAME
Code	28.45
Description	Front brake caliper II
Service	1



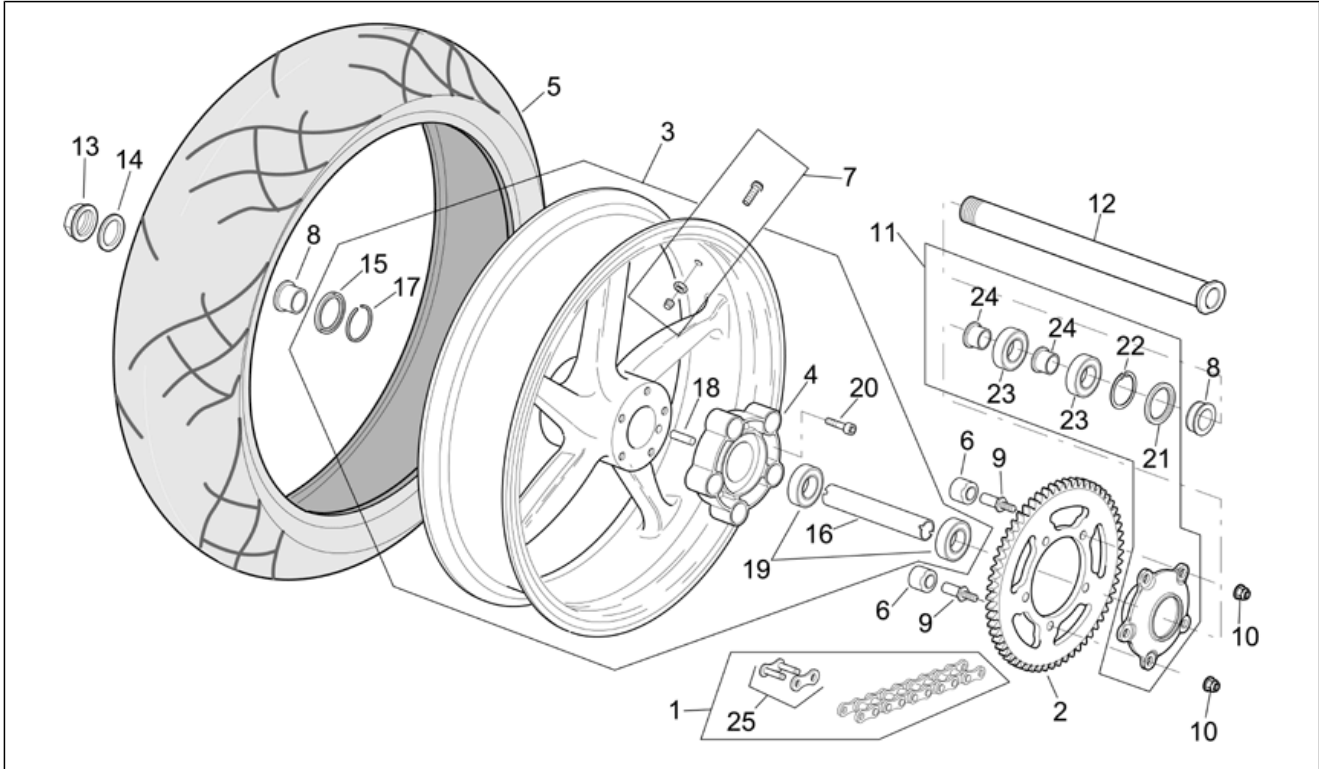
Pos.	Code	Description	Qty	Variants
1	AP8133590	LH Front brake caliper, gold	1	Technical Specifications: For radial brake caliper[rc]
2	AP8133591	RH Front brake caliper, gold	1	Technical Specifications: For radial brake caliper[rc]
3	AP8133592	Pads 4 pc.	2	Technical Specifications: For radial brake caliper[rc]
4	AP8133595	Air bleed valve	2	Technical Specifications: For radial brake caliper[rc]
5	AP8113070	Bleed valve cap	2	Technical Specifications: For radial brake caliper[rc]
6	AP8133593	Pin+Brake spring	2	Technical Specifications: For radial brake caliper[rc]
7	AP8113926	Front brake disc 320	2	Technical Specifications: Brembo[B], For radial brake caliper[rc]
7	AP8133751	Front brake disc	2	Technical Specifications: For radial brake caliper[rc], Unisunstar[U]
8	AP8113984	Front brake hose	1	Technical Specifications: For radial brake caliper[rc]
9	AP8133597	screw	1	
10	AP8121915	Gasket	2	
11	AP8152414	Screw w/ flange M10x55	4	Technical Specifications: For radial brake caliper[rc]

Group	FRAME
Code	28.46
Description	Rear wheel R version
Service	1



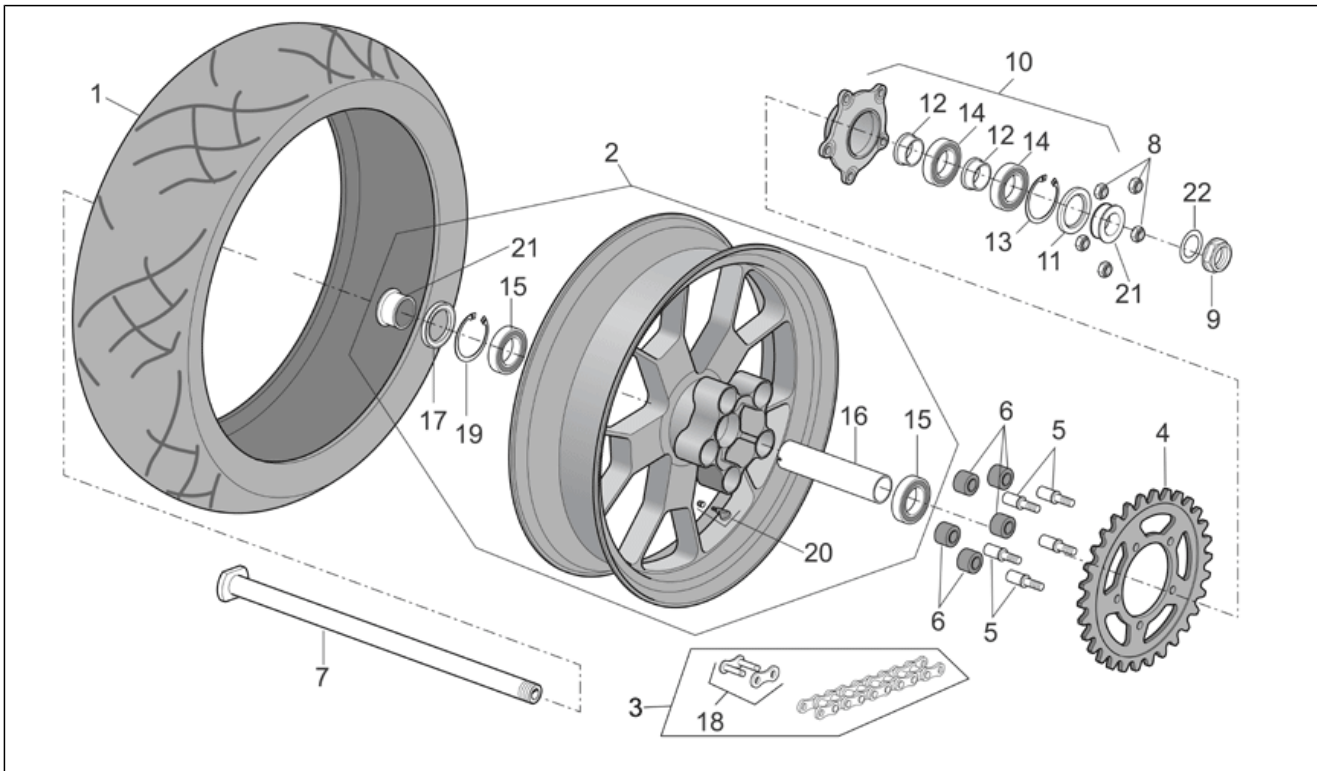
Pos.	Code	Description	Qty	Variants
1	AP8107146	Chain cpl conn.link	1	Year:2004[4], 2005[5] Technical Specifications:RSV Mille "R" Version[R]
2	AP8107145	Chain ring	1	Year:2004[4], 2005[5] Technical Specifications:RSV Mille "R" Version[R]
3	AP8128071	Rear wheel	1	Year:2004[4], 2005[5] Technical Specifications:RSV Mille "R" Version[R]
4	AP8125912	Rear wheel spring drive holder	1	Year:2004[4], 2005[5] Technical Specifications:RSV Mille "R" Version[R]
4	AP8128231	Rear wheel spring drive holder	1	Year:2008[8] Technical Specifications:RSV Mille "R" Version[R]
5	0000000	Tyre	1	Year:2004[4], 2005[5] Technical Specifications:RSV Mille "R" Version[R]
6	AP8125731	Flexible coupling rubber	5	Year:2004[4], 2005[5] Technical Specifications:RSV Mille "R" Version[R]
7	AP8101744	Tubeless tyre valve	1	Year:2004[4], 2005[5] Technical Specifications:RSV Mille "R" Version[R]
8	AP8121225	Rear wheel spacer	2	Year:2004[4], 2005[5] Technical Specifications:RSV Mille "R" Version[R]
9	B045033	Pin	5	Year:2004[4], 2005[5] Technical Specifications:RSV Mille "R" Version[R]
10	AP8150436	Low self-locking nut	5	Year:2004[4], 2005[5] Technical Specifications:RSV Mille "R" Version[R]
11	AP8125730	Crown holder cpl.	1	Year:2004[4], 2005[5] Technical Specifications:RSV Mille "R" Version[R]
12	AP8125831	Rear wheel spindle	1	Year:2004[4], 2005[5] Technical Specifications:RSV Mille "R" Version[R]
13	AP8152324	Wheel spindle nut M25x1,5	1	Year:2004[4], 2005[5] Technical Specifications:RSV Mille "R" Version[R]
14	AP8152323	Washer 25,2x36x1	1	Year:2004[4], 2005[5] Technical Specifications:RSV Mille "R" Version[R]
15	AP8125786	Gasket ring 38x52x7	1	Year:2004[4], 2005[5] Technical Specifications:RSV Mille "R" Version[R]

Group	FRAME
Code	28.46
Description	Rear wheel R version
Service	1



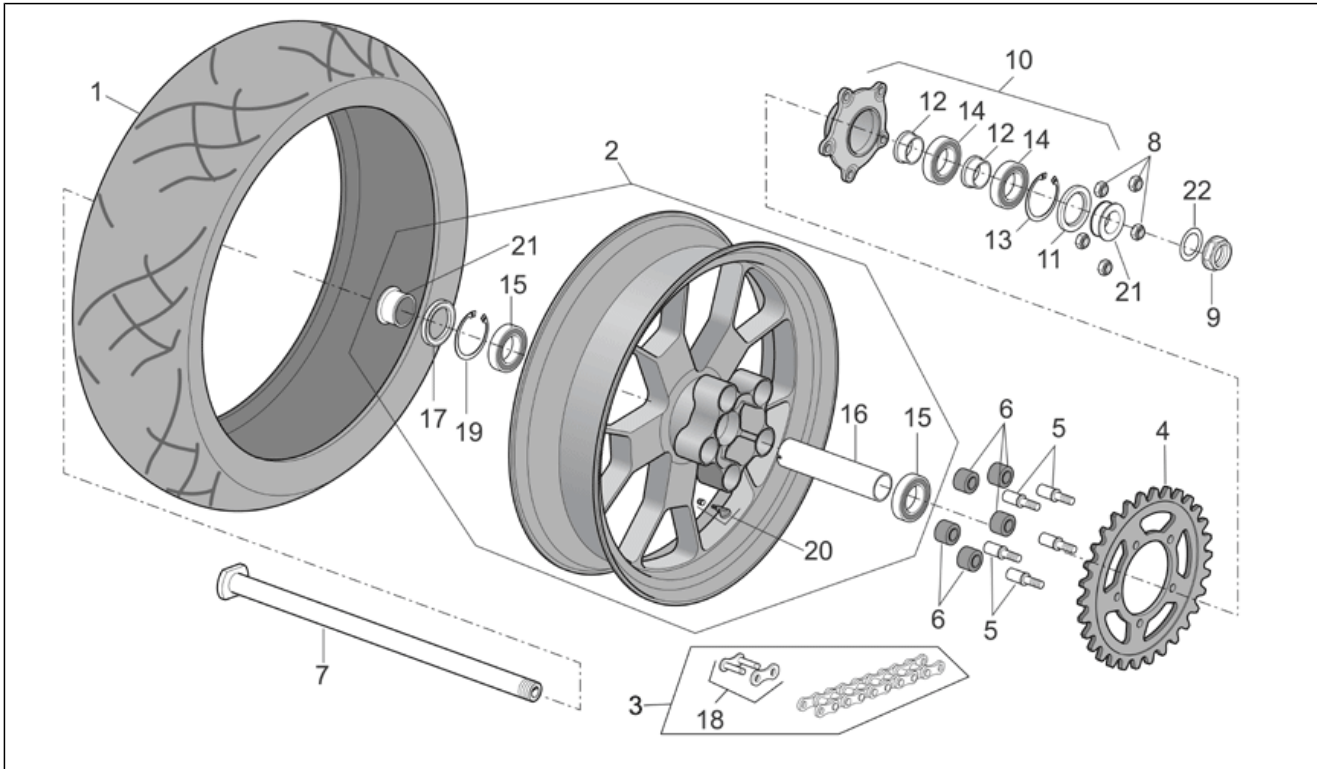
Pos.	Code	Description	Qty	Variants
16	AP8128072	Internal spacer	1	Year:2004[4], 2005[5] Technical Specifications:RSV Mille "R" Version[R]
17	AP8125788	Circlip	1	Year:2004[4], 2005[5] Technical Specifications:RSV Mille "R" Version[R]
18	AP8150463	Pin 10x20	1	Year:2004[4], 2005[5] Technical Specifications:RSV Mille "R" Version[R]
19	AP8106806	Bearing 6205-2rs1 25x52x15	2	Year:2004[4], 2005[5] Technical Specifications:RSV Mille "R" Version[R]
20	AP8150195	Hex socket screw M10x30	5	Year:2004[4], 2005[5] Technical Specifications:RSV Mille "R" Version[R]
21	AP8121213	Gasket ring 38x55x7	1	Year:2004[4], 2005[5] Technical Specifications:RSV Mille "R" Version[R]
22	AP8121212	Inside circlip d55	1	Year:2004[4], 2005[5] Technical Specifications:RSV Mille "R" Version[R]
23	AP8110081	Bearing 30x55x13	2	Year:2004[4], 2005[5] Technical Specifications:RSV Mille "R" Version[R]
24	AP8125732	Spring drive spacer	2	Year:2004[4], 2005[5] Technical Specifications:RSV Mille "R" Version[R]
25	AP8107150	Connecting link	1	Year:2004[4], 2005[5] Technical Specifications:RSV Mille "R" Version[R]

Group	FRAME
Code	28.47
Description	Rear wheel Factory - Dream I
Service	1



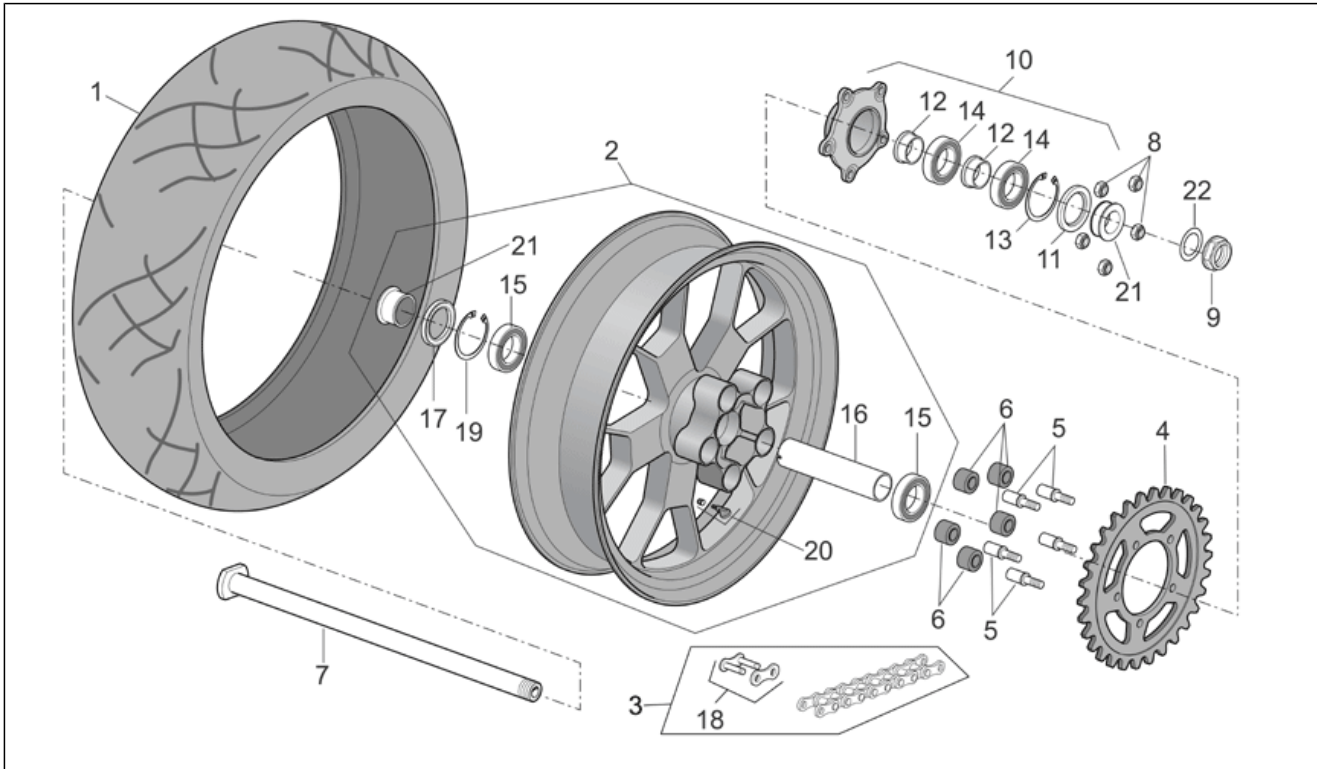
Pos.	Code	Description	Qty	Variants
1	0000000	Tyre	1	Year:2004[4], 2005[5], 2006[6] Technical Specifications: "Nera" Dream RSV Version[DRE], Factory "R" RSV Version[FAC]
1	AP8109257	Rear tyre 180/55 ZR 17" Pirelli	1	Year:2007[7] Technical Specifications: RSV Mille "R" Version[R]
1	AP8109285	Rear tyre 190/50 ZR 17"	1	Year:2008[8] Technical Specifications: RSV Mille "R" Version[R]
1	AP8109330	Rear tyre 190/55 ZR 17"	1	Year:2007[7], 2008[8] Technical Specifications: Factory "R" RSV Version[FAC]
2	853376	Rear wheel, gold	1	Year:2007[7], 2008[8] Technical Specifications: Factory "R" RSV Version[FAC]
2	AP8108934	Rear wheel, blue OZ-Alu	1	Year:2004[4], 2005[5] Technical Specifications: Factory "R" RSV Version[FAC]
2	AP8128042	Rear wheel	1	Year:2004[4] Technical Specifications: "Nera" Dream RSV Version[DRE]
2	AP8128154	Rear wheel, gold	1	Year:2006[6] Technical Specifications: Factory "R" RSV Version[FAC]
2	AP8128206	Rear wheel, red	1	Year:2007[7], 2008[8] Vehicle colour: Aprilia black 2005-2006[a.blk], Aprilia Black 2007 (s.t.853153)[black], Bol D'or 2007 (s.t.853155)[bol dor], Dark Lion 2007 (s.t.853378)[dark], Lead grey 2004[g], Platinum Grey 2007 (s.t.853154)[grey], Aprilia black 2004[n], Fluo Red 2004[r], Fluo Red 2005-2006[r.fluo], Red Lion 2007 (s.t.853379)[red] Technical Specifications: RSV Mille "R" Version[R]
2	AP8128206	Rear wheel, red	1	Year:2008[8] Vehicle colour: Aprilia Black 2008 (s.t.859822)[black08], Planet Blue 2008 (s.t.860005)[blu], Ice White 2008 (s.t.860006)[ice] Technical Specifications: RSV Mille "R" Version[R]
2	AP8128230	Rear wheel, black	1	Year:2008[8] Vehicle colour: Aprilia Black 2008 (s.t.859822)[black08], Planet Blue 2008 (s.t.860005)[blu], Ice White 2008 (s.t.860006)[ice]

Group	FRAME
Code	28.47
Description	Rear wheel Factory - Dream I
Service	1



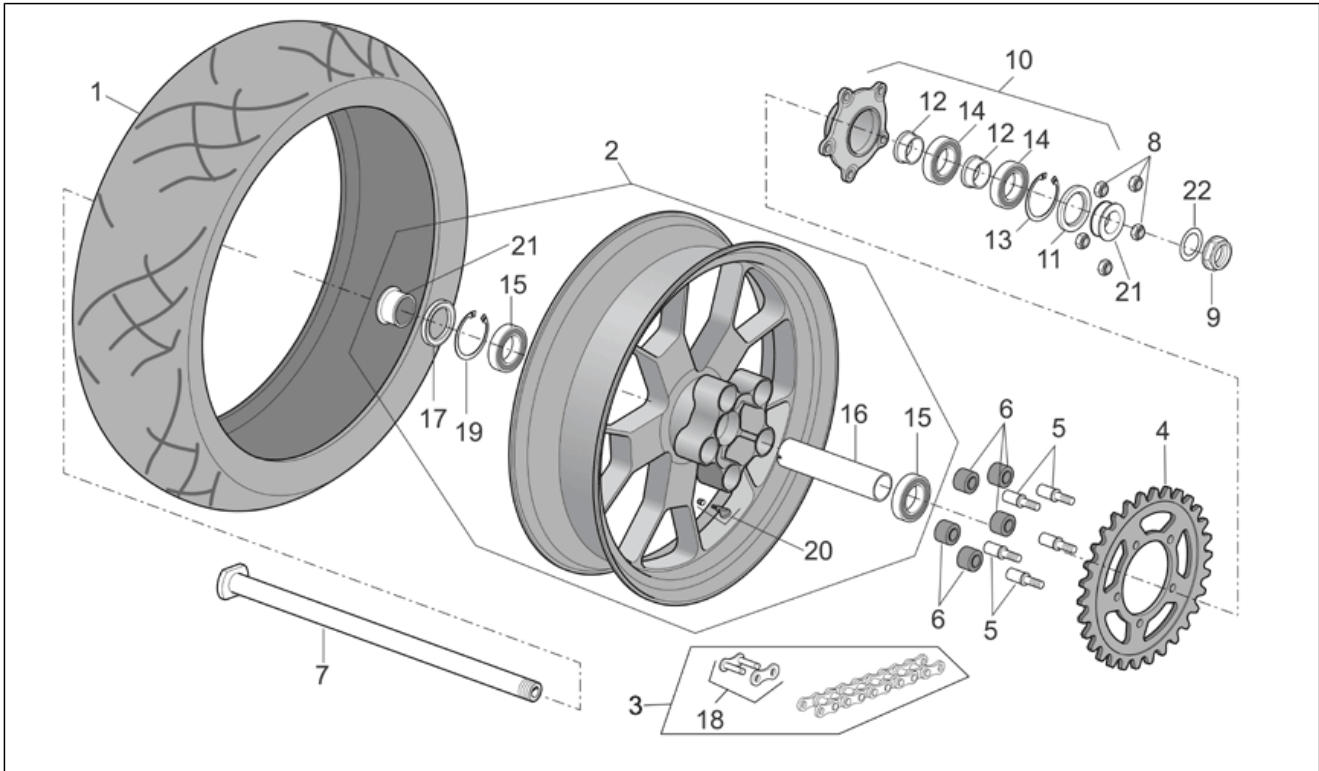
Pos.	Code	Description	Qty	Variants
				Technical Specifications: RSV Mille "R" Version[R]
3	AP8107146	Chain cpl conn.link	1	Year: 2004[4], 2005[5], 2006[6] Technical Specifications: "Nera" Dream RSV Version[DRE], Factory "R" RSV Version[FAC]
3	AP8107146	Chain cpl conn.link	1	Year: 2007[7], 2008[8] Technical Specifications: Factory "R" RSV Version[FAC], RSV Mille "R" Version[R]
4	AP8107145	Chain ring	1	Year: 2007[7], 2008[8] Technical Specifications: Factory "R" RSV Version[FAC], RSV Mille "R" Version[R]
4	AP8107145	Chain ring	1	Year: 2004[4], 2005[5], 2006[6] Technical Specifications: Factory "R" RSV Version[FAC]
4	AP8107151	Chain ring	1	Year: 2004[4] Technical Specifications: "Nera" Dream RSV Version[DRE]
5	B045033	Pin	5	Year: 2004[4], 2005[5], 2006[6] Technical Specifications: "Nera" Dream RSV Version[DRE], Factory "R" RSV Version[FAC]
5	B045033	Pin	5	Year: 2007[7], 2008[8] Technical Specifications: Factory "R" RSV Version[FAC], RSV Mille "R" Version[R]
6	AP8125731	Flexible coupling rubber	5	Year: 2007[7], 2008[8] Technical Specifications: Factory "R" RSV Version[FAC], RSV Mille "R" Version[R]
6	AP8125731	Flexible coupling rubber	5	Year: 2004[4], 2005[5], 2006[6] Technical Specifications: "Nera" Dream RSV Version[DRE], Factory "R" RSV Version[FAC]
7	AP8125831	Rear wheel spindle	1	Year: 2004[4], 2005[5], 2006[6] Technical Specifications: "Nera" Dream RSV Version[DRE], Factory "R" RSV Version[FAC]
7	AP8125831	Rear wheel spindle	1	Year: 2007[7], 2008[8] Technical Specifications: Factory "R" RSV Version[FAC], RSV Mille "R" Version[R]
8	AP8150436	Low self-locking nut	5	Year: 2004[4], 2005[5], 2006[6]

Group	FRAME
Code	28.47
Description	Rear wheel Factory - Dream I
Service	1



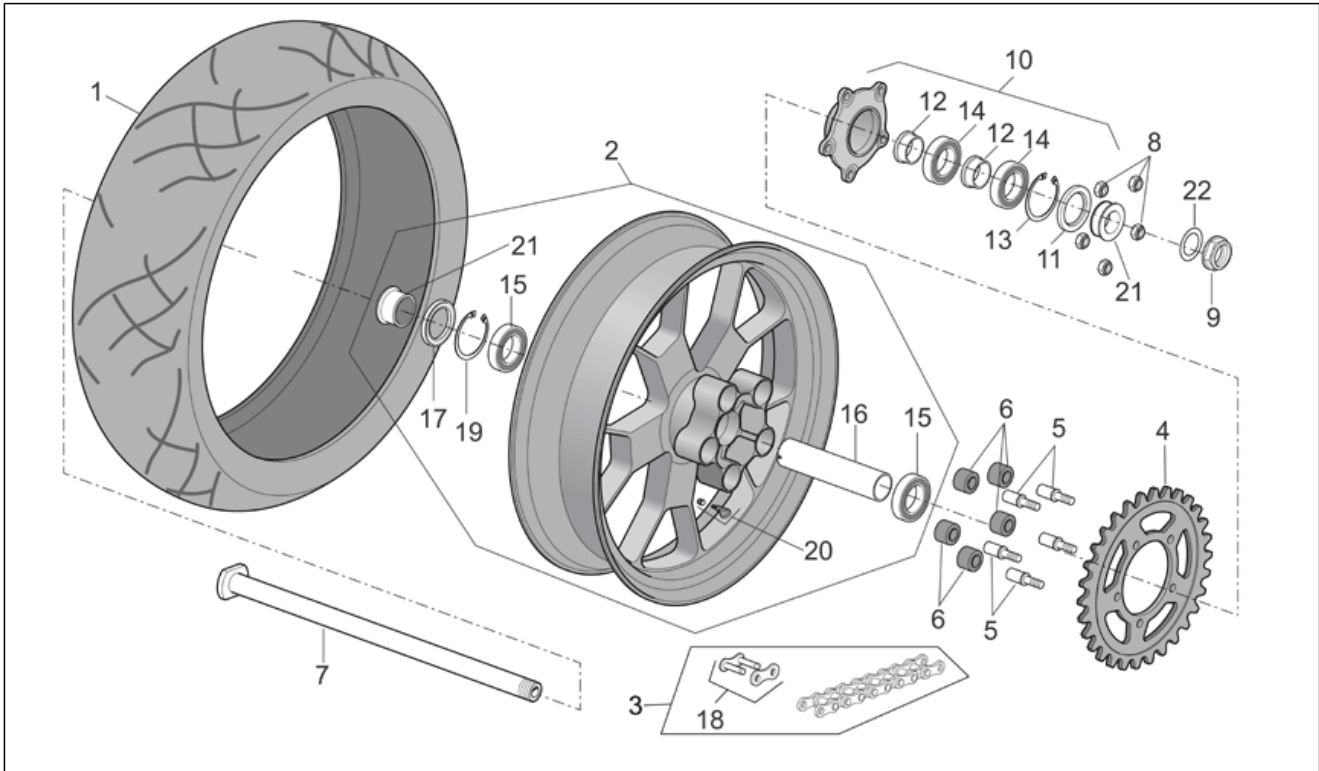
Pos.	Code	Description	Qty	Variants
				Technical Specifications: "Nera" Dream RSV Version[DRE], Factory "R" RSV Version[FAC]
8	AP8150436	Low self-locking nut	5	Year: 2007[7], 2008[8] Technical Specifications: Factory "R" RSV Version[FAC], RSV Mille "R" Version[R]
9	AP8152324	Wheel spindle nut M25x1,5	1	Year: 2004[4], 2005[5], 2006[6] Technical Specifications: "Nera" Dream RSV Version[DRE], Factory "R" RSV Version[FAC]
9	AP8152324	Wheel spindle nut M25x1,5	1	Year: 2007[7], 2008[8] Technical Specifications: Factory "R" RSV Version[FAC], RSV Mille "R" Version[R]
10	AP8125730	Crown holder cpl.	1	Year: 2004[4], 2005[5], 2006[6] Technical Specifications: "Nera" Dream RSV Version[DRE], Factory "R" RSV Version[FAC]
10	AP8125730	Crown holder cpl.	1	Year: 2007[7], 2008[8] Technical Specifications: Factory "R" RSV Version[FAC], RSV Mille "R" Version[R]
11	AP8121213	Gasket ring 38x55x7	1	Year: 2004[4], 2005[5], 2006[6] Technical Specifications: "Nera" Dream RSV Version[DRE], Factory "R" RSV Version[FAC]
11	AP8121213	Gasket ring 38x55x7	1	Year: 2007[7], 2008[8] Technical Specifications: Factory "R" RSV Version[FAC], RSV Mille "R" Version[R]
12	AP8125732	Spring drive spacer	2	Year: 2007[7], 2008[8] Technical Specifications: Factory "R" RSV Version[FAC], RSV Mille "R" Version[R]
12	AP8125732	Spring drive spacer	2	Year: 2004[4], 2005[5], 2006[6] Technical Specifications: "Nera" Dream RSV Version[DRE], Factory "R" RSV Version[FAC]
13	AP8121212	Inside circlip d55	1	Year: 2004[4], 2005[5], 2006[6] Technical Specifications: "Nera" Dream RSV Version[DRE], Factory "R" RSV Version[FAC]
13	AP8121212	Inside circlip d55	1	Year: 2007[7], 2008[8]

Group	FRAME
Code	28.47
Description	Rear wheel Factory - Dream I
Service	1



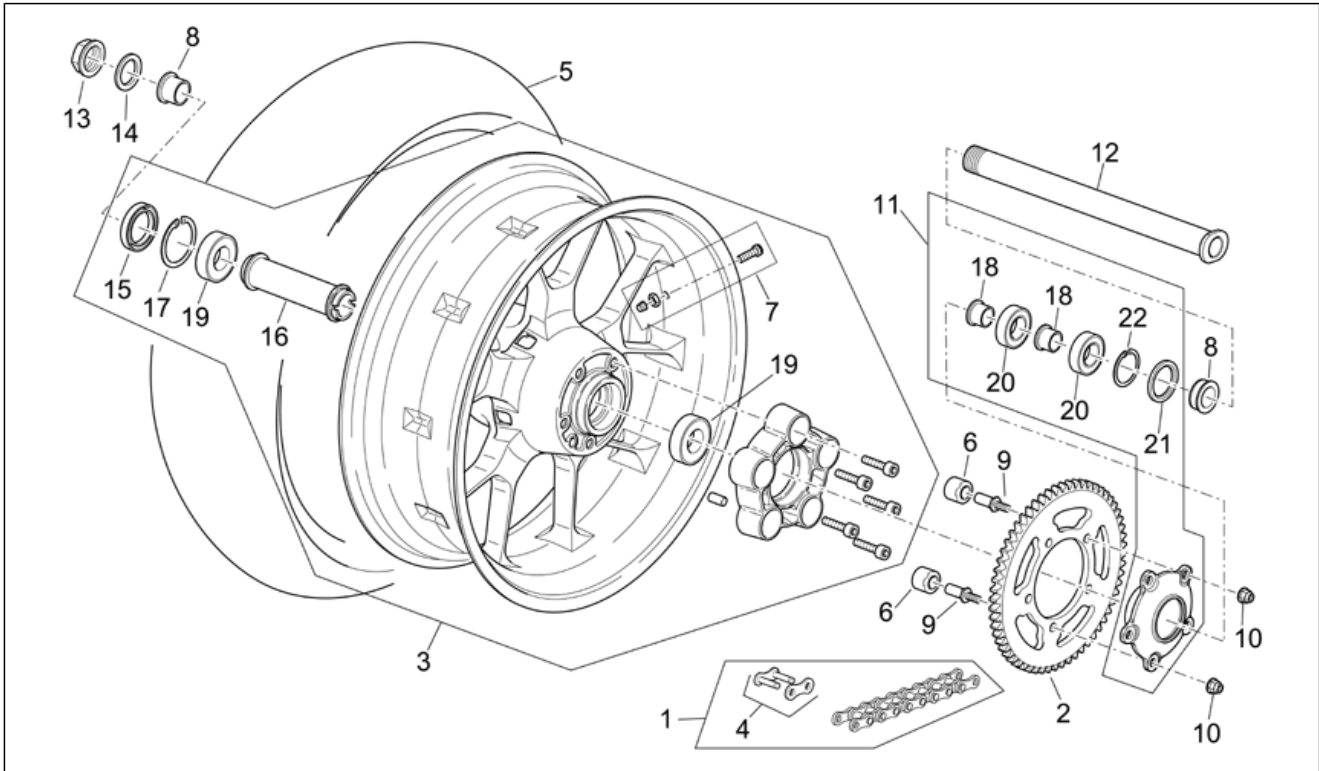
Pos.	Code	Description	Qty	Variants
				Technical Specifications: Factory "R" RSV Version[FAC], RSV Mille "R" Version[R]
14	AP8110081	Bearing 30x55x13	2	Year: 2004[4], 2005[5], 2006[6] Technical Specifications: "Nera" Dream RSV Version[DRE], Factory "R" RSV Version[FAC]
14	AP8110081	Bearing 30x55x13	2	Year: 2007[7], 2008[8] Technical Specifications: Factory "R" RSV Version[FAC], RSV Mille "R" Version[R]
15	AP8110093	Bearing 6205-2rs1 25x52x15	2	Year: 2007[7], 2008[8] Technical Specifications: Factory "R" RSV Version[FAC], RSV Mille "R" Version[R]
15	AP8110093	Bearing 6205-2rs1 25x52x15	2	Year: 2004[4], 2005[5], 2006[6] Technical Specifications: "Nera" Dream RSV Version[DRE], Factory "R" RSV Version[FAC]
16	AP8176101	Internal spacer	1	Year: 2004[4], 2005[5], 2006[6] Technical Specifications: "Nera" Dream RSV Version[DRE], Factory "R" RSV Version[FAC]
16	AP8176101	Internal spacer	1	Year: 2007[7], 2008[8] Technical Specifications: Factory "R" RSV Version[FAC], RSV Mille "R" Version[R]
17	AP8125838	Gasket ring 38x52x7	1	Year: 2004[4], 2005[5], 2006[6] Technical Specifications: "Nera" Dream RSV Version[DRE], Factory "R" RSV Version[FAC]
17	AP8125838	Gasket ring 38x52x7	1	Year: 2007[7], 2008[8] Technical Specifications: Factory "R" RSV Version[FAC], RSV Mille "R" Version[R]
18	AP8107150	Connecting link	1	Year: 2004[4], 2005[5], 2006[6] Technical Specifications: "Nera" Dream RSV Version[DRE], Factory "R" RSV Version[FAC]
18	AP8107150	Connecting link	1	Year: 2007[7], 2008[8] Technical Specifications: Factory "R" RSV Version[FAC], RSV Mille "R" Version[R]
19	AP8125839	Snap ring d52	1	Year: 2004[4], 2005[5], 2006[6]

Group	FRAME
Code	28.47
Description	Rear wheel Factory - Dream I
Service	1



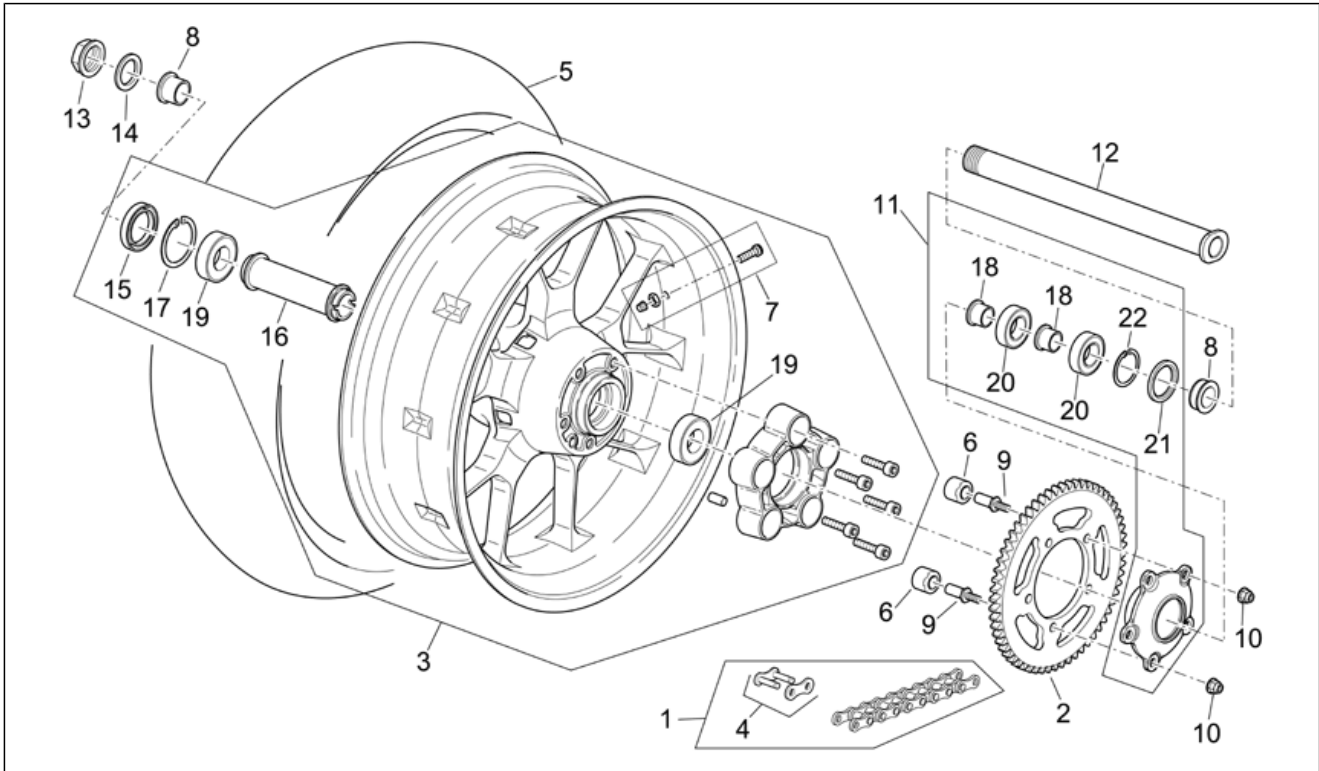
Pos.	Code	Description	Qty	Variants
				Technical Specifications: "Nera" Dream RSV Version[DRE], Factory "R" RSV Version[FAC]
19	AP8125839	Snap ring d52	1	Year: 2007[7], 2008[8] Technical Specifications: Factory "R" RSV Version[FAC], RSV Mille "R" Version[R]
20	AP8104728	Tubeless tyre valve 90°	1	Year: 2007[7], 2008[8] Technical Specifications: Factory "R" RSV Version[FAC], RSV Mille "R" Version[R]
20	AP8104728	Tubeless tyre valve 90°	1	Year: 2004[4], 2005[5], 2006[6] Technical Specifications: "Nera" Dream RSV Version[DRE], Factory "R" RSV Version[FAC]
21	AP8121592	Rear wheel spacer	2	Year: 2007[7], 2008[8] Technical Specifications: Factory "R" RSV Version[FAC], RSV Mille "R" Version[R]
21	AP8121592	Rear wheel spacer	2	Year: 2004[4], 2005[5], 2006[6] Technical Specifications: "Nera" Dream RSV Version[DRE], Factory "R" RSV Version[FAC]
22	AP8152323	Washer 25,2x36x1	1	Year: 2004[4], 2005[5], 2006[6] Technical Specifications: "Nera" Dream RSV Version[DRE], Factory "R" RSV Version[FAC]
22	AP8152323	Washer 25,2x36x1	1	Year: 2007[7], 2008[8] Technical Specifications: Factory "R" RSV Version[FAC], RSV Mille "R" Version[R]

Group	FRAME
Code	28.48
Description	Rear wheel Factory - Dream II
Service	1



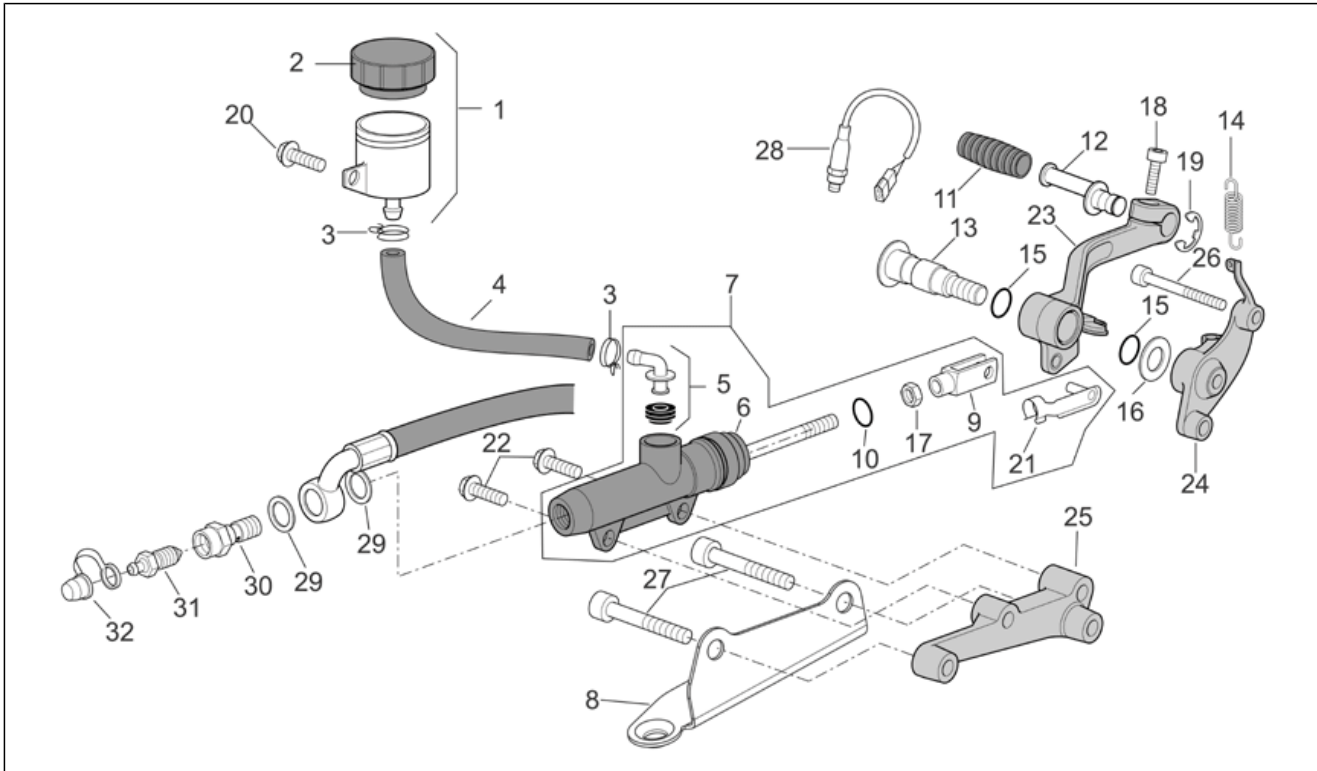
Pos.	Code	Description	Qty	Variants
1	AP8107146	Chain cpl conn.link	1	Year:2006[6] Technical Specifications:RSV Mille "R" Version[R]
2	AP8107145	Chain ring	1	Year:2006[6] Technical Specifications:RSV Mille "R" Version[R]
3	AP8128191	Rear wheel, cpl.blue	1	Year:2006[6] Technical Specifications:RSV Mille "R" Version[R], ZNL sign[zn]
4	AP8107150	Connecting link	1	Year:2006[6] Technical Specifications:RSV Mille "R" Version[R]
5	0000000	Tyre	1	Year:2006[6] Technical Specifications:RSV Mille "R" Version[R]
6	AP8125731	Flexible coupling rubber	5	Year:2006[6] Technical Specifications:RSV Mille "R" Version[R]
7	AP8101744	Tubeless tyre valve	1	Year:2006[6] Technical Specifications:RSV Mille "R" Version[R]
8	AP8121225	Rear wheel spacer	2	Year:2006[6] Technical Specifications:RSV Mille "R" Version[R]
9	B045033	Pin	5	Year:2006[6] Technical Specifications:RSV Mille "R" Version[R]
10	AP8150436	Low self-locking nut	5	Year:2006[6] Technical Specifications:RSV Mille "R" Version[R]
11	AP8125730	Crown holder cpl.	1	Year:2006[6] Technical Specifications:RSV Mille "R" Version[R]
12	AP8125831	Rear wheel spindle	1	Year:2006[6] Technical Specifications:RSV Mille "R" Version[R]
13	AP8152324	Wheel spindle nut M25x1,5	1	Year:2006[6] Technical Specifications:RSV Mille "R" Version[R]
14	AP8152323	Washer 25,2x36x1	1	Year:2006[6] Technical Specifications:RSV Mille "R" Version[R]
15	AP8125786	Gasket ring 38x52x7	1	Year:2006[6] Technical Specifications:RSV Mille "R" Version[R]
16	AP8128170	Internal spacer	1	Year:2006[6]

Group	FRAME
Code	28.48
Description	Rear wheel Factory - Dream II
Service	1



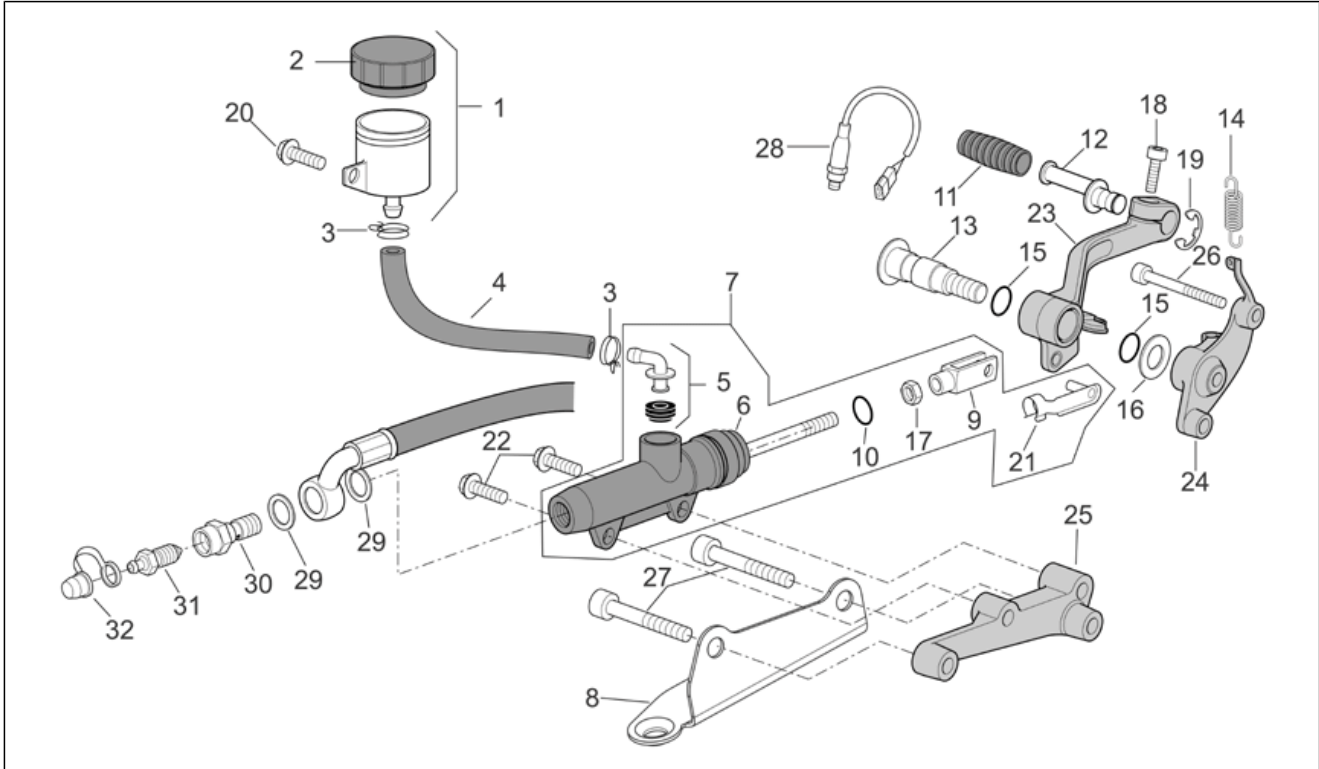
Pos.	Code	Description	Qty	Variants
				Technical Specifications: RSV Mille "R" Version[R], ZNL sign[znl]
17	AP8125788	Circlip	1	Year: 2006[6] Technical Specifications: RSV Mille "R" Version[R]
18	AP8125732	Spring drive spacer	2	Year: 2006[6] Technical Specifications: RSV Mille "R" Version[R]
19	AP8106806	Bearing 6205-2rs1 25x52x15	2	Year: 2006[6] Technical Specifications: RSV Mille "R" Version[R]
20	AP8110081	Bearing 30x55x13	2	Year: 2006[6] Technical Specifications: RSV Mille "R" Version[R]
21	AP8121213	Gasket ring 38x55x7	1	Year: 2006[6] Technical Specifications: RSV Mille "R" Version[R]
22	AP8121212	Inside circlip d55	1	Year: 2006[6] Technical Specifications: RSV Mille "R" Version[R]

Group	FRAME
Code	28.49
Description	Rear master cylinder
Service	1



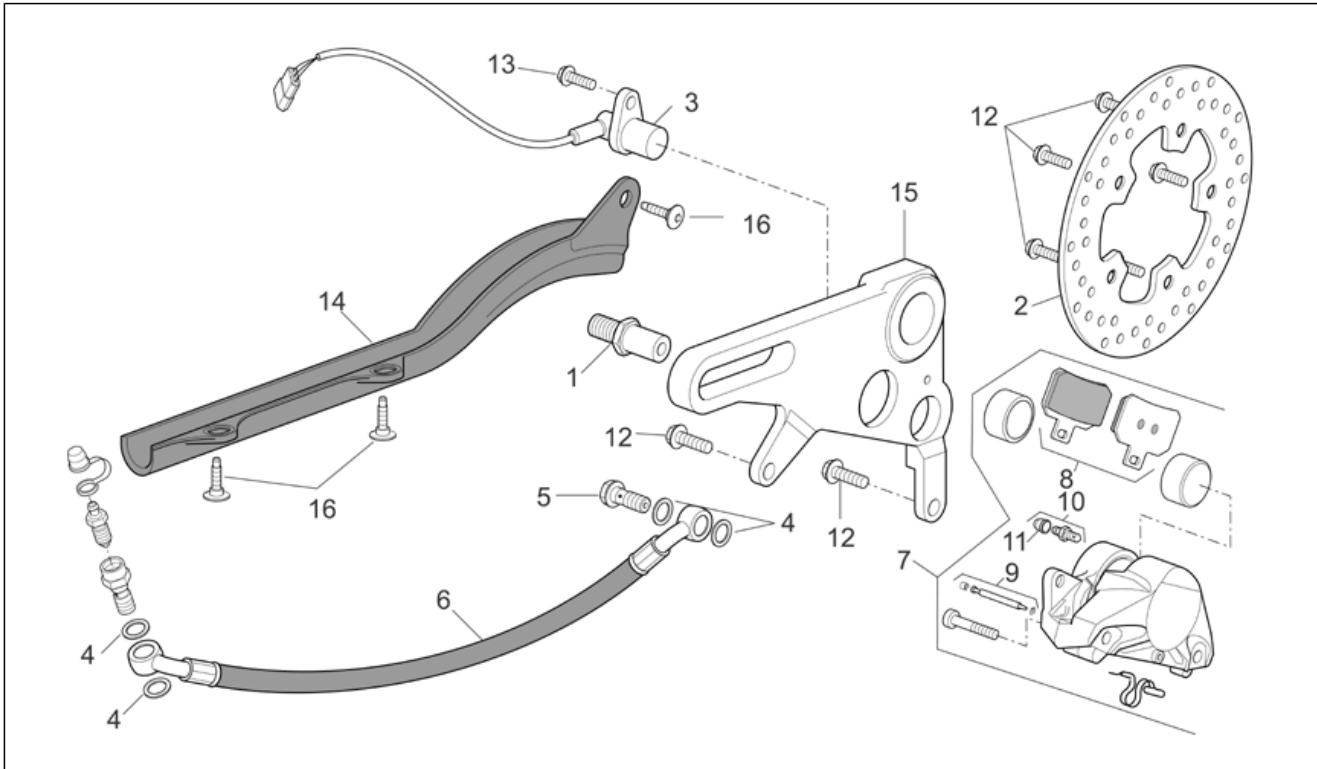
Pos.	Code	Description	Qty	Variants
1	AP8133873	Brake oil tank complete	1	
2	AP8113553	Tank cap	1	
3	AP8101595	Hose clamp D10,1	2	
4	AP8144151	Rubber pipe	1	
5	AP8133872	Rear brake pump union	1	
6	AP8113288	Rubber bellows	1	
7	AP8133875	Rear master cylinder	1	
8	AP8133902	Brake master cyl.protection	1	
9	AP8101968	Fork	1	
10	AP8120178	O-ring OR112	1	
11	AP8120912	Lever rubber	1	
12	AP8121221	Brake lever pin	1	
13	AP8121223	Rear brake lever pin	1	
14	AP8121927	Rear brake lever spring	1	
15	AP8144007	O-ring 11,11x1,78	2	
16	AP8150020	Washer 10,5x21x2*	1	
17	AP8150026	Nut M6	1	
18	AP8150044	Hex socket screw M6x20	1	Technical Specifications: Factory "R" RSV Version[FAC], RSV Mille "R" Version[R]
18	AP8152426	Screw M6x20	1	Technical Specifications: "Nera" Dream RSV Version[DRE]
19	AP8150462	Circlip d9	1	
20	AP8152273	Screw w/ flange M5X15	1	
21	AP8201301	Gear selector fork clips	1	
22	AP8152279	Screw w/ flange M6x20	2	
23	AP8146787	Rear brake lever	1	
24	AP8134415	Brake lever support	1	
25	AP8134384	Rear master cyl.support	1	
26	AP8150403	Hex socket screw M6x45	1	

Group	FRAME
Code	28.49
Description	Rear master cylinder
Service	1



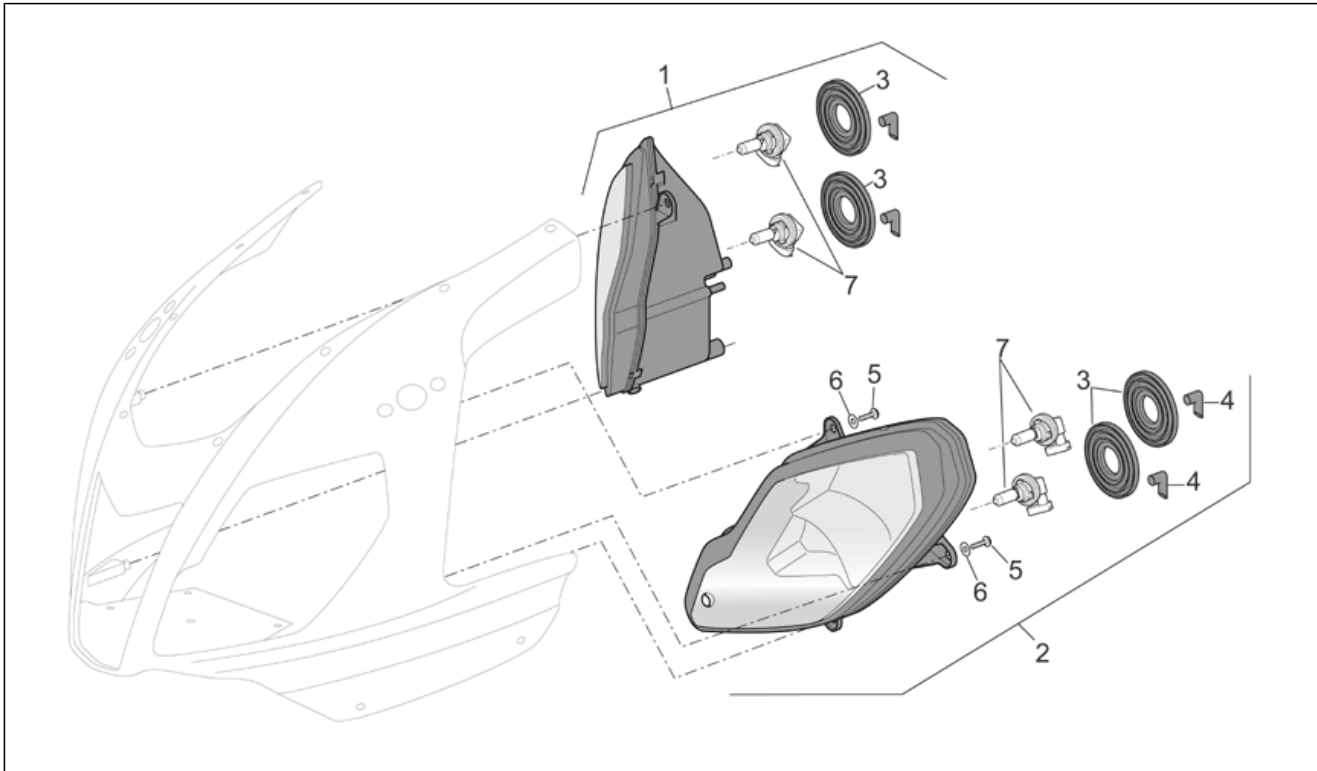
Pos.	Code	Description	Qty	Variants
27	AP8150277	Hex socket screw M8x50	3	
28	AP8112996	Microswitch	1	
29	AP8121915	Gasket	2	
30	AP8113762	Bored screw	1	
31	AP8113761	Air bleed valve	1	
32	AP8113230	Bleed valve cap	1	

Group	FRAME
Code	28.50
Description	Rear brake caliper
Service	1



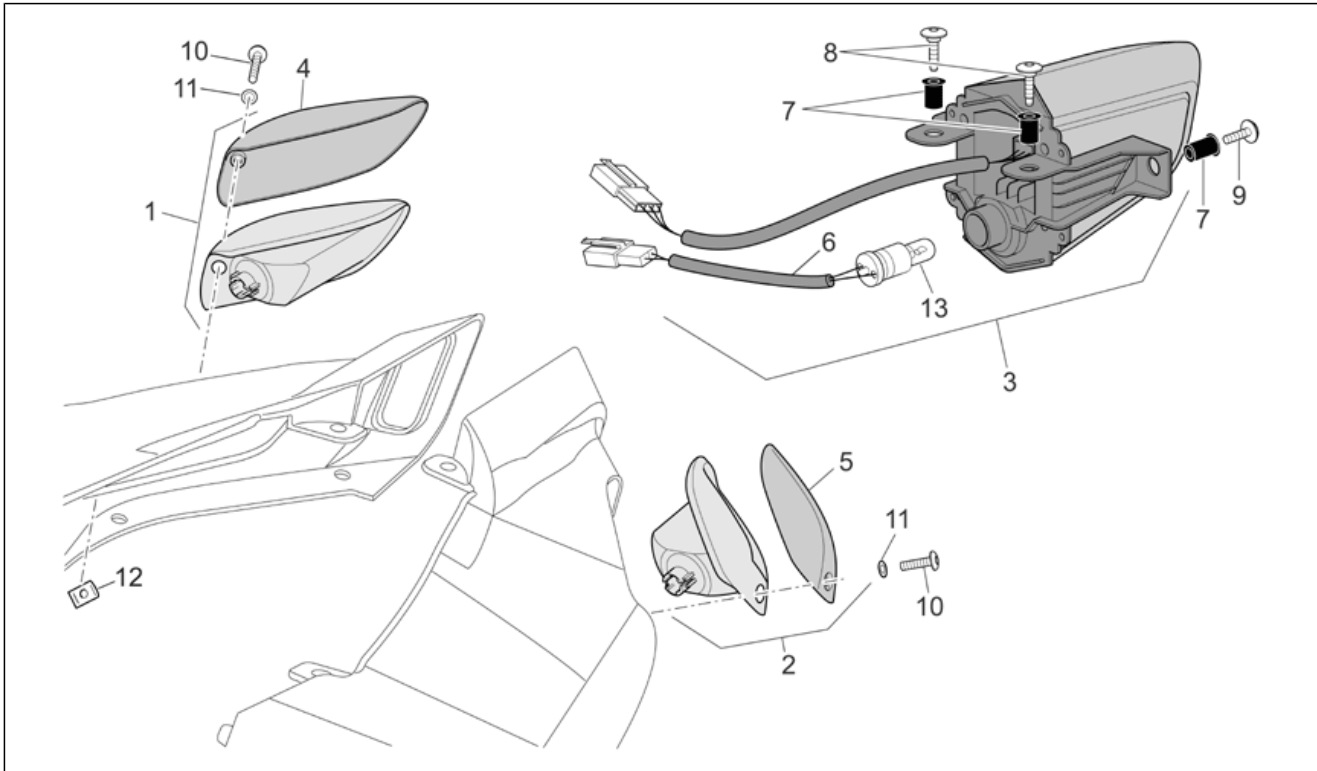
Pos.	Code	Description	Qty	Variants
1	AP8121407	Brake supp. plate pin	1	
2	AP8113612	Rear brake disc	1	
3	AP8124528	Speedometer sensor cpl.	1	
4	AP8121915	Gasket	4	
5	AP8133594	Oil pipe screw	1	
6	AP8133544	Rear brake hose	1	
7	AP8113897	Rear brake caliper	1	
8	AP8113898	Pads pair	1	
9	AP8113752	Pin+split pin	1	
10	AP8113753	Air bleed valve	1	
11	AP8113230	Bleed valve cap	1	
12	AP8152286	Screw w/ flange M8x20	7	
13	AP8152279	Screw w/ flange M6x20	1	Technical Specifications: Factory "R" RSV Version[FAC], RSV Mille "R" Version[R]
13	AP8152463	Screw M6x20	1	Technical Specifications: "Nera" Dream RSV Version[DRE]
14	AP8134781	Rear brake hose support	1	
15	AP8134779	Brake hanger plate	1	
16	AP8152302	Screw w/ flange M5x12	3	

Group	FRAME
Code	28.51
Description	Headlight
Service	1



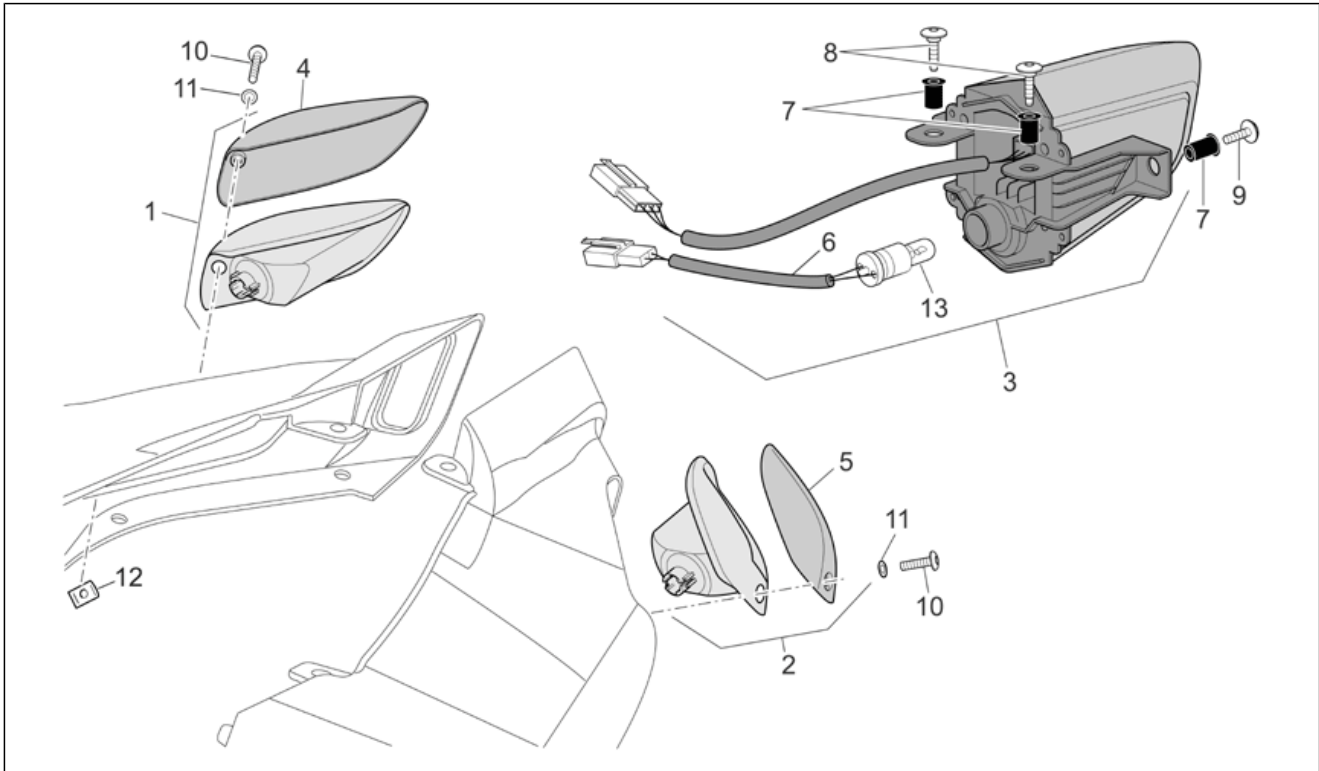
Pos.	Code	Description	Qty	Variants
1	AP8127152	RH headlight	1	Country: Canadian[CN], B, GR, E, F, I, NL[EU], Mexico[ME], United States of America[USA]
1	AP8127371	RH headlight	1	Country: Australia[AA], Japan[JJ], Great Britain[UK]
2	AP8127283	LH headlight	1	Country: Canadian[CN], B, GR, E, F, I, NL[EU], Mexico[ME], United States of America[USA]
2	AP8127372	LH headlight	1	Country: Australia[AA], Japan[JJ], Great Britain[UK]
3	AP8127442	Front headlight guard	4	
4	AP8127601	Ventilation plug	4	
5	AP8152298	Screw w/ flange M5x16	6	Technical Specifications: "Nera" Dream RSV Version[DRE]
5	AP8152329	Phillips screw, SWP M5x20	4	Technical Specifications: Factory "R" RSV Version[FAC], RSV Mille "R" Version[R]
6	AP8150382	Washer 15x5,5X1,2	4	
7	0000000	Tyre	4	

Group	FRAME
Code	28.52
Description	Taillight
Service	1



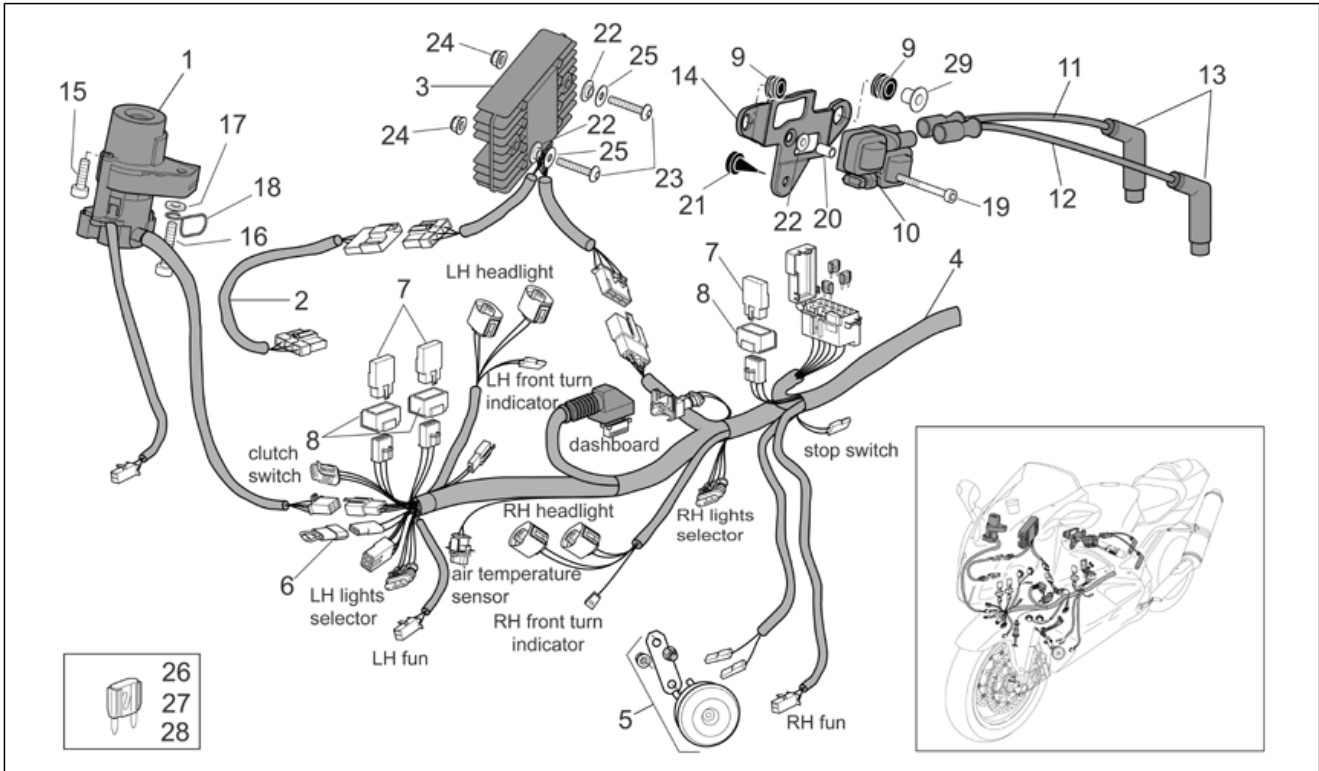
Pos.	Code	Description	Qty	Variants
1	AP8127284	Rear RH turn indicator	1	Year:2005[5], 2006[6], 2007[7], 2008[8] Country:Canadian[CN], United States of America[USA]
1	AP8127284	Rear RH turn indicator	1	Year:2004[4]
1	AP8127683	Turn indicator	1	Year:2005[5], 2006[6], 2007[7], 2008[8] Country:Australia[AA], B, GR, E, F, I, NL[EU], Japan[JJ], Mexico[ME], Great Britain[UK]
2	AP8127285	Rear LH turn indicator	1	Year:2005[5], 2006[6], 2007[7], 2008[8] Country:Canadian[CN], United States of America[USA]
2	AP8127285	Rear LH turn indicator	1	Year:2004[4]
2	AP8127684	Turn indicator	1	Year:2005[5], 2006[6], 2007[7], 2008[8] Country:Australia[AA], B, GR, E, F, I, NL[EU], Japan[JJ], Mexico[ME], Great Britain[UK]
3	AP8127153	Tail light red window	1	Year:2004[4] Country:Australia[AA], B, GR, E, F, I, NL[EU], Japan[JJ], Mexico[ME], Great Britain[UK]
3	AP8127543	Taillight	1	Year:2005[5] Country:Canadian[CN], United States of America[USA]
3	AP8127682	Tail light glass window	1	Year:2005[5] Country:Australia[AA], B, GR, E, F, I, NL[EU], Japan[JJ], Mexico[ME], Great Britain[UK]
3	AP8127721	Taillight	1	Year:2006[6], 2007[7] Country:Australia[AA], B, GR, E, F, I, NL[EU], Japan[JJ], Mexico[ME], Great Britain[UK]
3	AP8127723	Taillight	1	Year:2006[6], 2007[7], 2008[8] Country:Canadian[CN], United States of America[USA]
4	AP8127597	RH orange lens	1	
4	AP8127701	Transparent lens f.LH-r.RH	1	
5	AP8127598	LH orange lens	1	
5	AP8127702	Transparent lens f.RH-r.LH	1	
6	AP8127599	Plate light wiring	1	
7	AP8120531	Rubber w/ insert	4	
8	AP8152298	Screw w/ flange M5x16	2	

Group	FRAME
Code	28.52
Description	Taillight
Service	1



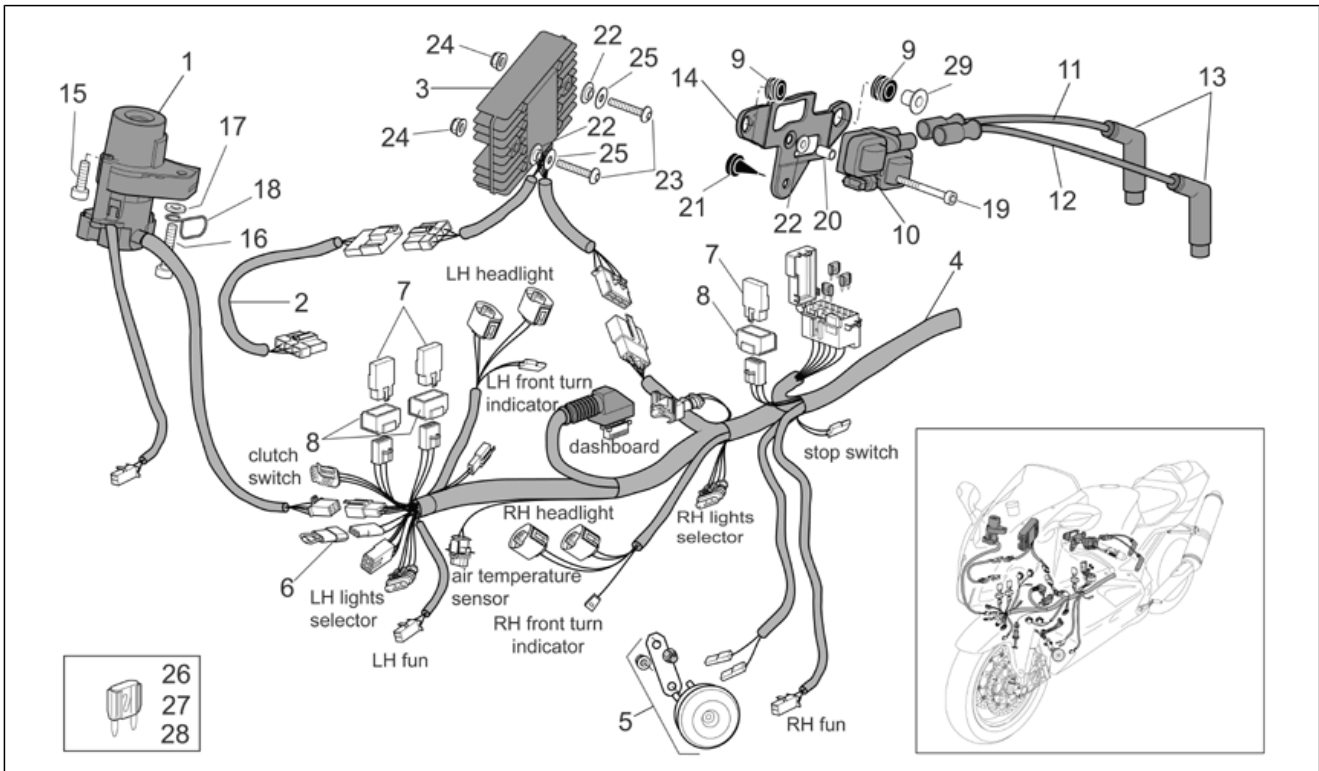
Pos.	Code	Description	Qty	Variants
9	AP8152302	Screw w/ flange M5x12	2	
10	AP8150493	Hex socket screw M4x16	2	
11	AP8144565	Nylon washer	2	
12	AP8102381	Clip M4	2	
13	0000000	Tyre	1	

Group	FRAME
Code	28.53
Description	Electrical system I
Service	1



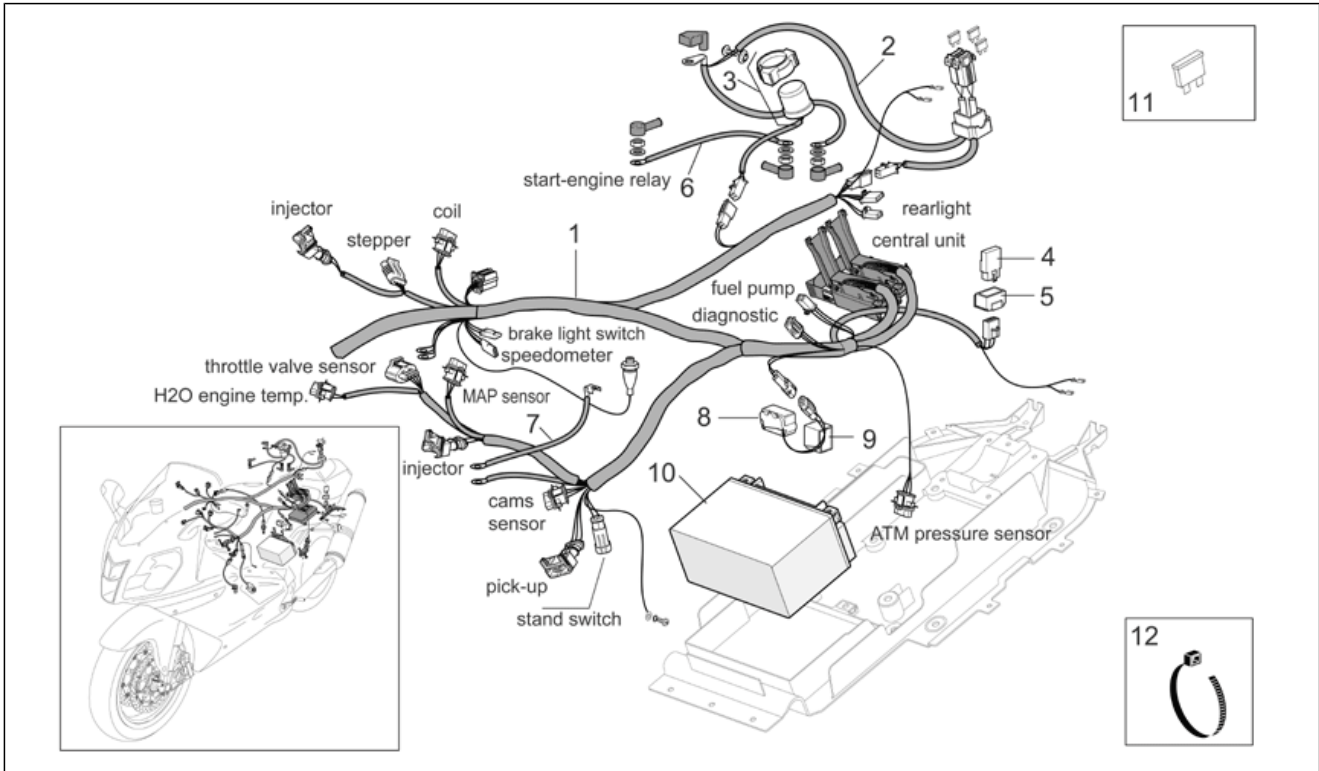
Pos.	Code	Description	Qty	Variants
1	AP8127555	Main switch - steering lock	1	
2	AP8127429	Wiring	1	
3	AP8127144	Voltage regulator	1	
4	AP8127150	Main wiring harness	1	Technical Specifications: "Nera" Dream RSV Version[DRE]
4	AP8127150	Main wiring harness	1	Year: 2004[4]
4	AP8127150	Main wiring harness	1	Year: 2005[5] Technical Specifications: Factory "R" RSV Version[FAC]
4	AP8127150	Main wiring harness	1	Year: 2005[5] Technical Specifications: RSV Mille "R" Version[R]
4	AP8127635	Main wiring harness	1	Year: 2005[5] Technical Specifications: RSV Mille "R" Version[R]
4	AP8127635	Main wiring harness	1	Year: 2005[5] Technical Specifications: Factory "R" RSV Version[FAC]
4	AP8127635	Main wiring harness	1	Year: 2004[4]
4	AP8127635	Main wiring harness	1	Year: 2005[5] Technical Specifications: RSV Mille "R" Version[R]
4	AP8127681	Main wiring harness	1	Year: 2005[5] Technical Specifications: Factory "R" RSV Version[FAC]
4	AP8127681	Main wiring harness	1	Year: 2005[5] Technical Specifications: RSV Mille "R" Version[R]
4	AP8127681	Main wiring harness	1	Year: 2006[6], 2007[7], 2008[8]
5	AP8127391	Horn	1	
6	AP8212588	Diode	1	
7	AP8224462	Relay 12V-30A	3	
8	AP8220283	Rubber spacer *	3	
9	AP8120030	Rubber spacer	2	
10	AP0266070	HT coil	1	
11	AP0266145	HT wire	1	
12	AP0266140	HT wire	1	
13	AP0265246	Int.sparkplug cap	2	

Group	FRAME
Code	28.53
Description	Electrical system I
Service	1



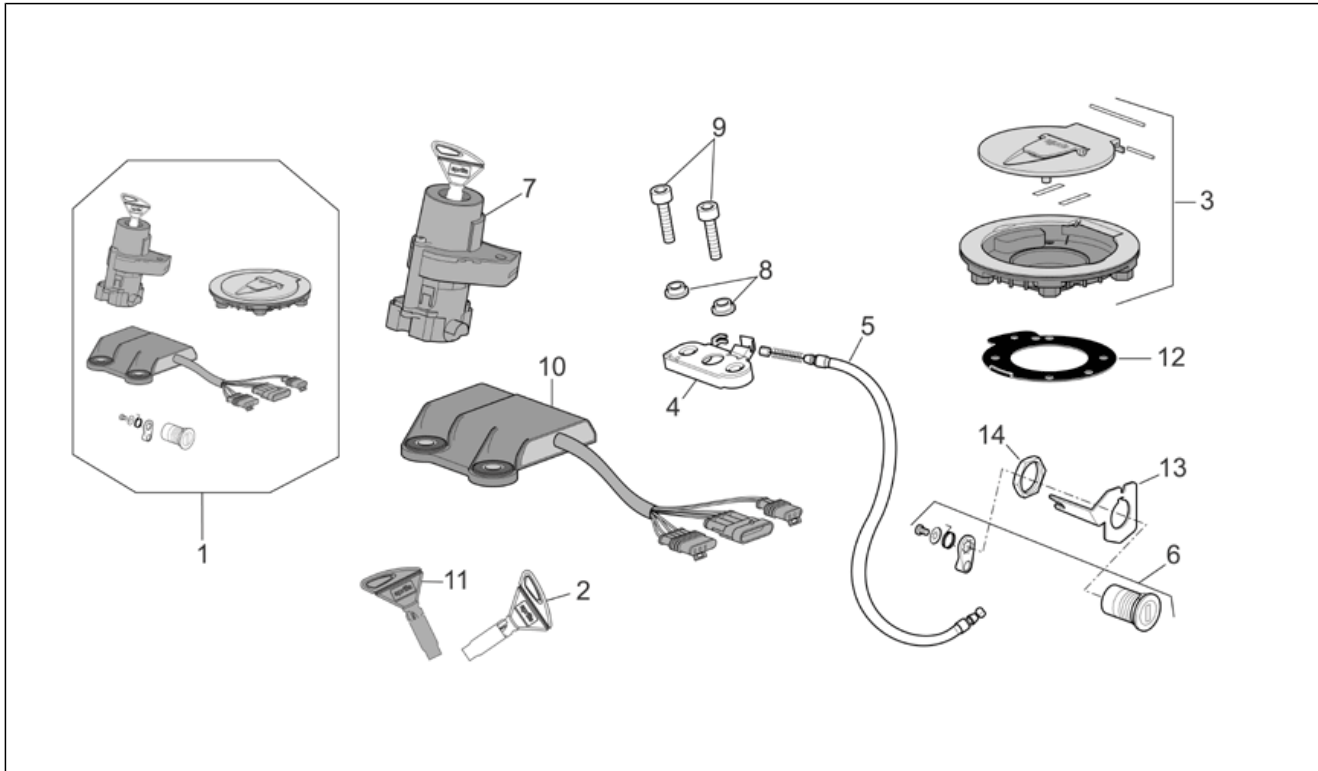
Pos.	Code	Description	Qty	Variants
14	AP8134889	Coil holder	1	
15	AP8150351	Shear rivet M8x40	1	Technical Specifications: "Nera" Dream RSV Version[DRE]
15	AP8152238	Shear rivet M8x28	1	Technical Specifications: Factory "R" RSV Version[FAC], RSV Mille "R" Version[R]
16	AP8150046	Hex socket screw M8x55	1	Technical Specifications: "Nera" Dream RSV Version[DRE]
16	AP8150164	Hex socket screw M8x45	1	Technical Specifications: Factory "R" RSV Version[FAC], RSV Mille "R" Version[R]
17	AP8221171	Spacer *	1	
18	AP8120428	Cable-guide	1	
19	AP8150202	Hex socket screw M6x50	1	
20	AP8121020	Spacer 6,5x10x19*	1	
21	AP8220238	Rubber spacer	1	
22	AP8121075	T bush *	3	
23	AP8152128	Hex socket screw M6x30	2	
24	AP8152299	Self-locking nut M6	2	
25	AP8150179	Washer 6,6x18*	2	
26	AP8176099	Fuse	3	
27	AP8176100	Fuse	1	
28	AP8127345	Fuse 15A	2	
29	AP8121075	T bush *	1	

Group	FRAME
Code	28.54
Description	Electrical system II
Service	1



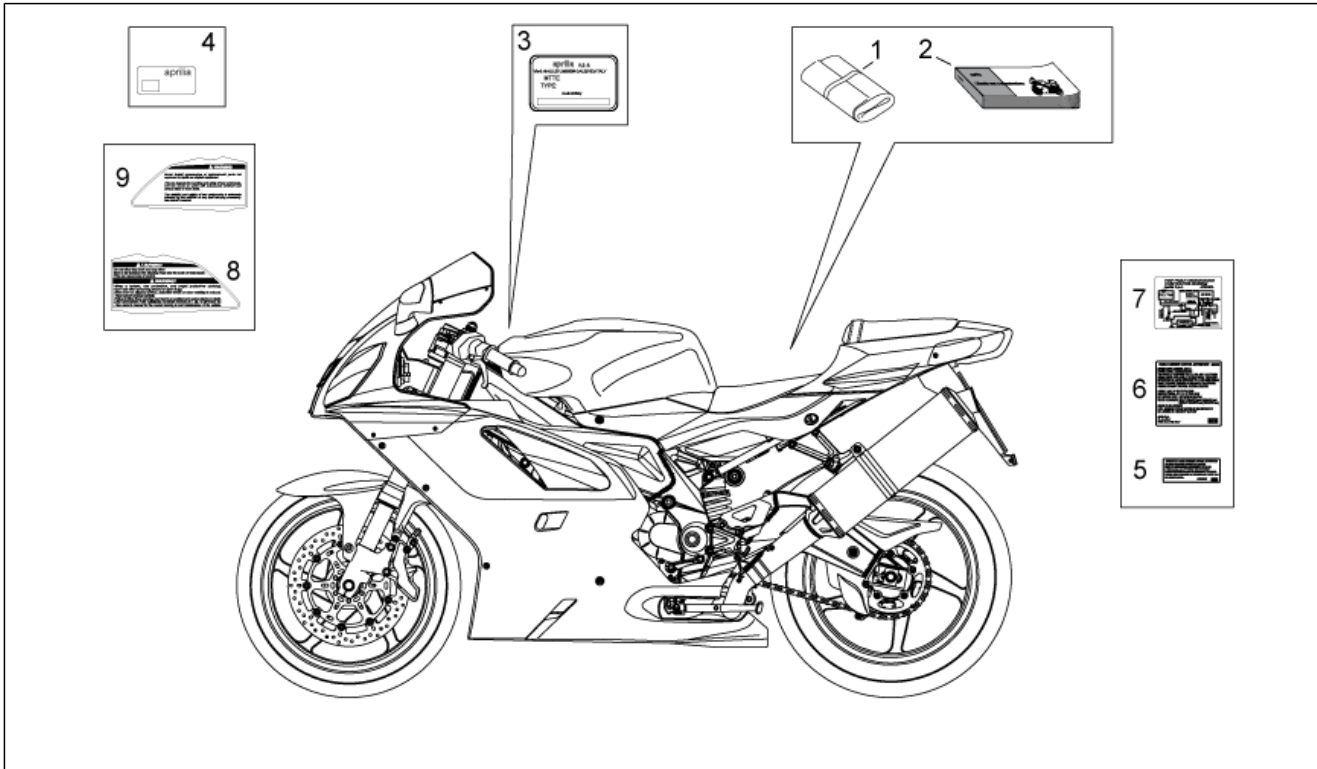
Pos.	Code	Description	Qty	Variants
1	AP8127150	Main wiring harness	1	Year:2005[5] Technical Specifications:RSV Mille "R" Version[R]
1	AP8127150	Main wiring harness	1	Year:2004[4]
1	AP8127150	Main wiring harness	1	Year:2005[5] Technical Specifications:Factory "R" RSV Version[FAC]
1	AP8127150	Main wiring harness	1	Technical Specifications:"Nera" Dream RSV Version[DRE]
1	AP8127635	Main wiring harness	1	Year:2005[5] Technical Specifications:Factory "R" RSV Version[FAC]
1	AP8127635	Main wiring harness	1	Year:2004[4]
1	AP8127635	Main wiring harness	1	Year:2005[5] Technical Specifications:RSV Mille "R" Version[R]
1	AP8127635	Main wiring harness	1	Year:2005[5] Technical Specifications:RSV Mille "R" Version[R]
1	AP8127681	Main wiring harness	1	Year:2005[5] Technical Specifications:RSV Mille "R" Version[R]
1	AP8127681	Main wiring harness	1	Year:2005[5] Technical Specifications:Factory "R" RSV Version[FAC]
1	AP8127681	Main wiring harness	1	Year:2006[6], 2007[7], 2008[8]
2	AP8127148	Wiring	1	
3	AP8112927	Relay 12V-150A	1	
4	AP8224462	Relay 12V-30A	3	
5	AP8220283	Rubber spacer *	3	
6	AP8127145	Relay-starter motor cable	1	
7	AP8127149	Ground-battery lead	1	
8	AP8124266	Inclination sensor	1	
9	AP8144046	Rubber sensor support	1	
10	AP8124748	Battery YTX12-BS	1	
11	AP8124273	Fuse 30a	2	
12	AP8120657	Hose clamp	3	

Group	FRAME
Code	28.55
Description	Lock hardware kit
Service	1



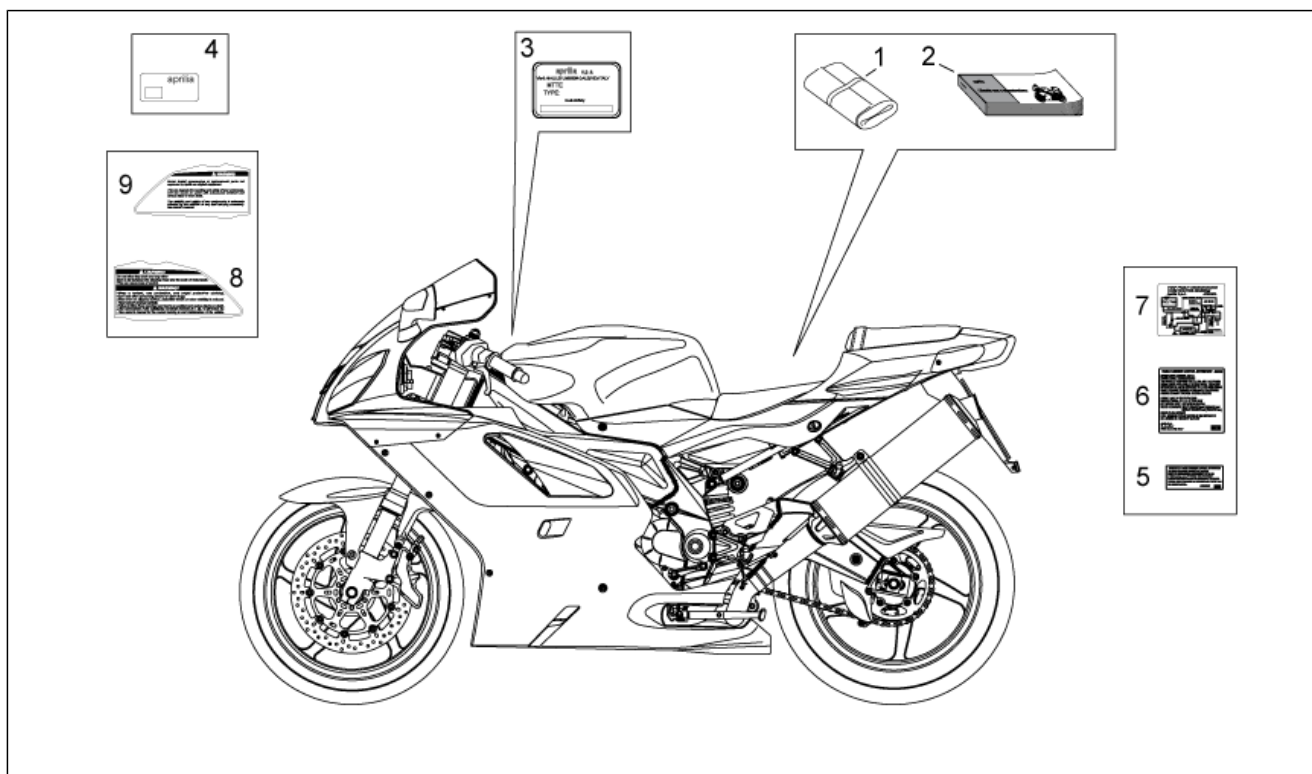
Pos.	Code	Description	Qty	Variants
1	AP8104333	Lock kit	1	Year:2004[4], 2005[5]
1	AP8104333	Lock kit	1	Year:2006[6], 2007[7], 2008[8] Technical Specifications:RSV Mille "R" Version[R]
1	AP8104951	Lock kit	1	Year:2006[6], 2007[7], 2008[8] Technical Specifications:Factory "R" RSV Version[FAC]
2	AP8140711	"Aprilia" key with transpo.	1	
3	AP8104720	Fuel filler cap	1	Year:2004[4], 2005[5] Technical Specifications:See technical communication 33/2003[TC33]
3	AP8104720	Fuel filler cap	1	Year:2006[6], 2007[7], 2008[8] Technical Specifications:RSV Mille "R" Version[R]
3	AP8144781	Fuel filler cap	1	Year:2006[6], 2007[7], 2008[8] Technical Specifications:Factory "R" RSV Version[FAC]
4	AP8102913	Pass.saddle connecting plate	1	
5	AP8114411	Lock cable	1	Year:2006[6], 2007[7], 2008[8]
5	AP8134949	Wire	1	Year:2004[4], 2005[5]
6	AP8104719	Serratura sella con chiave	1	
7	AP8127555	Main switch - steering lock	1	
8	AP8221129	Bush	2	
9	AP8150220	Hex socket screw M6x30	2	
10	AP8127510	Immobilizer ECU	1	
11	AP8104790	Master key with transpo.	1	
12	AP8104803	Fuel filler cap gasket	1	Year:2004[4] Vehicle colour:Aprilia black 2004[n], Fluo Red 2004[r] Country:B, GR, E, F, I, NL[EU], Japan[J], Mexico[ME], Great Britain[UK] Technical Specifications:Factory "R" RSV Version[FAC], RSV Mille "R" Version[R], See technical communication 33/2003[TC33]
13	AP8134948	Plate	1	
14	AP8102523	Lock nut M22x1,5	1	

Group	FRAME
Code	28.56
Description	Plate set and handbooks
Service	1



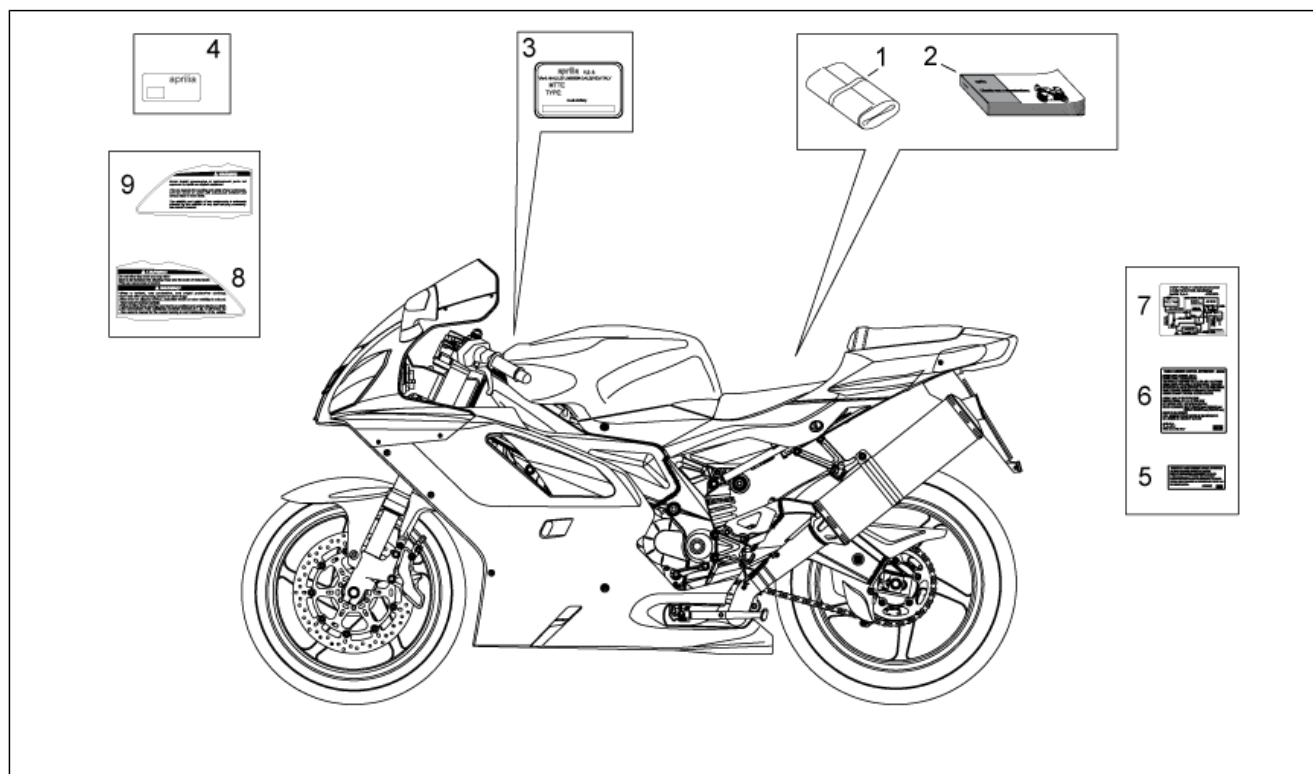
Pos.	Code	Description	Qty	Variants
1	AP8104641	Toolkit	1	Year:2004[4], 2005[5]
1	AP8140907	Toolkit	1	Year:2006[6], 2007[7], 2008[8]
2	853173	Operator's handbook -i-d-f-e-	1	Year:2007[7]
2	853174	Operator's handbook -uk-nl-gr-dk-sf-f	1	Year:2007[7]
2	853175	Operator's handbook -usa-cnd-	1	Year:2007[7], 2008[8]
2	853176	Operator's handbook -j-uk-	1	Year:2007[7]
2	AP8104334	Operator's handbook-i-f-d-	1	Year:2004[4]
2	AP8104691	Operator's handbook-p-e-uk-	1	Year:2004[4]
2	AP8104692	Operator's handbook-nl-dk-sf-	1	Year:2004[4]
2	AP8104693	Operator's handbook-gr-j-uk-	1	Year:2004[4]
2	AP8104694	Operator's handbook -aus-	1	Year:2004[4]
2	AP8104695	Operator's handbook -can-	1	Year:2004[4]
2	AP8104704	Operator's handbook -USA-	1	
2	AP8104870	Operator's handbook-i-f-d-	1	Year:2005[5]
2	AP8104871	Operator's handbook-p-e-uk-	1	Year:2005[5]
2	AP8104872	Operator's handbook-nl-dk-sf-	1	Year:2005[5]
2	AP8104873	Operator's handbook-gr-j-uk-	1	Year:2005[5]
2	AP8104874	Operator's handbook -can-	1	Year:2005[5]
2	AP8104952	Operator's handbook-i-f-d-	1	Year:2006[6]
2	AP8104953	Operator's handbook-p-e-uk-	1	Year:2006[6]
2	AP8104954	Operator's handbook-nl-dk-sf-	1	Year:2006[6]
2	AP8104955	Operator's handbook-gr-j-uk-	1	Year:2006[6]
2	AP8104956	Operator's handbook -usa-cnd-	1	Year:2006[6]
3	AP8166101	Constructor dataplate	1	Year:2004[4] Country:B, GR, E, F, I, NL[EU], Japan[JJ], Mexico[ME], Great Britain[UK] Technical Specifications:"Nera" Dream RSV Version[DRE]
3	AP8166102	Constructor dataplate	1	Year:2004[4] Country:United States of America[USA]

Group	FRAME
Code	28.56
Description	Plate set and handbooks
Service	1



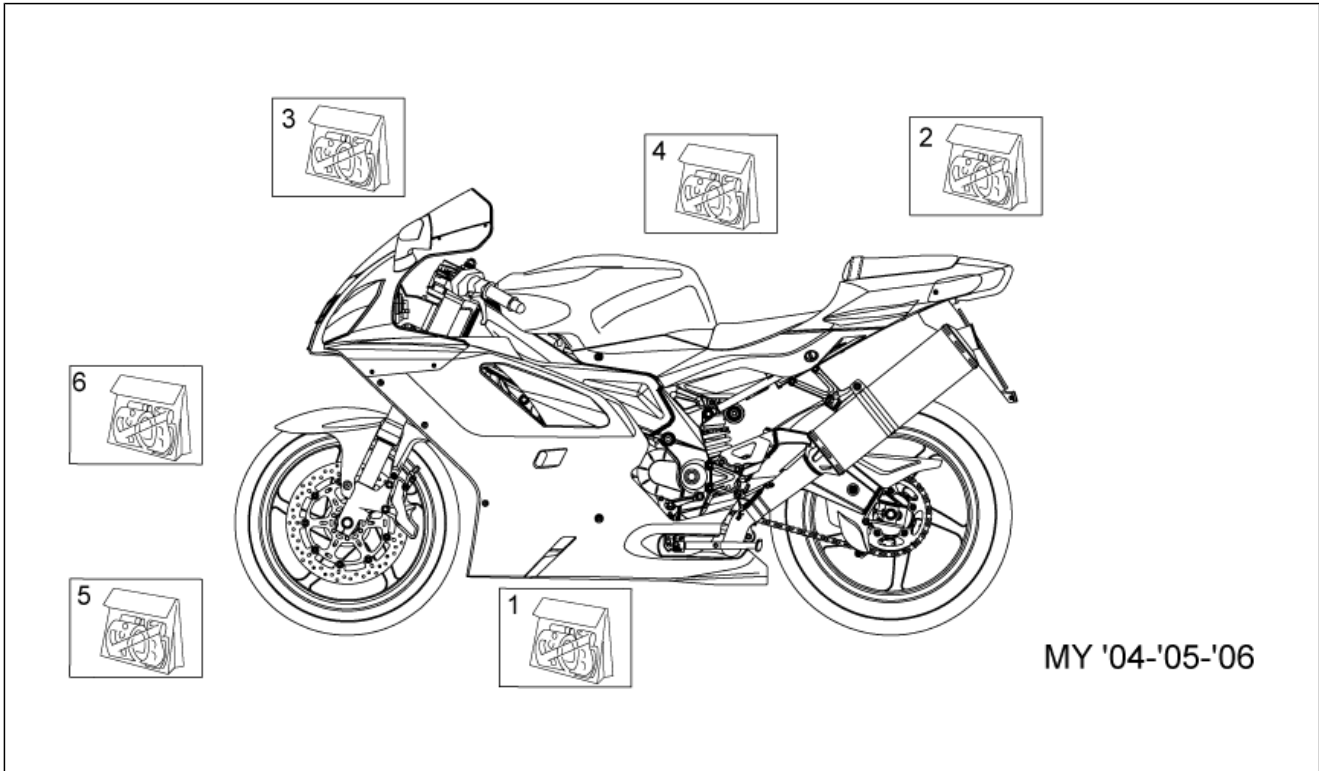
Pos.	Code	Description	Qty	Variants
				Technical Specifications: "Nera" Dream RSV Version[DRE]
3	AP8166739	Constructor dataplate	1	Year: 2006[6] Country: Canadian[CN], United States of America[USA] Technical Specifications: Factory "R" RSV Version[FAC], RSV Mille "R" Version[R]
3	AP8166852	Constructor dataplate	1	Year: 2006[6] Country: B, GR, E, F, I, NL[EU], Japan[JJ], Mexico[ME], Great Britain[UK] Technical Specifications: Factory "R" RSV Version[FAC], RSV Mille "R" Version[R]
3	AP8167547	Constructor dataplate	1	Year: 2004[4], 2005[5] Country: B, GR, E, F, I, NL[EU], Japan[JJ], Mexico[ME], Great Britain[UK] Technical Specifications: Factory "R" RSV Version[FAC], RSV Mille "R" Version[R]
3	AP8177594	Constructor dataplate	1	Year: 2004[4], 2005[5] Country: United States of America[USA] Technical Specifications: RSV Mille "R" Version[R]
3	AP8177596	Constructor dataplate	1	Year: 2004[4], 2005[5] Country: United States of America[USA] Technical Specifications: "Nera" Dream RSV Version[DRE], Factory "R" RSV Version[FAC]
3	AP8177737	Constructor dataplate	1	Year: 2004[4], 2005[5] Country: Australia[AA]
3	AP8177738	Constructor dataplate	1	Year: 2004[4], 2005[5] Country: Canadian[CN] Technical Specifications: RSV Mille "R" Version[R]
3	AP8177975	Constructor dataplate	1	Year: 2004[4], 2005[5] Country: Canadian[CN] Technical Specifications: Factory "R" RSV Version[FAC]
4	AP8177739	ECE dataplate	1	Country: Australia[AA], Canadian[CN], B, GR, E, F, I, NL[EU], Japan[JJ], Mexico[ME], Great Britain[UK]
5	AP8166912	Noise emission sticker	1	Year: 2006[6] Country: Australia[AA]

Group	FRAME
Code	28.56
Description	Plate set and handbooks
Service	1



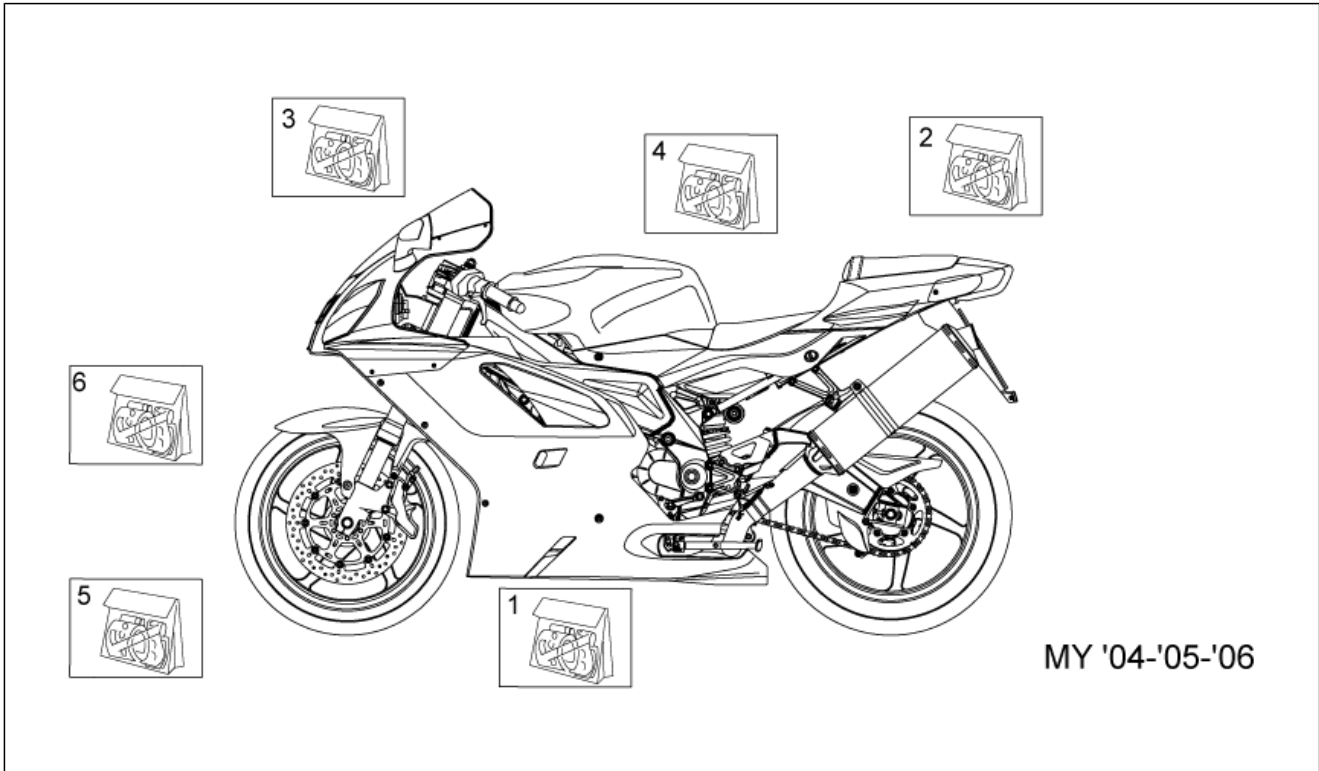
Pos.	Code	Description	Qty	Variants
5	AP8166913	Noise emission sticker	1	Year:2006[6] Country:United States of America[USA]
5	AP8177600	Noise emission sticker	1	Year:2004[4] Country:Canadian[CN], United States of America[USA]
5	AP8177740	Noise emission sticker	1	Year:2004[4], 2005[5] Country:Australia[AA]
6	AP8166743	Emission control sticker	1	Year:2006[6] Country:United States of America[USA]
6	AP8177601	Emission control sticker	1	Year:2004[4], 2005[5] Country:United States of America[USA]
7	AP8166744	Carbon filter sticker	1	Year:2006[6] Country:United States of America[USA]
7	AP8177602	Carbon filter sticker	1	Year:2004[4], 2005[5] Country:United States of America[USA]
8	AP8177978	General warning sticker	1	Country:Canadian[CN], United States of America[USA]
9	AP8177977	Accessories sticker	1	Country:Canadian[CN], United States of America[USA]

Group	FRAME
Code	28.76
Description	Decal My 04-05-06
Service	1



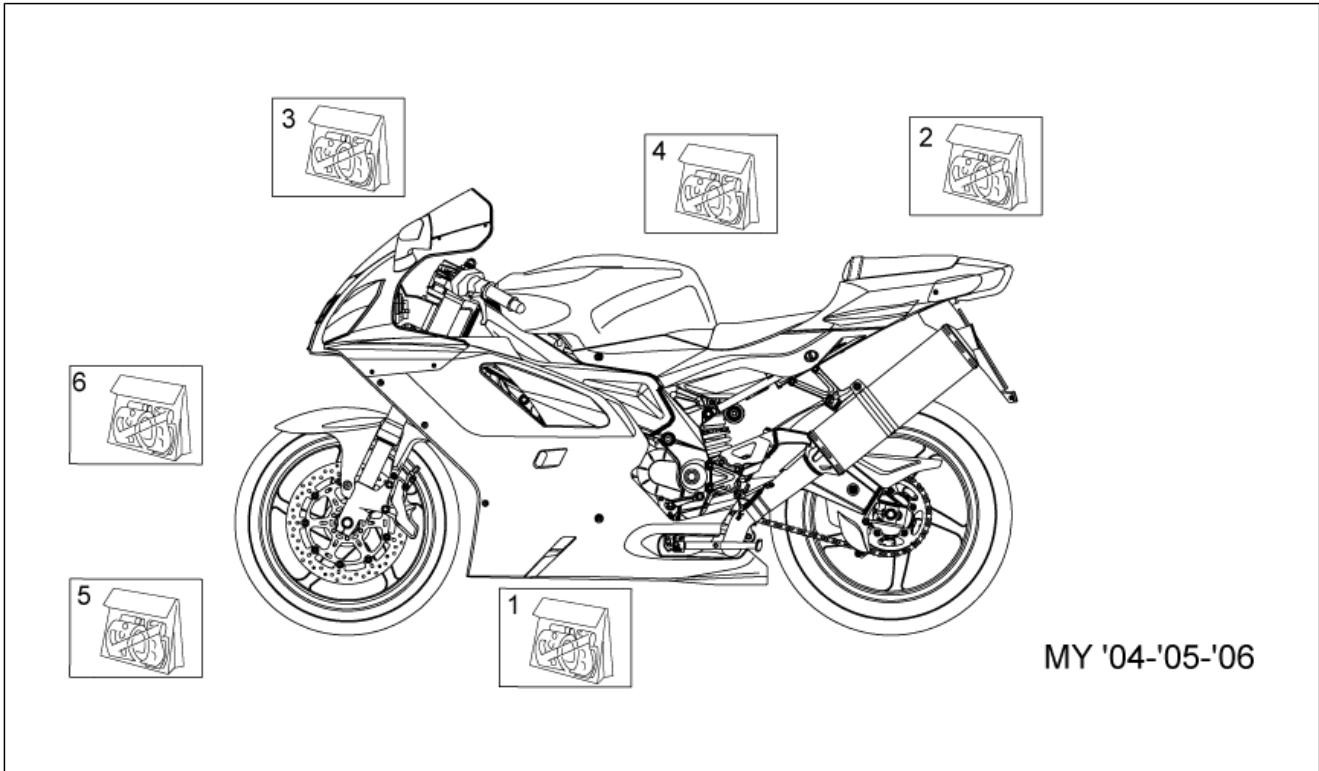
Pos.	Code	Description	Qty	Variants
1	AP8166111	Fairing decal set	1	Year:2004[4] Vehicle colour:Aprilia black 2004[n] Technical Specifications:Factory "R" RSV Version[FAC]
1	AP8166115	Fairing decal set	1	Year:2004[4] Vehicle colour:Lead grey 2004[g] Technical Specifications:Factory "R" RSV Version[FAC]
1	AP8166119	Fairing decal set	1	Year:2004[4] Vehicle colour:Fluo Red 2004[r] Technical Specifications:Factory "R" RSV Version[FAC]
1	AP8166125	Fairing decal set	1	Year:2004[4] Technical Specifications:"Nera" Dream RSV Version[DRE]
1	AP8166169	Fairing decal set	1	Year:2004[4] Vehicle colour:Aprilia black 2004[n] Technical Specifications:RSV Mille "R" Version[R]
1	AP8166170	Fairing decal set	1	Year:2004[4] Vehicle colour:Lead grey 2004[g] Technical Specifications:RSV Mille "R" Version[R]
1	AP8166171	Fairing decal set	1	Year:2004[4] Vehicle colour:Fluo Red 2004[r] Technical Specifications:RSV Mille "R" Version[R]
1	AP8166540	Fairing decal set	1	Year:2005[5] Vehicle colour:Aprilia black 2005-2006[a.blk] Technical Specifications:RSV Mille "R" Version[R]
1	AP8166541	Fairing decal set	1	Year:2005[5] Vehicle colour:Fluo Red 2005-2006[r.fluo] Technical Specifications:RSV Mille "R" Version[R]
1	AP8166542	Fairing decal set	1	Year:2005[5] Vehicle colour:Silver Mirror 2005[s.mir] Technical Specifications:RSV Mille "R" Version[R]
1	AP8166543	Fairing decal set	1	Year:2005[5] Vehicle colour:Aprilia black 2005-2006[a.blk] Technical Specifications:Factory "R" RSV Version[FAC]
1	AP8166544	Fairing decal set	1	Year:2005[5] Vehicle colour:Fluo Red 2005-2006[r.fluo]

Group	FRAME
Code	28.76
Description	Decal My 04-05-06
Service	1



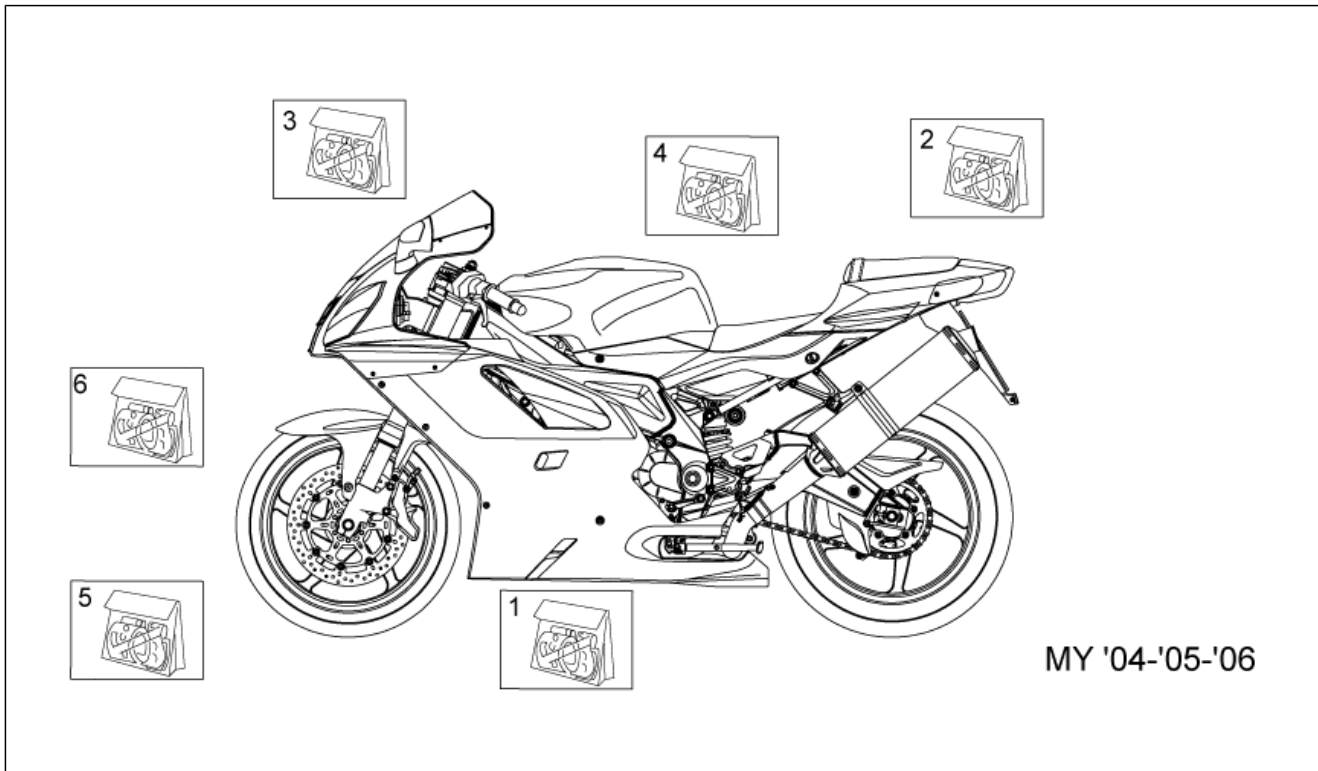
Pos.	Code	Description	Qty	Variants
				Technical Specifications: Factory "R" RSV Version[FAC]
1	AP8166545	Fairing decal set	1	Year: 2005[5] Vehicle colour: Silver Mirror 2005[s.mir] Technical Specifications: Factory "R" RSV Version[FAC]
1	AP8166994	Fairing decal set	1	Year: 2006[6] Technical Specifications: RSV Mille "R" Version[R]
1	AP8166995	Fairing decal set	1	Year: 2006[6] Technical Specifications: Factory "R" RSV Version[FAC]
2	AP8166112	Rear fairing decal set	1	Year: 2004[4] Vehicle colour: Aprilia black 2004[n] Technical Specifications: Factory "R" RSV Version[FAC]
2	AP8166116	Rear fairing decal set	1	Year: 2004[4] Vehicle colour: Lead grey 2004[g] Technical Specifications: Factory "R" RSV Version[FAC]
2	AP8166120	Rear fairing decal set	1	Year: 2004[4] Vehicle colour: Fluo Red 2004[r] Technical Specifications: Factory "R" RSV Version[FAC]
2	AP8166126	Rear fairing decal set	1	Year: 2004[4] Technical Specifications: "Nera" Dream RSV Version[DRE]
2	AP8166172	Rear fairing decal set	1	Year: 2004[4] Vehicle colour: Aprilia black 2004[n] Technical Specifications: RSV Mille "R" Version[R]
2	AP8166173	Rear fairing decal set	1	Year: 2004[4] Vehicle colour: Lead grey 2004[g] Technical Specifications: RSV Mille "R" Version[R]
2	AP8166174	Rear fairing decal set	1	Year: 2004[4] Vehicle colour: Fluo Red 2004[r] Technical Specifications: RSV Mille "R" Version[R]
2	AP8166549	Rear fairing decal set	1	Year: 2005[5] Vehicle colour: Aprilia black 2005-2006[a.blk] Technical Specifications: Factory "R" RSV Version[FAC], RSV Mille "R" Version[R]
2	AP8166550	Rear fairing decal set	1	Year: 2005[5] Vehicle colour: Fluo Red 2005-2006[r.fluo]

Group	FRAME
Code	28.76
Description	Decal My 04-05-06
Service	1



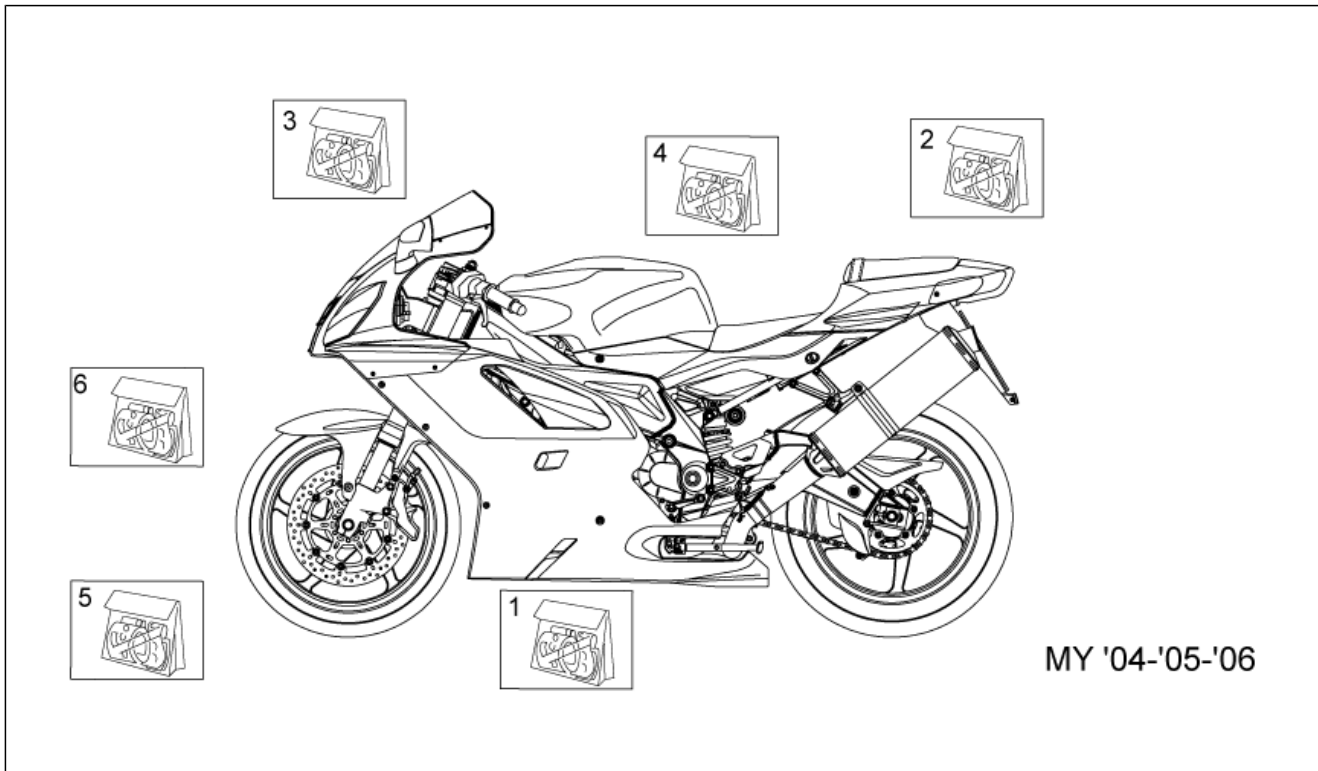
Pos.	Code	Description	Qty	Variants
				Technical Specifications: Factory "R" RSV Version[FAC], RSV Mille "R" Version[R]
2	AP8166551	Rear fairing decal set	1	Year: 2005[5] Vehicle colour: Silver Mirror 2005[s.mir] Technical Specifications: Factory "R" RSV Version[FAC], RSV Mille "R" Version[R]
2	AP8166996	Rear fairing decal set	1	Year: 2006[6] Vehicle colour: Fluo Red 2005-2006[r.fluo] Technical Specifications: RSV Mille "R" Version[R]
2	AP8166997	Rear fairing decal set	1	Year: 2006[6] Vehicle colour: Aprilia White 2006 (s.t.15178)[white] Technical Specifications: RSV Mille "R" Version[R]
2	AP8166998	Rear fairing decal set	1	Year: 2006[6] Vehicle colour: Aprilia black 2005-2006[a.blk] Technical Specifications: Factory "R" RSV Version[FAC]
2	AP8166998	Rear fairing decal set	1	Year: 2006[6] Vehicle colour: Aprilia black 2005-2006[a.blk] Technical Specifications: RSV Mille "R" Version[R]
3	AP8166110	Front fairing decal set	1	Year: 2004[4] Vehicle colour: Aprilia black 2004[n] Technical Specifications: Factory "R" RSV Version[FAC]
3	AP8166114	Front fairing decal set	1	Year: 2004[4] Vehicle colour: Lead grey 2004[g] Technical Specifications: Factory "R" RSV Version[FAC]
3	AP8166118	Front fairing decal set	1	Year: 2004[4] Vehicle colour: Fluo Red 2004[r] Technical Specifications: Factory "R" RSV Version[FAC]
3	AP8166124	Front fairing decal set	1	Year: 2004[4] Technical Specifications: "Nera" Dream RSV Version[DRE]
3	AP8166175	Front fairing decal set	1	Year: 2004[4] Vehicle colour: Aprilia black 2004[n] Technical Specifications: RSV Mille "R" Version[R]
3	AP8166176	Front fairing decal set	1	Year: 2004[4] Vehicle colour: Lead grey 2004[g]

Group	FRAME
Code	28.76
Description	Decal My 04-05-06
Service	1



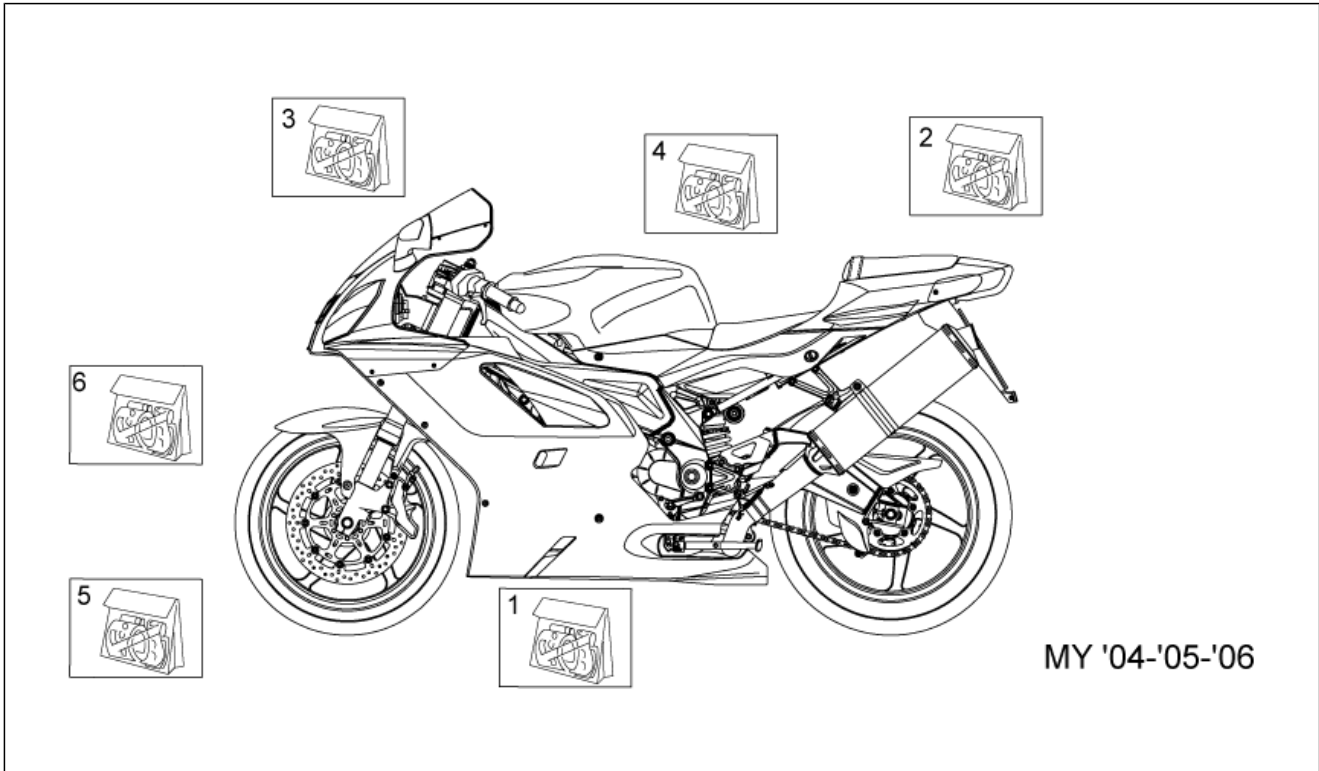
Pos.	Code	Description	Qty	Variants
				Technical Specifications: RSV Mille "R" Version[R]
3	AP8166177	Front fairing decal set	1	Year: 2004[4] Vehicle colour: Fluo Red 2004[r] Technical Specifications: RSV Mille "R" Version[R]
3	AP8166555	Front fairing decal set	1	Year: 2005[5] Vehicle colour: Aprilia black 2005-2006[a.blk] Technical Specifications: Factory "R" RSV Version[FAC], RSV Mille "R" Version[R]
3	AP8166556	Front fairing decal set	1	Year: 2005[5] Vehicle colour: Fluo Red 2005-2006[r.fluo] Technical Specifications: Factory "R" RSV Version[FAC], RSV Mille "R" Version[R]
3	AP8166556	Front fairing decal set	1	Year: 2005[5] Vehicle colour: Silver Mirror 2005[s.mir] Technical Specifications: Factory "R" RSV Version[FAC], RSV Mille "R" Version[R]
4	AP8166113	Tank decal set	1	Year: 2004[4] Vehicle colour: Aprilia black 2004[n] Technical Specifications: Factory "R" RSV Version[FAC]
4	AP8166117	Tank decal set	1	Year: 2004[4] Vehicle colour: Lead grey 2004[g] Technical Specifications: Factory "R" RSV Version[FAC]
4	AP8166121	Tank decal set	1	Year: 2004[4] Vehicle colour: Fluo Red 2004[r] Technical Specifications: Factory "R" RSV Version[FAC]
4	AP8166127	Tank decal set	1	Year: 2004[4] Technical Specifications: "Nera" Dream RSV Version[DRE]
4	AP8166178	Tank decal set	1	Year: 2004[4] Vehicle colour: Aprilia black 2004[n] Technical Specifications: RSV Mille "R" Version[R]
4	AP8166179	Tank decal set	1	Year: 2004[4] Vehicle colour: Lead grey 2004[g] Technical Specifications: RSV Mille "R" Version[R]
4	AP8166180	Tank decal set	1	Year: 2004[4]

Group	FRAME
Code	28.76
Description	Decal My 04-05-06
Service	1



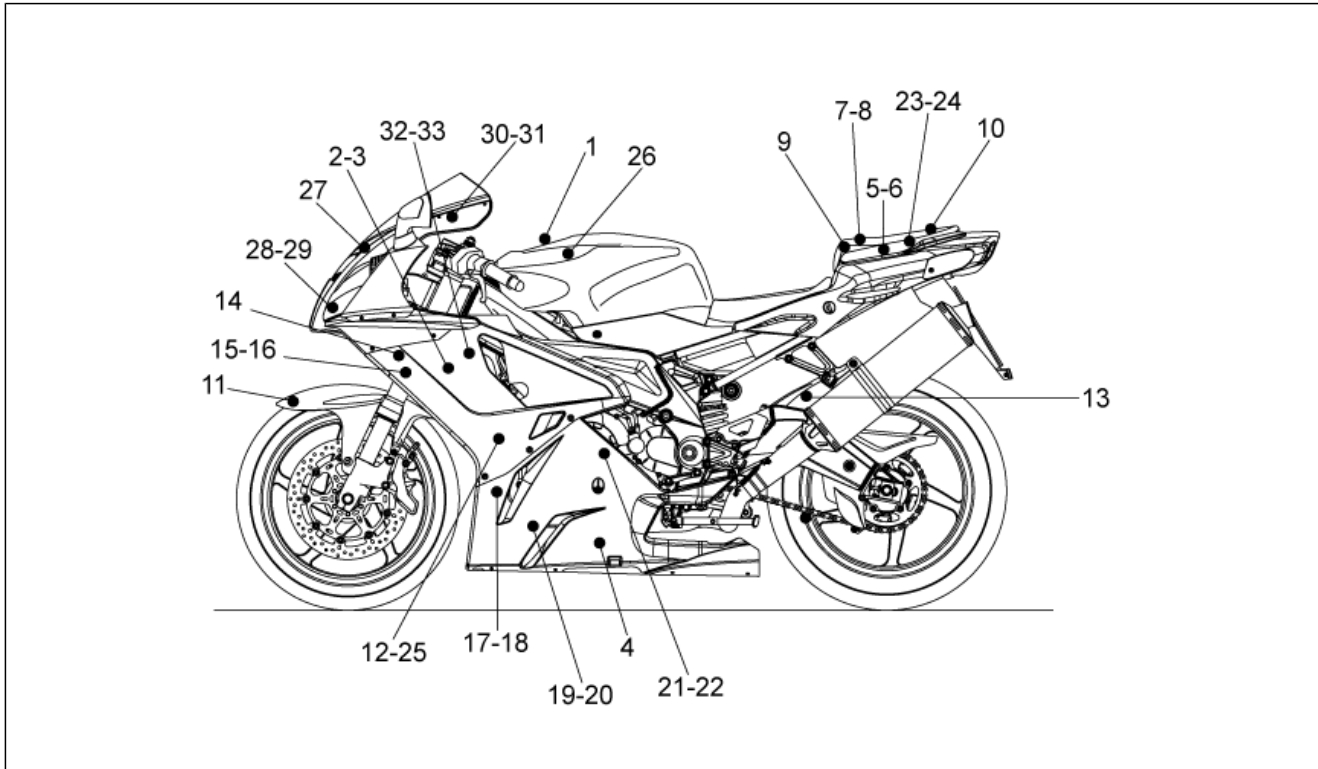
Pos.	Code	Description	Qty	Variants
				Vehicle colour: Fluo Red 2004[r] Technical Specifications: RSV Mille "R" Version[R]
4	AP8166559	Tank decal set	1	Year: 2005[5] Vehicle colour: Fluo Red 2005-2006[r.fluo] Technical Specifications: RSV Mille "R" Version[R]
4	AP8166560	Tank decal set	1	Year: 2005[5] Vehicle colour: Silver Mirror 2005[s.mir] Technical Specifications: Factory "R" RSV Version[FAC]
4	AP8166560	Tank decal set	1	Year: 2005[5] Vehicle colour: Silver Mirror 2005[s.mir] Technical Specifications: RSV Mille "R" Version[R]
4	AP8166561	Tank decal set	1	Year: 2005[5] Vehicle colour: Aprilia black 2005-2006[a.blk] Technical Specifications: Factory "R" RSV Version[FAC]
4	AP8166561	Tank decal set	1	Year: 2005[5] Vehicle colour: Aprilia black 2005-2006[a.blk] Technical Specifications: RSV Mille "R" Version[R]
4	AP8166562	Tank decal set	1	Year: 2005[5] Vehicle colour: Fluo Red 2005-2006[r.fluo] Technical Specifications: Factory "R" RSV Version[FAC]
5	AP8166109	Technical decal set	1	Year: 2004[4] Vehicle colour: Lead grey 2004[g], Fluo Red 2004[r] Country: Canadian[CN], United States of America[USA] Technical Specifications: Factory "R" RSV Version[FAC], RSV Mille "R" Version[R]
5	AP8166122	Technical decal set	1	Year: 2004[4] Country: Australia[AA], B, GR, E, F, I, NL[EU], Japan[JJ], Mexico[ME], Great Britain[UK] Technical Specifications: "Nera" Dream RSV Version[DRE]
5	AP8166123	Technical decal set	1	Year: 2004[4] Country: Canadian[CN], United States of America[USA] Technical Specifications: "Nera" Dream RSV Version[DRE]
5	AP8166181	Technical decal set	1	Year: 2004[4], 2005[5] Vehicle colour: Aprilia black 2004[n]

Group	FRAME
Code	28.76
Description	Decal My 04-05-06
Service	1



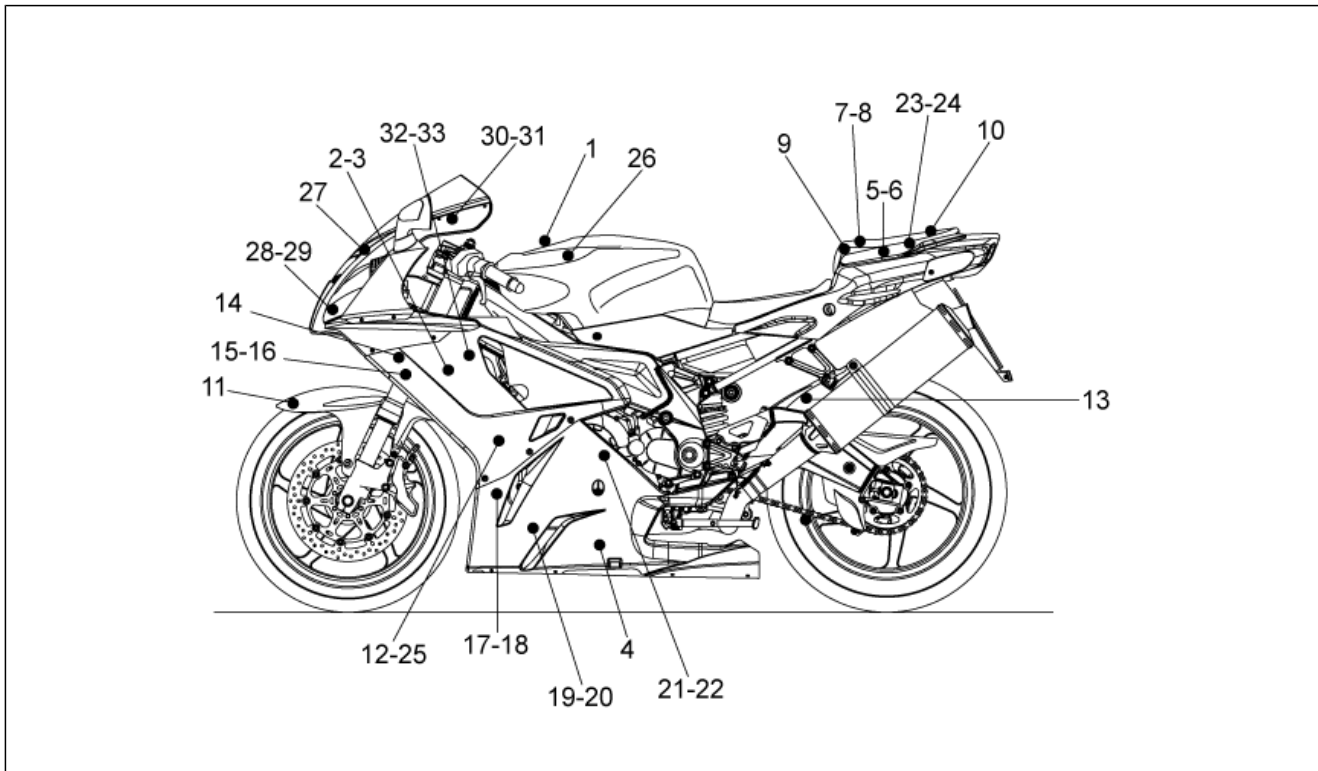
Pos.	Code	Description	Qty	Variants
				Country: Canadian[CN], United States of America[USA] Technical Specifications: Factory "R" RSV Version[FAC], RSV Mille "R" Version[R]
5	AP8166182	Technical decal set	1	Year: 2004[4], 2005[5] Country: Australia[AA], B, GR, E, F, I, NL[EU], Japan[JJ], Mexico[ME], Great Britain[UK] Technical Specifications: Factory "R" RSV Version[FAC], RSV Mille "R" Version[R]
5	AP8166478	Technical decal set	1	Year: 2006[6] Country: Australia[AA], B, GR, E, F, I, NL[EU], Japan[JJ], Mexico[ME], Great Britain[UK]
5	AP8166616	Technical decal set	1	Year: 2005[5] Vehicle colour: Aprilia black 2005-2006[a.blk] Country: Canadian[CN], United States of America[USA] Technical Specifications: Factory "R" RSV Version[FAC], RSV Mille "R" Version[R]
5	AP8166617	Technical decal set	1	Year: 2005[5] Vehicle colour: Fluo Red 2005-2006[r.fluo], Silver Mirror 2005[s.mir] Country: Canadian[CN], United States of America[USA] Technical Specifications: Factory "R" RSV Version[FAC], RSV Mille "R" Version[R]
5	AP8166990	Technical decal set	1	Year: 2006[6] Country: Canadian[CN], United States of America[USA]
6	AP8166999	Mudguard decal set	1	Year: 2006[6] Vehicle colour: Aprilia black 2005-2006[a.blk], Aprilia White 2006 (s.t.15178)[white] Technical Specifications: RSV Mille "R" Version[R]
6	AP8187000	Mudguard decal set	1	Year: 2006[6] Vehicle colour: Fluo Red 2005-2006[r.fluo] Technical Specifications: RSV Mille "R" Version[R]

Group	FRAME
Code	28.77
Description	Decal My 2007 - 2008
Service	1



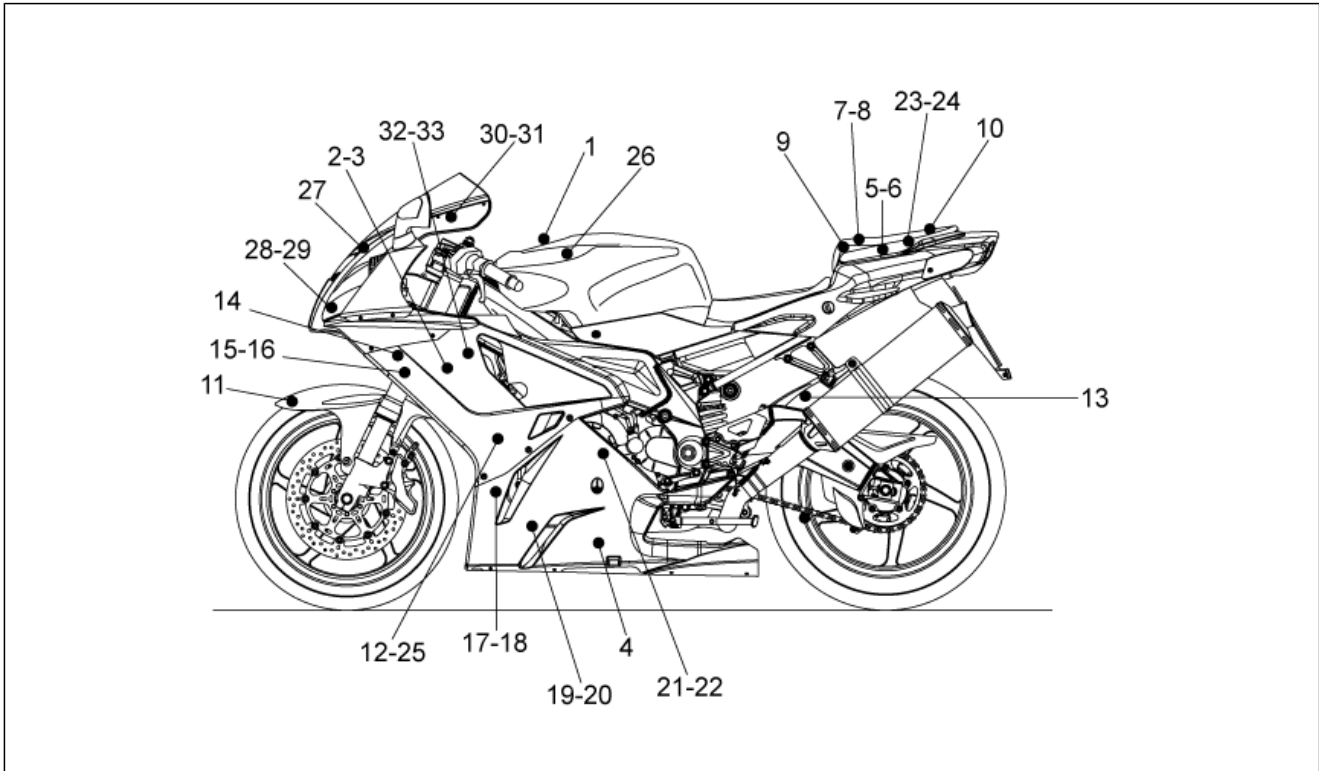
Pos.	Code	Description	Qty	Variants
1	853018	Decal "World Champion 27"	1	Technical Specifications: RSV Mille "R" Version[R]
1	860630	Decal "World Champion 31"	1	Technical Specifications: Factory "R" RSV Version[FAC], RSV Mille "R" Version[R]
2	853184	RH Top fairing decal Lion	1	Year: 2007[7], 2008[8] Vehicle colour: Aprilia Black 2007 (s.t.853153)[black], Aprilia Black 2008 (s.t.859822)[black08] Technical Specifications: RSV Mille "R" Version[R]
2	853202	RH Top fairing decal Lion	1	Year: 2007[7], 2008[8] Vehicle colour: Platinum Grey 2007 (s.t.853154)[grey] Technical Specifications: RSV Mille "R" Version[R]
2	853278	RH Top fairing decal Aprilia	1	Year: 2007[7] Vehicle colour: Bol D'or 2007 (s.t.853155)[bol dor] Technical Specifications: RSV Mille "R" Version[R]
2	860092	RH Top fairing decal	1	Year: 2008[8] Vehicle colour: Ice White 2008 (s.t.860006)[ice] Technical Specifications: RSV Mille "R" Version[R]
3	853185	LH Top fairing decal Lion	1	Year: 2007[7], 2008[8] Vehicle colour: Aprilia Black 2007 (s.t.853153)[black], Aprilia Black 2008 (s.t.859822)[black08] Technical Specifications: RSV Mille "R" Version[R]
3	853203	LH Top fairing decal Lion	1	Year: 2007[7], 2008[8] Vehicle colour: Platinum Grey 2007 (s.t.853154)[grey] Technical Specifications: RSV Mille "R" Version[R]
3	853279	LH Top fairing decal Aprilia	1	Year: 2007[7] Vehicle colour: Bol D'or 2007 (s.t.853155)[bol dor] Technical Specifications: RSV Mille "R" Version[R]
3	860093	LH Top fairing decal	1	Year: 2008[8] Vehicle colour: Ice White 2008 (s.t.860006)[ice] Technical Specifications: RSV Mille "R" Version[R]
4	853186	RH lower fairing decal Aprilia	1	Year: 2007[7], 2008[8] Vehicle colour: Aprilia black 2005-2006[a.blk], Aprilia Black 2008 (s.t.859822)[black08], Platinum Grey 2007 (s.t.853154)[grey] Technical Specifications: RSV Mille "R" Version[R]

Group	FRAME
Code	28.77
Description	Decal My 2007 - 2008
Service	1



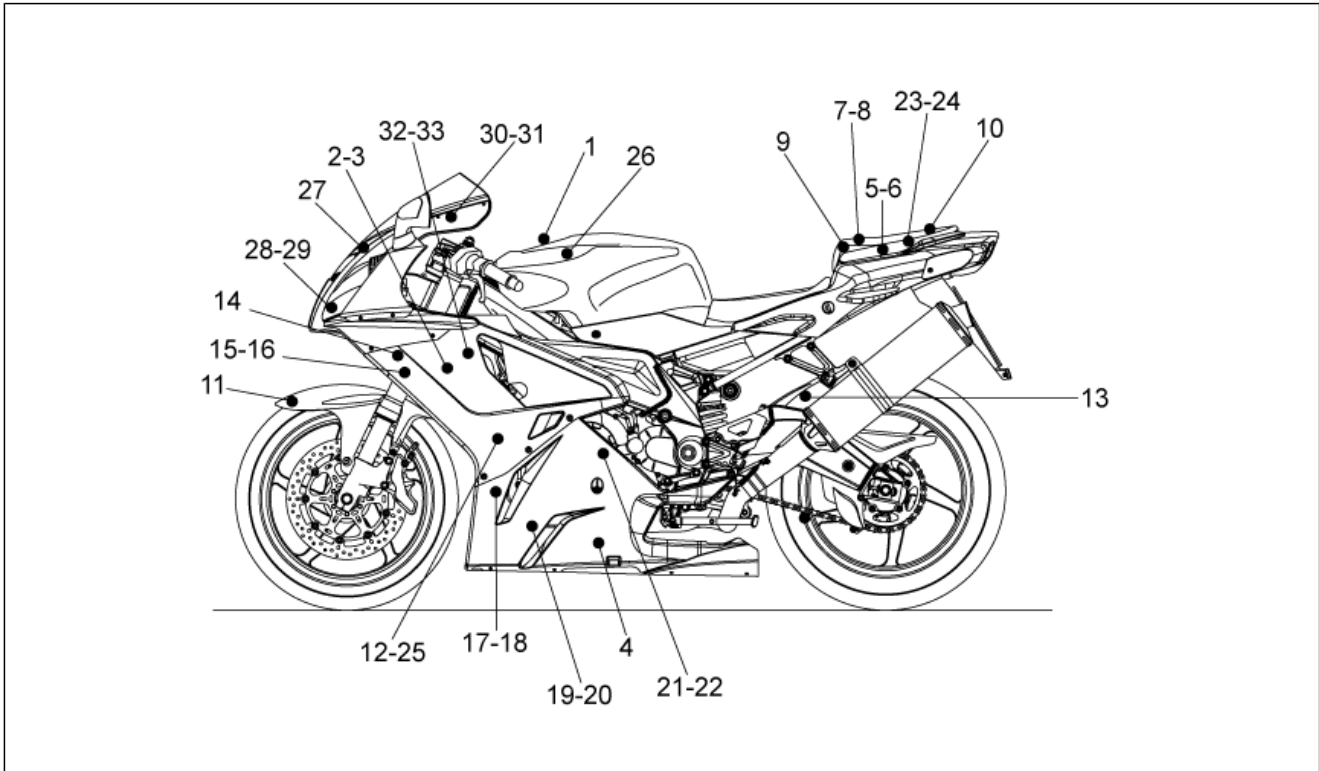
Pos.	Code	Description	Qty	Variants
4	853186	RH lower fairing decal Aprilia	1	Year:2007[7] Vehicle colour:Red Lion 2007 (s.t.853379)[red] Technical Specifications:Factory "R" RSV Version[FAC]
4	853187	LH Lowerr fairing decal Aprilia	1	Year:2007[7] Vehicle colour:Red Lion 2007 (s.t.853379)[red] Technical Specifications:Factory "R" RSV Version[FAC]
4	853187	LH Lowerr fairing decal Aprilia	1	Year:2007[7], 2008[8] Vehicle colour:Aprilia black 2005-2006[a.blk], Aprilia Black 2008 (s.t.859822)[black08], Platinum Grey 2007 (s.t.853154)[grey] Technical Specifications:RSV Mille "R" Version[R]
4	853460	RH lower fairing decal Aprilia	1	Year:2007[7], 2008[8] Vehicle colour:Dark Lion 2007 (s.t.853378)[dark] Technical Specifications:Factory "R" RSV Version[FAC]
4	853461	LH Lowerr fairing decal Aprilia	1	Year:2007[7], 2008[8] Vehicle colour:Dark Lion 2007 (s.t.853378)[dark] Technical Specifications:Factory "R" RSV Version[FAC]
4	860079	RH lower fairing decal	1	Year:2008[8] Vehicle colour:Planet Blue 2008 (s.t.860005)[blu] Technical Specifications:RSV Mille "R" Version[R]
4	860080	LH Lowerr fairing decal	1	Year:2008[8] Vehicle colour:Planet Blue 2008 (s.t.860005)[blu] Technical Specifications:RSV Mille "R" Version[R]
4	860094	RH lower fairing decal	1	Year:2008[8] Vehicle colour:Ice White 2008 (s.t.860006)[ice] Technical Specifications:RSV Mille "R" Version[R]
4	860095	LH Lowerr fairing decal	1	Year:2008[8] Vehicle colour:Ice White 2008 (s.t.860006)[ice] Technical Specifications:RSV Mille "R" Version[R]
5	853188	RH rear fairing dec. RSV	1	Year:2007[7], 2008[8] Vehicle colour:Aprilia Black 2007 (s.t.853153)[black], Aprilia Black 2008 (s.t.859822)[black08] Technical Specifications:RSV Mille "R" Version[R]
5	853188	RH rear fairing dec. RSV	1	Year:2007[7], 2008[8]

Group	FRAME
Code	28.77
Description	Decal My 2007 - 2008
Service	1



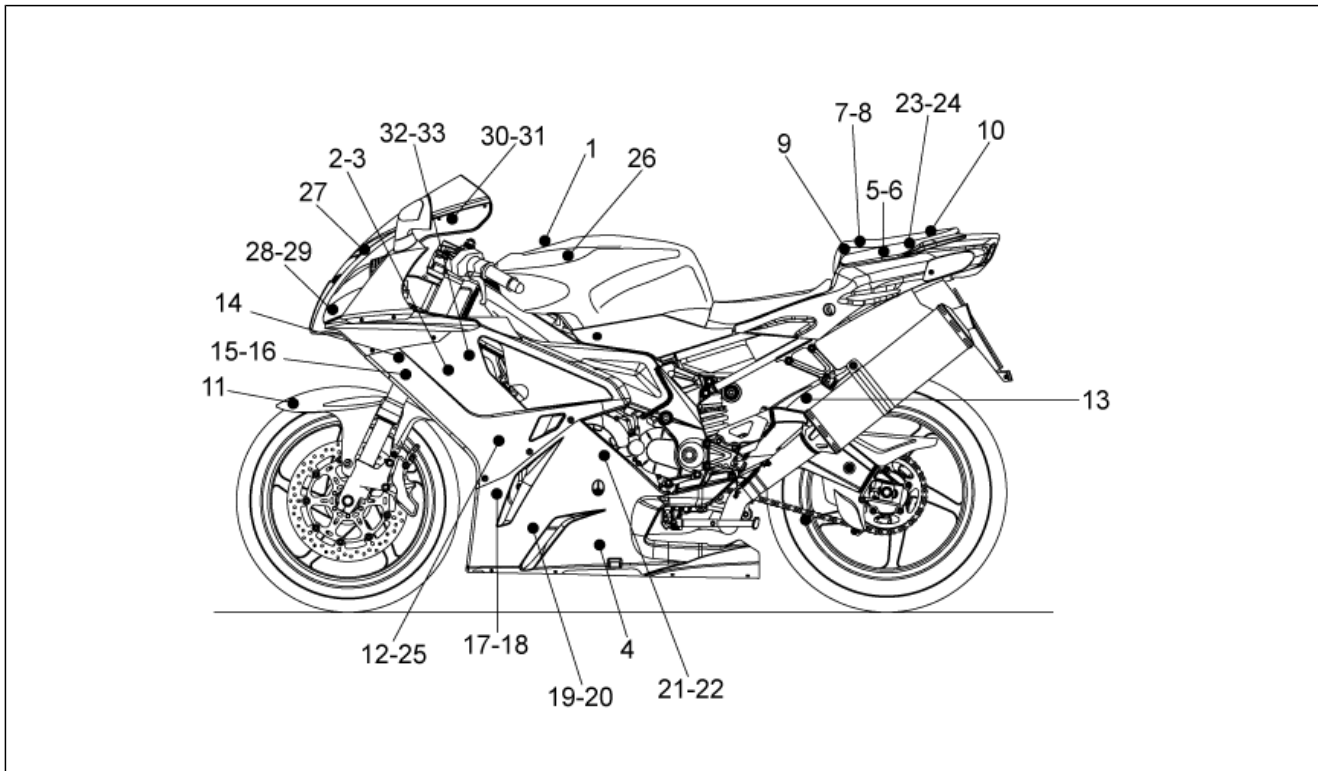
Pos.	Code	Description	Qty	Variants
				Vehicle colour: Dark Lion 2007 (s.t.853378)[dark] Technical Specifications: Factory "R" RSV Version[FAC]
5	853204	RH rear fairing dec. RSV	1	Year: 2007[7], 2008[8] Vehicle colour: Platinum Grey 2007 (s.t.853154)[grey] Technical Specifications: RSV Mille "R" Version[R]
5	853290	RH rear fairing dec. ITALIA	1	Year: 2007[7] Vehicle colour: Bol D'or 2007 (s.t.853155)[bol dor] Technical Specifications: RSV Mille "R" Version[R]
5	853455	RH rear fairing dec. RSV	1	Year: 2007[7] Vehicle colour: Red Lion 2007 (s.t.853379)[red] Technical Specifications: Factory "R" RSV Version[FAC]
5	860081	RH rear fairing dec.	1	Year: 2008[8] Vehicle colour: Planet Blue 2008 (s.t.860005)[blu] Technical Specifications: RSV Mille "R" Version[R]
5	860096	RH rear fairing dec.	1	Year: 2008[8] Vehicle colour: Ice White 2008 (s.t.860006)[ice] Technical Specifications: RSV Mille "R" Version[R]
6	853189	LH rear fairing dec. RSV	1	Year: 2007[7], 2008[8] Vehicle colour: Aprilia Black 2007 (s.t.853153)[black], Aprilia Black 2008 (s.t.859822)[black08] Technical Specifications: RSV Mille "R" Version[R]
6	853189	LH rear fairing dec. RSV	1	Year: 2007[7], 2008[8] Vehicle colour: Dark Lion 2007 (s.t.853378)[dark] Technical Specifications: Factory "R" RSV Version[FAC]
6	853205	LH rear fairing dec. RSV	1	Year: 2007[7], 2008[8] Vehicle colour: Platinum Grey 2007 (s.t.853154)[grey] Technical Specifications: RSV Mille "R" Version[R]
6	853291	LH rear fairing dec. ITALIA	1	Year: 2007[7] Vehicle colour: Bol D'or 2007 (s.t.853155)[bol dor] Technical Specifications: RSV Mille "R" Version[R]
6	853456	LH rear fairing dec. RSV	1	Year: 2007[7] Vehicle colour: Red Lion 2007 (s.t.853379)[red] Technical Specifications: Factory "R" RSV Version[FAC]
6	860082	LH rear fairing dec.	1	Year: 2008[8]

Group	FRAME
Code	28.77
Description	Decal My 2007 - 2008
Service	1



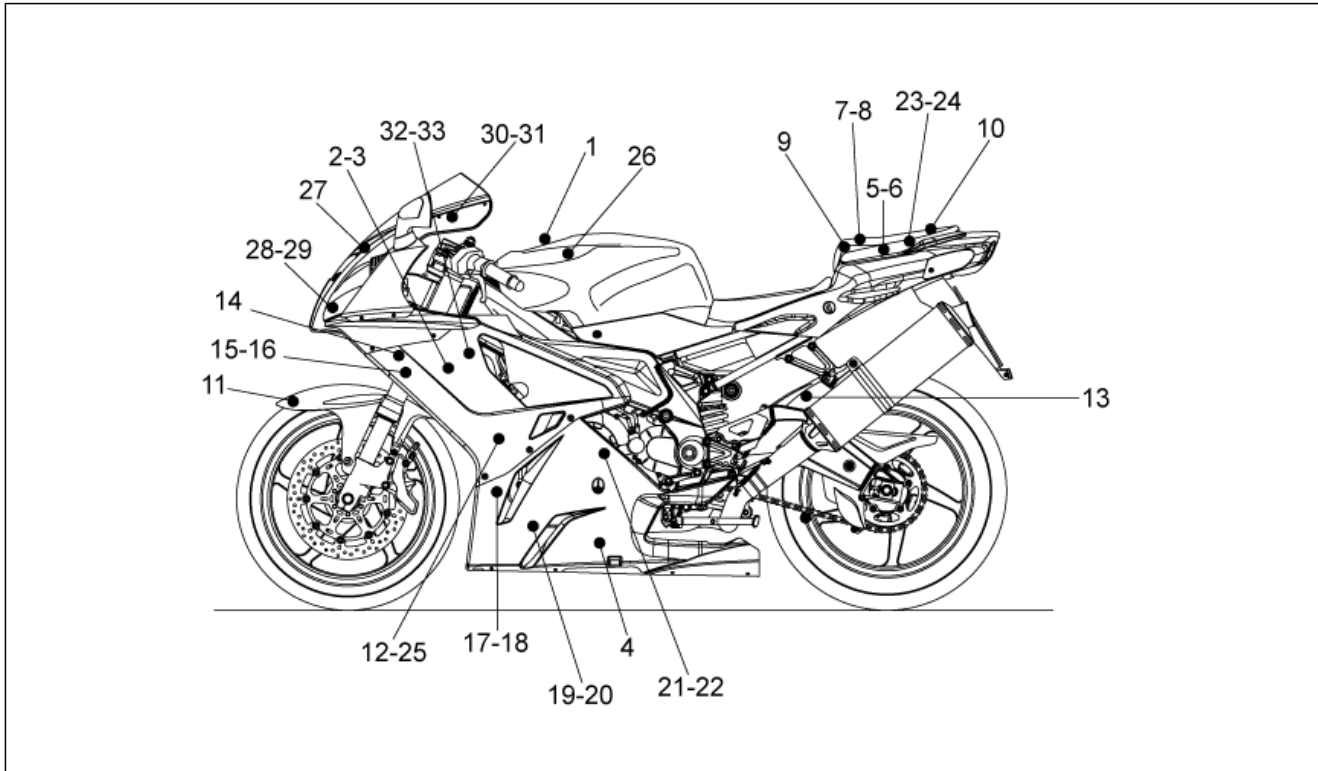
Pos.	Code	Description	Qty	Variants
				Vehicle colour:Planet Blue 2008 (s.t.860005)[blu] Technical Specifications:RSV Mille "R" Version[R]
6	860097	LH rear fairing dec.	1	Year:2008[8] Vehicle colour:Ice White 2008 (s.t.860006)[ice] Technical Specifications:RSV Mille "R" Version[R]
7	853190	RH decal numbers	1	Year:2007[7], 2008[8] Vehicle colour:Aprilia Black 2007 (s.t.853153)[black], Aprilia Black 2008 (s.t.859822)[black08] Technical Specifications:RSV Mille "R" Version[R]
7	853190	RH decal numbers	1	Year:2007[7], 2008[8] Vehicle colour:Dark Lion 2007 (s.t.853378)[dark] Technical Specifications:Factory "R" RSV Version[FAC]
7	853206	RH decal numbers	1	Year:2007[7] Vehicle colour:Red Lion 2007 (s.t.853379)[red] Technical Specifications:Factory "R" RSV Version[FAC]
7	853206	RH decal numbers	1	Year:2007[7], 2008[8] Vehicle colour:Platinum Grey 2007 (s.t.853154)[grey] Technical Specifications:RSV Mille "R" Version[R]
7	853288	RH decal numbers	1	Year:2007[7] Vehicle colour:Bol D'or 2007 (s.t.853155)[bol dor] Technical Specifications:RSV Mille "R" Version[R]
7	860098	RH decal numbers	1	Year:2008[8] Vehicle colour:Ice White 2008 (s.t.860006)[ice] Technical Specifications:RSV Mille "R" Version[R]
8	853191	LH decal numbers	1	Year:2007[7], 2008[8] Vehicle colour:Dark Lion 2007 (s.t.853378)[dark] Technical Specifications:Factory "R" RSV Version[FAC]
8	853191	LH decal numbers	1	Year:2007[7], 2008[8] Vehicle colour:Aprilia Black 2007 (s.t.853153)[black], Aprilia Black 2008 (s.t.859822)[black08] Technical Specifications:RSV Mille "R" Version[R]
8	853207	LH decal numbers	1	Year:2007[7] Vehicle colour:Red Lion 2007 (s.t.853379)[red] Technical Specifications:Factory "R" RSV Version[FAC]

Group	FRAME
Code	28.77
Description	Decal My 2007 - 2008
Service	1



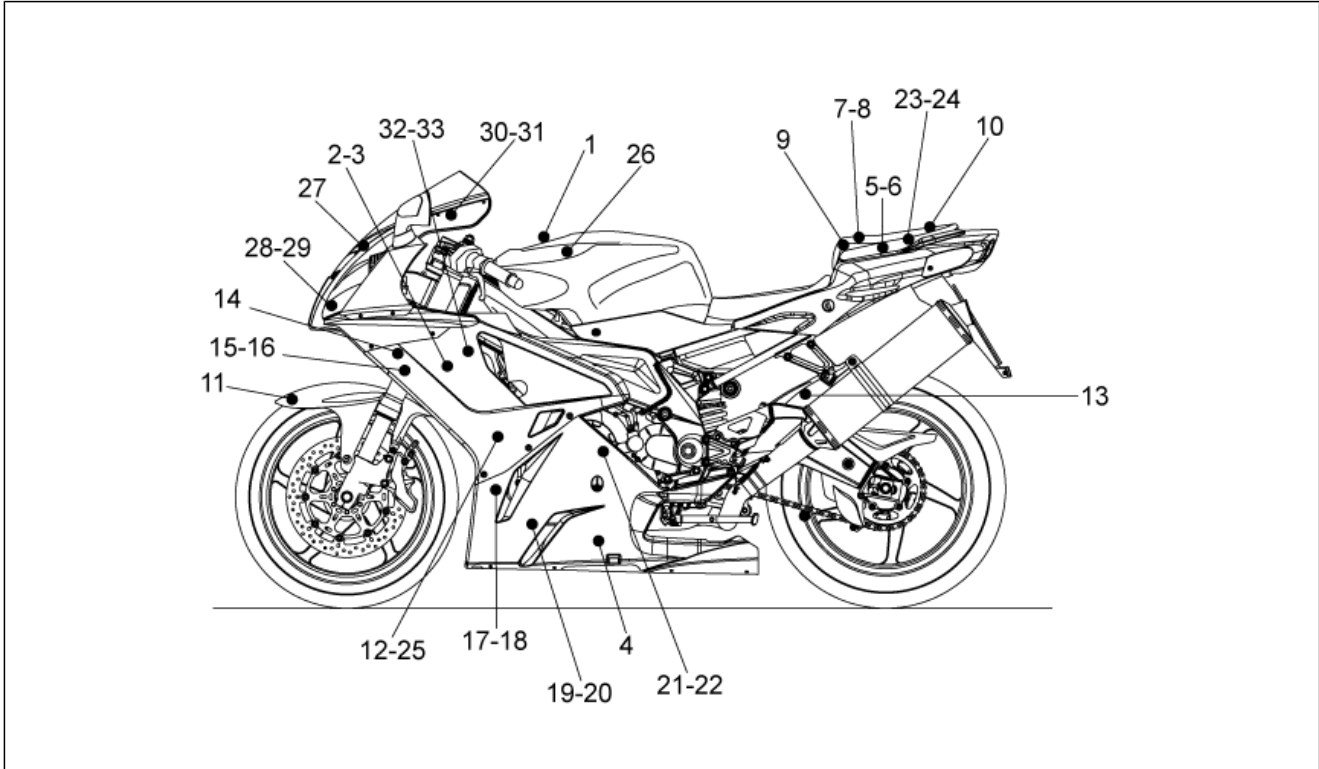
Pos.	Code	Description	Qty	Variants
8	853207	LH decal numbers	1	Year:2007[7], 2008[8] Vehicle colour:Platinum Grey 2007 (s.t.853154)[grey] Technical Specifications:RSV Mille "R" Version[R]
8	853289	LH decal numbers	1	Year:2007[7] Vehicle colour:Bol D'or 2007 (s.t.853155)[bol dor] Technical Specifications:RSV Mille "R" Version[R]
8	860099	LH decal numbers	1	Year:2008[8] Vehicle colour:Ice White 2008 (s.t.860006)[ice] Technical Specifications:RSV Mille "R" Version[R]
9	852583	Saddle cover decal Aprilia	1	Year:2007[7] Vehicle colour:Red Lion 2007 (s.t.853379)[red] Technical Specifications:Factory "R" RSV Version[FAC]
9	852784	Saddle cover decal Aprilia	1	Year:2007[7] Vehicle colour:Dark Lion 2007 (s.t.853378)[dark] Technical Specifications:Factory "R" RSV Version[FAC]
9	853192	Saddle cover decal Aprilia	1	Year:2007[7], 2008[8] Vehicle colour:Aprilia black 2005-2006[a.blk], Aprilia Black 2008 (s.t.859822)[black08], Bol D'or 2007 (s.t.853155)[bol dor] Technical Specifications:RSV Mille "R" Version[R]
9	853208	Saddle cover decal Aprilia	1	Year:2007[7], 2008[8] Vehicle colour:Platinum Grey 2007 (s.t.853154)[grey] Technical Specifications:RSV Mille "R" Version[R]
9	854560	Saddle cover decal	1	Year:2008[8] Vehicle colour:Dark Lion 2007 (s.t.853378)[dark] Technical Specifications:Factory "R" RSV Version[FAC]
9	860083	Saddle cover decal	1	Year:2008[8] Vehicle colour:Planet Blue 2008 (s.t.860005)[blu] Technical Specifications:RSV Mille "R" Version[R]
9	860100	Saddle cover decal	1	Year:2008[8] Vehicle colour:Ice White 2008 (s.t.860006)[ice] Technical Specifications:RSV Mille "R" Version[R]
10	852586	Decal Agip	1	Year:2007[7]
11	852578	Front mudguard decal Aprilia	1	Year:2008[8]

Group	FRAME
Code	28.77
Description	Decal My 2007 - 2008
Service	1



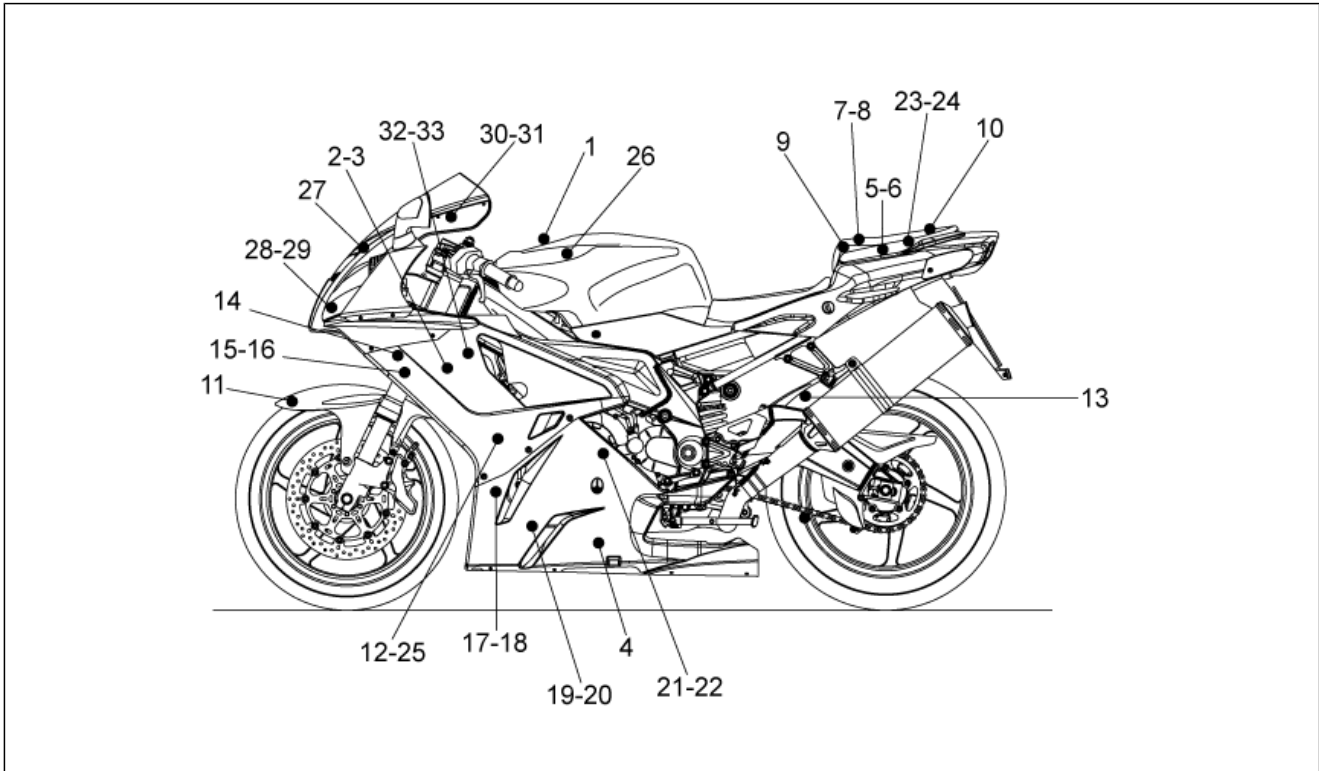
Pos.	Code	Description	Qty	Variants
				Vehicle colour: Aprilia Black 2008 (s.t.859822)[black08] Technical Specifications: RSV Mille "R" Version[R]
11	853294	Front mudguard decal Aprilia	1	Year: 2007[7] Vehicle colour: Bol D'or 2007 (s.t.853155)[bol dor] Technical Specifications: RSV Mille "R" Version[R]
11	853413	Front mudguard decal Racing	1	Year: 2007[7], 2008[8] Vehicle colour: Dark Lion 2007 (s.t.853378)[dark], Red Lion 2007 (s.t.853379)[red] Technical Specifications: Factory "R" RSV Version[FAC]
11	853413	Front mudguard decal Racing	1	Year: 2007[7], 2008[8] Vehicle colour: Aprilia black 2005-2006[a.blk], Platinum Grey 2007 (s.t.853154)[grey] Technical Specifications: RSV Mille "R" Version[R]
11	853478	Front mudguard decal Aprilia	1	Year: 2008[8] Vehicle colour: Ice White 2008 (s.t.860006)[ice] Technical Specifications: RSV Mille "R" Version[R]
12	853281	LH Top fairing decal A	1	Year: 2007[7] Vehicle colour: Bol D'or 2007 (s.t.853155)[bol dor] Technical Specifications: RSV Mille "R" Version[R]
13	852029	Decal "AGIP"	2	Year: 2007[7]
14	853277	Decal AGIP	2	Year: 2007[7] Vehicle colour: Bol D'or 2007 (s.t.853155)[bol dor] Technical Specifications: RSV Mille "R" Version[R]
15	853275	RH Top fairing decal	1	Year: 2007[7] Vehicle colour: Bol D'or 2007 (s.t.853155)[bol dor] Technical Specifications: RSV Mille "R" Version[R]
15	853446	RH Top fairing decal Factory	1	Year: 2007[7], 2008[8] Vehicle colour: Dark Lion 2007 (s.t.853378)[dark] Technical Specifications: Factory "R" RSV Version[FAC]
15	853453	RH Top fairing decal Factory	1	Year: 2007[7] Vehicle colour: Red Lion 2007 (s.t.853379)[red] Technical Specifications: Factory "R" RSV Version[FAC]
16	853276	LH Top fairing decal	1	Year: 2007[7] Vehicle colour: Bol D'or 2007 (s.t.853155)[bol dor]

Group	FRAME
Code	28.77
Description	Decal My 2007 - 2008
Service	1



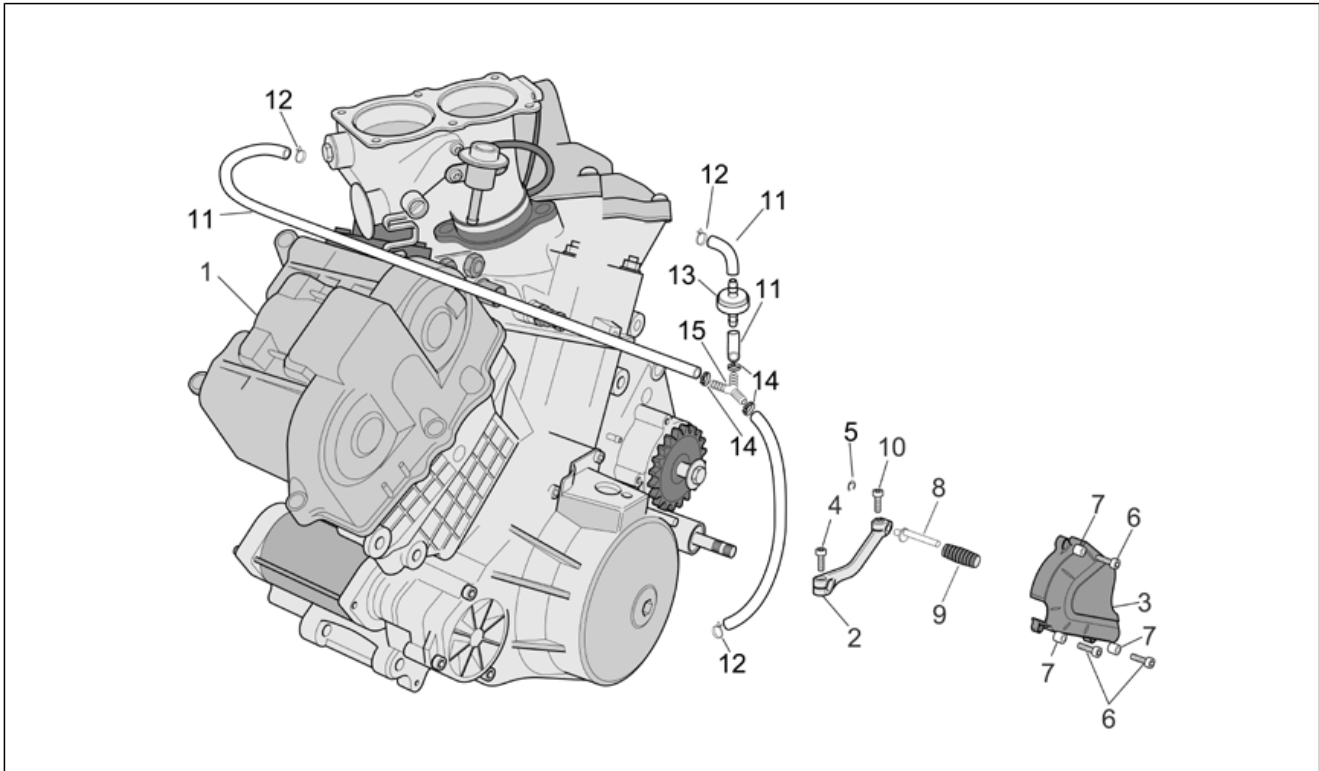
Pos.	Code	Description	Qty	Variants
				Technical Specifications: RSV Mille "R" Version[R]
16	853447	LH Top fairing decal Factory	1	Year: 2007[7], 2008[8] Vehicle colour: Dark Lion 2007 (s.t.853378)[dark] Technical Specifications: Factory "R" RSV Version[FAC]
16	853454	LH Top fairing decal Factory	1	Year: 2007[7] Vehicle colour: Red Lion 2007 (s.t.853379)[red] Technical Specifications: Factory "R" RSV Version[FAC]
17	853282	RH lower fairing decal 1	1	Year: 2007[7] Vehicle colour: Bol D'or 2007 (s.t.853155)[bol dor] Technical Specifications: RSV Mille "R" Version[R]
18	853283	LH Lowerr fairing decal 2	1	Year: 2007[7] Vehicle colour: Bol D'or 2007 (s.t.853155)[bol dor] Technical Specifications: RSV Mille "R" Version[R]
19	853284	RH lower fairing decal 3	1	Year: 2007[7] Vehicle colour: Bol D'or 2007 (s.t.853155)[bol dor] Technical Specifications: RSV Mille "R" Version[R]
20	853285	LH Lowerr fairing decal 4	1	Year: 2007[7] Vehicle colour: Bol D'or 2007 (s.t.853155)[bol dor] Technical Specifications: RSV Mille "R" Version[R]
21	853286	RH lower fairing decal 5	1	Year: 2007[7] Vehicle colour: Bol D'or 2007 (s.t.853155)[bol dor] Technical Specifications: RSV Mille "R" Version[R]
22	853287	LH Lowerr fairing decal 6	1	Year: 2007[7] Vehicle colour: Bol D'or 2007 (s.t.853155)[bol dor] Technical Specifications: RSV Mille "R" Version[R]
23	853292	RH Saddle cover decal RSV	1	Year: 2007[7] Vehicle colour: Bol D'or 2007 (s.t.853155)[bol dor] Technical Specifications: RSV Mille "R" Version[R]
24	853293	LH Saddle cover decal RSV	1	Year: 2007[7] Vehicle colour: Bol D'or 2007 (s.t.853155)[bol dor] Technical Specifications: RSV Mille "R" Version[R]
25	853280	RH Top fairing decal A	1	Year: 2007[7] Vehicle colour: Bol D'or 2007 (s.t.853155)[bol dor] Technical Specifications: RSV Mille "R" Version[R]

Group	FRAME
Code	28.77
Description	Decal My 2007 - 2008
Service	1



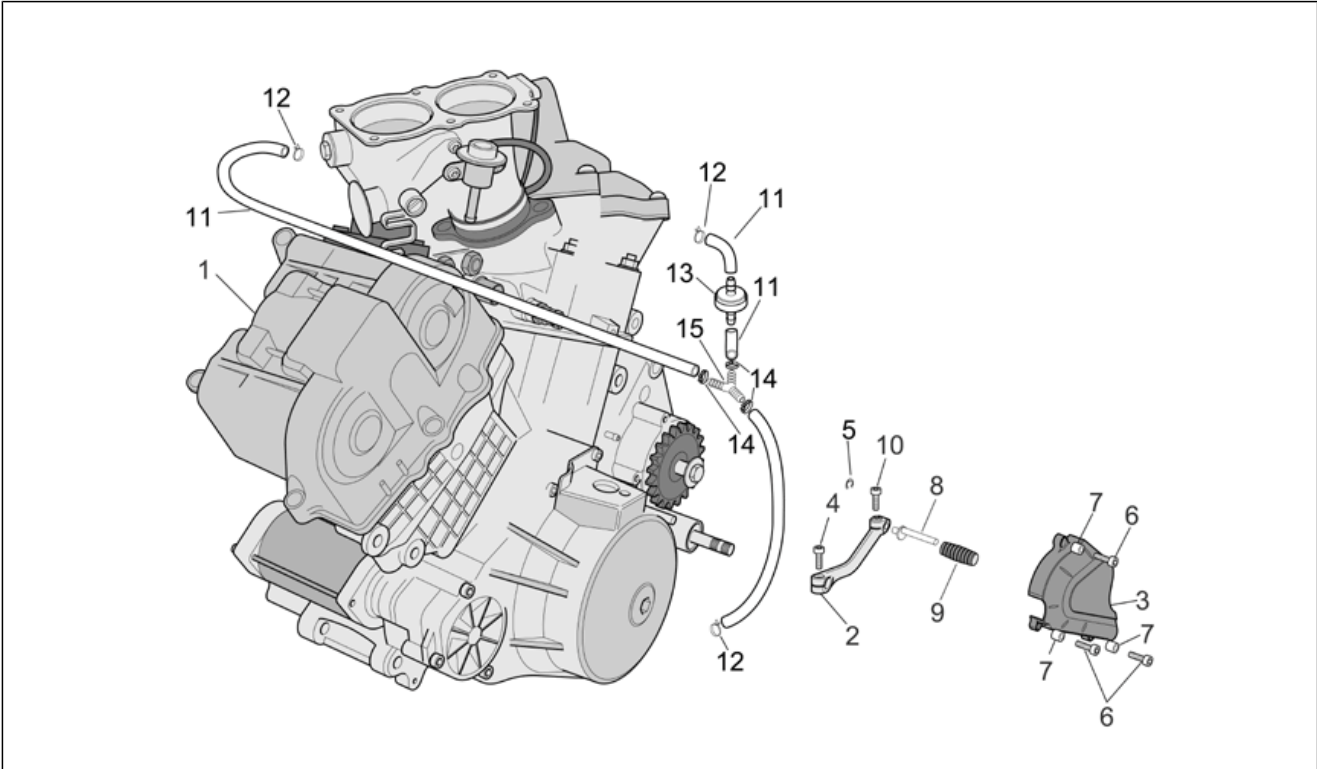
Pos.	Code	Description	Qty	Variants
26	860085	Up.RH decal	1	Year:2008[8] Vehicle colour:Aprilia White 2006 (s.t.15178)[white]
26	AP8166883	"Aprilia" dataplate	2	Year:2006[6], 2007[7] Vehicle colour:Fluo Red 2005-2006[r.fluo] Country:B, GR, E, F, I, NL[EU], United States of America[USA]
27	853441	Front fairing decal "Italia"	1	Year:2007[7] Vehicle colour:Red Lion 2007 (s.t.853379)[red] Technical Specifications:Factory "R" RSV Version[FAC]
27	860089	Front fairing decal "Italia"	1	Year:2008[8] Vehicle colour:Aprilia White 2006 (s.t.15178)[white]
28	853442	Transfer centre black	1	Year:2007[7] Vehicle colour:Red Lion 2007 (s.t.853379)[red] Technical Specifications:Factory "R" RSV Version[FAC]
29	853443	Transfer centre black	1	Year:2007[7] Vehicle colour:Red Lion 2007 (s.t.853379)[red] Technical Specifications:Factory "R" RSV Version[FAC]
30	853444	Transfer centre black	1	Year:2007[7] Vehicle colour:Red Lion 2007 (s.t.853379)[red] Technical Specifications:Factory "R" RSV Version[FAC]
30	860090	Front fairing decal "R V60" DX	1	Year:2008[8] Vehicle colour:Aprilia White 2006 (s.t.15178)[white]
31	853445	Transfer centre black	1	Year:2007[7] Vehicle colour:Red Lion 2007 (s.t.853379)[red] Technical Specifications:Factory "R" RSV Version[FAC]
31	860091	Front fairing decal "R V60" SX	1	Year:2008[8] Vehicle colour:Aprilia White 2006 (s.t.15178)[white]
32	854891	LH Top fairing decal "A"	1	Year:2007[7] Vehicle colour:Bol D'or 2007 (s.t.853155)[bol dor]
33	854890	RH Top fairing decal "A"	1	Year:2007[7] Vehicle colour:Bol D'or 2007 (s.t.853155)[bol dor]

Group	ENGINE
Code	29.39
Description	Engine
Service	1



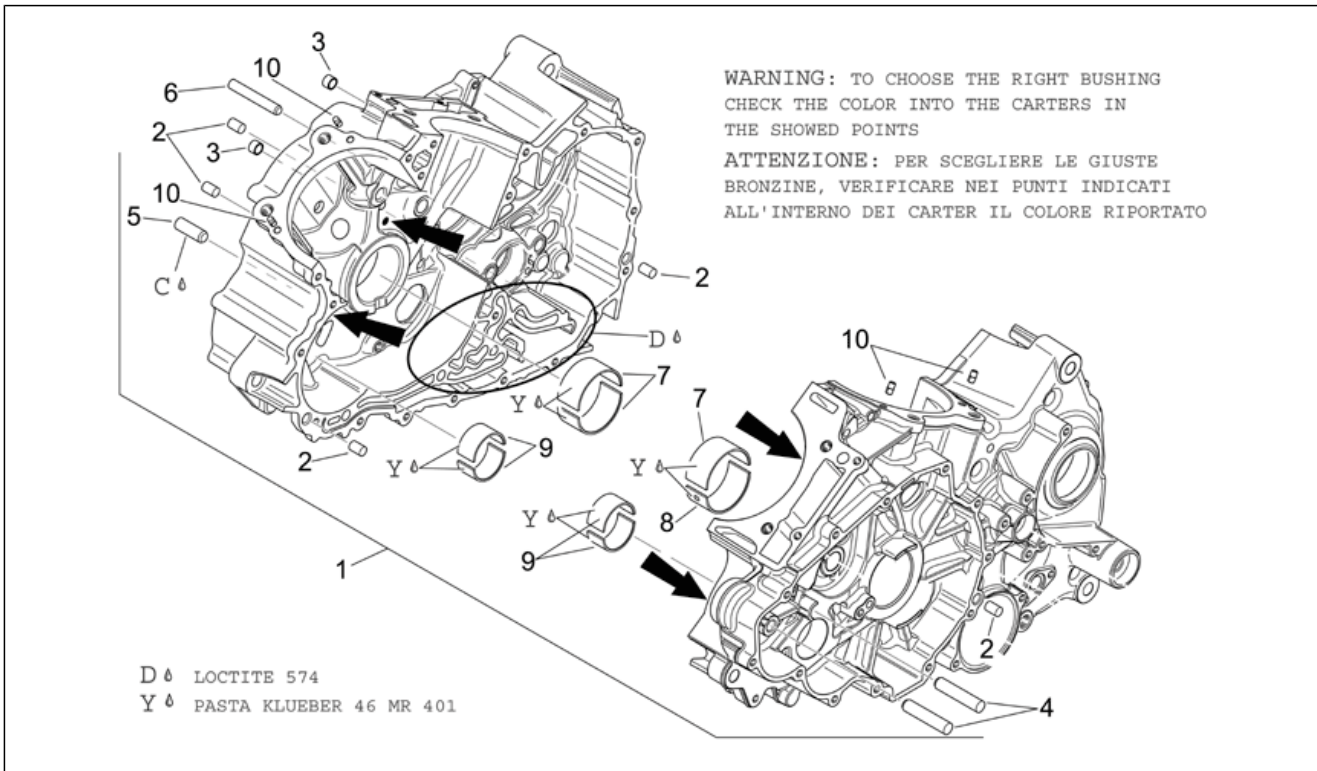
Pos.	Code	Description	Qty	Variants
1	AP8106875	Engine	1	Year:2005[5] Technical Specifications:Factory "R" RSV Version[FAC]
1	AP8106875	Engine	1	Year:2004[4] Technical Specifications:Factory "R" RSV Version[FAC], RSV Mille "R" Version[R]
1	AP8106875	Engine	1	Year:2005[5] Technical Specifications:RSV Mille "R" Version[R]
1	AP8176049	Engine	1	Technical Specifications:"Nera" Dream RSV Version[DRE]
1	AP8176115	Engine	1	Year:2005[5] Technical Specifications:RSV Mille "R" Version[R]
1	AP8176115	Engine	1	Year:2004[4] Technical Specifications:Factory "R" RSV Version[FAC], RSV Mille "R" Version[R]
1	AP8176115	Engine	1	Year:2005[5] Technical Specifications:RSV Mille "R" Version[R]
1	AP8176115	Engine	1	Year:2005[5] Technical Specifications:Factory "R" RSV Version[FAC]
1	AP8176142	Engine	1	Year:2005[5] Technical Specifications:Factory "R" RSV Version[FAC]
1	AP8176142	Engine	1	Year:2005[5] Technical Specifications:RSV Mille "R" Version[R]
1	AP8176172	Engine	1	Year:2006[6], 2007[7], 2008[8]
2	AP8106874	Gear lever	1	
3	AP8106873	Sprocket cover	1	
4	AP8150137	Hex socket screw M6x16	1	Technical Specifications:Factory "R" RSV Version[FAC], RSV Mille "R" Version[R]
4	AP8152425	Screw M6x15	1	Technical Specifications:"Nera" Dream RSV Version[DRE]
5	AP8150462	Circlip d9	1	
6	AP8150044	Hex socket screw M6x20	3	Technical Specifications:Factory "R" RSV Version[FAC], RSV Mille "R" Version[R]
6	AP8152456	Screw	3	Technical Specifications:"Nera" Dream RSV Version[DRE]

Group	ENGINE
Code	29.39
Description	Engine
Service	1



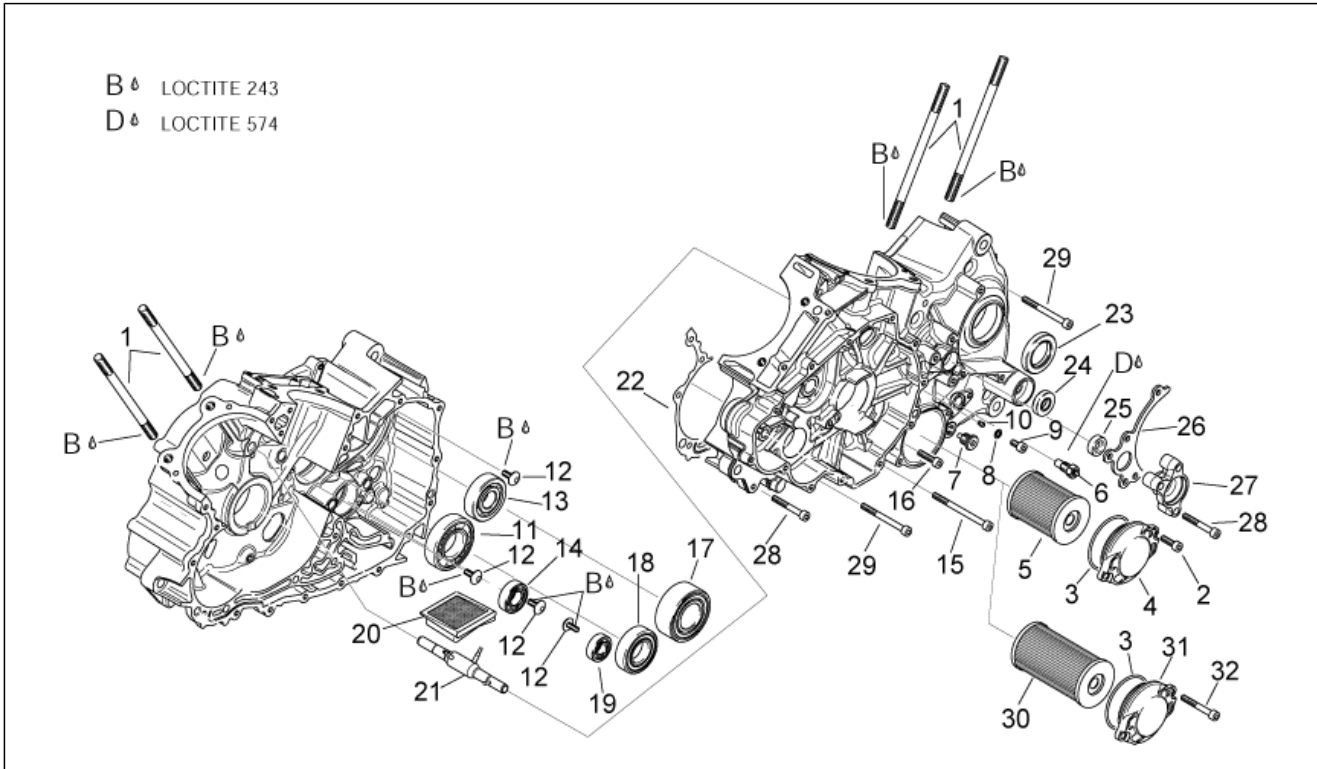
Pos.	Code	Description	Qty	Variants
7	AP8120253	Spacer	3	
8	AP8121221	Brake lever pin	1	
9	AP8120912	Lever rubber	1	
10	AP8150044	Hex socket screw M6x20	1	Technical Specifications: Factory "R" RSV Version[FAC], RSV Mille "R" Version[R]
10	AP8152426	Screw M6x20	1	Technical Specifications: "Nera" Dream RSV Version[DRE]
11	AP8144015	Oil pipe 6x12	1	
12	AP8120446	Hose clip, green D11x6,6x1	3	
13	AP8104996	Anti-return valve	1	
14	AP8102159	Hose clamp	3	
15	AP8120116	3-way union	1	

Group	ENGINE
Code	29.57
Description	Crankcases I
Service	1



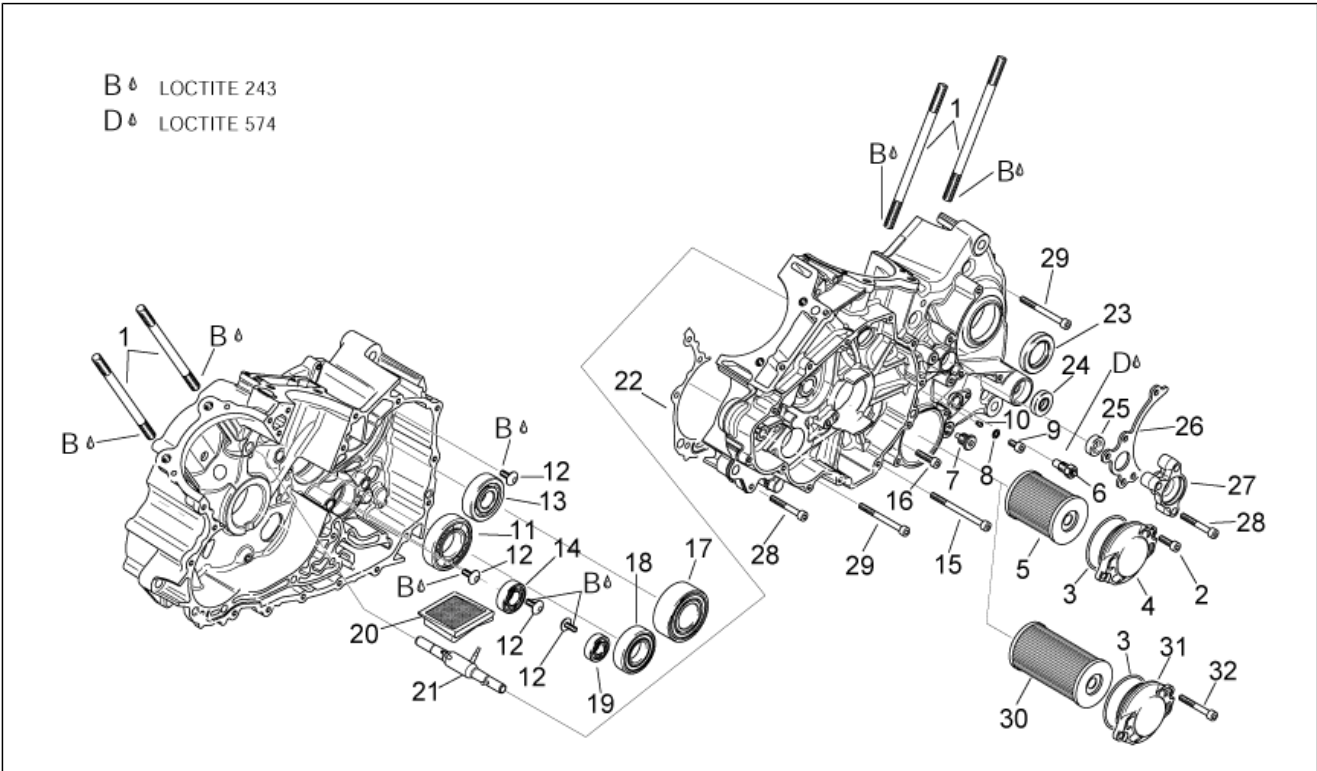
Pos.	Code	Description	Qty	Variants
1	AP0296961	Crankcase assy	1	
2	AP0632010	Pin M8x12	5	
3	AP0929500	Pin 10x8	2	
4	AP0229301	Pin M6x50	2	
5	AP0929930	Pin	1	
6	AP0229385	Pin	1	
7	AP0233745	Bushing half-shell, blue	3	
7	AP0233746	Bushing half-shell, red	3	
7	AP0233748	Bushing half-shell, yellow	3	
8	AP0233740	Bushing half-shell, blue	1	
8	AP0233741	Bushing half-shell, red	1	
8	AP0233743	Bushing half-shell, yellow	1	
9	AP0233711	Bushing half-shell, blue	4	
9	AP0233820	Bushing half-shell, red	4	
9	AP0233822	Bushing half-shell, yellow	4	
10	AP0929650	Pin 5x10	4	

Group	ENGINE
Code	29.58
Description	Crankcases II
Service	1



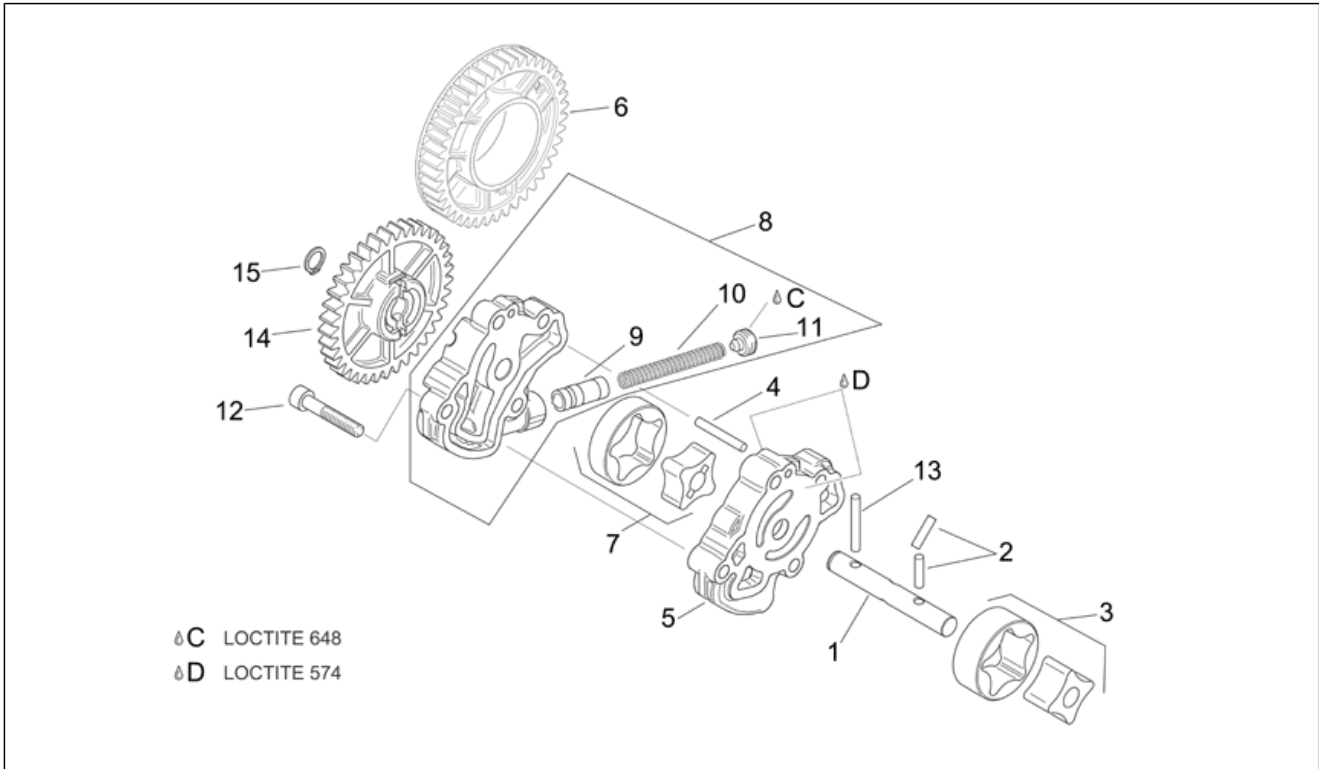
Pos.	Code	Description	Qty	Variants
1	AP0241580	Stud bolt m10x171	8	
2	AP0241932	Hex socket screw	2	
3	AP0650500	O-ring 59,52x2,62	1	
4	AP0210415	Oil filter cover	1	
5	AP0256187	Oil filter	1	
6	AP0241854	Neutral indicator switch	1	
7	AP0241782	Magnetic drain plug M12x1,5	1	
8	AP0950141	Gasket ring 8x13	1	
9	AP0841521	Hex socket screw	1	
10	AP0268740	Jet 60	1	Year:2004[4], 2005[5]
10	AP0268751	Jet 40	1	Year:2006[6], 2007[7], 2008[8]
11	AP0932585	Ball bearing 6206	1	
12	AP0241531	Short head screw	4	
13	AP0832144	Ball bearing 6304	1	
14	AP0232625	Bearing 6003	1	
15	AP0241501	Hex socket screw M6x80	1	
16	AP0840880	Hex socket screw M6x30	1	
17	AP0632124	Angular bearing 3206	1	
18	AP0932428	Ball bearing 6205	1	
19	AP0932335	Ball bearing 16101	1	
20	AP0256497	Oil strainer	1	
21	AP0256529	Oil sprayer pipe	1	Year:2004[4], 2005[5], 2006[6], 2007[7], 2008[8]
22	AP0650337	Gasket	1	
23	AP0850050	Oil seal 40x47x7,5	1	
24	AP0250450	Oil seal 12x28x7	1	
25	AP0650320	Oil seal 11x22x7	1	
26	AP0236370	Chain guide	1	
27	AP0259500	Clutch disengagement flange	1	

Group	ENGINE
Code	29.58
Description	Crankcases II
Service	1



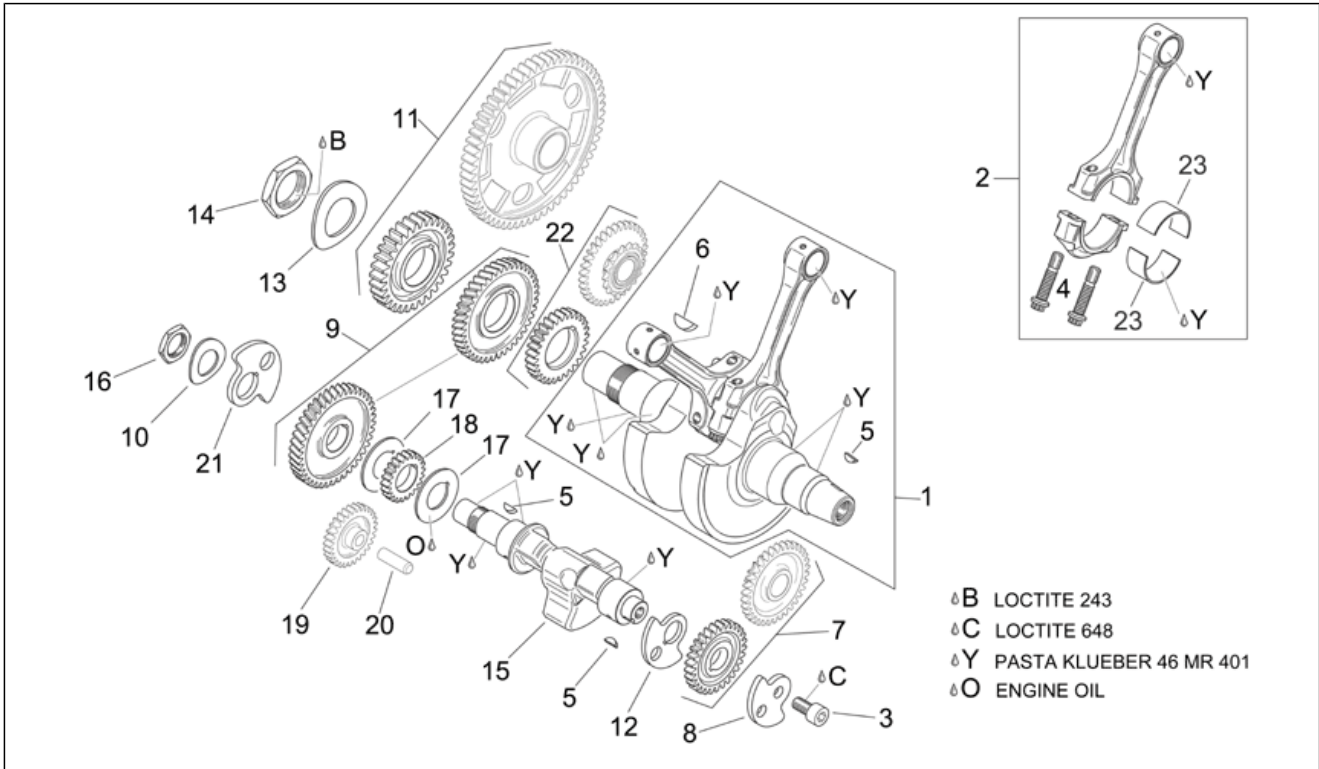
Pos.	Code	Description	Qty	Variants
28	AP0241821	Hex socket screw M6x45	8	
29	AP0241261	Hex socket screw	13	
30	AP0956745	Oil filter	1	
31	AP0610233	Oil filter cover	1	
32	AP0840880	Hex socket screw M6x30	2	

Group	ENGINE
Code	29.59
Description	Oil pump
Service	1



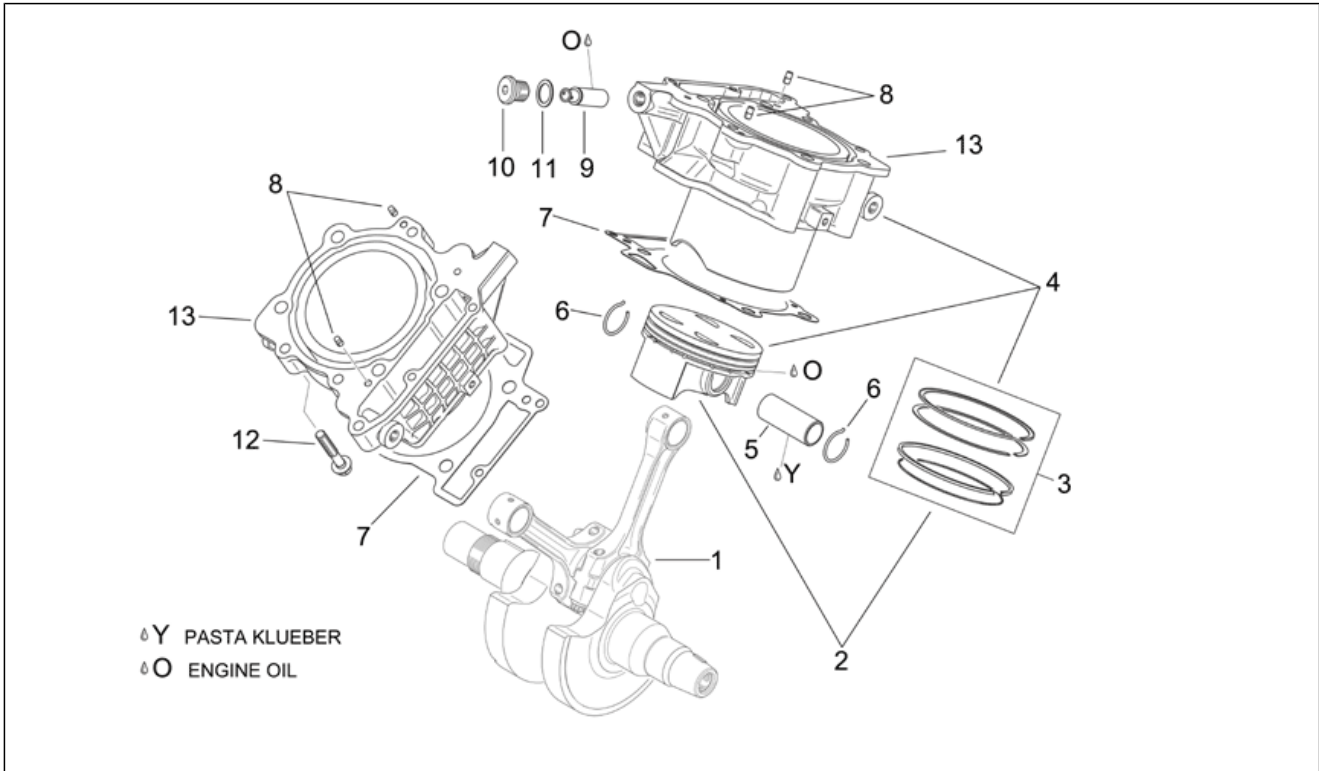
Pos.	Code	Description	Qty	Variants
1	AP0220423	Oil pump shaft assy.	1	
2	AP0232730	Pin 4x15,8	2	
3	AP0256680	Internal and external rotor	1	
4	AP0232970	Pin 4x25,8	1	
5	AP0211620	Oil pressing pump casing	1	
6	AP0634475	Oil pump gear z=42	1	
7	AP0956275	Internal and external rotor	1	
8	AP0211632	Oil pump cover cpl.	1	
9	AP0256510	Pressure adj. piston	1	
10	AP0239449	Spring	1	
11	AP0241650	Valve closer screw m12x1,5	1	
12	AP0241821	Hex socket screw M6x45	4	
13	AP0232430	Pin	1	
14	AP0634483	Oil pump gear	1	
15	AP0245330	Circlip 10x1	1	

Group	ENGINE
Code	29.60
Description	Crankshaft I
Service	1



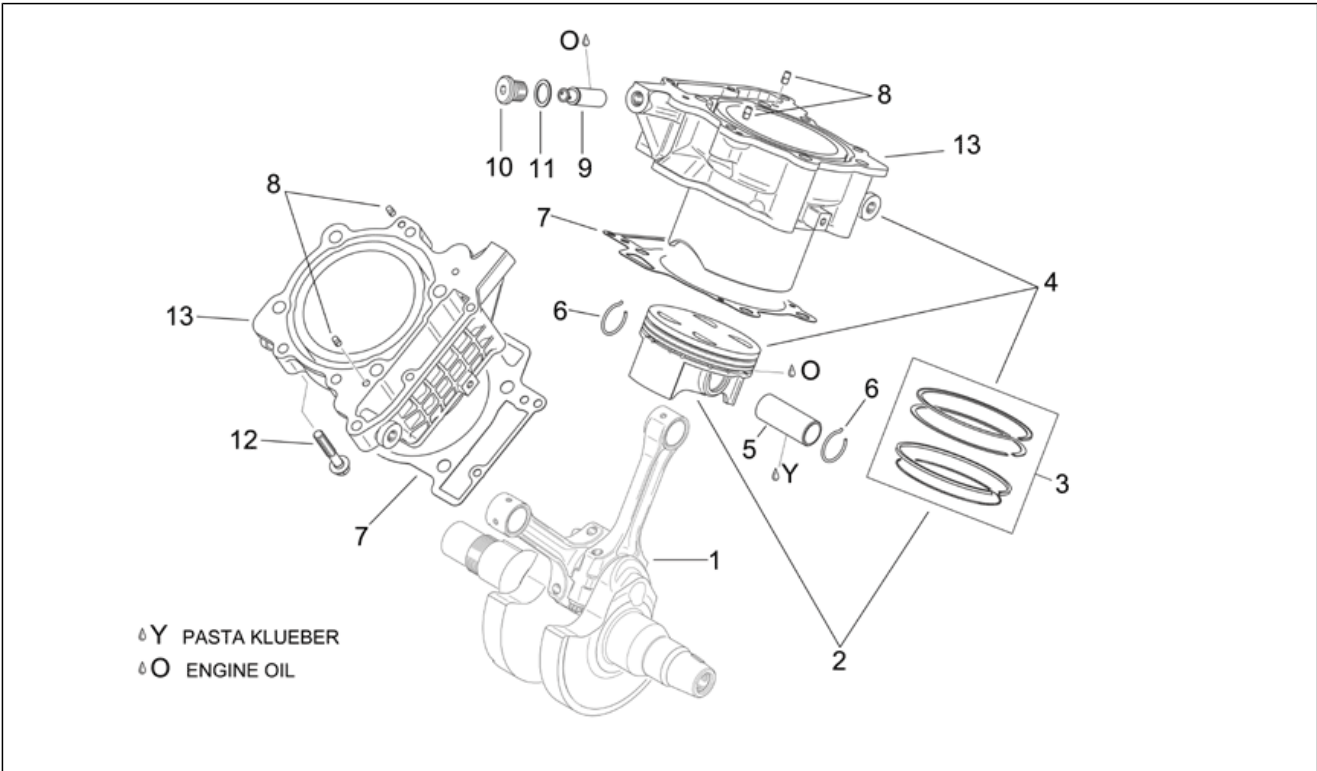
Pos.	Code	Description	Qty	Variants
1	AP0295667	Crankshaft cpl.	1	Year:2004[4], 2005[5]
1	AP0684795	Crankshaft cpl.	1	Year:2006[6], 2007[7], 2008[8]
2	AP0217486	Connecting rod cpl.	2	
3	AP0440260	Hex socket screw	1	
4	AP0640400	Connecting rod screw	4	
5	AP0246570	Transmission key 4x5	3	
6	AP0946015	Transmission key 6x9	1	
7	AP0295765	Timing system gear cpl.	1	
8	AP0219365	Ext.wheel side counterweight	1	
9	AP0295770	Balance shaft gear cpl.	1	
10	AP0245860	Spring washer	1	
11	AP0295783	Primary drive gear	1	
12	AP0219360	Int.wheel side counterweight	1	
13	AP0245840	Spring washer	1	
14	AP0634732	Timing system gear	1	
15	AP0220372	Lower balance shaft	1	
16	AP0242874	Nut	1	
17	AP0627200	Washer 24x54x2	2	
18	AP0634610	Water pump gear	1	
19	AP0634500	Idle gear	1	
20	AP0929930	Pin	1	
21	AP0219350	Clutch side counterweight	1	
22	AP0295760	Timing system gear cpl.	1	
23	AP0233721	Bushing,red 42x45x19	2	
23	AP0233722	Bushing,blue 42x45x19	2	
23	AP0233723	Bushing,yellow 42x45x19	2	

Group	ENGINE
Code	29.61
Description	Crankshaft II
Service	1



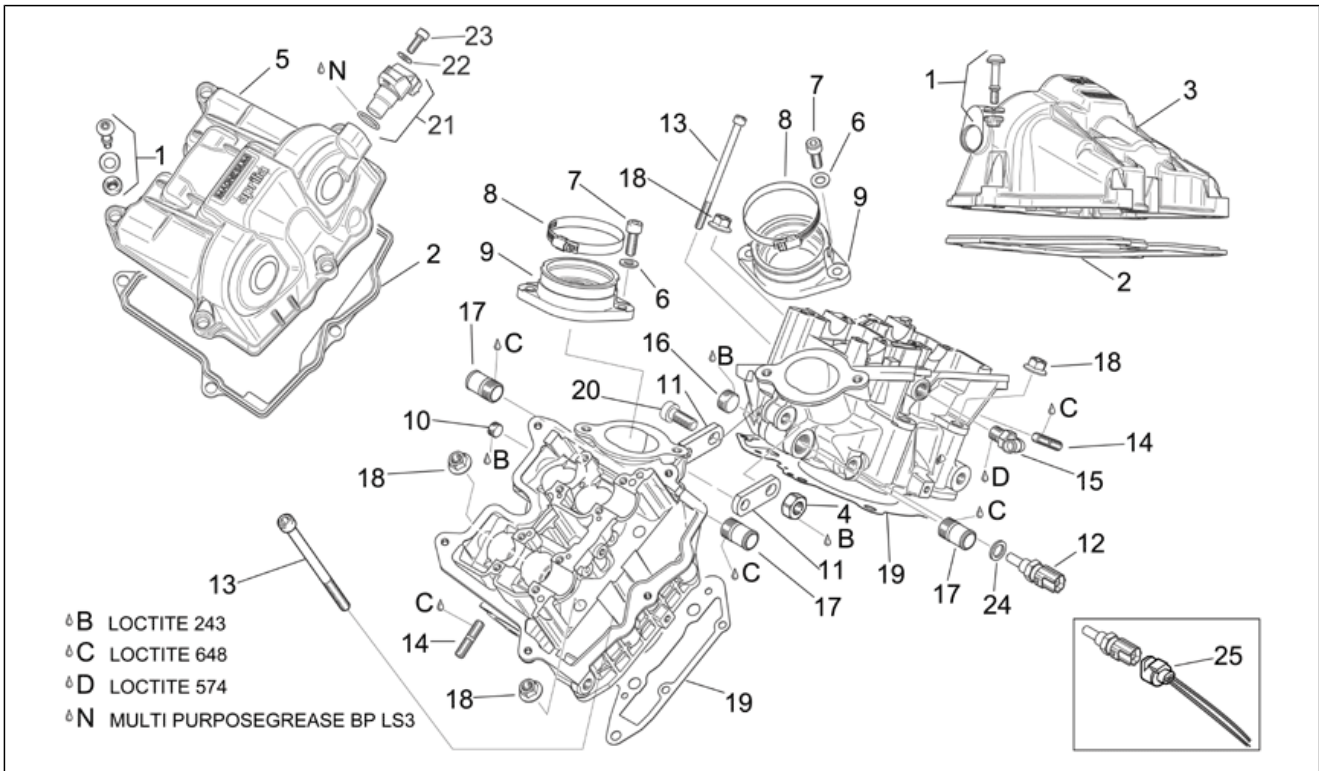
Pos.	Code	Description	Qty	Variants
1	AP0295667	Crankshaft cpl.	1	Year:2004[4], 2005[5]
1	AP0684795	Crankshaft cpl.	1	Year:2006[6], 2007[7], 2008[8]
2	AP0684310	Piston assy 96,944 mm (A)	2	Year:2004[4], 2005[5] Technical Specifications:Factory "R" RSV Version[FAC], RSV Mille "R" Version[R]
2	AP0684311	Piston assy 96,956 mm (B)	2	Year:2004[4], 2005[5] Technical Specifications:Factory "R" RSV Version[FAC], RSV Mille "R" Version[R]
2	AP0684690	Piston assy 96,941 mm (A)	2	Year:2004[4] Technical Specifications:"Nera" Dream RSV Version[DRE]
2	AP0684691	Piston assy 96,956 mm (b)	2	Year:2004[4] Technical Specifications:"Nera" Dream RSV Version[DRE]
2	AP0685210	Piston assy 96,944 mm (A)	2	Year:2006[6], 2007[7], 2008[8] Technical Specifications:Factory "R" RSV Version[FAC], RSV Mille "R" Version[R]
2	AP0685211	Piston assy 96,956 mm (B)	2	Year:2006[6], 2007[7], 2008[8] Technical Specifications:Factory "R" RSV Version[FAC], RSV Mille "R" Version[R]
3	AP0295858	Piston ring set	2	
4	AP0613418	Cylinder with piston	2	Year:2004[4], 2005[5] Technical Specifications:Factory "R" RSV Version[FAC], RSV Mille "R" Version[R]
4	AP0613419	Cylinder with piston	2	Year:2006[6], 2007[7], 2008[8] Technical Specifications:Factory "R" RSV Version[FAC], RSV Mille "R" Version[R]
5	AP0216222	Piston pin 22x14x55	2	
6	AP0245436	Stop ring 22	4	
7	AP0650390	Cylinder base gasket	2	
8	AP0929650	Pin 5x10	4	
9	AP0236252	Chain tensioner assy.	2	Year:2004[4], 2005[5]
9	AP0236253	Chain tensioner assy.	2	Year:2006[6], 2007[7], 2008[8]
10	AP0640450	Cover	2	

Group	ENGINE
Code	29.61
Description	Crankshaft II
Service	1



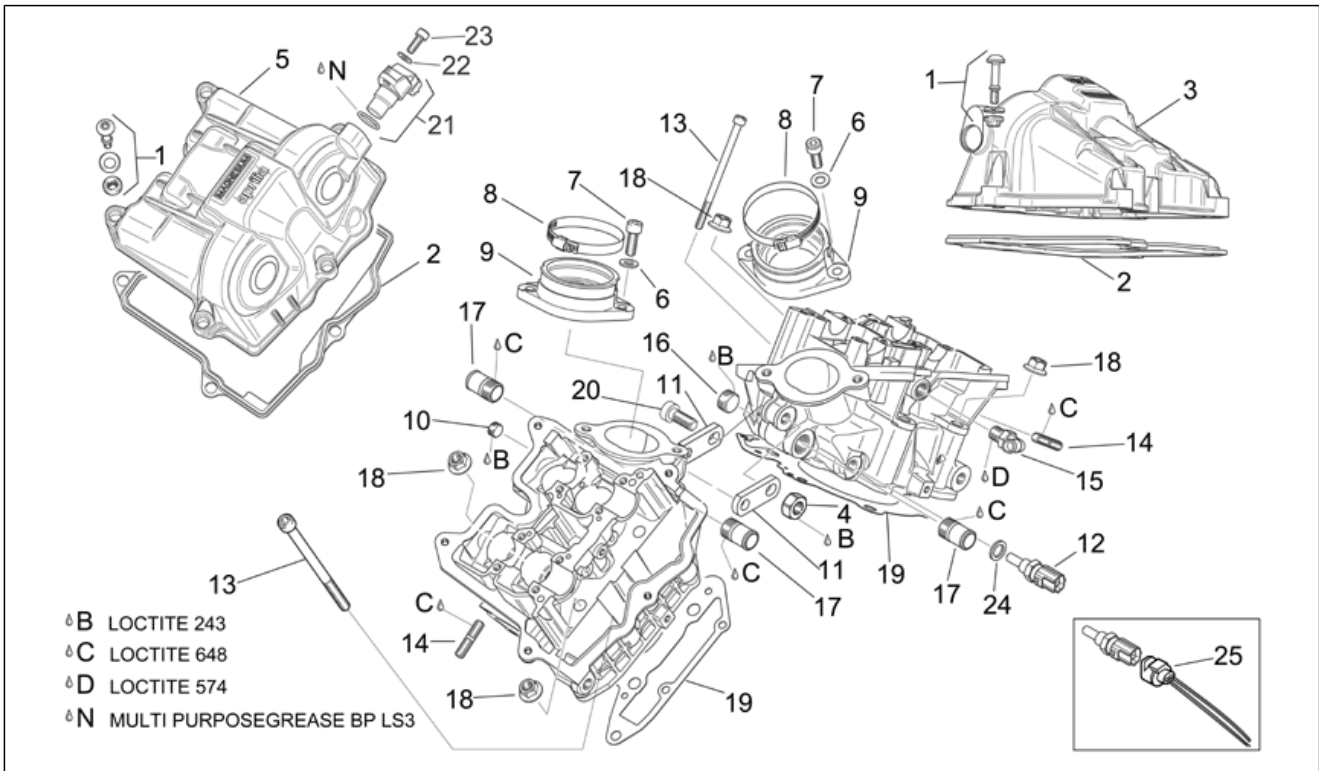
Pos.	Code	Description	Qty	Variants
11	AP0430622	Gasket ring 16x22	2	
12	AP0940637	Screw w/ flange	8	
13	AP0613412	Nikasil cylinder 97,000 mm (A)	2	Year:2004[4] Technical Specifications:"Nera" Dream RSV Version[DRE]
13	AP0613413	Nikasil cylinder 97,012 mm (B)	2	Year:2004[4] Technical Specifications:"Nera" Dream RSV Version[DRE]

Group	ENGINE
Code	29.62
Description	Valves cover
Service	1



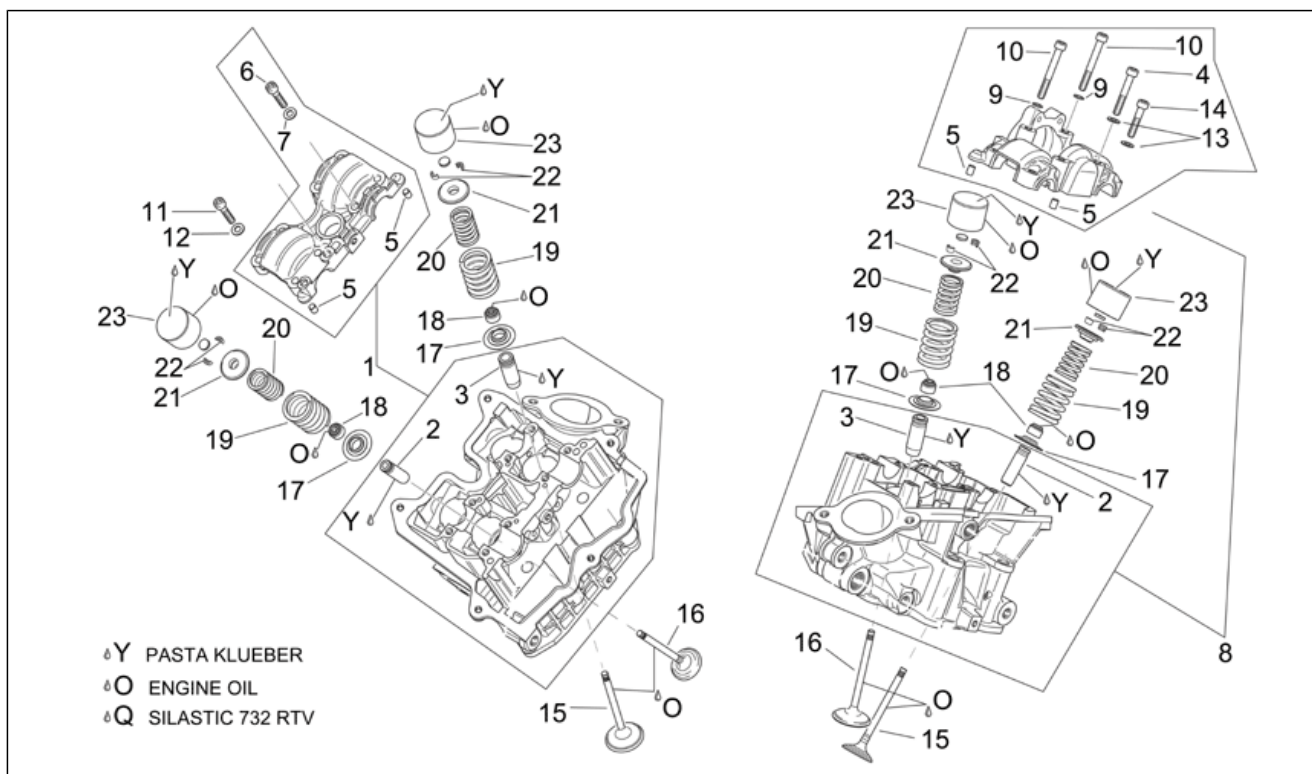
Pos.	Code	Description	Qty	Variants
1	AP0241625	Spacer screw cpl.	10	
2	AP0650345	Valve cover gasket	2	
3	AP0610715	Rear valves cover	1	
4	AP0242091	Nut	2	
5	AP0610710	Front valves cover	1	
6	AP0250311	Washer 8,4	4	
7	AP0240081	Hex socket screw M8x25	4	
8	AP0251830	Hose clamp 65	2	
9	AP0267150	Intake flange	2	
10	AP0840657	Cover	1	
11	AP0251100	Plate	2	
12	AP0222425	Temp. Sensor	1	Year:2004[4]
12	AP0222425	Temp. Sensor	1	Year:2005[5]
12	AP0222425	Temp. Sensor	1	Year:2005[5]
12	AP0274040	Temp. Sensor	1	Year:2006[6], 2007[7], 2008[8]
12	AP0274040	Temp. Sensor	1	Year:2005[5]
13	AP0241601	Hex socket screw	4	
14	AP0440130	Stud bolt	8	
15	AP0922245	Angular union	1	
16	AP0240170	Cover m18x1,5	1	
17	AP0224090	pipe	3	
18	AP0242851	Nut	8	
19	AP0650210	Cylinder head gasket	2	
20	AP0640581	Hex socket screw M10x40	2	
21	AP0664040	Camshaft sensor cpl.	1	
22	AP0244211	Washer 6,4	1	
23	AP0241236	Hex socket screw M6x16	1	
24	AP0250640	Gasket ring 12x18	1	Year:2006[6], 2007[7], 2008[8]

Group	ENGINE
Code	29.62
Description	Valves cover
Service	1



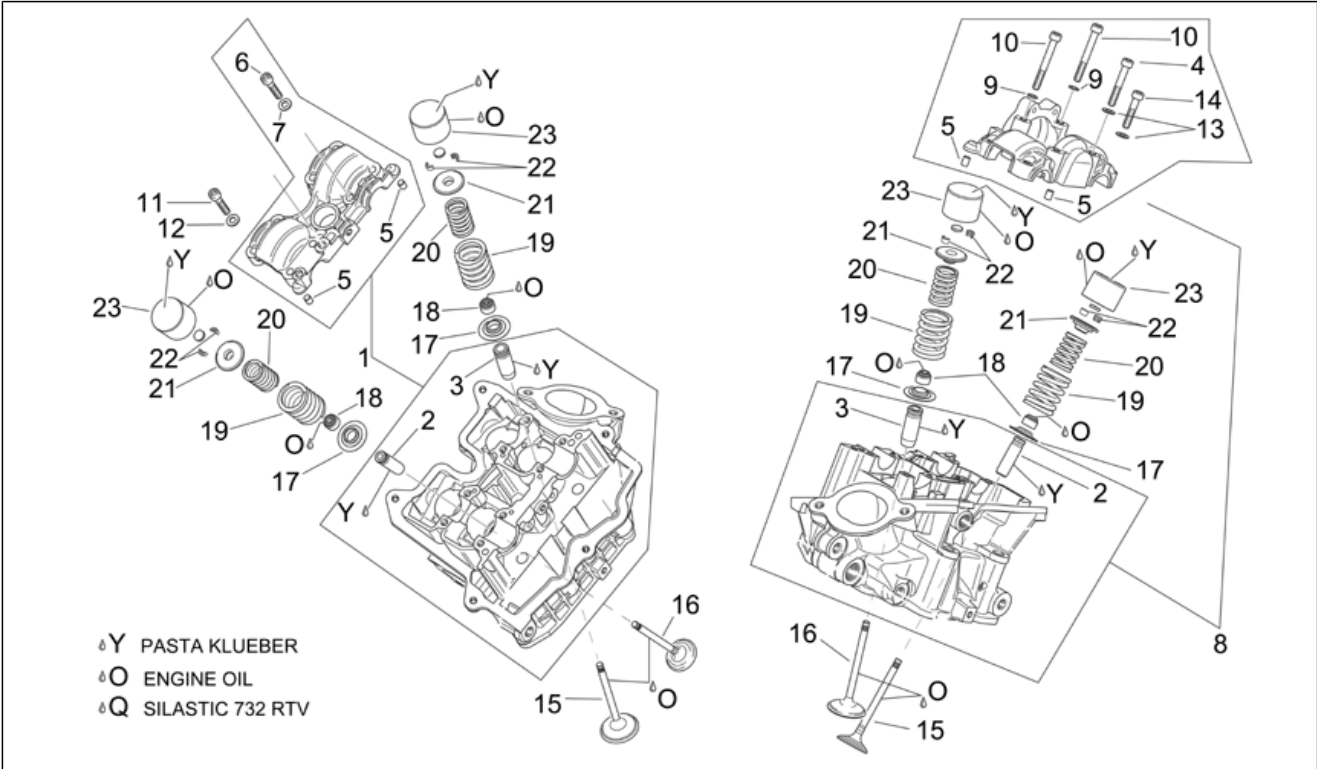
Pos.	Code	Description	Qty	Variants
24	AP0250640	Gasket ring 12x18	1	Year:2005[5]
25	AP8127776	Wiring with connector	1	

Group	ENGINE
Code	29.63
Description	Cylinder head and valves
Service	1



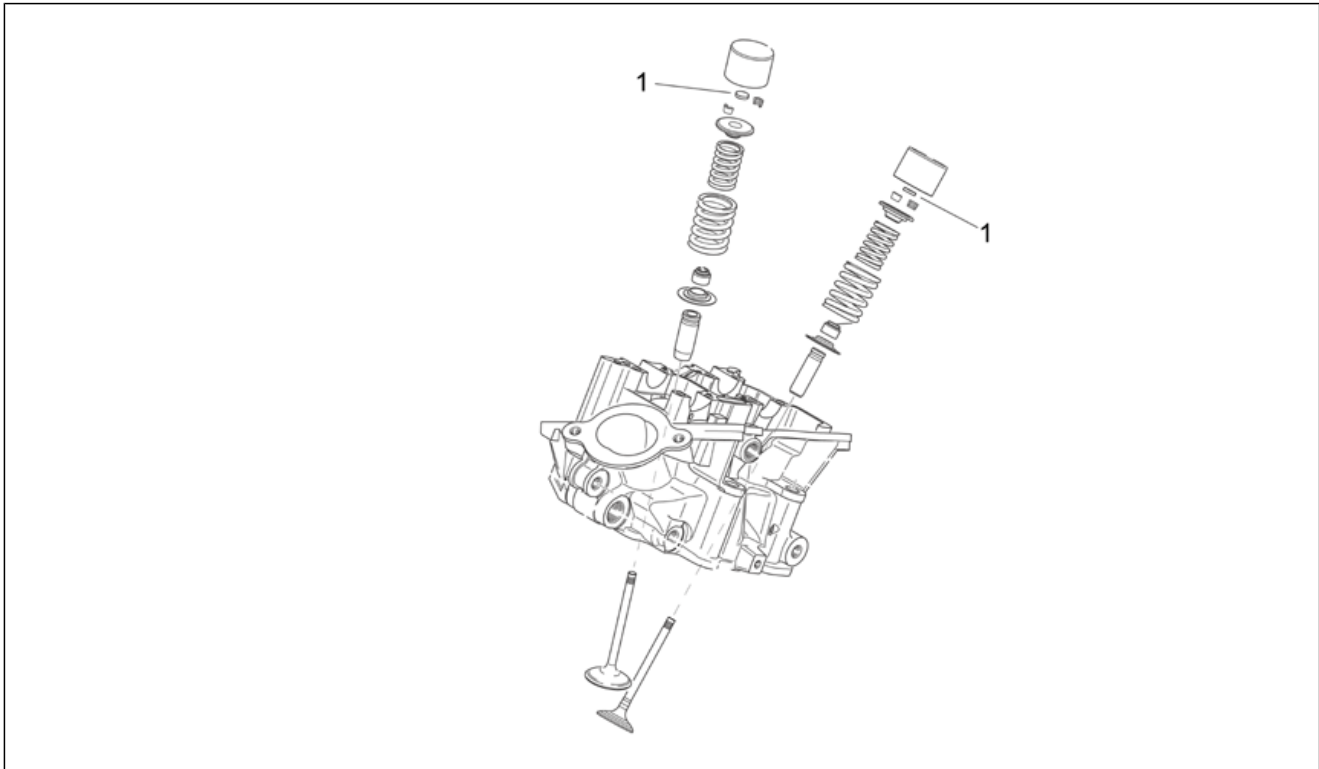
Pos.	Code	Description	Qty	Variants
1	AP0613465	Front cylinder head cpl.	1	Year:2004[4], 2005[5] Technical Specifications:Factory "R" RSV Version[FAC], RSV Mille "R" Version[R]
1	AP0623160	Front cylinder head cpl.	1	Year:2004[4] Technical Specifications:"Nera" Dream RSV Version[DRE]
1	AP0623365	Front cylinder head cpl.	1	Year:2006[6], 2007[7], 2008[8] Technical Specifications:Factory "R" RSV Version[FAC], RSV Mille "R" Version[R]
2	AP0253926	Exhaust valve guide	4	
3	AP0253921	Intake valve guide	4	
4	AP0241821	Hex socket screw M6x45	2	
5	AP0232210	Pin 6x8	2	
6	AP0840880	Hex socket screw M6x30	1	
7	AP0927945	Washer 6,2x12x1	1	
8	AP0613467	Rear cylinder head cpl.	1	Year:2004[4], 2005[5] Technical Specifications:Factory "R" RSV Version[FAC], RSV Mille "R" Version[R]
8	AP0623162	Rear cylinder head cpl.	1	Year:2004[4] Technical Specifications:"Nera" Dream RSV Version[DRE]
8	AP0623367	Rear cylinder head cpl.	1	Year:2006[6], 2007[7], 2008[8] Technical Specifications:Factory "R" RSV Version[FAC], RSV Mille "R" Version[R]
9	AP0927863	Washer 6,1x9,8x1	2	
10	AP0240331	Hex socket screw	2	
11	AP0840880	Hex socket screw M6x30	7	
12	AP0927945	Washer 6,2x12x1	7	
13	AP0927945	Washer 6,2x12x1	6	
14	AP0840880	Hex socket screw M6x30	4	
15	AP0254027	Exhaust valve 31mm	4	Year:2004[4], 2005[5]
15	AP0254870	Exhaust valve 33 mm	4	Year:2006[6], 2007[7], 2008[8]
16	AP0254295	Intake valve 38 mm	4	

Group	ENGINE
Code	29.63
Description	Cylinder head and valves
Service	1



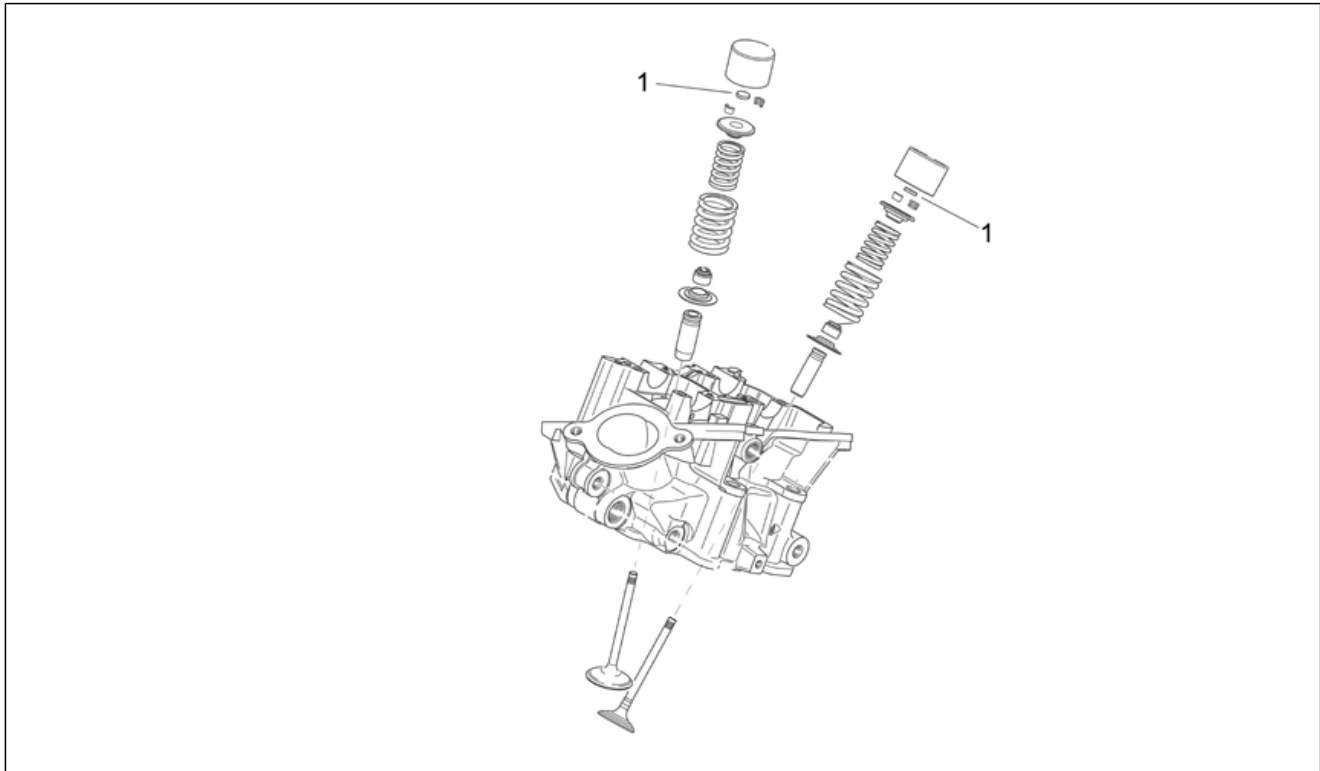
Pos.	Code	Description	Qty	Variants
17	AP0253965	Valve spring plate	8	
18	AP0230510	Valve stem seal	8	
19	AP0238211	Ext. valve spring	8	
20	AP0238201	Int. valve spring	8	
21	AP0253957	Valve spring plate	8	
22	AP0253645	Valve half-cone	16	
23	AP0253990	Valve lifter bucket	8	

Group	ENGINE
Code	29.64
Description	Valves pads
Service	1



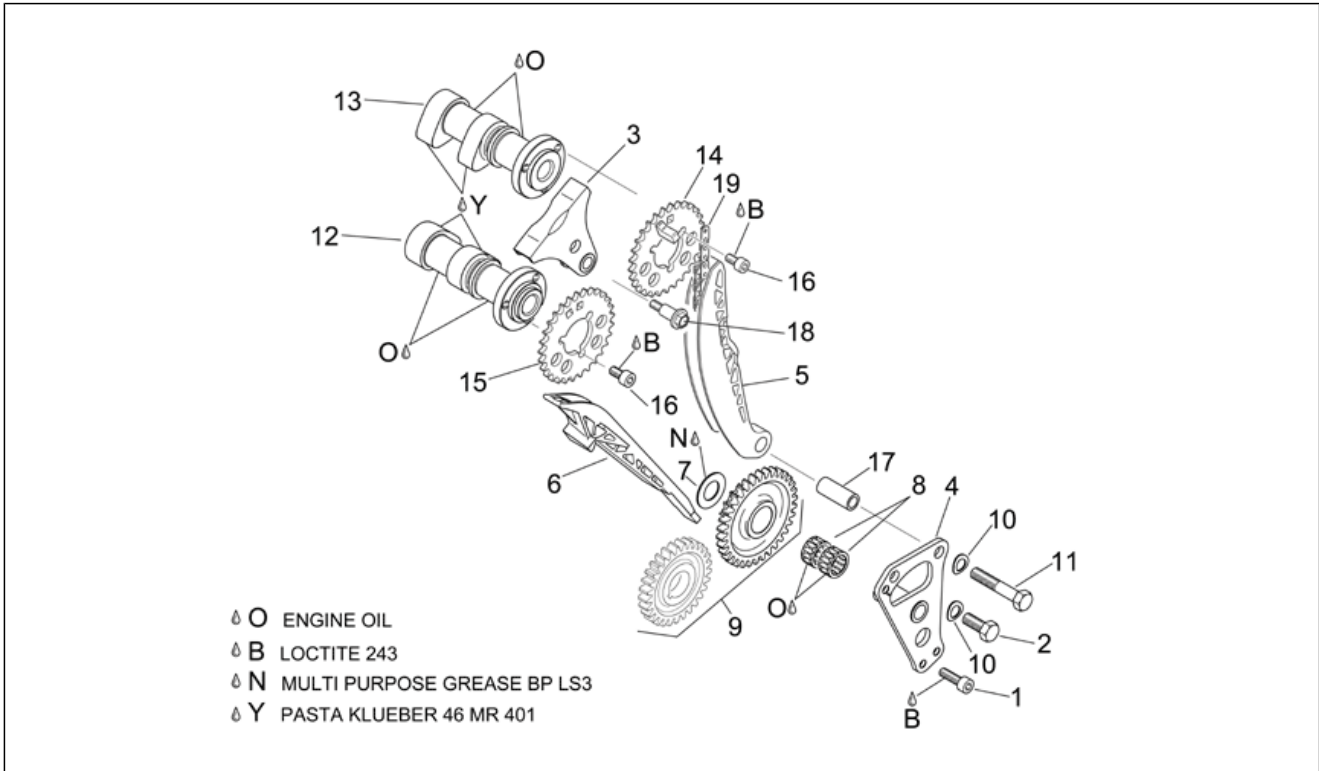
Pos.	Code	Description	Qty	Variants
1	AP0253974	Pad 2,3	1	
1	AP0253975	Pad 2,35	1	
1	AP0253976	Pad 2,4	1	
1	AP0253977	Pad 2,45	1	
1	AP0253978	Pad 2,5	1	
1	AP0253979	Pad 2,55	1	
1	AP0253980	Pad 2,6	1	
1	AP0253981	Pad 2,65	1	
1	AP0253982	Pad 2,7	1	
1	AP0253983	Pad 2,75	1	
1	AP0253984	Pad 2,8	1	
1	AP0253985	Pad 2,85	1	
1	AP0253986	Pad 2,9	1	
1	AP0253987	Pad 2,95	1	
1	AP0253988	Pad 3,00	1	
1	AP0253989	Pad 3,050	1	
1	AP0254030	Pad 2,325	1	
1	AP0254031	Pad 2,375	1	
1	AP0254032	Pad 2,425	1	
1	AP0254033	Pad 2,475	1	
1	AP0254034	Pad 2,525	1	
1	AP0254035	Pad 2,575	1	
1	AP0254036	Pad 2,625	1	
1	AP0254037	Pad 2,675	1	
1	AP0254038	Pad 2,725	1	
1	AP0254039	Pad 2,775	1	
1	AP0254040	Pad 2,825	1	
1	AP0254041	Pad 2,875	1	

Group	ENGINE
Code	29.64
Description	Valves pads
Service	1



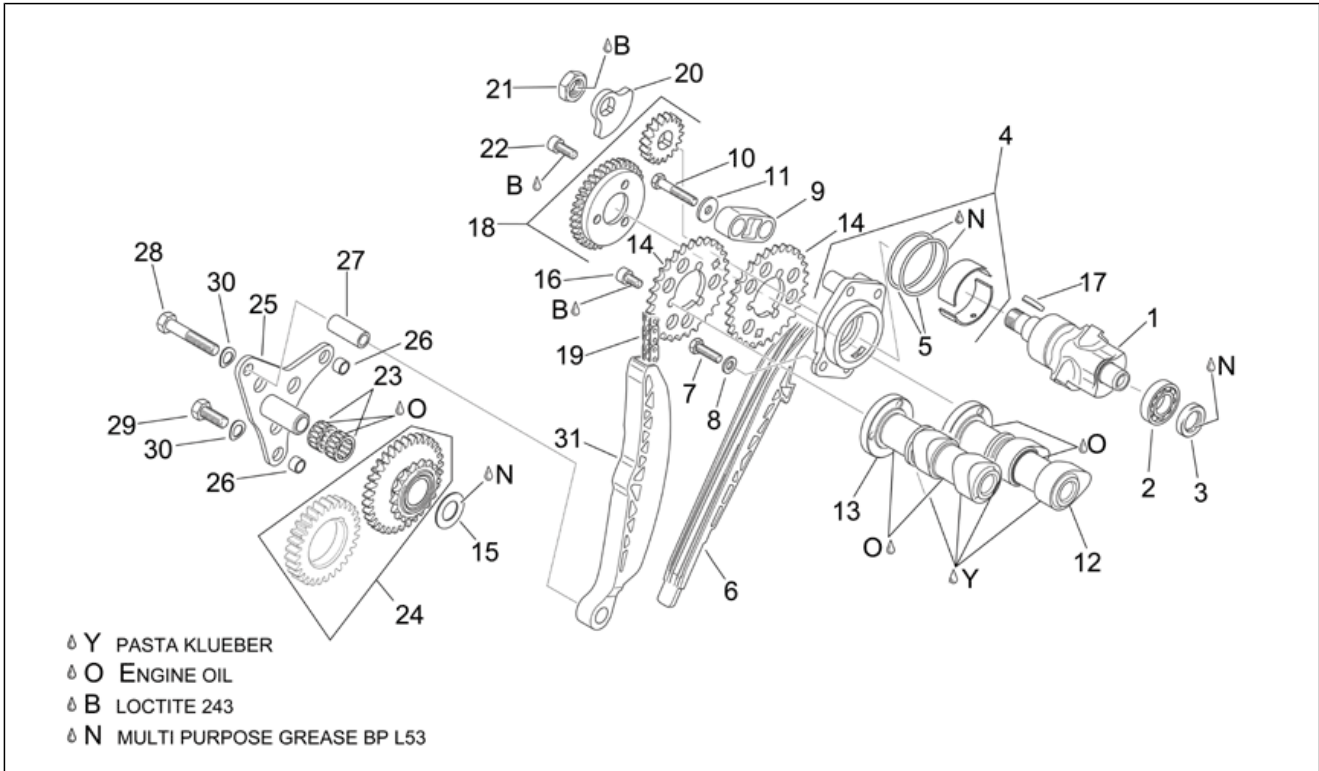
Pos.	Code	Description	Qty	Variants
1	AP0254042	Pad 2,925	1	
1	AP0254043	Pad 2,975	1	
1	AP0254044	Pad 3,025	1	

Group	ENGINE
Code	29.65
Description	Front cylinder timing system
Service	1



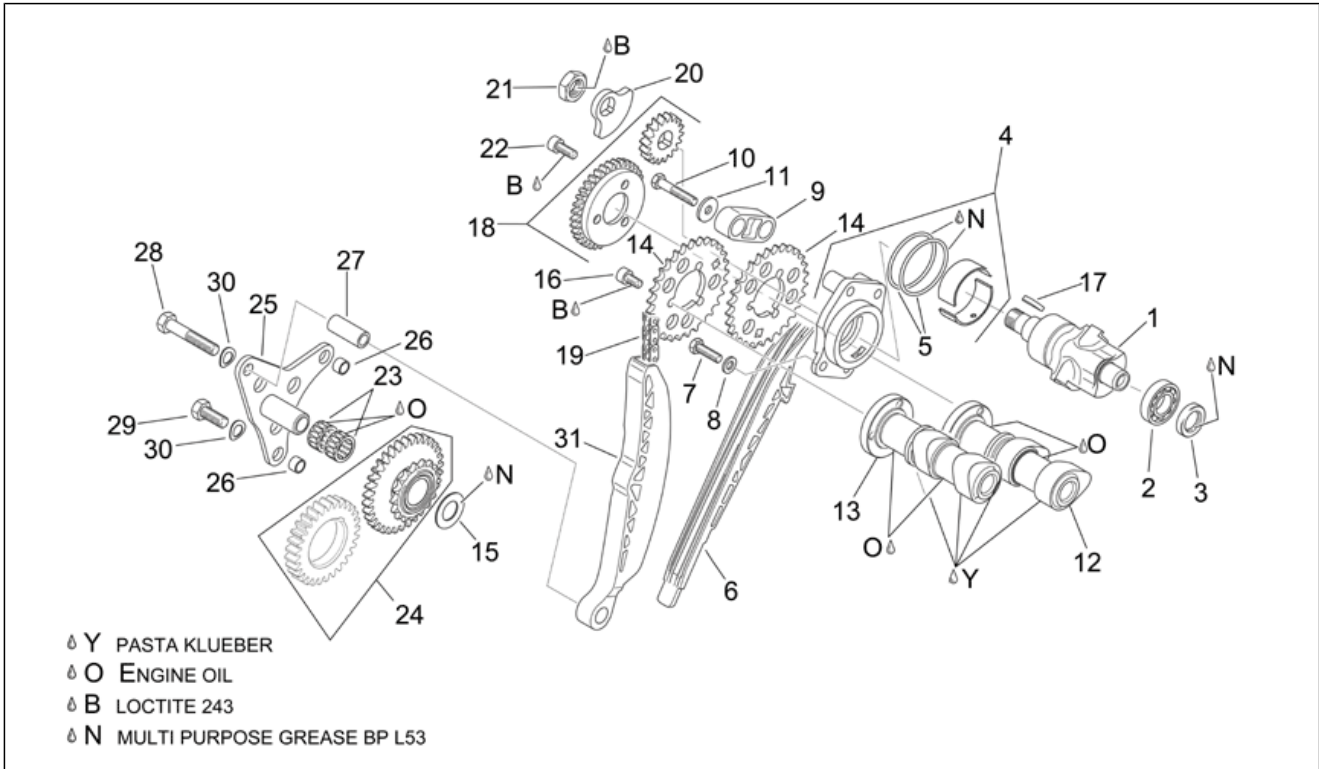
Pos.	Code	Description	Qty	Variants
1	AP0240400	Hex socket screw	1	
2	AP0940590	Hex screw M8x20	1	
3	AP0236322	Chain guide	1	
4	AP0211766	Bearings support Plate	1	
5	AP0236300	Chain guide	1	
6	AP0236310	Chain guide	1	
7	AP0627190	Washer 16,7x29x1	1	
8	AP0632161	Roller cage 16x22x10	2	
9	AP0295765	Timing system gear cpl.	1	
10	AP0845030	Spring washer b8	2	
11	AP0940631	Hex screw	1	
12	AP0220386	Exhaust camshaft	1	
13	AP0620203	Intake camshaft	1	
14	AP0634739	Gear Z=29	1	
15	AP0634732	Timing system gear	1	
16	AP0840371	Hex socket screw M6x11,5	6	
17	AP0247980	Bush 8,2x12x25	1	
18	AP0240960	Spacer screw	2	
19	AP0297957	Camshaft chain	1	

Group	ENGINE
Code	29.66
Description	Rear cylinder timing system
Service	1



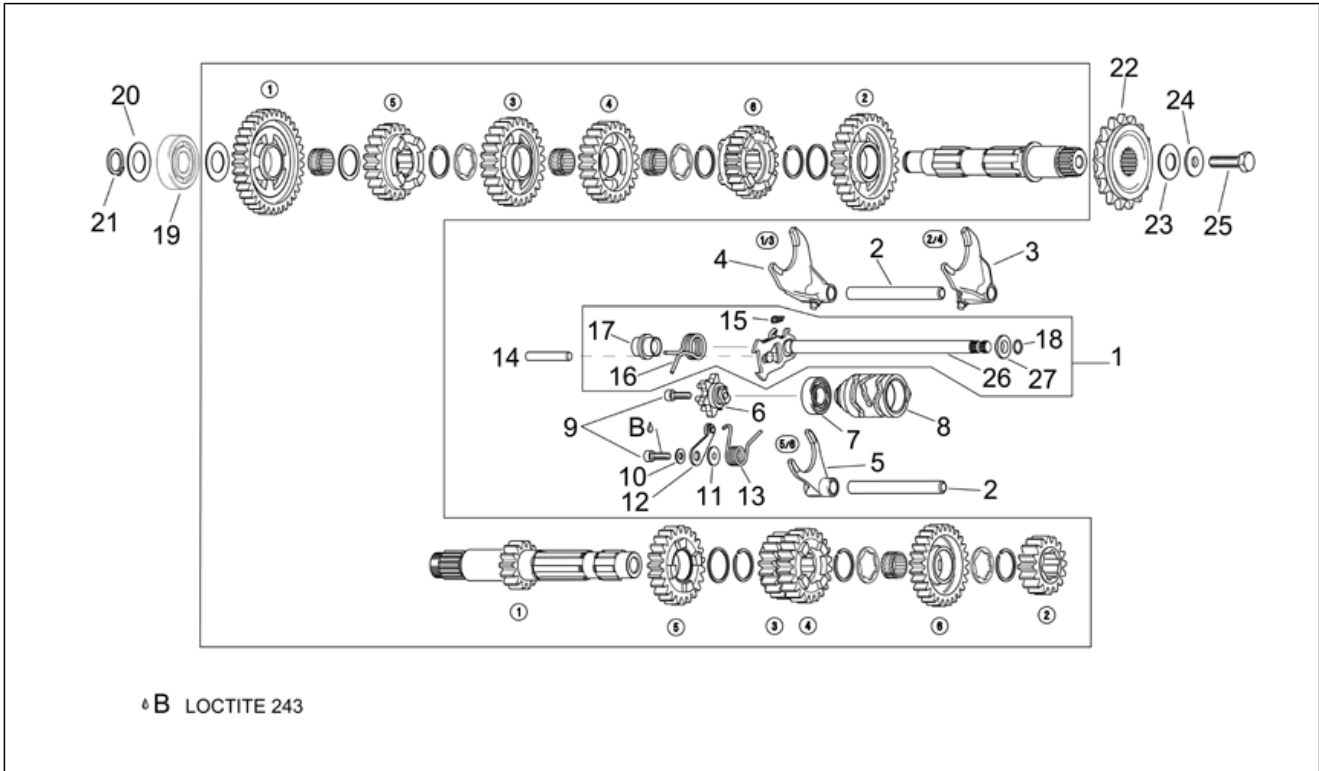
Pos.	Code	Description	Qty	Variants
1	AP0220440	Upper balance shaft	1	Year:2004[4], 2005[5] Technical Specifications:Up to engine n. 8116302[M1]
1	AP0220441	Upper balance shaft	1	Year:2004[4], 2005[5] Technical Specifications:From engine n. 8116303[M2]
1	AP0220442	Upper balance shaft	1	Year:2006[6], 2007[7], 2008[8]
2	AP0832360	Ball bearing 16002	1	
3	AP0250130	Oil seal 15x24x5	1	
4	AP0211683	Bushing plate cpl.	1	Year:2004[4], 2005[5] Technical Specifications:Up to engine n. 8116302[M1]
4	AP0211684	Bushing plate cpl.	1	Year:2004[4], 2005[5] Technical Specifications:From engine n. 8116303[M2]
4	AP0211685	Bushing plate cpl.	1	Year:2006[6], 2007[7], 2008[8]
5	AP0831160	O-ring	2	Year:2004[4], 2005[5] Technical Specifications:Up to engine n. 8116302[M1]
6	AP0236310	Chain guide	1	
7	AP0940560	Hex screw	2	
8	AP0244211	Washer 6,4	2	
9	AP0236380	Chain guide	1	
10	AP0941121	Hex screw	2	
11	AP0827305	Washer 6,2x18x2	2	
12	AP0220386	Exhaust camshaft	1	
13	AP0620203	Intake camshaft	1	
14	AP0634732	Timing system gear	2	
15	AP0627190	Washer 16,7x29x1	1	
16	AP0840371	Hex socket screw M6x11,5	3	
17	AP0246055	Transmission key 3x3,7	1	
18	AP0295775	Upper balance shaft gear cpl.	1	
19	AP0297957	Camshaft chain	1	
20	AP0219340	Counterweight	1	

Group	ENGINE
Code	29.66
Description	Rear cylinder timing system
Service	1



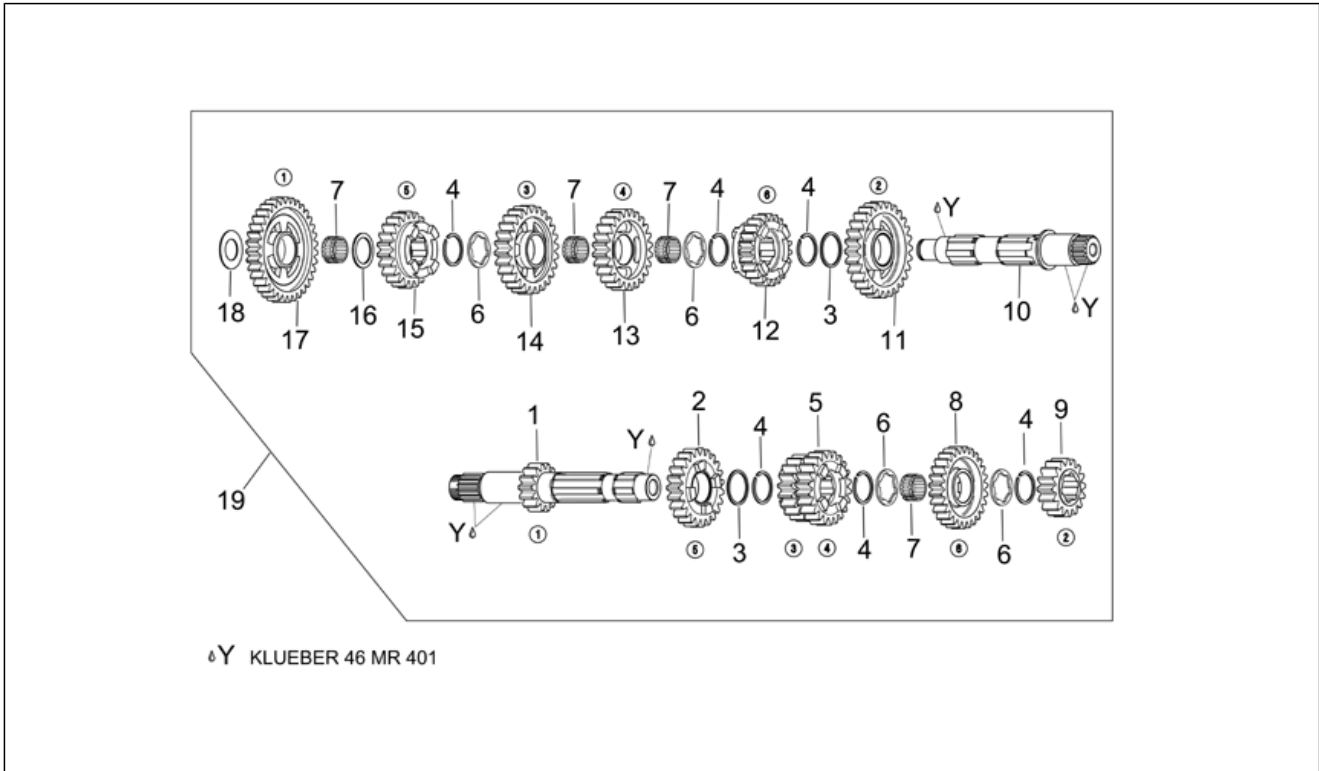
Pos.	Code	Description	Qty	Variants
21	AP0942570	Nut m14	1	
22	AP0840391	Hex socket screw	3	
23	AP0632161	Roller cage 16x22x10	2	
24	AP0295760	Timing system gear cpl.	1	
25	AP0211756	Roller cage plate	1	
26	AP0929500	Pin 10x8	2	
27	AP0247980	Bush 8,2x12x25	1	
28	AP0940631	Hex screw	1	
29	AP0240275	Hex screw	2	
30	AP0845030	Spring washer b8	3	
31	AP0236300	Chain guide	1	

Group	ENGINE
Code	29.67
Description	Gear box selector
Service	1



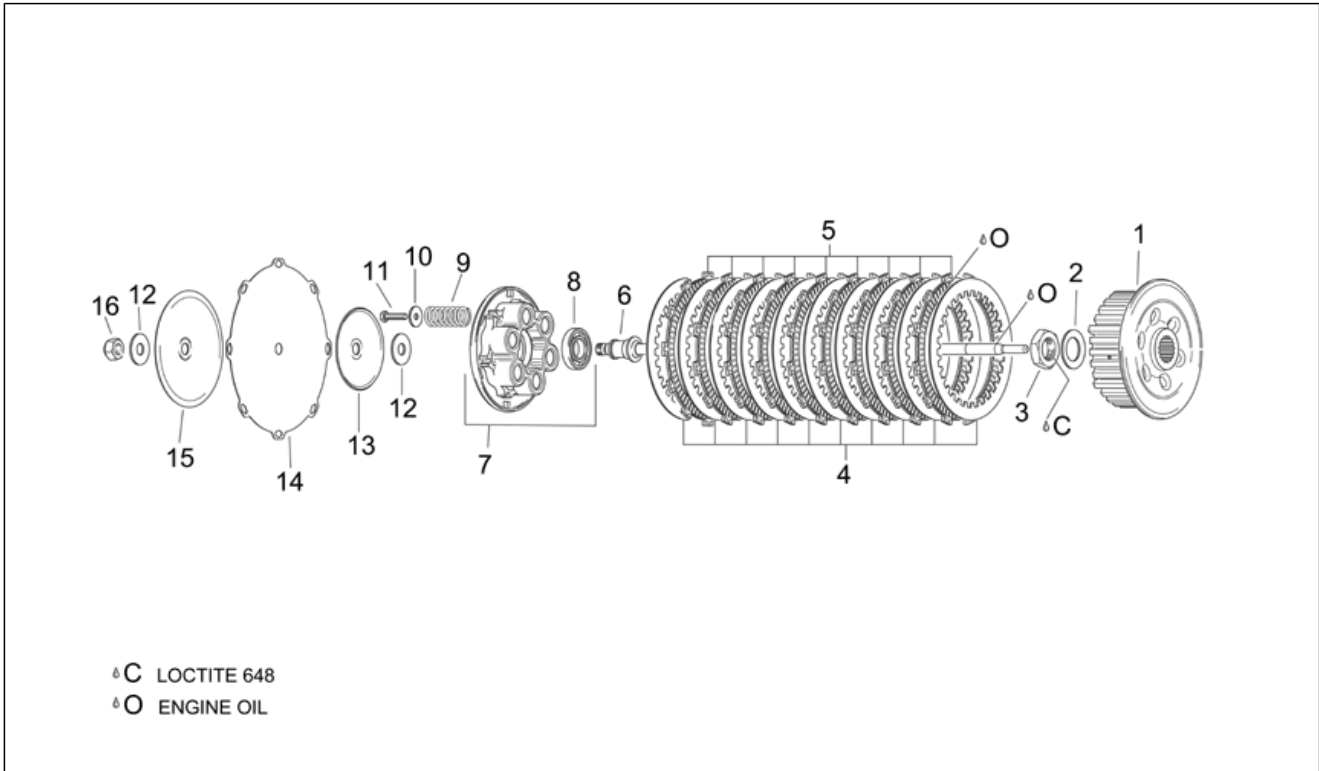
Pos.	Code	Description	Qty	Variants
1	AP0620235	Gear shaft+spring cpl.	1	
2	AP0258380	Fork shaft	2	
3	AP0258361	Fork	1	
4	AP0258351	Fork	1	
5	AP0258376	Fork	1	
6	AP0258310	Index washer	1	
7	AP0932335	Ball bearing 16101	1	
8	AP0258328	Shift cam	1	
9	AP0241932	Hex socket screw	2	
10	AP0244211	Washer 6,4	1	
11	AP0227716	Washer	1	
12	AP0248375	Index assy. lever	1	
13	AP0239247	Index spring	1	
14	AP0229385	Pin	1	
15	AP0239430	Spring	1	
16	AP0239422	Pin spring	1	
17	AP0247940	Bush	1	
18	AP0245440	Circlip	1	
19	AP0832144	Ball bearing 6304	1	
20	AP0227442	Washer 20,2x27,5	1	
21	AP0945665	Circlip 20x1,75	1	
22	AP0236365	Rubbered pinion	1	
23	AP0239450	Spring washer 34x16,3	1	
24	AP0627210	Washer	1	
25	AP0940741	Hex screw	1	
26	AP0620235	Gear shaft+spring cpl.	1	
27	AP0227714	Washer	1	

Group	ENGINE
Code	29.68
Description	Gear box
Service	1



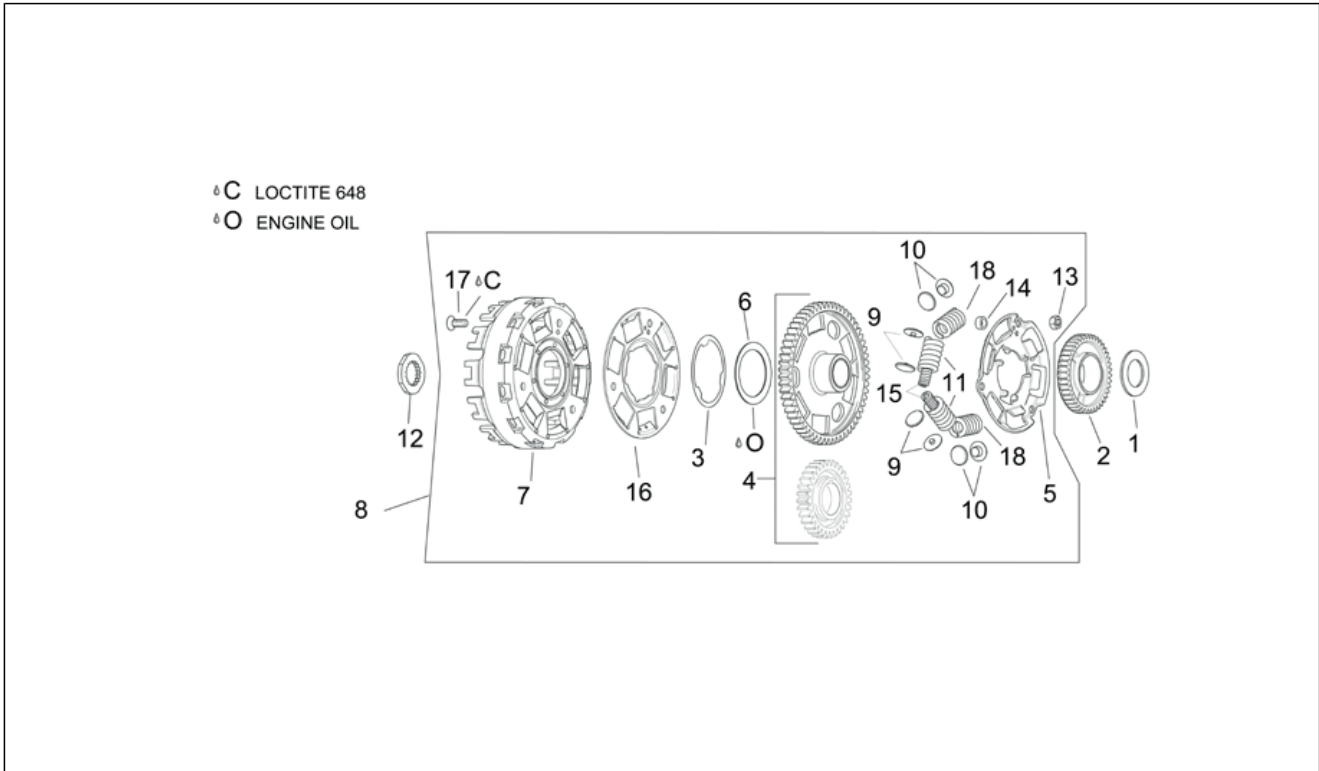
Pos.	Code	Description	Qty	Variants
1	AP0220392	Primary gear shaft assy.	1	
2	AP0634697	5th pinion gear	1	
3	AP0627120	Washer 29,2x33,5	2	
4	AP0245815	Circlip 28x2	6	
5	AP0634662	3rd-4th pinion gear	1	
6	AP0627132	Washer 25,35x34,5	4	
7	AP0632070	Roller cage 25x29x13	4	
8	AP0634712	6th pinion gear	1	
9	AP0634642	2nd pinion gear	1	
10	AP0220400	Driven shaft	1	
11	AP0634657	2nd wheel gear	1	
12	AP0634721	6th wheel gear	1	
13	AP0634670	4th wheel gear	1	
14	AP0634682	3rd wheel gear	1	
15	AP0634702	5th wheel gear	1	
16	AP0427106	Washer 25,3x33,5	1	
17	AP0634622	1st wheel gear	1	
18	AP0827110	Washer 20,5x37x1	1	
19	AP0281223	Gear box cpl.6 speed	1	

Group	ENGINE
Code	29.69
Description	Clutch I
Service	1



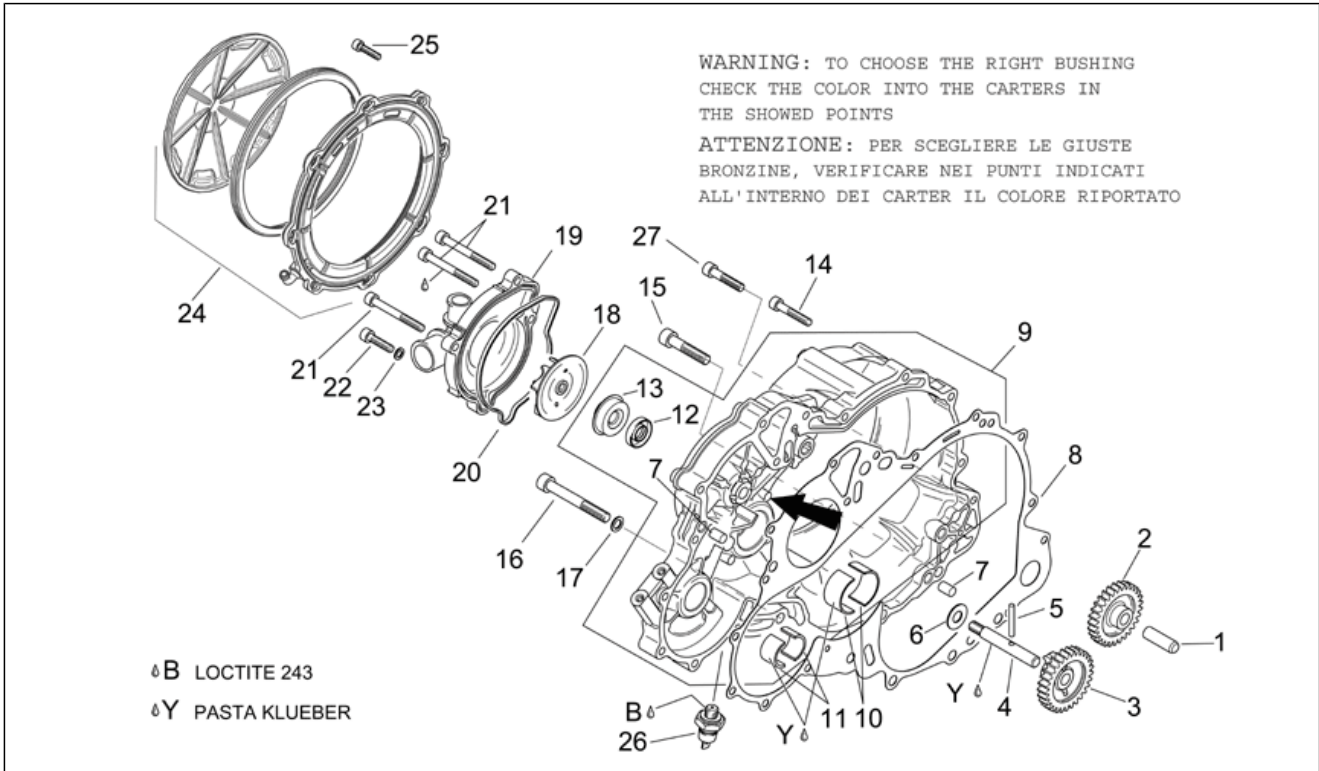
Pos.	Code	Description	Qty	Variants
1	AP0259520	Clutch hub	1	
2	AP0245830	Spring washer 24,5x40	1	
3	AP0242950	Nut m24x1,5	1	
4	AP8106915	Steel clutch discs 10 pc.	1	
5	AP0659800	Lined clutch disc	9	Year:2006[6], 2007[7], 2008[8]
5	AP8106867	Lined clutch disc	1	Year:2004[4], 2005[5]
6	AP0220455	Clutch shaft cpl.	1	
7	AP0259517	Springholder plate cpl.	1	
8	AP0632130	Ball bearing 16004	1	
9	AP0239480	Clutch spring	6	
10	AP0627530	Washer	6	Technical Specifications:Up to engine n. 8176296[M3]
10	AP0627535	Washer	6	Technical Specifications:From engine n. 8176297[M4]
11	AP0941506	Hex screw	6	
12	AP0227180	Washer 12,2x32x2	2	
13	AP0627230	Support disc	1	
14	AP0260890	Diaphragm	1	
15	AP0627280	Pressure plate	1	
16	AP0442130	Nut m12	1	

Group	ENGINE
Code	29.70
Description	Clutch II
Service	1



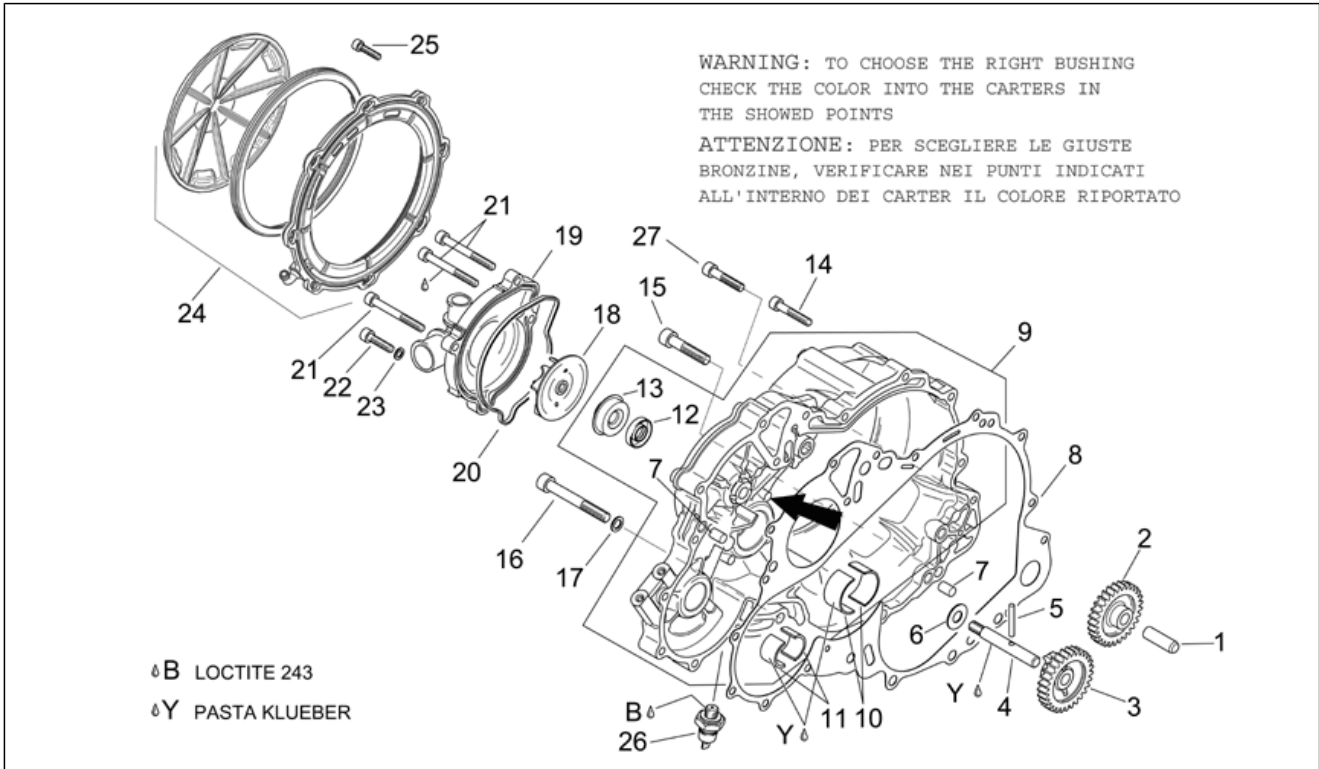
Pos.	Code	Description	Qty	Variants
1	AP0627260	Washer 30,2x50	1	
2	AP0634475	Oil pump gear z=42	1	
3	AP0627910	Thrust washer	1	
4	AP0295783	Primary drive gear	1	
5	AP0259583	Springholder plate	1	
6	AP0239390	Spring washer 68x52x1,2	1	
7	AP0259535	Clutch drum	1	
8	AP0295795	Primary transm.	1	
9	AP0247972	Bush D5,5	8	
10	AP0247974	Bush D11,5	4	
11	AP0238135	Spring	4	
12	AP0627220	Washer 25x44,4x5	1	
13	AP0242206	Nut M8	3	
14	AP0247614	Spacer	3	
15	AP0238140	Spring	4	
16	AP0259588	Springholder plate	1	
17	AP0941835	screw M8x25	3	
18	AP0238130	Spring	2	

Group	ENGINE
Code	29.71
Description	Water pump
Service	1



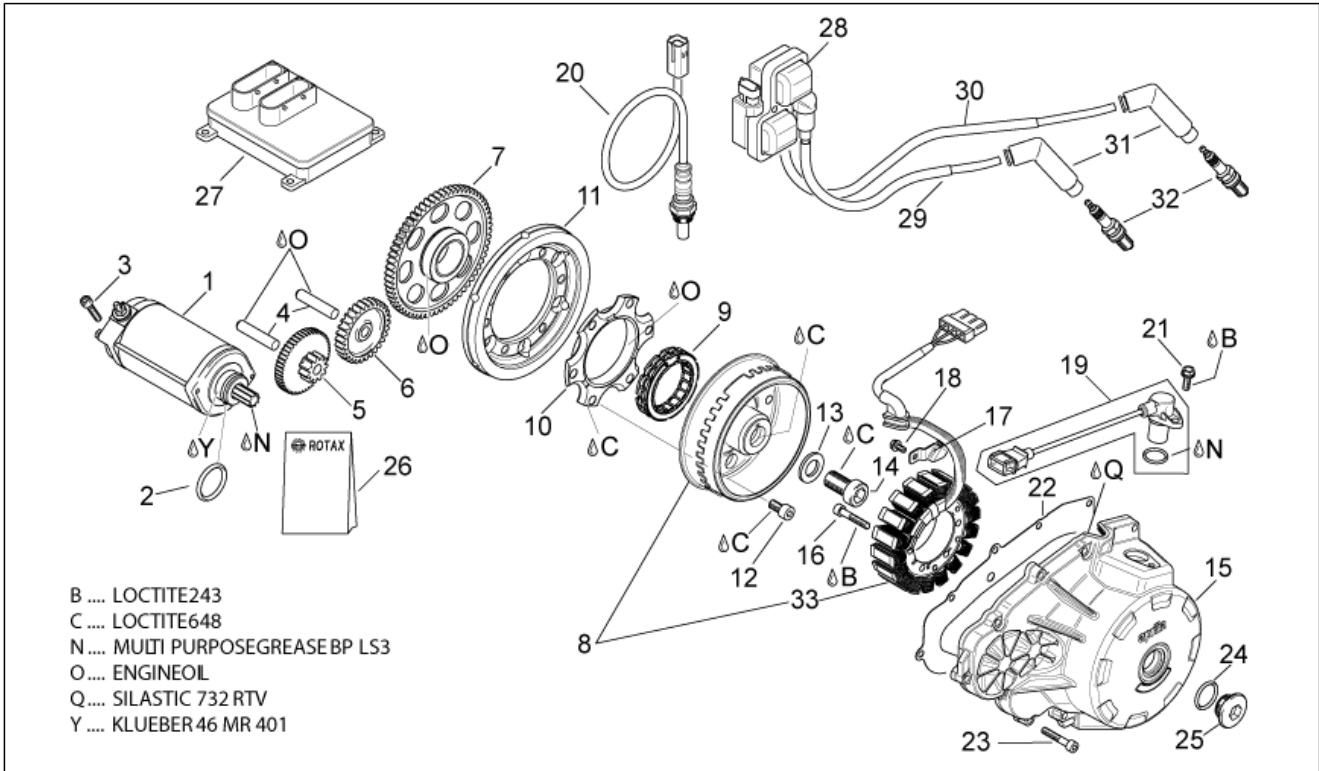
Pos.	Code	Description	Qty	Variants
1	AP0929930	Pin	1	
2	AP0634500	Idle gear	1	
3	AP0634490	Water pump gear	1	
4	AP0220410	Water pump shaft assy.	1	
5	AP0232430	Pin	1	
6	AP0227685	Washer 10,1x22x1	1	
7	AP0632010	Pin M8x12	2	
8	AP0650330	Gasket	1	
9	AP0610151	Clutch cover	1	
10	AP0233790	Bushing half-shell, blue	2	
10	AP0233791	Bushing half-shell, red	2	
10	AP0233793	Bushing half-shell, yellow	2	
11	AP0233780	Bearing half-shell 20x24x16	2	
12	AP0650315	Oil seal 10x25x5	1	
13	AP0650370	Pump mechanical seal	1	
14	AP0241811	Hex socket screw	10	
15	AP0440101	Hex socket screw	3	
16	AP0841841	Hex socket screw	1	
17	AP0950141	Gasket ring 8x13	1	
18	AP0222500	Impeller	1	
19	AP0222512	Water pump casing	1	
20	AP0650240	Gasket	1	
21	AP0240331	Hex socket screw	3	
22	AP0840861	Hex socket screw M6x25	1	
23	AP0950141	Gasket ring 8x13	1	
24	AP0610992	Diaphragm disc cpl.	1	
25	AP0240181	Hex socket screw	8	Technical Specifications: Factory "R" RSV Version[FAC], RSV Mille "R" Version[R]

Group	ENGINE
Code	29.71
Description	Water pump
Service	1



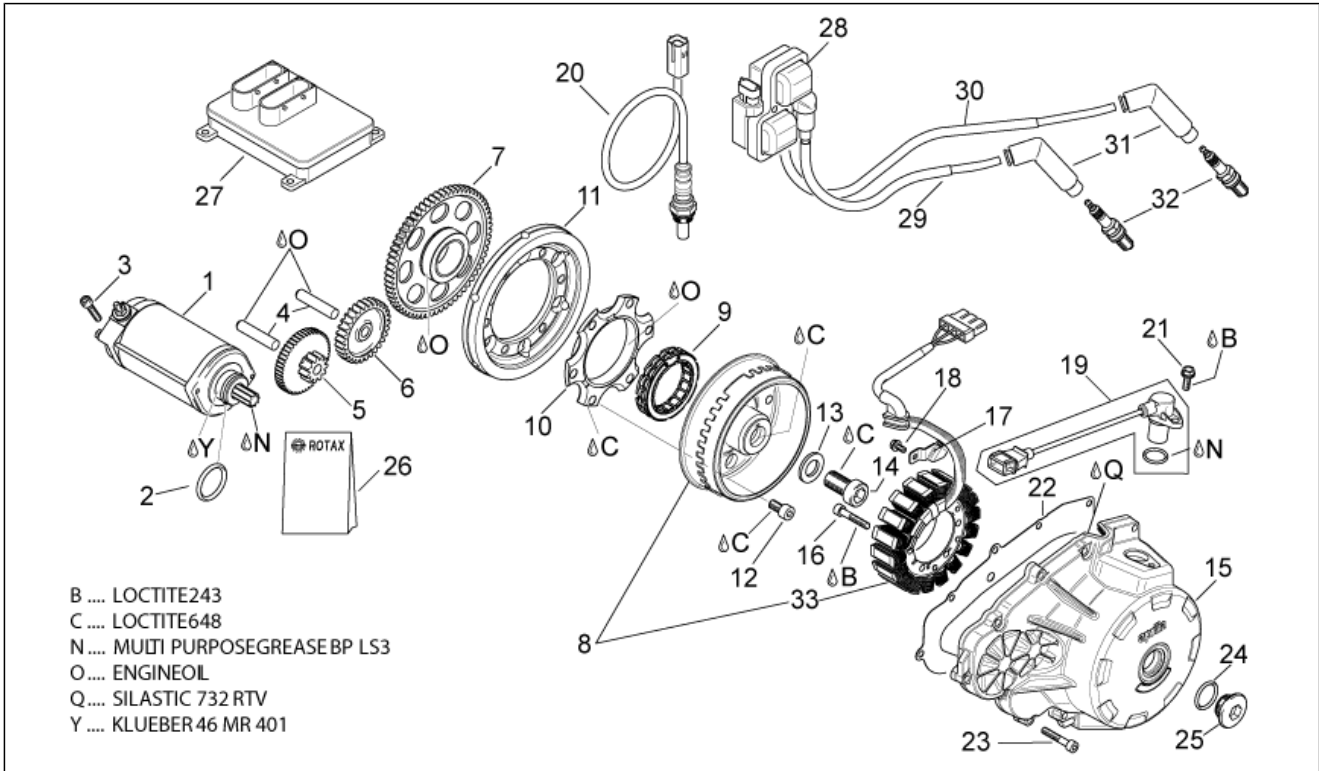
Pos.	Code	Description	Qty	Variants
25	AP8152443	Screw	8	Technical Specifications:"Nera" Dream RSV Version[DRE]
26	AP0956169	Oil pressure switch	1	
27	AP0241761	Hex socket screw	1	

Group	ENGINE
Code	29.72
Description	Ignition unit
Service	1



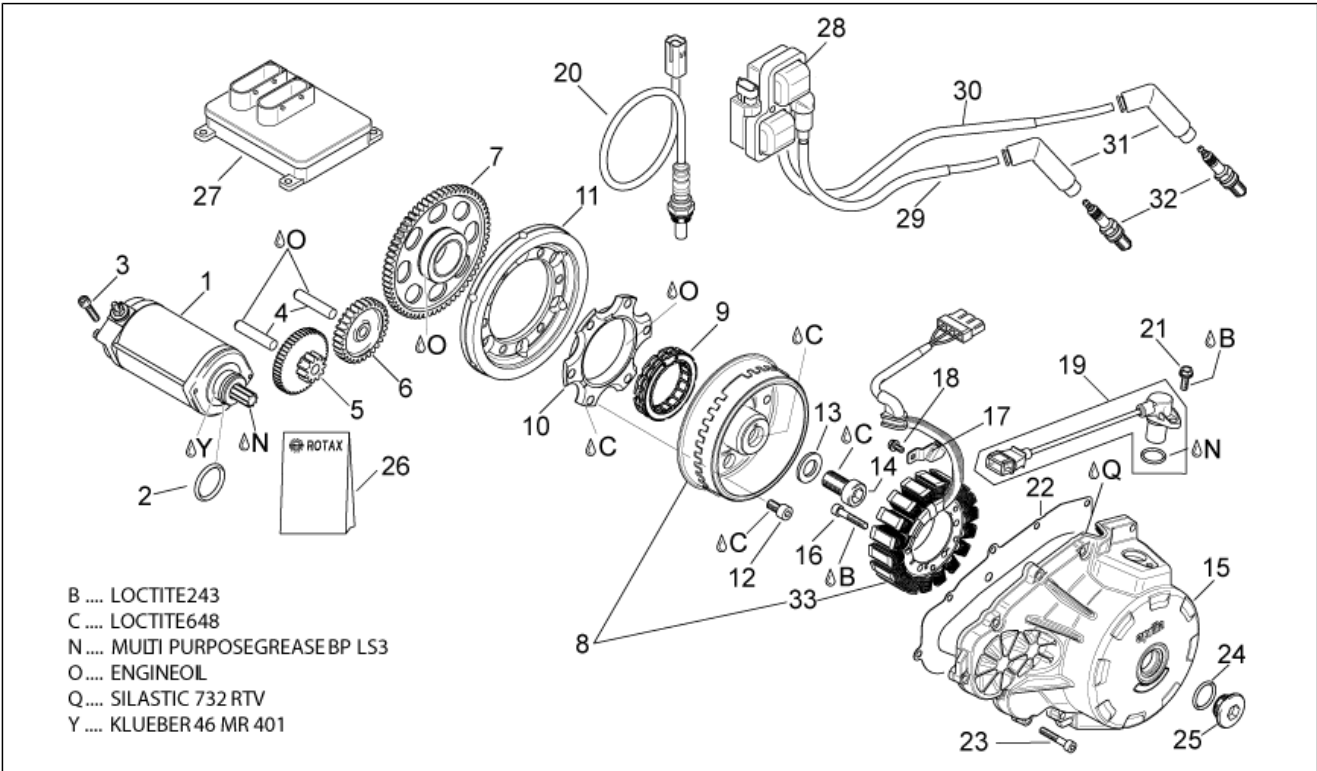
Pos.	Code	Description	Qty	Variants
1	AP0294356	Starter motor cpl.	1	
2	AP0250140	O-ring 24,4x3,1	1	
3	AP0840882	Hex socket screw	2	
4	AP0229301	Pin M6x50	2	
5	AP0634740	Double gear	1	Year:2004[4], 2005[5], 2006[6], 2007[7], 2008[8]
6	AP0634600	Idle gear	1	Year:2004[4], 2005[5], 2006[6], 2007[7], 2008[8]
7	AP0634595	Sprag clutch gear z=64	1	
8	AP0296988	Ignition unit cpl.	1	
9	AP0659110	Sprag clutch	1	
10	AP0659550	Sprag clutch housing	1	
11	AP0265045	Weight	1	
12	AP0641505	Hex socket screw	6	
13	AP0627270	Washer a17	1	
14	AP0241540	Hex socket screw	1	
15	AP0610705	Ignition cover	1	
16	AP0241816	Hex socket screw M6x40	3	
17	AP0251390	Cable protection	1	
18	AP0941935	Self-tap screw M5x12	1	
19	AP0265920	Pick-up	1	Year:2004[4]
19	AP0265920	Pick-up	1	Year:2005[5] Technical Specifications:Factory "R" RSV Version[FAC]
19	AP0265920	Pick-up	1	Year:2005[5] Technical Specifications:RSV Mille "R" Version[R]
19	AP0966570	Pick-up	1	Year:2005[5] Technical Specifications:Factory "R" RSV Version[FAC]
19	AP0966570	Pick-up	1	Year:2005[5] Technical Specifications:RSV Mille "R" Version[R]
19	AP0966570	Pick-up	1	Year:2005[5] Technical Specifications:RSV Mille "R" Version[R]

Group	ENGINE
Code	29.72
Description	Ignition unit
Service	1



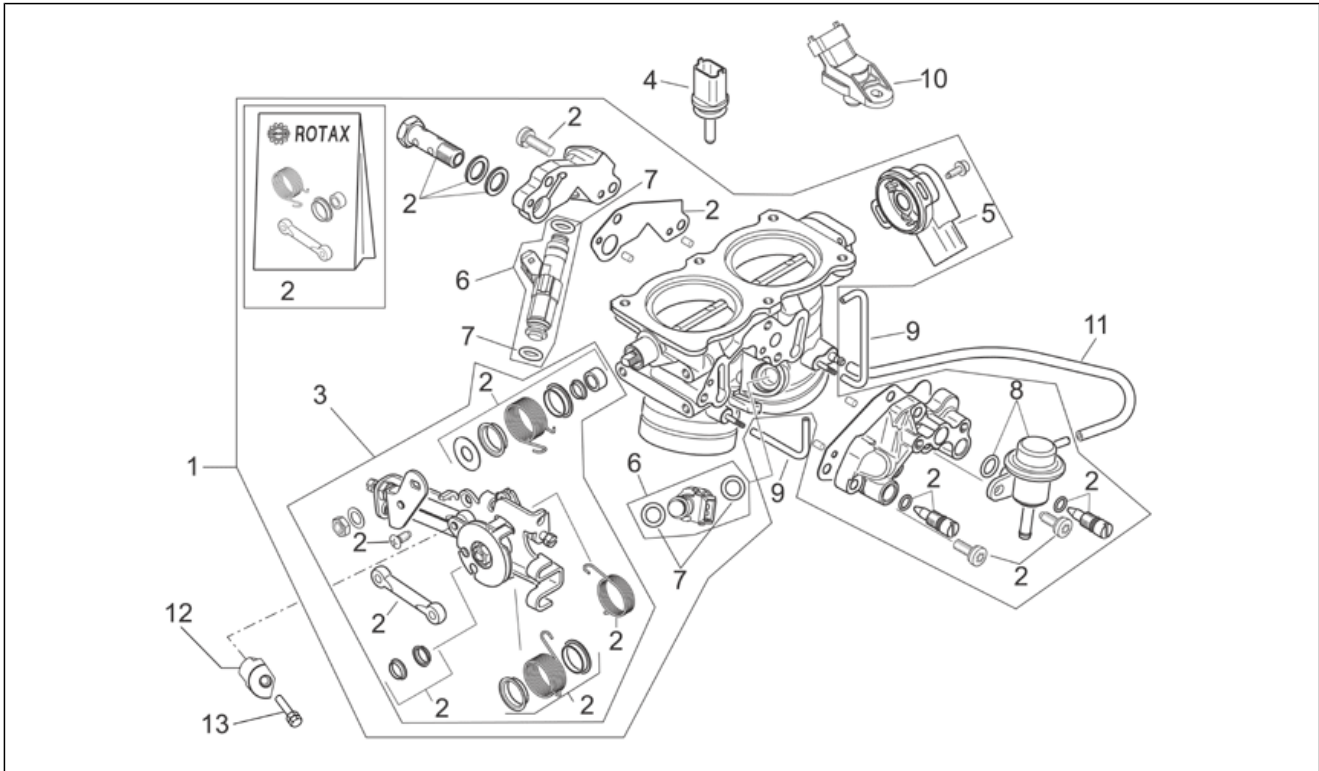
Pos.	Code	Description	Qty	Variants
19	AP0966570	Pick-up	1	Year:2005[5] Technical Specifications:Factory "R" RSV Version[FAC]
19	AP0966570	Pick-up	1	Year:2006[6], 2007[7], 2008[8] Technical Specifications:Factory "R" RSV Version[FAC], RSV Mille "R" Version[R]
19	AP0966570	Pick-up	1	Year:2004[4]
20	AP0266030	Lamda sensor	1	
21	AP0240580	Screw w/ flange	1	
22	AP0650340	Gasket	1	
23	AP0840880	Hex socket screw M6x30	12	
24	AP0430782	O-ring 23,3x2,4	1	
25	AP0241631	Cover m24x1,5	1	
26	AP0294354	Starter motor revision kit	1	
27	AP0266536	CDI unit assy	1	Year:2006[6], 2007[7], 2008[8] Technical Specifications:Factory "R" RSV Version[FAC], RSV Mille "R" Version[R]
27	AP0664981	CDI unit assy	1	Year:2005[5] Technical Specifications:RSV Mille "R" Version[R]
27	AP0664981	CDI unit assy	1	Year:2004[4]
27	AP0664981	CDI unit assy	1	Year:2005[5] Technical Specifications:RSV Mille "R" Version[R]
27	AP0664981	CDI unit assy	1	Year:2005[5] Technical Specifications:Factory "R" RSV Version[FAC]
27	AP0664981	CDI unit assy	1	Year:2005[5] Technical Specifications:RSV Mille "R" Version[R]
27	AP0664981	CDI unit assy	1	Year:2005[5] Technical Specifications:Factory "R" RSV Version[FAC]
27	AP0664981	CDI unit assy	1	Year:2004[4]
27	AP0664981	CDI unit assy	1	Year:2005[5] Technical Specifications:Factory "R" RSV Version[FAC]
28	AP0266070	HT coil	1	

Group	ENGINE
Code	29.72
Description	Ignition unit
Service	1



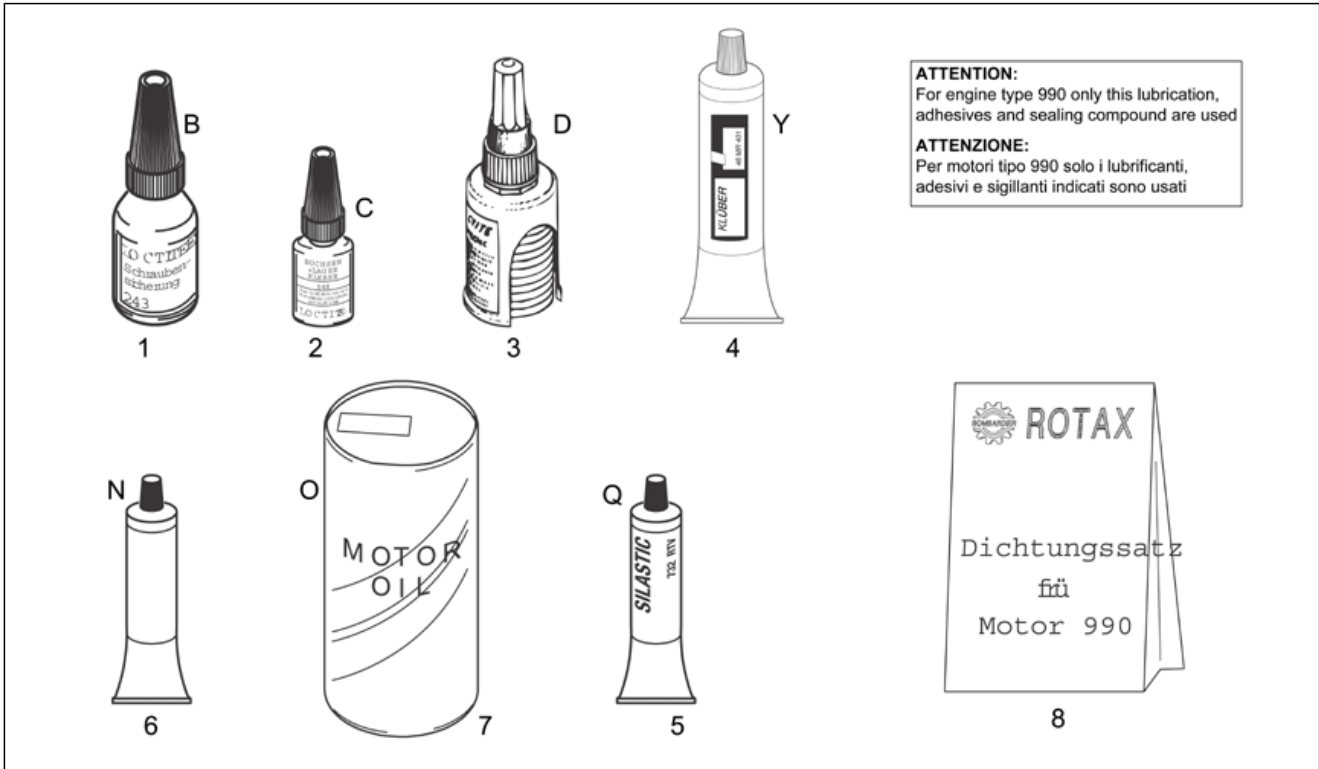
Pos.	Code	Description	Qty	Variants
29	AP0266140	HT wire	1	
30	AP0266145	HT wire	1	
31	AP0265246	Int.sparkplug cap	2	
32	AP0297942	Spark plug DCPR9E	2	
33	AP0685330	Stator	1	

Group	ENGINE
Code	29.73
Description	Throttle body
Service	1



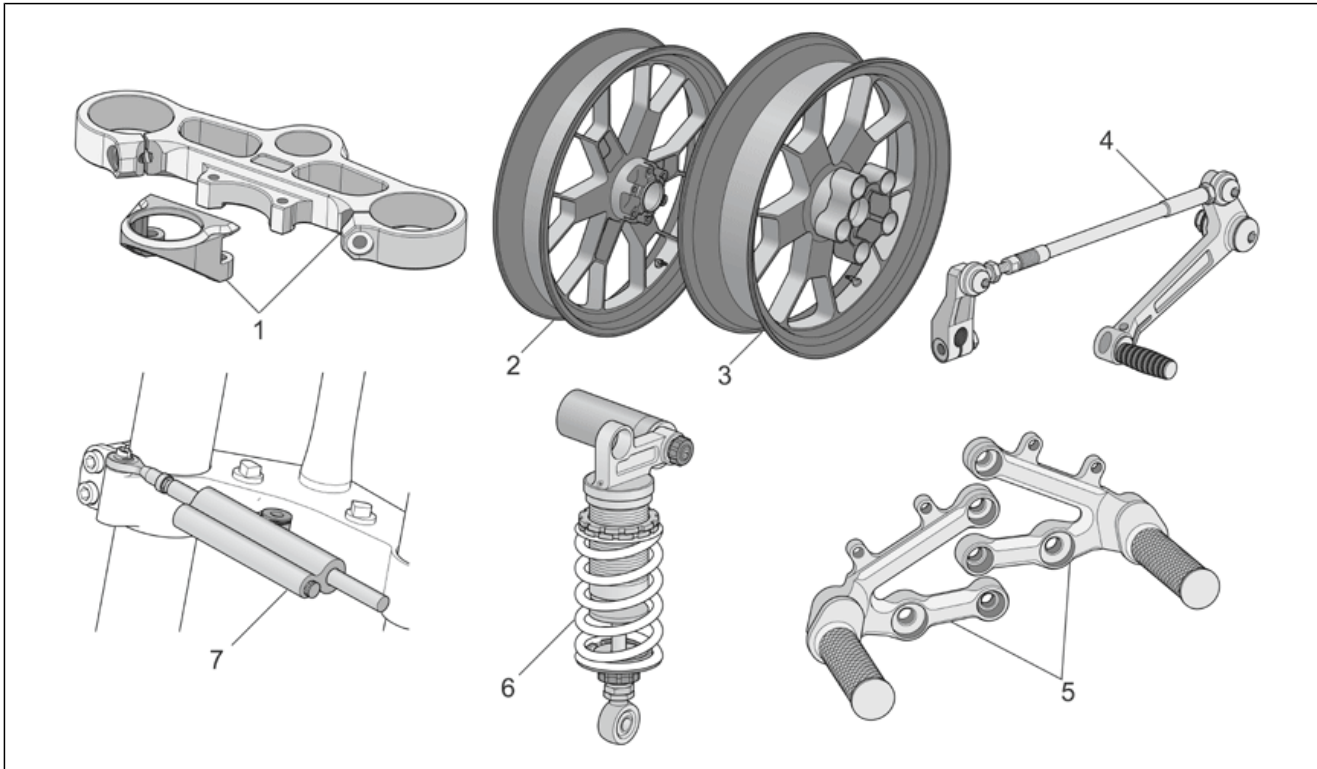
Pos.	Code	Description	Qty	Variants
1	AP0296970	Throttle body cpl.	1	
2	AP0281241	Throttle body revision kit	1	
3	AP0661011	Throttle cable supp.plate cpl.	1	
4	AP0966970	Air temp. Sensor	1	
5	AP0274030	Throttle body sensor	1	
6	AP0874487	Injector kit complete	2	
7	AP0631220	O-ring	4	
8	AP0274020	Fuel pressure regulator	1	
9	AP0960112	Wire 110 mm	2	
10	AP0274055	Pressure sensor	2	
11	AP0860662	Sensor pipe 110mm	1	
12	AP8121179	Bush	1	Technical Specifications:78 Kw power version[78Kw]
12	AP8161138	Bush	1	Technical Specifications:72 Kw power version[72Kw]
13	AP8176062	Shear rivet	1	Technical Specifications:78 Kw power version[78Kw]

Group	ENGINE
Code	29.74
Description	Sealing and lubricating agents
Service	1



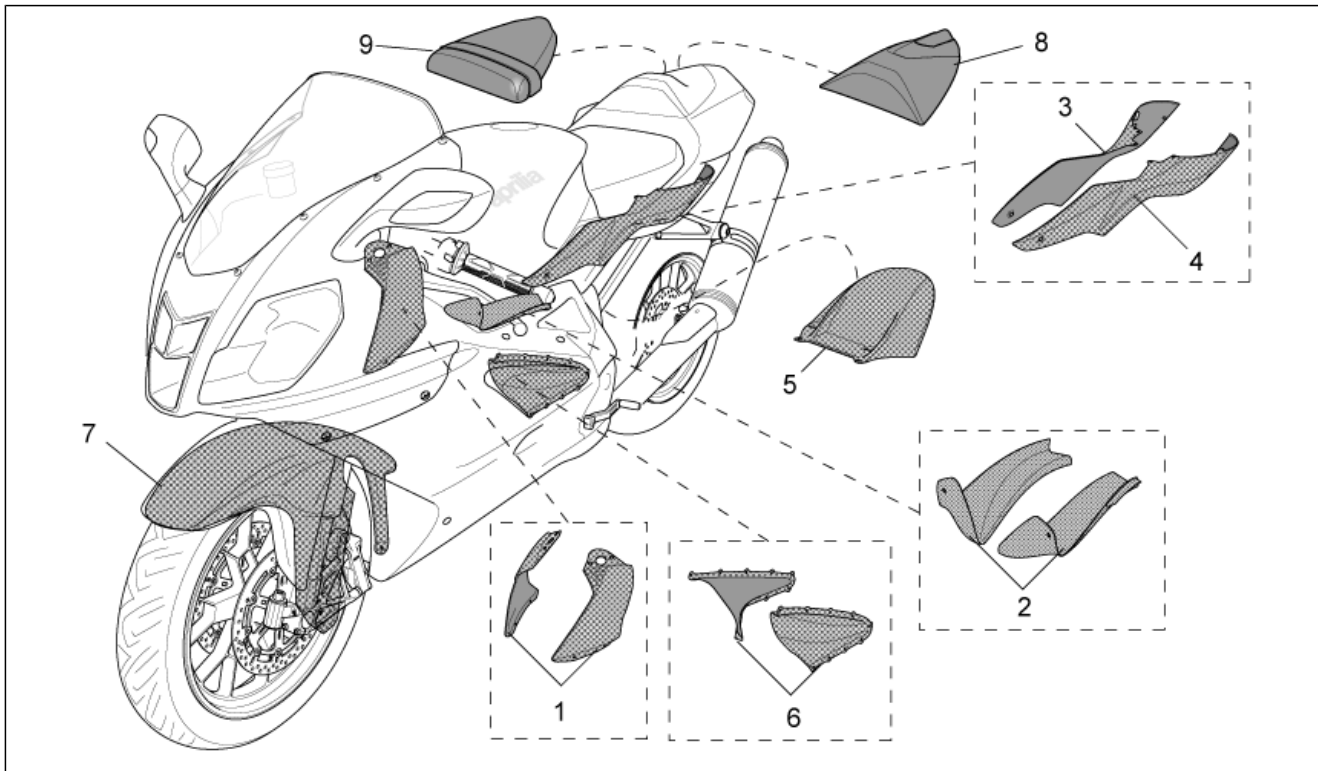
Pos.	Code	Description	Qty	Variants
1	AP0897651	Loctite (blue) 243 10cc.	1	
2	AP0899788	Loctite (green) 648 5gr.	1	
3	AP0899784	Loctite (orange) 574	1	
4	AP0297616	Klueber paste 60 gr	1	
5	AP0297386	Silastic 732 Rtv 100 gr.	1	
6	0000000	Tyre	1	
7	0000000	Tyre	1	
8	AP0296170	Gasket set	1	

Group	ACCESSORIES
Code	30.01
Description	Acc. - Cyclistic components
Service	1



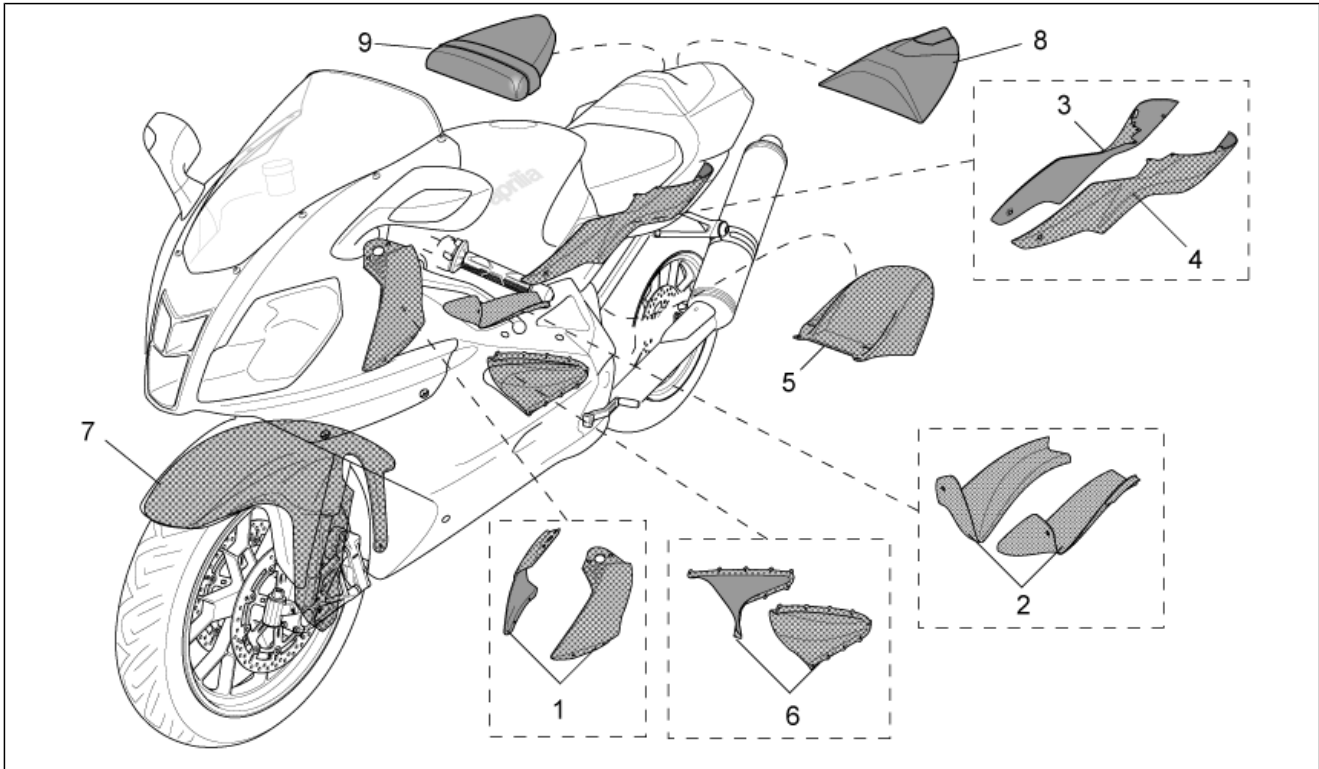
Pos.	Code	Description	Qty	Variants
1	AP8796775	Fork upper plate alu	1	Year: 2005[5] Technical Specifications: Accessories[A], RSV Mille "R" Version[R]
1	AP8796775	Fork upper plate alu	1	Year: 2004[4], 2005[5] Technical Specifications: Accessories[A], Factory "R" RSV Version[FAC]
2	AP8795043	Front wheel, magnesium RED	1	Technical Specifications: Accessories[A], Factory "R" RSV Version[FAC], RSV Mille "R" Version[R]
2	AP8796196	Front wheel, blue OZ-Alu	1	Technical Specifications: Accessories[A], RSV Mille "R" Version[R]
3	AP8108934	Rear wheel, blue OZ-Alu	1	Technical Specifications: Accessories[A], RSV Mille "R" Version[R]
3	AP8795044	Rear wheel, magnesium RED	1	Technical Specifications: Accessories[A], Factory "R" RSV Version[FAC], RSV Mille "R" Version[R]
4	AP8791264	Gearbox lever Ergal	1	Technical Specifications: Accessories[A], For Circuit Only[Circ]
5	AP8793686	Adjustable foot rests Alu	1	Technical Specifications: Accessories[A], For Circuit Only[Circ]
6	AP8795041	Shock absorber Ohlins-Alu	1	Technical Specifications: Accessories[A], Factory "R" RSV Version[FAC], RSV Mille "R" Version[R]
6	AP8795042	Shock absorber Ohlins-Inox	1	Technical Specifications: Accessories[A], RSV Mille "R" Version[R]
7	AP8795040	Adj.Steering shock abs. Ohlins	1	Technical Specifications: Accessories[A], RSV Mille "R" Version[R]

Group	ACCESSORIES
Code	30.02
Description	Acc. - Special body parts
Service	1



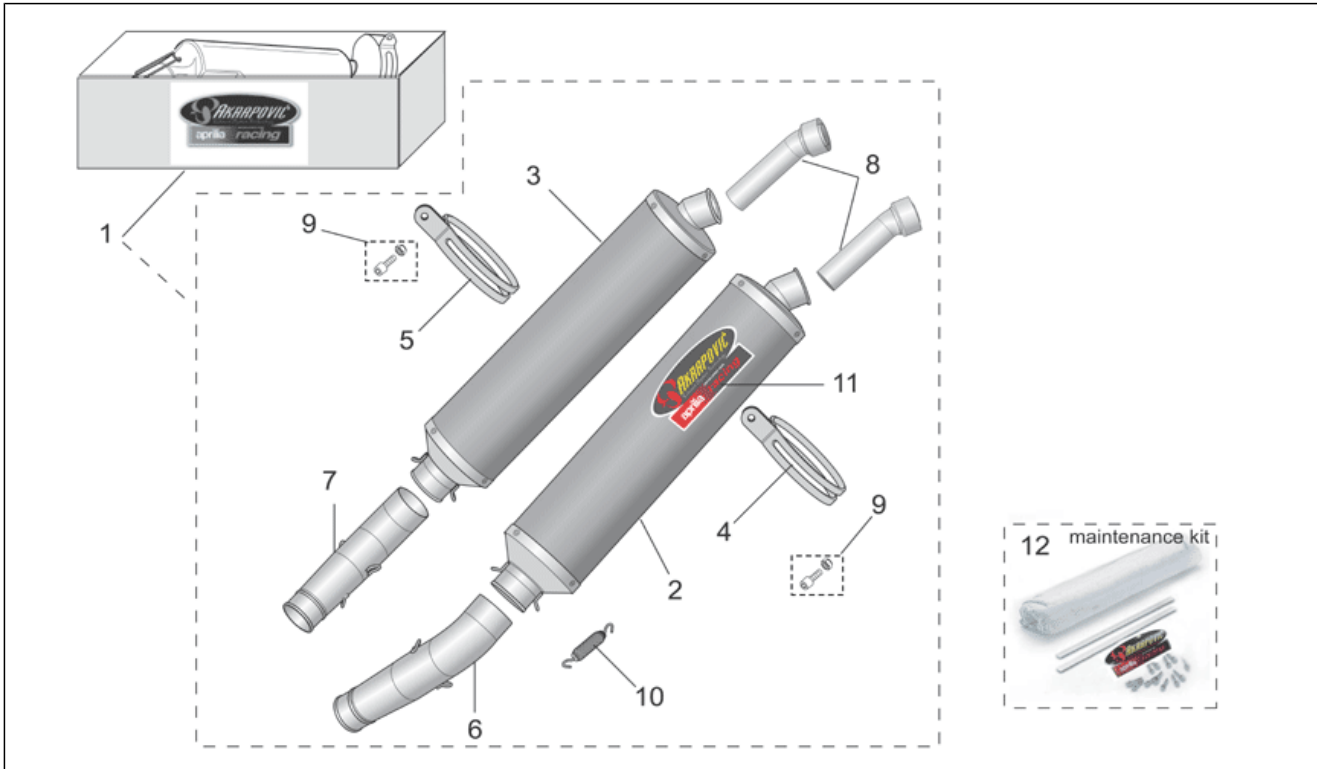
Pos.	Code	Description	Qty	Variants
1	AP8796782	Baffle, pair Carb.	1	Technical Specifications: Accessories[A], RSV Mille "R" Version[R]
2	AP8796780	Upper front fairing-pair Carb.	1	Technical Specifications: Accessories[A], RSV Mille "R" Version[R]
3	AP8796784	RH side panel Carb.	1	Year: 2004[4], 2005[5] Technical Specifications: Accessories[A], RSV Mille "R" Version[R]
3	AP8797414	Carb. RH side panel	1	Year: 2006[6] Technical Specifications: Accessories[A], RSV Mille "R" Version[R]
4	AP8796785	LH side panel Carb.	1	Year: 2004[4], 2005[5] Technical Specifications: Accessories[A], RSV Mille "R" Version[R]
4	AP8797413	Carb. LH side panel	1	Year: 2006[6] Technical Specifications: Accessories[A], RSV Mille "R" Version[R]
5	AP8796783	Rear mudguard, carb.	1	Technical Specifications: Accessories[A], RSV Mille "R" Version[R]
6	AP851699	Air pullers, pair Carb.	1	Year: 2006[6] Technical Specifications: Accessories[A], RSV Mille "R" Version[R]
6	AP8796779	Air pullers, pair Carb.	1	Year: 2004[4], 2005[5] Technical Specifications: Accessories[A], RSV Mille "R" Version[R]
7	AP8796055	Front mudguard, carb.	1	Year: 2004[4] Technical Specifications: Accessories[A], RSV Mille "R" Version[R]
7	AP8797217	Front mudguard carb.Radial	1	Year: 2005[5] Technical Specifications: Accessories[A], RSV Mille "R" Version[R]
8	AP8797162	Saddle cover kit, red	1	Year: 2005[5] Vehicle colour: Fluo Red 2005-2006[r.fluo] Technical Specifications: Accessories[A], RSV Mille "R" Version[R]

Group	ACCESSORIES
Code	30.02
Description	Acc. - Special body parts
Service	1



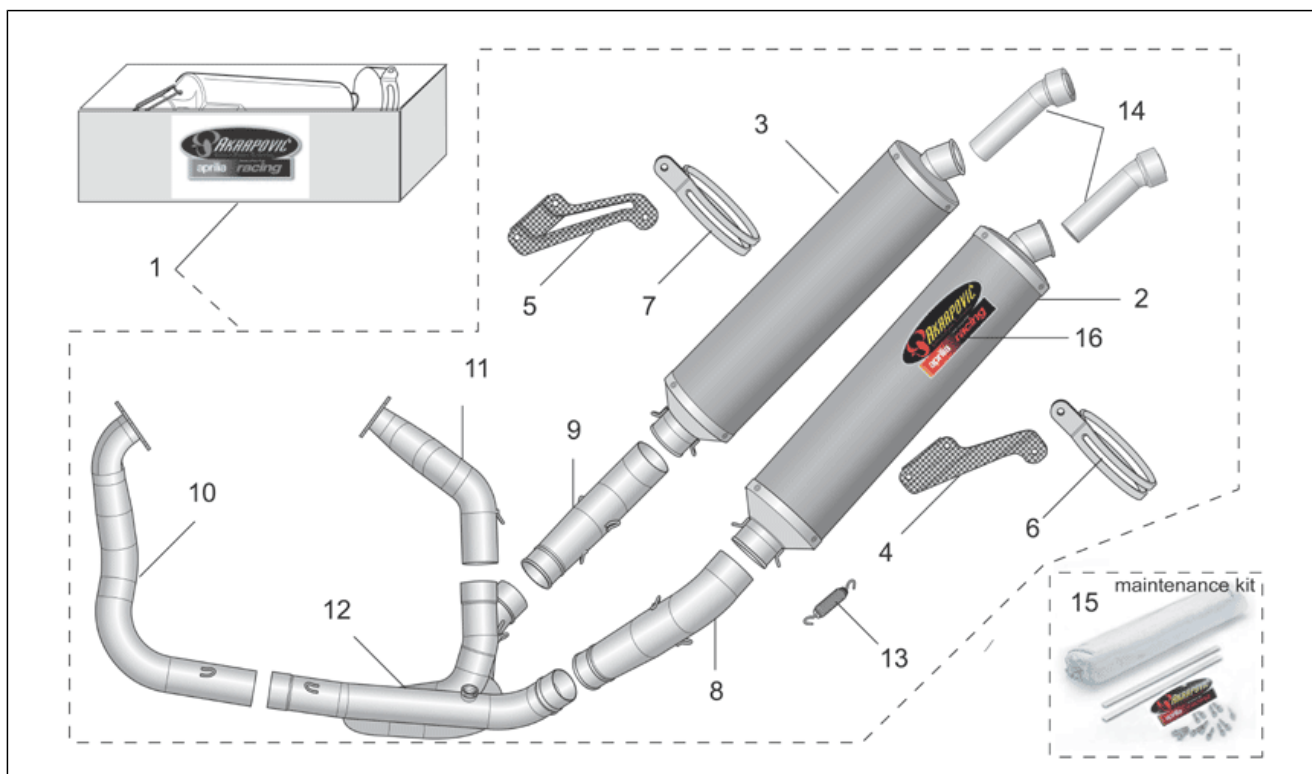
Pos.	Code	Description	Qty	Variants
8	AP8797163	Saddle cover kit, black	1	Year:2005[5] Vehicle colour:Aprilia black 2005-2006[a.blk] Technical Specifications:Accessories[A], RSV Mille "R" Version[R]
8	AP8797164	Saddle cover kit, silver	1	Year:2005[5] Vehicle colour:Silver Mirror 2005[s.mir] Technical Specifications:Accessories[A], RSV Mille "R" Version[R]
8	AP8797420	Cover pillion rider seat,carb.	1	Year:2006[6] Technical Specifications:Accessories[A], Factory "R" RSV Version[FAC], RSV Mille "R" Version[R]
9	AP8793700	Rear saddle comfort	1	Year:2006[6] Technical Specifications:Accessories[A], Factory "R" RSV Version[FAC], RSV Mille "R" Version[R]

Group	ACCESSORIES
Code	30.03
Description	Acc. - Performance parts I
Service	1



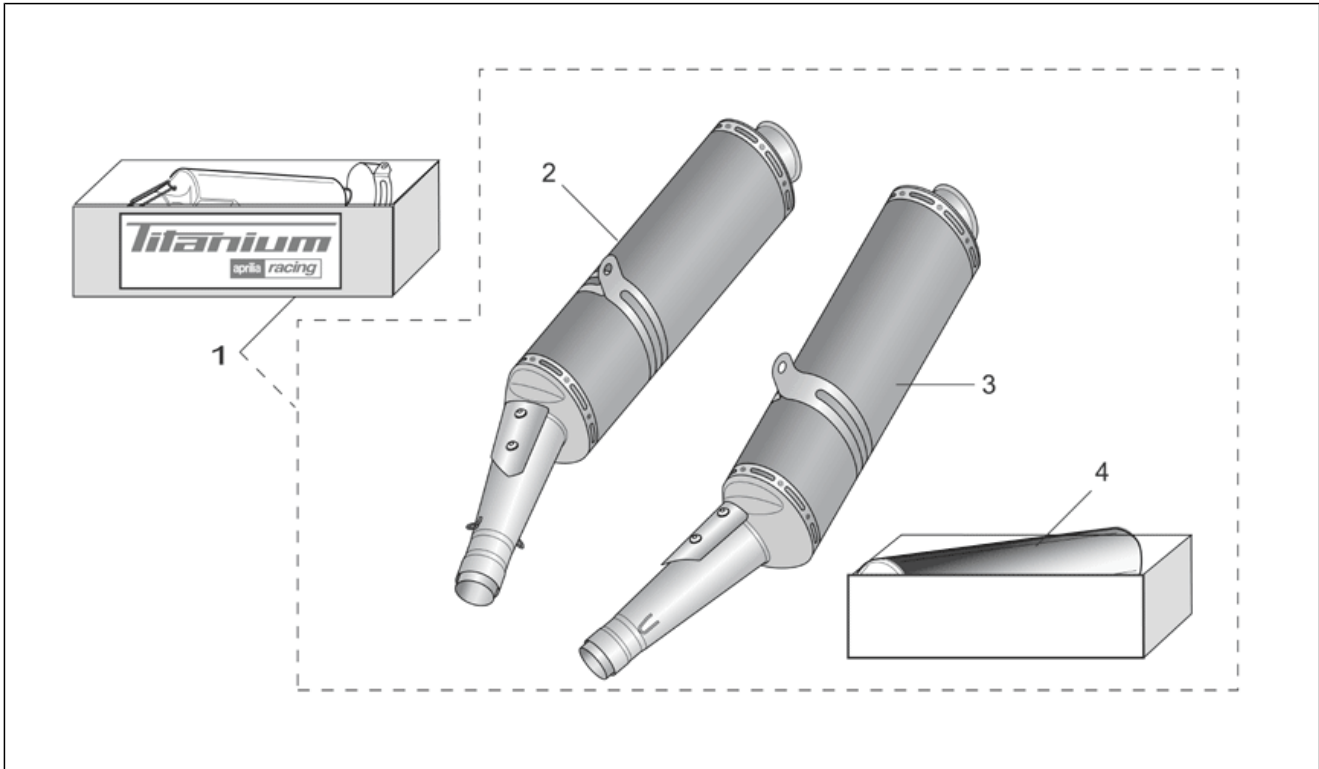
Pos.	Code	Description	Qty	Variants
1	AP8797221	Exhaust kit Slip-On	1	Technical Specifications: Accessories[A], All Countries recog.EEC regulat.E1 0489[Om]
2	AP8797222	LH silencer Titan	1	Technical Specifications: Accessories[A], All Countries recog.EEC regulat.E1 0489[Om]
3	AP8797223	RH silencer Titan	1	Technical Specifications: Accessories[A], All Countries recog.EEC regulat.E1 0489[Om]
4	AP8796792	LH silencer support clamp	1	Technical Specifications: Accessories[A]
5	AP8796793	RH silencer support clamp	1	Technical Specifications: Accessories[A]
6	AP8797225	LH manifold pipe	1	Technical Specifications: Accessories[A], All Countries recog.EEC regulat.E1 0489[Om]
7	AP8797226	RH manifold pipe	1	Technical Specifications: Accessories[A], All Countries recog.EEC regulat.E1 0489[Om]
8	AP8797159	Exhaust unit Reduction Akra.	1	Technical Specifications: Accessories[A], All Countries recog.EEC regulat.E1 0489[Om]
9	AP8797224	Fix kit	1	Technical Specifications: Accessories[A], All Countries recog.EEC regulat.E1 0489[Om]
10	AP8796519	Exhaust pipes spring	8	Technical Specifications: Accessories[A]
11	AP8797215	Sticker	1	Technical Specifications: Accessories[A]
12	AP8797231	Silencer revision kit Ak.	2	Technical Specifications: Accessories[A], All Countries recog.EEC regulat.E1 0489[Om]

Group	ACCESSORIES
Code	30.04
Description	Acc. - Performance parts II
Service	1



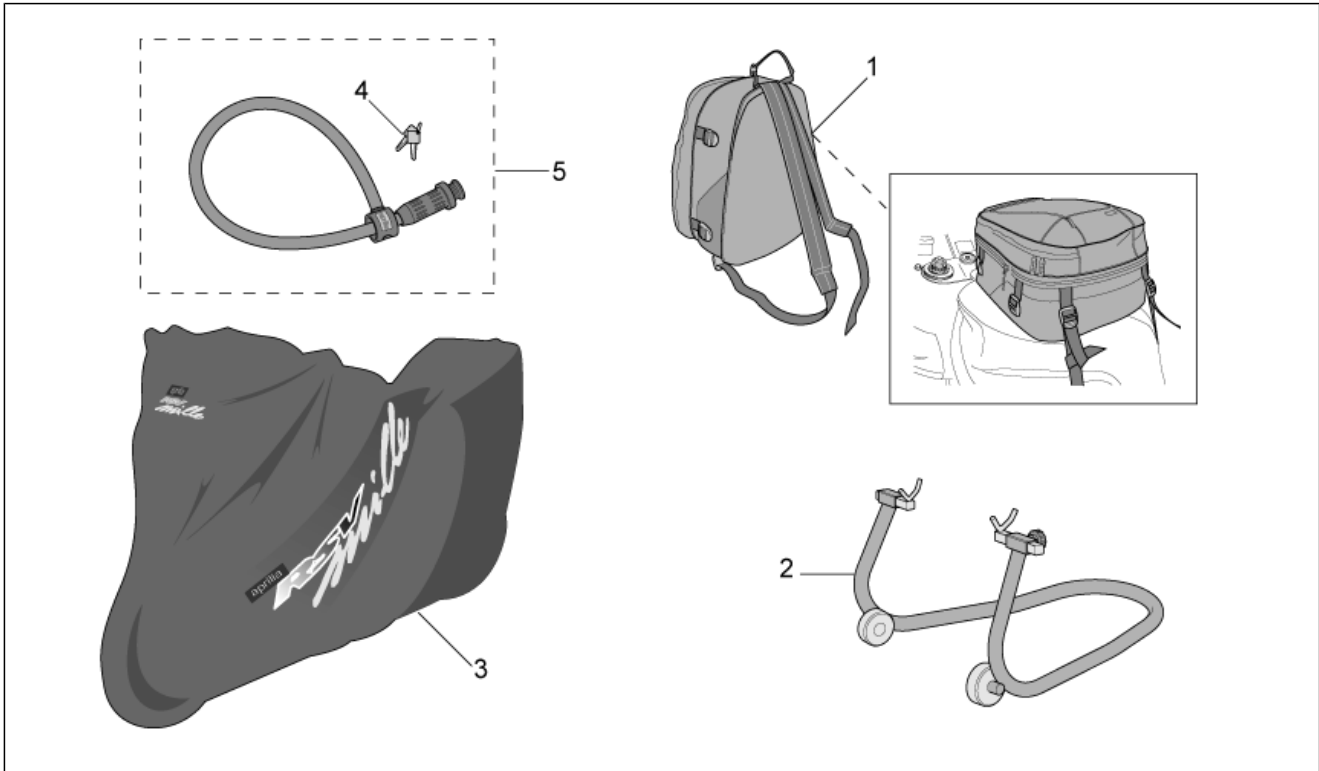
Pos.	Code	Description	Qty	Variants
1	AP8796999	Exhaust kit assy Akrapovic	1	Technical Specifications: Accessories[A], All Countries recog.EEC regulat.E1 0489[Om]
2	AP8796788	LH silencer Titan	1	Technical Specifications: Accessories[A], For Circuit Only[Circ]
2	AP8797156	LH silencer titan	1	Technical Specifications: Accessories[A], All Countries recog.EEC regulat.E1 0489[Om]
3	AP8796789	RH silencer Titan	1	Technical Specifications: Accessories[A], For Circuit Only[Circ]
3	AP8797157	RH silencer titan	1	Technical Specifications: Accessories[A], All Countries recog.EEC regulat.E1 0489[Om]
4	AP8796790	LH clamp Carb.	1	Technical Specifications: Accessories[A]
5	AP8796791	RH clamp Carb.	1	Technical Specifications: Accessories[A]
6	AP8796792	LH silencer support clamp	1	Technical Specifications: Accessories[A]
7	AP8796793	RH silencer support clamp	1	Technical Specifications: Accessories[A]
8	AP8796794	LH manifold pipe	1	Technical Specifications: Accessories[A]
9	AP8796795	RH manifold pipe	1	Technical Specifications: Accessories[A]
10	AP8796796	Front manifold pipe	1	Technical Specifications: Accessories[A]
11	AP8796797	Rear manifold pipe	1	Technical Specifications: Accessories[A]
12	AP8796798	Central manifold pipe	1	Technical Specifications: Accessories[A]
13	AP8796519	Exhaust pipes spring	8	Technical Specifications: Accessories[A]
14	AP8797159	Exhaust unit Reduction Akra.	1	Technical Specifications: Accessories[A], All Countries recog.EEC regulat.E1 0489[Om]
15	AP8797158	Silencer revision kit Ak.	2	Technical Specifications: Accessories[A], All Countries recog.EEC regulat.E1 0489[Om]
15	AP8798000	Silencer revision kit Ak.	2	Technical Specifications: Accessories[A], For Circuit Only[Circ]
16	AP8796520	Sticker	1	Technical Specifications: Accessories[A], For Circuit Only[Circ]
16	AP8797215	Sticker	1	Technical Specifications: Accessories[A], All Countries recog.EEC regulat.E1 0489[Om]

Group	ACCESSORIES
Code	30.05
Description	Acc. - Performance parts III
Service	1



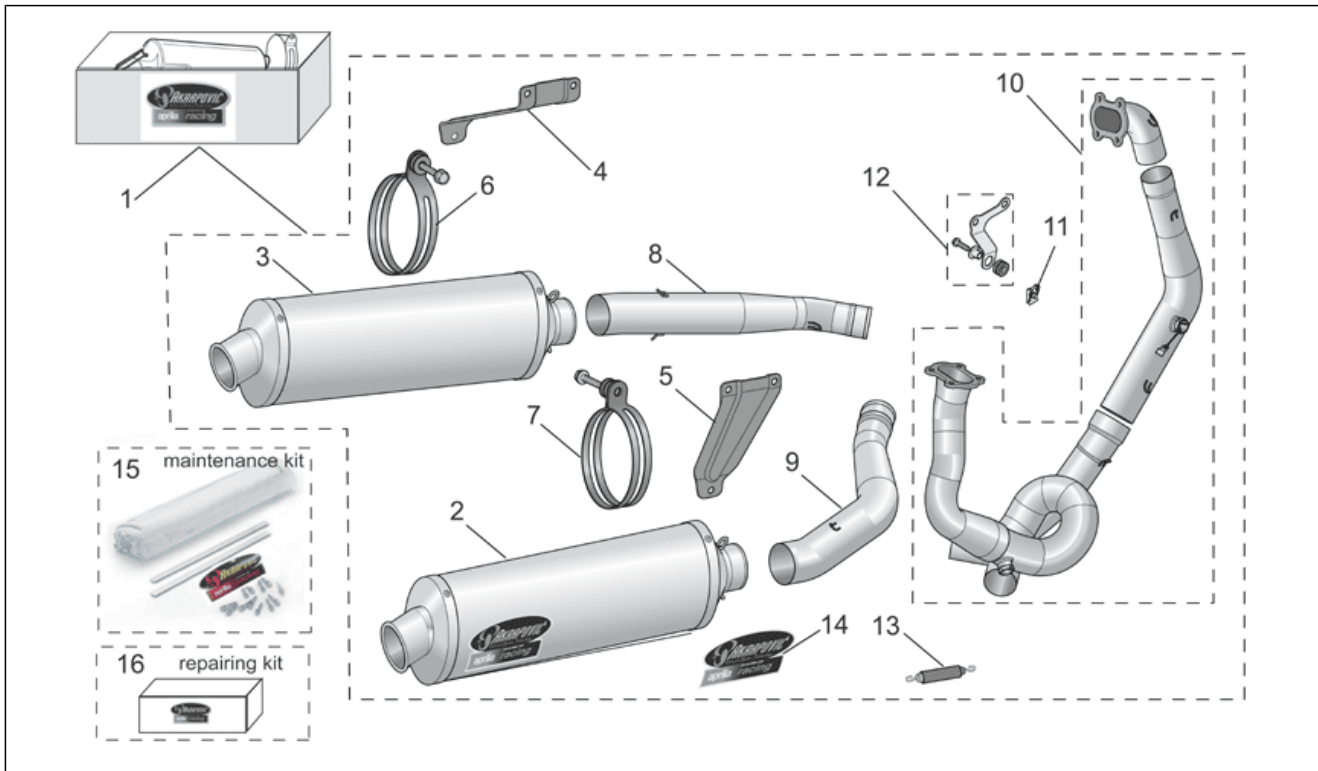
Pos.	Code	Description	Qty	Variants
1	AP8795039	Exhaust kit Slip-On	1	Technical Specifications: Accessories[A]
2	AP8795046	RH silencer Slip-On	1	Technical Specifications: Accessories[A]
3	AP8795047	LH silencer Slip-On	1	Technical Specifications: Accessories[A]
4	AP8795048	Soundpr.cartridge assy Slip	1	Technical Specifications: Accessories[A]

Group	ACCESSORIES
Code	30.06
Description	Acc. - Various
Service	1



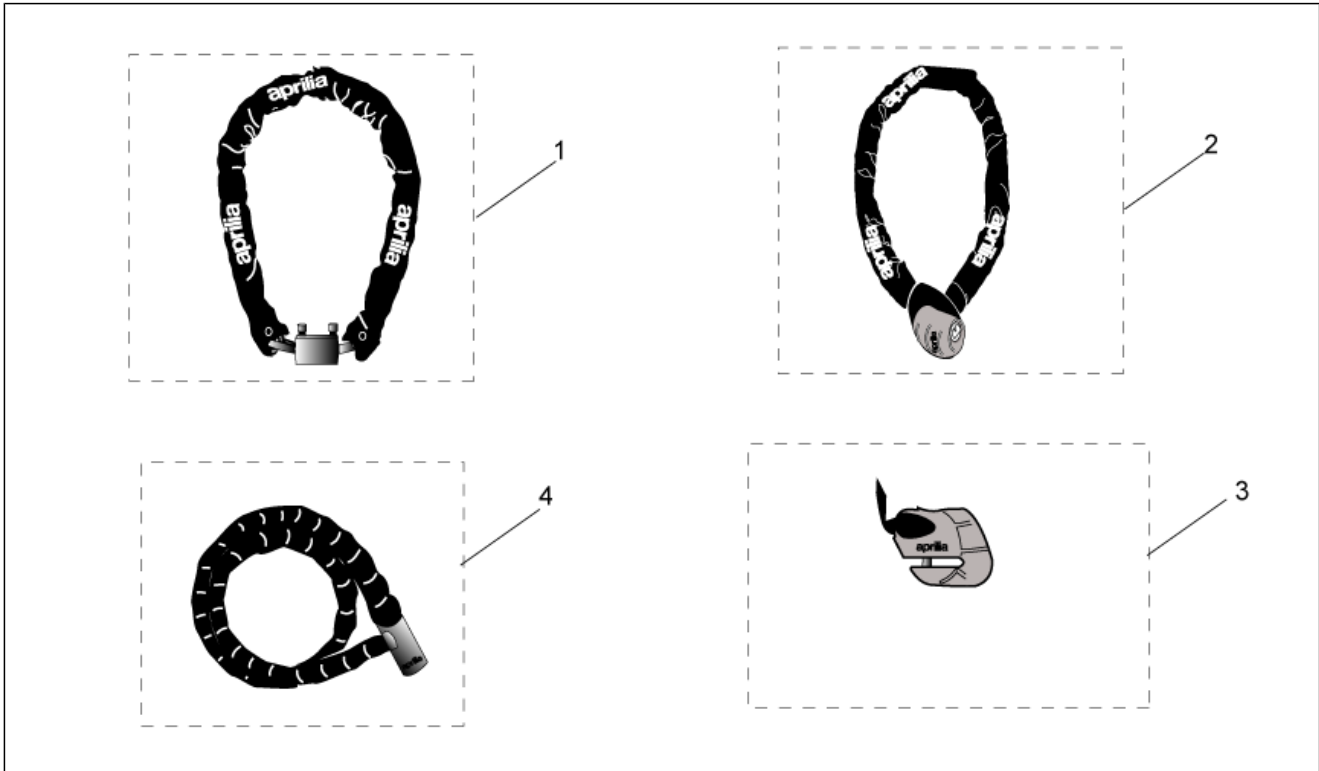
Pos.	Code	Description	Qty	Variants
1	AP8792156	Tank pack	1	Technical Specifications: Accessories[A]
2	AP8705021	Rear Workshop stand	1	Technical Specifications: Accessories[A]
3	AP8796835	Bike cover	1	Technical Specifications: Accessories[A]
4	AP8700792	Key support B.Guard UK-D	1	Country: Germany[D], Great Britain[UK] Technical Specifications: Accessories[A]
4	AP8700793	Key support B.Guard F-NL	1	Country: France[F], Holland[NL] Technical Specifications: Accessories[A]
4	AP8700794	Key support B.Guard I-E	1	Country: Spain[E], Italy[I] Technical Specifications: Accessories[A]
5	AP8794042	Anti-theft kit	1	Year: 2006[6] Technical Specifications: Accessories[A]

Group	ACCESSORIES
Code	30.75
Description	Acc. - Performance parts EVO
Service	1



Pos.	Code	Description	Qty	Variants
1	AP8797232	Exhaust kit assy Akra.EVO6	1	Technical Specifications: Accessories[A], For Circuit Only[Circ]
2	AP8797233	RH silencer Titan	1	Technical Specifications: Accessories[A], For Circuit Only[Circ]
3	AP8797234	LH silencer Titan	1	Technical Specifications: Accessories[A], For Circuit Only[Circ]
4	AP8796790	LH clamp Carb.	1	Technical Specifications: Accessories[A]
5	AP8796791	RH clamp Carb.	1	Technical Specifications: Accessories[A]
6	AP8797235	LH manifold pipe Carb.	1	Technical Specifications: Accessories[A]
7	AP8797236	RH silencer support clamp Carb.	1	Technical Specifications: Accessories[A]
8	AP8797237	RH manifold pipe Titan	1	Technical Specifications: Accessories[A], For Circuit Only[Circ]
9	AP8797238	LH manifold pipe Titan	1	Technical Specifications: Accessories[A], For Circuit Only[Circ]
10	AP8797239	Central manifold pipe	1	Technical Specifications: Accessories[A], For Circuit Only[Circ]
11	AP8797240	Collector set fixing nut	1	Technical Specifications: Accessories[A]
12	AP8797241	Cpl. Exhaust Fix kit	1	Technical Specifications: Accessories[A]
13	AP8796519	Exhaust pipes spring	12	Technical Specifications: Accessories[A]
14	AP8797215	Sticker	1	Technical Specifications: Accessories[A]
15	AP8797242	Silencer revision kit	1	Technical Specifications: Accessories[A], For Circuit Only[Circ]
16	AP8797243	Silencer Repairing kit	1	Technical Specifications: Accessories[A], For Circuit Only[Circ]

Group	ACCESSORIES
Code	30.78
Description	Acc. - Mechanics anti-theft
Service	1



Pos.	Code	Description	Qty	Variants
1	AP8720115	Iron Guard 10x150 mm	1	Technical Specifications:Accessories[A]
2	AP8720116	Iron Guard 8x120 mm	1	Technical Specifications:Accessories[A]
3	AP8720117	Iron Guard Disk 5 mm	1	Technical Specifications:Accessories[A]
4	AP8720118	Easy Guard 150 mm	1	Technical Specifications:Accessories[A]