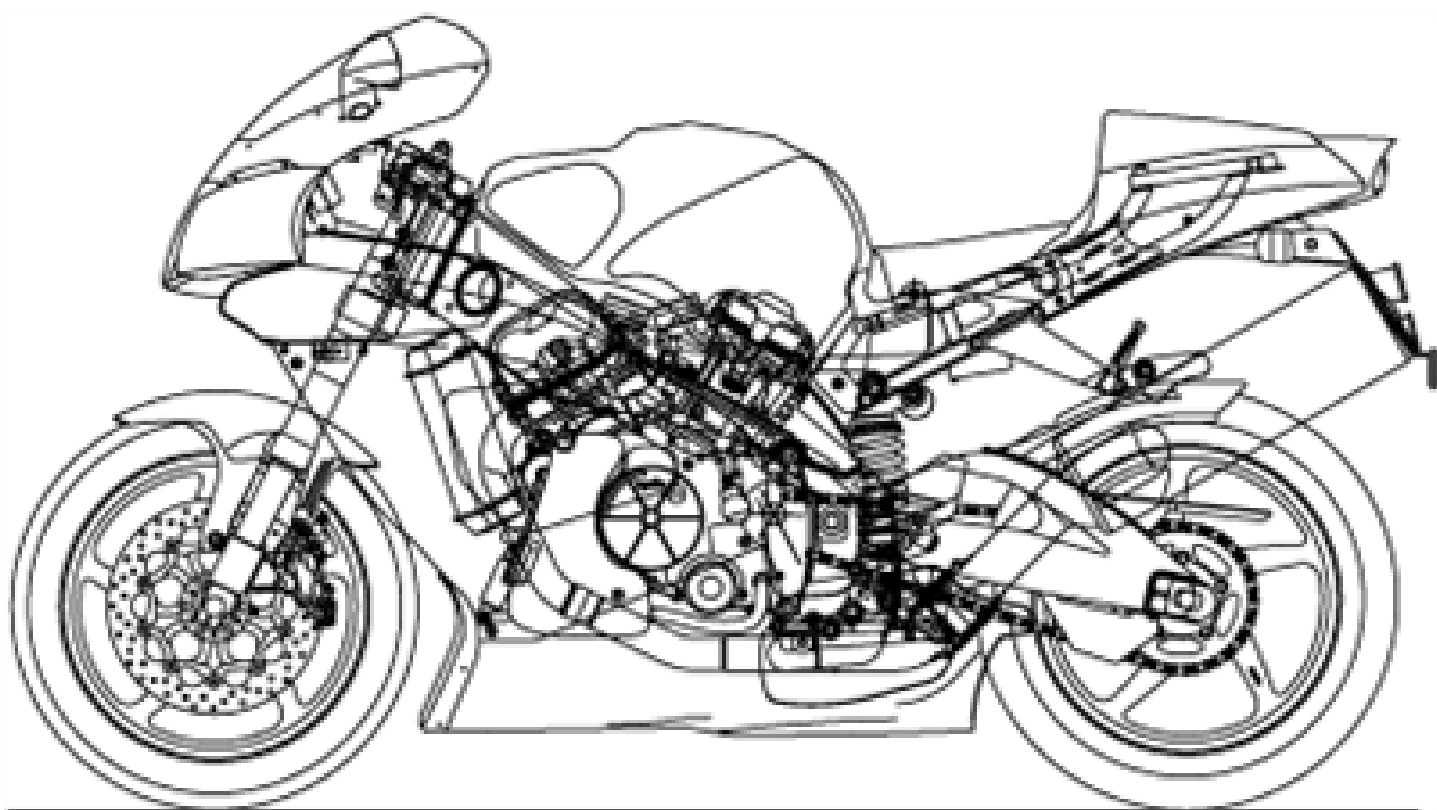




PIAGGIO & C.s.p.a.

aprilia

SPARE PARTS CATALOGUE



RSV 1000 2003

Chassis prefix: ZD4RP012, ZD4RP013, ZD4RP014,
ZD4RP015, ZD4RP016, ZD4RP017, ZD4RP018, ZD4RP019,
ZD4RPC02, ZD4RPC03, ZD4RPU02, ZD4RPU03



PIAGGIO & C.s.p.a.



Engine prefix:

Index

Finished products.....	5
Alphanumeric index.....	6
FRAME.....	15
Table 28.09 - Frame I.....	15
Table 28.10 - Frame II.....	16
Table 28.11 - Frame III.....	17
Table 28.12 - Foot rests.....	19
Table 28.13 - Central stand.....	20
Table 28.14 - Steering.....	22
Table 28.15 - Front fork I.....	23
Table 28.16 - Fron fork II.....	24
Table 28.17 - Swing arm.....	26
Table 28.18 - Connecting rod - rear shock abs.....	28
Table 28.19 - Front body - Front fairing.....	29
Table 28.20 - Front body - Duct.....	33
Table 28.21 - Front body - Front mudguard.....	37
Table 28.22 - Front body - Lockups.....	39
Table 28.23 - Central body - Upper fairings.....	40
Table 28.24 - Central body - RH fairings.....	45
Table 28.25 - Central body - LH fairings.....	46
Table 28.26 - Fuel tank I.....	49
Table 28.27 - Fuel tank II.....	51
Table 28.28 - Fuel vapour recover system.....	53
Table 28.29 - Saddle.....	56
Table 28.30 - Rear body - Rear fairing.....	58
Table 28.31 - Undersaddle.....	60
Table 28.32 - Rear mudguard.....	61
Table 28.33 - Dashboard.....	62
Table 28.34 - Handlebar.....	63
Table 28.35 - Clutch pump.....	64
Table 28.36 - Front master cilinder.....	65
Table 28.37 - Cooling system.....	66
Table 28.38 - Water coolers.....	67
Table 28.39 - Expansion tank.....	68
Table 28.40 - Oil tank.....	69
Table 28.41 - Air box.....	71
Table 28.42 - Fuel pump.....	75
Table 28.44 - Exhaust pipe.....	76
Table 28.45 - Front wheel RSV Mille Version.....	78
Table 28.46 - Front wheel RSV Mille "R" Version.....	79
Table 28.47 - Front brake caliper.....	80
Table 28.48 - Front brake caliper.....	81
Table 28.49 - Rear wheel RSV Mille Version.....	82

Table 28.50 - Rear wheel RSV Mille "R" Version.....	84
Table 28.51 - Rear master cylinder.....	86
Table 28.52 - Rear brake caliper.....	88
Table 28.53 - Headlight.....	89
Table 28.54 - Turn indicators.....	91
Table 28.55 - Taillight.....	92
Table 28.56 - Front electrical system.....	93
Table 28.57 - Central electrical system.....	95
Table 28.58 - Rear electrical system.....	97
Table 28.59 - Lock hardware kit.....	99
Table 28.60 - Decal.....	103
Table 28.61 - Plate set and handbooks.....	112
ENGINE.....	113
Table 29.43 - Engine.....	113
Table 29.62 - Crankcases I.....	115
Table 29.63 - Crankcases II.....	116
Table 29.64 - Oil pump.....	118
Table 29.65 - Crankshaft I.....	119
Table 29.66 - Crankshaft II.....	121
Table 29.67 - Valves cover.....	122
Table 29.68 - Cylinder head and valves.....	123
Table 29.69 - Valves pads.....	124
Table 29.70 - Front cylinder timing system.....	126
Table 29.71 - Rear cylinder timing system.....	127
Table 29.72 - Gear box selector.....	129
Table 29.73 - Gear box.....	130
Table 29.74 - Clutch I.....	131
Table 29.75 - Clutch II.....	132
Table 29.76 - Water pump.....	133
Table 29.77 - Ignition unit.....	135
Table 29.78 - Throttle body.....	137
Table 29.79 - Sealing and lubricating agents.....	139
ACCESSORIES.....	140
Table 30.01 - Acc. - Cyclistic components I.....	140
Table 30.02 - Acc. - Cyclistic components II.....	141
Table 30.03 - Acc. - Special body parts.....	142
Table 30.04 - Acc. - Performance parts I.....	143
Table 30.05 - Acc. - Performance parts II.....	144
Table 30.06 - Acc. - Performance parts III.....	146
Table 30.07 - Acc. - Performance parts IV.....	147
Table 30.08 - Acc. - Various.....	148
Table 30.80 - Acc. - Mechanics anti-theft.....	149



RSV 2 1000
3963 - RSV 1000 2003

Chassis prefix: ZD4RP012, ZD4RP013,
ZD4RP014, ZD4RP015, ZD4RP016,
ZD4RP017, ZD4RP018, ZD4RP019,
ZD4RPC02, ZD4RPC03, ZD4RPU02,
ZD4RPU03
Engine prefix:

Finished products

Code	Validity
AP66A00IT02	

Code	No. table	Pos.	Code	No. table	Pos.	Code	No. table	Pos.
0000000	28.45	7	AP0233746	29.62	7	AP0244211	29.71	8
0000000	28.46	7	AP0233748	29.62	7	AP0244211	29.72	10
0000000	28.49	5	AP0233780	29.76	11	AP0245330	29.64	15
0000000	28.50	5	AP0233790	29.76	10	AP0245436	29.66	6
0000000	29.78	19	AP0233791	29.76	10	AP0245440	29.72	18
0000000	29.79	6	AP0233793	29.76	10	AP0245815	29.73	4
0000000	29.79	7	AP0233820	29.62	9	AP0245830	29.74	2
890435	28.42	2	AP0233822	29.62	9	AP0245840	29.65	13
AP0210415	29.63	4	AP0236252	29.66	9	AP0245860	29.65	10
AP0211620	29.64	5	AP0236300	29.70	5	AP0246055	29.71	17
AP0211632	29.64	8	AP0236300	29.71	5	AP0246570	29.65	5
AP0211651	29.77	8	AP0236310	29.70	6	AP0247614	29.75	14
AP0211662	29.67	5	AP0236310	29.71	6	AP0247940	29.72	17
AP0211667	29.67	3	AP0236320	29.70	3	AP0247972	29.75	9
AP0211681	29.71	4	AP0236366	29.72	22	AP0247974	29.75	10
AP0211756	29.71	25	AP0236370	29.63	26	AP0247980	29.70	17
AP0211766	29.70	4	AP0236380	29.71	9	AP0247980	29.71	27
AP0211778	29.76	24	AP0238130	29.75	18	AP0248375	29.72	12
AP0216222	29.66	5	AP0238135	29.75	11	AP0250130	29.71	3
AP0217346	29.65	2	AP0238140	29.75	15	AP0250140	29.77	21
AP0217486	29.65	2	AP0239247	29.72	13	AP0250311	29.67	6
AP0219340	29.71	20	AP0239390	29.75	6	AP0250450	29.63	24
AP0219350	29.65	21	AP0239420	29.72	16	AP0250640	29.67	10
AP0219360	29.65	12	AP0239430	29.72	15	AP0251090	29.68	23
AP0219365	29.65	8	AP0239447	29.64	10	AP0251100	29.67	11
AP0220372	29.65	15	AP0239450	29.72	23	AP0251830	29.67	8
AP0220384	29.70	13	AP0239480	29.74	9	AP0253645	29.68	22
AP0220384	29.71	13	AP0239510	29.68	20	AP0253921	29.68	3
AP0220385	29.70	12	AP0239520	29.68	19	AP0253926	29.68	2
AP0220385	29.71	12	AP0240081	29.67	7	AP0253956	29.68	21
AP0220392	29.73	1	AP0240170	29.67	16	AP0253965	29.68	17
AP0220400	29.73	10	AP0240181	29.76	25	AP0253974	29.69	1
AP0220410	29.76	4	AP0240275	29.71	29	AP0253975	29.69	1
AP0220423	29.64	1	AP0240331	29.68	10	AP0253976	29.69	1
AP0220435	29.72	26	AP0240331	29.76	21	AP0253977	29.69	1
AP0220437	29.72	1	AP0240400	29.70	1	AP0253978	29.69	1
AP0220440	29.71	1	AP0240580	29.77	12	AP0253979	29.69	1
AP0220455	29.74	6	AP0240960	29.70	18	AP0253980	29.69	1
AP0222500	29.76	18	AP0241081	29.63	9	AP0253981	29.69	1
AP0222512	29.76	19	AP0241261	29.63	29	AP0253982	29.69	1
AP0224090	29.67	17	AP0241501	29.63	15	AP0253983	29.69	1
AP0227180	29.74	12	AP0241531	29.63	12	AP0253984	29.69	1
AP0227442	29.72	20	AP0241541	29.77	6	AP0253985	29.69	1
AP0227685	29.76	6	AP0241560	29.67	14	AP0253986	29.69	1
AP0227714	29.72	27	AP0241580	29.63	1	AP0253987	29.69	1
AP0227716	29.72	11	AP0241601	29.67	13	AP0253988	29.69	1
AP0229301	29.62	4	AP0241625	29.67	1	AP0253990	29.68	24
AP0229301	29.77	16	AP0241631	29.77	9	AP0254021	29.68	15
AP0229385	29.62	6	AP0241650	29.64	11	AP0254030	29.69	1
AP0229385	29.72	14	AP0241761	29.76	27	AP0254031	29.69	1
AP0230415	29.63	8	AP0241782	29.63	7	AP0254032	29.69	1
AP0230415	29.76	23	AP0241811	29.76	14	AP0254033	29.69	1
AP0230510	29.68	18	AP0241811	29.77	15	AP0254034	29.69	1
AP0232210	29.68	5	AP0241816	29.77	11	AP0254035	29.69	1
AP0232430	29.64	13	AP0241821	28.35	22	AP0254036	29.69	1
AP0232430	29.76	5	AP0241821	29.63	28	AP0254037	29.69	1
AP0232625	29.63	14	AP0241821	29.64	12	AP0254038	29.69	1
AP0232730	29.64	2	AP0241821	29.68	4	AP0254039	29.69	1
AP0232970	29.64	4	AP0241854	29.63	6	AP0254040	29.69	1
AP0233711	29.62	9	AP0241932	29.63	2	AP0254041	29.69	1
AP0233721	29.65	23	AP0241932	29.72	9	AP0254042	29.69	1
AP0233722	29.65	23	AP0242091	29.67	4	AP0254043	29.69	1
AP0233723	29.65	23	AP0242206	29.75	13	AP0254295	29.68	16
AP0233740	29.62	8	AP0242851	29.67	18	AP0256187	29.63	5
AP0233741	29.62	8	AP0242874	29.65	16	AP0256497	29.63	20
AP0233743	29.62	8	AP0242940	29.65	14	AP0256510	29.64	9
AP0233745	29.62	7	AP0242950	29.74	3	AP0256526	29.63	21

Code	No. table	Pos.	Code	No. table	Pos.	Code	No. table	Pos.
AP0256529	29.63	21	AP0296975	30.07	2	AP0650330	29.76	8
AP0256680	29.64	3	AP0297386	29.79	5	AP0650337	29.63	22
AP0258310	29.72	6	AP0297616	29.79	4	AP0650340	29.77	14
AP0258327	29.72	8	AP0297942	29.77	23	AP0650345	29.67	2
AP0258351	29.72	4	AP0297955	29.70	19	AP0650370	29.76	13
AP0258361	29.72	3	AP0297955	29.71	19	AP0650390	29.66	7
AP0258375	29.72	5	AP0427106	29.73	16	AP0650500	29.63	3
AP0258380	29.72	2	AP0430622	29.66	11	AP0650670	29.78	13
AP0259500	29.63	27	AP0430782	29.77	10	AP0659110	29.77	3
AP0259517	29.74	7	AP0440101	29.76	15	AP0659120	29.77	4
AP0259520	29.74	1	AP0440260	29.65	3	AP0659121	29.77	4
AP0259535	29.75	7	AP0442130	29.74	16	AP0660020	29.78	16
AP0259582	29.75	5	AP0610151	29.76	9	AP0661011	29.78	4
AP0259583	29.75	5	AP0613418	29.66	4	AP0684310	29.66	2
AP0259587	29.75	16	AP0613491	29.68	1	AP0684311	29.66	2
AP0259588	29.75	16	AP0613496	29.68	8	AP0827110	29.73	18
AP0260870	29.77	13	AP0627120	29.73	3	AP0827305	29.71	11
AP0260890	29.74	14	AP0627132	29.73	6	AP0831160	29.71	31
AP0265244	28.57	4	AP0627190	29.70	7	AP0832144	29.63	13
AP0265244	29.77	25	AP0627190	29.71	15	AP0832144	29.72	19
AP0265246	28.57	19	AP0627200	29.65	17	AP0832360	29.71	2
AP0265246	29.77	24	AP0627210	29.72	24	AP0840371	29.70	16
AP0265480	28.57	2	AP0627220	29.75	12	AP0840371	29.71	16
AP0265480	29.77	26	AP0627230	29.74	13	AP0840391	29.71	22
AP0265671	28.58	19	AP0627260	29.75	1	AP0840861	29.63	16
AP0265671	28.58	19	AP0627270	29.77	7	AP0840861	29.76	22
AP0265672	28.58	19	AP0627280	29.74	15	AP0840880	29.68	14
AP0265672	28.58	19	AP0627530	29.74	10	AP0840880	29.68	26
AP0265675	28.58	19	AP0627910	29.75	3	AP0840880	29.68	6
AP0266210	28.58	19	AP0632010	29.62	2	AP0840882	29.77	22
AP0267150	29.67	9	AP0632010	29.76	7	AP0841841	29.76	16
AP0268010	29.78	14	AP0632070	29.73	7	AP0845030	29.70	10
AP0268740	29.63	10	AP0632124	29.63	17	AP0845030	29.71	30
AP0274010	29.78	6	AP0632130	29.74	8	AP0850050	29.63	23
AP0274020	29.78	8	AP0632161	29.70	8	AP0874320	29.78	10
AP0274030	29.78	5	AP0632161	29.71	23	AP0897651	29.79	1
AP0274040	29.67	12	AP0634475	29.64	6	AP0899784	29.79	3
AP0274050	29.78	12	AP0634475	29.75	2	AP0899788	29.79	2
AP0274060	29.68	12	AP0634483	29.64	14	AP0922245	29.67	15
AP0281223	29.73	19	AP0634490	29.76	3	AP0927863	29.68	9
AP0281241	29.78	2	AP0634500	29.65	19	AP0927945	29.68	13
AP0294352	29.77	20	AP0634500	29.76	2	AP0927945	29.68	25
AP0294356	29.77	19	AP0634595	29.77	1	AP0927945	29.68	7
AP0295656	29.62	1	AP0634600	29.77	17	AP0929500	29.62	3
AP0295662	29.65	1	AP0634610	29.65	18	AP0929500	29.71	26
AP0295662	29.66	1	AP0634622	29.73	17	AP0929650	29.62	10
AP0295667	29.65	1	AP0634642	29.73	9	AP0929650	29.66	8
AP0295667	29.66	1	AP0634657	29.73	11	AP0929930	29.62	5
AP0295696	29.78	1	AP0634662	29.73	5	AP0929930	29.65	20
AP0295696	29.78	1	AP0634670	29.73	13	AP0929930	29.76	1
AP0295760	29.65	22	AP0634682	29.73	14	AP0932335	29.63	19
AP0295760	29.71	24	AP0634697	29.73	2	AP0932335	29.72	7
AP0295765	29.65	7	AP0634702	29.73	15	AP0932428	29.63	18
AP0295765	29.70	9	AP0634712	29.73	8	AP0932585	29.63	11
AP0295770	29.65	9	AP0634721	29.73	12	AP0940560	29.71	7
AP0295775	29.71	18	AP0634732	29.70	14	AP0940590	29.70	2
AP0295782	29.65	11	AP0634732	29.71	14	AP0940631	29.70	11
AP0295782	29.75	4	AP0634737	29.70	15	AP0940631	29.71	28
AP0295783	29.65	11	AP0634740	29.77	18	AP0940637	29.66	12
AP0295783	29.75	4	AP0640400	29.65	4	AP0940741	29.72	25
AP0295793	29.75	8	AP0640450	29.66	10	AP0941121	29.71	10
AP0295794	29.75	8	AP0640581	29.67	20	AP0941506	29.74	11
AP0295830	29.77	2	AP0641590	29.77	5	AP0941835	29.75	17
AP0295858	29.66	3	AP0650210	29.67	19	AP0941935	29.68	11
AP0296170	29.79	8	AP0650240	29.76	20	AP0942570	29.71	21
AP0296180	29.78	7	AP0650310	29.76	12	AP0945665	29.72	21
AP0296975	29.78	1	AP0650320	29.63	25	AP0946015	29.65	6

Code	No. table	Pos.	Code	No. table	Pos.	Code	No. table	Pos.
AP0950141	29.76	17	AP8102732	28.39	4	AP8106712	28.19	14
AP0956169	29.76	26	AP8102763	28.41	12	AP8106764	28.28	6
AP0956275	29.64	7	AP8102764	28.37	14	AP8106806	28.49	19
AP0960111	29.78	9	AP8102764	28.42	9	AP8106812	28.41	25
AP0960121	29.78	11	AP8102766	28.28	23	AP8106813	28.41	10
AP0960122	29.78	3	AP8102766	28.41	23	AP8106867	29.74	5
AP8101372	28.38	12	AP8102786	28.40	20	AP8106881	28.42	19
AP8101595	28.28	18	AP8102828	28.40	12	AP8106915	29.74	4
AP8101595	28.31	2	AP8102829	28.42	17	AP8106935	28.35	26
AP8101595	28.36	18	AP8102831	28.20	14	AP8106970	29.43	1
AP8101595	28.41	13	AP8102873	28.42	12	AP8106975	29.43	1
AP8101744	28.45	1	AP8102880	28.59	5	AP8107118	28.49	1
AP8101744	28.49	7	AP8102880	28.59	5	AP8107118	28.50	1
AP8101861	28.12	12	AP8102902	28.11	22	AP8107122	28.49	2
AP8101927	28.37	8	AP8102909	28.19	10	AP8107122	28.50	2
AP8101927	28.39	5	AP8102910	28.59	4	AP8107136	28.49	25
AP8101968	28.51	9	AP8102911	28.30	4	AP8107136	28.50	4
AP8101985	28.24	10	AP8102911	28.59	2	AP8107148	28.49	1
AP8101985	28.25	10	AP8102911	28.59	2	AP8107148	28.50	1
AP8102159	29.43	14	AP8102913	28.30	7	AP8107150	28.49	25
AP8102239	28.42	15	AP8102913	28.59	7	AP8107150	28.50	4
AP8102341	28.19	7	AP8102914	28.30	8	AP8108675	28.45	9
AP8102349	28.40	18	AP8102914	28.59	6	AP8108676	28.49	3
AP8102375	28.10	8	AP8102951	28.38	3	AP8108932	28.46	9
AP8102375	28.11	8	AP8102952	28.38	2	AP8108979	28.50	3
AP8102375	28.20	10	AP8102985	28.28	2	AP8108994	28.46	9
AP8102375	28.28	12	AP8104097	28.37	3	AP8110065	28.18	2
AP8102375	28.31	11	AP8104097	28.38	1	AP8110068	28.18	11
AP8102376	28.10	9	AP8104100	28.40	3	AP8110077	28.14	1
AP8102376	28.11	9	AP8104124	28.39	13	AP8110078	28.17	11
AP8102376	28.24	5	AP8104124	28.39	13	AP8110079	28.17	1
AP8102376	28.25	5	AP8104151	28.59	1	AP8110081	28.49	23
AP8102376	28.31	12	AP8104211	28.41	1	AP8110081	28.50	20
AP8102376	28.53	10	AP8104251	29.43	13	AP8110093	28.50	19
AP8102377	28.28	22	AP8104263	28.59	1	AP8110094	28.46	11
AP8102377	28.41	11	AP8104265	28.59	1	AP8112176	28.56	8
AP8102378	28.28	20	AP8104287	28.27	7	AP8112599	28.33	2
AP8102378	28.39	3	AP8104287	28.59	3	AP8112599	28.55	7
AP8102431	28.37	1	AP8104288	28.27	7	AP8112600	28.38	9
AP8102498	28.10	6	AP8104288	28.27	7	AP8112811	28.58	21
AP8102503	28.27	4	AP8104288	28.59	3	AP8112832	28.57	16
AP8102504	28.19	5	AP8104288	28.59	3	AP8112939	28.37	17
AP8102504	28.24	8	AP8104455	28.42	1	AP8112940	28.58	7
AP8102504	28.25	8	AP8104509	28.34	1	AP8112996	28.57	17
AP8102520	28.28	19	AP8104537	28.61	2	AP8113003	28.35	3
AP8102524	28.13	7	AP8104557	28.61	2	AP8113003	28.36	10
AP8102535	28.27	3	AP8104558	28.61	2	AP8113003	28.40	7
AP8102544	28.09	2	AP8104559	28.61	2	AP8113003	28.47	11
AP8102544	28.10	18	AP8104560	28.61	2	AP8113003	28.52	5
AP8102544	28.11	18	AP8104561	28.61	2	AP8113004	28.40	6
AP8102544	28.12	19	AP8104623	28.59	1	AP8113004	28.44	15
AP8102600	28.31	13	AP8104676	28.59	2	AP8113070	28.52	11
AP8102600	28.31	13	AP8104728	28.46	1	AP8113230	28.35	5
AP8102615	28.39	16	AP8104728	28.50	7	AP8113230	28.51	32
AP8102618	28.40	2	AP8106379	29.43	3	AP8113230	28.52	20
AP8102622	28.61	1	AP8106381	28.35	13	AP8113288	28.51	6
AP8102626	28.42	11	AP8106382	28.35	24	AP8113324	28.51	7
AP8102632	28.19	8	AP8106384	28.35	9	AP8113499	28.36	3
AP8102633	28.19	9	AP8106387	28.40	29	AP8113553	28.35	23
AP8102677	28.37	4	AP8106388	28.40	14	AP8113553	28.51	2
AP8102678	28.28	7	AP8106389	28.40	31	AP8113598	28.36	2
AP8102688	28.28	10	AP8106395	28.41	5	AP8113612	28.52	2
AP8102719	28.28	11	AP8106395	28.41	5	AP8113717	28.36	6
AP8102727	28.28	5	AP8106443	28.42	3	AP8113719	28.35	12
AP8102728	28.61	4	AP8106444	28.42	5	AP8113719	28.36	8
AP8102731	28.40	24	AP8106672	28.35	10	AP8113752	28.52	9
AP8102732	28.37	5	AP8106687	29.43	2	AP8113756	28.47	5

Code	No. table	Pos.	Code	No. table	Pos.	Code	No. table	Pos.
AP8113757	28.36	5	AP8119581	28.44	5	AP8121207	28.14	4
AP8113758	28.35	7	AP8119630	28.44	16	AP8121212	28.49	22
AP8113759	28.35	8	AP8119749	28.44	6	AP8121212	28.50	22
AP8113761	28.35	6	AP8119752	28.44	6	AP8121213	28.49	21
AP8113761	28.51	31	AP8119752	28.44	6	AP8121213	28.50	21
AP8113761	28.52	19	AP8119785	28.44	6	AP8121221	28.51	12
AP8113762	28.35	4	AP8120001	28.31	7	AP8121221	29.43	5
AP8113762	28.51	30	AP8120030	28.36	14	AP8121222	28.51	8
AP8113762	28.52	18	AP8120030	28.40	4	AP8121223	28.51	13
AP8113764	28.35	15	AP8120030	28.41	21	AP8121224	28.12	3
AP8113764	28.51	3	AP8120116	28.28	1	AP8121225	28.49	8
AP8113765	28.51	4	AP8120116	29.43	11	AP8121225	28.50	8
AP8113773	28.35	14	AP8120178	28.51	10	AP8121231	28.44	1
AP8113873	28.52	6	AP8120179	28.28	21	AP8121234	28.52	1
AP8113874	28.36	1	AP8120190	28.34	4	AP8121253	28.23	13
AP8113874	28.48	8	AP8120190	28.40	11	AP8121254	28.11	23
AP8113895	28.52	10	AP8120196	28.40	27	AP8121267	28.28	3
AP8113897	28.52	7	AP8120218	28.57	1	AP8121293	28.35	20
AP8113898	28.52	8	AP8120218	28.58	1	AP8121297	28.20	7
AP8113926	28.45	8	AP8120253	28.41	22	AP8121302	28.14	9
AP8113926	28.46	8	AP8120354	28.39	13	AP8121313	28.11	19
AP8113926	28.47	7	AP8120405	28.57	13	AP8121346	28.14	8
AP8113926	28.48	7	AP8120428	28.59	15	AP8121375	28.13	8
AP8113969	28.36	4	AP8120446	28.40	17	AP8121408	28.49	9
AP8113973	28.47	4	AP8120446	29.43	12	AP8121408	28.50	9
AP8113974	28.47	6	AP8120531	28.19	17	AP8121421	28.26	6
AP8113976	28.36	1	AP8120531	28.23	2	AP8121428	28.10	4
AP8113976	28.47	9	AP8120531	28.39	2	AP8121429	28.13	8
AP8114342	30.07	4	AP8120573	28.12	4	AP8121520	28.34	6
AP8114343	30.07	5	AP8120582	28.11	5	AP8121678	28.59	16
AP8114359	28.34	18	AP8120615	28.41	6	AP8121725	28.55	4
AP8114404	28.34	16	AP8120622	28.23	10	AP8121731	28.40	22
AP8114405	28.34	17	AP8120754	28.58	4	AP8121731	28.41	16
AP8114420	29.78	15	AP8120876	28.41	15	AP8121736	28.57	14
AP8116071	28.15	20	AP8120893	28.27	1	AP8121773	28.44	13
AP8116071	28.16	17	AP8120894	28.27	2	AP8121790	28.55	4
AP8117033	28.17	27	AP8120894	28.27	2	AP8121811	28.29	20
AP8117033	28.39	12	AP8120912	28.51	11	AP8121837	28.37	2
AP8117033	28.57	21	AP8120912	29.43	4	AP8121862	28.40	9
AP8117041	28.28	9	AP8120952	28.28	15	AP8121882	28.09	4
AP8117125	28.29	18	AP8120952	28.31	3	AP8121890	28.17	9
AP8117128	28.26	4	AP8120952	28.39	11	AP8121890	28.31	6
AP8117129	28.22	3	AP8120965	28.27	5	AP8121915	28.35	2
AP8117132	28.24	3	AP8120978	28.37	6	AP8121915	28.36	9
AP8117132	28.25	2	AP8120979	28.37	7	AP8121915	28.47	10
AP8117133	28.24	11	AP8120980	28.37	16	AP8121915	28.48	10
AP8117133	28.25	11	AP8120981	28.38	4	AP8121915	28.51	28
AP8117168	28.23	11	AP8120985	28.17	3	AP8121915	28.52	4
AP8117169	28.23	12	AP8120986	28.17	4	AP8121927	28.51	14
AP8117174	28.26	2	AP8120987	28.28	16	AP8121991	28.29	14
AP8118470	28.34	14	AP8120987	28.41	24	AP8121995	28.11	17
AP8118492	28.34	9	AP8120988	28.39	15	AP8121996	28.11	16
AP8118501	28.34	8	AP8120992	28.42	16	AP8121997	28.11	14
AP8118566	28.34	19	AP8120995	28.17	22	AP8121998	28.11	10
AP8118567	28.34	10	AP8121014	28.13	4	AP8123637	28.15	1
AP8118580	28.34	15	AP8121020	28.56	1	AP8123637	28.16	1
AP8118590	28.34	2	AP8121041	28.14	14	AP8123638	28.15	2
AP8118591	28.34	3	AP8121075	28.17	29	AP8123638	28.16	2
AP8118592	28.34	2	AP8121133	28.12	11	AP8123640	28.14	3
AP8118593	28.34	3	AP8121135	28.12	2	AP8123641	28.14	11
AP8119414	28.44	2	AP8121155	28.18	10	AP8123642	28.14	5
AP8119497	28.44	14	AP8121178	28.16	19	AP8123643	28.14	6
AP8119578	28.44	4	AP8121200	28.17	5	AP8123644	28.14	7
AP8119578	28.44	4	AP8121201	28.17	6	AP8123806	28.16	7
AP8119579	28.44	3	AP8121202	28.17	7	AP8123810	28.15	4
AP8119579	28.44	3	AP8121203	28.17	8	AP8123811	28.16	12
AP8119581	28.44	5	AP8121204	28.17	15	AP8123812	28.16	13

Code	No. table	Pos.	Code	No. table	Pos.	Code	No. table	Pos.
AP8123815	28.15	11	AP8124895	28.59	4	AP8127321	28.42	13
AP8123816	28.15	10	AP8124901	28.53	1	AP8127391	28.56	4
AP8123819	28.15	14	AP8124929	28.37	15	AP8127540	28.42	7
AP8123820	28.15	15	AP8124945	28.53	1	AP8127541	28.59	4
AP8123821	28.15	16	AP8124946	28.53	1	AP8128044	28.50	3
AP8123822	28.16	4	AP8124977	28.13	13	AP8129283	28.29	1
AP8123823	28.16	5	AP8124978	28.55	1	AP8129355	28.29	2
AP8123824	28.16	6	AP8124979	28.54	2	AP8129356	28.29	3
AP8123825	28.16	8	AP8124980	28.54	1	AP8133522	28.35	25
AP8123826	28.16	11	AP8124990	28.33	1	AP8133590	28.48	2
AP8123827	28.16	9	AP8125687	28.17	17	AP8133591	28.48	1
AP8123828	28.16	10	AP8125728	28.45	2	AP8133592	28.47	3
AP8123829	28.15	3	AP8125728	28.46	2	AP8133592	28.48	3
AP8123831	28.15	5	AP8125730	28.49	11	AP8133593	28.48	6
AP8123832	28.15	6	AP8125730	28.50	11	AP8133595	28.48	4
AP8123833	28.15	12	AP8125731	28.49	6	AP8133596	28.48	5
AP8123834	28.15	13	AP8125731	28.50	6	AP8133597	28.48	9
AP8123835	28.15	7	AP8125732	28.49	24	AP8133751	28.45	8
AP8123836	28.15	8	AP8125732	28.50	18	AP8133751	28.46	8
AP8123859	28.18	12	AP8125733	28.49	4	AP8133751	28.47	7
AP8123860	28.18	13	AP8125763	28.17	13	AP8133751	28.48	7
AP8123870	28.18	14	AP8125773	28.45	10	AP8133872	28.51	5
AP8123927	28.14	2	AP8125777	28.45	11	AP8133873	28.51	1
AP8123928	28.14	3	AP8125778	28.45	12	AP8134370	28.26	1
AP8123932	28.14	2	AP8125779	28.45	13	AP8134373	28.13	3
AP8123934	28.26	8	AP8125786	28.49	15	AP8134378	28.44	10
AP8123942	28.18	4	AP8125787	28.49	16	AP8134380	28.11	12
AP8123972	28.14	15	AP8125788	28.49	17	AP8134383	28.36	11
AP8123972	30.01	8	AP8125827	28.45	6	AP8134384	28.51	25
AP8123973	28.18	4	AP8125827	28.46	6	AP8134385	28.52	17
AP8123975	28.15	17	AP8125830	28.17	2	AP8134389	28.10	1
AP8123975	28.16	14	AP8125831	28.49	12	AP8134394	28.35	1
AP8123977	28.15	19	AP8125831	28.50	12	AP8134396	28.30	1
AP8123977	28.16	16	AP8125838	28.50	15	AP8134415	28.51	24
AP8124235	28.56	5	AP8125839	28.50	17	AP8134419	28.26	9
AP8124266	28.58	8	AP8125840	28.50	16	AP8134436	28.10	5
AP8124267	28.57	7	AP8125841	28.46	10	AP8134437	28.41	9
AP8124269	28.57	15	AP8125842	28.46	13	AP8134438	28.36	12
AP8124269	28.58	15	AP8125843	28.46	12	AP8134443	28.52	14
AP8124273	28.58	20	AP8126579	28.32	2	AP8134448	28.32	3
AP8124274	28.56	7	AP8126591	28.32	6	AP8134451	28.12	17
AP8124277	28.56	9	AP8126650	28.32	2	AP8134452	28.09	3
AP8124288	28.36	21	AP8126701	28.29	9	AP8134480	28.56	6
AP8124289	28.58	14	AP8126702	28.29	10	AP8134493	28.41	8
AP8124293	28.56	11	AP8126775	28.32	1	AP8134541	28.12	1
AP8124297	28.42	7	AP8127022	28.56	3	AP8134608	28.09	6
AP8124300	28.20	2	AP8127022	28.57	3	AP8134608	28.59	17
AP8124300	28.57	25	AP8127022	28.58	6	AP8134609	28.44	18
AP8124398	28.35	21	AP8127039	28.56	3	AP8134625	28.41	7
AP8124439	28.58	5	AP8127039	28.57	3	AP8134632	28.56	6
AP8124528	28.52	3	AP8127039	28.58	6	AP8134635	28.10	2
AP8124558	28.55	2	AP8127069	28.34	13	AP8134638	28.11	11
AP8124559	28.55	3	AP8127069	28.34	13	AP8134650	28.28	8
AP8124561	28.55	5	AP8127070	28.55	1	AP8134651	28.12	13
AP8124562	28.55	6	AP8127109	28.53	11	AP8134652	28.12	14
AP8124568	28.53	14	AP8127109	28.53	13	AP8134654	28.29	19
AP8124569	28.33	4	AP8127116	28.53	9	AP8134674	28.10	14
AP8124570	28.33	5	AP8127117	28.53	8	AP8134739	28.41	8
AP8124571	28.33	6	AP8127118	28.53	2	AP8134739	28.41	8
AP8124572	28.33	10	AP8127118	28.53	2	AP8134739	28.41	8
AP8124573	28.33	9	AP8127119	28.53	14	AP8134739	28.41	8
AP8124574	28.33	8	AP8127119	28.53	5	AP8134749	28.13	3
AP8124575	28.33	7	AP8127120	28.53	6	AP8135905	28.10	3
AP8124636	28.58	12	AP8127121	28.53	13	AP8135909	28.12	7
AP8124719	28.21	2	AP8127122	28.54	3	AP8135910	28.12	8
AP8124748	28.57	20	AP8127123	28.54	4	AP8135924	28.18	1
AP8124855	28.38	5	AP8127138	28.53	6	AP8135925	28.51	23

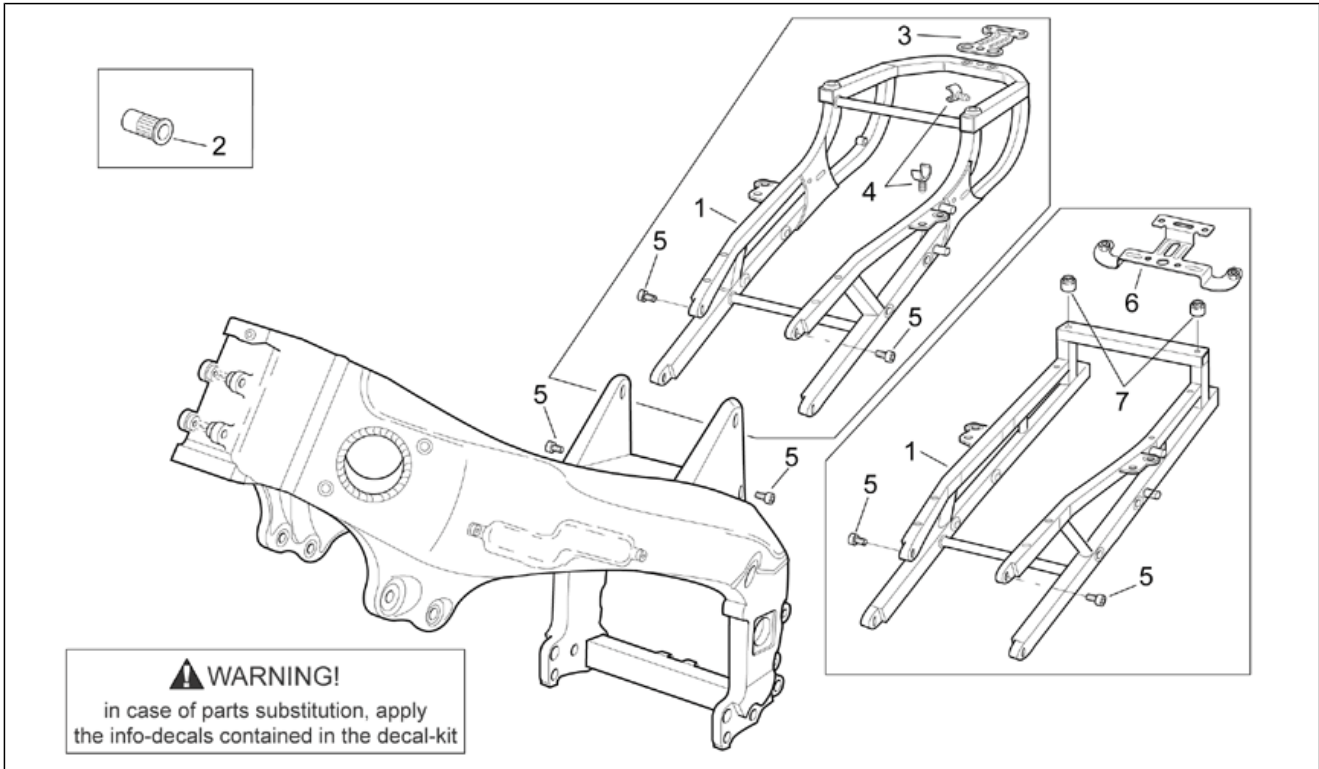
Code	No. table	Pos.	Code	No. table	Pos.	Code	No. table	Pos.
AP8138555	28.41	31	AP8144109	28.24	7	AP8148916	28.23	9
AP8138556	28.39	14	AP8144109	28.25	7	AP8148945	28.20	13
AP8138558	28.40	1	AP8144151	28.36	19	AP8148946	28.20	1
AP8138565	28.24	1	AP8144158	28.27	6	AP8148949	28.23	8
AP8138565	28.25	1	AP8144158	28.35	19	AP8148950	28.23	9
AP8138591	28.31	1	AP8144176	28.41	32	AP8149033	28.31	1
AP8138593	28.17	23	AP8144275	28.40	8	AP8149034	28.32	10
AP8138596	28.58	11	AP8144281	28.19	13	AP8149270	28.19	12
AP8138776	28.58	10	AP8144284	28.17	28	AP8149282	28.23	15
AP8138947	28.29	17	AP8144288	28.58	23	AP8149282	28.23	15
AP8139414	28.20	13	AP8144328	28.26	7	AP8149282	28.23	15
AP8139414	28.20	13	AP8144351	28.27	2	AP8149282	28.23	15
AP8139414	28.20	13	AP8144381	28.41	29	AP8149283	28.23	16
AP8139415	28.20	1	AP8144382	28.41	30	AP8149283	28.23	16
AP8139415	28.20	1	AP8144383	28.41	27	AP8149283	28.23	16
AP8139415	28.20	1	AP8144414	28.41	26	AP8149283	28.23	16
AP8140451	30.02	1	AP8144415	28.33	11	AP8149285	28.19	15
AP8140453	30.02	1	AP8144475	28.42	18	AP8149286	28.19	16
AP8140496	30.02	2	AP8144476	28.42	8	AP8149287	28.29	7
AP8140497	30.02	2	AP8144627	28.27	7	AP8149288	28.29	8
AP8140498	30.02	2	AP8144627	28.59	3	AP8149341	28.19	3
AP8140499	30.02	3	AP8146295	28.17	10	AP8149341	28.19	3
AP8140500	30.02	3	AP8146334	28.10	13	AP8149354	28.29	22
AP8140501	30.02	3	AP8146334	28.11	13	AP8149667	28.41	3
AP8140505	30.02	4	AP8146409	28.18	5	AP8149667	28.41	3
AP8140506	30.02	4	AP8146457	28.09	1	AP8149669	28.41	3
AP8140507	30.02	4	AP8146466	28.12	15	AP8149669	28.41	3
AP8140520	30.02	5	AP8146467	28.12	5	AP8149723	28.41	3
AP8140521	30.02	5	AP8146503	28.12	9	AP8149843	28.19	3
AP8140522	30.02	5	AP8146504	28.12	10	AP8149843	28.19	3
AP8140523	30.02	6	AP8146648	28.18	5	AP8150011	28.29	26
AP8140524	30.02	6	AP8146652	28.13	1	AP8150012	28.57	12
AP8140525	30.02	6	AP8146658	28.13	2	AP8150013	28.28	14
AP8140532	30.02	7	AP8146676	28.13	2	AP8150013	28.52	15
AP8140533	30.02	7	AP8146677	28.13	1	AP8150014	28.26	11
AP8140534	30.02	7	AP8146679	28.09	1	AP8150014	28.33	12
AP8140699	30.02	8	AP8146681	28.18	3	AP8150014	28.56	14
AP8140700	30.02	8	AP8146692	28.10	13	AP8150015	28.13	11
AP8140701	30.02	8	AP8146692	28.11	13	AP8150015	28.31	6
AP8140702	30.02	2	AP8146739	28.17	10	AP8150018	28.44	12
AP8140703	30.02	3	AP8146773	28.10	13	AP8150020	28.51	16
AP8140710	28.59	5	AP8146773	28.11	13	AP8150026	28.38	11
AP8144005	28.17	16	AP8146774	28.17	10	AP8150026	28.51	17
AP8144006	28.17	12	AP8148350	28.20	4	AP8150026	28.57	8
AP8144007	28.51	15	AP8148351	28.20	5	AP8150026	28.58	16
AP8144008	28.40	28	AP8148427	28.40	1	AP8150044	28.51	18
AP8144015	28.40	13	AP8148483	28.23	6	AP8150044	28.54	6
AP8144015	29.43	10	AP8148484	28.23	7	AP8150044	29.43	9
AP8144032	28.39	8	AP8148529	28.23	8	AP8150137	28.40	23
AP8144033	28.37	9	AP8148529	28.23	8	AP8150137	28.54	5
AP8144034	28.37	10	AP8148529	28.23	8	AP8150159	28.53	4
AP8144038	28.41	14	AP8148530	28.23	9	AP8150159	28.58	3
AP8144045	28.57	24	AP8148530	28.23	9	AP8150165	28.59	11
AP8144046	28.58	9	AP8148530	28.23	9	AP8150177	28.32	9
AP8144048	28.17	14	AP8148551	28.22	4	AP8150195	28.49	20
AP8144061	28.40	19	AP8148587	28.32	16	AP8150196	28.13	5
AP8144063	28.41	4	AP8148588	28.21	6	AP8150204	28.21	3
AP8144069	28.42	14	AP8148589	28.21	5	AP8150204	28.32	8
AP8144071	28.44	11	AP8148660	28.57	22	AP8150211	28.14	10
AP8144081	28.24	4	AP8148825	28.41	2	AP8150220	29.43	8
AP8144081	28.25	4	AP8148829	28.19	3	AP8150277	28.44	8
AP8144081	28.29	11	AP8148830	28.19	12	AP8150277	28.51	27
AP8144090	28.40	30	AP8148834	28.22	6	AP8150285	28.30	3
AP8144092	28.37	13	AP8148852	28.29	21	AP8150285	28.59	11
AP8144093	28.37	12	AP8148911	28.20	13	AP8150287	28.13	15
AP8144094	28.37	11	AP8148912	28.20	1	AP8150292	28.11	6
AP8144109	28.19	4	AP8148915	28.23	8	AP8150292	28.13	12

Code	No. table	Pos.	Code	No. table	Pos.	Code	No. table	Pos.
AP8150314	28.10	16	AP8152275	28.55	9	AP8152299	28.40	21
AP8150334	28.17	19	AP8152275	28.57	18	AP8152299	28.54	7
AP8150334	28.44	7	AP8152277	28.12	16	AP8152300	28.44	9
AP8150340	28.32	7	AP8152277	28.22	1	AP8152301	28.11	1
AP8150349	28.59	8	AP8152277	28.35	18	AP8152301	28.13	14
AP8150382	28.21	7	AP8152277	28.36	20	AP8152301	28.18	7
AP8150403	28.51	26	AP8152277	28.38	10	AP8152302	28.17	25
AP8150413	28.20	6	AP8152277	28.40	15	AP8152302	28.21	4
AP8150413	28.29	13	AP8152277	28.41	17	AP8152302	28.23	14
AP8150413	28.41	18	AP8152277	28.57	5	AP8152302	28.30	6
AP8150413	28.53	3	AP8152278	28.10	11	AP8152305	28.17	20
AP8150413	28.58	22	AP8152278	28.11	15	AP8152306	28.32	14
AP8150421	28.23	3	AP8152278	28.12	6	AP8152306	28.32	5
AP8150421	28.56	10	AP8152278	28.26	3	AP8152306	28.35	17
AP8150429	28.57	9	AP8152278	28.30	5	AP8152306	28.55	8
AP8150429	28.58	17	AP8152278	28.31	5	AP8152315	28.11	25
AP8150436	28.49	10	AP8152278	28.31	9	AP8152316	28.11	24
AP8150436	28.50	10	AP8152278	28.32	13	AP8152317	28.11	2
AP8150450	28.19	6	AP8152278	28.39	7	AP8152318	28.11	3
AP8150450	28.23	1	AP8152278	28.40	26	AP8152320	28.13	5
AP8150450	28.24	9	AP8152278	28.42	6	AP8152322	28.18	6
AP8150450	28.25	9	AP8152278	28.57	23	AP8152323	28.45	4
AP8150450	28.29	23	AP8152278	28.59	10	AP8152323	28.46	4
AP8150451	28.57	11	AP8152279	28.10	7	AP8152323	28.49	14
AP8150453	28.27	9	AP8152279	28.13	10	AP8152323	28.50	14
AP8150453	28.59	13	AP8152279	28.20	3	AP8152324	28.49	13
AP8150454	28.27	8	AP8152279	28.28	25	AP8152324	28.50	13
AP8150454	28.59	14	AP8152279	28.29	4	AP8152325	28.11	4
AP8150457	28.18	9	AP8152279	28.34	7	AP8152335	28.45	5
AP8150458	28.18	8	AP8152279	28.38	7	AP8152335	28.46	5
AP8150459	28.26	12	AP8152279	28.39	9	AP8152336	28.47	8
AP8150462	28.51	19	AP8152279	28.40	16	AP8152384	28.14	16
AP8150462	29.43	6	AP8152279	28.51	22	AP8152386	28.09	7
AP8150463	28.49	18	AP8152279	28.52	13	AP8152397	28.18	9
AP8150468	28.17	18	AP8152279	28.56	12	AP8152398	28.11	24
AP8150468	28.31	5	AP8152280	28.36	15	AP8152413	28.18	6
AP8150469	28.09	5	AP8152280	28.56	15	AP8152414	28.48	11
AP8150472	28.34	5	AP8152281	28.11	21	AP8156012	28.21	1
AP8150480	28.13	6	AP8152281	28.14	13	AP8156031	28.21	1
AP8150490	28.14	18	AP8152281	28.26	13	AP8156040	28.21	1
AP8150507	28.59	8	AP8152282	28.57	10	AP8156041	28.21	1
AP8150508	28.34	11	AP8152283	28.56	12	AP8156088	28.32	2
AP8152001	28.13	6	AP8152285	28.40	10	AP8157770	28.14	17
AP8152043	28.29	25	AP8152285	28.56	13	AP8158568	28.23	15
AP8152123	28.57	6	AP8152286	28.45	3	AP8158568	28.23	15
AP8152181	28.40	25	AP8152286	28.46	3	AP8158568	28.23	15
AP8152184	28.38	6	AP8152286	28.52	12	AP8158569	28.23	16
AP8152184	28.42	10	AP8152288	28.12	18	AP8158569	28.23	16
AP8152246	28.11	7	AP8152288	28.44	17	AP8158569	28.23	16
AP8152246	28.19	2	AP8152288	28.59	9	AP8158573	28.20	13
AP8152246	28.22	2	AP8152289	28.14	12	AP8158573	28.20	13
AP8152246	28.24	6	AP8152289	28.34	12	AP8158574	28.20	1
AP8152246	28.25	6	AP8152290	28.16	3	AP8158574	28.20	1
AP8152246	28.29	12	AP8152298	28.19	1	AP8158579	28.23	9
AP8152246	28.31	8	AP8152298	28.20	8	AP8158579	28.23	9
AP8152246	28.41	20	AP8152298	28.21	4	AP8158581	28.23	8
AP8152246	28.53	7	AP8152298	28.32	11	AP8158581	28.23	8
AP8152267	28.17	26	AP8152298	28.32	17	AP8158669	28.17	30
AP8152267	28.32	15	AP8152299	28.10	17	AP8163034	28.15	9
AP8152272	28.10	10	AP8152299	28.11	20	AP8163057	28.15	18
AP8152272	28.36	13	AP8152299	28.16	18	AP8163057	28.16	15
AP8152272	28.52	16	AP8152299	28.26	10	AP8163062	28.15	1
AP8152273	28.28	13	AP8152299	28.28	24	AP8163062	28.16	1
AP8152273	28.35	16	AP8152299	28.31	10	AP8163063	28.15	2
AP8152273	28.39	1	AP8152299	28.32	12	AP8163063	28.16	2
AP8152273	28.41	19	AP8152299	28.33	3	AP8163240	28.14	2
AP8152273	28.51	20	AP8152299	28.36	16	AP8163481	28.16	20

Code	No. table	Pos.	Code	No. table	Pos.	Code	No. table	Pos.
AP8167282	28.61	5	AP8168446	28.23	4	AP8177436	28.60	5
AP8167457	28.60	1	AP8168447	28.23	5	AP8177437	28.60	5
AP8167932	28.60	1	AP8168448	28.24	2	AP8177438	28.60	5
AP8167933	28.60	1	AP8168449	28.25	3	AP8177439	28.60	5
AP8168108	28.29	6	AP8168450	28.25	3	AP8177440	28.60	5
AP8168109	28.30	10	AP8168451	28.20	12	AP8177469	28.60	5
AP8168110	28.29	5	AP8168452	28.20	11	AP8177470	28.60	5
AP8168111	28.30	9	AP8168453	28.22	5	AP8177471	28.60	5
AP8168112	28.30	11	AP8168453	28.22	5	AP8177472	28.60	5
AP8168381	28.25	3	AP8168454	28.30	10	AP8177473	28.60	5
AP8168382	28.25	3	AP8168470	28.30	10	AP8177578	28.60	2
AP8168384	28.26	5	AP8168470	28.30	10	AP8177579	28.60	3
AP8168386	28.19	11	AP8168759	28.20	14	AP8177580	28.60	5
AP8168387	28.19	15	AP8168760	28.20	15	AP8177581	28.60	3
AP8168388	28.19	16	AP8168761	28.41	3	AP8177582	28.60	3
AP8168389	28.23	4	AP8168761	28.41	3	AP8177583	28.60	3
AP8168390	28.23	5	AP8168810	28.26	5	AP8177584	28.60	3
AP8168391	28.24	2	AP8168812	28.19	11	AP8177585	28.60	3
AP8168392	28.25	3	AP8168814	28.23	4	AP8177586	28.60	4
AP8168394	28.20	12	AP8168815	28.23	5	AP8177587	28.60	4
AP8168395	28.20	11	AP8168816	28.24	2	AP8177588	28.60	4
AP8168397	28.22	5	AP8168817	28.25	3	AP8177589	28.60	4
AP8168398	28.26	5	AP8168818	28.25	3	AP8177590	28.60	4
AP8168398	28.26	5	AP8168819	28.20	12	AP8177607	28.61	3
AP8168400	28.19	11	AP8168820	28.20	11	AP8177747	28.60	1
AP8168401	28.19	15	AP8168895	28.26	5	AP8177748	28.60	1
AP8168401	28.19	15	AP8168896	28.24	2	AP8177749	28.60	2
AP8168402	28.19	16	AP8168897	28.25	3	AP8177750	28.60	2
AP8168402	28.19	16	AP8168899	28.23	4	AP8177751	28.60	3
AP8168403	28.19	3	AP8168900	28.23	5	AP8177752	28.60	3
AP8168404	28.23	4	AP8168901	28.20	12	AP8177753	28.60	4
AP8168405	28.23	5	AP8168902	28.20	11	AP8177754	28.60	4
AP8168406	28.24	2	AP8168903	28.30	10	AP8177755	28.60	5
AP8168407	28.25	3	AP8168904	28.29	5	AP8177756	28.60	5
AP8168409	28.20	12	AP8168905	28.30	9	AP8177845	28.61	3
AP8168410	28.20	11	AP8168913	28.19	11	AP8201301	28.51	21
AP8168411	28.22	5	AP8168939	28.25	3	AP8201539	28.10	15
AP8168412	28.26	5	AP8168991	28.19	3	AP8201539	28.31	4
AP8168414	28.19	11	AP8176032	28.42	4	AP8201727	28.11	26
AP8168415	28.19	15	AP8176033	28.47	1	AP8201755	28.17	21
AP8168416	28.19	16	AP8176034	28.47	2	AP8202154	28.28	4
AP8168418	28.23	4	AP8176044	29.43	1	AP8212588	28.56	2
AP8168419	28.23	5	AP8176046	28.41	5	AP8213057	28.35	11
AP8168420	28.24	2	AP8176046	28.41	5	AP8213057	28.36	7
AP8168421	28.25	3	AP8176047	28.41	8	AP8220150	28.58	2
AP8168422	28.25	3	AP8176047	28.41	8	AP8220191	28.39	10
AP8168423	28.20	12	AP8176062	29.78	17	AP8220238	28.29	24
AP8168424	28.20	11	AP8176063	29.78	18	AP8220263	28.28	17
AP8168425	28.22	5	AP8176066	29.43	1	AP8220269	28.10	12
AP8168426	28.30	10	AP8176078	28.42	19	AP8220269	28.11	5
AP8168429	28.19	11	AP8177082	28.61	3	AP8220269	28.11	5
AP8168430	28.19	15	AP8177231	28.61	3	AP8220269	28.20	9
AP8168431	28.19	16	AP8177421	28.60	2	AP8220283	28.58	18
AP8168432	28.23	4	AP8177422	28.60	2	AP8220349	28.29	16
AP8168433	28.23	5	AP8177423	28.60	2	AP8220471	28.41	33
AP8168434	28.24	2	AP8177424	28.60	2	AP8221023	28.36	17
AP8168435	28.25	3	AP8177425	28.60	2	AP8221023	28.38	8
AP8168436	28.25	3	AP8177426	28.60	3	AP8221023	28.40	5
AP8168437	28.20	12	AP8177427	28.60	3	AP8221046	29.43	7
AP8168438	28.20	11	AP8177428	28.60	3	AP8221129	28.30	2
AP8168439	28.22	5	AP8177429	28.60	3	AP8221129	28.59	12
AP8168439	28.22	5	AP8177430	28.60	3	AP8221145	28.29	15
AP8168440	28.30	10	AP8177431	28.60	4	AP8221145	28.39	6
AP8168441	28.26	5	AP8177432	28.60	4	AP8221197	28.13	9
AP8168443	28.19	11	AP8177433	28.60	4	AP8221242	28.41	28
AP8168444	28.19	15	AP8177434	28.60	4	AP8221310	28.28	26
AP8168445	28.19	16	AP8177435	28.60	4	AP8224164	28.32	4

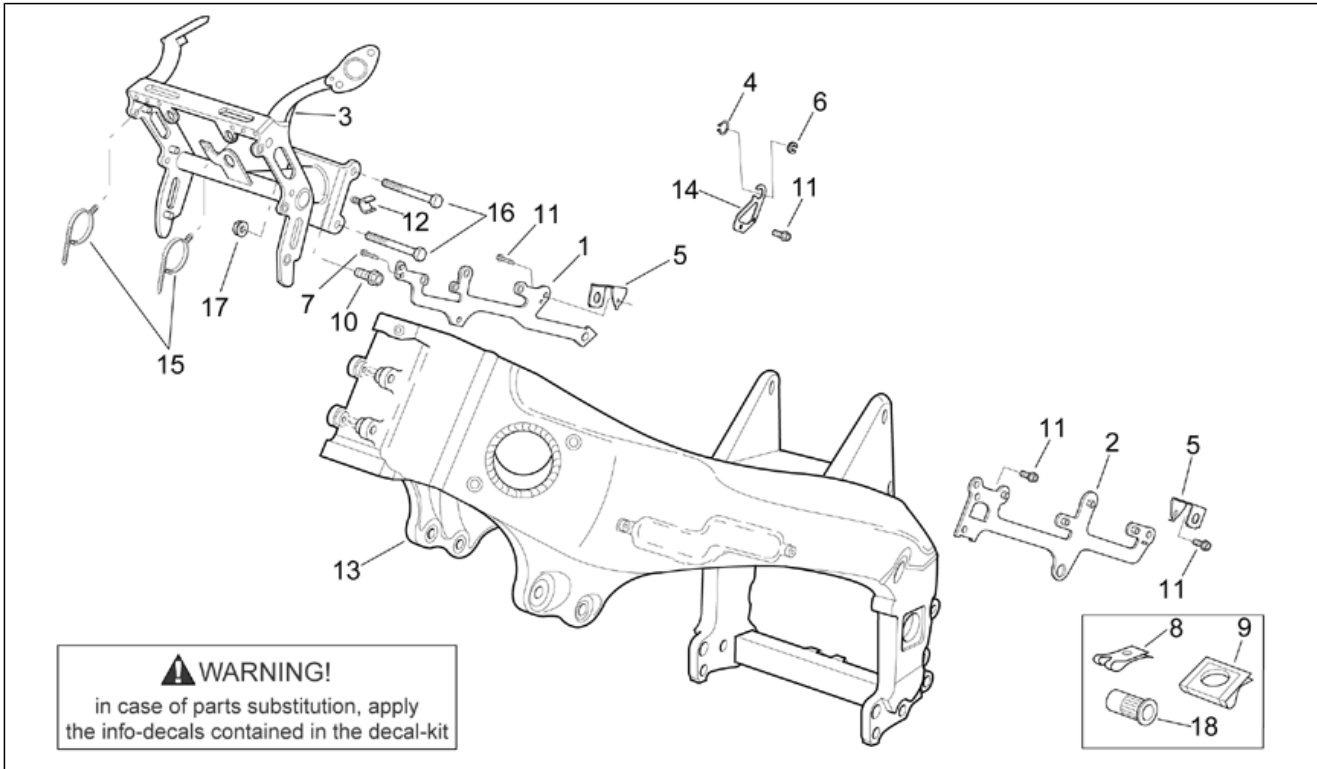
Code	No. table	Pos.	Code	No. table	Pos.
AP8224164	28.32	4	AP8796535	30.01	2
AP8224389	28.55	10	AP8796705	28.17	31
AP8224390	28.54	8	AP8796738	30.07	1
AP8224393	28.53	12	AP8796739	30.07	7
AP8224462	28.58	13	AP8797006	30.05	1
AP8234020	28.17	24	AP8797156	30.05	2
AP8700792	30.08	2	AP8797157	30.05	3
AP8700793	30.08	2	AP8797158	30.05	19
AP8700794	30.08	2	AP8797159	30.05	18
AP8701093	30.07	8	AP8797160	30.05	13
AP8705021	30.08	4	AP8797165	30.05	17
AP8720115	30.80	1	AP8797215	30.04	7
AP8720116	30.80	2	AP8797215	30.05	16
AP8720117	30.80	3	AP8797219	30.04	1
AP8720118	30.80	4	AP8797227	30.04	2
AP8791048	30.03	6	AP8797228	30.04	3
AP8791052	30.03	10	AP8797229	30.04	5
AP8791053	30.03	11	AP8797230	30.04	8
AP8791055	30.03	9	AP8798001	30.05	19
AP8791058	30.03	5	AP8798002	30.07	6
AP8791233	30.03	2	AP8798003	30.07	3
AP8792152	30.08	5			
AP8792156	30.08	3			
AP8796046	30.08	6			
AP8796047	30.08	1			
AP8796050	30.01	7			
AP8796055	30.03	1			
AP8796196	30.01	3			
AP8796197	30.01	4			
AP8796200	30.03	7			
AP8796201	30.03	12			
AP8796202	30.03	13			
AP8796208	30.03	8			
AP8796209	30.03	3			
AP8796210	30.03	4			
AP8796263	30.01	3			
AP8796264	30.01	4			
AP8796492	30.06	2			
AP8796493	30.06	1			
AP8796495	30.04	4			
AP8796495	30.06	3			
AP8796498	30.06	4			
AP8796499	30.06	5			
AP8796500	30.06	6			
AP8796501	30.06	7			
AP8796505	30.05	17			
AP8796506	30.05	20			
AP8796507	30.05	10			
AP8796508	30.05	11			
AP8796509	30.05	8			
AP8796510	30.05	14			
AP8796511	30.05	2			
AP8796512	30.05	3			
AP8796513	30.05	15			
AP8796514	30.05	4			
AP8796515	30.05	5			
AP8796516	30.05	7			
AP8796517	30.05	9			
AP8796518	30.05	6			
AP8796519	30.04	6			
AP8796519	30.05	12			
AP8796520	30.05	16			
AP8796530	30.01	5			
AP8796531	30.01	6			
AP8796532	30.01	1			
AP8796533	30.01	2			
AP8796534	30.01	1			

Group	FRAME
Code	28.09
Description	Frame I
Service	1



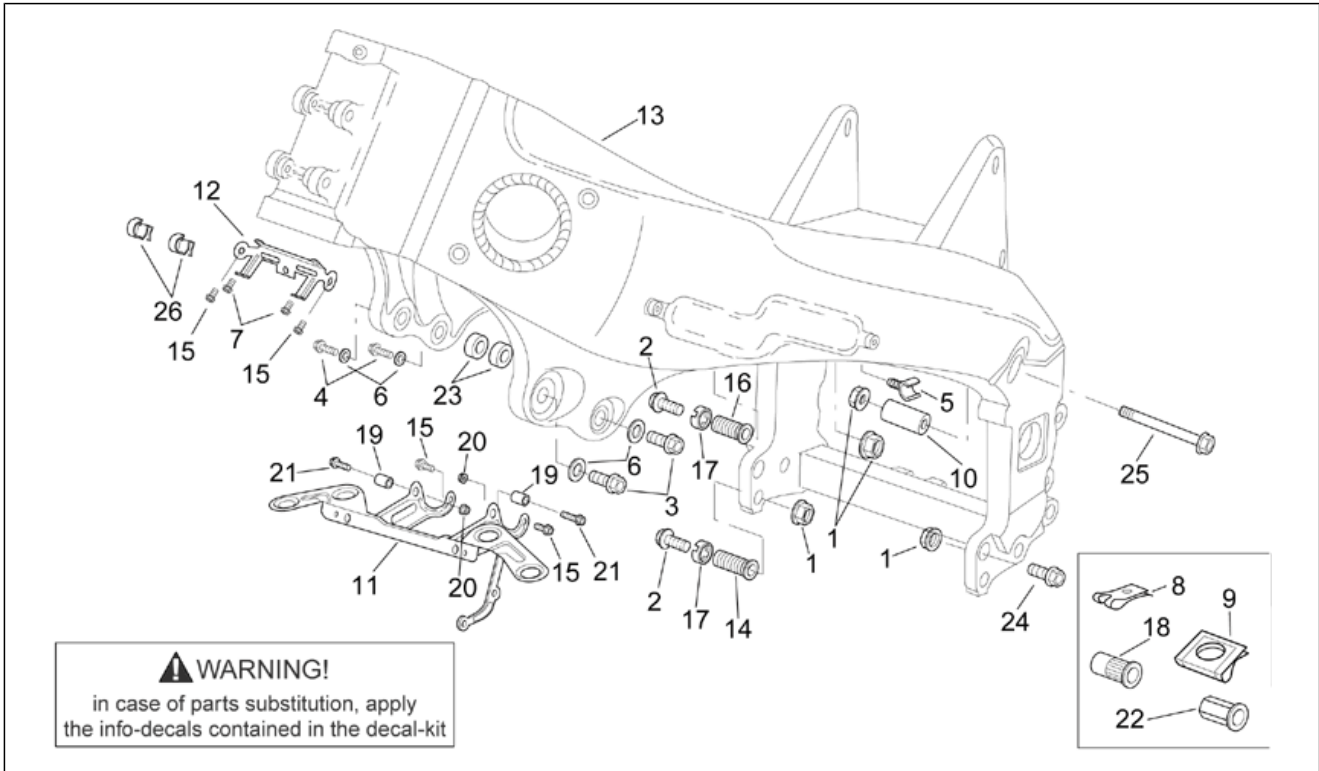
Pos.	Code	Description	Qty	Variants
1	AP8146457	Saddle support	1	Technical Specifications: Double-saddle version[Bip]
1	AP8146679	Saddle support	1	Technical Specifications: Single-saddle version[Mono]
2	AP8102544	Threaded rivet M6	13	
3	AP8134452	Rear fairing support	1	Technical Specifications: Double-saddle version[Bip]
4	AP8121882	Cable-guide	2	
5	AP8150469	Hex socket screw M10x30	4	
6	AP8134608	Saddle lock support	1	Technical Specifications: Single-saddle version[Mono]
7	AP8152386	Spacer	2	Technical Specifications: Single-saddle version[Mono]

Group	FRAME
Code	28.10
Description	Frame II
Service	1



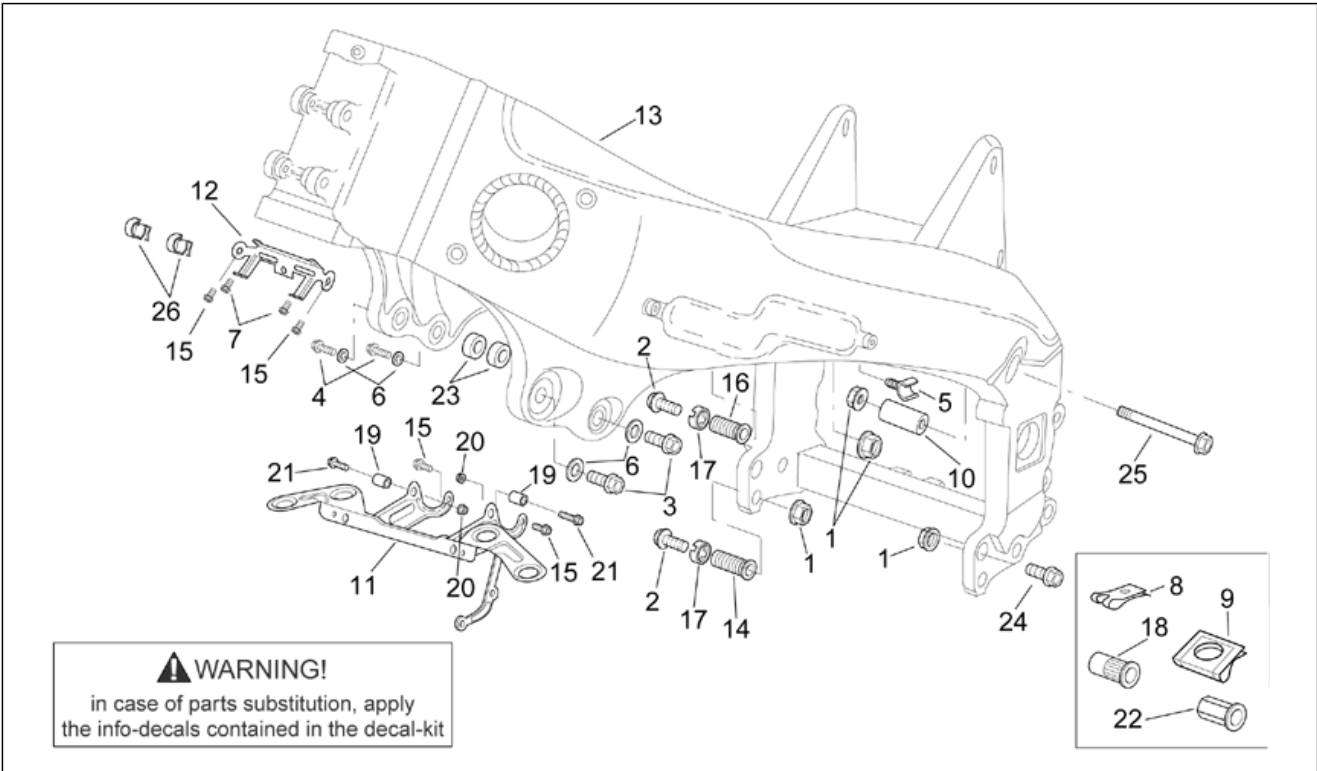
Pos.	Code	Description	Qty	Variants
1	AP8134389	Coil support, RH	1	
2	AP8134635	Coil support, LH	1	
3	AP8135905	Instrum. holder frame	1	
4	AP8121428	Circlip d8	1	
5	AP8134436	Fairing connecting plate	2	
6	AP8102498	Snap ring	1	
7	AP8152279	Screw w/ flange M6x20	1	
8	AP8102375	Clip m5	2	
9	AP8102376	Clip M6	2	
10	AP8152272	Screw w/ flange M5x12	1	
11	AP8152278	Screw w/ flange M6x16	20	
12	AP8220269	Cable-guide	1	
13	AP8146334	Frame, anod.	1	Technical Specifications: RSV Mille Version[STD]
13	AP8146692	Frame, black	1	Technical Specifications: RSV Mille "R"acing Version[R]
13	AP8146773	Frame p.	1	Technical Specifications: "R"acing GP1 Limited Ed.Version[RL]
14	AP8134674	Min.eng.spd.cable plate	1	
15	AP8201539	Hose clamp	2	
16	AP8150314	Screw	2	
17	AP8152299	Self-locking nut M6	2	
18	AP8102544	Threaded rivet M6	12	

Group	FRAME
Code	28.11
Description	Frame III
Service	1



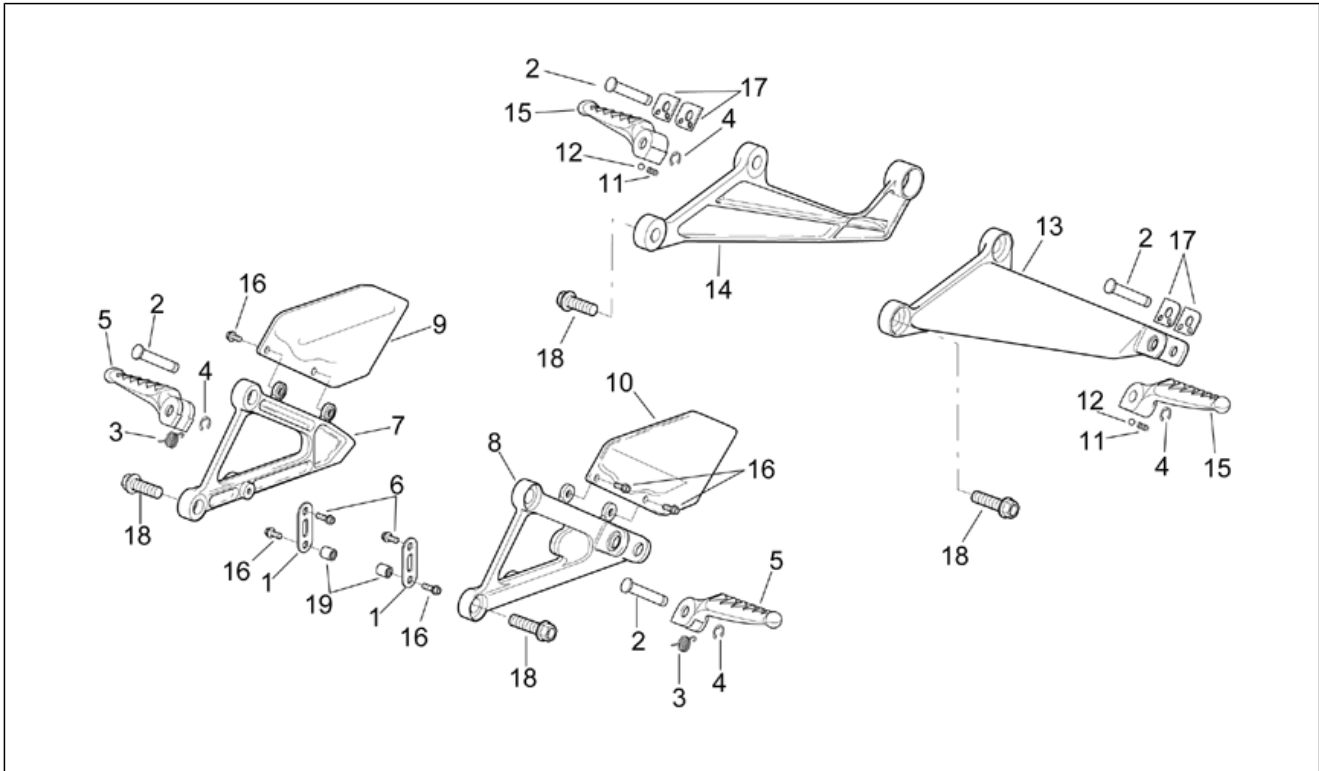
Pos.	Code	Description	Qty	Variants
1	AP8152301	Self-locking nut	4	
2	AP8152317	Screw w/ flange M10x100	2	
3	AP8152318	Screw w/ flange M10x35	2	
4	AP8152325	Screw w/ flange	2	
5	AP8120582	Cable-guide	1	Country: USA (California Approval)[CF], United States of America[USA] Technical Specifications: California Approval[cal]
5	AP8220269	Cable-guide	1	Country: Austria[A], Australia[AA], Australia[AUS], Belgium[B], Belgium[BB], Switzerland[CH], Germany[D], Denmark[DK], Spain[E], A, CH, D, DK, GR, E, I, NL, P[EU], France[F], France[FF], Greece[GR], Italy[I], Japan[J], Japan[JJ], Holland[NL], Portugal[P], Great Britain[UK]
5	AP8220269	Cable-guide	1	Country: USA (49 Countries Approval)[AM], United States of America[USA] Technical Specifications: 49 Countries Approval[49st]
6	AP8150292	Curved spring washer *	4	
7	AP8152246	Screw w/ flange M6x16	2	
8	AP8102375	Clip m5	2	
9	AP8102376	Clip M6	2	
10	AP8121998	Upper engine spacer	1	
11	AP8134638	Lower water cooler support	1	
12	AP8134380	Water cooler upper support	1	
13	AP8146334	Frame, anod.	1	Technical Specifications: RSV Mille Version[STD]
13	AP8146692	Frame, black	1	Technical Specifications: RSV Mille "R"acing Version[R]
13	AP8146773	Frame p.	1	Technical Specifications: "R"acing GP1 Limited Ed.Version[RL]
14	AP8121997	Lower adjustment bush	1	
15	AP8152278	Screw w/ flange M6x16	4	
16	AP8121996	Upper adjustment bush	1	
17	AP8121995	Eng.connect.elem.ring nut	2	

Group	FRAME
Code	28.11
Description	Frame III
Service	1



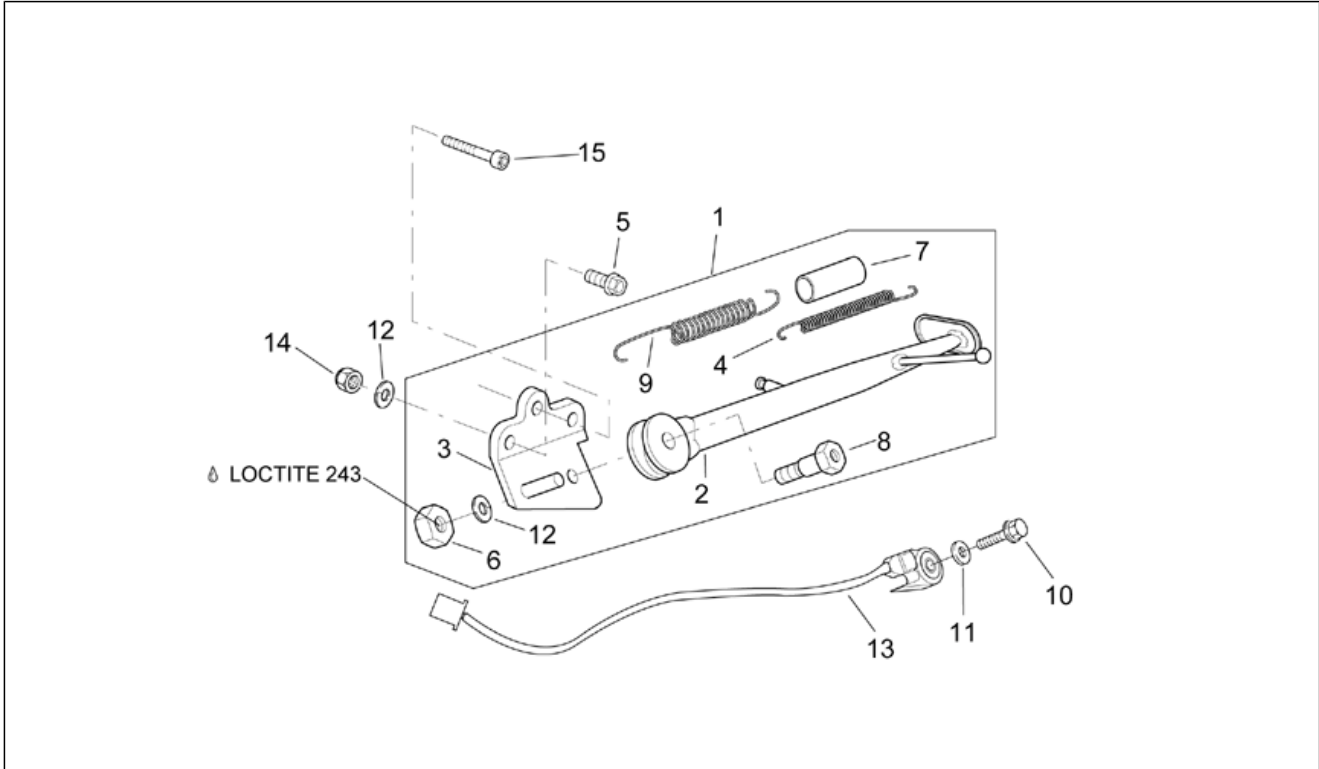
Pos.	Code	Description	Qty	Variants
18	AP8102544	Threaded rivet M6	10	
19	AP8121313	Conical bush	2	
20	AP8152299	Self-locking nut M6	2	
21	AP8152281	Screw w/ flange M6x30	2	
22	AP8102902	Hex threaded insert	3	
23	AP8121254	LH front engine spacer	2	
24	AP8152316	Screw w/ flange M10x75	1	
24	AP8152398	Screw w/ flange M10x80	1	
25	AP8152315	Screw w/ flange M10x110	1	
26	AP8201727	Black cable guide	2	

Group	FRAME
Code	28.12
Description	Foot rests
Service	1



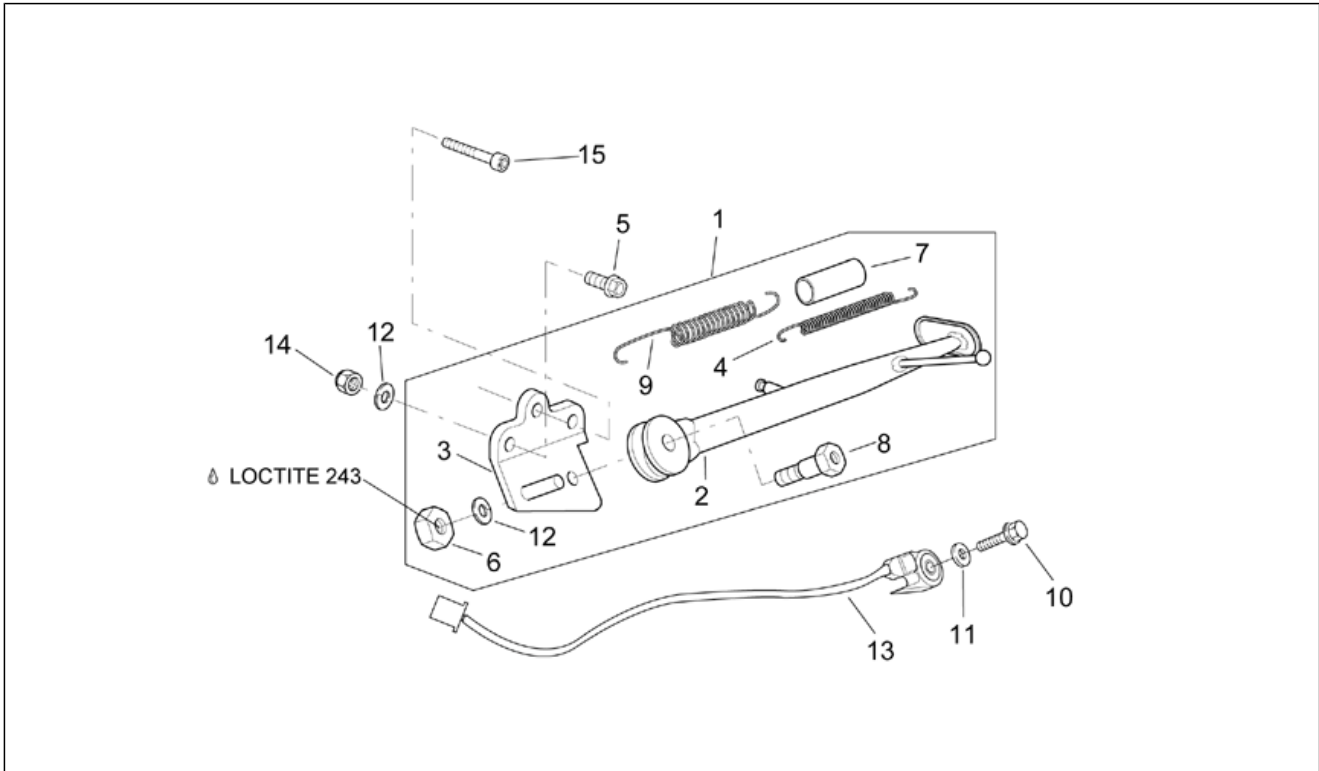
Pos.	Code	Description	Qty	Variants
1	AP8134541	Fairing fixing plate	2	
2	AP8121135	Footrest pin	4	
3	AP8121224	Footrest return spring	2	
4	AP8120573	Stop ring	4	
5	AP8146467	Front footrest, pair	1	
6	AP8152278	Screw w/ flange M6x16	3	
7	AP8135909	RH front footrest bracket	1	
8	AP8135910	LH front footrest bracket	1	
9	AP8146503	RH front footrest guard	1	
10	AP8146504	LH front footrest guard	1	
11	AP8121133	Coil compress. spring	2	Technical Specifications: Double-saddle version[Bip]
12	AP8101861	Ball D6,35	2	Technical Specifications: Double-saddle version[Bip]
13	AP8134651	LH footrest support	1	Technical Specifications: Double-saddle version[Bip]
14	AP8134652	RH footrest support	1	Technical Specifications: Double-saddle version[Bip]
15	AP8146466	Rear footrests, pair	1	Technical Specifications: Double-saddle version[Bip]
16	AP8152277	Screw w/ flange M6x12	6	
17	AP8134451	Footrest plate	4	Technical Specifications: Double-saddle version[Bip]
18	AP8152288	Screw w/ flange	8	
19	AP8102544	Threaded rivet M6	2	

Group	FRAME
Code	28.13
Description	Central stand
Service	1



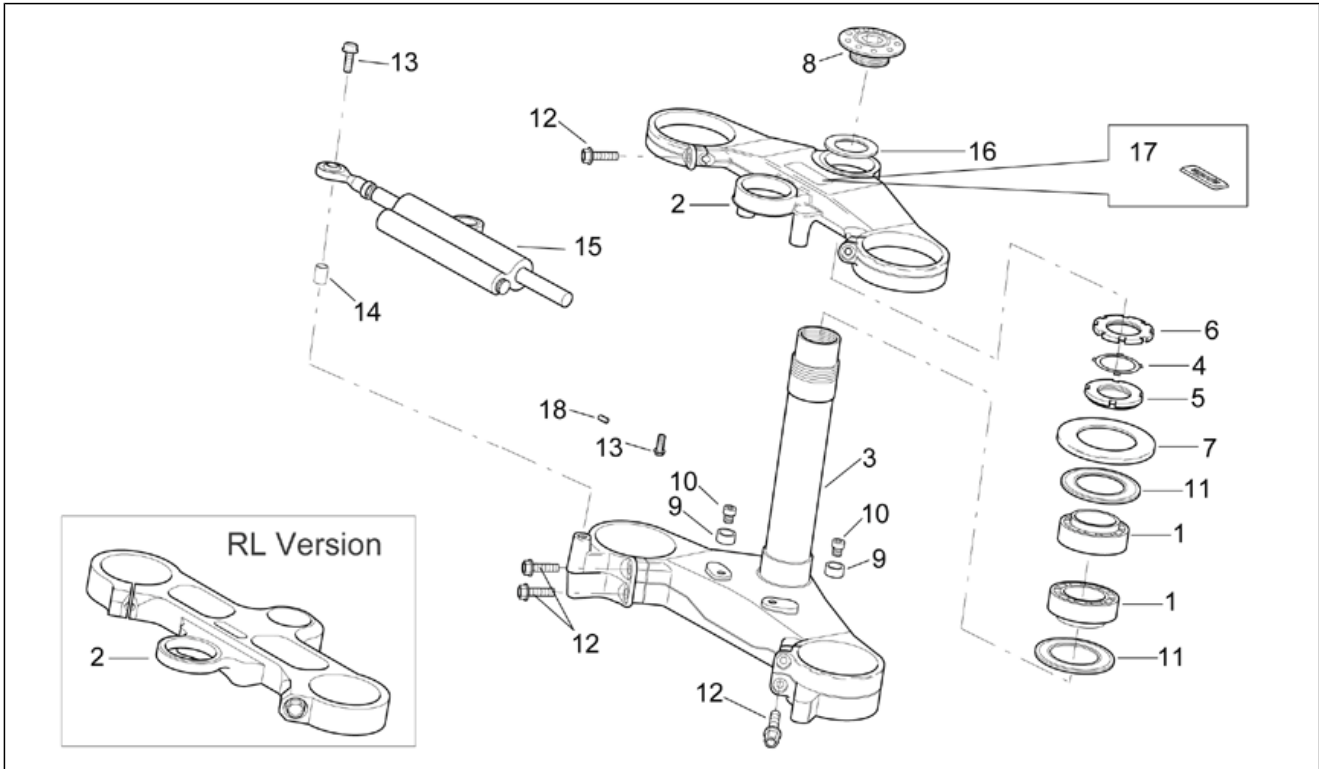
Pos.	Code	Description	Qty	Variants
1	AP8146652	Stand cpl.	1	Country: Austria[A], Australia[AA], Australia[AUS], Belgium[B], Belgium[BB], Switzerland[CH], Germany[D], Denmark[DK], Spain[E], A, CH, D, DK, GR, E, I, NL, P[EU], France[F], France[FF], Greece[GR], Italy[I], Japan[J], Japan[J], Holland[NL], Portugal[P], Great Britain[UK]
1	AP8146677	Stand cpl.	1	Country: USA (49 Countries Approval)[AM], USA (California Approval)[CF], United States of America[USA]
2	AP8146658	Lateral stand	1	Country: Austria[A], Australia[AA], Australia[AUS], Belgium[B], Belgium[BB], Switzerland[CH], Germany[D], Denmark[DK], Spain[E], A, CH, D, DK, GR, E, I, NL, P[EU], France[F], France[FF], Greece[GR], Italy[I], Japan[J], Japan[J], Holland[NL], Portugal[P], Great Britain[UK]
2	AP8146676	Lateral stand	1	Country: USA (49 Countries Approval)[AM], USA (California Approval)[CF], United States of America[USA]
3	AP8134373	Stand plate	1	Country: Austria[A], Australia[AA], Australia[AUS], Belgium[B], Belgium[BB], Switzerland[CH], Germany[D], Denmark[DK], Spain[E], A, CH, D, DK, GR, E, I, NL, P[EU], France[F], France[FF], Greece[GR], Italy[I], Japan[J], Japan[J], Holland[NL], Portugal[P], Great Britain[UK]
3	AP8134749	Stand plate	1	Country: USA (49 Countries Approval)[AM], USA (California Approval)[CF], United States of America[USA]
4	AP8121014	Coil pull spring *	1	
5	AP8150196	Hex socket screw	2	Country: USA (49 Countries Approval)[AM], USA (California Approval)[CF], United States of America[USA]
5	AP8152320	Screw w/ flange	2	Country: Austria[A], Australia[AA], Australia[AUS], Belgium[B], Belgium[BB], Switzerland[CH], Germany[D], Denmark[DK], Spain[E], A, CH, D, DK, GR, E, I, NL, P[EU], France[F], France[FF], Greece[GR], Italy[I], Japan[J], Japan[J], Holland[NL], Portugal[P], Great Britain[UK]
6	AP8150480	Low self-locking nut M10x1,25	1	Country: Austria[A], Australia[AA], Australia[AUS], Belgium[B], Belgium[BB], Switzerland[CH], Germany[D], Denmark[DK], Spain[E], A, CH, D, DK, GR, E, I, NL, P[EU], France[F], France[FF], Greece[GR], Italy[I], Japan[J], Japan[J], Holland[NL], Portugal[P], Great Britain[UK]

Group	FRAME
Code	28.13
Description	Central stand
Service	1



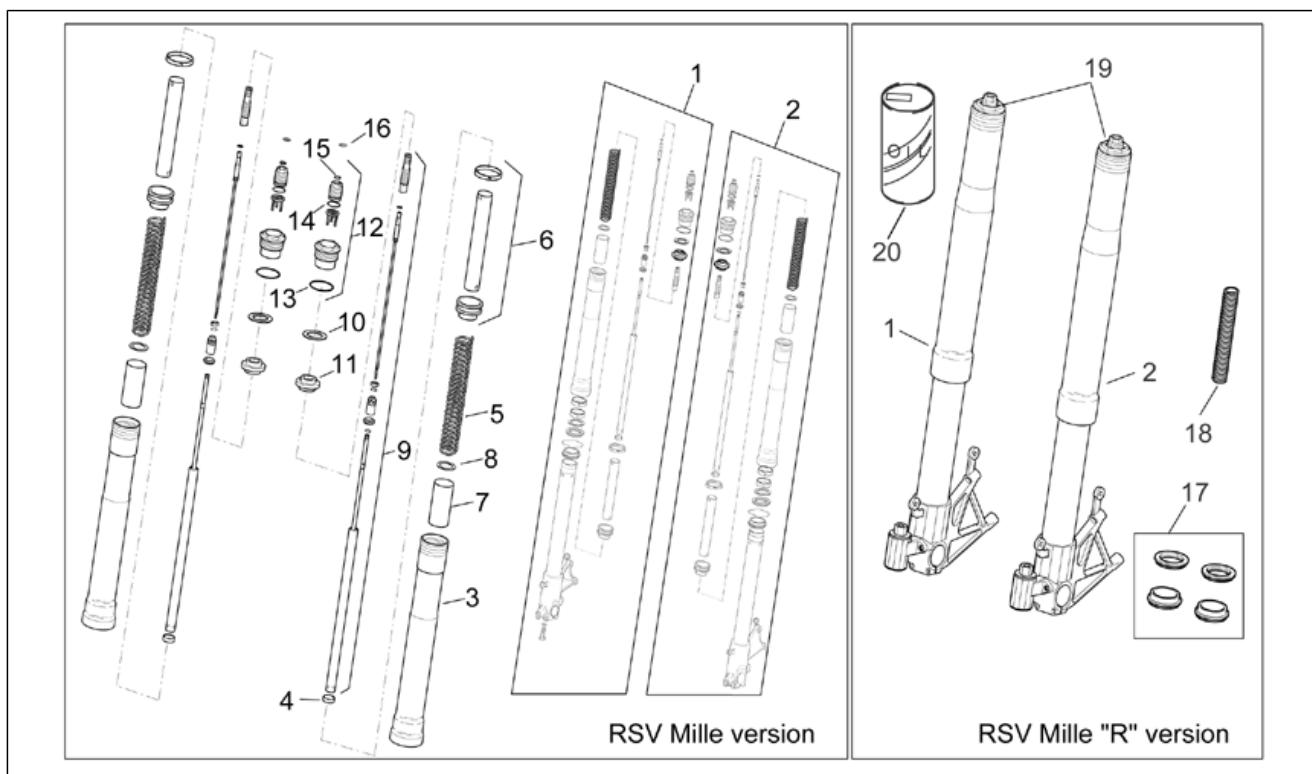
Pos.	Code	Description	Qty	Variants
6	AP8152001	Low nut M10x1,25	1	Country:USA (49 Countries Approval)[AM], USA (California Approval)[CF], United States of America[USA]
7	AP8102524	Stand spring protection	1	
8	AP8121375	Central stand fixing screw	1	Country:Austria[A], Australia[AA], Australia[AUS], Belgium[B], Belgium[BB], Switzerland[CH], Germany[D], Denmark[DK], Spain[E], A, CH, D, DK, GR, E, I, NL, P[EU], France[F], France[FF], Greece[GR], Italy[I], Japan[J], Japan[JJ], Holland[NL], Portugal[P], Great Britain[UK]
8	AP8121429	Central stand fixing screw	1	Country:USA (49 Countries Approval)[AM], USA (California Approval)[CF], United States of America[USA]
9	AP8221197	Lateral stand spring	1	
10	AP8152279	Screw w/ flange M6x20	1	
11	AP8150015	Washer 6,6x18x1,6*	1	
12	AP8150292	Curved spring washer *	3	
13	AP8124977	Rotary switch	1	
14	AP8152301	Self-locking nut	1	Country:USA (49 Countries Approval)[AM], USA (California Approval)[CF], United States of America[USA]
15	AP8150287	Hex socket screw M10x90	1	Country:USA (49 Countries Approval)[AM], USA (California Approval)[CF], United States of America[USA]

Group	FRAME
Code	28.14
Description	Steering
Service	1



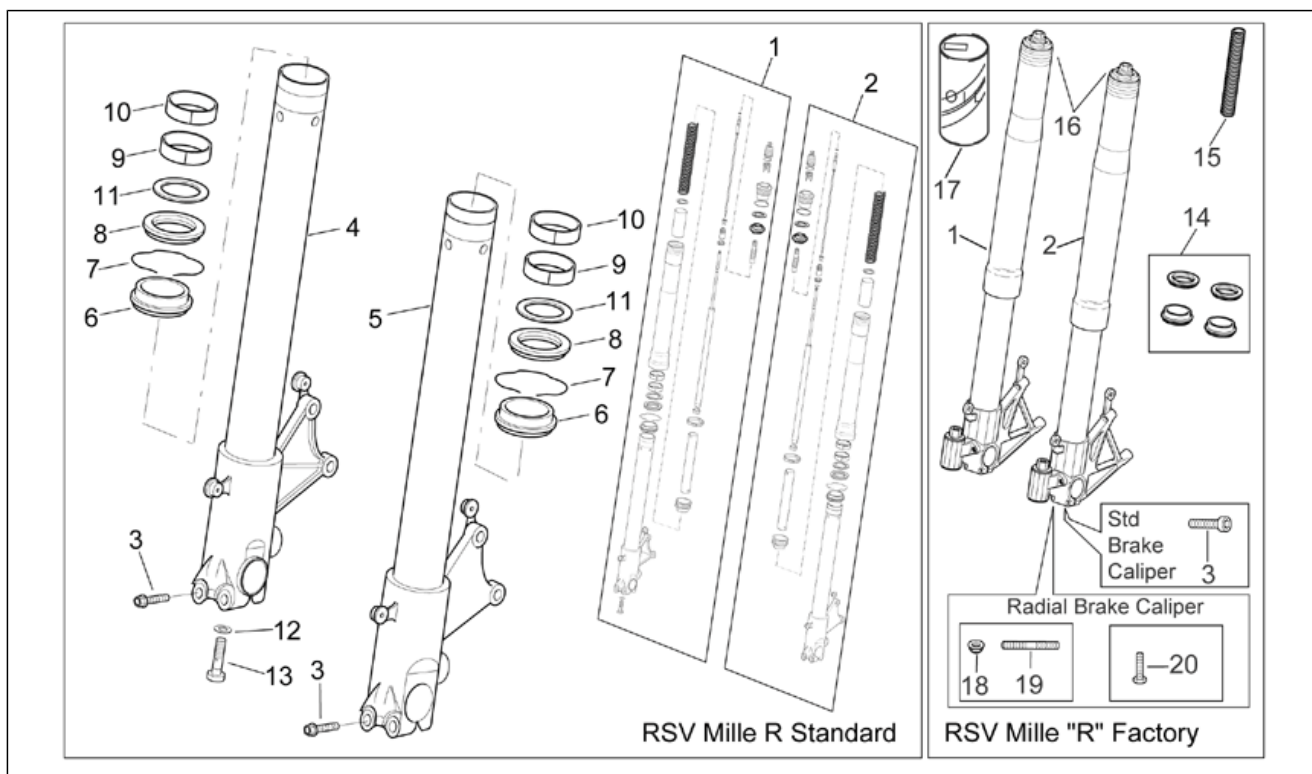
Pos.	Code	Description	Qty	Variants
1	AP8110077	Axial ball bearing	2	
2	AP8123927	Fork upper plate	1	Technical Specifications: RSV Mille "R"acing Version[R]
2	AP8123932	Fork upper plate	1	Technical Specifications: RSV Mille Version[STD]
2	AP8163240	Fork upper plate	1	Technical Specifications: "R"acing GP1 Limited Ed.Version[RL]
3	AP8123640	Stem base	1	Technical Specifications: RSV Mille Version[STD]
3	AP8123928	Stem base	1	Technical Specifications: RSV Mille "R"acing Version[R], "R"acing GP1 Limited Ed.Version[RL]
4	AP8121207	Steering security plate	1	
5	AP8123642	Ring nut	1	
6	AP8123643	Return ring nut	1	
7	AP8123644	Dust cover ring	1	
8	AP8121346	Upper plate fixing bush	1	
9	AP8121302	Steering lock bush	2	
10	AP8150211	Hex socket screw M8x16	2	
11	AP8123641	Dust cover ring	2	
12	AP8152289	Screw w/ flange	6	
13	AP8152281	Screw w/ flange M6x30	2	Technical Specifications: RSV Mille "R"acing Version[R], "R"acing GP1 Limited Ed.Version[RL]
14	AP8121041	Spacer *	1	Technical Specifications: RSV Mille "R"acing Version[R], "R"acing GP1 Limited Ed.Version[RL]
15	AP8123972	Steering shock absorber Ohlin	1	Technical Specifications: RSV Mille "R"acing Version[R], "R"acing GP1 Limited Ed.Version[RL]
16	AP8152384	Stem plug washer	1	
17	AP8157770	"Aprilia" dataplate	1	
18	AP8150490	Dowel	1	Technical Specifications: RSV Mille "R"acing Version[R], "R"acing GP1 Limited Ed.Version[RL]

Group	FRAME
Code	28.15
Description	Front fork I
Service	1



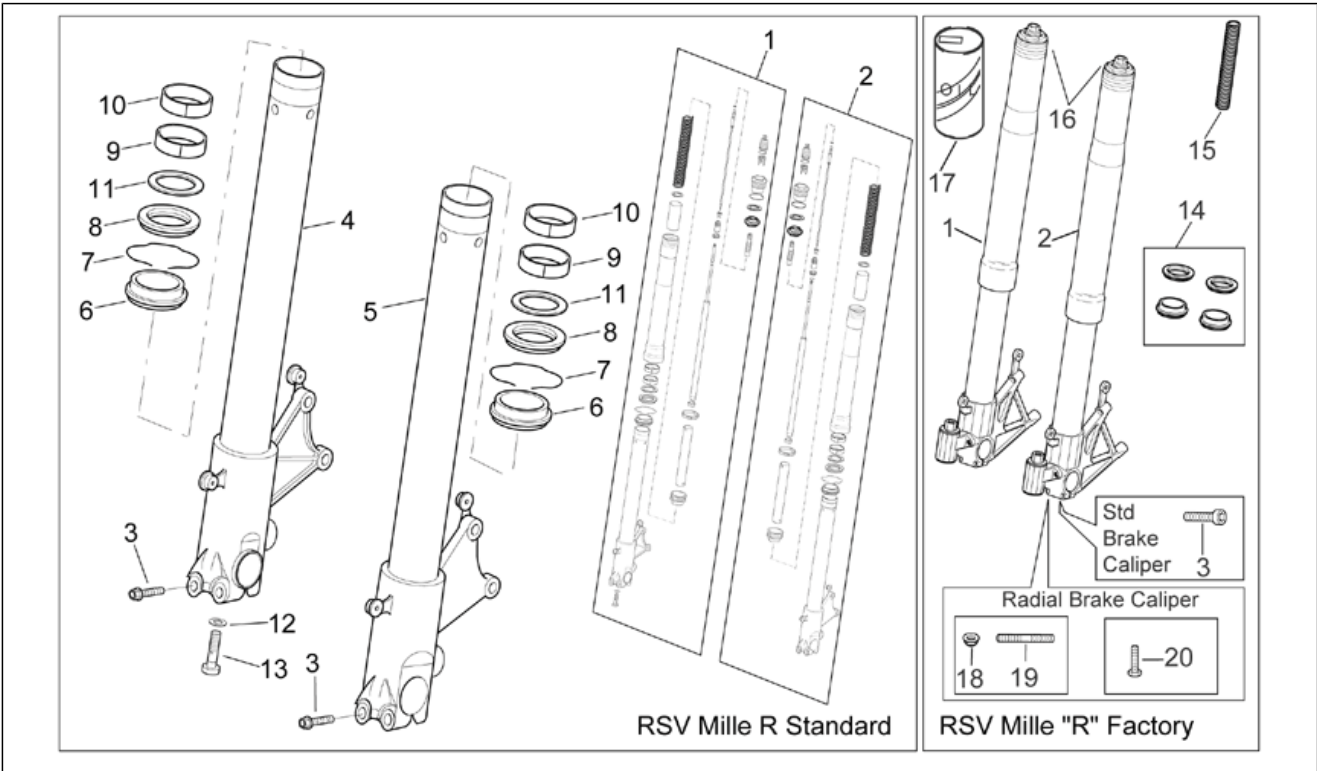
Pos.	Code	Description	Qty	Variants
1	AP8123637	RH hub cpl.	1	Technical Specifications: RSV Mille Version[STD]
1	AP8163062	RH hub cpl.	1	Technical Specifications: RSV Mille "R"acing Version[R], "R"acing GP1 Limited Ed.Version[RL]
2	AP8123638	LH hub cpl.	1	Technical Specifications: RSV Mille Version[STD]
2	AP8163063	LH hub cpl.	1	Technical Specifications: RSV Mille "R"acing Version[R], "R"acing GP1 Limited Ed.Version[RL]
3	AP8123829	Sleeve	2	Technical Specifications: RSV Mille Version[STD]
4	AP8123810	Plunger attachment bush	2	Technical Specifications: RSV Mille Version[STD]
5	AP8123831	Spring	2	Technical Specifications: RSV Mille Version[STD]
6	AP8123832	Preload tube cpl.	2	Technical Specifications: RSV Mille Version[STD]
7	AP8123835	Spacer	2	Technical Specifications: RSV Mille Version[STD]
8	AP8123836	Washer	2	Technical Specifications: RSV Mille Version[STD]
9	AP8163034	Plunger, complete	2	Technical Specifications: RSV Mille Version[STD]
10	AP8123816	Washer	2	Technical Specifications: RSV Mille Version[STD]
11	AP8123815	Ring	2	Technical Specifications: RSV Mille Version[STD]
12	AP8123833	Sleeve plug cpl.	2	Technical Specifications: RSV Mille Version[STD]
13	AP8123834	O-ring	2	Technical Specifications: RSV Mille Version[STD]
14	AP8123819	O-ring	2	Technical Specifications: RSV Mille Version[STD]
15	AP8123820	O-ring	2	Technical Specifications: RSV Mille Version[STD]
16	AP8123821	Stop ring	2	Technical Specifications: RSV Mille Version[STD]
17	AP8123975	Front fork revision kit	1	Technical Specifications: RSV Mille "R"acing Version[R], "R"acing GP1 Limited Ed.Version[RL]
18	AP8163057	Spring	2	Technical Specifications: RSV Mille "R"acing Version[R], "R"acing GP1 Limited Ed.Version[RL]
19	AP8123977	Plug cpl.	2	Technical Specifications: RSV Mille "R"acing Version[R], "R"acing GP1 Limited Ed.Version[RL]
20	AP8116071	Front fork oil 1 lt.	1	Technical Specifications: RSV Mille "R"acing Version[R], "R"acing GP1 Limited Ed.Version[RL]

Group	FRAME
Code	28.16
Description	Fron fork II
Service	1



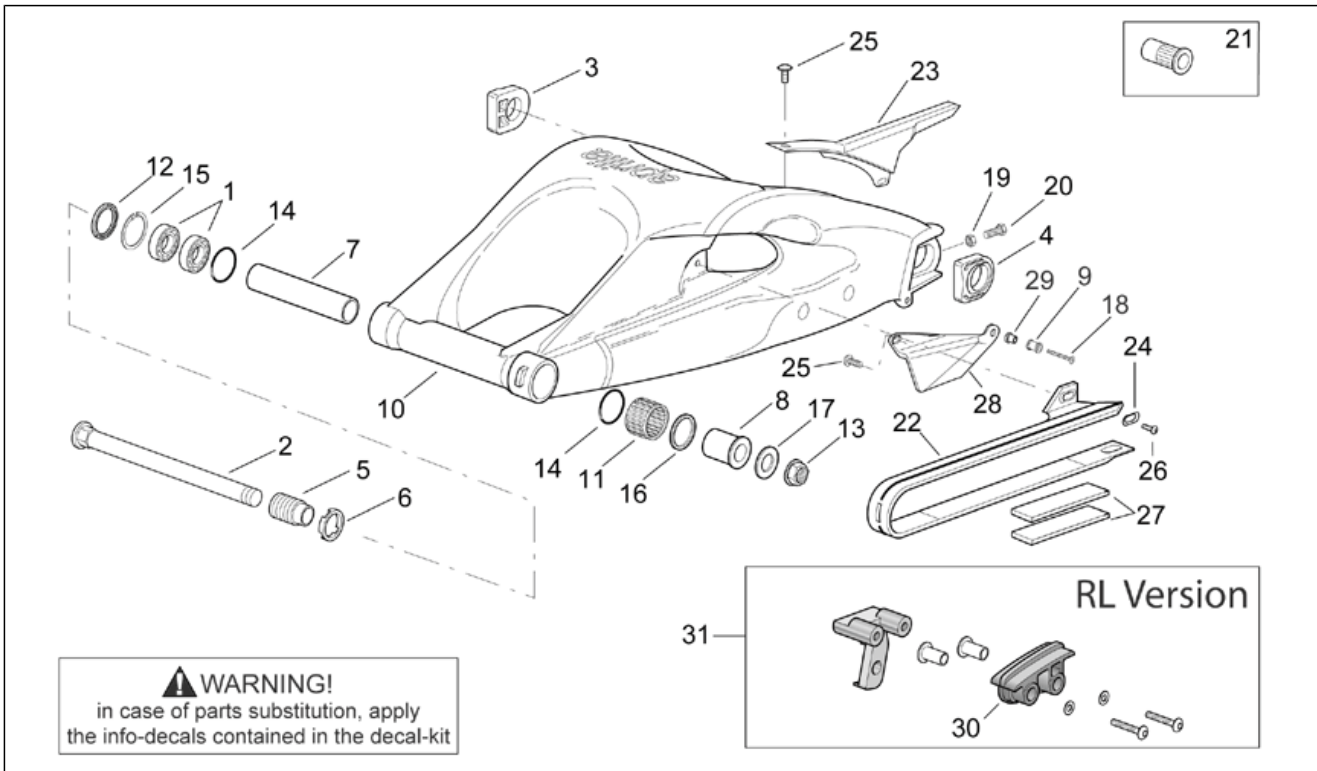
Pos.	Code	Description	Qty	Variants
1	AP8123637	RH hub cpl.	1	Technical Specifications: RSV Mille Version[STD]
1	AP8163062	RH hub cpl.	1	Technical Specifications: RSV Mille "R"acing Version[R], "R"acing GP1 Limited Ed.Version[RL]
2	AP8123638	LH hub cpl.	1	Technical Specifications: RSV Mille Version[STD]
2	AP8163063	LH hub cpl.	1	Technical Specifications: RSV Mille "R"acing Version[R], "R"acing GP1 Limited Ed.Version[RL]
3	AP8152290	Screw w/ flange M8x40	4	Technical Specifications: RSV Mille Version[STD]
4	AP8123822	Hub+RH fork leg	1	Technical Specifications: RSV Mille Version[STD]
5	AP8123823	Hub+LH fork leg	1	Technical Specifications: RSV Mille Version[STD]
6	AP8123824	Dust cover	2	Technical Specifications: RSV Mille Version[STD]
7	AP8123806	Circlip	2	Technical Specifications: RSV Mille Version[STD]
8	AP8123825	Oil seal	2	Technical Specifications: RSV Mille Version[STD]
9	AP8123827	Bush D.47,1xd.43xh.20	2	Technical Specifications: RSV Mille Version[STD]
10	AP8123828	Bush D.44,5xd.41,1xh.20	2	Technical Specifications: RSV Mille Version[STD]
11	AP8123826	Ring	2	Technical Specifications: RSV Mille Version[STD]
12	AP8123811	Special washer	2	Technical Specifications: RSV Mille Version[STD]
13	AP8123812	screw M10x1,5	2	Technical Specifications: RSV Mille Version[STD]
14	AP8123975	Front fork revision kit	1	Technical Specifications: RSV Mille "R"acing Version[R], "R"acing GP1 Limited Ed.Version[RL]
15	AP8163057	Spring	2	Technical Specifications: RSV Mille "R"acing Version[R], "R"acing GP1 Limited Ed.Version[RL]
16	AP8123977	Plug cpl.	2	Technical Specifications: RSV Mille "R"acing Version[R], "R"acing GP1 Limited Ed.Version[RL]
17	AP8116071	Front fork oil 1 lt.	1	Technical Specifications: RSV Mille "R"acing Version[R], "R"acing GP1 Limited Ed.Version[RL]
18	AP8152299	Self-locking nut M6	4	Technical Specifications: RSV Mille "R"acing Version[R], "R"acing GP1 Limited Ed.Version[RL]
19	AP8121178	Stud bolt	4	Technical Specifications: RSV Mille "R"acing Version[R], "R"acing GP1 Limited Ed.Version[RL]

Group	FRAME
Code	28.16
Description	Fron fork II
Service	1



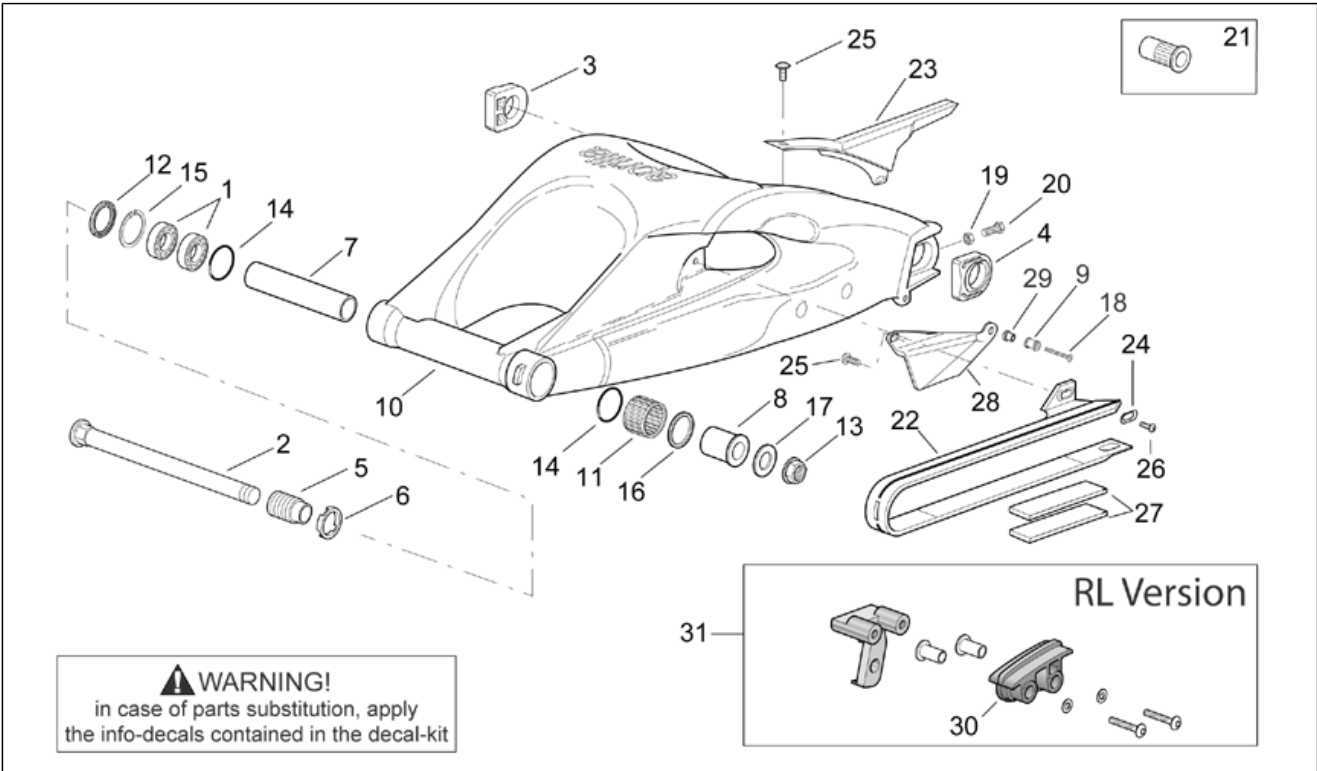
Pos.	Code	Description	Qty	Variants
20	AP8163481	screw	4	Technical Specifications: RSV Mille "R"acing Version[R], "R"acing GP1 Limited Ed.Version[RL]

Group	FRAME
Code	28.17
Description	Swing arm
Service	1



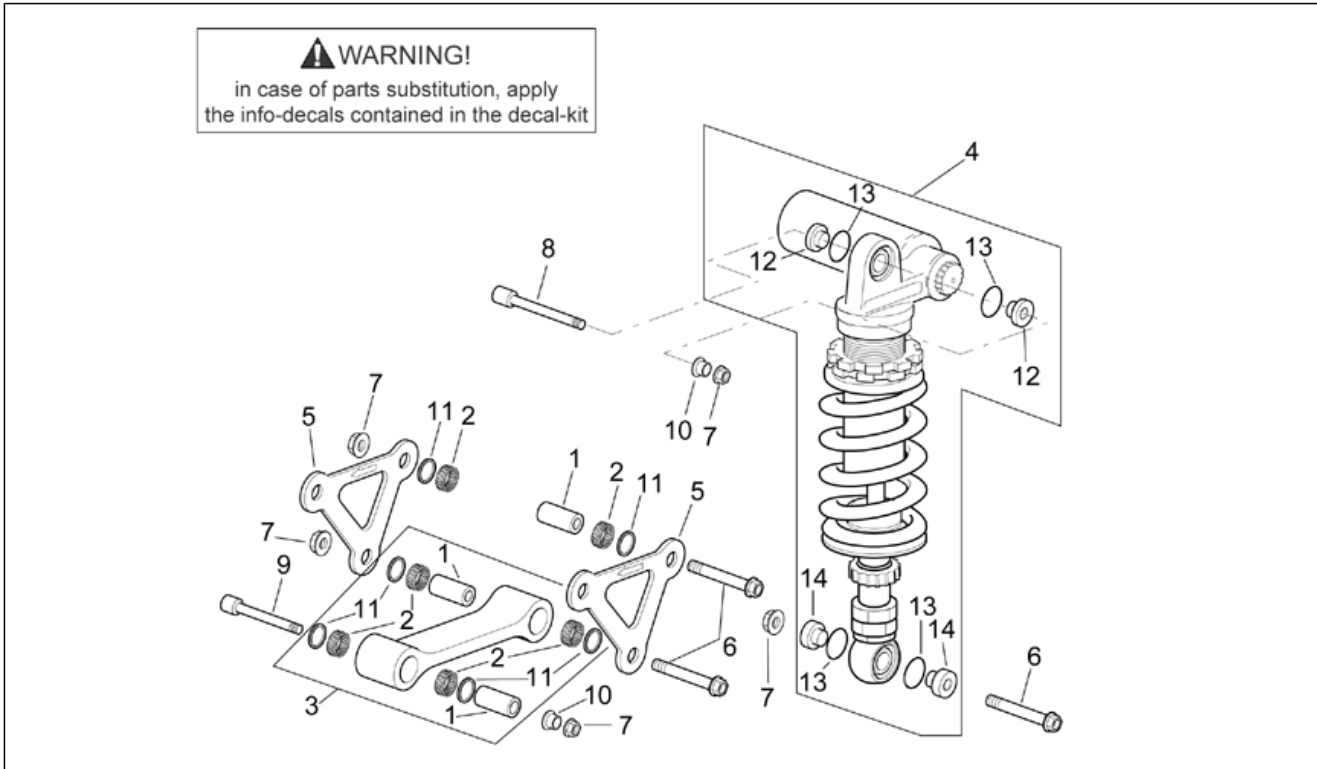
Pos.	Code	Description	Qty	Variants
1	AP8110079	Ball bearing	2	
2	AP8125830	Rear swing arm pin	1	
3	AP8120985	RH chain guide plate	1	
4	AP8120986	LH chain guide plate	1	
5	AP8121200	Adjustment bush	1	
6	AP8121201	Swing arm ring nut	1	
7	AP8121202	Internal spacer	1	
8	AP8121203	Rear int.sw.arm piv.bush	1	
9	AP8121890	Rear stand bush	2	
10	AP8146295	Swing arm, anod.	1	Technical Specifications: RSV Mille Version[STD]
10	AP8146739	Swing arm, black	1	Technical Specifications: RSV Mille "R"acing Version[R]
10	AP8146774	Swing arm, grey	1	Technical Specifications: "R"acing GP1 Limited Ed.Version[RL]
11	AP8110078	Cage à rouleaux	1	
12	AP8144006	Gasket ring	1	
13	AP8125763	Rear wheel spindle nut	1	
14	AP8144048	O-ring 134	2	
15	AP8121204	Inside circlip d37	1	
16	AP8144005	Gasket ring	1	
17	AP8125687	Wheel pin washer	1	
18	AP8150468	Screw M6x40	2	
19	AP8150334	Nut M8	2	
20	AP8152305	Chain tens.adjuster screw	2	
21	AP8201755	Threaded rivet	2	
22	AP8120995	Chain guide plate	1	
23	AP8138593	Chain guard	1	
24	AP8234020	Cup for shoe	2	
25	AP8152302	Screw w/ flange M5x12	2	

Group	FRAME
Code	28.17
Description	Swing arm
Service	1



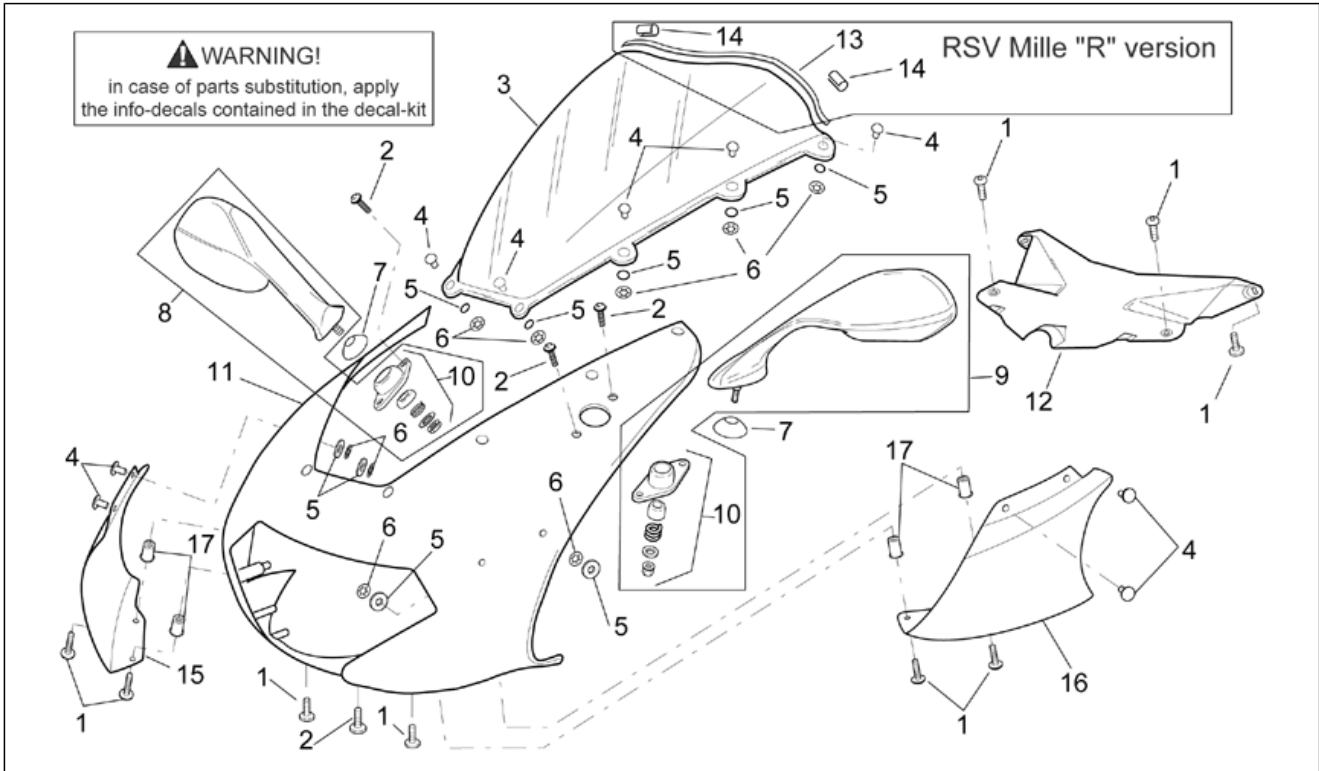
Pos.	Code	Description	Qty	Variants
26	AP8152267	Hex socket screw M5x12	2	
27	AP8117033	Adhesive sponge	2	
28	AP8144284	Chain guide plate	1	
29	AP8121075	T bush *	2	
30	AP8158669	Chain guide plate	1	Technical Specifications: "R"acing GP1 Limited Ed.Version[RL]
31	AP8796705	Sliding block, kit	1	Technical Specifications: "R"acing GP1 Limited Ed.Version[RL]

Group	FRAME
Code	28.18
Description	Connecting rod - rear shock abs.
Service	1



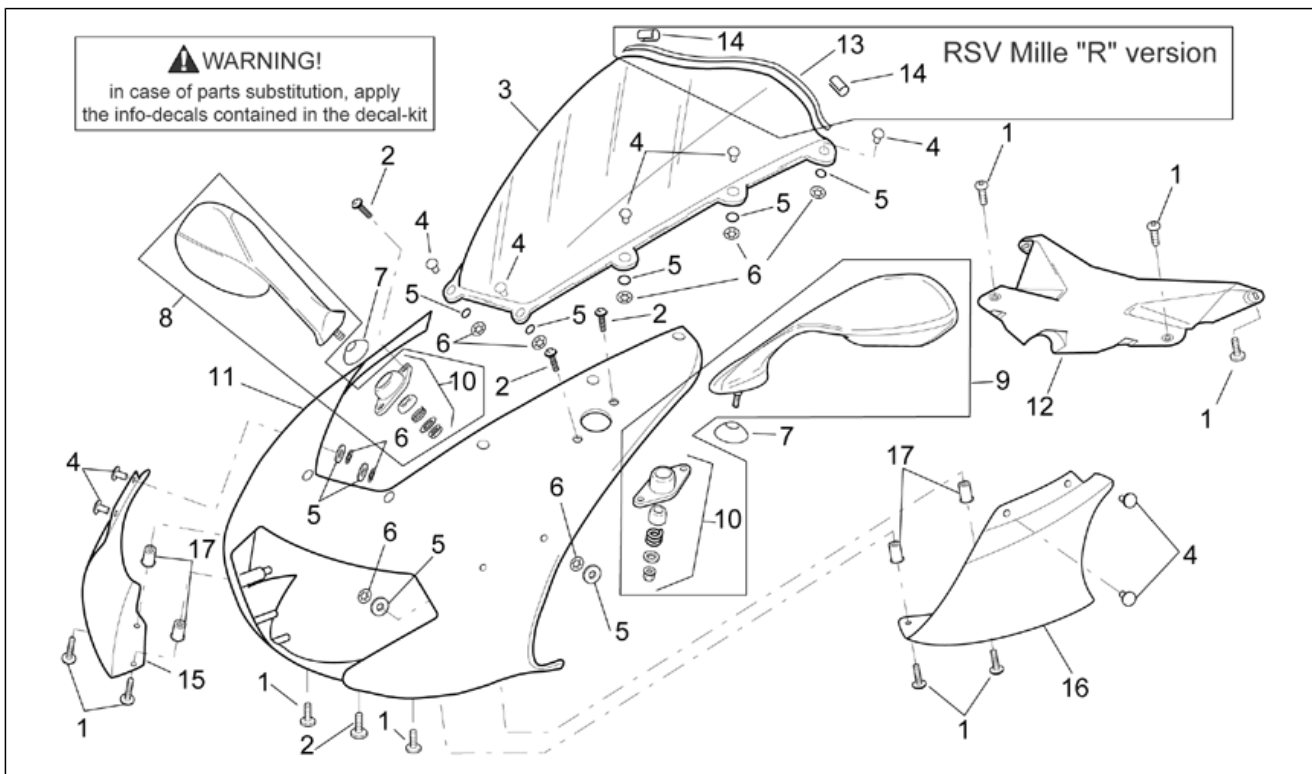
Pos.	Code	Description	Qty	Variants
1	AP8135924	Double connecting rod pin L40	2	
2	AP8110065	Cage à rouleaux	6	
3	AP8146681	Single conrod comp.	1	
4	AP8123942	Shock absorber	1	Technical Specifications: RSV Mille Version[STD]
4	AP8123973	Shock absorber	1	Technical Specifications: RSV Mille "R"acing Version[R], "R"acing GP1 Limited Ed.Version[RL]
5	AP8146409	Double conrod	2	Technical Specifications: RSV Mille "R"acing Version[R], "R"acing GP1 Limited Ed.Version[RL]
5	AP8146648	Double conrod	2	Technical Specifications: RSV Mille Version[STD]
6	AP8152322	Screw w/ flange M10x65	3	Technical Specifications: RSV Mille "R"acing Version[R], "R"acing GP1 Limited Ed.Version[RL]
6	AP8152413	Screw w/ flange M10x61	3	Technical Specifications: RSV Mille Version[STD]
7	AP8152301	Self-locking nut	5	
8	AP8150458	Hex socket screw M10x63	1	
9	AP8150457	Hex socket screw M10x74	1	Technical Specifications: RSV Mille "R"acing Version[R], RSV Mille Version[STD]
9	AP8152397	Hex socket screw M10x82	1	Technical Specifications: "R"acing GP1 Limited Ed.Version[RL]
10	AP8121155	T bush *	2	
11	AP8110068	Oil seal D18x24x3	6	
12	AP8123859	T bush	2	Technical Specifications: RSV Mille Version[STD]
13	AP8123860	O-ring	4	Technical Specifications: RSV Mille Version[STD]
14	AP8123870	T bush	2	Technical Specifications: RSV Mille Version[STD]

Group	FRAME
Code	28.19
Description	Front body - Front fairing
Service	1



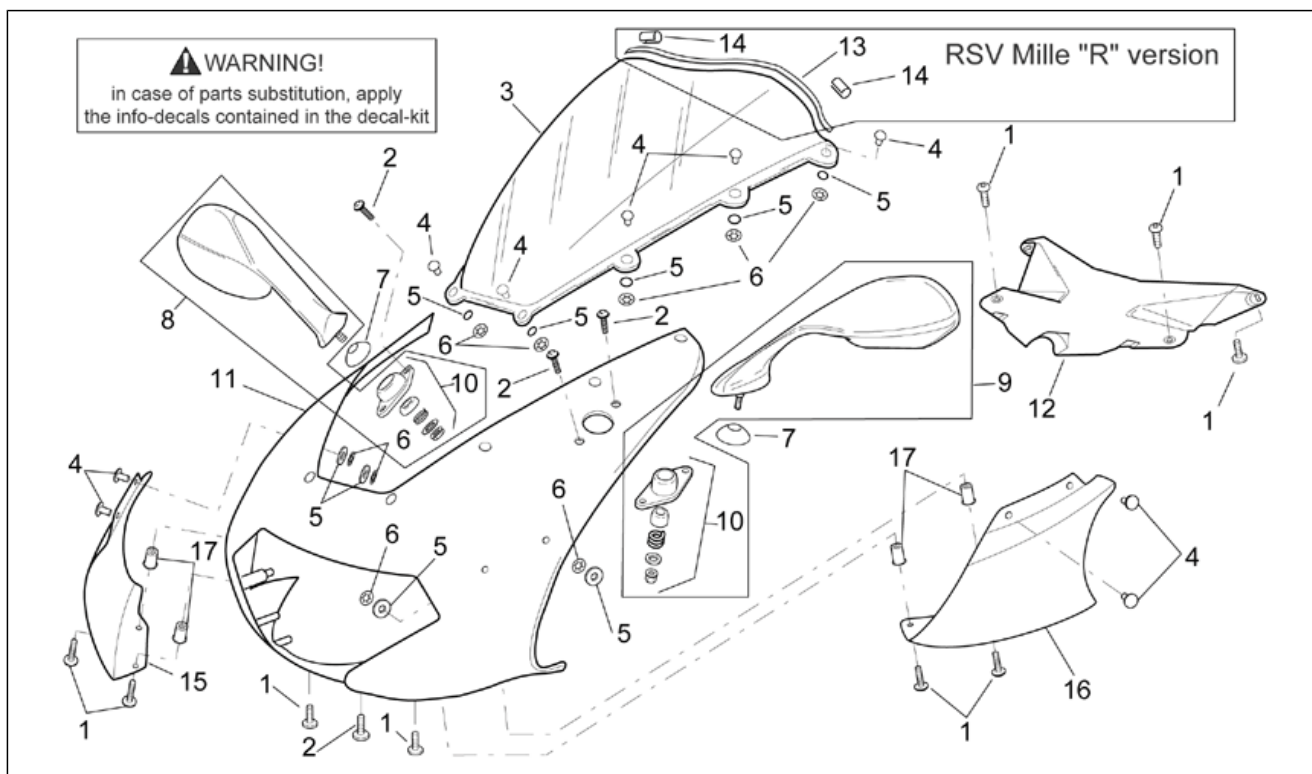
Pos.	Code	Description	Qty	Variants
1	AP8152298	Screw w/ flange M5x16	10	
2	AP8152246	Screw w/ flange M6x16	5	
3	AP8148829	Windshield	1	Year: 2003[3] Country: Austria[A], Belgium[B], Belgium[BB], Switzerland[CH], Germany[D], Denmark[DK], Spain[E], A, CH, D, DK, GR, E, I, NL, P[EU], France[F], France[FF], Greece[GR], Italy[I], Japan[J], Japan[JJ], Holland[NL], Portugal[P], Great Britain[UK] Technical Specifications: RSV Mille Version[STD]
3	AP8149341	Windshield	1	Year: 2003[3] Vehicle colour: Racing GP1 2003[gp1] Country: Australia[AA], USA (49 Countries Approval)[AM], Australia[AUS], USA (California Approval)[CF], United States of America[USA] Technical Specifications: "R"acing GP1 Limited Ed.Version[RL]
3	AP8149341	Windshield	1	Year: 2003[3] Country: Australia[AA], USA (49 Countries Approval)[AM], Australia[AUS], USA (California Approval)[CF], United States of America[USA] Technical Specifications: RSV Mille Version[STD]
3	AP8149843	Windshield	1	Year: 2003[3] Vehicle colour: Flashy yellow "R"acing 2003[yell] Technical Specifications: RSV Mille "R"acing Version[R]
3	AP8149843	Windshield	1	Year: 2003[3] Vehicle colour: Lead Grey "R"acing 2003[p.g] Technical Specifications: RSV Mille "R"acing Version[R]
3	AP8168403	Windshield	1	Year: 2003[3] Vehicle colour: Aprilia Black 2003[black] Technical Specifications: RSV Mille "R"acing Version[R]
3	AP8168991	Windshield	1	Year: 2003[3] Vehicle colour: Racing GP1 2003[gp1] Country: Austria[A], Belgium[B], Belgium[BB], Switzerland[CH], Germany[D], Denmark[DK], Spain[E], A, CH, D, DK, GR, E, I, NL, P[EU], France[F], France[FF],

Group	FRAME
Code	28.19
Description	Front body - Front fairing
Service	1



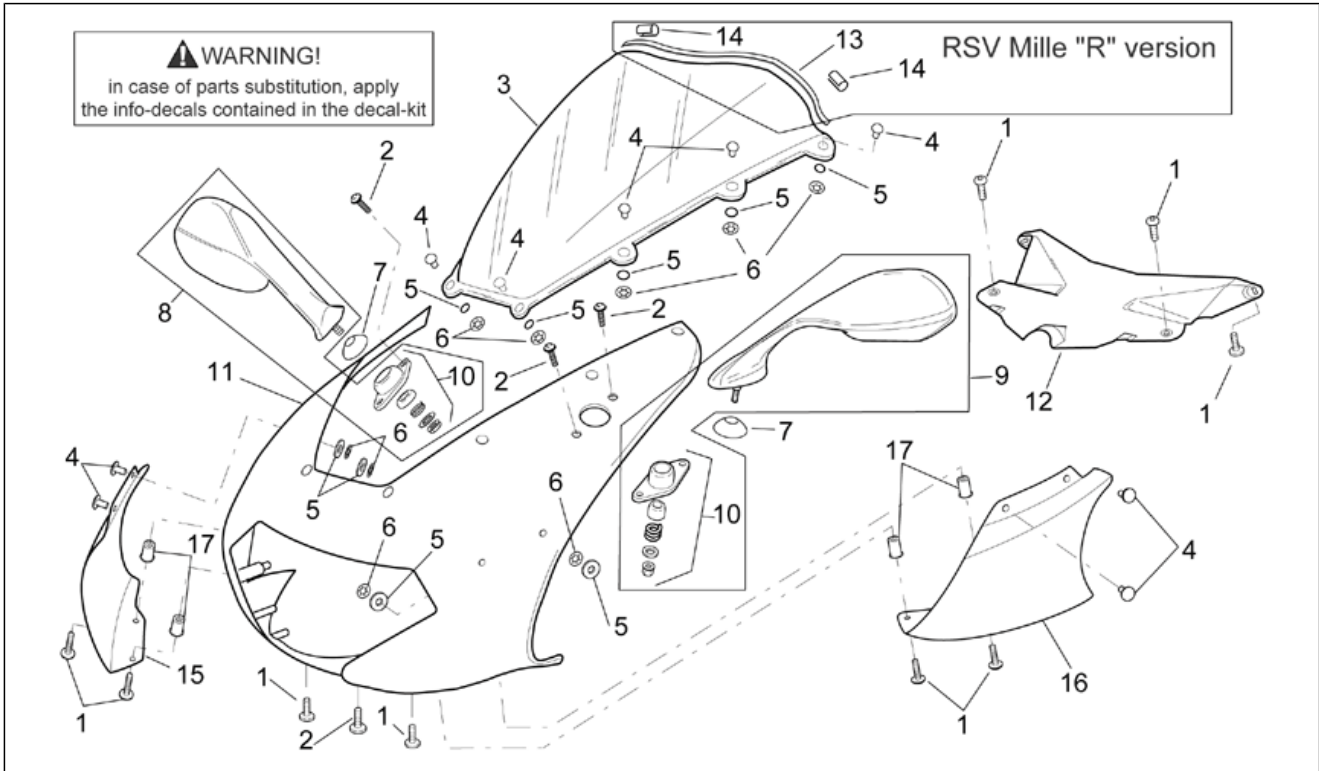
Pos.	Code	Description	Qty	Variants
				Greece[GR], Italy[I], Japan[J], Japan[J], Holland[NL], Portugal[P], Great Britain[UK] Technical Specifications: "R"acing GP1 Limited Ed.Version[RL]
4	AP8144109	Fixing pin	12	
5	AP8102504	Rubber spacer	12	
6	AP8150450	Washer for shafts D5	12	
7	AP8102341	Mirror joint cup	2	
8	AP8102632	RH rearview mirror	1	
9	AP8102633	LH rearview mirror	1	
10	AP8102909	Mirror insertion kit	2	
11	AP8168386	Front fairing, hot red	1	Year: 2003[3] Vehicle colour: Hot red 2003[red] Technical Specifications: RSV Mille Version[STD]
11	AP8168400	Front fairing, black	1	Year: 2003[3] Vehicle colour: Aprilia Black "R"acing 2003[rac] Technical Specifications: RSV Mille "R"acing Version[R]
11	AP8168414	Front fairing, f,yellow	1	Year: 2003[3] Vehicle colour: Flashy yellow "R"acing 2003[yell] Technical Specifications: RSV Mille "R"acing Version[R]
11	AP8168429	Front fairing, ap.black	1	Year: 2003[3] Vehicle colour: Aprilia Black 2003[black] Technical Specifications: RSV Mille Version[STD]
11	AP8168443	Front fairing, grey	1	Year: 2003[3] Vehicle colour: Lead grey 2003[grey] Technical Specifications: RSV Mille Version[STD]
11	AP8168812	Front fairing, grey	1	Year: 2003[3] Vehicle colour: Lead Grey "R"acing 2003[p.g] Technical Specifications: RSV Mille "R"acing Version[R]
11	AP8168913	Front fairing, black	1	Year: 2003[3] Vehicle colour: Racing GP1 2003[gp1] Technical Specifications: "R"acing GP1 Limited Ed.Version[RL]

Group	FRAME
Code	28.19
Description	Front body - Front fairing
Service	1



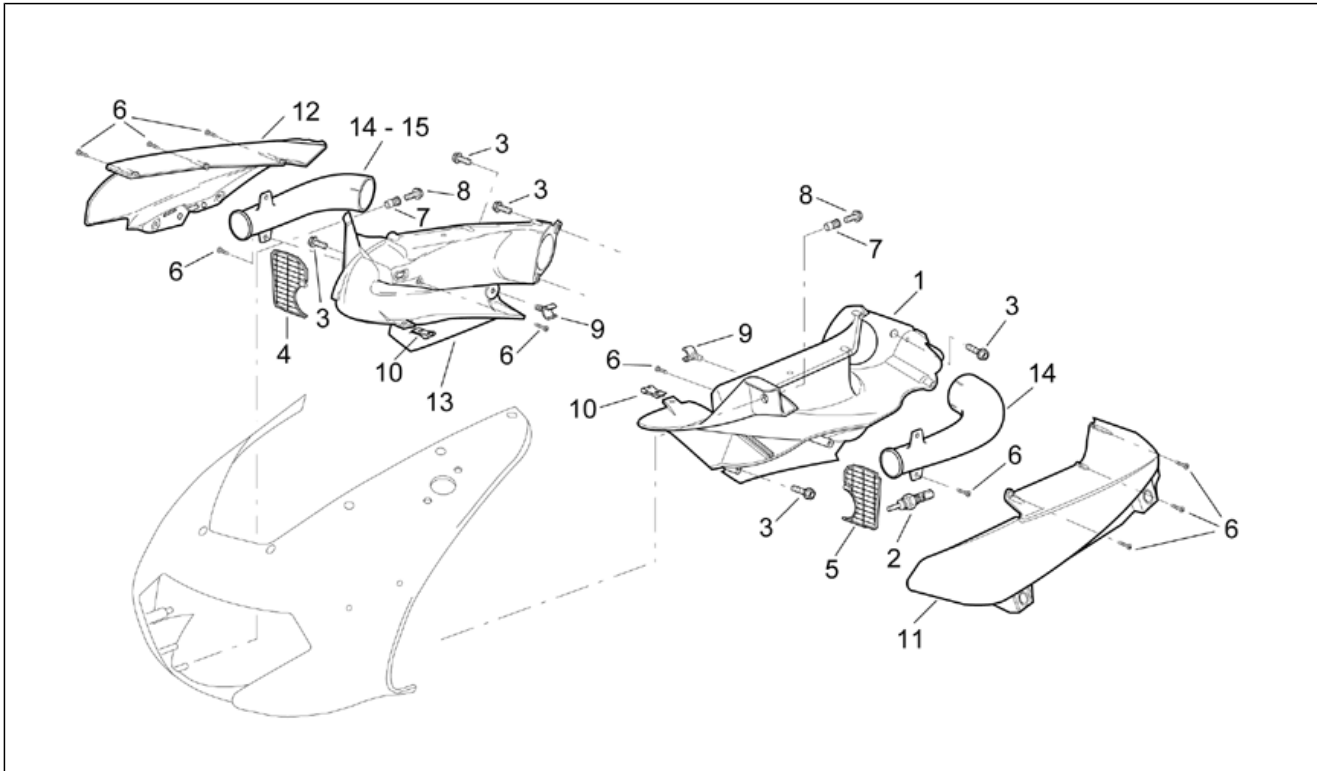
Pos.	Code	Description	Qty	Variants
12	AP8148830	Front fairing-dashboard lockup	1	Year:2003[3] Technical Specifications:RSV Mille Version[STD]
12	AP8149270	Front fairing-dashboard lockup	1	Year:2003[3] Technical Specifications:RSV Mille "R"acing Version[R], "R"acing GP1 Limited Ed.Version[RL]
13	AP8144281	Front fairing gasket	1	Technical Specifications:RSV Mille "R"acing Version[R], "R"acing GP1 Limited Ed.Version[RL]
14	AP8106712	Staple	2	Technical Specifications:RSV Mille "R"acing Version[R], "R"acing GP1 Limited Ed.Version[RL]
15	AP8149285	RH baffle, carb.	1	Year:2003[3] Vehicle colour:Racing GP1 2003[gp1] Technical Specifications:"R"acing GP1 Limited Ed.Version[RL]
15	AP8168387	RH baffle, hot red	1	Year:2003[3] Vehicle colour:Hot red 2003[red] Technical Specifications:RSV Mille Version[STD]
15	AP8168401	RH baffle	1	Year:2003[3] Vehicle colour:Lead Grey "R"acing 2003[p.g] Technical Specifications:RSV Mille "R"acing Version[R]
15	AP8168401	RH baffle	1	Year:2003[3] Vehicle colour:Aprilia Black "R"acing 2003[rac] Technical Specifications:RSV Mille "R"acing Version[R]
15	AP8168415	RH baffle	1	Year:2003[3] Vehicle colour:Flashy yellow "R"acing 2003[yell] Technical Specifications:RSV Mille "R"acing Version[R]
15	AP8168430	RH baffle, black	1	Year:2003[3] Vehicle colour:Aprilia Black 2003[black] Technical Specifications:RSV Mille Version[STD]
15	AP8168444	RH baffle, grey	1	Year:2003[3] Vehicle colour:Lead grey 2003[grey] Technical Specifications:RSV Mille Version[STD]
16	AP8149286	LH baffle, carb.	1	Year:2003[3] Vehicle colour:Racing GP1 2003[gp1]

Group	FRAME
Code	28.19
Description	Front body - Front fairing
Service	1



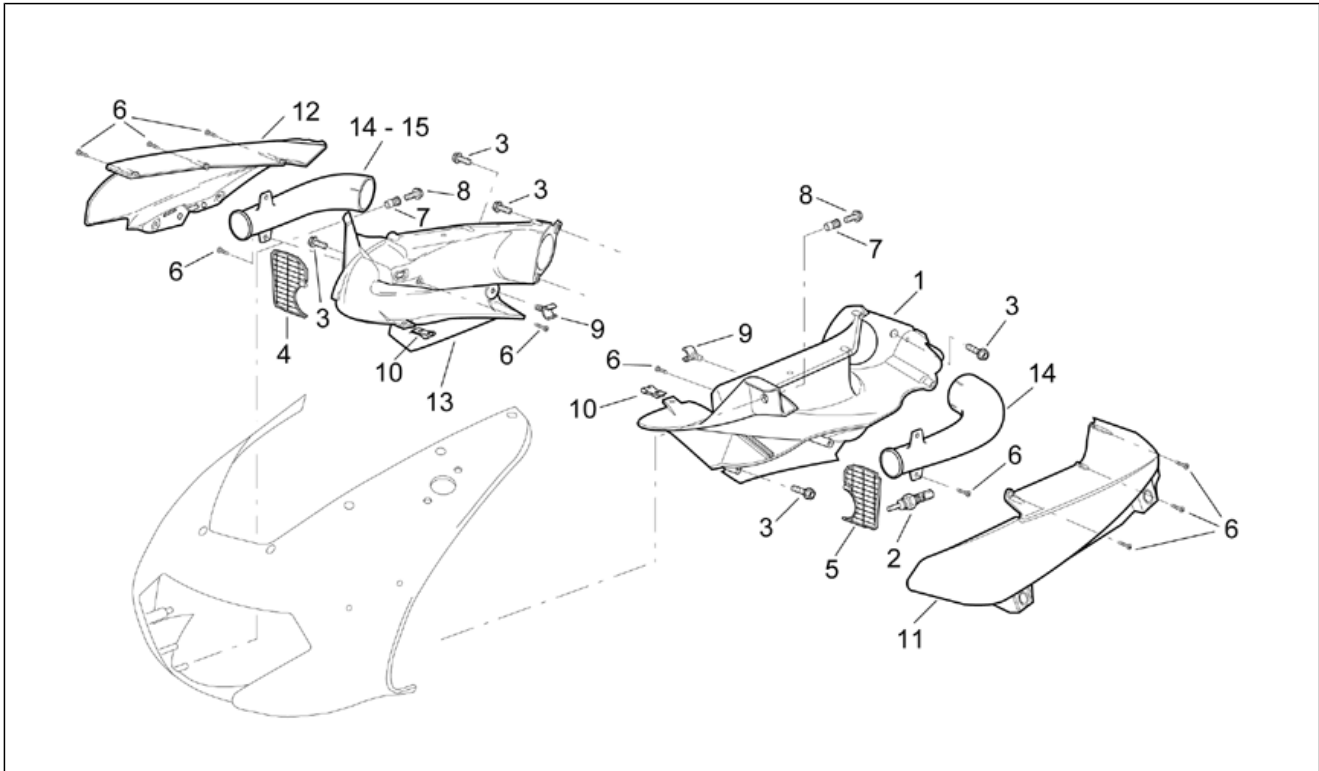
Pos.	Code	Description	Qty	Variants
				Technical Specifications: "R"acing GP1 Limited Ed.Version[RL]
16	AP8168388	LH baffle, hot red	1	Year: 2003[3] Vehicle colour: Hot red 2003[red] Technical Specifications: RSV Mille Version[STD]
16	AP8168402	LH baffle	1	Year: 2003[3] Vehicle colour: Aprilia Black "R"acing 2003[rac] Technical Specifications: RSV Mille "R"acing Version[R]
16	AP8168402	LH baffle	1	Year: 2003[3] Vehicle colour: Lead Grey "R"acing 2003[p.g] Technical Specifications: RSV Mille "R"acing Version[R]
16	AP8168416	LH baffle	1	Year: 2003[3] Vehicle colour: Flashy yellow "R"acing 2003[yell] Technical Specifications: RSV Mille "R"acing Version[R]
16	AP8168431	LH baffle, black	1	Year: 2003[3] Vehicle colour: Aprilia Black 2003[black] Technical Specifications: RSV Mille Version[STD]
16	AP8168445	LH baffle, grey	1	Year: 2003[3] Vehicle colour: Lead grey 2003[grey] Technical Specifications: RSV Mille Version[STD]
17	AP8120531	Rubber w/ insert	4	

Group	FRAME
Code	28.20
Description	Front body - Duct
Service	1



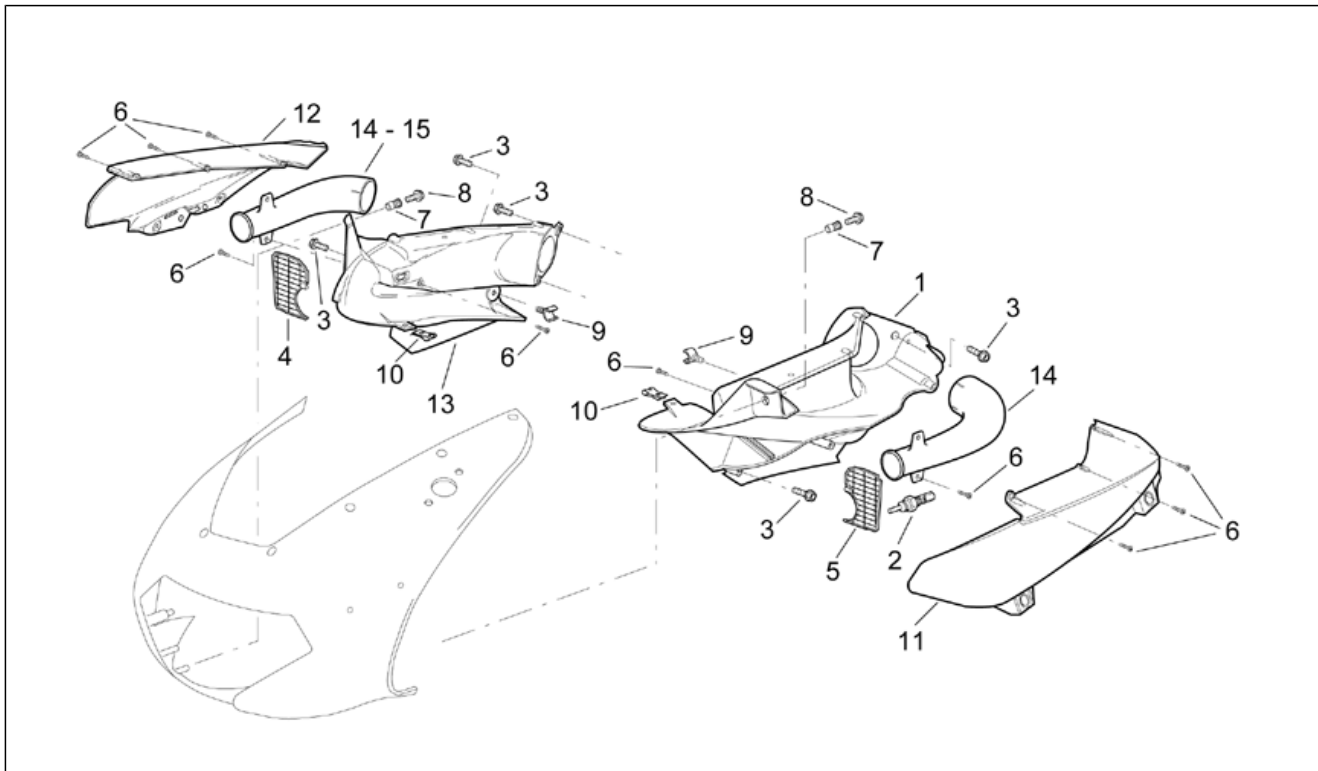
Pos.	Code	Description	Qty	Variants
1	AP8139415	LH int.air duct, black	1	Year:2003[3] Vehicle colour:Aprilia Black "R"acing 2003[rac] Technical Specifications:RSV Mille "R"acing Version[R]
1	AP8139415	LH int.air duct, black	1	Year:2003[3] Vehicle colour:Aprilia Black 2003[black] Technical Specifications:RSV Mille Version[STD]
1	AP8139415	LH int.air duct, black	1	Year:2003[3] Vehicle colour:Racing GP1 2003[gp1] Technical Specifications:"R"acing GP1 Limited Ed.Version[RL]
1	AP8148912	LH int.air duct, hot red	1	Year:2003[3] Vehicle colour:Hot red 2003[red] Technical Specifications:RSV Mille Version[STD]
1	AP8148946	LH int.air duct, yellow	1	Year:2003[3] Vehicle colour:Flashy yellow "R"acing 2003[yell] Technical Specifications:RSV Mille "R"acing Version[R]
1	AP8158574	LH int.air duct, grey	1	Year:2003[3] Vehicle colour:Lead Grey "R"acing 2003[p.g] Technical Specifications:RSV Mille "R"acing Version[R]
1	AP8158574	LH int.air duct, grey	1	Year:2003[3] Vehicle colour:Lead grey 2003[grey] Technical Specifications:RSV Mille Version[STD]
2	AP8124300	Air temp. Sensor	1	
3	AP8152279	Screw w/ flange M6x20	6	
4	AP8148350	Air intake grid, RH	1	
5	AP8148351	Air intake grid, LH	1	
6	AP8150413	Self-tap screw 3,9x14	20	
7	AP8121297	Expansion insert m5	2	
8	AP8152298	Screw w/ flange M5x16	2	
9	AP8220269	Cable-guide	2	
10	AP8102375	Clip m5	2	
11	AP8168395	LH ext.air duct, hot red	1	Year:2003[3]

Group	FRAME
Code	28.20
Description	Front body - Duct
Service	1



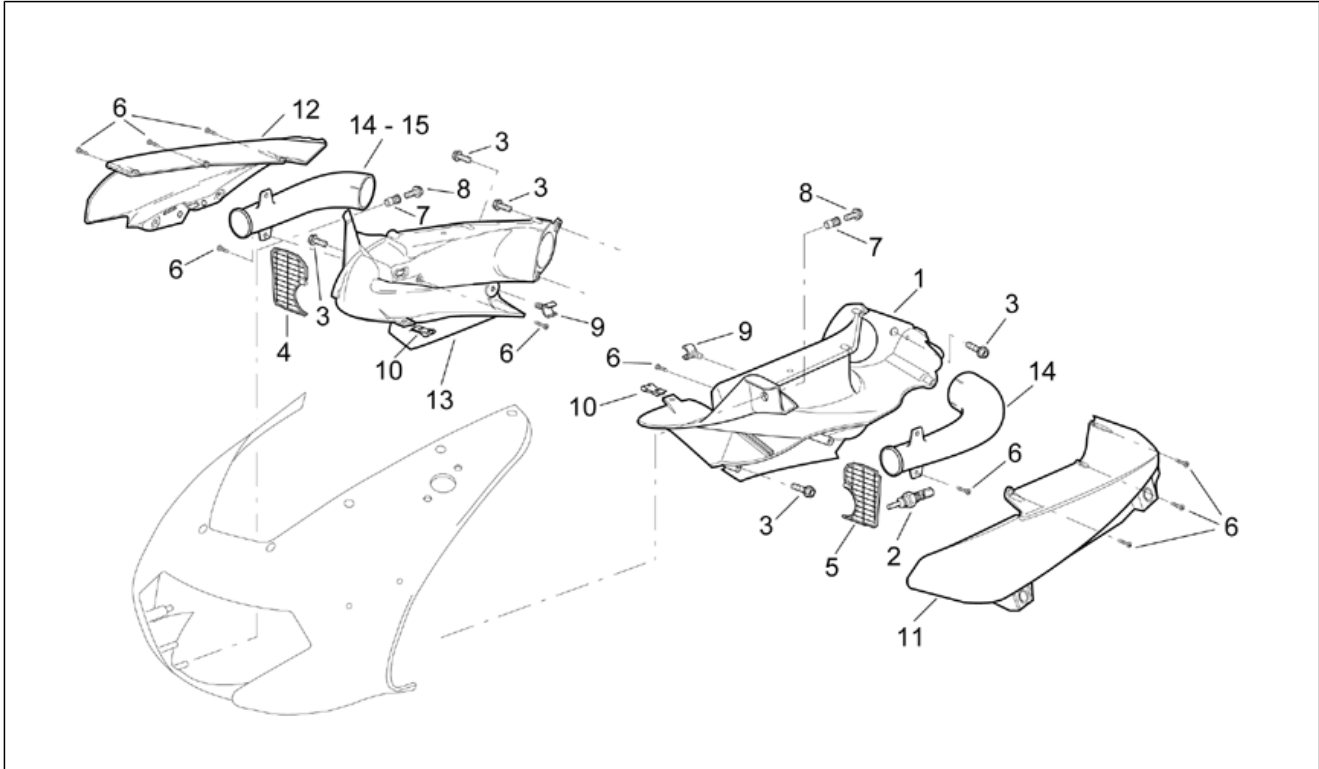
Pos.	Code	Description	Qty	Variants
				Vehicle colour: Hot red 2003[red] Technical Specifications: RSV Mille Version[STD]
11	AP8168410	LH ext.air duct, black	1	Year: 2003[3] Vehicle colour: Aprilia Black "R"acing 2003[rac] Technical Specifications: RSV Mille "R"acing Version[R]
11	AP8168424	LH ext.air duct, yellow	1	Year: 2003[3] Vehicle colour: Flashy yellow "R"acing 2003[yell] Technical Specifications: RSV Mille "R"acing Version[R]
11	AP8168438	LH ext.air duct, black	1	Year: 2003[3] Vehicle colour: Aprilia Black 2003[black] Technical Specifications: RSV Mille Version[STD]
11	AP8168452	LH ext.air duct, grey	1	Year: 2003[3] Vehicle colour: Lead grey 2003[grej] Technical Specifications: RSV Mille Version[STD]
11	AP8168820	LH ext.air duct, grey	1	Year: 2003[3] Vehicle colour: Lead Grey "R"acing 2003[p.g] Technical Specifications: RSV Mille "R"acing Version[R]
11	AP8168902	LH ext.air duct, black	1	Year: 2003[3] Vehicle colour: Racing GP1 2003[gp1] Technical Specifications: "R"acing GP1 Limited Ed.Version[RL]
12	AP8168394	RH ext.air duct, hot red	1	Year: 2003[3] Vehicle colour: Hot red 2003[red] Technical Specifications: RSV Mille Version[STD]
12	AP8168409	RH ext.air duct, black	1	Year: 2003[3] Vehicle colour: Aprilia Black "R"acing 2003[rac] Technical Specifications: RSV Mille "R"acing Version[R]
12	AP8168423	RH ext.air duct, yellow	1	Year: 2003[3] Vehicle colour: Flashy yellow "R"acing 2003[yell] Technical Specifications: RSV Mille "R"acing Version[R]
12	AP8168437	RH ext.air duct, black	1	Year: 2003[3] Vehicle colour: Aprilia Black 2003[black] Technical Specifications: RSV Mille Version[STD]
12	AP8168451	RH ext.air duct, grey	1	Year: 2003[3]

Group	FRAME
Code	28.20
Description	Front body - Duct
Service	1



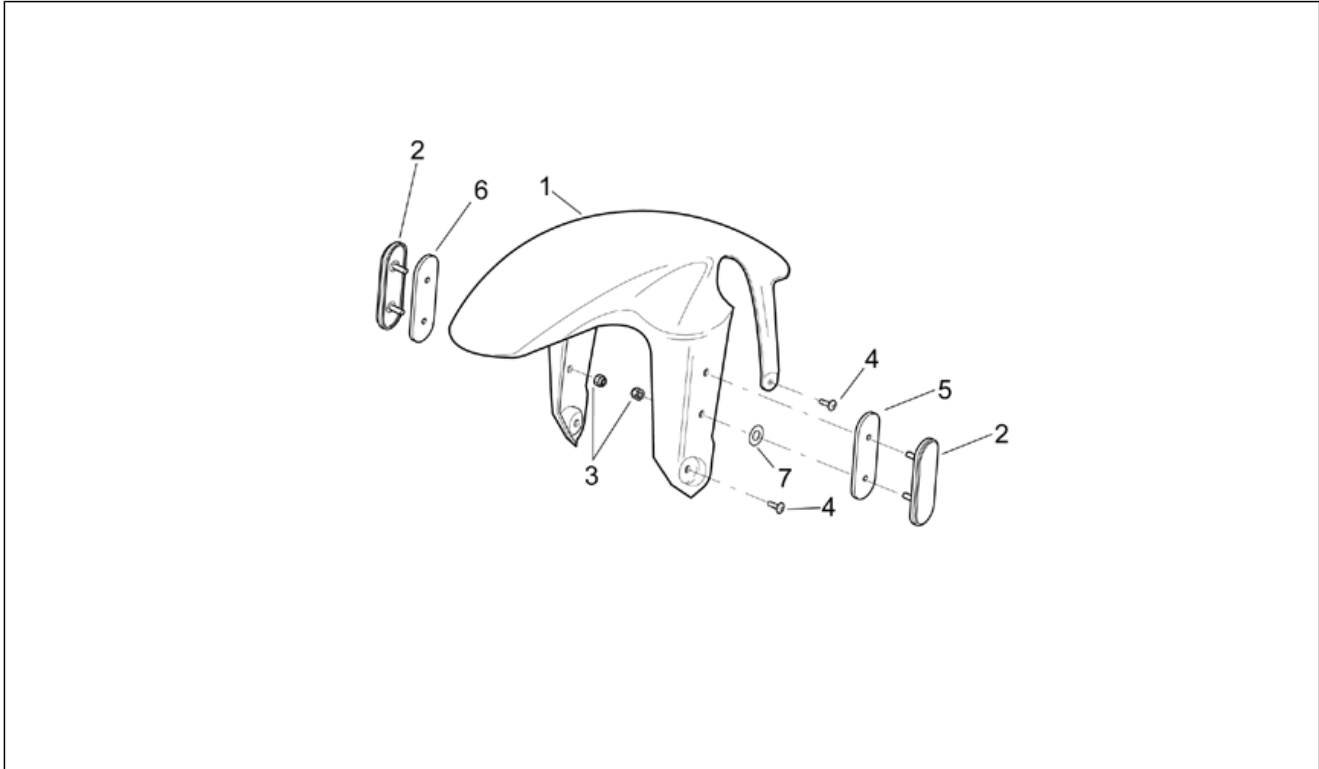
Pos.	Code	Description	Qty	Variants
				Vehicle colour:Lead grey 2003[grej] Technical Specifications:RSV Mille Version[STD]
12	AP8168819	RH ext.air duct, grey	1	Year:2003[3] Vehicle colour:Lead Grey "R"acing 2003[p.g] Technical Specifications:RSV Mille "R"acing Version[R]
12	AP8168901	RH ext.air duct, black	1	Year:2003[3] Vehicle colour:Racing GP1 2003[gp1] Technical Specifications:"R"acing GP1 Limited Ed.Version[RL]
13	AP8139414	RH int.air duct, black	1	Year:2003[3] Vehicle colour:Aprilia Black 2003[black] Technical Specifications:RSV Mille Version[STD]
13	AP8139414	RH int.air duct, black	1	Year:2003[3] Vehicle colour:Aprilia Black "R"acing 2003[rac] Technical Specifications:RSV Mille "R"acing Version[R]
13	AP8139414	RH int.air duct, black	1	Year:2003[3] Vehicle colour:Racing GP1 2003[gp1] Technical Specifications:"R"acing GP1 Limited Ed.Version[RL]
13	AP8148911	RH int.air duct, hot red	1	Year:2003[3] Vehicle colour:Hot red 2003[red] Technical Specifications:RSV Mille Version[STD]
13	AP8148945	RH int.air duct, yellow	1	Year:2003[3] Vehicle colour:Flashy yellow "R"acing 2003[yell] Technical Specifications:RSV Mille "R"acing Version[R]
13	AP8158573	RH int.air duct, grey	1	Year:2003[3] Vehicle colour:Lead Grey "R"acing 2003[p.g] Technical Specifications:RSV Mille "R"acing Version[R]
13	AP8158573	RH int.air duct, grey	1	Year:2003[3] Vehicle colour:Lead grey 2003[grej] Technical Specifications:RSV Mille Version[STD]
14	AP8102831	Air deflector	2	Technical Specifications:RSV Mille "R"acing Version[R], RSV Mille Version[STD]

Group	FRAME
Code	28.20
Description	Front body - Duct
Service	1



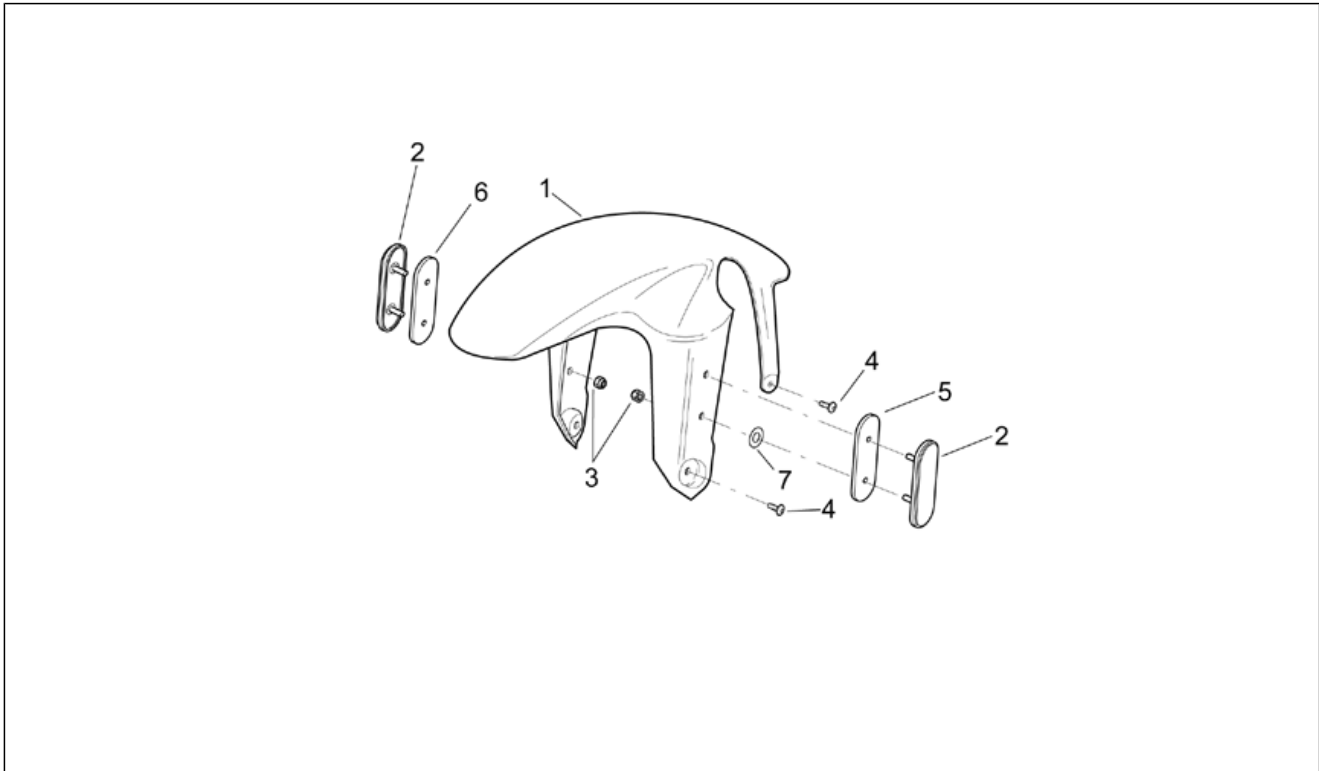
Pos.	Code	Description	Qty	Variants
14	AP8168759	LH air duct	1	Technical Specifications: "R"acing GP1 Limited Ed.Version[RL]
15	AP8168760	RH air duct	1	Technical Specifications: "R"acing GP1 Limited Ed.Version[RL]

Group	FRAME
Code	28.21
Description	Front body - Front mudguard
Service	1



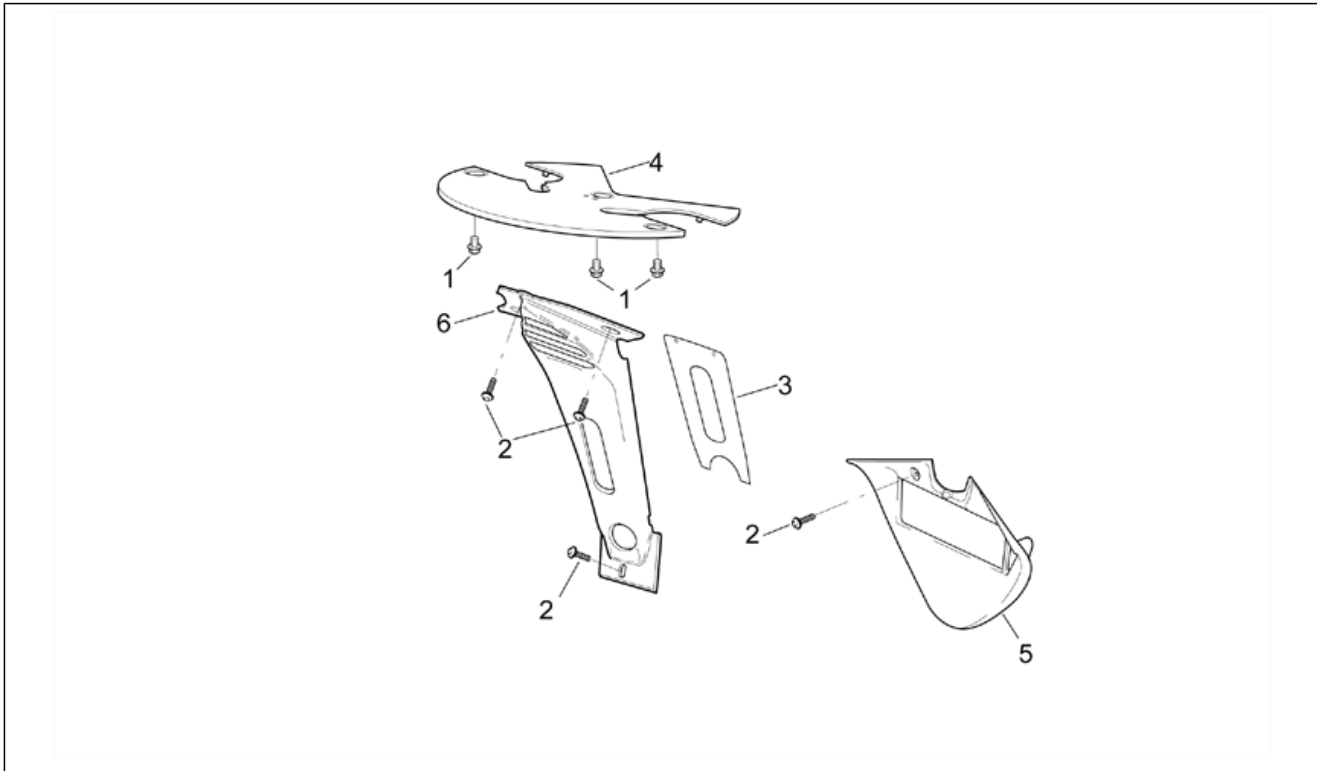
Pos.	Code	Description	Qty	Variants
1	AP8156012	Front mudguard, carb.	1	Year: 2003[3] Country: Austria[A], Australia[AA], Australia[AUS], Belgium[B], Belgium[BB], Switzerland[CH], Germany[D], Denmark[DK], Spain[E], A, CH, D, DK, GR, E, I, NL, P[EU], France[F], France[FF], Greece[GR], Italy[I], Japan[J], Japan[JJ], Holland[NL], Portugal[P], Great Britain[UK] Technical Specifications: RSV Mille "R"acing Version[R], "R"acing GP1 Limited Ed.Version[RL]
1	AP8156031	Front mudguard, black	1	Year: 2003[3] Country: Austria[A], Australia[AA], Australia[AUS], Belgium[B], Belgium[BB], Switzerland[CH], Germany[D], Denmark[DK], Spain[E], A, CH, D, DK, GR, E, I, NL, P[EU], France[F], France[FF], Greece[GR], Italy[I], Japan[J], Japan[JJ], Holland[NL], Portugal[P], Great Britain[UK] Technical Specifications: RSV Mille Version[STD]
1	AP8156040	Front mudguard, black	1	Year: 2003[3] Country: USA (49 Countries Approval)[AM], USA (California Approval)[CF], United States of America[USA] Technical Specifications: RSV Mille Version[STD]
1	AP8156041	Front mudguard, carb.	1	Year: 2003[3] Country: USA (49 Countries Approval)[AM], USA (California Approval)[CF], United States of America[USA] Technical Specifications: RSV Mille "R"acing Version[R], "R"acing GP1 Limited Ed.Version[RL]
2	AP8124719	Reflector, amber	2	Country: USA (49 Countries Approval)[AM], USA (California Approval)[CF], United States of America[USA]
3	AP8150204	Nut M4	4	Country: USA (49 Countries Approval)[AM], USA (California Approval)[CF], United States of America[USA]
4	AP8152298	Screw w/ flange M5x16	4	Technical Specifications: RSV Mille "R"acing Version[R], "R"acing GP1 Limited Ed.Version[RL]
4	AP8152302	Screw w/ flange M5x12	4	Technical Specifications: RSV Mille Version[STD]
5	AP8148589	LH Front reflector support	1	Country: USA (49 Countries Approval)[AM], USA (California Approval)[CF], United States of America[USA]

Group	FRAME
Code	28.21
Description	Front body - Front mudguard
Service	1



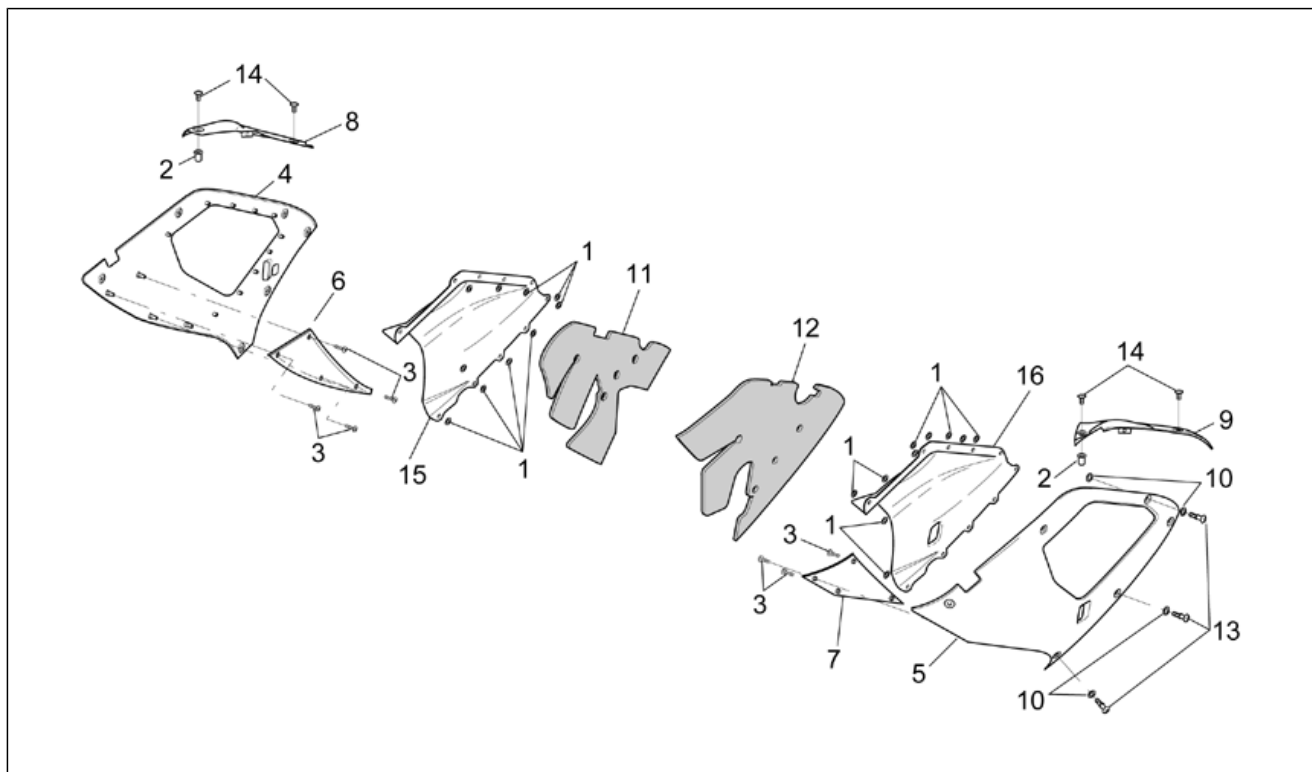
Pos.	Code	Description	Qty	Variants
6	AP8148588	RH Front reflector support	1	Country:USA (49 Countries Approval)[AM], USA (California Approval)[CF], United States of America[USA]
7	AP8150382	Washer 15x5,5X1,2	4	

Group	FRAME
Code	28.22
Description	Front body - Lockups
Service	1



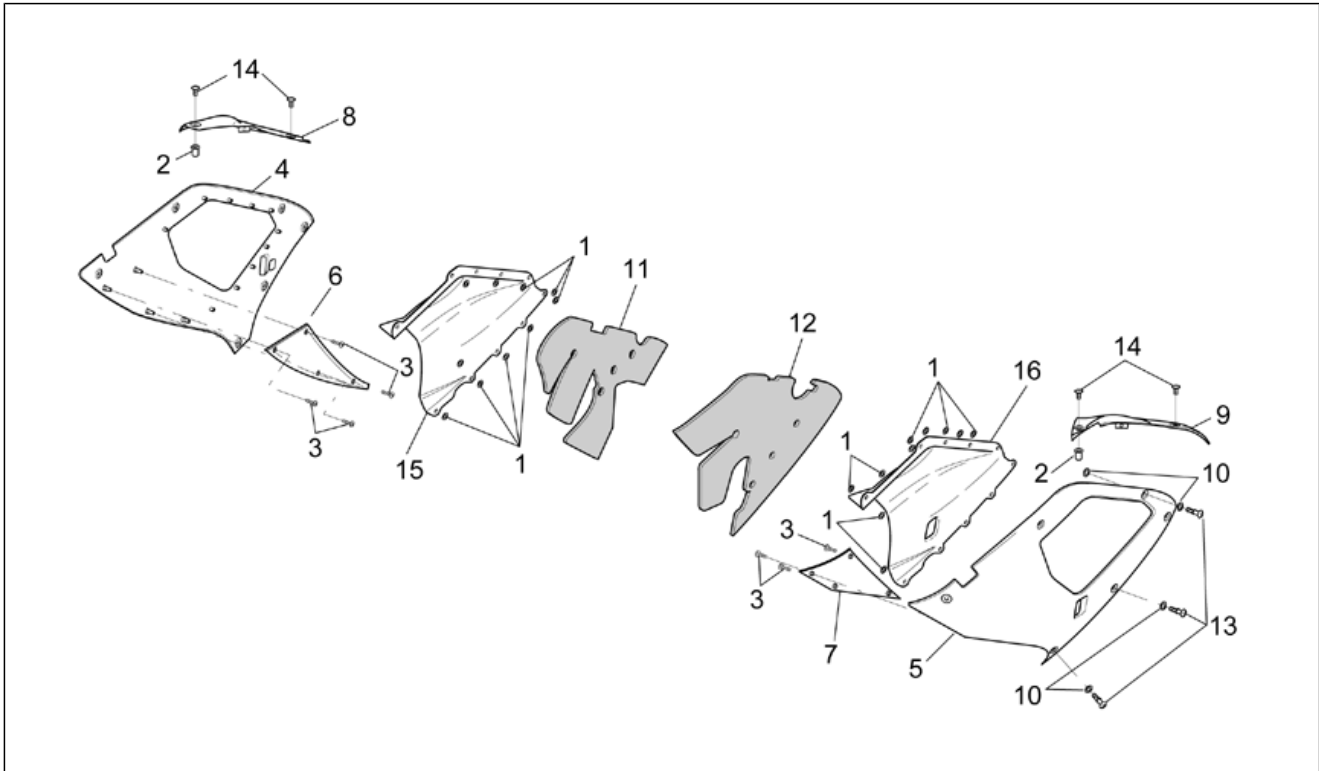
Pos.	Code	Description	Qty	Variants
1	AP8152277	Screw w/ flange M6x12	3	
2	AP8152246	Screw w/ flange M6x16	5	
3	AP8117129	Spoiler heat protection	1	
4	AP8148551	Front fairing lower lockup	1	
5	AP8168397	Pillar, hot	1	Year:2003[3] Vehicle colour:Hot red 2003[red] Technical Specifications:RSV Mille Version[STD]
5	AP8168411	Pillar, d.black	1	Year:2003[3] Vehicle colour:Aprilia Black "R"acing 2003[rac] Technical Specifications:RSV Mille "R"acing Version[R]
5	AP8168425	Pillar, yellow	1	Year:2003[3] Vehicle colour:Flashy yellow "R"acing 2003[yell] Technical Specifications:RSV Mille "R"acing Version[R]
5	AP8168439	Pillar, black	1	Year:2003[3] Vehicle colour:Racing GP1 2003[gp1] Technical Specifications:"R"acing GP1 Limited Ed.Version[RL]
5	AP8168439	Pillar, black	1	Year:2003[3] Vehicle colour:Aprilia Black 2003[black] Technical Specifications:RSV Mille Version[STD]
5	AP8168453	Pillar, p.grey	1	Year:2003[3] Vehicle colour:Lead grey 2003[grey] Technical Specifications:RSV Mille Version[STD]
5	AP8168453	Pillar, p.grey	1	Year:2003[3] Vehicle colour:Lead Grey "R"acing 2003[p.g] Technical Specifications:RSV Mille "R"acing Version[R]
6	AP8148834	Cooler spoiler, black	1	

Group	FRAME
Code	28.23
Description	Central body - Upper fairings
Service	1



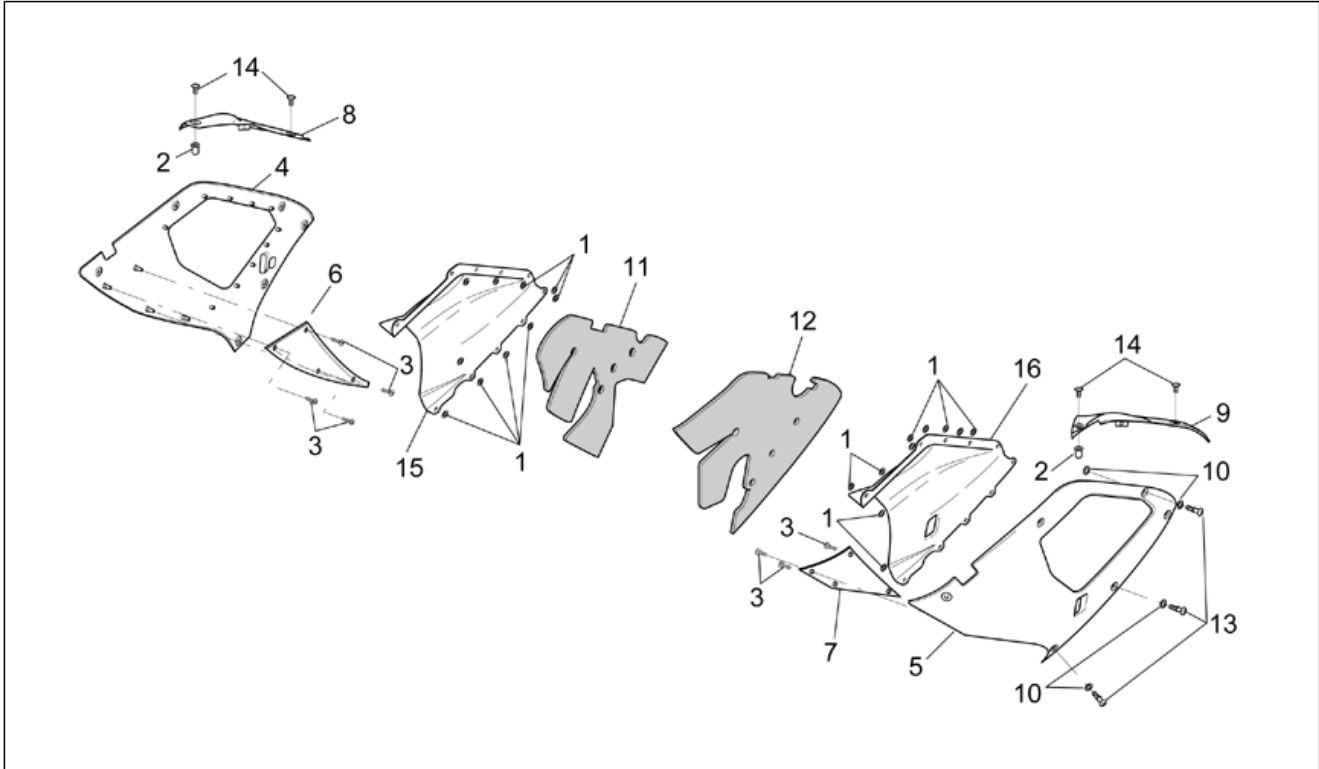
Pos.	Code	Description	Qty	Variants
1	AP8150450	Washer for shafts D5	20	
2	AP8120531	Rubber w/ insert	2	
3	AP8150421	Self-tap screw 2,9x12	8	
4	AP8168389	RH lat.fairing, hot red	1	Year:2003[3] Vehicle colour:Hot red 2003[red] Technical Specifications:RSV Mille Version[STD]
4	AP8168404	RH lat.fairing, black	1	Year:2003[3] Vehicle colour:Aprilia Black "R"acing 2003[rac] Technical Specifications:RSV Mille "R"acing Version[R]
4	AP8168418	RH lat.fairing, fl.yellow	1	Year:2003[3] Vehicle colour:Flashy yellow "R"acing 2003[yell] Technical Specifications:RSV Mille "R"acing Version[R]
4	AP8168432	RH lat.fairing, ap.black	1	Year:2003[3] Vehicle colour:Aprilia Black 2003[black] Technical Specifications:RSV Mille Version[STD]
4	AP8168446	RH lat.fairing, grey	1	Year:2003[3] Vehicle colour:Lead grey 2003[grey] Technical Specifications:RSV Mille Version[STD]
4	AP8168814	RH lat.fairing, grey	1	Year:2003[3] Vehicle colour:Lead Grey "R"acing 2003[p.g] Technical Specifications:RSV Mille "R"acing Version[R]
4	AP8168899	RH lat.fairing, black	1	Year:2003[3] Vehicle colour:Racing GP1 2003[gp1] Technical Specifications:"R"acing GP1 Limited Ed.Version[RL]
5	AP8168390	LH lat.fairing, hot red	1	Year:2003[3] Vehicle colour:Hot red 2003[red] Technical Specifications:RSV Mille Version[STD]
5	AP8168405	LH lat.fairing, black	1	Year:2003[3] Vehicle colour:Aprilia Black "R"acing 2003[rac] Technical Specifications:RSV Mille "R"acing Version[R]
5	AP8168419	LH lat.fairing, fl.yellow	1	Year:2003[3] Vehicle colour:Flashy yellow "R"acing 2003[yell]

Group	FRAME
Code	28.23
Description	Central body - Upper fairings
Service	1



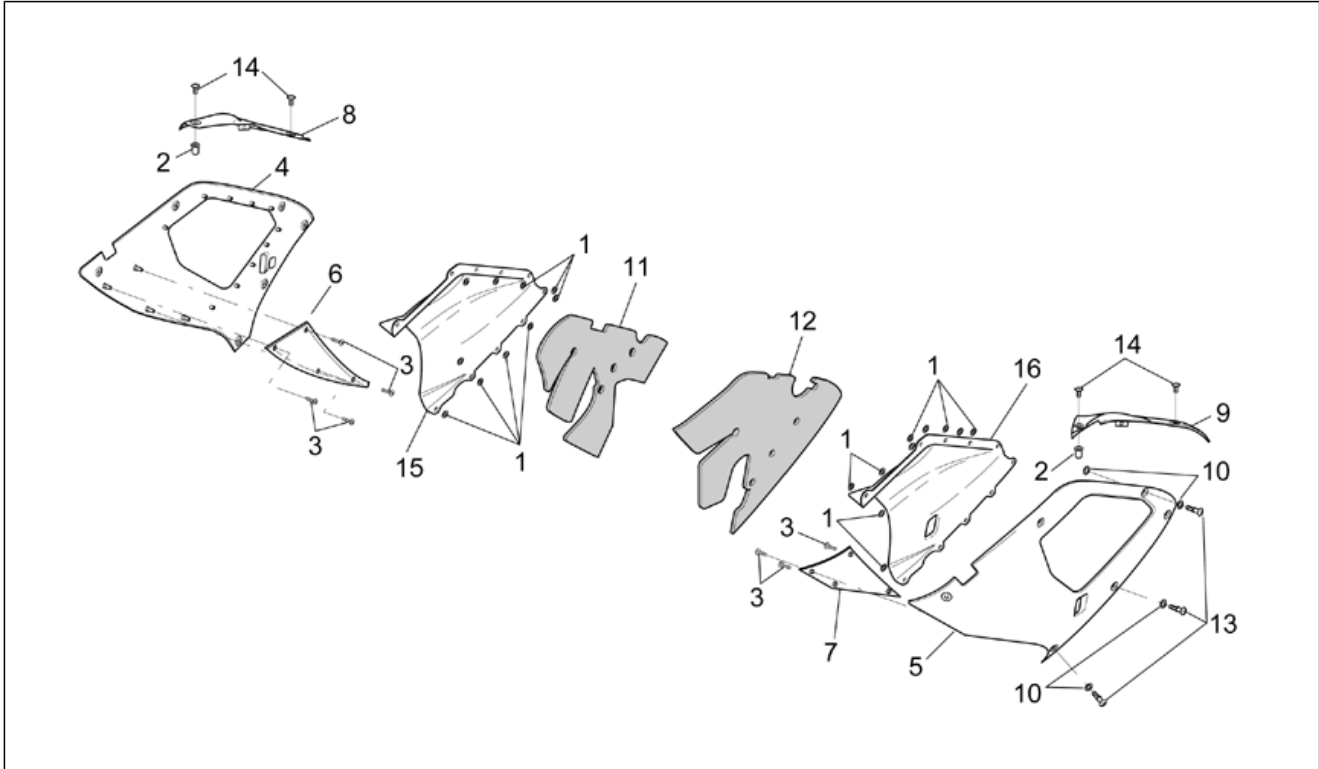
Pos.	Code	Description	Qty	Variants
				Technical Specifications: RSV Mille "R"acing Version[R]
5	AP8168433	LH lat.fairing, ap.black	1	Year: 2003[3] Vehicle colour: Aprilia Black 2003[black] Technical Specifications: RSV Mille Version[STD]
5	AP8168447	LH lat.fairing, grey	1	Year: 2003[3] Vehicle colour: Lead grey 2003[grey] Technical Specifications: RSV Mille Version[STD]
5	AP8168815	LH lat.fairing, grey	1	Year: 2003[3] Vehicle colour: Lead Grey "R"acing 2003[p.g] Technical Specifications: RSV Mille "R"acing Version[R]
5	AP8168900	LH lat.fairing, black	1	Year: 2003[3] Vehicle colour: Racing GP1 2003[gp1] Technical Specifications: "R"acing GP1 Limited Ed.Version[RL]
6	AP8148483	RH internal fairing, black	1	
7	AP8148484	LH internal fairing, black	1	
8	AP8148529	Upper RH fairing, black	1	Year: 2003[3] Vehicle colour: Aprilia Black 2003[black] Technical Specifications: RSV Mille Version[STD]
8	AP8148529	Upper RH fairing, black	1	Year: 2003[3] Vehicle colour: Racing GP1 2003[gp1] Technical Specifications: "R"acing GP1 Limited Ed.Version[RL]
8	AP8148529	Upper RH fairing, black	1	Year: 2003[3] Vehicle colour: Aprilia Black "R"acing 2003[rac] Technical Specifications: RSV Mille "R"acing Version[R]
8	AP8148915	Upper RH fairing, red	1	Year: 2003[3] Vehicle colour: Hot red 2003[red] Technical Specifications: RSV Mille Version[STD]
8	AP8148949	Upper RH fairing, yellow	1	Year: 2003[3] Vehicle colour: Flashy yellow "R"acing 2003[yeII] Technical Specifications: RSV Mille "R"acing Version[R]
8	AP8158581	Upper RH fairing, grey	1	Year: 2003[3] Vehicle colour: Lead Grey "R"acing 2003[p.g]

Group	FRAME
Code	28.23
Description	Central body - Upper fairings
Service	1



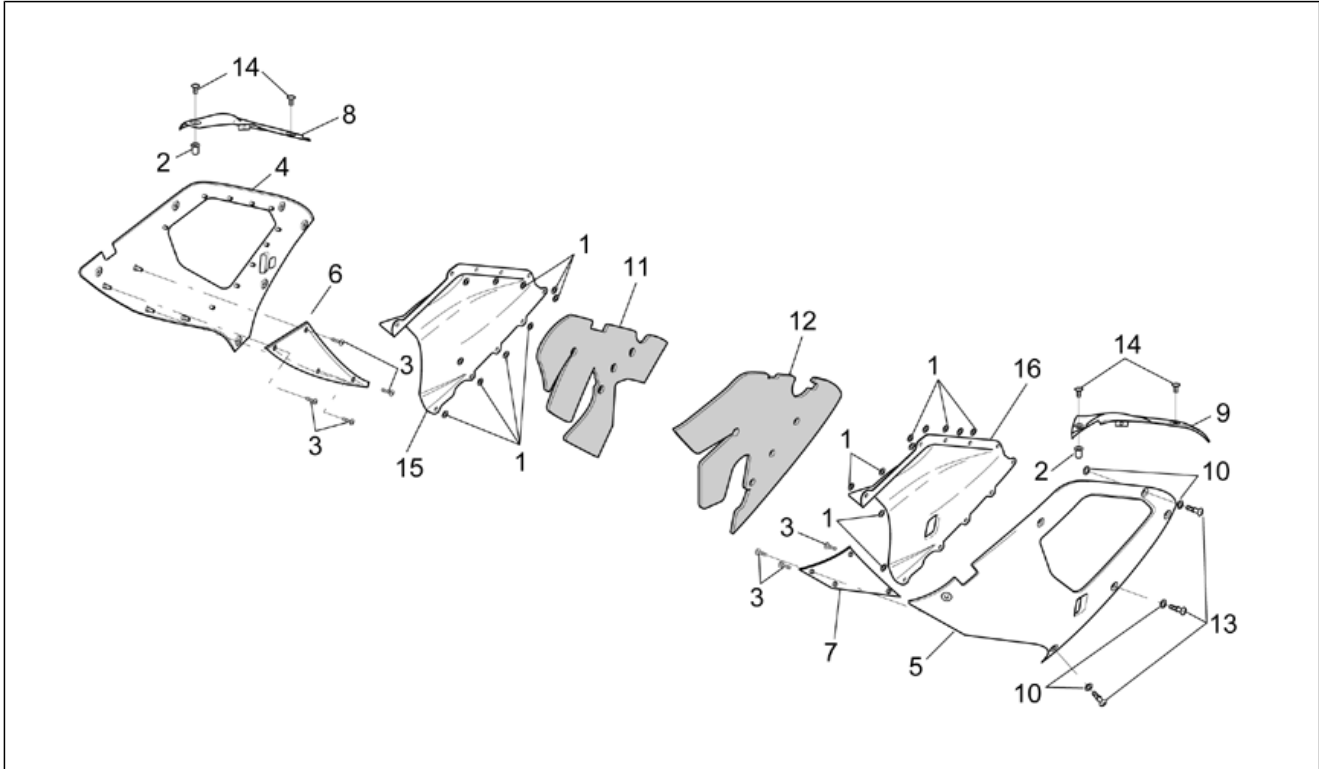
Pos.	Code	Description	Qty	Variants
				Technical Specifications: RSV Mille "R"acing Version[R]
8	AP8158581	Upper RH fairing, grey	1	Year: 2003[3] Vehicle colour: Lead grey 2003[grey] Technical Specifications: RSV Mille Version[STD]
9	AP8148530	Upper LH fairing, black	1	Year: 2003[3] Vehicle colour: Aprilia Black "R"acing 2003[rac] Technical Specifications: RSV Mille "R"acing Version[R]
9	AP8148530	Upper LH fairing, black	1	Year: 2003[3] Vehicle colour: Racing GP1 2003[gp1] Technical Specifications: "R"acing GP1 Limited Ed.Version[RL]
9	AP8148530	Upper LH fairing, black	1	Year: 2003[3] Vehicle colour: Aprilia Black 2003[black] Technical Specifications: RSV Mille Version[STD]
9	AP8148916	Upper LH fairing, red	1	Year: 2003[3] Vehicle colour: Hot red 2003[red] Technical Specifications: RSV Mille Version[STD]
9	AP8148950	Upper LH fairing, yellow	1	Year: 2003[3] Vehicle colour: Flashy yellow "R"acing 2003[yell] Technical Specifications: RSV Mille "R"acing Version[R]
9	AP8158579	Upper LH fairing, grey	1	Year: 2003[3] Vehicle colour: Lead Grey "R"acing 2003[p.g] Technical Specifications: RSV Mille "R"acing Version[R]
9	AP8158579	Upper LH fairing, grey	1	Year: 2003[3] Vehicle colour: Lead grey 2003[grey] Technical Specifications: RSV Mille Version[STD]
10	AP8120622	Front dust cover ring	24	
11	AP8117168	Acoustic insul. panel, RH up.	1	
12	AP8117169	Acoustic insul. panel, LH up.	1	
13	AP8121253	Pin	12	
14	AP8152302	Screw w/ flange M5x12	4	
15	AP8149282	RH puller, carb.	1	Year: 2003[3] Vehicle colour: Racing GP1 2003[gp1]

Group	FRAME
Code	28.23
Description	Central body - Upper fairings
Service	1



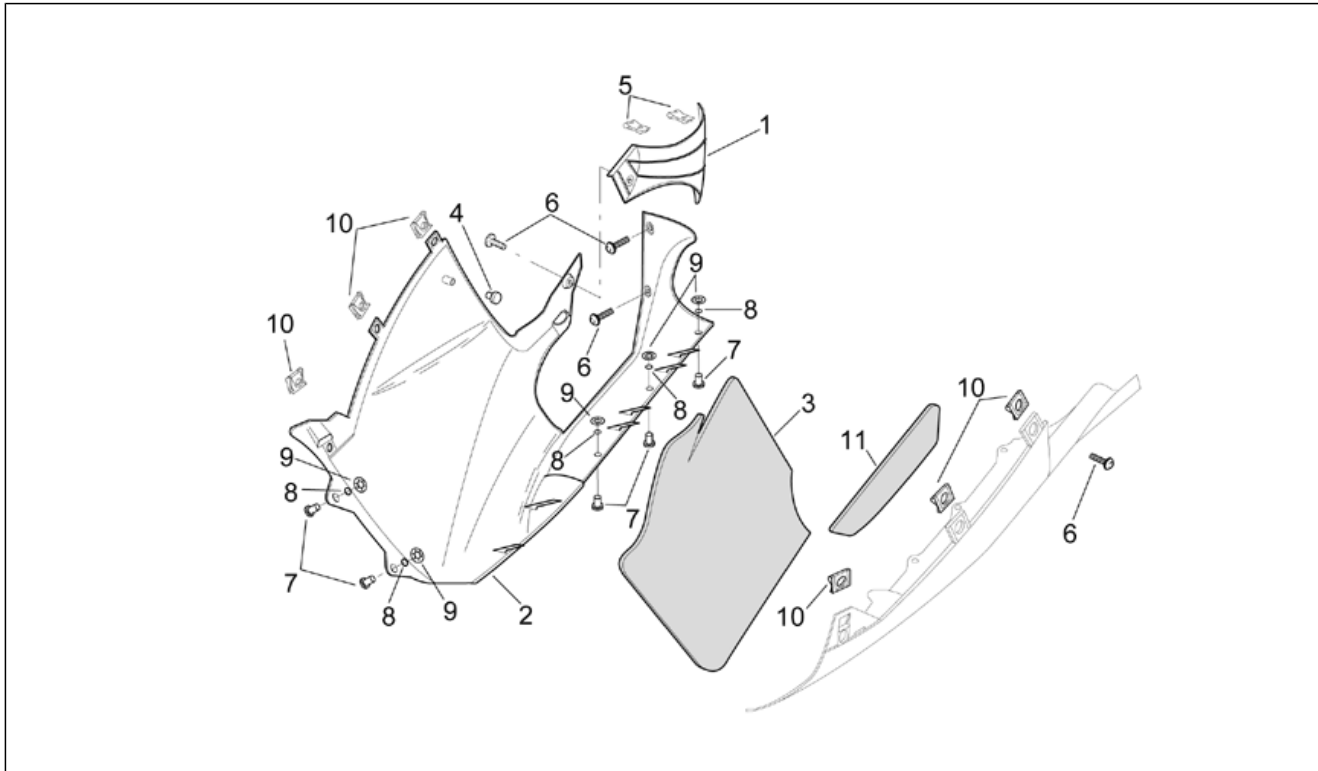
Pos.	Code	Description	Qty	Variants
				Technical Specifications: "R"acing GP1 Limited Ed.Version[RL]
15	AP8149282	RH puller, carb.	1	Year: 2003[3] Vehicle colour: Lead Grey "R"acing 2003[p.g] Technical Specifications: RSV Mille "R"acing Version[R]
15	AP8149282	RH puller, carb.	1	Year: 2003[3] Vehicle colour: Flashy yellow "R"acing 2003[yell] Technical Specifications: RSV Mille "R"acing Version[R]
15	AP8149282	RH puller, carb.	1	Year: 2003[3] Vehicle colour: Aprilia Black "R"acing 2003[rac] Technical Specifications: RSV Mille "R"acing Version[R]
15	AP8158568	RH puller, black	1	Year: 2003[3] Vehicle colour: Hot red 2003[red] Technical Specifications: RSV Mille Version[STD]
15	AP8158568	RH puller, black	1	Year: 2003[3] Vehicle colour: Lead grey 2003[grey] Technical Specifications: RSV Mille Version[STD]
15	AP8158568	RH puller, black	1	Year: 2003[3] Vehicle colour: Aprilia Black 2003[black] Technical Specifications: RSV Mille Version[STD]
16	AP8149283	LH puller, carb.	1	Year: 2003[3] Vehicle colour: Aprilia Black "R"acing 2003[rac] Technical Specifications: RSV Mille "R"acing Version[R]
16	AP8149283	LH puller, carb.	1	Year: 2003[3] Vehicle colour: Lead Grey "R"acing 2003[p.g] Technical Specifications: RSV Mille "R"acing Version[R]
16	AP8149283	LH puller, carb.	1	Year: 2003[3] Vehicle colour: Racing GP1 2003[gp1] Technical Specifications: "R"acing GP1 Limited Ed.Version[RL]
16	AP8149283	LH puller, carb.	1	Year: 2003[3] Vehicle colour: Flashy yellow "R"acing 2003[yell] Technical Specifications: RSV Mille "R"acing Version[R]
16	AP8158569	LH puller, black	1	Year: 2003[3]

Group	FRAME
Code	28.23
Description	Central body - Upper fairings
Service	1



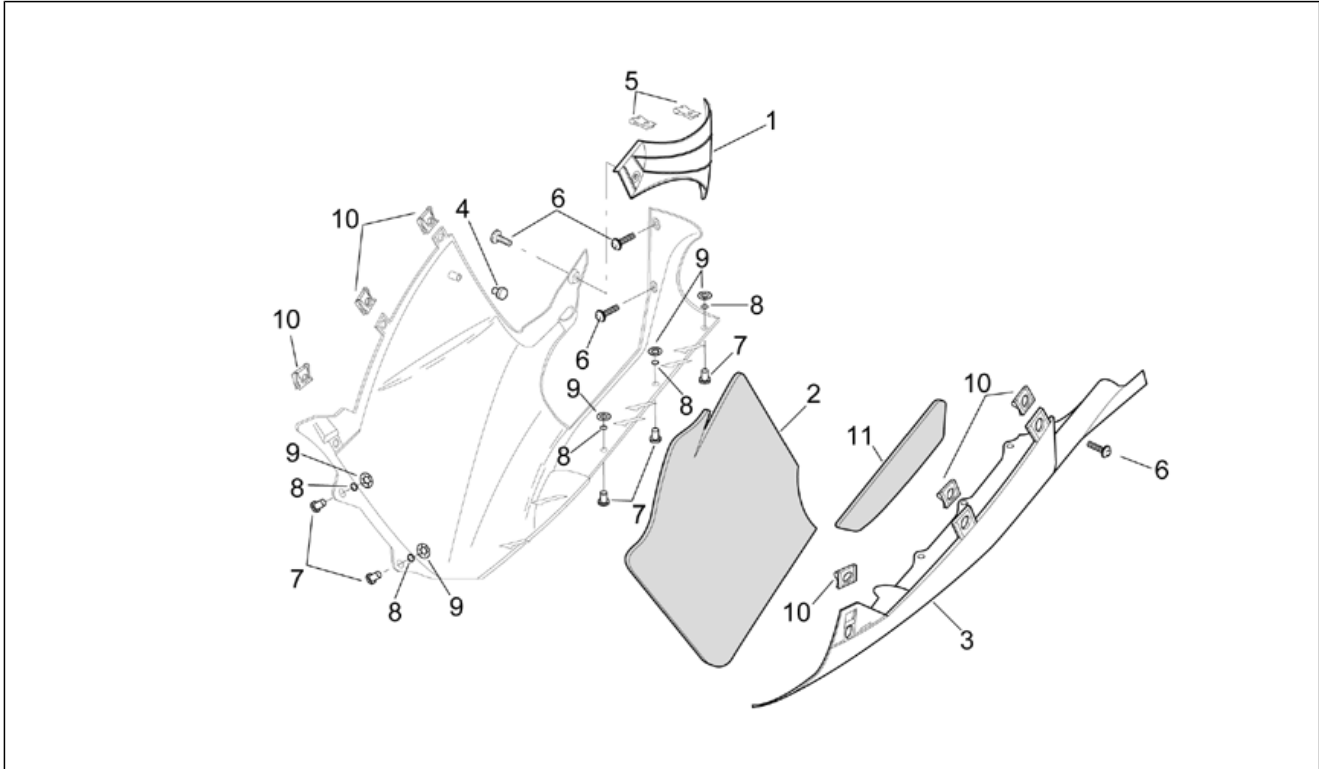
Pos.	Code	Description	Qty	Variants
				Vehicle colour:Lead grey 2003[grey] Technical Specifications:RSV Mille Version[STD]
16	AP8158569	LH puller, black	1	Year:2003[3] Vehicle colour:Aprilia Black 2003[black] Technical Specifications:RSV Mille Version[STD]
16	AP8158569	LH puller, black	1	Year:2003[3] Vehicle colour:Hot red 2003[red] Technical Specifications:RSV Mille Version[STD]

Group	FRAME
Code	28.24
Description	Central body - RH fairings
Service	1



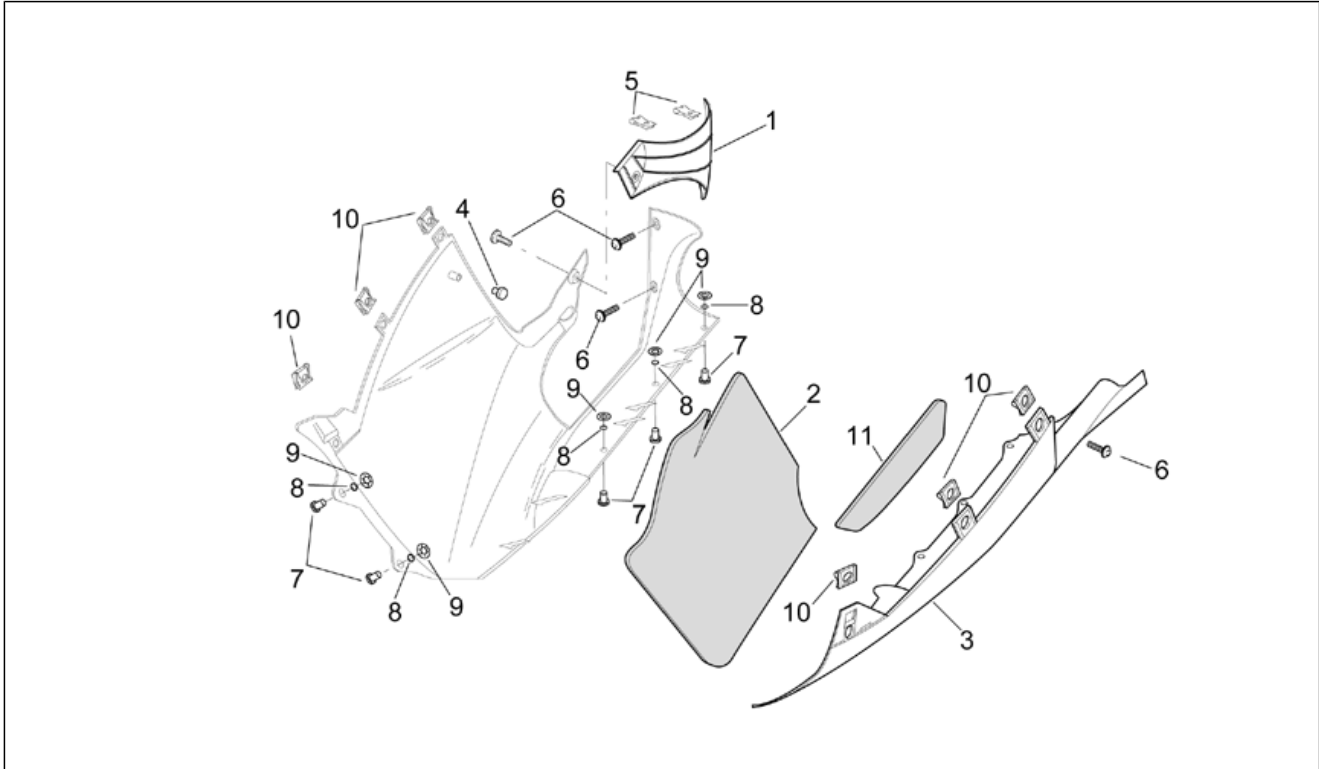
Pos.	Code	Description	Qty	Variants
1	AP8138565	Silencer protection	1	
2	AP8168391	RH lower fairing, hot	1	Year:2003[3] Vehicle colour:Hot red 2003[red] Technical Specifications:RSV Mille Version[STD]
2	AP8168406	RH lower fairing, black	1	Year:2003[3] Vehicle colour:Aprilia Black "R"acing 2003[rac] Technical Specifications:RSV Mille "R"acing Version[R]
2	AP8168420	RH lower fairing, yellow	1	Year:2003[3] Vehicle colour:Flashy yellow "R"acing 2003[yell] Technical Specifications:RSV Mille "R"acing Version[R]
2	AP8168434	RH lower fairing, ap.black	1	Year:2003[3] Vehicle colour:Aprilia Black 2003[black] Technical Specifications:RSV Mille Version[STD]
2	AP8168448	RH lower fairing, grey	1	Year:2003[3] Vehicle colour:Lead grey 2003[greyl] Technical Specifications:RSV Mille Version[STD]
2	AP8168816	RH lower fairing, grey	1	Year:2003[3] Vehicle colour:Lead Grey "R"acing 2003[p.g] Technical Specifications:RSV Mille "R"acing Version[R]
2	AP8168896	RH lower fairing, black	1	Year:2003[3] Vehicle colour:Racing GP1 2003[gp1] Technical Specifications:"R"acing GP1 Limited Ed.Version[RL]
3	AP8117132	Acoustic insul. panel, RH low.	1	
4	AP8144081	Rubber spacer	1	
5	AP8102376	Clip M6	2	
6	AP8152246	Screw w/ flange M6x16	4	
7	AP8144109	Fixing pin	12	
8	AP8102504	Rubber spacer	12	
9	AP8150450	Washer for shafts D5	12	
10	AP8101985	Special clip	12	
11	AP8117133	Acoustic insul. panel, LH low.	1	

Group	FRAME
Code	28.25
Description	Central body - LH fairings
Service	1



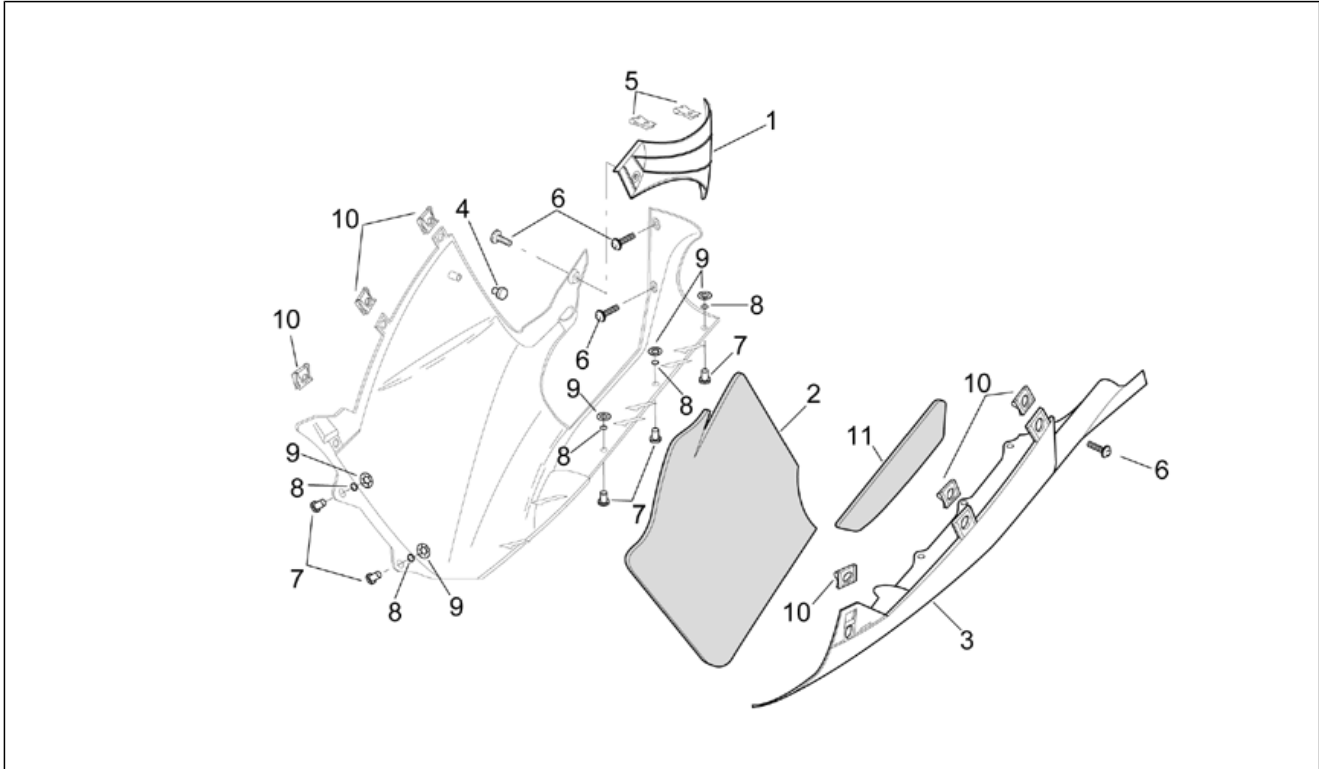
Pos.	Code	Description	Qty	Variants
1	AP8138565	Silencer protection	1	
2	AP8117132	Acoustic insul. panel, RH low.	1	
3	AP8168381	LH lower fairing, hot	1	Year: 2003[3] Vehicle colour: Hot red 2003[red] Country: USA (49 Countries Approval)[AM], USA (California Approval)[CF], United States of America[USA] Technical Specifications: RSV Mille Version[STD]
3	AP8168382	LH lower fairing, black	1	Year: 2003[3] Vehicle colour: Aprilia Black "R"acing 2003[rac] Country: USA (49 Countries Approval)[AM], USA (California Approval)[CF], United States of America[USA] Technical Specifications: RSV Mille "R"acing Version[R]
3	AP8168392	LH lower fairing, hot	1	Year: 2003[3] Vehicle colour: Hot red 2003[red] Country: Austria[A], Australia[AA], Australia[AUS], Belgium[B], Belgium[BB], Switzerland[CH], Germany[D], Denmark[DK], Spain[E], A, CH, D, DK, GR, E, I, NL, P[EU], France[F], France[FF], Greece[GR], Italy[I], Japan[J], Japan[J], Holland[NL], Portugal[P], Great Britain[UK] Technical Specifications: RSV Mille Version[STD]
3	AP8168407	LH lower fairing, black	1	Year: 2003[3] Vehicle colour: Aprilia Black "R"acing 2003[rac] Country: Austria[A], Australia[AA], Australia[AUS], Belgium[B], Belgium[BB], Switzerland[CH], Germany[D], Denmark[DK], Spain[E], A, CH, D, DK, GR, E, I, NL, P[EU], France[F], France[FF], Greece[GR], Italy[I], Japan[J], Japan[J], Holland[NL], Portugal[P], Great Britain[UK] Technical Specifications: RSV Mille "R"acing Version[R]
3	AP8168421	LH lower fairing, yellow	1	Year: 2003[3] Vehicle colour: Flashy yellow "R"acing 2003[yell] Country: Austria[A], Australia[AA], Australia[AUS], Belgium[B], Belgium[BB], Switzerland[CH], Germany[D], Denmark[DK], Spain[E], A, CH, D, DK, GR, E, I, NL, P[EU], France[F], France[FF], Greece[GR], Italy[I], Japan[J], Japan[J], Holland[NL], Portugal[P], Great Britain[UK] Technical Specifications: RSV Mille "R"acing Version[R]

Group	FRAME
Code	28.25
Description	Central body - LH fairings
Service	1



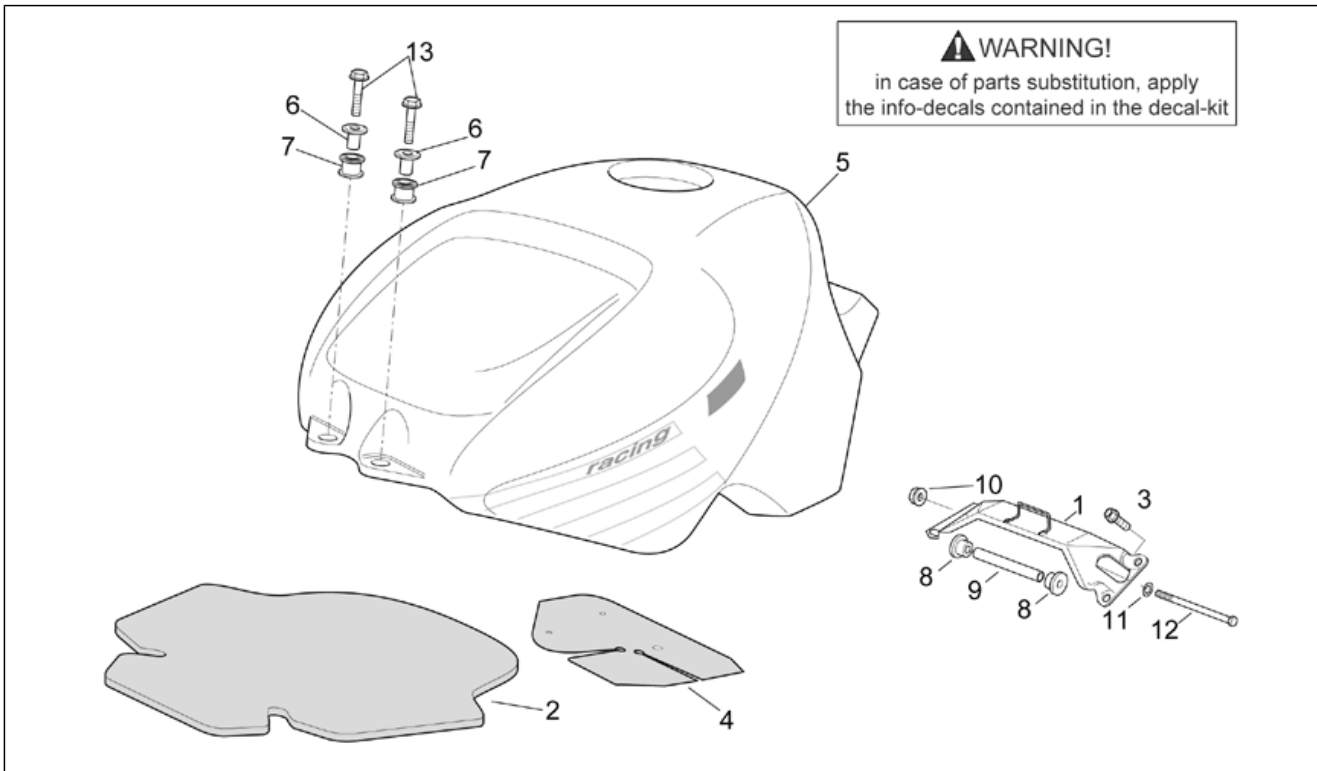
Pos.	Code	Description	Qty	Variants
3	AP8168422	LH lower fairing, yellow	1	Year: 2003[3] Vehicle colour: Flashy yellow "R"acing 2003[yell] Country: USA (49 Countries Approval)[AM], USA (California Approval)[CF], United States of America[USA] Technical Specifications: RSV Mille "R"acing Version[R]
3	AP8168435	LH lower fairing, ap.black	1	Year: 2003[3] Vehicle colour: Aprilia Black 2003[black] Country: Austria[A], Australia[AA], Australia[AUS], Belgium[B], Belgium[BB], Switzerland[CH], Germany[D], Denmark[DK], Spain[E], A, CH, D, DK, GR, E, I, NL, P[EU], France[F], France[FF], Greece[GR], Italy[I], Japan[J], Japan[JJ], Holland[NL], Portugal[P], Great Britain[UK] Technical Specifications: RSV Mille Version[STD]
3	AP8168436	LH lower fairing, ap.black	1	Year: 2003[3] Vehicle colour: Aprilia Black 2003[black] Country: USA (49 Countries Approval)[AM], USA (California Approval)[CF], United States of America[USA] Technical Specifications: RSV Mille Version[STD]
3	AP8168449	LH lower fairing, grey	1	Year: 2003[3] Vehicle colour: Lead grey 2003[grey] Country: Austria[A], Australia[AA], Australia[AUS], Belgium[B], Belgium[BB], Switzerland[CH], Germany[D], Denmark[DK], Spain[E], A, CH, D, DK, GR, E, I, NL, P[EU], France[F], France[FF], Greece[GR], Italy[I], Japan[J], Japan[JJ], Holland[NL], Portugal[P], Great Britain[UK] Technical Specifications: RSV Mille Version[STD]
3	AP8168450	LH lower fairing, grey	1	Year: 2003[3] Vehicle colour: Lead grey 2003[grey] Country: USA (49 Countries Approval)[AM], USA (California Approval)[CF], United States of America[USA] Technical Specifications: RSV Mille Version[STD]
3	AP8168817	LH lower fairing, grey	1	Year: 2003[3] Vehicle colour: Lead Grey "R"acing 2003[p.g] Country: Austria[A], Australia[AA], Australia[AUS], Belgium[B], Belgium[BB], Switzerland[CH], Germany[D], Denmark[DK], Spain[E], A, CH, D, DK, GR, E, I, NL, P[EU],

Group	FRAME
Code	28.25
Description	Central body - LH fairings
Service	1



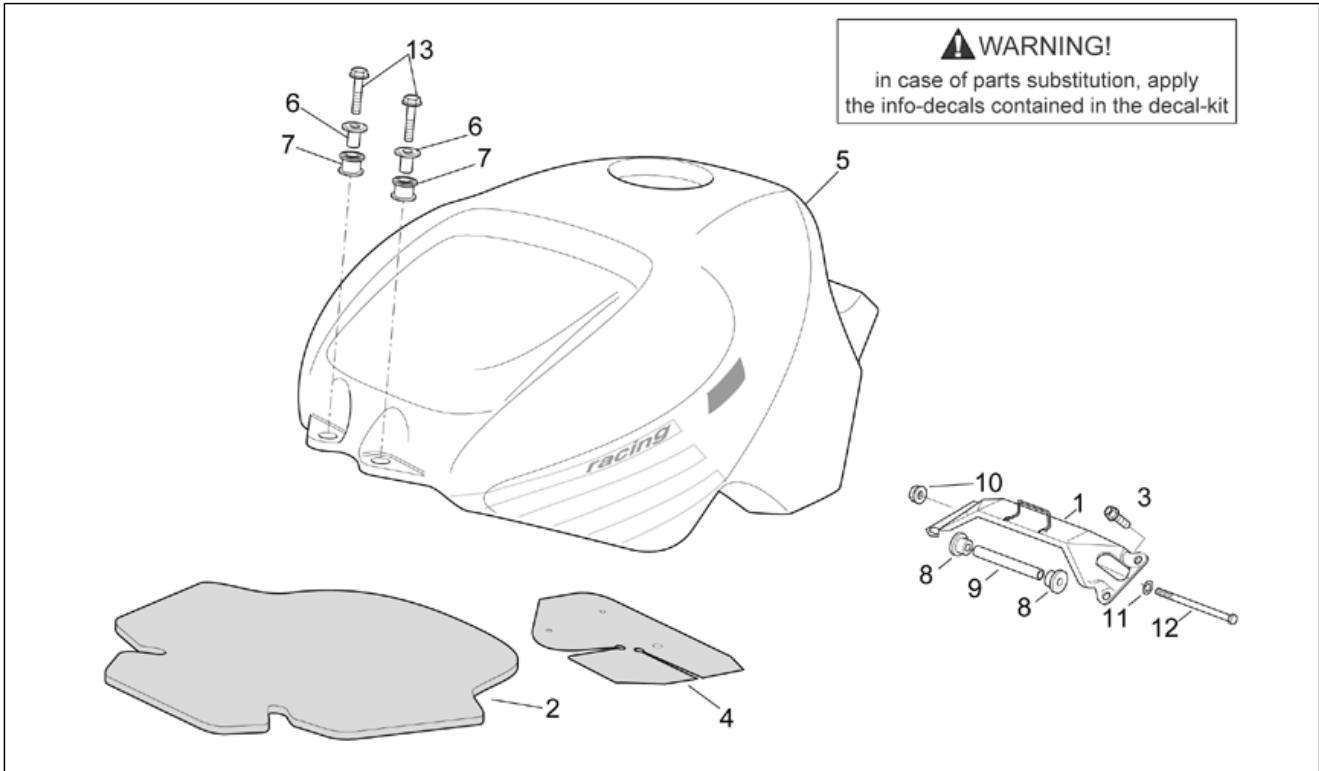
Pos.	Code	Description	Qty	Variants
				France[F], France[FF], Greece[GR], Italy[I], Japan[J], Japan[J], Holland[NL], Portugal[P], Great Britain[UK] Technical Specifications: RSV Mille "R"acing Version[R]
3	AP8168818	LH lower fairing, grey	1	Year: 2003[3] Vehicle colour: Lead Grey "R"acing 2003[p.g] Country: USA (49 Countries Approval)[AM], USA (California Approval)[CF], United States of America[USA] Technical Specifications: RSV Mille "R"acing Version[R]
3	AP8168897	LH lower fairing, black	1	Year: 2003[3] Vehicle colour: Racing GP1 2003[gp1] Country: Austria[A], Australia[AA], Australia[AUS], Belgium[B], Belgium[BB], Switzerland[CH], Germany[D], Denmark[DK], Spain[E], A, CH, D, DK, GR, E, I, NL, P[EU], France[F], France[FF], Greece[GR], Italy[I], Japan[J], Japan[J], Holland[NL], Portugal[P], Great Britain[UK] Technical Specifications: "R"acing GP1 Limited Ed.Version[RL]
3	AP8168939	LH lower fairing, black	1	Year: 2003[3] Vehicle colour: Racing GP1 2003[gp1] Country: USA (49 Countries Approval)[AM], USA (California Approval)[CF], United States of America[USA] Technical Specifications: "R"acing GP1 Limited Ed.Version[RL]
4	AP8144081	Rubber spacer	1	
5	AP8102376	Clip M6	2	
6	AP8152246	Screw w/ flange M6x16	4	
7	AP8144109	Fixing pin	12	
8	AP8102504	Rubber spacer	12	
9	AP8150450	Washer for shafts D5	12	
10	AP8101985	Special clip	12	
11	AP8117133	Acoustic insul. panel, LH low.	1	

Group	FRAME
Code	28.26
Description	Fuel tank I
Service	1



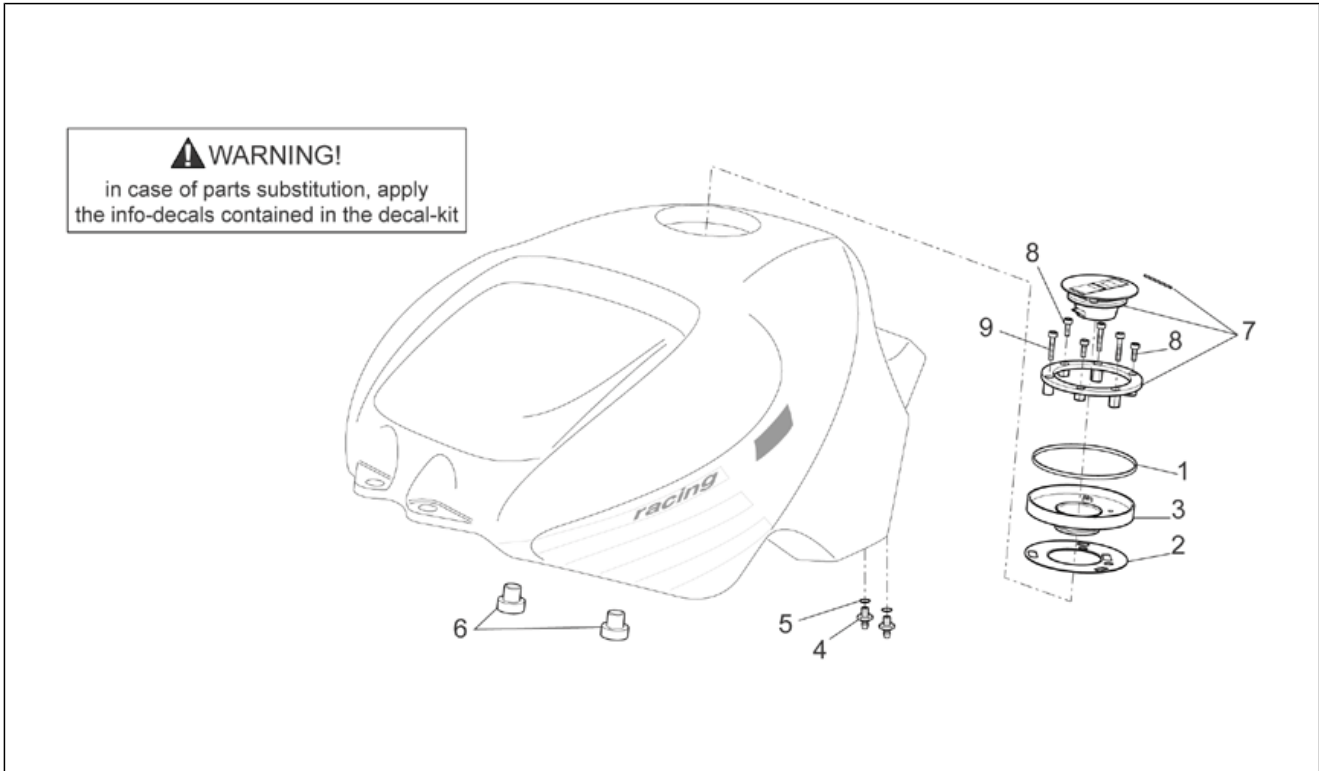
Pos.	Code	Description	Qty	Variants
1	AP8134370	Tank support	1	
2	AP8117174	F.Tank acoustic insul. Panel	1	
3	AP8152278	Screw w/ flange M6x16	4	
4	AP8117128	Fuel tank heat protection	1	
5	AP8168384	Fuel tank, hot red	1	Year:2003[3] Vehicle colour:Hot red 2003[red] Technical Specifications:RSV Mille Version[STD]
5	AP8168398	Fuel tank, Ap. black	1	Year:2003[3] Vehicle colour:Aprilia Black "R"acing 2003[rac] Technical Specifications:RSV Mille "R"acing Version[R]
5	AP8168398	Fuel tank, Ap. black	1	Year:2003[3] Vehicle colour:Aprilia Black 2003[black] Technical Specifications:RSV Mille Version[STD]
5	AP8168412	Fuel tank, flashy yellow	1	Year:2003[3] Vehicle colour:Flashy yellow "R"acing 2003[yell] Technical Specifications:RSV Mille "R"acing Version[R]
5	AP8168441	Fuel tank, grey	1	Year:2003[3] Vehicle colour:Lead grey 2003[grey] Technical Specifications:RSV Mille Version[STD]
5	AP8168810	Fuel tank, grey	1	Year:2003[3] Vehicle colour:Lead Grey "R"acing 2003[p.g] Technical Specifications:RSV Mille "R"acing Version[R]
5	AP8168895	Fuel tank, black	1	Year:2003[3] Vehicle colour:Racing GP1 2003[gp1] Technical Specifications:"R"acing GP1 Limited Ed.Version[RL]
6	AP8121421	T bush	2	
7	AP8144328	Rubber spacer	2	
8	AP8123934	Rubber spacer	2	
9	AP8134419	Fuel tank bush	1	
10	AP8152299	Self-locking nut M6	1	
11	AP8150014	Washer 6,4x12,5*	1	

Group	FRAME
Code	28.26
Description	Fuel tank I
Service	1



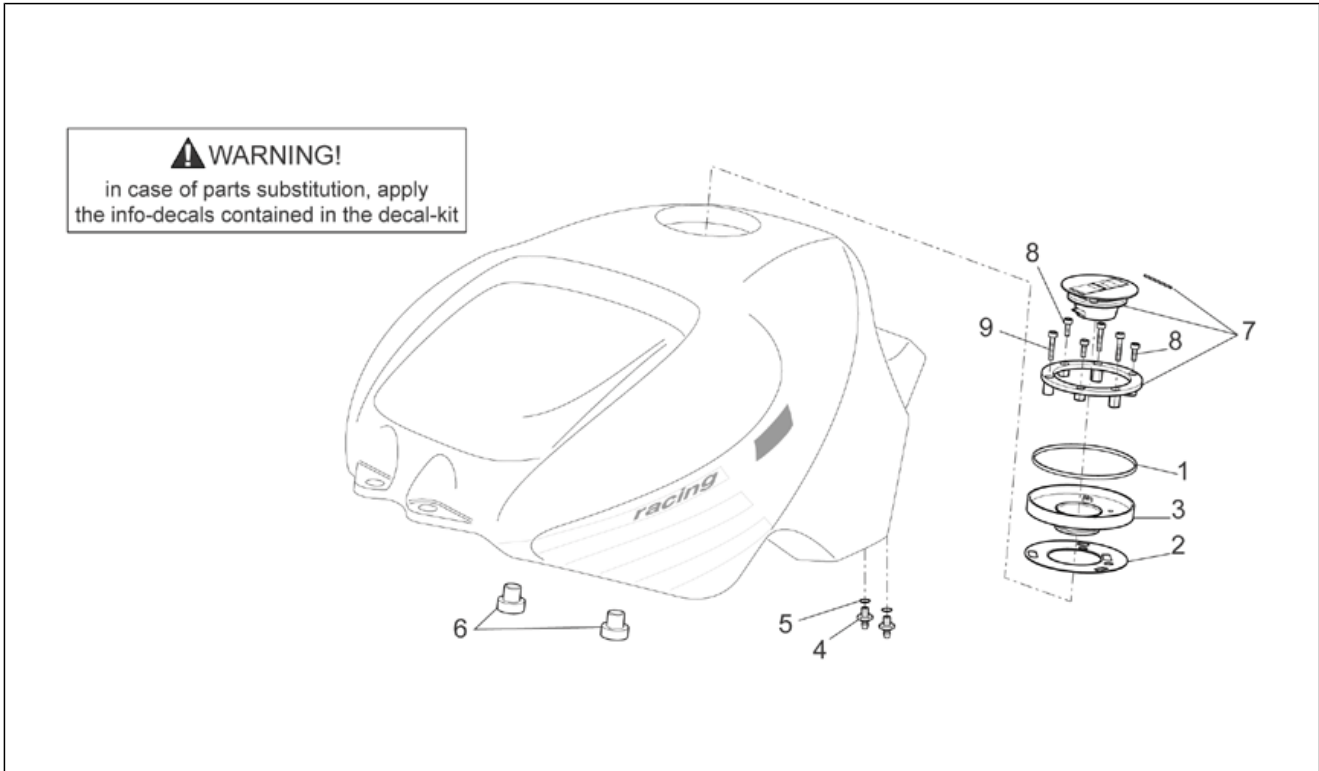
Pos.	Code	Description	Qty	Variants
12	AP8150459	Hex screw M6x90	1	
13	AP8152281	Screw w/ flange M6x30	2	

Group	FRAME
Code	28.27
Description	Fuel tank II
Service	1



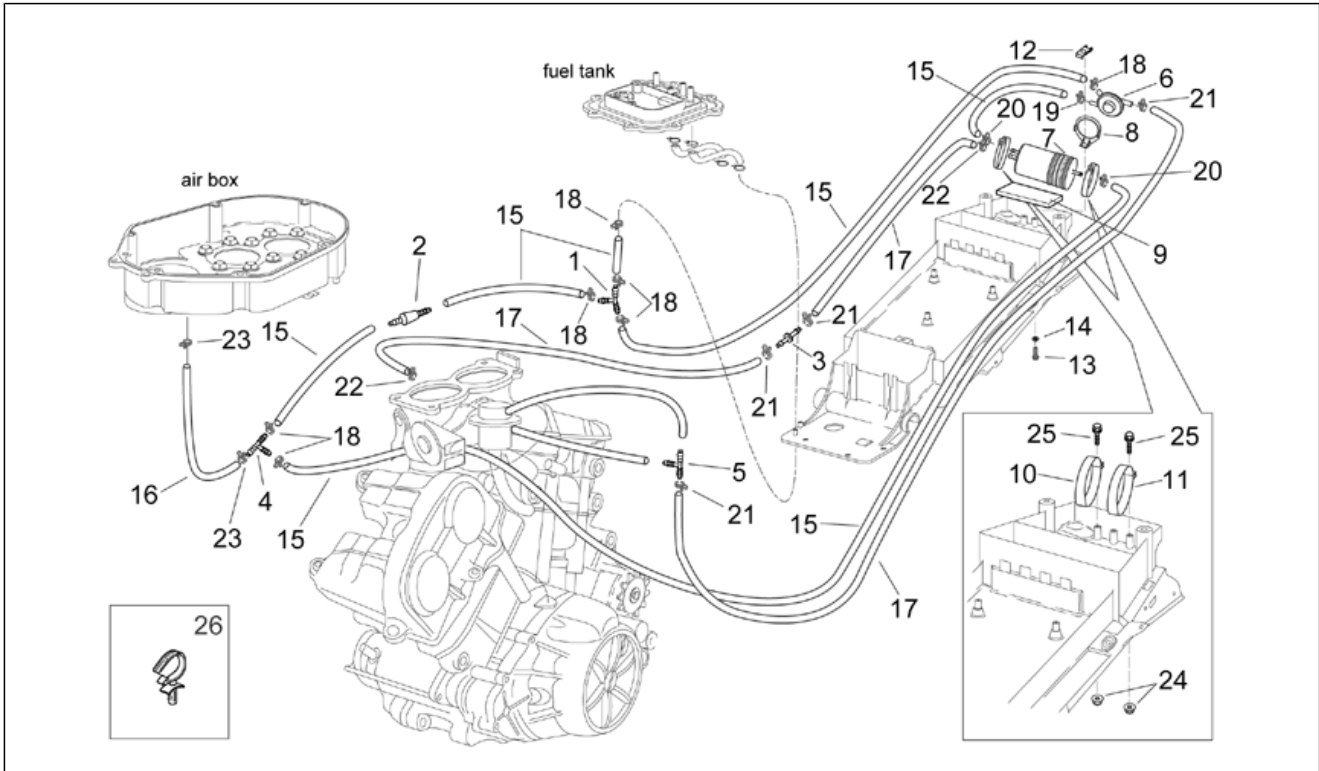
Pos.	Code	Description	Qty	Variants
1	AP8120893	Cap seal	1	
2	AP8120894	Fuel tank gasket	1	Country: Austria[A], Australia[AA], Australia[AUS], Belgium[B], Belgium[BB], Switzerland[CH], Germany[D], Denmark[DK], Spain[E], A, CH, D, DK, GR, E, I, NL, P[EU], France[F], France[FF], Greece[GR], Italy[I], Japan[J], Japan[J], Holland[NL], Portugal[P], Great Britain[UK]
2	AP8120894	Fuel tank gasket	1	Country: USA (California Approval)[CF], United States of America[USA] Technical Specifications: 49 Countries Approval[49st]
2	AP8144351	Fuel tank gasket	1	Country: USA (49 Countries Approval)[AM], United States of America[USA] Technical Specifications: California Approval[cal]
3	AP8102535	Float chamber	1	
4	AP8102503	Hose holder union	2	
5	AP8120965	O-ring 2018	2	
6	AP8144158	Rubber spacer	2	
7	AP8104287	Fuel filler cap	1	Country: USA (49 Countries Approval)[AM], United States of America[USA] Technical Specifications: California Approval[cal]
7	AP8104288	Fuel filler cap	1	Country: USA (California Approval)[CF], United States of America[USA] Technical Specifications: 49 Countries Approval[49st]
7	AP8104288	Fuel filler cap	1	Country: Austria[A], Australia[AA], Australia[AUS], Belgium[B], Belgium[BB], Switzerland[CH], Germany[D], Denmark[DK], Spain[E], A, CH, D, DK, GR, E, I, NL, P[EU], France[F], France[FF], Greece[GR], Italy[I], Japan[J], Japan[J], Holland[NL], Portugal[P], Great Britain[UK] Technical Specifications: RSV Mille "R"acing Version[R], RSV Mille Version[STD]
7	AP8144627	Fuel filler cap	1	Country: Austria[A], Australia[AA], Australia[AUS], Belgium[B], Belgium[BB], Switzerland[CH], Germany[D], Denmark[DK], Spain[E], A, CH, D, DK, GR, E, I, NL, P[EU], France[F], France[FF], Greece[GR], Italy[I], Japan[J], Japan[J], Holland[NL], Portugal[P], Great Britain[UK]

Group	FRAME
Code	28.27
Description	Fuel tank II
Service	1



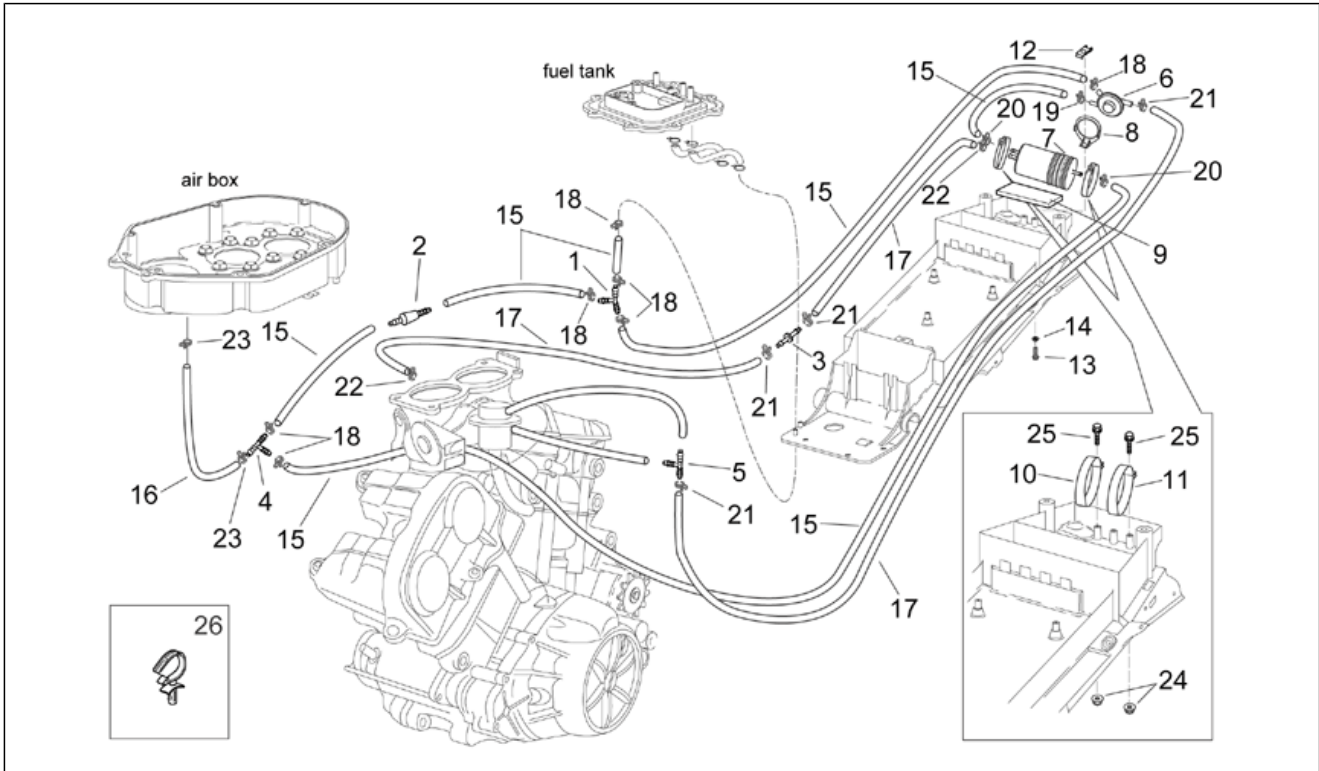
Pos.	Code	Description	Qty	Variants
				Technical Specifications: "R"acing GP1 Limited Ed.Version[RL]
8	AP8150454	Hex socket screw M5x16	4	
9	AP8150453	Hex socket screw M5x30	3	

Group	FRAME
Code	28.28
Description	Fuel vapour recover system
Service	1



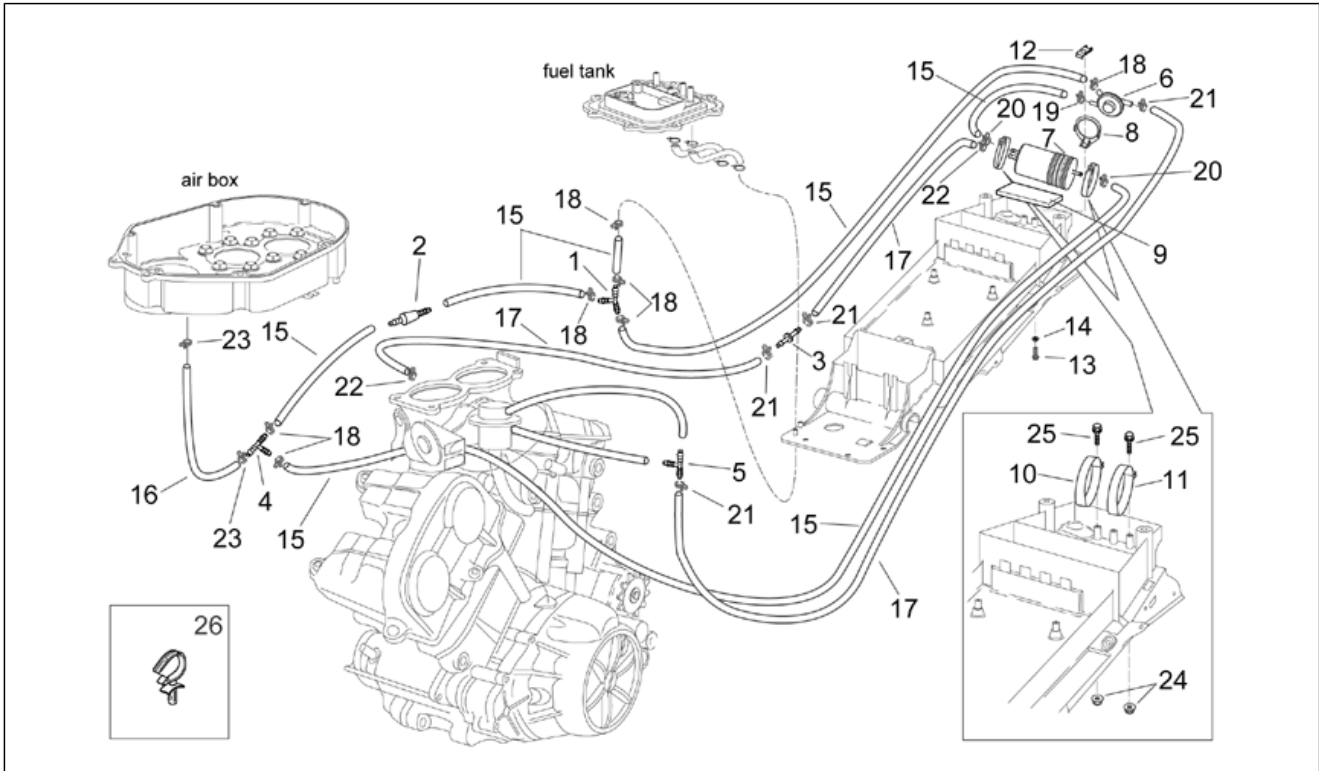
Pos.	Code	Description	Qty	Variants
1	AP8120116	3-way union	1	Country: USA (49 Countries Approval)[AM], United States of America[USA] Technical Specifications: California Approval[cal]
2	AP8102985	Anti-return valve	1	Country: USA (49 Countries Approval)[AM], United States of America[USA] Technical Specifications: California Approval[cal]
3	AP8121267	Choke hold	1	Country: USA (49 Countries Approval)[AM], United States of America[USA] Technical Specifications: California Approval[cal]
4	AP8202154	3-way union	1	Country: USA (49 Countries Approval)[AM], United States of America[USA] Technical Specifications: California Approval[cal]
5	AP8102727	3-way union	1	Country: USA (49 Countries Approval)[AM], United States of America[USA] Technical Specifications: California Approval[cal]
6	AP8106764	"Purge" valve	1	Country: USA (49 Countries Approval)[AM], United States of America[USA] Technical Specifications: California Approval[cal]
7	AP8102678	Carbon filter	1	Country: USA (49 Countries Approval)[AM], United States of America[USA] Technical Specifications: California Approval[cal]
8	AP8134650	Valve support clamp	1	Country: USA (49 Countries Approval)[AM], United States of America[USA] Technical Specifications: California Approval[cal]
9	AP8117041	Adhesive sponge 6x30	1	Country: USA (49 Countries Approval)[AM], United States of America[USA] Technical Specifications: California Approval[cal]
10	AP8102688	Hose clamp d.76	1	Country: USA (49 Countries Approval)[AM], United States of America[USA] Technical Specifications: California Approval[cal]
11	AP8102719	Hose clamp d.80,5	1	Country: USA (49 Countries Approval)[AM], United States of America[USA] Technical Specifications: California Approval[cal]

Group	FRAME
Code	28.28
Description	Fuel vapour recover system
Service	1



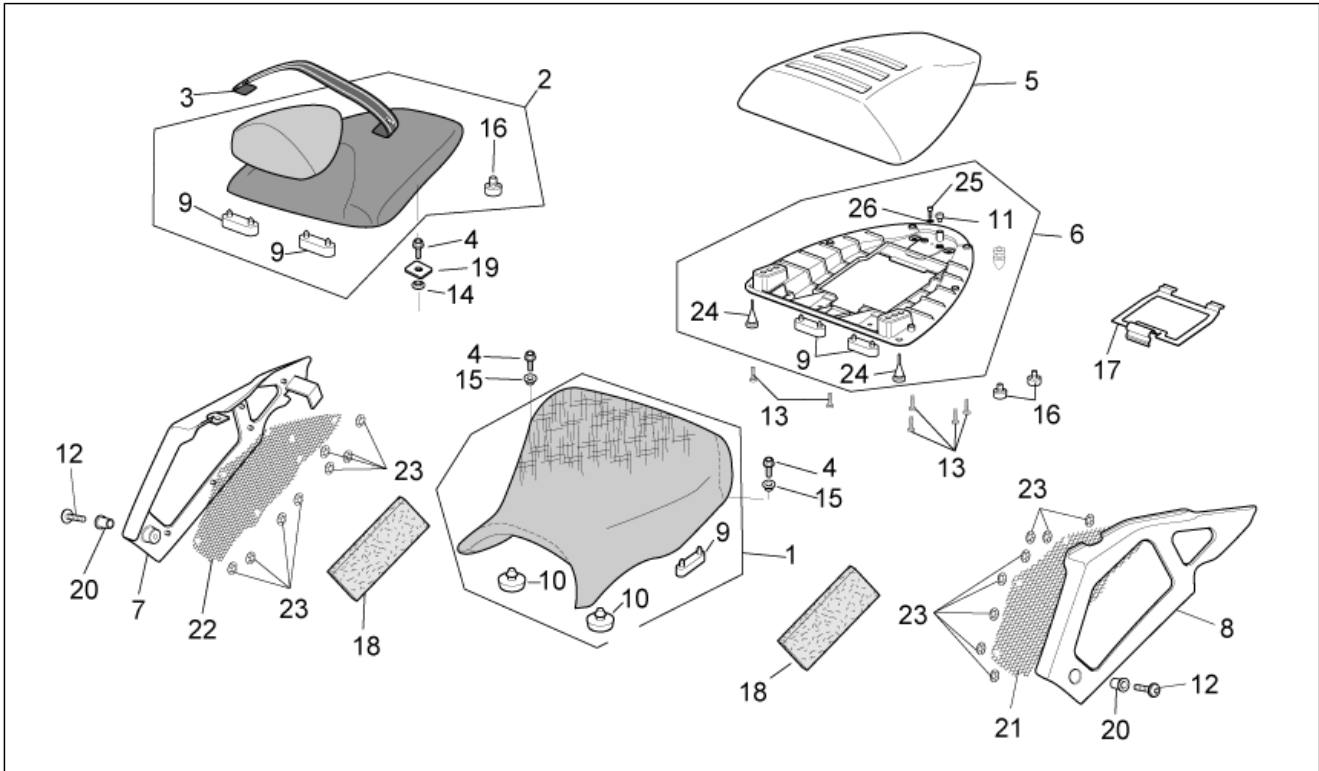
Pos.	Code	Description	Qty	Variants
12	AP8102375	Clip m5	1	Country: USA (49 Countries Approval)[AM], United States of America[USA] Technical Specifications: California Approval[cal]
13	AP8152273	Screw w/ flange M5X15	1	Country: USA (49 Countries Approval)[AM], United States of America[USA] Technical Specifications: California Approval[cal]
14	AP8150013	Washer 5,5x15x1,6*	1	Country: USA (49 Countries Approval)[AM], United States of America[USA] Technical Specifications: California Approval[cal]
15	AP8120952	Fuel pipe 5,5x10	2	Country: USA (49 Countries Approval)[AM], United States of America[USA] Technical Specifications: California Approval[cal]
16	AP8120987	pipe 9x14	1	Country: USA (49 Countries Approval)[AM], United States of America[USA] Technical Specifications: California Approval[cal]
17	AP8220263	Breather pipe 4x8	2	Country: USA (49 Countries Approval)[AM], United States of America[USA] Technical Specifications: California Approval[cal]
18	AP8101595	Hose clamp D10,1	7	Country: USA (49 Countries Approval)[AM], United States of America[USA] Technical Specifications: California Approval[cal]
19	AP8102520	Hose clamp	1	Country: USA (49 Countries Approval)[AM], United States of America[USA] Technical Specifications: California Approval[cal]
20	AP8102378	Hose clamp D11,3	2	Country: USA (49 Countries Approval)[AM], United States of America[USA] Technical Specifications: California Approval[cal]
21	AP8120179	Hose clamp D8	4	Country: USA (49 Countries Approval)[AM], United States of America[USA] Technical Specifications: California Approval[cal]
22	AP8102377	Hose clamp D9,1*	2	Country: USA (49 Countries Approval)[AM], United States of America[USA] Technical Specifications: California Approval[cal]

Group	FRAME
Code	28.28
Description	Fuel vapour recover system
Service	1



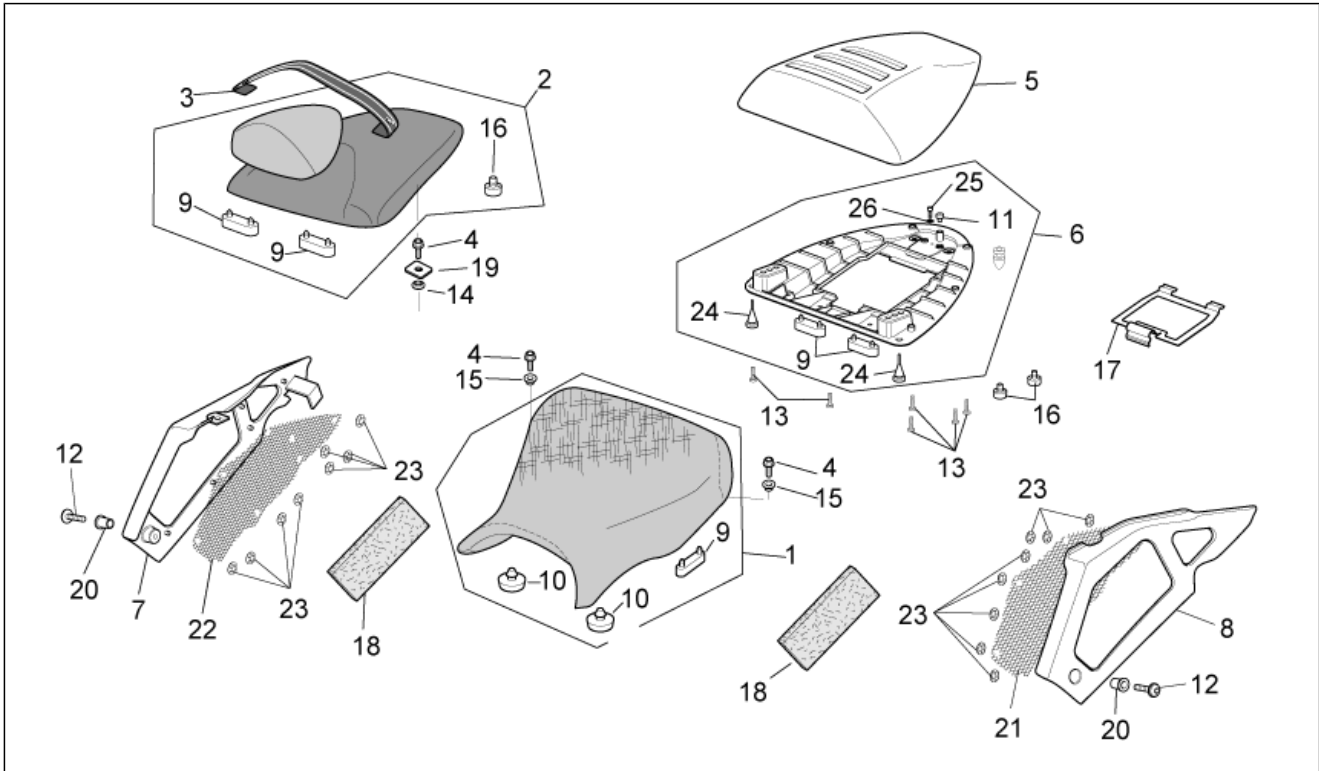
Pos.	Code	Description	Qty	Variants
23	AP8102766	Hose clamp	2	Country: USA (49 Countries Approval)[AM], United States of America[USA] Technical Specifications: California Approval[cal]
24	AP8152299	Self-locking nut M6	2	Country: USA (49 Countries Approval)[AM], United States of America[USA] Technical Specifications: California Approval[cal]
25	AP8152279	Screw w/ flange M6x20	2	Country: USA (49 Countries Approval)[AM], United States of America[USA] Technical Specifications: California Approval[cal]
26	AP8221310	Cable-guide	2	Country: USA (49 Countries Approval)[AM], United States of America[USA] Technical Specifications: California Approval[cal]

Group	FRAME
Code	28.29
Description	Saddle
Service	1



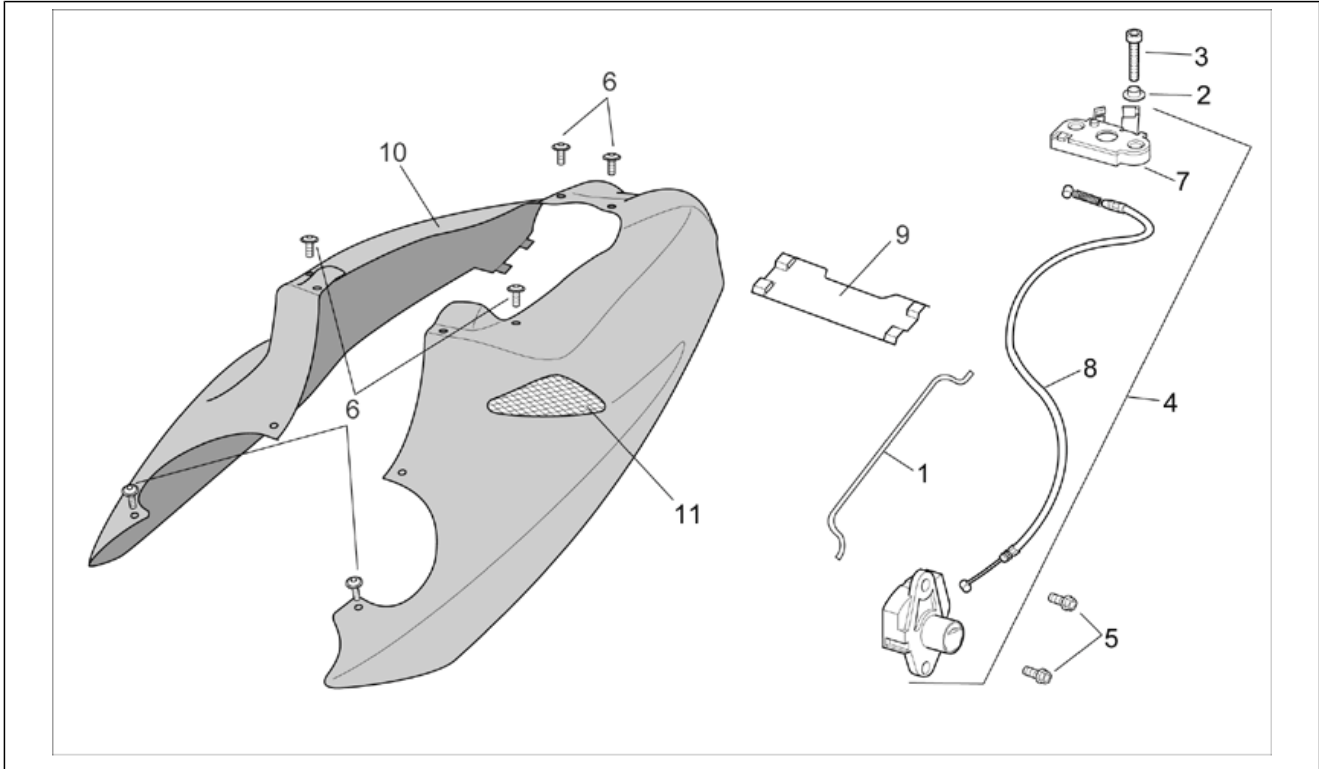
Pos.	Code	Description	Qty	Variants
1	AP8129283	Driver saddle, black	1	
2	AP8129355	Rear saddle	1	Technical Specifications: Double-saddle version[Bip]
3	AP8129356	Pillion seat strap	1	Technical Specifications: Double-saddle version[Bip]
4	AP8152279	Screw w/ flange M6x20	4	
5	AP8168110	Saddle cover, black	1	Technical Specifications: RSV Mille "R"acing Version[R], RSV Mille Version[STD]
5	AP8168904	Saddle cover, black	1	Technical Specifications: "R"acing GP1 Limited Ed.Version[RL]
6	AP8168108	Saddle cover base	1	
7	AP8149287	RH side panel	1	
8	AP8149288	LH side panel	1	
9	AP8126701	Saddle rubber	6	
10	AP8126702	Rubber spacer	2	
11	AP8144081	Rubber spacer	1	
12	AP8152246	Screw w/ flange M6x16	4	
13	AP8150413	Self-tap screw 3,9x14	6	
14	AP8121991	Bush	2	
15	AP8221145	T bush *	2	
16	AP8220349	Rubber spacer	4	
17	AP8138947	Saddle cover access door	1	
18	AP8117125	Adhesive sponge	2	
19	AP8134654	Plate	2	Technical Specifications: Double-saddle version[Bip]
20	AP8121811	T bush	2	
21	AP8148852	Air intake grid, LH	1	
22	AP8149354	Air intake grid, RH	1	
23	AP8150450	Washer for shafts D5	16	
24	AP8220238	Rubber spacer	2	
25	AP8152043	Hex socket screw M4x10	1	

Group	FRAME
Code	28.29
Description	Saddle
Service	1



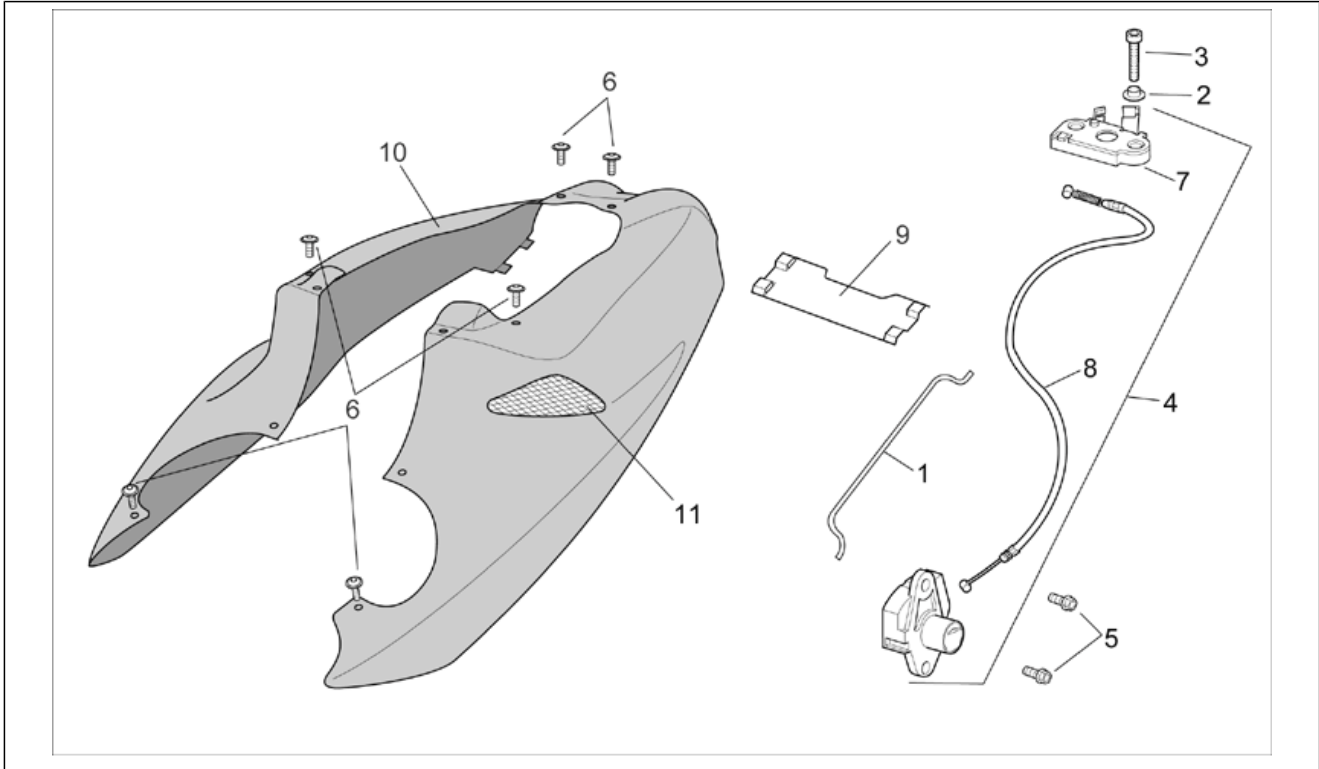
Pos.	Code	Description	Qty	Variants
26	AP8150011	Washer 4,3x12x1	1	

Group	FRAME
Code	28.30
Description	Rear body - Rear fairing
Service	1



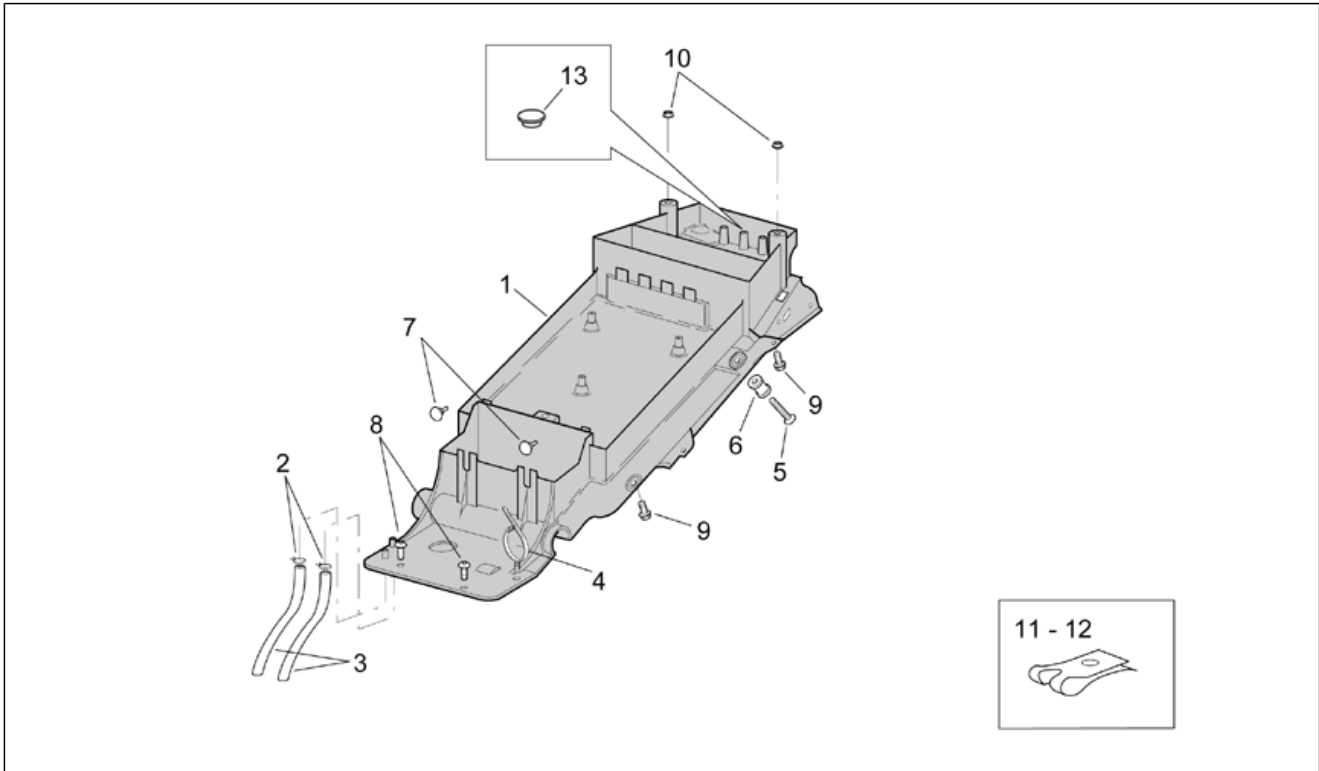
Pos.	Code	Description	Qty	Variants
1	AP8134396	Fuel tank support rod	1	
2	AP8221129	Bush	2	
3	AP8150285	Hex socket screw M6x35	2	
4	AP8102911	Saddle lock cpl.	1	
5	AP8152278	Screw w/ flange M6x16	2	
6	AP8152302	Screw w/ flange M5x12	10	
7	AP8102913	Pass.saddle connecting plate	1	
8	AP8102914	Saddle release cable	1	
9	AP8168111	Rear fairing, black	1	Technical Specifications: RSV Mille "R"acing Version[R], RSV Mille Version[STD]
9	AP8168905	Rear fairing, black	1	Technical Specifications: "R"acing GP1 Limited Ed.Version[RL]
10	AP8168109	Rear fairing, black	1	Year: 2003[3] Vehicle colour: Hot red 2003[red] Technical Specifications: RSV Mille Version[STD]
10	AP8168426	Rear fairing, black	1	Year: 2003[3] Vehicle colour: Flashy yellow "R"acing 2003[yell] Technical Specifications: RSV Mille "R"acing Version[R]
10	AP8168440	Rear fairing, black	1	Year: 2003[3] Vehicle colour: Aprilia Black 2003[black] Technical Specifications: RSV Mille Version[STD]
10	AP8168454	Rear fairing, black	1	Year: 2003[3] Vehicle colour: Lead grey 2003[grey] Technical Specifications: RSV Mille Version[STD]
10	AP8168470	Rear fairing, black	1	Year: 2003[3] Vehicle colour: Lead Grey "R"acing 2003[p.g] Technical Specifications: RSV Mille "R"acing Version[R]
10	AP8168470	Rear fairing, black	1	Year: 2003[3] Vehicle colour: Aprilia Black "R"acing 2003[rac] Technical Specifications: RSV Mille "R"acing Version[R]
10	AP8168903	Rear fairing, black	1	Year: 2003[3] Vehicle colour: Racing GP1 2003[gp1]

Group	FRAME
Code	28.30
Description	Rear body - Rear fairing
Service	1



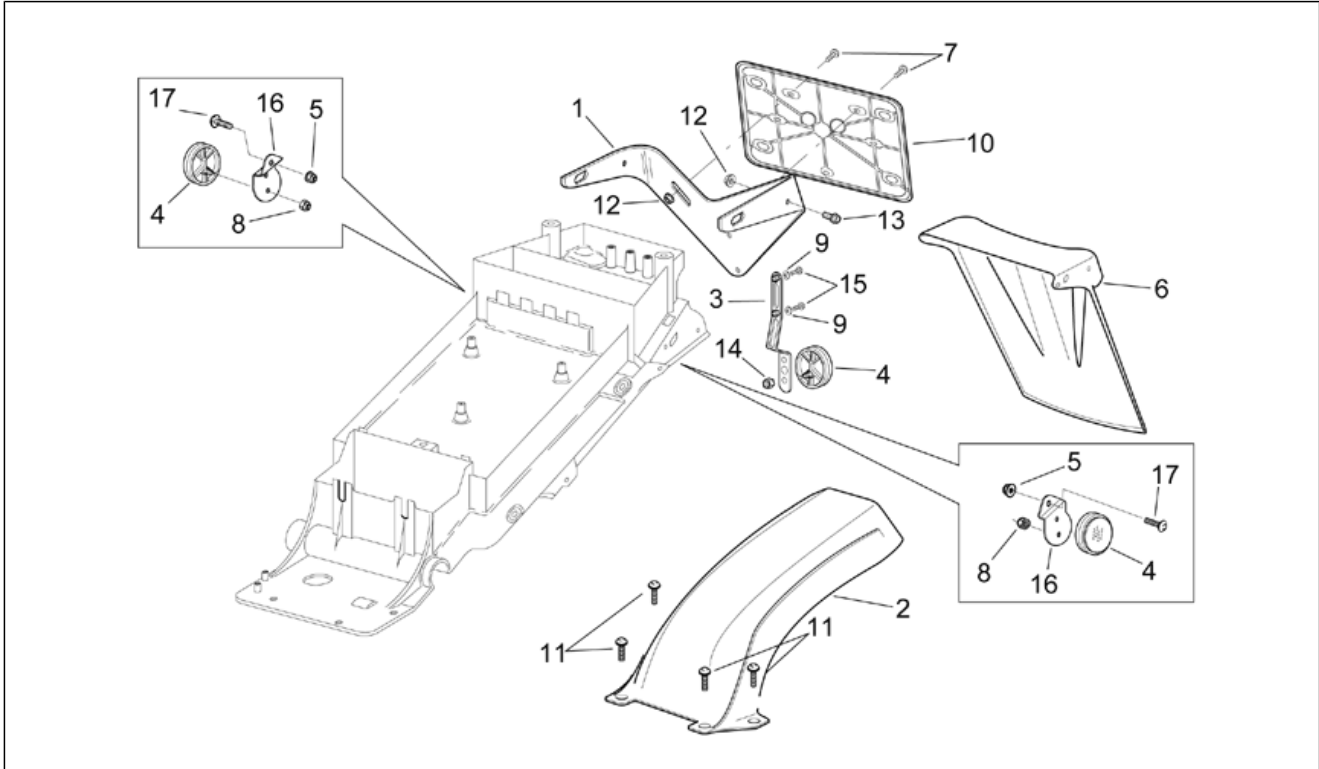
Pos.	Code	Description	Qty	Variants
				Technical Specifications: "R"acing GP1 Limited Ed.Version[RL]
11	AP8168112	Air intake grid	2	

Group	FRAME
Code	28.31
Description	Undersaddle
Service	1



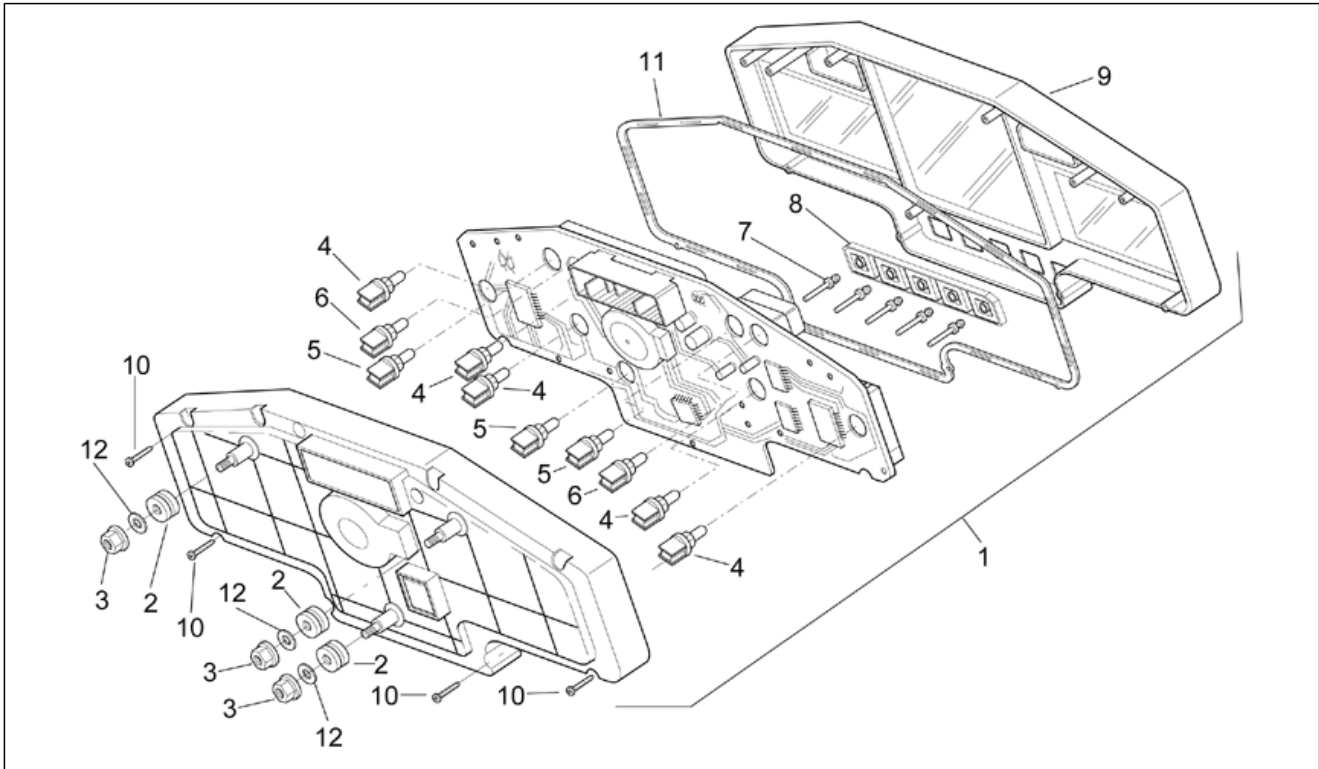
Pos.	Code	Description	Qty	Variants
1	AP8138591	Saddle supp.lower lockup	1	Country: Austria[A], Australia[AA], Australia[AUS], Belgium[B], Belgium[BB], Switzerland[CH], Germany[D], Denmark[DK], Spain[E], A, CH, D, DK, GR, E, I, NL, P[EU], France[F], Greece[GR], Italy[I], Japan[J], Japan[JJ], Holland[NL], Portugal[P], Great Britain[UK]
1	AP8149033	Saddle supp.lower lockup	1	Country: USA (49 Countries Approval)[AM], USA (California Approval)[CF], United States of America[USA]
2	AP8101595	Hose clamp D10,1	2	
3	AP8120952	Fuel pipe 5,5x10	1	
4	AP8201539	Hose clamp	1	
5	AP8150468	Screw M6x40	2	Technical Specifications: RSV Mille Version[STD]
5	AP8152278	Screw w/ flange M6x16	2	Technical Specifications: RSV Mille "R"acing Version[R], "R"acing GP1 Limited Ed.Version[RL]
6	AP8121890	Rear stand bush	2	Technical Specifications: RSV Mille Version[STD]
6	AP8150015	Washer 6,6x18x1,6*	2	Technical Specifications: RSV Mille "R"acing Version[R], "R"acing GP1 Limited Ed.Version[RL]
7	AP8120001	Rubber spacer	2	
8	AP8152246	Screw w/ flange M6x16	4	
9	AP8152278	Screw w/ flange M6x16	6	
10	AP8152299	Self-locking nut M6	2	
11	AP8102375	Clip m5	8	
12	AP8102376	Clip M6	1	
13	AP8102600	Cover	3	Country: Austria[A], Australia[AA], Australia[AUS], Belgium[B], Belgium[BB], Switzerland[CH], Germany[D], Denmark[DK], Spain[E], A, CH, D, DK, GR, E, I, NL, P[EU], France[F], France[FF], Greece[GR], Italy[I], Japan[J], Japan[JJ], Holland[NL], Portugal[P], Great Britain[UK]
13	AP8102600	Cover	3	Country: USA (49 Countries Approval)[AM], United States of America[USA] Technical Specifications: 49 Countries Approval[49st]

Group	FRAME
Code	28.32
Description	Rear mudguard
Service	1



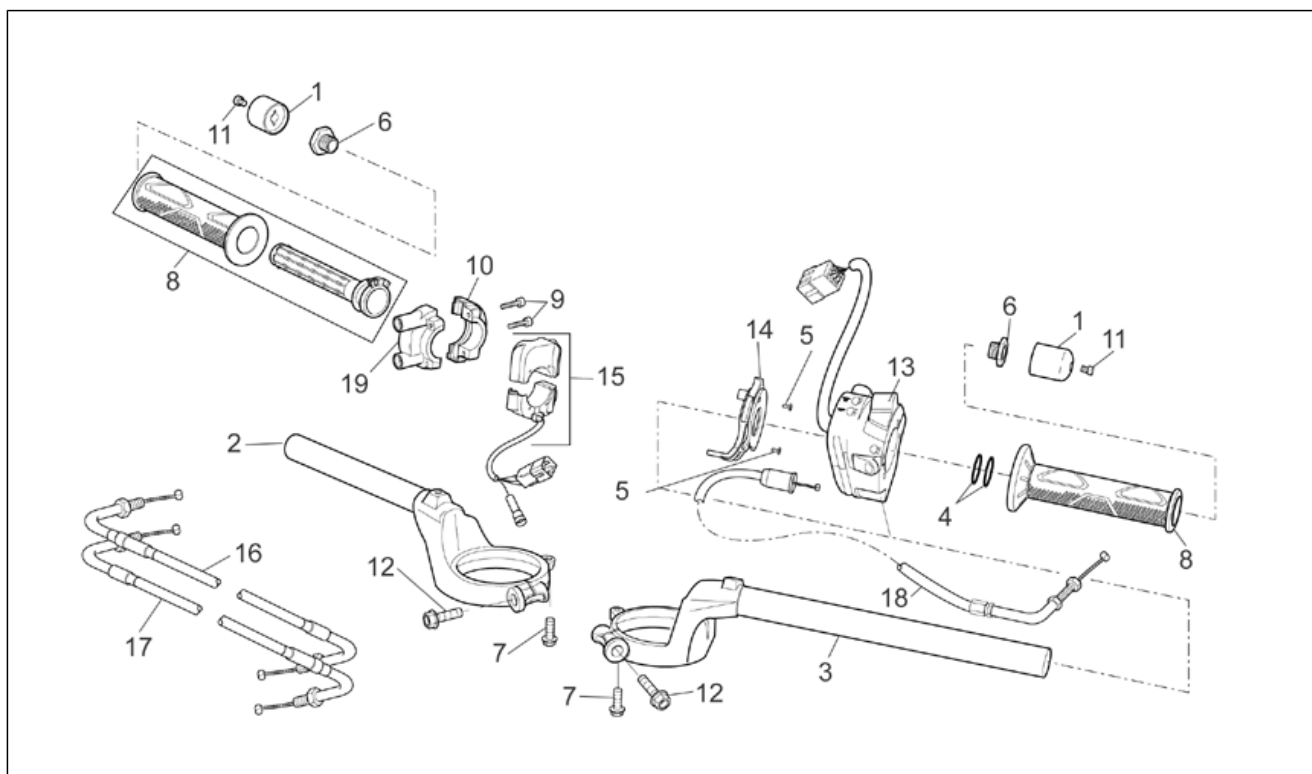
Pos.	Code	Description	Qty	Variants
1	AP8126775	Number plate support	1	
2	AP8126579	Low rear mudguard	1	Technical Specifications: RSV Mille Version[STD]
2	AP8126650	Rear mudguard, carb.	1	Technical Specifications: RSV Mille "R"acing Version[R]
2	AP8156088	Rear mudguard	1	Technical Specifications: "R"acing GP1 Limited Ed.Version[RL]
3	AP8134448	Reflector support	1	
4	AP8224164	Rear reflector, red	1	Country: Austria[A], Australia[AA], Australia[AUS], Belgium[B], Belgium[BB], Switzerland[CH], Germany[D], Denmark[DK], Spain[E], A, CH, D, DK, GR, E, I, NL, P[EU], France[F], France[FF], Greece[GR], Italy[I], Japan[J], Japan[JJ], Holland[NL], Portugal[P], Great Britain[UK]
4	AP8224164	Rear reflector, red	3	Country: USA (49 Countries Approval)[AM], USA (California Approval)[CF], United States of America[USA]
5	AP8152306	Self-locking nut m5	2	Country: USA (49 Countries Approval)[AM], USA (California Approval)[CF], United States of America[USA]
6	AP8126591	Number-plate extension	1	
7	AP8150340	Hex socket screw	2	
8	AP8150204	Nut M4	4	Country: USA (49 Countries Approval)[AM], USA (California Approval)[CF], United States of America[USA]
9	AP8150177	Washer 5,3X10X1	2	
10	AP8149034	Number plate support	1	Country: USA (49 Countries Approval)[AM], USA (California Approval)[CF], United States of America[USA]
11	AP8152298	Screw w/ flange M5x16	4	
12	AP8152299	Self-locking nut M6	4	
13	AP8152278	Screw w/ flange M6x16	2	
14	AP8152306	Self-locking nut m5	1	
15	AP8152267	Hex socket screw M5x12	2	
16	AP8148587	Reflector support	2	Country: USA (49 Countries Approval)[AM], USA (California Approval)[CF], United States of America[USA]
17	AP8152298	Screw w/ flange M5x16	2	Country: USA (49 Countries Approval)[AM], USA (California Approval)[CF], United States of America[USA]

Group	FRAME
Code	28.33
Description	Dashboard
Service	1



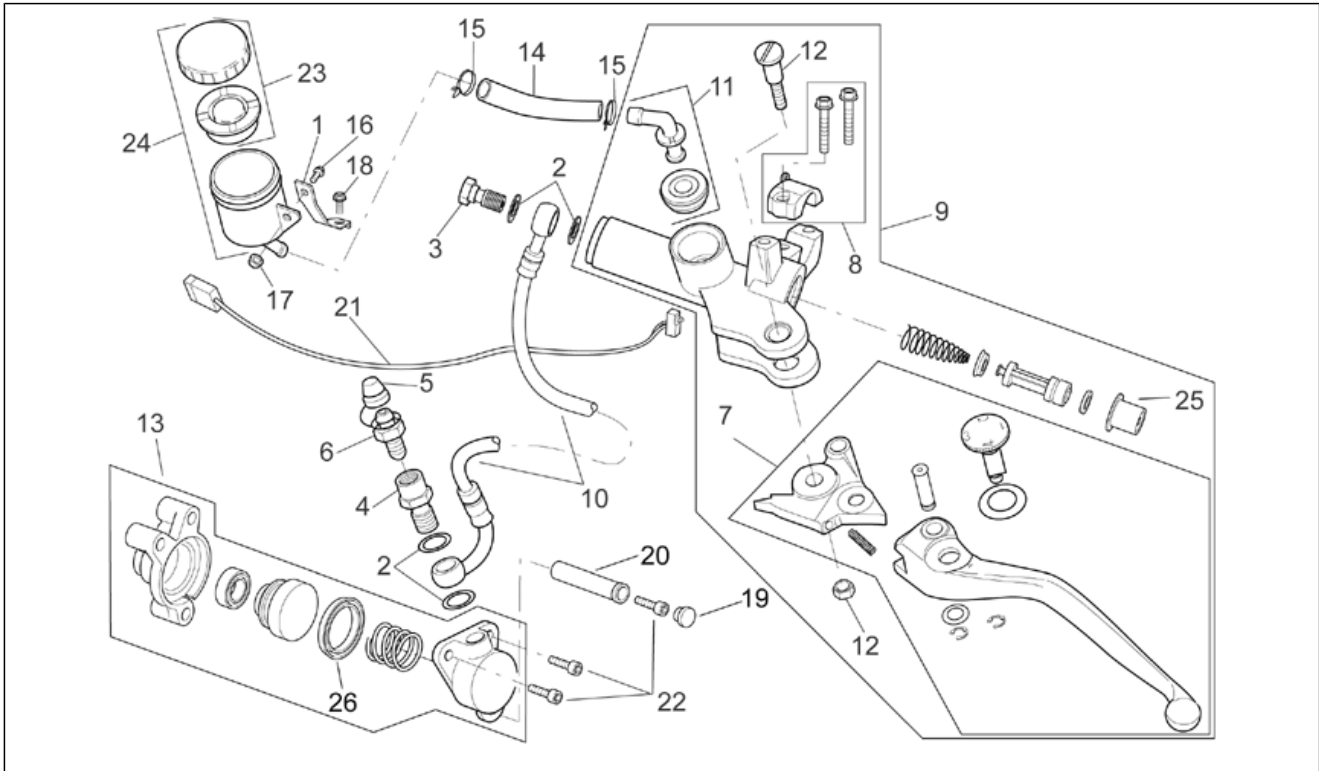
Pos.	Code	Description	Qty	Variants
1	AP8124990	Dashboard complete	1	
2	AP8112599	Rubber spacer *	3	
3	AP8152299	Self-locking nut M6	3	
4	AP8124569	Lampholder, complete	5	
5	AP8124570	Lampholder, complete	3	
6	AP8124571	Lampholder, complete 12V-3W	2	
7	AP8124575	Dashboard piston	5	
8	AP8124574	Dashboard rubber	1	
9	AP8124573	Up. Dashboard cover	1	
10	AP8124572	screw	8	
11	AP8144415	Gasket	1	
12	AP8150014	Washer 6,4x12,5*	3	

Group	FRAME
Code	28.34
Description	Handlebar
Service	1



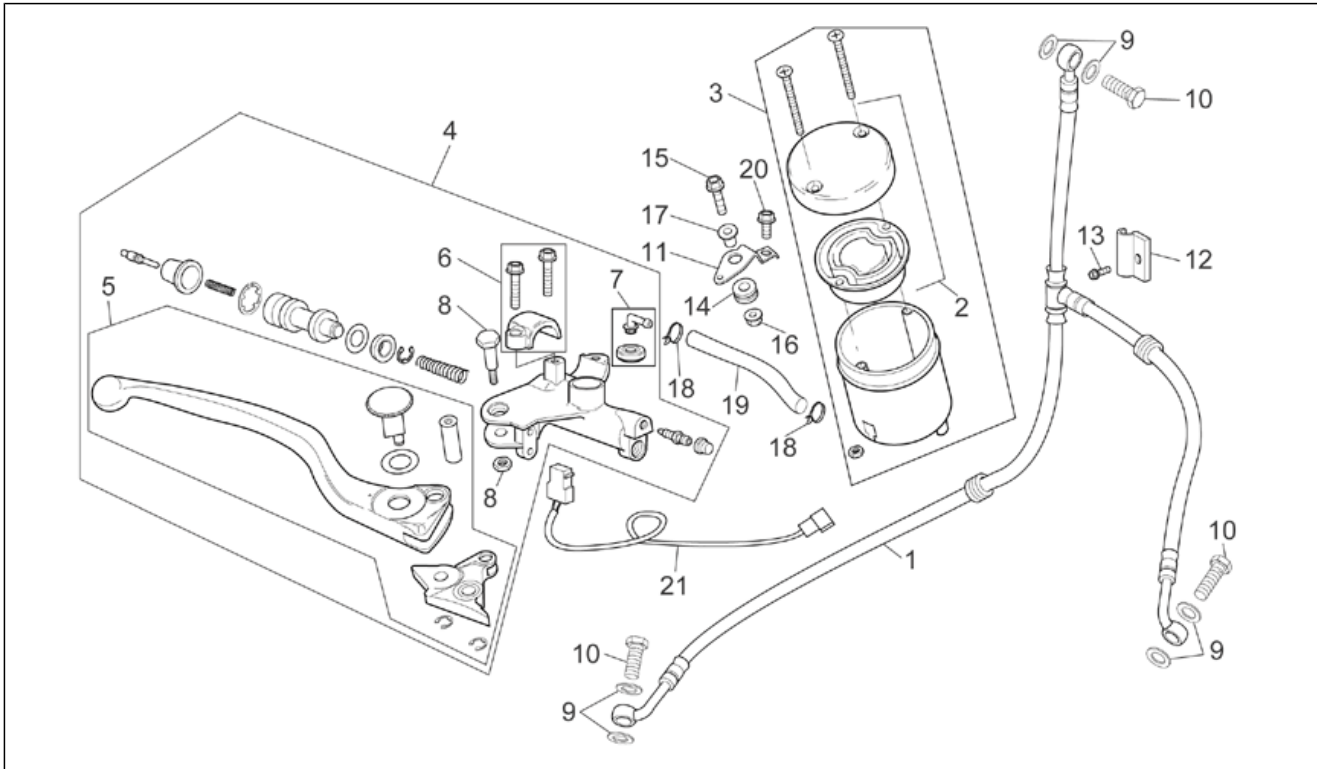
Pos.	Code	Description	Qty	Variants
1	AP8104509	Anti.v weight, black	2	
2	AP8118590	Right half handlebar d.53	1	Technical Specifications: RSV Mille Version[STD]
2	AP8118592	Right half handlebar d.51,1	1	Technical Specifications: RSV Mille "R"acing Version[R], "R"acing GP1 Limited Ed.Version[RL]
3	AP8118591	Left half handlebar d.53	1	Technical Specifications: RSV Mille Version[STD]
3	AP8118593	Left half handlebar d.51,1	1	Technical Specifications: RSV Mille "R"acing Version[R], "R"acing GP1 Limited Ed.Version[RL]
4	AP8120190	O-ring 3075	1	
5	AP8150472	TSPEI inox screw M3x20	2	
6	AP8121520	Anti vib.weight trailing	2	
7	AP8152279	Screw w/ flange M6x20	2	
8	AP8118501	Handgrip pair, black	1	
9	AP8118492	Cap screw	2	
10	AP8118567	Rear gas lever U-bolt	1	
11	AP8150508	Hex socket screw M6x45	2	
12	AP8152289	Screw w/ flange	2	
13	AP8127069	LH lights selector	1	Country: Austria[A], Australia[AA], Australia[AUS], Belgium[B], Belgium[BB], Switzerland[CH], Germany[D], Denmark[DK], Spain[E], A, CH, D, DK, GR, E, I, NL, P[EU], France[F], France[FF], Greece[GR], Italy[I], Holland[NL], Portugal[P], Great Britain[UK]
13	AP8127069	LH lights selector	1	Country: USA (49 Countries Approval)[AM], USA (California Approval)[CF], Japan[J], Japan[JJ], United States of America[USA]
14	AP8118470	Choke control	1	
15	AP8118580	Engine stop-start device	1	
16	AP8114404	Gas trasmission delivery	1	
17	AP8114405	Gas trasmission return	1	
18	AP8114359	Choke cable	1	
19	AP8118566	Front gas lever U-bolt	1	

Group	FRAME
Code	28.35
Description	Clutch pump
Service	1



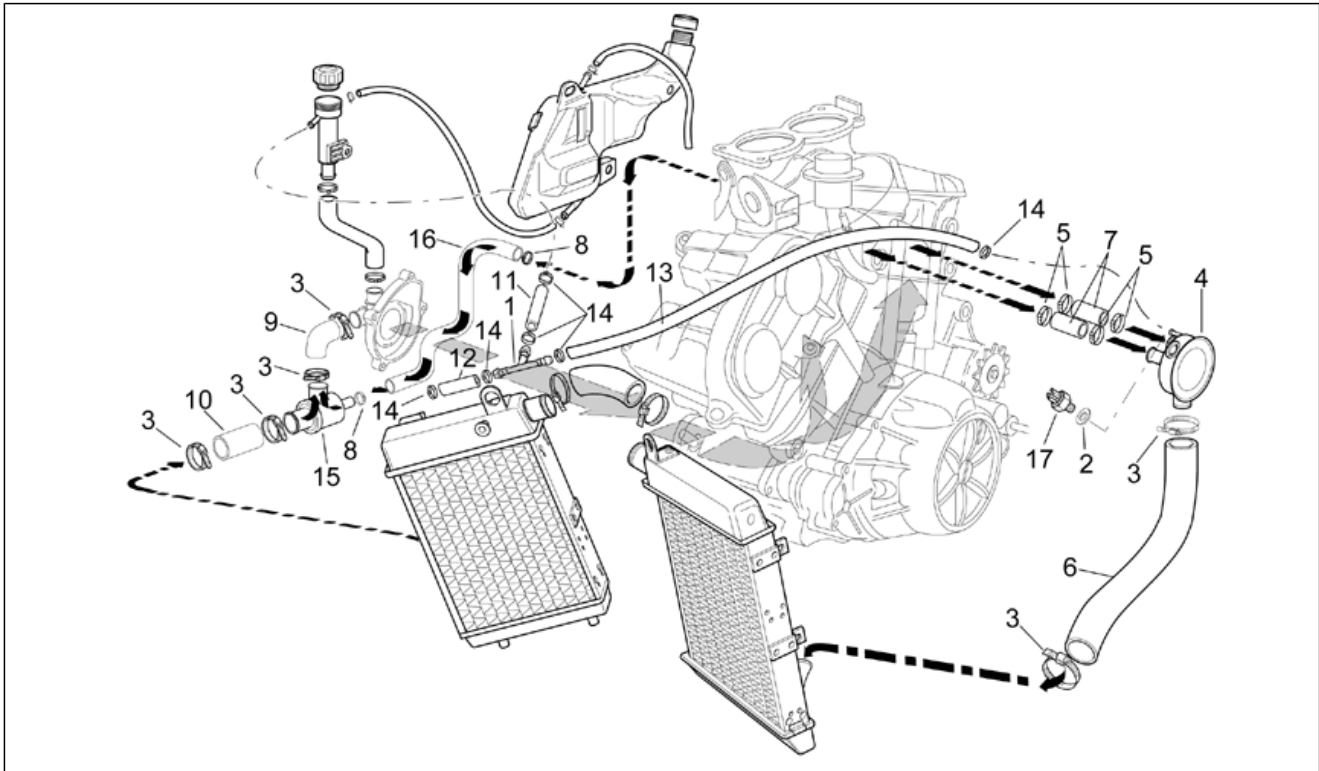
Pos.	Code	Description	Qty	Variants
1	AP8134394	Oil tank plate	1	
2	AP8121915	Gasket	4	
3	AP8113003	Oil pipe screw *	1	
4	AP8113762	Bored screw	1	
5	AP8113230	Bleed valve cap	1	
6	AP8113761	Air bleed valve	1	
7	AP8113758	Clutch lever	1	
8	AP8113759	U-bolt	1	
9	AP8106384	Clutch pump	1	
10	AP8106672	Clutch pipe	1	
11	AP8213057	Rear brake pump union	1	
12	AP8113719	Lever pin	1	
13	AP8106381	Clutch command cylinder	1	
14	AP8113773	pipe	1	
15	AP8113764	Hose clamp	2	
16	AP8152273	Screw w/ flange M5X15	1	
17	AP8152306	Self-locking nut m5	1	
18	AP8152277	Screw w/ flange M6x12	1	
19	AP8144158	Rubber spacer	1	
20	AP8121293	Fairing rubber spacer	1	
21	AP8124398	Clutch switch+harness	1	
22	AP0241821	Hex socket screw M6x45	1	
23	AP8113553	Tank cap	1	
24	AP8106382	Oil tank	1	
25	AP8133522	Guard	1	
26	AP8106935	Gasket	1	

Group	FRAME
Code	28.36
Description	Front master cilinder
Service	1



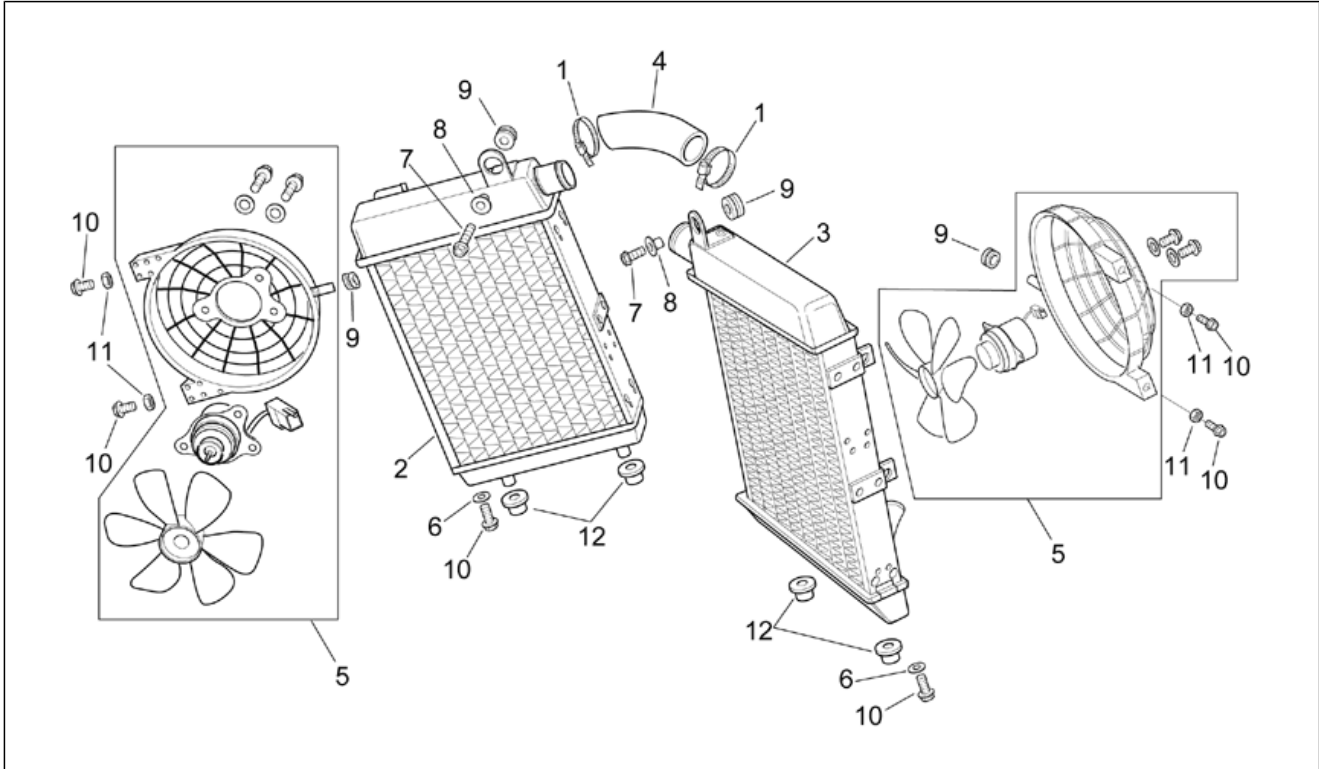
Pos.	Code	Description	Qty	Variants
1	AP8113874	Front brake hose	1	Technical Specifications: RSV Mille "R"acing Version[R], "R"acing GP1 Limited Ed.Version[RL]
1	AP8113976	Front brake hose	1	Technical Specifications: RSV Mille Version[STD]
2	AP8113598	Pil brake tank plug	1	
3	AP8113499	Brake oil tank	1	
4	AP8113969	Front master cilinder	1	
5	AP8113757	Front brake lever	1	
6	AP8113717	U-bolt	1	
7	AP8213057	Rear brake pump union	1	
8	AP8113719	Lever pin	1	
9	AP8121915	Gasket	6	
10	AP8113003	Oil pipe screw *	3	
11	AP8134383	Oil tank plate	1	
12	AP8134438	Brake hose hanger	1	
13	AP8152272	Screw w/ flange M5x12	1	
14	AP8120030	Rubber spacer	1	
15	AP8152280	Screw w/ flange M6x25	1	
16	AP8152299	Self-locking nut M6	1	
17	AP8221023	T bush	1	
18	AP8101595	Hose clamp D10,1	2	
19	AP8144151	Rubber pipe	1	
20	AP8152277	Screw w/ flange M6x12	1	
21	AP8124288	Stop switch	1	

Group	FRAME
Code	28.37
Description	Cooling system
Service	1



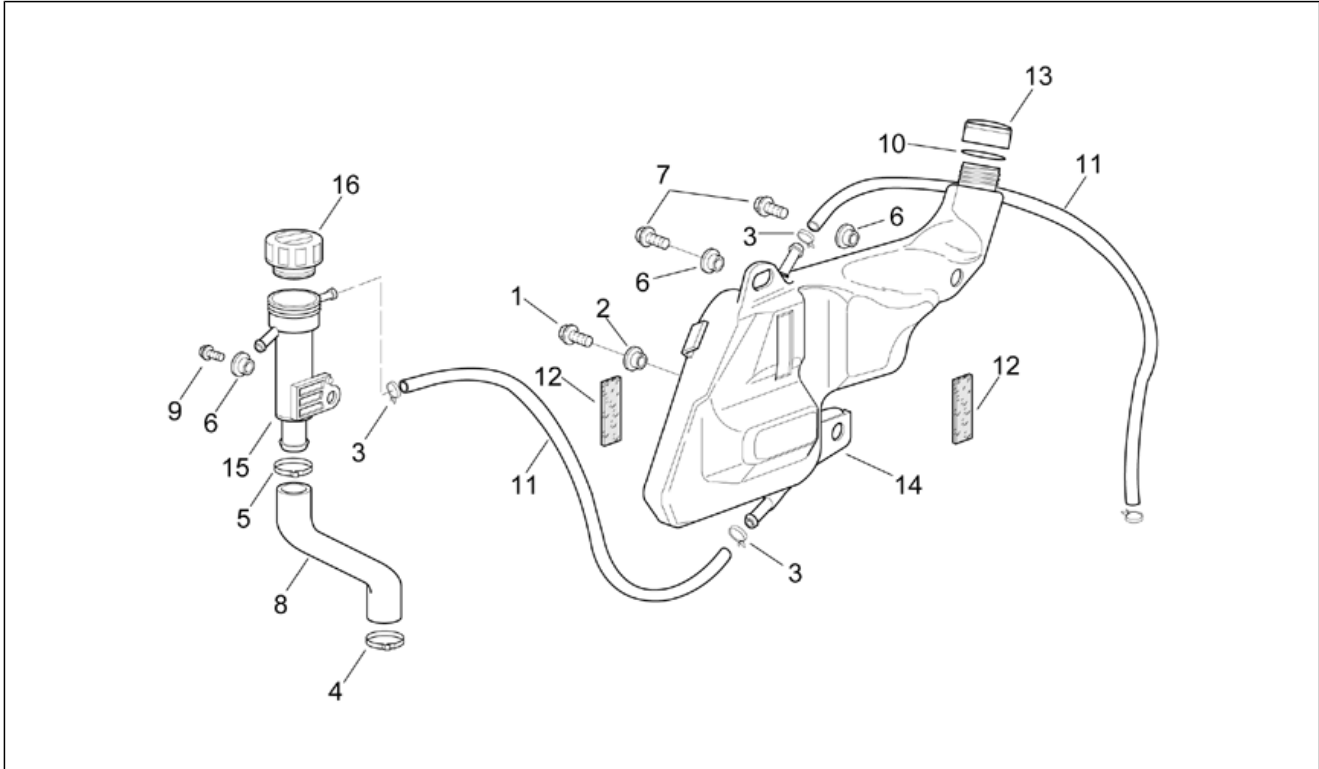
Pos.	Code	Description	Qty	Variants
1	AP8102431	3-way union	1	
2	AP8121837	Aluminium washer	1	
3	AP8104097	Hose clamp	6	
4	AP8102677	Three-way manifold	1	
5	AP8102732	Hose clamp 17-25	4	
6	AP8120978	Water hose manifold/cooler	1	
7	AP8120979	Engine-manifold pipe	2	
8	AP8101927	Hose clip D23,5x8*	2	
9	AP8144033	Thermostat-pump pipe	1	
10	AP8144034	Thermostat-cooler pipe	1	
11	AP8144094	Union-manifold breather pipe	1	
12	AP8144093	Manifold-union breather pipe	1	
13	AP8144092	Manifold breather pipe	1	
14	AP8102764	White hose clip d.13x6	6	
15	AP8124929	Thermostat valve set 75°C	1	
16	AP8120980	Thermostat-engine pipe	1	
17	AP8112939	Thermal switch	1	

Group	FRAME
Code	28.38
Description	Water coolers
Service	1



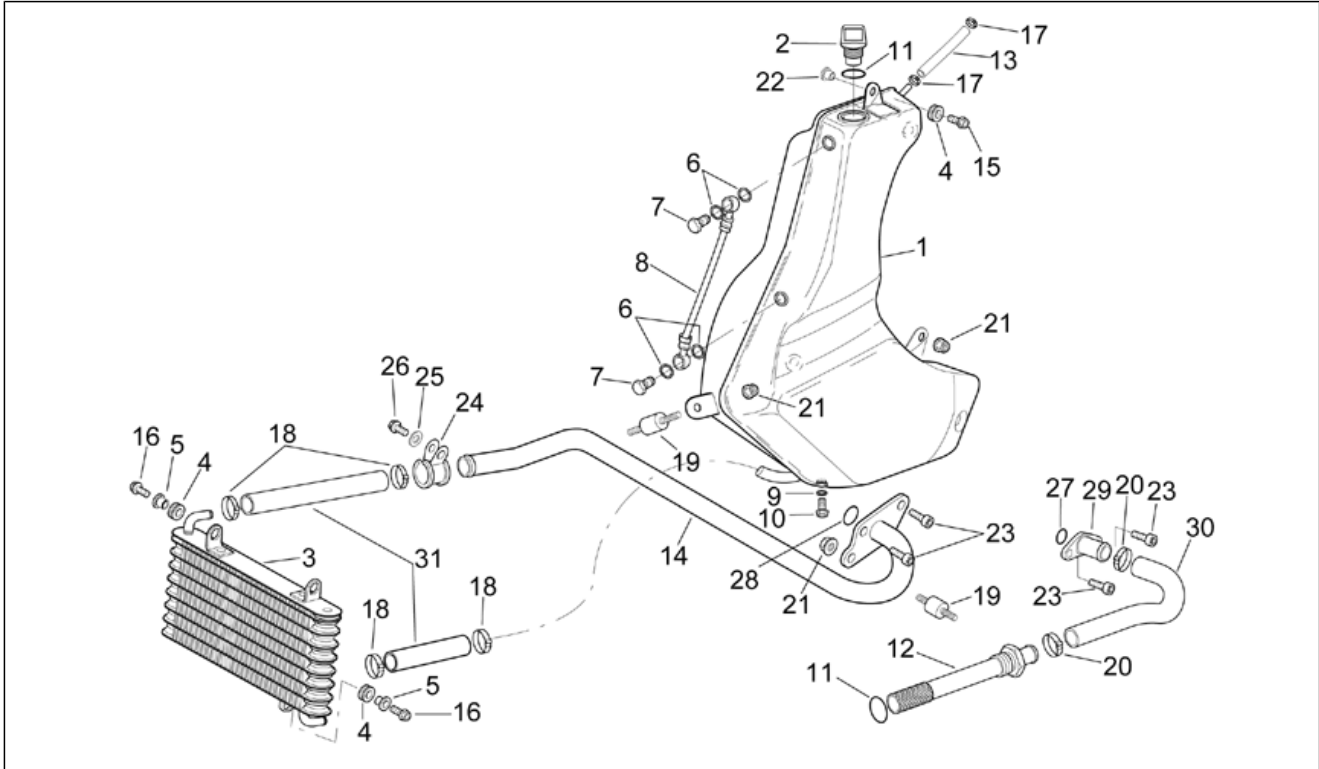
Pos.	Code	Description	Qty	Variants
1	AP8104097	Hose clamp	2	
2	AP8102952	Water cooler, RH black	1	
3	AP8102951	Water cooler, LH black	1	
4	AP8120981	Water hose coolers	1	
5	AP8124855	Fan, cpl.	2	
6	AP8152184	Washer 6,4x12*	2	
7	AP8152279	Screw w/ flange M6x20	2	
8	AP8221023	T bush	2	
9	AP8112600	Rubber spacer	2	
10	AP8152277	Screw w/ flange M6x12	6	
11	AP8150026	Nut M6	4	
12	AP8101372	Silent-block	4	

Group	FRAME
Code	28.39
Description	Expansion tank
Service	1



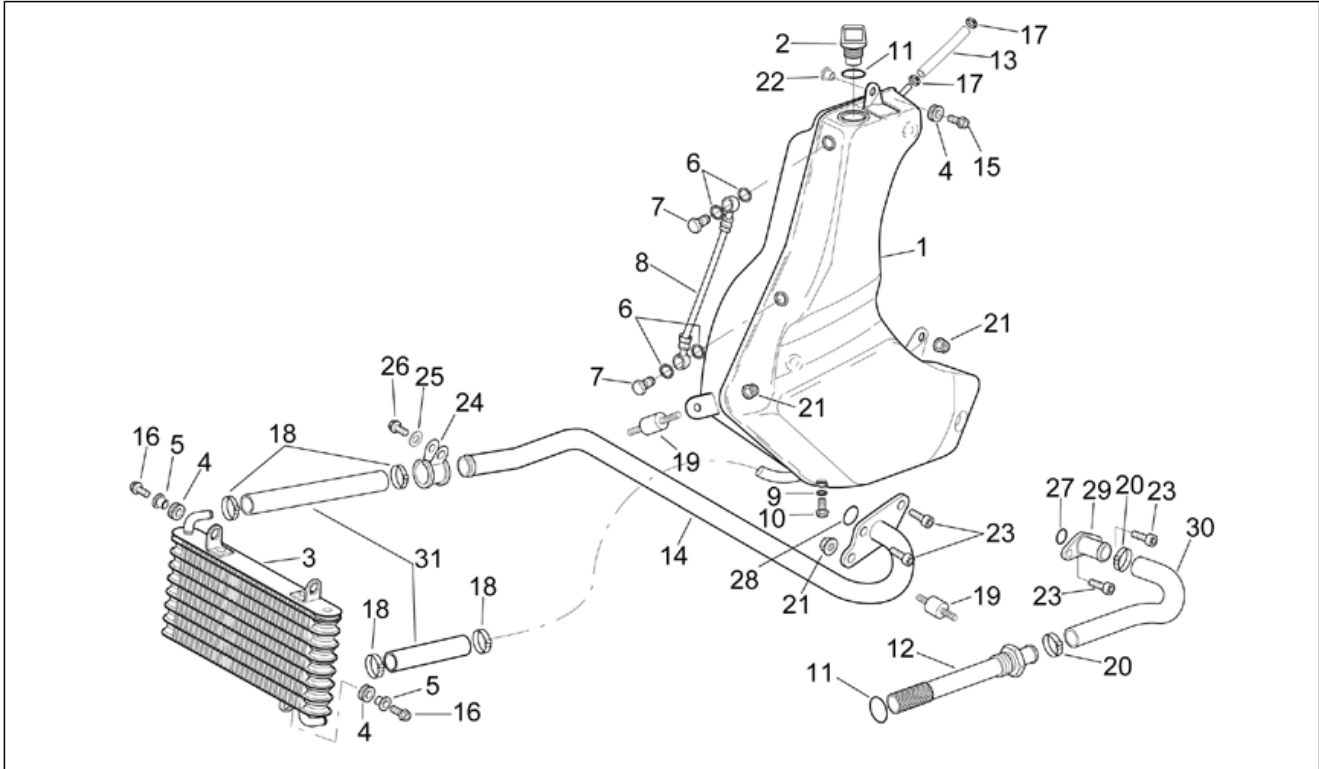
Pos.	Code	Description	Qty	Variants
1	AP8152273	Screw w/ flange M5X15	1	
2	AP8120531	Rubber w/ insert	1	
3	AP8102378	Hose clamp D11,3	3	
4	AP8102732	Hose clamp 17-25	1	
5	AP8101927	Hose clip D23,5x8*	1	
6	AP8221145	T bush *	3	
7	AP8152278	Screw w/ flange M6x16	2	
8	AP8144032	Pump-Inlet pipe	1	
9	AP8152279	Screw w/ flange M6x20	1	
10	AP8220191	Gasket	1	
11	AP8120952	Fuel pipe 5,5x10	1	
12	AP8117033	Adhesive sponge	1	
13	AP8104124	Expansion tank plug	1	Country: Austria[A], Australia[AA], Australia[AUS], Belgium[B], Belgium[BB], Switzerland[CH], Germany[D], Denmark[DK], Spain[E], A, CH, D, DK, GR, E, I, NL, P[EU], France[F], France[FF], Greece[GR], Italy[I], Japan[J], Japan[JJ], Holland[NL], Portugal[P], Great Britain[UK]
13	AP8104124	Expansion tank plug	1	Country: USA (49 Countries Approval)[AM], United States of America[USA] Technical Specifications: 49 Countries Approval[49st]
13	AP8120354	Cover	1	Country: USA (California Approval)[CF], United States of America[USA] Technical Specifications: California Approval[cal]
14	AP8138556	Expansion tank	1	
15	AP8120988	Filler cap	1	
16	AP8102615	Cover	1	

Group	FRAME
Code	28.40
Description	Oil tank
Service	1



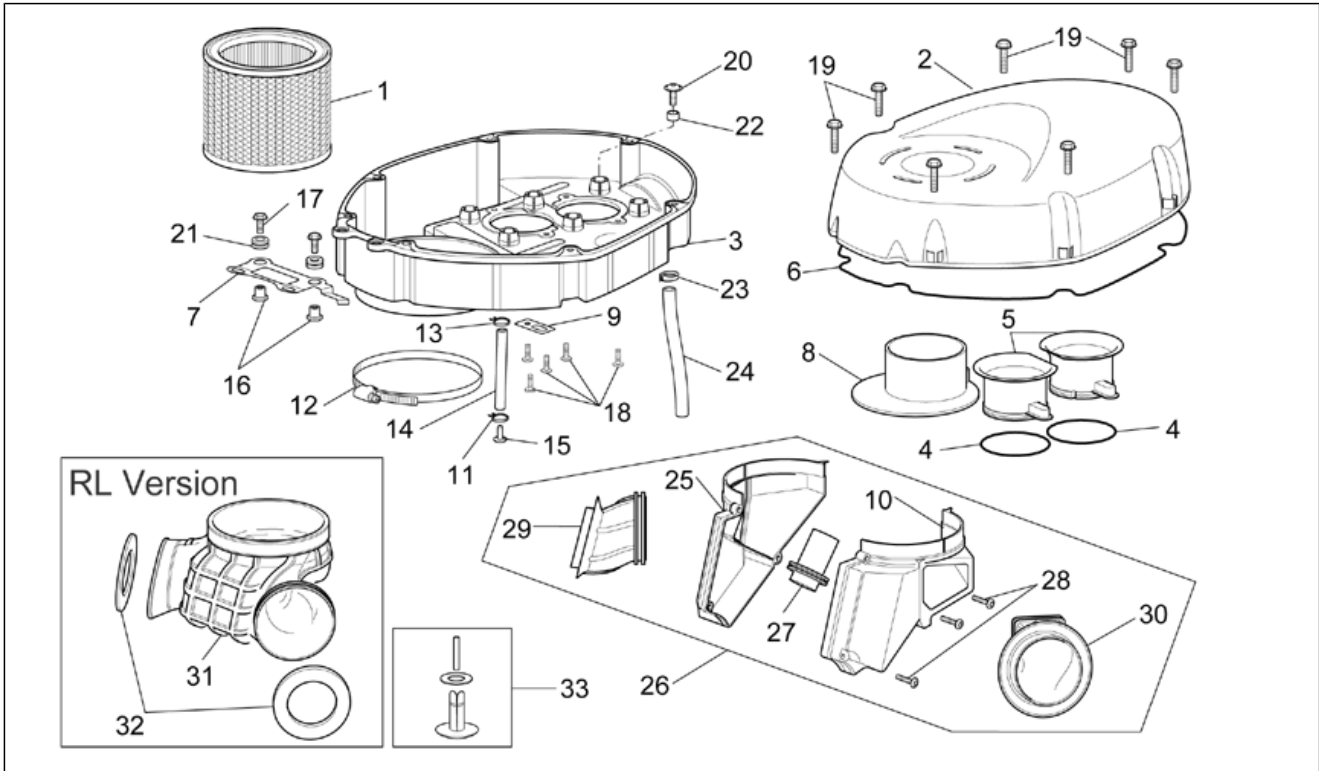
Pos.	Code	Description	Qty	Variants
1	AP8138558	Oil tank	1	Technical Specifications: RSV Mille Version[STD]
1	AP8148427	Oil tank	1	Technical Specifications: RSV Mille "R"acing Version[R], "R"acing GP1 Limited Ed.Version[RL]
2	AP8102618	Oil filler cap	1	
3	AP8104100	Oil cooler, black	1	
4	AP8120030	Rubber spacer	4	
5	AP8221023	T bush	3	
6	AP8113004	Washer 10x14x1,6*	4	
7	AP8113003	Oil pipe screw *	2	
8	AP8144275	Oil level pipe	1	
9	AP8121862	Washer D8x16x1,5	1	
10	AP8152285	Screw w/ flange	1	
11	AP8120190	O-ring 3075	2	
12	AP8102828	Oil filter cpl.	1	
13	AP8144015	Oil pipe 6x12	1	
14	AP8106388	Oil pipe	1	
15	AP8152277	Screw w/ flange M6x12	1	
16	AP8152279	Screw w/ flange M6x20	3	
17	AP8120446	Hose clip, green D11x6,6x1	2	
18	AP8102349	White hose clip D17,5x8	4	
19	AP8144061	Silent-block	2	
20	AP8102786	Hose clip 20x8	2	
21	AP8152299	Self-locking nut M6	3	
22	AP8121731	T bush *	1	
23	AP8150137	Hex socket screw M6x16	4	
24	AP8102731	Hose clamp	1	
25	AP8152181	Washer 6,4x15x1	2	
26	AP8152278	Screw w/ flange M6x16	1	

Group	FRAME
Code	28.40
Description	Oil tank
Service	1



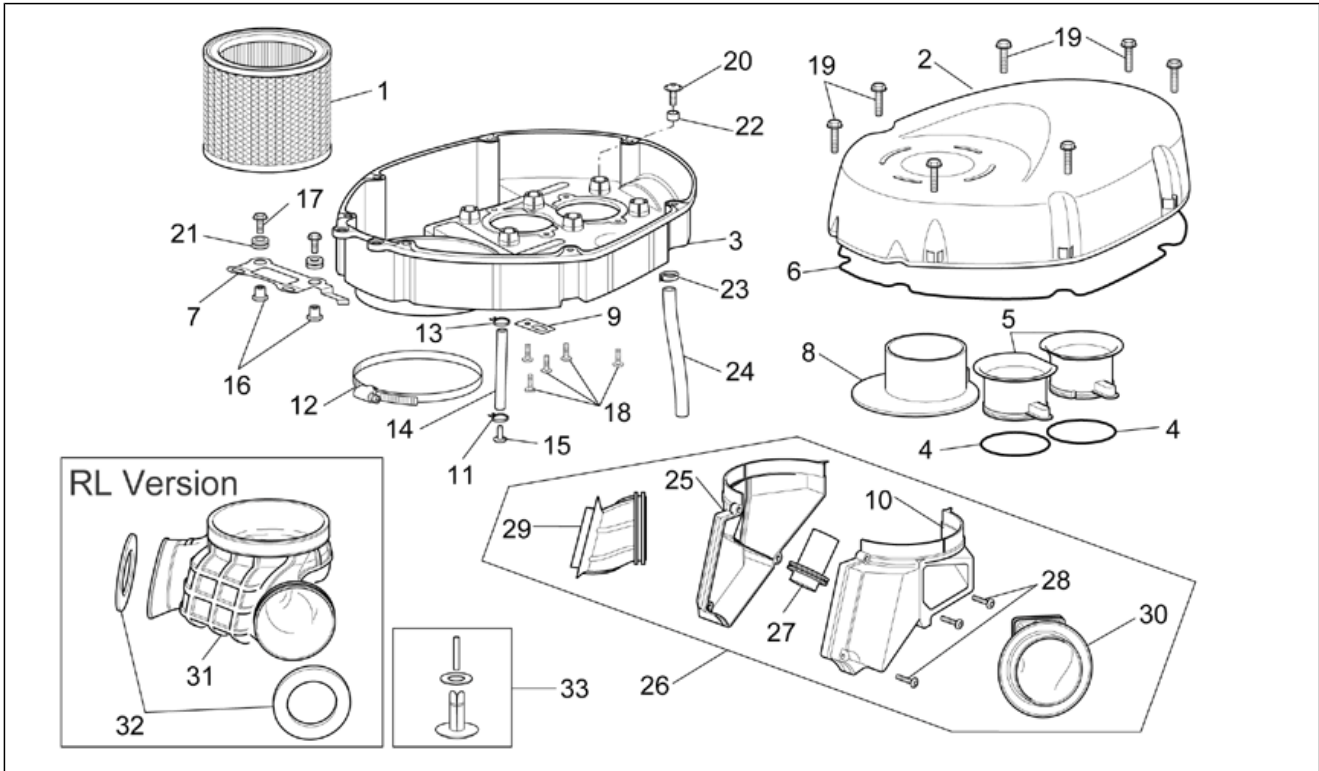
Pos.	Code	Description	Qty	Variants
27	AP8120196	O-ring 3056	1	
28	AP8144008	O-ring 115	1	
29	AP8106387	Oil pipe	1	
30	AP8144090	Oil pipe	1	
31	AP8106389	Oil pipe 12x19	1	

Group	FRAME
Code	28.41
Description	Air box
Service	1



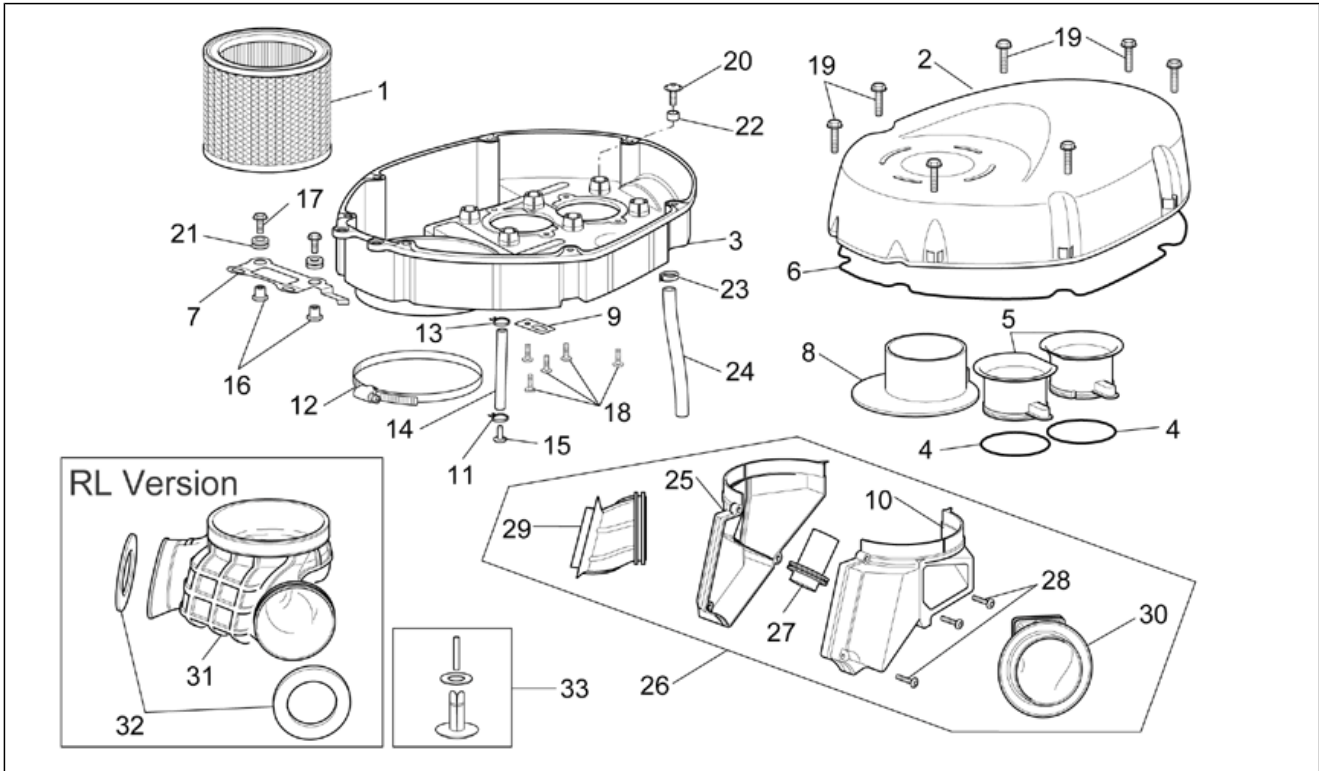
Pos.	Code	Description	Qty	Variants
1	AP8104211	Air filter	1	
2	AP8148825	Upper side filter case	1	
3	AP8149667	Lower side filter case	1	Country: USA (California Approval)[CF], United States of America[USA] Technical Specifications: 49 Countries Approval[49st], RSV Mille "R"acing Version[R], RSV Mille Version[STD]
3	AP8149667	Lower side filter case	1	Country: Austria[A], Australia[AA], Australia[AUS], Belgium[B], Belgium[BB], Switzerland[CH], Germany[D], Denmark[DK], Spain[E], A, CH, D, DK, GR, E, I, NL, P[EU], Greece[GR], Italy[I], Japan[J], Japan[JJ], Holland[NL], Portugal[P], Great Britain[UK] Technical Specifications: RSV Mille "R"acing Version[R], RSV Mille Version[STD]
3	AP8149669	Lower side filter case	1	Country: USA (California Approval)[CF], United States of America[USA] Technical Specifications: "R"acing GP1 Limited Ed.Version[RL], Tolerance standard[S]
3	AP8149669	Lower side filter case	1	Country: USA (49 Countries Approval)[AM], United States of America[USA] Technical Specifications: California Approval[cal], RSV Mille "R"acing Version[R], RSV Mille Version[STD]
3	AP8149723	Lower side filter case	1	Country: France[F], France[FF] Technical Specifications: RSV Mille "R"acing Version[R], RSV Mille Version[STD]
3	AP8168761	Lower side filter case	1	Country: Austria[A], Australia[AA], Australia[AUS], Belgium[B], Belgium[BB], Switzerland[CH], Germany[D], Denmark[DK], Spain[E], A, CH, D, DK, GR, E, I, NL, P[EU], Greece[GR], Italy[I], Japan[J], Japan[JJ], Holland[NL], Portugal[P], Great Britain[UK] Technical Specifications: "R"acing GP1 Limited Ed.Version[RL]
3	AP8168761	Lower side filter case	1	Country: USA (California Approval)[CF], United States of America[USA] Technical Specifications: Version for Power Kit[K], "R"acing GP1 Limited Ed.Version[RL]

Group	FRAME
Code	28.41
Description	Air box
Service	1

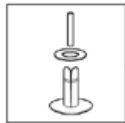
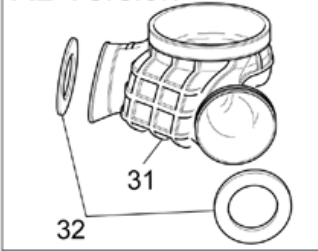


Pos.	Code	Description	Qty	Variants
4	AP8144063	O-ring 159	2	
5	AP8106395	Intake opening	2	Country: USA (California Approval)[CF], United States of America[USA] Technical Specifications: "R"acing GP1 Limited Ed.Version[RL], Tolerance standard[S]
5	AP8106395	Intake opening	2	Technical Specifications: RSV Mille "R"acing Version[R], RSV Mille Version[STD]
5	AP8176046	Intake opening	2	Country: USA (California Approval)[CF], United States of America[USA] Technical Specifications: Version for Power Kit[K], "R"acing GP1 Limited Ed.Version[RL]
5	AP8176046	Intake opening	2	Country: Austria[A], Australia[AA], Australia[AUS], Belgium[B], Belgium[BB], Switzerland[CH], Germany[D], Denmark[DK], Spain[E], A, CH, D, DK, GR, E, I, NL, P[EU], Greece[GR], Italy[I], Japan[J], Japan[JJ], Holland[NL], Portugal[P], Great Britain[UK] Technical Specifications: "R"acing GP1 Limited Ed.Version[RL]
6	AP8120615	Gasket D3	1	
7	AP8134625	Filter case front. supp.	1	
8	AP8134493	Reduction diaphragm	1	Country: Australia[AA], Australia[AUS] Technical Specifications: Power 72 Kw[72Kw], RSV Mille "R"acing Version[R], RSV Mille Version[STD]
8	AP8134739	Reduction diaphragm	1	Country: USA (California Approval)[CF], United States of America[USA] Technical Specifications: "R"acing GP1 Limited Ed.Version[RL], Tolerance standard[S]
8	AP8134739	Reduction diaphragm	1	Country: USA (49 Countries Approval)[AM], Belgium[B], Belgium[BB], USA (California Approval)[CF], United States of America[USA] Technical Specifications: RSV Mille "R"acing Version[R], RSV Mille Version[STD]
8	AP8134739	Reduction diaphragm	1	Country: Australia[AA], Australia[AUS]

Group	FRAME
Code	28.41
Description	Air box
Service	1

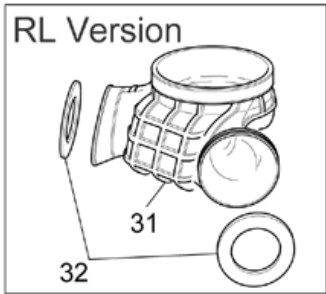
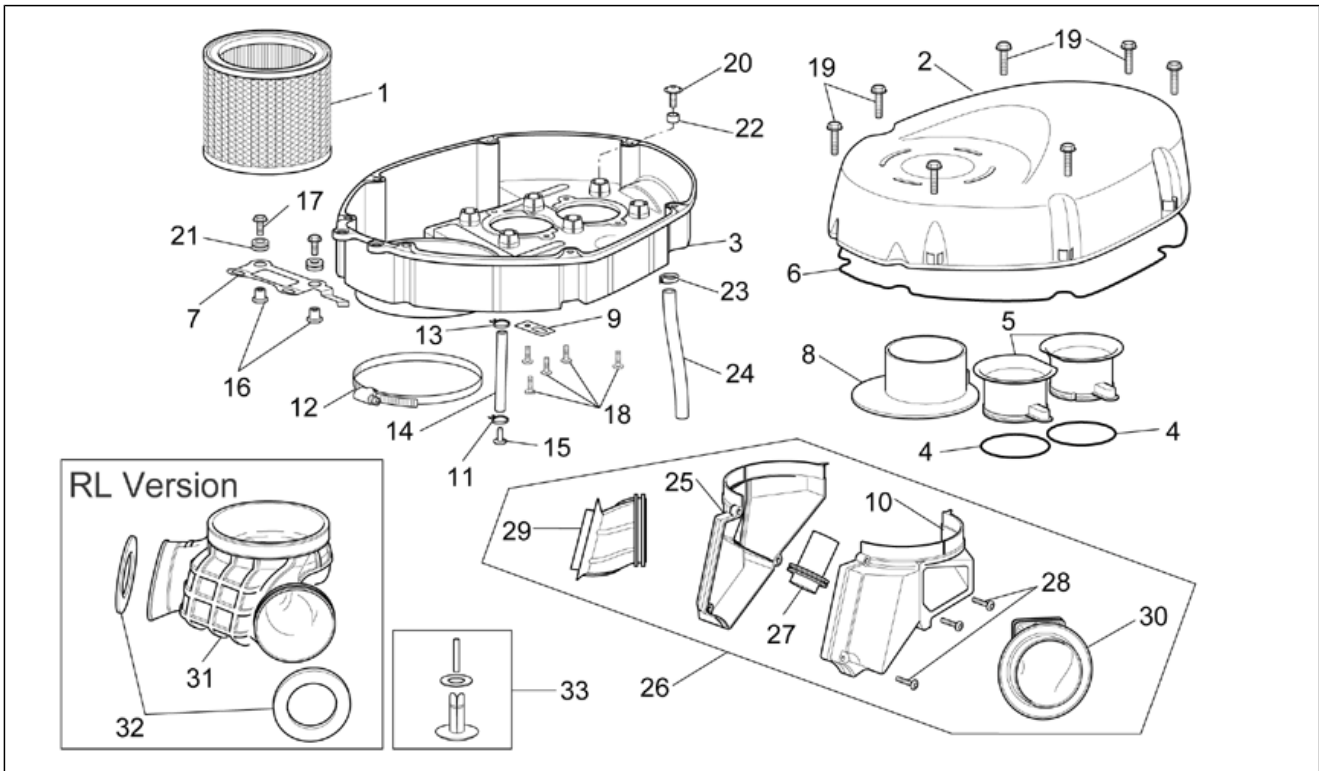


RL Version



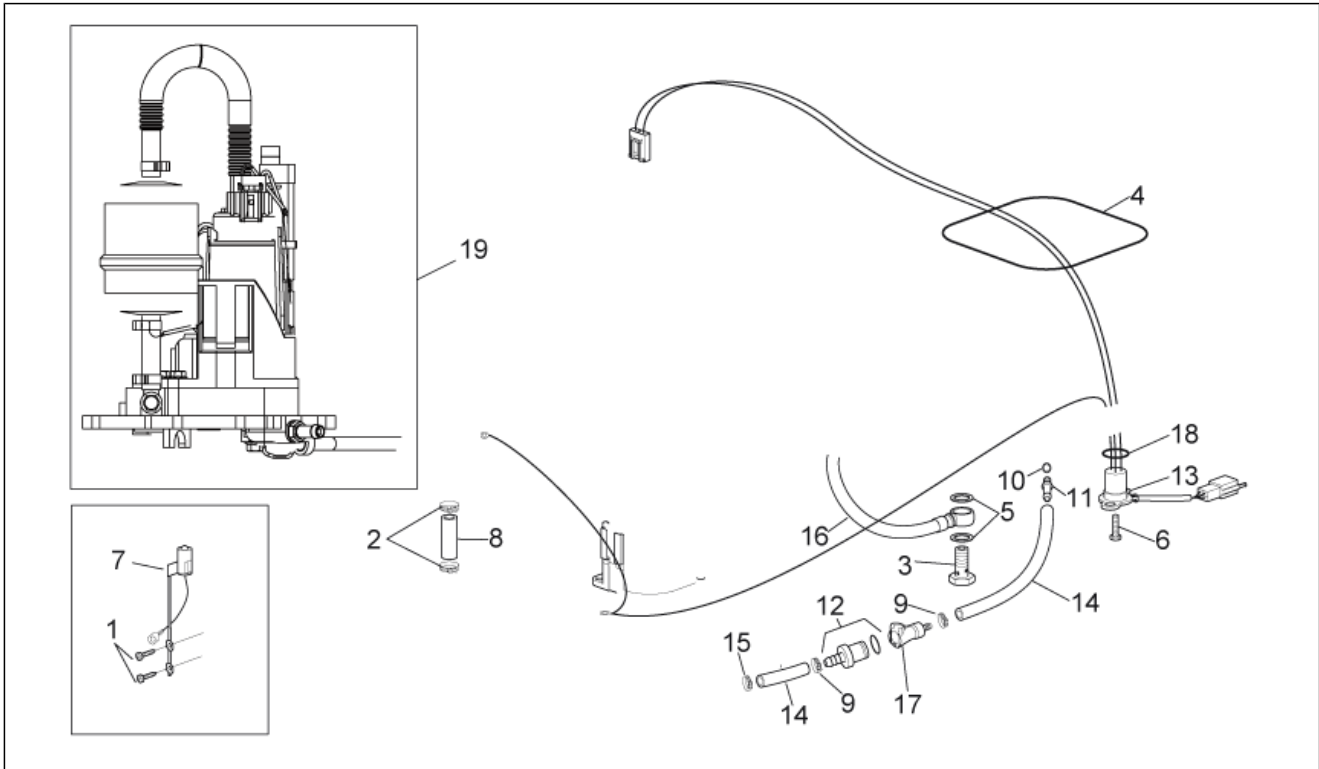
Pos.	Code	Description	Qty	Variants
				Technical Specifications: Full Power Version[F.P.], RSV Mille "R"acing Version[R], RSV Mille Version[STD]
8	AP8134739	Reduction diaphragm	1	Country: Austria[A], Switzerland[CH], Germany[D], Denmark[DK], Spain[E], A, CH, D, DK, GR, E, I, NL, P[EU], Greece[GR], Italy[I], Japan[J], Japan[J], Holland[NL], Portugal[P], Great Britain[UK] Technical Specifications: RSV Mille "R"acing Version[R], RSV Mille Version[STD]
8	AP8176047	Reduction diaphragm	1	Country: USA (California Approval)[CF], United States of America[USA] Technical Specifications: Version for Power Kit[K], "R"acing GP1 Limited Ed.Version[RL]
8	AP8176047	Reduction diaphragm	1	Country: Austria[A], Switzerland[CH], Germany[D], Denmark[DK], Spain[E], A, CH, D, DK, GR, E, I, NL, P[EU], Greece[GR], Italy[I], Japan[J], Japan[J], Holland[NL], Portugal[P], Great Britain[UK] Technical Specifications: "R"acing GP1 Limited Ed.Version[RL]
9	AP8134437	Plate	1	
10	AP8106813	LH intake manifold	1	
11	AP8102377	Hose clamp D9,1*	1	
12	AP8102763	Hose clamp 100-120	1	
13	AP8101595	Hose clamp D10,1	1	
14	AP8144038	Fuel pipe 6x10	1	
15	AP8120876	Plug	1	
16	AP8121731	T bush *	2	
17	AP8152277	Screw w/ flange M6x12	2	
18	AP8150413	Self-tap screw 3,9x14	8	
19	AP8152273	Screw w/ flange M5X15	7	
20	AP8152246	Screw w/ flange M6x16	6	
21	AP8120030	Rubber spacer	2	
22	AP8120253	Spacer	6	

Group	FRAME
Code	28.41
Description	Air box
Service	1



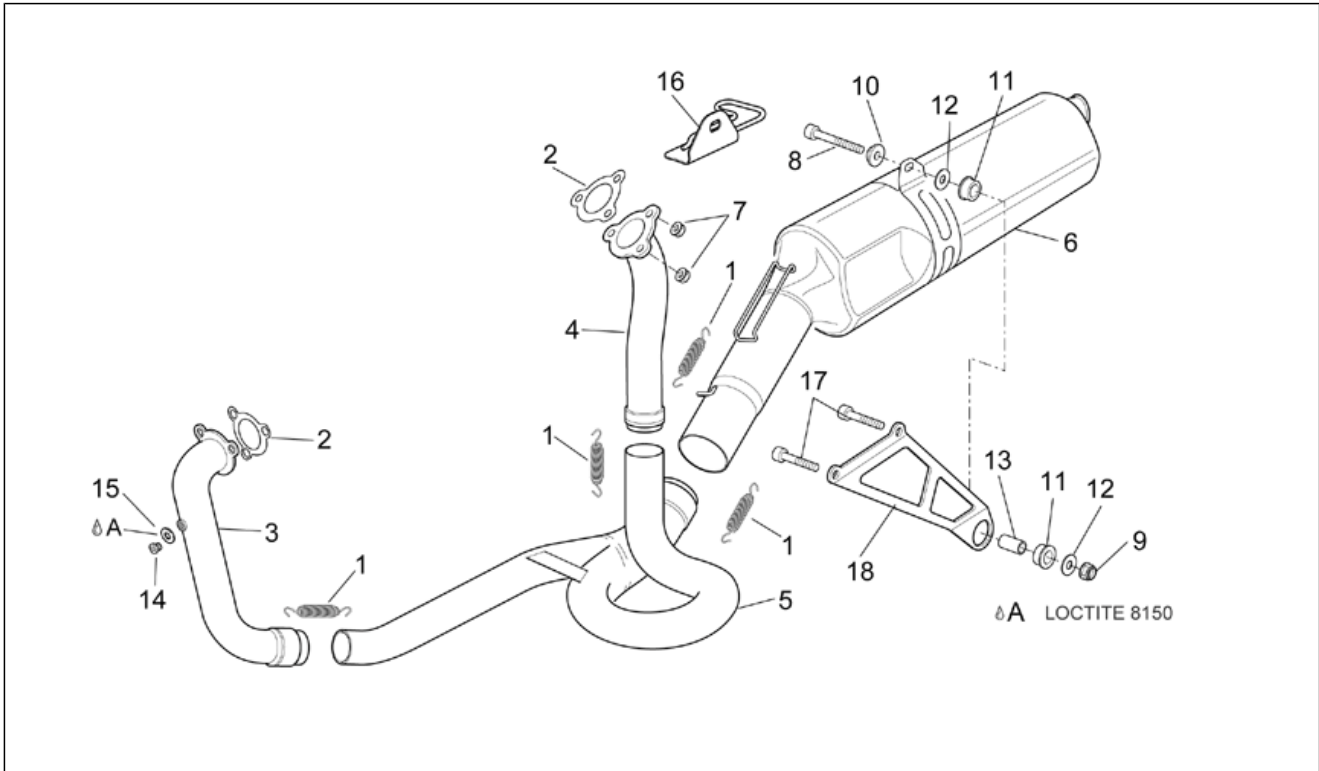
Pos.	Code	Description	Qty	Variants
23	AP8102766	Hose clamp	2	
24	AP8120987	pipe 9x14	1	
25	AP8106812	RH intake manifold	1	
26	AP8144414	Intake hose	1	
27	AP8144383	Choke hold	1	
28	AP8221242	Spec. self-tap screw 3,5x20	3	
29	AP8144381	Intake hose RH	1	
30	AP8144382	Intake hose LH	1	
31	AP8138555	Intake hose	1	Technical Specifications: "R"acing GP1 Limited Ed.Version[RL]
32	AP8144176	Intake hose gasket	2	Technical Specifications: "R"acing GP1 Limited Ed.Version[RL]
33	AP8220471	Plastic rivet	1	Technical Specifications: "R"acing GP1 Limited Ed.Version[RL]

Group	FRAME
Code	28.42
Description	Fuel pump
Service	1



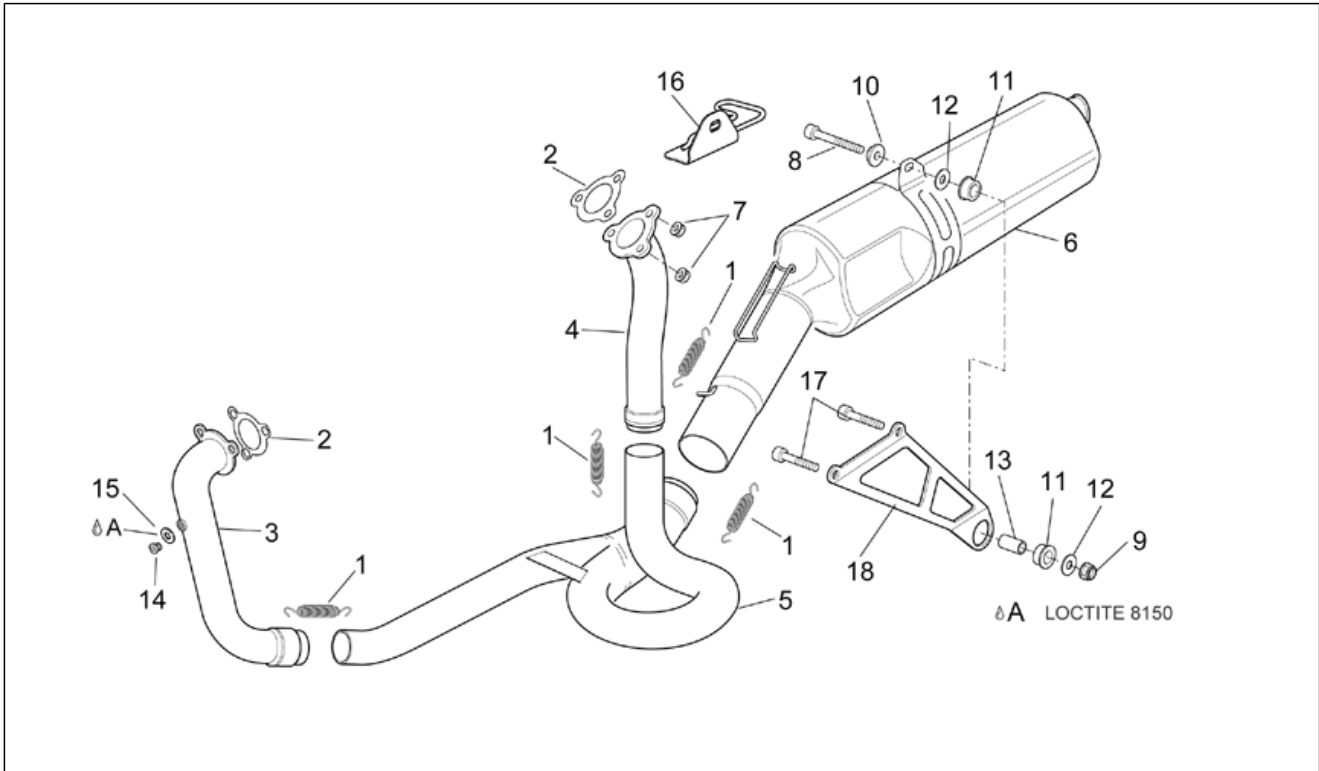
Pos.	Code	Description	Qty	Variants
1	AP8104455	Self-tap screw 2,9x9,5	2	
2	890435	Hose clamp	2	
3	AP8106443	Bored screw	2	
4	AP8176032	Gasket ring	1	
5	AP8106444	Gasket 18x12,2x1,5	4	
6	AP8152278	Screw w/ flange M6x16	2	
7	AP8124297	Level sensor	1	Technical Specifications: RSV Mille "R"acing Version[R], RSV Mille Version[STD]
7	AP8127540	Level sensor	1	Technical Specifications: "R"acing GP1 Limited Ed.Version[RL]
8	AP8144476	Fuel pipe	1	
9	AP8102764	White hose clip d.13x6	2	
10	AP8152184	Washer 6,4x12*	2	
11	AP8102626	2-way union	1	
12	AP8102873	Joint	1	
13	AP8127321	Fuel pump wiring	1	
14	AP8144069	Fuel pipe 6x13	1	
15	AP8102239	Hose clamp 12,5x8	2	
16	AP8120992	Fuel pipe	1	
17	AP8102829	Joint	1	
18	AP8144475	Gasket ring	1	
19	AP8106881	Fuel pump cpl.	1	Technical Specifications: RSV Mille "R"acing Version[R], RSV Mille Version[STD]
19	AP8176078	Fuel pum kit	1	Technical Specifications: "R"acing GP1 Limited Ed.Version[RL]

Group	FRAME
Code	28.44
Description	Exhaust pipe
Service	1



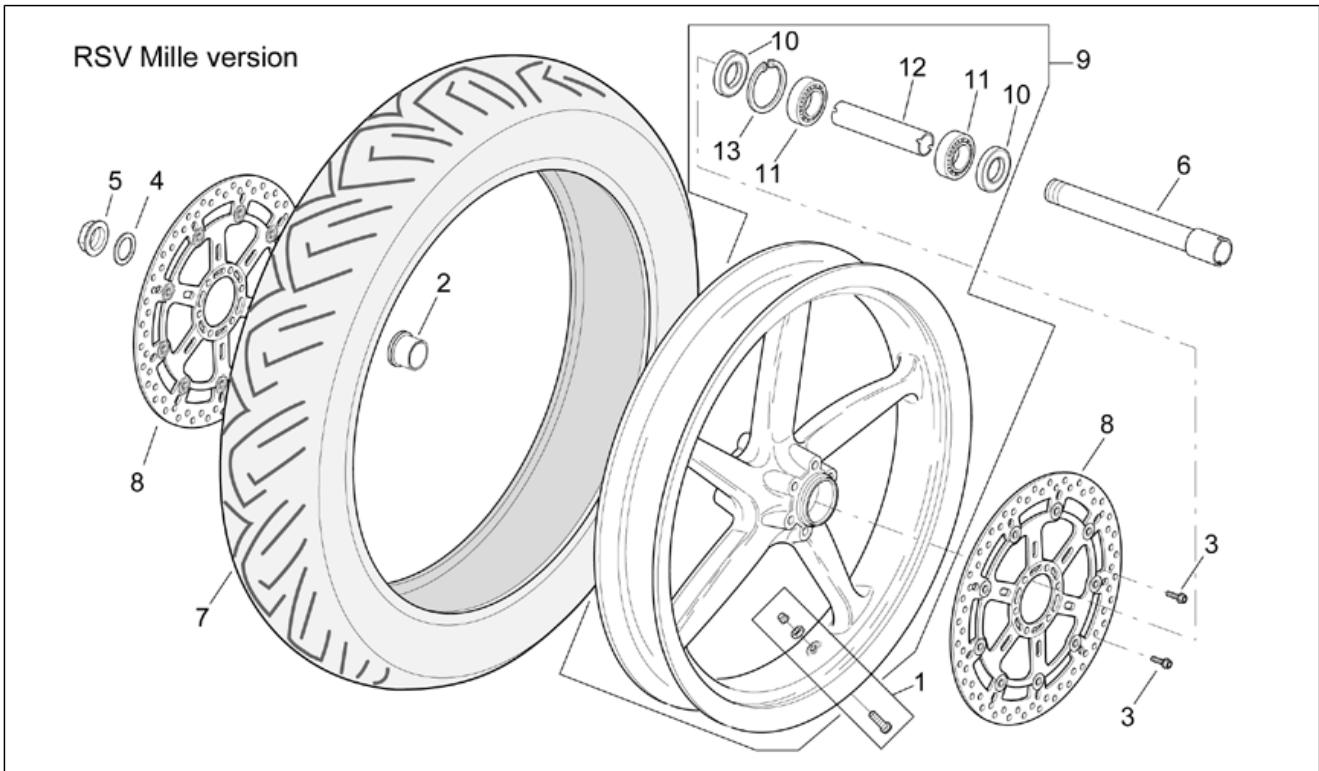
Pos.	Code	Description	Qty	Variants
1	AP8121231	Exhaust pipes spring	4	
2	AP8119414	Exhaust pipe gasket	2	
3	AP8119579	Front. Exhaust pipe	1	Country: Austria[A], Australia[AA], Australia[AUS], Belgium[B], Belgium[BB], Switzerland[CH], Germany[D], Denmark[DK], Spain[E], A, CH, D, DK, GR, E, I, NL, P[EU], France[F], Greece[GR], Italy[I], Japan[J], Japan[JJ], Holland[NL], Portugal[P], Great Britain[UK]
3	AP8119579	Front. Exhaust pipe	1	Country: USA (49 Countries Approval)[AM], USA (California Approval)[CF], United States of America[USA]
4	AP8119578	Rear exhaust pipe	1	Country: Austria[A], Australia[AA], Australia[AUS], Belgium[B], Belgium[BB], Switzerland[CH], Germany[D], Denmark[DK], Spain[E], A, CH, D, DK, GR, E, I, NL, P[EU], France[F], Greece[GR], Italy[I], Japan[J], Japan[JJ], Holland[NL], Portugal[P], Great Britain[UK]
4	AP8119578	Rear exhaust pipe	1	Country: USA (49 Countries Approval)[AM], USA (California Approval)[CF], United States of America[USA]
5	AP8119581	Central exhaust manifold	1	Country: Austria[A], Australia[AA], Australia[AUS], Belgium[B], Belgium[BB], Switzerland[CH], Germany[D], Denmark[DK], Spain[E], A, CH, D, DK, GR, E, I, NL, P[EU], France[F], Greece[GR], Italy[I], Japan[J], Japan[JJ], Holland[NL], Portugal[P], Great Britain[UK]
5	AP8119581	Central exhaust manifold	1	Country: USA (49 Countries Approval)[AM], USA (California Approval)[CF], United States of America[USA]
6	AP8119749	Silencer	1	Technical Specifications: Version without catalytic exhaust pipe[nocat], RSV Mille "R"acing Version[R], RSV Mille Version[STD]
6	AP8119752	Silencer	1	Technical Specifications: Version with catalytic exhaust pipe[cat], RSV Mille "R"acing Version[R], RSV Mille Version[STD]
6	AP8119752	Silencer	1	Country: USA (California Approval)[CF], United States of America[USA] Technical Specifications: Version with catalytic exhaust pipe[cat], "R"acing GP1 Limited Ed.Version[RL]

Group	FRAME
Code	28.44
Description	Exhaust pipe
Service	1



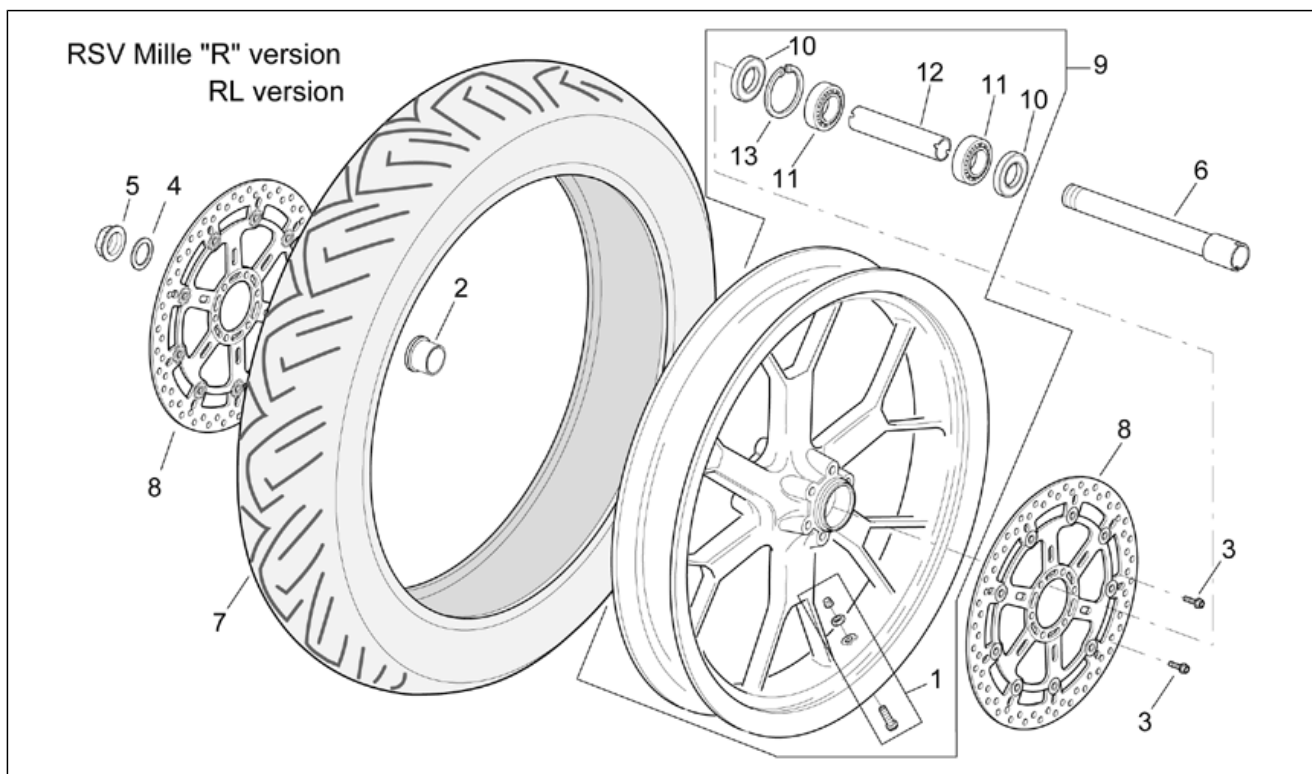
Pos.	Code	Description	Qty	Variants
6	AP8119785	Silencer	1	Country: Austria[A], Australia[AA], Australia[AUS], Belgium[B], Belgium[BB], Switzerland[CH], Germany[D], Denmark[DK], Spain[E], A, CH, D, DK, GR, E, I, NL, P[EU], France[F], Greece[GR], Italy[I], Japan[J], Japan[JJ], Holland[NL], Portugal[P], Great Britain[UK] Technical Specifications: Version with catalytic exhaust pipe[cat], "R"acing GP1 Limited Ed.Version[RL]
7	AP8150334	Nut M8	6	
8	AP8150277	Hex socket screw M8x50	1	
9	AP8152300	Self-locking nut M8	1	
10	AP8134378	Silencer fixing bush	1	
11	AP8144071	Rubber exhaust	2	
12	AP8150018	Washer	2	
13	AP8121773	Spacer *	1	
14	AP8119497	CO intake screw	2	
15	AP8113004	Washer 10x14x1,6*	2	
16	AP8119630	Exhaust pipe heat prot.	1	Country: USA (49 Countries Approval)[AM], USA (California Approval)[CF], United States of America[USA] Technical Specifications: RSV Mille Version[STD]
17	AP8152288	Screw w/ flange	2	
18	AP8134609	Exhaust pipe support clamp	1	Technical Specifications: RSV Mille "R"acing Version[R], "R"acing GP1 Limited Ed.Version[RL]

Group	FRAME
Code	28.45
Description	Front wheel RSV Mille Version
Service	1



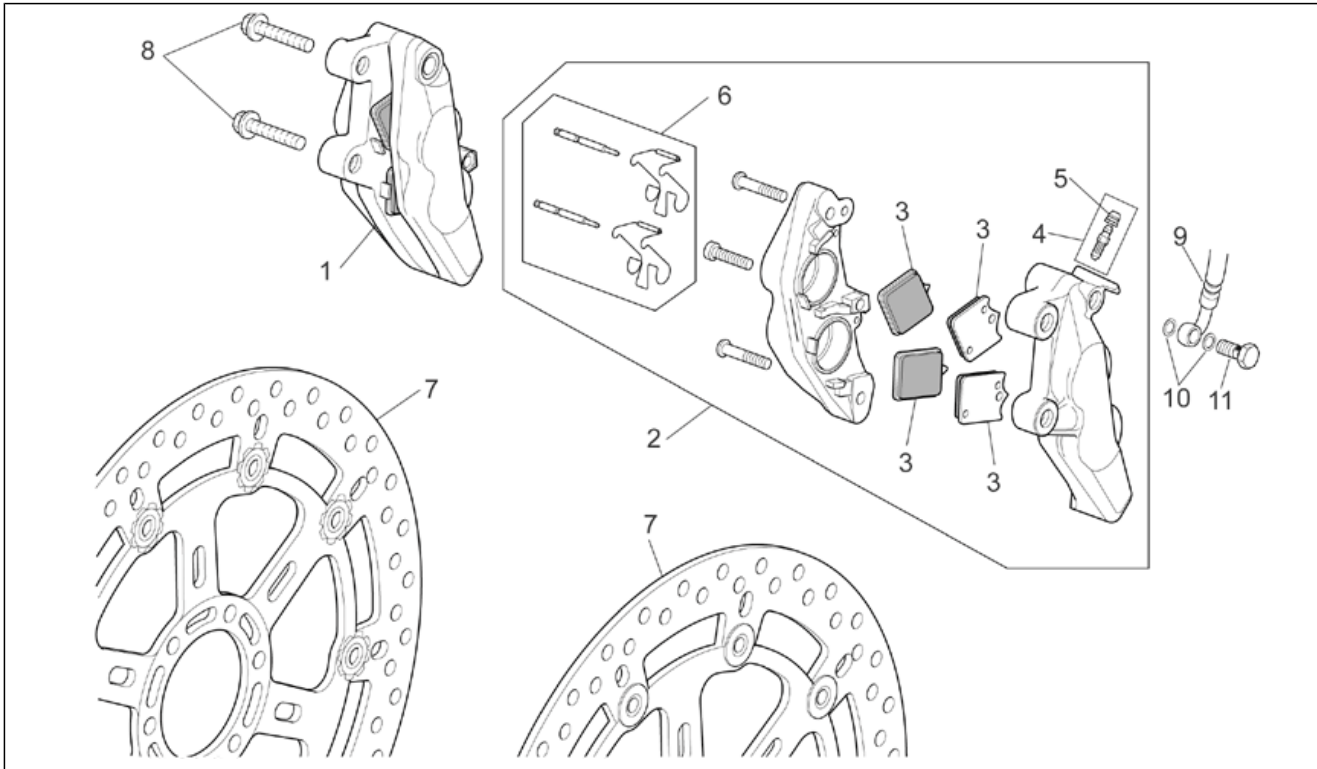
Pos.	Code	Description	Qty	Variants
1	AP8101744	Tubeless tyre valve	1	Technical Specifications: RSV Mille Version[STD]
2	AP8125728	Front RH whe.ou.spacer	1	Technical Specifications: RSV Mille Version[STD]
3	AP8152286	Screw w/ flange M8x20	12	Technical Specifications: RSV Mille Version[STD]
4	AP8152323	Washer 25,2x36x1	1	Technical Specifications: RSV Mille Version[STD]
5	AP8152335	Wheel spindle nut	1	Technical Specifications: RSV Mille Version[STD]
6	AP8125827	Front wheel spindle	1	Technical Specifications: RSV Mille Version[STD]
7	0000000	Tyre	1	Technical Specifications: RSV Mille Version[STD]
8	AP8113926	Front brake disc 320	2	Technical Specifications: Brembo[B], RSV Mille Version[STD]
8	AP8133751	Front brake disc	2	Technical Specifications: RSV Mille Version[STD], Unisunstar[U]
9	AP8108675	Front wheel, grey	1	Technical Specifications: RSV Mille Version[STD]
10	AP8125773	Gasket ring 30x47x7	2	Technical Specifications: RSV Mille Version[STD]
11	AP8125777	Ball bearing 25x47x12	2	Technical Specifications: RSV Mille Version[STD]
12	AP8125778	Internal spacer	1	Technical Specifications: RSV Mille Version[STD]
13	AP8125779	Circlip	1	Technical Specifications: RSV Mille Version[STD]

Group	FRAME
Code	28.46
Description	Front wheel RSV Mille "R" Version
Service	1



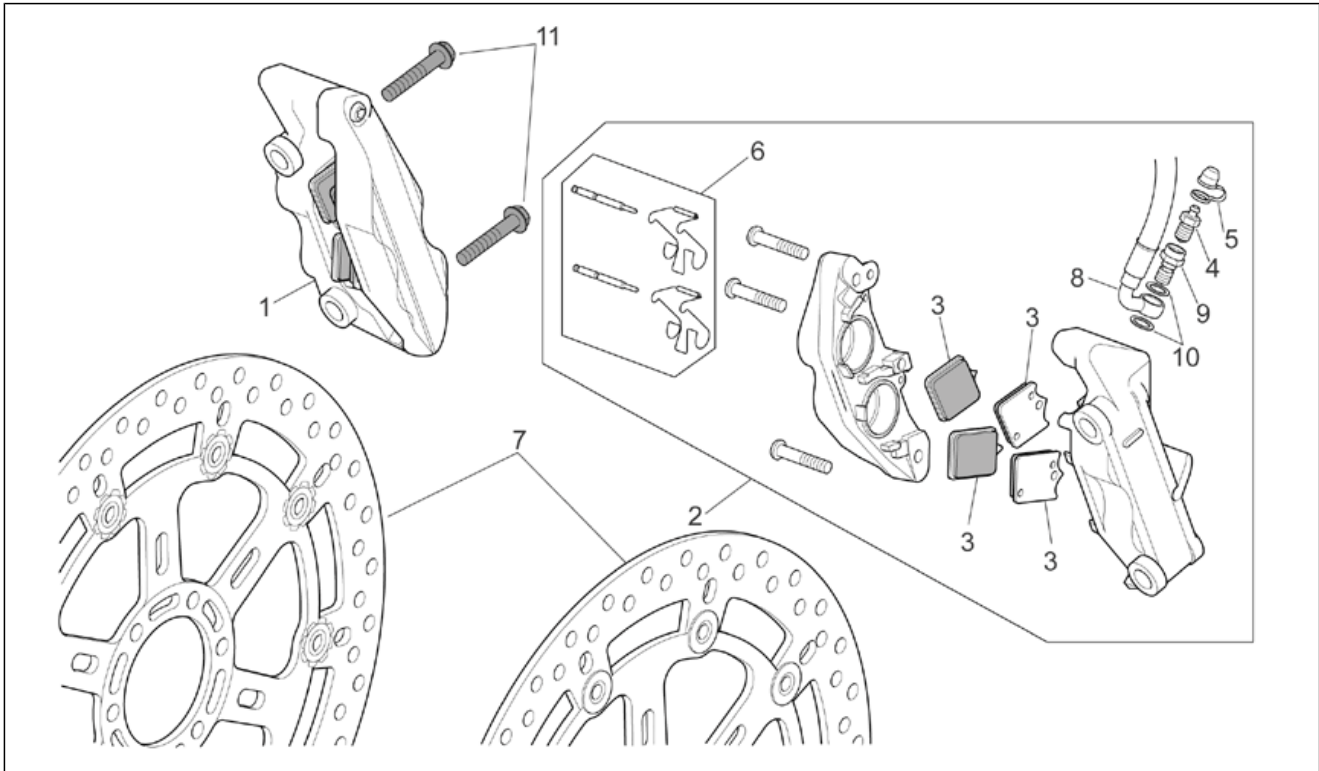
Pos.	Code	Description	Qty	Variants
1	AP8104728	Tubeless tyre valve 90°	1	Technical Specifications: RSV Mille "R"acing Version[R], "R"acing GP1 Limited Ed.Version[RL]
2	AP8125728	Front RH whe.ou.spacer	1	Technical Specifications: RSV Mille "R"acing Version[R], "R"acing GP1 Limited Ed.Version[RL]
3	AP8152286	Screw w/ flange M8x20	12	Technical Specifications: RSV Mille "R"acing Version[R], "R"acing GP1 Limited Ed.Version[RL]
4	AP8152323	Washer 25,2x36x1	1	Technical Specifications: RSV Mille "R"acing Version[R], "R"acing GP1 Limited Ed.Version[RL]
5	AP8152335	Wheel spindle nut	1	Technical Specifications: RSV Mille "R"acing Version[R], "R"acing GP1 Limited Ed.Version[RL]
6	AP8125827	Front wheel spindle	1	Technical Specifications: RSV Mille "R"acing Version[R], "R"acing GP1 Limited Ed.Version[RL]
7	0000000	Tyre	1	Technical Specifications: RSV Mille "R"acing Version[R], "R"acing GP1 Limited Ed.Version[RL]
8	AP8113926	Front brake disc 320	2	Technical Specifications: Brembo[B], RSV Mille "R"acing Version[R], "R"acing GP1 Limited Ed.Version[RL]
8	AP8133751	Front brake disc	2	Technical Specifications: RSV Mille "R"acing Version[R], "R"acing GP1 Limited Ed.Version[RL], Unisunstar[U]
9	AP8108932	Front wheel, gold	1	Technical Specifications: RSV Mille "R"acing Version[R]
9	AP8108994	Front wheel, blue OZ-Alu	1	Technical Specifications: "R"acing GP1 Limited Ed.Version[RL]
10	AP8125841	Gasket ring 30x47x7	2	Technical Specifications: RSV Mille "R"acing Version[R], "R"acing GP1 Limited Ed.Version[RL]
11	AP8110094	Bearing 25x47x12	2	Technical Specifications: RSV Mille "R"acing Version[R], "R"acing GP1 Limited Ed.Version[RL]
12	AP8125843	Internal spacer	1	Technical Specifications: RSV Mille "R"acing Version[R], "R"acing GP1 Limited Ed.Version[RL]
13	AP8125842	Snap ring d47	1	Technical Specifications: RSV Mille "R"acing Version[R], "R"acing GP1 Limited Ed.Version[RL]

Group	FRAME
Code	28.47
Description	Front brake caliper
Service	1



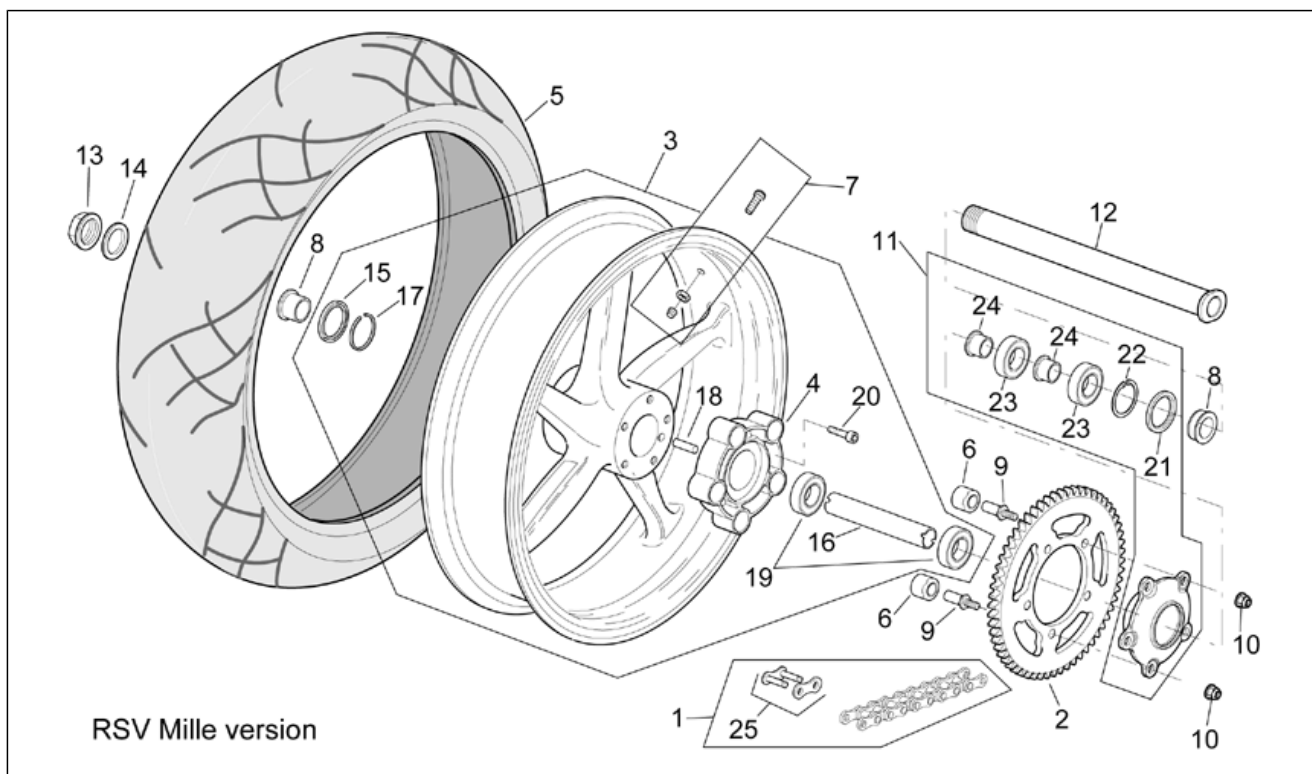
Pos.	Code	Description	Qty	Variants
1	AP8176033	RH Front brake caliper, gold	1	Technical Specifications: RSV Mille Version[STD]
2	AP8176034	LH Front brake caliper, gold	1	Technical Specifications: RSV Mille Version[STD]
3	AP8133592	Pads 4 pc.	2	Technical Specifications: RSV Mille Version[STD]
4	AP8113973	Air bleed valve	2	Technical Specifications: RSV Mille Version[STD]
5	AP8113756	Bleed valve cap 20 pc.	2	Technical Specifications: RSV Mille Version[STD]
6	AP8113974	Pin+Brake spring	2	Technical Specifications: RSV Mille Version[STD]
7	AP8113926	Front brake disc 320	2	Technical Specifications: Brembo[B], RSV Mille Version[STD]
7	AP8133751	Front brake disc	2	Technical Specifications: RSV Mille Version[STD], Unisunstar[U]
8	AP8152336	Screw w/ flange M10x1,25	4	Technical Specifications: RSV Mille Version[STD]
9	AP8113976	Front brake hose	1	Technical Specifications: RSV Mille Version[STD]
10	AP8121915	Gasket	4	Technical Specifications: RSV Mille Version[STD]
11	AP8113003	Oil pipe screw *	3	Technical Specifications: RSV Mille Version[STD]

Group	FRAME
Code	28.48
Description	Front brake caliper
Service	1



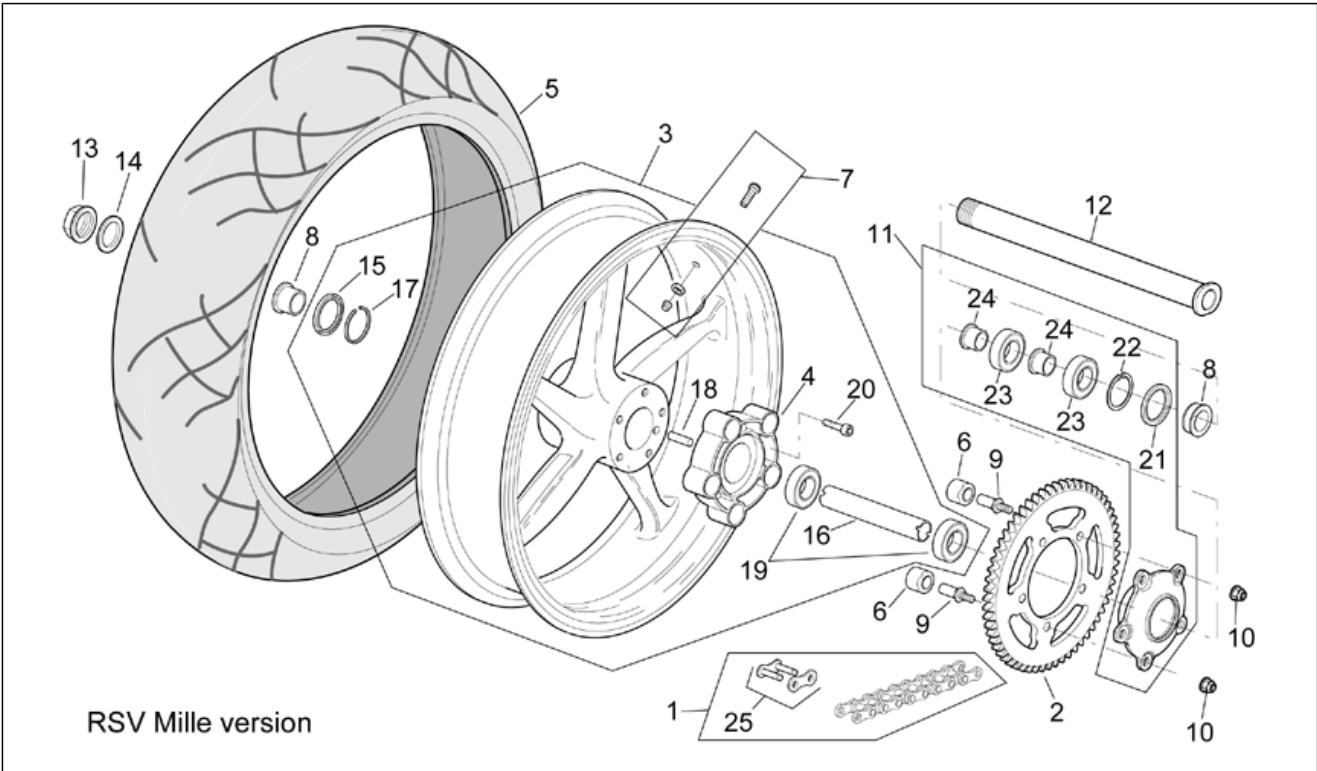
Pos.	Code	Description	Qty	Variants
1	AP8133591	RH Front brake caliper, gold	1	Technical Specifications: RSV Mille "R"acing Version[R], "R"acing GP1 Limited Ed.Version[RL]
2	AP8133590	LH Front brake caliper, gold	1	Technical Specifications: RSV Mille "R"acing Version[R], "R"acing GP1 Limited Ed.Version[RL]
3	AP8133592	Pads 4 pc.	2	Technical Specifications: RSV Mille "R"acing Version[R], "R"acing GP1 Limited Ed.Version[RL]
4	AP8133595	Air bleed valve	2	Technical Specifications: RSV Mille "R"acing Version[R], "R"acing GP1 Limited Ed.Version[RL]
5	AP8133596	Bleed valve cap 20 pc.	2	Technical Specifications: RSV Mille "R"acing Version[R], "R"acing GP1 Limited Ed.Version[RL]
6	AP8133593	Pin+Brake spring	2	Technical Specifications: RSV Mille "R"acing Version[R], "R"acing GP1 Limited Ed.Version[RL]
7	AP8113926	Front brake disc 320	2	Technical Specifications: Brembo[B], RSV Mille "R"acing Version[R], "R"acing GP1 Limited Ed.Version[RL]
7	AP8133751	Front brake disc	2	Technical Specifications: RSV Mille "R"acing Version[R], "R"acing GP1 Limited Ed.Version[RL], Unisunstar[U]
8	AP8113874	Front brake hose	1	Technical Specifications: RSV Mille "R"acing Version[R], "R"acing GP1 Limited Ed.Version[RL]
9	AP8133597	screw	2	Technical Specifications: RSV Mille "R"acing Version[R], "R"acing GP1 Limited Ed.Version[RL]
10	AP8121915	Gasket	4	Technical Specifications: RSV Mille "R"acing Version[R], "R"acing GP1 Limited Ed.Version[RL]
11	AP8152414	Screw w/ flange M10x55	4	Technical Specifications: RSV Mille "R"acing Version[R], "R"acing GP1 Limited Ed.Version[RL]

Group	FRAME
Code	28.49
Description	Rear wheel RSV Mille Version
Service	1



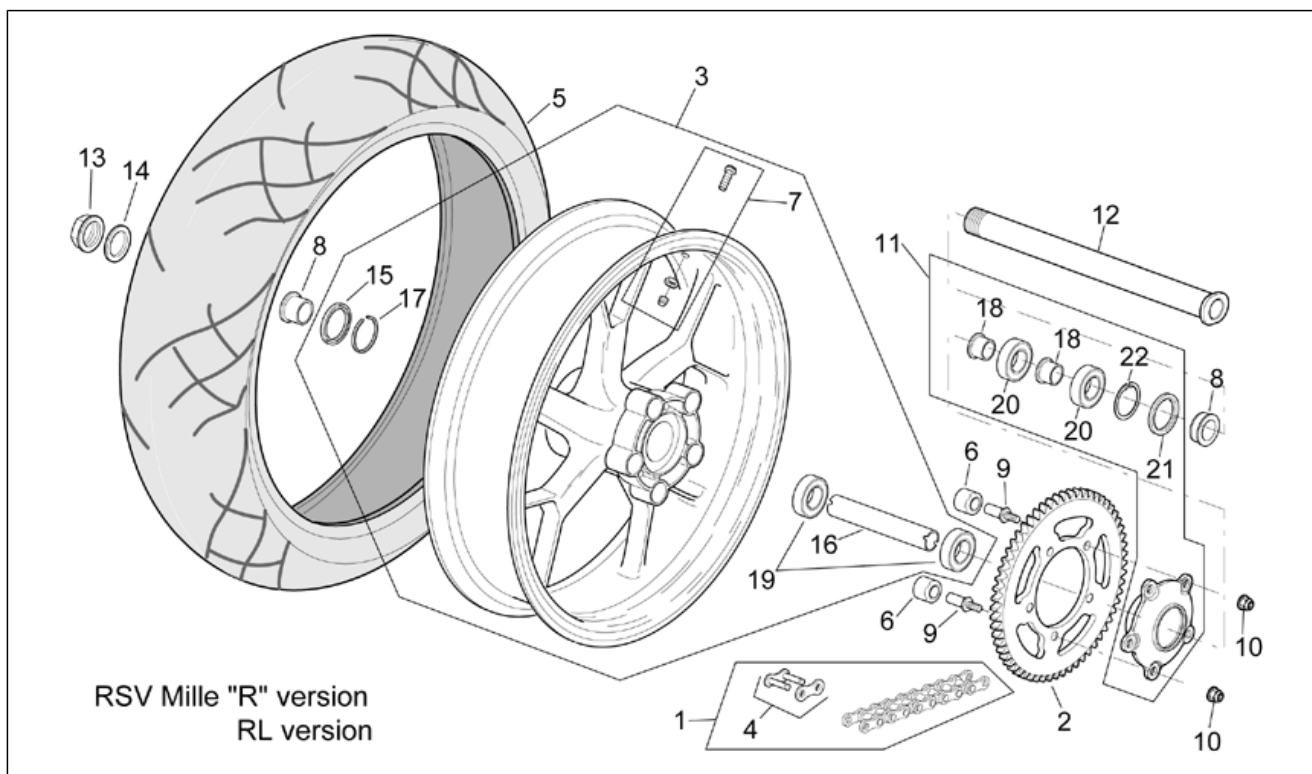
Pos.	Code	Description	Qty	Variants
1	AP8107118	Chain cpl conn.link	1	Technical Specifications: For chain with D.I.D.sign[DID], RSV Mille Version[STD]
1	AP8107148	Chain cpl conn.link	1	Technical Specifications: For chain with REGINA sign[REG], RSV Mille Version[STD]
2	AP8107122	Chain ring Z=42	1	Technical Specifications: RSV Mille Version[STD]
3	AP8108676	Rear wheel, grey	1	Technical Specifications: RSV Mille Version[STD]
4	AP8125733	Rear wheel spring drive holder	1	Technical Specifications: RSV Mille Version[STD]
5	0000000	Tyre	1	Technical Specifications: RSV Mille Version[STD]
6	AP8125731	Flexible coupling rubber	5	Technical Specifications: RSV Mille Version[STD]
7	AP8101744	Tubeless tyre valve	1	Technical Specifications: RSV Mille Version[STD]
8	AP8121225	Rear wheel spacer	2	Technical Specifications: RSV Mille Version[STD]
9	AP8121408	Spring drive fixing bush	5	Technical Specifications: RSV Mille Version[STD]
10	AP8150436	Low self-locking nut	5	Technical Specifications: RSV Mille Version[STD]
11	AP8125730	Crown holder cpl.	1	Technical Specifications: RSV Mille Version[STD]
12	AP8125831	Rear wheel spindle	1	Technical Specifications: RSV Mille Version[STD]
13	AP8152324	Wheel spindle nut M25x1,5	1	Technical Specifications: RSV Mille Version[STD]
14	AP8152323	Washer 25,2x36x1	1	Technical Specifications: RSV Mille Version[STD]
15	AP8125786	Gasket ring 38x52x7	1	Technical Specifications: RSV Mille Version[STD]
16	AP8125787	Spacer	1	Technical Specifications: RSV Mille Version[STD]
17	AP8125788	Circlip	1	Technical Specifications: RSV Mille Version[STD]
18	AP8150463	Pin 10x20	1	Technical Specifications: RSV Mille Version[STD]
19	AP8106806	Bearing 6205-2rs1 25x52x15	2	Technical Specifications: RSV Mille Version[STD]
20	AP8150195	Hex socket screw M10x30	5	Technical Specifications: RSV Mille Version[STD]
21	AP8121213	Gasket ring 38x55x7	1	Technical Specifications: RSV Mille Version[STD]
22	AP8121212	Inside circlip d55	1	Technical Specifications: RSV Mille Version[STD]
23	AP8110081	Bearing 30x55x13	2	Technical Specifications: RSV Mille Version[STD]
24	AP8125732	Spring drive spacer	2	Technical Specifications: RSV Mille Version[STD]
25	AP8107136	Connecting link	1	Technical Specifications: For chain with D.I.D.sign[DID], RSV Mille Version[STD]

Group	FRAME
Code	28.49
Description	Rear wheel RSV Mille Version
Service	1



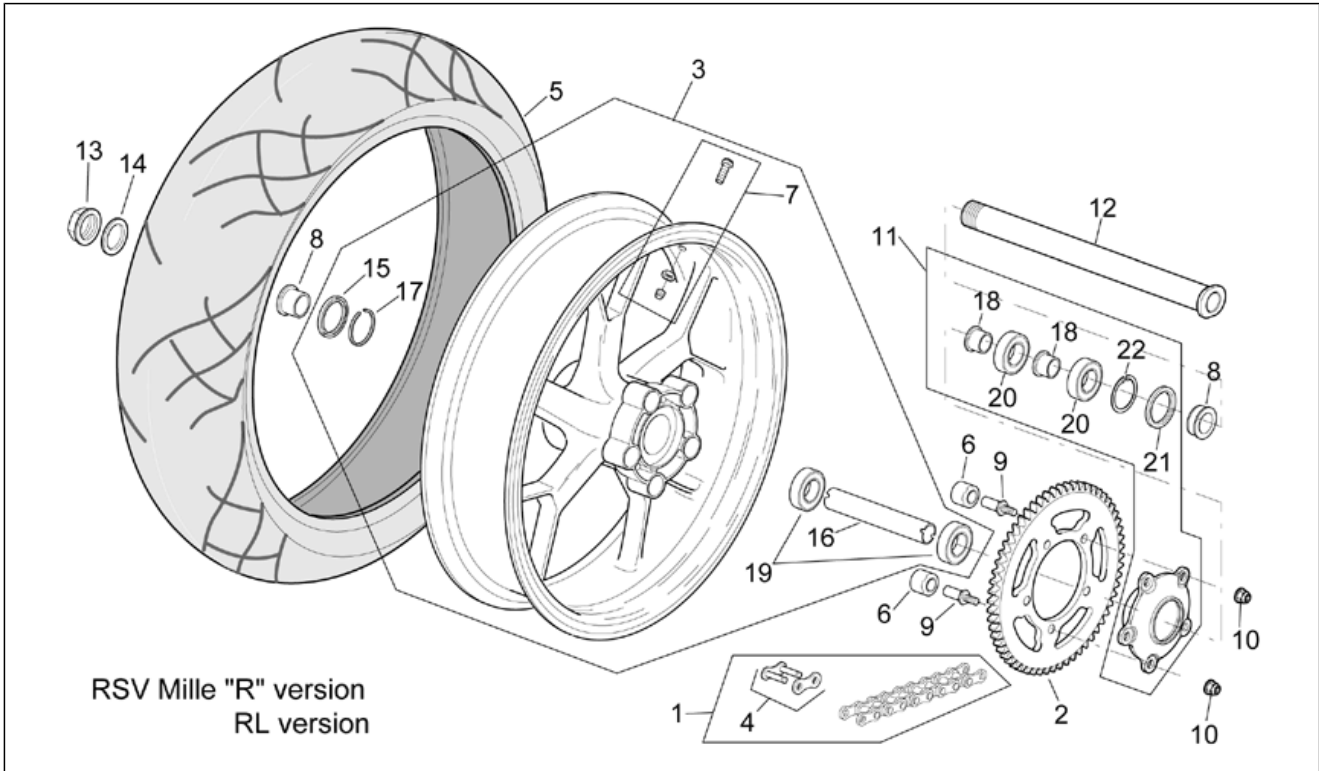
Pos.	Code	Description	Qty	Variants
25	AP8107150	Connecting link	1	Technical Specifications: For chain with REGINA sign[REG], RSV Mille Version[STD]

Group	FRAME
Code	28.50
Description	Rear wheel RSV Mille "R" Version
Service	1



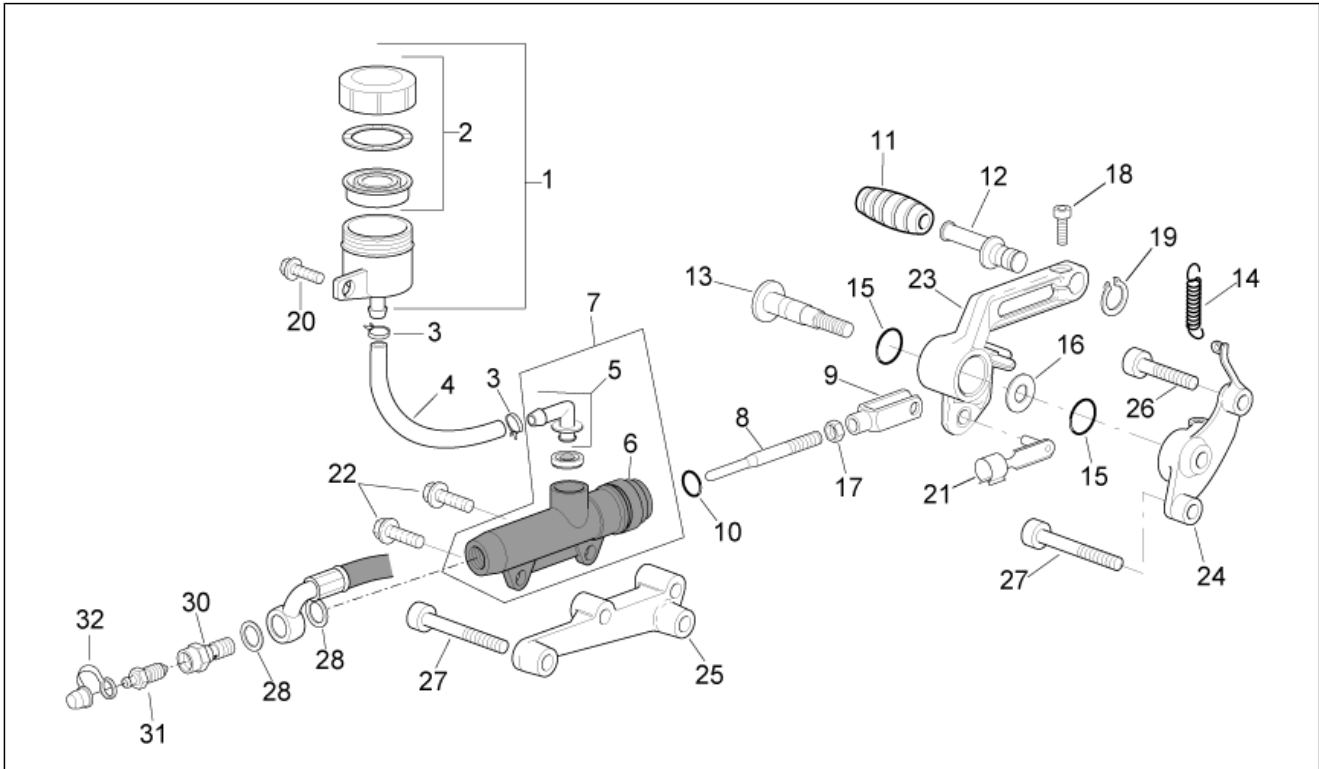
Pos.	Code	Description	Qty	Variants
1	AP8107118	Chain cpl conn.link	1	Technical Specifications: For chain with D.I.D.sign[DID], RSV Mille "R"acing Version[R], "R"acing GP1 Limited Ed.Version[RL]
1	AP8107148	Chain cpl conn.link	1	Technical Specifications: RSV Mille "R"acing Version[R], For chain with REGINA sign[REG], "R"acing GP1 Limited Ed.Version[RL]
2	AP8107122	Chain ring Z=42	1	Technical Specifications: RSV Mille "R"acing Version[R], "R"acing GP1 Limited Ed.Version[RL]
3	AP8108979	Rear wheel	1	Technical Specifications: RSV Mille "R"acing Version[R]
3	AP8128044	Rear wheel, blue	1	Technical Specifications: "R"acing GP1 Limited Ed.Version[RL]
4	AP8107136	Connecting link	1	Technical Specifications: For chain with D.I.D.sign[DID], RSV Mille "R"acing Version[R], "R"acing GP1 Limited Ed.Version[RL]
4	AP8107150	Connecting link	1	Technical Specifications: RSV Mille "R"acing Version[R], For chain with REGINA sign[REG], "R"acing GP1 Limited Ed.Version[RL]
5	0000000	Tyre	1	Technical Specifications: RSV Mille "R"acing Version[R], "R"acing GP1 Limited Ed.Version[RL]
6	AP8125731	Flexible coupling rubber	5	Technical Specifications: RSV Mille "R"acing Version[R], "R"acing GP1 Limited Ed.Version[RL]
7	AP8104728	Tubeless tyre valve 90°	1	Technical Specifications: RSV Mille "R"acing Version[R], "R"acing GP1 Limited Ed.Version[RL]
8	AP8121225	Rear wheel spacer	2	Technical Specifications: RSV Mille "R"acing Version[R], "R"acing GP1 Limited Ed.Version[RL]
9	AP8121408	Spring drive fixing bush	5	Technical Specifications: RSV Mille "R"acing Version[R], "R"acing GP1 Limited Ed.Version[RL]
10	AP8150436	Low self-locking nut	5	Technical Specifications: RSV Mille "R"acing Version[R], "R"acing GP1 Limited Ed.Version[RL]
11	AP8125730	Crown holder cpl.	1	Technical Specifications: RSV Mille "R"acing Version[R], "R"acing GP1 Limited Ed.Version[RL]
12	AP8125831	Rear wheel spindle	1	Technical Specifications: RSV Mille "R"acing Version[R], "R"acing GP1 Limited Ed.Version[RL]

Group	FRAME
Code	28.50
Description	Rear wheel RSV Mille "R" Version
Service	1



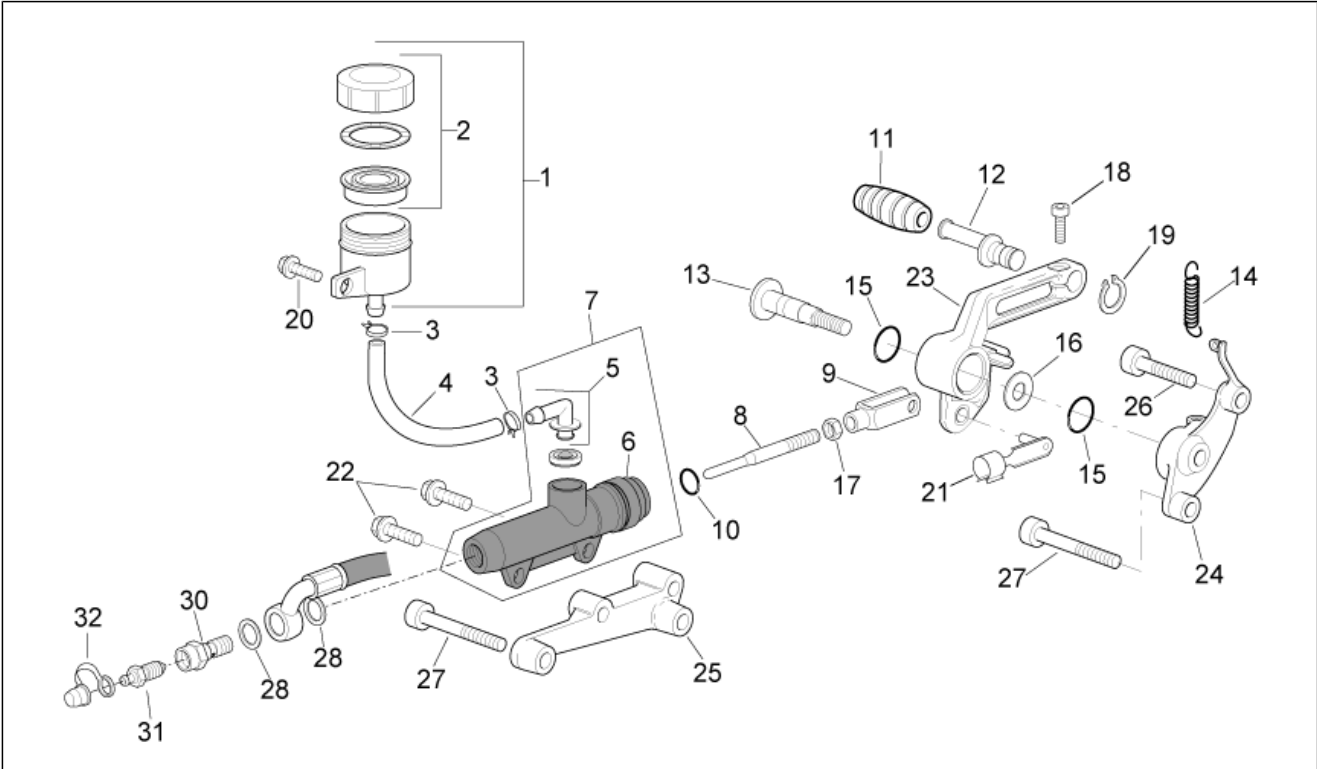
Pos.	Code	Description	Qty	Variants
13	AP8152324	Wheel spindle nut M25x1,5	1	Technical Specifications: RSV Mille "R"acing Version[R], "R"acing GP1 Limited Ed.Version[RL]
14	AP8152323	Washer 25,2x36x1	1	Technical Specifications: RSV Mille "R"acing Version[R], "R"acing GP1 Limited Ed.Version[RL]
15	AP8125838	Gasket ring 38x52x7	1	Technical Specifications: RSV Mille "R"acing Version[R], "R"acing GP1 Limited Ed.Version[RL]
16	AP8125840	Spacer	1	Technical Specifications: RSV Mille "R"acing Version[R], "R"acing GP1 Limited Ed.Version[RL]
17	AP8125839	Snap ring d52	1	Technical Specifications: RSV Mille "R"acing Version[R], "R"acing GP1 Limited Ed.Version[RL]
18	AP8125732	Spring drive spacer	2	Technical Specifications: RSV Mille "R"acing Version[R], "R"acing GP1 Limited Ed.Version[RL]
19	AP8110093	Bearing 6205-2rs1 25x52x15	2	Technical Specifications: RSV Mille "R"acing Version[R], "R"acing GP1 Limited Ed.Version[RL]
20	AP8110081	Bearing 30x55x13	2	Technical Specifications: RSV Mille "R"acing Version[R], "R"acing GP1 Limited Ed.Version[RL]
21	AP8121213	Gasket ring 38x55x7	1	Technical Specifications: RSV Mille "R"acing Version[R], "R"acing GP1 Limited Ed.Version[RL]
22	AP8121212	Inside circlip d55	1	Technical Specifications: RSV Mille "R"acing Version[R], "R"acing GP1 Limited Ed.Version[RL]

Group	FRAME
Code	28.51
Description	Rear master cylinder
Service	1



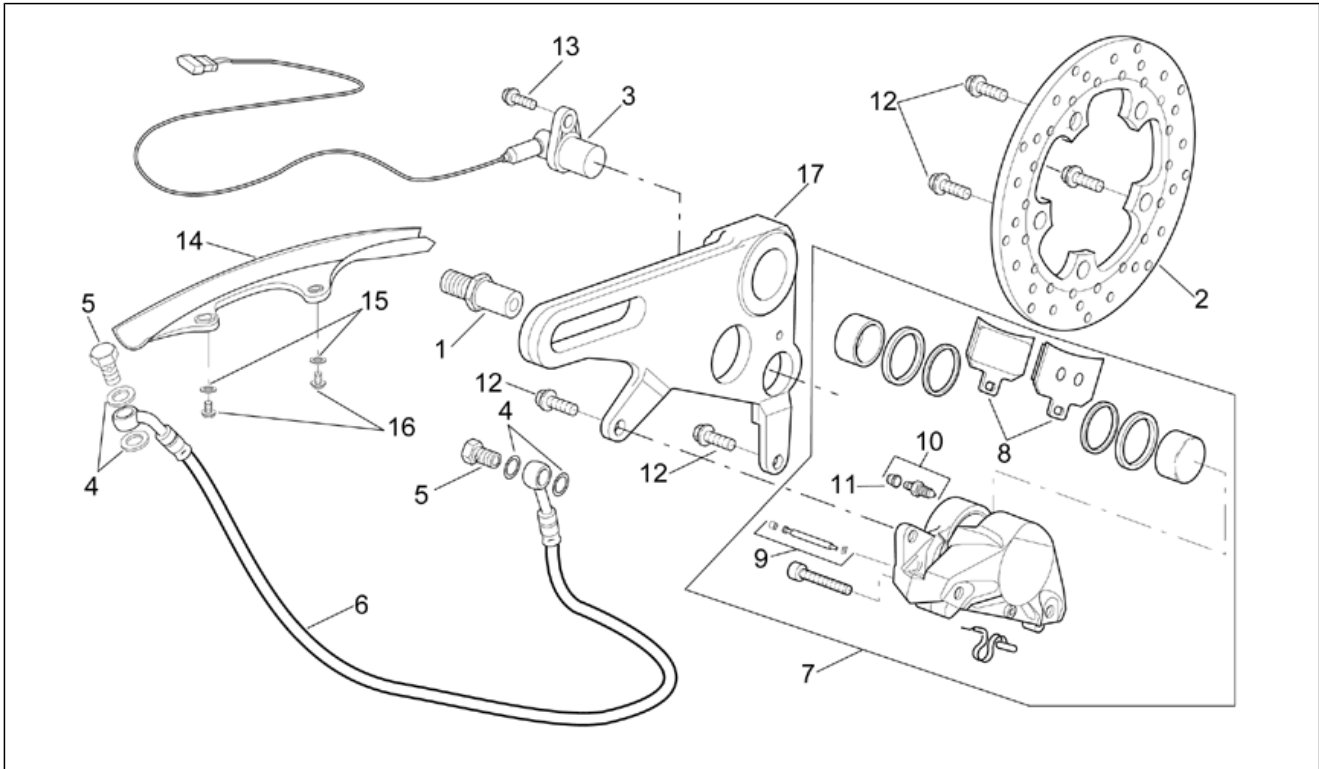
Pos.	Code	Description	Qty	Variants
1	AP8133873	Brake oil tank complete	1	
2	AP8113553	Tank cap	1	
3	AP8113764	Hose clamp	2	
4	AP8113765	Rear brake hose	1	
5	AP8133872	Rear brake pump union	1	
6	AP8113288	Rubber bellows	1	
7	AP8113324	Rear master cylinder	1	
8	AP8121222	Master cylinder rod	1	
9	AP8101968	Fork	1	
10	AP8120178	O-ring OR112	1	
11	AP8120912	Lever rubber	1	
12	AP8121221	Brake lever pin	1	
13	AP8121223	Rear brake lever pin	1	
14	AP8121927	Rear brake lever spring	1	
15	AP8144007	O-ring 11,11x1,78	2	
16	AP8150020	Washer 10,5x21x2*	1	
17	AP8150026	Nut M6	1	
18	AP8150044	Hex socket screw M6x20	1	
19	AP8150462	Circlip d9	1	
20	AP8152273	Screw w/ flange M5X15	1	
21	AP8201301	Gear selector fork clips	1	
22	AP8152279	Screw w/ flange M6x20	2	
23	AP8135925	Rear brake lever	1	
24	AP8134415	Brake lever support	1	
25	AP8134384	Rear master cyl.support	1	
26	AP8150403	Hex socket screw M6x45	1	
27	AP8150277	Hex socket screw M8x50	3	
28	AP8121915	Gasket	2	

Group	FRAME
Code	28.51
Description	Rear master cylinder
Service	1



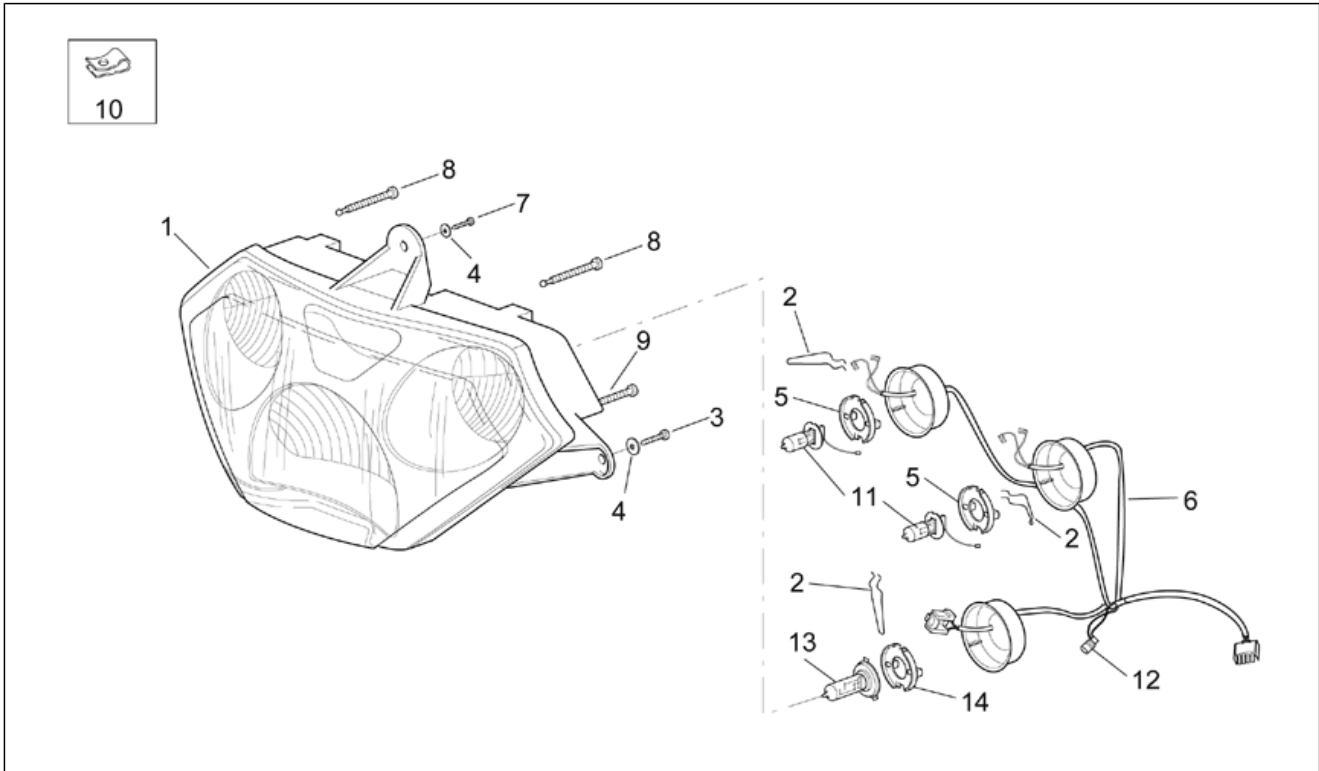
Pos.	Code	Description	Qty	Variants
30	AP8113762	Bored screw	1	
31	AP8113761	Air bleed valve	1	
32	AP8113230	Bleed valve cap	1	

Group	FRAME
Code	28.52
Description	Rear brake caliper
Service	1



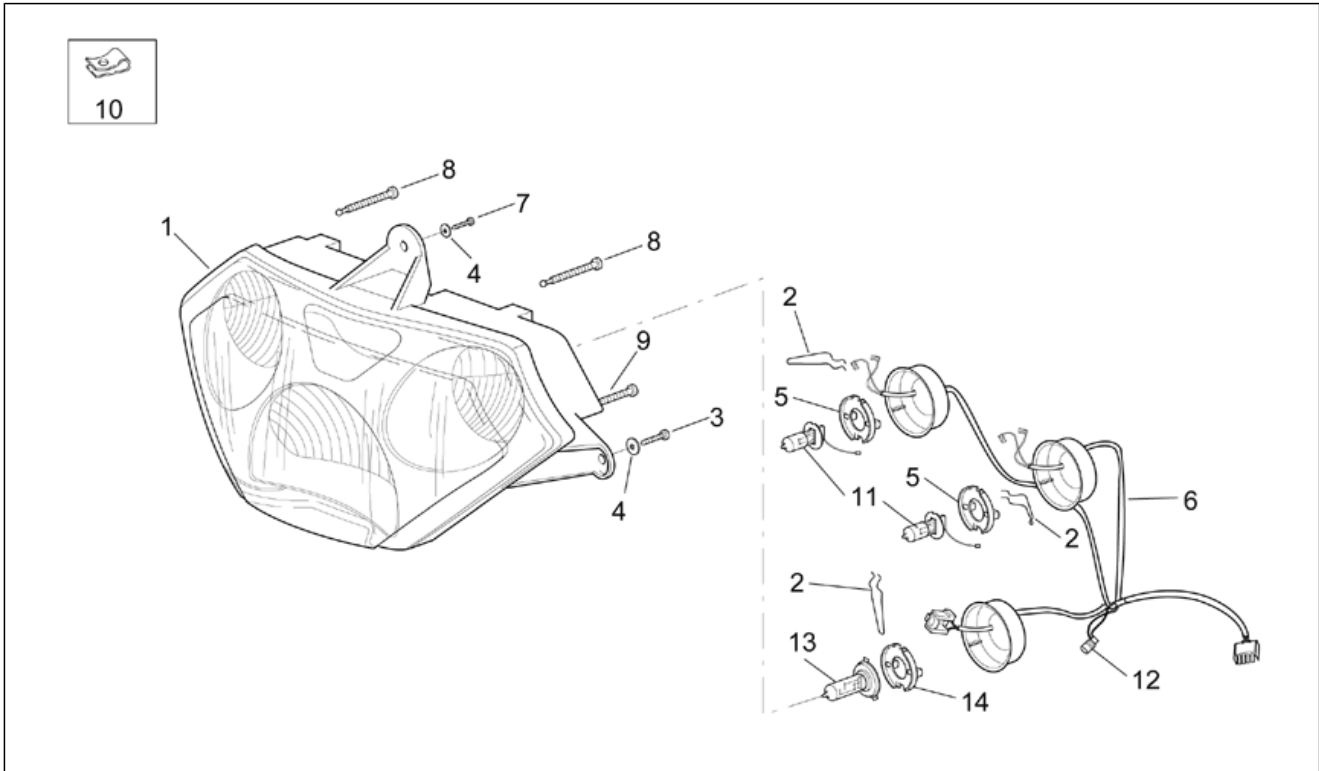
Pos.	Code	Description	Qty	Variants
1	AP8121234	Brake supp. plate pin	1	
2	AP8113612	Rear brake disc	1	
3	AP8124528	Speedometer sensor cpl.	1	
4	AP8121915	Gasket	2	
5	AP8113003	Oil pipe screw *	1	
6	AP8113873	Rear brake hose	1	
7	AP8113897	Rear brake caliper	1	
8	AP8113898	Pads pair	1	
9	AP8113752	Pin+split pin	1	
10	AP8113895	Air bleed valve	1	
11	AP8113070	Bleed valve cap	1	
12	AP8152286	Screw w/ flange M8x20	7	
13	AP8152279	Screw w/ flange M6x20	1	
14	AP8134443	Rear brake hose support	1	
15	AP8150013	Washer 5,5x15x1,6*	2	
16	AP8152272	Screw w/ flange M5x12	2	
17	AP8134385	Brake hanger plate	1	
18	AP8113762	Bored screw	1	
19	AP8113761	Air bleed valve	1	
20	AP8113230	Bleed valve cap	1	

Group	FRAME
Code	28.53
Description	Headlight
Service	1



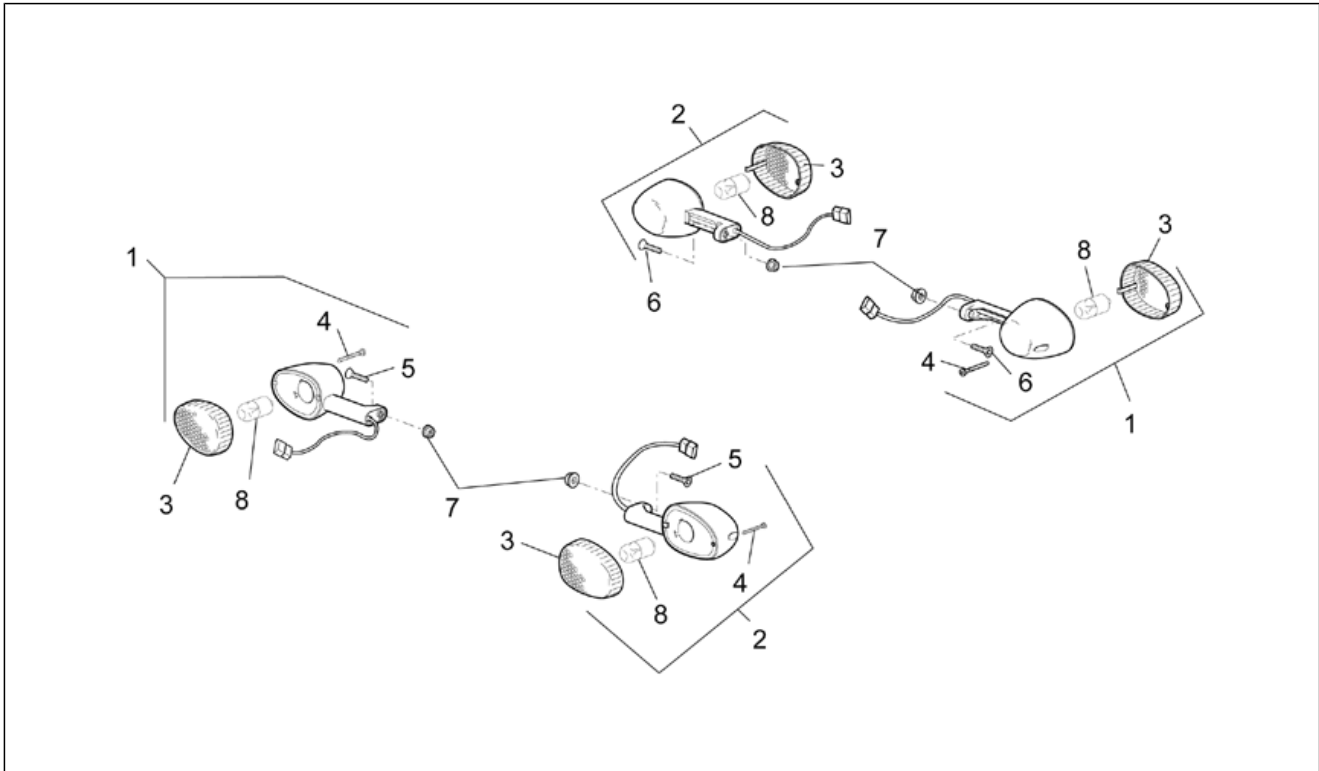
Pos.	Code	Description	Qty	Variants
1	AP8124901	Headlight	1	Country: Austria[A], Belgium[B], Belgium[BB], Switzerland[CH], Germany[D], Denmark[DK], Spain[E], A, CH, D, DK, GR, E, I, NL, P[EU], France[F], France[FF], Greece[GR], Italy[I], Holland[NL], Portugal[P]
1	AP8124945	Headlight	1	Country: Australia[AA], Australia[AUS], Japan[J], Japan[JJ], Great Britain[UK]
1	AP8124946	Headlight	1	Country: USA (49 Countries Approval)[AM], USA (California Approval)[CF], United States of America[USA]
2	AP8127118	Spring	2	Country: USA (49 Countries Approval)[AM], USA (California Approval)[CF], United States of America[USA]
2	AP8127118	Spring	3	Country: Austria[A], Australia[AA], Australia[AUS], Belgium[B], Belgium[BB], Switzerland[CH], Germany[D], Denmark[DK], Spain[E], A, CH, D, DK, GR, E, I, NL, P[EU], France[F], France[FF], Greece[GR], Italy[I], Japan[J], Japan[JJ], Holland[NL], Portugal[P], Great Britain[UK]
3	AP8150413	Self-tap screw 3,9x14	3	
4	AP8150159	Washer 4,3x16*	3	
5	AP8127119	Lampholder	2	
6	AP8127120	Headlight wiring+boots	1	Country: Austria[A], Australia[AA], Australia[AUS], Belgium[B], Belgium[BB], Switzerland[CH], Germany[D], Denmark[DK], Spain[E], A, CH, D, DK, GR, E, I, NL, P[EU], France[F], France[FF], Greece[GR], Italy[I], Japan[J], Japan[JJ], Holland[NL], Portugal[P], Great Britain[UK]
6	AP8127138	Headlight wiring+boots	1	Country: USA (49 Countries Approval)[AM], USA (California Approval)[CF], United States of America[USA]
7	AP8152246	Screw w/ flange M6x16	1	
8	AP8127117	Adjuster screw	2	
9	AP8127116	Adjuster screw	1	
10	AP8102376	Clip M6	2	
11	AP8127109	Lamp H7 12V-55W	2	
12	AP8224393	Lamp WY5W 12V	1	

Group	FRAME
Code	28.53
Description	Headlight
Service	1



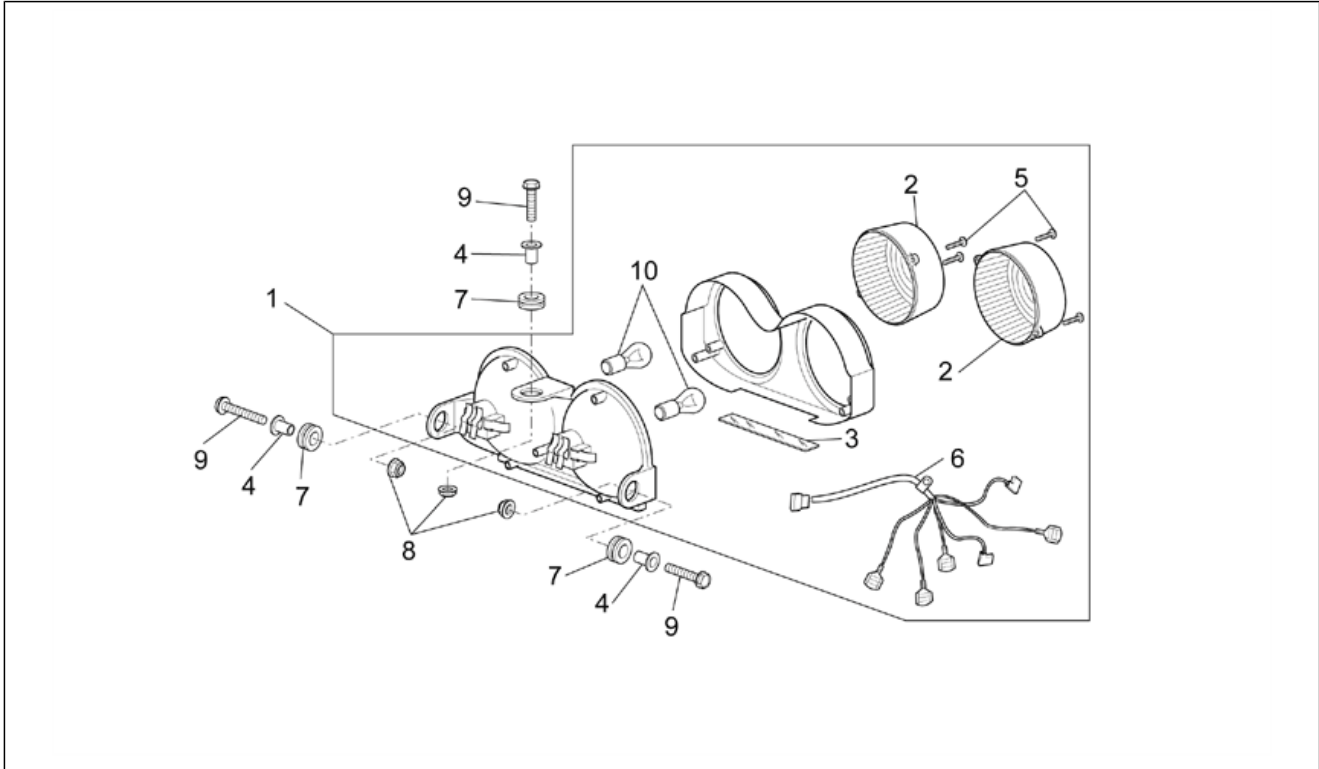
Pos.	Code	Description	Qty	Variants
13	AP8127109	Lamp H7 12V-55W	1	Country: Austria[A], Australia[AA], Australia[AUS], Belgium[B], Belgium[BB], Switzerland[CH], Germany[D], Denmark[DK], Spain[E], A, CH, D, DK, GR, E, I, NL, P[EU], France[F], France[FF], Greece[GR], Italy[I], Japan[J], Japan[J], Holland[NL], Portugal[P], Great Britain[UK]
13	AP8127121	Lamp H4 12V-60/55W	1	Country: USA (49 Countries Approval)[AM], USA (California Approval)[CF], United States of America[USA]
14	AP8124568	Lampholder	1	Country: USA (49 Countries Approval)[AM], USA (California Approval)[CF], United States of America[USA]
14	AP8127119	Lampholder	1	Country: Austria[A], Australia[AA], Australia[AUS], Belgium[B], Belgium[BB], Switzerland[CH], Germany[D], Denmark[DK], Spain[E], A, CH, D, DK, GR, E, I, NL, P[EU], France[F], France[FF], Greece[GR], Italy[I], Japan[J], Japan[J], Holland[NL], Portugal[P], Great Britain[UK]

Group	FRAME
Code	28.54
Description	Turn indicators
Service	1



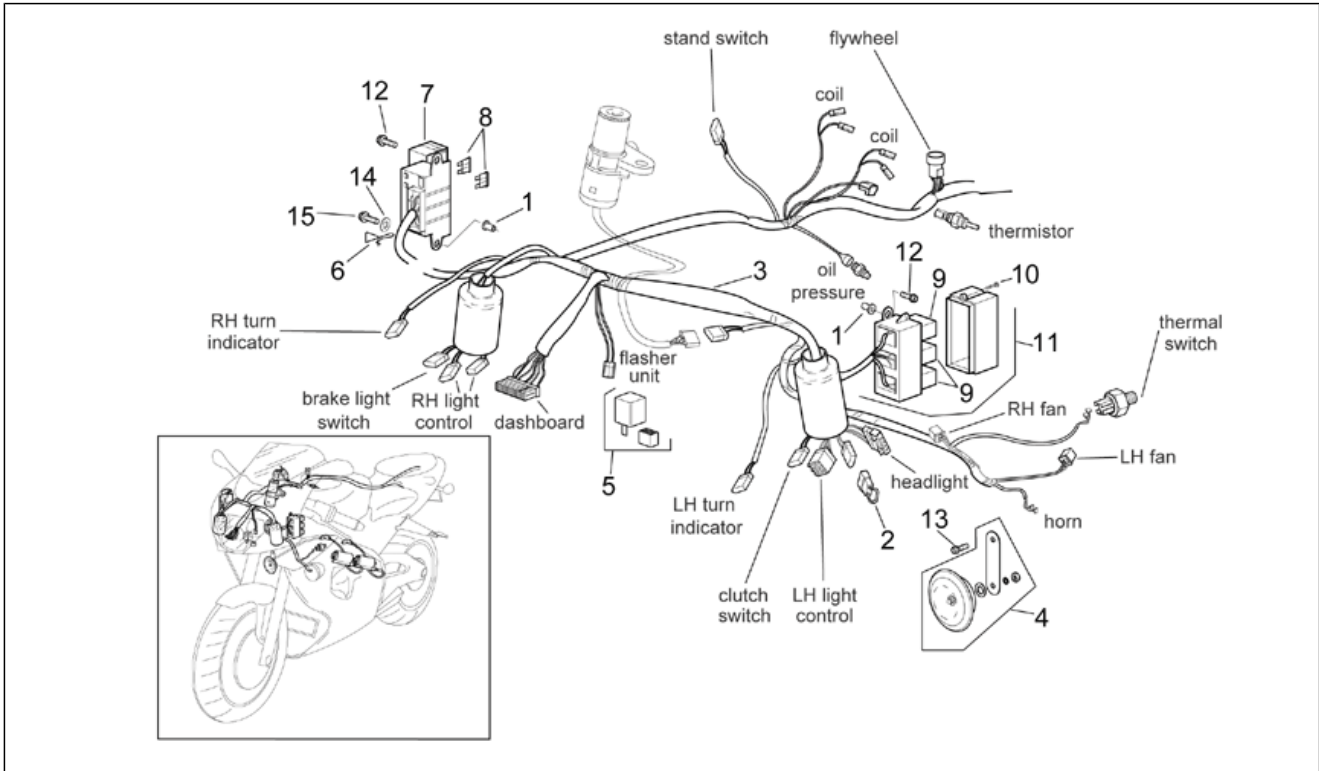
Pos.	Code	Description	Qty	Variants
1	AP8124980	RH front/LH rear turn indic.	2	
2	AP8124979	LH front/RH rear turn indic.	2	
3	AP8127122	Turn indicator lens	4	
4	AP8127123	screw TBC 2,9x13	4	
5	AP8150137	Hex socket screw M6x16	2	
6	AP8150044	Hex socket screw M6x20	2	
7	AP8152299	Self-locking nut M6	4	
8	AP8224390	Lamp R10W 12v	4	

Group	FRAME
Code	28.55
Description	Taillight
Service	1



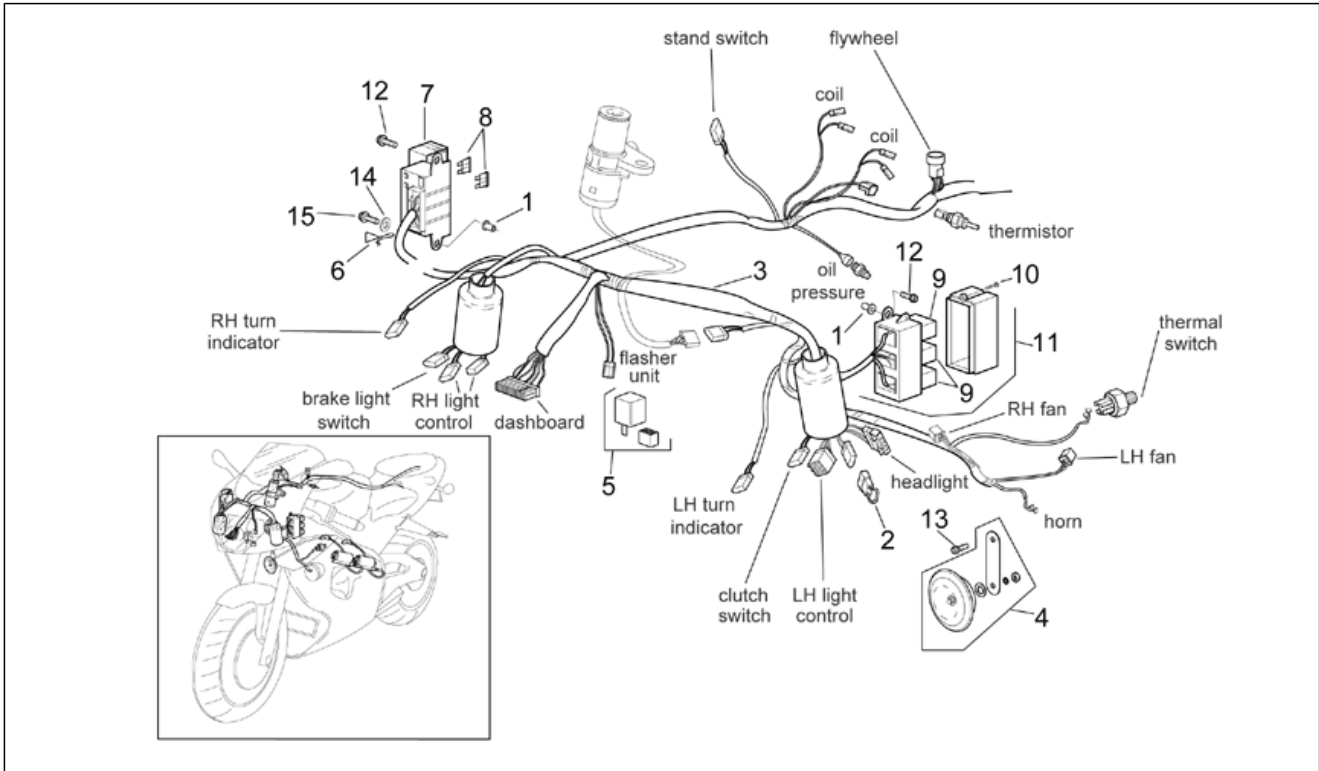
Pos.	Code	Description	Qty	Variants
1	AP8124978	Taillight	1	Country: Austria[A], Australia[AA], Australia[AUS], Belgium[B], Belgium[BB], Switzerland[CH], Germany[D], Denmark[DK], Spain[E], A, CH, D, DK, GR, E, I, NL, P[EU], France[F], France[FF], Greece[GR], Italy[I], Japan[J], Japan[J], Holland[NL], Portugal[P], Great Britain[UK]
1	AP8127070	Taillight	1	Country: USA (49 Countries Approval)[AM], USA (California Approval)[CF], United States of America[USA]
2	AP8124558	Taillight lens	2	
3	AP8124559	N.plate light window	1	
4	AP8121725	T bush *	3	Country: Austria[A], Australia[AA], Australia[AUS], Belgium[B], Belgium[BB], Switzerland[CH], Germany[D], Denmark[DK], Spain[E], A, CH, D, DK, GR, E, I, NL, P[EU], France[F], France[FF], Greece[GR], Italy[I], Japan[J], Japan[J], Holland[NL], Portugal[P], Great Britain[UK]
4	AP8121790	T bush *	3	Country: USA (49 Countries Approval)[AM], USA (California Approval)[CF], United States of America[USA]
5	AP8124561	Special screw 3,5x20	4	
6	AP8124562	Taillight wiring harn.	1	
7	AP8112599	Rubber spacer *	3	
8	AP8152306	Self-locking nut m5	3	
9	AP8152275	Screw w/ flange M5x25	3	
10	AP8224389	Lamp P21/5W 12V	2	

Group	FRAME
Code	28.56
Description	Front electrical system
Service	1



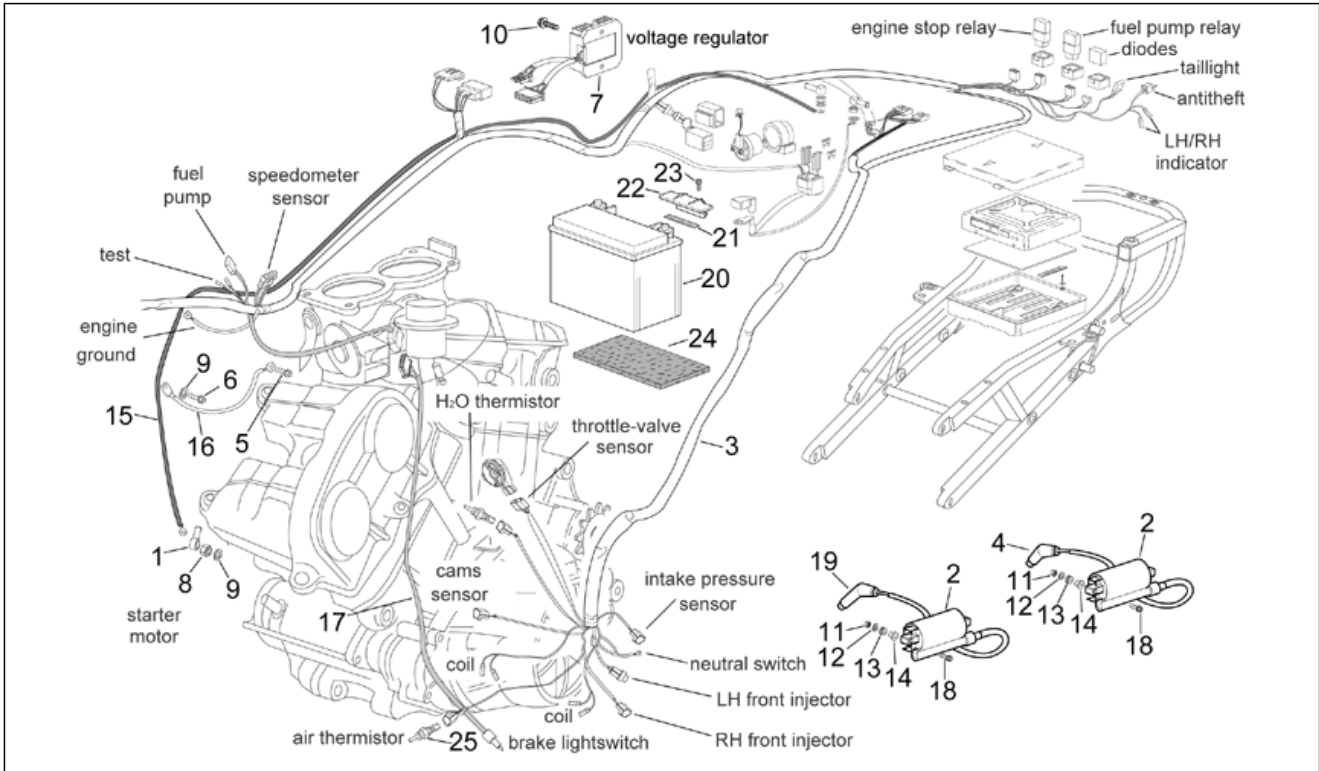
Pos.	Code	Description	Qty	Variants
1	AP8121020	Spacer 6,5x10x19*	4	Country:USA (49 Countries Approval)[AM], USA (California Approval)[CF], United States of America[USA]
2	AP8212588	Diode	1	
3	AP8127022	Main wiring harness	1	Country:Austria[A], Australia[AA], Australia[AUS], Belgium[B], Belgium[BB], Switzerland[CH], Germany[D], Denmark[DK], Spain[E], A, CH, D, DK, GR, E, I, NL, P[EU], France[F], France[FF], Greece[GR], Italy[I], Japan[J], Japan[J], Holland[NL], Portugal[P], Great Britain[UK]
3	AP8127039	Main wiring harness	1	Country:USA (49 Countries Approval)[AM], USA (California Approval)[CF], United States of America[USA]
4	AP8127391	Horn	1	
5	AP8124235	Flasher unit	1	
6	AP8134480	Fuses hook	1	Country:Austria[A], Australia[AA], Australia[AUS], Belgium[B], Belgium[BB], Switzerland[CH], Germany[D], Denmark[DK], Spain[E], A, CH, D, DK, GR, E, I, NL, P[EU], France[F], France[FF], Greece[GR], Italy[I], Japan[J], Japan[J], Holland[NL], Portugal[P], Great Britain[UK]
6	AP8134632	Fuses hook	1	Country:USA (49 Countries Approval)[AM], USA (California Approval)[CF], United States of America[USA]
7	AP8124274	Fuse holder box	1	
8	AP8112176	Fuse 15A	8	
9	AP8124277	Relay	3	
10	AP8150421	Self-tap screw 2,9x12	2	
11	AP8124293	Relais support	1	
12	AP8152279	Screw w/ flange M6x20	3	Country:Austria[A], Australia[AA], Australia[AUS], Belgium[B], Belgium[BB], Switzerland[CH], Germany[D], Denmark[DK], Spain[E], A, CH, D, DK, GR, E, I, NL, P[EU], France[F], France[FF], Greece[GR], Italy[I], Japan[J], Japan[J], Holland[NL], Portugal[P], Great Britain[UK]
12	AP8152283	Screw w/ flange	4	Country:USA (49 Countries Approval)[AM], USA (California Approval)[CF], United States of America[USA]
13	AP8152285	Screw w/ flange	1	

Group	FRAME
Code	28.56
Description	Front electrical system
Service	1



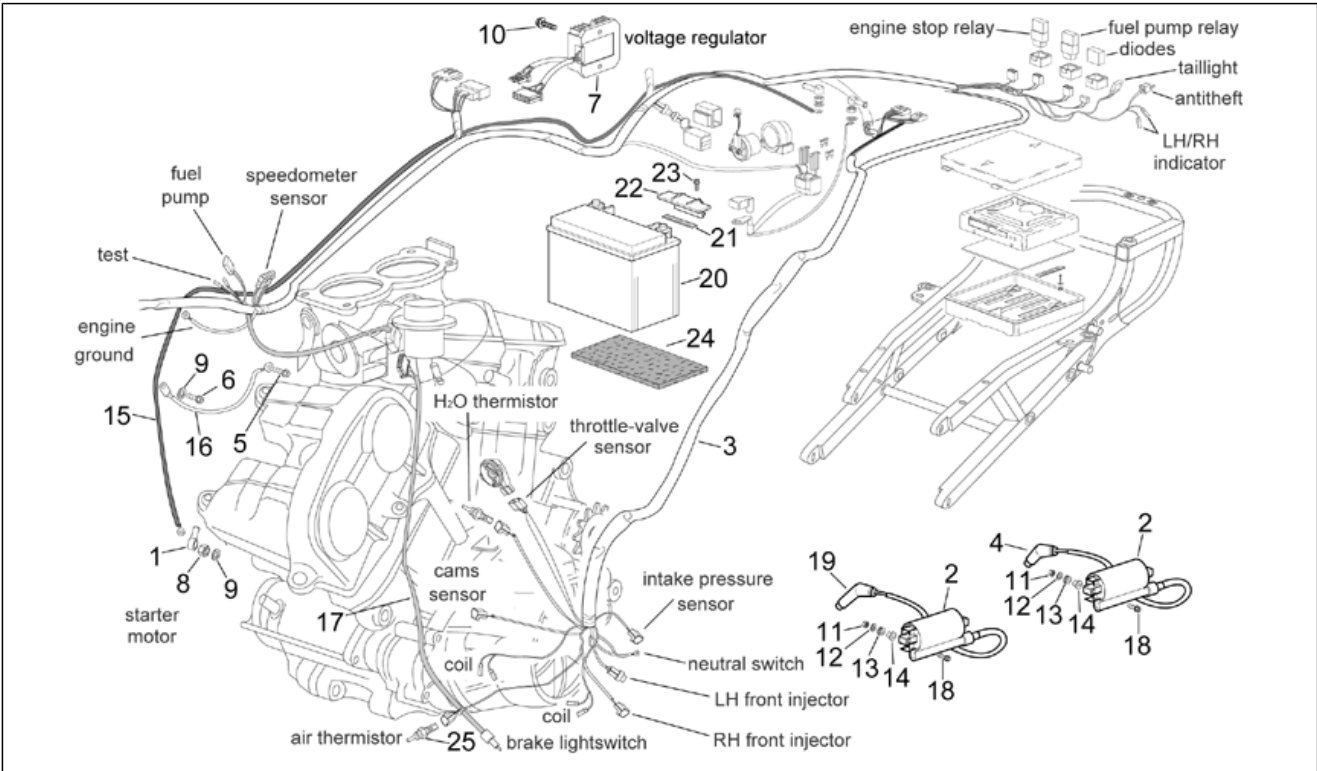
Pos.	Code	Description	Qty	Variants
14	AP8150014	Washer 6,4x12,5*	2	
15	AP8152280	Screw w/ flange M6x25	1	

Group	FRAME
Code	28.57
Description	Central electrical system
Service	1



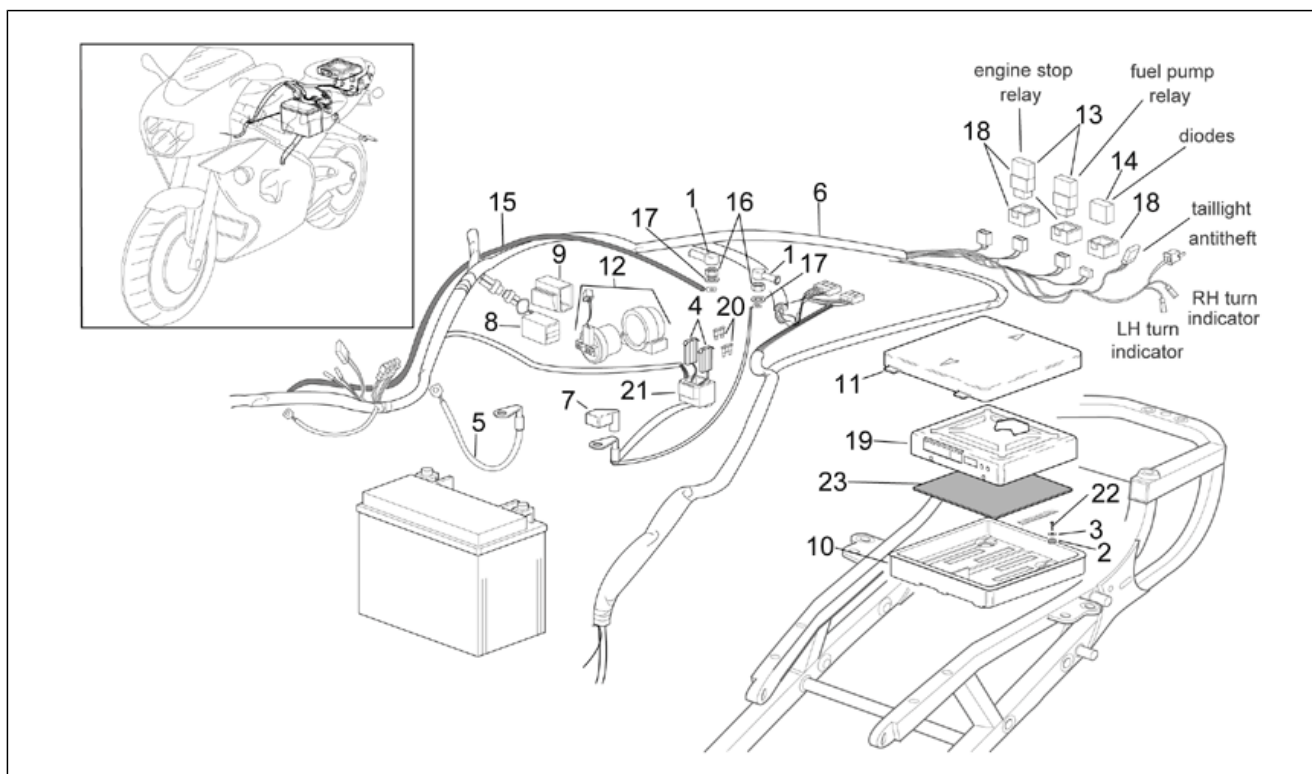
Pos.	Code	Description	Qty	Variants
1	AP8120218	Terminal cap	1	
2	AP0265480	HT coil	2	
3	AP8127022	Main wiring harness	1	Country: Austria[A], Australia[AA], Australia[AUS], Belgium[B], Belgium[BB], Switzerland[CH], Germany[D], Denmark[DK], Spain[E], A, CH, D, DK, GR, E, I, NL, P[EU], France[F], France[FF], Greece[GR], Italy[I], Japan[J], Japan[JJ], Holland[NL], Portugal[P], Great Britain[UK]
3	AP8127039	Main wiring harness	1	Country: USA (49 Countries Approval)[AM], USA (California Approval)[CF], United States of America[USA]
4	AP0265244	Ext.sparkplug cap	1	
5	AP8152277	Screw w/ flange M6x12	1	
6	AP8152123	Hex socket screw	1	
7	AP8124267	Voltage regulator	1	
8	AP8150026	Nut M6	1	
9	AP8150429	Spring washer 6,4x11x0,5*	2	
10	AP8152282	Screw w/ flange M6x35	2	
11	AP8150451	Low self-locking nut	4	
12	AP8150012	Washer 5,3x10x1*	4	
13	AP8120405	Rubber spacer	4	
14	AP8121736	T bush	4	
15	AP8124269	Relay-starter motor cable	1	
16	AP8112832	Ground-battery lead	1	
17	AP8112996	Microswitch	1	
18	AP8152275	Screw w/ flange M5x25	4	
19	AP0265246	Int.sparkplug cap	1	
20	AP8124748	Battery YTX12-BS	1	
21	AP8117033	Adhesive sponge	1	
22	AP8148660	Battery fixing plate	1	
23	AP8152278	Screw w/ flange M6x16	1	

Group	FRAME
Code	28.57
Description	Central electrical system
Service	1



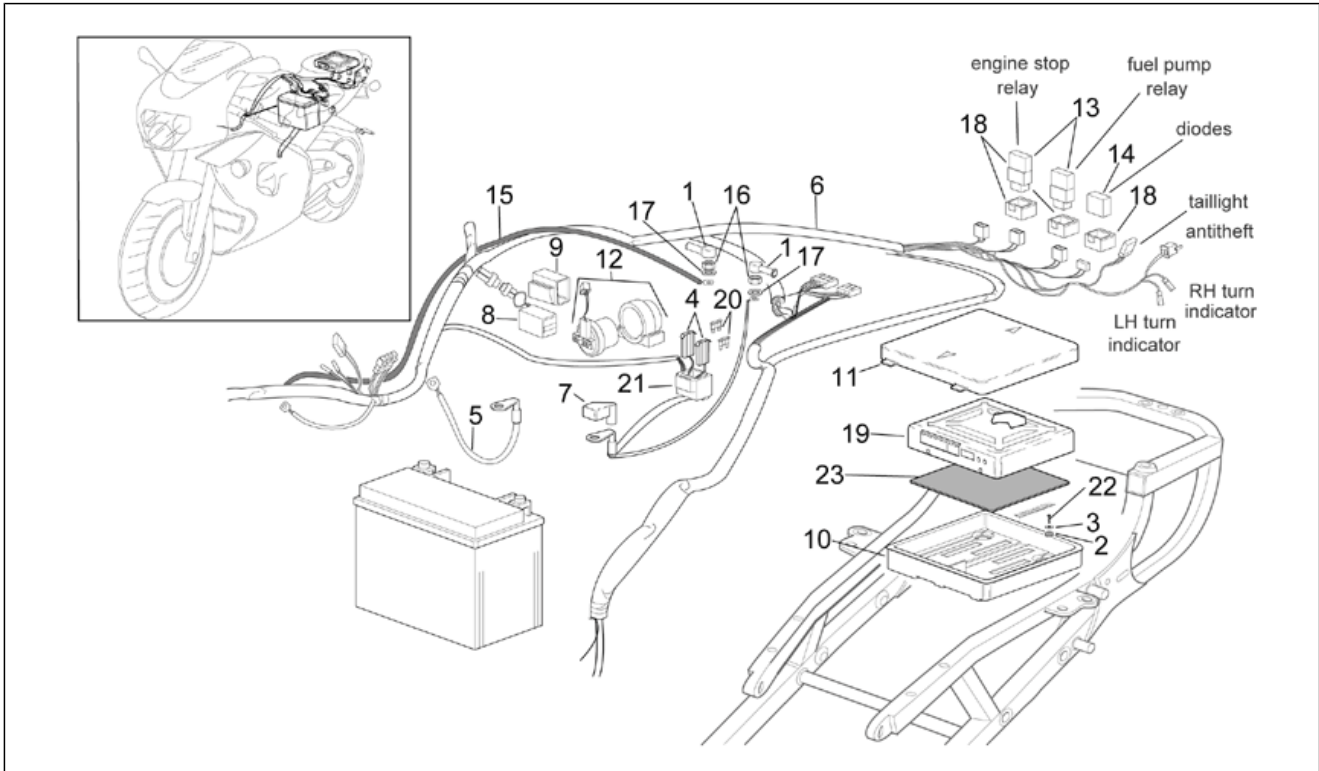
Pos.	Code	Description	Qty	Variants
24	AP8144045	Battery support rubber	1	
25	AP8124300	Air temp. Sensor	1	

Group	FRAME
Code	28.58
Description	Rear electrical system
Service	1



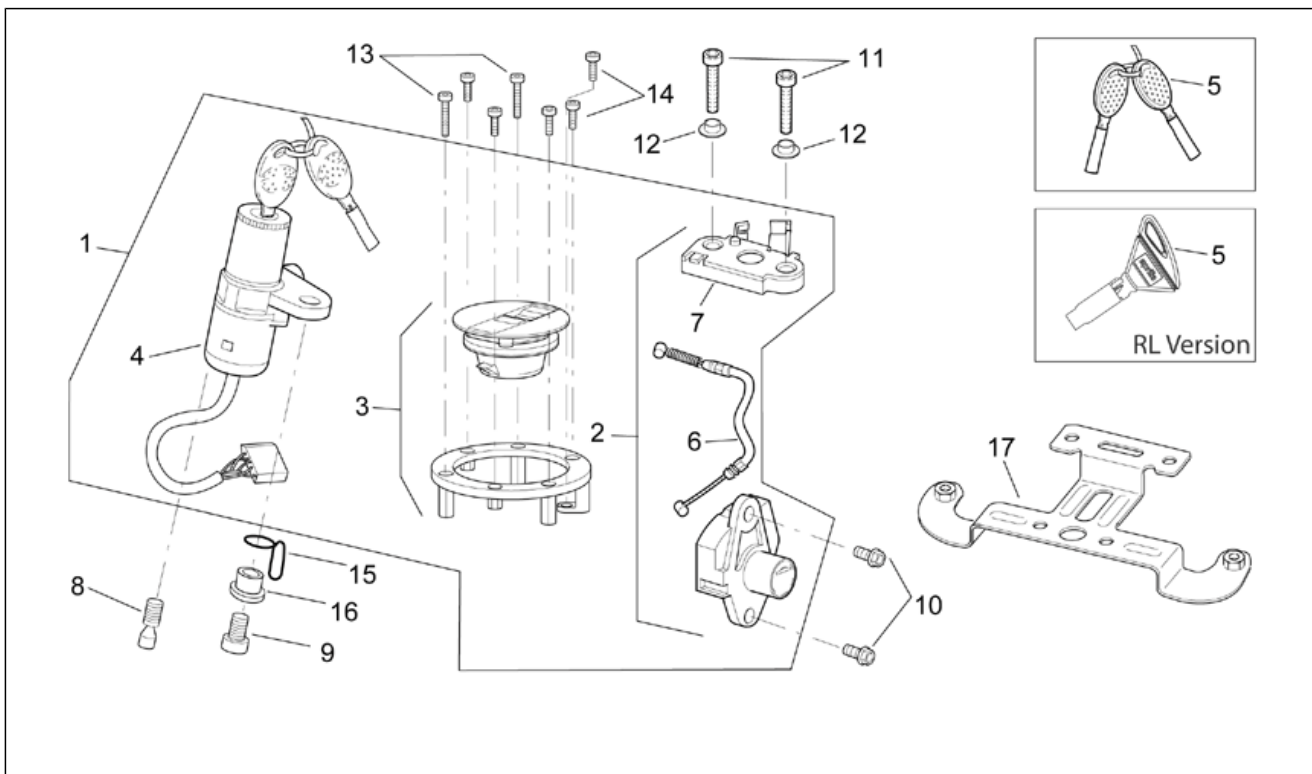
Pos.	Code	Description	Qty	Variants
1	AP8120218	Terminal cap	2	
2	AP8220150	Rubber spacer	3	
3	AP8150159	Washer 4,3x16*	3	
4	AP8120754	Rubber fuse box	2	
5	AP8124439	Ground-battery lead	1	
6	AP8127022	Main wiring harness	1	Country: Austria[A], Australia[AA], Australia[AUS], Belgium[B], Belgium[BB], Switzerland[CH], Germany[D], Denmark[DK], Spain[E], A, CH, D, DK, GR, E, I, NL, P[EU], France[F], France[FF], Greece[GR], Italy[I], Japan[J], Japan[JJ], Holland[NL], Portugal[P], Great Britain[UK]
6	AP8127039	Main wiring harness	1	Country: USA (49 Countries Approval)[AM], USA (California Approval)[CF], United States of America[USA]
7	AP8112940	Positive pole cap	1	
8	AP8124266	Inclination sensor	1	
9	AP8144046	Rubber sensor support	1	
10	AP8138776	ECU prot.box	1	
11	AP8138596	ECU box cover	1	
12	AP8124636	Starter relay 12V-150A	1	
13	AP8224462	Relay 12V-30A	2	
14	AP8124289	Diodes	1	
15	AP8124269	Relay-starter motor cable	1	
16	AP8150026	Nut M6	2	
17	AP8150429	Spring washer 6,4x11x0,5*	2	
18	AP8220283	Rubber spacer *	3	
19	AP0265671	ECU	1	Country: Austria[A], Switzerland[CH], Germany[D], Denmark[DK], Spain[E], A, CH, D, DK, GR, E, I, NL, P[EU], France[F], France[FF], Greece[GR], Italy[I], Japan[J], Japan[JJ], Holland[NL], Portugal[P], Great Britain[UK] Technical Specifications: RSV Mille "R"acing Version[R], RSV Mille Version[STD]
19	AP0265671	ECU	1	Country: Australia[AA], Australia[AUS]

Group	FRAME
Code	28.58
Description	Rear electrical system
Service	1



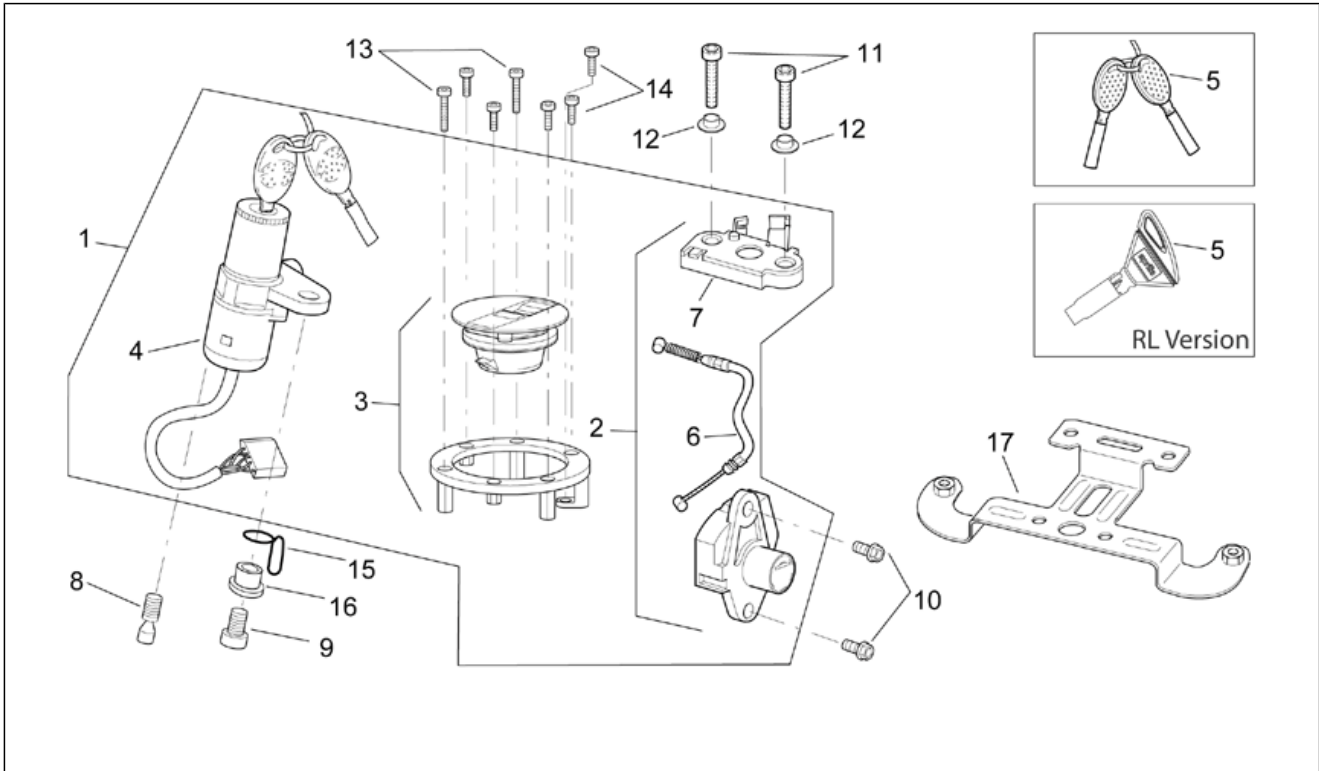
Pos.	Code	Description	Qty	Variants
				Technical Specifications: Full Power Version[F.P.]
19	AP0265672	ECU	1	Country: Australia[AA], Australia[AUS] Technical Specifications: Power 72 Kw[72Kw]
19	AP0265672	ECU	1	Country: Belgium[B], Belgium[BB]
19	AP0265675	ECU	1	Country: USA (49 Countries Approval)[AM], USA (California Approval)[CF], United States of America[USA]
19	AP0266210	ECU	1	Country: Austria[A], Switzerland[CH], Germany[D], Denmark[DK], Spain[E], A, CH, D, DK, GR, E, I, NL, P[EU], France[F], France[FF], Greece[GR], Italy[I], Japan[J], Japan[JJ], Holland[NL], Portugal[P], Great Britain[UK] Technical Specifications: "R"acing GP1 Limited Ed.Version[RL]
20	AP8124273	Fuse 30a	3	
21	AP8112811	Rubber fuse box	1	
22	AP8150413	Self-tap screw 3,9x14	3	
23	AP8144288	Lat.battery support rubber	1	

Group	FRAME
Code	28.59
Description	Lock hardware kit
Service	1



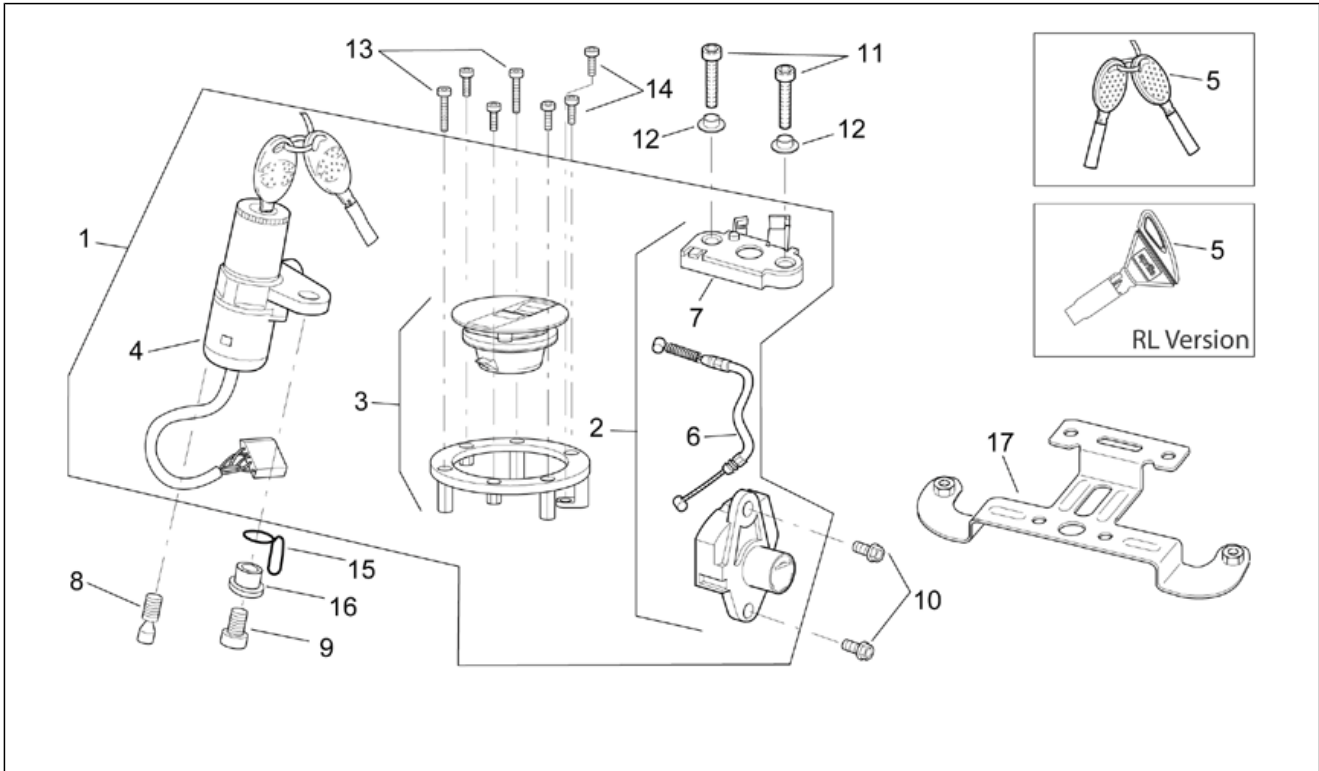
Pos.	Code	Description	Qty	Variants
1	AP8104151	Lock kit	1	Country: Austria[A], Australia[AA], Australia[AUS], Belgium[B], Belgium[BB], Switzerland[CH], Germany[D], Denmark[DK], Spain[E], A, CH, D, DK, GR, E, I, NL, P[EU], France[F], France[FF], Greece[GR], Italy[I], Japan[J], Japan[J], Holland[NL], Portugal[P], Great Britain[UK] Technical Specifications: RSV Mille "R"acing Version[R], RSV Mille Version[STD]
1	AP8104263	Lock kit	1	Country: USA (49 Countries Approval)[AM], United States of America[USA] Technical Specifications: 49 Countries Approval[49st]
1	AP8104265	Lock kit	1	Country: USA (California Approval)[CF], United States of America[USA] Technical Specifications: California Approval[cal]
1	AP8104623	Lock kit	1	Country: Austria[A], Australia[AA], Australia[AUS], Belgium[B], Belgium[BB], Switzerland[CH], Germany[D], Denmark[DK], Spain[E], A, CH, D, DK, GR, E, I, NL, P[EU], France[F], France[FF], Greece[GR], Italy[I], Japan[J], Japan[J], Holland[NL], Portugal[P], Great Britain[UK] Technical Specifications: "R"acing GP1 Limited Ed.Version[RL]
2	AP8102911	Saddle lock cpl.	1	Country: USA (California Approval)[CF], United States of America[USA]
2	AP8102911	Saddle lock cpl.	1	Country: Austria[A], Australia[AA], Australia[AUS], Belgium[B], Belgium[BB], Switzerland[CH], Germany[D], Denmark[DK], Spain[E], A, CH, D, DK, GR, E, I, NL, P[EU], France[F], France[FF], Greece[GR], Italy[I], Japan[J], Japan[J], Holland[NL], Portugal[P], Great Britain[UK] Technical Specifications: RSV Mille "R"acing Version[R], RSV Mille Version[STD]
2	AP8104676	Saddle lock cpl.	1	Country: Austria[A], Australia[AA], Australia[AUS], Belgium[B], Belgium[BB], Switzerland[CH], Germany[D], Denmark[DK], Spain[E], A, CH, D, DK, GR, E, I, NL, P[EU], France[F], France[FF], Greece[GR], Italy[I], Japan[J], Japan[J], Holland[NL], Portugal[P], Great Britain[UK] Technical Specifications: "R"acing GP1 Limited Ed.Version[RL]

Group	FRAME
Code	28.59
Description	Lock hardware kit
Service	1



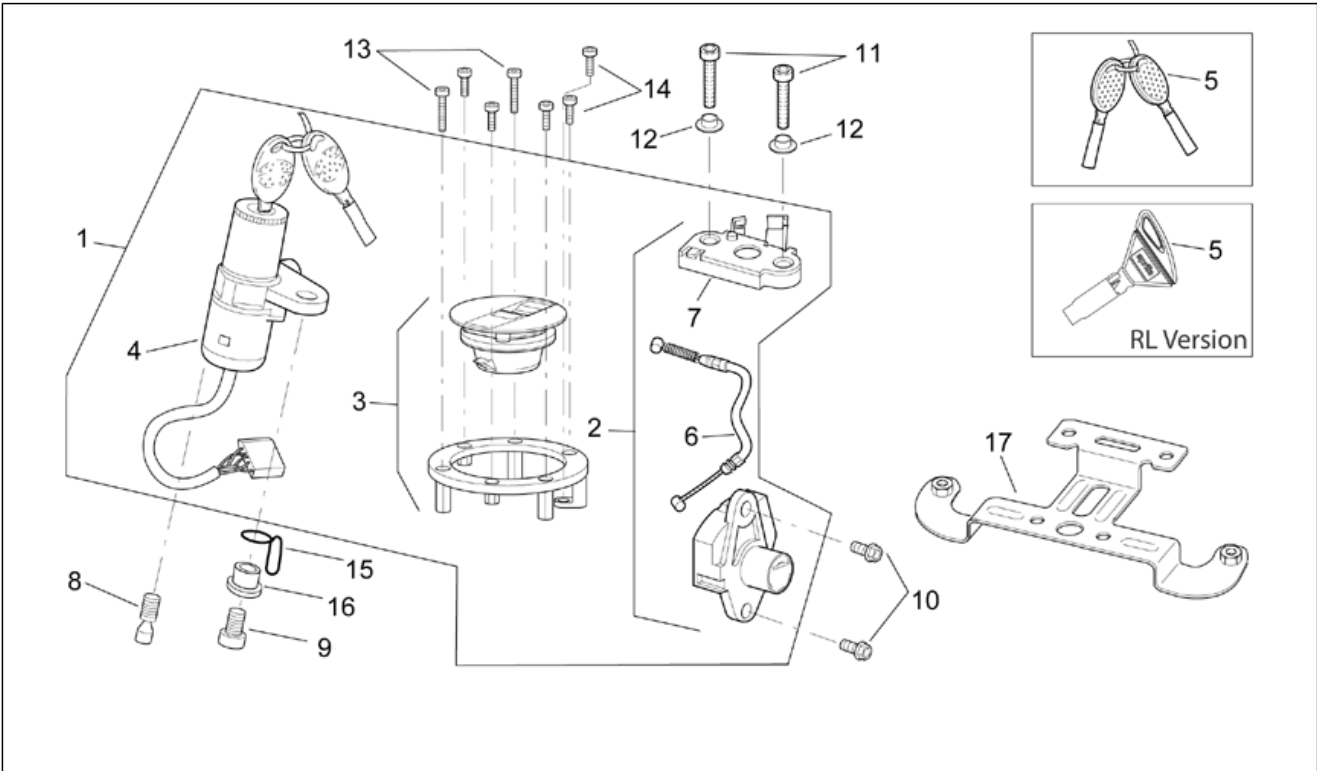
Pos.	Code	Description	Qty	Variants
3	AP8104287	Fuel filler cap	1	Country: USA (California Approval)[CF], United States of America[USA] Technical Specifications: California Approval[cal]
3	AP8104288	Fuel filler cap	1	Country: Austria[A], Australia[AA], Australia[AUS], Belgium[B], Belgium[BB], Switzerland[CH], Germany[D], Denmark[DK], Spain[E], A, CH, D, DK, GR, E, I, NL, P[EU], France[F], France[FF], Greece[GR], Italy[I], Japan[J], Japan[JJ], Holland[NL], Portugal[P], Great Britain[UK] Technical Specifications: RSV Mille "R"acing Version[R], RSV Mille Version[STD]
3	AP8104288	Fuel filler cap	1	Country: USA (49 Countries Approval)[AM], United States of America[USA] Technical Specifications: 49 Countries Approval[49st]
3	AP8144627	Fuel filler cap	1	Country: Austria[A], Australia[AA], Australia[AUS], Belgium[B], Belgium[BB], Switzerland[CH], Germany[D], Denmark[DK], Spain[E], A, CH, D, DK, GR, E, I, NL, P[EU], France[F], France[FF], Greece[GR], Italy[I], Japan[J], Japan[JJ], Holland[NL], Portugal[P], Great Britain[UK] Technical Specifications: "R"acing GP1 Limited Ed.Version[RL]
4	AP8102910	Main switch - steering lock	1	Country: Austria[A], Australia[AA], Australia[AUS], Belgium[B], Belgium[BB], Switzerland[CH], Germany[D], Denmark[DK], Spain[E], A, CH, D, DK, GR, E, I, NL, P[EU], France[F], France[FF], Greece[GR], Italy[I], Japan[J], Japan[JJ], Holland[NL], Portugal[P], Great Britain[UK] Technical Specifications: RSV Mille "R"acing Version[R], RSV Mille Version[STD]
4	AP8124895	Main switch - steering lock	1	Country: USA (49 Countries Approval)[AM], USA (California Approval)[CF], United States of America[USA]
4	AP8127541	Main switch - steering lock	1	Country: Austria[A], Australia[AA], Australia[AUS], Belgium[B], Belgium[BB], Switzerland[CH], Germany[D], Denmark[DK], Spain[E], A, CH, D, DK, GR, E, I, NL, P[EU], France[F], France[FF], Greece[GR], Italy[I], Japan[J], Japan[JJ], Holland[NL], Portugal[P], Great Britain[UK]

Group	FRAME
Code	28.59
Description	Lock hardware kit
Service	1



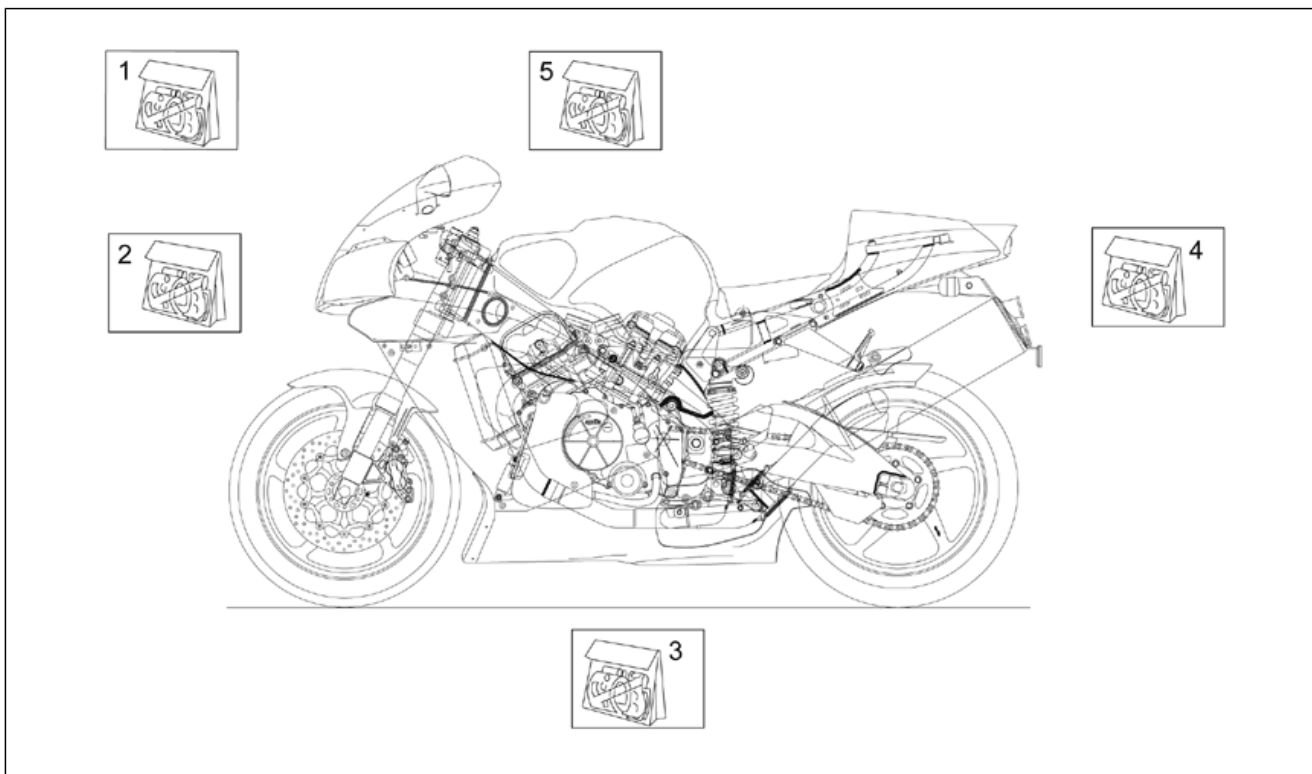
Pos.	Code	Description	Qty	Variants
				Technical Specifications: "R"acing GP1 Limited Ed.Version[RL]
5	AP8102880	Aprilia milled key	1	Country: USA (49 Countries Approval)[AM], USA (California Approval)[CF], United States of America[USA]
5	AP8102880	Aprilia milled key	1	Country: Austria[A], Australia[AA], Australia[AUS], Belgium[B], Belgium[BB], Switzerland[CH], Germany[D], Denmark[DK], Spain[E], A, CH, D, DK, GR, E, I, NL, P[EU], France[F], France[FF], Greece[GR], Italy[I], Japan[J], Japan[JJ], Holland[NL], Portugal[P], Great Britain[UK] Technical Specifications: RSV Mille "R"acing Version[R], RSV Mille Version[STD]
5	AP8140710	"Aprilia" key w/out transpo.	1	Country: Austria[A], Australia[AA], Australia[AUS], Belgium[B], Belgium[BB], Switzerland[CH], Germany[D], Denmark[DK], Spain[E], A, CH, D, DK, GR, E, I, NL, P[EU], France[F], France[FF], Greece[GR], Italy[I], Japan[J], Japan[JJ], Holland[NL], Portugal[P], Great Britain[UK] Technical Specifications: "R"acing GP1 Limited Ed.Version[RL]
6	AP8102914	Saddle release cable	1	
7	AP8102913	Pass.saddle connecting plate	1	
8	AP8150349	Special screw M8x15	1	Technical Specifications: RSV Mille "R"acing Version[R], RSV Mille Version[STD]
8	AP8150507	Shear rivet	1	Technical Specifications: "R"acing GP1 Limited Ed.Version[RL]
9	AP8152288	Screw w/ flange	1	
10	AP8152278	Screw w/ flange M6x16	2	
11	AP8150165	Hex socket screw M6x25	2	Technical Specifications: RSV Mille "R"acing Version[R], "R"acing GP1 Limited Ed.Version[RL]
11	AP8150285	Hex socket screw M6x35	2	Technical Specifications: RSV Mille Version[STD]
12	AP8221129	Bush	2	
13	AP8150453	Hex socket screw M5x30	3	
14	AP8150454	Hex socket screw M5x16	4	

Group	FRAME
Code	28.59
Description	Lock hardware kit
Service	1



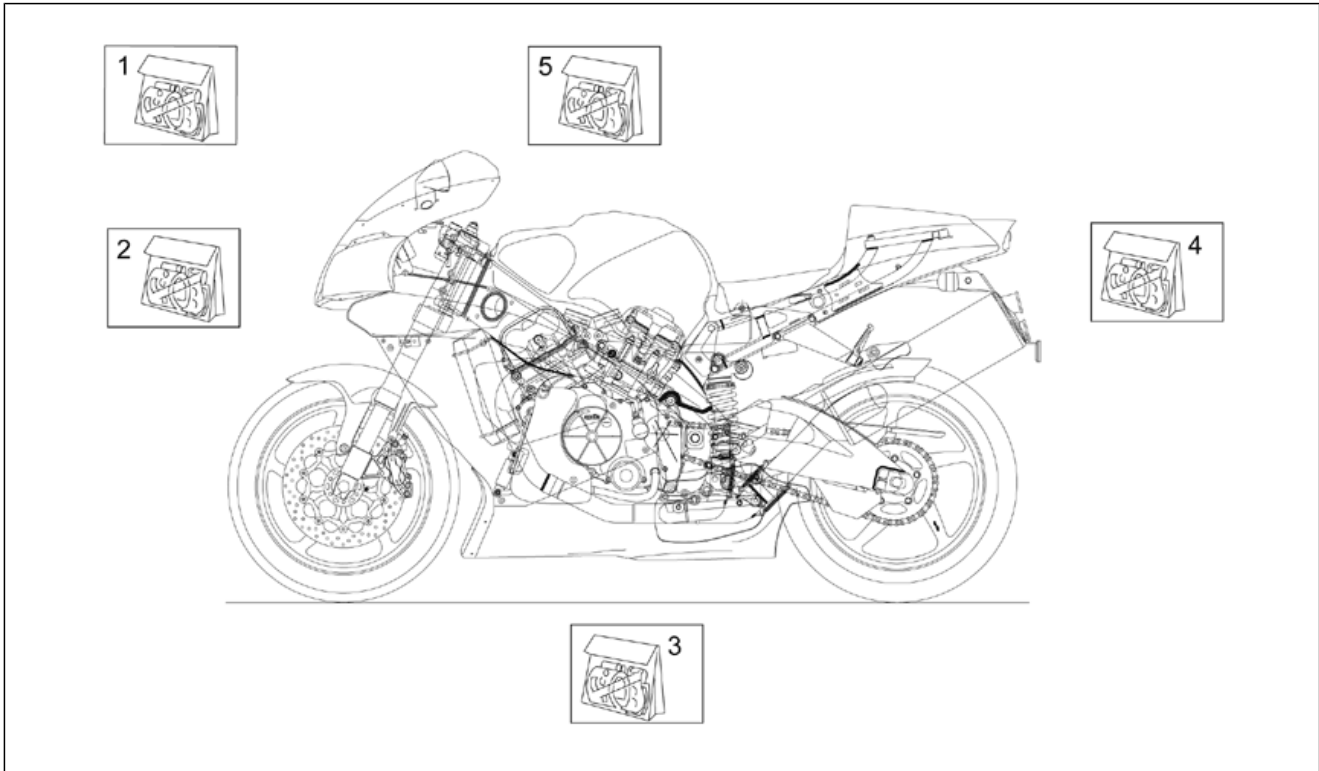
Pos.	Code	Description	Qty	Variants
15	AP8120428	Cable-guide	1	
16	AP8121678	Bush	1	
17	AP8134608	Saddle lock support	1	Country: USA (49 Countries Approval)[AM], USA (California Approval)[CF], United States of America[USA] Technical Specifications: RSV Mille "R"acing Version[R], "R"acing GP1 Limited Ed.Version[RL]

Group	FRAME
Code	28.60
Description	Decal
Service	1



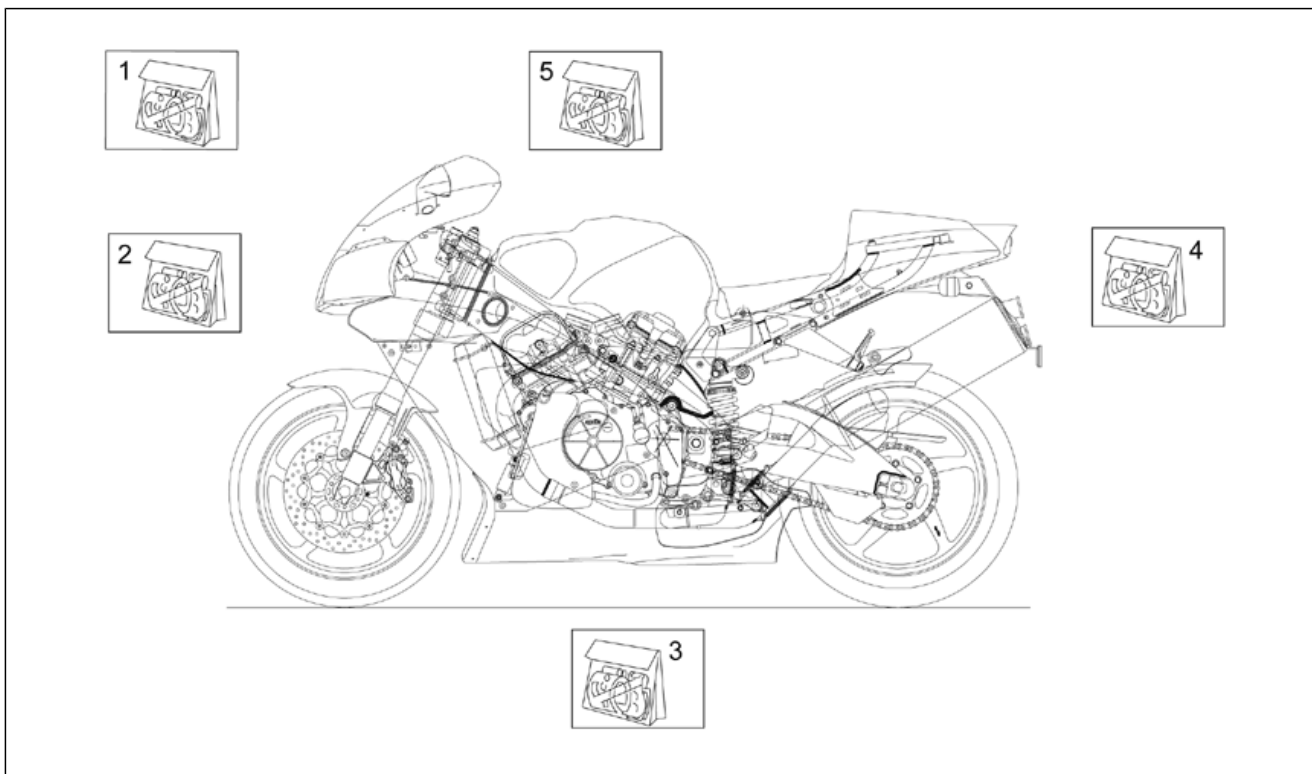
Pos.	Code	Description	Qty	Variants
1	AP8167457	Technical decal set	1	Year: 2003[3] Country: Austria[A], Australia[AA], Australia[AUS], Belgium[B], Belgium[BB], Switzerland[CH], Germany[D], Denmark[DK], Spain[E], A, CH, D, DK, GR, E, I, NL, P[EU], France[F], France[FF], Greece[GR], Italy[I], Japan[J], Japan[JJ], Holland[NL], Portugal[P], Great Britain[UK]
1	AP8167932	Technical decal set	1	Year: 2003[3] Country: USA (49 Countries Approval)[AM], USA (California Approval)[CF], United States of America[USA] Technical Specifications: RSV Mille Version[STD]
1	AP8167933	Technical decal set	1	Year: 2003[3] Country: USA (49 Countries Approval)[AM], USA (California Approval)[CF], United States of America[USA] Technical Specifications: RSV Mille "R"acing Version[R]
1	AP8177747	Technical decal set	1	Year: 2003[3] Country: USA (49 Countries Approval)[AM], USA (California Approval)[CF], United States of America[USA] Technical Specifications: "R"acing GP1 Limited Ed.Version[RL]
1	AP8177748	Technical decal set	1	Year: 2003[3] Country: Austria[A], Australia[AA], Australia[AUS], Belgium[B], Belgium[BB], Switzerland[CH], Germany[D], Denmark[DK], Spain[E], A, CH, D, DK, GR, E, I, NL, P[EU], France[F], France[FF], Greece[GR], Italy[I], Japan[J], Japan[JJ], Holland[NL], Portugal[P], Great Britain[UK] Technical Specifications: "R"acing GP1 Limited Ed.Version[RL]
2	AP8177421	Front fairing decal set	1	Year: 2003[3] Vehicle colour: Flashy yellow "R"acing 2003[yell] Technical Specifications: RSV Mille "R"acing Version[R]
2	AP8177422	Front fairing decal set	1	Year: 2003[3] Vehicle colour: Lead grey 2003[grey] Technical Specifications: RSV Mille Version[STD]
2	AP8177423	Front fairing decal set	1	Year: 2003[3] Vehicle colour: Hot red 2003[red]

Group	FRAME
Code	28.60
Description	Decal
Service	1



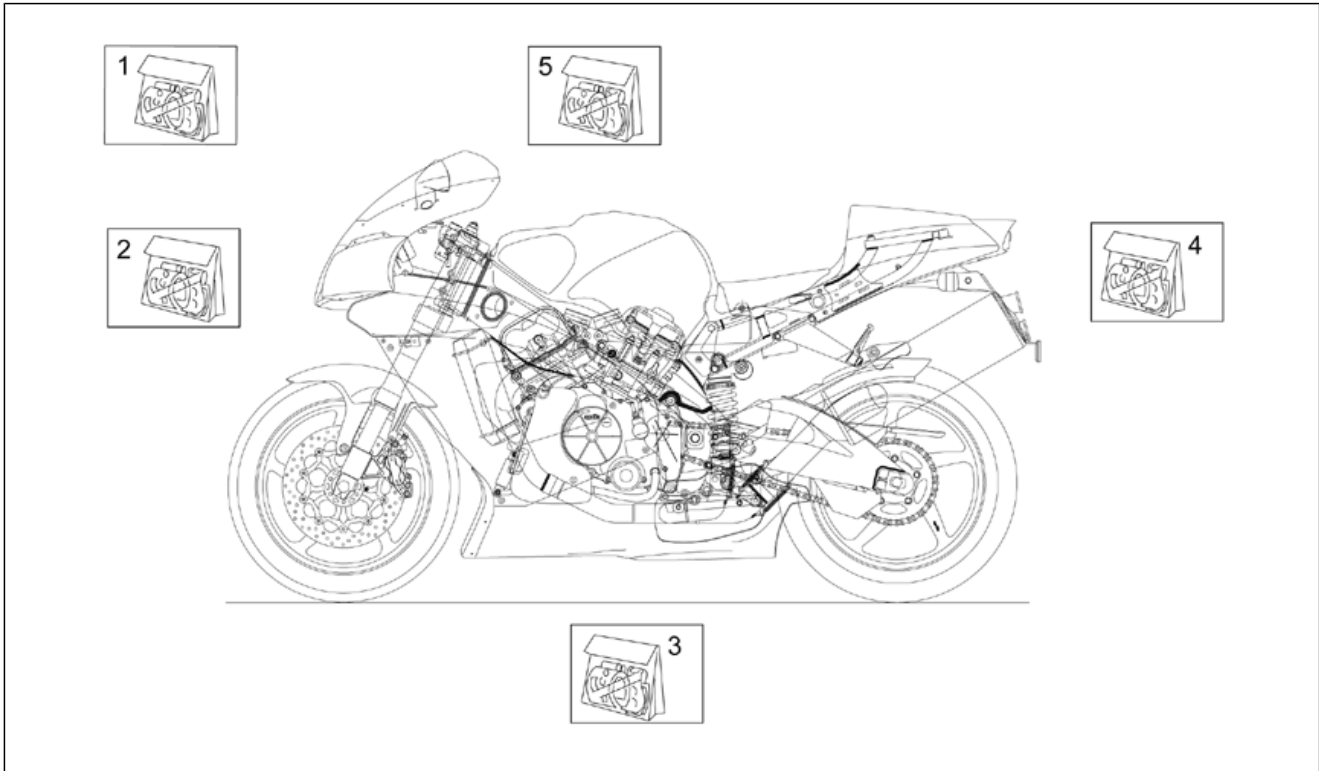
Pos.	Code	Description	Qty	Variants
				Technical Specifications: RSV Mille Version[STD]
2	AP8177424	Front fairing decal set	1	Year: 2003[3] Vehicle colour: Aprilia Black 2003[black] Technical Specifications: RSV Mille Version[STD]
2	AP8177425	Front fairing decal set	1	Year: 2003[3] Vehicle colour: Aprilia Black "R"acing 2003[rac] Technical Specifications: RSV Mille "R"acing Version[R]
2	AP8177578	Front fairing decal set	1	Year: 2003[3] Vehicle colour: Lead Grey "R"acing 2003[p.g] Country: USA (49 Countries Approval)[AM], USA (California Approval)[CF], United States of America[USA] Technical Specifications: RSV Mille "R"acing Version[R]
2	AP8177749	Front fairing decal set	1	Year: 2003[3] Vehicle colour: Racing GP1 2003[gp1] Country: USA (49 Countries Approval)[AM], USA (California Approval)[CF], United States of America[USA] Technical Specifications: "R"acing GP1 Limited Ed.Version[RL]
2	AP8177750	Front fairing decal set	1	Year: 2003[3] Vehicle colour: Racing GP1 2003[gp1] Country: Austria[A], Australia[AA], Australia[AUS], Belgium[B], Belgium[BB], Switzerland[CH], Germany[D], Denmark[DK], Spain[E], A, CH, D, DK, GR, E, I, NL, P[EU], France[F], France[FF], Greece[GR], Italy[I], Japan[J], Japan[JJ], Holland[NL], Portugal[P], Great Britain[UK] Technical Specifications: "R"acing GP1 Limited Ed.Version[RL]
3	AP8177426	Fairing decal set	1	Year: 2003[3] Vehicle colour: Flashy yellow "R"acing 2003[yell] Country: Austria[A], Australia[AA], Australia[AUS], Belgium[B], Belgium[BB], Switzerland[CH], Germany[D], Denmark[DK], Spain[E], A, CH, D, DK, GR, E, I, NL, P[EU], France[F], France[FF], Greece[GR], Italy[I], Japan[J], Japan[JJ], Holland[NL], Portugal[P], Great Britain[UK] Technical Specifications: RSV Mille "R"acing Version[R]

Group	FRAME
Code	28.60
Description	Decal
Service	1



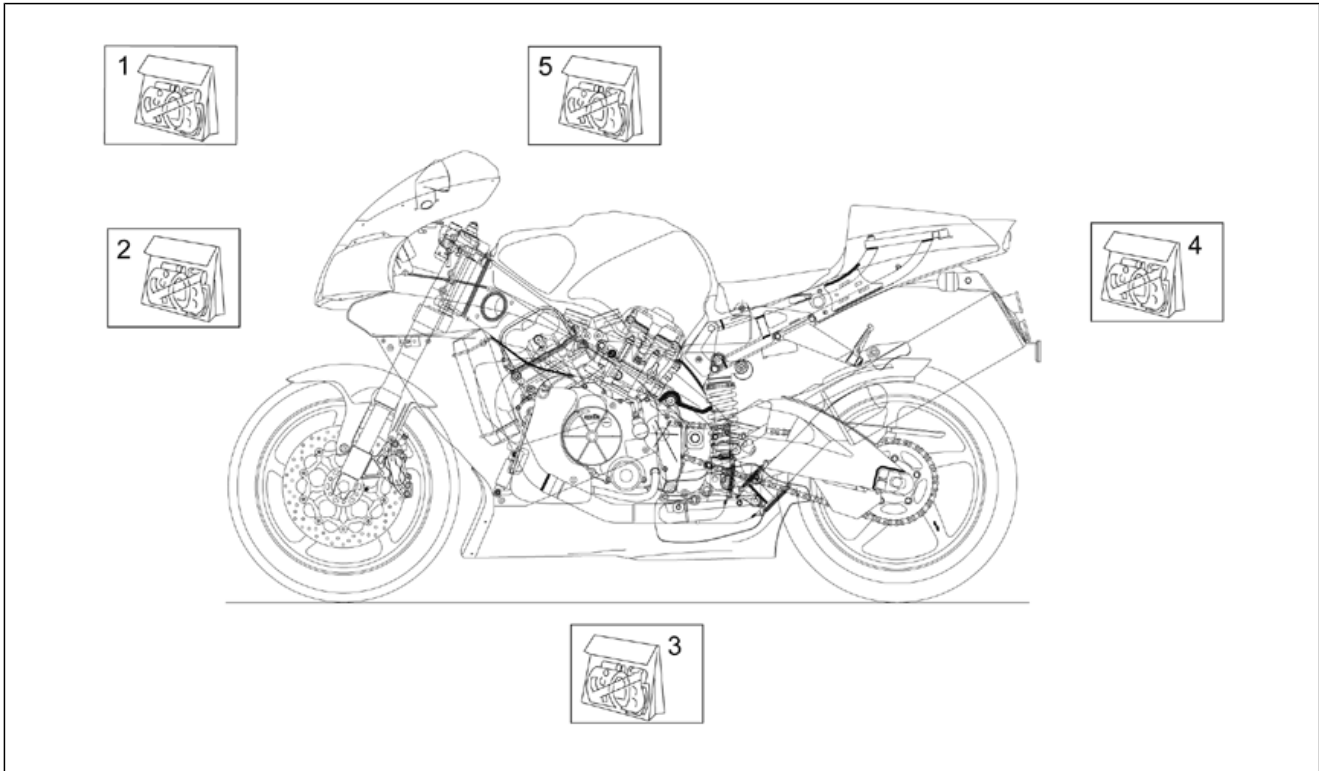
Pos.	Code	Description	Qty	Variants
3	AP8177427	Fairing decal set	1	Year: 2003[3] Vehicle colour: Lead grey 2003[grey] Country: Austria[A], Australia[AA], Australia[AUS], Belgium[B], Belgium[BB], Switzerland[CH], Germany[D], Denmark[DK], Spain[E], A, CH, D, DK, GR, E, I, NL, P[EU], France[F], France[FF], Greece[GR], Italy[I], Japan[J], Japan[JJ], Holland[NL], Portugal[P], Great Britain[UK] Technical Specifications: RSV Mille Version[STD]
3	AP8177428	Fairing decal set	1	Year: 2003[3] Vehicle colour: Hot red 2003[red] Country: Austria[A], Australia[AA], Australia[AUS], Belgium[B], Belgium[BB], Switzerland[CH], Germany[D], Denmark[DK], Spain[E], A, CH, D, DK, GR, E, I, NL, P[EU], France[F], France[FF], Greece[GR], Italy[I], Japan[J], Japan[JJ], Holland[NL], Portugal[P], Great Britain[UK] Technical Specifications: RSV Mille Version[STD]
3	AP8177429	Fairing decal set	1	Year: 2003[3] Vehicle colour: Aprilia Black 2003[black] Country: Austria[A], Australia[AA], Australia[AUS], Belgium[B], Belgium[BB], Switzerland[CH], Germany[D], Denmark[DK], Spain[E], A, CH, D, DK, GR, E, I, NL, P[EU], France[F], France[FF], Greece[GR], Italy[I], Japan[J], Japan[JJ], Holland[NL], Portugal[P], Great Britain[UK] Technical Specifications: RSV Mille Version[STD]
3	AP8177430	Fairing decal set	1	Year: 2003[3] Vehicle colour: Aprilia Black "R"acing 2003[rac] Country: Austria[A], Australia[AA], Australia[AUS], Belgium[B], Belgium[BB], Switzerland[CH], Germany[D], Denmark[DK], Spain[E], A, CH, D, DK, GR, E, I, NL, P[EU], France[F], France[FF], Greece[GR], Italy[I], Japan[J], Japan[JJ], Holland[NL], Portugal[P], Great Britain[UK] Technical Specifications: RSV Mille "R"acing Version[R]
3	AP8177579	Fairing decal set	1	Year: 2003[3] Vehicle colour: Lead Grey "R"acing 2003[p.g] Country: USA (49 Countries Approval)[AM], USA (California Approval)[CF], United States of America[USA]

Group	FRAME
Code	28.60
Description	Decal
Service	1



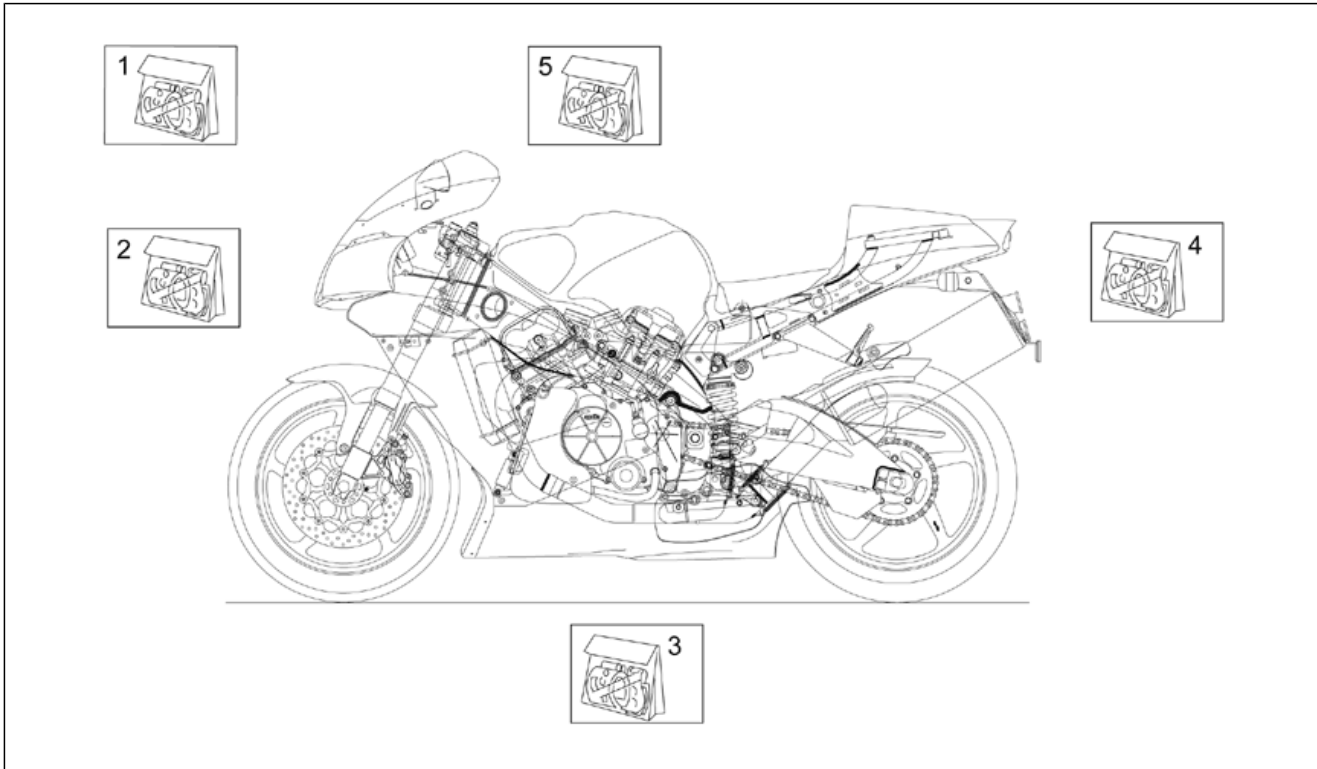
Pos.	Code	Description	Qty	Variants
				Technical Specifications: RSV Mille "R"acing Version[R]
3	AP8177581	Fairing decal set	1	Year: 2003[3] Vehicle colour: Flashy yellow "R"acing 2003[yell] Country: USA (49 Countries Approval)[AM], USA (California Approval)[CF], United States of America[USA] Technical Specifications: RSV Mille "R"acing Version[R]
3	AP8177582	Fairing decal set	1	Year: 2003[3] Vehicle colour: Lead grey 2003[grey] Country: USA (49 Countries Approval)[AM], USA (California Approval)[CF], United States of America[USA] Technical Specifications: RSV Mille Version[STD]
3	AP8177583	Fairing decal set	1	Year: 2003[3] Vehicle colour: Hot red 2003[red] Country: USA (49 Countries Approval)[AM], USA (California Approval)[CF], United States of America[USA] Technical Specifications: RSV Mille Version[STD]
3	AP8177584	Fairing decal set	1	Year: 2003[3] Vehicle colour: Aprilia Black 2003[black] Country: USA (49 Countries Approval)[AM], USA (California Approval)[CF], United States of America[USA] Technical Specifications: RSV Mille Version[STD]
3	AP8177585	Fairing decal set	1	Year: 2003[3] Vehicle colour: Aprilia Black "R"acing 2003[rac] Country: USA (49 Countries Approval)[AM], USA (California Approval)[CF], United States of America[USA] Technical Specifications: RSV Mille "R"acing Version[R]
3	AP8177751	Fairing decal set	1	Year: 2003[3] Vehicle colour: Racing GP1 2003[gp1] Country: USA (49 Countries Approval)[AM], USA (California Approval)[CF], United States of America[USA] Technical Specifications: "R"acing GP1 Limited Ed.Version[RL]
3	AP8177752	Fairing decal set	1	Year: 2003[3] Vehicle colour: Racing GP1 2003[gp1]

Group	FRAME
Code	28.60
Description	Decal
Service	1



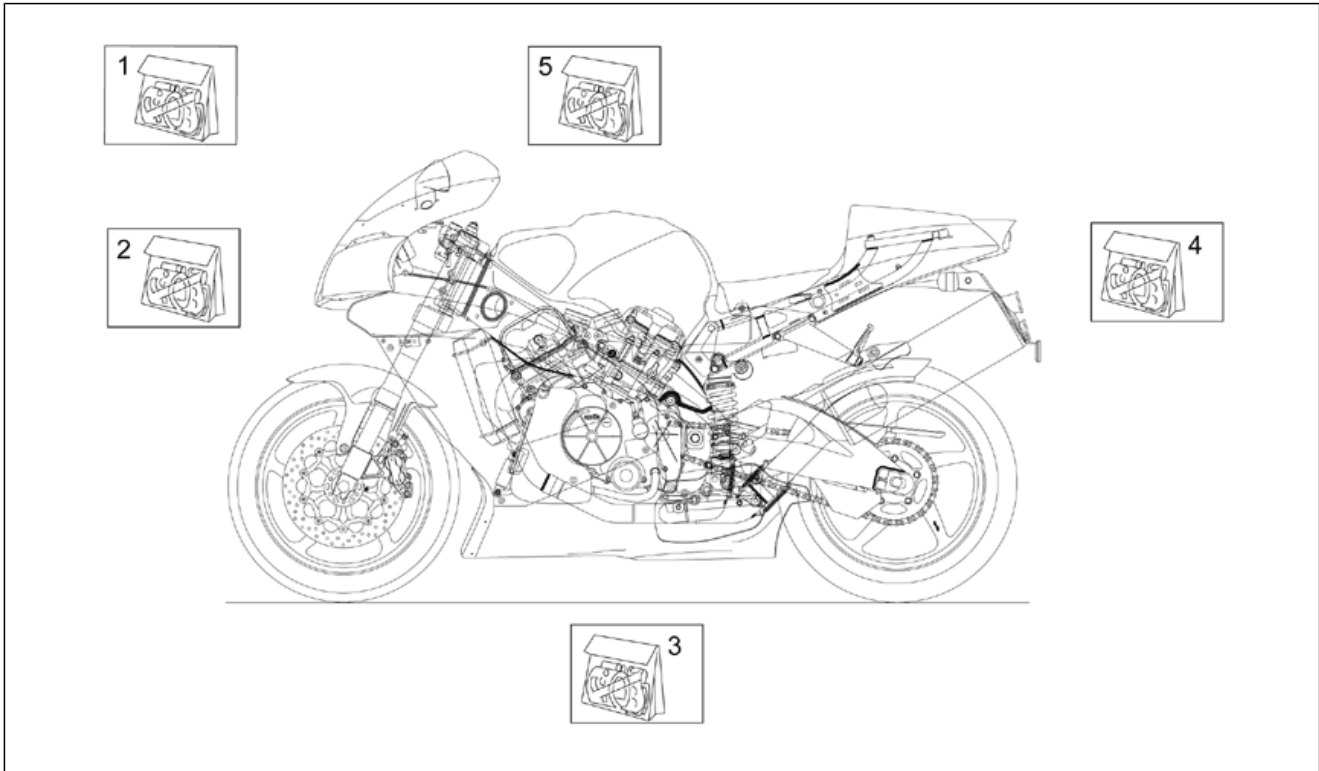
Pos.	Code	Description	Qty	Variants
				Country: Austria[A], Australia[AA], Australia[AUS], Belgium[B], Belgium[BB], Switzerland[CH], Germany[D], Denmark[DK], Spain[E], A, CH, D, DK, GR, E, I, NL, P[EU], France[F], France[FF], Greece[GR], Italy[I], Japan[J], Japan[J], Holland[NL], Portugal[P], Great Britain[UK] Technical Specifications: "R"acing GP1 Limited Ed.Version[RL]
4	AP8177431	Rear fairing decal set	1	Year: 2003[3] Vehicle colour: Flashy yellow "R"acing 2003[yell] Country: Austria[A], Australia[AA], Australia[AUS], Belgium[B], Belgium[BB], Switzerland[CH], Germany[D], Denmark[DK], Spain[E], A, CH, D, DK, GR, E, I, NL, P[EU], France[F], France[FF], Greece[GR], Italy[I], Japan[J], Japan[J], Holland[NL], Portugal[P], Great Britain[UK] Technical Specifications: RSV Mille "R"acing Version[R]
4	AP8177432	Rear fairing decal set	1	Year: 2003[3] Vehicle colour: Lead grey 2003[grey] Country: Austria[A], Australia[AA], Australia[AUS], Belgium[B], Belgium[BB], Switzerland[CH], Germany[D], Denmark[DK], Spain[E], A, CH, D, DK, GR, E, I, NL, P[EU], France[F], France[FF], Greece[GR], Italy[I], Japan[J], Japan[J], Holland[NL], Portugal[P], Great Britain[UK] Technical Specifications: RSV Mille Version[STD]
4	AP8177433	Rear fairing decal set	1	Year: 2003[3] Vehicle colour: Hot red 2003[red] Country: Austria[A], Australia[AA], Australia[AUS], Belgium[B], Belgium[BB], Switzerland[CH], Germany[D], Denmark[DK], Spain[E], A, CH, D, DK, GR, E, I, NL, P[EU], France[F], France[FF], Greece[GR], Italy[I], Japan[J], Japan[J], Holland[NL], Portugal[P], Great Britain[UK] Technical Specifications: RSV Mille Version[STD]
4	AP8177434	Rear fairing decal set	1	Year: 2003[3] Vehicle colour: Aprilia Black 2003[black] Country: Austria[A], Australia[AA], Australia[AUS], Belgium[B], Belgium[BB], Switzerland[CH], Germany[D], Denmark[DK], Spain[E], A, CH, D, DK, GR, E, I, NL, P[EU],

Group	FRAME
Code	28.60
Description	Decal
Service	1



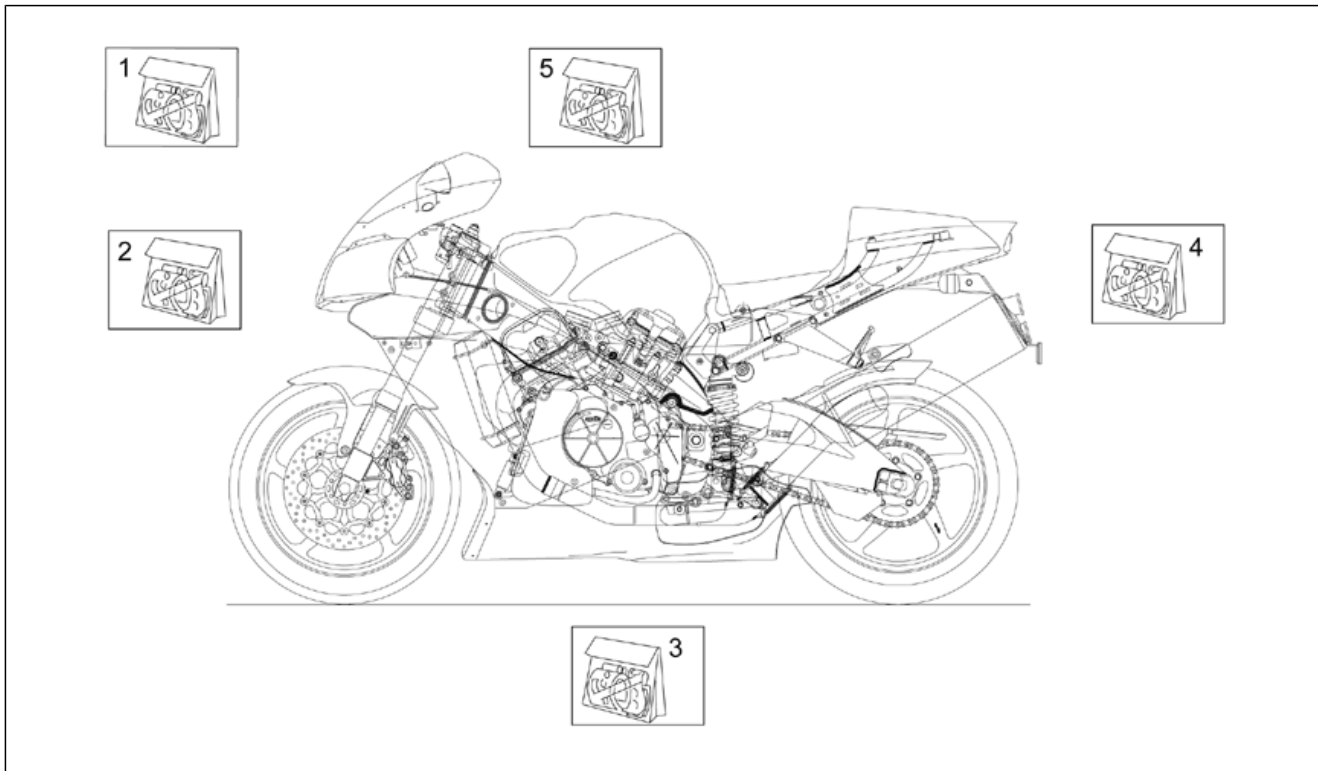
Pos.	Code	Description	Qty	Variants
				France[F], France[FF], Greece[GR], Italy[I], Japan[J], Japan[J], Holland[NL], Portugal[P], Great Britain[UK] Technical Specifications: RSV Mille Version[STD]
4	AP8177435	Rear fairing decal set	1	Year: 2003[3] Vehicle colour: Aprilia Black "R"acing 2003[rac] Country: Austria[A], Australia[AA], Australia[AUS], Belgium[B], Belgium[BB], Switzerland[CH], Germany[D], Denmark[DK], Spain[E], A, CH, D, DK, GR, E, I, NL, P[EU], France[F], France[FF], Greece[GR], Italy[I], Japan[J], Japan[J], Holland[NL], Portugal[P], Great Britain[UK] Technical Specifications: RSV Mille "R"acing Version[R]
4	AP8177586	Rear fairing decal set	1	Year: 2003[3] Vehicle colour: Flashy yellow "R"acing 2003[yell] Country: USA (49 Countries Approval)[AM], USA (California Approval)[CF], United States of America[USA] Technical Specifications: RSV Mille "R"acing Version[R]
4	AP8177587	Rear fairing decal set	1	Year: 2003[3] Vehicle colour: Lead grey 2003[grey] Country: USA (49 Countries Approval)[AM], USA (California Approval)[CF], United States of America[USA] Technical Specifications: RSV Mille Version[STD]
4	AP8177588	Rear fairing decal set	1	Year: 2003[3] Vehicle colour: Hot red 2003[red] Country: USA (49 Countries Approval)[AM], USA (California Approval)[CF], United States of America[USA] Technical Specifications: RSV Mille Version[STD]
4	AP8177589	Rear fairing decal set	1	Year: 2003[3] Vehicle colour: Aprilia Black 2003[black] Country: USA (49 Countries Approval)[AM], USA (California Approval)[CF], United States of America[USA] Technical Specifications: RSV Mille Version[STD]
4	AP8177590	Rear fairing decal set	1	Year: 2003[3] Vehicle colour: Lead Grey "R"acing 2003[p.g], Aprilia Black "R"acing 2003[rac] Country: USA (49 Countries Approval)[AM], USA (California Approval)[CF], United States of America[USA]

Group	FRAME
Code	28.60
Description	Decal
Service	1



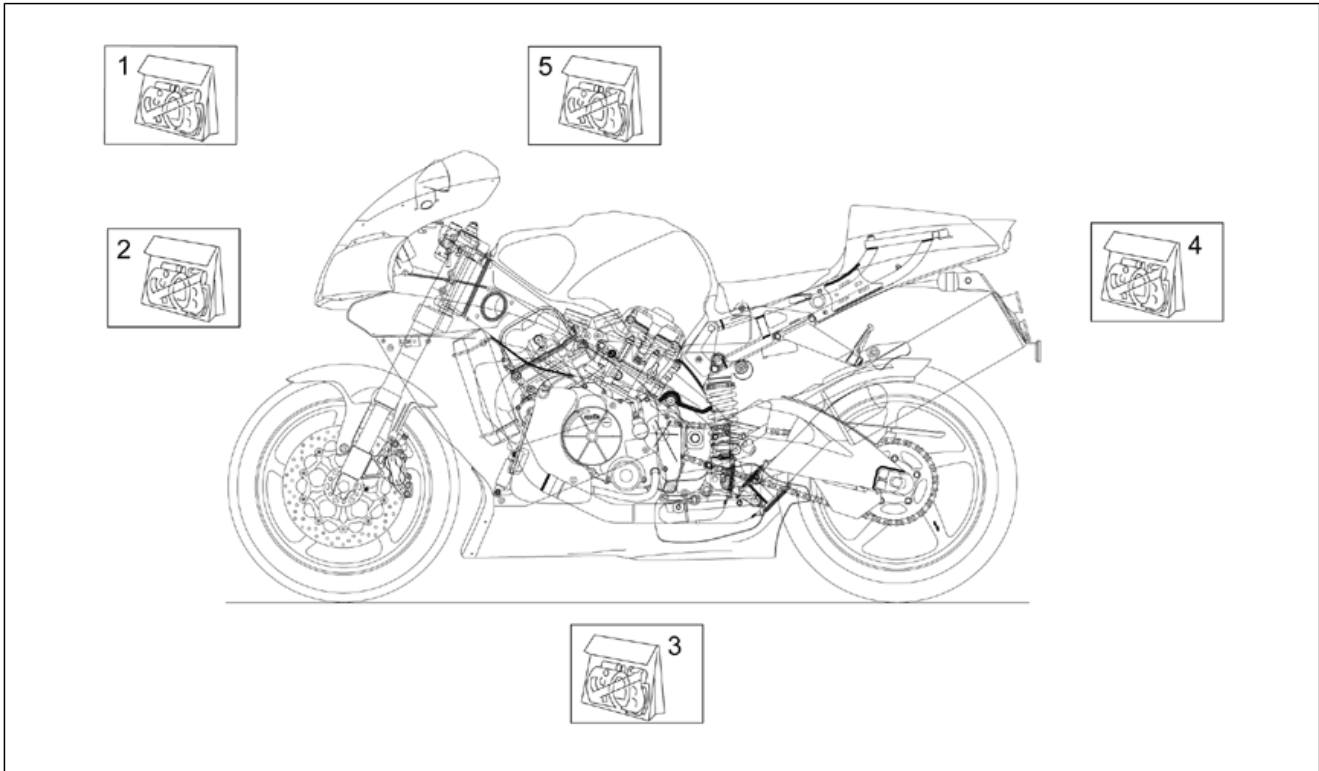
Pos.	Code	Description	Qty	Variants
				Technical Specifications: RSV Mille "R"acing Version[R]
4	AP8177753	Rear fairing decal set	1	Year: 2003[3] Vehicle colour: Racing GP1 2003[gp1] Country: USA (49 Countries Approval)[AM], USA (California Approval)[CF], United States of America[USA] Technical Specifications: "R"acing GP1 Limited Ed.Version[RL]
4	AP8177754	Rear fairing decal set	1	Year: 2003[3] Vehicle colour: Racing GP1 2003[gp1] Country: Austria[A], Australia[AA], Australia[AUS], Belgium[B], Belgium[BB], Switzerland[CH], Germany[D], Denmark[DK], Spain[E], A, CH, D, DK, GR, E, I, NL, P[EU], France[F], France[FF], Greece[GR], Italy[I], Japan[J], Japan[JJ], Holland[NL], Portugal[P], Great Britain[UK] Technical Specifications: "R"acing GP1 Limited Ed.Version[RL]
5	AP8177436	Tank decal set	1	Year: 2003[3] Vehicle colour: Flashy yellow "R"acing 2003[yell] Country: Austria[A], Australia[AA], Australia[AUS], Belgium[B], Belgium[BB], Switzerland[CH], Germany[D], Denmark[DK], Spain[E], A, CH, D, DK, GR, E, I, NL, P[EU], France[F], France[FF], Greece[GR], Italy[I], Japan[J], Japan[JJ], Holland[NL], Portugal[P], Great Britain[UK] Technical Specifications: RSV Mille "R"acing Version[R]
5	AP8177437	Tank decal set	1	Year: 2003[3] Vehicle colour: Lead grey 2003[greyl] Country: Austria[A], Australia[AA], Australia[AUS], Belgium[B], Belgium[BB], Switzerland[CH], Germany[D], Denmark[DK], Spain[E], A, CH, D, DK, GR, E, I, NL, P[EU], France[F], France[FF], Greece[GR], Italy[I], Japan[J], Japan[JJ], Holland[NL], Portugal[P], Great Britain[UK] Technical Specifications: RSV Mille Version[STD]
5	AP8177438	Tank decal set	1	Year: 2003[3] Vehicle colour: Hot red 2003[red] Country: Austria[A], Australia[AA], Australia[AUS], Belgium[B], Belgium[BB], Switzerland[CH], Germany[D],

Group	FRAME
Code	28.60
Description	Decal
Service	1



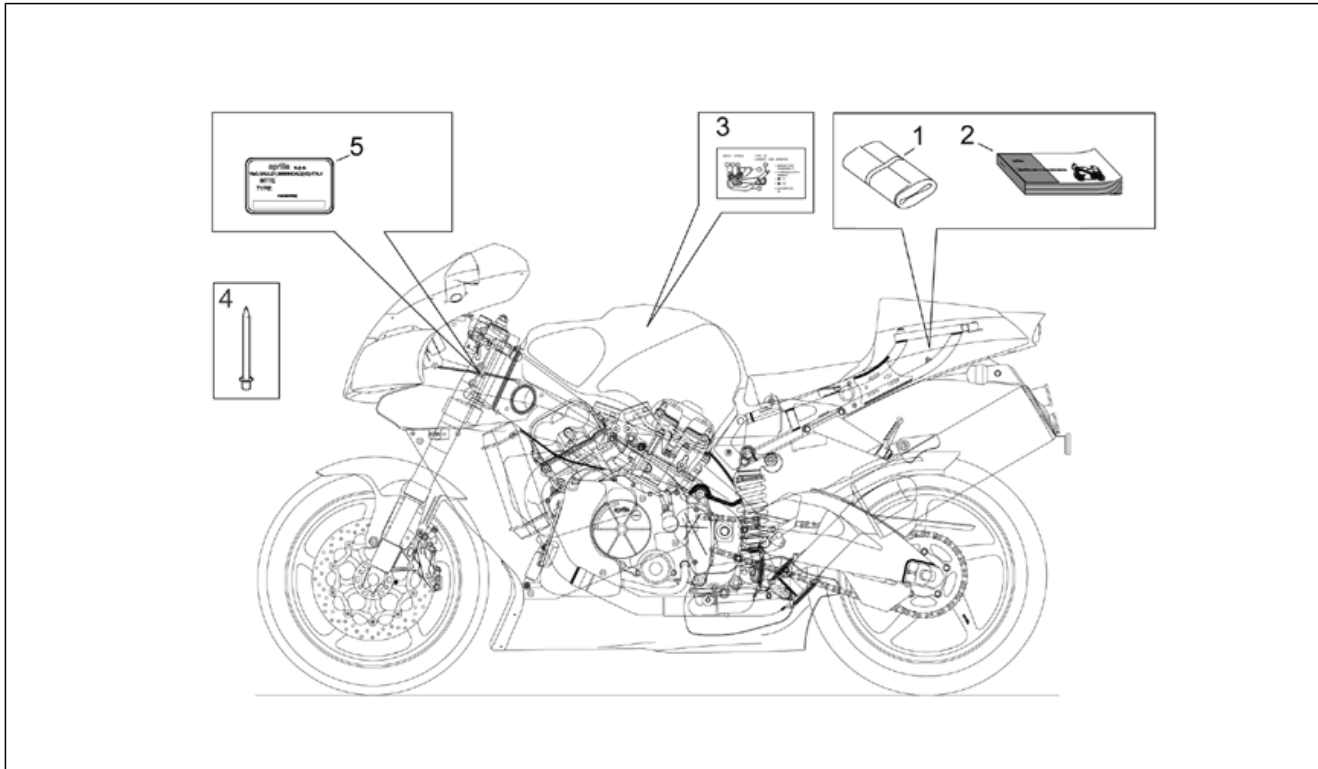
Pos.	Code	Description	Qty	Variants
				Denmark[DK], Spain[E], A, CH, D, DK, GR, E, I, NL, P[EU], France[F], France[FF], Greece[GR], Italy[I], Japan[J], Japan[J], Holland[NL], Portugal[P], Great Britain[UK] Technical Specifications: RSV Mille Version[STD]
5	AP8177439	Tank decal set	1	Year: 2003[3] Vehicle colour: Aprilia Black 2003[black] Country: Austria[A], Australia[AA], Australia[AUS], Belgium[B], Belgium[BB], Switzerland[CH], Germany[D], Denmark[DK], Spain[E], A, CH, D, DK, GR, E, I, NL, P[EU], France[F], France[FF], Greece[GR], Italy[I], Japan[J], Japan[J], Holland[NL], Portugal[P], Great Britain[UK] Technical Specifications: RSV Mille Version[STD]
5	AP8177440	Tank decal set	1	Year: 2003[3] Vehicle colour: Aprilia Black "R"acing 2003[rac] Country: Austria[A], Australia[AA], Australia[AUS], Belgium[B], Belgium[BB], Switzerland[CH], Germany[D], Denmark[DK], Spain[E], A, CH, D, DK, GR, E, I, NL, P[EU], France[F], France[FF], Greece[GR], Italy[I], Japan[J], Japan[J], Holland[NL], Portugal[P], Great Britain[UK] Technical Specifications: RSV Mille "R"acing Version[R]
5	AP8177469	Tank decal set	1	Year: 2003[3] Vehicle colour: Flashy yellow "R"acing 2003[yell] Country: USA (49 Countries Approval)[AM], USA (California Approval)[CF], United States of America[USA] Technical Specifications: RSV Mille "R"acing Version[R]
5	AP8177470	Tank decal set	1	Year: 2003[3] Vehicle colour: Lead grey 2003[grey] Country: USA (49 Countries Approval)[AM], USA (California Approval)[CF], United States of America[USA] Technical Specifications: RSV Mille Version[STD]
5	AP8177471	Tank decal set	1	Year: 2003[3] Vehicle colour: Hot red 2003[red] Country: USA (49 Countries Approval)[AM], USA (California Approval)[CF], United States of America[USA] Technical Specifications: RSV Mille Version[STD]
5	AP8177472	Tank decal set	1	Year: 2003[3]

Group	FRAME
Code	28.60
Description	Decal
Service	1



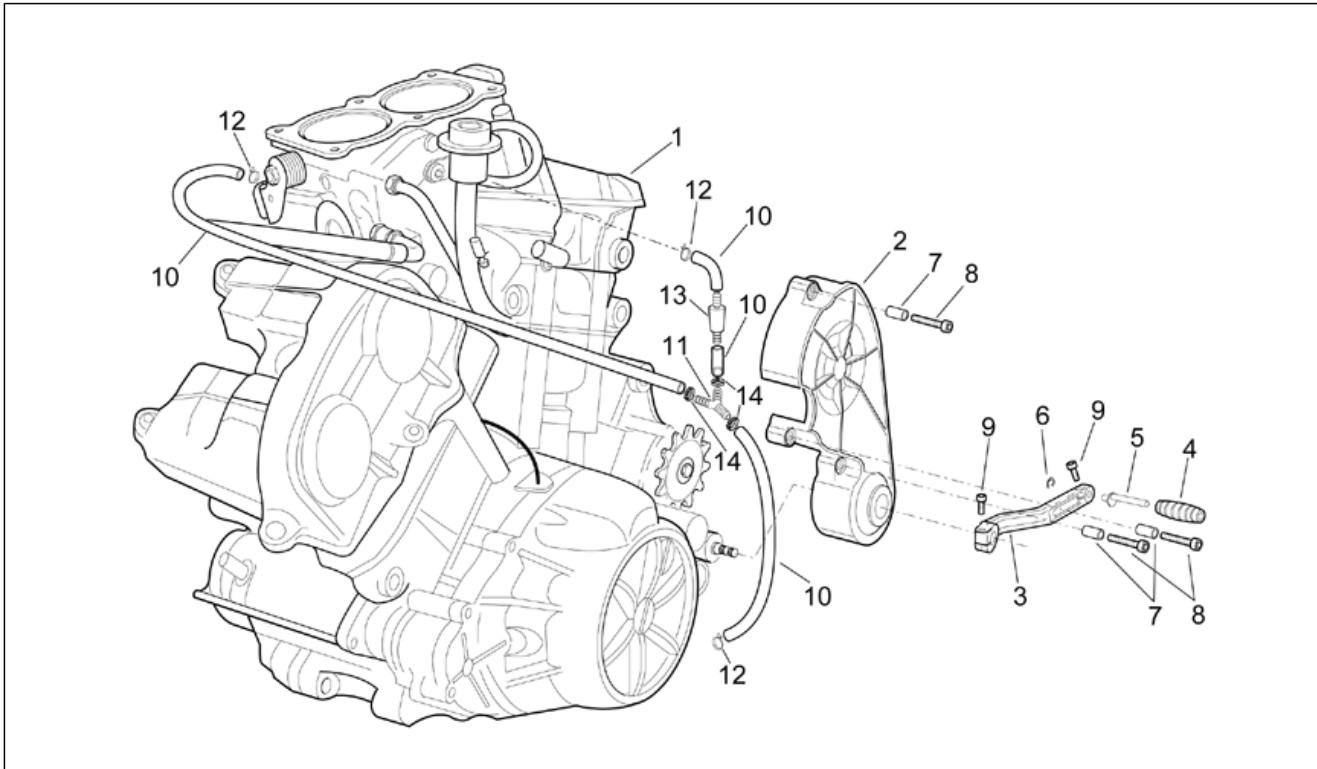
Pos.	Code	Description	Qty	Variants
				Vehicle colour: Aprilia Black 2003[black] Country: USA (49 Countries Approval)[AM], USA (California Approval)[CF], United States of America[USA] Technical Specifications: RSV Mille Version[STD]
5	AP8177473	Tank decal set	1	Year: 2003[3] Vehicle colour: Aprilia Black "R"acing 2003[rac] Country: USA (49 Countries Approval)[AM], USA (California Approval)[CF], United States of America[USA] Technical Specifications: RSV Mille "R"acing Version[R]
5	AP8177580	Tank decal set	1	Year: 2003[3] Vehicle colour: Lead Grey "R"acing 2003[p.g] Country: USA (49 Countries Approval)[AM], USA (California Approval)[CF], United States of America[USA] Technical Specifications: RSV Mille "R"acing Version[R]
5	AP8177755	Tank decal set	1	Year: 2003[3] Vehicle colour: Racing GP1 2003[gp1] Country: USA (49 Countries Approval)[AM], USA (California Approval)[CF], United States of America[USA] Technical Specifications: "R"acing GP1 Limited Ed.Version[RL]
5	AP8177756	Tank decal set	1	Year: 2003[3] Vehicle colour: Racing GP1 2003[gp1] Country: Austria[A], Australia[AA], Australia[AUS], Belgium[B], Belgium[BB], Switzerland[CH], Germany[D], Denmark[DK], Spain[E], A, CH, D, DK, GR, E, I, NL, P[EU], France[F], France[FF], Greece[GR], Italy[I], Japan[J], Japan[JJ], Holland[NL], Portugal[P], Great Britain[UK] Technical Specifications: "R"acing GP1 Limited Ed.Version[RL]

Group	FRAME
Code	28.61
Description	Plate set and handbooks
Service	1



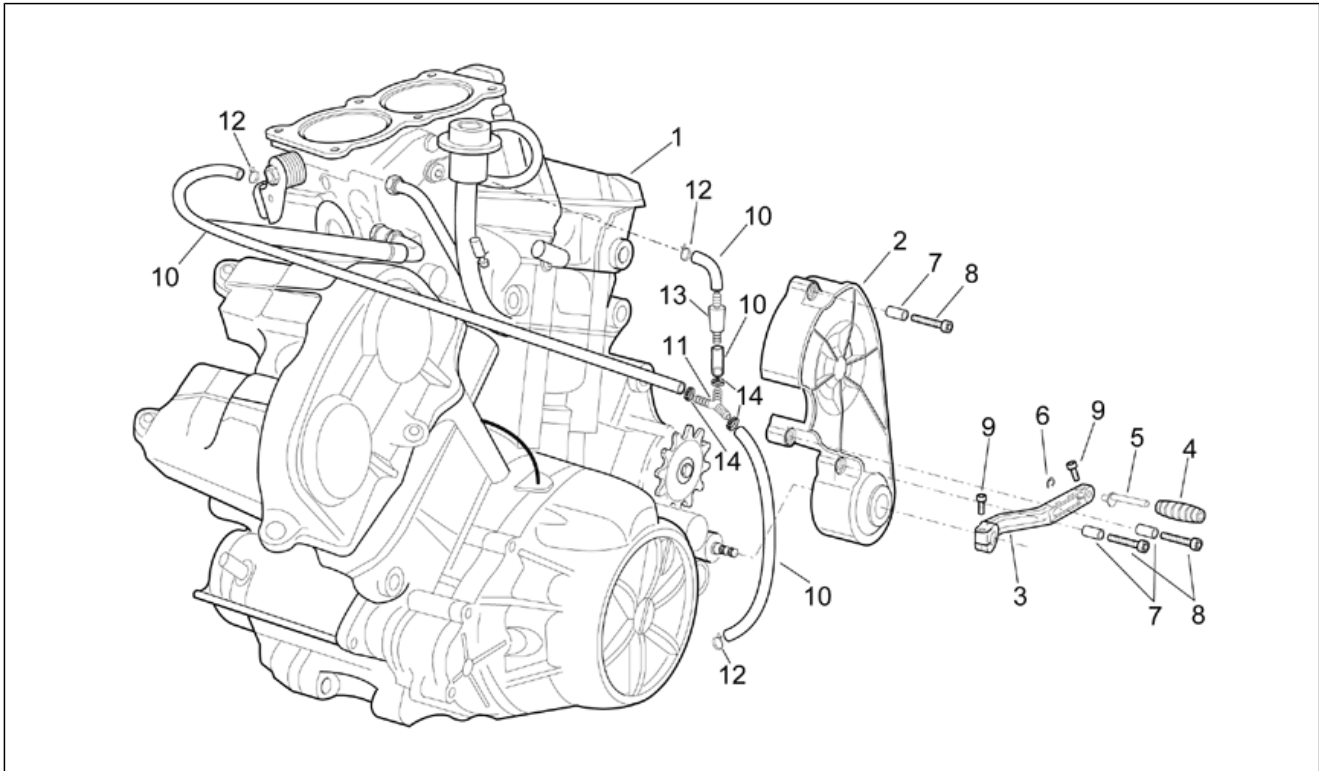
Pos.	Code	Description	Qty	Variants
1	AP8102622	Toolkit	1	
2	AP8104537	Operator's handbook-I-F-D-	1	Country: Austria[A], Switzerland[CH], Germany[D], A, CH, D, DK, GR, E, I, NL, P[EU], France[F], France[FF], Italy[I]
2	AP8104557	Operator's handbook-P-E-UK	1	Country: Spain[E], Portugal[P], Great Britain[UK]
2	AP8104558	Operator's handbook-NL-DK-SF-	1	Country: Belgium[B], Denmark[DK], Holland[NL]
2	AP8104559	Operator's handbook-gr-j-uk-	1	Country: Greece[GR], Japan[J]
2	AP8104560	Operator's handbook -USA-	1	Country: USA (49 Countries Approval)[AM], USA (California Approval)[CF], United States of America[USA]
2	AP8104561	Operator's handbook -AUS-	1	Country: Australia[AUS]
3	AP8177082	Constructor dataplate	1	Technical Specifications: RSV Mille "R"acing Version[R], RSV Mille Version[STD]
3	AP8177231	Constructor dataplate	1	Country: USA (49 Countries Approval)[AM], USA (California Approval)[CF], United States of America[USA] Technical Specifications: "R"acing GP1 Limited Ed.Version[RL]
3	AP8177607	Constructor dataplate	1	Country: Austria[A], Belgium[B], Belgium[BB], Switzerland[CH], Germany[D], Denmark[DK], Spain[E], A, CH, D, DK, GR, E, I, NL, P[EU], France[F], France[FF], Greece[GR], Italy[I], Japan[J], Japan[JJ], Holland[NL], Portugal[P], Great Britain[UK] Technical Specifications: "R"acing GP1 Limited Ed.Version[RL]
3	AP8177845	Constructor dataplate	1	Country: Australia[AA], Australia[AUS] Technical Specifications: "R"acing GP1 Limited Ed.Version[RL]
4	AP8102728	Rivet 3x11	2	
5	AP8167282	Tamperproof dataplate	1	Country: France[F], France[FF] Technical Specifications: Power 78 Kw[78Kw], "R"acing GP1 Limited Ed.Version[RL]

Group	ENGINE
Code	29.43
Description	Engine
Service	1



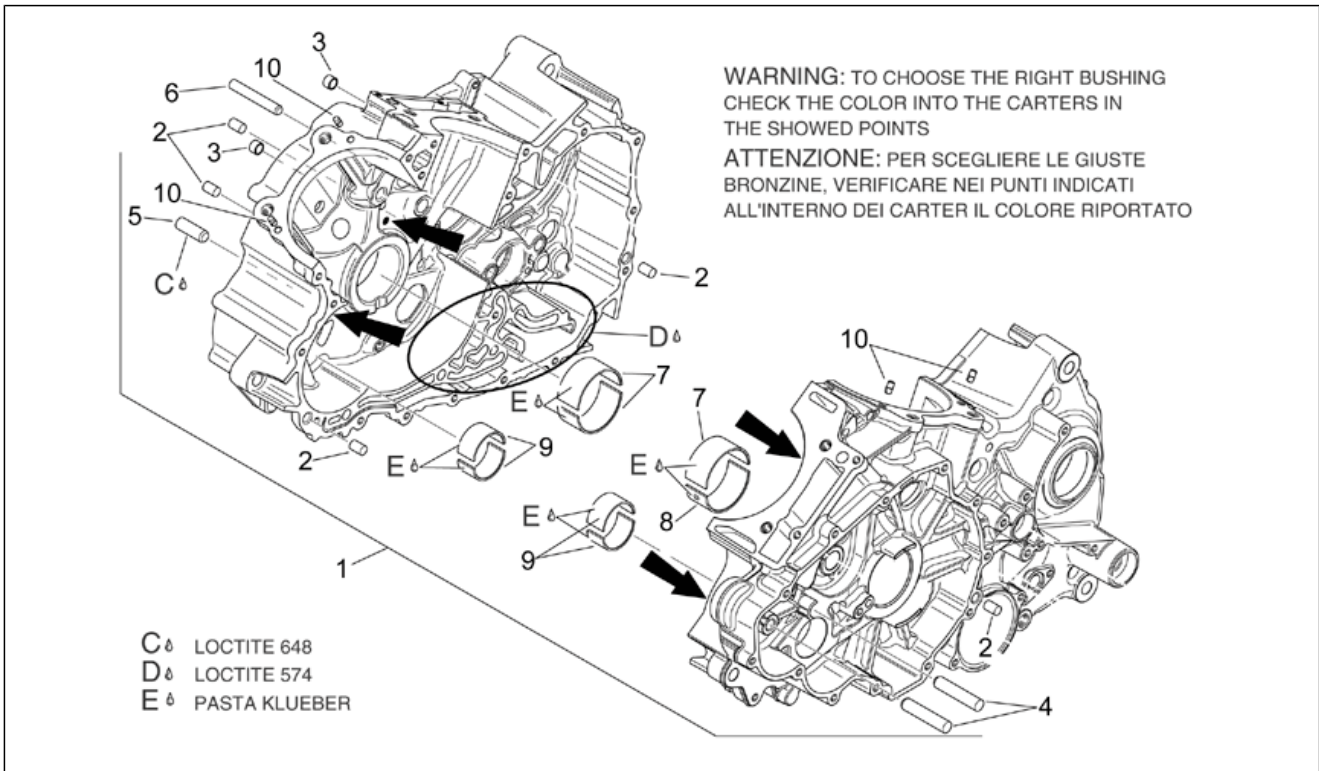
Pos.	Code	Description	Qty	Variants
1	AP8106970	Engine	1	Country: Austria[A], Australia[AA], Australia[AUS], Belgium[B], Belgium[BB], Switzerland[CH], Germany[D], Denmark[DK], Spain[E], A, CH, D, DK, GR, E, I, NL, P[EU], France[F], Greece[GR], Italy[I], Japan[J], Japan[JJ], Holland[NL], Portugal[P], Great Britain[UK] Technical Specifications: RSV Mille "R"acing Version[R], RSV Mille Version[STD]
1	AP8106975	Engine	1	Country: USA (49 Countries Approval)[AM], USA (California Approval)[CF], United States of America[USA] Technical Specifications: RSV Mille "R"acing Version[R], RSV Mille Version[STD]
1	AP8176044	Engine	1	Country: Austria[A], Australia[AA], Australia[AUS], Belgium[B], Belgium[BB], Switzerland[CH], Germany[D], Denmark[DK], Spain[E], A, CH, D, DK, GR, E, I, NL, P[EU], France[F], Greece[GR], Italy[I], Japan[J], Japan[JJ], Holland[NL], Portugal[P], Great Britain[UK] Technical Specifications: "R"acing GP1 Limited Ed.Version[RL]
1	AP8176066	Engine	1	Country: USA (49 Countries Approval)[AM], USA (California Approval)[CF], United States of America[USA] Technical Specifications: "R"acing GP1 Limited Ed.Version[RL]
2	AP8106687	Sprocket cover, grey	1	
3	AP8106379	Gear lever	1	
4	AP8120912	Lever rubber	1	
5	AP8121221	Brake lever pin	1	
6	AP8150462	Circlip d9	1	
7	AP8221046	Spacer D6x8x13,5*	3	
8	AP8150220	Hex socket screw M6x30	3	
9	AP8150044	Hex socket screw M6x20	2	
10	AP8144015	Oil pipe 6x12	1	
11	AP8120116	3-way union	1	
12	AP8120446	Hose clip, green D11x6,6x1	3	

Group	ENGINE
Code	29.43
Description	Engine
Service	1



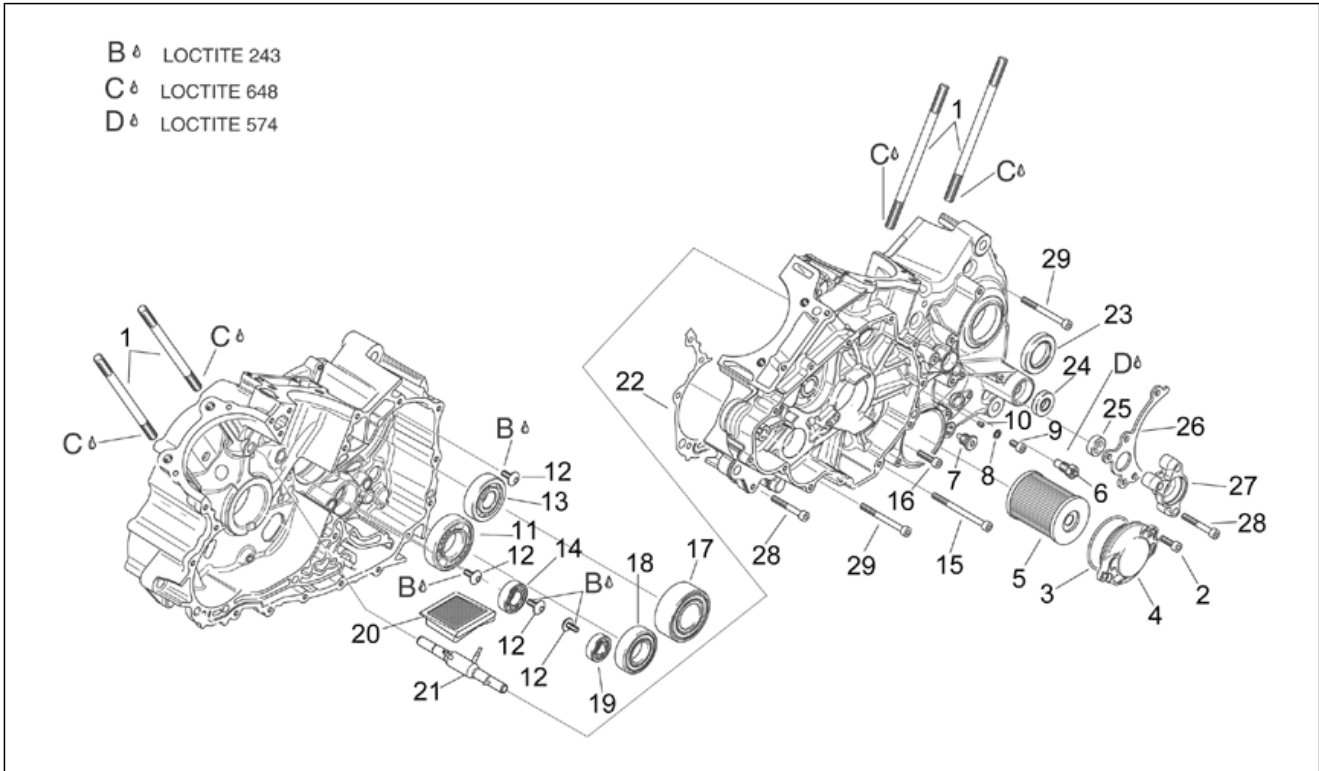
Pos.	Code	Description	Qty	Variants
13	AP8104251	Oil breather valve	1	
14	AP8102159	Hose clamp	3	

Group	ENGINE
Code	29.62
Description	Crankcases I
Service	1



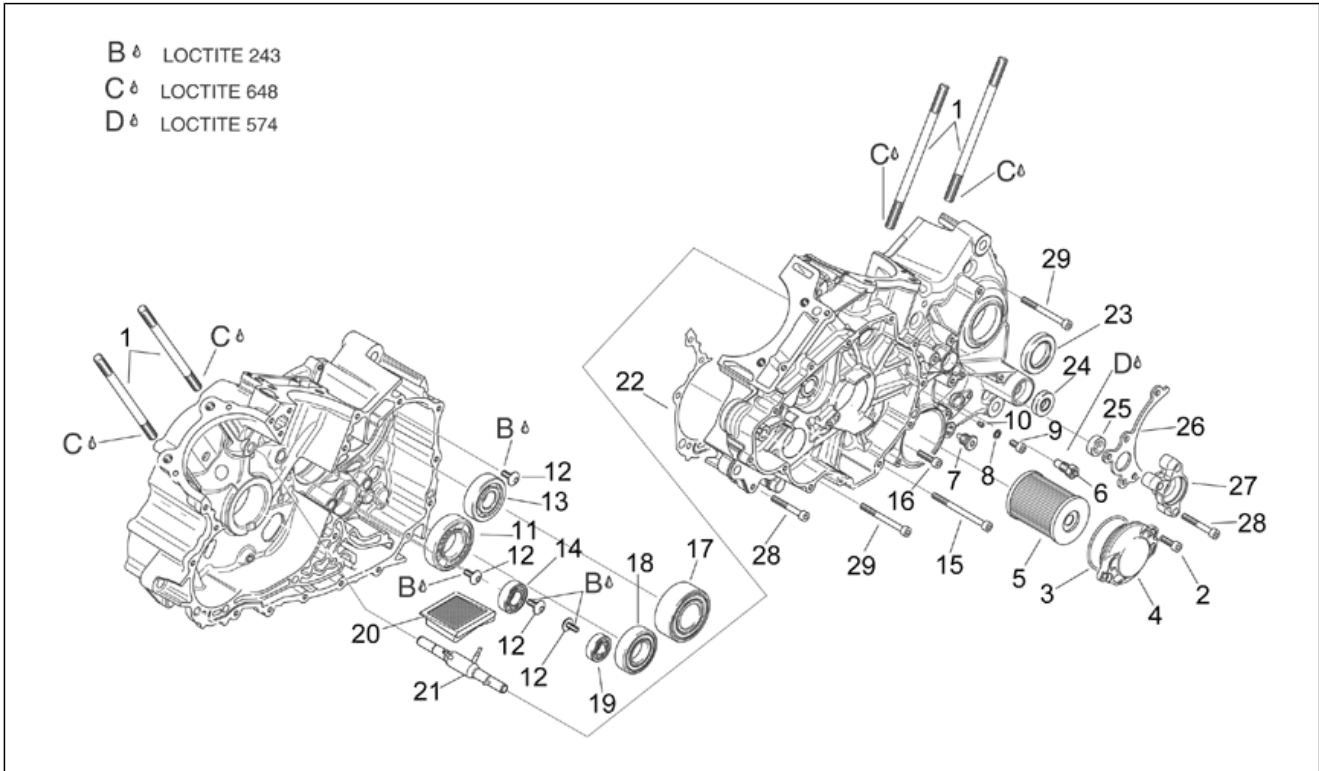
Pos.	Code	Description	Qty	Variants
1	AP0295656	Crankcase assy	1	
2	AP0632010	Pin M8x12	5	
3	AP0929500	Pin 10x8	2	
4	AP0229301	Pin M6x50	2	
5	AP0929930	Pin	1	
6	AP0229385	Pin	1	
7	AP0233745	Bushing half-shell, blue	3	
7	AP0233746	Bushing half-shell, red	3	
7	AP0233748	Bushing half-shell, yellow	3	
8	AP0233740	Bushing half-shell, blue	1	
8	AP0233741	Bushing half-shell, red	1	
8	AP0233743	Bushing half-shell, yellow	1	
9	AP0233711	Bushing half-shell, blue	4	
9	AP0233820	Bushing half-shell, red	4	
9	AP0233822	Bushing half-shell, yellow	4	
10	AP0929650	Pin 5x10	4	

Group	ENGINE
Code	29.63
Description	Crankcases II
Service	1



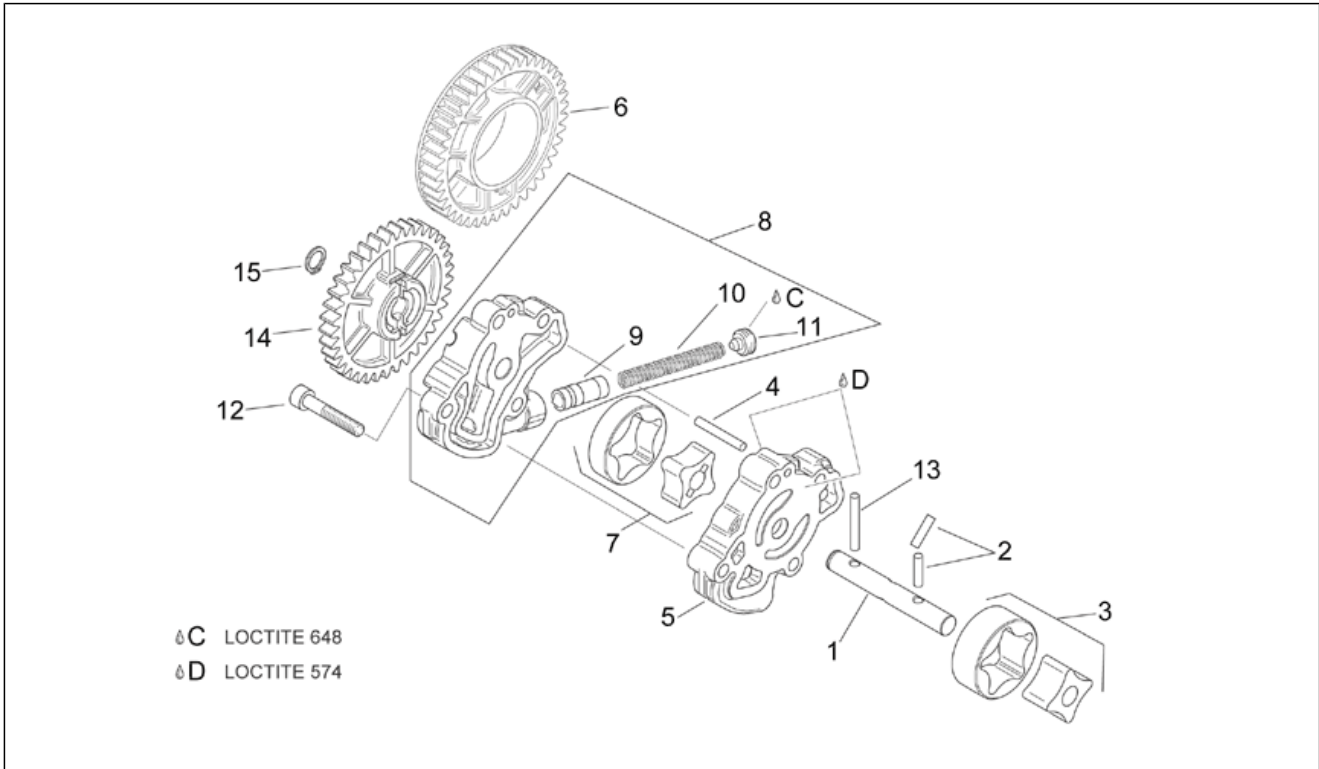
Pos.	Code	Description	Qty	Variants
1	AP0241580	Stud bolt m10x171	8	
2	AP0241932	Hex socket screw	2	
3	AP0650500	O-ring 59,52x2,62	1	
4	AP0210415	Oil filter cover	1	
5	AP0256187	Oil filter	1	
6	AP0241854	Neutral indicator switch	1	
7	AP0241782	Magnetic drain plug M12x1,5	1	
8	AP0230415	Gasket ring 6x10	1	
9	AP0241081	Hex socket screw M6x10	1	
10	AP0268740	Jet 60	1	
11	AP0932585	Ball bearing 6206	1	
12	AP0241531	Short head screw	4	
13	AP0832144	Ball bearing 6304	1	
14	AP0232625	Bearing 6003	1	
15	AP0241501	Hex socket screw M6x80	1	
16	AP0840861	Hex socket screw M6x25	1	
17	AP0632124	Angular bearing 3206	1	
18	AP0932428	Ball bearing 6205	1	
19	AP0932335	Ball bearing 16101	1	
20	AP0256497	Oil strainer	1	
21	AP0256526	Oil sprayer pipe	1	Technical Specifications: RSV Mille "R"acing Version[R], RSV Mille Version[STD]
21	AP0256529	Oil sprayer pipe	1	Technical Specifications: "R"acing GP1 Limited Ed.Version[RL]
22	AP0650337	Gasket	1	
23	AP0850050	Oil seal 40x47x7,5	1	
24	AP0250450	Oil seal 12x28x7	1	
25	AP0650320	Oil seal 11x22x7	1	

Group	ENGINE
Code	29.63
Description	Crankcases II
Service	1



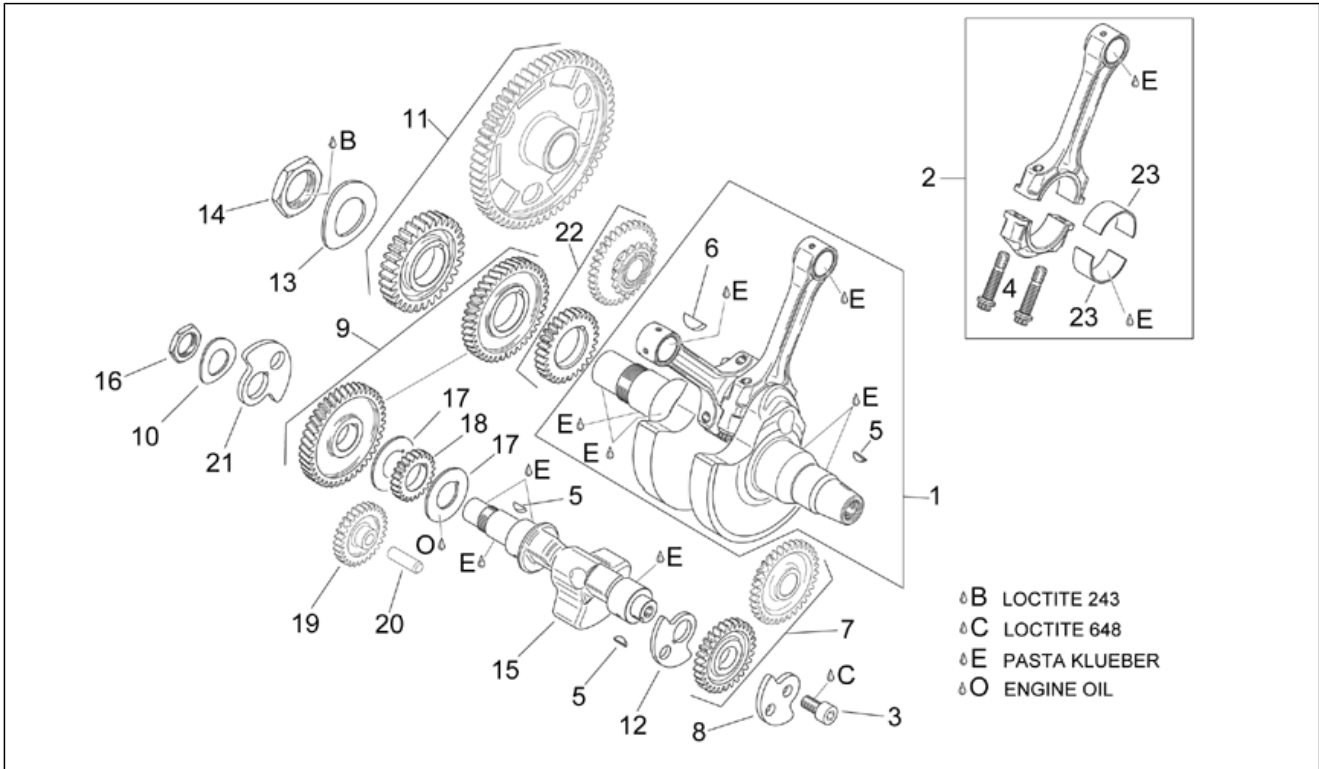
Pos.	Code	Description	Qty	Variants
26	AP0236370	Chain guide	1	
27	AP0259500	Clutch disengagement flange	1	
28	AP0241821	Hex socket screw M6x45	8	
29	AP0241261	Hex socket screw	13	

Group	ENGINE
Code	29.64
Description	Oil pump
Service	1



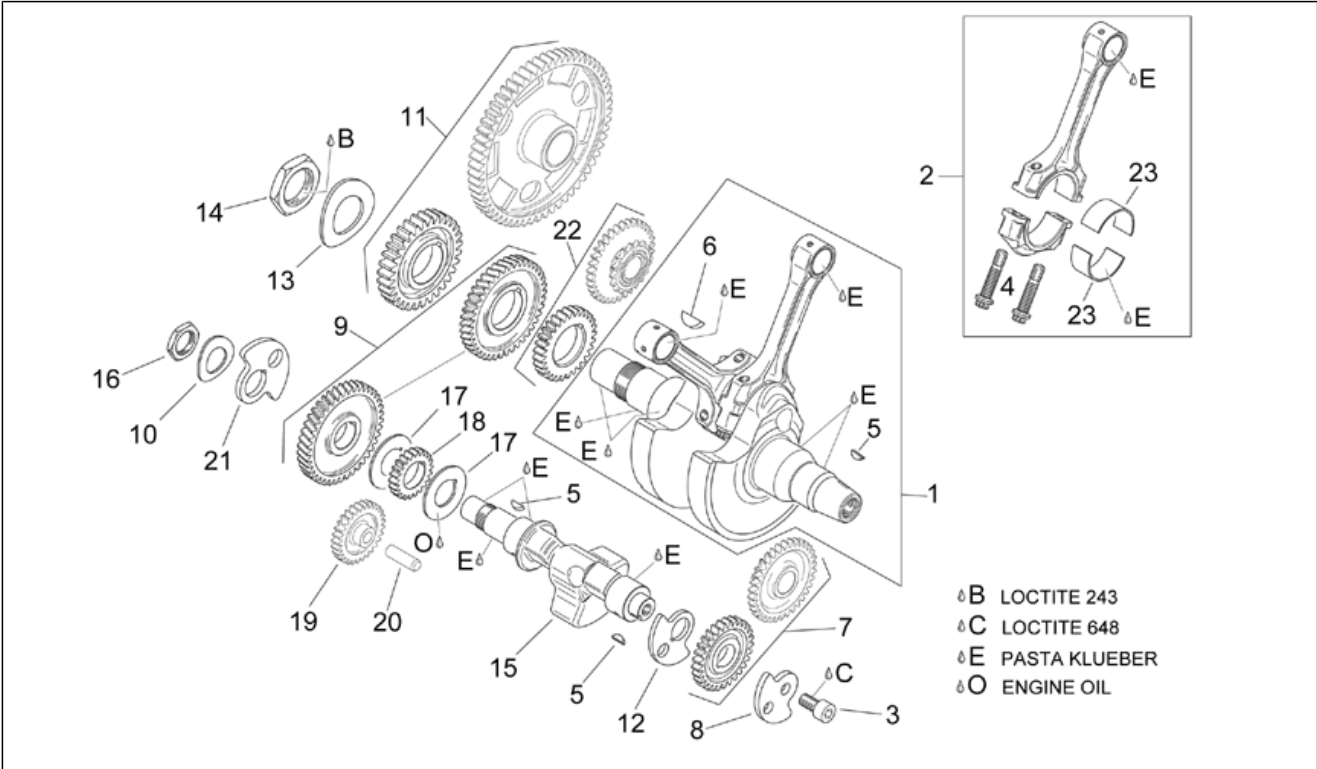
Pos.	Code	Description	Qty	Variants
1	AP0220423	Oil pump shaft assy.	1	
2	AP0232730	Pin 4x15,8	2	
3	AP0256680	Internal and external rotor	1	
4	AP0232970	Pin 4x25,8	1	
5	AP0211620	Oil pressing pump casing	1	
6	AP0634475	Oil pump gear z=42	1	
7	AP0956275	Internal and external rotor	1	
8	AP0211632	Oil pump cover cpl.	1	
9	AP0256510	Pressure adj. piston	1	
10	AP0239447	Spring	1	
11	AP0241650	Valve closer screw m12x1,5	1	
12	AP0241821	Hex socket screw M6x45	4	
13	AP0232430	Pin	1	
14	AP0634483	Oil pump gear	1	
15	AP0245330	Circlip 10x1	1	

Group	ENGINE
Code	29.65
Description	Crankshaft I
Service	1



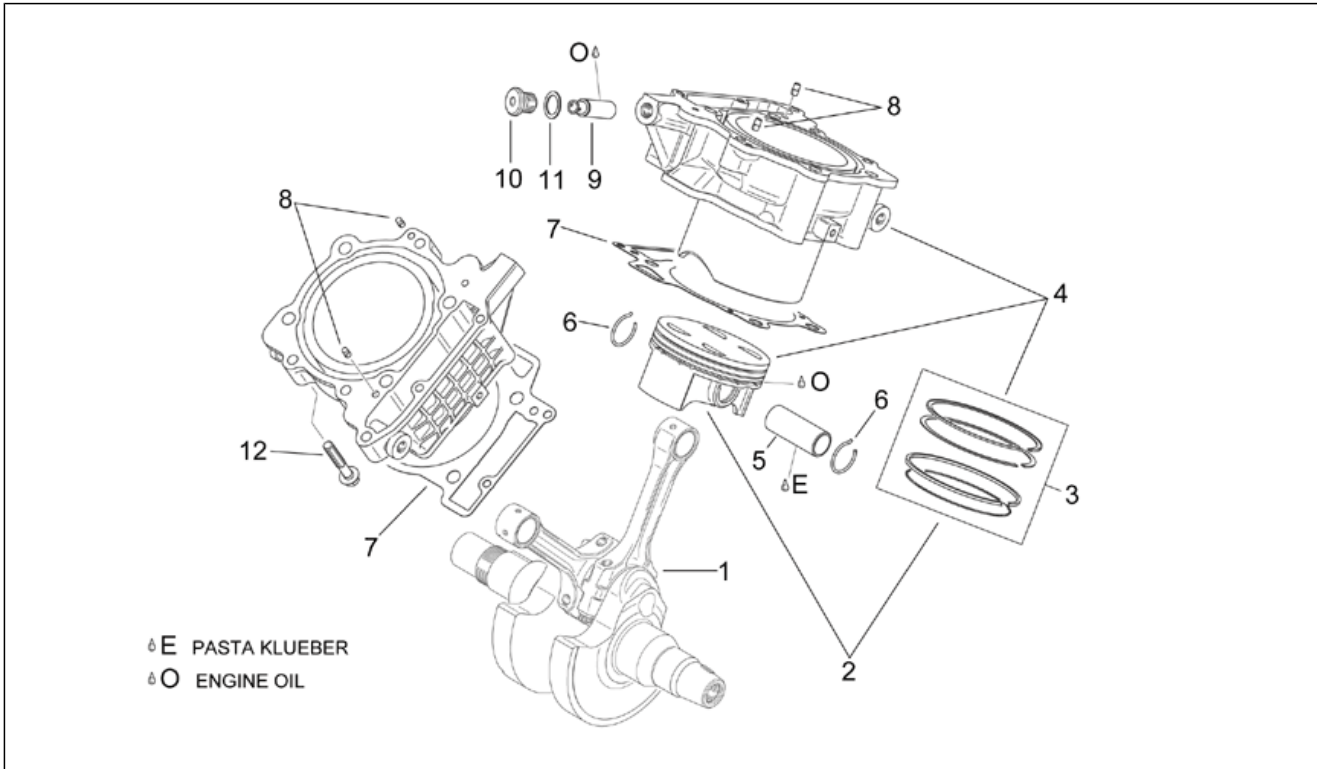
Pos.	Code	Description	Qty	Variants
1	AP0295662	Crankshaft cpl.	1	Technical Specifications: RSV Mille "R"acing Version[R], RSV Mille Version[STD]
1	AP0295667	Crankshaft cpl.	1	Technical Specifications: "R"acing GP1 Limited Ed.Version[RL]
2	AP0217346	Connecting rod cpl.	2	Technical Specifications: RSV Mille "R"acing Version[R], RSV Mille Version[STD]
2	AP0217486	Connecting rod cpl.	2	Technical Specifications: "R"acing GP1 Limited Ed.Version[RL]
3	AP0440260	Hex socket screw	1	
4	AP0640400	Connecting rod screw	4	
5	AP0246570	Transmission key 4x5	3	
6	AP0946015	Transmission key 6x9	1	
7	AP0295765	Timing system gear cpl.	1	
8	AP0219365	Ext.wheel side counterweight	1	
9	AP0295770	Balance shaft gear cpl.	1	
10	AP0245860	Spring washer	1	
11	AP0295782	Primary drive gear	1	Technical Specifications: RSV Mille "R"acing Version[R], RSV Mille Version[STD]
11	AP0295783	Primary drive gear	1	Technical Specifications: "R"acing GP1 Limited Ed.Version[RL]
12	AP0219360	Int.wheel side counterweight	1	
13	AP0245840	Spring washer	1	
14	AP0242940	Nut m33x1,5	1	
15	AP0220372	Lower balance shaft	1	
16	AP0242874	Nut	1	
17	AP0627200	Washer 24x54x2	2	
18	AP0634610	Water pump gear	1	
19	AP0634500	Idle gear	1	
20	AP0929930	Pin	1	

Group	ENGINE
Code	29.65
Description	Crankshaft I
Service	1



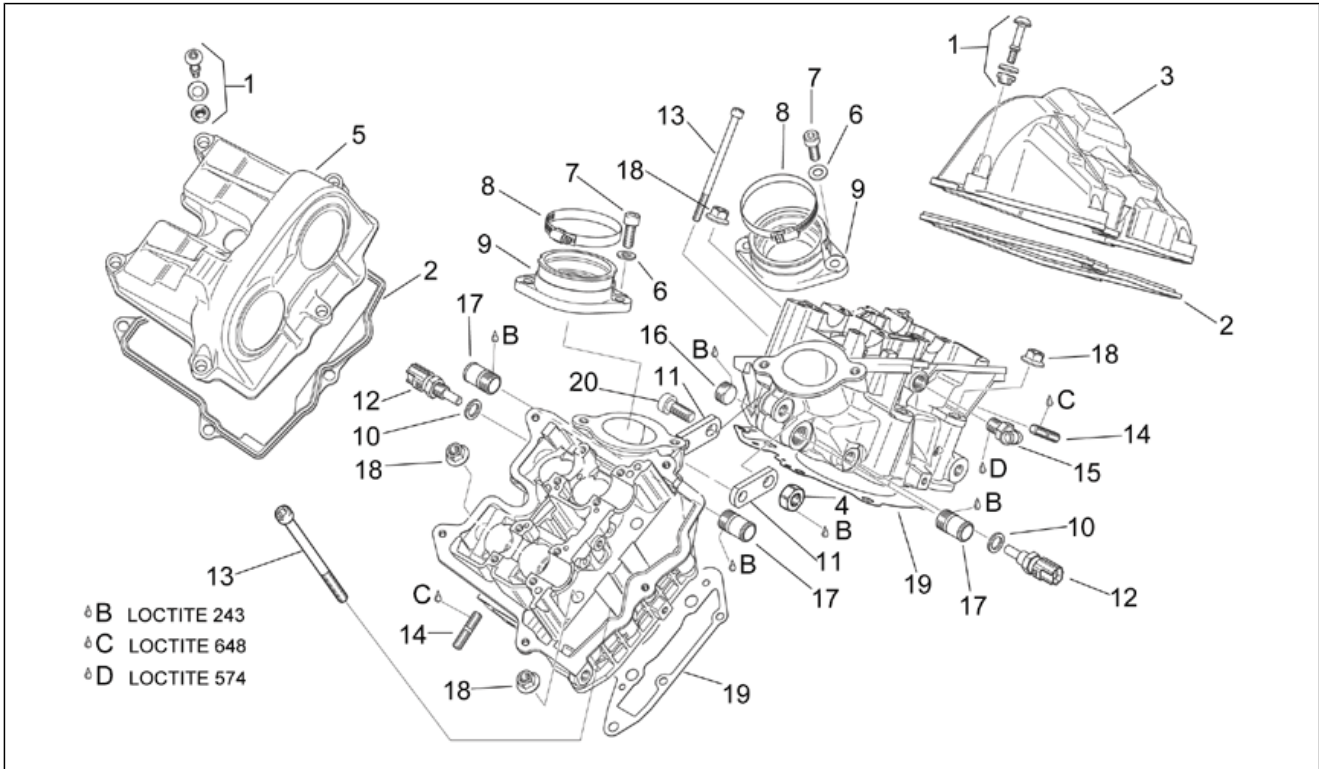
Pos.	Code	Description	Qty	Variants
21	AP0219350	Clutch side counterweight	1	
22	AP0295760	Timing system gear cpl.	1	
23	AP0233721	Bushing,red 42x45x19	2	
23	AP0233722	Bushing,blue 42x45x19	2	
23	AP0233723	Bushing,yellow 42x45x19	2	

Group	ENGINE
Code	29.66
Description	Crankshaft II
Service	1



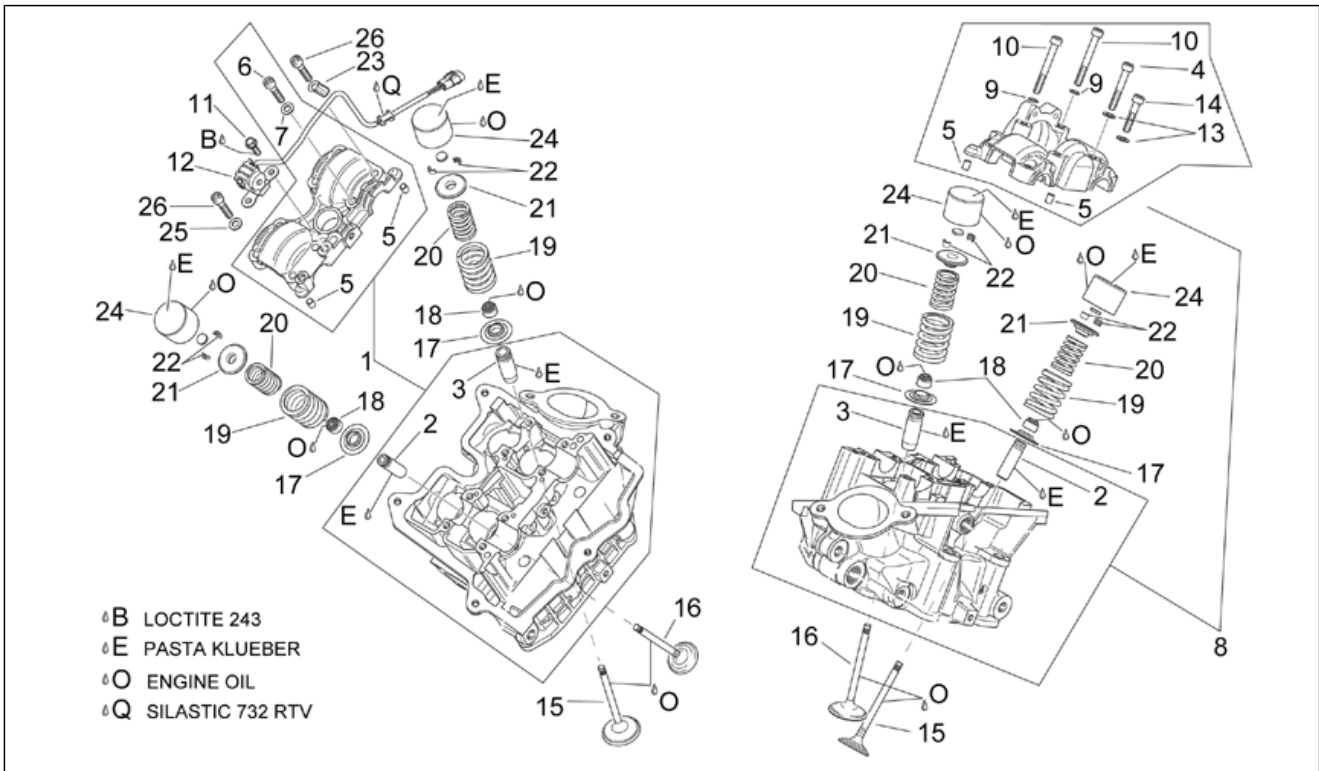
Pos.	Code	Description	Qty	Variants
1	AP0295662	Crankshaft cpl.	1	Technical Specifications: RSV Mille "R"acing Version[R], RSV Mille Version[STD]
1	AP0295667	Crankshaft cpl.	1	Technical Specifications: "R"acing GP1 Limited Ed.Version[RL]
2	AP0684310	Piston assy 96,944 mm (A)	2	
2	AP0684311	Piston assy 96,956 mm (B)	2	
3	AP0295858	Piston ring set	2	
4	AP0613418	Cylinder with piston	2	
5	AP0216222	Piston pin 22x14x55	2	
6	AP0245436	Stop ring 22	4	
7	AP0650390	Cylinder base gasket	2	
8	AP0929650	Pin 5x10	4	
9	AP0236252	Chain tensioner assy.	2	
10	AP0640450	Cover	2	
11	AP0430622	Gasket ring 16x22	2	
12	AP0940637	Screw w/ flange	8	

Group	ENGINE
Code	29.67
Description	Valves cover
Service	1



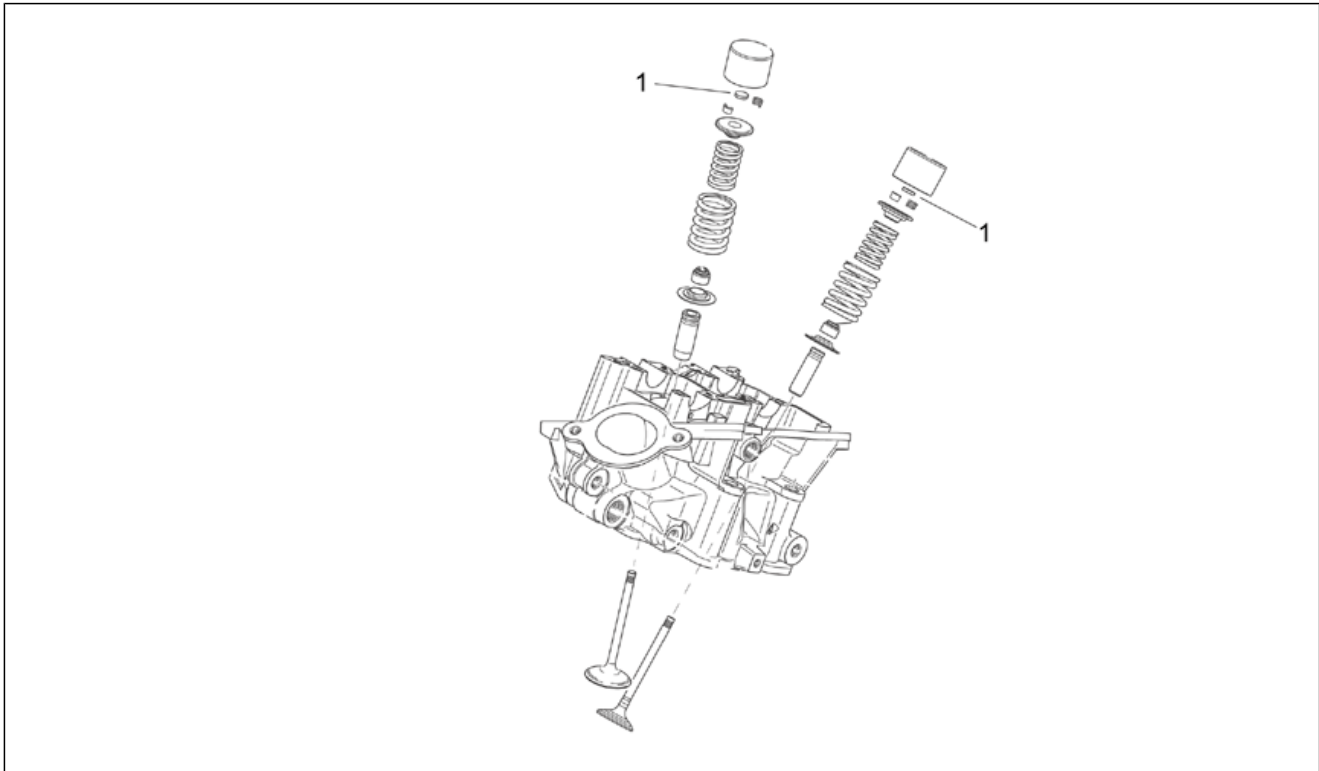
Pos.	Code	Description	Qty	Variants
1	AP0241625	Spacer screw cpl.	10	
2	AP0650345	Valve cover gasket	2	
3	AP0211667	Rear valves cover	1	
4	AP0242091	Nut	2	
5	AP0211662	Front valves cover	1	
6	AP0250311	Washer 8,4	4	
7	AP0240081	Hex socket screw M8x25	4	
8	AP0251830	Hose clamp 65	2	
9	AP0267150	Intake flange	2	
10	AP0250640	Gasket ring 12x18	2	
11	AP0251100	Plate	2	
12	AP0274040	Temp. Sensor	2	
13	AP0241601	Hex socket screw	4	
14	AP0241560	Stud bolt	6	
15	AP0922245	Angular union	1	
16	AP0240170	Cover m18x1,5	1	
17	AP0224090	pipe	3	
18	AP0242851	Nut	8	
19	AP0650210	Cylinder head gasket	2	
20	AP0640581	Hex socket screw M10x40	2	

Group	ENGINE
Code	29.68
Description	Cylinder head and valves
Service	1



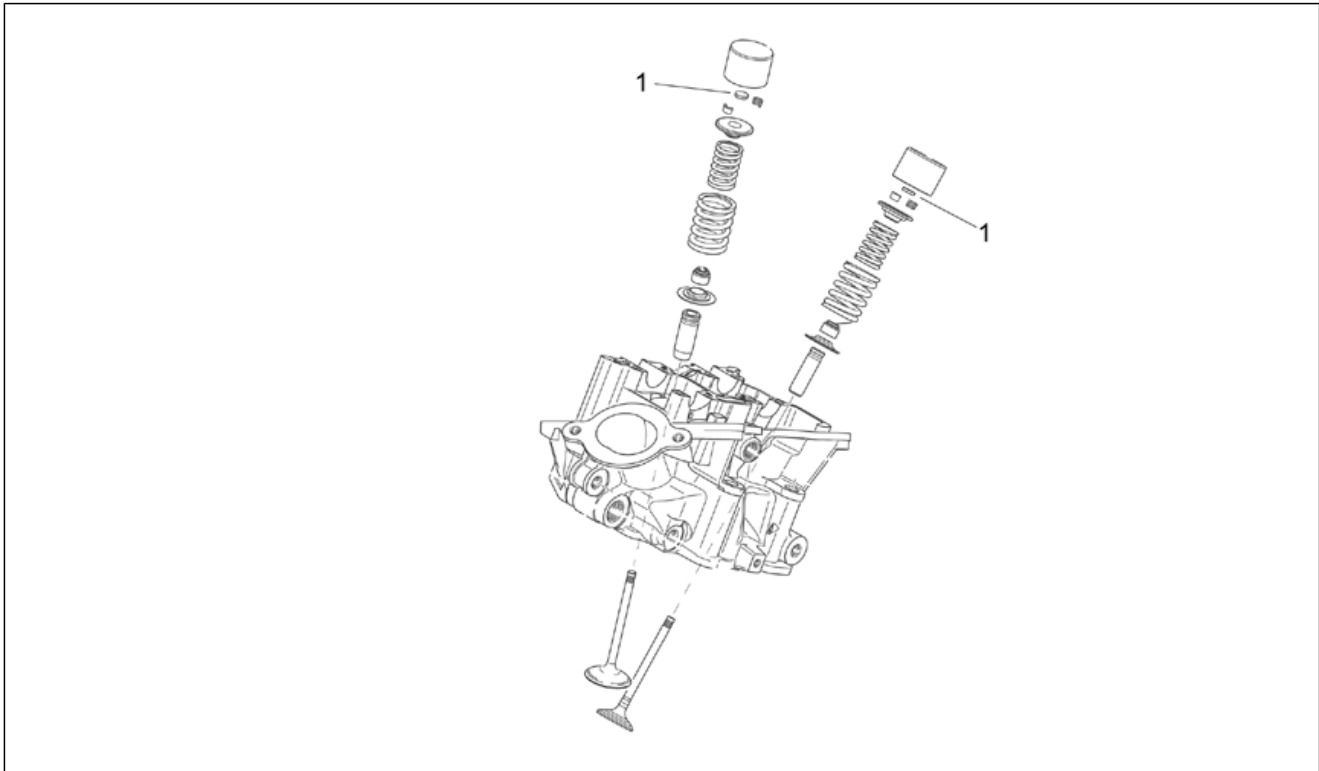
Pos.	Code	Description	Qty	Variants
1	AP0613491	Front cylinder head cpl.	1	
2	AP0253926	Exhaust valve guide	4	
3	AP0253921	Intake valve guide	4	
4	AP0241821	Hex socket screw M6x45	2	
5	AP0232210	Pin 6x8	2	
6	AP0840880	Hex socket screw M6x30	1	
7	AP0927945	Washer 6,2x12x1	1	
8	AP0613496	Rear cylinder head cpl.	1	
9	AP0927863	Washer 6,1x9,8x1	2	
10	AP0240331	Hex socket screw	2	
11	AP0941935	Self-tap screw M5x12	2	
12	AP0274060	Camshaft sensor cpl.	1	
13	AP0927945	Washer 6,2x12x1	6	
14	AP0840880	Hex socket screw M6x30	4	
15	AP0254021	Exhaust valve 31mm	4	
16	AP0254295	Intake valve 38 mm	4	
17	AP0253965	Valve spring plate	8	
18	AP0230510	Valve stem seal	8	
19	AP0239520	Ext. valve spring	8	
20	AP0239510	Int. valve spring	8	
21	AP0253956	Valve spring plate	8	
22	AP0253645	Valve half-cone	16	
23	AP0251090	Cable protection	1	
24	AP0253990	Valve lifter bucket	8	
25	AP0927945	Washer 6,2x12x1	7	
26	AP0840880	Hex socket screw M6x30	7	

Group	ENGINE
Code	29.69
Description	Valves pads
Service	1



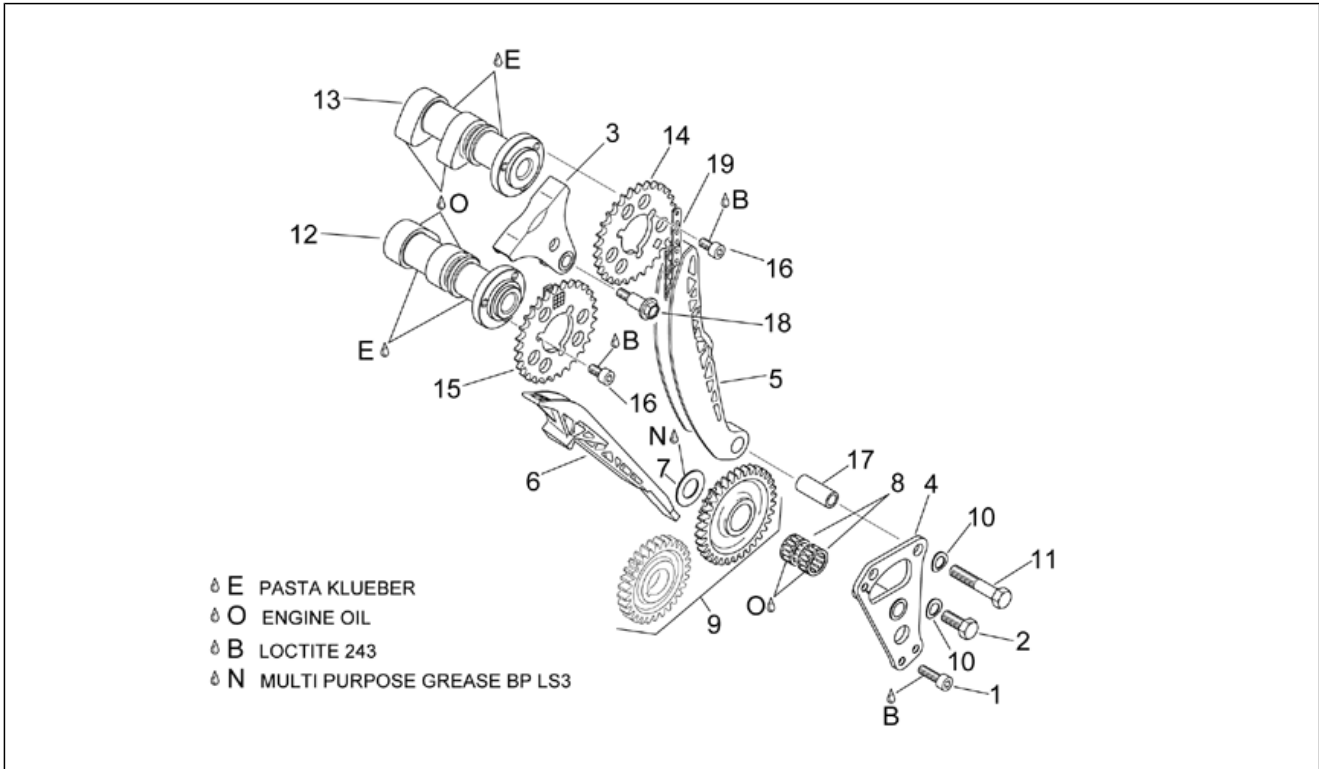
Pos.	Code	Description	Qty	Variants
1	AP0253974	Pad 2,3	1	
1	AP0253975	Pad 2,35	1	
1	AP0253976	Pad 2,4	1	
1	AP0253977	Pad 2,45	1	
1	AP0253978	Pad 2,5	1	
1	AP0253979	Pad 2,55	1	
1	AP0253980	Pad 2,6	1	
1	AP0253981	Pad 2,65	1	
1	AP0253982	Pad 2,7	1	
1	AP0253983	Pad 2,75	1	
1	AP0253984	Pad 2,8	1	
1	AP0253985	Pad 2,85	1	
1	AP0253986	Pad 2,9	1	
1	AP0253987	Pad 2,95	1	
1	AP0253988	Pad 3,00	1	
1	AP0254030	Pad 2,325	1	
1	AP0254031	Pad 2,375	1	
1	AP0254032	Pad 2,425	1	
1	AP0254033	Pad 2,475	1	
1	AP0254034	Pad 2,525	1	
1	AP0254035	Pad 2,575	1	
1	AP0254036	Pad 2,625	1	
1	AP0254037	Pad 2,675	1	
1	AP0254038	Pad 2,725	1	
1	AP0254039	Pad 2,775	1	
1	AP0254040	Pad 2,825	1	
1	AP0254041	Pad 2,875	1	
1	AP0254042	Pad 2,925	1	

Group	ENGINE
Code	29.69
Description	Valves pads
Service	1



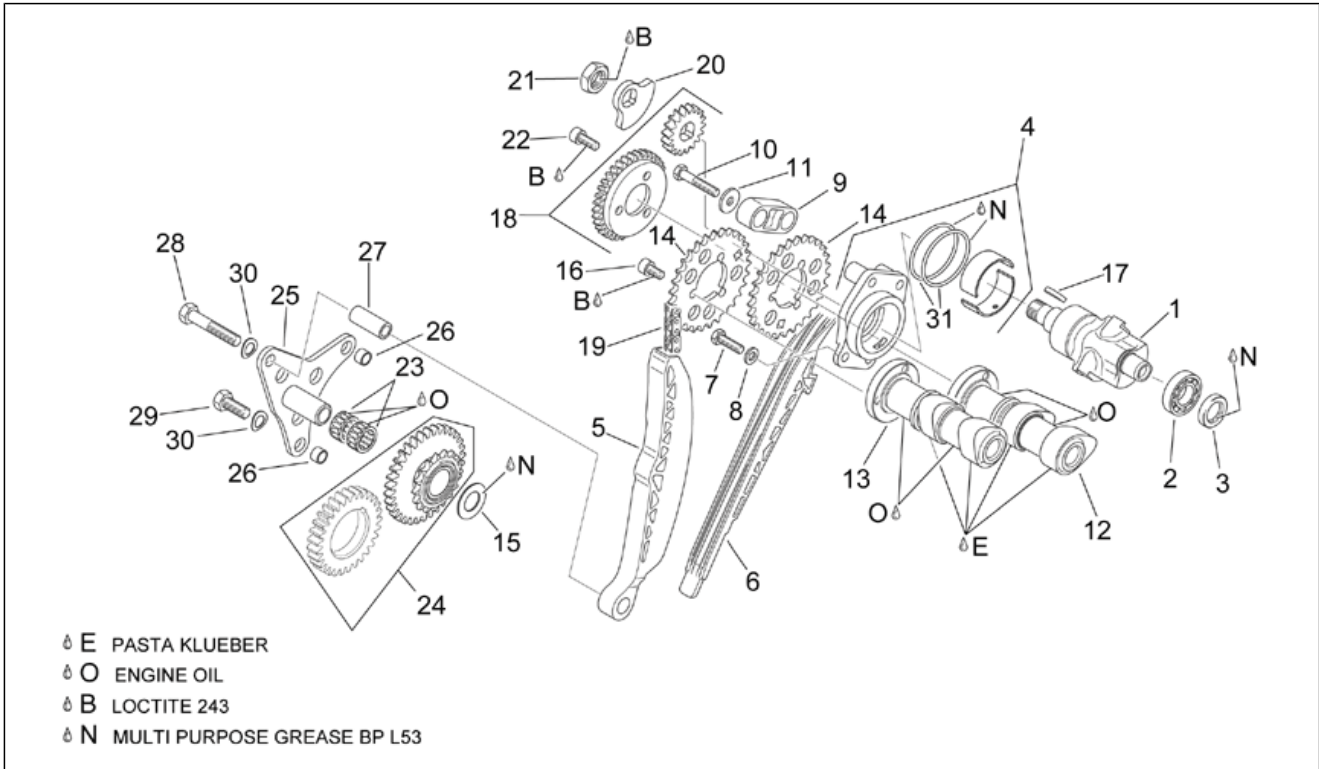
Pos.	Code	Description	Qty	Variants
1	AP0254043	Pad 2,975	1	

Group	ENGINE
Code	29.70
Description	Front cylinder timing system
Service	1



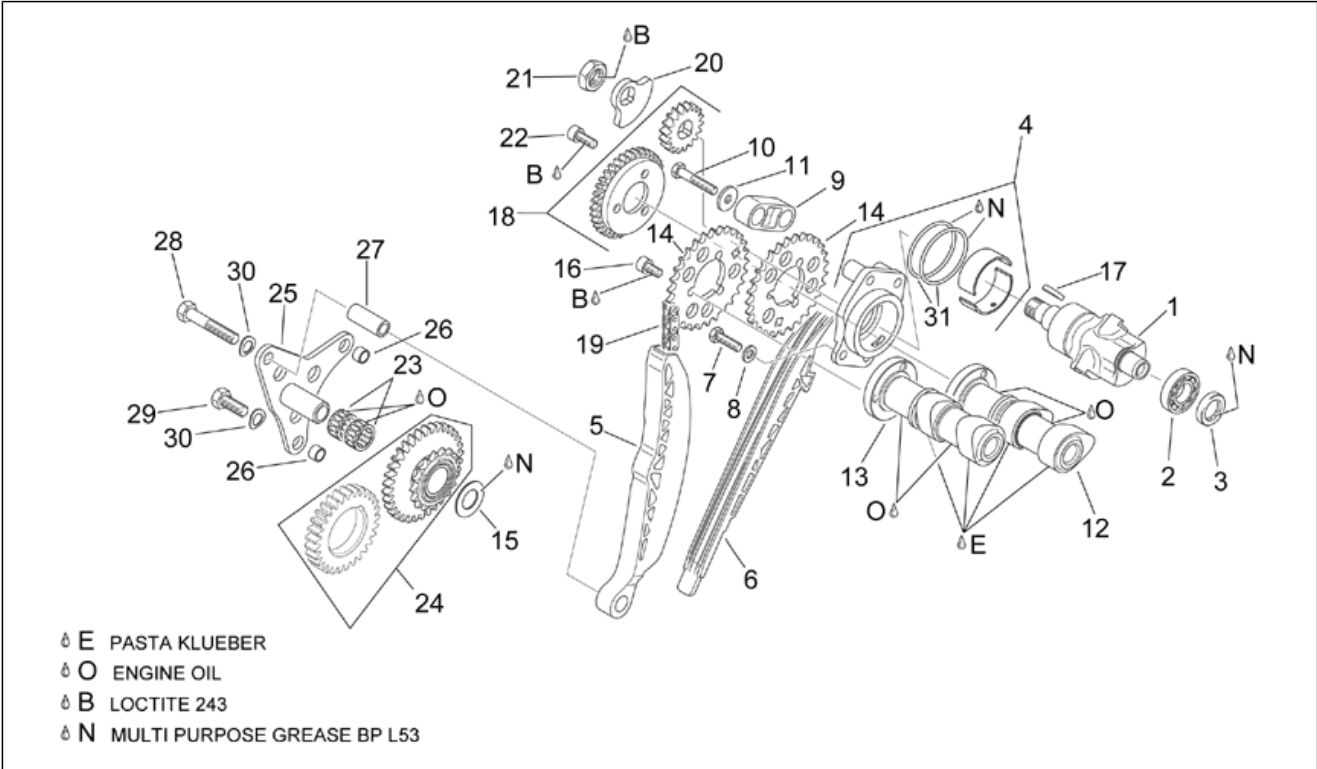
Pos.	Code	Description	Qty	Variants
1	AP0240400	Hex socket screw	1	
2	AP0940590	Hex screw M8x20	1	
3	AP0236320	Chain guide	1	
4	AP0211766	Bearings support Plate	1	
5	AP0236300	Chain guide	1	
6	AP0236310	Chain guide	1	
7	AP0627190	Washer 16,7x29x1	1	
8	AP0632161	Roller cage 16x22x10	2	
9	AP0295765	Timing system gear cpl.	1	
10	AP0845030	Spring washer b8	2	
11	AP0940631	Hex screw	1	
12	AP0220385	Exhaust camshaft	1	
13	AP0220384	Intake camshaft	1	
14	AP0634732	Timing system gear	1	
15	AP0634737	Timing system gear	1	
16	AP0840371	Hex socket screw M6x11,5	6	
17	AP0247980	Bush 8,2x12x25	1	
18	AP0240960	Spacer screw	2	
19	AP0297955	Camshaft chain	1	

Group	ENGINE
Code	29.71
Description	Rear cylinder timing system
Service	1



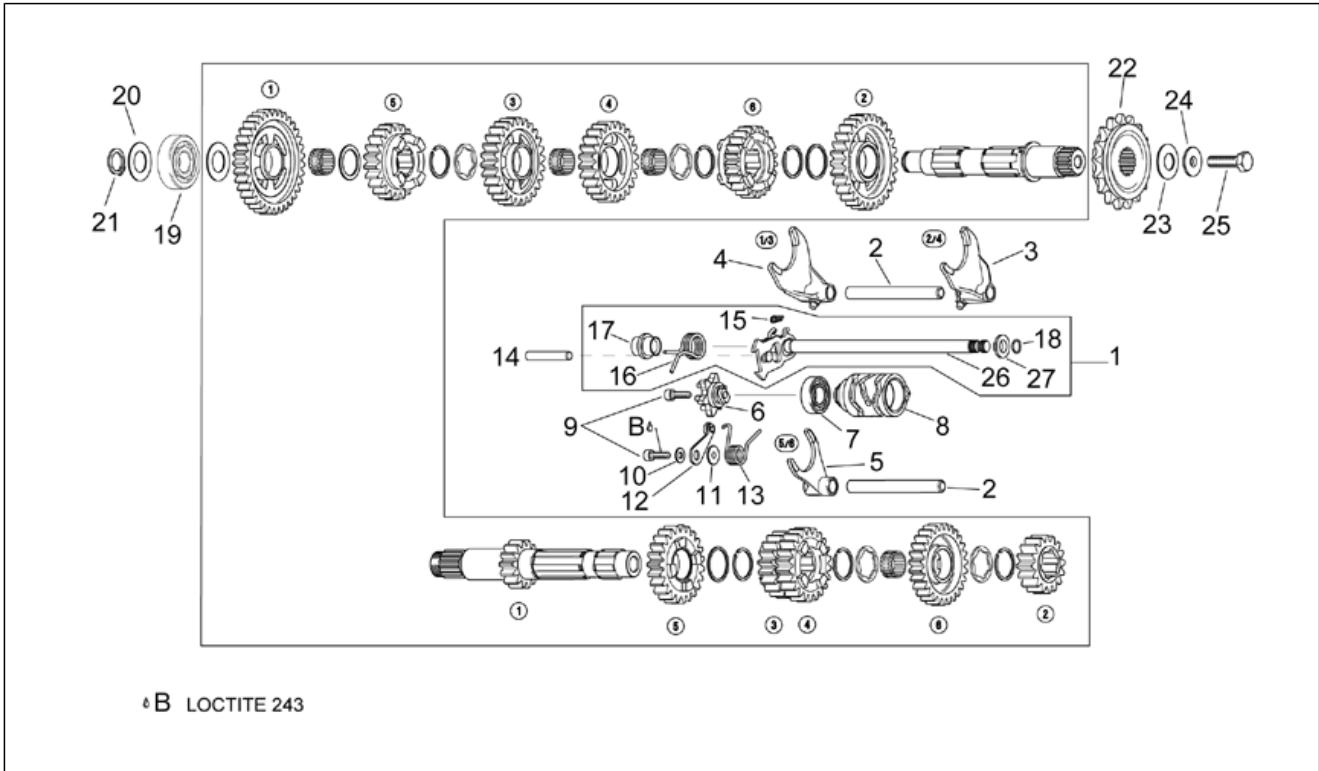
Pos.	Code	Description	Qty	Variants
1	AP0220440	Upper balance shaft	1	
2	AP0832360	Ball bearing 16002	1	
3	AP0250130	Oil seal 15x24x5	1	
4	AP0211681	Bushing plate cpl.	1	
5	AP0236300	Chain guide	1	
6	AP0236310	Chain guide	1	
7	AP0940560	Hex screw	2	
8	AP0244211	Washer 6,4	2	
9	AP0236380	Chain guide	1	
10	AP0941121	Hex screw	2	
11	AP0827305	Washer 6,2x18x2	2	
12	AP0220385	Exhaust camshaft	1	
13	AP0220384	Intake camshaft	1	
14	AP0634732	Timing system gear	2	
15	AP0627190	Washer 16,7x29x1	1	
16	AP0840371	Hex socket screw M6x11,5	3	
17	AP0246055	Transmission key 3x3,7	1	
18	AP0295775	Upper balance shaft gear cpl.	1	
19	AP0297955	Camshaft chain	1	
20	AP0219340	Counterweight	1	
21	AP0942570	Nut m14	1	
22	AP0840391	Hex socket screw	3	
23	AP0632161	Roller cage 16x22x10	2	
24	AP0295760	Timing system gear cpl.	1	
25	AP0211756	Roller cage plate	1	
26	AP0929500	Pin 10x8	2	
27	AP0247980	Bush 8,2x12x25	1	
28	AP0940631	Hex screw	1	

Group	ENGINE
Code	29.71
Description	Rear cylinder timing system
Service	1



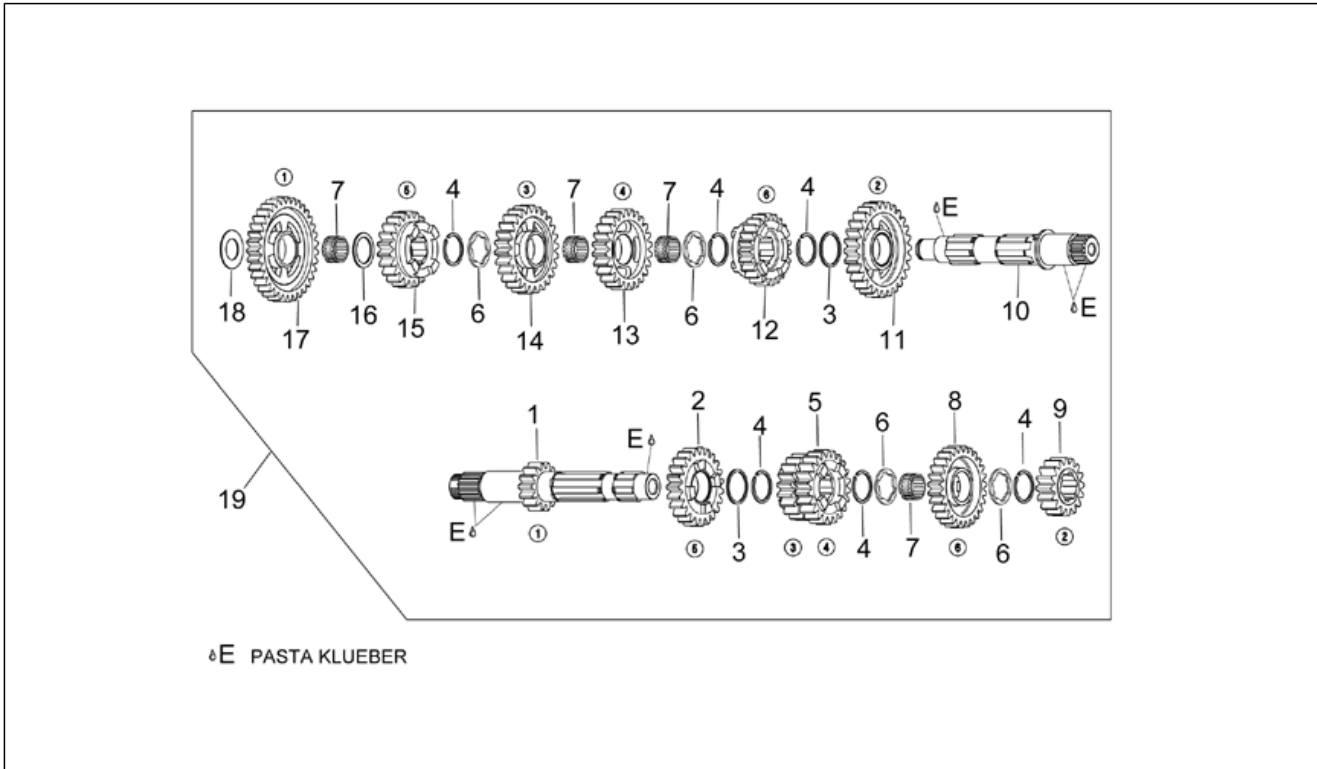
Pos.	Code	Description	Qty	Variants
29	AP0240275	Hex screw	2	
30	AP0845030	Spring washer b8	3	
31	AP0831160	O-ring	2	

Group	ENGINE
Code	29.72
Description	Gear box selector
Service	1



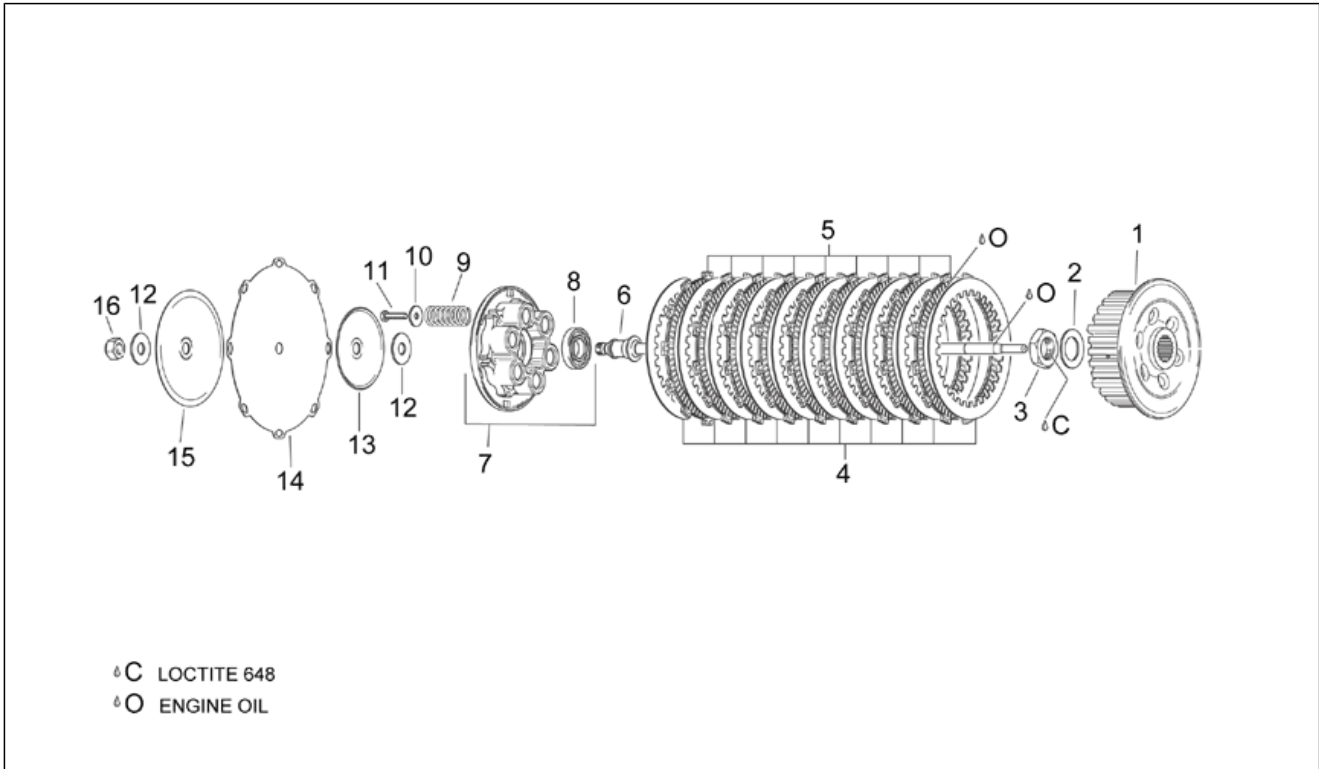
Pos.	Code	Description	Qty	Variants
1	AP0220437	Gear shaft+spring cpl.	1	
2	AP0258380	Fork shaft	2	
3	AP0258361	Fork	1	
4	AP0258351	Fork	1	
5	AP0258375	Fork	1	
6	AP0258310	Index washer	1	
7	AP0932335	Ball bearing 16101	1	
8	AP0258327	Shift cam	1	
9	AP0241932	Hex socket screw	2	
10	AP0244211	Washer 6,4	1	
11	AP0227716	Washer	1	
12	AP0248375	Index assy. lever	1	
13	AP0239247	Index spring	1	
14	AP0229385	Pin	1	
15	AP0239430	Spring	1	
16	AP0239420	Pin spring	1	
17	AP0247940	Bush	1	
18	AP0245440	Circlip	1	
19	AP0832144	Ball bearing 6304	1	
20	AP0227442	Washer 20,2x27,5	1	
21	AP0945665	Circlip 20x1,75	1	
22	AP0236366	Rubbered pinion	1	
23	AP0239450	Spring washer 34x16,3	1	
24	AP0627210	Washer	1	
25	AP0940741	Hex screw	1	
26	AP0220435	Gear shaft+ratchet gear cpl.	1	
27	AP0227714	Washer	1	

Group	ENGINE
Code	29.73
Description	Gear box
Service	1



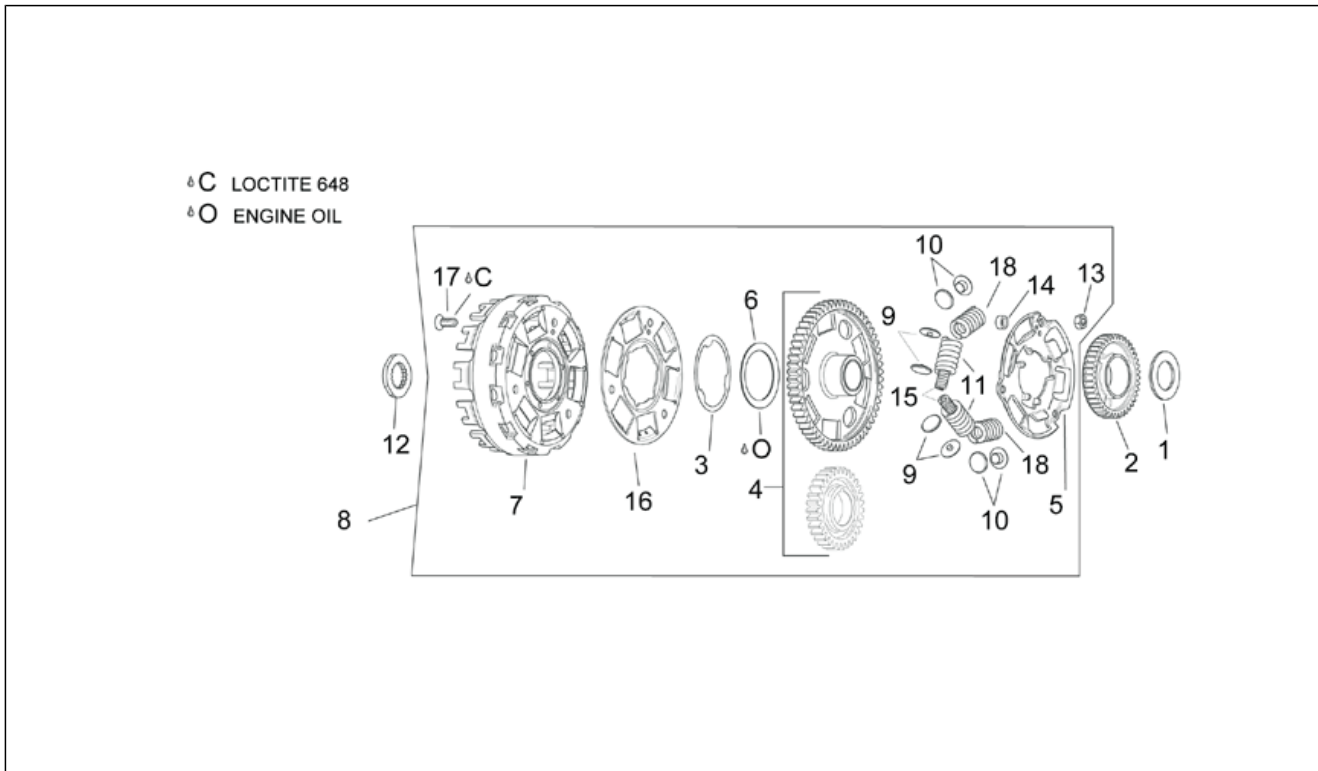
Pos.	Code	Description	Qty	Variants
1	AP0220392	Primary gear shaft assy.	1	
2	AP0634697	5th pinion gear	1	
3	AP0627120	Washer 29,2x33,5	2	
4	AP0245815	Circlip 28x2	6	
5	AP0634662	3rd-4th pinion gear	1	
6	AP0627132	Washer 25,35x34,5	4	
7	AP0632070	Roller cage 25x29x13	4	
8	AP0634712	6th pinion gear	1	
9	AP0634642	2nd pinion gear	1	
10	AP0220400	Driven shaft	1	
11	AP0634657	2nd wheel gear	1	
12	AP0634721	6th wheel gear	1	
13	AP0634670	4th wheel gear	1	
14	AP0634682	3rd wheel gear	1	
15	AP0634702	5th wheel gear	1	
16	AP0427106	Washer 25,3x33,5	1	
17	AP0634622	1st wheel gear	1	
18	AP0827110	Washer 20,5x37x1	1	
19	AP0281223	Gear box cpl.6 speed	1	

Group	ENGINE
Code	29.74
Description	Clutch I
Service	1



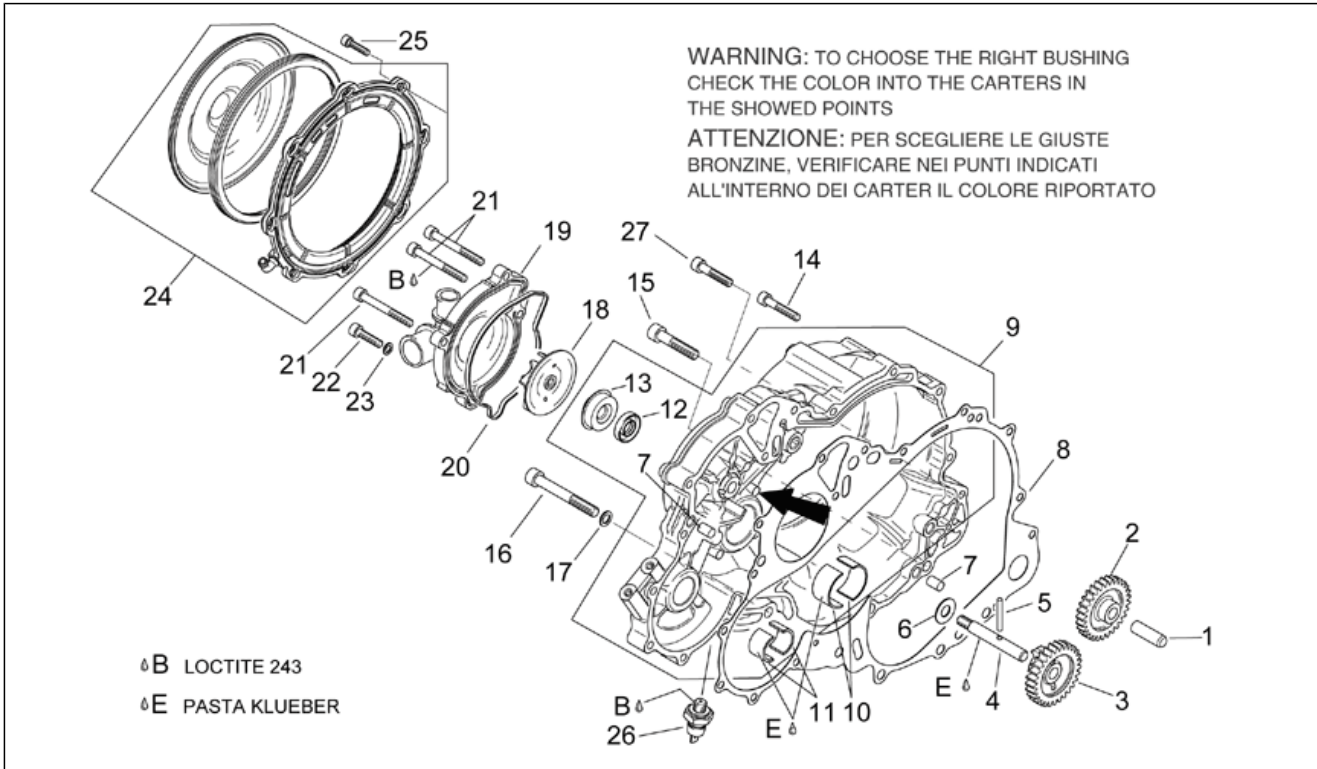
Pos.	Code	Description	Qty	Variants
1	AP0259520	Clutch hub	1	
2	AP0245830	Spring washer 24,5x40	1	
3	AP0242950	Nut m24x1,5	1	
4	AP8106915	Steel clutch discs 10 pc.	1	
5	AP8106867	Lined clutch disc	1	
6	AP0220455	Clutch shaft cpl.	1	
7	AP0259517	Springholder plate cpl.	1	
8	AP0632130	Ball bearing 16004	1	
9	AP0239480	Clutch spring	6	
10	AP0627530	Washer	6	
11	AP0941506	Hex screw	6	
12	AP0227180	Washer 12,2x32x2	2	
13	AP0627230	Support disc	1	
14	AP0260890	Diaphragm	1	
15	AP0627280	Pressure plate	1	
16	AP0442130	Nut m12	1	

Group	ENGINE
Code	29.75
Description	Clutch II
Service	1



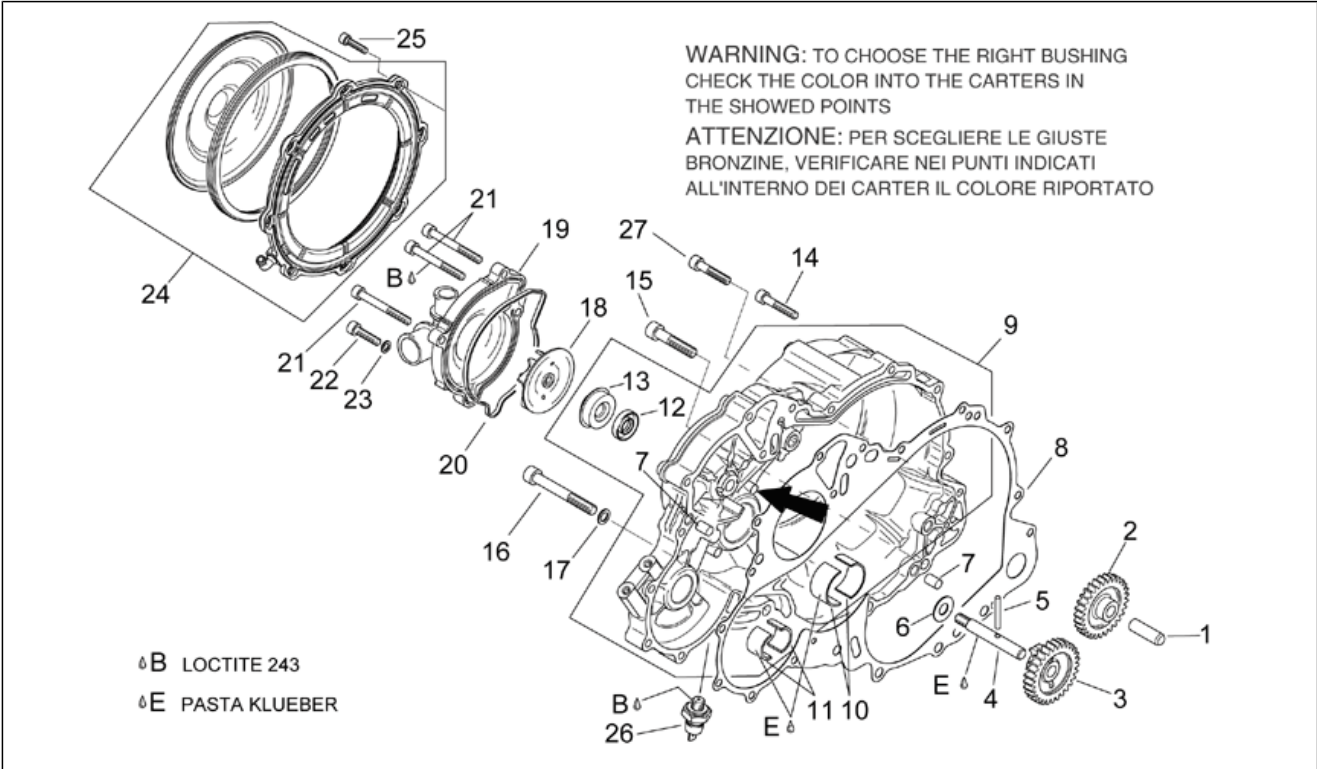
Pos.	Code	Description	Qty	Variants
1	AP0627260	Washer 30,2x50	1	
2	AP0634475	Oil pump gear z=42	1	
3	AP0627910	Thrust washer	1	
4	AP0295782	Primary drive gear	1	Technical Specifications: RSV Mille "R"acing Version[R], RSV Mille Version[STD]
4	AP0295783	Primary drive gear	1	Technical Specifications: "R"acing GP1 Limited Ed.Version[RL]
5	AP0259582	Springholder plate	1	Technical Specifications: RSV Mille "R"acing Version[R], RSV Mille Version[STD]
5	AP0259583	Springholder plate	1	Technical Specifications: "R"acing GP1 Limited Ed.Version[RL]
6	AP0239390	Spring washer 68x52x1,2	1	
7	AP0259535	Clutch drum	1	
8	AP0295793	Primary transm.	1	Technical Specifications: RSV Mille "R"acing Version[R], RSV Mille Version[STD]
8	AP0295794	Primary transm.	1	Technical Specifications: "R"acing GP1 Limited Ed.Version[RL]
9	AP0247972	Bush D5,5	8	
10	AP0247974	Bush D11,5	4	
11	AP0238135	Spring	4	
12	AP0627220	Washer 25x44,4x5	1	
13	AP0242206	Nut M8	3	
14	AP0247614	Spacer	3	
15	AP0238140	Spring	4	
16	AP0259587	Springholder plate	1	Technical Specifications: RSV Mille "R"acing Version[R], RSV Mille Version[STD]
16	AP0259588	Springholder plate	1	Technical Specifications: "R"acing GP1 Limited Ed.Version[RL]
17	AP0941835	screw M8x25	3	
18	AP0238130	Spring	2	

Group	ENGINE
Code	29.76
Description	Water pump
Service	1



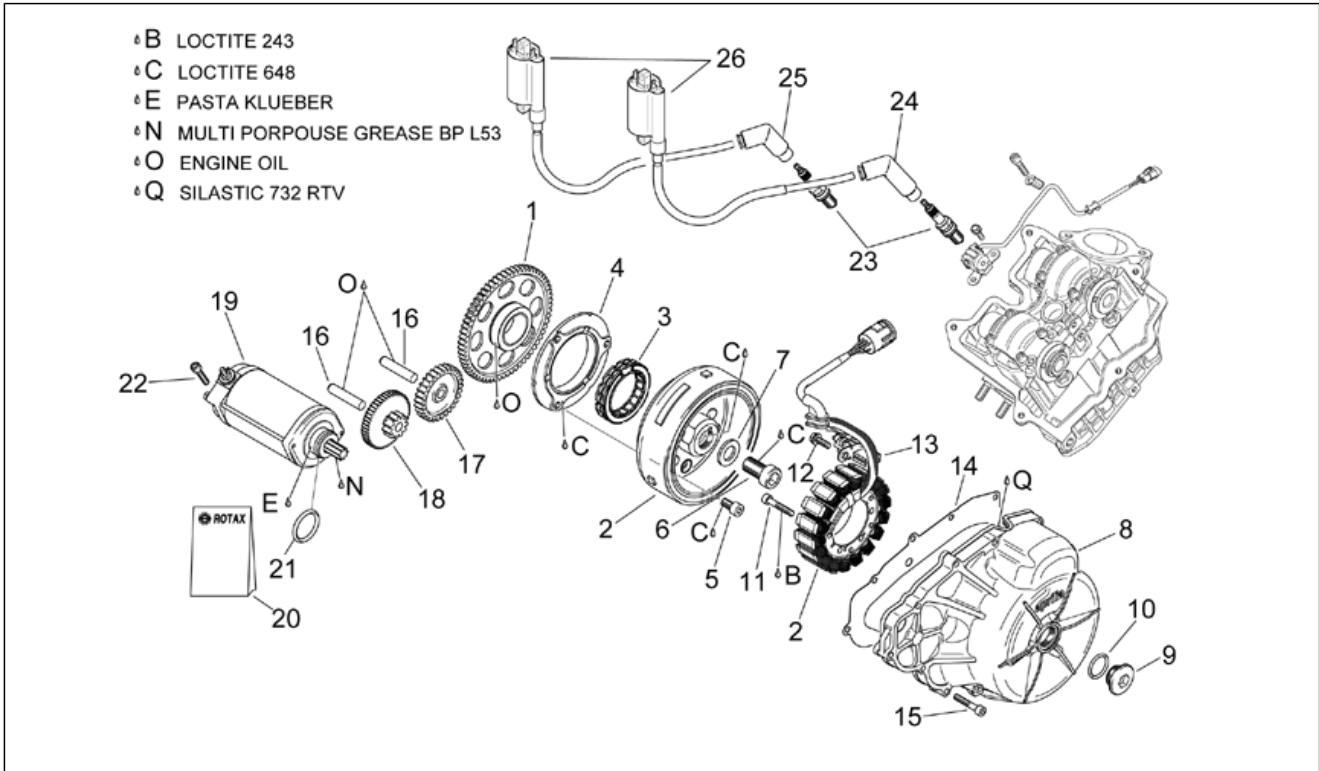
Pos.	Code	Description	Qty	Variants
1	AP0929930	Pin	1	
2	AP0634500	Idle gear	1	
3	AP0634490	Water pump gear	1	
4	AP0220410	Water pump shaft assy.	1	
5	AP0232430	Pin	1	
6	AP0227685	Washer 10,1x22x1	1	
7	AP0632010	Pin M8x12	2	
8	AP0650330	Gasket	1	
9	AP0610151	Clutch cover	1	
10	AP0233790	Bushing half-shell, blue	2	
10	AP0233791	Bushing half-shell, red	2	
10	AP0233793	Bushing half-shell, yellow	2	
11	AP0233780	Bearing half-shell 20x24x16	2	
12	AP0650310	Oil seal 10x25x5	1	
13	AP0650370	Pump mechanical seal	1	
14	AP0241811	Hex socket screw	10	
15	AP0440101	Hex socket screw	3	
16	AP0841841	Hex socket screw	1	
17	AP0950141	Gasket ring 8x13	1	
18	AP0222500	Impeller	1	
19	AP0222512	Water pump casing	1	
20	AP0650240	Gasket	1	
21	AP0240331	Hex socket screw	3	
22	AP0840861	Hex socket screw M6x25	1	
23	AP0230415	Gasket ring 6x10	1	
24	AP0211778	Diaphragm disc cpl.	1	
25	AP0240181	Hex socket screw	8	
26	AP0956169	Oil pressure switch	1	

Group	ENGINE
Code	29.76
Description	Water pump
Service	1



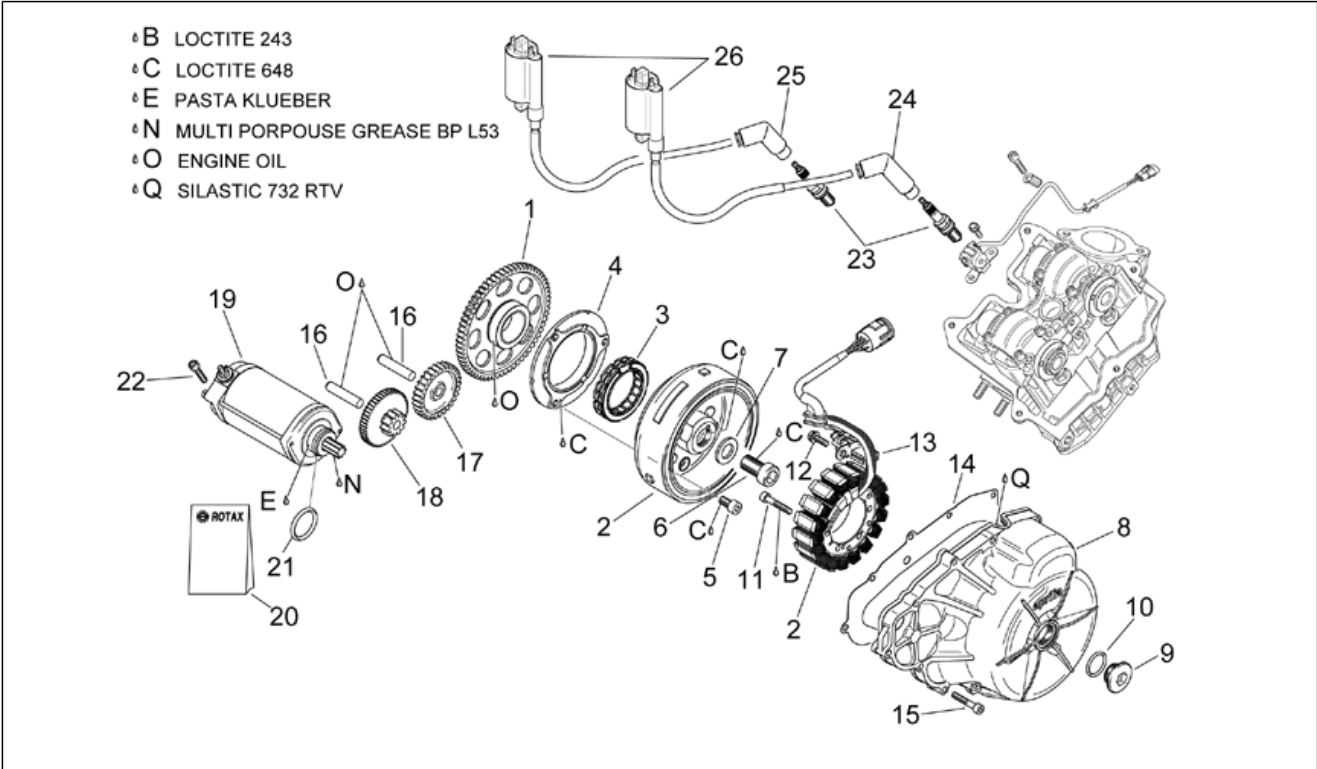
Pos.	Code	Description	Qty	Variants
27	AP0241761	Hex socket screw	1	

Group	ENGINE
Code	29.77
Description	Ignition unit
Service	1



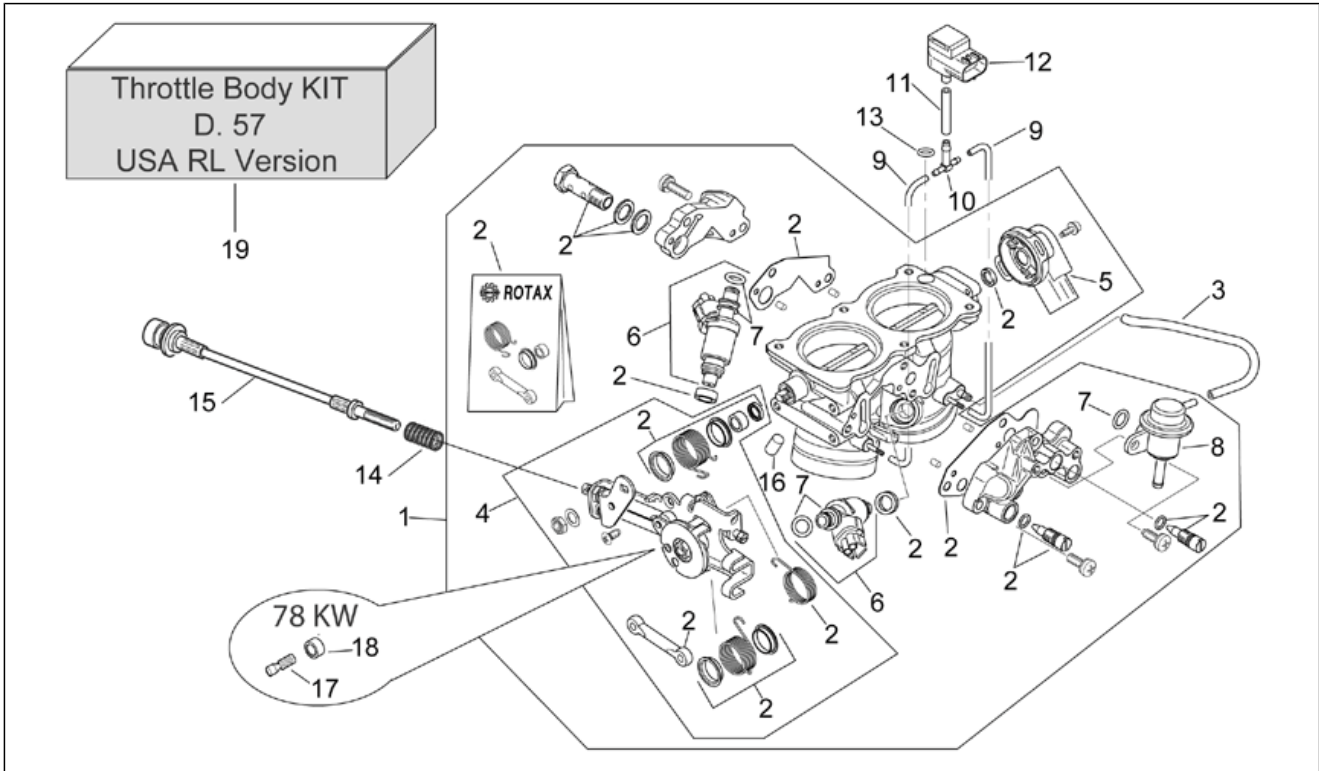
Pos.	Code	Description	Qty	Variants
1	AP0634595	Sprag clutch gear z=64	1	
2	AP0295830	Ignition unit 12V-380W	1	
3	AP0659110	Sprag clutch	1	
4	AP0659120	Sprag clutch housing	1	Technical Specifications: RSV Mille "R"acing Version[R], RSV Mille Version[STD]
4	AP0659121	Sprag clutch housing	1	Technical Specifications: "R"acing GP1 Limited Ed.Version[RL]
5	AP0641590	Hex socket screw	3	
6	AP0241541	Hex socket screw m16x30	1	
7	AP0627270	Washer a17	1	
8	AP0211651	Ignition cover	1	
9	AP0241631	Cover m24x1,5	1	
10	AP0430782	O-ring 23,3x2,4	1	
11	AP0241816	Hex socket screw M6x40	3	
12	AP0240580	Screw w/ flange	2	
13	AP0260870	Cable protection	1	
14	AP0650340	Gasket	1	
15	AP0241811	Hex socket screw	12	
16	AP0229301	Pin M6x50	2	
17	AP0634600	Idle gear	1	
18	AP0634740	Double gear	1	
19	AP0294356	Starter motor cpl.	1	
20	AP0294352	Starter motor revision kit	1	
21	AP0250140	O-ring 24,4x3,1	1	
22	AP0840882	Hex socket screw	2	
23	AP0297942	Spark plug DCPR9E	4	
24	AP0265246	Int.sparkplug cap	2	
25	AP0265244	Ext.sparkplug cap	2	

Group	ENGINE
Code	29.77
Description	Ignition unit
Service	1



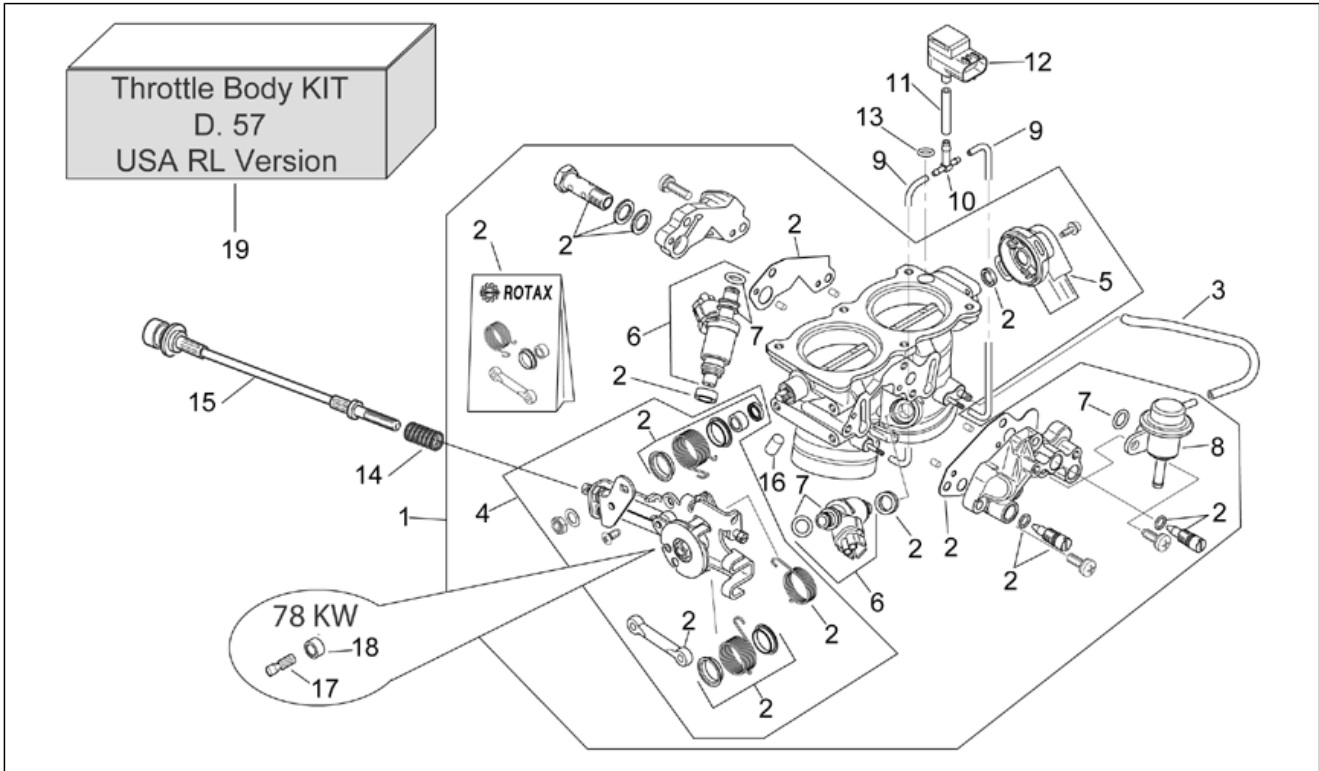
Pos.	Code	Description	Qty	Variants
26	AP0265480	HT coil	2	

Group	ENGINE
Code	29.78
Description	Throttle body
Service	1



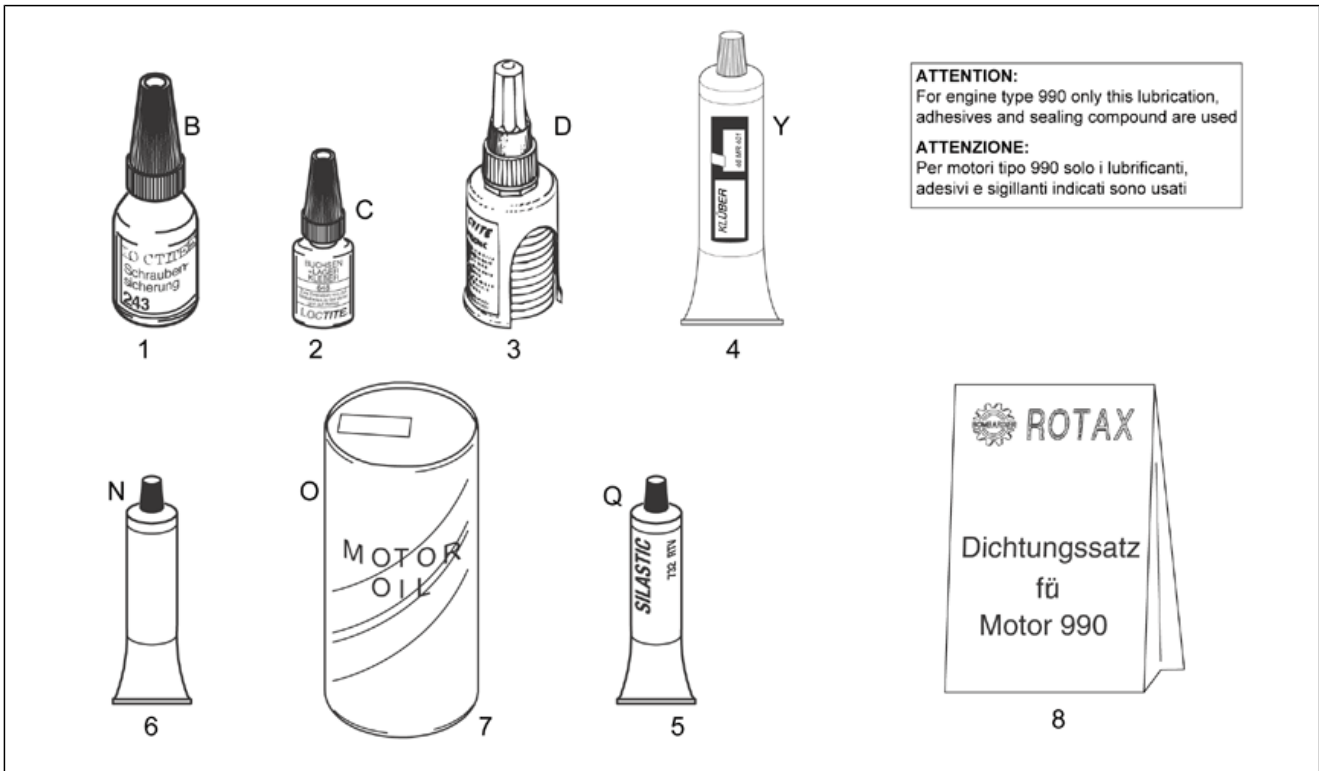
Pos.	Code	Description	Qty	Variants
1	AP0295696	Throttle body cpl.	1	Country: USA (49 Countries Approval)[AM], USA (California Approval)[CF], United States of America[USA] Technical Specifications: "R"acing GP1 Limited Ed.Version[RL]
1	AP0295696	Throttle body cpl.	1	Technical Specifications: RSV Mille "R"acing Version[R], RSV Mille Version[STD]
1	AP0296975	Throttle body cpl. D.57	1	Country: Austria[A], Australia[AA], Australia[AUS], Belgium[B], Belgium[BB], Switzerland[CH], Germany[D], Denmark[DK], Spain[E], A, CH, D, DK, GR, E, I, NL, P[EU], France[F], France[FF], Greece[GR], Italy[I], Japan[J], Japan[JJ], Holland[NL], Portugal[P], Great Britain[UK] Technical Specifications: "R"acing GP1 Limited Ed.Version[RL]
2	AP0281241	Throttle body revision kit	1	
3	AP0960122	Sensor pipe 110mm	1	
4	AP0661011	Throttle cable supp.plate cpl.	1	
5	AP0274030	Throttle body sensor	1	
6	AP0274010	Injection valve cpl.	2	
7	AP0296180	Gasket set	1	
8	AP0274020	Fuel pressure regulator	1	
9	AP0960111	Sensor pipe 95 mm	2	
10	AP0874320	3-way union	1	
11	AP0960121	Sensor pipe 30 mm	1	
12	AP0274050	Pressure sensor	1	
13	AP0650670	O-ring D4x2	1	
14	AP0268010	Spring	1	
15	AP8114420	Min.eng.spd adj.cable	1	
16	AP0660020	Cap	1	
17	AP8176062	Shear rivet	1	Technical Specifications: Power 78 Kw[78Kw], "R"acing GP1 Limited Ed.Version[RL]

Group	ENGINE
Code	29.78
Description	Throttle body
Service	1



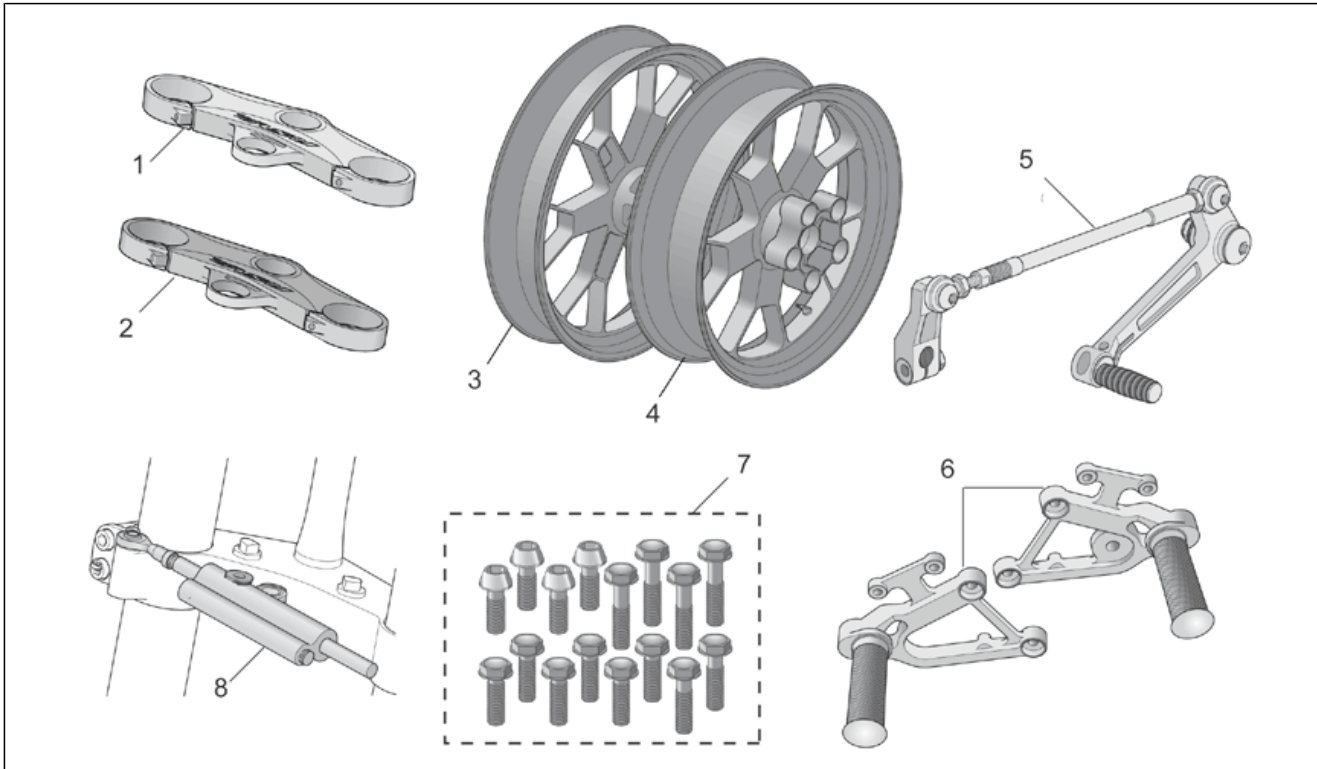
Pos.	Code	Description	Qty	Variants
18	AP8176063	Bush	1	Technical Specifications: Power 78 Kw[78Kw], "R"acing GP1 Limited Ed.Version[RL]
19	0000000	Tyre	1	Technical Specifications: Accessories[A], "R"acing GP1 Limited Ed.Version[RL]

Group	ENGINE
Code	29.79
Description	Sealing and lubricating agents
Service	1



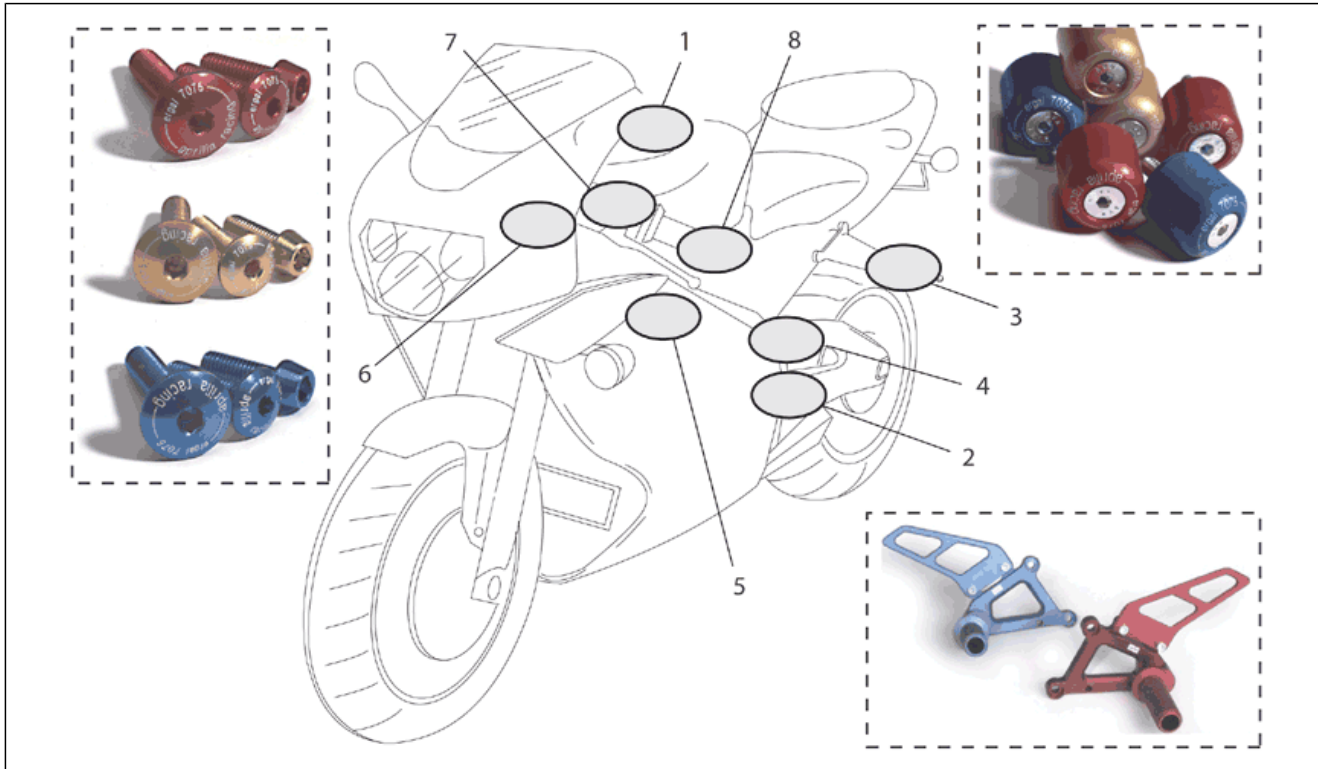
Pos.	Code	Description	Qty	Variants
1	AP0897651	Loctite (blue) 243 10cc.	1	
2	AP0899788	Loctite (green) 648 5gr.	1	
3	AP0899784	Loctite (orange) 574	1	
4	AP0297616	Klueber paste 60 gr	1	
5	AP0297386	Silastic 732 Rtv 100 gr.	1	
6	0000000	Tyre	1	
7	0000000	Tyre	1	
8	AP0296170	Gasket set	1	

Group	ACCESSORIES
Code	30.01
Description	Acc. - Cyclistic components I
Service	1



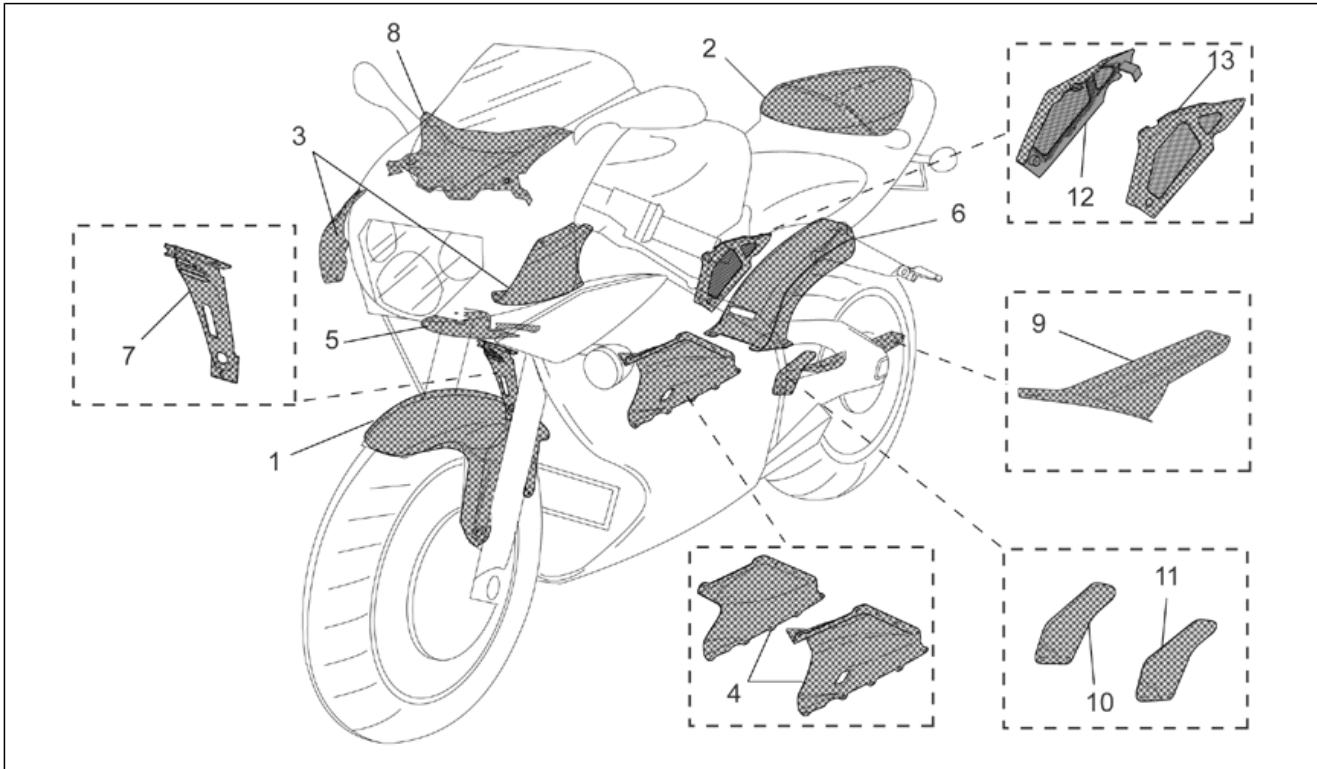
Pos.	Code	Description	Qty	Variants
1	AP8796532	Steering plate Showa-Alu	1	Technical Specifications: Accessories[A], RSV Mille Version[STD]
1	AP8796534	Steering plate Ohlins-Alu	1	Technical Specifications: Accessories[A], RSV Mille "R"acing Version[R], "R"acing GP1 Limited Ed.Version[RL]
2	AP8796533	Steering plate Showa-Alu	1	Technical Specifications: Accessories[A], RSV Mille Version[STD]
2	AP8796535	Steering plate,gold Ohlins-Alu	1	Technical Specifications: Accessories[A], RSV Mille "R"acing Version[R], "R"acing GP1 Limited Ed.Version[RL]
3	AP8796196	Front wheel, blue OZ-Alu	1	Technical Specifications: Accessories[A], RSV Mille Version[STD]
3	AP8796263	Front wheel, silver OZ-Alu	1	Technical Specifications: Accessories[A], RSV Mille Version[STD]
4	AP8796197	Rear wheel, blue OZ-Alu	1	Technical Specifications: Accessories[A], RSV Mille Version[STD]
4	AP8796264	Rear wheel, silver OZ-Alu	1	Technical Specifications: Accessories[A], RSV Mille Version[STD]
5	AP8796530	Gearbox lever ERGAL	1	Technical Specifications: Accessories[A]
6	AP8796531	Adjustable foot rests Alu	1	Technical Specifications: Accessories[A]
7	AP8796050	Screw kit, 16 screws Titan	1	Technical Specifications: Accessories[A]
8	AP8123972	Steering shock absorber Ohlin	1	Technical Specifications: Accessories[A], RSV Mille Version[STD]

Group	ACCESSORIES
Code	30.02
Description	Acc. - Cyclistic components II
Service	1



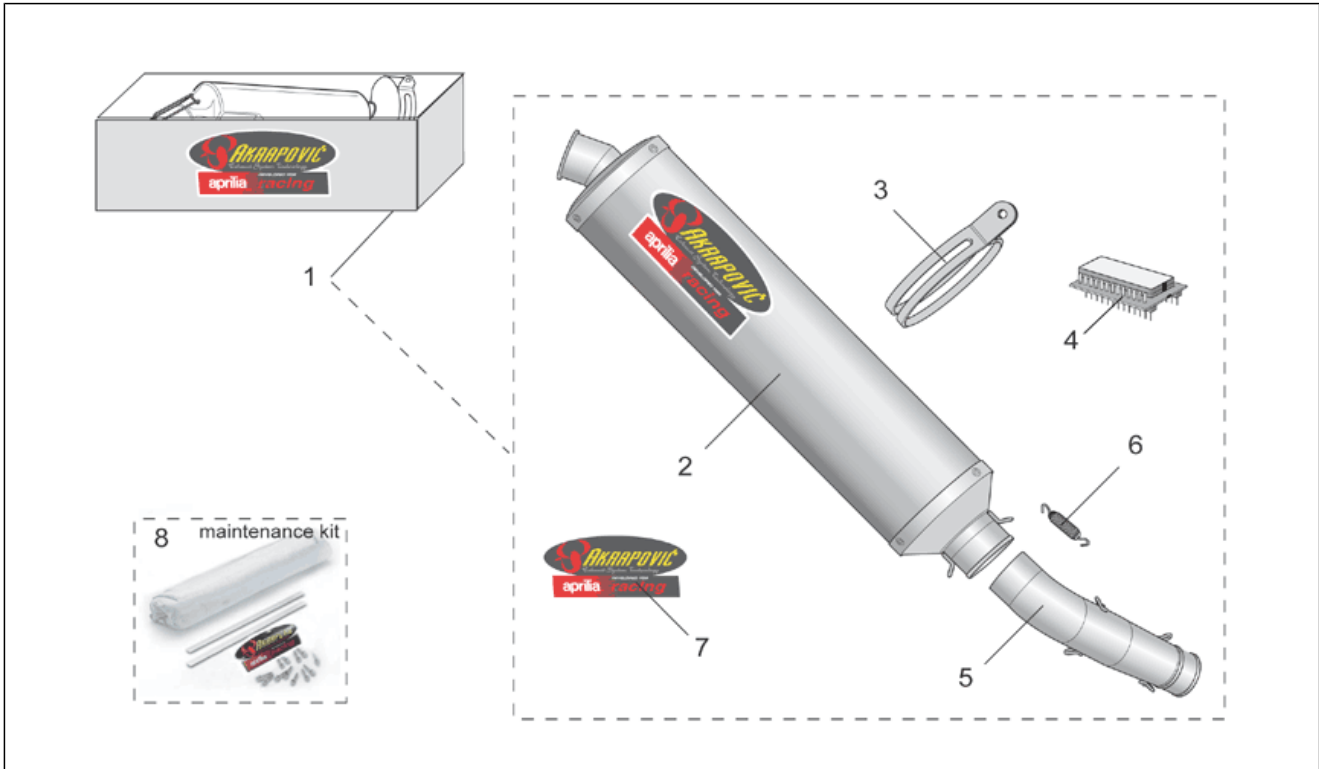
Pos.	Code	Description	Qty	Variants
1	AP8140451	Fuel cap screws, red Ergal	1	
1	AP8140453	Fuel cap screws, gold Ergal	1	
2	AP8140496	Adj.Foot rests, pair Ergal-Red	1	
2	AP8140497	Adj.Foot rests, pair Ergal-Blu	1	
2	AP8140498	Adj.Foot rests, pair Ergal-Oro	1	
2	AP8140702	Pair adj.foot rests,blk. Ergal	1	
3	AP8140499	Rear footrests, pair Ergal-Red	1	
3	AP8140500	Rear footrests, pair Ergal-Blu	1	
3	AP8140501	Rear footrests, pair Ergal-Oro	1	
3	AP8140703	Pair re.foot rests,black Ergal	1	
4	AP8140505	Toe guard, pair Ergal-Red	1	
4	AP8140506	Toe guard, pair Ergal-Blu	1	
4	AP8140507	Toe guard, pair Ergal-Oro	1	
5	AP8140520	Fairing screws, red Ergal	1	
5	AP8140521	Fairing screws, blue Ergal	1	
5	AP8140522	Fairing screws, gold Ergal	1	
6	AP8140523	Baffle screws, red Ergal	1	
6	AP8140524	Baffle screws, blue Ergal	1	
6	AP8140525	Baffle screws, gold Ergal	1	
7	AP8140532	Handlebar screws, red Ergal	1	
7	AP8140533	Handlebar screws, blue Ergal	1	
7	AP8140534	Handlebar screws, gold Ergal	1	
8	AP8140699	Anti.vib.weights, red Ergal	1	
8	AP8140700	Anti.vib.weigh.,blue Ergal	1	
8	AP8140701	Anti.vib.weights, gold Ergal	1	

Group	ACCESSORIES
Code	30.03
Description	Acc. - Special body parts
Service	1



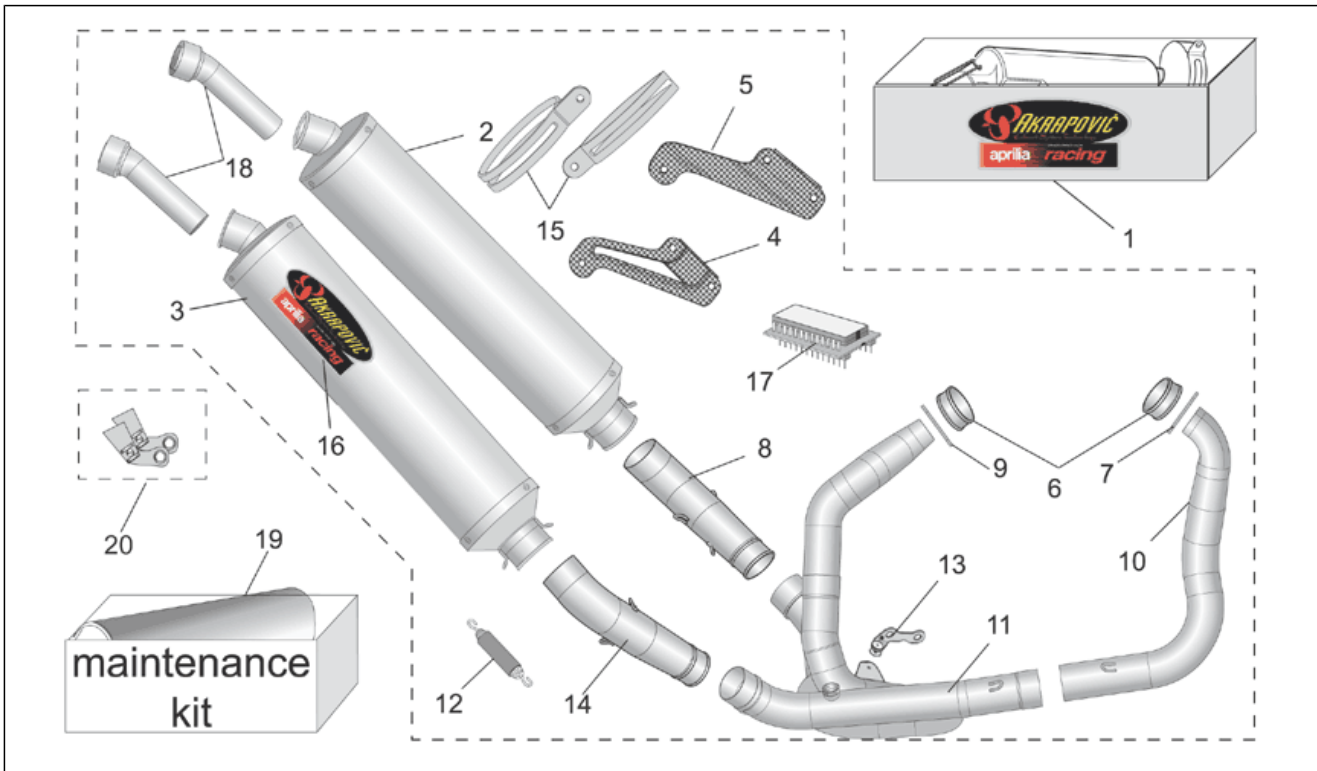
Pos.	Code	Description	Qty	Variants
1	AP8796055	Front mudguard, carb.	1	Technical Specifications: Accessories[A], RSV Mille Version[STD]
2	AP8791233	Pass. saddle cover Carb.	1	Technical Specifications: Accessories[A], RSV Mille "R"acing Version[R], RSV Mille Version[STD]
3	AP8796209	Fuel baffle Carb.	1	Technical Specifications: Accessories[A], RSV Mille Version[STD]
4	AP8796210	Air pullers Carb.	1	Technical Specifications: Accessories[A], RSV Mille Version[STD]
5	AP8791058	Fork cover Carb.	1	Technical Specifications: Accessories[A]
6	AP8791048	Rear mudguard, carb.	1	Technical Specifications: Accessories[A], RSV Mille Version[STD]
7	AP8796200	Central radiator cover Carb.	1	Technical Specifications: Accessories[A]
8	AP8796208	Dashboard lid Carb.	1	Technical Specifications: Accessories[A], RSV Mille Version[STD]
9	AP8791055	Chain guard, carb.	1	Technical Specifications: Accessories[A]
10	AP8791052	RH toe guard Carb.	1	Technical Specifications: Accessories[A]
11	AP8791053	LH toe guard Carb.	1	Technical Specifications: Accessories[A]
12	AP8796201	RH undertank side panel Carb.	1	Technical Specifications: Accessories[A]
13	AP8796202	LH undertank side panel Carb.	1	Technical Specifications: Accessories[A]

Group	ACCESSORIES
Code	30.04
Description	Acc. - Performance parts I
Service	1



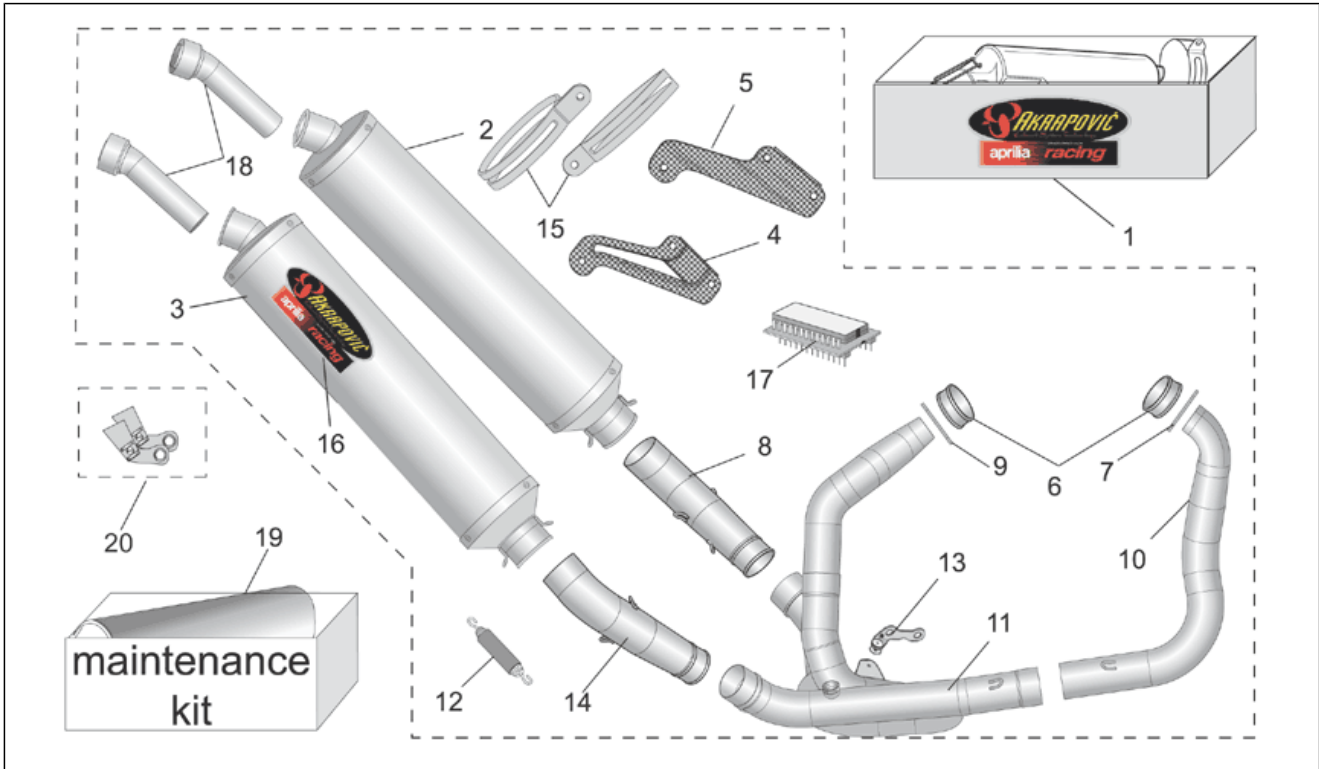
Pos.	Code	Description	Qty	Variants
1	AP8797219	Exhaust unit KIT Akra Mono	1	Technical Specifications: Accessories[A], For Circuit Only[Circ]
2	AP8797227	Silencer Titan	1	Technical Specifications: Accessories[A], For Circuit Only[Circ]
3	AP8797228	Clamp with support	1	Technical Specifications: Accessories[A], For Circuit Only[Circ]
4	AP8796495	Eprom Titan-Evo	1	Technical Specifications: Accessories[A], For Circuit Only[Circ]
5	AP8797229	Exhaust pipe Inox	1	Technical Specifications: Accessories[A], For Circuit Only[Circ]
6	AP8796519	Exhaust pipes spring	4	Technical Specifications: Accessories[A]
7	AP8797215	Sticker	1	Technical Specifications: Accessories[A], For Circuit Only[Circ]
8	AP8797230	Silencer revision kit Akra	1	Technical Specifications: Accessories[A], For Circuit Only[Circ]

Group	ACCESSORIES
Code	30.05
Description	Acc. - Performance parts II
Service	1



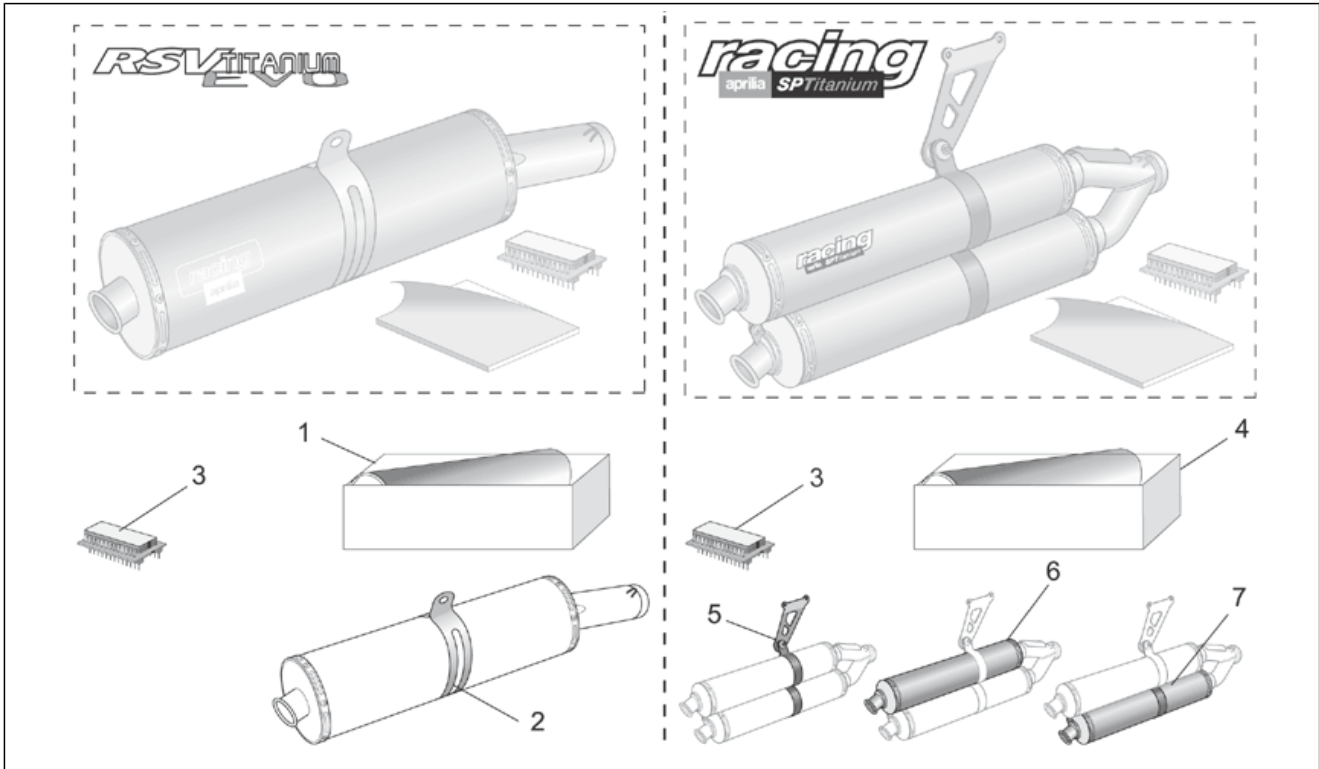
Pos.	Code	Description	Qty	Variants
1	AP8797006	Exhaust kit assy AkrapovicSBK	1	Technical Specifications: Accessories[A], All Countries recog.EEC regulat.E1 0489[Om]
2	AP8796511	LH silencer Titan	1	Technical Specifications: Accessories[A], For Circuit Only[Circ]
2	AP8797156	LH silencer titan	1	Technical Specifications: Accessories[A], All Countries recog.EEC regulat.E1 0489[Om]
3	AP8796512	RH silencer Titan	1	Technical Specifications: Accessories[A], For Circuit Only[Circ]
3	AP8797157	RH silencer titan	1	Technical Specifications: Accessories[A], All Countries recog.EEC regulat.E1 0489[Om]
4	AP8796514	LH clamp, carb. Carb.	1	Technical Specifications: Accessories[A]
5	AP8796515	RH clamp, carb. Carb.	1	Technical Specifications: Accessories[A]
6	AP8796518	Exhaust pipe gasket	1	Technical Specifications: Accessories[A]
7	AP8796516	Front flange	1	Technical Specifications: Accessories[A]
8	AP8796509	LH exhaust pipe Inox	1	Technical Specifications: Accessories[A]
9	AP8796517	Rear flange	1	Technical Specifications: Accessories[A]
10	AP8796507	Front. Exhaust pipe Inox	1	Technical Specifications: Accessories[A]
11	AP8796508	Central exhaust pipe Inox	1	Technical Specifications: Accessories[A]
12	AP8796519	Exhaust pipes spring	8	Technical Specifications: Accessories[A]
13	AP8797160	Support bracket Inox	1	Technical Specifications: Accessories[A]
14	AP8796510	RH exhaust pipe Inox	1	Technical Specifications: Accessories[A]
15	AP8796513	Silencer clip Titan-Carb	1	Technical Specifications: Accessories[A]
16	AP8796520	Sticker	1	Technical Specifications: Accessories[A], For Circuit Only[Circ]
16	AP8797215	Sticker	1	Technical Specifications: Accessories[A], All Countries recog.EEC regulat.E1 0489[Om]
17	AP8796505	Eprom Akrapovic SBK	1	Technical Specifications: Accessories[A], For Circuit Only[Circ]
17	AP8797165	Eprom Akrapovic SBK	1	Technical Specifications: Accessories[A], All Countries recog.EEC regulat.E1 0489[Om]

Group	ACCESSORIES
Code	30.05
Description	Acc. - Performance parts II
Service	1



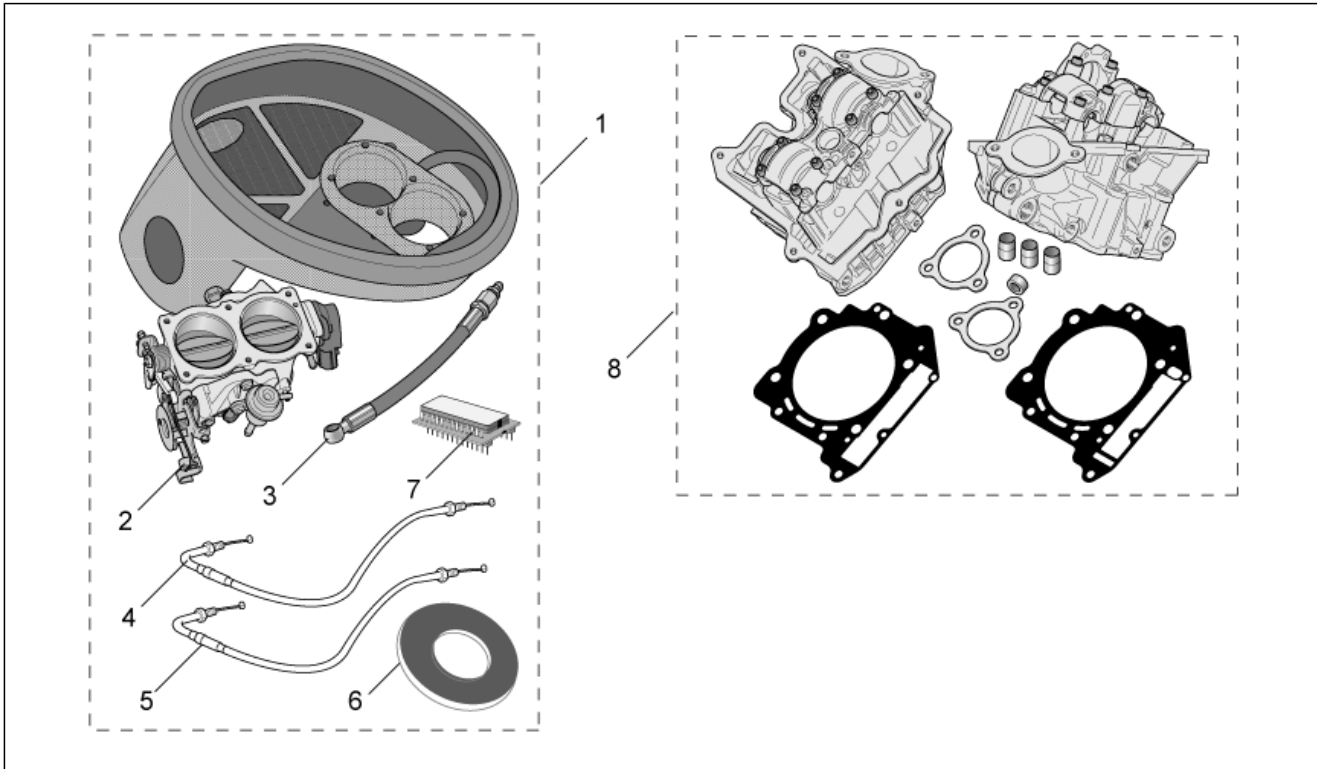
Pos.	Code	Description	Qty	Variants
18	AP8797159	Exhaust unit Reduction Akra.	1	Technical Specifications: Accessories[A], All Countries recog.EEC regulat.E1 0489[Om]
19	AP8797158	Silencer revision kit Ak.	2	Technical Specifications: Accessories[A], All Countries recog.EEC regulat.E1 0489[Om]
19	AP8798001	Silencer revision kit Ak	2	Technical Specifications: Accessories[A], For Circuit Only[Circ]
20	AP8796506	Footrest support KIT	1	Technical Specifications: Accessories[A]

Group	ACCESSORIES
Code	30.06
Description	Acc. - Performance parts III
Service	1



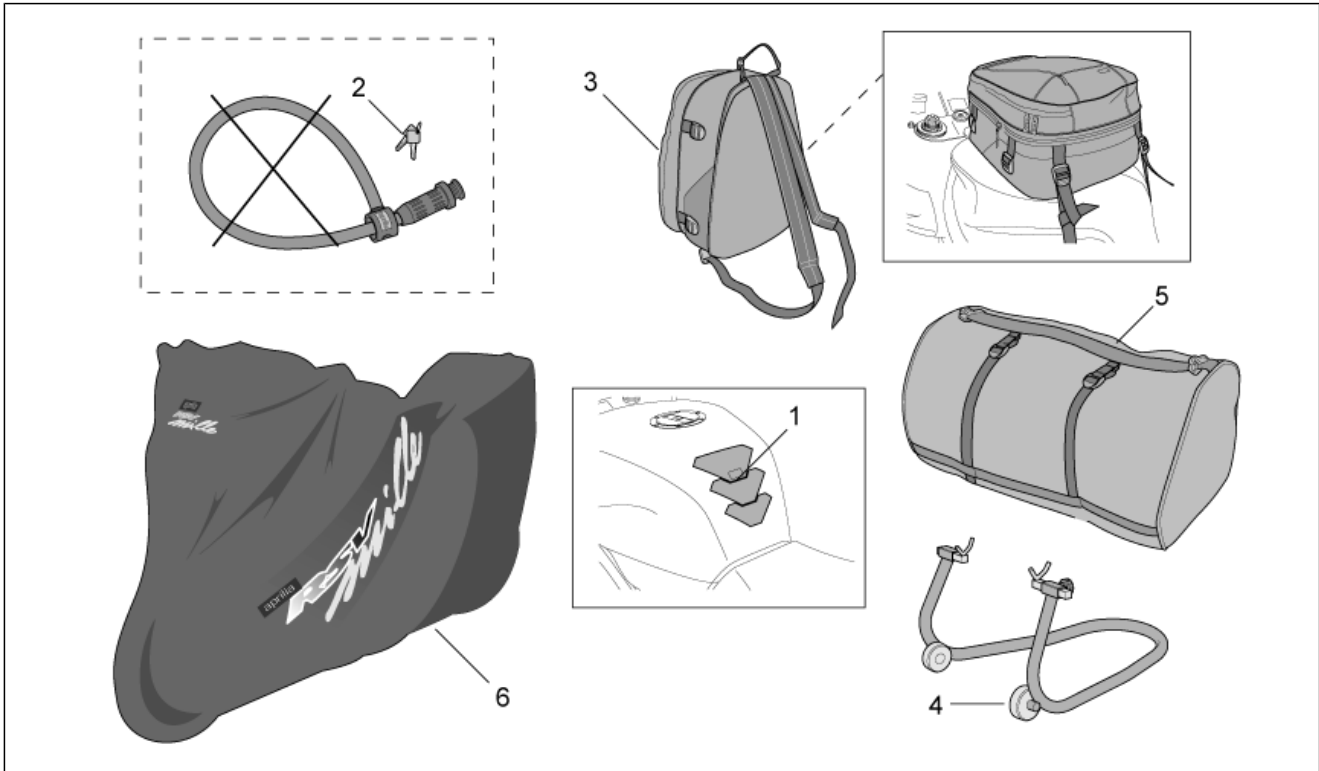
Pos.	Code	Description	Qty	Variants
1	AP8796493	Soundproofing cartridge assy.	1	Technical Specifications: Accessories[A], For Circuit Only[Circ]
2	AP8796492	Support clamp	1	Technical Specifications: Accessories[A]
3	AP8796495	Eprom Titan-Evo	1	Technical Specifications: Accessories[A]
4	AP8796498	Soundproofing cartri.assy-pair	1	Technical Specifications: Accessories[A], For Circuit Only[Circ]
5	AP8796499	Clamp with support Carb.	1	Technical Specifications: Accessories[A]
6	AP8796500	Top silencer SPTitan	1	Technical Specifications: Accessories[A], For Circuit Only[Circ]
7	AP8796501	Bottom silencer SPTitan	1	Technical Specifications: Accessories[A], For Circuit Only[Circ]

Group	ACCESSORIES
Code	30.07
Description	Acc. - Performance parts IV
Service	1



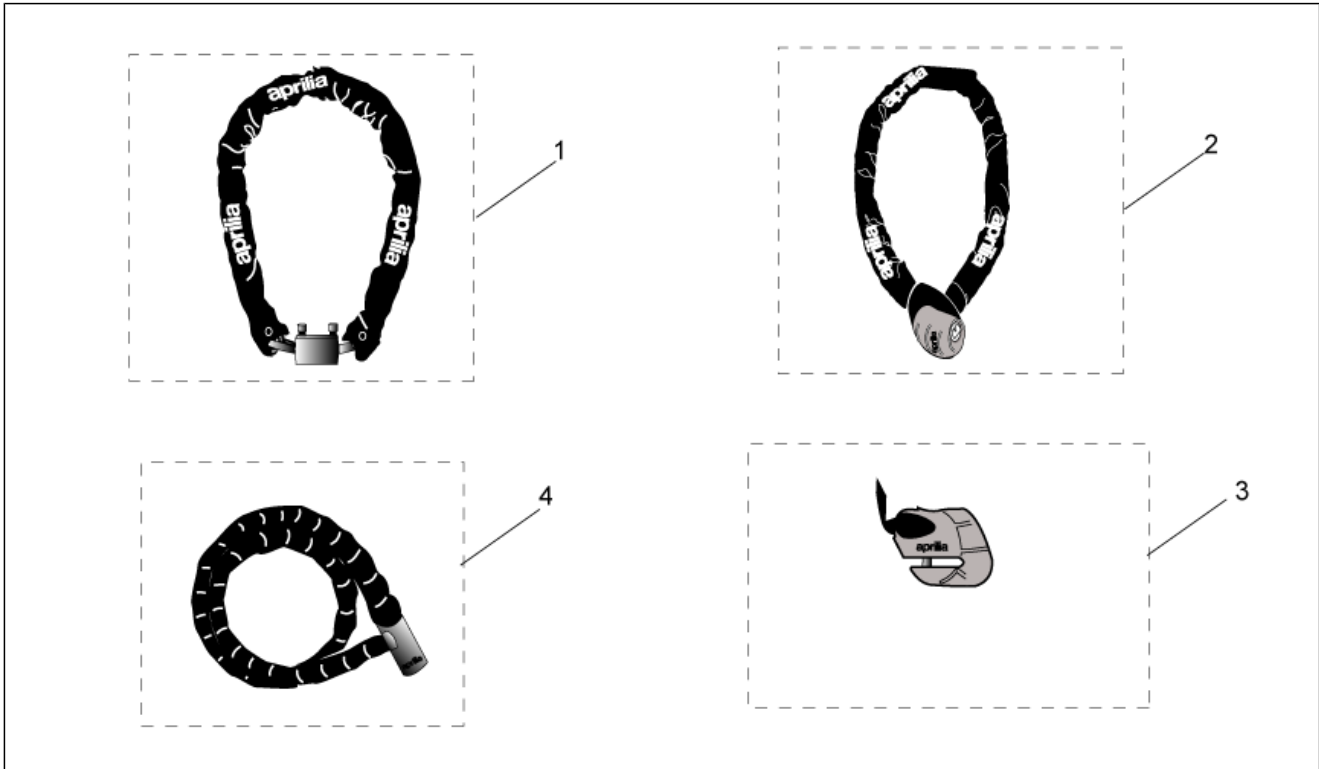
Pos.	Code	Description	Qty	Variants
1	AP8796738	Throttle body KIT Rac.D57	1	Technical Specifications: Accessories[A], RSV Mille "R"acing Version[R], RSV Mille Version[STD]
2	AP0296975	Throttle body cpl. D.57	1	Technical Specifications: RSV Mille "R"acing Version[R], RSV Mille Version[STD]
3	AP8798003	High pressure pipe	1	Technical Specifications: Accessories[A], RSV Mille "R"acing Version[R], RSV Mille Version[STD]
4	AP8114342	Gas trasmission delivery	1	Technical Specifications: RSV Mille "R"acing Version[R], RSV Mille Version[STD]
5	AP8114343	Gas trasmission return	1	Technical Specifications: RSV Mille "R"acing Version[R], RSV Mille Version[STD]
6	AP8798002	Gasket airbox	1	Technical Specifications: Accessories[A], RSV Mille "R"acing Version[R], RSV Mille Version[STD]
7	AP8796739	Eprom	1	Technical Specifications: Accessories[A], RSV Mille "R"acing Version[R], RSV Mille Version[STD]
8	AP8701093	Engine trans.Kit	1	Technical Specifications: Accessories[A]

Group	ACCESSORIES
Code	30.08
Description	Acc. - Various
Service	1



Pos.	Code	Description	Qty	Variants
1	AP8796047	Tank guard stickers kit	1	Technical Specifications: Accessories[A]
2	AP8700792	Key support B.Guard UK-D	1	Country: Germany[D], Great Britain[UK] Technical Specifications: Accessories[A]
2	AP8700793	Key support B.Guard F-NL	1	Country: France[F], Holland[NL] Technical Specifications: Accessories[A]
2	AP8700794	Key support B.Guard I-E	1	Country: Spain[E], Italy[I] Technical Specifications: Accessories[A]
3	AP8792156	Tank pack	1	Technical Specifications: Accessories[A]
4	AP8705021	Rear Workshop stand	1	Technical Specifications: Accessories[A]
5	AP8792152	Rear saddlebag	1	Technical Specifications: Accessories[A]
6	AP8796046	Bike cover	1	Technical Specifications: Accessories[A]

Group	ACCESSORIES
Code	30.80
Description	Acc. - Mechanics anti-theft
Service	1



Pos.	Code	Description	Qty	Variants
1	AP8720115	Iron Guard 10x150 mm	1	Technical Specifications:Accessories[A]
2	AP8720116	Iron Guard 8x120 mm	1	Technical Specifications:Accessories[A]
3	AP8720117	Iron Guard Disk 5 mm	1	Technical Specifications:Accessories[A]
4	AP8720118	Easy Guard 150 mm	1	Technical Specifications:Accessories[A]