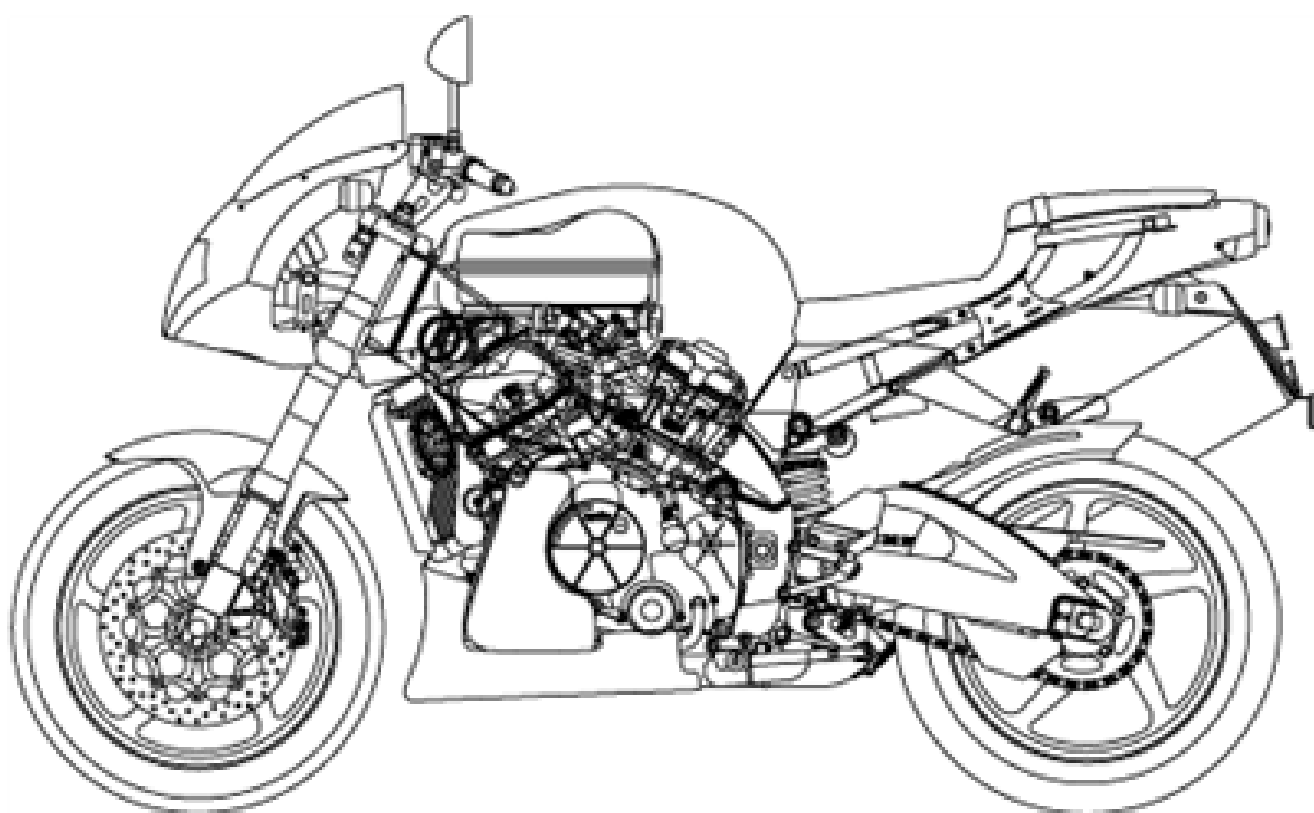




PIAGGIO & C.s.p.a.

aprilia

SPARE PARTS CATALOGUE



RSV 1000 Tuono 2002-2005

Chassis prefix: ZD4RPB, ZD4RPC04, ZD4RPC05, ZD4RPU04

Engine prefix:

Index

Finished products.....	4
Alphanumeric index.....	5
FRAME.....	15
Table 28.01 - Frame I.....	15
Table 28.02 - Frame II.....	16
Table 28.03 - Frame III.....	19
Table 28.04 - Foot rests.....	22
Table 28.05 - Central stand.....	24
Table 28.06 - Steering.....	26
Table 28.07 - Front fork I.....	28
Table 28.08 - Fron fork II.....	31
Table 28.09 - Swing arm.....	34
Table 28.10 - Connecting rod - rear shock abs.....	36
Table 28.11 - Front body - Front fairing.....	37
Table 28.12 - Front body - Front mudguard.....	41
Table 28.13 - Front body - Lockups.....	47
Table 28.14 - Central body - Upper fairings.....	49
Table 28.15 - Fuel tank.....	51
Table 28.16 - Fuel vapour recover system.....	55
Table 28.17 - Saddle.....	58
Table 28.18 - Rear body - Rear fairing.....	62
Table 28.19 - Undersaddle.....	65
Table 28.20 - Rear mudguard.....	66
Table 28.21 - Dashboard.....	69
Table 28.22 - Handlebar.....	70
Table 28.23 - Clutch pump.....	72
Table 28.24 - Front master cilinder.....	74
Table 28.25 - Cooling system.....	76
Table 28.26 - Water coolers.....	77
Table 28.27 - Expansion tank.....	79
Table 28.28 - Oil tank.....	81
Table 28.29 - Air box.....	83
Table 28.30 - Fuel pump I.....	85
Table 28.31 - Fuel pump II.....	88
Table 28.32 - Racing 2003 fuel pump.....	91
Table 28.34 - Exhaust pipe.....	94
Table 28.35 - ST-RS version front wheel.....	96
Table 28.36 - R-RF version front wheel.....	98
Table 28.37 - ST-RS vers. front brake caliper.....	100
Table 28.38 - R-RF vers. front brake caliper.....	101
Table 28.39 - ST-RS version rear wheel.....	103
Table 28.40 - R-RF version rear wheel.....	106
Table 28.41 - Rear master cylinder.....	109

Table 28.42 - Rear brake caliper.....	111
Table 28.43 - Headlight.....	112
Table 28.44 - Turn indicators.....	113
Table 28.45 - Taillight.....	115
Table 28.46 - Front electrical system.....	116
Table 28.47 - Central electrical system.....	118
Table 28.48 - Rear electrical system.....	120
Table 28.49 - Lock hardware kit.....	122
Table 28.50 - Decal op.handbooks and plate set.....	126
ENGINE.....	130
Table 29.33 - Engine.....	130
Table 29.51 - Crankcases I.....	134
Table 29.52 - Crankcases II.....	135
Table 29.53 - Oil pump.....	137
Table 29.54 - Crankshaft I.....	138
Table 29.55 - Crankshaft II.....	139
Table 29.56 - Valves cover.....	140
Table 29.57 - Cylinder head and valves.....	141
Table 29.58 - Valves pads.....	142
Table 29.59 - Front cylinder timing system.....	144
Table 29.60 - Rear cylinder timing system.....	145
Table 29.61 - Gear box selector.....	147
Table 29.62 - Gear box.....	149
Table 29.63 - Clutch I.....	152
Table 29.64 - Clutch II.....	153
Table 29.65 - Water pump.....	154
Table 29.66 - Ignition unit.....	156
Table 29.67 - Throttle body.....	157
ACCESSORIES.....	158
Table 30.69 - Acc. - Cyclistic components.....	158
Table 30.70 - Acc. - Cyclistic components II.....	159
Table 30.71 - Acc. - Special body parts.....	160
Table 30.72 - Acc. - Performance parts I.....	162
Table 30.73 - Acc. - Performance parts II.....	163
Table 30.74 - Acc. - Performance parts III.....	164
Table 30.75 - Acc. - Performance parts IV.....	165
Table 30.76 - Acc. - Various.....	166
Table 30.77 - Acc. - Mechanics anti-theft.....	167
SEALING AND LUBRICATING AGENTS.....	168
Table 32.68 - Sealing and lubricating agents.....	168

Finished products

Code	Validity
6126000CZ403UNC	
6126000CZ405UNC	
6126002CZ503UNC	
6126002CZ505UNC	
6126102CZ401UNC	
AP60100EL04	
AP60100EL05	
AP60100EL07	
AP60100FR07	
AP6126000CZ403	
AP6126000CZ405	
AP6126002CF505	
AP6126002CZ503	
AP6126002CZ504	
AP6126102CZ401	
AP6126102CZ501	
AP66F01CZ01	

Code	No. table	Pos.	Code	No. table	Pos.	Code	No. table	Pos.
0000000	28.35	7	AP0233745	29.51	7	AP0242940	29.54	14
0000000	28.36	7	AP0233746	29.51	7	AP0242950	29.63	3
0000000	28.39	5	AP0233748	29.51	7	AP0244211	29.60	8
0000000	28.40	5	AP0233780	29.65	11	AP0244211	29.61	10
0000000	32.68	6	AP0233790	29.65	10	AP0245330	29.53	15
0000000	32.68	7	AP0233791	29.65	10	AP0245436	29.55	6
856152	28.21	13	AP0233793	29.65	10	AP0245440	29.61	18
AP0210415	29.52	4	AP0233820	29.51	9	AP0245815	29.62	4
AP0211620	29.53	5	AP0233822	29.51	9	AP0245830	29.63	2
AP0211632	29.53	8	AP0236252	29.55	9	AP0245840	29.54	13
AP0211651	29.66	8	AP0236300	29.59	5	AP0245860	29.54	10
AP0211662	29.56	5	AP0236300	29.60	5	AP0246055	29.60	17
AP0211667	29.56	3	AP0236310	29.59	6	AP0246570	29.54	5
AP0211681	29.60	4	AP0236310	29.60	6	AP0247614	29.64	14
AP0211756	29.60	25	AP0236320	29.59	3	AP0247940	29.61	17
AP0211766	29.59	4	AP0236366	29.61	22	AP0247972	29.64	9
AP0216222	29.55	5	AP0236370	29.52	26	AP0247974	29.64	10
AP0217346	29.54	2	AP0236380	29.60	9	AP0247980	29.59	17
AP0219340	29.60	20	AP0238130	29.64	18	AP0247980	29.60	27
AP0219350	29.54	21	AP0238135	29.64	11	AP0248375	29.61	12
AP0219360	29.54	12	AP0238140	29.64	15	AP0250130	29.60	3
AP0219365	29.54	8	AP0239247	29.61	13	AP0250140	29.66	21
AP0220372	29.54	15	AP0239390	29.64	6	AP0250311	29.56	6
AP0220384	29.59	13	AP0239420	29.61	16	AP0250450	29.52	24
AP0220384	29.60	13	AP0239430	29.61	15	AP0250640	29.56	10
AP0220385	29.59	12	AP0239447	29.53	10	AP0251090	29.57	23
AP0220385	29.60	12	AP0239450	29.61	23	AP0251100	29.56	11
AP0220390	29.62	1	AP0239480	29.63	9	AP0251830	29.56	8
AP0220390	29.62	1	AP0239510	29.57	20	AP0253645	29.57	22
AP0220392	29.62	1	AP0239520	29.57	19	AP0253921	29.57	3
AP0220392	29.62	1	AP0240081	29.56	7	AP0253926	29.57	2
AP0220400	29.62	10	AP0240170	29.56	16	AP0253956	29.57	21
AP0220410	29.65	4	AP0240181	29.65	25	AP0253965	29.57	17
AP0220423	29.53	1	AP0240275	29.60	29	AP0253974	29.58	1
AP0220435	29.61	26	AP0240331	29.57	10	AP0253975	29.58	1
AP0220437	29.61	1	AP0240331	29.65	21	AP0253976	29.58	1
AP0220440	29.60	1	AP0240400	29.59	1	AP0253977	29.58	1
AP0220455	29.63	6	AP0240580	29.66	12	AP0253978	29.58	1
AP0222500	29.65	18	AP0240960	29.59	18	AP0253979	29.58	1
AP0222512	29.65	19	AP0241081	29.52	9	AP0253980	29.58	1
AP0224090	29.56	17	AP0241081	29.52	9	AP0253981	29.58	1
AP0227180	29.63	12	AP0241261	29.52	29	AP0253982	29.58	1
AP0227442	29.61	20	AP0241501	29.52	15	AP0253983	29.58	1
AP0227685	29.65	6	AP0241531	29.52	12	AP0253984	29.58	1
AP0227714	29.61	27	AP0241541	29.66	6	AP0253985	29.58	1
AP0227716	29.61	11	AP0241560	29.56	14	AP0253986	29.58	1
AP0229301	29.51	4	AP0241580	29.52	1	AP0253987	29.58	1
AP0229301	29.66	16	AP0241601	29.56	13	AP0253988	29.58	1
AP0229385	29.51	6	AP0241625	29.56	1	AP0253989	29.58	1
AP0229385	29.61	14	AP0241631	29.66	9	AP0253990	29.57	24
AP0230415	29.52	8	AP0241650	29.53	11	AP0254021	29.57	15
AP0230415	29.52	8	AP0241761	29.65	27	AP0254030	29.58	1
AP0230415	29.65	23	AP0241782	29.52	7	AP0254031	29.58	1
AP0230510	29.57	18	AP0241811	29.65	14	AP0254032	29.58	1
AP0232210	29.57	5	AP0241811	29.66	15	AP0254033	29.58	1
AP0232430	29.53	13	AP0241816	29.66	11	AP0254034	29.58	1
AP0232430	29.65	5	AP0241821	28.23	22	AP0254035	29.58	1
AP0232625	29.52	14	AP0241821	29.52	28	AP0254036	29.58	1
AP0232730	29.53	2	AP0241821	29.53	12	AP0254037	29.58	1
AP0232970	29.53	4	AP0241821	29.57	4	AP0254038	29.58	1
AP0233711	29.51	9	AP0241854	29.52	6	AP0254039	29.58	1
AP0233721	29.54	23	AP0241932	29.52	2	AP0254040	29.58	1
AP0233722	29.54	23	AP0241932	29.61	9	AP0254041	29.58	1
AP0233723	29.54	23	AP0242091	29.56	4	AP0254042	29.58	1
AP0233740	29.51	8	AP0242206	29.64	13	AP0254043	29.58	1
AP0233741	29.51	8	AP0242851	29.56	18	AP0254044	29.58	1
AP0233743	29.51	8	AP0242874	29.54	16	AP0254295	29.57	16

Code	No. table	Pos.	Code	No. table	Pos.	Code	No. table	Pos.
AP0256187	29.52	5	AP0427106	29.62	16	AP0634702	29.62	15
AP0256497	29.52	20	AP0430622	29.55	11	AP0634702	29.62	15
AP0256510	29.53	9	AP0430782	29.66	10	AP0634710	29.62	8
AP0256526	29.52	21	AP0440101	29.65	15	AP0634710	29.62	8
AP0256680	29.53	3	AP0440260	29.54	3	AP0634712	29.62	8
AP0258310	29.61	6	AP0442130	29.63	16	AP0634712	29.62	8
AP0258328	29.61	8	AP0610151	29.65	9	AP0634720	29.62	12
AP0258351	29.61	4	AP0610990	29.65	24	AP0634720	29.62	12
AP0258361	29.61	3	AP0613418	29.55	4	AP0634721	29.62	12
AP0258375	29.61	5	AP0613491	29.57	1	AP0634721	29.62	12
AP0258380	29.61	2	AP0613496	29.57	8	AP0634732	29.59	14
AP0259500	29.52	27	AP0627120	29.62	3	AP0634732	29.60	14
AP0259517	29.63	7	AP0627132	29.62	6	AP0634737	29.59	15
AP0259520	29.63	1	AP0627190	29.59	7	AP0634740	29.66	18
AP0259535	29.64	7	AP0627190	29.60	15	AP0640400	29.54	4
AP0259583	29.64	5	AP0627200	29.54	17	AP0640450	29.55	10
AP0259587	29.64	16	AP0627210	29.61	24	AP0640581	29.56	20
AP0260870	29.66	13	AP0627220	29.64	12	AP0641590	29.66	5
AP0260890	29.63	14	AP0627230	29.63	13	AP0650210	29.56	19
AP0265244	28.47	4	AP0627260	29.64	1	AP0650240	29.65	20
AP0265244	29.66	25	AP0627270	29.66	7	AP0650310	29.65	12
AP0265246	28.47	19	AP0627280	29.63	15	AP0650320	29.52	25
AP0265246	29.66	24	AP0627530	29.63	10	AP0650330	29.65	8
AP0265480	28.47	2	AP0627910	29.64	3	AP0650335	29.52	22
AP0265480	29.66	26	AP0632010	29.51	2	AP0650340	29.66	14
AP0266190	28.48	19	AP0632010	29.65	7	AP0650345	29.56	2
AP0266194	28.48	19	AP0632070	29.62	7	AP0650370	29.65	13
AP0266196	28.48	19	AP0632124	29.52	17	AP0650390	29.55	7
AP0267150	29.56	9	AP0632130	29.63	8	AP0650500	29.52	3
AP0268010	29.67	14	AP0632161	29.59	8	AP0650670	29.67	13
AP0268740	29.52	10	AP0632161	29.60	23	AP0659110	29.66	3
AP0274010	29.67	6	AP0634475	29.53	6	AP0659120	29.66	4
AP0274020	29.67	8	AP0634475	29.64	2	AP0660020	29.67	16
AP0274030	29.67	5	AP0634483	29.53	14	AP0661011	29.67	4
AP0274040	29.56	12	AP0634490	29.65	3	AP0684310	29.55	2
AP0274050	29.67	12	AP0634500	29.54	19	AP0684311	29.55	2
AP0274060	29.57	12	AP0634500	29.65	2	AP0827110	29.62	18
AP0281222	29.62	19	AP0634595	29.66	1	AP0827305	29.60	11
AP0281222	29.62	19	AP0634600	29.66	17	AP0832144	29.52	13
AP0281223	29.62	19	AP0634610	29.54	18	AP0832144	29.61	19
AP0281223	29.62	19	AP0634620	29.62	17	AP0832360	29.60	2
AP0281241	29.67	2	AP0634620	29.62	17	AP0840371	29.59	16
AP0294352	29.66	20	AP0634622	29.62	17	AP0840371	29.60	16
AP0294356	29.66	19	AP0634622	29.62	17	AP0840391	29.60	22
AP0295662	29.54	1	AP0634640	29.62	9	AP0840861	29.52	16
AP0295663	29.55	1	AP0634640	29.62	9	AP0840861	29.65	22
AP0295696	29.67	1	AP0634642	29.62	9	AP0840880	29.57	14
AP0295760	29.54	22	AP0634642	29.62	9	AP0840880	29.57	26
AP0295760	29.60	24	AP0634655	29.62	11	AP0840880	29.57	6
AP0295765	29.54	7	AP0634655	29.62	11	AP0840882	29.66	22
AP0295765	29.59	9	AP0634657	29.62	11	AP0841521	29.52	9
AP0295770	29.54	9	AP0634657	29.62	11	AP0841521	29.52	9
AP0295775	29.60	18	AP0634660	29.62	5	AP0841841	29.65	16
AP0295783	29.54	11	AP0634660	29.62	5	AP0845030	29.59	10
AP0295783	29.64	4	AP0634662	29.62	5	AP0845030	29.60	30
AP0295795	29.64	8	AP0634662	29.62	5	AP0850050	29.52	23
AP0295830	29.66	2	AP0634670	29.62	13	AP0860662	29.67	3
AP0295858	29.55	3	AP0634680	29.62	14	AP0874320	29.67	10
AP0296170	32.68	9	AP0634680	29.62	14	AP0897651	32.68	1
AP0296180	29.67	7	AP0634682	29.62	14	AP0899784	32.68	3
AP0296961	29.51	1	AP0634682	29.62	14	AP0899788	32.68	2
AP0296975	30.75	2	AP0634695	29.62	2	AP0922245	29.56	15
AP0297386	32.68	8	AP0634695	29.62	2	AP0927863	29.57	9
AP0297616	32.68	4	AP0634697	29.62	2	AP0927945	29.57	13
AP0297942	29.66	23	AP0634697	29.62	2	AP0927945	29.57	25
AP0297957	29.59	19	AP0634700	29.62	15	AP0927945	29.57	7
AP0297957	29.60	19	AP0634700	29.62	15	AP0929500	29.51	3

Code	No. table	Pos.	Code	No. table	Pos.	Code	No. table	Pos.
AP0929500	29.60	26	AP8102535	28.15	22	AP8104265	28.49	1
AP0929650	29.51	10	AP8102544	28.01	2	AP8104265	28.49	1
AP0929650	29.55	8	AP8102544	28.02	5	AP8104287	28.15	17
AP0929930	29.51	5	AP8102544	28.03	18	AP8104287	28.15	17
AP0929930	29.54	20	AP8102544	28.13	18	AP8104287	28.49	3
AP0929930	29.65	1	AP8102600	28.19	13	AP8104287	28.49	3
AP0932335	29.52	19	AP8102615	28.27	16	AP8104288	28.15	17
AP0932335	29.61	7	AP8102618	28.28	2	AP8104288	28.15	17
AP0932428	29.52	18	AP8102622	28.50	1	AP8104288	28.15	17
AP0932585	29.52	11	AP8102626	28.31	11	AP8104288	28.15	17
AP0940560	29.60	7	AP8102626	28.31	11	AP8104288	28.49	3
AP0940590	29.59	2	AP8102626	28.32	17	AP8104288	28.49	3
AP0940631	29.59	11	AP8102677	28.25	4	AP8104288	28.49	3
AP0940631	29.60	28	AP8102678	28.16	7	AP8104288	28.49	3
AP0940637	29.55	12	AP8102688	28.16	10	AP8104455	28.30	2
AP0940741	29.61	25	AP8102719	28.16	11	AP8104455	28.30	2
AP0941121	29.60	10	AP8102727	28.16	5	AP8104455	28.32	2
AP0941506	29.63	11	AP8102728	28.50	6	AP8104456	28.30	12
AP0941835	29.64	17	AP8102731	28.28	24	AP8104456	28.30	12
AP0941935	29.57	11	AP8102732	28.25	5	AP8104457	28.30	10
AP0942570	29.60	21	AP8102732	28.27	4	AP8104457	28.30	10
AP0945665	29.61	21	AP8102763	28.29	12	AP8104458	28.30	15
AP0946015	29.54	6	AP8102764	28.25	14	AP8104458	28.30	15
AP0950141	29.52	8	AP8102764	28.31	5	AP8104458	28.32	11
AP0950141	29.52	8	AP8102764	28.31	5	AP8104459	28.30	11
AP0950141	29.65	17	AP8102764	28.32	15	AP8104459	28.30	11
AP0956169	29.65	26	AP8102765	28.32	3	AP8104500	28.23	8
AP0956275	29.53	7	AP8102766	28.16	23	AP8104500	28.24	6
AP0960111	29.67	9	AP8102766	28.29	23	AP8104506	28.50	2
AP0960121	29.67	11	AP8102786	28.28	20	AP8104507	28.50	2
AP8101372	28.26	12	AP8102828	28.28	12	AP8104508	28.50	2
AP8101595	28.16	18	AP8102829	28.31	18	AP8104509	28.22	1
AP8101595	28.19	2	AP8102829	28.31	18	AP8104511	28.22	3
AP8101595	28.24	18	AP8102829	28.32	25	AP8104512	28.49	1
AP8101595	28.29	13	AP8102873	28.31	10	AP8104539	28.30	18
AP8101595	28.31	4	AP8102873	28.31	10	AP8104539	28.30	18
AP8101595	28.31	4	AP8102873	28.32	19	AP8104551	28.15	17
AP8101744	28.35	1	AP8102880	28.49	5	AP8104551	28.49	3
AP8101744	28.39	7	AP8102902	28.03	22	AP8104564	28.49	1
AP8101861	28.04	12	AP8102910	28.49	4	AP8104566	28.22	3
AP8101927	28.25	8	AP8102910	28.49	4	AP8104585	28.15	17
AP8101927	28.27	5	AP8102910	28.49	4	AP8104585	28.49	3
AP8101968	28.41	9	AP8102910	28.49	4	AP8104700	28.50	2
AP8102239	28.31	16	AP8102911	28.18	4	AP8104701	28.50	2
AP8102239	28.31	16	AP8102911	28.49	2	AP8104702	28.50	2
AP8102239	28.32	23	AP8102913	28.18	7	AP8104703	28.50	2
AP8102349	28.28	18	AP8102913	28.49	7	AP8104728	28.40	7
AP8102375	28.02	8	AP8102914	28.18	8	AP8104728	28.40	7
AP8102375	28.03	8	AP8102914	28.49	6	AP8104899	28.50	2
AP8102375	28.13	15	AP8102951	28.26	3	AP8106379	29.33	3
AP8102375	28.16	12	AP8102952	28.26	2	AP8106381	28.23	13
AP8102375	28.19	11	AP8102971	28.30	8	AP8106382	28.23	24
AP8102376	28.02	9	AP8102971	28.30	8	AP8106384	28.23	9
AP8102376	28.03	9	AP8102971	28.32	8	AP8106385	28.30	9
AP8102376	28.19	12	AP8104097	28.25	3	AP8106385	28.30	9
AP8102376	28.43	10	AP8104097	28.26	1	AP8106387	28.28	29
AP8102377	28.16	22	AP8104100	28.28	3	AP8106388	28.28	14
AP8102377	28.29	11	AP8104124	28.27	13	AP8106389	28.28	31
AP8102378	28.16	20	AP8104151	28.49	1	AP8106395	28.29	5
AP8102378	28.27	3	AP8104151	28.49	1	AP8106443	28.31	1
AP8102431	28.25	1	AP8104151	28.49	1	AP8106443	28.31	1
AP8102498	28.02	6	AP8104183	28.36	1	AP8106443	28.32	5
AP8102503	28.15	15	AP8104183	28.40	7	AP8106444	28.31	2
AP8102504	28.11	5	AP8104211	28.29	1	AP8106444	28.31	2
AP8102504	28.13	13	AP8104251	28.16	2	AP8106444	28.32	10
AP8102520	28.16	19	AP8104251	29.33	13	AP8106764	28.16	6
AP8102524	28.05	7	AP8104263	28.49	1	AP8106806	28.39	19

Code	No. table	Pos.	Code	No. table	Pos.	Code	No. table	Pos.
AP8106812	28.29	25	AP8113612	28.42	2	AP8119579	28.34	3
AP8106813	28.29	10	AP8113719	28.23	12	AP8119581	28.34	5
AP8106867	29.63	5	AP8113719	28.24	8	AP8119629	28.34	6
AP8106915	29.63	4	AP8113721	28.37	6	AP8119629	28.34	6
AP8106935	28.23	18	AP8113722	28.37	7	AP8119630	28.34	18
AP8106967	29.33	1	AP8113723	28.37	8	AP8119706	28.34	6
AP8106967	29.33	1	AP8113751	28.42	8	AP8119706	28.34	6
AP8106968	29.33	2	AP8113752	28.42	9	AP8119737	28.34	16
AP8106974	29.61	22	AP8113754	28.37	3	AP8119749	28.34	6
AP8106979	29.33	1	AP8113756	28.38	5	AP8119752	28.34	6
AP8106979	29.33	1	AP8113757	28.24	5	AP8119752	28.34	6
AP8106980	29.33	1	AP8113758	28.23	7	AP8119827	28.34	6
AP8106980	29.33	1	AP8113761	28.23	6	AP8120001	28.19	7
AP8106986	29.33	1	AP8113761	28.42	19	AP8120030	28.13	16
AP8106986	29.33	1	AP8113762	28.23	4	AP8120030	28.24	14
AP8107118	28.39	1	AP8113762	28.42	18	AP8120030	28.28	4
AP8107118	28.40	1	AP8113764	28.23	15	AP8120030	28.29	21
AP8107122	28.39	2	AP8113764	28.41	3	AP8120116	28.16	1
AP8107122	28.40	2	AP8113765	28.41	4	AP8120116	29.33	11
AP8107136	28.39	25	AP8113771	28.24	19	AP8120178	28.41	10
AP8107136	28.40	4	AP8113773	28.23	14	AP8120179	28.16	21
AP8107148	28.39	1	AP8113774	28.37	1	AP8120190	28.28	11
AP8107148	28.40	1	AP8113775	28.37	2	AP8120196	28.28	27
AP8107150	28.39	25	AP8113776	28.42	7	AP8120218	28.47	1
AP8107150	28.40	4	AP8113873	28.42	6	AP8120218	28.48	1
AP8108675	28.35	9	AP8113895	28.42	10	AP8120253	28.29	22
AP8108675	28.35	9	AP8113897	28.42	7	AP8120253	28.31	12
AP8108676	28.39	3	AP8113898	28.42	8	AP8120253	28.31	12
AP8108676	28.39	3	AP8113926	28.35	8	AP8120355	28.27	10
AP8108975	28.36	9	AP8113926	28.36	8	AP8120405	28.47	13
AP8108977	28.40	3	AP8113926	28.37	9	AP8120446	28.28	17
AP8108994	28.36	9	AP8113926	28.38	7	AP8120446	29.33	12
AP8110065	28.10	2	AP8113969	28.24	4	AP8120531	28.12	7
AP8110068	28.10	11	AP8113970	28.38	1	AP8120573	28.04	4
AP8110077	28.06	1	AP8113971	28.38	2	AP8120615	28.29	6
AP8110078	28.09	11	AP8113973	28.38	4	AP8120754	28.48	4
AP8110079	28.09	1	AP8113974	28.38	6	AP8120876	28.29	15
AP8110081	28.39	23	AP8114342	30.75	4	AP8120893	28.15	21
AP8110081	28.40	20	AP8114343	30.75	5	AP8120894	28.15	20
AP8110093	28.40	19	AP8114359	28.22	18	AP8120912	28.41	11
AP8110094	28.36	11	AP8114404	28.22	17	AP8120912	29.33	4
AP8112176	28.46	8	AP8114405	28.22	16	AP8120952	28.16	15
AP8112599	28.21	2	AP8114420	29.67	15	AP8120952	28.19	3
AP8112599	28.45	7	AP8116067	32.68	5	AP8120952	28.27	11
AP8112600	28.26	9	AP8116071	28.07	20	AP8120965	28.15	16
AP8112811	28.48	21	AP8116071	28.08	17	AP8120978	28.25	6
AP8112832	28.47	16	AP8117004	28.11	8	AP8120979	28.25	7
AP8112939	28.25	17	AP8117033	28.09	27	AP8120980	28.25	16
AP8112940	28.48	7	AP8117033	28.27	12	AP8120981	28.26	4
AP8112996	28.47	17	AP8117033	28.47	21	AP8120985	28.09	3
AP8113003	28.23	3	AP8117041	28.16	9	AP8120986	28.09	4
AP8113003	28.24	10	AP8117125	28.17	18	AP8120987	28.16	16
AP8113003	28.24	22	AP8117128	28.15	4	AP8120987	28.29	24
AP8113003	28.24	22	AP8117129	28.13	3	AP8120988	28.27	15
AP8113003	28.28	7	AP8117174	28.15	2	AP8120992	28.31	17
AP8113003	28.42	5	AP8117232	28.20	17	AP8120992	28.31	17
AP8113004	28.28	6	AP8117233	28.09	31	AP8120992	28.32	24
AP8113004	28.34	15	AP8118470	28.22	14	AP8120995	28.09	22
AP8113070	28.37	5	AP8118492	28.22	10	AP8121014	28.05	4
AP8113070	28.42	11	AP8118501	28.22	8	AP8121041	28.06	14
AP8113230	28.23	5	AP8118566	28.22	12	AP8121041	28.06	14
AP8113230	28.42	20	AP8118567	28.22	11	AP8121075	28.09	29
AP8113288	28.41	6	AP8118580	28.22	15	AP8121133	28.04	11
AP8113499	28.24	3	AP8118678	28.22	2	AP8121135	28.04	2
AP8113553	28.23	23	AP8119414	28.34	2	AP8121155	28.10	10
AP8113553	28.41	2	AP8119497	28.34	14	AP8121170	28.34	1
AP8113598	28.24	2	AP8119578	28.34	4	AP8121178	28.08	19

Code	No. table	Pos.	Code	No. table	Pos.	Code	No. table	Pos.
AP8121200	28.09	5	AP8123645	28.06	15	AP8124570	28.21	5
AP8121201	28.09	6	AP8123806	28.08	7	AP8124571	28.21	6
AP8121202	28.09	7	AP8123810	28.07	4	AP8124572	28.21	10
AP8121203	28.09	8	AP8123811	28.08	12	AP8124573	28.21	9
AP8121204	28.09	15	AP8123812	28.08	13	AP8124574	28.21	8
AP8121207	28.06	4	AP8123815	28.07	11	AP8124575	28.21	7
AP8121212	28.39	22	AP8123816	28.07	10	AP8124636	28.48	12
AP8121212	28.40	22	AP8123819	28.07	14	AP8124719	28.12	13
AP8121213	28.39	21	AP8123820	28.07	15	AP8124748	28.47	20
AP8121213	28.40	21	AP8123821	28.07	16	AP8124855	28.26	5
AP8121221	28.41	12	AP8123822	28.08	4	AP8124895	28.49	4
AP8121221	29.33	5	AP8123823	28.08	5	AP8124895	28.49	4
AP8121222	28.41	8	AP8123824	28.08	6	AP8124895	28.49	4
AP8121223	28.41	13	AP8123825	28.08	8	AP8124895	28.49	4
AP8121224	28.04	3	AP8123826	28.08	11	AP8124901	28.43	1
AP8121225	28.39	8	AP8123827	28.08	9	AP8124929	28.25	15
AP8121225	28.40	8	AP8123828	28.08	10	AP8124945	28.43	1
AP8121233	28.06	22	AP8123829	28.07	3	AP8124946	28.43	1
AP8121234	28.42	1	AP8123831	28.07	5	AP8124977	28.05	13
AP8121235	28.06	25	AP8123832	28.07	6	AP8124978	28.45	1
AP8121236	28.06	19	AP8123833	28.07	12	AP8124979	28.44	2
AP8121254	28.03	23	AP8123834	28.07	13	AP8124979	28.44	2
AP8121267	28.16	3	AP8123835	28.07	7	AP8124980	28.44	1
AP8121302	28.06	9	AP8123836	28.07	8	AP8124980	28.44	1
AP8121313	28.03	19	AP8123859	28.10	12	AP8124990	28.21	1
AP8121346	28.06	8	AP8123860	28.10	13	AP8125687	28.09	17
AP8121375	28.05	8	AP8123864	28.06	21	AP8125728	28.35	2
AP8121408	28.39	9	AP8123865	28.06	18	AP8125728	28.36	2
AP8121408	28.40	9	AP8123866	28.06	24	AP8125730	28.39	11
AP8121421	28.15	6	AP8123870	28.10	14	AP8125730	28.40	11
AP8121428	28.02	4	AP8123928	28.06	3	AP8125731	28.39	6
AP8121429	28.05	8	AP8123934	28.15	8	AP8125731	28.40	6
AP8121520	28.22	6	AP8123942	28.10	4	AP8125732	28.39	24
AP8121536	28.32	4	AP8123970	28.07	1	AP8125732	28.40	18
AP8121608	28.22	4	AP8123970	28.08	1	AP8125733	28.39	4
AP8121622	28.22	4	AP8123971	28.07	2	AP8125763	28.09	13
AP8121622	28.22	4	AP8123971	28.08	2	AP8125773	28.35	10
AP8121725	28.45	4	AP8123972	28.06	15	AP8125777	28.35	11
AP8121731	28.28	22	AP8123972	30.69	6	AP8125778	28.35	12
AP8121731	28.29	16	AP8123973	28.10	4	AP8125779	28.35	13
AP8121736	28.47	14	AP8123975	28.07	17	AP8125786	28.39	15
AP8121773	28.34	13	AP8123975	28.08	14	AP8125787	28.39	16
AP8121795	28.27	6	AP8123977	28.07	19	AP8125788	28.39	17
AP8121795	28.41	28	AP8123977	28.08	16	AP8125827	28.35	6
AP8121811	28.17	9	AP8124235	28.46	5	AP8125827	28.36	6
AP8121837	28.25	2	AP8124266	28.48	8	AP8125830	28.09	2
AP8121862	28.28	9	AP8124267	28.47	7	AP8125831	28.39	12
AP8121882	28.01	4	AP8124269	28.47	15	AP8125831	28.40	12
AP8121890	28.09	9	AP8124269	28.48	15	AP8125838	28.40	15
AP8121915	28.23	2	AP8124273	28.48	20	AP8125839	28.40	17
AP8121915	28.24	9	AP8124274	28.46	7	AP8125840	28.40	16
AP8121915	28.42	4	AP8124277	28.46	9	AP8125841	28.36	10
AP8121927	28.41	14	AP8124288	28.24	20	AP8125842	28.36	13
AP8121991	28.17	14	AP8124289	28.48	14	AP8125843	28.36	12
AP8121995	28.03	17	AP8124293	28.46	11	AP8125900	28.40	11
AP8121996	28.03	16	AP8124297	28.30	13	AP8126579	28.20	2
AP8121997	28.03	14	AP8124297	28.30	13	AP8126579	28.20	2
AP8121998	28.03	10	AP8124300	28.46	16	AP8126591	28.20	6
AP8123637	28.07	1	AP8124300	28.47	25	AP8126701	28.17	24
AP8123637	28.08	1	AP8124398	28.23	21	AP8126701	28.17	7
AP8123638	28.07	2	AP8124439	28.48	5	AP8126702	28.17	8
AP8123638	28.08	2	AP8124528	28.42	3	AP8126775	28.20	1
AP8123640	28.06	3	AP8124558	28.45	2	AP8126775	28.20	1
AP8123641	28.06	11	AP8124559	28.45	3	AP8126775	28.20	1
AP8123642	28.06	5	AP8124561	28.45	5	AP8127069	28.22	13
AP8123643	28.06	6	AP8124562	28.45	6	AP8127070	28.45	1
AP8123644	28.06	7	AP8124569	28.21	4	AP8127109	28.43	11

Code	No. table	Pos.	Code	No. table	Pos.	Code	No. table	Pos.
AP8127109	28.43	13	AP8133590	28.38	2	AP8134892	28.03	28
AP8127116	28.43	9	AP8133590	28.38	2	AP8134893	28.03	27
AP8127117	28.43	8	AP8133591	28.38	1	AP8134894	28.13	7
AP8127118	28.43	2	AP8133591	28.38	1	AP8134895	28.13	8
AP8127119	28.43	14	AP8133592	28.38	3	AP8134896	28.44	10
AP8127119	28.43	5	AP8133594	28.24	22	AP8134897	28.44	9
AP8127120	28.43	6	AP8133594	28.24	22	AP8134898	28.23	1
AP8127122	28.44	3	AP8133595	28.38	4	AP8134899	28.24	11
AP8127122	28.44	3	AP8133595	28.38	4	AP8134900	28.42	17
AP8127123	28.44	4	AP8133596	28.38	5	AP8134907	28.22	5
AP8127321	28.31	13	AP8133596	28.38	5	AP8134907	28.22	5
AP8127321	28.31	13	AP8133597	28.38	9	AP8134912	28.04	7
AP8127321	28.32	20	AP8133612	28.37	1	AP8134913	28.04	8
AP8127364	28.14	3	AP8133613	28.37	2	AP8134914	28.04	13
AP8127374	28.34	17	AP8133614	28.37	3	AP8134915	28.04	14
AP8127391	28.46	4	AP8133615	28.24	1	AP8134922	28.14	3
AP8127396	28.46	3	AP8133620	28.24	4	AP8134923	28.14	12
AP8127396	28.47	3	AP8133620	28.24	4	AP8135909	28.04	7
AP8127396	28.48	6	AP8133751	28.35	8	AP8135910	28.04	8
AP8127428	28.46	3	AP8133751	28.36	8	AP8135924	28.10	1
AP8127428	28.47	3	AP8133751	28.37	9	AP8135925	28.41	23
AP8127428	28.48	6	AP8133751	28.38	7	AP8138556	28.27	14
AP8127465	28.46	3	AP8133871	28.41	7	AP8138558	28.28	1
AP8127465	28.47	3	AP8133872	28.41	5	AP8138593	28.09	23
AP8127465	28.48	6	AP8133873	28.41	1	AP8138596	28.48	11
AP8127492	28.46	3	AP8134370	28.15	1	AP8138776	28.48	10
AP8127492	28.47	3	AP8134373	28.05	3	AP8138947	28.17	23
AP8127492	28.48	6	AP8134378	28.34	10	AP8140451	30.70	1
AP8127496	28.45	11	AP8134379	28.03	11	AP8140453	30.70	1
AP8127538	28.22	13	AP8134379	28.03	11	AP8140496	30.70	2
AP8127540	28.32	13	AP8134380	28.03	12	AP8140497	30.70	2
AP8127613	28.44	1	AP8134384	28.41	25	AP8140498	30.70	2
AP8127614	28.44	2	AP8134385	28.42	17	AP8140499	30.70	3
AP8127633	28.44	3	AP8134389	28.02	1	AP8140500	30.70	3
AP8128036	28.36	9	AP8134390	28.02	2	AP8140501	30.70	3
AP8128036	28.36	9	AP8134390	28.02	2	AP8140505	30.70	4
AP8128037	28.40	3	AP8134390	28.02	2	AP8140506	30.70	4
AP8128037	28.40	3	AP8134396	28.18	1	AP8140507	30.70	4
AP8128044	28.40	3	AP8134415	28.41	24	AP8140532	30.70	6
AP8128086	28.35	9	AP8134419	28.15	9	AP8140533	30.70	6
AP8128087	28.39	3	AP8134437	28.29	9	AP8140534	30.70	6
AP8129283	28.17	1	AP8134438	28.24	12	AP8140699	30.70	7
AP8129343	28.17	1	AP8134443	28.42	14	AP8140700	30.70	7
AP8129343	30.71	18	AP8134448	28.20	3	AP8140701	30.70	7
AP8129344	28.17	2	AP8134451	28.04	1	AP8140702	30.70	2
AP8129345	28.17	3	AP8134452	28.01	3	AP8140703	30.70	3
AP8129362	28.17	2	AP8134541	28.13	17	AP8140704	28.49	16
AP8129363	28.17	3	AP8134609	28.34	19	AP8140707	30.70	5
AP8129373	28.17	1	AP8134625	28.29	7	AP8140708	30.70	5
AP8129373	28.17	1	AP8134635	28.02	2	AP8140709	30.70	5
AP8129373	28.17	1	AP8134635	28.02	2	AP8144005	28.09	16
AP8129374	28.17	2	AP8134635	28.02	2	AP8144006	28.09	12
AP8129374	28.17	2	AP8134635	28.02	2	AP8144007	28.41	15
AP8129374	28.17	2	AP8134638	28.03	11	AP8144008	28.28	28
AP8129375	28.17	3	AP8134638	28.03	11	AP8144015	28.28	13
AP8129375	28.17	3	AP8134638	28.03	11	AP8144015	29.33	10
AP8129375	28.17	3	AP8134650	28.16	8	AP8144032	28.27	8
AP8129426	28.17	1	AP8134651	28.04	13	AP8144033	28.25	9
AP8129427	28.17	2	AP8134652	28.04	14	AP8144034	28.25	10
AP8129428	28.17	3	AP8134654	28.17	17	AP8144038	28.29	14
AP8129439	28.17	1	AP8134674	28.02	14	AP8144045	28.47	24
AP8129439	28.17	1	AP8134739	28.29	8	AP8144046	28.48	9
AP8133522	28.23	20	AP8134749	28.05	3	AP8144048	28.09	14
AP8133574	28.23	10	AP8134750	28.30	1	AP8144061	28.28	19
AP8133575	28.24	1	AP8134750	28.30	1	AP8144063	28.29	4
AP8133575	28.24	1	AP8134750	28.32	1	AP8144069	28.31	15
AP8133575	28.24	1	AP8134891	28.22	5	AP8144069	28.31	15

Code	No. table	Pos.	Code	No. table	Pos.	Code	No. table	Pos.
AP8144069	28.32	22	AP8146709	28.04	9	AP8150236	28.49	9
AP8144071	28.34	11	AP8146710	28.04	10	AP8150272	28.12	19
AP8144081	28.17	27	AP8146711	28.02	13	AP8150277	28.34	8
AP8144092	28.25	13	AP8146711	28.03	13	AP8150277	28.41	27
AP8144093	28.25	12	AP8146712	28.02	13	AP8150285	28.18	3
AP8144094	28.25	11	AP8146712	28.02	13	AP8150287	28.05	15
AP8144109	28.11	4	AP8146712	28.03	13	AP8150292	28.03	6
AP8144109	28.13	12	AP8146712	28.03	13	AP8150292	28.05	12
AP8144109	28.14	10	AP8146764	28.09	10	AP8150314	28.02	16
AP8144151	28.24	19	AP8146766	28.04	9	AP8150329	28.03	4
AP8144158	28.15	14	AP8146767	28.04	10	AP8150334	28.09	19
AP8144158	28.23	19	AP8146773	28.02	13	AP8150334	28.34	7
AP8144226	28.30	7	AP8146773	28.02	13	AP8150340	28.20	15
AP8144226	28.30	7	AP8146773	28.03	13	AP8150378	28.27	2
AP8144226	28.32	7	AP8146773	28.03	13	AP8150382	28.12	18
AP8144275	28.28	8	AP8146774	28.09	10	AP8150403	28.41	26
AP8144281	28.01	6	AP8146774	28.09	10	AP8150413	28.29	18
AP8144284	28.09	28	AP8148587	28.20	12	AP8150413	28.30	3
AP8144288	28.48	23	AP8148588	28.12	14	AP8150413	28.30	3
AP8144319	28.31	8	AP8148589	28.12	15	AP8150413	28.43	3
AP8144319	28.31	8	AP8148660	28.47	22	AP8150413	28.48	22
AP8144328	28.15	7	AP8148825	28.29	2	AP8150421	28.46	10
AP8144351	28.15	20	AP8148834	28.13	6	AP8150429	28.04	17
AP8144381	28.29	29	AP8149033	28.19	1	AP8150429	28.47	9
AP8144382	28.29	30	AP8149034	28.20	13	AP8150429	28.48	17
AP8144383	28.29	27	AP8149287	28.17	5	AP8150436	28.39	10
AP8144414	28.29	26	AP8149288	28.17	6	AP8150436	28.40	10
AP8144415	28.21	11	AP8149667	28.29	3	AP8150450	28.11	6
AP8144475	28.31	19	AP8149667	28.29	3	AP8150450	28.13	14
AP8144475	28.31	19	AP8149667	28.29	3	AP8150450	28.14	11
AP8144475	28.32	26	AP8149669	28.29	3	AP8150450	28.17	10
AP8144476	28.30	5	AP8149669	28.29	3	AP8150450	28.18	17
AP8144476	28.30	5	AP8149723	28.29	3	AP8150450	28.18	17
AP8144476	28.32	14	AP8150011	28.17	28	AP8150451	28.47	11
AP8144477	28.30	6	AP8150012	28.47	12	AP8150453	28.15	19
AP8144477	28.30	6	AP8150012	28.47	12	AP8150453	28.49	13
AP8144477	28.30	6	AP8150013	28.16	14	AP8150454	28.15	18
AP8144564	28.11	5	AP8150013	28.42	15	AP8150454	28.49	14
AP8144564	28.18	10	AP8150014	28.15	11	AP8150457	28.10	9
AP8144588	28.12	8	AP8150014	28.21	12	AP8150458	28.10	8
AP8144589	28.12	9	AP8150014	28.46	14	AP8150459	28.15	12
AP8144603	28.12	8	AP8150015	28.05	11	AP8150462	28.41	19
AP8144604	28.12	9	AP8150015	28.19	6	AP8150462	29.33	6
AP8144608	28.28	30	AP8150018	28.34	12	AP8150463	28.39	18
AP8146300	28.04	9	AP8150020	28.05	16	AP8150468	28.09	18
AP8146301	28.04	10	AP8150020	28.41	16	AP8150469	28.01	5
AP8146340	28.10	3	AP8150026	28.26	11	AP8150469	28.14	7
AP8146409	28.10	5	AP8150026	28.41	17	AP8150472	28.22	9
AP8146457	28.01	1	AP8150026	28.47	8	AP8150480	28.05	6
AP8146466	28.04	15	AP8150026	28.48	16	AP8150490	28.06	17
AP8146467	28.04	5	AP8150038	28.03	3	AP8150490	28.06	17
AP8146627	28.02	3	AP8150040	28.03	25	AP8150507	28.49	8
AP8146631	28.02	13	AP8150044	28.41	18	AP8150508	28.22	7
AP8146631	28.03	13	AP8150044	29.33	9	AP8152001	28.05	6
AP8146632	28.01	1	AP8150137	28.20	7	AP8152013	28.03	2
AP8146635	28.04	9	AP8150137	28.28	23	AP8152040	28.06	20
AP8146636	28.04	10	AP8150137	28.44	5	AP8152043	28.17	29
AP8146639	28.09	10	AP8150159	28.43	4	AP8152123	28.47	6
AP8146648	28.10	5	AP8150159	28.48	3	AP8152137	28.17	19
AP8146657	28.05	1	AP8150165	28.49	11	AP8152166	28.44	11
AP8146676	28.05	2	AP8150170	28.22	19	AP8152181	28.17	20
AP8146677	28.05	1	AP8150192	28.03	24	AP8152181	28.28	25
AP8146687	28.05	2	AP8150195	28.39	20	AP8152184	28.26	6
AP8146699	28.02	13	AP8150196	28.05	5	AP8152184	28.31	6
AP8146699	28.02	13	AP8150204	28.12	16	AP8152184	28.31	6
AP8146699	28.03	13	AP8150210	28.05	17	AP8152184	28.32	16
AP8146699	28.03	13	AP8150211	28.06	10	AP8152246	28.03	7
AP8146700	28.02	3	AP8150220	29.33	8	AP8152246	28.13	2

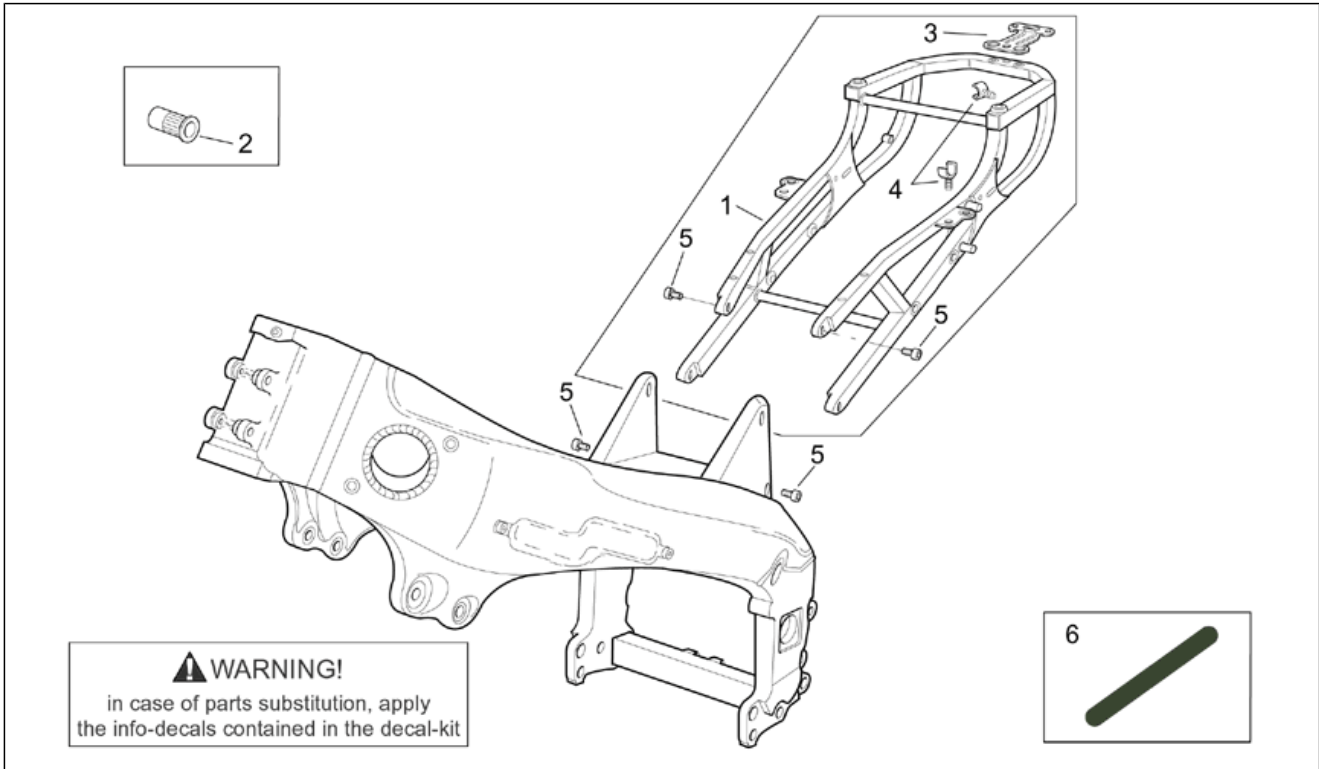
Code	No. table	Pos.	Code	No. table	Pos.	Code	No. table	Pos.
AP8152246	28.13	9	AP8152286	28.36	3	AP8152421	28.17	12
AP8152246	28.17	12	AP8152286	28.42	12	AP8152422	28.26	15
AP8152246	28.19	8	AP8152288	28.04	6	AP8152423	28.12	11
AP8152246	28.29	20	AP8152289	28.06	12	AP8152424	28.02	11
AP8152246	28.43	7	AP8152289	28.06	12	AP8152424	28.14	6
AP8152246	28.44	6	AP8152290	28.08	3	AP8152425	28.44	5
AP8152267	28.09	26	AP8152298	28.11	7	AP8152426	28.41	18
AP8152267	28.20	5	AP8152298	28.12	10	AP8152426	28.46	12
AP8152272	28.02	10	AP8152298	28.20	10	AP8152426	29.33	9
AP8152272	28.24	13	AP8152298	28.20	14	AP8152427	28.22	19
AP8152272	28.31	9	AP8152299	28.02	7	AP8152428	28.04	6
AP8152272	28.31	9	AP8152299	28.03	20	AP8152430	28.14	7
AP8152272	28.42	16	AP8152299	28.08	18	AP8152435	28.49	15
AP8152273	28.16	13	AP8152299	28.15	10	AP8152436	28.26	16
AP8152273	28.23	16	AP8152299	28.16	24	AP8156006	28.12	6
AP8152273	28.29	19	AP8152299	28.19	10	AP8156007	28.20	1
AP8152273	28.30	4	AP8152299	28.20	9	AP8156008	28.20	2
AP8152273	28.30	4	AP8152299	28.21	3	AP8156024	28.12	6
AP8152273	28.31	14	AP8152299	28.24	16	AP8156039	28.12	6
AP8152273	28.31	14	AP8152299	28.28	21	AP8156043	28.12	6
AP8152273	28.32	21	AP8152299	28.44	7	AP8156054	28.12	6
AP8152275	28.41	20	AP8152300	28.34	9	AP8156057	28.12	6
AP8152275	28.45	9	AP8152301	28.03	1	AP8156070	28.12	6
AP8152275	28.47	18	AP8152301	28.05	14	AP8156070	28.12	6
AP8152277	28.04	16	AP8152301	28.10	7	AP8156076	28.12	6
AP8152277	28.13	1	AP8152302	28.09	25	AP8156078	28.20	2
AP8152277	28.26	10	AP8152302	28.12	12	AP8156113	28.12	6
AP8152277	28.28	15	AP8152302	28.14	5	AP8156115	28.12	6
AP8152277	28.29	17	AP8152302	28.14	6	AP8156117	28.12	6
AP8152277	28.31	7	AP8152302	28.18	13	AP8156192	28.20	2
AP8152277	28.31	7	AP8152302	28.18	14	AP8156193	28.12	6
AP8152277	28.32	18	AP8152302	28.18	14	AP8156194	28.12	6
AP8152277	28.47	5	AP8152305	28.09	20	AP8156194	28.12	6
AP8152278	28.02	17	AP8152306	28.20	16	AP8163034	28.07	9
AP8152278	28.03	15	AP8152306	28.20	8	AP8163057	28.07	18
AP8152278	28.15	3	AP8152306	28.23	17	AP8163057	28.08	15
AP8152278	28.18	5	AP8152306	28.45	8	AP8163062	28.07	1
AP8152278	28.19	5	AP8152320	28.05	5	AP8163062	28.07	1
AP8152278	28.19	5	AP8152320	28.22	20	AP8163062	28.08	1
AP8152278	28.27	7	AP8152320	28.22	20	AP8163062	28.08	1
AP8152278	28.27	7	AP8152322	28.10	5	AP8163062	28.08	1
AP8152278	28.28	26	AP8152323	28.35	4	AP8163063	28.07	2
AP8152278	28.31	3	AP8152323	28.36	4	AP8163063	28.07	2
AP8152278	28.31	3	AP8152323	28.39	14	AP8163063	28.08	2
AP8152278	28.32	12	AP8152323	28.39	14	AP8163063	28.08	2
AP8152278	28.32	12	AP8152323	28.40	14	AP8163063	28.08	2
AP8152278	28.47	23	AP8152324	28.39	13	AP8163192	28.06	2
AP8152278	28.49	10	AP8152324	28.40	13	AP8163193	28.14	4
AP8152279	28.05	10	AP8152335	28.35	5	AP8163208	28.06	2
AP8152279	28.16	25	AP8152335	28.36	5	AP8163208	28.06	2
AP8152279	28.17	4	AP8152384	28.06	16	AP8163265	28.06	2
AP8152279	28.18	12	AP8152385	28.37	10	AP8163265	28.06	2
AP8152279	28.26	7	AP8152385	28.38	8	AP8163476	28.07	2
AP8152279	28.27	7	AP8152413	28.10	6	AP8163476	28.08	2
AP8152279	28.27	9	AP8152415	28.11	4	AP8163477	28.07	1
AP8152279	28.28	16	AP8152415	28.18	11	AP8163477	28.08	1
AP8152279	28.41	22	AP8152416	28.12	12	AP8163481	28.08	20
AP8152279	28.42	13	AP8152416	28.18	13	AP8166133	28.50	7
AP8152279	28.46	12	AP8152416	28.19	9	AP8166134	28.50	7
AP8152280	28.24	15	AP8152416	28.20	5	AP8166135	28.50	7
AP8152280	28.26	15	AP8152417	28.02	11	AP8166232	28.50	7
AP8152280	28.46	15	AP8152417	28.12	10	AP8166355	28.50	7
AP8152281	28.03	21	AP8152418	28.20	10	AP8166355	28.50	7
AP8152281	28.06	13	AP8152418	28.45	9	AP8166356	28.50	7
AP8152281	28.06	13	AP8152419	28.04	16	AP8166356	28.50	7
AP8152281	28.15	13	AP8152420	28.13	9	AP8166357	28.50	7
AP8152282	28.47	10	AP8152420	28.14	5	AP8166357	28.50	7
AP8152285	28.28	10	AP8152420	28.20	7	AP8166573	28.50	7
AP8152285	28.46	13	AP8152420	28.44	6	AP8166688	28.50	7
AP8152286	28.35	3	AP8152421	28.11	7	AP8167282	28.50	3

Code	No. table	Pos.	Code	No. table	Pos.	Code	No. table	Pos.
AP8167311	28.50	5	AP8168514	28.18	6	AP8177419	28.50	7
AP8168057	28.27	14	AP8168601	28.11	3	AP8177459	28.50	7
AP8168058	28.46	1	AP8168601	28.11	3	AP8177462	28.50	7
AP8168059	28.46	6	AP8168602	28.18	15	AP8177567	28.50	7
AP8168060	28.28	1	AP8168710	28.09	30	AP8178242	28.15	5
AP8168061	28.15	5	AP8168710	28.09	30	AP8178243	28.11	1
AP8168062	28.13	5	AP8168710	28.09	30	AP8178244	28.12	3
AP8168063	28.11	2	AP8168796	28.09	30	AP8178245	28.12	4
AP8168064	28.13	4	AP8168796	28.09	30	AP8178246	28.13	5
AP8168067	28.26	13	AP8168797	28.20	18	AP8178247	28.13	10
AP8168068	28.26	14	AP8168797	28.20	18	AP8178248	28.13	11
AP8168069	28.11	1	AP8168798	28.15	5	AP8178249	28.18	6
AP8168070	28.11	3	AP8168798	28.15	5	AP8178250	28.18	15
AP8168070	28.11	3	AP8168799	28.11	1	AP8178253	28.15	5
AP8168071	28.14	1	AP8168799	28.11	1	AP8178254	28.11	1
AP8168072	28.14	2	AP8168800	28.14	1	AP8178255	28.18	6
AP8168073	28.12	1	AP8168801	28.14	2	AP8178256	28.18	15
AP8168074	28.12	2	AP8168802	28.12	3	AP8178257	28.15	5
AP8168075	28.12	3	AP8168803	28.12	4	AP8178258	28.11	1
AP8168076	28.12	4	AP8168804	28.26	13	AP8178259	28.18	6
AP8168077	28.18	6	AP8168804	28.26	13	AP8178260	28.18	15
AP8168093	28.18	9	AP8168805	28.26	14	AP8178434	28.12	3
AP8168108	28.17	22	AP8168805	28.26	14	AP8178435	28.12	4
AP8168168	28.27	17	AP8168806	28.17	21	AP8178710	28.15	5
AP8168217	28.23	8	AP8168807	28.18	6	AP8178710	28.15	5
AP8168218	28.15	5	AP8168807	28.18	6	AP8178711	28.15	5
AP8168219	28.13	5	AP8168808	28.13	5	AP8178711	28.15	5
AP8168220	28.13	10	AP8168809	28.11	9	AP8178712	28.15	5
AP8168221	28.13	11	AP8168906	28.13	5	AP8178712	28.15	5
AP8168222	28.12	5	AP8168906	28.13	5	AP8179014	28.11	1
AP8168224	28.26	13	AP8168907	28.11	2	AP8179015	28.18	6
AP8168224	28.26	13	AP8168907	28.11	2	AP8179016	28.17	21
AP8168225	28.26	14	AP8168908	28.12	1	AP8179026	28.09	30
AP8168225	28.26	14	AP8168908	28.12	1	AP8179027	28.20	18
AP8168226	28.11	1	AP8168909	28.12	2	AP8179028	28.12	3
AP8168227	28.14	1	AP8168909	28.12	2	AP8179029	28.12	4
AP8168227	28.14	1	AP8168910	28.27	17	AP8179030	28.14	1
AP8168228	28.14	2	AP8168911	28.18	9	AP8179030	28.14	1
AP8168228	28.14	2	AP8168911	28.18	9	AP8179031	28.14	2
AP8168229	28.12	1	AP8176032	28.32	6	AP8179031	28.14	2
AP8168229	28.12	1	AP8176050	28.23	9	AP8179032	28.26	13
AP8168230	28.12	2	AP8176052	29.33	1	AP8179033	28.26	14
AP8168230	28.12	2	AP8176053	29.33	1	AP8179034	28.13	5
AP8168231	28.12	3	AP8176053	29.33	1	AP8179035	28.18	9
AP8168232	28.12	4	AP8176053	29.33	1	AP8179036	28.04	9
AP8168234	28.18	15	AP8176054	29.33	1	AP8179037	28.04	10
AP8168280	28.17	13	AP8176054	29.33	1	AP8179038	28.11	2
AP8168281	28.17	11	AP8176054	29.33	1	AP8179039	28.27	17
AP8168380	28.11	3	AP8176055	29.33	1	AP8179040	28.12	1
AP8168380	28.11	3	AP8176055	29.33	1	AP8179041	28.12	2
AP8168455	28.11	2	AP8176055	29.33	1	AP8201301	28.41	21
AP8168455	28.11	2	AP8176078	28.32	9	AP8201539	28.02	15
AP8168456	28.14	8	AP8177082	28.50	4	AP8201539	28.19	4
AP8168457	28.14	9	AP8177099	28.50	7	AP8201727	28.03	26
AP8168459	28.18	6	AP8177181	28.50	11	AP8201755	28.09	21
AP8168484	28.20	18	AP8177225	28.50	4	AP8202154	28.16	4
AP8168484	28.20	18	AP8177226	28.50	10	AP8212588	28.46	2
AP8168485	28.11	3	AP8177226	28.50	10	AP8213057	28.23	11
AP8168485	28.11	3	AP8177227	28.50	9	AP8213057	28.24	7
AP8168486	28.27	17	AP8177227	28.50	9	AP8213193	28.37	4
AP8168486	28.27	17	AP8177228	28.50	8	AP8213299	28.23	25
AP8168487	28.17	13	AP8177228	28.50	8	AP8213299	28.24	21
AP8168488	28.17	11	AP8177230	28.50	4	AP8220149	28.06	23
AP8168499	28.18	16	AP8177233	28.50	10	AP8220150	28.48	2
AP8168501	28.24	6	AP8177243	28.50	7	AP8220238	28.17	25
AP8168512	28.15	5	AP8177244	28.50	7	AP8220263	28.16	17
AP8168513	28.11	1	AP8177269	28.50	8	AP8220269	28.02	12

Code	No. table	Pos.
AP8220269	28.03	5
AP8220283	28.48	18
AP8220349	28.17	16
AP8220349	28.17	26
AP8221017	28.12	17
AP8221023	28.24	17
AP8221023	28.26	8
AP8221023	28.28	5
AP8221046	29.33	7
AP8221129	28.18	2
AP8221129	28.49	12
AP8221145	28.17	15
AP8221145	28.27	18
AP8221145	28.27	6
AP8221197	28.05	9
AP8221242	28.29	28
AP8221310	28.16	26
AP8224164	28.20	11
AP8224164	28.20	4
AP8224389	28.45	10
AP8224390	28.44	8
AP8224393	28.43	12
AP8224462	28.48	13
AP8224470	28.27	1
AP8234020	28.09	24
AP8700792	30.76	2
AP8700793	30.76	2
AP8700794	30.76	2
AP8705021	30.76	4
AP8720115	30.77	1
AP8720116	30.77	2
AP8720117	30.77	3
AP8720118	30.77	4
AP8791213	30.71	12
AP8791214	30.71	13
AP8791215	30.71	14
AP8791216	30.71	15
AP8791217	30.71	16
AP8791218	30.71	17
AP8791219	30.71	19
AP8791220	30.69	5
AP8791221	30.71	1
AP8791222	30.71	2
AP8791223	30.71	3
AP8791224	30.71	4
AP8791225	30.71	5
AP8791226	30.71	6
AP8791227	30.71	7
AP8791228	30.71	8
AP8791229	30.71	9
AP8791230	30.71	10
AP8791231	30.71	11
AP8792152	30.76	5
AP8792156	30.76	3
AP8796046	30.76	6
AP8796047	30.76	1
AP8796196	30.69	1
AP8796197	30.69	2
AP8796263	30.69	1
AP8796264	30.69	2
AP8796492	30.74	2
AP8796493	30.74	1
AP8796498	30.74	4
AP8796499	30.74	5
AP8796500	30.74	6
AP8796501	30.74	7
AP8796506	30.73	19

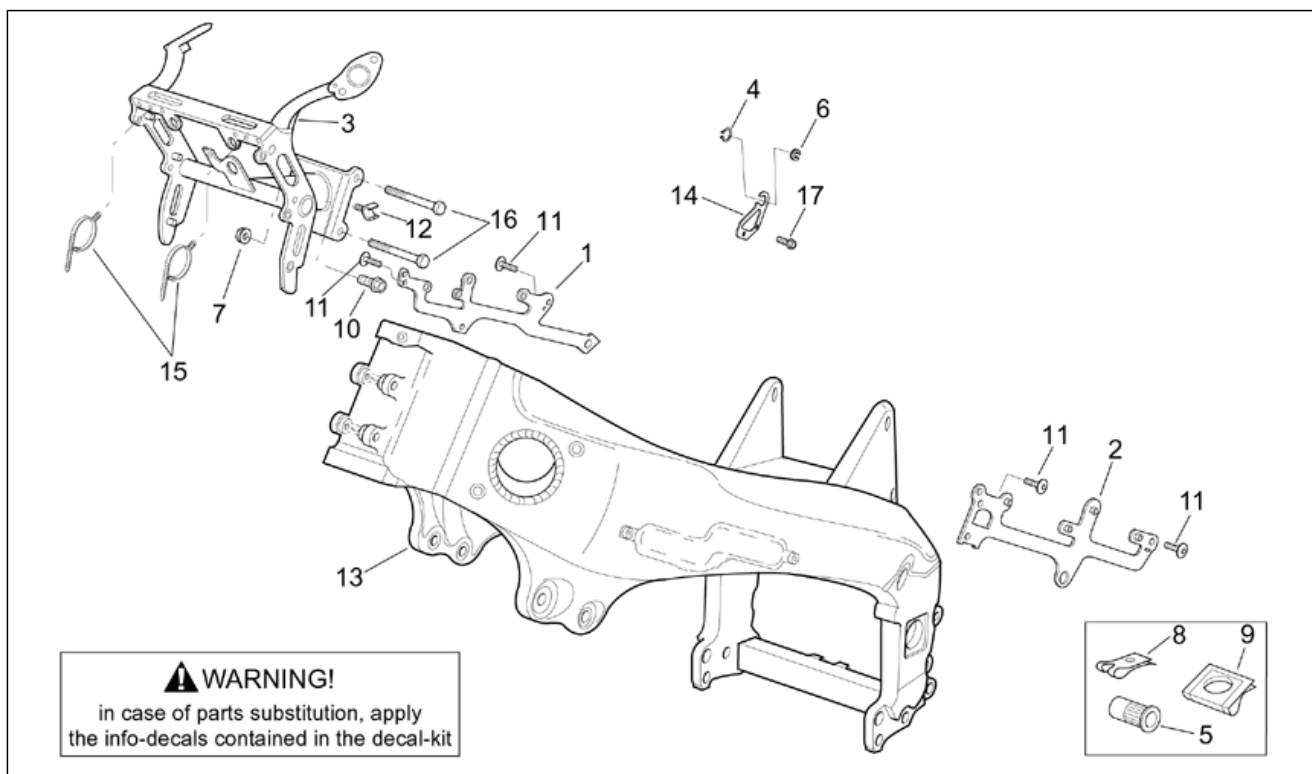
Code	No. table	Pos.
AP8796507	30.73	10
AP8796508	30.73	11
AP8796509	30.73	8
AP8796510	30.73	14
AP8796513	30.73	15
AP8796514	30.73	4
AP8796515	30.73	5
AP8796516	30.73	7
AP8796517	30.73	9
AP8796518	30.73	6
AP8796519	30.72	6
AP8796519	30.73	12
AP8796530	29.33	14
AP8796530	30.69	3
AP8796531	30.69	4
AP8796539	30.72	4
AP8796539	30.74	3
AP8796941	30.75	1
AP8796942	30.73	1
AP8797156	30.73	2
AP8797157	30.73	2
AP8797158	30.73	18
AP8797159	30.73	17
AP8797160	30.73	13
AP8797166	30.73	16
AP8797168	30.75	7
AP8797215	30.72	7
AP8797215	30.73	20
AP8797220	30.72	1
AP8797227	30.72	2
AP8797228	30.72	3
AP8797229	30.72	5
AP8797230	30.72	8
AP8798002	30.75	6
AP8798003	30.75	3

Group	FRAME
Code	28.01
Description	Frame I
Service	1



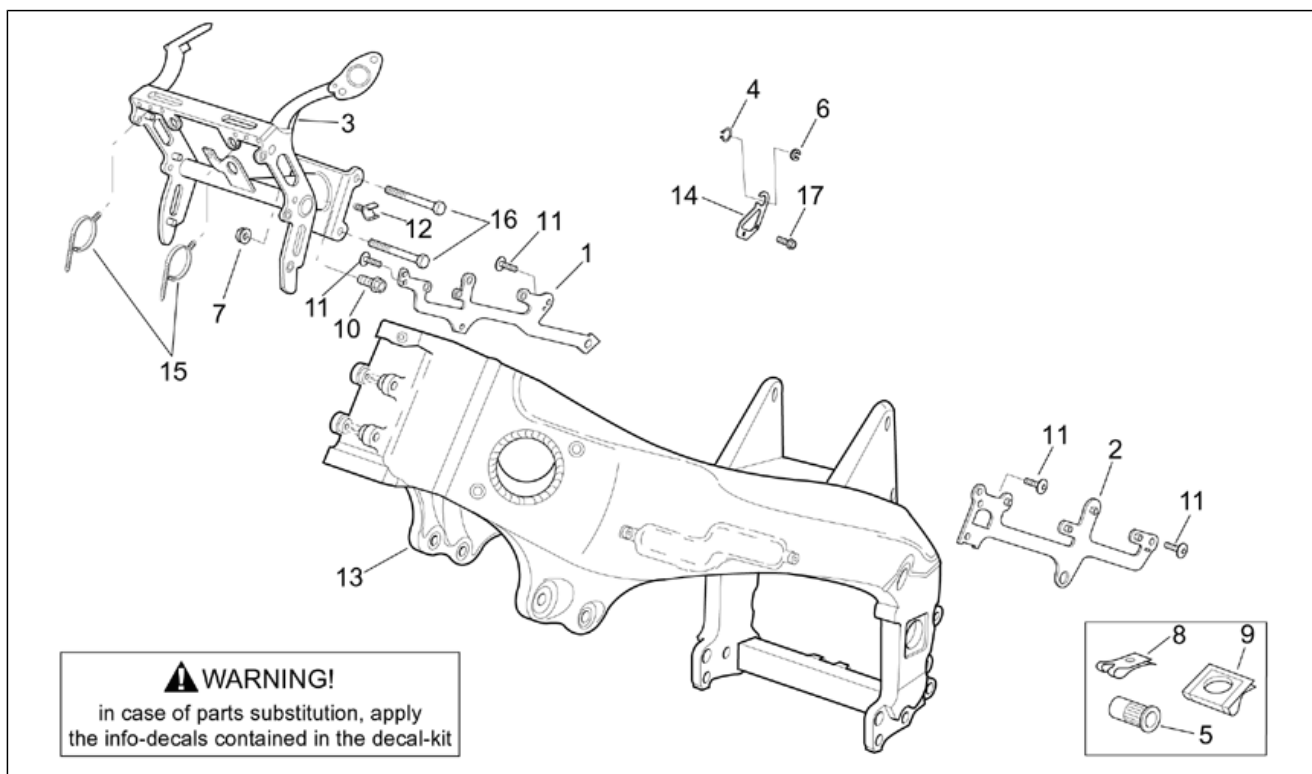
Pos.	Code	Description	Qty	Variants
1	AP8146457	Saddle support	1	Technical Specifications: "R - Standard" 2004-2005 Version[RS], "Standard" 2002-2003 Version[ST]
1	AP8146632	Saddle support	1	Technical Specifications: "R" 2002-2003 Version[R], "R - Factory" 2004-2005 Version[RF]
2	AP8102544	Threaded rivet M6	13	
3	AP8134452	Rear fairing support	1	
4	AP8121882	Cable-guide	2	
5	AP8150469	Hex socket screw M10x30	4	
6	AP8144281	Front fairing gasket	1	

Group	FRAME
Code	28.02
Description	Frame II
Service	1



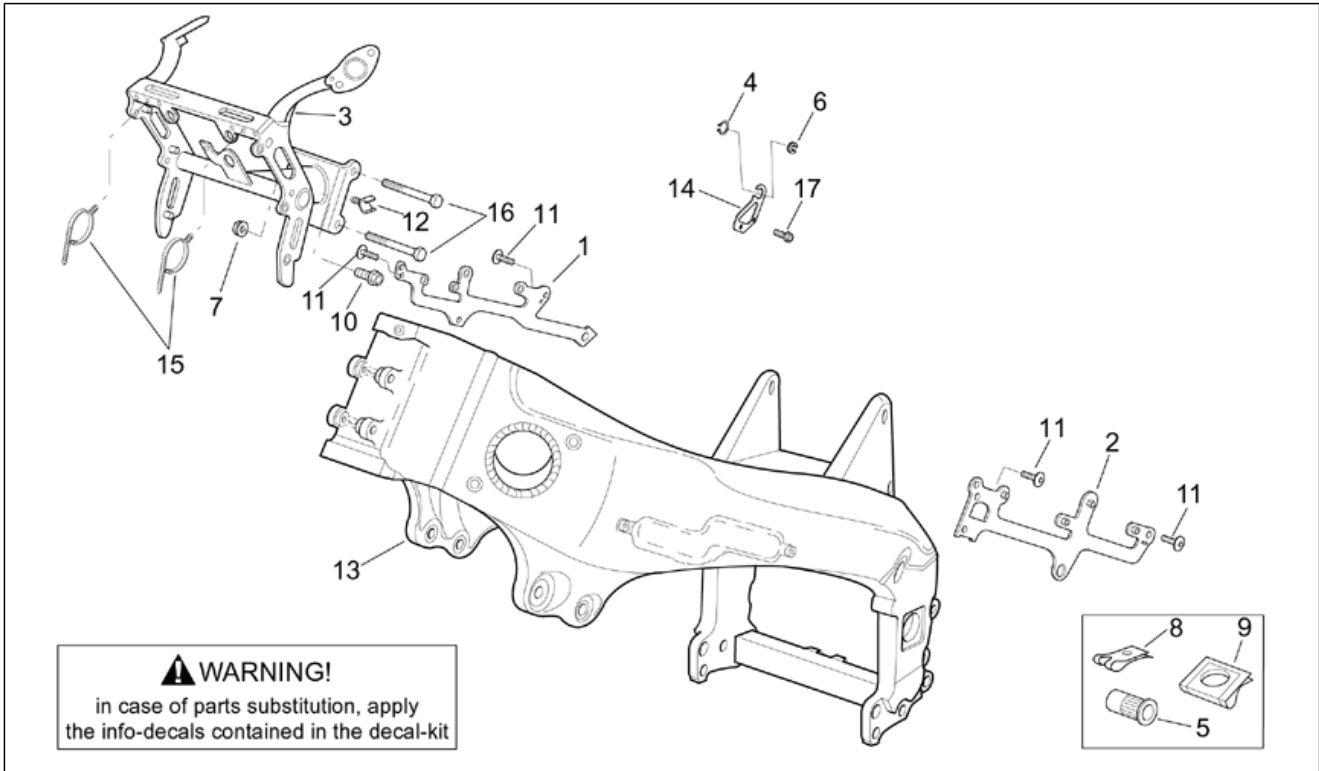
Pos.	Code	Description	Qty	Variants
1	AP8134389	Coil support, RH	1	
2	AP8134390	Coil support, LH	1	Year: 2003[3] Country: Austria[A], Australia[AA], Australia[AUS], Belgium[B], Switzerland[CH], Germany[D], Denmark[DK], Spain[E], I, E, NL[EU], France[F], Italy[I], Japan[J], J[J], Mexico[ME], ME[MX], Holland[NL], Spain[SP], Great Britain[UK] Technical Specifications: "Standard" 2002-2003 Version[ST]
2	AP8134390	Coil support, LH	1	Year: 2003[3] Country: Austria[A], Australia[AA], Australia[AUS], Belgium[B], Switzerland[CH], Germany[D], Denmark[DK], Spain[E], I, E, NL[EU], France[F], Italy[I], Japan[J], J[J], Mexico[ME], ME[MX], Holland[NL], Spain[SP], Great Britain[UK] Technical Specifications: "Standard" 2002-2003 Version[ST]
2	AP8134390	Coil support, LH	1	Year: 2002[2] Country: Austria[A], Australia[AA], Australia[AUS], Belgium[B], Switzerland[CH], Germany[D], Denmark[DK], Spain[E], I, E, NL[EU], France[F], Italy[I], Japan[J], J[J], Mexico[ME], ME[MX], Holland[NL], Spain[SP], Great Britain[UK] Technical Specifications: "Standard" 2002-2003 Version[ST]
2	AP8134635	Coil support, LH	1	Year: 2002[2], 2003[3] Technical Specifications: "R" 2002-2003 Version[R]
2	AP8134635	Coil support, LH	1	Year: 2004[4], 2005[5]
2	AP8134635	Coil support, LH	1	Year: 2002[2], 2003[3] Country: USA (49 Countries Approval)[AM], USA (California Approval)[CF], United States of America[USA] Technical Specifications: "Standard" 2002-2003 Version[ST]
2	AP8134635	Coil support, LH	1	Year: 2003[3] Country: Austria[A], Australia[AA], Australia[AUS], Belgium[B], Switzerland[CH], Germany[D], Denmark[DK], Spain[E], I, E, NL[EU], France[F], Italy[I], Japan[J], J[J], Mexico[ME], ME[MX], Holland[NL], Spain[SP], Great Britain[UK]

Group	FRAME
Code	28.02
Description	Frame II
Service	1



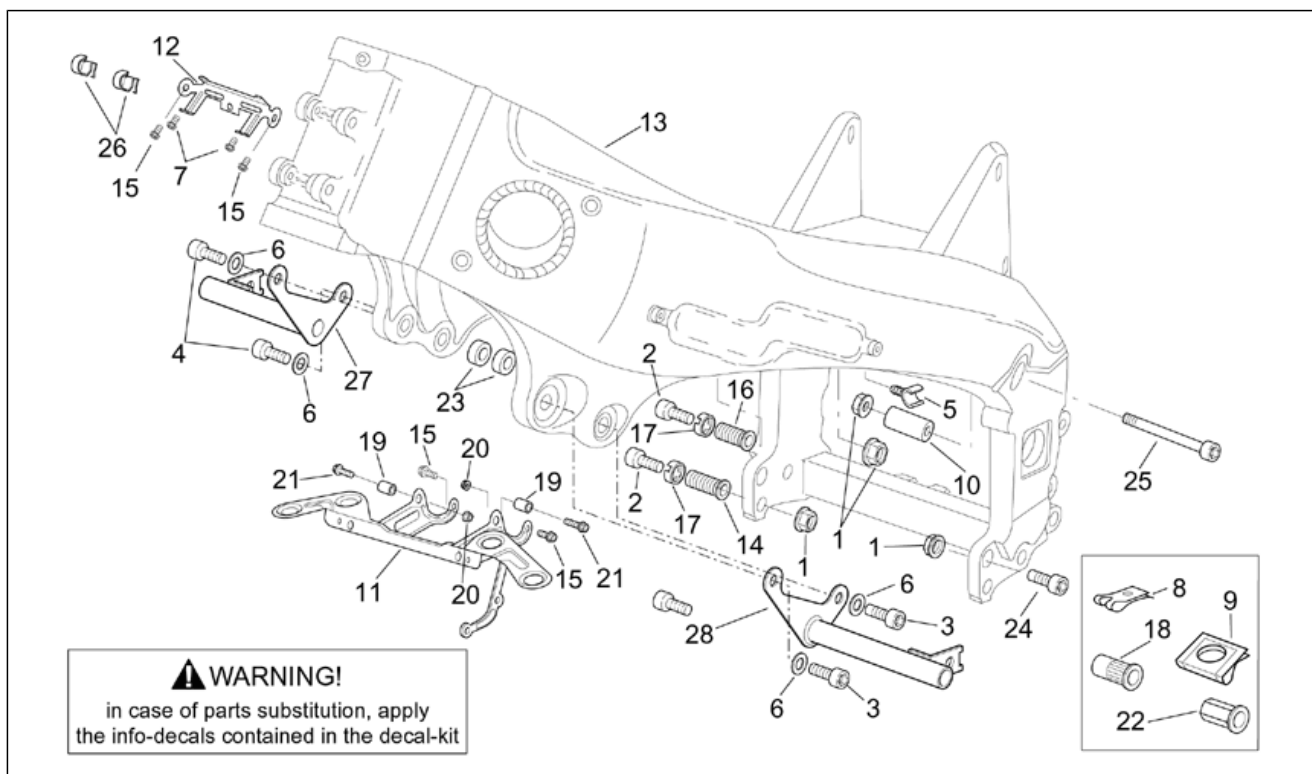
Pos.	Code	Description	Qty	Variants
				Technical Specifications: "Standard" 2002-2003 Version[ST]
3	AP8146627	Instrum.holder frame	1	Year: 2002[2]
3	AP8146700	Instrum.holder frame	1	Year: 2003[3], 2004[4], 2005[5]
4	AP8121428	Circlip d8	1	
5	AP8102544	Threaded rivet M6	12	
6	AP8102498	Snap ring	1	
7	AP8152299	Self-locking nut M6	2	
8	AP8102375	Clip m5	2	
9	AP8102376	Clip M6	2	
10	AP8152272	Screw w/ flange M5x12	1	
11	AP8152417	Screw	4	Year: 2003[3], 2004[4], 2005[5]
11	AP8152424	Screw M6x50	4	Year: 2002[2] Technical Specifications: "R" 2002-2003 Version[R]
12	AP8220269	Cable-guide	2	
13	AP8146631	Frame	1	Year: 2002[2] Vehicle colour: Diablo Black "Racing" 2002[rac] Technical Specifications: "R" 2002-2003 Version[R]
13	AP8146699	Frame	1	Year: 2003[3] Country: Austria[A], Australia[AA], Australia[AUS], Belgium[B], Switzerland[CH], Germany[D], Denmark[DK], Spain[E], I, E, NL[EU], France[F], Italy[I], Japan[J], J[J], Mexico[ME], ME[MX], Holland[NL], Spain[SP], Great Britain[UK] Technical Specifications: "Standard" 2002-2003 Version[ST]
13	AP8146699	Frame	1	Year: 2002[2] Country: Austria[A], Australia[AA], Australia[AUS], Belgium[B], Switzerland[CH], Germany[D], Denmark[DK], Spain[E], I, E, NL[EU], France[F], Italy[I], Japan[J], J[J], Mexico[ME], ME[MX], Holland[NL], Spain[SP], Great Britain[UK] Technical Specifications: "Standard" 2002-2003 Version[ST]
13	AP8146711	Frame	1	Year: 2003[3]

Group	FRAME
Code	28.02
Description	Frame II
Service	1



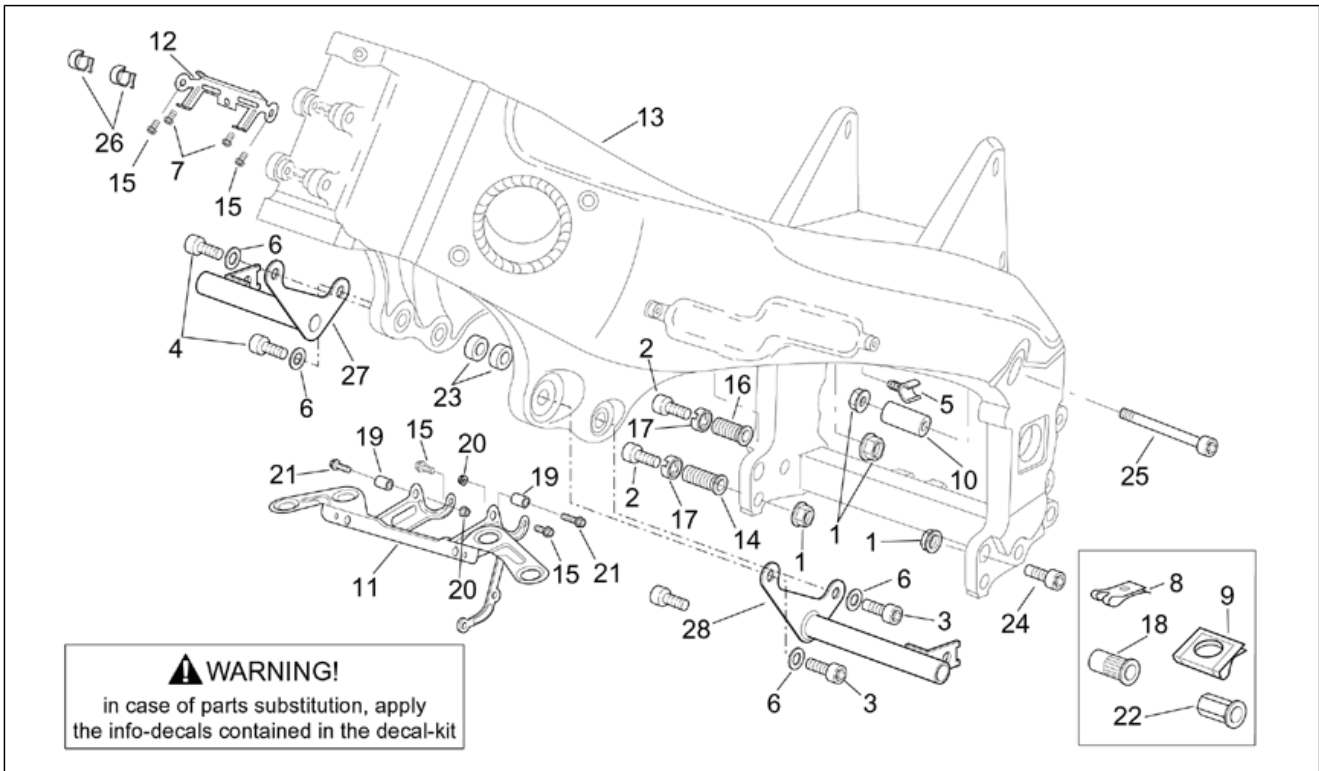
Pos.	Code	Description	Qty	Variants
				Country: Austria[A], Australia[AA], Australia[AUS], Belgium[B], Switzerland[CH], Germany[D], Denmark[DK], Spain[E], I, E, NL[EU], France[F], Italy[I], Japan[J], J[J], Mexico[ME], ME[MX], Holland[NL], Spain[SP], Great Britain[UK] Technical Specifications: "Standard" 2002-2003 Version[ST]
13	AP8146712	Frame	1	Year: 2002[2], 2003[3] Country: USA (49 Countries Approval)[AM], USA (California Approval)[CF], United States of America[USA] Technical Specifications: "Standard" 2002-2003 Version[ST]
13	AP8146712	Frame	1	Year: 2003[3] Country: Austria[A], Australia[AA], Australia[AUS], Belgium[B], Switzerland[CH], Germany[D], Denmark[DK], Spain[E], I, E, NL[EU], France[F], Italy[I], Japan[J], J[J], Mexico[ME], ME[MX], Holland[NL], Spain[SP], Great Britain[UK] Technical Specifications: "Standard" 2002-2003 Version[ST]
13	AP8146773	Frame p.	1	Year: 2003[3] Technical Specifications: "R" 2002-2003 Version[R], Racing GARA 2003[RG]
13	AP8146773	Frame p.	1	Year: 2004[4], 2005[5]
14	AP8134674	Min.eng.spd.cable plate	1	
15	AP8201539	Hose clamp	2	
16	AP8150314	Screw	2	
17	AP8152278	Screw w/ flange M6x16	1	

Group	FRAME
Code	28.03
Description	Frame III
Service	1



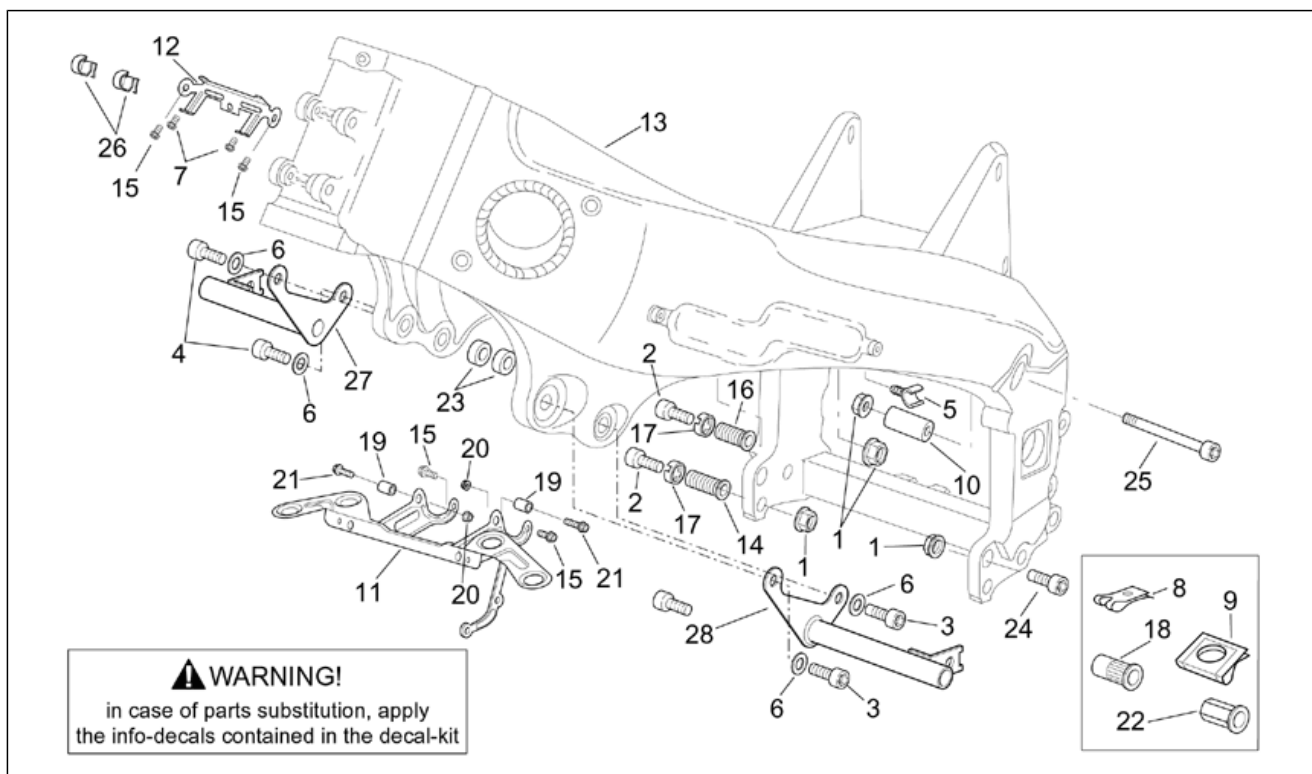
Pos.	Code	Description	Qty	Variants
1	AP8152301	Self-locking nut	4	
2	AP8152013	Hex socket screw M10x105	2	
3	AP8150038	Hex socket screw M10x45	2	
4	AP8150329	Hex socket screw	2	
5	AP8220269	Cable-guide	1	
6	AP8150292	Curved spring washer *	4	
7	AP8152246	Screw w/ flange M6x16	2	
8	AP8102375	Clip m5	2	
9	AP8102376	Clip M6	2	
10	AP8121998	Upper engine spacer	1	
11	AP8134379	Lower water cooler support	1	Year: 2003[3] Country: Austria[A], Australia[AA], Australia[AUS], Belgium[B], Switzerland[CH], Germany[D], Denmark[DK], Spain[E], I, E, NL[EU], France[F], Italy[I], Japan[J], J[J], Mexico[ME], ME[MX], Holland[NL], Spain[SP], Great Britain[UK] Technical Specifications: "Standard" 2002-2003 Version[ST]
11	AP8134379	Lower water cooler support	1	Year: 2003[3] Country: Austria[A], Australia[AA], Australia[AUS], Belgium[B], Switzerland[CH], Germany[D], Denmark[DK], Spain[E], I, E, NL[EU], France[F], Italy[I], Japan[J], J[J], Mexico[ME], ME[MX], Holland[NL], Spain[SP], Great Britain[UK] Technical Specifications: "Standard" 2002-2003 Version[ST]
11	AP8134638	Lower water cooler support	1	Year: 2003[3] Country: Austria[A], Australia[AA], Australia[AUS], Belgium[B], Switzerland[CH], Germany[D], Denmark[DK], Spain[E], I, E, NL[EU], France[F], Italy[I], Japan[J], J[J], Mexico[ME], ME[MX], Holland[NL], Spain[SP], Great Britain[UK] Technical Specifications: "R - Standard" 2004-2005 Version[RS], "Standard" 2002-2003 Version[ST]

Group	FRAME
Code	28.03
Description	Frame III
Service	1



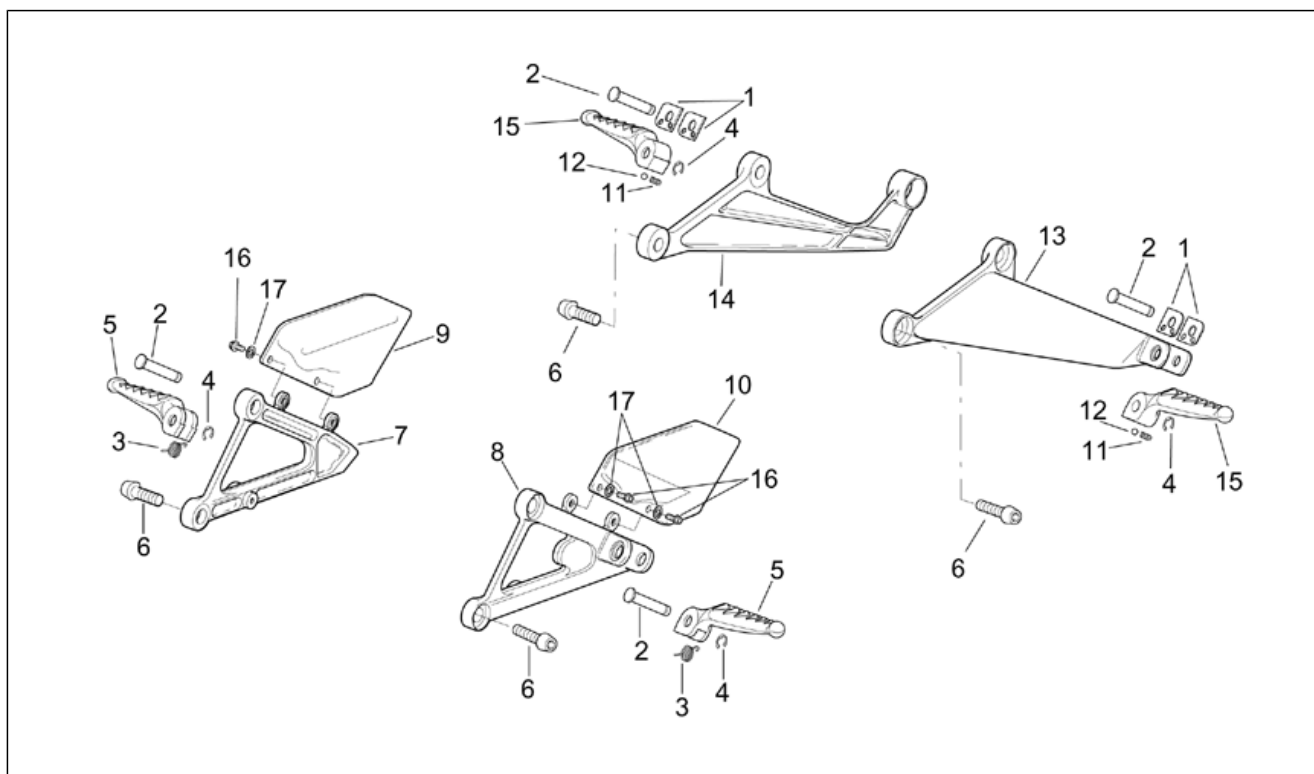
Pos.	Code	Description	Qty	Variants
11	AP8134638	Lower water cooler support	1	Country: USA (49 Countries Approval)[AM], USA (California Approval)[CF], United States of America[USA] Technical Specifications: "R - Standard" 2004-2005 Version[RS], "Standard" 2002-2003 Version[ST]
11	AP8134638	Lower water cooler support	1	Technical Specifications: "R" 2002-2003 Version[R], "R - Factory" 2004-2005 Version[RF]
12	AP8134380	Water cooler upper support	1	
13	AP8146631	Frame	1	Year: 2002[2] Vehicle colour: Diablo Black "Racing" 2002[rac] Technical Specifications: "R" 2002-2003 Version[R]
13	AP8146699	Frame	1	Year: 2003[3] Country: Austria[A], Australia[AA], Australia[AUS], Belgium[B], Switzerland[CH], Germany[D], Denmark[DK], Spain[E], I, E, NL[EU], France[F], Italy[I], Japan[J], J[J], Mexico[ME], ME[MX], Holland[NL], Spain[SP], Great Britain[UK] Technical Specifications: "Standard" 2002-2003 Version[ST]
13	AP8146699	Frame	1	Year: 2002[2] Country: Austria[A], Australia[AA], Australia[AUS], Belgium[B], Switzerland[CH], Germany[D], Denmark[DK], Spain[E], I, E, NL[EU], France[F], Italy[I], Japan[J], J[J], Mexico[ME], ME[MX], Holland[NL], Spain[SP], Great Britain[UK] Technical Specifications: "Standard" 2002-2003 Version[ST]
13	AP8146711	Frame	1	Year: 2003[3] Country: Austria[A], Australia[AA], Australia[AUS], Belgium[B], Switzerland[CH], Germany[D], Denmark[DK], Spain[E], I, E, NL[EU], France[F], Italy[I], Japan[J], J[J], Mexico[ME], ME[MX], Holland[NL], Spain[SP], Great Britain[UK] Technical Specifications: "Standard" 2002-2003 Version[ST]
13	AP8146712	Frame	1	Year: 2002[2], 2003[3] Country: USA (49 Countries Approval)[AM], USA (California Approval)[CF], United States of America[USA] Technical Specifications: "Standard" 2002-2003 Version[ST]

Group	FRAME
Code	28.03
Description	Frame III
Service	1



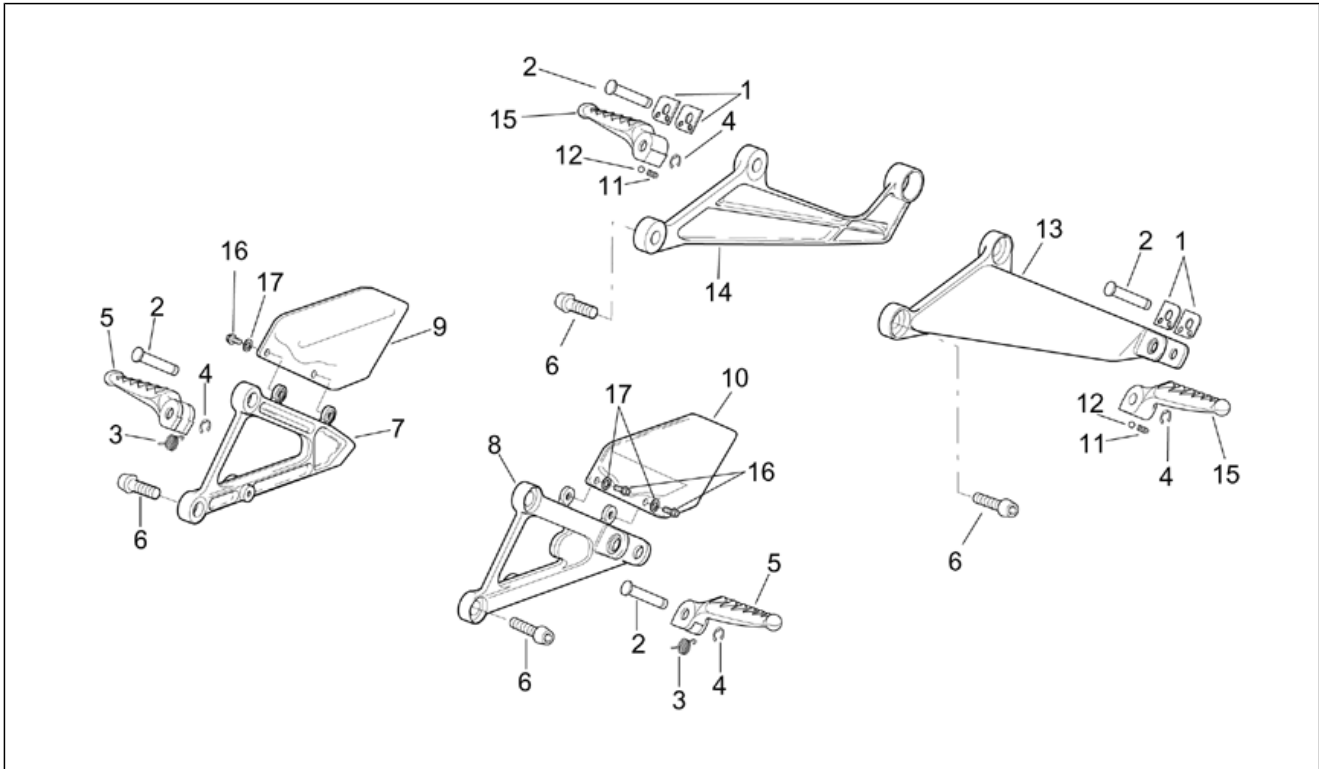
Pos.	Code	Description	Qty	Variants
13	AP8146712	Frame	1	Year: 2003[3] Country: Austria[A], Australia[AA], Australia[AUS], Belgium[B], Switzerland[CH], Germany[D], Denmark[DK], Spain[E], I, E, NL[EU], France[F], Italy[I], Japan[J], J[J], Mexico[ME], ME[MX], Holland[NL], Spain[SP], Great Britain[UK] Technical Specifications: "Standard" 2002-2003 Version[ST]
13	AP8146773	Frame p.	1	Year: 2004[4], 2005[5]
13	AP8146773	Frame p.	1	Year: 2003[3] Technical Specifications: "R" 2002-2003 Version[R], Racing GARA 2003[RG]
14	AP8121997	Lower adjustment bush	1	
15	AP8152278	Screw w/ flange M6x16	4	
16	AP8121996	Upper adjustment bush	1	
17	AP8121995	Eng.connect.elem.ring nut	2	
18	AP8102544	Threaded rivet M6	10	
19	AP8121313	Conical bush	2	
20	AP8152299	Self-locking nut M6	2	
21	AP8152281	Screw w/ flange M6x30	2	
22	AP8102902	Hex threaded insert	3	
23	AP8121254	LH front engine spacer	2	
24	AP8150192	Hex socket screw M10x80	1	Country: Austria[A], Australia[AA], Australia[AUS], Belgium[B], Switzerland[CH], Germany[D], Denmark[DK], Spain[E], I, E, NL[EU], France[F], Greece[GR], Italy[I], Japan[J], J[J], Mexico[ME], ME[MX], Holland[NL], Spain[SP], Great Britain[UK]
25	AP8150040	Hex socket screw M10x110*	1	
26	AP8201727	Black cable guide	2	
27	AP8134893	RH fairing connecting plate	1	
28	AP8134892	LH fairing connecting plate	1	

Group	FRAME
Code	28.04
Description	Foot rests
Service	1



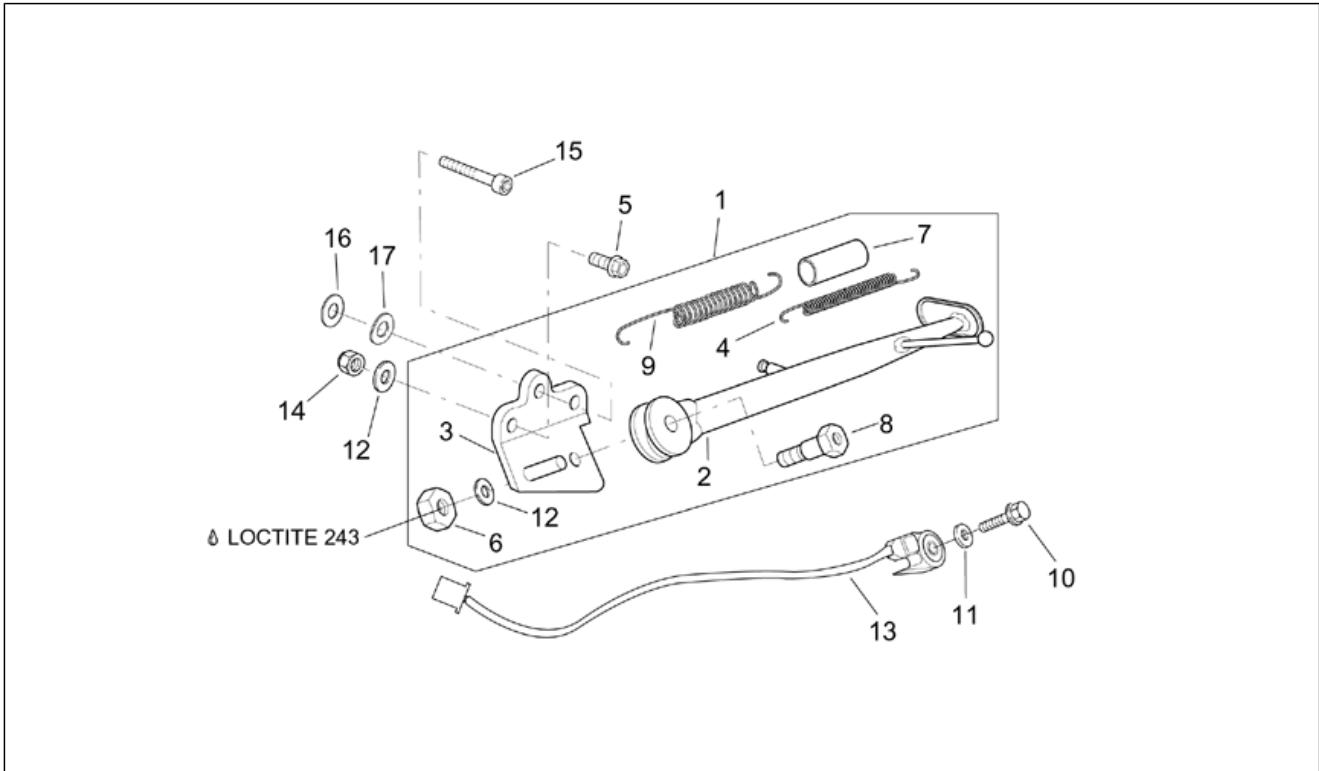
Pos.	Code	Description	Qty	Variants
1	AP8134451	Footrest plate	4	
2	AP8121135	Footrest pin	4	
3	AP8121224	Footrest return spring	2	
4	AP8120573	Stop ring	4	
5	AP8146467	Front footrest, pair	1	
6	AP8152288	Screw w/ flange	8	Technical Specifications: "R - Standard" 2004-2005 Version[RS], "Standard" 2002-2003 Version[ST]
6	AP8152428	Screw M8x30	8	Technical Specifications: "R" 2002-2003 Version[R], "R - Factory" 2004-2005 Version[RF]
7	AP8134912	RH front footrest bracket	1	Technical Specifications: "R" 2002-2003 Version[R], "R - Factory" 2004-2005 Version[RF]
7	AP8135909	RH front footrest bracket	1	Technical Specifications: "R - Standard" 2004-2005 Version[RS], "Standard" 2002-2003 Version[ST]
8	AP8134913	LH front footrest bracket	1	Technical Specifications: "R" 2002-2003 Version[R], "R - Factory" 2004-2005 Version[RF]
8	AP8135910	LH front footrest bracket	1	Technical Specifications: "R - Standard" 2004-2005 Version[RS], "Standard" 2002-2003 Version[ST]
9	AP8146300	RH front footrest guard	1	Year: 2004[4]
9	AP8146635	RH front footrest guard, carb.	1	Year: 2002[2] Vehicle colour: Diablo Black "Racing" 2002[rac] Technical Specifications: "R" 2002-2003 Version[R]
9	AP8146709	RH front footrest guard	1	Year: 2002[2], 2003[3] Technical Specifications: "Standard" 2002-2003 Version[ST]
9	AP8146766	RH front footrest guard, carb.	1	Year: 2003[3] Technical Specifications: "R" 2002-2003 Version[R], Racing GARA 2003[RG]
9	AP8179036	RH front footrest guard, carb.	1	Year: 2005[5] Technical Specifications: "R - Factory" 2004-2005 Version[RF]
10	AP8146301	LH front footrest guard	1	Year: 2004[4]
10	AP8146636	LH front footrest guard, carb.	1	Year: 2002[2] Vehicle colour: Diablo Black "Racing" 2002[rac]

Group	FRAME
Code	28.04
Description	Foot rests
Service	1



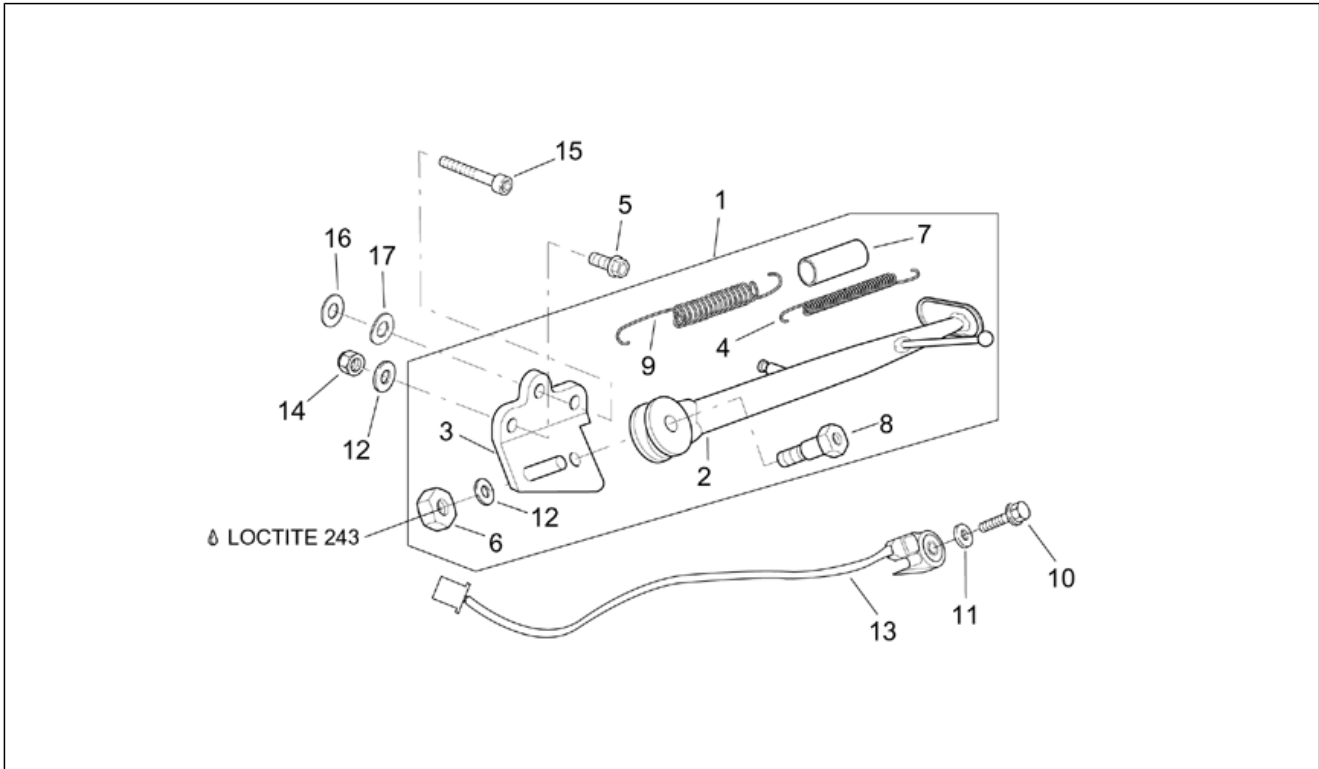
Pos.	Code	Description	Qty	Variants
				Technical Specifications: "R" 2002-2003 Version[R]
10	AP8146710	LH front footrest guard	1	Year: 2002[2], 2003[3] Technical Specifications: "Standard" 2002-2003 Version[ST]
10	AP8146767	LH front footrest guard, carb.	1	Year: 2003[3] Technical Specifications: "R" 2002-2003 Version[R], Racing GARA 2003[RG]
10	AP8179037	LH front footrest guard, carb.	1	Year: 2005[5] Technical Specifications: "R - Factory" 2004-2005 Version[RF]
11	AP8121133	Coil compress. spring	2	
12	AP8101861	Ball D6,35	2	
13	AP8134651	LH footrest support	1	Technical Specifications: "R - Standard" 2004-2005 Version[RS], "Standard" 2002-2003 Version[ST]
13	AP8134914	LH footrest support	1	Technical Specifications: "R" 2002-2003 Version[R], "R - Factory" 2004-2005 Version[RF]
14	AP8134652	RH footrest support	1	Technical Specifications: "R - Standard" 2004-2005 Version[RS], "Standard" 2002-2003 Version[ST]
14	AP8134915	RH footrest support	1	Technical Specifications: "R" 2002-2003 Version[R], "R - Factory" 2004-2005 Version[RF]
15	AP8146466	Rear footrests, pair	1	
16	AP8152277	Screw w/ flange M6x12	4	Technical Specifications: "R - Standard" 2004-2005 Version[RS], "Standard" 2002-2003 Version[ST]
16	AP8152419	Screw M6x10	4	Technical Specifications: "R" 2002-2003 Version[R], "R - Factory" 2004-2005 Version[RF]
17	AP8150429	Spring washer 6,4x11x0,5*	4	Country: Austria[A], Australia[AA], Australia[AUS], Belgium[B], Switzerland[CH], Germany[D], Denmark[DK], Spain[E], I, E, NL[EU], France[F], Greece[GR], Italy[I], Japan[J], J[JJ], Mexico[ME], ME[MX], Holland[NL], Spain[SP], Great Britain[UK] Technical Specifications: "R - Standard" 2004-2005 Version[RS], "Standard" 2002-2003 Version[ST]

Group	FRAME
Code	28.05
Description	Central stand
Service	1



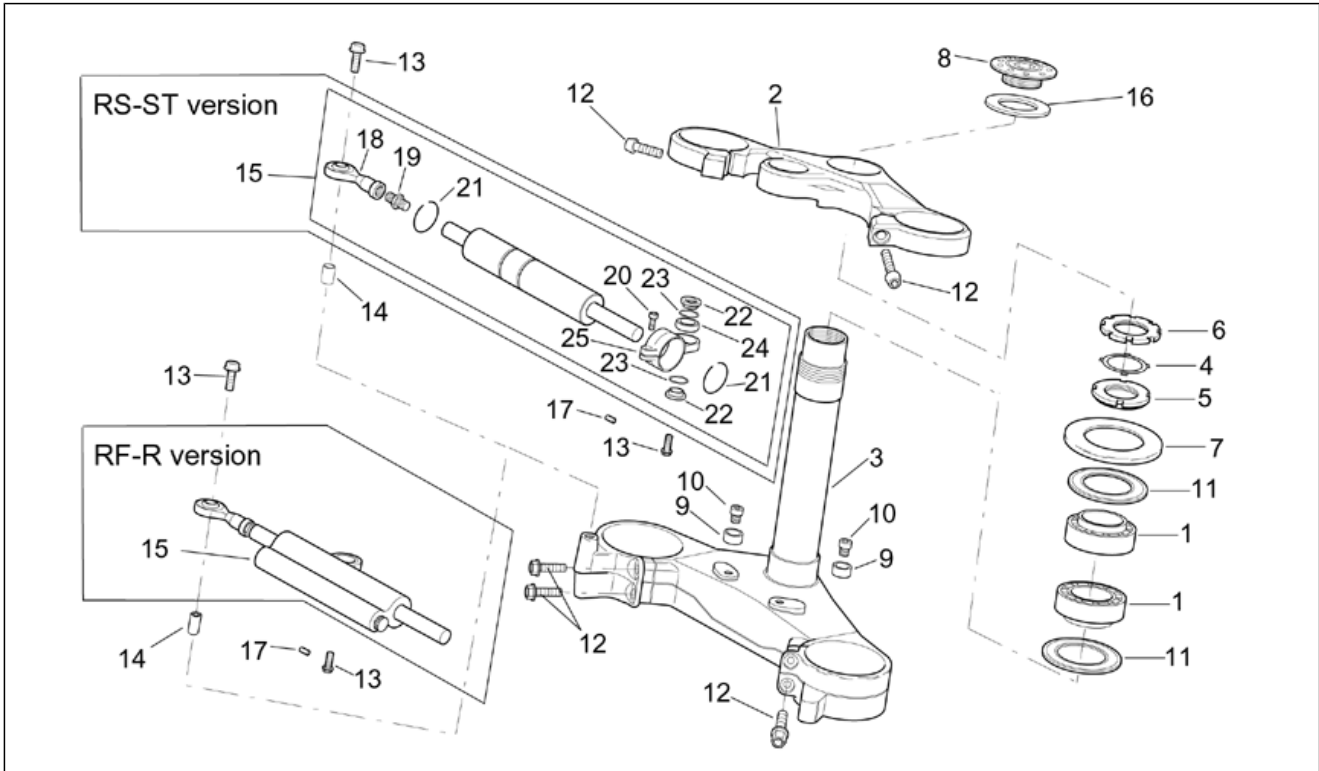
Pos.	Code	Description	Qty	Variants
1	AP8146657	Stand cpl.	1	Country: Austria[A], Australia[AA], Australia[AUS], Belgium[B], Switzerland[CH], Germany[D], Denmark[DK], Spain[E], I, E, NL[EU], France[F], Greece[GR], Italy[I], Japan[J], J[JJ], Mexico[ME], ME[MX], Holland[NL], Spain[SP], Great Britain[UK]
1	AP8146677	Stand cpl.	1	Country: USA (49 Countries Approval)[AM], USA (California Approval)[CF], United States of America[USA]
2	AP8146676	Lateral stand	1	Country: USA (49 Countries Approval)[AM], USA (California Approval)[CF], United States of America[USA]
2	AP8146687	Lateral stand	1	Country: Austria[A], Australia[AA], Australia[AUS], Belgium[B], Switzerland[CH], Germany[D], Denmark[DK], Spain[E], I, E, NL[EU], France[F], Greece[GR], Italy[I], Japan[J], J[JJ], Mexico[ME], ME[MX], Holland[NL], Spain[SP], Great Britain[UK]
3	AP8134373	Stand plate	1	Country: Austria[A], Australia[AA], Australia[AUS], Belgium[B], Switzerland[CH], Germany[D], Denmark[DK], Spain[E], I, E, NL[EU], France[F], Greece[GR], Italy[I], Japan[J], J[JJ], Mexico[ME], ME[MX], Holland[NL], Spain[SP], Great Britain[UK]
3	AP8134749	Stand plate	1	Country: USA (49 Countries Approval)[AM], USA (California Approval)[CF], United States of America[USA]
4	AP8121014	Coil pull spring *	1	
5	AP8150196	Hex socket screw	2	Country: USA (49 Countries Approval)[AM], USA (California Approval)[CF], United States of America[USA]
5	AP8152320	Screw w/ flange	2	Country: Austria[A], Australia[AA], Australia[AUS], Belgium[B], Switzerland[CH], Germany[D], Denmark[DK], Spain[E], I, E, NL[EU], France[F], Greece[GR], Italy[I], Japan[J], J[JJ], Mexico[ME], ME[MX], Holland[NL], Spain[SP], Great Britain[UK]
6	AP8150480	Low self-locking nut M10x1,25	1	Country: Austria[A], Australia[AA], Australia[AUS], Belgium[B], Switzerland[CH], Germany[D], Denmark[DK], Spain[E], I, E, NL[EU], France[F], Greece[GR], Italy[I], Japan[J], J[JJ], Mexico[ME], ME[MX], Holland[NL], Spain[SP], Great Britain[UK]

Group	FRAME
Code	28.05
Description	Central stand
Service	1



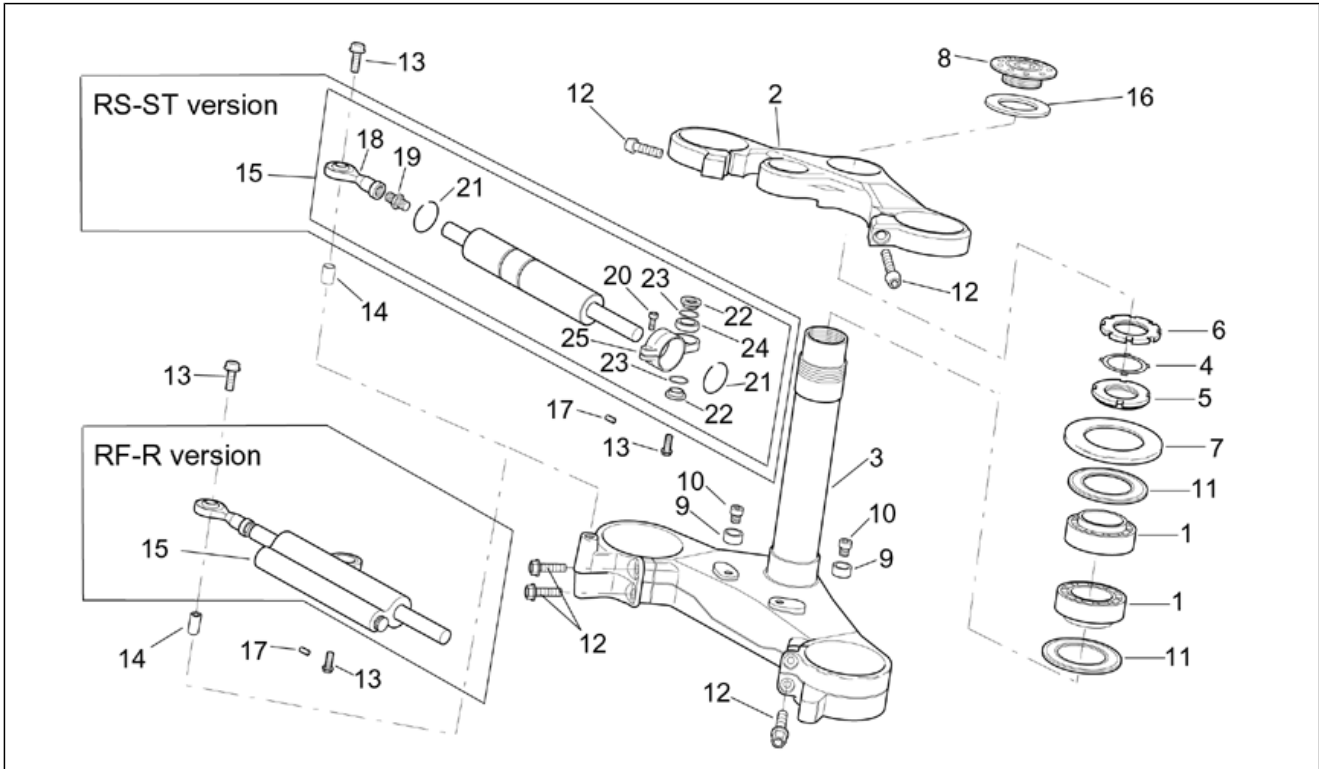
Pos.	Code	Description	Qty	Variants
6	AP8152001	Low nut M10x1,25	1	Country:USA (49 Countries Approval)[AM], USA (California Approval)[CF], United States of America[USA]
7	AP8102524	Stand spring protection	1	
8	AP8121375	Central stand fixing screw	1	Country:Austria[A], Australia[AA], Australia[AUS], Belgium[B], Switzerland[CH], Germany[D], Denmark[DK], Spain[E], I, E, NL[EU], France[F], Greece[GR], Italy[I], Japan[J], J[JJ], Mexico[ME], ME[MX], Holland[NL], Spain[SP], Great Britain[UK]
8	AP8121429	Central stand fixing screw	1	Country:USA (49 Countries Approval)[AM], USA (California Approval)[CF], United States of America[USA]
9	AP8221197	Lateral stand spring	1	
10	AP8152279	Screw w/ flange M6x20	1	
11	AP8150015	Washer 6,6x18x1,6*	1	
12	AP8150292	Curved spring washer *	3	
13	AP8124977	Rotary switch	1	
14	AP8152301	Self-locking nut	1	Country:USA (49 Countries Approval)[AM], USA (California Approval)[CF], United States of America[USA]
15	AP8150287	Hex socket screw M10x90	1	Country:USA (49 Countries Approval)[AM], USA (California Approval)[CF], United States of America[USA]
16	AP8150020	Washer 10,5x21x2*	1	Country:USA (49 Countries Approval)[AM], USA (California Approval)[CF], United States of America[USA]
17	AP8150210	Curved spring washer *	1	Country:USA (49 Countries Approval)[AM], USA (California Approval)[CF], United States of America[USA]

Group	FRAME
Code	28.06
Description	Steering
Service	1



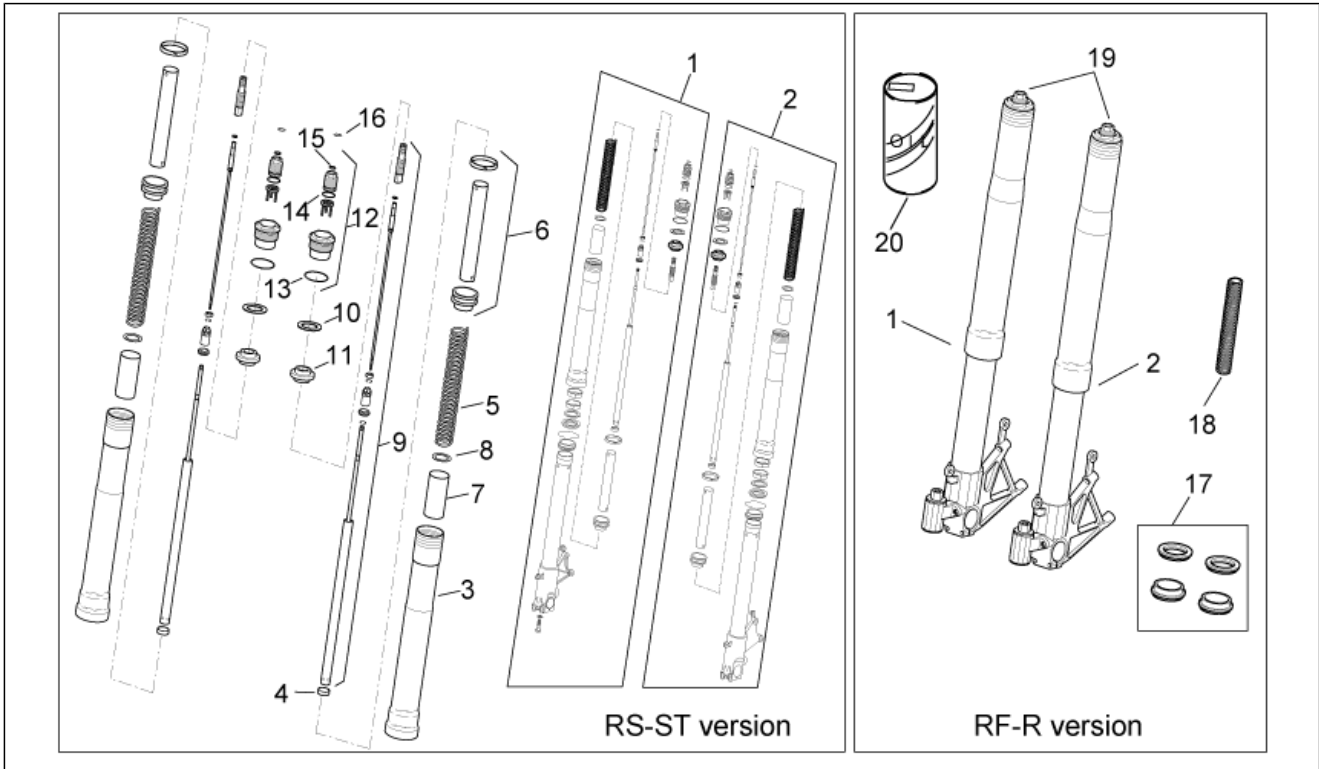
Pos.	Code	Description	Qty	Variants
1	AP8110077	Axial ball bearing	2	
2	AP8163192	Fork upper plate	1	Year:2002[2] Vehicle colour:Diablo Black "Racing" 2002[rac] Technical Specifications:"R" 2002-2003 Version[R]
2	AP8163208	Fork upper plate	1	Year:2004[4]
2	AP8163208	Fork upper plate	1	Year:2002[2], 2003[3] Technical Specifications:"Standard" 2002-2003 Version[ST]
2	AP8163265	Fork upper plate	1	Year:2005[5] Technical Specifications:"R - Factory" 2004-2005 Version[RF]
2	AP8163265	Fork upper plate	1	Year:2003[3] Technical Specifications:"R" 2002-2003 Version[R], Racing GARA 2003[RG]
3	AP8123640	Stem base	1	Technical Specifications:"R - Standard" 2004-2005 Version[RS], "Standard" 2002-2003 Version[ST]
3	AP8123928	Stem base	1	Technical Specifications:"R" 2002-2003 Version[R], "R - Factory" 2004-2005 Version[RF]
4	AP8121207	Steering security plate	1	
5	AP8123642	Ring nut	1	
6	AP8123643	Return ring nut	1	
7	AP8123644	Dust cover ring	1	
8	AP8121346	Upper plate fixing bush	1	
9	AP8121302	Steering lock bush	2	
10	AP8150211	Hex socket screw M8x16	2	
11	AP8123641	Dust cover ring	2	
12	AP8152289	Screw w/ flange	6	Technical Specifications:"R" 2002-2003 Version[R], "R - Factory" 2004-2005 Version[RF]
12	AP8152289	Screw w/ flange	6	Technical Specifications:"R - Standard" 2004-2005 Version[RS], "Standard" 2002-2003 Version[ST]
13	AP8152281	Screw w/ flange M6x30	2	Technical Specifications:"R - Standard" 2004-2005 Version[RS], "Standard" 2002-2003 Version[ST]

Group	FRAME
Code	28.06
Description	Steering
Service	1



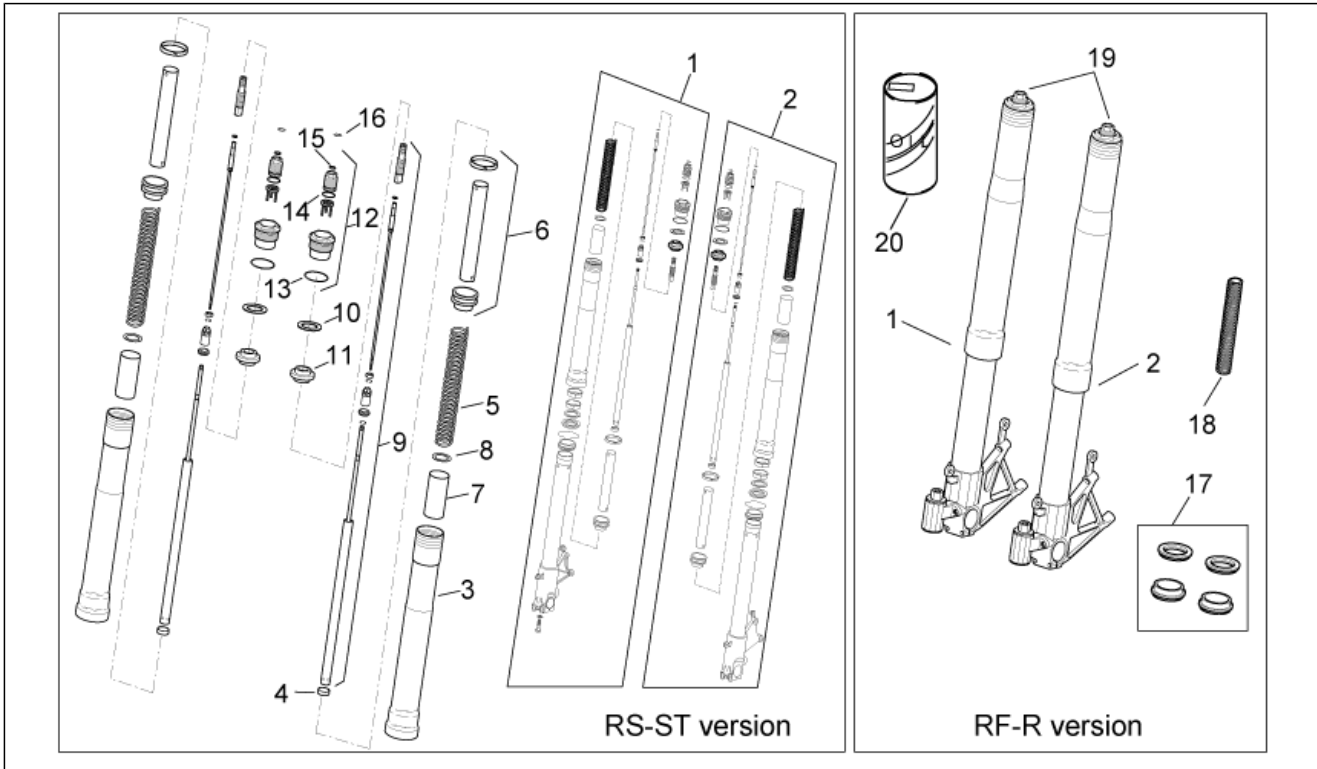
Pos.	Code	Description	Qty	Variants
13	AP8152281	Screw w/ flange M6x30	2	Technical Specifications: "R" 2002-2003 Version[R], "R - Factory" 2004-2005 Version[RF]
14	AP8121041	Spacer *	1	Technical Specifications: "R - Standard" 2004-2005 Version[RS], "Standard" 2002-2003 Version[ST]
14	AP8121041	Spacer *	1	Technical Specifications: "R" 2002-2003 Version[R], "R - Factory" 2004-2005 Version[RF]
15	AP8123645	Steering shock absorber Sachs	1	Technical Specifications: "R - Standard" 2004-2005 Version[RS], "Standard" 2002-2003 Version[ST]
15	AP8123972	Steering shock absorber Ohlin	1	Technical Specifications: "R" 2002-2003 Version[R], "R - Factory" 2004-2005 Version[RF]
16	AP8152384	Stem plug washer	1	
17	AP8150490	Dowel	1	Technical Specifications: "R - Standard" 2004-2005 Version[RS], "Standard" 2002-2003 Version[ST]
17	AP8150490	Dowel	1	Technical Specifications: "R" 2002-2003 Version[R], "R - Factory" 2004-2005 Version[RF]
18	AP8123865	Articulated head	1	Technical Specifications: "R - Standard" 2004-2005 Version[RS], "Standard" 2002-2003 Version[ST]
19	AP8121236	Steering shockabs.union	1	Technical Specifications: "R - Standard" 2004-2005 Version[RS], "Standard" 2002-2003 Version[ST]
20	AP8152040	Hex socket screw	1	Technical Specifications: "R - Standard" 2004-2005 Version[RS], "Standard" 2002-2003 Version[ST]
21	AP8123864	Circlip	2	Technical Specifications: "R - Standard" 2004-2005 Version[RS], "Standard" 2002-2003 Version[ST]
22	AP8121233	T bush	2	Technical Specifications: "R - Standard" 2004-2005 Version[RS], "Standard" 2002-2003 Version[ST]
23	AP8220149	O-ring 119	2	Technical Specifications: "R - Standard" 2004-2005 Version[RS], "Standard" 2002-2003 Version[ST]
24	AP8123866	Ball joint	1	Technical Specifications: "R - Standard" 2004-2005 Version[RS], "Standard" 2002-2003 Version[ST]
25	AP8121235	Steering shockabs. collar	1	Technical Specifications: "R - Standard" 2004-2005 Version[RS], "Standard" 2002-2003 Version[ST]

Group	FRAME
Code	28.07
Description	Front fork I
Service	1



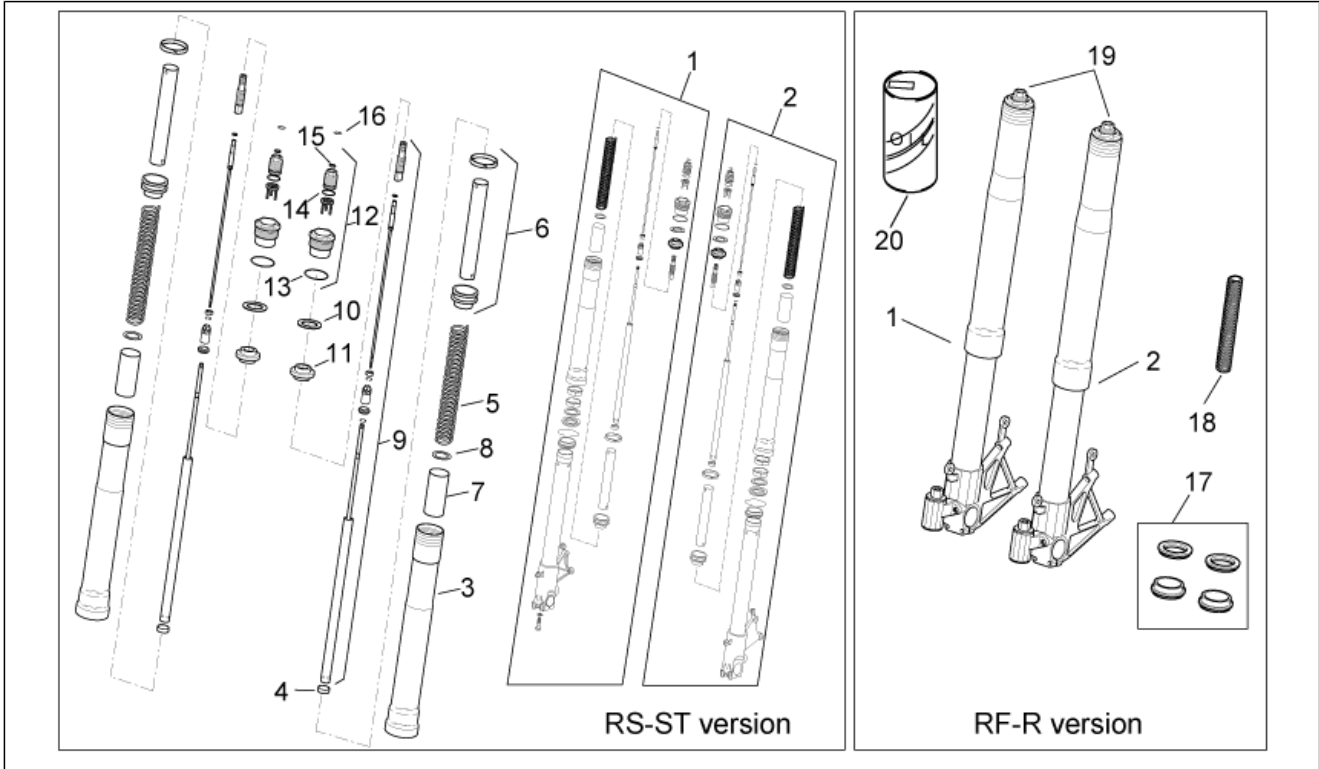
Pos.	Code	Description	Qty	Variants
1	AP8123637	RH hub cpl.	1	Technical Specifications: "R - Standard" 2004-2005 Version[RS], Fork with letter S on hub[S], "Standard" 2002-2003 Version[ST]
1	AP8123970	RH hub cpl.	1	Year: 2002[2] Technical Specifications: "R" 2002-2003 Version[R]
1	AP8163062	RH hub cpl.	1	Year: 2003[3] Technical Specifications: "R" 2002-2003 Version[R]
1	AP8163062	RH hub cpl.	1	Year: 2004[4] Technical Specifications: "R" 2002-2003 Version[R], "R - Factory" 2004-2005 Version[RF]
1	AP8163477	RH hub cpl.	1	Year: 2005[5] Technical Specifications: "R - Factory" 2004-2005 Version[RF]
2	AP8123638	LH hub cpl.	1	Technical Specifications: "R - Standard" 2004-2005 Version[RS], Fork with letter S on hub[S], "Standard" 2002-2003 Version[ST]
2	AP8123971	LH hub cpl.	1	Year: 2002[2] Technical Specifications: "R" 2002-2003 Version[R]
2	AP8163063	LH hub cpl.	1	Year: 2003[3] Technical Specifications: "R" 2002-2003 Version[R]
2	AP8163063	LH hub cpl.	1	Year: 2004[4] Technical Specifications: "R" 2002-2003 Version[R], "R - Factory" 2004-2005 Version[RF]
2	AP8163476	LH hub cpl.	1	Year: 2005[5] Technical Specifications: "R - Factory" 2004-2005 Version[RF]
3	AP8123829	Sleeve	2	Technical Specifications: "R - Standard" 2004-2005 Version[RS], Fork with letter S on hub[S], "Standard" 2002-2003 Version[ST]
4	AP8123810	Plunger attachment bush	2	Technical Specifications: "R - Standard" 2004-2005 Version[RS], Fork with letter S on hub[S], "Standard" 2002-2003 Version[ST]

Group	FRAME
Code	28.07
Description	Front fork I
Service	1



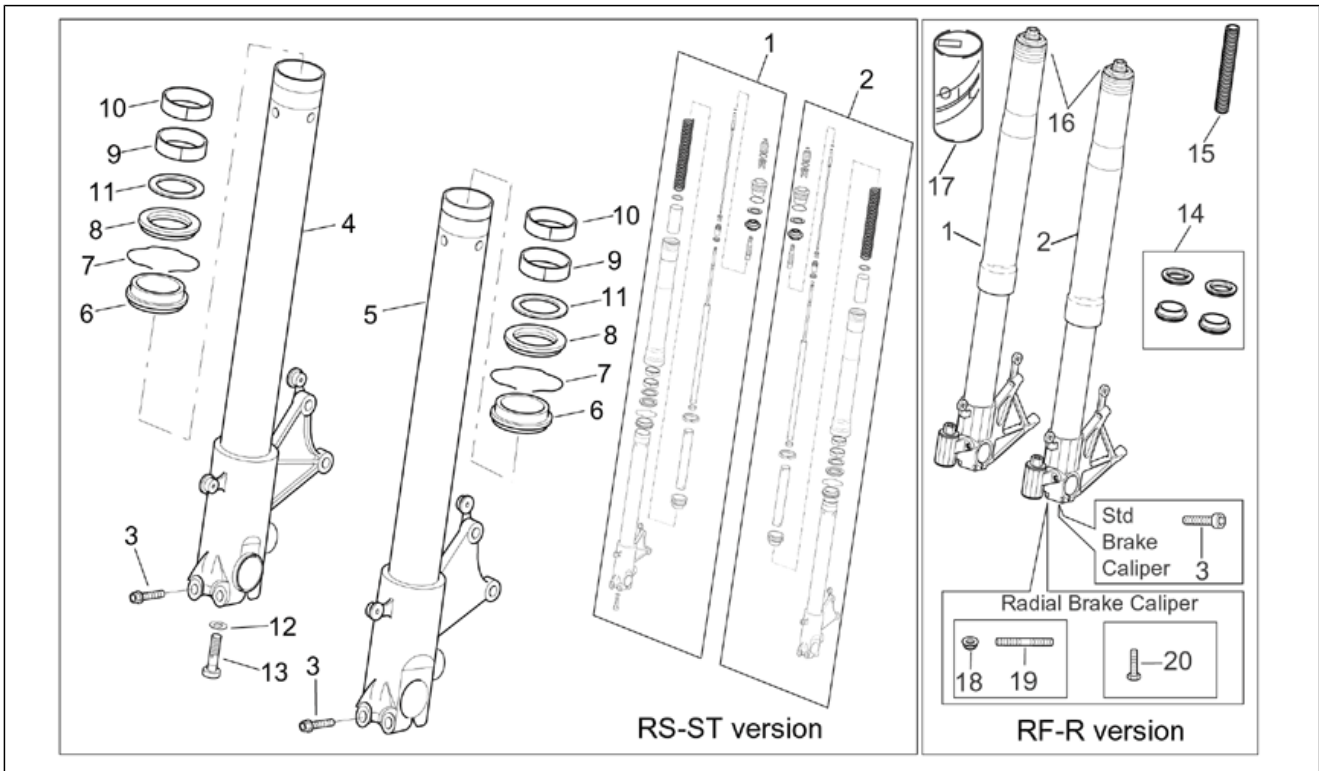
Pos.	Code	Description	Qty	Variants
5	AP8123831	Spring	2	Technical Specifications: "R - Standard" 2004-2005 Version[RS], Fork with letter S on hub[S], "Standard" 2002-2003 Version[ST]
6	AP8123832	Preload tube cpl.	2	Technical Specifications: "R - Standard" 2004-2005 Version[RS], Fork with letter S on hub[S], "Standard" 2002-2003 Version[ST]
7	AP8123835	Spacer	2	Technical Specifications: "R - Standard" 2004-2005 Version[RS], Fork with letter S on hub[S], "Standard" 2002-2003 Version[ST]
8	AP8123836	Washer	2	Technical Specifications: "R - Standard" 2004-2005 Version[RS], Fork with letter S on hub[S], "Standard" 2002-2003 Version[ST]
9	AP8163034	Plunger, complete	2	Technical Specifications: "R - Standard" 2004-2005 Version[RS], Fork with letter S on hub[S], "Standard" 2002-2003 Version[ST]
10	AP8123816	Washer	2	Technical Specifications: "R - Standard" 2004-2005 Version[RS], Fork with letter S on hub[S], "Standard" 2002-2003 Version[ST]
11	AP8123815	Ring	2	Technical Specifications: "R - Standard" 2004-2005 Version[RS], Fork with letter S on hub[S], "Standard" 2002-2003 Version[ST]
12	AP8123833	Sleeve plug cpl.	2	Technical Specifications: "R - Standard" 2004-2005 Version[RS], Fork with letter S on hub[S], "Standard" 2002-2003 Version[ST]
13	AP8123834	O-ring	2	Technical Specifications: "R - Standard" 2004-2005 Version[RS], Fork with letter S on hub[S], "Standard" 2002-2003 Version[ST]
14	AP8123819	O-ring	2	Technical Specifications: "R - Standard" 2004-2005 Version[RS], Fork with letter S on hub[S], "Standard" 2002-2003 Version[ST]
15	AP8123820	O-ring	2	Technical Specifications: "R - Standard" 2004-2005 Version[RS], Fork with letter S on hub[S], "Standard" 2002-2003 Version[ST]

Group	FRAME
Code	28.07
Description	Front fork I
Service	1



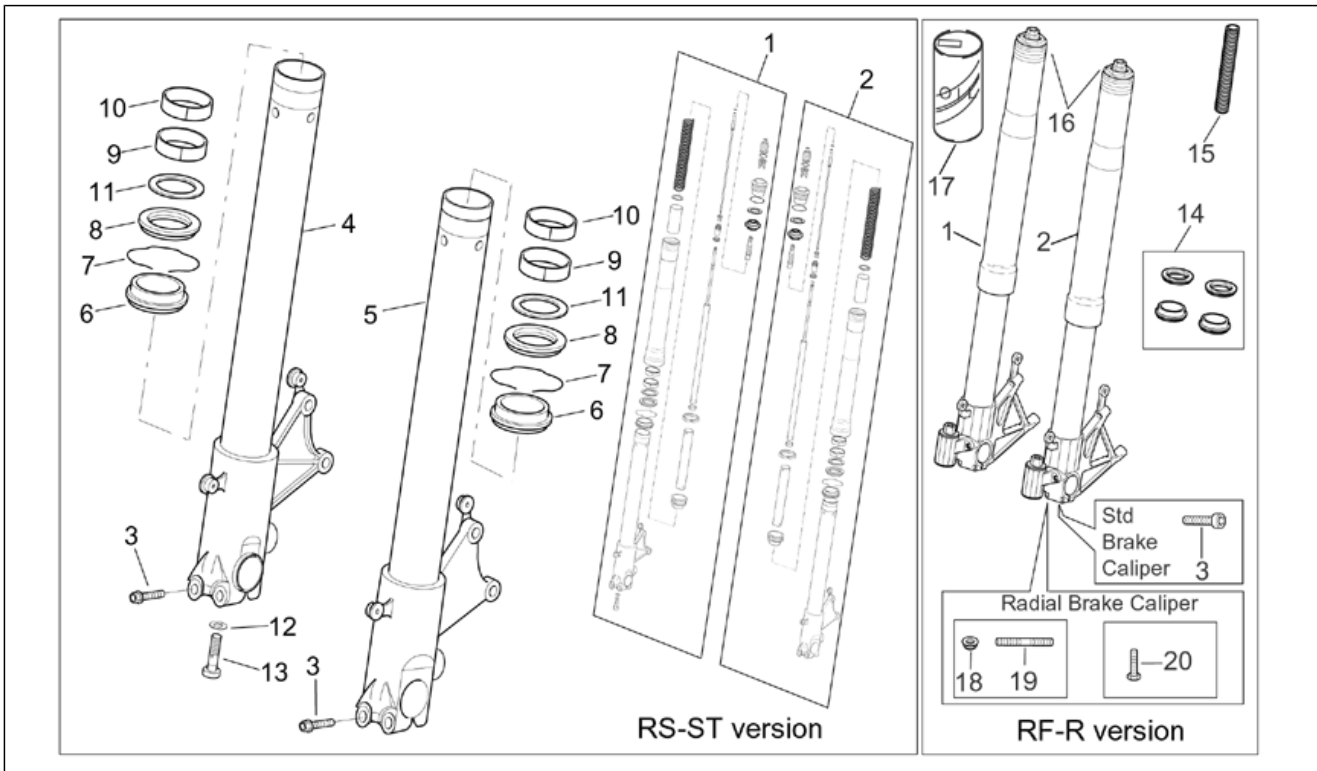
Pos.	Code	Description	Qty	Variants
16	AP8123821	Stop ring	2	Technical Specifications: "R - Standard" 2004-2005 Version[RS], Fork with letter S on hub[S], "Standard" 2002-2003 Version[ST]
17	AP8123975	Front fork revision kit	1	Technical Specifications: "R" 2002-2003 Version[R], "R - Factory" 2004-2005 Version[RF]
18	AP8163057	Spring	2	Technical Specifications: "R" 2002-2003 Version[R], "R - Factory" 2004-2005 Version[RF]
19	AP8123977	Plug cpl.	2	Technical Specifications: "R" 2002-2003 Version[R], "R - Factory" 2004-2005 Version[RF]
20	AP8116071	Front fork oil 1 lt.	1	Technical Specifications: "R" 2002-2003 Version[R], "R - Factory" 2004-2005 Version[RF]

Group	FRAME
Code	28.08
Description	Fron fork II
Service	1



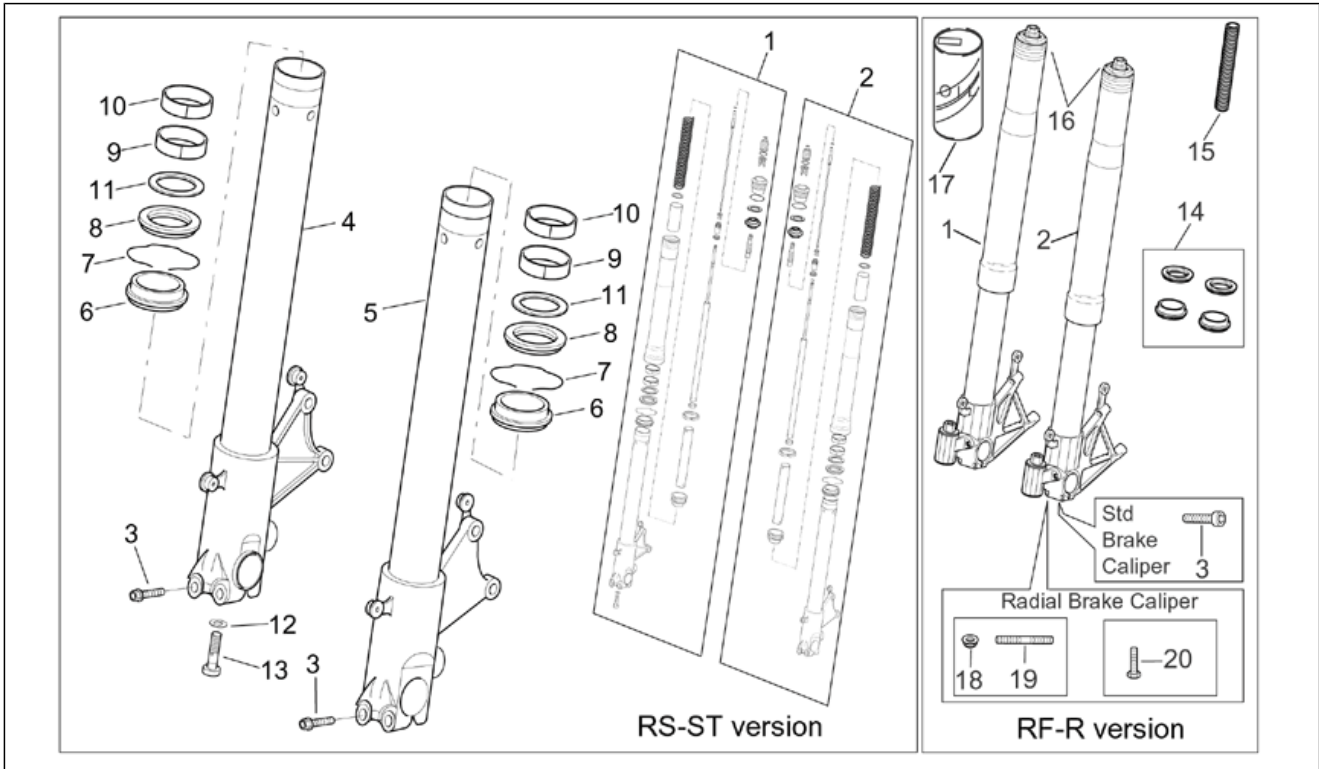
Pos.	Code	Description	Qty	Variants
1	AP8123637	RH hub cpl.	1	Technical Specifications: "R - Standard" 2004-2005 Version[RS], Fork with letter S on hub[S], "Standard" 2002-2003 Version[ST]
1	AP8123970	RH hub cpl.	1	Year: 2002[2] Technical Specifications: "R" 2002-2003 Version[R]
1	AP8163062	RH hub cpl.	1	Year: 2004[4] Technical Specifications: "R" 2002-2003 Version[R], "R - Factory" 2004-2005 Version[RF]
1	AP8163062	RH hub cpl.	1	Year: 2003[3] Technical Specifications: "R" 2002-2003 Version[R]
1	AP8163477	RH hub cpl.	1	Year: 2005[5] Technical Specifications: "R - Factory" 2004-2005 Version[RF]
2	AP8123638	LH hub cpl.	1	Technical Specifications: "R - Standard" 2004-2005 Version[RS], Fork with letter S on hub[S], "Standard" 2002-2003 Version[ST]
2	AP8123971	LH hub cpl.	1	Year: 2002[2] Technical Specifications: "R" 2002-2003 Version[R]
2	AP8163063	LH hub cpl.	1	Year: 2004[4] Technical Specifications: "R" 2002-2003 Version[R], "R - Factory" 2004-2005 Version[RF]
2	AP8163063	LH hub cpl.	1	Year: 2003[3] Technical Specifications: "R" 2002-2003 Version[R]
2	AP8163476	LH hub cpl.	1	Year: 2005[5] Technical Specifications: "R - Factory" 2004-2005 Version[RF]
3	AP8152290	Screw w/ flange M8x40	4	Technical Specifications: "R - Standard" 2004-2005 Version[RS], Fork with letter S on hub[S], "Standard" 2002-2003 Version[ST]
4	AP8123822	Hub+RH fork leg	1	Technical Specifications: "R - Standard" 2004-2005 Version[RS], Fork with letter S on hub[S], "Standard" 2002-2003 Version[ST]

Group	FRAME
Code	28.08
Description	Fron fork II
Service	1



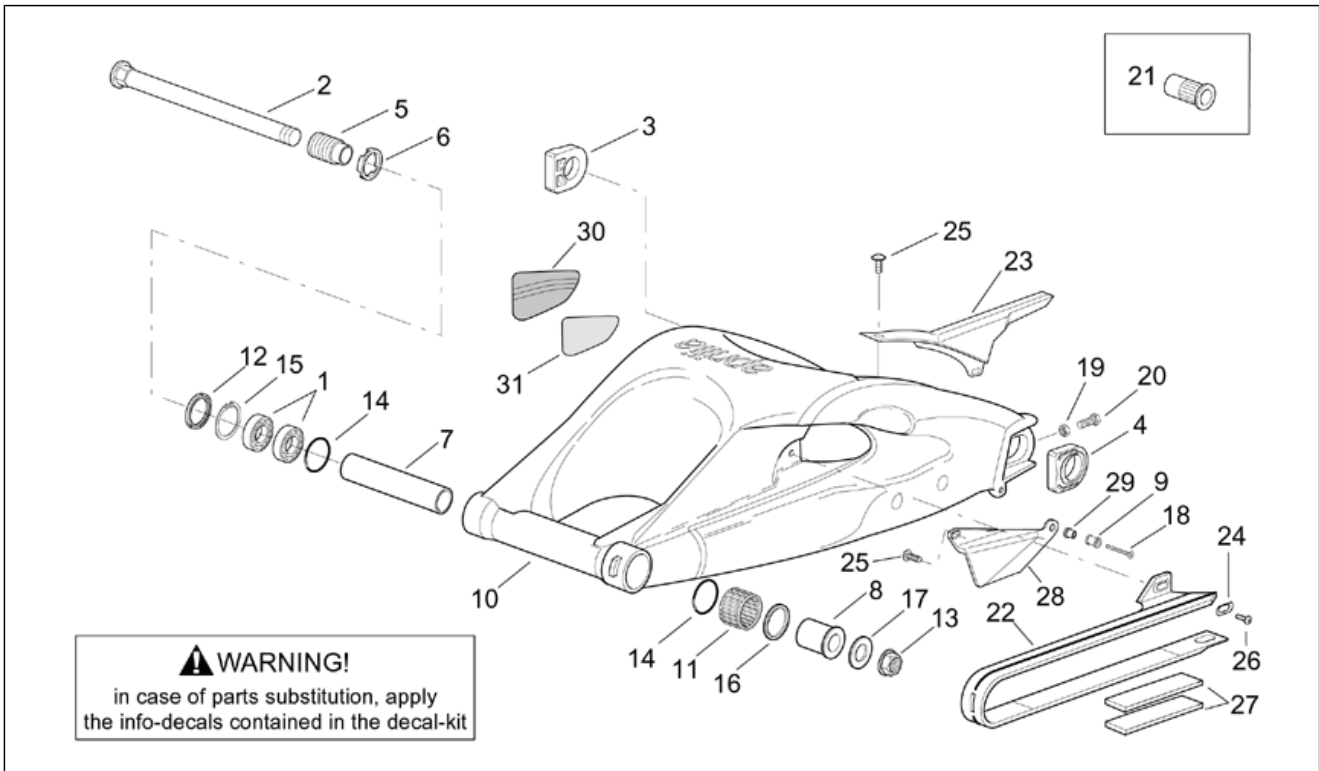
Pos.	Code	Description	Qty	Variants
5	AP8123823	Hub+LH fork leg	1	Technical Specifications: "R - Standard" 2004-2005 Version[RS], Fork with letter S on hub[S], "Standard" 2002-2003 Version[ST]
6	AP8123824	Dust cover	2	Technical Specifications: "R - Standard" 2004-2005 Version[RS], Fork with letter S on hub[S], "Standard" 2002-2003 Version[ST]
7	AP8123806	Circlip	2	Technical Specifications: "R - Standard" 2004-2005 Version[RS], Fork with letter S on hub[S], "Standard" 2002-2003 Version[ST]
8	AP8123825	Oil seal	2	Technical Specifications: "R - Standard" 2004-2005 Version[RS], Fork with letter S on hub[S], "Standard" 2002-2003 Version[ST]
9	AP8123827	Bush D.47,1xd.43xh.20	2	Technical Specifications: "R - Standard" 2004-2005 Version[RS], Fork with letter S on hub[S], "Standard" 2002-2003 Version[ST]
10	AP8123828	Bush D.44,5xd.41,1xh.20	2	Technical Specifications: "R - Standard" 2004-2005 Version[RS], Fork with letter S on hub[S], "Standard" 2002-2003 Version[ST]
11	AP8123826	Ring	2	Technical Specifications: "R - Standard" 2004-2005 Version[RS], Fork with letter S on hub[S], "Standard" 2002-2003 Version[ST]
12	AP8123811	Special washer	2	Technical Specifications: "R - Standard" 2004-2005 Version[RS], Fork with letter S on hub[S], "Standard" 2002-2003 Version[ST]
13	AP8123812	screw M10x1,5	2	Technical Specifications: "R - Standard" 2004-2005 Version[RS], Fork with letter S on hub[S], "Standard" 2002-2003 Version[ST]
14	AP8123975	Front fork revision kit	1	Technical Specifications: "R" 2002-2003 Version[R], "R - Factory" 2004-2005 Version[RF]
15	AP8163057	Spring	2	Technical Specifications: "R" 2002-2003 Version[R], "R - Factory" 2004-2005 Version[RF]
16	AP8123977	Plug cpl.	2	Technical Specifications: "R" 2002-2003 Version[R], "R - Factory" 2004-2005 Version[RF]

Group	FRAME
Code	28.08
Description	Fron fork II
Service	1



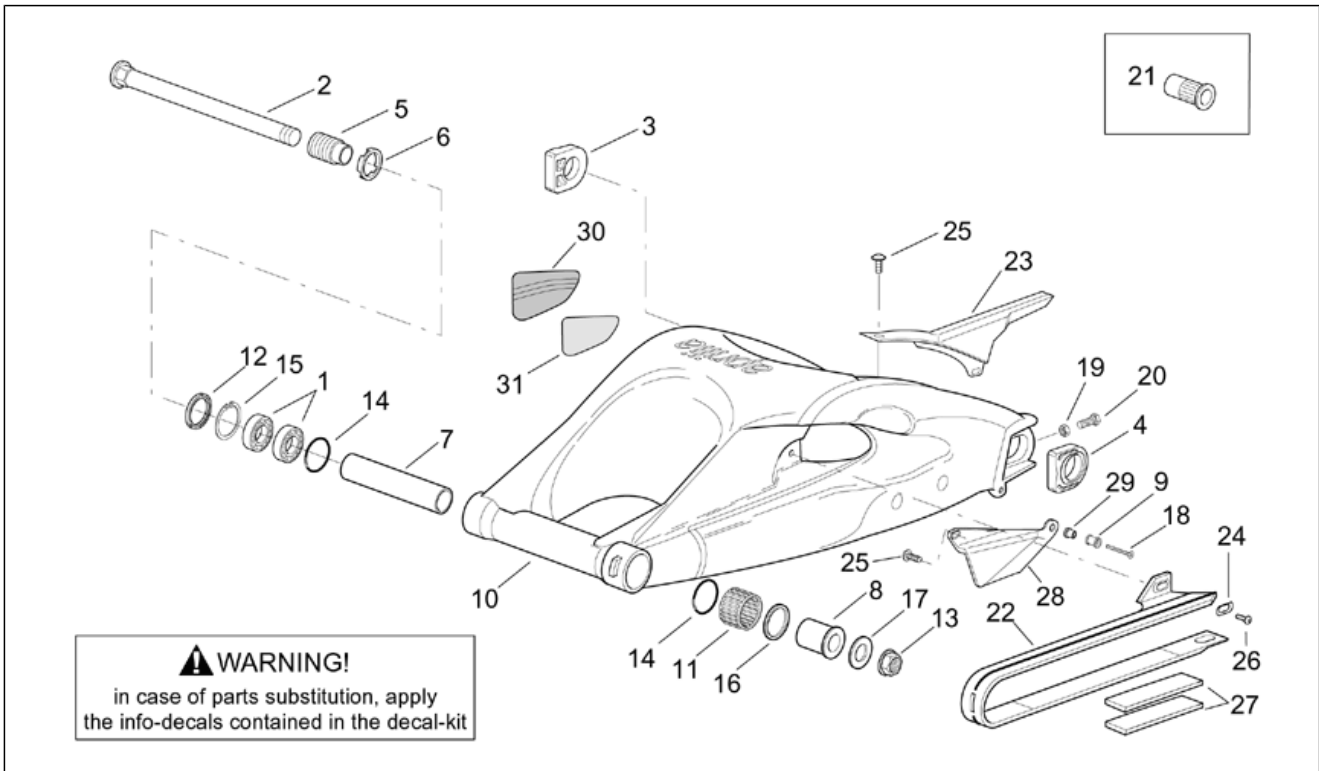
Pos.	Code	Description	Qty	Variants
17	AP8116071	Front fork oil 1 lt.	1	Technical Specifications: "R" 2002-2003 Version[R], "R - Factory" 2004-2005 Version[RF]
18	AP8152299	Self-locking nut M6	4	Technical Specifications: "R" 2002-2003 Version[R], "R - Factory" 2004-2005 Version[RF]
19	AP8121178	Stud bolt	4	Technical Specifications: "R" 2002-2003 Version[R], "R - Factory" 2004-2005 Version[RF]
20	AP8163481	screw	4	Technical Specifications: "R" 2002-2003 Version[R], "R - Factory" 2004-2005 Version[RF]

Group	FRAME
Code	28.09
Description	Swing arm
Service	1



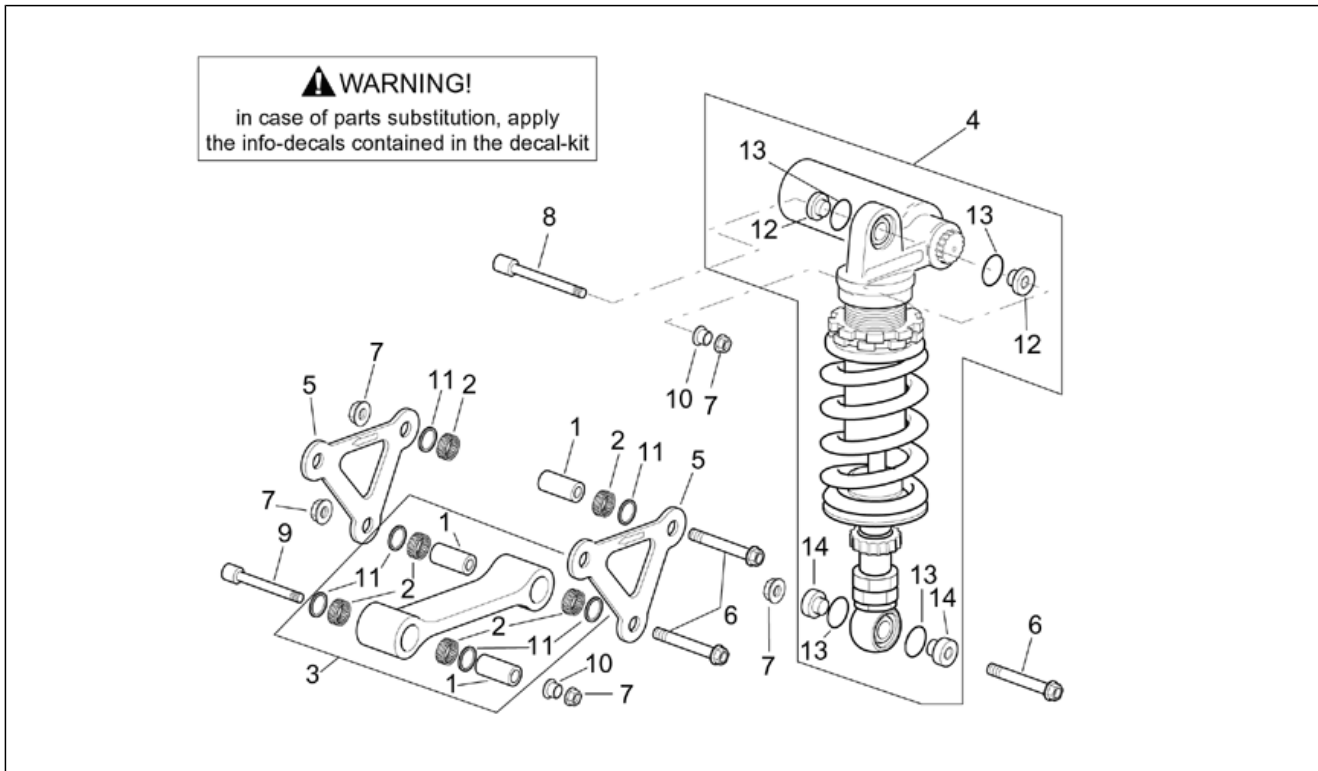
Pos.	Code	Description	Qty	Variants
1	AP8110079	Ball bearing	2	
2	AP8125830	Rear swing arm pin	1	
3	AP8120985	RH chain guide plate	1	
4	AP8120986	LH chain guide plate	1	
5	AP8121200	Adjustment bush	1	
6	AP8121201	Swing arm ring nut	1	
7	AP8121202	Internal spacer	1	
8	AP8121203	Rear int.sw.arm piv.bush	1	
9	AP8121890	Rear stand bush	2	
10	AP8146639	Swing arm	1	Year:2002[2] Vehicle colour:Diablo Black "Racing" 2002[rac] Technical Specifications:"R" 2002-2003 Version[R]
10	AP8146764	Swing arm	1	Year:2002[2], 2003[3] Technical Specifications:"Standard" 2002-2003 Version[ST]
10	AP8146774	Swing arm, grey	1	Year:2003[3] Technical Specifications:"R" 2002-2003 Version[R], Racing GARA 2003[RG]
10	AP8146774	Swing arm, grey	1	Year:2004[4], 2005[5]
11	AP8110078	Cage à rouleaux	1	
12	AP8144006	Gasket ring	1	
13	AP8125763	Rear wheel spindle nut	1	
14	AP8144048	O-ring 134	2	
15	AP8121204	Inside circlip d37	1	
16	AP8144005	Gasket ring	1	
17	AP8125687	Wheel pin washer	1	
18	AP8150468	Screw M6x40	2	
19	AP8150334	Nut M8	2	
20	AP8152305	Chain tens.adjuster screw	2	
21	AP8201755	Threaded rivet	2	

Group	FRAME
Code	28.09
Description	Swing arm
Service	1



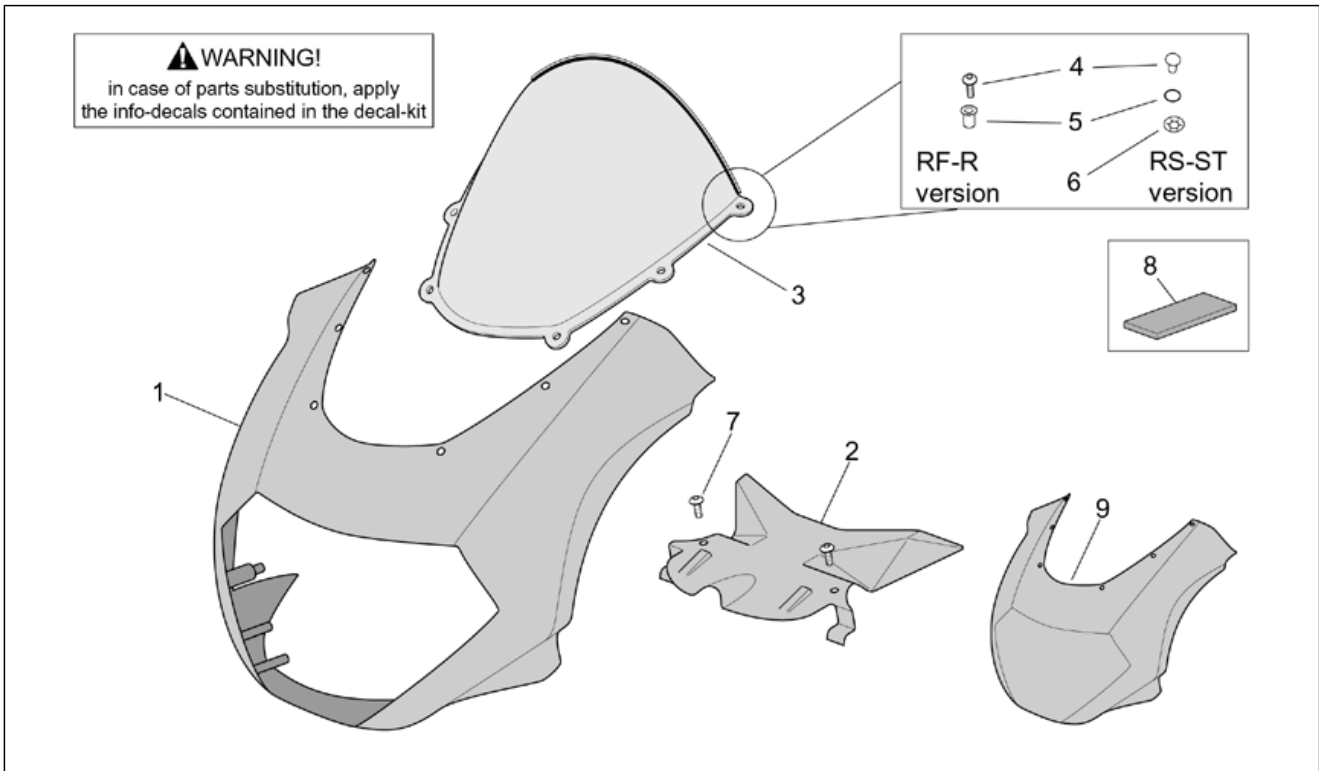
Pos.	Code	Description	Qty	Variants
22	AP8120995	Chain guide plate	1	
23	AP8138593	Chain guard	1	
24	AP8234020	Cup for shoe	2	
25	AP8152302	Screw w/ flange M5x12	2	
26	AP8152267	Hex socket screw M5x12	2	
27	AP8117033	Adhesive sponge	2	
28	AP8144284	Chain guide plate	1	
29	AP8121075	T bush *	2	
30	AP8168710	RH swing arm protection	1	Year:2002[2] Vehicle colour:Diablo Black "Racing" 2002[rac] Technical Specifications:"R" 2002-2003 Version[R]
30	AP8168710	RH swing arm protection	1	Year:2003[3] Technical Specifications:"Standard" 2002-2003 Version[ST]
30	AP8168710	RH swing arm protection	1	Year:2004[4], 2005[5] Technical Specifications:"R - Standard" 2004-2005 Version[RS]
30	AP8168796	RH swing arm protection carb.	1	Year:2004[4] Technical Specifications:"R - Factory" 2004-2005 Version[RF]
30	AP8168796	RH swing arm protection carb.	1	Year:2003[3] Technical Specifications:"R" 2002-2003 Version[R], Racing GARA 2003[RG]
30	AP8179026	RH swing arm protection	1	Year:2005[5] Technical Specifications:"R - Factory" 2004-2005 Version[RF]
31	AP8117233	Biadhesive	1	

Group	FRAME
Code	28.10
Description	Connecting rod - rear shock abs.
Service	1



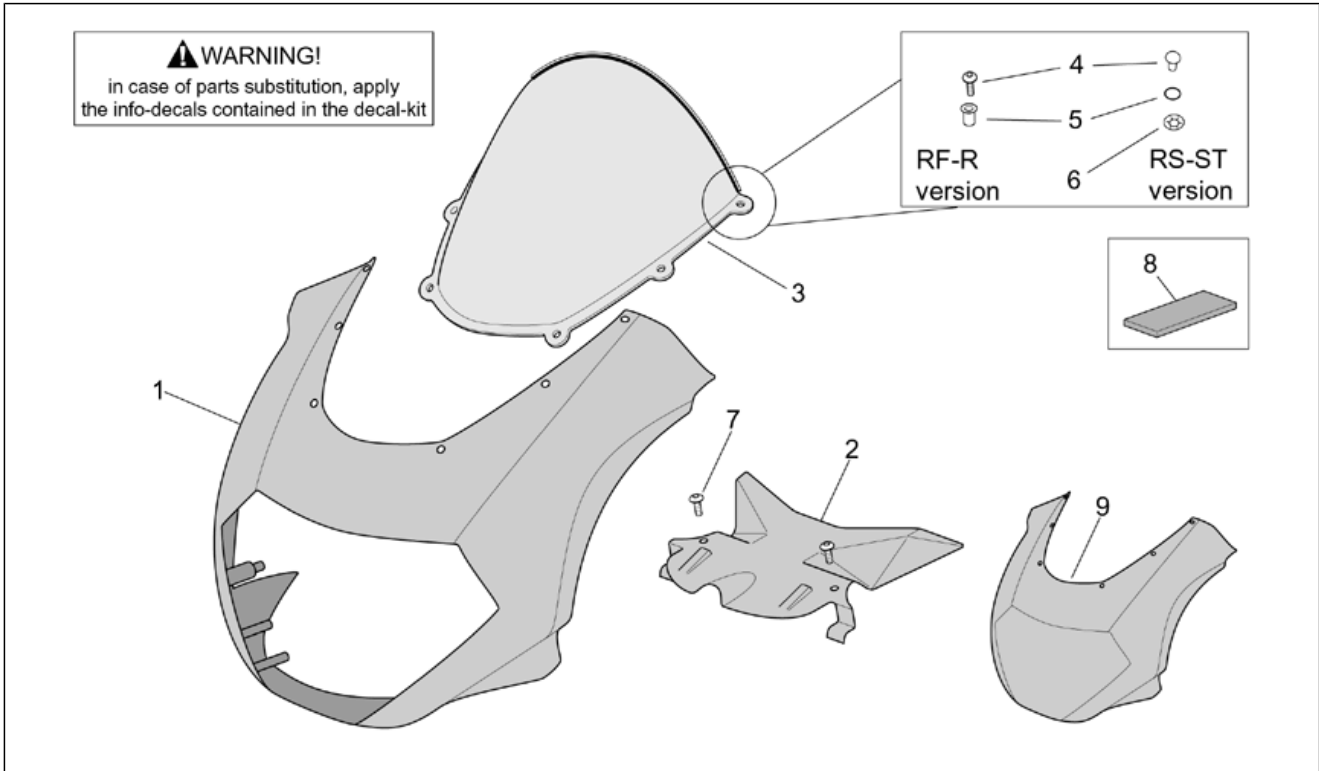
Pos.	Code	Description	Qty	Variants
1	AP8135924	Double connecting rod pin L40	2	
2	AP8110065	Cage à rouleaux	6	
3	AP8146340	Single conrod comp.	1	
4	AP8123942	Shock absorber	1	Technical Specifications: "R - Standard" 2004-2005 Version[RS], "Standard" 2002-2003 Version[ST]
4	AP8123973	Shock absorber	1	Technical Specifications: "R" 2002-2003 Version[R], "R - Factory" 2004-2005 Version[RF]
5	AP8146409	Double conrod	2	Technical Specifications: "R" 2002-2003 Version[R], "R - Factory" 2004-2005 Version[RF]
5	AP8146648	Double conrod	2	Technical Specifications: "R - Standard" 2004-2005 Version[RS], "Standard" 2002-2003 Version[ST]
5	AP8152322	Screw w/ flange M10x65	3	Technical Specifications: "R" 2002-2003 Version[R], "R - Factory" 2004-2005 Version[RF]
6	AP8152413	Screw w/ flange M10x61	3	Technical Specifications: "R - Standard" 2004-2005 Version[RS], "Standard" 2002-2003 Version[ST]
7	AP8152301	Self-locking nut	5	
8	AP8150458	Hex socket screw M10x63	1	
9	AP8150457	Hex socket screw M10x74	1	
10	AP8121155	T bush *	2	
11	AP8110068	Oil seal D18x24x3	6	
12	AP8123859	T bush	2	Technical Specifications: "R - Standard" 2004-2005 Version[RS], "Standard" 2002-2003 Version[ST]
13	AP8123860	O-ring	4	Technical Specifications: "R - Standard" 2004-2005 Version[RS], "Standard" 2002-2003 Version[ST]
14	AP8123870	T bush	2	Technical Specifications: "R - Standard" 2004-2005 Version[RS], "Standard" 2002-2003 Version[ST]

Group	FRAME
Code	28.11
Description	Front body - Front fairing
Service	1



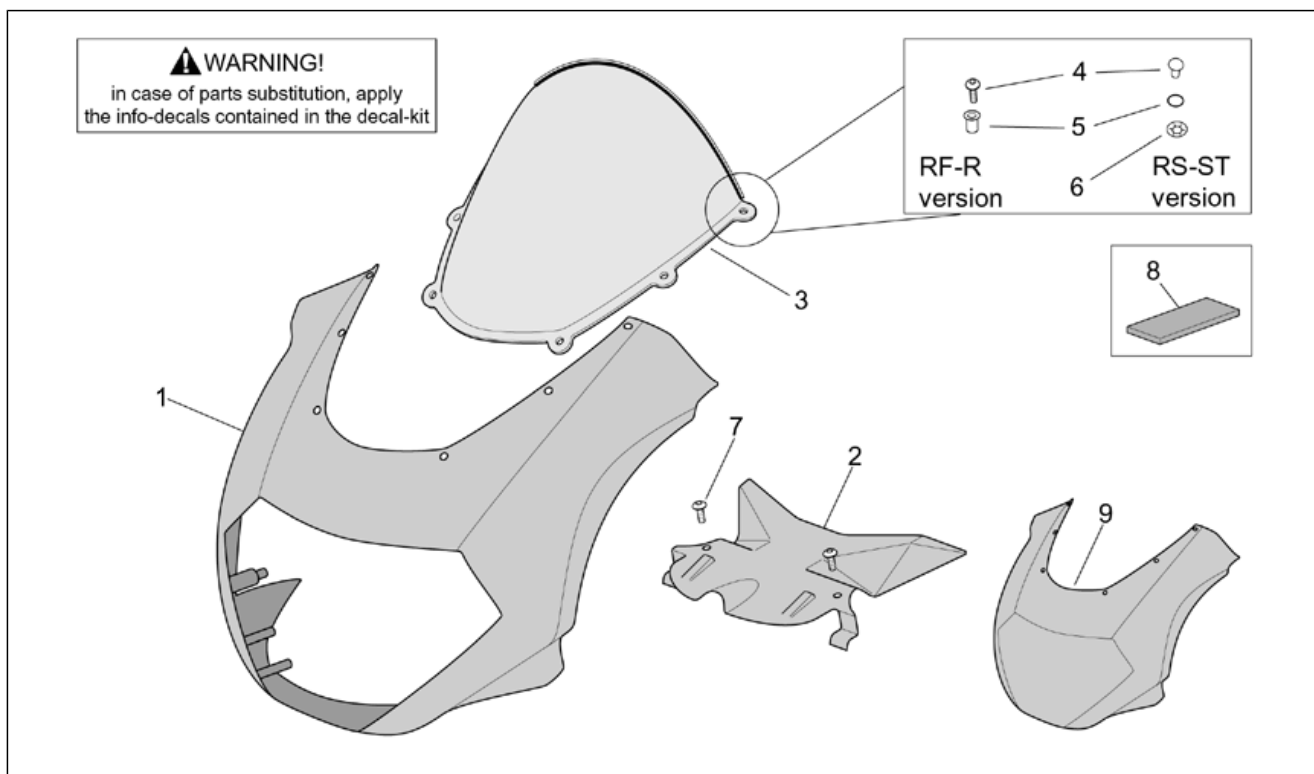
Pos.	Code	Description	Qty	Variants
1	AP8168069	Front fairing, carb.	1	Year:2002[2] Vehicle colour:Diablo Black "Racing" 2002[rac] Technical Specifications:"R" 2002-2003 Version[R]
1	AP8168226	Front fairing	1	Year:2003[3] Vehicle colour:Tulip Red 2002[t.red] Technical Specifications:"Standard" 2002-2003 Version[ST]
1	AP8168513	Front fairing	1	Year:2003[3] Vehicle colour:Magnet Grey 2003[m.grey] Technical Specifications:"Standard" 2002-2003 Version[ST]
1	AP8168799	Front fairing	1	Year:2003[3] Technical Specifications:Racing GARA 2003[RG]
1	AP8168799	Front fairing	1	Year:2004[4] Technical Specifications:"R - Factory" 2004-2005 Version[RF]
1	AP8178243	Front fairing, black	1	Year:2004[4], 2005[5] Vehicle colour:Darkness Black 2004[d.bla] Technical Specifications:"R - Standard" 2004-2005 Version[RS]
1	AP8178254	Front fairing, silver	1	Year:2004[4], 2005[5] Vehicle colour:Silver Mirror 2004[s.mir] Technical Specifications:"R - Standard" 2004-2005 Version[RS]
1	AP8178258	Front fairing, red	1	Year:2004[4], 2005[5] Vehicle colour:Fluo Red 2004[f.red] Technical Specifications:"R - Standard" 2004-2005 Version[RS]
1	AP8179014	Front fairing	1	Year:2005[5] Technical Specifications:"R - Factory" 2004-2005 Version[RF]
2	AP8168063	Front fairing-dashboard lockup	1	Year:2002[2] Vehicle colour:Diablo Black "Racing" 2002[rac] Technical Specifications:"R" 2002-2003 Version[R]
2	AP8168455	Front fairing-dashboard lockup	1	Year:2004[4]

Group	FRAME
Code	28.11
Description	Front body - Front fairing
Service	1



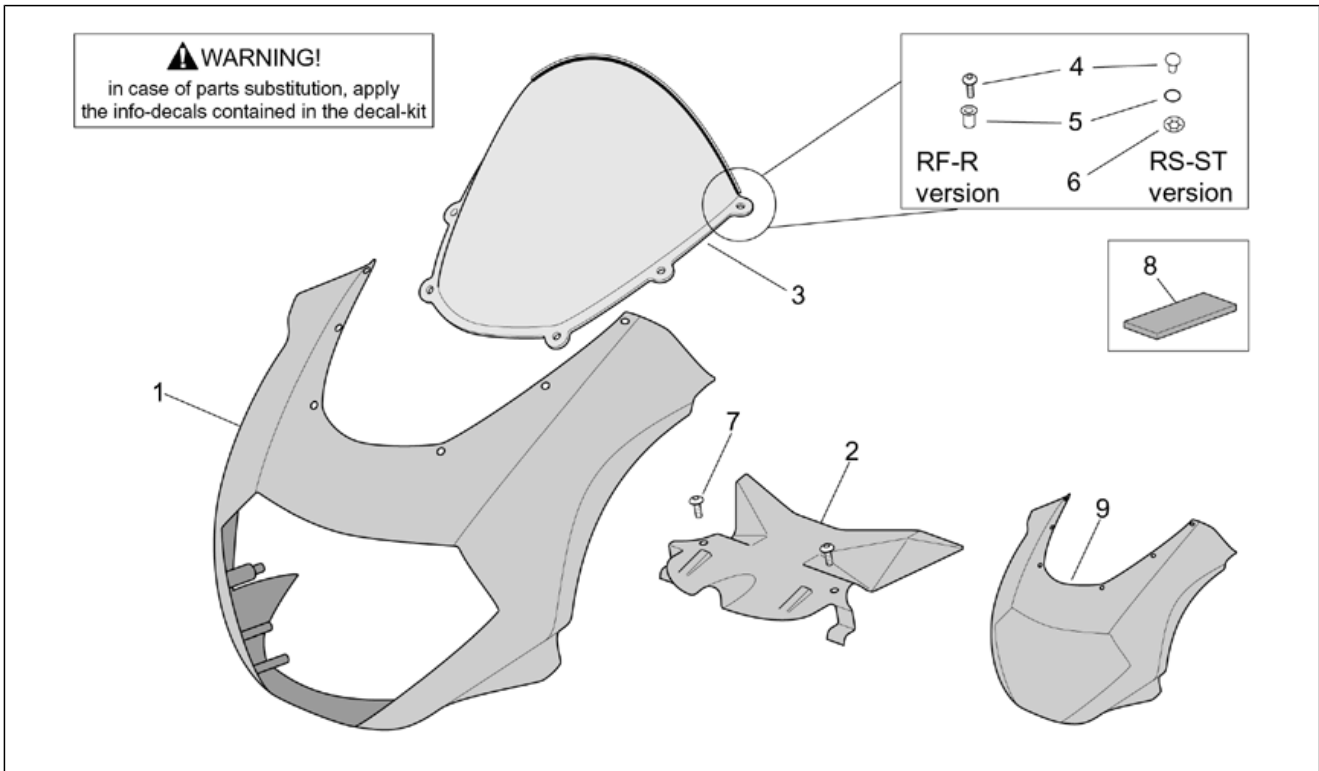
Pos.	Code	Description	Qty	Variants
				Technical Specifications: "R - Standard" 2004-2005 Version[RS]
2	AP8168455	Front fairing-dashboard lockup	1	Year: 2003[3] Vehicle colour: Magnet Grey 2003[m.grey], Tulip Red 2002[t.red] Technical Specifications: "Standard" 2002-2003 Version[ST]
2	AP8168907	Front fairing-dashboard lockup	1	Year: 2004[4] Technical Specifications: "R - Factory" 2004-2005 Version[RF]
2	AP8168907	Front fairing-dashboard lockup	1	Year: 2003[3] Technical Specifications: Racing GARA 2003[RG]
2	AP8179038	Front fairing-dashboard lockup	1	Year: 2005[5] Technical Specifications: "R - Factory" 2004-2005 Version[RF]
3	AP8168070	Windshield	1	Country: Germany[D], Spain[E], I, E, NL[EU], France[F], Greece[GR], Italy[I], Holland[NL], Finland[SF], Great Britain[UK] Technical Specifications: "R - Factory" 2004-2005 Version[RF]
3	AP8168070	Windshield	1	Vehicle colour: Diablo Black "Racing" 2002[rac] Country: Germany[D], Spain[E], I, E, NL[EU], France[F], Italy[I], Holland[NL], Great Britain[UK] Technical Specifications: "R" 2002-2003 Version[R], Racing GARA 2003[RG]
3	AP8168380	Windshield	1	Country: Australia[AA], Australia[AUS], USA (California Approval)[CF], United States of America[USA] Technical Specifications: "R - Factory" 2004-2005 Version[RF]
3	AP8168380	Windshield	1	Vehicle colour: Diablo Black "Racing" 2002[rac] Country: Australia[AA], Australia[AUS], USA (California Approval)[CF], United States of America[USA] Technical Specifications: "R" 2002-2003 Version[R], Racing GARA 2003[RG]
3	AP8168485	Windshield	1	Country: Belgium[B], Switzerland[CH], Germany[D], Denmark[DK], Spain[E], I, E, NL[EU], France[F], Greece[GR],

Group	FRAME
Code	28.11
Description	Front body - Front fairing
Service	1



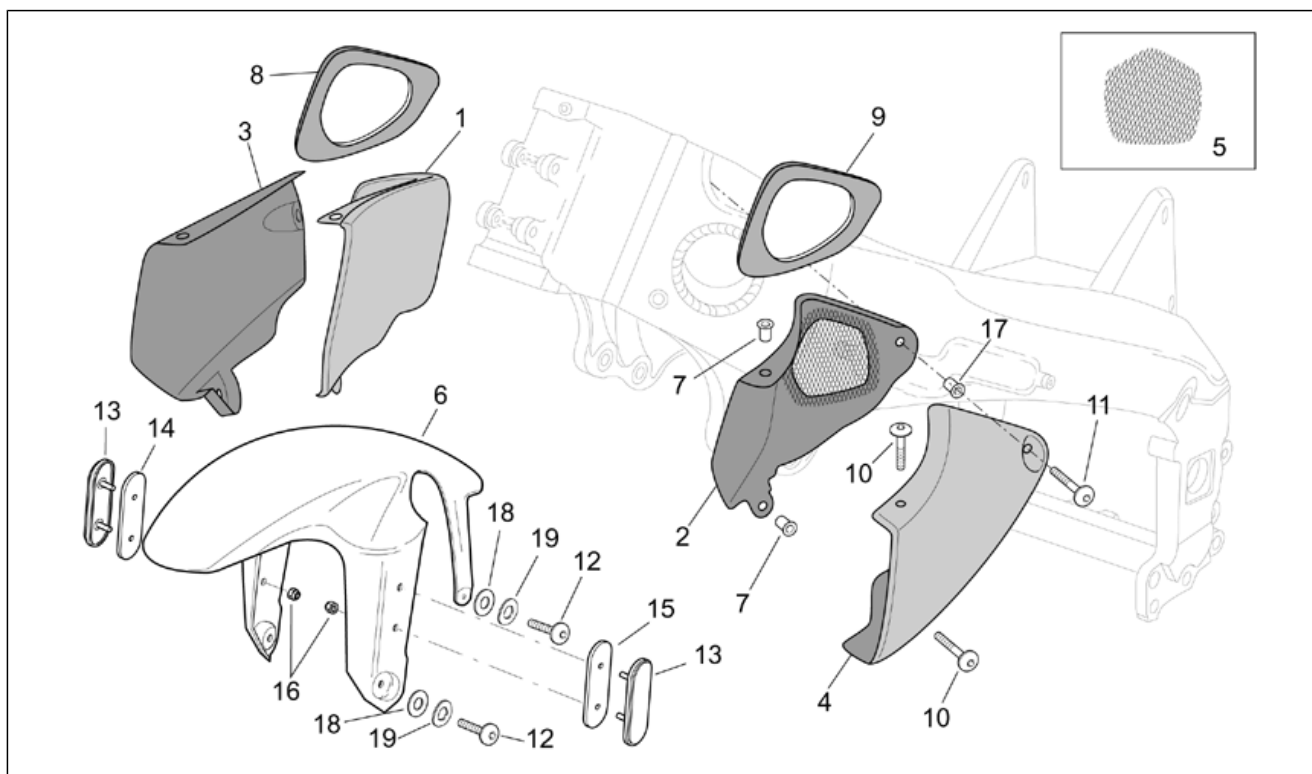
Pos.	Code	Description	Qty	Variants
				Italy[I], Japan[J], J[J], Mexico[ME], ME[MX], Holland[NL], Finland[SF], Spain[SP], Great Britain[UK] Technical Specifications: "R - Standard" 2004-2005 Version[RS]
3	AP8168485	Windshield	1	Vehicle colour: Magnet Grey 2003[m.grey], Tulip Red 2002[t.red] Country: Belgium[B], Switzerland[CH], Germany[D], Denmark[DK], Spain[E], I, E, NL[EU], France[F], Italy[I], Japan[J], J[J], Mexico[ME], ME[MX], Holland[NL], Spain[SP], Great Britain[UK] Technical Specifications: "Standard" 2002-2003 Version[ST]
3	AP8168601	Windshield	1	Vehicle colour: Magnet Grey 2003[m.grey], Tulip Red 2002[t.red] Country: Australia[AA], USA (49 Countries Approval)[AM], Australia[AUS], USA (California Approval)[CF], United States of America[USA] Technical Specifications: "Standard" 2002-2003 Version[ST]
3	AP8168601	Windshield	1	Country: Australia[AA], USA (49 Countries Approval)[AM], Australia[AUS], USA (California Approval)[CF], United States of America[USA] Technical Specifications: "R - Standard" 2004-2005 Version[RS]
4	AP8144109	Fixing pin	6	Technical Specifications: "R - Standard" 2004-2005 Version[RS], "Standard" 2002-2003 Version[ST]
4	AP8152415	Screw M4x10	6	Technical Specifications: "R" 2002-2003 Version[R], "R - Factory" 2004-2005 Version[RF]
5	AP8102504	Rubber spacer	6	Technical Specifications: "R - Standard" 2004-2005 Version[RS], "Standard" 2002-2003 Version[ST]
5	AP8144564	Rubber w/ insert M4	6	Technical Specifications: "R" 2002-2003 Version[R], "R - Factory" 2004-2005 Version[RF]
6	AP8150450	Washer for shafts D5	6	Technical Specifications: "R - Standard" 2004-2005 Version[RS], "Standard" 2002-2003 Version[ST]
7	AP8152298	Screw w/ flange M5x16	2	Technical Specifications: "R - Standard" 2004-2005 Version[RS], "Standard" 2002-2003 Version[ST]

Group	FRAME
Code	28.11
Description	Front body - Front fairing
Service	1



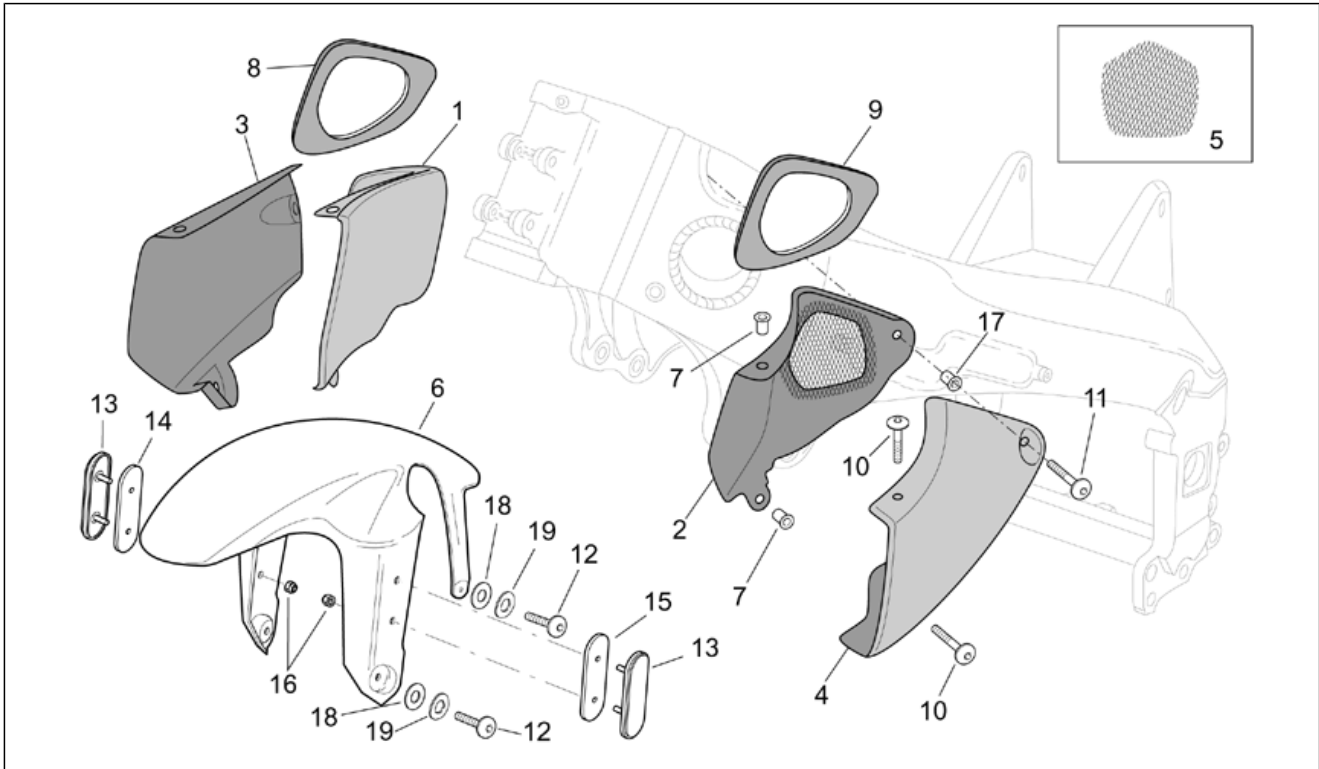
Pos.	Code	Description	Qty	Variants
7	AP8152421	Screw M6x20	2	Technical Specifications: "R" 2002-2003 Version[R], "R - Factory" 2004-2005 Version[RF]
8	AP8117004	Adhesive sponge 15x8	2	
9	AP8168809	Front fairing, carb.	1	Year: 2003[3] Technical Specifications: Racing version 2003 kit[kit]

Group	FRAME
Code	28.12
Description	Front body - Front mudguard
Service	1



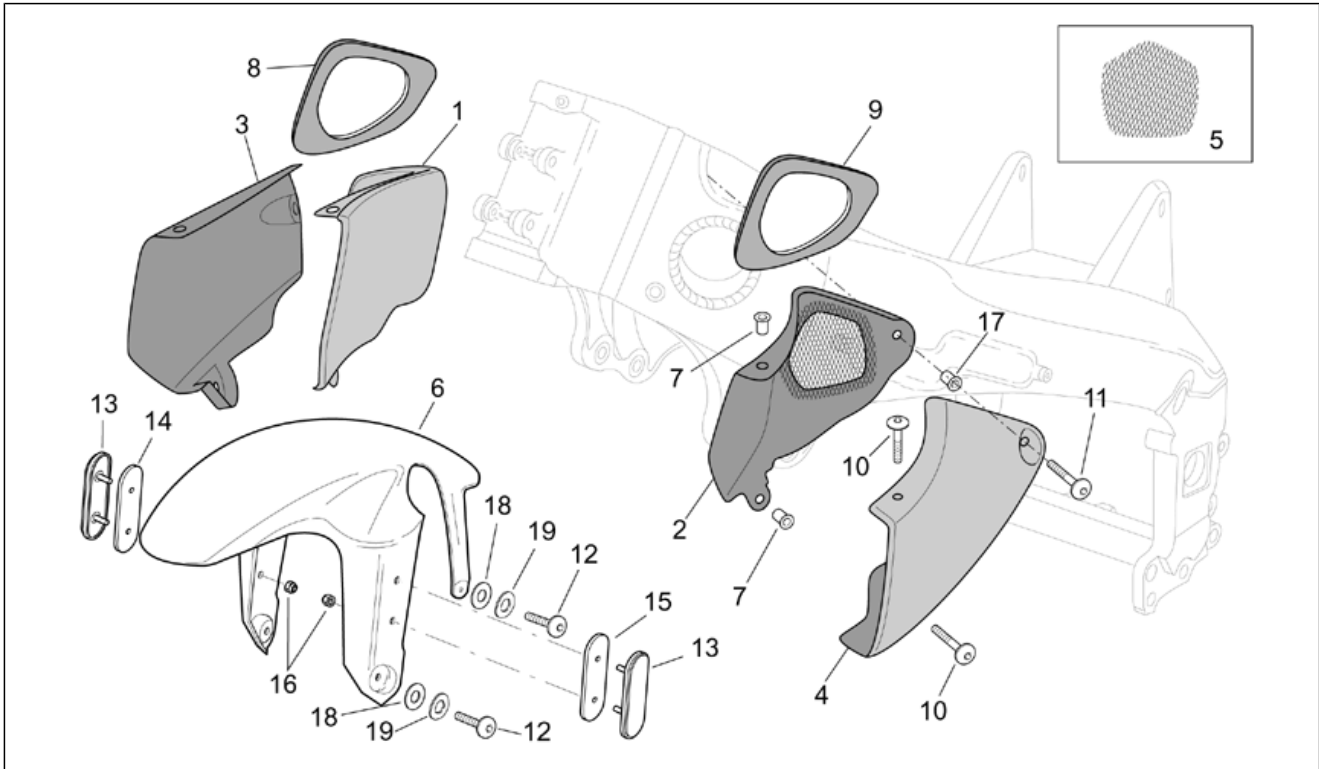
Pos.	Code	Description	Qty	Variants
1	AP8168073	RH internal air duct, c.	1	Year:2002[2] Vehicle colour:Diablo Black "Racing" 2002[rac] Technical Specifications:"R" 2002-2003 Version[R]
1	AP8168229	RH internal air duct	1	Year:2003[3] Vehicle colour:Magnet Grey 2003[m.grey], Tulip Red 2002[t.red] Technical Specifications:"Standard" 2002-2003 Version[ST]
1	AP8168229	RH internal air duct	1	Year:2004[4], 2005[5] Technical Specifications:"R - Standard" 2004-2005 Version[RS]
1	AP8168908	RH internal air duct, c.	1	Year:2004[4] Technical Specifications:"R - Factory" 2004-2005 Version[RF]
1	AP8168908	RH internal air duct, c.	1	Year:2003[3] Technical Specifications:Racing GARA 2003[RG]
1	AP8179040	RH internal air duct, c.	1	Year:2005[5] Technical Specifications:"R - Factory" 2004-2005 Version[RF]
2	AP8168074	LH internal air duct, c.	1	Year:2002[2] Vehicle colour:Diablo Black "Racing" 2002[rac] Technical Specifications:"R" 2002-2003 Version[R]
2	AP8168230	LH internal air duct	1	Year:2004[4], 2005[5] Technical Specifications:"R - Standard" 2004-2005 Version[RS]
2	AP8168230	LH internal air duct	1	Year:2003[3] Vehicle colour:Magnet Grey 2003[m.grey], Tulip Red 2002[t.red] Technical Specifications:"Standard" 2002-2003 Version[ST]
2	AP8168909	LH internal air duct, c.	1	Year:2004[4] Technical Specifications:"R - Factory" 2004-2005 Version[RF]
2	AP8168909	LH internal air duct, c.	1	Year:2003[3] Technical Specifications:Racing GARA 2003[RG]
2	AP8179041	LH internal air duct, c.	1	Year:2005[5]

Group	FRAME
Code	28.12
Description	Front body - Front mudguard
Service	1



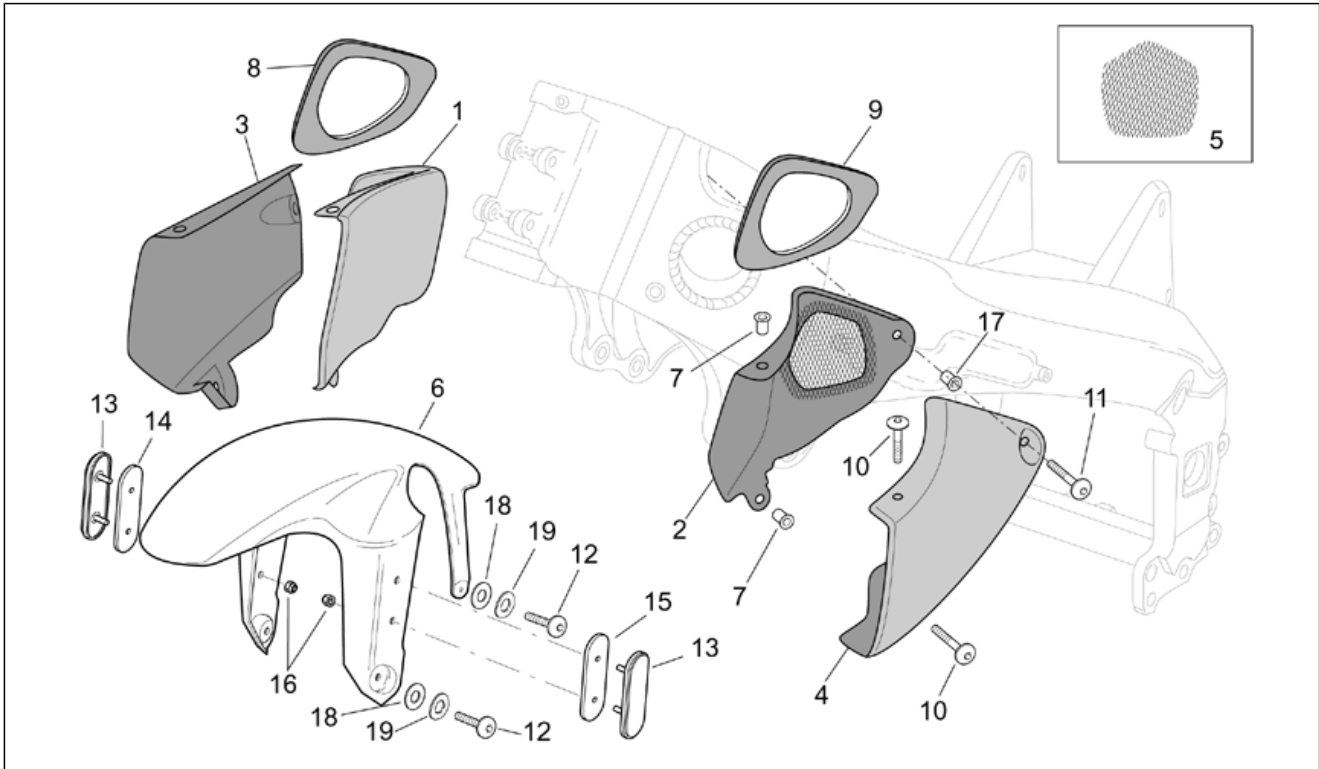
Pos.	Code	Description	Qty	Variants
				Technical Specifications: "R - Factory" 2004-2005 Version[RF]
3	AP8168075	RH external air duct, c.	1	Year: 2002[2] Vehicle colour: Diablo Black "Racing" 2002[rac] Technical Specifications: "R" 2002-2003 Version[R]
3	AP8168231	RH external air duct	1	Year: 2003[3] Vehicle colour: Magnet Grey 2003[m.grey], Tulip Red 2002[t.red] Technical Specifications: "Standard" 2002-2003 Version[ST]
3	AP8168802	RH external air duct, c.	1	Year: 2003[3] Technical Specifications: Racing GARA 2003[RG]
3	AP8178244	RH external air duct	1	Year: 2004[4], 2005[5] Technical Specifications: "R - Standard" 2004-2005 Version[RS]
3	AP8178434	RH external air duct, c.	1	Year: 2004[4] Technical Specifications: "R - Factory" 2004-2005 Version[RF]
3	AP8179028	RH external air duct, c.	1	Year: 2005[5] Technical Specifications: "R - Factory" 2004-2005 Version[RF]
4	AP8168076	LH external air duct, c.	1	Year: 2002[2] Vehicle colour: Diablo Black "Racing" 2002[rac] Technical Specifications: "R" 2002-2003 Version[R]
4	AP8168232	LH external air duct	1	Year: 2003[3] Vehicle colour: Magnet Grey 2003[m.grey], Tulip Red 2002[t.red] Technical Specifications: "Standard" 2002-2003 Version[ST]
4	AP8168803	LH external air duct, c.	1	Year: 2003[3] Technical Specifications: Racing GARA 2003[RG]
4	AP8178245	LH external air duct	1	Year: 2004[4], 2005[5] Technical Specifications: "R - Standard" 2004-2005 Version[RS]
4	AP8178435	LH external air duct, c.	1	Year: 2004[4]

Group	FRAME
Code	28.12
Description	Front body - Front mudguard
Service	1



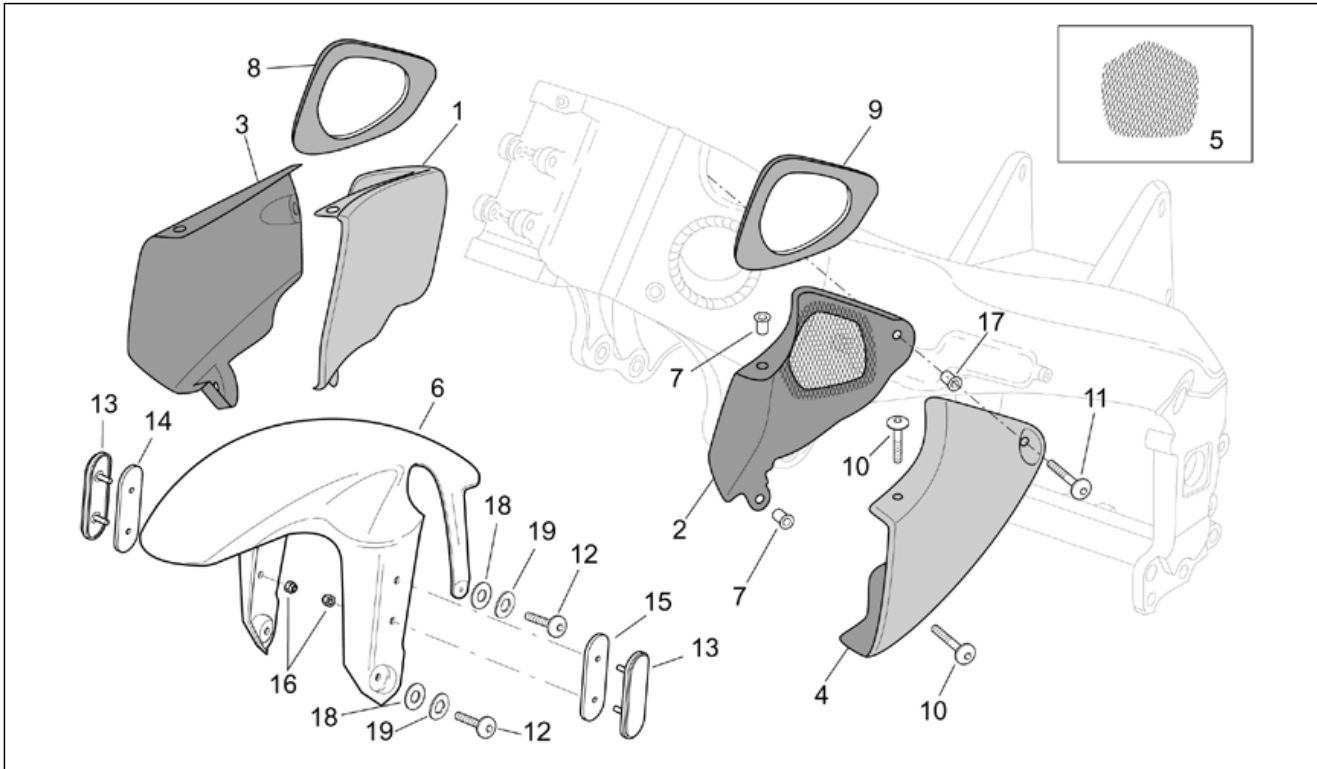
Pos.	Code	Description	Qty	Variants
				Technical Specifications: "R - Factory" 2004-2005 Version[RF]
4	AP8179029	LH external air duct, c.	1	Year: 2005[5] Technical Specifications: "R - Factory" 2004-2005 Version[RF]
5	AP8168222	Air intake grid	2	Technical Specifications: "R - Standard" 2004-2005 Version[RS], "Standard" 2002-2003 Version[ST]
6	AP8156006	Front mudguard, carb.	1	Year: 2002[2] Vehicle colour: Diablo Black "Racing" 2002[rac] Country: Australia[AA], Australia[AUS], Germany[D], Spain[E], I, E, NL[EU], France[F], Italy[I], Holland[NL], Great Britain[UK]
6	AP8156024	Front mudguard	1	Year: 2003[3] Vehicle colour: Tulip Red 2002[t.red] Country: Austria[A], Australia[AA], Australia[AUS], Belgium[B], Switzerland[CH], Germany[D], Denmark[DK], Spain[E], I, E, NL[EU], France[F], Italy[I], Japan[J], JJJ, Mexico[ME], ME[MX], Holland[NL], Spain[SP], Great Britain[UK]
6	AP8156039	Front mudguard, carb.	1	Year: 2002[2] Vehicle colour: Diablo Black "Racing" 2002[rac] Country: USA (California Approval)[CF], United States of America[USA]
6	AP8156043	Front mudguard	1	Year: 2003[3] Vehicle colour: Magnet Grey 2003[m.grey] Country: Austria[A], Australia[AA], Australia[AUS], Belgium[B], Switzerland[CH], Germany[D], Denmark[DK], Spain[E], I, E, NL[EU], France[F], Italy[I], Japan[J], JJJ, Mexico[ME], ME[MX], Holland[NL], Spain[SP], Great Britain[UK]
6	AP8156054	Front mudguard	1	Year: 2003[3] Vehicle colour: Tulip Red 2002[t.red] Country: USA (49 Countries Approval)[AM], USA (California Approval)[CF], United States of America[USA]
6	AP8156057	Front mudguard	1	Year: 2003[3]

Group	FRAME
Code	28.12
Description	Front body - Front mudguard
Service	1



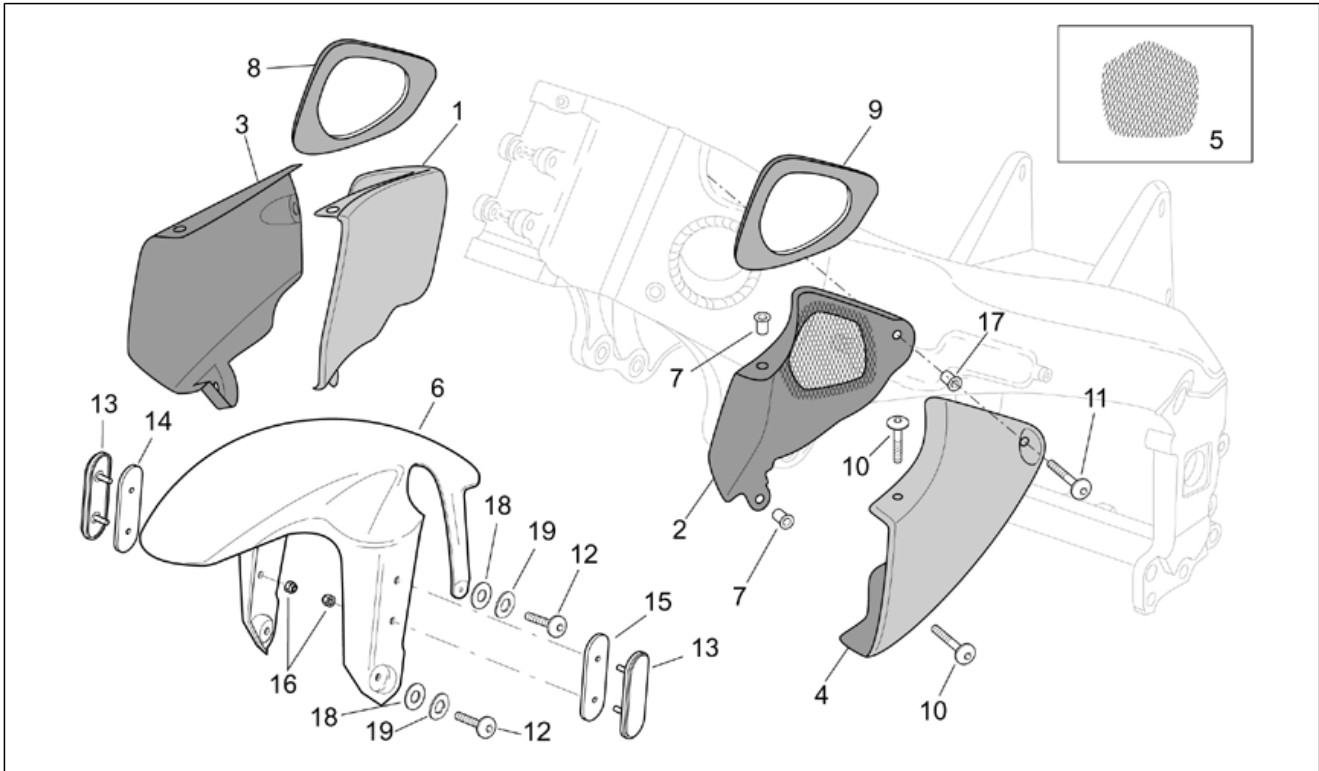
Pos.	Code	Description	Qty	Variants
				Vehicle colour: Magnet Grey 2003[m.grey] Country: USA (49 Countries Approval)[AM], USA (California Approval)[CF], United States of America[USA]
6	AP8156070	Front mudguard, carb.	1	Year: 2003[3] Country: Australia[AA], Australia[AUS], Germany[D], Spain[E], I, E, NL[EU], France[F], Italy[I], Holland[NL], Great Britain[UK] Technical Specifications: Racing GARA 2003[RG]
6	AP8156070	Front mudguard, carb.	1	Year: 2004[4] Technical Specifications: "R - Factory" 2004-2005 Version[RF]
6	AP8156076	Front mudguard, carb.	1	Year: 2003[3] Country: USA (California Approval)[CF], United States of America[USA] Technical Specifications: Racing GARA 2003[RG]
6	AP8156113	Front mudguard, black	1	Year: 2004[4], 2005[5] Vehicle colour: Darkness Black 2004[d.bla] Technical Specifications: "R - Standard" 2004-2005 Version[RS]
6	AP8156115	Front mudguard, silver	1	Year: 2004[4], 2005[5] Vehicle colour: Silver Mirror 2004[s.mir] Technical Specifications: "R - Standard" 2004-2005 Version[RS]
6	AP8156117	Front mudguard, red	1	Year: 2004[4], 2005[5] Vehicle colour: Fluo Red 2004[f.red] Technical Specifications: "R - Standard" 2004-2005 Version[RS]
6	AP8156193	Front mudguard, carb.	1	Year: 2005[5] Country: Austria[A], Australia[AA], Australia[AUS], Belgium[B], Switzerland[CH], Germany[D], Denmark[DK], Spain[E], I, E, NL[EU], France[F], Greece[GR], Italy[I], Japan[J], J[JJ], Mexico[ME], ME[MX], Holland[NL], Spain[SP], Great Britain[UK] Technical Specifications: "R - Factory" 2004-2005 Version[RF]

Group	FRAME
Code	28.12
Description	Front body - Front mudguard
Service	1



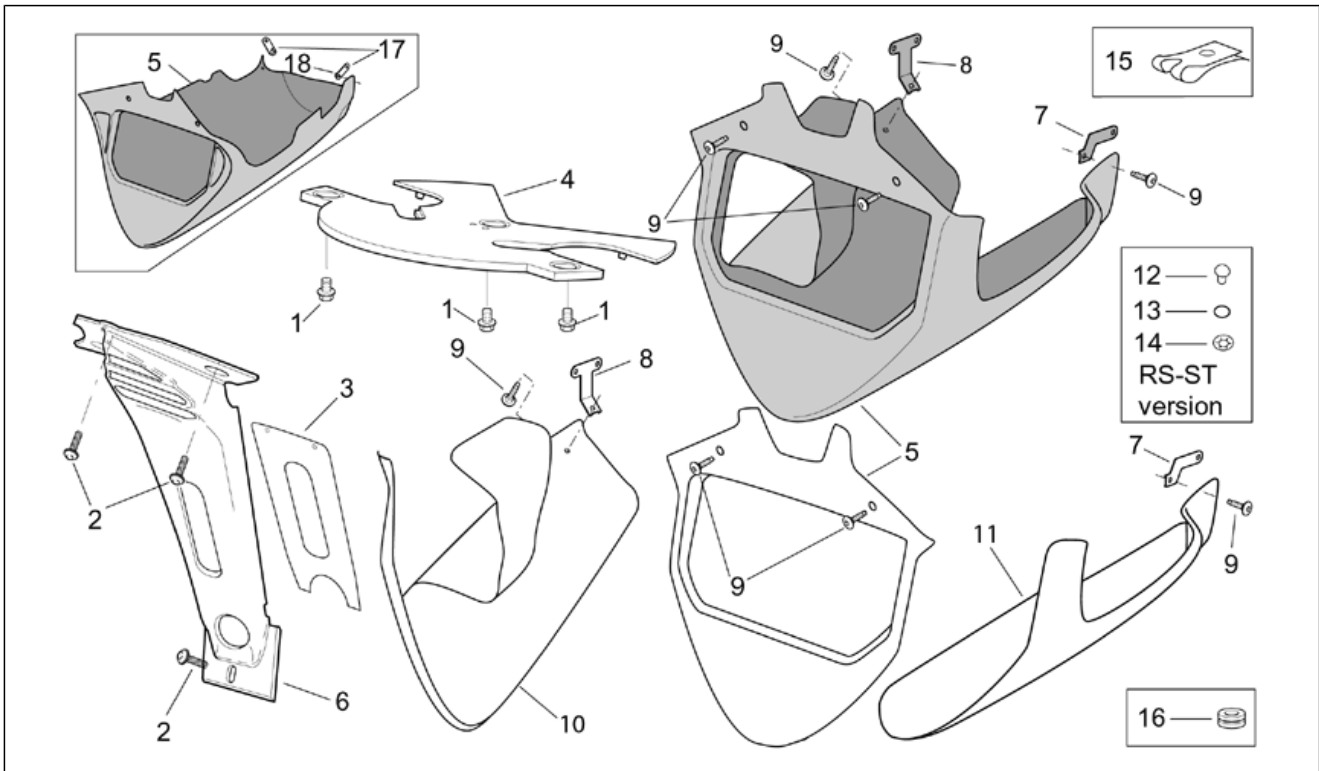
Pos.	Code	Description	Qty	Variants
6	AP8156194	Front mudguard, carb.	1	Year:2005[5] Country:USA (California Approval)[CF], United States of America[USA] Technical Specifications:"R - Factory" 2004-2005 Version[RF]
7	AP8120531	Rubber w/ insert	4	
8	AP8144588	RH duct gasket	1	Technical Specifications:"R" 2002-2003 Version[R], "R - Factory" 2004-2005 Version[RF]
8	AP8144603	RH duct gasket	1	Technical Specifications:"R - Standard" 2004-2005 Version[RS], "Standard" 2002-2003 Version[ST]
9	AP8144589	LH duct gasket	1	Technical Specifications:"R" 2002-2003 Version[R], "R - Factory" 2004-2005 Version[RF]
9	AP8144604	LH duct gasket	1	Technical Specifications:"R - Standard" 2004-2005 Version[RS], "Standard" 2002-2003 Version[ST]
10	AP8152298	Screw w/ flange M5x16	4	Technical Specifications:"R - Standard" 2004-2005 Version[RS], "Standard" 2002-2003 Version[ST]
10	AP8152417	Screw	4	Technical Specifications:"R" 2002-2003 Version[R], "R - Factory" 2004-2005 Version[RF]
11	AP8152423	Screw M6x30	2	
12	AP8152302	Screw w/ flange M5x12	4	Technical Specifications:"R - Standard" 2004-2005 Version[RS], "Standard" 2002-2003 Version[ST]
12	AP8152416	Screw	4	Technical Specifications:"R" 2002-2003 Version[R], "R - Factory" 2004-2005 Version[RF]
13	AP8124719	Reflector, amber	2	Country:USA (49 Countries Approval)[AM], USA (California Approval)[CF], United States of America[USA]
14	AP8148588	RH Front reflector support	1	Country:USA (49 Countries Approval)[AM], USA (California Approval)[CF], United States of America[USA]
15	AP8148589	LH Front reflector support	1	Country:USA (49 Countries Approval)[AM], USA (California Approval)[CF], United States of America[USA]
16	AP8150204	Nut M4	4	Country:USA (49 Countries Approval)[AM], USA (California Approval)[CF], United States of America[USA]
17	AP8221017	Spacer	2	

Group	FRAME
Code	28.12
Description	Front body - Front mudguard
Service	1



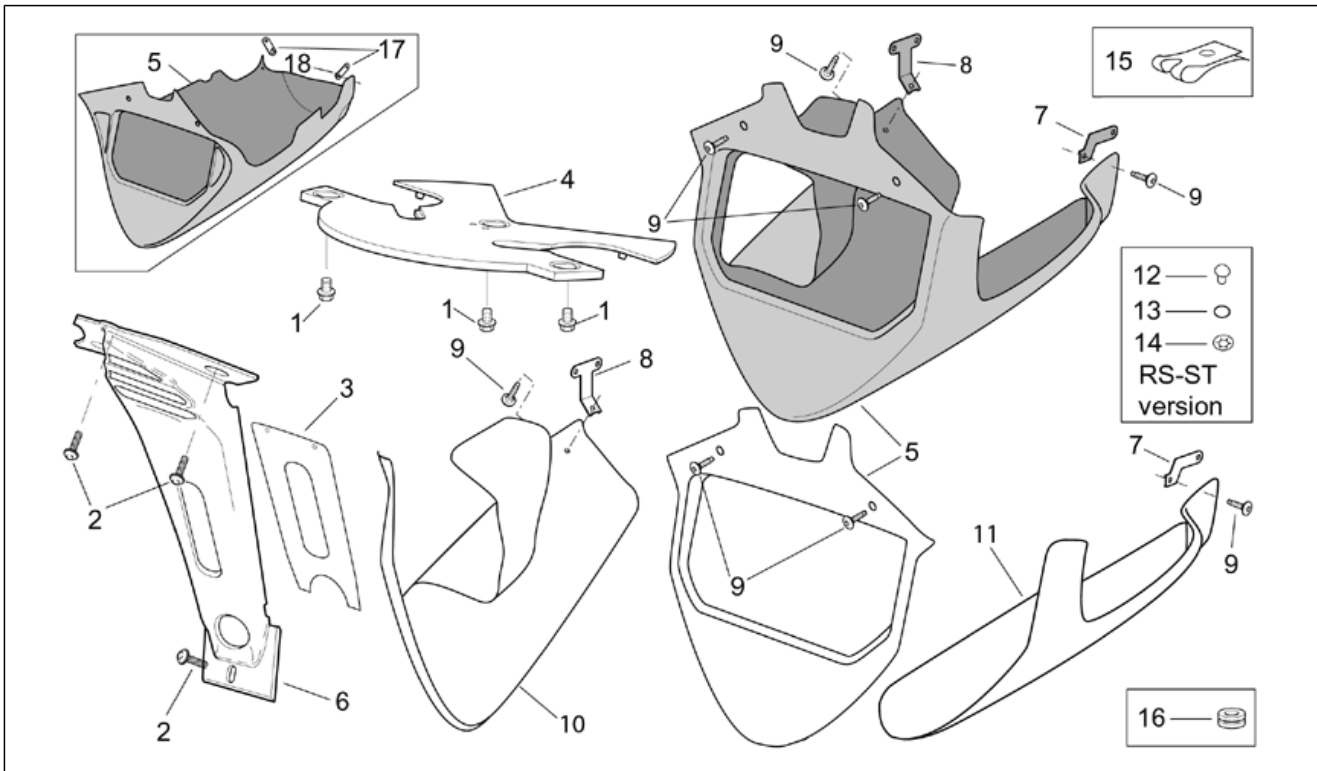
Pos.	Code	Description	Qty	Variants
18	AP8150382	Washer 15x5,5X1,2	4	
19	AP8150272	Curved spring washer 5,3x10x0,5	4	

Group	FRAME
Code	28.13
Description	Front body - Lockups
Service	1



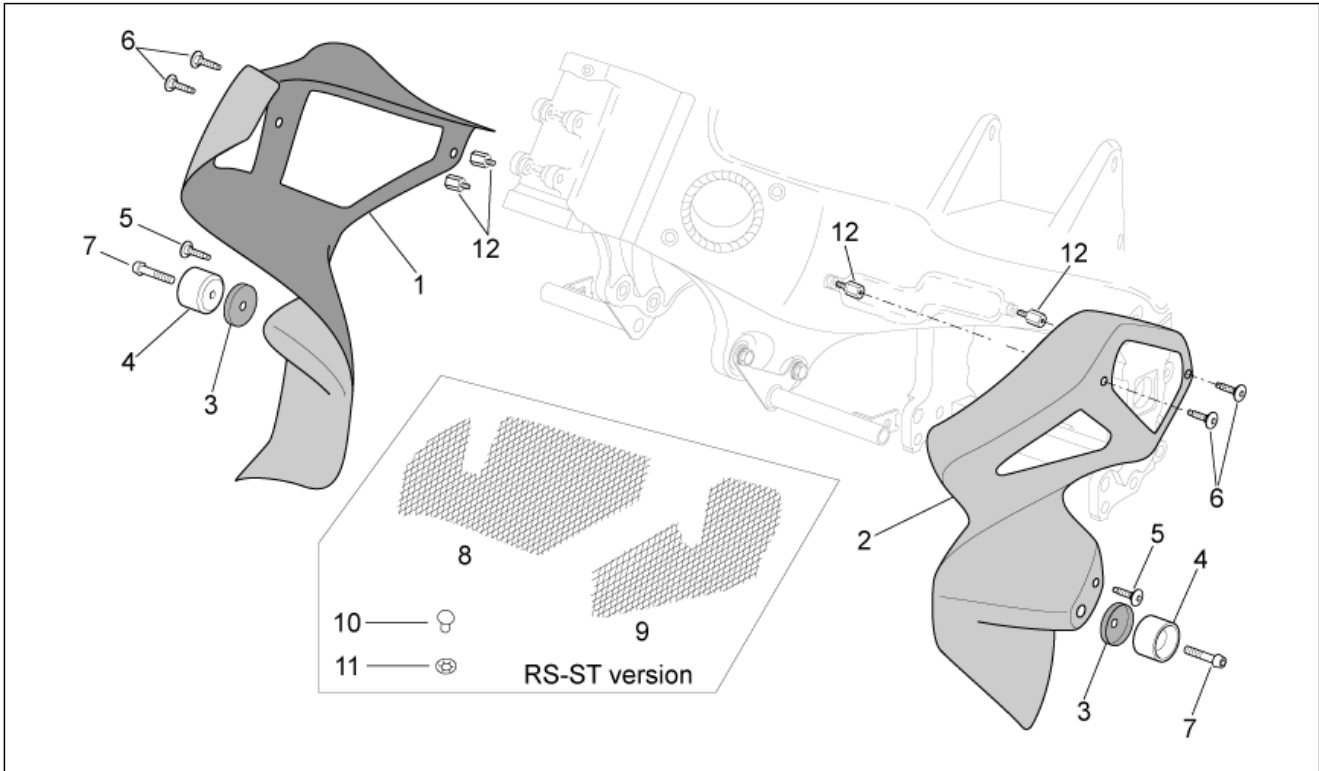
Pos.	Code	Description	Qty	Variants
1	AP8152277	Screw w/ flange M6x12	3	
2	AP8152246	Screw w/ flange M6x16	5	
3	AP8117129	Spoiler heat protection	1	
4	AP8168064	Front fairing lower lockup, c.	1	
5	AP8168062	Pillar, carb.	1	Year:2002[2] Vehicle colour:Diablo Black "Racing" 2002[rac] Technical Specifications:"R" 2002-2003 Version[R]
5	AP8168219	Pillar	1	Year:2003[3] Vehicle colour:Magnet Grey 2003[m.grey], Tulip Red 2002[t.red] Technical Specifications:"Standard" 2002-2003 Version[ST]
5	AP8168808	Pillar, carb.	1	Year:2003[3] Technical Specifications:Racing version 2003 kit[kit]
5	AP8168906	Pillar, carb.	1	Year:2004[4] Technical Specifications:"R - Factory" 2004-2005 Version[RF]
5	AP8168906	Pillar, carb.	1	Year:2003[3] Technical Specifications:"R" 2002-2003 Version[R], Racing GARA 2003[RG]
5	AP8178246	Pillar	1	Year:2004[4], 2005[5] Technical Specifications:"R - Standard" 2004-2005 Version[RS]
5	AP8179034	Pillar, carb.	1	Year:2005[5] Technical Specifications:"R - Factory" 2004-2005 Version[RF]
6	AP8148834	Cooler spoiler, black	1	
7	AP8134894	LH support	1	
8	AP8134895	RH support	1	
9	AP8152246	Screw w/ flange M6x16	4	Technical Specifications:"R - Standard" 2004-2005 Version[RS], "Standard" 2002-2003 Version[ST]
9	AP8152420	Screw M6x15	4	Technical Specifications:"R" 2002-2003 Version[R], "R - Factory" 2004-2005 Version[RF]

Group	FRAME
Code	28.13
Description	Front body - Lockups
Service	1



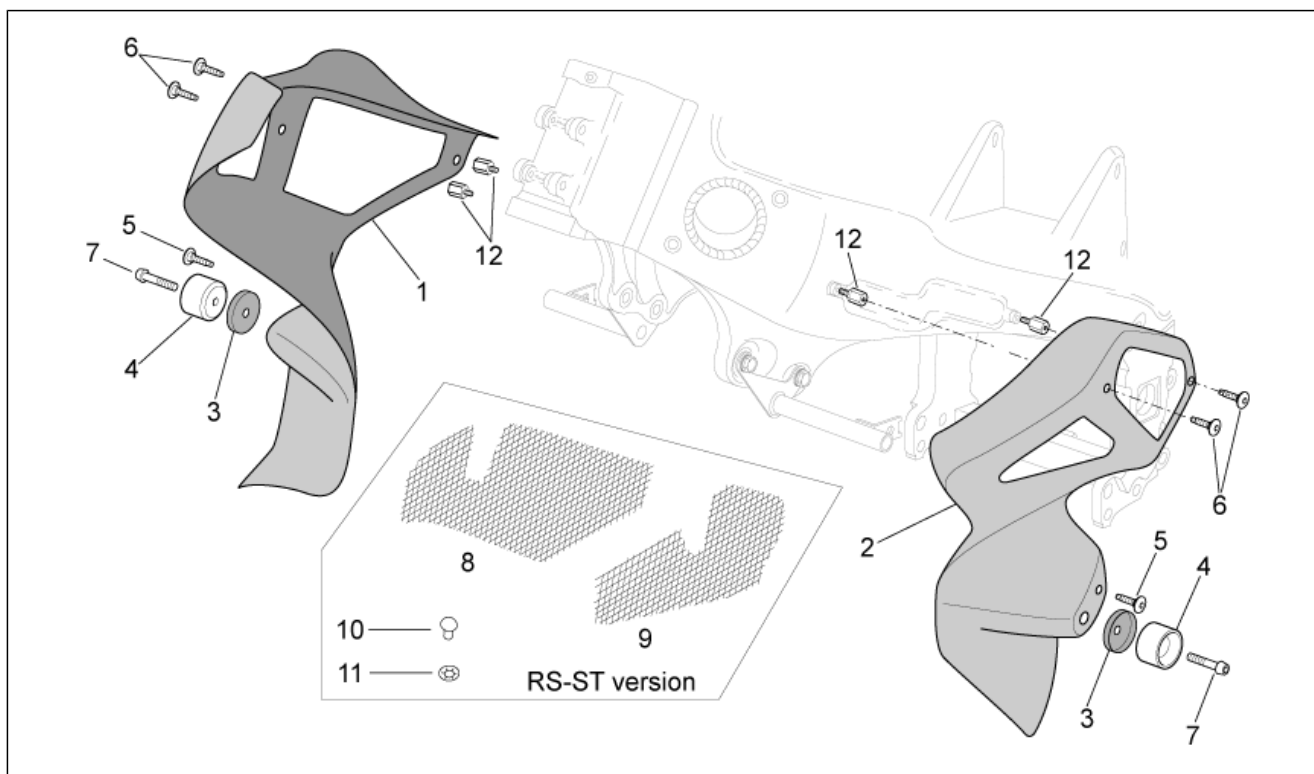
Pos.	Code	Description	Qty	Variants
10	AP8168220	Right pillar	1	Year: 2003[3] Vehicle colour: Magnet Grey 2003[m.grey], Tulip Red 2002[t.red] Technical Specifications: "Standard" 2002-2003 Version[ST]
10	AP8178247	Right pillar	1	Year: 2004[4], 2005[5] Technical Specifications: "R - Standard" 2004-2005 Version[RS]
11	AP8168221	Left pillar	1	Year: 2003[3] Vehicle colour: Magnet Grey 2003[m.grey], Tulip Red 2002[t.red] Technical Specifications: "Standard" 2002-2003 Version[ST]
11	AP8178248	Left pillar	1	Year: 2004[4], 2005[5] Technical Specifications: "R - Standard" 2004-2005 Version[RS]
12	AP8144109	Fixing pin	8	Technical Specifications: "R - Standard" 2004-2005 Version[RS], "Standard" 2002-2003 Version[ST]
13	AP8102504	Rubber spacer	8	Technical Specifications: "R - Standard" 2004-2005 Version[RS], "Standard" 2002-2003 Version[ST]
14	AP8150450	Washer for shafts D5	8	Technical Specifications: "R - Standard" 2004-2005 Version[RS], "Standard" 2002-2003 Version[ST]
15	AP8102375	Clip m5	2	
16	AP8120030	Rubber spacer	1	
17	AP8134541	Fairing fixing plate	1	Year: 2003[3] Technical Specifications:
18	AP8102544	Threaded rivet M6	2	

Group	FRAME
Code	28.14
Description	Central body - Upper fairings
Service	1



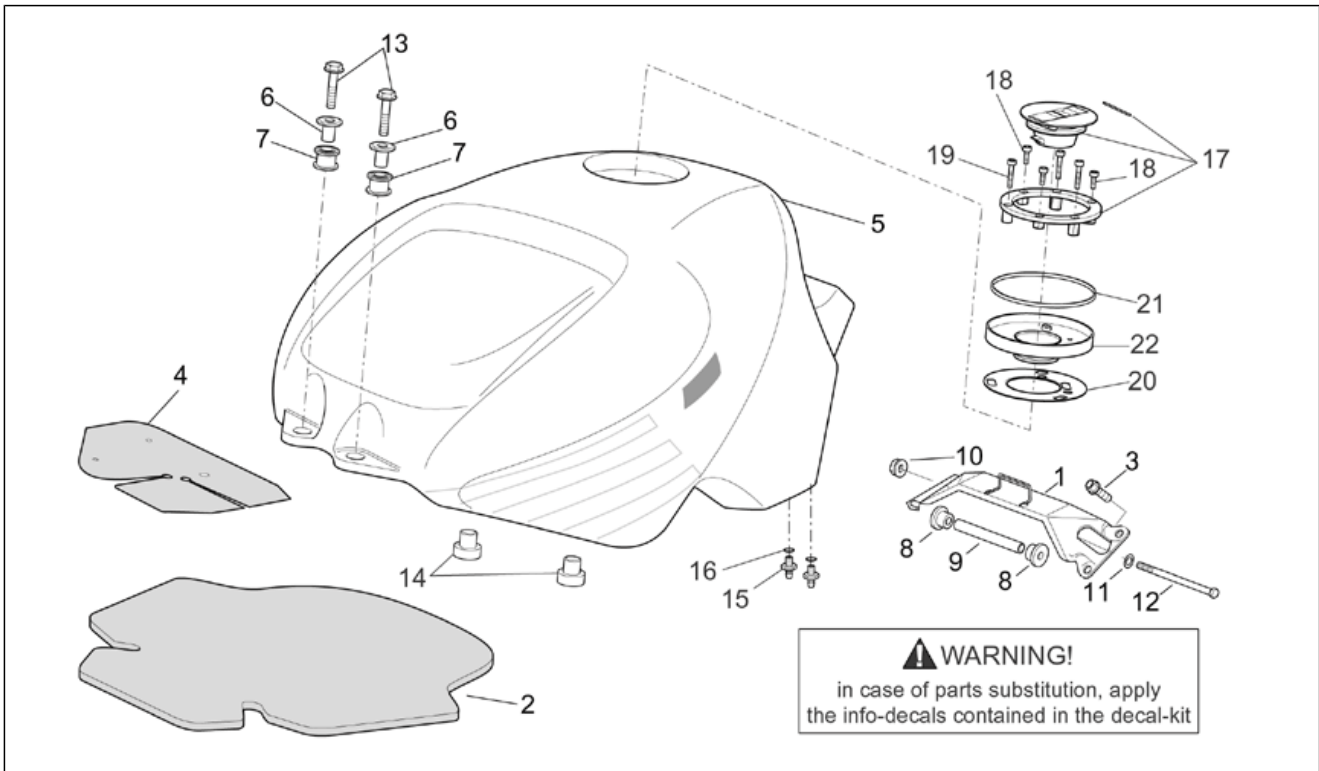
Pos.	Code	Description	Qty	Variants
1	AP8168071	RH lat.fairing, carb.	1	Year:2002[2] Vehicle colour:Diablo Black "Racing" 2002[rac] Technical Specifications:"R" 2002-2003 Version[R]
1	AP8168227	RH lat.fairing	1	Year:2003[3] Vehicle colour:Magnet Grey 2003[m.grey], Tulip Red 2002[t.red] Technical Specifications:"Standard" 2002-2003 Version[ST]
1	AP8168227	RH lat.fairing	1	Year:2004[4], 2005[5] Technical Specifications:"R - Standard" 2004-2005 Version[RS]
1	AP8168800	RH lat.fairing, carb.	1	Year:2003[3] Technical Specifications:Racing GARA 2003[RG]
1	AP8179030	RH lat.fairing, carb.	1	Year:2004[4] Technical Specifications:"R - Factory" 2004-2005 Version[RF]
1	AP8179030	RH lat.fairing, carb.	1	Year:2005[5] Technical Specifications:"R - Factory" 2004-2005 Version[RF]
2	AP8168072	LH lat.fairing, carb.	1	Year:2002[2] Vehicle colour:Diablo Black "Racing" 2002[rac] Technical Specifications:"R" 2002-2003 Version[R]
2	AP8168228	LH lat.fairing	1	Year:2003[3] Vehicle colour:Magnet Grey 2003[m.grey], Tulip Red 2002[t.red] Technical Specifications:"Standard" 2002-2003 Version[ST]
2	AP8168228	LH lat.fairing	1	Year:2004[4], 2005[5] Technical Specifications:"R - Standard" 2004-2005 Version[RS]
2	AP8168801	LH lat.fairing, carb.	1	Year:2003[3] Technical Specifications:Racing GARA 2003[RG]
2	AP8179031	LH lat.fairing, carb.	1	Year:2004[4] Technical Specifications:"R - Factory" 2004-2005 Version[RF]
2	AP8179031	LH lat.fairing, carb.	1	Year:2005[5]

Group	FRAME
Code	28.14
Description	Central body - Upper fairings
Service	1



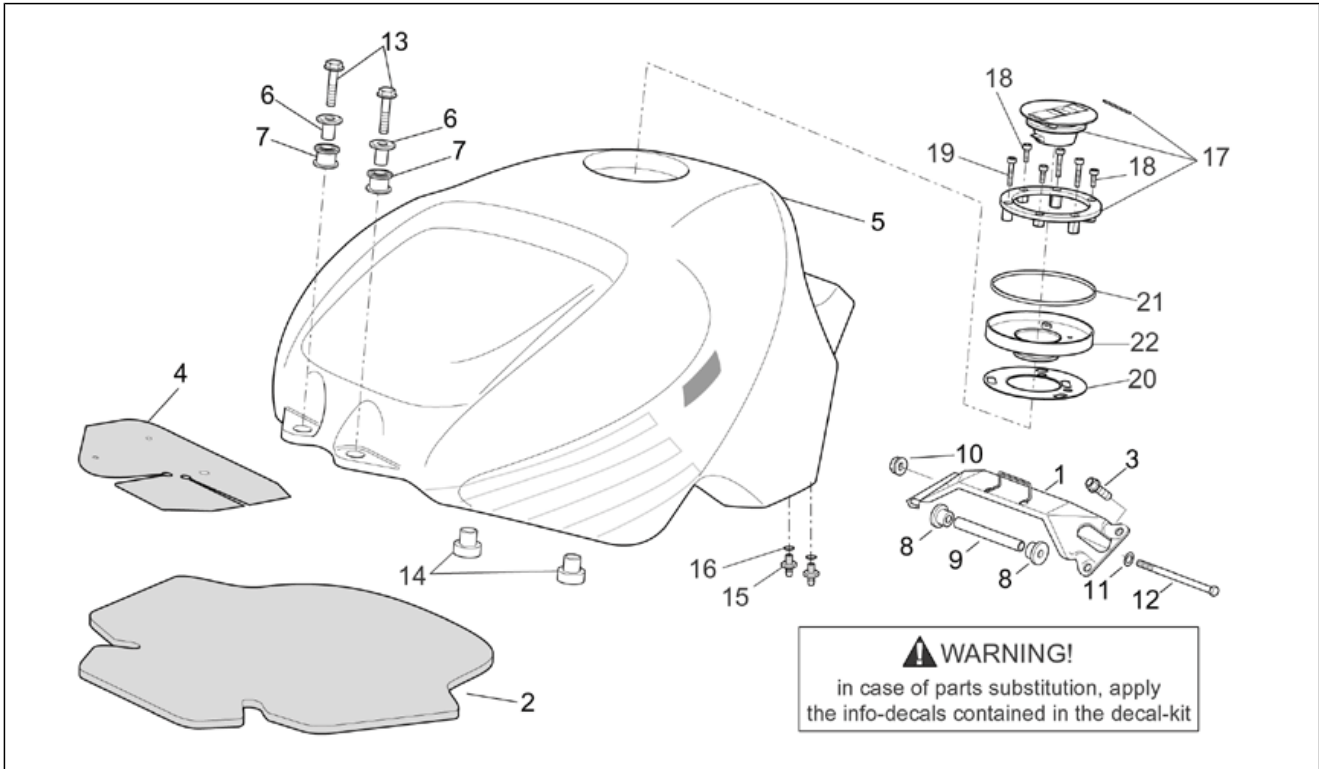
Pos.	Code	Description	Qty	Variants
				Technical Specifications: "R - Factory" 2004-2005 Version[RF]
3	AP8127364	Bottom	2	Year: 2002[2]
3	AP8134922	Bottom	2	Year: 2003[3], 2004[4], 2005[5]
4	AP8163193	Pad	2	
5	AP8152302	Screw w/ flange M5x12	2	Technical Specifications: "R - Standard" 2004-2005 Version[RS], "Standard" 2002-2003 Version[ST]
5	AP8152420	Screw M6x15	2	Technical Specifications: "R" 2002-2003 Version[R], "R - Factory" 2004-2005 Version[RF]
6	AP8152302	Screw w/ flange M5x12	4	Technical Specifications: "R - Standard" 2004-2005 Version[RS], "Standard" 2002-2003 Version[ST]
6	AP8152424	Screw M6x50	4	Technical Specifications: "R" 2002-2003 Version[R], "R - Factory" 2004-2005 Version[RF]
7	AP8150469	Hex socket screw M10x30	2	Technical Specifications: "R - Standard" 2004-2005 Version[RS], "Standard" 2002-2003 Version[ST]
7	AP8152430	Screw M10x30	2	Technical Specifications: "R" 2002-2003 Version[R], "R - Factory" 2004-2005 Version[RF]
8	AP8168456	Air intake grid, RH	1	Year: 2003[3] Vehicle colour: Magnet Grey 2003[m.grey], Tulip Red 2002[t.red] Technical Specifications: "Standard" 2002-2003 Version[ST]
9	AP8168457	Air intake grid, LH	1	Year: 2003[3] Vehicle colour: Magnet Grey 2003[m.grey], Tulip Red 2002[t.red] Technical Specifications: "Standard" 2002-2003 Version[ST]
10	AP8144109	Fixing pin	16	Technical Specifications: "R - Standard" 2004-2005 Version[RS], "Standard" 2002-2003 Version[ST]
11	AP8150450	Washer for shafts D5	16	Technical Specifications: "R - Standard" 2004-2005 Version[RS], "Standard" 2002-2003 Version[ST]
12	AP8134923	Front fairing support	4	

Group	FRAME
Code	28.15
Description	Fuel tank
Service	1



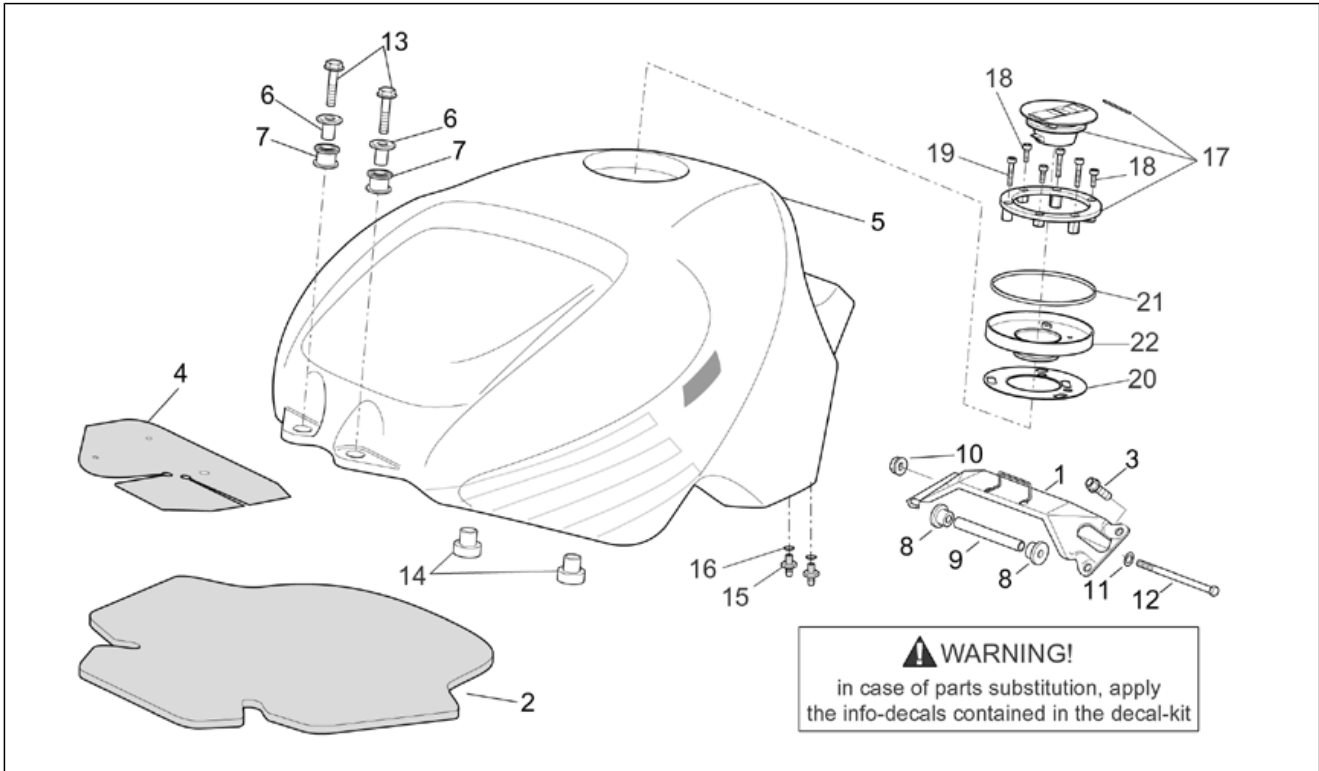
Pos.	Code	Description	Qty	Variants
1	AP8134370	Tank support	1	
2	AP8117174	F.Tank acoustic insul. Panel	1	
3	AP8152278	Screw w/ flange M6x16	4	
4	AP8117128	Fuel tank heat protection	1	
5	AP8168061	Fuel tank, black	1	Year:2002[2] Vehicle colour:Diablo Black "Racing" 2002[rac] Technical Specifications:"R" 2002-2003 Version[R]
5	AP8168218	Fuel tank, red	1	Year:2003[3] Vehicle colour:Tulip Red 2002[t.red] Technical Specifications:"Standard" 2002-2003 Version[ST]
5	AP8168512	Fuel tank, grey	1	Year:2003[3] Vehicle colour:Magnet Grey 2003[m.grey] Technical Specifications:"Standard" 2002-2003 Version[ST]
5	AP8168798	Fuel tank, black	1	Year:2003[3] Technical Specifications:Racing GARA 2003[RG]
5	AP8168798	Fuel tank, black	1	Year:2004[4], 2005[5] Technical Specifications:"R - Factory" 2004-2005 Version[RF]
5	AP8178242	Fuel tank, black	1	Year:2004[4] Vehicle colour:Darkness Black 2004[d.bla] Technical Specifications:"R - Standard" 2004-2005 Version[RS]
5	AP8178253	Fuel tank, silver	1	Year:2004[4] Vehicle colour:Silver Mirror 2004[s.mir] Technical Specifications:"R - Standard" 2004-2005 Version[RS]
5	AP8178257	Fuel tank, red	1	Year:2004[4] Vehicle colour:Fluo Red 2004[f.red] Technical Specifications:"R - Standard" 2004-2005 Version[RS]
5	AP8178710	Fuel tank, black	1	Year:2005[5] Vehicle colour:Darkness Black 2004[d.bla]

Group	FRAME
Code	28.15
Description	Fuel tank
Service	1



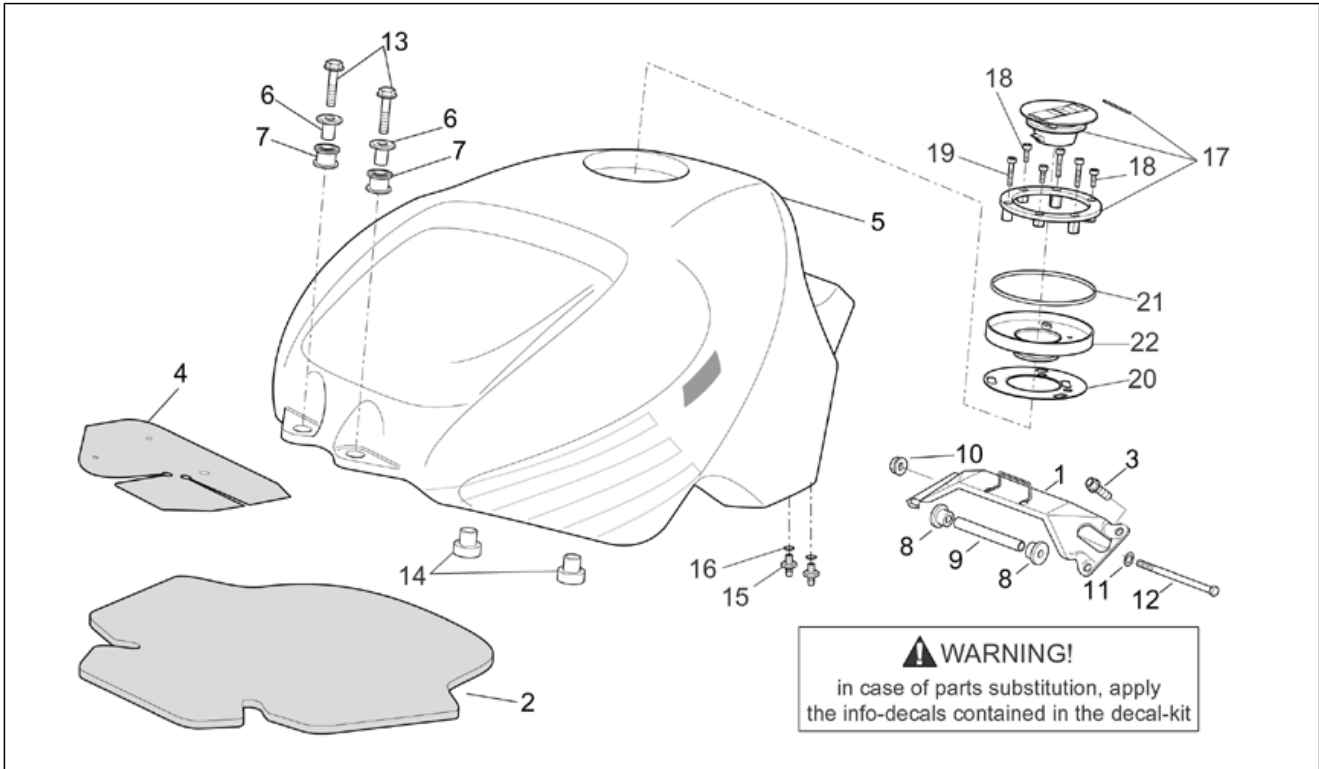
Pos.	Code	Description	Qty	Variants
				Technical Specifications: "R - Standard" 2004-2005 Version[RS]
5	AP8178710	Fuel tank, black	1	Year: 2004[4] Vehicle colour: Darkness Black 2004[d.bla] Technical Specifications: "R - Standard" 2004-2005 Version[RS]
5	AP8178711	Fuel tank, silver	1	Year: 2004[4] Vehicle colour: Silver Mirror 2004[s.mir] Technical Specifications: "R - Standard" 2004-2005 Version[RS]
5	AP8178711	Fuel tank, silver	1	Year: 2005[5] Vehicle colour: Silver Mirror 2004[s.mir] Technical Specifications: "R - Standard" 2004-2005 Version[RS]
5	AP8178712	Fuel tank, red	1	Year: 2005[5] Vehicle colour: Fluo Red 2004[f.red] Technical Specifications: "R - Standard" 2004-2005 Version[RS]
5	AP8178712	Fuel tank, red	1	Year: 2004[4] Vehicle colour: Fluo Red 2004[f.red] Technical Specifications: "R - Standard" 2004-2005 Version[RS]
6	AP8121421	T bush	2	
7	AP8144328	Rubber spacer	2	
8	AP8123934	Rubber spacer	2	
9	AP8134419	Fuel tank bush	1	
10	AP8152299	Self-locking nut M6	1	
11	AP8150014	Washer 6,4x12,5*	1	
12	AP8150459	Hex screw M6x90	1	
13	AP8152281	Screw w/ flange M6x30	2	
14	AP8144158	Rubber spacer	2	
15	AP8102503	Hose holder union	2	

Group	FRAME
Code	28.15
Description	Fuel tank
Service	1



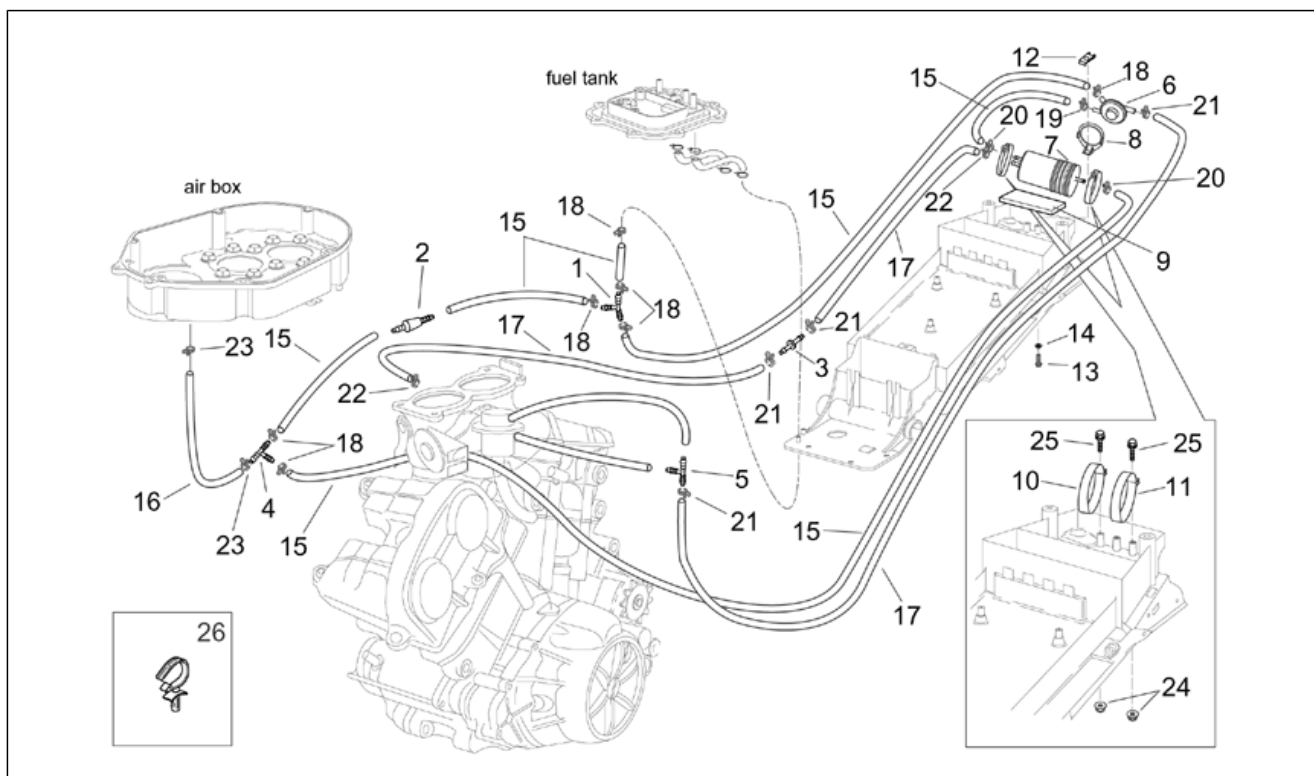
Pos.	Code	Description	Qty	Variants
16	AP8120965	O-ring 2018	2	
17	AP8104287	Fuel filler cap	1	Year: 2003[3] Country: USA (California Approval)[CF], United States of America[USA] Technical Specifications: Racing GARA 2003[RG]
17	AP8104287	Fuel filler cap	1	Year: 2003[3] Vehicle colour: Magnet Grey 2003[m.grey], Tulip Red 2002[t.red] Country: USA (California Approval)[CF], United States of America[USA] Technical Specifications: "Standard" 2002-2003 Version[ST]
17	AP8104288	Fuel filler cap	1	Year: 2003[3] Country: Austria[A], Australia[AA], Australia[AUS], Belgium[B], Switzerland[CH], Germany[D], Denmark[DK], Spain[E], I, E, NL[EU], France[F], Italy[I], Japan[J], J[J], Mexico[ME], ME[MX], Holland[NL], Spain[SP], Great Britain[UK] Technical Specifications: Racing GARA 2003[RG]
17	AP8104288	Fuel filler cap	1	Year: 2003[3] Vehicle colour: Magnet Grey 2003[m.grey], Tulip Red 2002[t.red] Country: USA (49 Countries Approval)[AM], United States of America[USA] Technical Specifications: "Standard" 2002-2003 Version[ST]
17	AP8104288	Fuel filler cap	1	Year: 2003[3] Vehicle colour: Magnet Grey 2003[m.grey], Tulip Red 2002[t.red] Country: Austria[A], Australia[AA], Australia[AUS], Belgium[B], Switzerland[CH], Germany[D], Denmark[DK], Spain[E], I, E, NL[EU], France[F], Italy[I], Japan[J], J[J], Mexico[ME], ME[MX], Holland[NL], Spain[SP], Great Britain[UK] Technical Specifications: "Standard" 2002-2003 Version[ST]
17	AP8104288	Fuel filler cap	1	Year: 2004[4], 2005[5]
17	AP8104551	Fuel filler cap	1	Year: 2002[2]

Group	FRAME
Code	28.15
Description	Fuel tank
Service	1



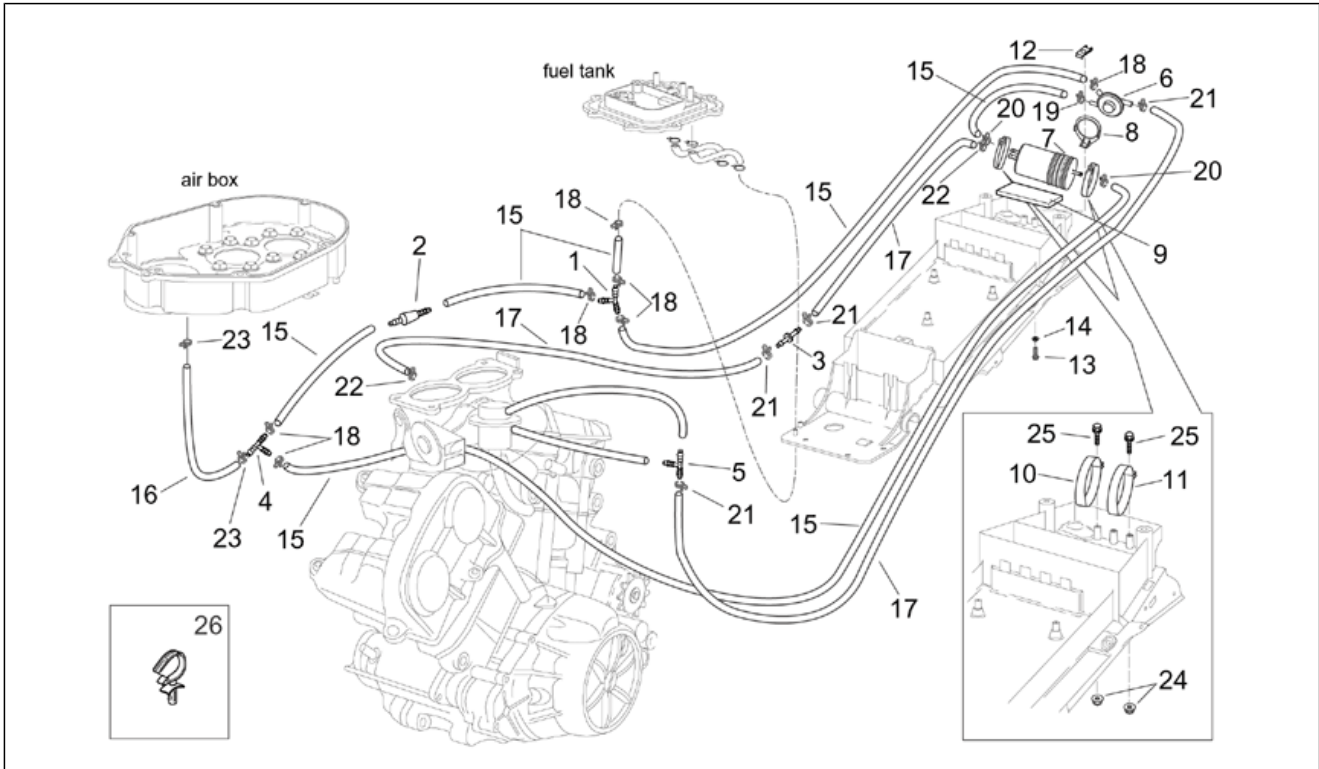
Pos.	Code	Description	Qty	Variants
				Vehicle colour: Diablo Black "Racing" 2002[rac] Country: Australia[AA], Australia[AUS], Germany[D], Spain[E], I, E, NL[EU], France[F], Italy[I], Holland[NL], Great Britain[UK] Technical Specifications: "R" 2002-2003 Version[R]
17	AP8104585	Fuel filler cap	1	Year: 2002[2] Vehicle colour: Diablo Black "Racing" 2002[rac] Country: USA (California Approval)[CF], United States of America[USA] Technical Specifications: "R" 2002-2003 Version[R]
18	AP8150454	Hex socket screw M5x16	4	
19	AP8150453	Hex socket screw M5x30	3	
20	AP8120894	Fuel tank gasket	1	Country: Austria[A], Australia[AA], Australia[AUS], Belgium[B], Switzerland[CH], Germany[D], Denmark[DK], Spain[E], I, E, NL[EU], France[F], Greece[GR], Italy[I], Japan[J], J[JJ], Mexico[ME], ME[MX], Holland[NL], Spain[SP], Great Britain[UK]
20	AP8144351	Fuel tank gasket	1	Country: USA (49 Countries Approval)[AM], USA (California Approval)[CF], United States of America[USA]
21	AP8120893	Cap seal	1	
22	AP8102535	Float chamber	1	

Group	FRAME
Code	28.16
Description	Fuel vapour recover system
Service	1



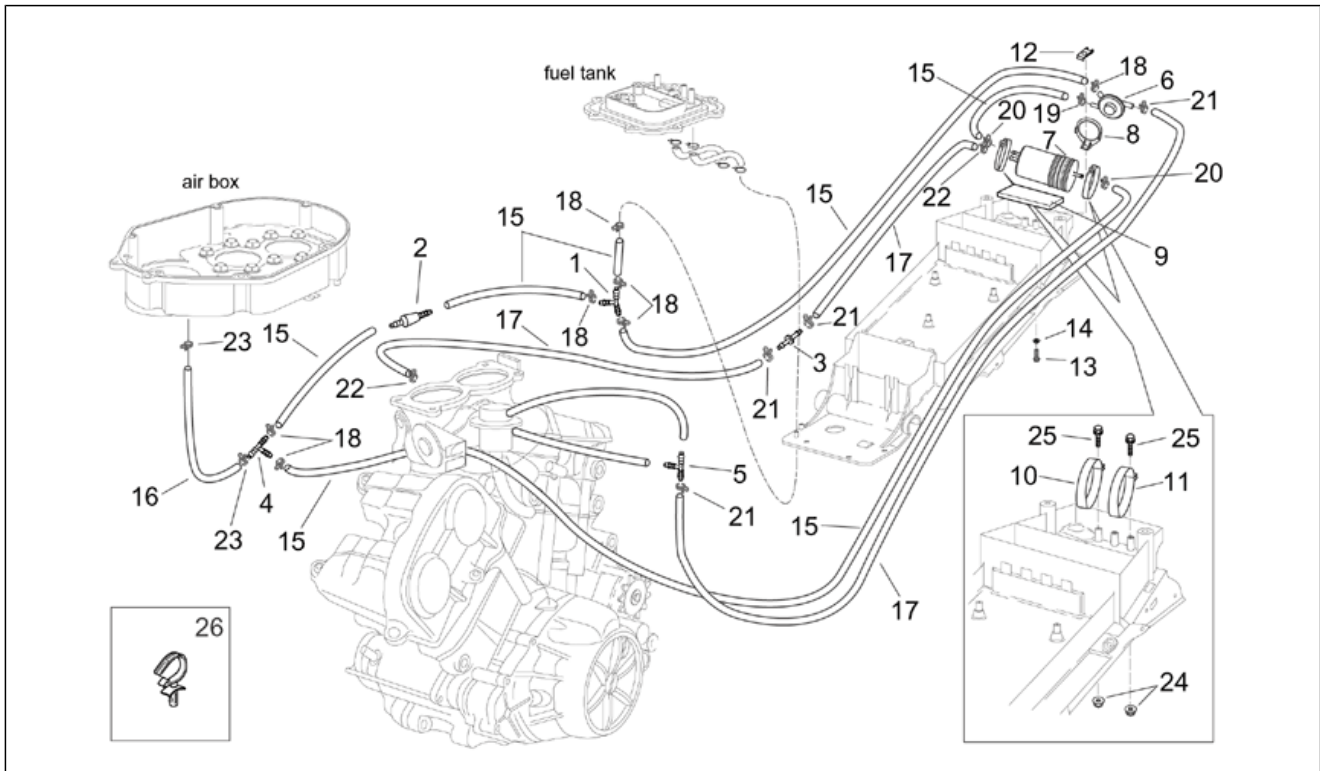
Pos.	Code	Description	Qty	Variants
1	AP8120116	3-way union	1	Country: USA (California Approval)[CF], United States of America[USA] Technical Specifications: California Approval[cal]
2	AP8104251	Oil breather valve	1	Country: USA (California Approval)[CF], United States of America[USA] Technical Specifications: California Approval[cal]
3	AP8121267	Choke hold	1	Country: USA (California Approval)[CF], United States of America[USA] Technical Specifications: California Approval[cal]
4	AP8202154	3-way union	1	Country: USA (California Approval)[CF], United States of America[USA] Technical Specifications: California Approval[cal]
5	AP8102727	3-way union	1	Country: USA (California Approval)[CF], United States of America[USA] Technical Specifications: California Approval[cal]
6	AP8106764	"Purge" valve	1	Country: USA (California Approval)[CF], United States of America[USA] Technical Specifications: California Approval[cal]
7	AP8102678	Carbon filter	1	Country: USA (California Approval)[CF], United States of America[USA] Technical Specifications: California Approval[cal]
8	AP8134650	Valve support clamp	1	Country: USA (California Approval)[CF], United States of America[USA] Technical Specifications: California Approval[cal]
9	AP8117041	Adhesive sponge 6x30	1	Country: USA (California Approval)[CF], United States of America[USA] Technical Specifications: California Approval[cal]
10	AP8102688	Hose clamp d.76	1	Country: USA (California Approval)[CF], United States of America[USA] Technical Specifications: California Approval[cal]
11	AP8102719	Hose clamp d.80,5	1	Country: USA (California Approval)[CF], United States of America[USA] Technical Specifications: California Approval[cal]

Group	FRAME
Code	28.16
Description	Fuel vapour recover system
Service	1



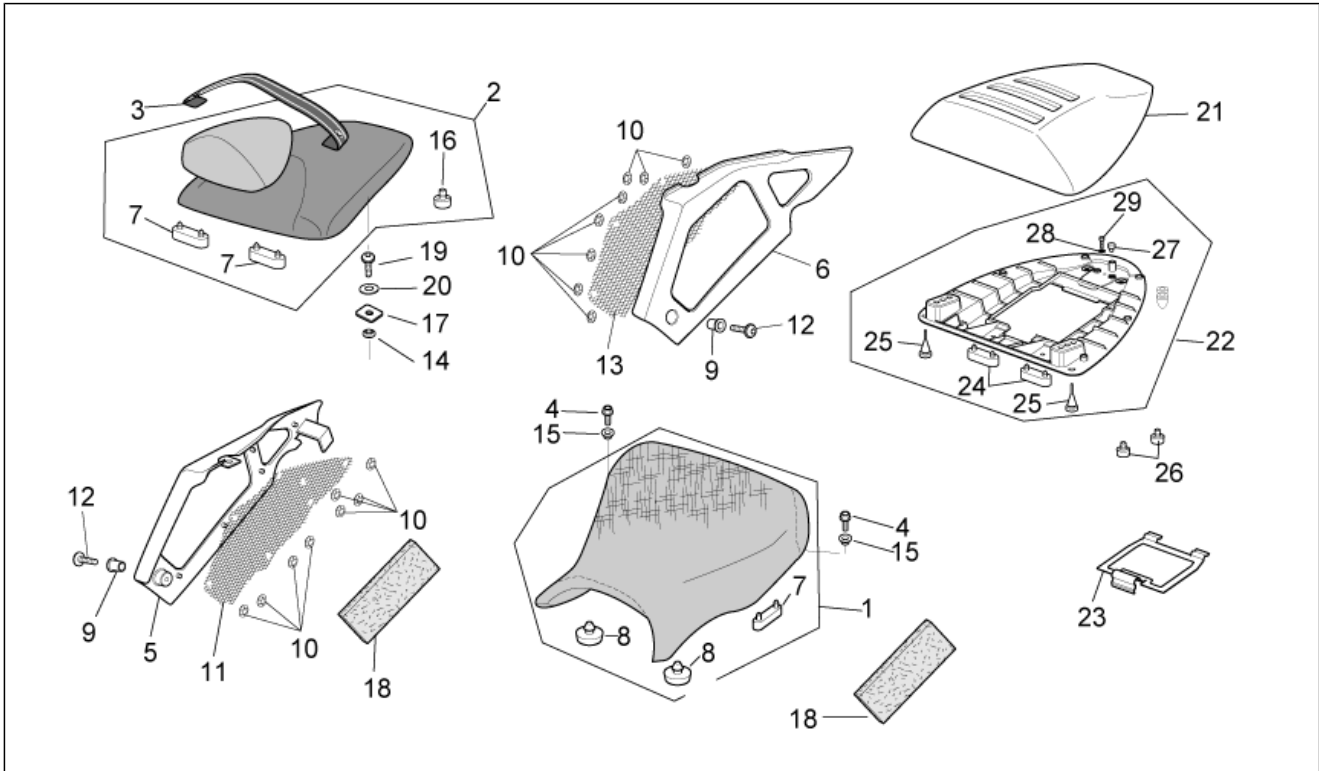
Pos.	Code	Description	Qty	Variants
12	AP8102375	Clip m5	1	Country: USA (California Approval)[CF], United States of America[USA] Technical Specifications: California Approval[cal]
13	AP8152273	Screw w/ flange M5X15	1	Country: USA (California Approval)[CF], United States of America[USA] Technical Specifications: California Approval[cal]
14	AP8150013	Washer 5,5x15x1,6*	1	Country: USA (California Approval)[CF], United States of America[USA] Technical Specifications: California Approval[cal]
15	AP8120952	Fuel pipe 5,5x10	2	Country: USA (California Approval)[CF], United States of America[USA] Technical Specifications: California Approval[cal]
16	AP8120987	pipe 9x14	1	Country: USA (California Approval)[CF], United States of America[USA] Technical Specifications: California Approval[cal]
17	AP8220263	Breather pipe 4x8	2	Country: USA (California Approval)[CF], United States of America[USA] Technical Specifications: California Approval[cal]
18	AP8101595	Hose clamp D10,1	7	Country: USA (California Approval)[CF], United States of America[USA] Technical Specifications: California Approval[cal]
19	AP8102520	Hose clamp	1	Country: USA (California Approval)[CF], United States of America[USA] Technical Specifications: California Approval[cal]
20	AP8102378	Hose clamp D11,3	2	Country: USA (California Approval)[CF], United States of America[USA] Technical Specifications: California Approval[cal]
21	AP8120179	Hose clamp D8	4	Country: USA (California Approval)[CF], United States of America[USA] Technical Specifications: California Approval[cal]
22	AP8102377	Hose clamp D9,1*	2	Country: USA (California Approval)[CF], United States of America[USA] Technical Specifications: California Approval[cal]

Group	FRAME
Code	28.16
Description	Fuel vapour recover system
Service	1



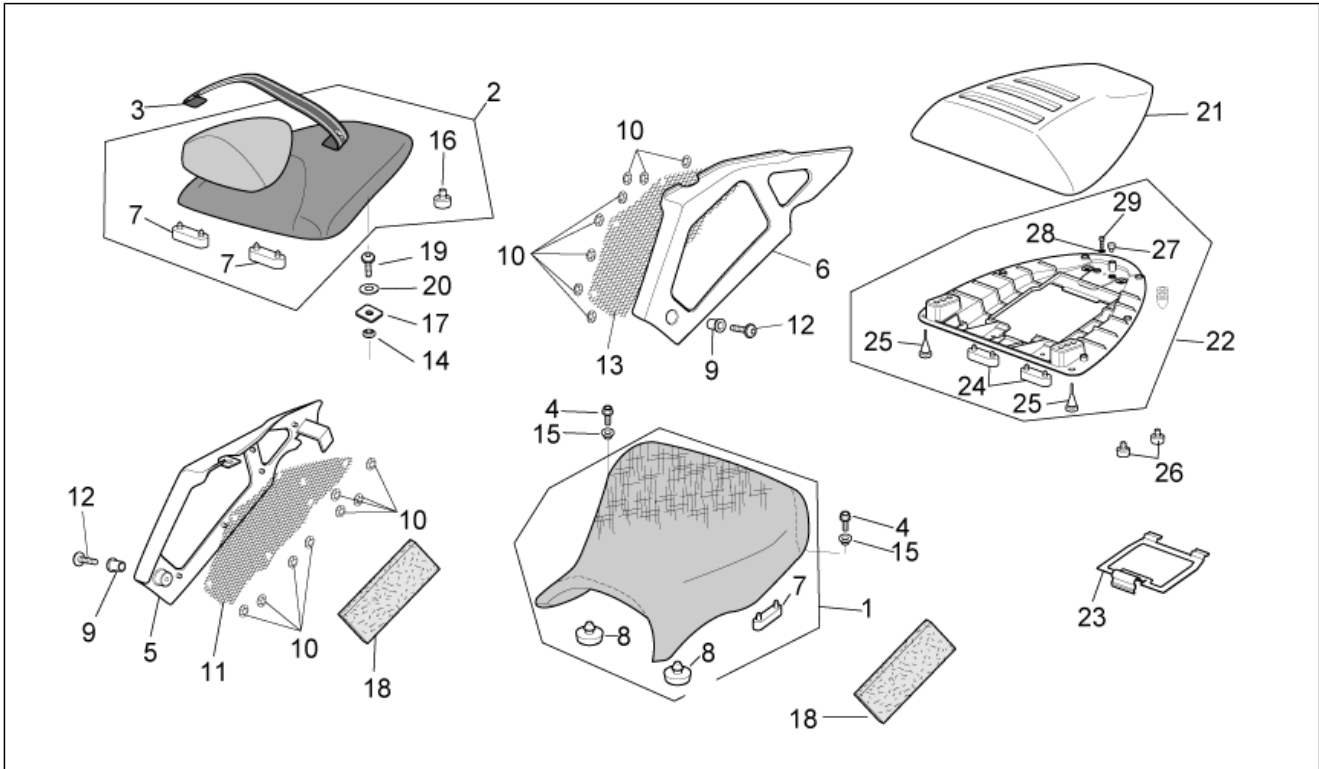
Pos.	Code	Description	Qty	Variants
23	AP8102766	Hose clamp	2	Country: USA (California Approval)[CF], United States of America[USA] Technical Specifications: California Approval[cal]
24	AP8152299	Self-locking nut M6	2	Country: USA (California Approval)[CF], United States of America[USA] Technical Specifications: California Approval[cal]
25	AP8152279	Screw w/ flange M6x20	2	Country: USA (California Approval)[CF], United States of America[USA] Technical Specifications: California Approval[cal]
26	AP8221310	Cable-guide	2	Country: USA (California Approval)[CF], United States of America[USA] Technical Specifications: California Approval[cal]

Group	FRAME
Code	28.17
Description	Saddle
Service	1



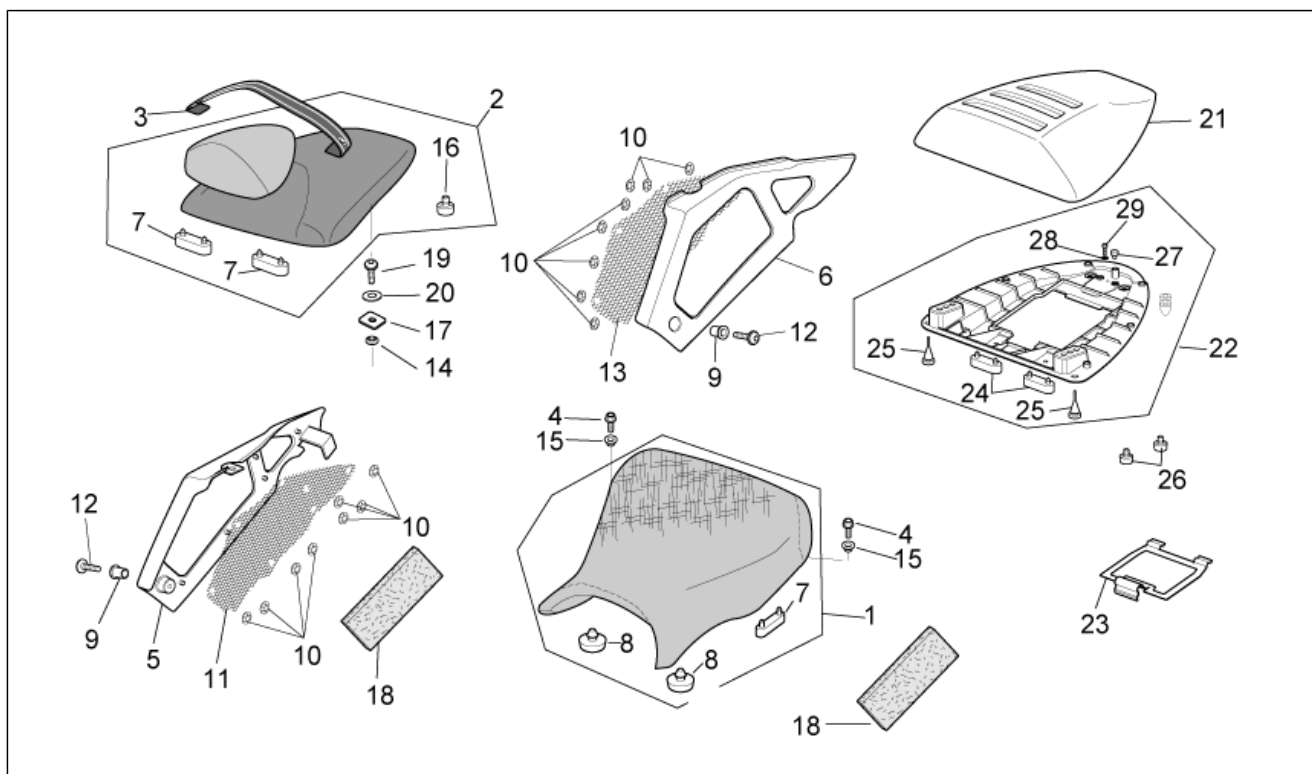
Pos.	Code	Description	Qty	Variants
1	AP8129283	Driver saddle, black	1	Year:2002[2] Vehicle colour:Diablo Black "Racing" 2002[rac] Technical Specifications:"R" 2002-2003 Version[R]
1	AP8129343	Driver saddle, yellow kevlar	1	Year:2002[2] Vehicle colour:Diablo Black "Racing" 2002[rac] Technical Specifications:"R" 2002-2003 Version[R]
1	AP8129373	Driver saddle, black	1	Year:2004[4], 2005[5] Technical Specifications:"R - Factory" 2004-2005 Version[RF]
1	AP8129373	Driver saddle, black	1	Year:2003[3] Technical Specifications:Racing GARA 2003[RG]
1	AP8129373	Driver saddle, black	1	Year:2003[3] Vehicle colour:Magnet Grey 2003[m.grey], Tulip Red 2002[t.red] Technical Specifications:"Standard" 2002-2003 Version[ST]
1	AP8129426	Driver saddle, red/black	1	Year:2004[4] Technical Specifications:"R - Standard" 2004-2005 Version[RS]
1	AP8129439	Driver saddle, black	1	Year:2004[4] Technical Specifications:"R - Standard" 2004-2005 Version[RS]
1	AP8129439	Driver saddle, black	1	Year:2005[5] Technical Specifications:"R - Standard" 2004-2005 Version[RS]
2	AP8129344	Rear saddle, yellow kevlar	1	Year:2002[2] Vehicle colour:Diablo Black "Racing" 2002[rac]
2	AP8129362	Rear saddle, black	1	Year:2002[2] Vehicle colour:Diablo Black "Racing" 2002[rac]
2	AP8129374	Rear saddle, black	1	Year:2004[4], 2005[5] Technical Specifications:"R - Factory" 2004-2005 Version[RF]
2	AP8129374	Rear saddle, black	1	Year:2003[3] Technical Specifications:Racing GARA 2003[RG]

Group	FRAME
Code	28.17
Description	Saddle
Service	1



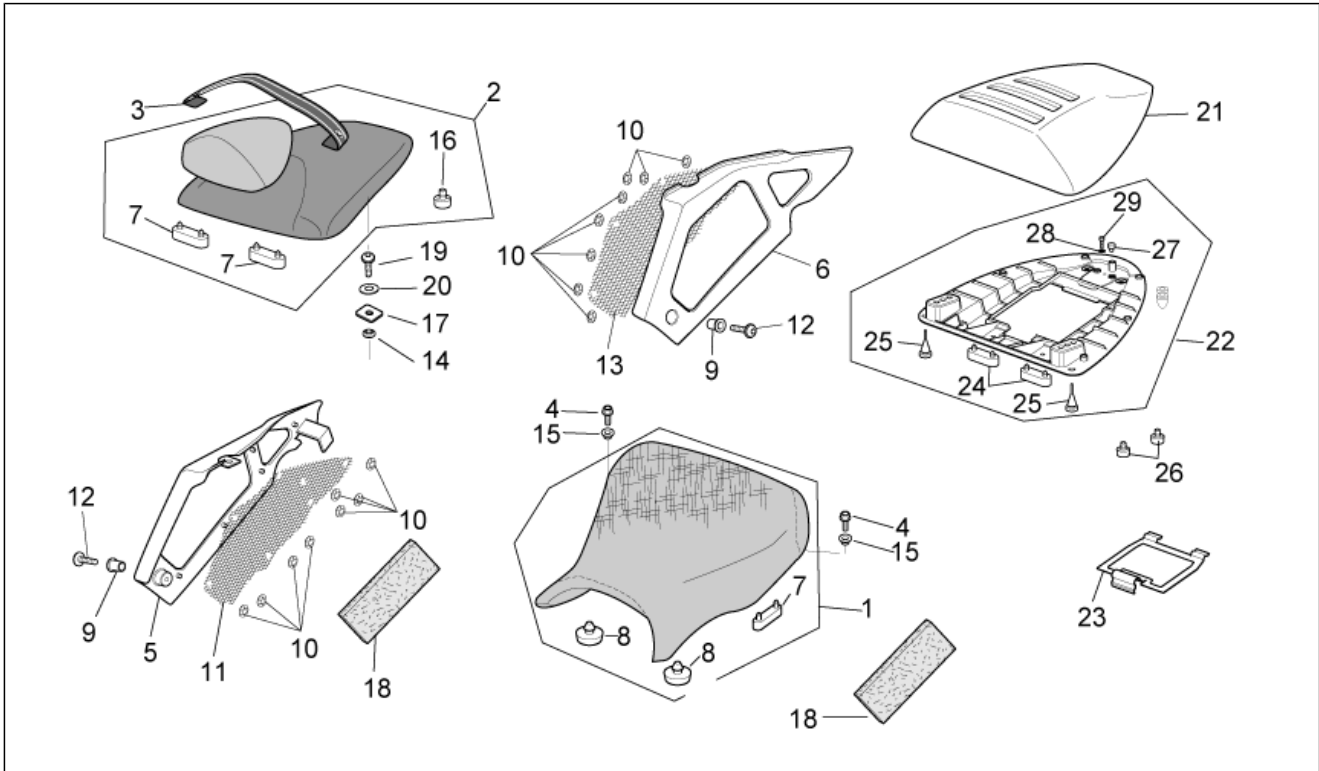
Pos.	Code	Description	Qty	Variants
2	AP8129374	Rear saddle, black	1	Year:2003[3] Vehicle colour:Magnet Grey 2003[m.grey], Tulip Red 2002[t.red] Technical Specifications:"Standard" 2002-2003 Version[ST]
2	AP8129427	Rear saddle, black	1	Year:2004[4], 2005[5] Technical Specifications:"R - Standard" 2004-2005 Version[RS]
3	AP8129345	Pillion seat strap, bl.kevlar	1	Year:2002[2] Vehicle colour:Diablo Black "Racing" 2002[rac]
3	AP8129363	Pillion seat strap, black	1	Year:2002[2] Vehicle colour:Diablo Black "Racing" 2002[rac]
3	AP8129375	Pillion seat strap, black	1	Year:2004[4], 2005[5] Technical Specifications:"R - Factory" 2004-2005 Version[RF]
3	AP8129375	Pillion seat strap, black	1	Year:2003[3] Vehicle colour:Magnet Grey 2003[m.grey], Tulip Red 2002[t.red] Technical Specifications:"Standard" 2002-2003 Version[ST]
3	AP8129375	Pillion seat strap, black	1	Year:2003[3] Technical Specifications:Racing GARA 2003[RG]
3	AP8129428	Pillion seat strap, black	1	Year:2004[4], 2005[5] Technical Specifications:"R - Standard" 2004-2005 Version[RS]
4	AP8152279	Screw w/ flange M6x20	2	
5	AP8149287	RH side panel	1	
6	AP8149288	LH side panel	1	
7	AP8126701	Saddle rubber	6	
8	AP8126702	Rubber spacer	2	
9	AP8121811	T bush	2	
10	AP8150450	Washer for shafts D5	16	
11	AP8168281	Air intake grid, RH	1	Technical Specifications:"R" 2002-2003 Version[R], "R - Factory" 2004-2005 Version[RF]

Group	FRAME
Code	28.17
Description	Saddle
Service	1



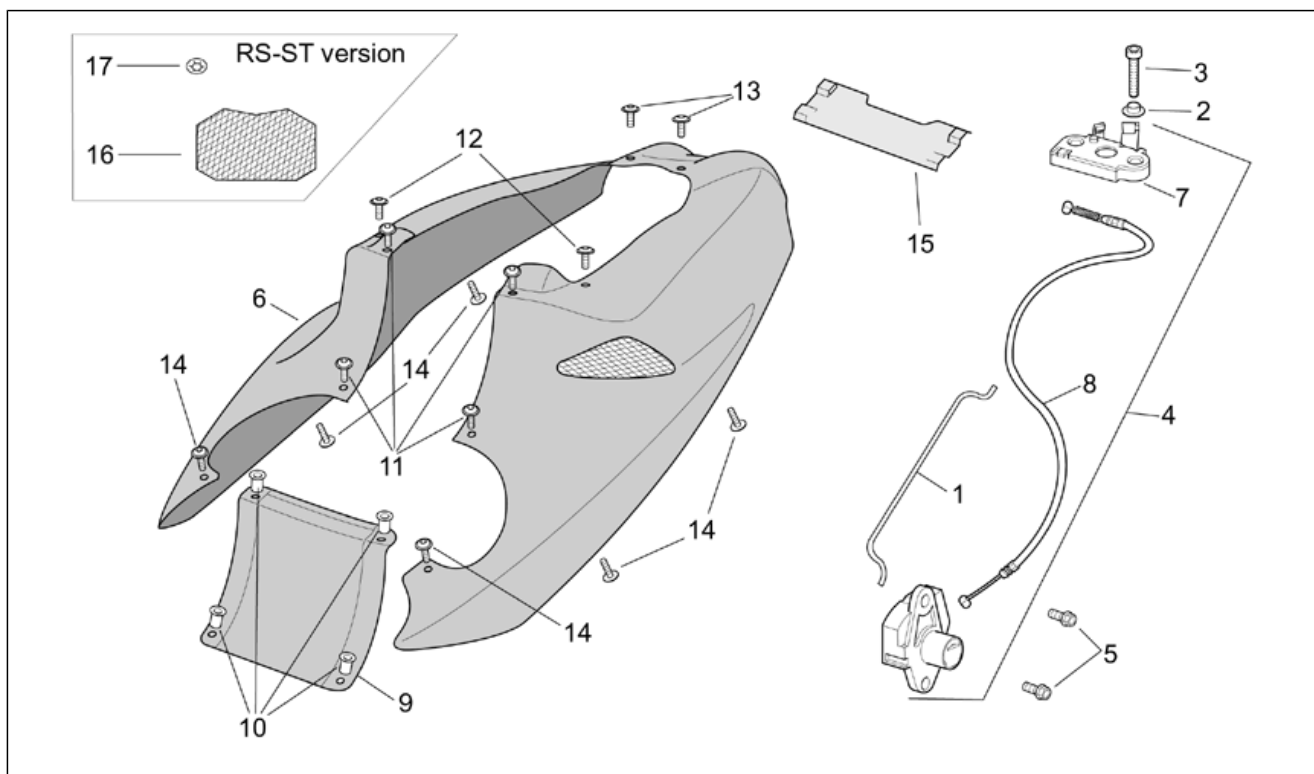
Pos.	Code	Description	Qty	Variants
11	AP8168488	Air intake grid, RH	1	Technical Specifications: "R - Standard" 2004-2005 Version[RS], "Standard" 2002-2003 Version[ST]
12	AP8152246	Screw w/ flange M6x16	2	Technical Specifications: "R - Standard" 2004-2005 Version[RS], "Standard" 2002-2003 Version[ST]
12	AP8152421	Screw M6x20	2	Technical Specifications: "R" 2002-2003 Version[R], "R - Factory" 2004-2005 Version[RF]
13	AP8168280	Air intake grid, LH	1	Technical Specifications: "R" 2002-2003 Version[R], "R - Factory" 2004-2005 Version[RF]
13	AP8168487	Air intake grid, LH	1	Technical Specifications: "R - Standard" 2004-2005 Version[RS], "Standard" 2002-2003 Version[ST]
14	AP8121991	Bush	2	
15	AP8221145	T bush *	2	
16	AP8220349	Rubber spacer	4	
17	AP8134654	Plate	2	
18	AP8117125	Adhesive sponge	2	Technical Specifications: "R" 2002-2003 Version[R], "R - Factory" 2004-2005 Version[RF]
19	AP8152137	Hex socket screw M6x20	2	
20	AP8152181	Washer 6,4x15x1	2	
21	AP8168806	Cover pillion rider seat,carb.	1	Year: 2003[3] Technical Specifications: Racing version 2003 kit[kit]
21	AP8179016	Cover pillion rider seat,carb.	1	Year: 2005[5] Technical Specifications: "R - Factory" 2004-2005 Version[RF]
22	AP8168108	Saddle cover base	1	Year: 2003[3] Technical Specifications: Racing version 2003 kit[kit]
23	AP8138947	Saddle cover access door	1	Year: 2003[3] Technical Specifications: Racing version 2003 kit[kit]
24	AP8126701	Saddle rubber	6	Year: 2003[3] Technical Specifications: Racing version 2003 kit[kit]
25	AP8220238	Rubber spacer	2	Year: 2003[3] Technical Specifications: Racing version 2003 kit[kit]

Group	FRAME
Code	28.17
Description	Saddle
Service	1



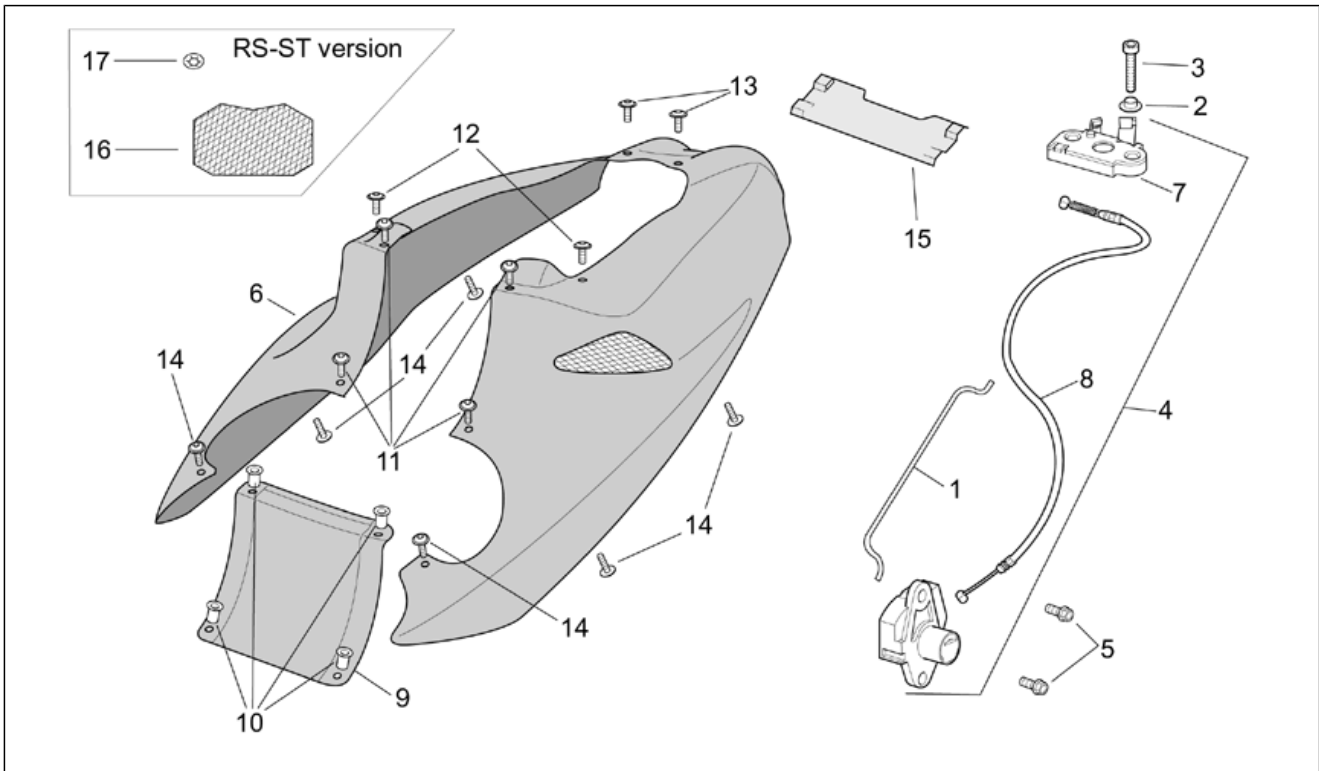
Pos.	Code	Description	Qty	Variants
26	AP8220349	Rubber spacer	4	Year:2003[3] Technical Specifications:Racing version 2003 kit[kit]
27	AP8144081	Rubber spacer	1	
28	AP8150011	Washer 4,3x12x1	1	
29	AP8152043	Hex socket screw M4x10	1	

Group	FRAME
Code	28.18
Description	Rear body - Rear fairing
Service	1



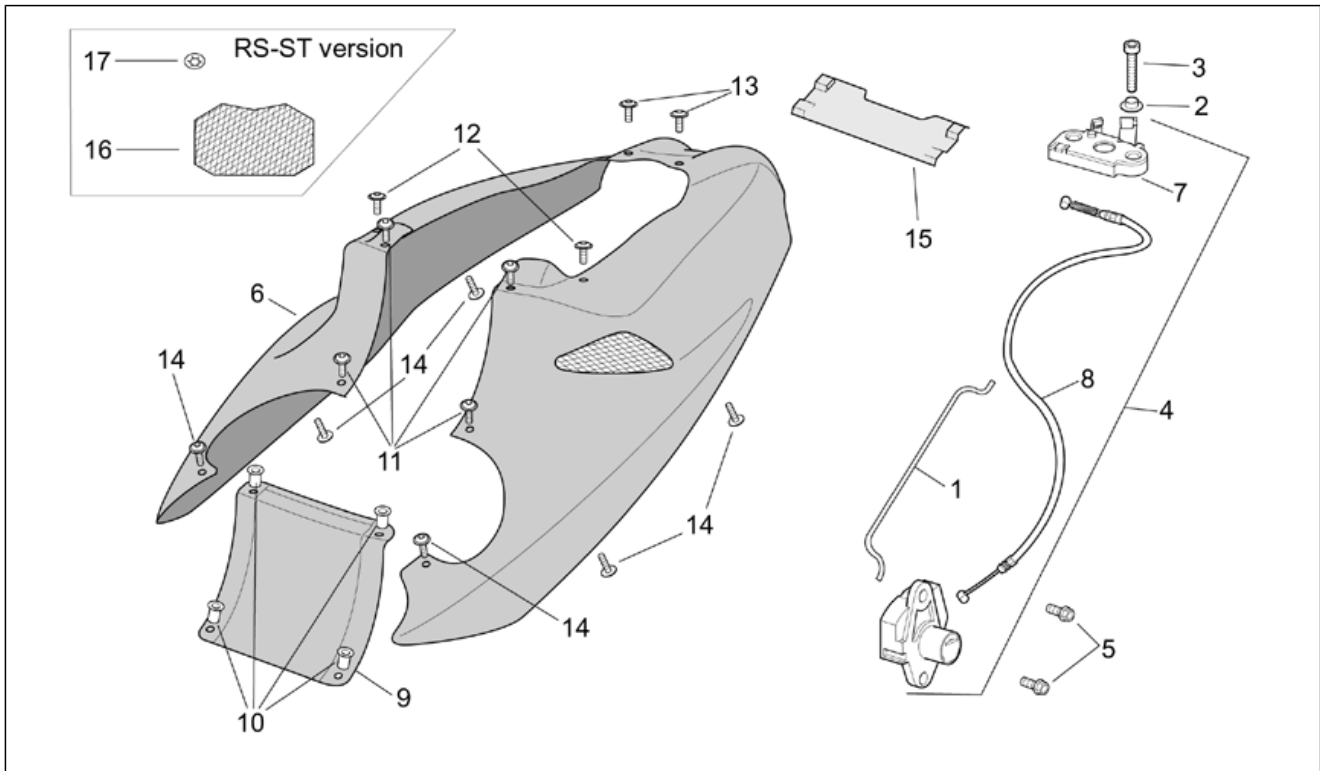
Pos.	Code	Description	Qty	Variants
1	AP8134396	Fuel tank support rod	1	
2	AP8221129	Bush	2	
3	AP8150285	Hex socket screw M6x35	2	
4	AP8102911	Saddle lock cpl.	1	
5	AP8152278	Screw w/ flange M6x16	2	
6	AP8168077	Rear fairing, carb.	1	Year:2002[2] Vehicle colour:Diablo Black "Racing" 2002[rac] Technical Specifications:"R" 2002-2003 Version[R]
6	AP8168459	Rear fairing	1	Year:2003[3] Vehicle colour:Tulip Red 2002[t.red] Technical Specifications:"Standard" 2002-2003 Version[ST]
6	AP8168514	Rear fairing	1	Year:2003[3] Vehicle colour:Magnet Grey 2003[m.grey] Technical Specifications:"Standard" 2002-2003 Version[ST]
6	AP8168807	Rear fairing, carb.	1	Year:2003[3] Technical Specifications:"R" 2002-2003 Version[R], Racing GARA 2003[RG]
6	AP8168807	Rear fairing, carb.	1	Year:2004[4] Technical Specifications:"R - Factory" 2004-2005 Version[RF]
6	AP8178249	Rear fairing	1	Year:2004[4], 2005[5] Vehicle colour:Darkness Black 2004[d.bla] Technical Specifications:"R - Standard" 2004-2005 Version[RS]
6	AP8178255	Rear fairing	1	Year:2004[4], 2005[5] Vehicle colour:Silver Mirror 2004[s.mir] Technical Specifications:"R - Standard" 2004-2005 Version[RS]
6	AP8178259	Rear fairing	1	Year:2004[4], 2005[5] Vehicle colour:Fluo Red 2004[f.red] Technical Specifications:"R - Standard" 2004-2005 Version[RS]
6	AP8179015	Rear fairing, carb.	1	Year:2005[5]

Group	FRAME
Code	28.18
Description	Rear body - Rear fairing
Service	1



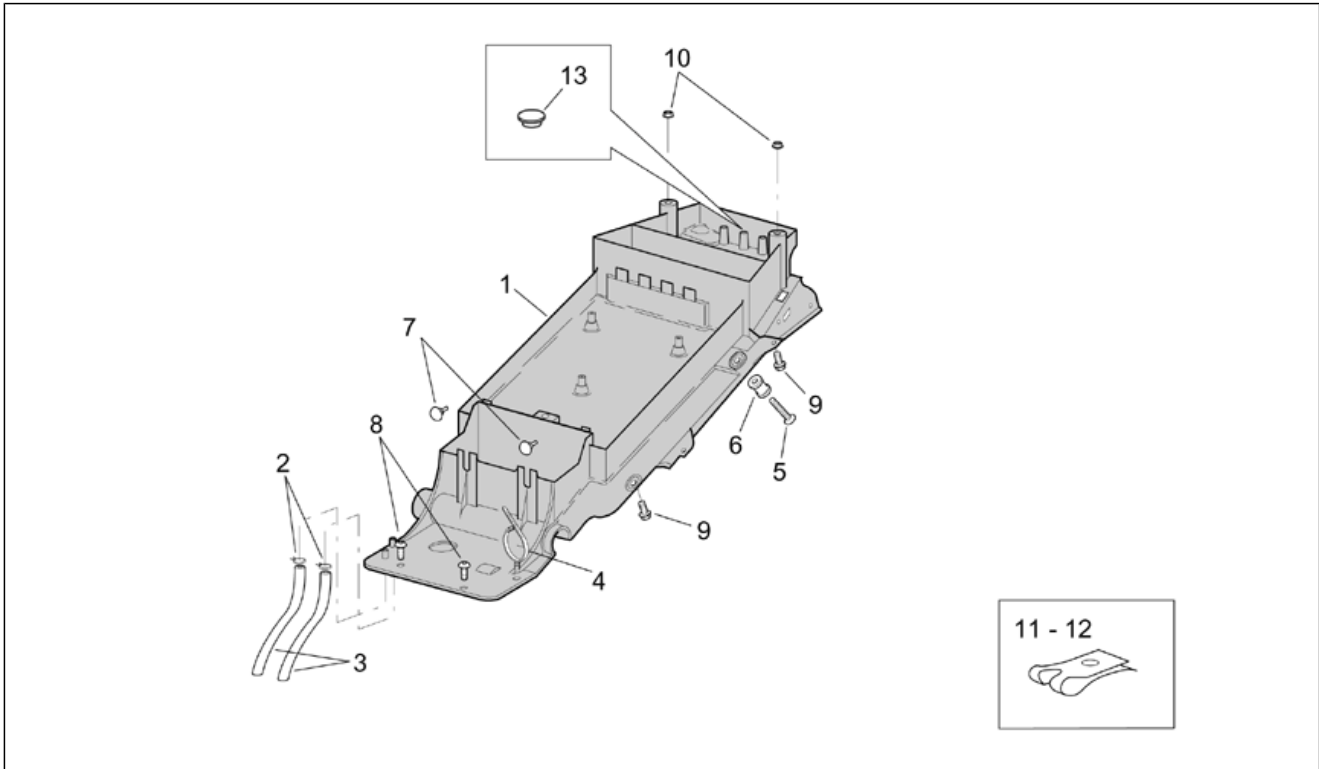
Pos.	Code	Description	Qty	Variants
				Technical Specifications: "R - Factory" 2004-2005 Version[RF]
7	AP8102913	Pass.saddle connecting plate	1	
8	AP8102914	Saddle release cable	1	
9	AP8168093	Front fairing, carb.	1	Year: 2002[2] Vehicle colour: Diablo Black "Racing" 2002[rac] Technical Specifications: "R" 2002-2003 Version[R]
9	AP8168911	Front fairing, carb.	1	Year: 2004[4] Technical Specifications: "R - Factory" 2004-2005 Version[RF]
9	AP8168911	Front fairing, carb.	1	Year: 2003[3] Technical Specifications: "R" 2002-2003 Version[R], Racing GARA 2003[RG]
9	AP8179035	Front fairing, carb.	1	Year: 2005[5] Technical Specifications: "R - Factory" 2004-2005 Version[RF]
10	AP8144564	Rubber w/ insert M4	4	Technical Specifications: "R" 2002-2003 Version[R], "R - Factory" 2004-2005 Version[RF]
11	AP8152415	Screw M4x10	4	Technical Specifications: "R" 2002-2003 Version[R], "R - Factory" 2004-2005 Version[RF]
12	AP8152279	Screw w/ flange M6x20	2	
13	AP8152302	Screw w/ flange M5x12	2	Technical Specifications: "R - Standard" 2004-2005 Version[RS], "Standard" 2002-2003 Version[ST]
13	AP8152416	Screw	2	Technical Specifications: "R" 2002-2003 Version[R], "R - Factory" 2004-2005 Version[RF]
14	AP8152302	Screw w/ flange M5x12	8	
15	AP8168234	Rear fairing	1	Year: 2003[3] Vehicle colour: Tulip Red 2002[t.red] Technical Specifications: "R - Standard" 2004-2005 Version[RS], "Standard" 2002-2003 Version[ST]
15	AP8168602	Rear fairing	1	Year: 2003[3] Vehicle colour: Magnet Grey 2003[m.grey]

Group	FRAME
Code	28.18
Description	Rear body - Rear fairing
Service	1



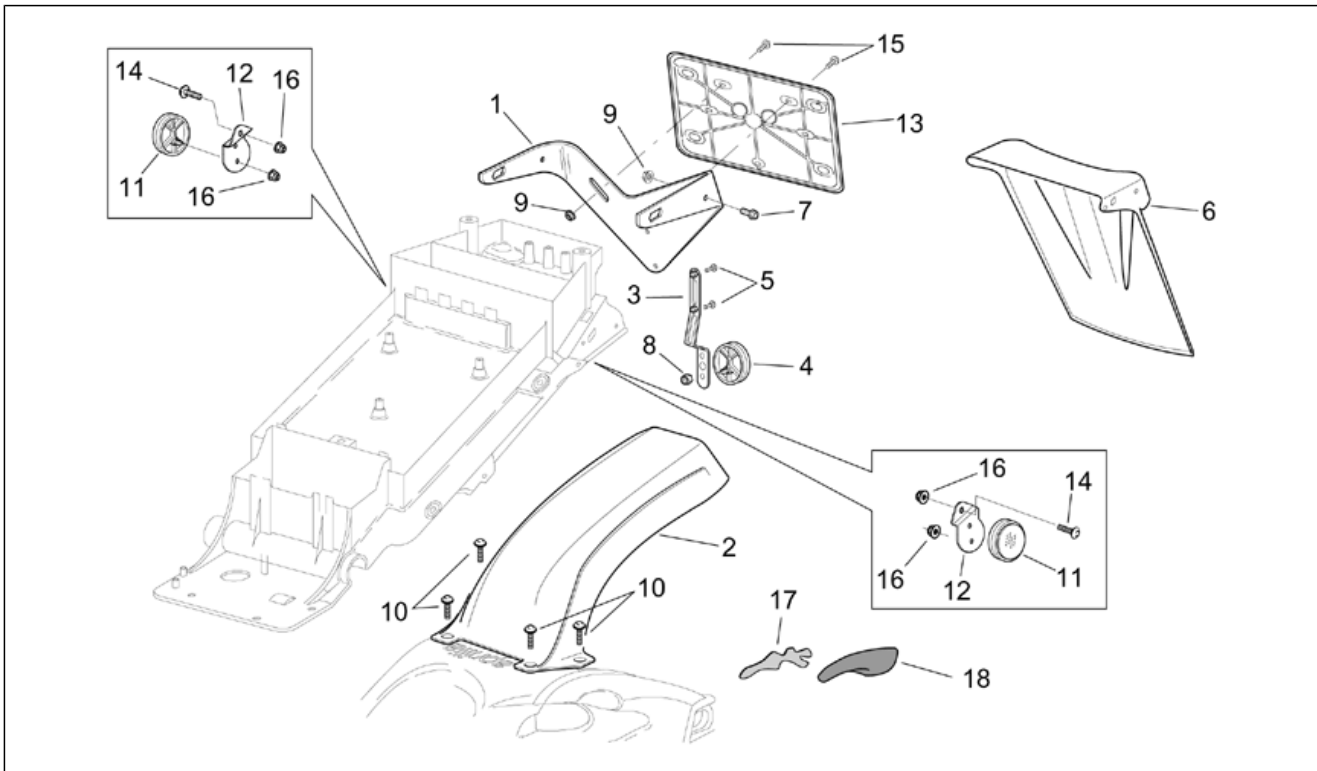
Pos.	Code	Description	Qty	Variants
				Technical Specifications: "R - Standard" 2004-2005 Version[RS], "Standard" 2002-2003 Version[ST]
15	AP8178250	Rear fairing	1	Year: 2004[4], 2005[5] Vehicle colour: Darkness Black 2004[d.bla] Technical Specifications: "R - Standard" 2004-2005 Version[RS]
15	AP8178256	Rear fairing	1	Year: 2004[4], 2005[5] Vehicle colour: Silver Mirror 2004[s.mir] Technical Specifications: "R - Standard" 2004-2005 Version[RS]
15	AP8178260	Rear fairing	1	Year: 2004[4], 2005[5] Vehicle colour: Fluo Red 2004[f.red] Technical Specifications: "R - Standard" 2004-2005 Version[RS]
16	AP8168499	Air intake grid	2	Year: 2003[3] Vehicle colour: Magnet Grey 2003[m.grey], Tulip Red 2002[t.red] Technical Specifications: "Standard" 2002-2003 Version[ST]
17	AP8150450	Washer for shafts D5	12	Technical Specifications: "R - Standard" 2004-2005 Version[RS], "Standard" 2002-2003 Version[ST]

Group	FRAME
Code	28.19
Description	Undersaddle
Service	1



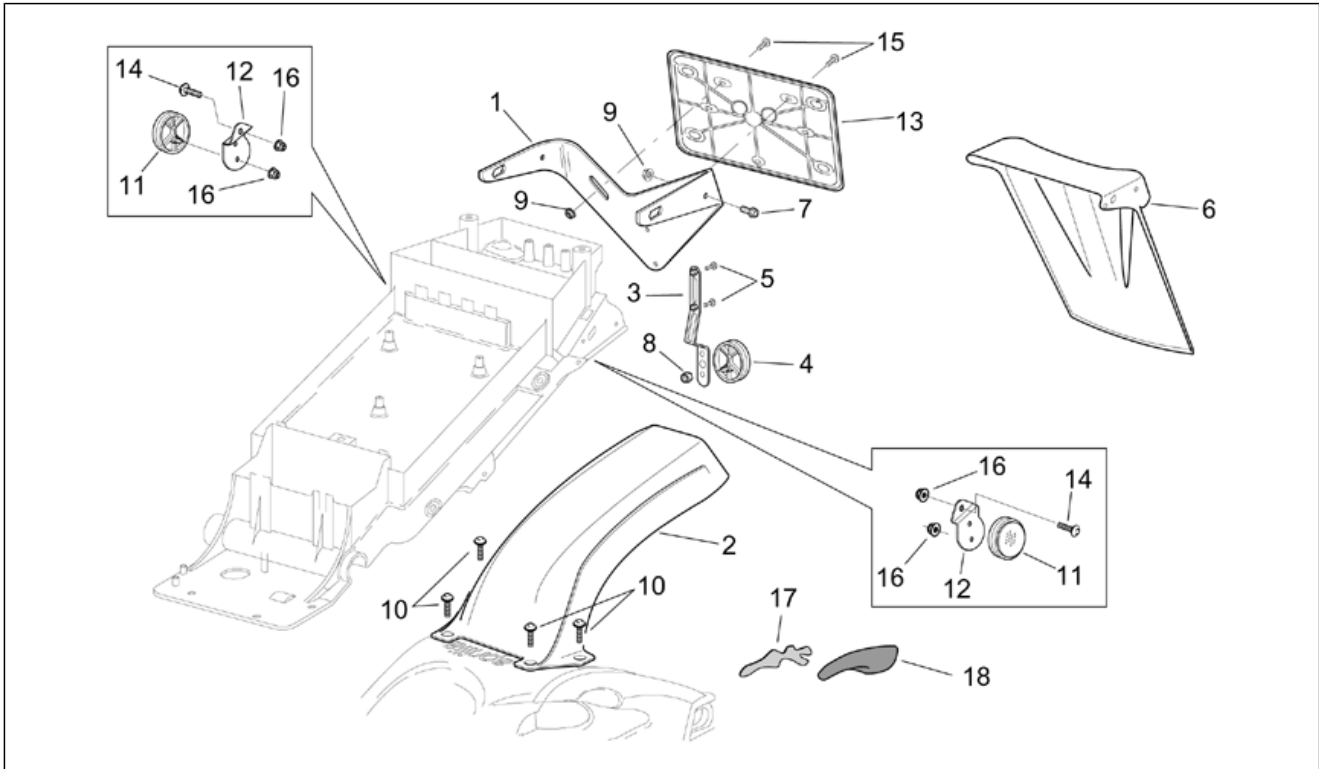
Pos.	Code	Description	Qty	Variants
1	AP8149033	Saddle supp.lower lockup	1	
2	AP8101595	Hose clamp D10,1	2	
3	AP8120952	Fuel pipe 5,5x10	1	
4	AP8201539	Hose clamp	1	
5	AP8152278	Screw w/ flange M6x16	2	
6	AP8150015	Washer 6,6x18x1,6*	2	
7	AP8120001	Rubber spacer	2	
8	AP8152246	Screw w/ flange M6x16	4	
9	AP8152416	Screw	4	
10	AP8152299	Self-locking nut M6	2	
11	AP8102375	Clip m5	8	
12	AP8102376	Clip M6	1	
13	AP8102600	Cover	3	

Group	FRAME
Code	28.20
Description	Rear mudguard
Service	1



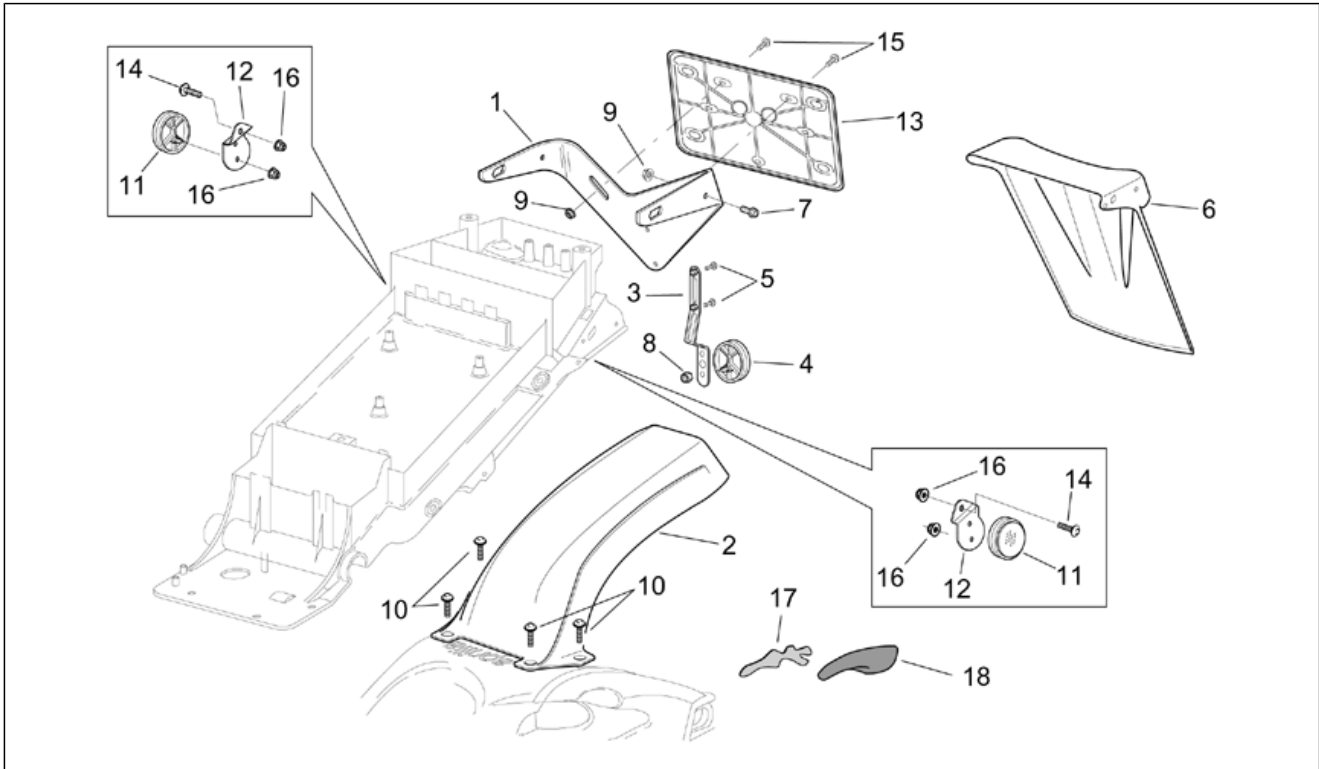
Pos.	Code	Description	Qty	Variants
1	AP8126775	Number plate support	1	Year:2003[3] Vehicle colour:Magnet Grey 2003[m.grey], Tulip Red 2002[t.red] Technical Specifications:"Standard" 2002-2003 Version[ST]
1	AP8126775	Number plate support	1	Year:2004[4], 2005[5]
1	AP8126775	Number plate support	1	Year:2003[3] Technical Specifications:Racing GARA 2003[RG]
1	AP8156007	Number plate support	1	Year:2002[2] Vehicle colour:Diablo Black "Racing" 2002[rac] Technical Specifications:"R" 2002-2003 Version[R]
2	AP8126579	Low rear mudguard	1	Year:2003[3] Vehicle colour:Magnet Grey 2003[m.grey], Tulip Red 2002[t.red] Technical Specifications:"Standard" 2002-2003 Version[ST]
2	AP8126579	Low rear mudguard	1	Year:2004[4]
2	AP8156008	Rear mudguard, carb.	1	Year:2002[2] Vehicle colour:Diablo Black "Racing" 2002[rac] Technical Specifications:"R" 2002-2003 Version[R]
2	AP8156078	Rear mudguard, carb.	1	Year:2003[3] Technical Specifications:Racing GARA 2003[RG]
2	AP8156192	Rear mudguard, carb.	1	Year:2005[5] Technical Specifications:"R - Factory" 2004-2005 Version[RF]
3	AP8134448	Reflector support	1	
4	AP8224164	Rear reflector, red	1	
5	AP8152267	Hex socket screw M5x12	2	Technical Specifications:"R - Standard" 2004-2005 Version[RS], "Standard" 2002-2003 Version[ST]
5	AP8152416	Screw	2	Technical Specifications:"R" 2002-2003 Version[R], "R - Factory" 2004-2005 Version[RF]
6	AP8126591	Number-plate extension	1	
7	AP8150137	Hex socket screw M6x16	2	Technical Specifications:"R - Standard" 2004-2005 Version[RS], "Standard" 2002-2003 Version[ST]

Group	FRAME
Code	28.20
Description	Rear mudguard
Service	1



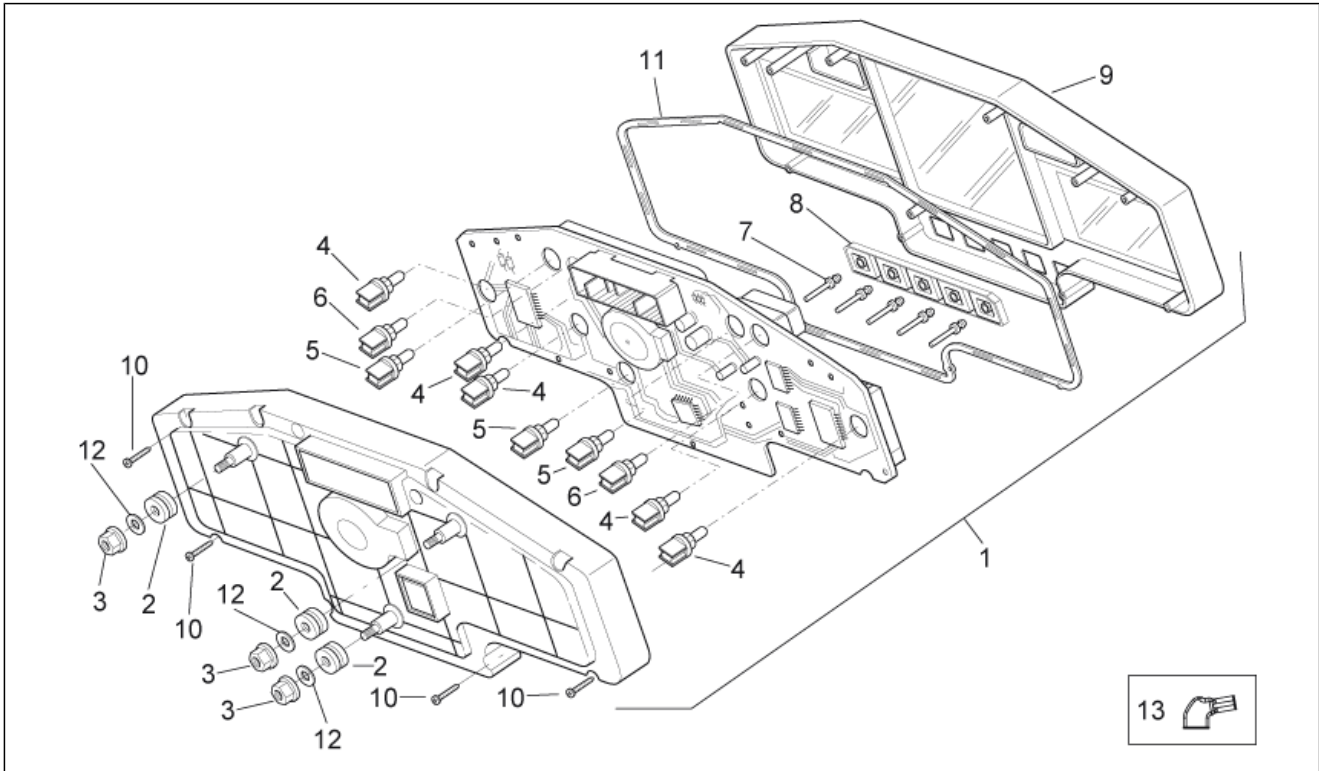
Pos.	Code	Description	Qty	Variants
7	AP8152420	Screw M6x15	2	Technical Specifications: "R" 2002-2003 Version[R], "R - Factory" 2004-2005 Version[RF]
8	AP8152306	Self-locking nut m5	4	
9	AP8152299	Self-locking nut M6	6	
10	AP8152298	Screw w/ flange M5x16	4	Technical Specifications: "R - Standard" 2004-2005 Version[RS], "Standard" 2002-2003 Version[ST]
10	AP8152418	Screw	4	Technical Specifications: "R" 2002-2003 Version[R], "R - Factory" 2004-2005 Version[RF], Racing GARA 2003[RG]
11	AP8224164	Rear reflector, red	2	Country: USA (49 Countries Approval)[AM], USA (California Approval)[CF], United States of America[USA]
12	AP8148587	Reflector support	2	Country: USA (49 Countries Approval)[AM], USA (California Approval)[CF], United States of America[USA]
13	AP8149034	Number plate support	1	Country: USA (49 Countries Approval)[AM], USA (California Approval)[CF], United States of America[USA]
14	AP8152298	Screw w/ flange M5x16	2	Country: USA (49 Countries Approval)[AM], USA (California Approval)[CF], United States of America[USA]
15	AP8150340	Hex socket screw	2	Country: USA (49 Countries Approval)[AM], USA (California Approval)[CF], United States of America[USA]
16	AP8152306	Self-locking nut m5	4	Country: USA (49 Countries Approval)[AM], USA (California Approval)[CF], United States of America[USA]
17	AP8117232	Biadhesive	1	Year: 2003[3] Vehicle colour: Magnet Grey 2003[m.grey], Tulip Red 2002[t.red] Technical Specifications: "Standard" 2002-2003 Version[ST]
18	AP8168484	LH swing arm protection	1	Year: 2004[4], 2005[5] Technical Specifications: "R - Standard" 2004-2005 Version[RS]
18	AP8168484	LH swing arm protection	1	Year: 2003[3] Vehicle colour: Magnet Grey 2003[m.grey], Tulip Red 2002[t.red] Technical Specifications: "Standard" 2002-2003 Version[ST]
18	AP8168797	LH swing arm protection carb.	1	Year: 2003[3]

Group	FRAME
Code	28.20
Description	Rear mudguard
Service	1



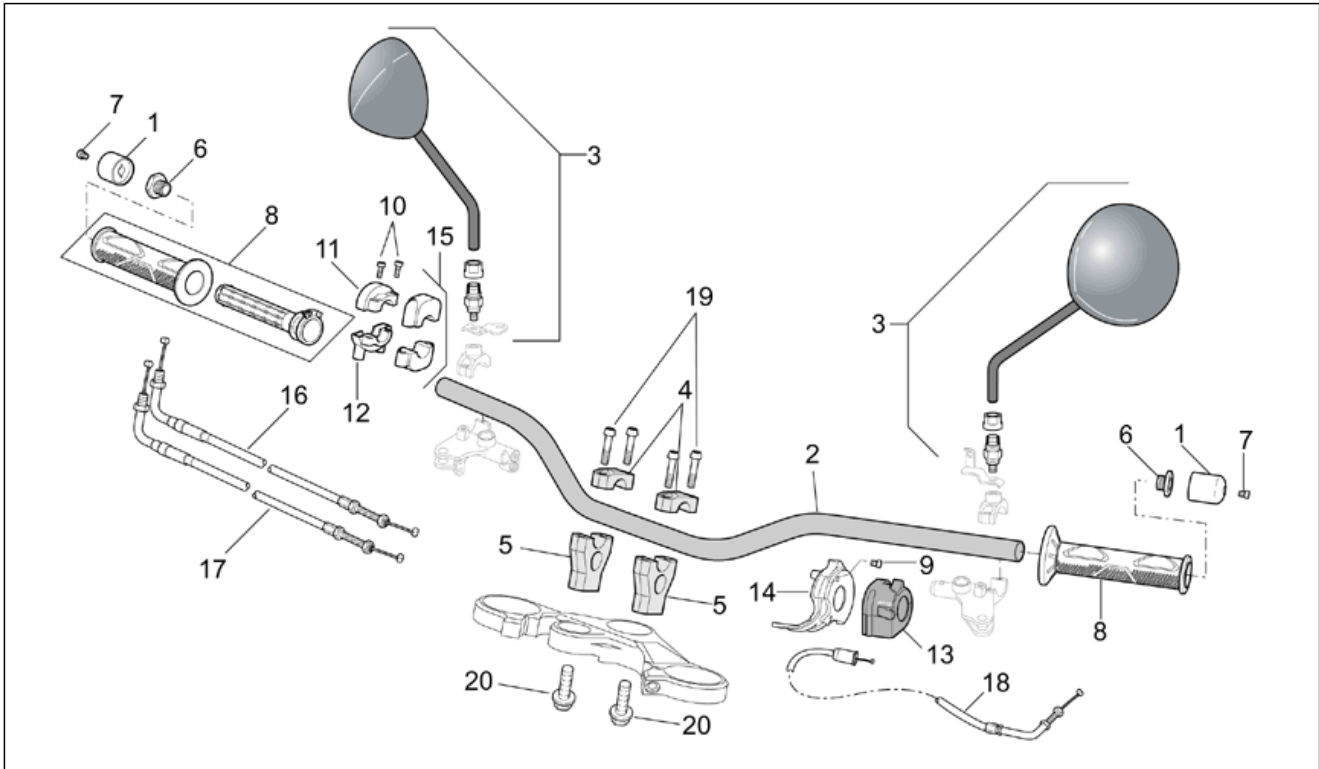
Pos.	Code	Description	Qty	Variants
				Technical Specifications: "R" 2002-2003 Version[R], Racing GARA 2003[RG]
18	AP8168797	LH swing arm protection carb.	1	Year: 2004[4] Technical Specifications: "R - Factory" 2004-2005 Version[RF]
18	AP8179027	LH swing arm protection	1	Year: 2005[5] Technical Specifications: "R - Factory" 2004-2005 Version[RF]

Group	FRAME
Code	28.21
Description	Dashboard
Service	1



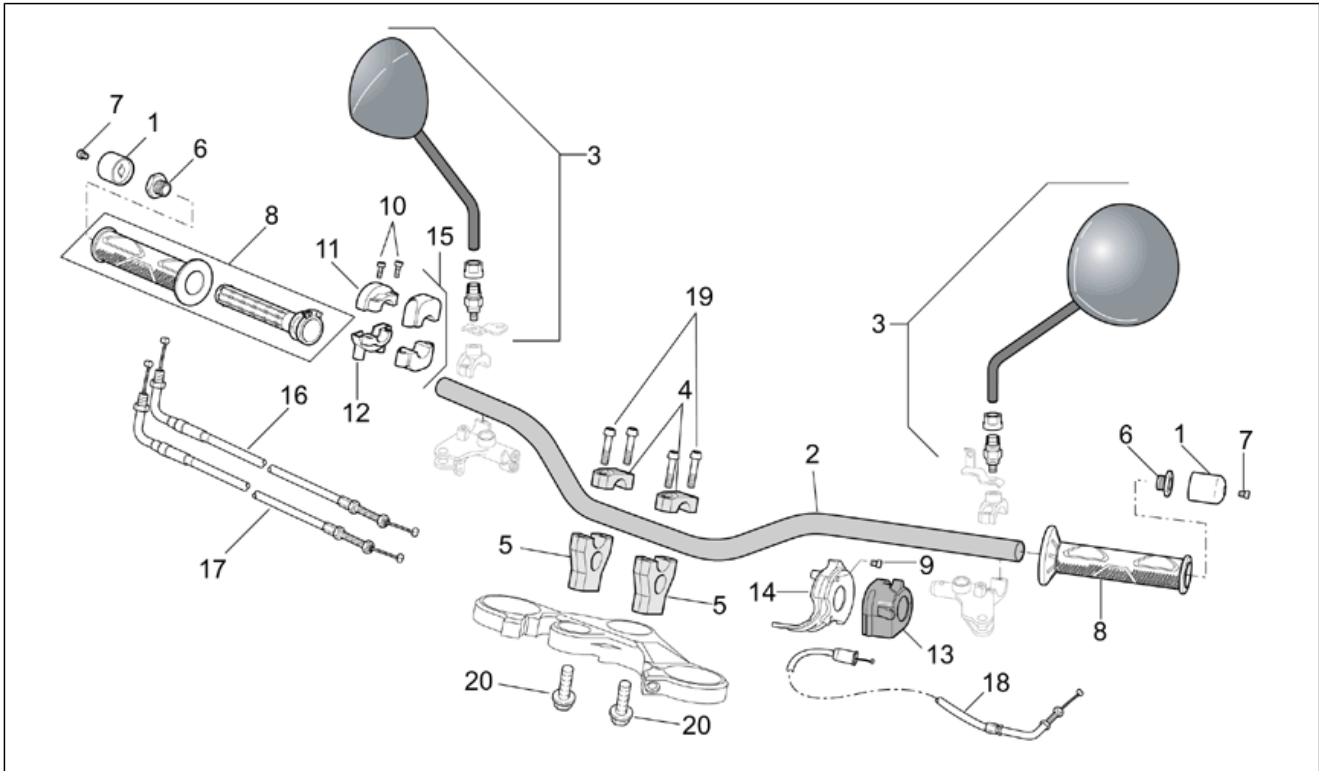
Pos.	Code	Description	Qty	Variants
1	AP8124990	Dashboard complete	1	
2	AP8112599	Rubber spacer *	3	
3	AP8152299	Self-locking nut M6	3	
4	AP8124569	Lampholder, complete	5	
5	AP8124570	Lampholder, complete	3	
6	AP8124571	Lampholder, complete 12V-3W	2	
7	AP8124575	Dashboard piston	5	
8	AP8124574	Dashboard rubber	1	
9	AP8124573	Up. Dashboard cover	1	
10	AP8124572	screw	8	
11	AP8144415	Gasket	1	
12	AP8150014	Washer 6,4x12,5*	3	
13	856152	Insulating cap	1	

Group	FRAME
Code	28.22
Description	Handlebar
Service	1



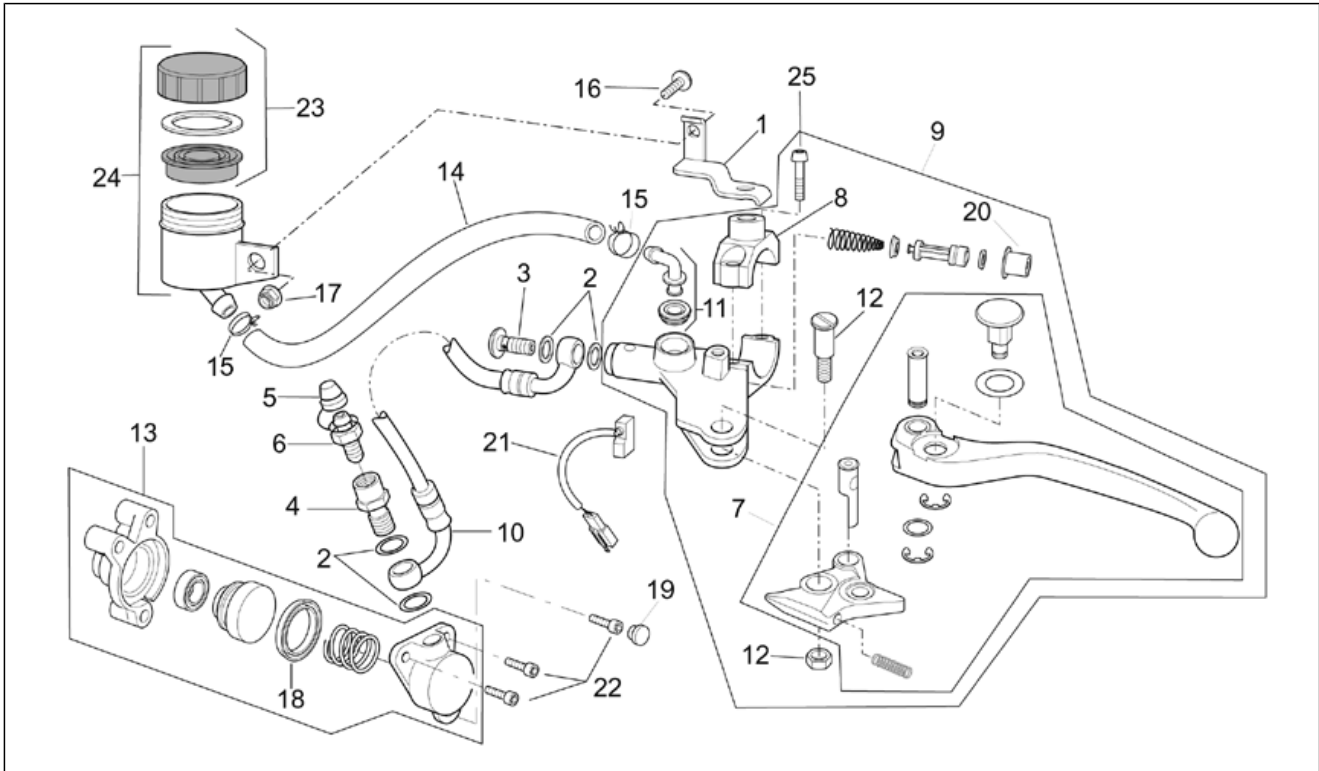
Pos.	Code	Description	Qty	Variants
1	AP8104509	Anti.v weight, black	2	
2	AP8118678	Handlebar, gold	1	
3	AP8104511	Rearview mirror	2	Technical Specifications: "R" 2002-2003 Version[R], "R - Factory" 2004-2005 Version[RF]
3	AP8104566	Rearview mirror	2	Technical Specifications: "R - Standard" 2004-2005 Version[RS], "Standard" 2002-2003 Version[ST]
4	AP8121608	Handlebar collar	2	Year: 2002[2] Technical Specifications: "R" 2002-2003 Version[R]
4	AP8121622	Handlebar collar	2	Year: 2003[3], 2004[4], 2005[5]
4	AP8121622	Handlebar collar	2	Year: 2005[5] Technical Specifications: "R - Factory" 2004-2005 Version[RF]
5	AP8134891	Handlebar stem Ergal	2	Year: 2002[2] Technical Specifications: "R" 2002-2003 Version[R]
5	AP8134907	Handlebar stem	2	Year: 2005[5] Technical Specifications: "R - Factory" 2004-2005 Version[RF]
5	AP8134907	Handlebar stem	2	Year: 2003[3], 2004[4], 2005[5]
6	AP8121520	Anti vib.weight trailing	2	
7	AP8150508	Hex socket screw M6x45	2	
8	AP8118501	Handgrip pair, black	1	
9	AP8150472	TSPEI inox screw M3x20	2	
10	AP8118492	Cap screw	2	
11	AP8118567	Rear gas lever U-bolt	1	
12	AP8118566	Front gas lever U-bolt	1	
13	AP8127069	LH lights selector	1	Year: 2003[3], 2004[4], 2005[5]
13	AP8127538	LH lights selector	1	Year: 2002[2]
14	AP8118470	Choke control	1	
15	AP8118580	Engine stop-start device	1	
16	AP8114405	Gas trasmission return	1	

Group	FRAME
Code	28.22
Description	Handlebar
Service	1



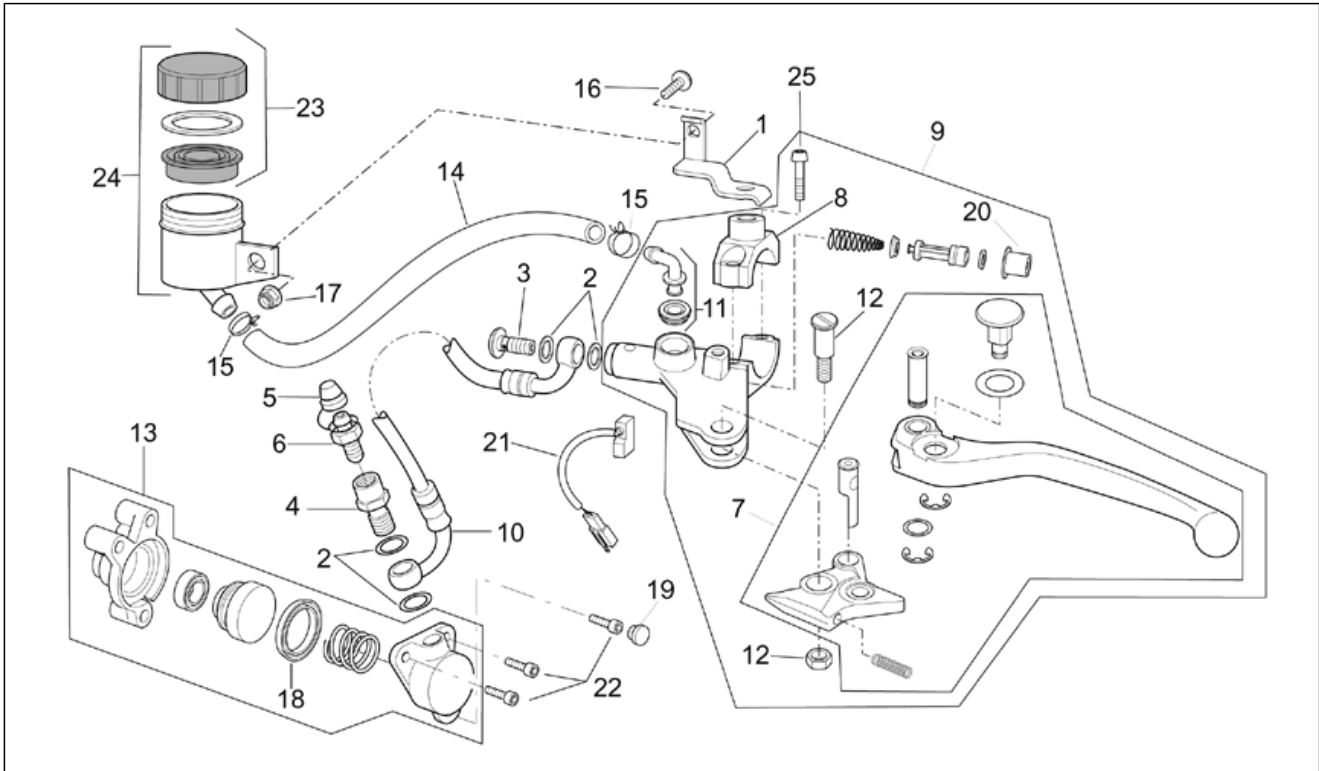
Pos.	Code	Description	Qty	Variants
17	AP8114404	Gas trasmission delivery	1	
18	AP8114359	Choke cable	1	
19	AP8150170	Hex socket screw M8x25	4	Technical Specifications: "R - Standard" 2004-2005 Version[RS], "Standard" 2002-2003 Version[ST]
19	AP8152427	Screw M8x25	4	Technical Specifications: "R" 2002-2003 Version[R], "R - Factory" 2004-2005 Version[RF]
20	AP8152320	Screw w/ flange	2	

Group	FRAME
Code	28.23
Description	Clutch pump
Service	1



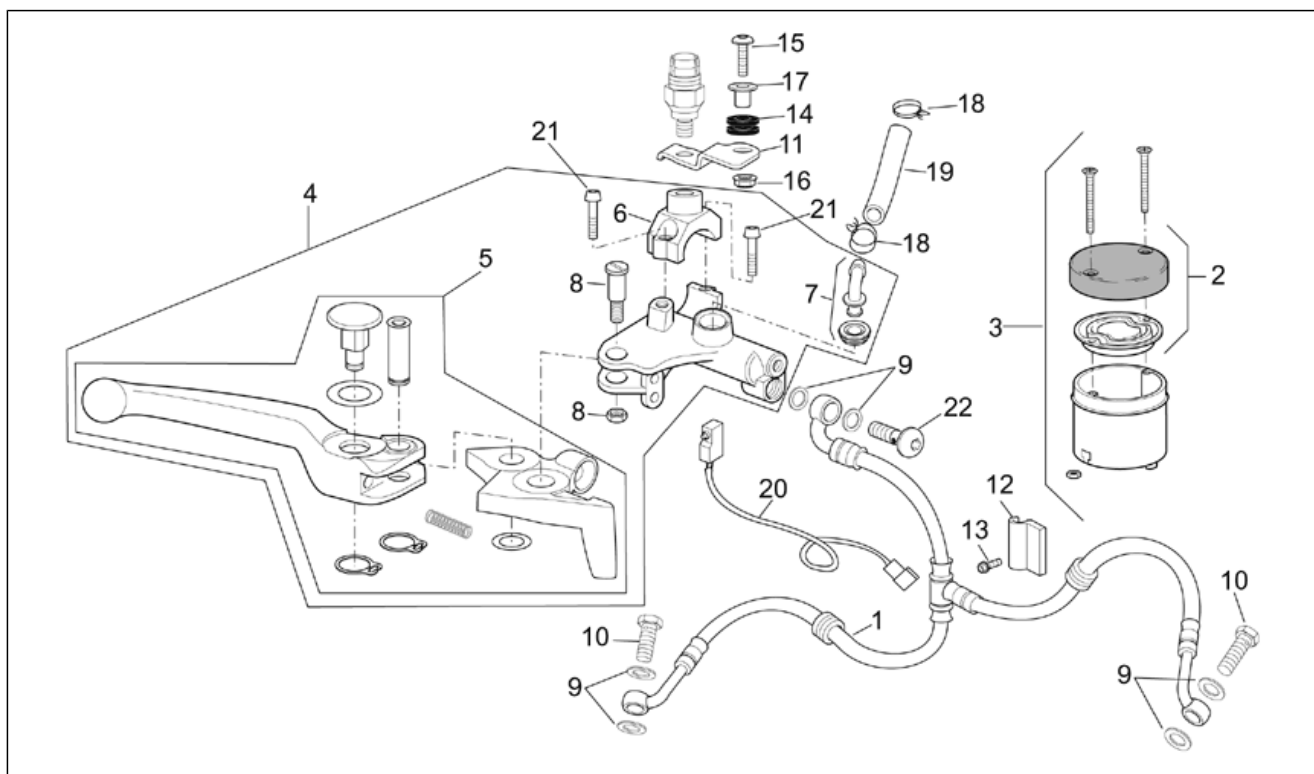
Pos.	Code	Description	Qty	Variants
1	AP8134898	Oil tank plate	1	
2	AP8121915	Gasket	4	
3	AP8113003	Oil pipe screw *	1	
4	AP8113762	Bored screw	1	
5	AP8113230	Bleed valve cap	1	
6	AP8113761	Air bleed valve	1	
7	AP8113758	Clutch lever	1	
8	AP8104500	Rearview mirror base *	1	Technical Specifications: Worked from the full load[LP], "R" 2002-2003 Version[R], "R - Factory" 2004-2005 Version[RF]
8	AP8168217	Rearview mirror base	1	Technical Specifications: Near fused[PF], "R - Standard" 2004-2005 Version[RS], "Standard" 2002-2003 Version[ST]
9	AP8106384	Clutch pump	1	Technical Specifications: "R" 2002-2003 Version[R], "R - Factory" 2004-2005 Version[RF]
9	AP8176050	Clutch pump	1	Technical Specifications: "R - Standard" 2004-2005 Version[RS], "Standard" 2002-2003 Version[ST]
10	AP8133574	Clutch pipe	1	
11	AP8213057	Rear brake pump union	1	
12	AP8113719	Lever pin	1	
13	AP8106381	Clutch command cylinder	1	
14	AP8113773	pipe	1	
15	AP8113764	Hose clamp	2	
16	AP8152273	Screw w/ flange M5X15	1	
17	AP8152306	Self-locking nut m5	1	
18	AP8106935	Gasket	1	
19	AP8144158	Rubber spacer	1	
20	AP8133522	Guard	1	
21	AP8124398	Clutch switch+harness	1	
22	AP0241821	Hex socket screw M6x45	3	
23	AP8113553	Tank cap	1	

Group	FRAME
Code	28.23
Description	Clutch pump
Service	1



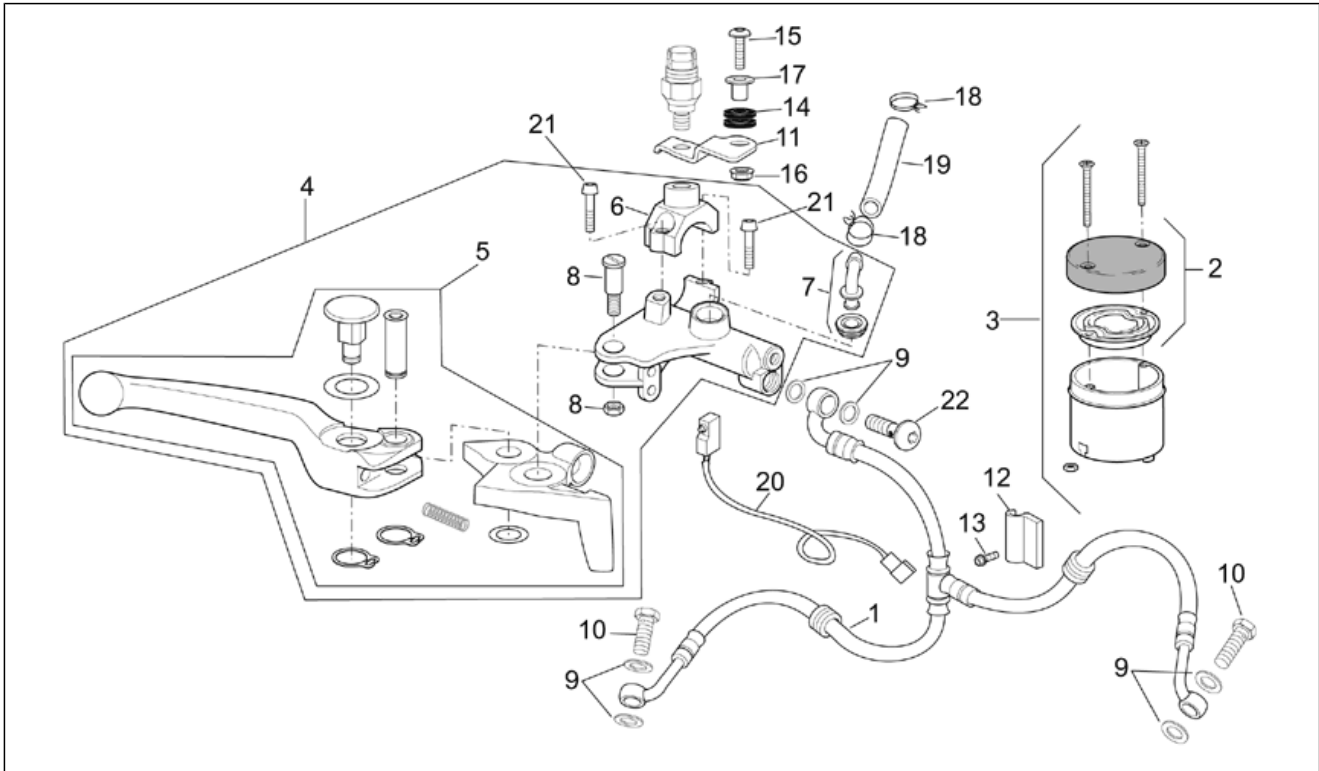
Pos.	Code	Description	Qty	Variants
24	AP8106382	Oil tank	1	
25	AP8213299	Cap screw	2	

Group	FRAME
Code	28.24
Description	Front master cilinder
Service	1



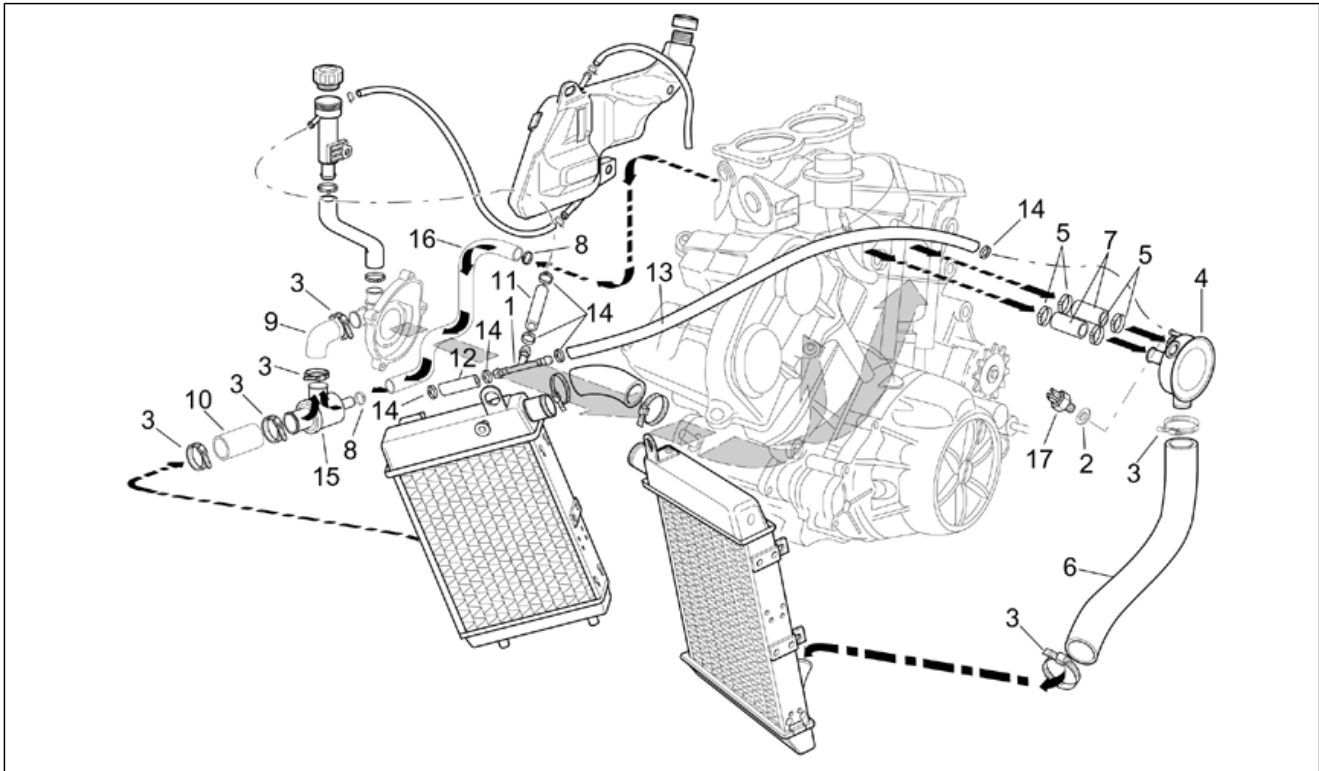
Pos.	Code	Description	Qty	Variants
1	AP8133575	Front brake hose	1	Year:2002[2] Technical Specifications:For radial brake caliper[rc]
1	AP8133575	Front brake hose	1	Year:2002[2], 2003[3] Technical Specifications:For radial brake caliper[rc]
1	AP8133575	Front brake hose	1	Year:2003[3] Technical Specifications:For radial brake caliper[rc]
1	AP8133615	Front brake hose	1	Year:2004[4], 2005[5] Technical Specifications:For standard brake caliper[sc]
2	AP8113598	Pil brake tank plug	1	
3	AP8113499	Brake oil tank	1	
4	AP8113969	Front master cilinder	1	Year:2003[3], 2004[4], 2005[5] Technical Specifications:"R" 2002-2003 Version[R], "R - Factory" 2004-2005 Version[RF]
4	AP8133620	Front master cilinder	1	Year:2002[2] Technical Specifications:"R" 2002-2003 Version[R]
4	AP8133620	Front master cilinder	1	Year:2003[3], 2004[4], 2005[5] Technical Specifications:"R - Standard" 2004-2005 Version[RS], "Standard" 2002-2003 Version[ST]
5	AP8113757	Front brake lever	1	
6	AP8104500	Rearview mirror base *	1	Technical Specifications:"R" 2002-2003 Version[R], "R - Factory" 2004-2005 Version[RF]
6	AP8168501	Rearview mirror base	1	Technical Specifications:Near fused[PF], "R - Standard" 2004-2005 Version[RS], "Standard" 2002-2003 Version[ST]
7	AP8213057	Rear brake pump union	1	
8	AP8113719	Lever pin	1	
9	AP8121915	Gasket	6	
10	AP8113003	Oil pipe screw *	3	
11	AP8134899	Oil tank plate	1	
12	AP8134438	Brake hose hanger	1	
13	AP8152272	Screw w/ flange M5x12	1	
14	AP8120030	Rubber spacer	1	

Group	FRAME
Code	28.24
Description	Front master cilinder
Service	1



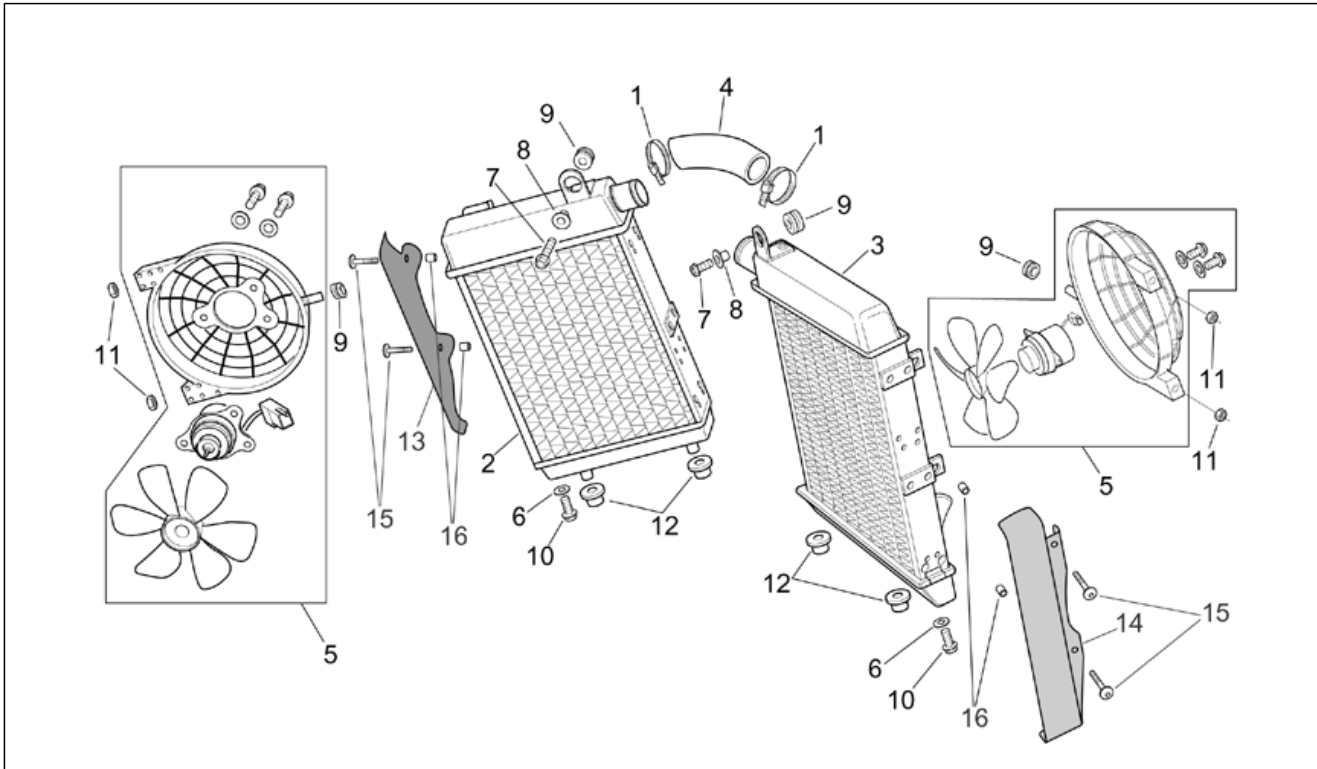
Pos.	Code	Description	Qty	Variants
15	AP8152280	Screw w/ flange M6x25	1	
16	AP8152299	Self-locking nut M6	1	
17	AP8221023	T bush	1	
18	AP8101595	Hose clamp D10,1	2	
19	AP8113771	pipe	1	Technical Specifications: "R" 2002-2003 Version[R], "R - Factory" 2004-2005 Version[RF]
19	AP8144151	Rubber pipe	1	Technical Specifications: "R - Standard" 2004-2005 Version[RS], "Standard" 2002-2003 Version[ST]
20	AP8124288	Stop switch	1	
21	AP8213299	Cap screw	2	
22	AP8113003	Oil pipe screw *	1	Year: 2002[2] Technical Specifications: "R" 2002-2003 Version[R]
22	AP8113003	Oil pipe screw *	1	Technical Specifications: "R - Standard" 2004-2005 Version[RS], "Standard" 2002-2003 Version[ST]
22	AP8133594	Oil pipe screw	1	Year: 2004[4], 2005[5] Technical Specifications: "R - Factory" 2004-2005 Version[RF]
22	AP8133594	Oil pipe screw	1	Year: 2003[3] Technical Specifications: "R" 2002-2003 Version[R]

Group	FRAME
Code	28.25
Description	Cooling system
Service	1



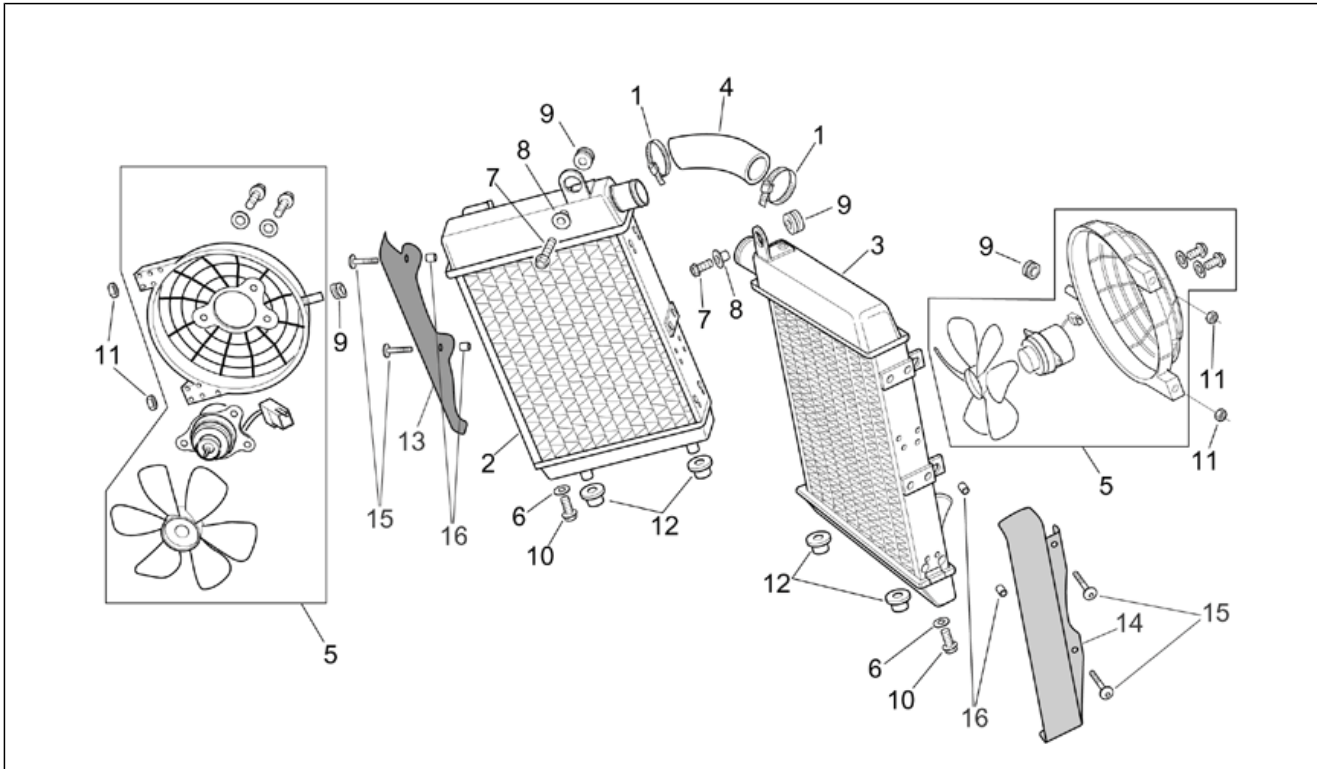
Pos.	Code	Description	Qty	Variants
1	AP8102431	3-way union	1	
2	AP8121837	Aluminium washer	1	
3	AP8104097	Hose clamp	6	
4	AP8102677	Three-way manifold	1	
5	AP8102732	Hose clamp 17-25	4	
6	AP8120978	Water hose manifold/cooler	1	
7	AP8120979	Engine-manifold pipe	2	
8	AP8101927	Hose clip D23,5x8*	2	
9	AP8144033	Thermostat-pump pipe	1	
10	AP8144034	Thermostat-cooler pipe	1	
11	AP8144094	Union-manifold breather pipe	1	
12	AP8144093	Manifold-union breather pipe	1	
13	AP8144092	Manifold breather pipe	1	
14	AP8102764	White hose clip d.13x6	6	
15	AP8124929	Thermostat valve set 75°C	1	
16	AP8120980	Thermostat-engine pipe	1	
17	AP8112939	Thermal switch	1	

Group	FRAME
Code	28.26
Description	Water coolers
Service	1



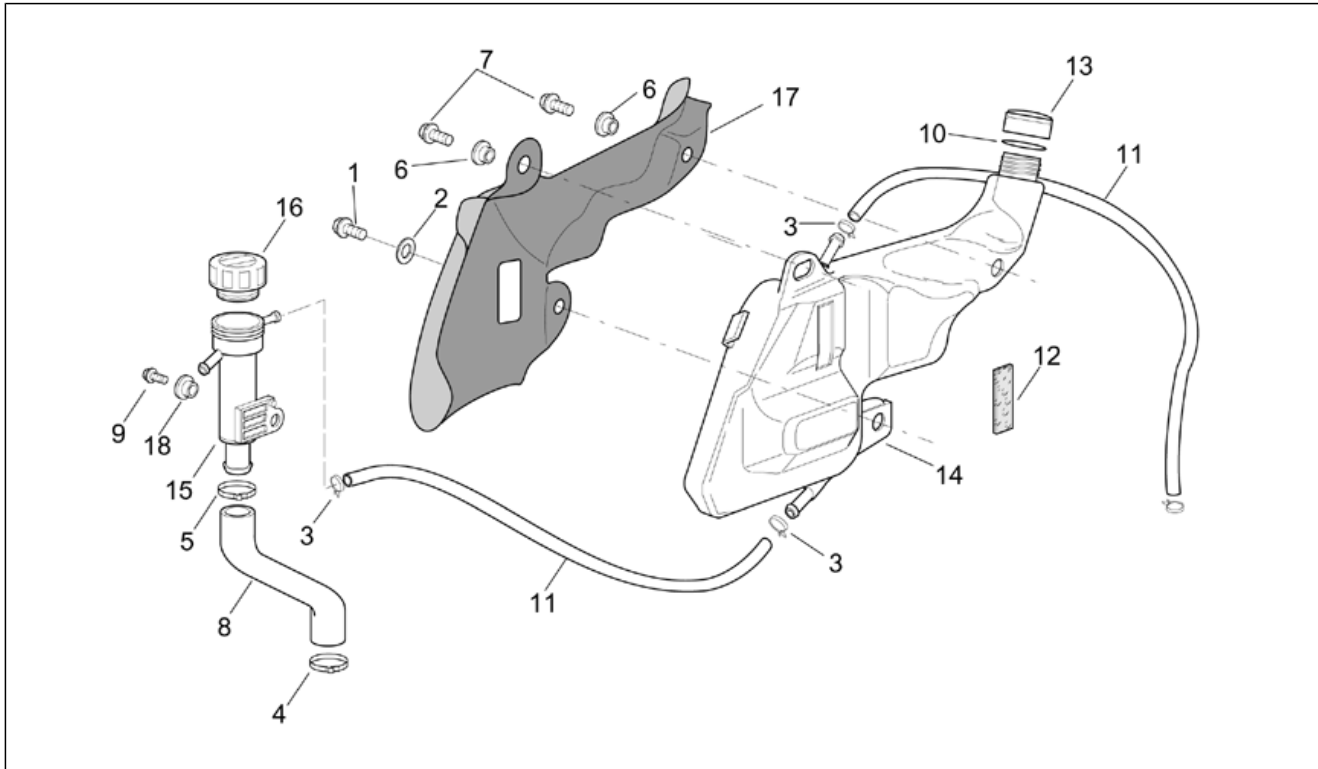
Pos.	Code	Description	Qty	Variants
1	AP8104097	Hose clamp	2	
2	AP8102952	Water cooler, RH black	1	
3	AP8102951	Water cooler, LH black	1	
4	AP8120981	Water hose coolers	1	
5	AP8124855	Fan, cpl.	2	
6	AP8152184	Washer 6,4x12*	2	
7	AP8152279	Screw w/ flange M6x20	2	
8	AP8221023	T bush	2	
9	AP8112600	Rubber spacer	2	
10	AP8152277	Screw w/ flange M6x12	6	
11	AP8150026	Nut M6	4	
12	AP8101372	Silent-block	4	
13	AP8168067	RH water cooler protection, c.	1	Year:2002[2] Vehicle colour:Diablo Black "Racing" 2002[rac] Technical Specifications:"R" 2002-2003 Version[R]
13	AP8168224	RH water cooler protection	1	Year:2004[4], 2005[5] Technical Specifications:"R - Standard" 2004-2005 Version[RS]
13	AP8168224	RH water cooler protection	1	Year:2003[3] Vehicle colour:Magnet Grey 2003[m.grey], Tulip Red 2002[t.red] Technical Specifications:"Standard" 2002-2003 Version[ST]
13	AP8168804	RH water cooler protection, c.	1	Year:2003[3] Technical Specifications:Racing GARA 2003[RG]
13	AP8168804	RH water cooler protection, c.	1	Year:2004[4] Technical Specifications:"R - Factory" 2004-2005 Version[RF]
13	AP8179032	RH water cooler protection, c.	1	Year:2005[5] Technical Specifications:"R - Factory" 2004-2005 Version[RF]
14	AP8168068	LH water cooler protection, c.	1	Year:2002[2]

Group	FRAME
Code	28.26
Description	Water coolers
Service	1



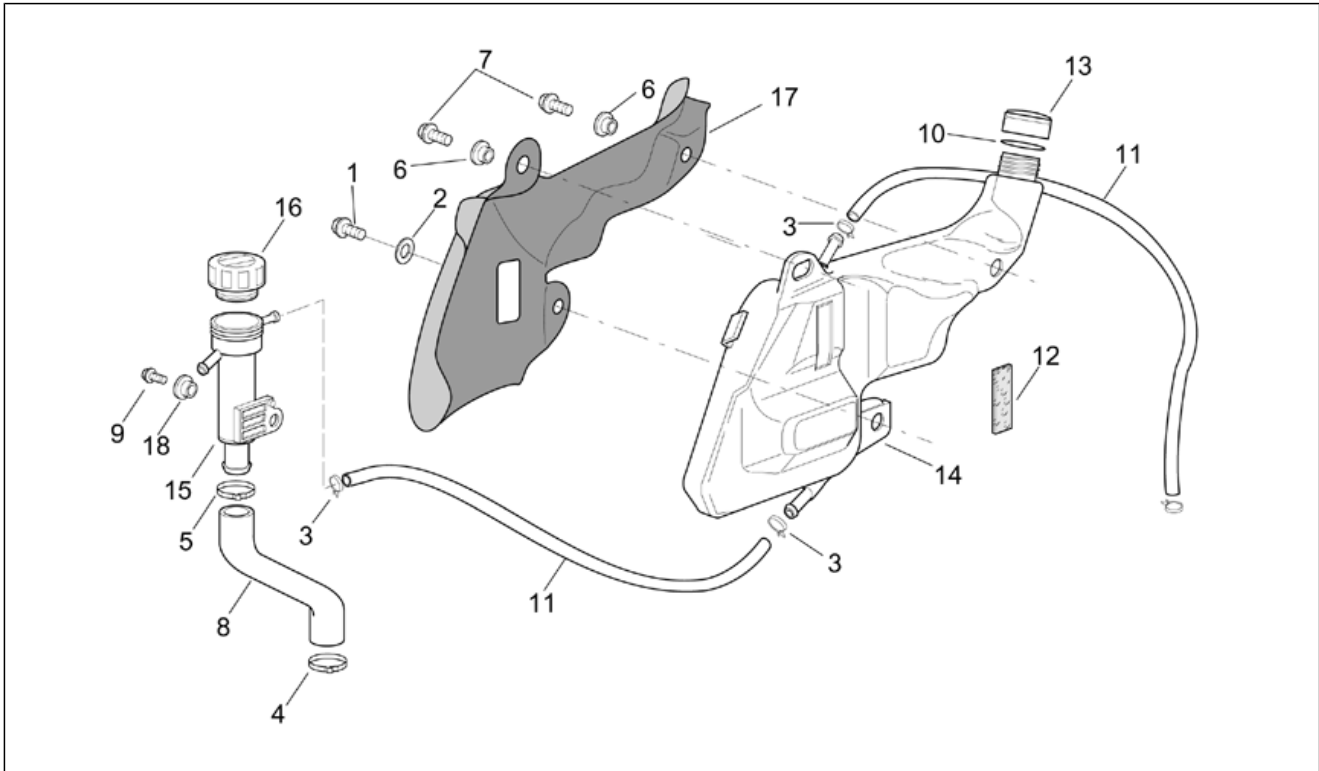
Pos.	Code	Description	Qty	Variants
				Vehicle colour: Diablo Black "Racing" 2002[rac] Technical Specifications: "R" 2002-2003 Version[R]
14	AP8168225	LH water cooler protection	1	Year: 2004[4], 2005[5] Technical Specifications: "R - Standard" 2004-2005 Version[RS]
14	AP8168225	LH water cooler protection	1	Year: 2003[3] Vehicle colour: Magnet Grey 2003[m.grey], Tulip Red 2002[t.red] Technical Specifications: "Standard" 2002-2003 Version[ST]
14	AP8168805	LH water cooler protection, c.	1	Year: 2003[3] Technical Specifications: Racing GARA 2003[RG]
14	AP8168805	LH water cooler protection, c.	1	Year: 2004[4] Technical Specifications: "R - Factory" 2004-2005 Version[RF]
14	AP8179033	LH water cooler protection, c.	1	Year: 2005[5] Technical Specifications: "R - Factory" 2004-2005 Version[RF]
15	AP8152280	Screw w/ flange M6x25	4	Technical Specifications: "R - Standard" 2004-2005 Version[RS], "Standard" 2002-2003 Version[ST]
15	AP8152422	Screw M6x25	4	Technical Specifications: "R" 2002-2003 Version[R], "R - Factory" 2004-2005 Version[RF]
16	AP8152436	Bush	4	

Group	FRAME
Code	28.27
Description	Expansion tank
Service	1



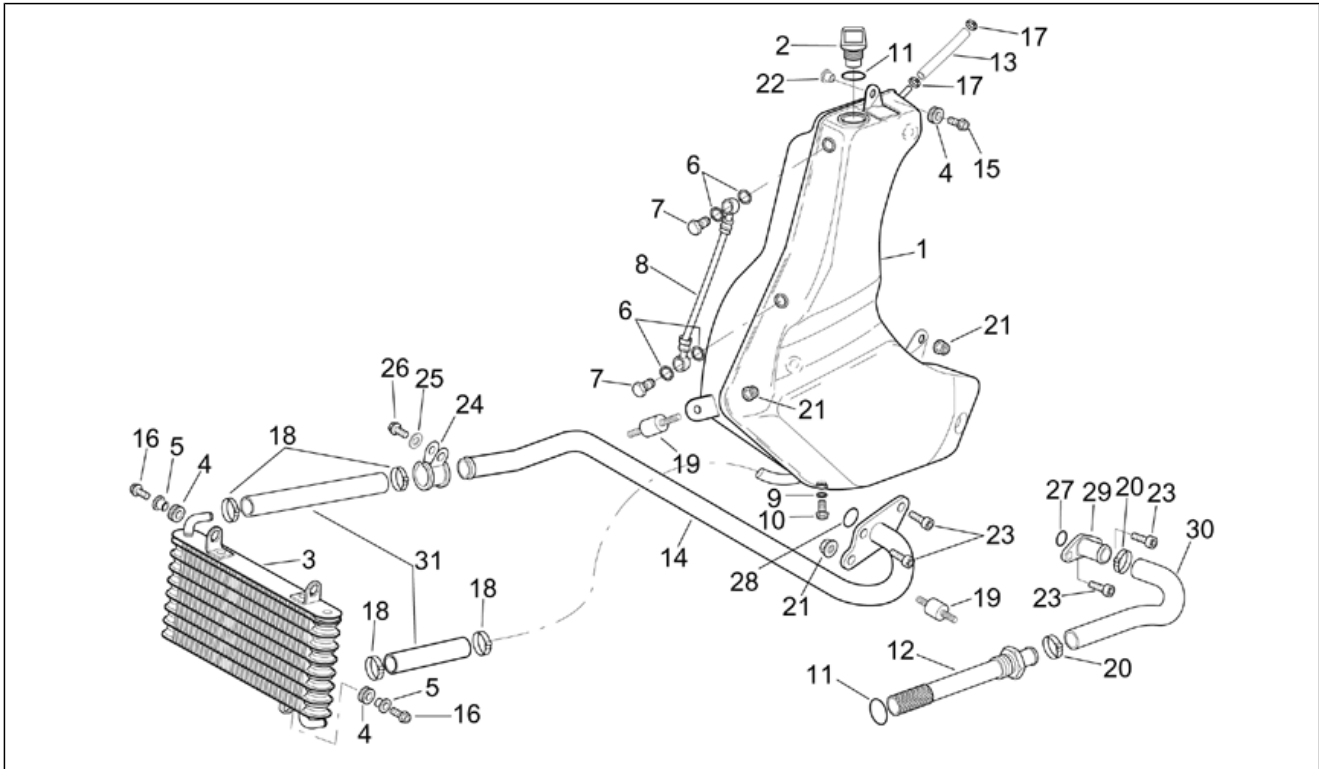
Pos.	Code	Description	Qty	Variants
1	AP8224470	Hex socket screw M6x20	1	
2	AP8150378	Washer 6,4x18x2	1	
3	AP8102378	Hose clamp D11,3	3	
4	AP8102732	Hose clamp 17-25	1	
5	AP8101927	Hose clip D23,5x8*	1	
6	AP8121795	T bush	2	Technical Specifications: "R - Standard" 2004-2005 Version[RS], "Standard" 2002-2003 Version[ST]
6	AP8221145	T bush *	2	Technical Specifications: "R" 2002-2003 Version[R], "R - Factory" 2004-2005 Version[RF]
7	AP8152278	Screw w/ flange M6x16	2	Technical Specifications: "R" 2002-2003 Version[R], "R - Factory" 2004-2005 Version[RF]
7	AP8152279	Screw w/ flange M6x20	2	Technical Specifications: "R - Standard" 2004-2005 Version[RS], "Standard" 2002-2003 Version[ST]
8	AP8144032	Pump-Inlet pipe	1	
9	AP8152279	Screw w/ flange M6x20	1	
10	AP8120355	Oil plug gasket	1	
11	AP8120952	Fuel pipe 5,5x10	1	
12	AP8117033	Adhesive sponge	1	
13	AP8104124	Expansion tank plug	1	
14	AP8138556	Expansion tank	1	Technical Specifications: "R" 2002-2003 Version[R], "R - Factory" 2004-2005 Version[RF]
14	AP8168057	Expansion tank	1	Technical Specifications: "R - Standard" 2004-2005 Version[RS], "Standard" 2002-2003 Version[ST]
15	AP8120988	Filler cap	1	
16	AP8102615	Cover	1	
17	AP8168168	Guard	1	Year: 2002[2] Vehicle colour: Diablo Black "Racing" 2002[rac] Technical Specifications: "R" 2002-2003 Version[R]
17	AP8168486	Guard	1	Year: 2004[4]
17	AP8168486	Guard	1	Year: 2003[3]

Group	FRAME
Code	28.27
Description	Expansion tank
Service	1



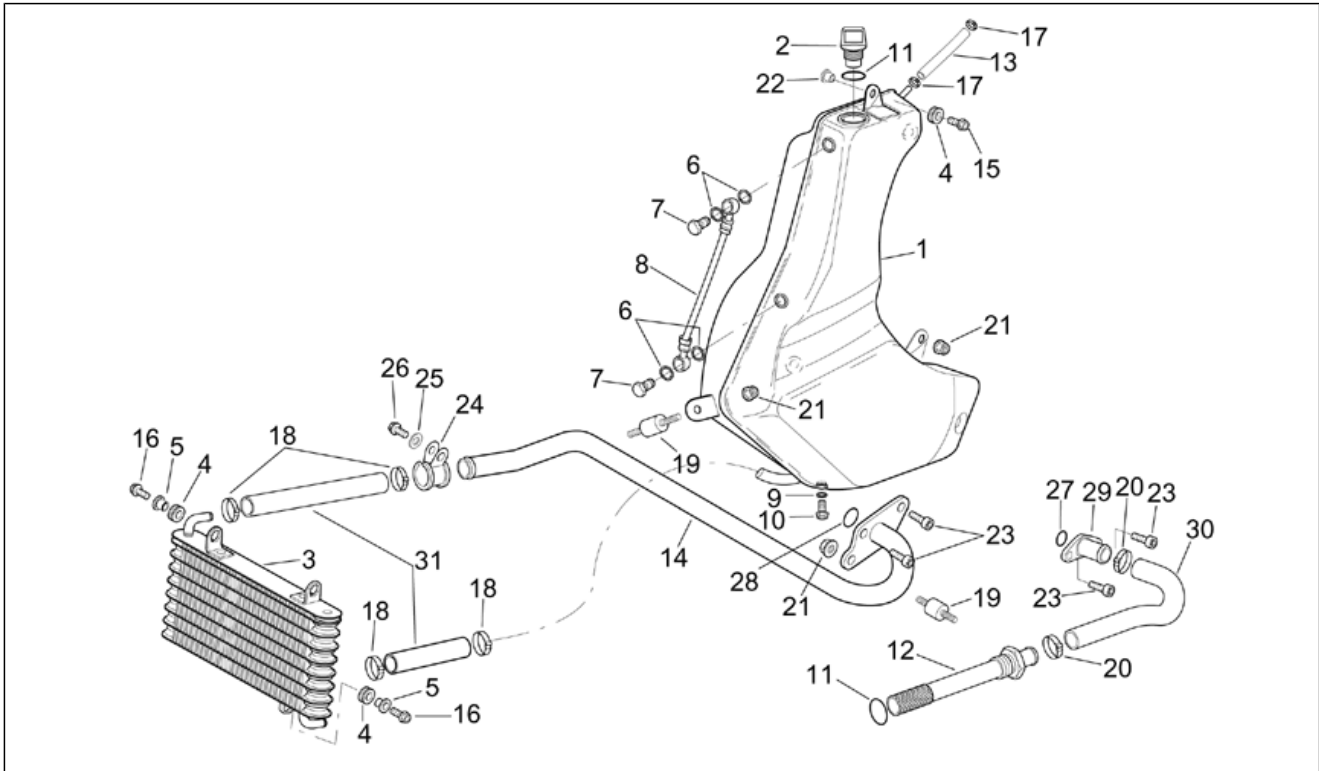
Pos.	Code	Description	Qty	Variants
				Technical Specifications: "R - Standard" 2004-2005 Version[RS], "Standard" 2002-2003 Version[ST]
17	AP8168910	Guard	1	Year: 2003[3] Technical Specifications: "R" 2002-2003 Version[R], Racing GARA 2003[RG]
17	AP8179039	Guard	1	Year: 2005[5] Technical Specifications: "R - Factory" 2004-2005 Version[RF]
18	AP8221145	T bush *	1	

Group	FRAME
Code	28.28
Description	Oil tank
Service	1



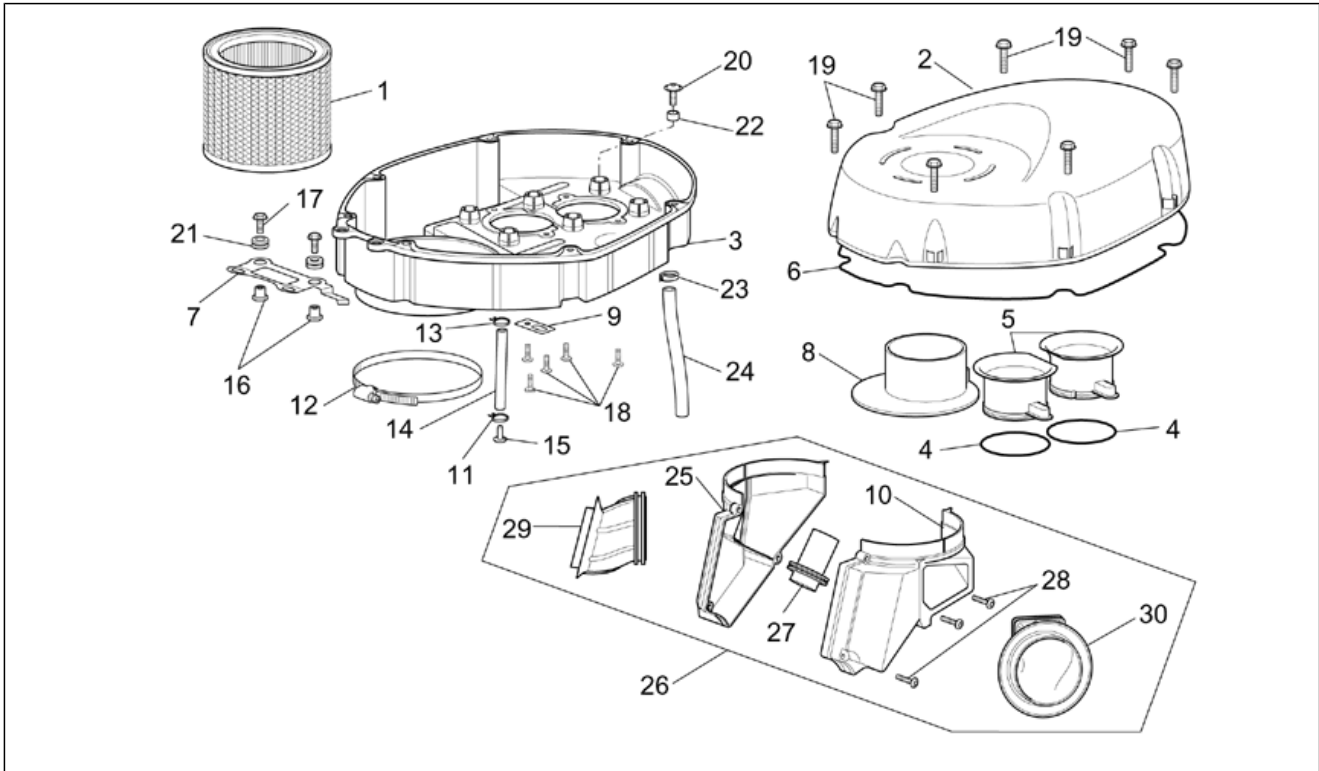
Pos.	Code	Description	Qty	Variants
1	AP8138558	Oil tank	1	Year:2003[3], 2004[4], 2005[5]
1	AP8168060	Oil tank	1	Year:2002[2]
2	AP8102618	Oil filler cap	1	
3	AP8104100	Oil cooler, black	1	
4	AP8120030	Rubber spacer	4	
5	AP8221023	T bush	3	
6	AP8113004	Washer 10x14x1,6*	4	
7	AP8113003	Oil pipe screw *	2	
8	AP8144275	Oil level pipe	1	
9	AP8121862	Washer D8x16x1,5	1	
10	AP8152285	Screw w/ flange	1	
11	AP8120190	O-ring 3075	2	
12	AP8102828	Oil filter cpl.	1	
13	AP8144015	Oil pipe 6x12	1	
14	AP8106388	Oil pipe	1	
15	AP8152277	Screw w/ flange M6x12	1	
16	AP8152279	Screw w/ flange M6x20	3	
17	AP8120446	Hose clip, green D11x6,6x1	2	
18	AP8102349	White hose clip D17,5x8	4	
19	AP8144061	Silent-block	2	
20	AP8102786	Hose clip 20x8	2	
21	AP8152299	Self-locking nut M6	3	
22	AP8121731	T bush *	1	
23	AP8150137	Hex socket screw M6x16	4	
24	AP8102731	Hose clamp	1	
25	AP8152181	Washer 6,4x15x1	2	
26	AP8152278	Screw w/ flange M6x16	1	
27	AP8120196	O-ring 3056	1	

Group	FRAME
Code	28.28
Description	Oil tank
Service	1



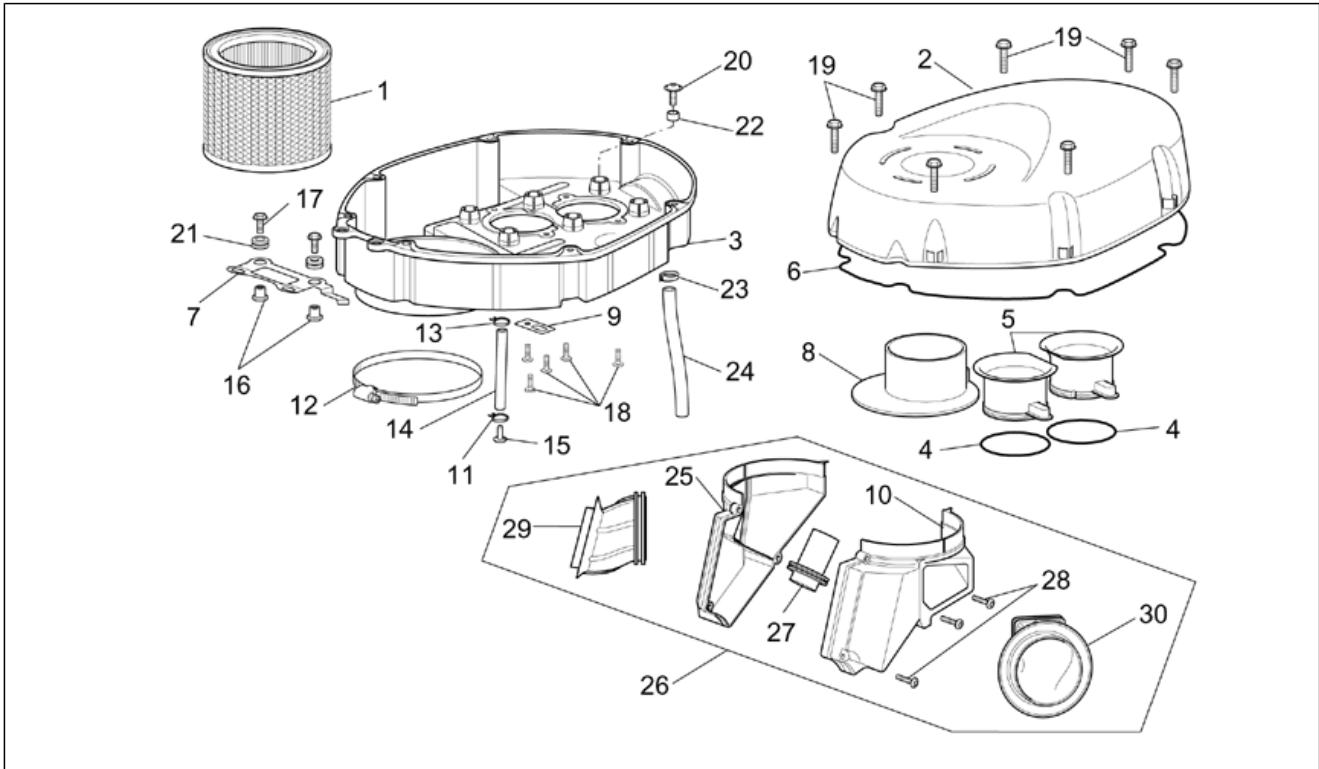
Pos.	Code	Description	Qty	Variants
28	AP8144008	O-ring 115	1	
29	AP8106387	Oil pipe	1	
30	AP8144608	Oil pipe	1	
31	AP8106389	Oil pipe 12x19	1	

Group	FRAME
Code	28.29
Description	Air box
Service	1



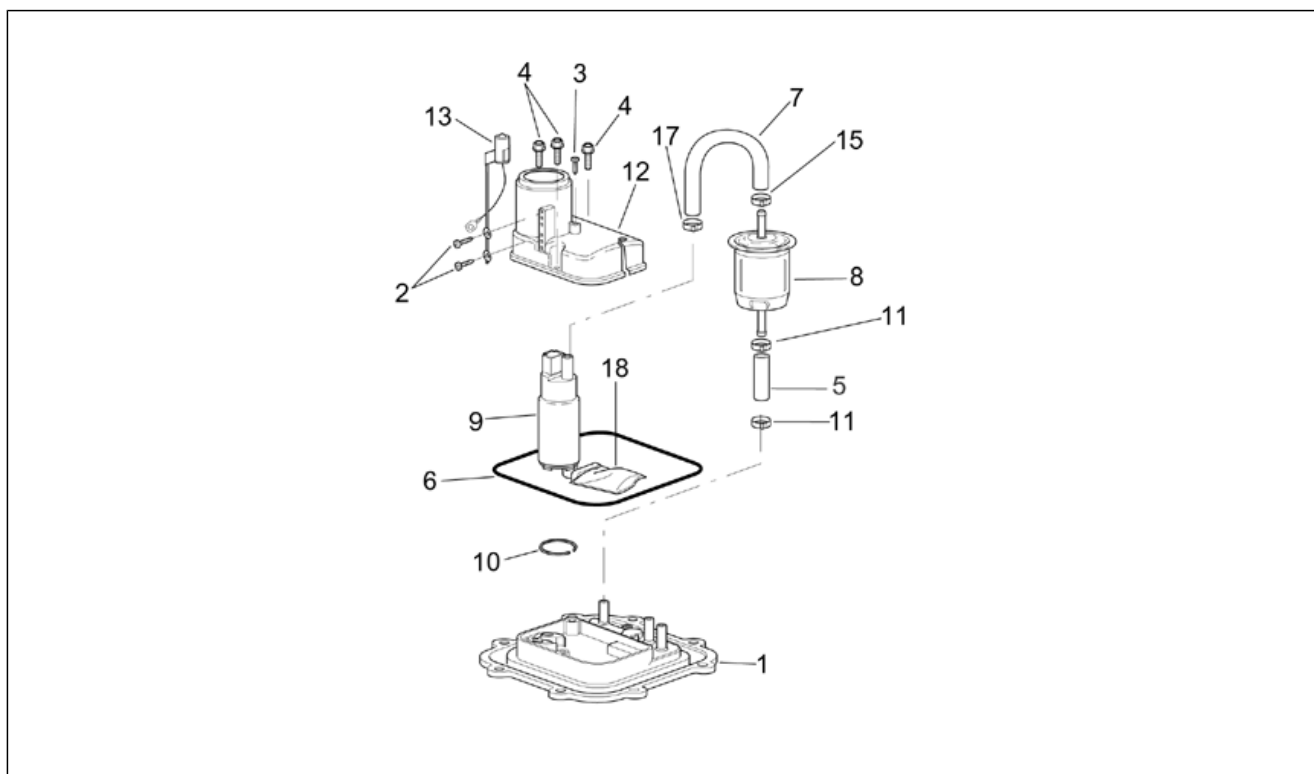
Pos.	Code	Description	Qty	Variants
1	AP8104211	Air filter	1	
2	AP8148825	Upper side filter case	1	
3	AP8149667	Lower side filter case	1	Year: 2003[3] Country: USA (49 Countries Approval)[AM], United States of America[USA] Technical Specifications: "Standard" 2002-2003 Version[ST]
3	AP8149667	Lower side filter case	1	Year: 2002[2], 2003[3] Country: Austria[A], Australia[AA], Australia[AUS], Switzerland[CH], Germany[D], Denmark[DK], Spain[E], I, E, NL[EU], Italy[I], Japan[J], J[J], Mexico[ME], ME[MX], Holland[NL], Spain[SP], Great Britain[UK]
3	AP8149667	Lower side filter case	1	Year: 2004[4], 2005[5] Country: Austria[A], Australia[AA], Australia[AUS], Switzerland[CH], Germany[D], Denmark[DK], Spain[E], I, E, NL[EU], Greece[GR], Italy[I], Japan[J], J[J], Mexico[ME], ME[MX], Holland[NL], Finland[SF], Spain[SP], Great Britain[UK] Technical Specifications: "R - Factory" 2004-2005 Version[RF], "R - Standard" 2004-2005 Version[RS]
3	AP8149669	Lower side filter case	1	Year: 2003[3] Country: USA (California Approval)[CF], United States of America[USA] Technical Specifications: "Standard" 2002-2003 Version[ST]
3	AP8149669	Lower side filter case	1	Country: USA (California Approval)[CF], United States of America[USA] Technical Specifications: "R" 2002-2003 Version[R]
3	AP8149723	Lower side filter case	1	Year: 2002[2], 2003[3], 2004[4] Country: Belgium[B], I, E, NL[EU], France[F] Technical Specifications: 78 Kw power version[78]
4	AP8144063	O-ring 159	2	
5	AP8106395	Intake opening	2	
6	AP8120615	Gasket D3	1	
7	AP8134625	Filter case front. supp.	1	

Group	FRAME
Code	28.29
Description	Air box
Service	1



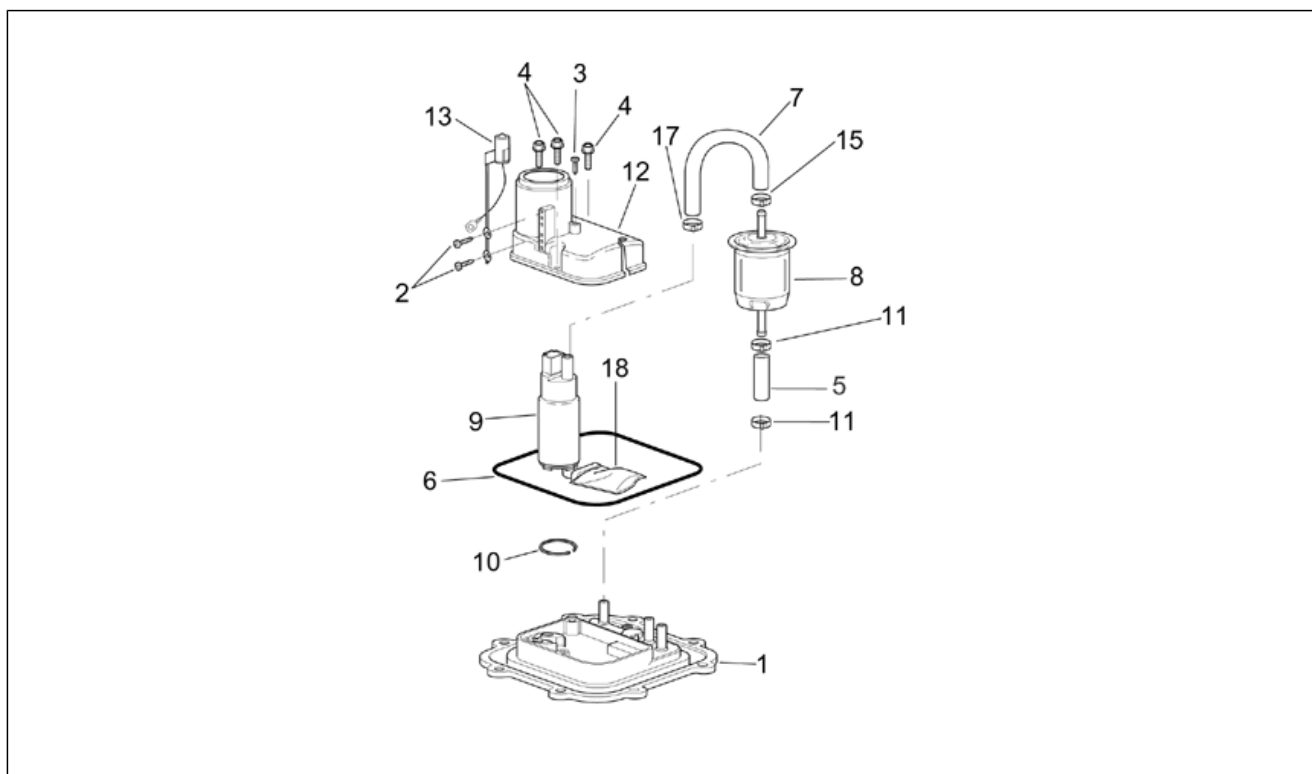
Pos.	Code	Description	Qty	Variants
8	AP8134739	Reduction diaphragm	1	Country:Austria[A], Australia[AA], USA (49 Countries Approval)[AM], Australia[AUS], USA (California Approval)[CF], Switzerland[CH], Germany[D], Denmark[DK], Spain[E], I, E, NL[EU], Italy[I], Japan[J], J[JJ], Mexico[ME], ME[MX], Holland[NL], Great Britain[UK], United States of America[USA]
9	AP8134437	Plate	1	
10	AP8106813	LH intake manifold	1	
11	AP8102377	Hose clamp D9,1*	1	
12	AP8102763	Hose clamp 100-120	1	
13	AP8101595	Hose clamp D10,1	1	
14	AP8144038	Fuel pipe 6x10	1	
15	AP8120876	Plug	1	
16	AP8121731	T bush *	2	
17	AP8152277	Screw w/ flange M6x12	2	
18	AP8150413	Self-tap screw 3,9x14	8	
19	AP8152273	Screw w/ flange M5X15	7	
20	AP8152246	Screw w/ flange M6x16	6	
21	AP8120030	Rubber spacer	2	
22	AP8120253	Spacer	6	
23	AP8102766	Hose clamp	2	
24	AP8120987	pipe 9x14	1	
25	AP8106812	RH intake manifold	1	
26	AP8144414	Intake hose	1	
27	AP8144383	Choke hold	1	
28	AP8221242	Spec. self-tap screw 3,5x20	3	
29	AP8144381	Intake hose RH	1	
30	AP8144382	Intake hose LH	1	

Group	FRAME
Code	28.30
Description	Fuel pump I
Service	1



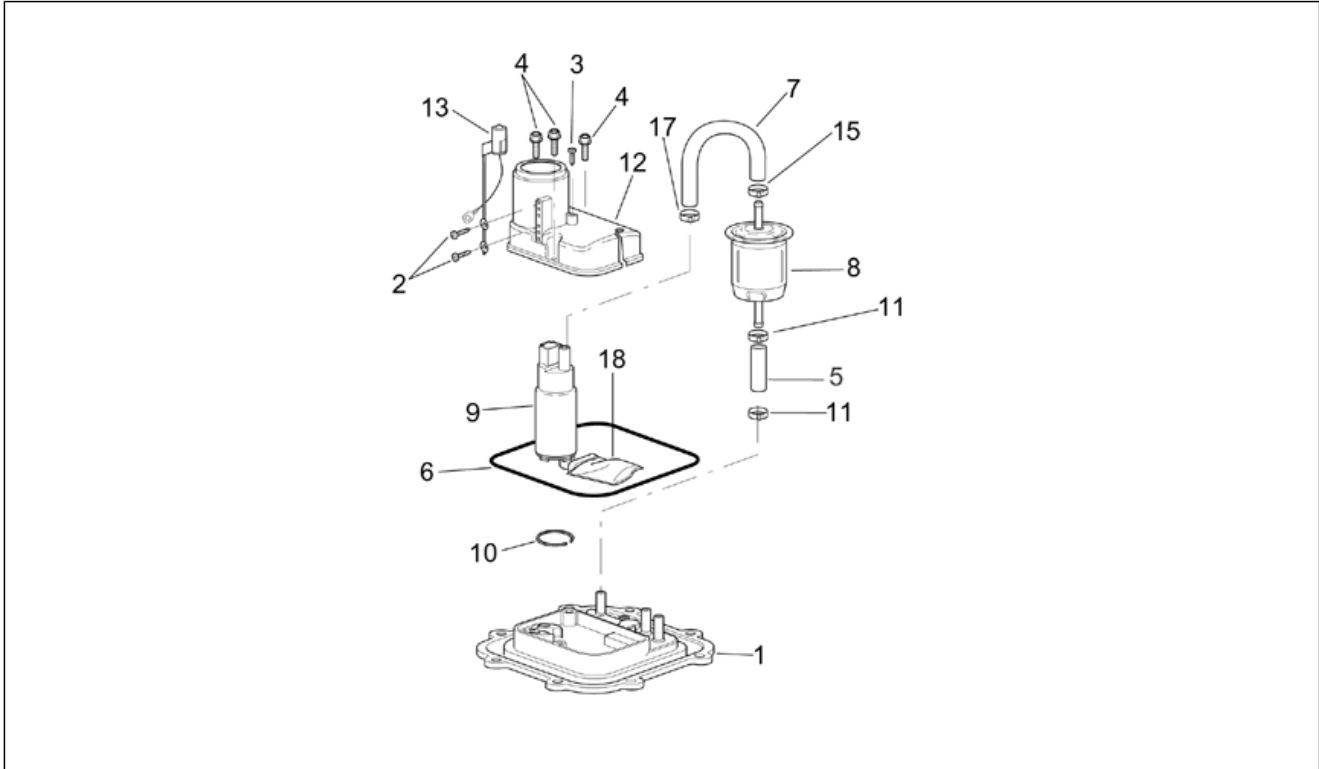
Pos.	Code	Description	Qty	Variants
1	AP8134750	Fuel pump flange	1	Year:2002[2] Technical Specifications:"R" 2002-2003 Version[R]
1	AP8134750	Fuel pump flange	1	Year:2003[3], 2004[4], 2005[5] Technical Specifications:"R - Standard" 2004-2005 Version[RS], "Standard" 2002-2003 Version[ST]
2	AP8104455	Self-tap screw 2,9x9,5	2	Year:2003[3], 2004[4], 2005[5] Technical Specifications:"R - Standard" 2004-2005 Version[RS], "Standard" 2002-2003 Version[ST]
2	AP8104455	Self-tap screw 2,9x9,5	2	Year:2002[2] Technical Specifications:"R" 2002-2003 Version[R]
3	AP8150413	Self-tap screw 3,9x14	1	Year:2003[3], 2004[4], 2005[5] Technical Specifications:"R - Standard" 2004-2005 Version[RS], "Standard" 2002-2003 Version[ST]
3	AP8150413	Self-tap screw 3,9x14	1	Year:2002[2] Technical Specifications:"R" 2002-2003 Version[R]
4	AP8152273	Screw w/ flange M5X15	8	Year:2002[2] Technical Specifications:"R" 2002-2003 Version[R]
4	AP8152273	Screw w/ flange M5X15	8	Year:2003[3], 2004[4], 2005[5] Technical Specifications:"R - Standard" 2004-2005 Version[RS], "Standard" 2002-2003 Version[ST]
5	AP8144476	Fuel pipe	1	Year:2003[3], 2004[4], 2005[5] Technical Specifications:"R - Standard" 2004-2005 Version[RS], "Standard" 2002-2003 Version[ST]
5	AP8144476	Fuel pipe	1	Year:2002[2] Technical Specifications:"R" 2002-2003 Version[R]
6	AP8144477	Gasket ring	1	Year:2003[3], 2004[4], 2005[5] Technical Specifications:"R - Standard" 2004-2005 Version[RS], "Standard" 2002-2003 Version[ST]
6	AP8144477	Gasket ring	1	Year:2002[2] Technical Specifications:"R" 2002-2003 Version[R]
7	AP8144226	Fuel pipe	1	Year:2002[2] Technical Specifications:"R" 2002-2003 Version[R]
7	AP8144226	Fuel pipe	1	Year:2003[3], 2004[4], 2005[5]

Group	FRAME
Code	28.30
Description	Fuel pump I
Service	1



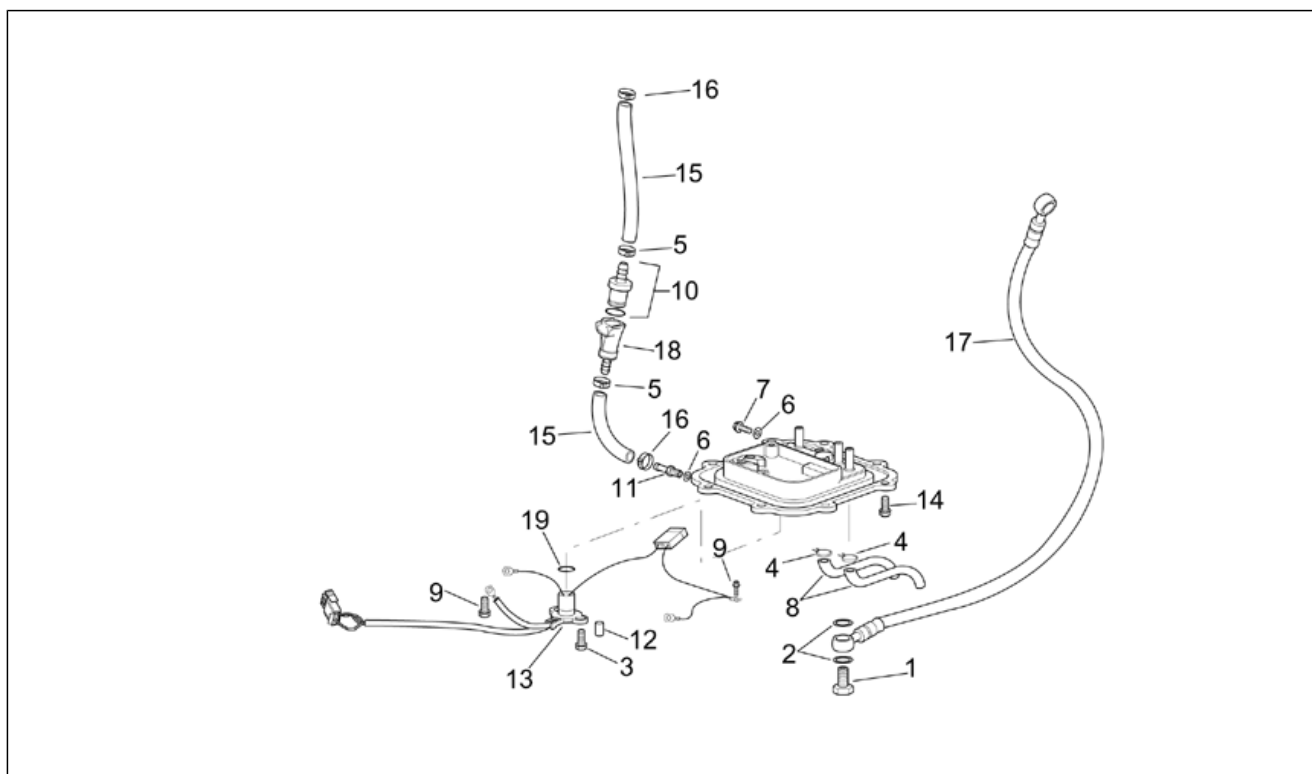
Pos.	Code	Description	Qty	Variants
				Technical Specifications: "R - Standard" 2004-2005 Version[RS], "Standard" 2002-2003 Version[ST]
8	AP8102971	Fuel filter	1	Year: 2002[2] Technical Specifications: "R" 2002-2003 Version[R]
8	AP8102971	Fuel filter	1	Year: 2003[3], 2004[4], 2005[5] Technical Specifications: "R - Standard" 2004-2005 Version[RS], "Standard" 2002-2003 Version[ST]
9	AP8106385	Fuel pump	1	Year: 2002[2] Technical Specifications: "R" 2002-2003 Version[R]
9	AP8106385	Fuel pump	1	Year: 2003[3], 2004[4], 2005[5] Technical Specifications: "R - Standard" 2004-2005 Version[RS], "Standard" 2002-2003 Version[ST]
10	AP8104457	Snap ring	1	Year: 2002[2] Technical Specifications: "R" 2002-2003 Version[R]
10	AP8104457	Snap ring	1	Year: 2003[3], 2004[4], 2005[5] Technical Specifications: "R - Standard" 2004-2005 Version[RS], "Standard" 2002-2003 Version[ST]
11	AP8104459	Hose clamp	1	Year: 2003[3], 2004[4], 2005[5] Technical Specifications: "R - Standard" 2004-2005 Version[RS], "Standard" 2002-2003 Version[ST]
11	AP8104459	Hose clamp	1	Year: 2002[2] Technical Specifications: "R" 2002-2003 Version[R]
12	AP8104456	Fuel pump support	1	Year: 2002[2] Technical Specifications: "R" 2002-2003 Version[R]
12	AP8104456	Fuel pump support	1	Year: 2003[3], 2004[4], 2005[5] Technical Specifications: "R - Standard" 2004-2005 Version[RS], "Standard" 2002-2003 Version[ST]
13	AP8124297	Level sensor	1	Year: 2002[2] Technical Specifications: "R" 2002-2003 Version[R]
13	AP8124297	Level sensor	1	Year: 2003[3], 2004[4], 2005[5] Technical Specifications: "R - Standard" 2004-2005 Version[RS], "Standard" 2002-2003 Version[ST]
15	AP8104458	Hose clamp	1	Year: 2002[2]

Group	FRAME
Code	28.30
Description	Fuel pump I
Service	1



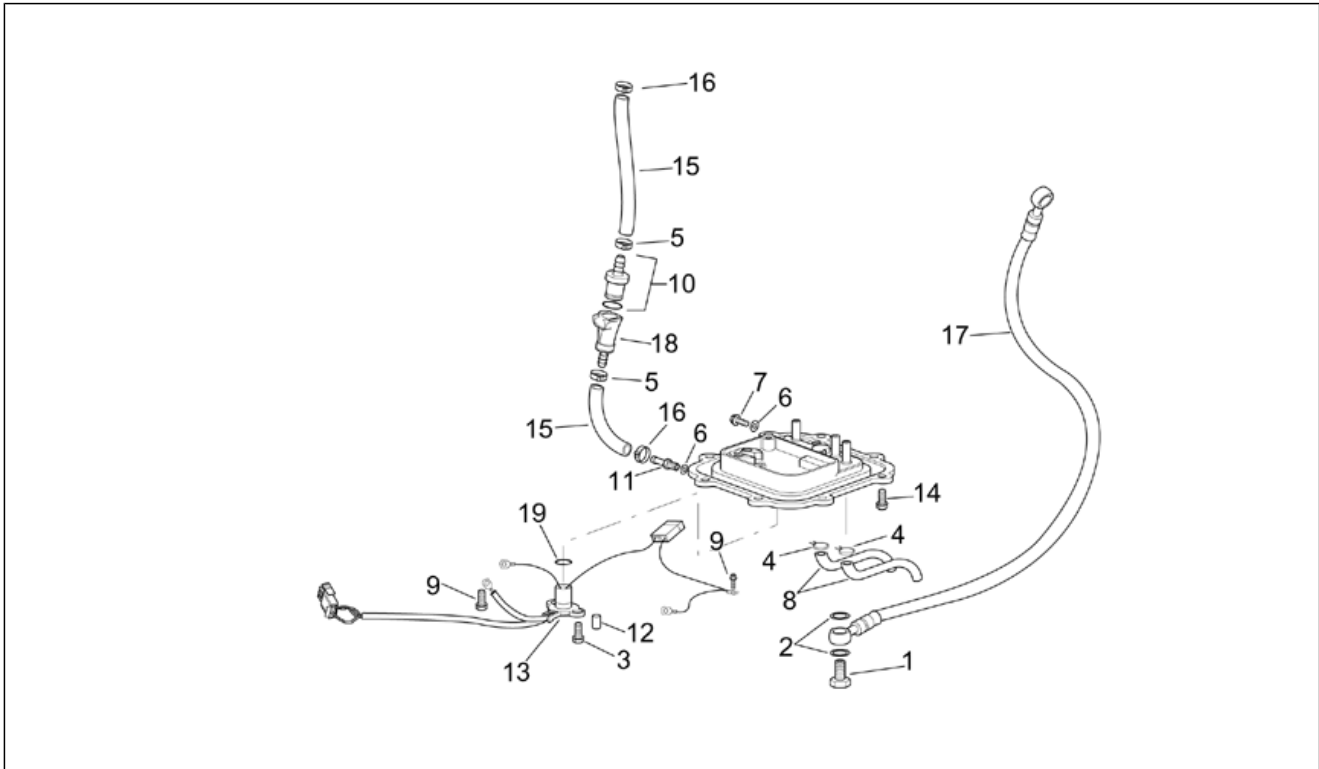
Pos.	Code	Description	Qty	Variants
				Technical Specifications: "R" 2002-2003 Version[R]
15	AP8104458	Hose clamp	1	Year: 2003[3], 2004[4], 2005[5] Technical Specifications: "R - Standard" 2004-2005 Version[RS], "Standard" 2002-2003 Version[ST]
18	AP8104539	Fuel filter	1	Year: 2003[3], 2004[4], 2005[5] Technical Specifications: "R - Standard" 2004-2005 Version[RS], "Standard" 2002-2003 Version[ST]
18	AP8104539	Fuel filter	1	Year: 2002[2] Technical Specifications: "R" 2002-2003 Version[R]

Group	FRAME
Code	28.31
Description	Fuel pump II
Service	1



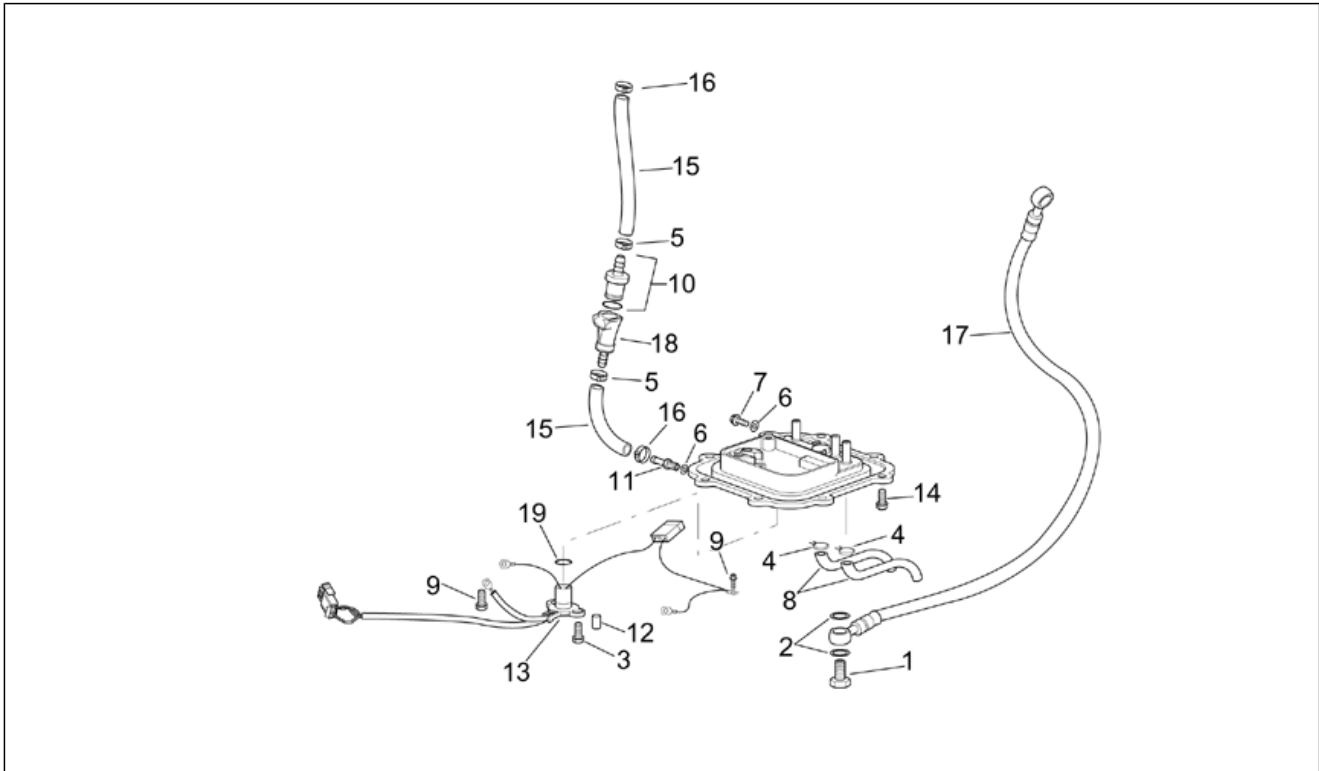
Pos.	Code	Description	Qty	Variants
1	AP8106443	Bored screw	2	Year:2003[3], 2004[4], 2005[5] Technical Specifications:"R - Standard" 2004-2005 Version[RS], "Standard" 2002-2003 Version[ST]
1	AP8106443	Bored screw	2	Year:2002[2] Technical Specifications:"R" 2002-2003 Version[R]
2	AP8106444	Gasket 18x12,2x1,5	4	Year:2003[3], 2004[4], 2005[5] Technical Specifications:"R - Standard" 2004-2005 Version[RS], "Standard" 2002-2003 Version[ST]
2	AP8106444	Gasket 18x12,2x1,5	4	Year:2002[2] Technical Specifications:"R" 2002-2003 Version[R]
3	AP8152278	Screw w/ flange M6x16	2	Year:2003[3], 2004[4], 2005[5] Technical Specifications:"R - Standard" 2004-2005 Version[RS], "Standard" 2002-2003 Version[ST]
3	AP8152278	Screw w/ flange M6x16	2	Year:2002[2] Technical Specifications:"R" 2002-2003 Version[R]
4	AP8101595	Hose clamp D10,1	2	Year:2002[2] Technical Specifications:"R" 2002-2003 Version[R]
4	AP8101595	Hose clamp D10,1	2	Year:2003[3], 2004[4], 2005[5] Technical Specifications:"R - Standard" 2004-2005 Version[RS], "Standard" 2002-2003 Version[ST]
5	AP8102764	White hose clip d.13x6	2	Year:2003[3], 2004[4], 2005[5] Technical Specifications:"R - Standard" 2004-2005 Version[RS], "Standard" 2002-2003 Version[ST]
5	AP8102764	White hose clip d.13x6	2	Year:2002[2] Technical Specifications:"R" 2002-2003 Version[R]
6	AP8152184	Washer 6,4x12*	2	Year:2003[3], 2004[4], 2005[5] Technical Specifications:"R - Standard" 2004-2005 Version[RS], "Standard" 2002-2003 Version[ST]
6	AP8152184	Washer 6,4x12*	2	Year:2002[2] Technical Specifications:"R" 2002-2003 Version[R]
7	AP8152277	Screw w/ flange M6x12	1	Year:2003[3], 2004[4], 2005[5] Technical Specifications:"R - Standard" 2004-2005 Version[RS], "Standard" 2002-2003 Version[ST]

Group	FRAME
Code	28.31
Description	Fuel pump II
Service	1



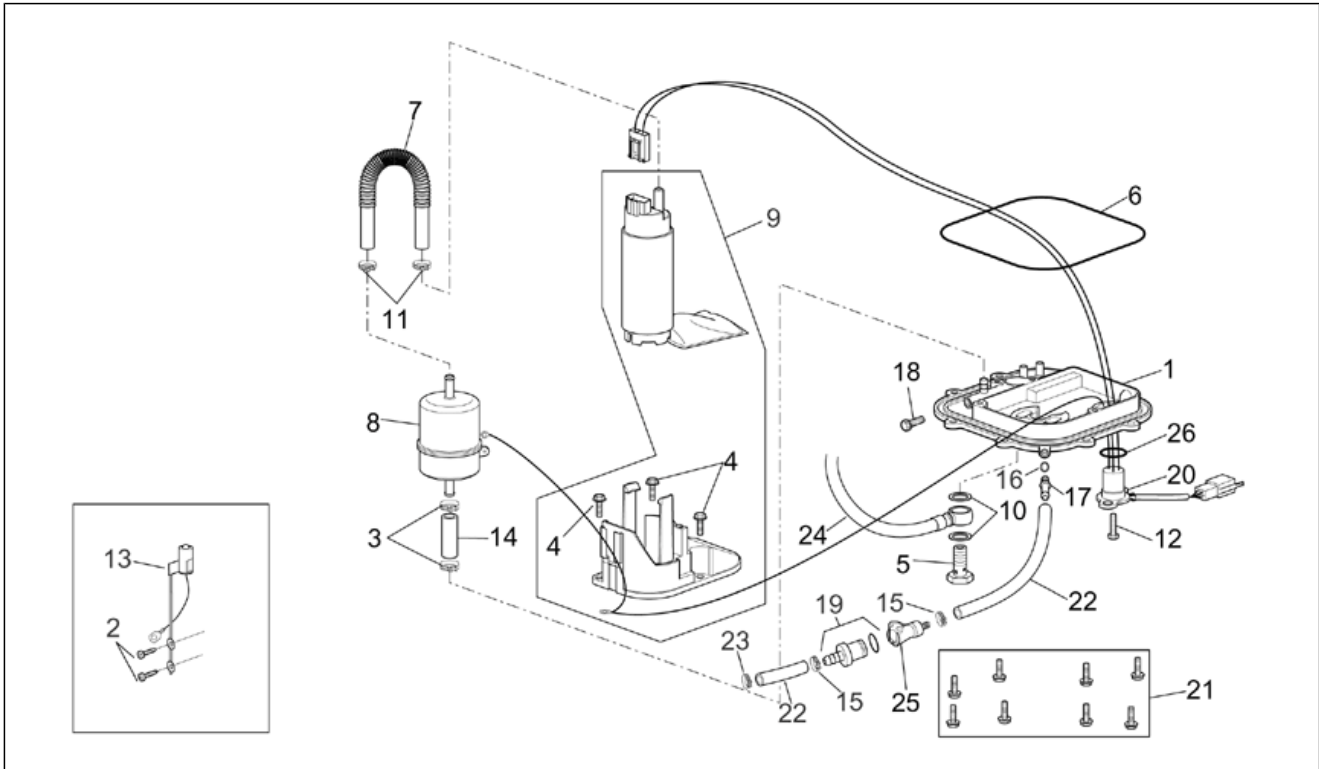
Pos.	Code	Description	Qty	Variants
7	AP8152277	Screw w/ flange M6x12	1	Year:2002[2] Technical Specifications:"R" 2002-2003 Version[R]
8	AP8144319	Tank breather pipe	2	Year:2003[3], 2004[4], 2005[5] Technical Specifications:"R - Standard" 2004-2005 Version[RS], "Standard" 2002-2003 Version[ST]
8	AP8144319	Tank breather pipe	2	Year:2002[2] Technical Specifications:"R" 2002-2003 Version[R]
9	AP8152272	Screw w/ flange M5x12	2	Year:2002[2] Technical Specifications:"R" 2002-2003 Version[R]
9	AP8152272	Screw w/ flange M5x12	2	Year:2003[3], 2004[4], 2005[5] Technical Specifications:"R - Standard" 2004-2005 Version[RS], "Standard" 2002-2003 Version[ST]
10	AP8102873	Joint	1	Year:2003[3], 2004[4], 2005[5] Technical Specifications:"R - Standard" 2004-2005 Version[RS], "Standard" 2002-2003 Version[ST]
10	AP8102873	Joint	1	Year:2002[2] Technical Specifications:"R" 2002-2003 Version[R]
11	AP8102626	2-way union	1	Year:2002[2] Technical Specifications:"R" 2002-2003 Version[R]
11	AP8102626	2-way union	1	Year:2003[3], 2004[4], 2005[5] Technical Specifications:"R - Standard" 2004-2005 Version[RS], "Standard" 2002-2003 Version[ST]
12	AP8120253	Spacer	2	Year:2003[3], 2004[4], 2005[5] Technical Specifications:"R - Standard" 2004-2005 Version[RS], "Standard" 2002-2003 Version[ST]
12	AP8120253	Spacer	2	Year:2002[2] Technical Specifications:"R" 2002-2003 Version[R]
13	AP8127321	Fuel pump wiring	1	Year:2002[2] Technical Specifications:"R" 2002-2003 Version[R]
13	AP8127321	Fuel pump wiring	1	Year:2003[3], 2004[4], 2005[5] Technical Specifications:"R - Standard" 2004-2005 Version[RS], "Standard" 2002-2003 Version[ST]
14	AP8152273	Screw w/ flange M5X15	8	Year:2003[3], 2004[4], 2005[5]

Group	FRAME
Code	28.31
Description	Fuel pump II
Service	1



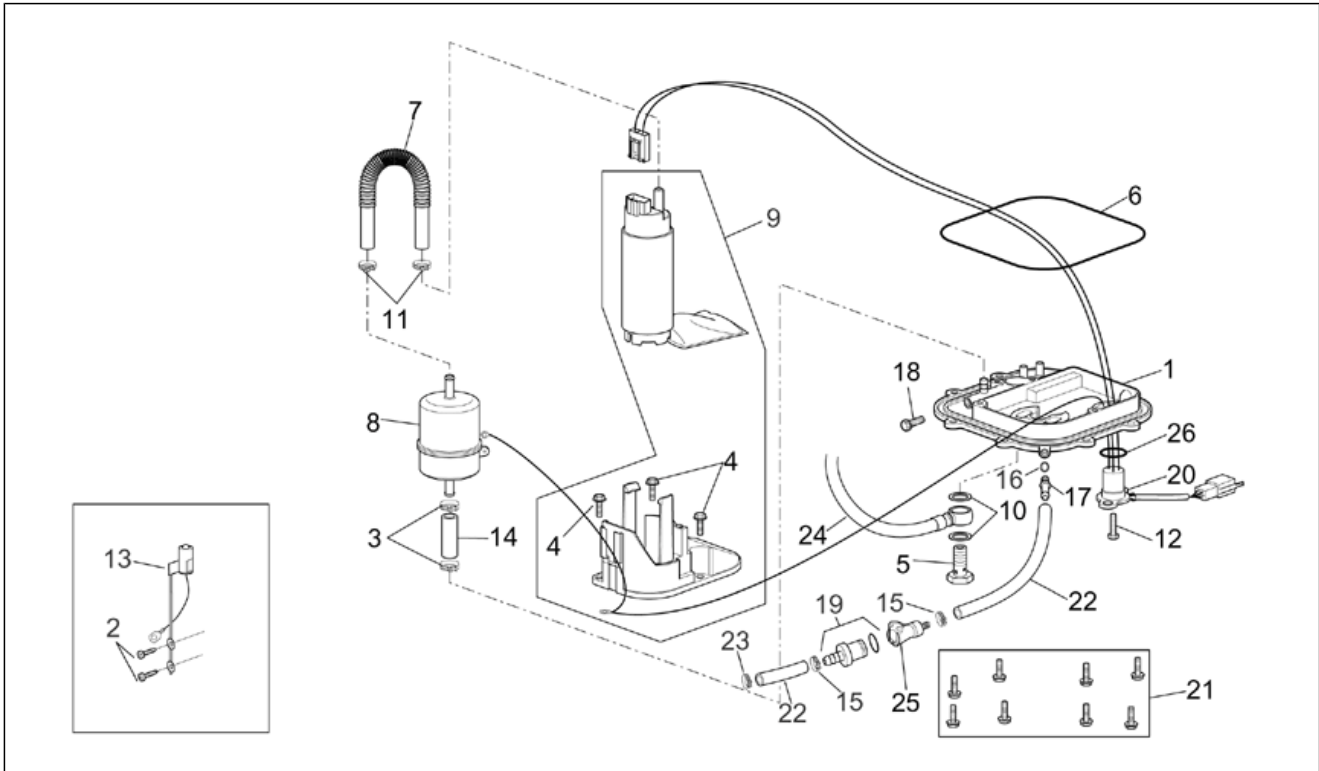
Pos.	Code	Description	Qty	Variants
				Technical Specifications: "R - Standard" 2004-2005 Version[RS], "Standard" 2002-2003 Version[ST]
14	AP8152273	Screw w/ flange M5X15	8	Year: 2002[2] Technical Specifications: "R" 2002-2003 Version[R]
15	AP8144069	Fuel pipe 6x13	1	Year: 2003[3], 2004[4], 2005[5] Technical Specifications: "R - Standard" 2004-2005 Version[RS], "Standard" 2002-2003 Version[ST]
15	AP8144069	Fuel pipe 6x13	1	Year: 2002[2] Technical Specifications: "R" 2002-2003 Version[R]
16	AP8102239	Hose clamp 12,5x8	2	Year: 2003[3], 2004[4], 2005[5] Technical Specifications: "R - Standard" 2004-2005 Version[RS], "Standard" 2002-2003 Version[ST]
16	AP8102239	Hose clamp 12,5x8	2	Year: 2002[2] Technical Specifications: "R" 2002-2003 Version[R]
17	AP8120992	Fuel pipe	1	Year: 2002[2] Technical Specifications: "R" 2002-2003 Version[R]
17	AP8120992	Fuel pipe	1	Year: 2003[3], 2004[4], 2005[5] Technical Specifications: "R - Standard" 2004-2005 Version[RS], "Standard" 2002-2003 Version[ST]
18	AP8102829	Joint	1	Year: 2002[2] Technical Specifications: "R" 2002-2003 Version[R]
18	AP8102829	Joint	1	Year: 2003[3], 2004[4], 2005[5] Technical Specifications: "R - Standard" 2004-2005 Version[RS], "Standard" 2002-2003 Version[ST]
19	AP8144475	Gasket ring	1	Year: 2003[3], 2004[4], 2005[5] Technical Specifications: "R - Standard" 2004-2005 Version[RS], "Standard" 2002-2003 Version[ST]
19	AP8144475	Gasket ring	1	Year: 2002[2] Technical Specifications: "R" 2002-2003 Version[R]

Group	FRAME
Code	28.32
Description	Racing 2003 fuel pump
Service	1



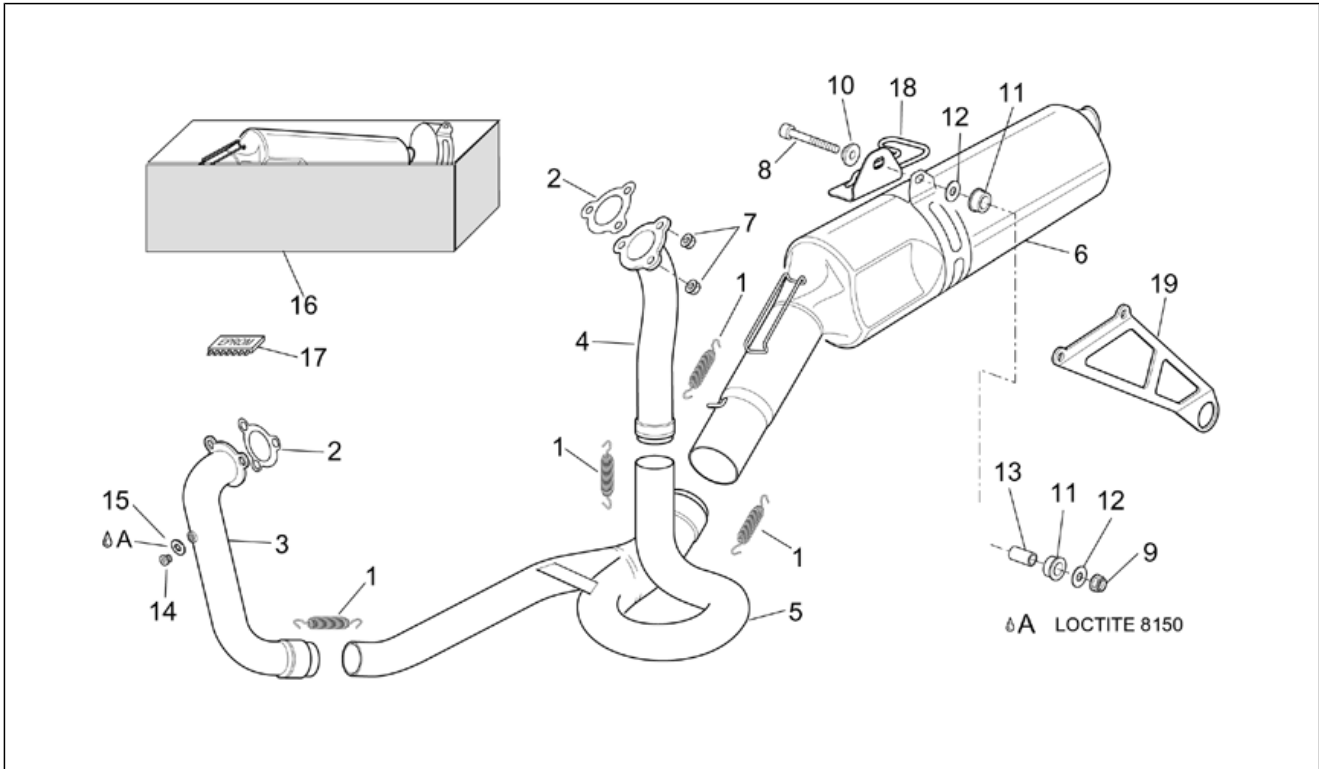
Pos.	Code	Description	Qty	Variants
1	AP8134750	Fuel pump flange	1	Year:2003[3], 2004[4], 2005[5] Technical Specifications:"R" 2002-2003 Version[R], "R - Factory" 2004-2005 Version[RF]
2	AP8104455	Self-tap screw 2,9x9,5	2	Year:2003[3], 2004[4], 2005[5] Technical Specifications:"R" 2002-2003 Version[R], "R - Factory" 2004-2005 Version[RF]
3	AP8102765	White hose clip D.13,5x6	2	Year:2003[3], 2004[4], 2005[5] Technical Specifications:"R" 2002-2003 Version[R], "R - Factory" 2004-2005 Version[RF]
4	AP8121536	screw	8	Year:2003[3], 2004[4], 2005[5] Technical Specifications:"R" 2002-2003 Version[R], "R - Factory" 2004-2005 Version[RF]
5	AP8106443	Bored screw	2	Year:2003[3], 2004[4], 2005[5] Technical Specifications:"R" 2002-2003 Version[R], "R - Factory" 2004-2005 Version[RF]
6	AP8176032	Gasket ring	1	Year:2003[3], 2004[4], 2005[5] Technical Specifications:"R" 2002-2003 Version[R], "R - Factory" 2004-2005 Version[RF]
7	AP8144226	Fuel pipe	1	Year:2003[3], 2004[4], 2005[5] Technical Specifications:"R" 2002-2003 Version[R], "R - Factory" 2004-2005 Version[RF]
8	AP8102971	Fuel filter	1	Year:2003[3], 2004[4], 2005[5] Technical Specifications:"R" 2002-2003 Version[R], "R - Factory" 2004-2005 Version[RF]
9	AP8176078	Fuel pum kit	1	Year:2003[3], 2004[4], 2005[5] Technical Specifications:"R" 2002-2003 Version[R], "R - Factory" 2004-2005 Version[RF]
10	AP8106444	Gasket 18x12,2x1,5	4	Year:2003[3], 2004[4], 2005[5] Technical Specifications:"R" 2002-2003 Version[R], "R - Factory" 2004-2005 Version[RF]
11	AP8104458	Hose clamp	1	Year:2003[3], 2004[4], 2005[5] Technical Specifications:"R" 2002-2003 Version[R], "R - Factory" 2004-2005 Version[RF]
12	AP8152278	Screw w/ flange M6x16	2	Year:2003[3], 2004[4], 2005[5]

Group	FRAME
Code	28.32
Description	Racing 2003 fuel pump
Service	1



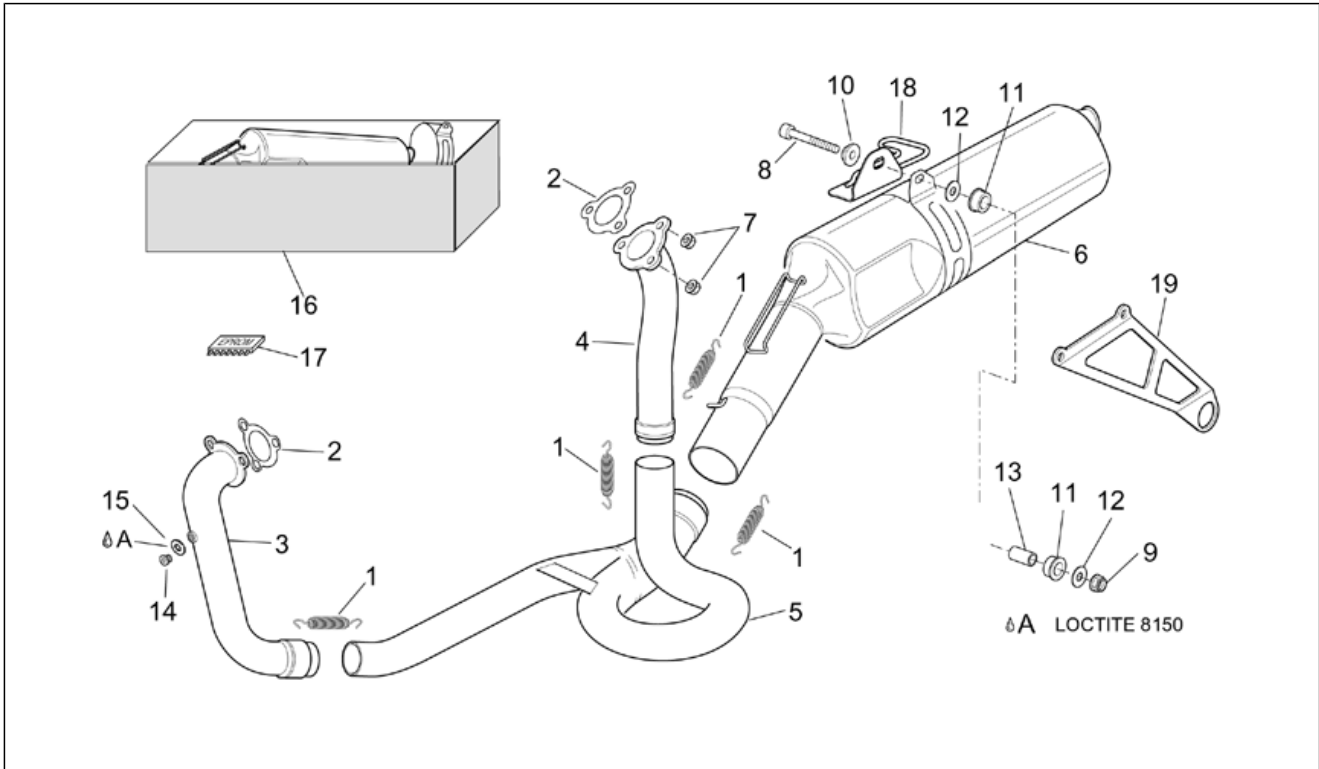
Pos.	Code	Description	Qty	Variants
				Technical Specifications: "R" 2002-2003 Version[R], "R - Factory" 2004-2005 Version[RF]
24	AP8120992	Fuel pipe	1	Year: 2003[3], 2004[4], 2005[5] Technical Specifications: "R" 2002-2003 Version[R], "R - Factory" 2004-2005 Version[RF]
25	AP8102829	Joint	1	Year: 2003[3], 2004[4], 2005[5] Technical Specifications: "R" 2002-2003 Version[R], "R - Factory" 2004-2005 Version[RF]
26	AP8144475	Gasket ring	1	Year: 2003[3], 2004[4], 2005[5] Technical Specifications: "R" 2002-2003 Version[R], "R - Factory" 2004-2005 Version[RF]

Group	FRAME
Code	28.34
Description	Exhaust pipe
Service	1



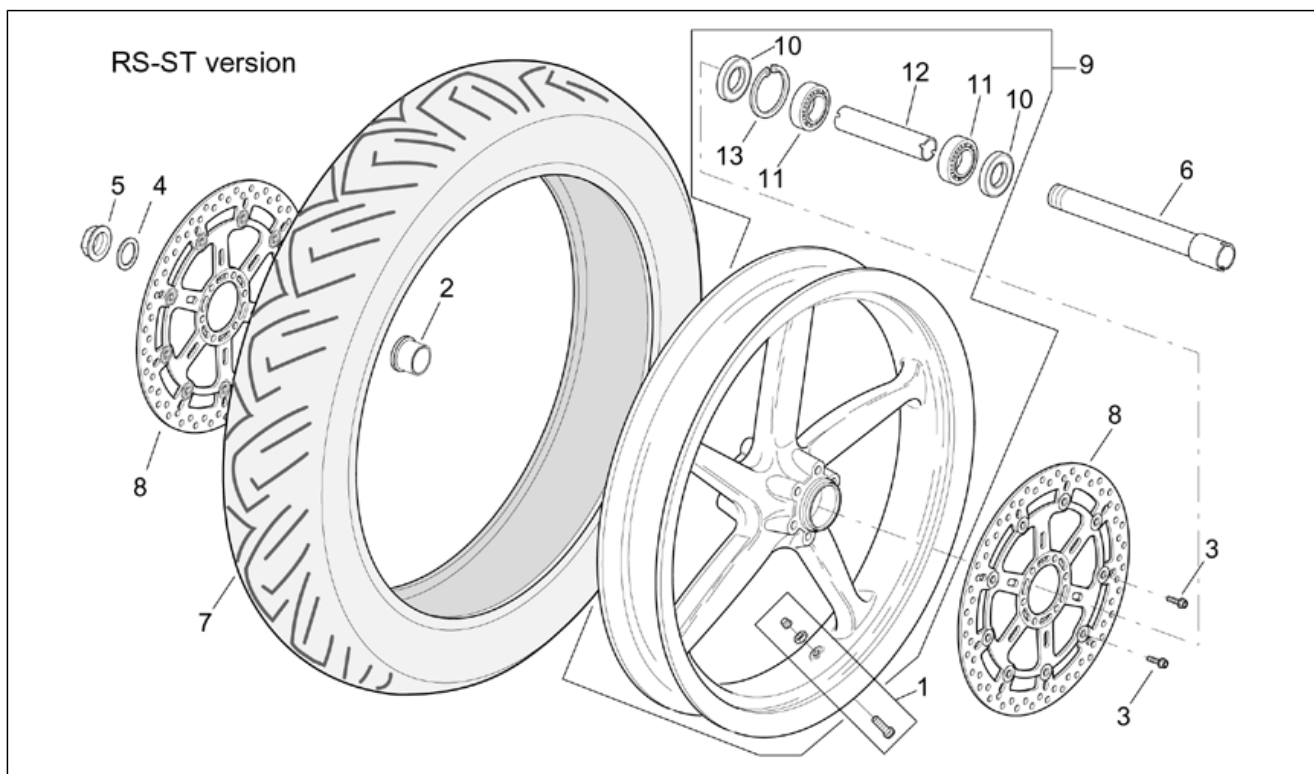
Pos.	Code	Description	Qty	Variants
1	AP8121170	Spring	4	
2	AP8119414	Exhaust pipe gasket	2	
3	AP8119579	Front. Exhaust pipe	1	
4	AP8119578	Rear exhaust pipe	1	
5	AP8119581	Central exhaust manifold	1	
6	AP8119629	Silencer	1	Year:2002[2] Technical Specifications:NO catalytic version[nc], "R" 2002-2003 Version[R]
6	AP8119629	Silencer	1	Year:2003[3] Technical Specifications:NO catalytic version[nc], "Standard" 2002-2003 Version[ST]
6	AP8119706	Silencer	1	Year:2002[2] Technical Specifications:Catalytic version[c], "R" 2002-2003 Version[R]
6	AP8119706	Silencer	1	Year:2003[3] Technical Specifications:Catalytic version[c], "Standard" 2002-2003 Version[ST]
6	AP8119749	Silencer	1	Year:2003[3] Technical Specifications:NO catalytic version[nc], "R" 2002-2003 Version[R]
6	AP8119752	Silencer	1	Year:2003[3] Technical Specifications:Catalytic version[c], "R" 2002-2003 Version[R]
6	AP8119752	Silencer	1	Year:2004[4], 2005[5] Country:USA (49 Countries Approval)[AM], USA (California Approval)[CF], United States of America[USA] Technical Specifications:Catalytic version[c]
6	AP8119827	Silencer	1	Year:2004[4], 2005[5] Country:Austria[A], Australia[AA], Australia[AUS], Belgium[B], Switzerland[CH], Germany[D], Denmark[DK], Spain[E], I, E, NL[EU], France[F], Greece[GR], Italy[I], Japan[J], J[JJ], Mexico[ME], ME[MX], Holland[NL], Spain[SP], Great Britain[UK]

Group	FRAME
Code	28.34
Description	Exhaust pipe
Service	1



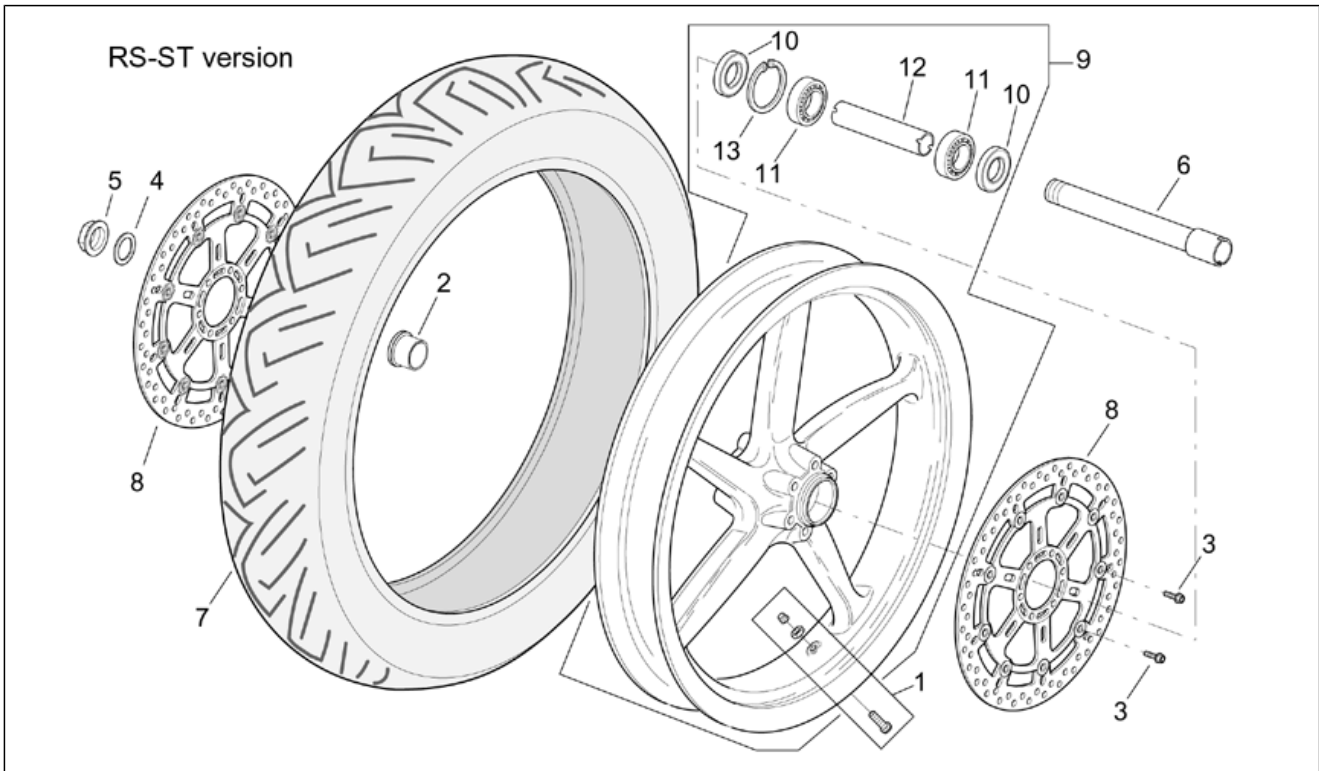
Pos.	Code	Description	Qty	Variants
				Technical Specifications: Catalytic version[c]
7	AP8150334	Nut M8	6	
8	AP8150277	Hex socket screw M8x50	1	
9	AP8152300	Self-locking nut M8	1	
10	AP8134378	Silencer fixing bush	1	
11	AP8144071	Rubber exhaust	2	
12	AP8150018	Washer	2	
13	AP8121773	Spacer *	1	
14	AP8119497	CO intake screw	2	
15	AP8113004	Washer 10x14x1,6*	2	
16	AP8119737	Silencer kit	1	Technical Specifications: Racing version 2003 kit[kit]
17	AP8127374	Eprom	1	Technical Specifications: Racing version 2003 kit[kit]
18	AP8119630	Exhaust pipe heat prot.	1	Country: USA (49 Countries Approval)[AM], USA (California Approval)[CF], United States of America[USA]
19	AP8134609	Exhaust pipe support clamp	1	Technical Specifications: Racing version 2003 kit[kit]

Group	FRAME
Code	28.35
Description	ST-RS version front wheel
Service	1



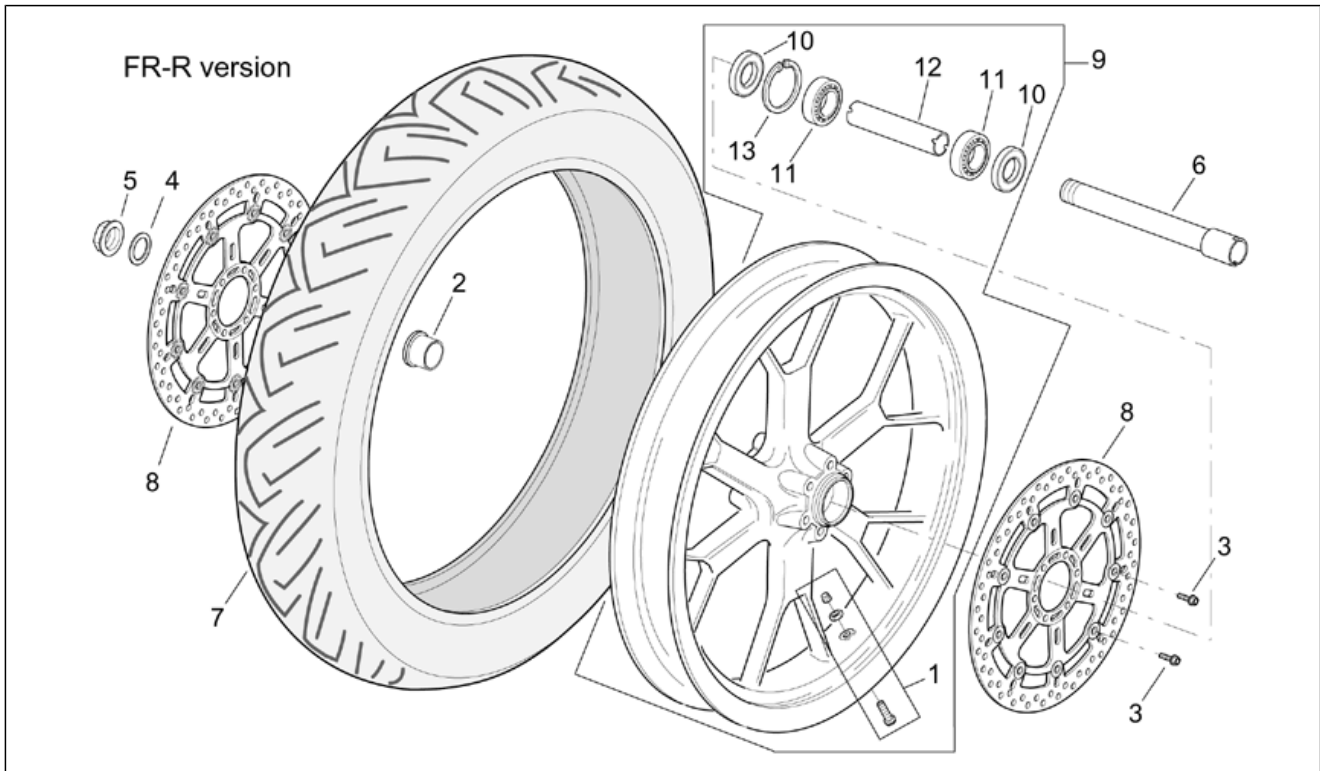
Pos.	Code	Description	Qty	Variants
1	AP8101744	Tubeless tyre valve	1	Technical Specifications: "R - Standard" 2004-2005 Version[RS], "Standard" 2002-2003 Version[ST]
2	AP8125728	Front RH whe.ou.spacer	1	Technical Specifications: "R - Standard" 2004-2005 Version[RS], "Standard" 2002-2003 Version[ST]
3	AP8152286	Screw w/ flange M8x20	12	Technical Specifications: "R - Standard" 2004-2005 Version[RS], "Standard" 2002-2003 Version[ST]
4	AP8152323	Washer 25,2x36x1	1	Technical Specifications: "R - Standard" 2004-2005 Version[RS], "Standard" 2002-2003 Version[ST]
5	AP8152335	Wheel spindle nut	1	Technical Specifications: "R - Standard" 2004-2005 Version[RS], "Standard" 2002-2003 Version[ST]
6	AP8125827	Front wheel spindle	1	Technical Specifications: "R - Standard" 2004-2005 Version[RS], "Standard" 2002-2003 Version[ST]
7	0000000	Tyre	1	Technical Specifications: "R - Standard" 2004-2005 Version[RS], "Standard" 2002-2003 Version[ST]
8	AP8113926	Front brake disc 320	2	Technical Specifications: Brembo[B], "R - Standard" 2004-2005 Version[RS], "Standard" 2002-2003 Version[ST]
8	AP8133751	Front brake disc	2	Technical Specifications: "R - Standard" 2004-2005 Version[RS], "Standard" 2002-2003 Version[ST], Unisunstar[U]
9	AP8108675	Front wheel, grey	1	Year: 2002[2], 2003[3] Technical Specifications: "Standard" 2002-2003 Version[ST]
9	AP8108675	Front wheel, grey	1	Year: 2004[4], 2005[5] Vehicle colour: Fluo Red 2004[f.red] Technical Specifications: "R - Standard" 2004-2005 Version[RS]
9	AP8128086	Front wheel, red	1	Year: 2004[4], 2005[5] Vehicle colour: Darkness Black 2004[d.bla], Silver Mirror 2004[s.mir] Technical Specifications: "R - Standard" 2004-2005 Version[RS]
10	AP8125773	Gasket ring 30x47x7	2	Technical Specifications: "R - Standard" 2004-2005 Version[RS], "Standard" 2002-2003 Version[ST]

Group	FRAME
Code	28.35
Description	ST-RS version front wheel
Service	1



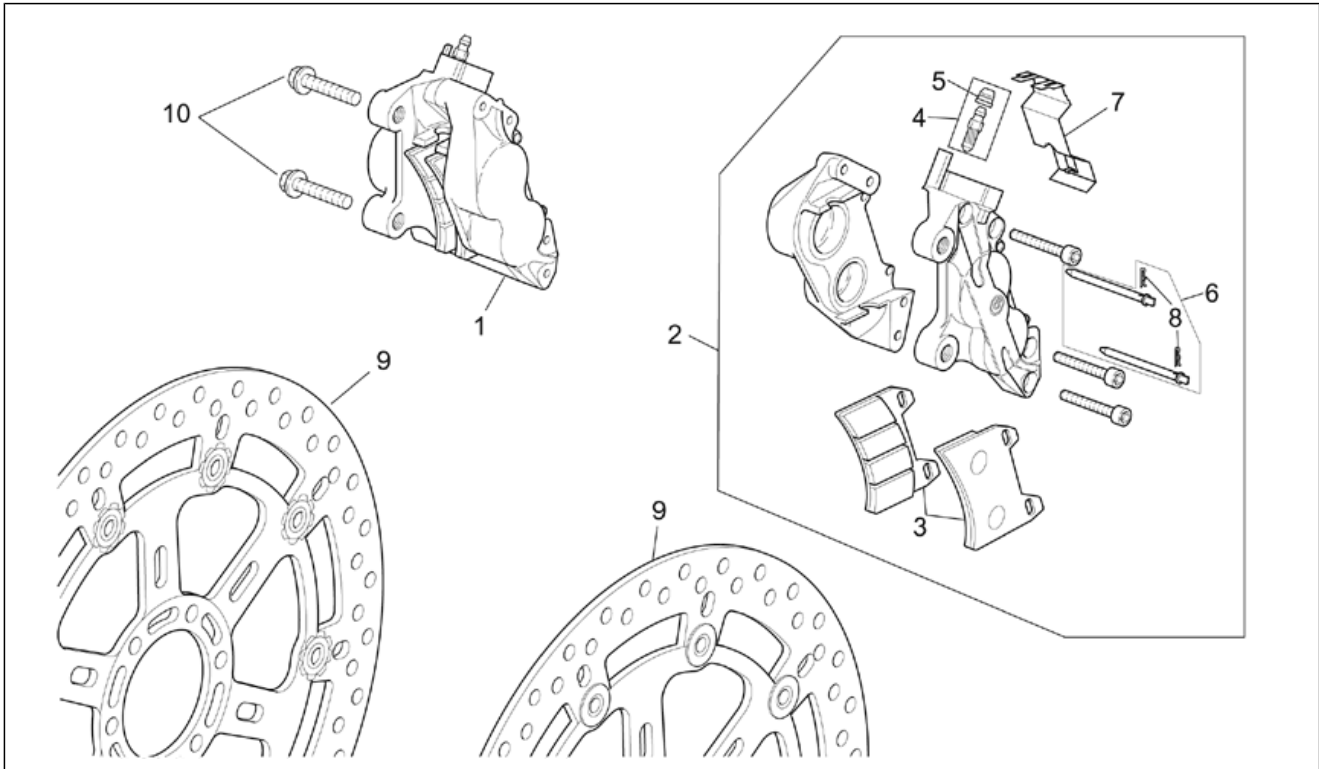
Pos.	Code	Description	Qty	Variants
11	AP8125777	Ball bearing 25x47x12	2	Technical Specifications: "R - Standard" 2004-2005 Version[RS], "Standard" 2002-2003 Version[ST]
12	AP8125778	Internal spacer	1	Technical Specifications: "R - Standard" 2004-2005 Version[RS], "Standard" 2002-2003 Version[ST]
13	AP8125779	Circlip	1	Technical Specifications: "R - Standard" 2004-2005 Version[RS], "Standard" 2002-2003 Version[ST]

Group	FRAME
Code	28.36
Description	R-RF version front wheel
Service	1



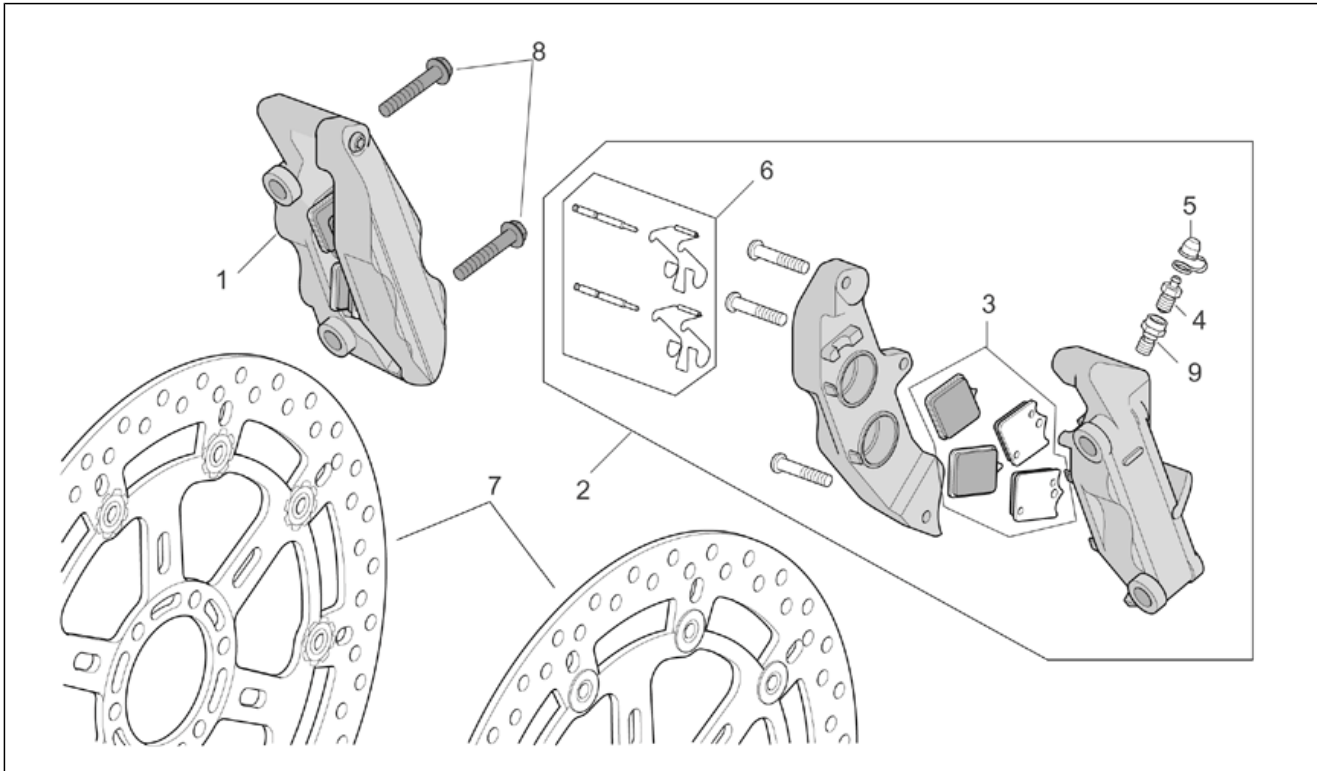
Pos.	Code	Description	Qty	Variants
11	AP8110094	Bearing 25x47x12	2	Technical Specifications: "R" 2002-2003 Version[R], "R - Factory" 2004-2005 Version[RF]
12	AP8125843	Internal spacer	1	Technical Specifications: "R" 2002-2003 Version[R], "R - Factory" 2004-2005 Version[RF]
13	AP8125842	Snap ring d47	1	Technical Specifications: "R" 2002-2003 Version[R], "R - Factory" 2004-2005 Version[RF]

Group	FRAME
Code	28.37
Description	ST-RS vers. front brake caliper
Service	1



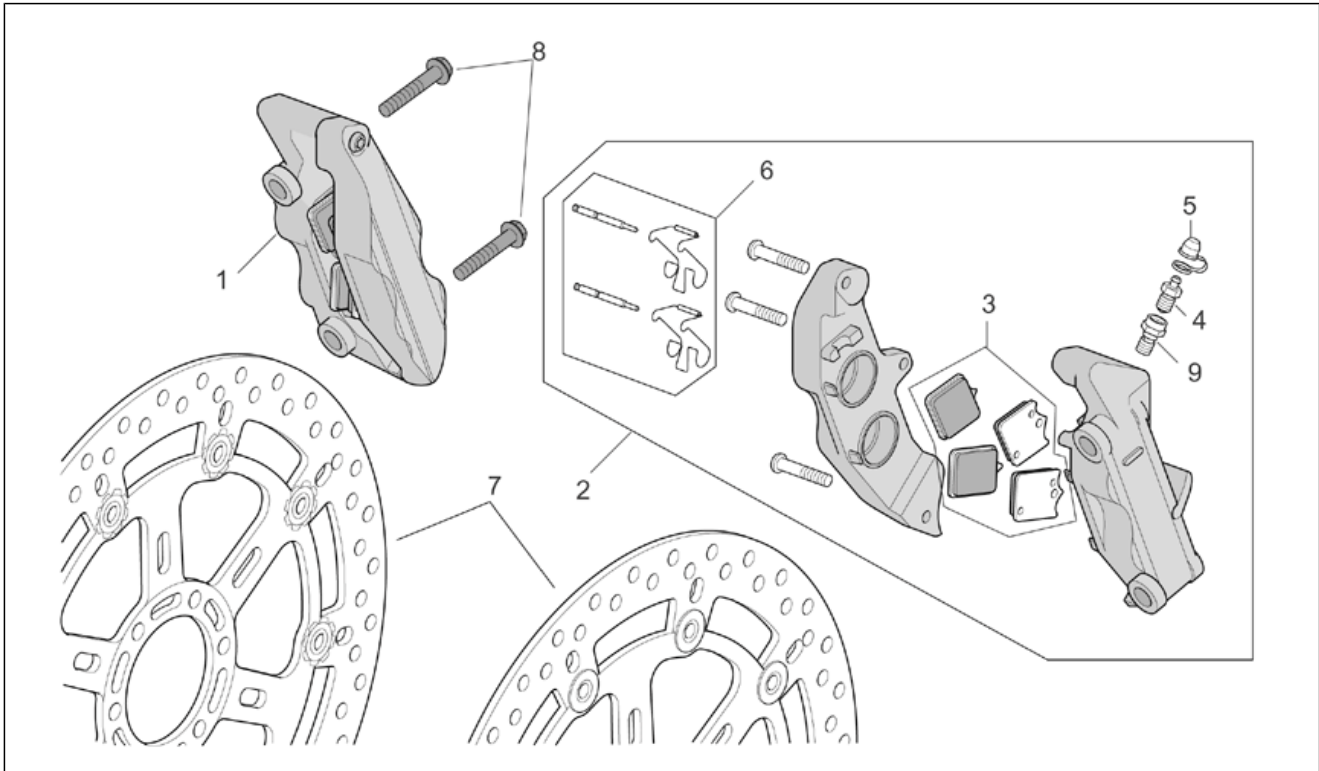
Pos.	Code	Description	Qty	Variants
1	AP8113774	RH front brake caliper, red	1	Technical Specifications: For standard brake caliper[sc]
1	AP8133612	RH Front brake caliper, gold	1	Technical Specifications: For standard brake caliper[sc]
2	AP8113775	LH front brake caliper, red	1	Technical Specifications: For standard brake caliper[sc]
2	AP8133613	LH Front brake caliper, gold	1	Technical Specifications: For standard brake caliper[sc]
3	AP8113754	Pads pair	1	Technical Specifications: For standard brake caliper[sc]
3	AP8133614	Pads pair	2	Technical Specifications: For standard brake caliper[sc]
4	AP8213193	Air bleed valve	2	Technical Specifications: For standard brake caliper[sc]
5	AP8113070	Bleed valve cap	2	Technical Specifications: For standard brake caliper[sc]
6	AP8113721	Pin+split pin	2	Technical Specifications: For standard brake caliper[sc]
7	AP8113722	Spring	2	Technical Specifications: For standard brake caliper[sc]
8	AP8113723	Split pin	2	Technical Specifications: For standard brake caliper[sc]
9	AP8113926	Front brake disc 320	2	Technical Specifications: For standard brake caliper[sc]
9	AP8133751	Front brake disc	2	Technical Specifications: For standard brake caliper[sc]
10	AP8152385	Hex socket screw M10x1,25	4	Technical Specifications: For standard brake caliper[sc]

Group	FRAME
Code	28.38
Description	R-RF vers. front brake caliper
Service	1



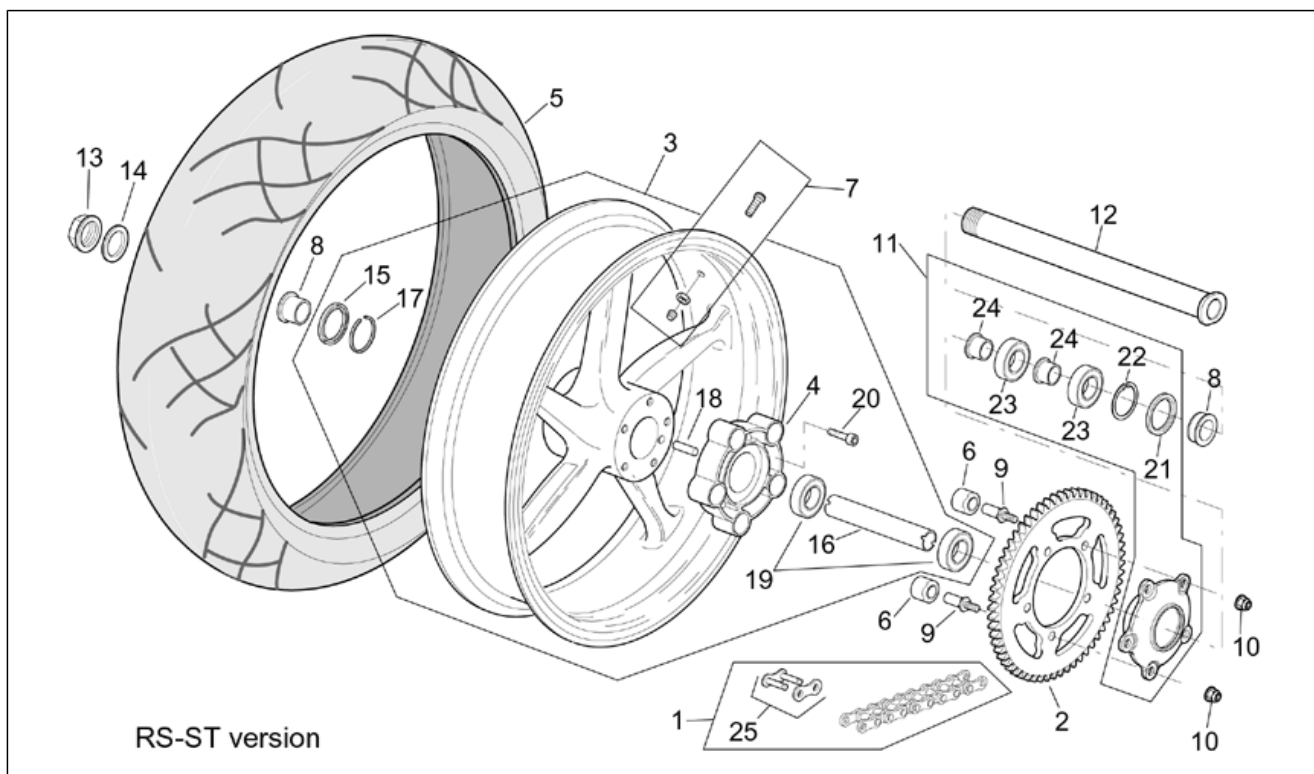
Pos.	Code	Description	Qty	Variants
1	AP8113970	RH Front brake caliper, gold	1	Year:2002[2] Technical Specifications:For radial brake caliper[rc]
1	AP8133591	RH Front brake caliper, gold	1	Year:2004[4], 2005[5] Technical Specifications:For radial brake caliper[rc]
1	AP8133591	RH Front brake caliper, gold	1	Year:2003[3] Technical Specifications:For radial brake caliper[rc]
2	AP8113971	LH Front brake caliper, gold	1	Year:2002[2] Technical Specifications:For radial brake caliper[rc]
2	AP8133590	LH Front brake caliper, gold	1	Year:2004[4], 2005[5] Technical Specifications:For radial brake caliper[rc]
2	AP8133590	LH Front brake caliper, gold	1	Year:2003[3] Technical Specifications:For radial brake caliper[rc]
3	AP8133592	Pads 4 pc.	2	Technical Specifications:For radial brake caliper[rc]
4	AP8113973	Air bleed valve	2	Year:2002[2] Technical Specifications:For radial brake caliper[rc]
4	AP8133595	Air bleed valve	2	Year:2004[4], 2005[5] Technical Specifications:For radial brake caliper[rc]
4	AP8133595	Air bleed valve	2	Year:2003[3] Technical Specifications:For radial brake caliper[rc]
5	AP8113756	Bleed valve cap 20 pc.	2	Year:2002[2] Technical Specifications:For radial brake caliper[rc]
5	AP8133596	Bleed valve cap 20 pc.	2	Year:2003[3] Technical Specifications:For radial brake caliper[rc]
5	AP8133596	Bleed valve cap 20 pc.	2	Year:2004[4], 2005[5] Technical Specifications:For radial brake caliper[rc]
6	AP8113974	Pin+Brake spring	2	Technical Specifications:For radial brake caliper[rc]
7	AP8113926	Front brake disc 320	2	Technical Specifications:Brembo[B], For radial brake caliper[rc]
7	AP8133751	Front brake disc	2	Technical Specifications:For radial brake caliper[rc], Unisunstar[U]
8	AP8152385	Hex socket screw M10x1,25	4	Technical Specifications:For radial brake caliper[rc]
9	AP8133597	screw	2	Year:2003[3], 2004[4], 2005[5]

Group	FRAME
Code	28.38
Description	R-RF vers. front brake caliper
Service	1



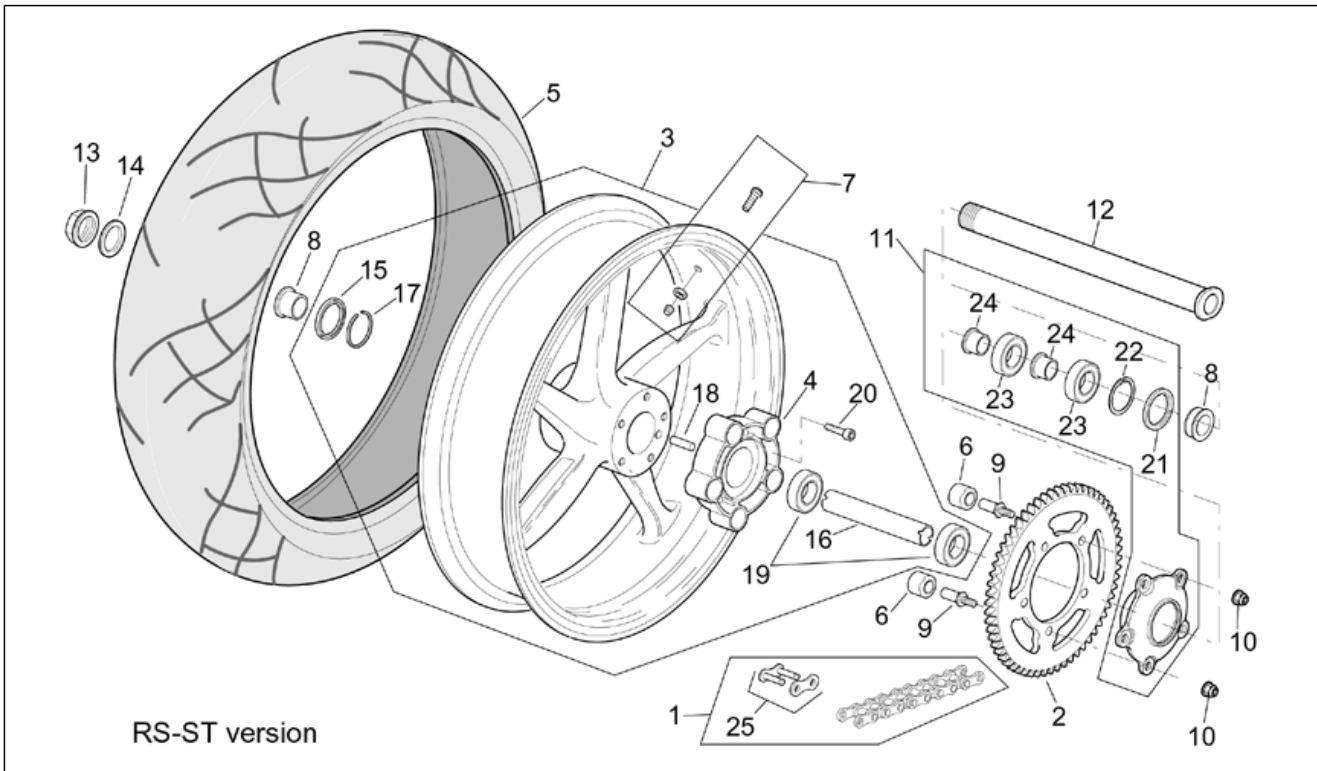
Pos.	Code	Description	Qty	Variants
				Technical Specifications:For radial brake caliper[rc]

Group	FRAME
Code	28.39
Description	ST-RS version rear wheel
Service	1



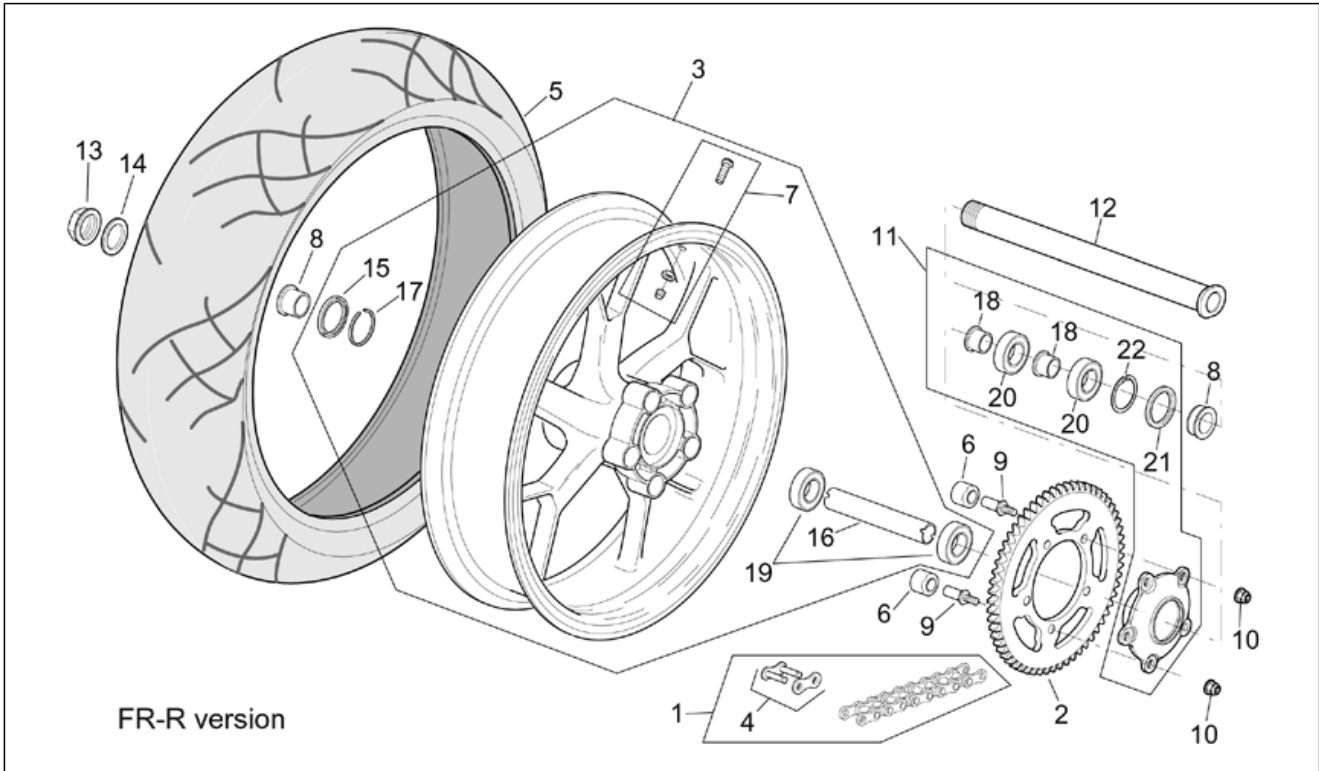
Pos.	Code	Description	Qty	Variants
1	AP8107118	Chain cpl conn.link	1	Technical Specifications: For chain with D.I.D.sign[DID], "Standard" 2002-2003 Version[ST]
1	AP8107148	Chain cpl conn.link	1	Technical Specifications: For chain with REGINA sign[REG], "R - Standard" 2004-2005 Version[RS], "Standard" 2002-2003 Version[ST]
2	AP8107122	Chain ring Z=42	1	Technical Specifications: "R - Standard" 2004-2005 Version[RS], "Standard" 2002-2003 Version[ST]
3	AP8108676	Rear wheel, grey	1	Year: 2004[4], 2005[5] Vehicle colour: Fluo Red 2004[f.red] Technical Specifications: "R - Standard" 2004-2005 Version[RS]
3	AP8108676	Rear wheel, grey	1	Year: 2002[2], 2003[3] Technical Specifications: "Standard" 2002-2003 Version[ST]
3	AP8128087	Rear wheel, red	1	Year: 2004[4], 2005[5] Vehicle colour: Darkness Black 2004[d.bla], Silver Mirror 2004[s.mir] Technical Specifications: "R - Standard" 2004-2005 Version[RS]
4	AP8125733	Rear wheel spring drive holder	1	Year: 2002[2], 2003[3] Technical Specifications: "Standard" 2002-2003 Version[ST]
5	0000000	Tyre	1	Technical Specifications: "R - Standard" 2004-2005 Version[RS], "Standard" 2002-2003 Version[ST]
6	AP8125731	Flexible coupling rubber	5	Technical Specifications: "R - Standard" 2004-2005 Version[RS], "Standard" 2002-2003 Version[ST]
7	AP8101744	Tubeless tyre valve	1	Technical Specifications: "R - Standard" 2004-2005 Version[RS], "Standard" 2002-2003 Version[ST]
8	AP8121225	Rear wheel spacer	2	Technical Specifications: "R - Standard" 2004-2005 Version[RS], "Standard" 2002-2003 Version[ST]
9	AP8121408	Spring drive fixing bush	5	Technical Specifications: "R - Standard" 2004-2005 Version[RS], "Standard" 2002-2003 Version[ST]
10	AP8150436	Low self-locking nut	5	Technical Specifications: "R - Standard" 2004-2005 Version[RS], "Standard" 2002-2003 Version[ST]

Group	FRAME
Code	28.39
Description	ST-RS version rear wheel
Service	1



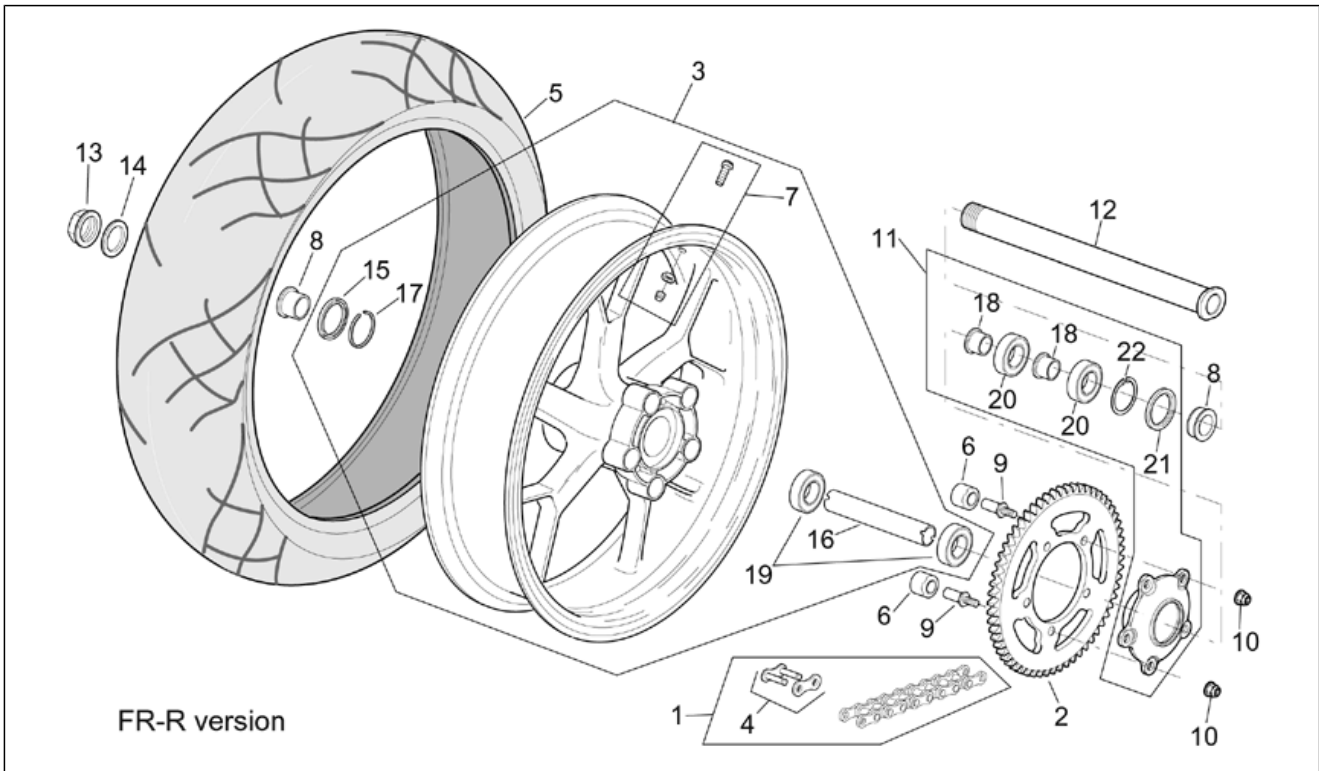
Pos.	Code	Description	Qty	Variants
11	AP8125730	Crown holder cpl.	1	Technical Specifications: "R - Standard" 2004-2005 Version[RS], "Standard" 2002-2003 Version[ST]
12	AP8125831	Rear wheel spindle	1	Technical Specifications: "R - Standard" 2004-2005 Version[RS], "Standard" 2002-2003 Version[ST]
13	AP8152324	Wheel spindle nut M25x1,5	1	Technical Specifications: "R - Standard" 2004-2005 Version[RS], "Standard" 2002-2003 Version[ST]
14	AP8152323	Washer 25,2x36x1	1	Technical Specifications: "R - Standard" 2004-2005 Version[RS], "Standard" 2002-2003 Version[ST]
15	AP8125786	Gasket ring 38x52x7	1	Technical Specifications: "R - Standard" 2004-2005 Version[RS], "Standard" 2002-2003 Version[ST]
16	AP8125787	Spacer	1	Technical Specifications: "R - Standard" 2004-2005 Version[RS], "Standard" 2002-2003 Version[ST]
17	AP8125788	Circlip	1	Technical Specifications: "R - Standard" 2004-2005 Version[RS], "Standard" 2002-2003 Version[ST]
18	AP8150463	Pin 10x20	1	Technical Specifications: "R - Standard" 2004-2005 Version[RS], "Standard" 2002-2003 Version[ST]
19	AP8106806	Bearing 6205-2rs1 25x52x15	2	Technical Specifications: "R - Standard" 2004-2005 Version[RS], "Standard" 2002-2003 Version[ST]
20	AP8150195	Hex socket screw M10x30	5	Technical Specifications: "R - Standard" 2004-2005 Version[RS], "Standard" 2002-2003 Version[ST]
21	AP8121213	Gasket ring 38x55x7	1	Technical Specifications: "R - Standard" 2004-2005 Version[RS], "Standard" 2002-2003 Version[ST]
22	AP8121212	Inside circlip d55	1	Technical Specifications: "R - Standard" 2004-2005 Version[RS], "Standard" 2002-2003 Version[ST]
23	AP8110081	Bearing 30x55x13	2	Technical Specifications: "R - Standard" 2004-2005 Version[RS], "Standard" 2002-2003 Version[ST]
24	AP8125732	Spring drive spacer	2	Technical Specifications: "R - Standard" 2004-2005 Version[RS], "Standard" 2002-2003 Version[ST]
25	AP8107136	Connecting link	1	Technical Specifications: For chain with D.I.D.sign[DID], "Standard" 2002-2003 Version[ST]

Group	FRAME
Code	28.40
Description	R-RF version rear wheel
Service	1



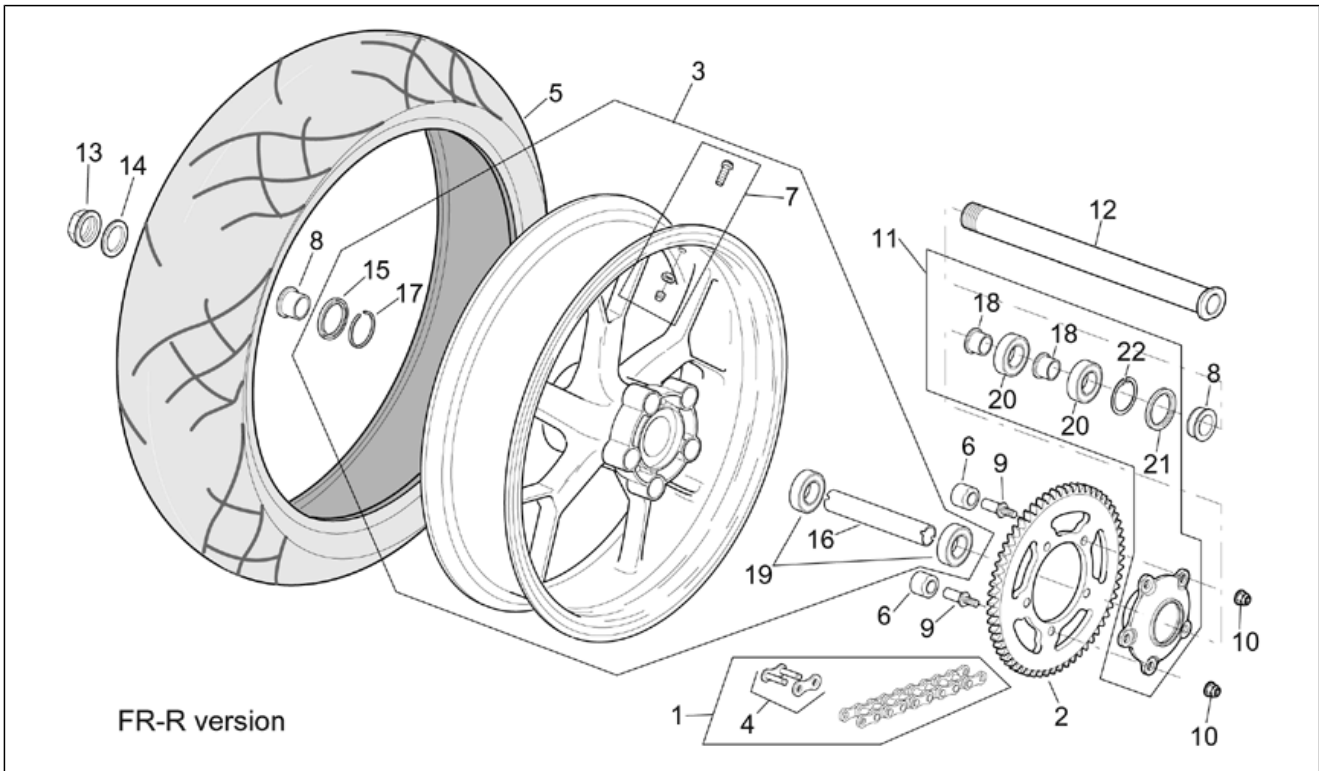
Pos.	Code	Description	Qty	Variants
1	AP8107118	Chain cpl conn.link	1	Technical Specifications: For chain with D.I.D.sign[DID], "R" 2002-2003 Version[R]
1	AP8107148	Chain cpl conn.link	1	Technical Specifications: "R" 2002-2003 Version[R], For chain with REGINA sign[REG], "R - Factory" 2004-2005 Version[RF]
2	AP8107122	Chain ring Z=42	1	Technical Specifications: "R" 2002-2003 Version[R], "R - Factory" 2004-2005 Version[RF]
3	AP8108977	Rear wheel	1	Year: 2002[2] Vehicle colour: Diablo Black "Racing" 2002[rac] Technical Specifications: "R" 2002-2003 Version[R]
3	AP8128037	Rear wheel	1	Year: 2004[4] Technical Specifications: "R" 2002-2003 Version[R], "R - Factory" 2004-2005 Version[RF]
3	AP8128037	Rear wheel	1	Year: 2003[3] Technical Specifications: "R" 2002-2003 Version[R], Racing GARA 2003[RG]
3	AP8128044	Rear wheel, blue	1	Year: 2005[5] Technical Specifications: "R - Factory" 2004-2005 Version[RF]
4	AP8107136	Connecting link	1	Technical Specifications: For chain with D.I.D.sign[DID], "R" 2002-2003 Version[R]
4	AP8107150	Connecting link	1	Technical Specifications: "R" 2002-2003 Version[R], For chain with REGINA sign[REG], "R - Factory" 2004-2005 Version[RF]
5	0000000	Tyre	1	Technical Specifications: "R" 2002-2003 Version[R], "R - Factory" 2004-2005 Version[RF]
6	AP8125731	Flexible coupling rubber	5	Technical Specifications: "R" 2002-2003 Version[R], "R - Factory" 2004-2005 Version[RF]
7	AP8104183	Tubeless tyre valve	1	Year: 2002[2] Vehicle colour: Diablo Black "Racing" 2002[rac] Technical Specifications: "R" 2002-2003 Version[R]
7	AP8104728	Tubeless tyre valve 90°	1	Year: 2003[3]

Group	FRAME
Code	28.40
Description	R-RF version rear wheel
Service	1



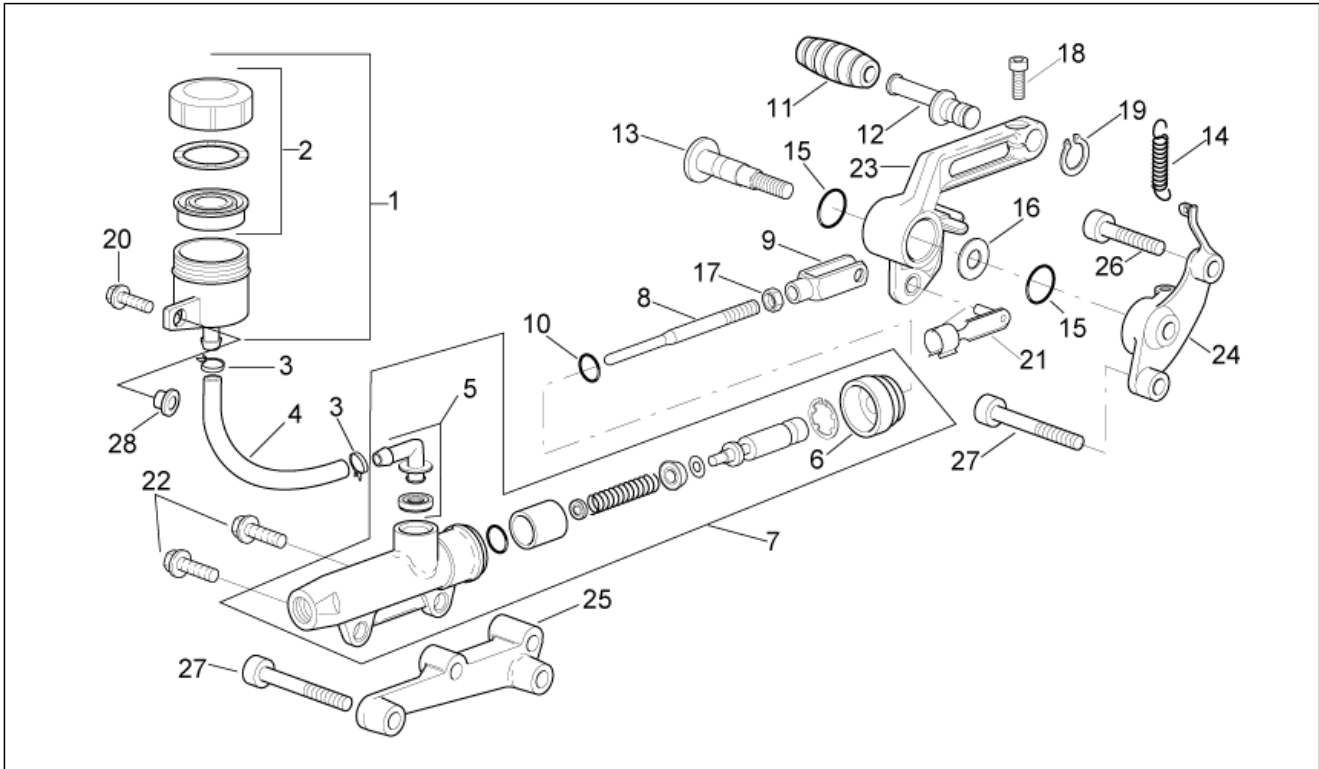
Pos.	Code	Description	Qty	Variants
				Technical Specifications: "R" 2002-2003 Version[R], Racing GARA 2003[RG]
7	AP8104728	Tubeless tyre valve 90°	1	Year: 2004[4], 2005[5] Technical Specifications: "R - Factory" 2004-2005 Version[RF]
8	AP8121225	Rear wheel spacer	2	Technical Specifications: "R" 2002-2003 Version[R], "R - Factory" 2004-2005 Version[RF]
9	AP8121408	Spring drive fixing bush	5	Technical Specifications: "R" 2002-2003 Version[R], "R - Factory" 2004-2005 Version[RF]
10	AP8150436	Low self-locking nut	5	Technical Specifications: "R" 2002-2003 Version[R], "R - Factory" 2004-2005 Version[RF]
11	AP8125730	Crown holder cpl.	1	Year: 2003[3], 2004[4], 2005[5] Technical Specifications: "R" 2002-2003 Version[R], "R - Factory" 2004-2005 Version[RF]
11	AP8125900	Crown holder cpl.	1	Year: 2002[2] Technical Specifications: "R" 2002-2003 Version[R]
12	AP8125831	Rear wheel spindle	1	Technical Specifications: "R" 2002-2003 Version[R], "R - Factory" 2004-2005 Version[RF]
13	AP8152324	Wheel spindle nut M25x1,5	1	Technical Specifications: "R" 2002-2003 Version[R], "R - Factory" 2004-2005 Version[RF]
14	AP8152323	Washer 25,2x36x1	1	Technical Specifications: "R" 2002-2003 Version[R], "R - Factory" 2004-2005 Version[RF]
15	AP8125838	Gasket ring 38x52x7	1	Technical Specifications: "R" 2002-2003 Version[R], "R - Factory" 2004-2005 Version[RF]
16	AP8125840	Spacer	1	Technical Specifications: "R" 2002-2003 Version[R], "R - Factory" 2004-2005 Version[RF]
17	AP8125839	Snap ring d52	1	Technical Specifications: "R" 2002-2003 Version[R], "R - Factory" 2004-2005 Version[RF]
18	AP8125732	Spring drive spacer	2	Technical Specifications: "R" 2002-2003 Version[R], "R - Factory" 2004-2005 Version[RF]
19	AP8110093	Bearing 6205-2rs1 25x52x15	2	Technical Specifications: "R" 2002-2003 Version[R], "R - Factory" 2004-2005 Version[RF]

Group	FRAME
Code	28.40
Description	R-RF version rear wheel
Service	1



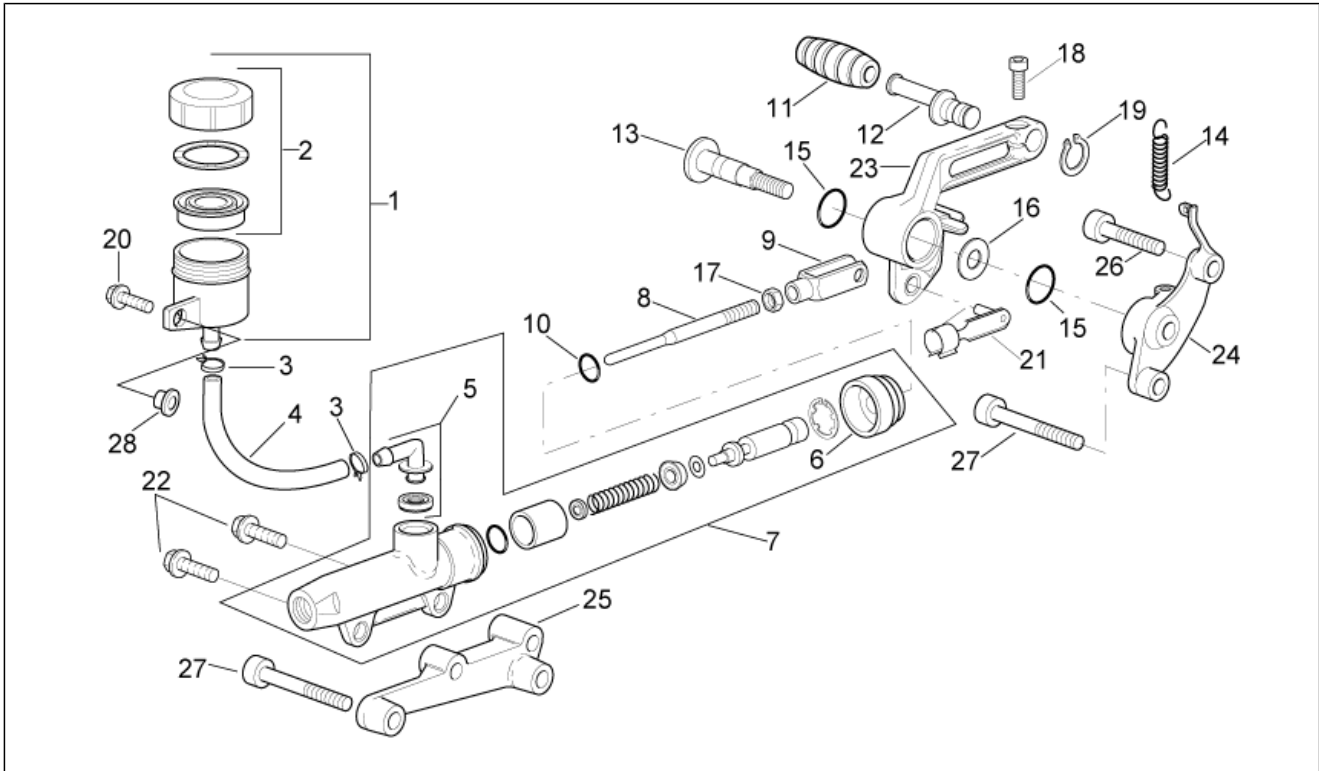
Pos.	Code	Description	Qty	Variants
20	AP8110081	Bearing 30x55x13	2	Technical Specifications: "R" 2002-2003 Version[R], "R - Factory" 2004-2005 Version[RF]
21	AP8121213	Gasket ring 38x55x7	1	Technical Specifications: "R" 2002-2003 Version[R], "R - Factory" 2004-2005 Version[RF]
22	AP8121212	Inside circlip d55	1	Technical Specifications: "R" 2002-2003 Version[R], "R - Factory" 2004-2005 Version[RF]

Group	FRAME
Code	28.41
Description	Rear master cylinder
Service	1



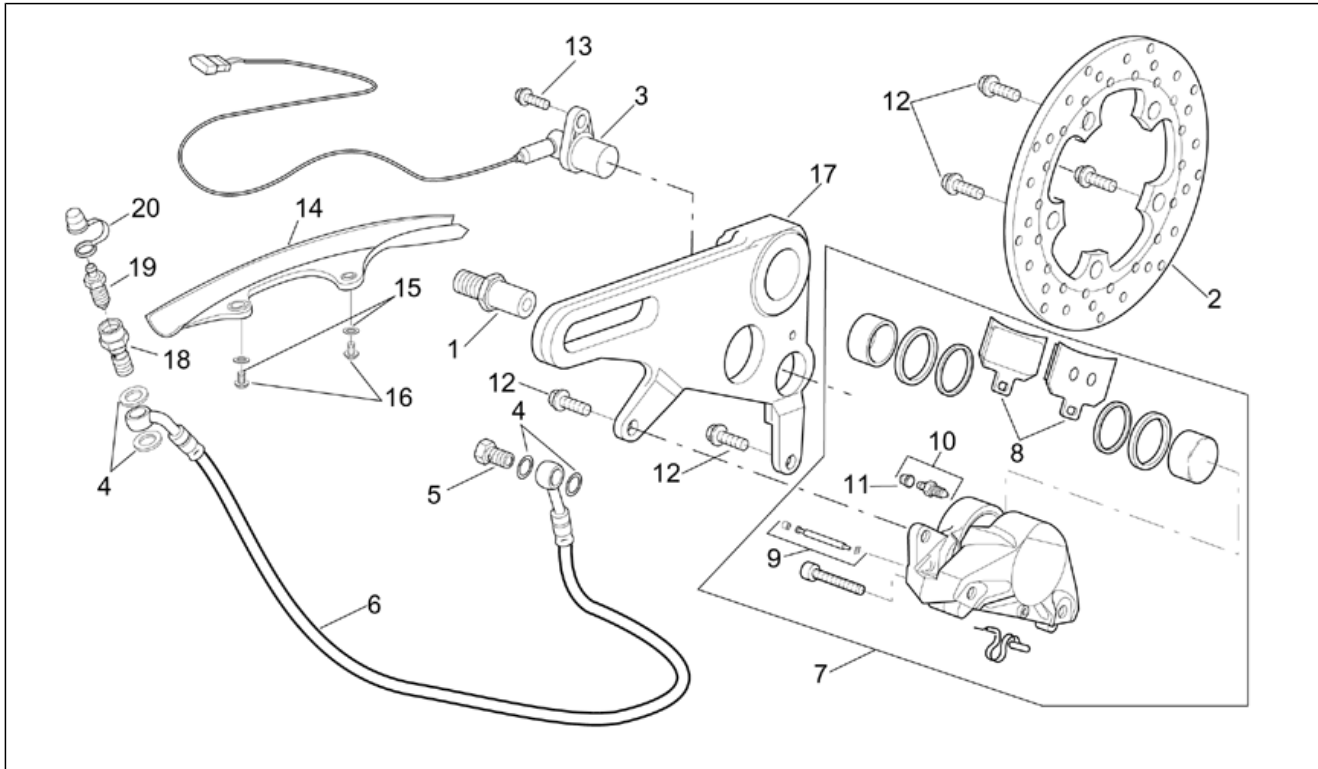
Pos.	Code	Description	Qty	Variants
1	AP8133873	Brake oil tank complete	1	
2	AP8113553	Tank cap	1	
3	AP8113764	Hose clamp	2	
4	AP8113765	Rear brake hose	1	
5	AP8133872	Rear brake pump union	1	
6	AP8113288	Rubber bellows	1	
7	AP8133871	Rear master cylinder	1	
8	AP8121222	Master cylinder rod	1	
9	AP8101968	Fork	1	
10	AP8120178	O-ring OR112	1	
11	AP8120912	Lever rubber	1	
12	AP8121221	Brake lever pin	1	
13	AP8121223	Rear brake lever pin	1	
14	AP8121927	Rear brake lever spring	1	
15	AP8144007	O-ring 11,11x1,78	2	
16	AP8150020	Washer 10,5x21x2*	1	
17	AP8150026	Nut M6	1	
18	AP8150044	Hex socket screw M6x20	1	Technical Specifications: "R - Standard" 2004-2005 Version[RS], "Standard" 2002-2003 Version[ST]
18	AP8152426	Screw M6x20	1	Technical Specifications: "R" 2002-2003 Version[R], "R - Factory" 2004-2005 Version[RF]
19	AP8150462	Circlip d9	1	
20	AP8152275	Screw w/ flange M5x25	1	
21	AP8201301	Gear selector fork clips	1	
22	AP8152279	Screw w/ flange M6x20	2	
23	AP8135925	Rear brake lever	1	
24	AP8134415	Brake lever support	1	
25	AP8134384	Rear master cyl.support	1	

Group	FRAME
Code	28.41
Description	Rear master cylinder
Service	1



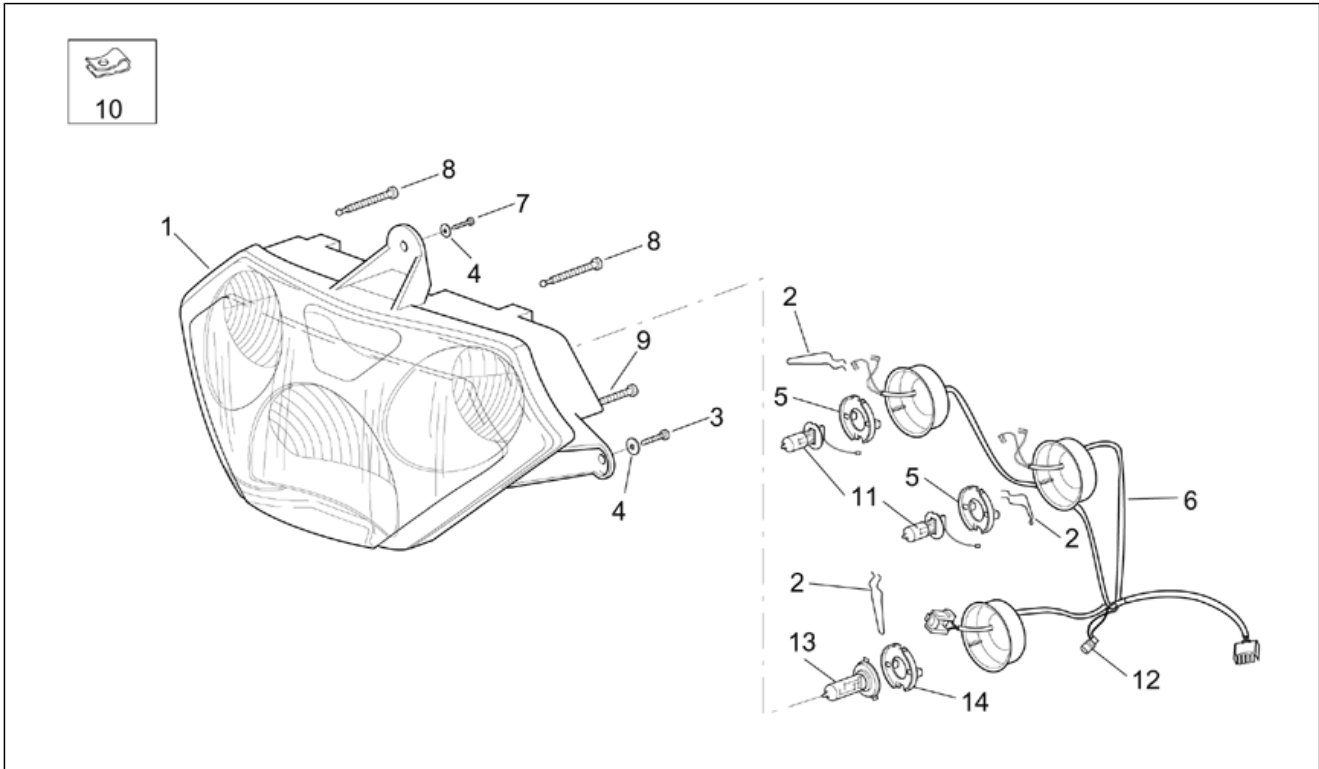
Pos.	Code	Description	Qty	Variants
26	AP8150403	Hex socket screw M6x45	1	
27	AP8150277	Hex socket screw M8x50	3	
28	AP8121795	T bush	1	Technical Specifications: "R - Standard" 2004-2005 Version[RS], "Standard" 2002-2003 Version[ST]

Group	FRAME
Code	28.42
Description	Rear brake caliper
Service	1



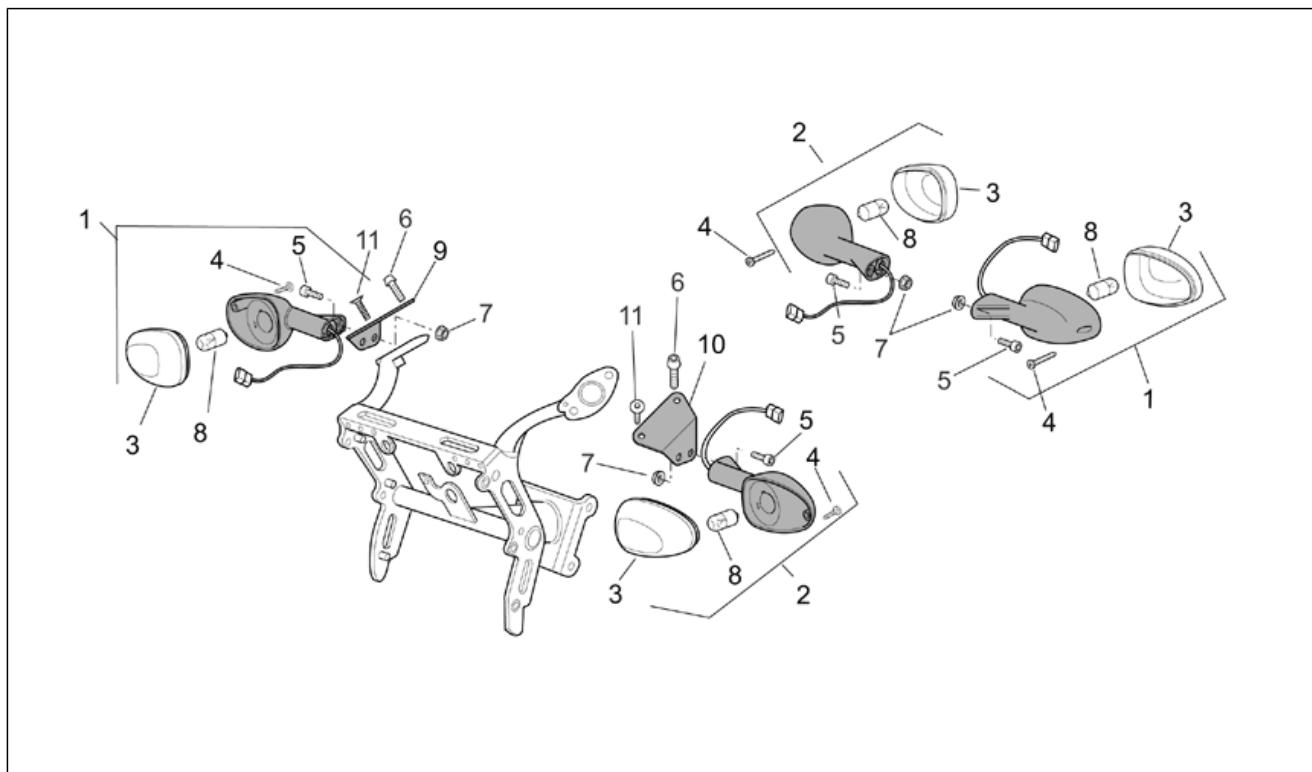
Pos.	Code	Description	Qty	Variants
1	AP8121234	Brake supp. plate pin	1	
2	AP8113612	Rear brake disc	1	
3	AP8124528	Speedometer sensor cpl.	1	
4	AP8121915	Gasket	4	
5	AP8113003	Oil pipe screw *	1	
6	AP8113873	Rear brake hose	1	
7	AP8113776	Rear brake caliper, red	1	
7	AP8113897	Rear brake caliper	1	
8	AP8113751	Pads pair	1	Technical Specifications: For Red painted caliper[cR]
8	AP8113898	Pads pair	1	Technical Specifications: For Gold painted caliper[cO]
9	AP8113752	Pin+split pin	1	
10	AP8113895	Air bleed valve	1	
11	AP8113070	Bleed valve cap	1	
12	AP8152286	Screw w/ flange M8x20	7	
13	AP8152279	Screw w/ flange M6x20	1	
14	AP8134443	Rear brake hose support	1	
15	AP8150013	Washer 5,5x15x1,6*	2	
16	AP8152272	Screw w/ flange M5x12	2	
17	AP8134385	Brake hanger plate	1	Year: 2003[3], 2004[4], 2005[5]
17	AP8134900	Brake hanger plate	1	Year: 2002[2]
18	AP8113762	Bored screw	1	
19	AP8113761	Air bleed valve	1	
20	AP8113230	Bleed valve cap	1	

Group	FRAME
Code	28.43
Description	Headlight
Service	1



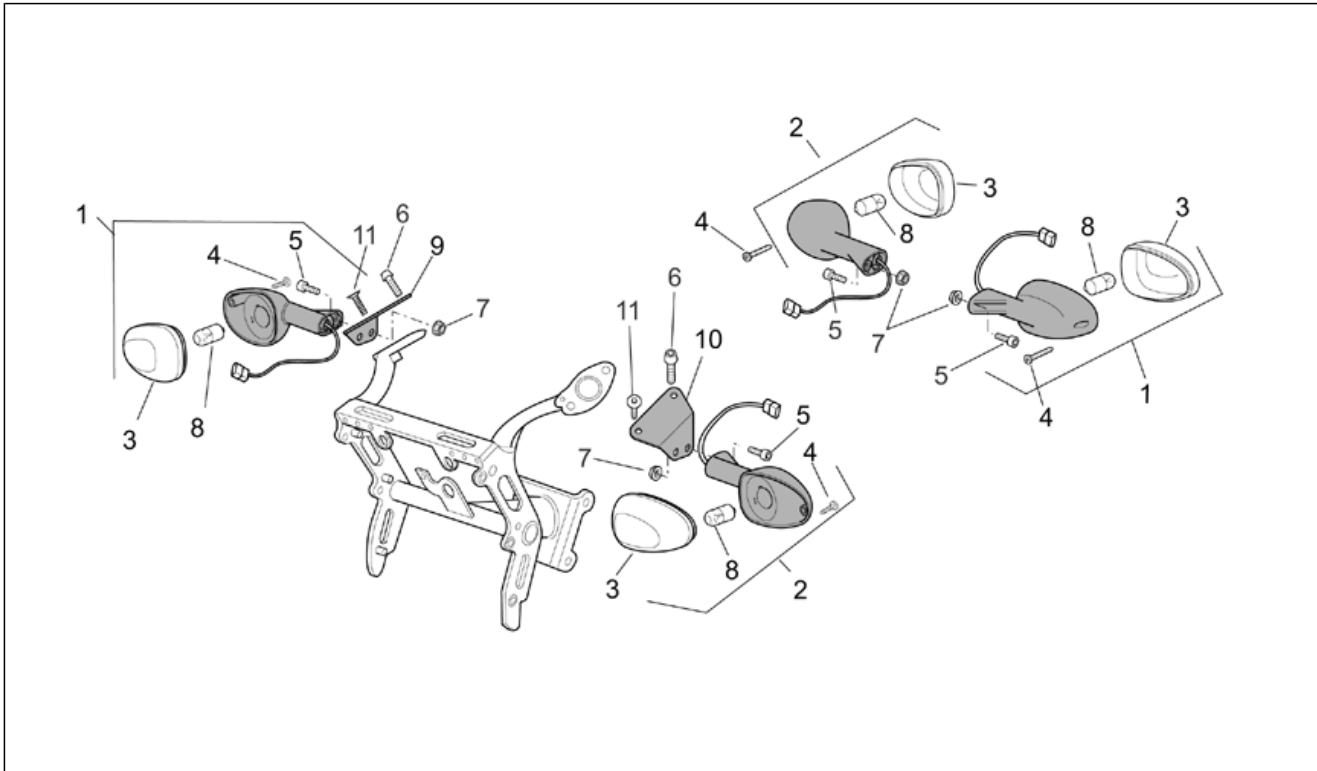
Pos.	Code	Description	Qty	Variants
1	AP8124901	Headlight	1	Country: Austria[A], Belgium[B], Switzerland[CH], Germany[D], Denmark[DK], Spain[E], I, E, NL[EU], France[F], Greece[GR], Italy[I], Mexico[ME], ME[MX], Holland[NL], Finland[SF], Spain[SP]
1	AP8124945	Headlight	1	Country: Australia[AA], Australia[AUS], Japan[J], J[JJ], Great Britain[UK]
1	AP8124946	Headlight	1	Country: USA (49 Countries Approval)[AM], USA (California Approval)[CF], United States of America[USA]
2	AP8127118	Spring	3	
3	AP8150413	Self-tap screw 3,9x14	3	
4	AP8150159	Washer 4,3x16*	3	
5	AP8127119	Lampholder	2	
6	AP8127120	Headlight wiring+boots	1	
7	AP8152246	Screw w/ flange M6x16	1	
8	AP8127117	Adjuster screw	2	
9	AP8127116	Adjuster screw	1	
10	AP8102376	Clip M6	2	
11	AP8127109	Lamp H7 12V-55W	2	
12	AP8224393	Lamp WY5W 12V	1	
13	AP8127109	Lamp H7 12V-55W	1	
14	AP8127119	Lampholder	1	

Group	FRAME
Code	28.44
Description	Turn indicators
Service	1



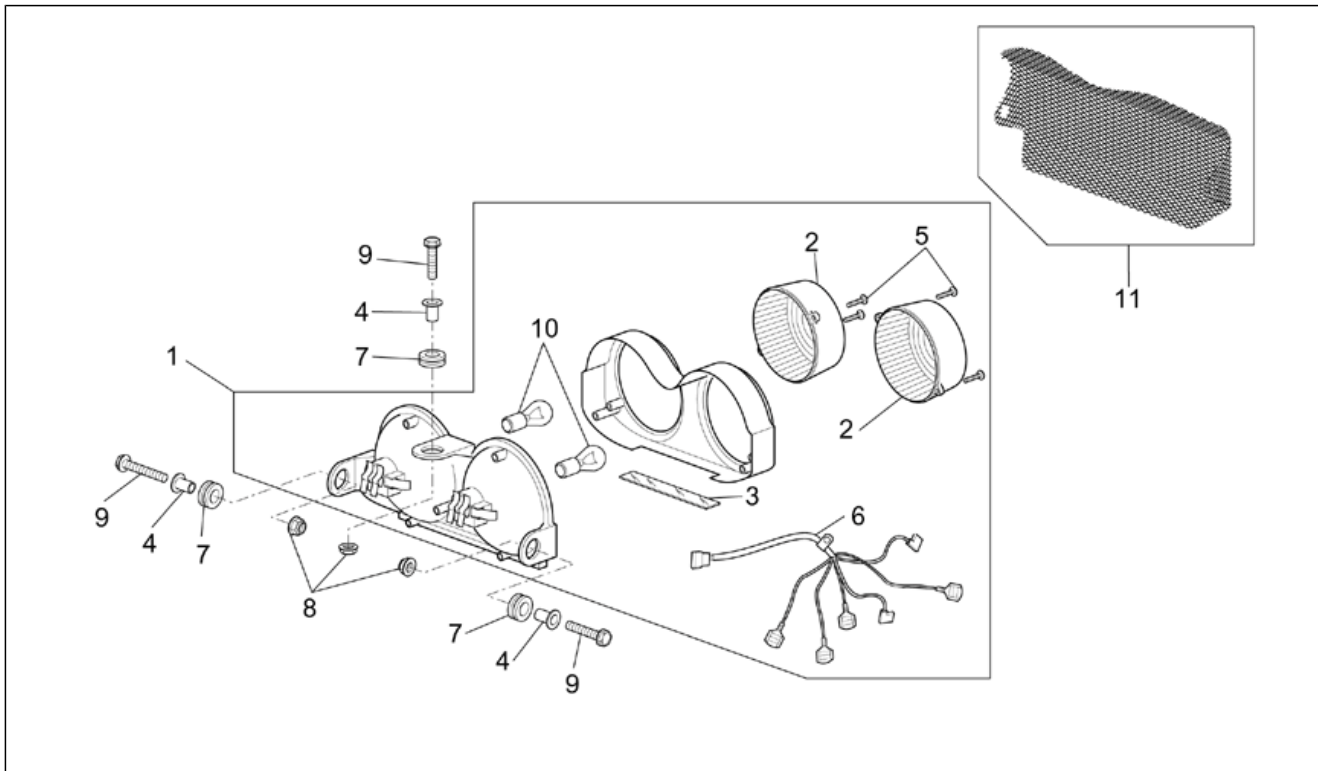
Pos.	Code	Description	Qty	Variants
1	AP8124980	RH front/LH rear turn indic.	2	Year:2004[4], 2005[5] Country:USA (49 Countries Approval)[AM], USA (California Approval)[CF], United States of America[USA]
1	AP8124980	RH front/LH rear turn indic.	2	Year:2002[2], 2003[3]
1	AP8127613	RH front/LH rear turn indic.	2	Year:2004[4], 2005[5] Country:Austria[A], Australia[AA], Australia[AUS], Belgium[B], Switzerland[CH], Germany[D], Denmark[DK], Spain[E], I, E, NL[EU], France[F], Greece[GR], Italy[I], Japan[J], J[JJ], Mexico[ME], ME[MX], Holland[NL], Spain[SP], Great Britain[UK]
2	AP8124979	LH front/RH rear turn indic.	2	Year:2002[2], 2003[3]
2	AP8124979	LH front/RH rear turn indic.	2	Year:2004[4], 2005[5] Country:USA (49 Countries Approval)[AM], USA (California Approval)[CF], United States of America[USA]
2	AP8127614	LH front/RH rear turn indic.	2	Year:2004[4], 2005[5] Country:Austria[A], Australia[AA], Australia[AUS], Belgium[B], Switzerland[CH], Germany[D], Denmark[DK], Spain[E], I, E, NL[EU], France[F], Greece[GR], Italy[I], Japan[J], J[JJ], Mexico[ME], ME[MX], Holland[NL], Spain[SP], Great Britain[UK]
3	AP8127122	Turn indicator lens	4	Year:2004[4], 2005[5] Country:USA (49 Countries Approval)[AM], USA (California Approval)[CF], United States of America[USA]
3	AP8127122	Turn indicator lens	4	Year:2002[2], 2003[3]
3	AP8127633	Turn indicator lens	4	Year:2004[4], 2005[5] Country:Austria[A], Australia[AA], Australia[AUS], Belgium[B], Switzerland[CH], Germany[D], Denmark[DK], Spain[E], I, E, NL[EU], France[F], Greece[GR], Italy[I], Japan[J], J[JJ], Mexico[ME], ME[MX], Holland[NL], Spain[SP], Great Britain[UK]
4	AP8127123	screw TBC 2,9x13	4	
5	AP8150137	Hex socket screw M6x16	2	Technical Specifications:"R - Standard" 2004-2005 Version[RS], "Standard" 2002-2003 Version[ST]

Group	FRAME
Code	28.44
Description	Turn indicators
Service	1



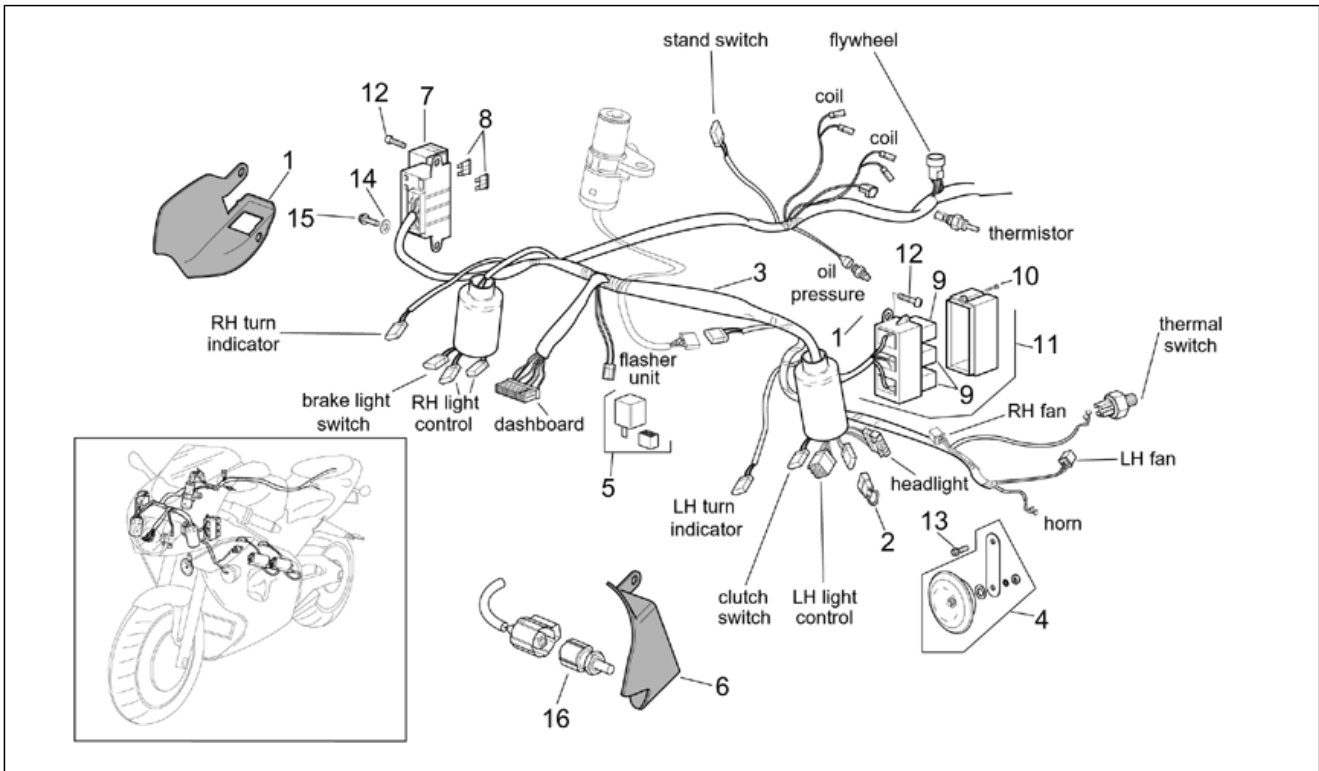
Pos.	Code	Description	Qty	Variants
5	AP8152425	Screw M6x15	2	Technical Specifications: "R" 2002-2003 Version[R], "R - Factory" 2004-2005 Version[RF]
6	AP8152246	Screw w/ flange M6x16	2	Technical Specifications: "R - Standard" 2004-2005 Version[RS], "Standard" 2002-2003 Version[ST]
6	AP8152420	Screw M6x15	2	Technical Specifications: "R" 2002-2003 Version[R], "R - Factory" 2004-2005 Version[RF]
7	AP8152299	Self-locking nut M6	4	
8	AP8224390	Lamp R10W 12v	4	
9	AP8134897	RH turn indicator support	1	
10	AP8134896	LH turn indicator support	1	
11	AP8152166	screw M6x16	2	

Group	FRAME
Code	28.45
Description	Taillight
Service	1



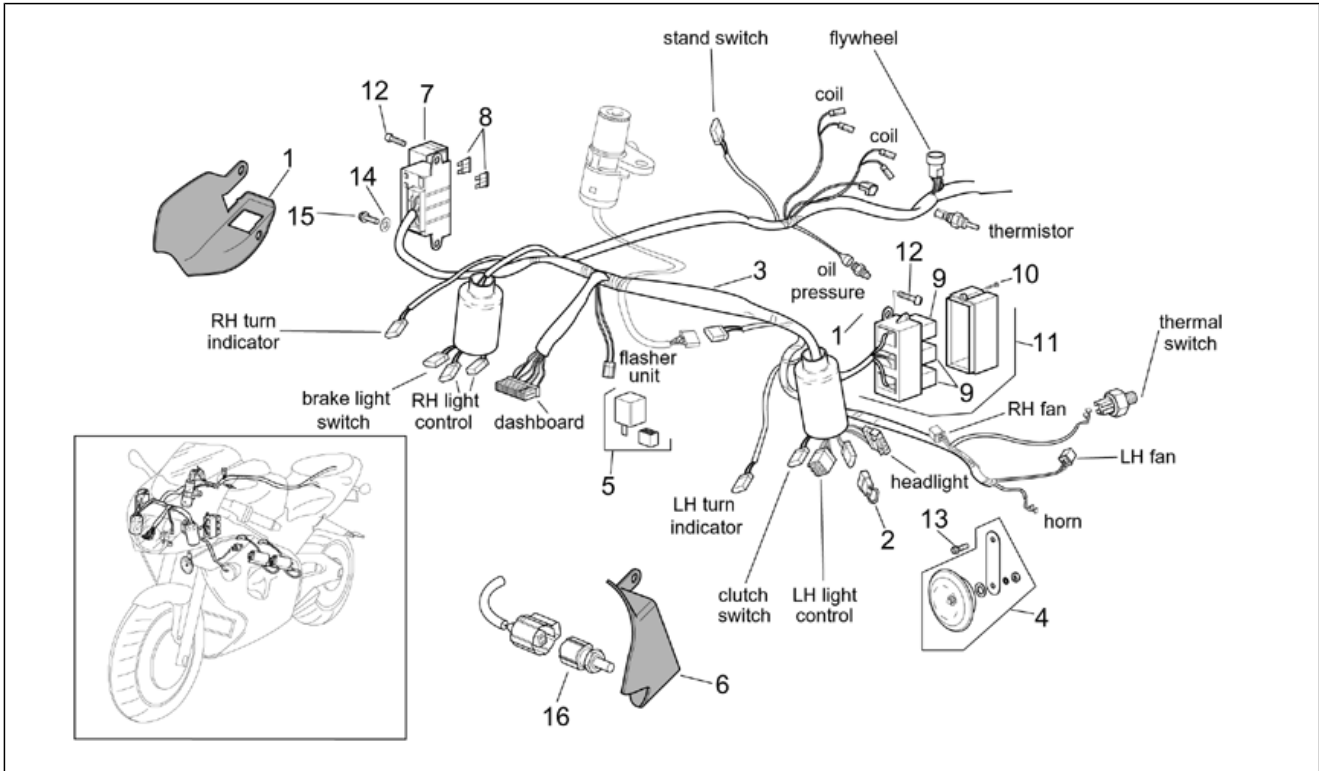
Pos.	Code	Description	Qty	Variants
1	AP8124978	Taillight	1	Country: Austria[A], Australia[AA], Australia[AUS], Belgium[B], Switzerland[CH], Germany[D], Denmark[DK], Spain[E], I, E, NL[EU], France[F], Greece[GR], Italy[I], Japan[J], J[JJ], Mexico[ME], ME[MX], Holland[NL], Spain[SP], Great Britain[UK]
1	AP8127070	Taillight	1	Country: USA (49 Countries Approval)[AM], USA (California Approval)[CF], United States of America[USA]
2	AP8124558	Taillight lens	2	
3	AP8124559	N.plate light window	1	
4	AP8121725	T bush *	3	
5	AP8124561	Special screw 3,5x20	4	
6	AP8124562	Taillight wiring harn.	1	
7	AP8112599	Rubber spacer *	3	
8	AP8152306	Self-locking nut m5	3	
9	AP8152275	Screw w/ flange M5x25	3	Technical Specifications: "R - Standard" 2004-2005 Version[RS], "Standard" 2002-2003 Version[ST]
9	AP8152418	Screw	3	Technical Specifications: "R" 2002-2003 Version[R], "R - Factory" 2004-2005 Version[RF]
10	AP8224389	Lamp P21/5W 12V	2	
11	AP8127496	Rear headlight cov.	1	Year: 2003[3] Technical Specifications: Racing version 2003 kit[kit]

Group	FRAME
Code	28.46
Description	Front electrical system
Service	1



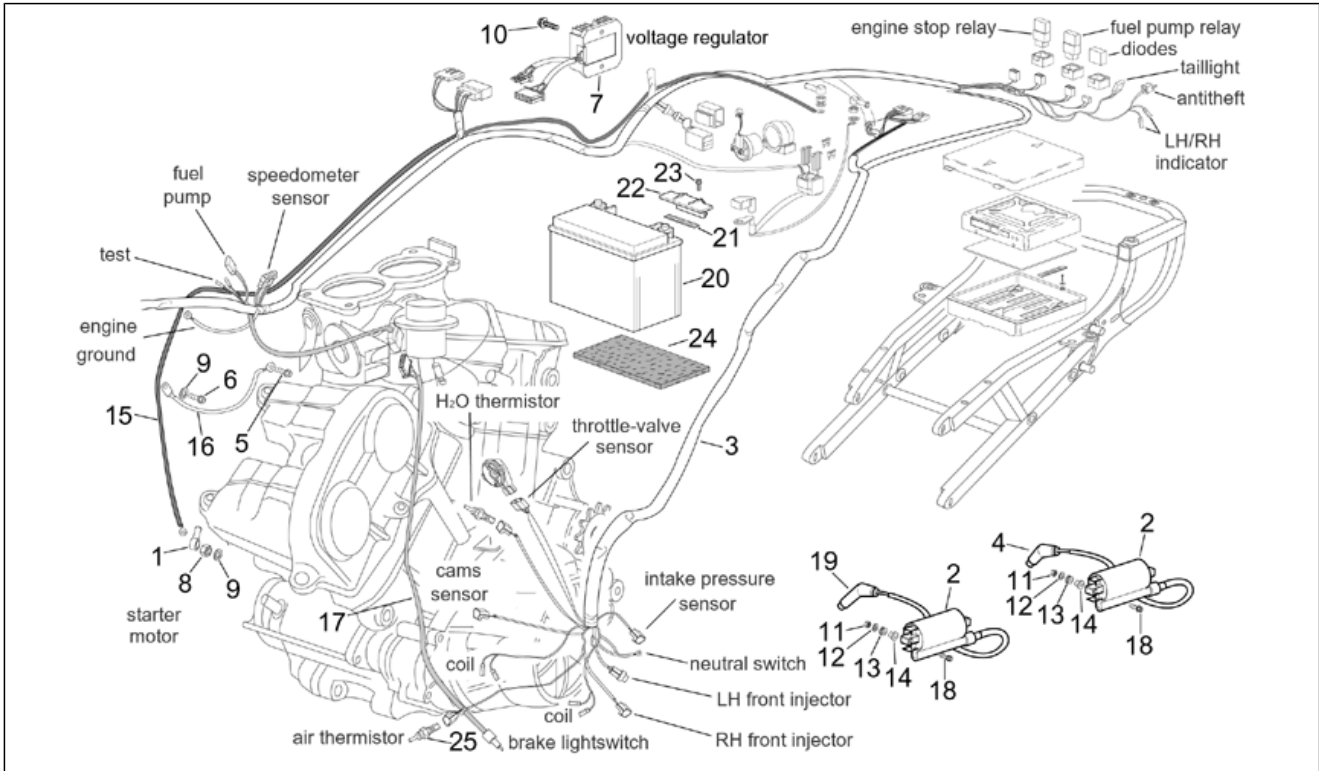
Pos.	Code	Description	Qty	Variants
1	AP8168058	RH wiring protection	1	
2	AP8212588	Diode	1	
3	AP8127396	Main wiring harness	1	Year: 2002[2] Country: Australia[AA], Australia[AUS], Germany[D], Spain[E, I, E, NL][EU], France[F], Italy[I], Holland[NL], Great Britain[UK] Technical Specifications: "R" 2002-2003 Version[R]
3	AP8127428	Main wiring harness	1	Year: 2002[2] Country: USA (California Approval)[CF], United States of America[USA] Technical Specifications: "R" 2002-2003 Version[R]
3	AP8127465	Main wiring harness	1	Year: 2003[3], 2004[4], 2005[5] Country: USA (49 Countries Approval)[AM], USA (California Approval)[CF], United States of America[USA]
3	AP8127492	Main wiring harness	1	Year: 2003[3], 2004[4], 2005[5] Country: Austria[A], Australia[AA], Australia[AUS], Belgium[B], Switzerland[CH], Germany[D], Denmark[DK], Spain[E, I, E, NL][EU], France[F], Greece[GR], Italy[I], Japan[J], J[JJ], Mexico[ME], ME[MX], Holland[NL], Spain[SP], Great Britain[UK]
4	AP8127391	Horn	1	
5	AP8124235	Flasher unit	1	
6	AP8168059	LH wiring protection	1	
7	AP8124274	Fuse holder box	1	
8	AP8112176	Fuse 15A	8	
9	AP8124277	Relay	3	
10	AP8150421	Self-tap screw 2,9x12	2	
11	AP8124293	Relais support	1	
12	AP8152279	Screw w/ flange M6x20	4	Technical Specifications: "R - Standard" 2004-2005 Version[RS], "Standard" 2002-2003 Version[ST]
12	AP8152426	Screw M6x20	4	Technical Specifications: "R" 2002-2003 Version[R], "R - Factory" 2004-2005 Version[RF]

Group	FRAME
Code	28.46
Description	Front electrical system
Service	1



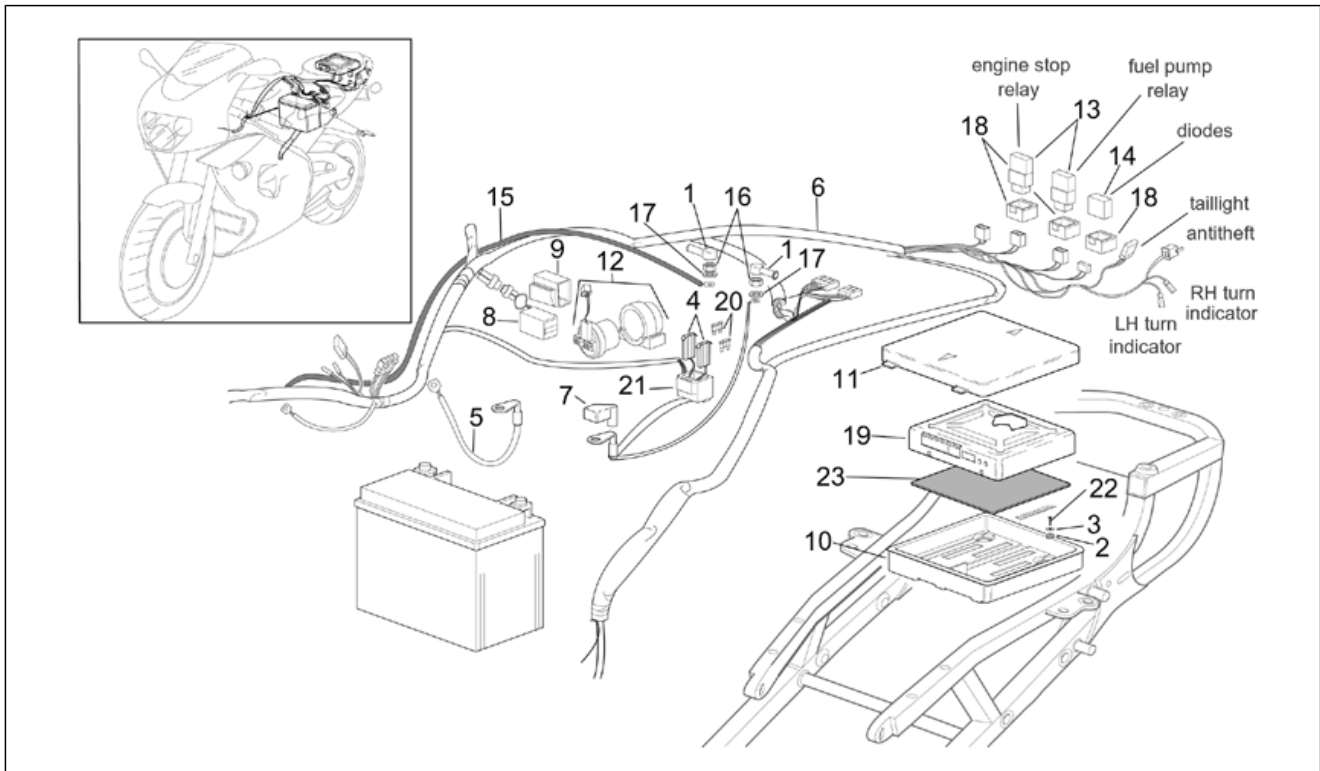
Pos.	Code	Description	Qty	Variants
13	AP8152285	Screw w/ flange	1	
14	AP8150014	Washer 6,4x12,5*	2	
15	AP8152280	Screw w/ flange M6x25	1	
16	AP8124300	Air temp. Sensor	1	

Group	FRAME
Code	28.47
Description	Central electrical system
Service	1



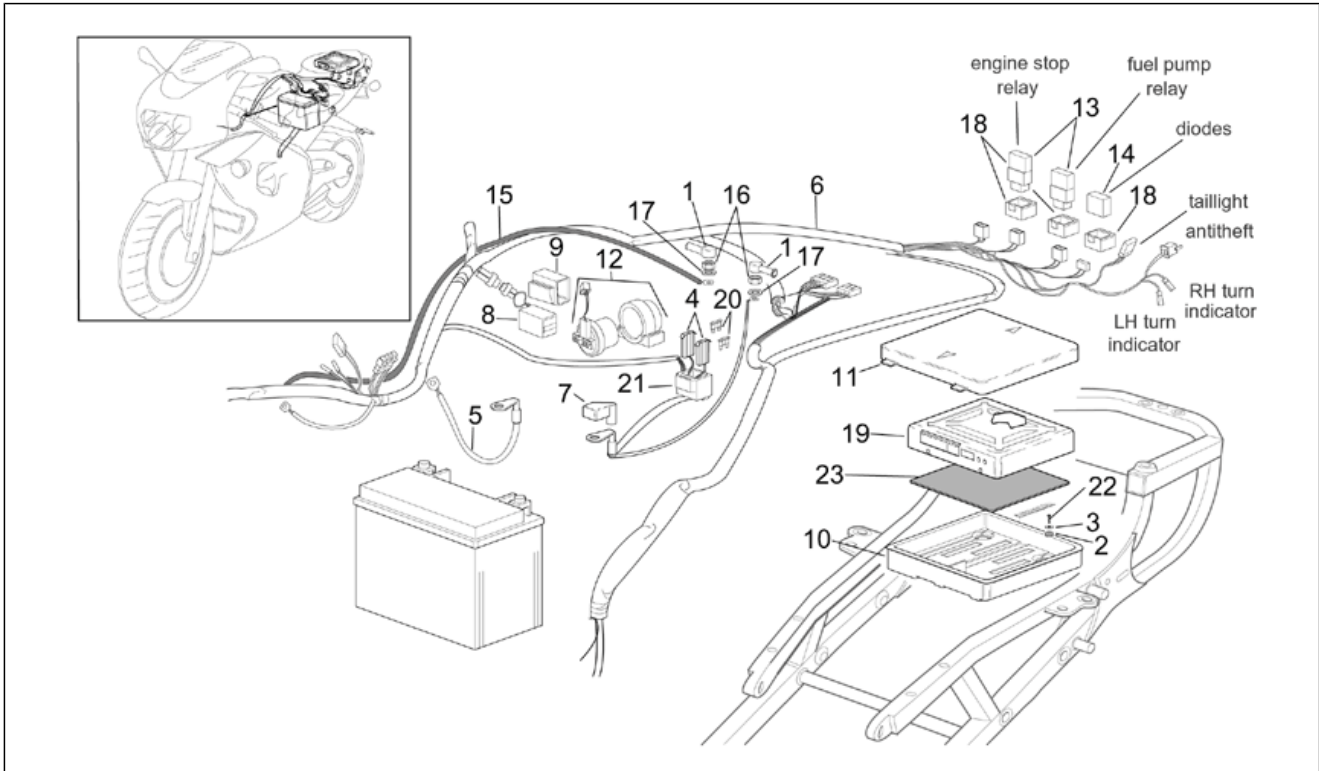
Pos.	Code	Description	Qty	Variants
1	AP8120218	Terminal cap	1	
2	AP0265480	HT coil	2	
3	AP8127396	Main wiring harness	1	Year: 2002[2] Country: Australia[AA], Australia[AUS], Germany[D], Spain[E, I, E, NL[EU], France[F], Italy[I], Holland[NL], Great Britain[UK] Technical Specifications: "R" 2002-2003 Version[R]
3	AP8127428	Main wiring harness	1	Year: 2002[2] Country: USA (California Approval)[CF], United States of America[USA] Technical Specifications: "R" 2002-2003 Version[R]
3	AP8127465	Main wiring harness	1	Year: 2003[3], 2004[4], 2005[5] Country: USA (49 Countries Approval)[AM], USA (California Approval)[CF], United States of America[USA]
3	AP8127492	Main wiring harness	1	Year: 2003[3], 2004[4], 2005[5] Country: Austria[A], Australia[AA], Australia[AUS], Belgium[B], Switzerland[CH], Germany[D], Denmark[DK], Spain[E, I, E, NL[EU], France[F], Greece[GR], Italy[I], Japan[J], J[JJ], Mexico[ME], ME[MX], Holland[NL], Spain[SP], Great Britain[UK]
4	AP0265244	Ext.sparkplug cap	1	
5	AP8152277	Screw w/ flange M6x12	1	
6	AP8152123	Hex socket screw	1	
7	AP8124267	Voltage regulator	1	
8	AP8150026	Nut M6	1	
9	AP8150429	Spring washer 6,4x11x0,5*	2	
10	AP8152282	Screw w/ flange M6x35	2	
11	AP8150451	Low self-locking nut	4	
12	AP8150012	Washer 5,3x10x1*	4	
13	AP8120405	Rubber spacer	4	
14	AP8121736	T bush	4	
15	AP8124269	Relay-starter motor cable	1	

Group	FRAME
Code	28.48
Description	Rear electrical system
Service	1



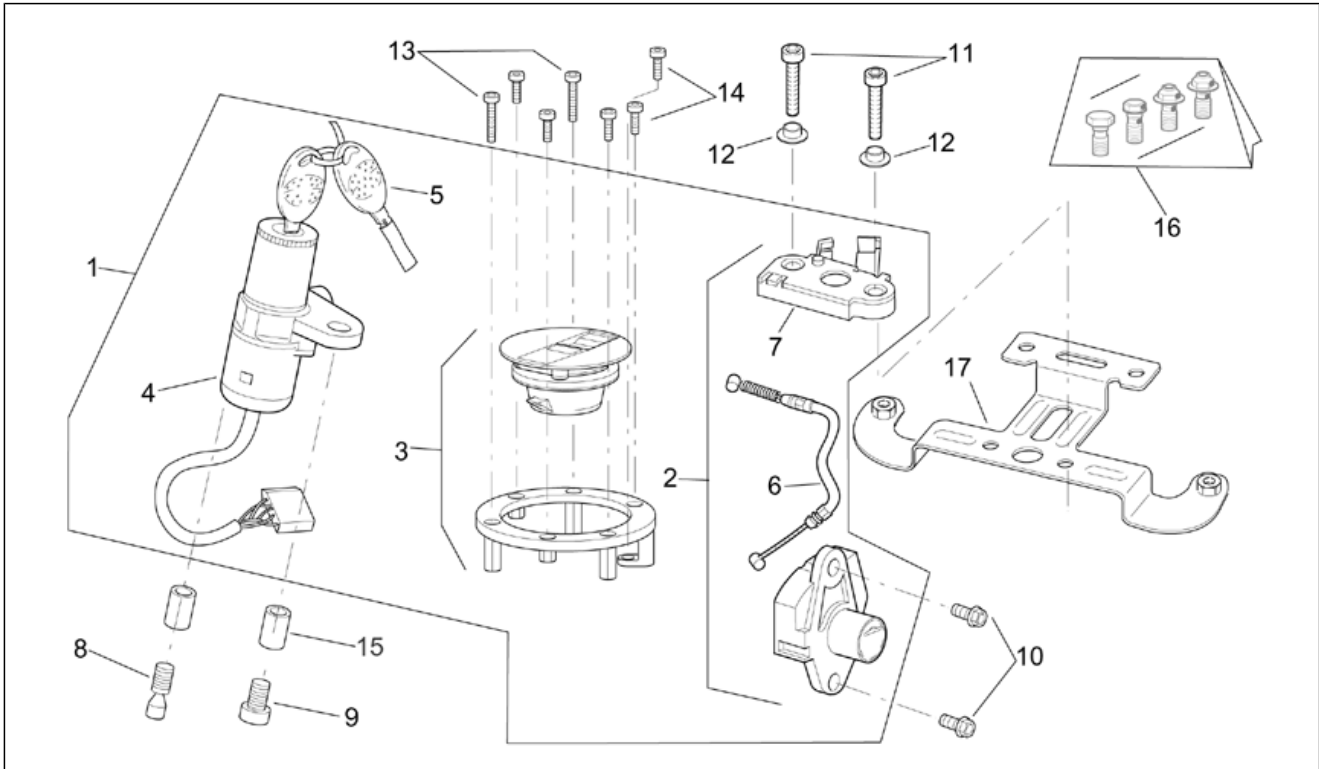
Pos.	Code	Description	Qty	Variants
1	AP8120218	Terminal cap	2	
2	AP8220150	Rubber spacer	3	
3	AP8150159	Washer 4,3x16*	3	
4	AP8120754	Rubber fuse box	2	
5	AP8124439	Ground-battery lead	1	
6	AP8127396	Main wiring harness	1	Year:2002[2] Country:Australia[AA], Australia[AUS], Germany[D], Spain[E], I, E, NL[EU], France[F], Italy[I], Holland[NL], Great Britain[UK] Technical Specifications:"R" 2002-2003 Version[R]
6	AP8127428	Main wiring harness	1	Year:2002[2] Country:USA (California Approval)[CF], United States of America[USA] Technical Specifications:"R" 2002-2003 Version[R]
6	AP8127465	Main wiring harness	1	Year:2003[3], 2004[4], 2005[5] Country:USA (49 Countries Approval)[AM], USA (California Approval)[CF], United States of America[USA]
6	AP8127492	Main wiring harness	1	Year:2003[3], 2004[4], 2005[5] Country:Austria[A], Australia[AA], Australia[AUS], Belgium[B], Switzerland[CH], Germany[D], Denmark[DK], Spain[E], I, E, NL[EU], France[F], Greece[GR], Italy[I], Japan[J], J[JJ], Mexico[ME], ME[MX], Holland[NL], Spain[SP], Great Britain[UK]
7	AP8112940	Positive pole cap	1	
8	AP8124266	Inclination sensor	1	
9	AP8144046	Rubber sensor support	1	
10	AP8138776	ECU prot.box	1	
11	AP8138596	ECU box cover	1	
12	AP8124636	Starter relay 12V-150A	1	
13	AP8224462	Relay 12V-30A	2	
14	AP8124289	Diodes	1	
15	AP8124269	Relay-starter motor cable	1	

Group	FRAME
Code	28.48
Description	Rear electrical system
Service	1



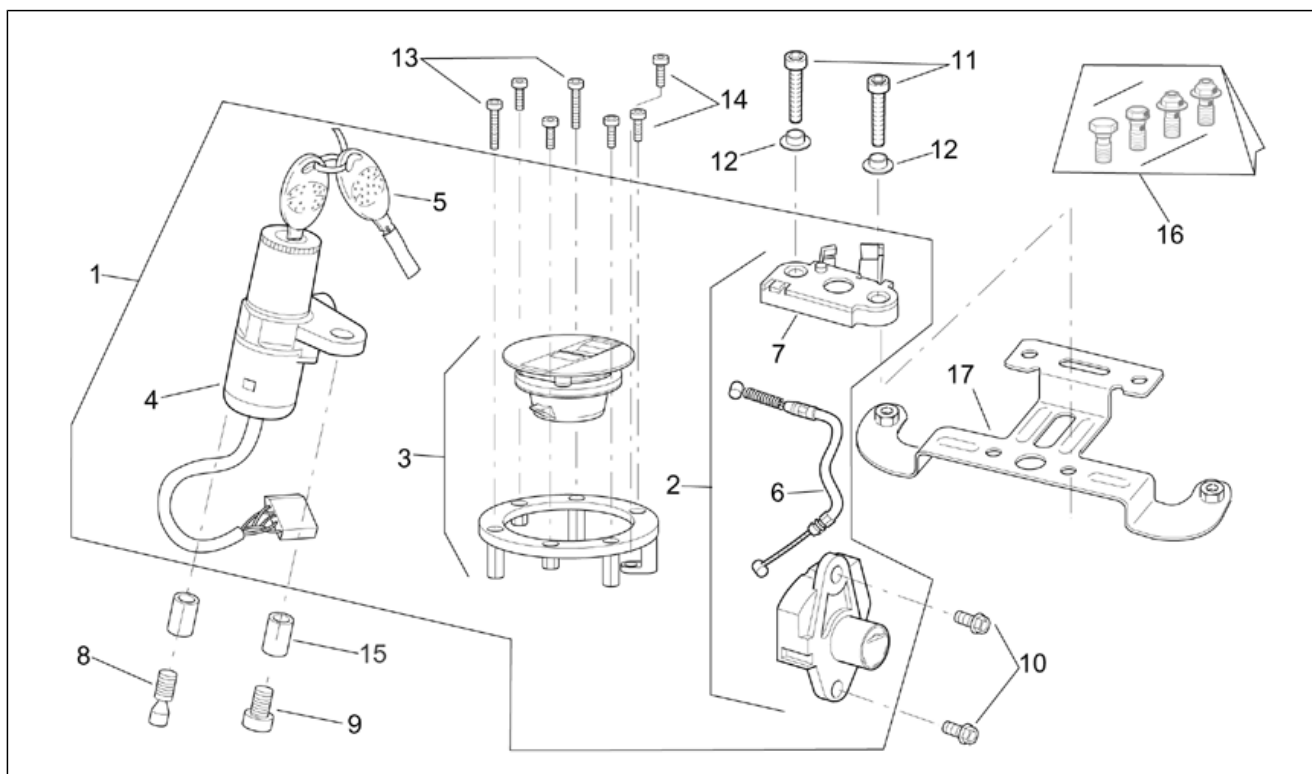
Pos.	Code	Description	Qty	Variants
16	AP8150026	Nut M6	2	
17	AP8150429	Spring washer 6,4x11x0,5*	2	
18	AP8220283	Rubber spacer *	3	
19	AP0266190	ECU	1	Country: USA (49 Countries Approval)[AM], USA (California Approval)[CF], United States of America[USA]
19	AP0266194	ECU	1	Country: Austria[A], Australia[AA], Australia[AUS], Switzerland[CH], Germany[D], Denmark[DK], Spain[E], I, E, NL[EU], Greece[GR], Italy[I], Japan[J], J[JJ], Mexico[ME], ME[MX], Holland[NL], Finland[SF], Spain[SP], Great Britain[UK]
19	AP0266196	ECU	1	Country: Belgium[B], I, E, NL[EU], France[F] Technical Specifications: 78 Kw power version[78]
20	AP8124273	Fuse 30a	3	
21	AP8112811	Rubber fuse box	1	
22	AP8150413	Self-tap screw 3,9x14	3	
23	AP8144288	Lat.battery support rubber	1	

Group	FRAME
Code	28.49
Description	Lock hardware kit
Service	1



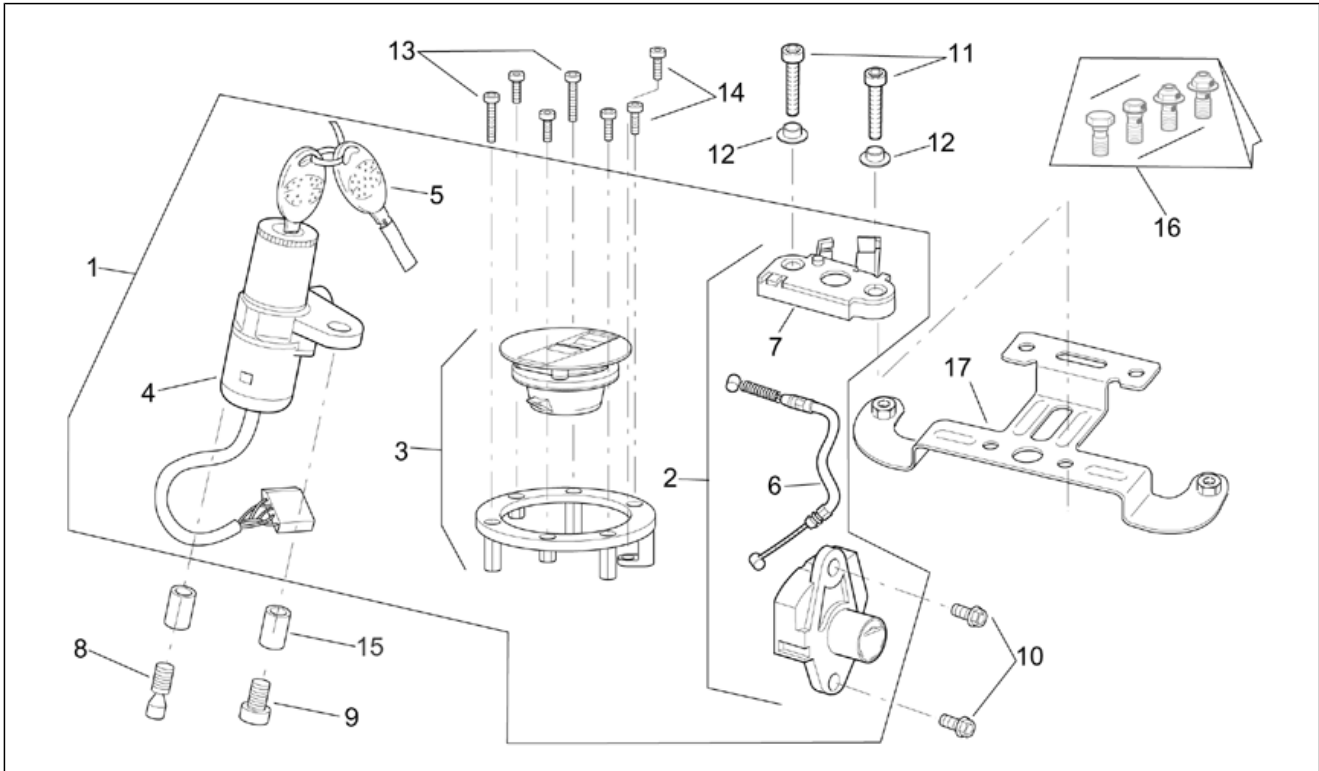
Pos.	Code	Description	Qty	Variants
1	AP8104151	Lock kit	1	Year: 2003[3] Vehicle colour: Magnet Grey 2003[m.grey], Tulip Red 2002[t.red] Country: Austria[A], Australia[AA], Australia[AUS], Belgium[B], Switzerland[CH], Germany[D], Denmark[DK], Spain[E], I, E, NL[EU], France[F], Italy[I], Japan[J], J[J], Mexico[ME], ME[MX], Holland[NL], Spain[SP], Great Britain[UK]
1	AP8104151	Lock kit	1	Year: 2003[3] Country: Austria[A], Australia[AA], Australia[AUS], Belgium[B], Switzerland[CH], Germany[D], Denmark[DK], Spain[E], I, E, NL[EU], France[F], Italy[I], Japan[J], J[J], Mexico[ME], ME[MX], Holland[NL], Spain[SP], Great Britain[UK] Technical Specifications: Racing GARA 2003[RG]
1	AP8104151	Lock kit	1	Year: 2004[4], 2005[5]
1	AP8104263	Lock kit	1	Year: 2003[3] Vehicle colour: Magnet Grey 2003[m.grey], Tulip Red 2002[t.red] Country: USA (49 Countries Approval)[AM], United States of America[USA]
1	AP8104265	Lock kit	1	Year: 2003[3] Country: USA (California Approval)[CF], United States of America[USA] Technical Specifications: Racing GARA 2003[RG]
1	AP8104265	Lock kit	1	Year: 2003[3] Vehicle colour: Magnet Grey 2003[m.grey], Tulip Red 2002[t.red] Country: USA (California Approval)[CF], United States of America[USA]
1	AP8104512	Lock kit	1	Year: 2002[2] Vehicle colour: Diablo Black "Racing" 2002[rac] Country: Australia[AA], Australia[AUS], Germany[D], Spain[E], I, E, NL[EU], France[F], Italy[I], Holland[NL], Great Britain[UK]

Group	FRAME
Code	28.49
Description	Lock hardware kit
Service	1



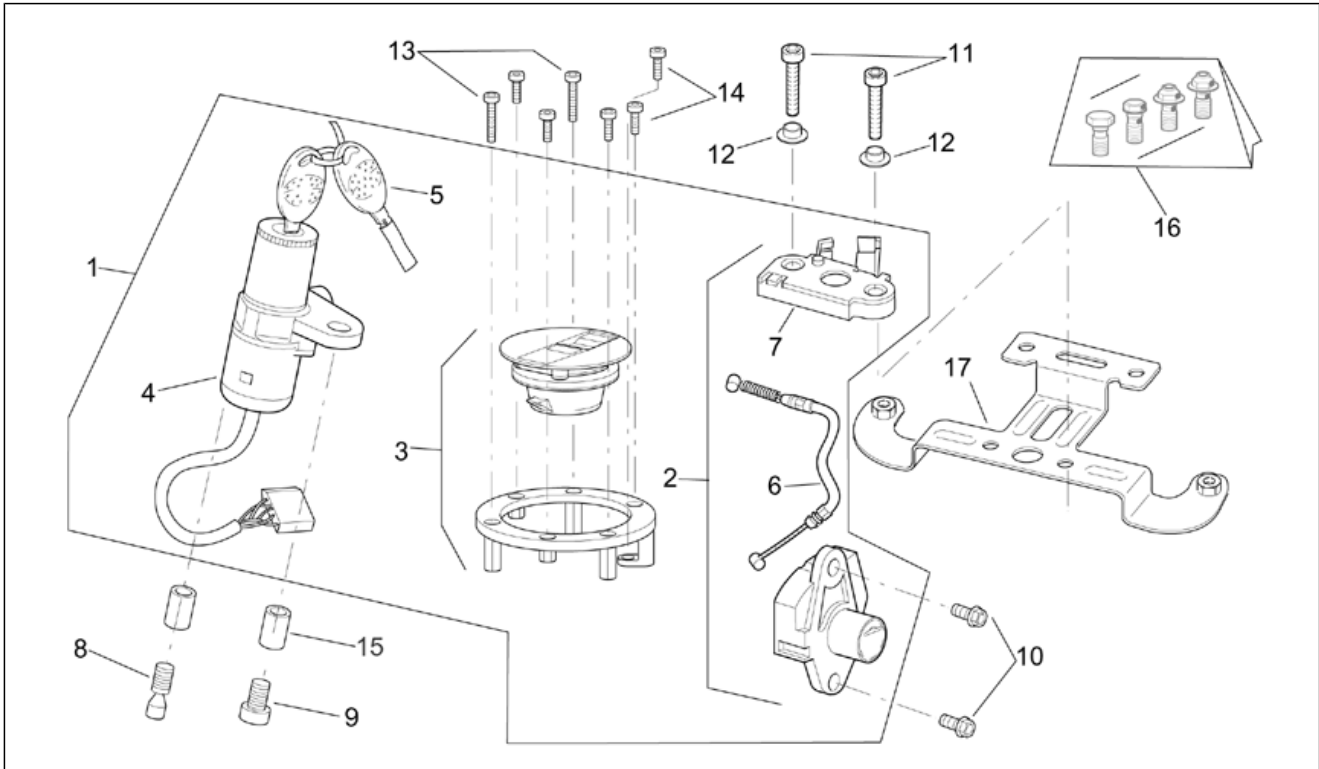
Pos.	Code	Description	Qty	Variants
1	AP8104564	Lock kit	1	Year: 2002[2] Vehicle colour: Diablo Black "Racing" 2002[rac] Country: USA (California Approval)[CF], United States of America[USA]
2	AP8102911	Saddle lock cpl.	1	
3	AP8104287	Fuel filler cap	1	Year: 2003[3] Vehicle colour: Magnet Grey 2003[m.grey], Tulip Red 2002[t.red] Country: USA (California Approval)[CF], United States of America[USA]
3	AP8104287	Fuel filler cap	1	Year: 2003[3] Country: USA (California Approval)[CF], United States of America[USA] Technical Specifications: Racing GARA 2003[RG]
3	AP8104288	Fuel filler cap	1	Year: 2003[3] Country: Austria[A], Australia[AA], Australia[AUS], Belgium[B], Switzerland[CH], Germany[D], Denmark[DK], Spain[E], I, E, NL[EU], France[F], Italy[I], Japan[J], JJJ, Mexico[ME], ME[MX], Holland[NL], Spain[SP], Great Britain[UK] Technical Specifications: Racing GARA 2003[RG]
3	AP8104288	Fuel filler cap	1	Year: 2004[4], 2005[5]
3	AP8104288	Fuel filler cap	1	Year: 2003[3] Vehicle colour: Magnet Grey 2003[m.grey], Tulip Red 2002[t.red] Country: USA (49 Countries Approval)[AM], United States of America[USA]
3	AP8104288	Fuel filler cap	1	Year: 2003[3] Vehicle colour: Magnet Grey 2003[m.grey], Tulip Red 2002[t.red] Country: Austria[A], Australia[AA], Australia[AUS], Belgium[B], Switzerland[CH], Germany[D], Denmark[DK], Spain[E], I, E, NL[EU], France[F], Italy[I], Japan[J], JJJ, Mexico[ME], ME[MX], Holland[NL], Spain[SP], Great Britain[UK]

Group	FRAME
Code	28.49
Description	Lock hardware kit
Service	1



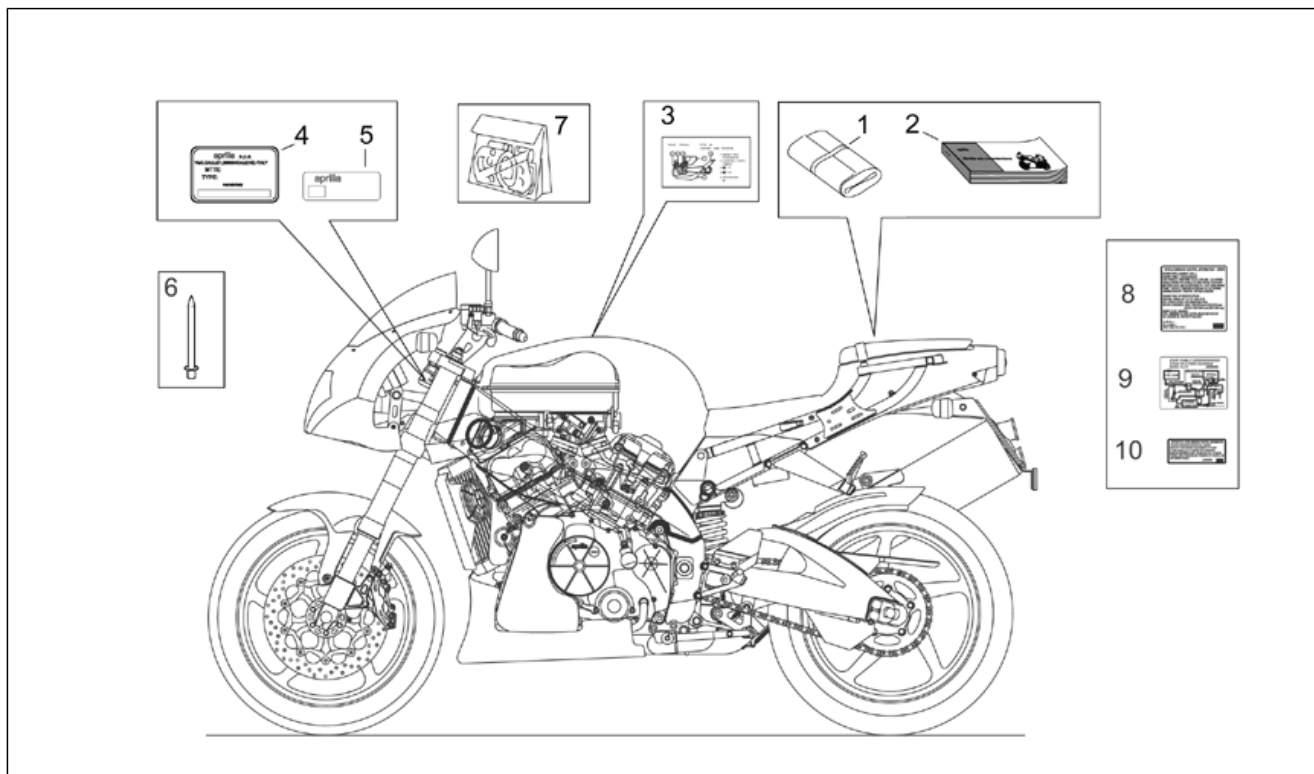
Pos.	Code	Description	Qty	Variants
3	AP8104551	Fuel filler cap	1	Year: 2002[2] Vehicle colour: Diablo Black "Racing" 2002[rac] Country: Australia[AA], Australia[AUS], Germany[D], Spain[E], I, E, NL[EU], France[F], Italy[I], Holland[NL], Great Britain[UK]
3	AP8104585	Fuel filler cap	1	Year: 2002[2] Vehicle colour: Diablo Black "Racing" 2002[rac] Country: USA (California Approval)[CF], United States of America[USA]
4	AP8102910	Main switch - steering lock	1	Year: 2003[3] Vehicle colour: Magnet Grey 2003[m.grey], Tulip Red 2002[t.red] Country: Austria[A], Australia[AA], Australia[AUS], Belgium[B], Switzerland[CH], Germany[D], Denmark[DK], Spain[E], I, E, NL[EU], France[F], Italy[I], Japan[J], J[J], Mexico[ME], ME[MX], Holland[NL], Spain[SP], Great Britain[UK]
4	AP8102910	Main switch - steering lock	1	Year: 2003[3] Country: Austria[A], Australia[AA], Australia[AUS], Belgium[B], Switzerland[CH], Germany[D], Denmark[DK], Spain[E], I, E, NL[EU], France[F], Italy[I], Japan[J], J[J], Mexico[ME], ME[MX], Holland[NL], Spain[SP], Great Britain[UK] Technical Specifications: Racing GARA 2003[RG]
4	AP8102910	Main switch - steering lock	1	Year: 2004[4], 2005[5]
4	AP8102910	Main switch - steering lock	1	Year: 2002[2] Vehicle colour: Diablo Black "Racing" 2002[rac] Country: Australia[AA], Australia[AUS], Germany[D], Spain[E], I, E, NL[EU], France[F], Italy[I], Holland[NL], Great Britain[UK]
4	AP8124895	Main switch - steering lock	1	Year: 2003[3] Vehicle colour: Magnet Grey 2003[m.grey], Tulip Red 2002[t.red] Country: USA (49 Countries Approval)[AM], United States of America[USA]

Group	FRAME
Code	28.49
Description	Lock hardware kit
Service	1



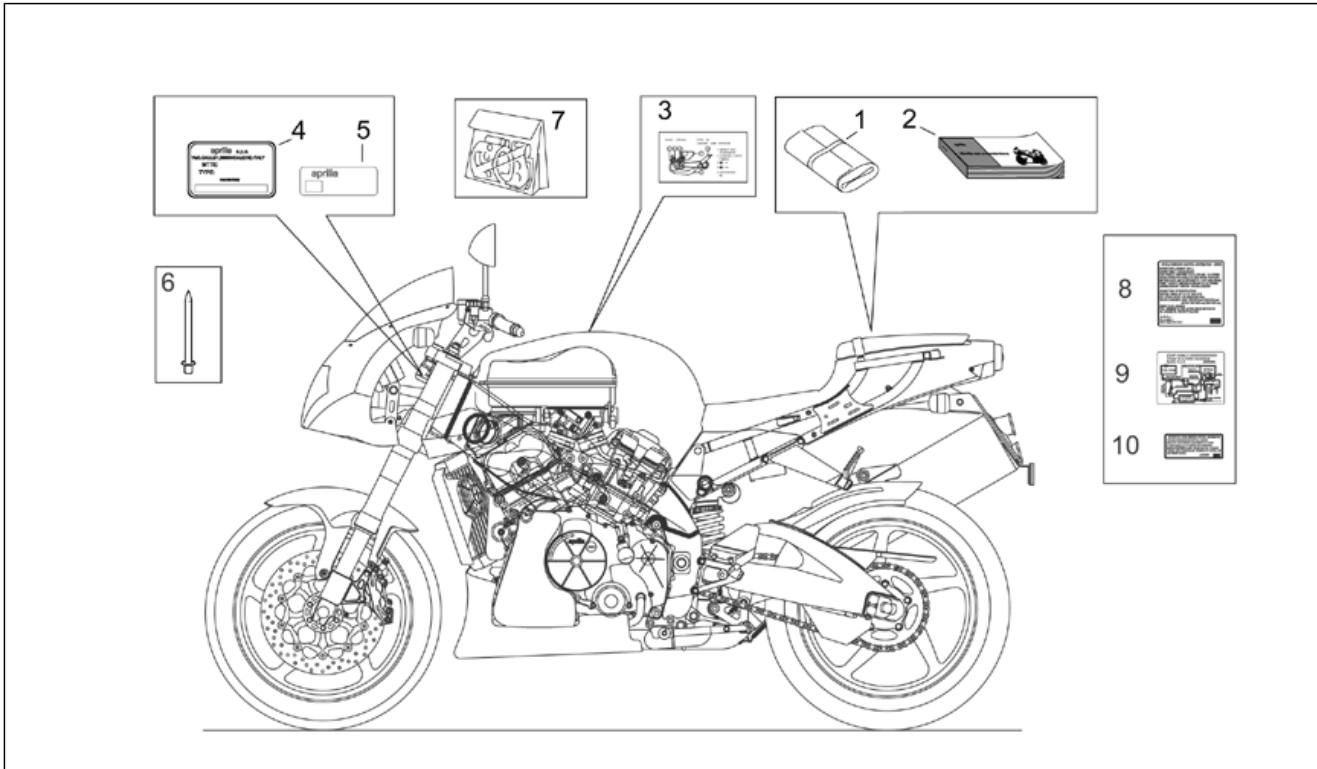
Pos.	Code	Description	Qty	Variants
4	AP8124895	Main switch - steering lock	1	Year: 2002[2] Vehicle colour: Diablo Black "Racing" 2002[rac] Country: USA (California Approval)[CF], United States of America[USA]
4	AP8124895	Main switch - steering lock	1	Year: 2003[3] Country: USA (California Approval)[CF], United States of America[USA] Technical Specifications: Racing GARA 2003[RG]
4	AP8124895	Main switch - steering lock	1	Year: 2003[3] Vehicle colour: Magnet Grey 2003[m.grey], Tulip Red 2002[t.red] Country: USA (California Approval)[CF], United States of America[USA]
5	AP8102880	Aprilia milled key	1	
6	AP8102914	Saddle release cable	1	
7	AP8102913	Pass.saddle connecting plate	1	
8	AP8150507	Shear rivet	1	
9	AP8150236	Hex socket screw M8x35	1	
10	AP8152278	Screw w/ flange M6x16	2	
11	AP8150165	Hex socket screw M6x25	2	
12	AP8221129	Bush	2	
13	AP8150453	Hex socket screw M5x30	3	
14	AP8150454	Hex socket screw M5x16	4	
15	AP8152435	Bush	2	
16	AP8140704	Screws kit	1	Year: 2003[3] Technical Specifications: Racing version 2003 kit[kit]

Group	FRAME
Code	28.50
Description	Decal op.handbooks and plate set
Service	1



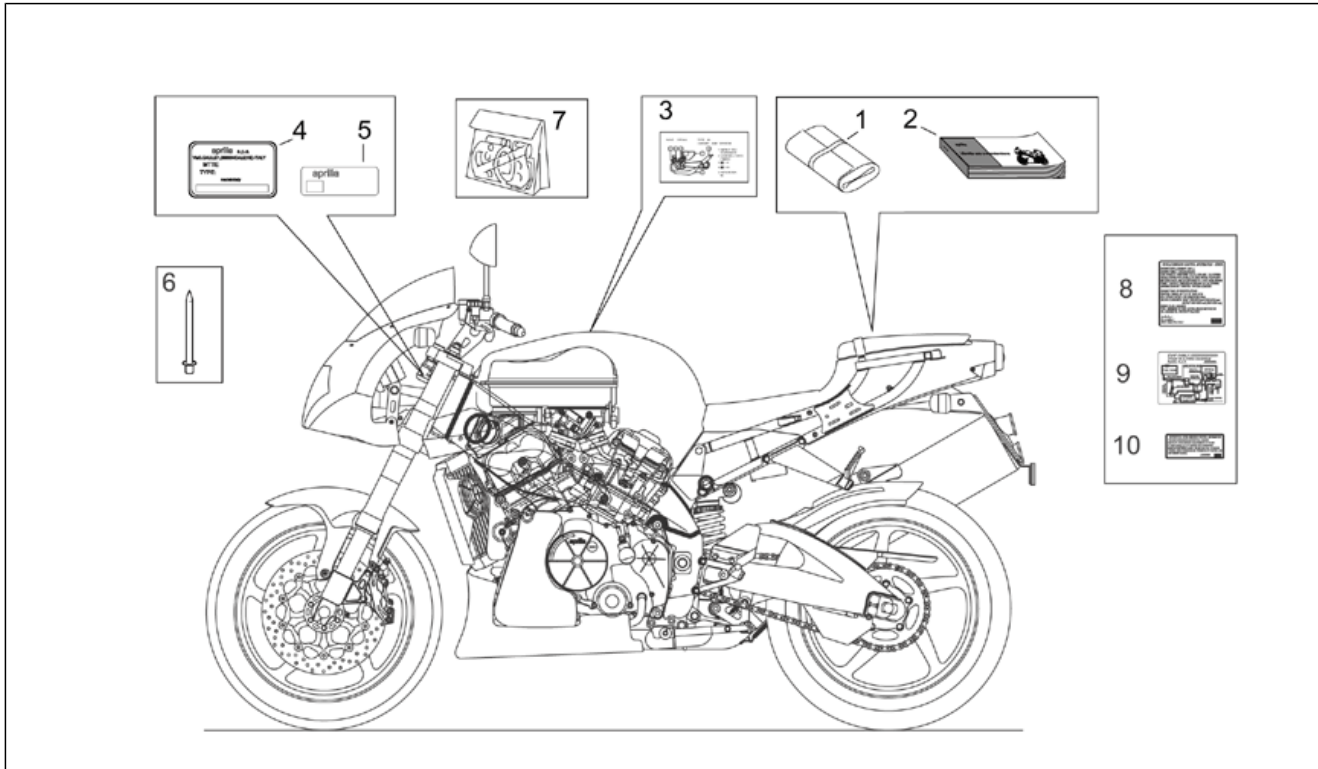
Pos.	Code	Description	Qty	Variants
1	AP8102622	Toolkit	1	
2	AP8104506	Operator's handbook-I-F-D-	1	Year:2002[2]
2	AP8104507	Operator's handbook -NL-E-UK-	1	Year:2002[2]
2	AP8104508	Operator's handbook -USA-	1	Year:2002[2]
2	AP8104700	Operator's handbook-I-F-D-	1	Year:2003[3], 2004[4], 2005[5]
2	AP8104701	Operator's handbook -NL-E-UK-	1	Year:2003[3], 2004[4], 2005[5]
2	AP8104702	Operator's handbook -USA-	1	Year:2003[3], 2004[4], 2005[5]
2	AP8104703	Operator's handbook -J-	1	Year:2003[3], 2004[4], 2005[5]
2	AP8104899	Operator's handbook -SF-GR-J	1	Year:2003[3], 2004[4], 2005[5]
3	AP8167282	Tamperproof dataplate	1	Country:I, E, NL[EU], France[F] Technical Specifications:Catalytic version[c]
4	AP8177082	Constructor dataplate	1	Country:Austria[A], Belgium[B], Switzerland[CH], Germany[D], Denmark[DK], Spain[E], I, E, NL[EU], France[F], Greece[GR], Italy[I], Japan[J], J[J], Mexico[ME], ME[MX], Holland[NL], Finland[SF], Spain[SP], Great Britain[UK]
4	AP8177225	Constructor dataplate	1	Country:USA (49 Countries Approval)[AM], USA (California Approval)[CF], United States of America[USA]
4	AP8177230	Constructor dataplate	1	Country:Australia[AA], Australia[AUS]
5	AP8167311	ECE dataplate	1	Country:Australia[AA], Australia[AUS], Japan[J], J[J]
6	AP8102728	Rivet 3x11	2	
7	AP8166133	Decal set	1	Year:2004[4] Vehicle colour:Darkness Black 2004[d.bla] Technical Specifications:"R - Standard" 2004-2005 Version[RS]
7	AP8166134	Decal set	1	Year:2004[4] Vehicle colour:Silver Mirror 2004[s.mir] Technical Specifications:"R - Standard" 2004-2005 Version[RS]
7	AP8166135	Decal set	1	Year:2004[4] Vehicle colour:Fluo Red 2004[f.red] Technical Specifications:"R - Standard" 2004-2005 Version[RS]

Group	FRAME
Code	28.50
Description	Decal op.handbooks and plate set
Service	1



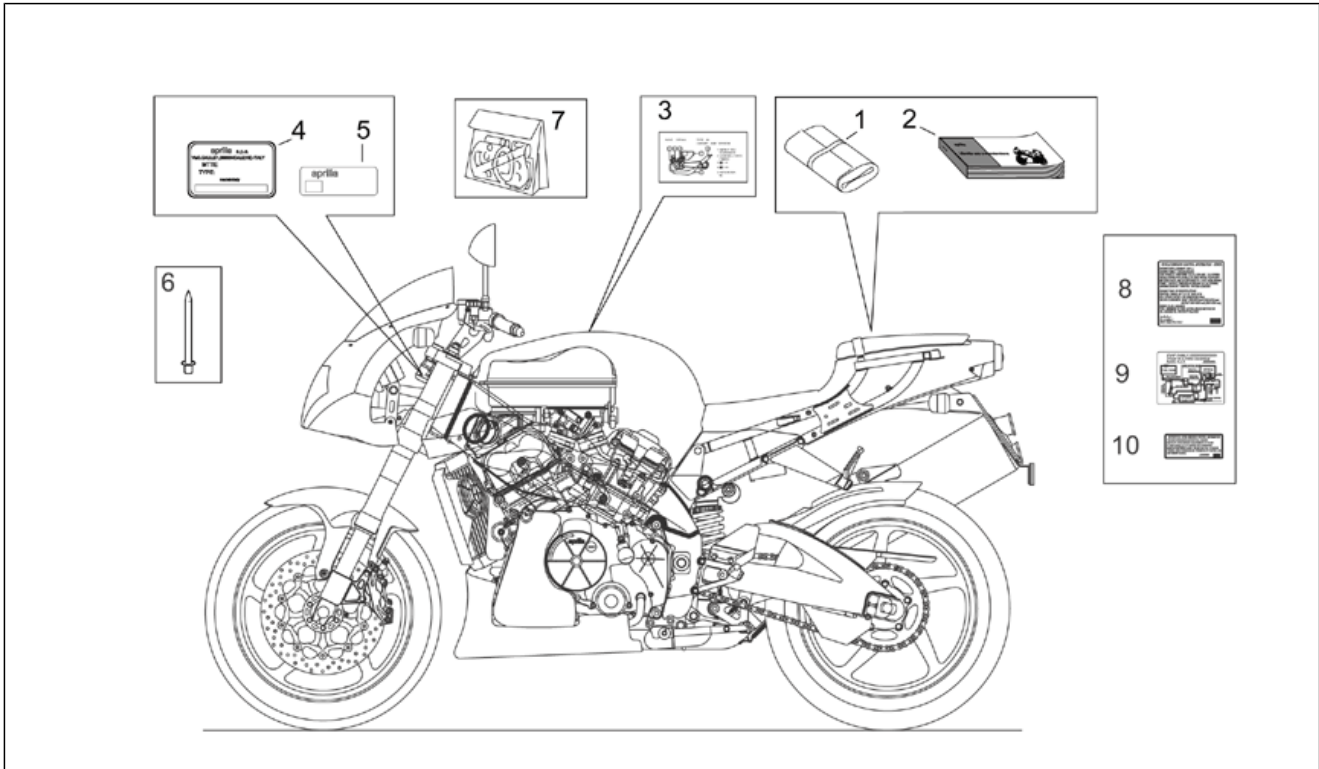
Pos.	Code	Description	Qty	Variants
7	AP8166232	Decal set	1	Year:2004[4] Technical Specifications:"R - Factory" 2004-2005 Version[RF]
7	AP8166355	Decal set	1	Year:2005[5] Vehicle colour:Darkness Black 2004[d.bla] Technical Specifications:"R - Standard" 2004-2005 Version[RS]
7	AP8166355	Decal set	1	Year:2004[4] Vehicle colour:Darkness Black 2004[d.bla] Technical Specifications:"R - Standard" 2004-2005 Version[RS]
7	AP8166356	Decal set	1	Year:2005[5] Vehicle colour:Silver Mirror 2004[s.mir] Technical Specifications:"R - Standard" 2004-2005 Version[RS]
7	AP8166356	Decal set	1	Year:2004[4] Vehicle colour:Silver Mirror 2004[s.mir] Technical Specifications:"R - Standard" 2004-2005 Version[RS]
7	AP8166357	Decal set	1	Year:2005[5] Vehicle colour:Fluo Red 2004[f.red] Technical Specifications:"R - Standard" 2004-2005 Version[RS]
7	AP8166357	Decal set	1	Year:2004[4] Vehicle colour:Fluo Red 2004[f.red] Technical Specifications:"R - Standard" 2004-2005 Version[RS]
7	AP8166573	Decal set	1	Year:2005[5] Technical Specifications:"R - Factory" 2004-2005 Version[RF]
7	AP8166688	Decal numbers kit	1	Year:2005[5] Technical Specifications:"R - Factory" 2004-2005 Version[RF]
7	AP8177099	Decal set	1	Year:2002[2]

Group	FRAME
Code	28.50
Description	Decal op.handbooks and plate set
Service	1



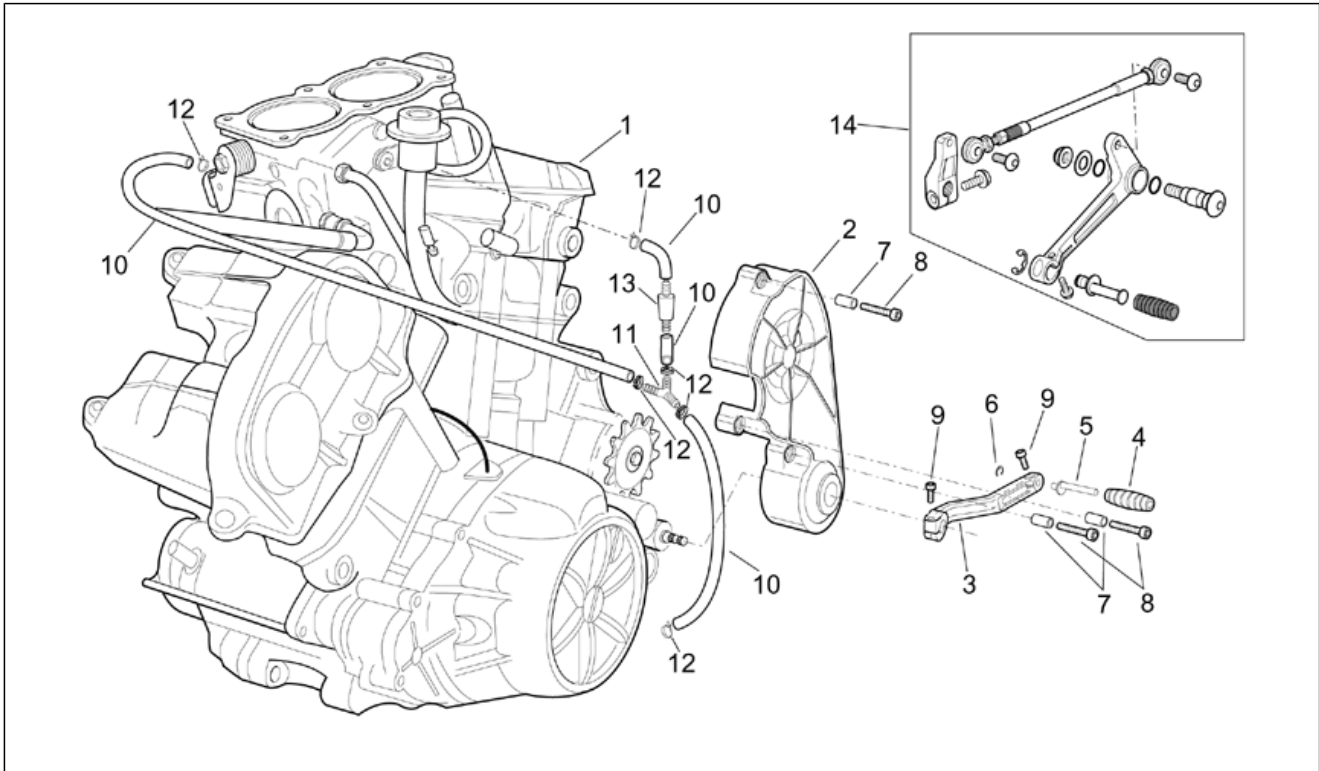
Pos.	Code	Description	Qty	Variants
				Vehicle colour: Diablo Black "Racing" 2002[rac] Country: Australia[AA], Australia[AUS], Germany[D], Spain[E], I, E, NL[EU], France[F], Italy[I], Holland[NL], Great Britain[UK]
7	AP8177243	Decal set	1	Year: 2002[2] Vehicle colour: Diablo Black "Racing" 2002[rac] Country: USA (California Approval)[CF], United States of America[USA]
7	AP8177244	Decal set	1	Year: 2003[3] Vehicle colour: Tulip Red 2002[t.red] Country: Austria[A], Australia[AA], Australia[AUS], Belgium[B], Switzerland[CH], Germany[D], Denmark[DK], Spain[E], I, E, NL[EU], France[F], Italy[I], Japan[J], J[J], Mexico[ME], ME[MX], Holland[NL], Spain[SP], Great Britain[UK]
7	AP8177419	Decal set	1	Year: 2003[3] Vehicle colour: Tulip Red 2002[t.red] Country: USA (49 Countries Approval)[AM], USA (California Approval)[CF], United States of America[USA]
7	AP8177459	Decal set	1	Year: 2003[3] Vehicle colour: Magnet Grey 2003[m.grey] Country: Austria[A], Australia[AA], Australia[AUS], Belgium[B], Switzerland[CH], Germany[D], Denmark[DK], Spain[E], I, E, NL[EU], France[F], Italy[I], Japan[J], J[J], Mexico[ME], ME[MX], Holland[NL], Spain[SP], Great Britain[UK]
7	AP8177462	Decal set	1	Year: 2003[3] Vehicle colour: Magnet Grey 2003[m.grey] Country: USA (49 Countries Approval)[AM], USA (California Approval)[CF], United States of America[USA]
7	AP8177567	Decal set	1	Year: 2003[3] Technical Specifications: Racing GARA 2003[RG]
8	AP8177228	Emission control sticker	1	Country: USA (California Approval)[CF], United States of America[USA] Technical Specifications: "R" 2002-2003 Version[R]

Group	FRAME
Code	28.50
Description	Decal op.handbooks and plate set
Service	1



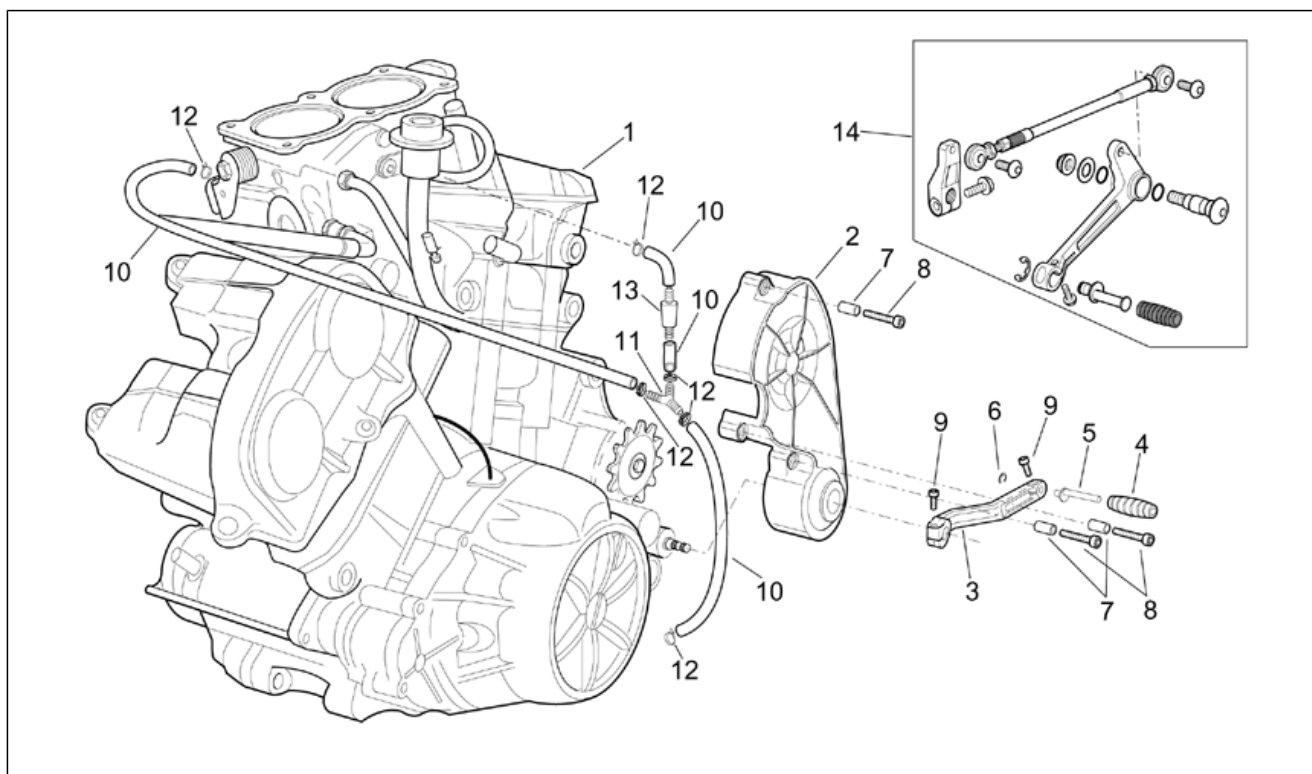
Pos.	Code	Description	Qty	Variants
8	AP8177228	Emission control sticker	1	Country: USA (California Approval)[CF], United States of America[USA] Technical Specifications: "Standard" 2002-2003 Version[ST]
8	AP8177269	Emission control sticker	1	Country: USA (49 Countries Approval)[AM], United States of America[USA] Technical Specifications: "R - Standard" 2004-2005 Version[RS], "Standard" 2002-2003 Version[ST]
9	AP8177227	Carbon filter sticker	1	Country: USA (California Approval)[CF], United States of America[USA] Technical Specifications: "R" 2002-2003 Version[R]
9	AP8177227	Carbon filter sticker	1	Country: USA (California Approval)[CF], United States of America[USA] Technical Specifications: "R - Standard" 2004-2005 Version[RS], "Standard" 2002-2003 Version[ST]
10	AP8177226	Noise emission sticker	1	Country: USA (49 Countries Approval)[AM], USA (California Approval)[CF], United States of America[USA] Technical Specifications: "R - Standard" 2004-2005 Version[RS], "Standard" 2002-2003 Version[ST]
10	AP8177226	Noise emission sticker	1	Country: USA (California Approval)[CF], United States of America[USA] Technical Specifications: "R" 2002-2003 Version[R]
10	AP8177233	Noise emission sticker	1	Year: 2003[3] Country: Australia[AA], Australia[AUS]
11	AP8177181	Name plate	1	Year: 2003[3] Technical Specifications: Racing GARA 2003[RG]

Group	ENGINE
Code	29.33
Description	Engine
Service	1



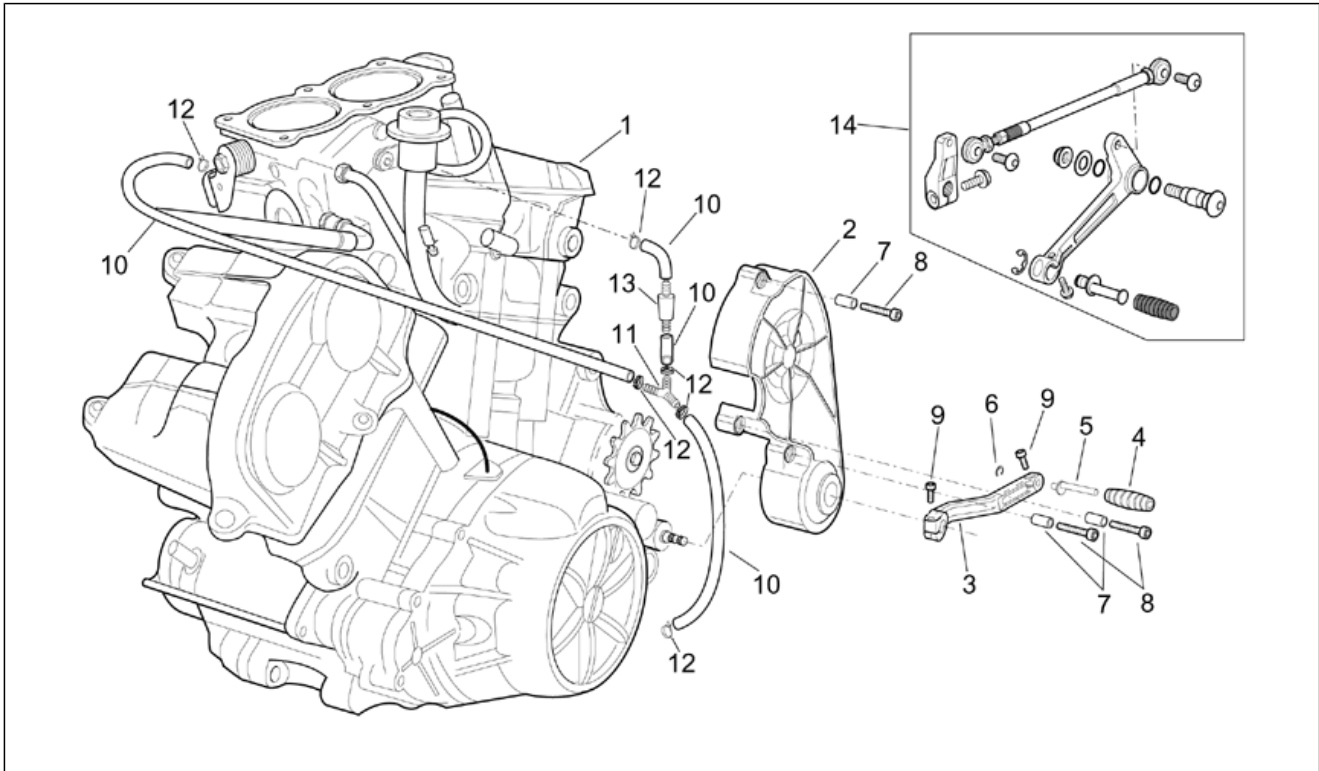
Pos.	Code	Description	Qty	Variants
1	AP8106967	Engine 990	1	Year: 2003[3] Country: Australia[AA], Australia[AUS], Switzerland[CH], Denmark[DK], Spain[E], I, E, NL[EU], Italy[I], Japan[J], J[JJ], Mexico[ME], ME[MX], Holland[NL], Spain[SP], Great Britain[UK] Technical Specifications: NO catalytic version[nc], "Standard" 2002-2003 Version[ST]
1	AP8106967	Engine 990	1	Year: 2002[2] Country: Australia[AA], Australia[AUS], Switzerland[CH], Denmark[DK], Spain[E], I, E, NL[EU], Italy[I], Japan[J], J[JJ], Mexico[ME], ME[MX], Holland[NL], Spain[SP], Great Britain[UK] Technical Specifications: NO catalytic version[nc], "R" 2002-2003 Version[R]
1	AP8106979	Engine 990	1	Year: 2003[3] Country: Austria[A], Germany[D], Spain[E], I, E, NL[EU] Technical Specifications: Catalytic version[c], Full Power Version[fp], "Standard" 2002-2003 Version[ST]
1	AP8106979	Engine 990	1	Year: 2002[2] Country: Austria[A], Germany[D], Spain[E], I, E, NL[EU] Technical Specifications: Catalytic version[c], "R" 2002-2003 Version[R]
1	AP8106980	Engine 990	1	Year: 2003[3] Country: Belgium[B], I, E, NL[EU], France[F] Technical Specifications: 78 Kw power version[78], Catalytic version[c], "Standard" 2002-2003 Version[ST]
1	AP8106980	Engine 990	1	Year: 2002[2] Country: Belgium[B], I, E, NL[EU], France[F] Technical Specifications: Catalytic version[c], "R" 2002-2003 Version[R]
1	AP8106986	Engine 990	1	Year: 2002[2] Country: USA (49 Countries Approval)[AM], USA (California Approval)[CF], United States of America[USA] Technical Specifications: Catalytic version[c], "R" 2002-2003 Version[R]

Group	ENGINE
Code	29.33
Description	Engine
Service	1



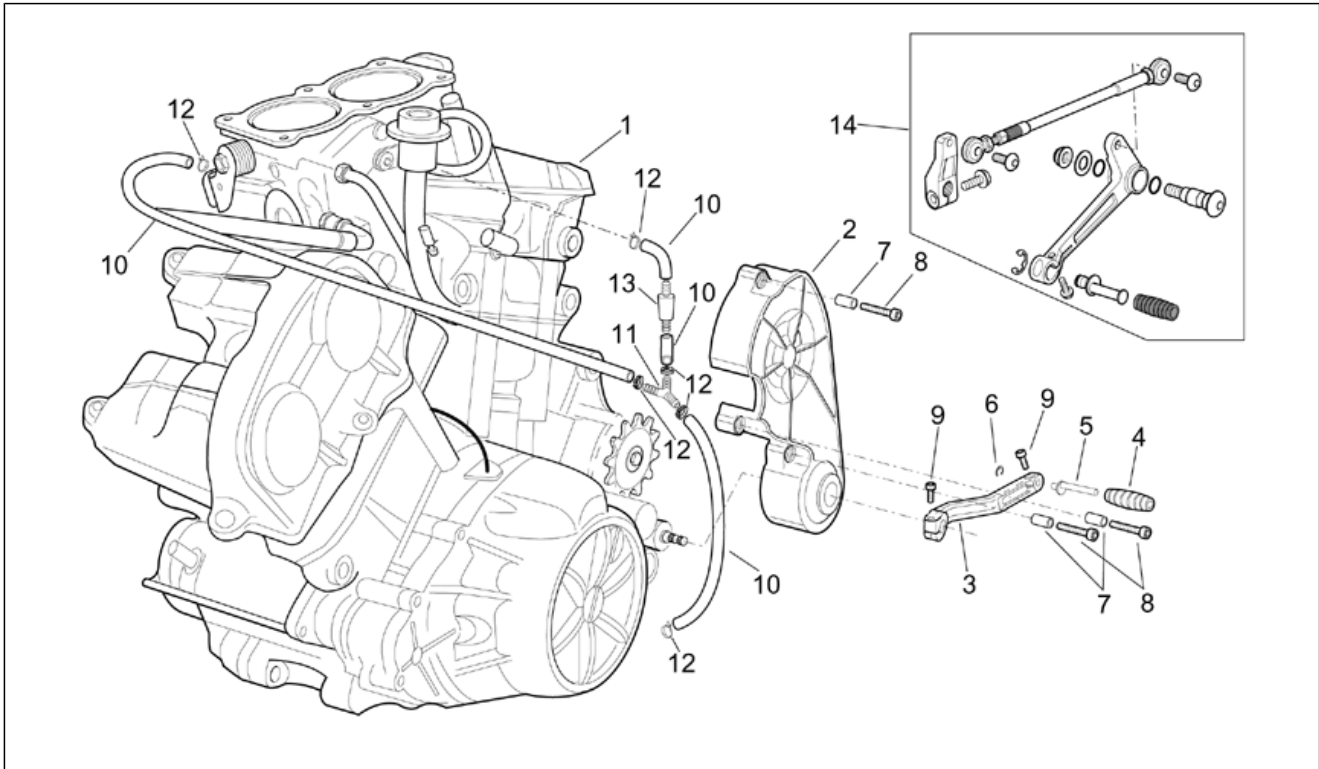
Pos.	Code	Description	Qty	Variants
1	AP8106986	Engine 990	1	Year: 2003[3] Country: USA (49 Countries Approval)[AM], USA (California Approval)[CF], United States of America[USA] Technical Specifications: Catalytic version[c], "Standard" 2002-2003 Version[ST]
1	AP8176052	Engine	1	Year: 2003[3] Country: Australia[AA], Australia[AUS], Switzerland[CH], Denmark[DK], I, E, NL[EU], Greece[GR], Italy[I], Japan[J], J[JJ], Holland[NL], Great Britain[UK] Technical Specifications: NO catalytic version[nc], Racing GARA 2003[RG]
1	AP8176053	Engine	1	Year: 2003[3] Country: Austria[A], Germany[D], Spain[E], I, E, NL[EU], Spain[SP] Technical Specifications: Catalytic version[c], Racing GARA 2003[RG]
1	AP8176053	Engine	1	Year: 2004[4] Country: Australia[AA], Australia[AUS], Spain[E], I, E, NL[EU], Italy[I], Japan[J], J[JJ], Mexico[ME], ME[MX], Holland[NL], Spain[SP], Great Britain[UK] Technical Specifications: Catalytic version[c], "R - Standard" 2004-2005 Version[RS]
1	AP8176053	Engine	1	Year: 2004[4], 2005[5] Country: Australia[AA], Australia[AUS], Spain[E], I, E, NL[EU], Greece[GR], Italy[I], Japan[J], J[JJ], Finland[SF], Great Britain[UK] Technical Specifications: Catalytic version[c], "R - Factory" 2004-2005 Version[RF]
1	AP8176054	Engine	1	Year: 2004[4], 2005[5] Country: I, E, NL[EU] Technical Specifications: 78 Kw power version[78], Catalytic version[c], "R - Standard" 2004-2005 Version[RS]
1	AP8176054	Engine	1	Year: 2004[4] Country: Belgium[B], I, E, NL[EU], France[F] Technical Specifications: 78 Kw power version[78], Catalytic version[c], "R - Factory" 2004-2005 Version[RF]

Group	ENGINE
Code	29.33
Description	Engine
Service	1



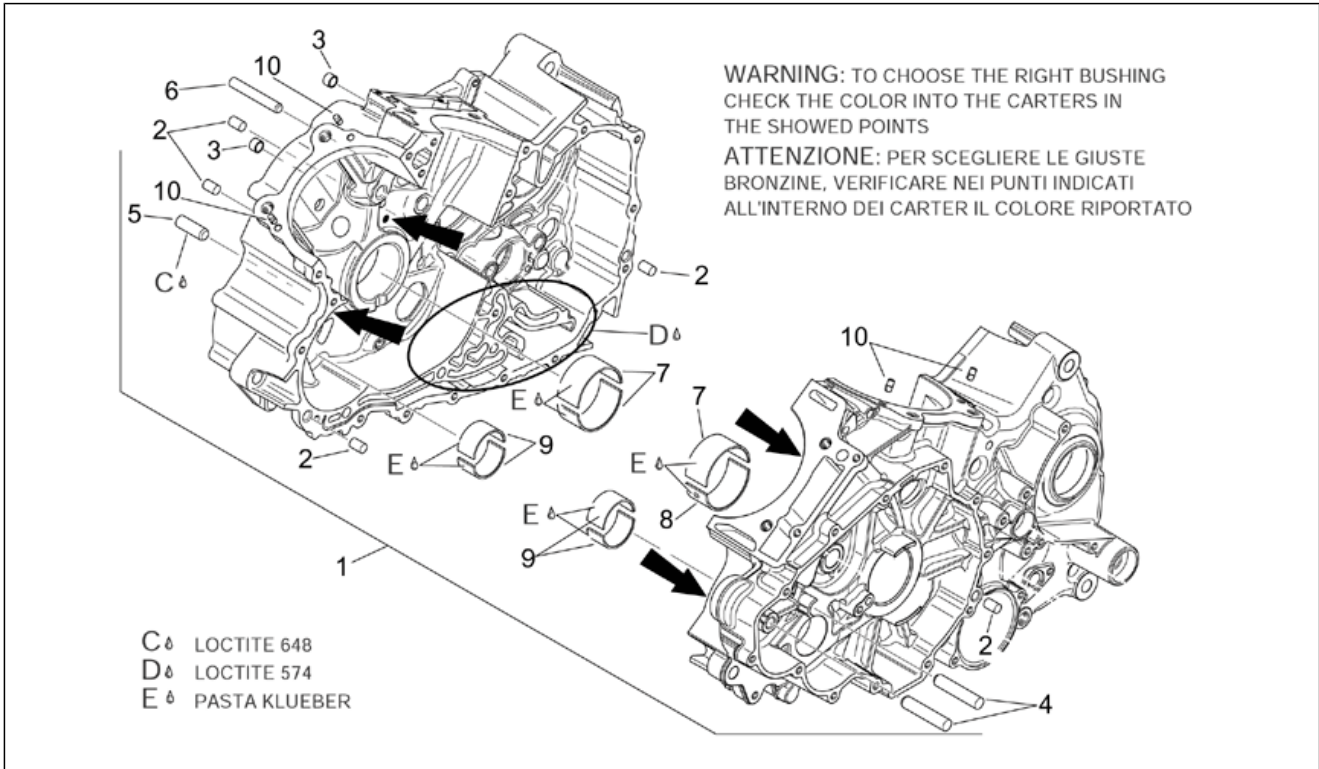
Pos.	Code	Description	Qty	Variants
1	AP8176054	Engine	1	Year: 2003[3] Country: Belgium[B], I, E, NL[EU], France[F], F[FF] Technical Specifications: 78 Kw power version[78], Catalytic version[c], Racing GARA 2003[RG]
1	AP8176055	Engine	1	Year: 2004[4] Country: USA (49 Countries Approval)[AM], USA (California Approval)[CF], United States of America[USA] Technical Specifications: Catalytic version[c], "R - Standard" 2004-2005 Version[RS]
1	AP8176055	Engine	1	Year: 2004[4], 2005[5] Country: USA (49 Countries Approval)[AM], USA (California Approval)[CF], United States of America[USA] Technical Specifications: Catalytic version[c], "R - Factory" 2004-2005 Version[RF]
1	AP8176055	Engine	1	Year: 2003[3] Country: USA (49 Countries Approval)[AM], USA (California Approval)[CF], United States of America[USA] Technical Specifications: Catalytic version[c], Racing GARA 2003[RG]
2	AP8106968	Sprocket cover, grey	1	
3	AP8106379	Gear lever	1	
4	AP8120912	Lever rubber	1	
5	AP8121221	Brake lever pin	1	
6	AP8150462	Circlip d9	1	
7	AP8221046	Spacer D6x8x13,5*	3	
8	AP8150220	Hex socket screw M6x30	3	
9	AP8150044	Hex socket screw M6x20	2	Technical Specifications: "R - Standard" 2004-2005 Version[RS], "Standard" 2002-2003 Version[ST]
9	AP8152426	Screw M6x20	2	Technical Specifications: "R" 2002-2003 Version[R], "R - Factory" 2004-2005 Version[RF]
10	AP8144015	Oil pipe 6x12	1	
11	AP8120116	3-way union	1	

Group	ENGINE
Code	29.33
Description	Engine
Service	1



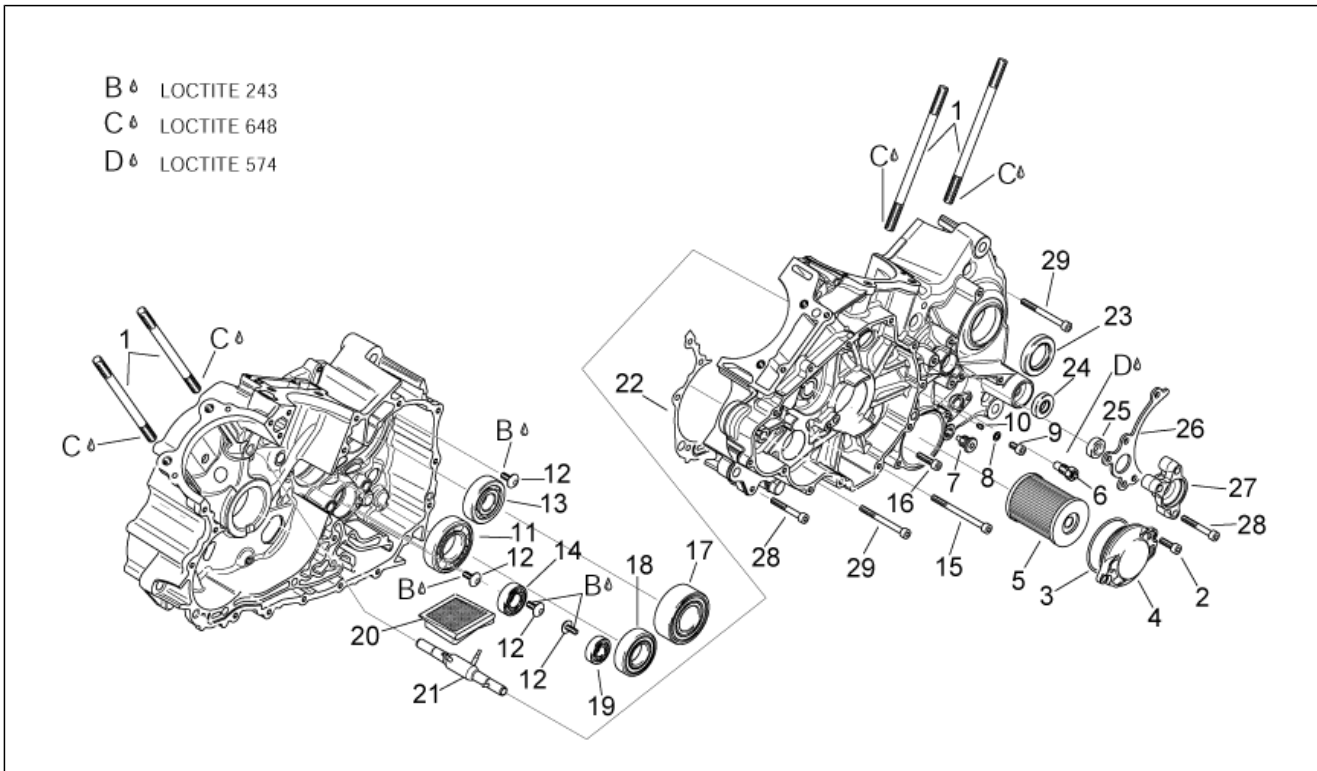
Pos.	Code	Description	Qty	Variants
12	AP8120446	Hose clip, green D11x6,6x1	6	
13	AP8104251	Oil breather valve	1	
14	AP8796530	Gearbox lever ERGAL	1	Year: 2003[3] Technical Specifications: Racing version 2003 kit[kit]

Group	ENGINE
Code	29.51
Description	Crankcases I
Service	1



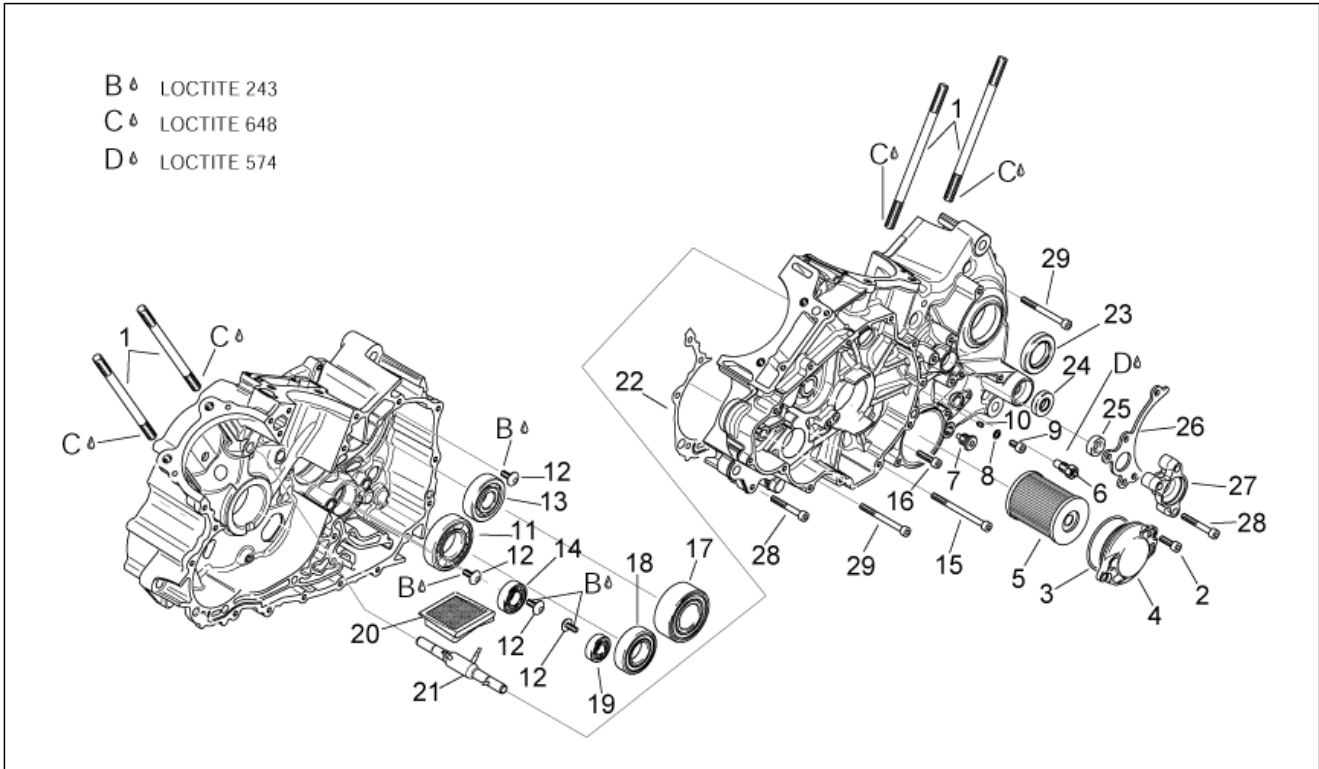
Pos.	Code	Description	Qty	Variants
1	AP0296961	Crankcase assy	1	
2	AP0632010	Pin M8x12	5	
3	AP0929500	Pin 10x8	2	
4	AP0229301	Pin M6x50	2	
5	AP0929930	Pin	1	
6	AP0229385	Pin	1	
7	AP0233745	Bushing half-shell, blue	3	
7	AP0233746	Bushing half-shell, red	3	
7	AP0233748	Bushing half-shell, yellow	3	
8	AP0233740	Bushing half-shell, blue	1	
8	AP0233741	Bushing half-shell, red	1	
8	AP0233743	Bushing half-shell, yellow	1	
9	AP0233711	Bushing half-shell, blue	4	
9	AP0233820	Bushing half-shell, red	4	
9	AP0233822	Bushing half-shell, yellow	4	
10	AP0929650	Pin 5x10	4	

Group	ENGINE
Code	29.52
Description	Crankcases II
Service	1



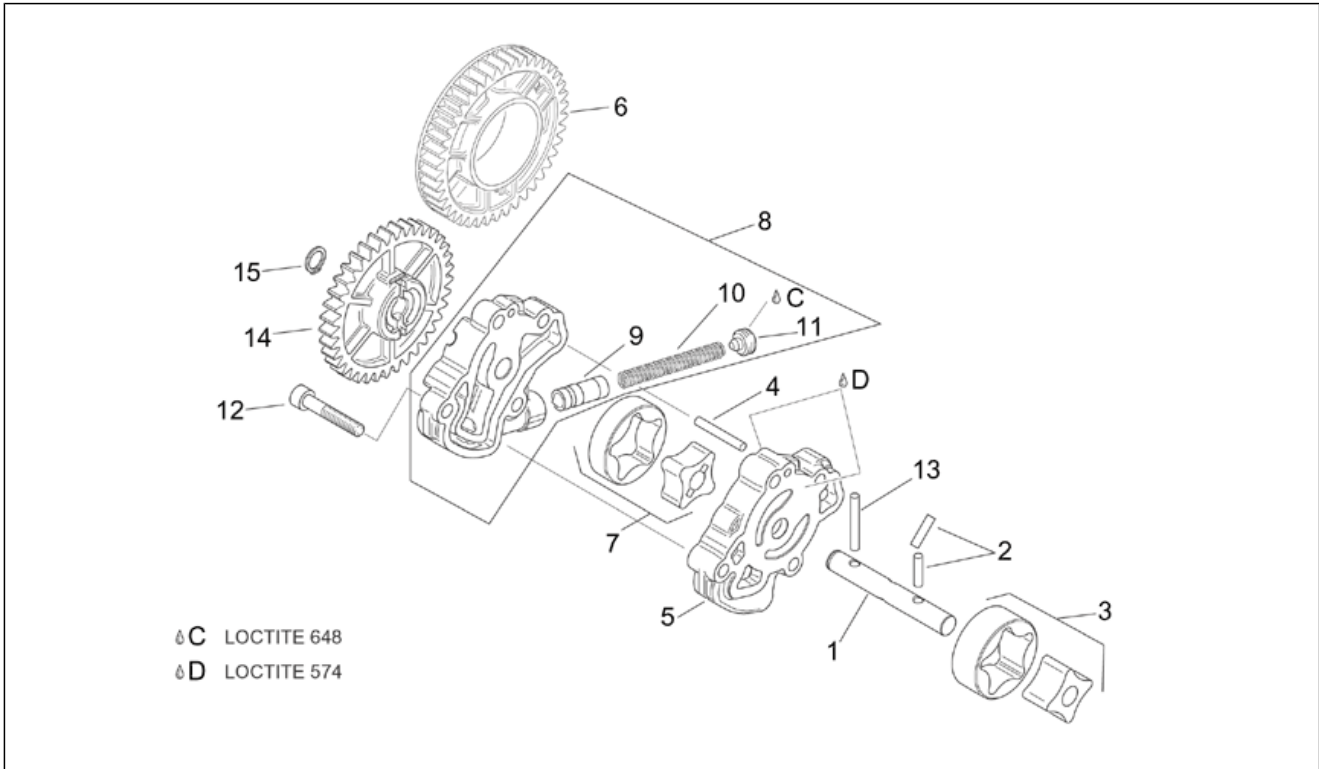
Pos.	Code	Description	Qty	Variants
1	AP0241580	Stud bolt m10x171	8	
2	AP0241932	Hex socket screw	2	
3	AP0650500	O-ring 59,52x2,62	1	
4	AP0210415	Oil filter cover	1	
5	AP0256187	Oil filter	1	
6	AP0241854	Neutral indicator switch	1	
7	AP0241782	Magnetic drain plug M12x1,5	1	
8	AP0230415	Gasket ring 6x10	1	Year:2003[3] Technical Specifications:"Standard" 2002-2003 Version[ST]
8	AP0230415	Gasket ring 6x10	1	Year:2002[2]
8	AP0950141	Gasket ring 8x13	1	Year:2003[3] Technical Specifications:Racing GARA 2003[RG]
8	AP0950141	Gasket ring 8x13	1	Year:2004[4], 2005[5]
9	AP0241081	Hex socket screw M6x10	1	Year:2003[3] Technical Specifications:"Standard" 2002-2003 Version[ST]
9	AP0241081	Hex socket screw M6x10	1	Year:2002[2]
9	AP0841521	Hex socket screw	1	Year:2003[3] Technical Specifications:Racing GARA 2003[RG]
9	AP0841521	Hex socket screw	1	Year:2004[4], 2005[5]
10	AP0268740	Jet 60	1	
11	AP0932585	Ball bearing 6206	1	
12	AP0241531	Short head screw	4	
13	AP0832144	Ball bearing 6304	1	
14	AP0232625	Bearing 6003	1	
15	AP0241501	Hex socket screw M6x80	1	
16	AP0840861	Hex socket screw M6x25	1	
17	AP0632124	Angular bearing 3206	1	
18	AP0932428	Ball bearing 6205	1	
19	AP0932335	Ball bearing 16101	1	

Group	ENGINE
Code	29.52
Description	Crankcases II
Service	1



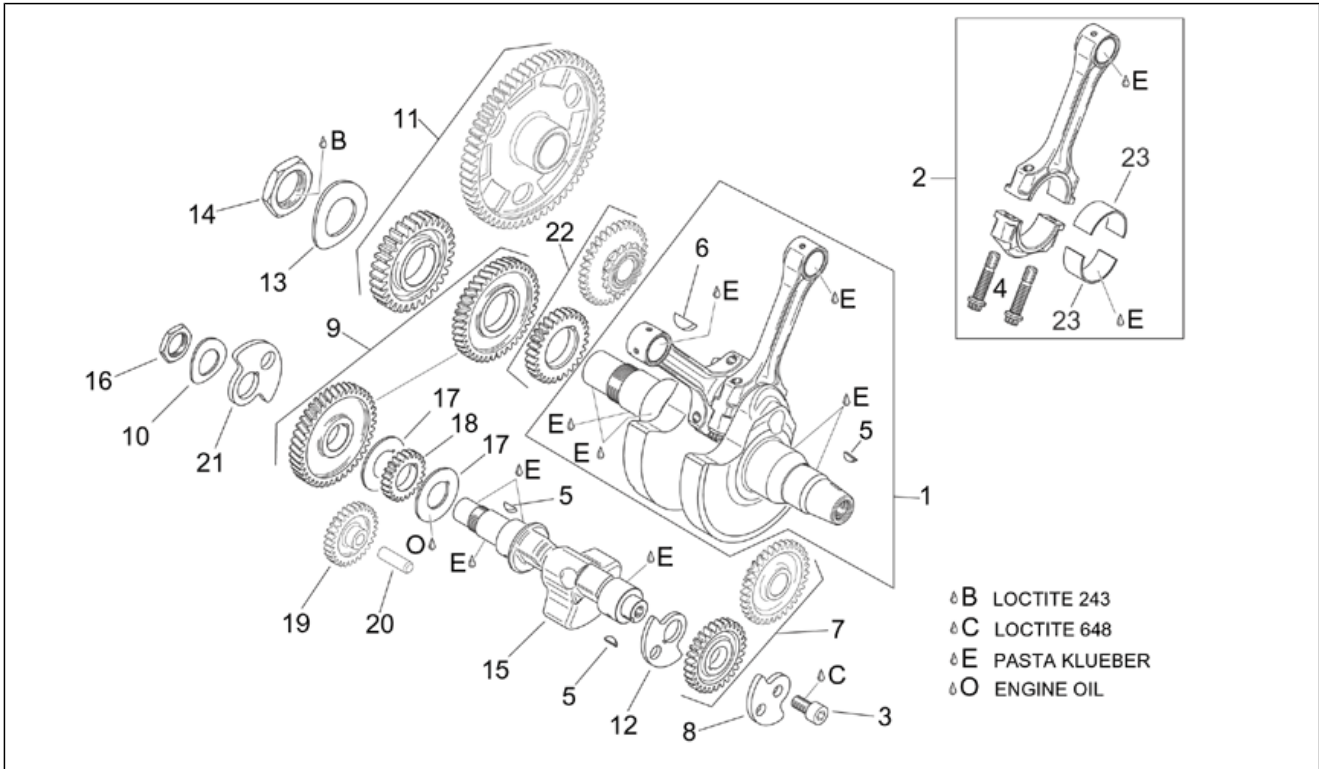
Pos.	Code	Description	Qty	Variants
20	AP0256497	Oil strainer	1	
21	AP0256526	Oil sprayer pipe	1	
22	AP0650335	Gasket	1	
23	AP0850050	Oil seal 40x47x7,5	1	
24	AP0250450	Oil seal 12x28x7	1	
25	AP0650320	Oil seal 11x22x7	1	
26	AP0236370	Chain guide	1	
27	AP0259500	Clutch disengagement flange	1	
28	AP0241821	Hex socket screw M6x45	8	
29	AP0241261	Hex socket screw	13	

Group	ENGINE
Code	29.53
Description	Oil pump
Service	1



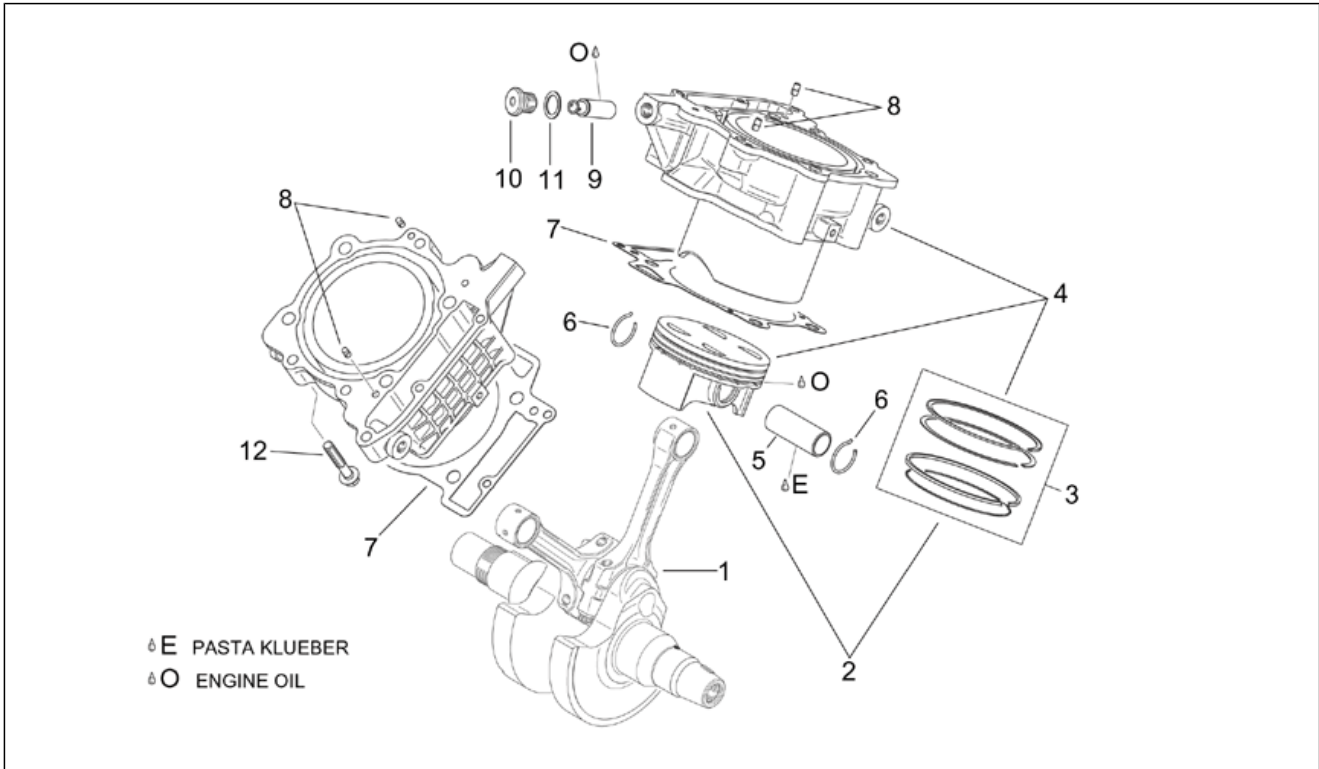
Pos.	Code	Description	Qty	Variants
1	AP0220423	Oil pump shaft assy.	1	
2	AP0232730	Pin 4x15,8	2	
3	AP0256680	Internal and external rotor	1	
4	AP0232970	Pin 4x25,8	1	
5	AP0211620	Oil pressing pump casing	1	
6	AP0634475	Oil pump gear z=42	1	
7	AP0956275	Internal and external rotor	1	
8	AP0211632	Oil pump cover cpl.	1	
9	AP0256510	Pressure adj. piston	1	
10	AP0239447	Spring	1	
11	AP0241650	Valve closer screw m12x1,5	1	
12	AP0241821	Hex socket screw M6x45	4	
13	AP0232430	Pin	1	
14	AP0634483	Oil pump gear	1	
15	AP0245330	Circlip 10x1	1	

Group	ENGINE
Code	29.54
Description	Crankshaft I
Service	1



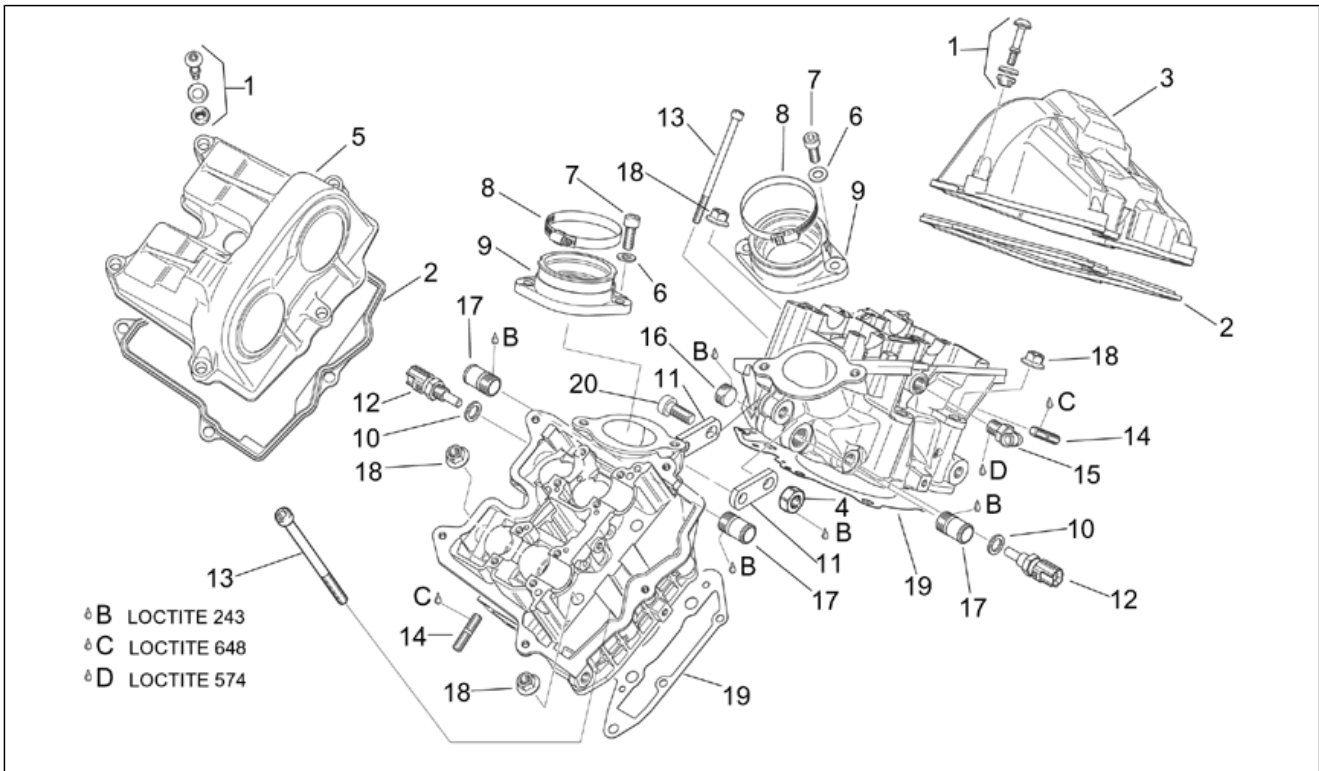
Pos.	Code	Description	Qty	Variants
1	AP0295662	Crankshaft cpl.	1	
2	AP0217346	Connecting rod cpl.	2	
3	AP0440260	Hex socket screw	1	
4	AP0640400	Connecting rod screw	4	
5	AP0246570	Transmission key 4x5	3	
6	AP0946015	Transmission key 6x9	1	
7	AP0295765	Timing system gear cpl.	1	
8	AP0219365	Ext.wheel side counterweight	1	
9	AP0295770	Balance shaft gear cpl.	1	
10	AP0245860	Spring washer	1	
11	AP0295783	Primary drive gear	1	
12	AP0219360	Int.wheel side counterweight	1	
13	AP0245840	Spring washer	1	
14	AP0242940	Nut m33x1,5	1	
15	AP0220372	Lower balance shaft	1	
16	AP0242874	Nut	1	
17	AP0627200	Washer 24x54x2	2	
18	AP0634610	Water pump gear	1	
19	AP0634500	Idle gear	1	
20	AP0929930	Pin	1	
21	AP0219350	Clutch side counterweight	1	
22	AP0295760	Timing system gear cpl.	1	
23	AP0233721	Bushing,red 42x45x19	2	
23	AP0233722	Bushing,blue 42x45x19	2	
23	AP0233723	Bushing,yellow 42x45x19	2	

Group	ENGINE
Code	29.55
Description	Crankshaft II
Service	1



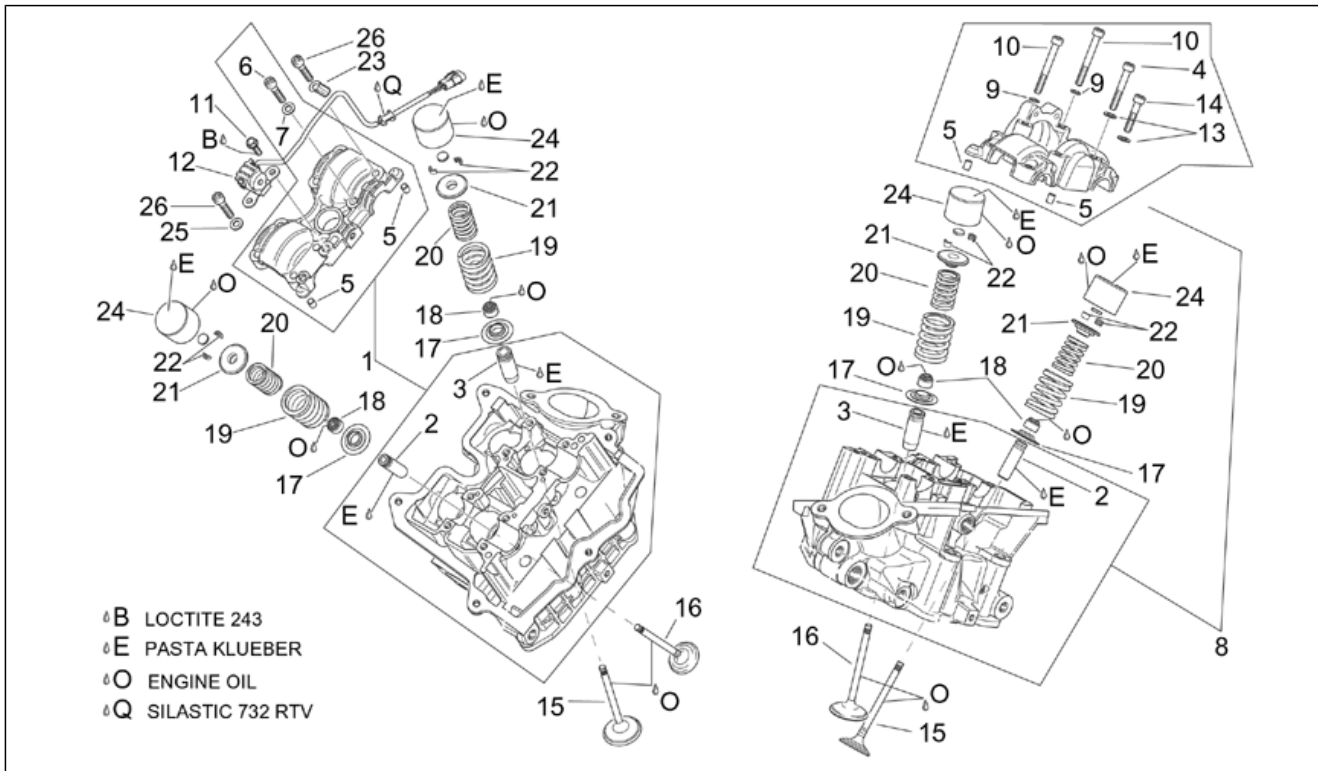
Pos.	Code	Description	Qty	Variants
1	AP0295663	Crankshaft cpl.	1	
2	AP0684310	Piston assy 96,944 mm (A)	2	
2	AP0684311	Piston assy 96,956 mm (B)	2	
3	AP0295858	Piston ring set	2	
4	AP0613418	Cylinder with piston	2	
5	AP0216222	Piston pin 22x14x55	2	
6	AP0245436	Stop ring 22	4	
7	AP0650390	Cylinder base gasket	2	
8	AP0929650	Pin 5x10	4	
9	AP0236252	Chain tensioner assy.	2	
10	AP0640450	Cover	2	
11	AP0430622	Gasket ring 16x22	2	
12	AP0940637	Screw w/ flange	8	

Group	ENGINE
Code	29.56
Description	Valves cover
Service	1



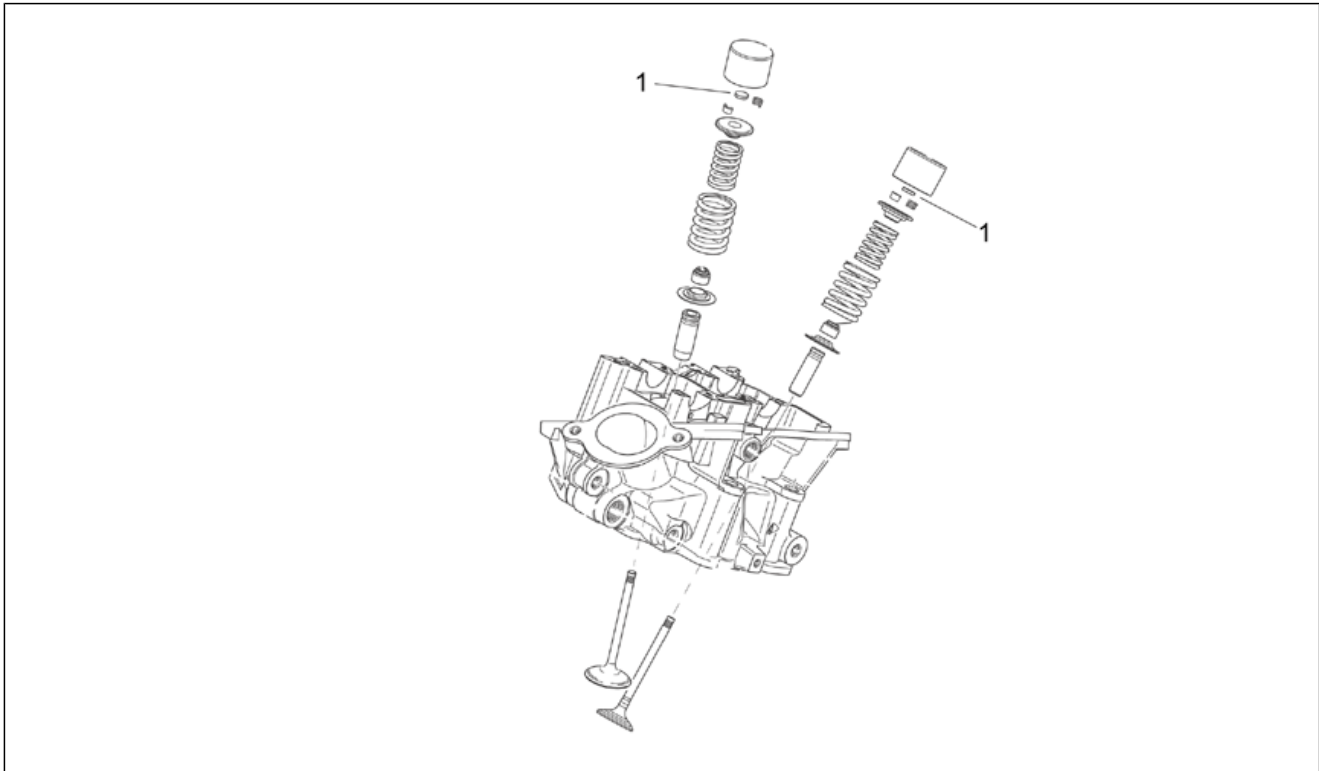
Pos.	Code	Description	Qty	Variants
1	AP0241625	Spacer screw cpl.	10	
2	AP0650345	Valve cover gasket	2	
3	AP0211667	Rear valves cover	1	
4	AP0242091	Nut	2	
5	AP0211662	Front valves cover	1	
6	AP0250311	Washer 8,4	4	
7	AP0240081	Hex socket screw M8x25	4	
8	AP0251830	Hose clamp 65	2	
9	AP0267150	Intake flange	2	
10	AP0250640	Gasket ring 12x18	2	
11	AP0251100	Plate	2	
12	AP0274040	Temp. Sensor	2	
13	AP0241601	Hex socket screw	4	
14	AP0241560	Stud bolt	6	
15	AP0922245	Angular union	1	
16	AP0240170	Cover m18x1,5	1	
17	AP0224090	pipe	3	
18	AP0242851	Nut	8	
19	AP0650210	Cylinder head gasket	2	
20	AP0640581	Hex socket screw M10x40	2	

Group	ENGINE
Code	29.57
Description	Cylinder head and valves
Service	1



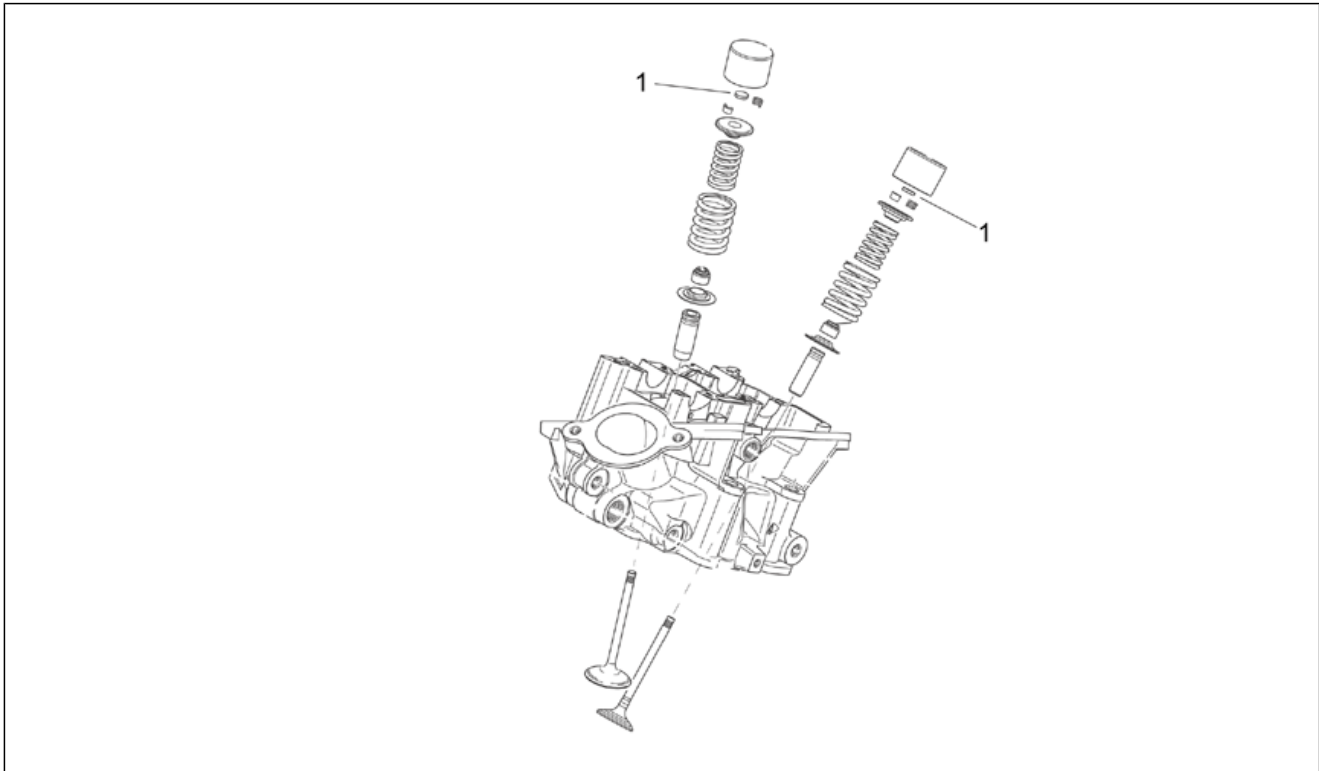
Pos.	Code	Description	Qty	Variants
1	AP0613491	Front cylinder head cpl.	1	
2	AP0253926	Exhaust valve guide	4	
3	AP0253921	Intake valve guide	4	
4	AP0241821	Hex socket screw M6x45	2	
5	AP0232210	Pin 6x8	2	
6	AP0840880	Hex socket screw M6x30	1	
7	AP0927945	Washer 6,2x12x1	1	
8	AP0613496	Rear cylinder head cpl.	1	
9	AP0927863	Washer 6,1x9,8x1	2	
10	AP0240331	Hex socket screw	2	
11	AP0941935	Self-tap screw M5x12	2	
12	AP0274060	Camshaft sensor cpl.	1	
13	AP0927945	Washer 6,2x12x1	6	
14	AP0840880	Hex socket screw M6x30	4	
15	AP0254021	Exhaust valve 31mm	4	
16	AP0254295	Intake valve 38 mm	4	
17	AP0253965	Valve spring plate	8	
18	AP0230510	Valve stem seal	8	
19	AP0239520	Ext. valve spring	8	
20	AP0239510	Int. valve spring	8	
21	AP0253956	Valve spring plate	8	
22	AP0253645	Valve half-cone	16	
23	AP0251090	Cable protection	1	
24	AP0253990	Valve lifter bucket	8	
25	AP0927945	Washer 6,2x12x1	7	
26	AP0840880	Hex socket screw M6x30	7	

Group	ENGINE
Code	29.58
Description	Valves pads
Service	1



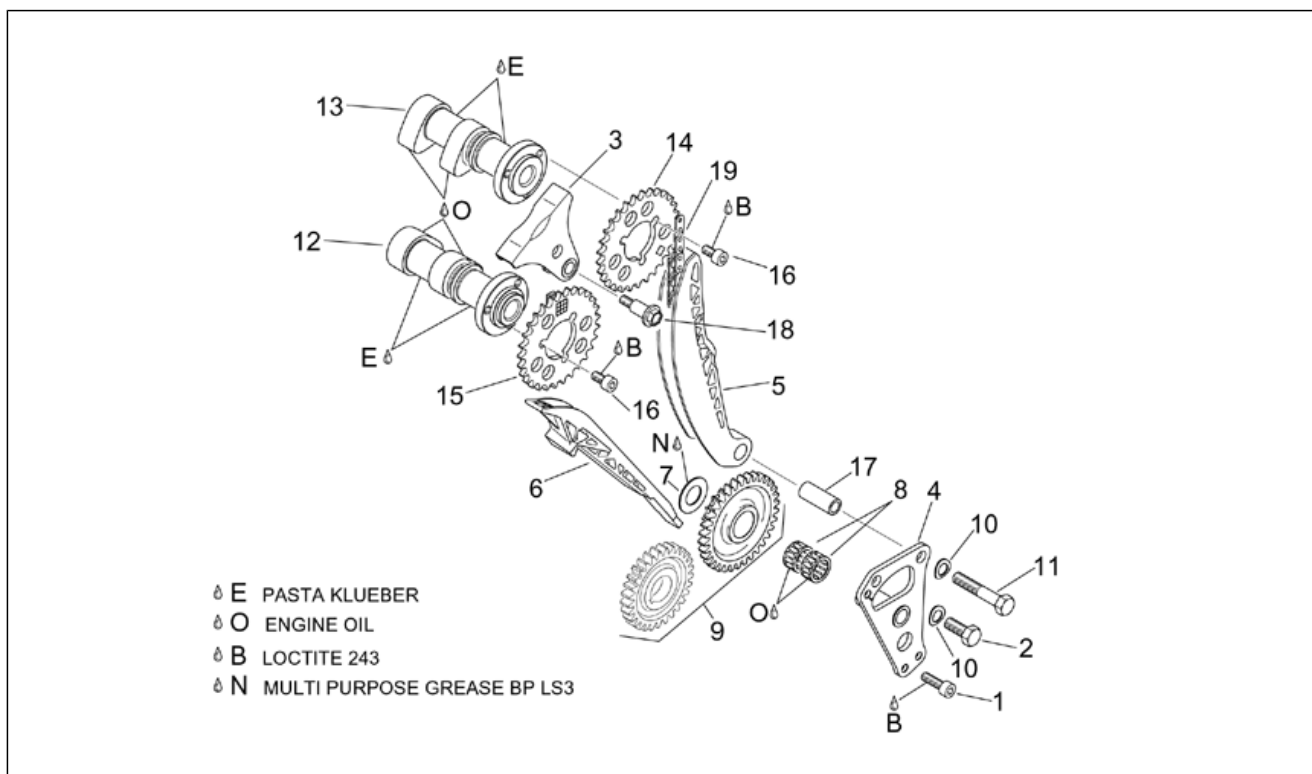
Pos.	Code	Description	Qty	Variants
1	AP0253974	Pad 2,3	1	
1	AP0253975	Pad 2,35	1	
1	AP0253976	Pad 2,4	1	
1	AP0253977	Pad 2,45	1	
1	AP0253978	Pad 2,5	1	
1	AP0253979	Pad 2,55	1	
1	AP0253980	Pad 2,6	1	
1	AP0253981	Pad 2,65	1	
1	AP0253982	Pad 2,7	1	
1	AP0253983	Pad 2,75	1	
1	AP0253984	Pad 2,8	1	
1	AP0253985	Pad 2,85	1	
1	AP0253986	Pad 2,9	1	
1	AP0253987	Pad 2,95	1	
1	AP0253988	Pad 3,00	1	
1	AP0253989	Pad 3,050	1	
1	AP0254030	Pad 2,325	1	
1	AP0254031	Pad 2,375	1	
1	AP0254032	Pad 2,425	1	
1	AP0254033	Pad 2,475	1	
1	AP0254034	Pad 2,525	1	
1	AP0254035	Pad 2,575	1	
1	AP0254036	Pad 2,625	1	
1	AP0254037	Pad 2,675	1	
1	AP0254038	Pad 2,725	1	
1	AP0254039	Pad 2,775	1	
1	AP0254040	Pad 2,825	1	
1	AP0254041	Pad 2,875	1	

Group	ENGINE
Code	29.58
Description	Valves pads
Service	1



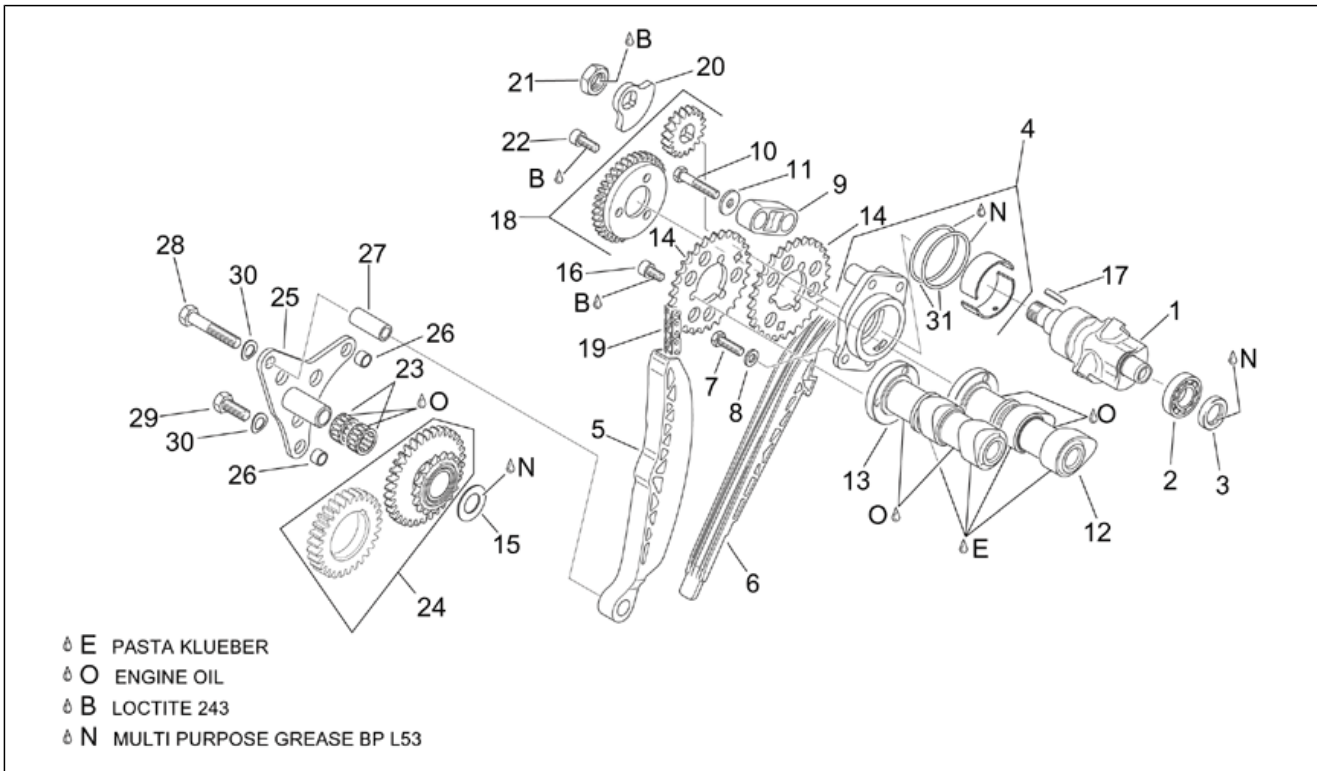
Pos.	Code	Description	Qty	Variants
1	AP0254042	Pad 2,925	1	
1	AP0254043	Pad 2,975	1	
1	AP0254044	Pad 3,025	1	

Group	ENGINE
Code	29.59
Description	Front cylinder timing system
Service	1



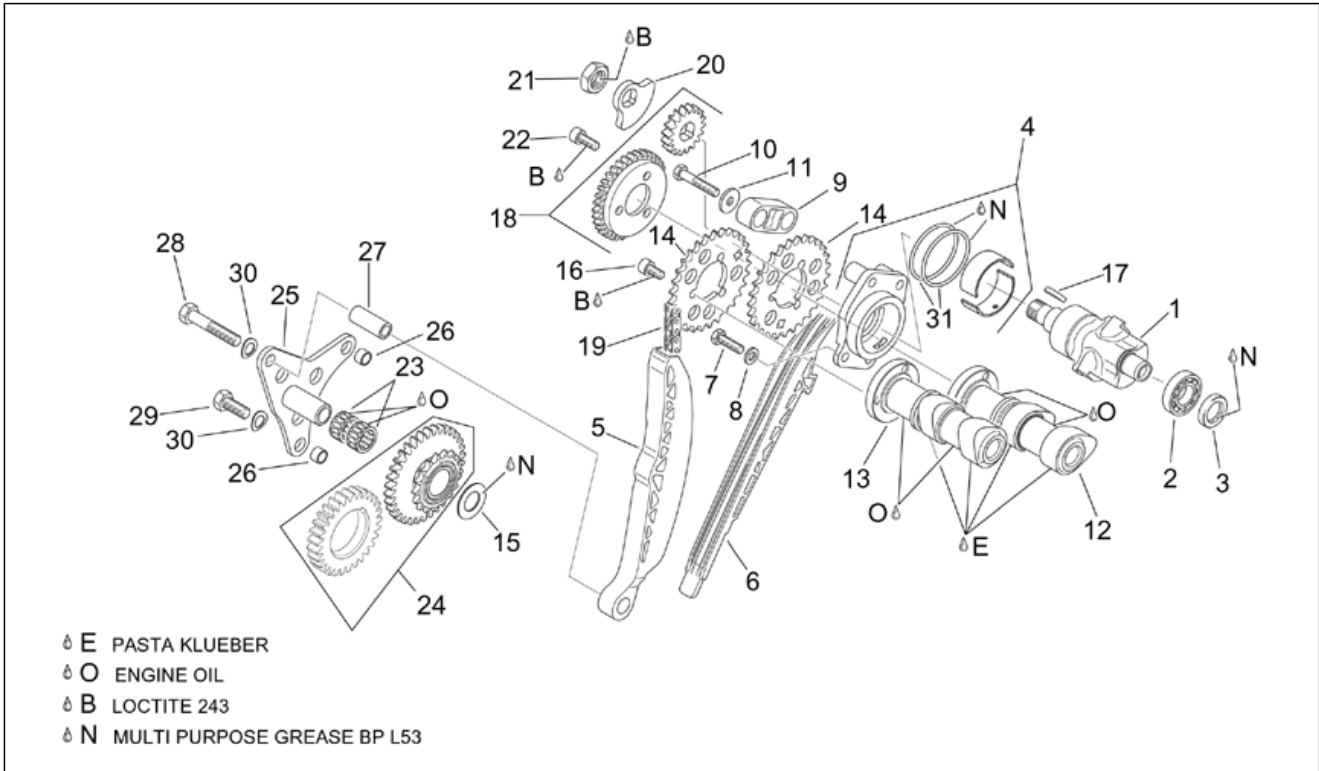
Pos.	Code	Description	Qty	Variants
1	AP0240400	Hex socket screw	1	
2	AP0940590	Hex screw M8x20	1	
3	AP0236320	Chain guide	1	
4	AP0211766	Bearings support Plate	1	
5	AP0236300	Chain guide	1	
6	AP0236310	Chain guide	1	
7	AP0627190	Washer 16,7x29x1	1	
8	AP0632161	Roller cage 16x22x10	2	
9	AP0295765	Timing system gear cpl.	1	
10	AP0845030	Spring washer b8	2	
11	AP0940631	Hex screw	1	
12	AP0220385	Exhaust camshaft	1	
13	AP0220384	Intake camshaft	1	
14	AP0634732	Timing system gear	1	
15	AP0634737	Timing system gear	1	
16	AP0840371	Hex socket screw M6x11,5	6	
17	AP0247980	Bush 8,2x12x25	1	
18	AP0240960	Spacer screw	2	
19	AP0297957	Camshaft chain	1	

Group	ENGINE
Code	29.60
Description	Rear cylinder timing system
Service	1



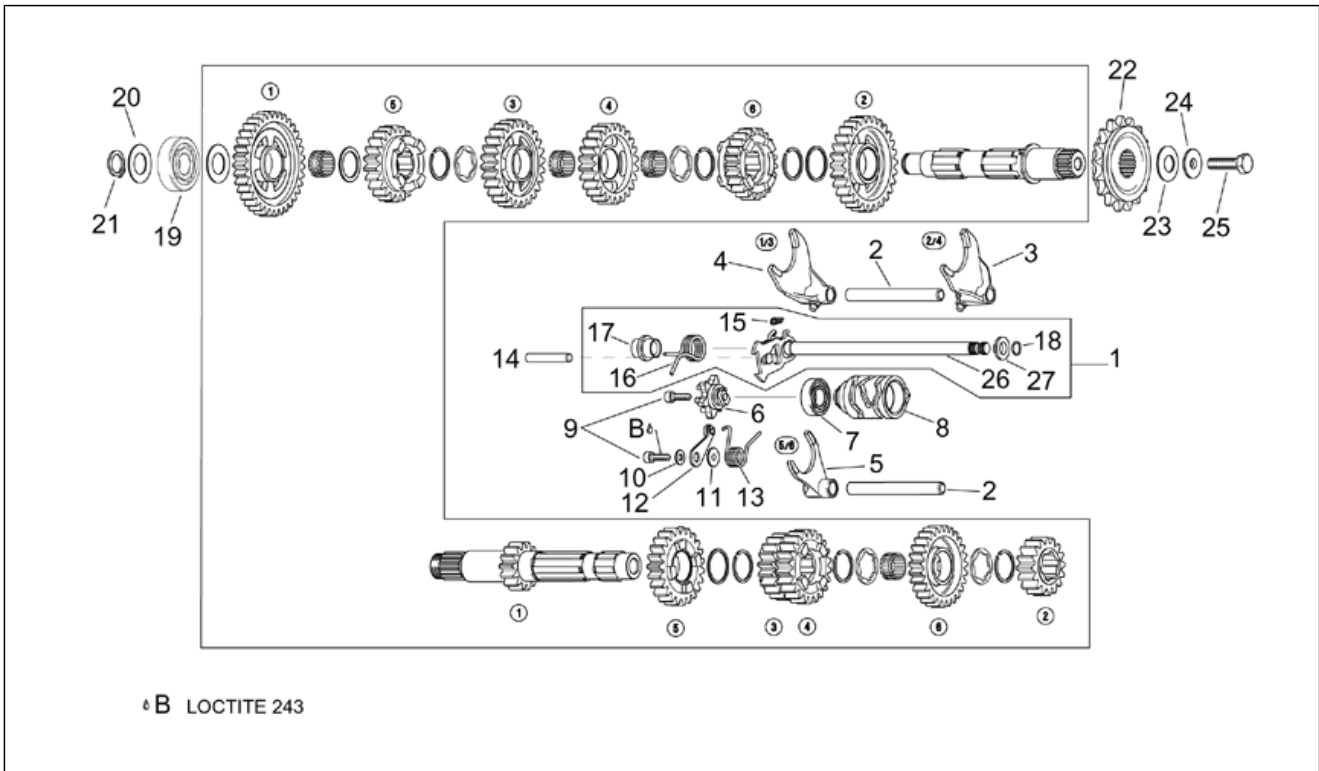
Pos.	Code	Description	Qty	Variants
1	AP0220440	Upper balance shaft	1	
2	AP0832360	Ball bearing 16002	1	
3	AP0250130	Oil seal 15x24x5	1	
4	AP0211681	Bushing plate cpl.	1	
5	AP0236300	Chain guide	1	
6	AP0236310	Chain guide	1	
7	AP0940560	Hex screw	2	
8	AP0244211	Washer 6,4	2	
9	AP0236380	Chain guide	1	
10	AP0941121	Hex screw	2	
11	AP0827305	Washer 6,2x18x2	2	
12	AP0220385	Exhaust camshaft	1	
13	AP0220384	Intake camshaft	1	
14	AP0634732	Timing system gear	2	
15	AP0627190	Washer 16,7x29x1	1	
16	AP0840371	Hex socket screw M6x11,5	3	
17	AP0246055	Transmission key 3x3,7	1	
18	AP0295775	Upper balance shaft gear cpl.	1	
19	AP0297957	Camshaft chain	1	
20	AP0219340	Counterweight	1	
21	AP0942570	Nut m14	1	
22	AP0840391	Hex socket screw	3	
23	AP0632161	Roller cage 16x22x10	2	
24	AP0295760	Timing system gear cpl.	1	
25	AP0211756	Roller cage plate	1	
26	AP0929500	Pin 10x8	2	
27	AP0247980	Bush 8,2x12x25	1	
28	AP0940631	Hex screw	1	

Group	ENGINE
Code	29.60
Description	Rear cylinder timing system
Service	1



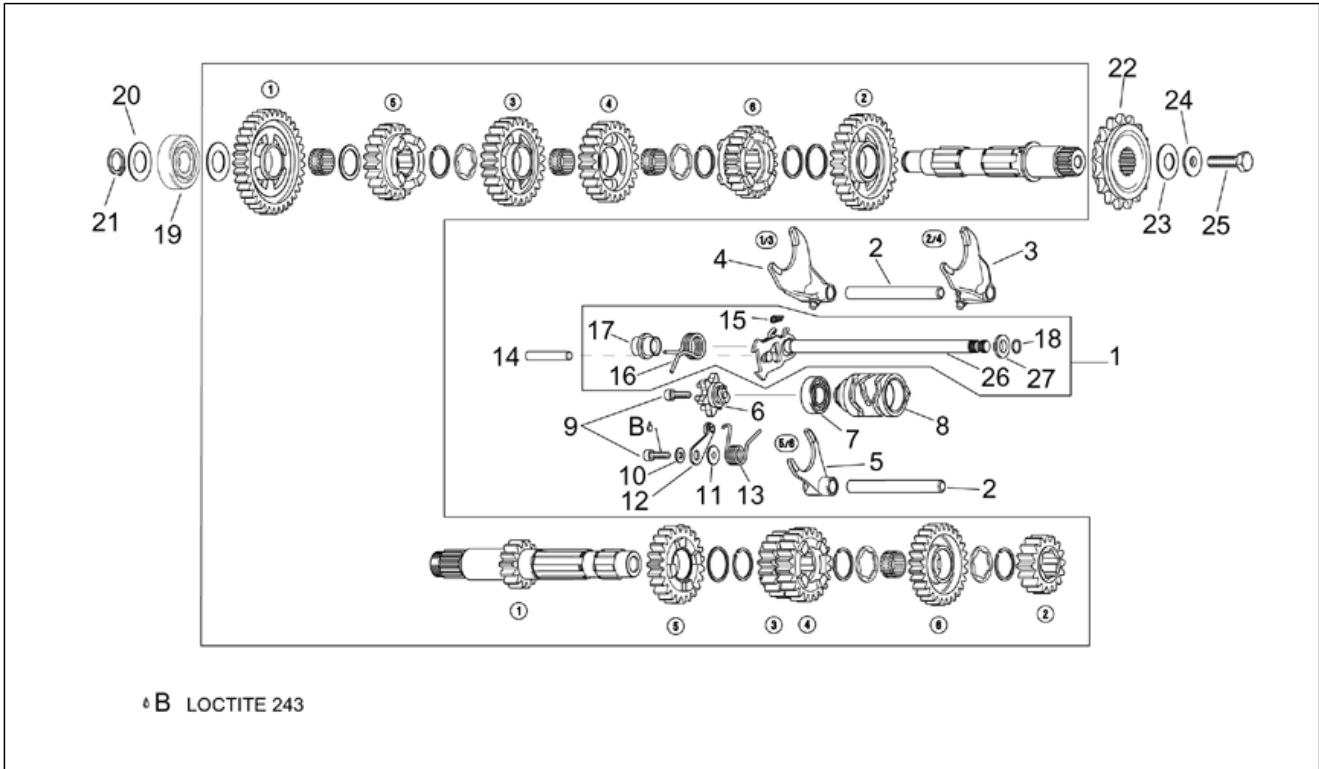
Pos.	Code	Description	Qty	Variants
29	AP0240275	Hex screw	2	
30	AP0845030	Spring washer b8	3	

Group	ENGINE
Code	29.61
Description	Gear box selector
Service	1



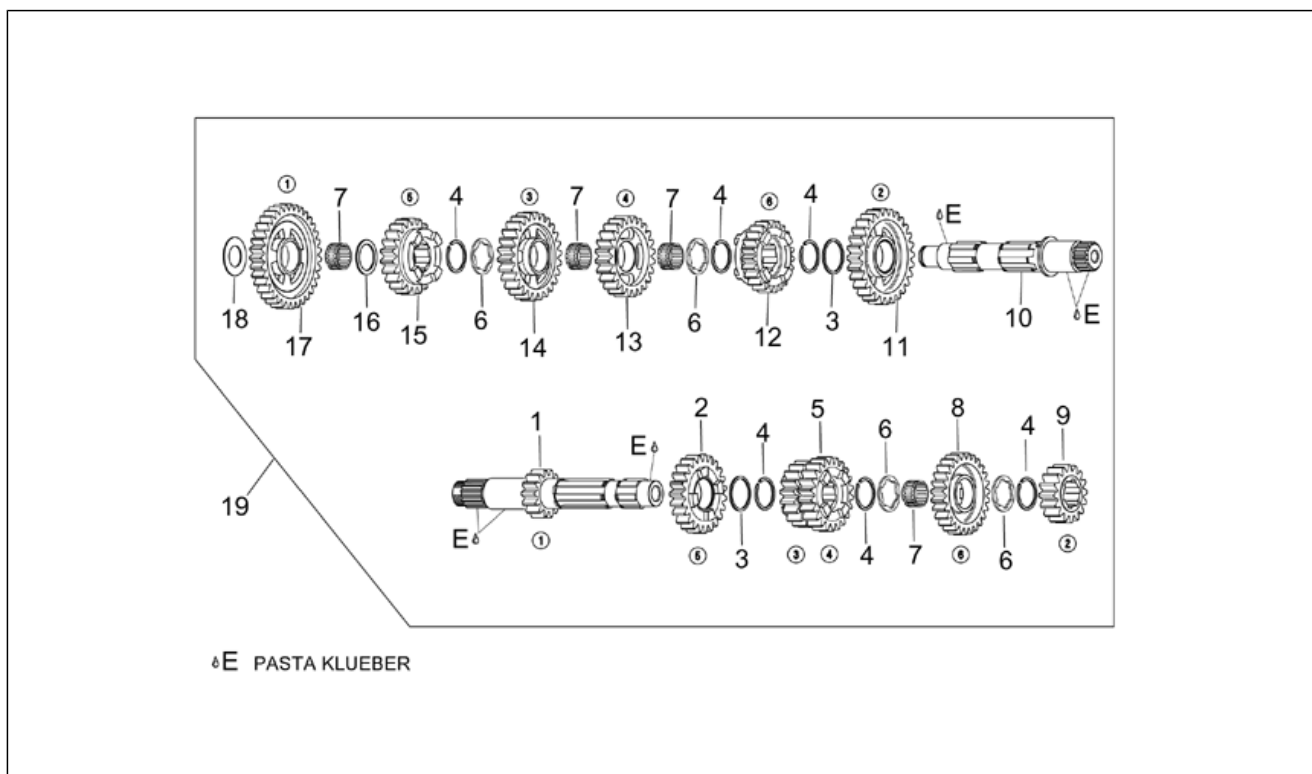
Pos.	Code	Description	Qty	Variants
1	AP0220437	Gear shaft+spring cpl.	1	
2	AP0258380	Fork shaft	2	
3	AP0258361	Fork	1	
4	AP0258351	Fork	1	
5	AP0258375	Fork	1	
6	AP0258310	Index washer	1	
7	AP0932335	Ball bearing 16101	1	
8	AP0258328	Shift cam	1	
9	AP0241932	Hex socket screw	2	
10	AP0244211	Washer 6,4	1	
11	AP0227716	Washer	1	
12	AP0248375	Index assy. lever	1	
13	AP0239247	Index spring	1	
14	AP0229385	Pin	1	
15	AP0239430	Spring	1	
16	AP0239420	Pin spring	1	
17	AP0247940	Bush	1	
18	AP0245440	Circlip	1	
19	AP0832144	Ball bearing 6304	1	
20	AP0227442	Washer 20,2x27,5	1	
21	AP0945665	Circlip 20x1,75	1	
22	AP0236366	Rubbered pinion	1	Technical Specifications: "R" 2002-2003 Version[R], "R - Factory" 2004-2005 Version[RF], "R - Standard" 2004-2005 Version[RS], "Standard" 2002-2003 Version[ST]
22	AP8106974	Rubbered pinion	1	Technical Specifications: Racing version 2003 kit[kit]
23	AP0239450	Spring washer 34x16,3	1	
24	AP0627210	Washer	1	
25	AP0940741	Hex screw	1	

Group	ENGINE
Code	29.61
Description	Gear box selector
Service	1



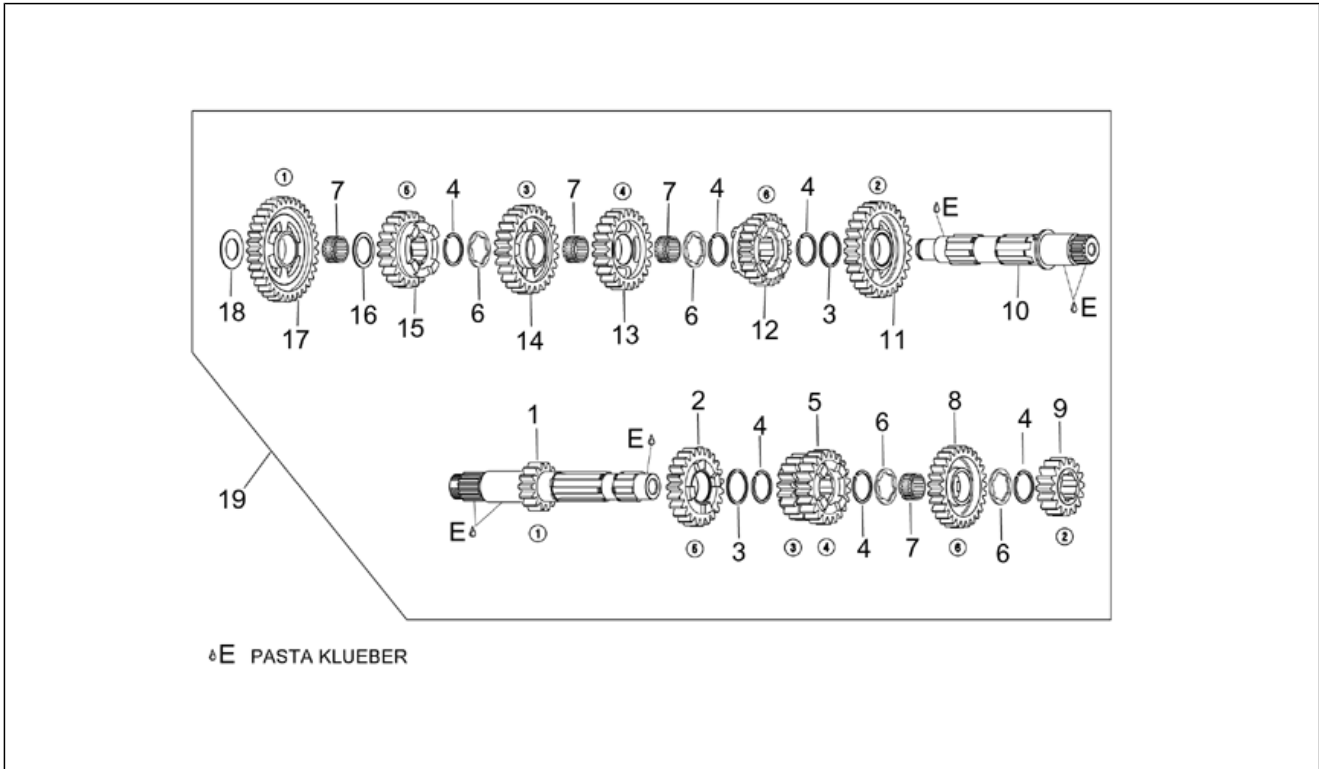
Pos.	Code	Description	Qty	Variants
26	AP0220435	Gear shaft+ratchet gear cpl.	1	
27	AP0227714	Washer	1	

Group	ENGINE
Code	29.62
Description	Gear box
Service	1



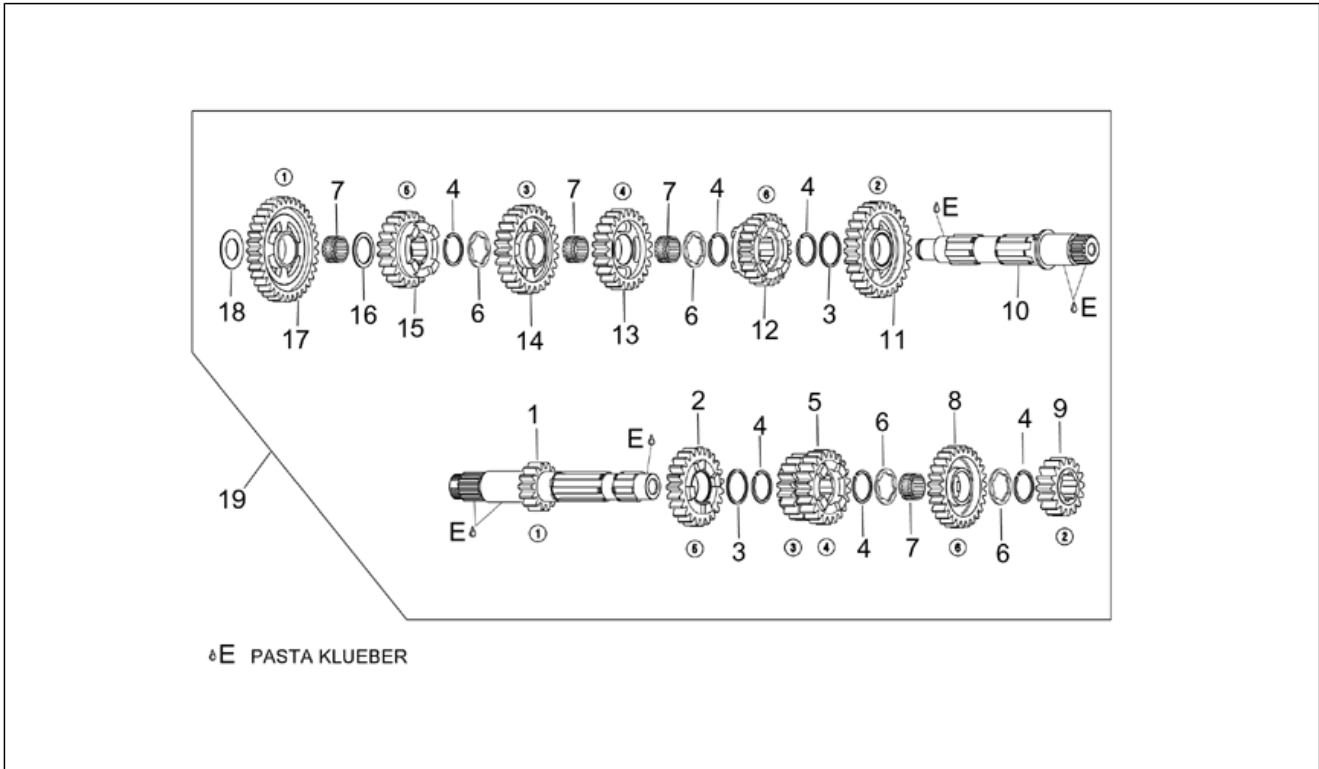
Pos.	Code	Description	Qty	Variants
1	AP0220390	Primary gear shaft assy.	1	Year:2003[3] Technical Specifications:"Standard" 2002-2003 Version[ST]
1	AP0220390	Primary gear shaft assy.	1	Year:2002[2]
1	AP0220392	Primary gear shaft assy.	1	Year:2003[3] Technical Specifications:Racing GARA 2003[RG]
1	AP0220392	Primary gear shaft assy.	1	Year:2004[4], 2005[5]
2	AP0634695	5th pinion gear	1	Year:2002[2]
2	AP0634695	5th pinion gear	1	Year:2003[3] Technical Specifications:"Standard" 2002-2003 Version[ST]
2	AP0634697	5th pinion gear	1	Year:2004[4], 2005[5]
2	AP0634697	5th pinion gear	1	Year:2003[3] Technical Specifications:Racing GARA 2003[RG]
3	AP0627120	Washer 29,2x33,5	2	
4	AP0245815	Circlip 28x2	6	
5	AP0634660	3rd-4th pinion gear	1	Year:2003[3] Technical Specifications:"Standard" 2002-2003 Version[ST]
5	AP0634660	3rd-4th pinion gear	1	Year:2002[2]
5	AP0634662	3rd-4th pinion gear	1	Year:2003[3] Technical Specifications:Racing GARA 2003[RG]
5	AP0634662	3rd-4th pinion gear	1	Year:2004[4], 2005[5]
6	AP0627132	Washer 25,35x34,5	4	
7	AP0632070	Roller cage 25x29x13	4	
8	AP0634710	6th pinion gear	1	Year:2003[3] Technical Specifications:"Standard" 2002-2003 Version[ST]
8	AP0634710	6th pinion gear	1	Year:2002[2]
8	AP0634712	6th pinion gear	1	Year:2003[3] Technical Specifications:Racing GARA 2003[RG]
8	AP0634712	6th pinion gear	1	Year:2004[4], 2005[5]
9	AP0634640	2nd pinion gear	1	Year:2003[3] Technical Specifications:"Standard" 2002-2003 Version[ST]

Group	ENGINE
Code	29.62
Description	Gear box
Service	1



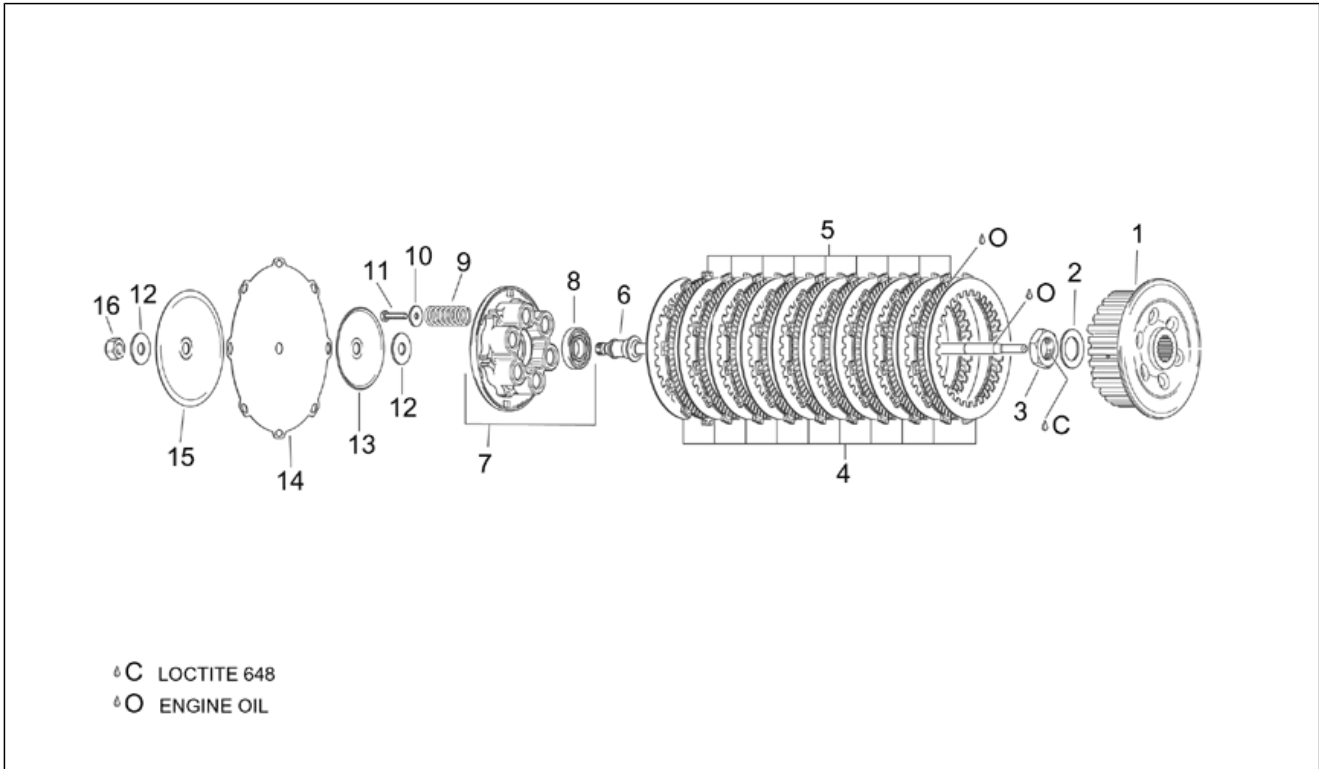
Pos.	Code	Description	Qty	Variants
9	AP0634640	2nd pinion gear	1	Year:2002[2]
9	AP0634642	2nd pinion gear	1	Year:2003[3] Technical Specifications:Racing GARA 2003[RG]
9	AP0634642	2nd pinion gear	1	Year:2004[4], 2005[5]
10	AP0220400	Driven shaft	1	
11	AP0634655	2nd wheel gear	1	Year:2002[2]
11	AP0634655	2nd wheel gear	1	Year:2003[3] Technical Specifications:"Standard" 2002-2003 Version[ST]
11	AP0634657	2nd wheel gear	1	Year:2004[4], 2005[5]
11	AP0634657	2nd wheel gear	1	Year:2003[3] Technical Specifications:Racing GARA 2003[RG]
12	AP0634720	6th wheel gear	1	Year:2002[2]
12	AP0634720	6th wheel gear	1	Year:2003[3] Technical Specifications:"Standard" 2002-2003 Version[ST]
12	AP0634721	6th wheel gear	1	Year:2003[3] Technical Specifications:Racing GARA 2003[RG]
12	AP0634721	6th wheel gear	1	Year:2004[4], 2005[5]
13	AP0634670	4th wheel gear	1	
14	AP0634680	3rd wheel gear	1	Year:2003[3] Technical Specifications:"Standard" 2002-2003 Version[ST]
14	AP0634680	3rd wheel gear	1	Year:2002[2]
14	AP0634682	3rd wheel gear	1	Year:2004[4], 2005[5]
14	AP0634682	3rd wheel gear	1	Year:2003[3] Technical Specifications:Racing GARA 2003[RG]
15	AP0634700	5th wheel gear	1	Year:2002[2]
15	AP0634700	5th wheel gear	1	Year:2003[3] Technical Specifications:"Standard" 2002-2003 Version[ST]
15	AP0634702	5th wheel gear	1	Year:2004[4], 2005[5]
15	AP0634702	5th wheel gear	1	Year:2003[3] Technical Specifications:Racing GARA 2003[RG]

Group	ENGINE
Code	29.62
Description	Gear box
Service	1



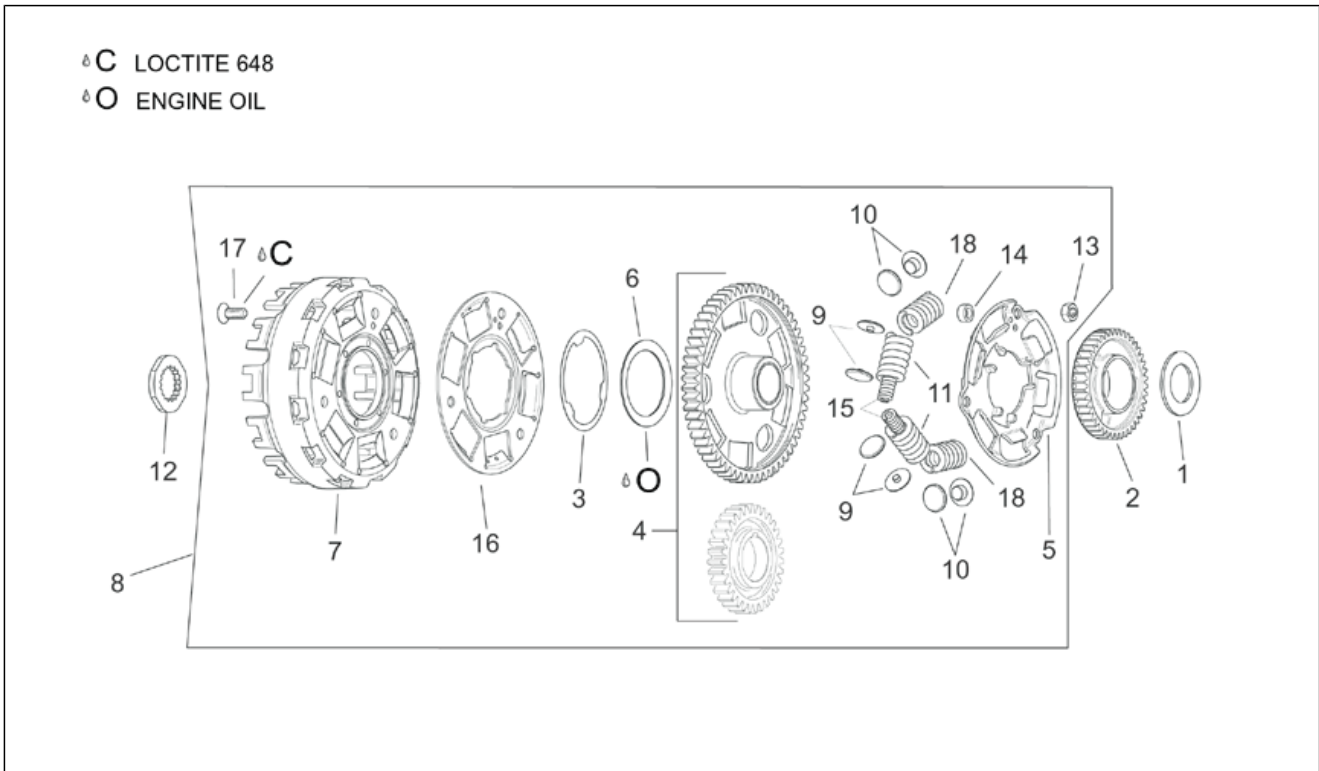
Pos.	Code	Description	Qty	Variants
16	AP0427106	Washer 25,3x33,5	1	
17	AP0634620	1st wheel gear	1	Year:2002[2]
17	AP0634620	1st wheel gear	1	Year:2003[3] Technical Specifications:"Standard" 2002-2003 Version[ST]
17	AP0634622	1st wheel gear	1	Year:2004[4], 2005[5]
17	AP0634622	1st wheel gear	1	Year:2003[3] Technical Specifications:Racing GARA 2003[RG]
18	AP0827110	Washer 20,5x37x1	1	
19	AP0281222	Gear box cpl.6 speed	1	Year:2003[3] Technical Specifications:"Standard" 2002-2003 Version[ST]
19	AP0281222	Gear box cpl.6 speed	1	Year:2002[2]
19	AP0281223	Gear box cpl.6 speed	1	Year:2003[3] Technical Specifications:Racing GARA 2003[RG]
19	AP0281223	Gear box cpl.6 speed	1	Year:2004[4], 2005[5]

Group	ENGINE
Code	29.63
Description	Clutch I
Service	1



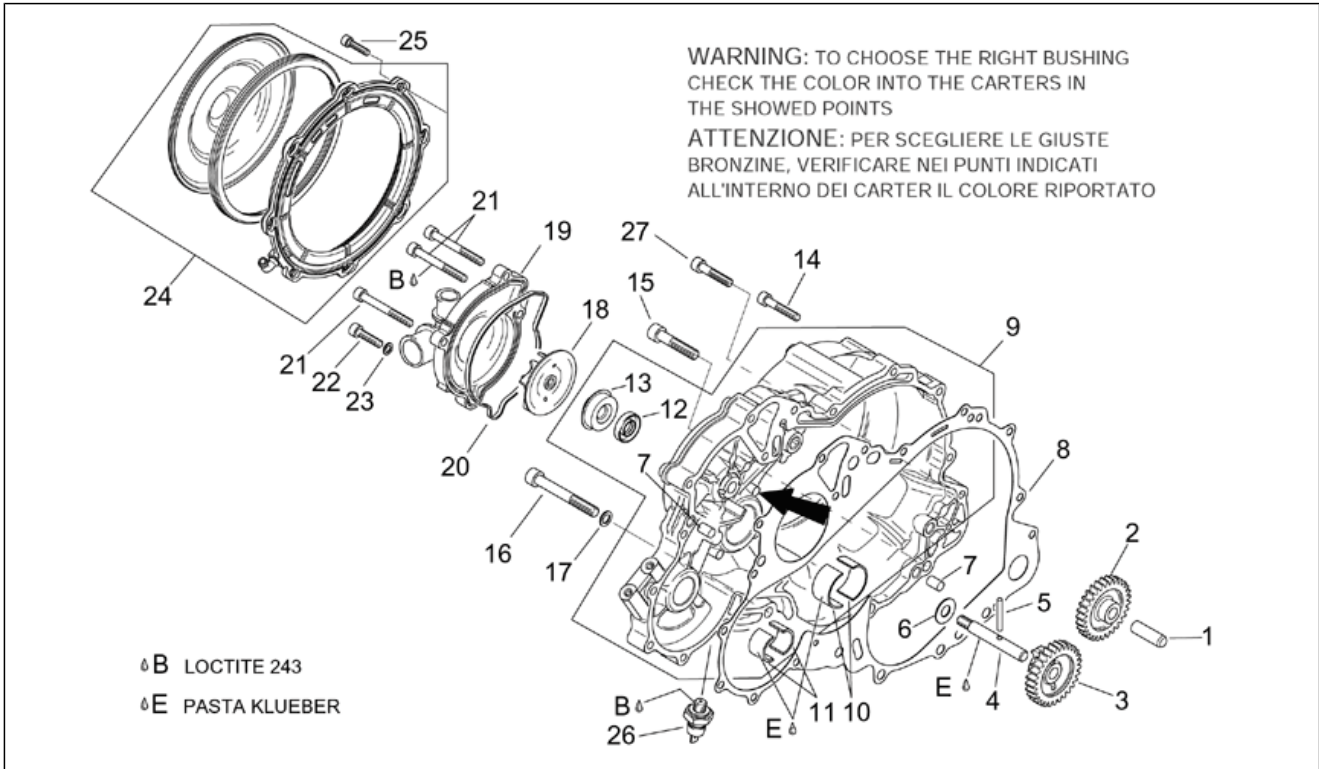
Pos.	Code	Description	Qty	Variants
1	AP0259520	Clutch hub	1	
2	AP0245830	Spring washer 24,5x40	1	
3	AP0242950	Nut m24x1,5	1	
4	AP8106915	Steel clutch discs 10 pc.	1	
5	AP8106867	Lined clutch disc	1	
6	AP0220455	Clutch shaft cpl.	1	
7	AP0259517	Springholder plate cpl.	1	
8	AP0632130	Ball bearing 16004	1	
9	AP0239480	Clutch spring	6	
10	AP0627530	Washer	6	
11	AP0941506	Hex screw	6	
12	AP0227180	Washer 12,2x32x2	2	
13	AP0627230	Support disc	1	
14	AP0260890	Diaphragm	1	
15	AP0627280	Pressure plate	1	
16	AP0442130	Nut m12	1	

Group	ENGINE
Code	29.64
Description	Clutch II
Service	1



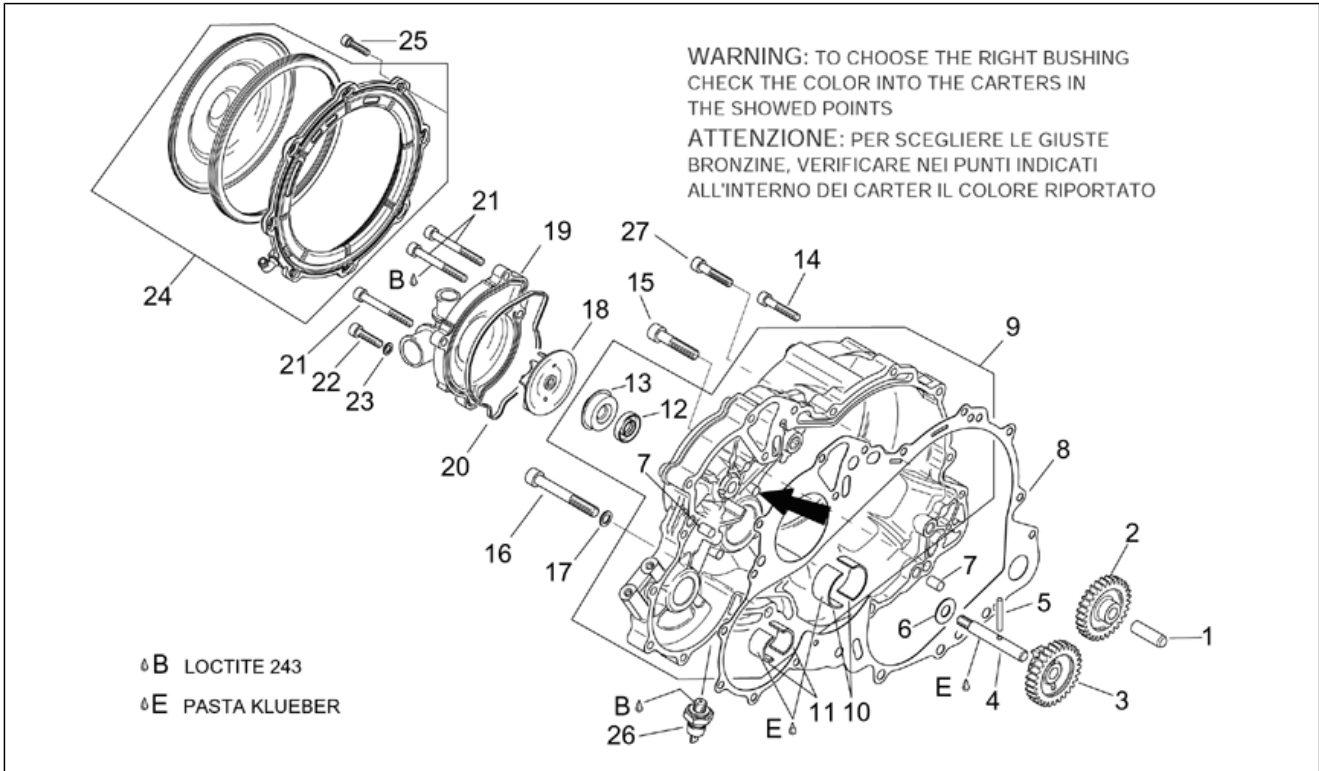
Pos.	Code	Description	Qty	Variants
1	AP0627260	Washer 30,2x50	1	
2	AP0634475	Oil pump gear z=42	1	
3	AP0627910	Thrust washer	1	
4	AP0295783	Primary drive gear	1	
5	AP0259583	Springholder plate	1	
6	AP0239390	Spring washer 68x52x1,2	1	
7	AP0259535	Clutch drum	1	
8	AP0295795	Primary transm.	1	
9	AP0247972	Bush D5,5	8	
10	AP0247974	Bush D11,5	4	
11	AP0238135	Spring	4	
12	AP0627220	Washer 25x44,4x5	1	
13	AP0242206	Nut M8	3	
14	AP0247614	Spacer	3	
15	AP0238140	Spring	4	
16	AP0259587	Springholder plate	1	
17	AP0941835	screw M8x25	3	
18	AP0238130	Spring	2	

Group	ENGINE
Code	29.65
Description	Water pump
Service	1



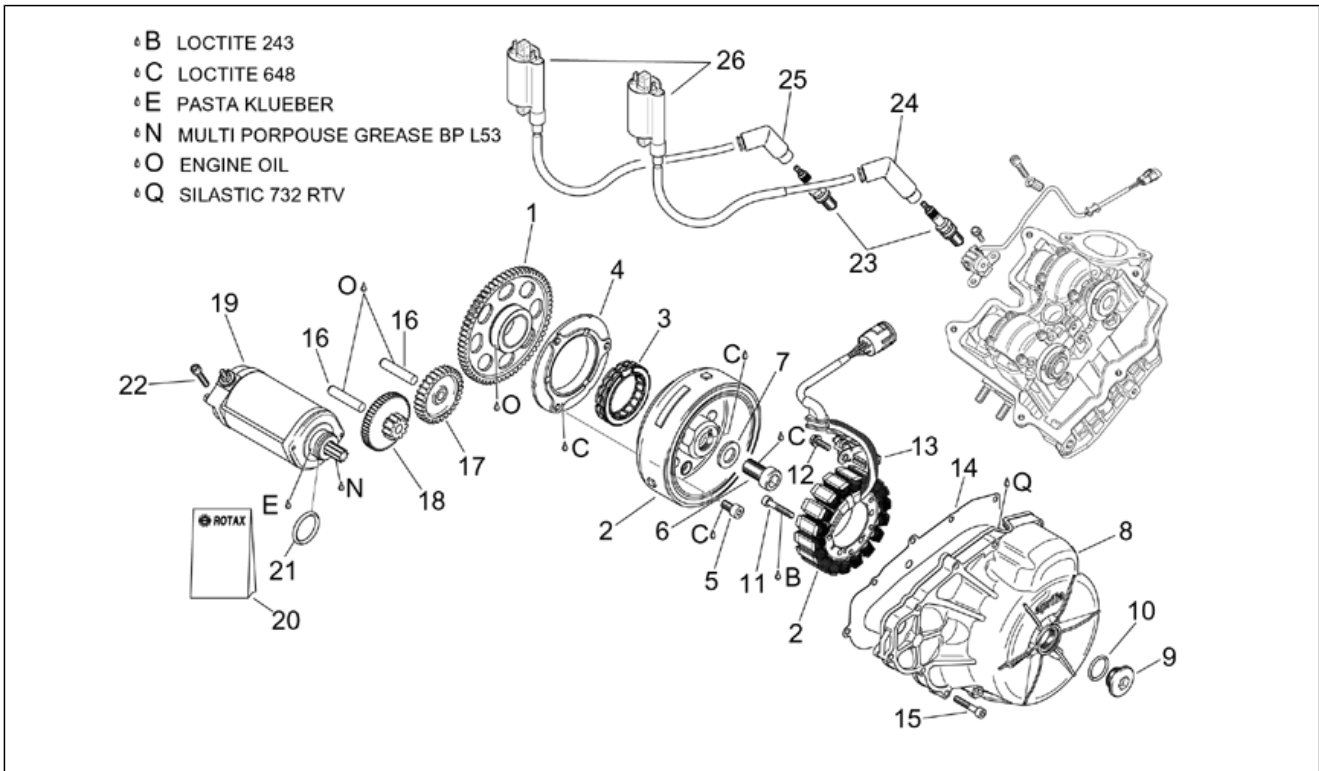
Pos.	Code	Description	Qty	Variants
1	AP0929930	Pin	1	
2	AP0634500	Idle gear	1	
3	AP0634490	Water pump gear	1	
4	AP0220410	Water pump shaft assy.	1	
5	AP0232430	Pin	1	
6	AP0227685	Washer 10,1x22x1	1	
7	AP0632010	Pin M8x12	2	
8	AP0650330	Gasket	1	
9	AP0610151	Clutch cover	1	
10	AP0233790	Bushing half-shell, blue	2	
10	AP0233791	Bushing half-shell, red	2	
10	AP0233793	Bushing half-shell, yellow	2	
11	AP0233780	Bearing half-shell 20x24x16	2	
12	AP0650310	Oil seal 10x25x5	1	
13	AP0650370	Pump mechanical seal	1	
14	AP0241811	Hex socket screw	10	
15	AP0440101	Hex socket screw	3	
16	AP0841841	Hex socket screw	1	
17	AP0950141	Gasket ring 8x13	1	
18	AP0222500	Impeller	1	
19	AP0222512	Water pump casing	1	
20	AP0650240	Gasket	1	
21	AP0240331	Hex socket screw	3	
22	AP0840861	Hex socket screw M6x25	1	
23	AP0230415	Gasket ring 6x10	1	
24	AP0610990	Diaphragm disc cpl.	1	
25	AP0240181	Hex socket screw	8	
26	AP0956169	Oil pressure switch	1	

Group	ENGINE
Code	29.65
Description	Water pump
Service	1



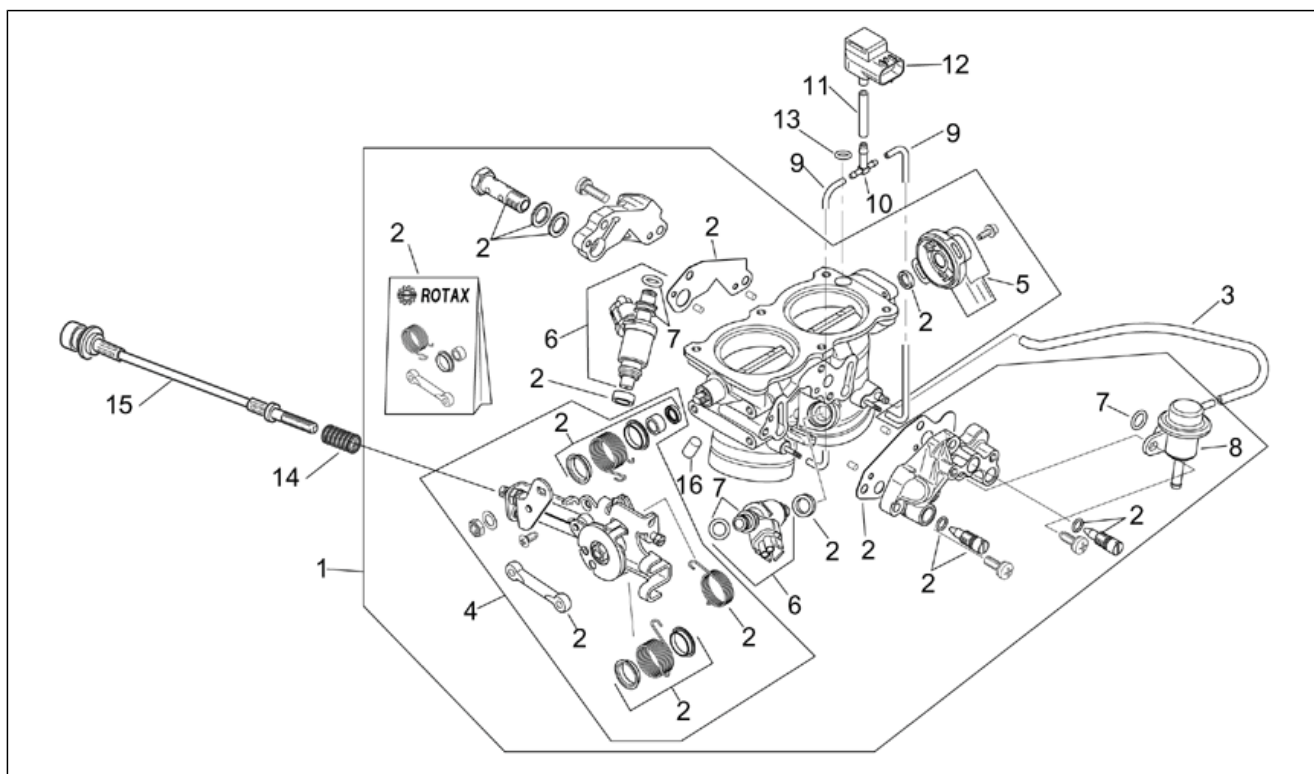
Pos.	Code	Description	Qty	Variants
27	AP0241761	Hex socket screw	1	

Group	ENGINE
Code	29.66
Description	Ignition unit
Service	1



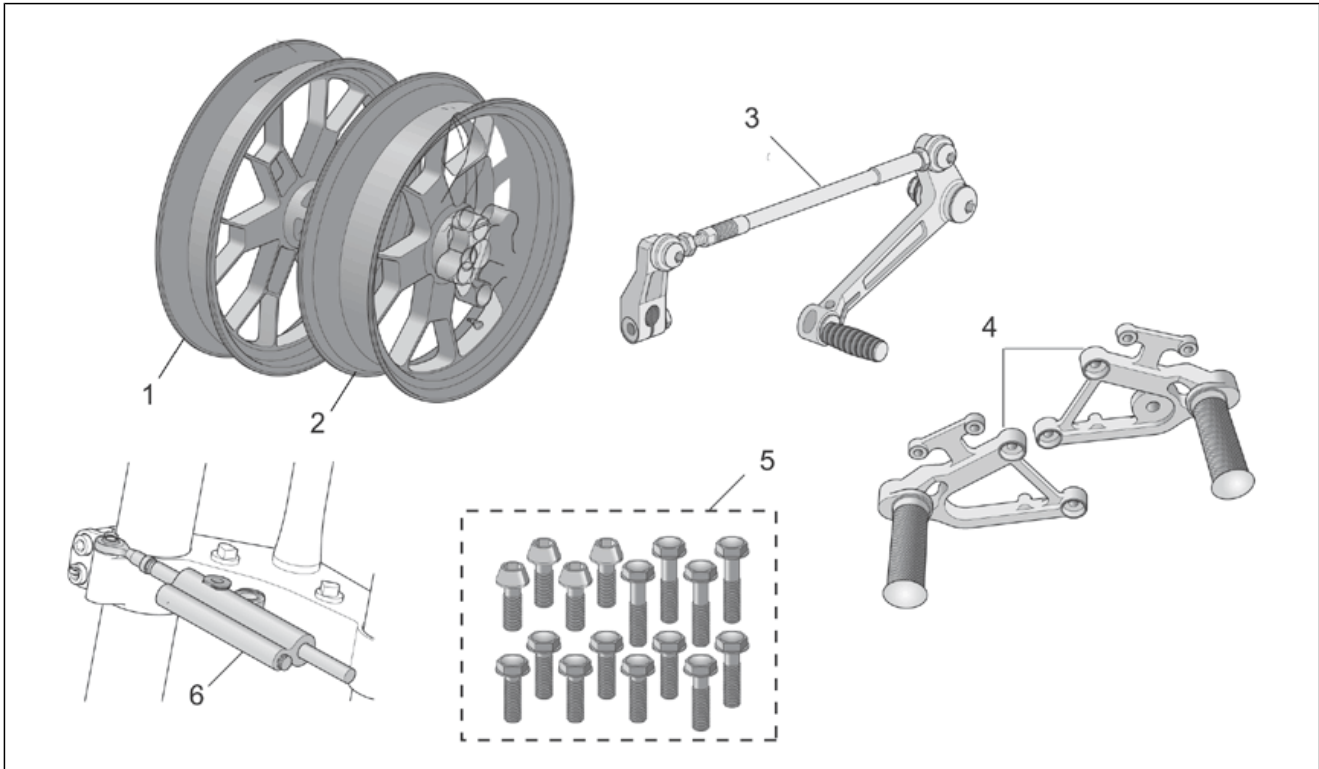
Pos.	Code	Description	Qty	Variants
1	AP0634595	Sprag clutch gear z=64	1	
2	AP0295830	Ignition unit 12V-380W	1	
3	AP0659110	Sprag clutch	1	
4	AP0659120	Sprag clutch housing	1	
5	AP0641590	Hex socket screw	3	
6	AP0241541	Hex socket screw m16x30	1	
7	AP0627270	Washer a17	1	
8	AP0211651	Ignition cover	1	
9	AP0241631	Cover m24x1,5	1	
10	AP0430782	O-ring 23,3x2,4	1	
11	AP0241816	Hex socket screw M6x40	3	
12	AP0240580	Screw w/ flange	2	
13	AP0260870	Cable protection	1	
14	AP0650340	Gasket	1	
15	AP0241811	Hex socket screw	12	
16	AP0229301	Pin M6x50	2	
17	AP0634600	Idle gear	1	
18	AP0634740	Double gear	1	
19	AP0294356	Starter motor cpl.	1	
20	AP0294352	Starter motor revision kit	1	
21	AP0250140	O-ring 24,4x3,1	1	
22	AP0840882	Hex socket screw	2	
23	AP0297942	Spark plug DCPR9E	4	
24	AP0265246	Int.sparkplug cap	2	
25	AP0265244	Ext.sparkplug cap	2	
26	AP0265480	HT coil	2	

Group	ENGINE
Code	29.67
Description	Throttle body
Service	1



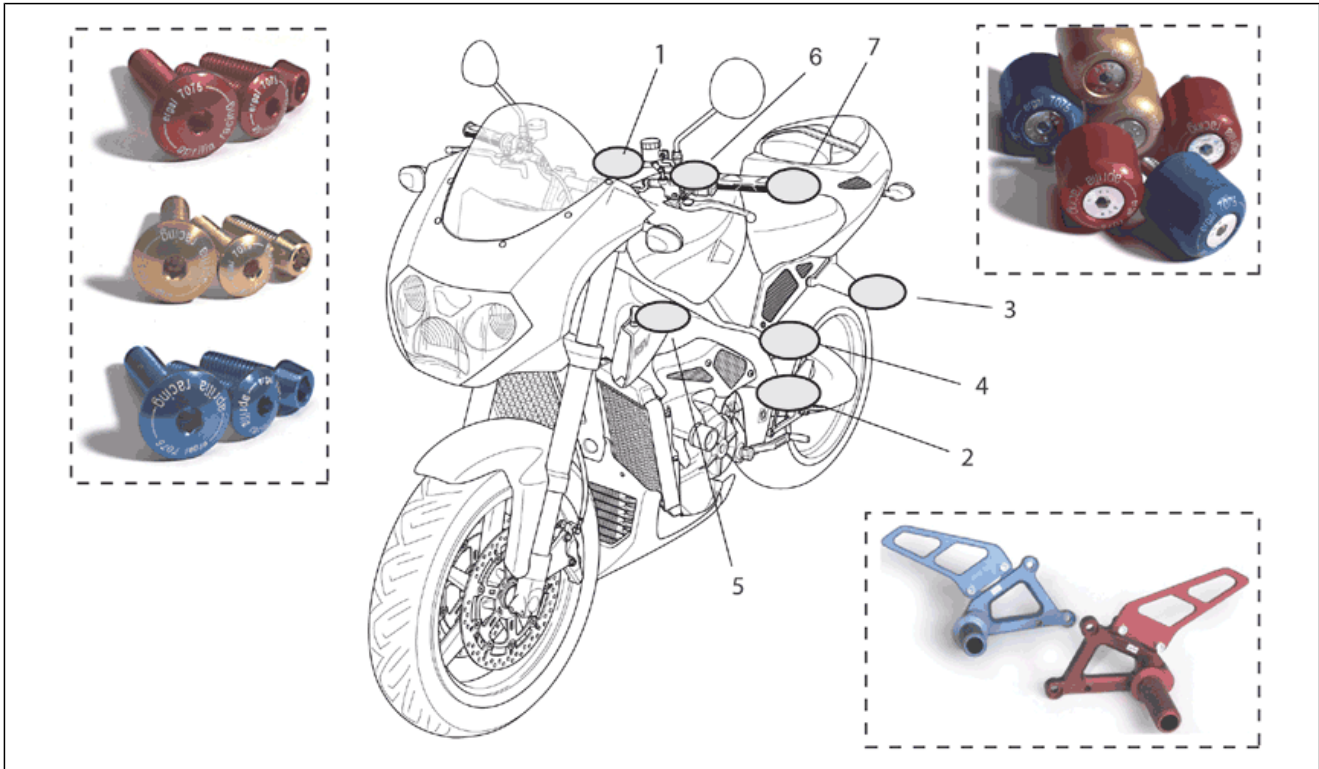
Pos.	Code	Description	Qty	Variants
1	AP0295696	Throttle body cpl.	1	
2	AP0281241	Throttle body revision kit	1	
3	AP0860662	Sensor pipe 110mm	1	
4	AP0661011	Throttle cable supp.plate cpl.	1	
5	AP0274030	Throttle body sensor	1	
6	AP0274010	Injection valve cpl.	2	
7	AP0296180	Gasket set	1	
8	AP0274020	Fuel pressure regulator	1	
9	AP0960111	Sensor pipe 95 mm	2	
10	AP0874320	3-way union	1	
11	AP0960121	Sensor pipe 30 mm	1	
12	AP0274050	Pressure sensor	1	
13	AP0650670	O-ring D4x2	1	
14	AP0268010	Spring	1	
15	AP8114420	Min.eng.spd adj.cable	1	
16	AP0660020	Cap	1	

Group	ACCESSORIES
Code	30.69
Description	Acc. - Cyclistic components
Service	1



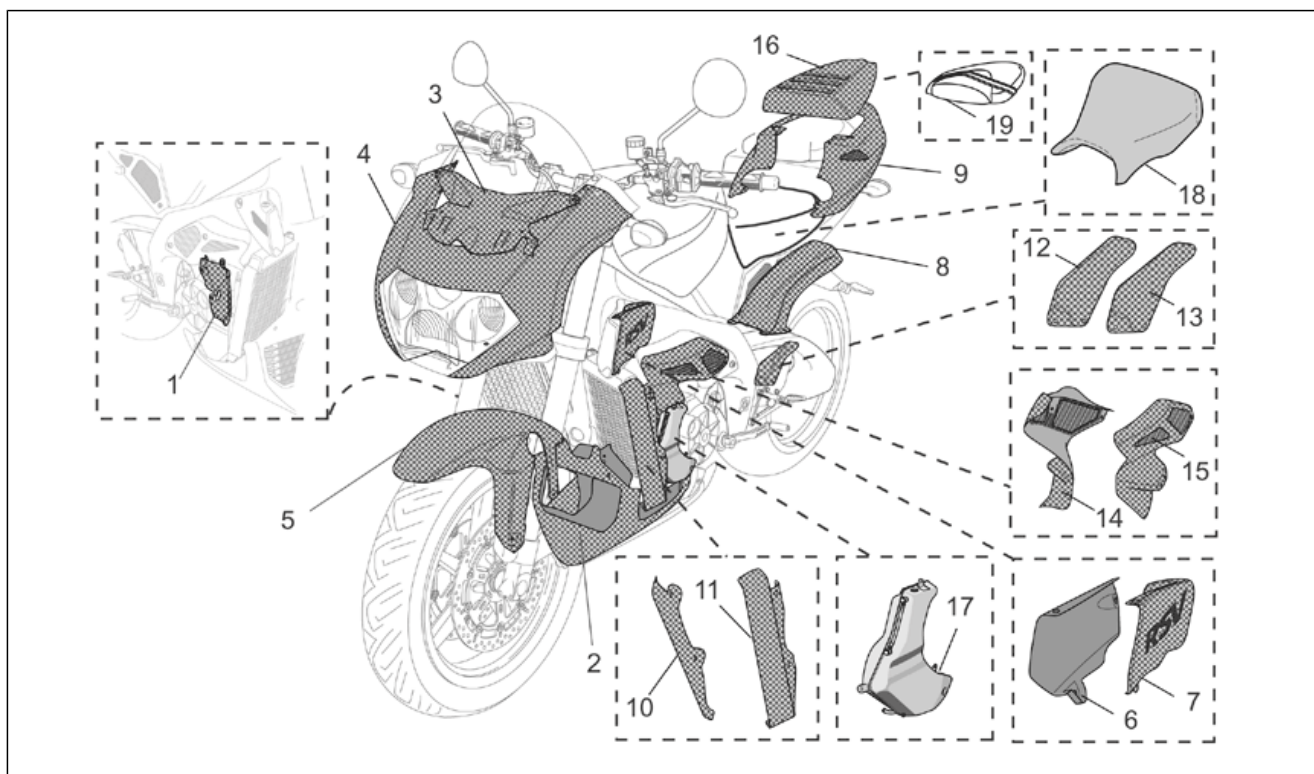
Pos.	Code	Description	Qty	Variants
1	AP8796196	Front wheel, blue OZ-Alu	1	Vehicle colour: Diablo Black "Racing" 2002[rac] Technical Specifications: Accessories[A], "R - Standard" 2004-2005 Version[RS], "Standard" 2002-2003 Version[ST]
1	AP8796263	Front wheel, silver OZ-Alu	1	Vehicle colour: Diablo Black "Racing" 2002[rac] Technical Specifications: Accessories[A], "R - Standard" 2004-2005 Version[RS], "Standard" 2002-2003 Version[ST]
2	AP8796197	Rear wheel, blue OZ-Alu	1	Vehicle colour: Diablo Black "Racing" 2002[rac] Technical Specifications: Accessories[A], "R - Standard" 2004-2005 Version[RS], "Standard" 2002-2003 Version[ST]
2	AP8796264	Rear wheel, silver OZ-Alu	1	Vehicle colour: Diablo Black "Racing" 2002[rac] Technical Specifications: Accessories[A], "R - Standard" 2004-2005 Version[RS], "Standard" 2002-2003 Version[ST]
3	AP8796530	Gearbox lever ERGAL	1	Technical Specifications: Accessories[A]
4	AP8796531	Adjustable foot rests Alu	1	Technical Specifications: Accessories[A]
5	AP8791220	Screw kit, 66 pieces Inox	1	Technical Specifications: Accessories[A], "R - Standard" 2004-2005 Version[RS], "Standard" 2002-2003 Version[ST]
6	AP8123972	Steering shock absorber Ohlin	1	Technical Specifications: Accessories[A], "R - Standard" 2004-2005 Version[RS], "Standard" 2002-2003 Version[ST]

Group	ACCESSORIES
Code	30.70
Description	Acc. - Cyclistic components II
Service	1



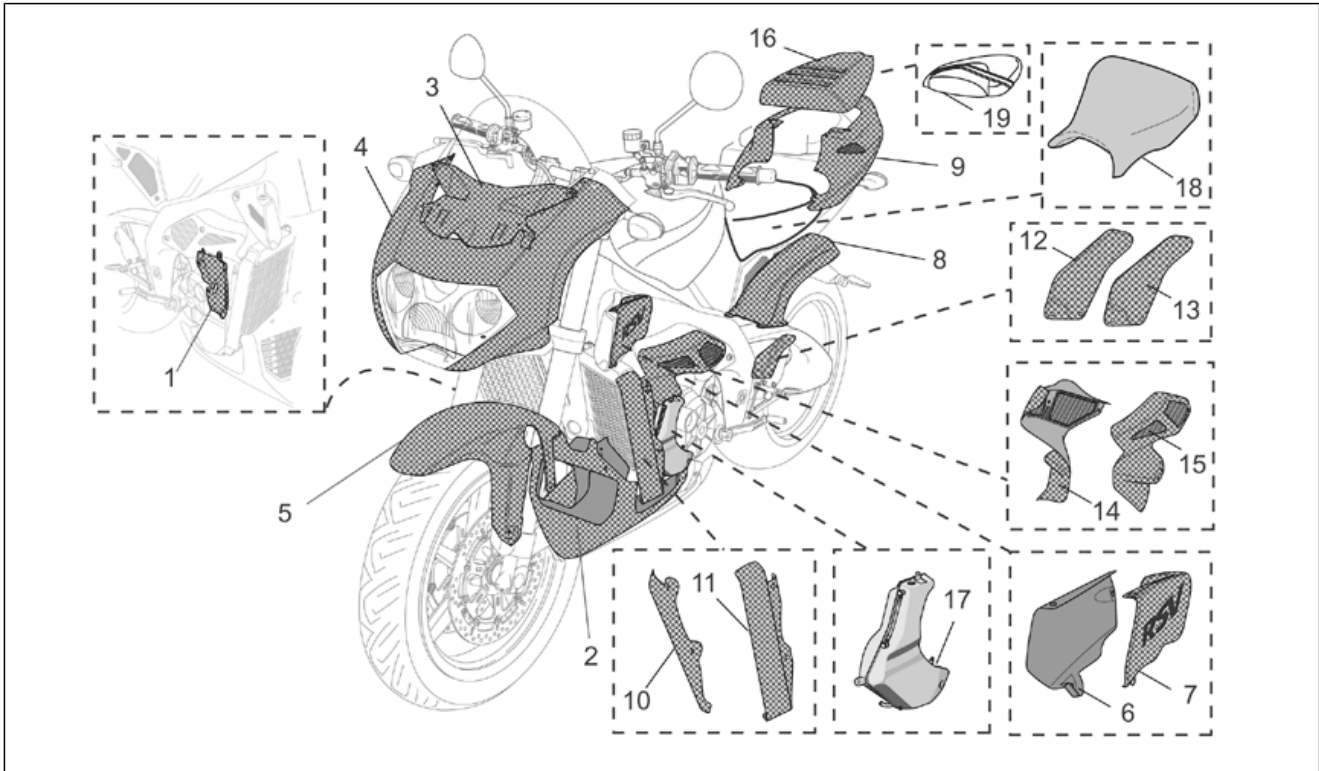
Pos.	Code	Description	Qty	Variants
1	AP8140451	Fuel cap screws, red Ergal	1	
1	AP8140453	Fuel cap screws, gold Ergal	1	
2	AP8140496	Adj.Foot rests, pair Ergal-Red	1	
2	AP8140497	Adj.Foot rests, pair Ergal-Blu	1	
2	AP8140498	Adj.Foot rests, pair Ergal-Oro	1	
2	AP8140702	Pair adj.foot rests,blk. Ergal	1	
3	AP8140499	Rear footrests, pair Ergal-Red	1	
3	AP8140500	Rear footrests, pair Ergal-Blu	1	
3	AP8140501	Rear footrests, pair Ergal-Oro	1	
3	AP8140703	Pair re.foot rests,black Ergal	1	
4	AP8140505	Toe guard, pair Ergal-Red	1	
4	AP8140506	Toe guard, pair Ergal-Blu	1	
4	AP8140507	Toe guard, pair Ergal-Oro	1	
5	AP8140707	Fairing screws, red Ergal	1	
5	AP8140708	Fairing screws, blue Ergal	1	
5	AP8140709	Fairing screws, gold Ergal	1	
6	AP8140532	Handlebar screws, red Ergal	1	
6	AP8140533	Handlebar screws, blue Ergal	1	
6	AP8140534	Handlebar screws, gold Ergal	1	
7	AP8140699	Anti.vib.weights, red Ergal	1	
7	AP8140700	Anti.vib.weigh.,blue Ergal	1	
7	AP8140701	Anti.vib.weights, gold Ergal	1	

Group	ACCESSORIES
Code	30.71
Description	Acc. - Special body parts
Service	1



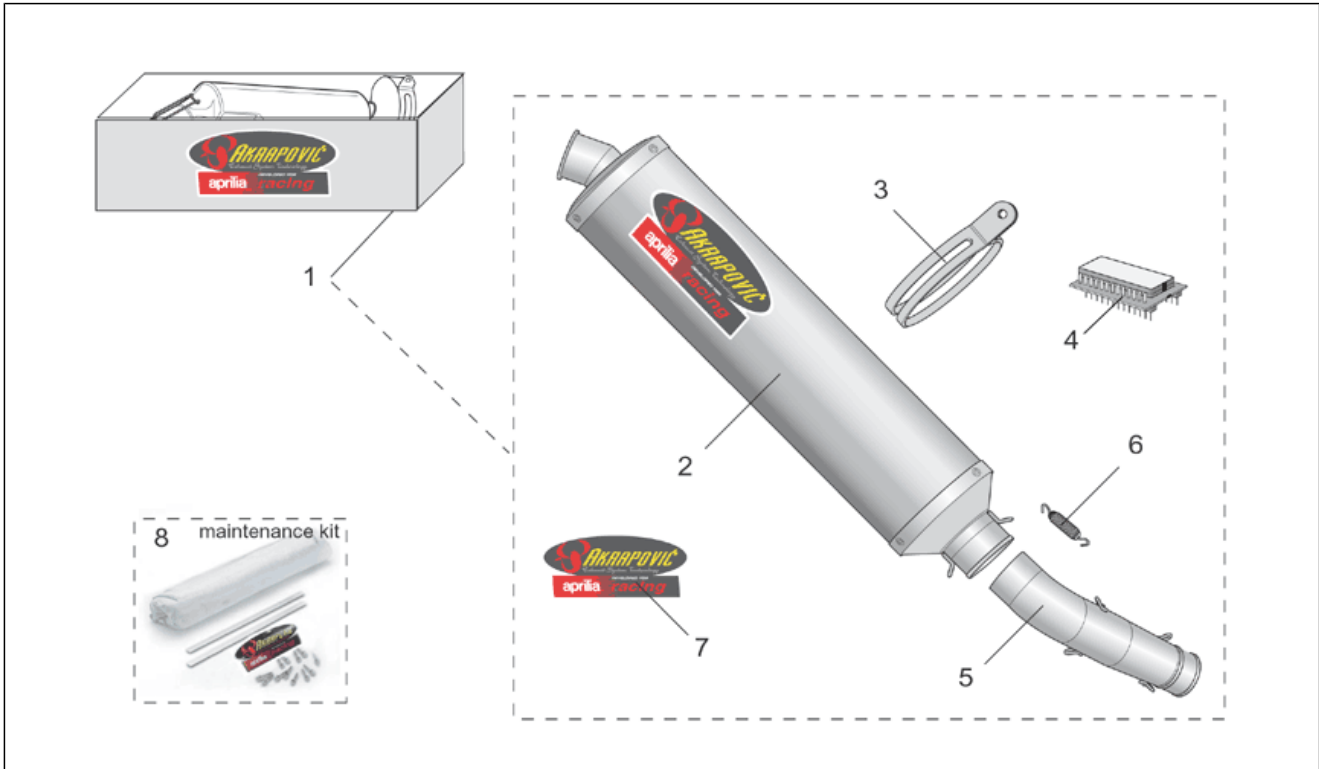
Pos.	Code	Description	Qty	Variants
1	AP8791221	Expans.Tank protection Carb.	1	Technical Specifications: Accessories[A], "R - Standard" 2004-2005 Version[RS], "Standard" 2002-2003 Version[ST]
2	AP8791222	Pillar, carb.	1	Technical Specifications: Accessories[A], "R - Standard" 2004-2005 Version[RS], "Standard" 2002-2003 Version[ST]
3	AP8791223	Windsh./dashbo.fairing Carb.	1	Technical Specifications: Accessories[A], "R - Standard" 2004-2005 Version[RS], "Standard" 2002-2003 Version[ST]
4	AP8791224	Front fairing, carb.	1	Technical Specifications: Accessories[A], "R - Standard" 2004-2005 Version[RS], "Standard" 2002-2003 Version[ST]
5	AP8791225	Front mudguard, carb.	1	Technical Specifications: Accessories[A], "R - Standard" 2004-2005 Version[RS], "Standard" 2002-2003 Version[ST]
6	AP8791226	RH air duct Carb.	1	Technical Specifications: Accessories[A], "R - Standard" 2004-2005 Version[RS], "Standard" 2002-2003 Version[ST]
7	AP8791227	LH air duct Carb.	1	Technical Specifications: Accessories[A], "R - Standard" 2004-2005 Version[RS], "Standard" 2002-2003 Version[ST]
8	AP8791228	Rear mudguard, carb.	1	Technical Specifications: Accessories[A], "R - Standard" 2004-2005 Version[RS], "Standard" 2002-2003 Version[ST]
9	AP8791229	Rear fairing assy. Carb.	1	Technical Specifications: Accessories[A], "R - Standard" 2004-2005 Version[RS], "Standard" 2002-2003 Version[ST]
10	AP8791230	RH H2O cooler pr. Carb./Kevlar	1	Technical Specifications: Accessories[A], "R - Standard" 2004-2005 Version[RS], "Standard" 2002-2003 Version[ST]
11	AP8791231	LH w.cooler prot. Carb./Kevlar	1	Technical Specifications: Accessories[A], "R - Standard" 2004-2005 Version[RS], "Standard" 2002-2003 Version[ST]
12	AP8791213	RH front footrest guard Ca/Kv	1	Technical Specifications: Accessories[A], "R - Standard" 2004-2005 Version[RS], "Standard" 2002-2003 Version[ST]
13	AP8791214	LH front footrest guard Ca/Kv	1	Technical Specifications: Accessories[A], "R - Standard" 2004-2005 Version[RS], "Standard" 2002-2003 Version[ST]
14	AP8791215	RH side fairing Carb./Kevlar	1	Technical Specifications: Accessories[A], "R - Standard" 2004-2005 Version[RS], "Standard" 2002-2003 Version[ST]
15	AP8791216	LH side fairing Carb./Kevlar	1	Technical Specifications: Accessories[A], "R - Standard" 2004-2005 Version[RS], "Standard" 2002-2003 Version[ST]
16	AP8791217	Saddle cover Carb.	1	Technical Specifications: Accessories[A]
17	AP8791218	Oil tank, satin finish Inox	1	Technical Specifications: Accessories[A]

Group	ACCESSORIES
Code	30.71
Description	Acc. - Special body parts
Service	1



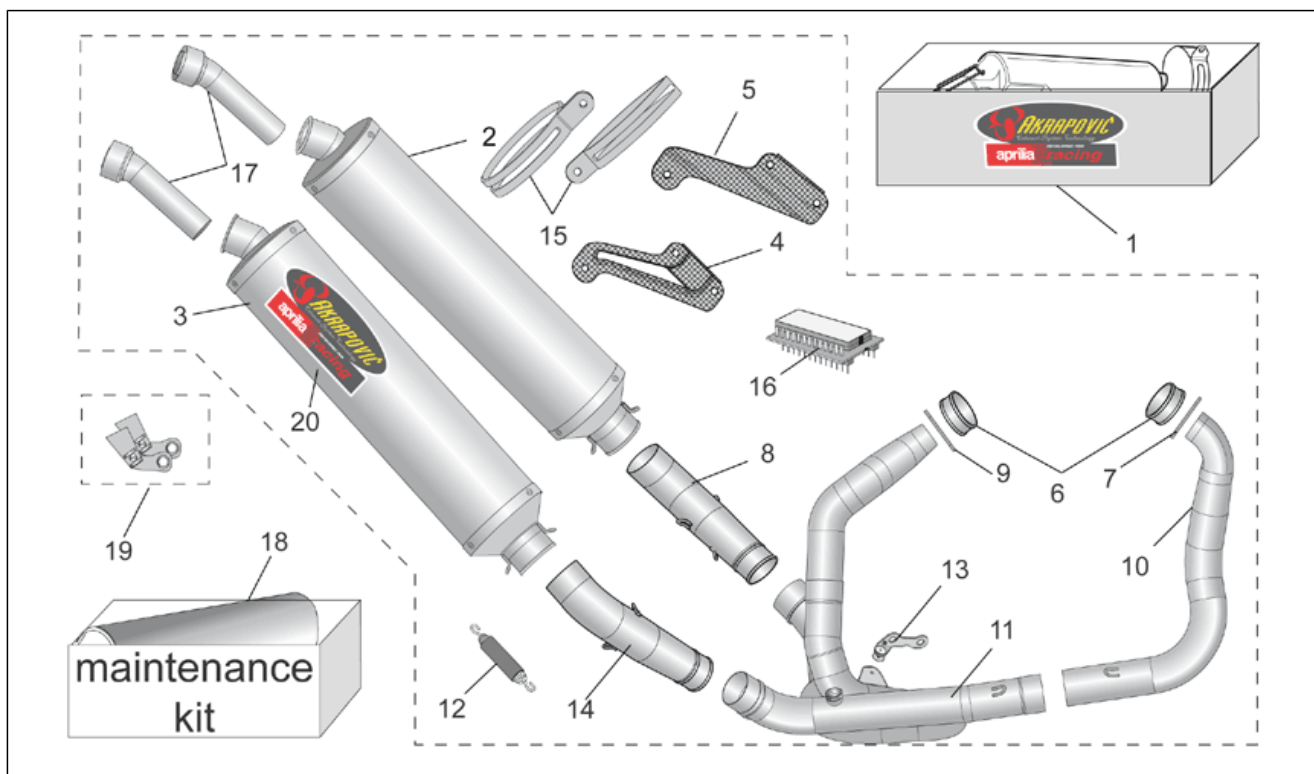
Pos.	Code	Description	Qty	Variants
18	AP8129343	Driver saddle, yellow kevlar	1	Technical Specifications:Accessories[A]
19	AP8791219	Rear saddle+buckle Skay Kevlar	1	Technical Specifications:Accessories[A]

Group	ACCESSORIES
Code	30.72
Description	Acc. - Performance parts I
Service	1



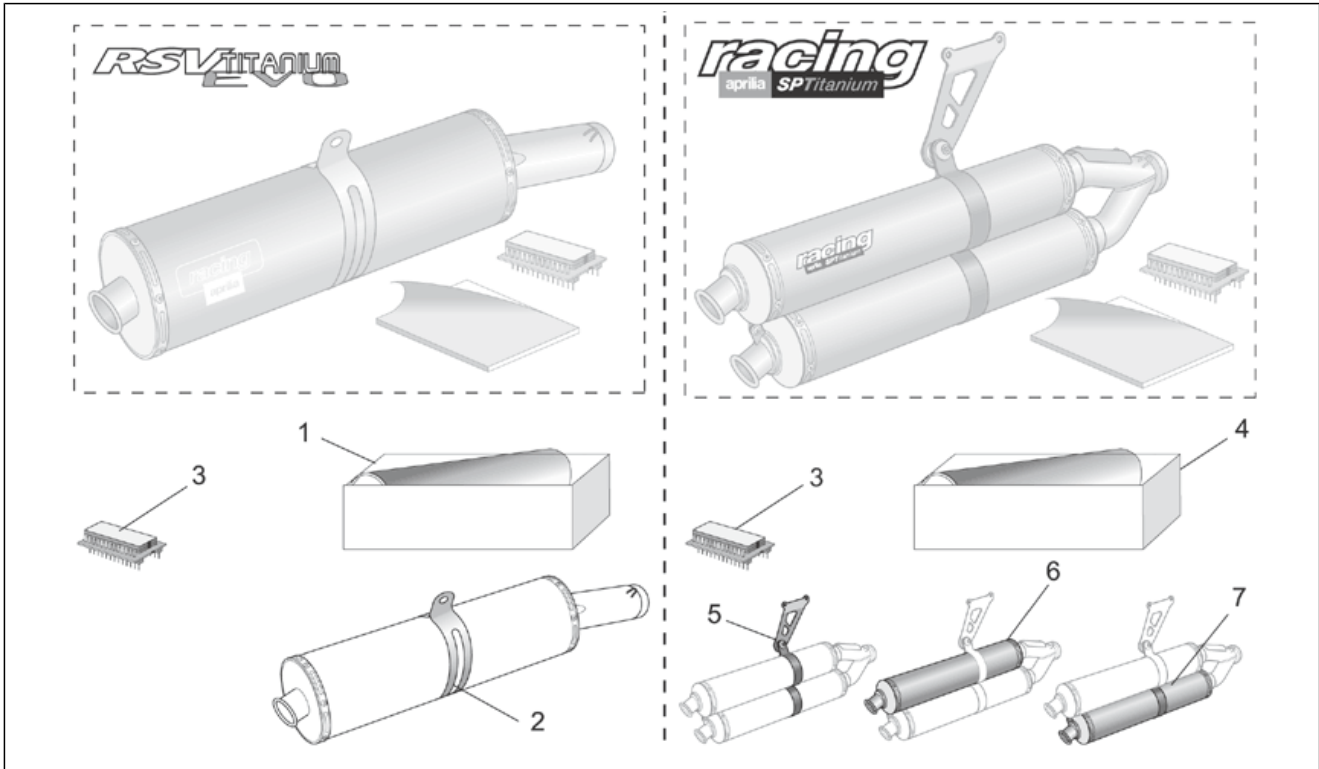
Pos.	Code	Description	Qty	Variants
1	AP8797220	Exhaust unit KIT Akra Mono	1	Technical Specifications: Accessories[A], For Circuit Only[Circ]
2	AP8797227	Silencer Titan	1	Technical Specifications: Accessories[A], For Circuit Only[Circ]
3	AP8797228	Clamp with support	1	Technical Specifications: Accessories[A], For Circuit Only[Circ]
4	AP8796539	Eprom Titan-Evo	1	Technical Specifications: Accessories[A], For Circuit Only[Circ]
5	AP8797229	Exhaust pipe Inox	1	Technical Specifications: Accessories[A], For Circuit Only[Circ]
6	AP8796519	Exhaust pipes spring	4	Technical Specifications: Accessories[A]
7	AP8797215	Sticker	1	Technical Specifications: Accessories[A], For Circuit Only[Circ]
8	AP8797230	Silencer revision kit Akra	1	Technical Specifications: Accessories[A], For Circuit Only[Circ]

Group	ACCESSORIES
Code	30.73
Description	Acc. - Performance parts II
Service	1



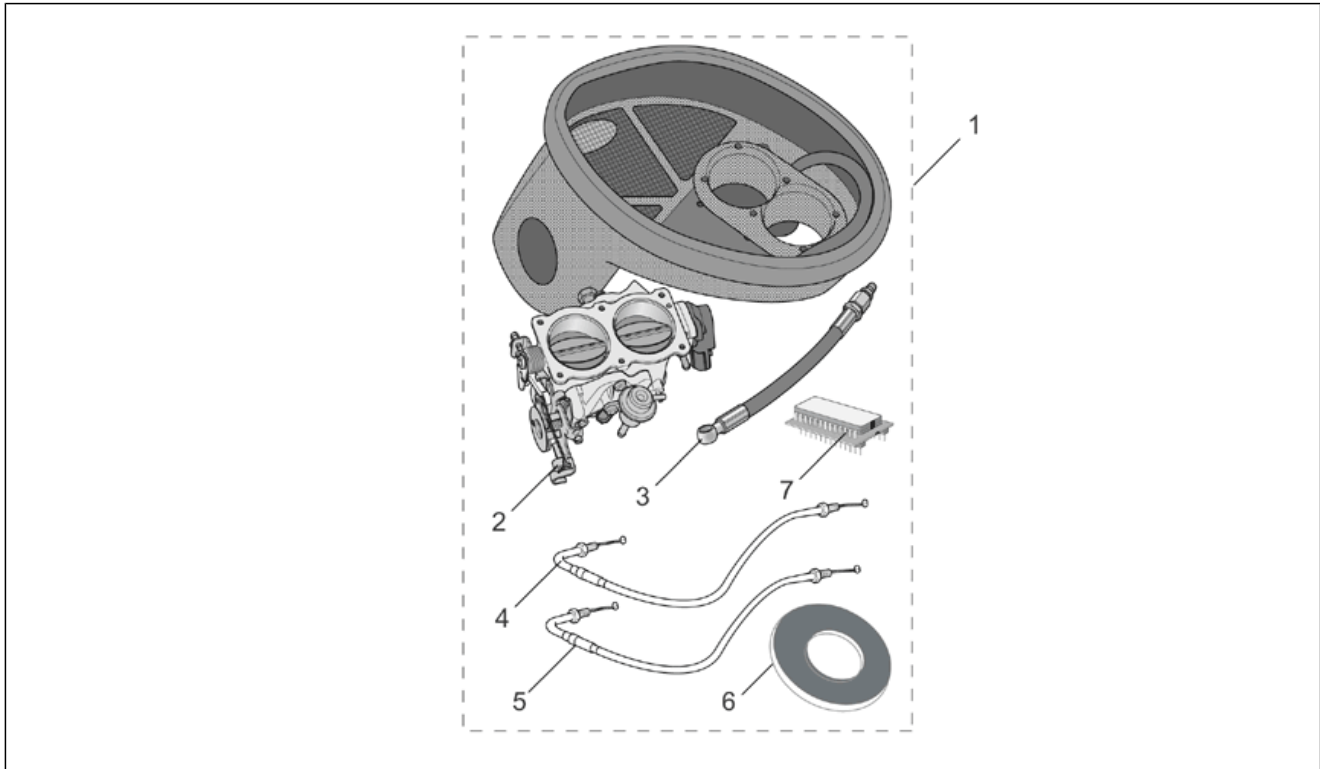
Pos.	Code	Description	Qty	Variants
1	AP8796942	Exhaust kit assy Akrapovic	1	Technical Specifications: Accessories[A], All Countries recog.EEC regulat.E1 0489[Om]
2	AP8797156	LH silencer titan	1	Technical Specifications: Accessories[A], All Countries recog.EEC regulat.E1 0489[Om]
2	AP8797157	RH silencer titan	1	Technical Specifications: Accessories[A], All Countries recog.EEC regulat.E1 0489[Om]
4	AP8796514	LH clamp, carb. Carb.	1	Technical Specifications: Accessories[A]
5	AP8796515	RH clamp, carb. Carb.	1	Technical Specifications: Accessories[A]
6	AP8796518	Exhaust pipe gasket	1	Technical Specifications: Accessories[A]
7	AP8796516	Front flange	1	Technical Specifications: Accessories[A]
8	AP8796509	LH exhaust pipe Inox	1	Technical Specifications: Accessories[A]
9	AP8796517	Rear flange	1	Technical Specifications: Accessories[A]
10	AP8796507	Front. Exhaust pipe Inox	1	Technical Specifications: Accessories[A]
11	AP8796508	Central exhaust pipe Inox	1	Technical Specifications: Accessories[A]
12	AP8796519	Exhaust pipes spring	11	Technical Specifications: Accessories[A]
13	AP8797160	Support bracket Inox	1	Technical Specifications: Accessories[A]
14	AP8796510	RH exhaust pipe Inox	1	Technical Specifications: Accessories[A]
15	AP8796513	Silencer clip Titan-Carb	1	Technical Specifications: Accessories[A]
16	AP8797166	Eprom	1	Technical Specifications: Accessories[A]
17	AP8797159	Exhaust unit Reduction Akra.	1	Technical Specifications: Accessories[A], All Countries recog.EEC regulat.E1 0489[Om]
18	AP8797158	Silencer revision kit Ak.	2	Technical Specifications: Accessories[A], All Countries recog.EEC regulat.E1 0489[Om]
19	AP8796506	Footrest support KIT	1	Technical Specifications: Accessories[A]
20	AP8797215	Sticker	1	Technical Specifications: Accessories[A], All Countries recog.EEC regulat.E1 0489[Om]

Group	ACCESSORIES
Code	30.74
Description	Acc. - Performance parts III
Service	1



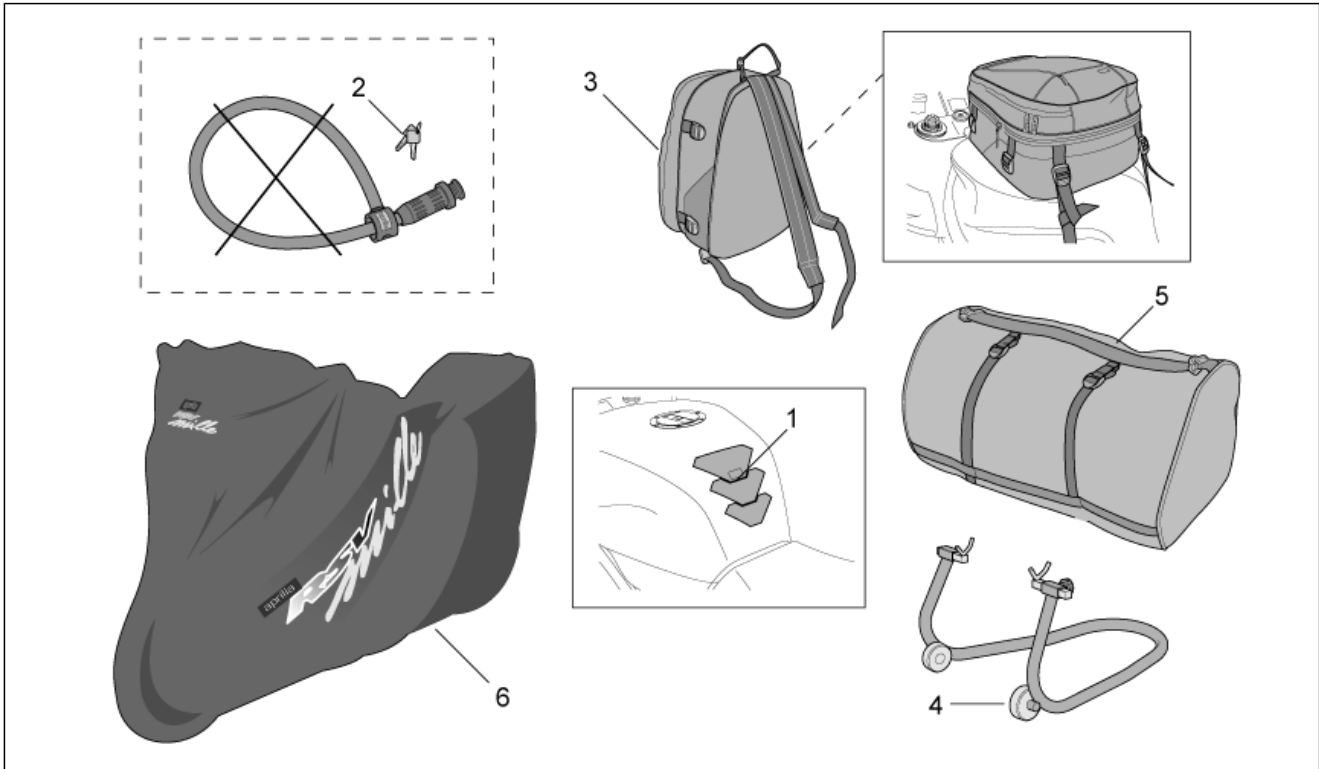
Pos.	Code	Description	Qty	Variants
1	AP8796493	Soundproofing cartridge assy.	1	Technical Specifications: Accessories[A], For Circuit Only[Circ]
2	AP8796492	Support clamp	1	Technical Specifications: Accessories[A], For Circuit Only[Circ]
3	AP8796539	Eprom Titan-Evo	1	Technical Specifications: Accessories[A], For Circuit Only[Circ]
4	AP8796498	Soundproofing cartri.assy-pair	1	Technical Specifications: Accessories[A], For Circuit Only[Circ]
5	AP8796499	Clamp with support Carb.	1	Technical Specifications: Accessories[A], For Circuit Only[Circ]
6	AP8796500	Top silencer SPTitan	1	Technical Specifications: Accessories[A], For Circuit Only[Circ]
7	AP8796501	Bottom silencer SPTitan	1	Technical Specifications: Accessories[A], For Circuit Only[Circ]

Group	ACCESSORIES
Code	30.75
Description	Acc. - Performance parts IV
Service	1



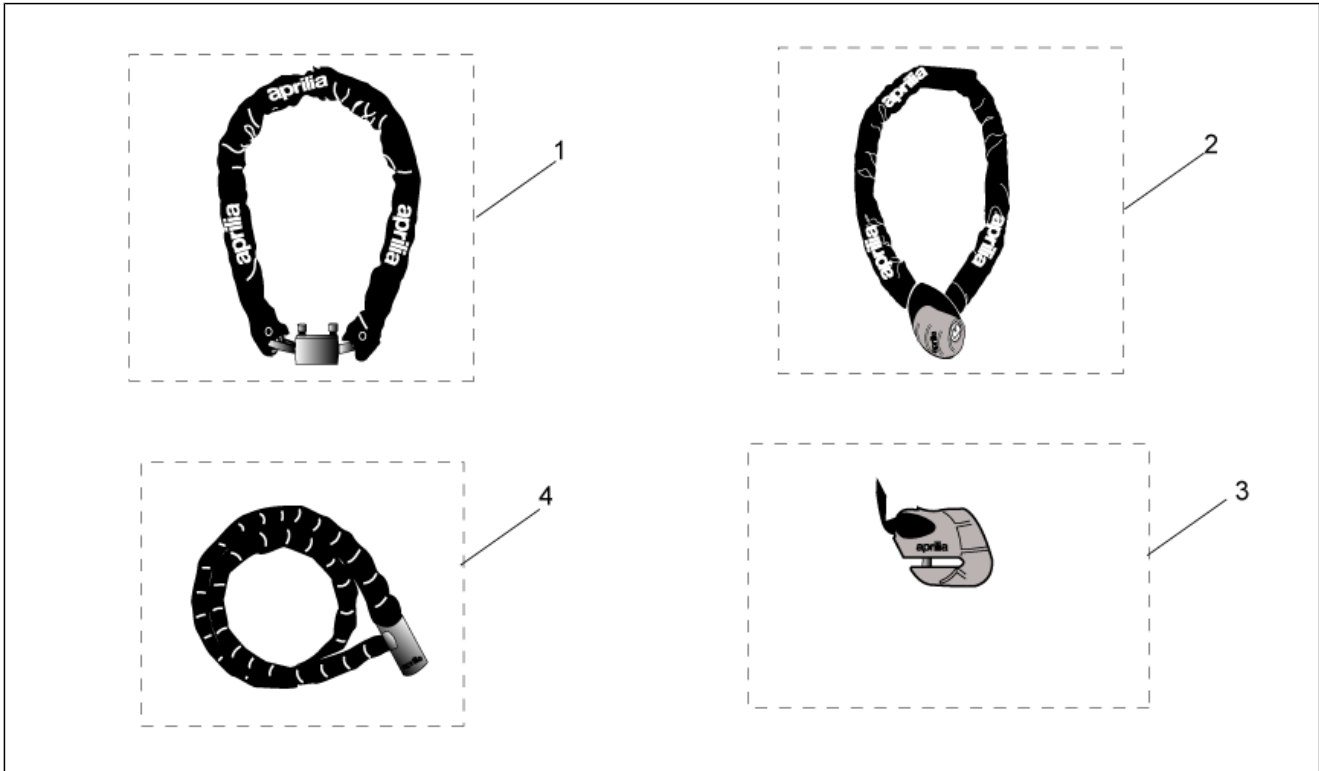
Pos.	Code	Description	Qty	Variants
1	AP8796941	Throttle body KIT Rac.D57	1	Technical Specifications:Accessories[A]
2	AP0296975	Throttle body cpl. D.57	1	Technical Specifications:"R" 2002-2003 Version[R]
3	AP8798003	High pressure pipe	1	Technical Specifications:Accessories[A]
4	AP8114342	Gas trasmission delivery	1	Technical Specifications:"R" 2002-2003 Version[R]
5	AP8114343	Gas trasmission return	1	Technical Specifications:"R" 2002-2003 Version[R]
6	AP8798002	Gasket airbox	1	Technical Specifications:Accessories[A]
7	AP8797168	Eprom	1	Technical Specifications:Accessories[A]

Group	ACCESSORIES
Code	30.76
Description	Acc. - Various
Service	1



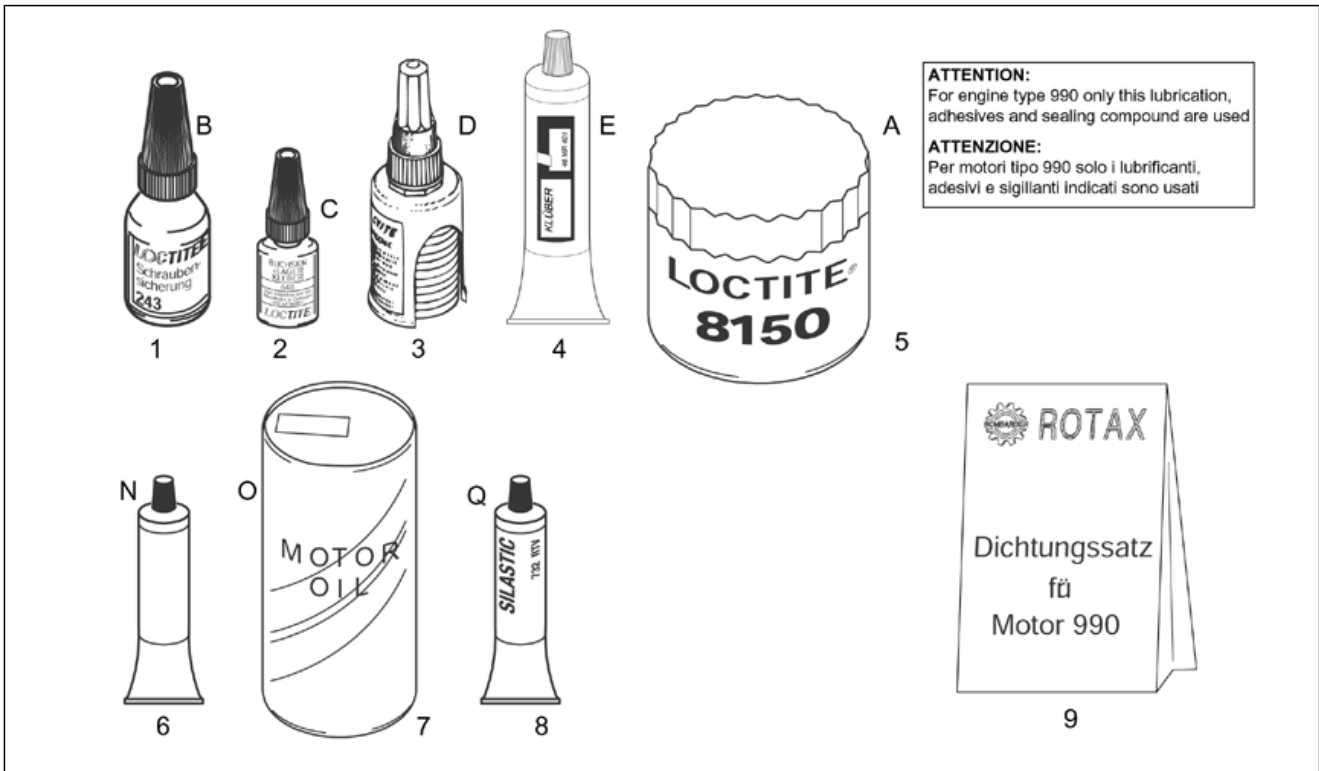
Pos.	Code	Description	Qty	Variants
1	AP8796047	Tank guard stickers kit	1	Technical Specifications: Accessories[A]
2	AP8700792	Key support B.Guard UK-D	1	Country: Germany[D], Great Britain[UK] Technical Specifications: Accessories[A]
2	AP8700793	Key support B.Guard F-NL	1	Country: France[F], Holland[NL] Technical Specifications: Accessories[A]
2	AP8700794	Key support B.Guard I-E	1	Country: Spain[E], Italy[I] Technical Specifications: Accessories[A]
3	AP8792156	Tank pack	1	Technical Specifications: Accessories[A]
4	AP8705021	Rear Workshop stand	1	Technical Specifications: Accessories[A]
5	AP8792152	Rear saddlebag	1	Technical Specifications: Accessories[A]
6	AP8796046	Bike cover	1	Technical Specifications: Accessories[A]

Group	ACCESSORIES
Code	30.77
Description	Acc. - Mechanics anti-theft
Service	1



Pos.	Code	Description	Qty	Variants
1	AP8720115	Iron Guard 10x150 mm	1	Technical Specifications:Accessories[A]
2	AP8720116	Iron Guard 8x120 mm	1	Technical Specifications:Accessories[A]
3	AP8720117	Iron Guard Disk 5 mm	1	Technical Specifications:Accessories[A]
4	AP8720118	Easy Guard 150 mm	1	Technical Specifications:Accessories[A]

Group	SEALING AND LUBRICATING AGENTS
Code	32.68
Description	Sealing and lubricating agents
Service	1



Pos.	Code	Description	Qty	Variants
1	AP0897651	Loctite (blue) 243 10cc.	1	
2	AP0899788	Loctite (green) 648 5gr.	1	
3	AP0899784	Loctite (orange) 574	1	
4	AP0297616	Klueber paste 60 gr	1	
5	AP8116067	Loctite 8150	1	
6	0000000	Tyre	1	
7	0000000	Tyre	1	
8	AP0297386	Silastic 732 Rtv 100 gr.	1	
9	AP0296170	Gasket set	1	