

aprilia[®]

SPARE PARTS CATALOGUE



Dorsoduro 750 E3 ABS 2015-2016 (NAFTA)

Chassis prefix: ZD4SM000, ZD4SMA00, ZD4SMC00, ZD4SMC01

Engine prefix:

Index

Finished products.....	4
Alphanumeric index.....	5
FRAME.....	11
Table 28.01 - Frame I.....	11
Table 28.02 - Frame II.....	12
Table 28.03 - Saddle support.....	13
Table 28.04 - Foot rests.....	14
Table 28.05 - Central stand.....	16
Table 28.06 - Steering.....	17
Table 28.08 - Swing arm.....	18
Table 28.09 - Rear shock absorber.....	20
Table 28.10 - Front body - Front mudguard.....	21
Table 28.11 - Central body.....	22
Table 28.12 - Fuel tank.....	23
Table 28.13 - Fuel pump.....	24
Table 28.14 - Saddle.....	25
Table 28.15 - Rear body I.....	26
Table 28.16 - Rear body II.....	27
Table 28.17 - Rear body III.....	28
Table 28.18 - Dashboard.....	29
Table 28.19 - Handlebar - Controls.....	30
Table 28.20 - Clutch pump.....	31
Table 28.21 - Front master cilinder.....	32
Table 28.22 - Cooling system.....	33
Table 28.23 - Air box.....	35
Table 28.25 - Exhaust unit.....	36
Table 28.26 - Front wheel.....	38
Table 28.27 - Front brake caliper.....	39
Table 28.28 - Rear wheel.....	40
Table 28.29 - Rear brake system.....	41
Table 28.30 - Front lights.....	43
Table 28.31 - Rear lights.....	44
Table 28.32 - Electrical system I.....	45
Table 28.33 - Electrical system II.....	46
Table 28.34 - Lock hardware kit.....	48
Table 28.35 - Decal -Toolkit.....	49
Table 28.54 - Holder.....	51
Table 28.55 - ABS Brake system.....	52
Table 28.56 - USA decals.....	53
Table 28.57 - Fron fork II.....	54
ENGINE.....	56
Table 29.24 - Engine.....	56
Table 29.36 - Crankcases I.....	57

Table 29.37 - Crankcases II.....	59
Table 29.38 - Oil pump.....	60
Table 29.39 - Drive shaft.....	61
Table 29.40 - Cylinder with piston.....	62
Table 29.41 - Valves cover.....	63
Table 29.42 - Cylinder head - valves.....	64
Table 29.43 - Valves pads.....	65
Table 29.44 - Front cylinder timing system.....	66
Table 29.45 - Rear cylinder timing system.....	67
Table 29.46 - Gear box selector.....	68
Table 29.47 - Gear box.....	69
Table 29.48 - Clutch I.....	70
Table 29.49 - Clutch II.....	72
Table 29.51 - Ignition unit.....	73
Table 29.52 - Throttle body.....	74
Table 29.53 - Fuel vapour recover system.....	75
Table 29.54 - Water pump II.....	76



DORSODURO
3902 Dorsoduro 750 E3 ABS 2015-2016 (NAFTA)

Chassis prefix: ZD4SM000, ZD4SMA00,
ZD4SMC00, ZD4SMC01
Engine prefix:

Finished products

Code	Validity
AP6165900CCF12	
AP6165900CCF13	
AP6165900CCF14	
AP6165900YCF12	
AP6165900YCF13	
AP6165900YCF14	
AP6165900YCG15	
AP6165900YCG16	

Code	No. table	Pos.	Code	No. table	Pos.	Code	No. table	Pos.
000267	29.51	16	436695	29.54	23	847915	29.39	8
006450	29.38	2	478171	28.30	7	847928	29.40	8
006642	29.36	21	478761	28.03	2	848209	29.54	10
015597	29.52	15	486075	29.37	9	8482860001	29.40	2
015715	29.51	11	486075	29.38	11	8482860002	29.40	2
122671	29.36	8	487073	29.36	17	8482860003	29.40	2
1A000423	29.36	19	496404	28.33	11	8482860004	29.40	2
1A004819	29.48	14	564878	28.28	10	848341	29.51	17
1R000318	28.33	3	575268	28.01	8	848465	29.37	5
217163	29.52	16	575268	28.03	11	848474	29.36	11
217164	29.52	17	581061	28.33	22	848475	29.36	4
224035	29.54	7	58188R	29.46	22	848650	29.36	6
224664	29.52	14	58189R	28.32	6	848651	29.36	3
239388	29.37	6	583158	28.33	3	848714	29.51	3
254485	28.01	10	584509	28.33	7	848798	29.40	6
254485	28.02	16	584815	29.52	6	848845	29.51	19
254485	28.03	12	597564	29.51	10	849131	29.39	3
254485	28.11	11	597565	29.46	28	849213	29.45	12
254485	28.16	9	638562	28.23	20	849244	29.37	8
254485	28.25	17	640168	29.51	7	849291	29.39	7
254485	28.32	13	640169	29.51	6	849293	29.47	1
254485	28.34	11	640268	29.52	13	849295	29.47	2
254485	28.54	8	640485	29.42	19	849296	29.47	3
254485	29.53	3	640695	28.32	9	849297	29.47	4
255638	28.08	20	641226	28.33	1	849298	29.47	5
277916	29.51	22	641541	29.38	10	849301	29.47	11
277916	29.54	18	654139	28.33	26	849303	29.47	13
285846	29.43	2	825577	29.36	12	849304	29.47	14
288245	29.42	15	825577	29.48	19	849305	29.47	15
289731	29.52	8	825597	29.40	14	849306	29.47	16
289731	29.54	19	825725	29.51	18	849307	29.47	17
292507	28.33	12	82650R	29.40	11	849308	29.47	23
292889	29.36	18	82697R	29.51	1	849309	29.47	18
2D000236	28.55	4	828116	29.40	7	849310	29.47	20
2H000481	28.35	20	82897R	29.36	14	849311	29.47	19
2H000814	28.35	19	829122	29.36	2	849312	29.47	12
2H000815	28.35	18	829122	29.38	15	849360	29.46	2
2H000816	28.35	1	82935R	29.47	26	849367	29.39	9
2H000817	28.35	2	82960R	29.38	12	849396	29.47	9
2H000820	28.35	9	82970R	29.45	12	849424	29.47	6
2H000821	28.35	10	829981	29.51	21	849426	29.47	7
2H000822	28.35	11	83000R2	29.45	12	849468	29.46	3
2H000823	28.35	12	830249	29.41	4	849558	29.41	2
2H000824	28.35	5	830389	29.51	5	849693	29.46	1
2H000825	28.35	6	83038R	29.42	1	849817	29.44	10
2H000826	28.35	19	83038R	29.44	12	849817	29.45	10
2H000827	28.35	18	830390	29.51	4	849827	29.44	14
2H000828	28.35	1	831148	29.51	17	849827	29.45	14
2H000829	28.35	2	831153	29.48	11	8498735001	29.39	1
2H000832	28.35	9	832963	29.37	1	8498735002	29.39	1
2H000833	28.35	10	833520	29.42	18	849898	29.52	7
2H000834	28.35	11	834232	28.22	16	849909	29.44	5
2H000835	28.35	12	834317	29.37	7	849910	29.45	6
2H000836	28.35	6	834951	29.54	17	849911	29.37	4
2H000837	28.35	5	840135	29.40	9	849923	29.51	24
2L000143	28.56	1	841915	29.51	15	851049	28.29	7
2L000144	28.56	2	842291	29.41	3	85153600XNB	28.01	2
2L000145	28.56	3	842360	29.42	20	85153700XNB	28.01	3
2L000147	28.56	5	842507	29.42	25	851541	28.01	4
2Q000005	28.35	14	842507	29.47	25	851567	28.23	11
2R000246	29.24	3	844211	29.46	20	85156R	28.26	13
2R000309	28.32	15	846624	29.54	8	851570	28.23	9
411311	29.42	21	846923	29.42	2	851575	28.23	4
430044	29.37	10	846925	29.42	7	851576	28.23	3
430136	29.36	15	847268	29.39	6	851577	28.23	1
432142	29.52	9	847537	29.36	16	85157R	28.28	5
436438	29.42	16	847906	29.39	10	851581	28.23	6

Code	No. table	Pos.	Code	No. table	Pos.	Code	No. table	Pos.
851582	28.25	5	856780	28.04	2	860237	28.12	8
851586	28.25	10	856783	28.04	16	860328	28.22	12
851590	28.25	3	856784	28.04	17	860329	29.49	9
851596	28.22	1	856787	28.08	24	860331	28.16	14
851598	28.22	7	856792	28.09	1	860382	28.02	11
851599	28.22	9	856797	28.25	1	860397	28.25	18
851600	28.22	8	856798	28.25	3	860402	29.24	16
851602	28.22	11	856799	28.25	8	860404	28.01	12
851645	28.20	1	856802	28.22	4	860426	28.29	1
851683	28.22	6	856803	28.28	2	860437	28.25	2
851685	28.23	7	856805	28.28	1	860447	28.10	8
851723	28.21	1	856807	28.21	5	860447	28.12	17
851724	28.27	1	856808	28.29	3	860447	28.30	20
851725	28.29	2	856810	28.29	17	860447	28.31	16
851784	28.02	1	856823	28.11	8	860448	28.29	1
851785	28.23	12	85682400XB3	28.11	3	860466	28.21	5
851789	28.03	8	85682400XD6	28.11	3	860466	28.55	1
852165	28.01	5	85682400XN6	28.11	3	860467	28.55	2
852433	28.25	16	85682400XR4	28.11	3	860468	28.55	3
852480	29.24	10	85682500XB3	28.11	2	860469	28.29	2
853035	28.02	5	85682500XD6	28.11	2	860471	28.55	5
853036	28.02	4	85682500XN6	28.11	2	860472	28.55	6
853037	28.01	6	85682500XR4	28.11	2	860484	28.55	7
853213	28.02	12	856827	28.17	7	860485	28.55	8
853434	28.23	22	856833	28.35	13	860612	28.54	1
853458	28.22	30	856843	28.31	7	860628	28.54	2
853470	28.06	8	856850	28.10	2	860629	28.54	3
854555	28.30	3	856854	28.25	20	860662	28.09	5
854555	28.31	10	856855	28.19	14	860667	28.54	4
854556	28.30	4	856856	28.19	15	860694	28.28	3
854556	28.31	9	856857	28.10	7	860728	28.35	11
854631	28.31	17	856859	28.25	19	860729	28.35	12
854811	28.32	2	856860	28.11	1	860744	28.19	19
854827	28.06	14	856898	28.30	1	860744	28.29	26
854830	28.33	9	856899	28.31	1	860898	28.08	32
854938	28.34	6	856914	28.25	14	860899	28.08	33
854942	28.02	6	858133	28.23	5	860900	28.08	34
854946	28.23	2	858294	28.25	25	860905	28.05	11
85495200XH7	28.03	1	858334	28.31	18	860909	28.03	3
854962	28.03	4	858350	28.23	25	860930	28.15	2
854970	28.23	10	858423	28.21	10	860931	28.16	10
854973	28.29	16	858424	28.20	14	860932	28.16	11
855071	28.17	14	858507	28.05	12	860986	28.12	18
855799	29.42	11	858508	28.05	1	860987	28.04	24
856048	28.21	2	858509	28.05	2	860988	28.15	10
856049	28.21	3	858576	29.53	16	871094	29.48	17
856050	28.20	4	858588	28.56	6	871095	29.48	18
856050	28.21	4	859764	28.08	29	871494	29.51	18
856052	28.29	20	859777	28.57	20	871609	29.48	12
856054	28.20	2	859781	28.21	1	871609	29.48	6
856055	28.20	3	859789	28.54	14	871649	29.46	8
856062	29.53	5	859792	28.29	31	8716755	29.51	13
856063	29.53	6	859792	28.57	23	871748	29.44	16
856069	29.24	6	859793	28.54	6	871748	29.45	16
856079	29.24	9	859921	28.04	4	871776	29.40	13
856180	28.34	9	859929	28.08	35	871798	29.44	15
85623200XES	28.08	1	859936	28.20	5	871798	29.45	15
856314	28.23	13	859946	28.29	8	871901	29.46	24
856315	28.23	14	859949	28.19	5	872033	29.36	5
856496	28.06	1	859967	28.33	4	872125	29.49	3
856557	28.57	21	859976	29.24	11	872126	29.49	10
856603	28.18	2	860026	28.31	15	872127	29.49	11
856604	28.30	8	860127	28.34	3	872129	29.49	1
856675	28.15	1	860137	28.11	9	872154	29.46	5
856774	28.26	8	860138	29.53	10	872173	29.52	4
856775	28.29	22	860171	28.25	27	872174	29.52	1
856779	28.04	1	860236	28.12	11	872176	29.52	10



Code	No. table	Pos.	Code	No. table	Pos.	Code	No. table	Pos.
872177	29.52	11	8741905002	29.39	2	890421	28.11	16
872213	29.49	4	874191	29.48	13	890486	28.03	15
872230	29.52	2	874549	29.54	12	890496	28.22	10
872264	29.52	3	874589	29.40	15	890721	28.29	30
872421	29.48	2	874591	29.44	9	890755	28.12	7
872421	29.51	12	874591	29.45	9	890756	28.34	2
872424	29.42	22	874596	29.44	4	890847	28.12	1
872425	28.32	10	874596	29.45	4	890896	28.31	19
872425	29.40	10	874598	29.54	24	890939	28.31	20
872432	29.37	2	874660	29.48	3	890940	28.31	21
872432	29.38	14	874744	29.44	7	890960	28.28	22
872432	29.40	12	874744	29.45	7	893102	28.35	15
872432	29.51	23	874751	29.44	8	895434	28.35	4
872433	29.42	17	874752	29.45	8	895481	28.33	27
872434	29.42	14	874933	29.42	6	895709	28.12	9
872437	29.51	9	8751580001	29.39	4	895839	28.35	8
8725174	29.48	14	8751580002	29.39	4	896107	28.19	3
872560	29.46	14	8751580003	29.39	4	896110	28.25	11
872655	29.40	3	8751580004	29.39	4	896110	28.25	11
872656	29.40	4	875358	29.38	16	896371	28.18	1
872657	29.40	5	875413	29.42	24	896384	28.21	1
872807	29.42	9	875725	29.48	18	896385	28.21	1
872850	29.48	1	875775	29.52	18	896512	28.30	21
872948	29.42	23	875814	29.54	16	896513	28.30	22
873005	29.42	4	875819	29.39	7	896544	28.12	10
873006	29.42	5	875995	28.13	5	896664	28.04	5
873082	29.43	1	876296	29.48	20	896665	28.04	6
873115	28.20	8	876477	29.48	8	896693	28.34	1
873117	29.48	10	876529	29.54	3	896741	28.32	5
873127	29.48	4	876538	29.54	6	896741	28.33	20
873218	29.52	5	876595	29.49	7	896742	28.32	5
873233	29.44	11	876790	29.48	5	896742	28.33	20
873233	29.45	11	877069	29.54	13	896897	28.32	8
873268	28.20	11	877131	29.49	8	896974	28.34	4
873396	29.42	12	877138	29.48	7	897070	28.57	1
873433	29.52	12	877850	29.54	11	897071	28.57	2
873459	29.42	3	878115	29.54	5	897118	28.27	3
873543	29.48	8	878384	29.51	2	897119	28.29	21
873612	29.38	13	8783940001	29.36	22	897328	28.57	3
873695	29.46	26	8783940002	29.36	22	897329	28.57	4
873706	29.49	1	8783940003	29.36	22	897330	28.57	30
873715	29.49	3	878439	29.44	13	897331	28.57	31
873717	29.49	6	878439	29.45	13	897332	28.57	11
873718	29.49	7	878705	29.42	13	897335	28.57	6
873719	29.49	4	878734	29.54	2	897336	28.57	12
873722	29.49	5	878742	29.46	19	897337	28.57	29
873723	29.49	11	878867	29.46	9	897339	28.57	28
873724	29.49	10	878870	29.46	13	897340	28.57	32
873725	29.49	8	878871	29.38	6	897341	28.57	14
873863	29.38	5	878872	29.51	20	897342	28.57	25
873866	29.38	4	8793650001	29.36	23	897343	28.57	26
873905	29.36	9	8793650002	29.36	23	897344	28.57	27
873906	29.38	8	8793650003	29.36	23	897648	28.06	3
873928	29.36	9	8793650004	29.36	23	898025	28.03	14
873960	29.44	1	879421	29.49	5	898078	28.19	12
873961	29.44	2	880646	29.54	15	898079	28.19	13
873962	29.45	1	880779	29.48	14	898096	28.35	3
873963	29.45	2	880797	29.54	4	898260	28.13	1
873974	29.38	7	884033	29.24	22	898261	28.13	7
873995	29.48	15	890002	28.08	3	898386	28.06	13
874037	28.20	10	890126	28.08	30	898520	28.57	16
874129	29.46	10	890164	28.04	26	898521	28.57	15
874176	29.44	3	890195	28.12	15	898522	28.57	7
874176	29.45	3	890206	28.01	17	898793	28.57	9
874185	29.44	17	890220	28.30	19	898794	28.57	13
874185	29.45	17	890266	28.01	22	898795	28.57	5
8741905001	29.39	2	890267	28.01	23	898796	28.57	10

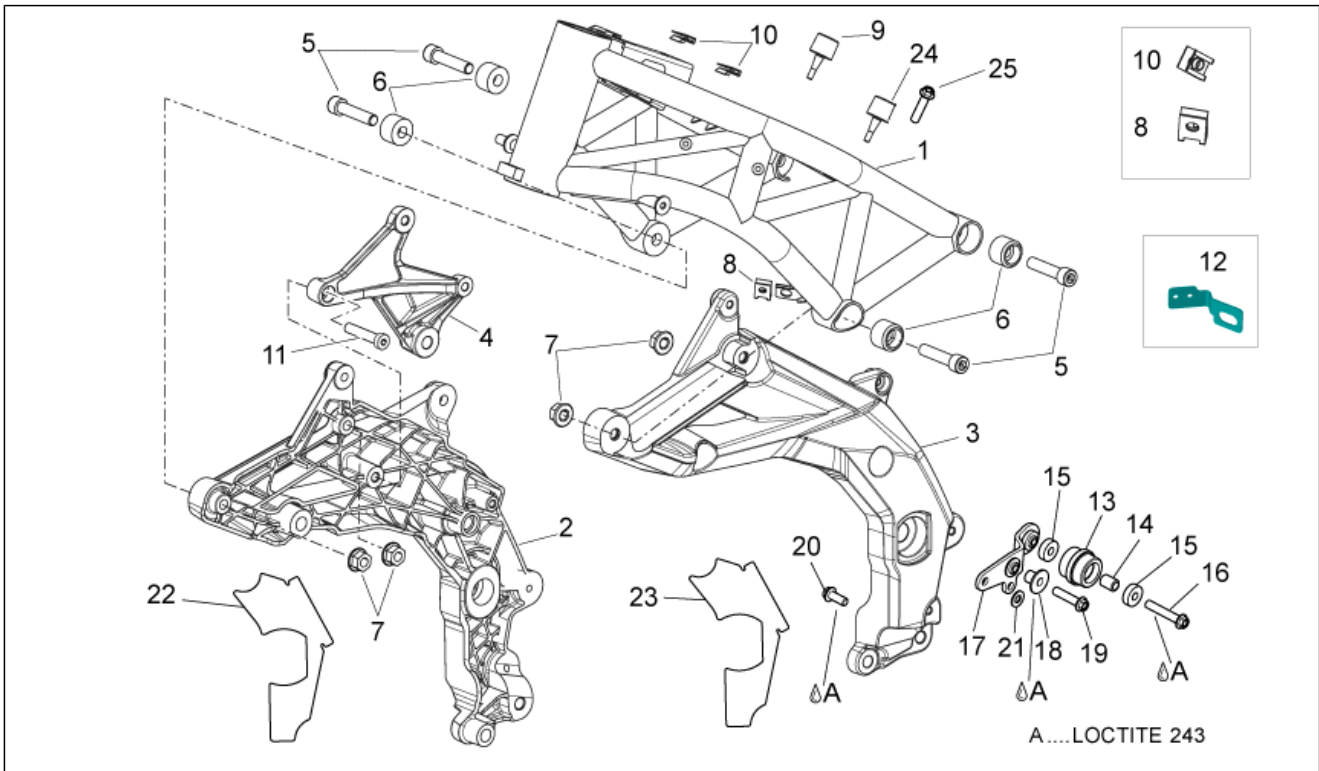


Code	No. table	Pos.	Code	No. table	Pos.	Code	No. table	Pos.
898797	28.57	8	AP8104836	28.22	5	AP8121420	28.34	15
89886800XH7	28.01	1	AP8104920	28.34	14	AP8121455	28.25	13
89957500C1	28.14	1	AP8104921	28.19	10	AP8121464	28.22	17
969323	29.38	19	AP8104922	28.19	11	AP8121520	28.19	4
971718	29.46	11	AP8106806	28.28	19	AP8121566	28.04	18
971719	29.46	12	AP8110053	29.24	13	AP8121570	28.08	4
974033	29.51	8	AP8110078	28.08	2	AP8121592	28.28	8
974051	29.36	20	AP8110081	28.28	13	AP8121716	28.55	9
974084	29.46	4	AP8110106	28.06	4	AP8121725	28.11	5
974112	29.36	13	AP8112600	28.31	2	AP8121725	28.30	11
974129	29.36	7	AP8112600	28.54	16	AP8121795	28.31	3
974130	29.46	25	AP8112927	28.33	21	AP8121795	28.54	15
974157	29.38	3	AP8113003	28.20	6	AP8121811	29.24	7
974162	29.47	24	AP8113003	28.21	6	AP8121889	29.24	25
974163	29.47	8	AP8113004	28.20	7	AP8121890	28.08	19
974165	29.47	10	AP8113004	28.21	7	AP8121927	28.29	9
974166	29.47	22	AP8113004	28.27	7	AP8121991	28.11	18
974167	29.47	21	AP8113004	28.29	18	AP8123511	28.06	10
974219	29.51	14	AP8117033	28.11	12	AP8123934	28.12	5
974228	29.44	6	AP8117258	28.31	5	AP8124718	28.17	20
974228	29.45	5	AP8117275	28.11	13	AP8124869	28.33	5
974230	29.48	16	AP8118492	28.19	21	AP8124930	28.22	19
974282	29.38	9	AP8118566	28.19	23	AP8125687	28.08	14
974290	29.38	18	AP8118567	28.19	22	AP8125728	28.26	7
974320	29.48	9	AP8118579	28.19	20	AP8125730	28.28	11
974320	29.49	2	AP8120001	28.14	3	AP8125731	28.28	6
974361	29.48	7	AP8120001	28.15	3	AP8125732	28.28	12
9745050004	29.36	22	AP8120001	28.17	10	AP8125763	28.08	13
974517	29.38	1	AP8120030	28.02	10	AP8125773	28.26	5
974556	29.24	2	AP8120030	28.17	4	AP8125777	28.26	4
974558	29.46	23	AP8120030	28.22	23	AP8125779	28.26	6
AP8101595	28.12	19	AP8120030	28.31	22	AP8125786	28.28	15
AP8101595	28.23	28	AP8120030	28.54	17	AP8125788	28.28	17
AP8101606	28.04	11	AP8120177	28.15	6	AP8125827	28.26	12
AP8101743	28.22	32	AP8120177	28.33	25	AP8127098	28.31	4
AP8101744	28.26	2	AP8120178	28.29	11	AP8127121	28.30	23
AP8101744	28.28	7	AP8120253	28.11	7	AP8127305	28.20	12
AP8101861	28.04	22	AP8120416	28.32	11	AP8127305	28.21	8
AP8101968	28.29	13	AP8120422	28.02	13	AP8127345	28.33	13
AP8102151	29.53	21	AP8120422	28.15	12	AP8127346	28.33	15
AP8102159	28.22	38	AP8120422	28.33	19	AP8127461	28.34	8
AP8102239	28.22	40	AP8120446	28.22	31	AP8127489	28.30	5
AP8102375	28.03	13	AP8120446	29.53	12	AP8127489	28.31	14
AP8102375	28.08	28	AP8120536	28.23	15	AP8127856	28.05	9
AP8102375	28.10	4	AP8120581	28.12	16	AP8128169	28.26	3
AP8102375	28.15	5	AP8120593	28.23	23	AP8128170	28.28	16
AP8102375	28.17	9	AP8120657	28.02	14	AP8128189	28.26	14
AP8102386	28.02	15	AP8120657	28.22	33	AP8128228	28.26	1
AP8102386	28.29	27	AP8120712	28.16	8	AP8128231	28.28	4
AP8102386	28.32	12	AP8120876	28.23	27	AP8133841	28.27	2
AP8102386	28.33	18	AP8120905	29.53	2	AP8133943	28.27	3
AP8102503	28.12	20	AP8120912	29.24	18	AP8133944	28.27	4
AP8102520	28.23	24	AP8120952	28.22	34	AP8133945	28.20	9
AP8102520	29.53	19	AP8120965	28.12	12	AP8133945	28.27	5
AP8102524	28.05	8	AP8121032	28.19	16	AP8134167	28.17	13
AP8102600	28.04	15	AP8121080	28.19	17	AP8134167	28.29	24
AP8102600	29.24	5	AP8121133	28.04	21	AP8134419	28.12	4
AP8102615	28.22	3	AP8121155	28.09	7	AP8134419	28.30	9
AP8102678	29.53	1	AP8121200	28.08	10	AP8134451	28.04	20
AP8102688	29.53	15	AP8121201	28.08	12	AP8134677	28.17	21
AP8102719	29.53	7	AP8121203	28.08	11	AP8144005	28.08	8
AP8102738	28.22	36	AP8121204	28.08	6	AP8144006	28.08	5
AP8102764	29.53	11	AP8121212	28.28	14	AP8144007	28.29	5
AP8102786	28.22	39	AP8121213	28.28	21	AP8144007	29.24	24
AP8102815	29.53	13	AP8121221	29.24	17	AP8144038	28.23	26
AP8102913	28.34	5	AP8121223	28.29	4	AP8144046	28.33	8
AP8104097	28.22	26	AP8121332	28.01	18	AP8144048	28.08	7

Code	No. table	Pos.	Code	No. table	Pos.	Code	No. table	Pos.
AP8144081	28.19	18	AP8150350	28.31	8	AP8152286	28.29	23
AP8144146	28.06	5	AP8150351	28.34	7	AP8152287	28.55	10
AP8144158	28.08	31	AP8150382	28.18	4	AP8152289	28.01	19
AP8144168	28.08	21	AP8150413	28.10	5	AP8152289	28.04	23
AP8144222	28.06	11	AP8150413	28.17	2	AP8152289	28.25	12
AP8144245	28.23	8	AP8150421	28.23	21	AP8152291	28.01	16
AP8144276	29.53	9	AP8150429	28.17	5	AP8152298	28.15	4
AP8144277	28.01	9	AP8150429	28.33	17	AP8152298	28.29	25
AP8144328	28.11	10	AP8150429	28.33	24	AP8152298	28.34	12
AP8144443	28.08	15	AP8150430	28.03	17	AP8152299	28.12	6
AP8144444	28.08	16	AP8150430	28.17	19	AP8152299	28.17	15
AP8144487	28.01	24	AP8150430	28.29	10	AP8152299	28.18	8
AP8144538	28.15	11	AP8150459	28.12	2	AP8152299	28.22	29
AP8144538	28.30	18	AP8150462	29.24	19	AP8152299	28.30	2
AP8144552	28.15	9	AP8150463	28.28	18	AP8152299	28.31	12
AP8144553	28.15	8	AP8150500	28.11	14	AP8152299	28.54	12
AP8144644	28.22	2	AP8150505	28.25	22	AP8152301	28.09	6
AP8144707	28.17	12	AP8150509	28.16	3	AP8152302	28.10	6
AP8146405	28.04	7	AP8150509	28.18	5	AP8152305	28.08	17
AP8146406	28.04	8	AP8150535	28.25	23	AP8152306	28.30	14
AP8146520	28.08	9	AP8150540	28.06	2	AP8152306	28.31	6
AP8149034	28.17	11	AP8150548	28.01	7	AP8152306	28.57	22
AP8150009	28.01	21	AP8150548	28.02	2	AP8152323	28.08	27
AP8150009	28.05	13	AP8152001	28.05	5	AP8152323	28.26	9
AP8150012	28.29	29	AP8152037	28.11	15	AP8152324	28.08	23
AP8150014	28.12	3	AP8152043	28.02	7	AP8152329	28.23	17
AP8150015	28.54	13	AP8152055	28.04	25	AP8152329	28.33	2
AP8150017	28.03	18	AP8152055	29.24	4	AP8152335	28.26	10
AP8150018	28.03	10	AP8152055	29.53	14	AP8152339	28.08	22
AP8150018	28.25	15	AP8152128	28.16	12	AP8152339	28.08	25
AP8150020	28.29	6	AP8152138	29.24	14	AP8152339	28.10	3
AP8150020	29.24	23	AP8152174	28.29	28	AP8152339	28.11	4
AP8150026	28.29	12	AP8152176	28.04	12	AP8152339	28.15	7
AP8150026	28.29	33	AP8152176	28.09	3	AP8152339	28.16	2
AP8150026	28.33	23	AP8152187	28.06	17	AP8152339	28.17	8
AP8150026	29.24	15	AP8152246	28.11	6	AP8152342	28.17	18
AP8150044	28.02	8	AP8152246	28.17	16	AP8152350	28.03	5
AP8150044	28.03	16	AP8152246	28.22	28	AP8152409	28.04	19
AP8150044	28.18	6	AP8152273	28.13	4	AP8152414	28.27	6
AP8150045	28.17	6	AP8152273	28.29	32	AP8152442	28.06	7
AP8150046	28.03	6	AP8152273	28.57	18	AP8152486	28.19	8
AP8150049	28.06	9	AP8152277	28.25	21	AP8154043	28.34	16
AP8150050	28.05	10	AP8152277	28.33	16	AP8161074	28.01	13
AP8150050	28.30	15	AP8152277	28.54	11	AP8161076	28.01	14
AP8150101	28.02	3	AP8152277	28.55	11	AP8161083	28.22	18
AP8150114	28.34	13	AP8152277	29.24	8	AP8161119	28.05	3
AP8150137	28.31	11	AP8152278	28.04	14	AP8161127	28.12	13
AP8150137	29.24	20	AP8152278	28.29	34	AP8163500	28.06	6
AP8150171	28.03	7	AP8152278	28.30	10	AP8176100	28.33	14
AP8150179	28.16	13	AP8152278	29.53	8	AP8201301	28.29	14
AP8150179	28.25	26	AP8152279	28.04	14	AP8201358	28.23	16
AP8150192	28.09	4	AP8152279	28.11	17	AP8201358	29.24	21
AP8150195	28.01	11	AP8152279	28.22	13	AP8201409	28.22	25
AP8150195	28.28	20	AP8152279	28.30	16	AP8201749	28.57	24
AP8150204	28.17	17	AP8152279	28.54	9	AP8210007	29.24	12
AP8150236	28.06	16	AP8152280	28.22	27	AP8213574	28.29	19
AP8150248	28.22	21	AP8152280	28.33	10	AP8220135	28.20	13
AP8150255	28.12	14	AP8152280	28.54	7	AP8220135	28.21	9
AP8150270	28.22	20	AP8152280	29.53	18	AP8220150	28.18	3
AP8150285	28.30	17	AP8152281	28.32	7	AP8220192	28.30	13
AP8150292	28.05	4	AP8152281	28.34	10	AP8220283	28.32	4
AP8150298	28.57	19	AP8152282	28.54	10	AP8220349	28.14	2
AP8150324	28.19	6	AP8152282	29.53	17	AP8220349	28.15	13
AP8150329	28.09	2	AP8152283	28.57	17	AP8220366	28.22	15
AP8150333	28.01	25	AP8152286	28.01	20	AP8220370	28.30	12
AP8150334	28.08	18	AP8152286	28.03	9	AP8220546	28.33	6
AP8150334	28.25	4	AP8152286	28.26	11	AP8220546	29.53	20

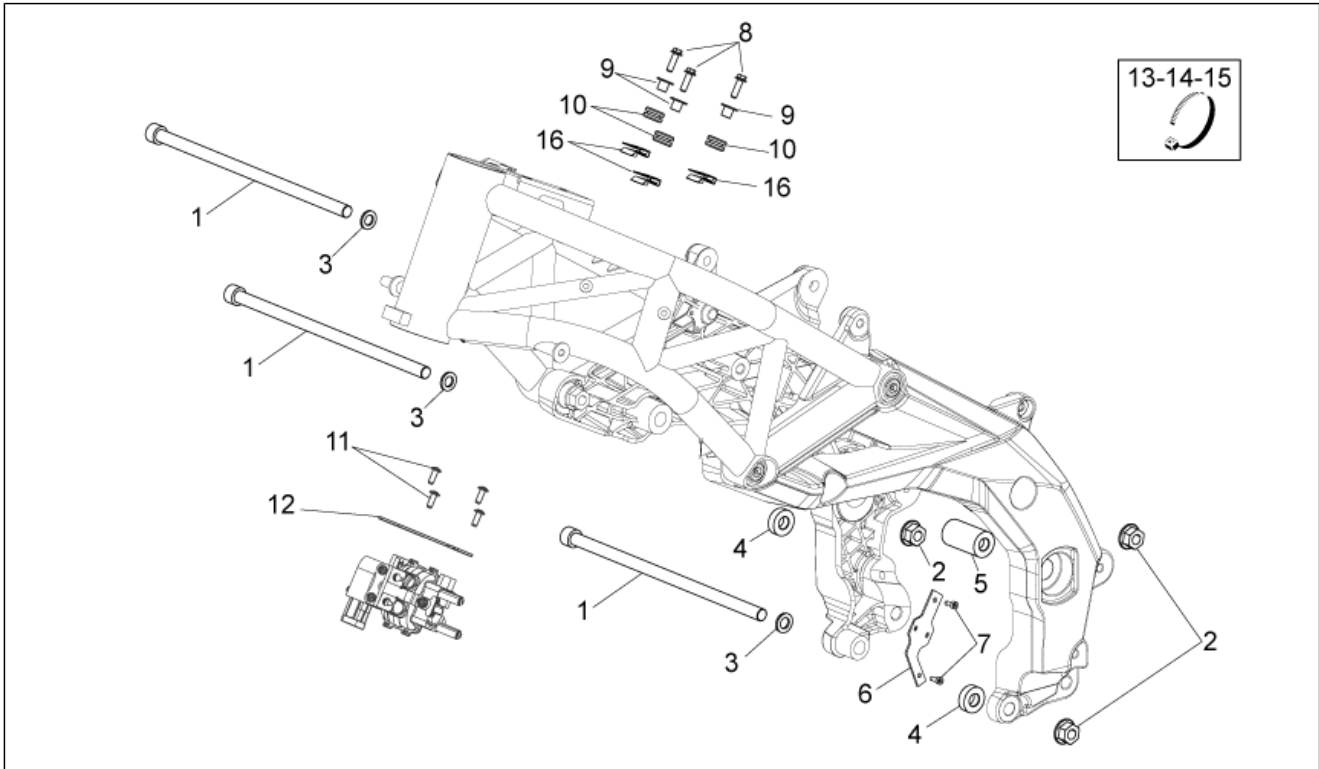
Code	No. table	Pos.	Code	No. table	Pos.	Code	No. table	Pos.
AP8220709	28.13	6	B044414	28.32	1	GU05123430	28.25	24
AP8221007	28.54	18	B044862	28.06	12	GU05123431	28.25	7
AP8221023	28.02	9	B044863	28.19	7	GU05128230	28.25	9
AP8221023	28.17	3	B045033	28.28	9	GU06609600	28.03	19
AP8221023	28.22	22	B045066	28.19	2	GU29732550	28.32	14
AP8221023	29.53	4	B045183	28.35	7	GU30027931	28.23	19
AP8221114	29.24	26	B045422	28.08	26	GU30729330	28.23	18
AP8221145	28.22	14	B045974	28.56	11			
AP8221340	28.16	15	B046059	28.04	1			
AP8221341	28.16	7	B046060	28.04	2			
AP8224164	28.31	13	B046090	28.35	1			
AP8224462	28.32	3	B046091	28.35	2			
AP8224470	28.16	6	B046092	28.35	19			
AP8224470	28.29	15	B046093	28.35	18			
AP8224470	28.54	5	B046094	28.35	9			
AP8257609	28.56	10	B046095	28.35	10			
AP8257742	28.56	9	B046096	28.35	16			
AP8257755	28.56	8	B046097	28.35	17			
AP8257794	28.56	4	B046098	28.35	5			
AP8267395	28.56	7	B046099	28.35	6			
AP9100053	28.18	7	B046100	28.35	1			
AP9100053	28.30	6	B046101	28.35	2			
AP9100175	28.01	15	B046102	28.35	19			
AP9100195	28.04	10	B046103	28.35	18			
AP9100196	28.04	9	B046106	28.35	19			
AP9100197	28.04	3	B046107	28.35	18			
AP9100205	28.06	15	B046108	28.35	16			
AP9100668	28.05	7	B046109	28.35	17			
AP9100669	28.05	6	B046110	28.35	5			
AP9150003	29.46	27	B046111	28.35	6			
AP9150064	29.46	17	B046129	29.49	9			
AP9150069	29.46	16	CM001905	28.22	37			
AP9150070	29.46	18	CM001914	28.22	35			
AP9150394	29.36	10	CM001924	28.22	24			
AP9150479	29.46	21	CM154101	29.37	3			
B013068	29.54	9	CM154102	29.37	3			
B013068	29.54	9	CM154104	29.37	3			
B013306	29.46	6	CM157201	29.43	3			
B013345	29.54	21	CM157202	29.43	3			
B013607	29.48	18	CM157203	29.43	3			
B0136345	29.48	14	CM157204	29.43	3			
B013646	29.41	1	CM157205	29.43	3			
B013744	29.42	10	CM157206	29.43	3			
B013758	29.40	1	CM157207	29.43	3			
B013928	29.46	7	CM157208	29.43	3			
B014258	29.54	22	CM157209	29.43	3			
B014391	29.51	9	CM157210	29.43	3			
B0151515001	29.36	1	CM157211	29.43	3			
B0151515002	29.36	1	CM157212	29.43	3			
B016191	29.44	13	CM157213	29.43	3			
B016191	29.45	13	CM157214	29.43	3			
B016210	29.54	14	CM157215	29.43	3			
B016874	29.54	1	CM157216	29.43	3			
B017519	29.40	1	CM157217	29.43	3			
B017636	29.42	8	CM157218	29.43	3			
B0176490001	29.40	16	CM157219	29.43	3			
B0176490002	29.40	16	CM157220	29.43	3			
B0176490003	29.40	16	CM157221	29.43	3			
B0176490004	29.40	16	CM159001	29.39	5			
B017809	29.46	15	CM159002	29.39	5			
B043013	28.19	1	CM1592105	29.24	1			
B043048	28.04	13	CM179202	29.54	20			
B04420600XN6	28.16	1	GU01106090	28.13	3			
B044244	28.17	1	GU01107490	28.13	2			
B044270	28.10	1	GU01154230	29.38	17			
B044369	28.16	5	GU01603480	28.19	9			
B044370	28.16	4	GU05121630	28.25	6			

Group	FRAME
Code	28.01
Description	Frame I
Service	1



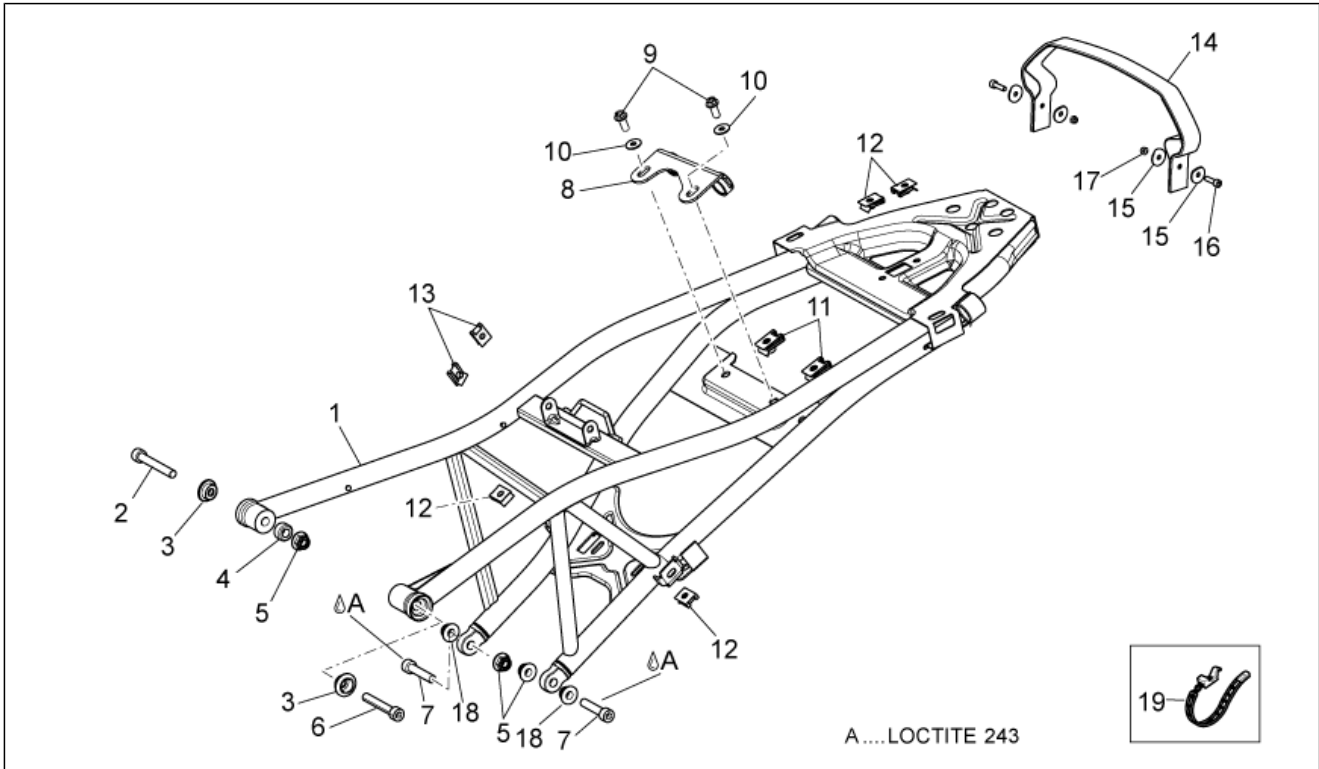
Pos.	Code	Description	Qty	Variants
1	89886800XH7	Compact grey painted frame	1	
2	85153600XNB	RH flank frame,black	1	
3	85153700XNB	LH side panel, black	1	
4	851541	Shock absorber plate	1	
5	852165	Screw	4	
6	853037	Bush	4	
7	AP8150548	Flanged nut M12	4	
8	575268	Spring plate M8	1	
9	AP8144277	Stand end stop	2	
10	254485	Spring plate M6	5	
11	AP8150195	Hex socket screw M10x30	1	
12	860404	Plate	1	
13	AP8161074	Black chain guide roller	1	
14	AP8161076	Spacer	1	
15	AP9100175	Ball bearing 8x22x7	2	
16	AP8152291	Screw w/ flange	1	
17	890206	Upper plate	1	
18	AP8121332	Bush	1	
19	AP8152289	Screw w/ flange	1	
20	AP8152286	Screw w/ flange M8x20	1	
21	AP8150009	Washer	1	
22	890266	RH side fairing decal	1	
23	890267	LH side fairing decal	1	
24	AP8144487	Pad M6x10-25x15	1	
25	AP8150333	Serpress nut	1	

Group	FRAME
Code	28.02
Description	Frame II
Service	1



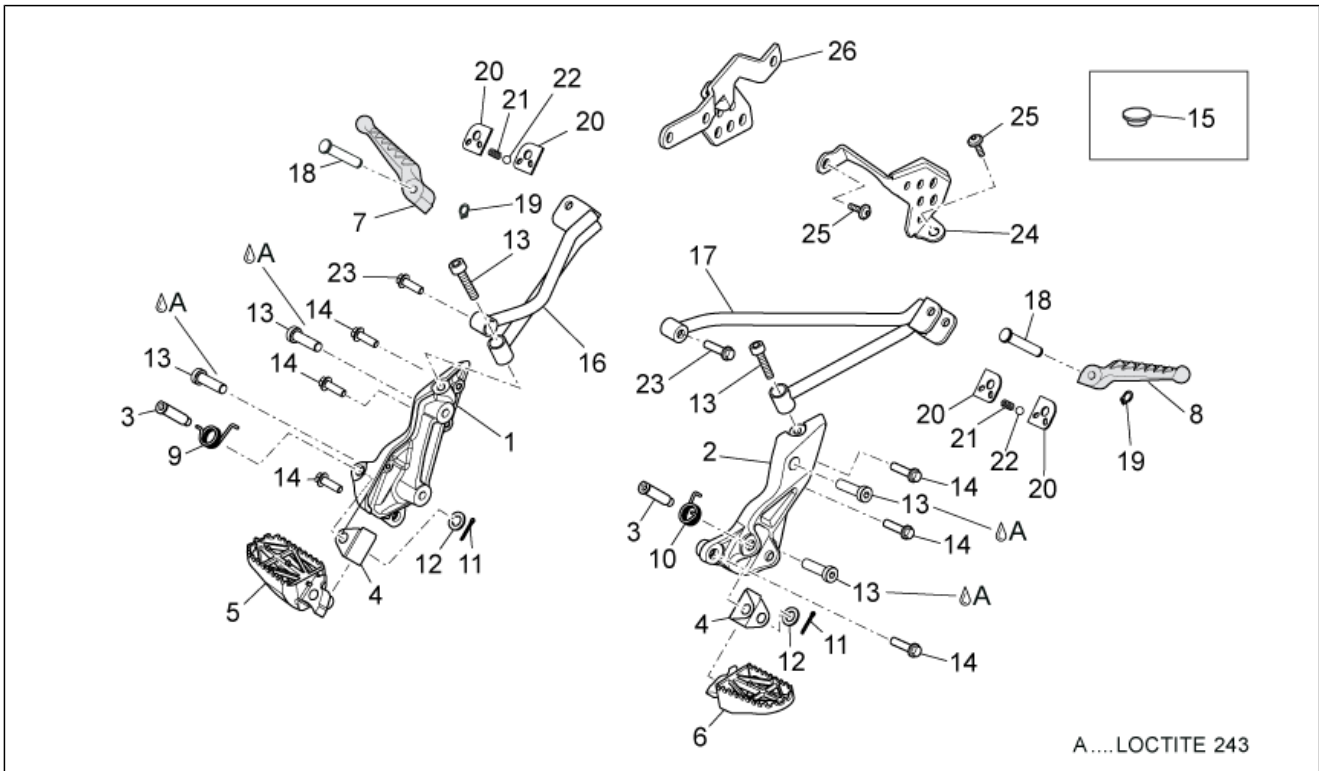
Pos.	Code	Description	Qty	Variants
1	851784	Engine pin	3	
2	AP8150548	Flanged nut M12	3	
3	AP8150101	Washer 13x24x2,5*	3	
4	853036	Spacer	2	
5	853035	Spacer	1	
6	854942	Plate	1	
7	AP8152043	Hex socket screw M4x10	2	
8	AP8150044	Hex socket screw M6x20	3	
9	AP8221023	T bush	3	
10	AP8120030	Rubber spacer	3	
11	860382	Self-tap screw 5x14	4	
12	853213	Maintenance	1	
13	AP8120422	Black hose 2.5X99	2	
14	AP8120657	Hose clamp 4.5X280	3	
15	AP8102386	Hose clamp 155x2	1	
16	254485	Spring plate M6	3	

Group	FRAME
Code	28.03
Description	Saddle support
Service	1



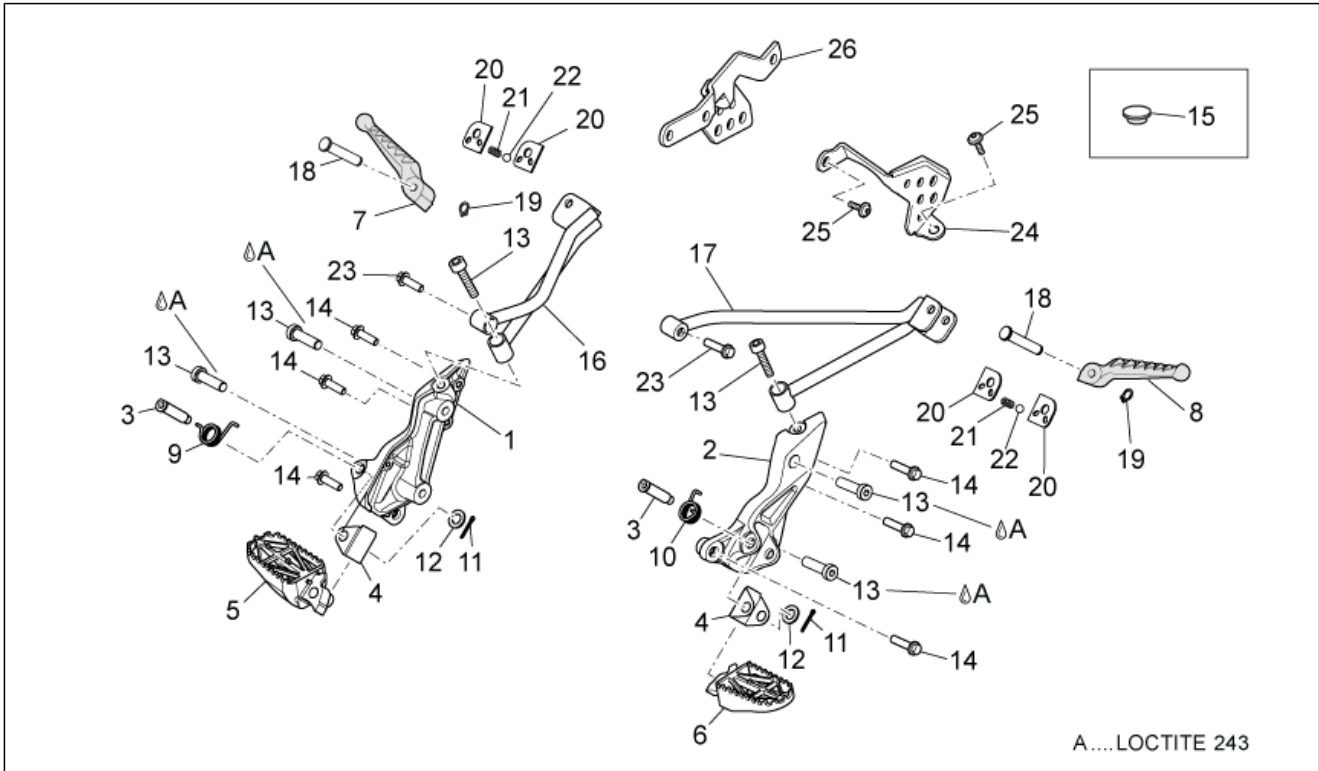
Pos.	Code	Description	Qty	Variants
1	85495200XH7	Saddle support, grey	1	
2	478761	Hex socket screw	1	
3	860909	Bush	2	
4	854962	Spacer	1	
5	AP8152350	Nut	3	
6	AP8150046	Hex socket screw M8x55	1	
7	AP8150171	Hex socket screw M8x40	2	
8	851789	Exhaust pipe support clamp	1	
9	AP8152286	Screw w/ flange M8x20	2	
10	AP8150018	Washer	2	
11	575268	Spring plate M8	4	
12	254485	Spring plate M6	2	
13	AP8102375	Clip M5	2	
14	898025	Pillion seat strap	1	
15	890486	Plate	4	
16	AP8150044	Hex socket screw M6x20	2	
17	AP8150430	Low self-locking nut	2	
18	AP8150017	Washer 8,4x16x1,6	2	
19	GU06609600	Hose clamp	2	

Group	FRAME
Code	28.04
Description	Foot rests
Service	1



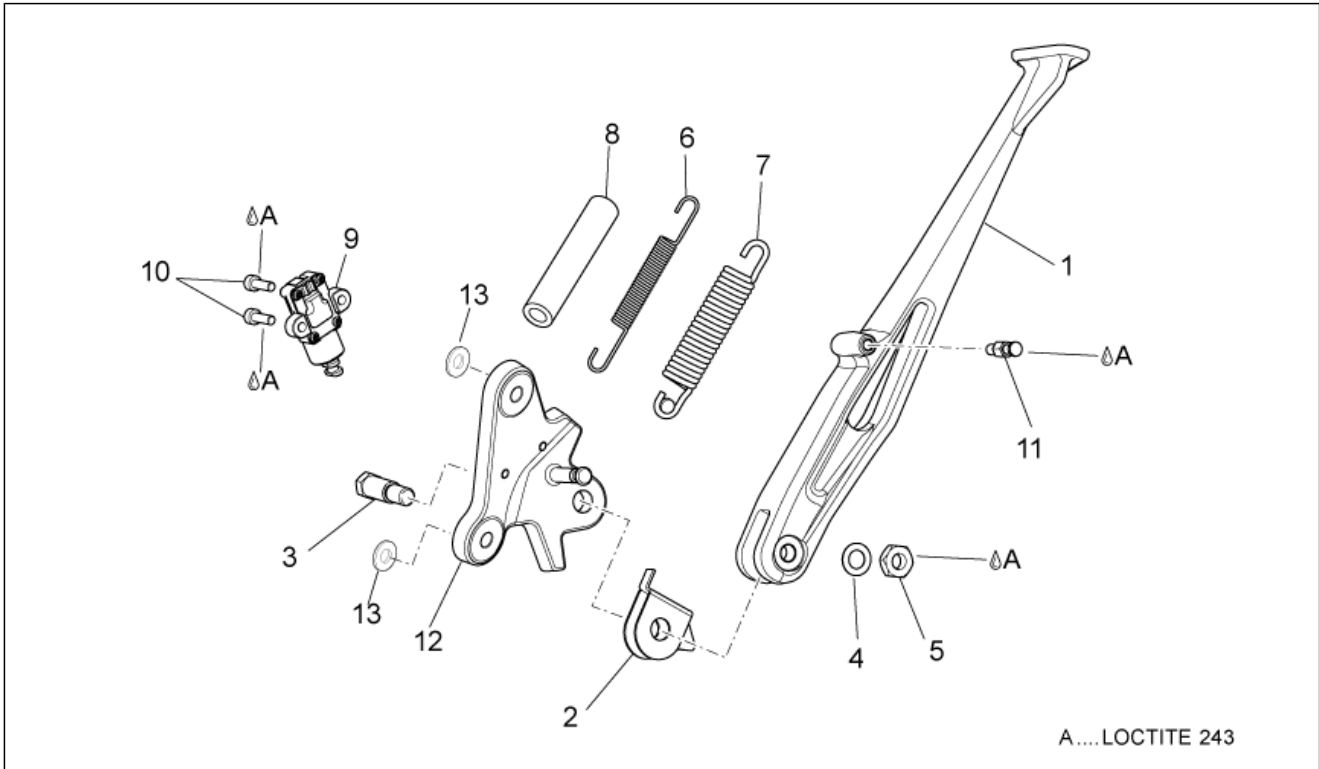
Pos.	Code	Description	Qty	Variants
1	856779	RH foot rest support	1	
1	B046059	RH foot rest support	1	
2	B046060	LH footrest support	1	
2	856780	LH footrest support	1	
3	AP9100197	Pin	2	
4	859921	Footrest plate	2	
5	896664	RH footrest	1	
6	896665	LH footrest	1	
7	AP8146405	Rear footrest, RH	1	
8	AP8146406	Rear footrest, LH	1	
9	AP9100196	Spring RH	1	
10	AP9100195	Spring LH	1	
11	AP8101606	Split pin	2	
12	AP8152176	Washer 10,5X18X2*	2	
13	B043048	***SCREW TCEI M8X35	5	
14	AP8152279	Screw w/ flange M6x20	4	
14	AP8152278	Screw w/ flange M6x16	2	
15	AP8102600	Cover	1	
16	856783	RH footrest support	1	
17	856784	LH footrest support	1	
18	AP8121566	Footrest pin	2	
19	AP8152409	Stop ring	2	
20	AP8134451	Footrest plate	4	
21	AP8121133	Coil compress. spring	2	
22	AP8101861	Ball D6,35	2	
23	AP8152289	Screw w/ flange	1	
24	860987	LH protection	1	
25	AP8152055	Hex socket screw M8x12	2	

Group	FRAME
Code	28.04
Description	Foot rests
Service	1



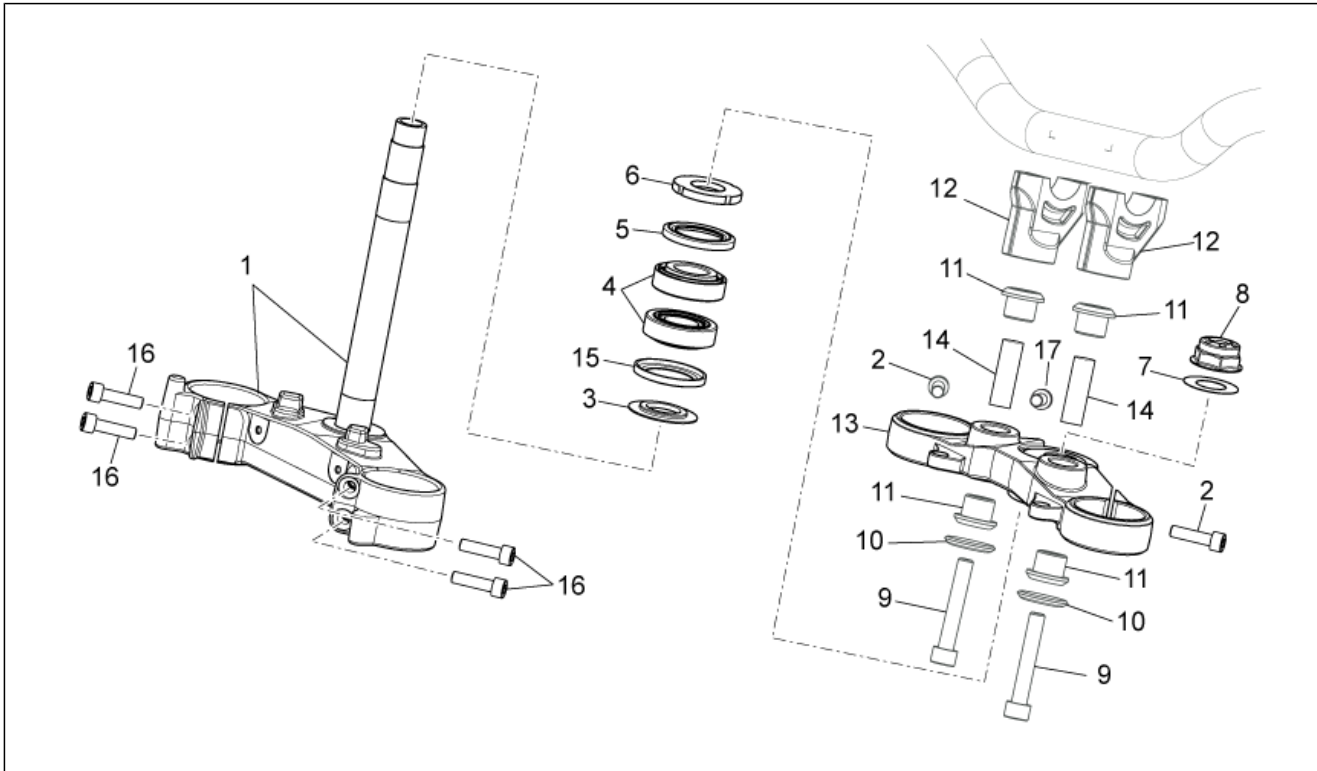
Pos.	Code	Description	Qty	Variants
26	890164	RH protection	1	

Group	FRAME
Code	28.05
Description	Central stand
Service	1



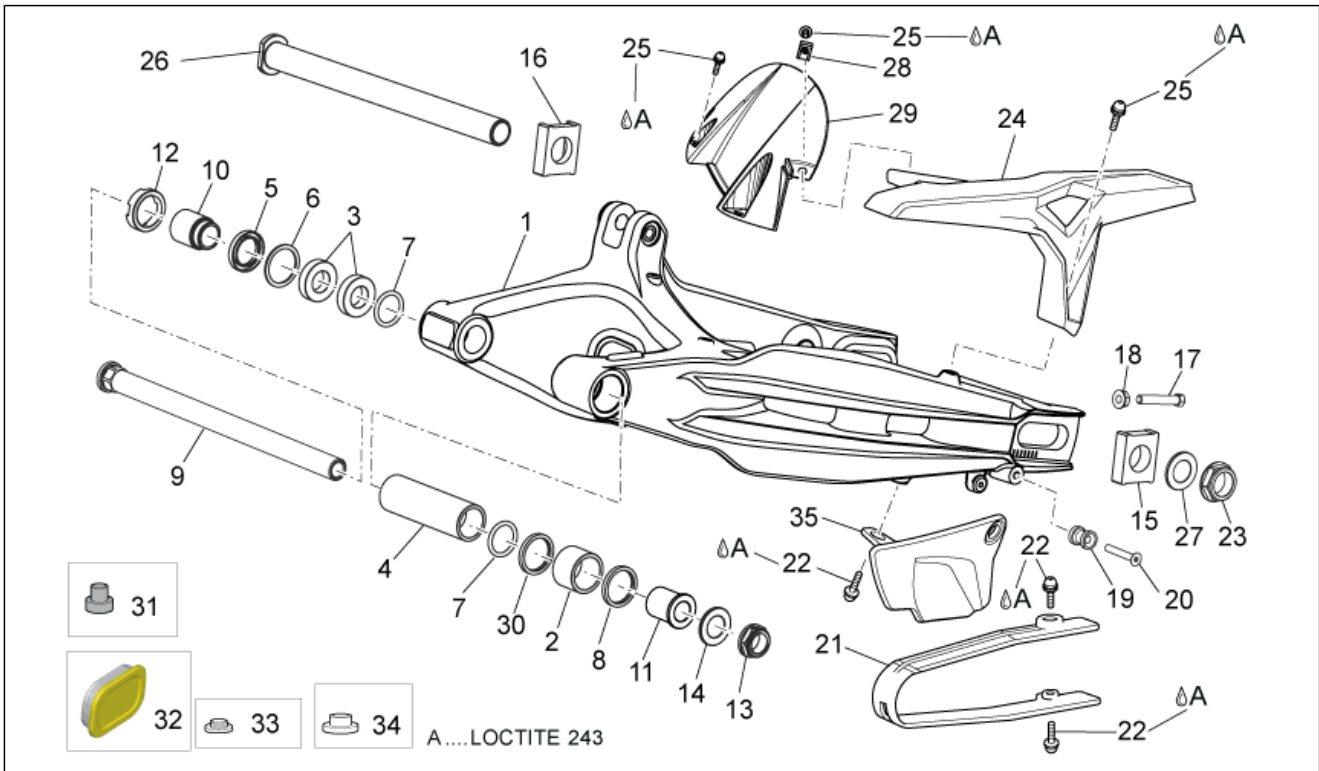
Pos.	Code	Description	Qty	Variants
1	858508	Lateral stand	1	
2	858509	Lateral stand plate	1	
3	AP8161119	Stand pin	1	
4	AP8150292	Curved spring washer *	1	
5	AP8152001	Low nut M10x1,25	1	
6	AP9100669	Inner spring	1	
7	AP9100668	Outer spring	1	
8	AP8102524	Stand spring protection	1	
9	AP8127856	Lateral stand switch	1	
10	AP8150050	Hex socket screw M5x16	2	
11	860905	Pin	1	
12	858507	Stand plate	1	
13	AP8150009	Washer	2	

Group	FRAME
Code	28.06
Description	Steering
Service	1



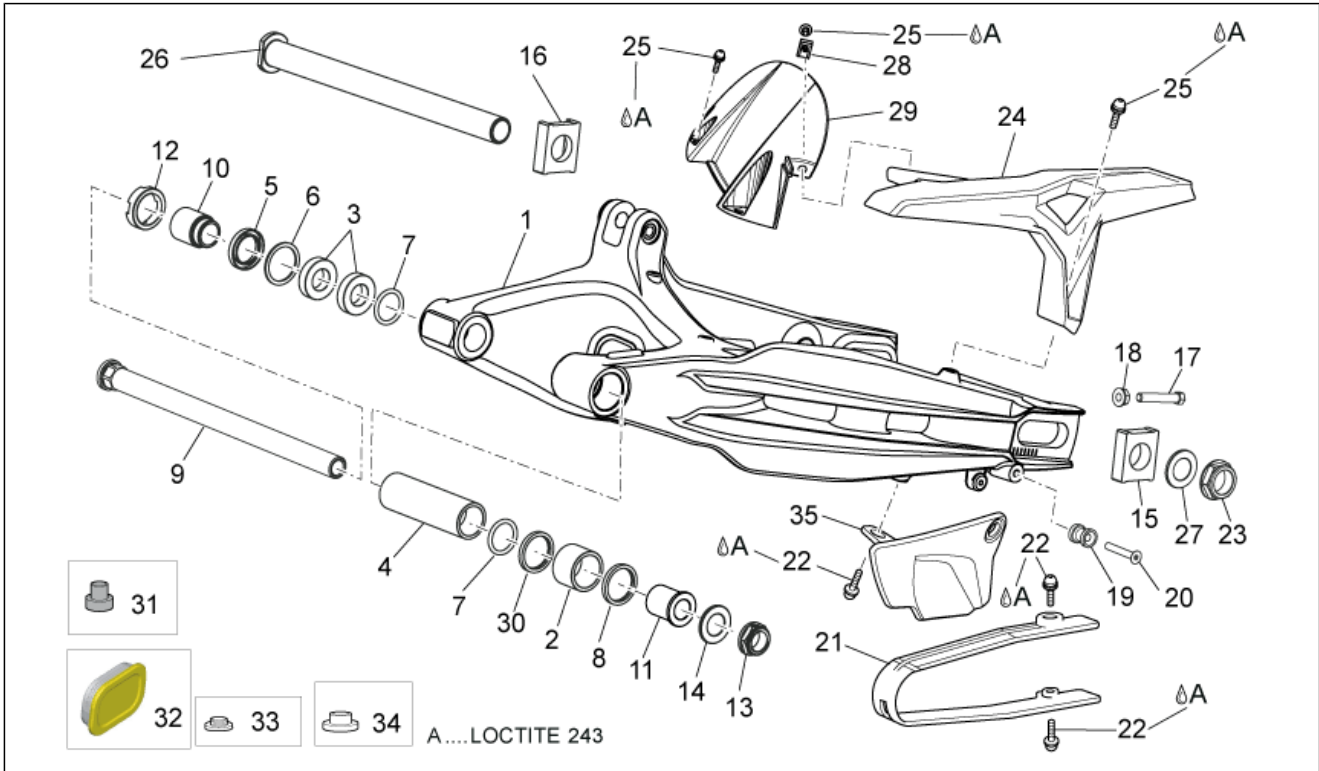
Pos.	Code	Description	Qty	Variants
1	856496	Lower fork plate	1	
2	AP8150540	Screw	2	
3	897648	Washer	1	
4	AP8110106	Roller bearing	2	
5	AP8144146	Gasket ring	1	
6	AP8163500	Ring nut	1	
7	AP8152442	Stem plug washer	1	
8	853470	Plug	1	
9	AP8150049	screw M10x60	2	
10	AP8123511	Cup	2	
11	AP8144222	Rubber spacer	4	
12	B044862	Lower U-bolt D28,5	2	
13	898386	Fork upper plate	1	
14	854827	Spacer 10,1x14,1x38	2	
15	AP9100205	Lower Gasket ring	1	
16	AP8150236	Hex socket screw M8x35	4	
17	AP8152187	Low head socket screw	4	

Group	FRAME
Code	28.08
Description	Swing arm
Service	1



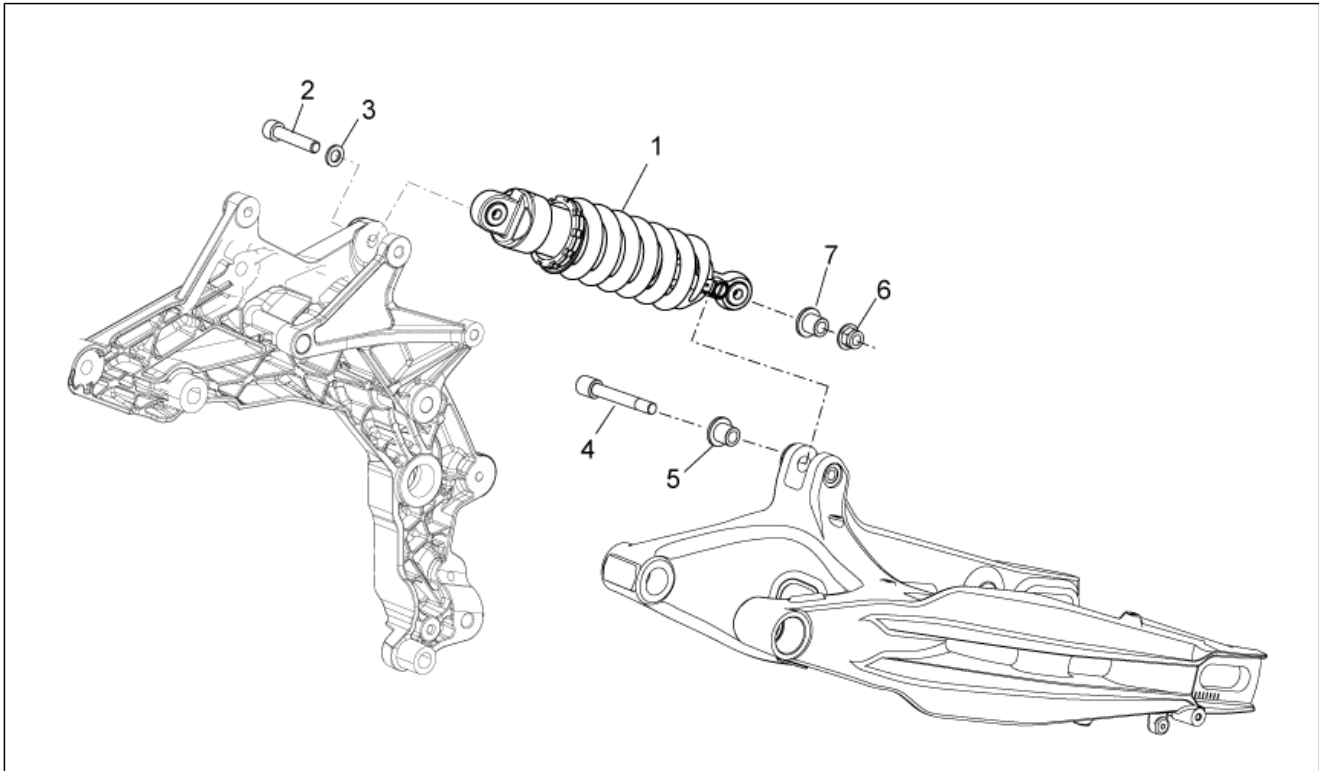
Pos.	Code	Description	Qty	Variants
1	85623200XES	Swingarm	1	
2	AP8110078	Roller cage	1	
3	890002	Ball bearing 61904-2RS1	2	
4	AP8121570	Internal spacer	1	
5	AP8144006	Gasket ring	1	
6	AP8121204	Inside circlip d37	1	
7	AP8144048	O-ring 134	2	
8	AP8144005	Gasket ring	1	
9	AP8146520	Rear swing arm pin	1	
10	AP8121200	Adjustment bush	1	
11	AP8121203	Rear int.sw.arm piv.bush	1	
12	AP8121201	Swing arm ring nut	1	
13	AP8125763	Rear wheel spindle nut	1	
14	AP8125687	Wheel pin washer	1	
15	AP8144443	LH chain guide plate	1	
16	AP8144444	RH chain guide plate	1	
17	AP8152305	Chain tens.adjuster screw	2	
18	AP8150334	Nut M8	2	
19	AP8121890	Rear stand bush	2	
20	255638	screw	2	
21	AP8144168	Chain guide plate	1	
22	AP8152339	Screw w/ flange M5x9	4	
23	AP8152324	Wheel spindle nut M25x1,5	1	
24	856787	Chain guard	1	
25	AP8152339	Screw w/ flange M5x9	3	
26	B045422	Wheel pin	1	
27	AP8152323	Washer 25,2x36x1	1	
28	AP8102375	Clip M5	1	

Group	FRAME
Code	28.08
Description	Swing arm
Service	1



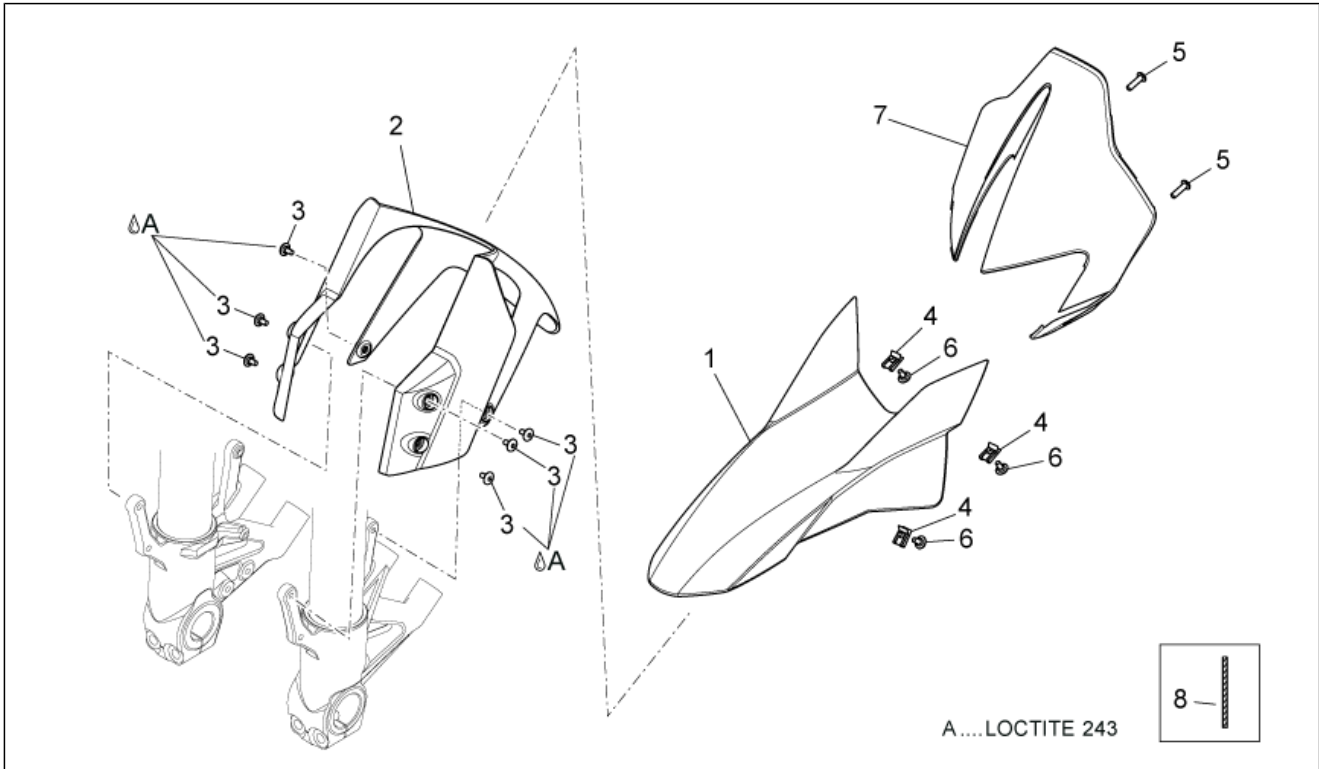
Pos.	Code	Description	Qty	Variants
29	859764	Rear mudguard	1	
30	890126	Gasket ring	1	
31	AP8144158	Rubber spacer	2	
32	860898	Cover	1	
33	860899	Cover	2	
34	860900	Cover	2	
35	859929	Chain guide plate	1	

Group	FRAME
Code	28.09
Description	Rear shock absorber
Service	1



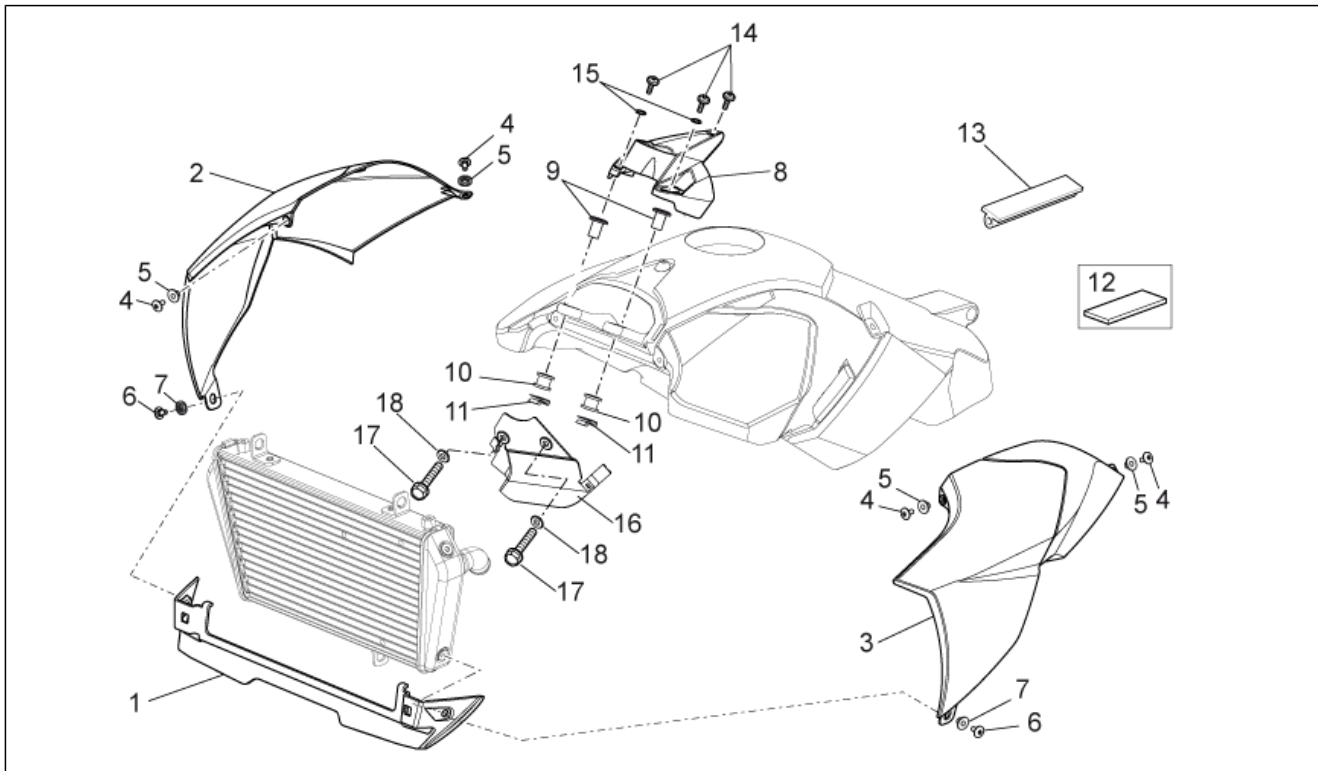
Pos.	Code	Description	Qty	Variants
1	856792	Shock absorber	1	
2	AP8150329	Hex socket screw	1	
3	AP8152176	Washer 10,5X18X2*	2	
4	AP8150192	Hex socket screw M10x80	1	
5	860662	Ring nut	1	
6	AP8152301	Self-locking nut	1	
7	AP8121155	T bush *	1	

Group	FRAME
Code	28.10
Description	Front body - Front mudguard
Service	1



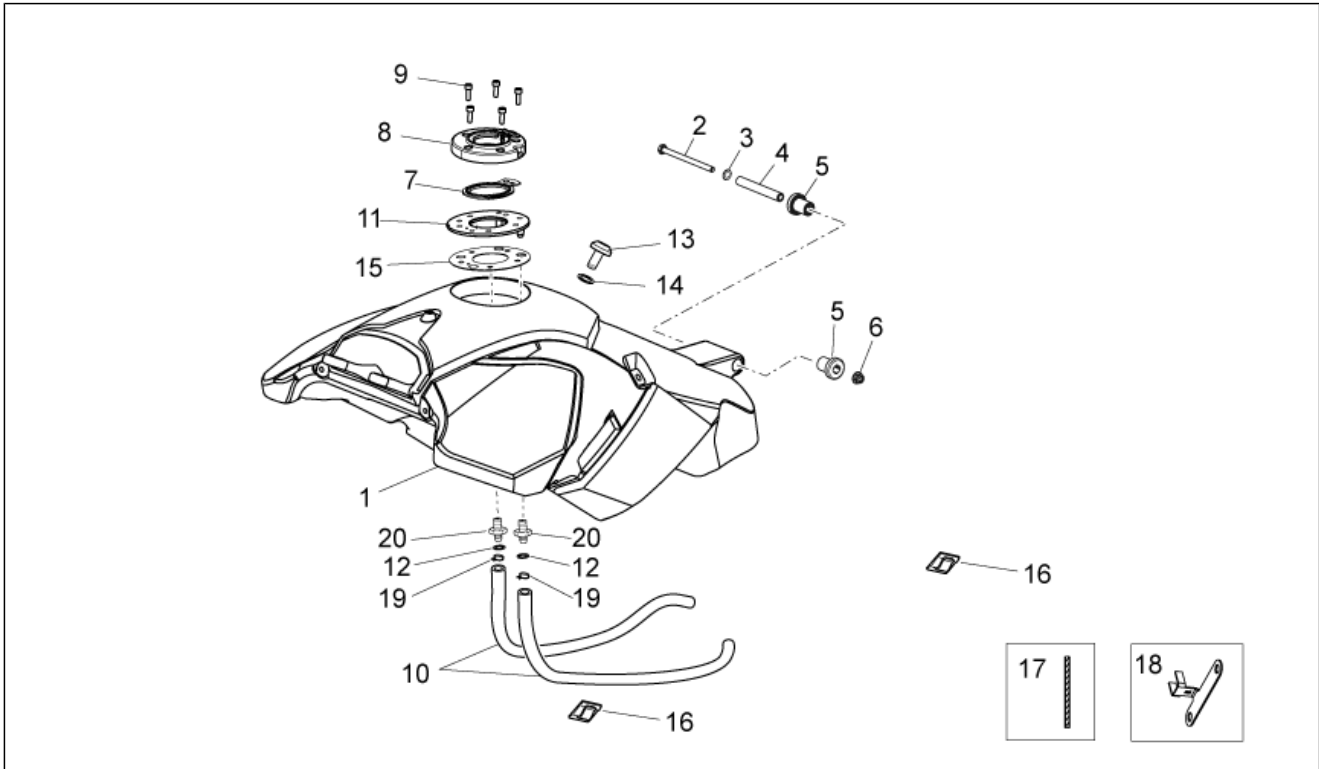
Pos.	Code	Description	Qty	Variants
1	B044270	Front mudguard	1	
2	856850	Low mudguard	1	
3	AP8152339	Screw w/ flange M5x9	6	
4	AP8102375	Clip M5	3	
5	AP8150413	Self-tap screw 3,9x14	4	
6	AP8152302	Screw w/ flange M5x12	3	
7	856857	Front fairing, black	1	
8	860447	Biadhesive	2	

Group	FRAME
Code	28.11
Description	Central body
Service	1



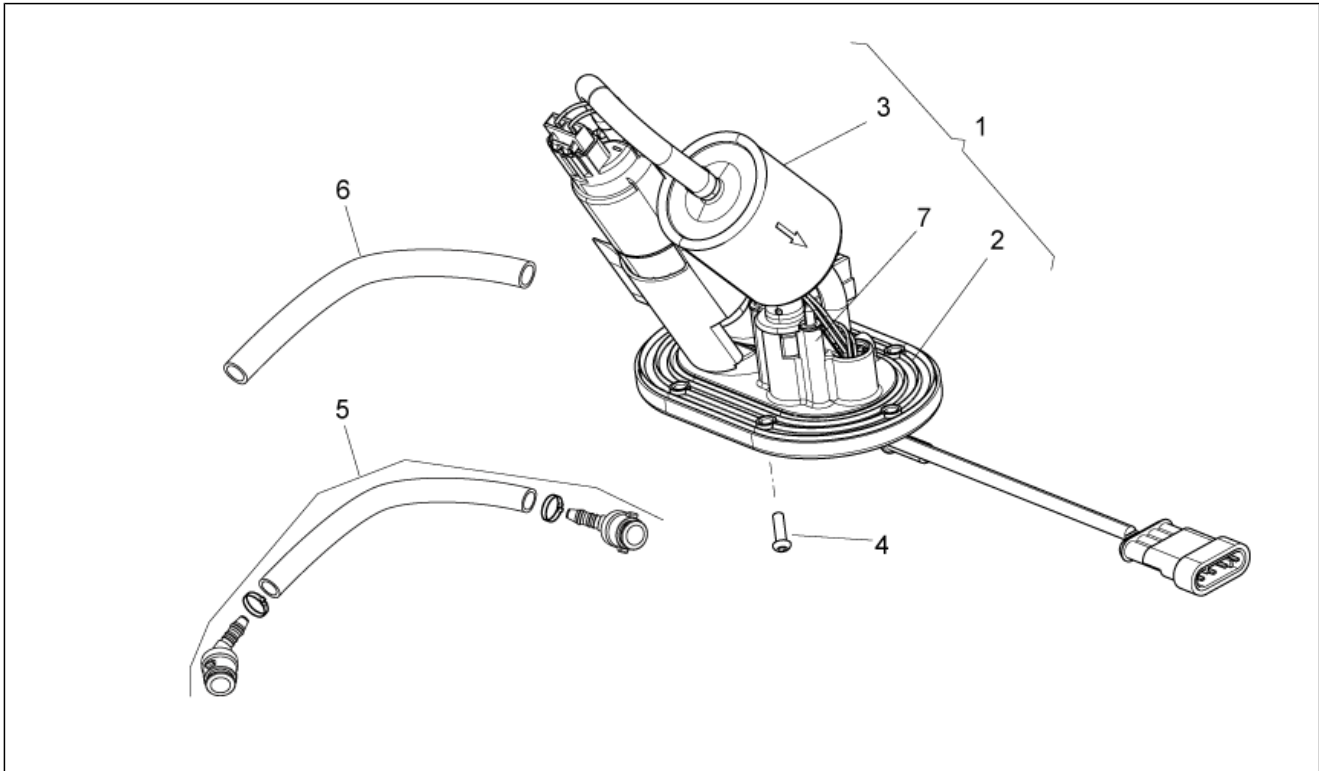
Pos.	Code	Description	Qty	Variants
1	856860	Air deflector	1	
2	85682500XR4	RH air duct, red	1	Colour:Fluo Red[fluo]
2	85682500XB3	RH side panel, white	1	Colour:Aprilia white[Whit]
2	85682500XD6	RH side panel	1	Colour:Tecno blue[blue]
2	85682500XN6	RH air duct, black	1	Colour:Diablo Black[BLK D]
3	85682400XD6	LH side panel	1	Colour:Tecno blue[blue]
3	85682400XR4	LH air duct, red	1	Colour:Fluo Red[fluo]
3	85682400XN6	LH air duct, black	1	Colour:Diablo Black[BLK D]
3	85682400XB3	LH side panel, white	1	Colour:Aprilia white[Whit]
4	AP8152339	Screw w/ flange M5x9	6	
5	AP8121725	T bush *	6	
6	AP8152246	Screw w/ flange M6x16	2	
7	AP8120253	Spacer	2	
8	856823	Covers	1	
9	860137	Spacer	2	
10	AP8144328	Rubber spacer	2	
11	254485	Spring plate M6	2	
12	AP8117033	Adhesive sponge	2	
13	AP8117275	Heat protection gasket	2	
14	AP8150500	Hex socket screw M5x9	3	
15	AP8152037	Washer	2	
16	890421	Guard	1	
17	AP8152279	Screw w/ flange M6x20	2	
18	AP8121991	Bush	2	

Group	FRAME
Code	28.12
Description	Fuel tank
Service	1



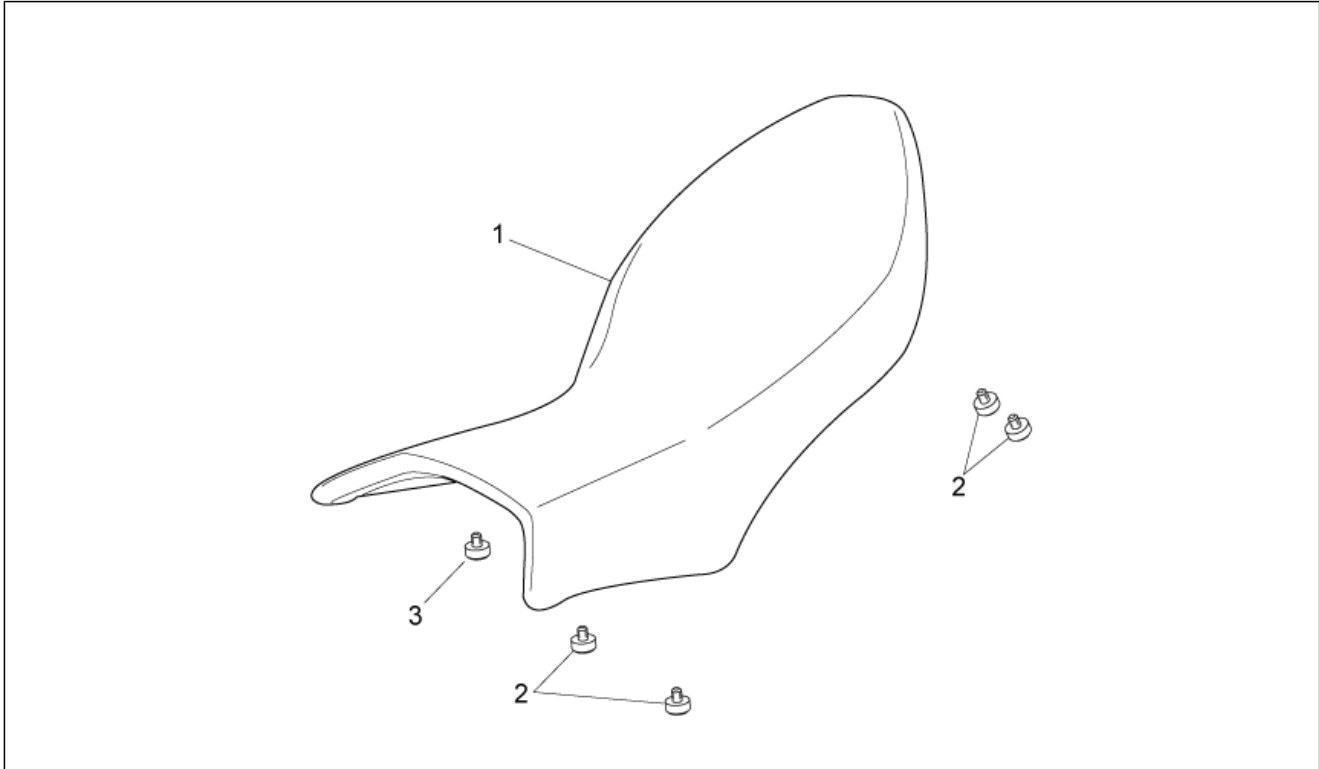
Pos.	Code	Description	Qty	Variants
1	890847	Fuel tank	1	
2	AP8150459	Hex screw M6x90	1	
3	AP8150014	Washer 6,4x12,5*	1	
4	AP8134419	Fuel tank bush	1	
5	AP8123934	Rubber spacer	2	
6	AP8152299	Self-locking nut M6	1	
7	890755	Fuel tank gasket	1	
8	860237	Ring nut fuel filler cap	1	
9	895709	Hex socket screw M5x12	5	
10	896544	Fuel pipe 5,5x10	2	
11	860236	Fuel tank flange	2	
12	AP8120965	O-ring 2018	1	
13	AP8161127	Fixing pin	1	
14	AP8150255	Washer 5x20x1,5	1	
15	890195	Fuel tank gasket	1	
16	AP8120581	Wiring clip	4	
17	860447	Biadhesive	2	
18	860986	Plate	1	
19	AP8101595	Hose clamp D10,1	2	
20	AP8102503	Hose holder union	2	

Group	FRAME
Code	28.13
Description	Fuel pump
Service	1



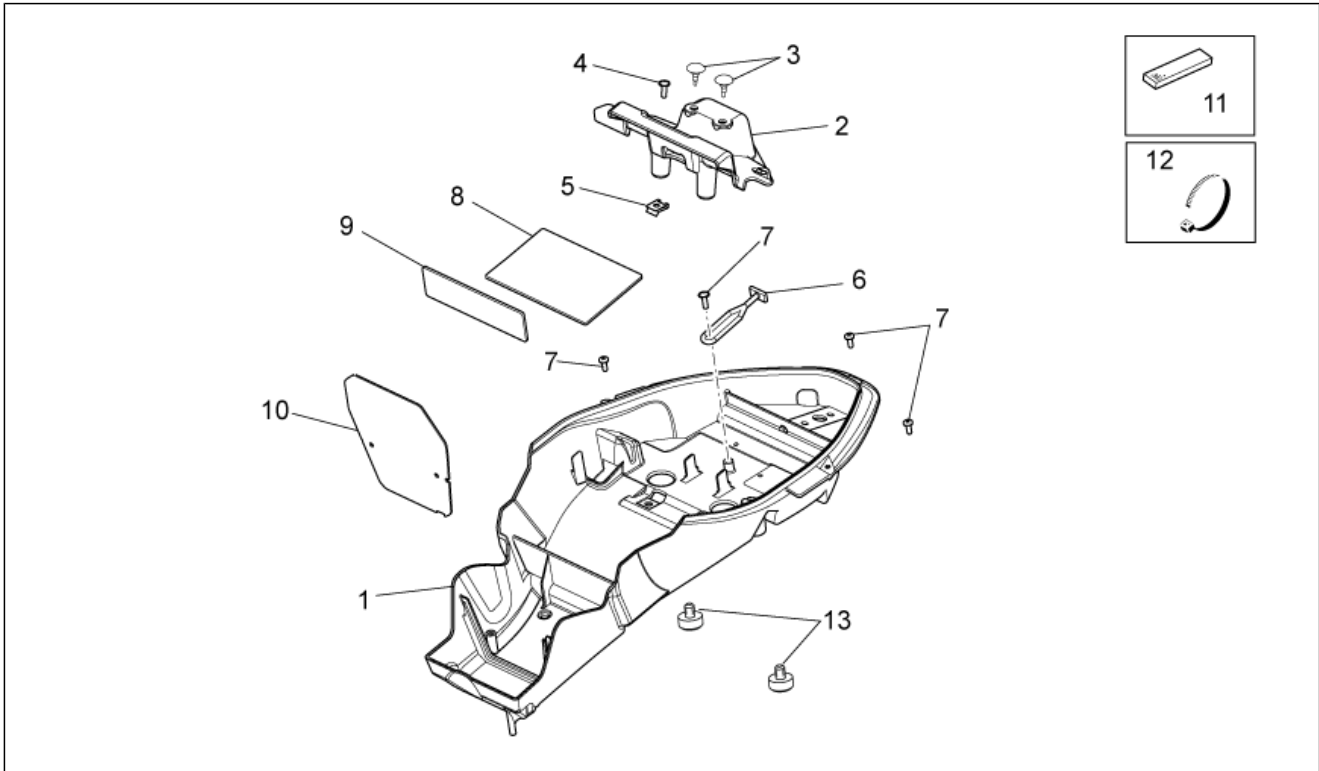
Pos.	Code	Description	Qty	Variants
1	898260	Fuel pump cpl.	1	
2	GU01107490	Gasket	1	
3	GU01106090	Fuel filter	1	
4	AP8152273	Screw w/ flange M5x15	6	
5	875995	Delivery fuel pipe	1	
6	AP8220709	Pipe cover	1	
7	898261	Fuel level sensor	1	

Group	FRAME
Code	28.14
Description	Saddle
Service	1



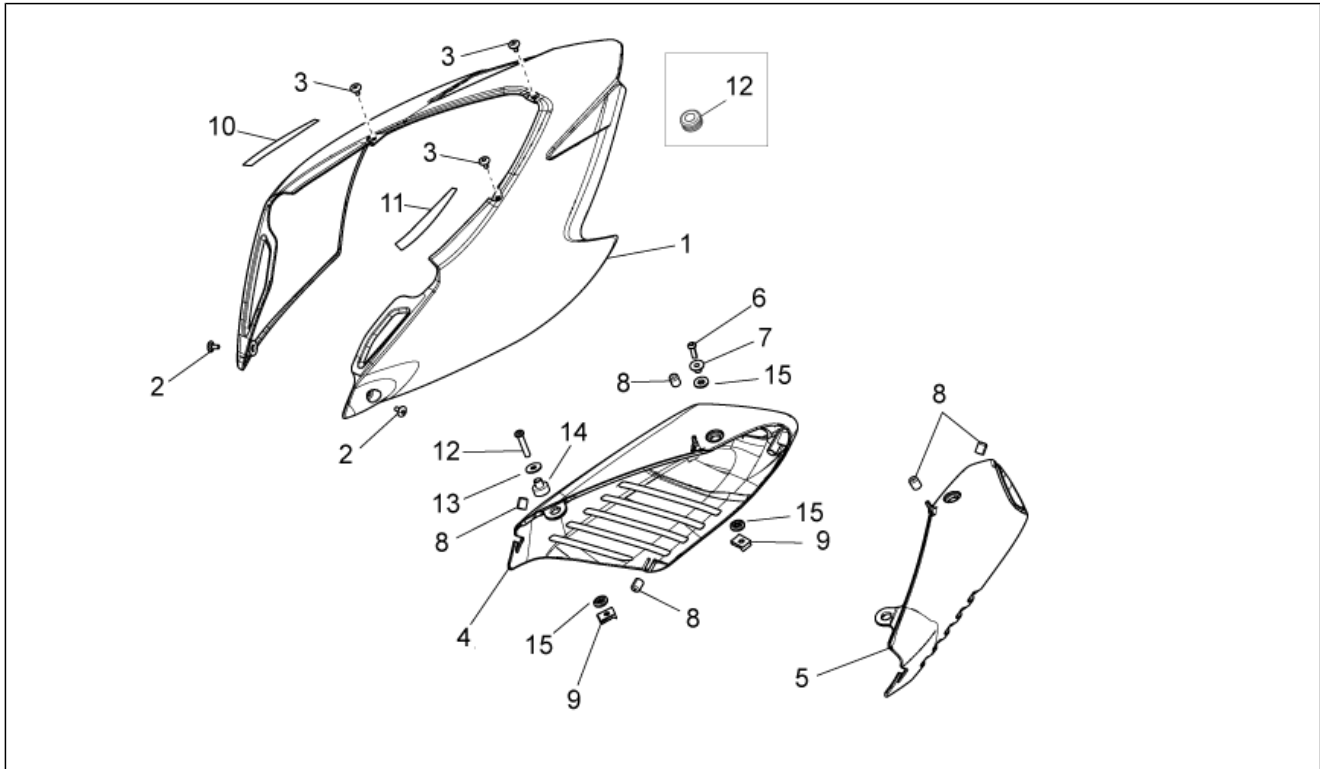
Pos.	Code	Description	Qty	Variants
1	89957500C1	Saddle, black (two p)	1	
2	AP8220349	Rubber spacer	6	
3	AP8120001	Rubber spacer	1	

Group	FRAME
Code	28.15
Description	Rear body I
Service	1



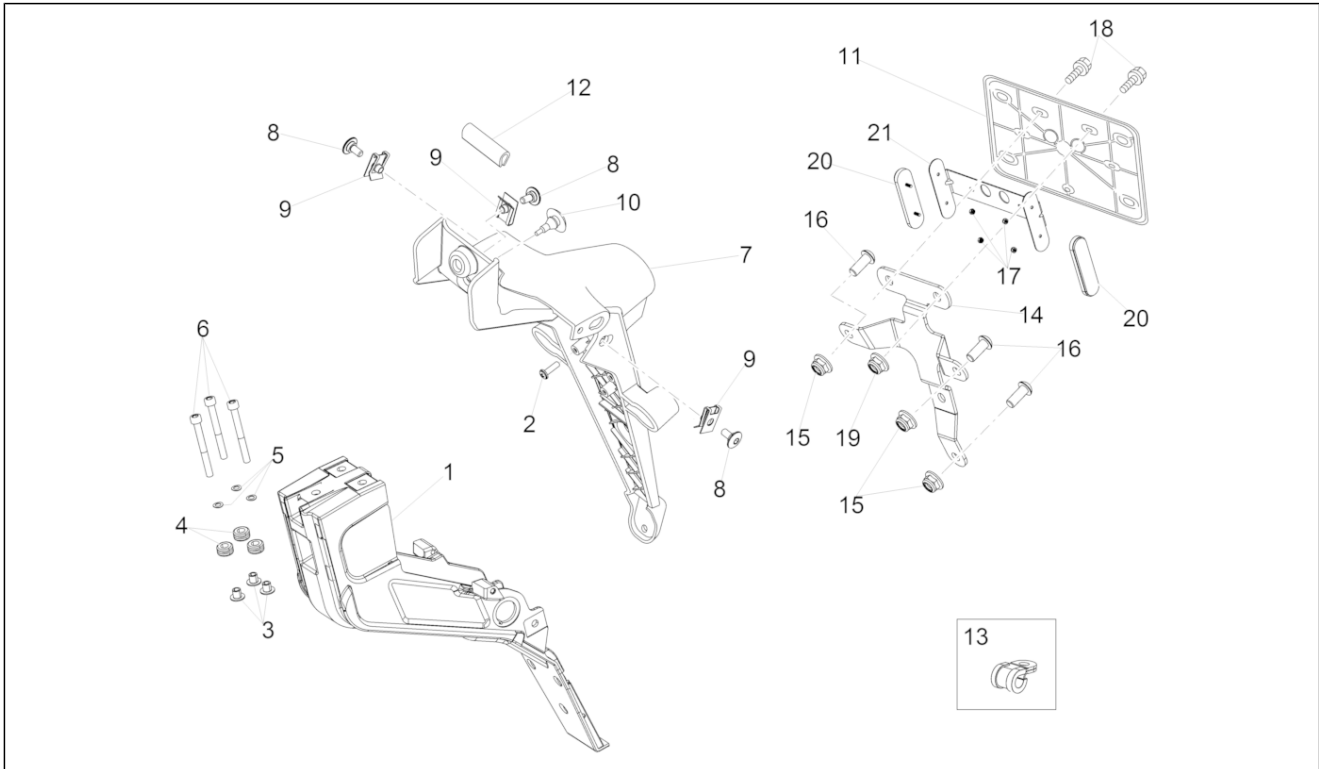
Pos.	Code	Description	Qty	Variants
1	856675	Saddle compartment	1	
2	860930	Battery cover	1	
3	AP8120001	Rubber spacer	2	
4	AP8152298	Screw w/ flange M5x16	2	
5	AP8102375	Clip M5	2	
6	AP8120177	Elastic	1	
7	AP8152339	Screw w/ flange M5x9	4	
8	AP8144553	Support rubber part	1	
9	AP8144552	Lat. battery support rubber	1	
10	860988	Guard	1	
11	AP8144538	Gasket	1	
12	AP8120422	Black hose 2.5X99	2	
13	AP8220349	Rubber spacer	2	

Group	FRAME
Code	28.16
Description	Rear body II
Service	1



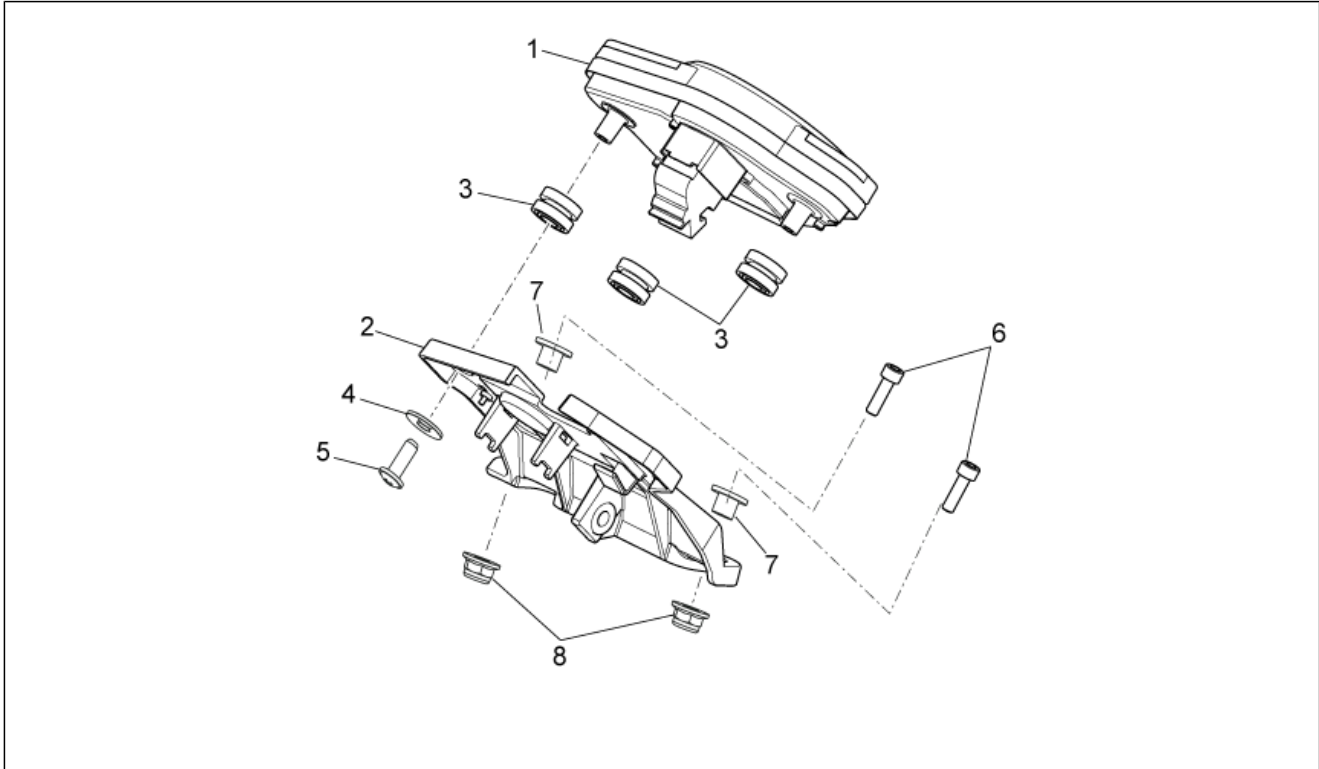
Pos.	Code	Description	Qty	Variants
1	B04420600XN6	Rear fairing, diablo black	1	
2	AP8152339	Screw w/ flange M5x9	3	
3	AP8150509	Self-tap screw 5x14	3	
4	B044370	Right silencer cover	1	
5	B044369	Left silencer cover	1	
6	AP8224470	Hex socket screw M6x20	4	
7	AP8221341	T bush	4	
8	AP8120712	Rubber spacer	6	
9	254485	Spring plate M6	5	
10	860931	RH Guard decal	1	
11	860932	LH Guard decal	1	
12	AP8152128	Hex socket screw M6x30	2	
13	AP8150179	Washer 6,6x18*	2	
14	860331	T bush	2	
15	AP8221340	T bush	4	

Group	FRAME
Code	28.17
Description	Rear body III
Service	1



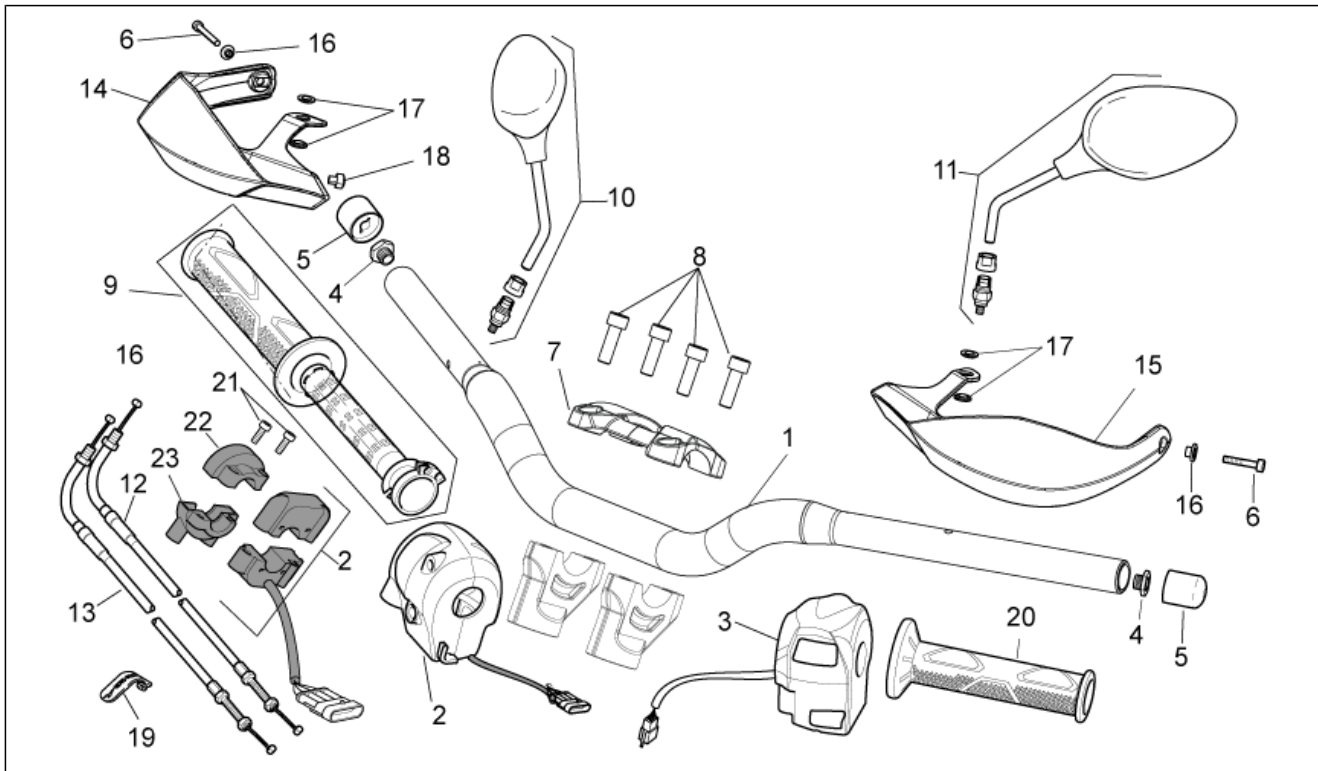
Pos.	Code	Description	Qty	Variants
1	B044244	Covers	1	
2	AP8150413	Self-tap screw 3,9x14	3	
3	AP8221023	T bush	3	
4	AP8120030	Rubber spacer	3	
5	AP8150429	Spring washer 6,4x11x0,5*	3	
6	AP8150045	Hex socket screw M6x55	3	
7	856827	License plate	1	
8	AP8152339	Screw w/ flange M5x9	3	
9	AP8102375	Clip M5	3	
10	AP8120001	Rubber spacer	2	
11	AP8149034	Number plate support	1	
12	AP8144707	Gasket	1	
13	AP8134167	Brake hose hanger	2	
14	855071	Maintenance	1	
15	AP8152299	Self-locking nut M6	3	
16	AP8152246	Screw w/ flange M6x16	3	
17	AP8150204	Nut M4	4	
18	AP8152342	Screw w/ flange M6x12	2	
19	AP8150430	Low self-locking nut	2	
20	AP8124718	Rear reflector, red	2	
21	AP8134677	Reflector support	1	

Group	FRAME
Code	28.18
Description	Dashboard
Service	1



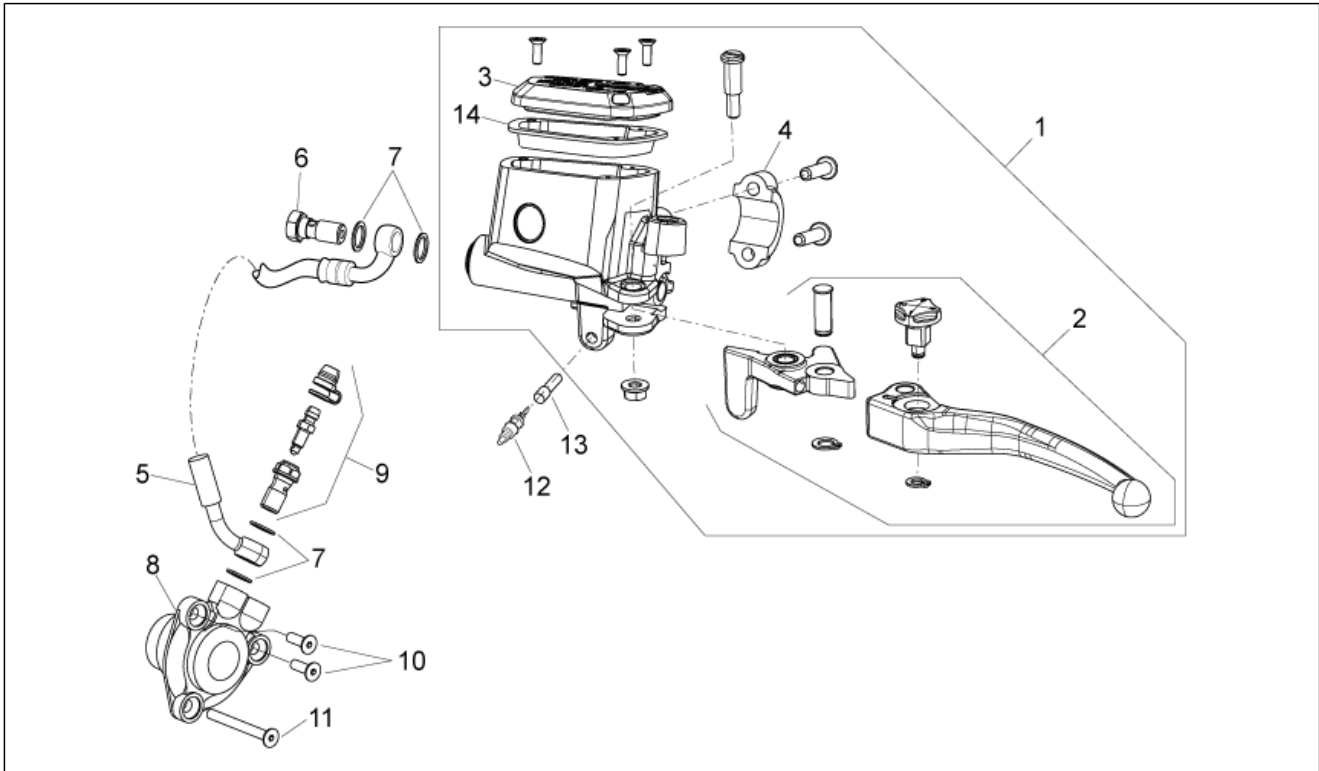
Pos.	Code	Description	Qty	Variants
1	896371	Dashboard	1	
2	856603	Socket support	1	
3	AP8220150	Rubber spacer	3	
4	AP8150382	Washer 15x5,5X1,2	3	
5	AP8150509	Self-tap screw 5x14	3	
6	AP8150044	Hex socket screw M6x20	2	
7	AP9100053	Bush d.10-h.3,5	2	
8	AP8152299	Self-locking nut M6	2	

Group	FRAME
Code	28.19
Description	Handlebar - Controls
Service	1



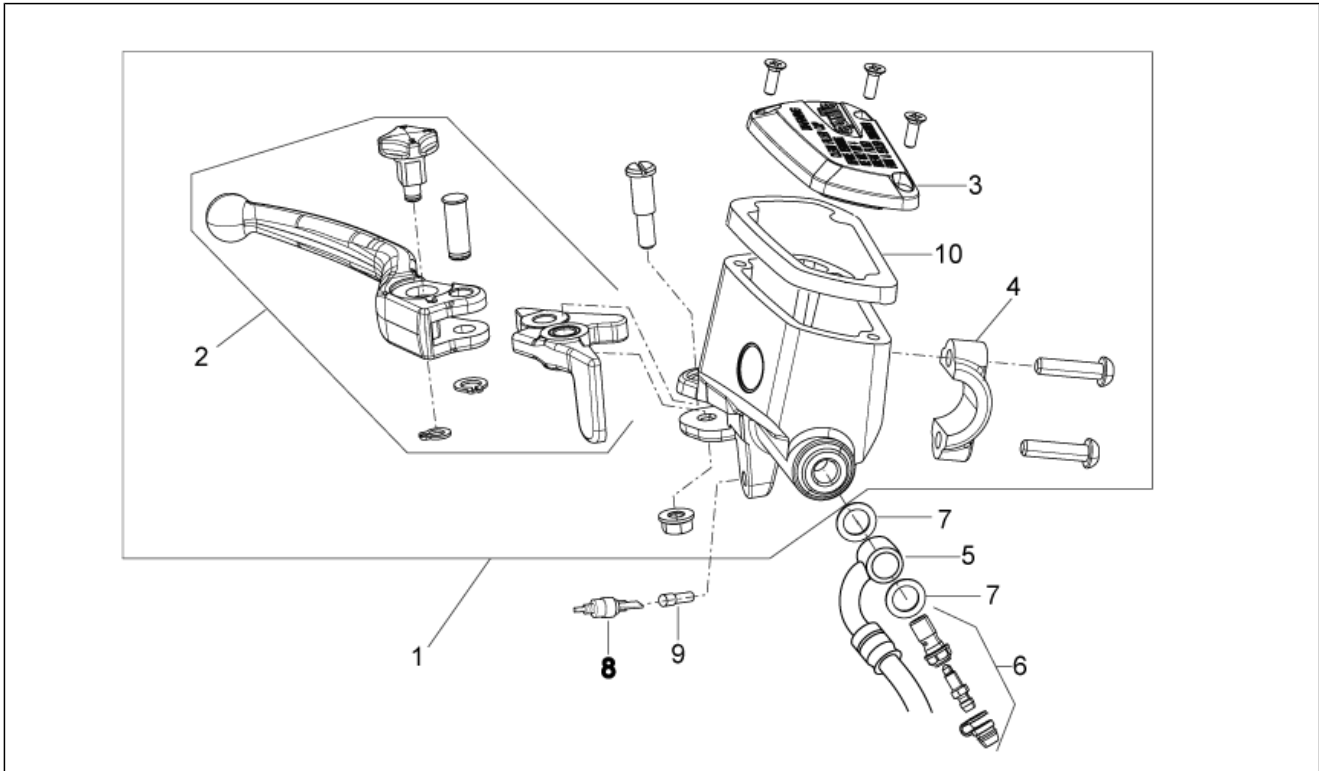
Pos.	Code	Description	Qty	Variants
1	B043013	Handlebar	1	
2	B045066	RH lights selector	0	
3	896107	LH lights selector	1	
4	AP8121520	Anti vib.weight trailing	2	
5	859949	Anti.v weight, black	2	
6	AP8150324	Hex socket screw M6x50	2	
7	B044863	Upper U-bolt D28,5	1	
8	AP8152486	Screw M8x25 INOX	4	
9	GU01603480	Throttle with hand grip	1	
10	AP8104921	RH rearview mirror	1	
11	AP8104922	LH rearview mirror	1	
12	898078	Gas trasmission delivery	1	
13	898079	Gas trasmission return	1	
14	856855	RH handguard, black	1	
15	856856	LH handguard, black	1	
16	AP8121032	Bush	2	
17	AP8121080	Spacer	4	
18	AP8144081	Rubber spacer	2	
19	860744	Hose clamp	1	
20	AP8118579	LH hand grip	1	
21	AP8118492	Cap screw	1	
22	AP8118567	Rear gas lever U-bolt	1	
23	AP8118566	Front gas lever U-bolt	1	

Group	FRAME
Code	28.20
Description	Clutch pump
Service	1



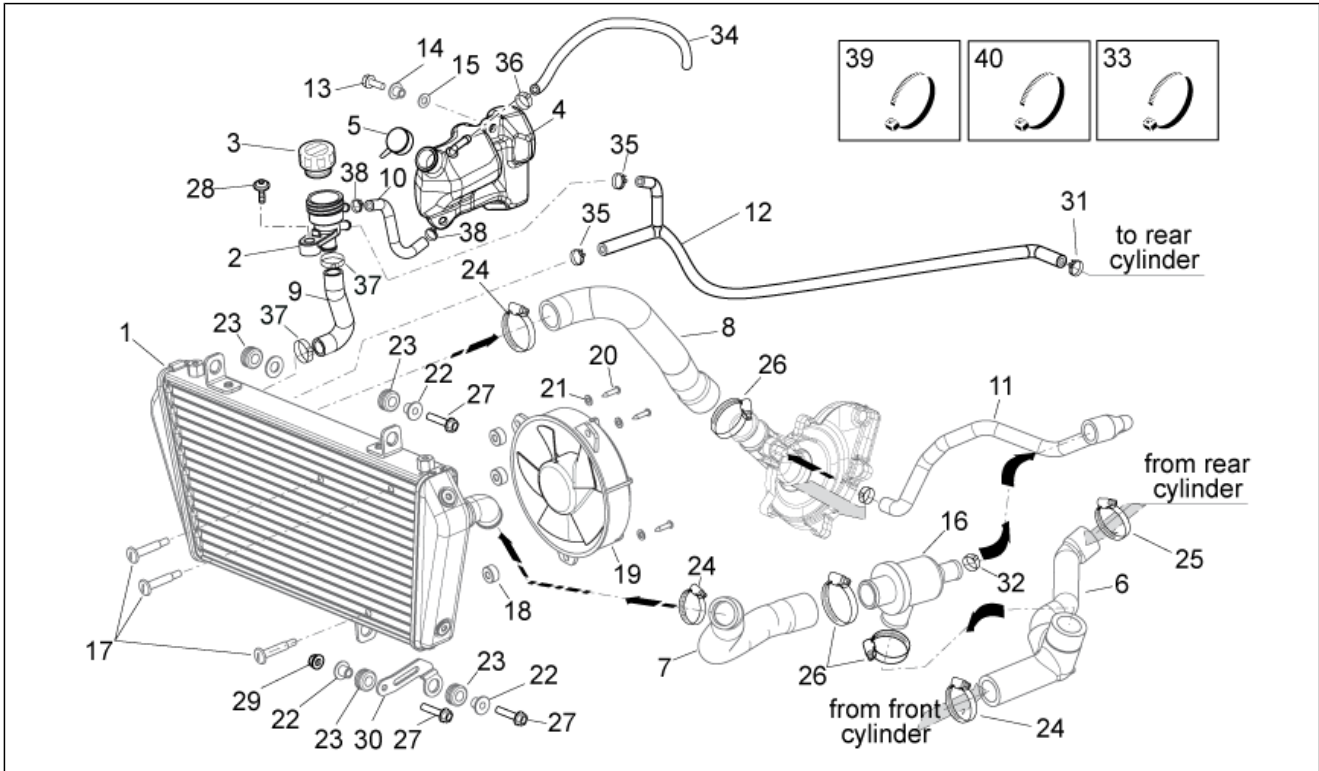
Pos.	Code	Description	Qty	Variants
1	851645	Clutch pump	1	
2	856054	Clutch lever	1	
3	856055	Cover	1	
4	856050	U-bolt	1	
5	859936	Clutch pipe	1	
6	AP8113003	Oil pipe screw	1	
7	AP8113004	Washer 10x14x1,6*	4	
8	873115	Clutch command cylinder	1	
9	AP8133945	Bleeder kit	1	
10	874037	Screw	2	
11	873268	Screw	1	
12	AP8127305	stop Button	1	
13	AP8220135	Rubber spacer	1	
14	858424	Diaphragm	1	

Group	FRAME
Code	28.21
Description	Front master cilinder
Service	1



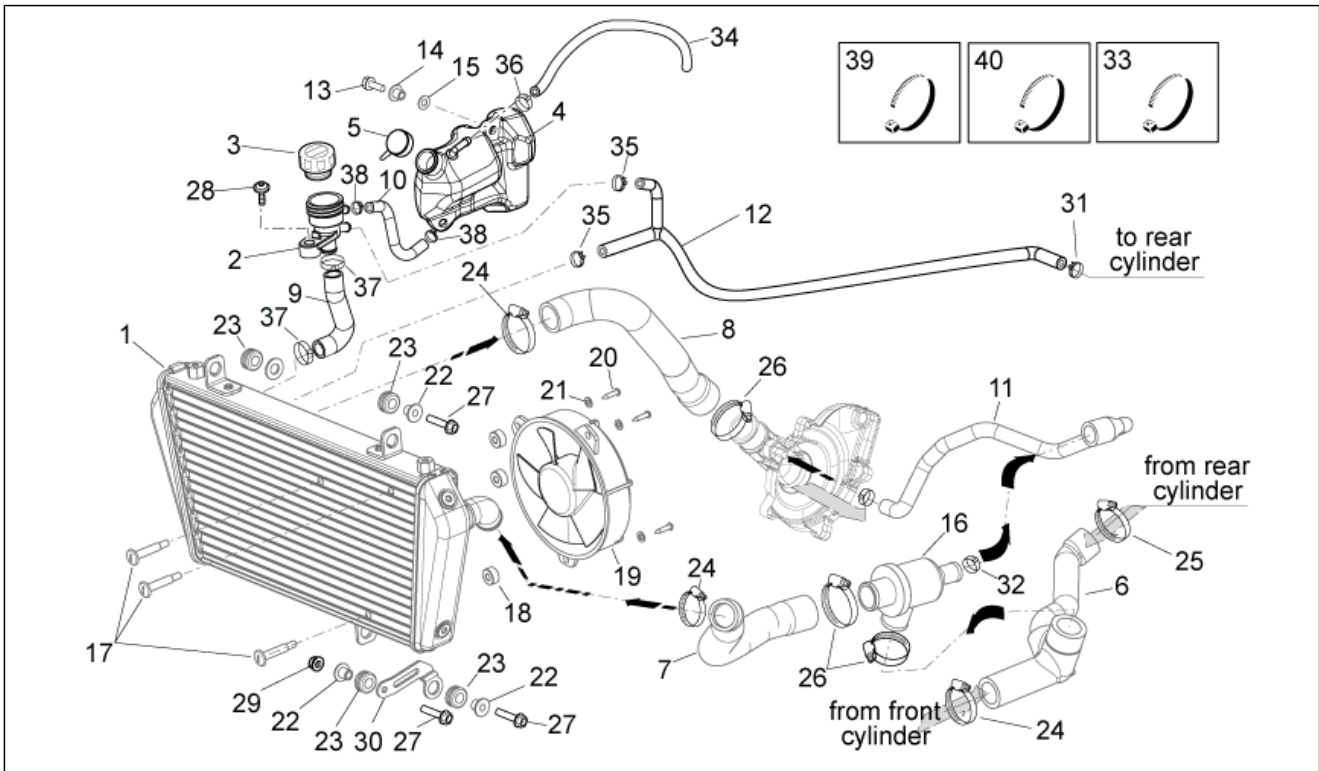
Pos.	Code	Description	Qty	Variants
1	896384	Front master cilinder D15,87	1	Technical Specification: Standard Version[std]
1	851723	Front master cilinder D14	1	Technical Specification: Standard Version[std]
1	896385	Front master cilinder D15,87	1	Technical Specification: ABS Version[ABS]
1	859781	Front master cilinder D14	1	Technical Specification: ABS Version[ABS]
2	856048	Brake lever	1	
3	856049	Cover	1	
4	856050	U-bolt	1	
5	860466	Front brake hose	1	Technical Specification: ABS Version[ABS]
5	856807	Front brake hose	1	Technical Specification: Standard Version[std]
6	AP8113003	Oil pipe screw	1	
7	AP8113004	Washer 10x14x1,6*	2	
8	AP8127305	stop Button	1	
9	AP8220135	Rubber spacer	1	
10	858423	Diaphragm	1	

Group	FRAME
Code	28.22
Description	Cooling system
Service	1



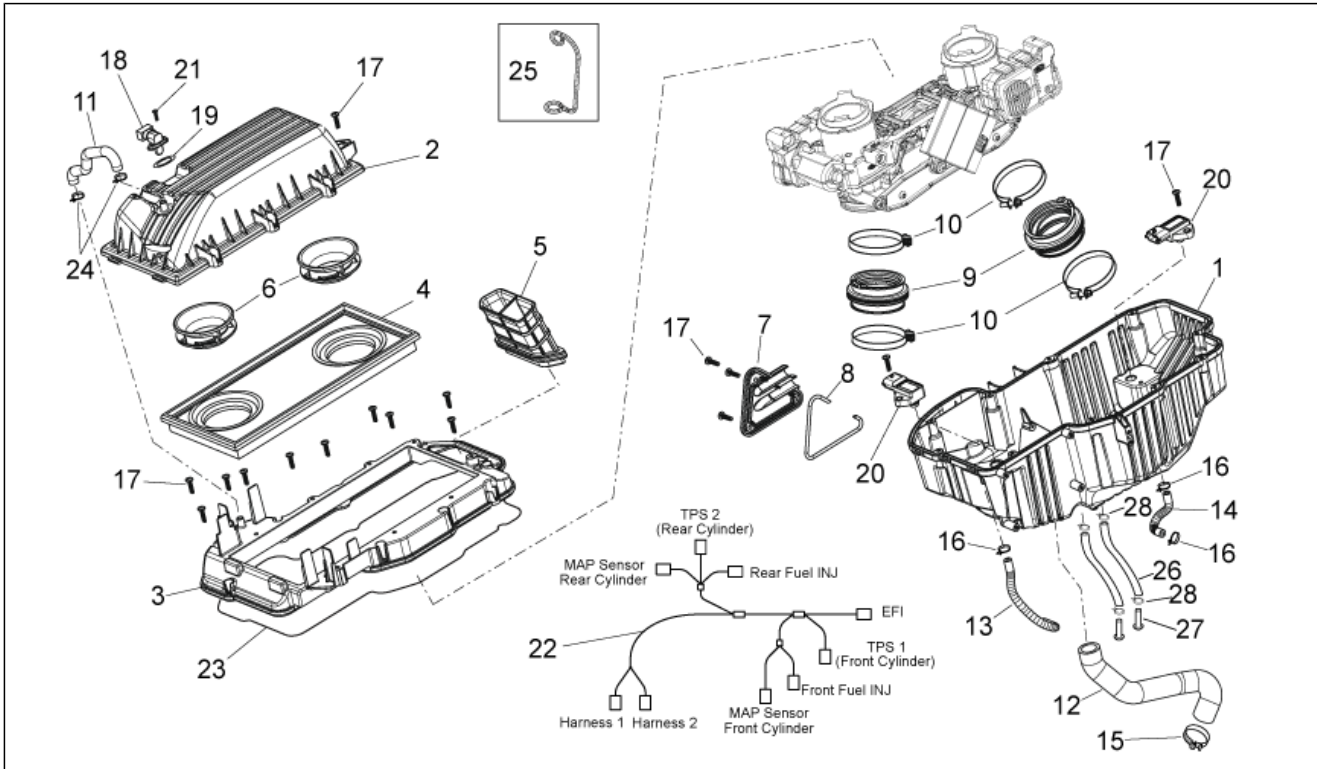
Pos.	Code	Description	Qty	Variants
1	851596	Water cooler	1	
2	AP8144644	Filler cap	1	
3	AP8102615	Cover	1	
4	856802	Expansion tank	1	
5	AP8104836	Expansion tank plug	1	
6	851683	Water pipe	1	
7	851598	Thermostat-cooler pipe	1	
8	851600	Cooler-pump pipe	1	
9	851599	Water rad.feed pipe	1	
10	890496	Fuel pipe d.7x11	1	
11	851602	Motor-pump valve tube	1	
12	860328	Breather pipe	1	
13	AP8152279	Screw w/ flange M6x20	1	
14	AP8221145	T bush *	1	
15	AP8220366	Rubber spacer	1	
16	834232	Thermostat valve set 85°C	1	
17	AP8121464	Pin	3	
18	AP8161083	Spacer	3	
19	AP8124930	Fan, cpl.	1	
20	AP8150270	Screw 4,2x20*	3	
21	AP8150248	Washer 5,5x15x1,6	3	
22	AP8221023	T bush	3	
23	AP8120030	Rubber spacer	4	
24	CM001924	Hose clamp	3	
25	AP8201409	Hose clip 290x8,9	1	
26	AP8104097	Hose clamp	3	
27	AP8152280	Screw w/ flange M6x25	3	
28	AP8152246	Screw w/ flange M6x16	1	

Group	FRAME
Code	28.22
Description	Cooling system
Service	1



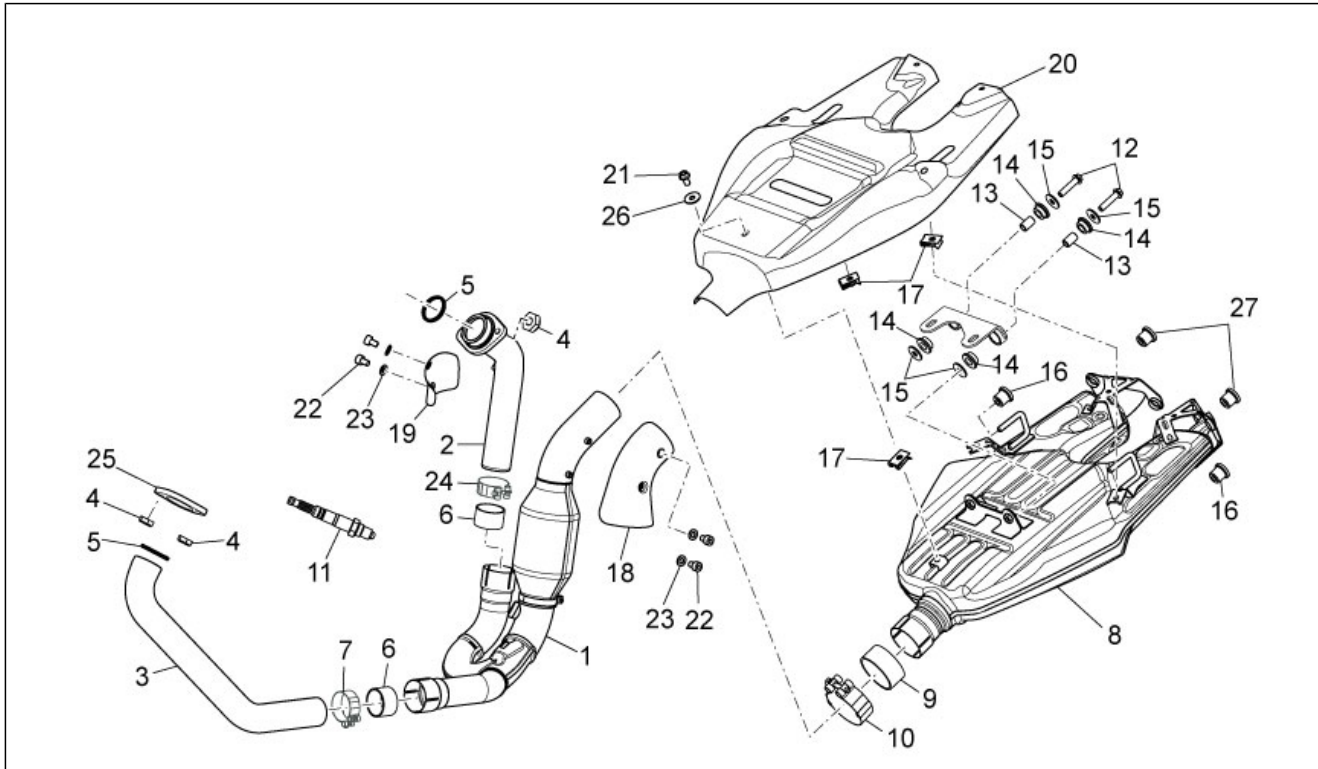
Pos.	Code	Description	Qty	Variants
29	AP8152299	Self-locking nut M6	1	
30	853458	Water cooler support	1	
31	AP8120446	Hose clip, green D11x6,6x1	1	
32	AP8101743	Hose clip D23,5x8*	1	
33	AP8120657	Hose clamp 4.5X280	1	
34	AP8120952	Fuel pipe 5,5x10	1	
35	CM001914	Hose clamp	2	
36	AP8102738	Hose clamp	1	
37	CM001905	Hose clamp	2	
38	AP8102159	Hose clamp	2	
39	AP8102786	Hose clip 20x8	2	
40	AP8102239	Hose clamp 12,5x8	2	

Group	FRAME
Code	28.23
Description	Air box
Service	1



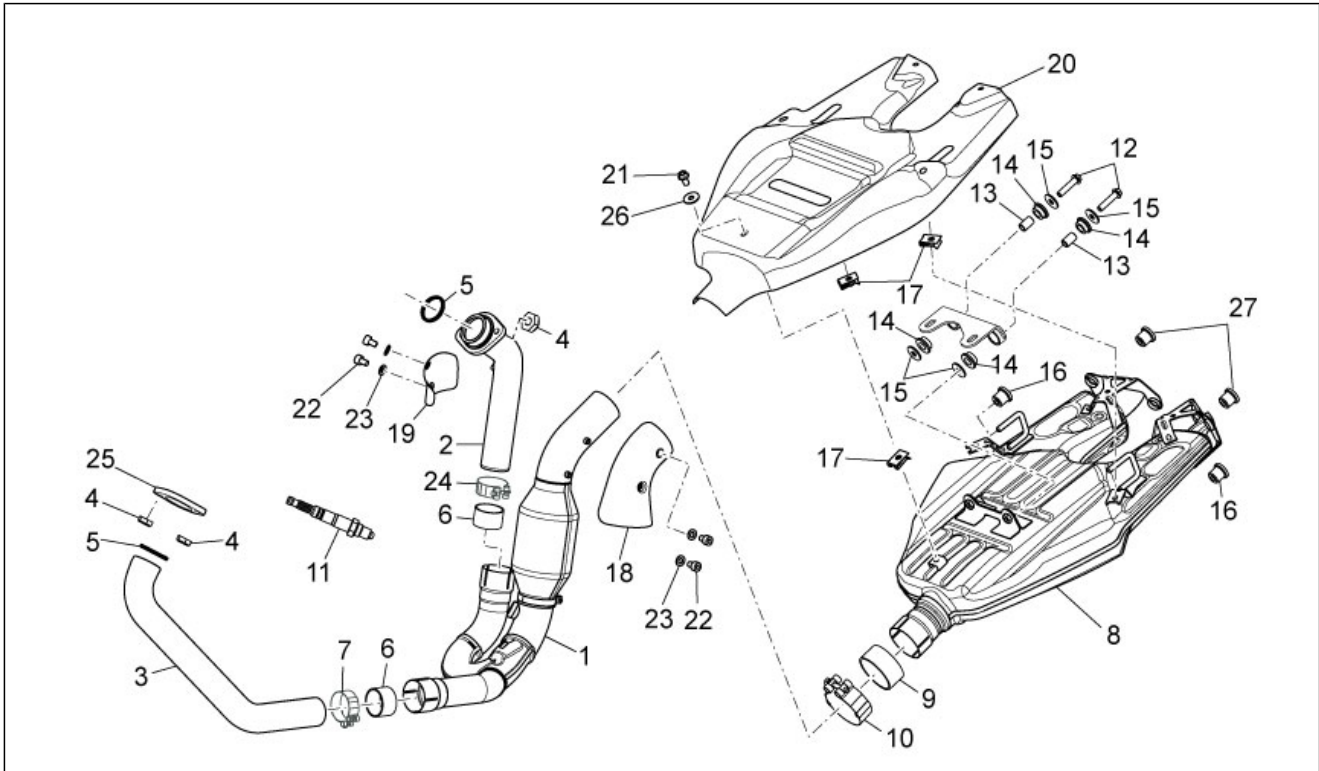
Pos.	Code	Description	Qty	Variants
1	851577	Filter housing base	1	
2	854946	Filter housing cover	1	
3	851576	Filter housing body	1	
4	851575	Air filter	1	
5	858133	Intake pipe	1	
6	851581	Air intake pipe	2	
7	851685	Cover	1	
8	AP8144245	Gasket d.5	1	
9	851570	Throttle body hose	2	
10	854970	Hose clamp SM9C W1 6	4	
11	851567	Breather pipe BLOW-BY	1	
12	851785	Breather pipe BLOW-BY	1	
13	856314	Front preformed pipe	1	
14	856315	Rear preformed pipe	1	
15	AP8120536	Hose clip D28x8,6*	1	
16	AP8201358	Hose clamp D 11,9	4	
17	AP8152329	Phillips screw, SWP M5x20	23	
18	GU30729330	Air temp. Sensor	1	
19	GU30027931	Gasket	1	
20	638562	Air pressure sensor	2	
21	AP8150421	Self-tap screw 2,9x12	2	
22	853434	Injection wiring	1	
23	AP8120593	Gasket D4	1	
24	AP8102520	Hose clamp	2	
25	858350	Fairlead	1	
26	AP8144038	Fuel pipe 6x10	2	
27	AP8120876	Plug	2	
28	AP8101595	Hose clamp D10,1	4	

Group	FRAME
Code	28.25
Description	Exhaust unit
Service	1



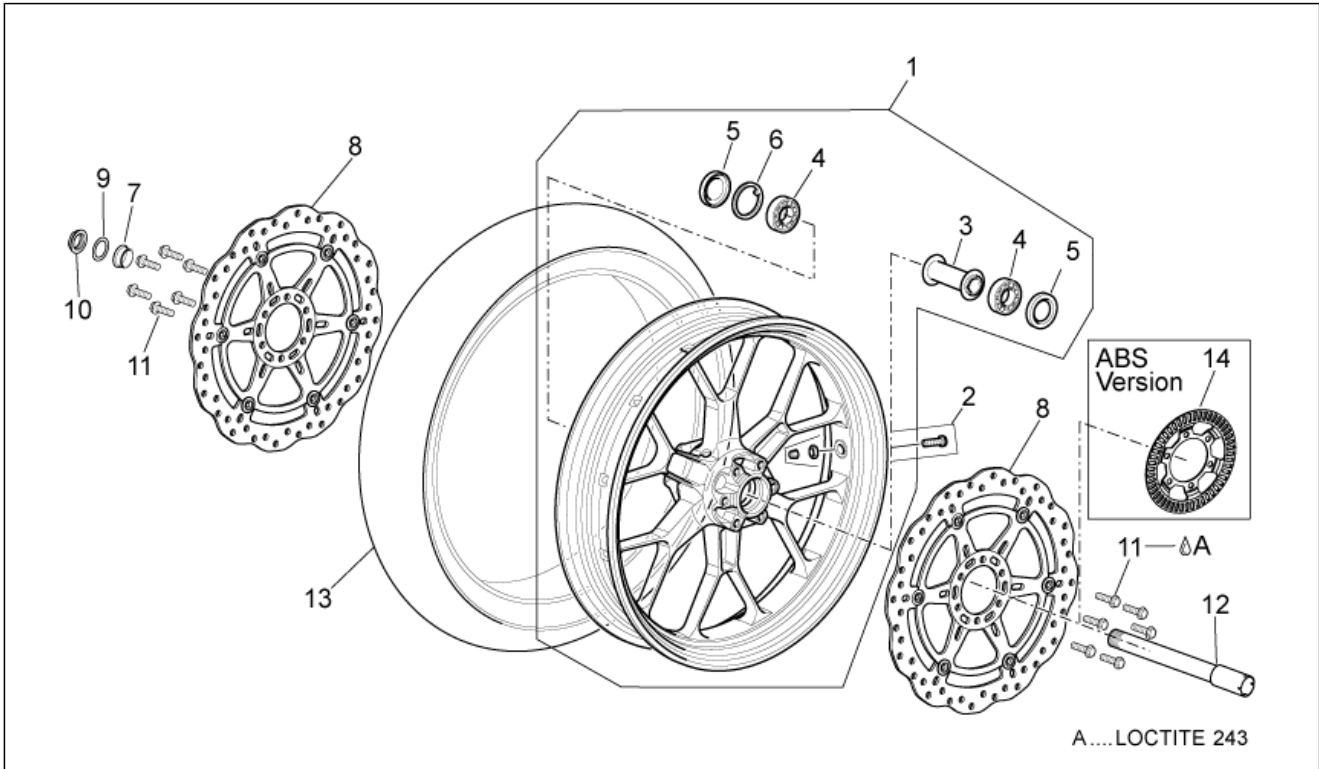
Pos.	Code	Description	Qty	Variants
1	856797	Central exhaust manifold	1	
2	860437	Rear exhaust pipe	1	
3	856798	Front. Exhaust pipe	1	Technical Specification:Standard Version[std]
3	851590	Front. Exhaust pipe	1	Technical Specification:ABS Version[ABS]
4	AP8150334	Nut M8	4	
5	851582	Exhaust pipe gasket	2	
6	GU05121630	Gasket	2	
7	GU05123431	LH hose clamp	1	
8	856799	Silencer	1	
9	GU05128230	Gasket	1	
10	851586	LH manifold pipe D 63 mm	1	
11	896110	Lamda sensor (L. 660 mm)	1	
11	896110	Lamda sensor (L. 660 mm)	1	
12	AP8152289	Screw w/ flange	2	
13	AP8121455	Spacer bush	2	
14	856914	Rubber spacer	4	
15	AP8150018	Washer	4	
16	852433	Rubber spacer	2	
17	254485	Spring plate M6	5	
18	860397	Heat protection	1	
19	856859	Shock abs. guard plate	1	
20	856854	Heat protection	1	
21	AP8152277	Screw w/ flange M6x12	1	
22	AP8150505	Hex socket screw m4x6 inox	4	
23	AP8150535	Safety washer	4	
24	GU05123430	RH hose clamp	1	
25	858294	Flange	1	
26	AP8150179	Washer 6,6x18*	1	

Group	FRAME
Code	28.25
Description	Exhaust unit
Service	1



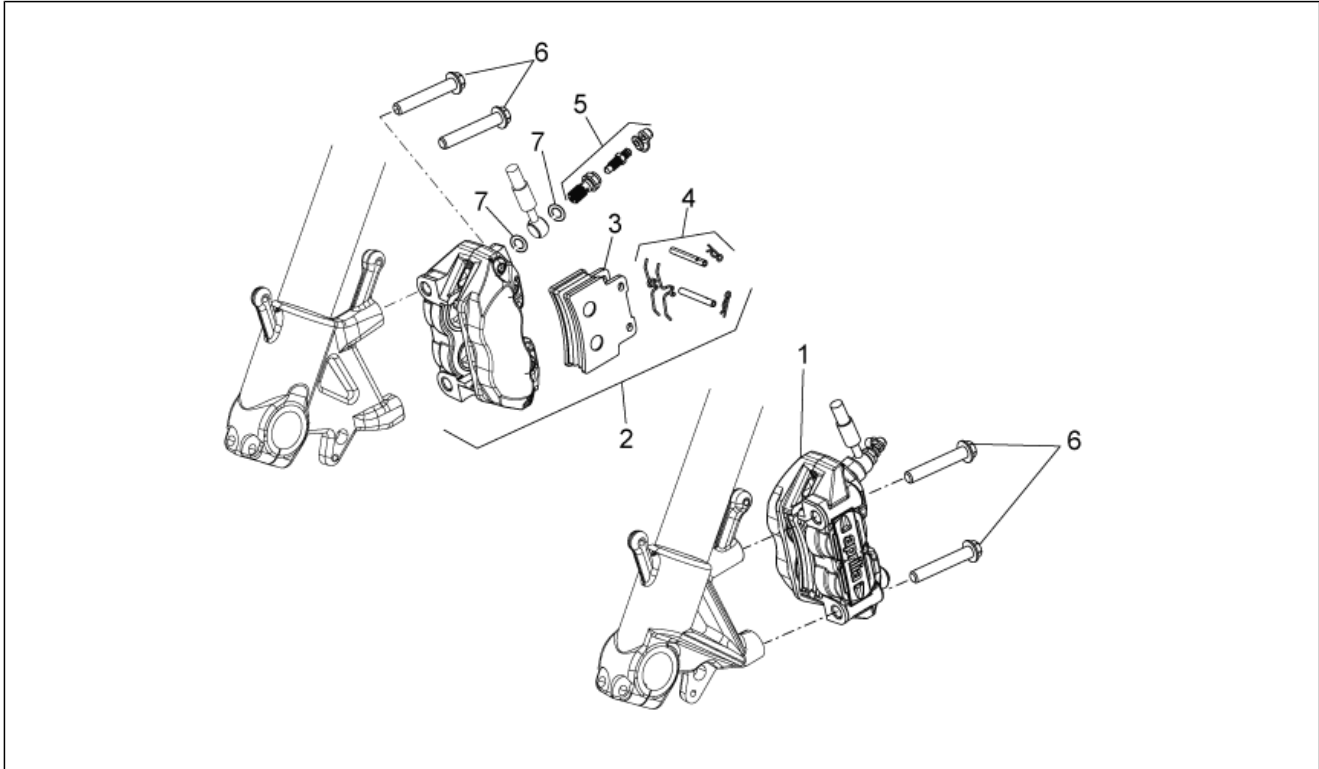
Pos.	Code	Description	Qty	Variants
27	860171	Rubber spacer	1	

Group	FRAME
Code	28.26
Description	Front wheel
Service	1



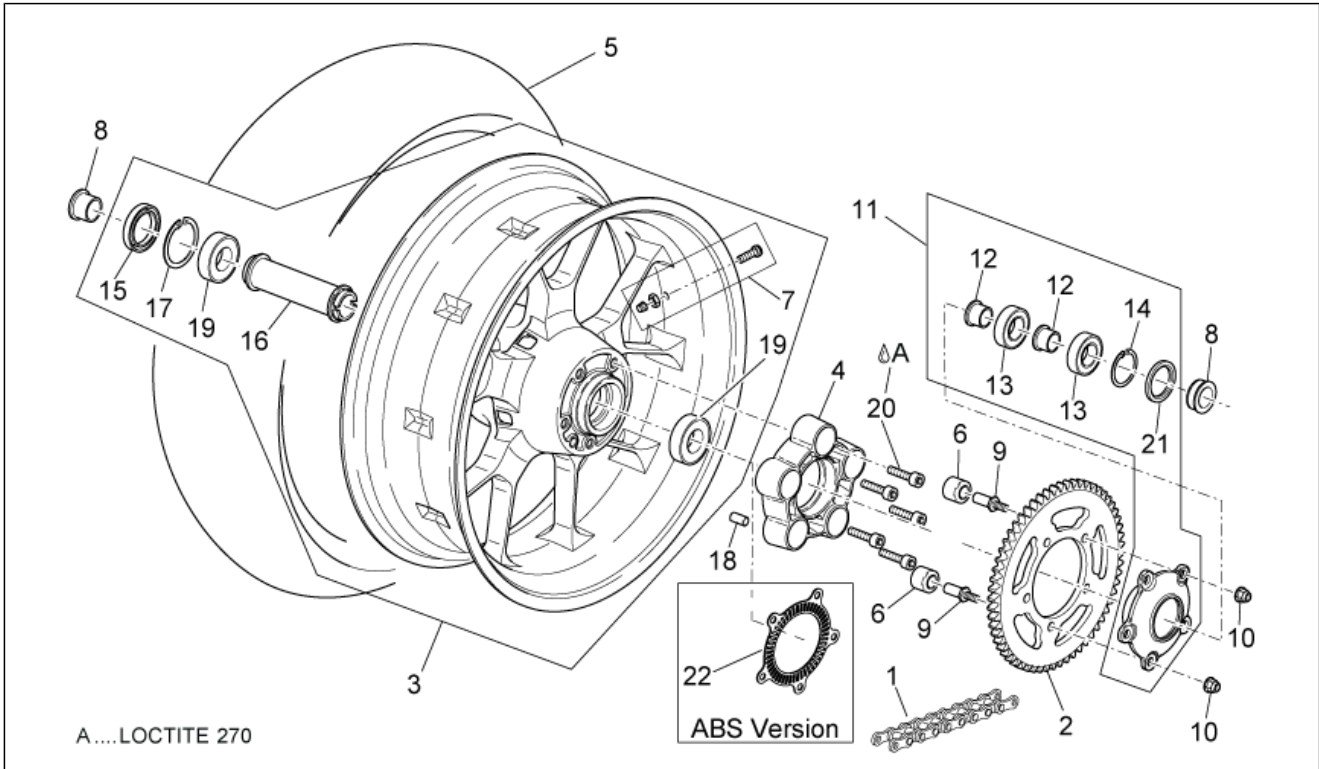
Pos.	Code	Description	Qty	Variants
1	AP8128228	Front wheel, black	1	
2	AP8101744	Tubeless tyre valve	1	
3	AP8128169	Internal spacer	1	
4	AP8125777	Ball bearing 25x47x12	2	
5	AP8125773	Gasket ring 30x47x7	2	
6	AP8125779	Circlip	1	
7	AP8125728	Front RH whe.ou.spacer	1	
8	856774	Front brake disc	2	
9	AP8152323	Washer 25,2x36x1	1	
10	AP8152335	Wheel spindle nut	1	
11	AP8152286	Screw w/ flange M8x20	12	
12	AP8125827	Front wheel spindle	1	
13	85156R	Front tyre 120/70 ZR 17"	1	
14	AP8128189	Phonic wheel	1	Technical Specification: ABS Version[ABS]

Group	FRAME
Code	28.27
Description	Front brake caliper
Service	1



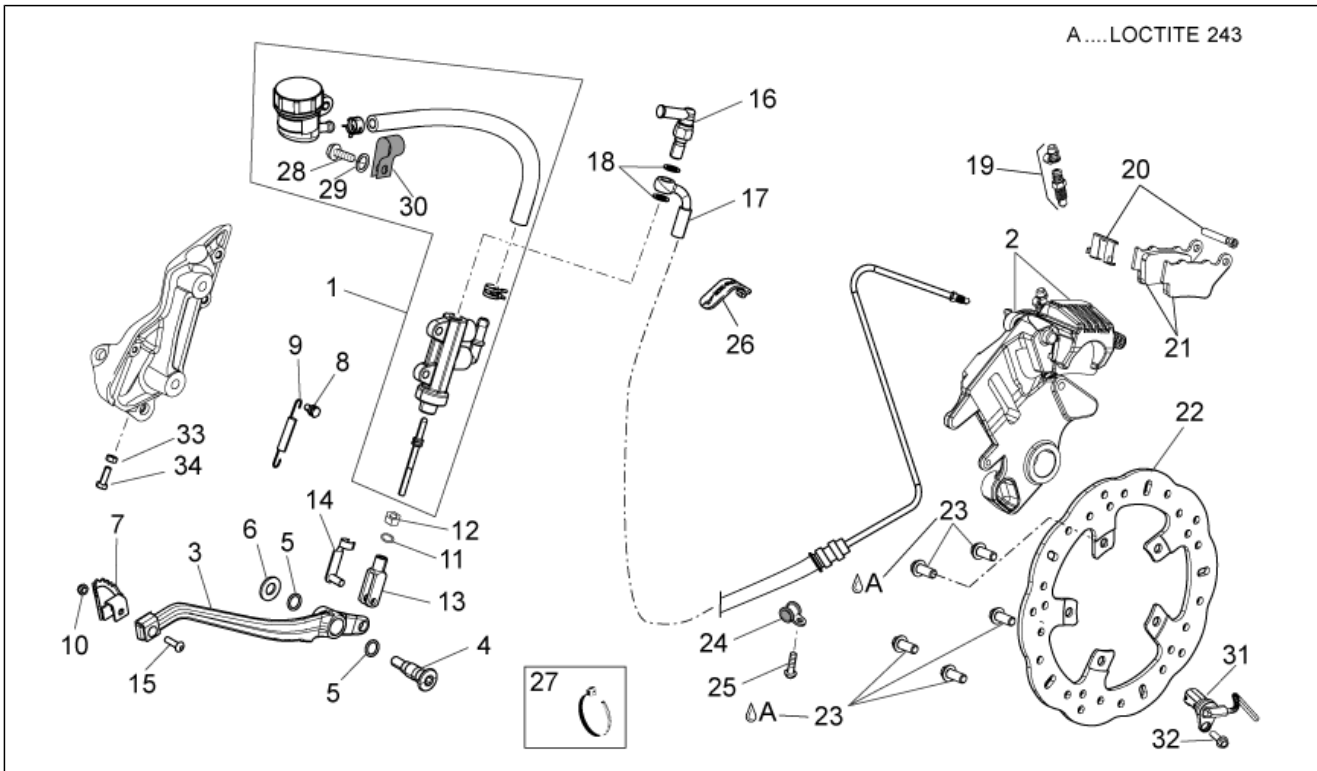
Pos.	Code	Description	Qty	Variants
1	851724	LH front brake caliper	1	
2	AP8133841	Front brake caliper, gold	1	
3	897118	Front pads pair RH	1	
3	AP8133943	Front pads pair	2	
4	AP8133944	Pin+Brake spring	2	
5	AP8133945	Bleeder kit	2	
6	AP8152414	Screw w/ flange M10x55	4	
7	AP8113004	Washer 10x14x1,6*	2	

Group	FRAME
Code	28.28
Description	Rear wheel
Service	1



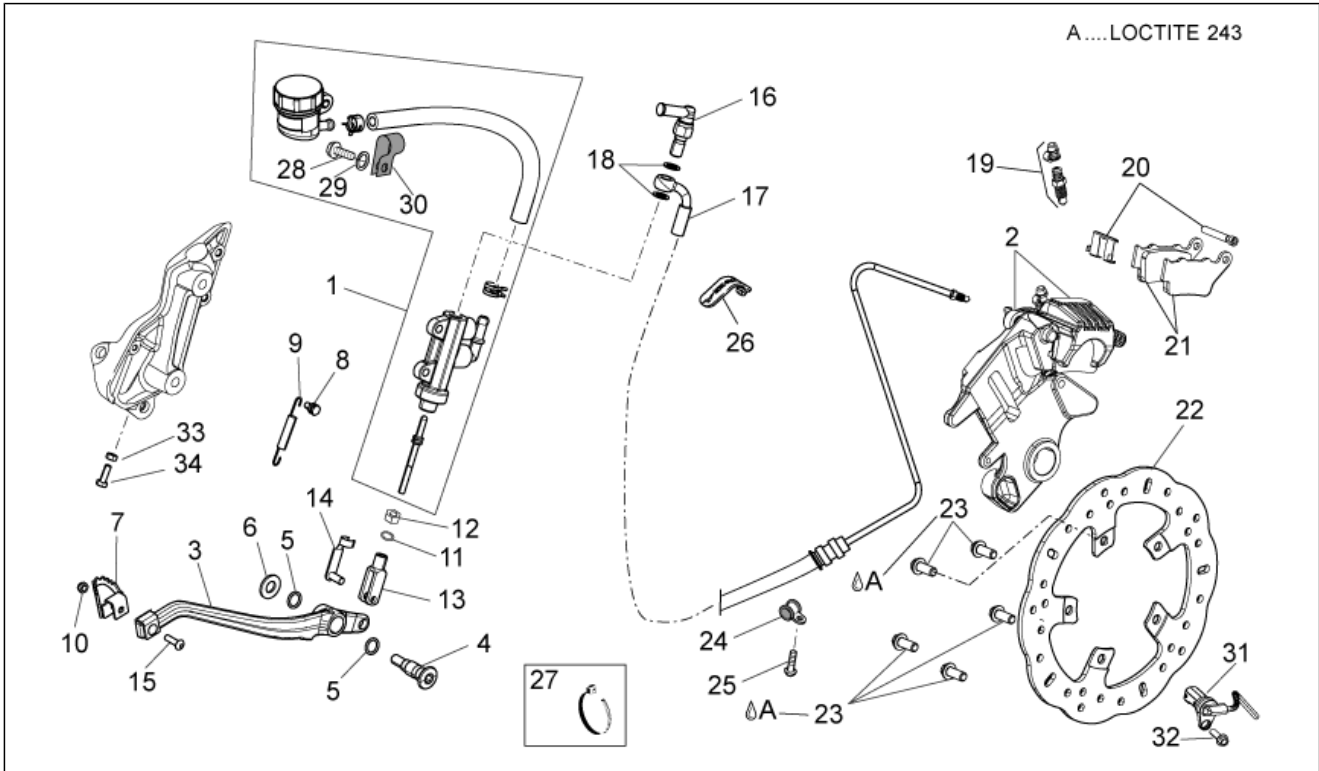
Pos.	Code	Description	Qty	Variants
1	856805	Chain 525	1	
2	856803	Chain ring Z=46 AL	1	
3	860694	Rear wheel, black 6"x17"	1	
4	AP8128231	Rear wheel spring drive holder	1	
5	85157R	Rear tyre	1	
6	AP8125731	Flexible coupling rubber	5	
7	AP8101744	Tubeless tyre valve	1	
8	AP8121592	Rear wheel spacer	2	
9	B045033	Pin	5	
10	564878	Nut	5	
11	AP8125730	Crown holder cpl.	1	
12	AP8125732	Spring drive spacer	2	
13	AP8110081	Bearing 30x55x13	2	
14	AP8121212	Inside circlip d55	1	
15	AP8125786	Gasket ring 38x52x7	1	
16	AP8128170	Internal spacer	1	
17	AP8125788	Circlip	1	
18	AP8150463	Pin 10x20	1	
19	AP8106806	Bearing 6205-2rs1 25x52x15	2	
20	AP8150195	Hex socket screw M10x30	5	
21	AP8121213	Gasket ring 38x55x7	1	
22	890960	Phonic wheel ABS	1	Technical Specification:ABS Version[ABS]

Group	FRAME
Code	28.29
Description	Rear brake system
Service	1



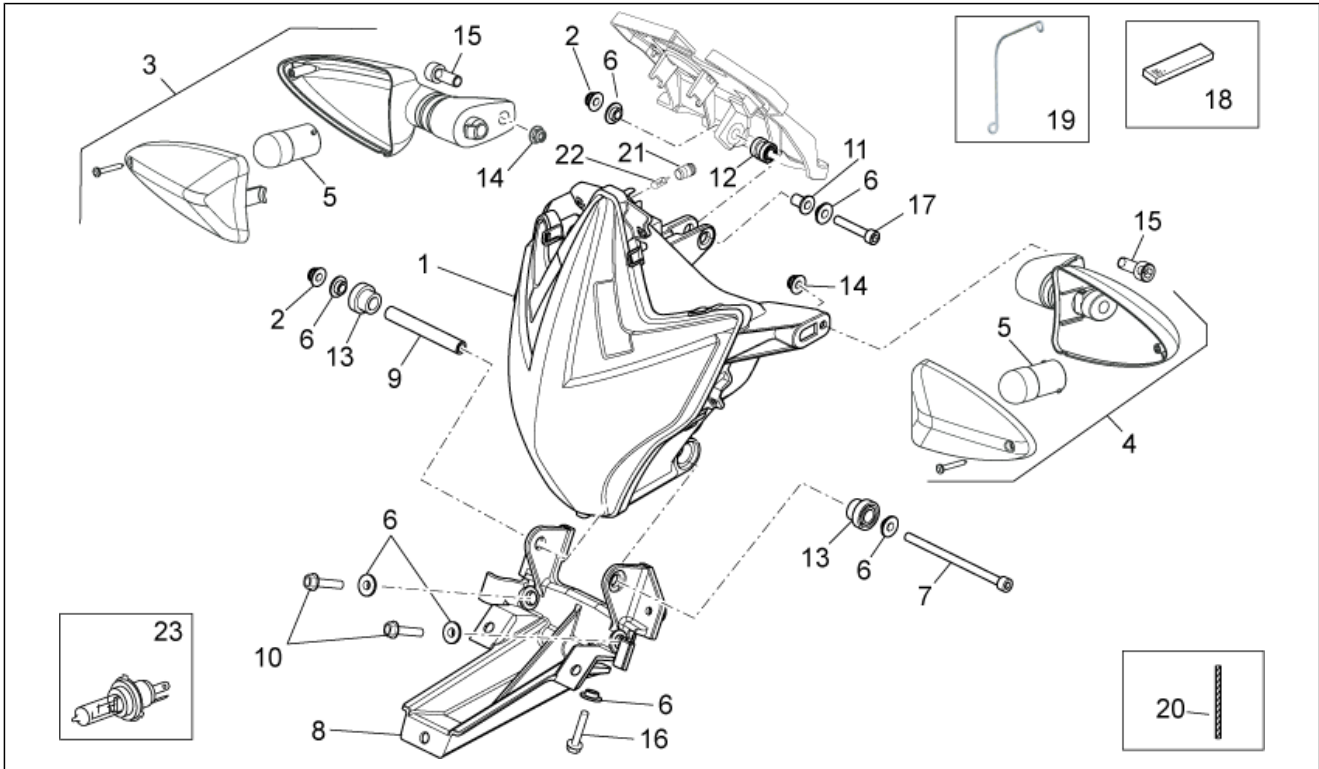
Pos.	Code	Description	Qty	Variants
1	860448	Brake m.cyl., w/ reservoir	1	Technical Specification: Standard Version[std]
1	860426	Brake m.cyl., w/ reservoir	1	Technical Specification: ABS Version[ABS]
2	860469	Rear brake caliper	1	Technical Specification: ABS Version[ABS]
2	851725	Rear brake caliper	1	Technical Specification: Standard Version[std]
3	856808	Rear brake lever	1	
4	AP8121223	Rear brake lever pin	1	
5	AP8144007	O-ring 11,11x1,78	2	
6	AP8150020	Washer 10,5x21x2*	1	
7	851049	Rear Brake lever push	1	
8	859946	Fixing pin	1	
9	AP8121927	Rear brake lever spring	1	
10	AP8150430	Low self-locking nut	1	
11	AP8120178	O-ring OR112	1	
12	AP8150026	Nut M6	1	
13	AP8101968	Fork	1	
14	AP8201301	Gear selector fork clips	1	
15	AP8224470	Hex socket screw M6x20	1	
16	854973	Stop switch	1	
17	856810	Rear brake hose	1	
18	AP8113004	Washer 10x14x1,6*	2	
19	AP8213574	Air bleed valve	1	
20	856052	Pins+Caliper springs	1	
21	897119	Rear pads pair	1	
22	856775	Rear brake disc D.240	1	
23	AP8152286	Screw w/ flange M8x20	5	
24	AP8134167	Brake hose hanger	2	
25	AP8152298	Screw w/ flange M5x16	2	
26	860744	Hose clamp	1	

Group	FRAME
Code	28.29
Description	Rear brake system
Service	1



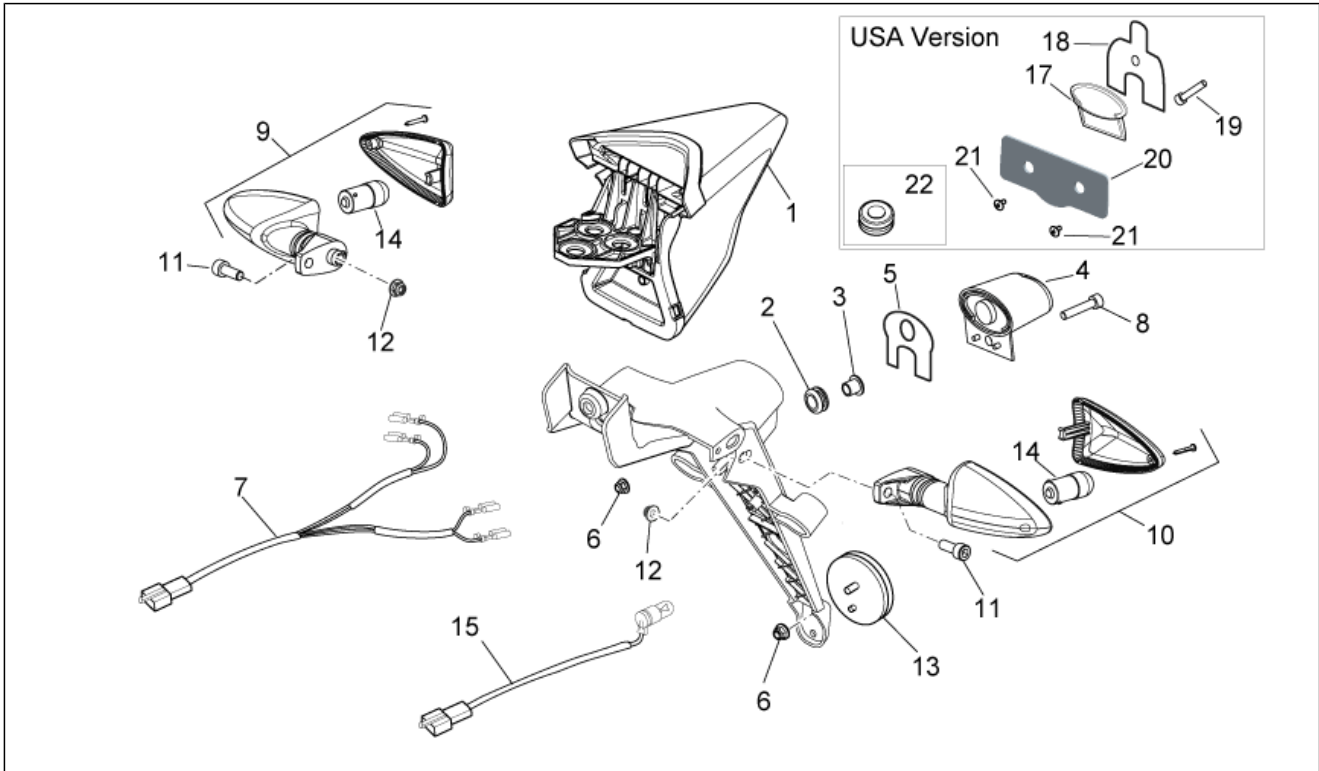
Pos.	Code	Description	Qty	Variants
27	AP8102386	Hose clamp 155x2	1	
28	AP8152174	Hex socket screw	1	
29	AP8150012	Washer 5,3x10x1*	1	
30	890721	Wiring clip	1	
31	859792	Sensor ABS	1	Technical Specification: ABS Version[ABS]
32	AP8152273	Screw w/ flange M5x15	1	Technical Specification: ABS Version[ABS]
33	AP8150026	Nut M6	1	
34	AP8152278	Screw w/ flange M6x16	1	

Group	FRAME
Code	28.30
Description	Front lights
Service	1



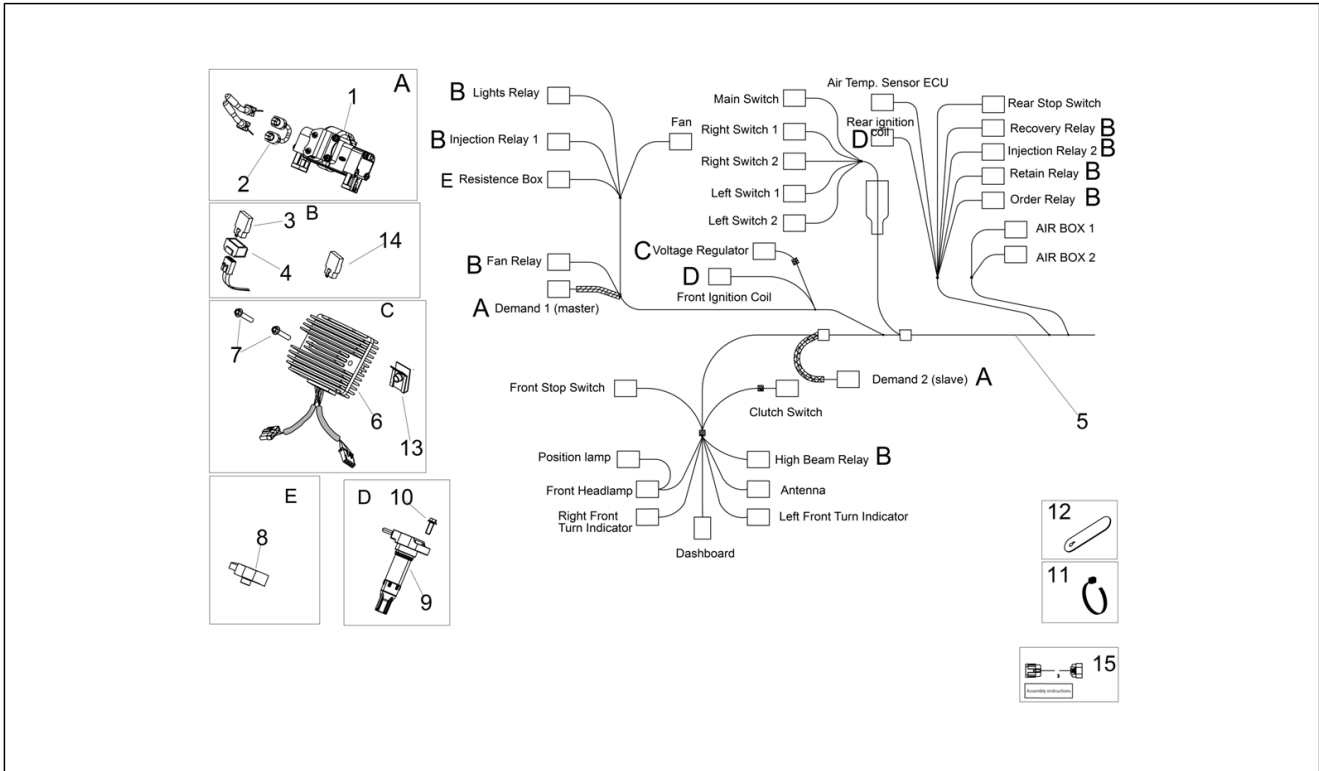
Pos.	Code	Description	Qty	Variants
1	856898	Headlight	1	
2	AP8152299	Self-locking nut M6	2	
3	854555	RH front turn indicator	1	
4	854556	LH front turn indicator	1	
5	AP8127489	Lamp RY10W 12V	2	
6	AP9100053	Bush d.10-h.3,5	8	
7	478171	Hex socket screw M6x100	1	
8	856604	Support clamp	1	
9	AP8134419	Fuel tank bush	1	
10	AP8152278	Screw w/ flange M6x16	2	
11	AP8121725	T bush *	1	
12	AP8220370	Filter housing rubber	1	
13	AP8220192	Rubber spacer *	2	
14	AP8152306	Self-locking nut M5	3	
15	AP8150050	Hex socket screw M5x16	2	
16	AP8152279	Screw w/ flange M6x20	1	
17	AP8150285	Hex socket screw M6x35	1	
18	AP8144538	Gasket	1	
19	890220	Fairlead	1	
20	860447	Biadhesive	2	
21	896512	Lampholder	1	
22	896513	Lamp H6W	1	
23	AP8127121	Lamp H4 12V-60/55W	1	

Group	FRAME
Code	28.31
Description	Rear lights
Service	1



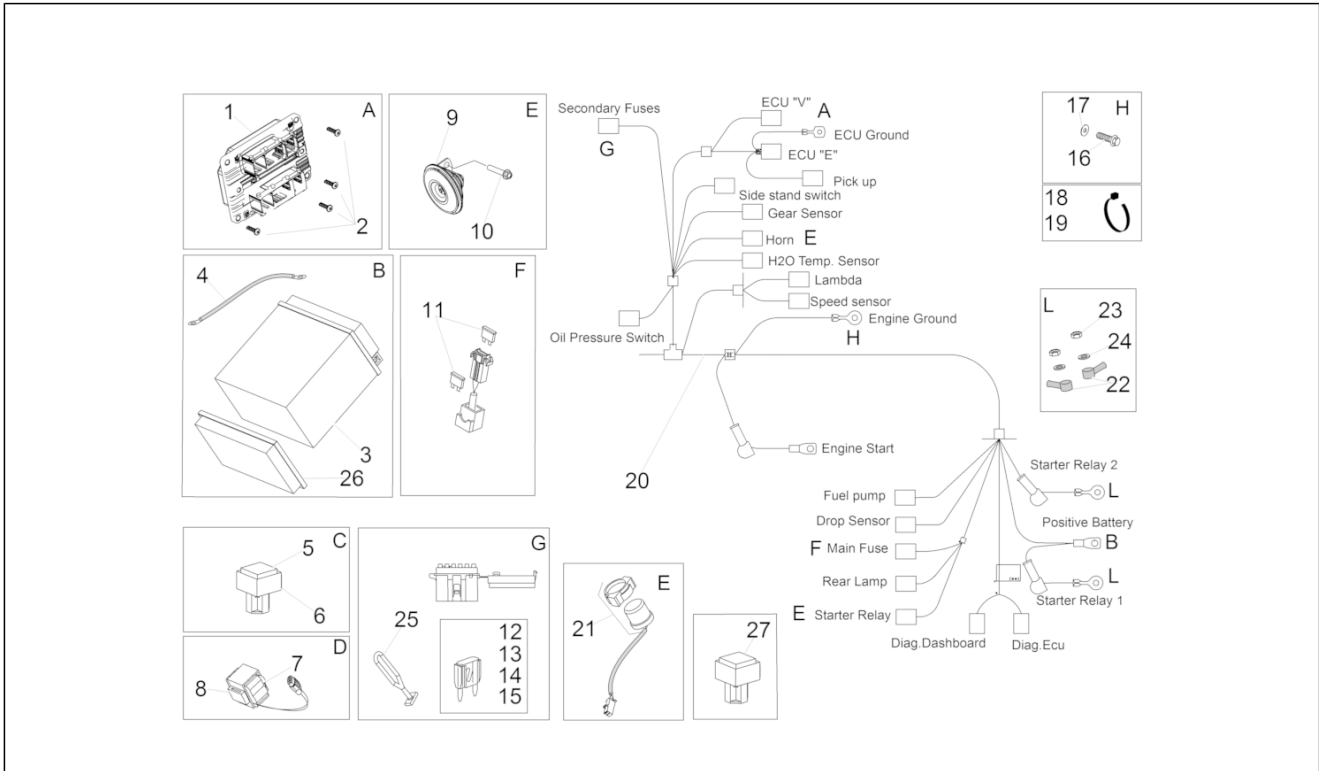
Pos.	Code	Description	Qty	Variants
1	856899	Taillight	1	
2	AP8112600	Rubber spacer	1	
3	AP8121795	T bush	1	
4	AP8127098	Number-plate light	1	
5	AP8117258	Vibration-damping rubber	2	
6	AP8152306	Self-locking nut M5	3	
7	856843	Taillight wiring harn.	1	
8	AP8150350	Hex socket screw M5x25	1	
9	854556	LH front turn indicator	1	
10	854555	RH front turn indicator	1	
11	AP8150137	Hex socket screw M6x16	2	
12	AP8152299	Self-locking nut M6	2	
13	AP8224164	Rear reflector, red	1	
14	AP8127489	Lamp RY10W 12V	2	
15	860026	Plate light wiring	1	
16	860447	Biadhesive	1	
17	854631	Cover	1	Country:[]
18	858334	License plate lamp bracket	1	Country:[]
19	890896	Special screw 5,9x19	2	Country:[]
20	890939	Plate	1	Country:[]
21	890940	Plastic rivet	2	Country:[]
22	AP8120030	Rubber spacer	2	Country:[]

Group	FRAME
Code	28.32
Description	Electrical system I
Service	1



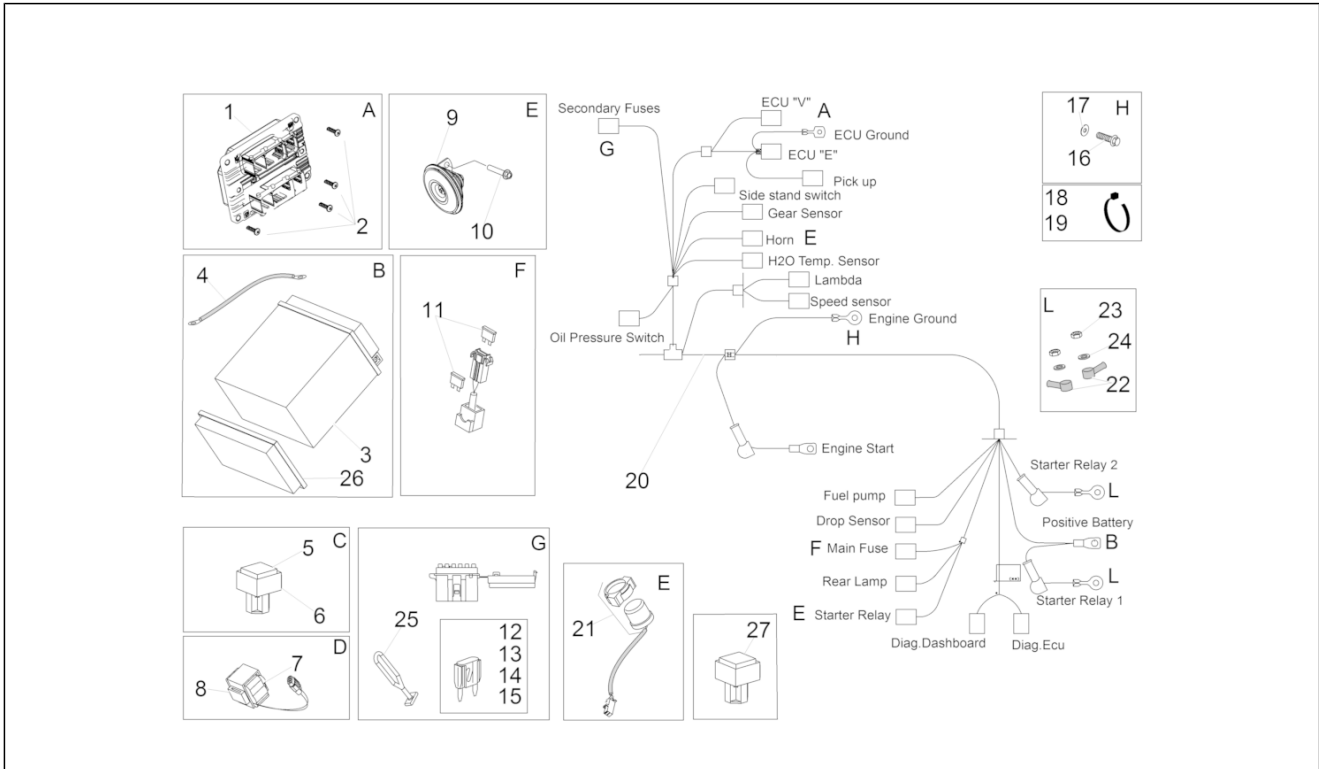
Pos.	Code	Description	Qty	Variants
1	B044414	Accelerator position sensor	1	
2	854811	Rubber spacer	1	
3	AP8224462	Relay 12V-30A	8	
4	AP8220283	Rubber spacer *	8	
5	896741	Main wiring harness	1	Technical Specification:Standard Version[std] Year:[]
5	896742	Main wiring harness	1	Technical Specification:ABS Version[ABS]
6	58189R	Voltage regulator	1	
7	AP8152281	Screw w/ flange M6x30	2	
8	896897	Resistor Module	1	
9	640695	HT coil	2	
10	872425	Screw w/ flange	2	
11	AP8120416	Black hose 180x4,5	6	
12	AP8102386	Hose clamp 155x2	5	
13	254485	Spring plate M6	4	
14	GU29732550	Relay 5 pin	1	
15	2R000309	Kit interfaccia	1	

Group	FRAME
Code	28.33
Description	Electrical system II
Service	1



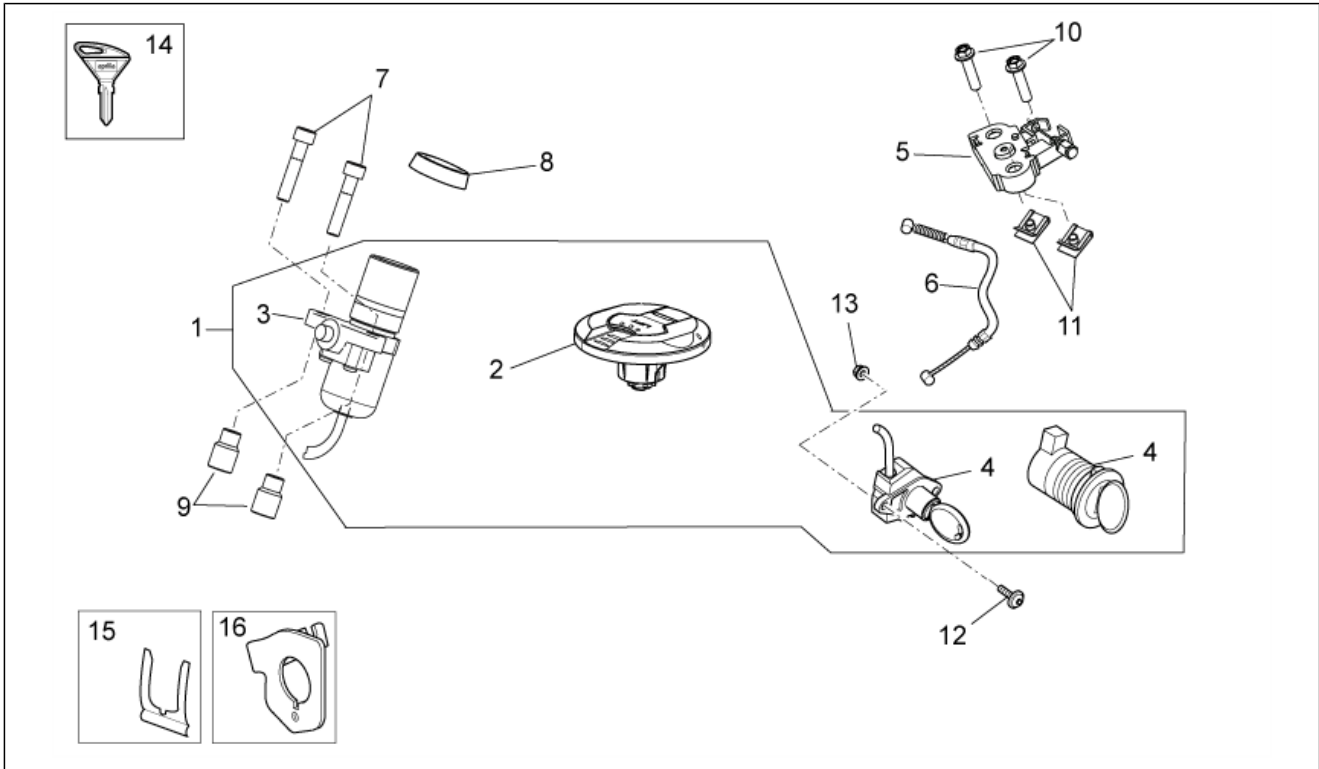
Pos.	Code	Description	Qty	Variants
1	641226	ECU	1	
2	AP8152329	Phillips screw, SWP M5x20	4	
3	1R000318	Battery PTX12-BS 12V-10Ah (Piaggio)	1	
3	583158	Battery (Yuasa) 12V-10Ah	1	
4	859967	Earth cable	1	
5	AP8124869	Injection relay	1	
6	AP8220546	Relay rubber	1	
7	584509	Fall sensor	1	
8	AP8144046	Rubber sensor support	1	
9	854830	Horn	1	
10	AP8152280	Screw w/ flange M6x25	1	
11	496404	Fuse 30A	2	
12	292507	Reed fuse 10A	3	
13	AP8127345	Fuse 15A	3	
14	AP8176100	Fuse	2	
15	AP8127346	Fuse 3A	1	
16	AP8152277	Screw w/ flange M6x12	1	
17	AP8150429	Spring washer 6,4x11x0,5*	1	
18	AP8102386	Hose clamp 155x2	6	
19	AP8120422	Black hose 2.5X99	2	
20	896742	Main wiring harness	1	Technical Specification:ABS Version[ABS]
20	896741	Main wiring harness	1	Technical Specification:Standard Version[std] Year:[]
21	AP8112927	Relay 12V-150A	1	
22	581061	Cap	2	
23	AP8150026	Nut M6	2	
24	AP8150429	Spring washer 6,4x11x0,5*	2	
25	AP8120177	Elastic	1	

Group	FRAME
Code	28.33
Description	Electrical system II
Service	1



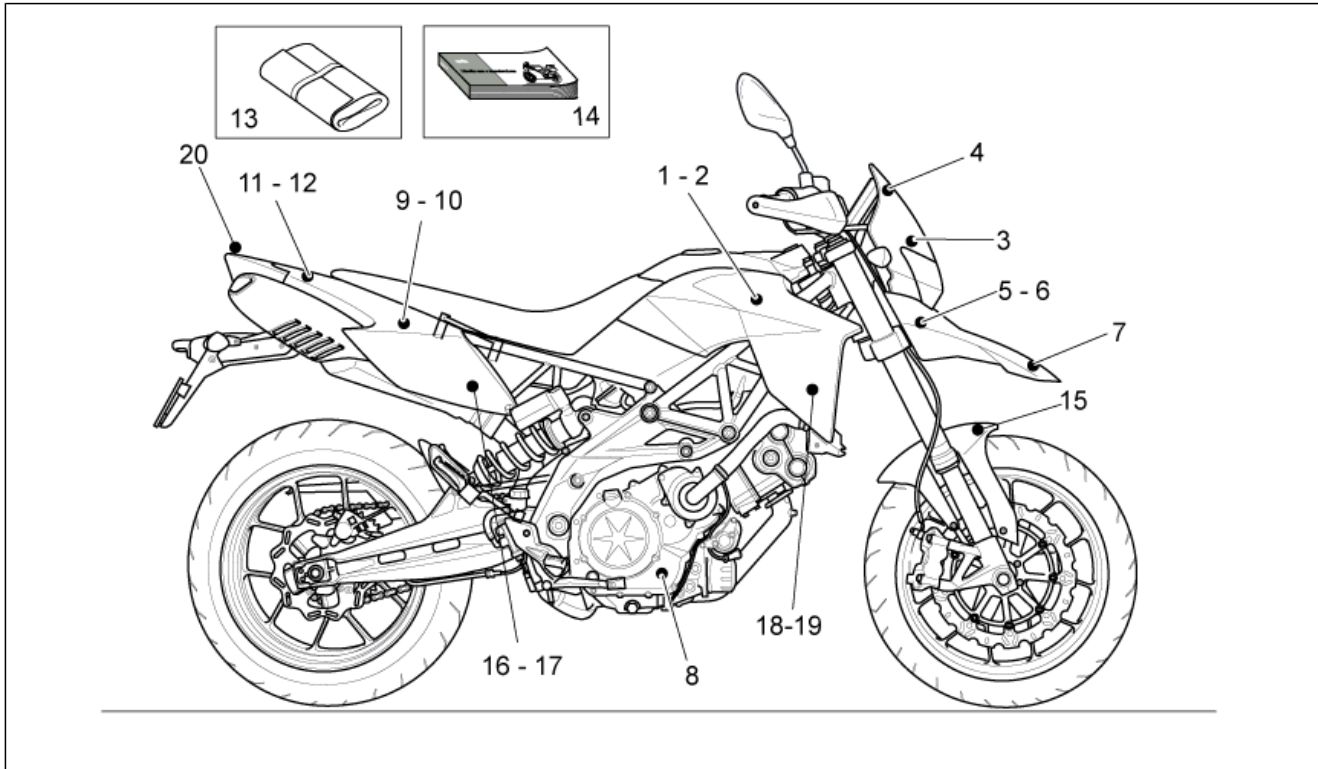
Pos.	Code	Description	Qty	Variants
26	654139	Battery adapter	1	
27	895481	Injection relay 12V-40W	1	

Group	FRAME
Code	28.34
Description	Lock hardware kit
Service	1



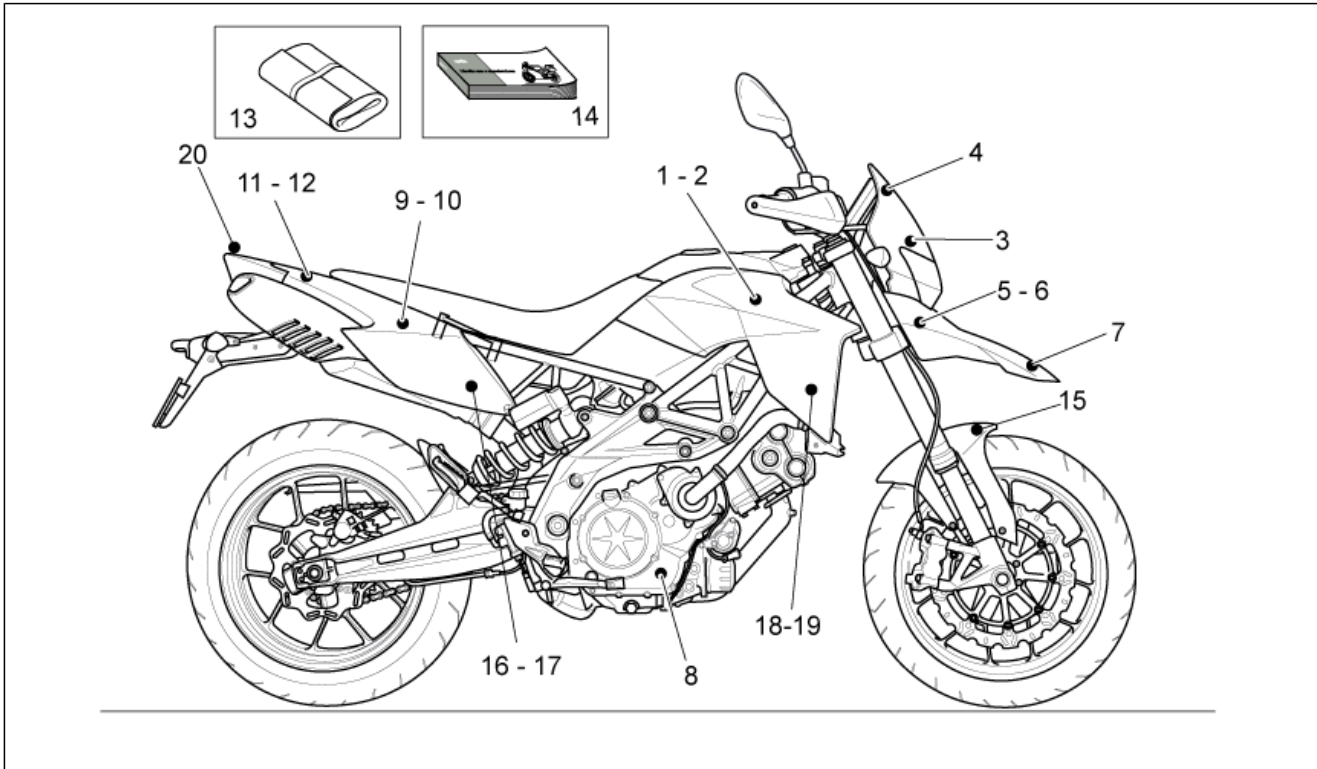
Pos.	Code	Description	Qty	Variants
1	896693	Lock kit	1	
2	890756	Fuel filler cap	1	
3	860127	Main switch - steering lock	1	
4	896974	Saddle lock cpl.	1	
5	AP8102913	Pass.saddle connecting plate	1	
6	854938	Lock cable	1	
7	AP8150351	Shear rivet M8x40	2	
8	AP8127461	Main switch seal	1	
9	856180	Spacer *	2	
10	AP8152281	Screw w/ flange M6x30	2	
11	254485	Spring plate M6	2	
12	AP8152298	Screw w/ flange M5x16	2	
13	AP8150114	Low self-locking nut	2	
14	AP8104920	"Aprilia" key with transpo.	1	
15	AP8121420	Fork spring	1	
16	AP8154043	flexible control plate	1	

Group	FRAME
Code	28.35
Description	Decal -Toolkit
Service	1



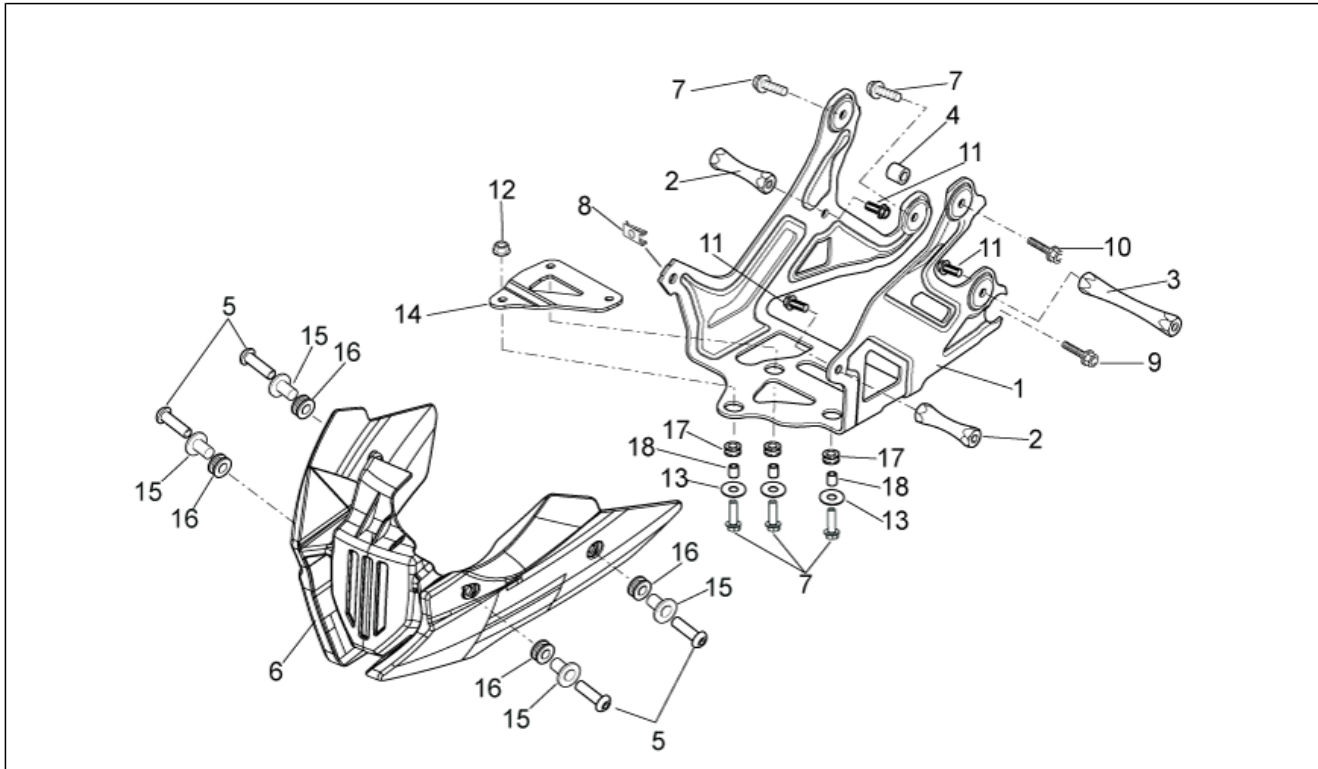
Pos.	Code	Description	Qty	Variants
1	2H000816	RH decal aprilia	1	Colour:[Whit OP]
1	2H000828	RH decal Aprilia	1	Colour:Tecno blue[blue]
1	B046100	RH decal "aprilia"	1	Colour:Fluo Red[fluo]
1	B046090	RH decal "APRILIA"	1	Colour:Diablo Black[BLK D]
2	B046101	Sticker LH "aprilia"	1	Colour:Fluo Red[fluo]
2	B046091	Sticker LH "APRILIA"	1	Colour:Diablo Black[BLK D]
2	2H000817	Sticker LH Aprilia	1	Colour:[Whit OP]
2	2H000829	Sticker LH Aprilia	1	Colour:Tecno blue[blue]
3	898096	Headlight guard decal "Dorsoduro"	1	
4	895434	Windshield decal	1	
5	B046110	Front RH decal	1	Colour:Fluo Red[fluo]
5	2H000837	Left front mudguard decal	1	Colour:Tecno blue[blue]
5	B046098	Right front mudguard decal	1	Colour:Diablo Black[BLK D]
5	2H000824	Right front mudguard decal	1	Colour:[Whit OP]
6	2H000836	Right front mudguard decal	1	Colour:Tecno blue[blue]
6	B046099	Front LH decal	1	Colour:Diablo Black[BLK D]
6	B046111	Front LH decal	1	Colour:Fluo Red[fluo]
6	2H000825	Left front mudguard decal	1	Colour:[Whit OP]
7	B045183	Front mudguard decal Aprilia Racing	1	
8	895839	""Eni"" label"	2	
9	2H000820	RH rear fairing decal "dorsoduro italia"	1	Colour:[Whit OP]
9	2H000832	RH rear fairing decal "dorsoduro italia"	1	Colour:Tecno blue[blue]
9	B046094	RH rear fairing decal Dorsoduro Italia	1	
10	B046095	LH rear fairing decal Dorsoduro Italia	1	
10	2H000821	LH rear fairing decal "dorsoduro italia"	1	Colour:[Whit OP]
10	2H000833	LH rear fairing decal "dorsoduro italia"	1	Colour:Tecno blue[blue]
11	860728	RH rear fairing decal	2	Colour:Fluo Red[fluo] Diablo Black[BLK D] [Whit OP]
11	2H000822	RH rear fairing decal	1	Colour:[Whit OP]

Group	FRAME
Code	28.35
Description	Decal -Toolkit
Service	1



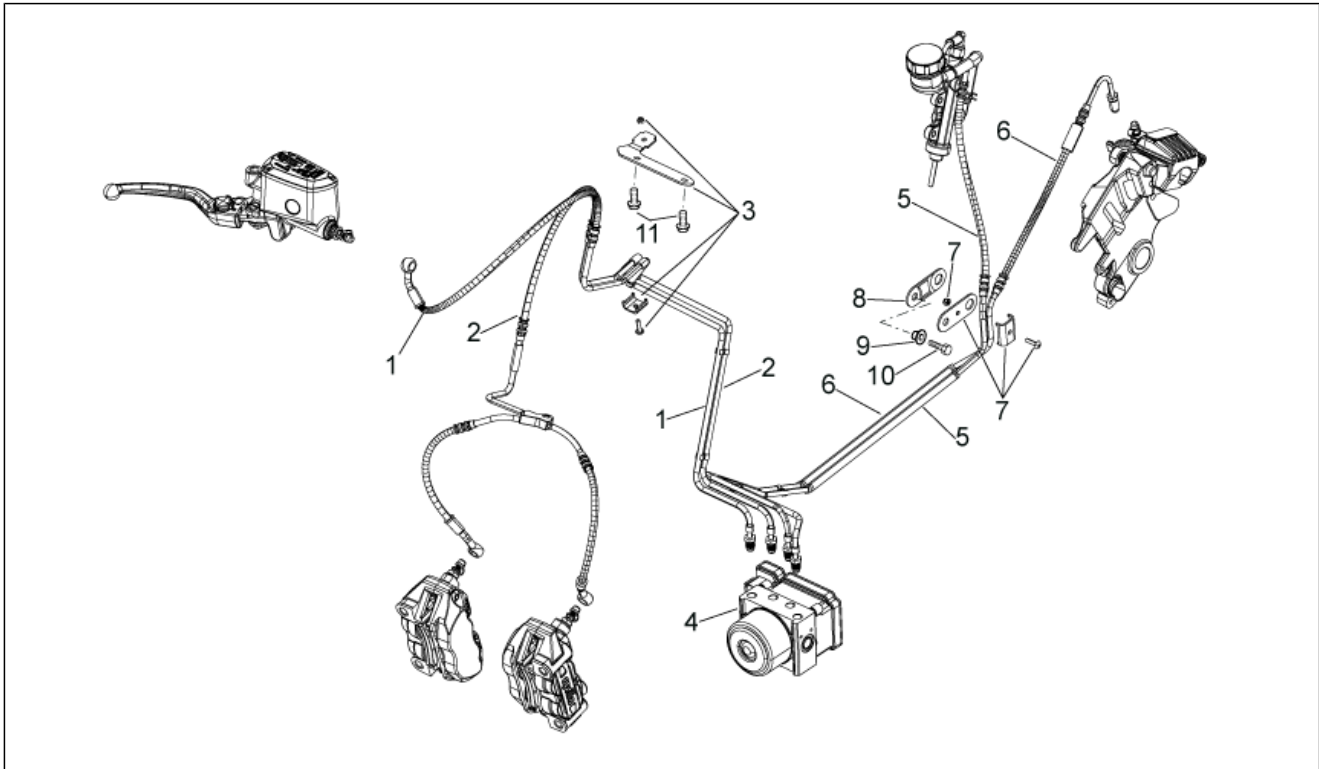
Pos.	Code	Description	Qty	Variants
11	2H000834	RH rear fairing decal	1	Colour:Tecno blue[blue]
12	2H000823	LH rear fairing decal	1	Colour:[Whit OP]
12	2H000835	LH rear fairing decal	1	Colour:Tecno blue[blue]
12	860729	LH rear fairing decal	2	Colour:Fluo Red[fluo]
13	856833	Toolkit	1	
14	2Q000005	***HANDBOOK (ENUS-FR-ES-IT)	1	
15	893102	Front mudguard decal ABS	2	Technical Specification:ABS Version[ABS]
16	B046108	Sticker line RH blue lord	1	Colour:[]Fluo Red[fluo]
16	B046096	Sticker line RH blue lord	1	Year:[] Colour:[Whit OP]Diablo Black[BLK D]
17	B046109	Sticker line LH	1	Colour:[]Fluo Red[fluo]
17	B046097	Sticker line LH	1	Year:[] Colour:[Whit OP]Diablo Black[BLK D]
18	B046103	LH air duct, decal	1	Colour:[Whit OP]
18	2H000815	LH air duct, decal	1	Colour:[Whit OP]
18	B046107	LH air duct, decal	1	Colour:[]Fluo Red[fluo]
18	B046093	LH air duct, decal	1	Colour:Diablo Black[BLK D]
18	2H000827	LH air duct, decal	1	Colour:Tecno blue[blue]
19	2H000814	RH air duct, decal	1	Colour:[Whit OP]
19	B046092	RH air duct, decal	1	Colour:Diablo Black[BLK D]
19	2H000826	RH air duct, decal	1	Colour:Tecno blue[blue]
19	B046106	RH air duct, decal	1	Colour:Fluo Red[fluo]
19	B046102	RH air duct, decal	1	Colour:[Whit OP]
20	2H000481	Decal 52 WORLD CHAMPIONSHIPS	1	

Group	FRAME
Code	28.54
Description	Holder
Service	1



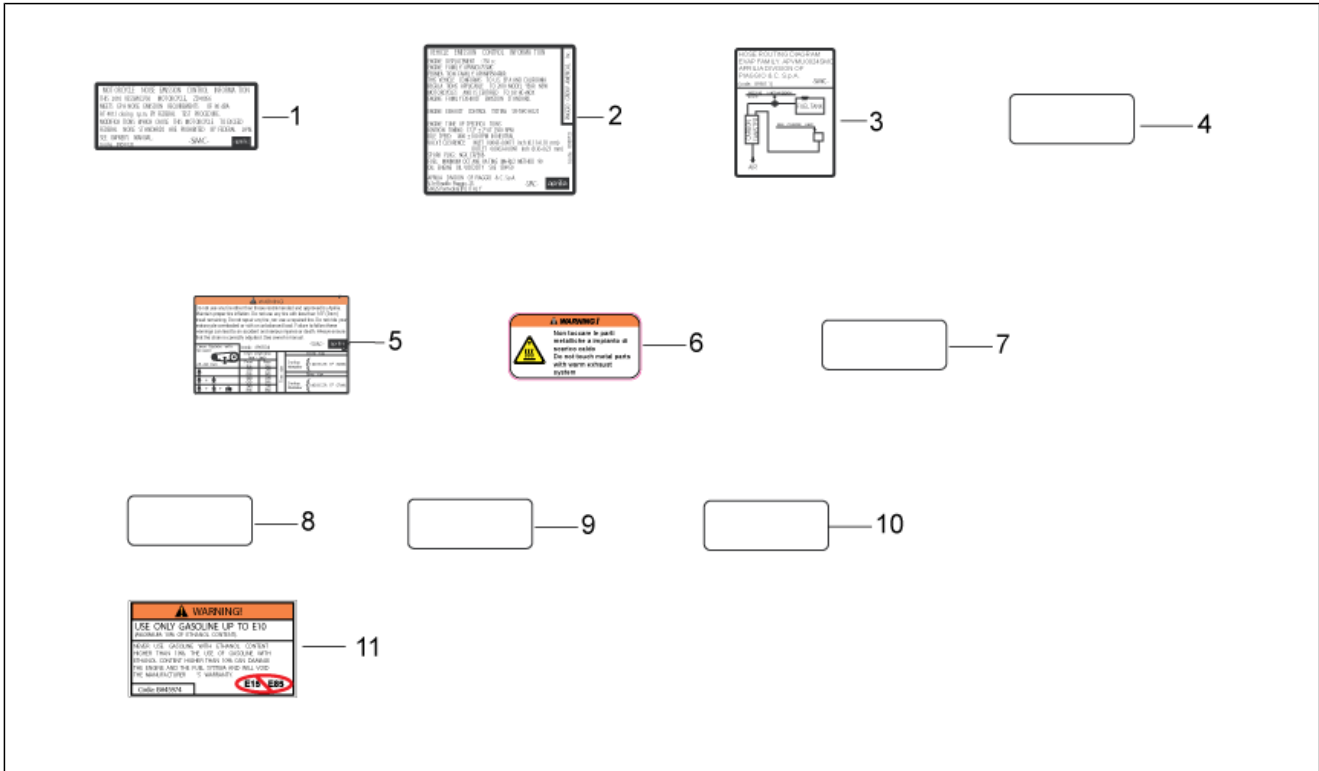
Pos.	Code	Description	Qty	Variants
1	860612	Holder	1	Technical Specification: ABS Version[ABS]
2	860628	Spacer	2	Technical Specification: ABS Version[ABS]
3	860629	Spacer	1	Technical Specification: ABS Version[ABS]
4	860667	Spacer	1	Technical Specification: ABS Version[ABS]
5	AP8224470	Hex socket screw M6x20	4	Technical Specification: ABS Version[ABS]
6	859793	Pillar	1	Technical Specification: ABS Version[ABS]
7	AP8152280	Screw w/ flange M6x25	5	Technical Specification: ABS Version[ABS]
8	254485	Spring plate M6	1	Technical Specification: ABS Version[ABS]
9	AP8152279	Screw w/ flange M6x20	1	Technical Specification: ABS Version[ABS]
10	AP8152282	Screw w/ flange M6x35	1	Technical Specification: ABS Version[ABS]
11	AP8152277	Screw w/ flange M6x12	3	Technical Specification: ABS Version[ABS]
12	AP8152299	Self-locking nut M6	1	Technical Specification: ABS Version[ABS]
13	AP8150015	Washer 6,6x18x1,6*	3	Technical Specification: ABS Version[ABS]
14	859789	Plate	1	Technical Specification: ABS Version[ABS]
15	AP8121795	T bush	4	Technical Specification: ABS Version[ABS]
16	AP8112600	Rubber spacer	4	Technical Specification: ABS Version[ABS]
17	AP8120030	Rubber spacer	3	Technical Specification: ABS Version[ABS]
18	AP8221007	Spacer 6,5X10X11*	3	Technical Specification: ABS Version[ABS]

Group	FRAME
Code	28.55
Description	ABS Brake system
Service	1



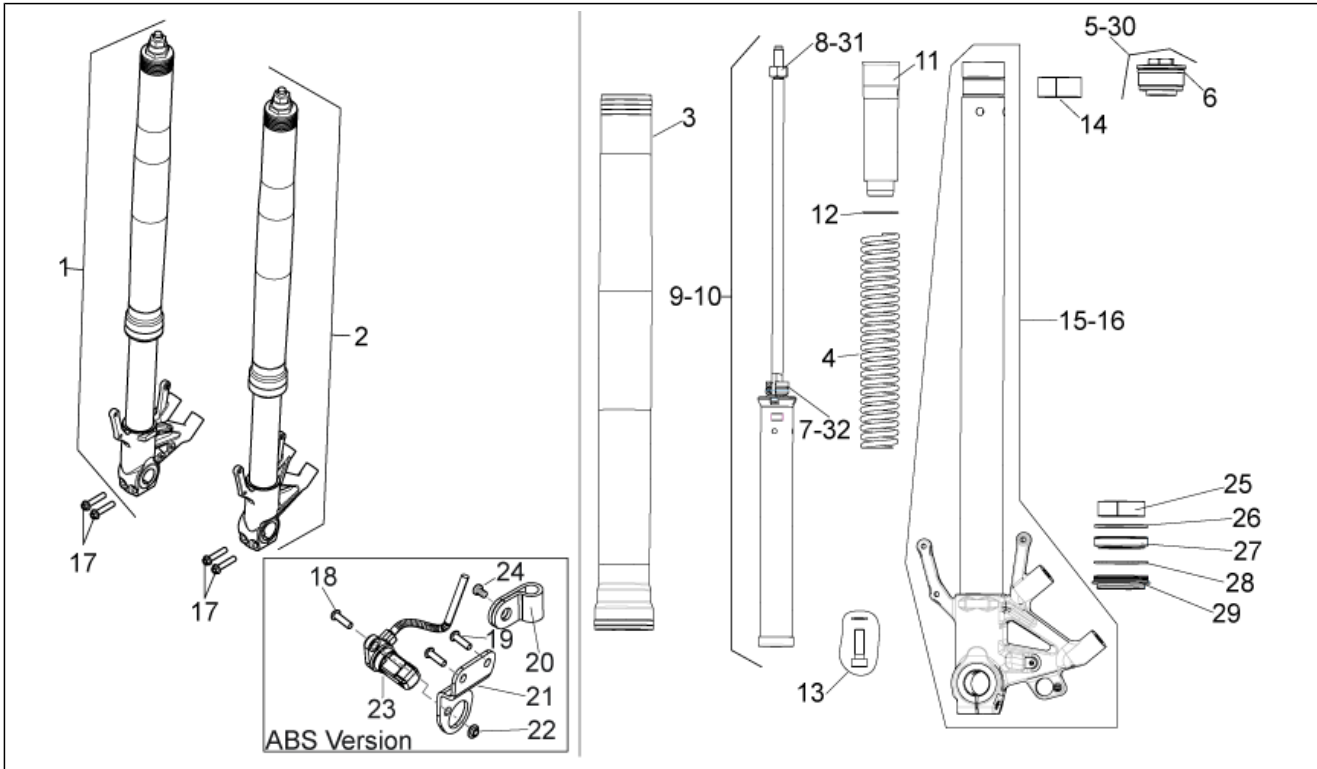
Pos.	Code	Description	Qty	Variants
1	860466	Front brake hose	1	Technical Specification:ABS Version[ABS]
2	860467	Front brake hose	1	Technical Specification:ABS Version[ABS]
3	860468	Plate	1	Technical Specification:ABS Version[ABS]
4	2D000236	ABS control unit	1	Technical Specification:ABS Version[ABS]
5	860471	Rear brake hose	1	Technical Specification:ABS Version[ABS]
6	860472	Rear brake hose	1	Technical Specification:ABS Version[ABS]
7	860484	Plate	1	Technical Specification:ABS Version[ABS]
8	860485	Plate	1	Technical Specification:ABS Version[ABS]
9	AP8121716	T bush	1	Technical Specification:ABS Version[ABS]
10	AP8152287	Screw w/ flange M8x25	1	Technical Specification:ABS Version[ABS]
11	AP8152277	Screw w/ flange M6x12	2	Technical Specification:ABS Version[ABS]

Group	FRAME
Code	28.56
Description	USA decals
Service	1



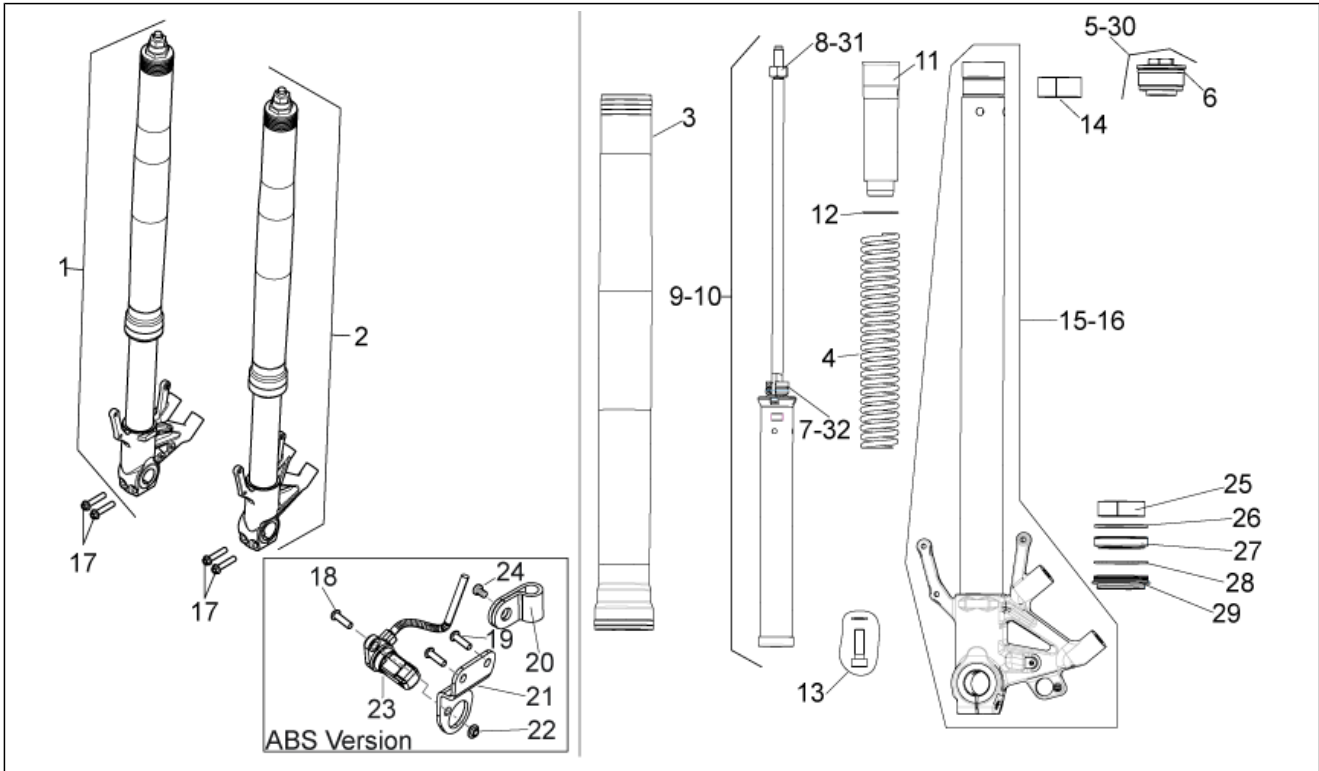
Pos.	Code	Description	Qty	Variants
1	2L000143	Noise emission sticker	1	
2	2L000144	Emission control sticker	1	
3	2L000145	Carbon filter sticker	1	
4	AP8257794	Battery decal	1	
5	2L000147	Tyre pressure decal	1	
6	858588	Decal "WARNING"	1	
7	AP8267395	Battery decal	1	
8	AP8257755	Liquid cooling sticker	1	
9	AP8257742	Keys warning decal	1	
10	AP8257609	Mirror decal	2	
11	B045974	Fuel decal E15	1	

Group	FRAME
Code	28.57
Description	Fron fork II
Service	1



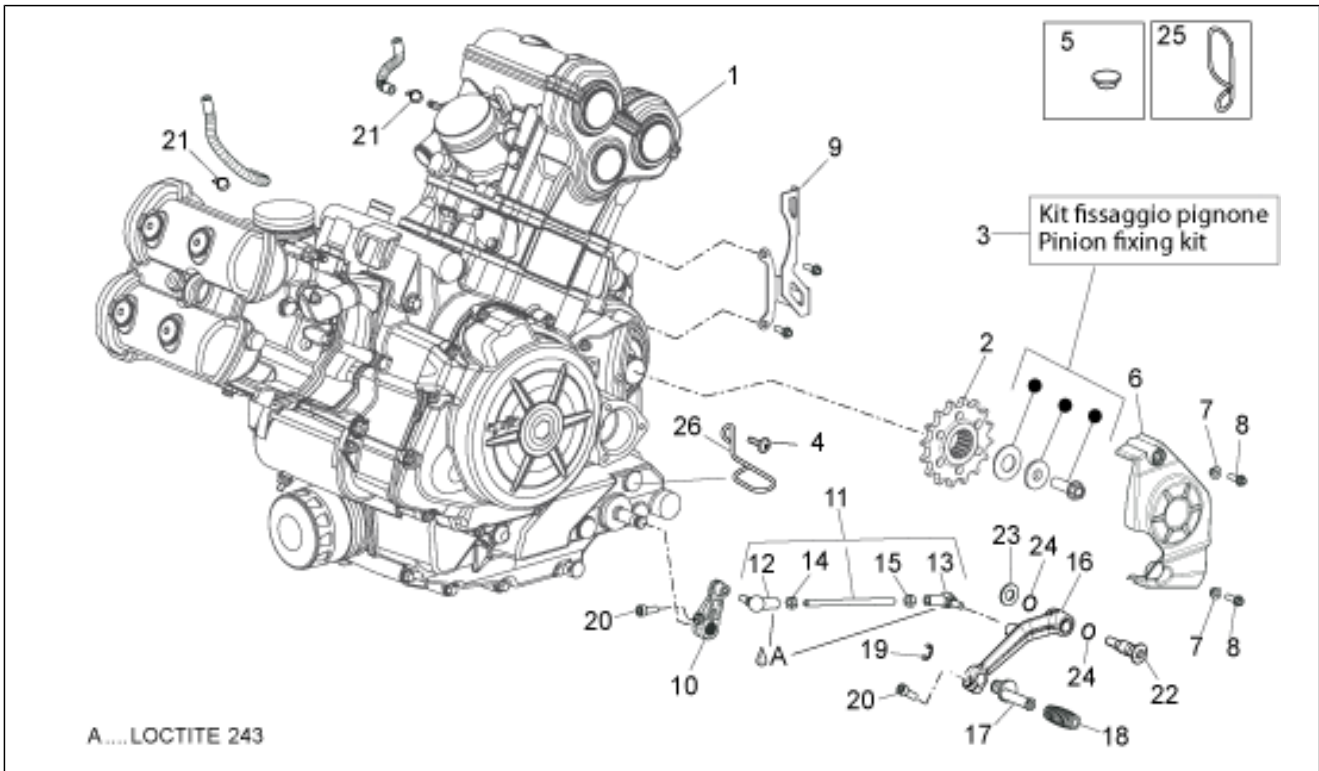
Pos.	Code	Description	Qty	Variants
1	897070	RH hub cpl.	1	Technical Specification:Sachs[SH]
2	897071	LH hub cpl.	1	Technical Specification:Sachs[SH]
3	897328	Sleeve	2	Technical Specification:Sachs[SH]
4	897329	Spring	2	Technical Specification:Sachs[SH]
5	898795	RH sleeve plug	1	Technical Specification:Sachs[SH]
6	897335	O-ring	2	Technical Specification:Sachs[SH]
7	898522	Circlip DX	1	Technical Specification:Sachs[SH]
8	898797	Nut	1	Technical Specification:Sachs[SH]
9	898793	LH plunger, complete	1	Technical Specification:Sachs[SH]
10	898796	RH plunger, complete	1	Technical Specification:Sachs[SH]
11	897332	Preload tube	2	Technical Specification:Sachs[SH]
12	897336	Washer	2	Technical Specification:Sachs[SH]
13	898794	Adjuster rod	2	Technical Specification:Sachs[SH]
14	897341	Spring guide bush	2	Technical Specification:Sachs[SH]
15	898521	Hub+RH fork leg	1	Technical Specification:Sachs[SH]
16	898520	Hub+LH fork leg	1	Technical Specification:Sachs[SH]
17	AP8152283	Screw w/ flange	4	Technical Specification:Sachs[SH]
18	AP8152273	Screw w/ flange M5x15	1	Technical Specification:Sachs[SH] ABS Version[ABS]
19	AP8150298	Hex socket screw	2	Technical Specification:Sachs[SH] ABS Version[ABS]
20	859777	Fairlead	1	Technical Specification:Sachs[SH] ABS Version[ABS]
21	856557	Front plate	1	Technical Specification:Sachs[SH] ABS Version[ABS]
22	AP8152306	Self-locking nut M5	1	Technical Specification:Sachs[SH] ABS Version[ABS]
23	859792	Sensor ABS	1	Technical Specification:Sachs[SH] ABS Version[ABS]
24	AP8201749	Screw M4x6	1	Technical Specification:Sachs[SH] ABS Version[ABS]
25	897342	Bush	2	Technical Specification:Sachs[SH]
26	897343	Special washer	2	Technical Specification:Sachs[SH]
27	897344	Oil seal	2	Technical Specification:Sachs[SH]
28	897339	Circlip	2	Technical Specification:Sachs[SH]

Group	FRAME
Code	28.57
Description	Fron fork II
Service	1



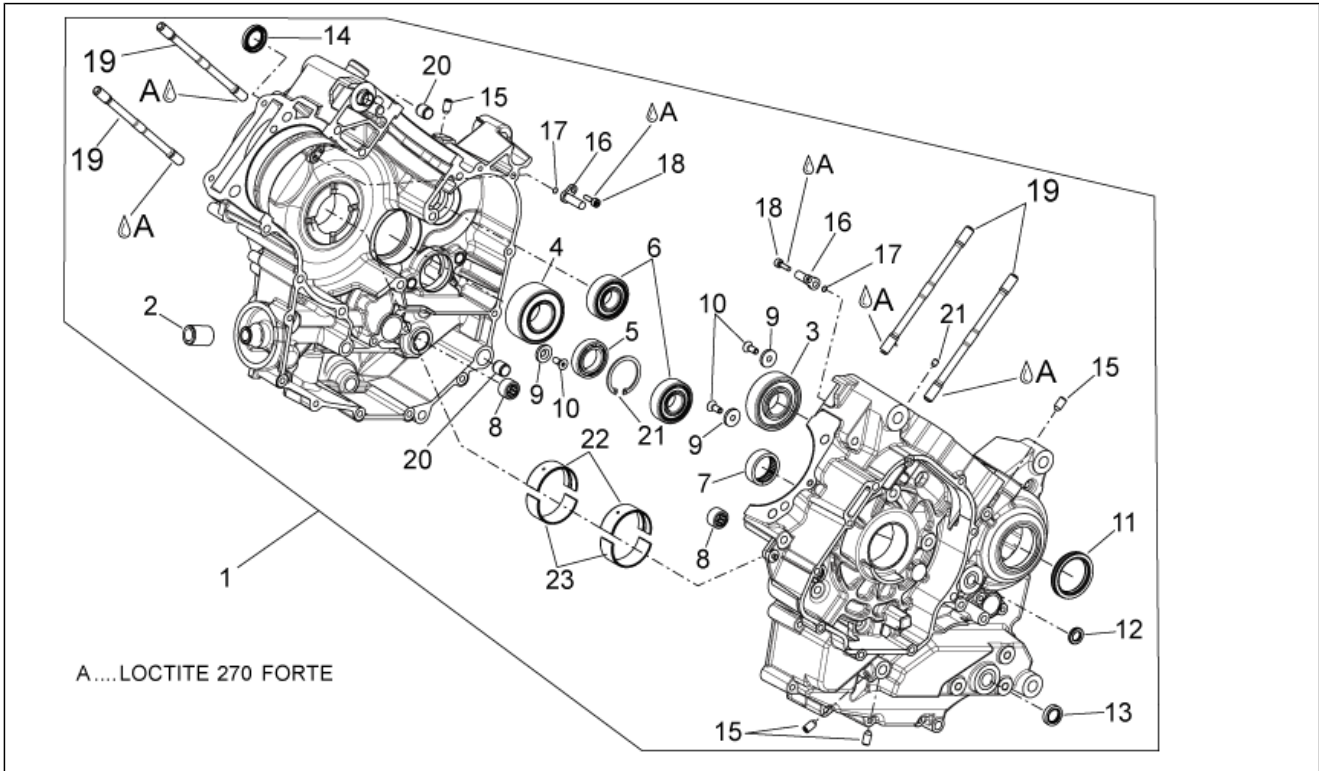
Pos.	Code	Description	Qty	Variants
29	897337	Dust cover	2	Technical Specification:Sachs[SH]
30	897330	LH sleeve plug	1	Technical Specification:Sachs[SH]
31	897331	Nut	1	Technical Specification:Sachs[SH]
32	897340	Stop ring	1	Technical Specification:Sachs[SH]

Group	ENGINE
Code	29.24
Description	Engine
Service	1



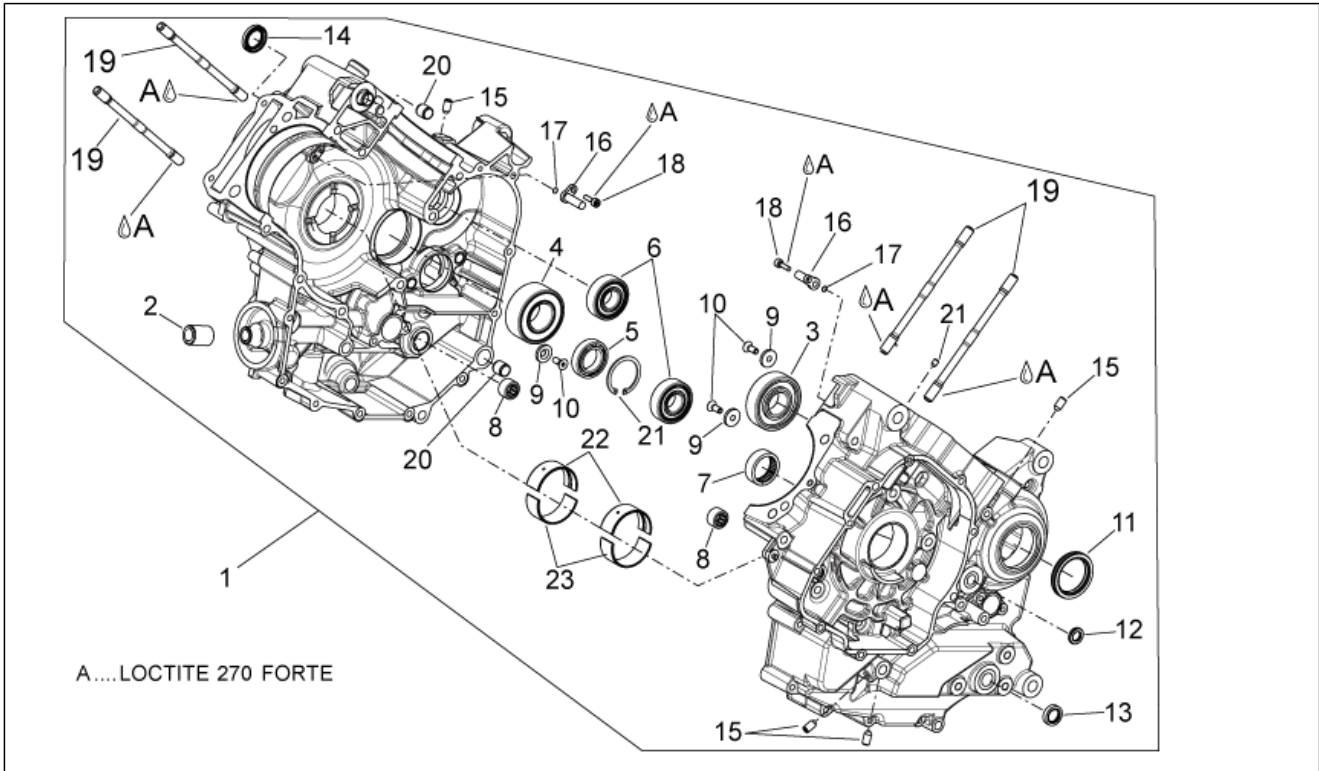
Pos.	Code	Description	Qty	Variants
1	CM1592105	Engine	1	
2	974556	Pinion Z=16	1	
3	2R000246	Pinion mounting kit	1	
4	AP8152055	Hex socket screw M8x12	2	
5	AP8102600	Cover	2	
6	856069	Sprocket cover	1	
7	AP8121811	T bush	2	
8	AP8152277	Screw w/ flange M6x12	2	
9	856079	Plate	1	
10	852480	Gear lever	1	
11	859976	Gearbox linkage rod assy	1	
12	AP8210007	RH ball joint M6	1	
13	AP8110053	Left ball joint M6	1	
14	AP8152138	Nut	1	
15	AP8150026	Nut M6	1	
16	860402	Gear lever	1	
17	AP8121221	Brake lever pin	1	
18	AP8120912	Lever rubber	1	
19	AP8150462	Circlip d9	1	
20	AP8150137	Hex socket screw M6x16	2	
21	AP8201358	Hose clamp D 11,9	2	
22	884033	Lever pin	1	
23	AP8150020	Washer 10,5x21x2*	1	
24	AP8144007	O-ring 11,11x1,78	2	
25	AP8121889	Cable-guide	2	
26	AP8221114	Cable-guide	2	

Group	ENGINE
Code	29.36
Description	Crankcases I
Service	1



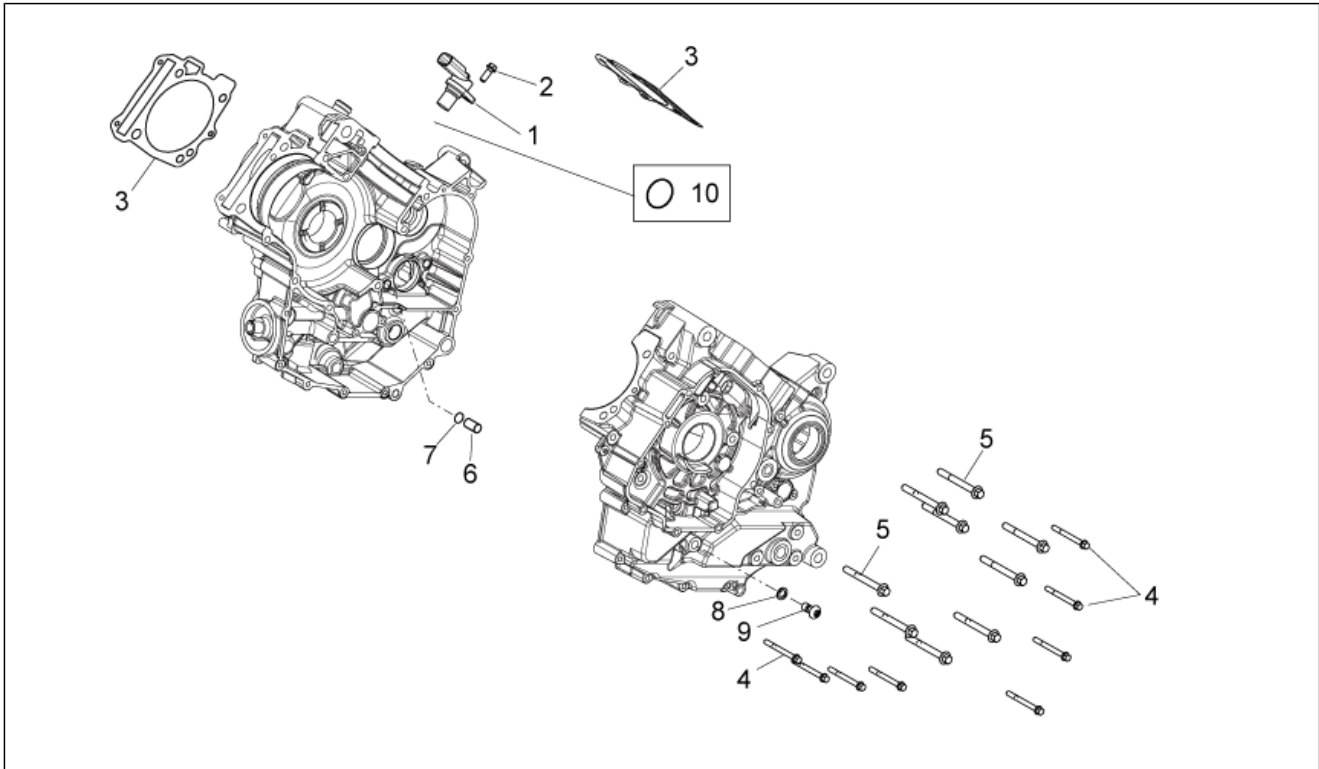
Pos.	Code	Description	Qty	Variants
1	B0151515002	Central crank-case set cat1B	1	
1	B0151515001	Central crank-case set cat1A	1	
2	829122	Oil filter union	1	
3	848651	Ball bearing 25x62x17	1	
4	848475	Ball bearing 30x62x23,8	1	
5	872033	Ball bearing 25x42x9	1	
6	848650	Ball bearing 20x47x14	2	
7	974129	Roller cage 30x37x12	1	
8	122671	Roller cage	2	
9	873928	Washer	2	
9	873905	Washer	1	
10	AP9150394	Screw M6x12	3	
11	848474	Gasket ring	1	
12	825577	Gasket ring 8x16x7	1	
13	974112	Gasket ring 14x22x5	1	
14	82897R	Gasket ring 20x30x5	1	
15	430136	Plug	4	
16	847537	Oil sprayer pipe	2	
17	487073	Gasket ring	2	
18	292889	Hex socket screw M5x16	2	
19	1A000423	Stud bolt M10X1.25X166	8	
20	974051	Locating dowel (D.15,8)	2	
21	006642	Circlip	1	
22	8783940002	Bushing,blue cat B	2	
22	9745050004	Bearing half-shell catE verde	2	
22	8783940003	Bushing,yellow cat C	2	
22	8783940001	Bushing,red cat A	2	
23	8793650001	Bearing half-shell catA rosso	2	

Group	ENGINE
Code	29.36
Description	Crankcases I
Service	1



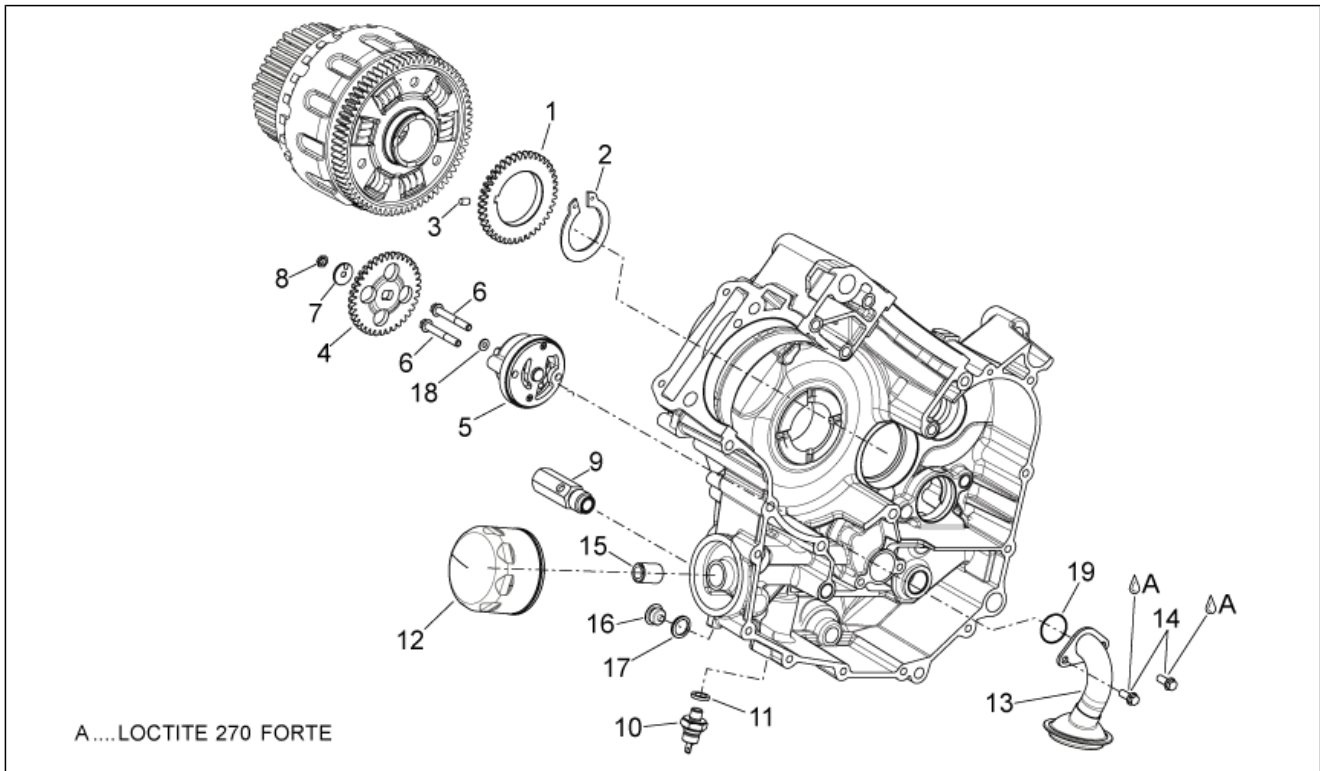
Pos.	Code	Description	Qty	Variants
23	8793650004	Bearing half-shell catE verde	2	
23	8793650002	Bearing half-shell catB blu	2	
23	8793650003	Bearing half-shell catC giallo	2	

Group	ENGINE
Code	29.37
Description	Crankcases II
Service	1



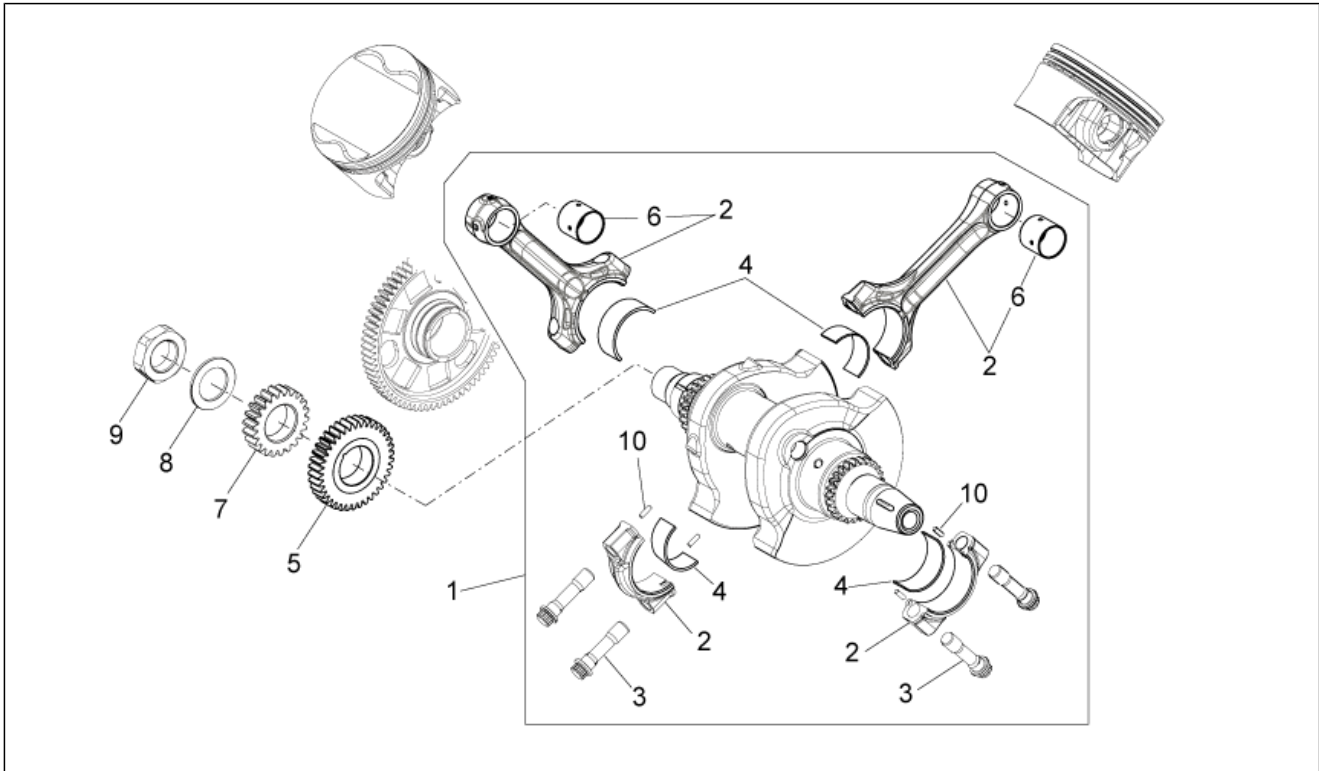
Pos.	Code	Description	Qty	Variants
1	832963	Phase/revolution sensor	1	
2	872432	Screw w/ flange	1	
3	CM154102	Cylinder base gasket 0,6	1	
3	CM154101	Cylinder base gasket 0,4	1	
3	CM154104	Cylinder base gasket 0,5	1	
4	849911	Screw w/ flange	8	
5	848465	Screw w/ flange	9	
6	239388	Pin 6,5x9,5x15	1	
7	834317	Gasket ring OR	1	
8	849244	Special screw	1	
9	486075	Washer 10.5X16X2.5	1	
10	430044	O-ring	1	

Group	ENGINE
Code	29.38
Description	Oil pump
Service	1



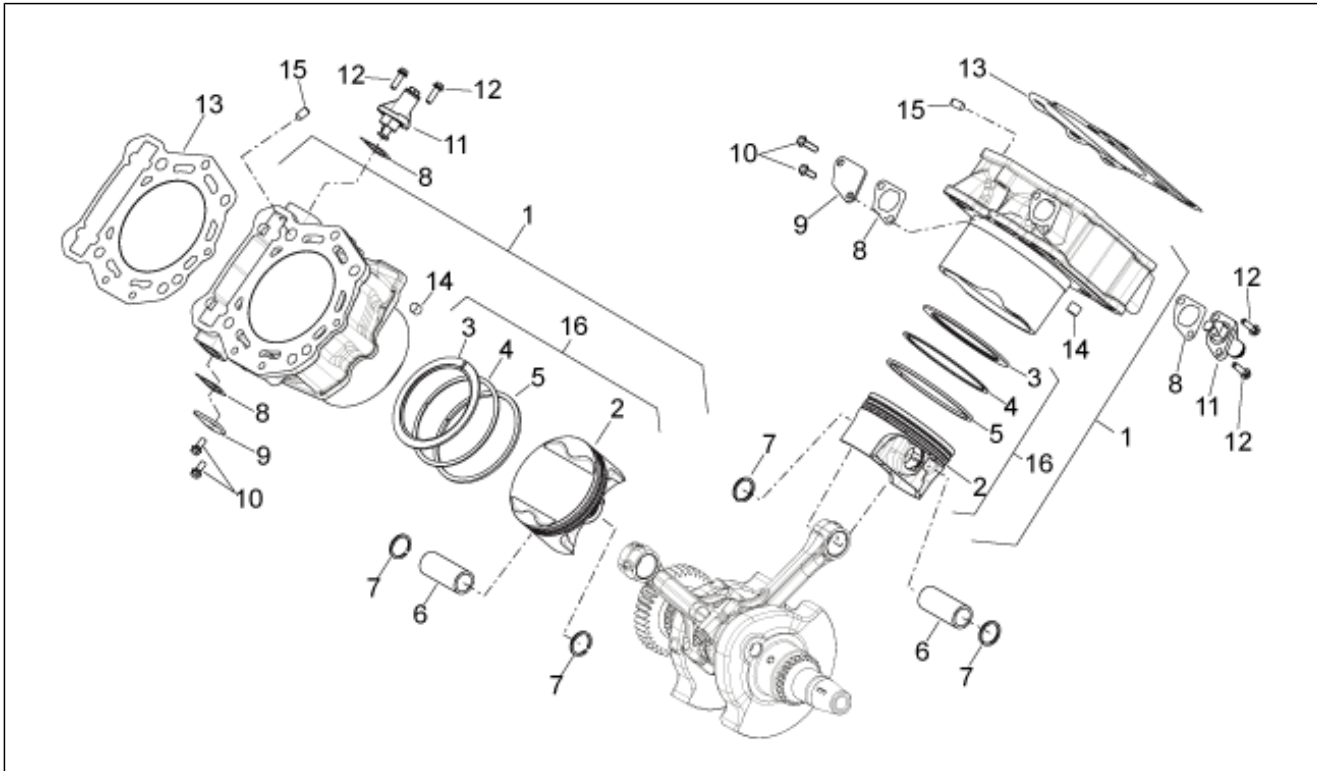
Pos.	Code	Description	Qty	Variants
1	974517	Oil pump gear	1	
2	006450	Snap ring	1	
3	974157	Roller	1	
4	873866	Oil pump gear	1	
5	873863	Oil pump assy.	1	
6	878871	Screw w/ flange	2	
7	873974	Safety washer	1	
8	873906	Low nut	1	
9	974282	Oil pressure valve	1	
10	641541	Oil pressure sensor	1	
11	486075	Washer 10.5X16X2.5	1	
12	82960R	Oil filter	1	
13	873612	Intake oil filter	1	
14	872432	Screw w/ flange	2	
15	829122	Oil filter union	1	
16	875358	Oil unload plug	1	
17	GU01154230	Gasket	1	
18	974290	Shim washer	1	
19	969323	O-ring	1	

Group	ENGINE
Code	29.39
Description	Drive shaft
Service	1



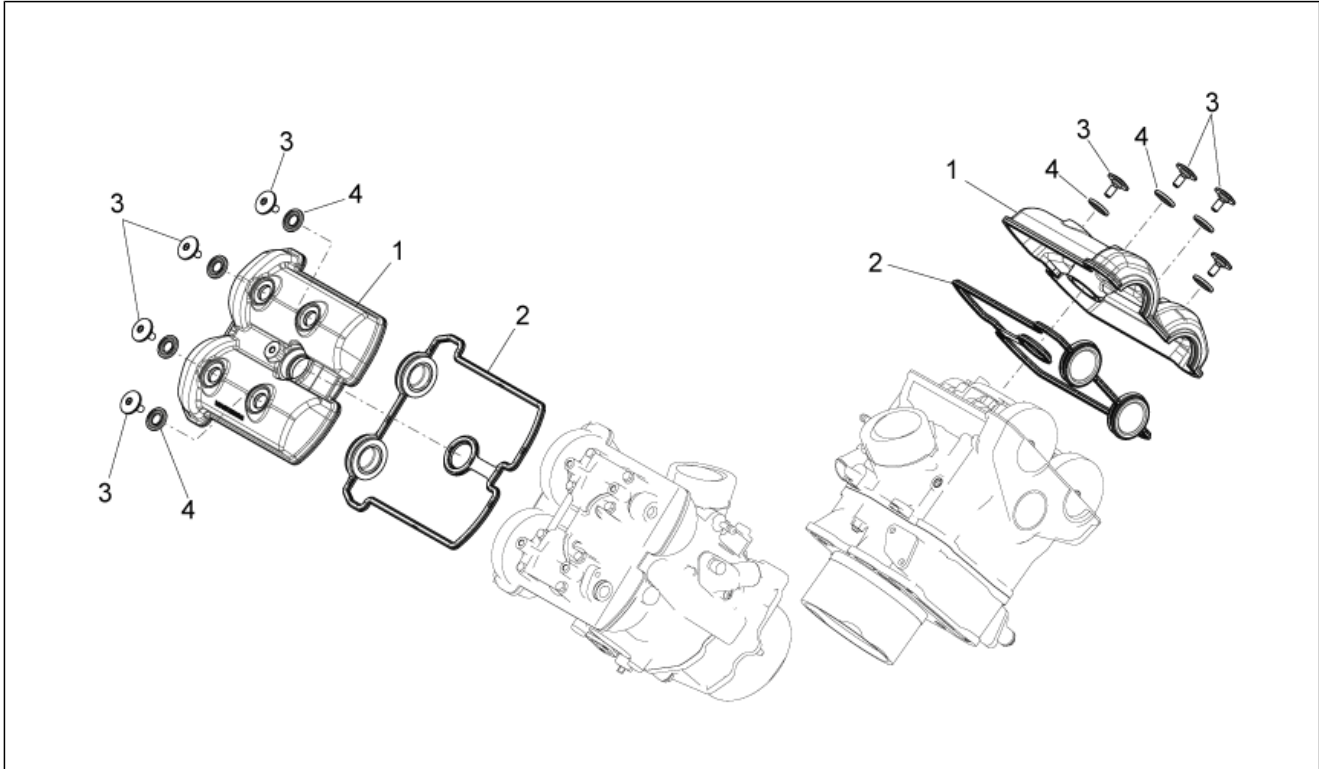
Pos.	Code	Description	Qty	Variants
1	8498735001	Crankshaft cpl.	1	
1	8498735002	Crankshaft cpl. cat2	1	
2	8741905001	Connecting rod cpl.black catA	2	
2	8741905002	Connecting rod cpl.white catB	2	
3	849131	Connecting rod screw	2	
4	8751580001	Bushing half-shell, red catA	4	
4	8751580002	Bushing half-shell, blue catB	4	
4	8751580004	Bushing half-shell, green catE	4	
4	8751580003	Bushing half-shell, yellow catC	4	
5	CM159001	Primary drive gear catA	1	
5	CM159002	Primary drive gear catB	1	
6	847268	Bushing	6	
7	849291	Water pump gear	1	
7	875819	Water pump gear	1	
8	847915	Flat washer	1	
9	849367	Nut	1	
10	847906	Roller	2	

Group	ENGINE
Code	29.40
Description	Cylinder with piston
Service	1



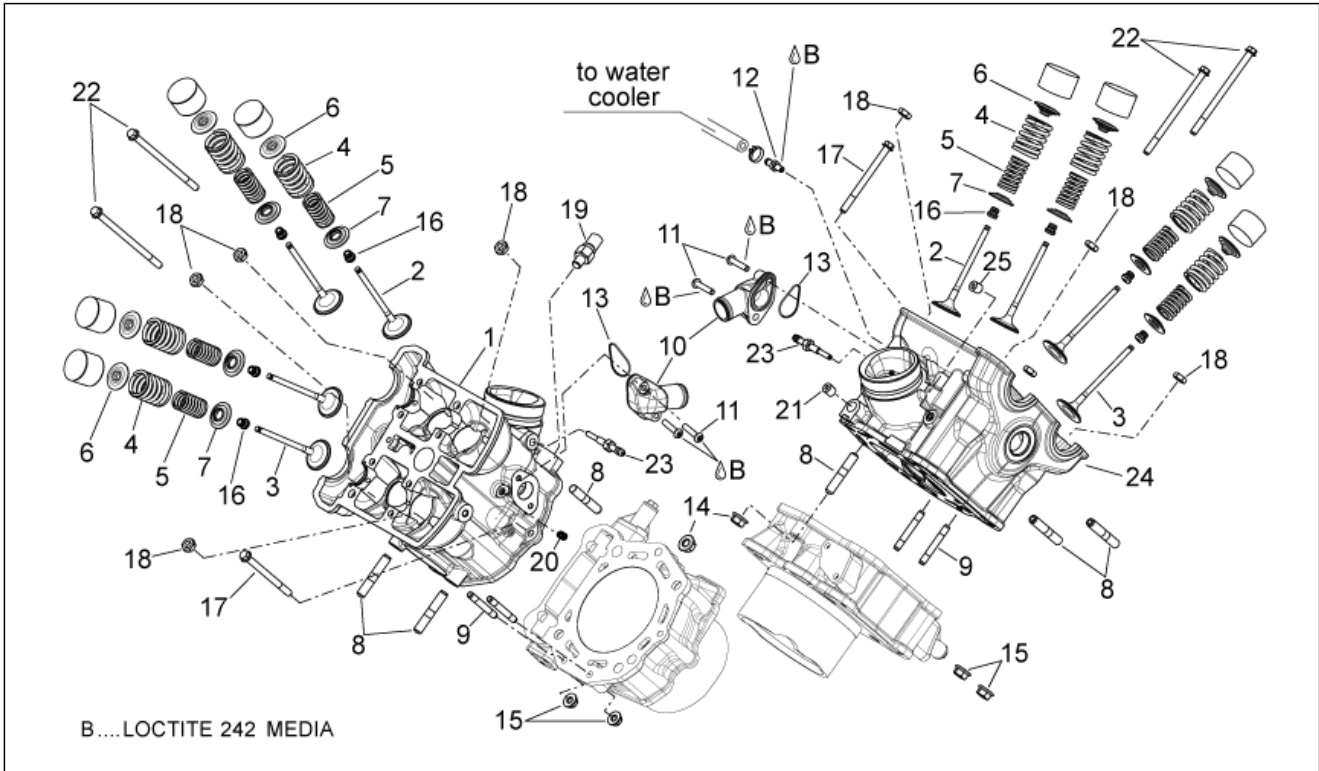
Pos.	Code	Description	Qty	Variants
1	B017519	Cylinder - Piston	2	Technical Specification: Cast-iron[GH]
1	B013758	Cylinder - Piston	2	Technical Specification: Aluminum Cylinder[AL]
2	8482860004	Piston catD 91,954-91,961	2	Technical Specification: Aluminum Cylinder[AL]
2	8482860003	Piston catC 91,947-91,954	2	Technical Specification: Aluminum Cylinder[AL]
2	8482860001	Piston catA 91,933-91,940	2	Technical Specification: Aluminum Cylinder[AL]
2	8482860002	Piston catB 91,940-91,947	2	Technical Specification: Aluminum Cylinder[AL]
3	872655	Ring	2	
4	872656	Oil scraper ring	2	
5	872657	Oil scraper ring	2	
6	848798	Piston pin	2	
7	828116	Stop ring	4	
8	847928		4	
9	840135	Plate	2	
10	872425	Screw w/ flange	4	
11	82650R	Complete chain tensioner	2	
12	872432	Screw w/ flange	4	
13	871776	Cylinder head gasket	2	
14	825597	Pin 11,8X10	2	
15	874589	Calibrated dowel	2	
16	B0176490003	Piston assy "C"	2	Technical Specification: Cast-iron[GH]
16	B0176490002	Piston assy "B"	2	Technical Specification: Cast-iron[GH]
16	B0176490004	Piston assy "D"	2	Technical Specification: Cast-iron[GH]
16	B0176490001	Piston assy "A"	2	Technical Specification: Cast-iron[GH]

Group	ENGINE
Code	29.41
Description	Valves cover
Service	1



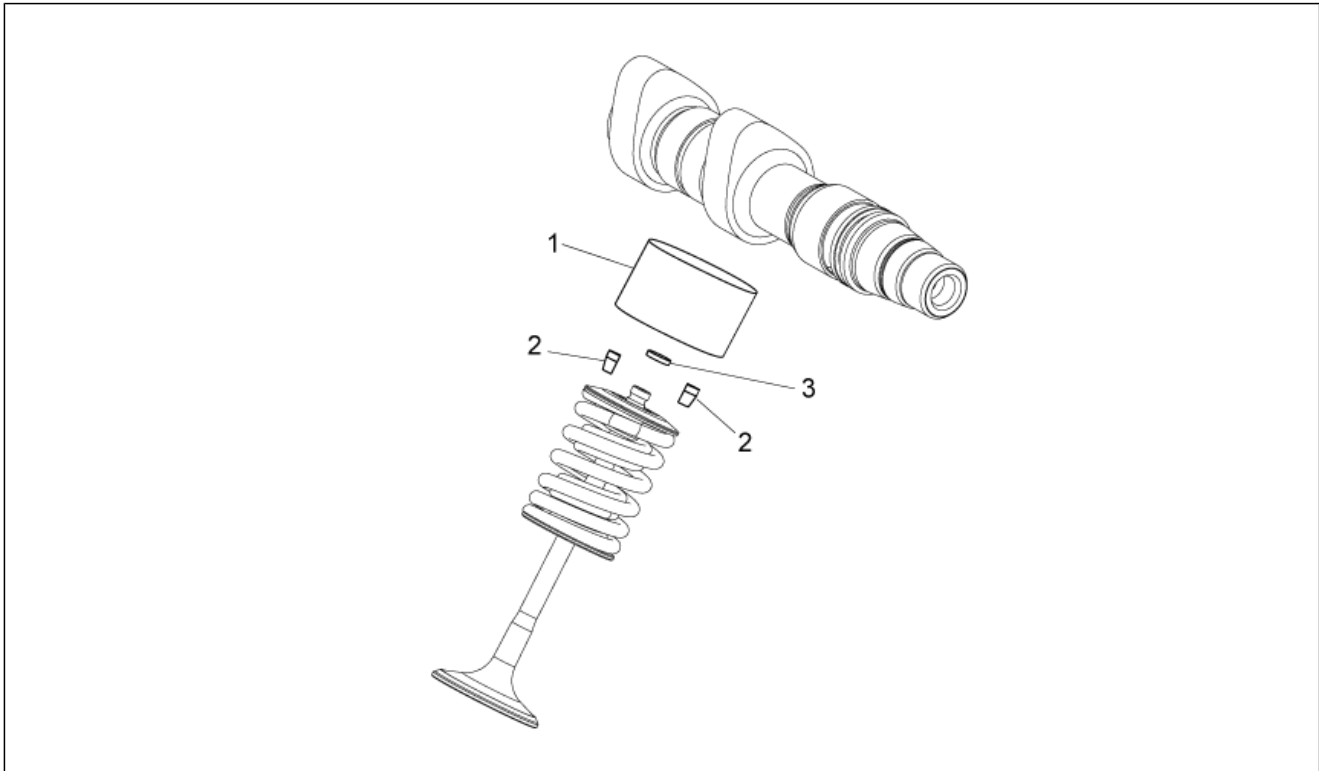
Pos.	Code	Description	Qty	Variants
1	B013646	Head cover, black	2	
2	849558	Head cover gasket	2	
3	842291	Special screw	8	
4	830249	Damper drift	8	

Group	ENGINE
Code	29.42
Description	Cylinder head - valves
Service	1



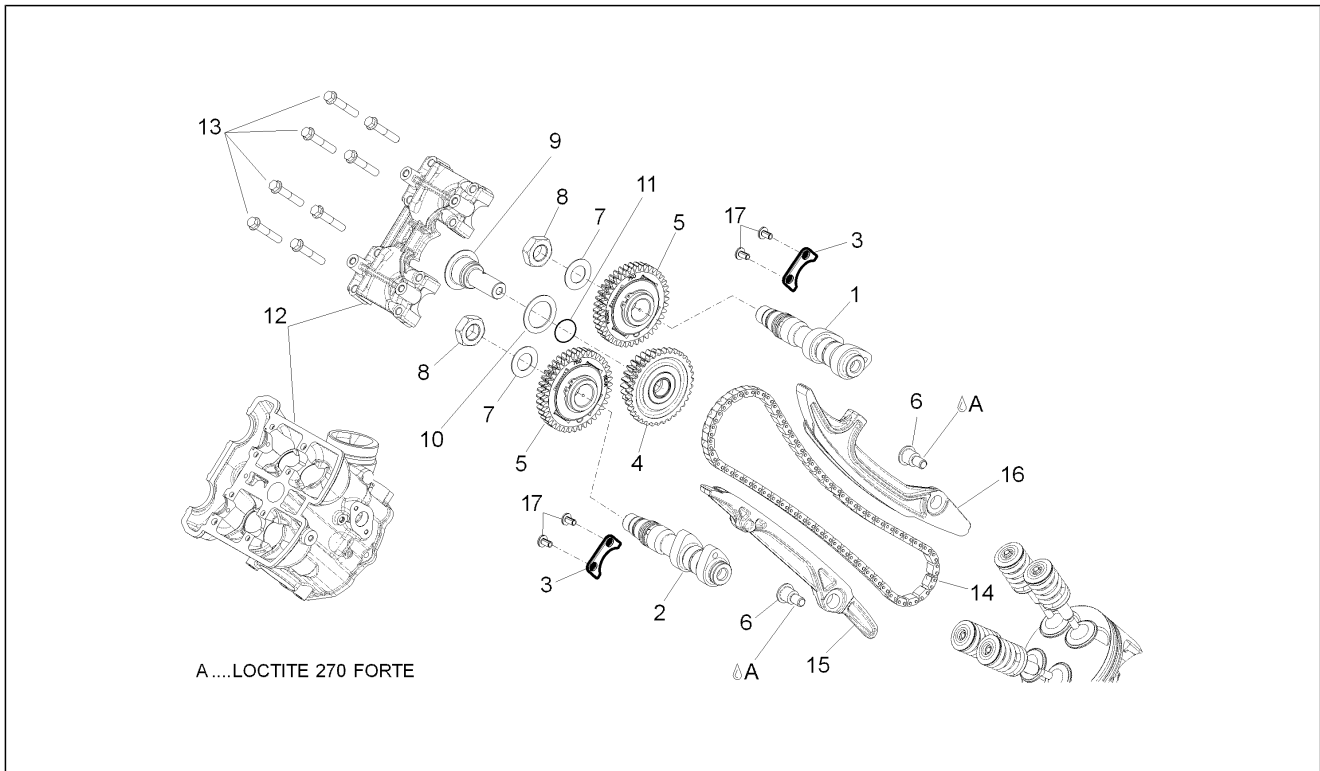
Pos.	Code	Description	Qty	Variants
1	83038R	Cylinder head assy.	2	
2	846923	Intake valve	4	
3	873459	Exhaust valve	4	
4	873005	Ext. valve spring	8	
5	873006	Int. valve spring	8	
6	874933	Upper cup	8	
7	846925	Lower cup	8	
8	B017636	Exhaust pipe stud bolt	6	
9	872807	Stud bolt	4	
10	B013744	Water outlet union	2	
11	855799	Screw w/ flange	4	
12	873396	Joint	1	
13	878705	Gasket	2	
14	872434	Flanged nut	2	
15	288245	Self locking nut M6	4	
16	436438	Valve gasket ring	8	
17	872433	Screw w/ flange	2	
18	833520	Nut M10x1,25 6H	8	
19	640485	Temperature gauge	1	
20	842360	Plug M6x10	2	
21	411311	Plug M12x1,5	1	
22	872424	Screw w/ flange	4	
23	872948	Joint	2	
24	875413	Cylinder head assy.	2	
25	842507	Plug M10x1,25	1	

Group	ENGINE
Code	29.43
Description	Valves pads
Service	1



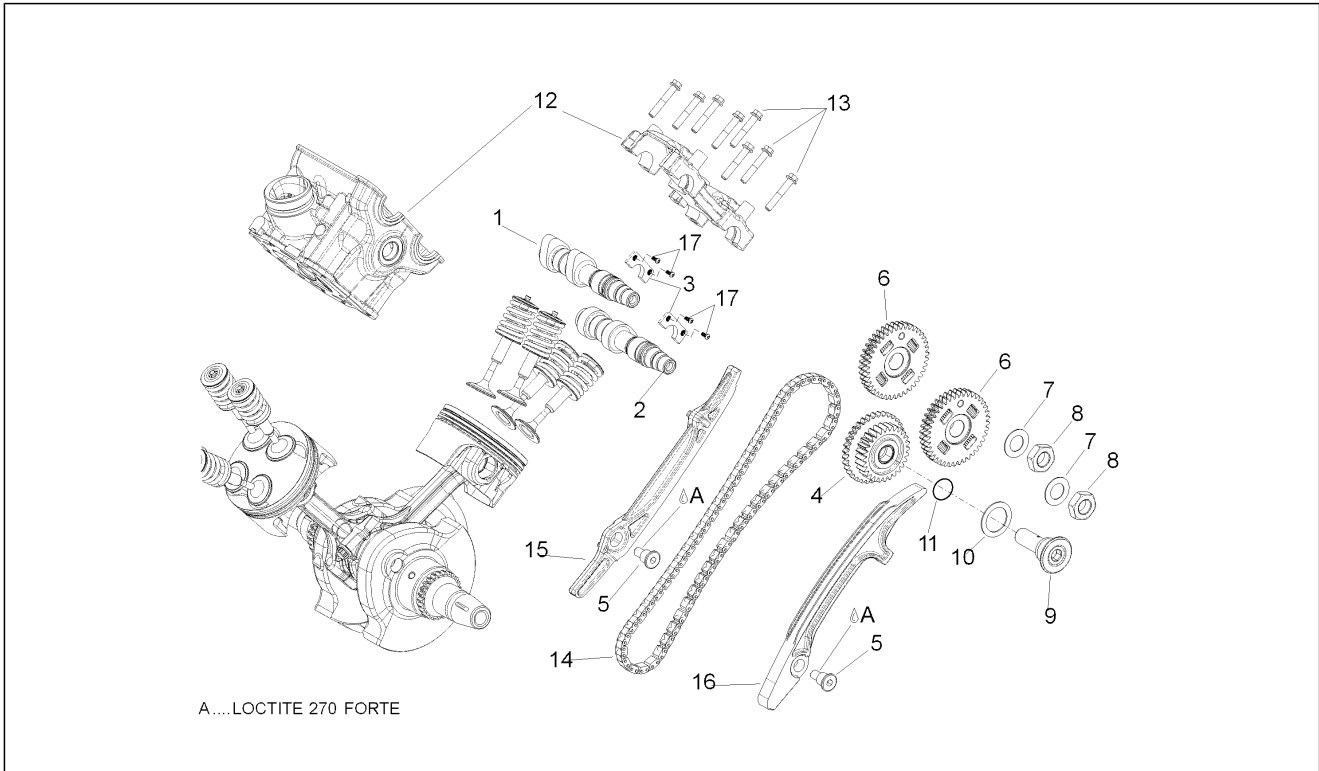
Pos.	Code	Description	Qty	Variants
1	873082	Tappet closing	8	
2	285846	Valve half-cone	16	
3	CM157220	Calibrated tablet 2.45	1	
3	CM157211	Calibrated tablet 3.10	1	
3	CM157210	Calibrated tablet 3.05	1	
3	CM157212	Calibrated tablet 3.15	1	
3	CM157221	Calibrated tablet 2.40	1	
3	CM157213	Calibrated tablet 3.20	1	
3	CM157202	Calibrated tablet 2.65	1	
3	CM157208	Calibrated tablet 2.95	1	
3	CM157209	Calibrated tablet 3.00	1	
3	CM157206	Calibrated tablet 2.85	1	
3	CM157214	Calibrated tablet 3.25	1	
3	CM157203	Calibrated tablet 2.70	1	
3	CM157201	Calibrated tablet 2.60	1	
3	CM157217	Calibrated tablet 3.40	1	
3	CM157219	Calibrated tablet 2.50	1	
3	CM157207	Calibrated tablet 2.90	1	
3	CM157215	Calibrated tablet 3.30	1	
3	CM157205	Calibrated tablet 2.80	1	
3	CM157216	Calibrated tablet 3.35	1	
3	CM157218	Calibrated tablet 2.55	1	
3	CM157204	Calibrated tablet 2.75	1	

Group	ENGINE
Code	29.44
Description	Front cylinder timing system
Service	1



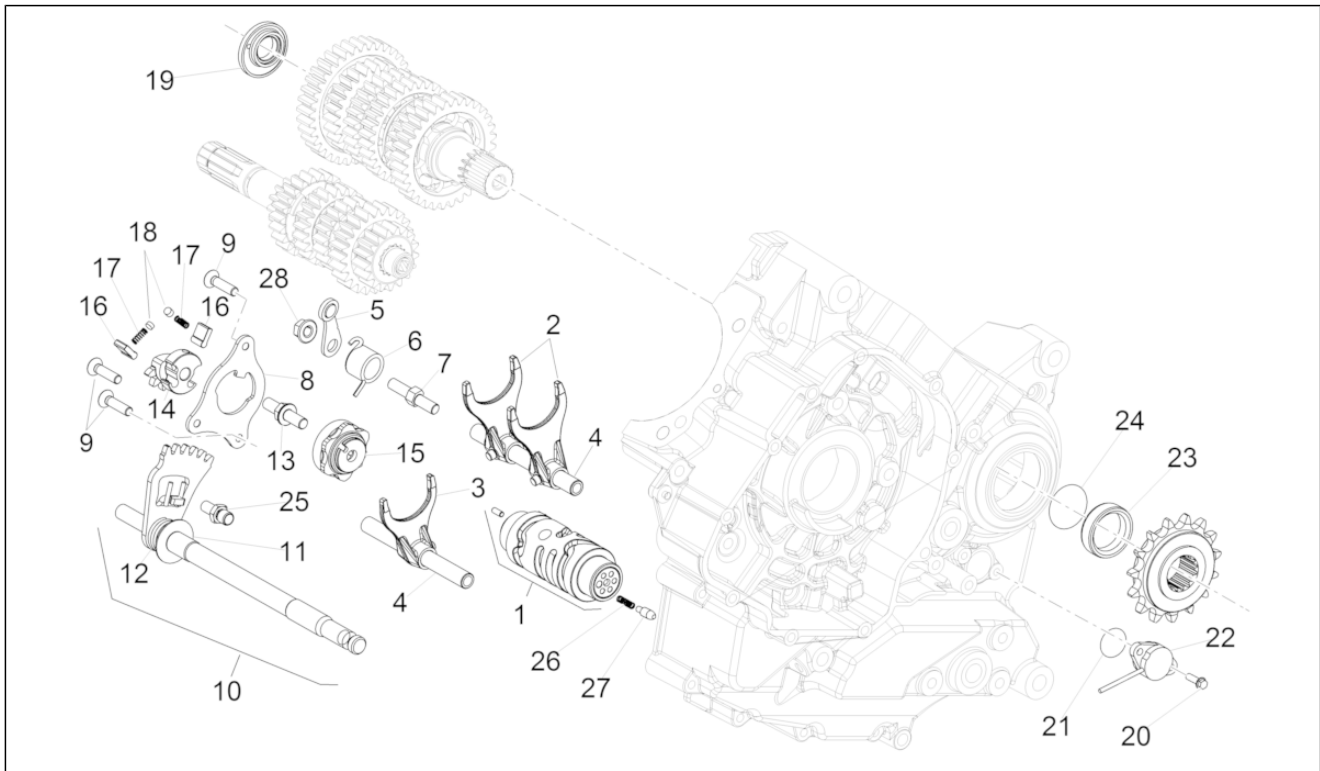
Pos.	Code	Description	Qty	Variants
1	873960	Front intake camshaft	1	
2	873961	Front exhaust camshaft	1	
3	874176	Axial lock plate	2	
4	874596	Timing system gear cpl.	1	
5	849909	Front timing system gear cpl.	2	
6	974228	Spacer screw	2	
7	874744	Thrust washer	2	
8	874751	Nut M15x1 DX	2	
9	874591	Special screw	1	
10	849817	Safety washer	1	
11	873233	Gasket ring	1	
12	83038R	Cylinder head assy.	1	
13	878439	Torx convex big end screw	8	
13	B016191	Screw w/ flange	8	
14	849827	Camshaft chain	1	
15	871798	Chain guide plate	1	
16	871748	Chain tensioner rod	1	
17	874185	Screw	4	

Group	ENGINE
Code	29.45
Description	Rear cylinder timing system
Service	1



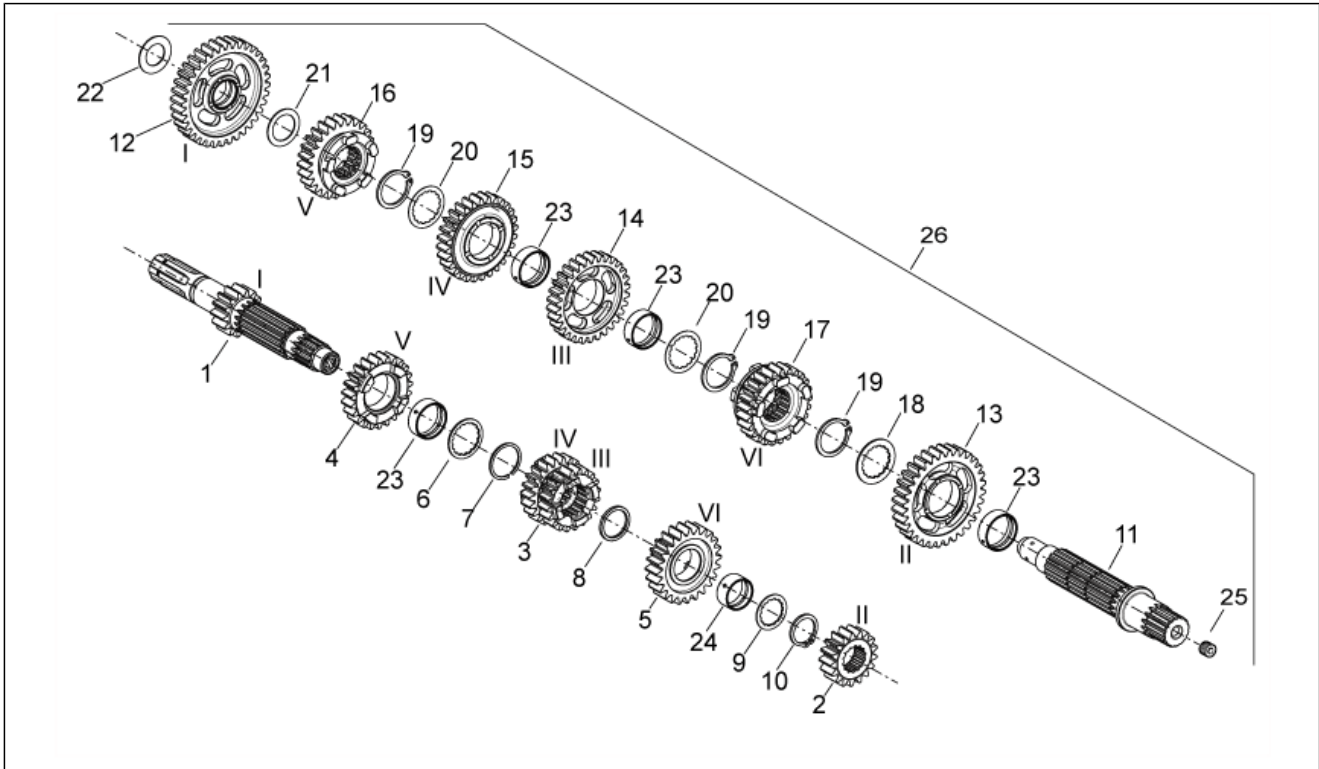
Pos.	Code	Description	Qty	Variants
1	873962	Rear intake camshaft	1	
2	873963	Rear exhaust camshaft	1	
3	874176	Axial lock plate	2	
4	874596	Timing system gear cpl.	1	
5	974228	Spacer screw	2	
6	849910	Rear timing system gear cpl.	2	
7	874744	Thrust washer	2	
8	874752	Nut M15x1 SX	2	
9	874591	Special screw	1	
10	849817	Safety washer	1	
11	873233	Gasket ring	1	
12	82970R	Cylinder head assy.	1	Technical Specification: Water pump II[P II]
12	83000R2	Cylinder head assy.	1	Technical Specification: Water pump II[P II]
12	849213	Cylinder head assy.	1	Technical Specification: Water pump I[P I]
13	878439	Torx convex big end screw	8	
13	B016191	Screw w/ flange	8	
14	849827	Camshaft chain	1	
15	871798	Chain guide plate	1	
16	871748	Chain tensioner rod	1	
17	874185	Screw	4	

Group	ENGINE
Code	29.46
Description	Gear box selector
Service	1



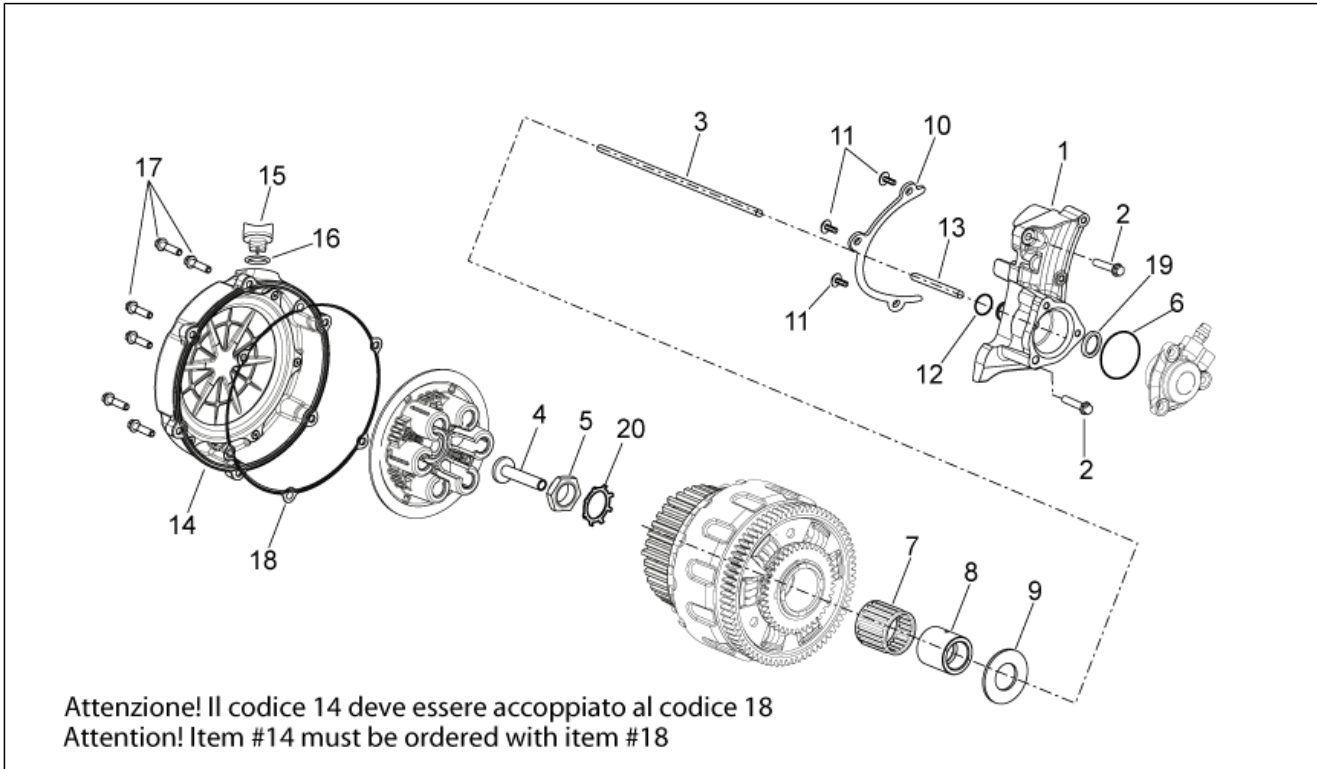
Pos.	Code	Description	Qty	Variants
1	849693	Selector drum	1	
2	849360	Fork	2	
3	849468	Fork	1	
4	974084	Fork shaft	2	
5	872154	Index assy. lever	1	
6	B013306	Gear stop lever spring	1	
7	B013928	Threaded pin	1	
8	871649	Selector lock plate	1	
9	878867	screw	3	
10	874129	Gear shaft+spring cpl.	1	
11	971718	Flat washer 14x30x1	1	
12	971719	Switch plate spring	1	
13	878870	Threaded pin M8x1,25	1	
14	872560	Shift cam plate	1	
15	B017809	Selector drum	1	
16	AP9150069	Lever	2	
17	AP9150064	Spring	2	
18	AP9150070	Spring pillar	2	
19	878742	Phonic wheel	1	
20	844211	Hex socket screw	2	
21	AP9150479	O-ring D23,52x1,78	1	
22	58188R	Sensor	1	
23	974558	Spacer	1	
24	871901	Gasket OR	1	
25	974130	Selector lock	1	
26	873695	Spring	1	
27	AP9150003	Spring pillar	1	
28	597565	Self locking nut	1	

Group	ENGINE
Code	29.47
Description	Gear box
Service	1



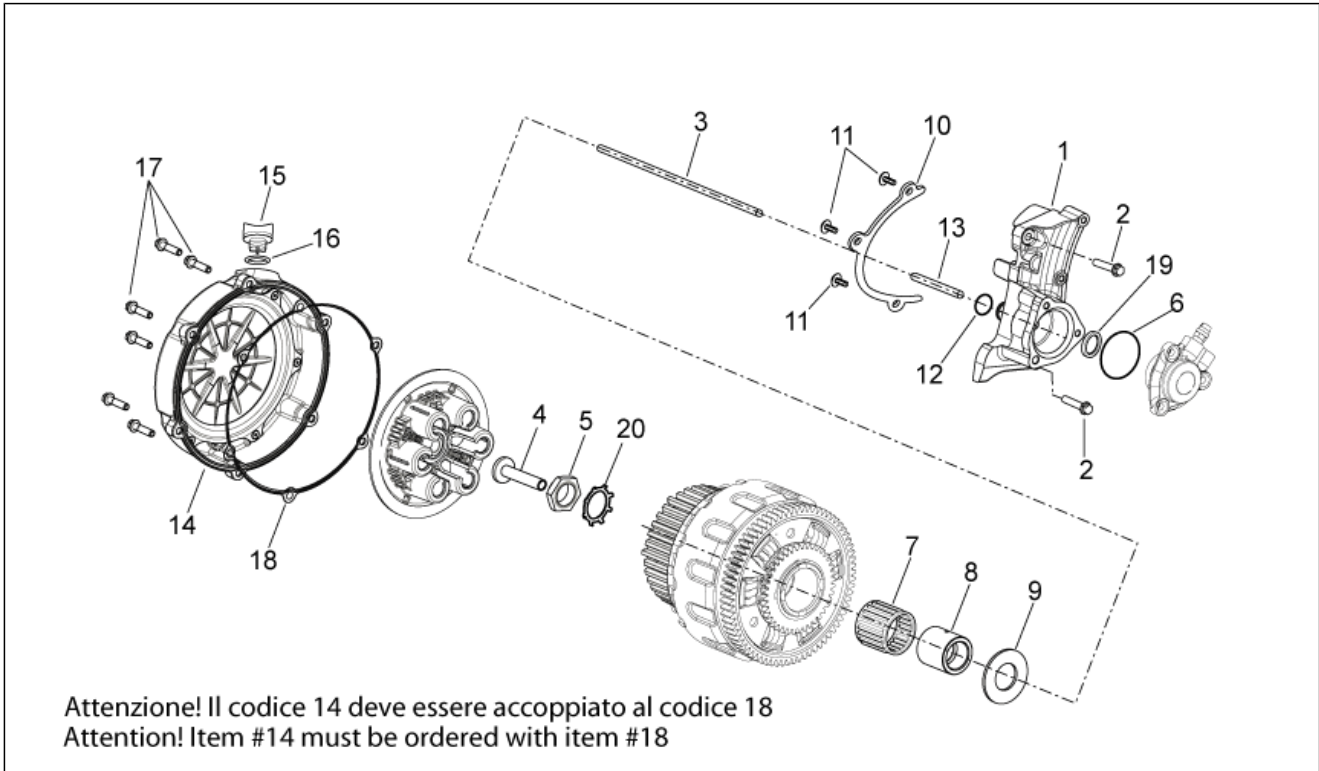
Pos.	Code	Description	Qty	Variants
1	849293	Primary gear shaft Z=14	1	
2	849295	2nd pinion gear Z=17	1	
3	849296	3rd-4th pinion gear Z=20/22	1	
4	849297	5th pinion gear Z=23	1	
5	849298	6th pinion gear Z=24	1	
6	849424	Clearance washer	1	
7	849426	Snap ring	1	
8	974163	Clearance washer	1	
9	849396	Clearance washer	1	
10	974165	Snap ring	1	
11	849301	Gearbox driven shaft	1	
12	849312	1st wheel gear Z=36	1	
13	849303	2nd wheel gear Z=32	1	
14	849304	3rd wheel gear Z=30	1	
15	849305	4th wheel gear Z=28	1	
16	849306	5th wheel gear Z=26	1	
17	849307	6th wheel gear Z=25	1	
18	849309	Clearance washer	1	
19	849311	Snap ring	3	
20	849310	Clearance washer	2	
21	974167	Clearance washer	1	
22	974166	Clearance washer	1	
23	849308	Moveable bush	4	
24	974162	Moveable bush	1	
25	842507	Plug M10x1,25	1	
26	82935R	Gear box assy	1	

Group	ENGINE
Code	29.48
Description	Clutch I
Service	1



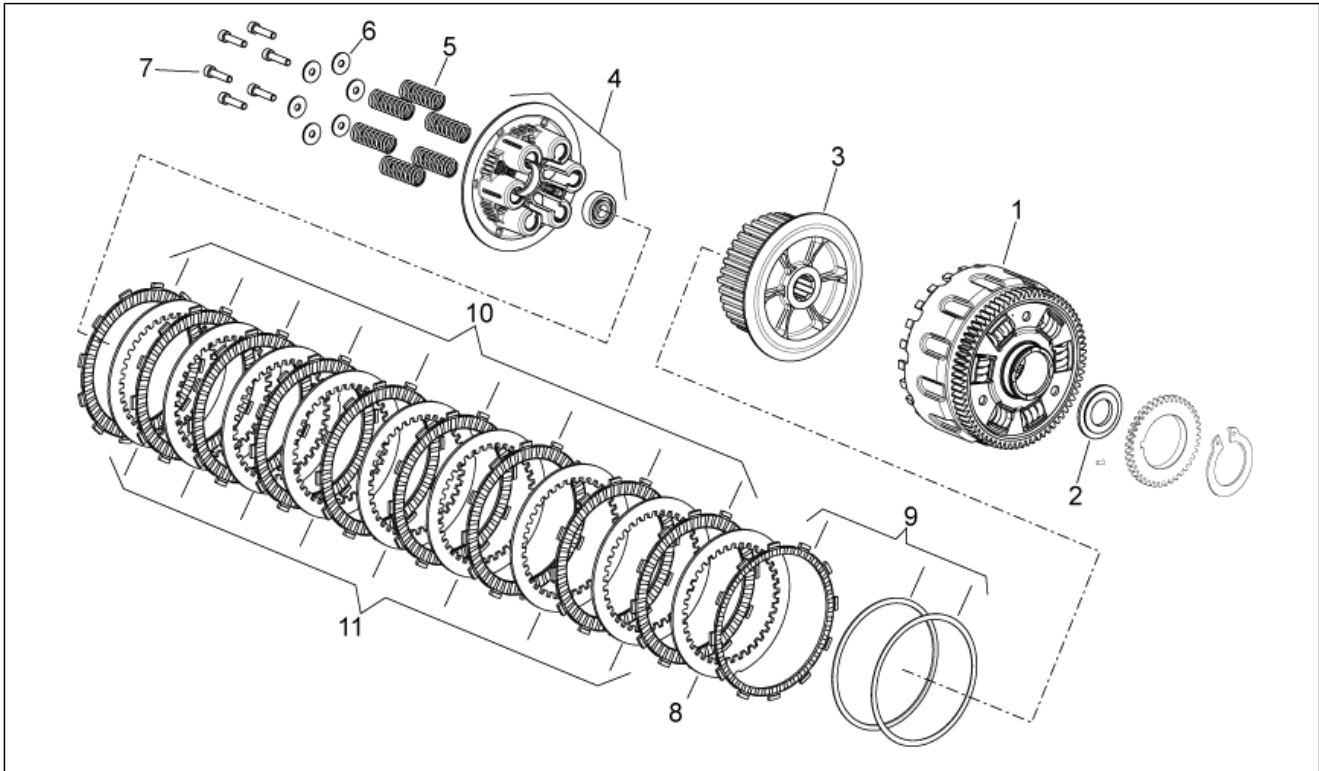
Pos.	Code	Description	Qty	Variants
1	872850	Clutch disengagement flange GREY	1	
2	872421	Screw w/ flange	2	
3	874660	Clutch shaft	1	
4	873127	Rod	1	
5	876790	Nut	1	
6	871609	Gasket ring "OR"	1	
7	877138	Roller cage 35X40X35,8	2	Technical Specification: Hongzheng[HH]
7	974361	Roller cage 35X40X35,8	1	Technical Specification: Adler[AD]
8	873543	Spacer	1	Technical Specification: Adler[AD]
8	876477	Spacer	1	Technical Specification: Hongzheng[HH]
9	974320	Washer	1	
10	873117	Chain guide	1	
11	831153	Screw	3	
12	871609	Gasket ring "OR"	1	
13	874191	Pawl clutch	1	
14	1A004819	Clutch cover	1	
14	8725174	Complete clutch cover	1	
14	880779	Clutch cover	1	Technical Specification: Water pump II[P II]
14	B0136345	Clutch cover cpl., black	1	
15	873995	Oil load plug	1	
16	974230	Gasket ring OR	1	
17	871094	Screw w/ flange	6	
18	B013607	Clutch crancase gasket	1	
18	875725	Paper gasket	1	Technical Specification: Fit with clutch cover without OR cable[A]
18	871095	O-ring	1	Technical Specification: Fit with clutch cover with OR cable[B]
19	825577	Gasket ring 8x16x7	1	

Group	ENGINE
Code	29.48
Description	Clutch I
Service	1



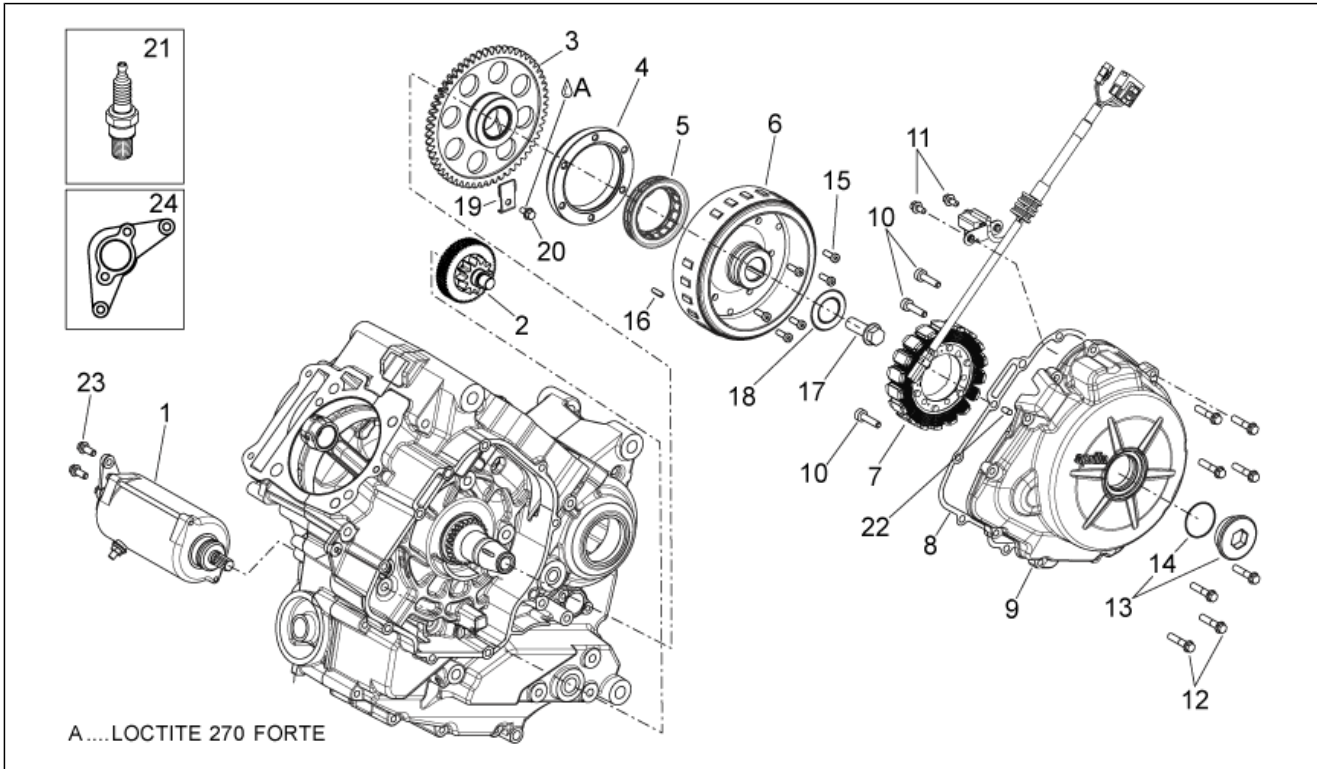
Pos.	Code	Description	Qty	Variants
20	876296	Safety washer	1	

Group	ENGINE
Code	29.49
Description	Clutch II
Service	1



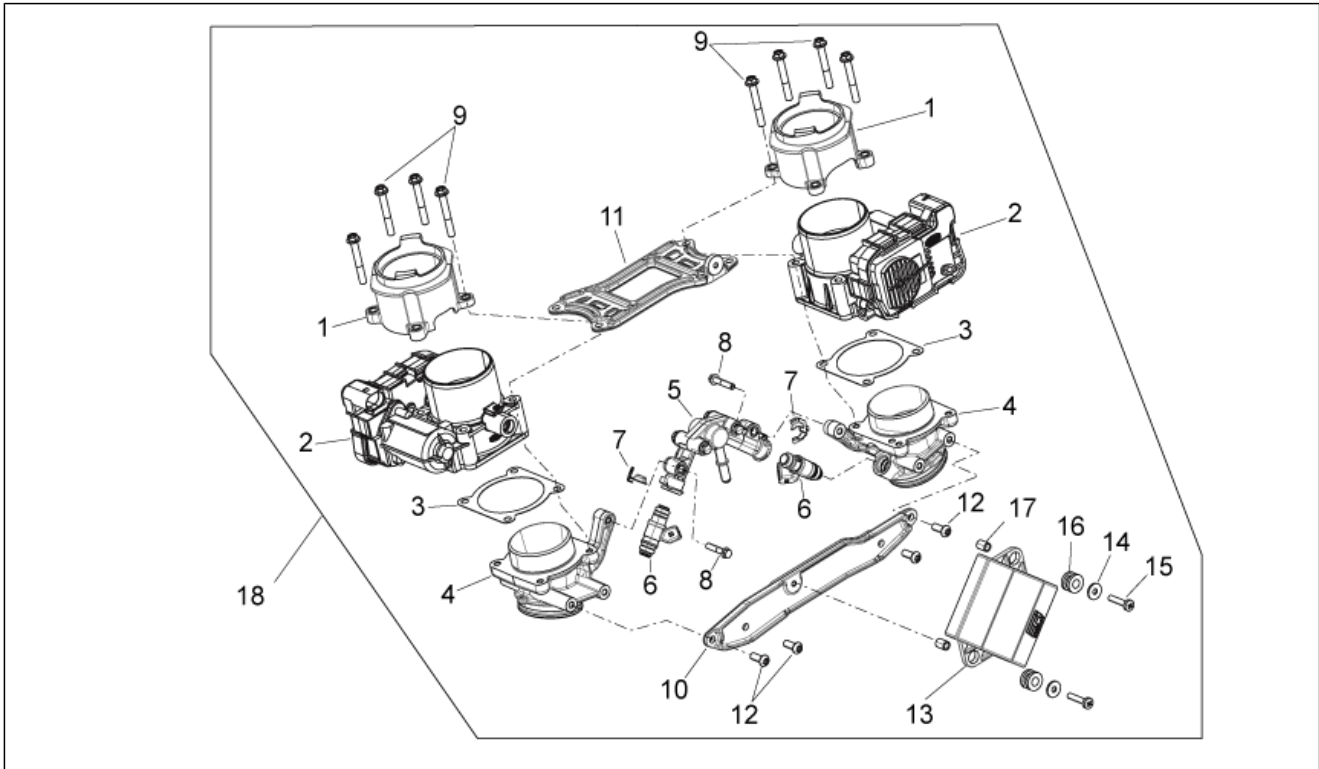
Pos.	Code	Description	Qty	Variants
1	873706	Clutch housing, complete	1	Technical Specification:Adler[AD]
1	872129	Clutch housing, complete	1	Technical Specification:Hongzheng[HH]
2	974320	Washer	1	
3	873715	Clutch hub	1	Technical Specification:Adler[AD]
3	872125	Clutch hub	1	Technical Specification:Hongzheng[HH]
4	873719	Clutch pressure plate	1	Technical Specification:Adler[AD]
4	872213	Clutch pressure plate	1	Technical Specification:Hongzheng[HH]
5	879421	Clutch spring	6	Technical Specification:Hongzheng[HH]
5	873722	Clutch spring	6	Technical Specification:Adler[AD]
6	873717	Washer	6	Technical Specification:Adler[AD]
7	873718	Hex socket screw M6	6	Technical Specification:Adler[AD]
7	876595	Hex socket screw M6	6	Technical Specification:Hongzheng[HH]
8	877131	Nitridated driven clutch disc	1	Technical Specification:Hongzheng[HH]
8	873725	Nitridated driven clutch disc	1	Technical Specification:Adler[AD]
9	860329	Kit clutch disc	1	Technical Specification:Adler[AD]
9	B046129	Centre clutch plate kit	1	Technical Specification:Hongzheng[HH]
10	872126	Driving clutch disc	9	Technical Specification:Hongzheng[HH]
10	873724	Driving clutch disc	9	Technical Specification:Adler[AD]
11	873723	Driven clutch disc	8	Technical Specification:Adler[AD]
11	872127	Driven clutch disc	8	Technical Specification:Hongzheng[HH]

Group	ENGINE
Code	29.51
Description	Ignition unit
Service	1



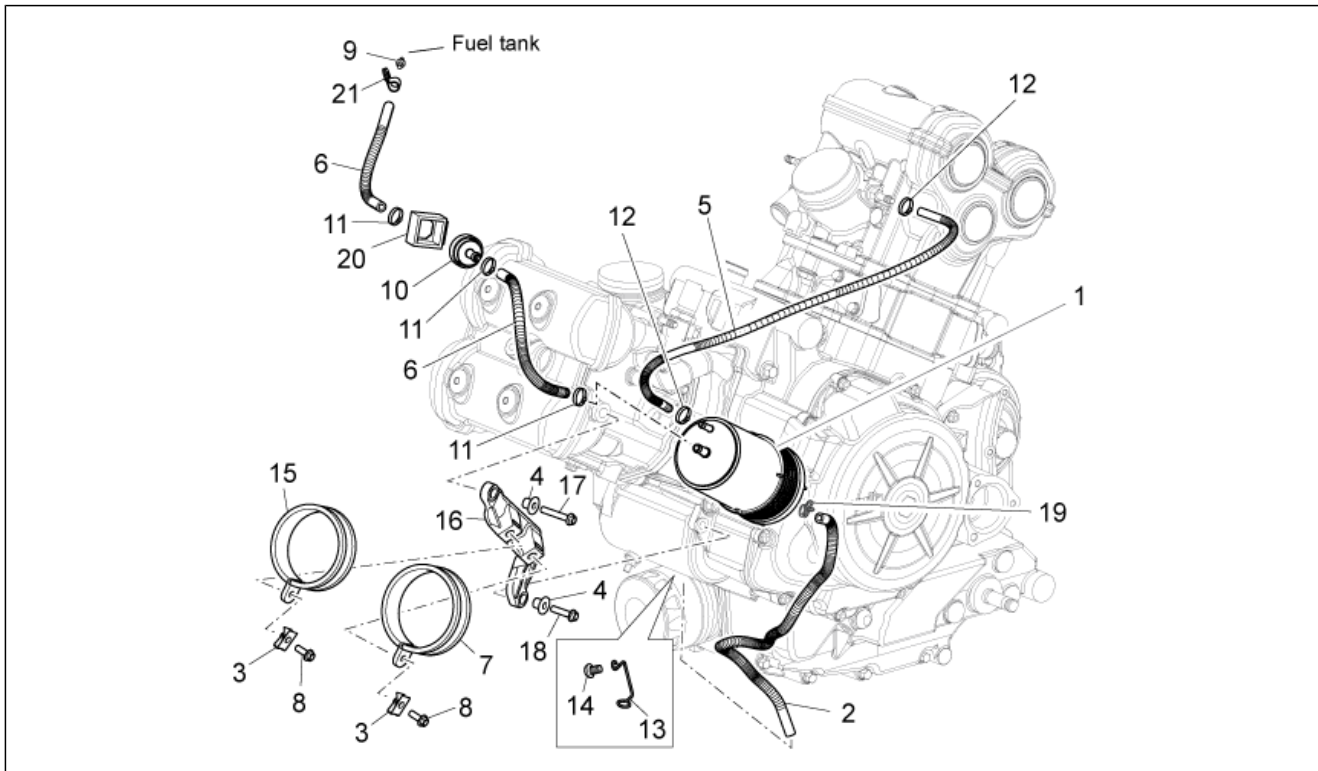
Pos.	Code	Description	Qty	Variants
1	82697R	Starter motor	1	
2	878384	Torque limiter	1	
3	848714	Starter motor gear	1	
4	830390	Sprag clutch housing	1	
5	830389	Sprag clutch	1	
6	640169	Rotor cpl.	1	
7	640168	Stator cpl.	1	
8	974033	Flywheel housing cover gasket	1	
9	8014391	Flywheel cover, black	1	
9	872437	Flywheel cover, grey	1	
10	597564	screw	3	
11	015715	Screw M5x16	2	
12	872421	Screw w/ flange	10	
13	8716755	Cover	1	
14	974219	Gasket	1	
15	841915	Hex socket screw	6	
16	000267	Transmission key	1	
17	831148	Screw w/ flange M14x1,5	1	
17	848341	Screw w/ flange M12x1.25	1	
18	825725	Flat washer 14.1x30x3	1	
18	871494	Washer 12,5X32X3,5	1	
19	848845	Plate	1	
20	878872	Screw w/ flange	1	
21	829981	Spark plug NGK R CR7EKB	2	
22	277916	Locating dowel Ø7,5x12	2	
23	872432	Screw w/ flange	2	
24	849923	Maintenance	1	

Group	ENGINE
Code	29.52
Description	Throttle body
Service	1



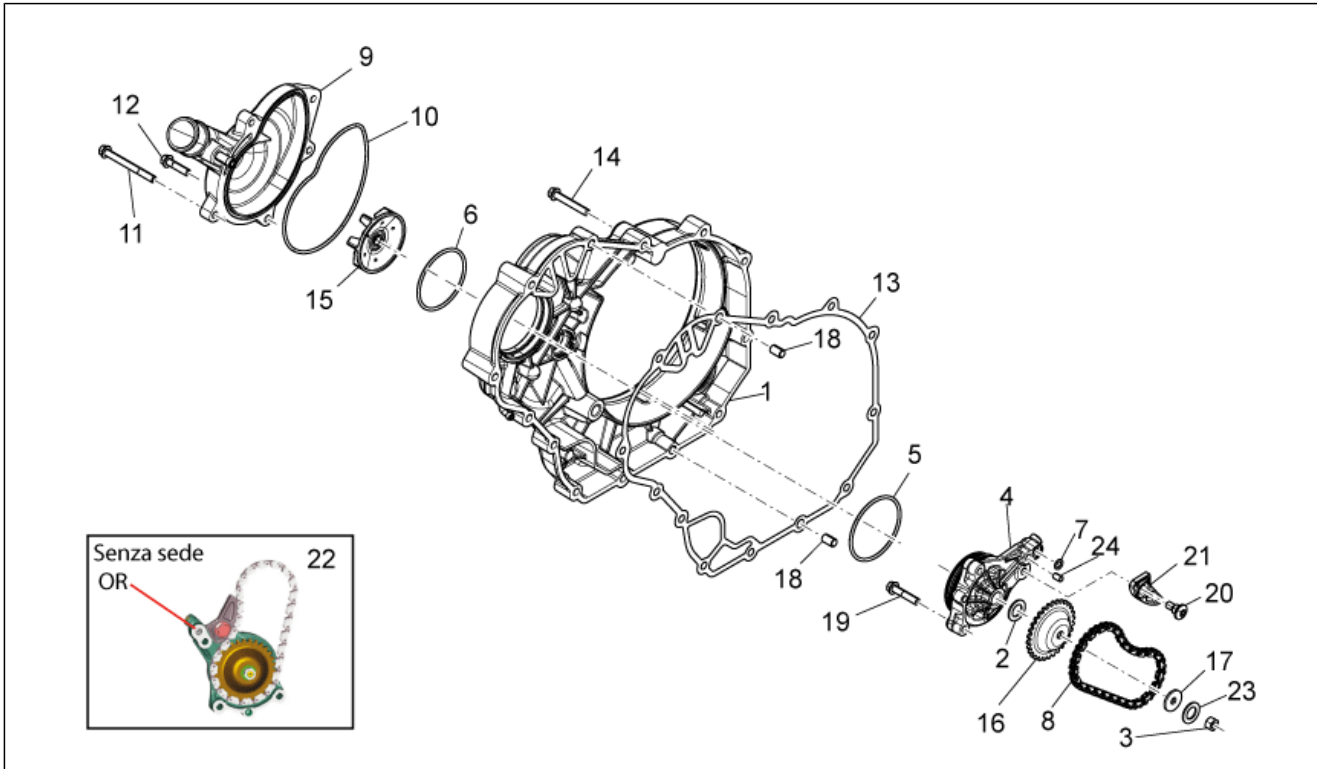
Pos.	Code	Description	Qty	Variants
1	872174	Air filter support	2	
2	872230	Throttle body	2	
3	872264	Gasket	2	
4	872173	Union	2	
5	873218	Fuel rail cpl	1	
6	584815	Injector	2	
7	849898	Spring	2	
8	289731	Screw w/ flange M6x30	2	
9	432142	screw M6x60	8	
10	872176	plate	1	
11	872177	Upper plate	1	
12	873433	Hex socket screw	4	
13	640268	ECU	1	
14	224664	Washer 5,2X15X1,5	2	
15	015597	TBIC screw	2	
16	217163	Pad	2	
17	217164	Spacer	2	
18	875775	Throttle body cpl.	1	

Group	ENGINE
Code	29.53
Description	Fuel vapour recover system
Service	1



Pos.	Code	Description	Qty	Variants
1	AP8102678	Carbon filter	1	
2	AP8120905	Fuel pipe 8x13	1	
3	254485	Spring plate M6	2	
4	AP8221023	T bush	2	
5	856062	pipe SAE 30 d.11,11x4,8	1	
6	856063	pipe SAE 30 d.12,7x6,35	2	
7	AP8102719	Hose clamp d.80,5	1	
8	AP8152278	Screw w/ flange M6x16	2	
9	AP8144276	Joint	1	
10	860138	Valve	1	
11	AP8102764	White hose clip d.13x6	3	
12	AP8120446	Hose clip, green D11x6,6x1	2	
13	AP8102815	Plug hook	1	
14	AP8152055	Hex socket screw M8x12	1	
15	AP8102688	Hose clamp d.76	1	
16	858576	Maintenance	1	
17	AP8152282	Screw w/ flange M6x35	1	
18	AP8152280	Screw w/ flange M6x25	1	
19	AP8102520	Hose clamp	1	
20	AP8220546	Relay rubber	1	
21	AP8102151	Black hose D12*	1	

Group	ENGINE
Code	29.54
Description	Water pump II
Service	1



Pos.	Code	Description	Qty	Variants
1	B016874	Clutch side cover grigio zenith	1	
2	878734	Shim washer	1	
3	876529	Nut M6	1	
4	880797	Pump support	1	
5	878115	O-ring	1	
6	876538	O-ring	1	
7	224035	O-ring	1	
8	846624	Chain 52	1	
9	B013068	Water pump cover grigio zenith	0	
9	B013068	Water pump cover grigio zenith	1	
10	848209	Gasket OR	1	
11	877850	Screw w/ flange	2	
12	874549	Screw w/ flange	3	
13	877069	Water pump cover gasket	1	
14	B016210	Screw w/ flange	11	
15	880646	Rotor	1	
16	875814	Chain ring	1	
17	834951	Conical washer	1	
18	277916	Locating dowel Ø7,5x12	2	
19	289731	Screw w/ flange M6x30	3	
20	CM179202	screw	1	
21	B013345	Chain guide plate	1	
22	B014258	Water pump assy	1	
23	436695	Belleville spring Ø6,4xØ20x2	1	
24	874598	Locating dowel D6	1	