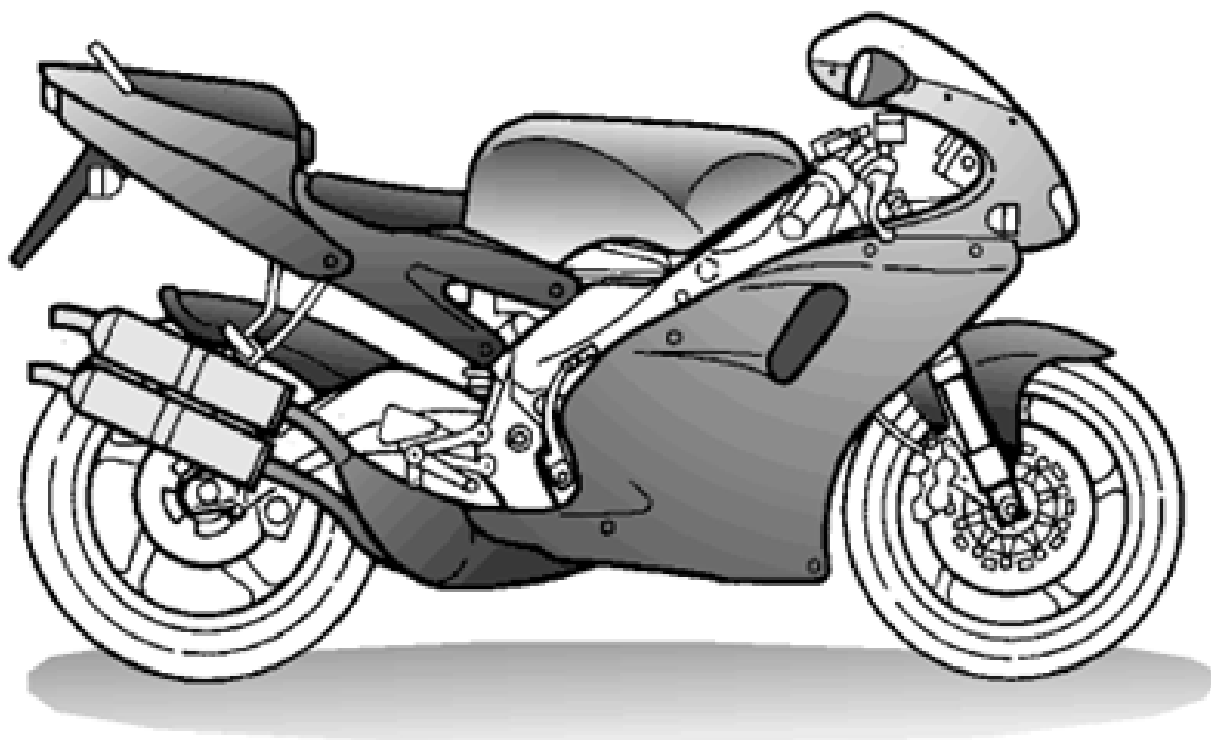


aprilia[®]

SPARE PARTS CATALOGUE



RS 250 1995-1997

Chassis prefix: ZD4LD0

Engine prefix:

RS 250

380T

Index

Finished products.....	3
Alphanumeric index.....	5
FRAME.....	10
Table 28.01 - Frame.....	10
Table 28.02 - Foot rests - Lateral stand.....	11
Table 28.03 - Fuel tank.....	13
Table 28.04 - Front body I.....	15
Table 28.05 - Rear body.....	17
Table 28.06 - Dashboard.....	20
Table 28.07 - Controls.....	22
Table 28.08 - Rear shock absorber.....	24
Table 28.09 - Air box.....	26
Table 28.10 - Exhaust pipe.....	28
Table 28.11 - Front wheel.....	29
Table 28.12 - Rear wheel.....	31
Table 28.13 - Rear brake caliper.....	32
Table 28.14 - Lights.....	34
Table 28.15 - Electrical system.....	35
Table 28.16 - Front fork.....	36
Table 28.17 - Plate set and decal.....	38
ENGINE.....	40
Table 29.18 - Crankcase.....	40
Table 29.19 - Water pump.....	42
Table 29.20 - Oil pump.....	43
Table 29.21 - Drive shaft.....	44
Table 29.22 - Horizontal cylinder assembly.....	45
Table 29.23 - Vertical cylinder assembly.....	47
Table 29.24 - Valves assembly I.....	49
Table 29.25 - Valves assembly II.....	50
Table 29.26 - Ignition unit.....	51
Table 29.27 - Gear control assembly I.....	52
Table 29.28 - Gear control assembly II.....	53
Table 29.29 - Primary gear shaft.....	54
Table 29.30 - Driven shaft.....	55
Table 29.31 - Clutch.....	57
Table 29.32 - Starter assembly.....	58
Table 29.33 - Carburettor flange.....	59
Table 29.34 - Carburettor I.....	60
Table 29.35 - Carburettor II.....	61
Table 29.36 - Carburettor III.....	62

Finished products

Code	Validity
AP66400AT05	
AP66400BE05	
AP66400BE06	
AP66400DE01	
AP66400DE03	
AP66400DE04	
AP66400DE05	
AP66400DE06	
AP66400DK05	
AP66400DK06	
AP66400EL05	
AP66400ES01	
AP66400ES04	
AP66400ES05	
AP66400ES06	
AP66400FR01	
AP66400FR02	
AP66400FR03	
AP66400FR04	
AP66400FR05	
AP66400FR06	
AP66400GB01	
AP66400GB02	
AP66400GB03	
AP66400GB04	
AP66400GB05	
AP66400GB06	
AP66400IT01	
AP66400IT02	
AP66400IT03	
AP66400IT04	
AP66400IT05	
AP66400IT06	
AP66400JP01	
AP66400JP02	
AP66400JP03	
AP66400JP04	
AP66400JP05	
AP66400JP06	
AP66400NL01	
AP66400NL03	
AP66400NL04	

Code	Validity
AP66400PT05	
AP66400SG03	
AP66401IT01	
AP66401IT02	
AP66401IT03	
AP66401IT04	
AP7999025	

Code	No. table	Pos.	Code	No. table	Pos.	Code	No. table	Pos.
0000000	28.11	1	AP8110076	28.12	16	AP8119399	28.10	4
0000000	28.12	1	AP8112413	28.15	8	AP8120001	28.15	11
AP8101106	28.16	6	AP8112710	28.05	14	AP8120030	28.15	12
AP8101272	28.16	8	AP8112802	28.05	15	AP8120177	28.05	21
AP8101527	28.09	10	AP8112916	28.14	12	AP8120311	28.03	11
AP8101744	28.11	7	AP8112961	28.14	10	AP8120340	28.08	8
AP8101744	28.12	5	AP8112962	28.14	13	AP8120531	28.04	14
AP8101819	28.11	18	AP8112966	28.06	1	AP8120531	28.04	27
AP8101944	28.09	15	AP8112996	28.15	4	AP8120531	28.08	33
AP8102120	28.09	9	AP8112998	28.15	5	AP8120542	28.16	9
AP8102179	28.01	10	AP8113003	28.11	21	AP8120573	28.02	5
AP8102223	28.09	17	AP8113003	28.13	16	AP8120591	28.04	19
AP8102224	28.09	16	AP8113004	28.11	22	AP8120591	28.04	23
AP8102341	28.04	18	AP8113004	28.13	17	AP8120591	28.05	31
AP8102351	28.09	2	AP8113058	28.07	3	AP8120638	28.10	8
AP8102357	28.05	19	AP8113230	28.11	16	AP8120699	28.04	11
AP8102360	28.03	2	AP8113230	28.13	11	AP8120806	28.12	23
AP8102375	28.04	15	AP8113241	28.13	5	AP8120807	28.12	24
AP8102375	28.06	18	AP8113288	28.13	13	AP8120837	28.09	6
AP8102376	28.15	10	AP8113353	28.11	15	AP8120838	28.08	28
AP8102418	29.24	26	AP8113353	28.13	10	AP8120846	28.08	22
AP8102418	29.25	26	AP8113359	28.13	12	AP8120869	28.03	12
AP8102420	29.33	1	AP8113498	28.07	1	AP8120872	28.08	6
AP8102423	29.35	1	AP8113499	28.07	7	AP8120893	28.03	3
AP8102429	28.08	7	AP8113500	28.11	9	AP8120894	28.03	4
AP8102430	28.10	6	AP8113501	28.11	10	AP8120895	28.02	15
AP8102431	28.03	5	AP8113503	28.13	1	AP8120902	29.18	2
AP8102435	28.03	17	AP8113505	28.13	2	AP8120910	28.01	11
AP8102458	28.09	8	AP8113506	28.11	11	AP8120912	28.02	27
AP8102459	28.09	7	AP8113507	28.11	19	AP8120912	28.13	19
AP8102503	28.03	9	AP8113522	28.07	6	AP8120913	28.03	7
AP8102504	28.03	10	AP8113539	28.11	24	AP8120914	28.03	8
AP8102509	28.09	14	AP8113578	28.11	23	AP8120947	28.10	13
AP8102525	28.03	14	AP8113585	28.11	12	AP8120948	28.10	15
AP8102526	28.03	13	AP8113586	28.11	13	AP8120949	28.12	14
AP8102535	28.03	13	AP8113587	28.11	14	AP8120950	28.09	11
AP8102544	28.01	9	AP8113588	28.07	2	AP8120951	28.15	9
AP8102567	28.12	22	AP8113589	28.07	4	AP8120968	28.11	25
AP8102580	28.07	21	AP8113598	28.07	9	AP8120976	28.07	8
AP8102580	28.07	21	AP8113665	28.11	10	AP8120976	28.13	21
AP8102593	28.05	13	AP8113666	28.11	11	AP8121134	28.02	6
AP8102603	28.04	24	AP8114285	28.06	2	AP8121712	28.02	21
AP8102648	28.07	21	AP8114286	28.07	23	AP8121716	28.10	7
AP8102705	28.04	5	AP8114287	28.07	24	AP8121764	28.03	21
AP8102706	28.04	6	AP8114288	28.07	25	AP8121764	28.05	11
AP8102801	28.04	17	AP8114305	28.07	26	AP8121842	28.13	14
AP8102880	28.05	36	AP8114306	28.07	27	AP8121856	28.13	20
AP8103235	28.16	13	AP8114307	28.07	28	AP8121867	28.04	12
AP8105103	28.02	22	AP8114308	28.07	29	AP8121884	28.08	3
AP8106273	29.32	11	AP8117100	28.10	17	AP8121885	28.08	15
AP8106341	29.36	3	AP8117102	28.10	20	AP8121898	28.08	16
AP8106342	29.36	2	AP8117104	28.10	19	AP8121899	28.08	26
AP8106417	29.35	17	AP8117105	28.10	18	AP8121901	28.11	20
AP8107095	28.12	21	AP8118287	28.07	11	AP8121917	28.02	10
AP8107096	28.12	7	AP8118308	28.07	18	AP8121918	28.02	9
AP8107113	28.12	15	AP8118348	28.07	16	AP8121919	28.08	14
AP8107114	28.12	7	AP8118364	28.07	13	AP8121920	28.08	27
AP8108582	28.11	2	AP8118366	28.07	14	AP8121921	28.11	8
AP8108583	28.12	2	AP8118379	28.07	19	AP8121923	28.08	5
AP8110010	28.16	7	AP8118417	28.07	15	AP8121925	28.08	18
AP8110024	28.16	5	AP8118419	28.07	22	AP8121939	28.02	17
AP8110050	28.12	4	AP8119331	28.10	3	AP8121940	28.02	16
AP8110053	28.02	26	AP8119332	28.10	1	AP8121942	28.13	18
AP8110066	28.08	4	AP8119333	28.10	2	AP8121948	29.18	3
AP8110070	28.08	2	AP8119384	28.10	3	AP8121950	29.18	6
AP8110074	28.02	14	AP8119391	28.10	1	AP8121960	28.02	29
AP8110075	28.08	9	AP8119392	28.10	2	AP8121961	28.01	6

Code	No. table	Pos.	Code	No. table	Pos.	Code	No. table	Pos.
AP8121962	28.01	7	AP8125655	28.12	9	AP8137315	28.17	1
AP8121963	28.01	8	AP8125656	28.12	8	AP8137646	28.14	1
AP8123199	28.16	12	AP8125657	28.12	10	AP8137647	28.14	2
AP8123203	28.16	15	AP8125658	28.12	11	AP8137664	28.17	2
AP8123206	28.16	35	AP8125686	28.12	12	AP8137665	28.17	2
AP8123331	28.16	1	AP8125687	28.12	13	AP8137666	28.17	2
AP8123332	28.08	12	AP8125718	28.11	3	AP8137668	28.17	6
AP8123333	28.16	2	AP8125719	28.12	3	AP8137691	28.17	3
AP8123346	28.16	18	AP8126415	28.05	24	AP8137692	28.17	4
AP8123360	28.16	11	AP8126416	28.04	16	AP8137693	28.17	3
AP8123413	28.16	3	AP8126417	28.05	22	AP8137695	28.17	4
AP8123553	28.06	14	AP8126490	28.05	26	AP8137707	28.17	2
AP8123562	28.16	28	AP8126505	28.04	16	AP8137736	28.17	4
AP8123563	28.16	25	AP8126537	28.04	16	AP8137739	28.17	6
AP8123566	28.16	32	AP8126614	28.04	16	AP8137892	28.17	2
AP8123567	28.16	22	AP8127286	28.15	1	AP8137894	28.17	5
AP8123568	28.16	16	AP8129136	28.05	8	AP8137895	28.17	1
AP8123569	28.16	17	AP8129137	28.05	9	AP8138192	28.15	3
AP8123570	28.16	19	AP8131905	28.09	3	AP8138194	28.04	7
AP8123571	28.16	20	AP8131906	28.09	4	AP8138195	28.04	8
AP8123572	28.16	21	AP8131907	28.09	5	AP8138231	28.05	20
AP8123573	28.16	23	AP8131908	28.05	25	AP8138247	28.05	6
AP8123574	28.16	24	AP8131909	28.09	12	AP8138249	28.06	16
AP8123575	28.16	27	AP8131910	28.05	1	AP8138403	28.16	10
AP8123576	28.16	30	AP8131912	28.05	2	AP8138420	28.05	3
AP8123577	28.16	31	AP8131916	28.04	1	AP8138420	28.05	3
AP8123578	28.16	33	AP8131919	28.04	2	AP8138421	28.05	4
AP8123579	28.16	34	AP8131921	28.04	3	AP8138421	28.05	4
AP8123580	28.16	26	AP8131923	28.04	4	AP8138422	28.05	5
AP8123581	28.16	4	AP8131925	28.08	21	AP8138422	28.05	5
AP8123777	28.16	14	AP8131926	28.03	1	AP8138444	28.03	1
AP8124006	28.14	7	AP8131932	28.04	10	AP8138445	28.04	2
AP8124052	28.07	31	AP8134257	28.05	23	AP8138446	28.04	3
AP8124054	28.15	13	AP8134277	28.13	4	AP8138447	28.04	4
AP8124075	28.14	11	AP8134283	28.07	10	AP8138448	28.05	1
AP8124080	28.09	13	AP8134310	28.07	30	AP8138449	28.05	2
AP8124139	28.14	4	AP8134322	28.03	6	AP8138450	28.05	6
AP8124140	28.14	3	AP8134328	28.01	5	AP8138637	28.03	1
AP8124141	28.14	9	AP8134332	28.04	9	AP8138638	28.04	2
AP8124172	28.06	1	AP8134334	28.10	12	AP8138639	28.04	3
AP8124174	28.14	10	AP8134355	28.10	9	AP8138640	28.04	4
AP8124191	28.06	3	AP8134464	28.12	25	AP8138646	28.05	1
AP8124192	28.06	4	AP8134464	28.13	4	AP8138647	28.05	2
AP8124193	28.06	5	AP8135494	28.01	3	AP8138648	28.05	6
AP8124194	28.06	8	AP8135495	28.01	4	AP8138678	28.05	3
AP8124195	28.06	7	AP8135508	28.08	11	AP8138679	28.05	4
AP8124196	28.06	6	AP8135509	28.08	13	AP8138680	28.05	5
AP8124197	28.06	9	AP8135513	28.02	20	AP8138708	28.03	1
AP8124198	28.06	13	AP8135514	28.02	24	AP8138957	28.03	1
AP8124199	28.06	10	AP8135516	28.13	3	AP8138964	28.05	3
AP8124200	28.06	11	AP8135517	28.02	13	AP8138965	28.05	4
AP8124201	28.06	12	AP8135518	28.02	25	AP8138966	28.05	5
AP8124203	28.06	3	AP8135617	28.02	11	AP8139052	28.03	1
AP8124251	28.14	13	AP8135628	28.02	12	AP8139057	28.05	6
AP8124252	28.06	20	AP8135734	28.14	6	AP8139059	28.05	3
AP8124253	28.06	15	AP8135735	28.05	7	AP8139060	28.05	4
AP8124254	28.06	21	AP8135781	28.02	23	AP8139061	28.05	5
AP8124255	28.06	17	AP8135788	28.02	4	AP8139077	28.04	2
AP8124330	28.07	12	AP8135789	28.02	3	AP8139078	28.04	3
AP8124331	28.07	20	AP8135801	28.05	12	AP8139079	28.04	4
AP8124466	28.06	1	AP8135803	28.08	10	AP8139080	28.05	1
AP8124477	28.06	3	AP8135808	28.01	2	AP8139081	28.05	2
AP8125644	28.11	4	AP8135811	28.01	1	AP8147021	28.17	7
AP8125651	28.08	1	AP8135842	28.02	1	AP8147022	28.17	8
AP8125652	28.11	5	AP8135844	28.02	2	AP8147023	28.17	9
AP8125653	28.11	6	AP8135860	28.02	7	AP8147024	28.17	10
AP8125654	28.12	6	AP8135861	28.02	8	AP8147025	28.17	11

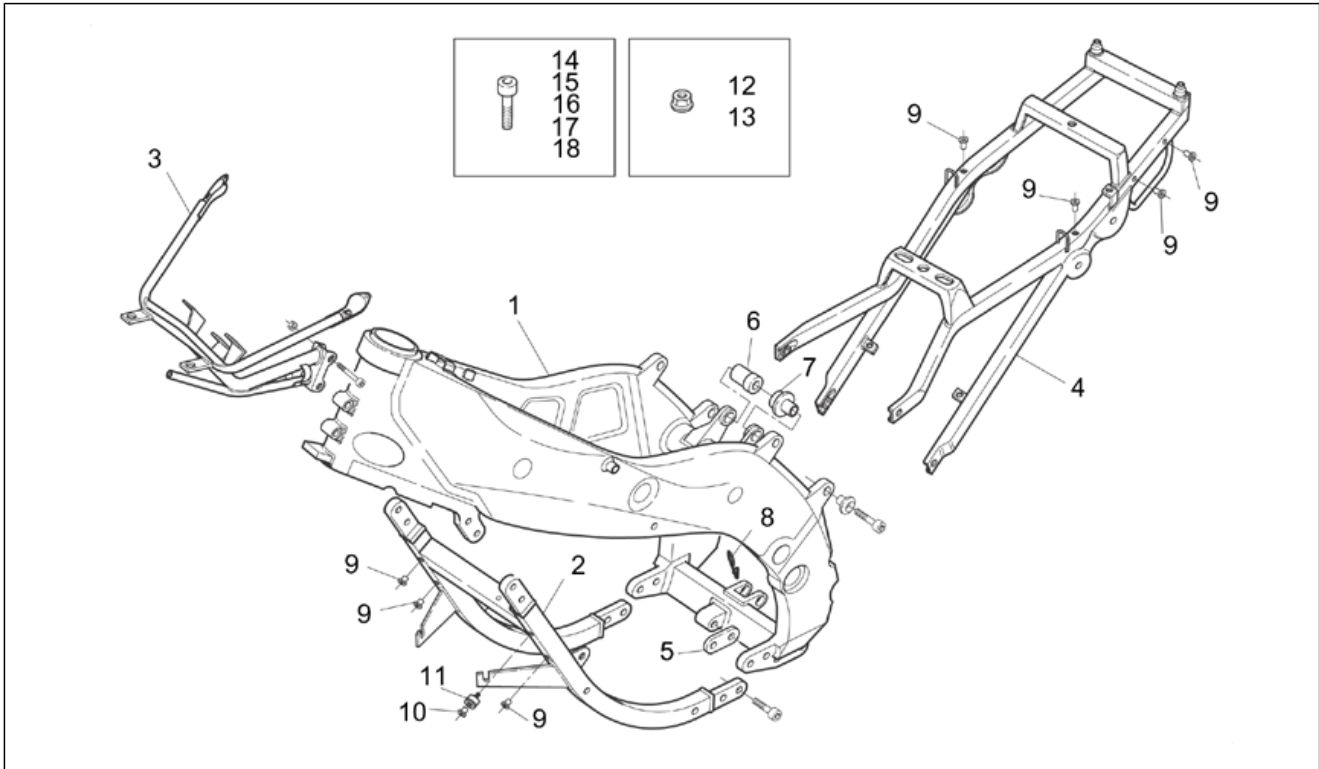
Code	No. table	Pos.	Code	No. table	Pos.	Code	No. table	Pos.
AP8147025	28.17	11	AP8152281	28.09	24	AP8600007	29.22	8
AP8147026	28.17	7	AP8152281	28.13	25	AP8600007	29.23	8
AP8147027	28.17	8	AP8152283	28.09	25	AP8600008	29.22	9
AP8147028	28.17	9	AP8152284	28.01	17	AP8600008	29.23	9
AP8147029	28.17	10	AP8152284	28.03	19	AP8600010	29.22	10
AP8147030	28.17	11	AP8152284	28.05	34	AP8600010	29.23	10
AP8147374	28.17	10	AP8152285	28.02	34	AP8600011	29.18	28
AP8147375	28.17	10	AP8152285	28.05	32	AP8600011	29.22	11
AP8147376	28.17	9	AP8152285	28.11	28	AP8600011	29.23	11
AP8147377	28.17	9	AP8152285	28.12	19	AP8600012	29.22	12
AP8147378	28.17	8	AP8152285	28.13	26	AP8600012	29.23	12
AP8147379	28.17	8	AP8152285	28.15	15	AP8600013	29.22	13
AP8147380	28.17	7	AP8152286	28.02	35	AP8600013	29.23	13
AP8147381	28.17	7	AP8152287	28.09	20	AP8600014	29.22	14
AP8150015	28.03	20	AP8152287	28.13	27	AP8600014	29.23	14
AP8150018	28.05	35	AP8152288	28.02	36	AP8600015	29.22	15
AP8150020	28.08	30	AP8152288	28.12	20	AP8600015	29.23	15
AP8150050	28.03	15	AP8152288	28.13	28	AP8600016	29.22	16
AP8150090	28.08	20	AP8152289	28.02	37	AP8600016	29.23	16
AP8150101	28.08	29	AP8152290	28.10	5	AP8600017	29.22	17
AP8150107	28.01	14	AP8152294	28.01	18	AP8600017	29.23	17
AP8150107	28.05	28	AP8152298	28.04	26	AP8600018	29.22	18
AP8150158	28.05	29	AP8152298	28.13	29	AP8600018	29.23	18
AP8150164	28.01	16	AP8152299	28.01	12	AP8600019	29.22	19
AP8150171	28.01	15	AP8152300	28.01	13	AP8600019	29.23	19
AP8150176	28.03	16	AP8152301	28.08	31	AP8600020	29.22	20
AP8150208	28.11	17	AP8152301	29.18	25	AP8600020	29.23	20
AP8150227	28.08	19	AP8152302	28.04	25	AP8600021	29.22	21
AP8150304	28.08	25	AP8152302	28.05	27	AP8600021	29.23	21
AP8150376	28.02	19	AP8152302	28.09	29	AP8600022	29.22	22
AP8150388	28.10	11	AP8152305	28.12	17	AP8600022	29.23	22
AP8150413	28.05	33	AP8201287	28.04	13	AP8600023	29.22	23
AP8150431	28.10	10	AP8201298	28.05	17	AP8600023	29.23	23
AP8150438	28.09	18	AP8201564	28.05	16	AP8600024	29.22	24
AP8150438	29.18	5	AP8203588	28.16	29	AP8600024	29.23	24
AP8150439	28.09	19	AP8210007	28.02	28	AP8600025	29.22	25
AP8150439	29.18	4	AP8210007	28.13	22	AP8600025	29.23	25
AP8150442	28.08	17	AP8212110	28.15	2	AP8600026	29.22	5
AP8150446	28.02	18	AP8212469	28.15	7	AP8600026	29.23	5
AP8150450	28.04	22	AP8212679	28.14	8	AP8600035	29.24	12
AP8152013	28.08	32	AP8212680	28.14	5	AP8600035	29.25	12
AP8152031	28.10	16	AP8212702	28.14	14	AP8600036	29.24	13
AP8152108	28.04	21	AP8213057	28.07	5	AP8600036	29.25	13
AP8152138	28.02	30	AP8213057	28.13	15	AP8600037	29.24	14
AP8152173	28.08	24	AP8213172	28.13	6	AP8600037	29.25	14
AP8152246	28.09	28	AP8213197	28.13	8	AP8600038	29.24	15
AP8152262	28.12	18	AP8213198	28.13	7	AP8600038	29.25	15
AP8152267	28.05	30	AP8213199	28.13	9	AP8600040	29.24	17
AP8152267	28.06	19	AP8218077	28.07	17	AP8600040	29.25	17
AP8152268	28.04	20	AP8220192	28.05	10	AP8600041	29.24	18
AP8152268	28.04	28	AP8220195	28.09	1	AP8600041	29.25	18
AP8152272	28.02	31	AP8220283	28.15	6	AP8600042	29.24	19
AP8152272	28.13	23	AP8221056	28.10	14	AP8600042	29.25	19
AP8152273	28.13	24	AP8221206	28.05	18	AP8600043	29.24	20
AP8152274	28.02	32	AP8234020	28.08	23	AP8600043	29.25	20
AP8152274	28.09	26	AP8600001	29.22	1	AP8600044	29.24	21
AP8152274	28.15	14	AP8600001	29.23	1	AP8600044	29.25	21
AP8152275	28.09	27	AP8600002	29.22	2	AP8600045	29.24	22
AP8152277	28.03	18	AP8600002	29.23	2	AP8600045	29.25	22
AP8152277	28.11	26	AP8600003	29.22	3	AP8600046	29.24	23
AP8152278	28.09	21	AP8600003	29.23	3	AP8600046	29.25	23
AP8152279	28.02	33	AP8600004	29.22	4	AP8600047	29.24	24
AP8152279	28.09	22	AP8600004	29.23	4	AP8600047	29.25	24
AP8152279	28.15	16	AP8600005	29.22	6	AP8600048	29.24	25
AP8152280	28.09	23	AP8600005	29.23	6	AP8600048	29.25	25
AP8152280	28.11	27	AP8600006	29.22	7	AP8600049	29.24	11
AP8152280	28.15	17	AP8600006	29.23	7	AP8600049	29.25	11

Code	No. table	Pos.	Code	No. table	Pos.	Code	No. table	Pos.
AP8600050	29.24	10	AP8600110	29.21	6	AP8600178	29.35	19
AP8600050	29.25	10	AP8600111	29.21	7	AP8600180	29.34	6
AP8600051	29.24	9	AP8600112	29.21	8	AP8600181	29.35	16
AP8600051	29.25	9	AP8600113	29.21	9	AP8600182	29.35	18
AP8600052	29.24	8	AP8600114	29.21	10	AP8600184	29.34	8
AP8600052	29.25	8	AP8600115	29.21	11	AP8600200	29.34	11
AP8600053	29.24	7	AP8600116	29.21	12	AP8600202	29.20	1
AP8600053	29.25	7	AP8600117	29.21	13	AP8600203	29.20	2
AP8600054	29.24	6	AP8600118	29.21	14	AP8600204	29.20	3
AP8600054	29.25	6	AP8600120	29.21	16	AP8600205	29.20	4
AP8600055	29.24	5	AP8600121	29.21	17	AP8600206	29.20	5
AP8600055	29.25	5	AP8600122	29.21	18	AP8600207	29.20	6
AP8600056	29.24	4	AP8600123	29.21	19	AP8600208	29.20	7
AP8600056	29.25	4	AP8600124	29.21	20	AP8600209	29.20	8
AP8600057	29.24	3	AP8600125	29.21	21	AP8600210	29.20	9
AP8600057	29.25	3	AP8600126	29.21	22	AP8600211	29.20	10
AP8600058	29.24	2	AP8600128	29.22	26	AP8600212	29.20	11
AP8600058	29.25	2	AP8600128	29.23	26	AP8600212	29.21	15
AP8600059	29.24	1	AP8600129	29.22	29	AP8600214	29.20	13
AP8600059	29.25	1	AP8600129	29.23	29	AP8600215	29.20	14
AP8600060	29.18	1	AP8600130	29.22	28	AP8600215	29.20	16
AP8600061	29.18	26	AP8600130	29.23	28	AP8600216	29.20	15
AP8600062	29.18	27	AP8600131	29.21	23	AP8600217	29.20	17
AP8600065	29.18	21	AP8600132	29.21	24	AP8600218	29.20	18
AP8600066	29.18	20	AP8600133	29.34	2	AP8600219	29.20	19
AP8600067	29.18	23	AP8600134	29.34	1	AP8600220	29.20	20
AP8600069	29.18	22	AP8600135	29.35	5	AP8600221	29.20	21
AP8600070	29.18	29	AP8600136	29.35	6	AP8600222	29.20	22
AP8600071	29.18	24	AP8600137	29.35	4	AP8600223	29.20	23
AP8600071	29.28	17	AP8600137	29.36	11	AP8600224	29.20	24
AP8600072	29.29	16	AP8600138	29.35	2	AP8600225	29.20	25
AP8600073	29.29	14	AP8600139	29.35	3	AP8600226	29.20	26
AP8600074	29.29	15	AP8600140	29.35	7	AP8600227	29.20	27
AP8600075	29.29	21	AP8600141	29.35	8	AP8600228	29.19	1
AP8600076	29.29	22	AP8600142	29.35	9	AP8600229	29.19	2
AP8600077	29.18	31	AP8600143	29.35	10	AP8600230	29.19	3
AP8600077	29.20	12	AP8600144	29.35	11	AP8600231	29.19	4
AP8600078	29.18	30	AP8600145	29.36	2	AP8600232	29.19	5
AP8600080	29.33	5	AP8600146	29.36	3	AP8600233	29.19	6
AP8600081	29.33	6	AP8600147	29.36	7	AP8600234	29.19	7
AP8600082	29.33	7	AP8600148	29.36	8	AP8600235	29.19	8
AP8600083	29.33	8	AP8600149	29.36	5	AP8600236	29.19	10
AP8600084	29.33	9	AP8600150	29.36	4	AP8600237	29.19	9
AP8600085	29.33	10	AP8600151	29.36	6	AP8600238	29.19	11
AP8600086	29.33	4	AP8600152	29.36	9	AP8600239	29.19	12
AP8600087	29.33	3	AP8600153	29.36	13	AP8600240	29.19	13
AP8600088	29.33	2	AP8600154	29.36	14	AP8600241	29.19	14
AP8600090	29.18	7	AP8600155	29.36	15	AP8600242	29.19	15
AP8600091	29.18	8	AP8600156	29.36	12	AP8600243	29.19	16
AP8600092	29.18	11	AP8600157	29.34	5	AP8600244	29.19	17
AP8600093	29.18	12	AP8600159	29.36	10	AP8600245	29.19	18
AP8600094	29.18	14	AP8600160	29.36	19	AP8600246	29.19	19
AP8600095	29.18	13	AP8600161	29.36	16	AP8600247	29.19	20
AP8600096	29.18	9	AP8600162	29.36	17	AP8600248	29.19	21
AP8600097	29.18	10	AP8600163	29.36	18	AP8600249	29.19	22
AP8600098	29.18	17	AP8600164	29.34	7	AP8600250	29.19	23
AP8600099	29.18	18	AP8600165	29.35	15	AP8600261	29.31	1
AP8600100	29.18	15	AP8600166	29.35	14	AP8600262	29.31	2
AP8600101	29.18	16	AP8600167	29.35	13	AP8600263	29.31	3
AP8600102	29.26	10	AP8600168	29.35	12	AP8600264	29.31	4
AP8600103	29.26	11	AP8600169	29.34	10	AP8600265	29.31	5
AP8600104	29.26	12	AP8600170	29.34	4	AP8600266	29.31	6
AP8600105	29.21	1	AP8600171	29.34	3	AP8600267	29.31	7
AP8600106	29.21	2	AP8600172	29.35	17	AP8600268	29.31	9
AP8600107	29.21	3	AP8600175	29.34	12	AP8600269	29.31	8
AP8600108	29.21	4	AP8600176	29.34	9	AP8600270	29.31	10
AP8600109	29.21	5	AP8600177	29.36	1	AP8600271	29.31	11

Code	No. table	Pos.
AP8600272	29.31	12
AP8600273	29.31	13
AP8600274	29.31	14
AP8600275	29.31	15
AP8600276	29.31	16
AP8600277	29.31	17
AP8600278	29.31	18
AP8600279	29.31	19
AP8600280	29.31	20
AP8600281	29.31	21
AP8600282	29.31	22
AP8600284	29.31	24
AP8600285	29.31	25
AP8600286	29.31	23
AP8600287	29.29	9
AP8600288	29.29	2
AP8600289	29.29	5
AP8600290	29.29	8
AP8600291	29.29	3
AP8600292	29.29	1
AP8600293	29.29	7
AP8600294	29.29	4
AP8600295	29.29	6
AP8600296	29.29	10
AP8600297	29.29	20
AP8600298	29.30	9
AP8600299	29.30	21
AP8600300	29.30	10
AP8600301	29.30	17
AP8600302	29.30	18
AP8600303	29.30	19
AP8600305	29.30	26
AP8600306	29.30	20
AP8600307	29.30	11
AP8600308	29.30	16
AP8600309	29.30	12
AP8600310	29.30	15
AP8600311	29.30	14
AP8600312	29.30	8
AP8600313	29.30	7
AP8600314	29.30	22
AP8600315	29.30	23
AP8600316	29.30	24
AP8600316	29.32	5
AP8600318	29.30	3
AP8600319	29.30	4
AP8600320	29.30	5
AP8600321	29.30	6
AP8600322	29.30	27
AP8600323	29.30	28
AP8600324	29.30	29
AP8600325	29.30	2
AP8600326	29.30	1
AP8600327	29.30	25
AP8600328	29.30	31
AP8600329	29.29	18
AP8600330	29.30	30
AP8600331	29.29	17
AP8600332	29.28	5
AP8600333	29.28	6
AP8600335	29.28	8
AP8600336	29.28	9
AP8600337	29.28	10
AP8600338	29.28	11
AP8600339	29.28	12
AP8600340	29.27	8
AP8600341	29.28	14

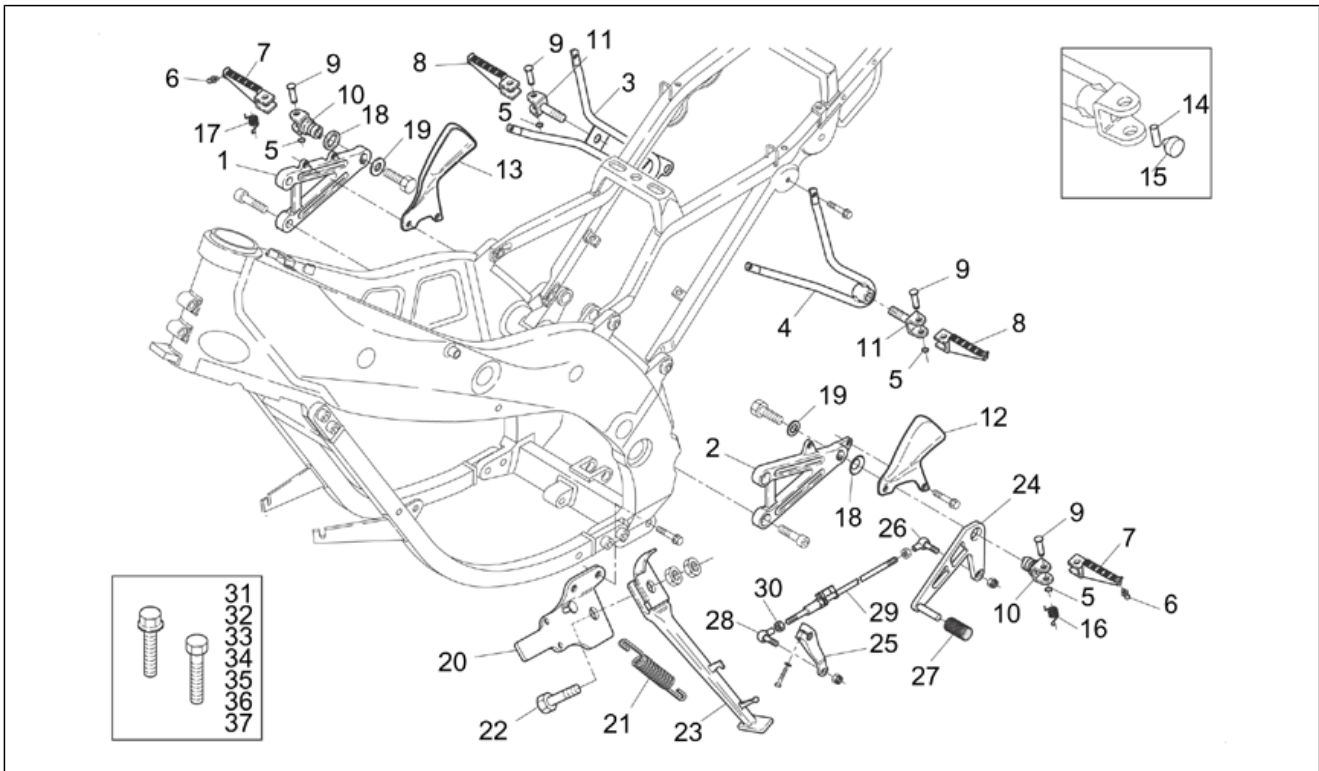
Code	No. table	Pos.
AP8600342	29.27	9
AP8600342	29.28	15
AP8600343	29.27	10
AP8600343	29.28	16
AP8600344	29.28	18
AP8600345	29.28	19
AP8600346	29.28	20
AP8600347	29.28	21
AP8600348	29.28	22
AP8600349	29.28	23
AP8600350	29.28	24
AP8600351	29.27	1
AP8600352	29.27	6
AP8600353	29.27	5
AP8600354	29.27	7
AP8600355	29.27	3
AP8600356	29.27	2
AP8600357	29.27	4
AP8600358	29.28	2
AP8600359	29.28	3
AP8600360	29.28	1
AP8600361	29.28	4
AP8600362	29.28	13
AP8600363	29.18	19
AP8600364	29.32	1
AP8600365	29.32	2
AP8600366	29.32	3
AP8600368	29.32	6
AP8600369	29.32	7
AP8600370	29.32	8
AP8600371	29.32	9
AP8600372	29.32	10
AP8600373	29.26	1
AP8600374	29.26	2
AP8600375	29.26	3
AP8600376	29.26	4
AP8600377	29.26	5
AP8600378	29.26	6
AP8600379	29.26	7
AP8600380	29.26	8
AP8600381	29.26	9
AP8600401	29.34	2
AP8600402	29.34	1
AP8600404	29.30	32
AP8600405	29.30	13
AP8600406	29.28	7
AP8600407	29.32	4
AP8600408	29.29	19
AP8600409	29.22	27
AP8600409	29.23	27
AP8600410	29.29	11
AP8600411	29.24	16
AP8600411	29.25	16
AP8600412	29.29	12
AP8600412	29.29	13

Group	FRAME
Code	28.01
Description	Frame
Service	1



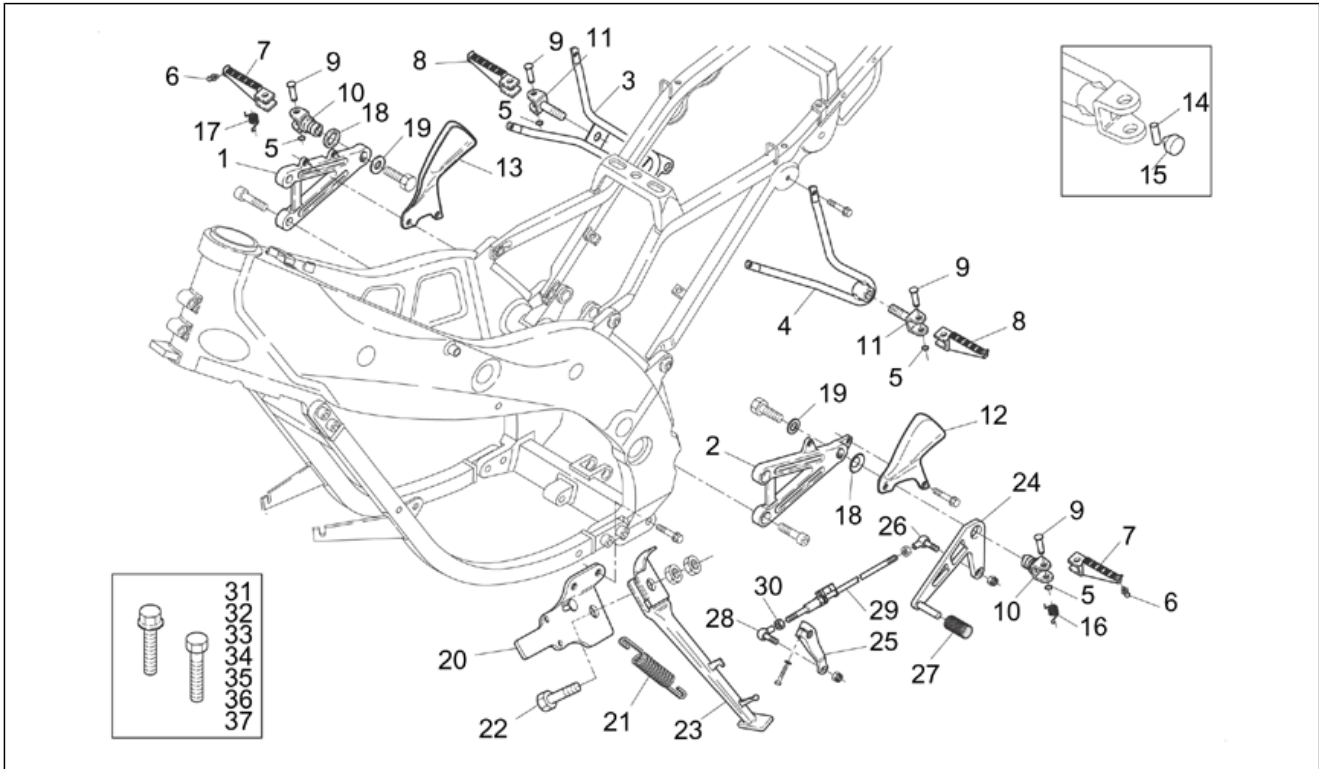
Pos.	Code	Description	Qty	Variants
1	AP8135811	Frame	0	
2	AP8135808	Painted cradle	0	
3	AP8135494	Fairing support bow	0	
4	AP8135495	Saddle support, cat.	0	
5	AP8134328	Eng. connecting plate	0	
6	AP8121961	RH up.shock absorber bush	0	
7	AP8121962	LH up.shock absorber bush	0	
8	AP8121963	Breather pipe cable guide	0	
9	AP8102544	Threaded rivet M6	0	
10	AP8102179	Threaded rivet M8	0	
11	AP8120910	Silent-block	0	
12	AP8152299	Self-locking nut M6	0	
13	AP8152300	Self-locking nut M8	0	
14	AP8150107	Hex socket screw M8x30	0	
15	AP8150171	Hex socket screw M8x40	0	
16	AP8150164	Hex socket screw M8x45	0	
17	AP8152284	Screw w/ flange	0	
18	AP8152294	Screw w/ flange	0	

Group	FRAME
Code	28.02
Description	Foot rests - Lateral stand
Service	1



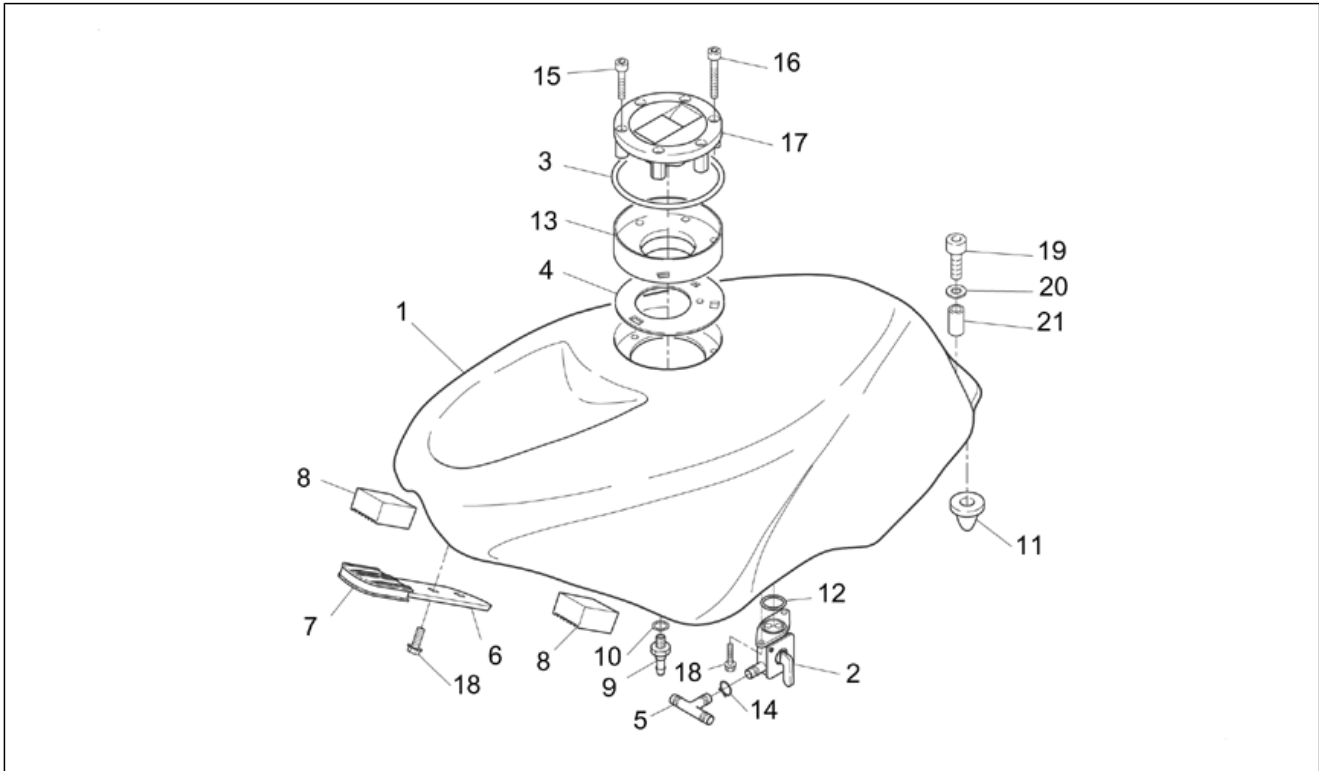
Pos.	Code	Description	Qty	Variants
1	AP8135842	RH front footrest bracket	0	
2	AP8135844	LH front footrest bracket	0	
3	AP8135789	RH footrest support	0	
4	AP8135788	LH footrest support	0	
5	AP8120573	Stop ring	0	
6	AP8121134	Footrest pin	0	
7	AP8135860	Front footrest, pair	0	
8	AP8135861	Rear footrests, pair	0	
9	AP8121918	Footrest pin	0	
10	AP8121917	Brake/gear lever pin	0	
11	AP8135617	Footrest support plate	0	
12	AP8135628	LH front footrest guard	0	
13	AP8135517	RH front footrest guard	0	
14	AP8110074	Roller D4x19,8	0	
15	AP8120895	Rear footrest rubber	0	
16	AP8121940	LH front footrest spring	0	
17	AP8121939	RH front footrest spring	0	
18	AP8150446	Belleville spring	0	
19	AP8150376	Washer 8,5x15x0,8	0	
20	AP8135513	Stand plate w. phor ctng.	0	
21	AP8121712	Coil pull spring *	0	
22	AP8105103	Special screw M10x18*	0	
23	AP8135781	Lateral stand	0	
24	AP8135514	Gear lever	0	
25	AP8135518	Gearbox connecting rod	0	
26	AP8110053	Left ball joint M6	0	
27	AP8120912	Lever rubber	0	
28	AP8210007	RH ball joint M6	0	

Group	FRAME
Code	28.02
Description	Foot rests - Lateral stand
Service	1



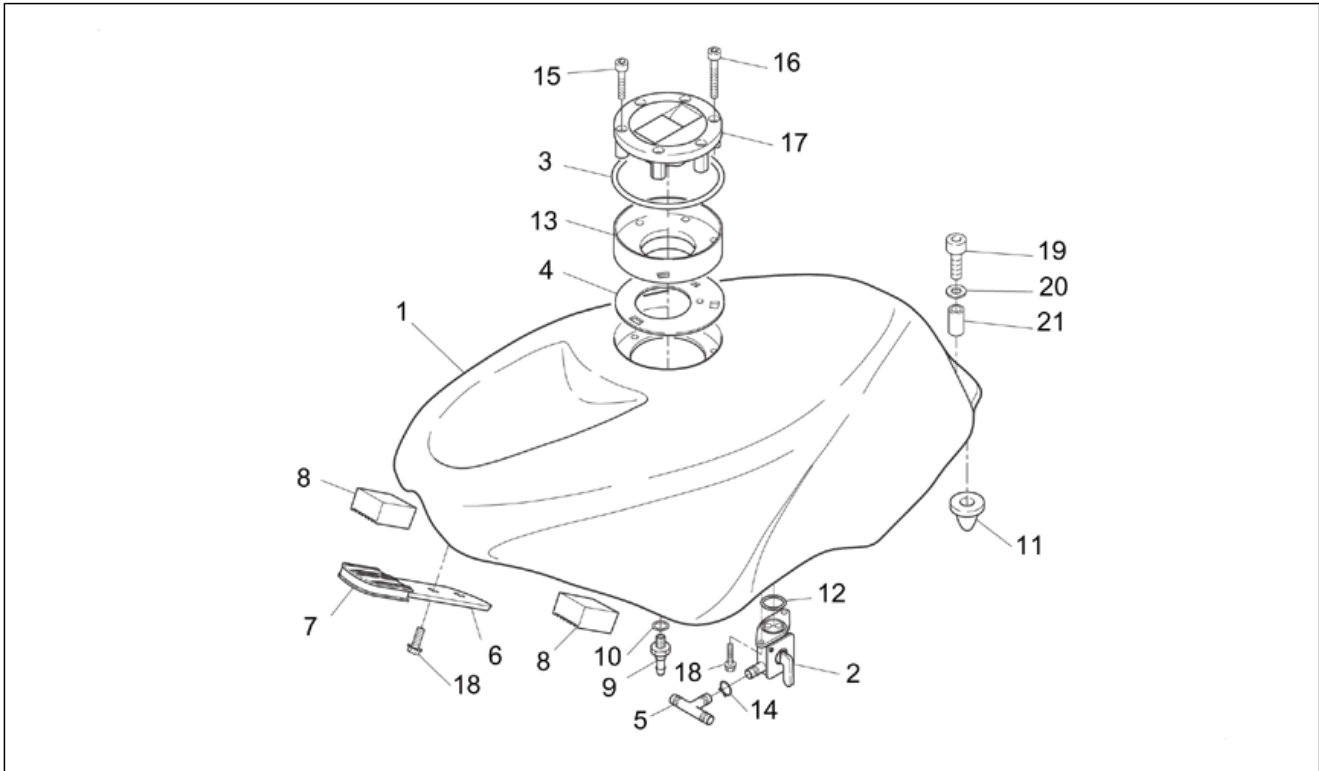
Pos.	Code	Description	Qty	Variants
29	AP8121960	Gearbox linkage rod	0	
30	AP8152138	Nut	0	
31	AP8152272	Screw w/ flange M5x12	0	
32	AP8152274	Screw w/ flange M5x20	0	
33	AP8152279	Screw w/ flange M6x20	0	
34	AP8152285	Screw w/ flange	0	
35	AP8152286	Screw w/ flange M8x20	0	
36	AP8152288	Screw w/ flange	0	
37	AP8152289	Screw w/ flange	0	

Group	FRAME
Code	28.03
Description	Fuel tank
Service	1



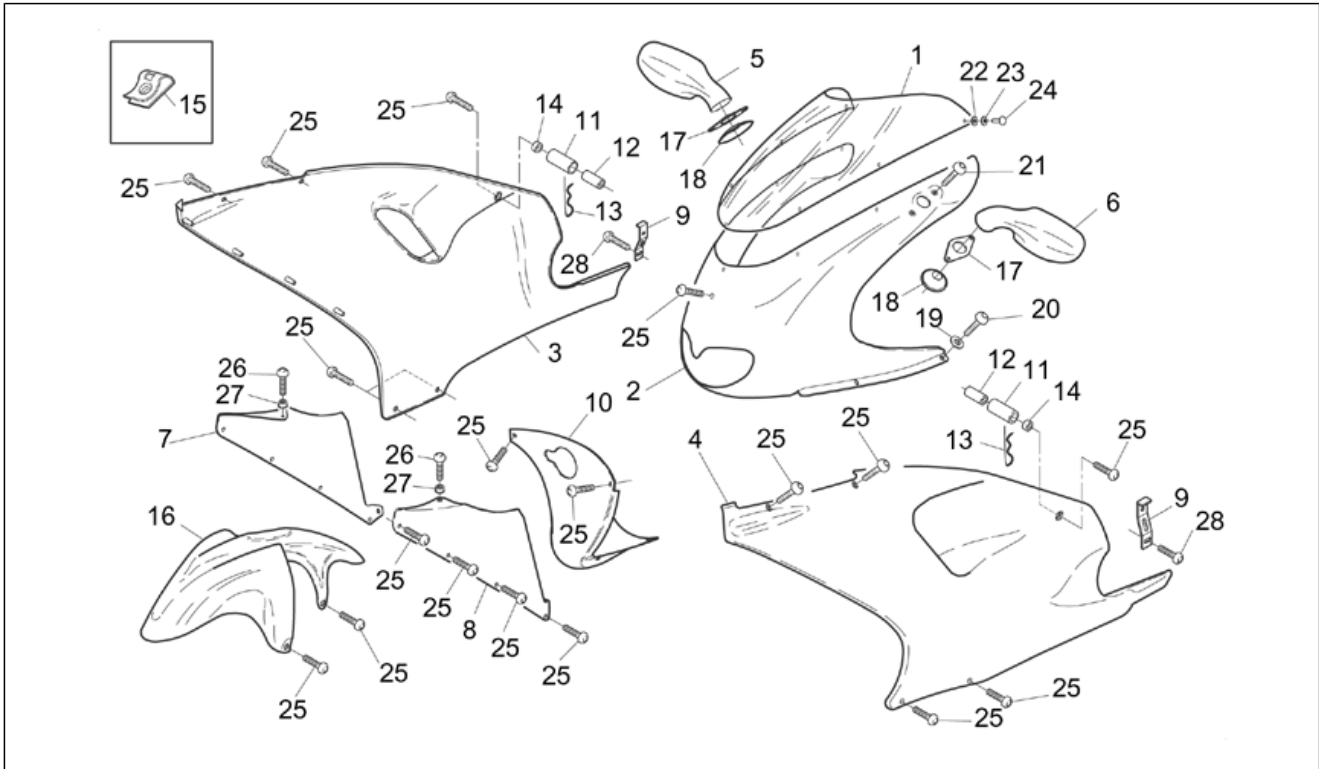
Pos.	Code	Description	Qty	Variants
1	AP8131926	Fuel tank, blu/black	0	Year:1995[S] Vehicle colour:Blue / Red 1995[B/R]
1	AP8138444	Fuel tank, black	0	Year:1995[S] Vehicle colour:Black 1995-1997[Black]
1	AP8138637	Fuel tank, grey/alum.	0	Year:1996[T] Vehicle colour:Mirage Grey 1996[Gr.m]
1	AP8138708	Fuel tank, black	0	Year:1996[T] Vehicle colour:Black 1995-1997[Black]
1	AP8138957	Fuel tank, Ap. black	0	Year:1997[V] Vehicle colour:Black 1995-1997[Black]
1	AP8139052	Fuel tank, grey	0	Year:1997[V] Vehicle colour:Silver Grey 1997[Gr.s]
2	AP8102360	Fuel cock	0	
3	AP8120893	Cap seal	0	
4	AP8120894	Fuel tank gasket	0	
5	AP8102431	3-way union	0	
6	AP8134322	Tank front bracket	0	
7	AP8120913	Tank rubber	0	
8	AP8120914	Lateral tank rubber	0	
9	AP8102503	Hose holder union	0	
10	AP8102504	Rubber spacer	0	
11	AP8120311	Rubber spacer	0	
12	AP8120869	O-ring 4093	0	
13	AP8102526	Float chamber	0	Country:Belgium[B], Denmark[DK], Spain[E], France[F], Greece[GR], Italy[I], Japan[J], Holland[NL], Portugal[P], Great Britain[UK]
13	AP8102535	Float chamber	0	Country:Austria[A], Germany[D], Singapore[SGP]
14	AP8102525	Hose cock	0	
15	AP8150050	Hex socket screw M5x16	0	
16	AP8150176	Hex socket screw	0	

Group	FRAME
Code	28.03
Description	Fuel tank
Service	1



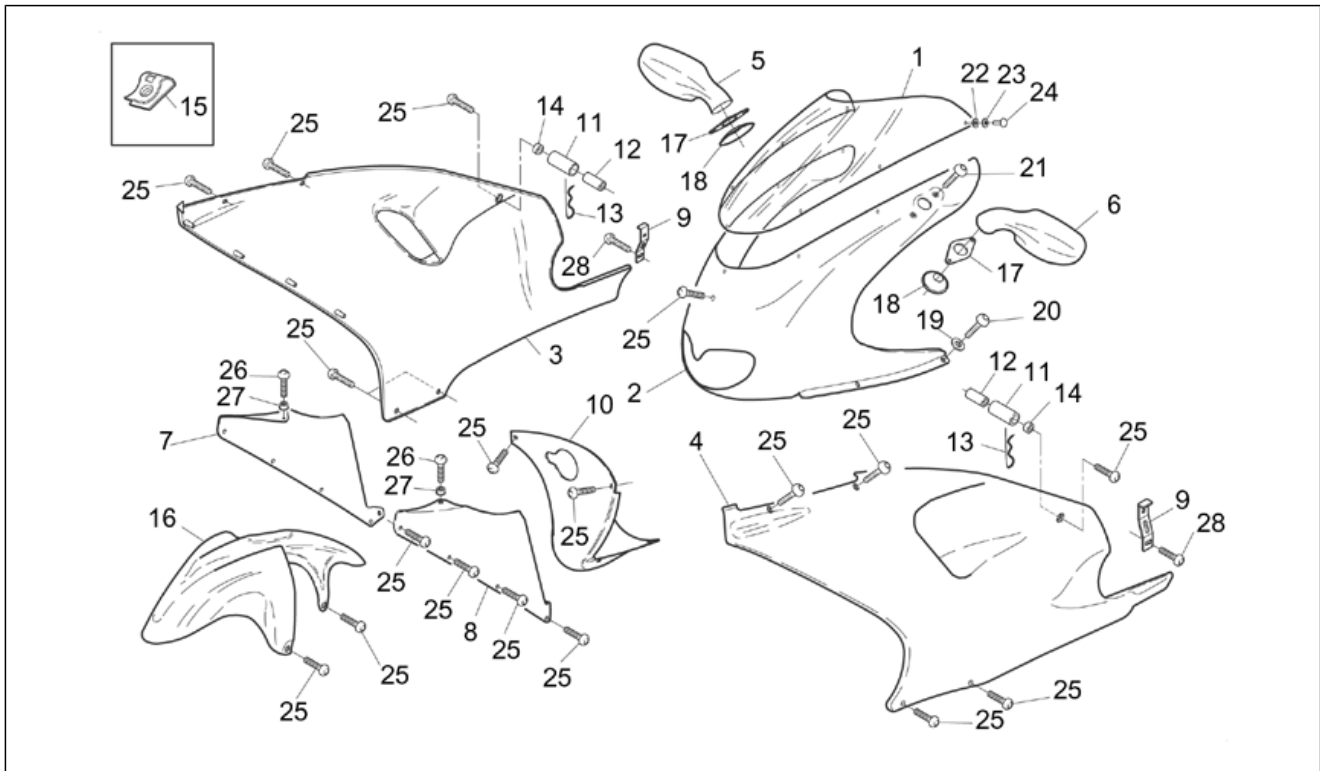
Pos.	Code	Description	Qty	Variants
17	AP8102435	Fuel filler cap	0	
18	AP8152277	Screw w/ flange M6x12	0	
19	AP8152284	Screw w/ flange	0	
20	AP8150015	Washer 6,6x18x1,6*	0	
21	AP8121764	Spacer *	0	

Group	FRAME
Code	28.04
Description	Front body I
Service	1



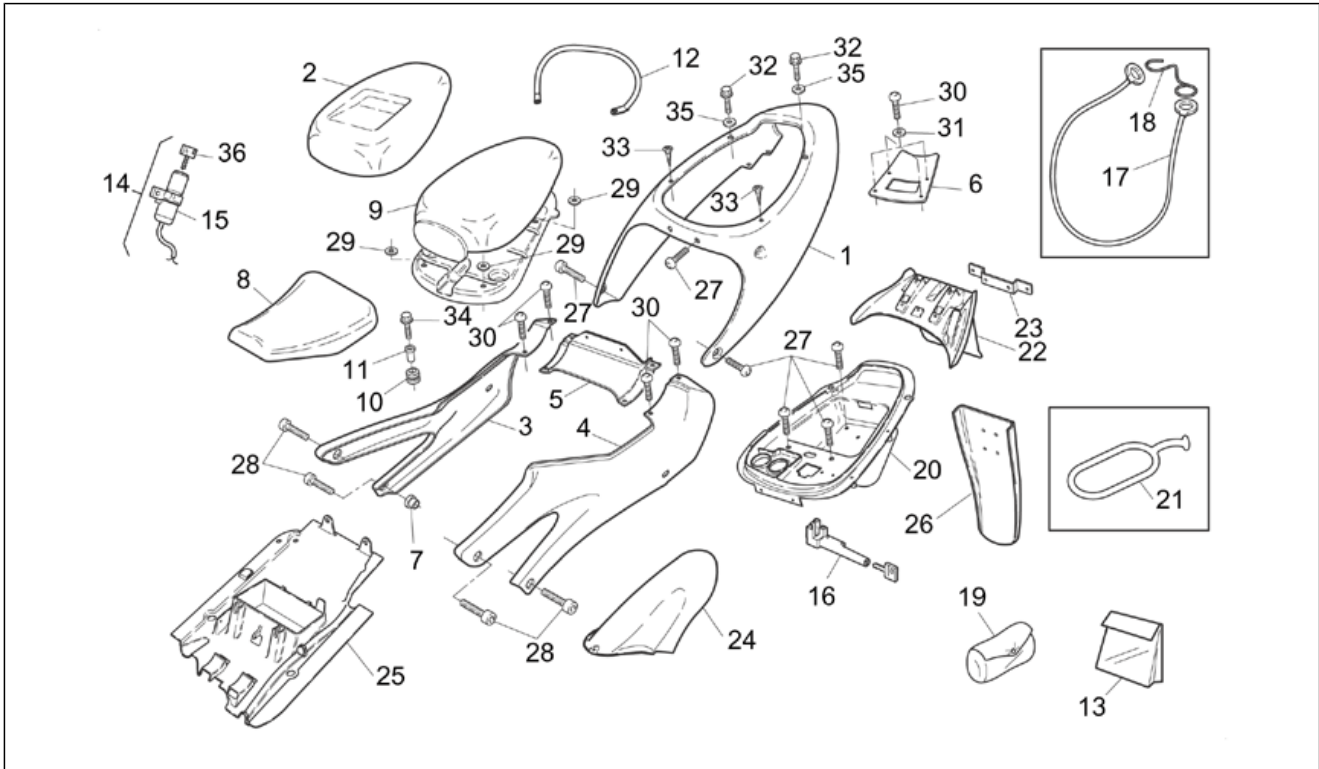
Pos.	Code	Description	Qty	Variants
1	AP8131916	Windshield	0	
2	AP8131919	Front fairing, red/grey	0	Year:1995[S] Vehicle colour:Blue / Red 1995[B/R]
2	AP8138445	Front fairing, black	0	Vehicle colour:Black 1995-1997[Black]
2	AP8138638	Front fairing, m.grey	0	Year:1996[T] Vehicle colour:Mirage Grey 1996[Gr.m]
2	AP8139077	Front fairing, s.grey	0	Year:1997[V] Vehicle colour:Silver Grey 1997[Gr.s]
3	AP8131921	RH side panel, red	0	Year:1995[S] Vehicle colour:Blue / Red 1995[B/R]
3	AP8138446	RH side panel, black	0	Vehicle colour:Black 1995-1997[Black]
3	AP8138639	RH side panel, m.grey	0	Year:1996[T] Vehicle colour:Mirage Grey 1996[Gr.m]
3	AP8139078	RH side panel, s.grey	0	Year:1997[V] Vehicle colour:Silver Grey 1997[Gr.s]
4	AP8131923	LH side panel, red	0	Year:1995[S] Vehicle colour:Blue / Red 1995[B/R]
4	AP8138447	LH side panel, black	0	Vehicle colour:Black 1995-1997[Black]
4	AP8138640	LH side panel, m.grey	0	Year:1996[T] Vehicle colour:Mirage Grey 1996[Gr.m]
4	AP8139079	LH side panel, s.grey	0	Year:1997[V] Vehicle colour:Silver Grey 1997[Gr.s]
5	AP8102705	RH rearview mirror	0	
6	AP8102706	LH rearview mirror	0	
7	AP8138194	RH internal fairing	0	
8	AP8138195	LH internal fairing	0	
9	AP8134332	Lower plate fairing	0	
10	AP8131932	Pillar	0	
11	AP8120699	Lat.frng fix.pipe	0	
12	AP8121867	Special bush *	0	

Group	FRAME
Code	28.04
Description	Front body I
Service	1



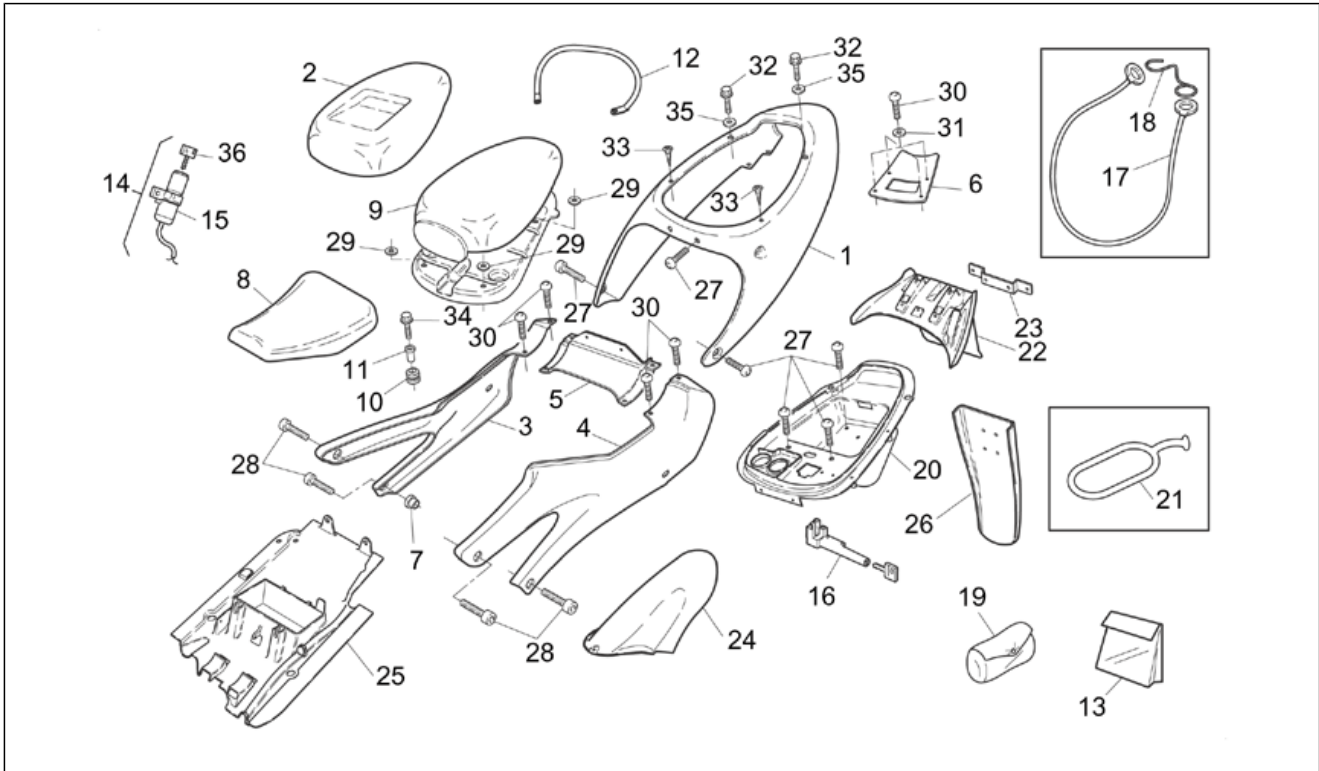
Pos.	Code	Description	Qty	Variants
13	AP8201287	Split pin	0	
14	AP8120531	Rubber w/ insert	0	
15	AP8102375	Clip M5	0	
16	AP8126416	Front mudguard, blue	0	Year:1995[S] Vehicle colour:Blue / Red 1995[B/R]
16	AP8126505	Front mudguard, black	0	Vehicle colour:Black 1995-1997[Black]
16	AP8126537	Front mudguard, m. grey	0	Year:1996[T] Vehicle colour:Mirage Grey 1996[Gr.m]
16	AP8126614	Front mudguard, s.grey	0	Year:1997[V] Vehicle colour:Silver Grey 1997[Gr.s]
17	AP8102801	Mirror insertion kit	0	
18	AP8102341	Mirror joint cup	0	
19	AP8120591	Washer 10x5,3x1*	0	
20	AP8152268	Hex socket screw M5x16	0	
21	AP8152108	Hex socket screw	0	
22	AP8150450	Washer for shafts D5	0	
23	AP8120591	Washer 10x5,3x1*	0	
24	AP8102603	Rivet, anodized blu 5x10	0	
25	AP8152302	Screw w/ flange M5x12	0	
26	AP8152298	Screw w/ flange M5x16	0	
27	AP8120531	Rubber w/ insert	0	
28	AP8152268	Hex socket screw M5x16	0	

Group	FRAME
Code	28.05
Description	Rear body
Service	1



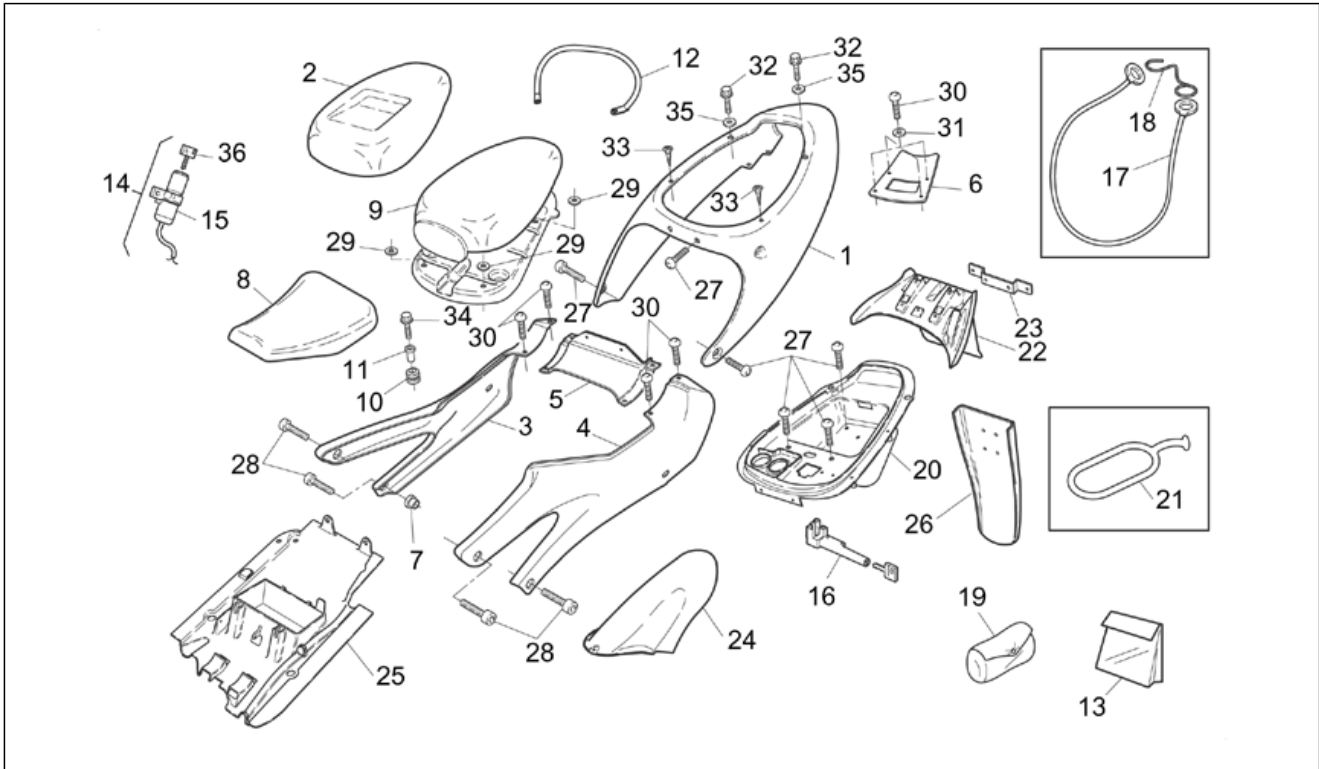
Pos.	Code	Description	Qty	Variants
1	AP8131910	Rear fairing, blue	0	Year:1995[S] Vehicle colour:Blue / Red 1995[B/R]
1	AP8138448	Rear fairing, black	0	Vehicle colour:Black 1995-1997[Black]
1	AP8138646	Rear fairing, m.grey	0	Year:1996[T] Vehicle colour:Mirage Grey 1996[Gr.m]
1	AP8139080	Rear fairing, s. grey	0	Year:1997[V] Vehicle colour:Silver Grey 1997[Gr.s]
2	AP8131912	Saddle cover, blue	0	Year:1995[S] Vehicle colour:Blue / Red 1995[B/R]
2	AP8138449	Saddle cover, black	0	Vehicle colour:Black 1995-1997[Black]
2	AP8138647	Saddle cover, m.grey	0	Year:1996[T] Vehicle colour:Mirage Grey 1996[Gr.m]
2	AP8139081	Saddle cover, s.grey	0	Year:1997[V] Vehicle colour:Silver Grey 1997[Gr.s]
3	AP8138420	RH saddle sup cover	0	Year:1995[S]
3	AP8138420	RH saddle sup cover	0	Year:1996[T] Vehicle colour:Black 1995-1997[Black]
3	AP8138678	RH saddle sup cov., m.grey	0	Year:1996[T] Vehicle colour:Mirage Grey 1996[Gr.m]
3	AP8138964	RH saddle sup cov., Ap.black	0	Year:1997[V] Vehicle colour:Black 1995-1997[Black]
3	AP8139059	RH saddle sup cov., s.grey	0	Year:1997[V] Vehicle colour:Silver Grey 1997[Gr.s]
4	AP8138421	LH saddle sup cover	0	Year:1996[T] Vehicle colour:Black 1995-1997[Black]
4	AP8138421	LH saddle sup cover	0	Year:1995[S]
4	AP8138679	LH saddle sup cov., m.grey	0	Year:1996[T] Vehicle colour:Mirage Grey 1996[Gr.m]
4	AP8138965	LH saddle sup cov., Ap.black	0	Year:1997[V] Vehicle colour:Black 1995-1997[Black]
4	AP8139060	LH saddle sup cov., s.grey	0	Year:1997[V] Vehicle colour:Silver Grey 1997[Gr.s]

Group	FRAME
Code	28.05
Description	Rear body
Service	1



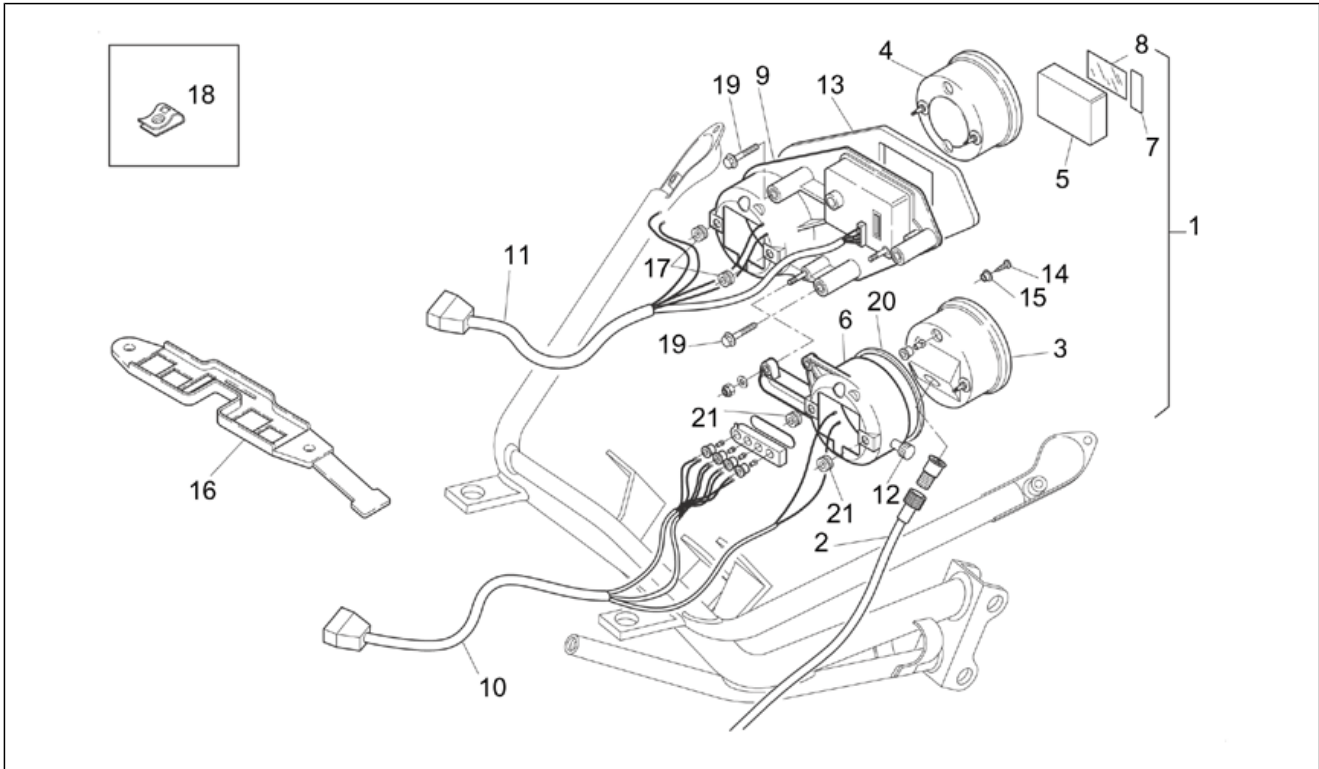
Pos.	Code	Description	Qty	Variants
5	AP8138422	Centr.saddle sup cov.	0	Year:1996[T] Vehicle colour:Black 1995-1997[Black]
5	AP8138422	Centr.saddle sup cov.	0	Year:1995[S]
5	AP8138680	Centr.saddle sup cov., grey	0	Year:1996[T] Vehicle colour:Mirage Grey 1996[Gr.m]
5	AP8138966	Centr.saddle sup cov., black	0	Year:1997[V] Vehicle colour:Black 1995-1997[Black]
5	AP8139061	Centr.saddle sup cov., grey	0	Year:1997[V] Vehicle colour:Silver Grey 1997[Gr.s]
6	AP8138247	Rear fairing, blue	0	Year:1995[S] Vehicle colour:Blue / Red 1995[B/R]
6	AP8138450	Rear fairing, black	0	Vehicle colour:Black 1995-1997[Black]
6	AP8138648	Rear fairing, m.grey	0	Year:1996[T] Vehicle colour:Mirage Grey 1996[Gr.m]
6	AP8139057	Rear fairing, s.grey	0	Year:1997[V] Vehicle colour:Silver Grey 1997[Gr.s]
7	AP8135735	Bush	0	
8	AP8129136	Driver saddle	0	
9	AP8129137	Rear saddle	0	
10	AP8220192	Rubber spacer *	0	
11	AP8121764	Spacer *	0	
12	AP8135801	Rear handle, cat.	0	
13	AP8102593	Lock kit	0	
14	AP8112710	Main switch - steering lock	0	
15	AP8112802	Commutator wiring	0	
16	AP8201564	Saddle lock	0	
17	AP8201298	Helmet lock cable	0	
18	AP8221206	Helmet holder hook	0	
19	AP8102357	Toolkit	0	
20	AP8138231	Glove holder	0	

Group	FRAME
Code	28.05
Description	Rear body
Service	1



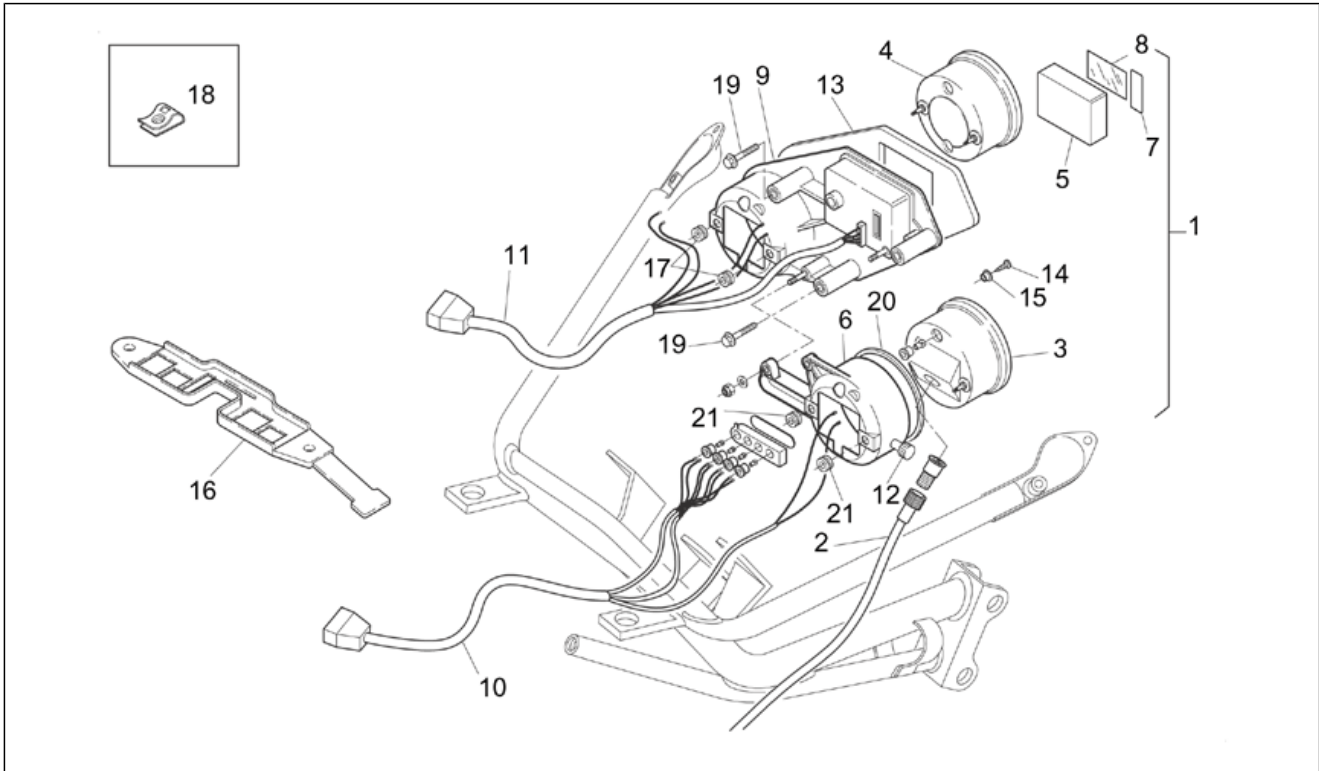
Pos.	Code	Description	Qty	Variants
21	AP8120177	Elastic	0	
22	AP8126417	Number plate holder	0	
23	AP8134257	N.plate support	0	Country:Italy[I]
24	AP8126415	Low mudguard, black	0	
25	AP8131908	Battery holder	0	
26	AP8126490	Number-plate extension	0	Country:Austria[A], Germany[D], Holland[NL], Singapore[SGP]
27	AP8152302	Screw w/ flange M5x12	0	
28	AP8150107	Hex socket screw M8x30	0	
29	AP8150158	Washer 4,3X9X0,8	0	
30	AP8152267	Hex socket screw M5x12	0	
31	AP8120591	Washer 10x5,3x1*	0	
32	AP8152285	Screw w/ flange	0	
33	AP8150413	Self-tap screw 3,9x14	0	
34	AP8152284	Screw w/ flange	0	
35	AP8150018	Washer	0	
36	AP8102880	Aprilia milled key	0	

Group	FRAME
Code	28.06
Description	Dashboard
Service	1



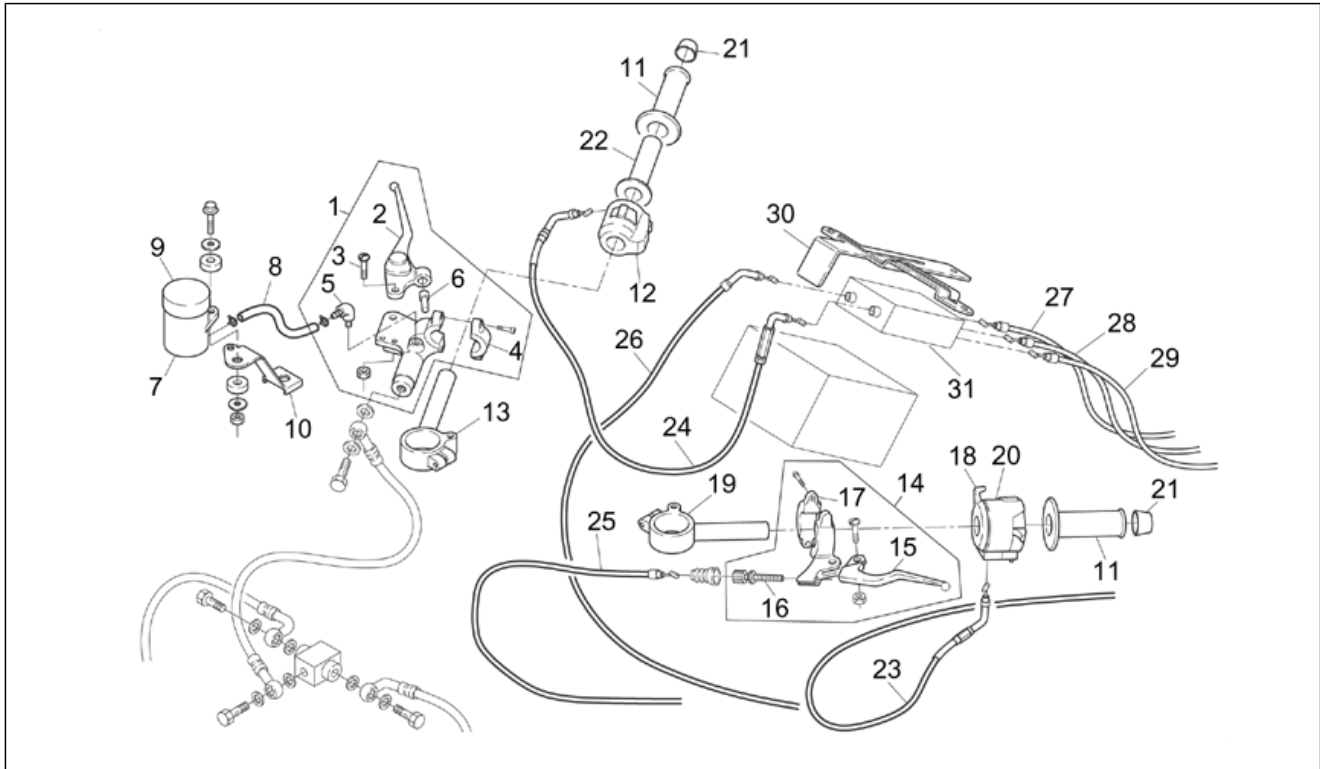
Pos.	Code	Description	Qty	Variants
1	AP8112966	Dashboard complete	0	Year:1995[S], 1996[T] Country:Germany[D], Spain[E], France[F], Italy[I], Japan[J], Holland[NL], Singapore[SGP]
1	AP8124172	Dashboard complete -miglia-	0	Year:1995[S], 1996[T] Country:Great Britain[UK]
1	AP8124466	Dashboard complete	0	Year:1997[V]
2	AP8114285	Odometer cable	0	
3	AP8124191	Speedometer	0	Year:1995[S], 1996[T] Country:Germany[D], Spain[E], France[F], Italy[I], Japan[J], Holland[NL], Singapore[SGP]
3	AP8124203	Odometer	0	Year:1995[S], 1996[T] Country:Great Britain[UK]
3	AP8124477	Speedometer	0	Year:1997[V]
4	AP8124192	Tachometer	0	
5	AP8124193	Multifun. device	0	
6	AP8124196	Tachometer supp.	0	
7	AP8124195	Multif.device plug	0	
8	AP8124194	Window	0	
9	AP8124197	Tachometer support	0	
10	AP8124199	Speedometer cable	0	
11	AP8124200	Tachometer cable	0	
12	AP8124201	Reset button	0	
13	AP8124198	Sponge gasket	0	
14	AP8123553	Plug screw	0	
15	AP8124253	Sponge fixing bush	0	
16	AP8138249	Connector support plate	0	
17	AP8124255	Rubber tachometer	0	
18	AP8102375	Clip M5	0	
19	AP8152267	Hex socket screw M5x12	0	

Group	FRAME
Code	28.06
Description	Dashboard
Service	1



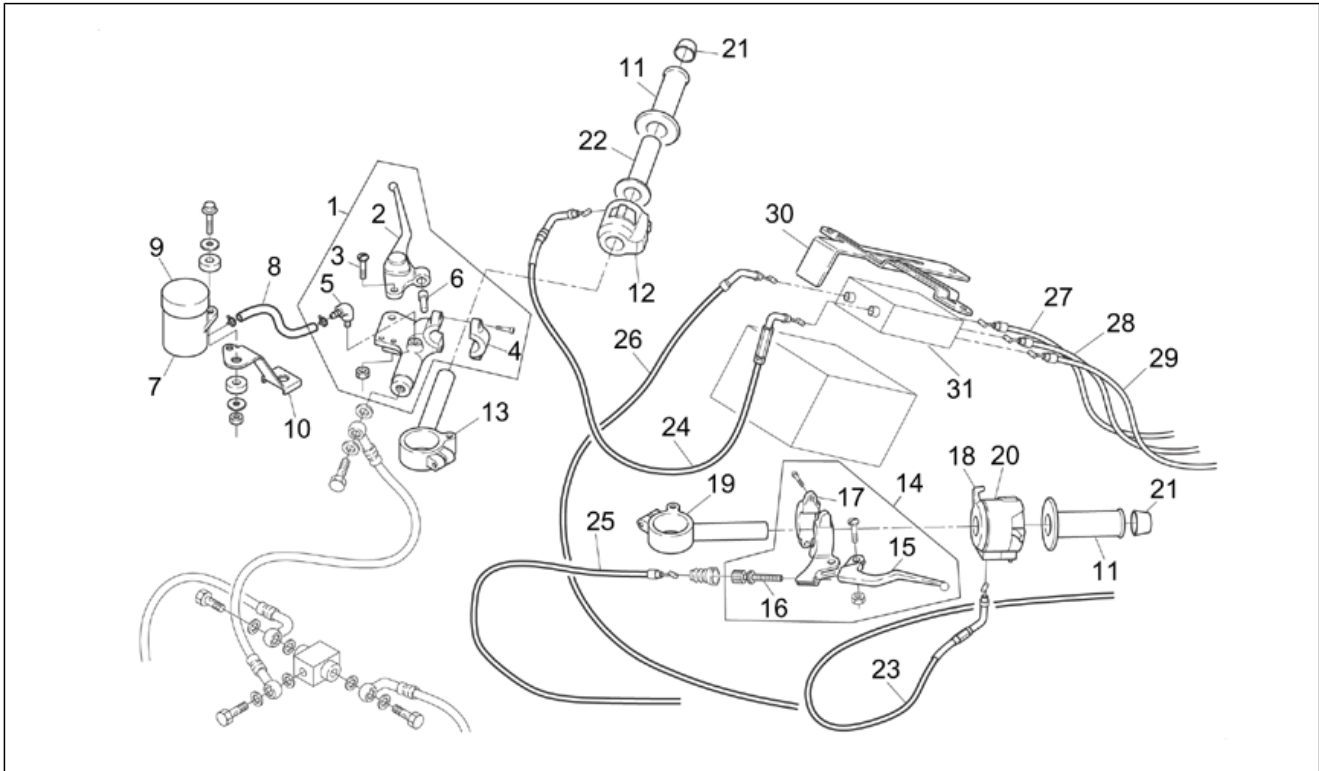
Pos.	Code	Description	Qty	Variants
20	AP8124252	Speedometer gasket	0	
21	AP8124254	Rubber speedometer	0	

Group	FRAME
Code	28.07
Description	Controls
Service	1



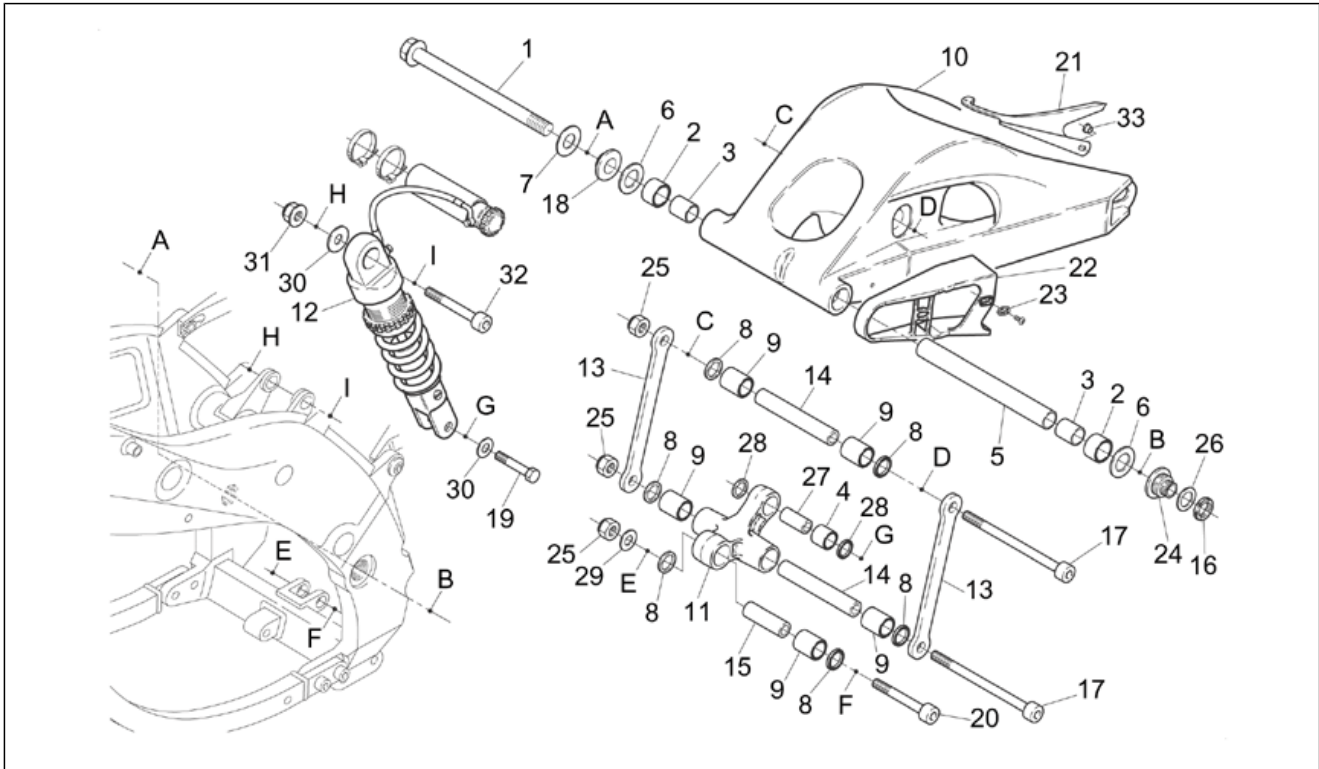
Pos.	Code	Description	Qty	Variants
1	AP8113498	Front master cilinder D16	0	
2	AP8113588	Front brake lever	0	
3	AP8113058	Brake lever pin	0	
4	AP8113589	U-bolt	0	
5	AP8213057	Rear brake pump union	0	
6	AP8113522	Front brake lever stop	0	
7	AP8113499	Brake oil tank	0	
8	AP8120976	pipe D5x9	0	
9	AP8113598	Pil brake tank plug	0	
10	AP8134283	Oil tank support	0	
11	AP8118287	Handgrip - pair	0	
12	AP8124330	RH lights selector	0	
13	AP8118364	Right half handlebar	0	
14	AP8118366	Clutch lever cpl.	0	
15	AP8118417	Clutch lever	0	
16	AP8118348	Clutch lever adjuster	0	
17	AP8218077	Clutch lever U-bolt	0	
18	AP8118308	Starter lever	0	
19	AP8118379	Left half handlebar	0	
20	AP8124331	LH lights selector	0	
21	AP8102580	Anti.v weight, black	0	Year:1997[V]
21	AP8102580	Anti.v weight, black	0	Year:1995[S]
21	AP8102648	Anti.v weight, grey	0	Year:1996[T]
22	AP8118419	Throttle+hand grip	0	
23	AP8114286	Choke cable	0	
24	AP8114287	Throttle cable	0	
25	AP8114288	Clutch cable	0	
26	AP8114305	Splitter cable-actuator	0	

Group	FRAME
Code	28.07
Description	Controls
Service	1



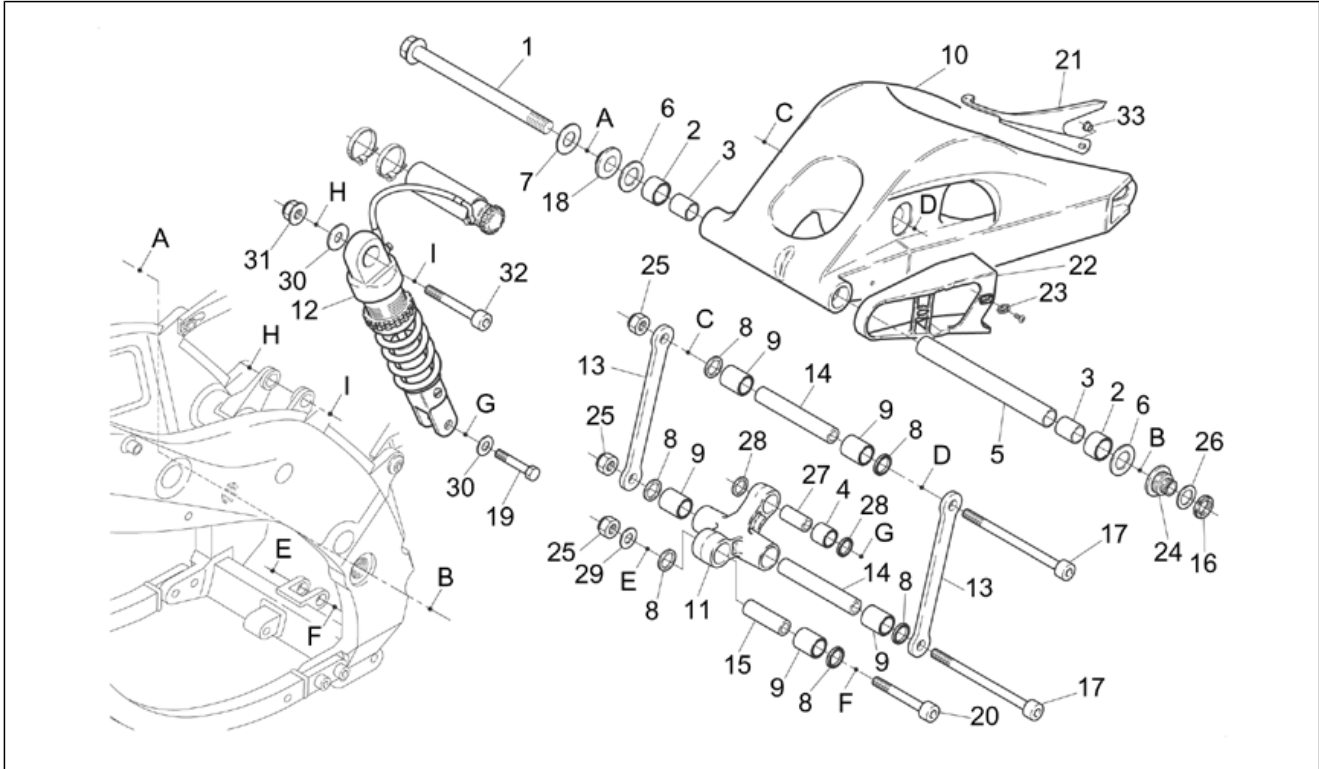
Pos.	Code	Description	Qty	Variants
27	AP8114306	Splitter cable-mix pump	0	
28	AP8114307	Splitter cable-RH carbur.	0	
29	AP8114308	Splitter cable-RH carbur.	0	
30	AP8134310	Splitter supp.plate	0	
31	AP8124052	Splitter + sensor	0	

Group	FRAME
Code	28.08
Description	Rear shock absorber
Service	1



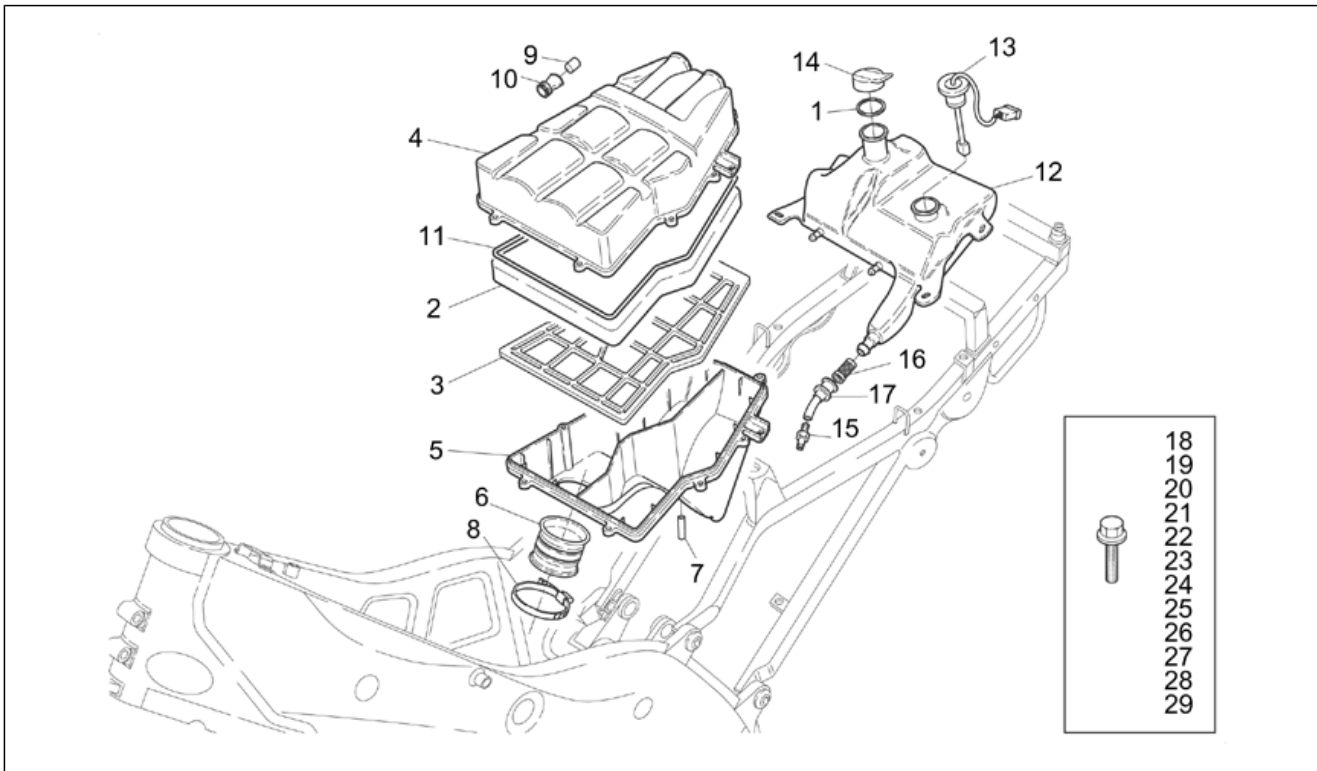
Pos.	Code	Description	Qty	Variants
1	AP8125651	Rear swing arm pin	0	
2	AP8110070	Needle bearing 25x32x24	0	
3	AP8121884	Rear sw.arm piv.bush	0	
4	AP8110066	Roller cage	0	
5	AP8121923	Rear swin.arm pin sp.	0	
6	AP8120872	Washer	0	
7	AP8102429	Curved spring washer	0	
8	AP8120340	Gasket ring	0	
9	AP8110075	Roller bearing	0	
10	AP8135803	Swing arm	0	
11	AP8135508	Double conrod comp.	0	
12	AP8123332	Shock absorber	0	
13	AP8135509	Single conrod	0	
14	AP8121919	Connect.rod pin	0	
15	AP8121885	Double connecting rod pin	0	
16	AP8121898	Ring nut M20x1	0	
17	AP8150442	Hex socket screw M12x115	0	
18	AP8121925	Clearance bush	0	
19	AP8150227	Screw	0	
20	AP8150090	Hex socket screw M12x75	0	
21	AP8131925	Chain guard	0	
22	AP8120846	Chain guide plate	0	
23	AP8234020	Cup for shoe	0	
24	AP8152173	Washer	0	
25	AP8150304	Low self-locking nut M12	0	
26	AP8121899	Adjustment bush	0	
27	AP8121920	Double connecting rod pin	0	
28	AP8120838	Gasket ring	0	

Group	FRAME
Code	28.08
Description	Rear shock absorber
Service	1



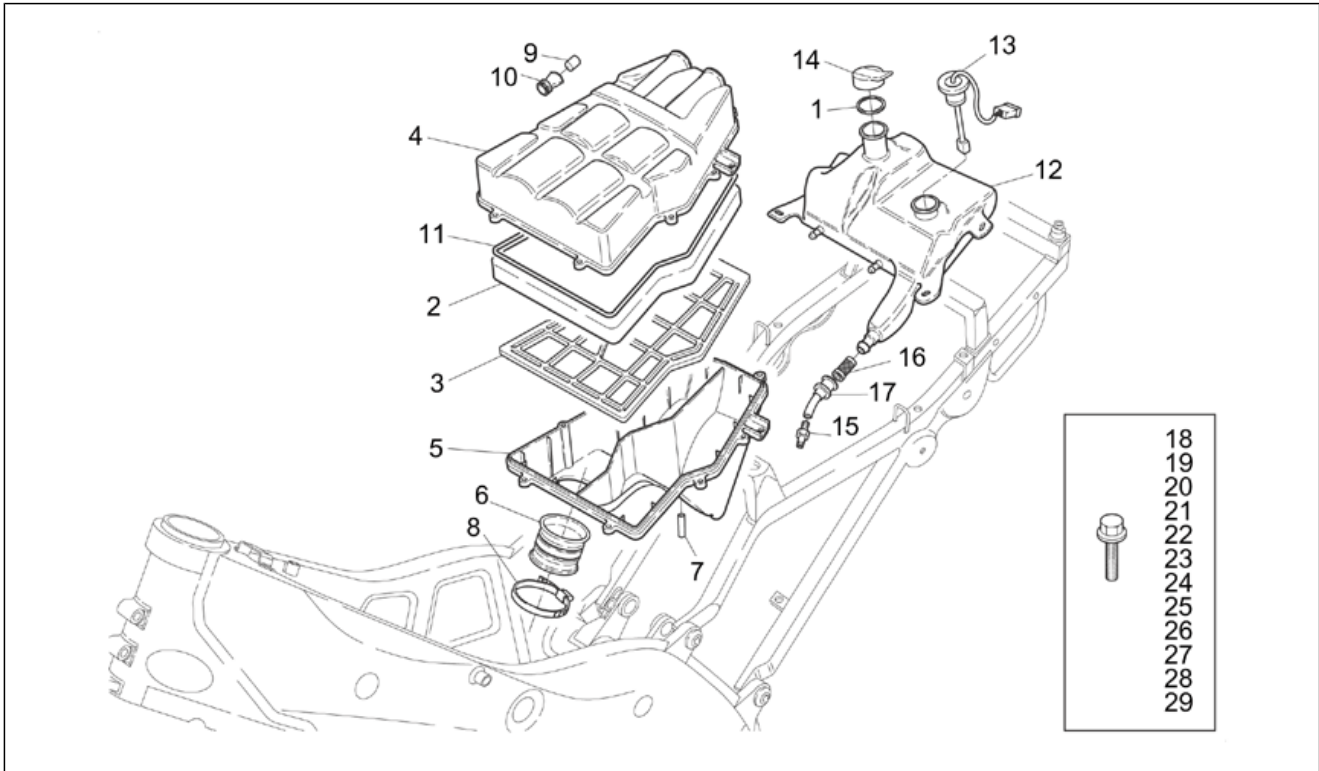
Pos.	Code	Description	Qty	Variants
29	AP8150101	Washer 13x24x2,5*	0	
30	AP8150020	Washer 10,5x21x2*	0	
31	AP8152301	Self-locking nut	0	
32	AP8152013	Hex socket screw M10x105	0	
33	AP8120531	Rubber w/ insert	0	

Group	FRAME
Code	28.09
Description	Air box
Service	1



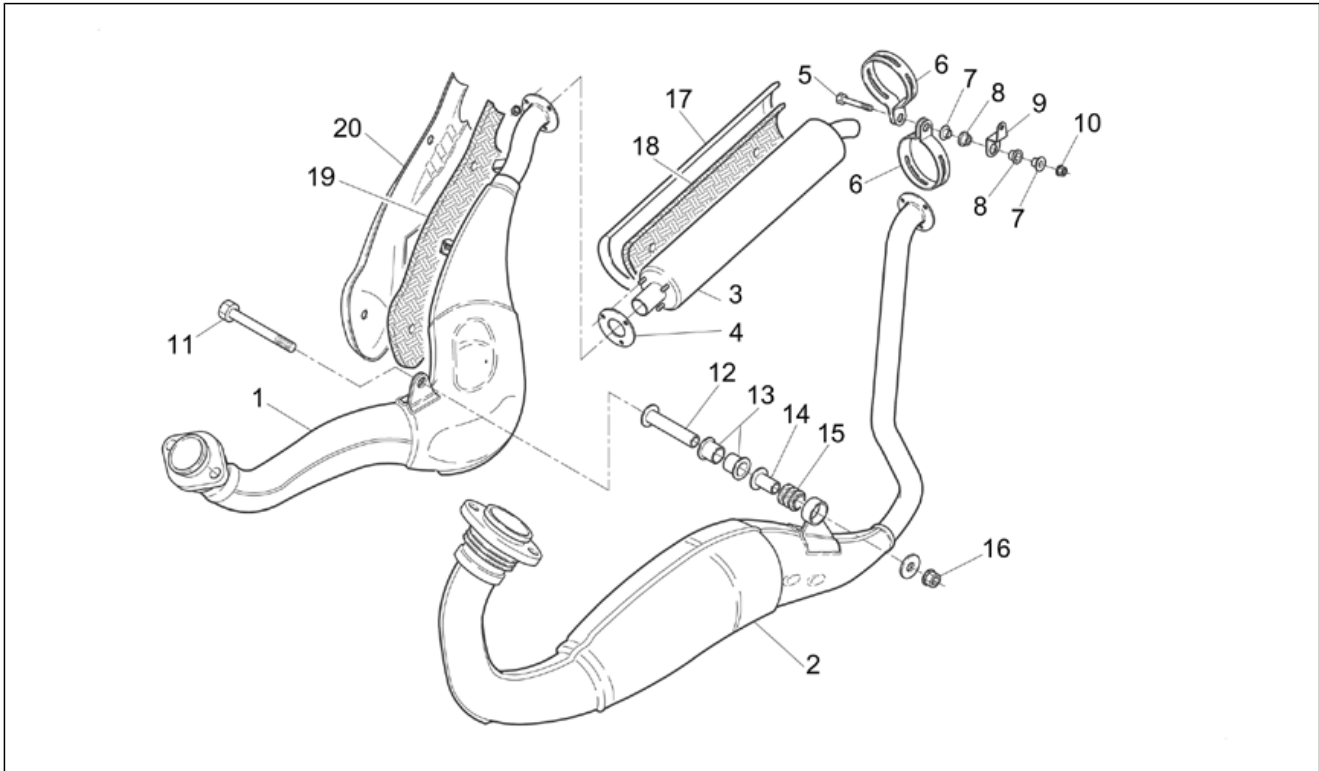
Pos.	Code	Description	Qty	Variants
1	AP8220195	Oil seal	0	
2	AP8102351	Air filter	0	
3	AP8131905	Filter guard	0	
4	AP8131906	Filter housing cover	0	
5	AP8131907	Filter housing base	0	
6	AP8120837	Intake hose	0	
7	AP8102459	Breather pipe	0	
8	AP8102458	Hose collar	0	
9	AP8102120	Breather pipe filter	0	
10	AP8101527	Air box breather pipe	0	
11	AP8120950	Air filter housing seal	0	
12	AP8131909	Oil tank	0	
13	AP8124080	Oil reserve indicator	0	
14	AP8102509	Oil filler cap	0	
15	AP8101944	2-way union	0	
16	AP8102224	Mixer oil filter	0	
17	AP8102223	Rubber spacer *	0	
18	AP8150438	Hex socket screw M10x130	0	
19	AP8150439	Hex screw M10x250	0	
20	AP8152287	Screw w/ flange M8x25	0	
21	AP8152278	Screw w/ flange M6x16	0	
22	AP8152279	Screw w/ flange M6x20	0	
23	AP8152280	Screw w/ flange M6x25	0	
24	AP8152281	Screw w/ flange M6x30	0	
25	AP8152283	Screw w/ flange	0	
26	AP8152274	Screw w/ flange M5x20	0	
27	AP8152275	Screw w/ flange M5x25	0	
28	AP8152246	Screw w/ flange M6x16	0	

Group	FRAME
Code	28.09
Description	Air box
Service	1



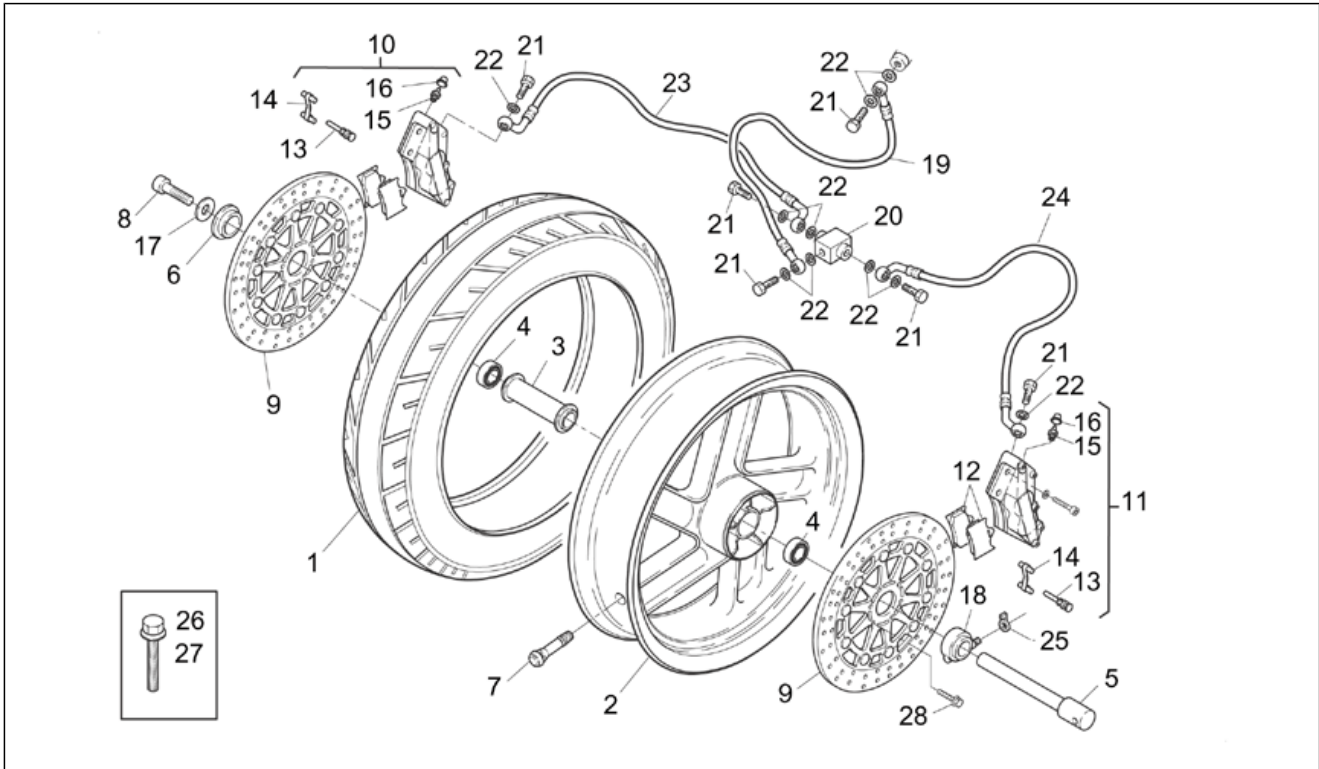
Pos.	Code	Description	Qty	Variants
29	AP8152302	Screw w/ flange M5x12	0	

Group	FRAME
Code	28.10
Description	Exhaust pipe
Service	1



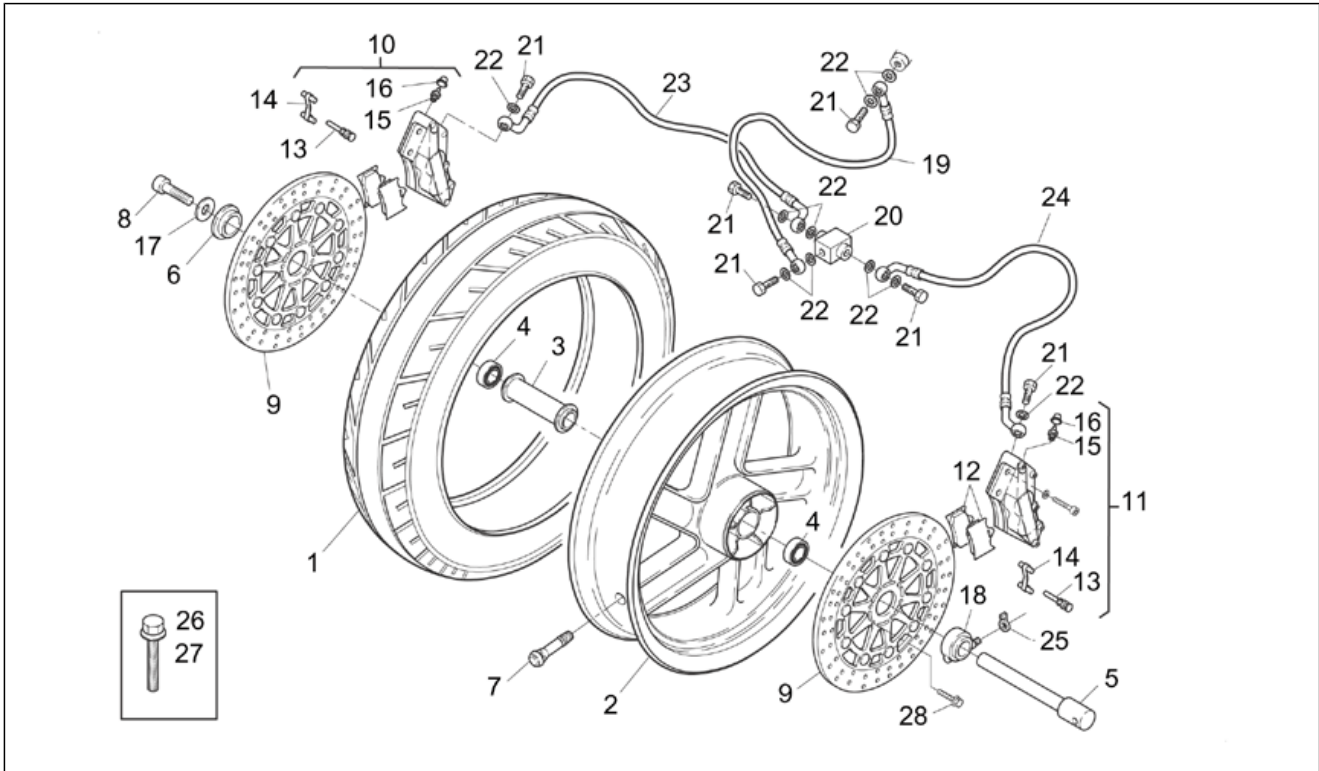
Pos.	Code	Description	Qty	Variants
1	AP8119332	RH exhaust pipe	0	Country: Belgium[B], Denmark[DK], Spain[E], France[F], Greece[GR], Italy[I], Japan[J], Holland[NL], Portugal[P], Great Britain[UK]
1	AP8119391	RH cat.exhaust pipe	0	Country: Austria[A], Germany[D], Singapore[SGP]
2	AP8119333	LH exaust pipe	0	Country: Belgium[B], Denmark[DK], Spain[E], France[F], Greece[GR], Italy[I], Japan[J], Holland[NL], Portugal[P], Great Britain[UK]
2	AP8119392	LH cat.exhaust pipe	0	Country: Austria[A], Germany[D], Singapore[SGP]
3	AP8119331	Silencer	0	Country: Belgium[B], Denmark[DK], Spain[E], France[F], Greece[GR], Italy[I], Japan[J], Holland[NL], Portugal[P], Great Britain[UK]
3	AP8119384	StainSteel silencer	0	Country: Austria[A], Germany[D], Singapore[SGP]
4	AP8119399	Silencer gasket	0	
5	AP8152290	Screw w/ flange M8x40	0	
6	AP8102430	Silencer clip	0	
7	AP8121716	T bush	0	
8	AP8120638	Silent-block *	0	
9	AP8134355	Silencer supp. plate	0	
10	AP8150431	Low nut M8	0	
11	AP8150388	Hex socket screw	0	
12	AP8134334	Exhaust pipe support	0	
13	AP8120947	Rubber exhaust	0	
14	AP8221056	T bush *	0	
15	AP8120948	Rubber exhaust	0	
16	AP8152031	Nut M8	0	
17	AP8117100	Exhaust pipe heat prot.	0	Country: Austria[A], Germany[D], Singapore[SGP]
18	AP8117105	Exhaust p. prot. plate	0	Country: Austria[A], Germany[D], Singapore[SGP]
19	AP8117104	Exhaust p. prot. plate	0	Country: Austria[A], Germany[D], Singapore[SGP]
20	AP8117102	Exhaust pipe heat prot.	0	Country: Austria[A], Germany[D], Singapore[SGP]

Group	FRAME
Code	28.11
Description	Front wheel
Service	1



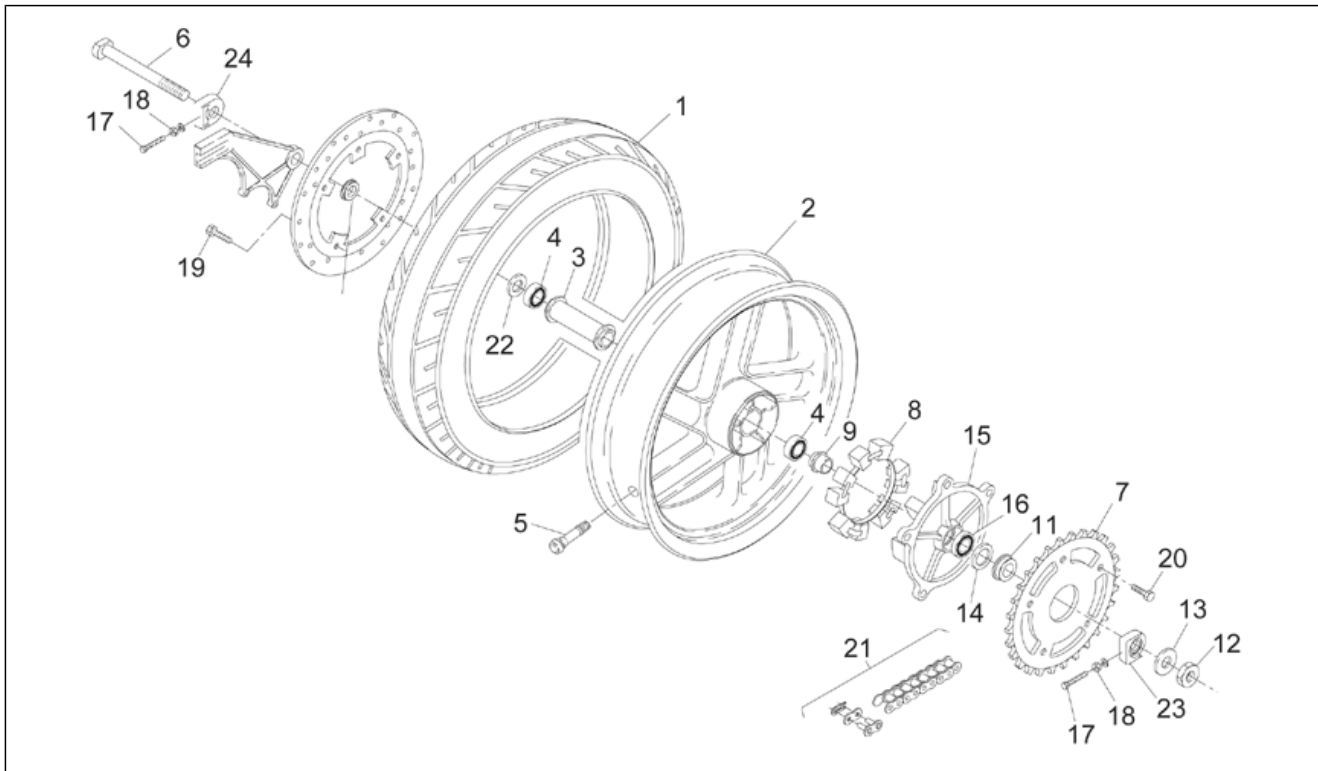
Pos.	Code	Description	Qty	Variants
1	0000000	Tyre	0	
2	AP8108582	Front wheel, black	0	
3	AP8125718	Internal spacer	0	
4	AP8125644	Front wheel bear.	0	
5	AP8125652	Front wheel spindle	0	
6	AP8125653	Front wheel spacer	0	
7	AP8101744	Tubeless tyre valve	0	
8	AP8121921	Wheel spindle screw	0	
9	AP8113500	Front brake disc	0	
10	AP8113501	RH front brake caliper	0	Year:1995[S], 1996[T]
10	AP8113665	RH front brake caliper	0	Year:1997[V]
11	AP8113506	LH front brake caliper	0	Year:1995[S], 1996[T]
11	AP8113666	LH front brake caliper	0	Year:1997[V]
12	AP8113585	Pads pair	0	
13	AP8113586	Front brake caliper pin	0	
14	AP8113587	Front brake spring	0	
15	AP8113353	Air bleed valve	0	
16	AP8113230	Bleed valve cap	0	
17	AP8150208	Washer 15x28x2,5*	0	
18	AP8101819	Odometer gear	0	
19	AP8113507	F.upp.brake hose	0	
20	AP8121901	Front brake tube union	0	
21	AP8113003	Oil pipe screw	0	
22	AP8113004	Washer 10x14x1,6*	0	
23	AP8113578	F.bott.RH brake hose	0	
24	AP8113539	F.bott.LH brake hose	0	
25	AP8120968	Odometer gear hook	0	
26	AP8152277	Screw w/ flange M6x12	0	

Group	FRAME
Code	28.11
Description	Front wheel
Service	1



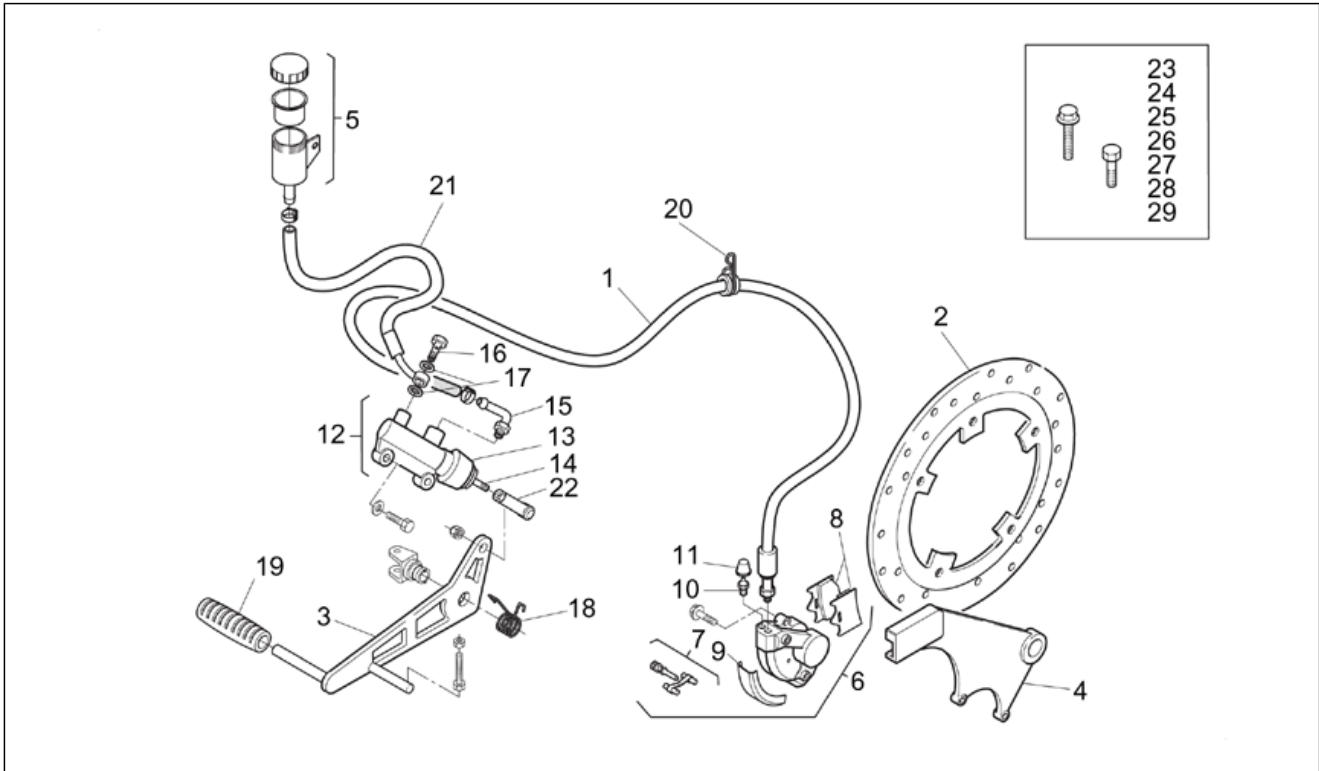
Pos.	Code	Description	Qty	Variants
27	AP8152280	Screw w/ flange M6x25	0	
28	AP8152285	Screw w/ flange	0	

Group	FRAME
Code	28.12
Description	Rear wheel
Service	1



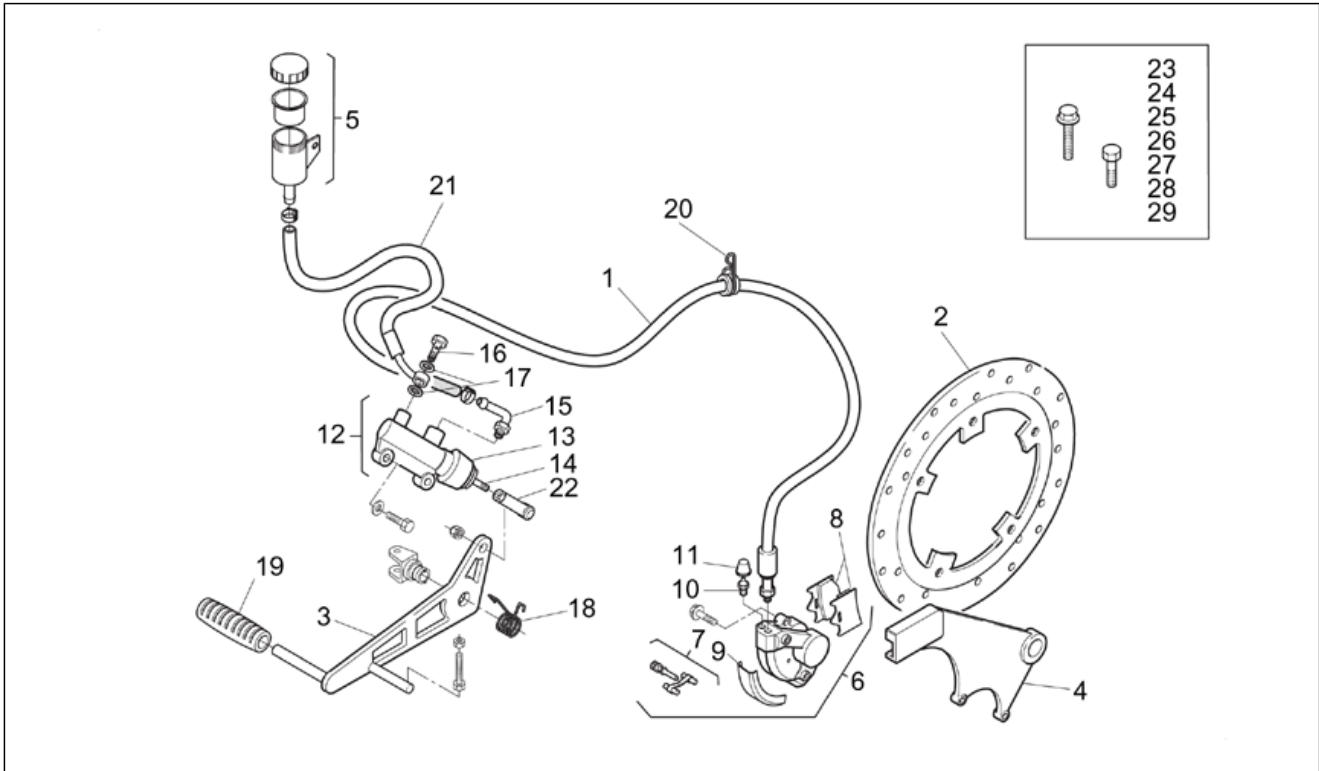
Pos.	Code	Description	Qty	Variants
1	0000000	Tyre	0	
2	AP8108583	Rear wheel, black	0	
3	AP8125719	Internal spacer	0	
4	AP8110050	Spring drive bearing	0	
5	AP8101744	Tubeless tyre valve	0	
6	AP8125654	Rear wheel spindle	0	
7	AP8107096	Chain ring Z=42	0	Country:Belgium[B], Denmark[DK], Spain[E], France[F], Greece[GR], Italy[I], Japan[J], Holland[NL], Portugal[P], Great Britain[UK]
7	AP8107114	Chain ring Z=43	0	Country:Austria[A], Germany[D], Singapore[SGP]
8	AP8125656	Flexible coupling rubber	0	
9	AP8125655	Rear LH whe.in.spacer	0	
10	AP8125657	Rear RH whe.ou.spacer	0	
11	AP8125658	Rear LH whe.ou.spacer	0	
12	AP8125686	Rear wheel spindle nut	0	
13	AP8125687	Wheel pin washer	0	
14	AP8120949	Gasket ring 30x52x7	0	
15	AP8107113	Crown holder, black	0	
16	AP8110076	Ball bearing	0	
17	AP8152305	Chain tens.adjuster screw	0	
18	AP8152262	Low nut	0	
19	AP8152285	Screw w/ flange	0	
20	AP8152288	Screw w/ flange	0	
21	AP8107095	Chain cpl conn.link	0	
22	AP8102567	Oil seal 25x47x7	0	
23	AP8120806	LH chain guide plate, br.	0	
24	AP8120807	RH chain guide plate, br.	0	
25	AP8134464	Brake hanger plate	0	

Group	FRAME
Code	28.13
Description	Rear brake caliper
Service	1



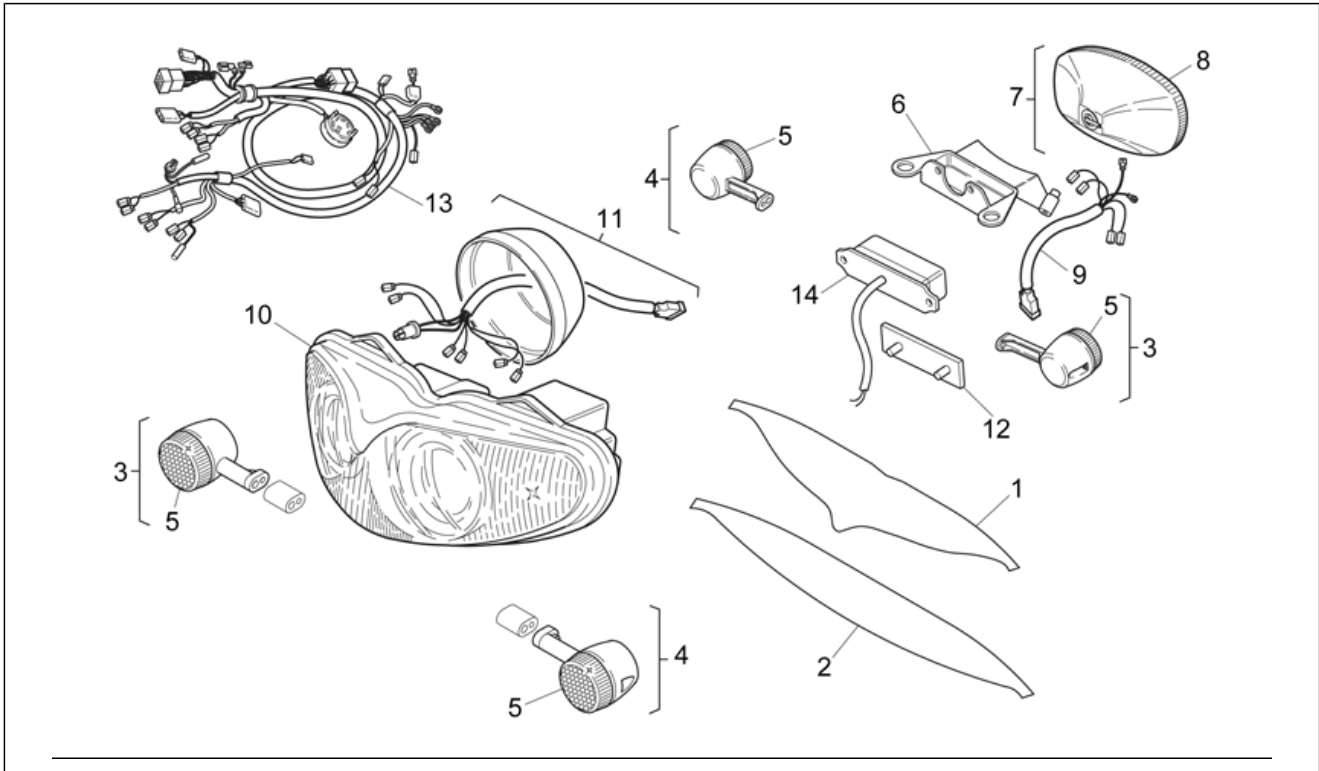
Pos.	Code	Description	Qty	Variants
1	AP8113503	Rear brake hose	0	
2	AP8113505	Rear brake disc	0	
3	AP8135516	Rear brake lever	0	
4	AP8134277	Brake caliper plate	0	Year:1995[S], 1996[T]
4	AP8134464	Brake hanger plate	0	Year:1997[V]
5	AP8113241	Brake oil tank complete	0	
6	AP8213172	Brake caliper	0	
7	AP8213198	Brake caliper pin	0	
8	AP8213197	Pads pair	0	
9	AP8213199	Brake caliper cover	0	
10	AP8113353	Air bleed valve	0	
11	AP8113230	Bleed valve cap	0	
12	AP8113359	Rear master cylinder	0	
13	AP8113288	Rubber bellows	0	
14	AP8121842	Master cylinder rod	0	
15	AP8213057	Rear brake pump union	0	
16	AP8113003	Oil pipe screw	0	
17	AP8113004	Washer 10x14x1,6*	0	
18	AP8121942	Brake return spring	0	
19	AP8120912	Lever rubber	0	
20	AP8121856	Cable-guide	0	
21	AP8120976	pipe D5x9	0	
22	AP8210007	RH ball joint M6	0	
23	AP8152272	Screw w/ flange M5x12	0	
24	AP8152273	Screw w/ flange M5x15	0	
25	AP8152281	Screw w/ flange M6x30	0	
26	AP8152285	Screw w/ flange	0	
27	AP8152287	Screw w/ flange M8x25	0	

Group	FRAME
Code	28.13
Description	Rear brake caliper
Service	1



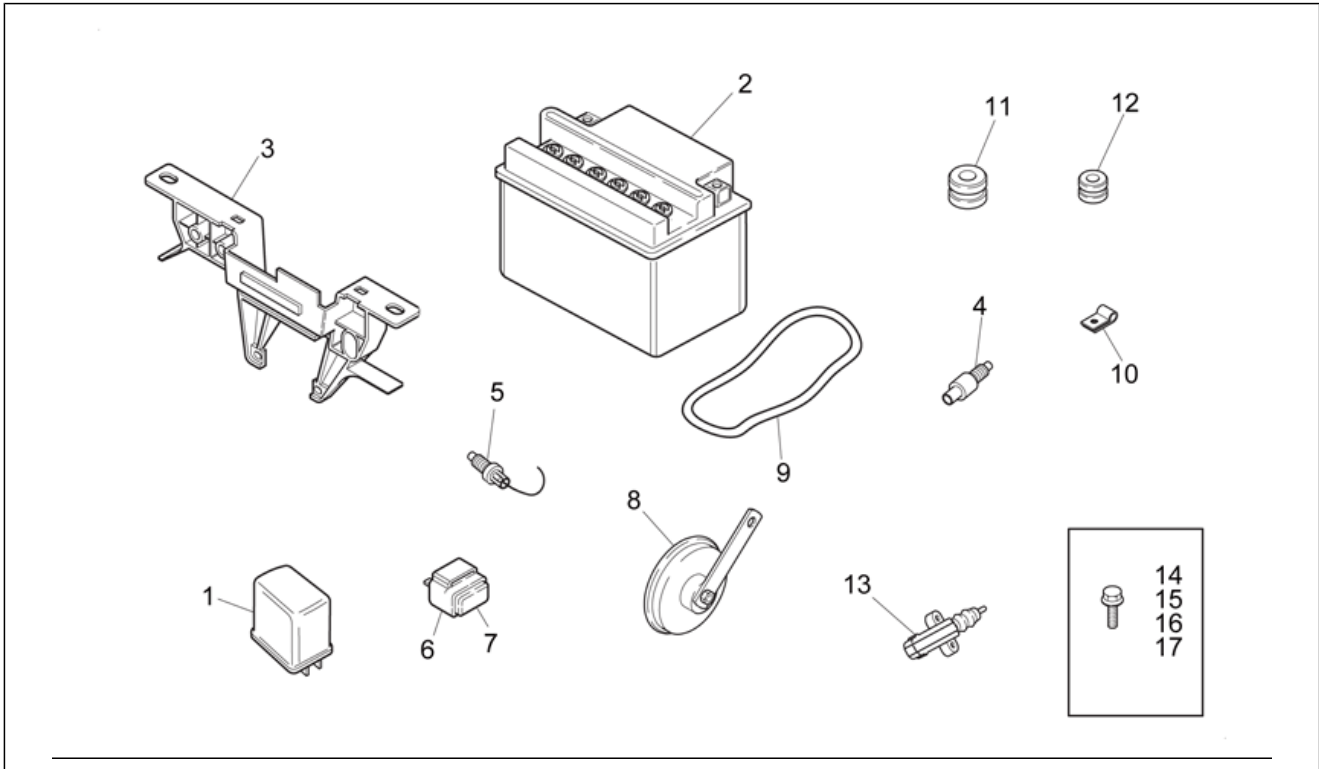
Pos.	Code	Description	Qty	Variants
28	AP8152288	Screw w/ flange	0	
29	AP8152298	Screw w/ flange M5x16	0	

Group	FRAME
Code	28.14
Description	Lights
Service	1



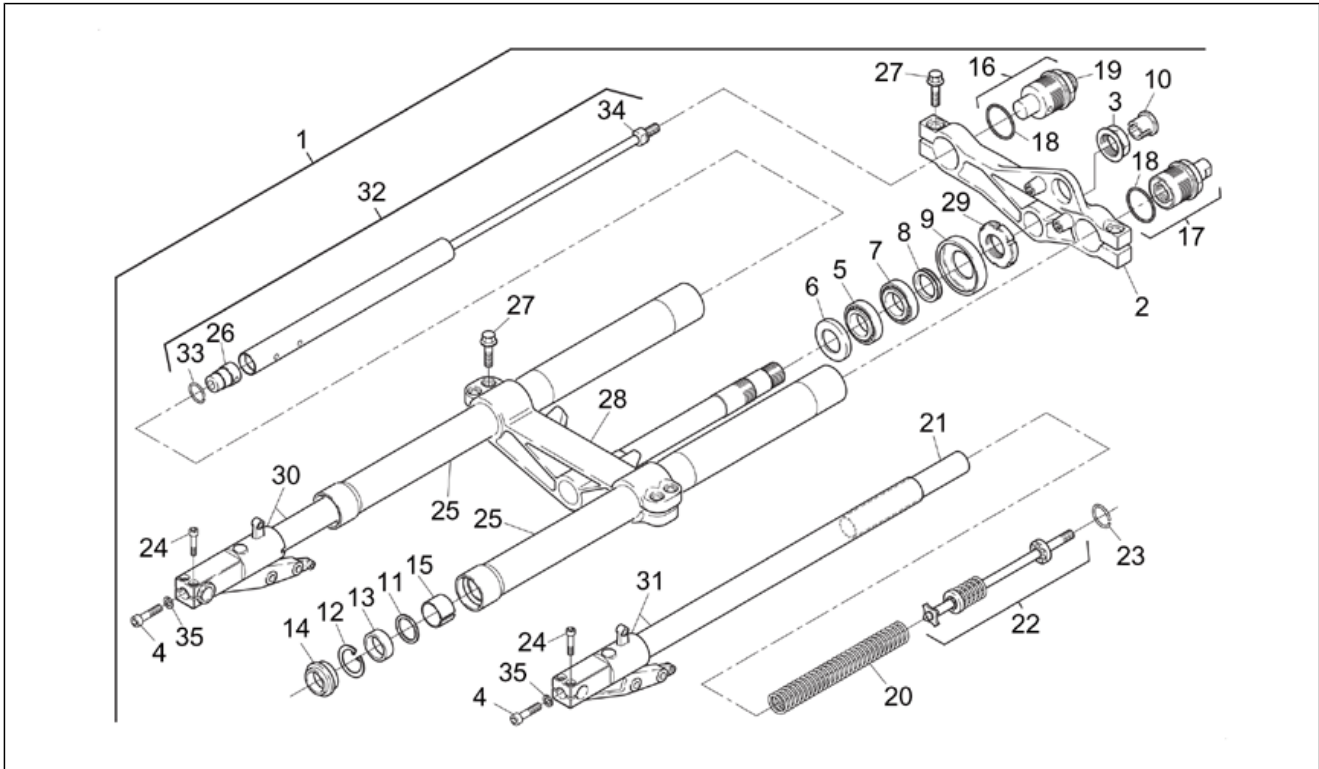
Pos.	Code	Description	Qty	Variants
1	AP8137646	Upper light guard decal	0	
2	AP8137647	Lower light guard decal	0	
3	AP8124140	RH front/LH rear turn indic.	0	
4	AP8124139	LH front/RH rear turn indic.	0	
5	AP8212680	Turn indicator lens	0	
6	AP8135734	Rear headlight supp.	0	
7	AP8124006	Taillight	0	
8	AP8212679	Taillight lens	0	
9	AP8124141	Taillight wiring harn.	0	
10	AP8112961	Headlight	0	Country:Austria[A], Belgium[B], Germany[D], Denmark[DK], Spain[E], France[F], Greece[GR], Italy[I], Holland[NL], Portugal[P]
10	AP8124174	Headlight -UK-	0	Country:Japan[J], Singapore[SGP], Great Britain[UK]
11	AP8124075	Headlight wiring w/harness	0	
12	AP8112916	Rear reflector	0	
13	AP8112962	Main wiring harness	0	Year:1996[T], 1997[V]
13	AP8124251	Main wiring harness	0	Year:1995[S]
14	AP8212702	Number-plate light	0	

Group	FRAME
Code	28.15
Description	Electrical system
Service	1



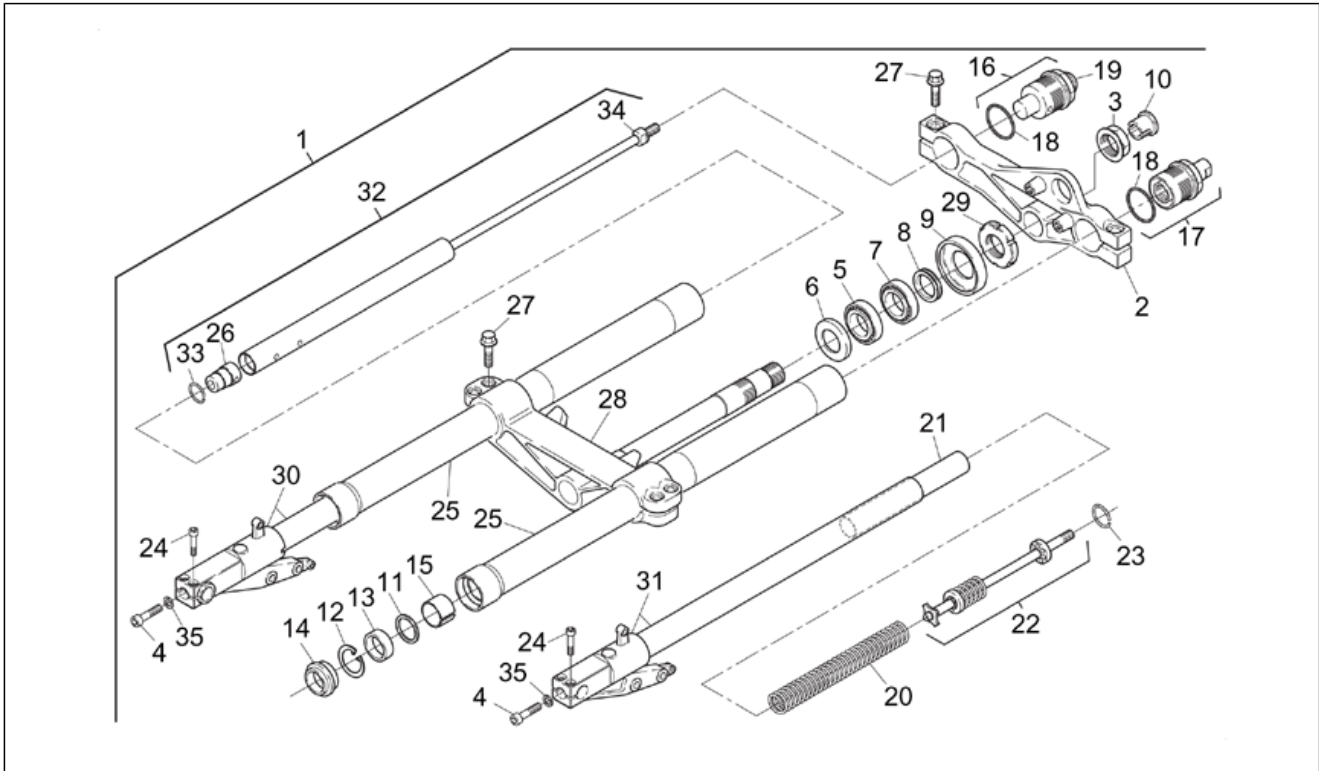
Pos.	Code	Description	Qty	Variants
1	AP8127286	Flasher unit	0	
2	AP8212110	Battery 12V-4Ah	0	
3	AP8138192	Maintenance	0	
4	AP8112996	Microswitch	0	
5	AP8112998	Front brake switch+harness	0	
6	AP8220283	Rubber spacer *	0	
7	AP8212469	Relay 12V-20A	0	
8	AP8112413	Horn	0	
9	AP8120951	Battery fixing snap	0	
10	AP8102376	Clip M6	0	
11	AP8120001	Rubber spacer	0	
12	AP8120030	Rubber spacer	0	
13	AP8124054	Lateral stand switch	0	
14	AP8152274	Screw w/ flange M5x20	0	
15	AP8152285	Screw w/ flange	0	
16	AP8152279	Screw w/ flange M6x20	0	
17	AP8152280	Screw w/ flange M6x25	0	

Group	FRAME
Code	28.16
Description	Front fork
Service	1



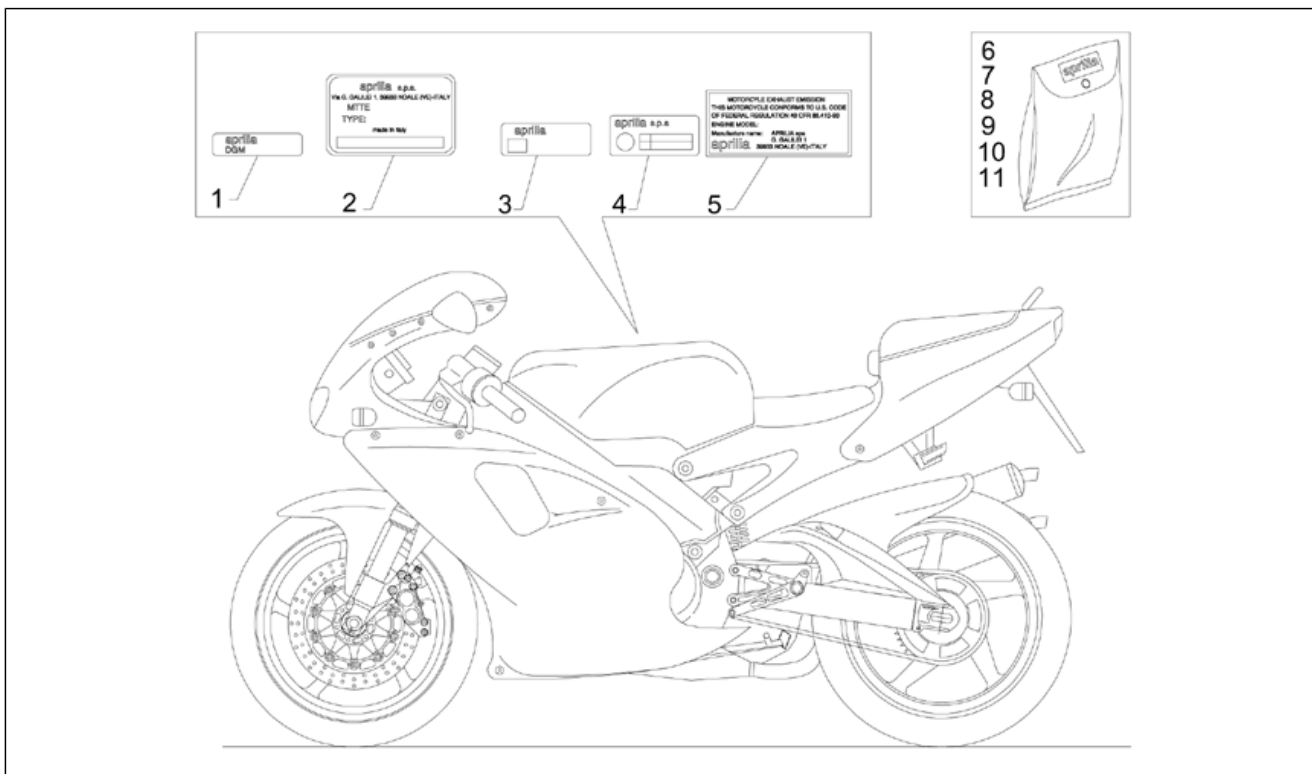
Pos.	Code	Description	Qty	Variants
1	AP8123331	Front fork	0	
2	AP8123333	Fork upper plate	0	
3	AP8123413	Plug	0	
4	AP8123581	screw	0	
5	AP8110024	Roller bearing	0	
6	AP8101106	Gasket ring	0	
7	AP8110010	Tap.roller bearing	0	
8	AP8101272	Spacer	0	
9	AP8120542	Dust cover	0	
10	AP8138403	Plug cover	0	
11	AP8123360	Cup	0	
12	AP8123199	Stop ring	0	
13	AP8103235	Gasket ring	0	
14	AP8123777	Dust cover + spring	0	
15	AP8123203	Sliding bush	0	
16	AP8123568	RH sleeve plug	0	
17	AP8123569	LH sleeve plug	0	
18	AP8123346	O-ring	0	
19	AP8123570	Return fork knob	0	
20	AP8123571	Spring L=255	0	
21	AP8123572	Preload tube	0	
22	AP8123567	LH plunger, complete	0	
23	AP8123573	Stop ring	0	
24	AP8123574	Hex socket screw M6x30	0	
25	AP8123563	Sleeve	0	
26	AP8123580	Valve body	0	
27	AP8123575	Special screw M8x35	0	
28	AP8123562	Lower plate	0	

Group	FRAME
Code	28.16
Description	Front fork
Service	1



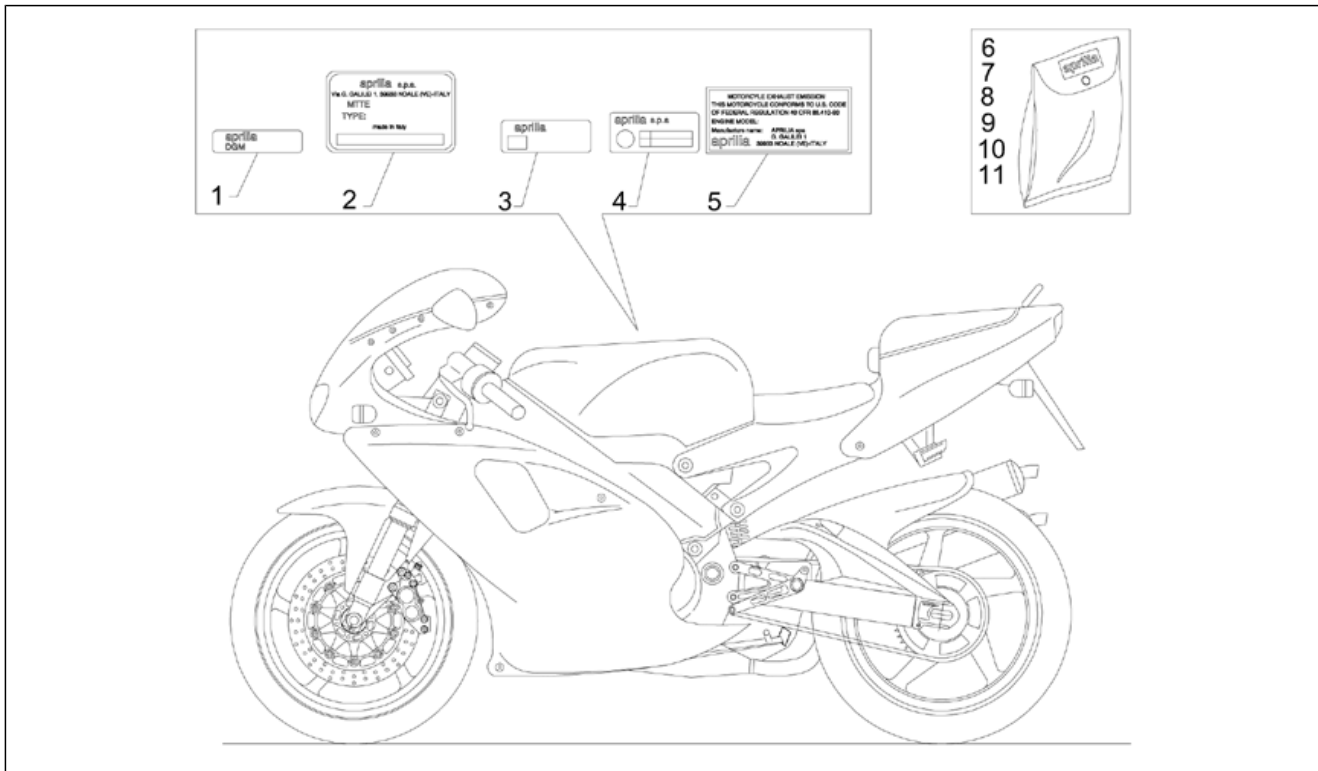
Pos.	Code	Description	Qty	Variants
29	AP8203588	Fork lower ring nut	0	
30	AP8123576	Hub+RH fork leg	0	
31	AP8123577	Hub+LH fork leg	0	
32	AP8123566	RH plunger, complete	0	
33	AP8123578	Circlip	0	
34	AP8123579	Return nut	0	
35	AP8123206	Seal washer	0	

Group	FRAME
Code	28.17
Description	Plate set and decal
Service	1



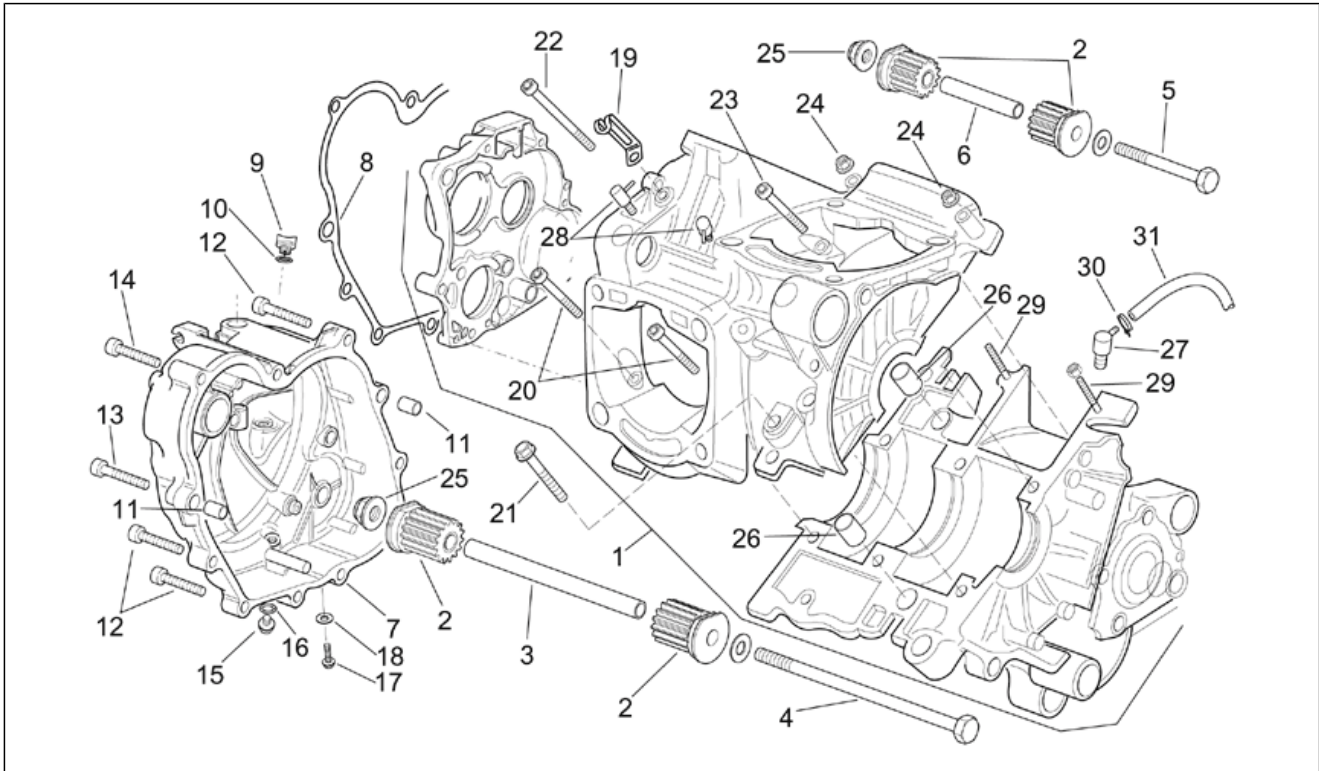
Pos.	Code	Description	Qty	Variants
1	AP8137315	Name plate DGM	0	Country:Greece[GR], Italy[I] Technical Specifications:Full Power Version[f.p.]
1	AP8137895	Name plate DGM	0	Country:Greece[GR], Italy[I] Technical Specifications:Version 25 Kw[25kw]
2	AP8137664	Constructor dataplate -E-	0	Country:Belgium[B], Denmark[DK], Spain[E], Portugal[P]
2	AP8137665	Constructor dataplate -F-	0	Country:France[F]
2	AP8137666	Constructor dataplate -D-	0	Country:Austria[A], Germany[D], Singapore[SGP]
2	AP8137707	Constructor dataplate -UK-	0	Country:Great Britain[UK]
2	AP8137892	Constructor dataplate	0	Country:Italy[I] Technical Specifications:Version 25 Kw[25kw]
3	AP8137691	Name plate CEE	0	Country:Belgium[B], Denmark[DK], Spain[E], France[F], Greece[GR], Italy[I], Japan[J], Holland[NL], Portugal[P], Great Britain[UK]
3	AP8137693	Name plate CEE	0	Country:Austria[A], Germany[D], Singapore[SGP]
4	AP8137692	Name plate ECE	0	
4	AP8137695	Name plate ECE-D-	0	Country:Austria[A], Germany[D], Singapore[SGP]
4	AP8137736	Name plate ECE	0	Country:Belgium[B], Denmark[DK], Spain[E], France[F], Greece[GR], Italy[I], Japan[J], Holland[NL], Portugal[P], Great Britain[UK]
5	AP8137894	Engine dataplate -SGP-	0	Country:Singapore[SGP]
6	AP8137668	Decal set	0	Year:1995[S] Vehicle colour:Blue / Red 1995[B/R]
6	AP8137739	Decal set	0	Year:1995[S] Vehicle colour:Black 1995-1997[Black]
7	AP8147021	Tank decal set	0	Year:1996[T] Vehicle colour:Mirage Grey 1996[Gr.m]
7	AP8147026	Tank decal set	0	Year:1996[T] Vehicle colour:Black 1995-1997[Black]
7	AP8147380	Tank decal set	0	Year:1997[V] Vehicle colour:Silver Grey 1997[Gr.s]
7	AP8147381	Tank decal set	0	Year:1997[V]

Group	FRAME
Code	28.17
Description	Plate set and decal
Service	1



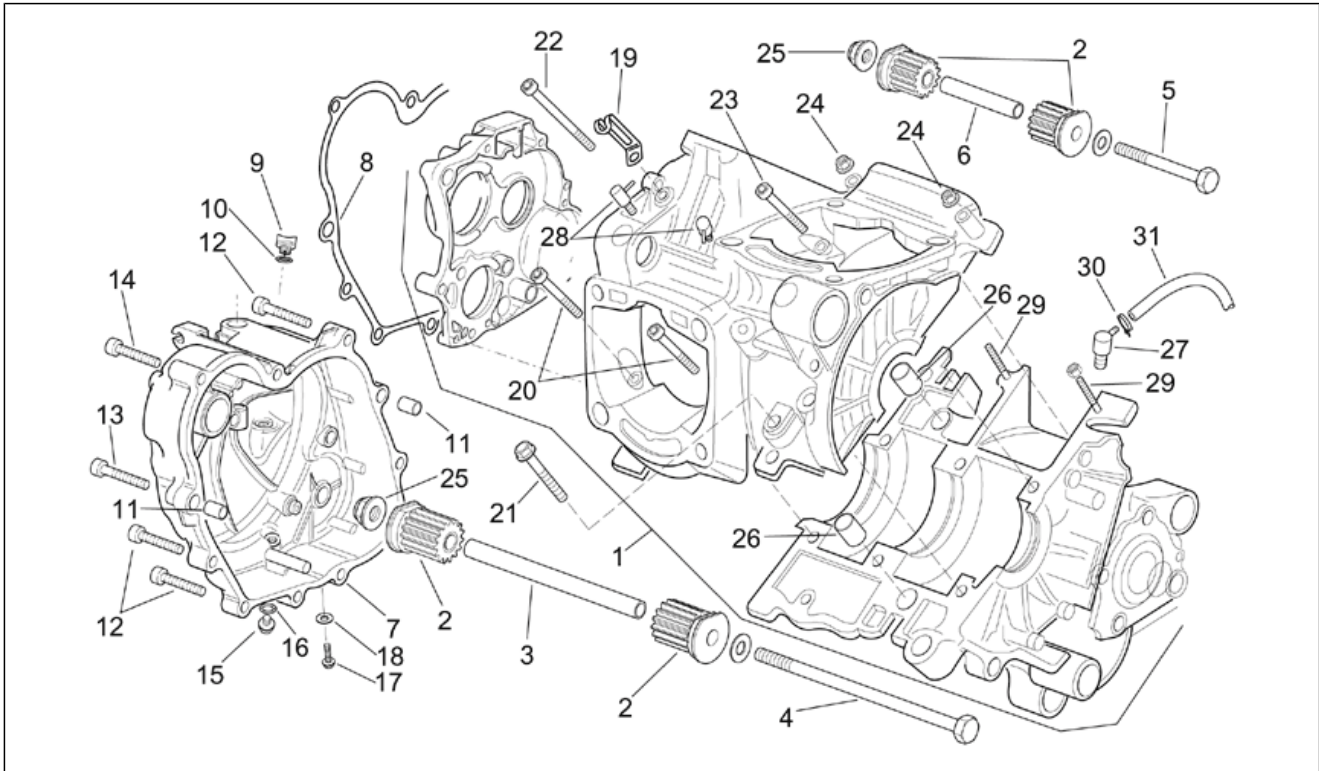
Pos.	Code	Description	Qty	Variants
				Vehicle colour:Black 1995-1997[Black]
8	AP8147022	Fairing decal set	0	Year:1996[T] Vehicle colour:Mirage Grey 1996[Gr.m]
8	AP8147027	Fairing decal set	0	Year:1996[T] Vehicle colour:Black 1995-1997[Black]
8	AP8147378	Fairing decal set	0	Year:1997[V] Vehicle colour:Silver Grey 1997[Gr.s]
8	AP8147379	Fairing decal set	0	Year:1997[V] Vehicle colour:Black 1995-1997[Black]
9	AP8147023	Front fairing decal set	0	Year:1996[T] Vehicle colour:Mirage Grey 1996[Gr.m]
9	AP8147028	Front fairing decal set	0	Year:1996[T] Vehicle colour:Black 1995-1997[Black]
9	AP8147376	Front fairing decal set	0	Year:1997[V] Vehicle colour:Silver Grey 1997[Gr.s]
9	AP8147377	Front fairing decal set	0	Year:1997[V] Vehicle colour:Black 1995-1997[Black]
10	AP8147024	Rear fairing decal set	0	Year:1996[T] Vehicle colour:Mirage Grey 1996[Gr.m]
10	AP8147029	Rear fairing decal set	0	Year:1996[T] Vehicle colour:Black 1995-1997[Black]
10	AP8147374	Rear fairing decal set	0	Year:1997[V] Vehicle colour:Silver Grey 1997[Gr.s]
10	AP8147375	Rear fairing decal set	0	Year:1997[V] Vehicle colour:Black 1995-1997[Black]
11	AP8147025	Technical decal set	0	Year:1996[T] Vehicle colour:Mirage Grey 1996[Gr.m]
11	AP8147025	Technical decal set	0	Year:1997[V] Vehicle colour:Silver Grey 1997[Gr.s]
11	AP8147030	Technical decal set	0	Year:1996[T], 1997[V] Vehicle colour:Black 1995-1997[Black]

Group	ENGINE
Code	29.18
Description	Crankcase
Service	1



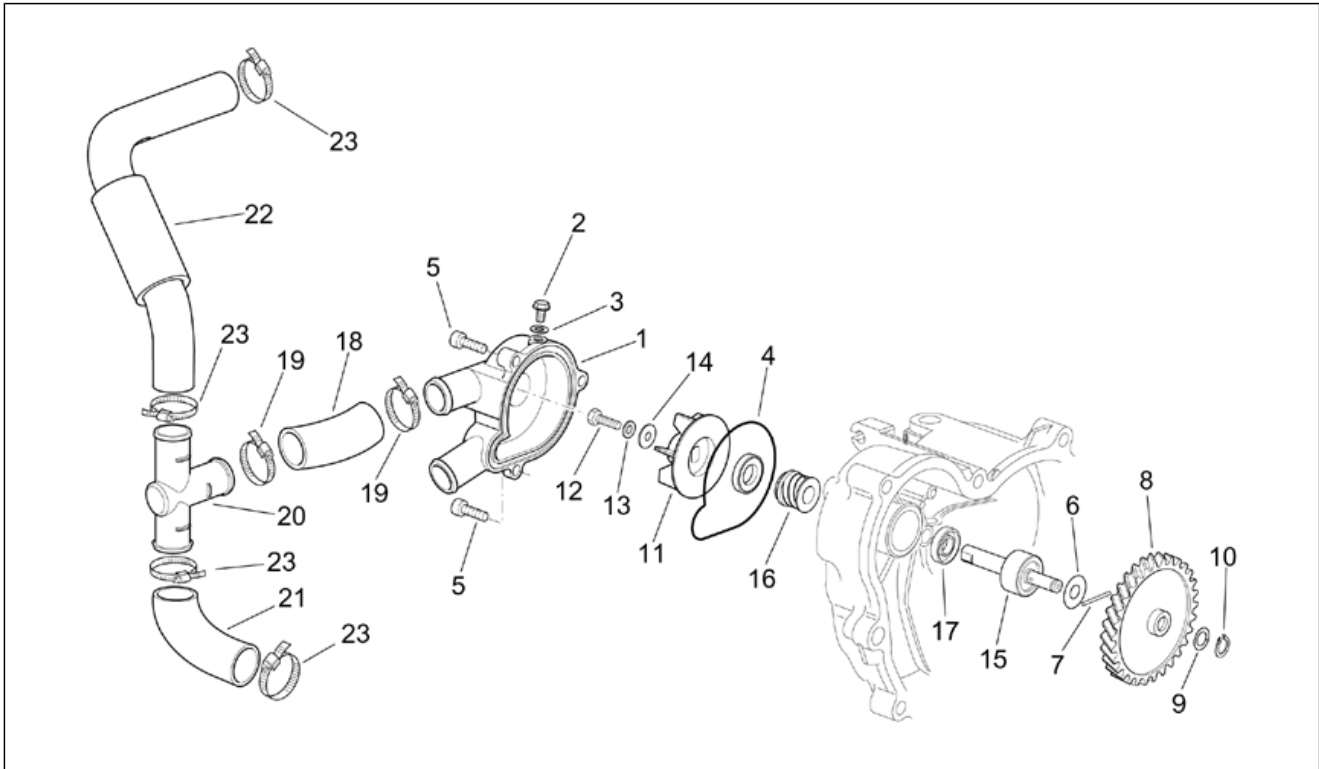
Pos.	Code	Description	Qty	Variants
1	AP8600060	Crankcase assy	1	
2	AP8120902	Silent-block lower attachment	4	
3	AP8121948	Front attachment bush	1	
4	AP8150439	Hex screw M10x250	1	
5	AP8150438	Hex socket screw M10x130	1	
6	AP8121950	Rear attachment bush	1	
7	AP8600090	Clutch crankcase	1	
8	AP8600091	Clutch crancase gasket	2	
9	AP8600096	Oil load plug	1	
10	AP8600097	O-ring	1	
11	AP8600092	Pin	8	
12	AP8600093	screw M6x30	1	
13	AP8600095	screw M6x40	1	
14	AP8600094	screw M6x35	2	
15	AP8600100	Oil unload plug	1	
16	AP8600101	Gasket 13,8x18,8	1	
17	AP8600098	screw M6x10	1	
18	AP8600099	Washer	1	
19	AP8600363	Hose clamp l=35	1	
20	AP8600066	screw M8x35	2	
21	AP8600065	screw M6x50	1	
22	AP8600069	screw M8x110	1	
23	AP8600067	screw M8x40	2	
24	AP8600071	Nut M6	2	
25	AP8152301	Self-locking nut	2	
26	AP8600061	Pin	2	
27	AP8600062	Oil breather union	1	
28	AP8600011	Oil inlet union	2	

Group	ENGINE
Code	29.18
Description	Crankcase
Service	1



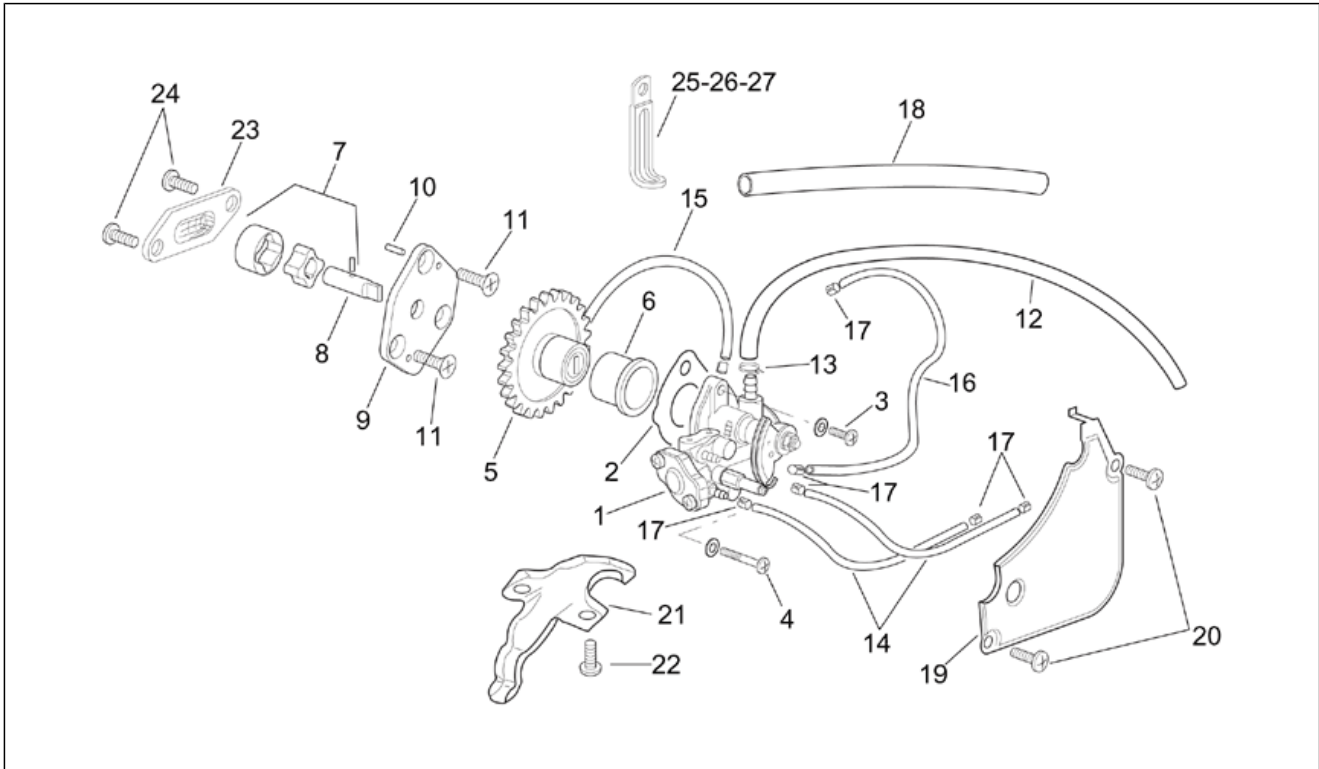
Pos.	Code	Description	Qty	Variants
29	AP8600070	Stud bolt l=27	2	
30	AP8600078	Clip	1	
31	AP8600077	pipe l=600	1	

Group	ENGINE
Code	29.19
Description	Water pump
Service	1



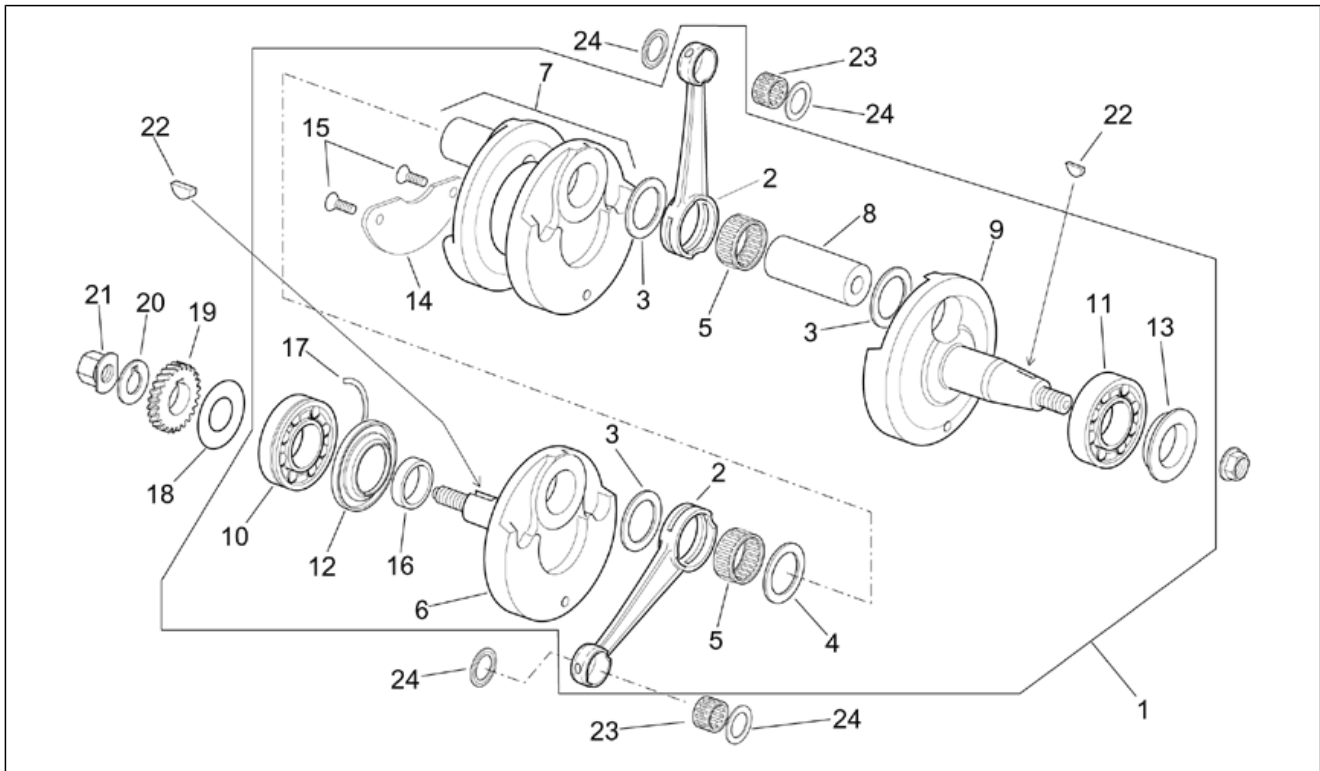
Pos.	Code	Description	Qty	Variants
1	AP8600228	Pump cover	1	
2	AP8600229	Water unload screw	1	
3	AP8600230	Gasket	1	
4	AP8600231	O-ring	1	
5	AP8600232	screw	3	
6	AP8600233	Washer	1	
7	AP8600234	Pin	1	
8	AP8600235	Water pump gear	1	
9	AP8600237	Washer 17x26x1	1	
10	AP8600236	Circlip	1	
11	AP8600238	Impeller	1	
12	AP8600239	screw M6x13	1	
13	AP8600240	Washer	1	
14	AP8600241	Washer	1	
15	AP8600242	Water pump shaft assy.	1	
16	AP8600243	Mechanical gasket	1	
17	AP8600244	Oil seal 10x20x5	1	
18	AP8600245	Pump outlet water hose	1	
19	AP8600246	Hose clamp	2	
20	AP8600247	3-way union	1	
21	AP8600248	Water hose union/RH cyl.	1	
22	AP8600249	Water hose union/LH cyl.	1	
23	AP8600250	Hose clip	4	

Group	ENGINE
Code	29.20
Description	Oil pump
Service	1



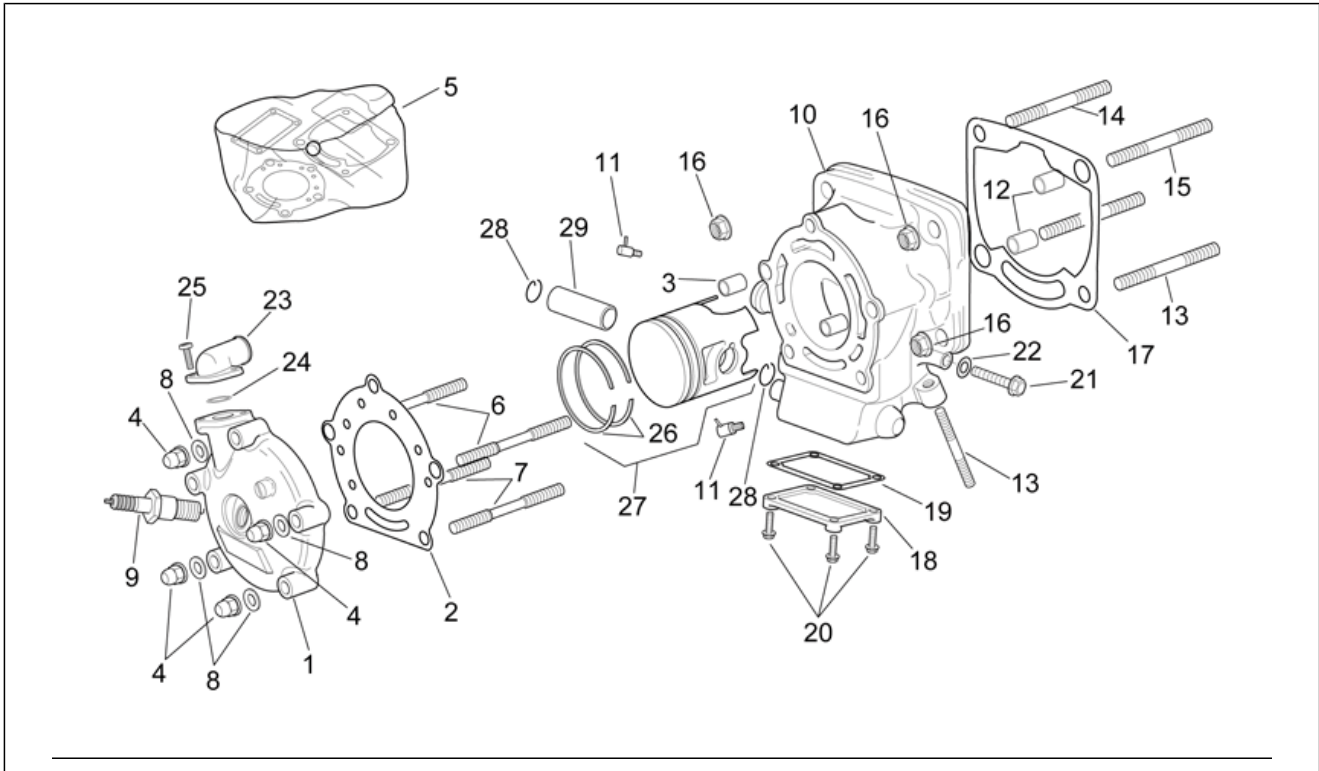
Pos.	Code	Description	Qty	Variants
1	AP8600202	Oil pump	1	
2	AP8600203	Mix oil pump gasket	1	
3	AP8600204	screw	1	
4	AP8600205	screw	1	
5	AP8600206	Oil pump gear	1	
6	AP8600207	Bush	1	
7	AP8600208	Oil pump rotor	1	
8	AP8600209	Oil pump shaft assy.	1	
9	AP8600210	Oil pump cover	1	
10	AP8600211	Pin	2	
11	AP8600212	screw	3	
12	AP8600077	pipe l=600	1	
13	AP8600214	Clip	1	
14	AP8600215	pipe 2x5x600	2	
15	AP8600216	pipe 2x5x1000	1	
16	AP8600215	pipe 2x5x600	1	
17	AP8600217	Clip	8	
18	AP8600218	pipe 11x15x600	1	
19	AP8600219	Cover	1	
20	AP8600220	screw	2	
21	AP8600221	Oil pipes cover	1	
22	AP8600222	screw	2	
23	AP8600223	Oil filter	1	
24	AP8600224	screw	2	
25	AP8600225	Hose clamp	1	
26	AP8600226	Hose clamp l=50	1	
27	AP8600227	Hose clamp l=82	1	

Group	ENGINE
Code	29.21
Description	Drive shaft
Service	1



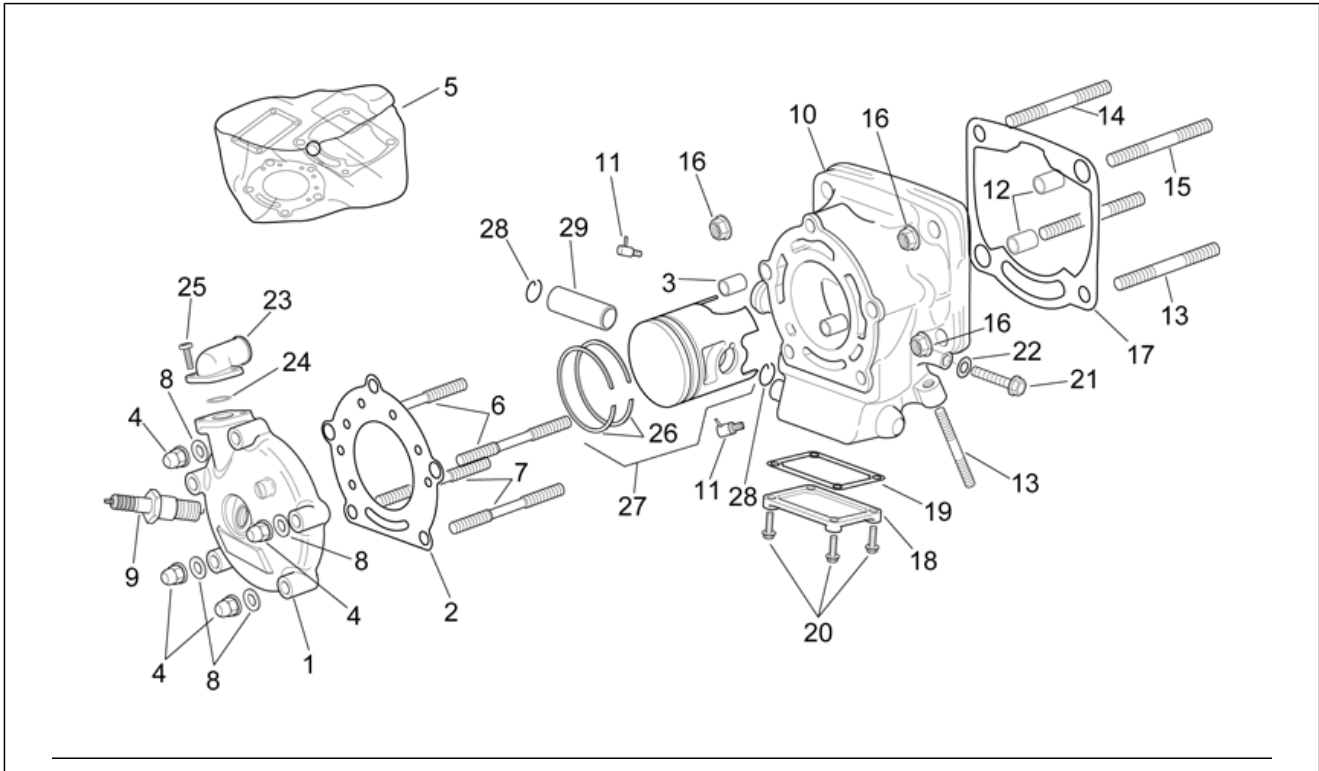
Pos.	Code	Description	Qty	Variants
1	AP8600105	Crankshaft cpl.	1	
2	AP8600106	Connecting rod cpl.	2	
3	AP8600107	Washer 22x27,5	3	
4	AP8600108	Washer 22x27,5x2	1	
5	AP8600109	Roller cage	2	
6	AP8600110	Crankshaft/RH part	1	
7	AP8600111	Crankshaft/central part	1	
8	AP8600112	Rod pin	1	
9	AP8600113	Crankshaft/LH part	1	
10	AP8600114	Bearing RH 25x62x17	1	
11	AP8600115	Bearing LH 25x62x17	1	
12	AP8600116	Oil seal RH 32x62x6	1	
13	AP8600117	Oil seal LH 25x36x6	1	
14	AP8600118	Counterweight	1	
15	AP8600212	screw	2	
16	AP8600120	Spacer 25,5x32x9	1	
17	AP8600121	C-ring	1	
18	AP8600122	Washer	1	
19	AP8600123	Primary gear	1	
20	AP8600124	Spacer 20x48x0,5	1	
21	AP8600125	Nut	1	
22	AP8600126	Transmission key	1	
23	AP8600131	Roller cage	2	
24	AP8600132	Clearance washer	4	

Group	ENGINE
Code	29.22
Description	Horizontal cylinder assembly
Service	1



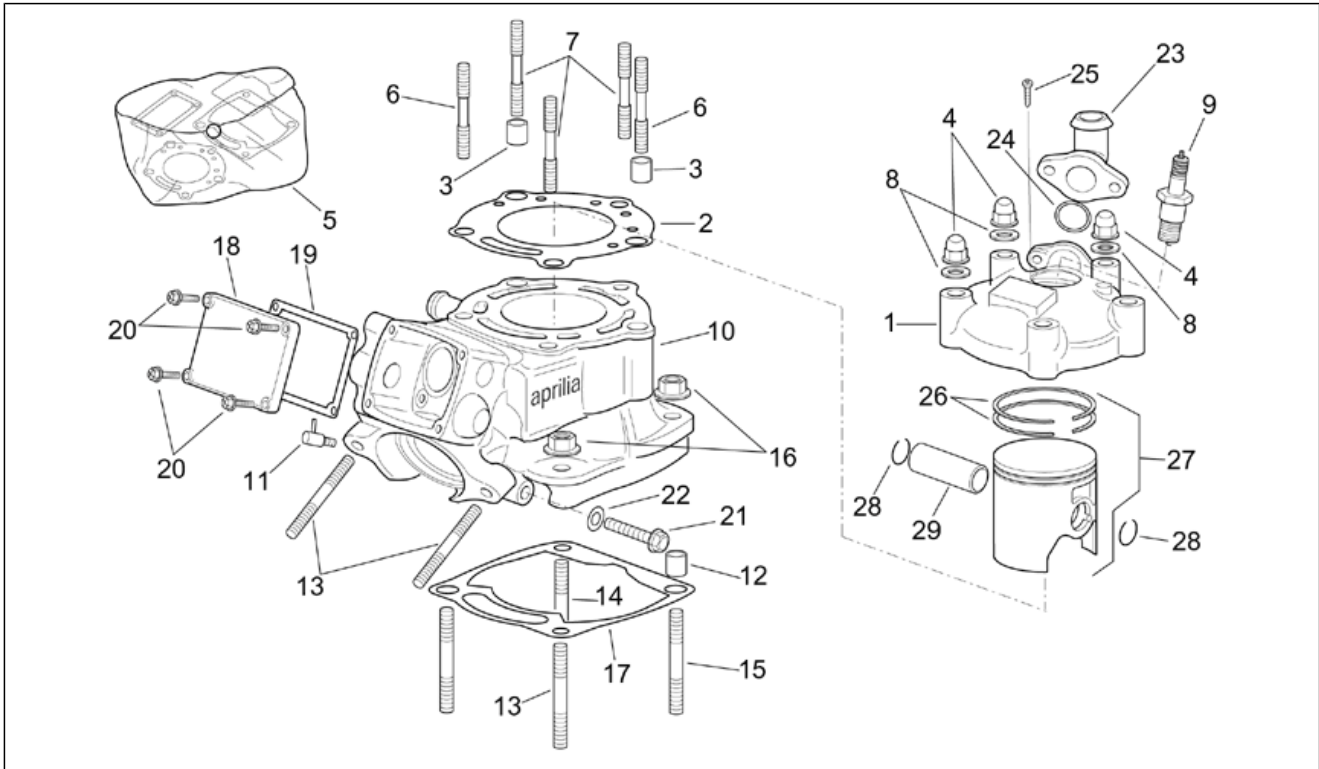
Pos.	Code	Description	Qty	Variants
1	AP8600001	Cylinder head	1	
2	AP8600002	Cylinder head gasket	1	
3	AP8600003	Pin	2	
4	AP8600004	Nut	5	
5	AP8600026	Gasket set	1	
6	AP8600005	Stud bolt l=51	2	
7	AP8600006	Stud bolt l=45	3	
8	AP8600007	Washer	5	
9	AP8600008	Spark plug BR9ECM	1	
10	AP8600010	Cylinder	1	
11	AP8600011	Oil inlet union	1	
12	AP8600012	Pin	2	
13	AP8600013	Stud bolt l=30	3	
14	AP8600014	Stud bolt l=35	3	
15	AP8600015	Stud bolt l=40	3	
16	AP8600016	Nut	4	
17	AP8600017	Cylinder base gasket	1	
18	AP8600018	Valve seat cover	1	
19	AP8600019	Valve cover gasket	1	
20	AP8600020	screw	4	
21	AP8600021	Water unload screw	1	
22	AP8600022	Washer	1	
23	AP8600023	Water outlet union	1	
24	AP8600024	O-ring	1	
25	AP8600025	screw	2	
26	AP8600128	Piston ring set	1	
27	AP8600409	Piston assy	1	
28	AP8600130	Snap ring	2	

Group	ENGINE
Code	29.22
Description	Horizontal cylinder assembly
Service	1



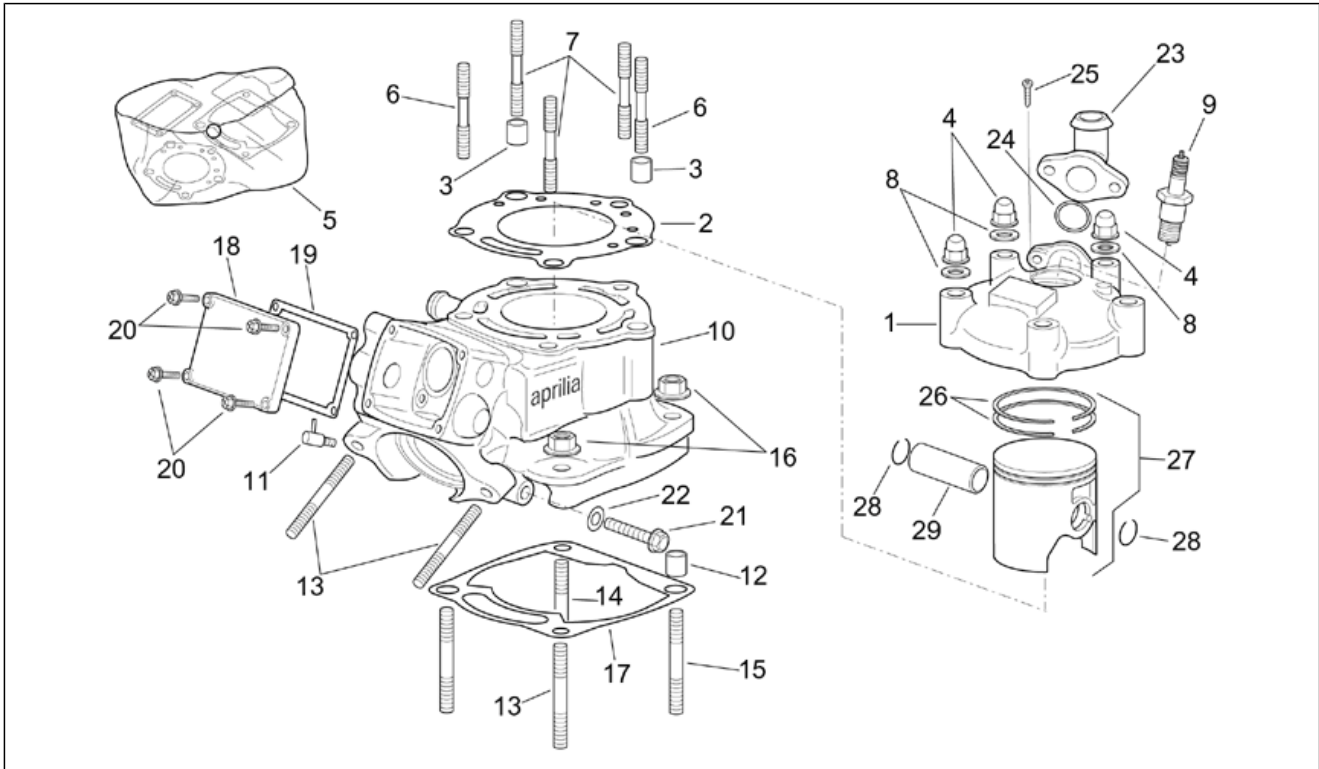
Pos.	Code	Description	Qty	Variants
29	AP8600129	Piston pin	1	

Group	ENGINE
Code	29.23
Description	Vertical cylinder assembly
Service	1



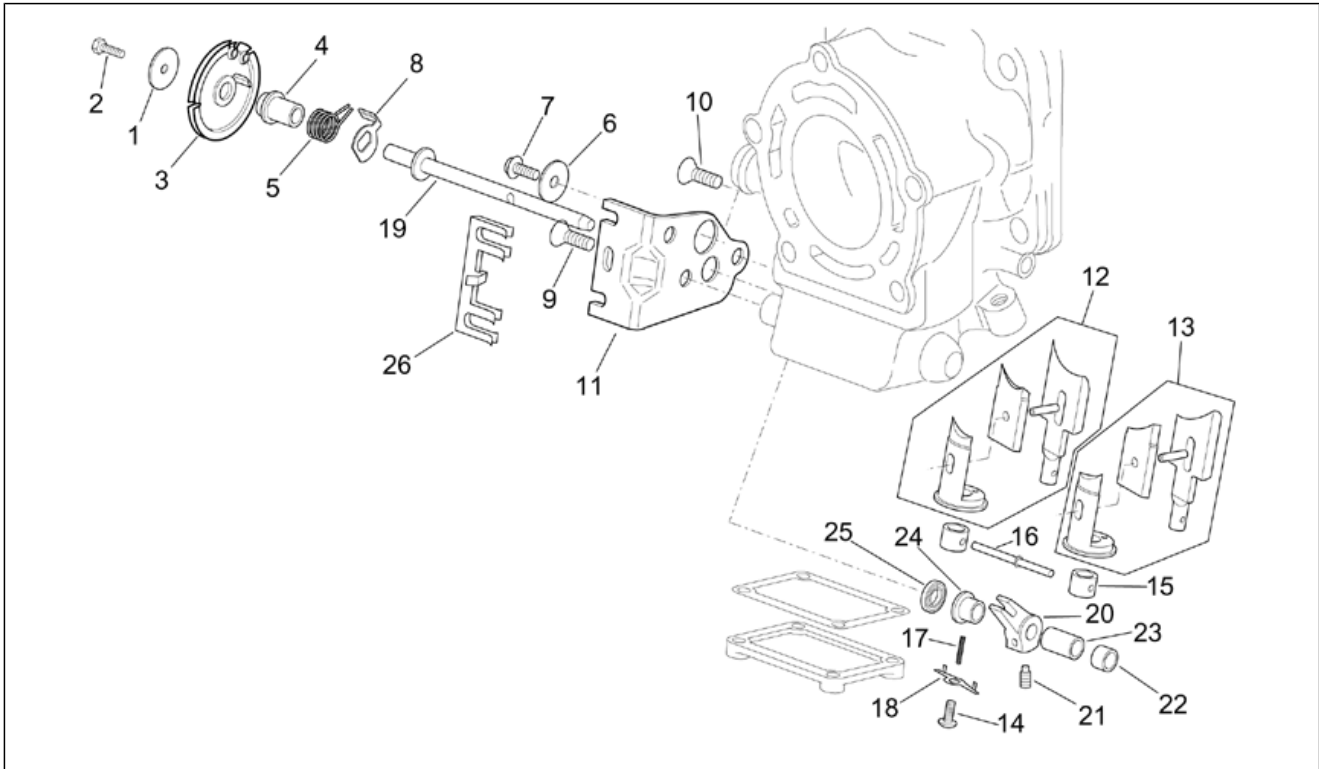
Pos.	Code	Description	Qty	Variants
1	AP8600001	Cylinder head	1	
2	AP8600002	Cylinder head gasket	1	
3	AP8600003	Pin	2	
4	AP8600004	Nut	5	
5	AP8600026	Gasket set	1	
6	AP8600005	Stud bolt l=51	2	
7	AP8600006	Stud bolt l=45	3	
8	AP8600007	Washer	5	
9	AP8600008	Spark plug BR9ECM	1	
10	AP8600010	Cylinder	1	
11	AP8600011	Oil inlet union	1	
12	AP8600012	Pin	2	
13	AP8600013	Stud bolt l=30	3	
14	AP8600014	Stud bolt l=35	3	
15	AP8600015	Stud bolt l=40	3	
16	AP8600016	Nut	4	
17	AP8600017	Cylinder base gasket	1	
18	AP8600018	Valve seat cover	1	
19	AP8600019	Valve cover gasket	1	
20	AP8600020	screw	4	
21	AP8600021	Water unload screw	1	
22	AP8600022	Washer	1	
23	AP8600023	Water outlet union	1	
24	AP8600024	O-ring	1	
25	AP8600025	screw	2	
26	AP8600128	Piston ring set	1	
27	AP8600409	Piston assy	1	
28	AP8600130	Snap ring	2	

Group	ENGINE
Code	29.23
Description	Vertical cylinder assembly
Service	1



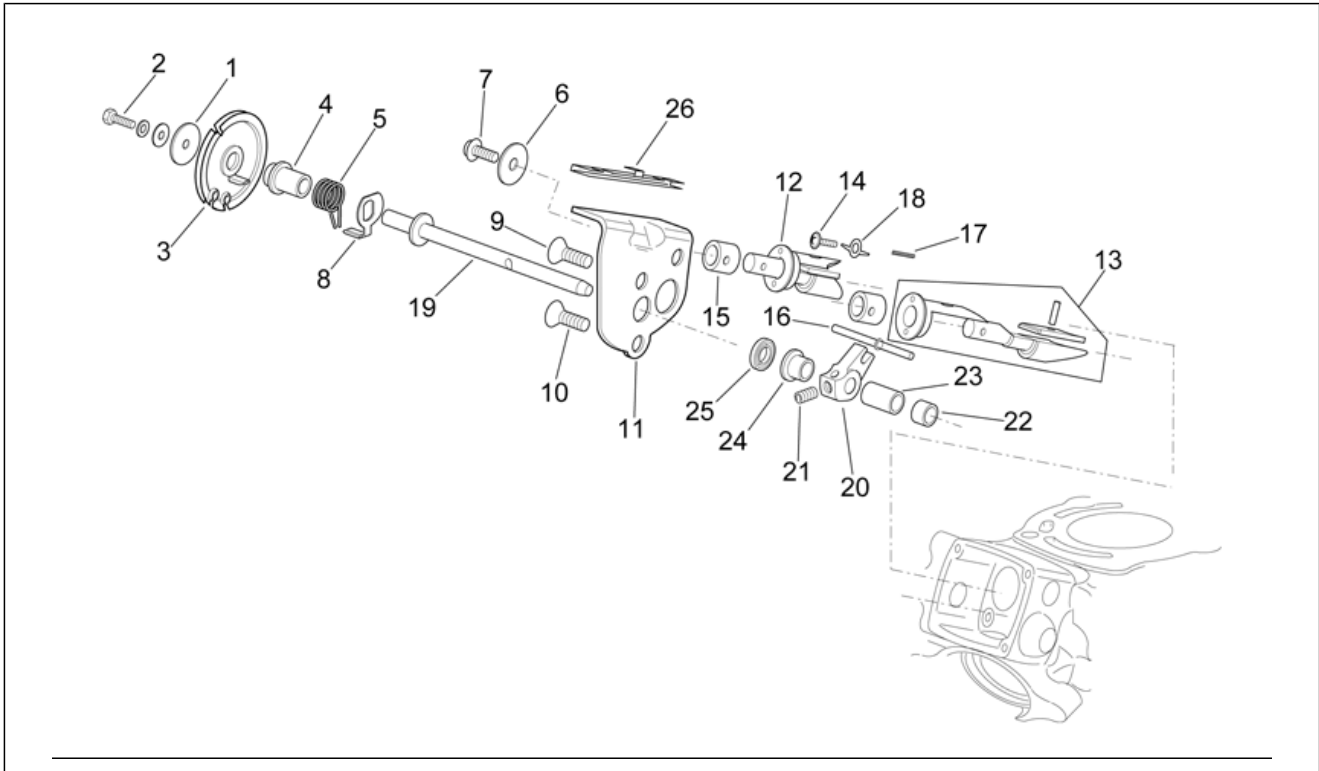
Pos.	Code	Description	Qty	Variants
29	AP8600129	Piston pin	1	

Group	ENGINE
Code	29.24
Description	Valves assembly I
Service	1



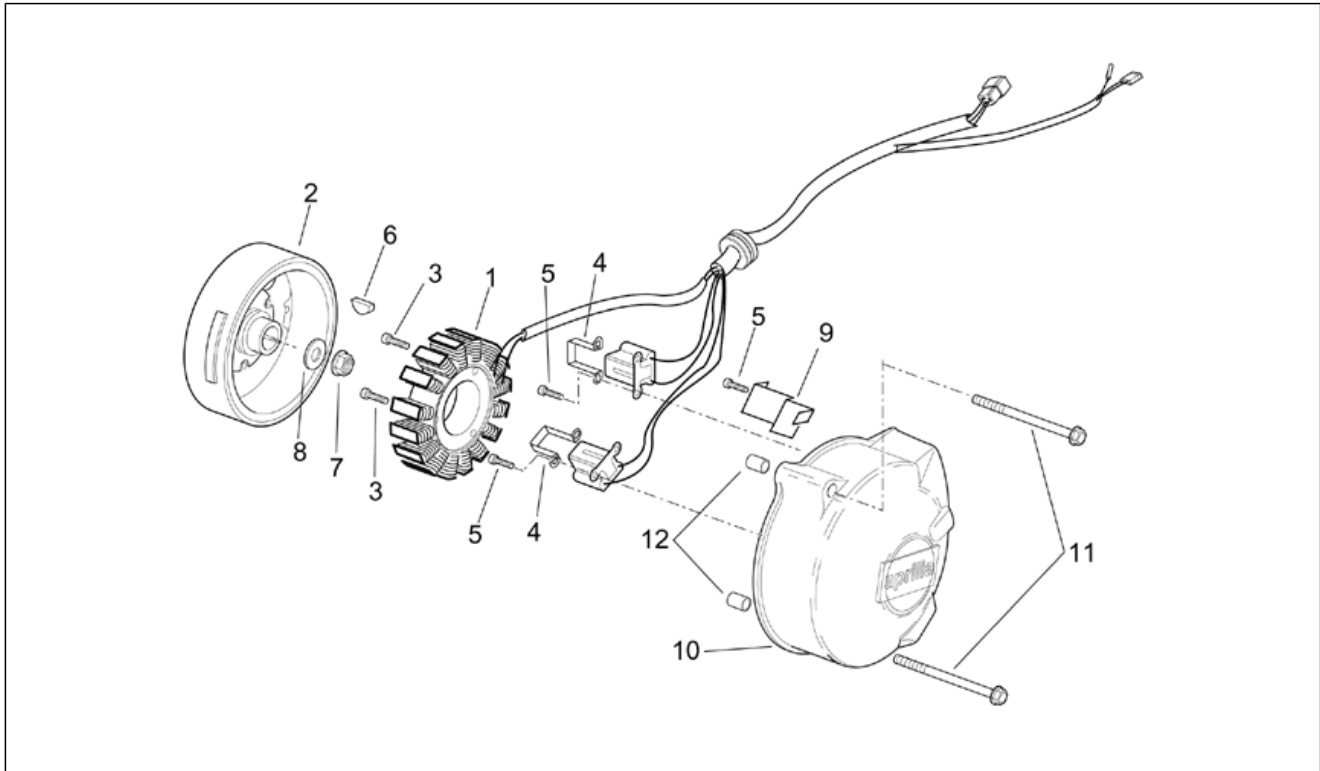
Pos.	Code	Description	Qty	Variants
1	AP8600059	Washer	1	
2	AP8600058	screw	1	
3	AP8600057	Exhaust pipe pulley	1	
4	AP8600056	Exhaust valve pulley spacer	1	
5	AP8600055	Exhaust valve spring	1	
6	AP8600054	Washer	1	
7	AP8600053	screw	1	
8	AP8600052	Exhaust valve lever	1	
9	AP8600051	screw M6x12	1	
10	AP8600050	screw	1	
11	AP8600049	Exhaust valve cable plate	1	
12	AP8600035	Exhaust valve RH	1	
13	AP8600036	Exhaust valve LH	1	
14	AP8600037	screw	3	
15	AP8600038	Exhaust valve spacer	2	
16	AP8600411	Exhaust valve pin	1	
17	AP8600040	Spring	2	
18	AP8600041	Plate	1	
19	AP8600042	Exhaust valve shaft	1	
20	AP8600043	Exhaust valve drive arm	1	
21	AP8600044	screw	1	
22	AP8600045	Bush	1	
23	AP8600046	Spacer	1	
24	AP8600047	Exhaust valve bush	1	
25	AP8600048	Oil seal 8x16x5	1	
26	AP8102418	Valve lever cable guide	1	

Group	ENGINE
Code	29.25
Description	Valves assembly II
Service	1



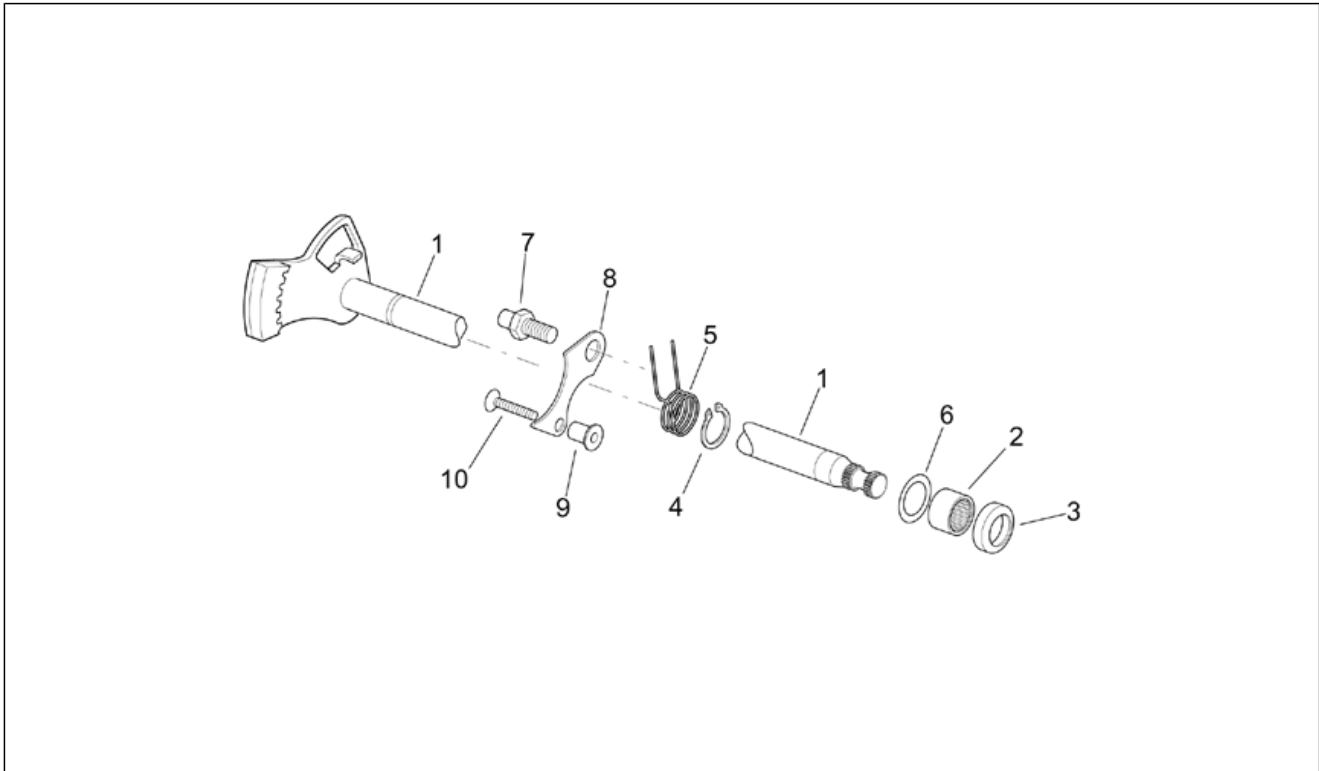
Pos.	Code	Description	Qty	Variants
1	AP8600059	Washer	1	
2	AP8600058	screw	1	
3	AP8600057	Exhaust pipe pulley	1	
4	AP8600056	Exhaust valve pulley spacer	1	
5	AP8600055	Exhaust valve spring	1	
6	AP8600054	Washer	1	
7	AP8600053	screw	1	
8	AP8600052	Exhaust valve lever	1	
9	AP8600051	screw M6x12	1	
10	AP8600050	screw	1	
11	AP8600049	Exhaust valve cable plate	1	
12	AP8600035	Exhaust valve RH	1	
13	AP8600036	Exhaust valve LH	1	
14	AP8600037	screw	3	
15	AP8600038	Exhaust valve spacer	2	
16	AP8600411	Exhaust valve pin	1	
17	AP8600040	Spring	2	
18	AP8600041	Plate	1	
19	AP8600042	Exhaust valve shaft	1	
20	AP8600043	Exhaust valve drive arm	1	
21	AP8600044	screw	1	
22	AP8600045	Bush	1	
23	AP8600046	Spacer	1	
24	AP8600047	Exhaust valve bush	1	
25	AP8600048	Oil seal 8x16x5	1	
26	AP8102418	Valve lever cable guide	1	

Group	ENGINE
Code	29.26
Description	Ignition unit
Service	1



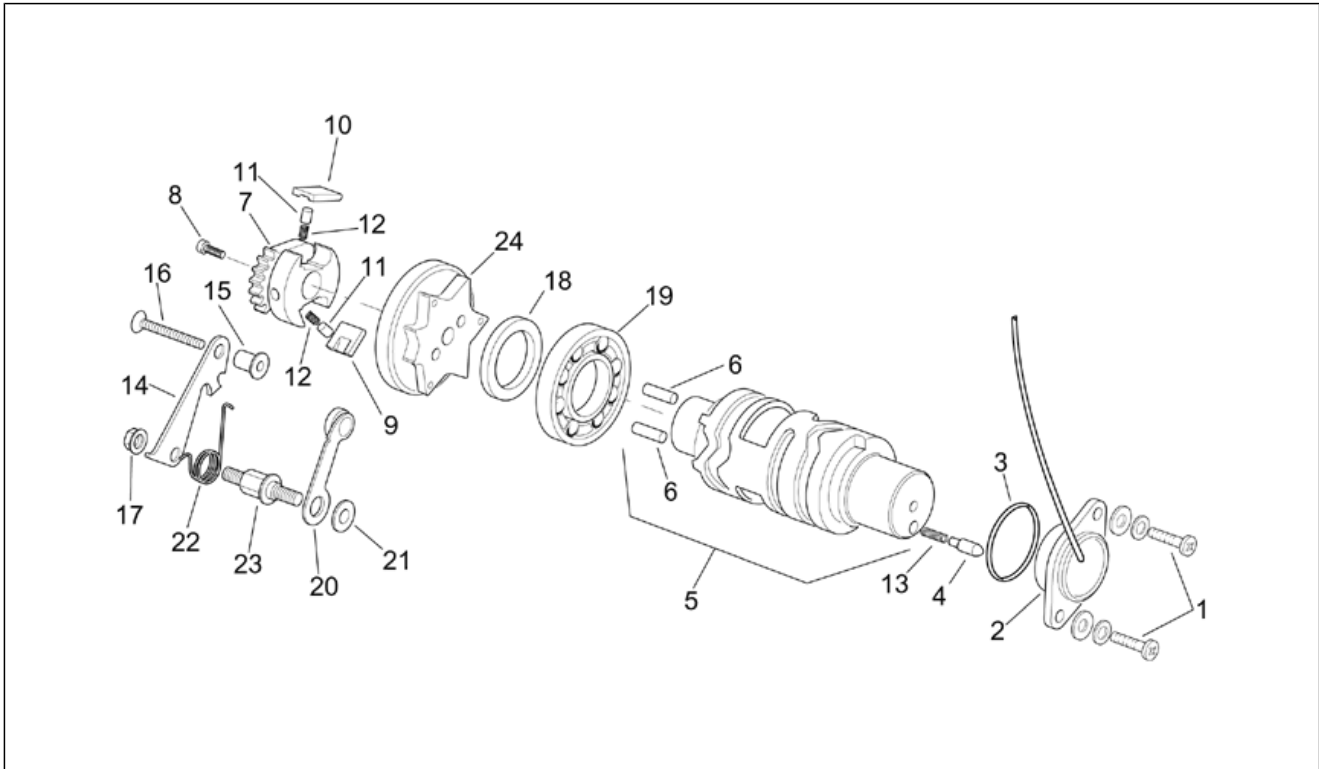
Pos.	Code	Description	Qty	Variants
1	AP8600373	Stator cpl.	1	
2	AP8600374	Cdi magneto assy	1	
3	AP8600375	screw	3	
4	AP8600376	Pick-up plate	2	
5	AP8600377	screw	5	
6	AP8600378	Transmission key	1	
7	AP8600379	Nut	1	
8	AP8600380	Washer 12x27x2	1	
9	AP8600381	Hose clamp	1	
10	AP8600102	Flywheel cover	1	
11	AP8600103	screw	3	
12	AP8600104	Pin	2	

Group	ENGINE
Code	29.27
Description	Gear control assembly I
Service	1



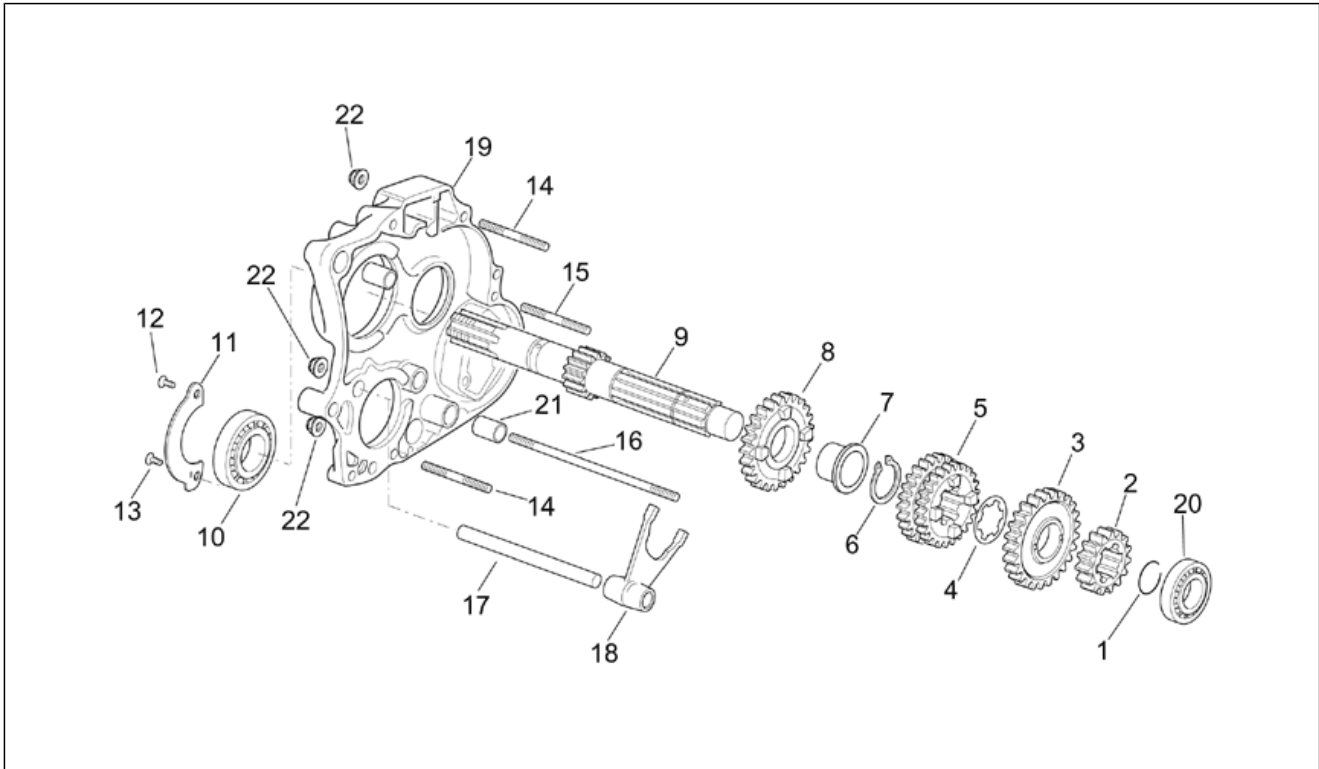
Pos.	Code	Description	Qty	Variants
1	AP8600351	Selector shaft	1	
2	AP8600356	Bearing 14x20x12	1	
3	AP8600355	Oil seal 13x22x6	1	
4	AP8600357	Snap ring	1	
5	AP8600353	Spring	1	
6	AP8600352	Washer	1	
7	AP8600354	Lock plate	1	
8	AP8600340	Gearbox motion plate	1	
9	AP8600342	Spacer 6,1x10x16	1	
10	AP8600343	screw	1	

Group	ENGINE
Code	29.28
Description	Gear control assembly II
Service	1



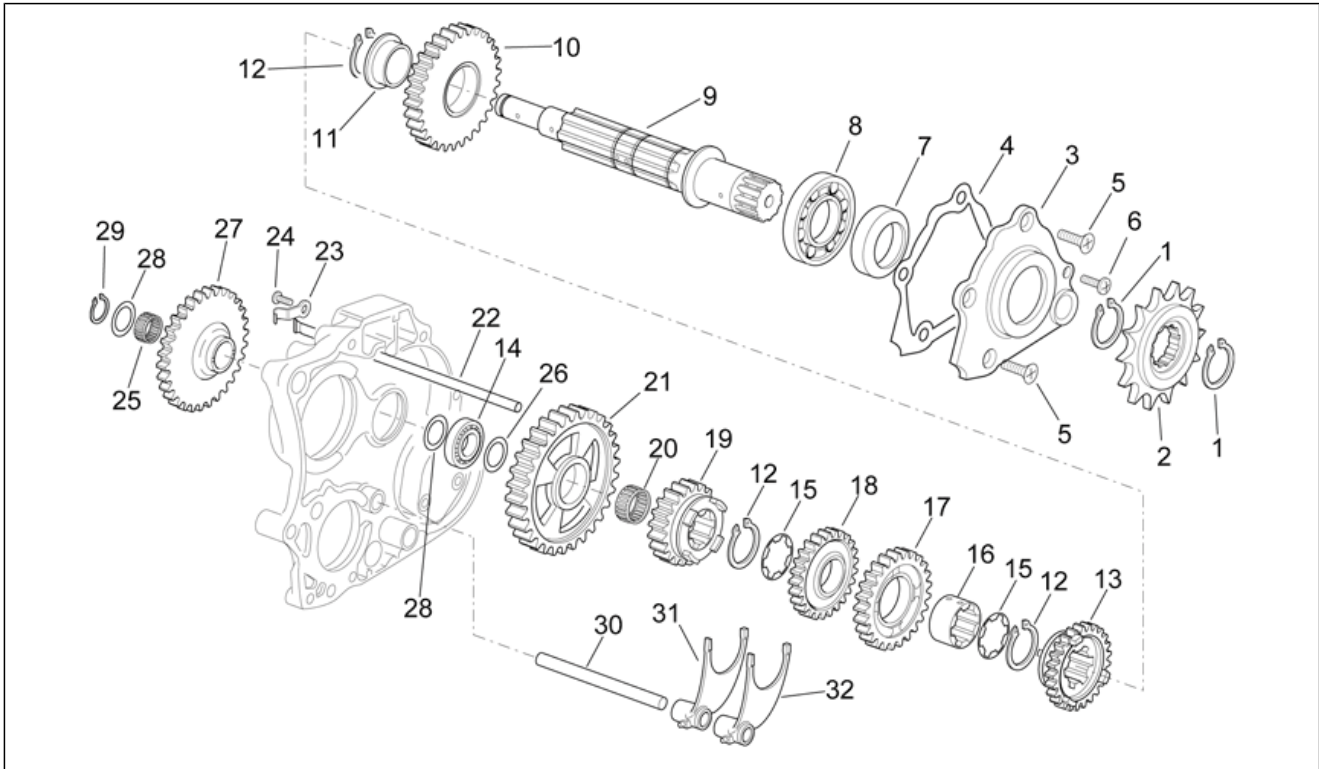
Pos.	Code	Description	Qty	Variants
1	AP8600360	screw	2	
2	AP8600358	Neutral indicator switch+seal	1	
3	AP8600359	O-ring	1	
4	AP8600361	Pin	1	
5	AP8600332	Shift cam	1	
6	AP8600333	Shift cam pin	2	
7	AP8600406	Shift cam gear	1	
8	AP8600335	Shift cam gear pin	1	
9	AP8600336	Shift cam n1 plate	1	
10	AP8600337	Shift cam n2 plate	1	
11	AP8600338	Roller	2	
12	AP8600339	Spring	2	
13	AP8600362	Spring	1	
14	AP8600341	Shift cam guide plate	1	
15	AP8600342	Spacer 6,1x10x16	1	
16	AP8600343	screw	1	
17	AP8600071	Nut M6	1	
18	AP8600344	Washer 25x32x3	1	
19	AP8600345	Bearing 25x47x8	1	
20	AP8600346	Shift cam lock plate	1	
21	AP8600347	Washer	1	
22	AP8600348	Spring	1	
23	AP8600349	Maintenance	1	
24	AP8600350	Shift cam star	1	

Group	ENGINE
Code	29.29
Description	Primary gear shaft
Service	1



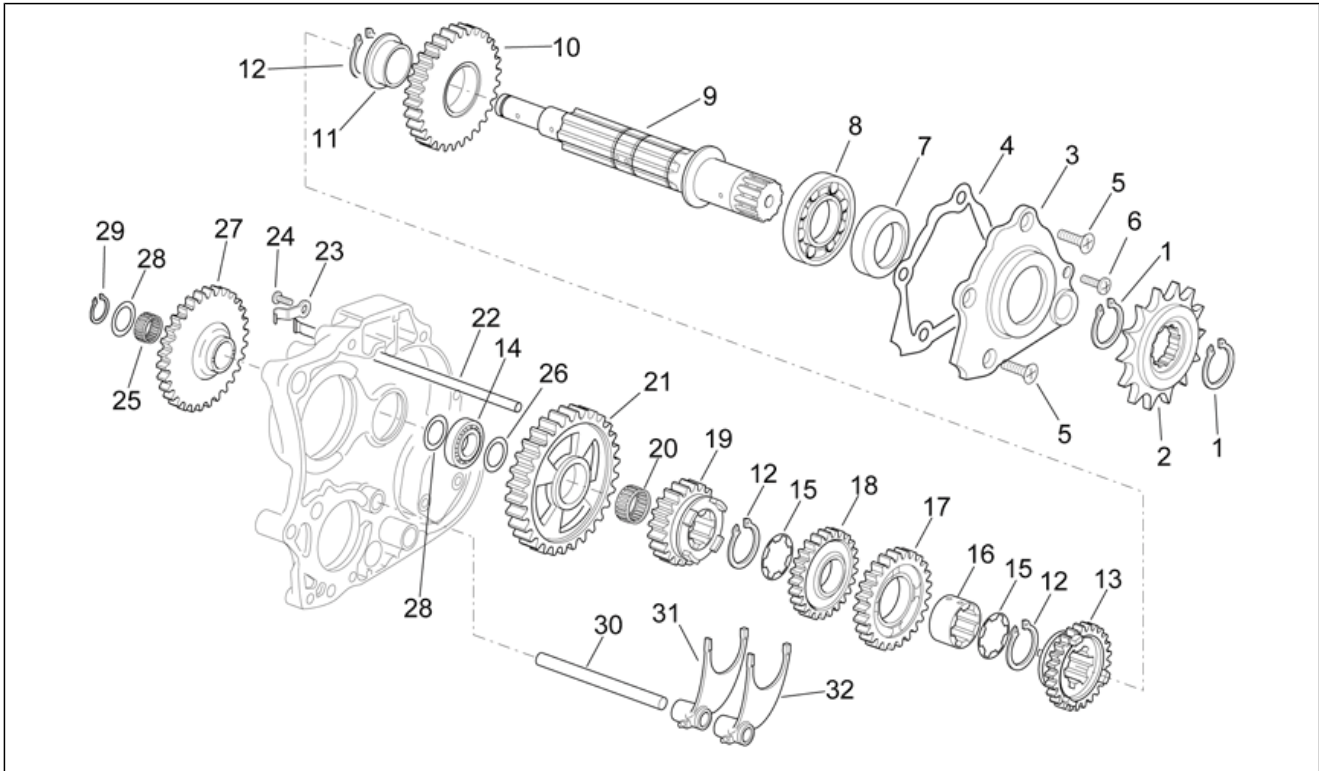
Pos.	Code	Description	Qty	Variants
1	AP8600292	Circlip	1	
2	AP8600288	2nd pinion gear	1	
3	AP8600291	6th pinion gear	1	
4	AP8600294	Washer	1	
5	AP8600289	3rd-4th pinion gear	1	
6	AP8600295	Snap ring	2	
7	AP8600293	Bush	1	
8	AP8600290	5th pinion gear	1	
9	AP8600287	Primary gear shaft	1	
10	AP8600296	Bearing 20x52x15	1	
11	AP8600410	Check bearing plate	1	
12	AP8600412	screw M6x16	1	
13	AP8600412	screw M6x16	1	
14	AP8600073	Stud bolt	4	
15	AP8600074	Stud bolt	2	
16	AP8600072	Stud bolt l=90	1	
17	AP8600331	Fork shaft	1	
18	AP8600329	Fork n3	1	
19	AP8600408	Gearbox cover	1	
20	AP8600297	Bearing 17x40x12	1	
21	AP8600075	Pin	2	
22	AP8600076	Nut	7	

Group	ENGINE
Code	29.30
Description	Driven shaft
Service	1



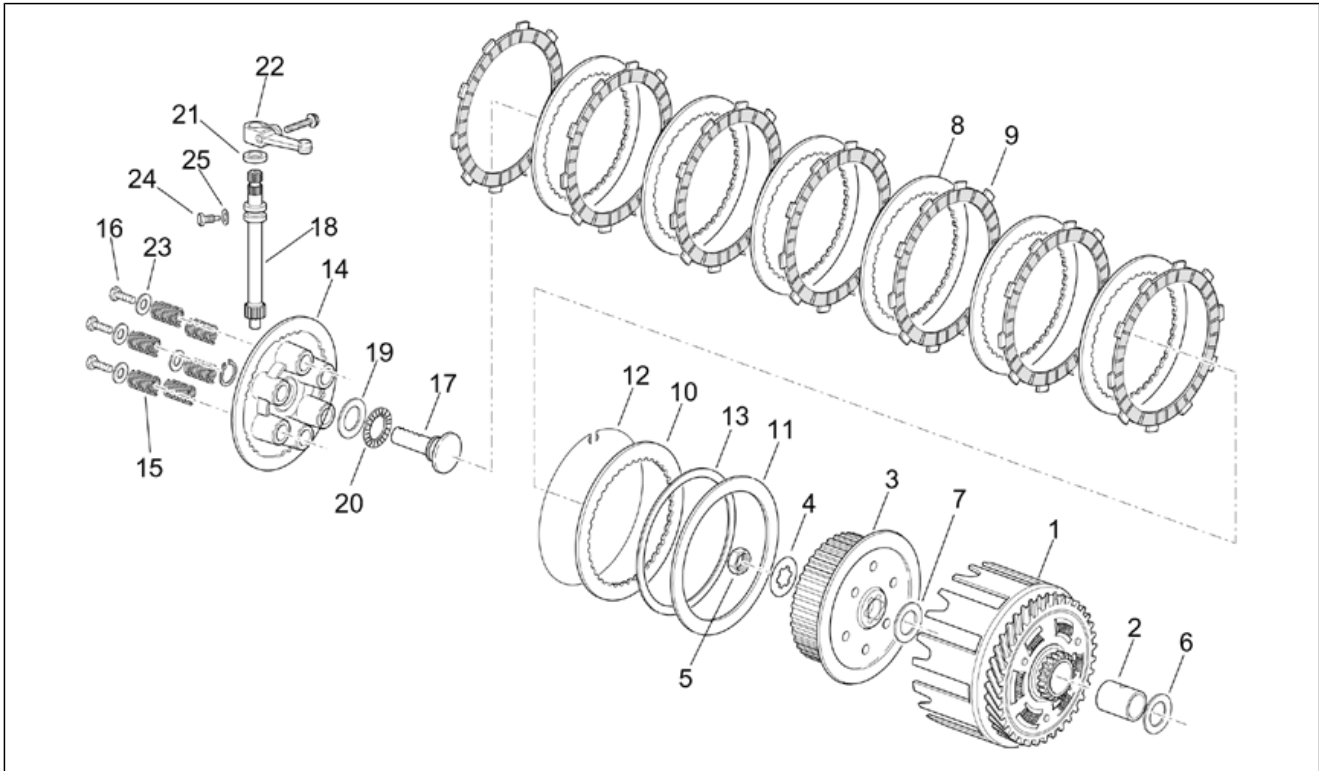
Pos.	Code	Description	Qty	Variants
1	AP8600326	Snap ring	2	
2	AP8600325	Pinion Z=14	1	
3	AP8600318	Lock bearing plate	1	
4	AP8600319	Stop plate gasket	1	
5	AP8600320	screw M6x16	3	
6	AP8600321	screw M6x16	1	
7	AP8600313	Oil seal 25x38x6	1	
8	AP8600312	Bearing 25x62x17	1	
9	AP8600298	Driven shaft	1	
10	AP8600300	2nd wheel gear	1	
11	AP8600307	Bush	1	
12	AP8600309	Circlip	3	
13	AP8600405	6th wheel gear	1	
14	AP8600311	Bearing	1	
15	AP8600310	Washer	2	
16	AP8600308	Gear bush 3/4	1	
17	AP8600301	3rd wheel gear	1	
18	AP8600302	4th wheel gear	1	
19	AP8600303	5th wheel gear	1	
20	AP8600306	Bearing 18x22x12.8	1	
21	AP8600299	1st wheel gear	1	
22	AP8600314	Gearbox oil pipe	1	
23	AP8600315	Oil pipe lock plate	1	
24	AP8600316	screw	1	
25	AP8600327	Bearing 15x19x13	1	
26	AP8600305	Washer	1	
27	AP8600322	Trans.starter gear	1	
28	AP8600323	Clearance washer	2	

Group	ENGINE
Code	29.30
Description	Driven shaft
Service	1



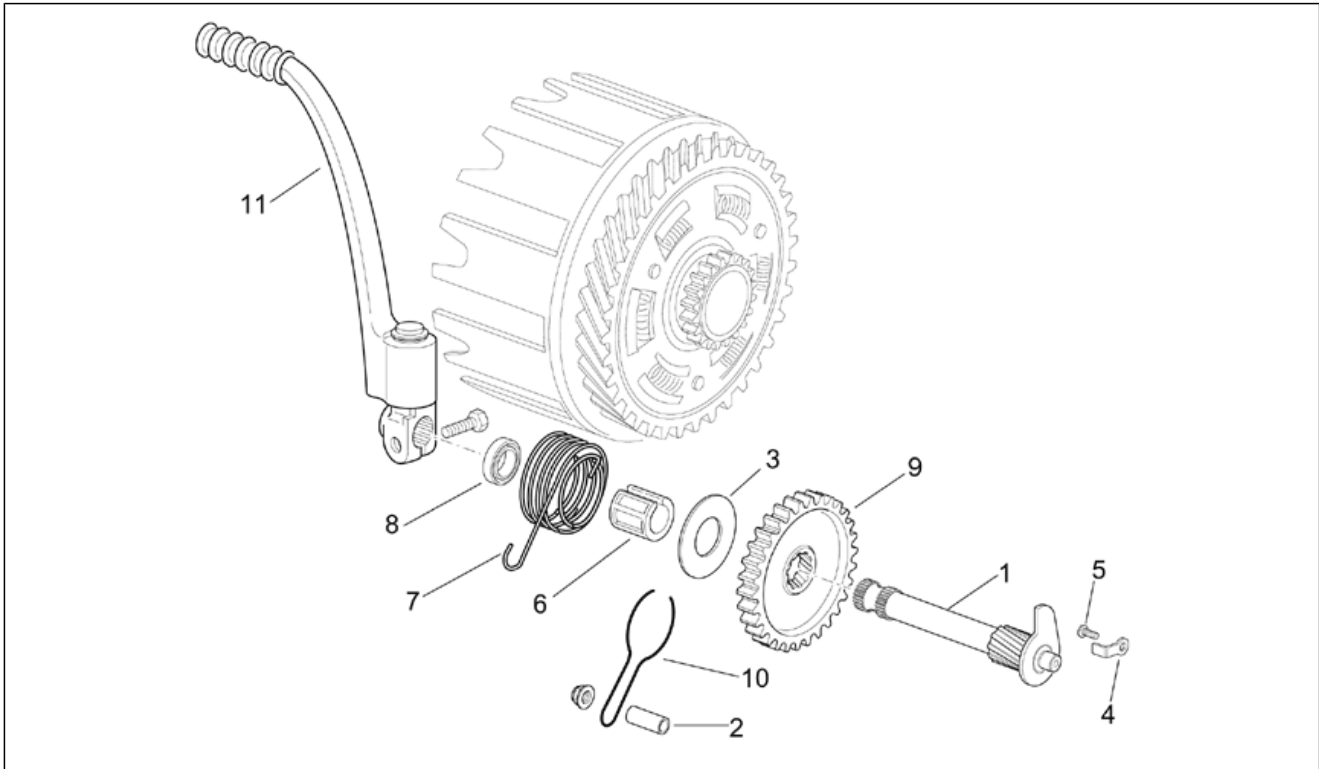
Pos.	Code	Description	Qty	Variants
29	AP8600324	Snap ring	1	
30	AP8600330	Fork shaft	1	
31	AP8600328	Fork n1	1	
32	AP8600404	Fork n2	1	

Group	ENGINE
Code	29.31
Description	Clutch
Service	1



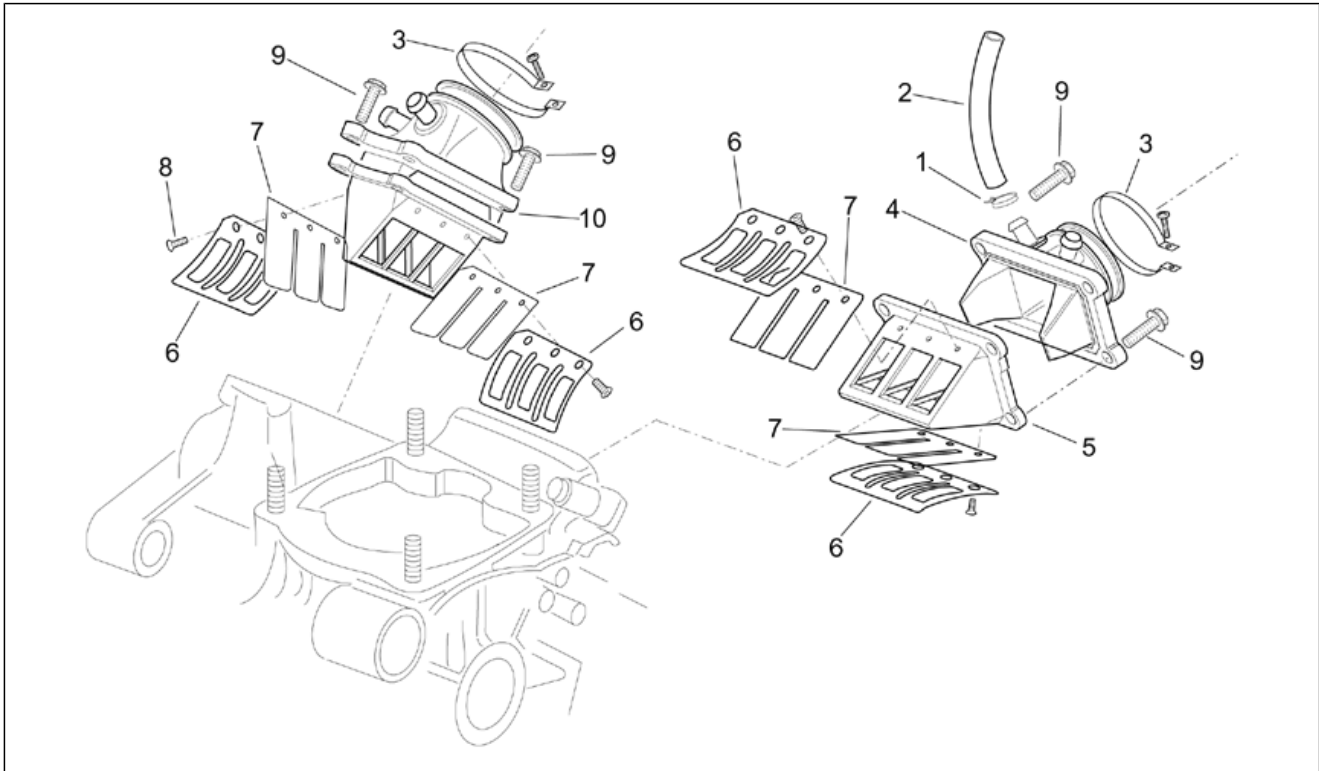
Pos.	Code	Description	Qty	Variants
1	AP8600261	Clutch drum	1	
2	AP8600262	Clutch drum spacer	1	
3	AP8600263	Clutch hub	1	
4	AP8600264	Washer	1	
5	AP8600265	Nut	1	
6	AP8600266	Washer 20x36x3	1	
7	AP8600267	Washer 20x36x2	1	
8	AP8600269	Metallic clutch disc sp.1.6	6	
9	AP8600268	Lined clutch disc sp.3	7	
10	AP8600270	Metallic clutch disc sp.2	1	
11	AP8600271	Elastic clutch plate ring	1	
12	AP8600272	Clutch stop ring	1	
13	AP8600273	Elastic clutch plate	1	
14	AP8600274	Clutch pressure plate	1	
15	AP8600275	Clutch spring	6	
16	AP8600276	screw	6	
17	AP8600277	Clutch control washer	1	
18	AP8600278	Clutch shaft	1	
19	AP8600279	Washer 15,5x28x1	1	
20	AP8600280	Bearing 15x28x2	1	
21	AP8600281	Oil seal 10x17x5	1	
22	AP8600282	Clutch lever	1	
23	AP8600286	Circlip	1	
24	AP8600284	screw	1	
25	AP8600285	Washer	1	

Group	ENGINE
Code	29.32
Description	Starter assembly
Service	1



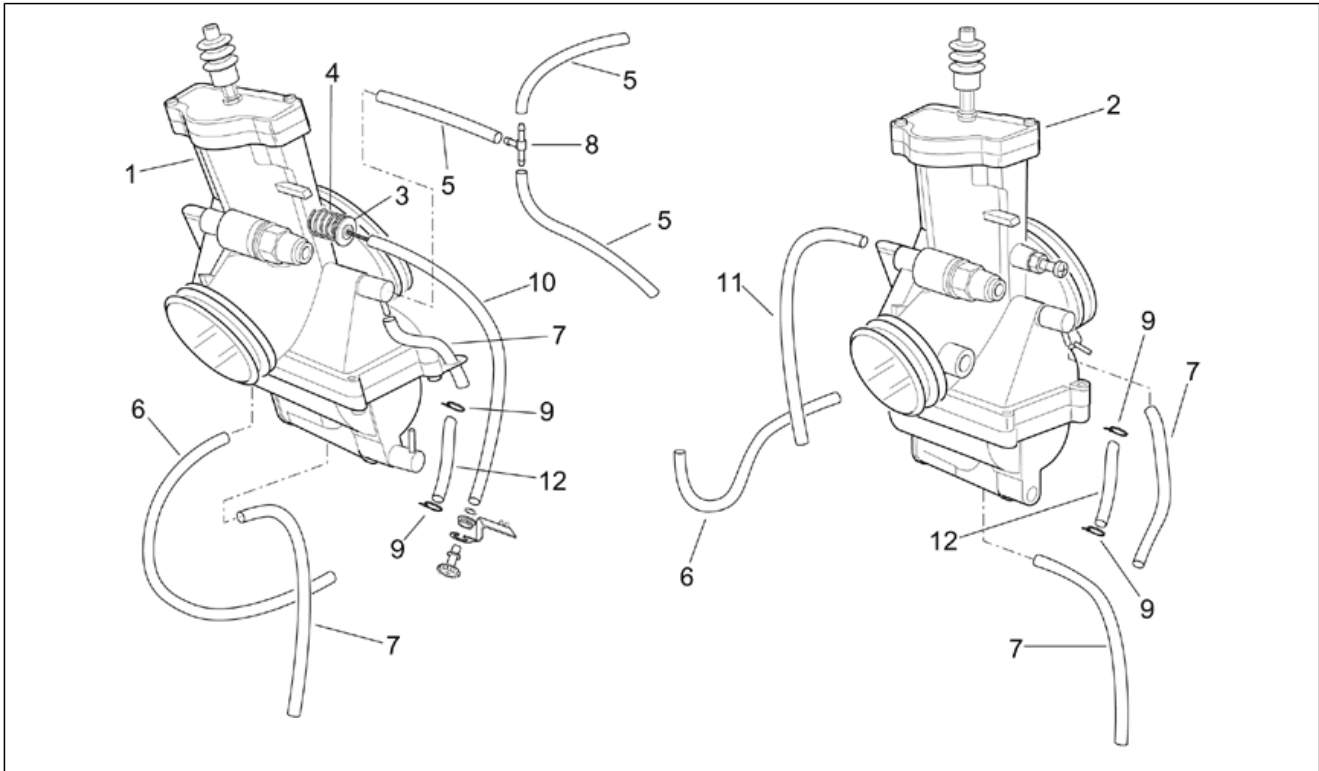
Pos.	Code	Description	Qty	Variants
1	AP8600364	Starting shaft	1	
2	AP8600365	Spacer 6,5x10,5x22,5	1	
3	AP8600366	Clearance washer	1	
4	AP8600407	Lock plate	1	
5	AP8600316	screw	1	
6	AP8600368	Kick starter spring guide	1	
7	AP8600369	Kickstarter spring	1	
8	AP8600370	Oil seal 16x24x5	1	
9	AP8600371	Kick starter gear	1	
10	AP8600372	Kick starter spring lock	1	
11	AP8106273	Starter lever cpl.	1	

Group	ENGINE
Code	29.33
Description	Carburettor flange
Service	1



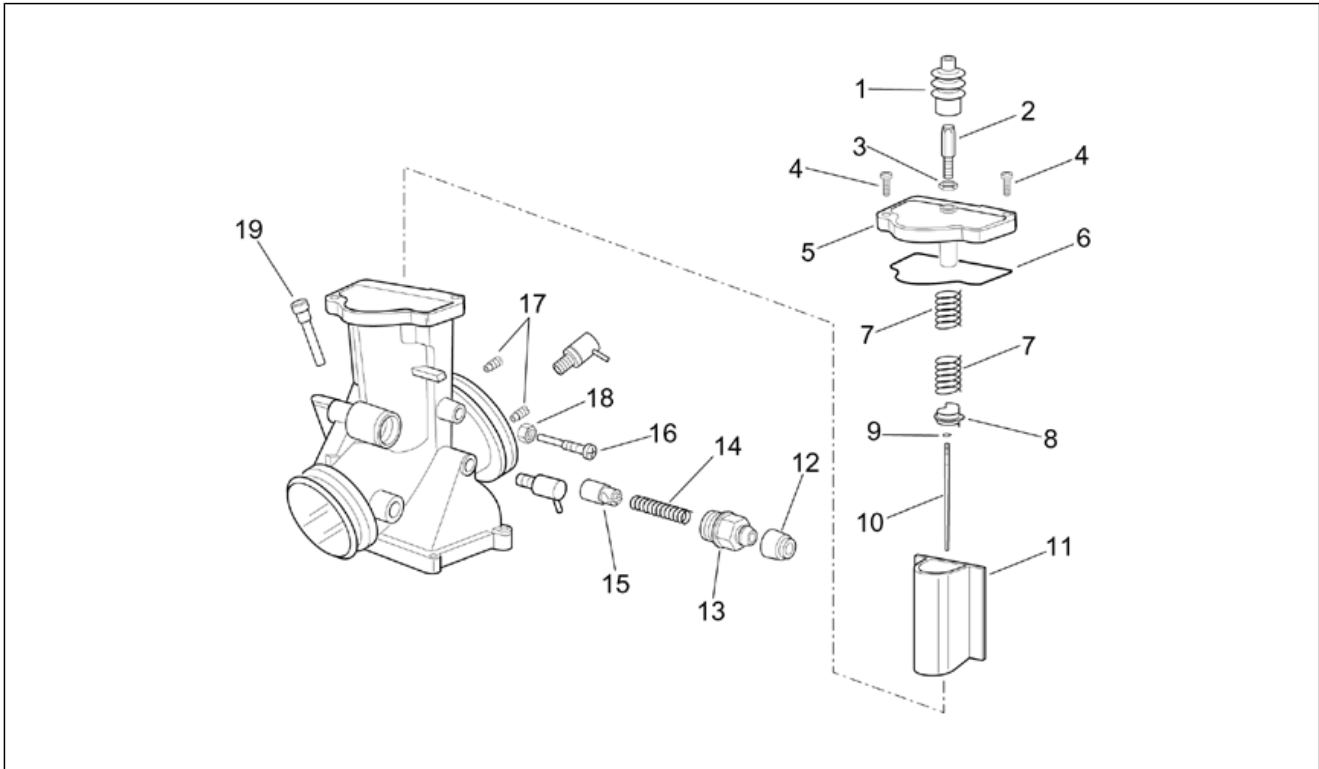
Pos.	Code	Description	Qty	Variants
1	AP8102420	Clip D13	4	
2	AP8600088	pipe l=2200	2	
3	AP8600087	Hose clamp	2	
4	AP8600086	Intake hose LH	1	
5	AP8600080	Reed valve assy	2	
6	AP8600081	Blade lock	4	
7	AP8600082	Reed valve assy	4	
8	AP8600083	screw	12	
9	AP8600084	screw	8	
10	AP8600085	Intake hose RH	1	

Group	ENGINE
Code	29.34
Description	Carburettor I
Service	1



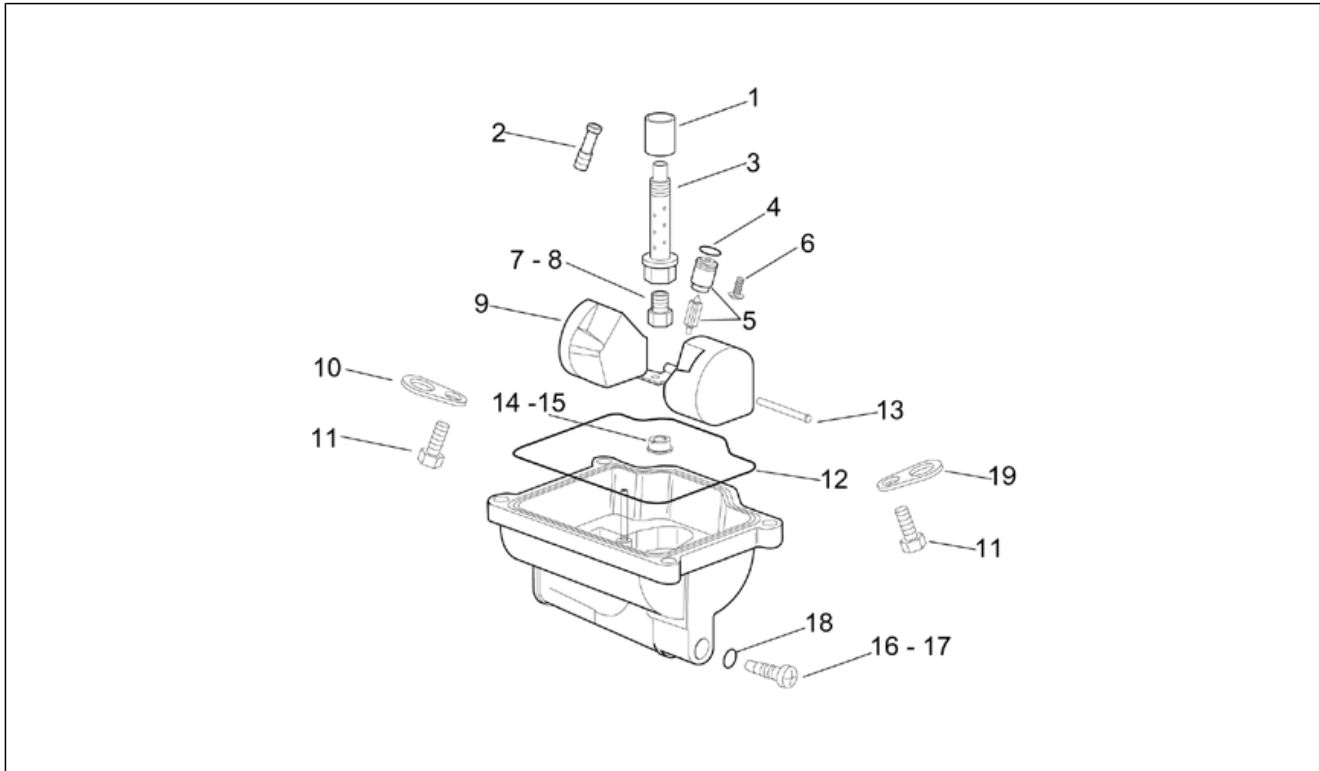
Pos.	Code	Description	Qty	Variants
1	AP8600134	Carburettor RH	1	Country: Austria[A], Belgium[B], Denmark[DK], Spain[E], France[F], Greece[GR], Italy[I], Japan[J], Malaysia[MAL], Holland[NL], Portugal[P], Singapore[SGP], Great Britain[UK]
1	AP8600402	Carburettor RH	1	Country: Germany[D]
2	AP8600133	Carburettor LH	1	Country: Austria[A], Belgium[B], Denmark[DK], Spain[E], France[F], Greece[GR], Italy[I], Japan[J], Malaysia[MAL], Holland[NL], Portugal[P], Singapore[SGP], Great Britain[UK]
2	AP8600401	Carburettor LH	1	Country: Germany[D]
3	AP8600171	Washer	1	
4	AP8600170	Spring RH	1	
5	AP8600157	pipe l=250	3	
6	AP8600180	pipe 4x7x1000	2	
7	AP8600164	pipe 3x5x650	2	
8	AP8600184	3-way union	1	
9	AP8600176	Clip	4	
10	AP8600169	RH throttle adjuster	1	
11	AP8600200	Max air pipe	2	
12	AP8600175	Pipe cpl.	2	

Group	ENGINE
Code	29.35
Description	Carburettor II
Service	1



Pos.	Code	Description	Qty	Variants
1	AP8102423	Throttle cable cap	2	
2	AP8600138	Register	2	
3	AP8600139	Nut	2	
4	AP8600137	screw	12	
5	AP8600135	Cover	2	
6	AP8600136	O-ring	2	
7	AP8600140	Spring	2	
8	AP8600141	Ring	2	
9	AP8600142	Circlip	2	
10	AP8600143	Jet Needle 6gh8-55-3	2	
11	AP8600144	Valve ca=1,5	2	
12	AP8600168	Cap	2	
13	AP8600167	Spring guide	2	
14	AP8600166	Spring	2	
15	AP8600165	Starter shutter	2	
16	AP8600181	Adjuster screw LH	1	
17	AP8106417	Air jet (1,5)	2	
17	AP8600172	Air jet (1,1)	2	
18	AP8600182	Nut	1	
19	AP8600178	Filter	2	

Group	ENGINE
Code	29.36
Description	Carburettor III
Service	1



Pos.	Code	Description	Qty	Variants
1	AP8600177	Ring	2	
2	AP8106342	Idle jet 20	2	Country:Germany[D], Holland[NL]
2	AP8600145	Idle jet 27,5	2	Country:Austria[A], Belgium[B], Denmark[DK], Spain[E], France[F], Greece[GR], Italy[I], Japan[J], Malaysia[MAL], Portugal[P], Singapore[SGP], Great Britain[UK]
3	AP8106341	Needle valve 0-9	2	Country:Germany[D]
3	AP8600146	Needle valve 0-8	2	Country:Austria[A], Belgium[B], Denmark[DK], Spain[E], France[F], Greece[GR], Italy[I], Japan[J], Malaysia[MAL], Holland[NL], Portugal[P], Singapore[SGP], Great Britain[UK]
4	AP8600150	O-ring	2	
5	AP8600149	Needle valve	2	
6	AP8600151	screw	2	
7	AP8600147	Main jet LH 270	1	
8	AP8600148	Main jet RH 280	1	
9	AP8600152	Float	2	
10	AP8600159	Plate	2	
11	AP8600137	screw	2	
12	AP8600156	Float chamber gasket	2	
13	AP8600153	Float pin	2	
14	AP8600154	Power jet LH (55)	1	
15	AP8600155	Power jet RH (35)	1	
16	AP8600161	Unload screw LH	1	
17	AP8600162	Unload screw RH	1	
18	AP8600163	O-ring	1	
19	AP8600160	Plate	2	