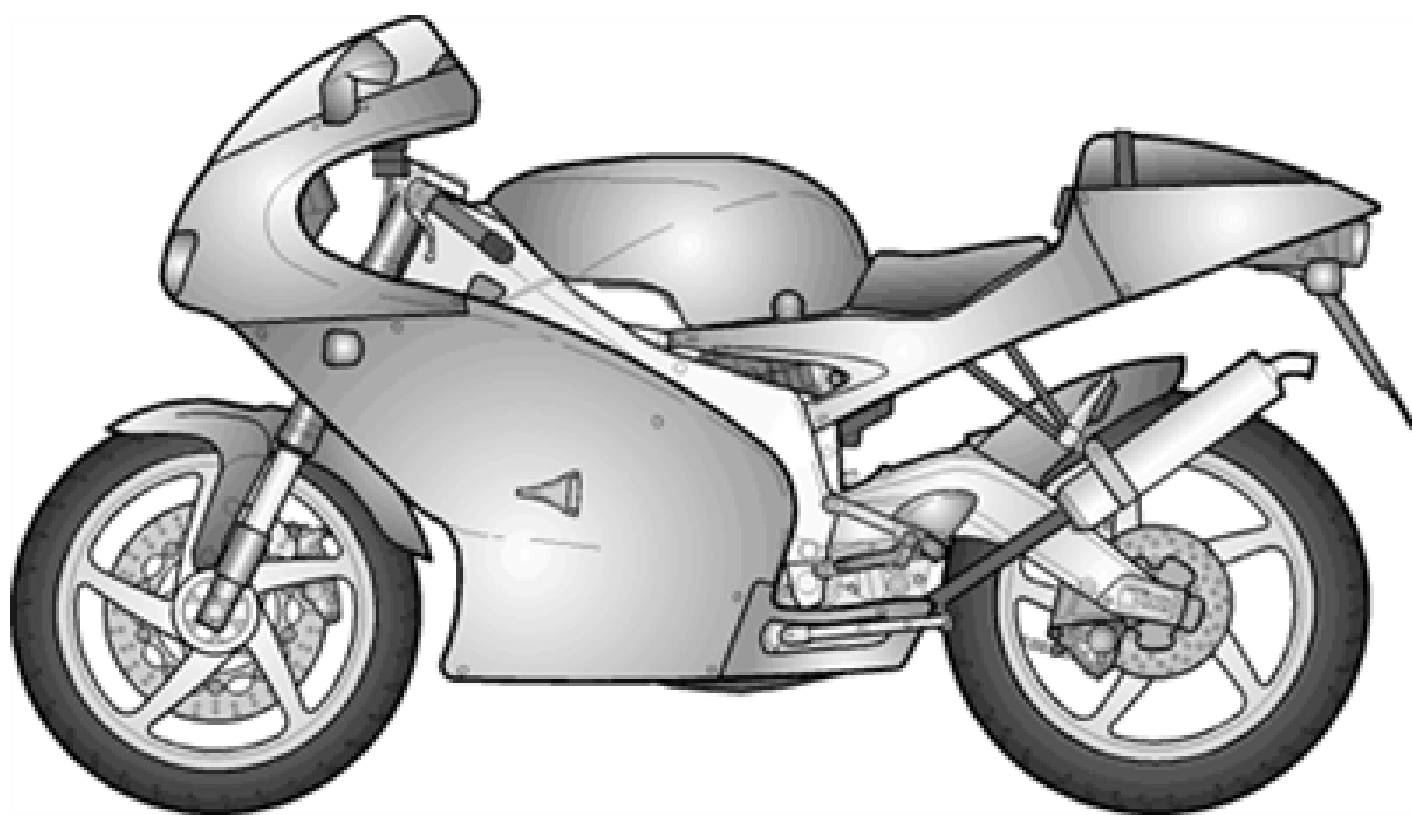


aprilia[®]

SPARE PARTS CATALOGUE



RS 125 1999-2005

Chassis prefix: ZD4SF0, ZD4SFA, ZD4SFF, ZD4SFG, ZD4MPB

Engine prefix:

Index

Finished products.....	4
Alphanumeric index.....	5
FRAME.....	12
Table 28.01 - Frame.....	12
Table 28.02 - Central stand.....	13
Table 28.03 - Front footrests.....	14
Table 28.04 - Rear footrests.....	16
Table 28.05 - Front fork.....	17
Table 28.06 - Swing arm.....	19
Table 28.07 - Rear shock absorber.....	20
Table 28.08 - Front body I.....	21
Table 28.09 - Front body II.....	23
Table 28.10 - Fuel tank.....	25
Table 28.11 - Central body.....	27
Table 28.12 - Saddle unit.....	31
Table 28.13 - Rear body I.....	34
Table 28.14 - Rear body II.....	37
Table 28.15 - Dashboard.....	38
Table 28.16 - RH controls.....	40
Table 28.17 - LH Controls.....	42
Table 28.18 - Water cooler.....	43
Table 28.19 - Air box.....	44
Table 28.21 - Oil tank.....	45
Table 28.26 - Exhaust unit.....	46
Table 28.27 - Front wheel.....	49
Table 28.28 - Rear wheel.....	52
Table 28.29 - Rear master cylinder.....	54
Table 28.30 - Rear brake caliper.....	55
Table 28.31 - Lights.....	56
Table 28.32 - Electrical system I.....	58
Table 28.33 - Electrical system II.....	60
Table 28.34 - Lock hardware kit.....	61
Table 28.35 - Plate set and handbook.....	62
Table 28.36 - Decal.....	66
ENGINE.....	70
Table 29.20 - Secondary air.....	70
Table 29.22 - Carburettor I.....	71
Table 29.23 - Carburettor II.....	74
Table 29.24 - Carburettor III.....	76
Table 29.25 - Engine.....	79
Table 29.37 - Crankcase.....	81
Table 29.38 - Water pump assy.....	82
Table 29.39 - Crankshaft - Balance shaft.....	83

Table 29.40 - Cylinder - Head - Piston.....	84
Table 29.41 - Carburettor flange.....	85
Table 29.42 - Cylinder - Exhaust valve.....	86
Table 29.43 - Transmission.....	88
Table 29.44 - Grip shift.....	89
Table 29.45 - Clutch.....	90
Table 29.46 - Clutch cover.....	91
Table 29.47 - Oil pump.....	92
Table 29.48 - Ignition unit.....	93

Finished products

Code	Validity
AP6112001EU403	
AP66212BE01	
AP66212BE02	
AP66212BE03	
AP66212CH03	
AP66212DE01	
AP66212DE02	
AP66212DE03	
AP66212DE05	
AP66212EU05	
AP66212FI01	
AP66212FI02	
AP66212FR01	
AP66212FR02	
AP66212FR03	
AP66212FR05	
AP66212IT01	
AP66212IT02	
AP66212IT03	
AP66212IT05	

Code	No. table	Pos.	Code	No. table	Pos.	Code	No. table	Pos.
0000000	28.27	11	AP0239907	29.46	7	AP0265415	29.48	12
0000000	28.28	9	AP0239950	29.40	11	AP0267917	29.41	6
0000000	29.45	11	AP0240081	28.26	18	AP0267918	29.41	6
852330	28.17	3	AP0240081	29.42	18	AP0273970	28.26	16
AP0210345	29.48	17	AP0240195	29.40	13	AP0273970	29.42	16
AP0211403	29.46	1	AP0240820	29.46	13	AP0281210	29.43	21
AP0211440	29.47	10	AP0241236	29.42	23	AP0293314	29.37	22
AP0211455	29.48	18	AP0241270	29.38	9	AP0293318	29.37	21
AP0215670	29.40	17	AP0241381	29.37	18	AP0293417	29.38	13
AP0216139	29.40	18	AP0241770	29.45	10	AP0294735	29.47	1
AP0220280	29.43	8	AP0241782	29.46	16	AP0294747	29.40	16
AP0220295	29.44	18	AP0241791	29.46	4	AP0294748	29.40	16
AP0220300	29.43	1	AP0241801	29.46	14	AP0294755	29.40	16
AP0222122	29.40	9	AP0241821	29.37	16	AP0294800	29.48	15
AP0222175	29.40	10	AP0241821	29.44	16	AP0294810	29.48	2
AP0222182	29.38	1	AP0241930	29.40	15	AP0295365	29.48	20
AP0222195	29.38	6	AP0241930	29.42	12	AP0295373	29.39	1
AP0222202	29.40	12	AP0242515	29.39	5	AP0295374	29.39	17
AP0223384	29.40	4	AP0242515	29.48	8	AP0295388	29.37	1
AP0223618	29.40	2	AP0242586	29.42	13	AP0295406	29.45	2
AP0223618	29.42	2	AP0244100	29.43	14	AP0295670	29.48	3
AP0223990	29.40	2	AP0245570	29.44	10	AP0295677	29.48	4
AP0223990	29.42	2	AP0245650	29.39	9	AP0297386	29.37	20
AP0224067	28.26	17	AP0245650	29.43	18	AP0297386	29.48	22
AP0224067	29.42	17	AP0245730	29.43	4	AP0297431	29.39	18
AP0224260	29.37	3	AP0245790	29.44	3	AP0297431	29.42	14
AP0224387	29.41	2	AP0246570	29.39	8	AP0297431	29.43	20
AP0224430	29.41	3	AP0247555	29.37	7	AP0297745	29.42	9
AP0227280	29.39	13	AP0248325	29.44	13	AP0297830	29.48	14
AP0227430	29.43	16	AP0250160	29.40	3	AP0427590	29.39	3
AP0227450	29.44	22	AP0250205	29.46	10	AP0427591	29.39	3
AP0227710	29.44	14	AP0250271	28.26	15	AP0427690	29.44	20
AP0227945	29.46	6	AP0250271	29.42	15	AP0430060	29.38	8
AP0227945	29.48	1	AP0250280	29.40	14	AP0430460	29.39	6
AP0229280	29.38	4	AP0250455	29.46	9	AP0430460	29.43	17
AP0229380	29.37	2	AP0250521	29.41	1	AP0430782	29.40	7
AP0229380	29.38	11	AP0250641	29.46	15	AP0440113	29.41	10
AP0229390	29.44	6	AP0250890	29.46	12	AP0613100	29.40	8
AP0230195	29.38	2	AP0250890	29.47	7	AP0632010	29.37	5
AP0230415	29.37	15	AP0250975	29.42	7	AP0632060	29.44	4
AP0230425	29.37	10	AP0251080	29.47	4	AP0634035	29.38	10
AP0230810	29.42	6	AP0251850	29.41	8	AP0634065	29.43	15
AP0230880	29.42	5	AP0253373	29.42	19	AP0634085	29.43	7
AP0232150	29.46	2	AP0253465	29.42	4	AP0634095	29.43	5
AP0232275	29.37	4	AP0253500	29.42	20	AP0634105	29.43	6
AP0232291	29.37	8	AP0253722	29.42	3	AP0634115	29.43	10
AP0232291	29.39	10	AP0256037	29.47	5	AP0634125	29.43	3
AP0232340	29.39	12	AP0256400	29.47	2	AP0634135	29.43	13
AP0232402	29.44	2	AP0256410	29.47	3	AP0640190	29.37	17
AP0232742	29.43	2	AP0258113	29.44	8	AP0650095	29.40	1
AP0232742	29.45	1	AP0258123	29.44	7	AP0650095	29.42	1
AP0232765	29.37	12	AP0258135	29.44	5	AP0650096	29.40	1
AP0234415	29.38	7	AP0258200	29.44	9	AP0650096	29.42	1
AP0234431	29.39	7	AP0258305	29.44	1	AP0650097	29.40	1
AP0234858	29.43	12	AP0259053	29.45	4	AP0650097	29.42	1
AP0234968	29.43	9	AP0259165	29.45	8	AP0650130	29.37	14
AP0234984	29.43	11	AP0259325	29.46	3	AP0827261	29.44	21
AP0236061	29.43	19	AP0259420	29.45	9	AP0827305	29.44	11
AP0236062	29.43	19	AP0259470	29.45	6	AP0827307	29.44	17
AP0236063	29.43	19	AP0259557	29.45	5	AP0827590	29.38	5
AP0236064	29.43	19	AP0259570	29.45	3	AP0827961	29.42	21
AP0237912	29.38	3	AP0260030	29.47	6	AP0840510	29.47	8
AP0237945	29.39	11	AP0260840	29.48	10	AP0840511	29.47	11
AP0239052	29.42	8	AP0265157	29.48	5	AP0840861	29.41	7
AP0239241	29.44	15	AP0265402	29.48	11	AP0840861	29.42	22
AP0239252	29.44	19	AP0265405	29.48	11	AP0840880	29.44	12
AP0239625	29.45	7	AP0265405	29.48	11	AP0840880	29.46	11

Code	No. table	Pos.	Code	No. table	Pos.	Code	No. table	Pos.
AP0840880	29.48	6	AP8102633	28.08	3	AP8106723	29.23	8
AP0841685	29.46	8	AP8102670	28.19	8	AP8106723	29.23	8
AP0845020	29.42	11	AP8102676	28.10	16	AP8106723	29.23	8
AP0853840	29.47	9	AP8102704	28.18	11	AP8106724	29.24	1
AP0860460	29.42	10	AP8102798	28.01	13	AP8106724	29.24	1
AP0866708	29.48	13	AP8102811	28.16	13	AP8106724	29.24	1
AP0897055	29.48	14	AP8102811	28.29	7	AP8106728	29.24	4
AP0897161	29.38	12	AP8102819	28.10	3	AP8106728	29.24	4
AP0897161	29.48	21	AP8102821	28.35	1	AP8106728	29.24	4
AP0899785	29.39	15	AP8102823	28.34	1	AP8106728	29.24	4
AP0899785	29.47	12	AP8102880	28.12	14	AP8106729	29.23	9
AP0899785	29.48	19	AP8102880	28.34	2	AP8106729	29.23	9
AP0899788	29.37	19	AP8102903	29.20	5	AP8106778	29.22	9
AP0899788	29.39	19	AP8102909	28.08	5	AP8106778	29.22	9
AP0899788	29.41	9	AP8102913	28.12	13	AP8106778	29.22	9
AP0899788	29.42	24	AP8102913	28.34	7	AP8106779	29.22	8
AP0899788	29.48	16	AP8102927	28.10	7	AP8106780	29.24	2
AP0924150	29.37	6	AP8102927	28.34	4	AP8106781	29.24	8
AP0930675	29.37	11	AP8102928	28.12	7	AP8106782	29.24	7
AP0932028	29.39	16	AP8102928	28.34	5	AP8106783	29.22	4
AP0932032	29.37	9	AP8102937	28.35	1	AP8106784	29.22	10
AP0932588	29.39	2	AP8102938	28.35	1	AP8106785	29.22	5
AP0940235	29.41	5	AP8102939	28.35	1	AP8106786	29.22	6
AP0940315	29.39	14	AP8102950	28.34	14	AP8106787	29.23	6
AP0940487	29.40	6	AP8103235	28.05	19	AP8106788	29.23	7
AP0940786	29.37	13	AP8104130	28.34	1	AP8106789	29.23	5
AP0941925	29.48	9	AP8104215	28.10	7	AP8106790	29.23	1
AP0942671	29.46	5	AP8104215	28.34	4	AP8106791	29.24	6
AP0945635	29.40	19	AP8104387	28.27	7	AP8106792	29.24	5
AP0945752	29.40	5	AP8104387	28.27	7	AP8106793	29.24	3
AP0945754	29.39	4	AP8104387	28.27	7	AP8106794	29.23	3
AP0945754	29.48	7	AP8104474	28.26	6	AP8106795	29.23	2
AP0945758	29.41	4	AP8104486	28.34	1	AP8106796	29.22	11
AP8101106	28.05	5	AP8104498	28.10	7	AP8106796	29.22	11
AP8101271	28.05	9	AP8104498	28.34	4	AP8106796	29.23	10
AP8101284	28.26	6	AP8104572	28.16	1	AP8106796	29.23	10
AP8101285	28.26	3	AP8104572	28.17	5	AP8106796	29.24	11
AP8101341	28.06	3	AP8104745	29.20	1	AP8106796	29.24	11
AP8101743	28.18	15	AP8104800	28.35	1	AP8106797	29.22	9
AP8101743	28.21	8	AP8104812	28.35	1	AP8106798	29.24	1
AP8101819	28.27	7	AP8104813	28.35	1	AP8106799	29.23	8
AP8101819	28.27	7	AP8104814	28.35	1	AP8106800	29.22	5
AP8101819	28.27	7	AP8106013	29.25	4	AP8106801	29.22	11
AP8101861	28.04	9	AP8106092	29.24	4	AP8106801	29.23	10
AP8101910	28.18	2	AP8106194	29.22	1	AP8106801	29.24	11
AP8101912	28.18	1	AP8106220	29.22	8	AP8106802	29.24	9
AP8101916	28.18	5	AP8106315	29.25	2	AP8106803	29.24	10
AP8101924	28.18	4	AP8106397	29.22	1	AP8106948	29.22	1
AP8101927	28.18	19	AP8106397	29.22	1	AP8106949	29.22	1
AP8101944	28.21	6	AP8106398	29.25	1	AP8106950	29.25	1
AP8102080	28.19	4	AP8106436	29.25	1	AP8106963	29.22	9
AP8102112	28.18	8	AP8106548	29.25	1	AP8107110	28.28	4
AP8102118	28.18	9	AP8106549	29.25	1	AP8107134	28.28	14
AP8102223	28.21	5	AP8106550	29.22	1	AP8107135	28.28	21
AP8102224	28.21	4	AP8106558	29.25	1	AP8108814	28.27	23
AP8102296	28.28	17	AP8106603	29.22	1	AP8108814	28.27	23
AP8102341	28.08	6	AP8106693	29.23	9	AP8108814	28.27	23
AP8102375	28.01	10	AP8106694	29.23	8	AP8108815	28.28	13
AP8102375	28.11	9	AP8106695	29.24	4	AP8108815	28.28	13
AP8102375	28.13	6	AP8106696	29.24	1	AP8108815	28.28	13
AP8102376	28.01	9	AP8106696	29.24	1	AP8108815	28.28	13
AP8102401	28.19	9	AP8106697	29.22	9	AP8108973	28.27	23
AP8102432	28.26	12	AP8106697	29.22	9	AP8108973	28.27	23
AP8102502	28.12	15	AP8106697	29.22	9	AP8108973	28.27	23
AP8102504	28.08	11	AP8106722	29.23	9	AP8108973	28.27	23
AP8102524	28.02	5	AP8106722	29.23	9	AP8108973	28.27	23
AP8102632	28.08	2	AP8106722	29.23	9	AP8108997	28.27	23

Code	No. table	Pos.	Code	No. table	Pos.	Code	No. table	Pos.
AP8110024	28.05	8	AP8114272	28.16	29	AP8120569	28.03	11
AP8110025	28.05	7	AP8114320	28.16	6	AP8120573	28.03	10
AP8110053	29.25	6	AP8114321	28.17	7	AP8120573	28.04	7
AP8110063	28.07	17	AP8114331	28.17	8	AP8120582	28.33	7
AP8110064	28.07	16	AP8114332	28.16	28	AP8120670	28.01	17
AP8110067	28.06	4	AP8114334	28.15	5	AP8120699	28.01	5
AP8110068	28.07	13	AP8114334	28.15	5	AP8120708	29.25	3
AP8112176	28.32	5	AP8114334	28.15	5	AP8120709	28.10	4
AP8112244	28.32	4	AP8114389	28.12	12	AP8120748	28.19	1
AP8112290	28.33	1	AP8114389	28.34	6	AP8120748	28.19	1
AP8112458	28.33	9	AP8114444	28.15	5	AP8120754	28.32	8
AP8112460	28.32	17	AP8114444	28.15	5	AP8120786	28.18	10
AP8112506	28.32	6	AP8114444	28.15	5	AP8120787	28.18	3
AP8112567	28.32	25	AP8117072	28.26	6	AP8120790	28.18	6
AP8112568	28.32	24	AP8117073	28.10	23	AP8120792	28.28	15
AP8112568	28.32	24	AP8117111	28.19	7	AP8120793	28.06	9
AP8112612	28.32	24	AP8117123	28.11	3	AP8120794	28.06	10
AP8112906	28.32	2	AP8117124	28.11	4	AP8120798	28.10	14
AP8112916	28.31	13	AP8117219	28.11	3	AP8120806	28.28	5
AP8112942	28.32	7	AP8117220	28.11	4	AP8120807	28.28	6
AP8113003	28.27	4	AP8117221	28.11	10	AP8120810	28.19	6
AP8113003	28.30	5	AP8117222	28.11	11	AP8120816	28.32	26
AP8113004	28.27	5	AP8117223	28.09	10	AP8120910	28.04	6
AP8113004	28.29	6	AP8118287	28.16	3	AP8120946	28.18	7
AP8113004	28.30	4	AP8118287	28.17	12	AP8120997	28.19	1
AP8113005	28.27	16	AP8118307	28.16	7	AP8121014	28.02	6
AP8113005	28.30	15	AP8118308	28.17	9	AP8121058	28.26	10
AP8113006	28.27	15	AP8118324	28.17	13	AP8121091	28.26	4
AP8113006	28.27	15	AP8118343	28.16	11	AP8121114	28.10	10
AP8113006	28.30	16	AP8118375	28.17	16	AP8121118	28.29	15
AP8113117	28.30	14	AP8118409	28.16	4	AP8121121	28.06	5
AP8113122	28.30	17	AP8118432	28.17	2	AP8121133	28.04	8
AP8113157	28.16	22	AP8118439	28.17	1	AP8121134	28.03	7
AP8113157	28.29	9	AP8118460	28.16	5	AP8121135	28.03	14
AP8113280	28.16	8	AP8118516	28.32	18	AP8121147	28.29	17
AP8113310	28.27	14	AP8118517	28.17	17	AP8121147	29.25	21
AP8113413	28.16	20	AP8118518	28.16	27	AP8121150	28.06	20
AP8113489	28.27	17	AP8119399	28.26	20	AP8121151	28.01	11
AP8113530	28.27	2	AP8119457	28.26	2	AP8121151	28.07	21
AP8113530	28.27	2	AP8119458	28.26	1	AP8121155	28.01	12
AP8113567	28.27	1	AP8119469	28.26	1	AP8121155	28.07	22
AP8113596	28.30	6	AP8119513	28.26	1	AP8121156	28.06	21
AP8113596	28.30	6	AP8119514	28.26	1	AP8121157	28.27	9
AP8113617	28.16	17	AP8119515	28.26	1	AP8121163	29.25	7
AP8113651	28.30	13	AP8119704	28.26	2	AP8121284	28.29	16
AP8113713	28.27	3	AP8119726	28.26	1	AP8121284	29.25	9
AP8113714	28.29	4	AP8119769	28.26	1	AP8121324	28.10	8
AP8113714	28.30	2	AP8119784	28.26	2	AP8121566	28.03	14
AP8113781	28.27	2	AP8119784	28.26	2	AP8121581	28.06	20
AP8113781	28.27	2	AP8119828	28.26	1	AP8121672	28.03	12
AP8113781	28.27	2	AP8119829	28.26	1	AP8121697	28.06	14
AP8113782	28.30	6	AP8120030	28.18	13	AP8121697	28.07	14
AP8113782	28.30	6	AP8120030	28.33	6	AP8121697	28.29	25
AP8113782	28.30	6	AP8120177	28.14	6	AP8121697	29.25	24
AP8113816	28.16	23	AP8120275	29.25	25	AP8121728	28.03	18
AP8113817	28.27	15	AP8120278	28.16	15	AP8121731	28.33	8
AP8113817	28.27	15	AP8120280	28.06	7	AP8121736	28.33	17
AP8113817	28.27	15	AP8120351	28.21	14	AP8121764	28.01	14
AP8113818	28.30	18	AP8120405	28.16	16	AP8121764	28.33	13
AP8113819	28.27	24	AP8120405	28.33	20	AP8121819	28.10	13
AP8113820	28.27	20	AP8120405	29.25	26	AP8121835	28.29	14
AP8113821	28.16	24	AP8120485	28.07	12	AP8121845	28.07	19
AP8113821	28.29	26	AP8120531	28.01	8	AP8121846	28.07	18
AP8113822	28.29	28	AP8120531	28.06	15	AP8121847	28.07	20
AP8113823	28.29	27	AP8120536	28.18	20	AP8121867	28.01	4
AP8113824	28.16	25	AP8120557	28.10	9	AP8121892	28.16	9
AP8113825	28.16	26	AP8120568	28.03	13	AP8121939	28.03	8

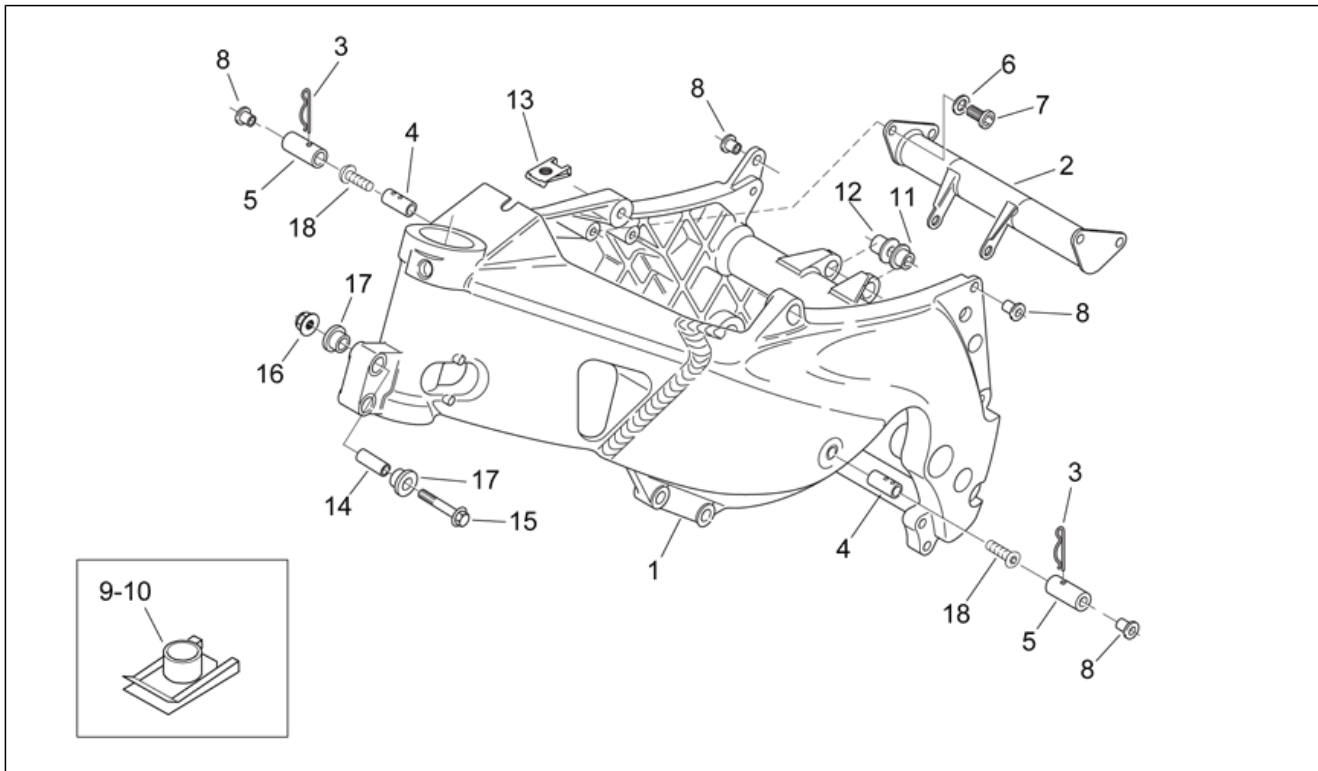
Code	No. table	Pos.	Code	No. table	Pos.	Code	No. table	Pos.
AP8121940	28.03	9	AP8124659	28.15	20	AP8129278	28.12	1
AP8121999	28.02	3	AP8124660	28.15	22	AP8129278	28.12	1
AP8123191	28.05	26	AP8124661	28.15	27	AP8129278	28.12	1
AP8123199	28.05	20	AP8124818	28.32	19	AP8129287	28.12	2
AP8123346	28.05	13	AP8124835	28.15	1	AP8129337	28.12	1
AP8123355	28.05	16	AP8124913	28.16	4	AP8129338	28.12	2
AP8123357	28.05	15	AP8124914	28.16	4	AP8131121	28.19	3
AP8123360	28.05	18	AP8124915	28.17	10	AP8131176	28.15	23
AP8123441	28.05	14	AP8125388	28.27	8	AP8131256	28.33	2
AP8123553	28.15	10	AP8125388	28.27	8	AP8131320	28.29	2
AP8123574	28.05	25	AP8125388	28.27	8	AP8131470	28.19	2
AP8123666	28.05	2	AP8125418	28.27	10	AP8131623	28.06	8
AP8123689	28.05	17	AP8125469	28.27	19	AP8131626	28.19	5
AP8123691	28.05	22	AP8125627	28.06	2	AP8132634	28.07	2
AP8123739	28.05	24	AP8125628	28.28	16	AP8132635	28.29	13
AP8123739	28.05	24	AP8125631	28.28	1	AP8132720	28.04	4
AP8123739	28.05	24	AP8125635	28.28	18	AP8132812	28.04	5
AP8123740	28.05	23	AP8125636	28.28	20	AP8132869	28.33	19
AP8123740	28.05	23	AP8125637	28.28	19	AP8132907	28.30	7
AP8123740	28.05	23	AP8125638	28.28	2	AP8133569	28.27	2
AP8123777	28.05	21	AP8125639	28.28	3	AP8133570	28.30	6
AP8123783	28.05	1	AP8125644	28.27	18	AP8134243	28.03	6
AP8123783	28.05	1	AP8125645	28.28	10	AP8134266	28.02	1
AP8123783	28.05	1	AP8125646	28.28	11	AP8134348	28.33	3
AP8123853	28.07	1	AP8125647	28.28	12	AP8134446	28.31	5
AP8123878	28.05	12	AP8125763	28.28	7	AP8134467	28.26	14
AP8123879	28.05	10	AP8125890	28.27	8	AP8134542	28.03	1
AP8124094	28.02	11	AP8125890	28.27	8	AP8134543	28.03	2
AP8124117	28.33	4	AP8125890	28.27	8	AP8134548	28.02	9
AP8124119	28.32	13	AP8126115	28.14	2	AP8134829	28.04	3
AP8124134	28.31	6	AP8126356	28.14	9	AP8134911	28.30	3
AP8124135	28.31	7	AP8126356	28.14	9	AP8135289	28.26	5
AP8124152	28.17	11	AP8126356	28.14	9	AP8135289	28.26	5
AP8124173	28.17	10	AP8126583	28.14	1	AP8135313	28.03	5
AP8124194	28.15	11	AP8126624	28.09	4	AP8135362	28.07	3
AP8124195	28.15	13	AP8126641	28.14	4	AP8135396	28.06	13
AP8124197	28.15	15	AP8126729	28.09	4	AP8135444	28.04	1
AP8124198	28.15	7	AP8126863	28.09	4	AP8135445	28.04	2
AP8124224	28.15	24	AP8126863	28.09	4	AP8135448	28.33	5
AP8124225	28.15	8	AP8126864	28.09	4	AP8135718	28.01	2
AP8124226	28.15	12	AP8126985	28.09	4	AP8135719	29.25	11
AP8124235	28.32	10	AP8126999	28.09	4	AP8135720	29.25	12
AP8124252	28.15	25	AP8127164	28.31	21	AP8135726	29.25	10
AP8124253	28.15	9	AP8127230	28.31	20	AP8135786	29.25	13
AP8124254	28.15	21	AP8127325	28.15	1	AP8135787	29.25	14
AP8124429	28.31	1	AP8127361	28.15	24	AP8135961	28.06	1
AP8124479	28.29	5	AP8127391	28.32	3	AP8135998	28.01	1
AP8124486	28.15	24	AP8127535	28.31	7	AP8138686	28.19	2
AP8124487	28.32	21	AP8127536	28.31	6	AP8138916	28.08	4
AP8124488	28.32	1	AP8127633	28.31	15	AP8138916	28.08	4
AP8124489	28.31	12	AP8128001	28.28	13	AP8138916	28.08	4
AP8124491	28.15	1	AP8128082	28.27	23	AP8139124	28.10	2
AP8124492	28.31	2	AP8128146	28.28	13	AP8139125	28.10	1
AP8124513	28.31	1	AP8129220	28.12	1	AP8139128	28.11	5
AP8124525	28.31	9	AP8129221	28.12	2	AP8139129	28.09	5
AP8124527	28.31	11	AP8129221	28.12	2	AP8139130	28.09	3
AP8124531	28.16	4	AP8129221	28.12	2	AP8139130	28.09	3
AP8124593	28.32	23	AP8129221	28.12	2	AP8139130	28.09	3
AP8124593	28.34	3	AP8129222	28.12	3	AP8139131	28.08	1
AP8124634	28.31	10	AP8129222	28.12	3	AP8139132	28.11	2
AP8124652	28.15	6	AP8129222	28.12	3	AP8139133	28.11	1
AP8124653	28.15	26	AP8129222	28.12	3	AP8139134	28.09	1
AP8124654	28.15	16	AP8129223	28.12	4	AP8139135	28.09	2
AP8124655	28.15	14	AP8129247	28.12	2	AP8139136	28.13	1
AP8124656	28.15	17	AP8129247	28.12	2	AP8139137	28.12	5
AP8124657	28.15	18	AP8129248	28.12	3	AP8139138	28.13	3
AP8124658	28.15	19	AP8129248	28.12	3	AP8139139	28.13	2

Code	No. table	Pos.	Code	No. table	Pos.	Code	No. table	Pos.
AP8139140	28.14	3	AP8149027	28.11	2	AP8150376	28.26	8
AP8139143	28.11	6	AP8149028	28.11	6	AP8150376	28.27	22
AP8139689	28.21	1	AP8149029	28.13	3	AP8150412	29.25	15
AP8139724	28.08	4	AP8149030	28.09	3	AP8150426	28.18	22
AP8139769	28.10	1	AP8149157	28.13	1	AP8150429	28.21	10
AP8139770	28.08	1	AP8149158	28.13	2	AP8150429	28.29	19
AP8139771	28.11	1	AP8149159	28.12	5	AP8150430	28.03	16
AP8139772	28.11	2	AP8149898	28.10	1	AP8150430	28.12	9
AP8139773	28.11	6	AP8149899	28.08	1	AP8150430	28.14	14
AP8139774	28.13	3	AP8149900	28.11	1	AP8150430	28.15	3
AP8139775	28.13	1	AP8149901	28.11	2	AP8150430	28.29	20
AP8139776	28.13	2	AP8149902	28.13	3	AP8150430	29.25	19
AP8139777	28.12	5	AP8149903	28.13	1	AP8150431	28.04	13
AP8139778	28.09	3	AP8149904	28.13	2	AP8150431	28.07	8
AP8139806	28.14	3	AP8149905	28.12	5	AP8150431	28.26	11
AP8144109	28.08	8	AP8150011	28.13	7	AP8150431	28.29	21
AP8144151	28.16	14	AP8150013	28.30	8	AP8150431	28.30	10
AP8144151	28.29	3	AP8150013	28.33	18	AP8150432	28.07	15
AP8144159	28.10	6	AP8150014	28.03	17	AP8150436	28.29	24
AP8144560	28.27	25	AP8150014	28.10	21	AP8150436	29.25	16
AP8144560	28.27	25	AP8150015	28.02	2	AP8150444	28.09	6
AP8144561	28.27	26	AP8150017	28.01	6	AP8150444	28.13	5
AP8144561	28.27	26	AP8150017	28.29	22	AP8150450	28.08	7
AP8144670	29.20	2	AP8150019	28.03	22	AP8150450	28.19	10
AP8144671	29.20	3	AP8150020	28.07	6	AP8150451	28.06	18
AP8144672	29.20	4	AP8150026	28.18	18	AP8152001	28.02	7
AP8146064	28.03	4	AP8150026	28.29	11	AP8152111	28.07	7
AP8146066	28.03	3	AP8150026	29.25	23	AP8152112	28.26	13
AP8146079	28.15	28	AP8150044	29.25	18	AP8152138	29.25	22
AP8146080	28.04	11	AP8150045	28.14	7	AP8152153	28.10	5
AP8146087	28.02	9	AP8150049	28.16	12	AP8152166	28.14	5
AP8146088	28.02	10	AP8150049	28.17	14	AP8152176	28.29	23
AP8146162	28.18	12	AP8150050	28.10	17	AP8152181	28.21	11
AP8146212	28.02	10	AP8150050	28.34	8	AP8152184	28.18	14
AP8146245	28.26	5	AP8150107	28.03	23	AP8152246	28.08	9
AP8146373	28.03	4	AP8150157	28.16	2	AP8152261	28.06	11
AP8146374	28.03	3	AP8150157	28.17	6	AP8152262	28.06	12
AP8146608	28.26	5	AP8150158	28.31	16	AP8152267	28.06	16
AP8146830	28.01	1	AP8150169	28.01	7	AP8152268	28.06	17
AP8147438	28.35	5	AP8150170	28.04	12	AP8152269	28.01	18
AP8147439	28.35	4	AP8150176	28.10	18	AP8152272	28.03	19
AP8147439	28.35	4	AP8150176	28.34	9	AP8152272	28.10	15
AP8147496	28.35	3	AP8150179	28.14	11	AP8152272	28.30	9
AP8147497	28.35	6	AP8150179	28.15	4	AP8152273	28.16	18
AP8147545	28.31	3	AP8150179	28.21	13	AP8152275	28.33	15
AP8147546	28.31	4	AP8150179	28.32	15	AP8152277	28.16	21
AP8147566	28.35	7	AP8150192	28.07	4	AP8152277	28.18	21
AP8147955	28.35	4	AP8150202	28.10	12	AP8152277	28.33	16
AP8148435	28.13	1	AP8150204	28.31	14	AP8152277	29.20	6
AP8148436	28.13	2	AP8150208	28.27	12	AP8152278	28.02	13
AP8148437	28.12	5	AP8150211	28.34	13	AP8152278	28.09	7
AP8148448	28.11	6	AP8150221	28.03	21	AP8152278	28.12	8
AP8148449	28.11	1	AP8150221	28.26	9	AP8152278	28.14	13
AP8148450	28.11	2	AP8150221	28.26	9	AP8152278	28.18	17
AP8148663	28.08	4	AP8150248	28.10	19	AP8152278	28.33	10
AP8148664	28.10	1	AP8150270	28.31	17	AP8152278	28.34	11
AP8148665	28.08	1	AP8150277	28.26	19	AP8152278	29.20	7
AP8148666	28.11	1	AP8150297	28.06	19	AP8152279	28.14	10
AP8148667	28.11	2	AP8150299	28.06	6	AP8152279	28.19	11
AP8148668	28.13	3	AP8150310	28.07	9	AP8152279	28.21	12
AP8148669	28.13	1	AP8150310	29.25	17	AP8152279	28.32	22
AP8148670	28.13	2	AP8150314	28.10	20	AP8152279	29.25	20
AP8148671	28.12	5	AP8150336	28.07	10	AP8152280	28.12	10
AP8148672	28.14	3	AP8150346	28.07	11	AP8152280	28.14	12
AP8149024	28.10	1	AP8150349	28.34	10	AP8152280	28.21	9
AP8149025	28.08	1	AP8150351	28.26	9	AP8152280	28.29	18
AP8149026	28.11	1	AP8150352	28.05	3	AP8152282	28.03	15

Code	No. table	Pos.	Code	No. table	Pos.	Code	No. table	Pos.
AP8152283	28.34	12	AP8158950	28.10	1	AP8168290	28.12	5
AP8152284	28.01	15	AP8158952	28.11	1	AP8168616	28.10	1
AP8152284	28.32	16	AP8158953	28.11	2	AP8168617	28.08	1
AP8152284	28.33	11	AP8158954	28.11	6	AP8168618	28.11	1
AP8152285	28.32	14	AP8158955	28.13	3	AP8168619	28.11	2
AP8152286	28.04	10	AP8158956	28.13	1	AP8168620	28.11	6
AP8152286	28.27	13	AP8158957	28.13	2	AP8168621	28.13	3
AP8152286	28.30	12	AP8158958	28.12	5	AP8168711	28.10	1
AP8152288	28.30	11	AP8158959	28.09	3	AP8168712	28.11	1
AP8152289	28.02	12	AP8163116	28.05	1	AP8168713	28.11	2
AP8152289	28.27	21	AP8163116	28.05	1	AP8168714	28.11	6
AP8152298	28.09	8	AP8163116	28.05	1	AP8168715	28.13	3
AP8152298	28.11	8	AP8163190	28.05	23	AP8176042	29.24	4
AP8152299	28.01	16	AP8163190	28.05	23	AP8176043	29.22	8
AP8152299	28.10	22	AP8163190	28.05	23	AP8176045	29.25	1
AP8152299	28.14	8	AP8163191	28.05	24	AP8176108	29.22	1
AP8152299	28.19	12	AP8163191	28.05	24	AP8176109	29.22	1
AP8152299	28.32	20	AP8163191	28.05	24	AP8176132	29.24	4
AP8152300	28.02	8	AP8163491	28.05	27	AP8177067	28.36	1
AP8152300	28.03	20	AP8166275	28.35	4	AP8177068	28.36	1
AP8152300	28.04	14	AP8166280	28.35	2	AP8177069	28.36	2
AP8152300	28.26	7	AP8166347	28.35	8	AP8177070	28.36	2
AP8152301	28.07	5	AP8166409	28.36	1	AP8177071	28.36	3
AP8152302	28.08	10	AP8166410	28.36	2	AP8177072	28.36	3
AP8152302	28.09	9	AP8166411	28.36	3	AP8177073	28.36	4
AP8152302	28.11	7	AP8166412	28.36	4	AP8177074	28.36	4
AP8152302	28.13	4	AP8166413	28.36	1	AP8177075	28.36	5
AP8152306	28.12	11	AP8166414	28.36	2	AP8177444	28.35	4
AP8152351	28.31	8	AP8166415	28.36	3	AP8177506	28.36	2
AP8152409	28.03	10	AP8166416	28.36	4	AP8177507	28.36	1
AP8152409	28.04	7	AP8166650	28.36	1	AP8177508	28.36	3
AP8156056	28.09	4	AP8166651	28.36	1	AP8177509	28.36	4
AP8156060	28.09	4	AP8166652	28.36	2	AP8177510	28.36	5
AP8156061	28.14	9	AP8166653	28.36	2	AP8177511	28.36	2
AP8156139	28.09	4	AP8166654	28.36	3	AP8177512	28.36	1
AP8156171	28.09	4	AP8166655	28.36	3	AP8177513	28.36	3
AP8157037	28.35	5	AP8166656	28.36	4	AP8177514	28.36	4
AP8157051	28.35	4	AP8166657	28.36	4	AP8177516	28.35	4
AP8157052	28.35	4	AP8167018	28.36	1	AP8177516	28.35	4
AP8157054	28.35	2	AP8167019	28.36	1	AP8177517	28.35	8
AP8157105	28.08	12	AP8167020	28.36	2	AP8178561	28.19	5
AP8157134	28.36	1	AP8167021	28.36	2	AP8178562	28.10	1
AP8157135	28.36	1	AP8167022	28.36	3	AP8178563	28.11	6
AP8157136	28.36	2	AP8167023	28.36	3	AP8178564	28.11	2
AP8157137	28.36	2	AP8167024	28.36	4	AP8178565	28.11	1
AP8157138	28.36	3	AP8167025	28.36	4	AP8178730	28.09	3
AP8157139	28.36	3	AP8167026	28.36	5	AP8178828	28.10	1
AP8157140	28.36	4	AP8167643	28.36	1	AP8178829	28.11	1
AP8157141	28.36	4	AP8167644	28.36	2	AP8178830	28.11	2
AP8157142	28.36	5	AP8167645	28.36	3	AP8178831	28.11	6
AP8157144	28.35	4	AP8167646	28.36	4	AP8179107	28.10	1
AP8157145	28.35	4	AP8167647	28.36	5	AP8179108	28.11	1
AP8157314	28.35	4	AP8167688	28.35	2	AP8179109	28.11	2
AP8157445	28.35	4	AP8167695	28.35	4	AP8179110	28.11	6
AP8157496	28.35	8	AP8167958	28.35	6	AP8201169	28.18	16
AP8157948	28.35	6	AP8168042	28.19	2	AP8201192	28.21	2
AP8158735	28.10	1	AP8168285	28.13	1	AP8201287	28.01	3
AP8158736	28.08	1	AP8168285	28.13	1	AP8201358	28.10	24
AP8158737	28.11	1	AP8168285	28.13	1	AP8201358	28.21	7
AP8158738	28.11	2	AP8168286	28.13	2	AP8201546	28.27	6
AP8158739	28.11	6	AP8168286	28.13	2	AP8201546	28.28	8
AP8158740	28.13	3	AP8168286	28.13	2	AP8203550	28.05	6
AP8158741	28.13	1	AP8168287	28.12	5	AP8203570	28.05	11
AP8158742	28.13	2	AP8168287	28.12	5	AP8203588	28.05	4
AP8158743	28.12	5	AP8168287	28.12	5	AP8210007	28.29	12
AP8158744	28.09	3	AP8168288	28.13	1	AP8210007	29.25	5
AP8158744	28.09	3	AP8168289	28.13	2	AP8212588	28.32	9

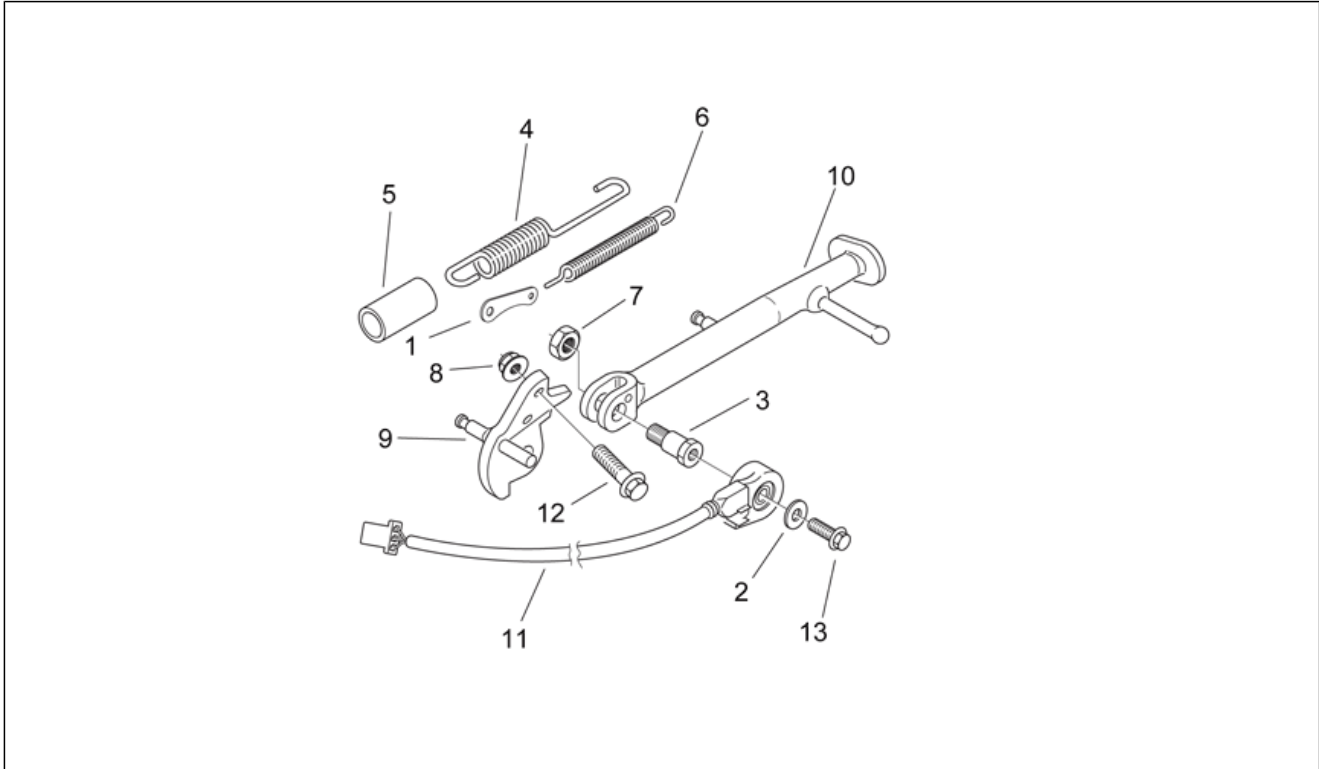
Code	No. table	Pos.
AP8212680	28.31	15
AP8213028	28.17	15
AP8213078	28.16	10
AP8213086	28.29	1
AP8213117	28.29	8
AP8213317	28.30	1
AP8213418	28.30	19
AP8218077	28.17	4
AP8218345	28.16	19
AP8220150	28.15	2
AP8220185	28.33	14
AP8220205	29.25	8
AP8220349	28.12	6
AP8220421	28.21	3
AP8220546	28.32	11
AP8221007	28.33	12
AP8221057	28.04	3
AP8221074	28.29	10
AP8221106	28.10	11
AP8221197	28.02	4
AP8221258	28.26	12
AP8222631	29.22	3
AP8222636	29.22	2
AP8222656	29.23	4
AP8222674	29.22	7
AP8224026	28.32	12
AP8224389	28.31	19
AP8224390	28.31	18
AP8226849	28.09	4
AP8229314	28.12	3
AP8229348	28.12	3
AP8229410	28.12	3
AP8229411	28.12	1
AP8229412	28.12	2
AP8232524	28.26	21
AP8249335	28.09	3
AP8249836	28.11	6
AP8249836	28.11	6
AP8258567	28.08	1
AP8258817	28.08	1
AP8268158	28.08	1
AP8268173	28.13	3
AP8268266	28.08	1
AP8268270	28.13	3
AP8268379	28.08	1
AP8268383	28.13	3
AP8268390	28.10	1
AP8268391	28.11	1
AP8268392	28.11	2
AP8268393	28.11	6
AP8268456	28.08	1
AP8268460	28.13	3
GU93450126	28.31	18

Group	FRAME
Code	28.01
Description	Frame
Service	1



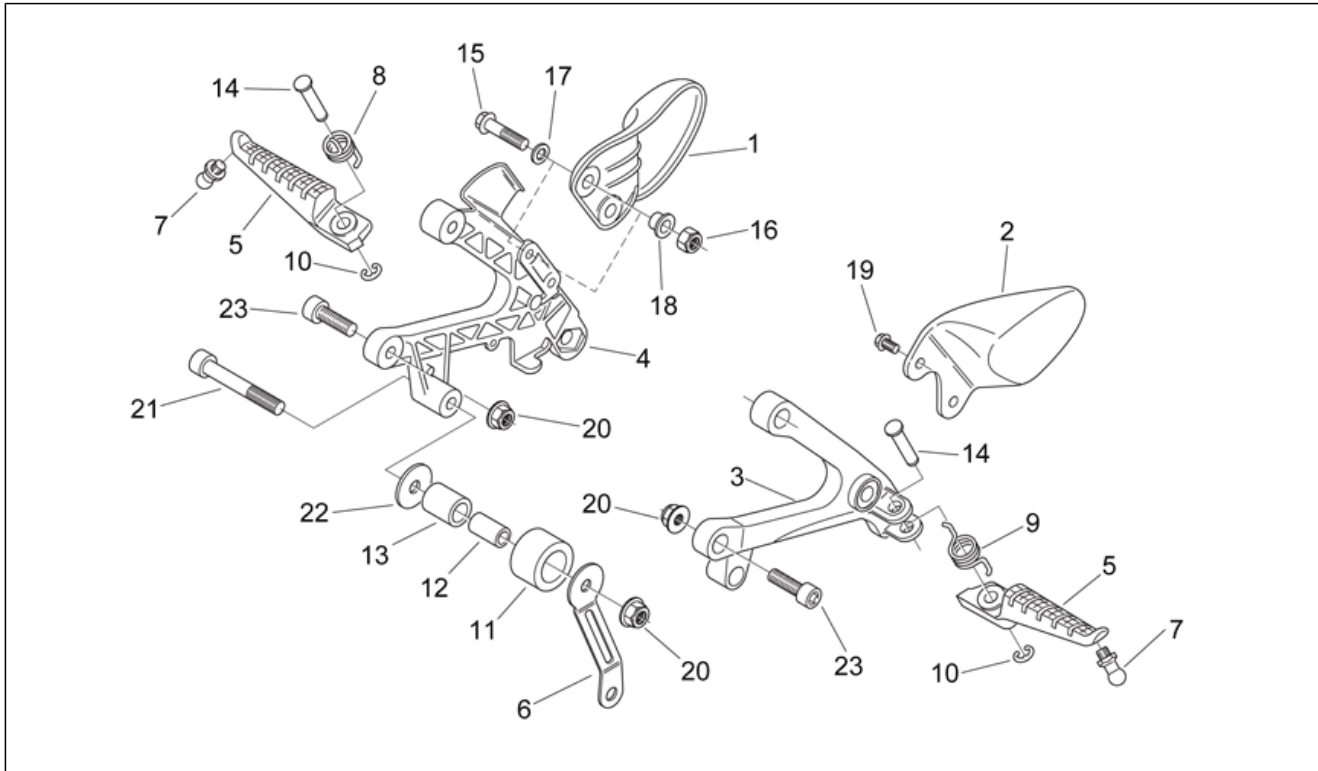
Pos.	Code	Description	Qty	Variants
1	AP8135998	Frame	1	Year:2001[1], 2002[2], 2003[3], 1999[X], 2000[Y]
1	AP8146830	Frame	1	Year:2004[4], 2005[5]
2	AP8135718	Frame front fix. plate	1	
3	AP8201287	Split pin	2	
4	AP8121867	Special bush *	2	
5	AP8120699	Lat.frng fix.pipe	2	
6	AP8150017	Washer 8,4x16x1,6	4	
7	AP8150169	Hex socket screw M8x20	4	
8	AP8120531	Rubber w/ insert	4	
9	AP8102376	Clip M6	9	
10	AP8102375	Clip M5	2	
11	AP8121151	T bush	1	
12	AP8121155	T bush *	1	
13	AP8102798	Clip M6	1	
14	AP8121764	Spacer *	2	
15	AP8152284	Screw w/ flange	2	
16	AP8152299	Self-locking nut M6	2	
17	AP8120670	Rubber spacer *	4	
18	AP8152269	Hex socket screw	2	

Group	FRAME
Code	28.02
Description	Central stand
Service	1



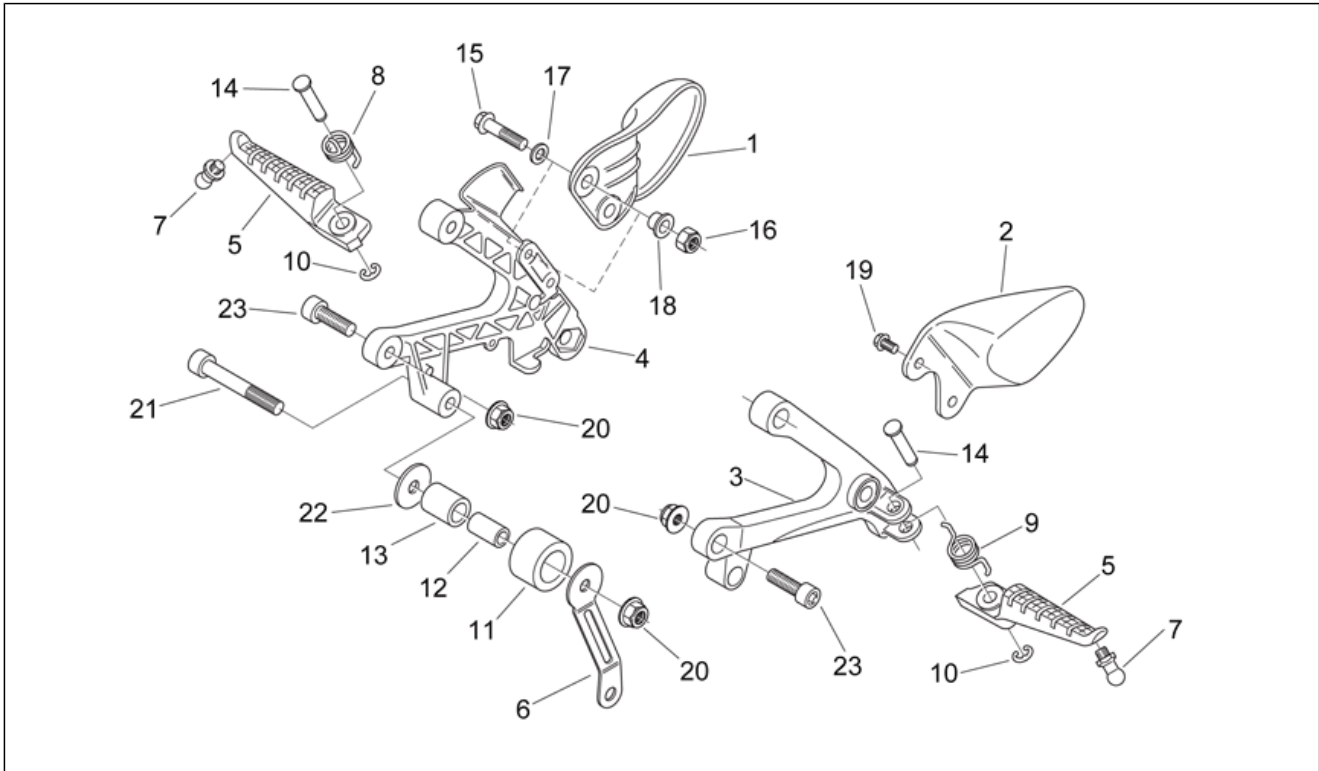
Pos.	Code	Description	Qty	Variants
1	AP8134266	Lateral stand plate	1	Country:Switzerland[CH], B-D-SF-F-I-CH-DK-GR-E-NL-P[EU], Singapore[SGP]
2	AP8150015	Washer 6,6x18x1,6*	1	
3	AP8121999	Stand pin	1	
4	AP8221197	Lateral stand spring	1	
5	AP8102524	Stand spring protection	1	
6	AP8121014	Coil pull spring	1	
7	AP8152001	Low nut M10x1,25	1	
8	AP8152300	Self-locking nut M8	2	
9	AP8134548	Stand plate w. phor ctng.	1	Country:Switzerland[CH], B-D-SF-F-I-CH-DK-GR-E-NL-P[EU], Singapore[SGP]
9	AP8146087	Stand plate w. phor ctng.	1	Country:Austria[A], AUS[AA], Australia[AUS], Belgium[B], Germany[D], Denmark[DK], Spain[E], B-D-SF-F-I-CH-DK-GR-E-NL-P[EU], France[F], Greece[GR], Italy[I], Japan[J], J[JJ], Holland[NL], Portugal[P], Finland[SF], Great Britain[UK]
10	AP8146088	Lateral stand	1	Country:Austria[A], AUS[AA], Australia[AUS], Belgium[B], Germany[D], Denmark[DK], Spain[E], B-D-SF-F-I-CH-DK-GR-E-NL-P[EU], France[F], Greece[GR], Italy[I], Japan[J], J[JJ], Holland[NL], Portugal[P], Finland[SF], Great Britain[UK]
10	AP8146212	Lateral stand	1	Country:Switzerland[CH], B-D-SF-F-I-CH-DK-GR-E-NL-P[EU], Singapore[SGP]
11	AP8124094	Rotary switch	1	
12	AP8152289	Screw w/ flange	2	
13	AP8152278	Screw w/ flange M6x16	1	

Group	FRAME
Code	28.03
Description	Front footrests
Service	1



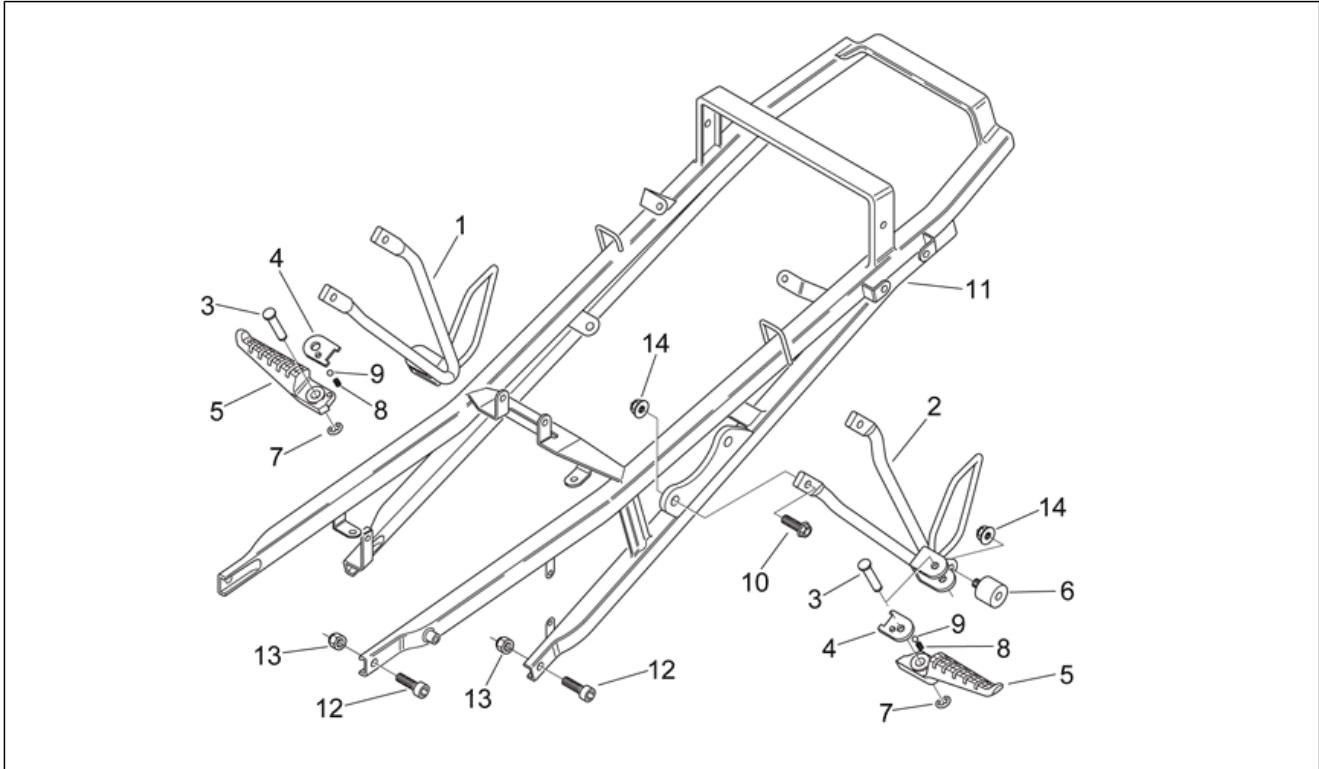
Pos.	Code	Description	Qty	Variants
1	AP8134542	RH front footrest guard	1	
2	AP8134543	LH front footrest guard	1	
3	AP8146066	LH front footrest bracket	1	Year:2001[1], 2002[2], 1999[X], 2000[Y]
3	AP8146374	LH front footrest bracket	1	Year:2003[3], 2004[4], 2005[5]
4	AP8146064	RH front footrest bracket	1	Year:2001[1], 2002[2], 1999[X], 2000[Y]
4	AP8146373	RH front footrest bracket	1	Year:2003[3], 2004[4], 2005[5]
5	AP8135313	Front footrest, pair	1	
6	AP8134243	Upper RH fair.supp. plate	1	
7	AP8121134	Footrest pin	2	
8	AP8121939	RH front footrest spring	1	
9	AP8121940	LH front footrest spring	1	
10	AP8120573	Stop ring	4	Technical Specifications:Euro0 approval (frame ZD4MP)[E0]
10	AP8152409	Stop ring	4	Technical Specifications:EURO1 approval (frame ZD4SF0/ ZD4SFA)[E1], EURO2 Type-approval (frame ZD4SFF)[E2]
11	AP8120569	Chain tensioner roller	1	
12	AP8121672	Spacer *	1	
13	AP8120568	Spacer *	1	
14	AP8121135	Footrest pin	2	Technical Specifications:Euro0 approval (frame ZD4MP)[E0]
14	AP8121566	Footrest pin	2	Technical Specifications:EURO1 approval (frame ZD4SF0/ ZD4SFA)[E1], EURO2 Type-approval (frame ZD4SFF)[E2]
15	AP8152282	Screw w/ flange M6x35	2	
16	AP8150430	Low self-locking nut	2	
17	AP8150014	Washer 6,4x12,5*	2	
18	AP8121728	T bush	2	
19	AP8152272	Screw w/ flange M5x12	2	
20	AP8152300	Self-locking nut M8	1	
21	AP8150221	Hex socket screw M8x70	1	
22	AP8150019	Washer 8,4x32x2,5	1	

Group	FRAME
Code	28.03
Description	Front footrests
Service	1



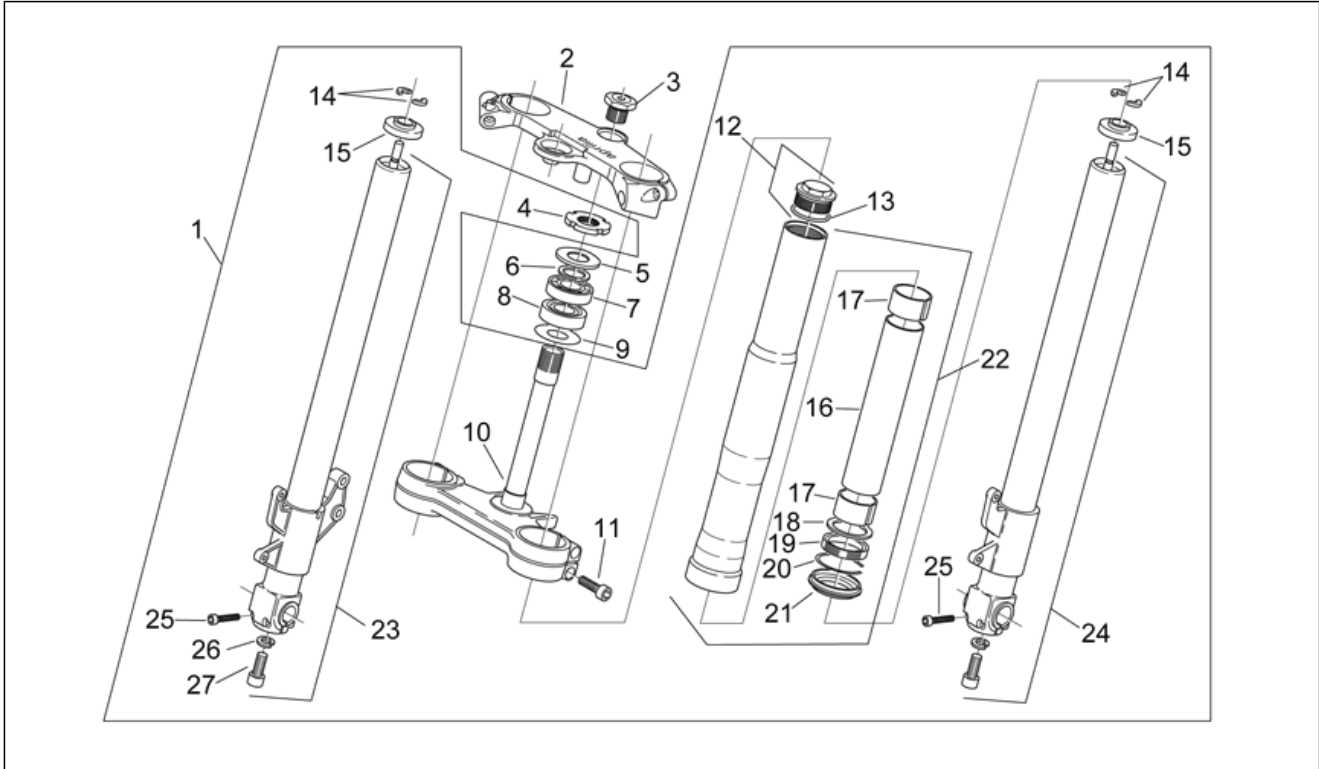
Pos.	Code	Description	Qty	Variants
23	AP8150107	Hex socket screw M8x30	2	

Group	FRAME
Code	28.04
Description	Rear footrests
Service	1



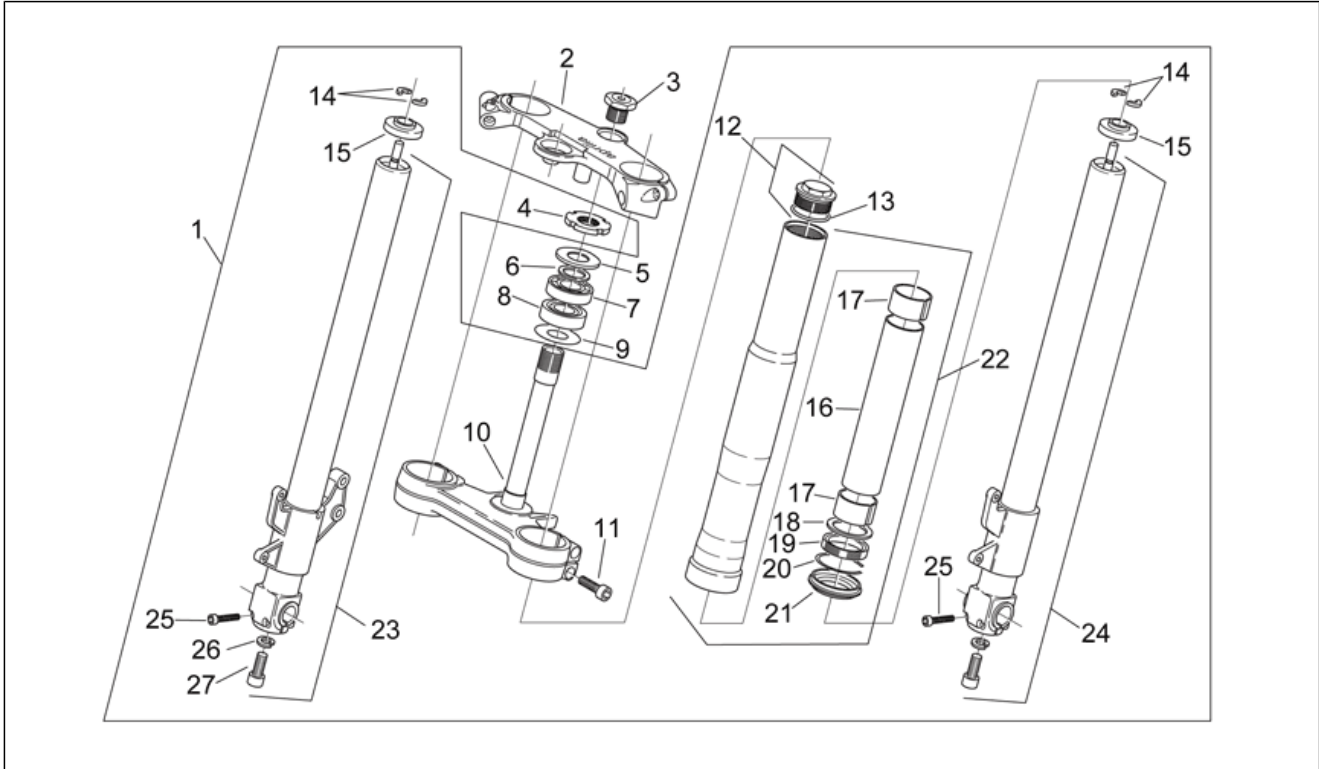
Pos.	Code	Description	Qty	Variants
1	AP8135444	RH footrest support	1	
2	AP8135445	LH footrest support	1	
3	AP8134829	Footrest pin	2	Technical Specifications: EURO1 approval (frame ZD4SF0/ZD4SFA)[E1], EURO2 Type-approval (frame ZD4SFF)[E2]
3	AP8221057	Footrest pin	2	Technical Specifications: Euro0 approval (frame ZD4MP)[E0]
4	AP8132720	Footrest plate	2	
5	AP8132812	Rear footrests, pair	1	
6	AP8120910	Silent-block	1	
7	AP8120573	Stop ring	4	Technical Specifications: Euro0 approval (frame ZD4MP)[E0]
7	AP8152409	Stop ring	4	Technical Specifications: EURO1 approval (frame ZD4SF0/ZD4SFA)[E1], EURO2 Type-approval (frame ZD4SFF)[E2]
8	AP8121133	Coil compress. spring	2	
9	AP8101861	Ball D6,35	2	
10	AP8152286	Screw w/ flange M8x20	4	
11	AP8146080	Saddle support, sand. cat.	1	
12	AP8150170	Hex socket screw M8x25	4	
13	AP8150431	Low nut M8	4	
14	AP8152300	Self-locking nut M8	4	

Group	FRAME
Code	28.05
Description	Front fork
Service	1



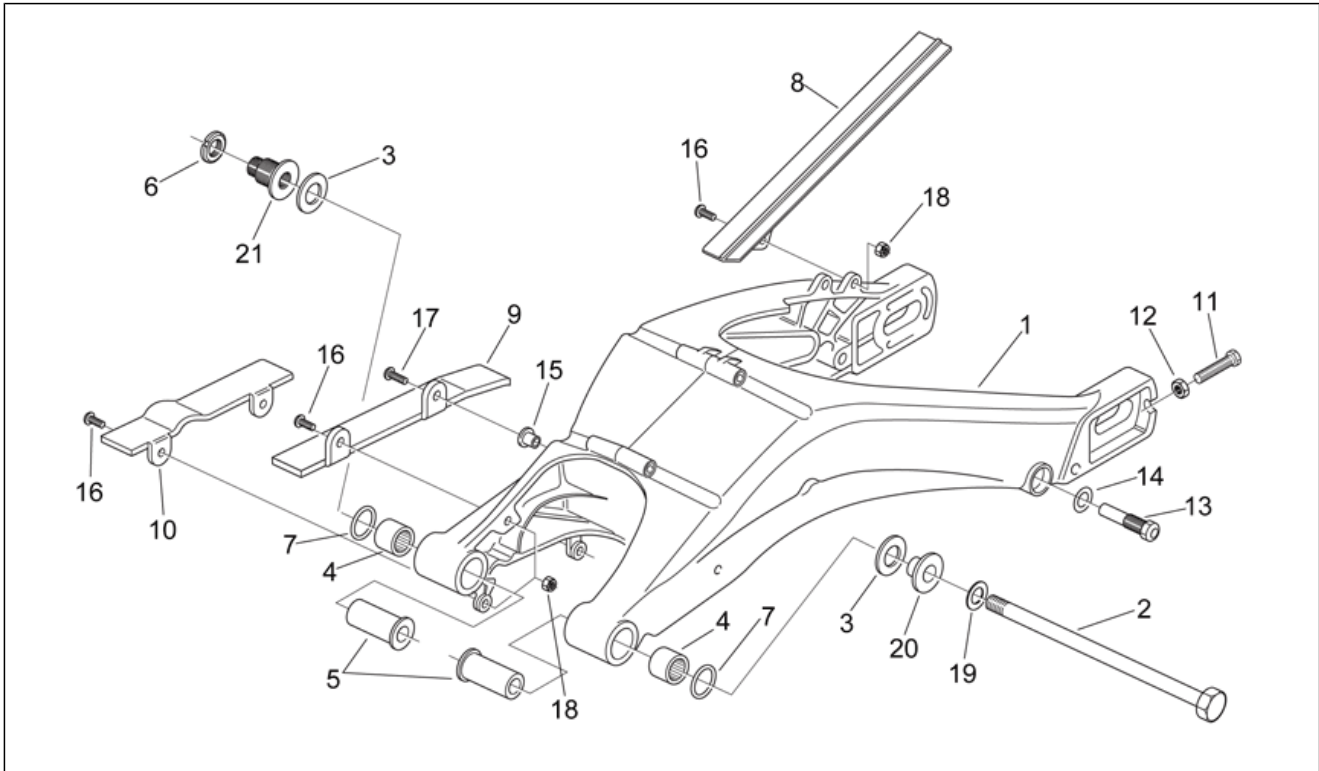
Pos.	Code	Description	Qty	Variants
1	AP8123783	Front fork	1	Year:2001[1]
1	AP8123783	Front fork	1	Year:2002[2]
1	AP8123783	Front fork	1	Year:1999[X], 2000[Y]
1	AP8163116	Front fork	1	Year:2002[2]
1	AP8163116	Front fork	1	Year:2001[1]
1	AP8163116	Front fork	1	Year:2003[3], 2004[4], 2005[5]
2	AP8123666	Fork upper plate	1	
3	AP8150352	Plug	1	
4	AP8203588	Fork lower ring nut	1	
5	AP8101106	Gasket ring	1	
6	AP8203550	Steering washer	1	
7	AP8110025	Ball bearing	1	
8	AP8110024	Roller bearing	1	
9	AP8101271	Lower dust cover ring	1	
10	AP8123879	Stem base	1	
11	AP8203570	Screw M8x30	2	
12	AP8123878	Sleeve plug	2	
13	AP8123346	O-ring	2	
14	AP8123441	Half ring	4	
15	AP8123357	Ring spring	2	
16	AP8123355	Spacer	2	
17	AP8123689	Bush	4	
18	AP8123360	Cup	2	
19	AP8103235	Gasket ring	2	
20	AP8123199	Stop ring	2	
21	AP8123777	Dust cover + spring	2	
22	AP8123691	Sleeve, black	2	
23	AP8123740	Hub+RH fork leg	1	Year:1999[X], 2000[Y]

Group	FRAME
Code	28.05
Description	Front fork
Service	1



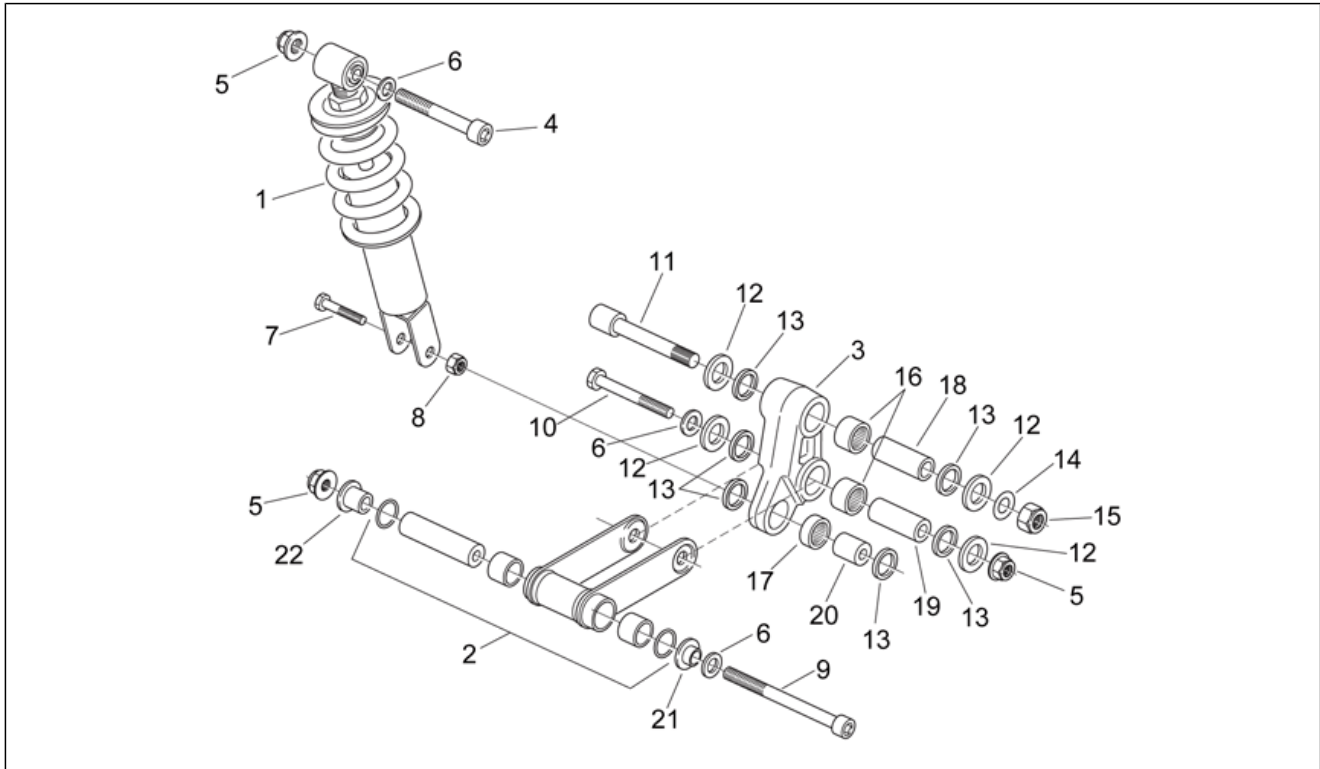
Pos.	Code	Description	Qty	Variants
23	AP8123740	Hub+RH fork leg	1	Year:2002[2]
23	AP8123740	Hub+RH fork leg	1	Year:2001[1]
23	AP8163190	Hub+RH fork leg	1	Year:2003[3], 2004[4], 2005[5]
23	AP8163190	Hub+RH fork leg	1	Year:2001[1]
23	AP8163190	Hub+RH fork leg	1	Year:2002[2]
24	AP8123739	Hub+LH fork leg	1	Year:2002[2]
24	AP8123739	Hub+LH fork leg	1	Year:1999[X], 2000[Y]
24	AP8123739	Hub+LH fork leg	1	Year:2001[1]
24	AP8163191	Hub+LH fork leg	1	Year:2003[3], 2004[4], 2005[5]
24	AP8163191	Hub+LH fork leg	1	Year:2002[2]
24	AP8163191	Hub+LH fork leg	1	Year:2001[1]
25	AP8123574	Hex socket screw M6x30	2	
26	AP8123191	Seal washer	1	
27	AP8163491	screw	1	

Group	FRAME
Code	28.06
Description	Swing arm
Service	1



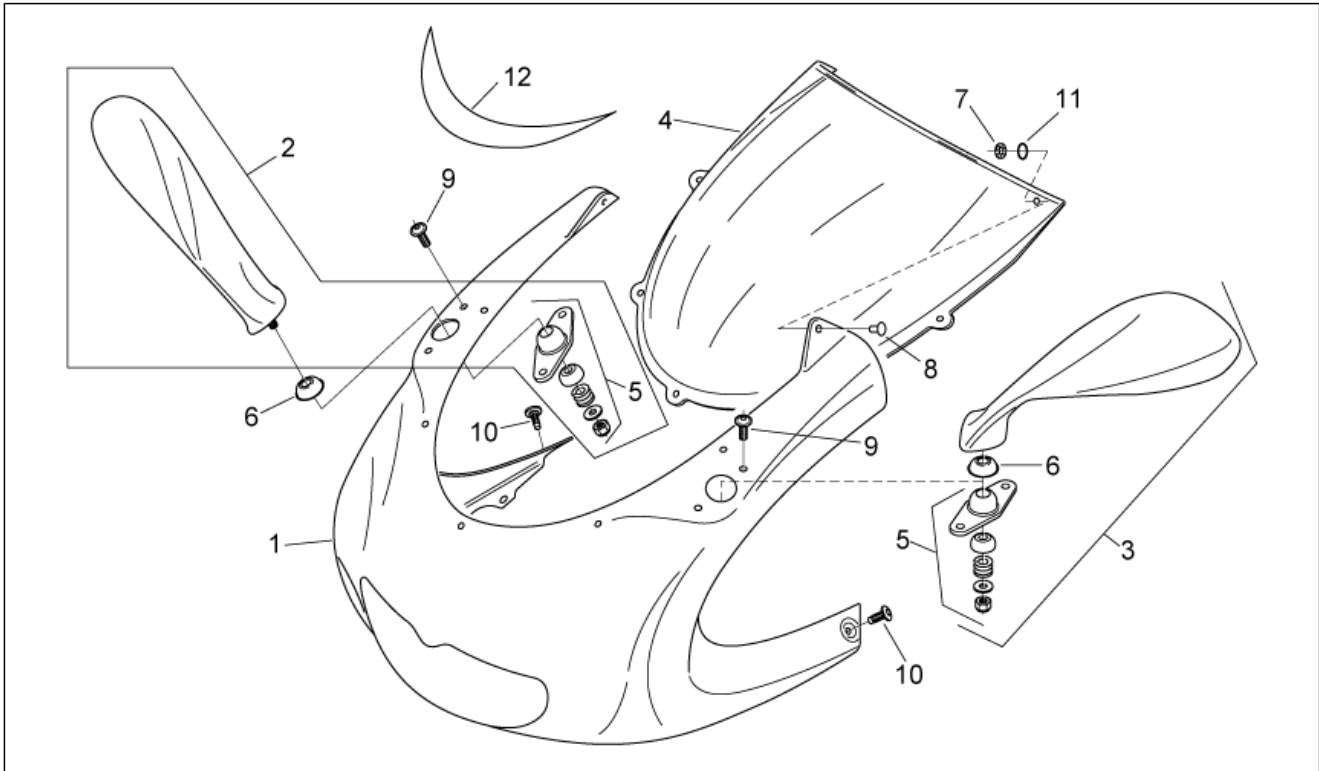
Pos.	Code	Description	Qty	Variants
1	AP8135961	Pulish.swing arm	1	
2	AP8125627	Rear swing arm pin	1	
3	AP8101341	Clearance washer	2	
4	AP8110067	Roller cage 22x28x16	2	
5	AP8121121	Rear sw.arm piv.bush	2	
6	AP8150299	Ring nut M17x1	1	
7	AP8120280	O-ring 4087	4	
8	AP8131623	Chain guard, black	1	
9	AP8120793	Upper chain guide plate	1	
10	AP8120794	Lower chain guide plate	1	
11	AP8152261	Chain tensioner screw	2	
12	AP8152262	Low nut	2	
13	AP8135396	Brake supp. plate pin	1	
14	AP8121697	Belleville spring	1	
15	AP8120531	Rubber w/ insert	1	
16	AP8152267	Hex socket screw M5x12	5	
17	AP8152268	Hex socket screw M5x16	1	
18	AP8150451	Low self-locking nut	5	
19	AP8150297	Curved spring washer *	1	
20	AP8121150	Bush 18 mm	1	
20	AP8121581	Bush 20 mm	1	
21	AP8121156	Bush	1	

Group	FRAME
Code	28.07
Description	Rear shock absorber
Service	1



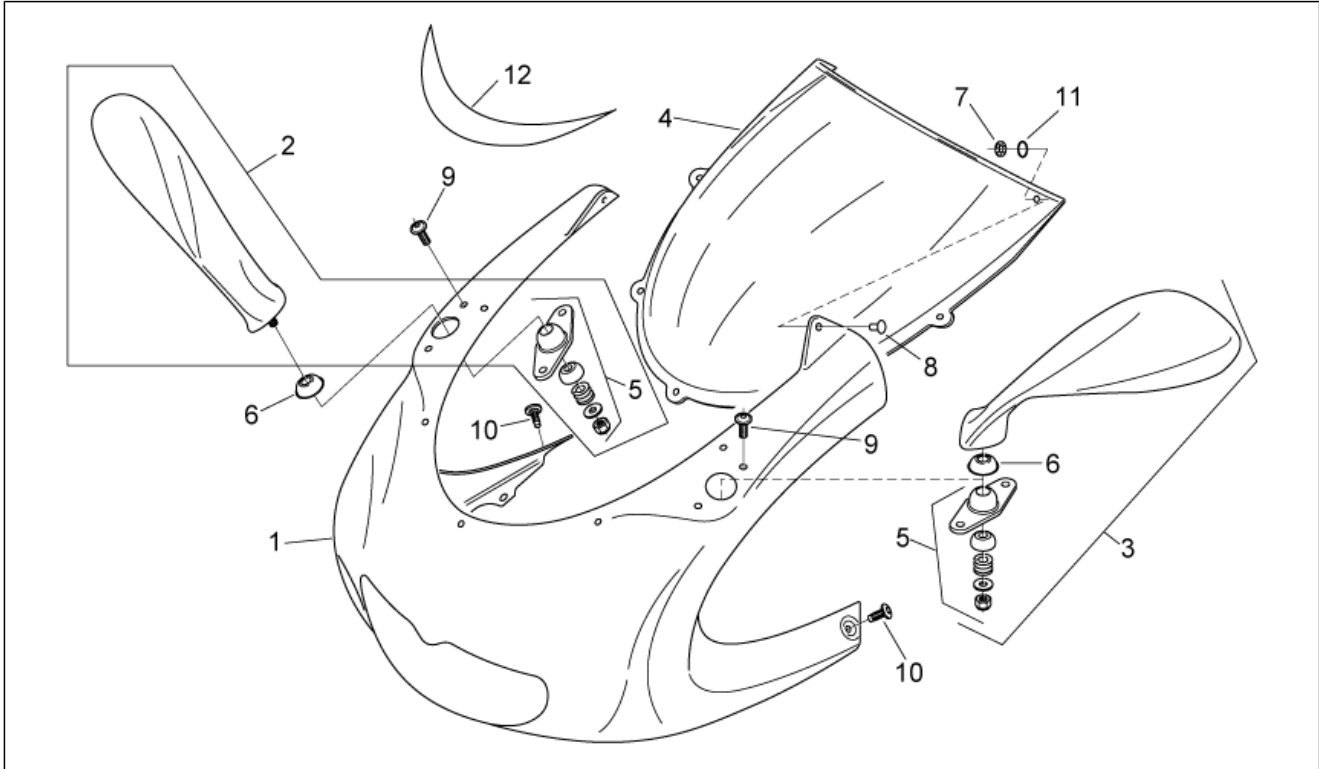
Pos.	Code	Description	Qty	Variants
1	AP8123853	Shock absorber	1	
2	AP8132634	Single conrod	1	
3	AP8135362	Double conrod	1	
4	AP8150192	Hex socket screw M10x80	1	
5	AP8152301	Self-locking nut	3	
6	AP8150020	Washer 10,5x21x2*	3	
7	AP8152111	Screw M8x40	1	
8	AP8150431	Low nut M8	1	
9	AP8150310	Hex socket screw M10x120	1	
10	AP8150336	Screw M10x75	1	
11	AP8150346	Hex socket screw M12x78.5	1	
12	AP8120485	Gasket ring	4	
13	AP8110068	Oil seal D18x24x3	6	
14	AP8121697	Belleville spring	1	
15	AP8150432	Low self-locking nut M12*	1	
16	AP8110064	Roller cage	1	
17	AP8110063	Roller cage	2	
18	AP8121846	Double connecting rod pin	1	
19	AP8121845	Piston pin L=50	1	
20	AP8121847	Double connecting rod pin	1	
21	AP8121151	T bush	1	
22	AP8121155	T bush *	1	

Group	FRAME
Code	28.08
Description	Front body I
Service	1



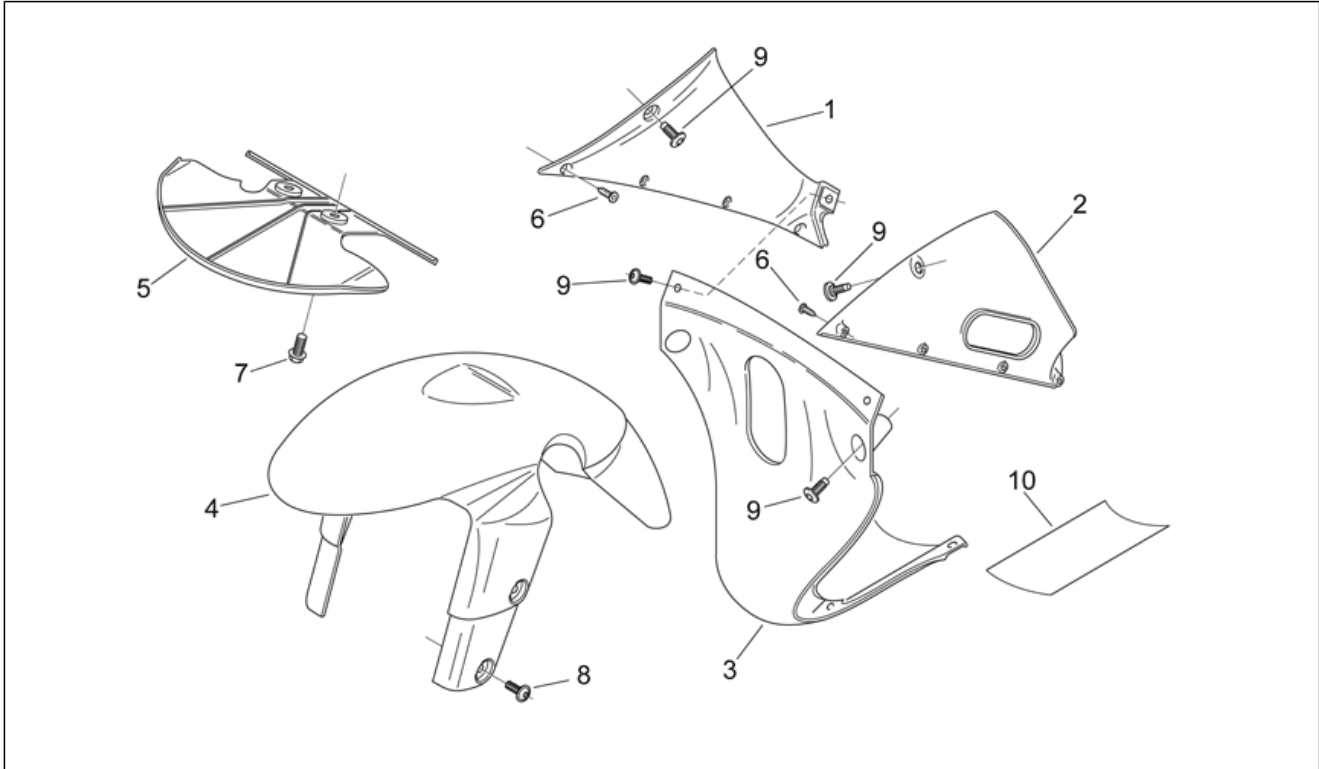
Pos.	Code	Description	Qty	Variants
1	AP8139131	Front fairing, black	1	Year:1999[X] Vehicle colour:Black / Red '99[n/r]
1	AP8139770	Front fairing, fumi blue	1	Year:1999[X] Vehicle colour:Fumi Blue / Fluo Red '99[b/r]
1	AP8148665	Front fairing, ap.black	1	Year:2000[Y] Vehicle colour:Aprilia Black / Red Fluo 2000[bl/re]
1	AP8149025	Front fairing, n.grey	1	Year:2000[Y] Vehicle colour:Nik Grey / Lemon Yellow 2000[gr/ye]
1	AP8149899	Front fairing, d.black	1	Year:2001[1] Vehicle colour:Diablo Black 2001[d.bl]
1	AP8158736	Front fairing, black	1	Year:2002[2] Vehicle colour:Diablo Black 2002[black]
1	AP8168617	Front fairing, black	1	Year:2003[3] Vehicle colour:SBK Black '03[s.bl]
1	AP8258567	Front fairing, grey	1	Year:2002[2] Vehicle colour:Dust Grey 2002[grey]
1	AP8258817	Front fairing, black	1	Year:2003[3] Vehicle colour:GP1 Black '03[g.bl]
1	AP8268158	Front fairing, black	1	Year:2004[4] Vehicle colour:Poggiali Black 2004[a.blk]
1	AP8268266	Front fairing, white	1	Year:2004[4] Vehicle colour:Poggiali White 2004[RP]
1	AP8268379	Front fairing, a.black	1	Year:2005[5] Vehicle colour:Fluo Red '05 (s.t.14817)[red]
1	AP8268456	Front fairing, a.black	1	Year:2005[5] Vehicle colour:Aprilia Black '05 (s.t.14845)[blk]
2	AP8102632	RH rearview mirror	1	
3	AP8102633	LH rearview mirror	1	
4	AP8138916	Windshield	1	Year:2003[3], 2004[4] Vehicle colour:Poggiali Black 2004[a.blk], GP1 Black '03[g.bl], Poggiali White 2004[RP], SBK Black '03[s.bl]
4	AP8138916	Windshield	1	Year:2005[5]

Group	FRAME
Code	28.08
Description	Front body I
Service	1



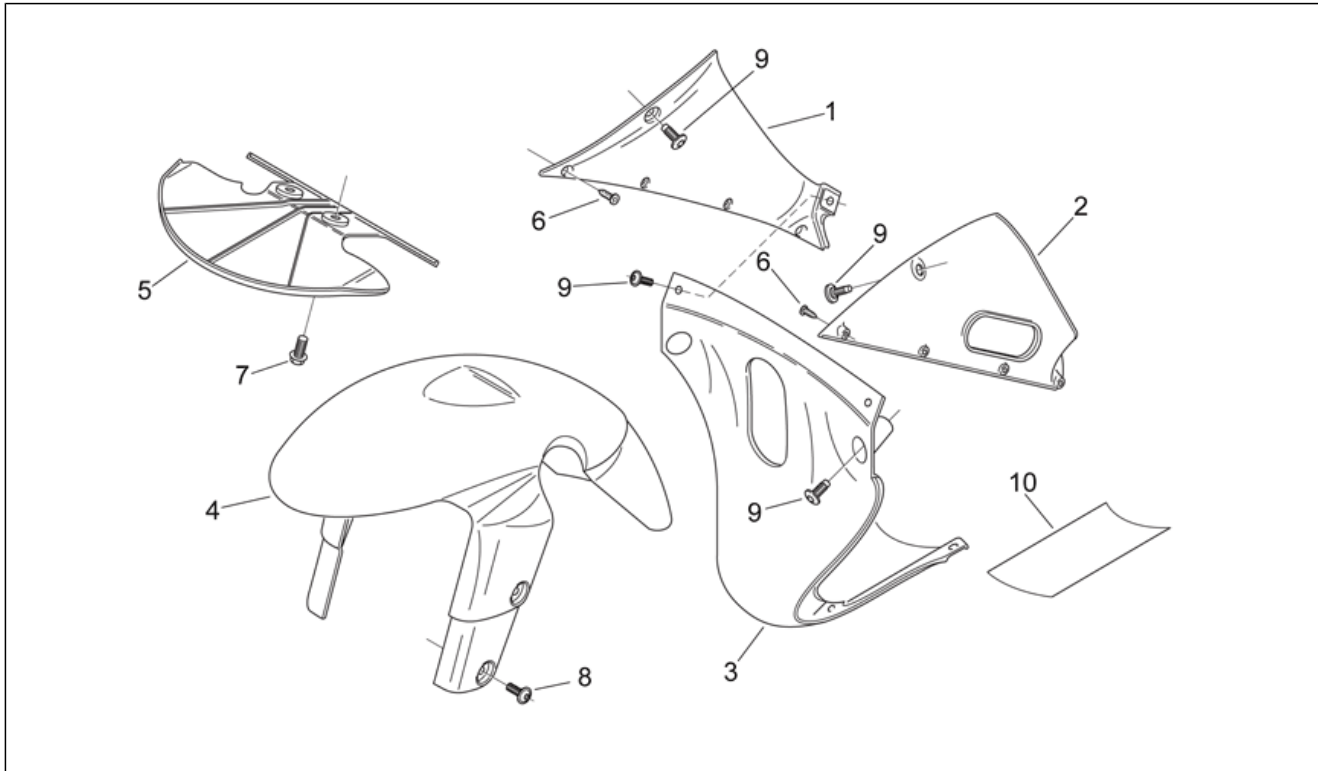
Pos.	Code	Description	Qty	Variants
4	AP8138916	Windshield	1	Year:2001[1], 2002[2]
4	AP8139724	Windshield	1	Year:1999[X]
4	AP8148663	Windshield	1	Year:2000[Y]
5	AP8102909	Mirror insertion kit	1	
6	AP8102341	Mirror joint cup	2	
7	AP8150450	Washer for shafts D5	9	
8	AP8144109	Fixing pin	9	
9	AP8152246	Screw w/ flange M6x16	4	
10	AP8152302	Screw w/ flange M5x12	2	
11	AP8102504	Rubber spacer	9	
12	AP8157105	Front fairing glass decal	1	

Group	FRAME
Code	28.09
Description	Front body II
Service	1



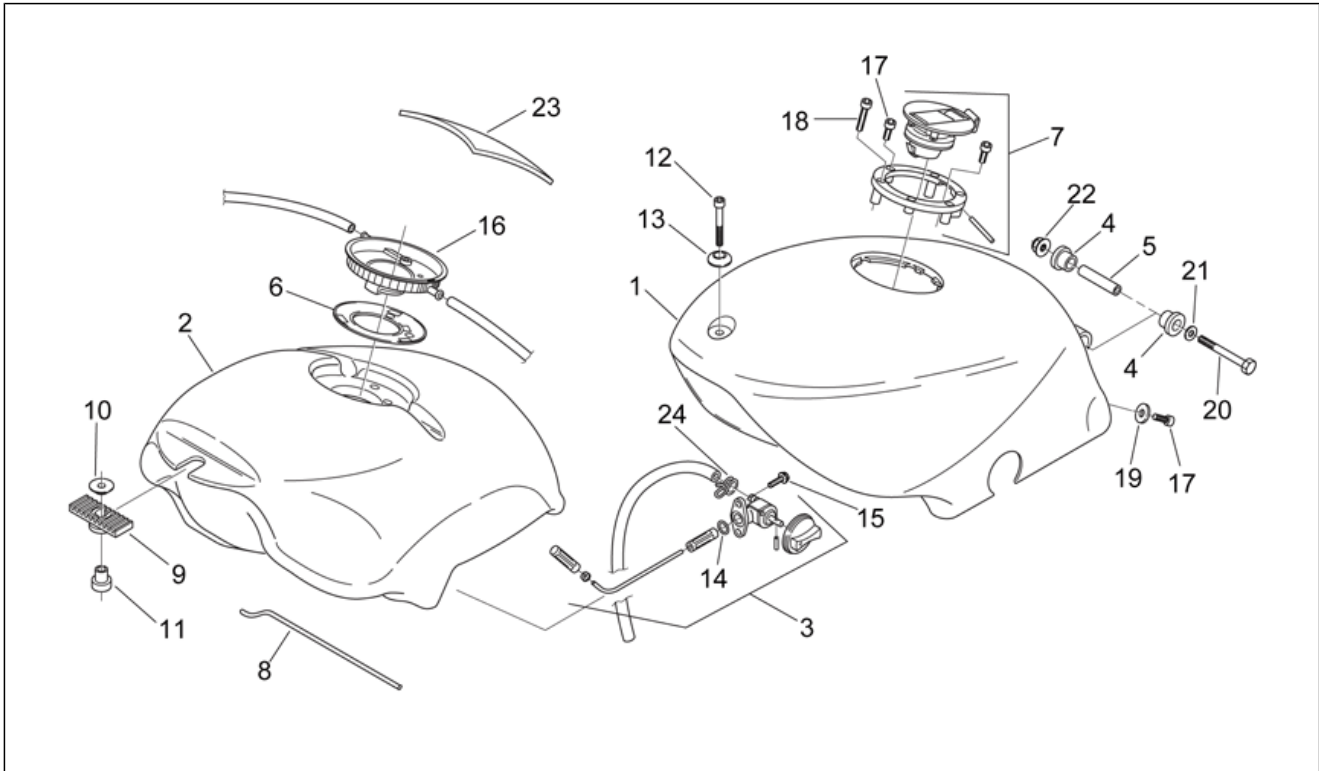
Pos.	Code	Description	Qty	Variants
1	AP8139134	RH internal fairing	1	
2	AP8139135	LH internal fairing	1	
3	AP8139130	Pillar, fluo red	1	Year:1999[X] Vehicle colour:Black / Red '99[n/r]
3	AP8139130	Pillar, fluo red	1	Year:2001[1] Vehicle colour:Diablo Black 2001[d.bl]
3	AP8139130	Pillar, fluo red	1	Year:2000[Y] Vehicle colour:Aprilia Black / Red Fluo 2000[bl/re]
3	AP8139778	Pillar, silver grey	1	Year:1999[X] Vehicle colour:Fumi Blue / Fluo Red '99[b/r]
3	AP8149030	Pillar, yellow	1	Year:2000[Y] Vehicle colour:Nik Grey / Lemon Yellow 2000[gr/ye]
3	AP8158744	Pillar, black	1	Year:2003[3] Vehicle colour:GP1 Black '03[g.bl], SBK Black '03[s.bl]
3	AP8158744	Pillar, black	1	Year:2002[2] Vehicle colour:Diablo Black 2002[black]
3	AP8158959	Pillar, black	1	Year:2002[2] Vehicle colour:Dust Grey 2002[grey]
3	AP8178730	Pillar, black	1	Year:2004[4], 2005[5]
3	AP8249335	Pillar, grey	1	Year:1999[X] Vehicle colour:Fumi Blue / Fluo Red '99[b/r]
4	AP8126624	Front mudguard, a.black	1	Year:1999[X] Vehicle colour:Black / Red '99[n/r]
4	AP8126729	Front mudguard, fluo red	1	Year:1999[X] Vehicle colour:Fumi Blue / Fluo Red '99[b/r]
4	AP8126863	Front mudguard, fluo red	1	Year:2001[1] Vehicle colour:Diablo Black 2001[d.bl]
4	AP8126863	Front mudguard, fluo red	1	Year:2000[Y] Vehicle colour:Aprilia Black / Red Fluo 2000[bl/re]
4	AP8126864	Front mudguard, lemon yellow	1	Year:2000[Y] Vehicle colour:Nik Grey / Lemon Yellow 2000[gr/ye]
4	AP8126985	Front mudguard, black	1	Year:2002[2]

Group	FRAME
Code	28.09
Description	Front body II
Service	1



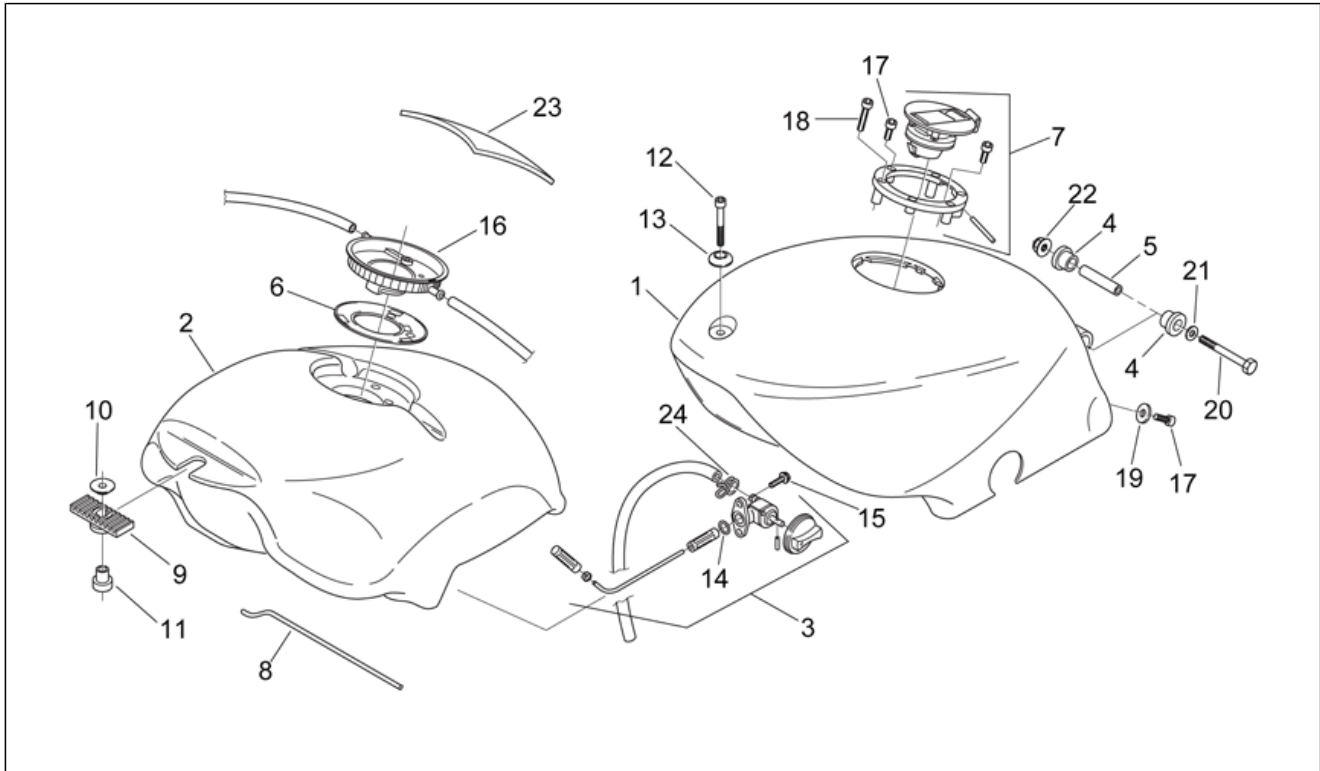
Pos.	Code	Description	Qty	Variants
				Vehicle colour:Diablo Black 2002[black]
4	AP8126999	Front mudguard, grey	1	Year:2002[2] Vehicle colour:Dust Grey 2002[grey]
4	AP8156056	Front mudguard, black	1	Year:2003[3] Vehicle colour:SBK Black '03[s.bl]
4	AP8156060	Front mudguard, black	1	Year:2003[3] Vehicle colour:GP1 Black '03[g.bl]
4	AP8156139	Front mudguard, black	1	Year:2004[4] Vehicle colour:Poggiali Black 2004[a.blk]
4	AP8156171	Front mudguard, white	1	Year:2004[4] Vehicle colour:Poggiali White 2004[RP]
4	AP8226849	Front mudguard, black	1	Year:2005[5]
5	AP8139129	Low.front fairing lockup	1	
6	AP8150444	Self-tapping screw	1	
7	AP8152278	Screw w/ flange M6x16	4	
8	AP8152298	Screw w/ flange M5x16	4	
9	AP8152302	Screw w/ flange M5x12	2	
10	AP8117223	Pillar heat prot.	1	Technical Specifications:EURO1 approval (frame ZD4SF0/ ZD4SFA)[E1], EURO2 Type-approval (frame ZD4SFF)[E2]

Group	FRAME
Code	28.10
Description	Fuel tank
Service	1



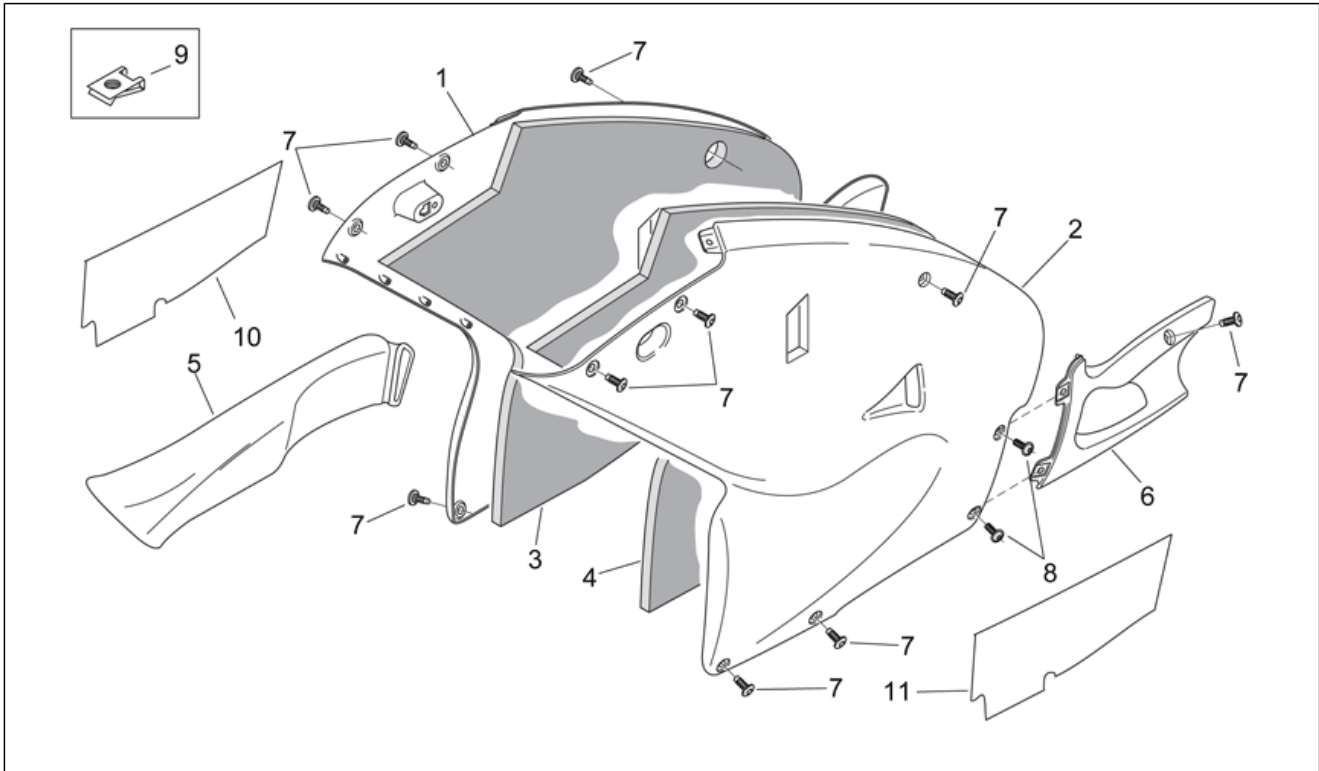
Pos.	Code	Description	Qty	Variants
1	AP8139125	Fuel tank cover, a.black	1	Year:1999[X] Vehicle colour:Black / Red '99[n/r]
1	AP8139769	Fuel tank cover, fumi blue	1	Year:1999[X] Vehicle colour:Fumi Blue / Fluo Red '99[b/r]
1	AP8148664	Fuel tank cover, a.black	1	Year:2000[Y] Vehicle colour:Aprilia Black / Red Fluo 2000[bl/re]
1	AP8149024	Fuel tank cover, n.grey	1	Year:2000[Y] Vehicle colour:Nik Grey / Lemon Yellow 2000[gr/ye]
1	AP8149898	Fuel tank cover, s.grey	1	Year:2001[1] Vehicle colour:Diablo Black 2001[d.bl]
1	AP8158735	Fuel tank cover, black	1	Year:2002[2] Vehicle colour:Diablo Black 2002[black]
1	AP8158950	Fuel tank cover, silver	1	Year:2002[2] Vehicle colour:Dust Grey 2002[grey]
1	AP8168616	Fuel tank cover, black	1	Year:2003[3] Vehicle colour:SBK Black '03[s.bl]
1	AP8168711	Fuel tank cover, grey	1	Year:2003[3] Vehicle colour:GP1 Black '03[g.bl]
1	AP8178562	Fuel tank cover, black	1	Year:2004[4] Vehicle colour:Poggiali Black 2004[a.blk]
1	AP8178828	Fuel tank cover, white	1	Year:2004[4] Vehicle colour:Poggiali White 2004[RP]
1	AP8179107	Fuel tank cover, black	1	Year:2005[5] Vehicle colour:Aprilia Black '05 (s.t.14845)[blk]
1	AP8268390	Fuel tank cover, red	1	Year:2005[5] Vehicle colour:Fluo Red '05 (s.t.14817)[red]
2	AP8139124	Fuel tank	1	
3	AP8102819	Fuel cock	1	
4	AP8120709	Rubber spacer *	2	
5	AP8152153	Rear spacer	1	
6	AP8144159	Fuel tank gasket	1	

Group	FRAME
Code	28.10
Description	Fuel tank
Service	1



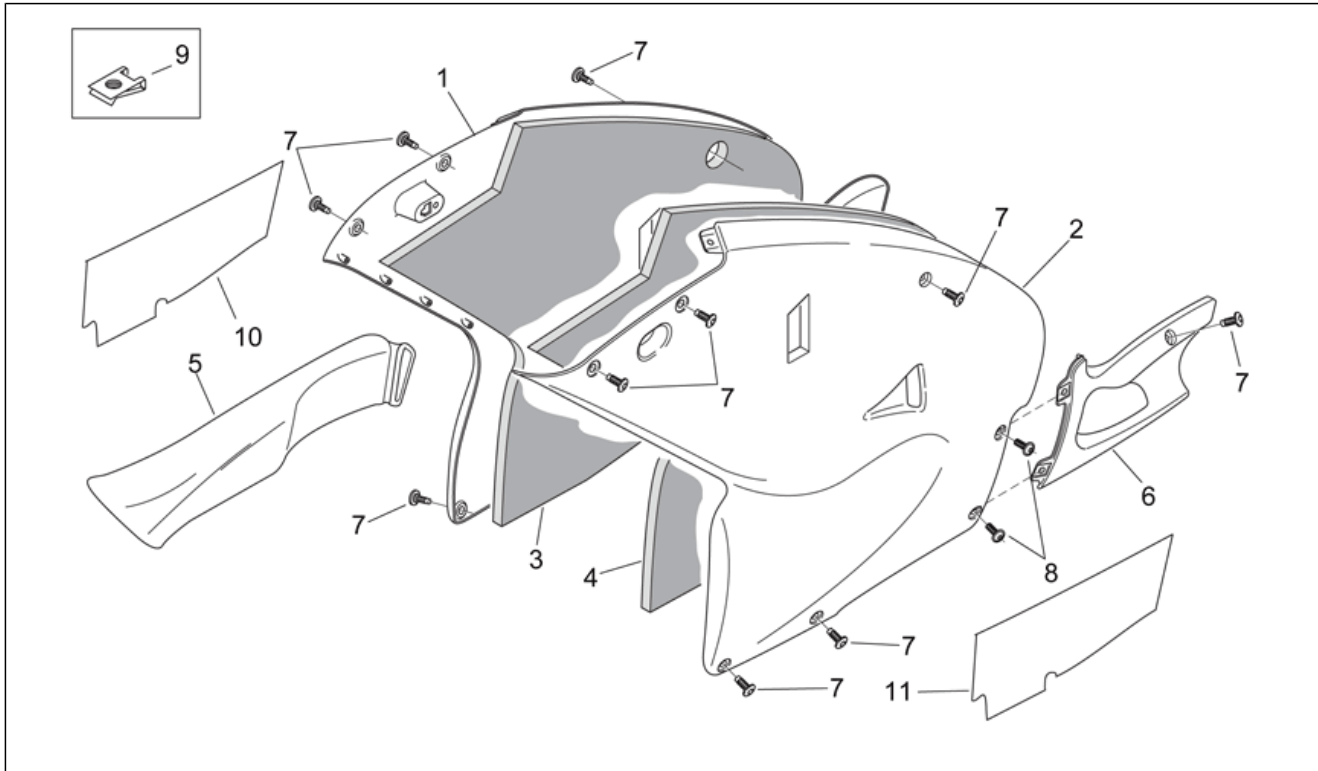
Pos.	Code	Description	Qty	Variants
7	AP8102927	Fuel filler cap	1	Year:1999[X]
7	AP8104215	Fuel filler cap	1	Year:2001[1], 2000[Y]
7	AP8104498	Fuel filler cap	1	Year:2002[2], 2003[3], 2004[4], 2005[5]
8	AP8121324	Fuel tank fastener rod	1	
9	AP8120557	Tank rubber	1	
10	AP8121114	T bush *	1	
11	AP8221106	Rear brake lever bush	1	
12	AP8150202	Hex socket screw M6x50	1	
13	AP8121819	Washer 6,5x12,5*	1	
14	AP8120798	O-ring	1	
15	AP8152272	Screw w/ flange M5x12	2	
16	AP8102676	Float chamber	1	
17	AP8150050	Hex socket screw M5x16	4	
18	AP8150176	Hex socket screw	3	
19	AP8150248	Washer 5,5x15x1,6	2	
20	AP8150314	Screw	1	
21	AP8150014	Washer 6,4x12,5*	1	
22	AP8152299	Self-locking nut M6	1	
23	AP8117073	Adhesive sponge	1	
24	AP8201358	Hose clamp D 11,9	1	

Group	FRAME
Code	28.11
Description	Central body
Service	1



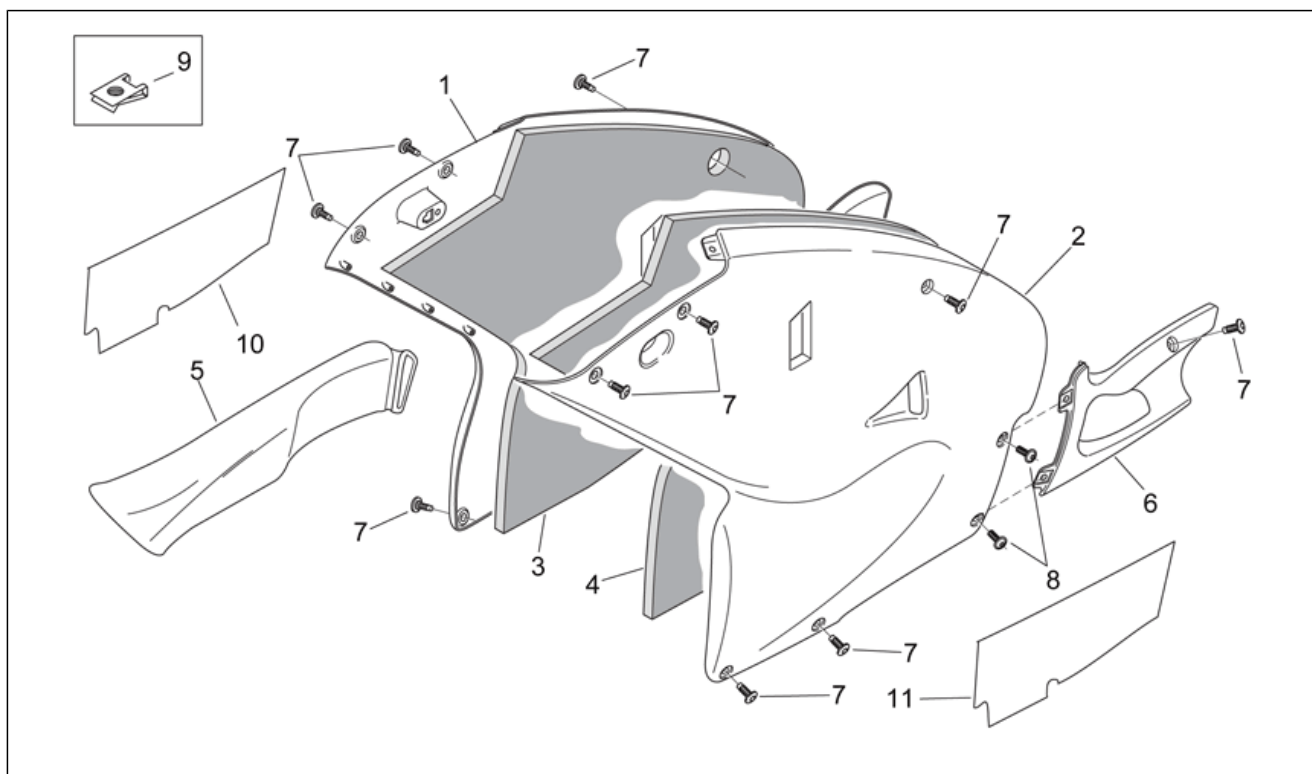
Pos.	Code	Description	Qty	Variants
1	AP8139133	RH side panel, f.r./a.b.	1	Year:1999[X] Vehicle colour:Black / Red '99[n/r]
1	AP8139771	RH side panel, f.r./s.g.	1	Year:1999[X] Vehicle colour:Fumi Blue / Fluo Red '99[b/r]
1	AP8148449	RH side panel, red	1	Year:1999[X] Vehicle colour:Fumi Blue / Fluo Red '99[b/r]
1	AP8148666	RH side panel, a.black	1	Year:2000[Y] Vehicle colour:Aprilia Black / Red Fluo 2000[bl/re]
1	AP8149026	RH side panel, n.grey	1	Year:2000[Y] Vehicle colour:Nik Grey / Lemon Yellow 2000[gr/ye]
1	AP8149900	RH side panel, d.black	1	Year:2001[1] Vehicle colour:Diablo Black 2001[d.bl]
1	AP8158737	RH side panel, black	1	Year:2002[2] Vehicle colour:Diablo Black 2002[black]
1	AP8158952	RH side panel, grey	1	Year:2002[2] Vehicle colour:Dust Grey 2002[grey]
1	AP8168618	RH side panel, black	1	Year:2003[3] Vehicle colour:SBK Black '03[s.bl]
1	AP8168712	RH side panel, black	1	Year:2003[3] Vehicle colour:GP1 Black '03[g.bl]
1	AP8178565	RH side panel, d.black	1	Year:2004[4] Vehicle colour:Poggiali Black 2004[a.blk]
1	AP8178829	RH side panel, s.white	1	Year:2004[4] Vehicle colour:Poggiali White 2004[RP]
1	AP8179108	RH side panel, bronze	1	Year:2005[5] Vehicle colour:Aprilia Black '05 (s.t.14845)[blk]
1	AP8268391	RH side panel, a.black	1	Year:2005[5] Vehicle colour:Fluo Red '05 (s.t.14817)[red]
2	AP8139132	LH side panel, f.r./a.b.	1	Year:1999[X] Vehicle colour:Black / Red '99[n/r]
2	AP8139772	LH side panel, f.r./s.g.	1	Year:1999[X] Vehicle colour:Fumi Blue / Fluo Red '99[b/r]

Group	FRAME
Code	28.11
Description	Central body
Service	1



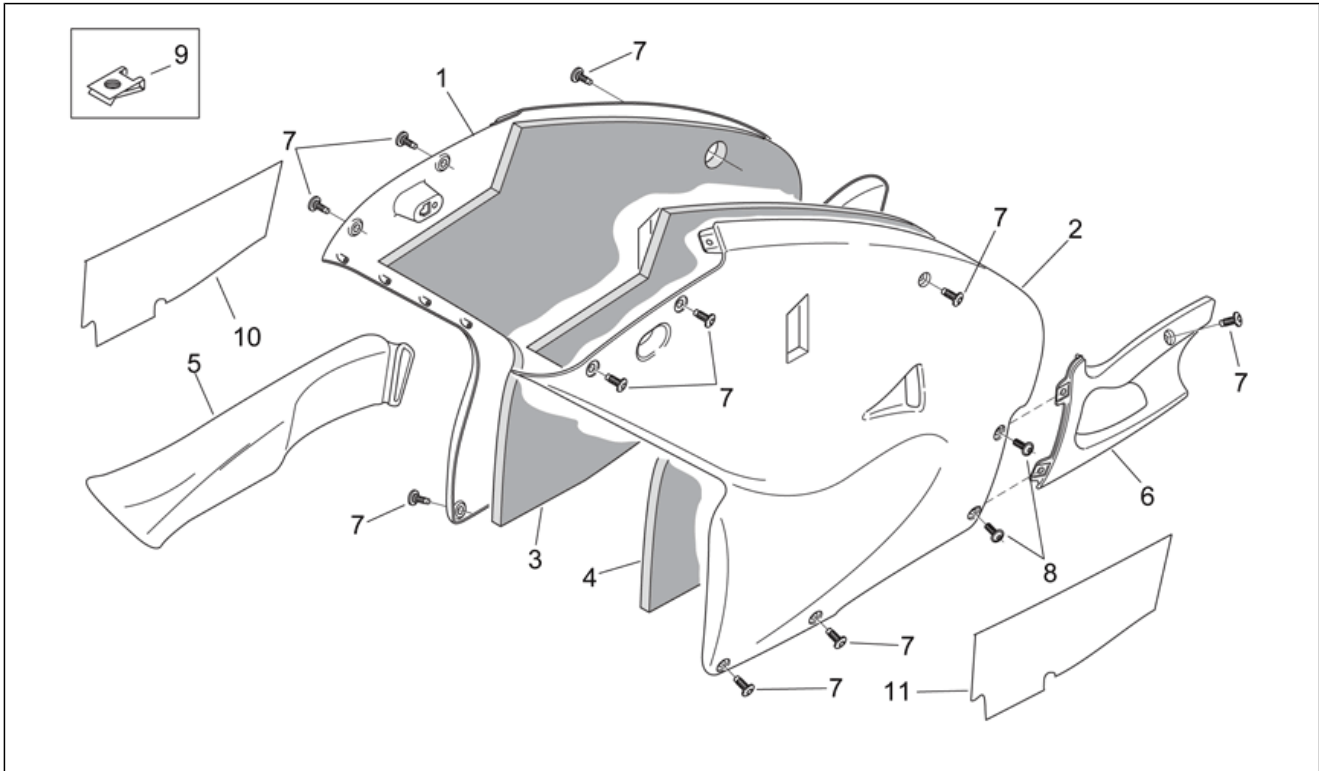
Pos.	Code	Description	Qty	Variants
2	AP8148450	LH side panel, red	1	Year:1999[X] Vehicle colour:Fumi Blue / Fluo Red '99[b/r]
2	AP8148667	LH side panel, a.black	1	Year:2000[Y] Vehicle colour:Aprilia Black / Red Fluo 2000[bl/re]
2	AP8149027	LH side panel, n.grey	1	Year:2000[Y] Vehicle colour:Nik Grey / Lemon Yellow 2000[gr/ye]
2	AP8149901	LH side panel, black d.	1	Year:2001[1] Vehicle colour:Diablo Black 2001[d.bl]
2	AP8158738	LH side panel, black	1	Year:2002[2] Vehicle colour:Diablo Black 2002[black]
2	AP8158953	LH side panel, grey	1	Year:2002[2] Vehicle colour:Dust Grey 2002[grey]
2	AP8168619	LH side panel, black	1	Year:2003[3] Vehicle colour:SBK Black '03[s.bl]
2	AP8168713	LH side panel, black	1	Year:2003[3] Vehicle colour:GP1 Black '03[g.bl]
2	AP8178564	LH side panel, black d.	1	Year:2004[4] Vehicle colour:Poggiali Black 2004[a.blk]
2	AP8178830	LH side panel, s.white	1	Year:2004[4] Vehicle colour:Poggiali White 2004[RP]
2	AP8179109	LH side panel, bronze	1	Year:2005[5] Vehicle colour:Aprilia Black '05 (s.t.14845)[blk]
2	AP8268392	LH side panel, a.black	1	Year:2005[5] Vehicle colour:Fluo Red '05 (s.t.14817)[red]
3	AP8117123	Acoustic insulation panel, RH	1	Technical Specifications:Euro0 approval (frame ZD4MP)[E0]
3	AP8117219	Acoustic insulation panel, RH	1	Technical Specifications:EURO1 approval (frame ZD4SF0/ ZD4SFA)[E1], EURO2 Type-approval (frame ZD4SFF)[E2]
4	AP8117124	Acoustic insulation panel, LH	1	Technical Specifications:Euro0 approval (frame ZD4MP)[E0]
4	AP8117220	Acoustic insulation panel, LH	1	Technical Specifications:EURO1 approval (frame ZD4SF0/ ZD4SFA)[E1], EURO2 Type-approval (frame ZD4SFF)[E2]
5	AP8139128	Air deflector	1	
6	AP8139143	LH side panel extens., red	1	Year:1999[X]

Group	FRAME
Code	28.11
Description	Central body
Service	1



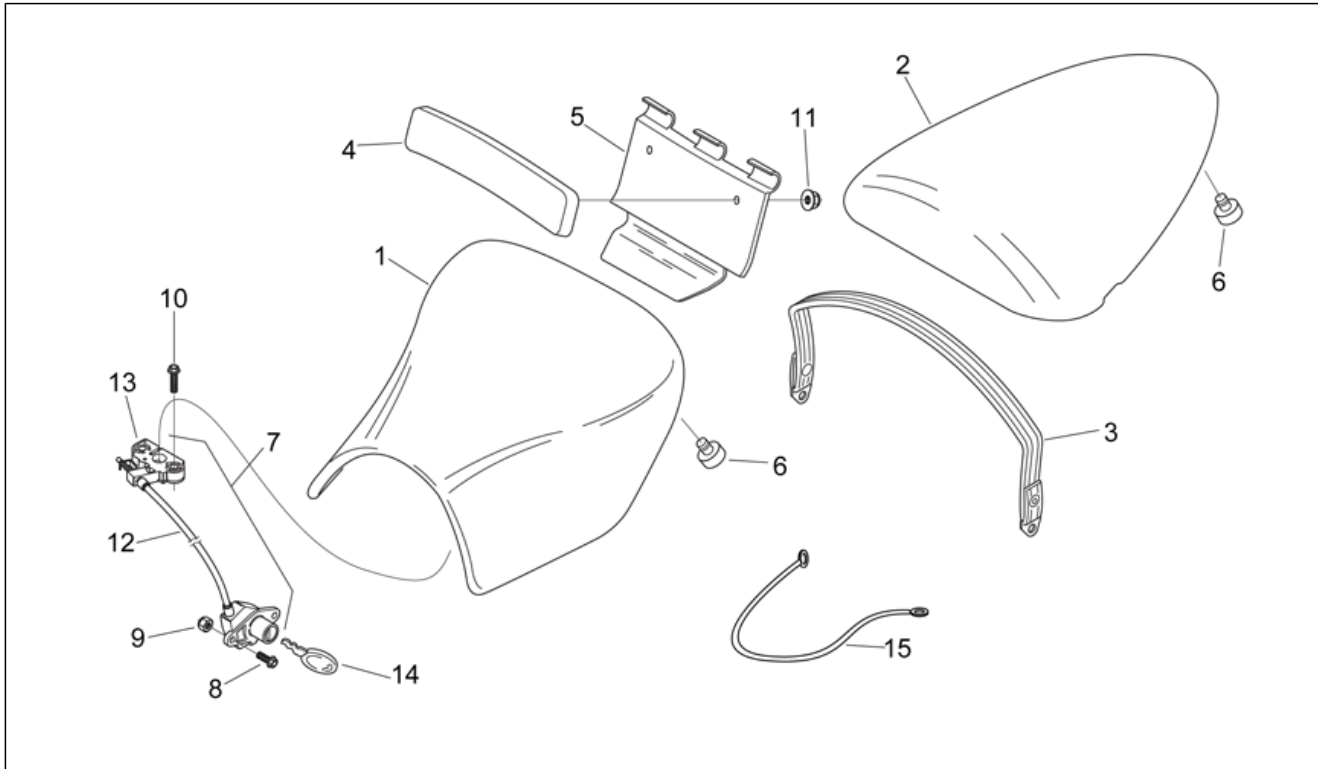
Pos.	Code	Description	Qty	Variants
				Vehicle colour:Black / Red '99[n/r]
6	AP8139773	LH side panel extens., s.grey	1	Year:1999[X] Vehicle colour:Fumi Blue / Fluo Red '99[b/r]
6	AP8148448	LH side panel extens., grey	1	Year:1999[X] Vehicle colour:Fumi Blue / Fluo Red '99[b/r]
6	AP8149028	LH side panel extens., yellow	1	Year:2000[Y] Vehicle colour:Nik Grey / Lemon Yellow 2000[gr/ye]
6	AP8158739	LH side panel extens., black	1	Year:2002[2] Vehicle colour:Diablo Black 2002[black]
6	AP8158954	LH side panel extens., grey	1	Year:2002[2] Vehicle colour:Dust Grey 2002[grey]
6	AP8168620	LH side panel extens., grey	1	Year:2003[3] Vehicle colour:SBK Black '03[s.bl]
6	AP8168714	LH side panel extens., black	1	Year:2003[3] Vehicle colour:GP1 Black '03[g.bl]
6	AP8178563	RH side panel extension, black	1	Year:2004[4] Vehicle colour:Poggiali Black 2004[a.blk]
6	AP8178831	LH side panel extension, black	1	Year:2004[4] Vehicle colour:Poggiali White 2004[RP]
6	AP8179110	LH side panel extension, bronze	1	Year:2005[5] Vehicle colour:Aprilia Black '05 (s.t.14845)[blk]
6	AP8249836	LH side panel extens., red	1	Year:2001[1] Vehicle colour:Diablo Black 2001[d.bl]
6	AP8249836	LH side panel extens., red	1	Year:2000[Y] Vehicle colour:Aprilia Black / Red Fluo 2000[bl/re]
6	AP8268393	LH side panel extension, black	1	Year:2005[5] Vehicle colour:Fluo Red '05 (s.t.14817)[red]
7	AP8152302	Screw w/ flange M5x12	9	
8	AP8152298	Screw w/ flange M5x16	2	
9	AP8102375	Clip M5	2	
10	AP8117221	RH heat protection	1	Technical Specifications:EURO1 approval (frame ZD4SF0/ ZD4SFA)[E1], EURO2 Type-approval (frame ZD4SFF)[E2]

Group	FRAME
Code	28.11
Description	Central body
Service	1



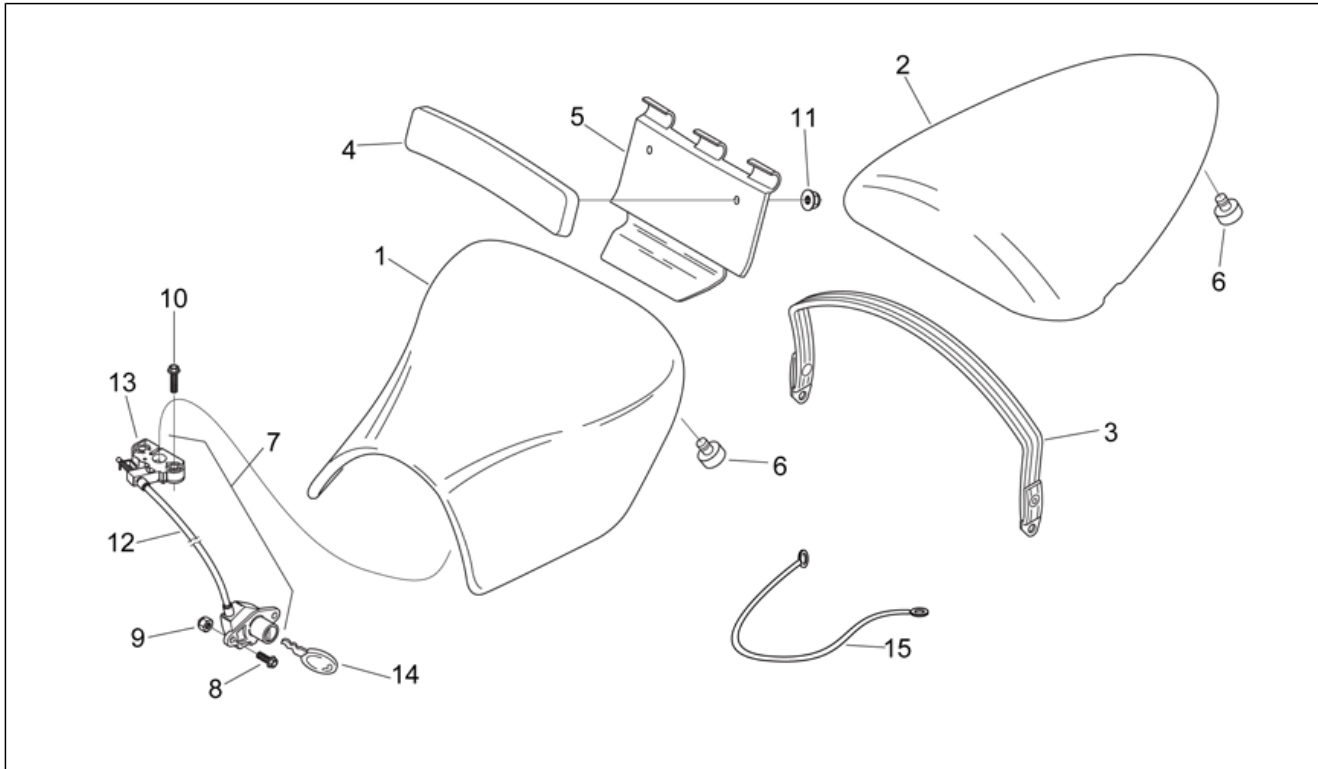
Pos.	Code	Description	Qty	Variants
11	AP8117222	LH heat protection	1	Technical Specifications: EURO1 approval (frame ZD4SF0/ZD4SFA)[E1], EURO2 Type-approval (frame ZD4SFF)[E2]

Group	FRAME
Code	28.12
Description	Saddle unit
Service	1



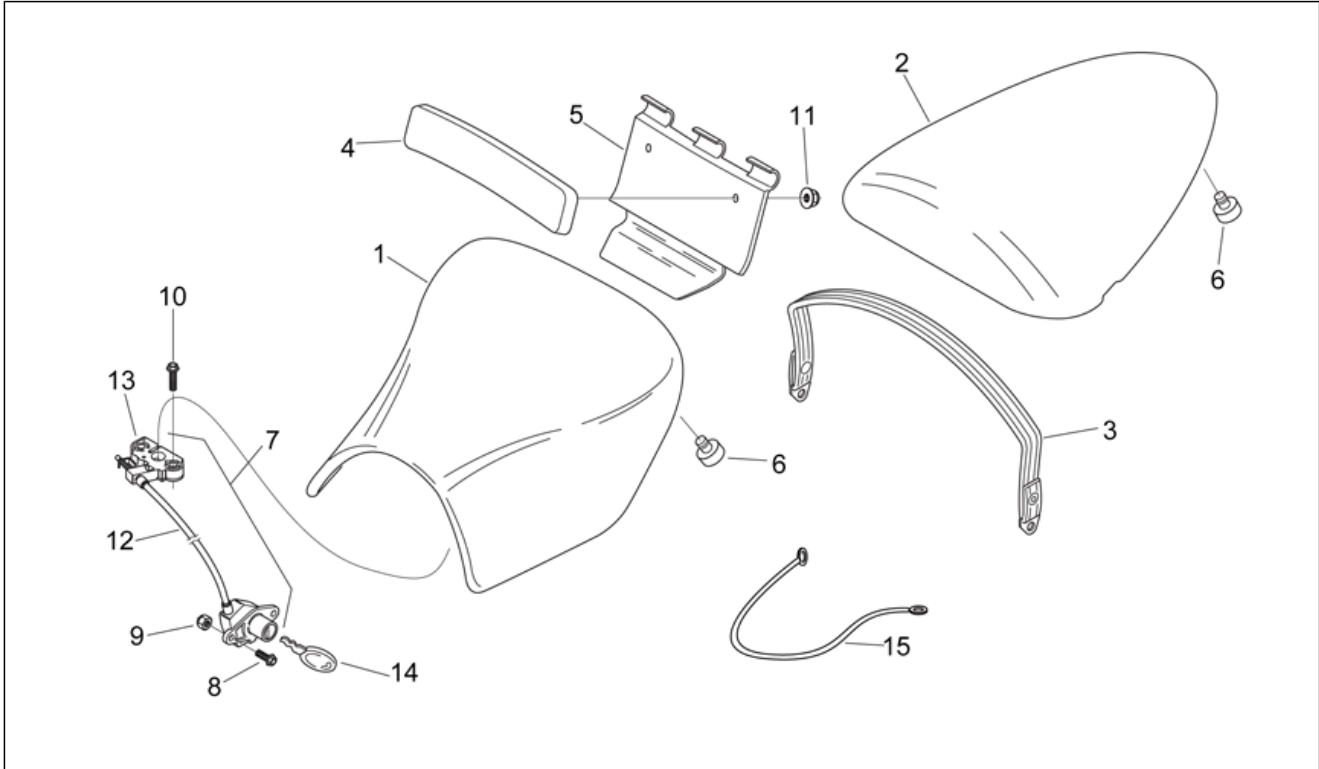
Pos.	Code	Description	Qty	Variants
1	AP8129220	Driver saddle, red	1	Year:1999[X]
1	AP8129278	Driver saddle, black	1	Year:2003[3], 2004[4] Vehicle colour:Poggiali Black 2004[a.blk], GP1 Black '03[g.bl], Poggiali White 2004[RP], SBK Black '03[s.bl]
1	AP8129278	Driver saddle, black	1	Year:2001[1], 2000[Y]
1	AP8129278	Driver saddle, black	1	Year:2002[2] Vehicle colour:Diablo Black 2002[black]
1	AP8129337	Driver saddle, black	1	Year:2002[2] Vehicle colour:Dust Grey 2002[grey]
1	AP8229411	Driver saddle, black	1	Year:2005[5]
2	AP8129221	Rear saddle, black	1	Year:2001[1] Vehicle colour:Diablo Black 2001[d.bl]
2	AP8129221	Rear saddle, black	1	Year:2003[3], 2004[4] Vehicle colour:Poggiali Black 2004[a.blk], GP1 Black '03[g.bl], Poggiali White 2004[RP], SBK Black '03[s.bl]
2	AP8129221	Rear saddle, black	1	Year:2002[2] Vehicle colour:Diablo Black 2002[black]
2	AP8129221	Rear saddle, black	1	Year:1999[X] Vehicle colour:Black / Red '99[n/r]
2	AP8129247	Rear saddle, red	1	Year:2000[Y] Vehicle colour:Aprilia Black / Red Fluo 2000[bl/re]
2	AP8129247	Rear saddle, red	1	Year:1999[X] Vehicle colour:Fumi Blue / Fluo Red '99[b/r]
2	AP8129287	Rear saddle, yellow	1	Year:2000[Y] Vehicle colour:Nik Grey / Lemon Yellow 2000[gr/ye]
2	AP8129338	Rear saddle, black	1	Year:2002[2] Vehicle colour:Dust Grey 2002[grey]
2	AP8229412	Rear saddle, black	1	Year:2005[5]
3	AP8129222	Pillion seat strap, black	1	Year:2003[3], 2004[4] Vehicle colour:Poggiali Black 2004[a.blk], GP1 Black '03[g.bl], Poggiali White 2004[RP], SBK Black '03[s.bl]
3	AP8129222	Pillion seat strap, black	1	Year:2001[1]

Group	FRAME
Code	28.12
Description	Saddle unit
Service	1



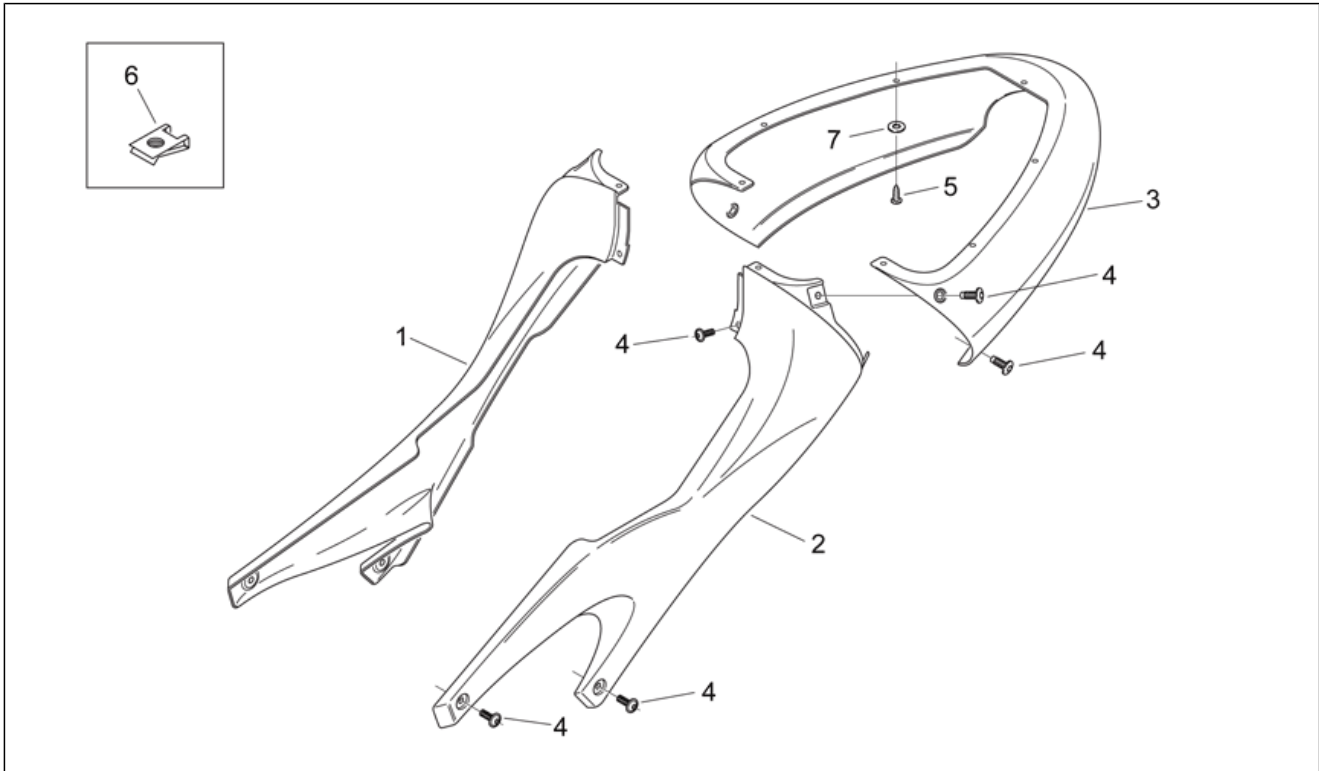
Pos.	Code	Description	Qty	Variants
				Vehicle colour:Diablo Black 2001[d.bl]
3	AP8129222	Pillion seat strap, black	1	Year:1999[X] Vehicle colour:Black / Red '99[n/r]
3	AP8129222	Pillion seat strap, black	1	Year:2002[2] Vehicle colour:Diablo Black 2002[black]
3	AP8129248	Pillion seat strap, red	1	Year:1999[X] Vehicle colour:Fumi Blue / Fluo Red '99[b/r]
3	AP8129248	Pillion seat strap, red	1	Year:2000[Y] Vehicle colour:Aprilia Black / Red Fluo 2000[bl/re]
3	AP8229314	Pillion seat strap, yellow	1	Year:2000[Y] Vehicle colour:Nik Grey / Lemon Yellow 2000[gr/ye]
3	AP8229348	Pillion seat strap, black	1	Year:2002[2] Vehicle colour:Dust Grey 2002[grey]
3	AP8229410	Pillion seat strap, black	1	Year:2005[5]
4	AP8129223	Seat cushion	1	
5	AP8139137	Glove comp.door, s.grey	1	Year:1999[X] Vehicle colour:Black / Red '99[n/r]
5	AP8139777	Glove comp.door, g.grey	1	Year:1999[X] Vehicle colour:Fumi Blue / Fluo Red '99[b/r]
5	AP8148437	Glove comp.door, grey	1	Year:1999[X] Vehicle colour:Fumi Blue / Fluo Red '99[b/r]
5	AP8148671	Glove comp.door, grey	1	Year:2000[Y] Vehicle colour:Aprilia Black / Red Fluo 2000[bl/re]
5	AP8149159	Glove comp.door, black	1	Year:2000[Y] Vehicle colour:Nik Grey / Lemon Yellow 2000[gr/ye]
5	AP8149905	Glove comp.door, grey d.	1	Year:2001[1] Vehicle colour:Diablo Black 2001[d.bl]
5	AP8158743	Glove comp.door, black	1	Year:2002[2] Vehicle colour:Diablo Black 2002[black]
5	AP8158958	Glove comp.door, grey	1	Year:2002[2] Vehicle colour:Dust Grey 2002[grey]
5	AP8168287	Glove comp.door, black	1	Year:2002[2]

Group	FRAME
Code	28.12
Description	Saddle unit
Service	1



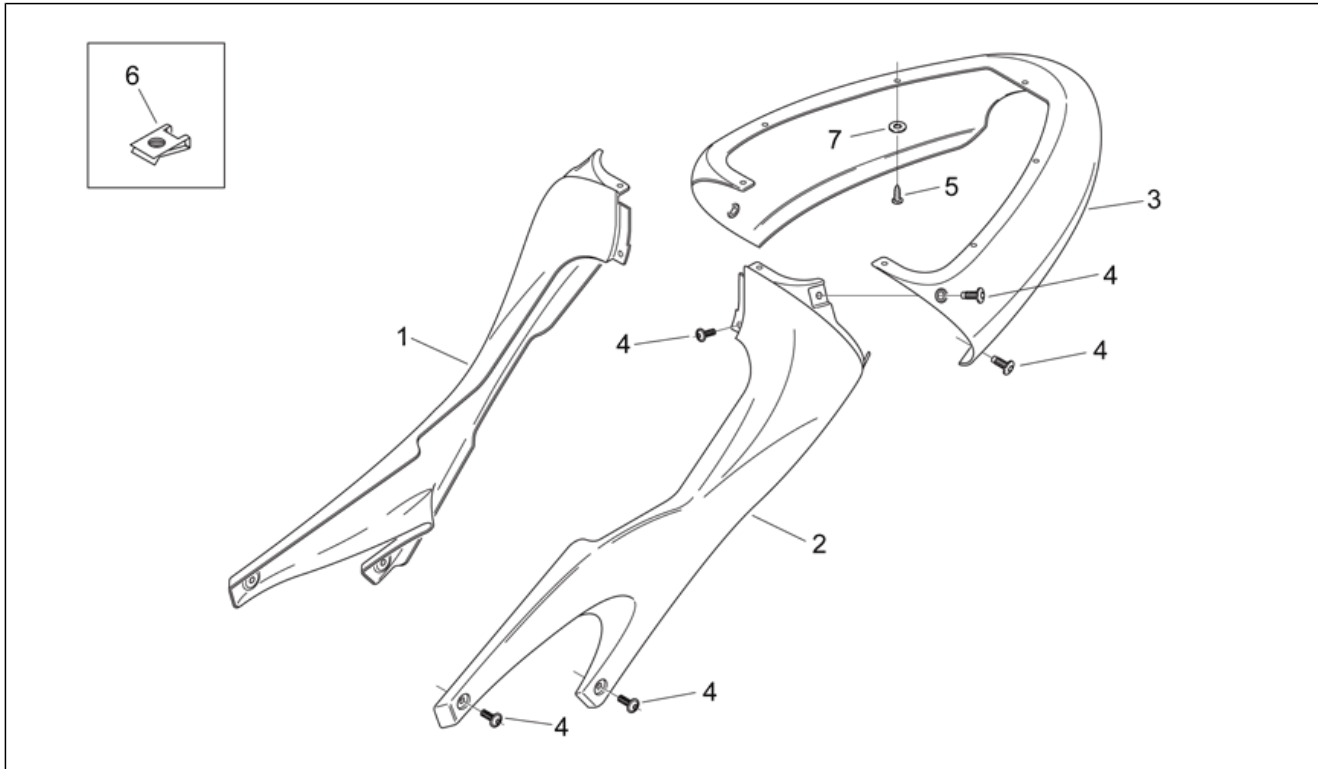
Pos.	Code	Description	Qty	Variants
				Vehicle colour: Diablo Black 2002[black]
5	AP8168287	Glove comp.door, black	1	Year: 2003[3], 2004[4] Vehicle colour: Poggiali Black 2004[a.blk], GP1 Black '03[g.bl], Poggiali White 2004[RP], SBK Black '03[s.bl]
5	AP8168287	Glove comp.door, black	1	Year: 2005[5]
5	AP8168290	Glove comp.door, grey	1	Year: 2002[2] Vehicle colour: Dust Grey 2002[grey]
6	AP8220349	Rubber spacer	4	
7	AP8102928	Saddle lock	1	
8	AP8152278	Screw w/ flange M6x16	2	
9	AP8150430	Low self-locking nut	3	
10	AP8152280	Screw w/ flange M6x25	2	
11	AP8152306	Self-locking nut M5	4	
12	AP8114389	Lock cable	1	
13	AP8102913	Pass.saddle connecting plate	1	
14	AP8102880	Aprilia milled key	1	
15	AP8102502	Helmet lock cable	1	

Group	FRAME
Code	28.13
Description	Rear body I
Service	1



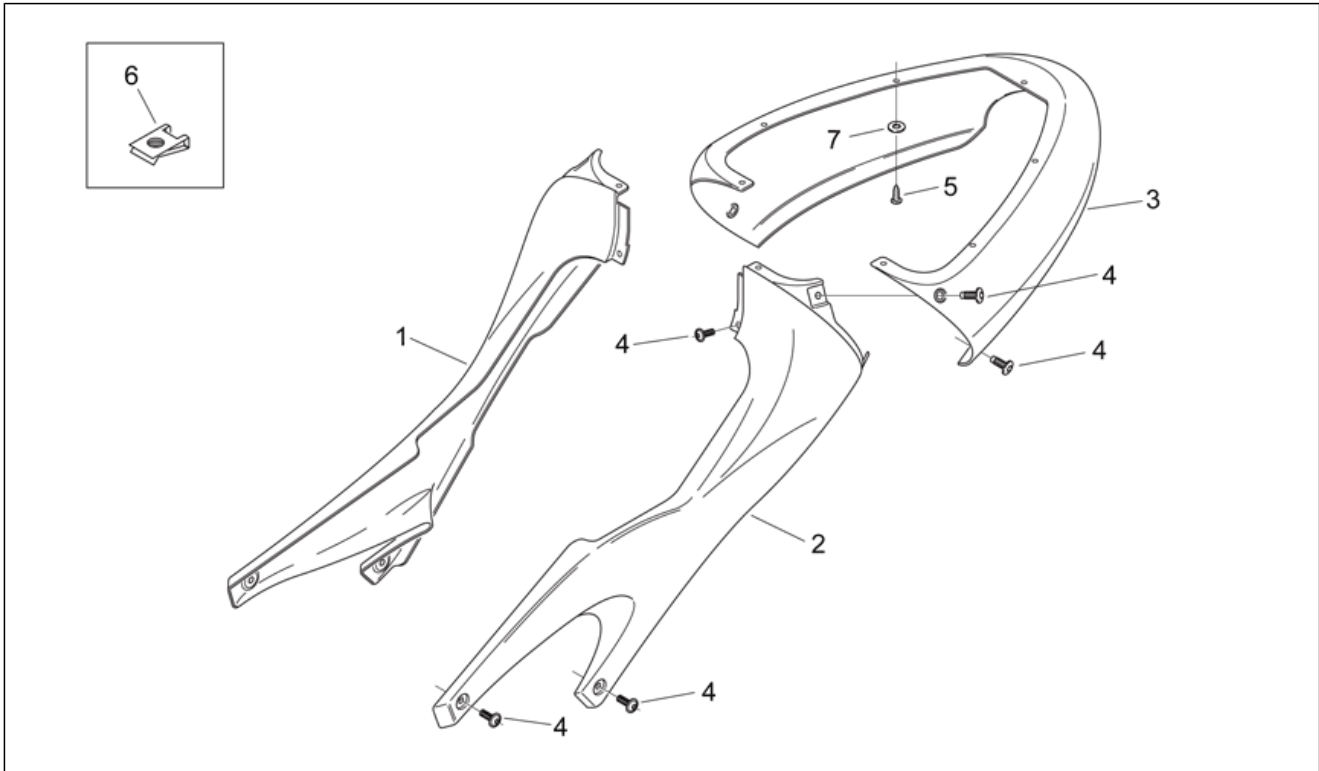
Pos.	Code	Description	Qty	Variants
1	AP8139136	RH saddle sup cov., s.grey	1	Year:1999[X] Vehicle colour:Black / Red '99[n/r]
1	AP8139775	RH saddle sup cov., g.grey	1	Year:1999[X] Vehicle colour:Fumi Blue / Fluo Red '99[b/r]
1	AP8148435	RH saddle sup cov., grey	1	Year:1999[X] Vehicle colour:Fumi Blue / Fluo Red '99[b/r]
1	AP8148669	RH saddle sup cov., grey	1	Year:2000[Y] Vehicle colour:Aprilia Black / Red Fluo 2000[bl/re]
1	AP8149157	RH saddle sup cov., black	1	Year:2000[Y] Vehicle colour:Nik Grey / Lemon Yellow 2000[gr/ye]
1	AP8149903	RH saddle sup cov., d.grey	1	Year:2001[1] Vehicle colour:Diablo Black 2001[d.bl]
1	AP8158741	RH saddle sup cov., black	1	Year:2002[2] Vehicle colour:Diablo Black 2002[black]
1	AP8158956	RH saddle sup cov., grey	1	Year:2002[2] Vehicle colour:Dust Grey 2002[grey]
1	AP8168285	RH saddle sup cov., black	1	Year:2005[5]
1	AP8168285	RH saddle sup cov., black	1	Year:2003[3], 2004[4] Vehicle colour:Poggiali Black 2004[a.blk], GP1 Black '03[g.bl], Poggiali White 2004[RP], SBK Black '03[s.bl]
1	AP8168285	RH saddle sup cov., black	1	Year:2002[2] Vehicle colour:Diablo Black 2002[black]
1	AP8168288	RH saddle sup cov., grey	1	Year:2002[2] Vehicle colour:Dust Grey 2002[grey]
2	AP8139139	LH saddle sup cov., s.grey	1	Year:1999[X] Vehicle colour:Black / Red '99[n/r]
2	AP8139776	LH saddle sup cov., g.grey	1	Year:1999[X] Vehicle colour:Fumi Blue / Fluo Red '99[b/r]
2	AP8148436	LH saddle sup cov., grey	1	Year:1999[X] Vehicle colour:Fumi Blue / Fluo Red '99[b/r]
2	AP8148670	LH saddle sup cov., grey	1	Year:2000[Y] Vehicle colour:Aprilia Black / Red Fluo 2000[bl/re]

Group	FRAME
Code	28.13
Description	Rear body I
Service	1



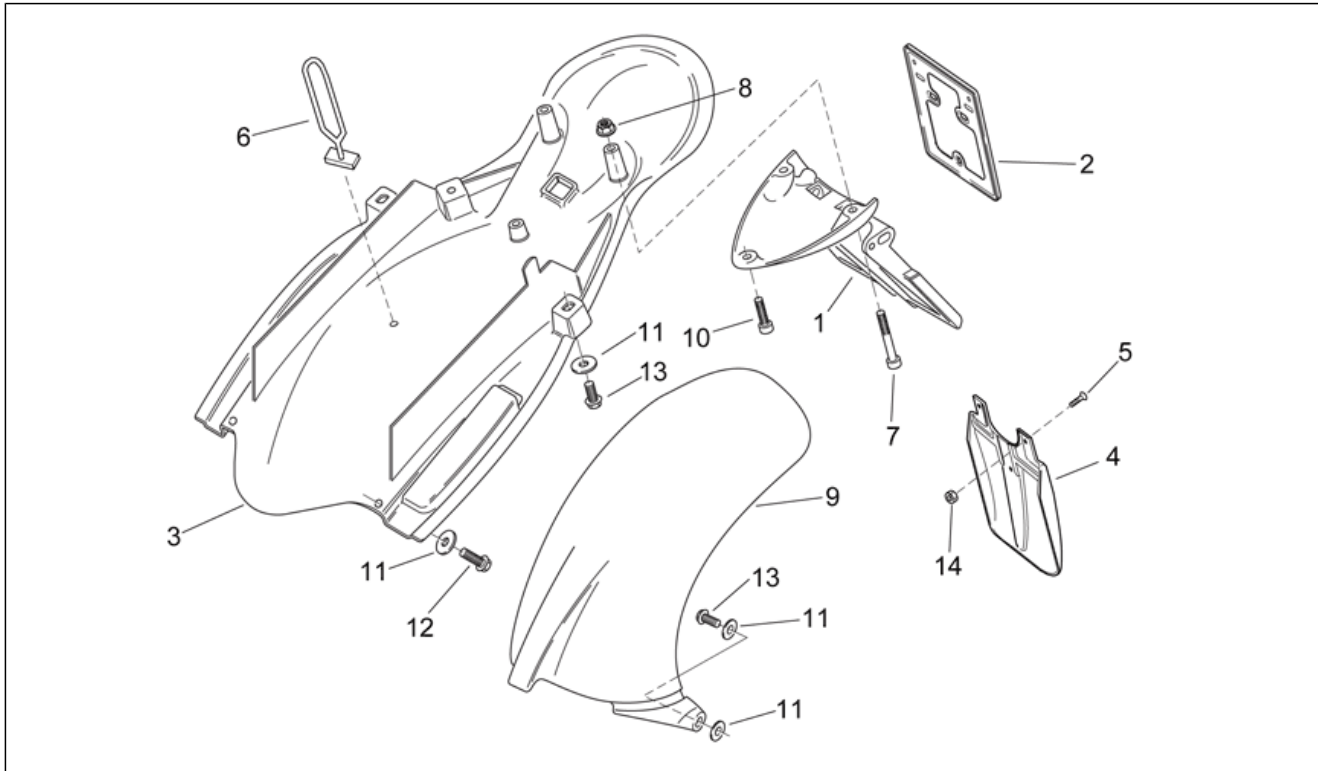
Pos.	Code	Description	Qty	Variants
2	AP8149158	LH saddle sup cov., black	1	Year:2000[Y] Vehicle colour:Nik Grey / Lemon Yellow 2000[gr/ye]
2	AP8149904	LH saddle sup cov., d.grey	1	Year:2001[1] Vehicle colour:Diablo Black 2001[d.bl]
2	AP8158742	LH saddle sup cov., black	1	Year:2002[2] Vehicle colour:Diablo Black 2002[black]
2	AP8158957	LH saddle sup cov., grey	1	Year:2002[2] Vehicle colour:Dust Grey 2002[grey]
2	AP8168286	LH saddle sup cov., black	1	Year:2002[2] Vehicle colour:Diablo Black 2002[black]
2	AP8168286	LH saddle sup cov., black	1	Year:2005[5]
2	AP8168286	LH saddle sup cov., black	1	Year:2003[3], 2004[4] Vehicle colour:Poggiali Black 2004[a.blk], GP1 Black '03[g.bl], Poggiali White 2004[RP], SBK Black '03[s.bl]
2	AP8168289	LH saddle sup cov., grey	1	Year:2002[2] Vehicle colour:Dust Grey 2002[grey]
3	AP8139138	Rear fairing, a.black	1	Year:1999[X] Vehicle colour:Black / Red '99[n/r]
3	AP8139774	Rear fairing, fluo red	1	Year:1999[X] Vehicle colour:Fumi Blue / Fluo Red '99[b/r]
3	AP8148668	Rear fairing, a.black	1	Year:2000[Y] Vehicle colour:Aprilia Black / Red Fluo 2000[bl/re]
3	AP8149029	Rear fairing, nik grey	1	Year:2000[Y] Vehicle colour:Nik Grey / Lemon Yellow 2000[gr/ye]
3	AP8149902	Rear fairing,d. black	1	Year:2001[1] Vehicle colour:Diablo Black 2001[d.bl]
3	AP8158740	Rear fairing, black	1	Year:2002[2] Vehicle colour:Diablo Black 2002[black]
3	AP8158955	Rear fairing, grey	1	Year:2002[2] Vehicle colour:Dust Grey 2002[grey]
3	AP8168621	Rear fairing, black	1	Year:2003[3] Vehicle colour:SBK Black '03[s.bl]

Group	FRAME
Code	28.13
Description	Rear body I
Service	1



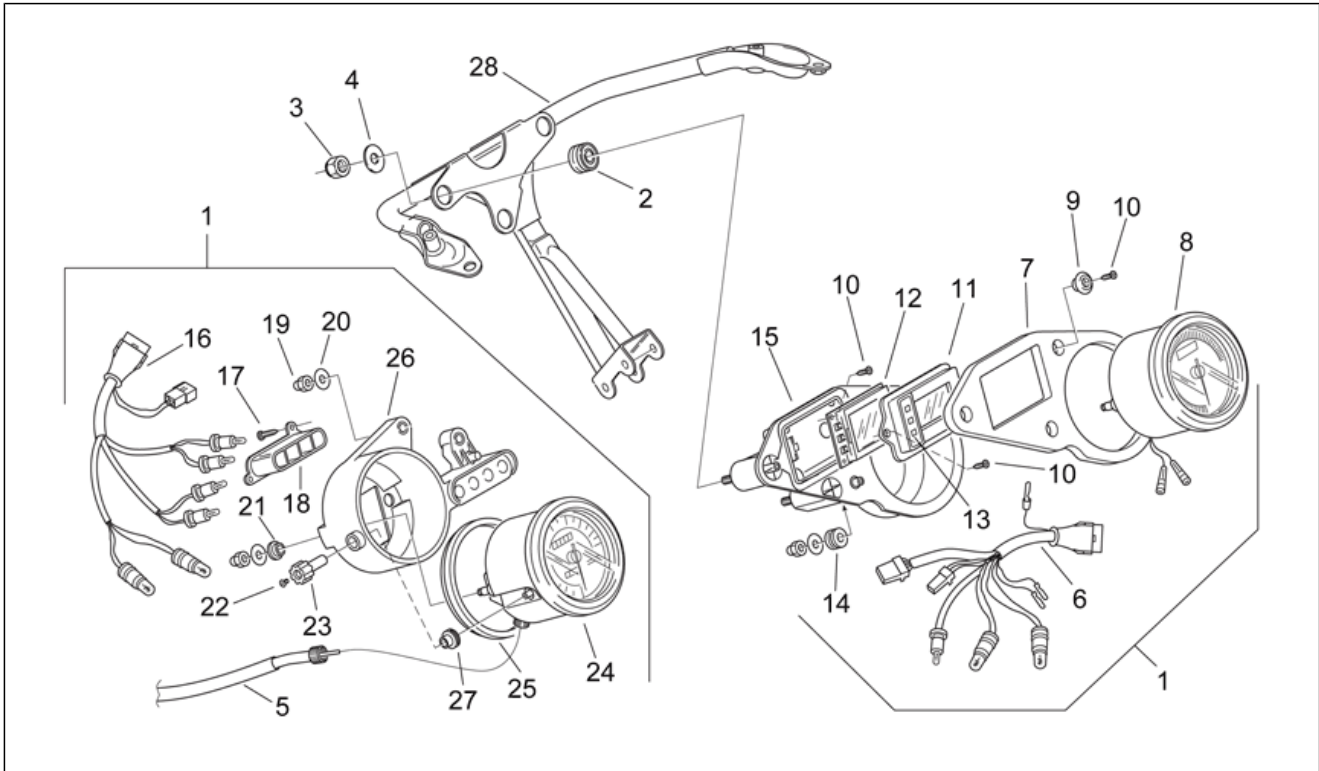
Pos.	Code	Description	Qty	Variants
3	AP8168715	Rear fairing, black	1	Year:2003[3] Vehicle colour:GP1 Black '03[g.bl]
3	AP8268173	Rear fairing, black	1	Year:2004[4] Vehicle colour:Poggiali Black 2004[a.blk]
3	AP8268270	Rear fairing, black	1	Year:2004[4] Vehicle colour:Poggiali White 2004[RP]
3	AP8268383	Rear fairing, fluo red	1	Year:2005[5] Vehicle colour:Fluo Red '05 (s.t.14817)[red]
3	AP8268460	Rear fairing, a.black	1	Year:2005[5] Vehicle colour:Aprilia Black '05 (s.t.14845)[blk]
4	AP8152302	Screw w/ flange M5x12	4	
5	AP8150444	Self-tapping screw	7	
6	AP8102375	Clip M5	2	
7	AP8150011	Washer 4,3x12x1	6	

Group	FRAME
Code	28.14
Description	Rear body II
Service	1



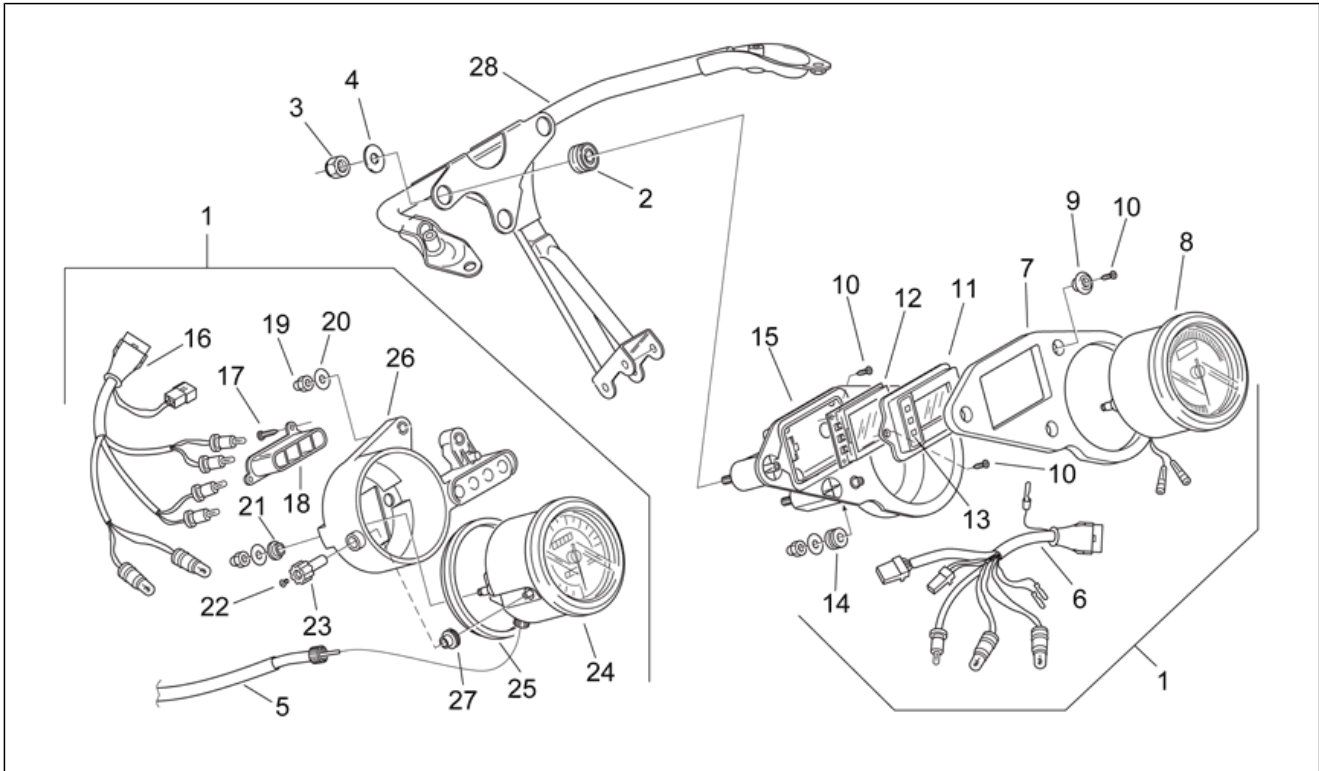
Pos.	Code	Description	Qty	Variants
1	AP8126583	Number plate holder	1	
2	AP8126115	Number plate holder	1	
3	AP8139140	Saddle supp.low. lockup, red	1	Year:1999[X] Vehicle colour:Black / Red '99[n/r]
3	AP8139806	Saddle supp.low. lockup, grey	1	Year:1999[X] Vehicle colour:Fumi Blue / Fluo Red '99[b/r]
3	AP8148672	Saddle supp.low. lockup, black	1	Year:2001[1], 2002[2], 2003[3], 2004[4], 2005[5], 2000[Y]
4	AP8126641	Number-plate extension	1	
5	AP8152166	screw M6x16	3	
6	AP8120177	Elastic	1	
7	AP8150045	Hex socket screw M6x55	2	
8	AP8152299	Self-locking nut M6	3	
9	AP8126356	Low mudguard, black	1	Year:2001[1], 2002[2], 1999[X], 2000[Y]
9	AP8126356	Low mudguard, black	1	Year:2003[3] Vehicle colour:SBK Black '03[s.bl]
9	AP8126356	Low mudguard, black	1	Year:2004[4], 2005[5]
9	AP8156061	Low mudguard, black	1	Year:2003[3] Vehicle colour:GP1 Black '03[g.bl]
10	AP8152279	Screw w/ flange M6x20	1	
11	AP8150179	Washer 6,6x18*	5	
12	AP8152280	Screw w/ flange M6x25	2	
13	AP8152278	Screw w/ flange M6x16	2	
14	AP8150430	Low self-locking nut	2	

Group	FRAME
Code	28.15
Description	Dashboard
Service	1



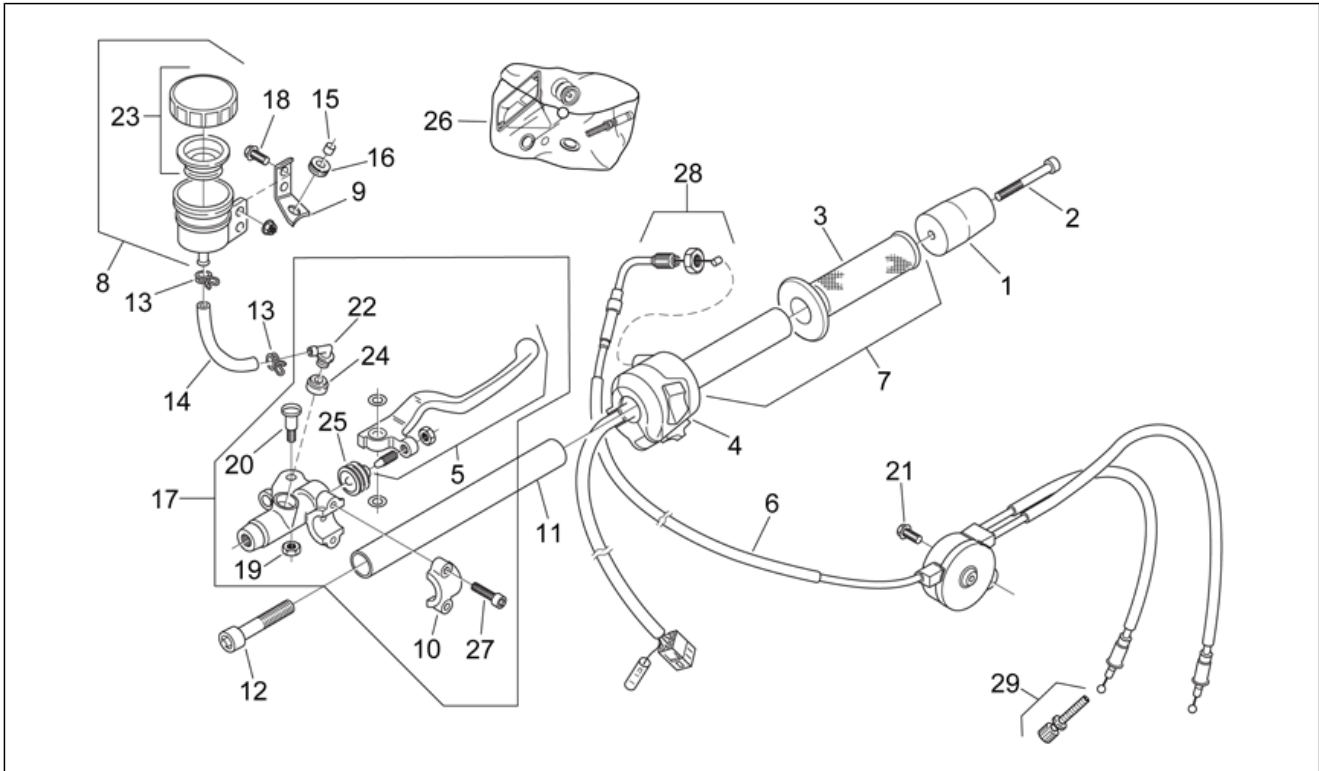
Pos.	Code	Description	Qty	Variants
1	AP8124491	Dashboard complete	1	Year:2001[1], 1999[X], 2000[Y] Country:Austria[A], Belgium[B], Switzerland[CH], Germany[D], Denmark[DK], Spain[E], B-D-SF-F-I-CH-DK-GR-E-NL-P[EU], France[F], Greece[GR], Italy[I], Japan[J], J[J], Holland[NL], Portugal[P], Finland[SF], Singapore[SGP], Great Britain[UK]
1	AP8124835	Dashboard complete	1	Year:2001[1], 2002[2], 2003[3], 2004[4], 2005[5], 1999[X], 2000[Y] Country:AUS[AA], Australia[AUS]
1	AP8127325	Dashboard complete	1	Year:2002[2], 2003[3], 2004[4], 2005[5] Country:Austria[A], Belgium[B], Switzerland[CH], Germany[D], Denmark[DK], Spain[E], B-D-SF-F-I-CH-DK-GR-E-NL-P[EU], France[F], Greece[GR], Italy[I], Japan[J], J[J], Holland[NL], Portugal[P], Finland[SF], Singapore[SGP], Great Britain[UK]
2	AP8220150	Rubber spacer	3	
3	AP8150430	Low self-locking nut	3	
4	AP8150179	Washer 6,6x18*	3	
5	AP8114334	Odometer cable	1	Year:2002[2]
5	AP8114334	Odometer cable	1	Year:2001[1]
5	AP8114334	Odometer cable	1	Year:1999[X], 2000[Y]
5	AP8114444	Odometer cable	1	Year:2003[3], 2004[4], 2005[5]
5	AP8114444	Odometer cable	1	Year:2001[1]
5	AP8114444	Odometer cable	1	Year:2002[2]
6	AP8124652	Tachometer cable-multif.	1	
7	AP8124198	Sponge gasket	1	
8	AP8124225	Tachometer	1	
9	AP8124253	Sponge fixing bush	3	
10	AP8123553	Plug screw	7	
11	AP8124194	Window	1	
12	AP8124226	Multifun. device	1	

Group	FRAME
Code	28.15
Description	Dashboard
Service	1



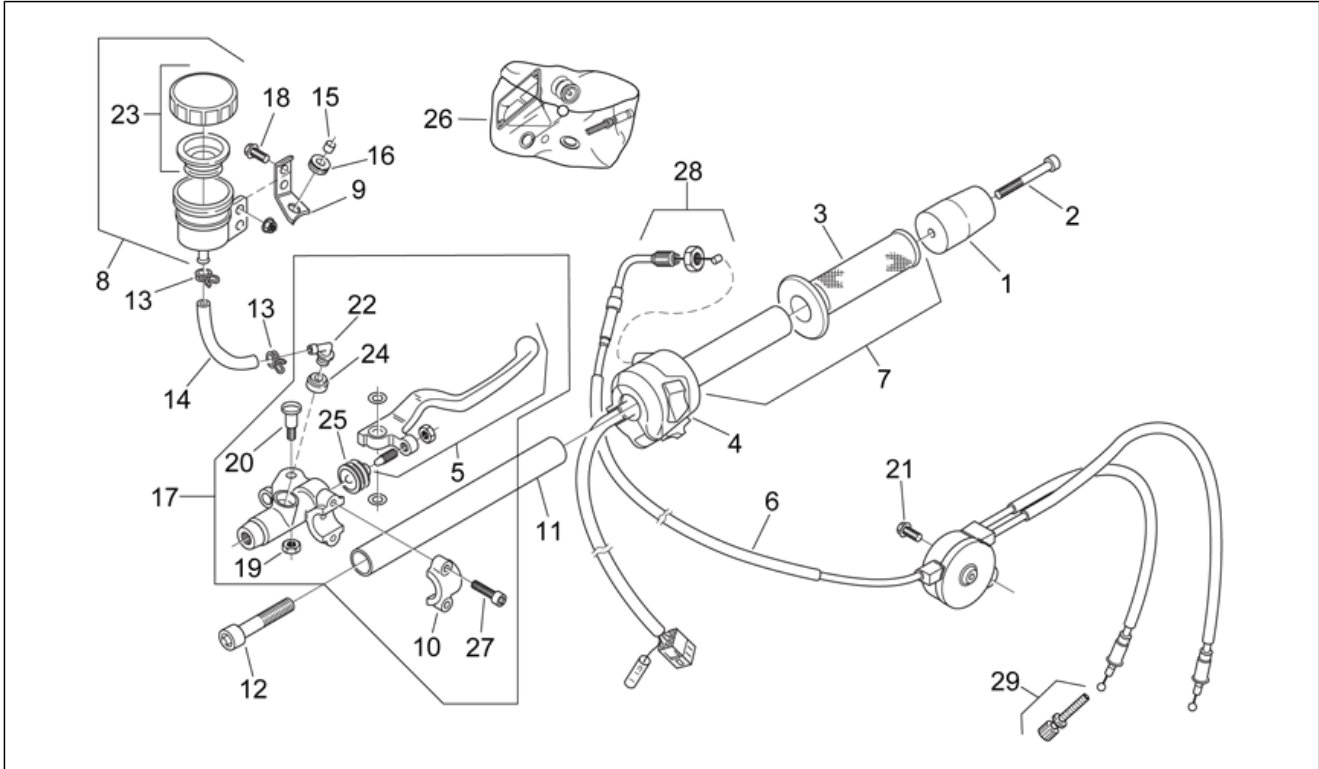
Pos.	Code	Description	Qty	Variants
13	AP8124195	Multif.device plug	1	
14	AP8124655	Rubber tachometer	2	
15	AP8124197	Tachometer support	1	
16	AP8124654	Dashboard cable	1	
17	AP8124656	Pilot lamps holder screw	2	
18	AP8124657	Pilot lamps holder	1	
19	AP8124658	Nut	6	
20	AP8124659	Washer	6	
21	AP8124254	Rubber speedometer	2	
22	AP8124660	Reset button screw	1	
23	AP8131176	Reset button	1	
24	AP8124224	Speedometer	1	Year: 2001[1], 2002[2], 2003[3], 2004[4], 2005[5], 1999[X], 2000[Y] Country: AUS[AA], Australia[AUS]
24	AP8124486	Speedometer	1	Year: 2001[1], 1999[X], 2000[Y] Country: Austria[A], Belgium[B], Switzerland[CH], Germany[D], Denmark[DK], Spain[E], B-D-SF-F-I-CH-DK-GR-E-NL-P[EU], France[F], Greece[GR], Italy[I], Japan[J], J[JJ], Holland[NL], Portugal[P], Finland[SF], Singapore[SGP], Great Britain[UK]
24	AP8127361	Speedometer	1	Year: 2002[2], 2003[3], 2004[4], 2005[5] Country: Austria[A], Belgium[B], Switzerland[CH], Germany[D], Denmark[DK], Spain[E], B-D-SF-F-I-CH-DK-GR-E-NL-P[EU], France[F], Greece[GR], Italy[I], Japan[J], J[JJ], Holland[NL], Portugal[P], Finland[SF], Singapore[SGP], Great Britain[UK]
25	AP8124252	Speedometer gasket	1	
26	AP8124653	Odometer support	1	
27	AP8124661	Reset button rubber	1	
28	AP8146079	Instrum.holder frame	1	

Group	FRAME
Code	28.16
Description	RH controls
Service	1



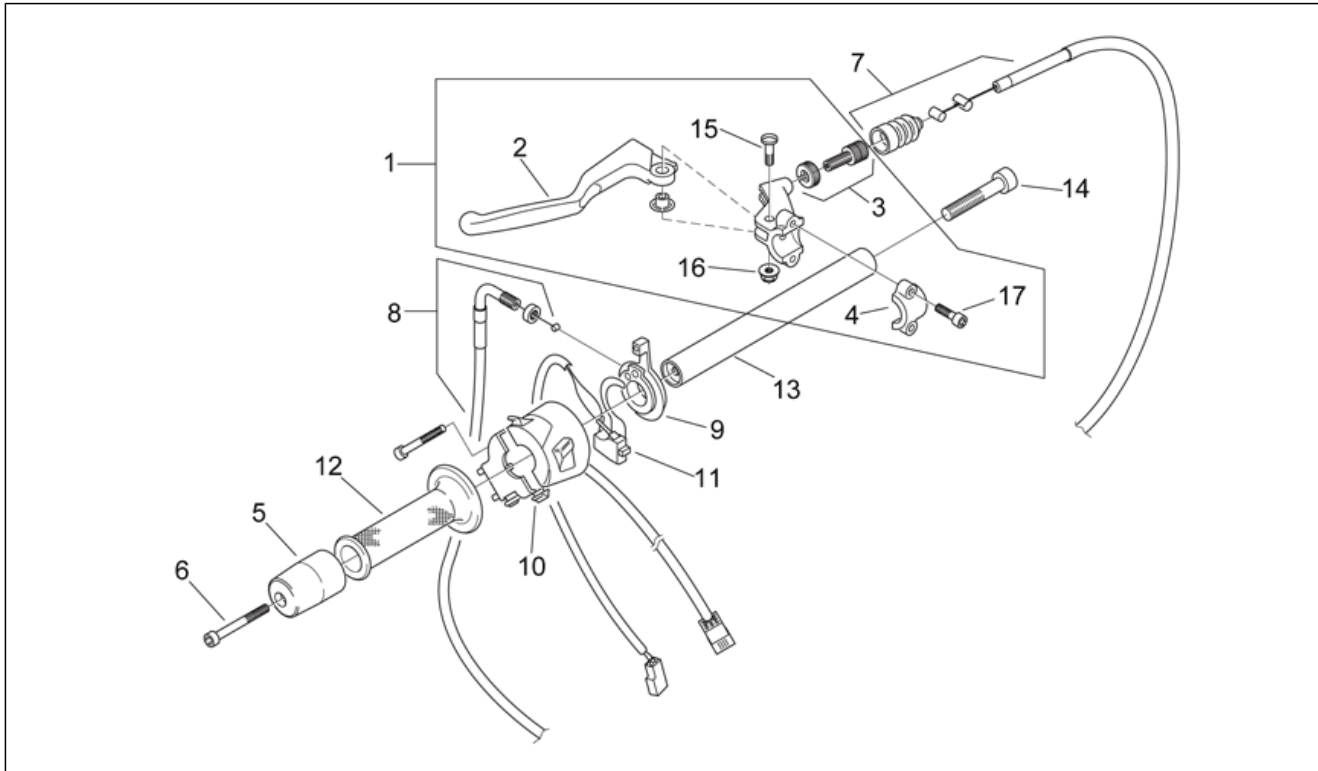
Pos.	Code	Description	Qty	Variants
1	AP8104572	Anti.v weight, black	1	
2	AP8150157	Hex socket screw M6x60	1	
3	AP8118287	Handgrip - pair	1	
4	AP8118409	Start pushbutton	1	Country: Austria[A], AUS[AA], Australia[AUS], Belgium[B], Switzerland[CH], Germany[D], Denmark[DK], Spain[E], B-D-SF-F-I-CH-DK-GR-E-NL-P[EU], France[F], Greece[GR], Italy[I], Holland[NL], Portugal[P], Finland[SF], Great Britain[UK] Technical Specifications: Euro0 approval (frame ZD4MP)[E0]
4	AP8124531	RH lights selector	1	Country: Japan[J], J[J], Singapore[SGP] Technical Specifications: Euro0 approval (frame ZD4MP)[E0]
4	AP8124913	RH lights sel. w/wiring	1	Country: AUS[AA], Australia[AUS], Belgium[B], Switzerland[CH], Germany[D], Denmark[DK], Spain[E], B-D-SF-F-I-CH-DK-GR-E-NL-P[EU], France[F], Greece[GR], Italy[I], Holland[NL], Portugal[P], Finland[SF], Great Britain[UK] Technical Specifications: EURO1 approval (frame ZD4SF0/ZD4SFA)[E1], EURO2 Type-approval (frame ZD4SFF)[E2]
4	AP8124914	RH lights sel. w/wiring	1	Country: Japan[J], J[J] Technical Specifications: EURO1 approval (frame ZD4SF0/ZD4SFA)[E1], EURO2 Type-approval (frame ZD4SFF)[E2]
5	AP8118460	Front brake lever	1	
6	AP8114320	Throttle cable w/ splitter	1	
7	AP8118307	Throttle+hand grip	1	
8	AP8113280	Brake oil tank complete	1	
9	AP8121892	Oil brake tank supp.	1	
10	AP8213078	U-bolt	1	
11	AP8118343	Right half handlebar	1	
12	AP8150049	screw M10x60	1	
13	AP8102811	Hose clamp D9,6	2	
14	AP8144151	Rubber pipe	1	
15	AP8120278	Spacer	1	
16	AP8120405	Rubber spacer	1	

Group	FRAME
Code	28.16
Description	RH controls
Service	1



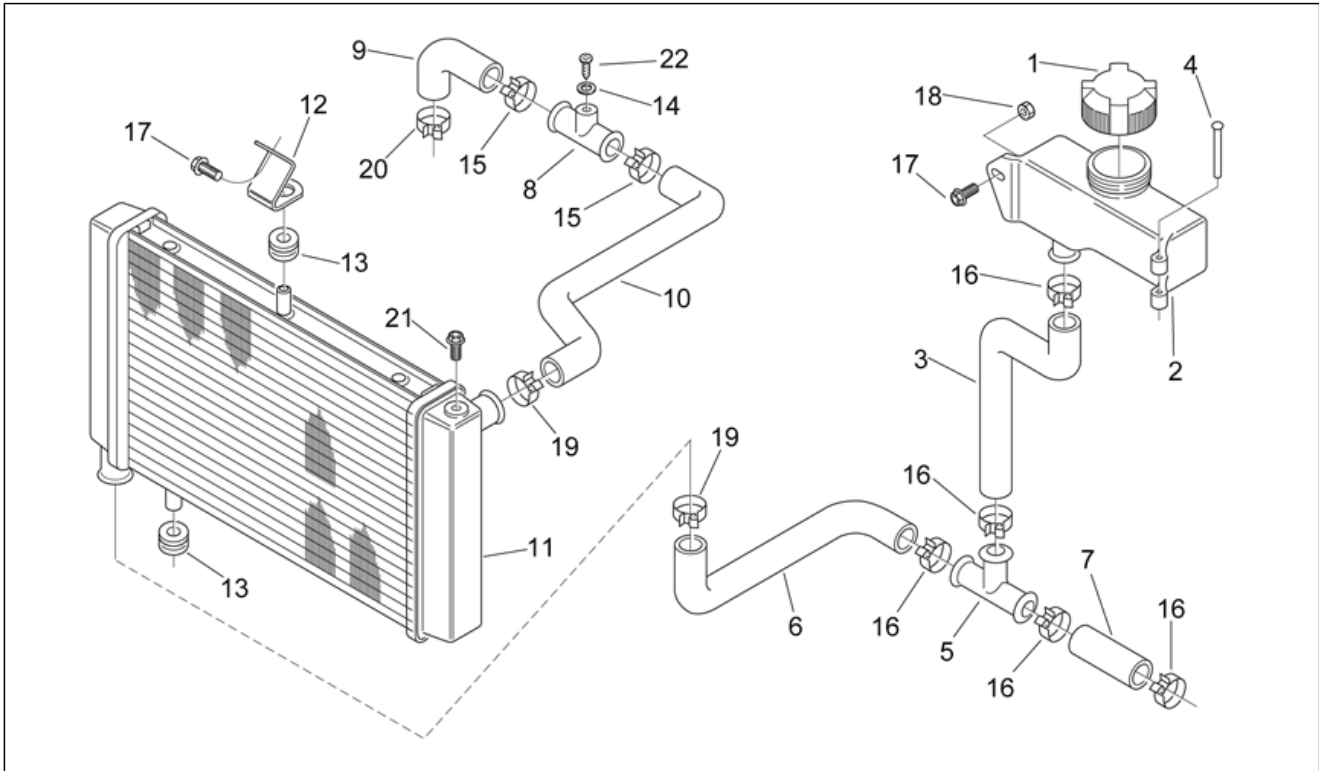
Pos.	Code	Description	Qty	Variants
17	AP8113617	Front master cilinder	1	
18	AP8152273	Screw w/ flange M5x15	2	
19	AP8218345	Nut	1	
20	AP8113413	Brake lever pin	1	
21	AP8152277	Screw w/ flange M6x12	1	
22	AP8113157	Joint	1	
23	AP8113816	Brake fluid reservoir cap	1	
24	AP8113821	Union gasket	1	
25	AP8113824	Front master cyl.cradle	1	
26	AP8113825	Front pump rev. kit	1	
27	AP8118518	U-bolt screw	1	
28	AP8114332	Throttle cable adjuster	1	
29	AP8114272	Throttle cable adjuster	1	

Group	FRAME
Code	28.17
Description	LH Controls
Service	1



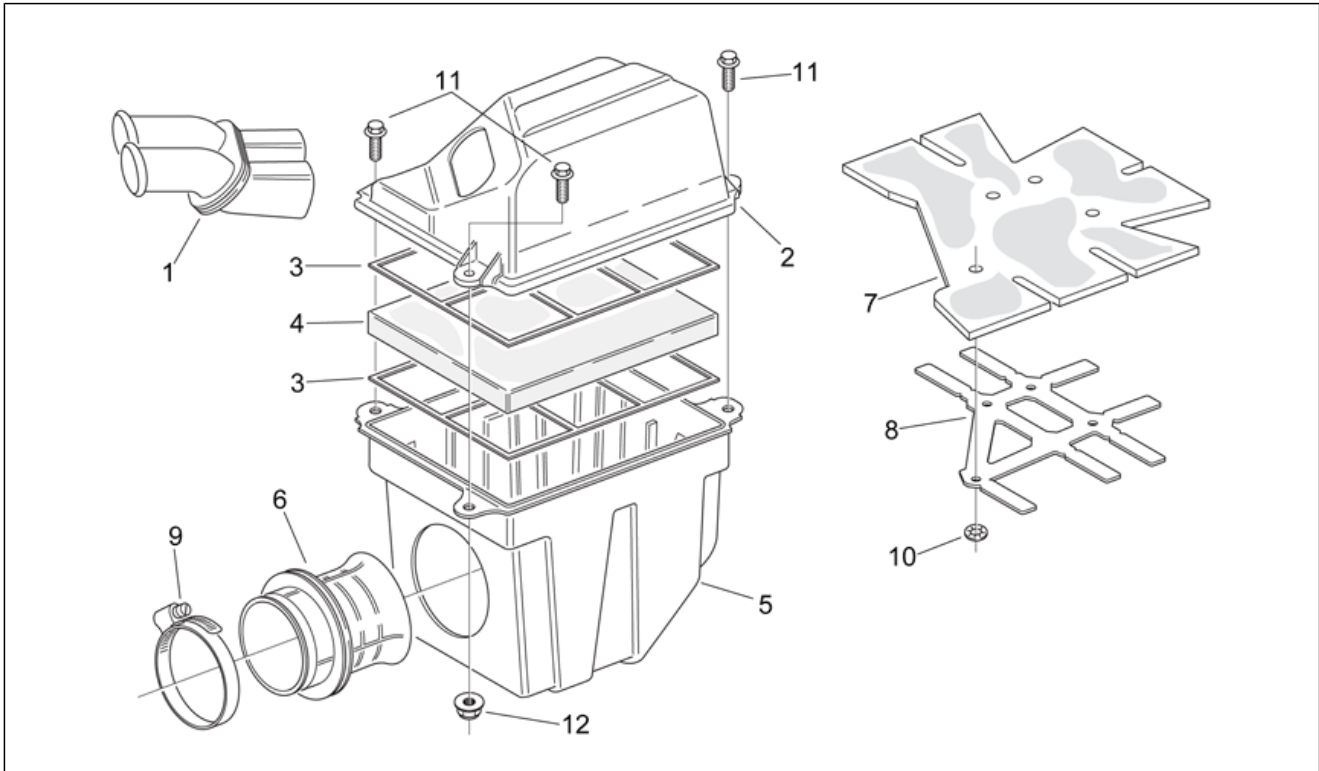
Pos.	Code	Description	Qty	Variants
1	AP8118439	Clutch control complete	1	
2	AP8118432	Clutch lever	1	
3	852330	Clutch lever adjuster	1	
4	AP8218077	Clutch lever U-bolt	1	
5	AP8104572	Anti.v weight, black	1	
6	AP8150157	Hex socket screw M6x60	1	
7	AP8114321	Clutch cable	1	
8	AP8114331	Choke cable	1	
9	AP8118308	Starter lever	1	
10	AP8124173	LH lights sel. w/wiring	1	Technical Specifications: Euro0 approval (frame ZD4MP)[E0]
10	AP8124915	LH lights sel. w/wiring	1	Technical Specifications: EURO1 approval (frame ZD4SF0/ ZD4SFA)[E1], EURO2 Type-approval (frame ZD4SFF)[E2]
11	AP8124152	Chronometer button	1	
12	AP8118287	Handgrip - pair	1	
13	AP8118324	Left half handlebar	1	
14	AP8150049	screw M10x60	1	
15	AP8213028	screw	1	
16	AP8118375	Clutch lever nut	1	
17	AP8118517	screw	2	

Group	FRAME
Code	28.18
Description	Water cooler
Service	1



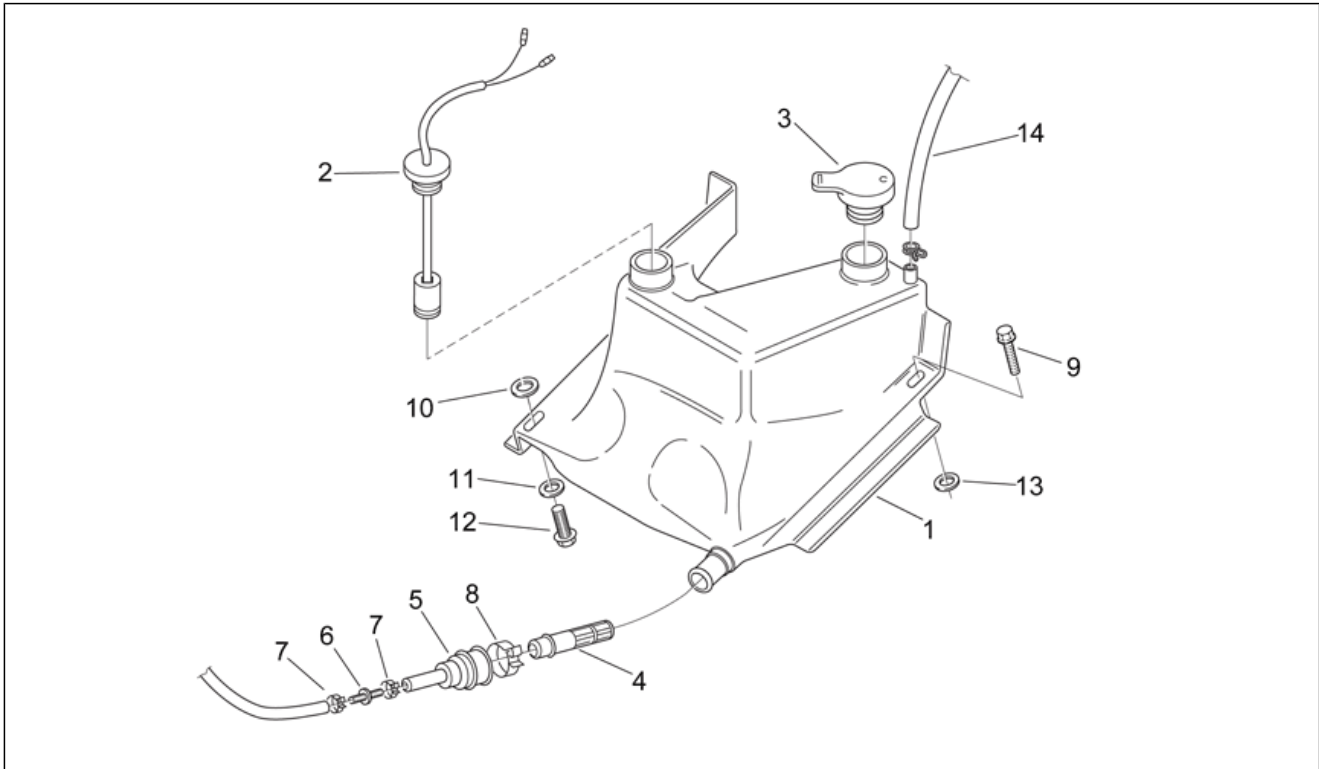
Pos.	Code	Description	Qty	Variants
1	AP8101912	Rad cap no vent	1	
2	AP8101910	Expansion tank	1	
3	AP8120787	Expansion tank hose	1	
4	AP8101924	Drilled crow.head rivet	1	
5	AP8101916	Tee union D20	1	
6	AP8120790	Tee union	1	
7	AP8120946	Pump connection hose	1	
8	AP8102112	Breather pipe union	1	
9	AP8102118	Head tube union	1	
10	AP8120786	Water cooler hose union	1	
11	AP8102704	Water cooler	1	
12	AP8146162	Water cooler upper support	1	
13	AP8120030	Rubber spacer	2	
14	AP8152184	Washer 6,4x12*	1	
15	AP8101743	Hose clip D23,5x8*	2	
16	AP8201169	Hose clip D22x8,6*	5	
17	AP8152278	Screw w/ flange M6x16	1	
18	AP8150026	Nut M6	1	
19	AP8101927	Hose clip D23,5x8*	2	
20	AP8120536	Hose clip D28x8,6*	1	
21	AP8152277	Screw w/ flange M6x12	1	
22	AP8150426	Screw 5,5x15,9*	1	

Group	FRAME
Code	28.19
Description	Air box
Service	1



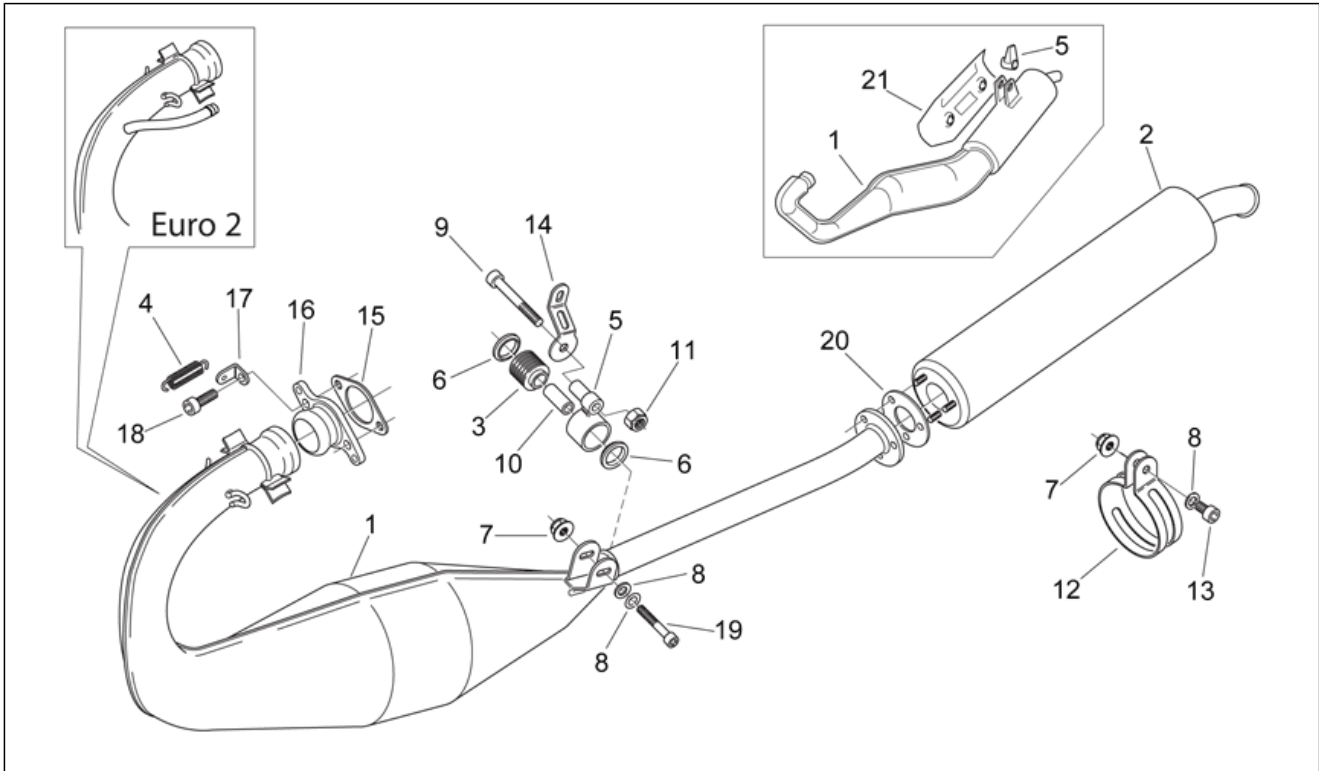
Pos.	Code	Description	Qty	Variants
1	AP8120748	Intake hose	1	Country: Germany[D] Technical Specifications: 80Km/h speed[80km]
1	AP8120748	Intake hose	1	Technical Specifications: Full Power Version[f.p.]
1	AP8120997	Intake hose	1	Technical Specifications: Version 11 Kw[11Kw]
2	AP8131470	Filter housing cover	1	Country: Switzerland[CH] Technical Specifications: Euro0 approval (frame ZD4MP)[E0]
2	AP8138686	Filter housing cover	1	Country: Austria[A], AUS[AA], Australia[AUS], Belgium[B], Germany[D], Denmark[DK], Spain[E], B-D-SF-F-I-CH-DK-GR-E-NL-P[EU], France[F], Greece[GR], Italy[I], Japan[J], J[JJ], Holland[NL], Portugal[P], Finland[SF], Singapore[SGP], Great Britain[UK] Technical Specifications: Version 11 Kw[11Kw]
2	AP8168042	Filter housing cover	1	Technical Specifications: Full Power Version[f.p.]
3	AP8131121	Filter guard	2	
4	AP8102080	Air filter	1	
5	AP8131626	Filter housing base	1	Technical Specifications: Euro0 approval (frame ZD4MP)[E0], EURO1 approval (frame ZD4SF0/ZD4SFA)[E1]
5	AP8178561	Filter housing base	1	Technical Specifications: EURO2 Type-approval (frame ZD4SFF)[E2]
6	AP8120810	Intake hose	1	
7	AP8117111	Filter housing insulator	1	
8	AP8102670	Insulating material fixing net	1	
9	AP8102401	Hose clamp D50-70x8*	1	
10	AP8150450	Washer for shafts D5	4	
11	AP8152279	Screw w/ flange M6x20	2	
12	AP8152299	Self-locking nut M6	2	

Group	FRAME
Code	28.21
Description	Oil tank
Service	1



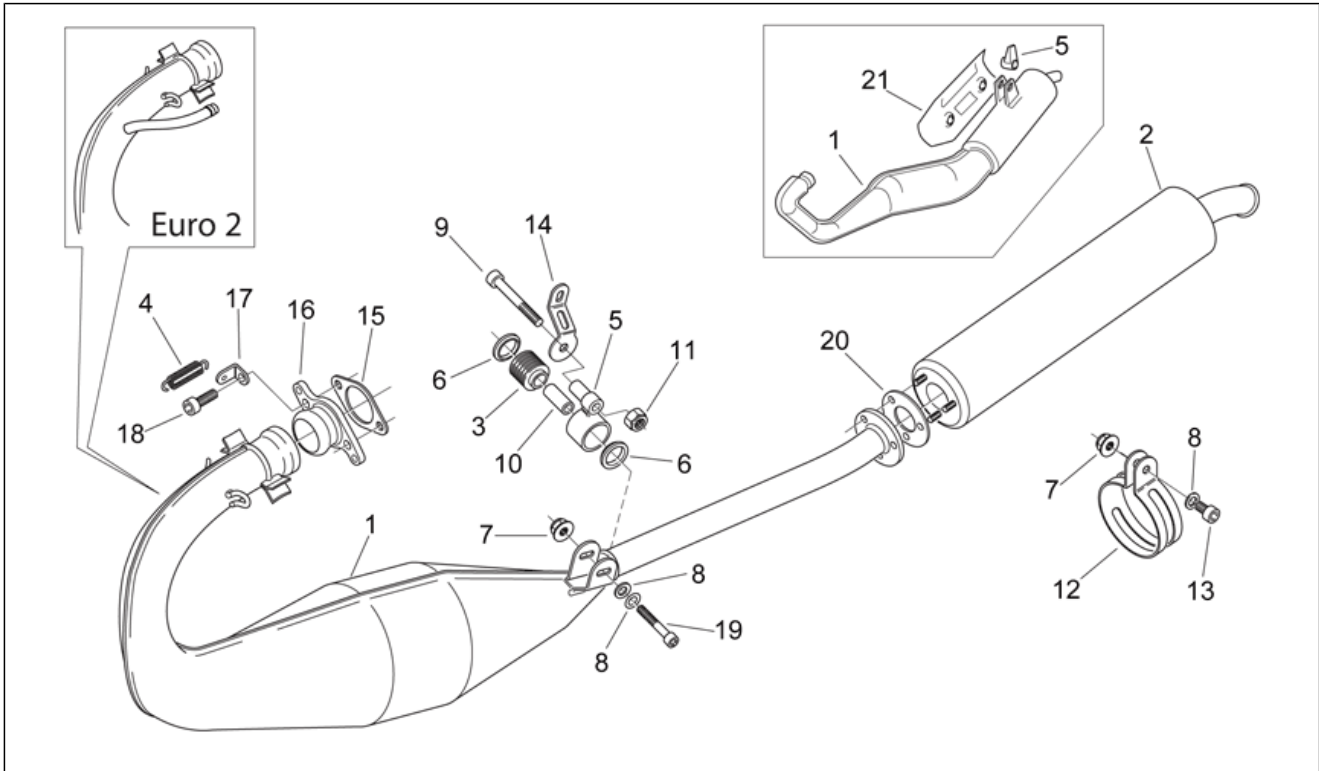
Pos.	Code	Description	Qty	Variants
1	AP8139689	Oil tank	1	
2	AP8201192	Oil reserve indicator	1	
3	AP8220421	Oil filler cap	1	
4	AP8102224	Mixer oil filter	1	
5	AP8102223	Rubber spacer *	1	
6	AP8101944	2-way union	1	
7	AP8201358	Hose clamp D 11,9	2	
8	AP8101743	Hose clip D23,5x8*	1	
9	AP8152280	Screw w/ flange M6x25	2	
10	AP8150429	Spring washer 6,4x11x0,5*	1	
11	AP8152181	Washer 6,4x15x1	1	
12	AP8152279	Screw w/ flange M6x20	1	
13	AP8150179	Washer 6,6x18*	2	
14	AP8120351	Breather pipe	1	

Group	FRAME
Code	28.26
Description	Exhaust unit
Service	1



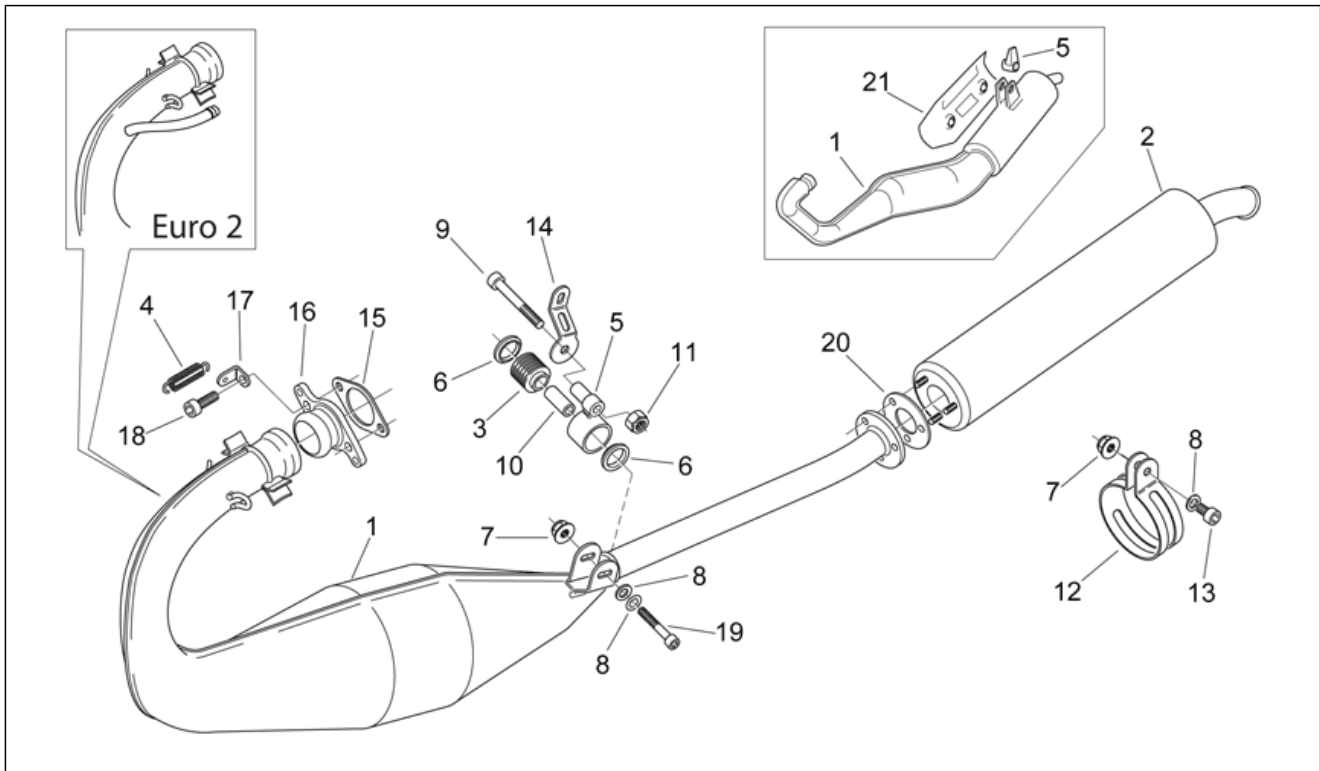
Pos.	Code	Description	Qty	Variants
1	AP8119458	Silencer -11kw-	1	Country: Belgium[B], Germany[D], Spain[E], France[F], Italy[I], Finland[SF] Technical Specifications: Version 11 Kw[11Kw], Euro0 approval (frame ZD4MP)[E0]
1	AP8119469	Cat.exhaust pipe -CH-	1	Country: Switzerland[CH], Singapore[SGP] Technical Specifications: Euro0 approval (frame ZD4MP)[E0], Full Power Version[f.p.]
1	AP8119513	Silencer	1	Country: Australia[AUS], Belgium[B], Germany[D], Denmark[DK], Spain[E], Greece[GR], Japan[J], Holland[NL], Portugal[P], Great Britain[UK] Technical Specifications: Euro0 approval (frame ZD4MP)[E0], Full Power Version[f.p.]
1	AP8119514	Silencer 80km/h-d-	1	Country: Germany[D] Technical Specifications: 80Km/h speed[80km]
1	AP8119515	Cat.exhaust pipe - A	1	Country: Austria[A] Technical Specifications: Version 11 Kw[11Kw], Euro0 approval (frame ZD4MP)[E0]
1	AP8119726	Silencer	1	Technical Specifications: Version 11 Kw[11Kw], EURO1 approval (frame ZD4SF0/ZD4SFA)[E1]
1	AP8119769	Silencer	1	Technical Specifications: EURO1 approval (frame ZD4SF0/ZD4SFA)[E1], Full Power Version[f.p.]
1	AP8119828	Silencer	1	Technical Specifications: EURO2 Type-approval (frame ZD4SFF)[E2], Full Power Version[f.p.]
1	AP8119829	Silencer -11kw-	1	Technical Specifications: Version 11 Kw[11Kw], EURO2 Type-approval (frame ZD4SFF)[E2]
2	AP8119457	Silencer	1	Technical Specifications: Euro0 approval (frame ZD4MP)[E0]
2	AP8119704	Silencer	1	Technical Specifications: Version 11 Kw[11Kw], EURO1 approval (frame ZD4SF0/ZD4SFA)[E1]
2	AP8119784	Silencer	1	Technical Specifications: Version 11 Kw[11Kw], EURO2 Type-approval (frame ZD4SFF)[E2], Full Power Version[f.p.]
2	AP8119784	Silencer	1	Technical Specifications: EURO1 approval (frame ZD4SF0/ZD4SFA)[E1], Full Power Version[f.p.]
3	AP8101285	Silent-block *	2	

Group	FRAME
Code	28.26
Description	Exhaust unit
Service	1



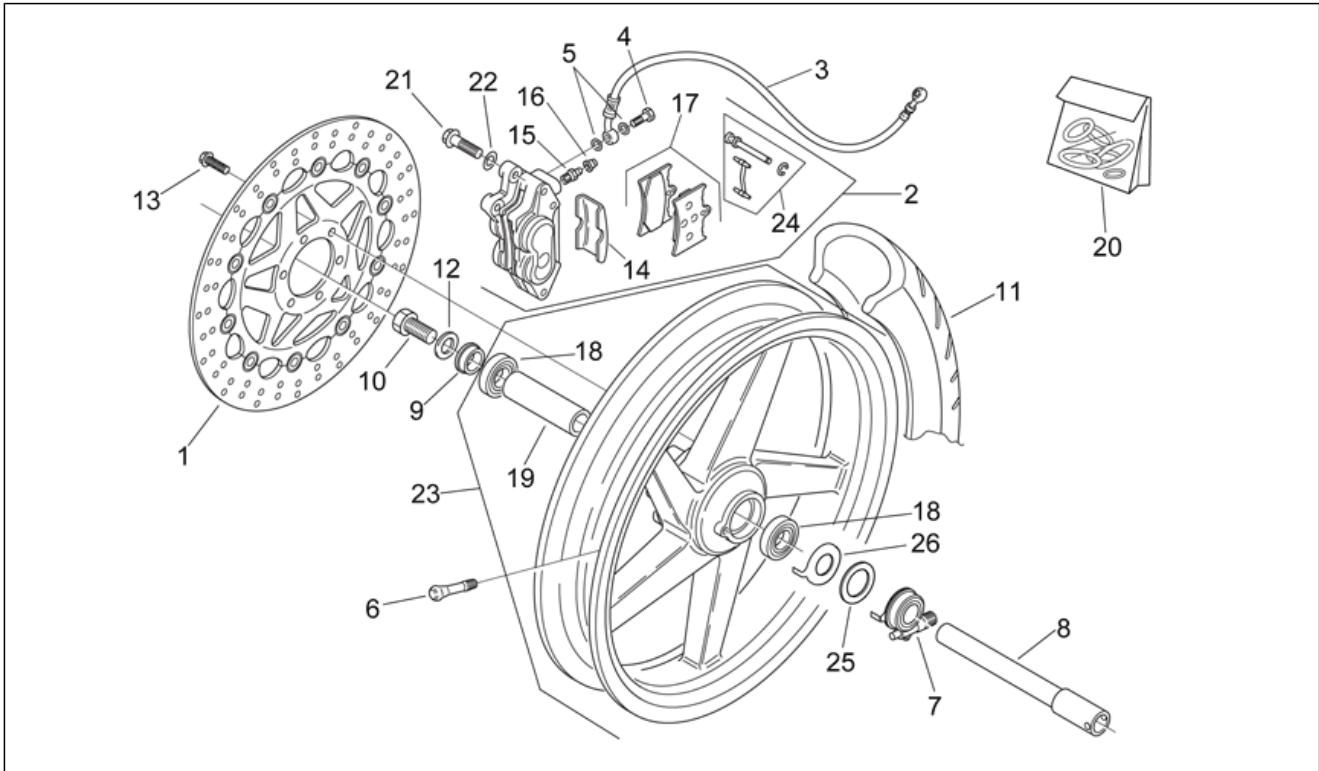
Pos.	Code	Description	Qty	Variants
4	AP8121091	Coil pull spring *	2	
5	AP8135289	Exhaust pipe support	1	Country: Austria[A], Australia[AUS], Belgium[B], Germany[D], Denmark[DK], Spain[E], France[F], Greece[GR], Italy[I], Japan[J], Holland[NL], Portugal[P], Finland[SF], Great Britain[UK] Technical Specifications: Euro0 approval (frame ZD4MP)[E0]
5	AP8135289	Exhaust pipe support	1	Technical Specifications: EURO1 approval (frame ZD4SF0/ZD4SFA)[E1], EURO2 Type-approval (frame ZD4SFF)[E2], Full Power Version[f.p.]
5	AP8146245	Exhaust pipe support	1	Country: Switzerland[CH], Singapore[SGP] Technical Specifications: Euro0 approval (frame ZD4MP)[E0]
5	AP8146608	Exhaust pipe support	1	Technical Specifications: Version 11 Kw[11Kw], EURO1 approval (frame ZD4SF0/ZD4SFA)[E1], EURO2 Type-approval (frame ZD4SFF)[E2]
6	AP8101284	Washer 22x30*	2	Country: Austria[A], Australia[AUS], Belgium[B], Germany[D], Denmark[DK], Spain[E], France[F], Greece[GR], Italy[I], Japan[J], Holland[NL], Portugal[P], Finland[SF], Great Britain[UK] Technical Specifications: Euro0 approval (frame ZD4MP)[E0]
6	AP8104474	Washer 22x30	2	Technical Specifications: EURO1 approval (frame ZD4SF0/ZD4SFA)[E1], EURO2 Type-approval (frame ZD4SFF)[E2]
6	AP8117072	Insulating washer	2	Country: Switzerland[CH], B-D-SF-F-I-CH-DK-GR-E-NL-P[EU], Singapore[SGP]
7	AP8152300	Self-locking nut M8	2	
8	AP8150376	Washer 8,5x15x0,8	3	
9	AP8150221	Hex socket screw M8x70	1	Technical Specifications: Euro0 approval (frame ZD4MP)[E0]
9	AP8150221	Hex socket screw M8x70	1	Technical Specifications: EURO1 approval (frame ZD4SF0/ZD4SFA)[E1], EURO2 Type-approval (frame ZD4SFF)[E2], Full Power Version[f.p.]
9	AP8150351	Shear rivet M8x40	1	Technical Specifications: Version 11 Kw[11Kw], EURO1 approval (frame ZD4SF0/ZD4SFA)[E1], EURO2 Type-approval (frame ZD4SFF)[E2]
10	AP8121058	Spacer *	2	

Group	FRAME
Code	28.26
Description	Exhaust unit
Service	1



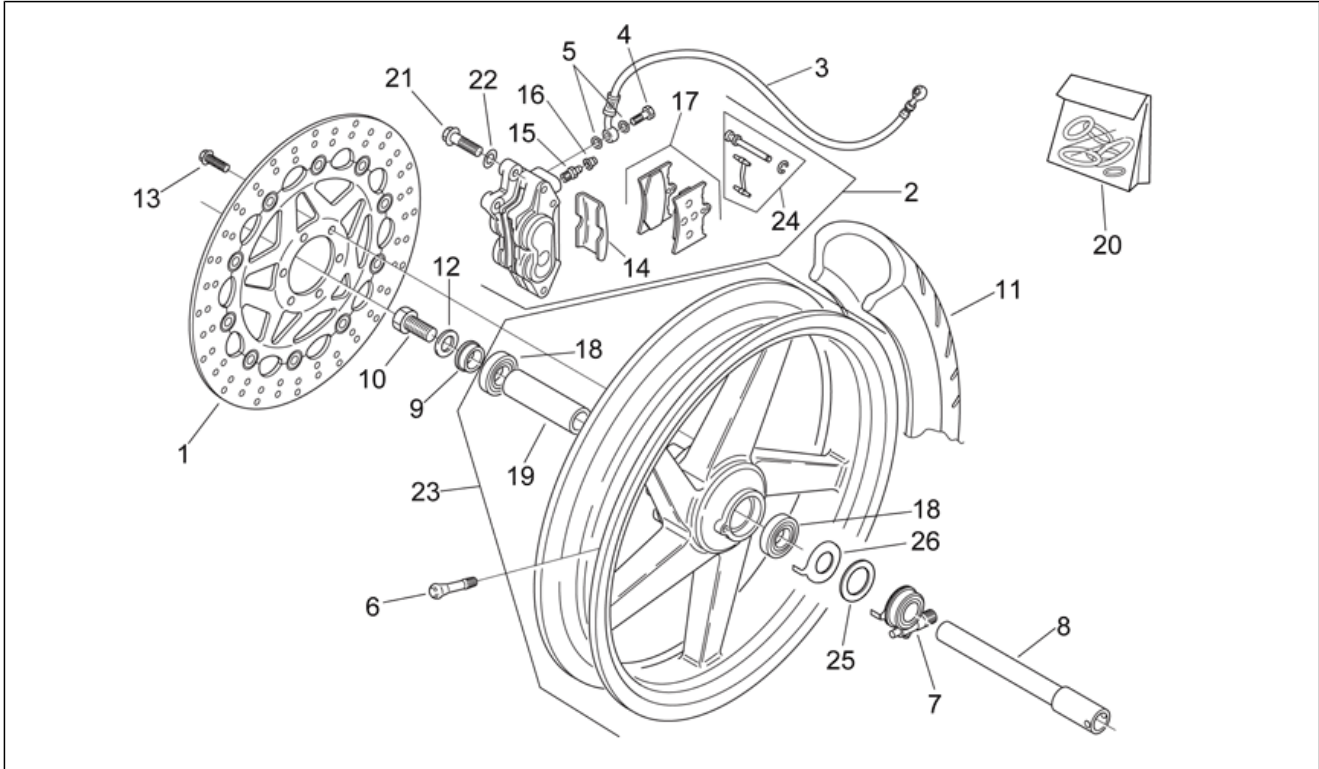
Pos.	Code	Description	Qty	Variants
11	AP8150431	Low nut M8	1	
12	AP8102432	Silencer clip	1	Technical Specifications: EURO1 approval (frame ZD4SF0/ZD4SFA)[E1], EURO2 Type-approval (frame ZD4SFF)[E2]
12	AP8221258	Silencer clip	1	Technical Specifications: Euro0 approval (frame ZD4MP)[E0]
13	AP8152112	Hex socket screw	1	
14	AP8134467	Fairing fixing plate	1	
15	AP0250271	Gasket	1	
16	AP0273970	Exhaust flange cpl.	1	
17	AP0224067	Butt strap	1	
18	AP0240081	Hex socket screw M8x25	1	
19	AP8150277	Hex socket screw M8x50	2	
20	AP8119399	Silencer gasket	1	
21	AP8232524	Exhaust pipe prot., chr.black	1	Country: Switzerland[CH], B-D-SF-F-I-CH-DK-GR-E-NL-P[EU], Singapore[SGP]

Group	FRAME
Code	28.27
Description	Front wheel
Service	1



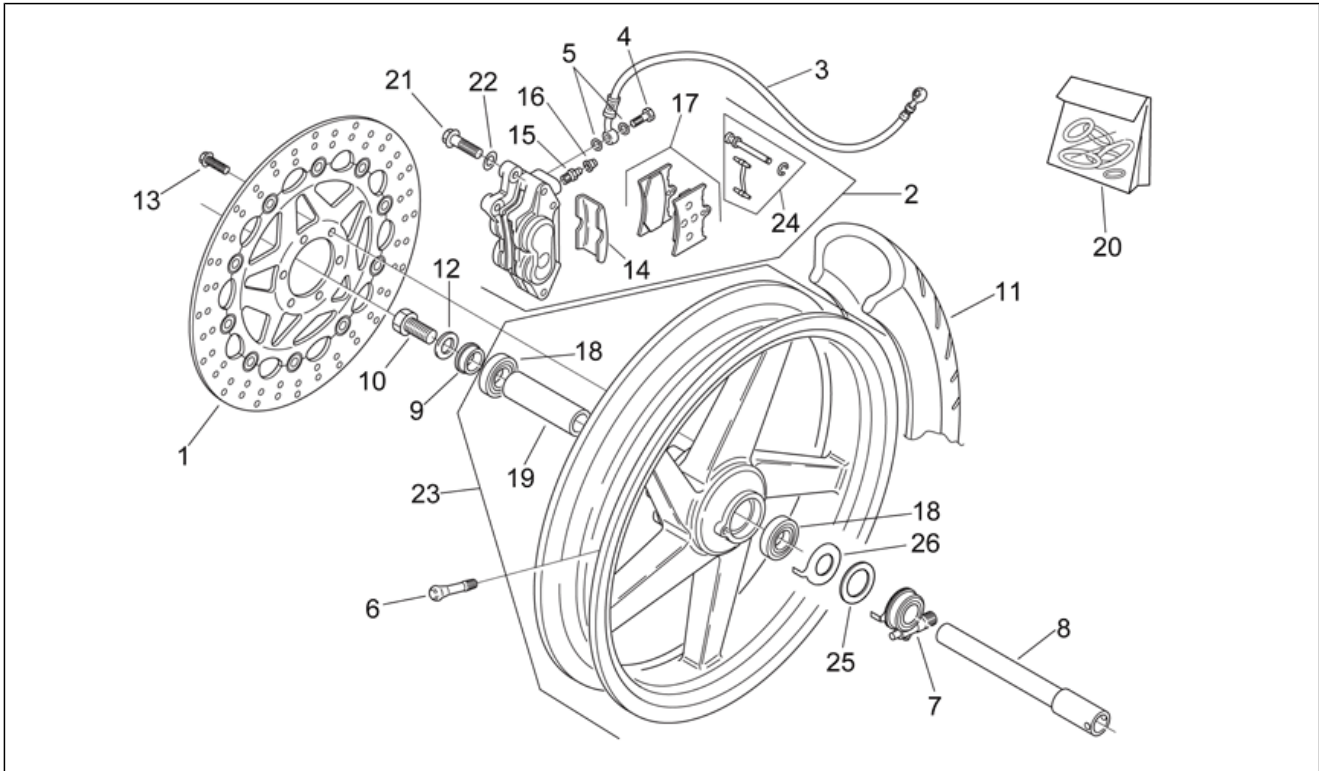
Pos.	Code	Description	Qty	Variants
1	AP8113567	Front brake disc D320	1	
2	AP8113530	Front brake caliper, gold	1	Year:2004[4] Vehicle colour:Poggiali Black 2004[a.blk], Poggiali White 2004[RP]
2	AP8113530	Front brake caliper, gold	1	Year:2005[5]
2	AP8113781	Front brake caliper, red	1	Year:2003[3] Vehicle colour:GP1 Black '03[g.bl], SBK Black '03[s.bl]
2	AP8113781	Front brake caliper, red	1	Year:2002[2] Vehicle colour:Diablo Black 2002[black]
2	AP8113781	Front brake caliper, red	1	Year:2001[1], 1999[X], 2000[Y]
2	AP8133569	Front brake caliper, black	1	Year:2002[2] Vehicle colour:Dust Grey 2002[grey]
3	AP8113713	Front brake hose	1	
4	AP8113003	Oil pipe screw	1	
5	AP8113004	Washer 10x14x1,6*	2	
6	AP8201546	Tubeless tyre valve	1	
7	AP8101819	Odometer gear	1	Year:1999[X], 2000[Y]
7	AP8101819	Odometer gear	1	Year:2001[1]
7	AP8101819	Odometer gear	1	Year:2002[2]
7	AP8104387	Odometer gear	1	Year:2002[2]
7	AP8104387	Odometer gear	1	Year:2001[1]
7	AP8104387	Odometer gear	1	Year:2003[3], 2004[4], 2005[5]
8	AP8125388	Front wheel spindle	1	Year:2001[1]
8	AP8125388	Front wheel spindle	1	Year:1999[X], 2000[Y]
8	AP8125388	Front wheel spindle	1	Year:2002[2]
8	AP8125890	Front wheel spindle	1	Year:2003[3], 2004[4], 2005[5]
8	AP8125890	Front wheel spindle	1	Year:2002[2]
8	AP8125890	Front wheel spindle	1	Year:2001[1]
9	AP8121157	Front RH whe.ou.spacer	1	

Group	FRAME
Code	28.27
Description	Front wheel
Service	1



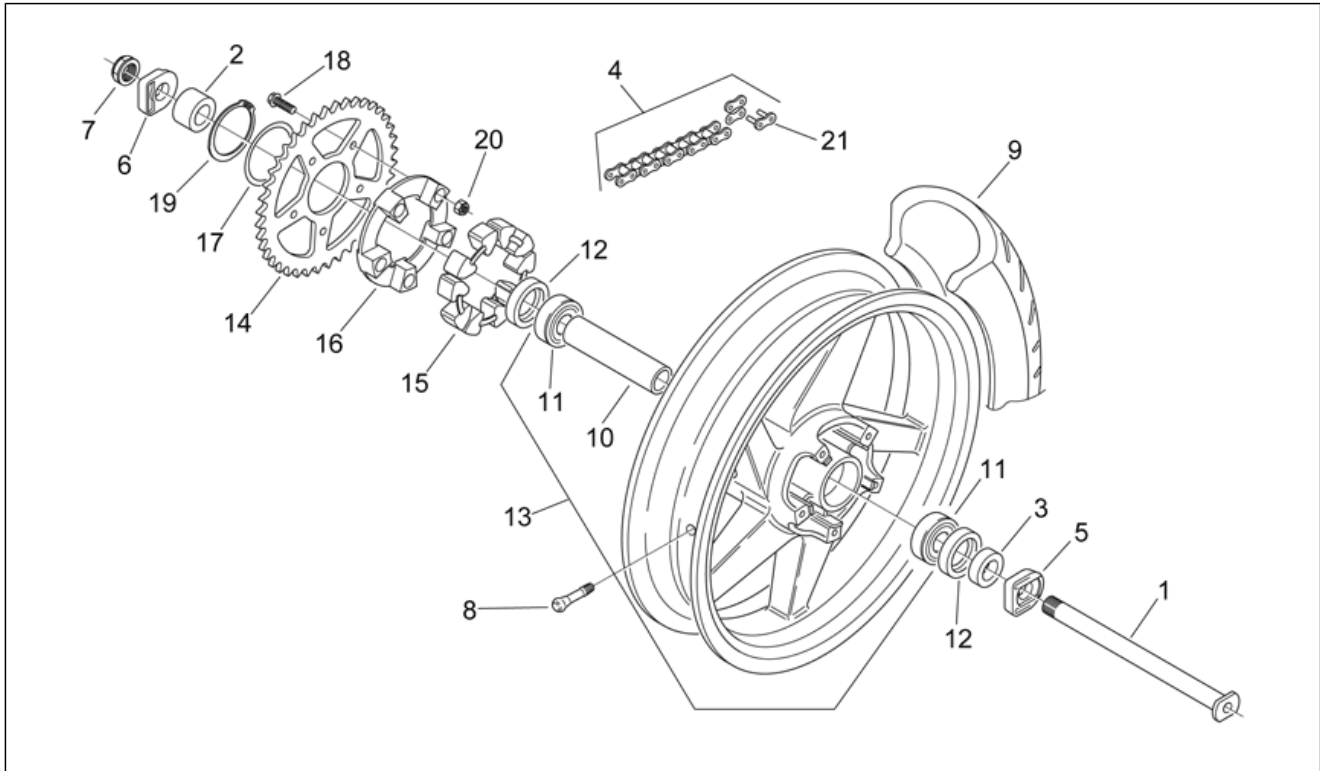
Pos.	Code	Description	Qty	Variants
10	AP8125418	Wheel spindle screw	1	
11	0000000	Tyre	1	
12	AP8150208	Washer 15x28x2,5*	1	
13	AP8152286	Screw w/ flange M8x20	6	
14	AP8113310	Brake caliper cover	1	
15	AP8113006	Air bleed valve	1	Year:2004[4], 2005[5]
15	AP8113006	Air bleed valve	1	Year:2002[2] Vehicle colour:Dust Grey 2002[grey]
15	AP8113817	Air bleed valve	1	Year:2001[1], 1999[X], 2000[Y]
15	AP8113817	Air bleed valve	1	Year:2003[3] Vehicle colour:GP1 Black '03[g.bl], SBK Black '03[s.bl]
15	AP8113817	Air bleed valve	1	Year:2002[2] Vehicle colour:Diablo Black 2002[black]
16	AP8113005	Bleed valve cap	1	
17	AP8113489	Front pads pair I/D452	1	
18	AP8125644	Front wheel bear.	2	
19	AP8125469	Spacer	1	
20	AP8113820	Front brake caliper rev. kit	1	
21	AP8152289	Screw w/ flange	2	
22	AP8150376	Washer 8,5x15x0,8	2	
23	AP8108814	Front wheel, black	1	Year:2001[1]
23	AP8108814	Front wheel, black	1	Year:2002[2]
23	AP8108814	Front wheel, black	1	Year:1999[X], 2000[Y]
23	AP8108973	Front wheel, black	1	Year:2001[1]
23	AP8108973	Front wheel, black	1	Year:2003[3] Vehicle colour:GP1 Black '03[g.bl]
23	AP8108973	Front wheel, black	1	Year:2004[4] Vehicle colour:Poggiali White 2004[RP]
23	AP8108973	Front wheel, black	1	Year:2002[2]

Group	FRAME
Code	28.27
Description	Front wheel
Service	1



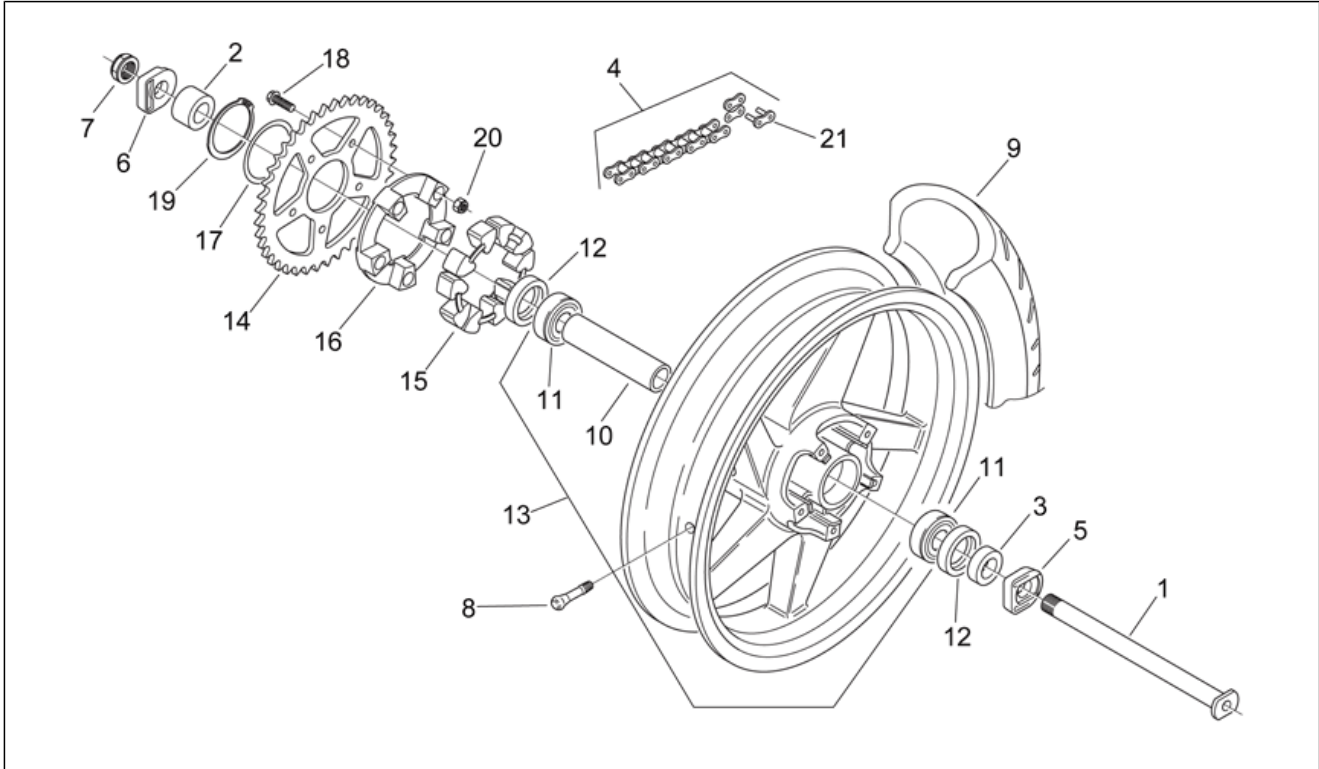
Pos.	Code	Description	Qty	Variants
23	AP8108973	Front wheel, black	1	Year:2005[5]
23	AP8108997	Front wheel, gold	1	Year:2003[3] Vehicle colour:SBK Black '03[s.bl]
23	AP8128082	Front wheel, red	1	Year:2004[4] Vehicle colour:Poggiali Black 2004[a.blk]
24	AP8113819	Pin+Brake spring	1	
25	AP8144560	Gasket ring	1	Year:2001[1]
25	AP8144560	Gasket ring	1	Year:2002[2]
26	AP8144561	Drive key	1	Year:2001[1]
26	AP8144561	Drive key	1	Year:2002[2]

Group	FRAME
Code	28.28
Description	Rear wheel
Service	1



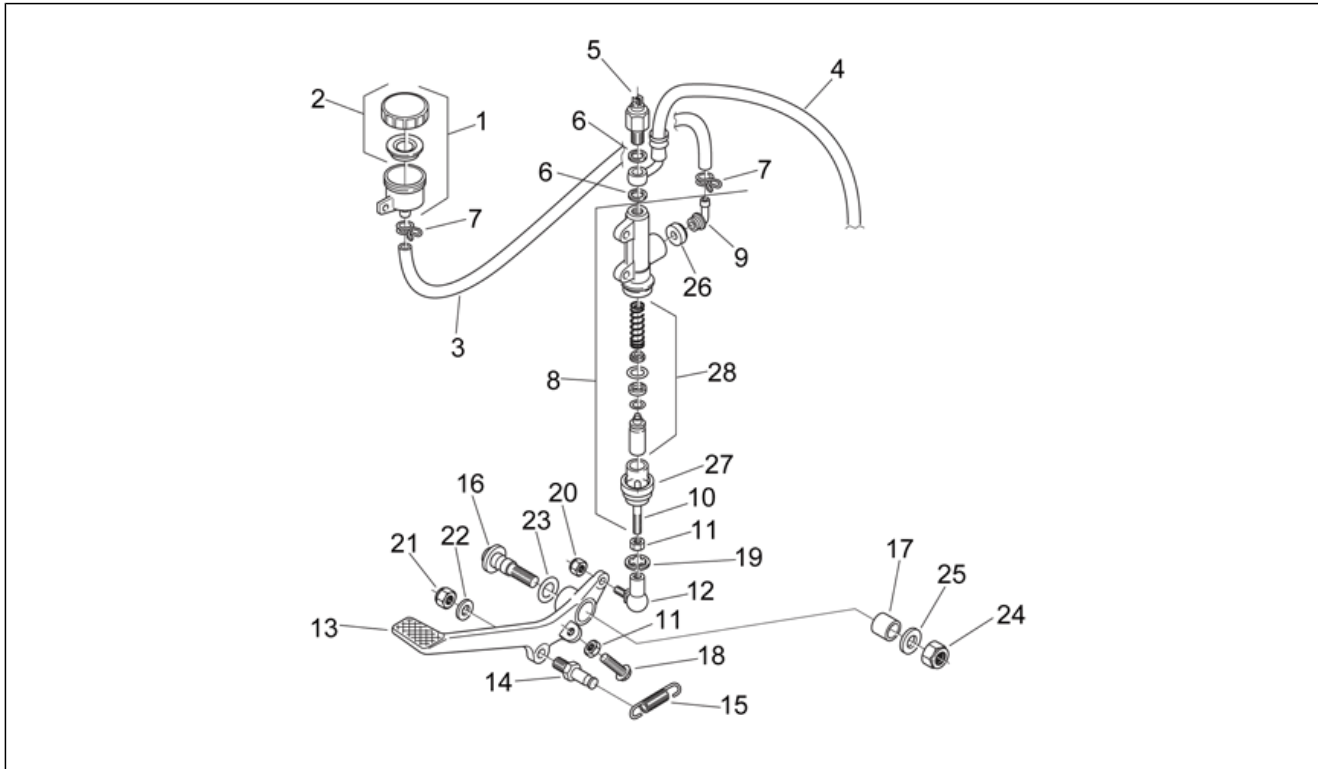
Pos.	Code	Description	Qty	Variants
1	AP8125631	Rear wheel spindle	1	
2	AP8125638	RH wheel ou.spacer	1	
3	AP8125639	LH wheel ou.spacer	1	
4	AP8107110	Chain cpl conn.link	1	
5	AP8120806	LH chain guide plate, br.	1	
6	AP8120807	RH chain guide plate, br.	1	
7	AP8125763	Rear wheel spindle nut	1	
8	AP8201546	Tubeless tyre valve	1	
9	0000000	Tyre	1	
10	AP8125645	Rear wheel ins.spacer	1	
11	AP8125646	Rear wheel bear.	2	
12	AP8125647	Rear wheel oil seal	2	
13	AP8108815	Rear wheel, black	1	Year:2005[5]
13	AP8108815	Rear wheel, black	1	Year:2004[4] Vehicle colour:Poggiali White 2004[RP]
13	AP8108815	Rear wheel, black	1	Year:2003[3] Vehicle colour:GP1 Black '03[g.bl]
13	AP8108815	Rear wheel, black	1	Year:2001[1], 2002[2], 1999[X], 2000[Y]
13	AP8128001	Rear wheel, gold	1	Year:2003[3] Vehicle colour:SBK Black '03[s.bl]
13	AP8128146	Rear wheel, red	1	Year:2004[4] Vehicle colour:Poggiali Black 2004[a.blk]
14	AP8107134	Chain ring	1	
15	AP8120792	Flexible coupling rubber	1	
16	AP8125628	Crown holder	1	
17	AP8102296	Snap ring	1	
18	AP8125635	Hex screw M8x25	5	
19	AP8125637	Circlip chain ring	1	
20	AP8125636	Self-locking nut M8	5	

Group	FRAME
Code	28.28
Description	Rear wheel
Service	1



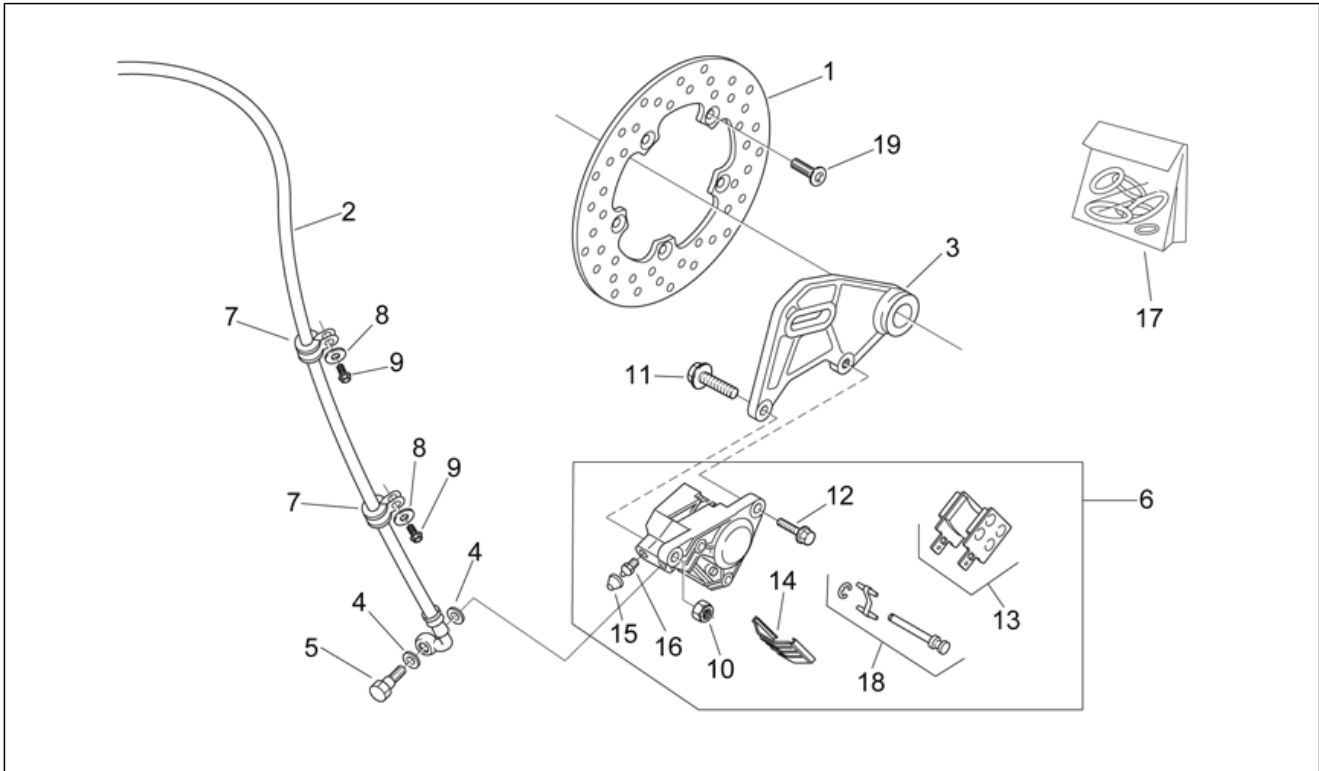
Pos.	Code	Description	Qty	Variants
21	AP8107135	Connecting link	1	

Group	FRAME
Code	28.29
Description	Rear master cylinder
Service	1



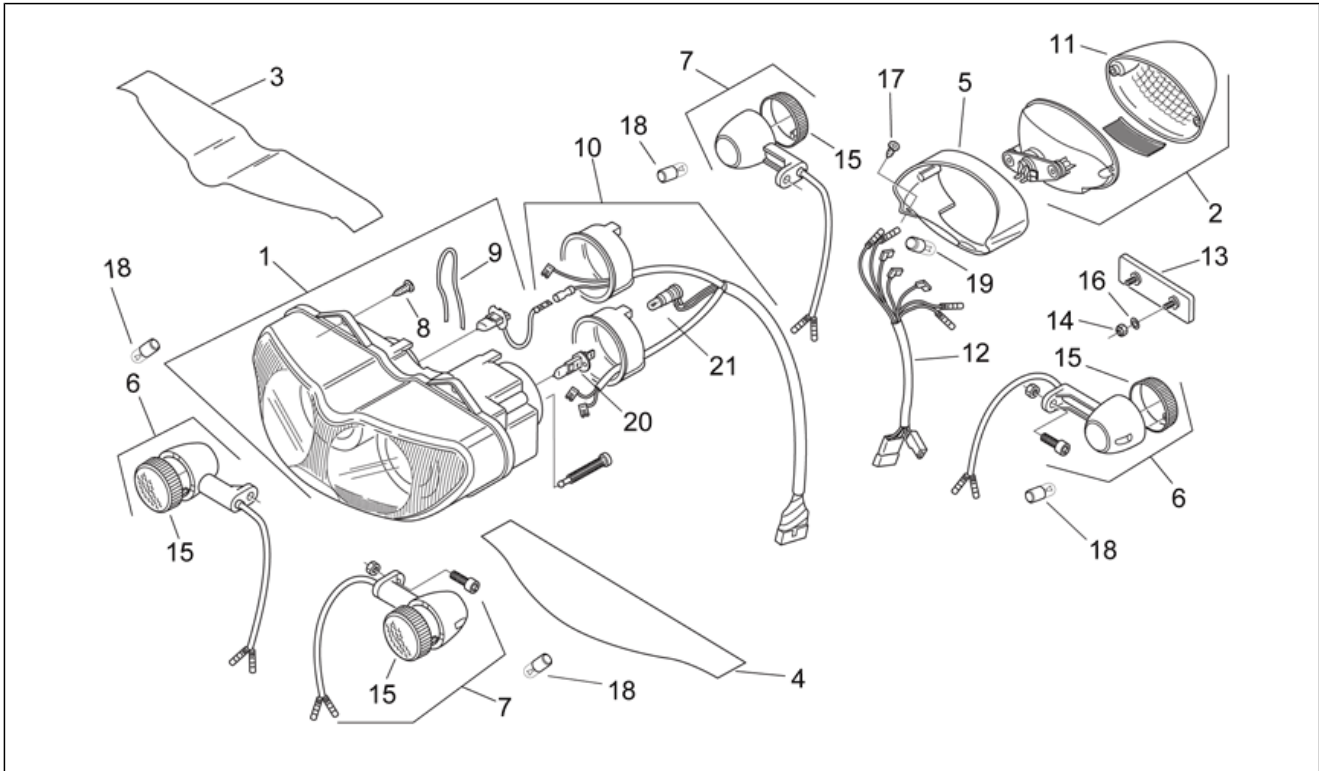
Pos.	Code	Description	Qty	Variants
1	AP8213086	Oil tank	1	
2	AP8131320	Oil filler cap	1	
3	AP8144151	Rubber pipe	1	
4	AP8113714	Rear brake hose	1	
5	AP8124479	Stop switch	1	
6	AP8113004	Washer 10x14x1,6*	2	
7	AP8102811	Hose clamp D9,6	2	
8	AP8213117	Rear master cylinder	1	
9	AP8113157	Joint	1	
10	AP8221074	Rear master cyl.rod	1	
11	AP8150026	Nut M6	2	
12	AP8210007	RH ball joint M6	1	
13	AP8132635	Rear brake lever	1	
14	AP8121835	Springs fixing pin	1	
15	AP8121118	Coil pull spring *	1	
16	AP8121284	Brake lever pin	1	
17	AP8121147	Spacer *	1	
18	AP8152280	Screw w/ flange M6x25	1	
19	AP8150429	Spring washer 6,4x11x0,5*	1	
20	AP8150430	Low self-locking nut	2	
21	AP8150431	Low nut M8	2	
22	AP8150017	Washer 8,4x16x1,6	1	
23	AP8152176	Washer 10,5X18X2*	1	
24	AP8150436	Low self-locking nut	1	
25	AP8121697	Belleville spring	1	
26	AP8113821	Union gasket	1	
27	AP8113823	Rear master cyl.cradle	1	
28	AP8113822	Rear pump rev. kit	1	

Group	FRAME
Code	28.30
Description	Rear brake caliper
Service	1



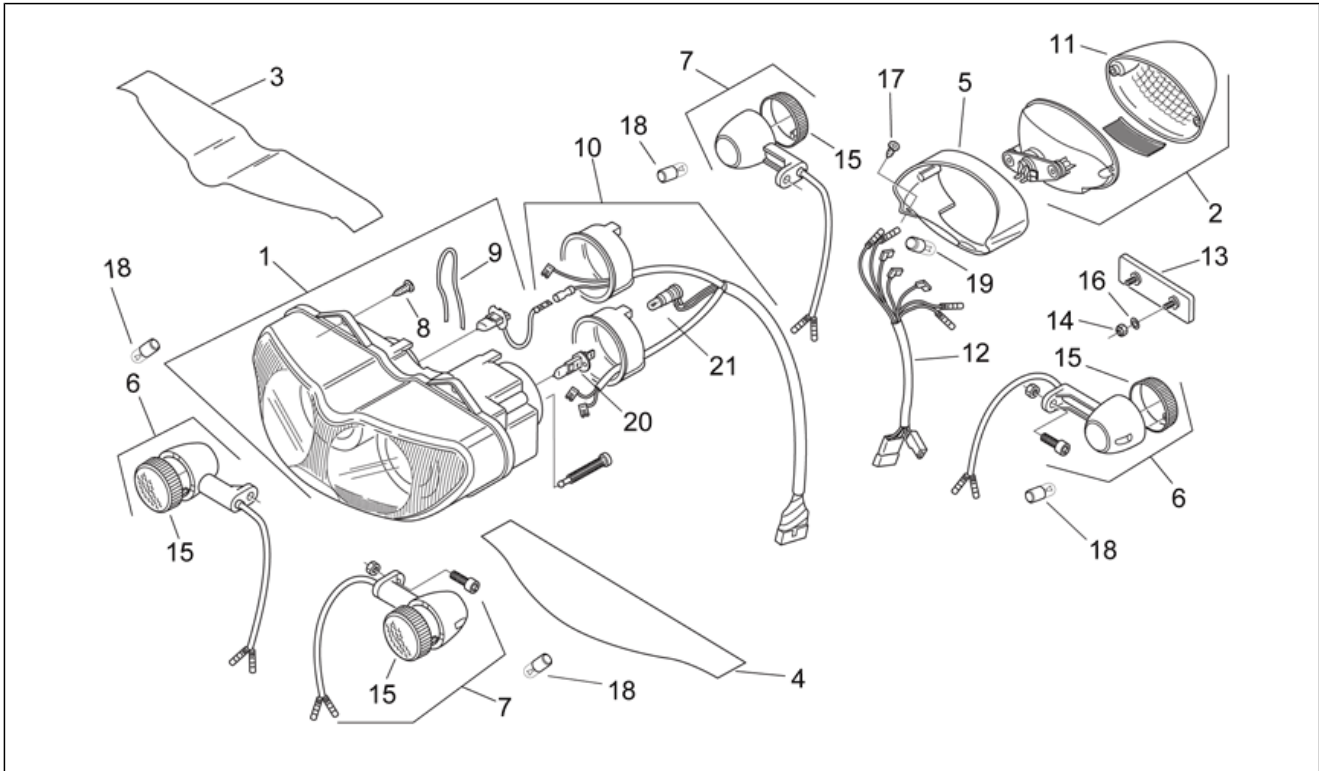
Pos.	Code	Description	Qty	Variants
1	AP8213317	Rear brake disc	1	
2	AP8113714	Rear brake hose	1	
3	AP8134911	Brake hanger plate	1	
4	AP8113004	Washer 10x14x1,6*	2	
5	AP8113003	Oil pipe screw	1	
6	AP8113596	Rear brake caliper, gold	1	Year:2005[5]
6	AP8113596	Rear brake caliper, gold	1	Year:2004[4] Vehicle colour:Poggiali Black 2004[a.blk], Poggiali White 2004[RP]
6	AP8113782	Rear brake caliper, red	1	Year:2001[1], 1999[X], 2000[Y]
6	AP8113782	Rear brake caliper, red	1	Year:2003[3] Vehicle colour:GP1 Black '03[g.bl], SBK Black '03[s.bl]
6	AP8113782	Rear brake caliper, red	1	Year:2002[2] Vehicle colour:Diablo Black 2002[black]
6	AP8133570	Rear brake caliper, black	1	Year:2002[2] Vehicle colour:Dust Grey 2002[grey]
7	AP8132907	Hose clamp	2	
8	AP8150013	Washer 5,5x15x1,6*	2	
9	AP8152272	Screw w/ flange M5x12	2	
10	AP8150431	Low nut M8	2	
11	AP8152288	Screw w/ flange	1	
12	AP8152286	Screw w/ flange M8x20	1	
13	AP8113651	Pads pair	1	
14	AP8113117	Brake caliper cover	1	
15	AP8113005	Bleed valve cap	1	
16	AP8113006	Air bleed valve	1	
17	AP8113122	Brake caliper rev. kit	1	
18	AP8113818	Pin+Brake spring	1	
19	AP8213418	screw	5	

Group	FRAME
Code	28.31
Description	Lights
Service	1



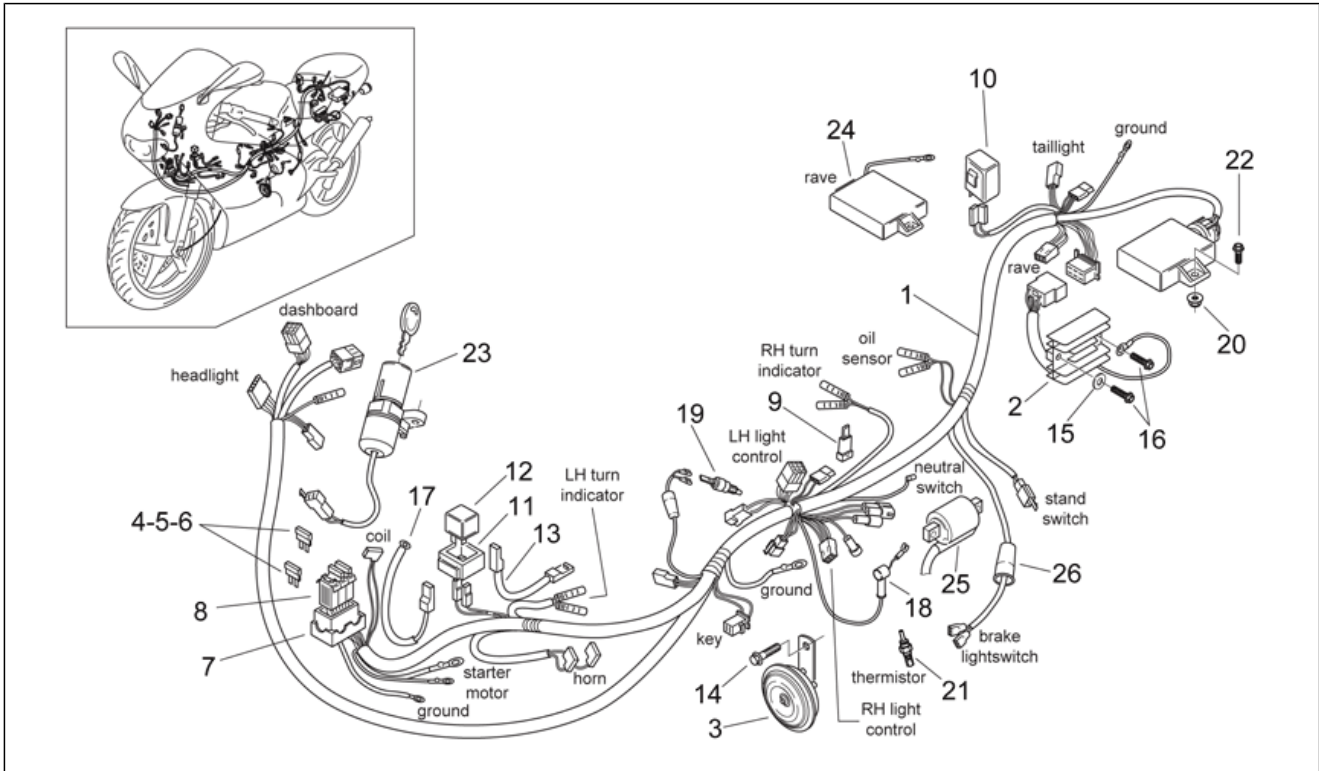
Pos.	Code	Description	Qty	Variants
1	AP8124429	Headlight	1	Country:Austria[A], Belgium[B], Switzerland[CH], Germany[D], Denmark[DK], Spain[E], B-D-SF-F-I-CH-DK-GR-E-NL-P[EU], France[F], Greece[GR], Italy[I], Holland[NL], Portugal[P], Finland[SF]
1	AP8124513	Headlight	1	Country:AUS[AA], Australia[AUS], Japan[J], J[JJ], Singapore[SGP], Great Britain[UK]
2	AP8124492	Taillight	1	
3	AP8147545	Upper light guard decal	1	
4	AP8147546	Lower light guard decal	1	
5	AP8134446	Rear headlight supp.	1	
6	AP8124134	RH front turn indicator	2	Year:2001[1], 2002[2], 2003[3], 1999[X], 2000[Y]
6	AP8127536	RH front/LH rear turn indic.	2	Year:2004[4], 2005[5]
7	AP8124135	LH front turn indicator	2	Year:2001[1], 2002[2], 2003[3], 1999[X], 2000[Y]
7	AP8127535	LH front/RH rear turn indic.	2	Year:2004[4], 2005[5]
8	AP8152351	Screw 4,2x16*	3	
9	AP8124525	Spring	2	
10	AP8124634	Headlight wiring w/harness	1	
11	AP8124527	Taillight lens	1	
12	AP8124489	Taillight wiring harn.	1	
13	AP8112916	Rear reflector	1	
14	AP8150204	Nut M4	2	
15	AP8127633	Turn indicator lens	4	Year:2004[4], 2005[5]
15	AP8212680	Turn indicator lens	4	Year:2001[1], 2002[2], 2003[3], 1999[X], 2000[Y]
16	AP8150158	Washer 4,3X9X0,8	2	
17	AP8150270	Screw 4,2x20*	2	
18	AP8224390	Lamp R10W 12v	4	Year:2001[1], 2002[2], 2003[3], 1999[X], 2000[Y]
18	GU93450126	Lamp, orange	4	Year:2004[4], 2005[5]
19	AP8224389	Lamp P21/5W 12V	1	
20	AP8127230	Lamp H3 12V	2	

Group	FRAME
Code	28.31
Description	Lights
Service	1



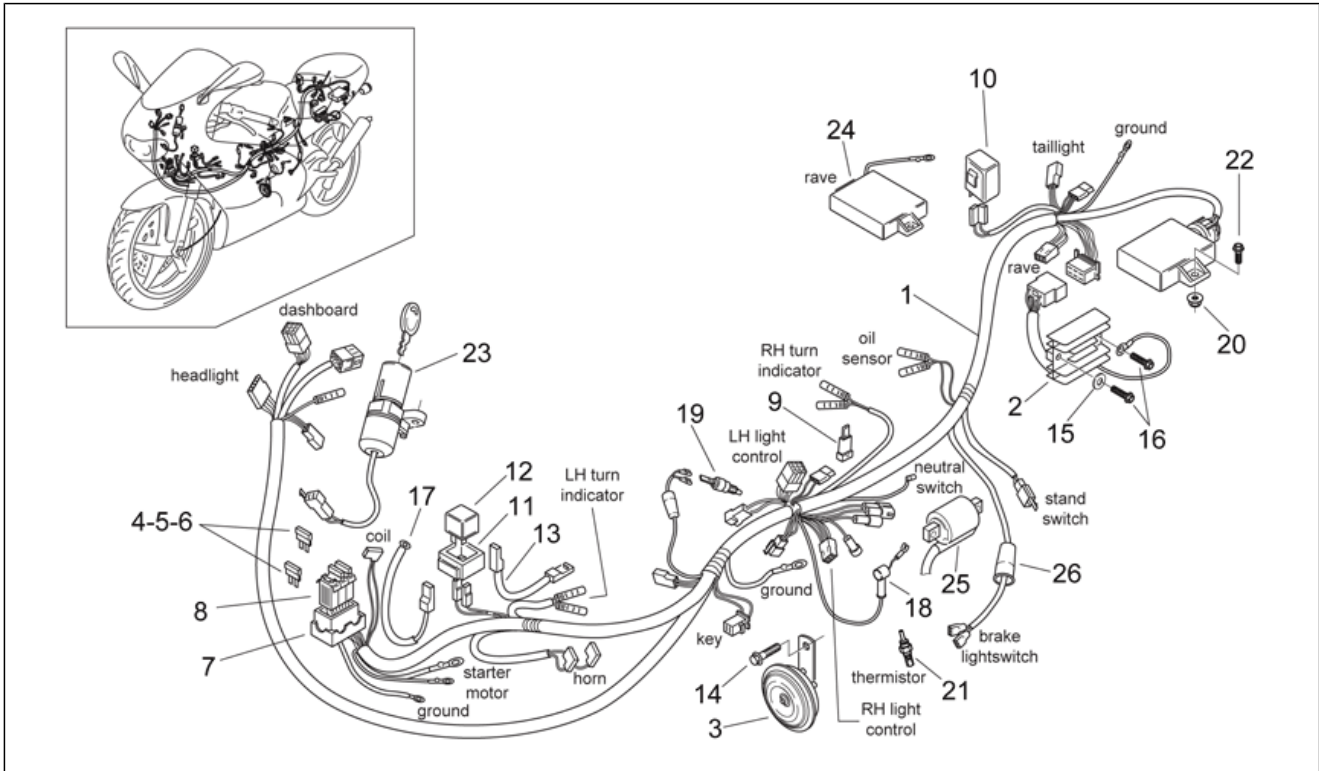
Pos.	Code	Description	Qty	Variants
21	AP8127164	Lamp W3W 12V	1	

Group	FRAME
Code	28.32
Description	Electrical system I
Service	1



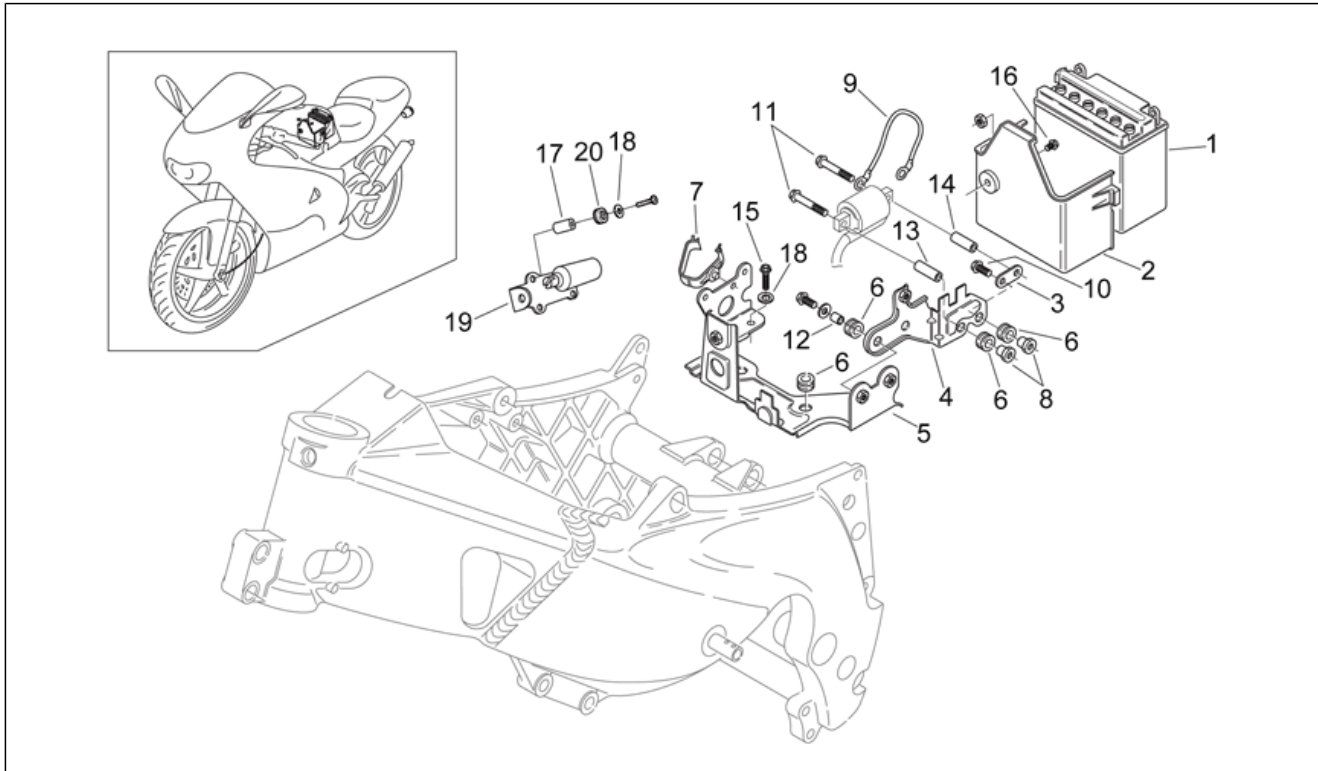
Pos.	Code	Description	Qty	Variants
1	AP8124488	Main wiring harness	1	
2	AP8112906	Voltage regulator	1	
3	AP8127391	Horn	1	
4	AP8112244	Fuse 7,5A	1	
5	AP8112176	Fuse 15A	1	
6	AP8112506	Fuse 20A	1	
7	AP8112942	Rubber fuse box	1	
8	AP8120754	Rubber fuse box	1	
9	AP8212588	Diode	1	
10	AP8124235	Flasher unit	1	
11	AP8220546	Relay rubber	1	
12	AP8224026	Starter relay	1	
13	AP8124119	Relay-starter motor cable	1	
14	AP8152285	Screw w/ flange	1	
15	AP8150179	Washer 6,6x18*	2	
16	AP8152284	Screw w/ flange	2	
17	AP8112460	Relay-motor cable	1	
18	AP8118516	Terminal cap	1	
19	AP8124818	Stop switch	1	
20	AP8152299	Self-locking nut M6	2	
21	AP8124487	Thermistor	1	
22	AP8152279	Screw w/ flange M6x20	2	
23	AP8124593	Main switch - steering lock	1	
24	AP8112568	Rave ECU	1	Country: Australia[AUS], Belgium[B], Germany[D], Denmark[DK], Spain[E], Greece[GR], Japan[J], Holland[NL], Portugal[P], Singapore[SGP], Great Britain[UK] Technical Specifications: Euro0 approval (frame ZD4MP)[E0], EURO1 approval (frame ZD4SF0/ZD4SFA)[E1], EURO2 Type-approval (frame ZD4SFF)[E2], Full Power Version[f.p.]

Group	FRAME
Code	28.32
Description	Electrical system I
Service	1



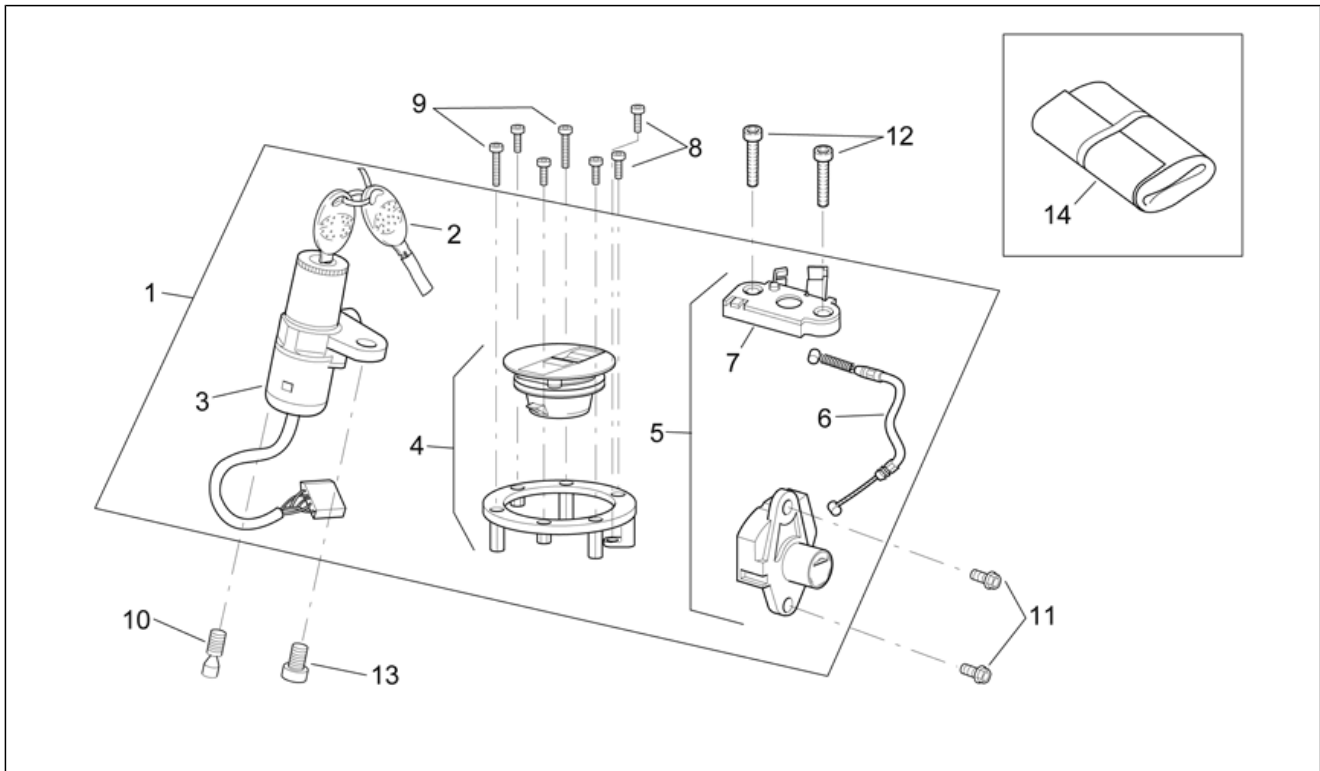
Pos.	Code	Description	Qty	Variants
24	AP8112568	Rave ECU	1	Country: Switzerland[CH] Technical Specifications: EURO1 approval (frame ZD4SF0/ZD4SFA)[E1], Full Power Version[f.p.]
24	AP8112612	Rave ECU	1	Country: Switzerland[CH] Technical Specifications: Euro0 approval (frame ZD4MP)[E0], Full Power Version[f.p.]
25	AP8112567	Rave cont.solenoid	1	Technical Specifications: Full Power Version[f.p.]
26	AP8120816	Rubber spacer	1	

Group	FRAME
Code	28.33
Description	Electrical system II
Service	1



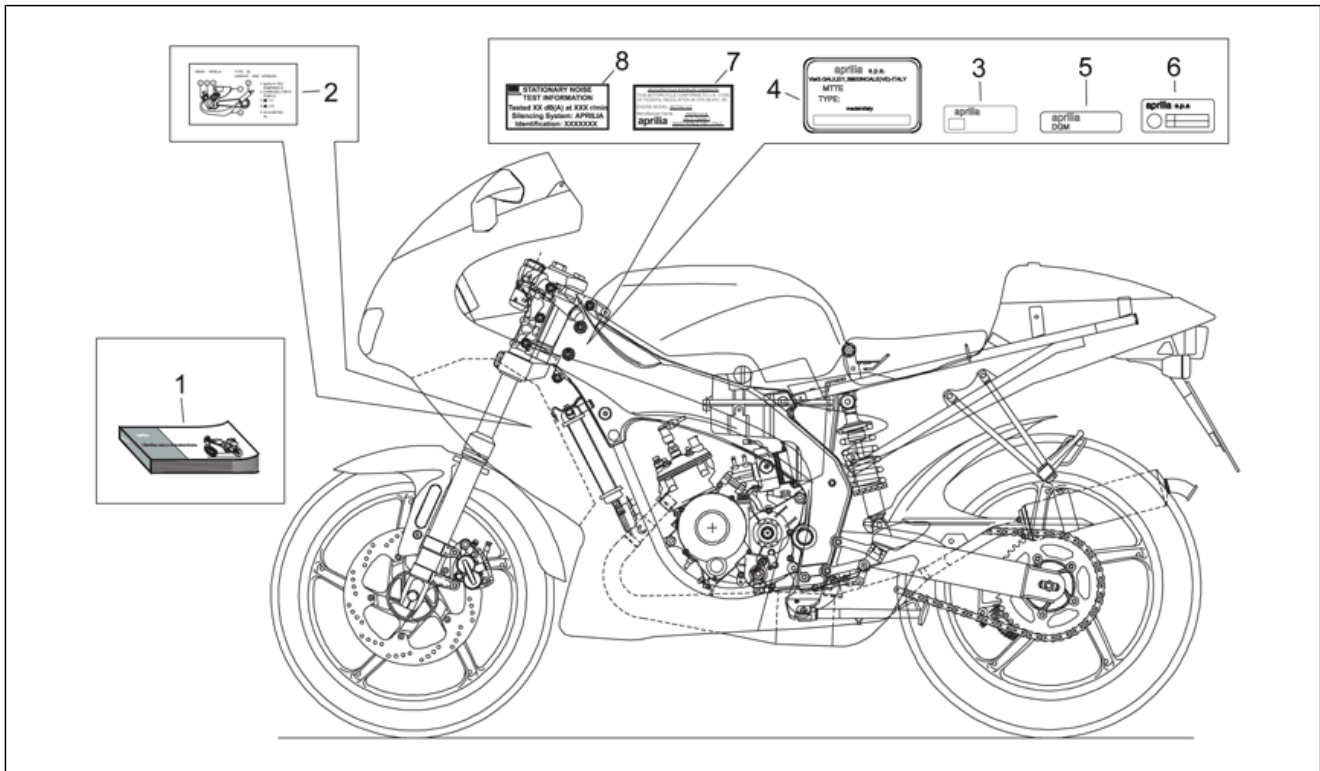
Pos.	Code	Description	Qty	Variants
1	AP8112290	Battery	1	
2	AP8131256	Battery holder	1	
3	AP8134348	Coil support plate	1	
4	AP8124117	Fuse block support	1	
5	AP8135448	Battery holder supp. plate	1	
6	AP8120030	Rubber spacer	6	
7	AP8120582	Cable-guide	1	
8	AP8121731	T bush *	2	
9	AP8112458	Battery negative leads	1	
10	AP8152278	Screw w/ flange M6x16	1	
11	AP8152284	Screw w/ flange	2	
12	AP8221007	Spacer 6,5X10X11*	2	
13	AP8121764	Spacer *	1	
14	AP8220185	Dashboard bush	1	
15	AP8152275	Screw w/ flange M5x25	4	
16	AP8152277	Screw w/ flange M6x12	1	
17	AP8121736	T bush	2	Technical Specifications: Full Power Version[f.p.]
18	AP8150013	Washer 5,5x15x1,6*	6	Technical Specifications: Full Power Version[f.p.]
19	AP8132869	Solenoid supp. plate	1	Technical Specifications: Full Power Version[f.p.]
20	AP8120405	Rubber spacer	2	Technical Specifications: Full Power Version[f.p.]

Group	FRAME
Code	28.34
Description	Lock hardware kit
Service	1



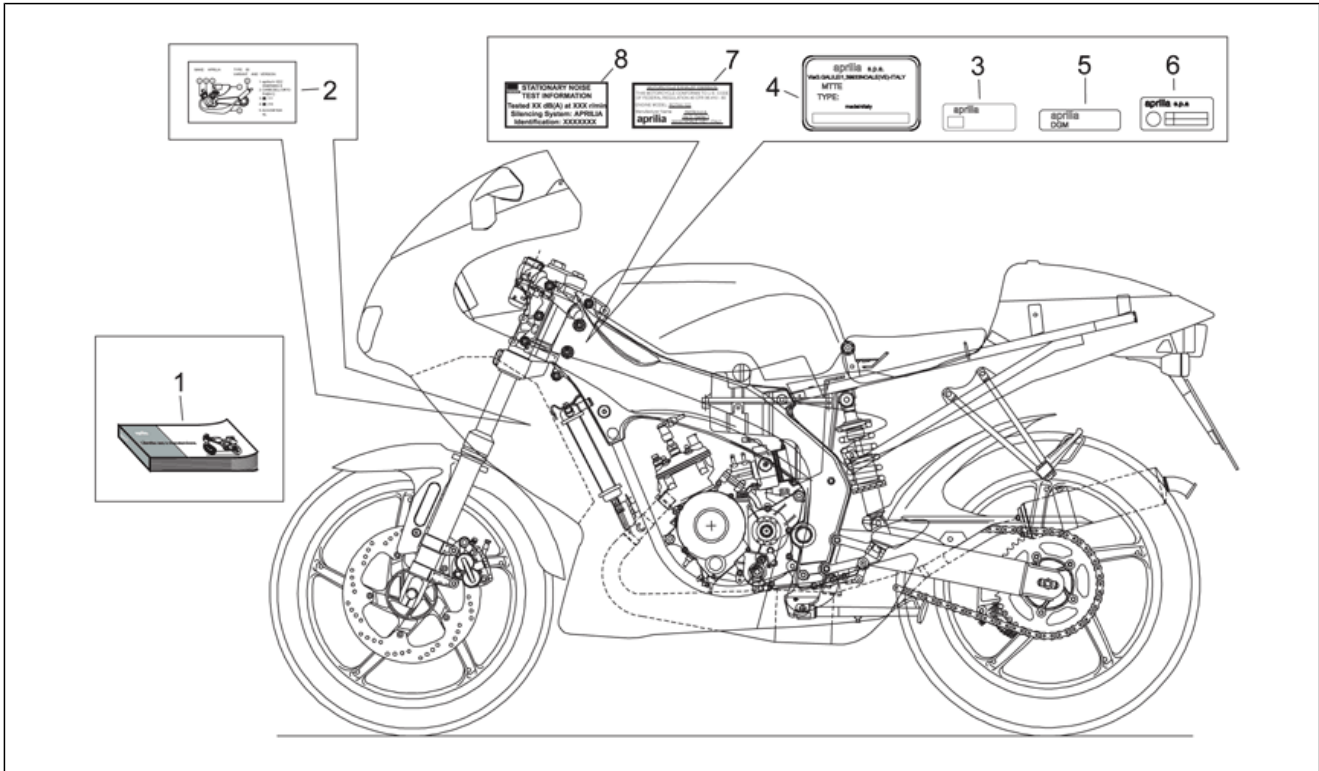
Pos.	Code	Description	Qty	Variants
1	AP8102823	Lock kit	1	Year:1999[X]
1	AP8104130	Lock kit	1	Year:2001[1], 2000[Y]
1	AP8104486	Lock kit	1	Year:2002[2], 2003[3], 2004[4], 2005[5]
2	AP8102880	Aprilia milled key	1	
3	AP8124593	Main switch - steering lock	1	
4	AP8102927	Fuel filler cap	1	Year:1999[X]
4	AP8104215	Fuel filler cap	1	Year:2001[1], 2000[Y]
4	AP8104498	Fuel filler cap	1	Year:2002[2], 2003[3], 2004[4], 2005[5]
5	AP8102928	Saddle lock	1	
6	AP8114389	Lock cable	1	
7	AP8102913	Pass.saddle connecting plate	1	
8	AP8150050	Hex socket screw M5x16	4	
9	AP8150176	Hex socket screw	3	
10	AP8150349	Special screw M8x15	1	
11	AP8152278	Screw w/ flange M6x16	2	
12	AP8152283	Screw w/ flange	2	
13	AP8150211	Hex socket screw M8x16	1	
14	AP8102950	Toolkit	1	

Group	FRAME
Code	28.35
Description	Plate set and handbook
Service	1



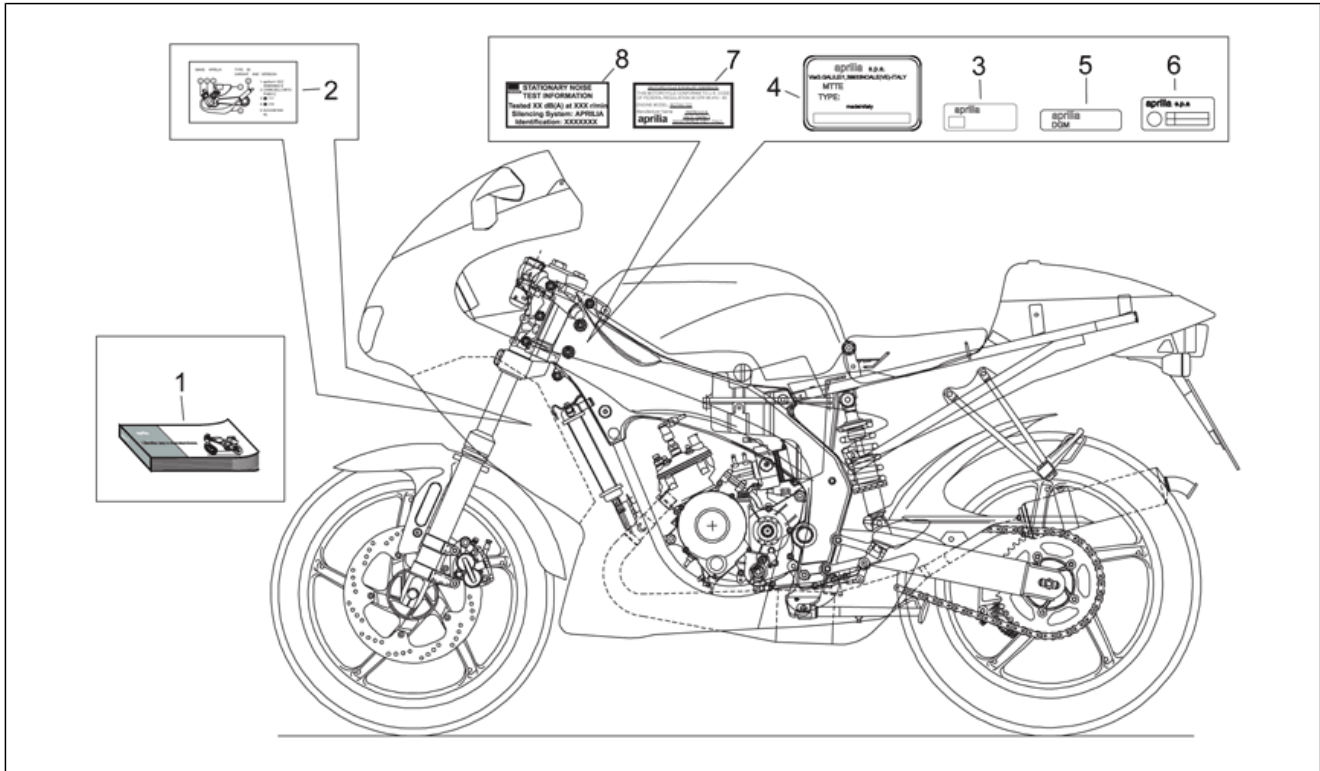
Pos.	Code	Description	Qty	Variants
1	AP8102821	Operator's handbook -i-d-f-	1	Country: Austria[A], Belgium[B], Switzerland[CH], Germany[D], France[F], Italy[I] Technical Specifications: Euro0 approval (frame ZD4MP)[E0]
1	AP8102937	Operator's handbook -e-uk-	1	Country: AUS[AA], Australia[AUS], Spain[E], B-D-SF-F-I-CH-DK-GR-E-NL-P[EU], Portugal[P], Great Britain[UK] Technical Specifications: Euro0 approval (frame ZD4MP)[E0]
1	AP8102938	Operator's handbook-nl-dk-sf-	1	Country: Belgium[B], Denmark[DK], Holland[NL], Finland[SF] Technical Specifications: Euro0 approval (frame ZD4MP)[E0]
1	AP8102939	Operator's handbook -sgp-	1	Country: B-D-SF-F-I-CH-DK-GR-E-NL-P[EU], Greece[GR], Japan[J], J[JJ], Singapore[SGP] Technical Specifications: Euro0 approval (frame ZD4MP)[E0]
1	AP8104800	Operator's handbook-I-F-D-	1	Country: Belgium[B], Switzerland[CH], Germany[D], B-D-SF-F-I-CH-DK-GR-E-NL-P[EU], France[F], Italy[I] Technical Specifications: EURO1 approval (frame ZD4SF0/ZD4SFA)[E1], EURO2 Type-approval (frame ZD4SFF)[E2]
1	AP8104812	Operator's handbook-nl-dk-sf-	1	Country: Belgium[B], Denmark[DK], B-D-SF-F-I-CH-DK-GR-E-NL-P[EU], Holland[NL], Finland[SF] Technical Specifications: EURO1 approval (frame ZD4SF0/ZD4SFA)[E1], EURO2 Type-approval (frame ZD4SFF)[E2]
1	AP8104813	Operator's handbook-gr-j-uk-	1	Country: B-D-SF-F-I-CH-DK-GR-E-NL-P[EU], Greece[GR], Japan[J], J[JJ] Technical Specifications: EURO1 approval (frame ZD4SF0/ZD4SFA)[E1], EURO2 Type-approval (frame ZD4SFF)[E2]
1	AP8104814	Operator's handbook-P-E-UK-	1	Country: AUS[AA], Australia[AUS], Spain[E], B-D-SF-F-I-CH-DK-GR-E-NL-P[EU], Portugal[P], Great Britain[UK] Technical Specifications: EURO1 approval (frame ZD4SF0/ZD4SFA)[E1], EURO2 Type-approval (frame ZD4SFF)[E2]
2	AP8157054	Tamperproof dataplate	1	Country: B-D-SF-F-I-CH-DK-GR-E-NL-P[EU], France[F]
2	AP8166280	Tamperproof dataplate	1	Technical Specifications: Version 11 Kw[11Kw], EURO2 Type-approval (frame ZD4SFF)[E2]
2	AP8167688	Tamperproof dataplate	1	Technical Specifications: Version 11 Kw[11Kw], EURO1 approval (frame ZD4SF0/ZD4SFA)[E1]
3	AP8147496	Name plate CEE	1	Country: Switzerland[CH], B-D-SF-F-I-CH-DK-GR-E-NL-P[EU]

Group	FRAME
Code	28.35
Description	Plate set and handbook
Service	1



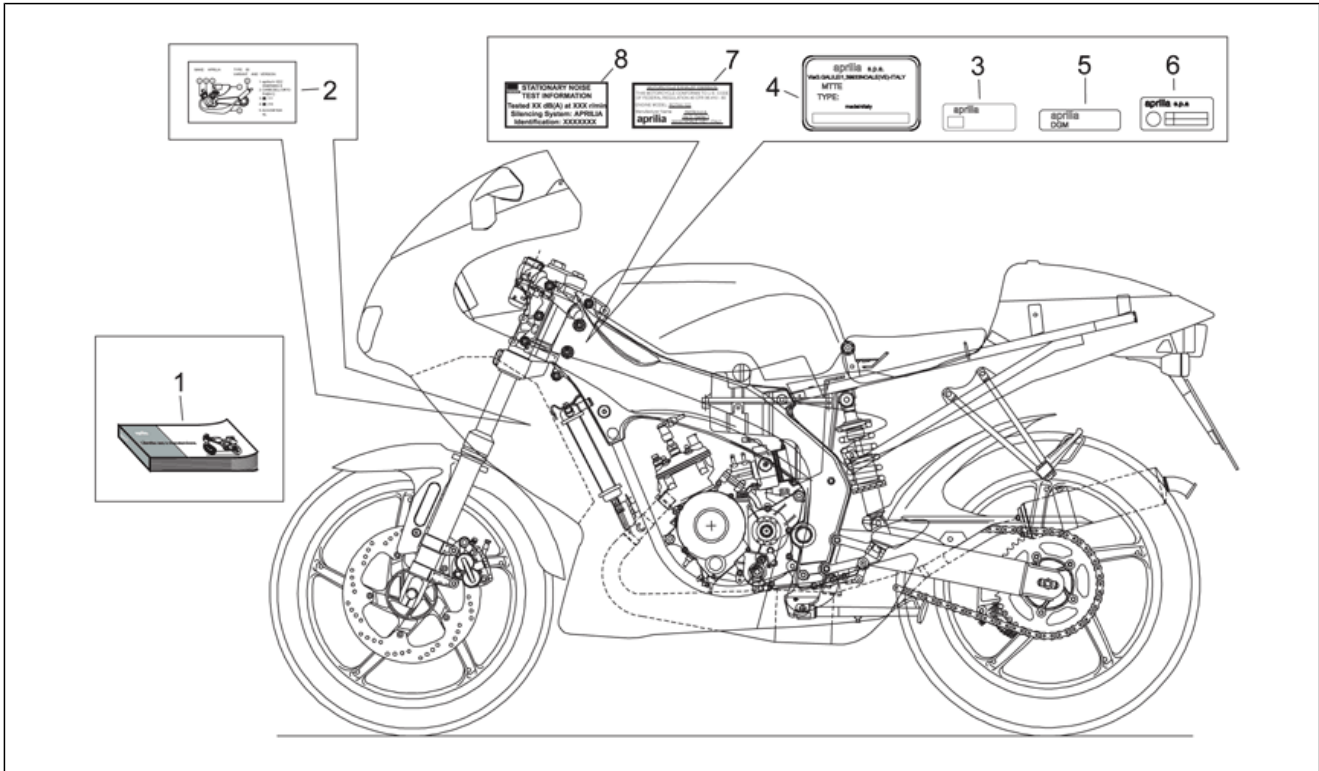
Pos.	Code	Description	Qty	Variants
				Technical Specifications: Euro0 approval (frame ZD4MP)[E0]
4	AP8147439	Constructor dataplate	1	Country: Germany[D] Technical Specifications: 80Km/h speed[80km]
4	AP8147439	Constructor dataplate	1	Country: Germany[D], Spain[E], France[F], Italy[I], Finland[SF] Technical Specifications: Version 11 Kw[11Kw], Euro0 approval (frame ZD4MP)[E0]
4	AP8147955	Constructor dataplate	1	Country: AUS[AA], Australia[AUS] Technical Specifications: Euro0 approval (frame ZD4MP)[E0]
4	AP8157051	Constructor dataplate	1	Country: Germany[D], Denmark[DK], Spain[E], Greece[GR], Japan[J], Holland[NL], Portugal[P], Great Britain[UK] Technical Specifications: Euro0 approval (frame ZD4MP)[E0], Full Power Version[f.p.]
4	AP8157052	Constructor dataplate	1	Country: Austria[A] Technical Specifications: Version 11 Kw[11Kw], Euro0 approval (frame ZD4MP)[E0]
4	AP8157144	Constructor dataplate	1	Country: Switzerland[CH], B-D-SF-F-I-CH-DK-GR-E-NL-P[EU] Technical Specifications: Euro0 approval (frame ZD4MP)[E0]
4	AP8157145	Constructor dataplate	1	Country: Singapore[SGP]
4	AP8157314	Constructor dataplate	1	Country: Belgium[B] Technical Specifications: Euro0 approval (frame ZD4MP)[E0], Full Power Version[f.p.]
4	AP8157445	Constructor dataplate	1	Country: Belgium[B] Technical Specifications: Version 11 Kw[11Kw], Euro0 approval (frame ZD4MP)[E0]
4	AP8166275	Constructor dataplate	1	Country: Austria[A], Belgium[B], Switzerland[CH], Germany[D], Denmark[DK], Spain[E], B-D-SF-F-I-CH-DK-GR-E-NL-P[EU], France[F], Greece[GR], Italy[I], J[JJ], Holland[NL], Portugal[P], Finland[SF], Great Britain[UK] Technical Specifications: Version 11 Kw[11Kw], EURO2 Type-approval (frame ZD4SFF)[E2], Full Power Version[f.p.]
4	AP8167695	Constructor dataplate	1	Country: Austria[A], Belgium[B], Switzerland[CH], Germany[D], Denmark[DK], Spain[E], B-D-SF-F-I-CH-

Group	FRAME
Code	28.35
Description	Plate set and handbook
Service	1



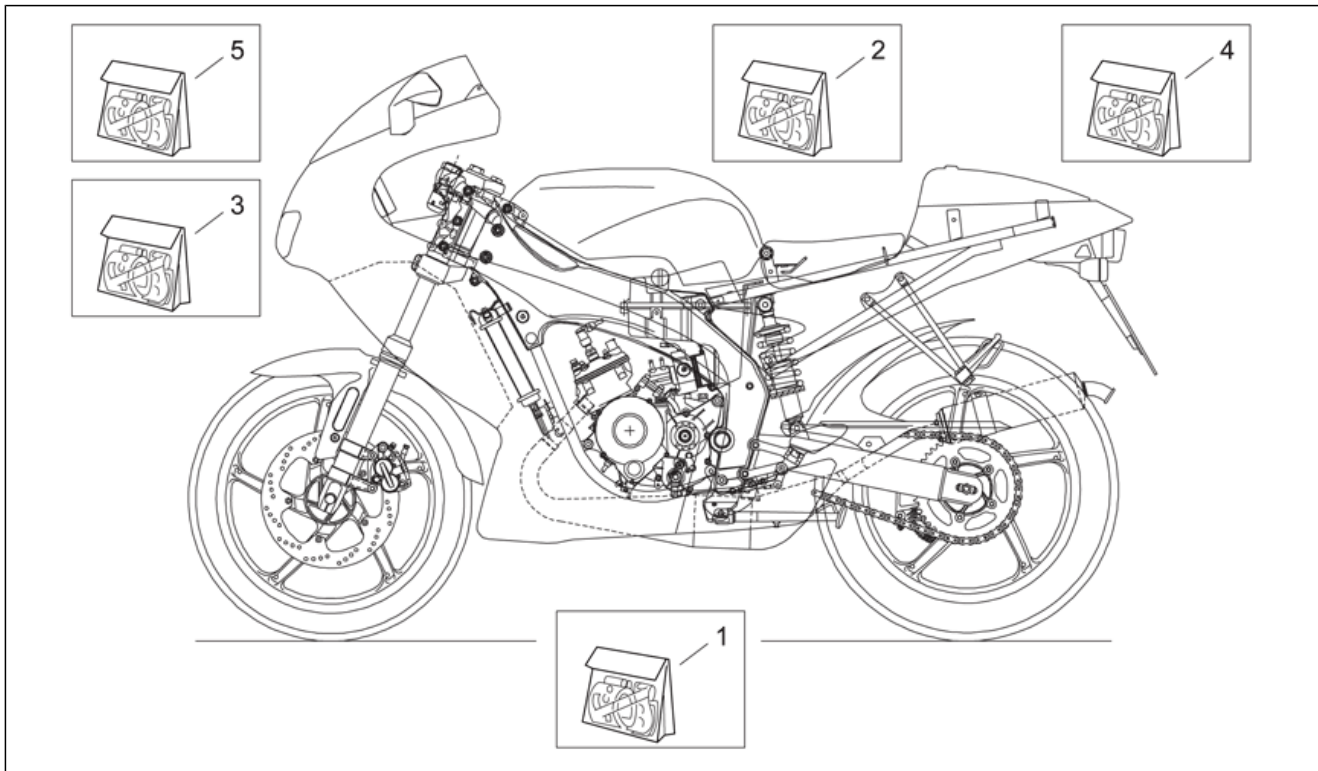
Pos.	Code	Description	Qty	Variants
				DK-GR-E-NL-P[EU], France[F], Greece[GR], Italy[I], J[JJ], Holland[NL], Portugal[P], Finland[SF], Great Britain[UK] Technical Specifications: Version 11 Kw[11Kw], EURO1 approval (frame ZD4SF0/ZD4SFA)[E1]
4	AP8177444	Constructor dataplate	1	Country: Austria[A], Belgium[B], Switzerland[CH], Germany[D], Denmark[DK], Spain[E], B-D-SF-F-I-CH-DK-GR-E-NL-P[EU], France[F], Greece[GR], Italy[I], J[JJ], Holland[NL], Portugal[P], Finland[SF], Great Britain[UK] Technical Specifications: EURO1 approval (frame ZD4SF0/ZD4SFA)[E1], Full Power Version[f.p.]
4	AP8177516	Constructor dataplate	1	Country: AUS[AA], Australia[AUS] Technical Specifications: EURO2 Type-approval (frame ZD4SFF)[E2]
4	AP8177516	Constructor dataplate	1	Country: AUS[AA], Australia[AUS] Technical Specifications: EURO1 approval (frame ZD4SF0/ZD4SFA)[E1]
5	AP8147438	DGM dataplate	1	Country: Italy[I] Technical Specifications: Version 11 Kw[11Kw], Euro0 approval (frame ZD4MP)[E0]
5	AP8157037	DGM dataplate	1	Country: B-D-SF-F-I-CH-DK-GR-E-NL-P[EU], Greece[GR]
6	AP8147497	ECE dataplate	1	Country: Austria[A], Belgium[B], Switzerland[CH], Germany[D], Denmark[DK], Spain[E], B-D-SF-F-I-CH-DK-GR-E-NL-P[EU], France[F], Greece[GR], Italy[I], J[JJ], Holland[NL], Portugal[P], Finland[SF], Great Britain[UK]
6	AP8157948	ECE dataplate	1	Country: AUS[AA], Australia[AUS], Japan[J], J[JJ] Technical Specifications: Euro0 approval (frame ZD4MP)[E0]
6	AP8167958	ECE dataplate	1	Country: AUS[AA], Australia[AUS], Japan[J], J[JJ] Technical Specifications: EURO1 approval (frame ZD4SF0/ZD4SFA)[E1], EURO2 Type-approval (frame ZD4SFF)[E2]
7	AP8147566	Engine dataplate -SGP-	1	Country: Singapore[SGP]
8	AP8157496	Noise emission sticker	1	Country: AUS[AA], Australia[AUS] Technical Specifications: Euro0 approval (frame ZD4MP)[E0]
8	AP8166347	Noise emission sticker	1	Country: AUS[AA], Australia[AUS]

Group	FRAME
Code	28.35
Description	Plate set and handbook
Service	1



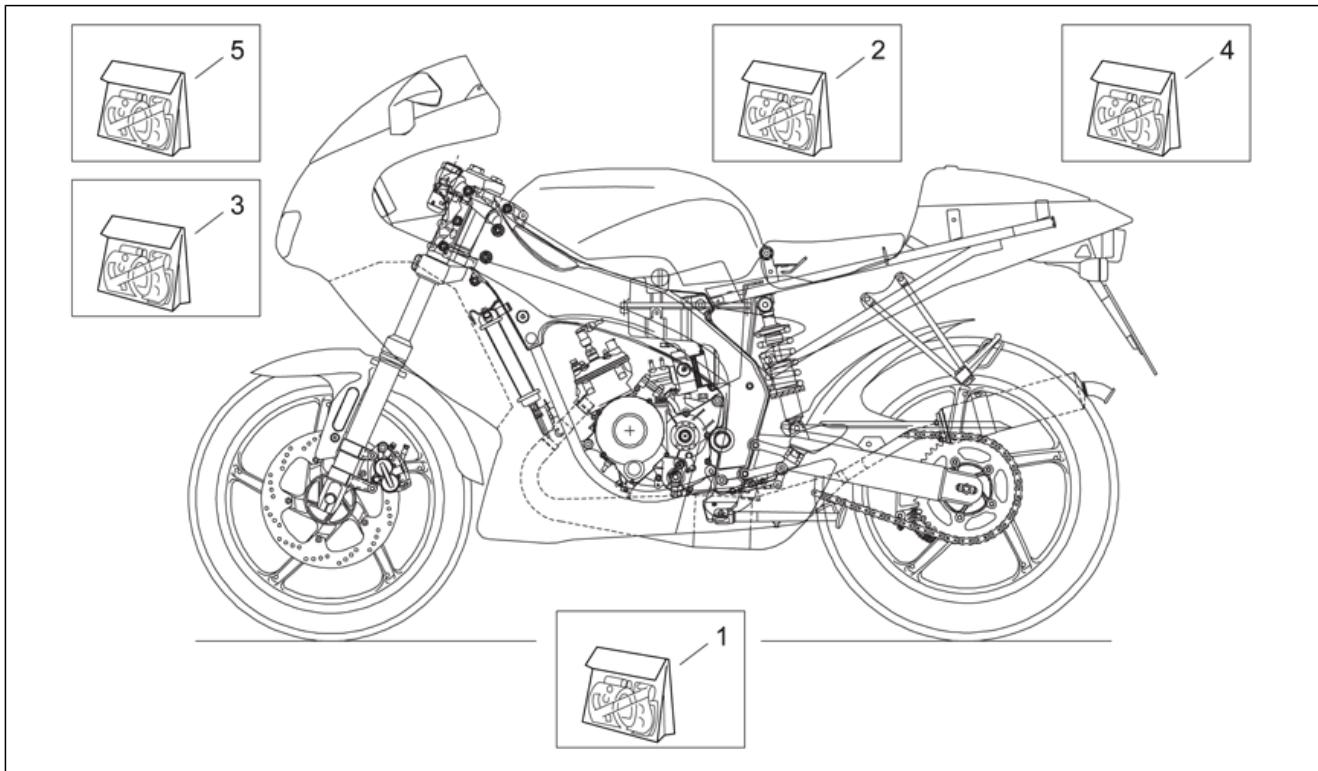
Pos.	Code	Description	Qty	Variants
				Technical Specifications: EURO2 Type-approval (frame ZD4SFF)[E2]
8	AP8177517	Noise emission sticker	1	Country: AUS[AA], Australia[AUS] Technical Specifications: EURO1 approval (frame ZD4SF0/ZD4SFA)[E1]

Group	FRAME
Code	28.36
Description	Decal
Service	1



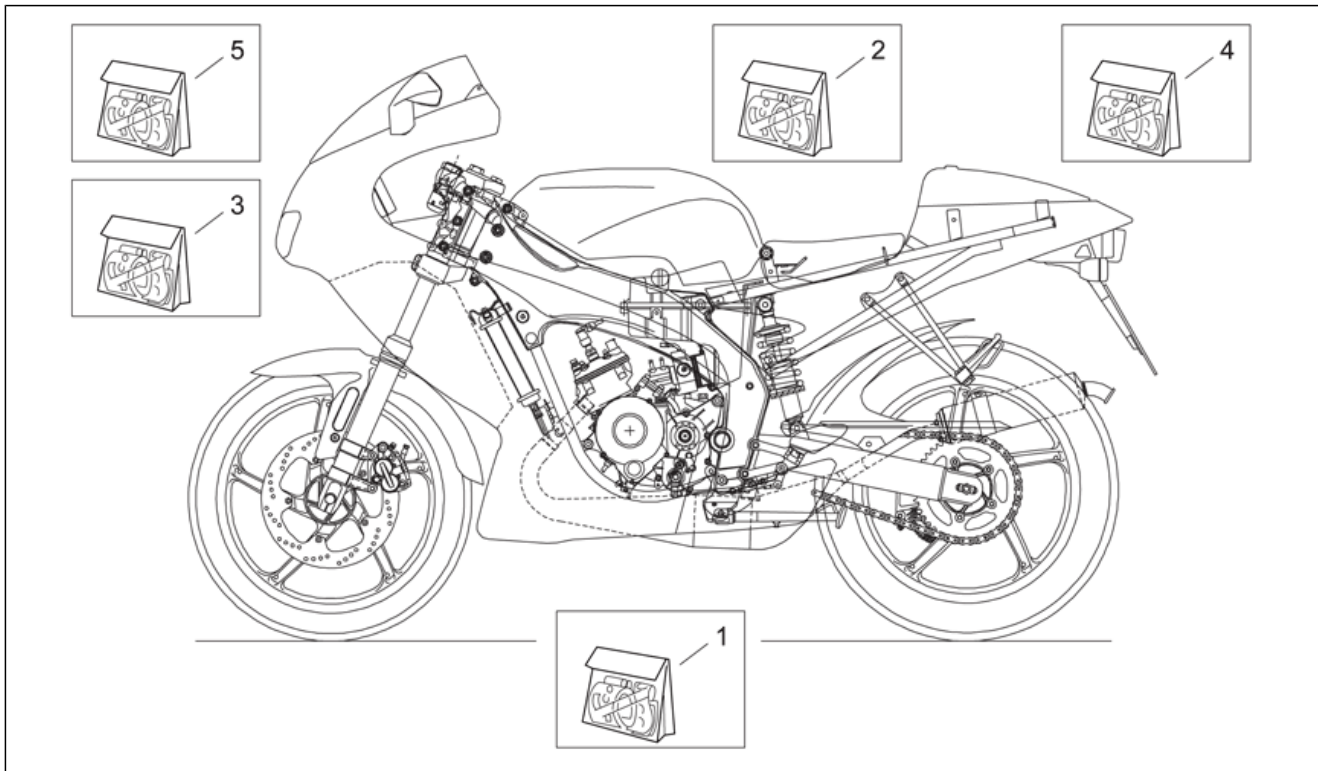
Pos.	Code	Description	Qty	Variants
1	AP8157134	Fairing decal set	1	Year:1999[X] Vehicle colour:Black / Red '99[n/r]
1	AP8157135	Fairing decal set	1	Year:1999[X] Vehicle colour:Fumi Blue / Fluo Red '99[b/r]
1	AP8166409	Fairing decal set	1	Year:2004[4] Vehicle colour:Poggiali Black 2004[a.blk]
1	AP8166413	Fairing decal set	1	Year:2004[4] Vehicle colour:Poggiali White 2004[RP]
1	AP8166650	Fairing decal set	1	Year:2005[5] Vehicle colour:Aprilia Black '05 (s.t.14845)[blk]
1	AP8166651	Fairing decal set	1	Year:2005[5] Vehicle colour:Fluo Red '05 (s.t.14817)[red]
1	AP8167018	Fairing decal set	1	Year:2000[Y] Vehicle colour:Aprilia Black / Red Fluo 2000[bl/re]
1	AP8167019	Fairing decal set	1	Year:2000[Y] Vehicle colour:Nik Grey / Lemon Yellow 2000[gr/ye]
1	AP8167643	Fairing decal set	1	Year:2001[1] Vehicle colour:Diablo Black 2001[d.bl]
1	AP8177067	Fairing decal set	1	Year:2002[2] Vehicle colour:Diablo Black 2002[black]
1	AP8177068	Fairing decal set	1	Year:2002[2] Vehicle colour:Dust Grey 2002[grey]
1	AP8177507	Fairing decal set	1	Year:2003[3] Vehicle colour:SBK Black '03[s.bl]
1	AP8177512	Fairing decal set	1	Year:2003[3] Vehicle colour:GP1 Black '03[g.bl]
2	AP8157136	Tank decal set	1	Year:1999[X] Vehicle colour:Black / Red '99[n/r]
2	AP8157137	Tank decal set	1	Year:1999[X] Vehicle colour:Fumi Blue / Fluo Red '99[b/r]
2	AP8166410	Tank decal set	1	Year:2004[4] Vehicle colour:Poggiali Black 2004[a.blk]

Group	FRAME
Code	28.36
Description	Decal
Service	1



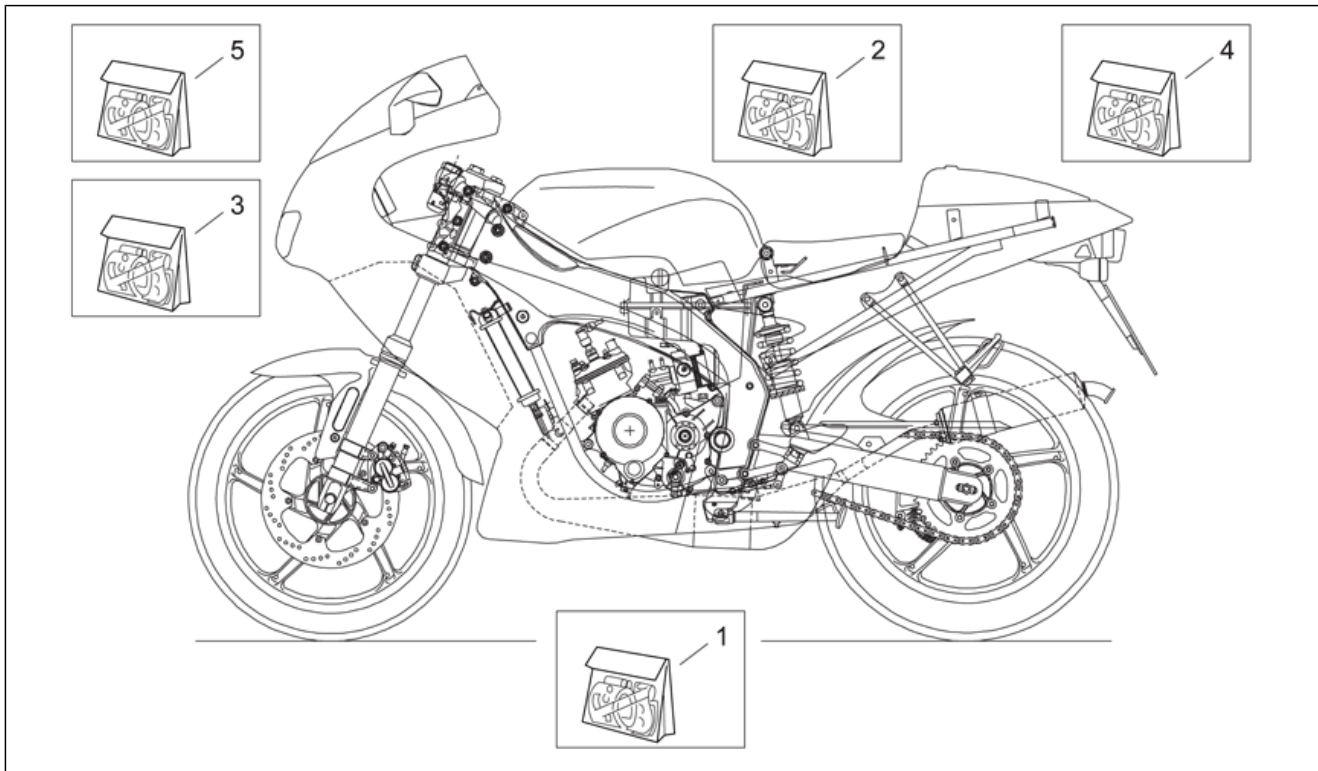
Pos.	Code	Description	Qty	Variants
2	AP8166414	Tank decal set	1	Year:2004[4] Vehicle colour:Poggiali White 2004[RP]
2	AP8166652	Tank decal set	1	Year:2005[5] Vehicle colour:Aprilia Black '05 (s.t.14845)[blk]
2	AP8166653	Tank decal set	1	Year:2005[5] Vehicle colour:Fluo Red '05 (s.t.14817)[red]
2	AP8167020	Tank decal set	1	Year:2000[Y] Vehicle colour:Aprilia Black / Red Fluo 2000[bl/re]
2	AP8167021	Tank decal set	1	Year:2000[Y] Vehicle colour:Nik Grey / Lemon Yellow 2000[gr/ye]
2	AP8167644	Tank decal set	1	Year:2001[1] Vehicle colour:Diablo Black 2001[d.bl]
2	AP8177069	Tank decal set	1	Year:2002[2] Vehicle colour:Diablo Black 2002[black]
2	AP8177070	Tank decal set	1	Year:2002[2] Vehicle colour:Dust Grey 2002[grey]
2	AP8177506	Tank decal set	1	Year:2003[3] Vehicle colour:SBK Black '03[s.bl]
2	AP8177511	Tank decal set	1	Year:2003[3] Vehicle colour:GP1 Black '03[g.bl]
3	AP8157138	Front fairing decal set	1	Year:1999[X] Vehicle colour:Black / Red '99[n/r]
3	AP8157139	Front fairing decal set	1	Year:1999[X] Vehicle colour:Fumi Blue / Fluo Red '99[b/r]
3	AP8166411	Front fairing decal set	1	Year:2004[4] Vehicle colour:Poggiali Black 2004[a.blk]
3	AP8166415	Front fairing decal set	1	Year:2004[4] Vehicle colour:Poggiali White 2004[RP]
3	AP8166654	Front fairing decal set	1	Year:2005[5] Vehicle colour:Aprilia Black '05 (s.t.14845)[blk]
3	AP8166655	Front fairing decal set	1	Year:2005[5] Vehicle colour:Fluo Red '05 (s.t.14817)[red]

Group	FRAME
Code	28.36
Description	Decal
Service	1



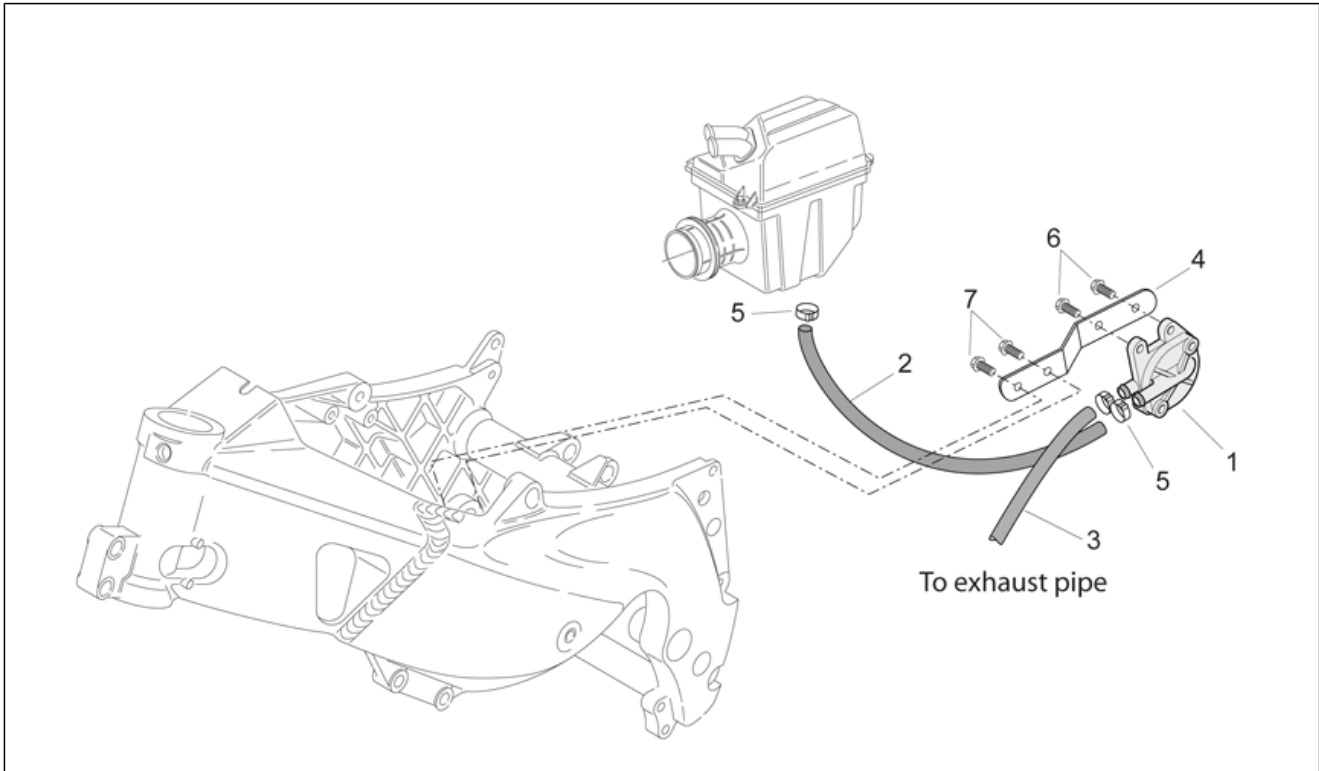
Pos.	Code	Description	Qty	Variants
3	AP8167022	Front fairing decal set	1	Year:2000[Y] Vehicle colour:Aprilia Black / Red Fluo 2000[bl/re]
3	AP8167023	Front fairing decal set	1	Year:2000[Y] Vehicle colour:Nik Grey / Lemon Yellow 2000[gr/ye]
3	AP8167645	Front fairing decal set	1	Year:2001[1] Vehicle colour:Diablo Black 2001[d.bl]
3	AP8177071	Front fairing decal set	1	Year:2002[2] Vehicle colour:Diablo Black 2002[black]
3	AP8177072	Front fairing decal set	1	Year:2002[2] Vehicle colour:Dust Grey 2002[grey]
3	AP8177508	Front fairing decal set	1	Year:2003[3] Vehicle colour:SBK Black '03[s.bl]
3	AP8177513	Front fairing decal set	1	Year:2003[3] Vehicle colour:GP1 Black '03[g.bl]
4	AP8157140	Rear fairing decal set	1	Year:1999[X] Vehicle colour:Black / Red '99[n/r]
4	AP8157141	Rear fairing decal set	1	Year:1999[X] Vehicle colour:Fumi Blue / Fluo Red '99[b/r]
4	AP8166412	Rear fairing decal set	1	Year:2004[4] Vehicle colour:Poggiali Black 2004[a.blk]
4	AP8166416	Rear fairing decal set	1	Year:2004[4] Vehicle colour:Poggiali White 2004[RP]
4	AP8166656	Rear fairing decal set	1	Year:2005[5] Vehicle colour:Aprilia Black '05 (s.t.14845)[blk]
4	AP8166657	Rear fairing decal set	1	Year:2005[5] Vehicle colour:Fluo Red '05 (s.t.14817)[red]
4	AP8167024	Rear fairing decal set	1	Year:2000[Y] Vehicle colour:Aprilia Black / Red Fluo 2000[bl/re]
4	AP8167025	Rear fairing decal set	1	Year:2000[Y] Vehicle colour:Nik Grey / Lemon Yellow 2000[gr/ye]
4	AP8167646	Rear fairing decal set	1	Year:2001[1] Vehicle colour:Diablo Black 2001[d.bl]

Group	FRAME
Code	28.36
Description	Decal
Service	1



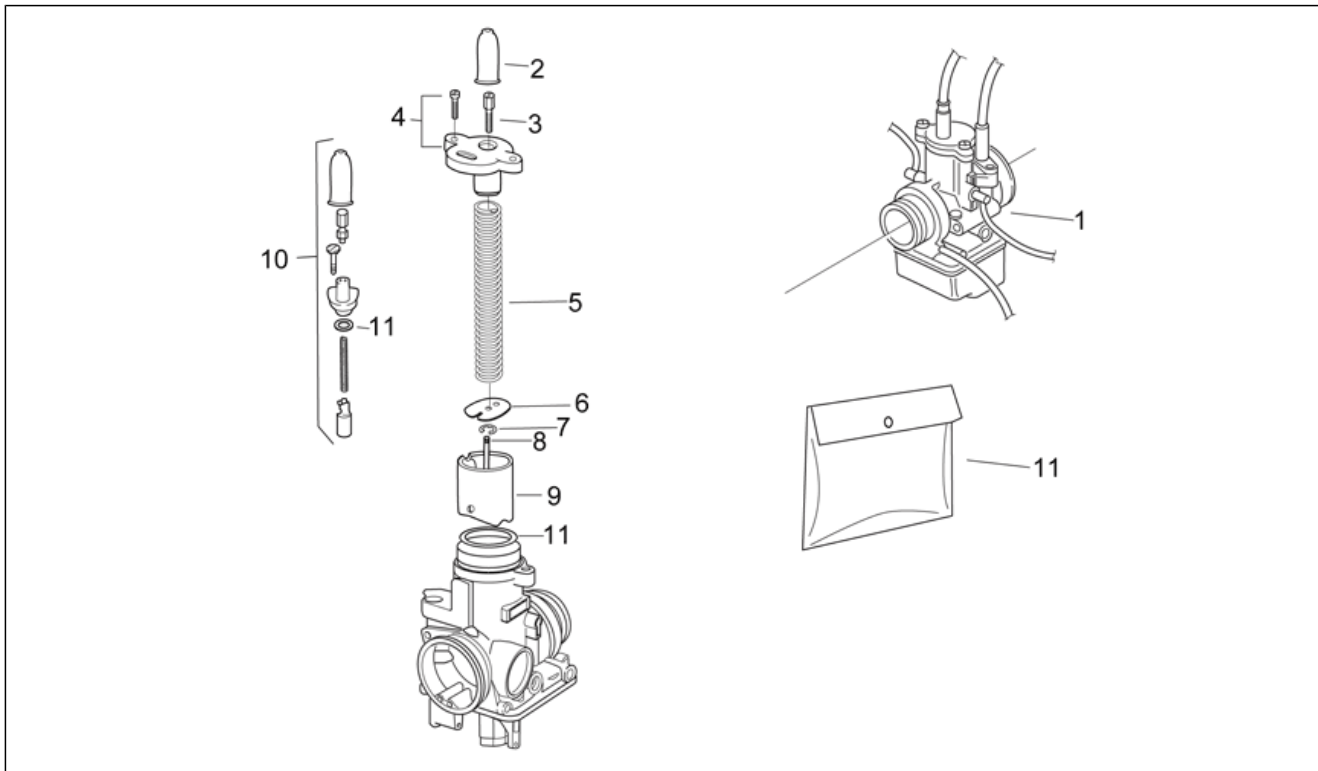
Pos.	Code	Description	Qty	Variants
4	AP8177073	Rear fairing decal set	1	Year:2002[2] Vehicle colour:Diablo Black 2002[black]
4	AP8177074	Rear fairing decal set	1	Year:2002[2] Vehicle colour:Dust Grey 2002[grey]
4	AP8177509	Rear fairing decal set	1	Year:2003[3] Vehicle colour:SBK Black '03[s.bl]
4	AP8177514	Rear fairing decal set	1	Year:2003[3] Vehicle colour:GP1 Black '03[g.bl]
5	AP8157142	Technical decal set	1	Year:1999[X] Vehicle colour:Fumi Blue / Fluo Red '99[b/r], Black / Red '99[n/r]
5	AP8167026	Technical decal set	1	Year:2000[Y] Vehicle colour:Aprilia Black / Red Fluo 2000[bl/re], Nik Grey / Lemon Yellow 2000[gr/ye]
5	AP8167647	Technical decal set	1	Year:2001[1] Vehicle colour:Diablo Black 2001[d.bl]
5	AP8177075	Technical decal set	1	Year:2002[2]
5	AP8177510	Technical decal set	1	Year:2003[3], 2004[4], 2005[5]

Group	ENGINE
Code	29.20
Description	Secondary air
Service	1



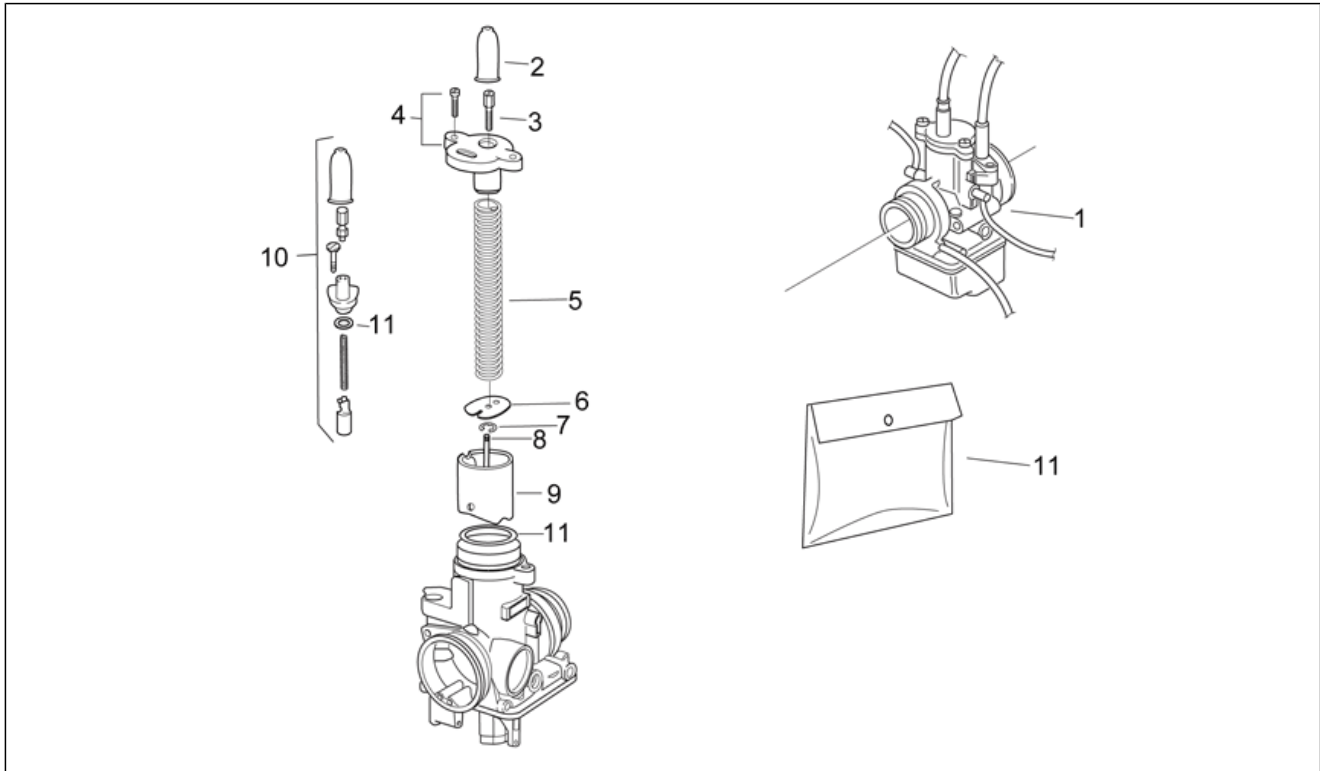
Pos.	Code	Description	Qty	Variants
1	AP8104745	Valve SAS	1	Technical Specifications: EURO2 Type-approval (frame ZD4SFF)[E2]
2	AP8144670	Intake pipe sas	1	Technical Specifications: EURO2 Type-approval (frame ZD4SFF)[E2]
3	AP8144671	Air pipe sas	1	Technical Specifications: EURO2 Type-approval (frame ZD4SFF)[E2]
4	AP8144672	Valve fixing support	1	Technical Specifications: EURO2 Type-approval (frame ZD4SFF)[E2]
5	AP8102903	Hose clip D16,5X6,6	4	Technical Specifications: EURO2 Type-approval (frame ZD4SFF)[E2]
6	AP8152277	Screw w/ flange M6x12	2	Technical Specifications: EURO2 Type-approval (frame ZD4SFF)[E2]
7	AP8152278	Screw w/ flange M6x16	2	Technical Specifications: EURO2 Type-approval (frame ZD4SFF)[E2]

Group	ENGINE
Code	29.22
Description	Carburettor I
Service	1



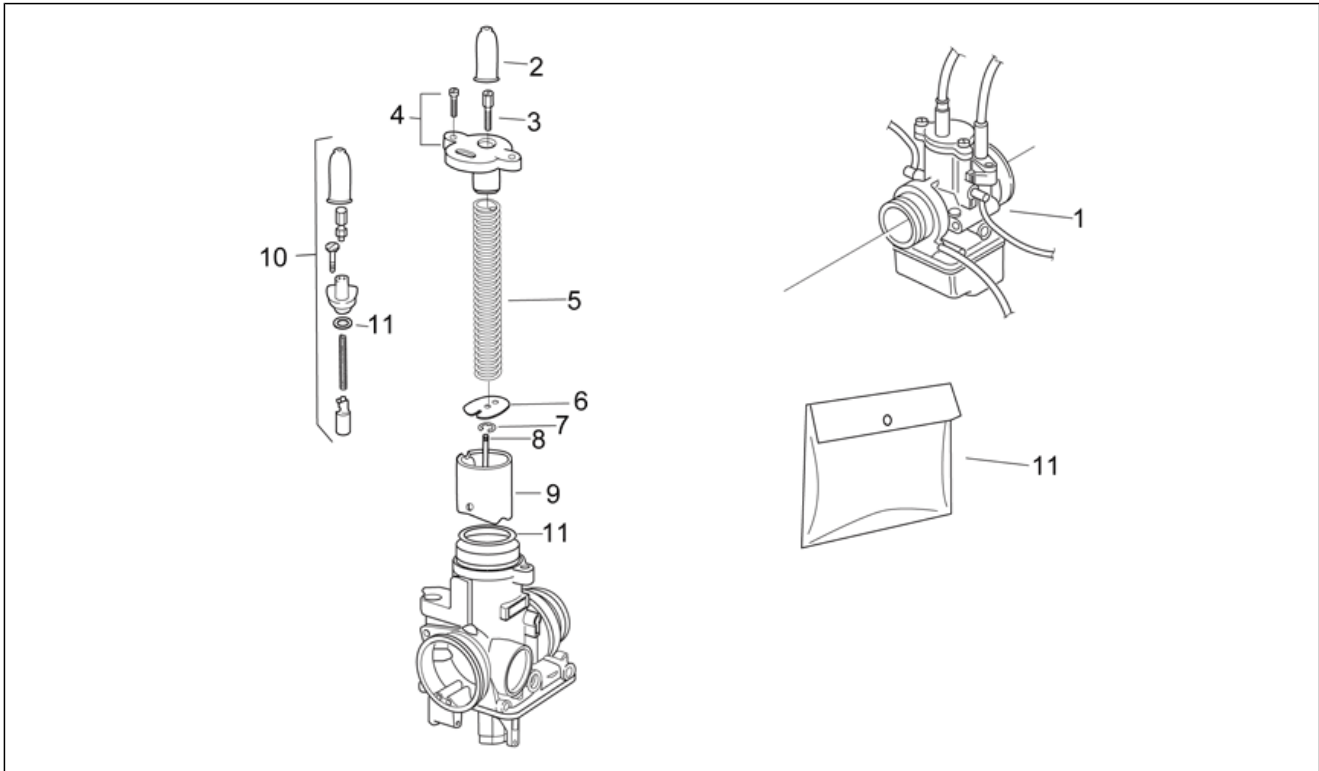
Pos.	Code	Description	Qty	Variants
1	AP8106194	Carburettor phbH 28-Rd	1	Country: Switzerland[CH], B-D-SF-F-I-CH-DK-GR-E-NL-P[EU] Technical Specifications: Euro0 approval (frame ZD4MP) [E0], Full Power Version[f.p.]
1	AP8106397	Carburettor phbH 28-Bd	1	Country: Germany[D] Technical Specifications: 80Km/h speed[80km]
1	AP8106397	Carburettor phbH 28-Bd	1	Country: Austria[A] Technical Specifications: Version 11 Kw[11Kw], Euro0 approval (frame ZD4MP)[E0]
1	AP8106550	Carburettor phbh 28-bd	1	Country: Australia[AUS], Belgium[B], Germany[D], Denmark[DK], Spain[E], Greece[GR], Japan[J], Holland[NL], Portugal[P], Singapore[SGP], Great Britain[UK] Technical Specifications: Euro0 approval (frame ZD4MP) [E0], Full Power Version[f.p.]
1	AP8106603	Carburettor phbh 28 bd	1	Country: Belgium[B], Germany[D], Spain[E], France[F], Italy[I], Finland[SF] Technical Specifications: Version 11 Kw[11Kw], Euro0 approval (frame ZD4MP)[E0]
1	AP8106948	Carburettor phbh 28 bd	1	Technical Specifications: EURO1 approval (frame ZD4SF0/ ZD4SFA)[E1], Full Power Version[f.p.]
1	AP8106949	Carburettor phbh 28 bd	1	Technical Specifications: Version 11 Kw[11Kw], EURO1 approval (frame ZD4SF0/ZD4SFA)[E1]
1	AP8176108	Carburettor phbh 28 bd	1	Technical Specifications: EURO2 Type-approval (frame ZD4SFF)[E2], Full Power Version[f.p.]
1	AP8176109	Carburettor phbh 28 bd	1	Technical Specifications: Version 11 Kw[11Kw], EURO2 Type-approval (frame ZD4SFF)[E2]
2	AP8222636	Cap	1	
3	AP8222631	Wire tensioner screw	1	
4	AP8106783	Mixture chamber cover kit	1	
5	AP8106785	Gas valve return spring	1	Country: Austria[A], AUS[AA], Australia[AUS], Belgium[B], Germany[D], Denmark[DK], Spain[E], B-D-SF-F-I-CH-DK- GR-E-NL-P[EU], France[F], Greece[GR], Italy[I], Japan[J], J[JJ], Holland[NL], Portugal[P], Finland[SF], Singapore[SGP], Great Britain[UK]

Group	ENGINE
Code	29.22
Description	Carburettor I
Service	1



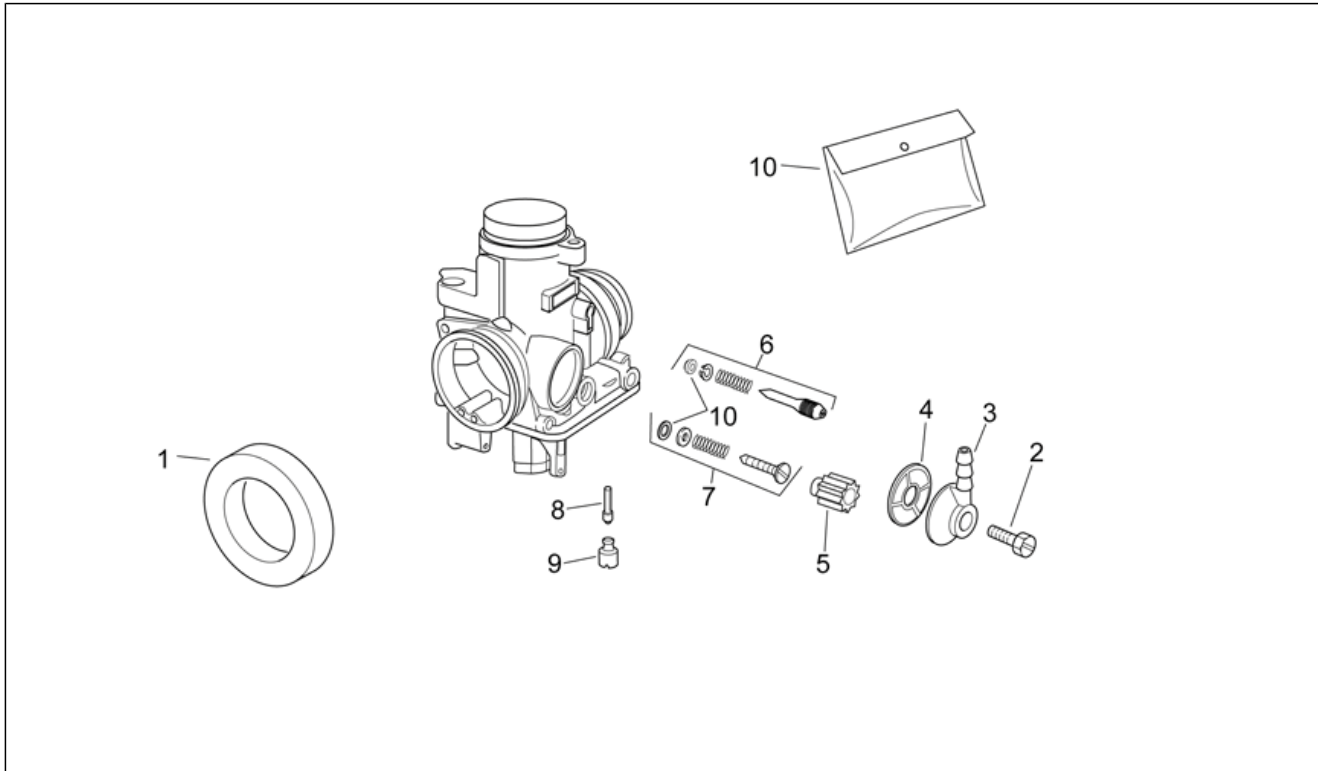
Pos.	Code	Description	Qty	Variants
5	AP8106800	Gas valve return spring	1	Country: Switzerland[CH], B-D-SF-F-I-CH-DK-GR-E-NL-P[EU] Technical Specifications: Euro0 approval (frame ZD4MP) [E0], Full Power Version[f.p.]
6	AP8106786	Check pin clip plate	1	
7	AP8222674	Conical pin clip	1	
8	AP8106220	Conical pin 56/2aX	1	Technical Specifications: Euro0 approval (frame ZD4MP) [E0], Full Power Version[f.p.]
8	AP8106779	Conical pin X25/3a	1	Technical Specifications: Version 11 Kw[11Kw], Euro0 approval (frame ZD4MP)[E0], EURO1 approval (frame ZD4SF0/ZD4SFA)[E1], EURO2 Type-approval (frame ZD4SFF) [E2]
8	AP8176043	Conical pin X2/2"	1	Technical Specifications: EURO1 approval (frame ZD4SF0/ ZD4SFA)[E1], EURO2 Type-approval (frame ZD4SFF)[E2], Full Power Version[f.p.]
9	AP8106697	Gas valve 40	1	Technical Specifications: EURO1 approval (frame ZD4SF0/ ZD4SFA)[E1], EURO2 Type-approval (frame ZD4SFF)[E2], Full Power Version[f.p.]
9	AP8106697	Gas valve 40	1	Country: Belgium[B], Germany[D], Spain[E], France[F], Italy[I], Finland[SF] Technical Specifications: Version 11 Kw[11Kw], Euro0 approval (frame ZD4MP)[E0]
9	AP8106697	Gas valve 40	1	Technical Specifications: Version 11 Kw[11Kw], EURO2 Type-approval (frame ZD4SFF)[E2]
9	AP8106778	Gas valve 50	1	Country: Austria[A] Technical Specifications: Version 11 Kw[11Kw], Euro0 approval (frame ZD4MP)[E0]
9	AP8106778	Gas valve 50	1	Country: Germany[D] Technical Specifications:
9	AP8106778	Gas valve 50	1	Country: AUS[AA], Australia[AUS], Belgium[B], Germany[D], Denmark[DK], Spain[E], B-D-SF-F-I-CH-DK-GR-E-NL-P[EU], Greece[GR], Japan[J], J[JJ], Holland[NL], Portugal[P], Singapore[SGP], Great Britain[UK] Technical Specifications: Euro0 approval (frame ZD4MP) [E0], Full Power Version[f.p.]

Group	ENGINE
Code	29.22
Description	Carburettor I
Service	1



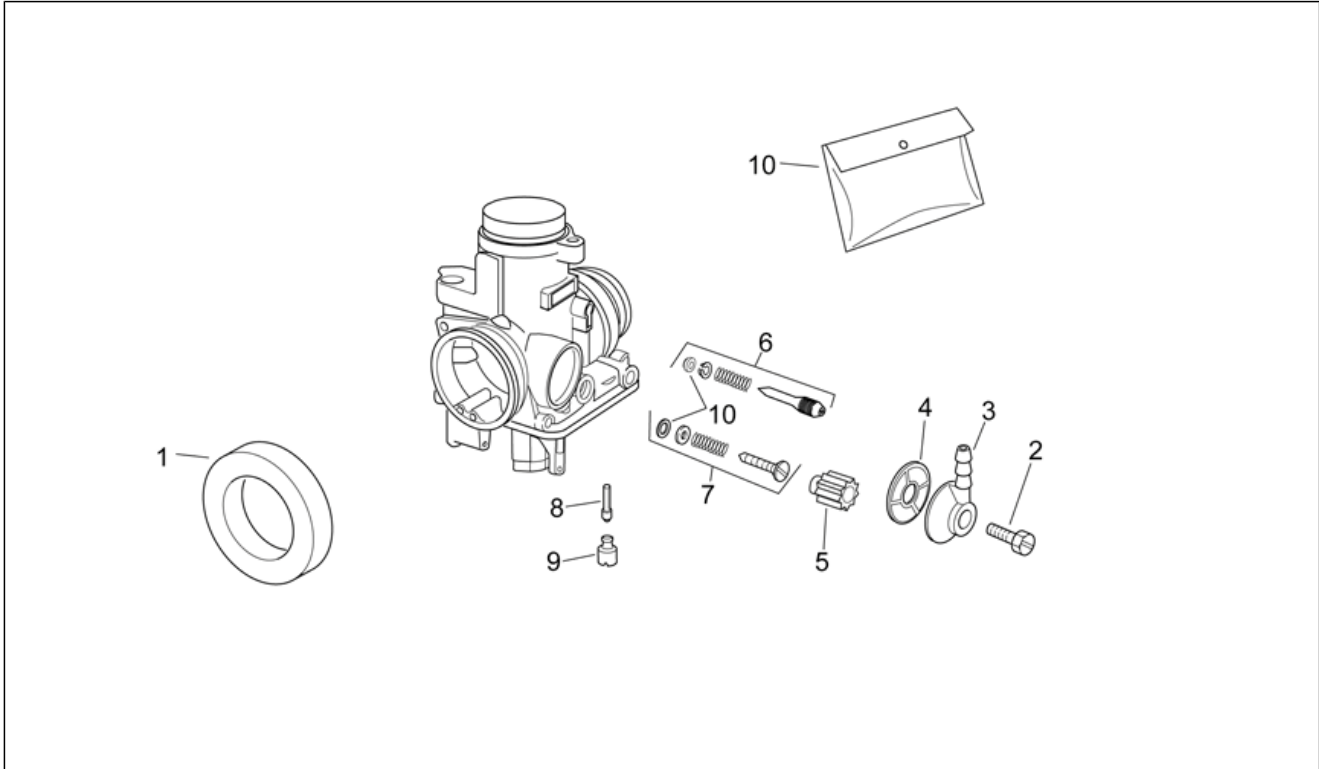
Pos.	Code	Description	Qty	Variants
9	AP8106797	Gas valve 55	1	Country: Switzerland[CH], B-D-SF-F-I-CH-DK-GR-E-NL-P[EU] Technical Specifications: Euro0 approval (frame ZD4MP) [E0], Full Power Version[f.p.]
9	AP8106963	Gas valve 45	1	Technical Specifications: Version 11 Kw[11Kw], EURO1 approval (frame ZD4SF0/ZD4SFA)[E1]
10	AP8106784	Starter device	1	
11	AP8106796	Gasket envelope	1	Technical Specifications: EURO1 approval (frame ZD4SF0/ ZD4SFA)[E1], EURO2 Type-approval (frame ZD4SFF)[E2], Full Power Version[f.p.]
11	AP8106796	Gasket envelope	1	Country: Austria[A], AUS[AA], Australia[AUS], Belgium[B], Germany[D], Denmark[DK], Spain[E], B-D-SF-F-I-CH-DK- GR-E-NL-P[EU], France[F], Greece[GR], Italy[I], Japan[J], J[J], Holland[NL], Portugal[P], Finland[SF], Singapore[SGP], Great Britain[UK] Technical Specifications: Version 11 Kw[11Kw], Euro0 approval (frame ZD4MP)[E0], EURO1 approval (frame ZD4SF0/ZD4SFA)[E1], EURO2 Type-approval (frame ZD4SFF) [E2]
11	AP8106801	Gasket envelope	1	Country: Switzerland[CH], B-D-SF-F-I-CH-DK-GR-E-NL-P[EU] Technical Specifications: Euro0 approval (frame ZD4MP) [E0], Full Power Version[f.p.]

Group	ENGINE
Code	29.23
Description	Carburettor II
Service	1



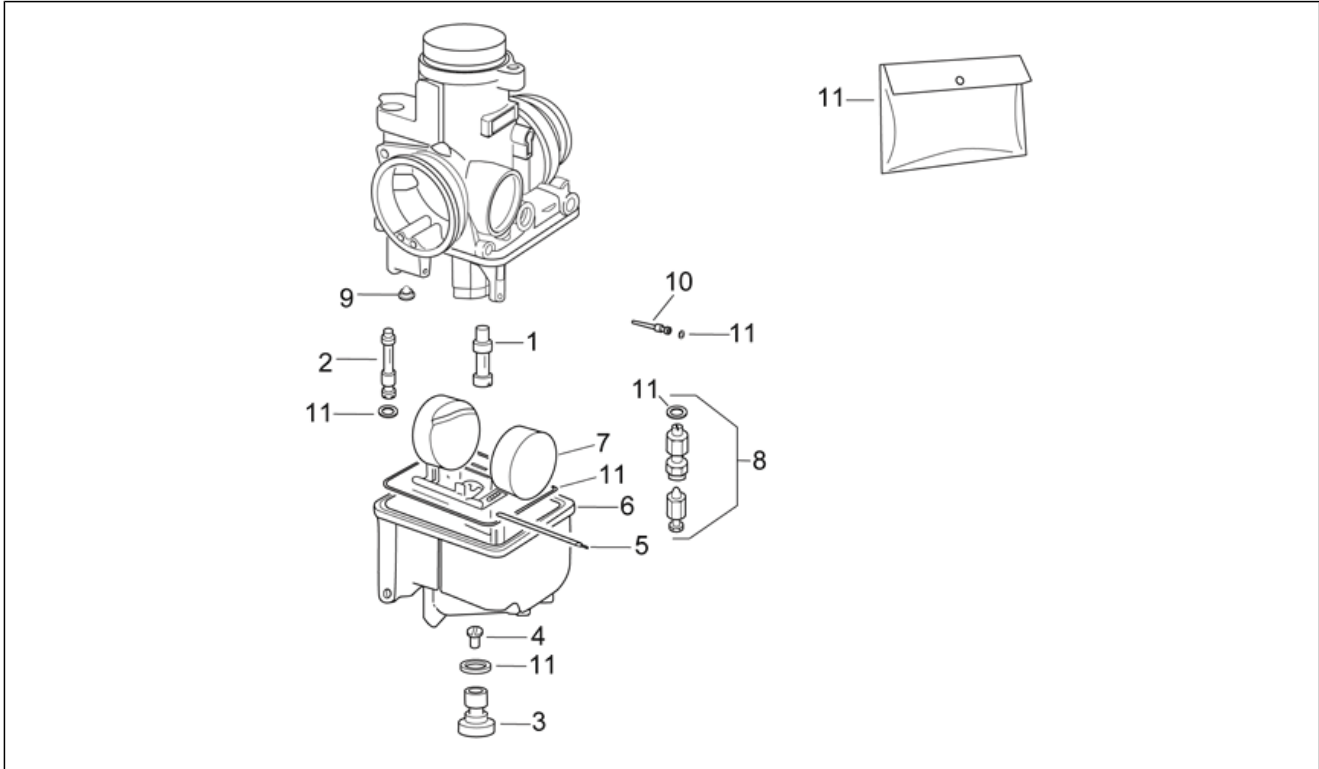
Pos.	Code	Description	Qty	Variants
1	AP8106790	Air intake union	1	
2	AP8106795	Cap fixing screw	1	
3	AP8106794	Fuel pipe union cap	1	
4	AP8222656	Fuel filter	1	
5	AP8106789	Knob	1	
6	AP8106787	Mix min.eng.spd adj.screw kit	1	
7	AP8106788	Gas valve adj.screw kit	1	
8	AP8106694	Idle emulsion jet 65	1	Technical Specifications: Version 11 Kw[11Kw], Euro0 approval (frame ZD4MP)[E0]
8	AP8106723	Idle emulsion jet 62	1	Technical Specifications: EURO1 approval (frame ZD4SF0/ZD4SFA)[E1], EURO2 Type-approval (frame ZD4SFF)[E2], Full Power Version[f.p.]
8	AP8106723	Idle emulsion jet 62	1	Technical Specifications: Version 11 Kw[11Kw], EURO1 approval (frame ZD4SF0/ZD4SFA)[E1], EURO2 Type-approval (frame ZD4SFF)[E2]
8	AP8106723	Idle emulsion jet 62	1	Country: AUS[AA], Australia[AUS], Belgium[B], Germany[D], Denmark[DK], Spain[E], B-D-SF-F-I-CH-DK-GR-E-NL-P[EU], Greece[GR], Japan[J], J[JJ], Holland[NL], Portugal[P], Singapore[SGP], Great Britain[UK] Technical Specifications: Full Power Version[f.p.]
8	AP8106799	Idle emulsion jet 50	1	Country: Switzerland[CH], B-D-SF-F-I-CH-DK-GR-E-NL-P[EU] Technical Specifications: Euro0 approval (frame ZD4MP)[E0], Full Power Version[f.p.]
9	AP8106693	Idle jet 65	1	Country: Belgium[B], Germany[D], Spain[E], France[F], Italy[I], Finland[SF] Technical Specifications: Version 11 Kw[11Kw], Euro0 approval (frame ZD4MP)[E0]
9	AP8106722	Idle jet 62	1	Technical Specifications: Version 11 Kw[11Kw], EURO1 approval (frame ZD4SF0/ZD4SFA)[E1], EURO2 Type-approval (frame ZD4SFF)[E2]
9	AP8106722	Idle jet 62	1	Technical Specifications: Full Power Version[f.p.]

Group	ENGINE
Code	29.23
Description	Carburettor II
Service	1



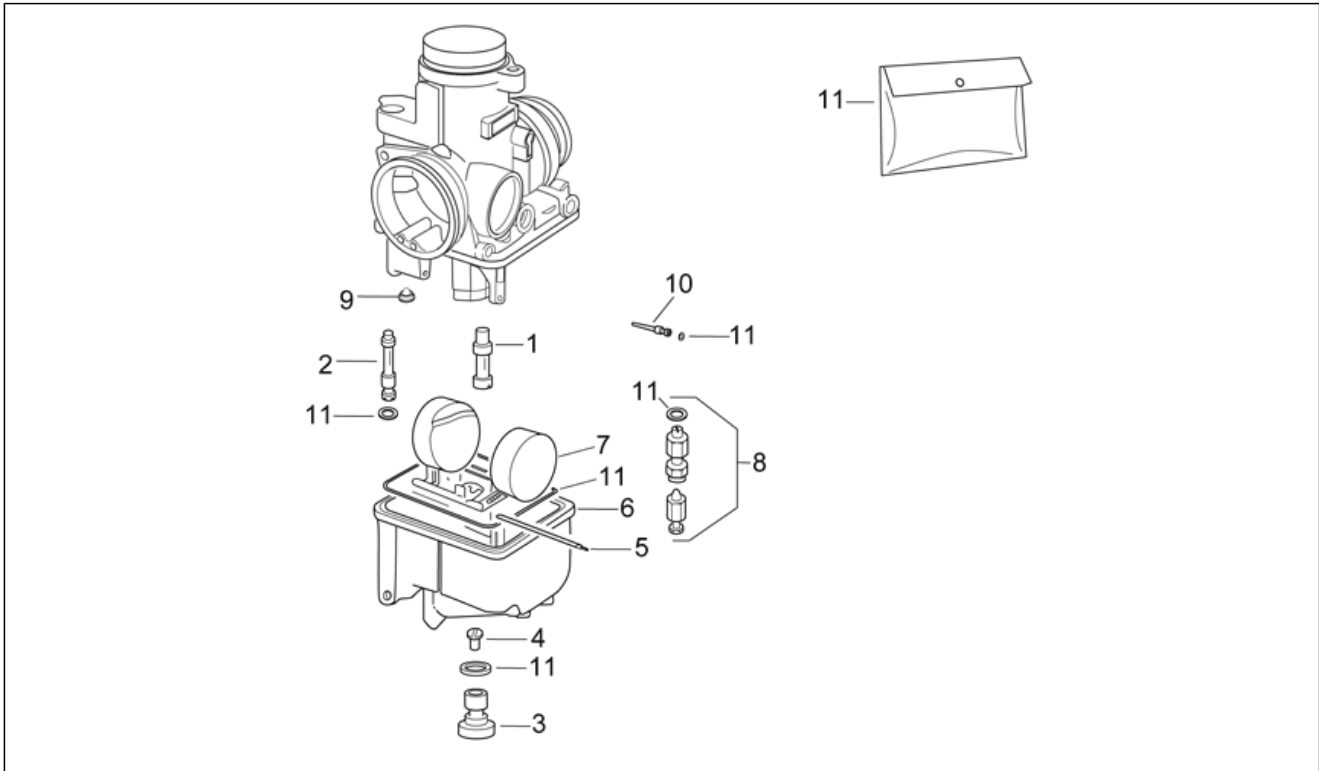
Pos.	Code	Description	Qty	Variants
9	AP8106722	Idle jet 62	1	Technical Specifications: EURO1 approval (frame ZD4SF0/ZD4SFA)[E1], EURO2 Type-approval (frame ZD4SFF)[E2], Full Power Version[f.p.]
9	AP8106729	Idle jet 65	1	Country: Austria[A] Technical Specifications: Version 11 Kw[11Kw], Euro0 approval (frame ZD4MP)[E0]
9	AP8106729	Idle jet 65	1	Country: Germany[D] Technical Specifications:
10	AP8106796	Gasket envelope	1	Technical Specifications: EURO1 approval (frame ZD4SF0/ZD4SFA)[E1], EURO2 Type-approval (frame ZD4SFF)[E2], Full Power Version[f.p.]
10	AP8106796	Gasket envelope	1	Country: Austria[A], AUS[AA], Australia[AUS], Belgium[B], Germany[D], Denmark[DK], Spain[E], B-D-SF-F-I-CH-DK-GR-E-NL-P[EU], France[F], Greece[GR], Italy[I], Japan[J], J[JJ], Holland[NL], Portugal[P], Finland[SF], Singapore[SGP], Great Britain[UK] Technical Specifications: Version 11 Kw[11Kw], Euro0 approval (frame ZD4MP)[E0], EURO1 approval (frame ZD4SF0/ZD4SFA)[E1], EURO2 Type-approval (frame ZD4SFF)[E2]
10	AP8106801	Gasket envelope	1	Country: Switzerland[CH], B-D-SF-F-I-CH-DK-GR-E-NL-P[EU] Technical Specifications: Euro0 approval (frame ZD4MP)[E0], Full Power Version[f.p.]

Group	ENGINE
Code	29.24
Description	Carburettor III
Service	1



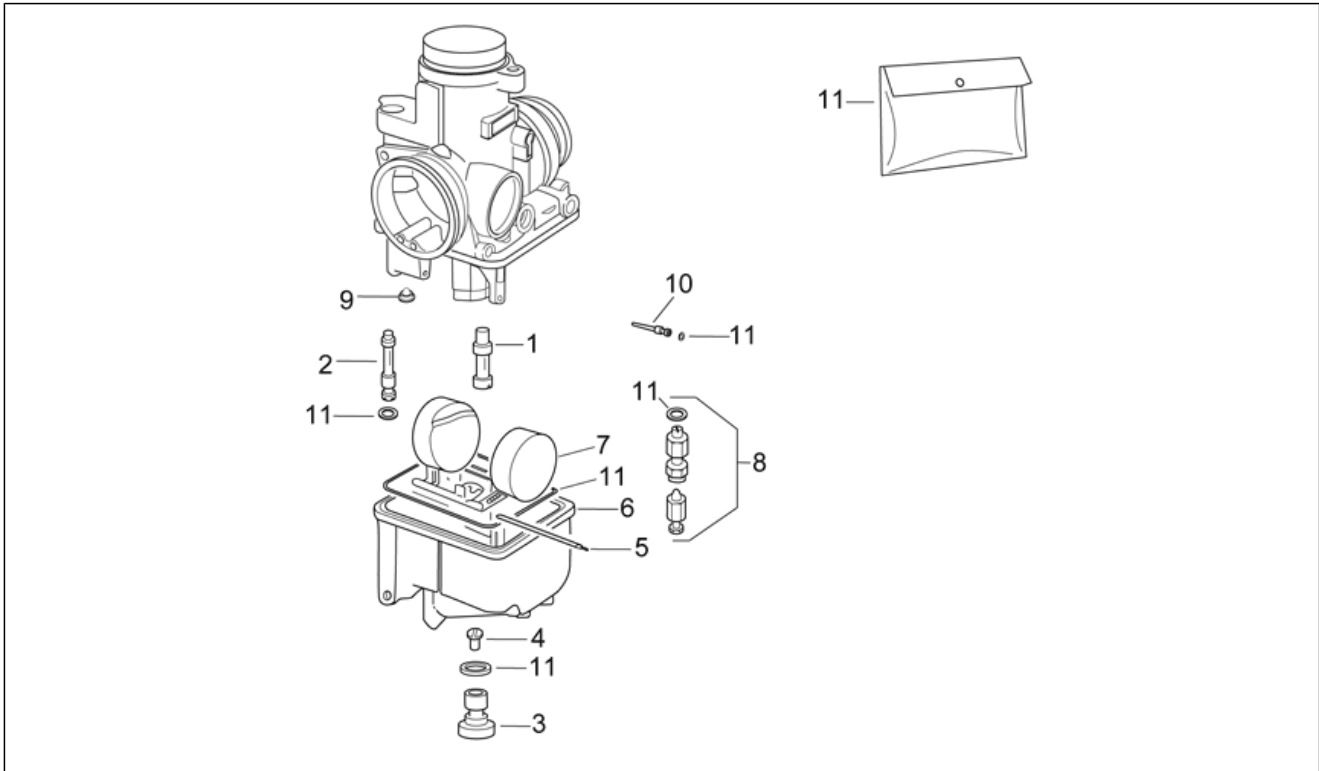
Pos.	Code	Description	Qty	Variants
1	AP8106696	Needle valve BN 264	1	Technical Specifications: Version 11 Kw[11Kw], Euro0 approval (frame ZD4MP)[E0], EURO1 approval (frame ZD4SF0/ZD4SFA)[E1]
1	AP8106696	Needle valve BN 264	1	Country: Germany[D] Technical Specifications:
1	AP8106724	Needle valve BN 266	1	Technical Specifications: EURO1 approval (frame ZD4SF0/ZD4SFA)[E1], Full Power Version[f.p.]
1	AP8106724	Needle valve BN 266	1	Country: AUS[AA], Australia[AUS], Belgium[B], Germany[D], Denmark[DK], Spain[E], B-D-SF-F-I-CH-DK-GR-E-NL-P[EU], Greece[GR], Japan[J], J[J], Holland[NL], Portugal[P], Singapore[SGP], Great Britain[UK] Technical Specifications: Euro0 approval (frame ZD4MP)[E0], Full Power Version[f.p.]
1	AP8106724	Needle valve BN 266	1	Technical Specifications: Version 11 Kw[11Kw], EURO2 Type-approval (frame ZD4SFF)[E2], Full Power Version[f.p.]
1	AP8106798	Needle valve T 262	1	Country: Switzerland[CH] Technical Specifications: Euro0 approval (frame ZD4MP)[E0], Full Power Version[f.p.]
2	AP8106780	Starter jet 70	1	
3	AP8106793	Float chamber fix.plug	1	
4	AP8106092	Main jet 120	1	Country: Australia[AUS], Belgium[B], Germany[D], Denmark[DK], Spain[E], Greece[GR], Japan[J], Holland[NL], Portugal[P], Singapore[SGP], Great Britain[UK] Technical Specifications: Euro0 approval (frame ZD4MP)[E0], Full Power Version[f.p.]
4	AP8106695	Main jet 110	1	Country: Belgium[B], Germany[D], Spain[E], France[F], Italy[I], Finland[SF] Technical Specifications: Version 11 Kw[11Kw], Euro0 approval (frame ZD4MP)[E0]
4	AP8106728	Main jet 115	1	Country: Switzerland[CH] Technical Specifications: Euro0 approval (frame ZD4MP)[E0], Full Power Version[f.p.]
4	AP8106728	Main jet 115	1	Country: Austria[A]

Group	ENGINE
Code	29.24
Description	Carburettor III
Service	1



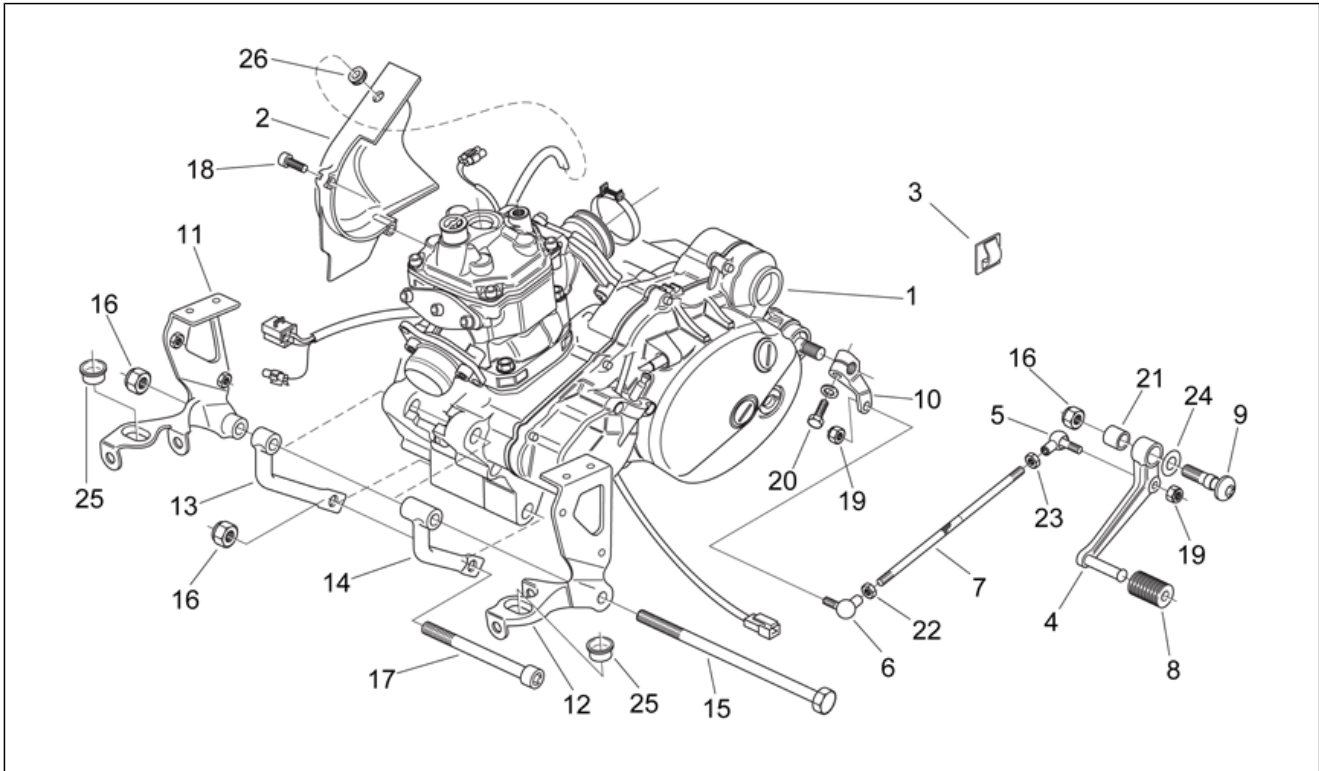
Pos.	Code	Description	Qty	Variants
				Technical Specifications: Version 11 Kw[11Kw], Euro0 approval (frame ZD4MP)[E0]
4	AP8106728	Main jet 115	1	Technical Specifications: Version 11 Kw[11Kw], EURO1 approval (frame ZD4SF0/ZD4SFA)[E1], EURO2 Type-approval (frame ZD4SFF)[E2]
4	AP8106728	Main jet 115	1	Country: Germany[D] Technical Specifications:
4	AP8176042	Main jet 132	1	Technical Specifications: EURO1 approval (frame ZD4SF0/ZD4SFA)[E1], Full Power Version[f.p.]
4	AP8176132	Main jet 128	1	Technical Specifications: EURO2 Type-approval (frame ZD4SFF)[E2], Full Power Version[f.p.]
5	AP8106792	Float pin	1	
6	AP8106791	Float chamber	1	
7	AP8106782	Float	1	
8	AP8106781	Needle valve 250	1	
9	AP8106802	Power jet 90	1	Country: Switzerland[CH] Technical Specifications: Euro0 approval (frame ZD4MP)[E0], Full Power Version[f.p.]
10	AP8106803	Air adjuster screw	1	Country: Switzerland[CH] Technical Specifications: Euro0 approval (frame ZD4MP)[E0], Full Power Version[f.p.]
11	AP8106796	Gasket envelope	1	Country: Austria[A], AUS[AA], Australia[AUS], Belgium[B], Germany[D], Denmark[DK], Spain[E], B-D-SF-F-I-CH-DK-GR-E-NL-P[EU], France[F], Greece[GR], Italy[I], Japan[J], J[J], Holland[NL], Portugal[P], Finland[SF], Singapore[SGP], Great Britain[UK] Technical Specifications: Version 11 Kw[11Kw], Euro0 approval (frame ZD4MP)[E0], EURO1 approval (frame ZD4SF0/ZD4SFA)[E1], EURO2 Type-approval (frame ZD4SFF)[E2]
11	AP8106796	Gasket envelope	1	Technical Specifications: EURO1 approval (frame ZD4SF0/ZD4SFA)[E1], EURO2 Type-approval (frame ZD4SFF)[E2], Full Power Version[f.p.]

Group	ENGINE
Code	29.24
Description	Carburettor III
Service	1



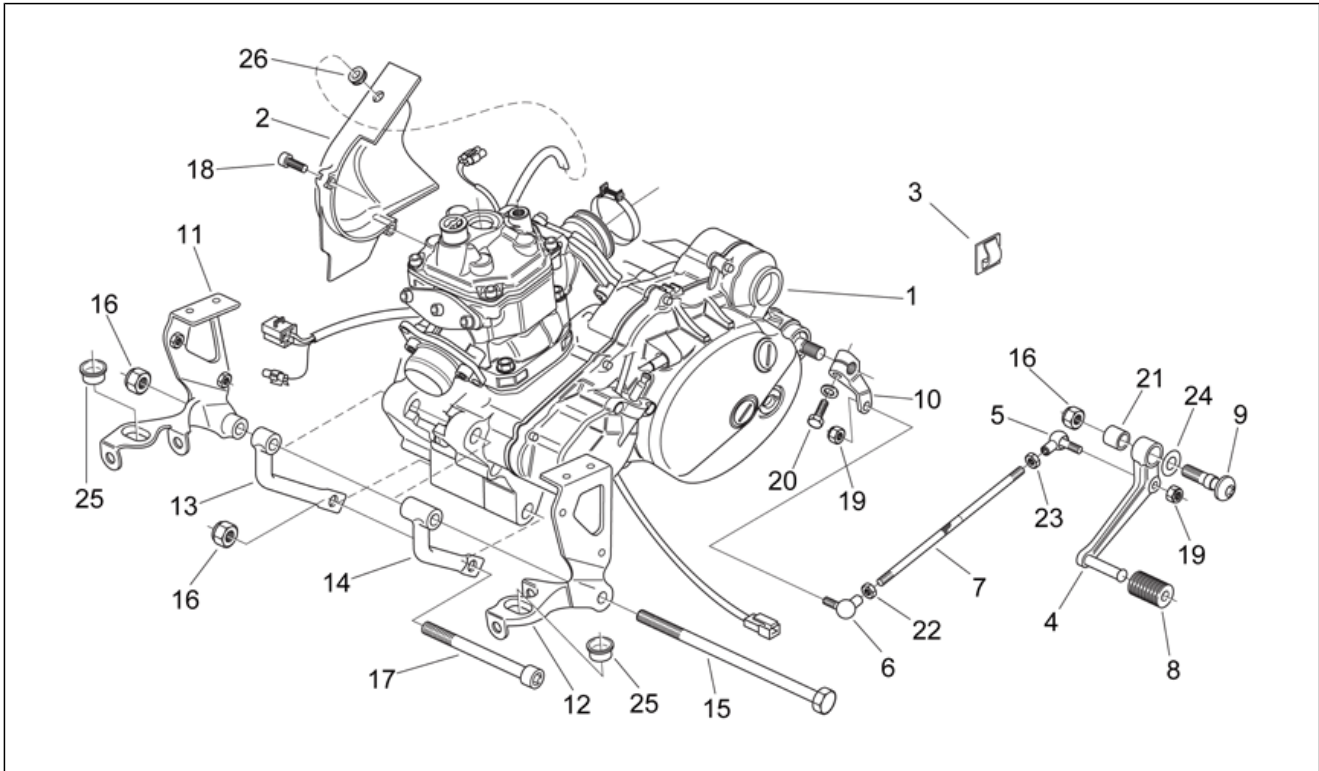
Pos.	Code	Description	Qty	Variants
11	AP8106801	Gasket envelope	1	Country:Switzerland[CH], B-D-SF-F-I-CH-DK-GR-E-NL-P[EU] Technical Specifications:Euro0 approval (frame ZD4MP) [E0], Full Power Version[f.p.]

Group	ENGINE
Code	29.25
Description	Engine
Service	1



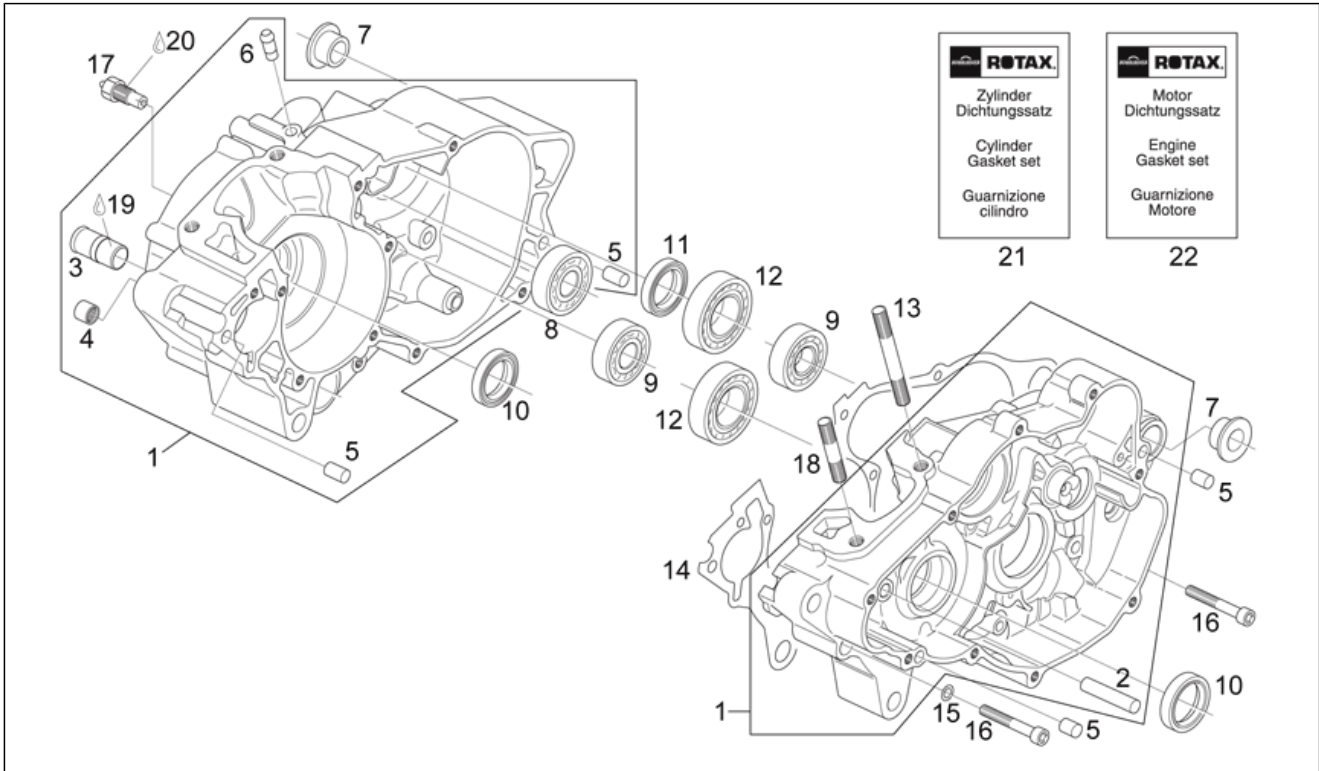
Pos.	Code	Description	Qty	Variants
1	AP8106398	Engine 122 11KW 96	1	Technical Specifications: Version 11 Kw[11Kw], Euro0 approval (frame ZD4MP)[E0]
1	AP8106436	Engine 122 11kw 80km/h -D-	1	Country: Germany[D] Technical Specifications: 80Km/h speed[80km]
1	AP8106548	Engine 122 STRADA -D-	1	Country: Australia[AUS], Belgium[B], Germany[D], Denmark[DK], Spain[E], Greece[GR], Japan[J], Holland[NL], Portugal[P], Great Britain[UK] Technical Specifications: Euro0 approval (frame ZD4MP) [E0], Full Power Version[f.p.]
1	AP8106549	Engine 122 STRADA -CH-	1	Country: Switzerland[CH] Technical Specifications: Euro0 approval (frame ZD4MP) [E0], Full Power Version[f.p.]
1	AP8106558	Engine 122 STRADA -SGP-	1	Country: Singapore[SGP] Technical Specifications: Euro0 approval (frame ZD4MP) [E0], Full Power Version[f.p.]
1	AP8106950	Engine 122	1	Technical Specifications: EURO1 approval (frame ZD4SF0/ ZD4SFA)[E1], EURO2 Type-approval (frame ZD4SFF)[E2], Full Power Version[f.p.]
1	AP8176045	Engine 122 11KW	1	Technical Specifications: Version 11 Kw[11Kw], EURO1 approval (frame ZD4SF0/ZD4SFA)[E1], EURO2 Type-approval (frame ZD4SFG)[E2B]
2	AP8106315	Sprocket cover, grey	1	
3	AP8120708	Cable-guide	2	Country: Switzerland[CH], B-D-SF-F-I-CH-DK-GR-E-NL-P[EU], Singapore[SGP]
4	AP8106013	Gear lever	1	
5	AP8210007	RH ball joint M6	1	
6	AP8110053	Left ball joint M6	1	
7	AP8121163	Gearbox linkage rod	1	
8	AP8220205	Rubber spacer	1	
9	AP8121284	Brake lever pin	1	
10	AP8135726	Gearbox connecting rod	1	
11	AP8135719	Front RH eng. plate	1	

Group	ENGINE
Code	29.25
Description	Engine
Service	1



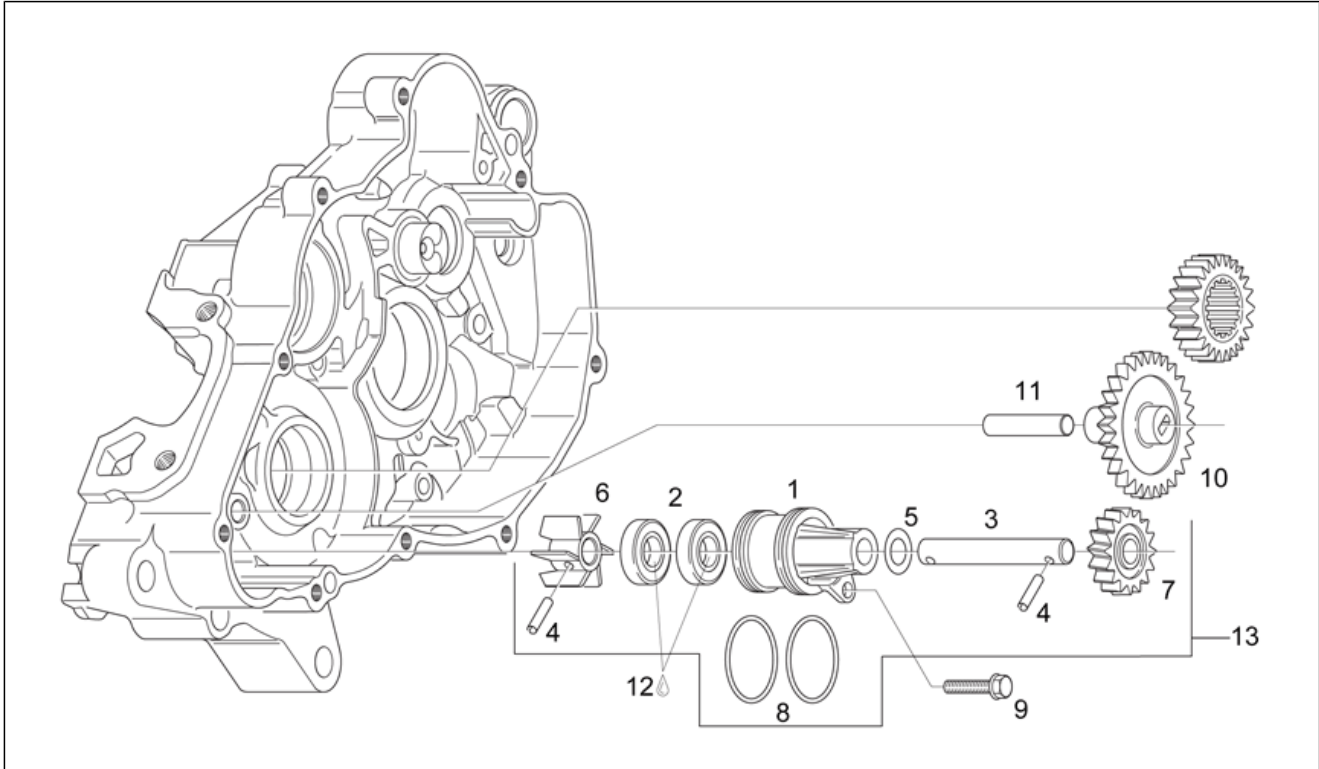
Pos.	Code	Description	Qty	Variants
12	AP8135720	Front LH eng. plate	1	
13	AP8135786	RH engine support	1	
14	AP8135787	LH engine support	1	
15	AP8150412	Screw	1	
16	AP8150436	Low self-locking nut	3	
17	AP8150310	Hex socket screw M10x120	1	
18	AP8150044	Hex socket screw M6x20	2	
19	AP8150430	Low self-locking nut	2	
20	AP8152279	Screw w/ flange M6x20	1	
21	AP8121147	Spacer *	1	
22	AP8152138	Nut	1	
23	AP8150026	Nut M6	1	
24	AP8121697	Belleville spring	1	
25	AP8120275	Silent-block *	2	
26	AP8120405	Rubber spacer	1	

Group	ENGINE
Code	29.37
Description	Crankcase
Service	1



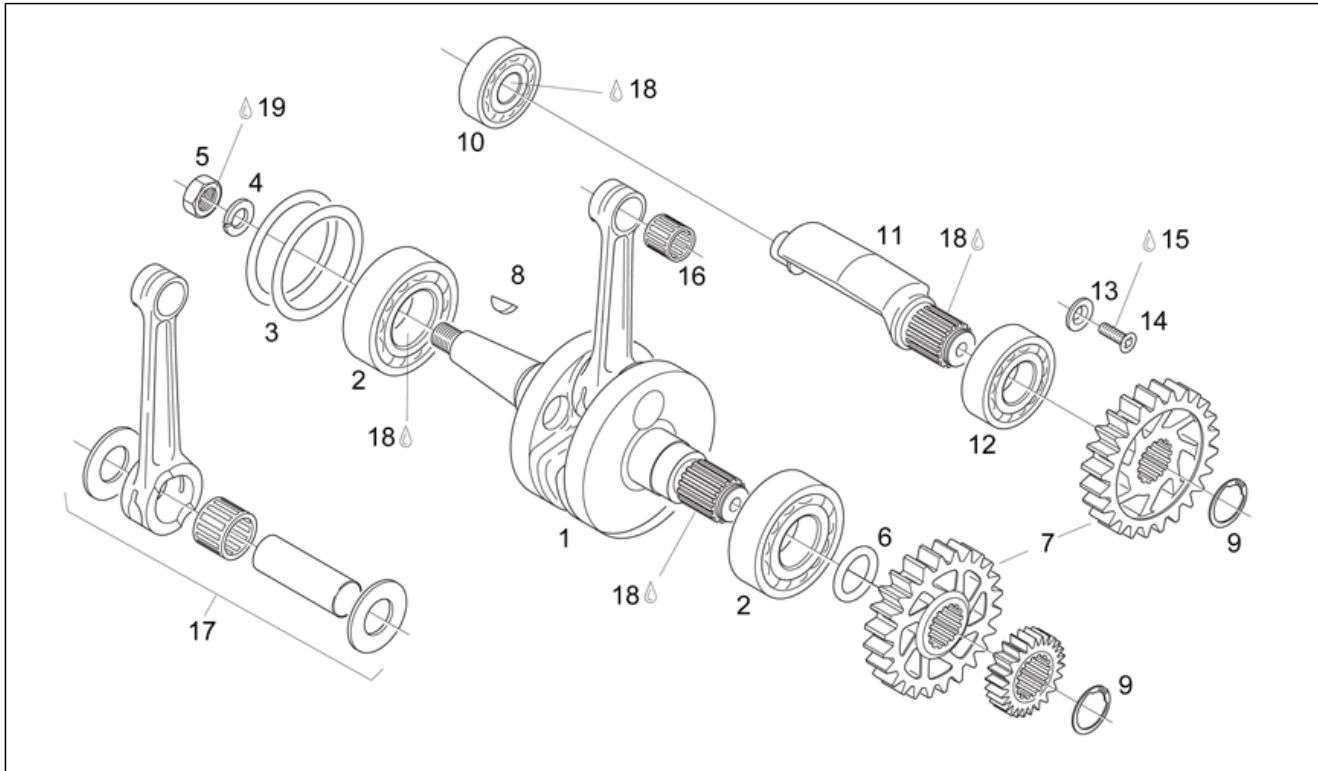
Pos.	Code	Description	Qty	Variants
1	AP0295388	Crankcase assy	1	
2	AP0229380	Pin 6x40	1	
3	AP0224260	pipe	1	
4	AP0232275	Roller cage 8x12x8	1	
5	AP0632010	Pin M8x12	4	
6	AP0924150	Brass union	1	
7	AP0247555	Bush	2	
8	AP0232291	Bearing 6302	1	
9	AP0932032	Bearing 6203	2	
10	AP0230425	Oil seal 28x38x7	2	
11	AP0930675	Oil seal 25x38x7	1	
12	AP0232765	Bearing 6205	2	
13	AP0940786	Stud bolt M8x57/20	2	
14	AP0650130	Gasket 6x10	1	
15	AP0230415	Gasket ring 6x10	1	
16	AP0241821	Hex socket screw M6x45	10	
17	AP0640190	Sensor	1	
18	AP0241381	Stud bolt M8x28x20	2	
19	AP0899788	Loctite (green) 648 5gr.	1	
20	AP0297386	Silastic 732 Rtv 100 gr.	1	
21	AP0293318	Cylinder set gasket	1	
22	AP0293314	Engine set gasket	1	

Group	ENGINE
Code	29.38
Description	Water pump assy
Service	1



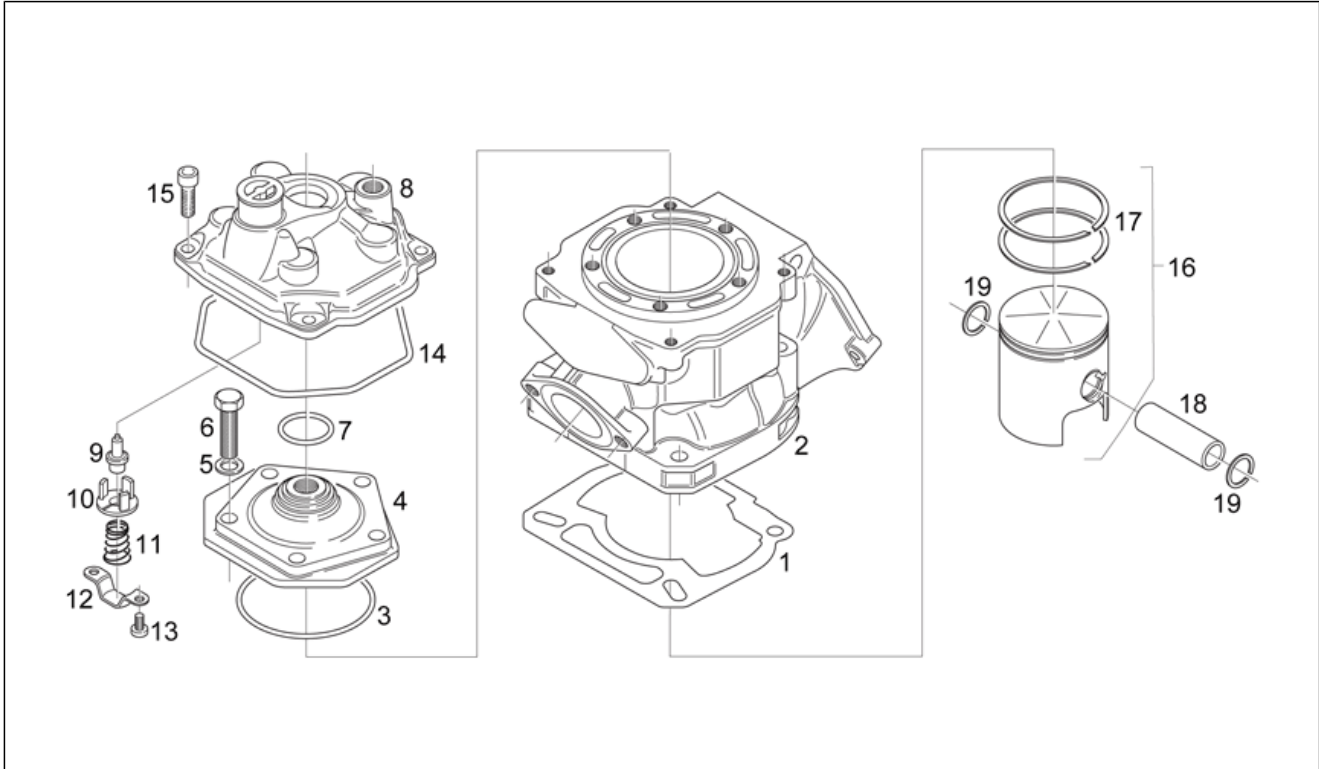
Pos.	Code	Description	Qty	Variants
1	AP0222182	Water pump casing	1	
2	AP0230195	Oil seal 10x26x7	2	
3	AP0237912	Water pump shaft assy.	1	
4	AP0229280	Pin 4x16	2	
5	AP0827590	Thrust washer 10,1/17/1	1	
6	AP0222195	Impeller	1	
7	AP0234415	Water pump pinion Z=16	1	
8	AP0430060	O-ring 26,7x1,8	2	
9	AP0241270	Screw w/ flange	1	
10	AP0634035	Idle gear Z=28/13	1	
11	AP0229380	Pin 6x40	1	
12	AP0897161	Molykote 111 100gr.	1	
13	AP0293417	Water pump assy	1	

Group	ENGINE
Code	29.39
Description	Crankshaft - Balance shaft
Service	1



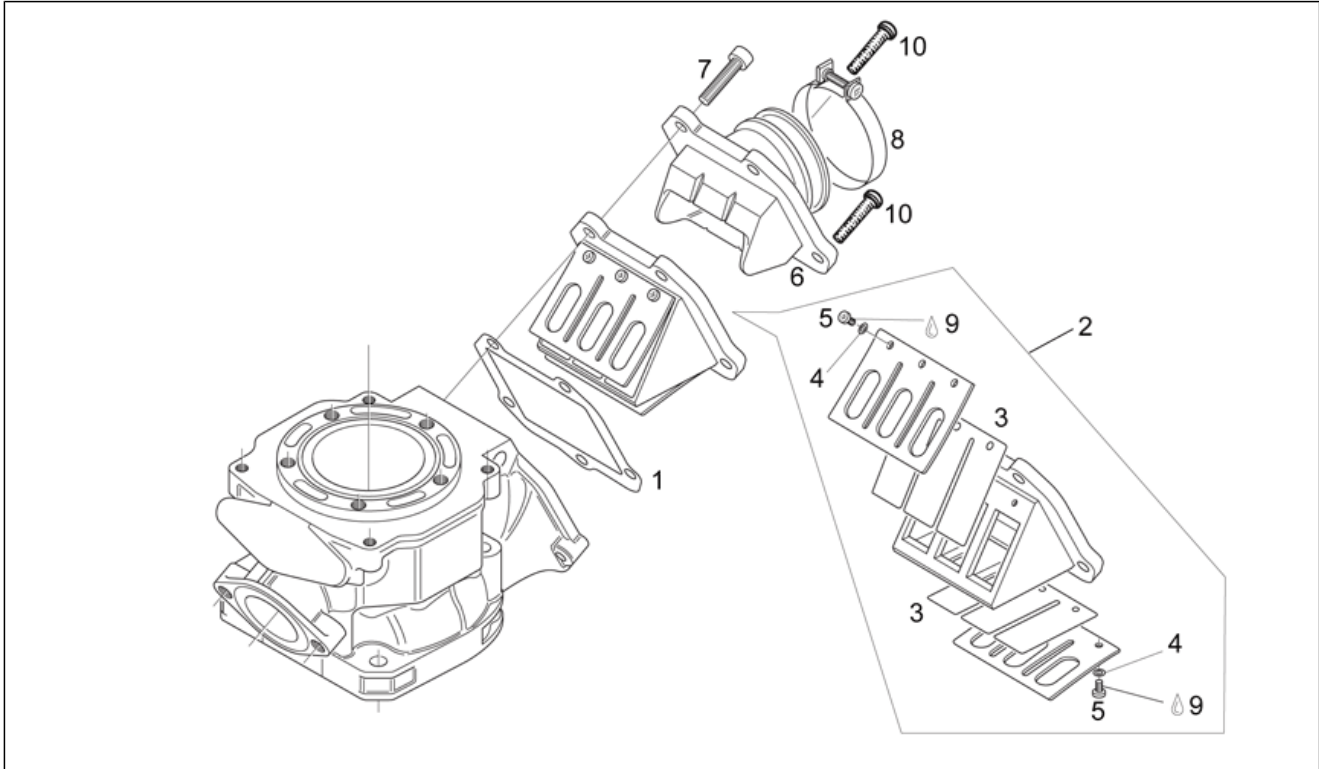
Pos.	Code	Description	Qty	Variants
1	AP0295373	Crankshaft cpl. 54,5 mm	1	
2	AP0932588	Bearing 6206	2	
3	AP0427590	Spacer D50x62x0,1	1	
3	AP0427591	Spacer D50x62x0,3	1	
4	AP0945754	Break washer A12	1	
5	AP0242515	Nut M12x1	1	
6	AP0430460	O-ring 18x3,5	1	
7	AP0234431	Balance shaft gear Z=27	2	
8	AP0246570	Transmission key 4x5	2	
9	AP0245650	Circlip AV 20	2	
10	AP0232291	Bearing 6302	1	
11	AP0237945	Balance shaft	1	
12	AP0232340	Ball bearing 6005	1	
13	AP0227280	Thrust washer	1	
14	AP0940315	screw	1	
15	AP0899785	Loctite (violet) 221 10cc.	1	
16	AP0932028	Roller cage 15x19x20	1	
17	AP0295374	Connecting rod cpl.	1	
18	AP0297431	Loctite Anti Seize 10 GR.	1	
19	AP0899788	Loctite (green) 648 5gr.	1	

Group	ENGINE
Code	29.40
Description	Cylinder - Head - Piston
Service	1



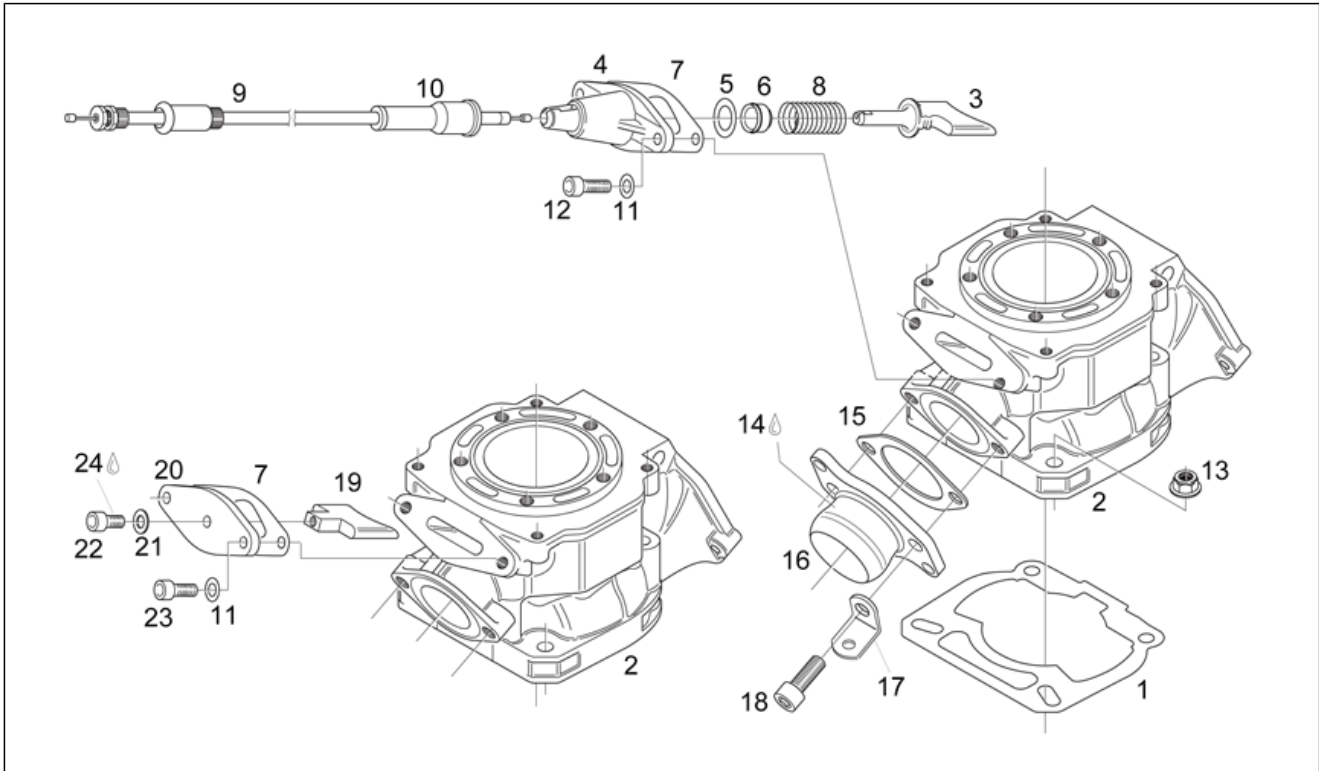
Pos.	Code	Description	Qty	Variants
1	AP0650095	Gasket 0,3	1	
1	AP0650096	Gasket 0,5	1	
1	AP0650097	Gasket 0,8	1	
2	AP0223618	Cylinder 9 holes	1	Country: Austria[A], AUS[AA], Australia[AUS], Belgium[B], Germany[D], Denmark[DK], Spain[E], B-D-SF-F-I-CH-DK-GR-E-NL-P[EU], France[F], Greece[GR], Italy[I], Japan[J], J[JJ], Holland[NL], Portugal[P], Finland[SF], Singapore[SGP], Great Britain[UK]
2	AP0223990	Cylinder 7 holes	1	Country: Switzerland[CH], B-D-SF-F-I-CH-DK-GR-E-NL-P[EU]
3	AP0250160	O-ring 64x2	1	
4	AP0223384	Cylinder head	1	
5	AP0945752	Break washer A8	5	
6	AP0940487	Round screw M8x30	5	
7	AP0430782	O-ring 23,3x2,4	1	
8	AP0613100	Cylinder head cover	1	
9	AP0222122	Thermostat 70°	1	
10	AP0222175	Thermostat holder	1	
11	AP0239950	Spring	1	
12	AP0222202	Thermostat bow	1	
13	AP0240195	Special cap screw M4x8	2	
14	AP0250280	O-ring 105x2,5	1	
15	AP0241930	Hex socket screw M6x20	4	
16	AP0294747	Piston assy 53,98 mm	1	
16	AP0294748	Piston assy 53,99 mm	1	
16	AP0294755	Piston assy 54,00 mm	1	
17	AP0215670	Ring d54	2	
18	AP0216139	Piston pin	1	
19	AP0945635	Stop ring D15	2	

Group	ENGINE
Code	29.41
Description	Carburettor flange
Service	1



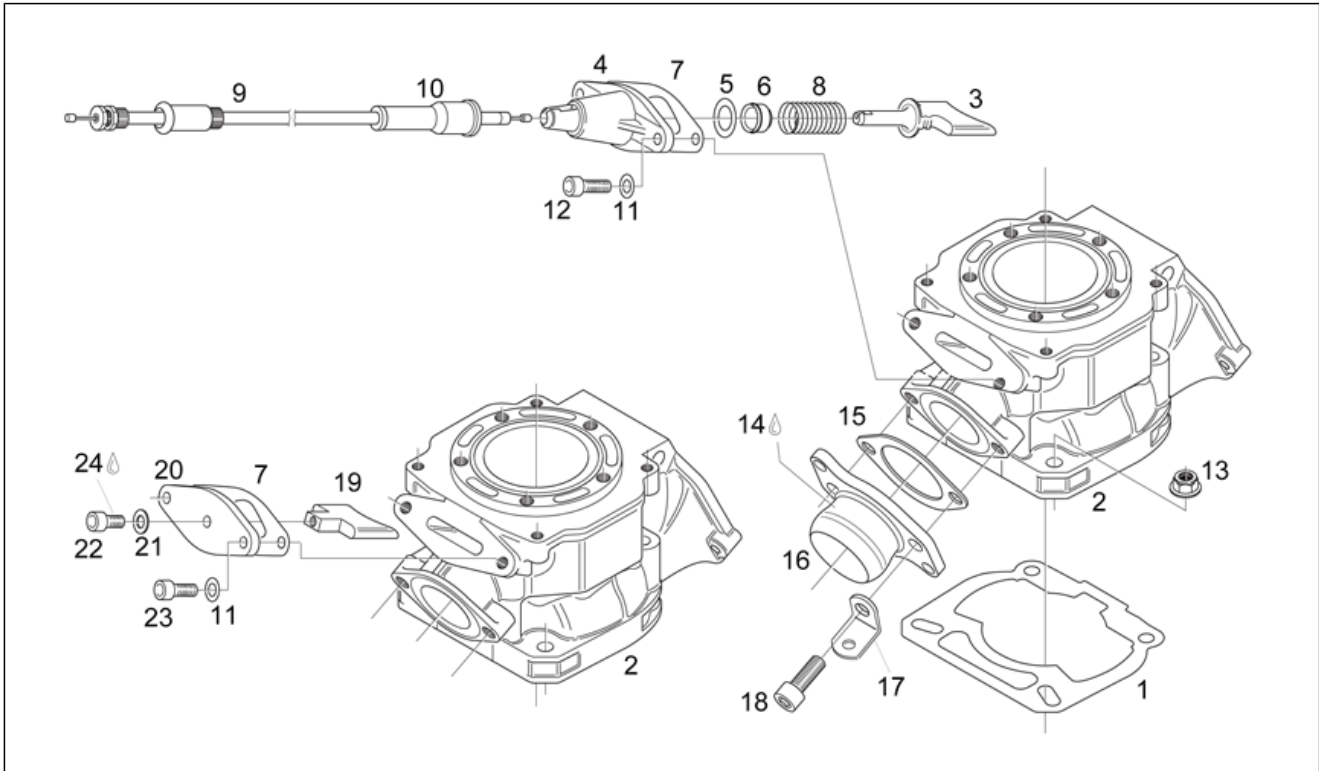
Pos.	Code	Description	Qty	Variants
1	AP0250521	Gasket	1	
2	AP0224387	Reed valve assy	1	
3	AP0224430	Reed valve assy	2	
4	AP0945758	Break washer A4	6	
5	AP0940235	Round screw M4x8	6	
6	AP0267917	Carburettor flange 28 MM	1	Technical Specifications: Euro0 approval (frame ZD4MP)[E0]
6	AP0267918	Carburettor flange 28 MM	1	Technical Specifications: EURO1 approval (frame ZD4SF0/ ZD4SFA)[E1], EURO2 Type-approval (frame ZD4SFF)[E2]
7	AP0840861	Hex socket screw M6x25	5	
8	AP0251850	Hose clamp 51	1	
9	AP0899788	Loctite (green) 648 5gr.	1	
10	AP0440113	screw M6x25	2	Technical Specifications: Version 11 Kw[11Kw], EURO1 approval (frame ZD4SF0/ZD4SFA)[E1], EURO2 Type- approval (frame ZD4SFF)[E2]

Group	ENGINE
Code	29.42
Description	Cylinder - Exhaust valve
Service	1



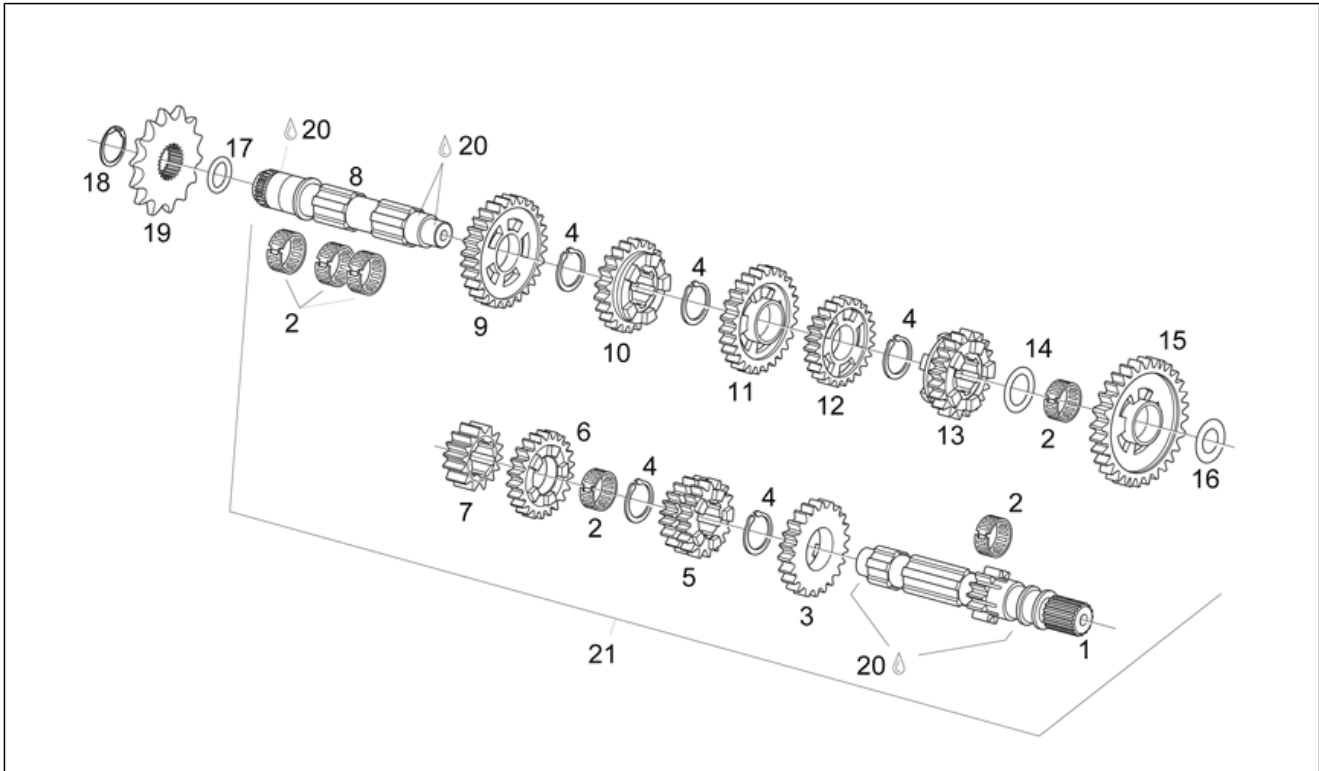
Pos.	Code	Description	Qty	Variants
1	AP0650095	Gasket 0,3	1	
1	AP0650096	Gasket 0,5	1	
1	AP0650097	Gasket 0,8	1	
2	AP0223618	Cylinder 9 holes	1	Country: Austria[A], AUS[AA], Australia[AUS], Belgium[B], Germany[D], Denmark[DK], Spain[E], B-D-SF-F-I-CH-DK-GR-E-NL-P[EU], France[F], Greece[GR], Italy[I], Japan[J], J[JJ], Holland[NL], Portugal[P], Finland[SF], Singapore[SGP], Great Britain[UK]
2	AP0223990	Cylinder 7 holes	1	Country: Switzerland[CH], B-D-SF-F-I-CH-DK-GR-E-NL-P[EU]
3	AP0253722	Exhaust valve	1	Technical Specifications: Full Power Version[f.p.]
4	AP0253465	Valve body	1	Technical Specifications: Full Power Version[f.p.]
5	AP0230880	O-ring 13,3x2,4	1	Technical Specifications: Full Power Version[f.p.]
6	AP0230810	Valve stem seal	1	Technical Specifications: Full Power Version[f.p.]
7	AP0250975	Gasket 0,8	1	
8	AP0239052	Spring	1	Technical Specifications: Full Power Version[f.p.]
9	AP0297745	Elect.rave valve cable	1	Technical Specifications: Full Power Version[f.p.]
10	AP0860460	Rubber cap	1	Technical Specifications: Full Power Version[f.p.]
11	AP0845020	Spring washer B6	2	
12	AP0241930	Hex socket screw M6x20	2	Technical Specifications: Full Power Version[f.p.]
13	AP0242586	Flanged nut	4	
14	AP0297431	Loctite Anti Seize 10 GR.	1	
15	AP0250271	Gasket	1	
16	AP0273970	Exhaust flange cpl.	1	
17	AP0224067	Butt strap	2	
18	AP0240081	Hex socket screw M8x25	2	
19	AP0253373	Exhaust valve	1	Technical Specifications: Version 11 Kw[11Kw], 80Km/h speed[80km]
20	AP0253500	Fixing plate	1	Technical Specifications: Version 11 Kw[11Kw], 80Km/h speed[80km]

Group	ENGINE
Code	29.42
Description	Cylinder - Exhaust valve
Service	1



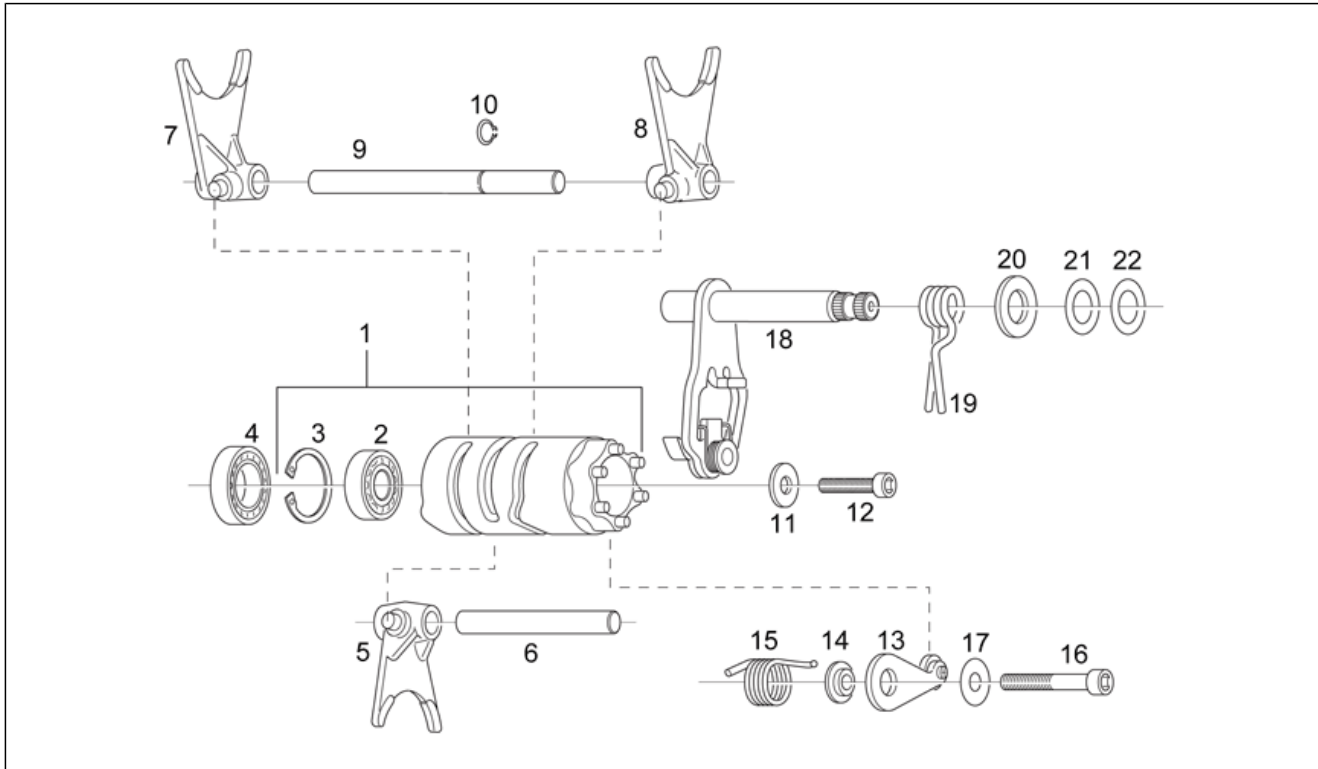
Pos.	Code	Description	Qty	Variants
21	AP0827961	Washer 6,4	1	Technical Specifications: Version 11 Kw[11Kw], 80Km/h speed[80km]
22	AP0840861	Hex socket screw M6x25	1	Technical Specifications: Version 11 Kw[11Kw], 80Km/h speed[80km]
23	AP0241236	Hex socket screw M6x16	2	Technical Specifications: Version 11 Kw[11Kw], 80Km/h speed[80km]
24	AP0899788	Loctite (green) 648 5gr.	2	Technical Specifications: Version 11 Kw[11Kw], 80Km/h speed[80km]

Group	ENGINE
Code	29.43
Description	Transmission
Service	1



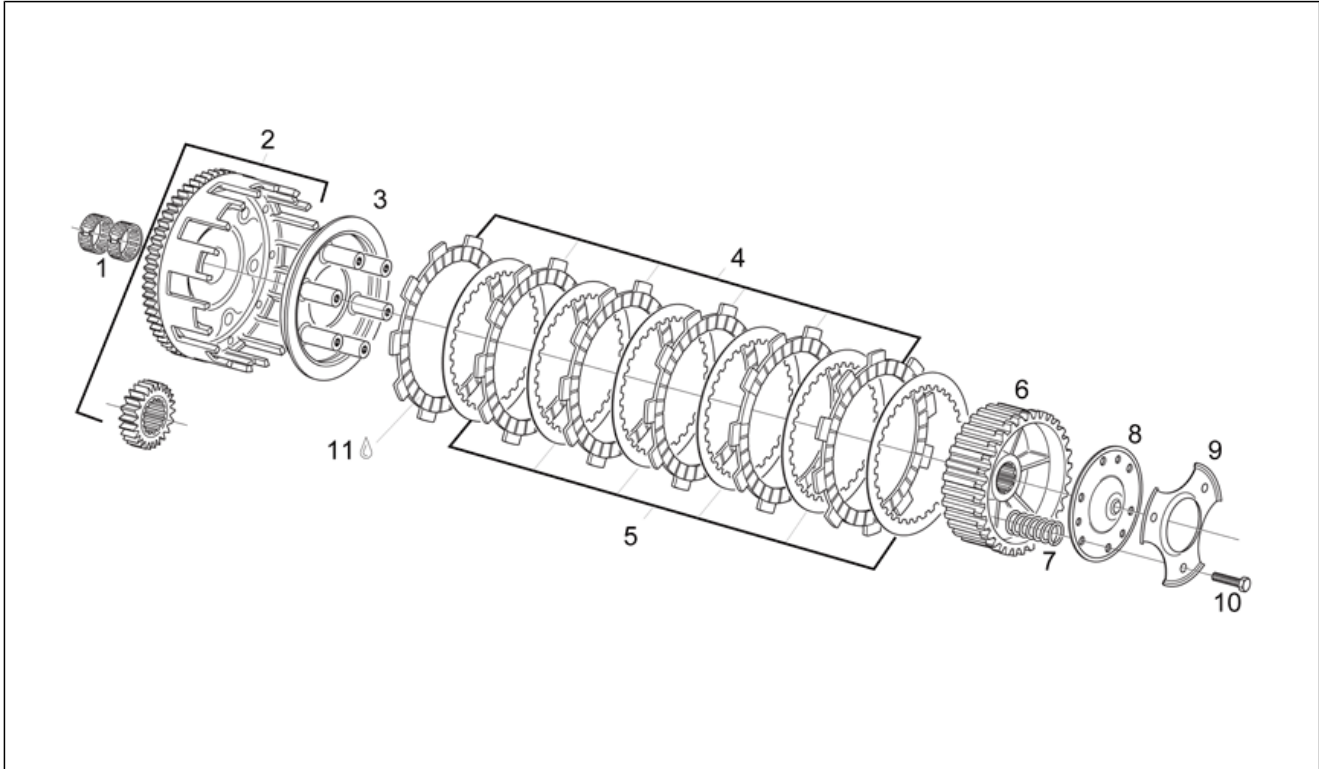
Pos.	Code	Description	Qty	Variants
1	AP0220300	Primary gear shaft Z=10	1	
2	AP0232742	Roller cage 21x25x10	6	
3	AP0634125	Gear Z=22	1	
4	AP0245730	Circlip 25x2	5	
5	AP0634095	Gear Z=17/19	1	
6	AP0634105	Gear Z=21	1	
7	AP0634085	2nd pinion gear Z=14	1	
8	AP0220280	Driven shaft	1	
9	AP0234968	Gear Z=29	1	
10	AP0634115	Gear Z=24	1	
11	AP0234984	Gear Z=27	1	
12	AP0234858	Gear Z=25	1	
13	AP0634135	Gear Z=23	1	
14	AP0244100	Thrust washer 21,2/30/1	1	
15	AP0634065	Gear Z=30	1	
16	AP0227430	Thrust washer 17,2/30/1	1	
17	AP0430460	O-ring 18x3,5	1	
18	AP0245650	Circlip AV 20	1	
19	AP0236061	Pinion Z=14	1	
19	AP0236062	Pinion	1	
19	AP0236063	Pinion Z=16	1	
19	AP0236064	Pinion Z=17	1	
20	AP0297431	Loctite Anti Seize 10 GR.	1	
21	AP0281210	Gear box assy 6 v.ta'	1	

Group	ENGINE
Code	29.44
Description	Grip shift
Service	1



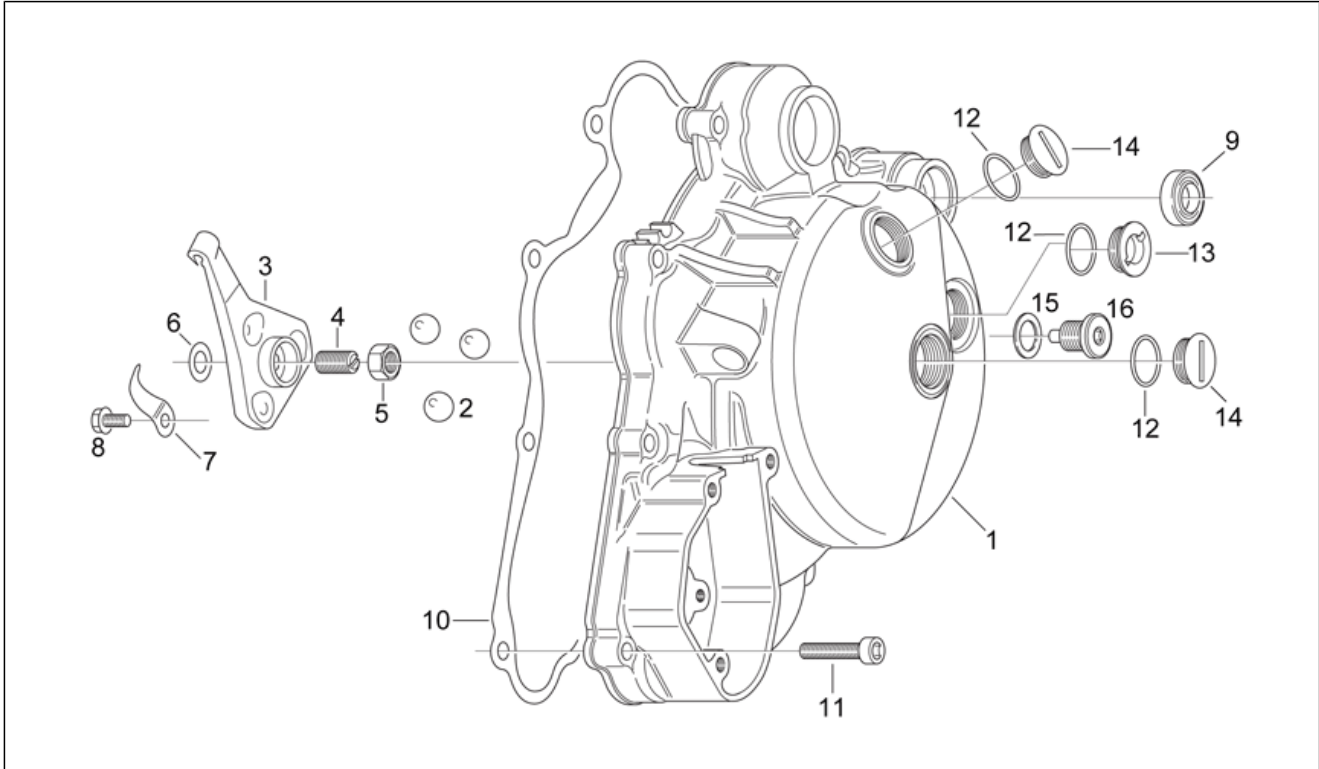
Pos.	Code	Description	Qty	Variants
1	AP0258305	Shift cam	1	
2	AP0232402	Bearing 6001	1	
3	AP0245790	Circlip	1	
4	AP0632060	Ball bearing 61804	1	
5	AP0258135	Fork 5-6 V.ta'	1	
6	AP0229390	Pin M6x70	1	
7	AP0258123	Fork 2-3 speed	1	
8	AP0258113	Fork 1-4 v.ta'	1	
9	AP0258200	Fork shaft	1	
10	AP0245570	Circlip 8x0,8	1	
11	AP0827305	Washer 6,2x18x2	1	
12	AP0840880	Hex socket screw M6x30	1	
13	AP0248325	Index assy. lever	1	
14	AP0227710	Bush	1	
15	AP0239241	Index spring	1	
16	AP0241821	Hex socket screw M6x45	1	
17	AP0827307	Washer 6,2x18x0,5	1	
18	AP0220295	Gearshift shaft+pawl assy	1	
19	AP0239252	Spring	1	
20	AP0427690	Washer 13	1	
21	AP0827261	Thrust washer 12,5/21,5	1	
22	AP0227450	Thrust washer 12,5/21,5/0,5	1	

Group	ENGINE
Code	29.45
Description	Clutch
Service	1



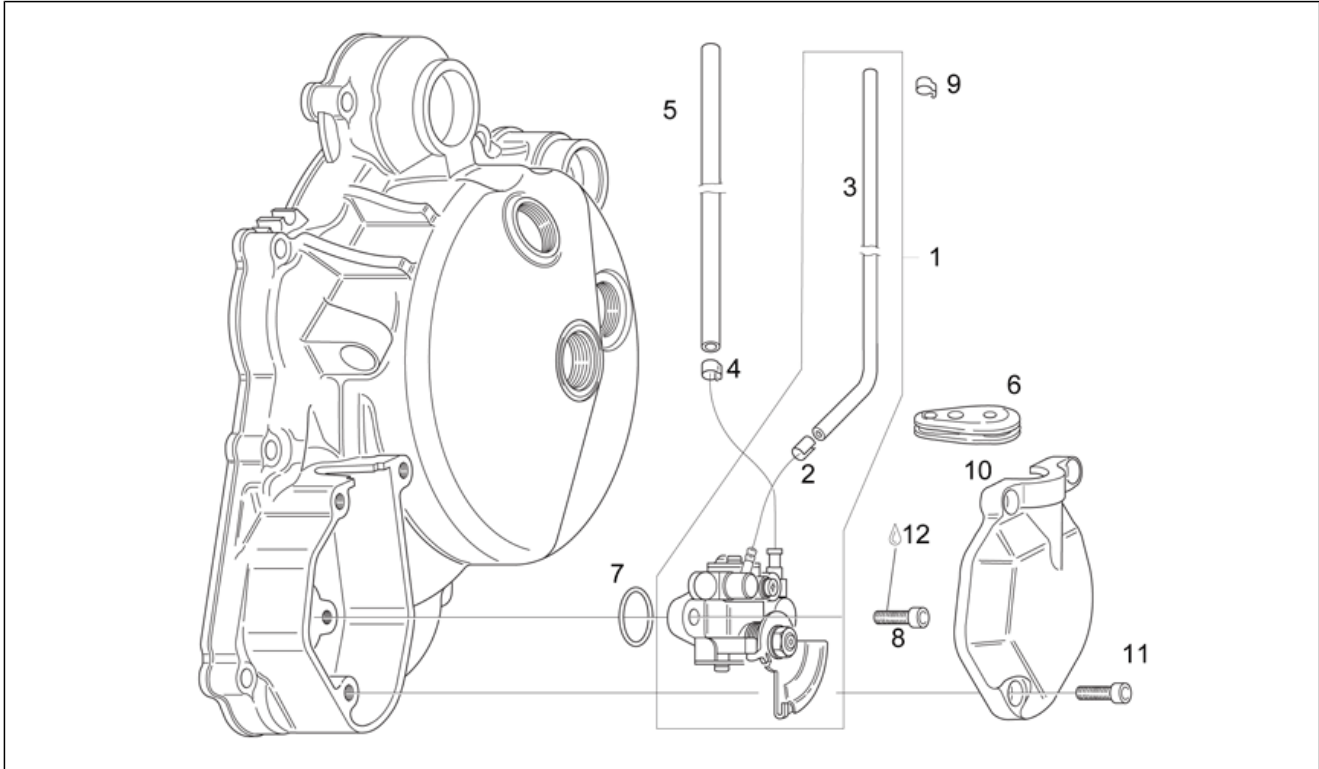
Pos.	Code	Description	Qty	Variants
1	AP0232742	Roller cage 21x25x10	2	
2	AP0295406	Primary transm.	1	
3	AP0259570	Springholder plate	1	
4	AP0259053	Lined clutch disc 3,1 mm	6	
5	AP0259557	Clutch disc 1 MM	6	
6	AP0259470	Clutch hub	1	
7	AP0239625	Clutch spring 34,1 MM	6	
8	AP0259165	Pressure plate cpl.	1	
9	AP0259420	Springs plate guide	1	
10	AP0241770	Hex screw	6	
11	0000000	Tyre	1	

Group	ENGINE
Code	29.46
Description	Clutch cover
Service	1



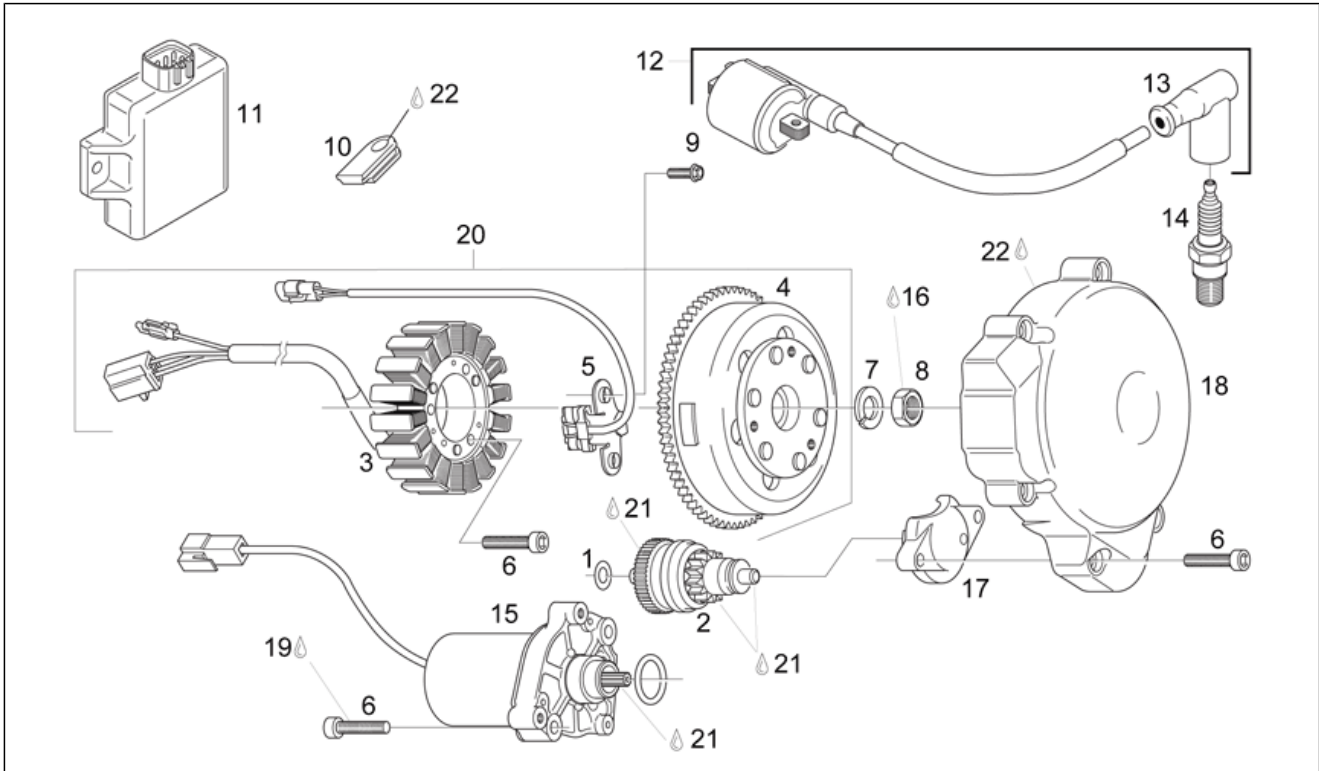
Pos.	Code	Description	Qty	Variants
1	AP0211403	Clutch cover	1	
2	AP0232150	Ball 12 MM	3	
3	AP0259325	Cam lever	1	
4	AP0241791	screw	1	
5	AP0942671	Nut M8	1	
6	AP0227945	Thrust washer 8,1/15	1	
7	AP0239907	Leaf spring	1	
8	AP0841685	Screw w/ flange	1	
9	AP0250455	Oil seal 12x22x7	1	
10	AP0250205	Gasket	1	
11	AP0840880	Hex socket screw M6x30	9	
12	AP0250890	O-ring 3771	3	
13	AP0240820	Oil level screw M18x1,5	1	
14	AP0241801	Plastic plug M18x1,5	2	
15	AP0250641	Gasket ring 12x18	1	
16	AP0241782	Magnetic drain plug M12x1,5	1	

Group	ENGINE
Code	29.47
Description	Oil pump
Service	1



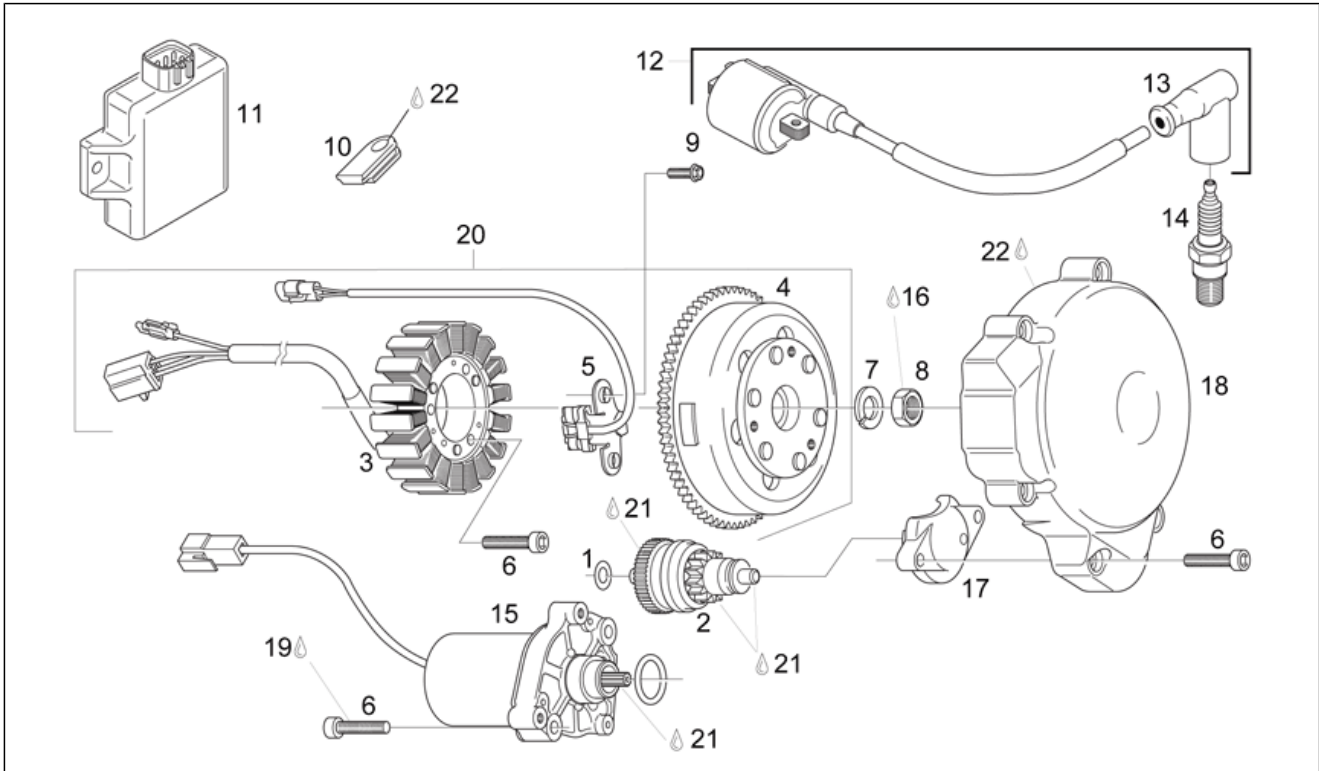
Pos.	Code	Description	Qty	Variants
1	AP0294735	Oil pump assy.	1	
2	AP0256400	Hose clamp	1	
3	AP0256410	pipe 350 MM	1	
4	AP0251080	Hose clamp 8	1	
5	AP0256037	pipe 850 MM	1	
6	AP0260030	Rubber, wire cover	1	
7	AP0250890	O-ring 3771	1	
8	AP0840510	Hex socket screw	2	
9	AP0853840	Hose clamp 35553	1	
10	AP0211440	Oil pump cover	1	
11	AP0840511	Hex socket screw	3	
12	AP0899785	Loctite (violet) 221 10cc.	1	

Group	ENGINE
Code	29.48
Description	Ignition unit
Service	1



Pos.	Code	Description	Qty	Variants
1	AP0227945	Thrust washer 8,1/15	1	
2	AP0294810	Gear cpl.	1	
3	AP0295670	Stator cpl.	1	
4	AP0295677	Cdi magneto assy	1	
5	AP0265157	Ext. pick-up	1	
6	AP0840880	Hex socket screw M6x30	11	
7	AP0945754	Break washer A12	1	
8	AP0242515	Nut M12x1	1	
9	AP0941925	Special TE screw	2	
10	AP0260840	Rubber, wire cover	1	
11	AP0265402	Digital ECU	1	Country: Austria[A], AUS[AA], Australia[AUS], Belgium[B], Switzerland[CH], Germany[D], Denmark[DK], Spain[E], B-D-SF-F-I-CH-DK-GR-E-NL-P[EU], France[F], Greece[GR], Italy[I], Japan[J], J[JJ], Holland[NL], Portugal[P], Finland[SF], Great Britain[UK] Technical Specifications: Version 11 Kw[11Kw], EURO1 approval (frame ZD4SF0/ZD4SFA)[E1], EURO2 Type-approval (frame ZD4SFF)[E2], Full Power Version[f.p.]
11	AP0265405	Analog control unit	1	Country: Singapore[SGP]
11	AP0265405	Analog control unit	1	Country: Germany[D] Technical Specifications: 80Km/h speed[80km]
12	AP0265415	HT coil	1	
13	AP0866708	Sparkplug cap, black	1	
14	AP0297830	Spark plug BR10EG	1	Technical Specifications: Full Power Version[f.p.]
14	AP0897055	Spark plug 14 NGK BR8	1	Technical Specifications: Version 11 Kw[11Kw], 80Km/h speed[80km]
15	AP0294800	Starter motor	1	
16	AP0899788	Loctite (green) 648 5gr.	1	
17	AP0210345	Starter motor cover	1	
18	AP0211455	Flywheel cover	1	

Group	ENGINE
Code	29.48
Description	Ignition unit
Service	1



Pos.	Code	Description	Qty	Variants
19	AP0899785	Loctite (violet) 221 10cc.	1	
20	AP0295365	Ignition unit cpl.	1	
21	AP0897161	Molykote 111 100gr.	1	
22	AP0297386	Silastic 732 Rtv 100 gr.	1	