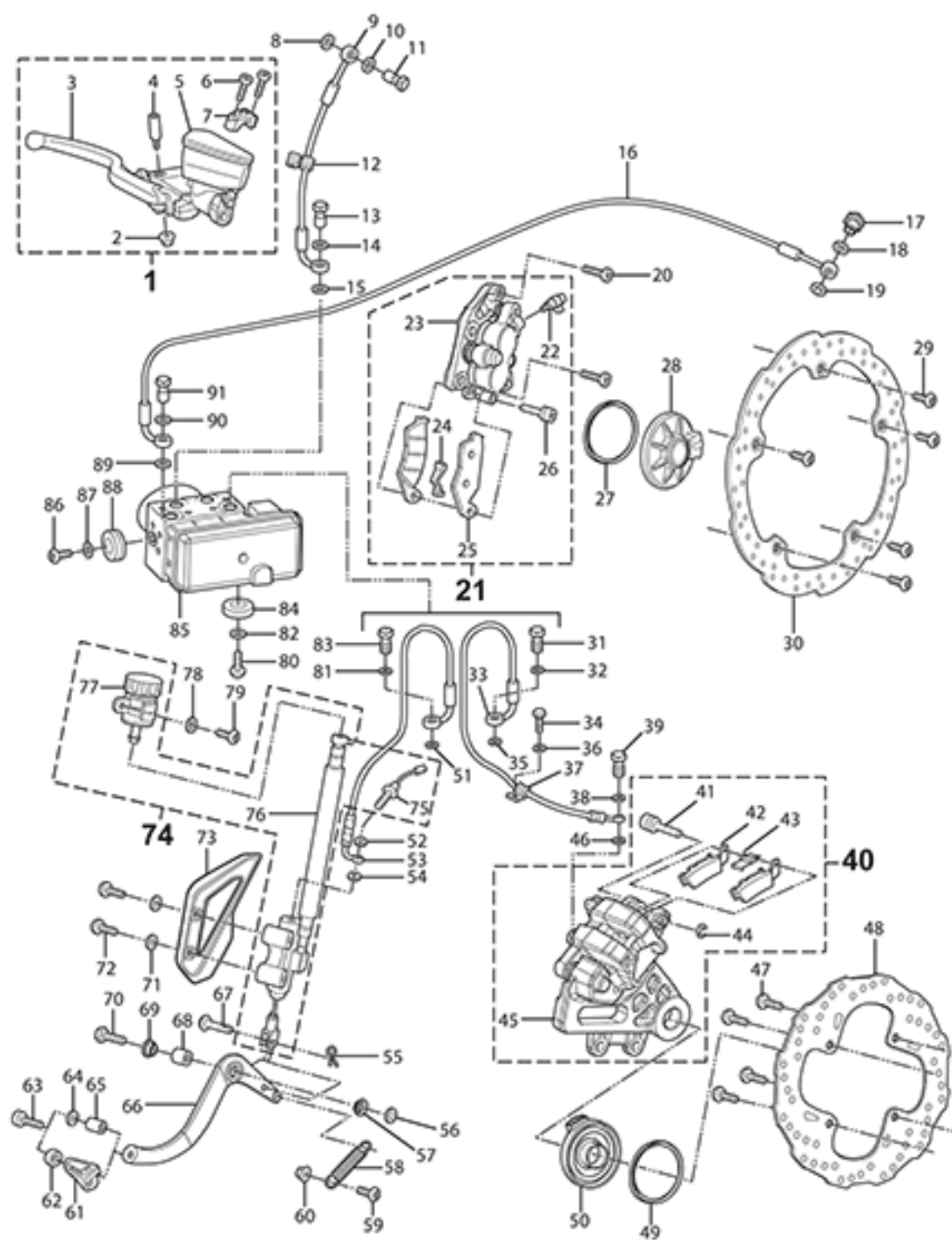


# **Zero Motocycles**

## **DSR 2018 Exploded Views**

ZEV0053 - Braking



**ZEV0053 - Braking**

Callout	Part Number	Part Name	Qty. per Motorcycle
1	25-07682	JJUAN 12.7MM FRONT MASTER CYLINDER SDS/FXS	1

Part Detail for #1. JJUAN 12.7MM FRONT MASTER CYLINDER SDS/FXS

Callout	Part Number	Part Name	Qty. per Motorcycle
2	PA-130	BRAKE LEVER PIVOT BOLT NUT	1
3	25-08199	JJUAN FRONT BRAKE LEVER SDS NOTE: Supersedes 25-08032	1
4	PA-177	BRAKE LEVER PIVOT BOLT	1
5	25-08042	JJUAN FRONT MASTER CYLINDER CIRCLIP SDS/XMX	1
5	25-08035	JJUAN FRONT MC RESERVOIR CAP SERVICE KIT SDS	1
5	25-07682	JJUAN 12.7MM FRONT MASTER CYLINDER SDS/FXS	1
5	25-08044	FRONT MASTER CYLINDER BRAKE LIGHT SWITCH SDS	1
5	25-08061	JJUAN FRONT MASTER CYLINDER PISTON KIT SDS	1
5	25-08051	JJUAN CALIPER/MASTER CYLINDER BLEED SCREW SDS/XMX	2
6	PA-178	MIRROR POST BOLT 6M X 20	1
7	25-08064	FRONT MASTER CYLINDER CLAMP KIT NOTE: SDS/XMX NOTE: Mount and Bolts NOTE: Upper Mirror Mount RH	1

8	PA-128	BANJO GASKET	1
9	25-07824	SDS FRONT BRAKE LINE MC TO HCU	1
10	PA-128	BANJO GASKET	1
11	PA-237	MASTER CYLINDER BANJO BOLT	1
12	25-08023	BRAKE LINE/WHEEL SPEED SENSOR WIRE DOUBLE C CLIP	6
13	PA-180	BANJO BOLT	1
14	PA-128	BANJO GASKET	1
15	PA-128	BANJO GASKET	1
16	25-08096	DS FRONT BRAKE LINE HCU TO CALIPER	1
17	PA-181	BANJO BOLT	1
18	PA-128	BANJO GASKET	1
19	PA-128	BANJO GASKET	1
20	90-08029	HEXAGON HEAD SCREW ISO 4762 M10-1.25X40-10.9 ZM-F-01 REV03 ZM-L-01 REV01	2
21	25-07686	JJUAN 32/30MM FRONT CALIPER SDS	1

Part Detail for #21. JJUAN 32/30MM FRONT CALIPER SDS

Callout	Part Number	Part Name	Qty. per Motorcycle
22	PA-182	BLEEDER VALVE	1
23	25-07686	JJUAN 32/30MM FRONT CALIPER SDS	1

24	PA-183	ANTI RATTLE CLIP	1
25	25-08029	BRAKE PADS SET FRONT SDS	1
26	90-08029	HEXAGON HEAD SCREW ISO 4762 M10-1.25X40-10.9 ZM-F-01 REV03 ZM-L-01 REV01	2

27	25-08080	ABS MAGNET RING	2
28	45-07496	MPI WHEEL SPEED SENSOR	2
29	90-07833	CUSTOM ROTOR BOLT M8X23MM SHOULDER SCREW	5
30	25-07702	BRAKE ROTOR 320MM FIXED NOTE: REPLACED BY 25-08169	1
31	PA-185	BANJO BOLT	1
32	PA-128	BANJO GASKET	1
33	25-08093	SDS REAR BRAKE LINE HCU TO CALIPER NOTE: Supersedes part number 25-07821.	1
34	90-04084	HEXAGON SOCKET BUTTON HEAD CAP SCREW ISO 7380 M5X16-8.8 ZM-F-11 REV 03	20
35	PA-128	BANJO GASKET	1
36	90-04085	WASHER M5 X 11 X 1 NYLON 6/6 BLACK	14
37	20-01758	LOOP CLAMP NYLON 3/4" BLK	1
38	PA-128	BANJO GASKET	1
39	PA-186	BANJO BOLT AT REAR CALIPER	1
40	25-08099	JJUAN 34MM REAR CALIPER NOTE: Old Part P/N: 25-08083	1

Part Detail for #40. JJUAN 34MM REAR CALIPER

Callout	Part Number	Part Name	Qty. per Motorcycle
41	PA-187	CALIPER SLIDE BOLT	1
42	25-08030	BRAKE PAD SET SDS REAR	1
43	PA-189	ANTI RATTLE CLIP	1
44	PA-190	CALIPER SLIDE BOLT CLIP	1
45	25-08099	JJUAN 34MM REAR CALIPER NOTE: Old Part P/N: 25-08083	1

46	PA-128	BANJO GASKET	1
47	90-07516	REAR BRAKE ROTOR BOLT NOTE: Supersedes 90-08015.	4
48	25-08170	BRAKE ROTOR 240MM REAR	1
49	25-08080	ABS MAGNET RING	2
50	45-07496	MPI WHEEL SPEED SENSOR	2
51	PA-128	BANJO GASKET	1
52	PA-128	BANJO GASKET	1
53	25-07820	SDS REAR BRAKE LINE MC TO HCU	1
54	PA-128	BANJO GASKET	1
55	90-02133	1/4 X 3/4 CLEVIS PIN STEEL ZINC	1
56	90-02100	WASHER ISO 7089 10-200 HV ZM-F-01	8

57	20-02465	IGLIDE BEARING GFM-1416-06	2
58	25-08070	BRAKE PEDAL SPRING	1
59	90-07323	HEXAGON SOCKET BUTTON HEAD CAP SCREW ISO 7380 M6X25-8.8 ZM-F-01 REV 03 ZM-L-01 REV 01	2
60	90-02054	PREVAILING TORQUE TYPE NUT DIN 985 M6-08 ZM-F-01	9
61	25-08072	BRAKE PEDAL OFF ROAD PEG	1
62	20-02455	X BRAKE PEDAL SPACER	1
63	90-07265	HEXAGON SOCKET HEAD CAP SCREW ISO 4762 M6X20-8.8 ZM-F-01 REV 03 ZM-L-01 REV 01	5
64	90-02103	WASHER ISO 7089 6-200HV ZM-F-01	29
65	25-08073	BRAKE PEDAL STREET PEG	1
66	25-08071	BRAKE PEDAL BASE NOTE: Brake Pedal Off Road Peg - 25-08072 - sold seperately NOTE: Brake Pedal Street Peg - 25-08073 - sold seperately	1
67	90-02133	1/4 X 3/4 CLEVIS PIN STEEL ZINC	1
68	20-02455	X BRAKE PEDAL SPACER	1
69	20-02465	IGLIDE BEARING GFM-1416-06	2
70	90-07318	HEXAGON FLANGE BOLT DIN 6921 M10X35 10.9 ZM-F-01 REV 03 ZM-L-01 REV 01	1
71	90-02103	WASHER ISO 7089 6-200HV ZM-F-01	29
72	90-07323	HEXAGON SOCKET BUTTON HEAD CAP SCREW ISO 7380 M6X25-8.8 ZM-F-01 REV 03 ZM-L-01 REV 01	2
73	25-07457	MASTER CYLINDER GUARD FOR J-JUAN MASTER CYLINDER	1
74	25-08015	JJUAN 12MM REAR MASTER CYLINDER SDS	1

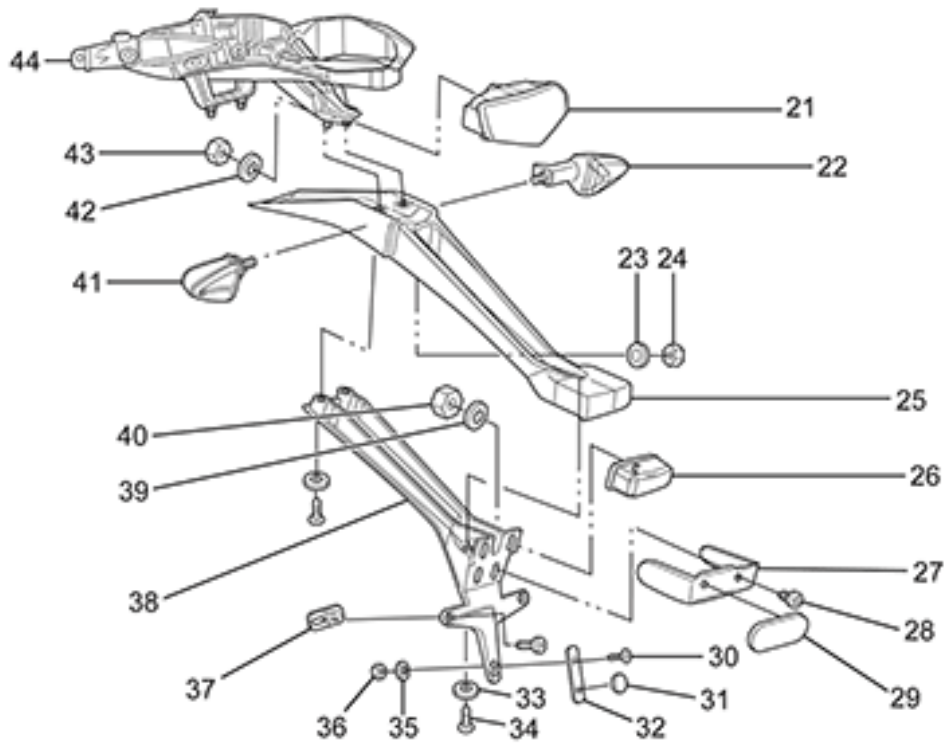
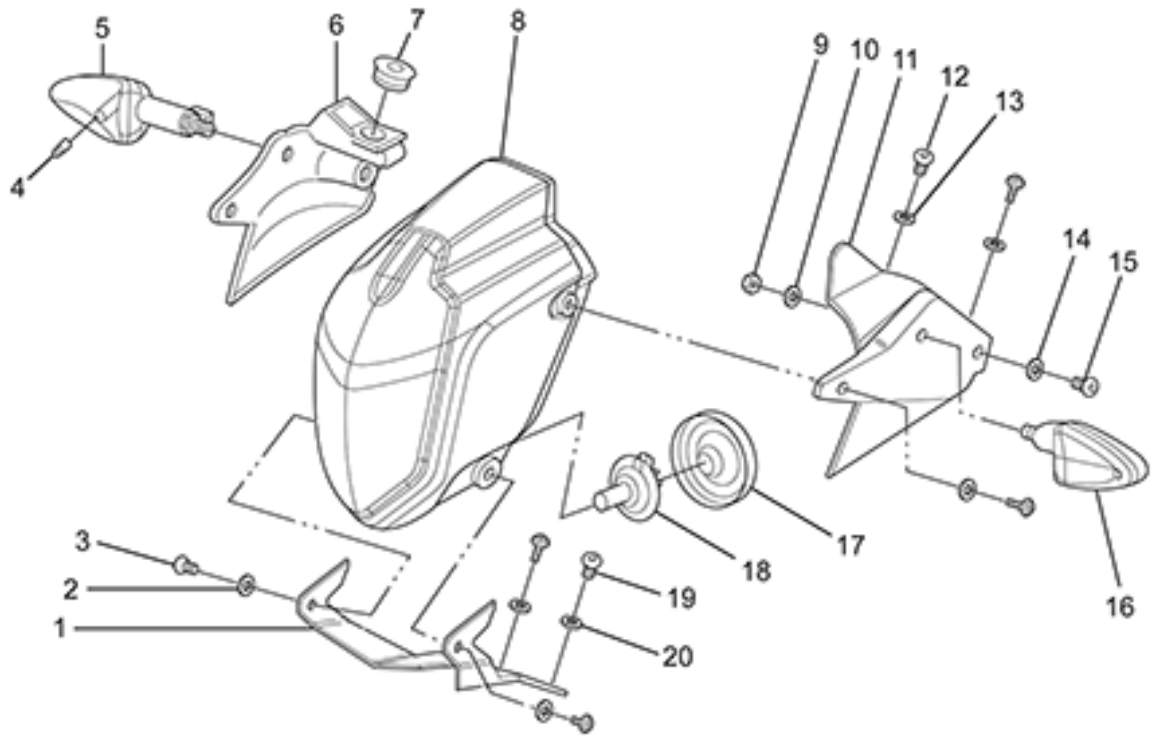
Part Detail for #74. JJUAN 12MM REAR MASTER CYLINDER SDS

Callout	Part Number	Part Name	Qty. per Motorcycle
75	25-08039	REAR STOP LAMP SWITCH	1
76	25-08037	JJUAN REAR MC PUSHROD SERVICE KIT SDS/XMX	1
76	25-08067	JJUAN REAR MASTER CYLINDER CIRCLIP SDS/XMX	1
76	25-08062	JJUAN REAR MASTER CYLINDER PISTON KIT SDS	1
76	25-08040	JJUAN REAR MC RESERVOIR HOSE SERVICE KIT SDS	1
76	25-08015	JJUAN 12MM REAR MASTER CYLINDER SDS	1
77	25-08036	JJUAN REAR MC RESERVOIR CAP SERVICE KIT SDS/XMX	1

78	90-02103	WASHER ISO 7089 6-200HV ZM-F-01	29
79	90-07273	HEXAGON SOCKET BUTTON HEAD CAP SCREW ISO 7380 M6X16-8.8 ZM-F-01 REV 03 ZM-L-01 REV 01	3
80	90-07273	HEXAGON SOCKET BUTTON HEAD CAP SCREW ISO 7380 M6X16-8.8 ZM-F-01 REV 03 ZM-L-01 REV 01	3
81	PA-128	BANJO GASKET	1
82	90-02105	WASHER ISO 7093-1 6-200 HV ZM-F-01	4
83	PA-191	BANJO BOLT AT HCU	1
84	90-08027	GROMMET VIBRATION ISOLATION M6	2

85	25-08092	BOSCH ABS HCU FLUID FILLED 6 PROFILE VARIANTS NOTE: Supersedes part number 25-08081 and 25-08082.	1
86	90-07273	HEXAGON SOCKET BUTTON HEAD CAP SCREW ISO 7380 M6X16-8.8 ZM-F-01 REV 03 ZM-L-01 REV 01	3
87	90-02105	WASHER ISO 7093-1 6-200 HV ZM-F-01	4
88	90-08027	GROMMET VIBRATION ISOLATION M6	2
89	PA-128	BANJO GASKET	1
90	PA-128	BANJO GASKET	1
91	PA-185	BANJO BOLT	1





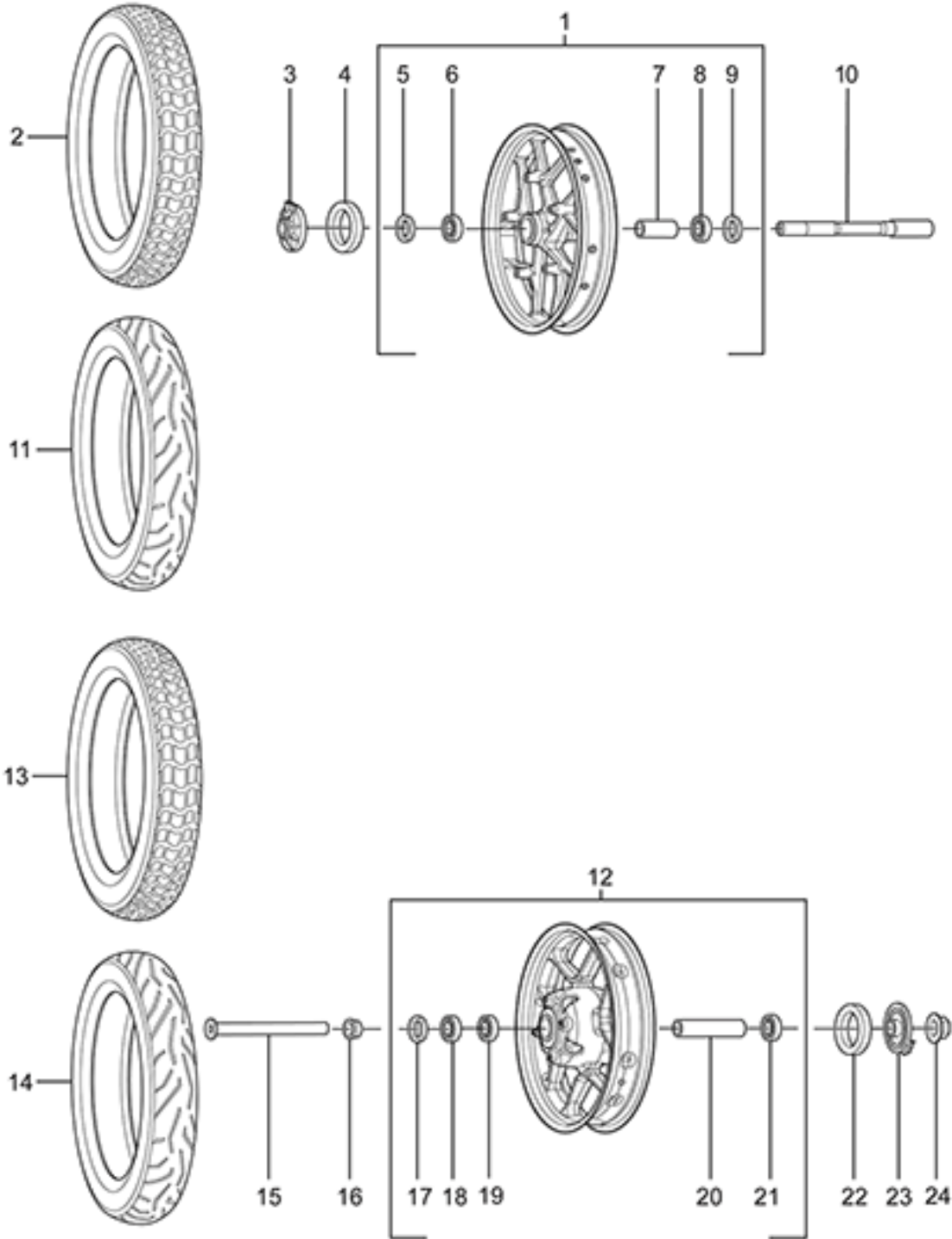


## ZEV0042 - Lighting

Callout	Part Number	Part Name	Qty. per Motorcycle
1	20-05910	HEADLIGHT BRACKET	1
2	90-02103	WASHER ISO 7089 6-200HV ZM-F-01	4
3	90-07281	HEXAGON SOCKET BUTTON HEAD SCREWS ISO 7380 M6X12-8.8 ZM-F-01 REV 03 ZM-L-01 REV 01	1
4	65-08016	TURN SIGNAL BULB 12v ry 10w	1
5	65-03462	TURN SIGNAL FR-RH RR-LH	1
6	24-08091	HEADLIGHT MOUNT RIGHT FOR ABS	1
7	27-08034	12V ACCESSORY COVER, SMALL	1
8	45-03679	HEADLIGHT ASSY, 60/55W, TRIOM	1
9	90-02072	HEXAGON THIN NUT DIN 439-B M10 1.5-04 ZM-F-01	1
10	90-02043	TOOTHED LOCK WASHER WITH EXTERNAL TEETH DIN 6797 A M10-B85 ZM-F-01	1
11	24-08092	HEADLIGHT MOUNT LEFT FOR ABS	1
12	90-04084	HEXAGON SOCKET BUTTON HEAD CAP SCREW ISO 7380 M5X16-8.8 ZM-F-11 REV 03	1
13	90-04085	WASHER M5 X 11 X 1 NYLON 6/6 BLACK	1
14	90-04085	WASHER M5 X 11 X 1 NYLON 6/6 BLACK	1
15	90-04084	HEXAGON SOCKET BUTTON HEAD CAP SCREW ISO 7380 M5X16-8.8 ZM-F-11 REV 03	1
16	65-03463	TURN SIGNAL FR-LH RR-RH	1
17	PA-338	HEADLAMP BULB SEAL	1
18	65-08002	SDS HEADLIGHT BULB	1
19	90-02109	HEXAGON SOCKET BUTTON HEAD CAP SCREW ISO 7380 M5X12-8.8 ZM-F-01	1
20	90-02101	WASHER ISO 7089 5-200HV ZM-F-01	1
21	65-04459	LED TAIL LIGHT TRIOM	1
22	65-03463	TURN SIGNAL FR-LH RR-RH	1
23	90-02043	TOOTHED LOCK WASHER WITH EXTERNAL TEETH DIN 6797 A M10-B85 ZM-F-01	1
24	90-02072	HEXAGON THIN NUT DIN 439-B M10 1.5-04 ZM-F-01	1
25	24-04439	SDS TAIL POD TOP NOTE: Top half only. Order bottom half PN: 24-05158	1
26	65-04460	LICENSE PLATE LIGHT	1
27	24-05159	REFLECTOR MOUNT BRACKET	1
28	90-05885	PHILIPS HEAD SHEET METAL SCREW 6 X 1/2	10
29	20-03487	REFLECTOR, OVAL, ADH BACK, RED ECIE	1
30	90-05244	HEXAGON SOCKET COUNTERSUNK HEAD SCREW ISO 10642 M5X12-10.9 ZM-F-01 REV 03	1
31	20-05241	LICENSE PLATE BUMPER	1
32	24-05292	LICENSE PLATE BRACKET EXTENSION LOWER NOTE: ONLY USED IN EU/AUS REGION	1

33	90-02103	WASHER ISO 7089 6-200HV ZM-F-01	10
34	90-07281	HEXAGON SOCKET BUTTON HEAD SCREWS ISO 7380 M6X12-8.8 ZM-F-01 REV 03 ZM-L-01 REV 01	1
35	90-04085	WASHER M5 X 11 X 1 NYLON 6/6 BLACK	4
36	90-02053	PREVAILING TORQUE TYPE NUT DIN 985 M5-08 ZM-F-01 REV 02	8
37	24-05161	LICENSE PLATE BRACKET EXTENSIONS NOTE: ONLY USED IN EU/AUS REGIONS	2
38	24-05158	SDS TAIL POD BOTTOM NOTE: Bottom half only. Order top half PN: 24-04439	1
39	90-02101	WASHER ISO 7089 5-200HV ZM-F-01	4
40	90-02053	PREVAILING TORQUE TYPE NUT DIN 985 M5-08 ZM-F-01 REV 02	8
41	65-03462	TURN SIGNAL FR-RH RR-LH	1
42	90-02103	WASHER ISO 7089 6-200HV ZM-F-01	10
43	90-02054	PREVAILING TORQUE TYPE NUT DIN 985 M6-08 ZM-F-01	1
44	20-05883	SR TAIL FRAME	1



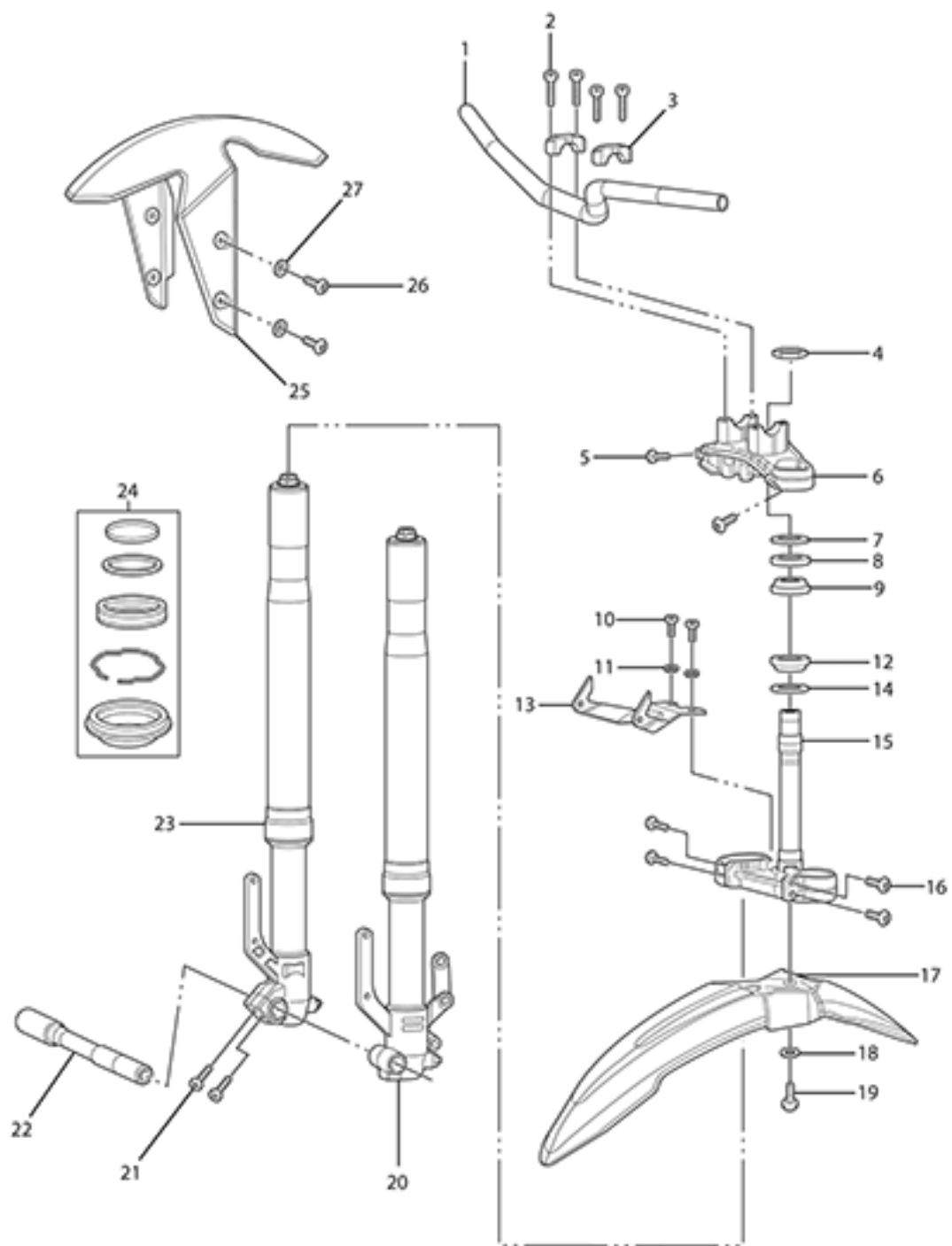


## ZEV0044 - Wheel Assy

Callout	Part Number	Part Name	Qty. per Motorcycle
1	23-08066-7	2.50X19 FRONT CAST WHEEL ASSY GOLD	1
2	23-08002	TIRE, FRONT, 100/90-19 57H, PIRELLI MT-60	1
3	45-07496	MPI WHEEL SPEED SENSOR	1
4	25-08080	ABS MAGNET RING	1
5	23-07774	6204 BEARING DUST SEAL	2
6	20-06138	BEARING 6204 NOTE: Bearing used as swing arm bearing in some models and as the wheel bearing (qty of 5; 2 in front and three in rear wheel) in 2015 and later models. NOTE: Manufacturer part number is 6204-2RS	2
7	23-07775	FRONT WHEEL BEARING TUBE	1
8	20-06138	BEARING 6204 NOTE: Bearing used as swing arm bearing in some models and as the wheel bearing (qty of 5; 2 in front and three in rear wheel) in 2015 and later models. NOTE: Manufacturer part number is 6204-2RS	2
9	23-07774	6204 BEARING DUST SEAL	2
10	23-07491	HOLLOW AXLE FRONT	1
11	<i>Not Applicable to this Bike Model</i>		
12	23-08056-7	3.50X17 REAR CAST WHEEL ASSY GOLD	1
13	23-08003	TIRE, REAR, 130/80-17 65H, PIRELLI MT-60	1
14	<i>Not Applicable to this Bike Model</i>		
15	23-08032	REAR AXLE 20MM HOLLOW, ROUNDED END	1
16	23-07489	WHEEL SPACER DRIVE SIDE REAR	1
17	23-07774	6204 BEARING DUST SEAL	2
18	20-06138	BEARING 6204 NOTE: Bearing used as swing arm bearing in some models and as the wheel bearing (qty of 5; 2 in front and three in rear wheel) in 2015 and later models. NOTE: Manufacturer part number is 6204-2RS	2
19	20-06138	BEARING 6204 NOTE: Bearing used as swing arm bearing in some models and as the wheel bearing (qty of 5; 2 in front and three in rear wheel) in 2015 and later models. NOTE: Manufacturer part number is 6204-2RS	2
20	23-07776	REAR WHEEL BEARING TUBE 15MY	1
21	20-06138	BEARING 6204 NOTE: Bearing used as swing arm bearing in some models and as the wheel bearing (qty of 5; 2 in front and three in rear wheel) in 2015 and later models. NOTE: Manufacturer part number is 6204-2RS	2

22	25-08080	ABS MAGNET RING	1
23	45-07496	MPI WHEEL SPEED SENSOR	1
24	90-05678	U-NUT M20X1.5 FLANGE 27S 15H NOTE: Rear Axle Nut	1



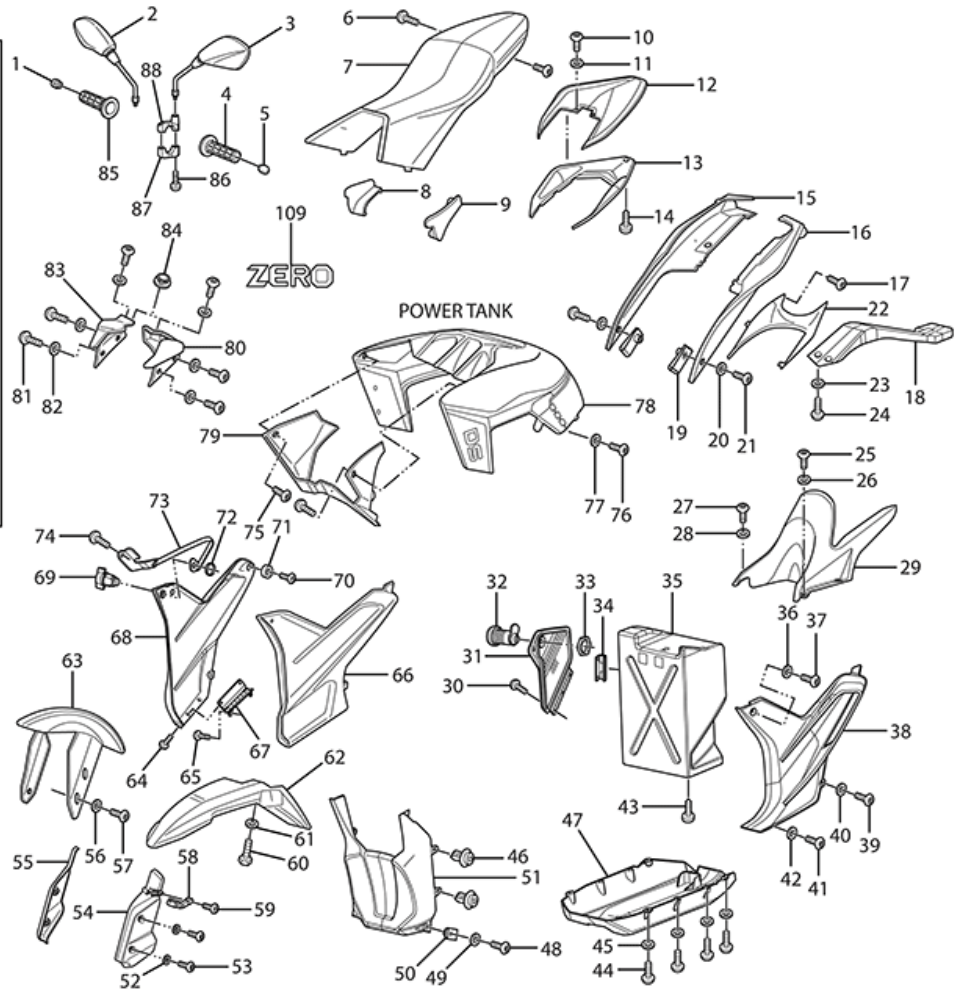
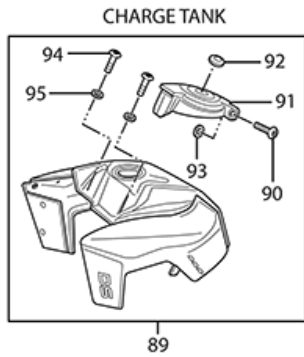
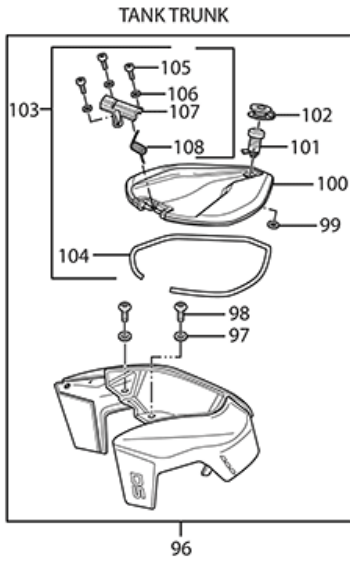




## ZEV0045 - Steering Systems

Callout	Part Number	Part Name	Qty. per Motorcycle
1	27-08151	HIGH RISE HANDLEBAR NO LOGO NOTE: Supersedes part number 27-08050.	1
2	90-08112	HEXAGON SOCKET HEAD CAP SCREW ISO 4762 M8X30-10.9	1
3	22-00687	S HANDLEBAR CLAMP	1
4	90-08222	CUSTOM STEERING STEM NUT M27 X 1.5 X 14MM COUNTERBORED FLANGE NOTE: does not require washer 20-06278	1
5	90-02094	HEXAGON SOCKET HEAD CAP SCREW ISO 4762 M8X25-10.9 ZM-F-01 REV 03	1
6	22-07622	SDS UPPER TRIPLE CLAMP 15MY IMP	1
7	22-06257	STEERING STEM LOCK NUT M 30 X1.5 MM	1
8	81-08045	BEARING LIP SEAL OVERMOLDED 55MM OD NOTE: Supersedes part 20-06113	1
9	20-06068	STEERING HEAD BEARING KOYO SAC3055-1	1
10	90-02109	HEXAGON SOCKET BUTTON HEAD CAP SCREW ISO 7380 M5X12-8.8 ZM-F-01	1
11	90-02101	WASHER ISO 7089 5-200HV ZM-F-01	1
12	20-06068	STEERING HEAD BEARING KOYO SAC3055-1	1
13	20-05910	HEADLIGHT BRACKET	1
14	81-08045	BEARING LIP SEAL OVERMOLDED 55MM OD NOTE: Supersedes part 20-06113	1
15	22-08092	SDS LOWER TRIPLE CLAMP ASSY NOTE: REPLACES 25-08082	1
16	90-02094	HEXAGON SOCKET HEAD CAP SCREW ISO 4762 M8X25-10.9 ZM-F-01 REV 03	1
17	24-08191	FRONT FENDER DIRT BRAKE LINE HOLE	1
18	90-02107	WASHER ISO 7093-1 5-200HV ZM-F-01 NOTE: Does not apply to S and SR	1
19	90-08123	HEX FLANGE BOLT STAR DRIVE PER ZM 88-08813 M5X12 8.8 ZM-F-01 ZM-L-02	1
20	22-08061	DS FORK 41MM LEFT	1
21	90-07269	HEXAGON SOCKET HEAD CAP SCREW ISO 4762 M8X30-10.9 ZM-F-01 REV 03 ZM-L-01 REV 01	1
22	23-07491	HOLLOW AXLE FRONT	1
23	22-08060	DS FORK 41MM RIGHT	1
24	12-08037	SHOWA FORK SEAL KIT NOTE: Kit for one fork	1

ZEV0046 - Body Trim



ZEV0046 - Body Trim

Callout	Part Number	Part Name	Qty. per Motorcycle
1	27-08002	HANDLEBAR END CAP	1
2	27-08057	MIRROR RH	1
3	27-08056	MIRROR LH	1
4	27-08083	HAND GRIP NON-THROTTLE SIDE NOTE: Grip does not have Zero logo. Order with 27-08082 if you want a matching pair. NOTE: Supersedes p/n 27-08007.	1
5	27-08002	HANDLEBAR END CAP	1
6	90-08005	SEAT BOLT M8X55 NOTE: Supersedes 90-07009.	1
7	27-08025	SDS SEAT ASSEMBLY MY15 NOTE: replaces 24-04854	1
8	24-08132	SEAT GAP FILLER RIGHT	1
9	24-08133	SEAT GAP FILLER LEFT	1
10	90-04716	HEXAGON SOCKET HEAD CAP SCREW ISO 4762 M4X8-8.8	1
11	90-02102	WASHER ISO 7089 4-200HV ZM-F-01	1
12	24-08098-25	Option #1: QUICKSAND	1
	24-08098-10	Option #2: YELLOW	1
	24-08098-19	Option #3: SATIN GREEN	1
	24-08098-18	Option #4: PEARLESCENT WHITE	1
	24-08098-17	Option #5: METALLIC BLACK	1
	24-08098-14	Option #6: GRAPHITE	1
	24-08098-16	Option #7: SATIN SILVER	1
	24-08098-9	Option #8: RED	1
	24-08098-13	Option #9: BLACK	1
	24-08098-12	Option #10: ORANGE	1
	24-08098-11	Option #11: WHITE	1
	24-08098-24	Option #12: JET BLACK	1
	24-08098-26	Option #13: METALLIC CHOCOLATE	1
13	24-08099-13	Option #1: BLACK	1
	24-08099-18	Option #2: PEARLESCENT WHITE	1
	24-08099-11	Option #3: WHITE	1
	24-08099-10	Option #4: YELLOW	1
	24-08099-19	Option #5: SATIN GREEN	1
	24-08099-14	Option #6: GRAPHITE	1
	24-08099-12	Option #7: ORANGE	1
	24-08099-9	Option #8: RED	1
	24-08099-16	Option #9: SATIN SILVER	1
	24-08099-17	Option #10: METALLIC BLACK	1
	24-08099-25	Option #11: QUICKSAND	1
	24-08099-24	Option #12: JET BLACK	1
	24-08099-26	Option #13: METALLIC CHOCOLATE	1

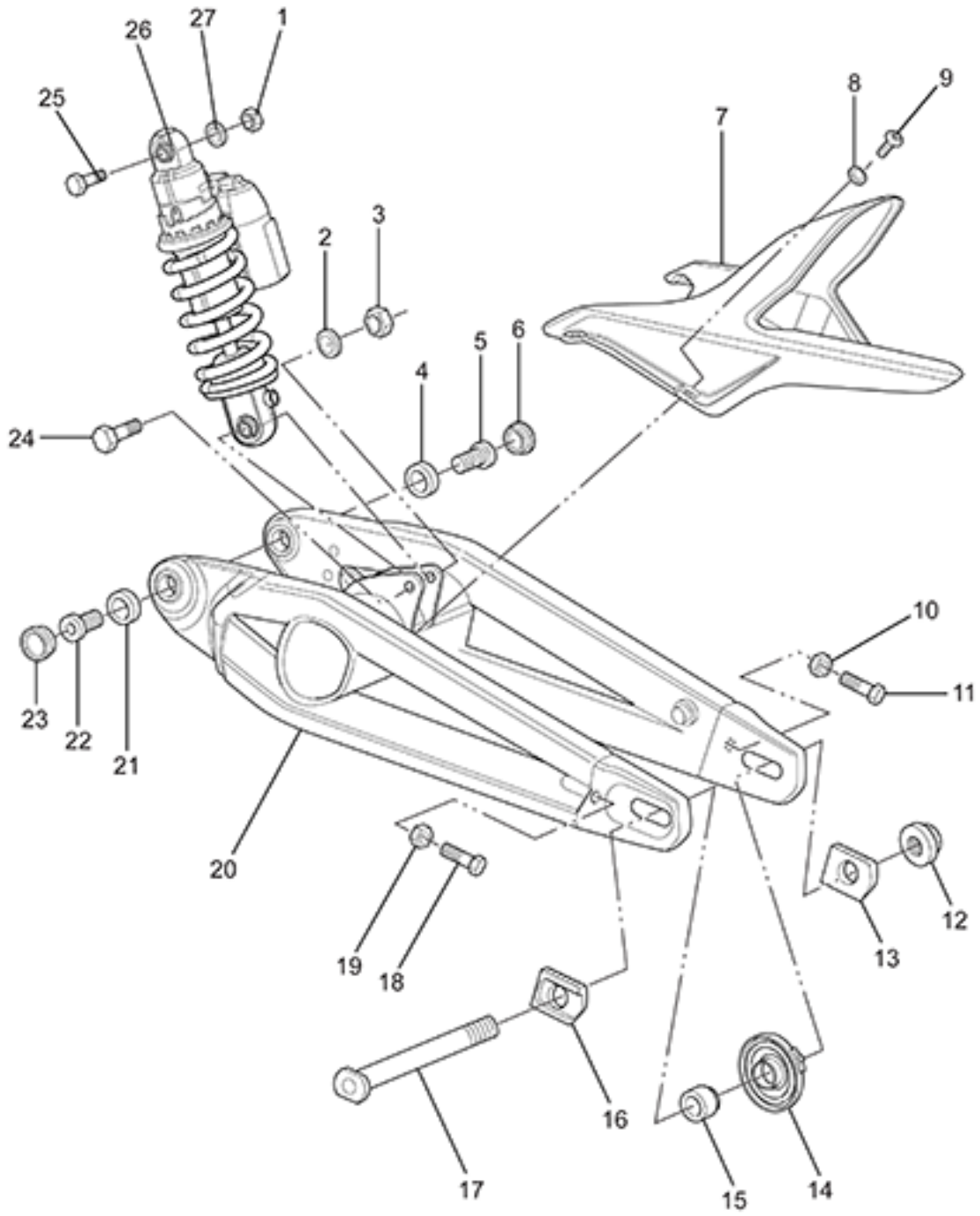
14	90-05885	PHILIPS HEAD SHEET METAL SCREW 6 X 1/2	1
15	24-08080	TRUNK PAN RIGHT COMPRESSION ADJUSTER TRIMMED SR	1
16	24-05889	TRUNK PAN LEFT FOR SIZE 6 CONTROLLER	1
17	20-03066	RIVET PUSH PUSH NYLON M6	1
18	24-04439	SDS TAIL POD TOP NOTE: Top half only. Order bottom half PN: 24-05158	1
19	90-02139	CLIP-ON U-NUT M5X11DP	1
20	90-04085	WASHER M5 X 11 X 1 NYLON 6/6 BLACK	1
21	90-07124	HEXAGON SOCKET BUTTON HEAD SCREW ISO 7380 M5X6-8.8	1
22	24-08258	SIZE 6 CONTROLLER FILLER	1
23	90-02103	WASHER ISO 7089 6-200HV ZM-F-01	1
24	90-07281	HEXAGON SOCKET BUTTON HEAD SCREWS ISO 7380 M6X12-8.8 ZM-F-01 REV 03 ZM-L-01 REV 01	1
25	90-04084	HEXAGON SOCKET BUTTON HEAD CAP SCREW ISO 7380 M5X16-8.8 ZM-F-11 REV 03	1
26	90-04085	WASHER M5 X 11 X 1 NYLON 6/6 BLACK	1
27	90-04084	HEXAGON SOCKET BUTTON HEAD CAP SCREW ISO 7380 M5X16-8.8 ZM-F-11 REV 03	1
28	90-04085	WASHER M5 X 11 X 1 NYLON 6/6 BLACK	1
29	24-08251	TRIMMED REAR INNER FENDER	1
30	<i>Not Applicable to this Bike Model</i>		
31	<i>Not Applicable to this Bike Model</i>		
32	<i>Not Applicable to this Bike Model</i>		
33	<i>Not Applicable to this Bike Model</i>		
34	<i>Not Applicable to this Bike Model</i>		
35	<i>Not Applicable to this Bike Model</i>		
36	90-04085	WASHER M5 X 11 X 1 NYLON 6/6 BLACK	1
37	90-04084	HEXAGON SOCKET BUTTON HEAD CAP SCREW ISO 7380 M5X16-8.8 ZM-F-11 REV 03	1
38	24-06684	SDS CHIN FAIRING LEFT NOTE: Please order 80-08012 DECAL/GRAPHIC/MEDALLION GRAPHIC, CRAFTED IN CALIFORNIA JEWEL separately.	1
39	90-04084	HEXAGON SOCKET BUTTON HEAD CAP SCREW ISO 7380 M5X16-8.8 ZM-F-11 REV 03	1
40	90-04085	WASHER M5 X 11 X 1 NYLON 6/6 BLACK	1
41	90-04084	HEXAGON SOCKET BUTTON HEAD CAP SCREW ISO 7380 M5X16-8.8 ZM-F-11 REV 03	1
42	90-04085	WASHER M5 X 11 X 1 NYLON 6/6 BLACK	1
43	90-04084	HEXAGON SOCKET BUTTON HEAD CAP SCREW ISO 7380 M5X16-8.8 ZM-F-11 REV 03	1
44	90-04084	HEXAGON SOCKET BUTTON HEAD CAP SCREW ISO 7380 M5X16-8.8 ZM-F-11 REV 03	1
45	90-04085	WASHER M5 X 11 X 1 NYLON 6/6 BLACK	1
46	<i>Not Applicable to this Bike Model</i>		

47	26-08051	SKID PLATE DS NOTE: Aluminum (5052-H32) skid plate used on Zero DS, Zero DSR and other SDS motorcycles in the authority configuration. Also used with the consumer drop bars, it is compatible with the Zero S and Zero SR. NOTE: Supersedes part number 20-05126.	1
48	90-04084	HEXAGON SOCKET BUTTON HEAD CAP SCREW ISO 7380 M5X16-8.8 ZM-F-11 REV 03	1
49	90-04085	WASHER M5 X 11 X 1 NYLON 6/6 BLACK	1
50	90-02140	CLIP-ON U-NUT M5X15.8DP	1
51	24-07674	SDS STUBBY CHIN CENTER	1
52	90-04085	WASHER M5 X 11 X 1 NYLON 6/6 BLACK	1
53	90-04084	HEXAGON SOCKET BUTTON HEAD CAP SCREW ISO 7380 M5X16-8.8 ZM-F-11 REV 03	1
54	24-08070	FORK GUARD LEFT	1
55	24-08069	FORK GUARD RIGHT	1
56	90-04085	WASHER M5 X 11 X 1 NYLON 6/6 BLACK	1
57	90-07292	HEXAGON SOCKET BUTTON HEAD CAP SCREW ISO 7380 M5X16-8.8 ZM-F-11 REV 01 ZM-L-01 REV 01 NOTE: Does not apply to DS	1
58	24-08071	FORK GUARD CLAMP	1
59	90-05886	PHILIPS HEAD SHEET METAL SCREW TYPE AB NO 8 X 1/2 STEEL ZM-F-11	1
60	90-08123	HEX FLANGE BOLT STAR DRIVE PER ZM 88-08813 M5X12 8.8 ZM-F-01 ZM-L-02	1
61	90-02107	WASHER ISO 7093-1 5-200HV ZM-F-01 NOTE: Does not apply to S and SR	1
62	24-08191	FRONT FENDER DIRT BRAKE LINE HOLE	1
63	24-08093-10	Option #1: YELLOW	1
	24-08093-11	Option #2: WHITE	1
	24-08093-13	Option #3: BLACK	1
	24-08093-9	Option #4: RED	1
64	<i>Not Applicable to this Bike Model</i>		
65	<i>Not Applicable to this Bike Model</i>		
66	24-06684	SDS CHIN FAIRING LEFT NOTE: Please order 80-08012 DECAL/GRAPHIC/MEDALLION GRAPHIC, CRAFTED IN CALIFORNIA JEWEL separately.	1
67	<i>Not Applicable to this Bike Model</i>		
68	24-06684	SDS CHIN FAIRING LEFT NOTE: Please order 80-08012 DECAL/GRAPHIC/MEDALLION GRAPHIC, CRAFTED IN CALIFORNIA JEWEL separately.	1
69	<i>Not Applicable to this Bike Model</i>		
70	<i>Not Applicable to this Bike Model</i>		
71	<i>Not Applicable to this Bike Model</i>		
72	<i>Not Applicable to this Bike Model</i>		

73		<i>Not Applicable to this Bike Model</i>	
74		<i>Not Applicable to this Bike Model</i>	
75	90-05887	PHILIPS HEAD SHEET METAL SCREW TYPE AB NO 10 X 1/2 STEEL ZM-F-11	1
76	90-04084	HEXAGON SOCKET BUTTON HEAD CAP SCREW ISO 7380 M5X16-8.8 ZM-F-11 REV 03	1
77	90-04085	WASHER M5 X 11 X 1 NYLON 6/6 BLACK	1
78	24-08272-26	Option #1: METALLIC CHOCOLATE	1
	24-08272-19	Option #2: SATIN GREEN	1
	24-08272-14	Option #3: GRAPHITE	1
	24-08272-13	Option #4: BLACK	1
	24-08272-12	Option #5: ORANGE	1
	24-08272-11	Option #6: WHITE	1
	24-08272-17	Option #7: METALLIC BLACK	1
79	24-04428	SDS FAIRING FRONT CENTER BLACK#2	1
80	24-08092	HEADLIGHT MOUNT LEFT FOR ABS	1
81	90-04084	HEXAGON SOCKET BUTTON HEAD CAP SCREW ISO 7380 M5X16-8.8 ZM-F-11 REV 03	1
82	90-04085	WASHER M5 X 11 X 1 NYLON 6/6 BLACK	1
83	24-08091	HEADLIGHT MOUNT RIGHT FOR ABS	1
84	27-08034	12V ACCESSORY COVER, SMALL	1
85	27-08082	HAND GRIP THROTTLE SIDE NOTE: Grip does not have Zero logo. Order with 27-08083 if you want a matching pair. NOTE: Supersedes p/n 27-08006.	1
86	90-07265	HEXAGON SOCKET HEAD CAP SCREW ISO 4762 M6X20-8.8 ZM-F-01 REV 03 ZM-L-01 REV 01	1
87	24-02961	MIRROR MOUNT CLAMP	1
88	26-08060	MIRROR LH MOUNT LOW PROFILE NOTE: Bottom part of the mirror mount LH	1
89	24-08299-11	Option #1: WHITE	1
	24-08299-12	Option #2: ORANGE	1
	24-08299-13	Option #3: BLACK	1
	24-08299-26	Option #4: METALLIC CHOCOLATE	1
	24-08299-14	Option #5: GRAPHITE	1
	24-08299-17	Option #6: METALLIC BLACK	1
90	90-08048	LATCH BOLT CYLINDER	1
91	24-08156	J1772 INLET COVER WITH BADGE ASSEMBLY	1
92	PA-339	J1772 INLET COVER BADGE	1
93	90-08083	LATCH BOLT SECURITY SCREW	1
94	90-07292	HEXAGON SOCKET BUTTON HEAD CAP SCREW ISO 7380 M5X16-8.8 ZM-F-11 REV 01 ZM-L-01 REV 01 NOTE: Does not apply to DS	1
95	90-04085	WASHER M5 X 11 X 1 NYLON 6/6 BLACK	1
		Option #1: SATIN GREEN Option #2: GRAPHITE	

Option #3: BLACK  
Option #4: ORANGE  
Option #5: WHITE  
Option #6: METALLIC BLACK  
Option #7: METALLIC CHOCOLATE  
Option #8: MOJAVE W/ WARM SILVER  
Option #9: BACK FOREST  
Option #10: JET BLACK W/ GOLD

97	90-04085	WASHER M5 X 11 X 1 NYLON 6/6 BLACK	1
98	<del>24-08285-51</del> 90-04084	HEXAGON SOCKET BUTTON HEAD CAP SCREW ISO 7380 M5X16-8.8 ZM-F-11 REV 03	1
99	90-08058	LATCH CYLINDER NUT	1
100	24-08582-43	TANK TRUNK LID NOTE: Tank Trunk Lid Only. Please order the complete service kit 12-08072 if all parts are needed. Kit is not backward compatible with earlier model years.	1
	24-08192	NOTE: For older model years, please order the entire replacement tank assembly with tank trunk.	1
	24-08285-42		1
101	12-08071	KEYED PANEL LATCH 90 DEG TURN REPLACEMENT KIT	1
102	81-08062	90 DEG TURN KEYLATCH CAP	1
103	<del>24-08285-26</del> 12-08072	TANK TRUNK LID REPLACEMENT KIT NOTE: Kit includes TANK TRUNK LID (24-08192).	1
Part Detail for #103. TANK TRUNK LID REPLACEMENT KIT			
Callout	Part Number	Part Name	Qty. per Motorcycle
104	24-08214	ASYMMETRIC U-CHANNEL FOAM SEAL 3/16" WIDE	1
<del>96</del> 105	90-08009	HEXAGON SOCKET HEAD CAP SCREW ISO 4762 M3X8-8.8 ZM-F-01 ZM-L-02	1
106	<del>24-08285-11</del> 90-02480	WASHER ISO 7089 3-200HV ZM-F-01	1
107	24-08220	TANK TRUNK HINGE CAP	1
108	90-08077	TORSION SPRING FOR LID	1
	24-08285-12		1
109	80-06734-1	ZERO TANK BRAND GLOSS PEWTER 14MY IMPL - TANK EMBLEM	1
109	80-08082-3 <del>20-08285-13</del>	Option #1: GOLD Option #2: RED	2 2
109	80-08082-3 80-08082-2	Option #1: GOLD Option #2: RED	2 2
	24-08285-14		1
	24-08285-19		1





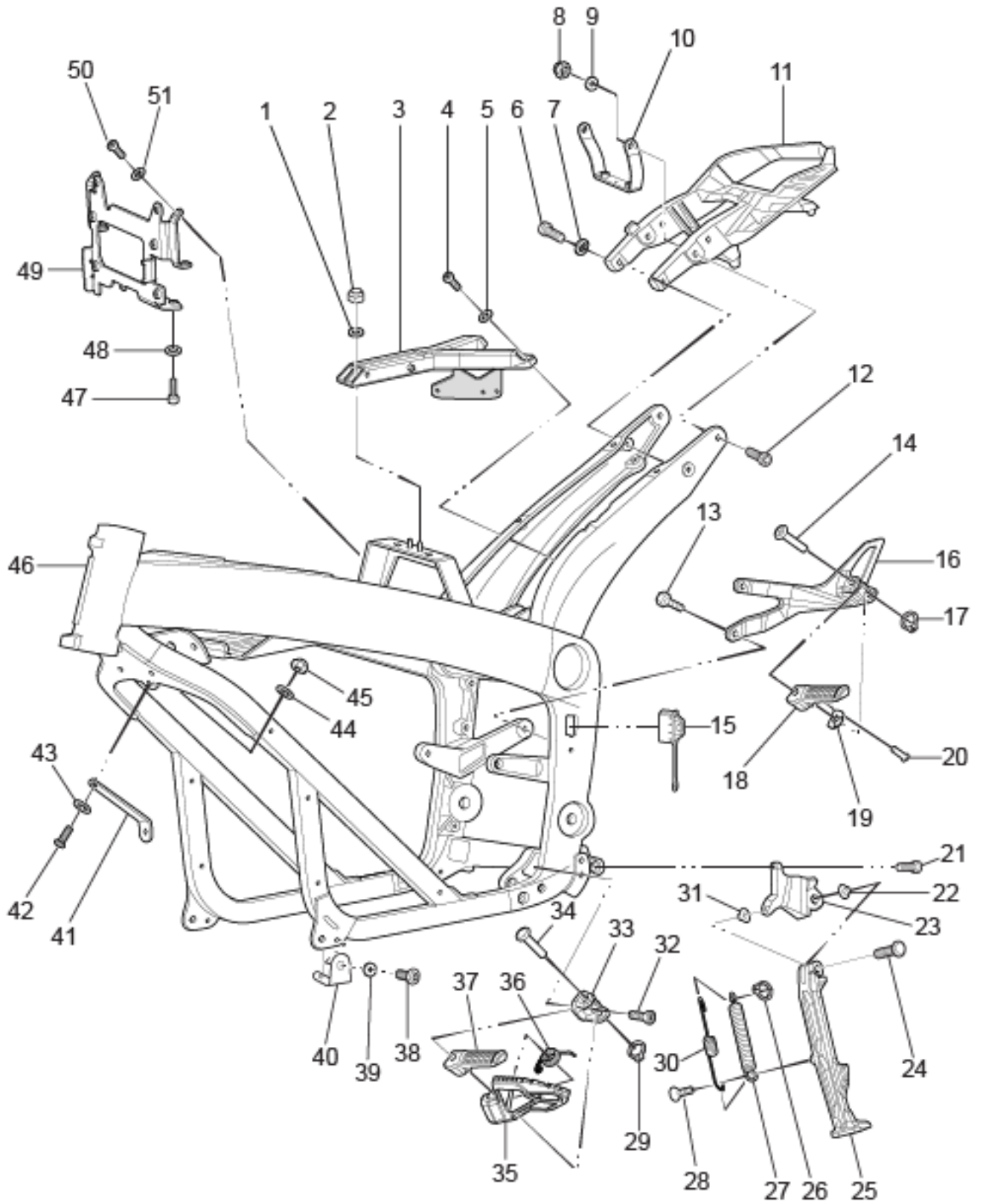
ZEV0047 - Rear Suspension

Callout	Part Number	Part Name	Qty. per Motorcycle
1	90-02050	PREVAILING TORQUE TYPE NUT DIN 985 M10-08 ZM-F-01	1
2	90-02100	WASHER ISO 7089 10-200 HV ZM-F-01	1
3	90-02050	PREVAILING TORQUE TYPE NUT DIN 985 M10-08 ZM-F-01	1
4	20-06138	BEARING 6204 NOTE: Bearing used as swing arm bearing in some models and as the wheel bearing (qty of 5; 2 in front and three in rear wheel) in 2015 and later models. NOTE: Manufacturer part number is 6204-2RS	2
5	20-06130	STUB AXLE	1
6	20-06937	SDS STUB-PIVOT COVER	1
7	24-08251	TRIMMED REAR INNER FENDER	1
8	90-04085	WASHER M5 X 11 X 1 NYLON 6/6 BLACK	1
9	90-04084	HEXAGON SOCKET BUTTON HEAD CAP SCREW ISO 7380 M5X16-8.8 ZM-F-11 REV 03	1
10	90-05088	HEXAGON FLANGE NUT DIN 6923 M8-1.25 ZM-F-01 REV 03 NOTE: Axle adjusters jam nut	1
11	90-03030	HEXAGON HEAD SCREW DIN 933 M8X40-10.9 ZM-F-01 REV 03	1
12	90-05678	U-NUT M20X1.5 FLANGE 27S 15H NOTE: Rear Axle Nut	1
13	26-08123	REAR AXLE ADJUSTER PUSH BLOCK NUT SIDE	1
14	45-07496	MPI WHEEL SPEED SENSOR	1
15	23-07489	WHEEL SPACER DRIVE SIDE REAR	1
16	26-08124	REAR AXLE ADJUSTER PUSH BLOCK HEAD SIDE	1
17	23-08032	REAR AXLE 20MM HOLLOW, ROUNDED END	1
18	90-03030	HEXAGON HEAD SCREW DIN 933 M8X40-10.9 ZM-F-01 REV 03	1
19	90-05088	HEXAGON FLANGE NUT DIN 6923 M8-1.25 ZM-F-01 REV 03 NOTE: Axle adjusters jam nut	1
20	26-08069	S SWINGARM EXTENDED REAR AXLE SLOT	1
21	20-06138	BEARING 6204 NOTE: Bearing used as swing arm bearing in some models and as the wheel bearing (qty of 5; 2 in front and three in rear wheel) in 2015 and later models. NOTE: Manufacturer part number is 6204-2RS	2
22	20-06130	STUB AXLE	1
23	20-06937	SDS STUB-PIVOT COVER	1
24	90-05711	LOWER SHOCK EYE BOLT M10-1.5X60MM	1
25	90-05711	LOWER SHOCK EYE BOLT M10-1.5X60MM	1
26	22-08062	DS SHOCK 40MM	1

27	90-02100	WASHER ISO 7089 10-200 HV ZM-F-01	1
----	----------	-----------------------------------	---



ZEV0048 - Frame(Left)



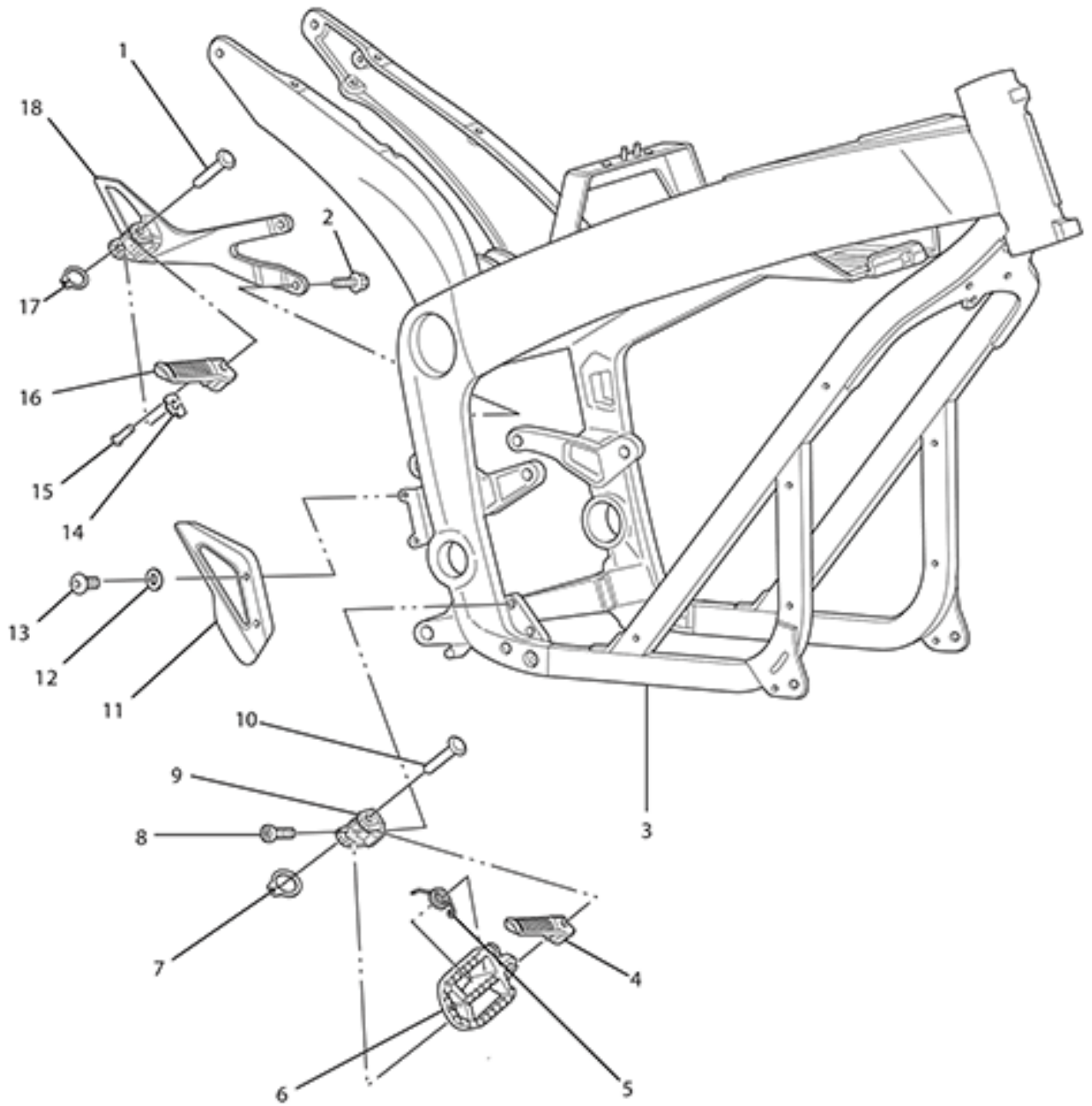
## ZEV0048 - Frame(Left)

Callout	Part Number	Part Name	Qty. per Motorcycle
1	90-02103	WASHER ISO 7089 6-200HV ZM-F-01	1
2	90-02054	PREVAILING TORQUE TYPE NUT DIN 985 M6-08 ZM-F-01	1
3	21-06979	SDS SEAT FRAME WITH FUSEPANEL MOUNT	1
4	90-07265	HEXAGON SOCKET HEAD CAP SCREW ISO 4762 M6X20-8.8 ZM-F-01 REV 03 ZM-L-01 REV 01	1
5	90-02103	WASHER ISO 7089 6-200HV ZM-F-01	1
6	90-07269	HEXAGON SOCKET HEAD CAP SCREW ISO 4762 M8X30-10.9 ZM-F-01 REV 03 ZM-L-01 REV 01	1
7	90-02104	WASHER ISO 7089 -8-200 HV ZM-F-01	1
8	90-03236	PREVAILING TORQUE TYPE NUT DIN 985 M8-10 ZM-F-01	1
9	90-02104	WASHER ISO 7089 -8-200 HV ZM-F-01	1
10	20-05897	HEATSINK SUPPORT	1
11	20-05883	SR TAIL FRAME	1
12	90-08005	SEAT BOLT M8X55 NOTE: Supersedes 90-07009.	1
13	90-07284	HEX FLANGE BOLT M8X25	1
14	90-02725	CLEVIS PIN CUSTOM 10MM X 45L	1
15	45-04864	AC CHARGE INLET COVER	1
16	20-04285	SDS PASSENGER PEG BRKT L	1
17	90-02879	RETAINING RING 9MM SHAFT DIN 471	1
18	27-08039	PASSENGER FOOTPEG LEFT SIDE	1
19	20-04279	FOOTPEG DETENT PLATE	1
20	20-05404	FOOTPEG DETENT BALL MECHANISM	1
21	90-07277	HEXAGON SOCKET THIN HEAD CAP SCREW DIN 7984 M10X25-8.8 ZM-F-01 REV 03 ZM-L-01 REV 01	1
22	90-02800	BUSHING FLANGE 0.375	1
23	20-06590	KICKSTAND MOUNT	1
24	90-02799	CLEVIS PIN CUSTOM NOTE: Used to attach kickstand leg to mount.	1
25	20-05661	MEDIUM KICKSTAND LEG W/MAGNET	1
26	90-02837	E CLIP 0.375	1
27	90-08219	SIDESTAND SPRING OUTER STAINLESS PASSIVATED	1
28	90-07261	HEXAGON SOCKET COUNTERSUNK HEAD SCREW ISO 10642 M8X20-10.9 ZM-F-01 REV 03 ZM-L-01 REV 01	1
29	90-02879	RETAINING RING 9MM SHAFT DIN 471	1
30	20-00709	S KS SPRING IN	1
31	90-02800	BUSHING FLANGE 0.375	1
32	90-07277	HEXAGON SOCKET THIN HEAD CAP SCREW DIN 7984 M10X25-8.8 ZM-F-01 REV 03 ZM-L-01 REV 01	1
33	20-02723	CLEVIS FOOT PEG UNIVERSAL LEFT	1

34	90-02725	CLEVIS PIN CUSTOM 10MM X 45L	1
35	20-02548	FOOTPEG, LEFT	1
36	20-02727	TORSION SPRING, .678 OD .078 WIRE, CCW	1
37	<i>Not Applicable to this Bike Model</i>		
38	90-02109	HEXAGON SOCKET BUTTON HEAD CAP SCREW ISO 7380 M5X12-8.8 ZM-F-01	1
39	90-02101	WASHER ISO 7089 5-200HV ZM-F-01	1
40	20-05307	SKID PAN BRACKET	1
41	20-07073	SDS FRAME MOUNTED HORN BRACKET	1
42	90-07435	HEX SOCKET BUTTON HEAD CAP SCREW M6X20-8.8	1
43	90-02103	WASHER ISO 7089 6-200HV ZM-F-01	1
44	90-02103	WASHER ISO 7089 6-200HV ZM-F-01	1
45	90-02054	PREVAILING TORQUE TYPE NUT DIN 985 M6-08 ZM-F-01	1
46	26-08128	SR MAIN FRAME NOTE: Must supply VIN# and Warranty Claim# when ordering. NOTE: Also for DSR Main frame	1
47	90-07288	HEXAGON SOCKET HEAD CAP SCREW ISO 4762 M5X12-8.8 ZM-F-01 REV 03 ZM-L-01 REV 01	1
48	90-02101	WASHER ISO 7089 5-200HV ZM-F-01	1
49	26-08120	S ELECTRICAL PANEL	1
50	90-07288	HEXAGON SOCKET HEAD CAP SCREW ISO 4762 M5X12-8.8 ZM-F-01 REV 03 ZM-L-01 REV 01	1
51	90-02101	WASHER ISO 7089 5-200HV ZM-F-01	1



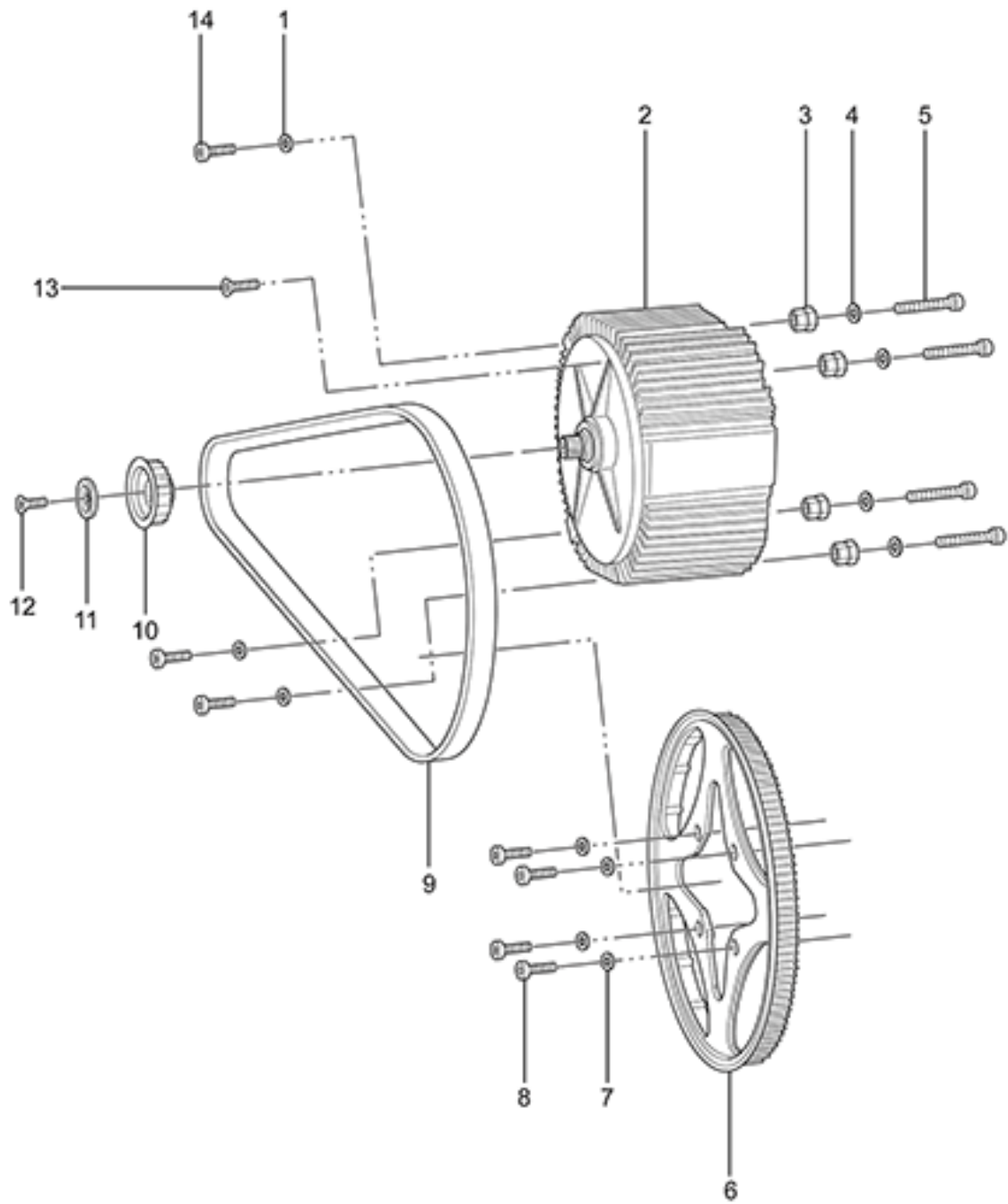
ZEV0049 - Frame(Right)





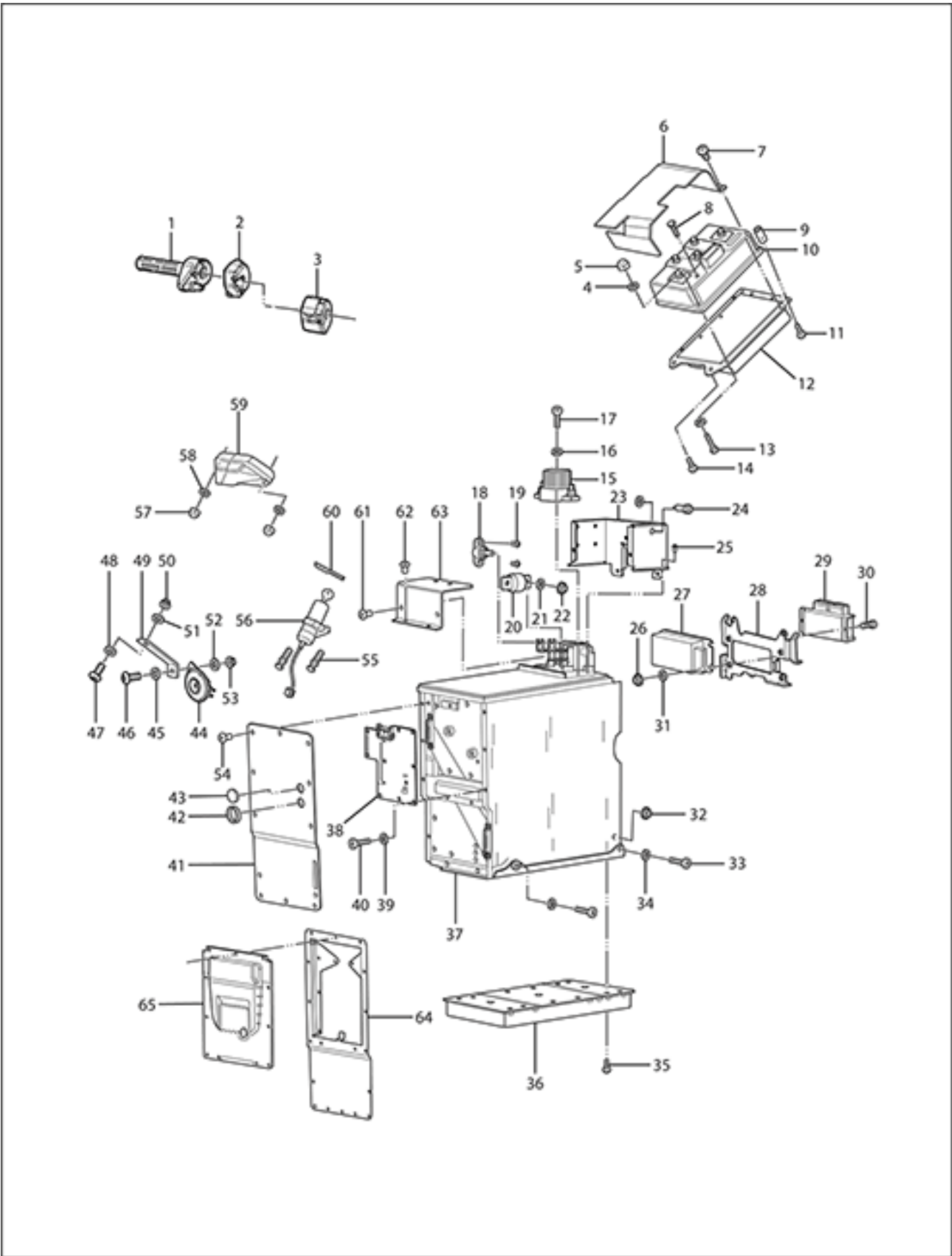
## ZEV0049 - Frame(Right)

Callout	Part Number	Part Name	Qty. per Motorcycle
1	90-02725	CLEVIS PIN CUSTOM 10MM X 45L	1
2	90-07284	HEX FLANGE BOLT M8X25	1
3	26-08128	SR MAIN FRAME NOTE: Must supply VIN# and Warranty Claim# when ordering. NOTE: Also for DSR Main frame	1
4	20-02549	FOOTPEG, RIGHT NOTE: Does not apply to S and SR	1
5	20-02727	TORSION SPRING, .678 OD .078 WIRE, CCW	1
6	20-02549	FOOTPEG, RIGHT NOTE: Does not apply to S and SR	1
7	90-02879	RETAINING RING 9MM SHAFT DIN 471	1
8	90-07277	HEXAGON SOCKET THIN HEAD CAP SCREW DIN 7984 M10X25-8.8 ZM-F-01 REV 03 ZM-L-01 REV 01	1
9	20-02724	CLEVIS FOOT PEG UNIVERSAL RIGHT	1
10	90-02725	CLEVIS PIN CUSTOM 10MM X 45L	1
11	25-07457	MASTER CYLINDER GUARD FOR J-JUAN MASTER CYLINDER	1
12	90-02103	WASHER ISO 7089 6-200HV ZM-F-01	1
13	90-07323	HEXAGON SOCKET BUTTON HEAD CAP SCREW ISO 7380 M6X25-8.8 ZM-F-01 REV 03 ZM-L-01 REV 01	1
14	20-04279	FOOTPEG DETENT PLATE	1
15	20-05404	FOOTPEG DETENT BALL MECHANISM	1
16	27-08038	PASSENGER FOOTPEG RIGHT SIDE	1
17	90-02879	RETAINING RING 9MM SHAFT DIN 471	1
18	20-07604	SDS AND FX PASSENGER PEG BRKT R	1



ZEV0050 - Motor and Drive System

Callout	Part Number	Part Name	Qty. per Motorcycle
1	90-02104	WASHER ISO 7089 -8-200 HV ZM-F-01	1
2	30-08100	ZF75-7 R IPM MOTOR SPLINED SHAFT	1
3	20-04774	MOTOR JACK SCREW INNER	4
4	90-02104	WASHER ISO 7089 -8-200 HV ZM-F-01	4
5	90-05179	HEXAGON SOCKET HEAD CAP SCREW ISO 4762 M8X60-8.8 ZM-F-01 REV 03	1
6	30-08109	WHEEL SPROCKET 90T 11MM PITCH 17MM WIDE BELT COATED	1
7	90-02104	WASHER ISO 7089 -8-200 HV ZM-F-01	1
8	90-08053	HEXALOBULAR SOCKET PAN HEAD ISO 14583 M8X30-10.9 ZM-F-01 ZM-L-02	4
9	30-08278	BELT 158T 11MM PITCH 17MM WIDE THIN WEB NOTE: Supersedes 30-08086	1
10	30-08116	MOTOR SPROCKET 20T 11MM PITCH 17MM WIDE BELT ASSEMBLED	1
11	20-05453	LOW PROFILE BELT SPROCKET MOTOR SHAFT TOPHAT	1
12	90-08108	HEXALOBULAR SOCKET COUNTERSUNK HEAD SCREW ISO 14581 M10X25-10.9 ZM-F-01 REV 03 NOTE: Motor sprocket bolt	1
13	90-08037	HEXALOBULAR (6 LOBE) SOCKET FLAT HEAD COUNTERSUNK SCREW ISO 14582 M8X30-10.9 ZM-F-01 REV 04	1
14	90-02096	MOTOR MOUNTING LEFT FRONT TOP AND LEFT FRONT BOTTOM BOLT	3



Callout	Part Number	Part Name	Qty. per Motorcycle
1	45-08039	THROTTLE BITRON HALL EFFECT PCB NOTE: Supersedes 27-08000	1
2	40-06054	KILL MODE START SWITCH	1
3	60-07780	LEFT HAND SWITCHGEAR ECIE	1
4	90-02103	WASHER ISO 7089 6-200HV ZM-F-01	1
5	90-02054	PREVAILING TORQUE TYPE NUT DIN 985 M6-08 ZM-F-01	1
6	24-08067	BODYWORK MISC #6 CONTROLLER UN-SHIELDED COVER	1
7	90-06250	CONTROLLER FORMEX PAN HEAD PHILLIPS #6 SHEET METAL SCREW	1
8	90-07063	CONTROLLER LEAD BOLTS M8X16	1
9	<i>Not Applicable to this Bike Model</i>		
10	60-07010	CONTROLLER, SIZE 6 GEN 4.5 SEVCON NOTE: Please provide VIN#, Technical Case # or Warranty Claim # at time of order.	1
11	<i>Not Applicable to this Bike Model</i>		
12	20-06699	HEATSINK #4 CONTROLLER SDS	1
13	90-03251	HEXAGON SOCKET HEAD CAP SCREW ISO 4762 M6X30-8.8 ZM-F-01	1
14	90-07268	HEXAGON SOCKET HEAD CAP SCREW ISO 4762 M8X25-10.9 ZM-F-01 REV 03 ZM-L-01 REV 01	1
15	45-08099	ELECTRICAL COMPONENT EVC135 CONTACTOR NOTE: Modular contactor	1
16	90-02101	WASHER ISO 7089 5-200HV ZM-F-01	1
17	90-07129	HEXAGON SOCKET BUTTON HEAD SCREW ISO 7380 M5X30-8.8 ZM-F-01 ZM-L-02	1
18	45-08058	JUNCTION POST SMALL TRIMMED	1
19	<i>Not Applicable to this Bike Model</i>		
20	45-05224	FUSE 300A 160VDC CLASS T	1
21	90-02100	WASHER ISO 7089 10-200 HV ZM-F-01	1
22	45-05240	FUSE NUT INTERNAL	1
23	PA-210	CONTACTOR COVER	1
24	PA-225	LV FUSE HOLDER	1
25	PA-225	LV FUSE HOLDER	1
26	90-02054	PREVAILING TORQUE TYPE NUT DIN 985 M6-08 ZM-F-01	1
27	60-07190	DC-DC CONV 500W SEVCON 622-11211 ABS UNITS	1
28	26-08120	S ELECTRICAL PANEL	1
29	40-08080	MBB 11KW	1
29	40-08145	ASSY MBB POTTED GEN2 STEP E NOTE: Please provide VIN, Case or Claim Number when ordering to ensure proper programming. NOTE: Supersedes 40-08071.	1

30	90-02515	HEXAGON SOCKET HEAD CAP SCREW ISO 4762 M4X12-8.8 ZM-F-01 REV 03	1
31	90-02103	WASHER ISO 7089 6-200HV ZM-F-01	1
32	90-03236	PREVAILING TORQUE TYPE NUT DIN 985 M8-10 ZM-F-01	1
33	90-02098	HEXAGON SOCKET HEAD CAP SCREW ISO 4762 M8X40-8.8 ZM-F-01 REV 02	1
34	90-02104	WASHER ISO 7089 -8-200 HV ZM-F-01	1
35	90-07126	HEXAGON SOCKET HEAD CAP SCREW ISO 4762 M4X8-8.8 ZM-F-01 REV 03 ZM-L-02 REV 01	1
36	45-08253	ONBOARD CHARGER 1300W NOTE: Current design includes additional ferrite. Please contact Zero Motorcycles Service Team if you need additional guidance on routing. NOTE: Supersedes 45-08123 and 45-08234.	1
37	46-08227	ASSEMBLY BATTERY MONOLITH ZF14.4 NOTE: Motorcycle VIN#, Case# or Claim# must be provided when ordering NOTE: 2014 - FOR INSTALLING IN 2014 MODELS, INCLUDE 12-08080 IN THE ORDER. IN CASE OF THE BIKE HAVING A POWER TANK, ALSO INCLUDE 12-08011 NOTE: 2013 -FOR INSTALLING IN 2013 MODELS, INCLUDE TO ORDER 12-08057	1
38	40-08069	BMS PCB ASSY LONG BRICK POTTED 17MY IMPL NOTE: PLEASE INCLUDE CASE#, VIN# OF BIKE AND BATTERY SERIAL # FOR PROGRAMMING PURPOSES	1
39	90-02102	WASHER ISO 7089 4-200HV ZM-F-01	1
40	90-07127	HEXAGON SOCKET HEAD CAP SCREW ISO 4762 M4X5-8.8 ZM-F-01 REV 03 ZM-L-02 REV 01	1
41	46-08097	MONOLITH BMS COVER	1
42	<i>Not Applicable to this Bike Model</i>		
43	81-08070	BMS COVER PLUG, 22MM PANEL HOLE SIZE, 0.8MM-2MM PANEL THICKNESS	1
44	45-06774	DISC HORN K70/H12 V WITH BLACK ZINC	1
45	90-02104	WASHER ISO 7089 -8-200 HV ZM-F-01	1
46	90-02128	HEXAGON SOCKET BUTTON HEAD CAP SCREW ISO 7380 M8X20-8.8 ZM-F-01 REV 03	1
47	90-07435	HEX SOCKET BUTTON HEAD CAP SCREW M6X20-8.8	1
48	90-02103	WASHER ISO 7089 6-200HV ZM-F-01	1
49	20-07073	SDS FRAME MOUNTED HORN BRACKET	1
50	90-02054	PREVAILING TORQUE TYPE NUT DIN 985 M6-08 ZM-F-01	1
51	90-02103	WASHER ISO 7089 6-200HV ZM-F-01	1
52	90-02104	WASHER ISO 7089 -8-200 HV ZM-F-01	1
53	90-03236	PREVAILING TORQUE TYPE NUT DIN 985 M8-10 ZM-F-01	1
54	<i>Not Applicable to this Bike Model</i>		
55	90-02937	M8X14MM BREAK AWAY HEX BOLT NOTE: One Time Use Bolt	1

56	45-02692	KEYSWITCH LOCK ZADI, IGNITION SWITCH NOTE: This part is the ignition switch and keys only. If you want a matching helmet lock for 16MY motorcycles and older, please order p/n 20-05202. If you want the key switch and a lock for a tank trunk, please order 27-08030. If you want a ignition and matching locks for tank trunk and storage trunks, please order part number 27-08044.	1
57	90-02054	PREVAILING TORQUE TYPE NUT DIN 985 M6-08 ZM-F-01	1
58	90-02103	WASHER ISO 7089 6-200HV ZM-F-01	1
59	40-08156	DASH LCD NOTE: Supersedes 40-08119	1
60	20-07062	SDS TRIPLE CLAMP HARNESS SUPPORT	1
61	90-07124	HEXAGON SOCKET BUTTON HEAD SCREW ISO 7380 M5X6-8.8	1
62	90-07124	HEXAGON SOCKET BUTTON HEAD SCREW ISO 7380 M5X6-8.8	1
63	46-08045	BATTERY CASE CONT COVER FRONT 15MY IMPL	1
64	46-08070	BATTERY CASE SDS FRONT MY17 IMPL	1
65	46-08097	MONOLITH BMS COVER	1