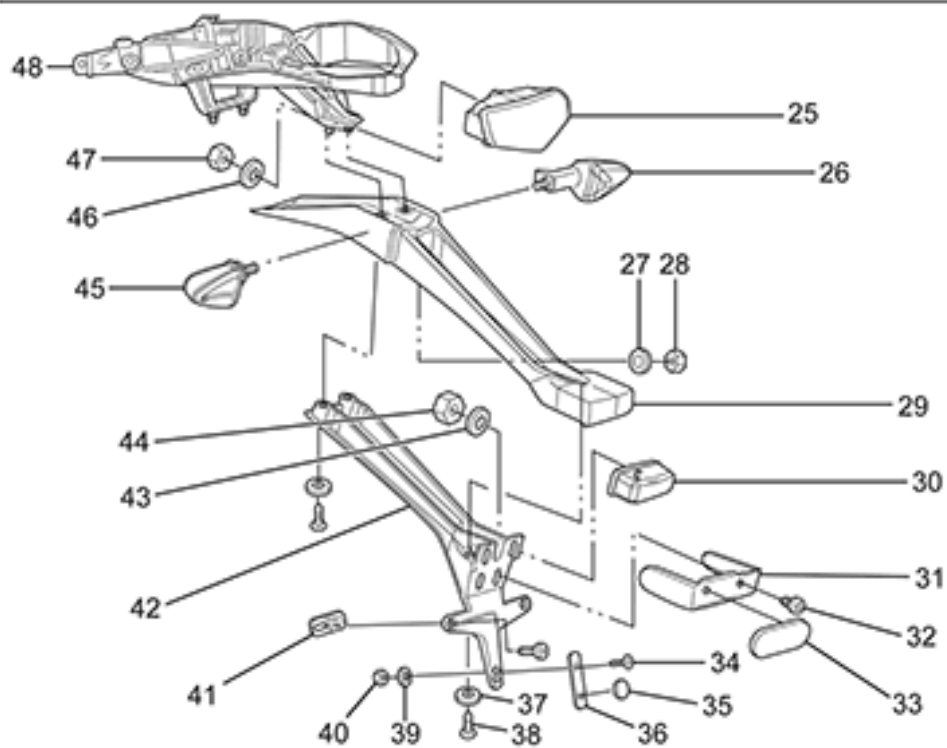
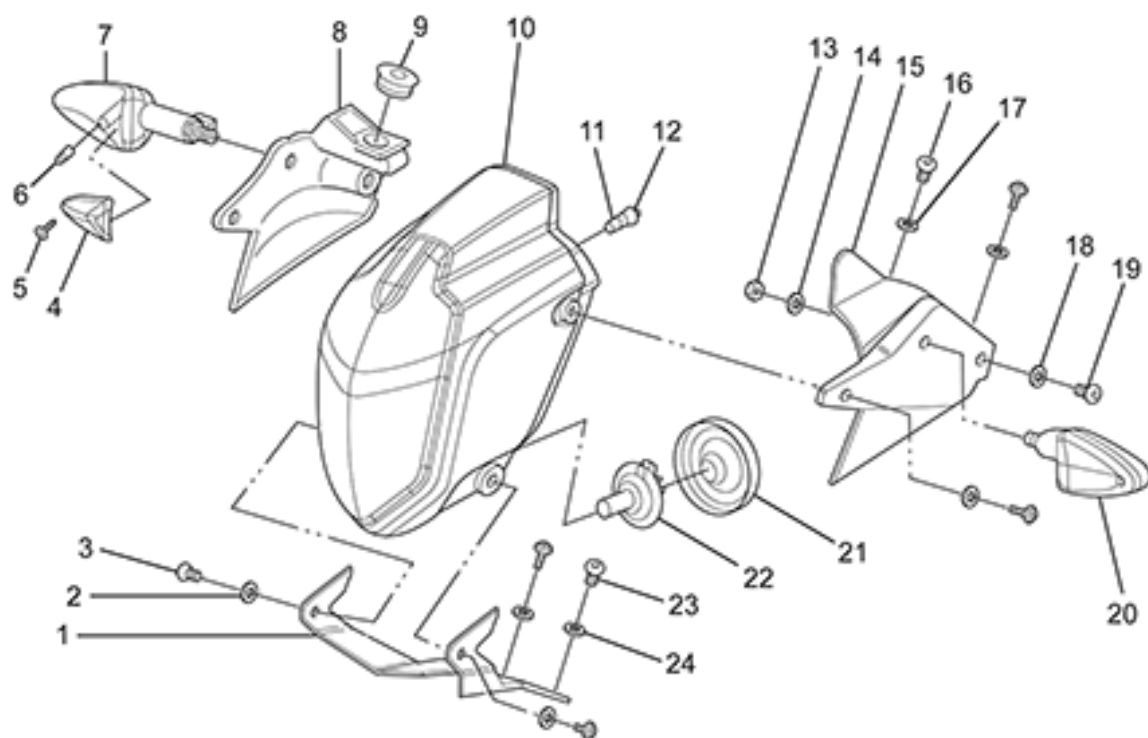


Zero Motocycles
SR 2017 Exploded Views

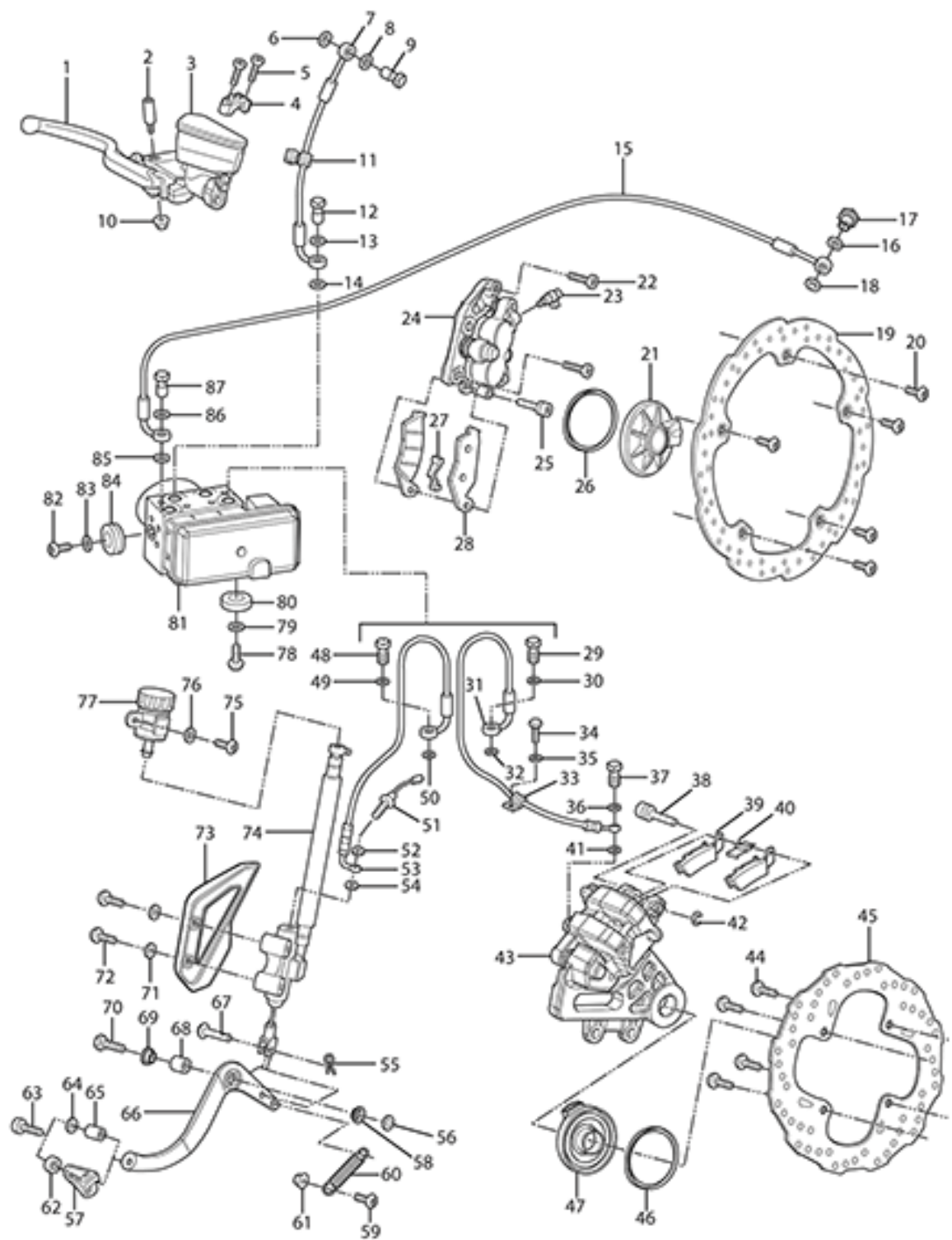
ZEV0031 - Lighting



ZEV0031 - Lighting

Callout	Part Number	Part Name	Qty. per Motorcycle
1	20-05910	HEADLIGHT BRACKET	1
2	90-02101	WASHER ISO 7089 5-200HV ZM-F-01	4
3	90-07281	HEXAGON SOCKET BUTTON HEAD SCREWS ISO 7380 M6X12-8.8 ZM-F-01 REV 03 ZM-L-01 REV 01	1
4	PA-335	TURN SIGNAL LENS	1
5	PA-336	TURN SIGNAL LENS SCREW	1
6	65-08016	TURN SIGNAL BULB 12v ry 10w	1
7	65-03462	TURN SIGNAL FR-RH RR-LH	1
8	24-08091	HEADLIGHT MOUNT RIGHT FOR ABS	1
9	27-08034	12V ACCESSORY COVER, SMALL	1
10	45-03679	HEADLIGHT ASSY, 60/55W, TRIOM	1
11	65-08016	TURN SIGNAL BULB 12v ry 10w	1
12	PA-337	RUNNING LAMP BULB SOCKET/HARNESS	1
13	90-02072	HEXAGON THIN NUT DIN 439-B M10 1.5-04 ZM-F-01	2
14	90-02043	TOOTHED LOCK WASHER WITH EXTERNAL TEETH DIN 6797 A M10-B85 ZM-F-01	2
15	24-08092	HEADLIGHT MOUNT LEFT FOR ABS	1
16	90-04084	HEXAGON SOCKET BUTTON HEAD CAP SCREW ISO 7380 M5X16-8.8 ZM-F-11 REV 03	4
17	90-04085	WASHER M5 X 11 X 1 NYLON 6/6 BLACK	4
18	90-04085	WASHER M5 X 11 X 1 NYLON 6/6 BLACK	4
19	90-04084	HEXAGON SOCKET BUTTON HEAD CAP SCREW ISO 7380 M5X16-8.8 ZM-F-11 REV 03	4
20	65-03463	TURN SIGNAL FR-LH RR-RH	1
21	PA-338	HEADLAMP BULB SEAL	1
22	65-08002	SDS HEADLIGHT BULB	1
23	90-07281	HEXAGON SOCKET BUTTON HEAD SCREWS ISO 7380 M6X12-8.8 ZM-F-01 REV 03 ZM-L-01 REV 01	2
24	90-02101	WASHER ISO 7089 5-200HV ZM-F-01	4
25	65-04459	LED TAIL LIGHT TRIOM	1
26	65-03463	TURN SIGNAL FR-LH RR-RH	1
27	90-02043	TOOTHED LOCK WASHER WITH EXTERNAL TEETH DIN 6797 A M10-B85 ZM-F-01	2
28	90-02072	HEXAGON THIN NUT DIN 439-B M10 1.5-04 ZM-F-01	2
29	24-04439	SDS TAIL POD TOP NOTE: Top half only. Order bottom half PN: 24-05158	1
30	65-04460	LICENSE PLATE LIGHT	1
31	24-05159	REFLECTOR MOUNT BRACKET	1
32	90-05885	PHILIPS HEAD SHEET METAL SCREW 6 X 1/2	10
33	20-03487	REFLECTOR, OVAL, ADH BACK, RED ECIE	1

34	90-05244	HEXAGON SOCKET COUNTERSUNK HEAD SCREW ISO 10642 M5X12-10.9 ZM-F-01 REV 03	4
35	20-05241	LICENSE PLATE BUMPER	1
36	24-05292	LICENSE PLATE BRACKET EXTENSION LOWER NOTE: ONLY USED IN EU/AUS REGION	1
37	90-02103	WASHER ISO 7089 6-200HV ZM-F-01	10
38	90-07281	HEXAGON SOCKET BUTTON HEAD SCREWS ISO 7380 M6X12-8.8 ZM-F-01 REV 03 ZM-L-01 REV 01	2
39	90-04085	WASHER M5 X 11 X 1 NYLON 6/6 BLACK	4
40	90-02053	PREVAILING TORQUE TYPE NUT DIN 985 M5-08 ZM-F-01 REV 02	8
41	24-05161	LICENSE PLATE BRACKET EXTENSIONS NOTE: ONLY USED IN EU/AUS REGIONS	2
42	24-05158	SDS TAIL POD BOTTOM NOTE: Bottom half only. Order top half PN: 24-04439	1
43	90-07389	TOOTHED LOCK WASHER WITH EXTERNAL TEETH DIN 6797 A M5 ZM-F-01	4
44	90-02053	PREVAILING TORQUE TYPE NUT DIN 985 M5-08 ZM-F-01 REV 02	8
45	65-03462	TURN SIGNAL FR-RH RR-LH	1
46	90-02103	WASHER ISO 7089 6-200HV ZM-F-01	10
47	90-02054	PREVAILING TORQUE TYPE NUT DIN 985 M6-08 ZM-F-01	4
48	20-05883	SR TAIL FRAME	1

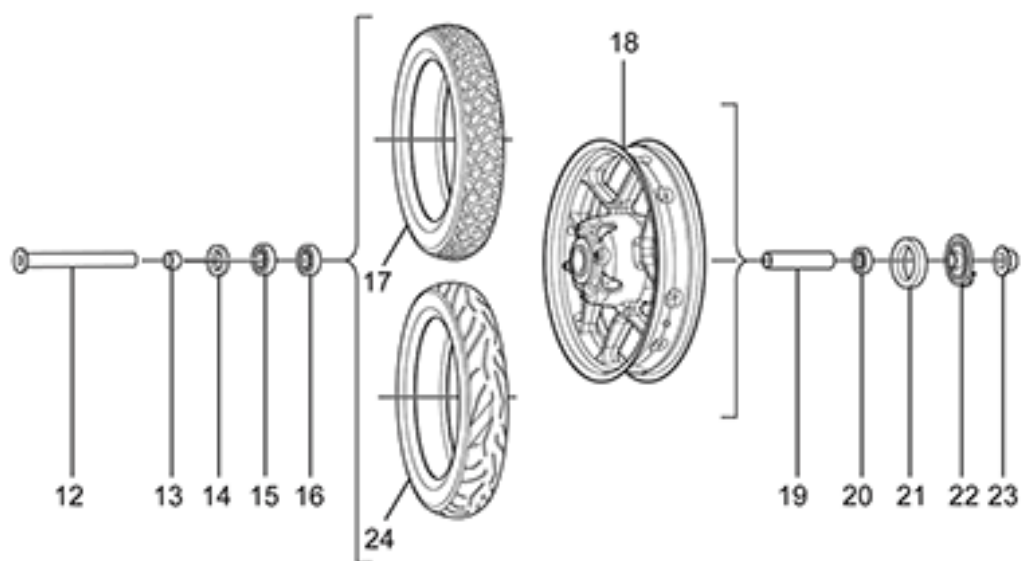
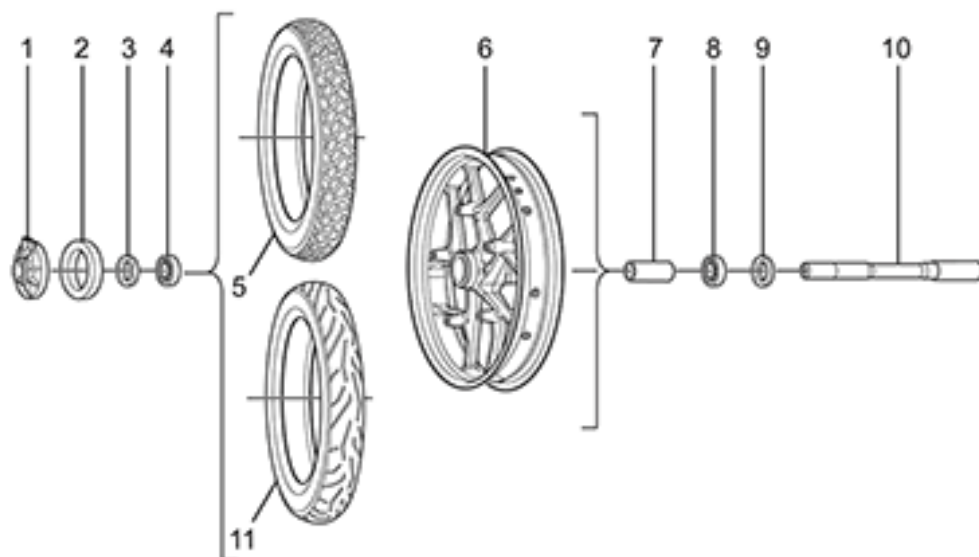


ZEV0032 - Braking

Callout	Part Number	Part Name	Qty. per Motorcycle
1	25-08032	SDS BRAKE JJUAN LEVER NOTE: Superseded by 25-08199	1
2	PA-177	BRAKE LEVER PIVOT BOLT	1
3	25-07682	JJUAN 12.7MM FRONT MASTER CYLINDER SDS/FXS	1
3	25-08035	JJUAN FRONT MC RESERVOIR CAP SERVICE KIT SDS	1
3	25-08044	FRONT MASTER CYLINDER BRAKE LIGHT SWITCH SDS	1
3	25-08051	JJUAN CALIPER/MASTER CYLINDER BLEED SCREW SDS/XMX	1
3	25-08061	JJUAN FRONT MASTER CYLINDER PISTON KIT SDS	1
3	25-08042	JJUAN FRONT MASTER CYLINDER CIRCLIP SDS/XMX	1
4	25-08064	FRONT MASTER CYLINDER CLAMP KIT NOTE: SDS/XMX NOTE: Mount and Bolts NOTE: Upper Mirror Mount RH	1
5	PA-178	MIRROR POST BOLT 6M X 20	1
6	PA-128	BANJO GASKET	1
7	25-07824	SDS FRONT BRAKE LINE MC TO HCU	1
8	PA-128	BANJO GASKET	1
9	PA-237	MASTER CYLINDER BANJO BOLT	1
10	PA-130	BRAKE LEVER PIVOT BOLT NUT	1
11	25-08023	BRAKE LINE/WHEEL SPEED SENSOR WIRE DOUBLE C CLIP	1
12	PA-180	BANJO BOLT	1
13	PA-128	BANJO GASKET	1
14	PA-128	BANJO GASKET	1
15	25-07825	S FRONT BRAKE LINE HCU TO CALIPER	1
16	PA-128	BANJO GASKET	1
17	PA-181	BANJO BOLT	1
18	PA-128	BANJO GASKET	1
19	25-07702	BRAKE ROTOR 320MM FIXED NOTE: REPLACED BY 25-08169	1
20	90-07833	CUSTOM ROTOR BOLT M8X23MM SHOULDER SCREW	1
21	45-07496	MPI WHEEL SPEED SENSOR	1
22	90-08029	HEXAGON HEAD SCREW ISO 4762 M10-1.25X40-10.9 ZM-F-01 REV03 ZM-L-01 REV01	1
23	PA-182	BLEEDER VALVE	1
24	25-07686	JJUAN 32/30MM FRONT CALIPER SDS	1
25	90-08029	HEXAGON HEAD SCREW ISO 4762 M10-1.25X40-10.9 ZM-F-01 REV03 ZM-L-01 REV01	1
26	25-08080	ABS MAGNET RING	1
27	PA-183	ANTI RATTLE CLIP	1

28	25-08029	BRAKE PADS SET FRONT SDS	1
29	PA-185	BANJO BOLT	1
30	PA-128	BANJO GASKET	1
31	25-08093	SDS REAR BRAKE LINE HCU TO CALIPER NOTE: Supersedes part number 25-07821.	1
32	PA-128	BANJO GASKET	1
33	20-01758	LOOP CLAMP NYLON 3/4" BLK	1
34	90-07292	HEXAGON SOCKET BUTTON HEAD CAP SCREW ISO 7380 M5X16-8.8 ZM-F-11 REV 01 ZM-L-01 REV 01 NOTE: Does not apply to DS	1
35	90-02105	WASHER ISO 7093-1 6-200 HV ZM-F-01	1
36	PA-128	BANJO GASKET	1
37	PA-186	BANJO BOLT AT REAR CALIPER	1
38	PA-187	CALIPER SLIDE BOLT	1
39	25-08030	BRAKE PAD SET SDS REAR	1
40	PA-189	ANTI RATTLE CLIP	1
41	PA-128	BANJO GASKET	1
42	PA-190	CALIPER SLIDE BOLT CLIP	1
43	25-08099	JJUAN 34MM REAR CALIPER NOTE: Old Part P/N: 25-08083	1
44	90-07516	REAR BRAKE ROTOR BOLT NOTE: Supersedes 90-08015.	1
45	25-08170	BRAKE ROTOR 240MM REAR	1
46	25-08080	ABS MAGNET RING	1
47	45-07496	MPI WHEEL SPEED SENSOR	1
48	PA-191	BANJO BOLT AT HCU	1
49	PA-128	BANJO GASKET	1
50	PA-128	BANJO GASKET	1
51	25-08039	REAR STOP LAMP SWITCH	1
52	PA-128	BANJO GASKET	1
53	25-07820	SDS REAR BRAKE LINE MC TO HCU	1
54	PA-128	BANJO GASKET	1
55	90-02133	1/4 X 3/4 CLEVIS PIN STEEL ZINC	1
56	90-02100	WASHER ISO 7089 10-200 HV ZM-F-01	1
57	<i>Not Applicable to this Bike Model</i>		
58	20-02465	IGLIDE BEARING GFM-1416-06	1
59	90-07323	HEXAGON SOCKET BUTTON HEAD CAP SCREW ISO 7380 M6X25-8.8 ZM-F-01 REV 03 ZM-L-01 REV 01	1
60	25-08070	BRAKE PEDAL SPRING	1
61	90-02054	PREVAILING TORQUE TYPE NUT DIN 985 M6-08 ZM-F-01	1
62	<i>Not Applicable to this Bike Model</i>		
63	90-07265	HEXAGON SOCKET HEAD CAP SCREW ISO 4762 M6X20-8.8 ZM-F-01 REV 03 ZM-L-01 REV 01	1
64	90-02103	WASHER ISO 7089 6-200HV ZM-F-01	1
65	25-08073	BRAKE PEDAL STREET PEG	1

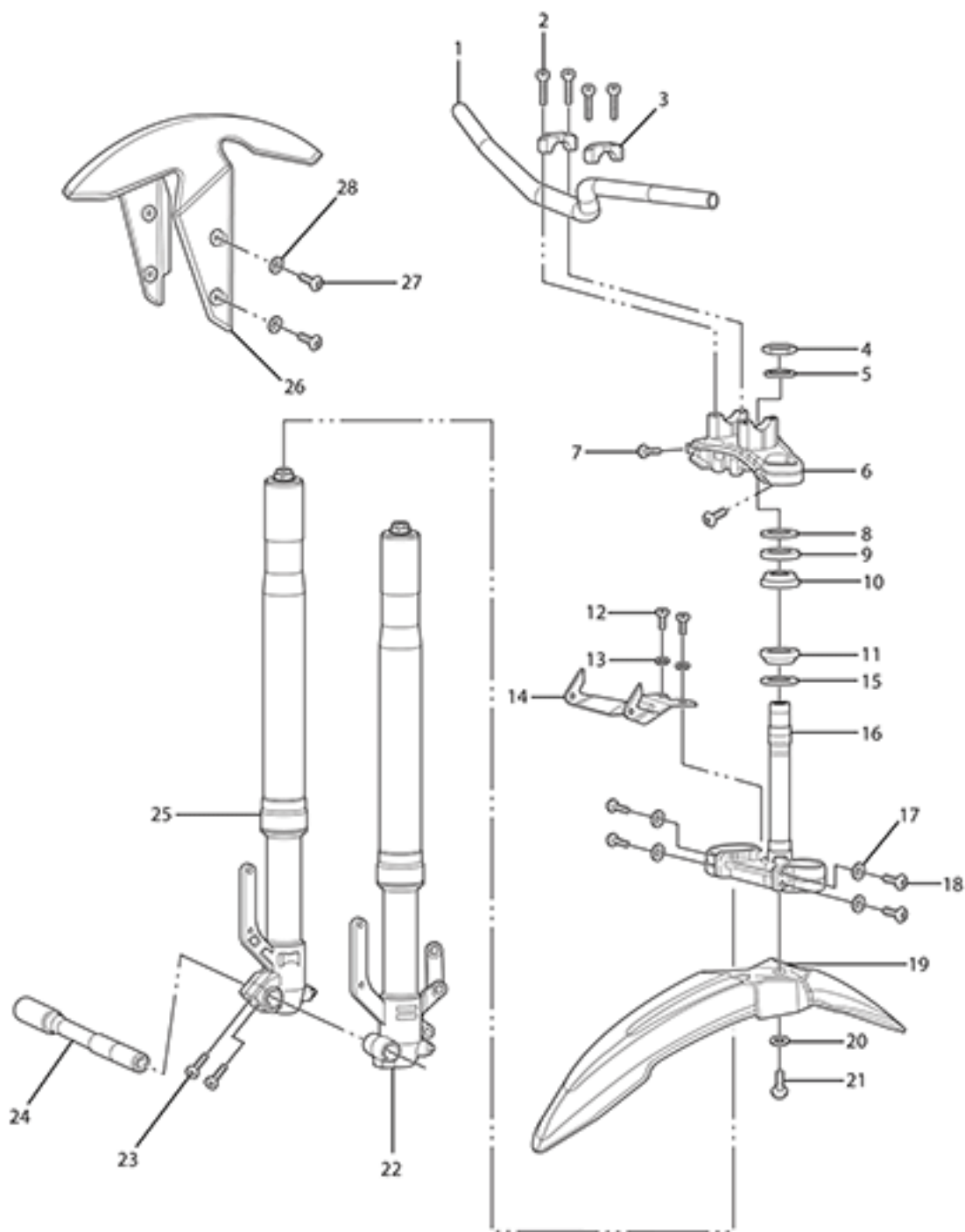
		BRAKE PEDAL BASE	
66	25-08071	NOTE: Brake Pedal Off Road Peg - 25-08072 - sold seperately NOTE: Brake Pedal Street Peg - 25-08073 - sold seperately	1
67	90-02133	1/4 X 3/4 CLEVIS PIN STEEL ZINC	1
68	20-02455	X BRAKE PEDAL SPACER	1
69	20-02465	IGLIDE BEARING GFM-1416-06	1
70	90-07318	HEXAGON FLANGE BOLT DIN 6921 M10X35 10.9 ZM-F-01 REV 03 ZM-L-01 REV 01	1
71	90-02103	WASHER ISO 7089 6-200HV ZM-F-01	1
72	90-07323	HEXAGON SOCKET BUTTON HEAD CAP SCREW ISO 7380 M6X25-8.8 ZM-F-01 REV 03 ZM-L-01 REV 01	1
73	25-07457	MASTER CYLINDER GUARD FOR J-JUAN MASTER CYLINDER	1
74	25-08015	JJUAN 12MM REAR MASTER CYLINDER SDS	1
74	25-08037	JJUAN REAR MC PUSHROD SERVICE KIT SDS/XMX	1
74	25-08040	JJUAN REAR MC RESERVOIR HOSE SERVICE KIT SDS	1
74	25-08062	JJUAN REAR MASTER CYLINDER PISTON KIT SDS	1
74	25-08067	JJUAN REAR MASTER CYLINDER CIRCLIP SDS/XMX	1
75	90-07323	HEXAGON SOCKET BUTTON HEAD CAP SCREW ISO 7380 M6X25-8.8 ZM-F-01 REV 03 ZM-L-01 REV 01	1
76	PA-196	WASHER	1
77	25-08036	JJUAN REAR MC RESERVOIR CAP SERVICE KIT SDS/XMX	1
78	90-07273	HEXAGON SOCKET BUTTON HEAD CAP SCREW ISO 7380 M6X16-8.8 ZM-F-01 REV 03 ZM-L-01 REV 01	1
79	90-02105	WASHER ISO 7093-1 6-200 HV ZM-F-01	1
80	90-08027	GROMMET VIBRATION ISOLATION M6	1
81	25-08092	BOSCH ABS HCU FLUID FILLED 6 PROFILE VARIANTS NOTE: Supersedes part number 25-08081 and 25-08082.	1
82	90-07273	HEXAGON SOCKET BUTTON HEAD CAP SCREW ISO 7380 M6X16-8.8 ZM-F-01 REV 03 ZM-L-01 REV 01	1
83	90-02105	WASHER ISO 7093-1 6-200 HV ZM-F-01	1
84	90-08027	GROMMET VIBRATION ISOLATION M6	1
85	PA-128	BANJO GASKET	1
86	PA-128	BANJO GASKET	1
87	PA-185	BANJO BOLT	1



ZEV0033 - Wheel Assy

Callout	Part Number	Part Name	Qty. per Motorcycle
1	45-07496	MPI WHEEL SPEED SENSOR	1
2	25-08080	ABS MAGNET RING	1
3	23-07774	6204 BEARING DUST SEAL	2
4	20-06138	BEARING 6204 NOTE: Bearing used as swing arm bearing in some models and as the wheel bearing (qty of 5; 2 in front and three in rear wheel) in 2015 and later models. NOTE: Manufacturer part number is 6204-2RS	2
5	<i>Not Applicable to this Bike Model</i>		
6	23-08065-4	3.00X17 FRONT CAST WHEEL ASSY SILVER BLACK	1
7	23-07775	FRONT WHEEL BEARING TUBE	1
8	20-06138	BEARING 6204 NOTE: Bearing used as swing arm bearing in some models and as the wheel bearing (qty of 5; 2 in front and three in rear wheel) in 2015 and later models. NOTE: Manufacturer part number is 6204-2RS	2
9	23-07774	6204 BEARING DUST SEAL	2
10	23-07491	HOLLOW AXLE FRONT	1
11	23-07668	PIRELLI DIABLO ROSSO II, 110/70R17 M/C 54H	1
12	23-08032	REAR AXLE 20MM HOLLOW, ROUNDED END	1
13	23-07489	WHEEL SPACER DRIVE SIDE REAR	1
14	23-07774	6204 BEARING DUST SEAL	2
15	20-06138	BEARING 6204 NOTE: Bearing used as swing arm bearing in some models and as the wheel bearing (qty of 5; 2 in front and three in rear wheel) in 2015 and later models. NOTE: Manufacturer part number is 6204-2RS	2
16	20-06138	BEARING 6204 NOTE: Bearing used as swing arm bearing in some models and as the wheel bearing (qty of 5; 2 in front and three in rear wheel) in 2015 and later models. NOTE: Manufacturer part number is 6204-2RS	2
17	<i>Not Applicable to this Bike Model</i>		
18	23-08056-4	WHEEL 3.50X17 SDS REAR CAST WHEEL ASSY 16MY IMPL BLACK-SILVER C	1
19	23-07776	REAR WHEEL BEARING TUBE 15MY	1
20	20-06138	BEARING 6204 NOTE: Bearing used as swing arm bearing in some models and as the wheel bearing (qty of 5; 2 in front and three in rear wheel) in 2015 and later models. NOTE: Manufacturer part number is 6204-2RS	2

21	25-08080	ABS MAGNET RING	1
22	45-07496	MPI WHEEL SPEED SENSOR	1
23	90-05678	U-NUT M20X1.5 FLANGE 27S 15H NOTE: Rear Axle Nut	1
24	23-07669	PIRELLI DIABLO ROSSO II, 140/70R17 M/C 66H	1

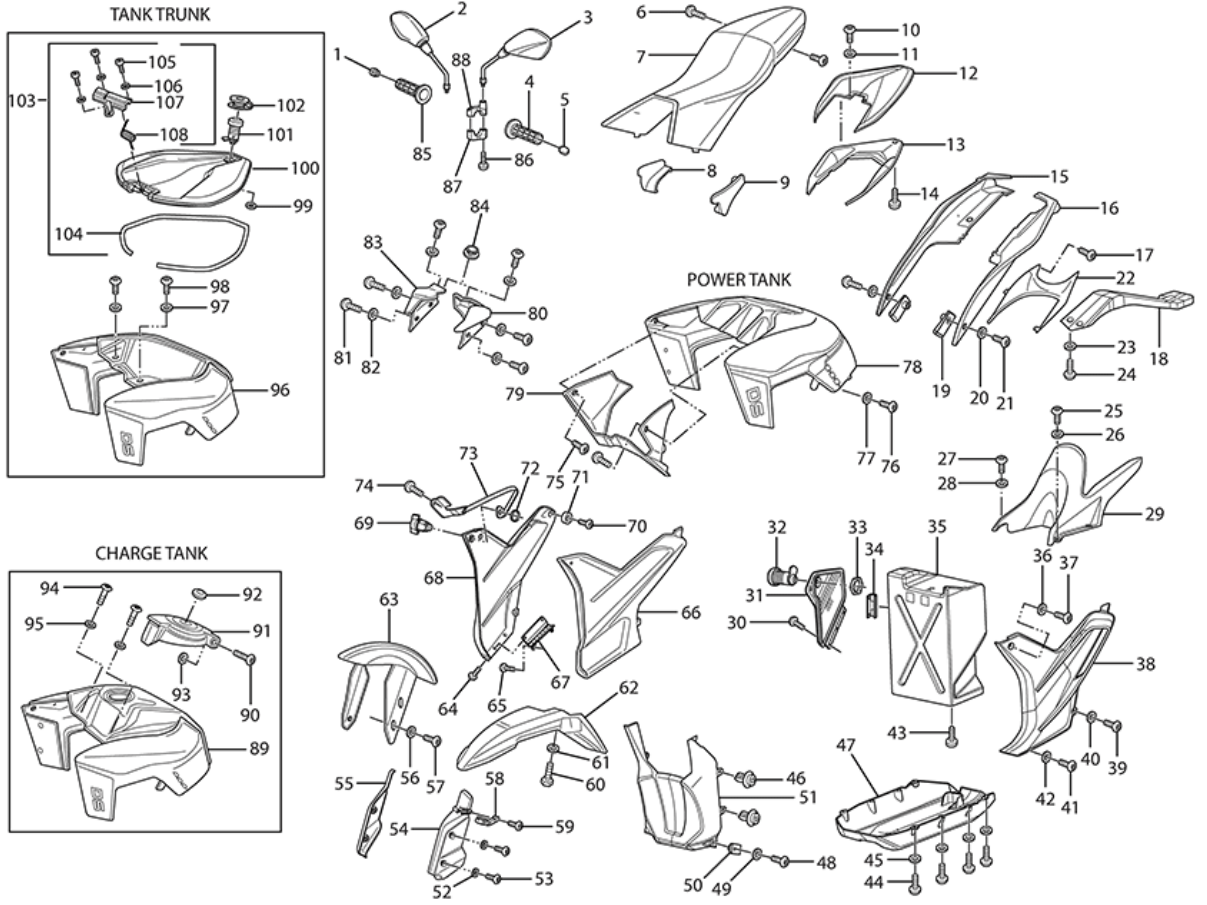


ZEV0034 - Steering Systems

Callout	Part Number	Part Name	Qty. per Motorcycle
1	27-08150	SPORT HANDLEBAR NO LOGO NOTE: Supersedes part number 27-08049.	1
2	90-02096	MOTOR MOUNTING LEFT FRONT TOP AND LEFT FRONT BOTTOM BOLT	1
3	22-00687	S HANDLEBAR CLAMP	1
4	22-06279	STEERING STEM THIN NUT M27 X 1.5 X 8MM	1
5	20-06278	WASHER 41 - 27.5 X 2 MM	1
6	22-07622	SDS UPPER TRIPLE CLAMP 15MY IMP	1
7	90-02094	HEXAGON SOCKET HEAD CAP SCREW ISO 4762 M8X25-10.9 ZM-F-01 REV 03	1
8	22-06257	STEERING STEM LOCK NUT M 30 X1.5 MM	1
9	81-08045	BEARING LIP SEAL OVERMOLDED 55MM OD NOTE: Supersedes part 20-06113	1
10	20-06068	STEERING HEAD BEARING KOYO SAC3055-1	1
11	20-06068	STEERING HEAD BEARING KOYO SAC3055-1	1
12	90-02109	HEXAGON SOCKET BUTTON HEAD CAP SCREW ISO 7380 M5X12-8.8 ZM-F-01	1
13	90-02101	WASHER ISO 7089 5-200HV ZM-F-01	1
14	20-05910	HEADLIGHT BRACKET	1
15	81-08045	BEARING LIP SEAL OVERMOLDED 55MM OD NOTE: Supersedes part 20-06113	1
16	22-08092	SDS LOWER TRIPLE CLAMP ASSY NOTE: REPLACES 25-08082	1
17	90-02104	WASHER ISO 7089 -8-200 HV ZM-F-01	1
18	90-02094	HEXAGON SOCKET HEAD CAP SCREW ISO 4762 M8X25-10.9 ZM-F-01 REV 03	1
19	<i>Not Applicable to this Bike Model</i>		
20	<i>Not Applicable to this Bike Model</i>		
21	<i>Not Applicable to this Bike Model</i>		
22	22-08046	S FORK 41MM LEFT NOTE: Please provide last five digits of VIN NOTE: NOTE: 2015-2016 [Zero S and Zero SR] please confirm matching set, 22-08047 (S FORK 41MM RIGHT) and 22-08046 (S FORK 41MM LEFT).	1
23	90-07269	HEXAGON SOCKET HEAD CAP SCREW ISO 4762 M8X30-10.9 ZM-F-01 REV 03 ZM-L-01 REV 01	1
24	23-07491	HOLLOW AXLE FRONT	1
25	22-08047	S FORK 41MM RIGHT NOTE: Please provide last five digits of VIN NOTE: NOTE: 2015-2016 [Zero S and Zero SR] please confirm matching set, 22-08047 (S FORK 41MM RIGHT) and 22-08046 (S FORK 41MM LEFT).	1

26	24-08093-10 24-08093-11 24-08093-13 24-08093-9	Option #1: YELLOW Option #2: WHITE Option #3: BLACK Option #4: RED	1 1 1 1
27	90-07292	HEXAGON SOCKET BUTTON HEAD CAP SCREW ISO 7380 M5X16-8.8 ZM-F-11 REV 01 ZM-L-01 REV 01 NOTE: Does not apply to DS	1
28	90-04085	WASHER M5 X 11 X 1 NYLON 6/6 BLACK	1

ZEV0035 - Body Trim



ZEV0035 - Body Trim

Callout	Part Number	Part Name	Qty. per Motorcycle
1	27-08002	HANDLEBAR END CAP	1
2	27-08057	MIRROR RH	1
3	27-08056	MIRROR LH	1
4	27-08083	HAND GRIP NON-THROTTLE SIDE NOTE: Grip does not have Zero logo. Order with 27-08082 if you want a matching pair. NOTE: Supersedes p/n 27-08007.	1
5	27-08002	HANDLEBAR END CAP	1
6	90-08005	SEAT BOLT M8X55 NOTE: Supersedes 90-07009.	1
7	27-08025	SDS SEAT ASSEMBLY MY15 NOTE: replaces 24-04854	1
8	24-08132	SEAT GAP FILLER RIGHT	1
9	24-08133	SEAT GAP FILLER LEFT	1
10	90-04716	HEXAGON SOCKET HEAD CAP SCREW ISO 4762 M4X8-8.8	1
11	90-02102	WASHER ISO 7089 4-200HV ZM-F-01	1
12	24-08098-25	Option #1: QUICKSAND	1
	24-08098-10	Option #2: YELLOW	1
	24-08098-17	Option #3: METALLIC BLACK	1
	24-08098-14	Option #4: GRAPHITE	1
	24-08098-19	Option #5: SATIN GREEN	1
	24-08098-18	Option #6: PEARLESCENT WHITE	1
	24-08098-9	Option #7: RED	1
	24-08098-16	Option #8: SATIN SILVER	1
	24-08098-13	Option #9: BLACK	1
	24-08098-12	Option #10: ORANGE	1
	24-08098-11	Option #11: WHITE	1
	24-08098-24	Option #12: JET BLACK	1
	24-08098-26	Option #13: METALLIC CHOCOLATE	1
13	24-08099-16	Option #1: SATIN SILVER	1
	24-08099-13	Option #2: BLACK	1
	24-08099-18	Option #3: PEARLESCENT WHITE	1
	24-08099-11	Option #4: WHITE	1
	24-08099-10	Option #5: YELLOW	1
	24-08099-25	Option #6: QUICKSAND	1
	24-08099-19	Option #7: SATIN GREEN	1
	24-08099-14	Option #8: GRAPHITE	1
	24-08099-12	Option #9: ORANGE	1
	24-08099-9	Option #10: RED	1
	24-08099-17	Option #11: METALLIC BLACK	1
	24-08099-24	Option #12: JET BLACK	1
	24-08099-26	Option #13: METALLIC CHOCOLATE	1

14	90-05885	PHILIPS HEAD SHEET METAL SCREW 6 X 1/2	1
15	24-08080	TRUNK PAN RIGHT COMPRESSION ADJUSTER TRIMMED SR	1
16	24-05889	TRUNK PAN LEFT FOR SIZE 6 CONTROLLER	1
17	20-03066	RIVET PUSH PUSH NYLON M6	1
18	24-04439	SDS TAIL POD TOP NOTE: Top half only. Order bottom half PN: 24-05158	1
19	90-02139	CLIP-ON U-NUT M5X11DP	1
20	90-04085	WASHER M5 X 11 X 1 NYLON 6/6 BLACK	1
21	90-07124	HEXAGON SOCKET BUTTON HEAD SCREW ISO 7380 M5X6-8.8	1
22	24-08258	SIZE 6 CONTROLLER FILLER	1
23	90-02103	WASHER ISO 7089 6-200HV ZM-F-01	1
24	90-07281	HEXAGON SOCKET BUTTON HEAD SCREWS ISO 7380 M6X12-8.8 ZM-F-01 REV 03 ZM-L-01 REV 01	1
25	90-07124	HEXAGON SOCKET BUTTON HEAD SCREW ISO 7380 M5X6-8.8	1
26	90-04085	WASHER M5 X 11 X 1 NYLON 6/6 BLACK	1
27	90-07124	HEXAGON SOCKET BUTTON HEAD SCREW ISO 7380 M5X6-8.8	1
28	90-04085	WASHER M5 X 11 X 1 NYLON 6/6 BLACK	1
29	24-08157	REAR INNER FENDER NOTE: Supersedes part number 24-04438	1
30	<i>Not Applicable to this Bike Model</i>		
31	<i>Not Applicable to this Bike Model</i>		
32	<i>Not Applicable to this Bike Model</i>		
33	<i>Not Applicable to this Bike Model</i>		
34	<i>Not Applicable to this Bike Model</i>		
35	<i>Not Applicable to this Bike Model</i>		
36	90-04085	WASHER M5 X 11 X 1 NYLON 6/6 BLACK	1
37	90-04084	HEXAGON SOCKET BUTTON HEAD CAP SCREW ISO 7380 M5X16-8.8 ZM-F-11 REV 03	1
38	24-06684	SDS CHIN FAIRING LEFT NOTE: Please order 80-08012 DECAL/GRAPHIC/MEDALLION GRAPHIC, CRAFTED IN CALIFORNIA JEWEL separately.	1
39	90-04084	HEXAGON SOCKET BUTTON HEAD CAP SCREW ISO 7380 M5X16-8.8 ZM-F-11 REV 03	1
40	90-04085	WASHER M5 X 11 X 1 NYLON 6/6 BLACK	1
41	90-04084	HEXAGON SOCKET BUTTON HEAD CAP SCREW ISO 7380 M5X16-8.8 ZM-F-11 REV 03	1
42	90-04085	WASHER M5 X 11 X 1 NYLON 6/6 BLACK	1
43	<i>Not Applicable to this Bike Model</i>		
44	90-04084	HEXAGON SOCKET BUTTON HEAD CAP SCREW ISO 7380 M5X16-8.8 ZM-F-11 REV 03	1
45	90-04085	WASHER M5 X 11 X 1 NYLON 6/6 BLACK	1
46	<i>Not Applicable to this Bike Model</i>		

47	24-07746	STRUCTURAL PLASTIC SKID PAN	1
48	90-04084	HEXAGON SOCKET BUTTON HEAD CAP SCREW ISO 7380 M5X16-8.8 ZM-F-11 REV 03	1
49	90-04085	WASHER M5 X 11 X 1 NYLON 6/6 BLACK	1
50	90-02139	CLIP-ON U-NUT M5X11DP	1
51	24-07674	SDS STUBBY CHIN CENTER	1
52	<i>Not Applicable to this Bike Model</i>		
53	<i>Not Applicable to this Bike Model</i>		
54	<i>Not Applicable to this Bike Model</i>		
55	<i>Not Applicable to this Bike Model</i>		
56	90-04085	WASHER M5 X 11 X 1 NYLON 6/6 BLACK	0
57	90-04084	HEXAGON SOCKET BUTTON HEAD CAP SCREW ISO 7380 M5X16-8.8 ZM-F-11 REV 03	0
58	<i>Not Applicable to this Bike Model</i>		
59	<i>Not Applicable to this Bike Model</i>		
60	<i>Not Applicable to this Bike Model</i>		
61	<i>Not Applicable to this Bike Model</i>		
62	<i>Not Applicable to this Bike Model</i>		
63	24-08405-17	Option #1: PAINTED S/SR FRONT FENDER METALLIC BLACK WITH PROTECTOR FILM NOTE: Supersedes all variations of 24-08093	1
	24-08405-16	Option #2: PAINTED S/SR FRONT FENDER SATIN SILVER WITH PROTECTOR FILM NOTE: Supersedes all variations of 24-08093	1
	24-08405-11	Option #3: PAINTED S/SR FRONT FENDER WHITE #3 WITH PROTECTOR FILM NOTE: Supersedes all variations of 24-08093	1
	24-08405-13	Option #4: PAINTED S/SR FRONT FENDER BLACK #3 WITH PROTECTOR FILM NOTE: Supersedes all variations of 24-08093	1
	24-08405-10	Option #5: PAINTED S/SR FRONT FENDER YELLOW #3 WITH PROTECTOR FILM NOTE: Supersedes all variations of 24-08093	1
	24-08405-9	Option #6: PAINTED S/SR FRONT FENDER RED #3 WITH PROTECTOR FILM NOTE: Supersedes all variations of 24-08093	1
	24-08405-18	Option #7: PAINTED S/SR FRONT FENDER PEARLESCENT WHITE WITH PROTECTOR FILM NOTE: Supersedes all variations of 24-08093	1
	24-08405-24	Option #8: PAINTED S/SR FRONT FENDER JET BLACK WITH PROTECTOR FILM NOTE: Supersedes all variations of 24-08093	1
64	<i>Not Applicable to this Bike Model</i>		
65	<i>Not Applicable to this Bike Model</i>		
		SDS CHIN FAIRING LEFT NOTE: Please order 80-08012 DECAL/GRAPHIC/MEDALLION	

66	24-06684	GRAPHIC, CRAFTED IN CALIFORNIA JEWEL separately.	1
67	<i>Not Applicable to this Bike Model</i>		
68	24-08235	SDS CHIN FAIRING RIGHT NOTE: Please order 80-08012 DECAL/GRAPHIC/MEDALLION GRAPHIC, CRAFTED IN CALIFORNIA JEWEL separately.	1
69	<i>Not Applicable to this Bike Model</i>		
70	<i>Not Applicable to this Bike Model</i>		
71	<i>Not Applicable to this Bike Model</i>		
72	<i>Not Applicable to this Bike Model</i>		
73	<i>Not Applicable to this Bike Model</i>		
74	<i>Not Applicable to this Bike Model</i>		
75	90-05887	PHILIPS HEAD SHEET METAL SCREW TYPE AB NO 10 X 1/2 STEEL ZM-F-11	1
76	90-04084	HEXAGON SOCKET BUTTON HEAD CAP SCREW ISO 7380 M5X16-8.8 ZM-F-11 REV 03	1
77	90-04085	WASHER M5 X 11 X 1 NYLON 6/6 BLACK	1
78	24-08271-13	Option #1: BLACK	1
	24-08271-11	Option #2: WHITE	1
	24-08271-10	Option #3: YELLOW	1
	24-08271-9	Option #4: RED	1
	24-08271-16	Option #5: SATIN SILVER	1
	24-08271-18	Option #6: PEARLESCENT WHITE	1
79	24-04428	SDS FAIRING FRONT CENTER BLACK#2	1
80	24-08092	HEADLIGHT MOUNT LEFT FOR ABS	1
81	90-04084	HEXAGON SOCKET BUTTON HEAD CAP SCREW ISO 7380 M5X16-8.8 ZM-F-11 REV 03	1
82	90-04085	WASHER M5 X 11 X 1 NYLON 6/6 BLACK	1
83	24-08091	HEADLIGHT MOUNT RIGHT FOR ABS	1
84	27-08034	12V ACCESSORY COVER, SMALL	1
85	27-08082	HAND GRIP THROTTLE SIDE NOTE: Grip does not have Zero logo. Order with 27-08083 if you want a matching pair. NOTE: Supersedes p/n 27-08006.	1
86	90-07265	HEXAGON SOCKET HEAD CAP SCREW ISO 4762 M6X20-8.8 ZM-F-01 REV 03 ZM-L-01 REV 01	1
87	24-02961	MIRROR MOUNT CLAMP	1
88	26-08060	MIRROR LH MOUNT LOW PROFILE NOTE: Bottom part of the mirror mount LH	1
89	24-08263-10	Option #1: YELLOW	1
	24-08263-11	Option #2: WHITE	1
	24-08263-13	Option #3: BLACK	1
	24-08263-9	Option #4: RED	1
90	90-08048	LATCH BOLT CYLINDER	1
91	24-08156	J1772 INLET COVER WITH BADGE ASSEMBLY	1
92	PA-339	J1772 INLET COVER BADGE	1

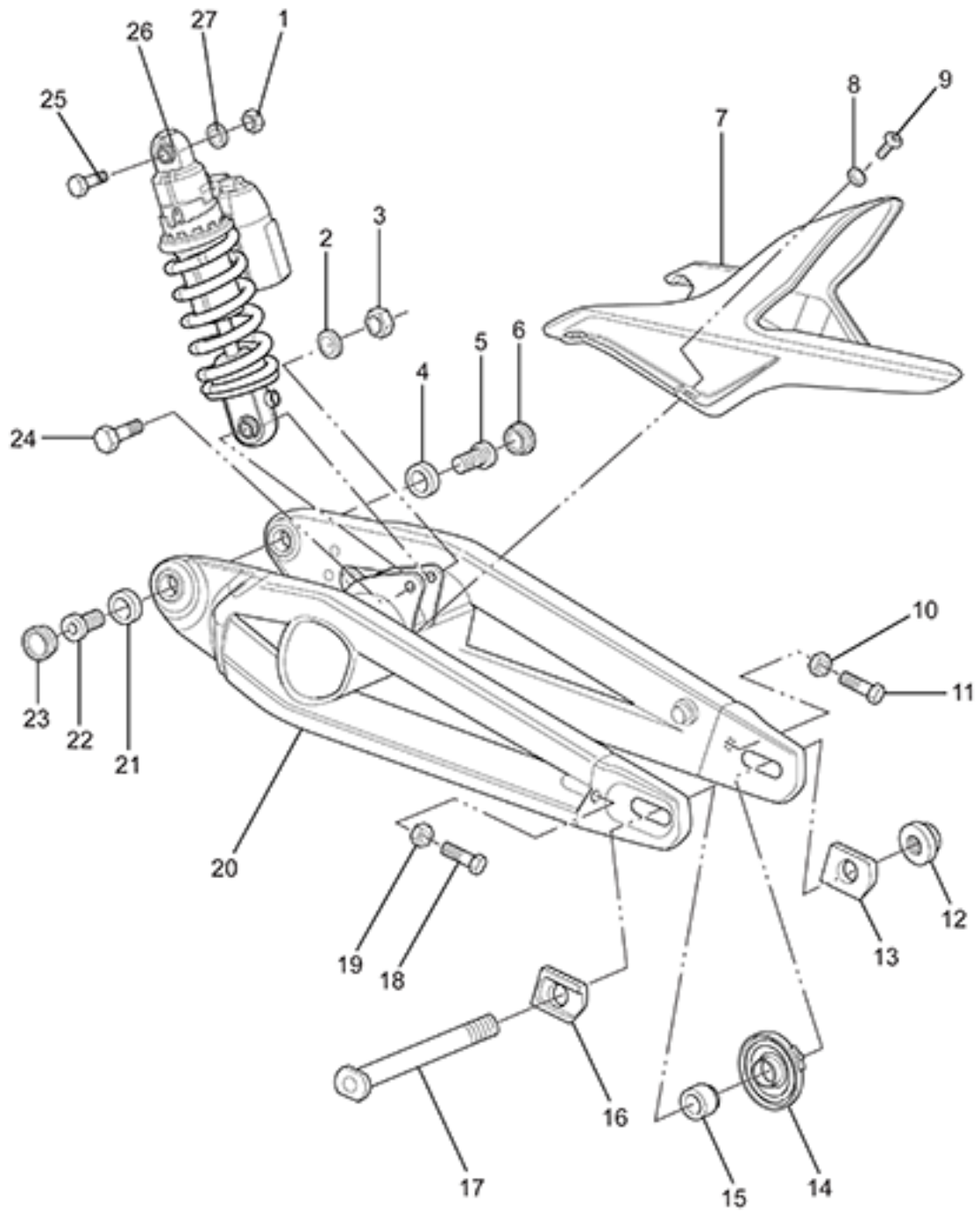
93	90-08083	LATCH BOLT SECURITY SCREW	1
94	90-07292	HEXAGON SOCKET BUTTON HEAD CAP SCREW ISO 7380 M5X16-8.8 ZM-F-11 REV 01 ZM-L-01 REV 01 NOTE: Does not apply to DS	1
95	90-04085	WASHER M5 X 11 X 1 NYLON 6/6 BLACK	1
96	24-08284-16	Option #1: SATIN SILVER NOTE: Part is full assembly branded w/ Tank trunk lid, hinge and lock w/ key NOTE: comes w/ call out#'s 99-108	1
	24-08284-9	Option #2: RED NOTE: Part is full assembly branded w/ Tank trunk lid, hinge and lock w/ key NOTE: comes w/ call out#'s 99-108	1
	24-08284-10	Option #3: YELLOW NOTE: Part is full assembly branded w/ Tank trunk lid, hinge and lock w/ key NOTE: comes w/ call out#'s 99-108	1
	24-08284-11	Option #4: WHITE NOTE: Part is full assembly branded w/ Tank trunk lid, hinge and lock w/ key NOTE: comes w/ call out#'s 99-108	1
	24-08284-13	Option #5: BLACK NOTE: Part is full assembly branded w/ Tank trunk lid, hinge and lock w/ key NOTE: comes w/ call out#'s 99-108	1
	24-08284-18	Option #6: PEARLESCENT WHITE NOTE: Part is full assembly branded w/ Tank trunk lid, hinge and lock w/ key NOTE: comes w/ call out#'s 99-108	1
	24-08284-17	Option #7: METALLIC BLACK NOTE: Part is full assembly branded w/ Tank trunk lid, hinge and lock w/ key NOTE: comes w/ call out#'s 99-108	1
97	90-04085	WASHER M5 X 11 X 1 NYLON 6/6 BLACK	1
98	90-04084	HEXAGON SOCKET BUTTON HEAD CAP SCREW ISO 7380 M5X16-8.8 ZM-F-11 REV 03	1
99	90-08058	LATCH CYLINDER NUT	1
100	24-08192	TANK TRUNK LID NOTE: Tank Trunk Lid Only. Please order the complete service kit 12-08072 if all parts are needed. Kit is not backward compatible with earlier model years. NOTE: For older model years, please order the entire replacement tank assembly with tank trunk.	1
101	12-08071	KEYED PANEL LATCH 90 DEG TURN REPLACEMENT KIT	1
102	81-08062	90 DEG TURN KEYLATCH CAP	1

103	12-08072	TANK TRUNK LID REPLACEMENT KIT NOTE: Kit includes TANK TRUNK LID (24-08192).	1
-----	----------	---	---

Part Detail for #103. TANK TRUNK LID REPLACEMENT KIT

Callout	Part Number	Part Name	Qty. per Motorcycle
104	24-08214	ASYMMETRIC U-CHANNEL FOAM SEAL 3/16" WIDE	1
105	90-08009	HEXAGON SOCKET HEAD CAP SCREW ISO 4762 M3X8-8.8 ZM-F-01 ZM-L-02	1
106	90-02480	WASHER ISO 7089 3-200HV ZM-F-01	1
107	24-08220	TANK TRUNK HINGE CAP	1
108	90-08077	TORSION SPRING FOR LID	1

ZEV0036 - Rear Suspension

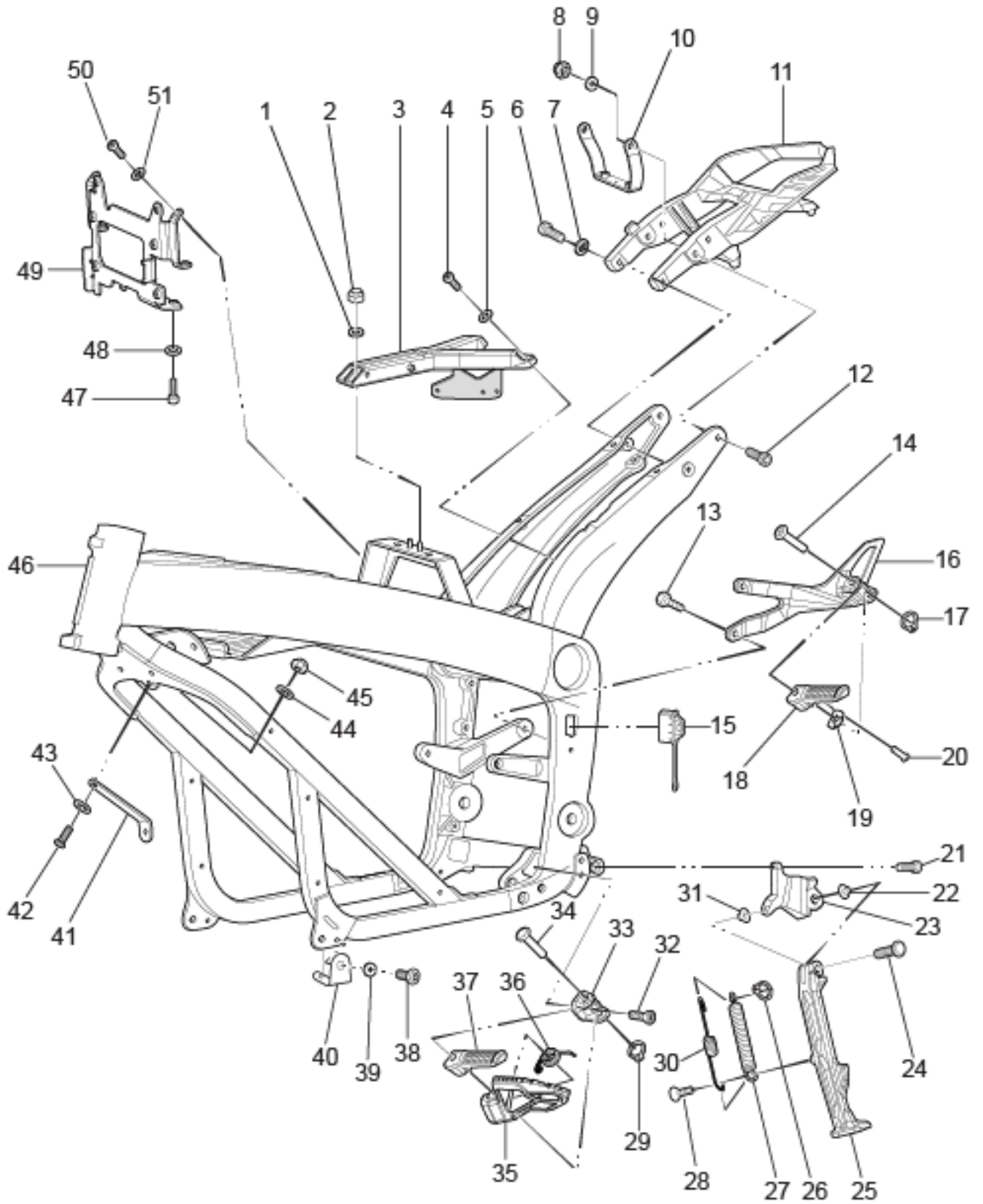


ZEV0036 - Rear Suspension

Callout	Part Number	Part Name	Qty. per Motorcycle
1	90-02050	PREVAILING TORQUE TYPE NUT DIN 985 M10-08 ZM-F-01	1
2	90-02100	WASHER ISO 7089 10-200 HV ZM-F-01	1
3	90-02050	PREVAILING TORQUE TYPE NUT DIN 985 M10-08 ZM-F-01	1
4	20-06138	BEARING 6204 NOTE: Bearing used as swing arm bearing in some models and as the wheel bearing (qty of 5; 2 in front and three in rear wheel) in 2015 and later models. NOTE: Manufacturer part number is 6204-2RS	2
5	20-06130	STUB AXLE	1
6	20-06937	SDS STUB-PIVOT COVER	1
7	24-08157	REAR INNER FENDER NOTE: Supersedes part number 24-04438	1
8	90-04085	WASHER M5 X 11 X 1 NYLON 6/6 BLACK	1
9	90-02109	HEXAGON SOCKET BUTTON HEAD CAP SCREW ISO 7380 M5X12-8.8 ZM-F-01	1
10	90-05088	HEXAGON FLANGE NUT DIN 6923 M8-1.25 ZM-F-01 REV 03 NOTE: Axle adjusters jam nut	1
11	90-03030	HEXAGON HEAD SCREW DIN 933 M8X40-10.9 ZM-F-01 REV 03	1
12	90-05678	U-NUT M20X1.5 FLANGE 27S 15H NOTE: Rear Axle Nut	1
13	26-08123	REAR AXLE ADJUSTER PUSH BLOCK NUT SIDE	1
14	45-07496	MPI WHEEL SPEED SENSOR	1
15	23-07489	WHEEL SPACER DRIVE SIDE REAR	1
16	26-08124	REAR AXLE ADJUSTER PUSH BLOCK HEAD SIDE	1
17	23-08032	REAR AXLE 20MM HOLLOW, ROUNDED END	1
18	90-03030	HEXAGON HEAD SCREW DIN 933 M8X40-10.9 ZM-F-01 REV 03	1
19	90-05088	HEXAGON FLANGE NUT DIN 6923 M8-1.25 ZM-F-01 REV 03 NOTE: Axle adjusters jam nut	1
20	26-08069	S SWINGARM EXTENDED REAR AXLE SLOT	1
21	20-06138	BEARING 6204 NOTE: Bearing used as swing arm bearing in some models and as the wheel bearing (qty of 5; 2 in front and three in rear wheel) in 2015 and later models. NOTE: Manufacturer part number is 6204-2RS	2
22	20-06130	STUB AXLE	1
23	20-06937	SDS STUB-PIVOT COVER	1
24	90-05711	LOWER SHOCK EYE BOLT M10-1.5X60MM	1
25	90-05711	LOWER SHOCK EYE BOLT M10-1.5X60MM	1

26	22-08048	S SHOCK 40MM	1
27	90-02100	WASHER ISO 7089 10-200 HV ZM-F-01	1

ZEV0037 - Frame(Left)

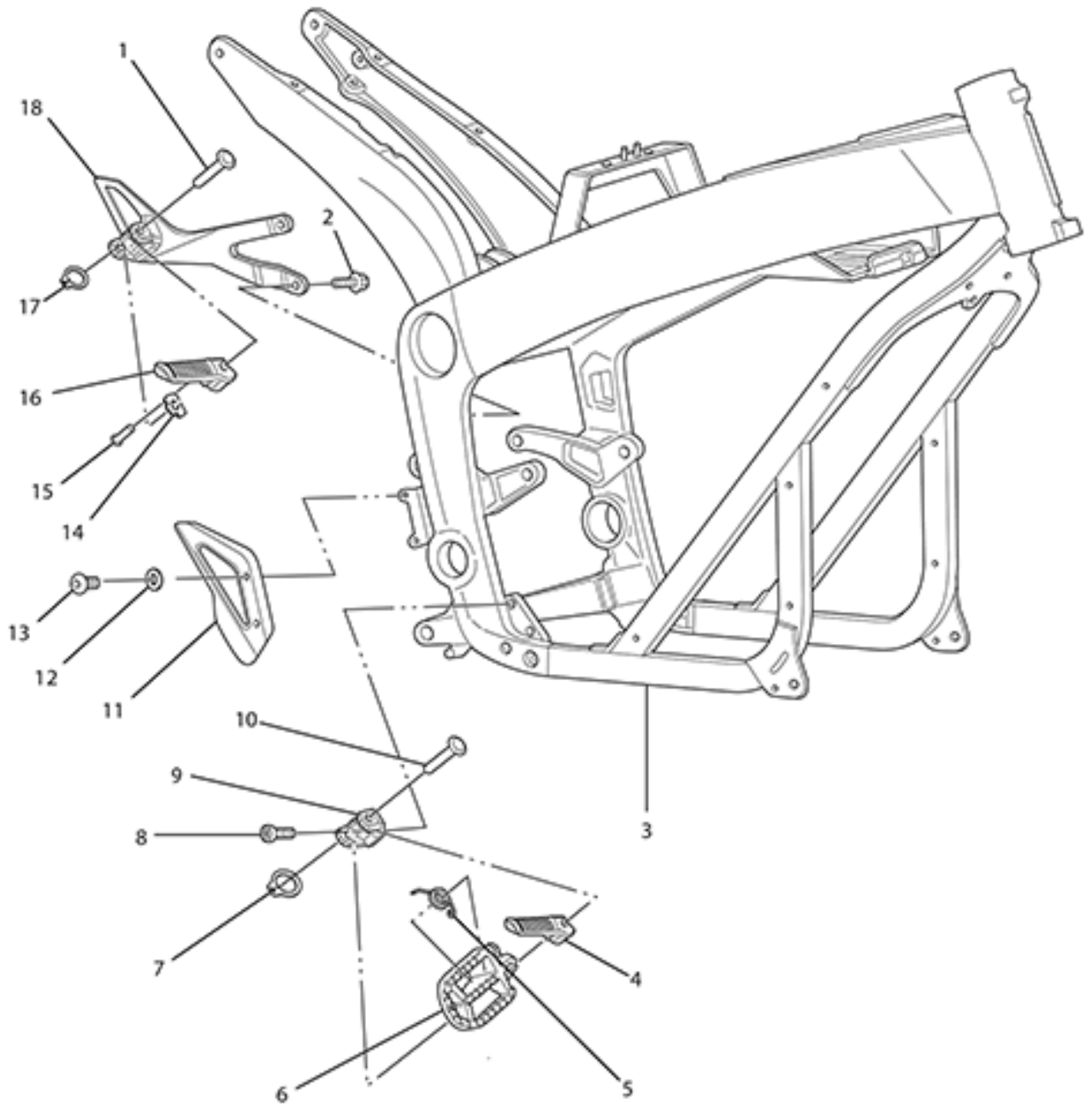


ZEV0037 - Frame(Left)

Callout	Part Number	Part Name	Qty. per Motorcycle
1	90-02103	WASHER ISO 7089 6-200HV ZM-F-01	1
2	90-02054	PREVAILING TORQUE TYPE NUT DIN 985 M6-08 ZM-F-01	1
3	21-06979	SDS SEAT FRAME WITH FUSEPANEL MOUNT	1
4	90-02122	HEXAGON SOCKET BUTTON HEAD CAP SCREW ISO 7380 M6X16-8.8 ZM-F-01 REV 03	1
5	90-02103	WASHER ISO 7089 6-200HV ZM-F-01	1
6	90-07269	HEXAGON SOCKET HEAD CAP SCREW ISO 4762 M8X30-10.9 ZM-F-01 REV 03 ZM-L-01 REV 01	1
7	90-02104	WASHER ISO 7089 -8-200 HV ZM-F-01	1
8	90-03236	PREVAILING TORQUE TYPE NUT DIN 985 M8-10 ZM-F-01	0
9	90-02104	WASHER ISO 7089 -8-200 HV ZM-F-01	1
10	20-05897	HEATSINK SUPPORT	1
11	20-05883	SR TAIL FRAME	1
12	90-08005	SEAT BOLT M8X55 NOTE: Supersedes 90-07009.	1
13	90-07284	HEX FLANGE BOLT M8X25	1
14	90-02725	CLEVIS PIN CUSTOM 10MM X 45L	1
15	45-04864	AC CHARGE INLET COVER	1
16	20-04285	SDS PASSENGER PEG BRKT L	1
17	90-02879	RETAINING RING 9MM SHAFT DIN 471	1
18	27-08039	PASSENGER FOOTPEG LEFT SIDE	1
19	20-04279	FOOTPEG DETENT PLATE	1
20	20-05404	FOOTPEG DETENT BALL MECHANISM	1
21	90-07277	HEXAGON SOCKET THIN HEAD CAP SCREW DIN 7984 M10X25-8.8 ZM-F-01 REV 03 ZM-L-01 REV 01	1
22	90-02800	BUSHING FLANGE 0.375	1
23	20-06590	KICKSTAND MOUNT	1
24	90-02799	CLEVIS PIN CUSTOM NOTE: Used to attach kickstand leg to mount.	1
25	20-05660	SHORT KICKSTAND LEG W/MAGNET	1
26	90-02837	E CLIP 0.375	1
27	90-08219	SIDESTAND SPRING OUTER STAINLESS PASSIVATED	1
28	90-07261	HEXAGON SOCKET COUNTERSUNK HEAD SCREW ISO 10642 M8X20-10.9 ZM-F-01 REV 03 ZM-L-01 REV 01	1
29	90-02879	RETAINING RING 9MM SHAFT DIN 471	1
30	20-00709	S KS SPRING IN	1
31	90-02800	BUSHING FLANGE 0.375	1
32	90-07277	HEXAGON SOCKET THIN HEAD CAP SCREW DIN 7984 M10X25-8.8 ZM-F-01 REV 03 ZM-L-01 REV 01	1
33	20-02723	CLEVIS FOOT PEG UNIVERSAL LEFT	1

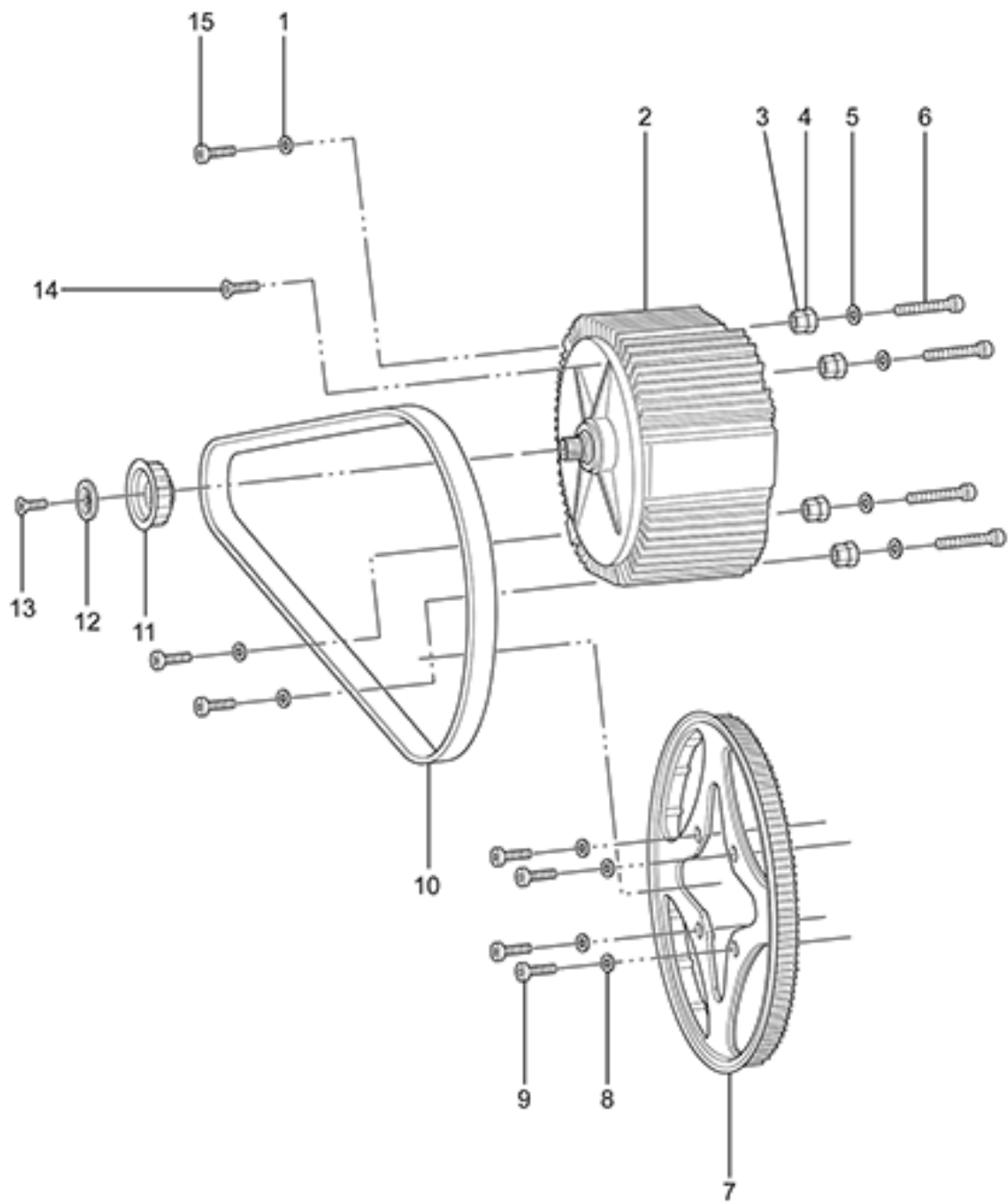
34	90-02725	CLEVIS PIN CUSTOM 10MM X 45L	1
35	<i>Not Applicable to this Bike Model</i>		
36	20-02727	TORSION SPRING, .678 OD .078 WIRE, CCW	1
37	27-08037	RIDER FOOTPEG LEFT SIDE STREET	1
38	90-04084	HEXAGON SOCKET BUTTON HEAD CAP SCREW ISO 7380 M5X16-8.8 ZM-F-11 REV 03	1
39	90-04085	WASHER M5 X 11 X 1 NYLON 6/6 BLACK	1
40	20-05307	SKID PAN BRACKET	1
41	20-07073	SDS FRAME MOUNTED HORN BRACKET	1
42	90-07435	HEX SOCKET BUTTON HEAD CAP SCREW M6X20-8.8	1
43	90-02103	WASHER ISO 7089 6-200HV ZM-F-01	1
44	90-02103	WASHER ISO 7089 6-200HV ZM-F-01	1
45	90-02054	PREVAILING TORQUE TYPE NUT DIN 985 M6-08 ZM-F-01	1
46	26-08128	SR MAIN FRAME NOTE: Must supply VIN# and Warranty Claim# when ordering. NOTE: Also for DSR Main frame	1
47	90-07288	HEXAGON SOCKET HEAD CAP SCREW ISO 4762 M5X12-8.8 ZM-F-01 REV 03 ZM-L-01 REV 01	1
48	90-02101	WASHER ISO 7089 5-200HV ZM-F-01	1
49	26-08120	S ELECTRICAL PANEL	1
50	90-07288	HEXAGON SOCKET HEAD CAP SCREW ISO 4762 M5X12-8.8 ZM-F-01 REV 03 ZM-L-01 REV 01	1
51	90-02101	WASHER ISO 7089 5-200HV ZM-F-01	1

ZEV0038 - Frame(Right)



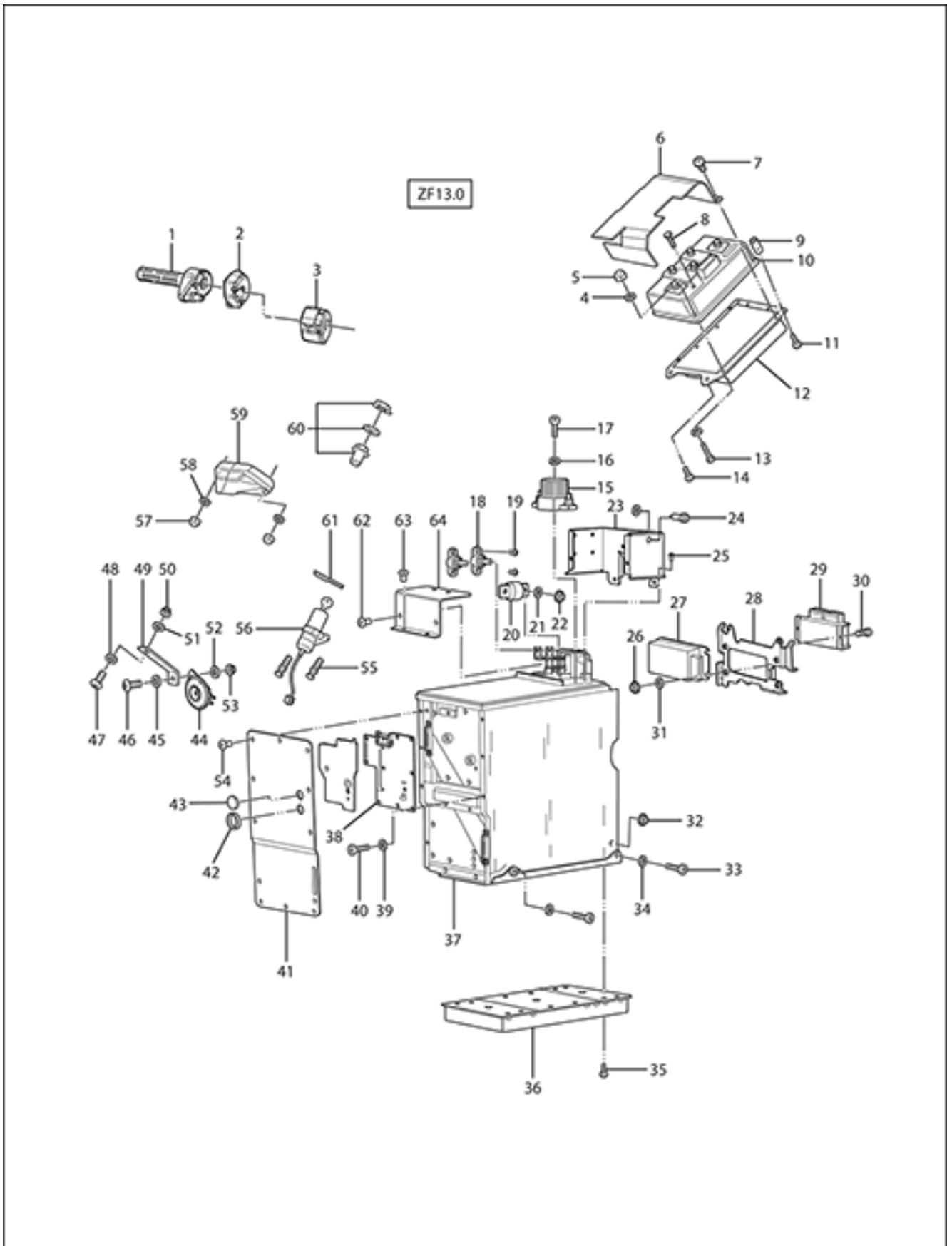
ZEV0038 - Frame(Right)

Callout	Part Number	Part Name	Qty. per Motorcycle
1	90-02725	CLEVIS PIN CUSTOM 10MM X 45L	1
2	90-07284	HEX FLANGE BOLT M8X25	1
3	26-08128	SR MAIN FRAME NOTE: Must supply VIN# and Warranty Claim# when ordering. NOTE: Also for DSR Main frame	1
4	27-08036	RIDER FOOTPEG RIGHT SIDE STREET	1
5	20-02727	TORSION SPRING, .678 OD .078 WIRE, CCW	1
6	<i>Not Applicable to this Bike Model</i>		
7	90-02879	RETAINING RING 9MM SHAFT DIN 471	1
8	90-07277	HEXAGON SOCKET THIN HEAD CAP SCREW DIN 7984 M10X25-8.8 ZM-F-01 REV 03 ZM-L-01 REV 01	1
9	20-02724	CLEVIS FOOT PEG UNIVERSAL RIGHT	1
10	90-02725	CLEVIS PIN CUSTOM 10MM X 45L	1
11	25-07457	MASTER CYLINDER GUARD FOR J-JUAN MASTER CYLINDER	1
12	90-02103	WASHER ISO 7089 6-200HV ZM-F-01	1
13	90-07323	HEXAGON SOCKET BUTTON HEAD CAP SCREW ISO 7380 M6X25-8.8 ZM-F-01 REV 03 ZM-L-01 REV 01	1
14	20-04279	FOOTPEG DETENT PLATE	1
15	20-05404	FOOTPEG DETENT BALL MECHANISM	1
16	27-08038	PASSENGER FOOTPEG RIGHT SIDE	1
17	90-02879	RETAINING RING 9MM SHAFT DIN 471	1
18	20-07604	SDS AND FX PASSENGER PEG BRKT R	1



ZEV0039 - Motor and Drive System

Callout	Part Number	Part Name	Qty. per Motorcycle
1	90-02104	WASHER ISO 7089 -8-200 HV ZM-F-01	1
2	30-08100	ZF75-7 R IPM MOTOR SPLINED SHAFT	1
3	<i>Not Applicable to this Bike Model</i>		
4	20-04774	MOTOR JACK SCREW INNER	4
5	90-02104	WASHER ISO 7089 -8-200 HV ZM-F-01	4
6	90-05179	HEXAGON SOCKET HEAD CAP SCREW ISO 4762 M8X60-8.8 ZM-F-01 REV 03	1
7	30-08109	WHEEL SPROCKET 90T 11MM PITCH 17MM WIDE BELT COATED	1
8	90-02104	WASHER ISO 7089 -8-200 HV ZM-F-01	4
9	90-08053	HEXALOBULAR SOCKET PAN HEAD ISO 14583 M8X30-10.9 ZM-F-01 ZM-L-02	4
10	30-08278	BELT 158T 11MM PITCH 17MM WIDE THIN WEB NOTE: Supersedes 30-08086	1
11	30-08116	MOTOR SPROCKET 20T 11MM PITCH 17MM WIDE BELT ASSEMBLED	1
12	20-05453	LOW PROFILE BELT SPROCKET MOTOR SHAFT TOPHAT	1
13	90-02056	HEXAGON SOCKET COUNTERSUNK HEAD SCREW M10X25-8.8 MOTOR SHAFT NOTE: Bolt used to hold front sprocket in place onto the motor shaft. NOTE: Sprocket	1
14	90-08037	HEXALOBULAR (6 LOBE) SOCKET FLAT HEAD COUNTERSUNK SCREW ISO 14582 M8X30-10.9 ZM-F-01 REV 04	1
15	90-02096	MOTOR MOUNTING LEFT FRONT TOP AND LEFT FRONT BOTTOM BOLT	3



Callout	Part Number	Part Name	Qty. per Motorcycle
1	45-08039	THROTTLE BITRON HALL EFFECT PCB NOTE: Supersedes 27-08000	1
2	40-06054	KILL MODE START SWITCH	1
3	60-07780	LEFT HAND SWITCHGEAR ECIE	1
4	90-02103	WASHER ISO 7089 6-200HV ZM-F-01	1
5	90-02071	HEXAGON NUT ISO 4032 M6-8 ZM-F-01 REV 02	1
6	24-08067	BODYWORK MISC #6 CONTROLLER UN-SHIELDED COVER	1
7	90-06250	CONTROLLER FORMEX PAN HEAD PHILLIPS #6 SHEET METAL SCREW	1
8	90-07063	CONTROLLER LEAD BOLTS M8X16	1
9	<i>Not Applicable to this Bike Model</i>		
10	60-07010	CONTROLLER, SIZE 6 GEN 4.5 SEVCON NOTE: Please provide VIN#, Technical Case # or Warranty Claim # at time of order.	1
11	90-05179	HEXAGON SOCKET HEAD CAP SCREW ISO 4762 M8X60-8.8 ZM-F-01 REV 03	1
12	30-08067	R CONTROLLER HEATSINK	1
13	90-03251	HEXAGON SOCKET HEAD CAP SCREW ISO 4762 M6X30-8.8 ZM-F-01	1
14	90-07268	HEXAGON SOCKET HEAD CAP SCREW ISO 4762 M8X25-10.9 ZM-F-01 REV 03 ZM-L-01 REV 01	1
15	45-08099	ELECTRICAL COMPONENT EVC135 CONTACTOR NOTE: Modular contactor	1
16	90-02101	WASHER ISO 7089 5-200HV ZM-F-01	1
17	90-07129	HEXAGON SOCKET BUTTON HEAD SCREW ISO 7380 M5X30-8.8 ZM-F-01 ZM-L-02	1
18	45-08058	JUNCTION POST SMALL TRIMMED	1
19	90-07125	HEXAGON SOCKET BUTTON HEAD SCREW ISO 7380 M5X10	1
20	45-05224	FUSE 300A 160VDC CLASS T	1
21	90-02100	WASHER ISO 7089 10-200 HV ZM-F-01	1
22	45-05240	FUSE NUT INTERNAL	1
23	PA-210	CONTACTOR COVER	1
24	PA-225	LV FUSE HOLDER	1
25	PA-226	BATTERY BOX SCREW	1
26	90-02054	PREVAILING TORQUE TYPE NUT DIN 985 M6-08 ZM-F-01	1
27	60-07190	DC-DC CONV 500W SEVCON 622-11211 ABS UNITS	1
28	26-08120	S ELECTRICAL PANEL	1
29	40-08080	MBB 11KW	1
29	40-08145	ASSY MBB POTTED GEN2 STEP E NOTE: Please provide VIN, Case or Claim Number when ordering to ensure proper programming. NOTE: Supersedes 40-08071.	1

30	90-02515	HEXAGON SOCKET HEAD CAP SCREW ISO 4762 M4X12-8.8 ZM-F-01 REV 03	1
31	90-02103	WASHER ISO 7089 6-200HV ZM-F-01	1
32	90-03236	PREVAILING TORQUE TYPE NUT DIN 985 M8-10 ZM-F-01	1
33	90-02098	HEXAGON SOCKET HEAD CAP SCREW ISO 4762 M8X40-8.8 ZM-F-01 REV 02	1
34	90-02104	WASHER ISO 7089 -8-200 HV ZM-F-01	1
35	90-02109	HEXAGON SOCKET BUTTON HEAD CAP SCREW ISO 7380 M5X12-8.8 ZM-F-01	1
36	45-08253	ONBOARD CHARGER 1300W NOTE: Current design includes additional ferrite. Please contact Zero Motorcycles Service Team if you need additional guidance on routing. NOTE: Supersedes 45-08123 and 45-08234.	1
37	46-08227	ASSEMBLY BATTERY MONOLITH ZF14.4 NOTE: Motorcycle VIN#, Case# or Claim# must be provided when ordering NOTE: 2014 - FOR INSTALLING IN 2014 MODELS, INCLUDE 12-08080 IN THE ORDER. IN CASE OF THE BIKE HAVING A POWER TANK, ALSO INCLUDE 12-08011 NOTE: 2013 -FOR INSTALLING IN 2013 MODELS, INCLUDE TO ORDER 12-08057	1
38	40-08031	BMS PCB ASSY POTTED 17MY IMPL NOTE: PLEASE INCLUDE VIN# OF BIKE AND BATTERY SERIAL # FOR PROGRAMMING PURPOSES NOTE: FOR FX/FXP, IF BATTERY SERIAL NUMBER STARTS WITH 14SG**** PLEASE ORDER 41-06419	1
39	90-02102	WASHER ISO 7089 4-200HV ZM-F-01	1
40	90-07127	HEXAGON SOCKET HEAD CAP SCREW ISO 4762 M4X5-8.8 ZM-F-01 REV 03 ZM-L-02 REV 01	1
41	46-08002-1	BATTERY PACK FRONT PANEL	1
42	20-04094	PLUG DIAG PORT 24.50 THRU 26.00 MM 12MY IMPL	1
43	80-08003	BATTERY FRONT UPPER FILLER PLUG	1
44	45-06774	DISC HORN K70/H12 V WITH BLACK ZINC	1
45	90-02104	WASHER ISO 7089 -8-200 HV ZM-F-01	1
46	90-02128	HEXAGON SOCKET BUTTON HEAD CAP SCREW ISO 7380 M8X20-8.8 ZM-F-01 REV 03	1
47	90-07265	HEXAGON SOCKET HEAD CAP SCREW ISO 4762 M6X20-8.8 ZM-F-01 REV 03 ZM-L-01 REV 01	1
48	90-02103	WASHER ISO 7089 6-200HV ZM-F-01	1
49	20-07073	SDS FRAME MOUNTED HORN BRACKET	1
50	90-02054	PREVAILING TORQUE TYPE NUT DIN 985 M6-08 ZM-F-01	1
51	90-02103	WASHER ISO 7089 6-200HV ZM-F-01	1
52	90-02104	WASHER ISO 7089 -8-200 HV ZM-F-01	1
53	90-03236	PREVAILING TORQUE TYPE NUT DIN 985 M8-10 ZM-F-01	1

54	90-07124	HEXAGON SOCKET BUTTON HEAD SCREW ISO 7380 M5X6-8.8	1
55	90-02937	M8X14MM BREAK AWAY HEX BOLT NOTE: One Time Use Bolt	1
56	45-02692	KEYSWITCH LOCK ZADI, IGNITION SWITCH NOTE: This part is the ignition switch and keys only. If you want a matching helmet lock for 16MY motorcycles and older, please order p/n 20-05202. If you want the key switch and a lock for a tank trunk, please order 27-08030. If you want a ignition and matching locks for tank trunk and storage trunks, please order part number 27-08044.	1
56	90-02054	PREVAILING TORQUE TYPE NUT DIN 985 M6-08 ZM-F-01	1
57	27-08030	KEYSWITCH AND 90 DEG TURN PANEL LATCH KEYED ALIKE SET	1
58	90-02103	WASHER ISO 7089 6-200HV ZM-F-01	1
59	40-08156	DASH LCD NOTE: Supersedes 40-08119	1
60	10-07504	12V ACCESSORY SOCKET KIT - SDS NOTE: Charge a GPS, smart phone or mp3 player using the Zero Motorcycles 12V Accessory Socket Kit. Designed to connect directly to your motorcycle's power port harness, the accessory socket enables you to charge small devices that have a cigarette lighter plug. The accessory outlet is rated up to 10 amps/120 watts. This kit includes all mounting hardware for installation on the 2014 and later Zero S, Zero DS and Zero SR motorcycles. NOTE: 2014 [Zero SR, Zero S, Zero DS] 2015 [Zero SR, Zero S, Zero DS] 2016-2018 [Zero SR, Zero S, Zero DS, Zero DSR]	1
61	20-07062	SDS TRIPLE CLAMP HARNESS SUPPORT	1
62	90-07124	HEXAGON SOCKET BUTTON HEAD SCREW ISO 7380 M5X6-8.8	1
63	90-07124	HEXAGON SOCKET BUTTON HEAD SCREW ISO 7380 M5X6-8.8	1
64	46-08045	BATTERY CASE CONT COVER FRONT 15MY IMPL	1