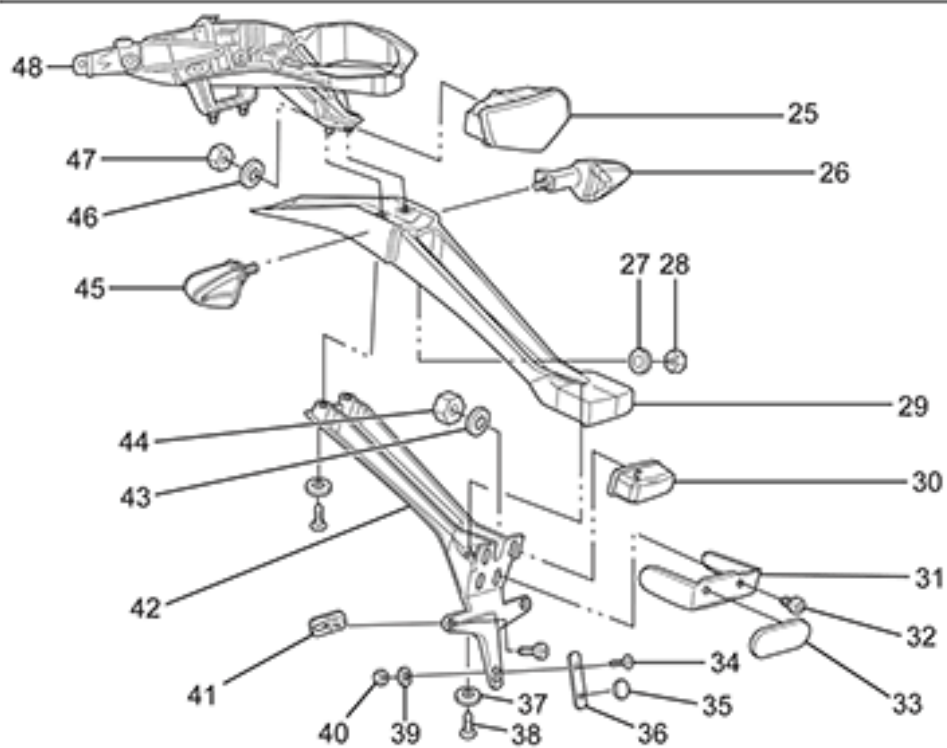
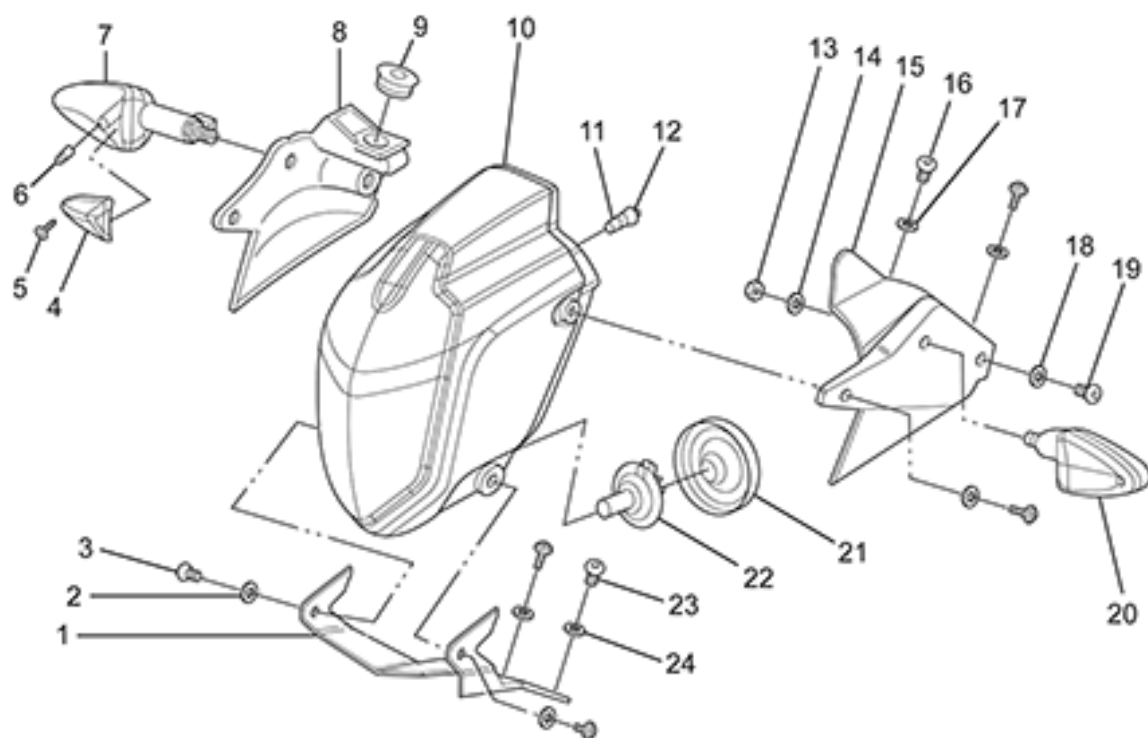


Zero Motocycles
DSR 2017 Exploded Views

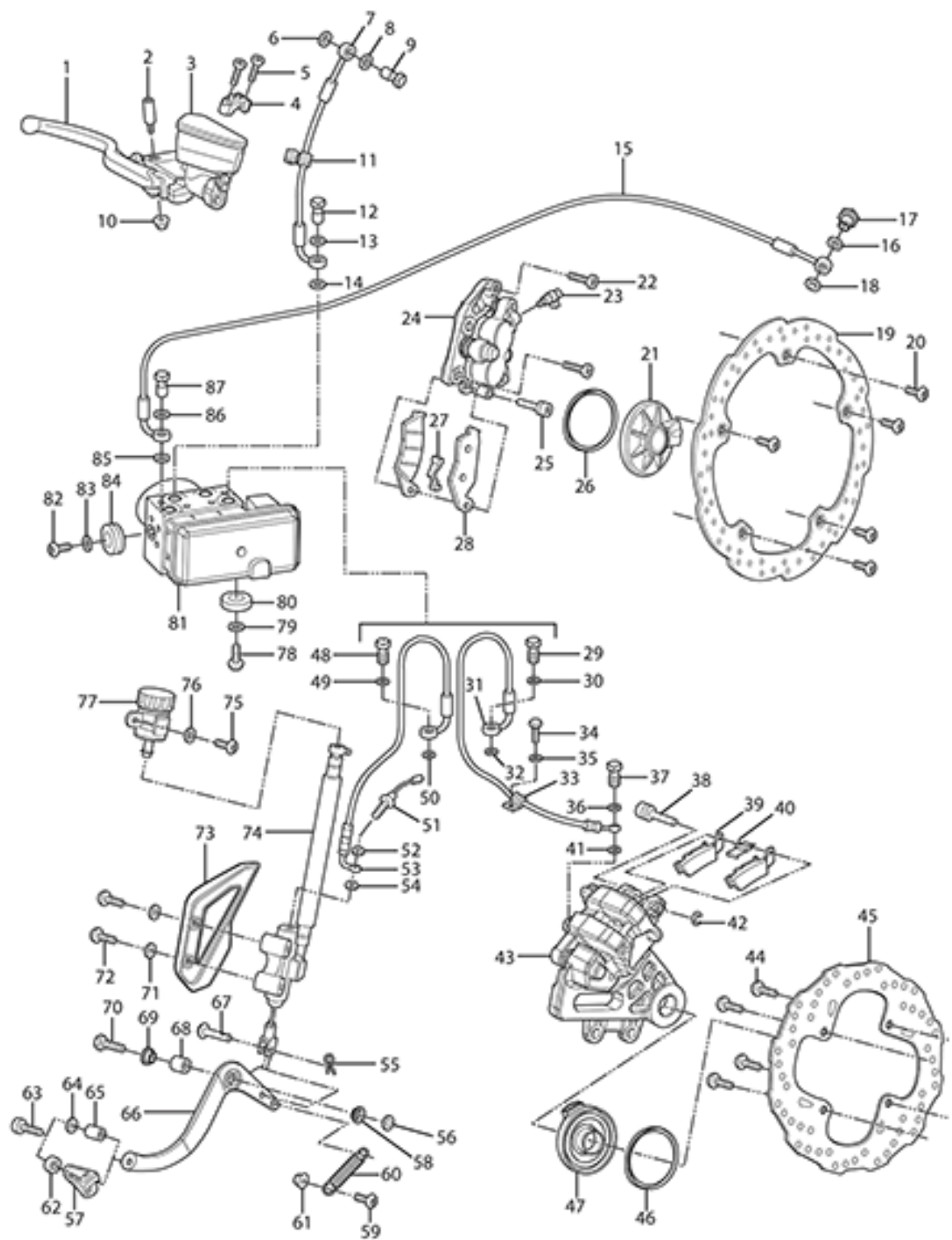
ZEV0031 - Lighting



ZEV0031 - Lighting

| Callout | Part Number | Part Name | Qty. per Motorcycle |
|---------|-------------|---|---------------------|
| 1 | 20-05910 | HEADLIGHT BRACKET | 1 |
| 2 | 90-02101 | WASHER ISO 7089 5-200HV ZM-F-01 | 4 |
| 3 | 90-07281 | HEXAGON SOCKET BUTTON HEAD SCREWS ISO 7380 M6X12-8.8 ZM-F-01 REV 03 ZM-L-01 REV 01 | 1 |
| 4 | PA-335 | TURN SIGNAL LENS | 1 |
| 5 | PA-336 | TURN SIGNAL LENS SCREW | 1 |
| 6 | 65-08016 | TURN SIGNAL BULB 12v ry 10w | 1 |
| 7 | 65-03462 | TURN SIGNAL FR-RH RR-LH | 1 |
| 8 | 24-08091 | HEADLIGHT MOUNT RIGHT FOR ABS | 1 |
| 9 | 27-08034 | 12V ACCESSORY COVER, SMALL | 1 |
| 10 | 45-03679 | HEADLIGHT ASSY, 60/55W, TRIOM | 1 |
| 11 | 65-08016 | TURN SIGNAL BULB 12v ry 10w | 1 |
| 12 | PA-337 | RUNNING LAMP BULB SOCKET/HARNESS | 1 |
| 13 | 90-02072 | HEXAGON THIN NUT DIN 439-B M10 1.5-04 ZM-F-01 | 1 |
| 14 | 90-02043 | TOOTHED LOCK WASHER WITH EXTERNAL TEETH DIN 6797 A M10-B85 ZM-F-01 | 1 |
| 15 | 24-08092 | HEADLIGHT MOUNT LEFT FOR ABS | 1 |
| 16 | 90-04085 | WASHER M5 X 11 X 1 NYLON 6/6 BLACK | 1 |
| 17 | 90-04084 | HEXAGON SOCKET BUTTON HEAD CAP SCREW ISO 7380 M5X16-8.8 ZM-F-11 REV 03 | 1 |
| 18 | 90-04085 | WASHER M5 X 11 X 1 NYLON 6/6 BLACK | 1 |
| 19 | 90-04084 | HEXAGON SOCKET BUTTON HEAD CAP SCREW ISO 7380 M5X16-8.8 ZM-F-11 REV 03 | 1 |
| 20 | 65-03463 | TURN SIGNAL FR-LH RR-RH | 1 |
| 21 | PA-338 | HEADLAMP BULB SEAL | 1 |
| 22 | 65-08002 | SDS HEADLIGHT BULB | 1 |
| 23 | 90-07281 | HEXAGON SOCKET BUTTON HEAD SCREWS ISO 7380 M6X12-8.8 ZM-F-01 REV 03 ZM-L-01 REV 01 | 1 |
| 24 | 90-02101 | WASHER ISO 7089 5-200HV ZM-F-01 | 1 |
| 25 | 65-04459 | LED TAIL LIGHT TRIOM | 1 |
| 26 | 65-03463 | TURN SIGNAL FR-LH RR-RH | 1 |
| 27 | 90-02043 | TOOTHED LOCK WASHER WITH EXTERNAL TEETH DIN 6797 A M10-B85 ZM-F-01 | 1 |
| 28 | 90-02072 | HEXAGON THIN NUT DIN 439-B M10 1.5-04 ZM-F-01 | 1 |
| 29 | 24-04439 | SDS TAIL POD TOP NOTE: Top half only. Order bottom half PN: 24-05158 | 1 |
| 30 | 65-04460 | LICENSE PLATE LIGHT | 1 |
| 31 | 24-05159 | REFLECTOR MOUNT BRACKET | 1 |
| 32 | 90-05885 | PHILIPS HEAD SHEET METAL SCREW 6 X 1/2 | 10 |
| 33 | 20-03487 | REFLECTOR, OVAL, ADH BACK, RED ECIE | 1 |

| | | | |
|----|--|---|----|
| 34 | 90-04085 | WASHER M5 X 11 X 1 NYLON 6/6 BLACK | 1 |
| 35 | <i>Not Applicable to this Bike Model</i> | | |
| 36 | 24-05292 | LICENSE PLATE BRACKET EXTENSION LOWER NOTE: ONLY USED IN EU/AUS REGION | 1 |
| 37 | 90-02103 | WASHER ISO 7089 6-200HV ZM-F-01 | 10 |
| 38 | 90-07281 | HEXAGON SOCKET BUTTON HEAD SCREWS ISO 7380 M6X12-8.8 ZM-F-01 REV 03 ZM-L-01 REV 01 | 1 |
| 39 | 90-04085 | WASHER M5 X 11 X 1 NYLON 6/6 BLACK | 4 |
| 40 | 90-02053 | PREVAILING TORQUE TYPE NUT DIN 985 M5-08 ZM-F-01 REV 02 | 8 |
| 41 | 24-05161 | LICENSE PLATE BRACKET EXTENSIONS NOTE: ONLY USED IN EU/AUS REGIONS | 2 |
| 42 | 24-05158 | SDS TAIL POD BOTTOM NOTE: Bottom half only. Order top half PN: 24-04439 | 1 |
| 43 | 90-07389 | TOOTHED LOCK WASHER WITH EXTERNAL TEETH DIN 6797 A M5 ZM-F-01 | 4 |
| 44 | 90-02053 | PREVAILING TORQUE TYPE NUT DIN 985 M5-08 ZM-F-01 REV 02 | 8 |
| 45 | 65-03462 | TURN SIGNAL FR-RH RR-LH | 1 |
| 46 | 90-02103 | WASHER ISO 7089 6-200HV ZM-F-01 | 10 |
| 47 | 90-02054 | PREVAILING TORQUE TYPE NUT DIN 985 M6-08 ZM-F-01 | 1 |
| 48 | 20-05883 | SR TAIL FRAME | 1 |

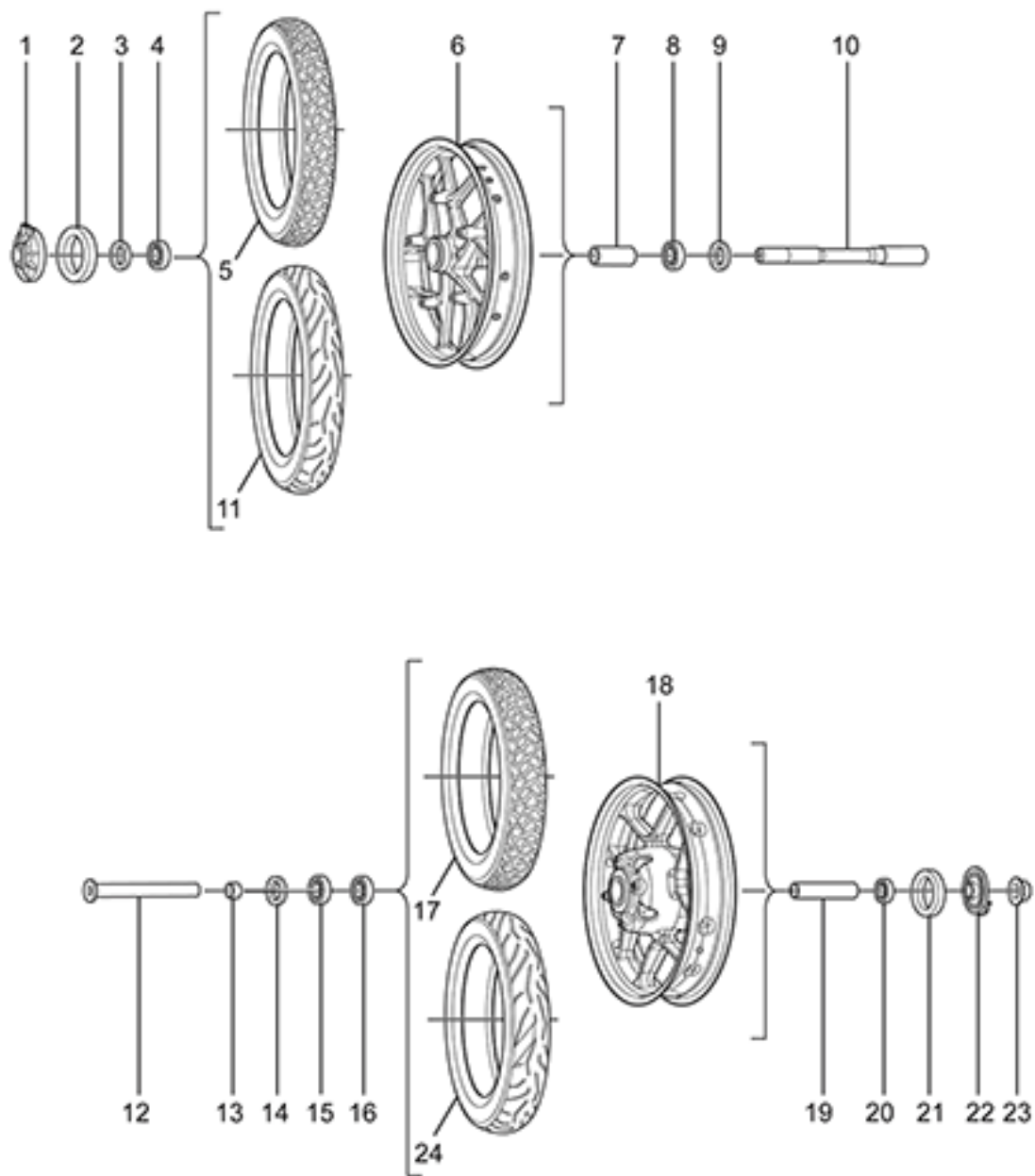


ZEV0032 - Braking

| Callout | Part Number | Part Name | Qty. per Motorcycle |
|---------|-------------|--|---------------------|
| 1 | 25-08032 | SDS BRAKE JJUAN LEVER NOTE: Superseded by 25-08199 | 1 |
| 2 | PA-177 | BRAKE LEVER PIVOT BOLT | 1 |
| 3 | 25-07682 | JJUAN 12.7MM FRONT MASTER CYLINDER SDS/FXS | 1 |
| 3 | 25-08035 | JJUAN FRONT MC RESERVOIR CAP SERVICE KIT SDS | 1 |
| 3 | 25-08044 | FRONT MASTER CYLINDER BRAKE LIGHT SWITCH SDS | 1 |
| 3 | 25-08051 | JJUAN CALIPER/MASTER CYLINDER BLEED SCREW SDS/XMX | 1 |
| 3 | 25-08061 | JJUAN FRONT MASTER CYLINDER PISTON KIT SDS | 1 |
| 3 | 25-08042 | JJUAN FRONT MASTER CYLINDER CIRCLIP SDS/XMX | 1 |
| 4 | 25-08064 | FRONT MASTER CYLINDER CLAMP KIT NOTE: SDS/XMX NOTE: Mount and Bolts NOTE: Upper Mirror Mount RH | 1 |
| 5 | PA-178 | MIRROR POST BOLT 6M X 20 | 1 |
| 6 | PA-128 | BANJO GASKET | 1 |
| 7 | 25-07824 | SDS FRONT BRAKE LINE MC TO HCU | 1 |
| 8 | PA-128 | BANJO GASKET | 1 |
| 9 | PA-237 | MASTER CYLINDER BANJO BOLT | 1 |
| 10 | PA-130 | BRAKE LEVER PIVOT BOLT NUT | 1 |
| 11 | 25-08023 | BRAKE LINE/WHEEL SPEED SENSOR WIRE DOUBLE C CLIP | 1 |
| 12 | PA-180 | BANJO BOLT | 1 |
| 13 | PA-128 | BANJO GASKET | 1 |
| 14 | PA-128 | BANJO GASKET | 1 |
| 15 | 25-08096 | DS FRONT BRAKE LINE HCU TO CALIPER | 1 |
| 16 | PA-128 | BANJO GASKET | 1 |
| 17 | PA-128 | BANJO GASKET | 1 |
| 18 | PA-128 | BANJO GASKET | 1 |
| 19 | PA-128 | BANJO GASKET | 1 |
| 20 | 90-07833 | CUSTOM ROTOR BOLT M8X23MM SHOULDER SCREW | 1 |
| 21 | 45-07496 | MPI WHEEL SPEED SENSOR | 1 |
| 22 | PA-130 | BRAKE LEVER PIVOT BOLT NUT | 1 |
| 23 | PA-182 | BLEEDER VALVE | 1 |
| 24 | 25-07686 | JJUAN 32/30MM FRONT CALIPER SDS | 1 |
| 25 | 90-08029 | HEXAGON HEAD SCREW ISO 4762 M10-1.25X40-10.9 ZM-F-01 REV03 ZM-L-01 REV01 | 1 |
| 26 | 25-08080 | ABS MAGNET RING | 1 |
| 27 | PA-128 | BANJO GASKET | 1 |
| 28 | 25-08029 | BRAKE PADS SET FRONT SDS | 1 |
| 29 | 25-08080 | ABS MAGNET RING | 1 |

| | | | |
|----|--|--|---|
| 30 | PA-128 | BANJO GASKET | 1 |
| 31 | PA-128 | BANJO GASKET | 1 |
| 32 | PA-128 | BANJO GASKET | 1 |
| 33 | 20-01758 | LOOP CLAMP NYLON 3/4" BLK | 1 |
| 34 | 90-07292 | HEXAGON SOCKET BUTTON HEAD CAP SCREW ISO 7380 M5X16-8.8 ZM-F-11 REV 01 ZM-L-01 REV 01 NOTE: Does not apply to DS | 1 |
| 35 | 90-02105 | WASHER ISO 7093-1 6-200 HV ZM-F-01 | 1 |
| 36 | PA-128 | BANJO GASKET | 1 |
| 37 | PA-186 | BANJO BOLT AT REAR CALIPER | 1 |
| 38 | PA-128 | BANJO GASKET | 1 |
| 39 | 25-08030 | BRAKE PAD SET SDS REAR | 1 |
| 40 | PA-189 | ANTI RATTLE CLIP | 1 |
| 41 | PA-128 | BANJO GASKET | 1 |
| 42 | PA-190 | CALIPER SLIDE BOLT CLIP | 1 |
| 43 | 25-08099 | JJUAN 34MM REAR CALIPER NOTE: Old Part P/N: 25-08083 | 1 |
| 44 | 90-07516 | REAR BRAKE ROTOR BOLT NOTE: Supersedes 90-08015. | 1 |
| 45 | 25-08096 | DS FRONT BRAKE LINE HCU TO CALIPER | 1 |
| 46 | PA-128 | BANJO GASKET | 1 |
| 47 | 45-07496 | MPI WHEEL SPEED SENSOR | 1 |
| 48 | PA-128 | BANJO GASKET | 1 |
| 49 | PA-128 | BANJO GASKET | 1 |
| 50 | PA-128 | BANJO GASKET | 1 |
| 51 | 20-02465 | IGLIDE BEARING GFM-1416-06 | 1 |
| 52 | PA-128 | BANJO GASKET | 1 |
| 53 | 25-07820 | SDS REAR BRAKE LINE MC TO HCU | 1 |
| 54 | PA-128 | BANJO GASKET | 1 |
| 55 | 90-02133 | 1/4 X 3/4 CLEVIS PIN STEEL ZINC | 1 |
| 56 | 90-07265 | HEXAGON SOCKET HEAD CAP SCREW ISO 4762 M6X20-8.8 ZM-F-01 REV 03 ZM-L-01 REV 01 | 1 |
| 57 | 25-08072 | BRAKE PEDAL OFF ROAD PEG | 1 |
| 58 | <i>Not Applicable to this Bike Model</i> | | |
| 59 | 20-02465 | IGLIDE BEARING GFM-1416-06 | 1 |
| 60 | 25-08070 | BRAKE PEDAL SPRING | 1 |
| 61 | 90-02054 | PREVAILING TORQUE TYPE NUT DIN 985 M6-08 ZM-F-01 | 1 |
| 62 | 20-02455 | X BRAKE PEDAL SPACER | 1 |
| 63 | 90-07265 | HEXAGON SOCKET HEAD CAP SCREW ISO 4762 M6X20-8.8 ZM-F-01 REV 03 ZM-L-01 REV 01 | 1 |
| 64 | <i>Not Applicable to this Bike Model</i> | | |
| 65 | <i>Not Applicable to this Bike Model</i> | | |
| 66 | 25-08071 | BRAKE PEDAL BASE NOTE: Brake Pedal Off Road Peg - 25-08072 - sold seperately NOTE: Brake Pedal Street Peg - 25-08073 - sold seperately | 1 |

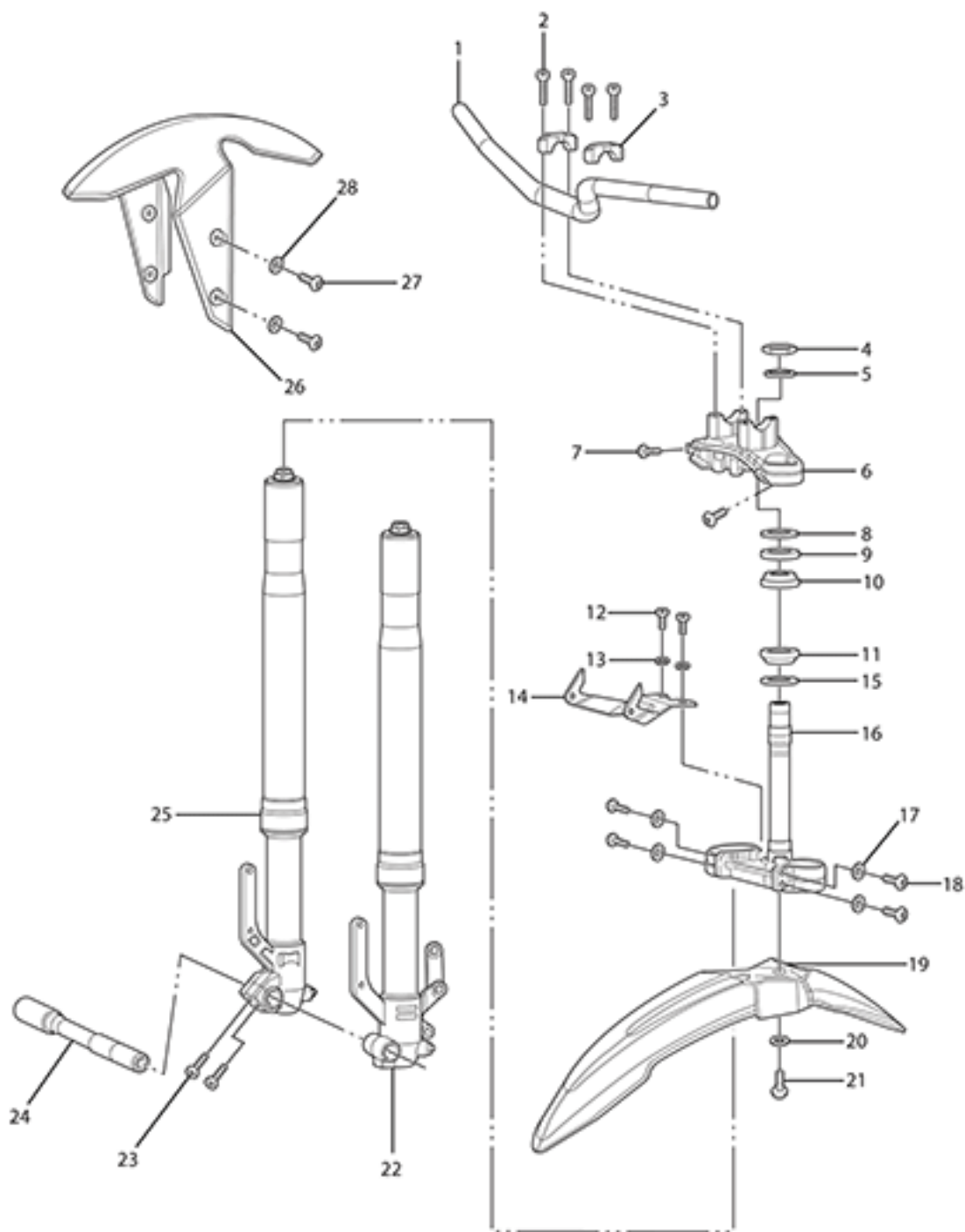
| | | | |
|----|--|--|---|
| 67 | 90-02133 | 1/4 X 3/4 CLEVIS PIN STEEL ZINC | 1 |
| 68 | 20-02455 | X BRAKE PEDAL SPACER | 1 |
| 69 | <i>Not Applicable to this Bike Model</i> | | |
| 70 | 90-02133 | 1/4 X 3/4 CLEVIS PIN STEEL ZINC | 1 |
| 71 | 90-02103 | WASHER ISO 7089 6-200HV ZM-F-01 | 1 |
| 72 | 90-02103 | WASHER ISO 7089 6-200HV ZM-F-01 | 1 |
| 73 | 25-07457 | MASTER CYLINDER GUARD FOR J-JUAN MASTER CYLINDER | 1 |
| 74 | 25-08015 | JJUAN 12MM REAR MASTER CYLINDER SDS | 1 |
| 74 | 25-08037 | JJUAN REAR MC PUSHROD SERVICE KIT SDS/XMX | 1 |
| 74 | 25-08040 | JJUAN REAR MC RESERVOIR HOSE SERVICE KIT SDS | 1 |
| 74 | 25-08062 | JJUAN REAR MASTER CYLINDER PISTON KIT SDS | 1 |
| 74 | 25-08067 | JJUAN REAR MASTER CYLINDER CIRCLIP SDS/XMX | 1 |
| 75 | 90-07323 | HEXAGON SOCKET BUTTON HEAD CAP SCREW ISO 7380 M6X25-8.8 ZM-F-01 REV 03 ZM-L-01 REV 01 | 1 |
| 76 | PA-196 | WASHER | 1 |
| 77 | 25-08036 | JJUAN REAR MC RESERVOIR CAP SERVICE KIT SDS/XMX | 1 |
| 78 | 90-02103 | WASHER ISO 7089 6-200HV ZM-F-01 | 1 |
| 79 | 90-02105 | WASHER ISO 7093-1 6-200 HV ZM-F-01 | 1 |
| 80 | PA-128 | BANJO GASKET | 1 |
| 81 | PA-128 | BANJO GASKET | 1 |
| 82 | 90-07273 | HEXAGON SOCKET BUTTON HEAD CAP SCREW ISO 7380 M6X16-8.8 ZM-F-01 REV 03 ZM-L-01 REV 01 | 1 |
| 83 | PA-128 | BANJO GASKET | 1 |
| 84 | PA-128 | BANJO GASKET | 1 |
| 85 | 90-07273 | HEXAGON SOCKET BUTTON HEAD CAP SCREW ISO 7380 M6X16-8.8 ZM-F-01 REV 03 ZM-L-01 REV 01 | 1 |
| 86 | PA-128 | BANJO GASKET | 1 |
| 87 | PA-185 | BANJO BOLT | 1 |



ZEV0033 - Wheel Assy

| Callout | Part Number | Part Name | Qty. per Motorcycle |
|---------|--|--|---------------------|
| 1 | 45-07496 | MPI WHEEL SPEED SENSOR | 1 |
| 2 | 25-08080 | ABS MAGNET RING | 1 |
| 3 | 23-07774 | 6204 BEARING DUST SEAL | 2 |
| 4 | 20-06138 | BEARING 6204 NOTE: Bearing used as swing arm bearing in some models and as the wheel bearing (qty of 5; 2 in front and three in rear wheel) in 2015 and later models. NOTE: Manufacturer part number is 6204-2RS | 2 |
| 5 | 23-08002 | TIRE, FRONT, 100/90-19 57H, PIRELLI MT-60 | 1 |
| 6 | 23-08066-4 | 2.50X19 DS FRONT CAST WHEEL ASSY SILVER BLACK | 1 |
| 7 | 23-07775 | FRONT WHEEL BEARING TUBE | 1 |
| 8 | 20-06138 | BEARING 6204 NOTE: Bearing used as swing arm bearing in some models and as the wheel bearing (qty of 5; 2 in front and three in rear wheel) in 2015 and later models. NOTE: Manufacturer part number is 6204-2RS | 2 |
| 9 | 23-07774 | 6204 BEARING DUST SEAL | 2 |
| 10 | 23-07491 | HOLLOW AXLE FRONT | 1 |
| 11 | <i>Not Applicable to this Bike Model</i> | | |
| 12 | 23-08032 | REAR AXLE 20MM HOLLOW, ROUNDED END | 1 |
| 13 | 23-07489 | WHEEL SPACER DRIVE SIDE REAR | 1 |
| 14 | 23-07774 | 6204 BEARING DUST SEAL | 2 |
| 15 | 20-06138 | BEARING 6204 NOTE: Bearing used as swing arm bearing in some models and as the wheel bearing (qty of 5; 2 in front and three in rear wheel) in 2015 and later models. NOTE: Manufacturer part number is 6204-2RS | 2 |
| 16 | 20-06138 | BEARING 6204 NOTE: Bearing used as swing arm bearing in some models and as the wheel bearing (qty of 5; 2 in front and three in rear wheel) in 2015 and later models. NOTE: Manufacturer part number is 6204-2RS | 2 |
| 17 | 23-08003 | TIRE, REAR, 130/80-17 65H, PIRELLI MT-60 | 1 |
| 18 | 23-08056-4 | WHEEL 3.50X17 SDS REAR CAST WHEEL ASSY 16MY IMPL BLACK-SILVER C | 1 |
| 19 | 23-07776 | REAR WHEEL BEARING TUBE 15MY | 1 |
| 20 | 20-06138 | BEARING 6204 NOTE: Bearing used as swing arm bearing in some models and as the wheel bearing (qty of 5; 2 in front and three in rear wheel) in 2015 and later models. NOTE: Manufacturer part number is 6204-2RS | 2 |

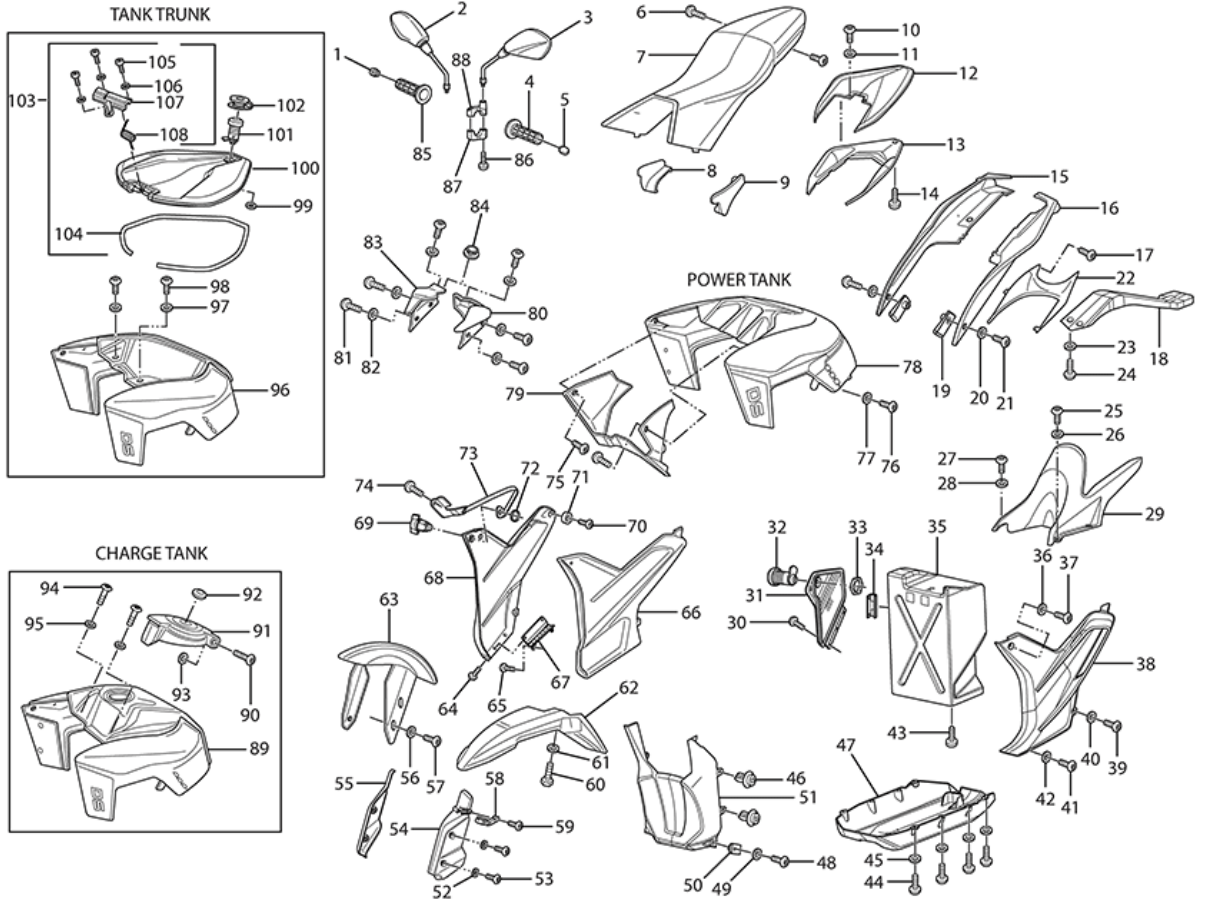
| | | | |
|----|----------|---|---|
| 21 | 25-08080 | ABS MAGNET RING | 1 |
| 22 | 45-07496 | MPI WHEEL SPEED SENSOR | 1 |
| 23 | 90-05678 | U-NUT M20X1.5 FLANGE 27S 15H NOTE: Rear Axle Nut | 1 |



ZEV0034 - Steering Systems

| Callout | Part Number | Part Name | Qty. per Motorcycle |
|---------|--|--|---------------------|
| 1 | 27-08151 | HIGH RISE HANDLEBAR NO LOGO NOTE: Supersedes part number 27-08050. | 1 |
| 2 | 90-02096 | MOTOR MOUNTING LEFT FRONT TOP AND LEFT FRONT BOTTOM BOLT | 1 |
| 3 | 22-00687 | S HANDLEBAR CLAMP | 1 |
| 4 | 22-06279 | STEERING STEM THIN NUT M27 X 1.5 X 8MM | 1 |
| 5 | 20-06278 | WASHER 41 - 27.5 X 2 MM | 1 |
| 6 | 22-07622 | SDS UPPER TRIPLE CLAMP 15MY IMP | 1 |
| 7 | 90-02094 | HEXAGON SOCKET HEAD CAP SCREW ISO 4762 M8X25-10.9 ZM-F-01 REV 03 | 1 |
| 8 | 22-06257 | STEERING STEM LOCK NUT M 30 X1.5 MM | 1 |
| 9 | 81-08045 | BEARING LIP SEAL OVERMOLDED 55MM OD NOTE: Supersedes part 20-06113 | 1 |
| 10 | 20-06068 | STEERING HEAD BEARING KOYO SAC3055-1 | 1 |
| 11 | 20-06068 | STEERING HEAD BEARING KOYO SAC3055-1 | 1 |
| 12 | 90-02109 | HEXAGON SOCKET BUTTON HEAD CAP SCREW ISO 7380 M5X12-8.8 ZM-F-01 | 1 |
| 13 | 90-02101 | WASHER ISO 7089 5-200HV ZM-F-01 | 1 |
| 14 | 20-06068 | STEERING HEAD BEARING KOYO SAC3055-1 | 1 |
| 15 | <i>Not Applicable to this Bike Model</i> | | |
| 16 | 22-08092 | SDS LOWER TRIPLE CLAMP ASSY NOTE: REPLACES 25-08082 | 1 |
| 17 | 90-02094 | HEXAGON SOCKET HEAD CAP SCREW ISO 4762 M8X25-10.9 ZM-F-01 REV 03 | 1 |
| 18 | 90-02094 | HEXAGON SOCKET HEAD CAP SCREW ISO 4762 M8X25-10.9 ZM-F-01 REV 03 | 1 |
| 19 | 24-08191 | FRONT FENDER DIRT BRAKE LINE HOLE | 1 |
| 20 | 90-02107 | WASHER ISO 7093-1 5-200HV ZM-F-01 NOTE: Does not apply to S and SR | 1 |
| 21 | 90-07292 | HEXAGON SOCKET BUTTON HEAD CAP SCREW ISO 7380 M5X16-8.8 ZM-F-11 REV 01 ZM-L-01 REV 01 NOTE: Does not apply to DS | 1 |
| 22 | 22-08061 | DS FORK 41MM LEFT | 1 |
| 23 | 23-07491 | HOLLOW AXLE FRONT | 1 |
| 24 | 90-07269 | HEXAGON SOCKET HEAD CAP SCREW ISO 4762 M8X30-10.9 ZM-F-01 REV 03 ZM-L-01 REV 01 | 1 |
| 25 | 22-08060 | DS FORK 41MM RIGHT | 1 |

ZEV0035 - Body Trim



ZEV0035 - Body Trim

| Callout | Part Number | Part Name | Qty. per Motorcycle |
|---------|-------------|---|---------------------|
| 1 | 27-08002 | HANDLEBAR END CAP | 1 |
| 2 | 27-08057 | MIRROR RH | 1 |
| 3 | 27-08056 | MIRROR LH | 1 |
| 4 | 27-08083 | HAND GRIP NON-THROTTLE SIDE NOTE: Grip does not have Zero logo. Order with 27-08082 if you want a matching pair. NOTE: Supersedes p/n 27-08007. | 1 |
| 5 | 27-08002 | HANDLEBAR END CAP | 1 |
| 6 | 90-08005 | SEAT BOLT M8X55 NOTE: Supersedes 90-07009. | 1 |
| 7 | 27-08025 | SDS SEAT ASSEMBLY MY15 NOTE: replaces 24-04854 | 1 |
| 8 | 24-08132 | SEAT GAP FILLER RIGHT | 1 |
| 9 | 24-08133 | SEAT GAP FILLER LEFT | 1 |
| 10 | 90-04716 | HEXAGON SOCKET HEAD CAP SCREW ISO 4762 M4X8-8.8 | 1 |
| 11 | 90-02102 | WASHER ISO 7089 4-200HV ZM-F-01 | 1 |
| 12 | 24-08098-16 | Option #1: SATIN SILVER | 1 |
| | 24-08098-10 | Option #2: YELLOW | 1 |
| | 24-08098-17 | Option #3: METALLIC BLACK | 1 |
| | 24-08098-18 | Option #4: PEARLESCENT WHITE | 1 |
| | 24-08098-19 | Option #5: SATIN GREEN | 1 |
| | 24-08098-13 | Option #6: BLACK | 1 |
| | 24-08098-14 | Option #7: GRAPHITE | 1 |
| | 24-08098-9 | Option #8: RED | 1 |
| | 24-08098-12 | Option #9: ORANGE | 1 |
| | 24-08098-11 | Option #10: WHITE | 1 |
| | 24-08098-25 | Option #11: QUICKSAND | 1 |
| | 24-08098-24 | Option #12: JET BLACK | 1 |
| | 24-08098-26 | Option #13: METALLIC CHOCOLATE | 1 |
| 13 | 24-08099-13 | Option #1: BLACK | 1 |
| | 24-08099-18 | Option #2: PEARLESCENT WHITE | 1 |
| | 24-08099-11 | Option #3: WHITE | 1 |
| | 24-08099-19 | Option #4: SATIN GREEN | 1 |
| | 24-08099-14 | Option #5: GRAPHITE | 1 |
| | 24-08099-12 | Option #6: ORANGE | 1 |
| | 24-08099-9 | Option #7: RED | 1 |
| | 24-08099-10 | Option #8: YELLOW | 1 |
| | 24-08099-16 | Option #9: SATIN SILVER | 1 |
| | 24-08099-17 | Option #10: METALLIC BLACK | 1 |
| | 24-08099-25 | Option #11: QUICKSAND | 1 |
| | 24-08099-24 | Option #12: JET BLACK | 1 |
| | 24-08099-26 | Option #13: METALLIC CHOCOLATE | 1 |

| | | | |
|----|--|---|---|
| 14 | 90-05885 | PHILIPS HEAD SHEET METAL SCREW 6 X 1/2 | 1 |
| 15 | 24-08080 | TRUNK PAN RIGHT COMPRESSION ADJUSTER TRIMMED SR | 1 |
| 16 | 24-05889 | TRUNK PAN LEFT FOR SIZE 6 CONTROLLER | 1 |
| 17 | 20-03066 | RIVET PUSH PUSH NYLON M6 | 1 |
| 18 | 24-04439 | SDS TAIL POD TOP NOTE: Top half only. Order bottom half PN: 24-05158 | 1 |
| 19 | 90-02139 | CLIP-ON U-NUT M5X11DP | 1 |
| 20 | 90-04085 | WASHER M5 X 11 X 1 NYLON 6/6 BLACK | 1 |
| 21 | 90-07124 | HEXAGON SOCKET BUTTON HEAD SCREW ISO 7380 M5X6-8.8 | 1 |
| 22 | 24-08258 | SIZE 6 CONTROLLER FILLER | 1 |
| 23 | 90-02103 | WASHER ISO 7089 6-200HV ZM-F-01 | 1 |
| 24 | 90-07281 | HEXAGON SOCKET BUTTON HEAD SCREWS ISO 7380 M6X12-8.8 ZM-F-01 REV 03 ZM-L-01 REV 01 | 1 |
| 25 | 90-07124 | HEXAGON SOCKET BUTTON HEAD SCREW ISO 7380 M5X6-8.8 | 1 |
| 26 | 90-04085 | WASHER M5 X 11 X 1 NYLON 6/6 BLACK | 1 |
| 27 | 90-07124 | HEXAGON SOCKET BUTTON HEAD SCREW ISO 7380 M5X6-8.8 | 1 |
| 28 | 90-04085 | WASHER M5 X 11 X 1 NYLON 6/6 BLACK | 1 |
| 29 | 24-08251 | TRIMMED REAR INNER FENDER | 1 |
| 30 | <i>Not Applicable to this Bike Model</i> | | |
| 31 | <i>Not Applicable to this Bike Model</i> | | |
| 32 | <i>Not Applicable to this Bike Model</i> | | |
| 33 | <i>Not Applicable to this Bike Model</i> | | |
| 34 | <i>Not Applicable to this Bike Model</i> | | |
| 35 | <i>Not Applicable to this Bike Model</i> | | |
| 36 | 90-04085 | WASHER M5 X 11 X 1 NYLON 6/6 BLACK | 1 |
| 37 | 90-04084 | HEXAGON SOCKET BUTTON HEAD CAP SCREW ISO 7380 M5X16-8.8 ZM-F-11 REV 03 | 1 |
| 38 | 24-06684 | SDS CHIN FAIRING LEFT NOTE: Please order 80-08012 DECAL/GRAPHIC/MEDALLION GRAPHIC, CRAFTED IN CALIFORNIA JEWEL separately. | 1 |
| 39 | 90-04084 | HEXAGON SOCKET BUTTON HEAD CAP SCREW ISO 7380 M5X16-8.8 ZM-F-11 REV 03 | 1 |
| 40 | 90-04085 | WASHER M5 X 11 X 1 NYLON 6/6 BLACK | 1 |
| 41 | 90-04084 | HEXAGON SOCKET BUTTON HEAD CAP SCREW ISO 7380 M5X16-8.8 ZM-F-11 REV 03 | 1 |
| 42 | 90-04085 | WASHER M5 X 11 X 1 NYLON 6/6 BLACK | 1 |
| 43 | 90-04084 | HEXAGON SOCKET BUTTON HEAD CAP SCREW ISO 7380 M5X16-8.8 ZM-F-11 REV 03 | 1 |
| 44 | 90-04084 | HEXAGON SOCKET BUTTON HEAD CAP SCREW ISO 7380 M5X16-8.8 ZM-F-11 REV 03 | 1 |
| 45 | 90-04085 | WASHER M5 X 11 X 1 NYLON 6/6 BLACK | 1 |
| 46 | <i>Not Applicable to this Bike Model</i> | | |

| | | | |
|----|--|---|---|
| 47 | 90-04085 | WASHER M5 X 11 X 1 NYLON 6/6 BLACK | 1 |
| 48 | 90-04084 | HEXAGON SOCKET BUTTON HEAD CAP SCREW ISO 7380 M5X16-8.8 ZM-F-11 REV 03 | 1 |
| 49 | 90-04085 | WASHER M5 X 11 X 1 NYLON 6/6 BLACK | 1 |
| 50 | 90-02139 | CLIP-ON U-NUT M5X11DP | 1 |
| 51 | 24-07674 | SDS STUBBY CHIN CENTER | 1 |
| 52 | 90-04085 | WASHER M5 X 11 X 1 NYLON 6/6 BLACK | 1 |
| 53 | 90-04084 | HEXAGON SOCKET BUTTON HEAD CAP SCREW ISO 7380 M5X16-8.8 ZM-F-11 REV 03 | 1 |
| 54 | 24-08070 | FORK GUARD LEFT | 1 |
| 55 | 24-08069 | FORK GUARD RIGHT | 1 |
| 56 | <i>Not Applicable to this Bike Model</i> | | |
| 57 | <i>Not Applicable to this Bike Model</i> | | |
| 58 | 90-04085 | WASHER M5 X 11 X 1 NYLON 6/6 BLACK | 1 |
| 59 | 90-05887 | PHILIPS HEAD SHEET METAL SCREW TYPE AB NO 10 X 1/2 STEEL ZM-F-11 | 1 |
| 60 | 90-07292 | HEXAGON SOCKET BUTTON HEAD CAP SCREW ISO 7380 M5X16-8.8 ZM-F-11 REV 01 ZM-L-01 REV 01 NOTE: Does not apply to DS | 1 |
| 61 | 90-02101 | WASHER ISO 7089 5-200HV ZM-F-01 | 1 |
| 62 | 24-08191 | FRONT FENDER DIRT BRAKE LINE HOLE | 1 |
| 63 | <i>Not Applicable to this Bike Model</i> | | |
| 64 | <i>Not Applicable to this Bike Model</i> | | |
| 65 | <i>Not Applicable to this Bike Model</i> | | |
| 66 | 24-06684 | SDS CHIN FAIRING LEFT NOTE: Please order 80-08012 DECAL/GRAPHIC/MEDALLION GRAPHIC, CRAFTED IN CALIFORNIA JEWEL separately. | 1 |
| 67 | <i>Not Applicable to this Bike Model</i> | | |
| 68 | 24-08235 | SDS CHIN FAIRING RIGHT NOTE: Please order 80-08012 DECAL/GRAPHIC/MEDALLION GRAPHIC, CRAFTED IN CALIFORNIA JEWEL separately. | 1 |
| 69 | <i>Not Applicable to this Bike Model</i> | | |
| 70 | <i>Not Applicable to this Bike Model</i> | | |
| 71 | <i>Not Applicable to this Bike Model</i> | | |
| 72 | <i>Not Applicable to this Bike Model</i> | | |
| 73 | <i>Not Applicable to this Bike Model</i> | | |
| 74 | <i>Not Applicable to this Bike Model</i> | | |
| 75 | 90-05887 | PHILIPS HEAD SHEET METAL SCREW TYPE AB NO 10 X 1/2 STEEL ZM-F-11 | 1 |
| 76 | 90-04084 | HEXAGON SOCKET BUTTON HEAD CAP SCREW ISO 7380 M5X16-8.8 ZM-F-11 REV 03 | 1 |
| 77 | 90-04085 | WASHER M5 X 11 X 1 NYLON 6/6 BLACK | 1 |
| | | Option #1: SATIN GREEN Option #2: GRAPHITE Option #3: METALLIC CHOCOLATE Option #4: BLACK | |

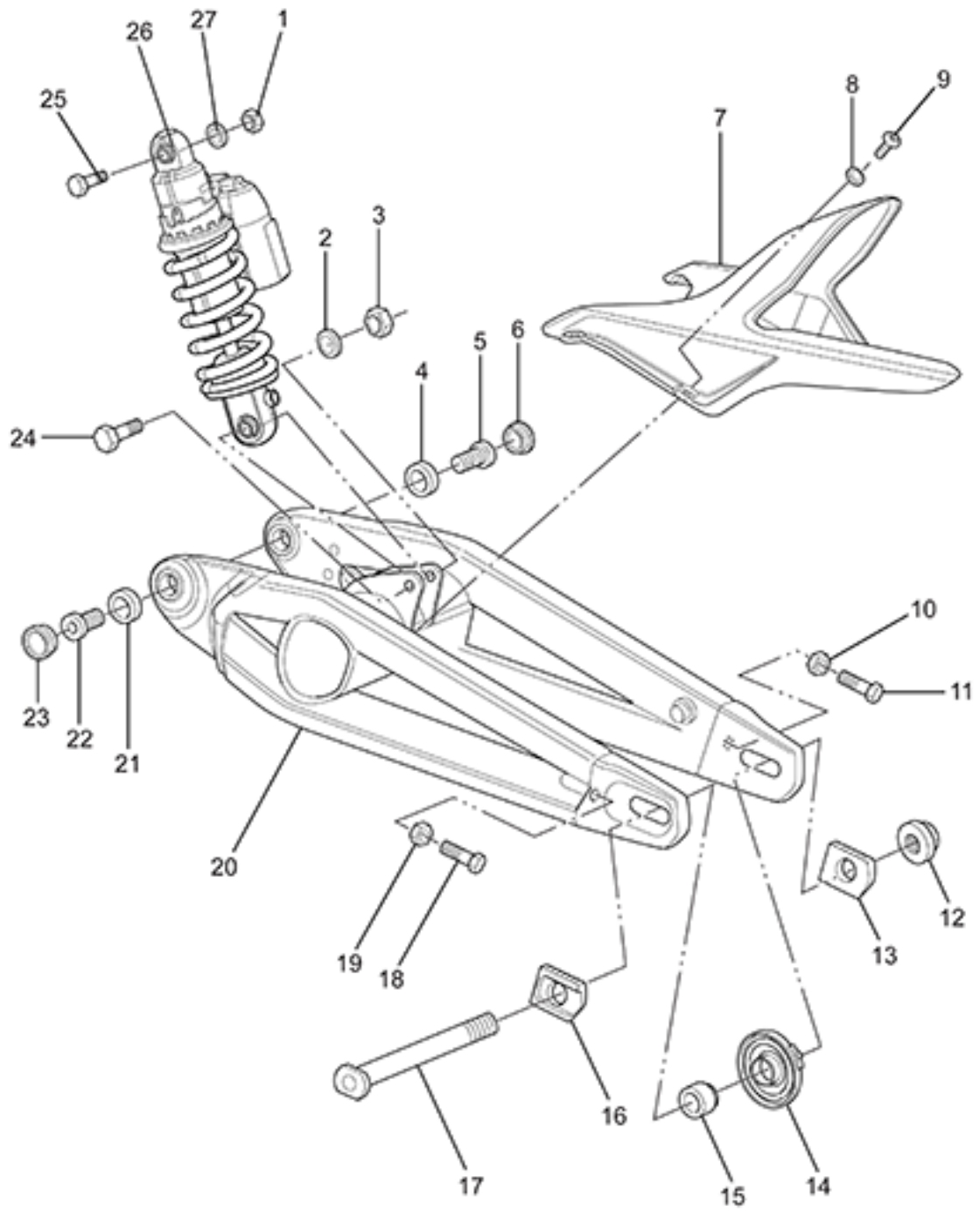
| | | | |
|----|--|---|--|
| | | Option #5: ORANGE Option #6: WHITE Option #7: METALLIC BLACK | |
| 79 | 24-04428 | SDS FAIRING FRONT CENTER BLACK#2 | 1 |
| 80 | 24-08092 | HEADLIGHT MOUNT LEFT FOR ABS | 1 |
| 81 | 24-08272-17 90-04084 | HEXAGON SOCKET BUTTON HEAD CAP SCREW ISO 7380 M5X16-8.8 ZM-F-11 REV 03 | 1 |
| 82 | 90-04085 | WASHER M5 X 11 X 1 NYLON 6/6 BLACK | 1 |
| 83 | 24-08091 | HEADLIGHT MOUNT RIGHT FOR ABS | 1 |
| 84 | 27-08034 | 12V ACCESSORY COVER, SMALL | 1 |
| 85 | 24-08272-11 27-08082 | HAND GRIP THROTTLE SIDE NOTE: Grip does not have Zero logo. Order with 27-08083 if you want a matching pair. NOTE: Supersedes p/n 27-08006. | 1 1 |
| 86 | 90-07265 | HEXAGON SOCKET HEAD CAP SCREW ISO 4762 M6X20-8.8 ZM-F-01 REV 03 ZM-L-01 REV 01 | 1 |
| 87 | 24-02961 24-08272-12 | MIRROR MOUNT CLAMP | 1 1 |
| 88 | 26-08060 | MIRROR LH MOUNT LOW PROFILE NOTE: Bottom part of the mirror mount LH | 1 |
| 89 | 24-08270-11 24-08270-12 24-08270-13 | Option #1: WHITE Option #2: ORANGE Option #3: BLACK | 1 1 1 |
| 78 | 24-08270-14 | Option #4: GRAPHITE | 1 |
| 90 | 90-08048 | LATCH BOLT CYLINDER | 1 |
| 91 | 24-08156 | J1772 INLET COVER WITH BADGE ASSEMBLY | 1 |
| 92 | PA-339 | J1772 INLET COVER BADGE | 1 |
| 93 | 90-08083 | LATCH BOLT SECURITY SCREW | 1 |
| 94 | 24-08272-26 90-07292 | HEXAGON SOCKET BUTTON HEAD CAP SCREW ISO 7380 M5X16-8.8 ZM-F-11 REV 01 ZM-L-01 REV 01 NOTE: Does not apply to DS | 1 1 |
| 95 | 90-04085 | WASHER M5 X 11 X 1 NYLON 6/6 BLACK | 1 |
| 96 | 24-08285-26 24-08285-19 24-08272-14 24-08285-13 24-08285-12 24-08285-11 24-08285-17 24-08285-42 24-08272-19 24-08582-43 24-08285-51 | Option #1: METALLIC CHOCOLATE Option #2: SATIN GREEN Option #3: GRAPHITE Option #4: BLACK Option #5: ORANGE Option #6: WHITE Option #7: METALLIC BLACK Option #8: MOJAVE W/ WARM SILVER Option #9: BACK FOREST Option #10: JET BLACK W/ GOLD | 1 1 1 1 1 1 1 1 1 1 |
| 97 | 90-04085 | WASHER M5 X 11 X 1 NYLON 6/6 BLACK | 1 |
| 98 | 90-04084 | HEXAGON SOCKET BUTTON HEAD CAP SCREW ISO 7380 M5X16-8.8 ZM-F-11 REV 03 | 1 |
| 99 | 90-08058 | LATCH CYLINDER NUT | 1 |

| | | | |
|-----|----------|--|---|
| 100 | 24-08192 | TANK TRUNK LID NOTE: Tank Trunk Lid Only. Please order the complete service kit 12-08072 if all parts are needed. Kit is not backward compatible with earlier model years. NOTE: For older model years, please order the entire replacement tank assembly with tank trunk. | 1 |
| 101 | 12-08071 | KEYED PANEL LATCH 90 DEG TURN REPLACEMENT KIT | 1 |
| 102 | 81-08062 | 90 DEG TURN KEYLATCH CAP | 1 |
| 103 | 12-08072 | TANK TRUNK LID REPLACEMENT KIT NOTE: Kit includes TANK TRUNK LID (24-08192). | 1 |

Part Detail for #103. TANK TRUNK LID REPLACEMENT KIT

| Callout | Part Number | Part Name | Qty. per Motorcycle |
|---------|-------------|--|---------------------|
| 104 | 24-08214 | ASYMMETRIC U-CHANNEL FOAM SEAL 3/16" WIDE | 1 |
| 105 | 90-08009 | HEXAGON SOCKET HEAD CAP SCREW ISO 4762 M3X8-8.8 ZM-F-01 ZM-L-02 | 1 |
| 106 | 90-02480 | WASHER ISO 7089 3-200HV ZM-F-01 | 1 |
| 107 | 24-08220 | TANK TRUNK HINGE CAP | 1 |
| 108 | 90-08077 | TORSION SPRING FOR LID | 1 |

ZEV0036 - Rear Suspension

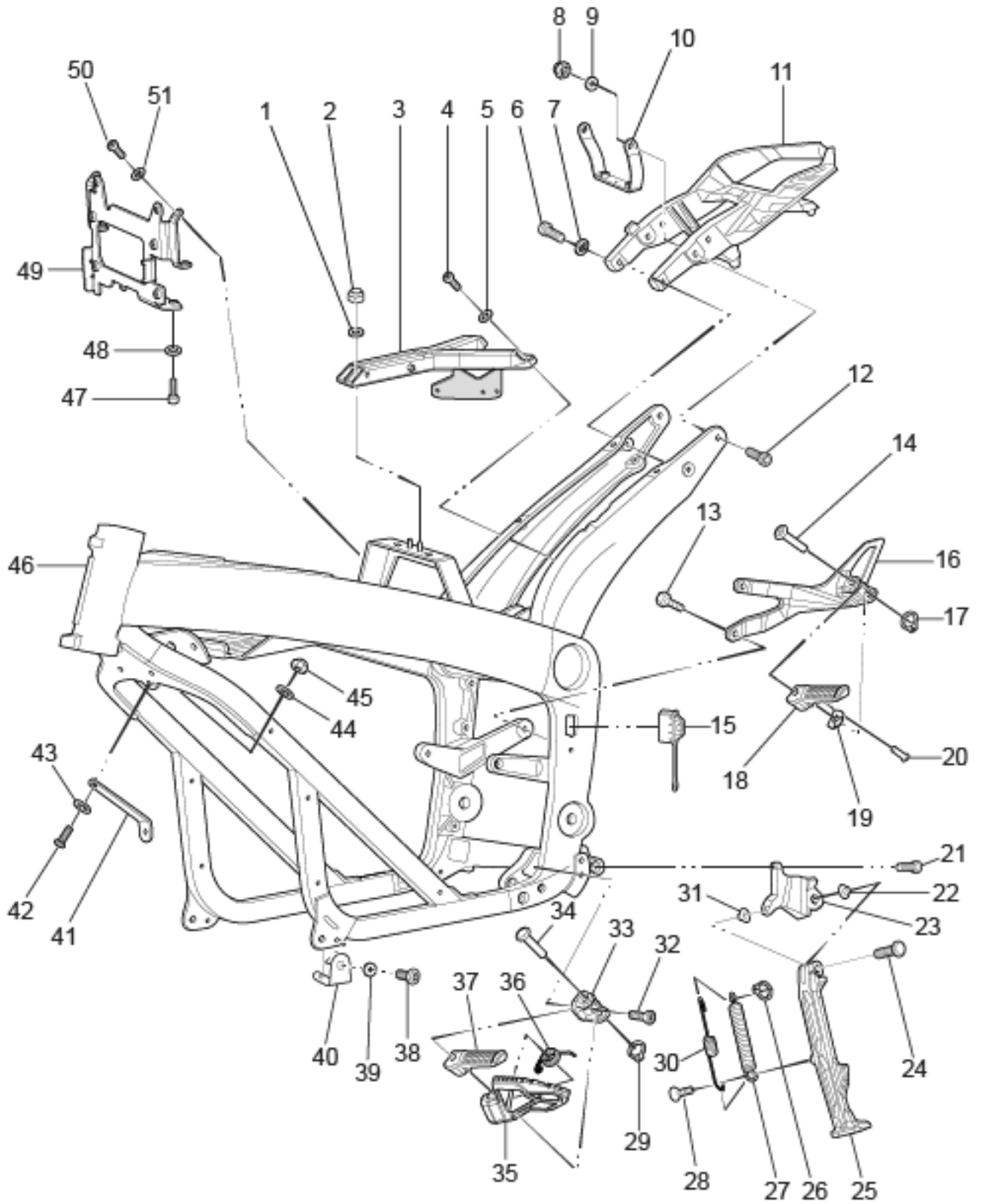


ZEV0036 - Rear Suspension

| Callout | Part Number | Part Name | Qty. per Motorcycle |
|---------|-------------|--|---------------------|
| 1 | 90-02050 | PREVAILING TORQUE TYPE NUT DIN 985 M10-08 ZM-F-01 | 1 |
| 2 | 90-02100 | WASHER ISO 7089 10-200 HV ZM-F-01 | 1 |
| 3 | 90-02050 | PREVAILING TORQUE TYPE NUT DIN 985 M10-08 ZM-F-01 | 1 |
| 4 | 20-06138 | BEARING 6204 NOTE: Bearing used as swing arm bearing in some models and as the wheel bearing (qty of 5; 2 in front and three in rear wheel) in 2015 and later models. NOTE: Manufacturer part number is 6204-2RS | 2 |
| 5 | 20-06130 | STUB AXLE | 1 |
| 6 | 20-06937 | SDS STUB-PIVOT COVER | 1 |
| 7 | 24-08251 | TRIMMED REAR INNER FENDER | 1 |
| 8 | 90-04085 | WASHER M5 X 11 X 1 NYLON 6/6 BLACK | 1 |
| 9 | 90-02109 | HEXAGON SOCKET BUTTON HEAD CAP SCREW ISO 7380 M5X12-8.8 ZM-F-01 | 1 |
| 10 | 90-05088 | HEXAGON FLANGE NUT DIN 6923 M8-1.25 ZM-F-01 REV 03 NOTE: Axle adjusters jam nut | 1 |
| 11 | 90-03030 | HEXAGON HEAD SCREW DIN 933 M8X40-10.9 ZM-F-01 REV 03 | 1 |
| 12 | 90-05678 | U-NUT M20X1.5 FLANGE 27S 15H NOTE: Rear Axle Nut | 1 |
| 13 | 26-08123 | REAR AXLE ADJUSTER PUSH BLOCK NUT SIDE | 1 |
| 14 | 45-07496 | MPI WHEEL SPEED SENSOR | 1 |
| 15 | 23-07489 | WHEEL SPACER DRIVE SIDE REAR | 1 |
| 16 | 26-08124 | REAR AXLE ADJUSTER PUSH BLOCK HEAD SIDE | 1 |
| 17 | 23-08032 | REAR AXLE 20MM HOLLOW, ROUNDED END | 1 |
| 18 | 90-03030 | HEXAGON HEAD SCREW DIN 933 M8X40-10.9 ZM-F-01 REV 03 | 1 |
| 19 | 90-03030 | HEXAGON HEAD SCREW DIN 933 M8X40-10.9 ZM-F-01 REV 03 | 1 |
| 20 | 26-08069 | S SWINGARM EXTENDED REAR AXLE SLOT | 1 |
| 21 | 20-06138 | BEARING 6204 NOTE: Bearing used as swing arm bearing in some models and as the wheel bearing (qty of 5; 2 in front and three in rear wheel) in 2015 and later models. NOTE: Manufacturer part number is 6204-2RS | 2 |
| 22 | 20-06130 | STUB AXLE | 1 |
| 23 | 20-06937 | SDS STUB-PIVOT COVER | 1 |
| 24 | 90-05711 | LOWER SHOCK EYE BOLT M10-1.5X60MM | 1 |
| 25 | 90-05711 | LOWER SHOCK EYE BOLT M10-1.5X60MM | 1 |
| 26 | 90-05711 | LOWER SHOCK EYE BOLT M10-1.5X60MM | 1 |

| | | | |
|----|----------|-----------------------------------|---|
| 27 | 90-02100 | WASHER ISO 7089 10-200 HV ZM-F-01 | 1 |
|----|----------|-----------------------------------|---|

ZEV0037 - Frame(Left)

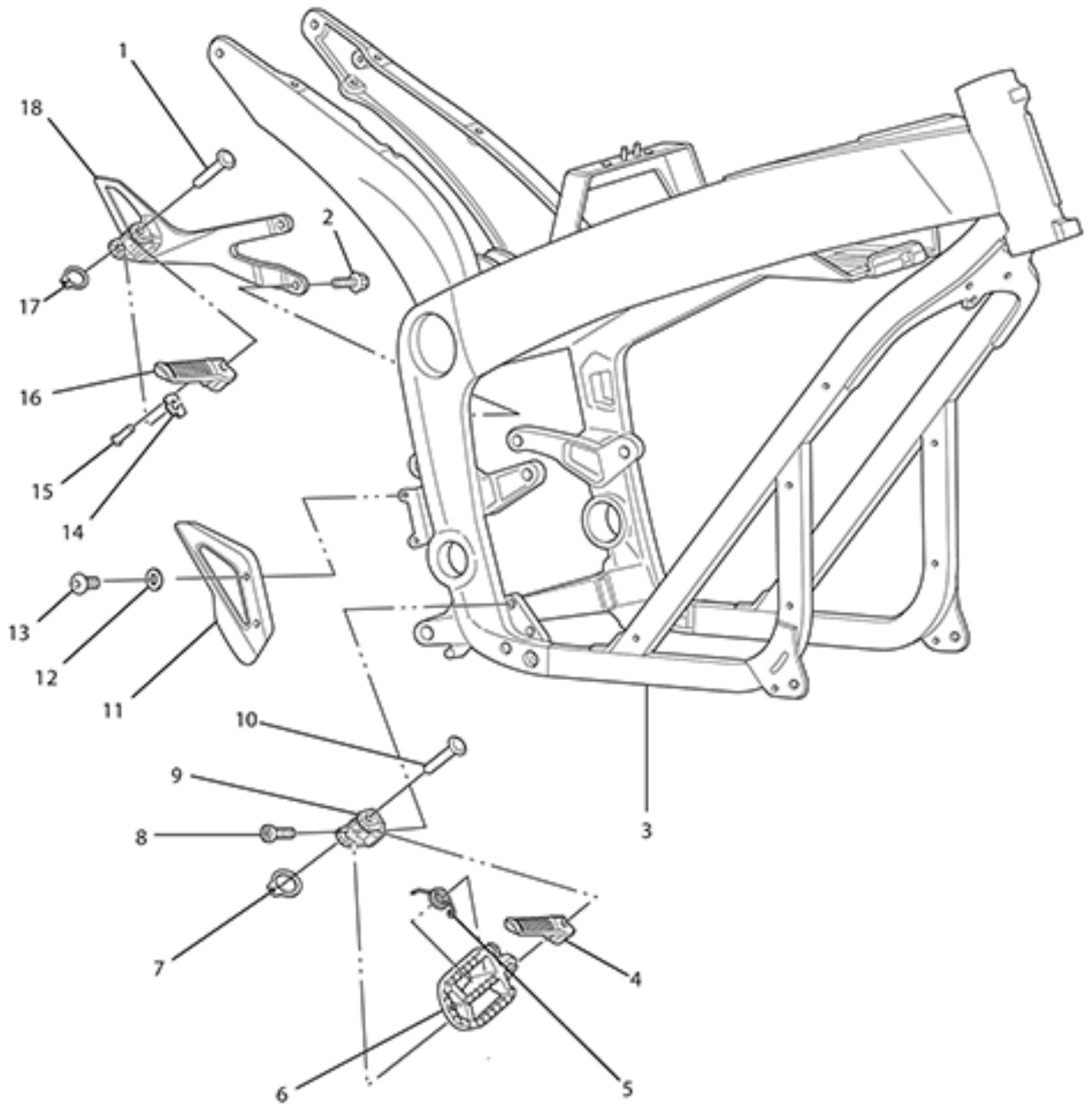


ZEV0037 - Frame(Left)

| Callout | Part Number | Part Name | Qty. per Motorcycle |
|---------|-------------|---|---------------------|
| 1 | 90-02103 | WASHER ISO 7089 6-200HV ZM-F-01 | 1 |
| 2 | 90-02054 | PREVAILING TORQUE TYPE NUT DIN 985 M6-08 ZM-F-01 | 1 |
| 3 | 21-06979 | SDS SEAT FRAME WITH FUSEPANEL MOUNT | 1 |
| 4 | 90-02122 | HEXAGON SOCKET BUTTON HEAD CAP SCREW ISO 7380 M6X16-8.8 ZM-F-01 REV 03 | 1 |
| 5 | 90-02103 | WASHER ISO 7089 6-200HV ZM-F-01 | 1 |
| 6 | 90-07269 | HEXAGON SOCKET HEAD CAP SCREW ISO 4762 M8X30-10.9 ZM-F-01 REV 03 ZM-L-01 REV 01 | 1 |
| 7 | 90-02104 | WASHER ISO 7089 -8-200 HV ZM-F-01 | 1 |
| 8 | 90-03236 | PREVAILING TORQUE TYPE NUT DIN 985 M8-10 ZM-F-01 | 1 |
| 9 | 90-02104 | WASHER ISO 7089 -8-200 HV ZM-F-01 | 1 |
| 10 | 20-05897 | HEATSINK SUPPORT | 1 |
| 11 | 20-05883 | SR TAIL FRAME | 1 |
| 12 | 90-08005 | SEAT BOLT M8X55 NOTE: Supersedes 90-07009. | 1 |
| 13 | 90-07284 | HEX FLANGE BOLT M8X25 | 1 |
| 14 | 90-02725 | CLEVIS PIN CUSTOM 10MM X 45L | 1 |
| 15 | 45-04864 | AC CHARGE INLET COVER | 1 |
| 16 | 20-04285 | SDS PASSENGER PEG BRKT L | 1 |
| 17 | 90-02879 | RETAINING RING 9MM SHAFT DIN 471 | 1 |
| 18 | 27-08039 | PASSENGER FOOTPEG LEFT SIDE | 1 |
| 19 | 20-04279 | FOOTPEG DETENT PLATE | 1 |
| 20 | 20-05404 | FOOTPEG DETENT BALL MECHANISM | 1 |
| 21 | 90-07277 | HEXAGON SOCKET THIN HEAD CAP SCREW DIN 7984 M10X25-8.8 ZM-F-01 REV 03 ZM-L-01 REV 01 | 1 |
| 22 | 90-02800 | BUSHING FLANGE 0.375 | 1 |
| 23 | 20-06590 | KICKSTAND MOUNT | 1 |
| 24 | 90-02799 | CLEVIS PIN CUSTOM NOTE: Used to attach kickstand leg to mount. | 1 |
| 25 | 20-05661 | MEDIUM KICKSTAND LEG W/MAGNET | 1 |
| 26 | 90-02837 | E CLIP 0.375 | 1 |
| 27 | 90-08219 | SIDESTAND SPRING OUTER STAINLESS PASSIVATED | 1 |
| 28 | 90-07261 | HEXAGON SOCKET COUNTERSUNK HEAD SCREW ISO 10642 M8X20-10.9 ZM-F-01 REV 03 ZM-L-01 REV 01 | 1 |
| 29 | 90-02879 | RETAINING RING 9MM SHAFT DIN 471 | 1 |
| 30 | 90-02879 | RETAINING RING 9MM SHAFT DIN 471 | 1 |
| 31 | 90-02800 | BUSHING FLANGE 0.375 | 1 |
| 32 | 90-07277 | HEXAGON SOCKET THIN HEAD CAP SCREW DIN 7984 M10X25-8.8 ZM-F-01 REV 03 ZM-L-01 REV 01 | 1 |
| 33 | 20-02723 | CLEVIS FOOT PEG UNIVERSAL LEFT | 1 |

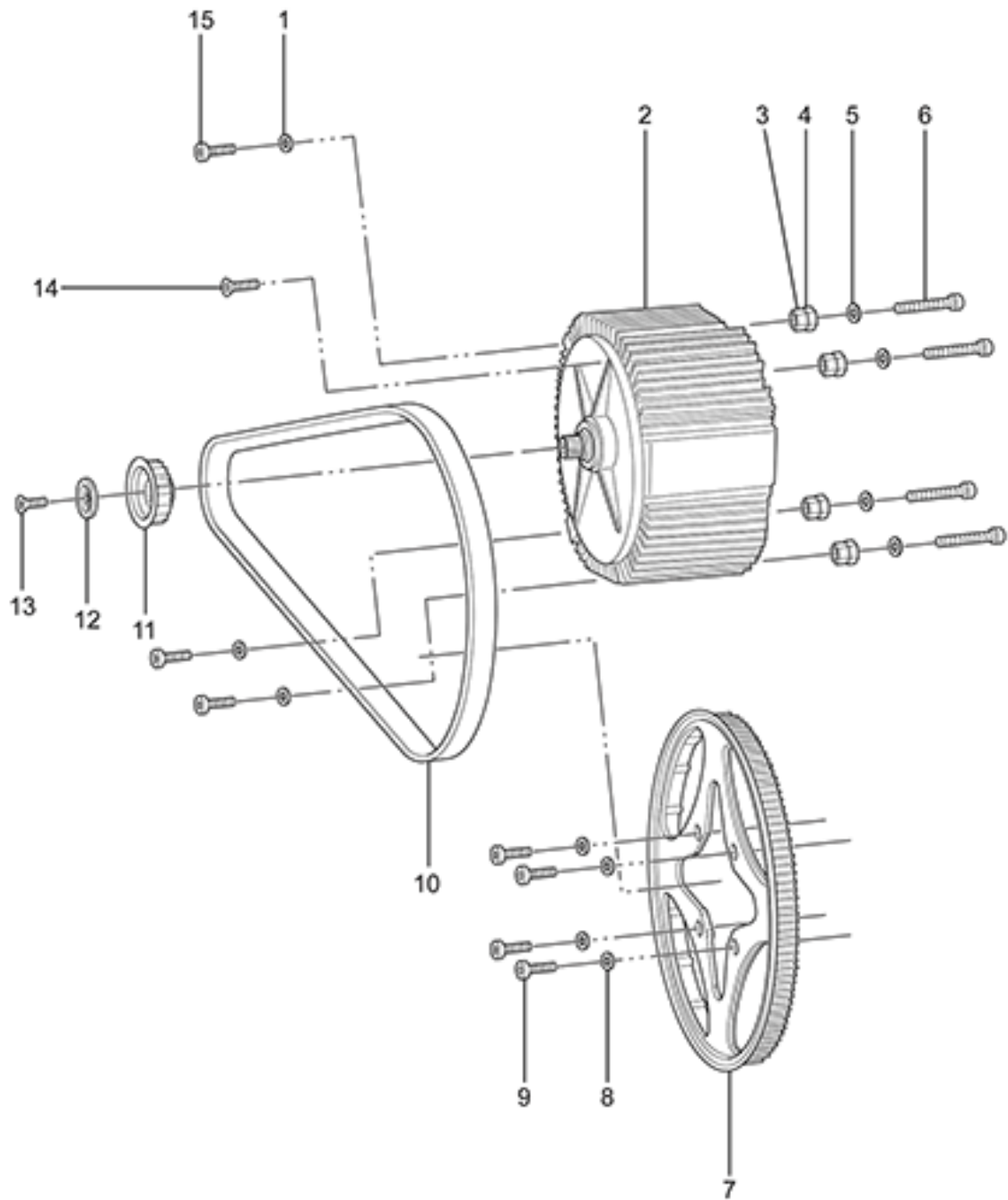
| | | | |
|----|--|---|---|
| 34 | 90-02725 | CLEVIS PIN CUSTOM 10MM X 45L | 1 |
| 35 | 20-02548 | FOOTPEG, LEFT | 1 |
| 36 | 20-02727 | TORSION SPRING, .678 OD .078 WIRE, CCW | 1 |
| 37 | <i>Not Applicable to this Bike Model</i> | | |
| 38 | 90-04084 | HEXAGON SOCKET BUTTON HEAD CAP SCREW ISO 7380 M5X16-8.8 ZM-F-11 REV 03 | 1 |
| 39 | 90-04085 | WASHER M5 X 11 X 1 NYLON 6/6 BLACK | 1 |
| 40 | 20-05307 | SKID PAN BRACKET | 1 |
| 41 | 20-07073 | SDS FRAME MOUNTED HORN BRACKET | 1 |
| 42 | 90-07435 | HEX SOCKET BUTTON HEAD CAP SCREW M6X20-8.8 | 1 |
| 43 | 90-02103 | WASHER ISO 7089 6-200HV ZM-F-01 | 1 |
| 44 | 90-02103 | WASHER ISO 7089 6-200HV ZM-F-01 | 1 |
| 45 | 90-02054 | PREVAILING TORQUE TYPE NUT DIN 985 M6-08 ZM-F-01 | 1 |
| 46 | 26-08128 | SR MAIN FRAME NOTE: Must supply VIN# and Warranty Claim# when ordering. NOTE: Also for DSR Main frame | 1 |
| 47 | 90-07288 | HEXAGON SOCKET HEAD CAP SCREW ISO 4762 M5X12-8.8 ZM-F-01 REV 03 ZM-L-01 REV 01 | 1 |
| 48 | 90-02101 | WASHER ISO 7089 5-200HV ZM-F-01 | 1 |
| 49 | 26-08120 | S ELECTRICAL PANEL | 1 |
| 50 | 90-07288 | HEXAGON SOCKET HEAD CAP SCREW ISO 4762 M5X12-8.8 ZM-F-01 REV 03 ZM-L-01 REV 01 | 1 |
| 51 | 90-02101 | WASHER ISO 7089 5-200HV ZM-F-01 | 1 |

ZEV0038 - Frame(Right)



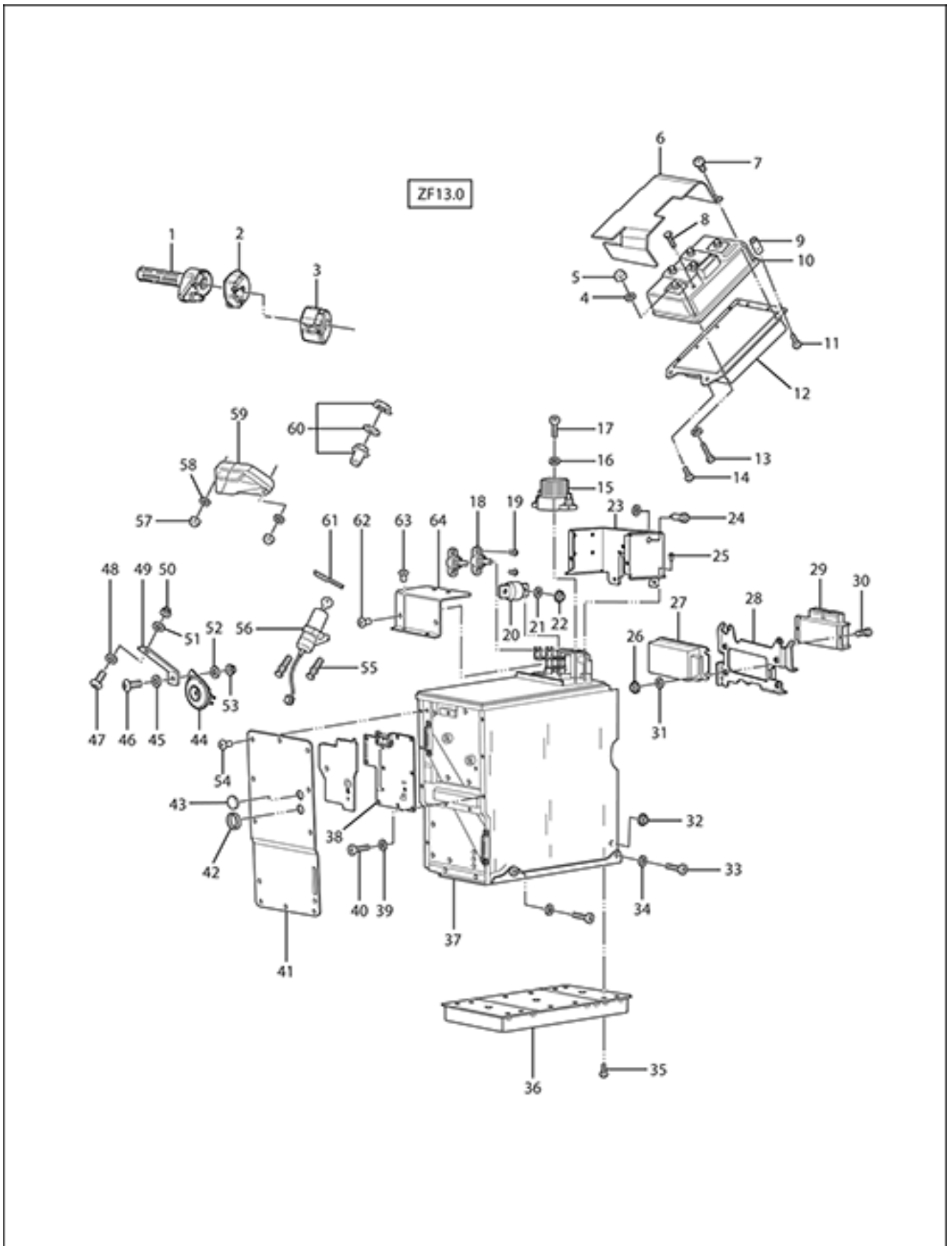
ZEV0038 - Frame(Right)

| Callout | Part Number | Part Name | Qty. per Motorcycle |
|---------|-------------|---|---------------------|
| 1 | 90-02725 | CLEVIS PIN CUSTOM 10MM X 45L | 1 |
| 2 | 90-07284 | HEX FLANGE BOLT M8X25 | 1 |
| 3 | 26-08128 | SR MAIN FRAME NOTE: Must supply VIN# and Warranty Claim# when ordering. NOTE: Also for DSR Main frame | 1 |
| 4 | 20-02549 | FOOTPEG, RIGHT NOTE: Does not apply to S and SR | 1 |
| 5 | 20-02727 | TORSION SPRING, .678 OD .078 WIRE, CCW | 1 |
| 6 | 20-02549 | FOOTPEG, RIGHT NOTE: Does not apply to S and SR | 1 |
| 7 | 90-02879 | RETAINING RING 9MM SHAFT DIN 471 | 1 |
| 8 | 90-07277 | HEXAGON SOCKET THIN HEAD CAP SCREW DIN 7984 M10X25-8.8 ZM-F-01 REV 03 ZM-L-01 REV 01 | 1 |
| 9 | 20-02724 | CLEVIS FOOT PEG UNIVERSAL RIGHT | 1 |
| 10 | 90-02725 | CLEVIS PIN CUSTOM 10MM X 45L | 1 |
| 11 | 25-07457 | MASTER CYLINDER GUARD FOR J-JUAN MASTER CYLINDER | 1 |
| 12 | 90-02103 | WASHER ISO 7089 6-200HV ZM-F-01 | 1 |
| 13 | 90-07323 | HEXAGON SOCKET BUTTON HEAD CAP SCREW ISO 7380 M6X25-8.8 ZM-F-01 REV 03 ZM-L-01 REV 01 | 1 |
| 14 | 20-04279 | FOOTPEG DETENT PLATE | 1 |
| 15 | 20-05404 | FOOTPEG DETENT BALL MECHANISM | 1 |
| 16 | 27-08038 | PASSENGER FOOTPEG RIGHT SIDE | 1 |
| 17 | 90-02879 | RETAINING RING 9MM SHAFT DIN 471 | 1 |
| 18 | 20-07604 | SDS AND FX PASSENGER PEG BRKT R | 1 |



ZEV0039 - Motor and Drive System

| Callout | Part Number | Part Name | Qty. per Motorcycle |
|---------|--|---|---------------------|
| 1 | 90-02104 | WASHER ISO 7089 -8-200 HV ZM-F-01 | 1 |
| 2 | 30-08100 | ZF75-7 R IPM MOTOR SPLINED SHAFT | 1 |
| 3 | <i>Not Applicable to this Bike Model</i> | | |
| 4 | 20-04774 | MOTOR JACK SCREW INNER | 4 |
| 5 | 90-02104 | WASHER ISO 7089 -8-200 HV ZM-F-01 | 4 |
| 6 | 90-05179 | HEXAGON SOCKET HEAD CAP SCREW ISO 4762 M8X60-8.8 ZM-F-01 REV 03 | 1 |
| 7 | 30-08109 | WHEEL SPROCKET 90T 11MM PITCH 17MM WIDE BELT COATED | 1 |
| 8 | 90-02104 | WASHER ISO 7089 -8-200 HV ZM-F-01 | 1 |
| 9 | 90-08053 | HEXALOBULAR SOCKET PAN HEAD ISO 14583 M8X30-10.9 ZM-F-01 ZM-L-02 | 4 |
| 10 | 30-08278 | BELT 158T 11MM PITCH 17MM WIDE THIN WEB NOTE: Supersedes 30-08086 | 1 |
| 11 | 30-08116 | MOTOR SPROCKET 20T 11MM PITCH 17MM WIDE BELT ASSEMBLED | 1 |
| 12 | 20-05453 | LOW PROFILE BELT SPROCKET MOTOR SHAFT TOPHAT | 1 |
| 13 | 90-02056 | HEXAGON SOCKET COUNTERSUNK HEAD SCREW M10X25-8.8 MOTOR SHAFT NOTE: Bolt used to hold front sprocket in place onto the motor shaft. NOTE: Sprocket | 1 |
| 14 | 90-08037 | HEXALOBULAR (6 LOBE) SOCKET FLAT HEAD COUNTERSUNK SCREW ISO 14582 M8X30-10.9 ZM-F-01 REV 04 | 1 |
| 15 | 90-02096 | MOTOR MOUNTING LEFT FRONT TOP AND LEFT FRONT BOTTOM BOLT | 3 |



| Callout | Part Number | Part Name | Qty. per Motorcycle |
|---------|--|---|---------------------|
| 1 | 45-08039 | THROTTLE BITRON HALL EFFECT PCB NOTE: Supersedes 27-08000 | 1 |
| 2 | 40-06054 | KILL MODE START SWITCH | 1 |
| 3 | 60-07780 | LEFT HAND SWITCHGEAR ECIE | 1 |
| 4 | 90-02103 | WASHER ISO 7089 6-200HV ZM-F-01 | 1 |
| 5 | 90-02071 | HEXAGON NUT ISO 4032 M6-8 ZM-F-01 REV 02 | 1 |
| 6 | 24-08067 | BODYWORK MISC #6 CONTROLLER UN-SHIELDED COVER | 1 |
| 7 | 90-06250 | CONTROLLER FORMEX PAN HEAD PHILLIPS #6 SHEET METAL SCREW | 1 |
| 8 | 90-07063 | CONTROLLER LEAD BOLTS M8X16 | 1 |
| 9 | <i>Not Applicable to this Bike Model</i> | | |
| 10 | 60-07010 | CONTROLLER, SIZE 6 GEN 4.5 SEVCON NOTE: Please provide VIN#, Technical Case # or Warranty Claim # at time of order. | 1 |
| 11 | 90-05179 | HEXAGON SOCKET HEAD CAP SCREW ISO 4762 M8X60-8.8 ZM-F-01 REV 03 | 1 |
| 12 | 20-06699 | HEATSINK #4 CONTROLLER SDS | 1 |
| 13 | 90-03251 | HEXAGON SOCKET HEAD CAP SCREW ISO 4762 M6X30-8.8 ZM-F-01 | 1 |
| 14 | 90-07268 | HEXAGON SOCKET HEAD CAP SCREW ISO 4762 M8X25-10.9 ZM-F-01 REV 03 ZM-L-01 REV 01 | 1 |
| 15 | 45-08099 | ELECTRICAL COMPONENT EVC135 CONTACTOR NOTE: Modular contactor | 1 |
| 16 | 90-02101 | WASHER ISO 7089 5-200HV ZM-F-01 | 1 |
| 17 | 90-07129 | HEXAGON SOCKET BUTTON HEAD SCREW ISO 7380 M5X30-8.8 ZM-F-01 ZM-L-02 | 1 |
| 18 | 45-08058 | JUNCTION POST SMALL TRIMMED | 1 |
| 19 | <i>Not Applicable to this Bike Model</i> | | |
| 20 | 45-05224 | FUSE 300A 160VDC CLASS T | 1 |
| 21 | 90-02100 | WASHER ISO 7089 10-200 HV ZM-F-01 | 1 |
| 22 | 45-05240 | FUSE NUT INTERNAL | 1 |
| 23 | PA-210 | CONTACTOR COVER | 1 |
| 24 | PA-225 | LV FUSE HOLDER | 1 |
| 25 | 60-07010 | CONTROLLER, SIZE 6 GEN 4.5 SEVCON NOTE: Please provide VIN#, Technical Case # or Warranty Claim # at time of order. | 1 |
| 26 | 90-02054 | PREVAILING TORQUE TYPE NUT DIN 985 M6-08 ZM-F-01 | 1 |
| 27 | 60-07190 | DC-DC CONV 500W SEVCON 622-11211 ABS UNITS | 1 |
| 28 | 26-08120 | S ELECTRICAL PANEL | 1 |
| 29 | 40-08080 | MBB 11KW | 1 |

| | | | |
|----|--|--|---|
| 29 | 40-08145 | ASSY MBB POTTED GEN2 STEP E NOTE: Please provide VIN, Case or Claim Number when ordering to ensure proper programming. NOTE: Supersedes 40-08071. | 1 |
| 30 | 90-02515 | HEXAGON SOCKET HEAD CAP SCREW ISO 4762 M4X12-8.8 ZM-F-01 REV 03 | 1 |
| 31 | 90-02103 | WASHER ISO 7089 6-200HV ZM-F-01 | 1 |
| 32 | 90-03236 | PREVAILING TORQUE TYPE NUT DIN 985 M8-10 ZM-F-01 | 1 |
| 33 | 90-02098 | HEXAGON SOCKET HEAD CAP SCREW ISO 4762 M8X40-8.8 ZM-F-01 REV 02 | 1 |
| 34 | 90-02104 | WASHER ISO 7089 -8-200 HV ZM-F-01 | 1 |
| 35 | 90-02109 | HEXAGON SOCKET BUTTON HEAD CAP SCREW ISO 7380 M5X12-8.8 ZM-F-01 | 1 |
| 36 | 45-08253 | ONBOARD CHARGER 1300W NOTE: Current design includes additional ferrite. Please contact Zero Motorcycles Service Team if you need additional guidance on routing. NOTE: Supersedes 45-08123 and 45-08234. | 1 |
| 37 | 46-08227 | ASSEMBLY BATTERY MONOLITH ZF14.4 NOTE: Motorcycle VIN#, Case# or Claim# must be provided when ordering NOTE: 2014 - FOR INSTALLING IN 2014 MODELS, INCLUDE 12-08080 IN THE ORDER. IN CASE OF THE BIKE HAVING A POWER TANK, ALSO INCLUDE 12-08011 NOTE: 2013 -FOR INSTALLING IN 2013 MODELS, INCLUDE TO ORDER 12-08057 | 1 |
| 38 | 40-08069 | BMS PCB ASSY LONG BRICK POTTED 17MY IMPL NOTE: PLEASE INCLUDE CASE#, VIN# OF BIKE AND BATTERY SERIAL # FOR PROGRAMMING PURPOSES | 1 |
| 39 | 90-02102 | WASHER ISO 7089 4-200HV ZM-F-01 | 1 |
| 40 | 90-07127 | HEXAGON SOCKET HEAD CAP SCREW ISO 4762 M4X5-8.8 ZM-F-01 REV 03 ZM-L-02 REV 01 | 1 |
| 41 | 46-08097 | MONOLITH BMS COVER | 1 |
| 42 | <i>Not Applicable to this Bike Model</i> | | |
| 43 | 80-08003 | BATTERY FRONT UPPER FILLER PLUG | 1 |
| 44 | 45-06774 | DISC HORN K70/H12 V WITH BLACK ZINC | 1 |
| 45 | 90-02104 | WASHER ISO 7089 -8-200 HV ZM-F-01 | 1 |
| 46 | 90-02128 | HEXAGON SOCKET BUTTON HEAD CAP SCREW ISO 7380 M8X20-8.8 ZM-F-01 REV 03 | 1 |
| 47 | 90-07265 | HEXAGON SOCKET HEAD CAP SCREW ISO 4762 M6X20-8.8 ZM-F-01 REV 03 ZM-L-01 REV 01 | 1 |
| 48 | 80-08003 | BATTERY FRONT UPPER FILLER PLUG | 1 |
| 49 | 90-02128 | HEXAGON SOCKET BUTTON HEAD CAP SCREW ISO 7380 M8X20-8.8 ZM-F-01 REV 03 | 1 |
| 50 | 90-02128 | HEXAGON SOCKET BUTTON HEAD CAP SCREW ISO 7380 M8X20-8.8 ZM-F-01 REV 03 | 1 |

| | | | |
|----|--|---|---|
| 51 | 90-02128 | HEXAGON SOCKET BUTTON HEAD CAP SCREW ISO 7380 M8X20-8.8 ZM-F-01 REV 03 | 1 |
| 52 | 90-02104 | WASHER ISO 7089 -8-200 HV ZM-F-01 | 1 |
| 53 | 80-08003 | BATTERY FRONT UPPER FILLER PLUG | 1 |
| 54 | <i>Not Applicable to this Bike Model</i> | | |
| 55 | 90-02128 | HEXAGON SOCKET BUTTON HEAD CAP SCREW ISO 7380 M8X20-8.8 ZM-F-01 REV 03 | 1 |
| 56 | 45-02692 | KEYSWITCH LOCK ZADI, IGNITION SWITCH NOTE: This part is the ignition switch and keys only. If you want a matching helmet lock for 16MY motorcycles and older, please order p/n 20-05202. If you want the key switch and a lock for a tank trunk, please order 27-08030. If you want a ignition and matching locks for tank trunk and storage trunks, please order part number 27-08044. | 1 |
| 56 | 90-02054 | PREVAILING TORQUE TYPE NUT DIN 985 M6-08 ZM-F-01 | 1 |
| 57 | 27-08030 | KEYSWITCH AND 90 DEG TURN PANEL LATCH KEYED ALIKE SET | 1 |
| 58 | 90-02103 | WASHER ISO 7089 6-200HV ZM-F-01 | 1 |
| 59 | 40-08156 | DASH LCD NOTE: Supersedes 40-08119 | 1 |
| 60 | 10-07504 | 12V ACCESSORY SOCKET KIT - SDS NOTE: Charge a GPS, smart phone or mp3 player using the Zero Motorcycles 12V Accessory Socket Kit. Designed to connect directly to your motorcycle{###}'s power port harness, the accessory socket enables you to charge small devices that have a cigarette lighter plug. The accessory outlet is rated up to 10 amps/120 watts. This kit includes all mounting hardware for installation on the 2014 and later Zero S, Zero DS and Zero SR motorcycles. NOTE: 2014 [Zero SR, Zero S, Zero DS] 2015 [Zero SR, Zero S, Zero DS] 2016-2018 [Zero SR, Zero S, Zero DS, Zero DSR] | 1 |
| 61 | 20-07062 | SDS TRIPLE CLAMP HARNESS SUPPORT | 1 |
| 62 | 90-07124 | HEXAGON SOCKET BUTTON HEAD SCREW ISO 7380 M5X6-8.8 | 1 |
| 63 | 90-07124 | HEXAGON SOCKET BUTTON HEAD SCREW ISO 7380 M5X6-8.8 | 1 |
| 64 | 46-08045 | BATTERY CASE CONT COVER FRONT 15MY IMPL | 1 |