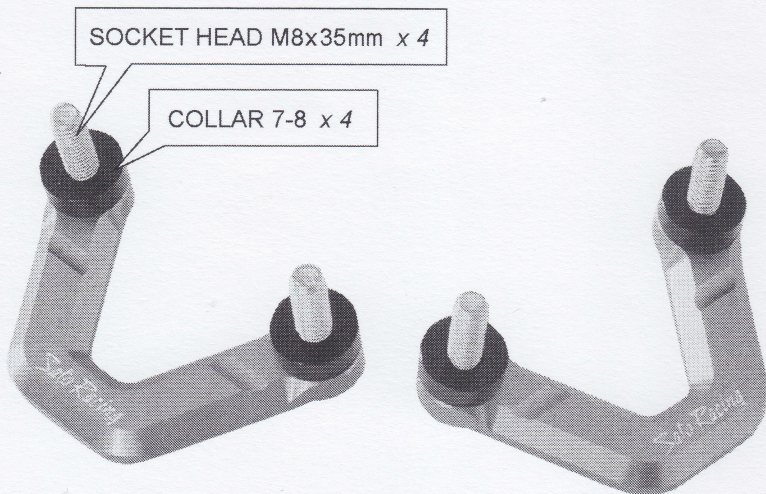




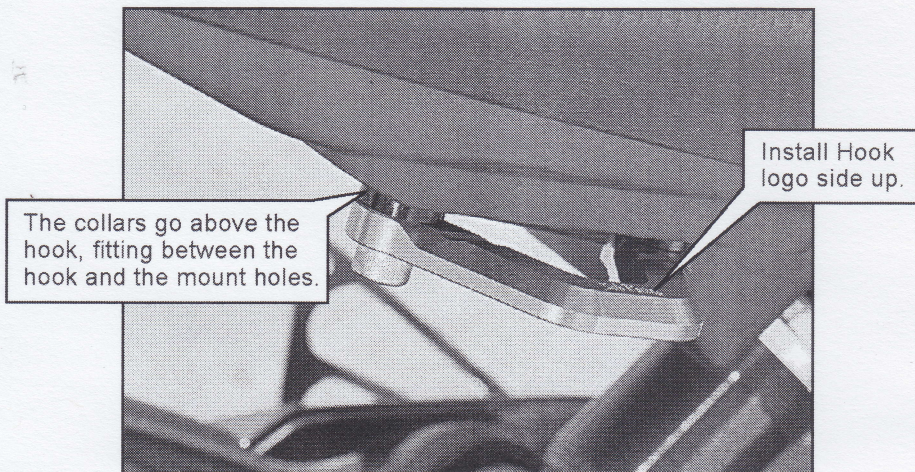
APRILIA RS660 / TUONO 660 RACING HOOKS (Set of 2)

part# A-660HOOK2



INSTALLATION:

Remove passenger peg brackets. Position hooks, bolts and collars at the holes, then evenly tighten bolts to factory recommended torque using a torque wrench. (Suggested torque for M8 bolt size - 22 Nm / 16-17 lb ft)



satoracing.com