


MOTO GUZZI®

SPARE PARTS CATALOGUE



V85 TT Travel E5+ 2024 (NAFTA)

Chassis prefix: ZGUMLUB0

Engine prefix: AZ

V 85 E5+

GU622887

Index

Finished products.....	4
Alphanumeric index.....	5
Frame/bodywork.....	11
Table 01.010 - Frame/bodywork.....	11
Table 01.020 - Foot rests.....	13
Table 01.030 - Stand.....	14
Table 01.040 - Protection.....	15
Table 01.050 - Swing arm.....	16
Body.....	17
Table 02.030 - Front mudguard-Pillar.....	17
Table 02.050 - Windshield.....	18
Table 02.090 - Tank cover.....	20
Table 02.100 - Central body.....	21
Table 02.120 - Saddle.....	22
Table 02.130 - Saddle compartment.....	23
Table 02.140 - Rear body.....	24
Table 02.150 - Rear mudguard.....	25
Table 02.170 - Locks.....	26
Table 02.180 - Plate set / Various.....	27
Table 02.190 - Decal.....	28
Table 02.210 - RH trunk.....	29
Table 02.220 - LH trunk.....	31
Engine.....	33
Table 03.010 - Engine-Completing part-Lever.....	33
Table 03.020 - Internal gear selectors.....	34
Table 03.030 - Crankcases I.....	35
Table 03.050 - Air box.....	36
Table 03.060 - Throttle body.....	37
Table 03.090 - Cylinder head cover.....	38
Table 03.100 - Cylinder head - valves.....	39
Table 03.120 - Timing system.....	40
Table 03.150 - Cylinder - Piston.....	42
Table 03.160 - Cranckshaft.....	43
Table 03.170 - Gear box / Selector / Shift cam.....	44
Table 03.180 - Gear box - Gear assembly.....	46
Table 03.190 - Lubrication.....	48
Table 03.196 - Blow-by system.....	50
Table 03.230 - Clutch.....	51
Table 03.270 - Flywheel cover.....	53
Table 03.290 - Starter / Electric starter.....	54
Table 03.300 - Cdi magneto assy / Ignition unit.....	55
Table 03.320 - Secondary air.....	56
Table 03.330 - Silencer.....	57

Table 03.340 - Rear transmission.....	58
Table 03.350 - Rear transmission / Components.....	59
Suspensions.....	61
Table 04.040 - Front fork Kayaba.....	61
Table 04.080 - Shock absorber.....	62
Wheels.....	63
Table 05.010 - Front wheel.....	63
Table 05.020 - Rear wheel.....	64
Braking system.....	65
Table 06.010 - Front master cilinder.....	65
Table 06.020 - Front brake caliper.....	66
Table 06.030 - Rear master cylinder.....	67
Table 06.040 - Rear brake caliper.....	69
Table 06.050 - ABS Brake system.....	70
Handlebar - Controls.....	71
Table 07.010 - Steering.....	71
Table 07.020 - Handlebar - Controls.....	72
Table 07.030 - Clutch control.....	73
Lights - Instruments.....	74
Table 08.010 - Front headlamps.....	74
Table 08.020 - Instruments.....	75
Table 08.030 - Rear headlamps.....	76
Tank.....	77
Table 09.010 - Fuel tank.....	77
Table 09.020 - Fuel vapour recover system.....	78
Electrical systems.....	79
Table 11.010 - Front electrical system.....	79
Table 11.020 - Central electrical system.....	80
Table 11.030 - Rear electrical system.....	82

Finished products

Code	Validity
GU6228870CCS01	
GU6228870YCS01	

Code	No. table	Pos.
000267	03.300	7
00032015000	02.210	13
00032015000	02.220	13
00G04401462	02.050	15
00G04401462	02.090	7
00G04401462	08.010	18
00G04401462	08.020	11
00H02201731	03.330	8
013763	03.190	34
016604	08.020	14
020206	09.020	24
109355	02.130	9
109355	11.030	17
122675	11.020	28
1A000360	03.180	7
1A000361	03.180	13
1A000365	03.180	16
1A000367	03.180	23
1A000368	03.180	22
1A000436	03.180	10
1A000566	03.180	4
1A000566	03.230	27
1A002604	03.180	9
1A003001	03.170	47
1A003111	03.190	31
1A003444	02.140	12
1A003444	03.090	10
1A003452	03.100	9
1A003632R	03.100	7
1A004530	03.030	13
1A004549	03.190	11
1A004660	03.100	1
1A004661	03.100	1
1A004662	03.100	1
1A004750	03.100	11
1A004751	03.100	8
1A004907	03.120	27
1A004954	03.150	4
1A004955	03.150	5
1A005257	03.190	33
1A005951	03.120	22
1A006655	03.030	22
1A006656	03.030	23
1A006659	03.120	25
1A0066680G	03.160	7
1A0066680N	03.160	7
1A0066680V	03.160	7
1A0066690G	03.160	8
1A0066690N	03.160	8
1A0066690V	03.160	8
1A006716	03.090	13
1A006861	03.120	18
1A0068960B	03.160	4
1A0068960G	03.160	4
1A0068960R	03.160	4
1A007917E1	03.160	2
1A007917E2	03.160	2
1A007917E3	03.160	2
1A007917E4	03.160	2
1A007917E5	03.160	2
1A008014	03.160	1
1A008090	03.060	11
1A008102	03.030	4
1A008103	03.030	3
1A008104	03.030	2
1A008256	03.030	5
1A008533	03.190	21

Code	No. table	Pos.
1A008566	03.190	32
1A008933	03.150	7
1A009167	03.060	1
1A009346	03.120	14
1A009630	03.230	40
1A010638	03.090	8
1A010638	11.010	7
1A010753	03.160	9
1A010855	03.150	12
1A011548	03.150	6
1A011722	03.100	15
1A011963	03.120	20
1A012793	03.120	17
1A012899	03.100	14
1A0136715	03.120	15
1A013815	03.190	3
1A013822	03.090	6
1A013883	03.120	24
1A013936	03.150	3
1A014213	03.150	14
1A014213	11.020	25
1A014459	03.100	6
1A014626	03.300	6
1A014668	03.160	6
1A014844	03.190	16
1A014908	03.190	28
1A015041	03.120	13
1A015041	03.300	5
1A015068	03.030	18
1A015068	03.170	56
1A015068	03.190	7
1A015498	03.100	16
1A015525	03.190	24
1A015526	03.190	23
1A015607R	03.100	5
1A015819	03.190	29
1A016500	03.300	1
1A016645	03.190	42
1A016739	03.190	39
1A0170355	03.120	9
1A017175E1	03.160	5
1A017175E2	03.160	5
1A017175E3	03.160	5
1A017175E4	03.160	5
1A017175E5	03.160	5
1A017659	03.060	5
1A017660	03.060	2
1A017801	03.320	2
1A017929	03.190	30
1A018002	03.120	3
1A018004	03.120	29
1A018096R	03.170	48
1A0181805	03.170	43
1A0182085	03.170	1
1A018709	03.190	41
1A018712	03.030	11
1A018733	03.030	12
1A018734	03.030	14
1A018912	03.170	36
1A019905	03.060	4
1A020286	03.030	7
1A020362	03.030	8
1A023064	03.150	15
1A023064	11.020	26
1A023090	03.120	2
1A023270	03.190	22
1A0234965	03.010	1

Code	No. table	Pos.
1A023630	03.060	13
1A023687	03.090	14
1A023829	03.190	37
1A023829	03.190	40
1A0239045	03.030	1
1A024117	03.330	6
1A024437	03.270	1
1A024439	03.190	35
1A024655	11.020	27
1A024799	03.270	5
1A024833	03.090	3
1A024834	03.090	2
1A024835	03.090	7
1A025233	03.120	5
1A025266	03.120	12
1A025667	03.100	10
1A025778	03.230	6
1A025779	03.230	1
1A026227	03.120	4
1A026317	03.120	21
1A026477	03.120	8
1A0266164	03.120	6
1A026875R4	03.190	20
1A027084G	03.150	2
1A027084H	03.150	2
1A027084L	03.150	2
1A027084M	03.150	2
1A027097	03.150	13
1A027098	03.150	1
1A027135	03.190	18
1A027440	03.190	17
1A0275285	03.100	4
1A0275315	03.100	3
1B001591	11.020	15
1B004354	09.010	9
1B008603	09.020	3
1C001209	06.050	11
1C001499	05.010	21
1C001499	05.020	24
1D001393	03.060	8
1D002384	11.030	16
1D002525	09.010	16
1D003323	11.020	17
1D003350	05.010	20
1D003350	05.020	23
1D003485	07.020	5
1D003720R	11.010	3
1R000319	11.030	7
224566	03.350	7
224664	02.120	5
231590	11.020	23
237553	03.190	12
254485	01.010	5
254485	02.150	5
254485	03.050	15
254485	03.330	19
254485	09.010	14
254485	09.020	4
254485	11.010	13
277916	02.140	10
287174	03.030	17
287174	03.170	55
287174	03.190	8
288245	03.150	10
296141	02.140	11
2A000097	03.170	49
2A000216	03.230	14

Code	No. table	Pos.	Code	No. table	Pos.	Code	No. table	Pos.
2A000224	03.170	30	2B002416	05.010	4	2B005143	01.020	2
2A000225	03.170	27	2B002416	05.020	17	2B005143	06.050	7
2A000226	03.170	29	2B002418	03.060	17	2B005157	03.320	9
2A000241	03.170	14	2B002418	11.020	20	2B005158	03.320	8
2A000376	03.230	30	2B002535	03.350	27	2B005159	03.320	6
2A000378	03.230	15	2B002536	03.350	17	2B005184	02.170	19
2A000384	03.230	39	2B002571	02.030	9	2B005243	09.020	8
2A000385	03.230	38	2B002692	02.120	3	2B005287	06.050	9
2A000418	03.230	4	2B002699	03.340	1	2B005291	01.050	12
2A000467	03.170	41	2B002807	03.350	21	2B005328	02.030	2
2A000527	03.120	26	2B002937	01.040	9	2B005354	02.140	5
2A000529	03.230	7	2B003052	03.090	11	2B005373	06.050	15
2A000565	03.090	1	2B003105	03.196	4	2B005375	06.050	17
2A000579	03.120	19	2B003212	01.050	4	2B005376	06.050	16
2A000591	03.170	2	2B003422	01.040	18	2B005379	06.030	32
2A000631	03.230	34	2B003422	01.050	5	2B005413	01.040	16
2A000633	03.190	5	2B004072	08.030	12	2B005414	01.040	15
2A000638	03.230	5	2B004088	01.030	18	2B005443	02.130	1
2A000741	03.230	2	2B004088	02.130	7	2B005486	02.090	9
2A000812	03.230	19	2B004163	07.020	7	2B005528	01.040	2
2A000813	03.230	22	2B004276	02.170	20	2B005529	01.040	1
2A000816	03.230	23	2B004280	09.020	12	2B005530	02.030	4
2A000817	03.230	25	2B004302	05.010	2	2B005589	06.030	18
2A000818	03.230	20	2B004338	03.340	2	2B005590	11.020	18
2A000823	03.170	46	2B004396R	05.020	16	2B005624	06.030	23
2A000832	03.170	28	2B004403	04.040	5	2B005634	06.030	1
2A000838	03.230	35	2B004406	04.040	9	2B005651	02.170	17
2A000901	03.230	41	2B004407	04.040	10	2B005680	02.170	14
2A000938	03.170	22	2B004410	04.040	14	2B005681	02.170	4
2A000947	03.180	24	2B004411	04.040	15	2B005683	07.020	6
2A000948	03.180	25	2B004412	04.040	16	2B005686	01.010	23
2A000981	03.170	44	2B004413	04.040	18	2B005694	02.150	1
2A000988	03.180	18	2B004414	04.040	17	2B005699	01.040	12
2A000989	03.180	20	2B004420	04.040	11	2B005699000G44	01.040	12
2A000998	03.180	26	2B004422	04.040	13	2B005763	01.040	11
2A001002	03.180	5	2B004442	05.020	9	2B005763000G44	01.040	11
2A001004	03.230	10	2B004460	03.050	4	2B005804	01.010	26
2A001006	03.170	18	2B004560	03.020	19	2B005808	01.040	4
2A001008	03.230	16	2B004560	03.230	9	2B005809	01.040	5
2A001011	03.180	17	2B004560	06.050	2	2B005846	02.130	5
2A001013	03.170	25	2B004647	07.010	1	2B005849	01.010	28
2A001013	03.180	27	2B004655	02.030	13	2B005851	07.030	2
2A001018	03.170	24	2B004656	02.030	16	2B005856	01.050	8
2A001022	03.170	12	2B004657	02.030	15	2B005945	02.030	7
2A001025	03.170	26	2B004670	03.020	1	2B005971	02.210	5
2A001035R	03.230	28	2B004675	01.010	6	2B005971	02.220	5
2A001047	03.170	13	2B004693	05.020	1	2B005975	02.210	19
2A001050	03.170	50	2B004702	01.050	3	2B005975	02.220	19
2A001054	03.230	24	2B004704	03.020	15	2B005976	02.210	39
2A0011325	03.170	8	2B004720	07.030	1	2B005981	02.220	39
2A001139	03.170	17	2B004721	07.030	5	2B005982	02.220	21
2B000215	03.330	13	2B004770	06.040	2	2B005983	02.210	21
2B000215	07.010	14	2B004771	03.330	20	2B005986	02.220	23
2B000219	09.010	13	2B004778	05.010	5	2B005987	02.210	23
2B000276	06.050	20	2B004798	07.020	13	2B005988	02.210	17
2B000404	03.350	2	2B004821	03.020	12	2B005989	02.210	15
2B000508	06.030	24	2B004845	06.030	9	2B005989	02.220	15
2B000525	06.040	1	2B004944	07.010	10	2B005990	02.210	22
2B001138	03.170	53	2B004959	03.050	5	2B005990	02.220	22
2B001230	01.010	19	2B004991	09.020	5	2B005993	02.210	12
2B001278	05.020	6	2B005012	03.350	1	2B005993	02.220	12
2B001311	03.350	3	2B005075	09.010	10	2B005994	02.210	35
2B001956	05.020	18	2B005089	01.050	2	2B005994	02.220	35
2B002130	06.030	30	2B0051099	03.020	17	2B005999	01.020	8
2B002171	03.350	25	2B005112	09.010	1	2B006027	02.210	6
2B002200	03.350	13	2B005119	09.010	8	2B006027	02.220	6
2B002225	01.020	14	2B005142	09.020	9	2B006029	02.210	20

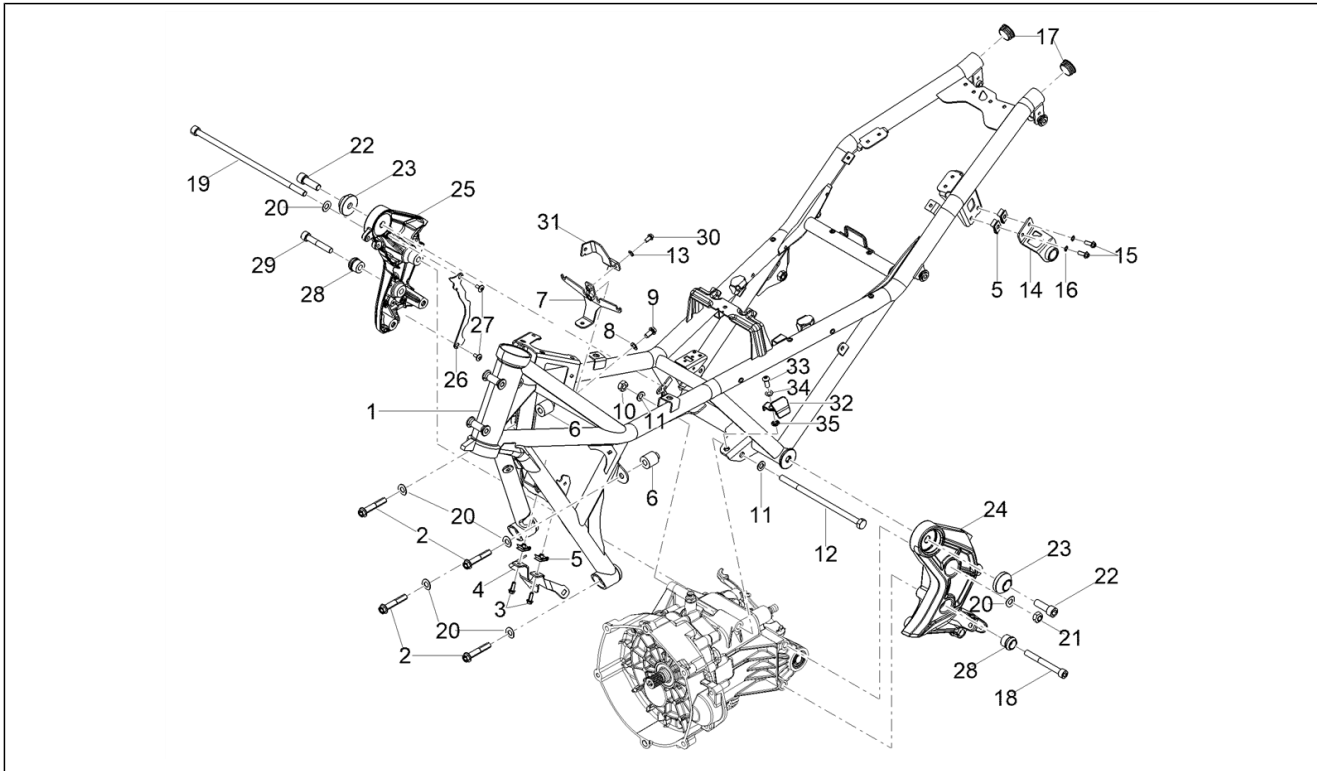
Code	No. table	Pos.	Code	No. table	Pos.	Code	No. table	Pos.
2B006029	02.220	20	2B007620	01.030	9	2B011893	03.330	7
2B006059	02.210	40	2B007737	01.010	7	2B011901000C1	02.120	2
2B006059	02.220	40	2B007810	07.030	12	2B011910	03.330	2
2B006064	03.350	26	2B007821	03.330	11	2B011911	03.330	16
2B006083	03.090	5	2B007845	01.020	7	2B011919000N20	01.010	1
2B006084	03.090	4	2B007846	05.010	11	2B011932	03.330	3
2B006088R	03.350	14	2B007846	05.020	12	2B011936	03.330	4
2B006091	01.040	17	2B007930	09.020	14	2B011946	02.050	11
2B006101	04.040	7	2B007936	02.030	12	2B011947	02.050	12
2B006102	04.040	6	2B008491	03.350	22	2B011949	02.050	16
2B006103	04.040	8	2B008493	01.010	14	2B011952	02.050	18
2B006104	04.040	12	2B008502	11.020	9	2B011984	03.330	5
2B006105	04.040	4	2B008790	08.030	18	2B011997	04.040	2
2B006107	08.010	24	2B009303	05.010	13	2B011999	04.040	1
2B0061105	03.350	20	2B009747	02.050	9	2B012000	04.040	3
2B006111	06.010	1	2B010137	06.030	26	2B012006	02.050	5
2B0061249	03.196	9	2B010225	08.030	2	2B012006	08.020	5
2B006150	02.210	28	2B010290	01.030	1	2B012068000C1	02.120	1
2B006150	02.220	28	2B010335	05.020	9	2B012084	02.050	1
2B006155	02.210	29	2B010336	05.010	2	2B012094	06.030	25
2B006155	02.220	29	2B010712	01.020	18	2B012123	07.020	9
2B006156	02.210	27	2B010713	01.020	17	2B012124	07.020	10
2B006156	02.220	27	2B011037	04.080	1	2B012127	08.010	11
2B006158	02.210	24	2B011121	07.010	4	2B012128	08.010	10
2B006158	02.220	24	2B011346	08.010	1	2B012147	06.020	3
2B006159	02.210	30	2B011427	02.140	17	2B012148	06.020	4
2B006159	02.220	30	2B011427	02.210	32	2B012150	01.010	25
2B006168	01.040	10	2B011428	02.140	18	2B012151	01.010	24
2B006185	03.050	20	2B011428	02.220	32	2B012153	01.020	15
2B006203	03.196	8	2B011438	06.050	14	2B012154	01.020	16
2B006204	03.196	7	2B011568	06.020	1	2B012220	03.330	12
2B006205	03.196	10	2B011569	06.020	2	2B012279	07.020	1
2B006207	07.020	11	2B011611	02.090	1	2B012298	03.330	14
2B006208	07.020	12	2B011612	02.090	2	2B012309	02.210	2
2B006226	01.020	19	2B011613	02.090	4	2B012309	02.220	2
2B006249	02.220	17	2B011614	02.090	3	2B012310	02.210	3
2B006256	08.010	25	2B011615	02.100	1	2B012310	02.220	3
2B006272	02.180	2	2B011616	02.100	2	2B012312	02.220	1
2B006306	07.030	7	2B011617	02.140	6	2B012313	02.210	1
2B006307	07.030	6	2B011618	02.140	3	2B012324	03.196	2
2B006308	07.030	3	2B011619	02.140	4	2B012340	02.140	21
2B006398	01.010	2	2B011620	02.140	1	2B012340	02.210	42
2B006398	06.020	6	2B011621	02.140	2	2B012340	02.220	38
2B006410	02.030	8	2B011725	01.010	31	2B012344	02.050	2
2B006501	07.010	13	2B011725	09.020	20	2B012583	01.010	4
2B0065021	01.050	1	2B011768	08.010	2	2B012655	01.010	32
2B006655	02.210	31	2B011768	08.020	2	2B012687	02.050	13
2B006655	02.220	31	2B011769	08.010	4	2B012709	02.030	3
2B006828	02.170	1	2B011770	08.010	5	2B012709000Q05	02.030	3
2B006860R	03.350	28	2B011774	02.050	3	2B012720	08.030	13
2B007243	03.350	29	2B011775	02.050	4	2B012828	03.350	8
2B007247	03.330	10	2B011777	08.010	3	2B013021	03.330	1
2B007257	03.350	10	2B011778	02.050	23	2B013050	03.340	3
2B007292	02.050	17	2B011778	08.010	20	2D000325	06.030	10
2B007319	05.020	13	2B011779	02.050	24	2D000418	08.030	1
2B007323	05.020	20	2B011779	08.010	19	2D000451	09.010	5
2B007324	05.020	11	2B011780	02.130	4	2D000454	11.010	8
2B007325	05.020	10	2B011781	02.130	10	2D000494	11.020	6
2B007328	11.030	5	2B011781	11.030	25	2D000496	02.170	10
2B007331	05.010	1	2B011782	02.150	2	2D000497	07.030	8
2B007335	05.010	10	2B011784	08.020	3	2D000514	07.020	4
2B007390	09.020	13	2B011785	08.020	4	2D000530	01.030	5
2B007401	07.030	10	2B011790	02.100	3	2D000549	07.020	3
2B007402	07.030	11	2B011791	02.100	4	2D000713	11.020	4
2B007535	03.330	15	2B011814	11.030	21	2D000714	08.010	7
2B007554	02.170	21	2B011834	03.050	12	2D000714	08.030	4
2B007560	01.030	3	2B011835	03.050	14	2D000715	08.010	6

Code	No. table	Pos.	Code	No. table	Pos.	Code	No. table	Pos.
2D000715	08.030	5	849310	03.180	21	978301	01.010	17
2D000732	07.020	2	849396	03.180	14	978415	02.170	13
2D000733	07.020	2	849424	03.180	8	978498	05.010	15
2D000795	08.020	1	854827	07.020	16	978516	05.010	9
2D000797	11.010	1	856050	06.010	5	AP8101586	09.020	11
2D000797	11.020	1	856050	07.030	4	AP8101594	06.030	31
2D000797	11.030	15	856063	09.020	16	AP8101928	01.020	5
2D000799	06.050	8	856180	02.170	11	AP8102239	09.020	25
2D000800	11.030	6	857045	03.320	3	AP8102349	03.196	1
2H006314000Q05	02.090	4	857046	03.320	11	AP8102375	01.040	8
2H006315000Q05	02.090	3	857047	03.320	4	AP8102375	02.090	8
2H006316000Q05	02.030	1	857181	03.320	7	AP8102375	02.130	8
2H006317000Q05	02.030	2	857250	03.170	23	AP8102375	02.140	15
2H006318000Q05	02.100	1	857494	03.170	54	AP8102375	09.020	6
2H006319000Q05	02.100	2	858423	06.010	4	AP8102378	09.010	11
2H006320	02.190	2	858941	01.030	6	AP8102401	03.060	10
2H006321	02.190	3	859777	05.010	23	AP8102520	03.050	3
2H006322	02.190	7	859777	05.020	26	AP8102520	09.020	19
2H006323	02.190	8	859946	06.030	6	AP8102524	01.030	14
2H006324	02.190	11	859949	07.020	17	AP8102600	01.050	10
2H006325	02.190	12	860651	08.020	16	AP8102600	03.340	4
2H006332	02.190	4	860898	01.050	6	AP8102671	01.040	13
2H006334	02.190	1	860900	01.050	11	AP8102738	09.020	10
2H006353	02.190	5	871640	03.100	12	AP8102764	09.020	17
2H006354	02.190	6	872264	03.060	12	AP8102786	03.320	5
2H006368	02.190	9	873928	03.170	16	AP8104329	03.050	11
2H006369	02.190	10	873928	03.180	2	AP8104728	05.010	24
2Q000574	02.180	1	873928	03.230	12	AP8104728	05.020	22
2R000248	06.040	7	873931	03.180	29	AP8110109	05.020	8
2S001315	08.030	16	874557	03.030	15	AP8110110	01.020	11
2S001436	07.020	23	876879	03.330	18	AP8112811	11.030	20
484993	03.030	6	884043	03.330	17	AP8113004	06.050	10
484993	03.150	11	886184	01.020	1	AP8113081	06.030	15
485693	03.030	24	886185	01.020	12	AP8113082	06.030	16
485693	03.190	27	886820	02.170	16	AP8113288	06.030	34
487665	02.050	28	886867	03.050	10	AP8114502	03.196	6
487665	08.010	23	887015	03.060	16	AP8117003	01.040	19
575268	02.030	14	887015	11.020	19	AP8117200	11.030	19
576546	09.010	7	887282	03.050	7	AP8120001	01.040	7
577492	02.120	6	887282	03.060	14	AP8120030	02.030	11
581957	05.010	22	887448	05.020	15	AP8120030	03.050	16
581957	05.020	25	887831	07.010	7	AP8120030	06.050	4
622236	03.050	13	887832	07.010	9	AP8120178	06.030	17
638733	11.030	7	889637	03.120	1	AP8120615	03.050	1
640698	11.010	12	890760	11.020	16	AP8120822	06.030	11
641652	06.050	19	894603	11.030	8	AP8120831	01.020	4
641901	11.010	4	894704	05.010	19	AP8120912	03.020	10
654174	07.030	9	894704	05.020	27	AP8120912	06.030	2
656003	09.010	6	894704	11.030	23	AP8120952	09.010	12
658837	01.010	8	895328	03.020	2	AP8121032	07.020	20
658837	03.060	18	895328	06.030	19	AP8121080	07.020	21
658837	03.170	4	896174	02.050	6	AP8121096	01.010	35
658837	11.010	10	896346	06.010	2	AP8121133	01.020	10
658837	11.020	21	898397	03.020	16	AP8121155	04.080	5
825597	03.100	2	899105	02.170	5	AP8121184	02.210	18
825597	03.150	8	899106	02.170	7	AP8121184	02.220	18
825694	03.120	23	899107	02.170	6	AP8121205	07.010	12
825725	03.300	4	899543	02.170	18	AP8121221	03.020	9
830061	03.060	9	967363	03.020	5	AP8121221	06.030	3
831135	03.030	16	967363	06.030	12	AP8121332	03.330	22
834764	03.170	19	974162	03.180	12	AP8121420	02.170	12
840893	03.190	43	974165	03.180	15	AP8121421	09.010	3
840893	03.270	2	974165	03.230	21	AP8121504	06.030	29
841023	08.020	13	976168	03.030	20	AP8121509	03.020	6
843213	01.030	15	976168	03.190	26	AP8121509	06.030	20
849308	03.180	6	976591	03.090	12	AP8121615	04.080	3
849309	03.180	19	97729R	03.290	3	AP8121882	06.050	18

Code	No. table	Pos.	Code	No. table	Pos.	Code	No. table	Pos.
AP8121927	06.030	7	AP8150413	02.210	10	AP8152302	01.040	14
AP8123641	07.010	3	AP8150413	02.220	10	AP8152302	01.050	9
AP8123642	07.010	6	AP8150421	02.210	26	AP8152302	02.090	10
AP8123643	07.010	8	AP8150421	02.220	26	AP8152302	02.100	9
AP8123644	07.010	5	AP8150430	11.010	5	AP8152302	02.130	2
AP8123721	07.020	14	AP8150453	02.170	2	AP8152302	02.140	14
AP8124718	08.030	3	AP8150454	02.170	3	AP8152302	09.020	1
AP8125687	05.020	2	AP8150462	03.020	7	AP8152302	11.020	11
AP8125763	05.020	3	AP8150462	06.030	5	AP8152306	01.030	4
AP8125773	05.010	7	AP8150471	02.210	14	AP8152306	06.050	13
AP8125777	05.010	8	AP8150471	02.220	14	AP8152306	08.030	17
AP8125842	05.010	14	AP8150491	05.010	12	AP8152323	05.010	17
AP8127461	02.090	5	AP8150491	05.020	19	AP8152329	02.210	11
AP8133799	06.040	6	AP8150500	01.010	27	AP8152329	02.220	11
AP8133945	06.050	1	AP8150500	01.040	6	AP8152329	03.050	9
AP8134276	01.020	3	AP8150500	02.050	14	AP8152329	06.050	6
AP8134378	03.330	21	AP8150500	02.090	6	AP8152329	09.020	7
AP8134451	01.020	9	AP8150500	02.130	6	AP8152335	05.010	16
AP8144007	03.020	3	AP8150500	03.196	5	AP8152384	07.010	11
AP8144007	06.030	14	AP8150500	05.020	21	AP8152411	04.080	4
AP8144158	09.010	15	AP8150500	06.030	8	AP8152486	07.020	8
AP8144222	07.020	15	AP8150500	08.020	17	AP8161054	03.050	2
AP8144328	09.010	2	AP8150501	02.210	9	AP8163165	02.210	34
AP8144558	03.330	23	AP8150501	02.220	9	AP8163165	02.220	34
AP8144563	02.100	7	AP8150501	08.030	10	AP8201305	02.170	24
AP8144563	11.020	13	AP8150509	02.130	11	AP8201727	01.030	16
AP8144616	02.100	8	AP8150509	02.150	3	AP8201727	03.050	19
AP8144616	11.020	12	AP8150509	08.020	8	AP8201727	11.030	14
AP8144662	11.020	24	AP8150509	08.030	7	AP8201748	02.170	22
AP8150015	06.050	3	AP8150509	11.030	1	AP8201749	02.170	23
AP8150015	11.020	3	AP8150509	11.030	24	AP8201755	02.130	3
AP8150018	03.020	4	AP8150512	02.030	5	AP8201855	02.210	7
AP8150018	06.030	13	AP8152001	01.030	11	AP8201855	02.220	7
AP8150045	03.050	8	AP8152058	01.010	33	AP8213057	06.030	35
AP8150045	03.060	15	AP8152108	06.030	28	AP8220150	08.020	6
AP8150045	07.020	19	AP8152128	11.020	2	AP8220150	11.030	3
AP8150048	04.080	2	AP8152137	02.050	8	AP8220162	02.100	5
AP8150049	01.010	29	AP8152181	06.030	33	AP8220186	11.030	22
AP8150114	02.120	4	AP8152194	02.170	25	AP8220283	11.020	8
AP8150169	02.140	7	AP8152269	02.050	25	AP8220488	02.210	25
AP8150171	02.170	9	AP8152269	08.010	16	AP8220488	02.220	25
AP8150182	09.020	23	AP8152270	01.030	8	AP8221023	03.050	17
AP8150204	02.210	16	AP8152273	06.050	12	AP8221023	06.050	5
AP8150204	02.220	16	AP8152277	01.010	30	AP8221023	11.020	10
AP8150204	08.030	9	AP8152277	03.170	51	AP8221036	02.050	27
AP8150210	01.010	20	AP8152277	09.020	21	AP8221036	08.010	22
AP8150236	07.010	2	AP8152278	01.010	15	AP8221128	02.030	10
AP8150248	01.030	7	AP8152278	01.010	3	AP8221128	02.140	22
AP8150248	02.050	26	AP8152278	01.020	20	AP8221128	02.210	43
AP8150248	08.010	21	AP8152278	09.020	2	AP8221128	02.220	43
AP8150255	08.020	7	AP8152279	01.030	17	AP8221204	01.030	13
AP8150285	04.040	19	AP8152279	02.210	36	AP8221211	01.030	12
AP8150287	01.010	18	AP8152279	02.220	36	AP8221277	01.020	6
AP8150292	01.030	10	AP8152280	11.010	2	AP8224164	08.030	14
AP8150340	02.050	20	AP8152281	09.010	4	AP8224462	11.020	7
AP8150351	02.170	8	AP8152281	11.010	11	AP8224470	03.020	8
AP8150362	03.050	6	AP8152285	01.010	9	AP8224470	06.030	4
AP8150376	01.010	34	AP8152285	11.010	9	AP8706322	02.210	8
AP8150378	01.020	21	AP8152288	06.040	3	AP8706322	02.220	8
AP8150378	02.050	19	AP8152291	03.330	9	AP8706479	07.020	18
AP8150378	02.210	37	AP8152298	08.030	15	B005629	11.020	14
AP8150378	02.220	37	AP8152299	02.030	6	B013037	03.230	29
AP8150378	08.010	13	AP8152299	08.010	14	B013552	03.120	16
AP8150378	08.020	10	AP8152299	08.030	11	B013608	03.170	15
AP8150382	11.030	2	AP8152299	11.020	5	B013608	03.180	3
AP8150412	01.010	12	AP8152300	03.330	24	B013608	03.230	13
AP8150413	02.150	4	AP8152301	04.080	6	B015040	03.180	11

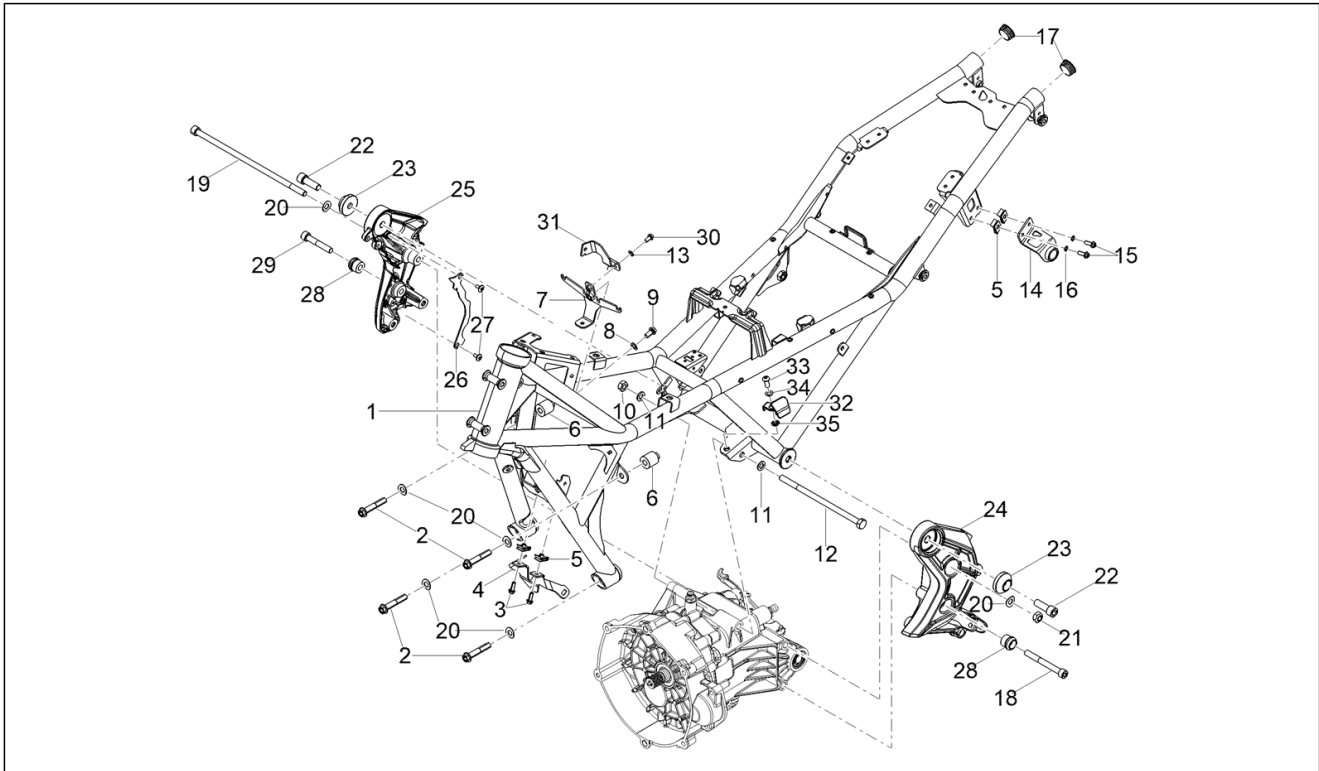
Code	No. table	Pos.	Code	No. table	Pos.	Code	No. table	Pos.
B015563	03.300	3	GU05239330	03.170	39	GU92630510	01.010	21
B015598	03.190	38	GU05781630	04.040	20	GU92630707	03.020	18
B016796	02.050	22	GU10034100	03.120	28	GU93304390	09.020	18
B016796	08.010	15	GU10528900	03.170	7	GU94321079	03.190	15
B016796	08.020	12	GU10528900	03.190	9	GU94321105	03.230	33
B043041	02.210	33	GU12022600	03.170	9	GU95005306	08.010	9
B043041	02.220	33	GU12154200	03.190	2	GU95005310	02.140	19
B043044	02.140	20	GU12351100	03.350	12	GU95005310	02.210	41
B043044	02.210	38	GU14085900	03.230	18	GU95005310	02.220	42
B043044	02.220	41	GU14086100	03.230	32	GU95008206	03.170	52
B043046	01.030	2	GU14217901	01.010	16	GU95008208	01.020	22
B044279	05.010	3	GU14217901	03.230	8	GU95008208	02.140	8
B044280	05.010	6	GU14609650	11.030	18	GU95008208	03.290	2
B044598	06.020	5	GU14615901	03.350	24	GU95008210	01.010	11
B063956	03.170	38	GU14615901	08.020	15	GU95008210	01.030	19
B063977	03.230	26	GU14616150	05.010	18	GU95100309	03.190	36
B064079	03.170	11	GU14616150	05.020	14	GU95129115	03.120	11
B064105	06.010	3	GU18144350	03.190	14	GU95129131	03.290	4
B064112	03.170	34	GU19002020	03.030	10	GU95500222	03.230	37
B064113	03.170	33	GU19002020	03.170	5	GU98370625	02.150	6
B064290	05.020	4	GU19002020	03.270	4	GU98370625	02.170	15
B064304	03.350	15	GU19003800	03.030	21	GU98370655	08.010	17
CM002912	03.196	11	GU19003800	03.190	6	GU98612216	03.320	1
CM002912	03.320	10	GU19015020	03.030	9	GU98612320	08.030	6
CM013202	11.020	22	GU19018920	03.030	19	GU98622322	03.060	7
CM013203	11.020	22	GU19018920	03.190	25	GU98680340	08.010	8
CM178603	02.050	21	GU19021360	03.150	9	GU98680440	03.170	3
CM178603	02.090	11	GU19058021	03.120	7	GU98680450	03.020	11
CM178603	02.100	6	GU19067700	03.230	3	GU98680450	06.030	21
CM178603	02.140	13	GU19351100	03.350	16	GU98682322	03.050	18
CM178603	08.030	8	GU19547000	01.050	7	GU98682330	02.140	9
CM179008	09.020	15	GU27066460	03.160	3	GU98682330	03.270	3
CM179307	06.030	27	GU27152885	03.190	1	GU98682330	03.300	2
CM180701	02.210	4	GU31003766	03.170	6	GU98682435	03.290	1
CM180701	02.220	4	GU31003766	03.190	10	GU98682635	01.010	22
CM180702	01.040	3	GU31003766	03.350	5	GU98692318	08.010	12
CM225603	11.030	11	GU31159050	03.190	13	GU98692318	08.020	9
CM225607	11.030	10	GU31544181	06.040	4	GU98882316	03.120	10
CM225615	11.030	9	GU31659281	06.040	5			
CM225720	11.030	13	GU32441210	01.020	13			
CM225730	11.030	12	GU32577910	02.050	10			
CM226902	03.196	3	GU32578410	02.050	9			
CM258302	03.060	3	GU37359005	03.350	9			
CM277103	03.090	9	GU90271014	03.170	40			
CM277103	11.010	6	GU90271022	03.170	20			
CM3018587	11.030	4	GU90272047	05.020	7			
GU01528930	03.170	45	GU90353009	03.100	13			
GU01528930	03.350	23	GU90353014	03.170	31			
GU01528930	03.350	6	GU90401424	03.170	42			
GU01577830	02.050	7	GU90413850	03.350	11			
GU01609630	07.020	22	GU90706170	03.230	31			
GU03013800	01.010	13	GU90706188	03.350	4			
GU03013800	03.060	6	GU90706203	03.170	10			
GU03013800	09.020	22	GU90706444	03.190	4			
GU03256800	03.020	14	GU90706584	03.350	30			
GU04355100	03.350	19	GU90706958	03.350	18			
GU04355101	03.350	19	GU92201226	03.180	28			
GU04355102	03.350	19	GU92201226	03.230	11			
GU04355103	03.350	19	GU92201822	03.180	1			
GU04355104	03.350	19	GU92204220	05.020	5			
GU04355105	03.350	19	GU92296723	03.190	19			
GU04355106	03.350	19	GU92606206	06.030	22			
GU05217630	03.230	17	GU92606508	03.230	36			
GU05234230	03.170	32	GU92609206	03.020	13			
GU05235531	03.170	21	GU92609408	03.290	5			
GU05238231	03.170	37	GU92630206	02.140	16			
GU05238431	03.170	35	GU92630510	01.010	10			

Group	Frame/bodywork
Code	01.010
Description	Frame/bodywork
Service	1



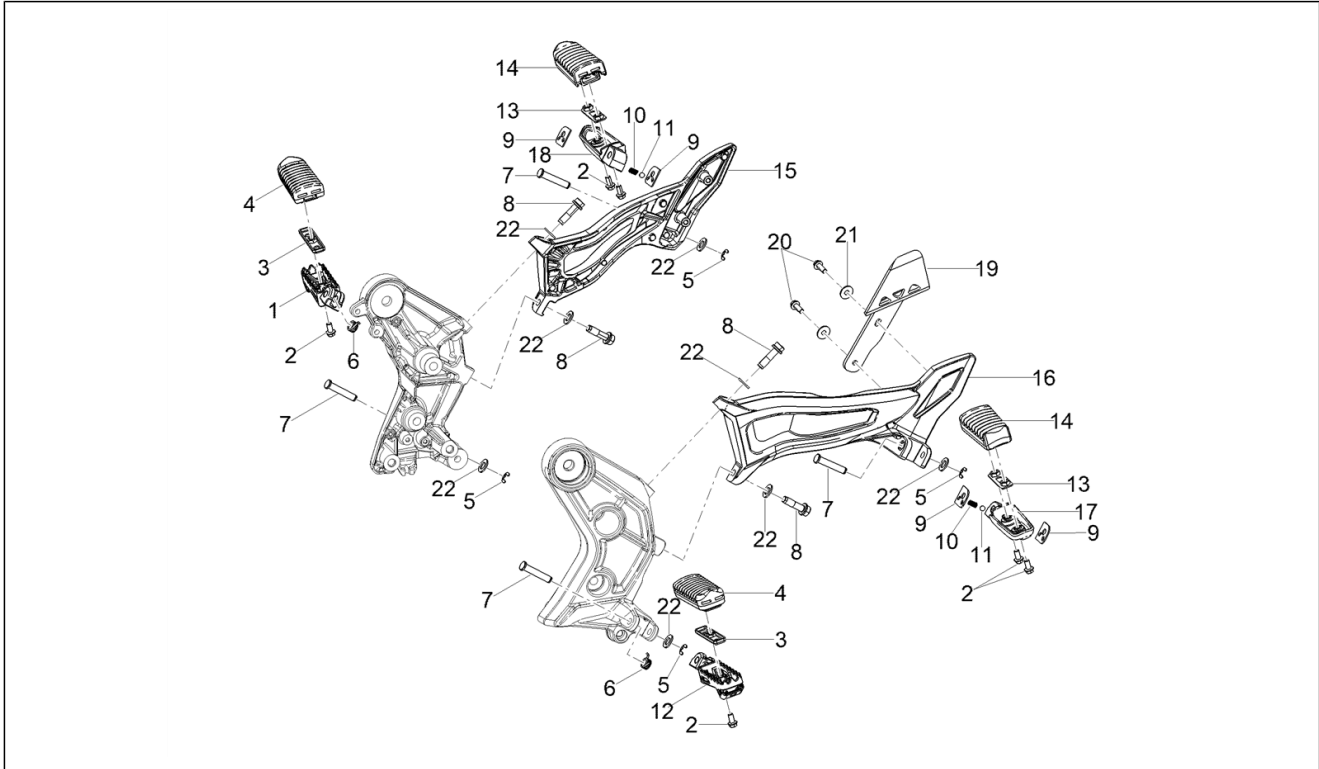
Pos.	Code	Description	Qty	Variants
1	2B011919000N20	Frame, black	1	
2	2B006398	Screw w/ flange M10X1.25X55	4	
3	AP8152278	Screw w/ flange M6x16	2	
4	2B012583	Voltage regulator support bracket	1	
5	254485	Spring plate M6	4	
6	2B004675	Bush	2	
7	2B007737	Complete coil support bracket	1	
8	658837	Crinkle washer D15 F8,4 S1,5 - INOX	1	
9	AP8152285	Flanged hexagon screw	1	
10	GU92630510	Nut M10x1,5	1	
11	GU95008210	Washer 10,2X18X2	2	
12	AP8150412	Screw	1	
13	GU03013800	Washer 6,4x12	1	
14	2B008493	Silencer support	1	
15	AP8152278	Screw w/ flange M6x16	2	
16	GU14217901	Washer 6,4x10x0,7	2	
17	978301	Cover	2	
18	AP8150287	Hex socket screw M10x90	1	
19	2B001230	Pin 278X10	1	
20	AP8150210	Curved spring washer *	6	
21	GU92630510	Nut M10x1,5	1	
22	GU98682635	screw	2	
23	2B005686	Bush	2	
24	2B012151	LH plate	1	
25	2B012150	RH plate	1	
26	2B005804	Plug	1	
27	AP8150500	Hex socket screw M5x9 NERINOX	2	
28	2B005849	Bush	2	

Group	Frame/bodywork
Code	01.010
Description	Frame/bodywork
Service	1



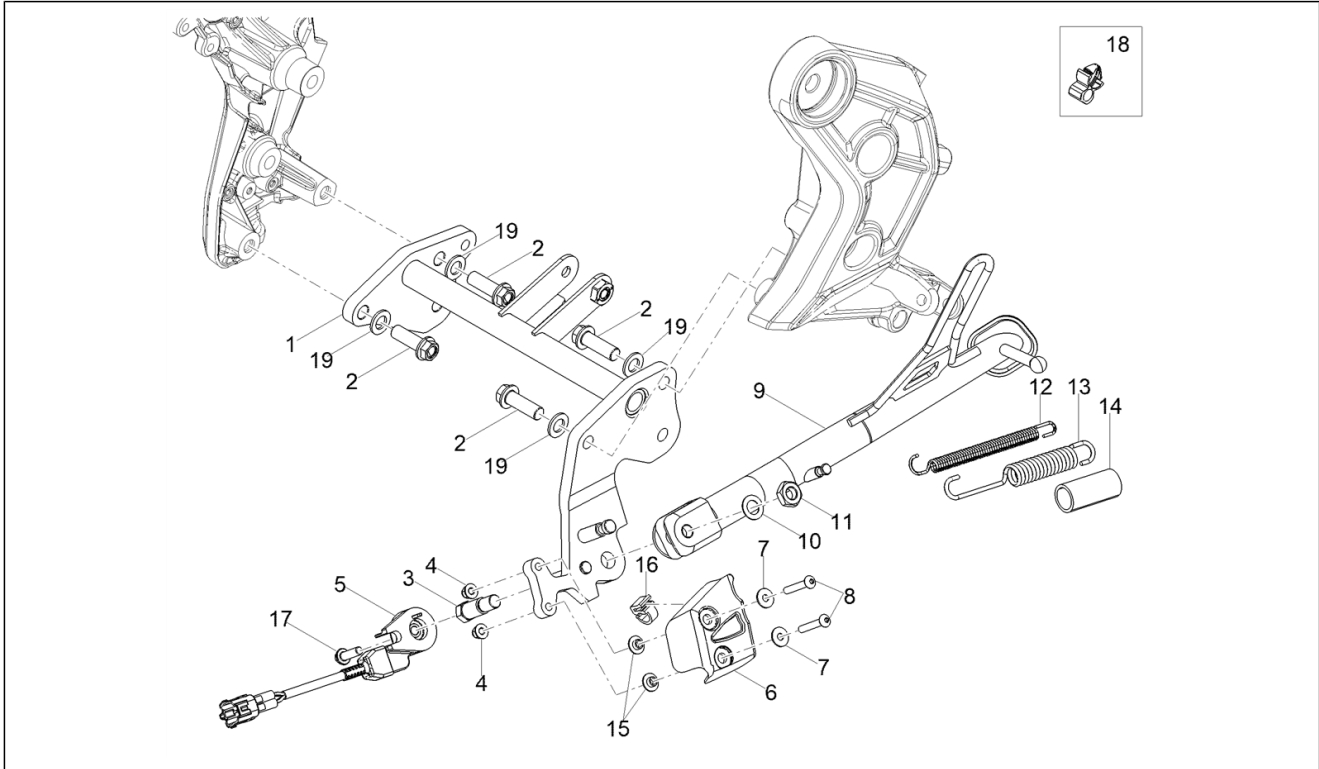
Pos.	Code	Description	Qty	Variants
29	AP8150049	screw M10x60	1	
30	AP8152277	Flanged hexagon screw M6x12	1	
31	2B011725	Support clamp Purge Valve	1	
32	2B012655	Lambda probe connector support	1	
33	AP8152058	Hex socket screw M8x20	1	
34	AP8150376	Washer 8,5x15x0,8	1	
35	AP8121096	T bush 8,2x12x4	1	

Group	Frame/bodywork
Code	01.020
Description	Foot rests
Service	1



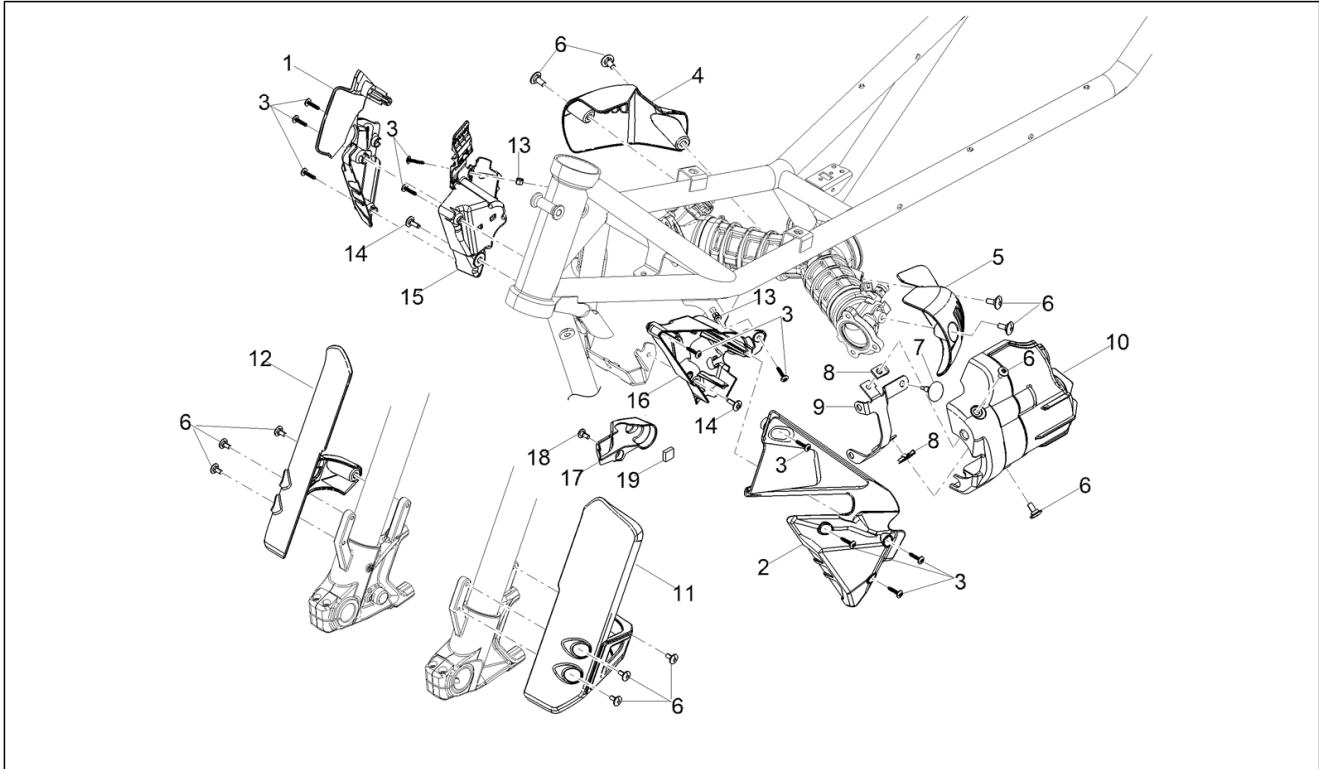
Pos.	Code	Description	Qty	Variants
1	886184	RH Foot rests	1	
2	2B005143	Screw w/ flange M6x12	2	
3	AP8134276	Plate	2	
4	AP8120831	Footrest rubber	2	
5	AP8101928	Split pin	4	
6	AP8221277	Footrest return spring	2	
7	2B007845	Footrest pin	4	
8	2B005999	Pre-coated M8x30 SHC screw	4	
9	AP8134451	Footrest plate	4	
10	AP8121133	Coil compress. spring	2	
11	AP8110110	Ball d.7	2	
12	886185	LH Foot rests	1	
13	GU32441210	Plate	2	
14	2B002225	Footrest rubber	1	
15	2B012153	Right pass. footrest support	1	
16	2B012154	Left pass. footrest support	1	
17	2B010713	Footrest l.h.	1	
18	2B010712	Footrest r.h.	1	
19	2B006226	Heel guard	1	
20	AP8152278	Screw w/ flange M6x16	2	
21	AP8150378	Washer 6,4x18x2	2	
22	GU95008208	Washer 8,4X15X1,5	8	

Group	Frame/bodywork
Code	01.030
Description	Stand
Service	1



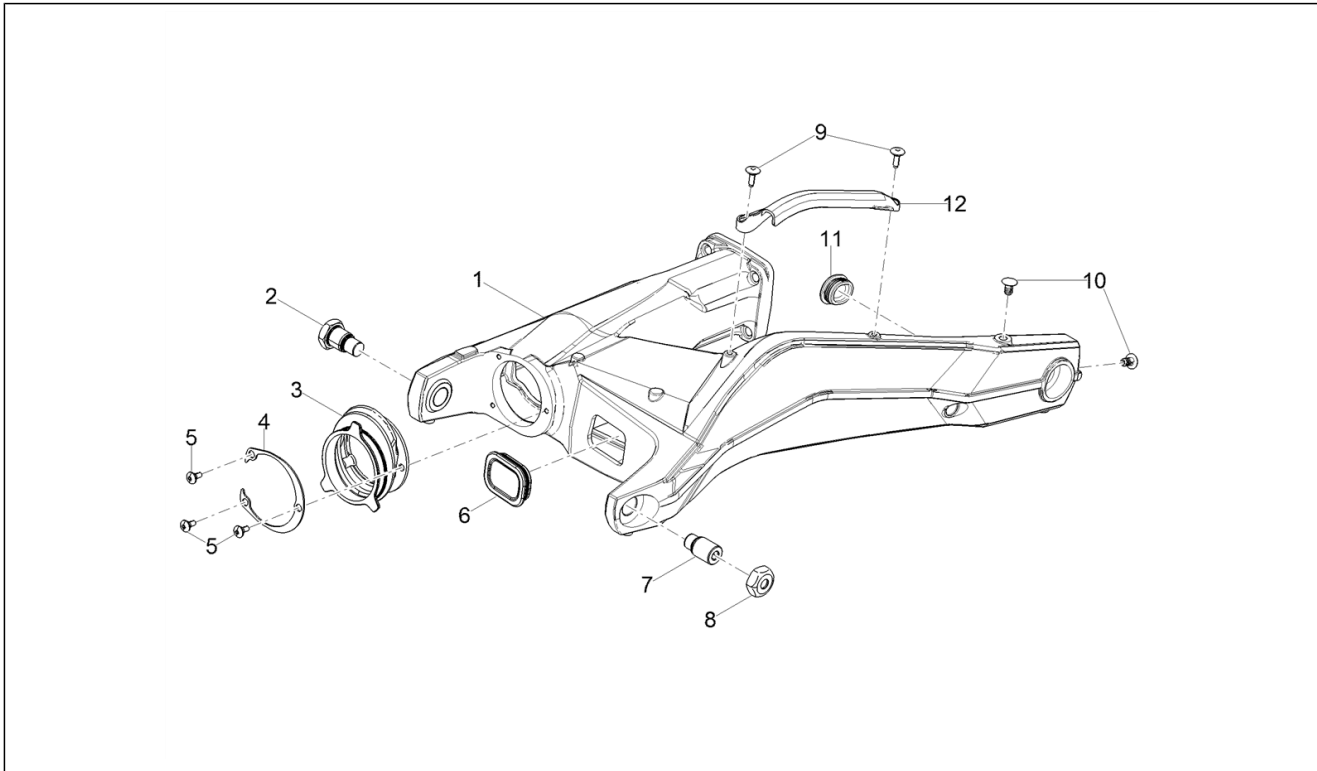
Pos.	Code	Description	Qty	Variants
1	2B010290	Stand support	1	
2	B043046	Pre-coated M10X30 SHC screw	4	
3	2B007560	Central stand fixing screw	1	
4	AP8152306	Self-locking nut M5	2	
5	2D000530	Rotary switch	1	
6	858941	Guard	1	
7	AP8150248	Washer 5,5x15x1,6	2	
8	AP8152270	Hex socket screw M5x25	2	
9	2B007620	Lateral stand	1	
10	AP8150292	Curved spring washer *	1	
11	AP8152001	Low nut M10x1,25	1	
12	AP8221211	Internal lateral stand spring	1	
13	AP8221204	Lateral stand spring	1	
14	AP8102524	Stand spring protection	1	
15	843213	T bush	2	
16	AP8201727	Black cable guide	1	
17	AP8152279	Screw w/ flange M6x20	1	
18	2B004088	Fastener cable	2	
19	GU95008210	Washer 10,2X18X2	4	

Group	Frame/bodywork
Code	01.040
Description	Protection
Service	1



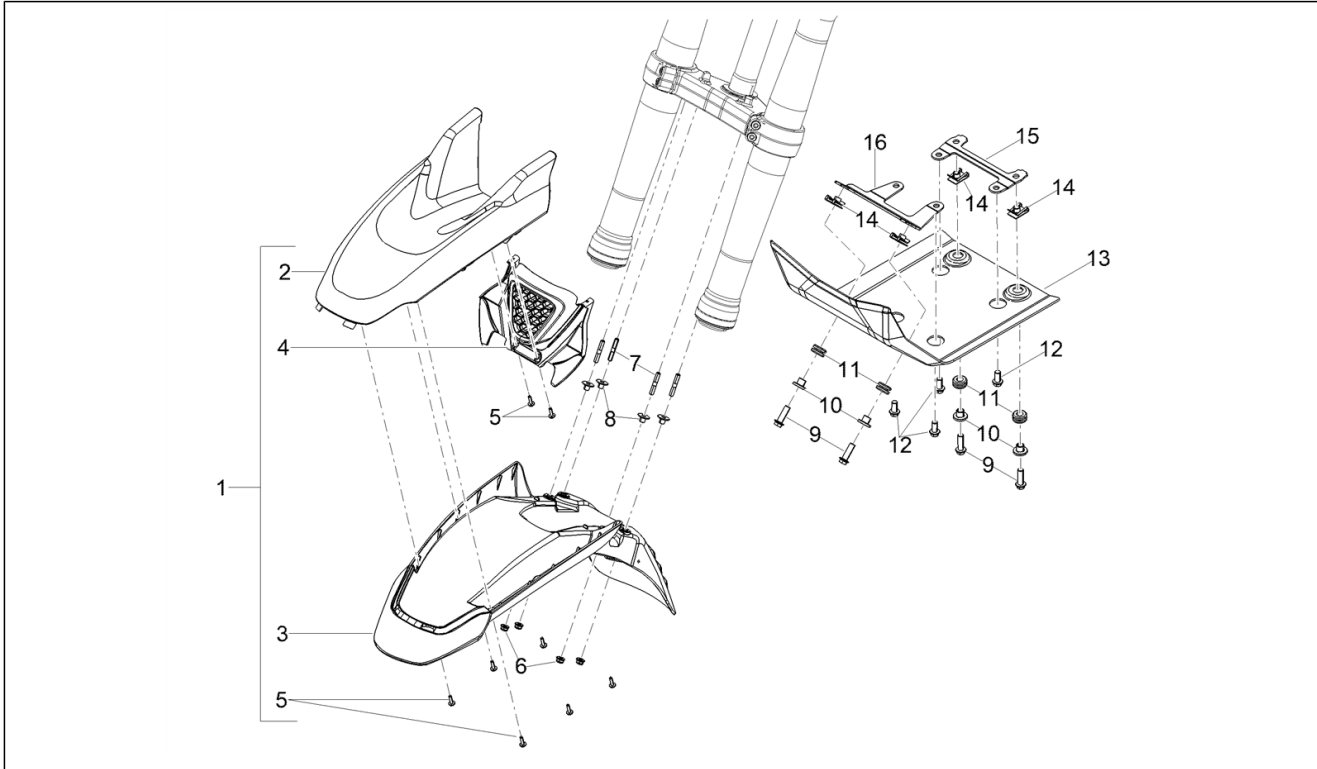
Pos.	Code	Description	Qty	Variants
1	2B005529	Right headstock cover	1	
2	2B005528	Left headstock cover	1	
3	CM180702	Self tapping screw	11	
4	2B005808	Right injector covers	1	
5	2B005809	Left injector covers	1	
6	AP8150500	Hex socket screw M5x9 NERINOX	12	
7	AP8120001	Rubber spacer	1	
8	AP8102375	Clip M5	2	
9	2B002937	Cover support bracket	1	
10	2B006168	Starter motor cover	1	
11	2B005763000G44	SX sleeve guard	1	Colour:Bronzo deserto[Q05]
11	2B005763	LH sleeve protection	1	Colour:Blank[GR]
12	2B005699000G44	RH sleeve guard	1	Colour:Bronzo deserto[Q05]
12	2B005699	RH sleeve protection	1	Colour:Blank[GR]
13	AP8102671	Plastic rivet	2	
14	AP8152302	Screw w/ flange M5x12	2	
15	2B005414	Connector box DX	1	
16	2B005413	Connector box SX	1	
17	2B006091	Cable harness cover	1	
18	2B003422	M5x12 pre-coated countersunk hex head Torx screw	1	
19	AP8117003	Adhesive sponge 15X5	1	

Group	Frame/bodywork
Code	01.050
Description	Swing arm
Service	1



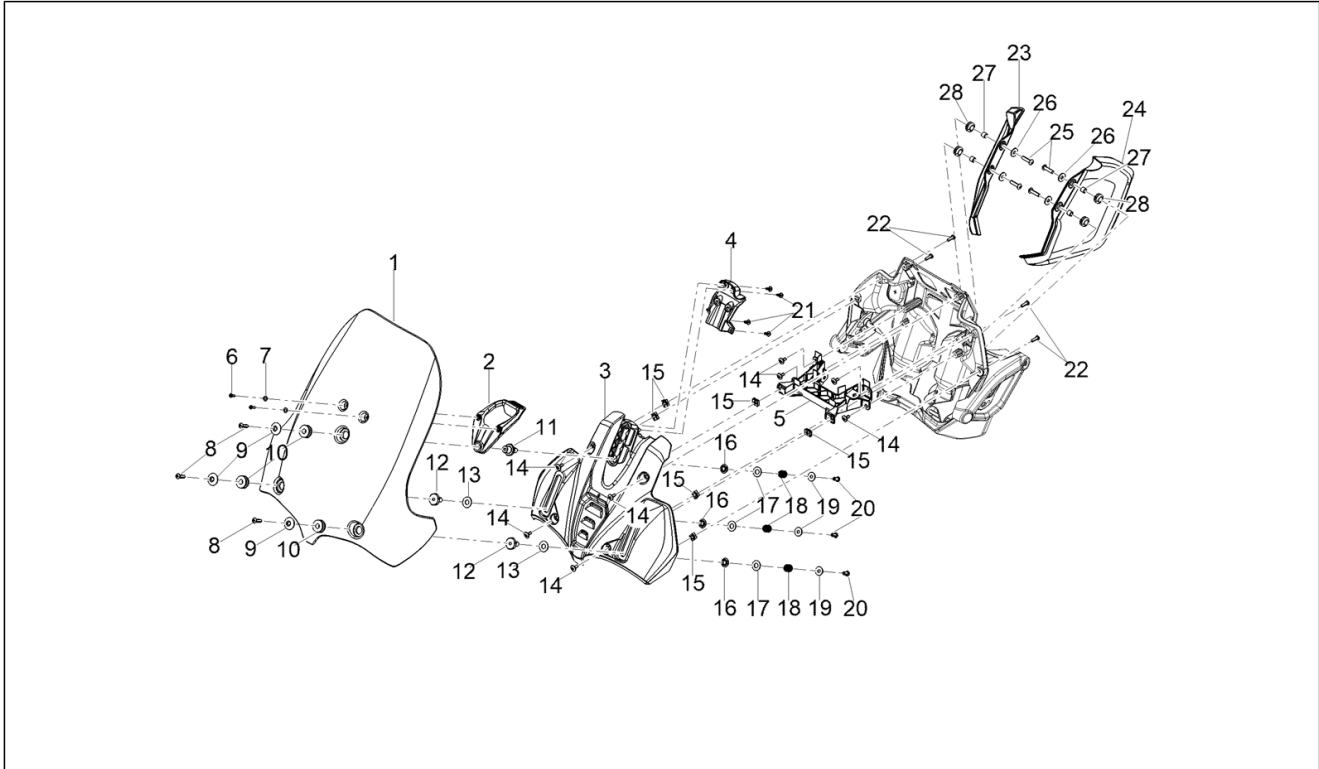
Pos.	Code	Description	Qty	Variants
1	2B0065021	Swing arm	1	
2	2B005089	Pin	1	
3	2B004702	Rubber bellows	1	
4	2B003212	Fixing plate	1	
5	2B003422	M5x12 pre-coated countersunk hex head Torx screw	3	
6	860898	Cover	1	
7	GU19547000	Adjusting pin	1	
8	2B005856	Spindle nut	1	
9	AP8152302	Screw w/ flange M5x12	2	
10	AP8102600	Cover	2	
11	860900	Cover	1	
12	2B005291	Fairlead	1	

Group	Body
Code	02.030
Description	Front mudguard-Pillar
Service	1



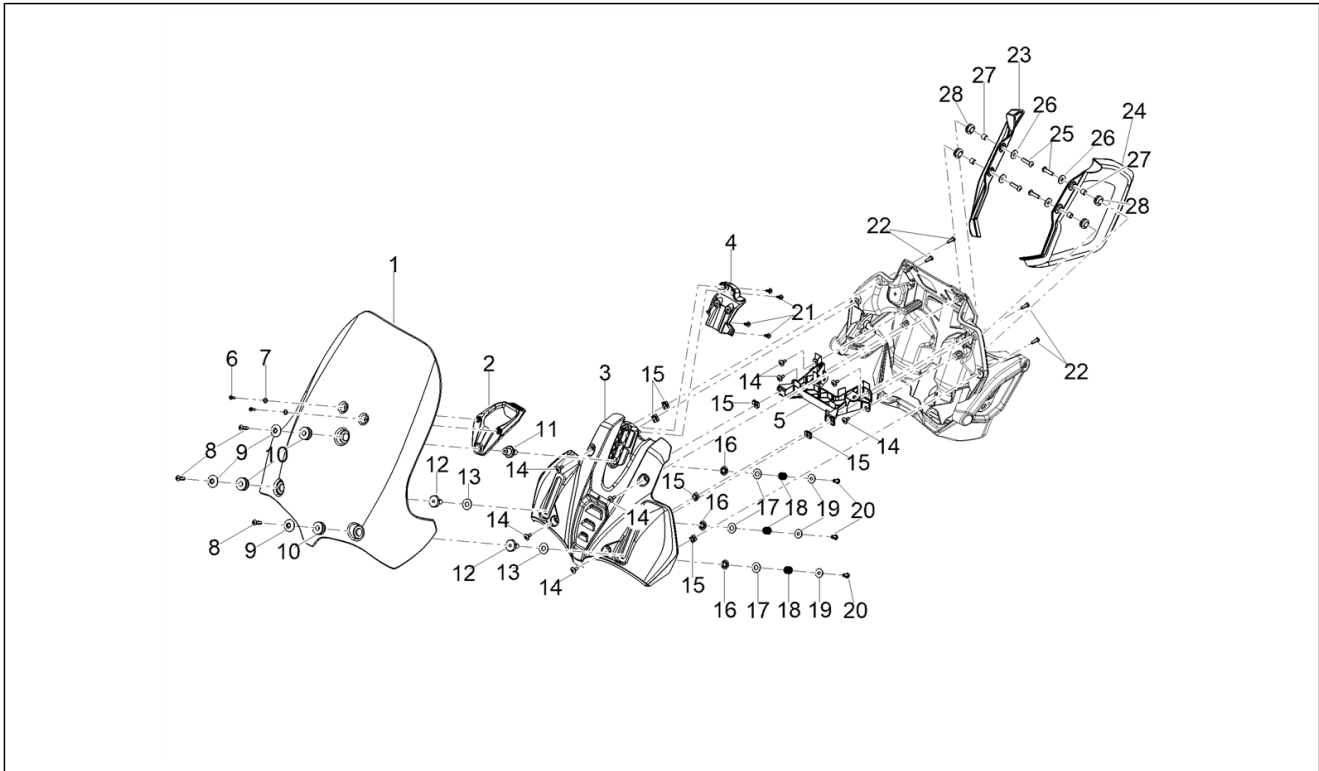
Pos.	Code	Description	Qty	Variants
1	2H006316000Q05	Front mudguard assy	1	Colour: Bronzo deserto[Q05] Technical Specification: Decal[D]
2	2H006317000Q05	Mudguard cover	1	Colour: Bronzo deserto[Q05] Technical Specification: Decal[D]
2	2B005328	Mudguard cover	1	Colour: Blank[GR]
3	2B012709000Q05	Front mudguard	1	Colour: Bronzo deserto[Q05]
3	2B012709	Front mudguard	1	Colour: Blank[GR]
4	2B005530	Grid	1	
5	AP8150512	Self-tap screw 3,3x16	8	
6	AP8152299	Self-locking nut M6	4	
7	2B005945	Stud bolt	4	
8	2B006410	T bushing	4	
9	2B002571	Pre-coated M8x25 hex flange screw	4	
10	AP8221128	T bush 8,5x10,7x12	4	
11	AP8120030	Rubber spacer	4	
12	2B007936	Flanged hexagonal-head screw M8x16	4	
13	2B004655	Sump guard	1	
14	575268	Spring plate M8	4	
15	2B004657	Rear stirrup	1	
16	2B004656	Front stirrup	1	

Group	Body
Code	02.050
Description	Windshield
Service	1



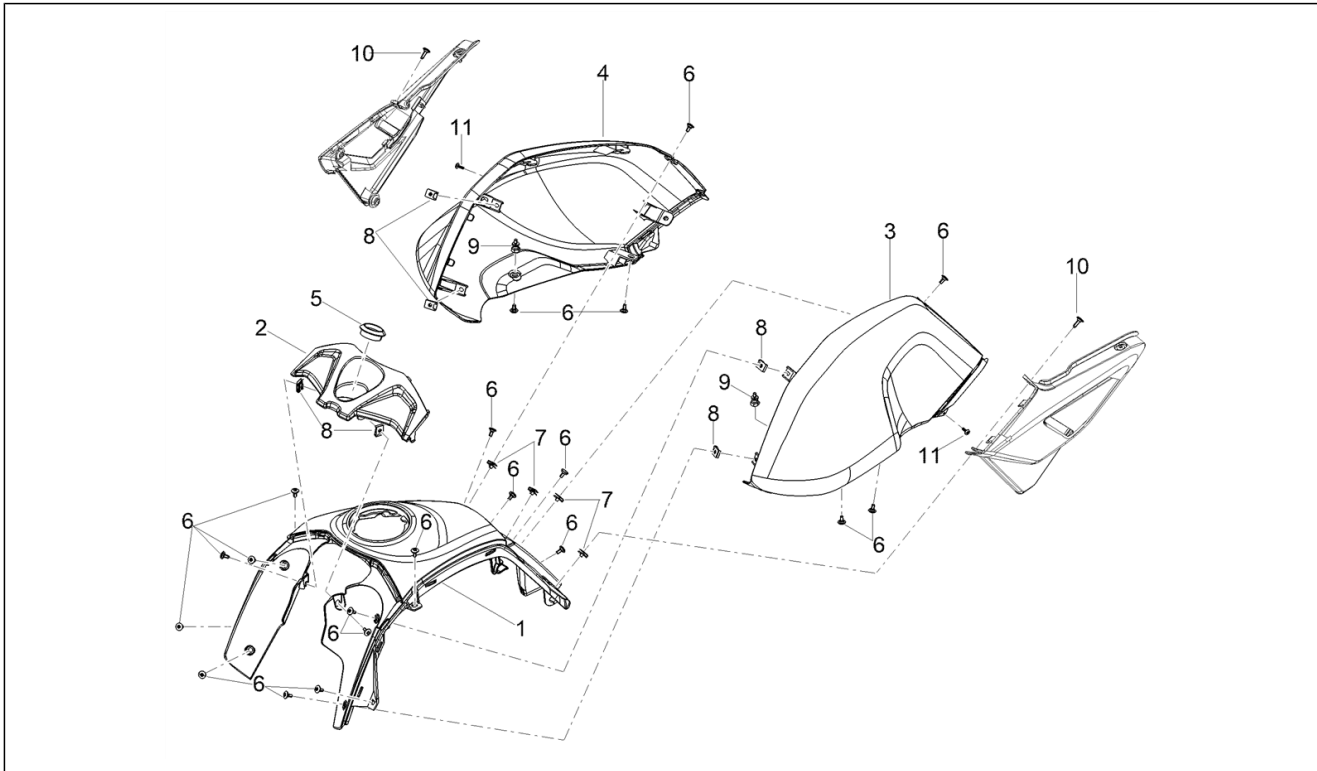
Pos.	Code	Description	Qty	Variants
1	2B012084	Windshield	1	
2	2B012344	Handle	1	
3	2B011774	Front fairing	1	
4	2B011775	Dashboard lid	1	
5	2B012006	Support clamp	1	
6	896174	Hex socket screw Black M5x12	2	
7	GU01577830	Nylon washer	2	
8	AP8152137	Hex socket screw M6x20 Z.N.	3	
9	2B009747	Bush black anodized	3	
9	GU32578410	Bush painted black bright	3	
10	GU32577910	Rubber spacer 10x25	3	
11	2B011946	Windscreen handle support pin	2	
12	2B011947	Windscreen support pin	2	
13	2B012687	Washer	2	
14	AP8150500	Hex socket screw M5x9 NERINOX	8	
15	00G04401462	Clip M5	6	
16	2B011949	Spring support bush	3	
17	2B007292	Flat washer	3	
18	2B011952	Wave spring	3	
19	AP8150378	Washer 6,4x18x2	3	
20	AP8150340	Hex socket screw M6X12	3	
21	CM178603	Self tapping screw D4.2x13	4	
22	B016796	Torx convex big end screw	4	
23	2B011778	Deflector r.h.	1	
24	2B011779	Deflector l.h.	1	
25	AP8152269	Hex socket screw	4	
26	AP8150248	Washer 5,5x15x1,6	4	
27	AP8221036	Bushing 5,3x8x7,1	4	

Group	Body
Code	02.050
Description	Windshield
Service	1



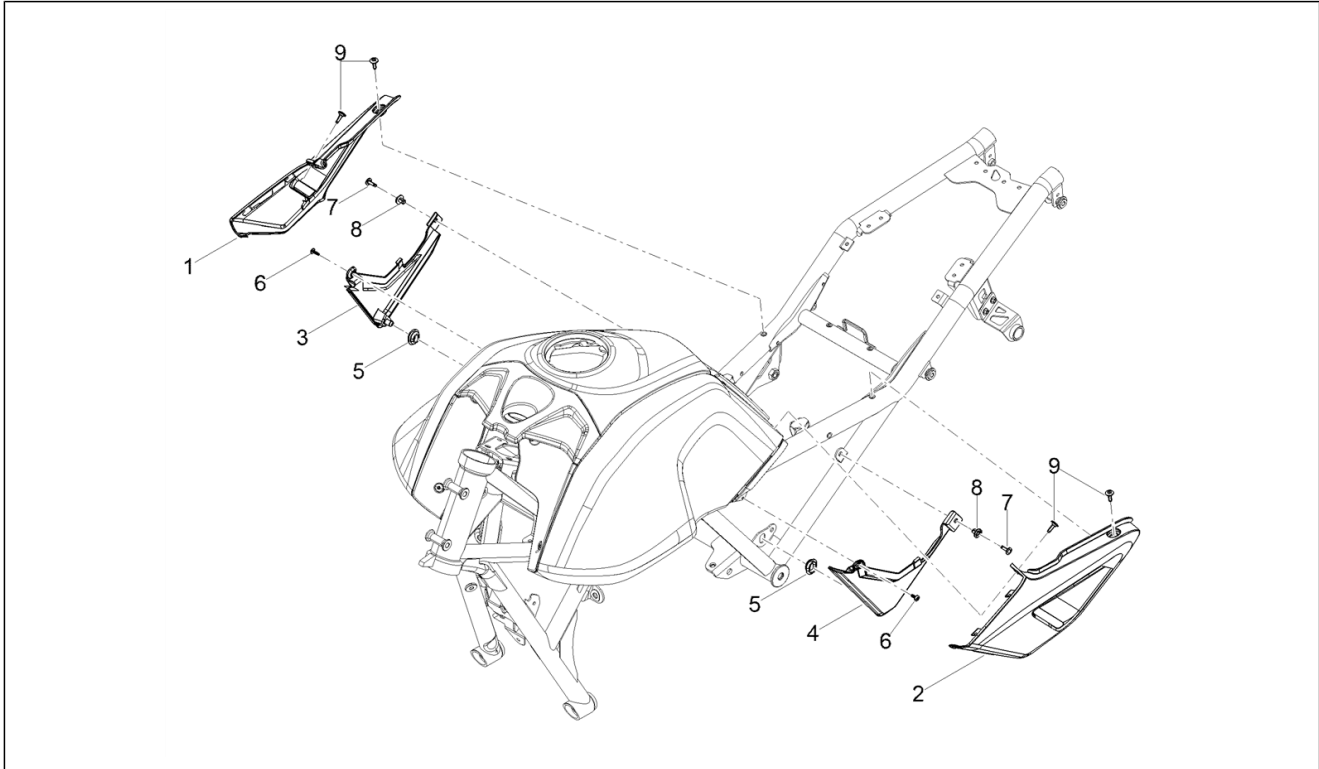
Pos.	Code	Description	Qty	Variants
28	487665	Fairlead	4	

Group	Body
Code	02.090
Description	Tank cover
Service	1



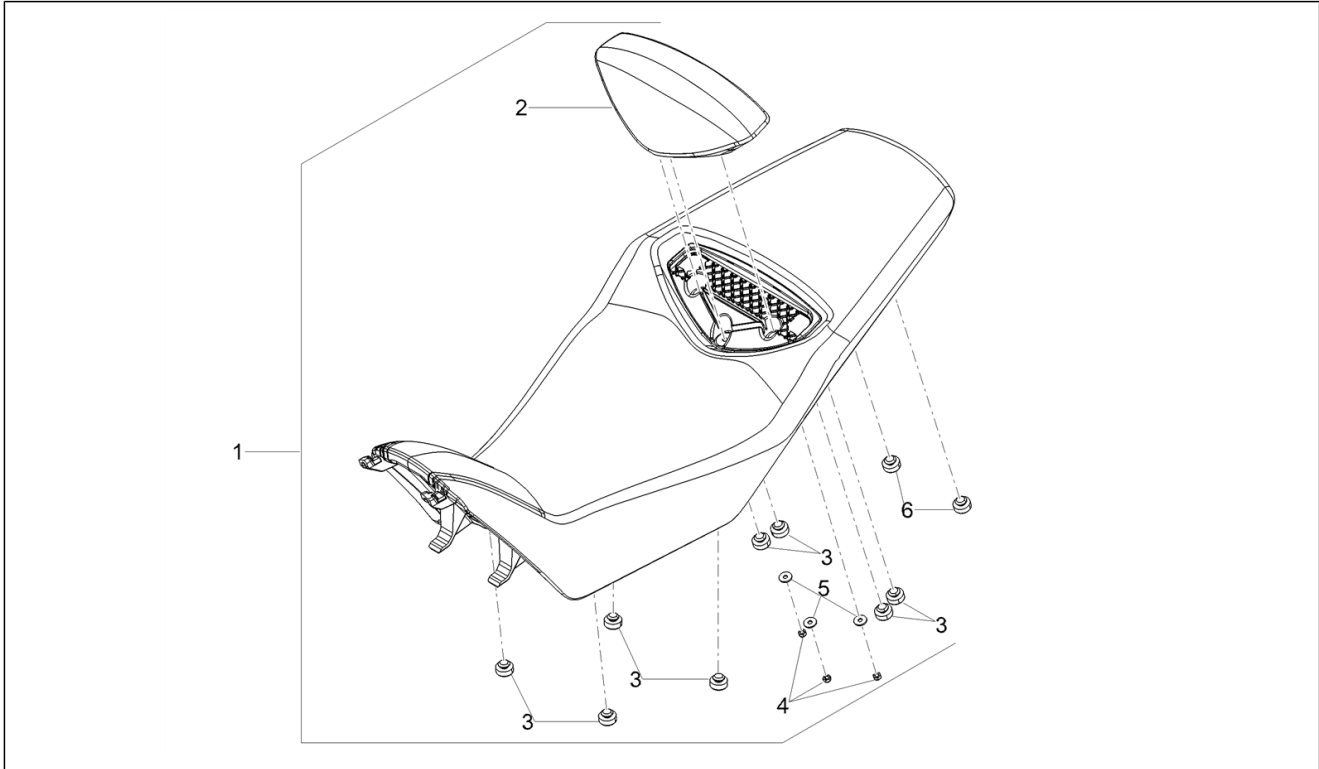
Pos.	Code	Description	Qty	Variants
1	2B011611	Central cover	1	
2	2B011612	Tank cover	1	
3	2H006315000Q05	Left fuel tank cover	1	Colour: Bronzo deserto[Q05] Technical Specification: Decal[D]
3	2B011614	Left fuel tank cover	1	Colour: Blank[GR]
4	2H006314000Q05	Right fuel tank cover	1	Colour: Bronzo deserto[Q05] Technical Specification: Decal[D]
4	2B011613	Right fuel tank cover	1	Colour: Blank[GR]
5	AP8127461	Main switch seal	1	
6	AP8150500	Hex socket screw M5x9 NERINOX	19	
7	00G04401462	Clip M5	4	
8	AP8102375	Clip M5	6	
9	2B005486	Stud bolt	2	
10	AP8152302	Screw w/ flange M5x12	2	
11	CM178603	Self tapping screw D4.2x13	2	

Group	Body
Code	02.100
Description	Central body
Service	1



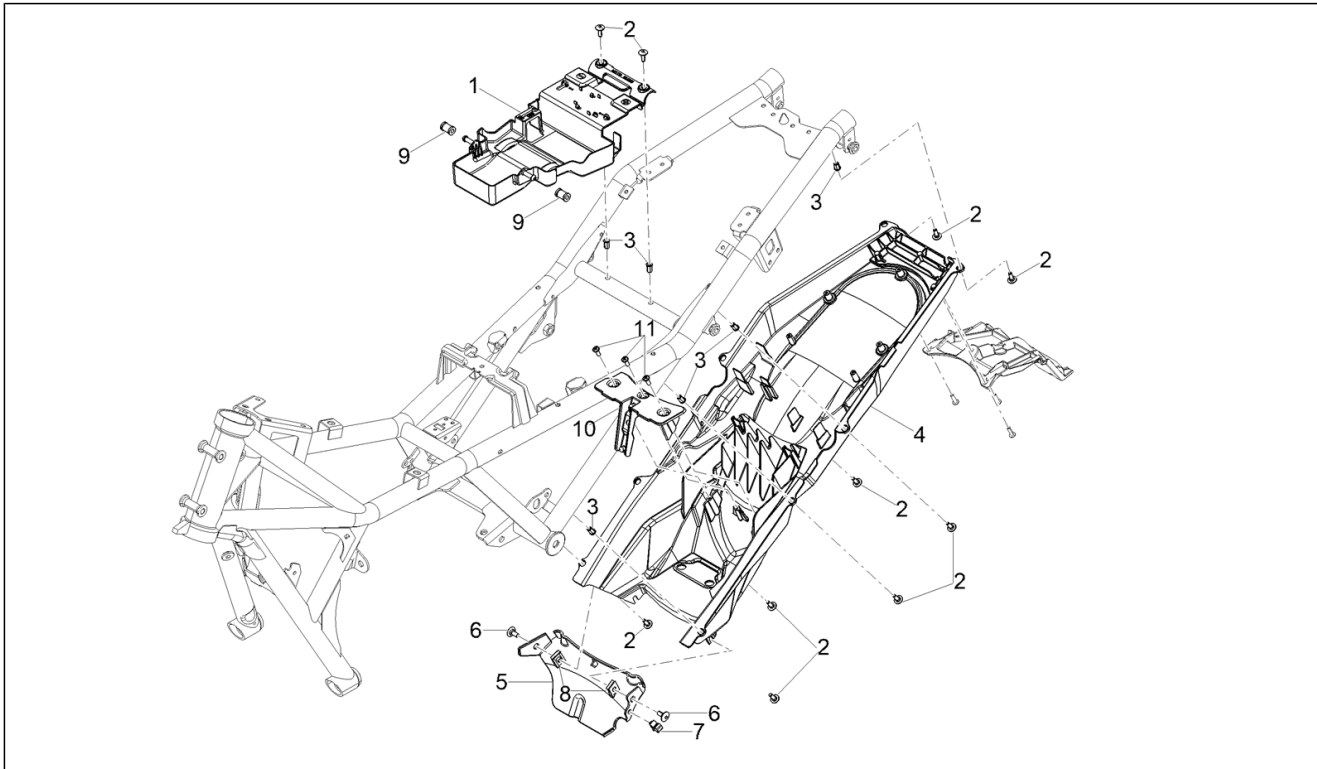
Pos.	Code	Description	Qty	Variants
1	2H006318000Q05	Painted right side fairing	1	Colour: Bronzo deserto[Q05] Technical Specification: Decal[D]
1	2B011615	RH side panel, blank	1	Colour: Blank[GR]
2	2H006319000Q05	Painted left side fairing	1	Colour: Bronzo deserto[Q05] Technical Specification: Decal[D]
2	2B011616	LH side panel, blank	1	Colour: Blank[GR]
3	2B011790	RH Internal cover DX	1	
4	2B011791	RH Internal cover SX	1	
5	AP8220162	Rubber spacer	2	
6	CM178603	Self tapping screw D4.2x13	2	
7	AP8144563	Rivet, male	2	
8	AP8144616	Rivet, female	2	
9	AP8152302	Screw w/ flange M5x12	4	

Group	Body
Code	02.120
Description	Saddle
Service	1



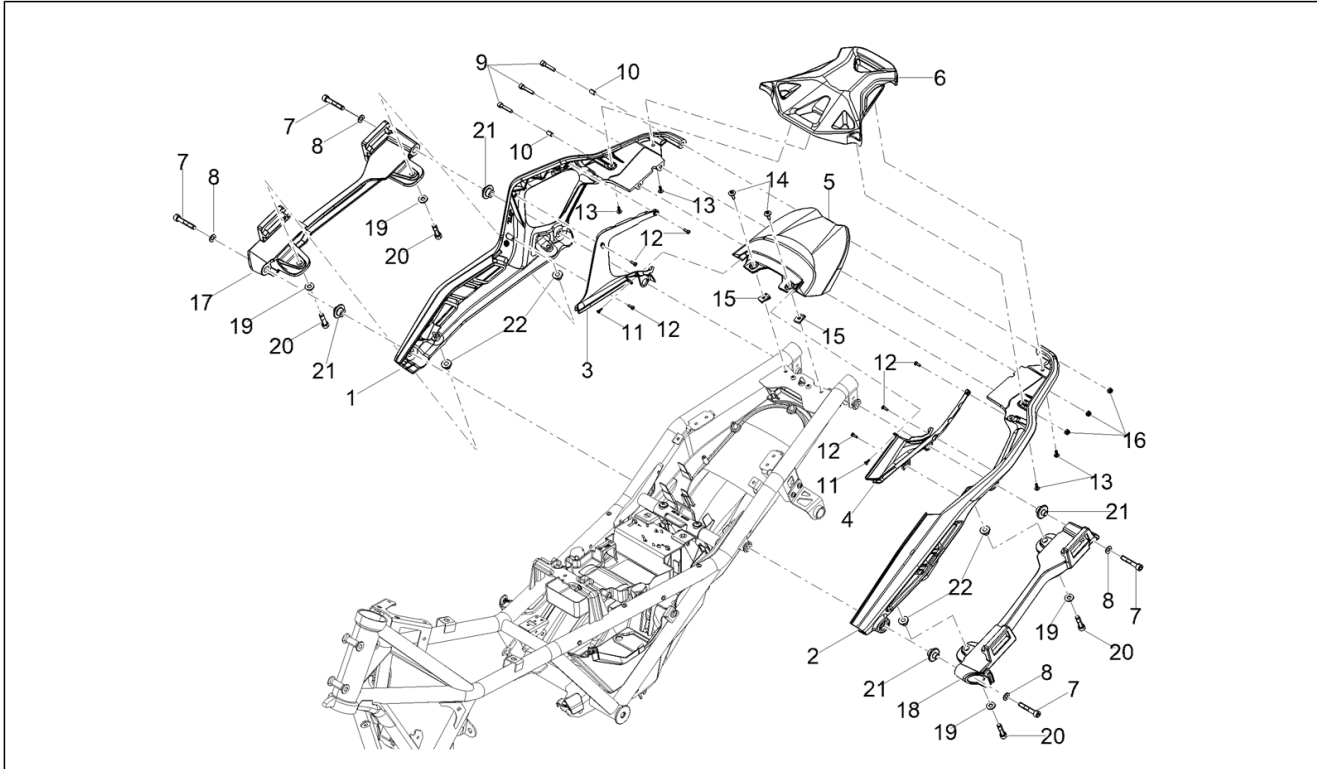
Pos.	Code	Description	Qty	Variants
1	2B012068000C1	Saddle assembly	1	
2	2B011901000C1	Backrest	1	
3	2B002692	Saddle rubber	8	
4	AP8150114	Low self-locking nut	3	
5	224664	Washer 5,2X15X1,5	3	
6	577492	Pad	2	

Group	Body
Code	02.130
Description	Saddle compartment
Service	1



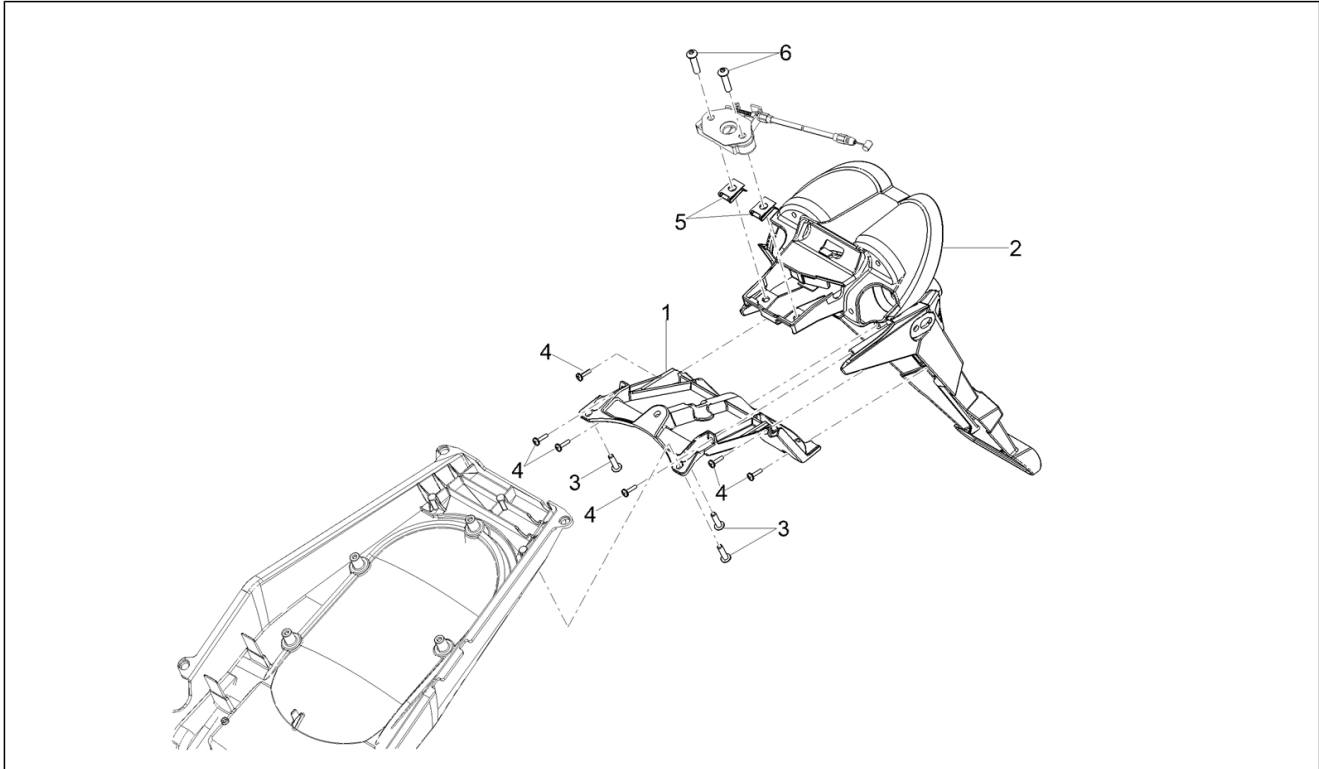
Pos.	Code	Description	Qty	Variants
1	2B005443	Glovebox compartment	1	
2	AP8152302	Screw w/ flange M5x12	10	
3	AP8201755	Threaded rivet	10	
4	2B011780		1	
5	2B005846	Brake hose protection	1	
6	AP8150500	Hex socket screw M5x9 NERINOX	2	
7	2B004088	Fastener cable	1	
8	AP8102375	Clip M5	1	
9	109355	Fairlead	2	
10	2B011781	Battery holder	1	
11	AP8150509	Self-tap screw 5x14	3	

Group	Body
Code	02.140
Description	Rear body
Service	1



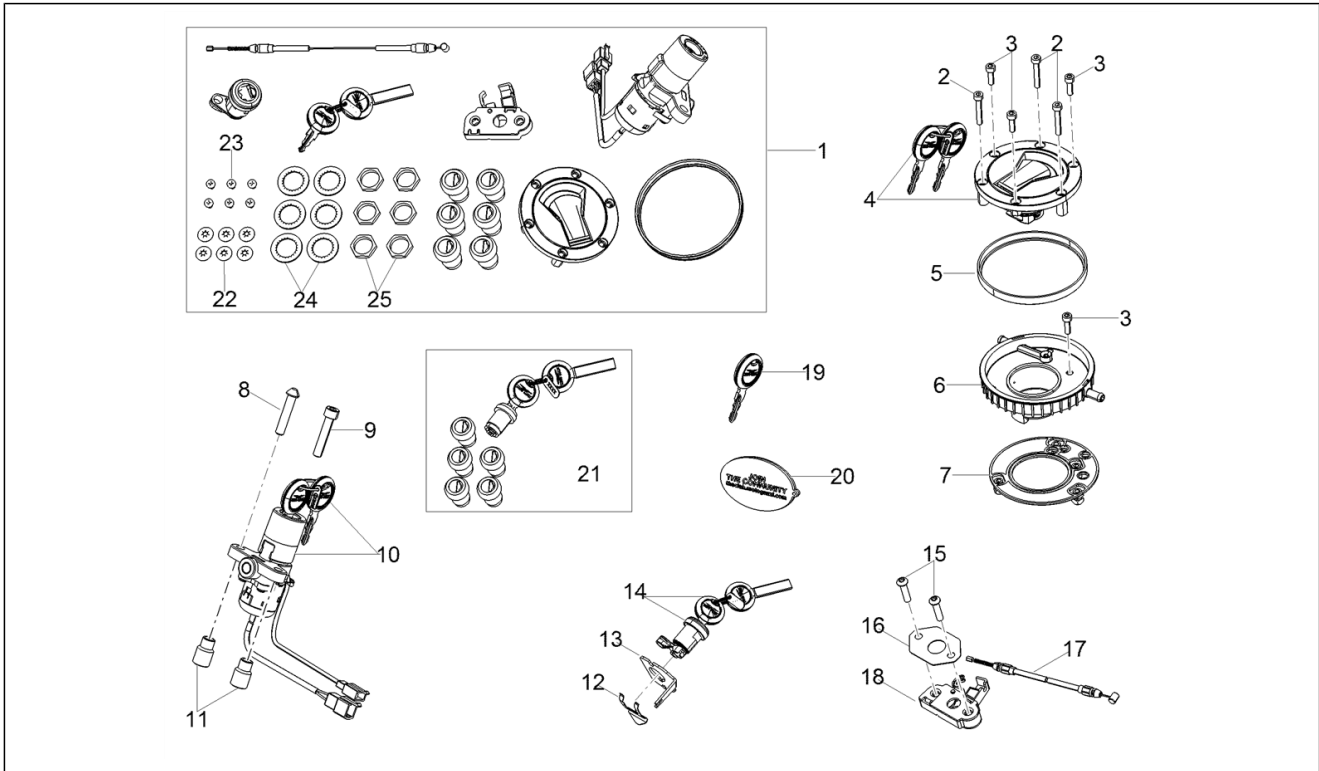
Pos.	Code	Description	Qty	Variants
1	2B011620	Rear handle DX	1	
2	2B011621	Rear handle SX	1	
3	2B011618	Covers DX	1	
4	2B011619	Covers SX	1	
5	2B005354	Rear protection	1	
6	2B011617	Tyre	1	
7	AP8150169	Hex socket screw M8x20	4	
8	GU95008208	Washer 8,4X15X1,5	4	
9	GU98682330	Hex socket screw M6x20	3	
10	277916	Locating dowel Ø7,5x12	2	
11	296141	Self tapping screw	2	
12	1A003444	Oval head screw	6	
13	CM178603	Self tapping screw D4.2x13	4	
14	AP8152302	Screw w/ flange M5x12	2	
15	AP8102375	Clip M5	2	
16	GU92630206	Self-locking nut M6x1	3	
17	2B011427	RH support	1	
18	2B011428	LH support	1	
19	GU95005310	Washer 8,4x18x2	4	
20	B043044	Pre-coated M8x30 SHC screw	4	
21	2B012340	Bush	4	
22	AP8221128	T bush 8,5x10,7x12	4	

Group	Body
Code	02.150
Description	Rear mudguard
Service	1



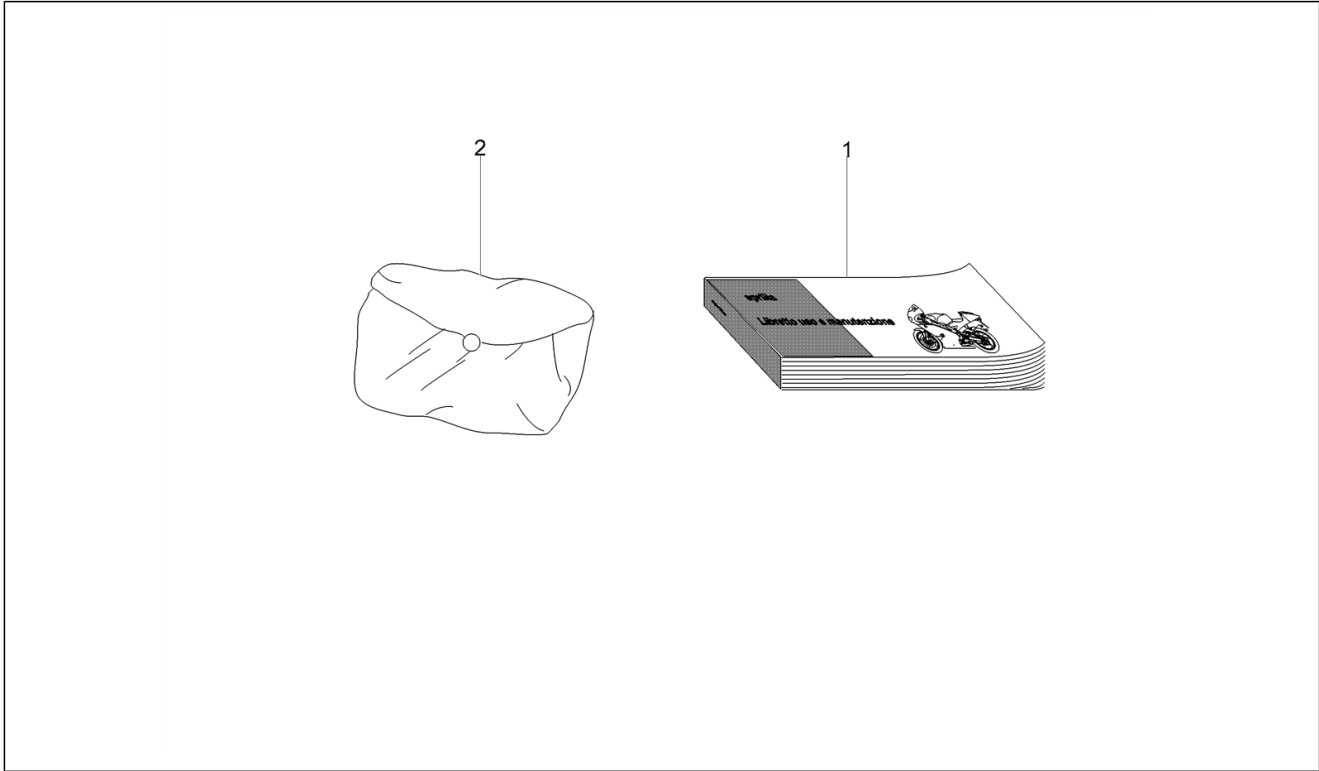
Pos.	Code	Description	Qty	Variants
1	2B005694	License plate fastener	1	
2	2B011782	License plate	1	
3	AP8150509	Self-tap screw 5x14	3	
4	AP8150413	Self-tap screw 3,9x14	6	
5	254485	Spring plate M6	2	
6	GU98370625	Hex socket screw M6x25	2	

Group	Body
Code	02.170
Description	Locks
Service	1



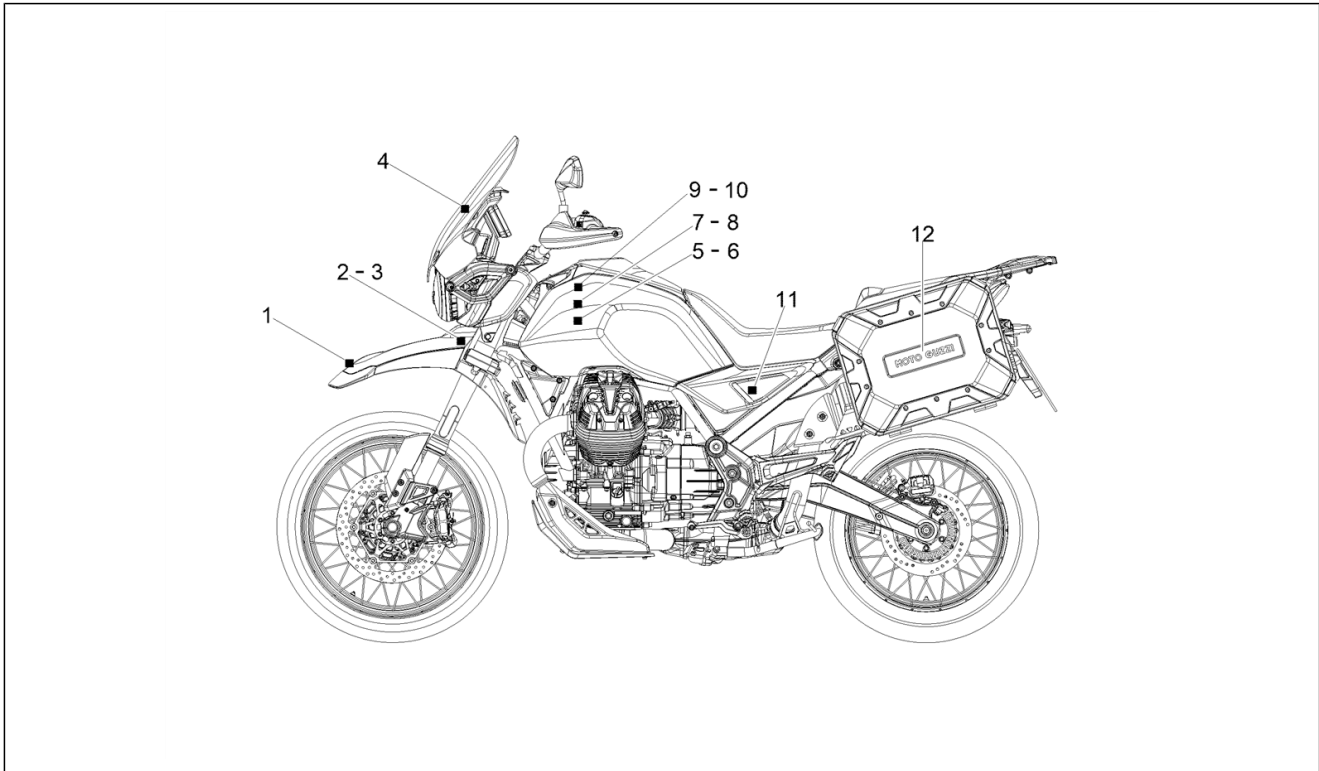
Pos.	Code	Description	Qty	Variants
1	2B006828	Lock kit	1	
2	AP8150453	Hex socket screw M5x30	3	
3	AP8150454	Hex socket screw M5x16	4	
4	2B005681	Fuel filler cap and lock	1	
5	899105	Fuel filler cap gasket	1	
6	899107	Fuel chamber	1	
7	899106	Gasket	1	
8	AP8150351	Shear rivet M8x40	1	
9	AP8150171	Hex socket screw M8x40	1	
10	2D000496	Key switch	1	
11	856180	Spacer *	2	
12	AP8121420	Fork spring	1	
13	978415	Cable fixing plate	1	
14	2B005680	Seat lock with key	1	
15	GU98370625	Hex socket screw M6x25	1	
16	886820	Saddle lock fix.plate	1	
17	2B005651	Saddle release cable	1	
18	899543	Lock attachment plate	1	
19	2B005184	Key with simple transponder	1	
20	2B004276	Key-fob "THE CLAN"	1	
21	2B007554	Block with key	1	
22	AP8201748	Washer	1	
23	AP8201749	Screw M4x6	1	
24	AP8201305	Nickel plated lock washer *	1	
25	AP8152194	Low nut M19x1*	1	

Group	Body
Code	02.180
Description	Plate set / Various
Service	1



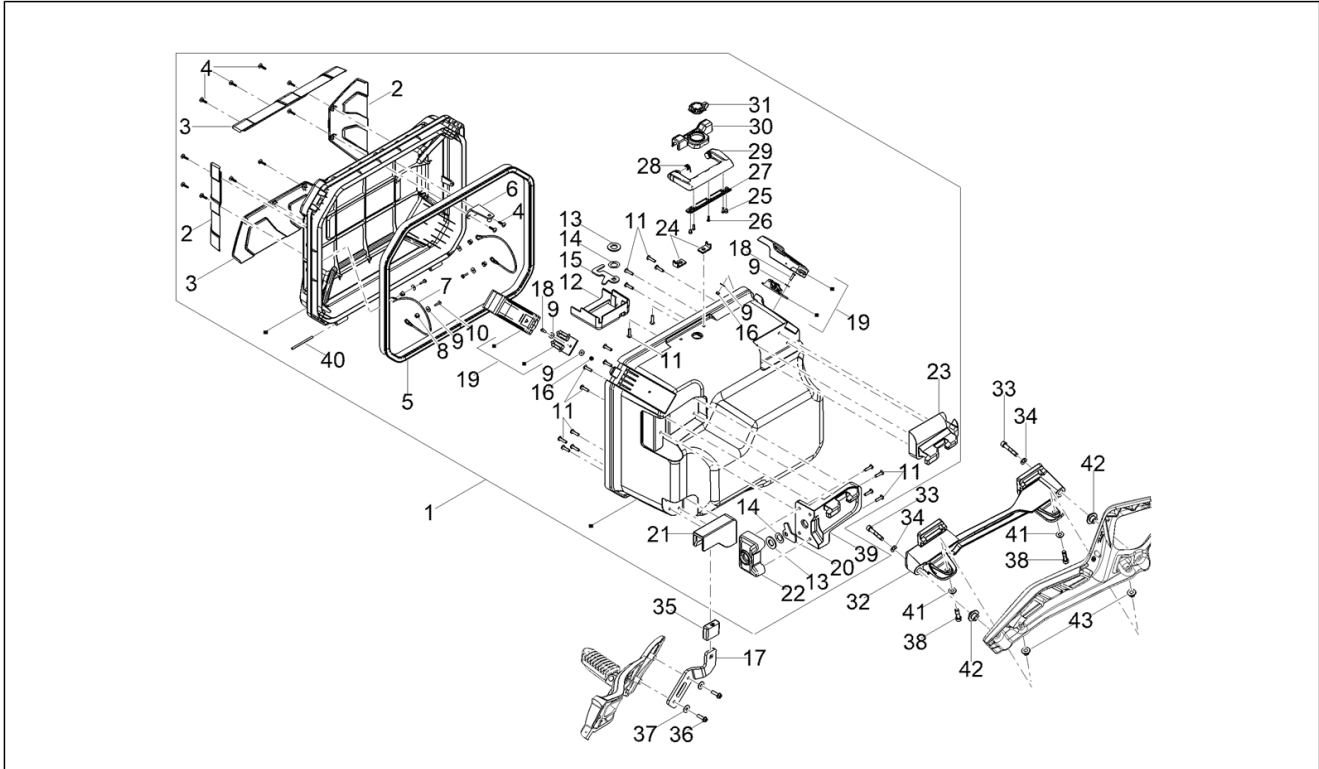
Pos.	Code	Description	Qty	Variants
1	2Q000574	EN-US-FR-ES-IT	1	
2	2B006272	Toolkit	1	

Group	Body
Code	02.190
Description	Decal
Service	1



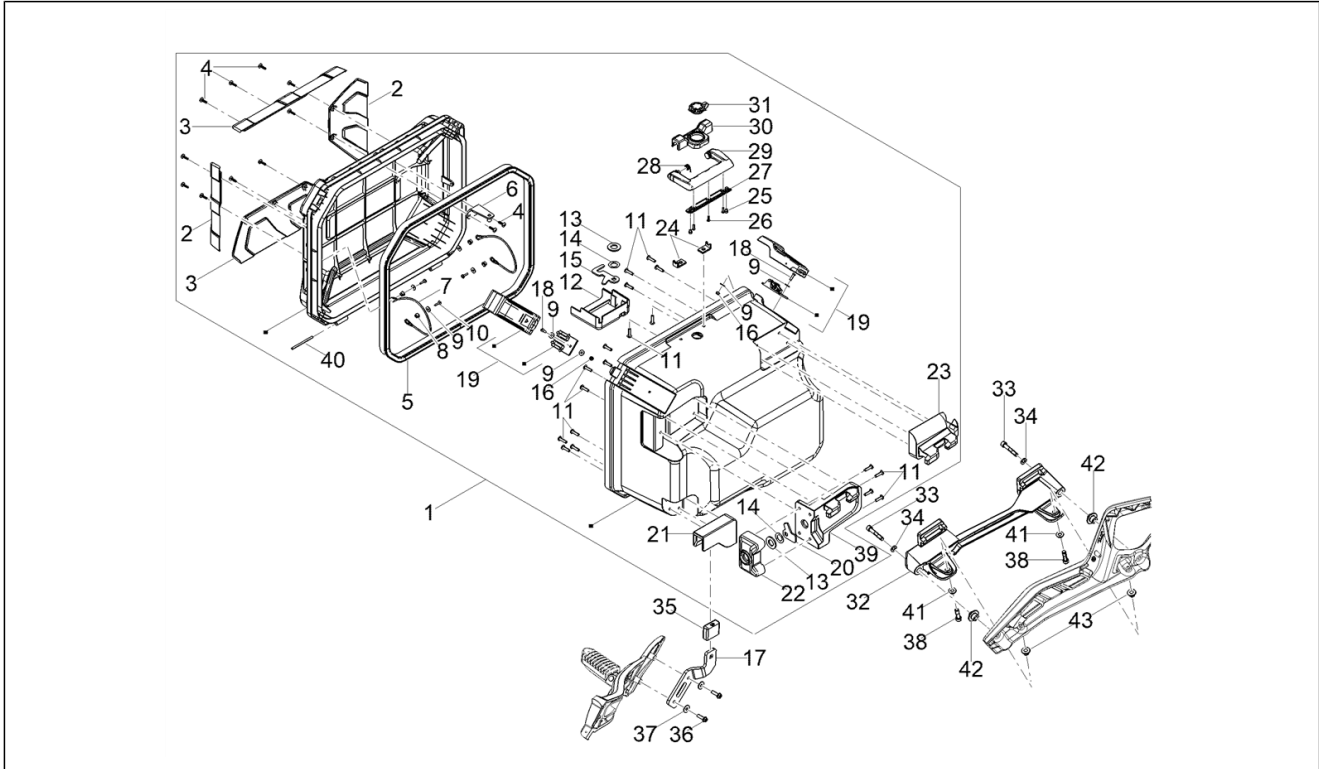
Pos.	Code	Description	Qty	Variants
1	2H006334	Eagle decal	1	
2	2H006320	RH strip decal	1	
3	2H006321	LH strip decal	1	
4	2H006332	"Moto Guzzi" dataplate	1	
5	2H006353	"Eagle" decal right	1	
6	2H006354	LH "Eagle" badge	1	
7	2H006322	Decalco right band cover fuel tank	1	
8	2H006323	Decalco left band cover fuel tank	1	
9	2H006368	RH decal "Travel"	1	
10	2H006369	Sticker LH "Travel"	1	
11	2H006324	RH-LH side fairing badge "V85TT"	2	
12	2H006325	"Moto Guzzi" dataplate	2	

Group	Body
Code	02.210
Description	RH trunk
Service	1



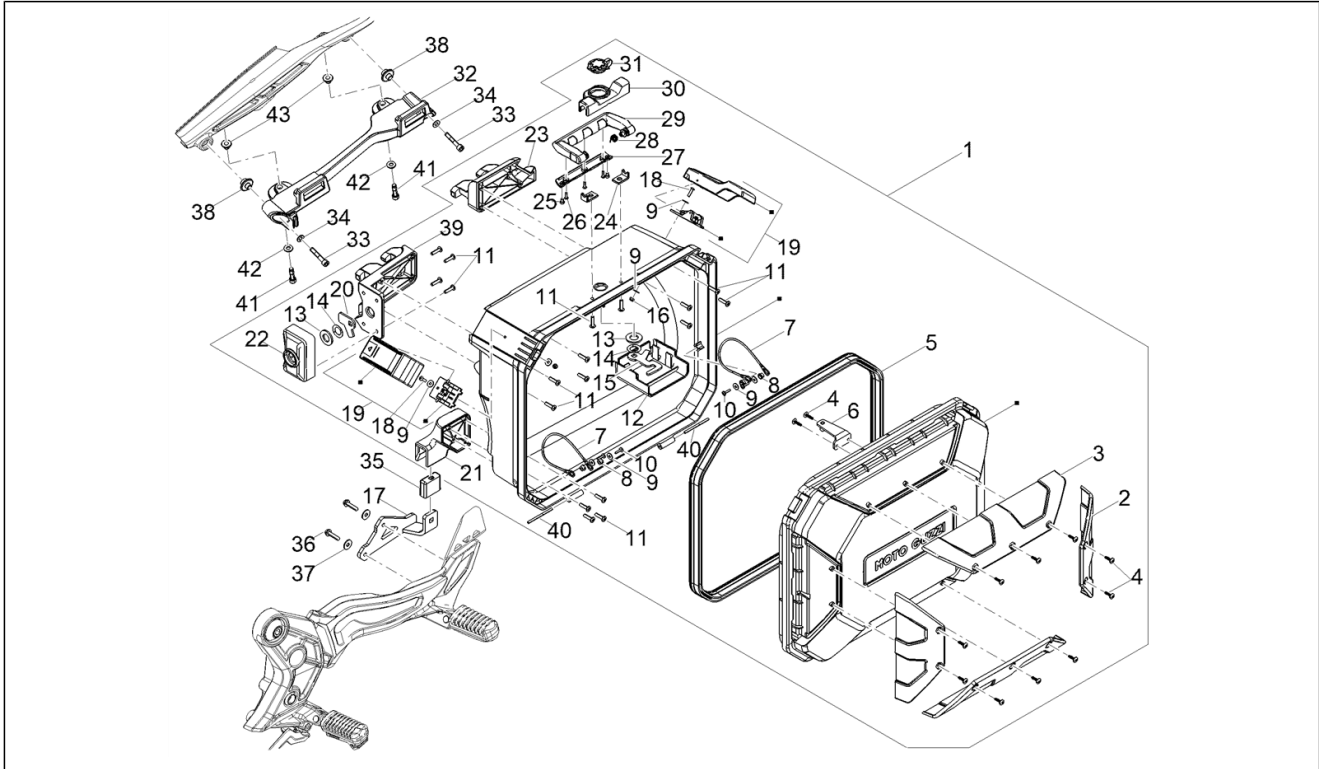
Pos.	Code	Description	Qty	Variants
1	2B012313		1	
2	2B012309	Side cover	2	
3	2B012310	Upper cover	2	
4	CM180701	Self tapping screw D4x16	12	
5	2B005971	Gasket	1	
6	2B006027	Bracket	1	
7	AP8201855	Rear fairing cable	2	
8	AP8706322	Stand coupling bushing	2	
9	AP8150501	Washer	8	
10	AP8150413	Self-tap screw 3,9x14	2	
11	AP8152329	Phillips screw, SWP M5x20	18	
12	2B005993	Guard	1	
13	00032015000	Washer	2	
14	AP8150471	Spring washer 14,5x24	2	
15	2B005989	Latch	1	
16	AP8150204	Nut M4	2	
17	2B005988	RH support	1	
18	AP8121184	Screw M4x14	2	
19	2B005975	Saddle locking	2	
20	2B006029	Lock fix.plate	1	
21	2B005983	Coupler	1	
22	2B005990	Cover	1	
23	2B005987	Coupler	1	
24	2B006158	Covers	2	
25	AP8220488	Mushroom rubber	2	
26	AP8150421	Self-tap screw 2,9x12	3	
27	2B006156	Cover	1	
28	2B006150	Spring	1	

Group	Body
Code	02.210
Description	RH trunk
Service	1



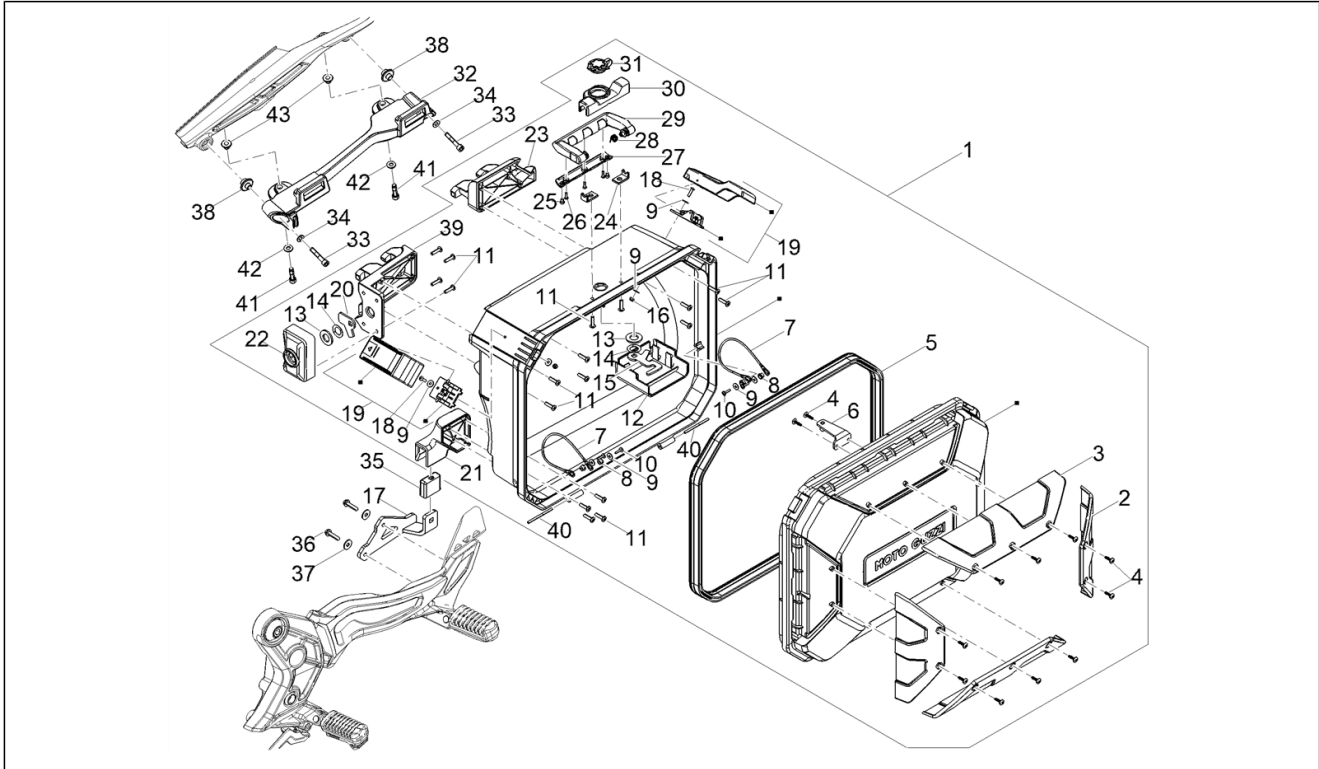
Pos.	Code	Description	Qty	Variants
29	2B006155	Handle	1	
30	2B006159	Handle support	1	
31	2B006655	Cover	1	
32	2B011427	RH support	1	
33	B043041	Precoated SHC screw M8x45	2	
34	AP8163165	Stainless washer 16x8.4x1.6	2	
35	2B005994	Pad	1	
36	AP8152279	Screw w/ flange M6x20	2	
37	AP8150378	Washer 6,4x18x2	2	
38	B043044	Pre-coated M8x30 SHC screw	2	
39	2B005976	Coupler	1	
40	2B006059	Hinge pin	2	
41	GU95005310	Washer 8,4x18x2	2	
42	2B012340	Bush	2	
43	AP8221128	T bush 8,5x10,7x12	2	

Group	Body
Code	02.220
Description	LH trunk
Service	1



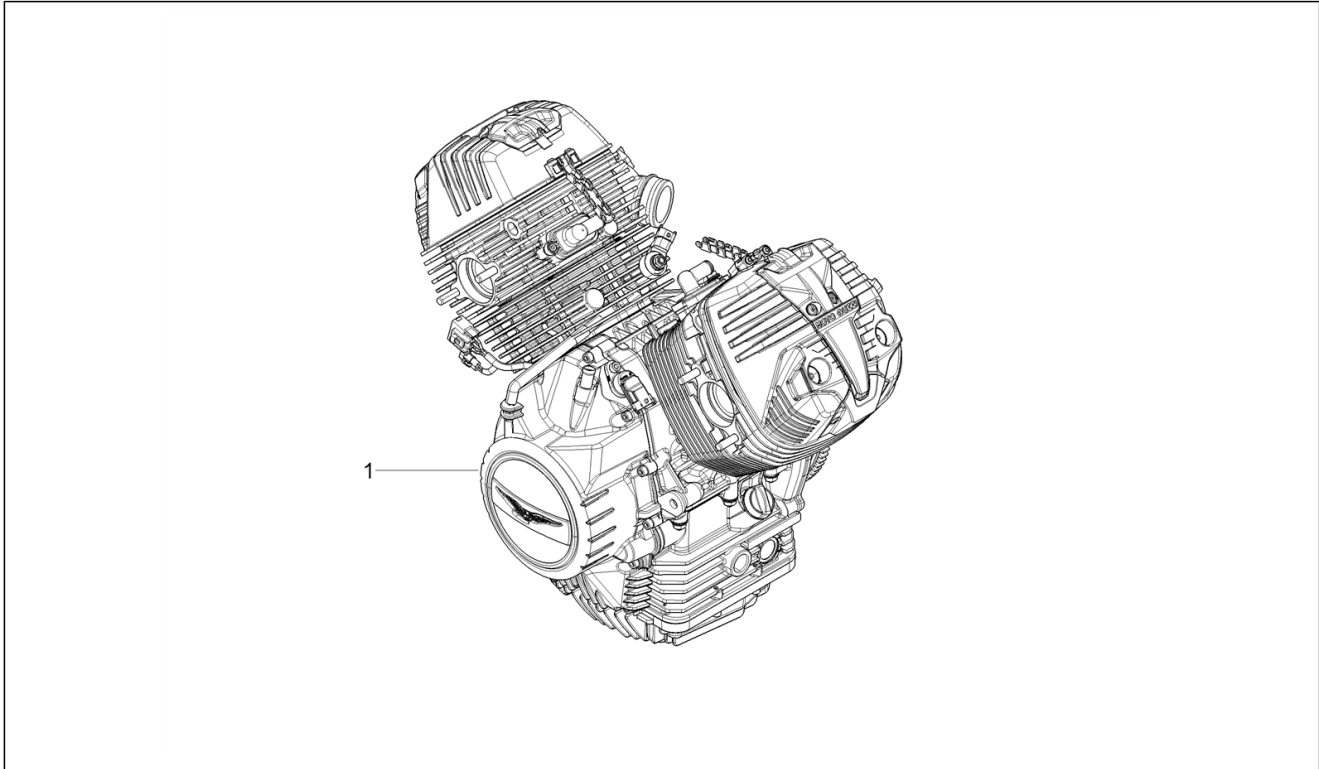
Pos.	Code	Description	Qty	Variants
1	2B012312		1	
2	2B012309	Side cover	2	
3	2B012310	Upper cover	2	
4	CM180701	Self tapping screw D4x16	12	
5	2B005971	Gasket	1	
6	2B006027	Bracket	1	
7	AP8201855	Rear fairing cable	2	
8	AP8706322	Stand coupling bushing	2	
9	AP8150501	Washer	8	
10	AP8150413	Self-tap screw 3,9x14	2	
11	AP8152329	Phillips screw, SWP M5x20	18	
12	2B005993	Guard	1	
13	00032015000	Washer	2	
14	AP8150471	Spring washer 14,5x24	2	
15	2B005989	Latch	1	
16	AP8150204	Nut M4	2	
17	2B006249	LH support	1	
18	AP8121184	Screw M4x14	2	
19	2B005975	Saddle locking	2	
20	2B006029	Lock fix.plate	1	
21	2B005982	Insert bag	1	
22	2B005990	Cover	1	
23	2B005986	Coupler	1	
24	2B006158	Covers	2	
25	AP8220488	Mushroom rubber	2	
26	AP8150421	Self-tap screw 2,9x12	3	
27	2B006156	Cover	1	
28	2B006150	Spring	1	

Group	Body
Code	02.220
Description	LH trunk
Service	1



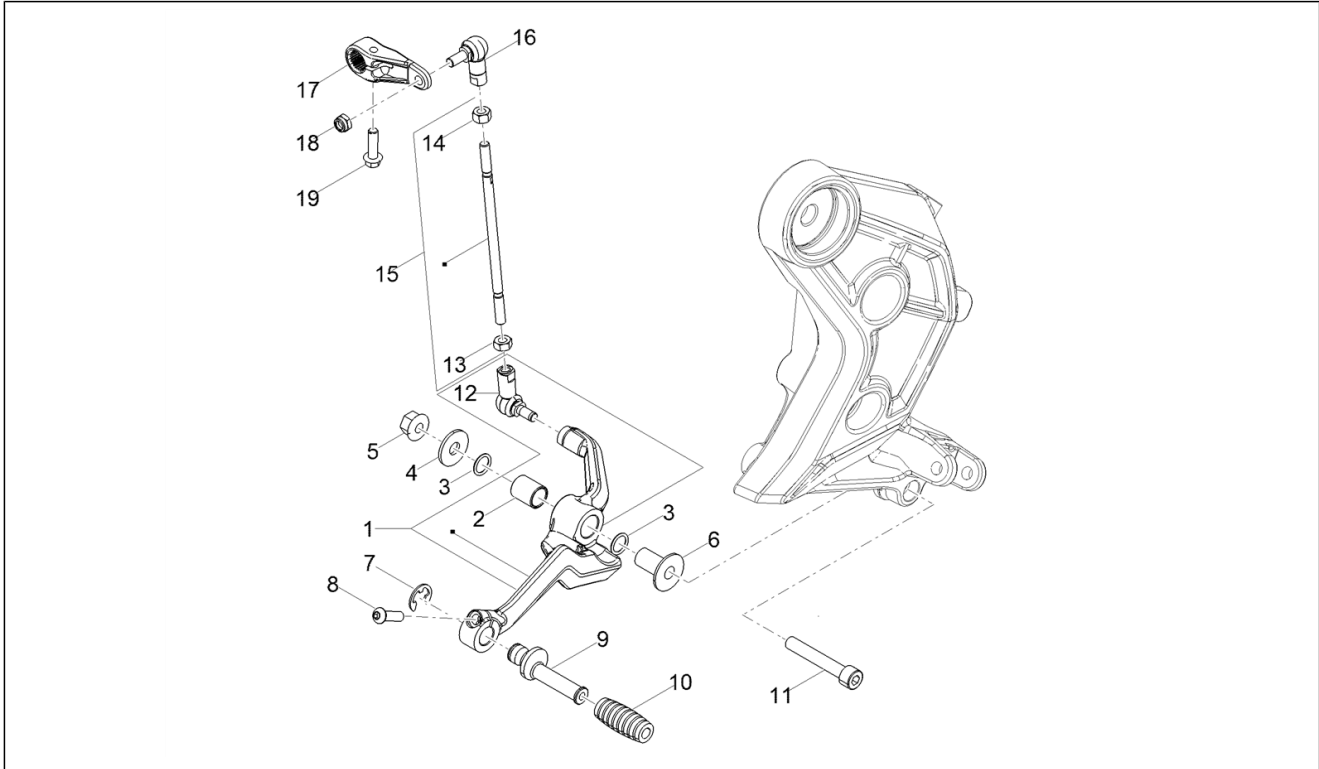
Pos.	Code	Description	Qty	Variants
29	2B006155	Handle	1	
30	2B006159	Handle support	1	
31	2B006655	Cover	1	
32	2B011428	LH support	1	
33	B043041	Precoated SHC screw M8x45	2	
34	AP8163165	Stainless washer 16x8.4x1.6	2	
35	2B005994	Pad	1	
36	AP8152279	Screw w/ flange M6x20	2	
37	AP8150378	Washer 6,4x18x2	2	
38	2B012340	Bush	2	
39	2B005981	Coupler	1	
40	2B006059	Hinge pin	2	
41	B043044	Pre-coated M8x30 SHC screw	2	
42	GU95005310	Washer 8,4x18x2	2	
43	AP8221128	T bush 8,5x10,7x12	2	

Group	Engine
Code	03.010
Description	Engine-Completing part-Lever
Service	1



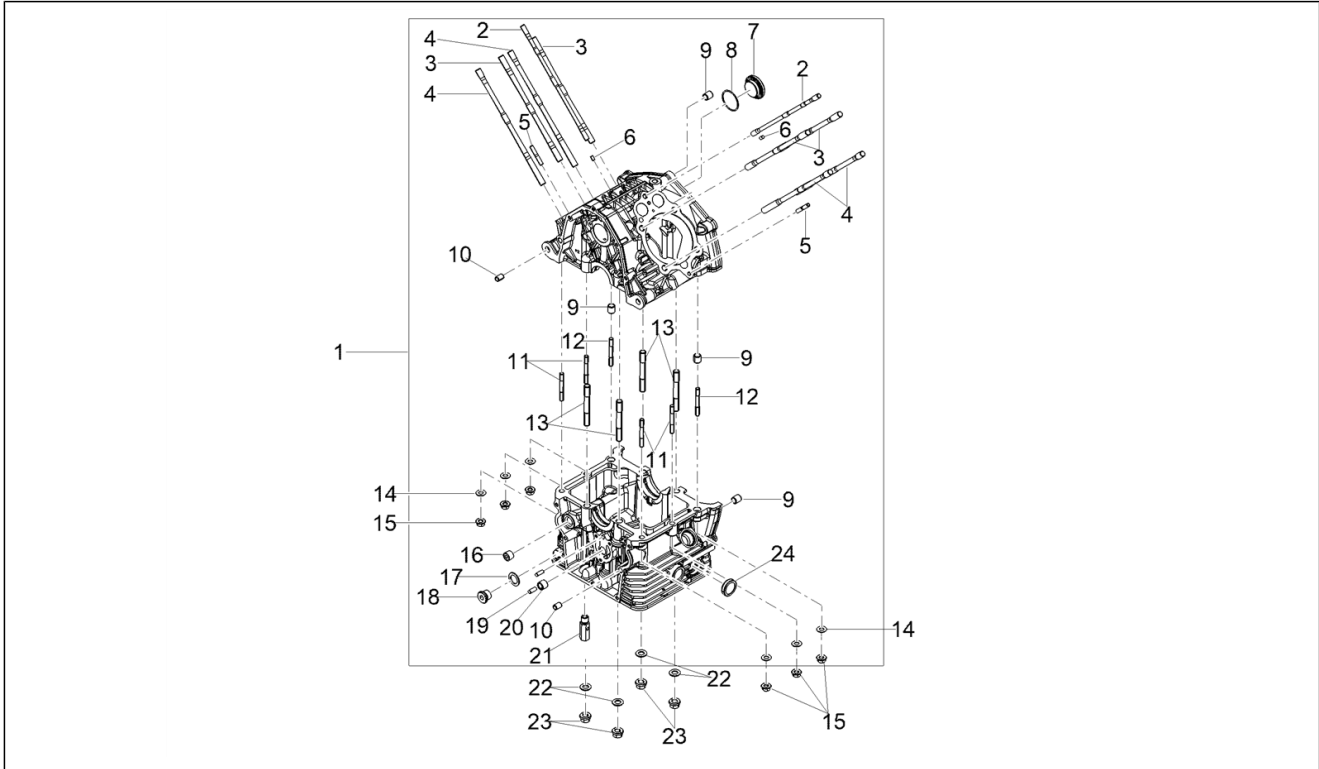
Pos.	Code	Description	Qty	Variants
1	1A0234965	Engine whithout gearbox	1	

Group	Engine
Code	03.020
Description	Internal gear selectors
Service	1



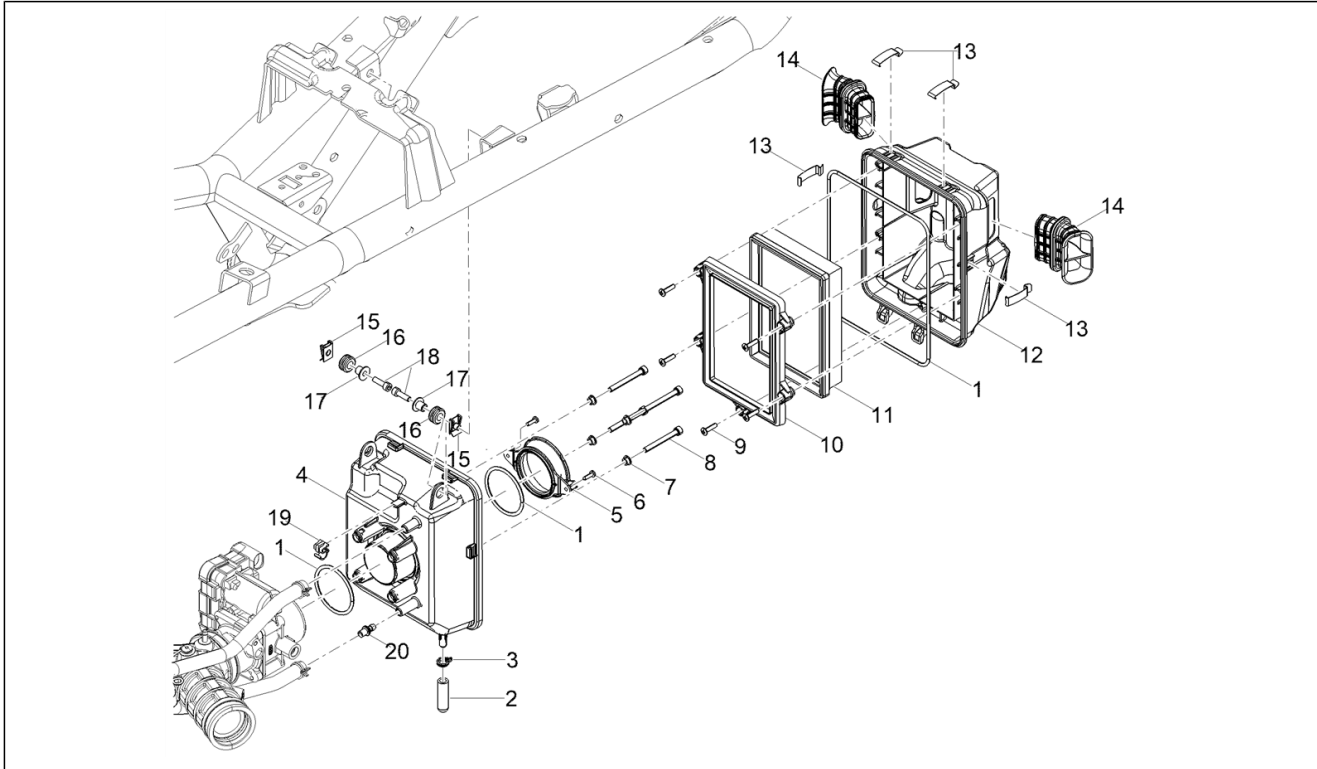
Pos.	Code	Description	Qty	Variants
1	2B004670	Complete gearchange lever	1	
2	895328	Sintered bushing	1	
3	AP8144007	O-ring 11,11x1,78	2	
4	AP8150018	Washer	1	
5	967363	Nut M8x1,25	1	
6	AP8121509	Bush	1	
7	AP8150462	Circlip d9	1	
8	AP8224470	Hex socket screw M6x20 inox	1	
9	AP8121221	Brake lever pin	1	
10	AP8120912	Lever rubber	1	
11	GU98680450	Hex socket screw M8x50	1	
12	2B004821	RH ball joint M6	1	
13	GU92609206	Nut M6	1	
14	GU03256800	Nut M6	1	
15	2B004704	Gear control tie rod	1	
16	898397	Left ball joint M6	1	
17	2B0051099	Shift lever	1	
18	GU92630707	Nut M6	1	
19	2B004560	M6x20 pre-coated hex head screw	1	

Group	Engine
Code	03.030
Description	Crankcases I
Service	1



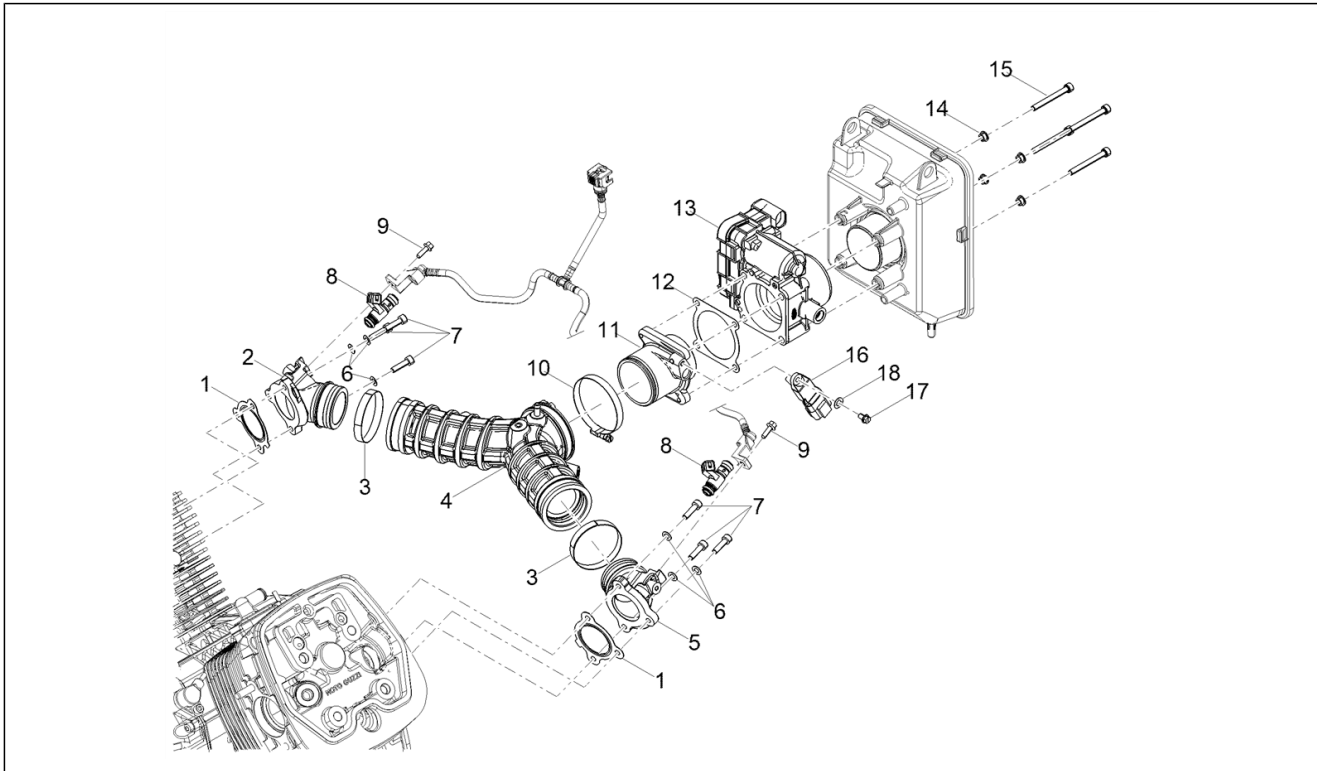
Pos.	Code	Description	Qty	Variants
1	1A0239045	Coupled crankcase	1	
2	1A008104	Central head stud bolt	2	
3	1A008103	Short head stud bolt	4	
4	1A008102	Long head stud bolt	4	
5	1A008256	Stud bolt	2	
6	484993	Locating dowel	2	
7	1A020286	Oil plug	1	
8	1A020362		1	
9	GU19015020	Bushing	4	
10	GU19002020	Bushing 6,6x9x13	2	
11	1A018712	Stud bolt	4	
12	1A018733	Stud bolt	2	
13	1A004530	Stud bolt	4	
14	1A018734	Metallic flat washer	6	
15	874557	Flanged nut M8x1,25	6	
16	831135	Plug M14x1,5	1	
17	287174	Copper gasket	1	
18	1A015068	Cover	1	
19	GU19018920	Locating dowel	1	
20	976168	Drawn cap 10x14x12	1	
21	GU19003800	Joint	1	
22	1A006655	Flat washer	4	
23	1A006656	Flanged nut M10x1	4	
24	485693	Oil level indicator	1	

Group	Engine
Code	03.050
Description	Air box
Service	1



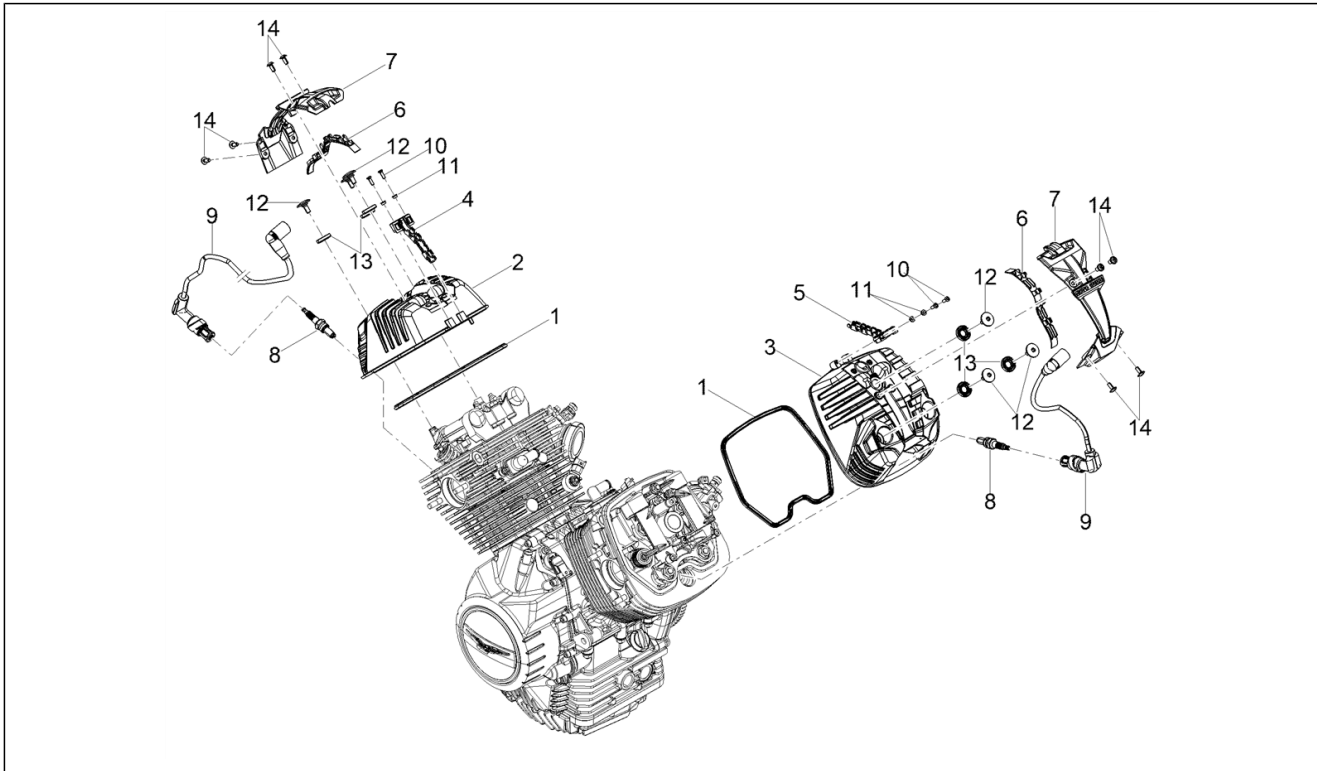
Pos.	Code	Description	Qty	Variants
1	AP8120615	Gasket D3	1	
2	AP8161054	Cap	1	
3	AP8102520	Hose clamp	1	
4	2B004460	Filter housing cover	1	
5	2B004959	Intake duct	1	
6	AP8150362	Self-tapping screw *	2	
7	887282	T bushing	4	
8	AP8150045	Hex socket screw M6x55	4	
9	AP8152329	Phillips screw, SWP M5x20	5	
10	886867	Filter support	1	
11	AP8104329	Air filter	1	
12	2B011834	Filter holder	1	
13	622236	Spring	4	
14	2B011835	Intake hose	2	
15	254485	Spring plate M6	2	
16	AP8120030	Rubber spacer	2	
17	AP8221023	T bush	2	
18	GU98682322	Hex socket screw M6x22	2	
19	AP8201727	Black cable guide	1	
20	2B006185	Blow-by pipe restrictor	1	

Group	Engine
Code	03.060
Description	Throttle body
Service	1



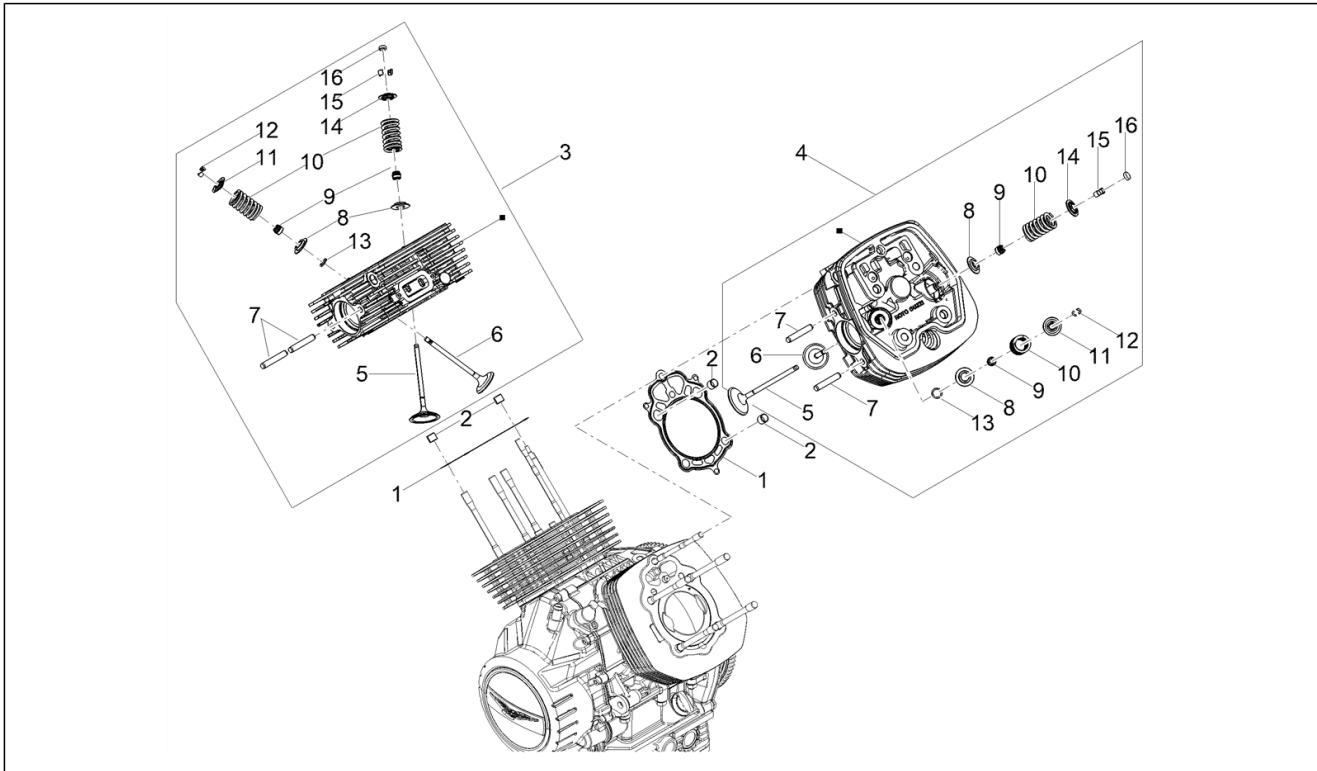
Pos.	Code	Description	Qty	Variants
1	1A009167	Gasket	2	
2	1A017660	RH intake connector	1	
3	CM258302	Hose clamp	2	
4	1A019905	Throttle body hose	1	
5	1A017659	LH intake connector	1	
6	GU03013800	Washer 6,4x12	6	
7	GU98622322	screw	6	
8	1D001393	Injector	2	
9	830061	Flanged hexagon screw M5x16	2	
10	AP8102401	Hose clamp D50-70x8*	1	
11	1A008090	Joint	1	
12	872264	Gasket	1	
13	1A023630	Ride by wire Integrated	1	
14	887282	T bushing	4	
15	AP8150045	Hex socket screw M6x55	4	
16	887015	Air temp. Sensor	1	
17	2B002418	Screw w/ flange M6x16	1	
18	658837	Crinkle washer D15 F8,4 S1,5 - INOX	1	

Group	Engine
Code	03.090
Description	Cylinder head cover
Service	1



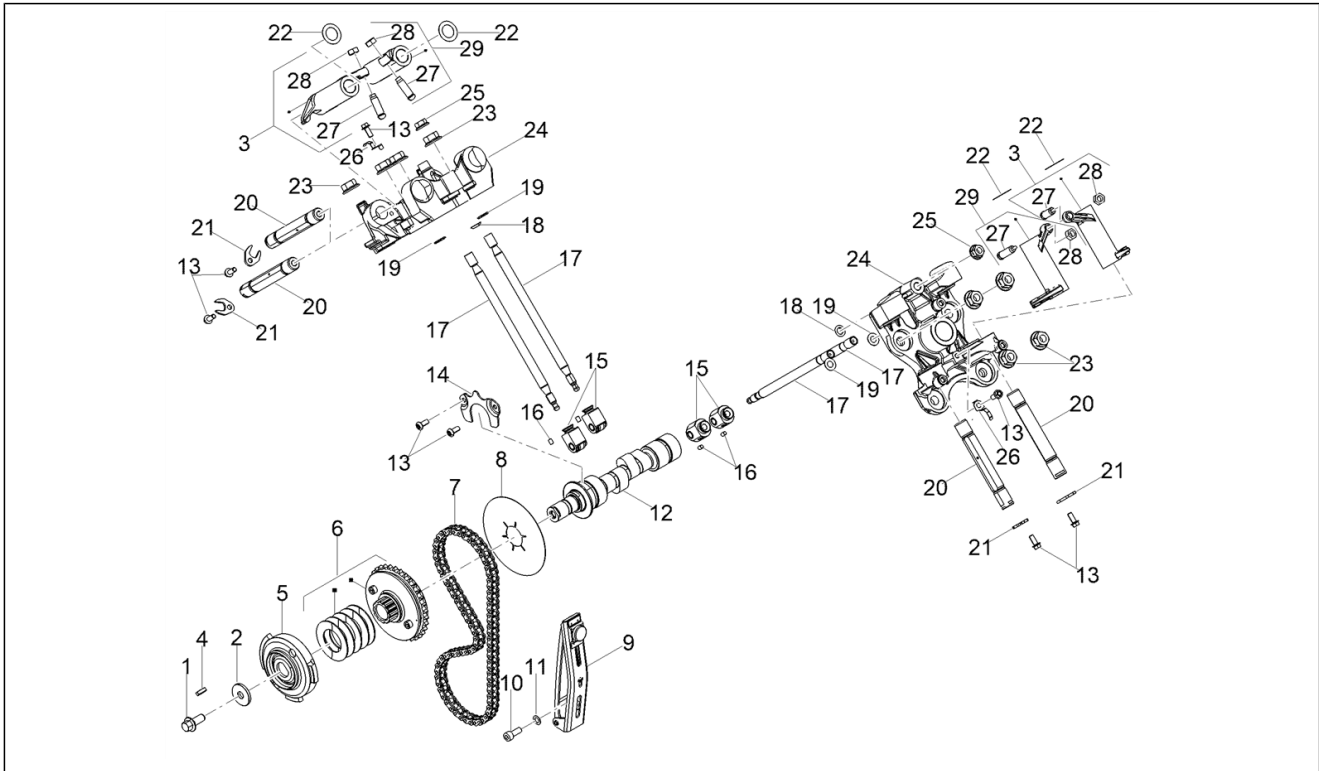
Pos.	Code	Description	Qty	Variants
1	2A000565	Head cover gasket	2	
2	1A024834	RH Head cover	1	
3	1A024833	LH Head cover	1	
4	2B006084	Spark plug cable retainer DX	1	
5	2B006083	Spark plug cable retainer SX	1	
6	1A013822	Fairlead	2	
7	1A024835	Spark plug cover	2	
8	1A010638	Ignition spark plug MR8BI-8 NGK	2	
9	CM277103	Complete H.V. cable	2	
10	1A003444	Oval head screw	4	
11	2B003052	T bushing	4	
12	976591	Special screw	6	
13	1A006716	Damper drift	6	
14	1A023687	M5x12	8	

Group	Engine
Code	03.100
Description	Cylinder head - valves
Service	1



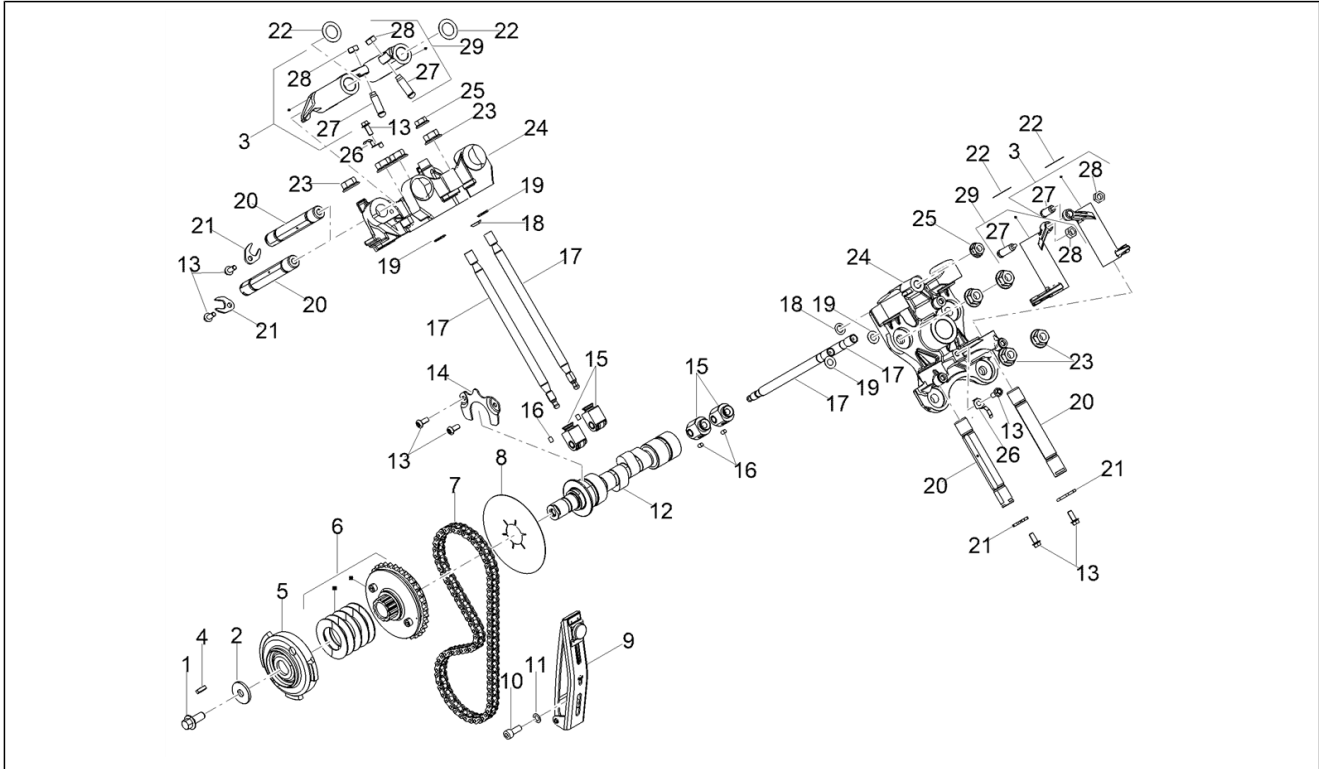
Pos.	Code	Description	Qty	Variants
1	1A004661	Cylinder/head gasket SP. 0.8 mm	1	
1	1A004662	Cylinder/head gasket SP. 1 mm	1	
1	1A004660	Cylinder/head gasket sp. 0,6 mm	1	
2	825597	Calibrated dowel 11,8x10	4	
3	1A0275315	RH head assy w/h valve	1	
4	1A0275285	LH head assy with valve	1	
5	1A015607R	Intake valve	2	
6	1A014459	Exhaust valve	2	
7	1A003632R	Stud bolt	4	
8	1A004751	Lower cap	4	
9	1A003452	Valve gasket ring	4	
10	1A025667	Valve return spring	4	
11	1A004750	Upper cap	2	
12	871640	Half-cone	4	
13	GU90353009	Snap ring	2	
14	1A012899	Upper cap	2	
15	1A011722	Half-cone	4	
16	1A015498	Valve terminal	2	

Group	Engine
Code	03.120
Description	Timing system
Service	1



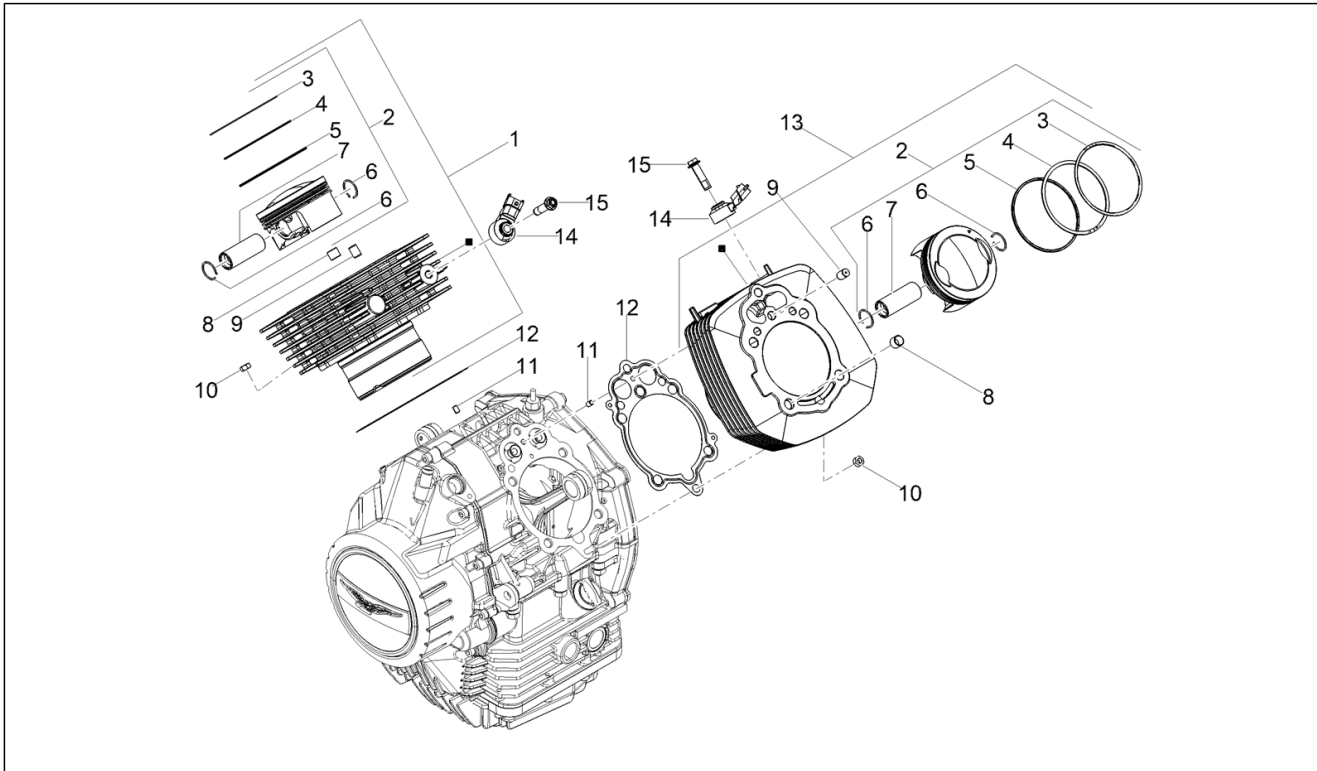
Pos.	Code	Description	Qty	Variants
1	889637	Screw w/ flange	1	
2	1A023090	Thrust washer	1	
3	1A018002	Rocker arm intake LEFT head _ exhaust RIGHT head	2	
4	1A026227	Tab	1	
5	1A025233	Phonic wheel	1	
6	1A0266164	Phase variator cpl	1	
7	GU19058021	Camshaft chain	1	
8	1A026477	Retaining plate	1	
9	1A0170355	Compl. chain tensioner brake pad	1	
10	GU98882316	screw	1	
11	GU95129115	Washer	1	
12	1A025266	Camshaft cpl.	1	
13	1A015041	Screw m5x12 torx	8	
14	1A009346	Camshaft retaining plate	1	
15	1A0136715	Roller tappet	4	
16	B013552	Roller	4	
17	1A012793	Rocker arm rod	4	
18	1A006861	Oil seal	2	
19	2A000579	O-Ring seal ring 2,62x9.19	4	
20	1A011963	Rocker shaft	4	
21	1A026317	Fork	4	
22	1A005951	Curved spring washer	4	
23	825694	Nut M10x1,25	8	
24	1A013883	Rocker arm support	2	
25	1A006659	Flanged nut M8x1.25	2	
26	2A000527	Plate	2	
27	1A004907	Adjuster screw	4	
28	GU10034100	Nut	4	

Group	Engine
Code	03.120
Description	Timing system
Service	1



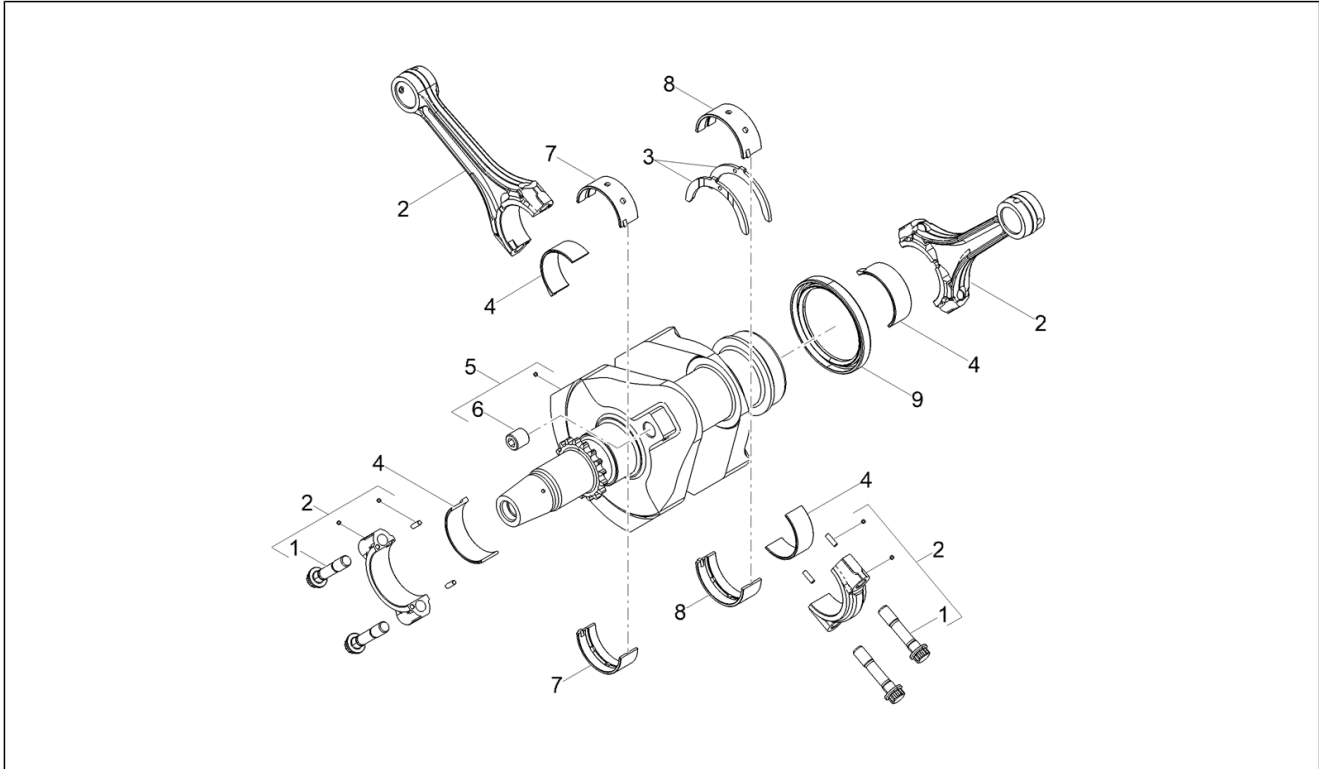
Pos.	Code	Description	Qty	Variants
29	1A018004	Rocker arm intake RIGHT head _exhaust LEFT head	2	

Group	Engine
Code	03.150
Description	Cylinder - Piston
Service	1



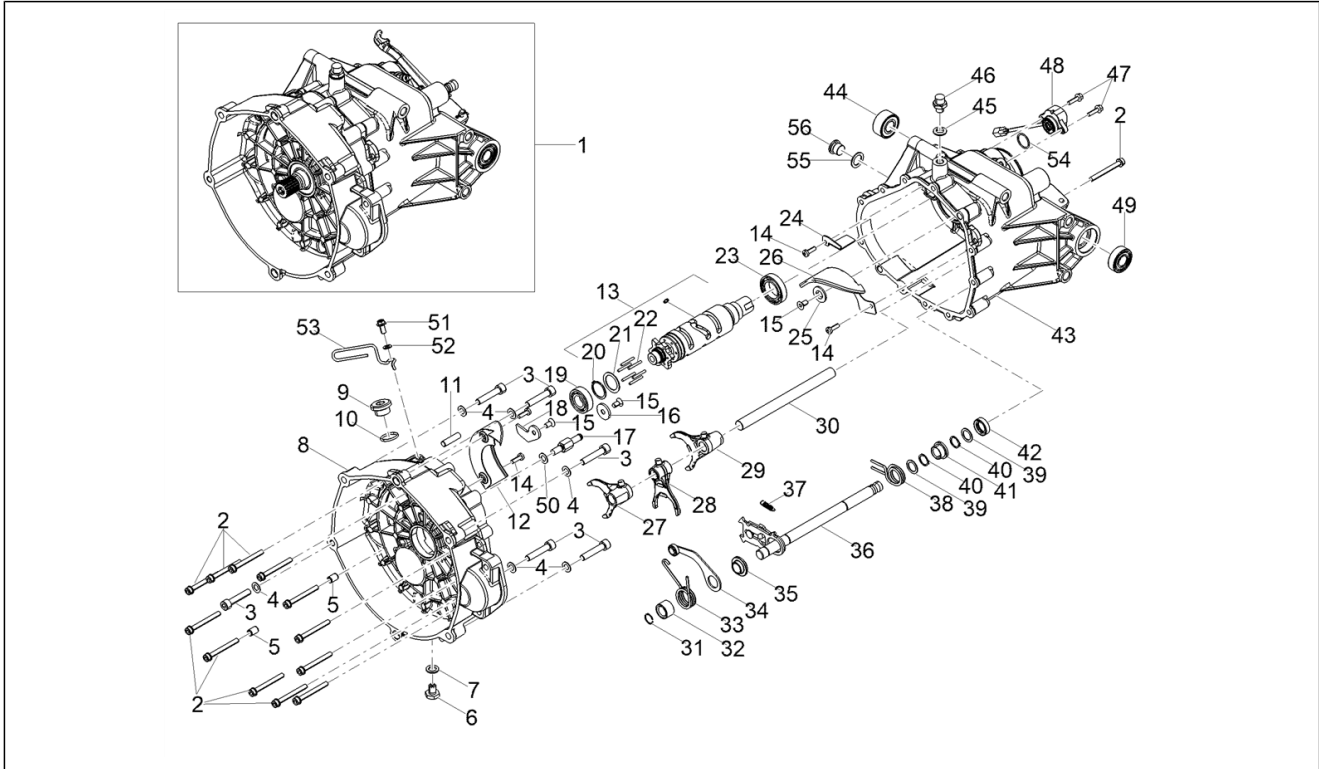
Pos.	Code	Description	Qty	Variants
1	1A027098	Cylinder with piston assy., RH	1	
2	1A027084G	Complete piston, cat. G	1	
2	1A027084H	Complete piston, cat. H	1	
2	1A027084L	Complete piston, cat. L	1	
2	1A027084M	Complete piston, cat. M	2	
3	1A013936	Compression ring	2	
4	1A004954	Compression ring	2	
5	1A004955	Oil scraper ring	2	
6	1A011548	Crank pin retainer ring	4	
7	1A008933	Piston pin	2	
8	825597	Calibrated dowel 11,8x10	2	
9	GU19021360	Bushing	2	
10	288245	Self locking nut M6	2	
11	484993	Locating dowel	2	
12	1A010855	Crankcase/cylinder gasket	2	
13	1A027097	Cylinder with piston assy., LH	1	
14	1A014213		2	
15	1A023064	Screw w/ flange M8X30	2	

Group	Engine
Code	03.160
Description	Cranckshaft
Service	1



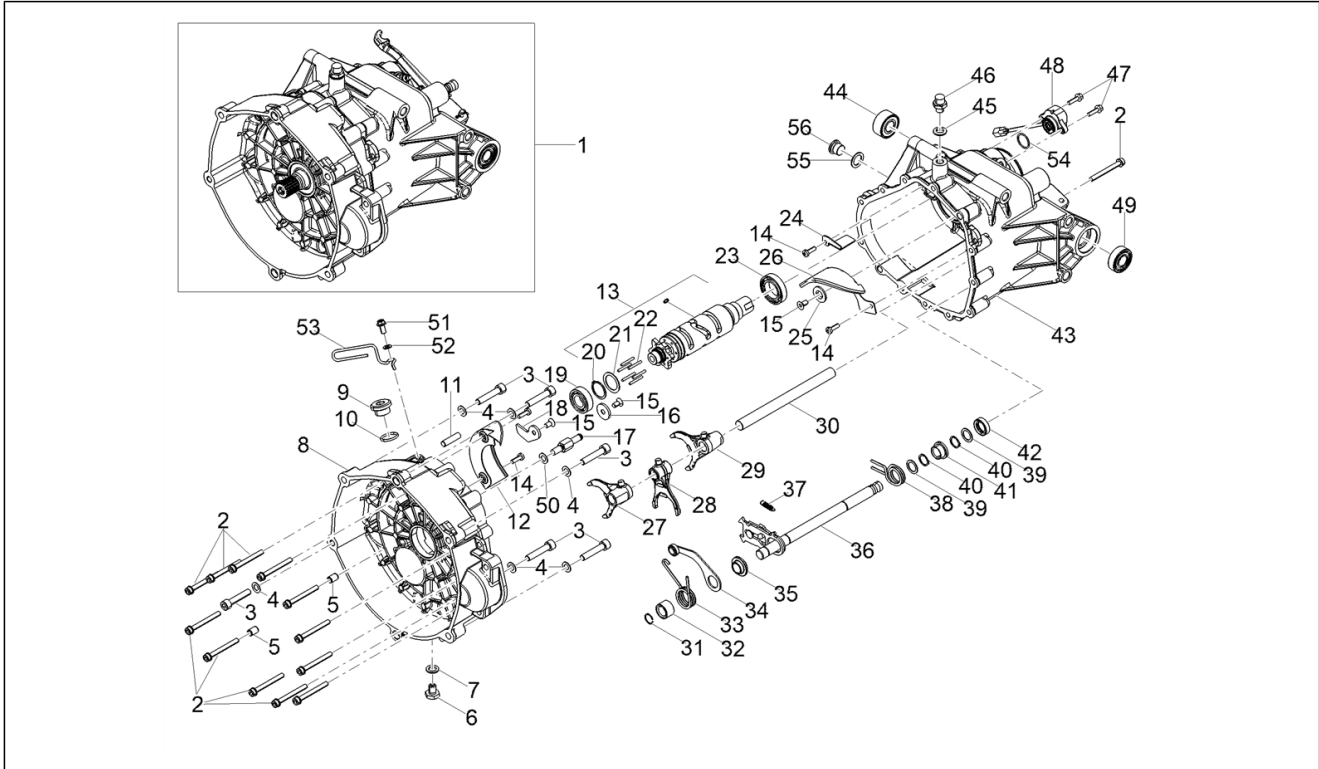
Pos.	Code	Description	Qty	Variants
1	1A008014	Connecting rod screw	4	
2	1A007917E1	Connecting rod, weight class E1	1	
2	1A007917E2	Connecting rod, weight class E2	1	
2	1A007917E3	Connecting rod, weight class E3	1	
2	1A007917E5	Connecting rod, weight class E5	1	
2	1A007917E4	Connecting rod, weight class E4	1	
3	GU27066460	Half-clamp	2	
4	1A0068960R	Connecting rod half-bearing, red	4	
4	1A0068960G	Connecting rod half-bearing, yellow	4	
4	1A0068960B	Connecting rod half-bearing, blue	4	
5	1A017175E3	Crankshaft, weight class E3	1	
5	1A017175E1	Crankshaft, weight class E1	1	
5	1A017175E2	Crankshaft, weight class E2	1	
5	1A017175E4	Crankshaft, weight class E4	1	
5	1A017175E5	Crankshaft, weight class E5	1	
6	1A014668	Plug	1	
7	1A0066680N	Front main half-bearing, black	2	
7	1A0066680G	Front main half-bearing, yellow	2	
7	1A0066680V	Front main half-bearing, green	2	
8	1A0066690V	Rear main half-bearing, green	2	
8	1A0066690N	Rear main half-bearing, black	2	
8	1A0066690G	Rear main half-bearing, yellow	2	
9	1A010753	Oil seal 56x72x8	1	

Group	Engine
Code	03.170
Description	Gear box / Selector / Shift cam
Service	1



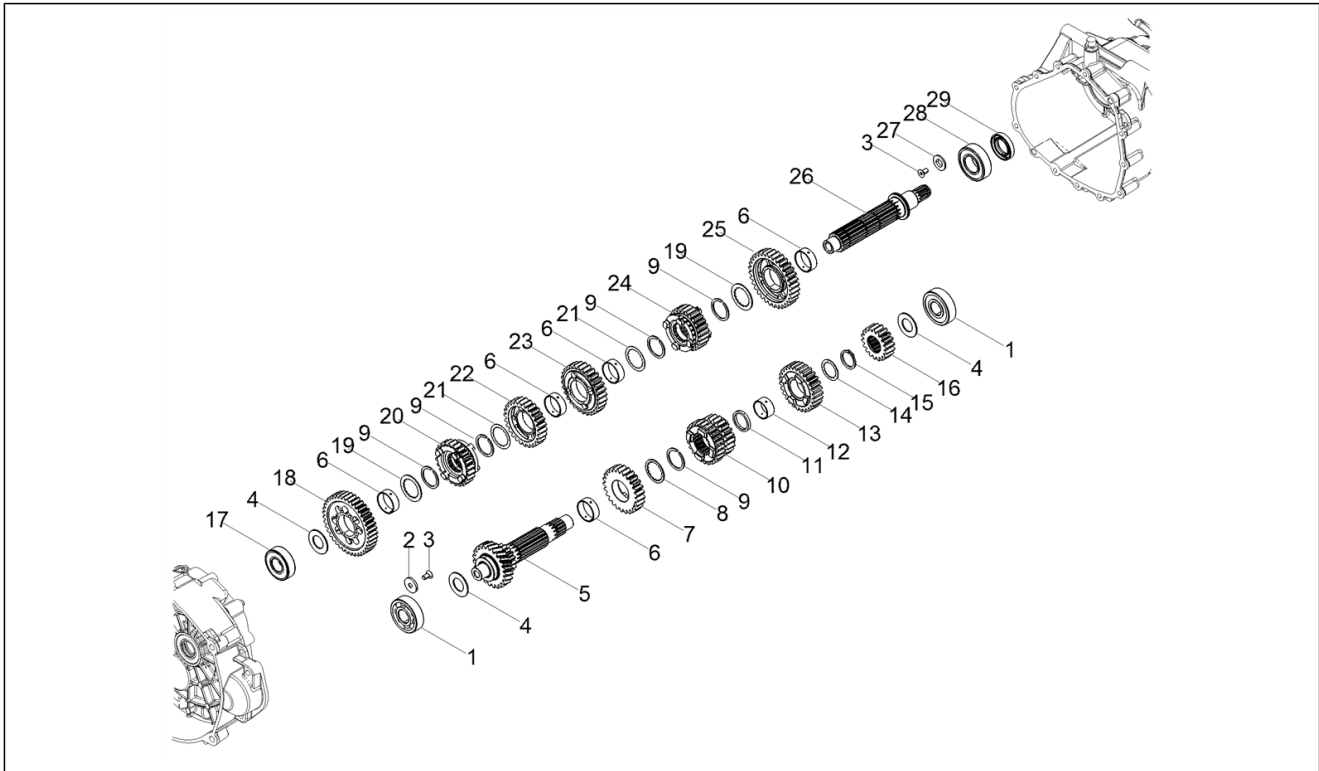
Pos.	Code	Description	Qty	Variants
1	1A0182085	Transmission, assy	1	
2	2A000591	Special hex socket screw M6x55	13	
3	GU98680440	Hex socket screw M8x40	6	
4	658837	Crinkle washer D15 F8,4 S1,5 - INOX	6	
5	GU19002020	Bushing 6,6x9x13	2	
6	GU31003766	Oil unload plug M10x1	1	
7	GU10528900	Gasket	1	
8	2A0011325	Clutch drum	1	
9	GU12022600	Oil plug	1	
10	GU90706203	O-ring 20,24X2,62	1	
11	B064079	Threaded pin	1	
12	2A001022	Oil separator	1	
13	2A001047	Shift cam cpl.	1	
14	2A000241	Screw M5x16	4	
15	B013608	Countersunk screw with hexagon socket	4	
16	873928	Washer	1	
17	2A001139	Set screw	1	
18	2A001006	Plate	1	
19	834764	Bearing	1	
20	GU90271022	Circlip	1	
21	GU05235531	Tickness	1	
22	2A000938	Pin	6	
23	857250	Ball bearing 25x42x9	1	
24	2A001018	Plate	1	
25	2A001013	Countersunk washer	1	
26	2A001025	Oil separator	1	
27	2A000225	Fork for secondary shaft	1	
28	2A000832	5-6 gear fork	1	

Group	Engine
Code	03.170
Description	Gear box / Selector / Shift cam
Service	1



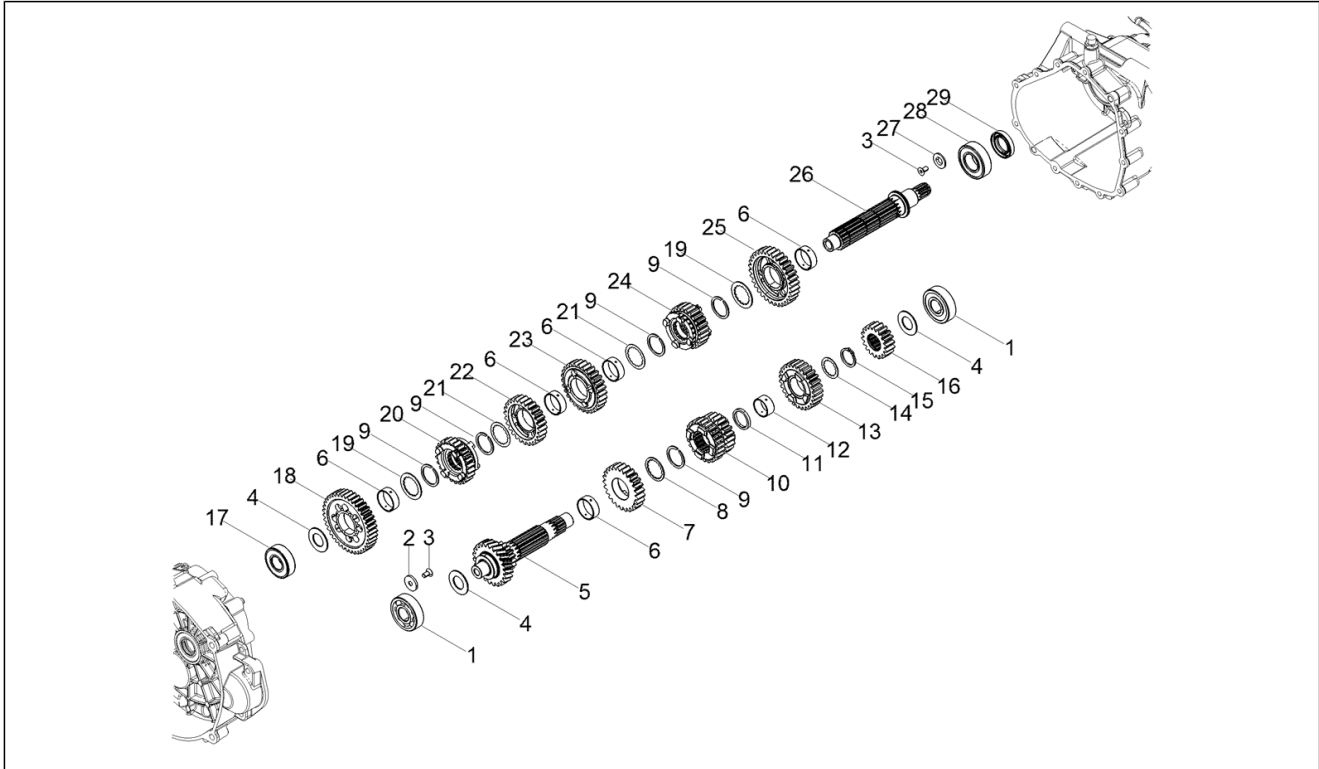
Pos.	Code	Description	Qty	Variants
29	2A000226	Fork 2-3 speed	1	
30	2A000224	Rod	1	
31	GU90353014	Circlip	1	
32	GU05234230	Spacer	1	
33	B064113	Index spring	1	
34	B064112	Index assy. lever	1	
35	GU05238431	Bushing	1	
36	1A018912	Preselection complete	1	
37	GU05238231	Spring	1	
38	B063956	Spring	1	
39	GU05239330	Fifth wheel	1	
40	GU90271014	Circlip	1	
41	2A000467	Spacer	1	
42	GU90401424	Oil seal 14x24x7	1	
43	1A0181805	Transmission cage	1	
44	2A000981	Ball bearing 3202-2RSH/C3	1	
45	GU01528930	Gasket 10x18x1,5	1	
46	2A000823	Breather plug	1	
47	1A003001	Flanged hexagon screw	2	
48	1A018096R	Gear position sensor	1	
49	2A000097	Ball bearing 6202-2RSH/C3 LHT23	1	
50	2A001050	Flat washer	1	
51	AP8152277	Flanged hexagon screw M6x12	1	
52	GU95008206	Washer 6,15x11x0,8	1	
53	2B001138	Fairlead	1	
54	857494	O-ring	1	
55	287174	Copper gasket	1	
56	1A015068	Cover	1	

Group	Engine
Code	03.180
Description	Gear box - Gear assembly
Service	1



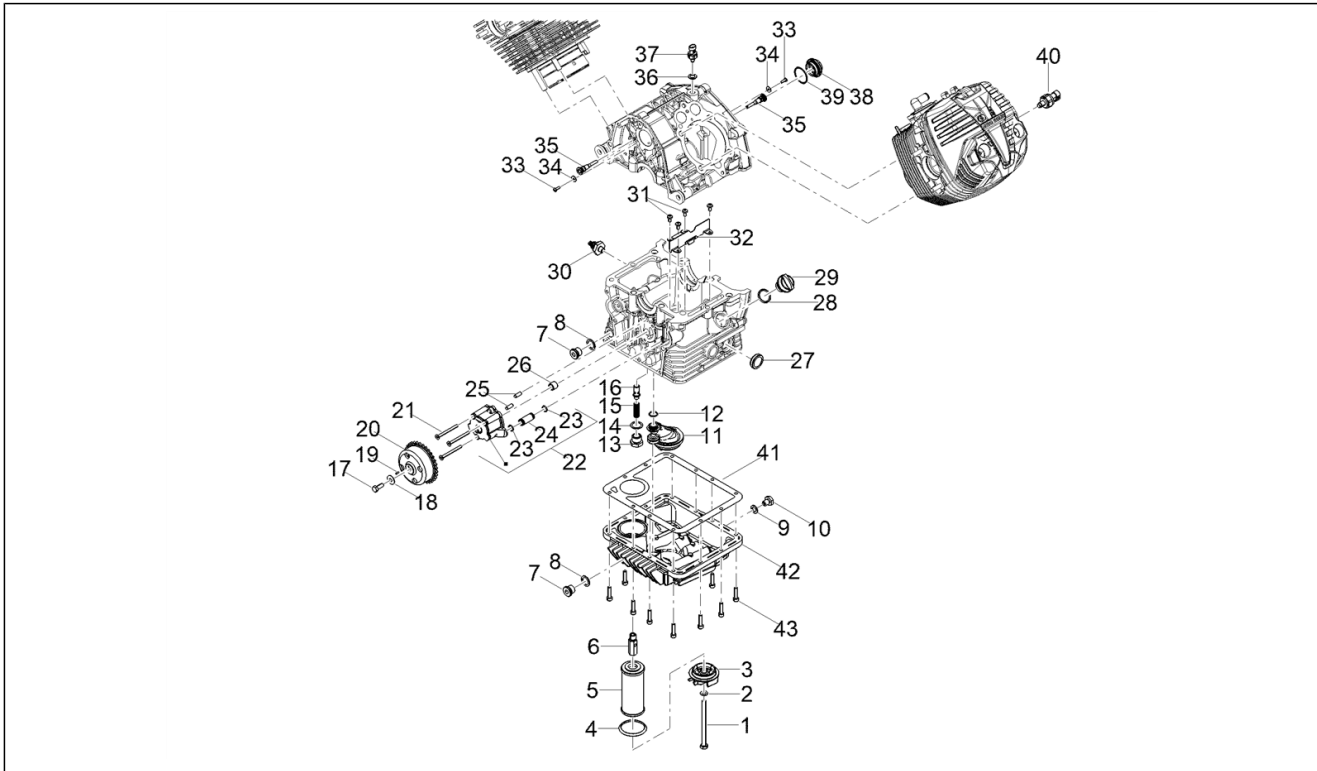
Pos.	Code	Description	Qty	Variants
1	GU92201822	Ball bearing 20x52x15	2	
2	873928	Washer	1	
3	B013608	Countersunk screw with hexagon socket	2	
4	1A000566	Thrust washer	3	
5	2A001002	Primary gear shaft	1	
6	849308	Moveable bush	5	
7	1A000360	Fifth speed gear	1	
8	849424	Clearance washer	1	
9	1A002604	Shaft snap ring	5	
10	1A000436	Sliding pinion 3a - 4a vel.	1	
11	B015040	Thrust washer	1	
12	974162	Moveable bush	1	
13	1A000361	6th pinion gear	1	
14	849396	Clearance washer	1	
15	974165	Snap ring	1	
16	1A000365	2nd pinion gear	1	
17	2A001011	Bearing 20x47x14	1	
18	2A000988	1st speed gear	1	
19	849309	Clearance washer	2	
20	2A000989	Fifth speed gear	1	
21	849310	Clearance washer	2	
22	1A000368	Fourth speed gear Z=26	1	
23	1A000367	Third speed gear Z=28	1	
24	2A000947	Gear 6a	1	
25	2A000948	2nd speed gear on transmission shaft	1	
26	2A000998	Secondary gearbox shaft	1	
27	2A001013	Countersunk washer	1	
28	GU92201226	Ball bearing 25x52x15	1	

Group	Engine
Code	03.180
Description	Gear box - Gear assembly
Service	1



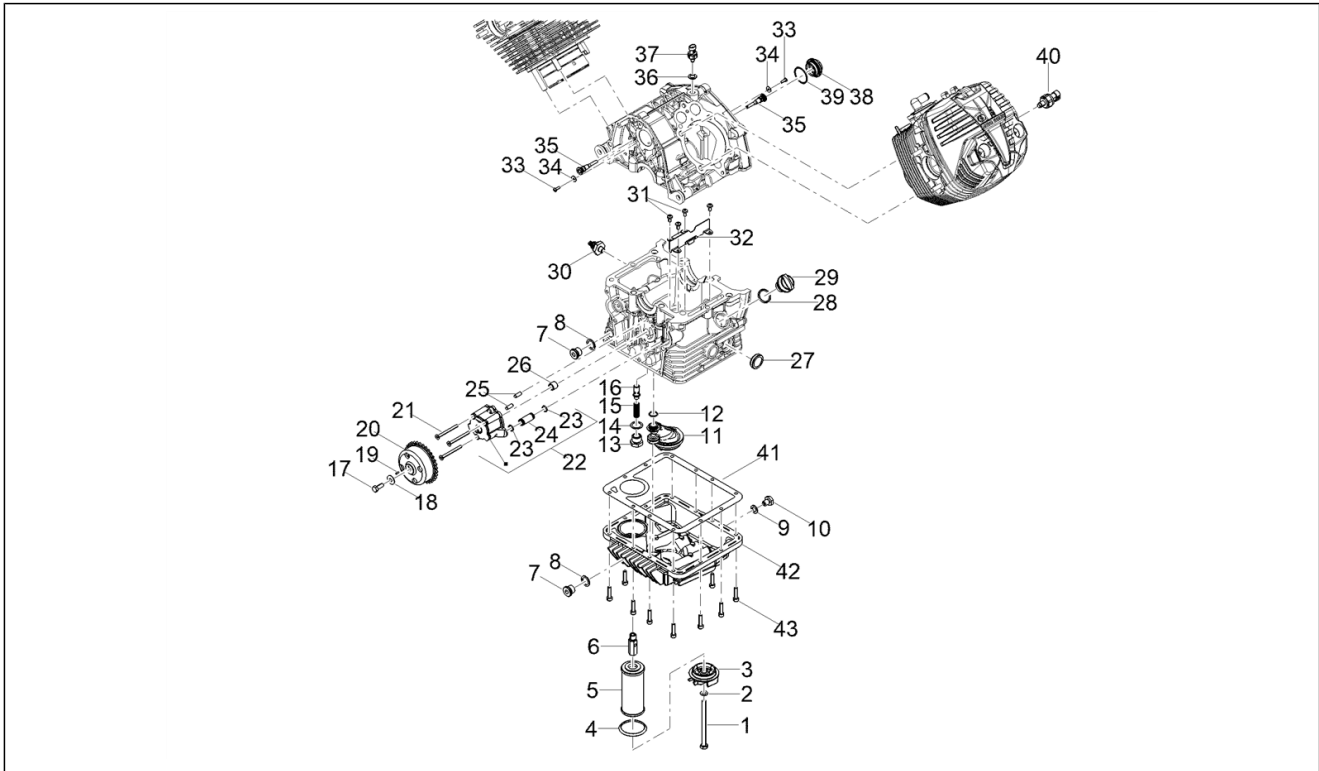
Pos.	Code	Description	Qty	Variants
29	873931	Oil seal 40x25x7	1	

Group	Engine
Code	03.190
Description	Lubrication
Service	1



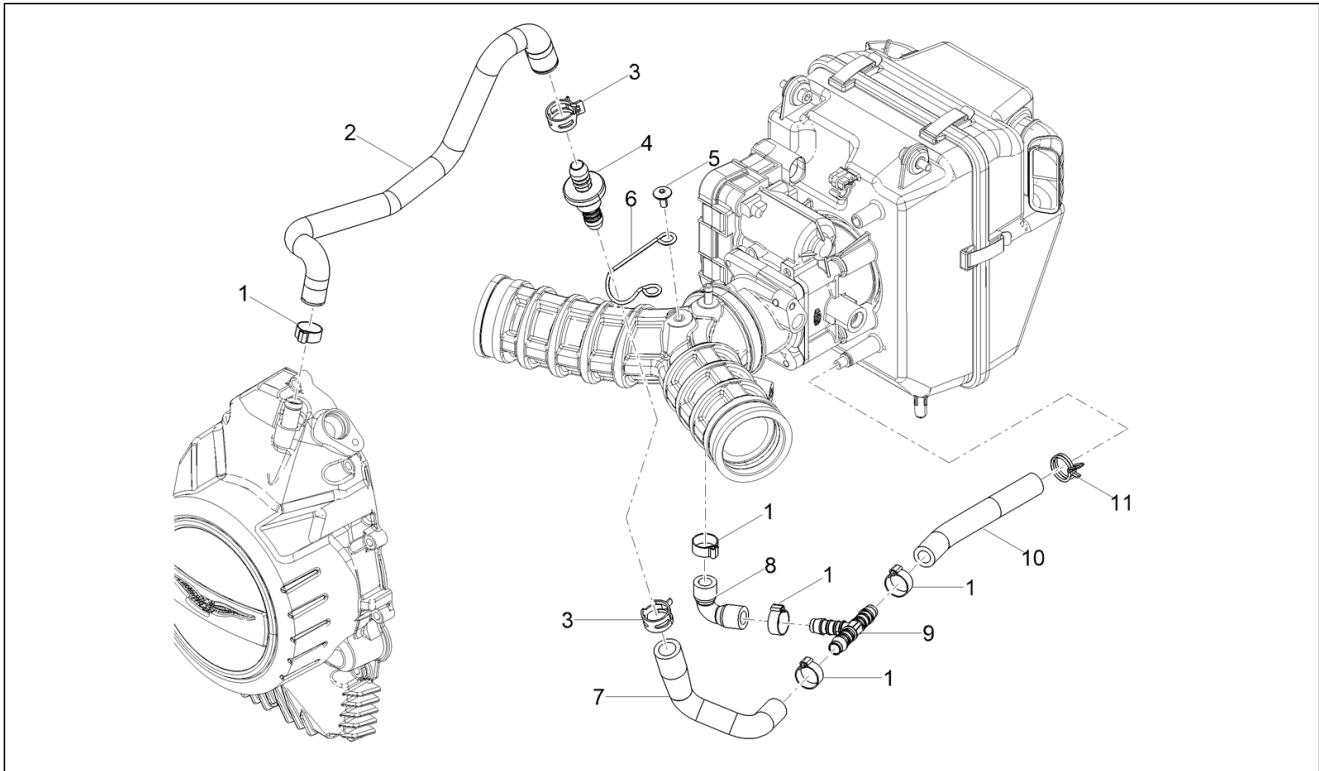
Pos.	Code	Description	Qty	Variants
1	GU27152885	Bolt	1	
2	GU12154200	Washer 8,25x15x1	1	
3	1A013815	Oil filter cover	1	
4	GU90706444	O-ring	1	
5	2A000633	Oil filter	1	
6	GU19003800	Joint	1	
7	1A015068	Cover	2	
8	287174	Copper gasket	2	
9	GU10528900	Gasket	1	
10	GU31003766	Oil unload plug M10x1	1	
11	1A004549	Oil strainer	1	
12	237553	O-ring	1	
13	GU31159050	Cover	1	
14	GU18144350	Washer 18,25x24x1	1	
15	GU94321079	Spring	1	
16	1A014844	Oil pressure adjusting valve	1	
17	1A027440	Special screw M7x19	1	
18	1A027135	Belleville spring	1	
19	GU92296723	Roller	1	
20	1A026875R4	Oil pump gear	1	
21	1A008533	Countersunk-head screw M5x55	3	
22	1A023270	Oil pump assembly	1	
23	1A015526	Seal ring (o-ring)	2	
24	1A015525	Hose union	1	
25	GU19018920	Locating dowel	2	
26	976168	Drawn cap 10x14x12	1	
27	485693	Oil level indicator	1	
28	1A014908	Seal ring (o-ring)	1	

Group	Engine
Code	03.190
Description	Lubrication
Service	1



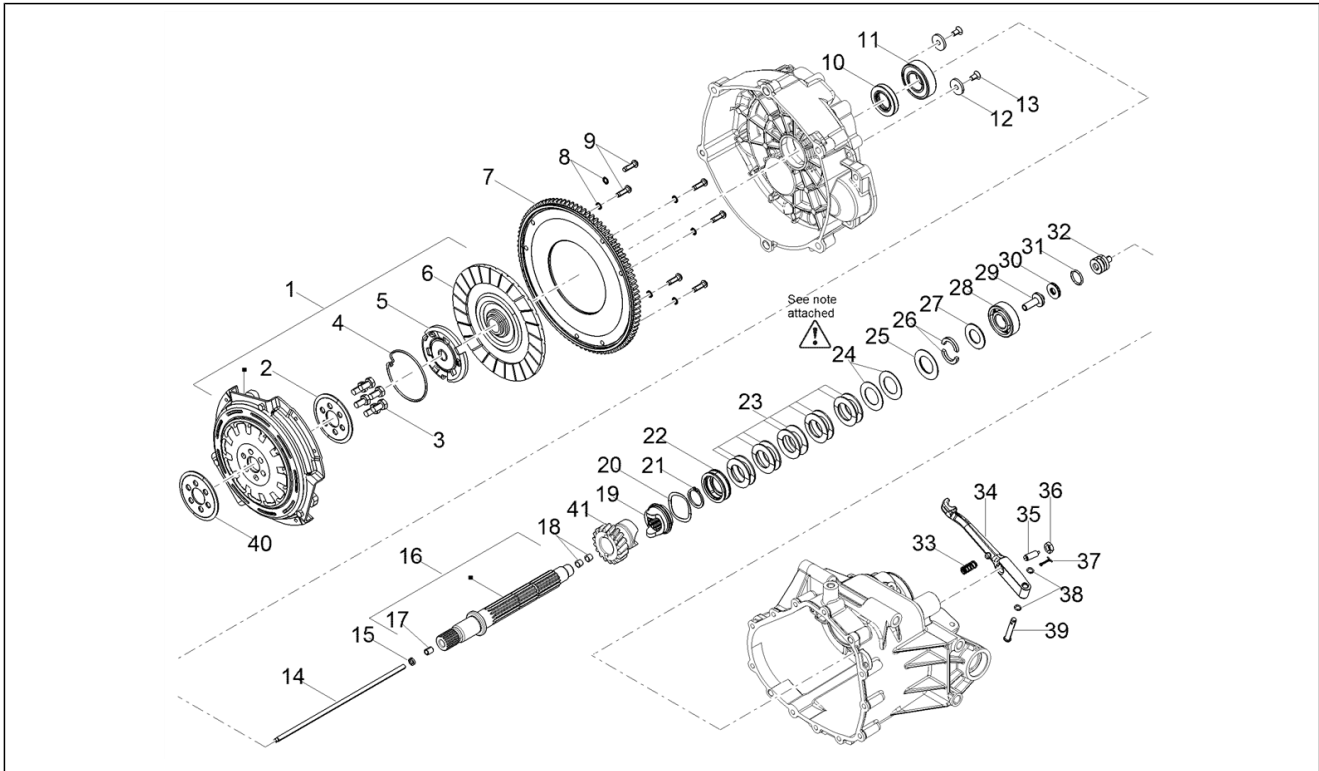
Pos.	Code	Description	Qty	Variants
29	1A015819	Oil load plug	1	
30	1A017929	Minimum oil pressure sensor	1	
31	1A003111	Cross head cylinder head screw M5x10	4	
32	1A008566	Panel	1	
33	1A005257	Oval head screw torx	2	
34	013763	Flat washer 4,2x12x1	2	
35	1A024439	Piston cooling jet	2	
36	GU95100309	Washer	1	
37	1A023829	Oil temperature sensor	1	
38	B015598	Cover	1	
39	1A016739	Gasket 31,47x1,78	1	
40	1A023829	Oil temperature sensor	1	
41	1A018709	Sump gasket	1	
42	1A016645	Oil pan	1	
43	840893	Hex socket screw M6x25	12	

Group	Engine
Code	03.196
Description	Blow-by system
Service	1



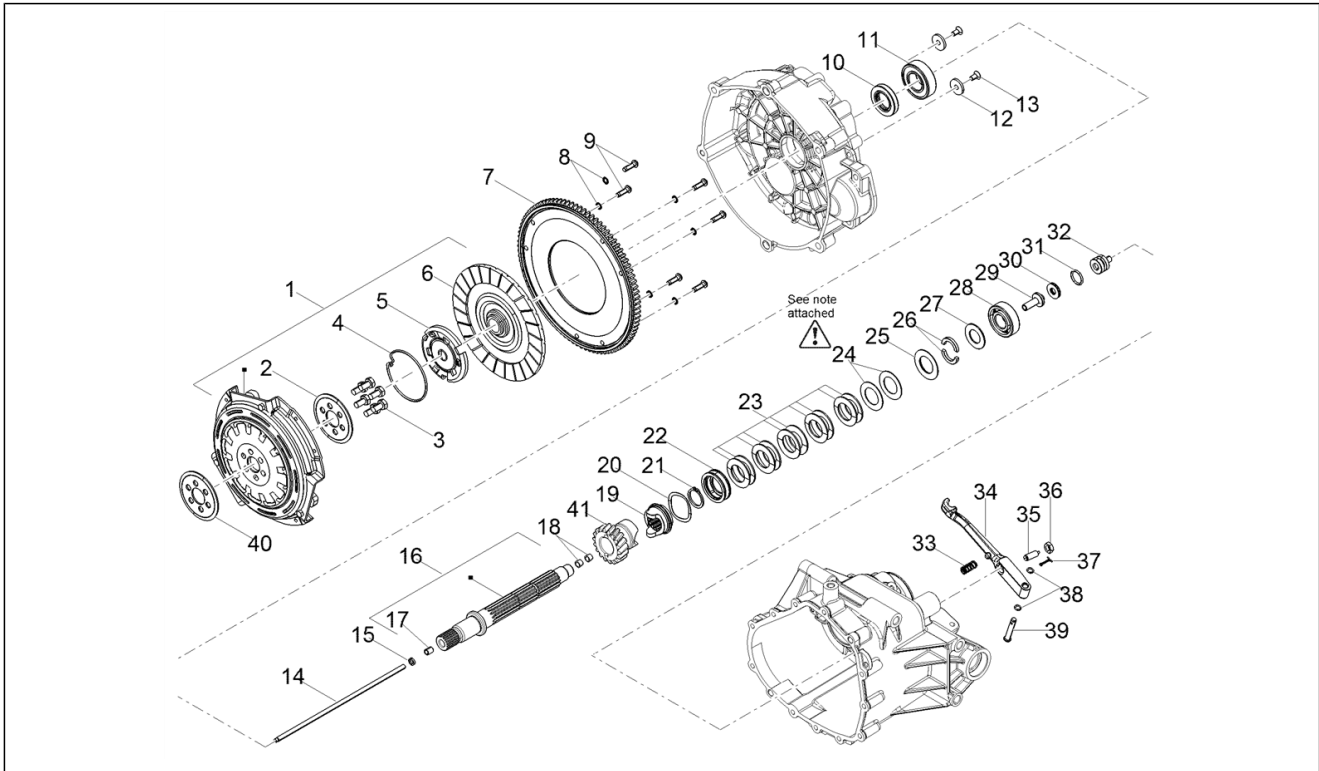
Pos.	Code	Description	Qty	Variants
1	AP8102349	White hose clip D17,5x8	5	
2	2B012324	Blow-by pipe	1	
3	CM226902	Spring clamp 19/12	2	
4	2B003105	Anti-return valve	1	
5	AP8150500	Hex socket screw M5x9 NERINOX	1	
6	AP8114502	Fastener cable	1	
7	2B006204	Blow-by pipe	1	
8	2B006203	Blow-by pipe	1	
9	2B0061249	Tee union	1	
10	2B006205	Blow-by pipe	1	
11	CM002912	Hose clamp	1	

Group	Engine
Code	03.230
Description	Clutch
Service	1



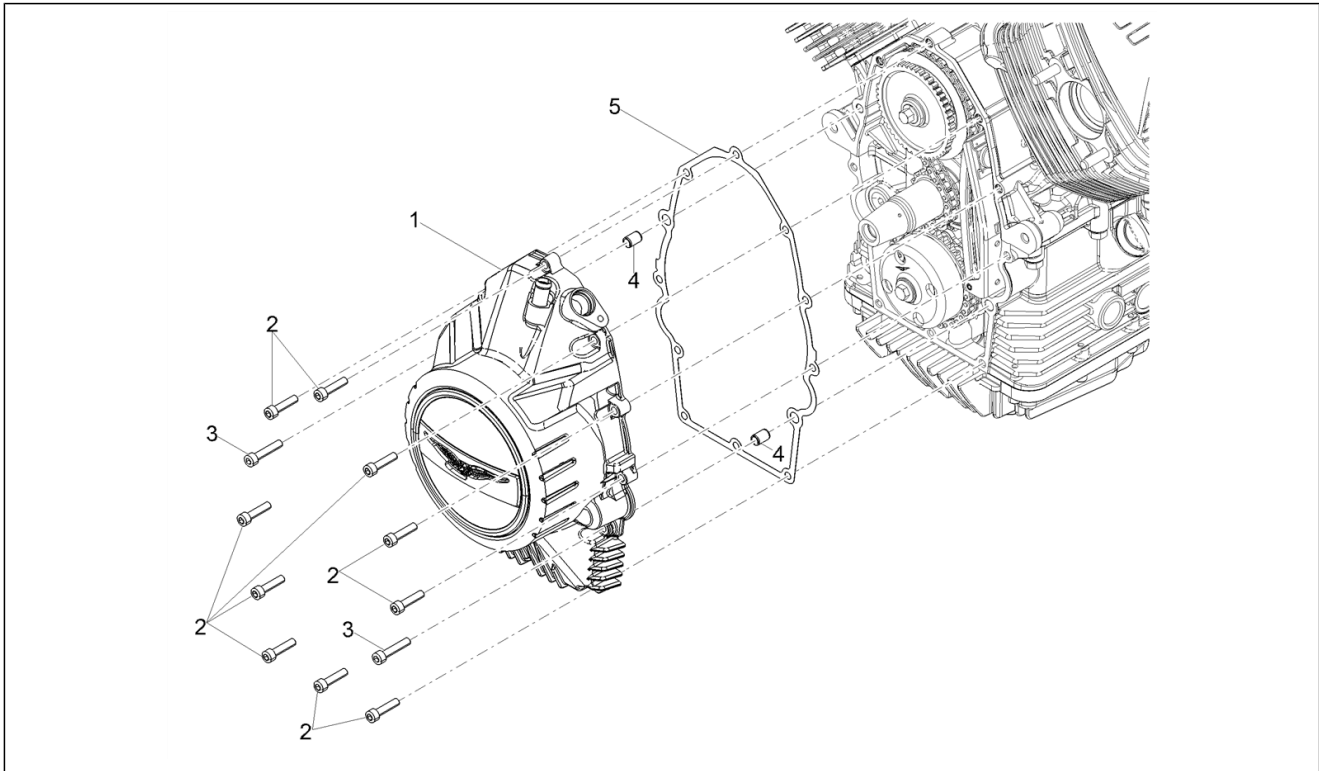
Pos.	Code	Description	Qty	Variants
1	1A025779	Single-plate clutch	1	
2	2A000741	Support	1	
3	GU19067700	screw	6	
4	2A000418	Ring	1	
5	2A000638	Spring cap	1	
6	1A025778	Driven clutch disc	1	
7	2A000529	Starter ring gear	1	
8	GU14217901	Washer 6,4x10x0,7	6	
9	2B004560	M6x20 pre-coated hex head screw	6	
10	2A001004	Oil seal	1	
11	GU92201226	Ball bearing 25x52x15	1	
12	873928	Washer	3	
13	B013608	Countersunk screw with hexagon socket	3	
14	2A000216	Drive rod	1	
15	2A000378	Oil seal	1	
16	2A001008	Clutch shaft	1	
17	GU05217630	Bushing	1	
18	GU14085900	Bush	2	
19	2A000812	Hose	1	
20	2A000818	WAVE WASHER	1	
21	974165	Snap ring	1	
22	2A000813	Pressure plate	1	
23	2A000816	Belleville spring	10	
24	2A001054	Washer	2	
25	2A000817	SPRING RETAINER	1	
26	B063977	Half ring	2	
27	1A000566	Thrust washer	1	
28	2A001035R	Ball bearing 20x47x14	1	

Group	Engine
Code	03.230
Description	Clutch
Service	1



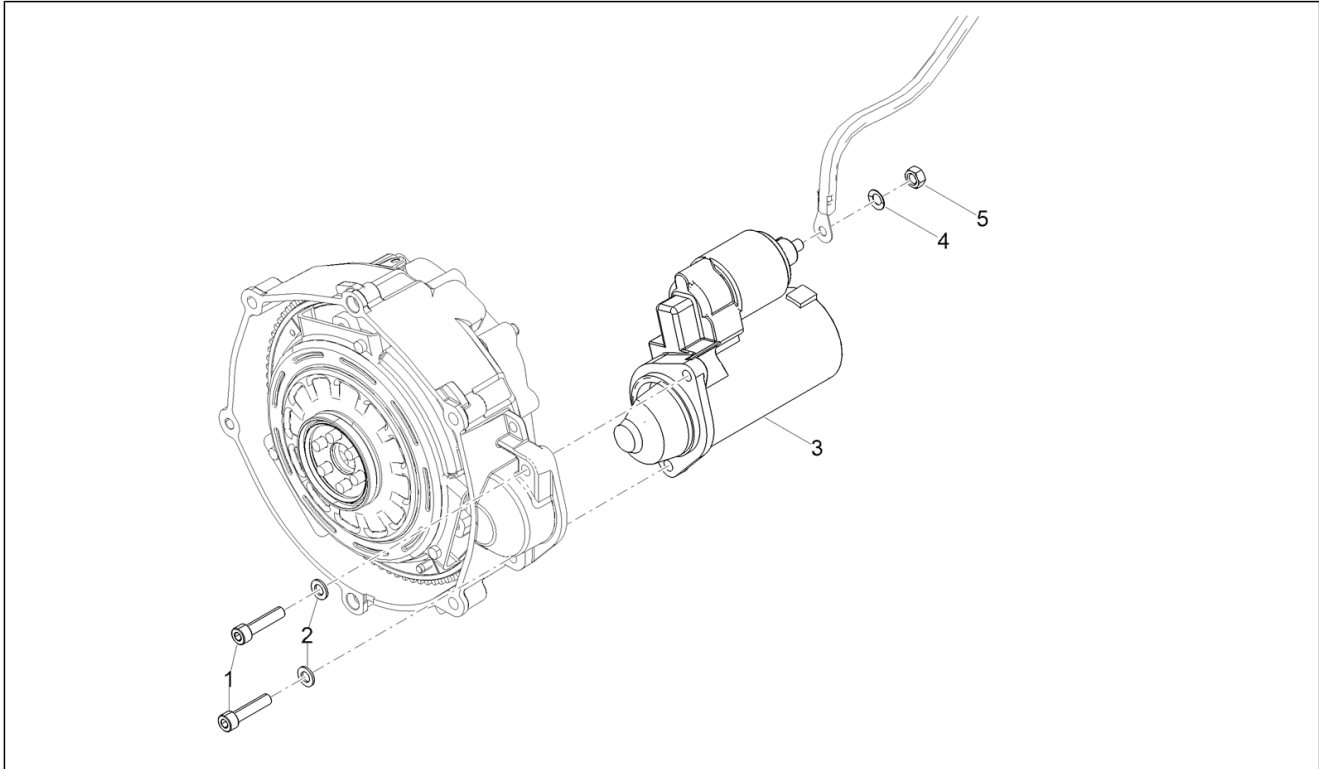
Pos.	Code	Description	Qty	Variants
29	B013037	Clutch gear	1	
30	2A000376	Thrust bearing	1	
31	GU90706170	O-ring 17,13x2,62	1	
32	GU14086100	Outer body	1	
33	GU94321105	Lever return spring	1	
34	2A000631	Clutch relese shaft	1	
35	2A000838	Adjuster screw	1	
36	GU92606508	Nut	1	
37	GU95500222	Split pin	1	
38	2A000385	O-ring 6.5x1.5	2	
39	2A000384	Lever pin	1	
40	1A009630	Clutch plate	1	
41	2A000901	ENGINE GEAR	1	

Group	Engine
Code	03.270
Description	Flywheel cover
Service	1



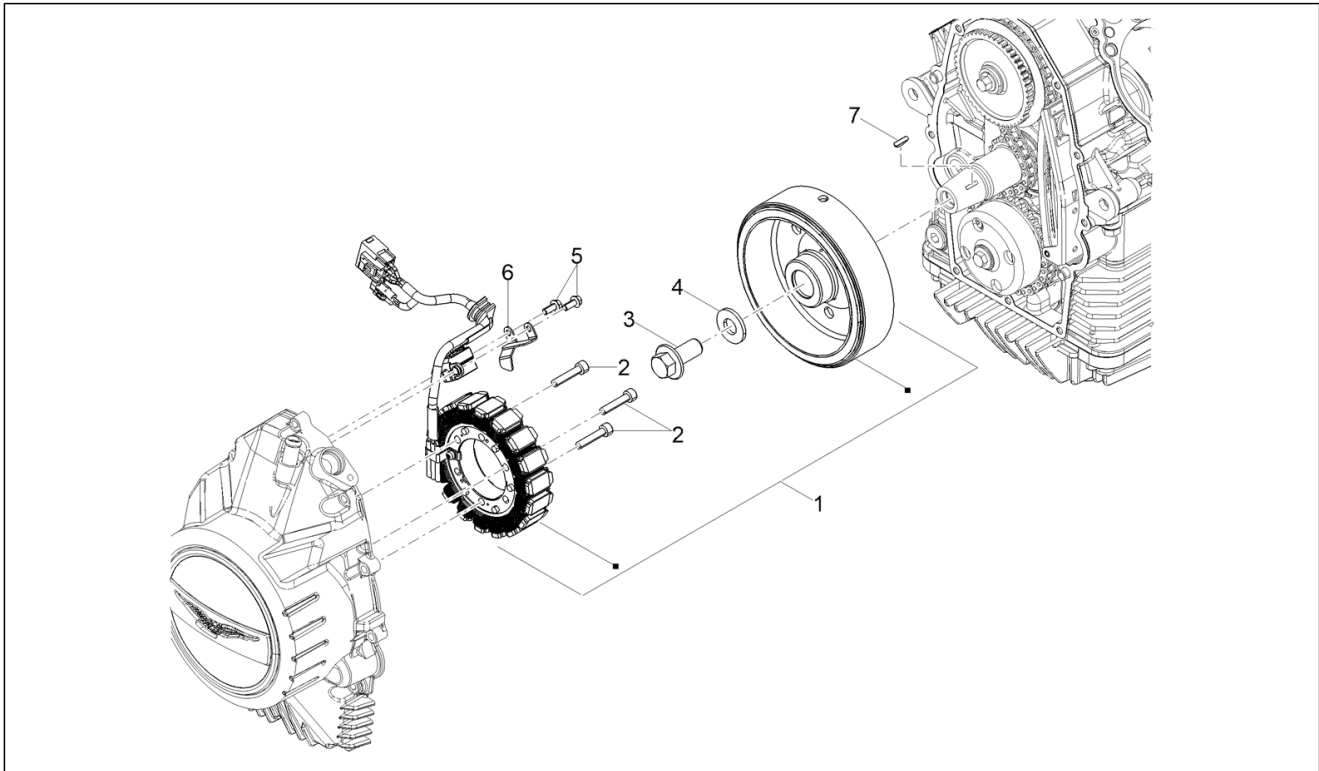
Pos.	Code	Description	Qty	Variants
1	1A024437	Cover	1	
2	840893	Hex socket screw M6x25	10	
3	GU98682330	Hex socket screw M6x20	2	
4	GU19002020	Bushing 6,6x9x13	2	
5	1A024799	Cover gasket	1	

Group	Engine
Code	03.290
Description	Starter / Electric starter
Service	1



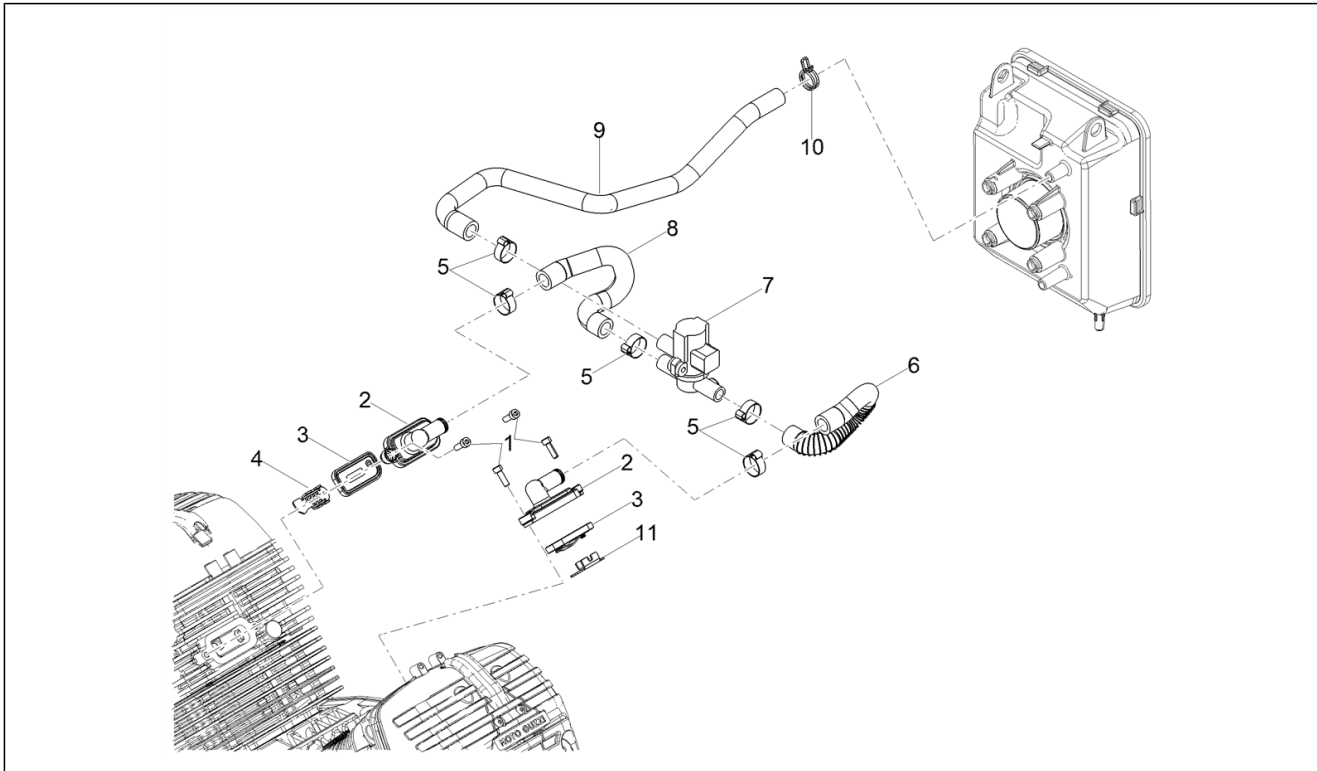
Pos.	Code	Description	Qty	Variants
1	GU98682435	Hex socket screw	2	
2	GU95008208	Washer 8,4X15X1,5	2	
3	97729R	Starter motor	1	
4	GU95129131	Washer 8,4x15x1,7	1	
5	GU92609408	Nut M8x1,25	1	

Group	Engine
Code	03.300
Description	Cdi magneto assy / Ignition unit
Service	1



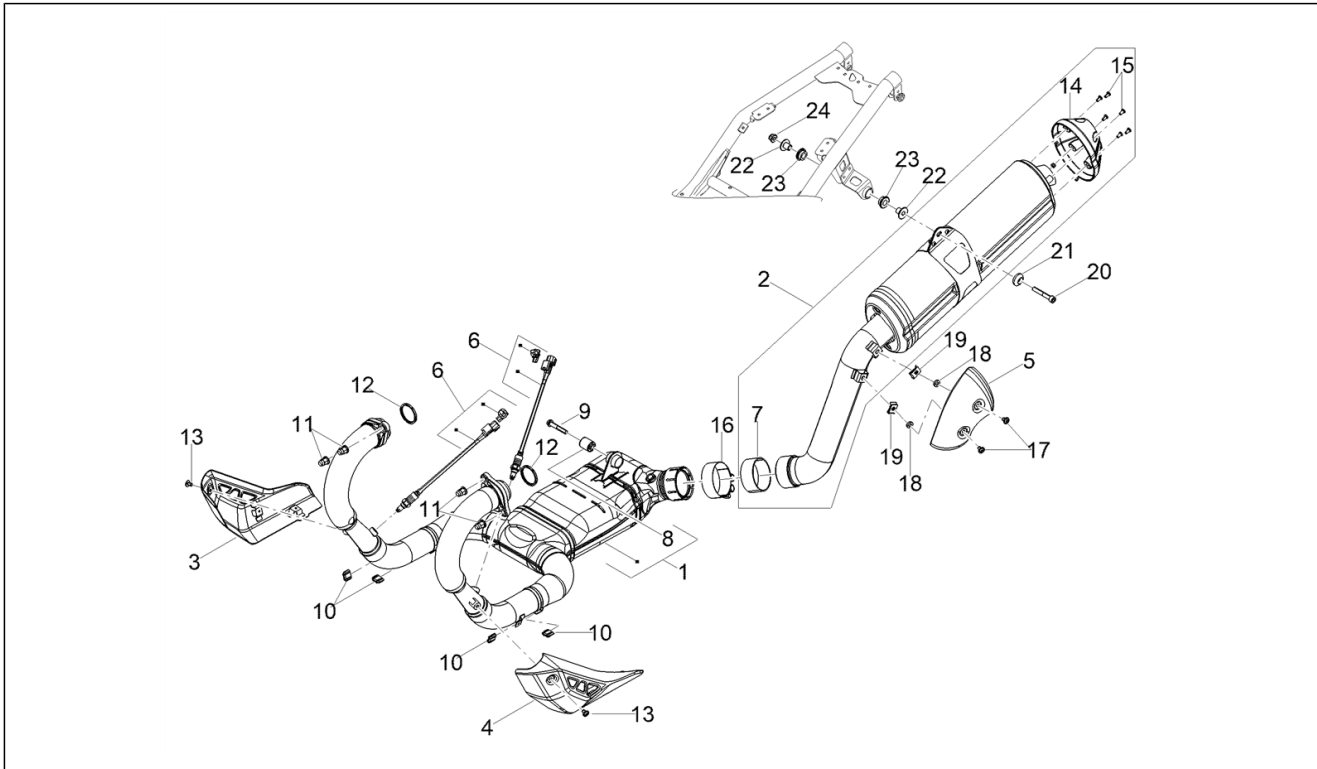
Pos.	Code	Description	Qty	Variants
1	1A016500	Complete magneto flywheel	1	
2	GU98682330	Hex socket screw M6x20	3	
3	B015563	Screw w/ flange M14x30	1	
4	825725	Flat washer 14.1x30x3	1	
5	1A015041	Screw m5x12 torx	2	
6	1A014626	Plate	1	
7	000267	Untapered key	1	

Group	Engine
Code	03.320
Description	Secondary air
Service	1



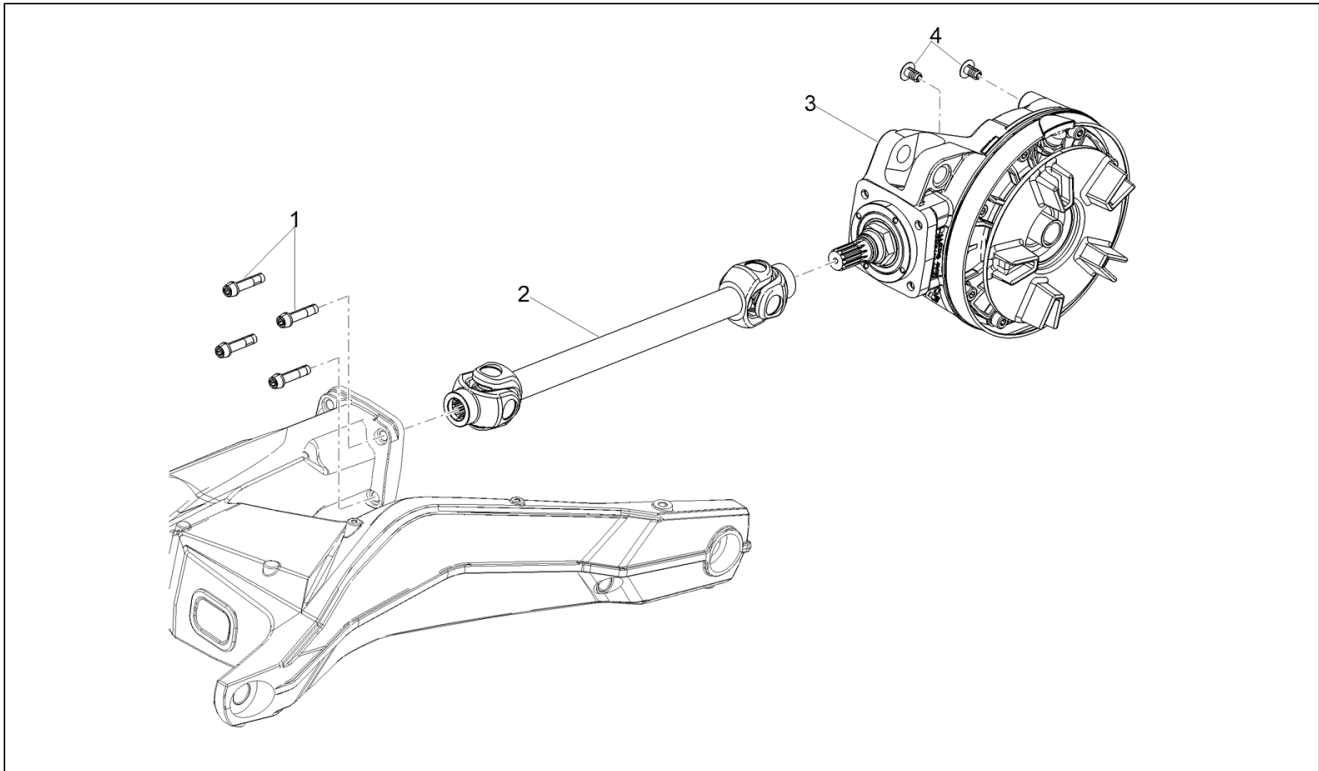
Pos.	Code	Description	Qty	Variants
1	GU98612216	Hex socket screw	4	
2	1A017801	Cover	2	
3	857045	Reed valve	2	
4	857047	Spark arrester	1	
5	AP8102786	Hose clip 20x8	5	
6	2B005159	LH pipe SAS	1	
7	857181	SAS valve	1	
8	2B005158	RH pipe SAS	1	
9	2B005157	Filter box pipe	1	
10	CM002912	Hose clamp	1	
11	857046	Spark arrester	1	

Group	Engine
Code	03.330
Description	Silencer
Service	1



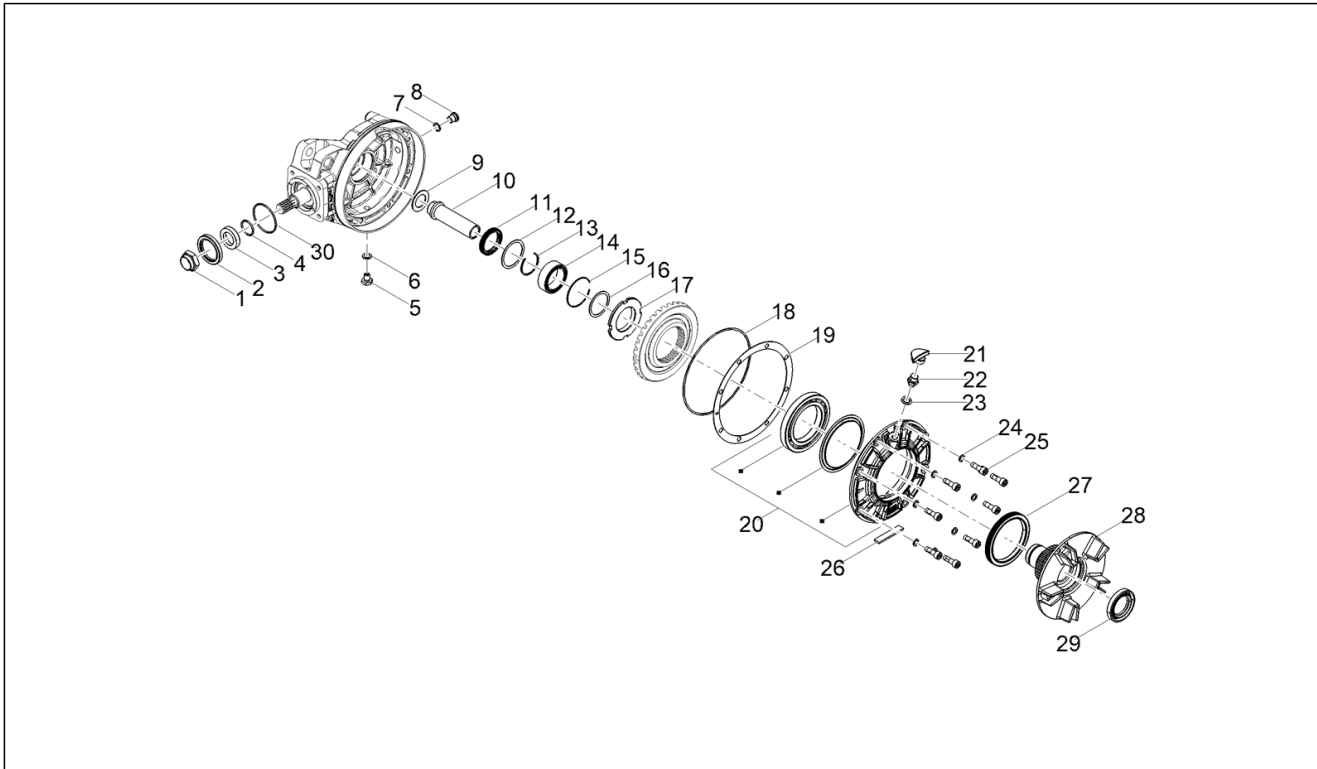
Pos.	Code	Description	Qty	Variants
1	2B013021	Exhaust manifold	1	
2	2B011910	Silencer	1	
3	2B011932	Front heat shield dx	1	
4	2B011936	Front left heat shield	1	
5	2B011984	Manifold protection	1	
6	1A024117	Lamda sensor	2	
7	2B011893	Gasket WIRE-MESH	0	
8	00H02201731	Silent-block	1	
9	AP8152291	Screw w/ flange	1	
10	2B007247	Rubber spacer	4	
11	2B007821	Cap nut M8	4	
12	2B012220	Exhaust gasket	2	
13	2B000215	Screw w/ flange M6x10	2	
14	2B012298	Bottom	1	
15	2B007535	Torx convex big end screw M5x10 A2-70	6	
16	2B011911	Hose clamp	1	
17	884043	Screw w/ flange M6x12	2	
18	876879	Spacer	2	
19	254485	Spring plate M6	2	
20	2B004771	Screw TCEI M8x50	1	
21	AP8134378	Bush Fixing	1	
22	AP8121332	Bush	2	
23	AP8144558	Rubber spacer	2	
24	AP8152300	Self-locking nut M8	1	

Group	Engine
Code	03.340
Description	Rear transmission
Service	1



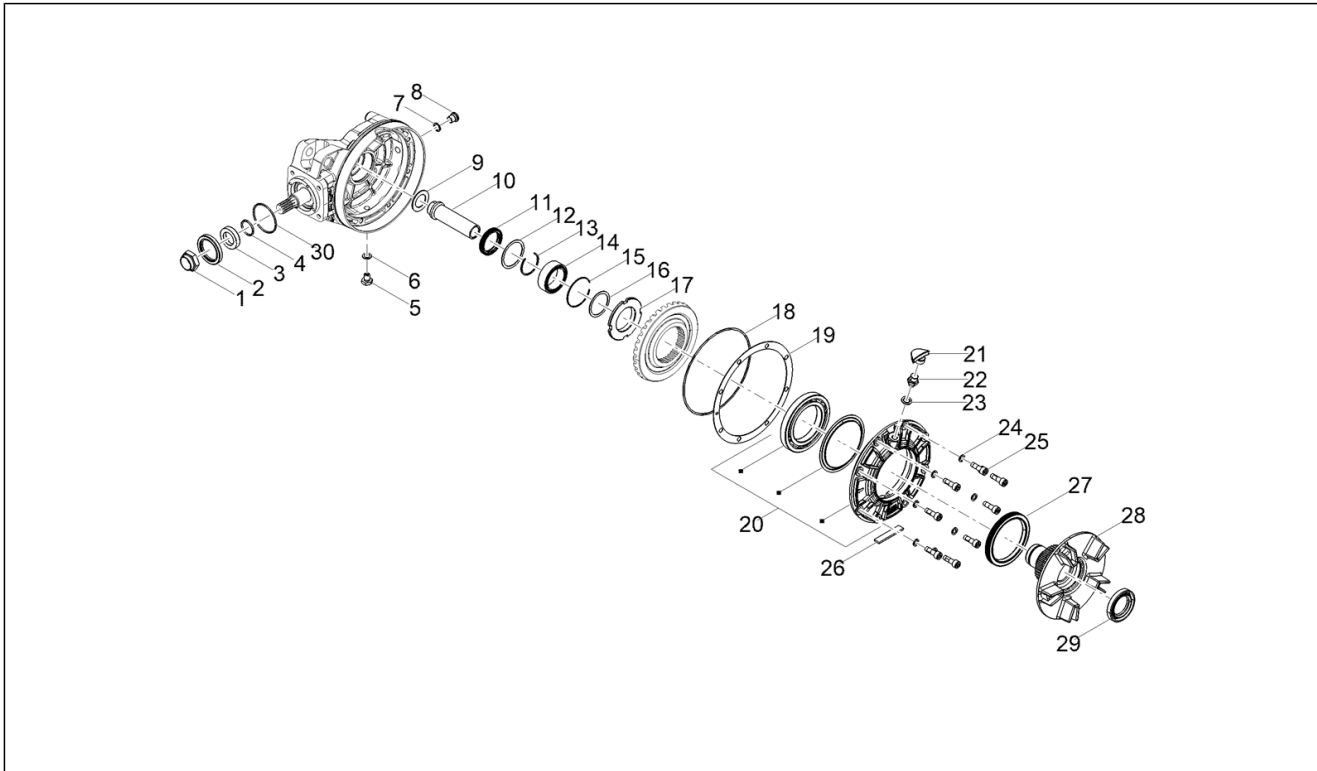
Pos.	Code	Description	Qty	Variants
1	2B002699	Torx M8x35 cap screw with pre-coated collar	4	
2	2B004338	Drive shaft	1	
3	2B013050	Transmission complete	1	
4	AP8102600	Cover	2	

Group	Engine
Code	03.350
Description	Rear transmission / Components
Service	1



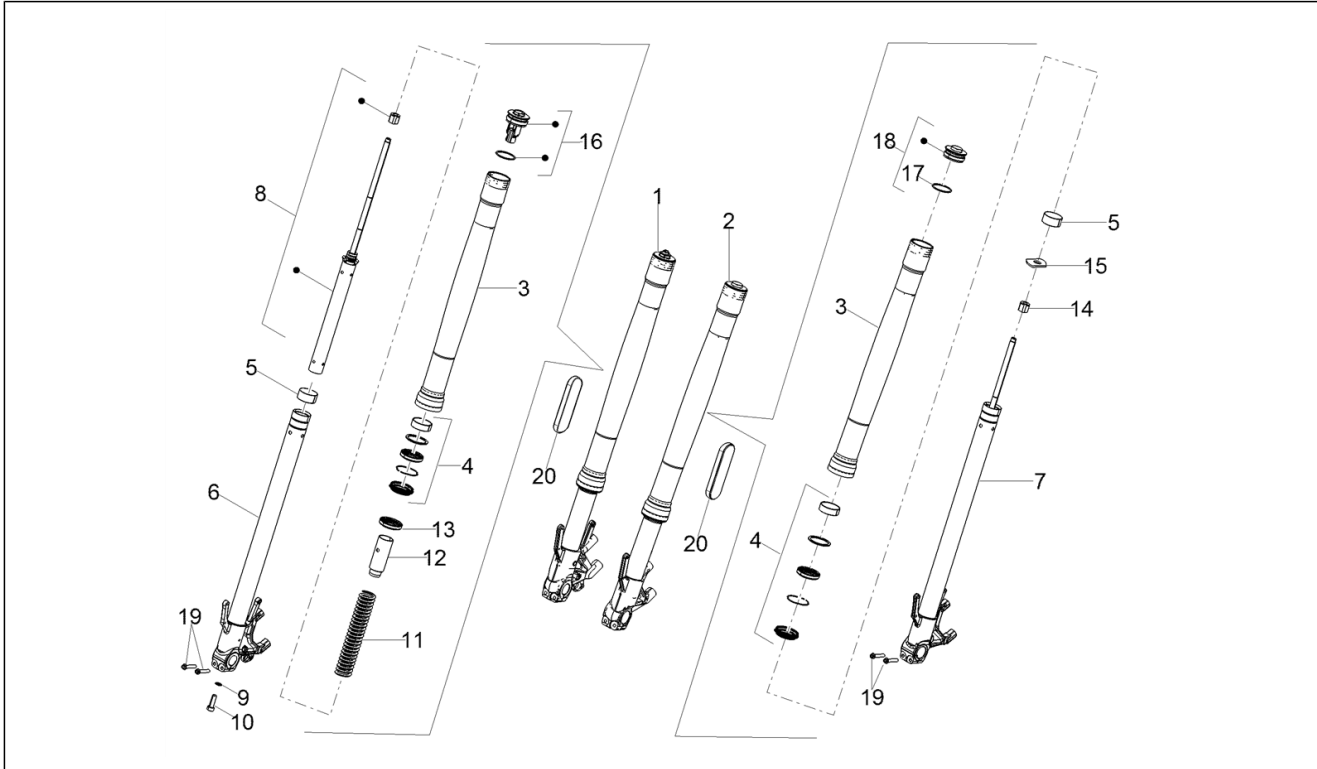
Pos.	Code	Description	Qty	Variants
1	2B005012	Nut	1	
2	2B000404	Oil seal	1	
3	2B001311	Spacer	1	
4	GU90706188	Oil seal 18,77X1,78	1	
5	GU31003766	Oil unload plug M10x1	1	
6	GU01528930	Gasket 10x18x1,5	1	
7	224566	Washer	1	
8	2B012828	Oil plug M12x1,5	1	
9	GU37359005	Washer	1	
10	2B007257	Wheel spacer	1	
11	GU90413850	Oil seal 38X50X7	1	
12	GU12351100	Oil seal	1	
13	2B002200	Washer for shafts	1	
14	2B006088R	Roller bearing 40x55x17	1	
15	B064304	Circlip	1	
16	GU19351100	Clearance washer	1	
17	2B002536	Crown fixing ring nut	1	
18	GU90706958	O-ring 158,42X2,62	1	
19	GU04355100	Tickness 0,6 mm	1	
19	GU04355101	Tickness 0,7 mm	1	
19	GU04355104	Tickness 1 mm	1	
19	GU04355105	Tickness 1,1 mm	1	
19	GU04355106	Tickness 1,2 mm	1	
19	GU04355103	Tickness 0,9 mm	1	
19	GU04355102	Tickness 0,8 mm	1	
20	2B0061105	Complete flange	1	
21	2B002807	Cap	1	
22	2B008491	Breather plug	1	

Group	Engine
Code	03.350
Description	Rear transmission / Components
Service	1



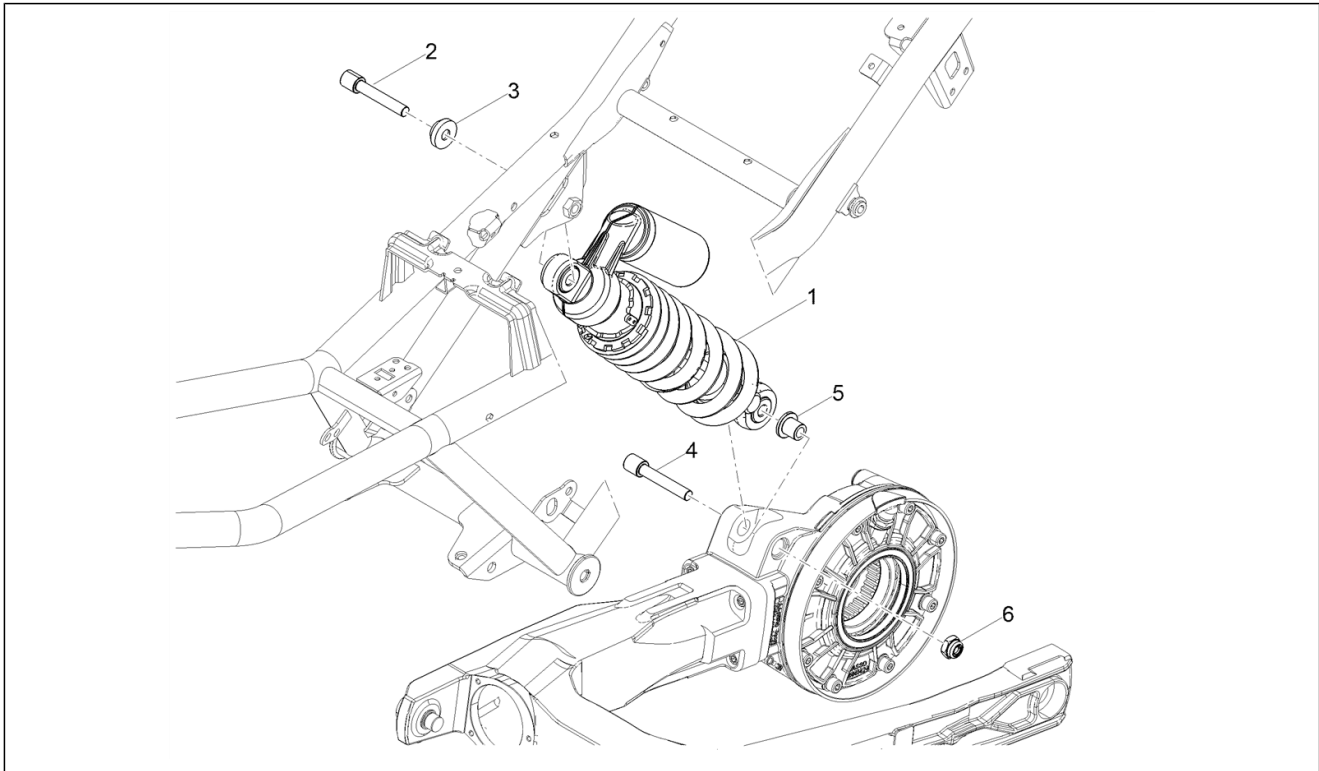
Pos.	Code	Description	Qty	Variants
23	GU01528930	Gasket 10x18x1,5	1	
24	GU14615901	Washer 8,4X13X0,8	8	
25	2B002171	Special cap screw 8x25	8	
26	2B006064	Felt	1	
27	2B002535	Oil seal 80x100x10	1	
28	2B006860R	Flexible couplings hub	1	
29	2B007243	Oil seal 26x42x7	1	
30	GU90706584	Gasket 58,42x2,62	1	

Group	Suspensions
Code	04.040
Description	Front fork Kayaba
Service	1



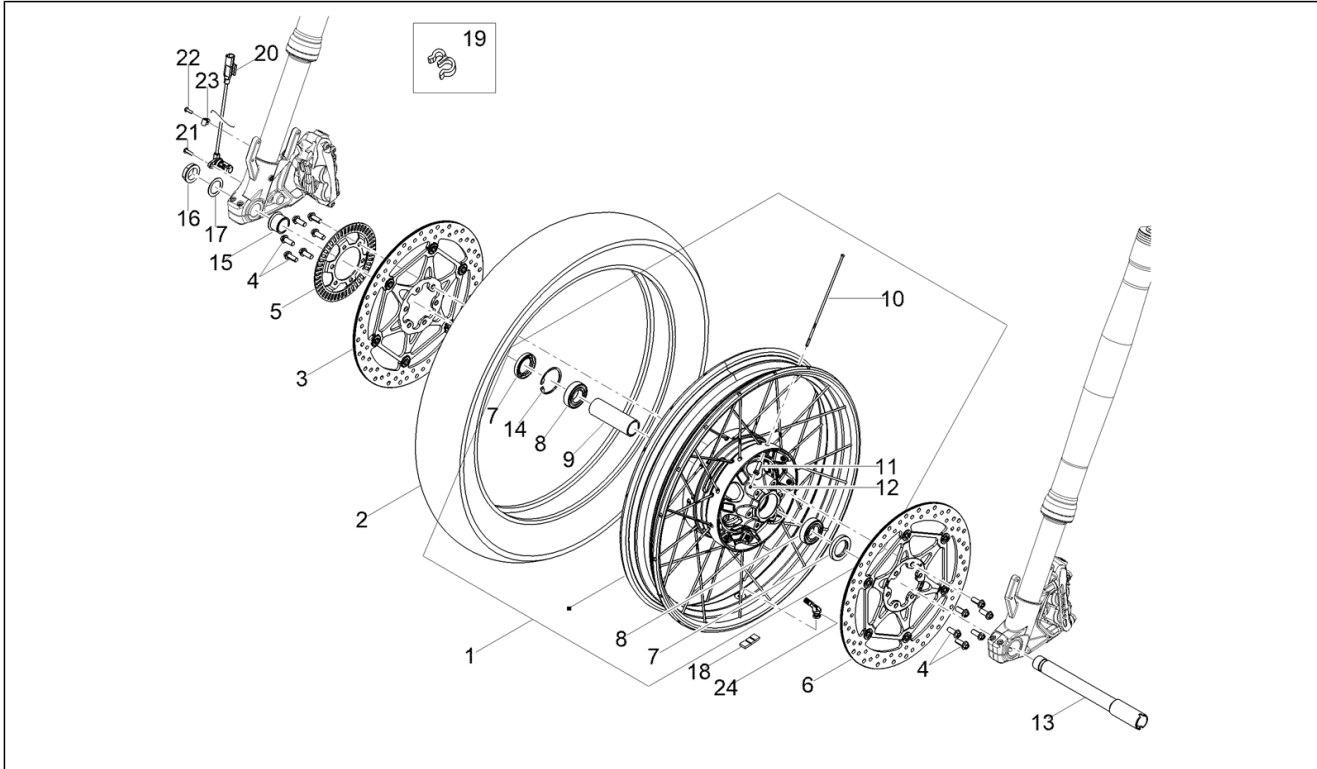
Pos.	Code	Description	Qty	Variants
1	2B011999	Right stem	1	
2	2B011997	Left stem	1	
3	2B012000	Sleeve, black	2	
4	2B006105	Engine oil seal kit	2	
5	2B004403	Bush	2	
6	2B006102	RH hub	1	
7	2B006101	LH hub	1	
8	2B006103	Plunger	1	
9	2B004406	Plain washer	1	
10	2B004407	screw	1	
11	2B004420	Spring	1	
12	2B006104	Preload tube	1	
13	2B004422	Washer	1	
14	2B004410	Pad	1	
15	2B004411	Nut	1	
16	2B004412	Sleeve plug	1	
17	2B004414	Ring	1	
18	2B004413	Plug with OR	1	
19	AP8150285	Hex socket screw M6x35	4	
20	GU05781630	Reflector, amber	2	

Group	Suspensions
Code	04.080
Description	Shock absorber
Service	1



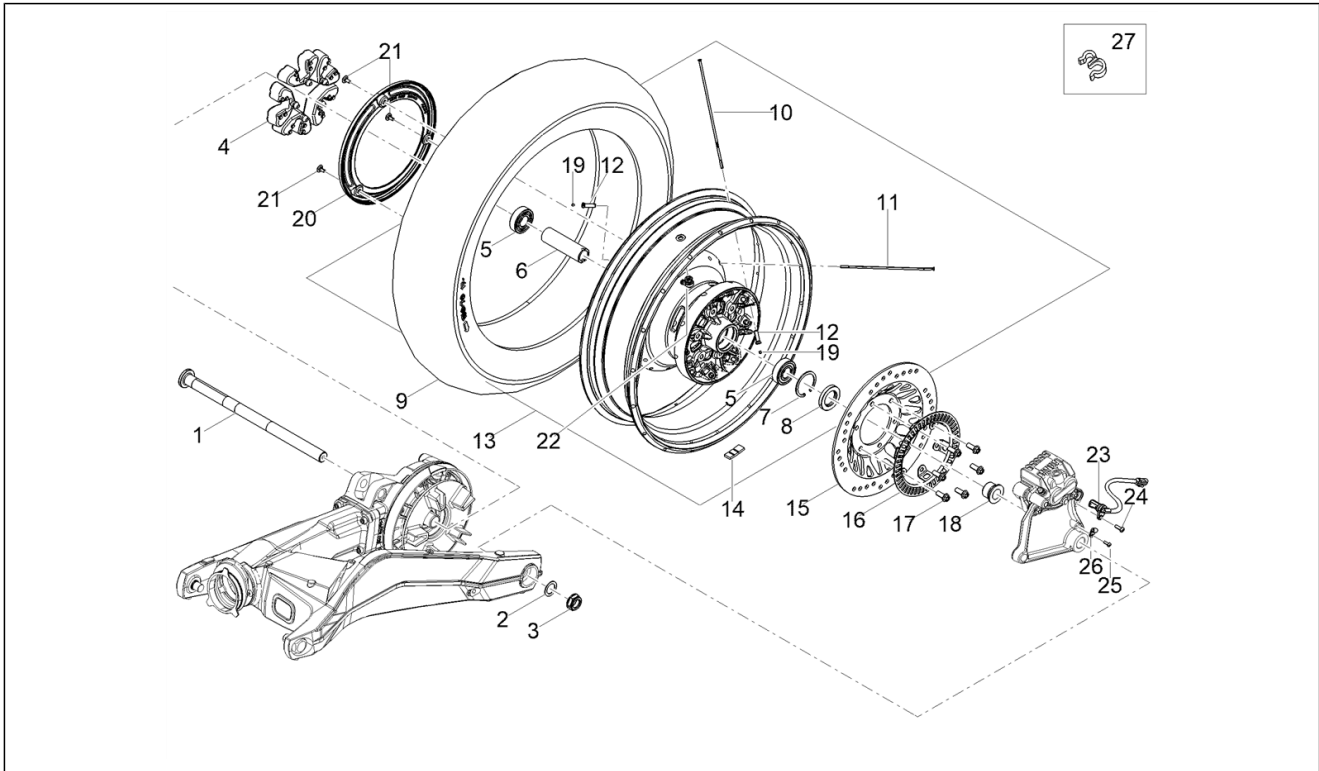
Pos.	Code	Description	Qty	Variants
1	2B011037	Rear shock absorber	1	
2	AP8150048	Hex socket screw	1	
3	AP8121615	Silencer fixing bush	1	
4	AP8152411	Hex socket screw M10x59	1	
5	AP8121155	T bush *	1	
6	AP8152301	Self-locking nut	1	

Group	Wheels
Code	05.010
Description	Front wheel
Service	1



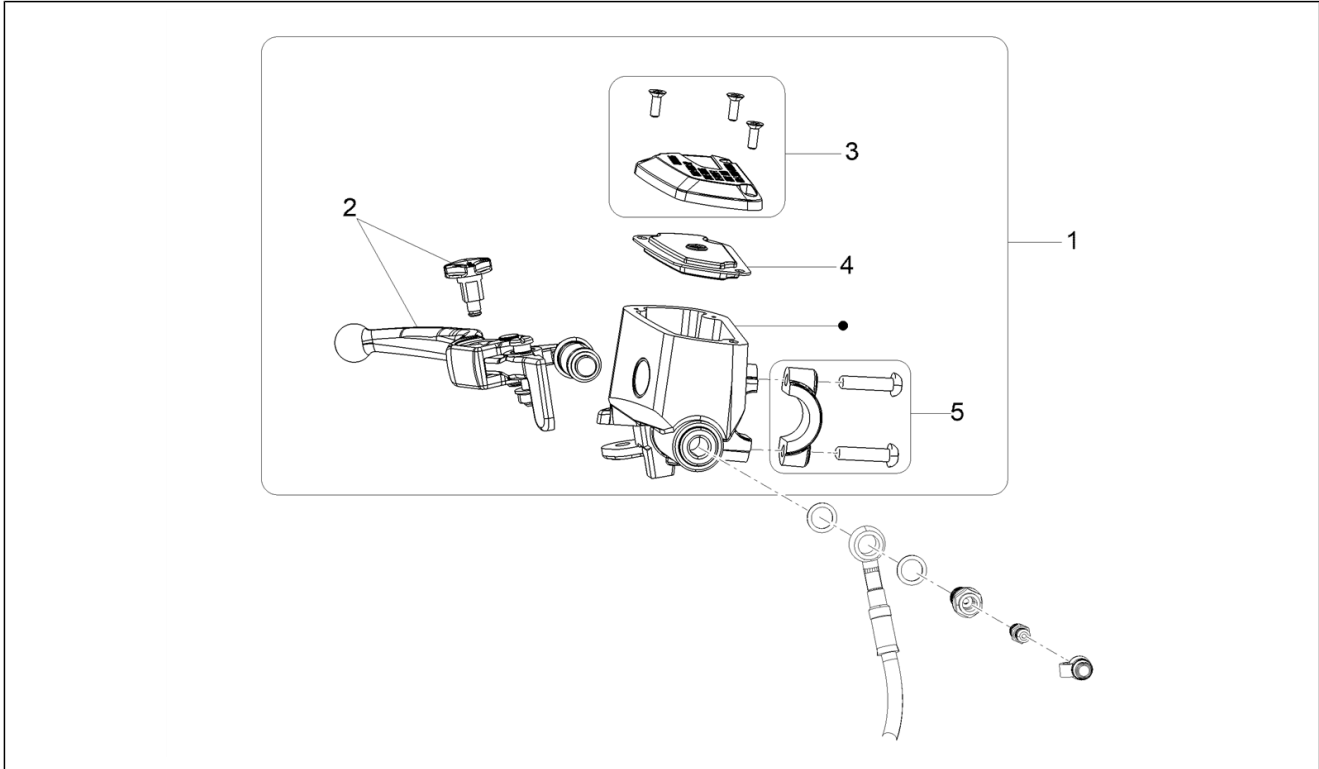
Pos.	Code	Description	Qty	Variants
1	2B007331	Front wheel complete with bearings	1	
2	2B004302	Front tyre 110/80 R19 M/C 59V TL Metzeler	1	
2	2B010336	Front tyre 110/80 R19 M/C 59V Dunlop	1	
3	B044279	RH front brake disc "LZ"	1	
4	2B002416	Screw w/ flange M8x20	12	
5	2B004778	ABS phonic wheel	1	
6	B044280	Front brake disc SX "LZ"	1	
7	AP8125773	Oil seal 30x47x7	2	
8	AP8125777	Ball bearing 25x47x12	2	
9	978516	Spacer	1	
10	2B007335	Spoke	36	
11	2B007846	Nipples	36	
12	AP8150491	Dowel	36	
13	2B009303	Front wheel spindle	1	
14	AP8125842	Snap ring d47	1	
15	978498	Spacer	1	
16	AP8152335	Wheel spindle nut	1	
17	AP8152323	Washer 25,2x36x1	1	
18	GU14616150	Counterweight	1	
19	894704	Fairlead	3	
20	1D003350	ABS sensor	1	
21	1C001499	TBEI TORX screw M5x16 INOX	1	
22	581957	Hexagon convex big end screw M4x12	1	
23	859777	Fairlead	1	
24	AP8104728	Tubeless tyre valve 90°	1	

Group	Wheels
Code	05.020
Description	Rear wheel
Service	1



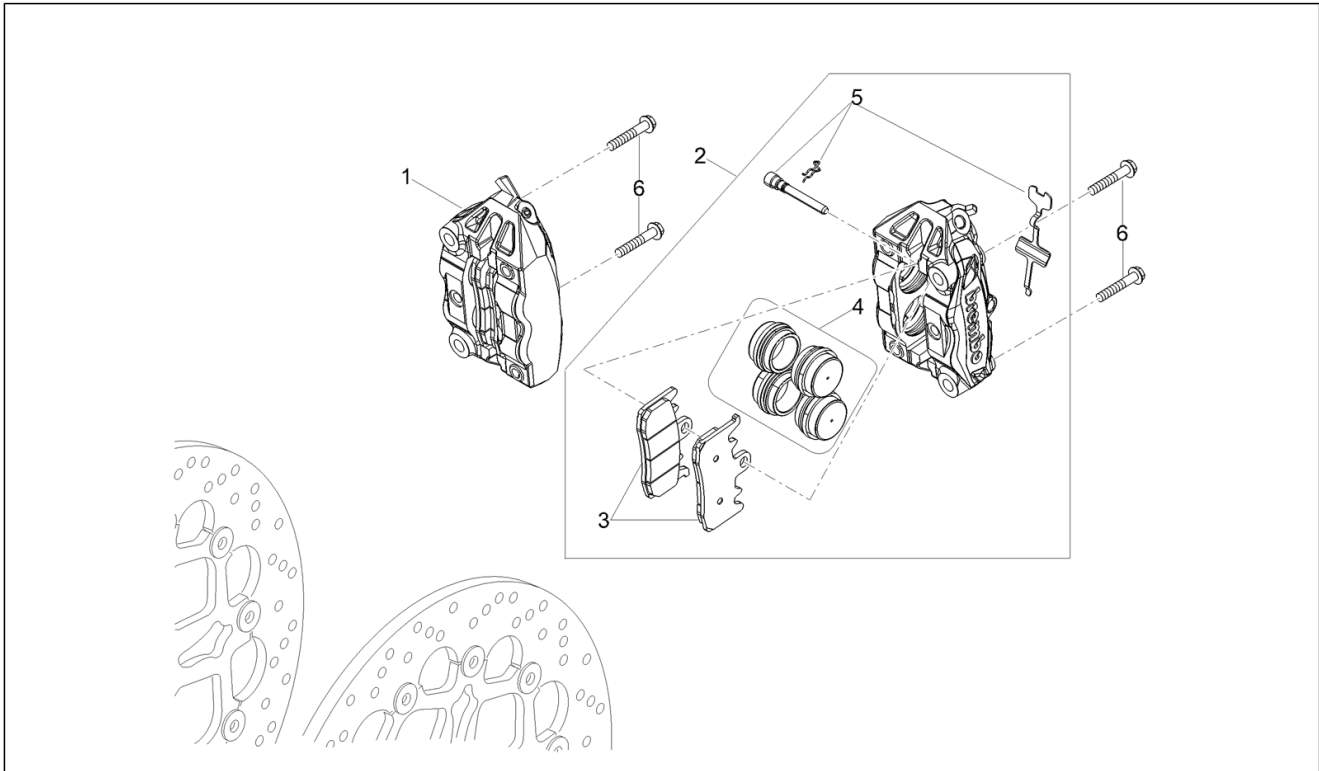
Pos.	Code	Description	Qty	Variants
1	2B004693	Rear wheel spindle	1	
2	AP8125687	Wheel pin washer	1	
3	AP8125763	Rear wheel spindle nut	1	
4	B064290	Spring drive rubber	5	
5	GU92204220	Ball bearing 20X47X14	2	
6	2B001278	Rear wheel internal spacer	1	
7	GU90272047	Circlip 47X50,5	1	
8	AP8110109	Oil seal 28X47X7	1	
9	2B004442	Rear tyre 150/70 R17 M/C 69V TL Metzeler	1	
9	2B010335	Rear tyre 150/70 R17 M/C 69V Dunlop	1	
10	2B007325	Spoke 3,5x195	18	
11	2B007324	Spoke 3,5x163	18	
12	2B007846	Nipples	36	
13	2B007319	Rear wheel complete with hub	1	
14	GU14616150	Counterweight	1	
15	887448	Brake disc	1	
16	2B004396R	Phonic wheel	1	
17	2B002416	Screw w/ flange M8x20	6	
18	2B001956	Rear wheel spacer	1	
19	AP8150491	Dowel	36	
20	2B007323	Cover	1	
21	AP8150500	Hex socket screw M5x9 NERINOX	3	
22	AP8104728	Tubeless tyre valve 90°	1	
23	1D003350	ABS sensor	1	
24	1C001499	TBEI TORX screw M5x16 INOX	1	
25	581957	Hexagon convex big end screw M4x12	1	
26	859777	Fairlead	1	
27	894704	Fairlead	3	

Group	Braking system
Code	06.010
Description	Front master cilinder
Service	1



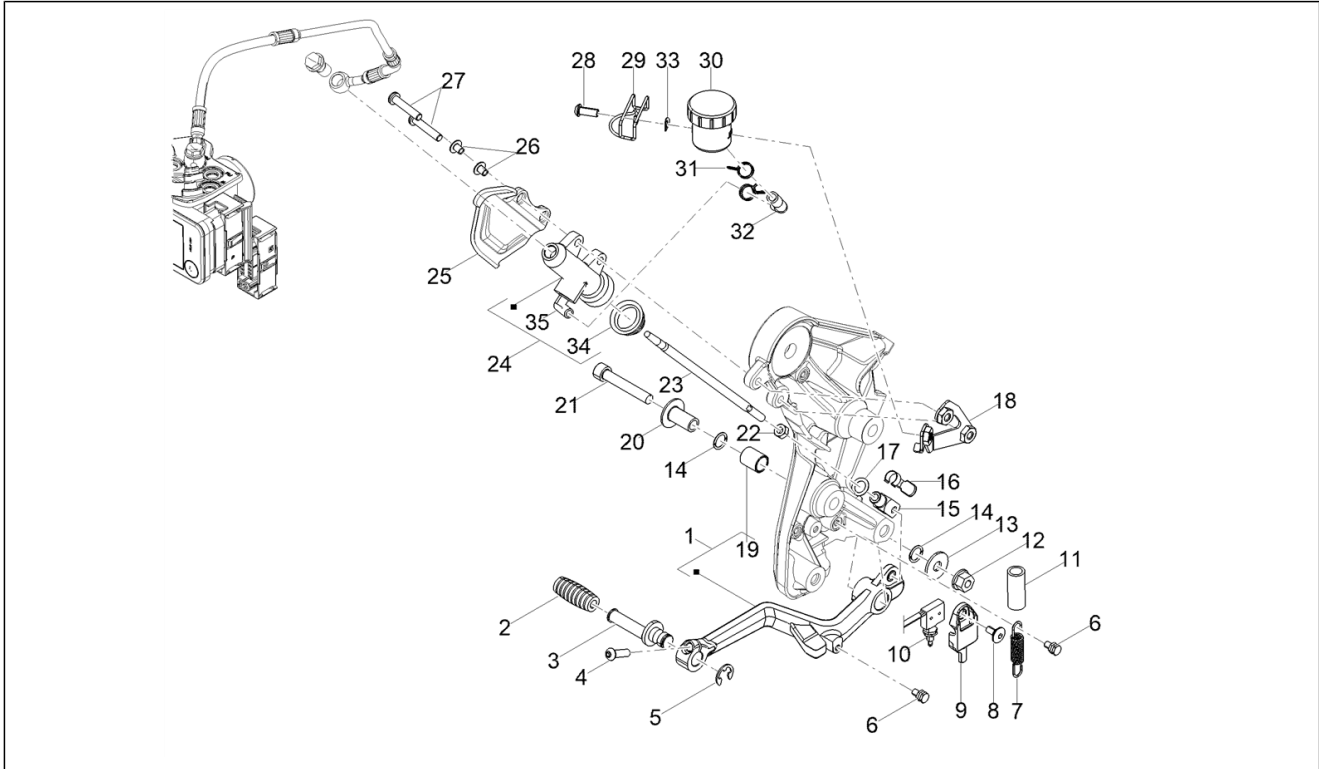
Pos.	Code	Description	Qty	Variants
1	2B006111	Front brake mast.cyl cpl	1	
2	896346	Brake lever with roller	1	
3	B064105	Complete cover	1	
4	858423	Diaphragm	1	
5	856050	U-bolt	1	

Group	Braking system
Code	06.020
Description	Front brake caliper
Service	1



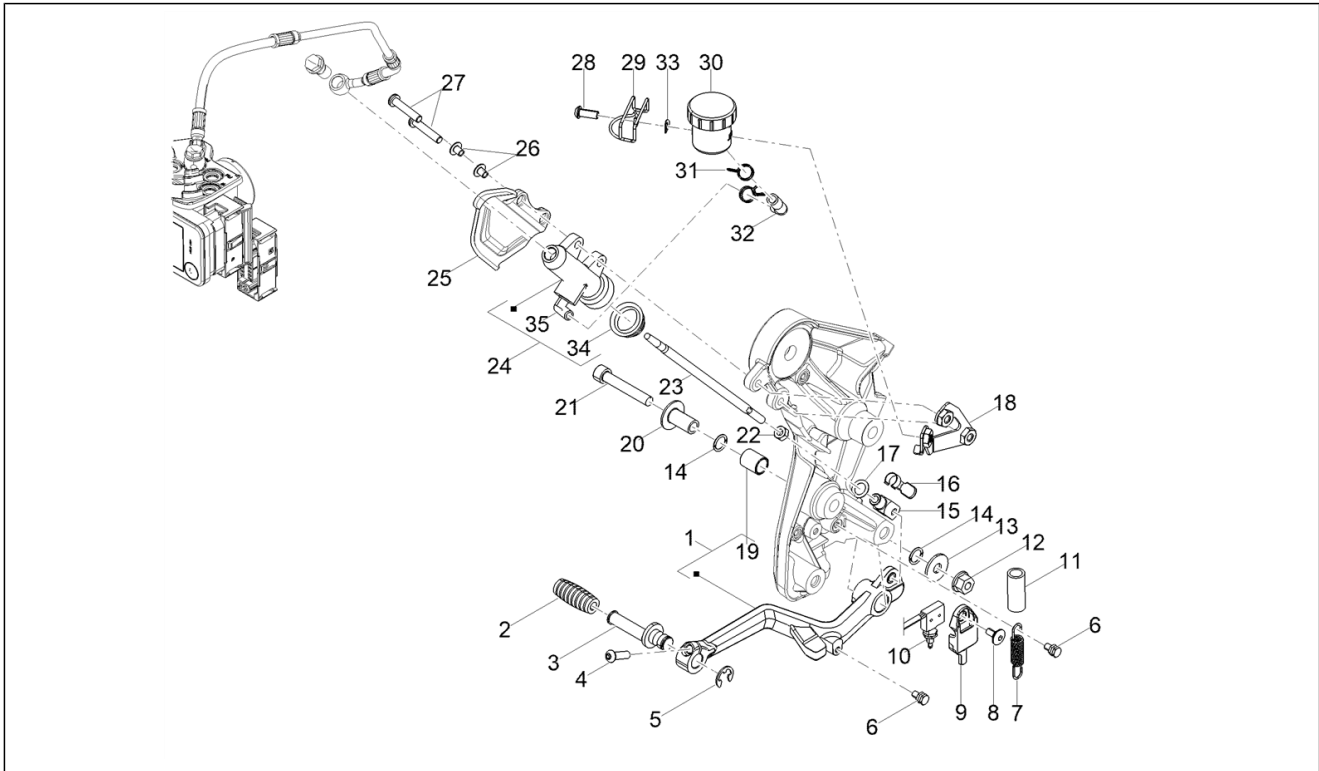
Pos.	Code	Description	Qty	Variants
1	2B011568	Front right brake calliper	1	
2	2B011569	Front left brake calliper	1	
3	2B012147	Brake pads couple	2	
4	2B012148	Kit pistons-seals	2	
5	B044598	Pins+spring+cotter pin kit	2	
6	2B006398	Screw w/ flange M10X1.25X55	4	

Group	Braking system
Code	06.030
Description	Rear master cylinder
Service	1



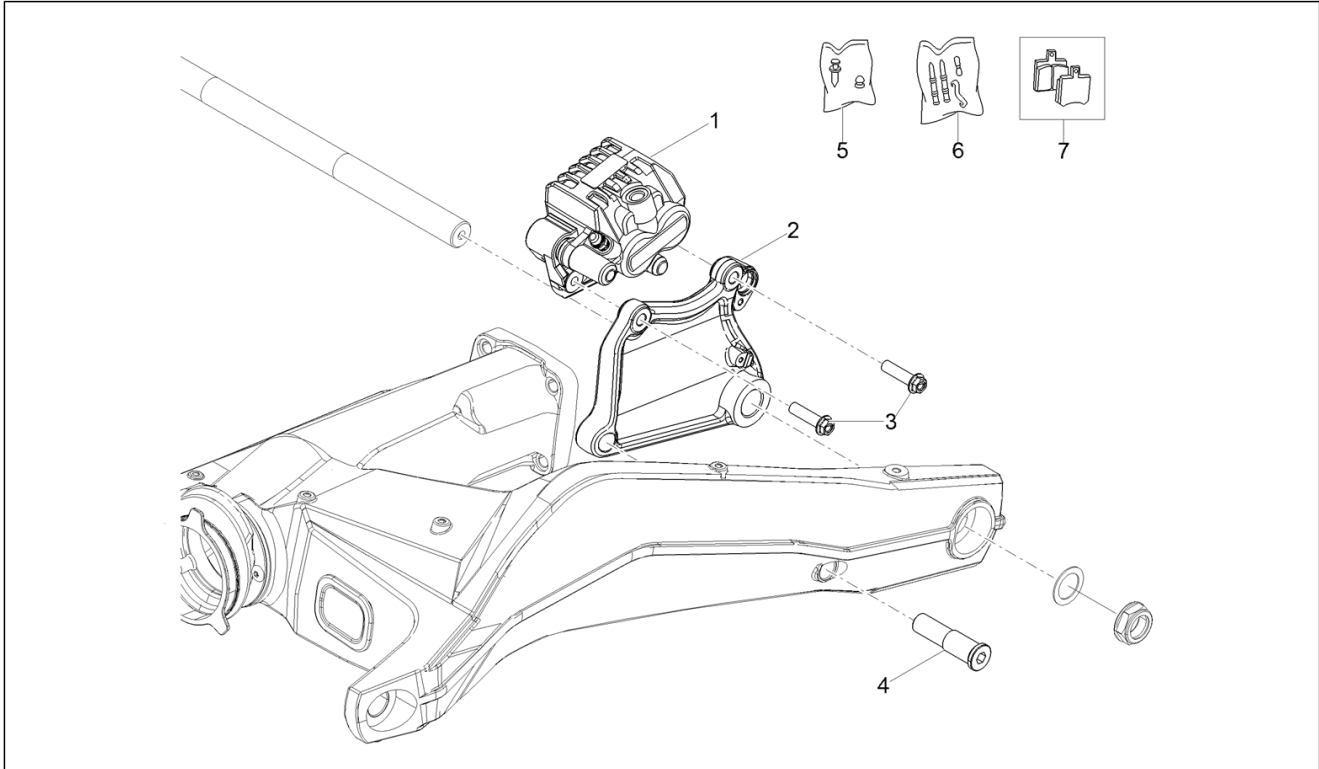
Pos.	Code	Description	Qty	Variants
1	2B005634	Rear brake lever	1	
2	AP8120912	Lever rubber	1	
3	AP8121221	Brake lever pin	1	
4	AP8224470	Hex socket screw M6x20 inox	1	
5	AP8150462	Circlip d9	1	
6	859946	Fixing pin	2	
7	AP8121927	Rear brake lever spring	1	
8	AP8150500	Hex socket screw M5x9 NERINOX	1	
9	2B004845	Electric device support	1	
10	2D000325	Stop/clutch switch	1	
11	AP8120822	Silent block, spring	1	
12	967363	Nut M8x1,25	1	
13	AP8150018	Washer	1	
14	AP8144007	O-ring 11,11x1,78	2	
15	AP8113081	Fork	1	
16	AP8113082	Gear selector fork clips	1	
17	AP8120178	O-ring OR112	1	
18	2B005589	Tank support bracket	1	
19	895328	Sintered bushing	1	
20	AP8121509	Bush	1	
21	GU98680450	Hex socket screw M8x50	1	
22	GU92606206	Nut	1	
23	2B005624	Rod	1	
24	2B000508	Rear master cylinder	1	
25	2B012094	Brake master cyl.protection	1	
26	2B010137	Bush	2	
27	CM179307	Torx head cylinder head screw	2	
28	AP8152108	Hex socket screw M6x15	1	

Group	Braking system
Code	06.030
Description	Rear master cylinder
Service	1



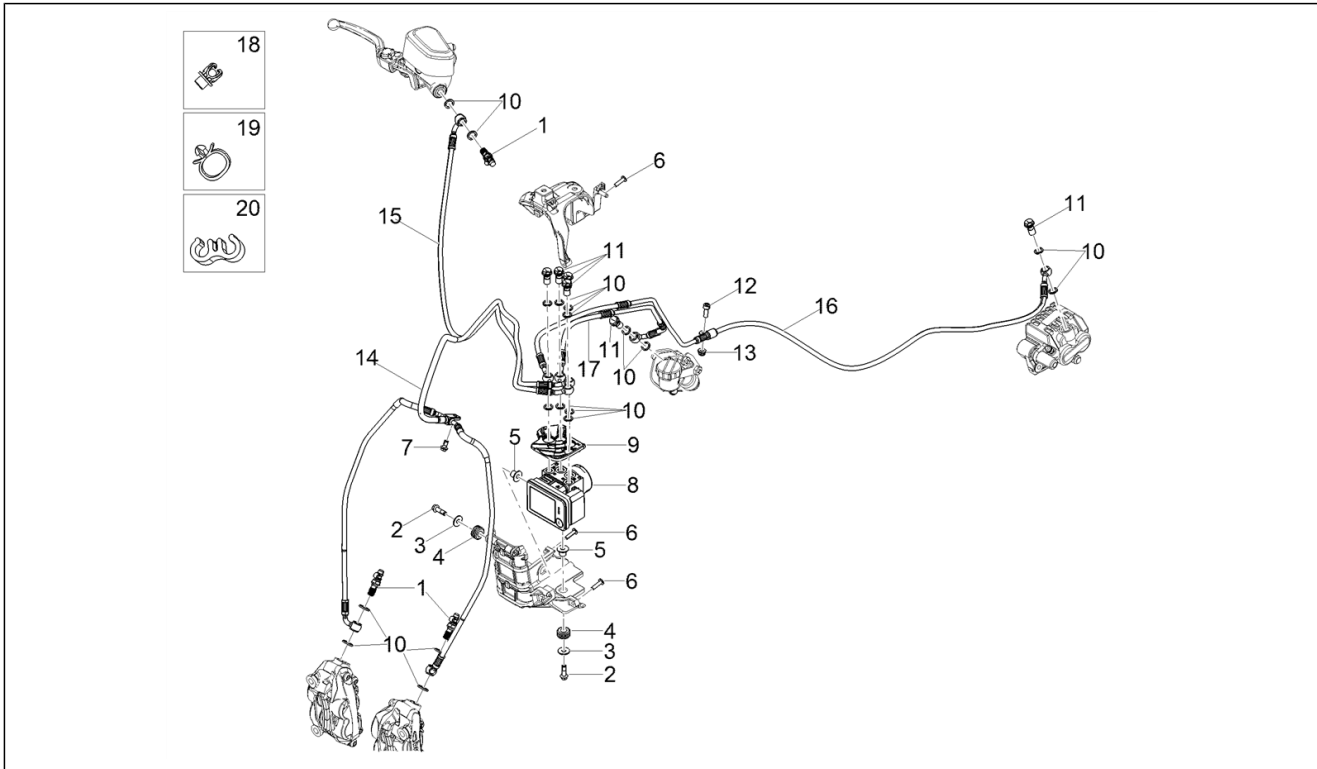
Pos.	Code	Description	Qty	Variants
29	AP8121504	Plug block	1	
30	2B002130	Brake oil tank complete	1	
31	AP8101594	Hose clamp D10,1*	2	
32	2B005379	Oil tank pipe	1	
33	AP8152181	Washer 6,4x15x1	1	
34	AP8113288	Rubber bellows	1	
35	AP8213057	Bleeder+cap	1	

Group	Braking system
Code	06.040
Description	Rear brake caliper
Service	1



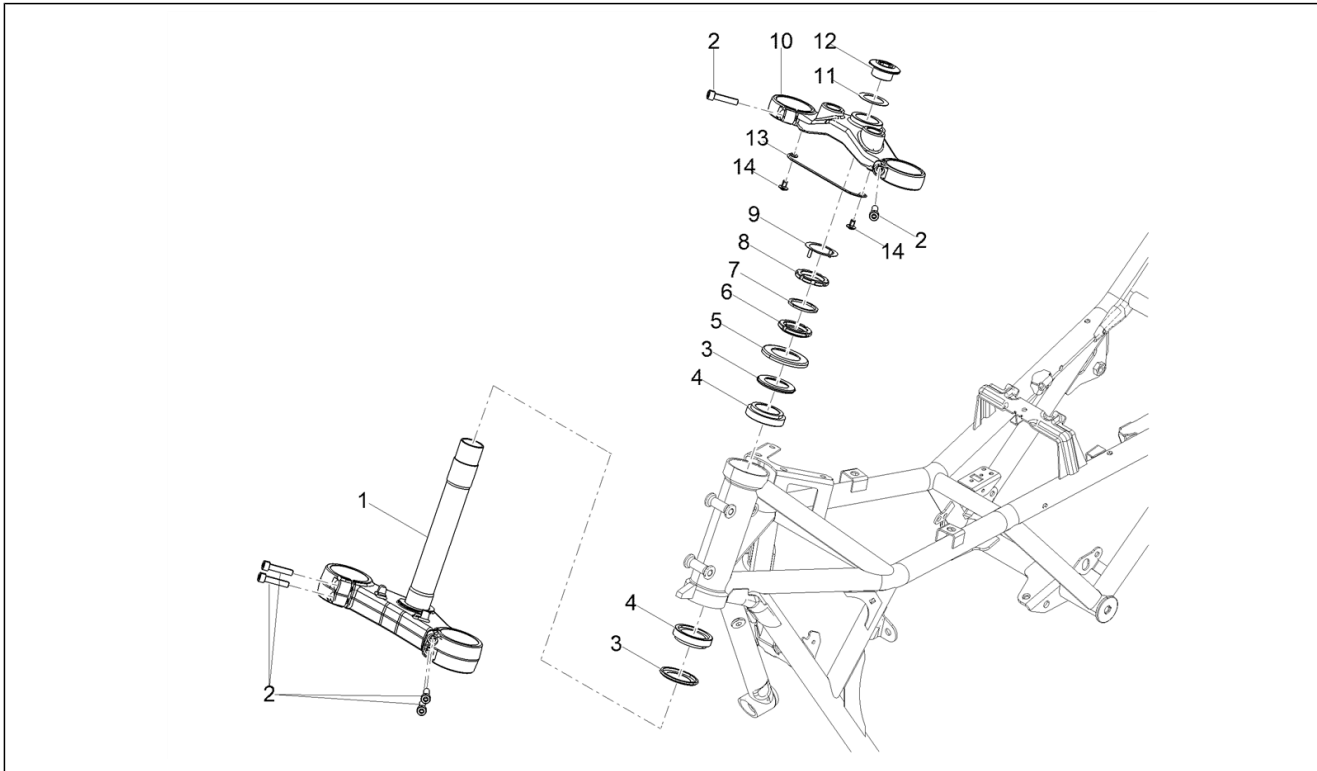
Pos.	Code	Description	Qty	Variants
1	2B000525	Rear brake caliper	1	
2	2B004770	Brake caliper support plate	1	
3	AP8152288	Screw w/ flange M8x30	2	
4	GU31544181	Pin	1	
5	GU31659281	Bleeder+cap	1	
6	AP8133799	Pins+Caliper springs	1	
7	2R000248	Brake pads couple	1	

Group	Braking system
Code	06.050
Description	ABS Brake system
Service	1



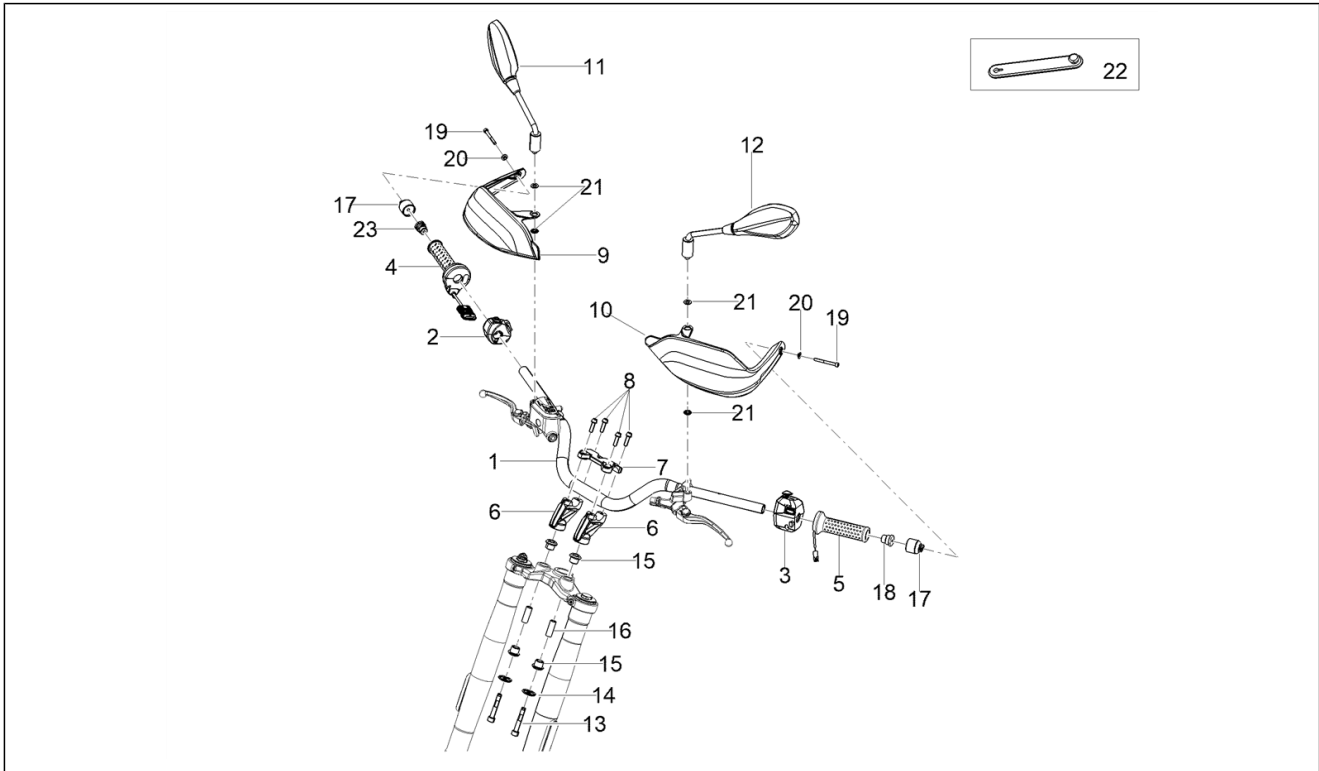
Pos.	Code	Description	Qty	Variants
1	AP8133945	Bleeder raccord	3	
2	2B004560	M6x20 pre-coated hex head screw	2	
3	AP8150015	Washer 6,6x18x1,6*	2	
4	AP8120030	Rubber spacer	2	
5	AP8221023	T bush	2	
6	AP8152329	Phillips screw, SWP M5x20	3	
7	2B005143	Screw w/ flange M6x12	1	
8	2D000799	ABS electrohydraulic unit, prefilled	1	
9	2B005287	Plate	1	
10	AP8113004	Washer 10x14x1,6*	18	
11	1C001209	Special screw	6	
12	AP8152273	Screw w/ flange M5x15	1	
13	AP8152306	Self-locking nut M5	1	
14	2B011438	ABS HECU pipe - Front clamp	1	
15	2B005373	ABS HECU pipe - Front pump	1	
16	2B005376	ABS HECU pipe - Rear clamp	1	
17	2B005375	ABS HECU pipe - Rear pump	1	
18	AP8121882	Cable-guide	2	
19	641652	Spring L. 22 mm	3	
20	2B000276	Staple	1	

Group	Handlebar - Controls
Code	07.010
Description	Steering
Service	1



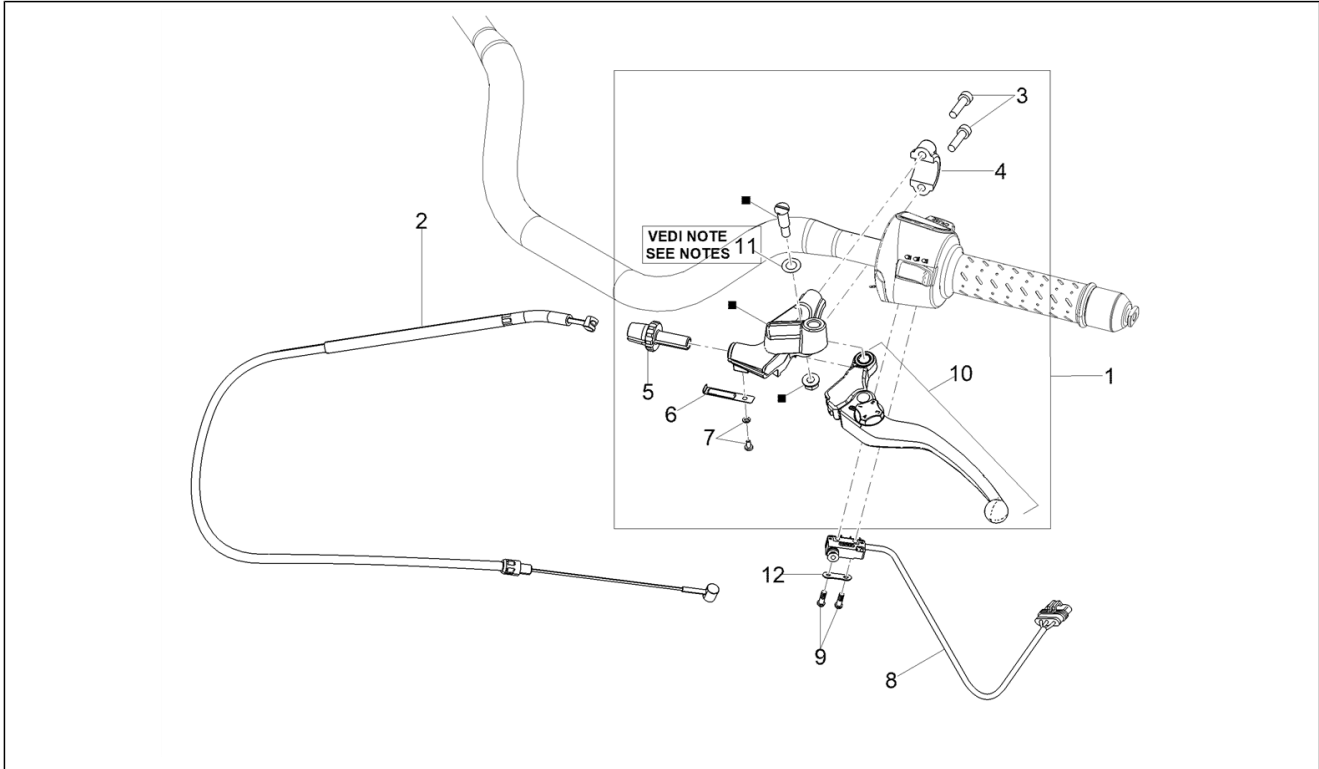
Pos.	Code	Description	Qty	Variants
1	2B004647	Lower plate complete with headstock	1	
2	AP8150236	Hex socket screw M8x35	6	
3	AP8123641	Dust cover ring	2	
4	2B011121	Axial ball bearing	2	
5	AP8123644	Dust cover ring	1	
6	AP8123642	Ring nut	1	
7	887831	Rubber spacer	1	
8	AP8123643	Return ring nut	1	
9	887832	Steering security plate	1	
10	2B004944	Upper plate	1	
11	AP8152384	Stem plug washer	1	
12	AP8121205	Upper plate fixing bush	1	
13	2B006501	Fairlead	1	
14	2B000215	Screw w/ flange M6x10	2	

Group	Handlebar - Controls
Code	07.020
Description	Handlebar - Controls
Service	1



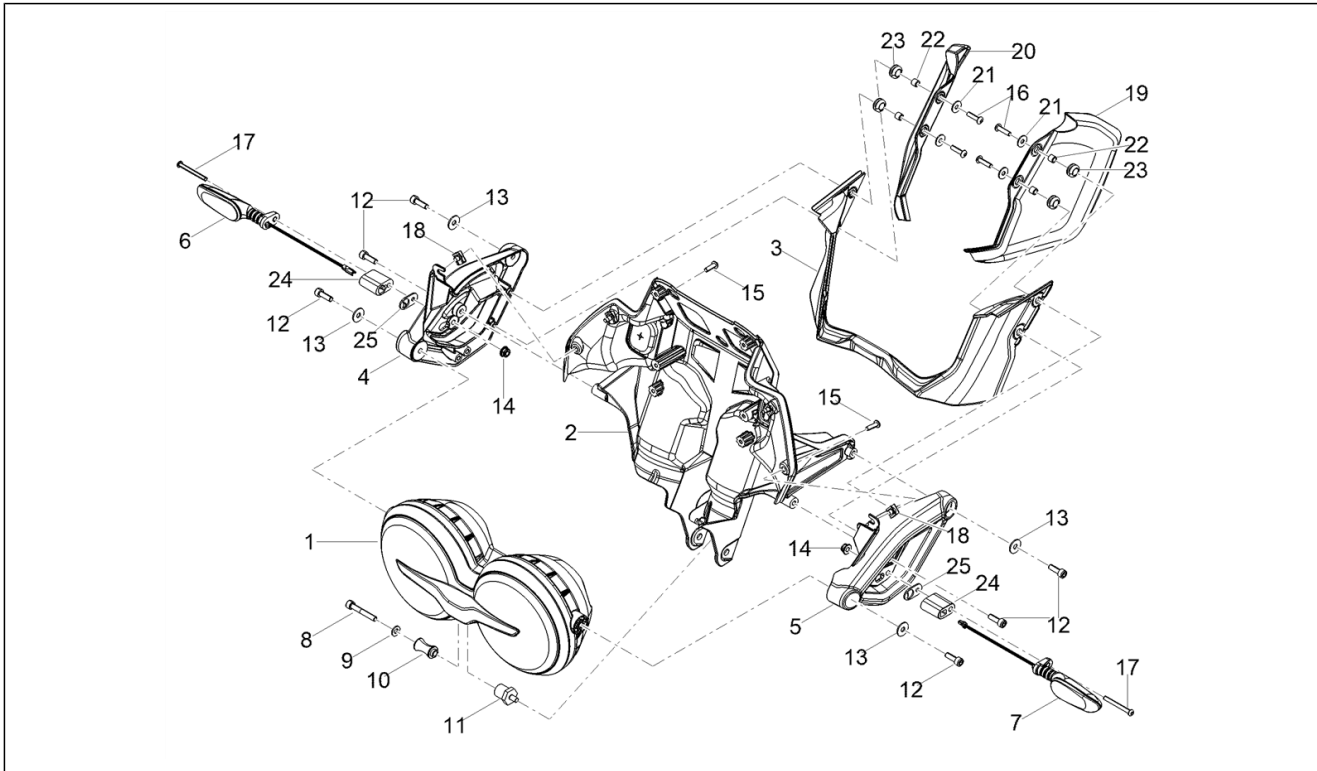
Pos.	Code	Description	Qty	Variants
1	2B012279	Handlebar	1	
2	2D000732	Right command with DRL /FOG	1	Country:United States of America[USA]
2	2D000733	RH handlebar control set without DRL	1	Country:Canadian[CND]
3	2D000549	LH lights selector	1	
4	2D000514	Throttle with hand grip heated	1	
5	1D003485	L.H. heated grip	1	
6	2B005683	Handlebar U-bolt	2	
7	2B004163	Upper handlebar clamp	1	
8	AP8152486	Metrical screw cylindrical head with cross mould M8x25 INOX	4	
9	2B012123	Right hand guard	1	
10	2B012124	Left hand guard	1	
11	2B006207	Right hand mirror	1	
12	2B006208	Driving mirror l.h.	1	
13	2B004798	Pre-impregnated screw TCEI M10X60 8.8	2	
14	AP8123721	Cup	2	
15	AP8144222	Rubber spacer	4	
16	854827	Spacer 10,1x14,1x38	2	
17	859949	Anti.v weight, black	2	
18	AP8706479	Anti vib.weight trailing	1	
19	AP8150045	Hex socket screw M6x55	2	
20	AP8121032	Bush	2	
21	AP8121080	Spacer	4	
22	GU01609630	Hose clamp L46 mm	4	
23	25001436	Anti vib.weight trailing	1	

Group	Handlebar - Controls
Code	07.030
Description	Clutch control
Service	1



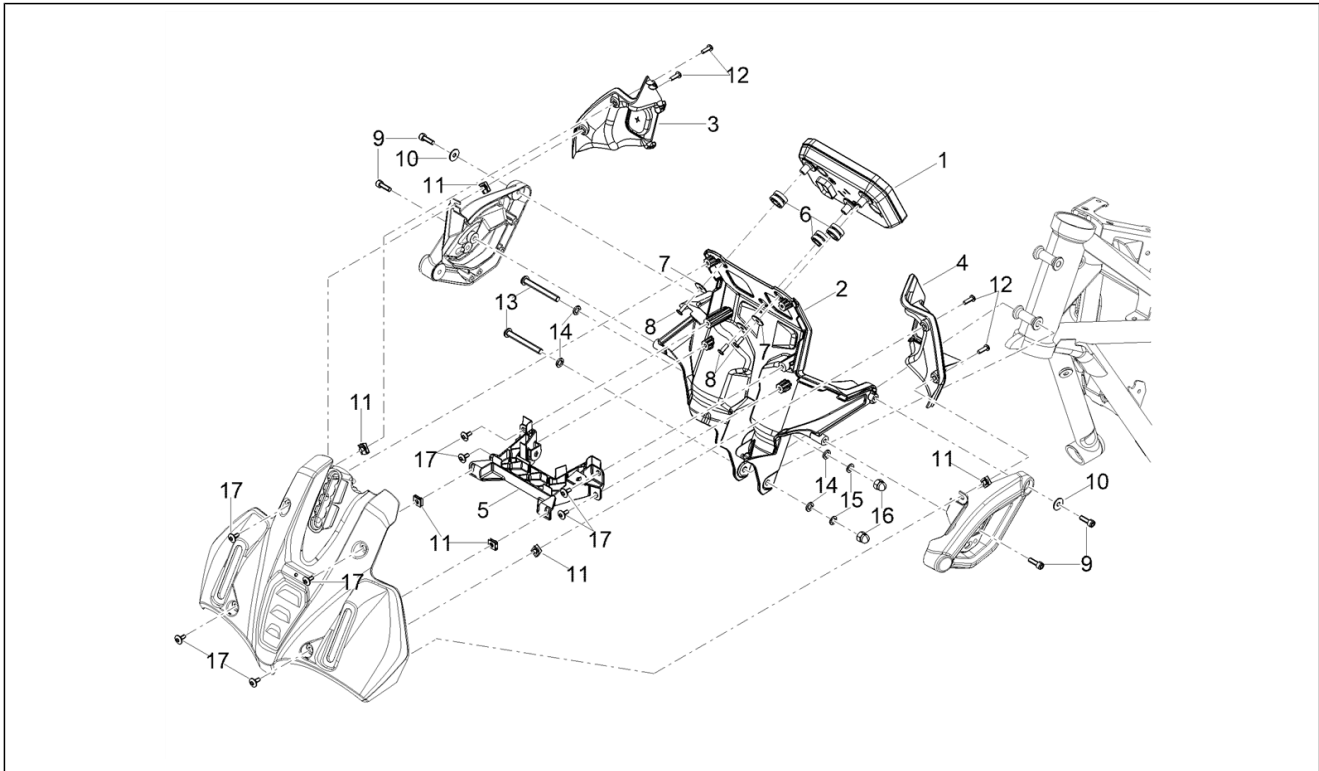
Pos.	Code	Description	Qty	Variants
1	2B004720	Clutch control lever set	1	
2	2B005851	Clutch cable	1	
3	2B006308	SHC screw M6x25	2	
4	856050	U-bolt	1	
5	2B004721	Clutch cable register	1	
6	2B006307	Spring	1	
7	2B006306	screw	1	
8	2D000497	Diagnosable clutch switch	1	
9	654174	Special cap screw M2x12*	2	
10	2B007401	Clutch lever	1	
11	2B007402	Spacer	1	
12	2B007810	Plate	1	

Group	Lights - Instruments
Code	08.010
Description	Front headlamps
Service	1



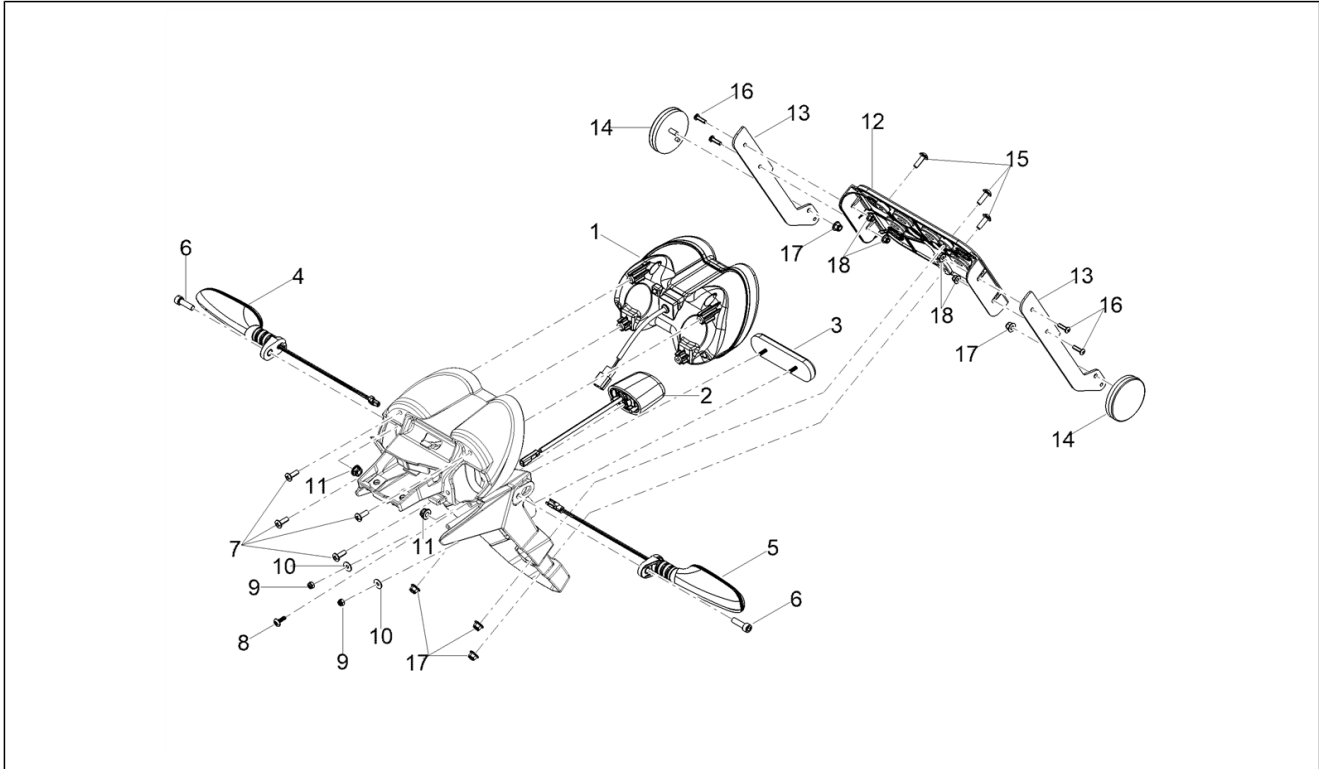
Pos.	Code	Description	Qty	Variants
1	2B011346	Front headlight	1	
2	2B011768	Maintenance	1	
3	2B011777	Front spoiler	1	
4	2B011769	Right headlamp support	1	
5	2B011770	Left headlamp support	1	
6	2D000715	Front right / Rear left turn sig. lamp	1	
7	2D000714	Front left/Rear right turn sig. lamp	1	
8	GU98680340	Hex socket screw M6x40	1	
9	GU95005306	Washer 6,4x13x1,5	1	
10	2B012128	Bush	1	
11	2B012127	Pin	1	
12	GU98692318	Hex socket screw M6x18	6	
13	AP8150378	Washer 6,4x18x2	2	
14	AP8152299	Self-locking nut M6	2	
15	B016796	Torx convex big end screw	2	
16	AP8152269	Hex socket screw	4	
17	GU98370655	Hex socket screw M6X55	2	
18	00G04401462	Clip M5	2	
19	2B011779	Deflector l.h.	1	
20	2B011778	Deflector r.h.	1	
21	AP8150248	Washer 5,5x15x1,6	4	
22	AP8221036	Bushing 5,3x8x7,1	4	
23	487665	Fairlead	4	
24	2B006107	Spacer	2	
25	2B006256	Plate	2	

Group	Lights - Instruments
Code	08.020
Description	Instruments
Service	1



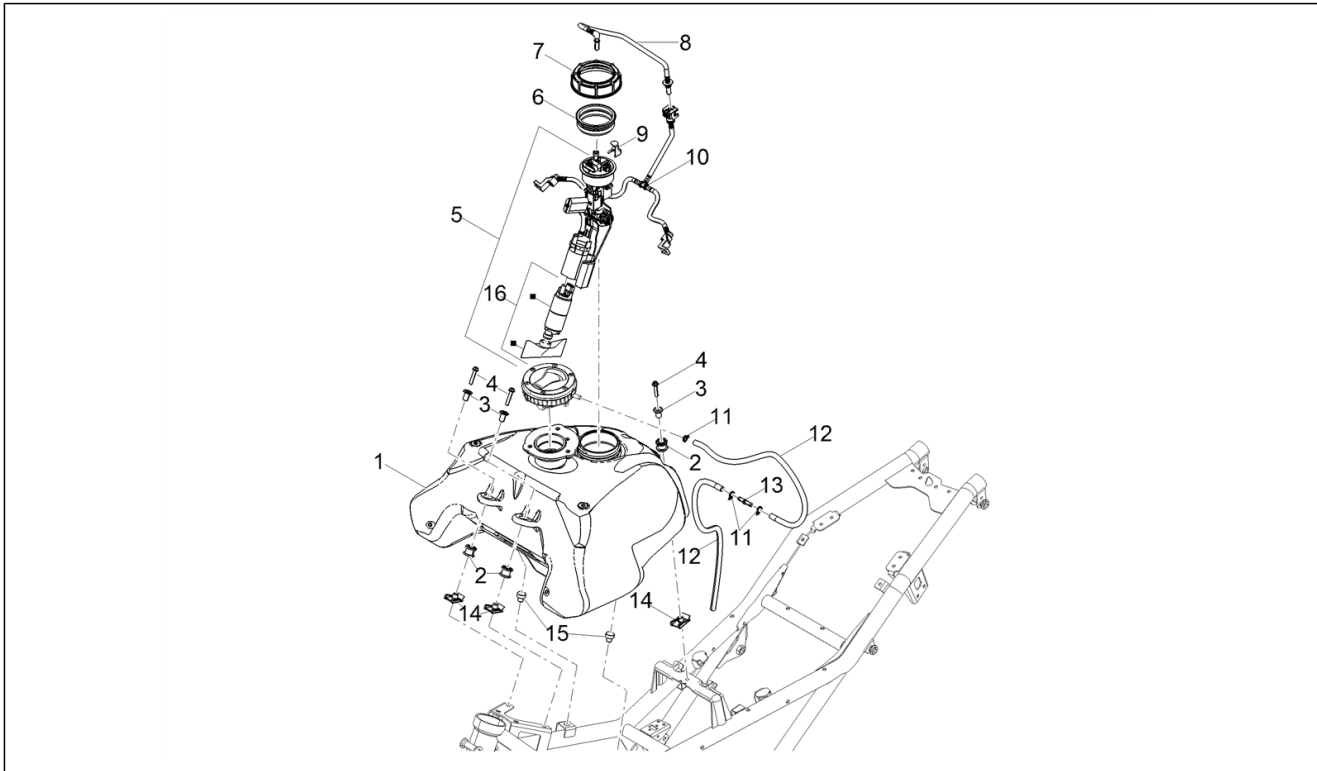
Pos.	Code	Description	Qty	Variants
1	2D000795	Dashboard TFT	1	
2	2B011768	Maintenance	1	
3	2B011784	Right internal cover	3	
4	2B011785	Left internal cover	3	
5	2B012006	Support clamp	3	
6	AP8220150	Rubber spacer	3	
7	AP8150255	Washer 5x20x1,5	3	
8	AP8150509	Self-tap screw 5x14	2	
9	GU98692318	Hex socket screw M6x18	4	
10	AP8150378	Washer 6,4x18x2	2	
11	00G04401462	Clip M5	1	
12	B016796	Torx convex big end screw	4	
13	841023	Torx Screw M8x65	2	
14	016604	Washer	4	
15	GU14615901	Washer 8,4X13X0,8	2	
16	860651	Cap nut M8x1,25	2	
17	AP8150500	Hex socket screw M5x9 NERINOX	8	

Group	Lights - Instruments
Code	08.030
Description	Rear headlamps
Service	1



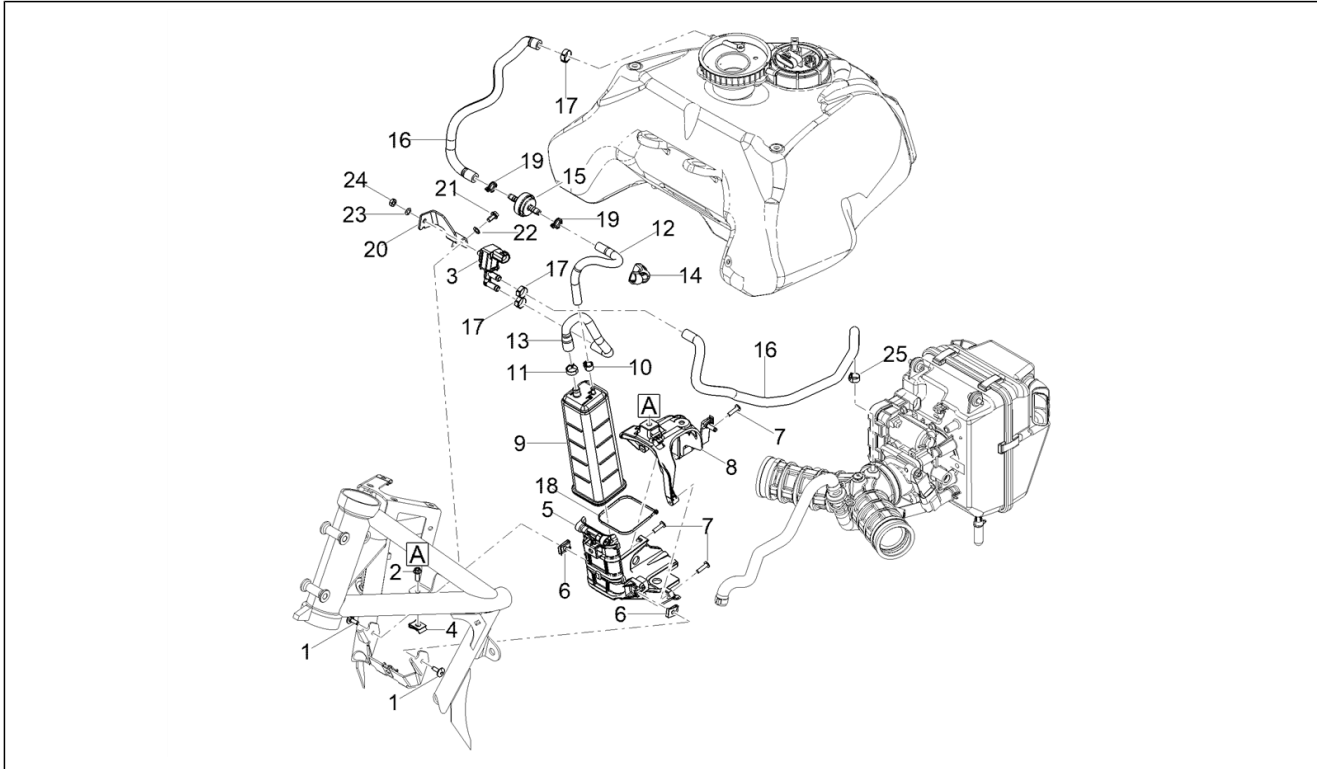
Pos.	Code	Description	Qty	Variants
1	2D000418	Taillight	1	
2	2B010225	Number-plate light	1	
3	AP8124718	Rear reflector, red	1	
4	2D000714	Front left/Rear right turn sig. lamp	1	
5	2D000715	Front right / Rear left turn sig. lamp	1	
6	GU98612320	Hex socket screw M6x20	2	
7	AP8150509	Self-tap screw 5x14	4	
8	CM178603	Self tapping screw D4.2x13	1	
9	AP8150204	Nut M4	2	
10	AP8150501	Washer	2	
11	AP8152299	Self-locking nut M6	2	
12	2B004072	Number plate support	1	
13	2B012720	Side reflector support	2	
14	AP8224164	Rear reflector, red	2	
15	AP8152298	Screw w/ flange M5x16	3	
16	2S001315	Hexagon convex big end screw M4X14	4	
17	AP8152306	Self-locking nut M5	5	
18	2B008790	Self-locking nut M4	4	

Group	Tank
Code	09.010
Description	Fuel tank
Service	1



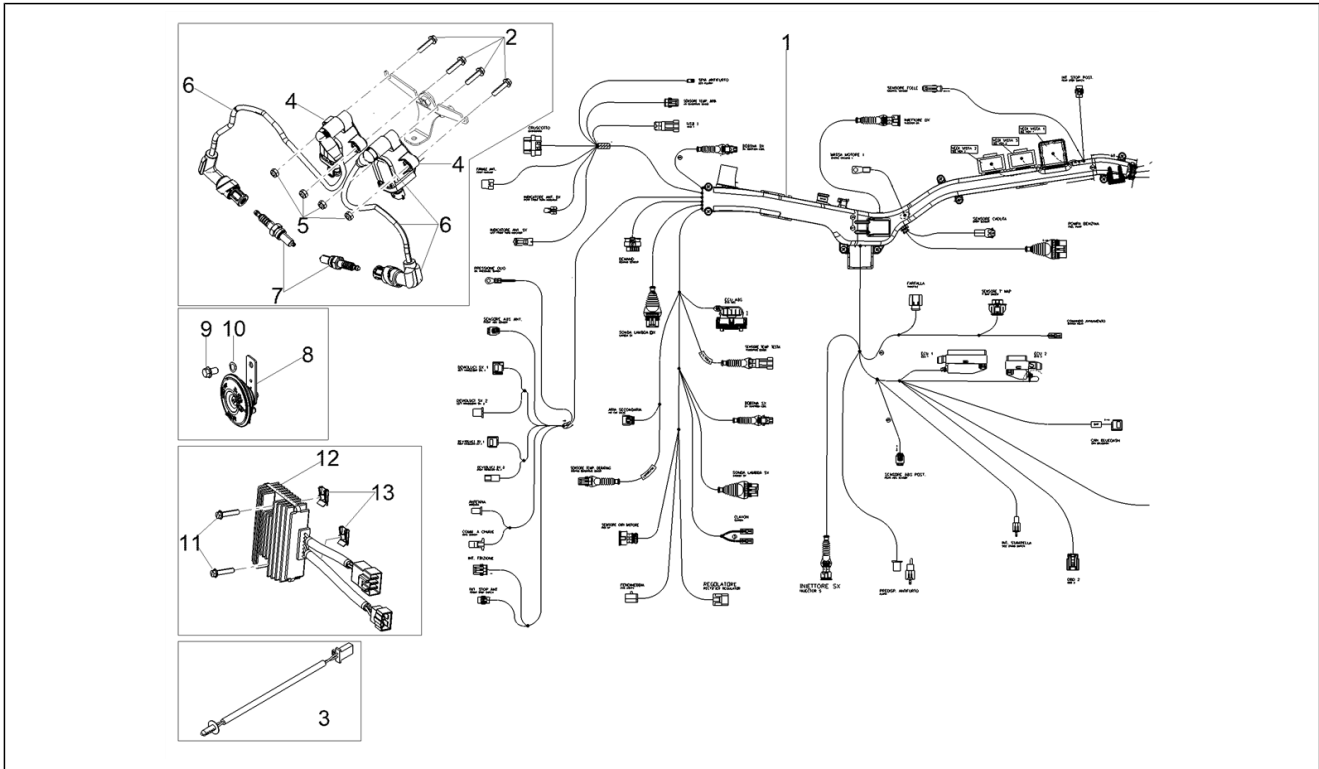
Pos.	Code	Description	Qty	Variants
1	2B005112	Fuel tank	1	
2	AP8144328	Rubber spacer	3	
3	AP8121421	T bush	3	
4	AP8152281	Screw w/ flange M6x30	1	
5	2D000451	Fuel pump	1	
6	656003	Gasket	1	
7	576546	Ring nut	1	
8	2B005119	Complete fuel pipe	1	
9	1B004354	Fuel pump bracket	1	
10	2B005075	Complete fuel pipe	1	
11	AP8102378	Hose clamp D11,3	3	
12	AP8120952	Tube 5,5x10	2	
13	2B000219	Joint	1	
14	254485	Spring plate M6	3	
15	AP8144158	Rubber spacer	2	
16	1D002525	Fuel filter kit	1	

Group	Tank
Code	09.020
Description	Fuel vapour recover system
Service	1



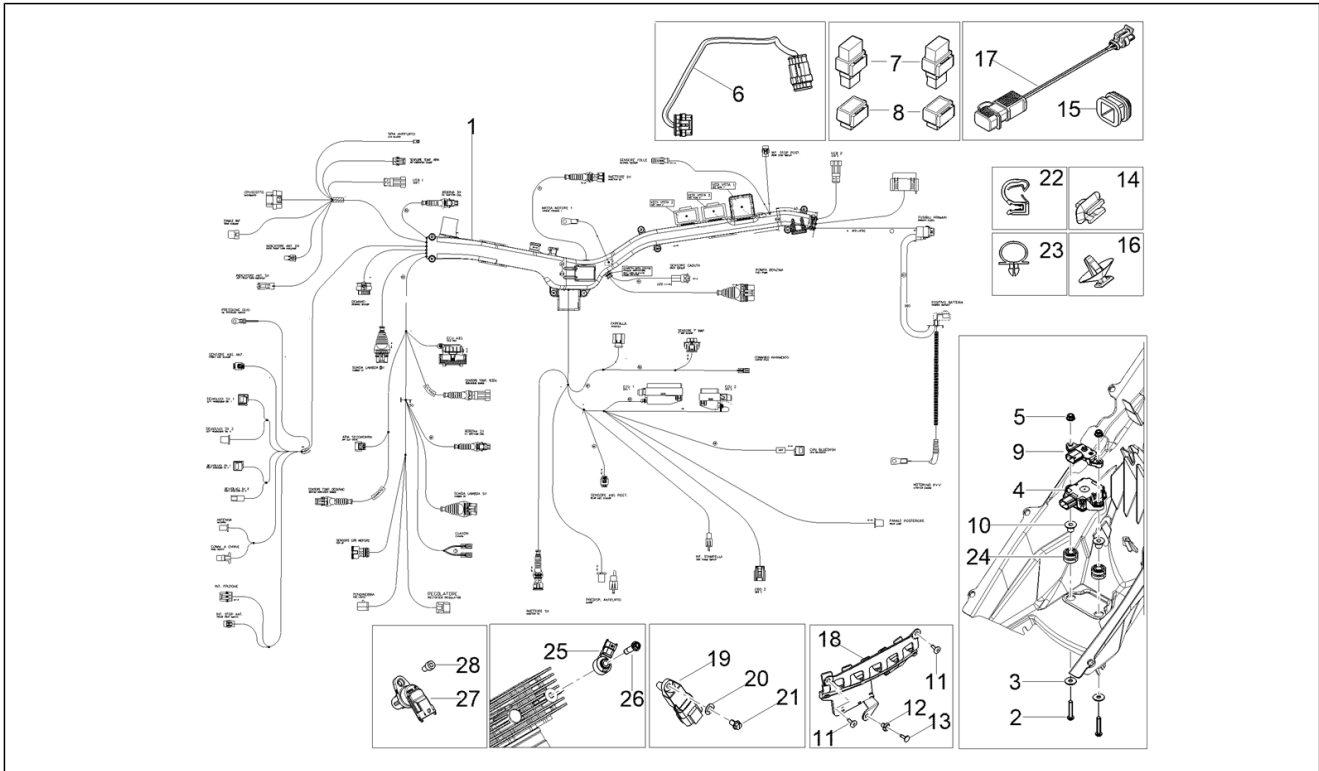
Pos.	Code	Description	Qty	Variants
1	AP8152302	Screw w/ flange M5x12	2	
2	AP8152278	Screw w/ flange M6x16	1	
3	1B008603	Solenoid valve	1	
4	254485	Spring plate M6	1	
5	2B004991	Support clamp	1	
6	AP8102375	Clip M5	2	
7	AP8152329	Phillips screw, SWP M5x20	1	
8	2B005243	Upper bracket	1	
9	2B005142	Canister	1	
10	AP8102738	Hose clamp	1	
11	AP8101586	Hose clip D.15,5x6,6	1	
12	2B004280	Canister / valve pipe	1	
13	2B007390	Tube Purge valve - Canister	1	
14	2B007930	Pipe guide	1	
15	CM179008	Safety valve	1	
16	856063	Tube SAE 30 d.12,7x6,35	2	
17	AP8102764	White hose clip d.13x6	4	
18	GU93304390	Hose clamp 3,6x375	1	
19	AP8102520	Hose clamp	2	
20	2B011725	Support clamp Purge Valve	1	
21	AP8152277	Flanged hexagon screw M6x12	1	
22	GU03013800	Washer 6,4x12	1	
23	AP8150182	Curved spring washer *	1	
24	020206	Nut M6	1	
25	AP8102239	Hose clamp 12,5x8	1	

Group	Electrical systems
Code	11.010
Description	Front electrical system
Service	1



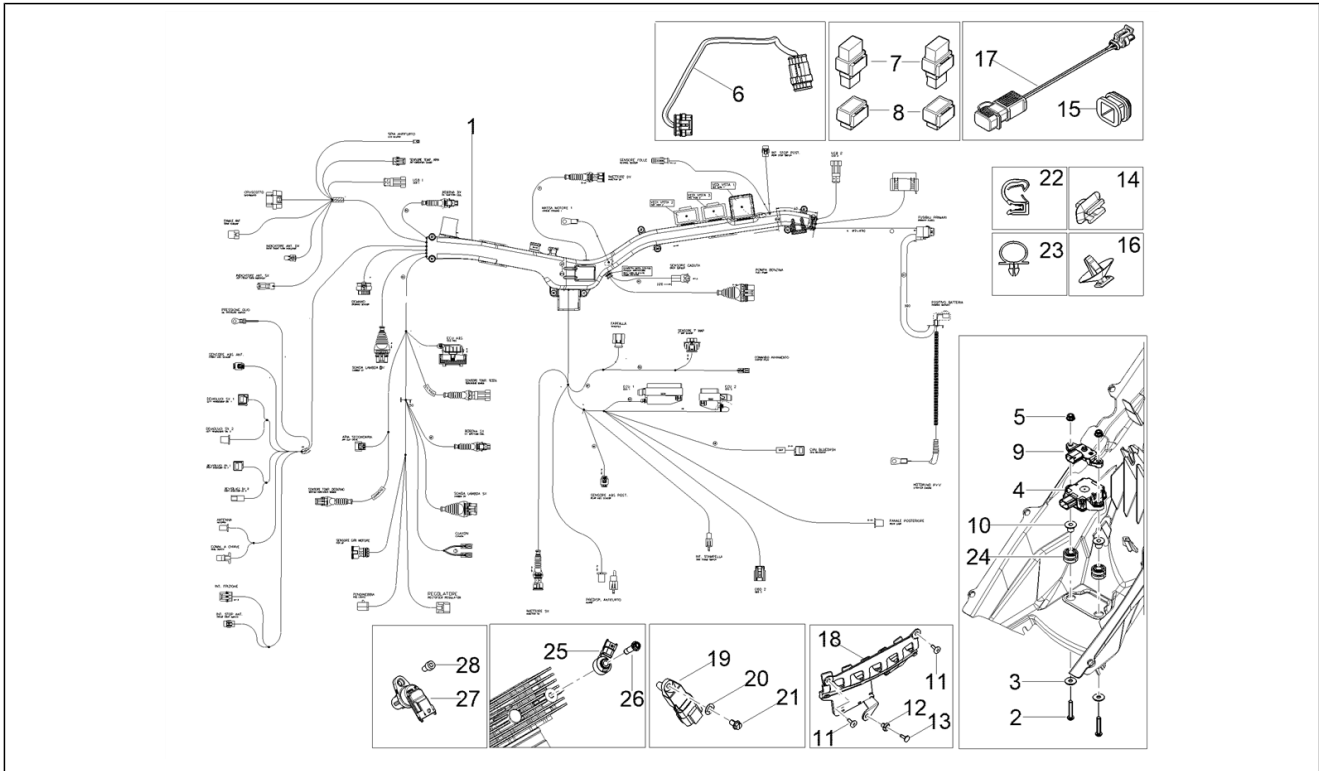
Pos.	Code	Description	Qty	Variants
1	2D000797	Main wiring harness	1	
2	AP8152280	Screw w/ flange M6x25	4	
3	1D003720R	Ambient temperature sensor	1	
4	641901	HT coil	2	
5	AP8150430	Low self-locking nut	4	
6	CM277103	Complete H.V. cable	2	
7	1A010638	Ignition spark plug MR8BI-8 NGK	2	
8	2D000454	Horn	1	
9	AP8152285	Flanged hexagon screw	1	
10	658837	Crinkle washer D15 F8,4 S1,5 - INOX	1	
11	AP8152281	Screw w/ flange M6x30	2	
12	640698	Voltage regulator	1	
13	254485	Spring plate M6	2	

Group	Electrical systems
Code	11.020
Description	Central electrical system
Service	1



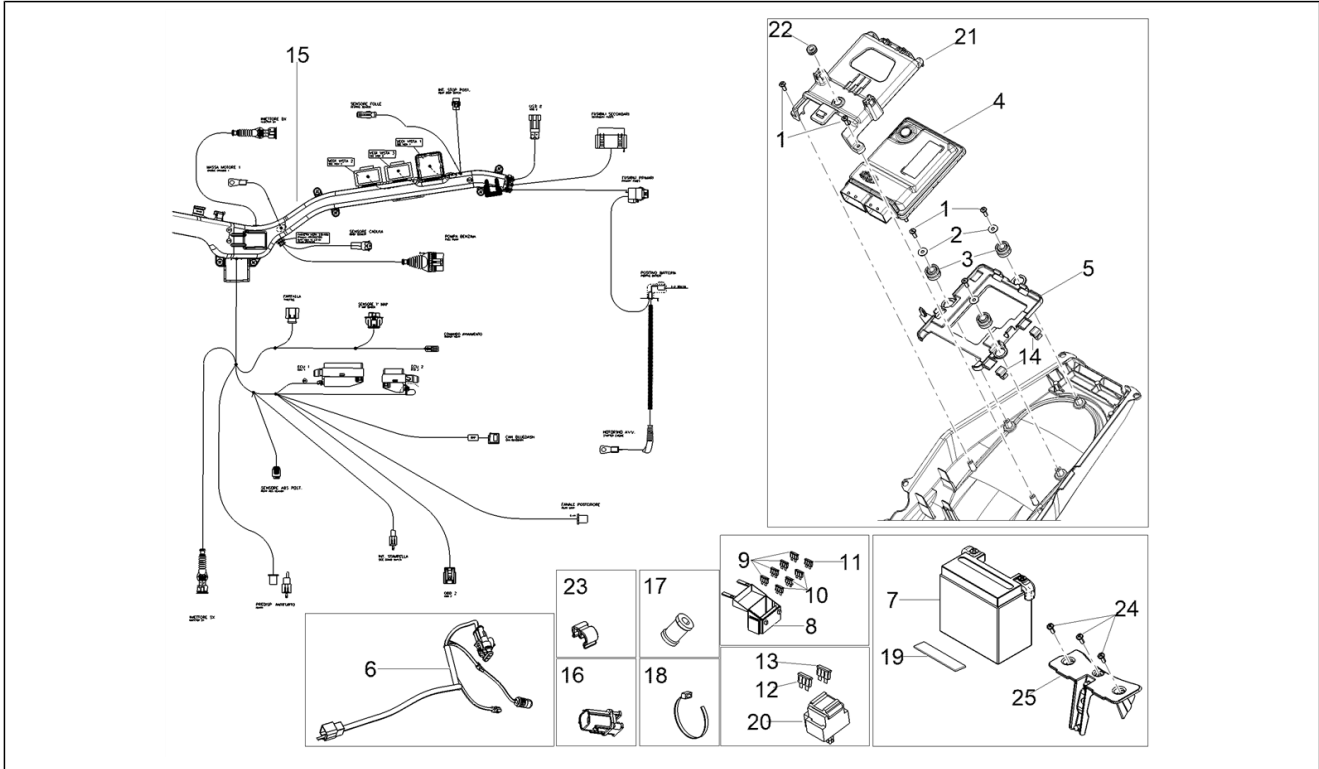
Pos.	Code	Description	Qty	Variants
1	2D000797	Main wiring harness	1	
2	AP8152128	Hex socket screw M6x30	2	
3	AP8150015	Washer 6,6x18x1,6*	2	
4	2D000713	ECU IMU	1	
5	AP8152299	Self-locking nut M6	2	
6	2D000494	Fuel pump wiring	1	
7	AP8224462	Relay 12V-30A	2	
8	AP8220283	Rubber spacer *	2	
9	2B008502	Sensor support	1	
10	AP8221023	T bush	2	
11	AP8152302	Screw w/ flange M5x12	2	
12	AP8144616	Rivet, female	1	
13	AP8144563	Rivet, male	1	
14	B005629	Spring	1	
15	1B001591	Cable grommet for USB port	1	
16	890760	Instrument support	1	
17	1D003323	USB port	1	
18	2B005590	Wiring harness support	1	
19	887015	Air temp. Sensor	1	
20	2B002418	Screw w/ flange M6x16	1	
21	658837	Crinkle washer D15 F8,4 S1,5 - INOX	1	
22	CM013202	Pipes/cables retainer spring	2	
22	CM013203	Sheet edge spring	6	
23	231590	Elastic spring L.17 mm	1	
24	AP8144662	Rubber spacer	2	
25	1A014213		2	
26	1A023064	Screw w/ flange M8X30	2	
27	1A024655	Phase/revolution sensor	1	

Group	Electrical systems
Code	11.020
Description	Central electrical system
Service	1



Pos.	Code	Description	Qty	Variants
28	122675	Hex socket screw	1	

Group	Electrical systems
Code	11.030
Description	Rear electrical system
Service	1



Pos.	Code	Description	Qty	Variants
1	AP8150509	Self-tap screw 5x14	3	
2	AP8150382	Washer 15x5,5X1,2	3	
3	AP8220150	Rubber spacer	3	
4	CM3018587	Electronic control unit ECU for injection	1	
5	2B007328	Holder	1	
6	2D000800	Taillight wiring harness.	1	
7	1R000319	Battery PTX14-BS 12V 12Ah (Piaggio)	1	
7	638733	Battery Yuasa YTX14-BS 12V-12Ah (150x87x145)	1	
8	894603	Fuse holder box	1	
9	CM225615	Fuse 15A	3	
10	CM225607	Fuse 7,5A	4	
11	CM225603	Fuse 3A	1	
12	CM225730	Fuse 30A	1	
13	CM225720	Fuse 20A	1	
14	AP8201727	Black cable guide	1	
15	2D000797	Main wiring harness	1	
16	1D002384	Connector cover	1	
17	109355	Fairlead	1	
18	GU14609650	Hose clamp 3,6x20,6	1	
19	AP8117200	Adhesive sponge	2	
20	AP8112811	Rubber fuse box	1	
21	2B011814	Holder	0	
22	AP8220186	Rubber spacer	5	
23	894704	Fairlead	5	
24	AP8150509	Self-tap screw 5x14	3	
25	2B011781	Battery holder	1	