


MOTO GUZZI®

SPARE PARTS CATALOGUE



Stelvio E5 ABS 2024 (NAFTA)

Chassis prefix: ZGUMGUE0

Engine prefix: AY

V 100 Stelvio

GU3285270

Index

Finished products.....	4
Alphanumeric index.....	5
Frame/bodywork.....	12
Table 01.010 - Frame/bodywork.....	12
Table 01.020 - Foot rests.....	13
Table 01.030 - Stand.....	15
Table 01.050 - Swing arm.....	16
Body.....	17
Table 02.030 - Front mudguard-Pillar.....	17
Table 02.040 - Front fairing.....	18
Table 02.050 - Windshield.....	19
Table 02.060 - Front body.....	21
Table 02.090 - Tank cover.....	22
Table 02.100 - Central body.....	23
Table 02.110 - Driving mirror/s.....	24
Table 02.120 - Saddle.....	25
Table 02.130 - Saddle compartment.....	26
Table 02.140 - Rear body.....	27
Table 02.150 - Rear mudguard.....	28
Table 02.160 - Luggage rack.....	29
Table 02.170 - Locks.....	30
Table 02.180 - Plate set / Various.....	31
Table 02.190 - Decal.....	32
Engine.....	33
Table 03.010 - Engine-Completing part-Lever.....	33
Table 03.020 - Internal gear selectors.....	34
Table 03.030 - Crankcases I.....	35
Table 03.050 - Air box.....	37
Table 03.060 - Throttle body.....	38
Table 03.090 - Cylinder head cover.....	39
Table 03.100 - Cylinder head - valves.....	40
Table 03.110 - Pad.....	41
Table 03.120 - Timing system.....	44
Table 03.135 - RH cylinder timing system I.....	45
Table 03.145 - LH cylinder timing system I.....	47
Table 03.150 - Cylinder - Piston.....	49
Table 03.160 - Cranckshaft.....	50
Table 03.170 - Gear box / Selector / Shift cam.....	51
Table 03.180 - Gear box - Gear assembly.....	53
Table 03.190 - Lubrication.....	55
Table 03.196 - Blow-by system.....	57
Table 03.210 - Cooler pump.....	58
Table 03.230 - Clutch.....	59

Table 03.290 - Starter / Electric starter.....	61
Table 03.300 - Cdi magneto assy / Ignition unit.....	62
Table 03.320 - Secondary air.....	63
Table 03.330 - Silencer.....	64
Table 03.340 - Rear transmission.....	66
Table 03.350 - Rear transmission / Components.....	67
Suspensions.....	68
Table 04.025 - Front fork Sachs.....	68
Table 04.080 - Shock absorber.....	69
Wheels.....	70
Table 05.010 - Front wheel.....	70
Table 05.020 - Rear wheel.....	71
Braking system.....	72
Table 06.010 - Front master cilinder.....	72
Table 06.020 - Front brake caliper.....	73
Table 06.030 - Rear master cylinder.....	74
Table 06.040 - Rear brake caliper.....	76
Table 06.050 - ABS Brake system.....	77
Handlebar - Controls.....	78
Table 07.010 - Steering.....	78
Table 07.020 - Handlebar - Controls.....	79
Table 07.030 - Clutch control.....	80
Lights - Instruments.....	82
Table 08.010 - Front headlamps.....	82
Table 08.020 - Instruments.....	83
Table 08.030 - Rear headlamps.....	84
Tank.....	85
Table 09.010 - Fuel tank.....	85
Table 09.020 - Fuel vapour recover system.....	86
Cooling system.....	87
Table 10.020 - Cooling system.....	87
Electrical systems.....	89
Table 11.010 - Front electrical system.....	89
Table 11.020 - Central electrical system.....	90
Table 11.030 - Rear electrical system.....	91

Finished products

Code	Validity
GU3285270YCR01	
GU3285270YCR02	

Code	No. table	Pos.	Code	No. table	Pos.	Code	No. table	Pos.
00008915020	03.050	12	1A019922	03.300	2	1A022494	03.170	15
00011051801	02.050	15	1A019927	10.020	47	1A022562	03.190	12
003058	01.020	28	1A019941	03.120	14	1A022588	03.030	28
003058	01.030	11	1A019981	03.120	11	1A022588	03.100	8
005141	03.120	4	1A020032	03.100	9	1A022588	03.150	9
005970	03.135	21	1A020040	03.180	42	1A022592	03.210	1
005970	03.145	21	1A020041	03.090	9	1A022657	03.190	13
006078	03.170	28	1A020046	03.135	5	1A022683	03.120	3
006125	03.300	19	1A020046	03.145	26	1A022774	03.030	13
006414	03.170	35	1A020061	03.290	1	1A022775	03.120	22
00G04401462	02.050	33	1A020071	03.180	31	1A022776	03.120	23
00G04401462	02.060	14	1A020105	03.135	20	1A022832	03.145	4
00G04401462	02.090	7	1A020105	03.145	20	1A022833	03.145	5
00G04401462	02.100	6	1A020109	03.300	18	1A022836	03.135	12
00G04401462	02.130	3	1A020113	03.300	9	1A022837	03.135	11
00G04401462	02.140	7	1A020117	03.300	5	1A02284946	03.190	2
00G04401462	02.150	8	1A020139	03.120	20	1A022859	03.120	19
00G04401462	02.160	5	1A020162	03.135	4	1A022904	03.120	8
00G04401462	08.020	15	1A020162	03.145	25	1A022906	03.100	18
00G04401462	08.030	16	1A020184	03.135	7	1A022907	03.100	18
018639	03.190	1	1A020184	03.145	24	1A022908	03.100	18
020105	03.170	29	1A020235	03.135	14	1A022909	03.100	17
020206	03.300	7	1A020235	03.145	14	1A022910	03.100	17
020206	09.020	22	1A020296	03.320	8	1A022911	03.100	17
122671	03.170	27	1A020942	03.170	26	1A0229125	03.160	7
178790	01.010	7	1A020957	03.030	22	1A022954	03.120	21
190567	02.030	3	1A020986	03.150	5	1A022956	03.145	16
1A000002	03.170	25	1A021053	03.210	6	1A022991	03.145	29
1A000005	03.170	32	1A021228	03.135	9	1A023064	03.135	27
1A000260	03.170	30	1A021228	03.145	12	1A023064	03.145	6
1A001013	03.190	9	1A021287R	10.020	44	1A023219	03.100	15
1A001107	03.030	24	1A021291	03.145	1	1A023242	03.300	15
1A001359	03.030	23	1A021294	03.135	1	1A023313	03.135	19
1A001359	03.290	5	1A021403	03.100	12	1A023313	03.145	19
1A001501	03.120	12	1A021470	03.150	6	1A023341	03.190	39
1A001501	03.135	31	1A021499	03.135	25	1A0233530B	03.160	3
1A001501	03.145	31	1A021499	03.145	8	1A0233530G	03.160	3
1A001675	03.170	11	1A021516	03.190	17	1A0233530R	03.160	3
1A001811	03.120	16	1A0216060B	03.160	5	1A0233530V	03.160	3
1A001966	03.120	5	1A0216060G	03.160	5	1A0233916E7	03.160	1
1A002468	03.300	14	1A0216060M	03.160	5	1A023391E6	03.160	1
1A002604	03.180	7	1A0216060R	03.160	5	1A023391E8	03.160	1
1A002952	03.135	6	1A0216060V	03.160	5	1A023438	03.030	17
1A002952	03.145	27	1A0216070B	03.160	6	1A023452	03.030	11
1A002954	03.060	6	1A0216070G	03.160	6	1A023456	03.030	5
1A003038	03.180	30	1A0216070M	03.160	6	1A023483	03.135	18
1A003050	03.300	1	1A0216070R	03.160	6	1A023483	03.145	18
1A005187	03.135	24	1A0216070V	03.160	6	1A023484	03.135	17
1A005187	03.145	9	1A021670	03.190	31	1A023484	03.145	17
1A005190	03.135	22	1A021691	03.030	21	1A0235055	03.120	1
1A005190	03.145	11	1A021700	03.030	30	1A0235164	10.020	41
1A006716	03.090	12	1A021714	03.100	4	1A023551	03.300	12
1A008434	03.100	11	1A021769R	03.300	11	1A023552	03.190	33
1A008503	03.290	2	1A021823	03.090	8	1A023580	03.190	3
1A014335	03.330	9	1A021824	03.090	7	1A023586	03.150	2
1A016409	03.190	27	1A021910	03.210	5	1A023587	03.150	3
1A016664	03.100	10	1A021960	03.060	7	1A023588	03.150	4
1A018096R	03.170	22	1A021962	03.135	10	1A023630	03.060	1
1A018620	03.135	28	1A021962	03.145	13	1A0236364	03.190	19
1A018625	03.030	6	1A021968	03.100	13	1A023687	03.090	14
1A018866	03.135	29	1A021984	03.160	4	1A023799	03.190	24
1A019621	03.120	2	1A022004	03.290	6	1A023804	03.190	22
1A019621	03.210	3	1A022254	03.135	16	1A023837	03.190	10
1A019851	03.190	21	1A022391	03.190	35	1A023870	03.170	2
1A019916	03.120	10	1A022437	03.190	8	1A023877	03.100	3
1A019919	03.145	15	1A022466	03.030	12	1A023883	03.030	7
1A019920	03.135	15	1A022482	03.300	6	1A023883	03.190	37

Code	No. table	Pos.	Code	No. table	Pos.	Code	No. table	Pos.
1A023884	03.120	9	1D003350	11.010	18	2B002171	02.140	5
1A023885	03.120	24	224566	03.350	3	2B002187	10.020	27
1A023906	03.100	18	231590	02.150	15	2B002195	03.330	15
1A023907	03.100	17	231590	11.010	8	2B002225	01.020	21
1A023928	03.190	5	254485	02.030	15	2B002254	10.020	11
1A0239344	03.210	7	254485	03.330	18	2B002416	05.010	13
1A023949	03.190	4	254485	06.050	13	2B002418	06.050	17
1A023971	03.190	18	254485	09.010	14	2B002569	10.020	26
1A024097	03.090	6	254485	10.020	24	2B002569	11.010	11
1A0241365	03.030	1	263815	03.120	25	2B002571	03.330	26
1A024144	03.190	32	268158	03.300	10	2B002632	09.020	1
1A024149	03.030	2	271740	01.010	9	2B002692	02.120	3
1A0241564	03.300	3	277916	03.030	9	2B003422	01.030	18
1A024165E6	03.160	2	277916	03.120	26	2B003422	02.150	13
1A024165E7	03.160	2	277916	03.135	3	2B003422	03.330	31
1A024165E8	03.160	2	277916	03.145	2	2B004031	03.330	20
1A024339	03.230	27	277916	03.180	26	2B004031	06.050	22
1A024351	03.230	9	277916	03.190	34	2B004031	07.010	13
1A024352	03.230	8	288245	03.120	7	2B004031	07.030	20
1A024353	03.230	6	292889	03.030	3	2B004072	02.150	5
1A024356	03.230	1	292889	03.150	7	2B004172	01.020	29
1A024413	03.060	4	2A001012	03.170	23	2B004276	02.170	20
1A024414	03.060	3	2A001078R	03.030	10	2B004511	01.020	11
1A024464	03.120	27	2A001078R	03.180	2	2B004560	03.190	16
1A024465	03.120	18	2A001218	03.170	34	2B004560	06.050	16
1A024466	03.120	17	2A001242	03.180	24	2B004704	03.020	13
1A024570	10.020	42	2A001244	03.180	16	2B004771	03.330	21
1A0246020C	03.150	1	2A001266	03.230	21	2B004778	05.010	12
1A0246020D	03.150	1	2A001278	03.230	22	2B004798	07.020	16
1A0246020E	03.150	1	2A001282	03.170	9	2B004800	03.030	20
1A024706	03.010	1	2A001300	03.230	23	2B004800	03.170	31
1A024874	03.030	4	2A001319	03.180	21	2B004822	03.020	12
1A024874	03.150	8	2A001348	03.170	4	2B004845	06.030	30
1A024876	03.230	29	2A001350	03.170	5	2B004963	11.020	13
1A025092	03.230	28	2A001363	03.170	13	2B005143	01.020	12
1A025280	03.180	41	2A001389	03.170	17	2B005184	02.170	19
1A025309	03.090	2	2A001391	03.180	12	2B005214	03.180	40
1A025310	03.090	1	2A001392	03.230	15	2B005680	02.170	14
1A025386	03.100	5	2A001395	03.230	12	2B005681	02.170	4
1A025859	03.230	25	2A001396	03.230	14	2B005945	06.050	11
1A025861	03.230	11	2A001397	03.230	16	2B006134	03.320	14
1A025862	03.230	20	2A001398	03.230	17	2B006398	06.020	5
1A025864	03.230	26	2A001399	03.230	13	2B006864	03.300	16
1A025865	03.230	10	2A001427	03.180	18	2B007074	06.010	19
1A025895	03.100	2	2A001428	03.180	15	2B007074	07.030	6
1A025896	03.100	1	2A001429	03.170	6	2B007141	06.030	12
1A025985	03.090	3	2A001445	03.230	19	2B007234	06.010	10
1A025987	03.090	4	2A001446	03.230	18	2B007235	06.010	9
1A026315	03.230	7	2A001453	03.180	35	2B007247	02.030	16
1A026316	03.230	4	2A001454	03.180	28	2B007247	02.060	16
1A026431	03.230	31	2A001454	03.230	3	2B007247	02.150	16
1A026493	03.230	24	2A001456	03.180	3	2B007247	03.330	19
1B001591	11.010	14	2A001459	03.180	14	2B007292	03.100	19
1B004354	09.010	18	2A001469	03.170	1	2B007325	05.010	6
1B008127	02.030	14	2A001486	03.180	4	2B007535	03.330	27
1B008603	09.020	3	2A001487	03.180	8	2B007662	03.320	13
1C001209	06.050	19	2A001492	03.180	13	2B007662	09.020	2
1C001209	07.030	9	2A001494	03.170	10	2B007821	03.330	14
1C001499	05.010	18	2A001499	03.180	36	2B007845	01.020	13
1C001499	11.010	19	2A001505	03.180	25	2B007846	05.010	7
1D000129	11.030	22	2A001506	03.180	11	2B007846	05.020	9
1D001003	03.090	10	2A0015084	03.170	8	2B008299	06.040	1
1D001143	11.010	16	2A001509	03.180	10	2B008330	05.020	4
1D002265	11.010	12	2B000215	03.330	13	2B008389	01.010	8
1D002384	11.030	25	2B000404	03.350	17	2B008462	08.020	8
1D003323	11.010	13	2B000508	06.030	1	2B008491	03.350	4
1D003350	05.010	17	2B002146	08.030	10	2B008578	03.350	22

Code	No. table	Pos.	Code	No. table	Pos.	Code	No. table	Pos.
2B008581	03.350	7	2B009965	03.050	6	2B010189	02.140	2
2B008583	03.350	8	2B009966	03.050	5	2B010190	02.140	1
2B008587	03.350	16	2B009967	03.050	2	2B010191	02.160	1
2B008588	03.350	18	2B009968	03.050	7	2B010192	02.130	1
2B008595	03.350	23	2B009969	03.050	8	2B010193	02.030	6
2B008598	03.350	14	2B009970	03.050	3	2B010195	02.030	1
2B008600	03.340	3	2B009973	03.050	18	2B010210	02.050	19
2B008760	10.020	8	2B009980	10.020	28	2B010213	01.030	3
2B008780	07.030	1	2B009981	10.020	19	2B010226	03.330	3
2B008781	06.010	1	2B010013	01.020	5	2B010227	03.330	2
2B008790	09.010	1	2B010019	11.030	11	2B010234	01.020	3
2B008880	03.350	6	2B010020	11.030	7	2B010256	03.330	7
2B008947	10.020	13	2B010030	06.030	14	2B010278	02.150	4
2B009001	03.350	19	2B010030	07.030	25	2B010283	01.030	15
2B009046	06.050	2	2B010032	02.110	3	2B010284	01.030	14
2B009084	03.340	2	2B010032	06.010	7	2B010304	02.050	12
2B009221	05.020	13	2B010032	07.030	2	2B010312	02.140	6
2B009242	03.350	9	2B010042	03.320	3	2B010338	03.050	15
2B009252	03.350	1	2B010043	03.320	2	2B010343	10.020	9
2B009296	05.020	6	2B010044	03.320	1	2B010344	10.020	10
2B009303	05.010	9	2B010046	06.050	3	2B010345	10.020	7
2B009388	03.340	7	2B010056	06.030	15	2B010350	06.030	4
2B009392	03.330	10	2B010057	09.010	3	2B010374	04.025	1
2B009423	02.040	16	2B010074	06.050	21	2B010375	04.025	1
2B009423	02.050	31	2B010076	06.050	20	2B010435	09.010	5
2B009423	02.140	11	2B010094	06.020	4	2B010485	01.030	1
2B009423	02.150	10	2B010095	06.020	2	2B010499	01.030	9
2B009423	08.010	4	2B010096	06.020	1	2B010503	01.030	8
2B009450	06.010	15	2B010121000N20	01.010	1	2B010535	03.350	12
2B009458	06.010	18	2B010128	02.050	25	2B010546	10.020	3
2B009459	07.030	23	2B010129	02.050	5	2B010547	10.020	4
2B009474	01.050	3	2B010130	02.050	9	2B010548	09.010	2
2B009475	01.050	4	2B010132	02.050	11	2B010563	07.020	5
2B009489	09.010	17	2B010133	02.050	16	2B010565	07.020	4
2B009598	09.020	6	2B010134	02.050	6	2B010570	01.030	10
2B009608	07.030	8	2B010135	02.050	18	2B010649	02.100	4
2B009638	09.010	22	2B010137	08.020	11	2B010650	02.100	3
2B009639	01.020	10	2B010141	02.050	17	2B010668	02.050	21
2B009648	03.330	11	2B010143	02.050	8	2B010671	09.010	6
2B009674	06.040	3	2B010151	03.196	1	2B010679	11.010	17
2B009675	06.040	5	2B010162	10.020	18	2B010680	07.030	12
2B009678	06.030	13	2B010163	10.020	16	2B010712	01.020	23
2B009678	07.030	24	2B010164	10.020	15	2B010713	01.020	30
2B009693	04.080	8	2B010165	10.020	17	2B010728	02.170	17
2B009698	01.050	9	2B010166	02.090	2	2B010769	09.010	7
2B009698	03.340	4	2B010167	02.090	1	2B010822	03.330	29
2B009728	05.020	5	2B010169	02.060	2	2B010830	01.010	4
2B009774	05.020	8	2B010169000G44	02.060	2	2B010844	06.050	18
2B009775	05.020	7	2B010170	02.060	1	2B010845	06.050	6
2B009776	03.050	4	2B010170000G44	02.060	1	2B010852	06.050	7
2B009782	07.010	2	2B010171	02.060	4	2B010853	07.030	31
2B009786	05.010	1	2B010172	02.060	3	2B010856	07.030	19
2B009787	05.020	2	2B010173	02.060	6	2B010863	02.050	37
2B009847	03.050	19	2B010174	02.060	5	2B010864	02.050	36
2B009849	03.050	20	2B010175	02.040	4	2B010890	02.040	2
2B009853	08.020	4	2B010176	02.040	1	2B010891	08.020	3
2B009874	02.140	13	2B010177	02.040	3	2B010892	08.020	2
2B009877	02.150	2	2B010179	02.040	7	2B010893	03.350	15
2B009891	01.020	6	2B010180	02.040	8	2B010900	01.010	5
2B009896	04.080	5	2B010183	02.090	3	2B010901	02.030	2
2B009905	03.330	4	2B010184	02.090	4	2B010923	09.020	8
2B009906	03.330	5	2B010185000C1	02.120	1	2B0109405	02.050	39
2B009921	02.150	3	2B010186000C1	02.120	2	2B010954	10.020	1
2B009930	01.010	6	2B010187	02.100	2	2B010957	01.050	1
2B009937	10.020	5	2B010187000G44	02.100	2	2B010969	02.030	11
2B009955	04.080	1	2B010188	02.100	1	2B010970	02.030	12
2B009960	03.050	1	2B010188000G44	02.100	1	2B010972	10.020	2

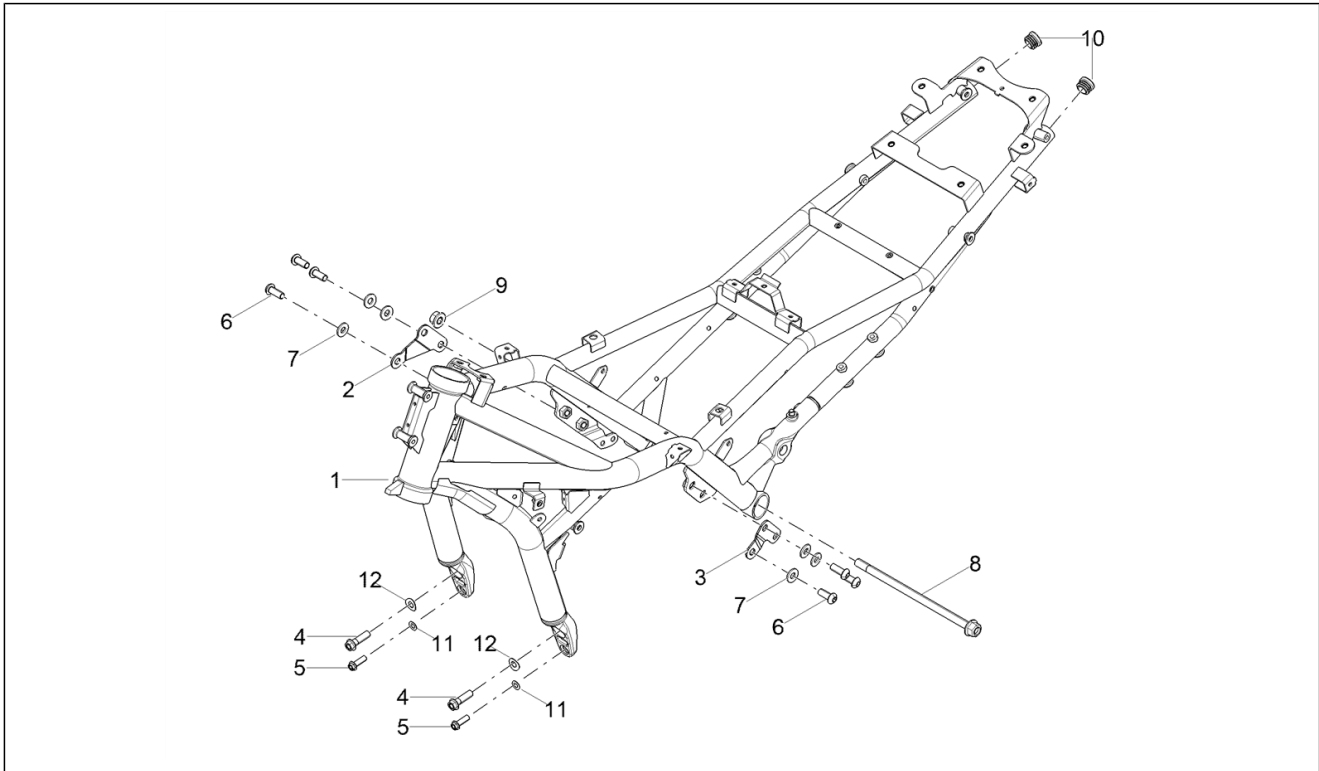
Code	No. table	Pos.	Code	No. table	Pos.	Code	No. table	Pos.
2B010977	07.020	1	2B012444	01.010	10	2G000907	02.190	12
2B010978	02.110	1	2B012447	07.010	3	2H002592	02.190	3
2B010979	02.110	2	2B012494	10.020	14	2H002593	02.190	4
2B010981	07.030	26	2B012504	05.010	23	2H006014000Z1	02.090	1
2B010985	07.020	25	2B012505	05.020	1	2H006015000Z1	02.090	2
2B010985	07.030	17	2B012514000N20	01.010	3	2H006022000Z2	02.090	1
2B010986	07.020	22	2B012515000N20	01.010	2	2H006023000Z2	02.090	2
2B010991	07.010	14	2B012711	02.040	17	2H006041	02.190	1
2B010991	07.030	21	2B012725	08.010	1	2H006042	02.190	2
2B011002	09.010	16	2B012779	07.020	13	2H006045	02.190	5
2B011030	02.050	30	2B012782	07.020	14	2H006046	02.190	6
2B011031	02.050	38	2B012833	02.140	3	2H006049	02.190	7
2B011076	01.020	4	2B012834	02.140	4	2H006050	02.190	8
2B011110	03.020	16	2B013027	02.150	1	2H006054	02.190	5
2B011112	06.030	6	2B013126	11.030	31	2H006055	02.190	6
2B011116	06.040	7	2B013140	07.030	15	2H006058	02.190	7
2B011117	06.040	2	2B013145	07.030	33	2H006059	02.190	8
2B011118	06.040	6	2B013162	04.025	1	2Q000561	02.180	1
2B011121	07.010	12	2B013163	04.025	1	414838	03.100	16
2B011138	01.030	2	2B013164	04.025	1	436739	03.190	36
2B011144	03.020	15	2B013165	04.025	1	463195	02.060	12
2B011181	06.010	2	2B013166	04.025	1	463195	02.090	9
2B011206	06.030	18	2B013167	04.025	1	479175	06.010	16
2B011247	11.030	32	2B013168	04.025	1	479175	07.030	32
2B011272	03.340	1	2B013169	04.025	1	485703	03.190	23
2B011282	02.050	14	2B013170	04.025	1	485913	03.030	14
2B011331	02.040	5	2B013171	04.025	1	487665	07.030	29
2B011332	02.040	6	2B013172	04.025	1	487665	11.020	10
2B011334	07.030	13	2B013173	04.025	1	567672	03.170	21
2B011340	02.050	35	2B013515	04.080	4	568636	03.300	17
2B011340	08.020	16	2D000051	03.340	8	576546	09.010	20
2B011352	01.050	2	2D000051	11.030	28	581142	11.010	4
2B011356	10.020	39	2D000095	07.020	7	581440	11.030	9
2B011357	10.020	38	2D000284	08.030	9	581596	11.030	10
2B011358	10.020	40	2D000325	06.030	31	581957	05.010	20
2B011359	10.020	36	2D000496	02.170	10	581957	11.010	20
2B011362	02.050	29	2D000530	01.030	4	581957	11.020	18
2B011370	10.020	32	2D000549	07.020	10	582690	11.030	8
2B011378	02.170	1	2D000552	07.020	8	582928	11.020	17
2B011392	02.170	21	2D000572	10.020	6	599208	01.020	7
2B011429	02.150	9	2D000702	08.030	1	599208	01.030	17
2B011432	01.050	7	2D000713	11.030	4	599619	02.060	11
2B011433	01.050	6	2D000714	08.010	6	599619	02.090	10
2B011460	07.020	3	2D000715	08.010	5	620969	02.050	10
2B011466	02.050	1	2D000724	11.010	3	620970	02.050	7
2B011469	03.050	14	2D000734	08.020	1	621097	02.120	5
2B011513	02.050	23	2D000758	11.020	4	621098	02.120	4
2B011514	02.050	20	2D000759	11.020	3	621099	02.120	6
2B011538	02.050	26	2D000761	08.030	11	638733	11.030	6
2B011542	03.050	21	2D000761	11.030	2	641652	09.020	19
2B011555	03.330	12	2D000762	11.010	2	641652	10.020	46
2B011562	01.020	9	2D000766	08.030	7	656003	09.010	19
2B011610	05.020	3	2D000767	08.030	5	658837	02.050	28
2B011637	07.010	1	2D000769	11.020	6	825694	03.030	25
2B011673	03.330	8	2D000784	11.020	20	825758	03.180	39
2B011776	03.330	6	2D000789	11.010	1	82778R	03.030	29
2B011807	01.020	2	2D000789	11.020	1	82991R	03.210	4
2B011809	01.020	1	2D000789	11.030	1	831393	03.190	6
2B011824	03.330	28	2D000790	11.020	5	833701	03.160	8
2B011905	07.020	2	2D000790	11.030	3	833965	03.050	23
2B011918	03.330	1	2D000803	07.030	11	843213	02.130	6
2B011954	10.020	35	2D000809	02.050	24	847239	03.100	6
2B011955	10.020	48	2D000834	06.050	1	847239	03.135	8
2B012007	01.020	31	2D000842	11.020	2	847239	03.145	23
2B012095	02.060	7	2G000890	02.190	9	847239	03.210	10
2B012412	03.020	1	2G000891	02.190	10	849308	03.180	5
2B012442	06.030	7	2G000892	02.190	11	849309	03.180	6

Code	No. table	Pos.	Code	No. table	Pos.	Code	No. table	Pos.
849310	03.180	9	895328	03.020	2	AP8120446	09.020	14
849396	03.180	22	895328	06.030	19	AP8120446	10.020	45
849424	03.180	17	896174	02.150	7	AP8120657	09.020	12
849898	03.060	8	896174	06.030	17	AP8120712	11.030	15
852391	02.120	7	898396	03.020	14	AP8120822	06.030	24
853215	01.020	8	898634	03.230	5	AP8120831	01.020	16
854970	03.050	17	899105	02.170	5	AP8120912	03.020	5
856063	09.020	7	899106	02.170	7	AP8120912	06.030	28
856180	02.170	11	899106	09.010	9	AP8120952	09.020	10
856914	03.330	30	899107	02.170	6	AP8120952	10.020	12
857045	03.320	9	899107	09.010	8	AP8121032	07.020	18
857046	03.320	10	899543	02.170	18	AP8121133	01.020	26
857047	03.320	11	899811	06.050	4	AP8121199	03.330	22
857175	03.170	3	974129	03.030	19	AP8121221	03.020	6
857181	03.320	4	974129	03.170	7	AP8121221	06.030	27
857250	03.170	20	974162	03.180	20	AP8121332	03.330	23
857427	03.030	27	974165	03.180	23	AP8121420	02.170	12
857429	10.020	43	976591	03.090	11	AP8121421	09.010	12
857501	03.090	5	978415	02.170	13	AP8121520	07.020	9
859777	05.010	19	978498	05.010	14	AP8121679	03.050	11
859777	06.030	33	978516	05.010	2	AP8123641	07.010	11
859777	11.010	21	AP8101595	06.010	17	AP8123642	07.010	9
859777	11.020	19	AP8101595	06.030	11	AP8123643	07.010	7
859946	06.030	22	AP8101595	07.030	22	AP8123644	07.010	10
859949	07.020	6	AP8101928	01.020	20	AP8123721	07.020	15
860171	03.330	16	AP8101968	06.030	9	AP8124718	08.030	12
873689	03.135	30	AP8102159	10.020	37	AP8125773	05.010	5
873690	03.120	15	AP8102239	09.020	13	AP8125777	05.010	3
873690	03.145	30	AP8102349	03.196	3	AP8125842	05.010	4
873905	03.030	15	AP8102375	02.040	10	AP8127461	02.090	12
874549	03.120	6	AP8102375	02.050	32	AP8127601	09.020	17
874549	03.145	32	AP8102375	02.060	15	AP8133502	06.010	6
874549	03.190	25	AP8102375	02.090	6	AP8133502	07.030	5
874549	03.190	7	AP8102375	02.140	12	AP8133666	06.010	3
874549	03.230	30	AP8102375	08.010	8	AP8133666	07.030	7
874549	03.290	3	AP8102375	08.020	7	AP8133945	06.050	8
874550	03.030	18	AP8102375	08.030	3	AP8133945	07.030	14
874550	03.180	1	AP8102378	09.020	11	AP8134167	03.050	22
874551	03.135	2	AP8102378	10.020	33	AP8134276	01.020	15
874551	03.145	3	AP8102386	09.010	4	AP8134451	01.020	25
874551	03.180	38	AP8102386	11.010	5	AP8144007	03.020	3
874551	03.210	9	AP8102386	11.020	9	AP8144007	06.030	21
874555	03.090	13	AP8102520	09.020	16	AP8144158	09.010	15
874555	03.290	4	AP8102524	01.030	7	AP8144328	09.010	13
876337	03.180	32	AP8102600	03.340	6	AP8144552	11.030	23
877441	03.170	24	AP8102738	09.020	18	AP8144558	03.330	24
877885	03.135	23	AP8102764	09.020	15	AP8144563	02.100	7
877885	03.145	10	AP8102786	03.320	5	AP8144563	11.020	16
878296	03.180	33	AP8104728	05.010	21	AP8144616	02.100	8
879523	03.135	26	AP8104728	05.020	11	AP8144616	11.020	15
879523	03.145	7	AP8110067	03.180	37	AP8144662	11.030	17
884033	03.020	4	AP8110110	01.020	27	AP8150011	10.020	29
884033	06.030	20	AP8113004	06.050	5	AP8150015	02.030	8
886184	01.020	14	AP8113004	07.030	10	AP8150015	06.050	10
886185	01.020	17	AP8113070	06.040	4	AP8150015	06.050	15
886820	02.170	16	AP8113230	06.010	5	AP8150015	09.010	21
887015	03.060	5	AP8113230	07.030	4	AP8150015	11.030	19
887831	07.010	8	AP8113288	06.030	3	AP8150020	03.020	9
887832	07.010	6	AP8118579	07.020	11	AP8150020	06.030	35
890760	11.010	9	AP8120001	02.030	13	AP8150027	01.030	12
890760	11.020	14	AP8120030	02.030	9	AP8150045	07.020	17
890760	11.030	14	AP8120030	06.010	13	AP8150115	06.050	9
893138	06.030	23	AP8120030	06.050	12	AP8150170	01.050	8
893823	10.020	20	AP8120030	10.020	23	AP8150171	02.170	9
894603	11.030	26	AP8120116	09.020	5	AP8150178	06.010	20
894704	11.010	6	AP8120178	06.030	8	AP8150178	07.020	21
894704	11.020	12	AP8120275	10.020	25	AP8150178	07.030	28

Code	No. table	Pos.	Code	No. table	Pos.	Code	No. table	Pos.
AP8150179	03.050	16	AP8152156	03.340	9	AP8221023	11.030	18
AP8150182	06.010	8	AP8152156	11.030	29	AP8221204	01.030	6
AP8150182	09.020	21	AP8152181	10.020	50	AP8221211	01.030	5
AP8150204	08.030	14	AP8152194	02.170	25	AP8221277	01.020	18
AP8150204	10.020	30	AP8152246	11.010	15	AP8224462	11.020	8
AP8150207	02.160	3	AP8152272	03.030	8	AP8224470	03.020	7
AP8150210	01.010	12	AP8152273	02.160	4	AP8224470	06.030	26
AP8150236	07.010	5	AP8152273	08.030	15	AP8257755	02.190	13
AP8150248	02.040	13	AP8152274	02.130	5	AP8257794	02.190	14
AP8150248	03.050	10	AP8152275	03.050	9	AP9100053	02.060	18
AP8150252	02.060	10	AP8152277	01.020	24	AP9100053	10.020	49
AP8150255	08.020	13	AP8152277	04.080	3	AP9100519	06.050	23
AP8150269	01.030	13	AP8152279	07.030	16	AP9100519	11.010	23
AP8150277	03.330	17	AP8152280	02.030	7	AP9150051	03.170	14
AP8150285	04.025	1	AP8152280	10.020	21	B013042	03.060	2
AP8150292	06.040	9	AP8152281	02.060	17	B013608	03.030	16
AP8150311	02.040	12	AP8152281	04.080	2	B013608	03.170	18
AP8150311	07.020	24	AP8152281	10.020	51	B013608	03.180	27
AP8150351	02.170	8	AP8152286	02.160	2	B013608	03.230	2
AP8150376	01.010	11	AP8152287	03.300	4	B014440	03.170	33
AP8150376	02.050	34	AP8152298	02.150	11	B015040	03.180	19
AP8150376	03.020	10	AP8152299	06.030	16	B015445	03.120	13
AP8150376	08.020	14	AP8152299	07.020	23	B015445	03.145	28
AP8150413	11.030	30	AP8152299	07.030	18	B015445	03.190	26
AP8150431	03.020	11	AP8152299	08.010	9	B016425	03.030	26
AP8150453	02.170	2	AP8152299	08.020	12	B016425	03.210	8
AP8150454	02.090	11	AP8152299	08.030	8	B016425	08.020	10
AP8150454	02.170	3	AP8152299	11.010	10	B016776	03.100	14
AP8150454	09.010	10	AP8152299	11.030	16	B016792	03.135	32
AP8150462	03.020	8	AP8152300	03.330	25	B016792	03.145	33
AP8150462	06.030	25	AP8152301	04.080	6	B016796	03.170	19
AP8150491	05.010	8	AP8152302	02.090	8	B017662	03.170	12
AP8150491	05.020	10	AP8152302	02.130	2	B017666	03.170	16
AP8150500	02.030	5	AP8152302	02.140	10	B018222	03.300	13
AP8150500	02.040	9	AP8152306	02.150	12	B018223	03.180	34
AP8150500	02.050	22	AP8152306	06.030	36	B018223	03.300	20
AP8150500	02.060	13	AP8152320	03.300	8	B018314	03.190	20
AP8150500	02.090	5	AP8152320	06.040	8	B018753	03.210	2
AP8150500	02.100	5	AP8152323	05.010	15	B018969	03.190	11
AP8150500	02.130	4	AP8152329	02.050	13	B019103	03.100	7
AP8150500	02.140	9	AP8152329	08.010	2	B019103	03.135	13
AP8150500	06.030	29	AP8152335	05.010	16	B019103	03.145	22
AP8150500	07.020	19	AP8152411	04.080	7	B019103	03.180	43
AP8150500	08.020	6	AP8152442	07.010	4	B019167	03.190	15
AP8150500	08.030	2	AP8152486	07.020	12	B044279	05.010	11
AP8150500	11.030	24	AP8201301	06.030	10	B044280	05.010	10
AP8150501	08.030	13	AP8201305	02.170	24	B044598	06.020	3
AP8150502	01.030	16	AP8201358	03.050	13	B064107	01.050	11
AP8150509	02.040	14	AP8201727	11.010	7	B064107	03.350	20
AP8150509	02.060	9	AP8201727	11.020	11	CM001914	10.020	31
AP8150509	02.090	13	AP8201748	02.170	22	CM002912	03.196	2
AP8150509	02.140	8	AP8201749	02.170	23	CM002912	03.320	6
AP8150509	02.150	6	AP8201749	06.030	32	CM013202	11.030	21
AP8150509	08.010	3	AP8213057	06.010	4	CM179008	09.020	4
AP8150509	08.020	9	AP8213057	06.030	2	CM179101	02.060	8
AP8150509	08.030	4	AP8213057	07.030	3	CM179201	02.030	4
AP8150509	11.030	13	AP8220150	08.020	5	CM179203	03.190	14
AP8152108	06.030	34	AP8220162	10.020	34	CM179305	06.030	5
AP8152117	06.010	14	AP8220186	02.040	11	CM180701	02.040	15
AP8152117	07.020	20	AP8220186	11.030	12	CM225603	11.030	27
AP8152117	07.030	30	AP8220263	09.020	9	CM225605	11.030	27
AP8152128	11.030	20	AP8220283	11.020	7	CM225607	11.030	27
AP8152136	09.010	11	AP8220402	03.210	11	CM225610	11.030	27
AP8152137	02.050	2	AP8221023	02.030	10	CM225615	11.030	27
AP8152137	06.010	11	AP8221023	06.010	12	CM225620	11.030	27
AP8152137	07.030	27	AP8221023	06.050	14	CM259501	03.350	10
AP8152154	02.150	14	AP8221023	10.020	22	CM259503	03.350	10

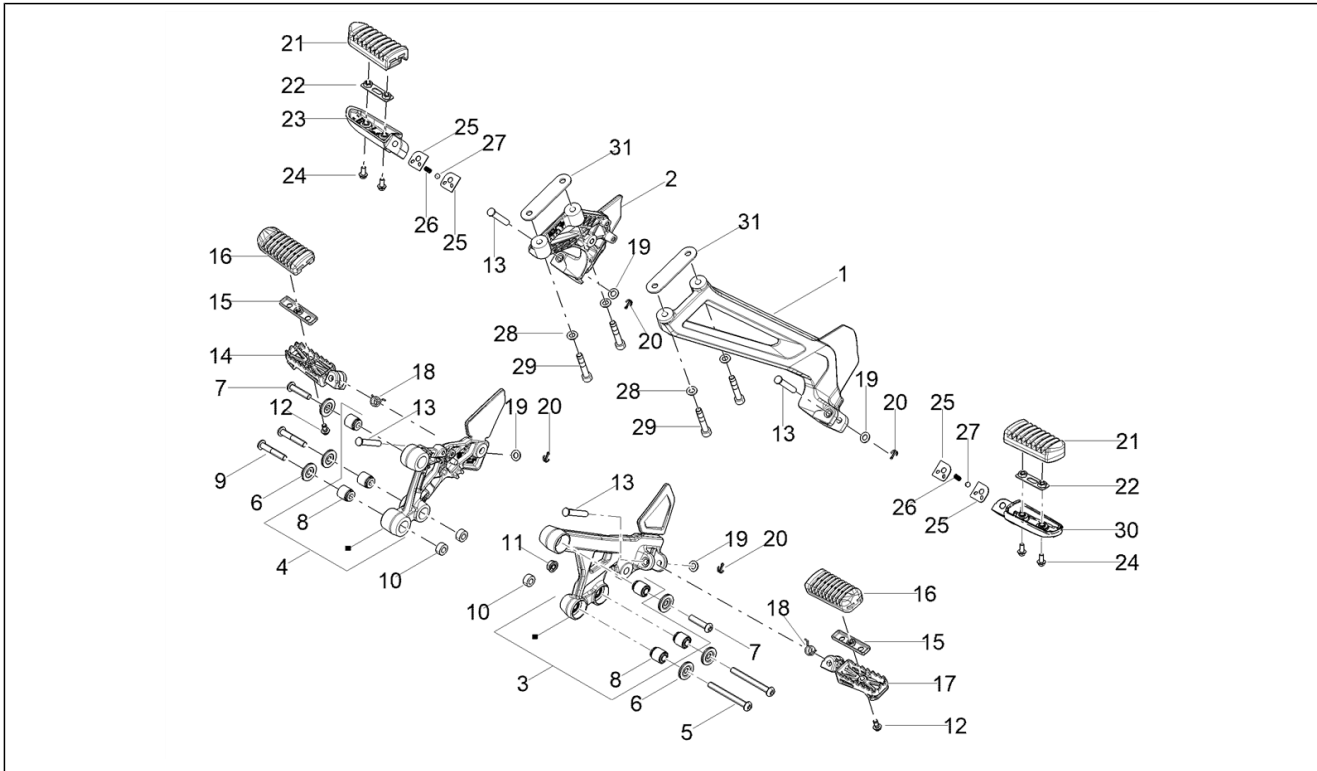
Code	No. table	Pos.	Code	No. table	Pos.
CM259505	03.350	10	CM327061	03.110	1
CM259507	03.350	10	CM327062	03.110	1
CM259509	03.350	10	CM327063	03.110	1
CM291203	03.060	9	CM327064	03.110	1
CM3018507	11.030	5	CM327065	03.110	1
CM320801R4	03.110	1	CM327066	03.110	1
CM320802R4	03.110	1	CM327067	03.110	1
CM320803R4	03.110	1	CM327068	03.110	1
CM320804R4	03.110	1	CM327069	03.110	1
CM320805R4	03.110	1	CM327070	03.110	1
CM320806R4	03.110	1	CM327071	03.110	1
CM320807R4	03.110	1	GU01528930	03.350	5
CM320808R4	03.110	1	GU03609600	11.010	22
CM320809R4	03.110	1	GU05351230	03.350	2
CM320810R4	03.110	1	GU05781630	04.025	1
CM320812R4	03.110	1	GU10528900	03.190	28
CM320813R4	03.110	1	GU12022600	03.190	29
CM320814R4	03.110	1	GU14609650	11.020	9
CM320815R4	03.110	1	GU14616150	05.010	22
CM320816R4	03.110	1	GU14616150	05.020	12
CM320818R4	03.110	1	GU19355309	03.350	13
CM320819R4	03.110	1	GU31003766	03.350	21
CM320820R4	03.110	1	GU31439565	03.320	12
CM320821R4	03.110	1	GU31439565	09.020	20
CM320822R4	03.110	1	GU32441210	01.020	22
CM320824R4	03.110	1	GU32577910	02.050	4
CM320826R4	03.110	1	GU32578410	02.050	3
CM320830R4	03.110	1	GU90706203	03.190	30
CM320832R4	03.110	1	GU90706958	03.350	11
CM320833R4	03.110	1	GU92201226	03.180	29
CM320834R4	03.110	1	GU93304390	01.050	5
CM320835R4	03.110	1	GU95008208	01.020	19
CM320836R4	03.110	1	GU95129181	01.050	10
CM320837R4	03.110	1	GU95129181	03.340	5
CM320838R4	03.110	1	GU95129240	02.050	27
CM320839R4	03.110	1	GU98370625	02.170	15
CM320846R4	03.110	1	GU98612216	03.320	7
CM320856R4	03.110	1	GU98612320	08.010	7
CM320857R4	03.110	1	GU98612320	08.030	6
CM327011	03.110	1	GU98680340	03.190	38
CM327017	03.110	1			
CM327023	03.110	1			
CM327025	03.110	1			
CM327026	03.110	1			
CM327027	03.110	1			
CM327028	03.110	1			
CM327029	03.110	1			
CM327031	03.110	1			
CM327040	03.110	1			
CM327041	03.110	1			
CM327042	03.110	1			
CM327043	03.110	1			
CM327044	03.110	1			
CM327045	03.110	1			
CM327046	03.110	1			
CM327047	03.110	1			
CM327048	03.110	1			
CM327049	03.110	1			
CM327050	03.110	1			
CM327051	03.110	1			
CM327052	03.110	1			
CM327053	03.110	1			
CM327054	03.110	1			
CM327055	03.110	1			
CM327058	03.110	1			
CM327059	03.110	1			
CM327060	03.110	1			

Group	Frame/bodywork
Code	01.010
Description	Frame/bodywork
Service	1



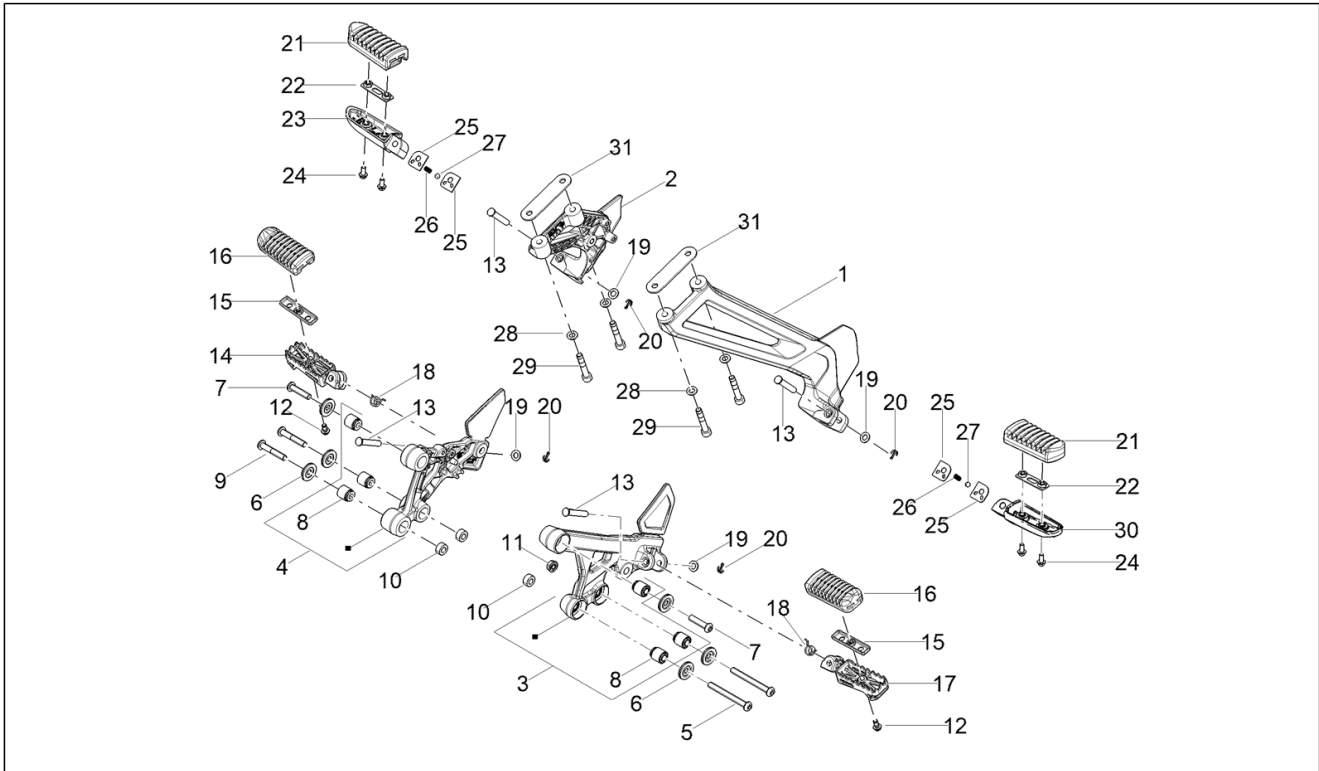
Pos.	Code	Description	Qty	Variants
1	2B010121000N20	Frame	1	
2	2B012515000N20	Plate, r.h.	1	
3	2B012514000N20	Plate, l.h.	1	
4	2B010830	Screw w/ flange M10x1.25 L35	2	
5	2B010900	Screw w/ flange M8x1.25 L25	2	
6	2B009930	M10x25	6	
7	178790	Flat washer 22x10,3x2,5	6	
8	2B008389	Pin M12x243	1	
9	271740	Nut M12	1	
10	2B012444	Cover	2	
11	AP8150376	Washer 8,5x15x0,8	2	
12	AP8150210	Curved spring washer *	2	

Group	Frame/bodywork
Code	01.020
Description	Foot rests
Service	1



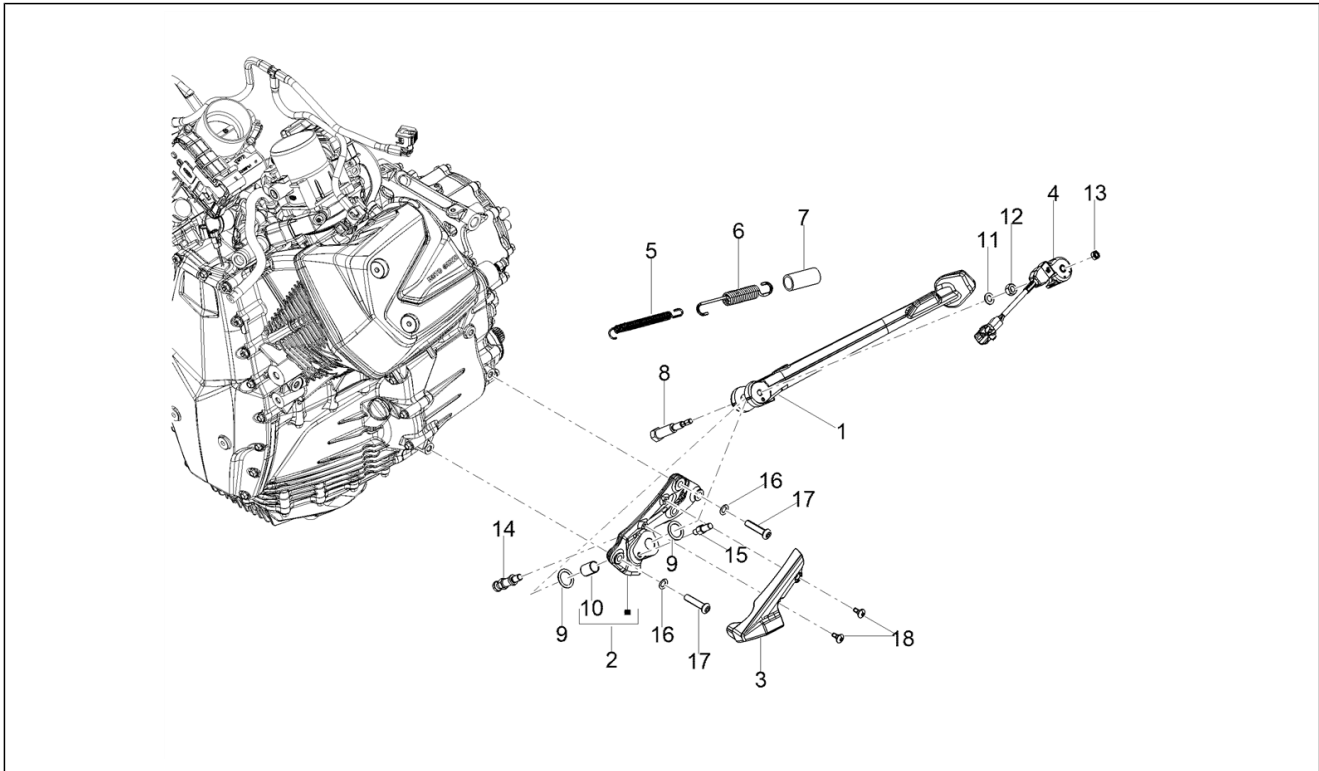
Pos.	Code	Description	Qty	Variants
1	2B011809	Left pass. footrest support	1	
2	2B011807	Right pass. footrest support	1	
3	2B010234	LH front footrest bracket	1	
4	2B011076	RH front footrest bracket	1	
5	2B010013	TBEI TORX screw M8x75	2	
6	2B009891	Washer	6	
7	599208	Screw M8x30	2	
8	853215	Silent-block	6	
9	2B011562	M8x45	2	
10	2B009639	Spacer 8,1x16x8	3	
11	2B004511	Nut M8	1	
12	2B005143	Screw w/ flange M6x12	2	
13	2B007845	Footrest pin	4	
14	886184	RH Foot rests	1	
15	AP8134276	Plate	2	
16	AP8120831	Footrest rubber	2	
17	886185	LH Foot rests	1	
18	AP8221277	Footrest return spring	2	
19	GU95008208	Washer 8,4X15X1,5	4	
20	AP8101928	Split pin	4	
21	2B002225	Footrest rubber	2	
22	GU32441210	Plate	2	
23	2B010712	Footrest r.h.	1	
24	AP8152277	Flanged hexagon screw M6x12	4	
25	AP8134451	Footrest plate	4	
26	AP8121133	Coil compress. spring	2	
27	AP8110110	Ball d.7	2	
28	003058	Flat washer 15x8,4x1,5	4	

Group	Frame/bodywork
Code	01.020
Description	Foot rests
Service	1



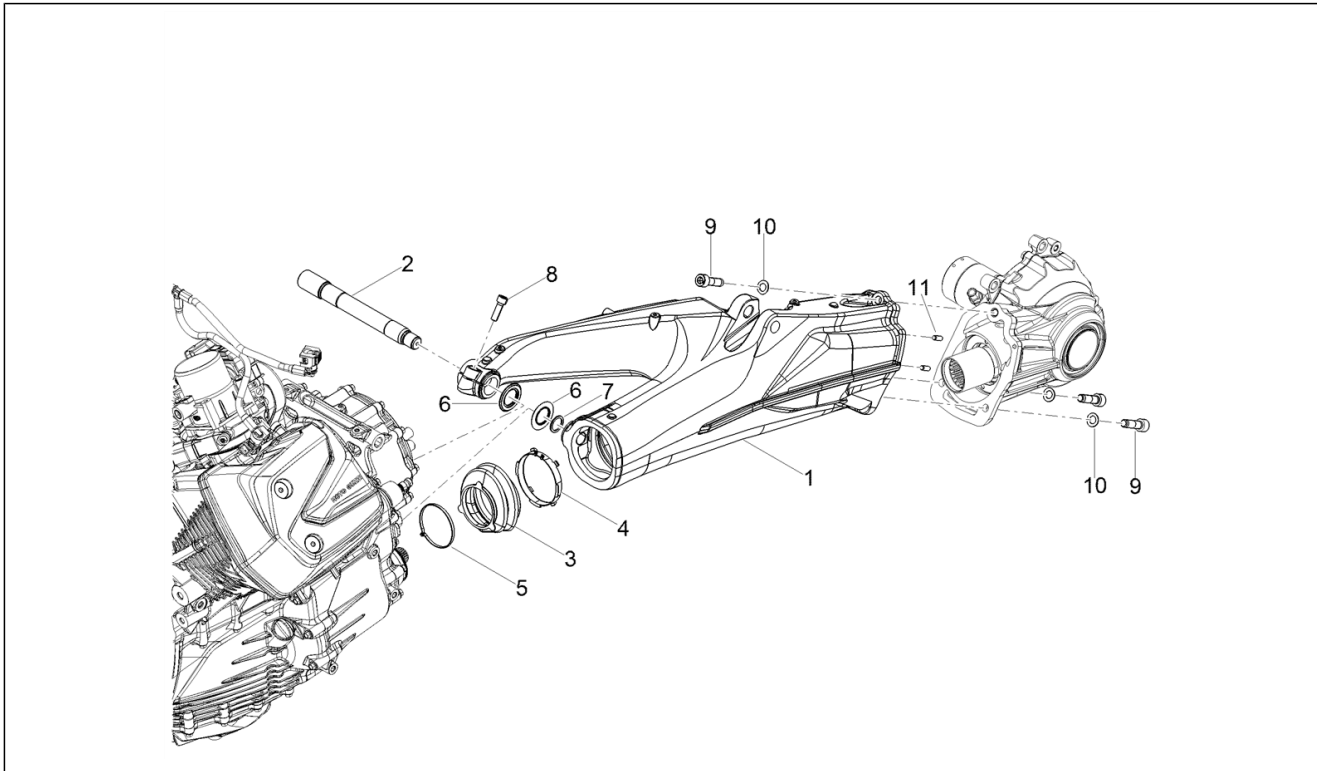
Pos.	Code	Description	Qty	Variants
29	2B004172	Screw TC TORX M8x45	4	
30	2B010713	Footrest l.h.	4	
31	2B012007	Bracket	2	

Group	Frame/bodywork
Code	01.030
Description	Stand
Service	1



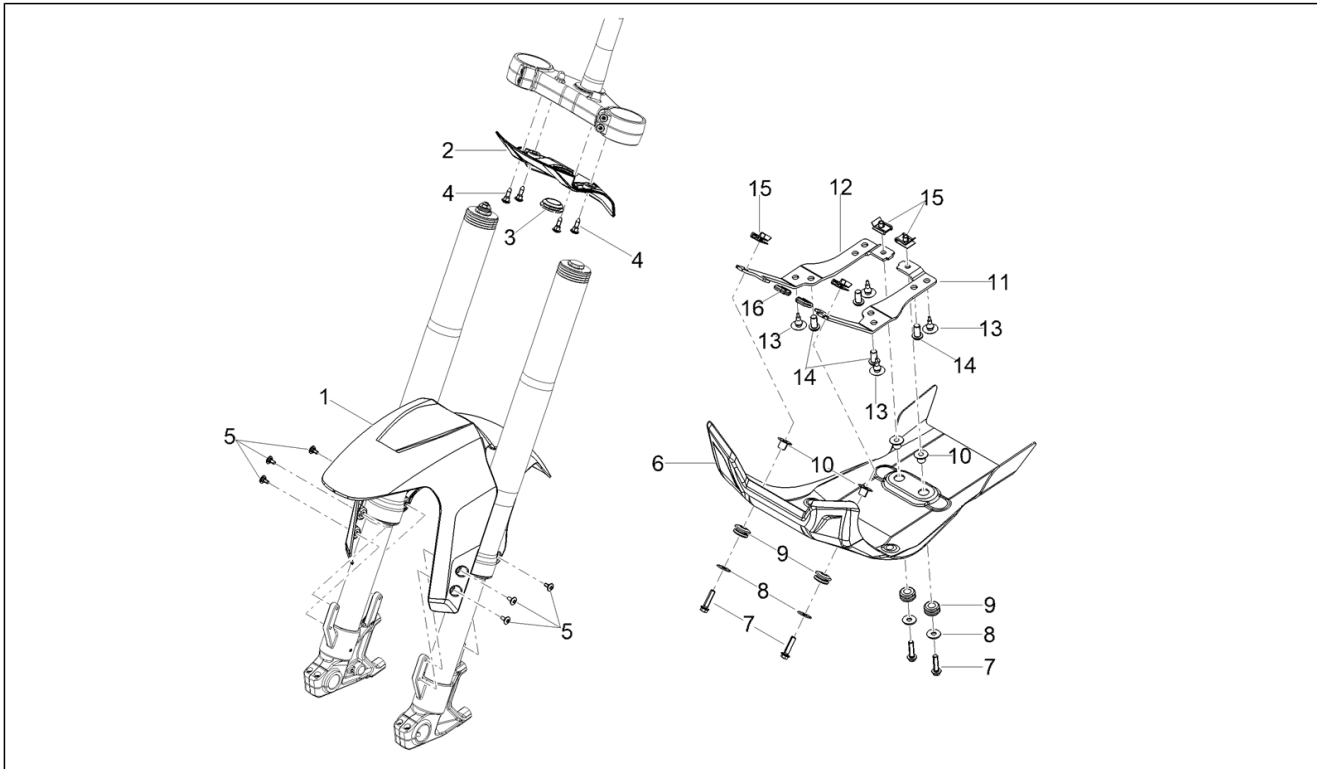
Pos.	Code	Description	Qty	Variants
1	2B010485	Lateral stand	1	
2	2B011138	Support plate	1	
3	2B010213	Rotary switch	1	
4	2D000530	Internal lateral stand spring	1	
5	AP8221211	Lateral stand spring	1	
6	AP8221204	Stand spring protection	1	
7	2B010503	Stand pin	1	
8	2B010499	Thrust washer	2	
9	2B010570	Bushing	1	
10	003058	Flat washer 15x8,4x1,5	1	
11	AP8150027	Nut M8	1	
12	AP8150269	Nut M6	1	
13	2B010284	Spring pin	1	
14	2B010283	Threaded pin	1	
15	AP8150502	Washer 15x8x0,8	2	
16	599208	Screw M8x30	2	
17	2B003422	M5x12 pre-coated countersunk hex head Torx screw	2	

Group	Frame/bodywork
Code	01.050
Description	Swing arm
Service	1



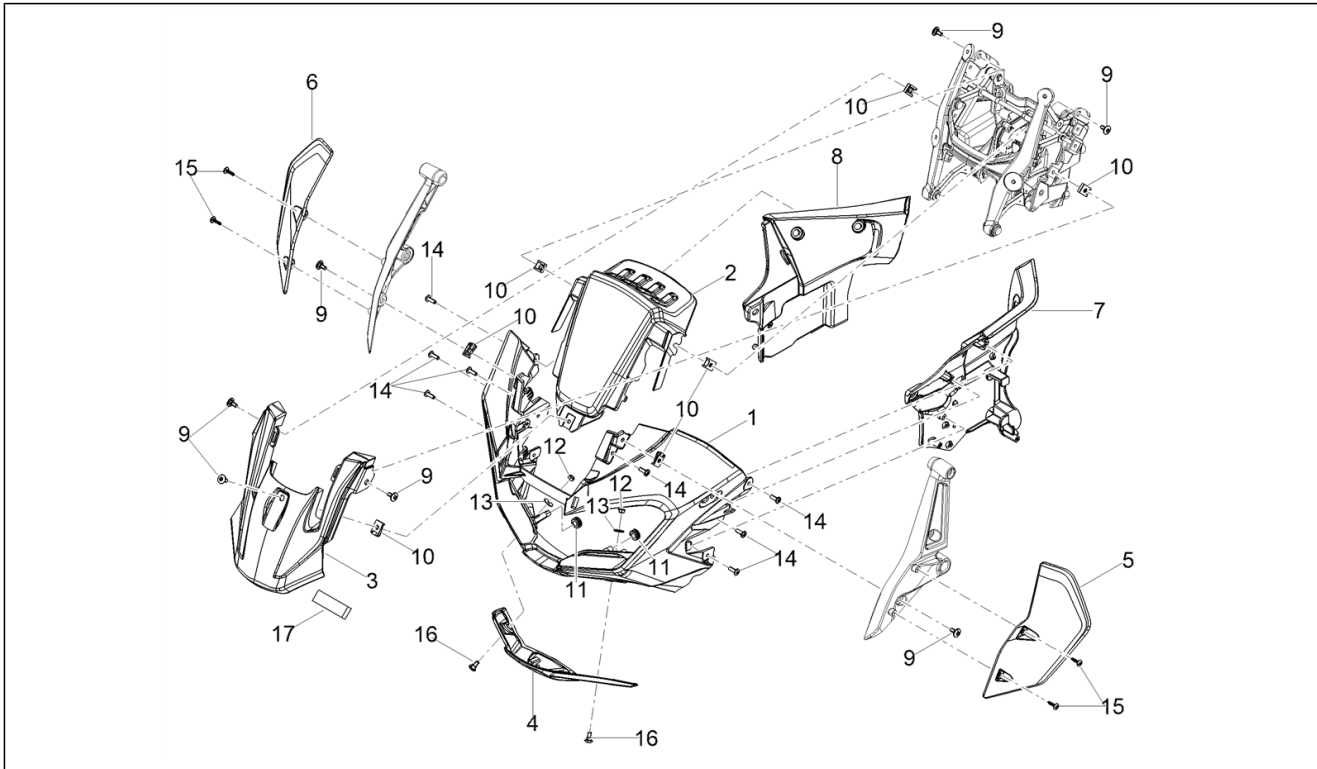
Pos.	Code	Description	Qty	Variants
1	2B010957	Swing arm	1	
2	2B011352	Rear swing arm pin	1	
3	2B009474	Bellows	1	
4	2B009475	Hood fixing ring	1	
5	GU93304390	Hose clamp 3,6x375	1	
6	2B011433	Cup	2	
7	2B011432	Washer	1	
8	AP8150170	Hex socket screw M8x25	1	
9	2B009698	Pre-coated M10X35 SHC screw	3	
10	GU95129181	Washer	3	
11	B064107	Locating dowel D6M6X16	2	

Group	Body
Code	02.030
Description	Front mudguard-Pillar
Service	1



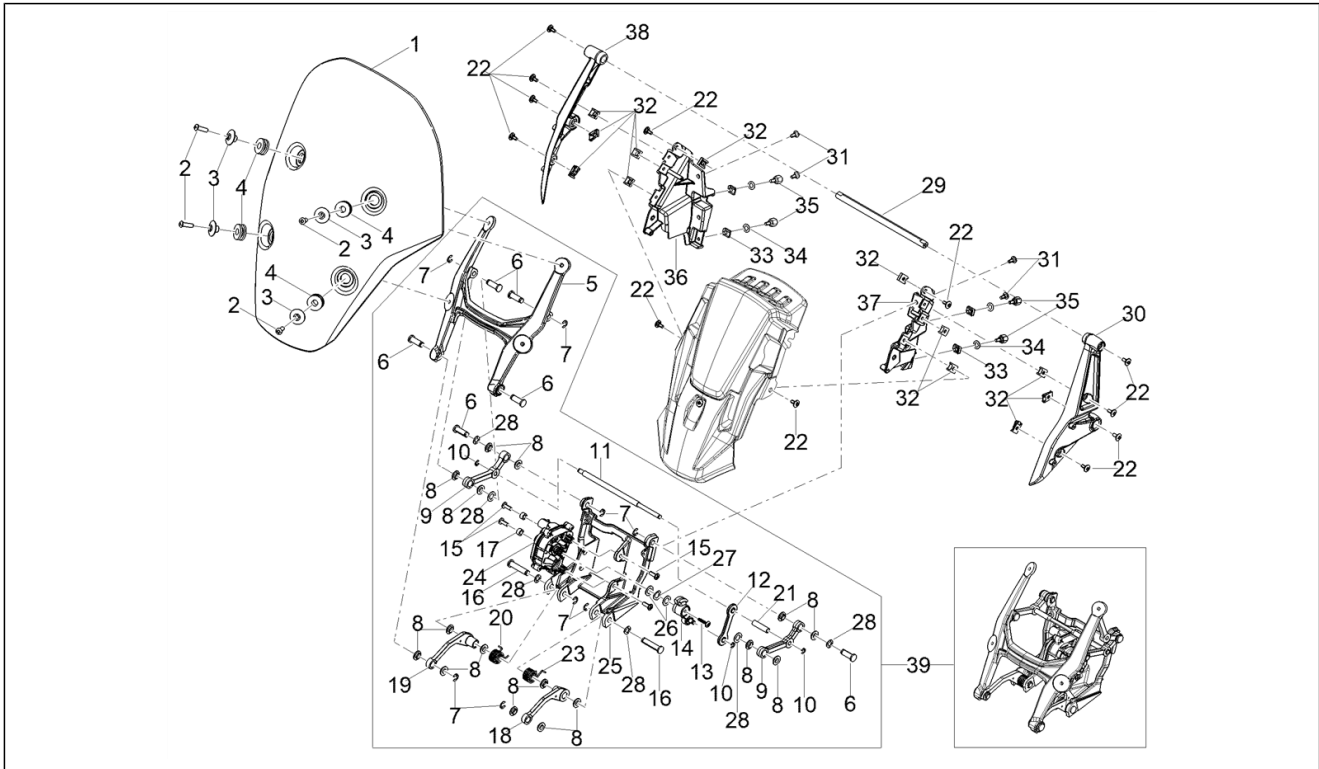
Pos.	Code	Description	Qty	Variants
1	2B010195	Front mudguard	1	
2	2B010901	Steering yoke lower closing	1	
3	190567	Cover	1	
4	CM179201	Torx head cylinder head screw M6x22	4	
5	AP8150500	Hex socket screw M5x9 NERINOX	6	
6	2B010193	Sump guard	1	
7	AP8152280	Screw w/ flange M6x25	4	
8	AP8150015	Washer 6,6x18x1,6*	4	
9	AP8120030	Rubber spacer	4	
10	AP8221023	T bush	4	
11	2B010969	LH clamp	1	
12	2B010970	RH clamp	1	
13	AP8120001	Rubber spacer	4	
14	1B008127	Screw	4	
15	254485	Spring plate M6	4	
16	2B007247	Rubber spacer	2	

Group	Body
Code	02.040
Description	Front fairing
Service	1



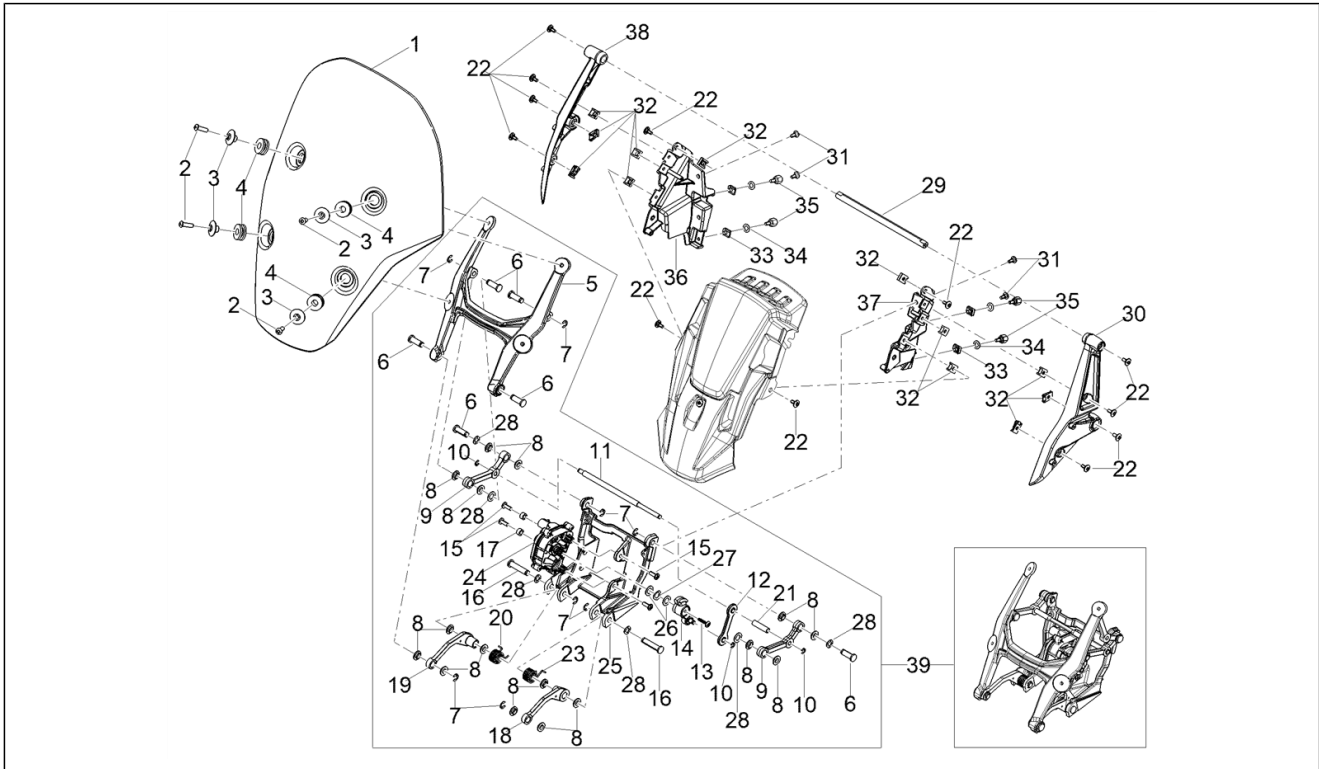
Pos.	Code	Description	Qty	Variants
1	2B010176	Cover	1	
2	2B010890	Upper fairing front	1	
3	2B010177	Front lower fairing	1	
4	2B010175	Front spoiler	1	
5	2B011331	Deflector l.h.	1	
6	2B011332	Deflector r.h.	1	
7	2B010179	Left internal cover	1	
8	2B010180	Right internal cover	1	
9	AP8150500	Hex socket screw M5x9 NERINOX	7	
10	AP8102375	Clip M5	7	
11	AP8220186	Rubber spacer	2	
12	AP8150311	Low self-locking nut	2	
13	AP8150248	Washer 5,5x15x1,6	2	
14	AP8150509	Self-tap screw 5x14	8	
15	CM180701	Self tapping screw D4x16	4	
16	2B009423	Covex head screw with torx M5x12	2	
17	2B012711	Adhesive sponge	1	

Group	Body
Code	02.050
Description	Windshield
Service	1



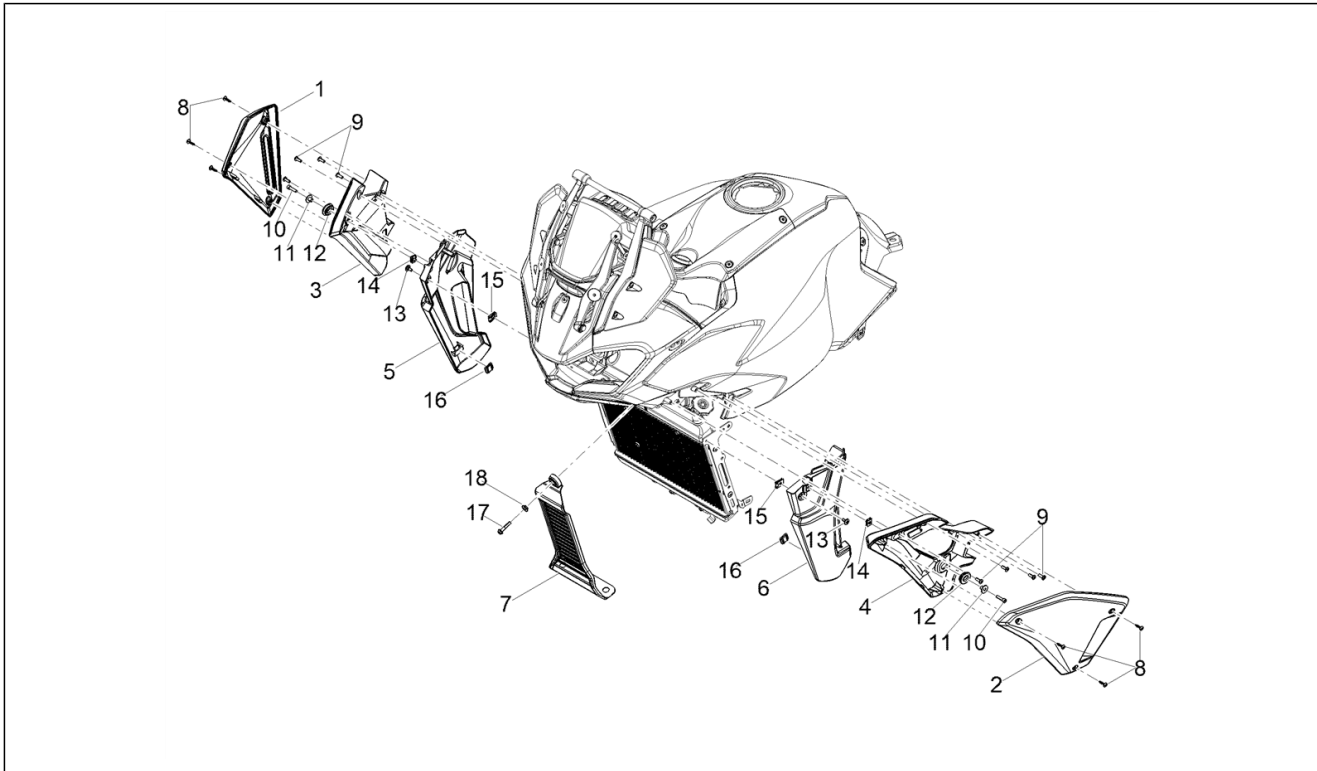
Pos.	Code	Description	Qty	Variants
1	2B011466	Windshield	1	
2	AP8152137	Hex socket screw M6x20 Z.N.	4	
3	GU32578410	Bushing black	4	
4	GU32577910	Rubber spacer 10x25	4	
5	2B010129	Windscreen support	1	
6	2B010134	Upper fixing pin	6	
7	620970	Snap ring	8	
8	2B010143	Self-lubricating bush	16	
9	2B010130	Connecting rod	2	
10	620969	Snap ring	3	
11	2B010132	Pin	1	
12	2B010304	Connecting rod	1	
13	AP8152329	Phillips screw, SWP M5x20	1	
14	2B011282	Window winder handle	1	
15	00011051801	screw 5.1 X 18	4	
16	2B010133	Lower fixing pin	2	
17	2B010141	Bushing	2	
18	2B010135	Left connecting rod	1	
19	2B010210	Right connecting rod	1	
20	2B011514	Spring RH	1	
21	2B010668	Spacer	1	
22	AP8150500	Hex socket screw M5x9 NERINOX	4	
23	2B011513	Spring LH	1	
24	2D000809	Actuator	1	
25	2B010128	Maintenance	1	
26	2B011538	Plain washer	2	
27	GU95129240	Washer	1	
28	658837	Crinkle washer D15 F8,4 S1,5 - INOX	6	

Group	Body
Code	02.050
Description	Windshield
Service	1



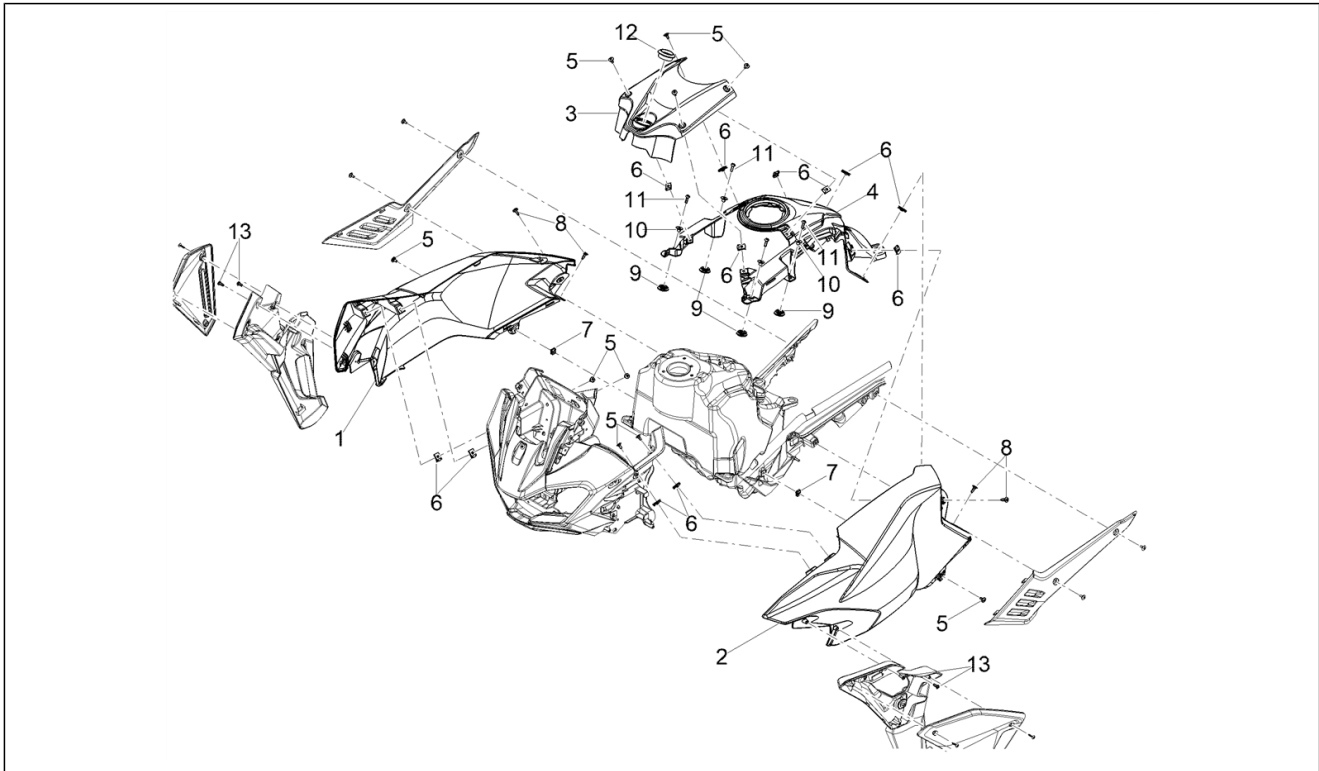
Pos.	Code	Description	Qty	Variants
29	2B011362	Maintenance	1	
30	2B011030	LH support	1	
31	2B009423	Covex head screw with torx M5x12	4	
32	AP8102375	Clip M5	12	
33	00G04401462	Clip M5	4	
34	AP8150376	Washer 8,5x15x0,8	4	
35	2B011340	Special screw M5	4	
36	2B010864	RH support	1	
37	2B010863	LH support	1	
38	2B011031	RH support	1	
39	2B0109405	Windshield actuator cpl	1	

Group	Body
Code	02.060
Description	Front body
Service	1



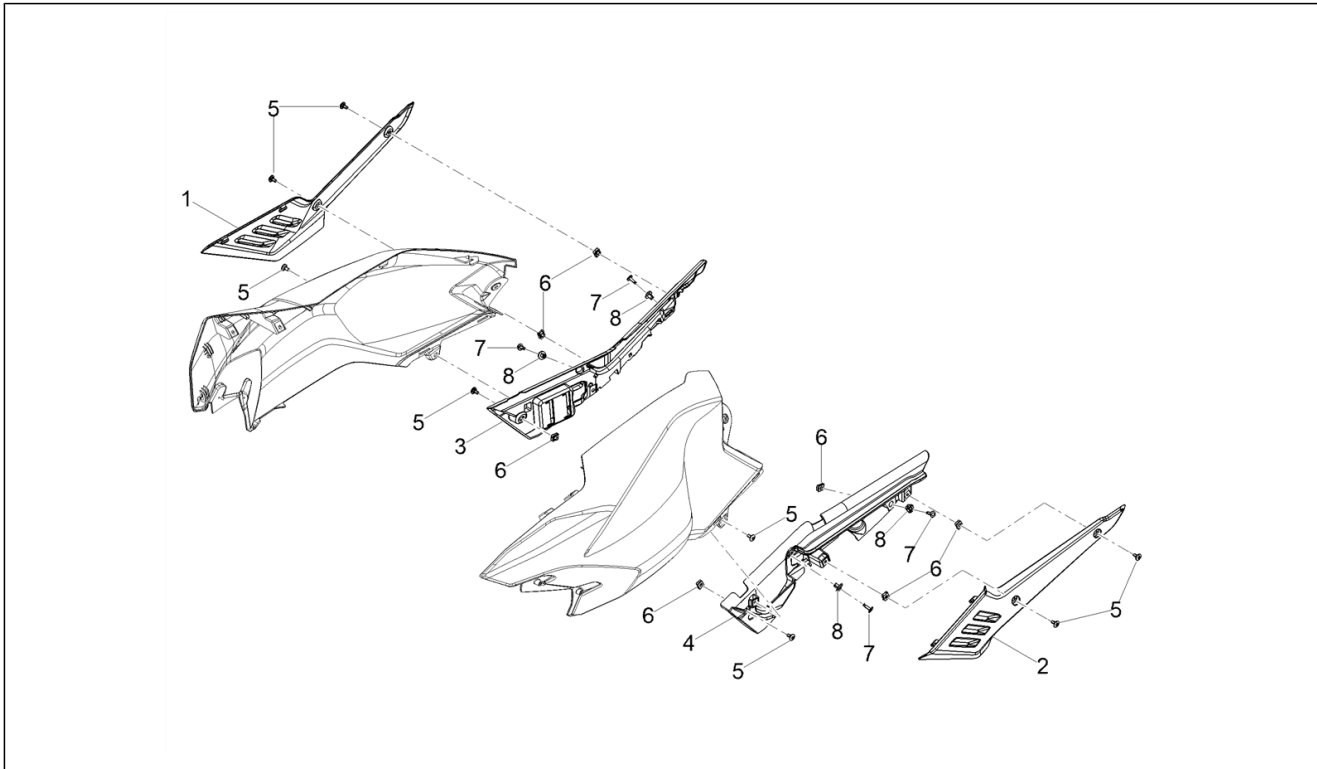
Pos.	Code	Description	Qty	Variants
1	2B010170	RH side panel	1	Colour:Not painted[GR]
1	2B010170000G44	RH side panel	1	Technical Specification:No decals[ND] Colour:Nero Vulcano[Z1] Giallo Savana[Z2]
2	2B010169000G44	LH side panel	1	Technical Specification:No decals[ND] Colour:Nero Vulcano[Z1] Giallo Savana[Z2]
2	2B010169	LH side panel	1	Colour:Not painted[GR]
3	2B010172	RH inner fairing	1	
4	2B010171	LH inner fairing	1	
5	2B010174	RH water cooler protection	1	
6	2B010173	LH water cooler protection	1	
7	2B012095	Water cooler protection	1	
8	CM179101	Self-tapping screw	6	
9	AP8150509	Self-tap screw 5x14	8	
10	AP8150252	Hex socket screw M5x20	2	
11	599619	Spacer	2	
12	463195	Elastic drift	2	
13	AP8150500	Hex socket screw M5x9 NERINOX	2	
14	00G04401462	Clip M5	2	
15	AP8102375	Clip M5	2	
16	2B007247	Rubber spacer	2	
17	AP8152281	Screw w/ flange M6x30	1	
18	AP9100053	Bush d.10-h.3,5	1	

Group	Body
Code	02.090
Description	Tank cover
Service	1



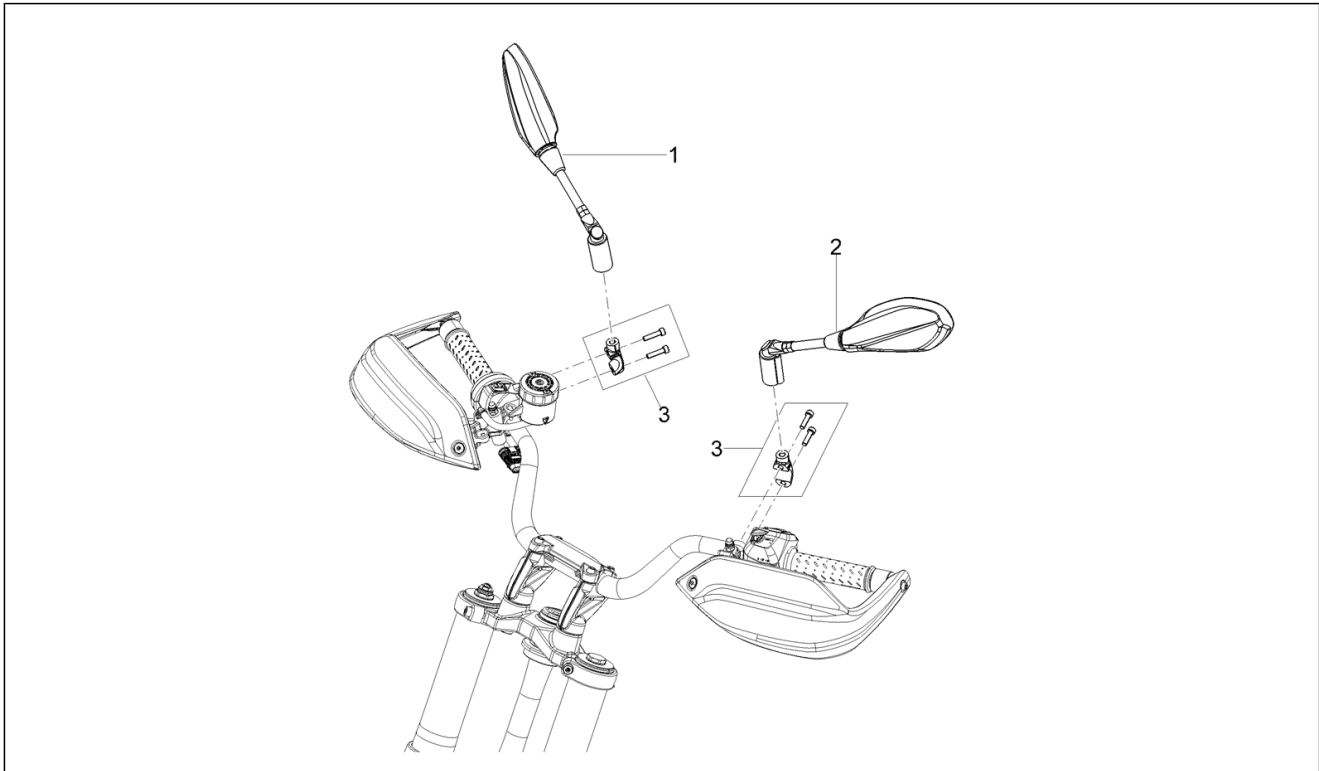
Pos.	Code	Description	Qty	Variants
1	2H006014000Z1	Right fuel tank cover	1	Technical Specification: Decal[D] Colour: Nero Vulcano[Z1]
1	2B010167	Right fuel tank cover	1	Colour: Not painted[GR]
1	2H006022000Z2	Right fuel tank cover	1	Technical Specification: Decal[D] Colour: Giallo Savana[Z2]
2	2H006023000Z2	Left fuel tank cover	1	Technical Specification: Decal[D] Colour: Giallo Savana[Z2]
2	2B010166	Left fuel tank cover	1	Colour: Not painted[GR]
2	2H006015000Z1	Left fuel tank cover	1	Technical Specification: Decal[D] Colour: Nero Vulcano[Z1]
3	2B010183	Upper cover	1	
4	2B010184	Tank cover	1	
5	AP8150500	Hex socket screw M5x9 NERINOX	10	
6	AP8102375	Clip M5	12	
7	00G04401462	Clip M5	2	
8	AP8152302	Screw w/ flange M5x12	4	
9	463195	Elastic drift	4	
10	599619	Spacer	4	
11	AP8150454	Hex socket screw M5x16	4	
12	AP8127461	Main switch seal	1	
13	AP8150509	Self-tap screw 5x14	4	

Group	Body
Code	02.100
Description	Central body
Service	1



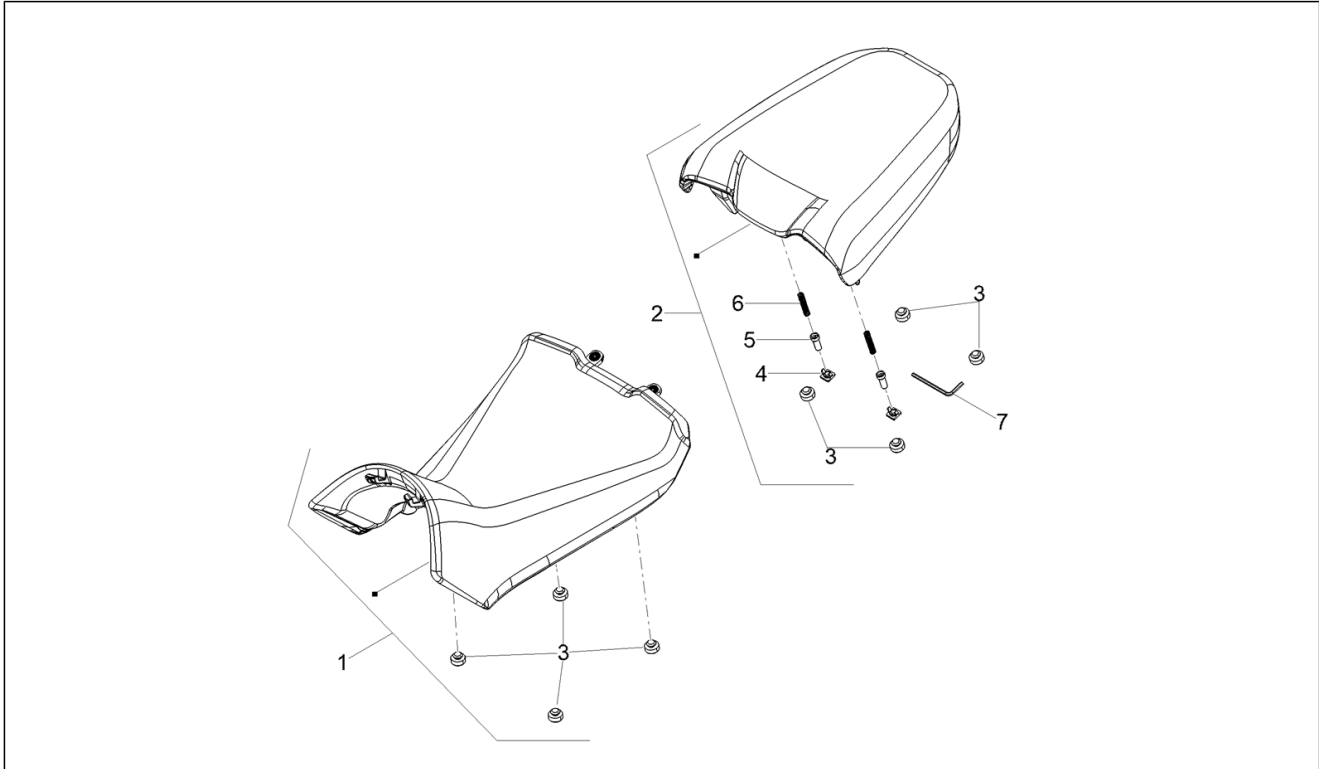
Pos.	Code	Description	Qty	Variants
1	2B010188000G44	RH side panel	1	Technical Specification: No decals[ND] Colour: Nero Vulcano[Z1] Giallo Savana[Z2]
1	2B010188	RH side panel	1	Colour: Not painted[GR]
2	2B010187000G44	LH side panel	1	Technical Specification: No decals[ND] Colour: Nero Vulcano[Z1] Giallo Savana[Z2]
2	2B010187	LH side panel	1	Colour: Not painted[GR]
3	2B010650	RH Internal cover DX	1	Technical Specification: No decals[ND] Colour: Nero Vulcano[Z1] Giallo Savana[Z2]
4	2B010649	RH Internal cover SX	1	Technical Specification: No decals[ND] Colour: Nero Vulcano[Z1] Giallo Savana[Z2]
5	AP8150500	Hex socket screw M5x9 NERINOX	8	
6	00G04401462	Clip M5	8	
7	AP8144563	Rivet, male	4	
8	AP8144616	Rivet, female	4	

Group	Body
Code	02.110
Description	Driving mirror/s
Service	1



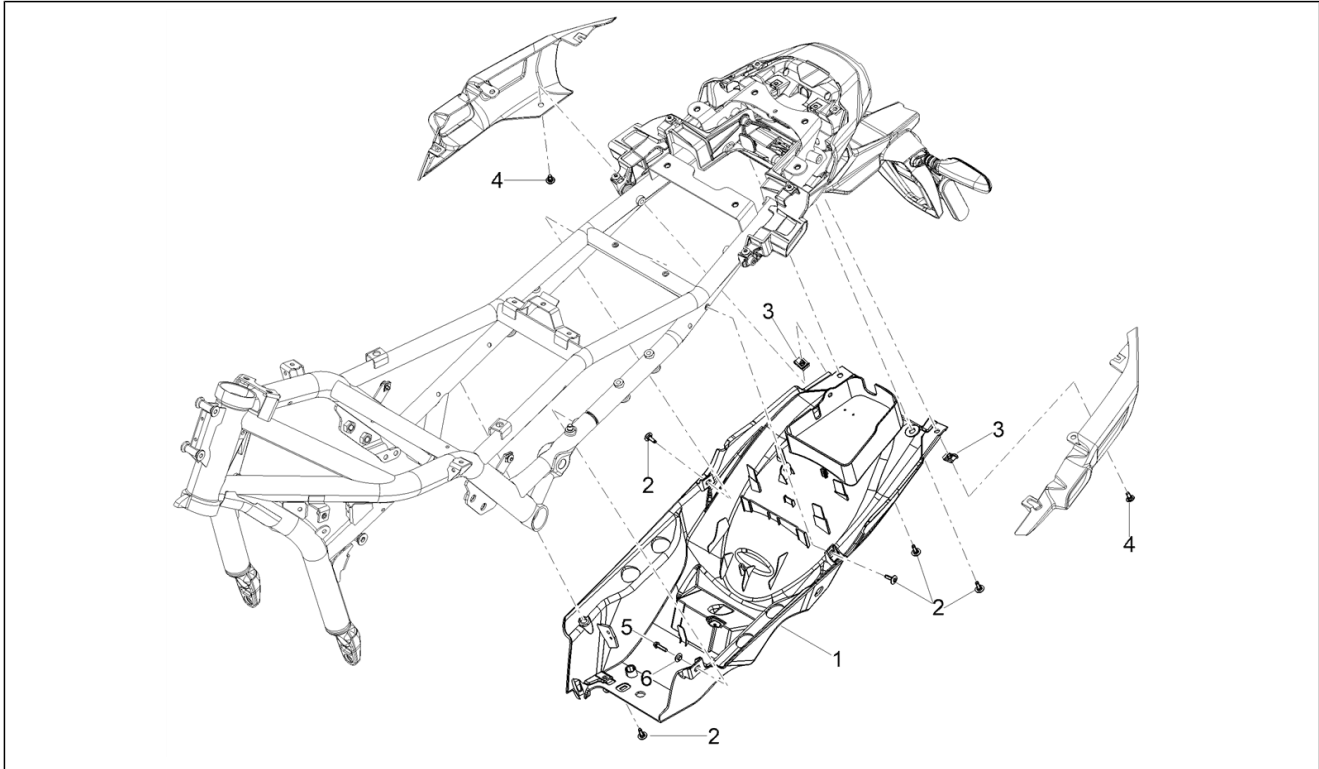
Pos.	Code	Description	Qty	Variants
1	2B010978	Rh side mirror	1	
2	2B010979	Lh side mirror	1	
3	2B010032	U-bolt	1	

Group	Body
Code	02.120
Description	Saddle
Service	1



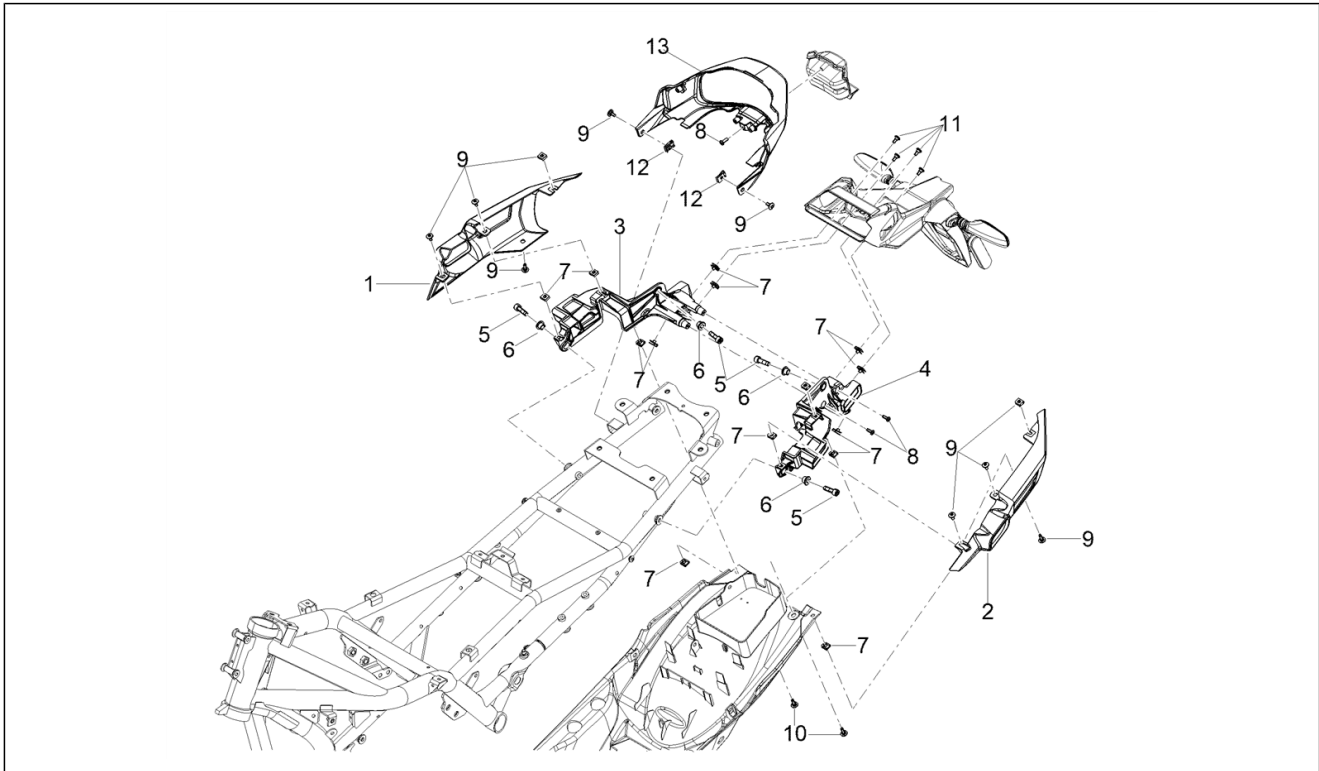
Pos.	Code	Description	Qty	Variants
1	2B010185000C1	Driver saddle	1	
2	2B010186000C1	Rear saddle	1	
3	2B002692	Saddle rubber	8	
4	621098	Maintenance	2	
5	621097	Button	2	
6	621099	Spring	2	
7	852391	Hex key	1	

Group	Body
Code	02.130
Description	Saddle compartment
Service	1



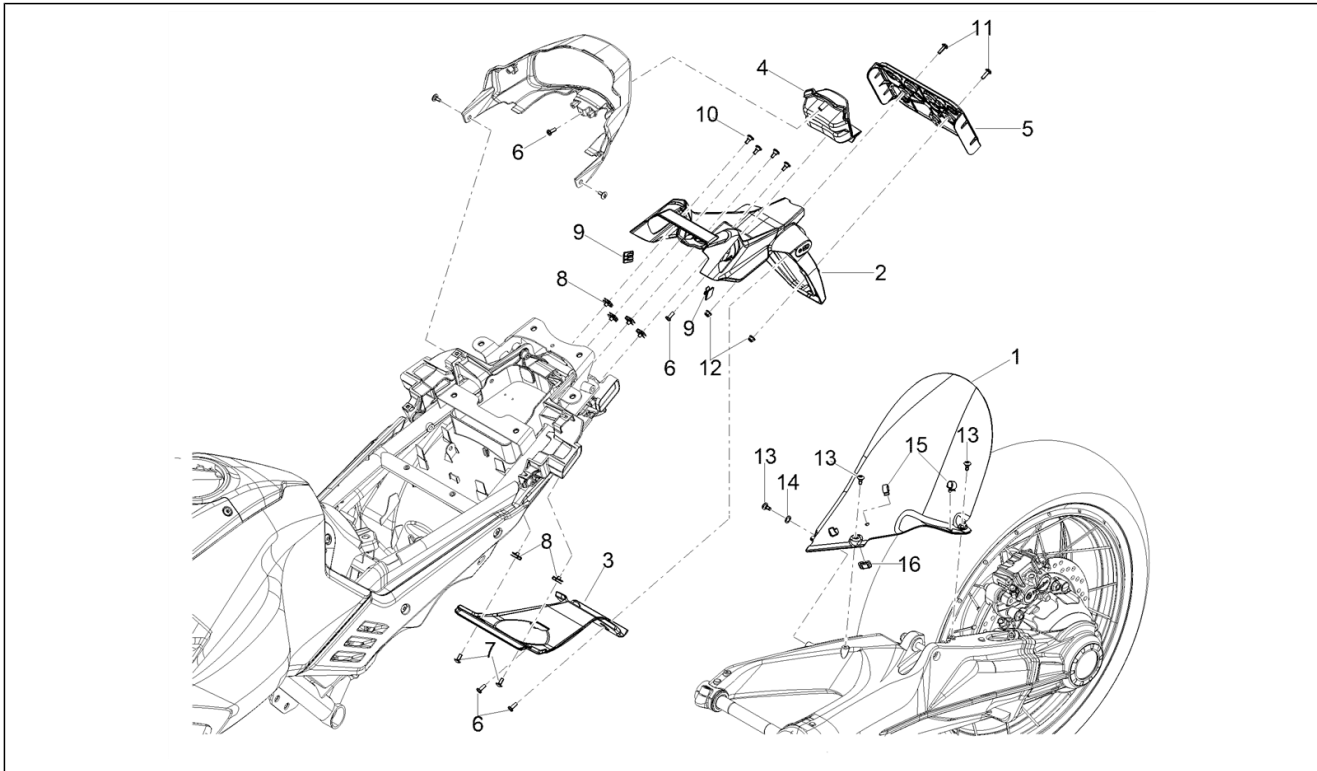
Pos.	Code	Description	Qty	Variants
1	2B010192	Saddle supp.lower lockup	1	
2	AP8152302	Screw w/ flange M5x12	5	
3	00G04401462	Clip M5	2	
4	AP8150500	Hex socket screw M5x9 NERINOX	2	
5	AP8152274	Screw w/ flange M5x20	1	
6	843213	T bush	1	

Group	Body
Code	02.140
Description	Rear body
Service	1



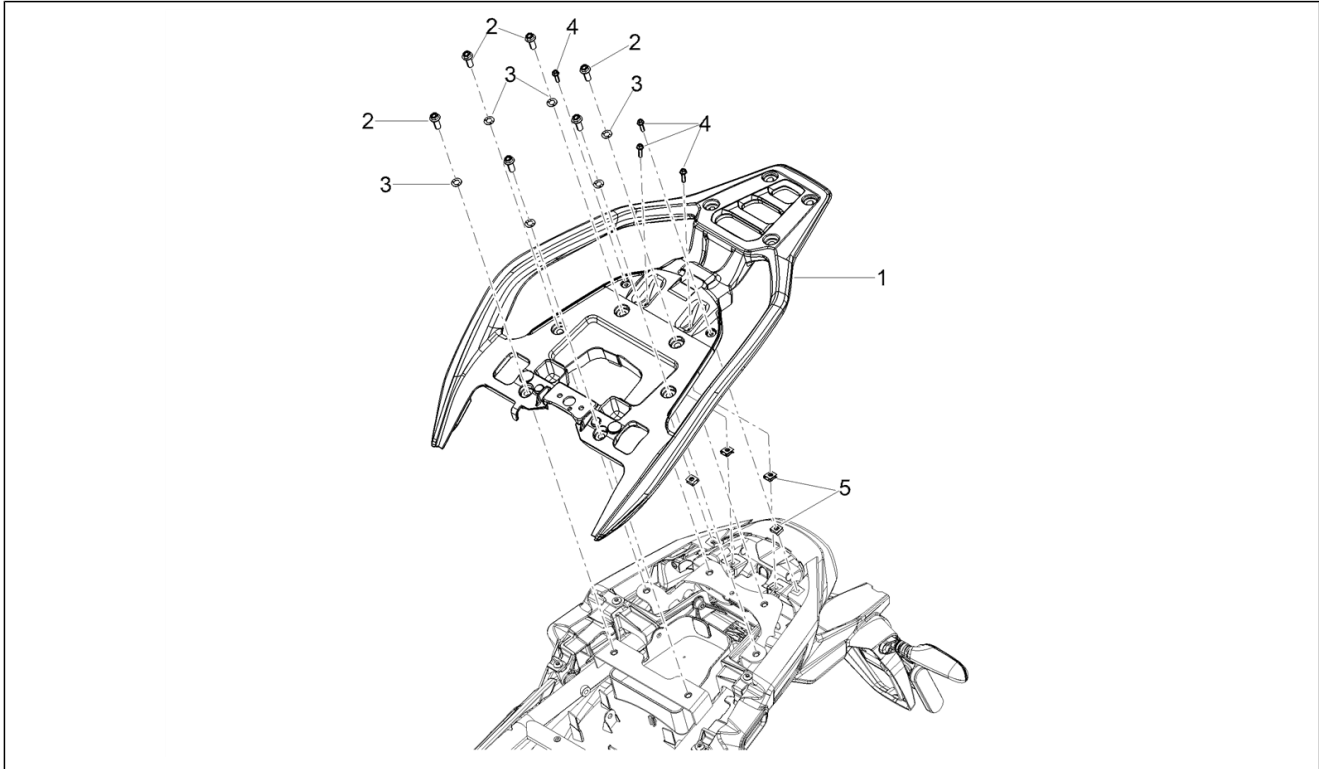
Pos.	Code	Description	Qty	Variants
1	2B010190	Right rear cover	1	
2	2B010189	Left rear cover	1	
3	2B012833	RH support	1	
4	2B012834	LH support	1	
5	2B002171	Special cap screw 8x25	4	
6	2B010312	Bush DI 8,2 DE 18 DM 11.5	4	
7	00G04401462	Clip M5	12	
8	AP8150509	Self-tap screw 5x14	3	
9	AP8150500	Hex socket screw M5x9 NERINOX	10	
10	AP8152302	Screw w/ flange M5x12	2	
11	2B009423	Covex head screw with torx M5x12	4	
12	AP8102375	Clip M5	2	
13	2B009874	Rear protection	1	

Group	Body
Code	02.150
Description	Rear mudguard
Service	1



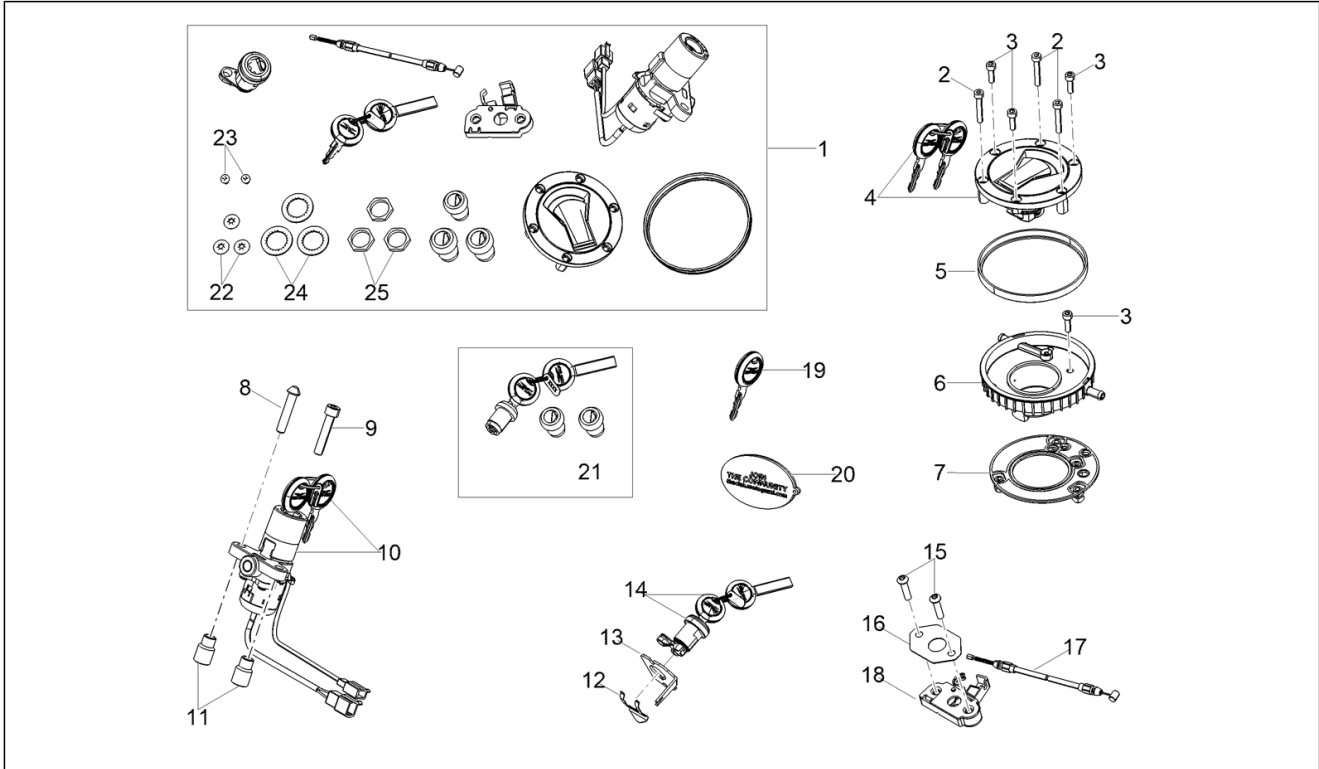
Pos.	Code	Description	Qty	Variants
1	2B013027	Rear mudguard	1	
2	2B009877	License plate	1	
3	2B009921	Splash guard lower closing	1	
4	2B010278	ARAS Housing cover	1	
5	2B004072	Number plate support	1	
6	AP8150509	Self-tap screw 5x14	4	
7	896174	Hex socket screw Black M5x12	2	
8	00G04401462	Clip M5	6	
9	2B011429	Self adhesive wire clip	2	
10	2B009423	Covex head screw with torx M5x12	4	
11	AP8152298	Screw w/ flange M5x16	2	
12	AP8152306	Self-locking nut M5	2	
13	2B003422	M5x12 pre-coated countersunk hex head Torx screw	3	
14	AP8152154	Washer 8,4x13*	1	
15	231590	Elastic spring L.17 mm	1	
16	2B007247	Rubber spacer	1	

Group	Body
Code	02.160
Description	Luggage rack
Service	1



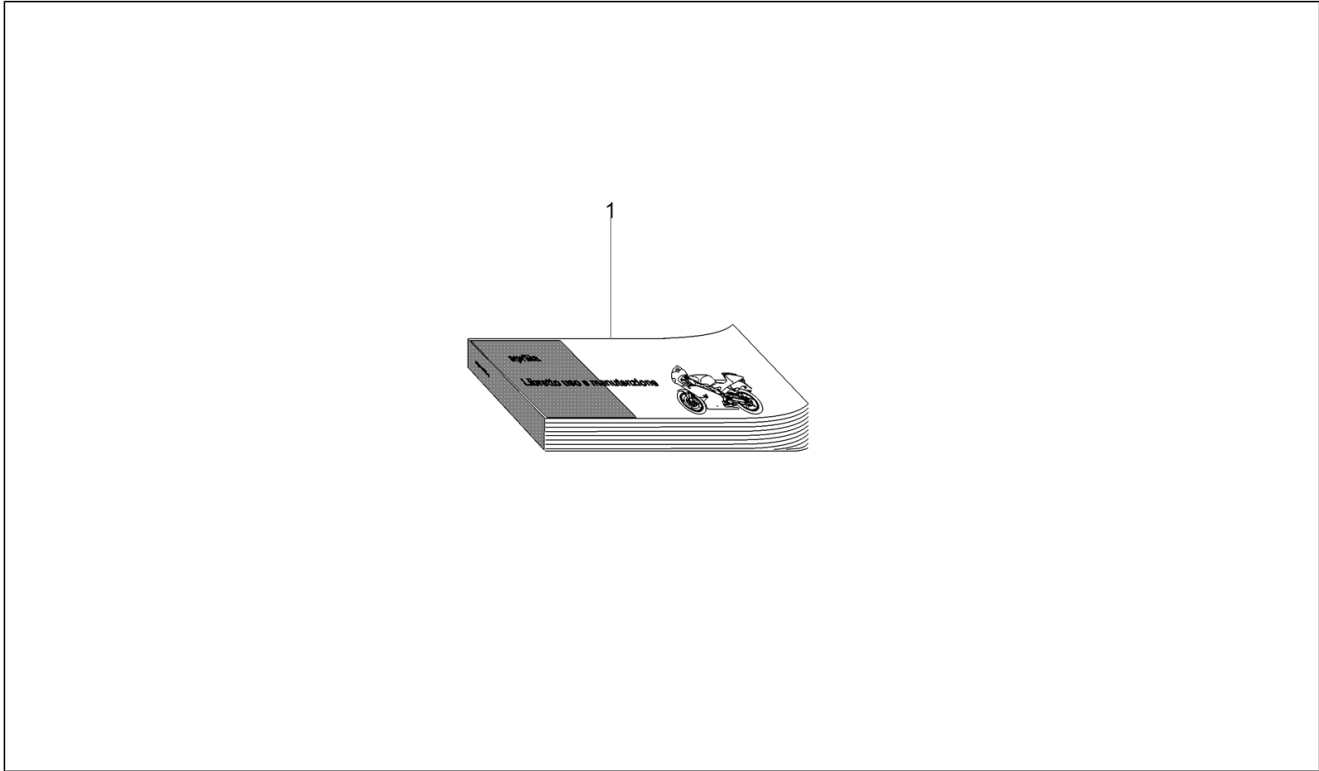
Pos.	Code	Description	Qty	Variants
1	2B010191	Passenger grab handle	1	
2	AP8152286	Screw w/ flange M8x20	6	
3	AP8150207	Curved spring washer	6	
4	AP8152273	Screw w/ flange M5x15	4	
5	00G04401462	Clip M5	4	

Group	Body
Code	02.170
Description	Locks
Service	1



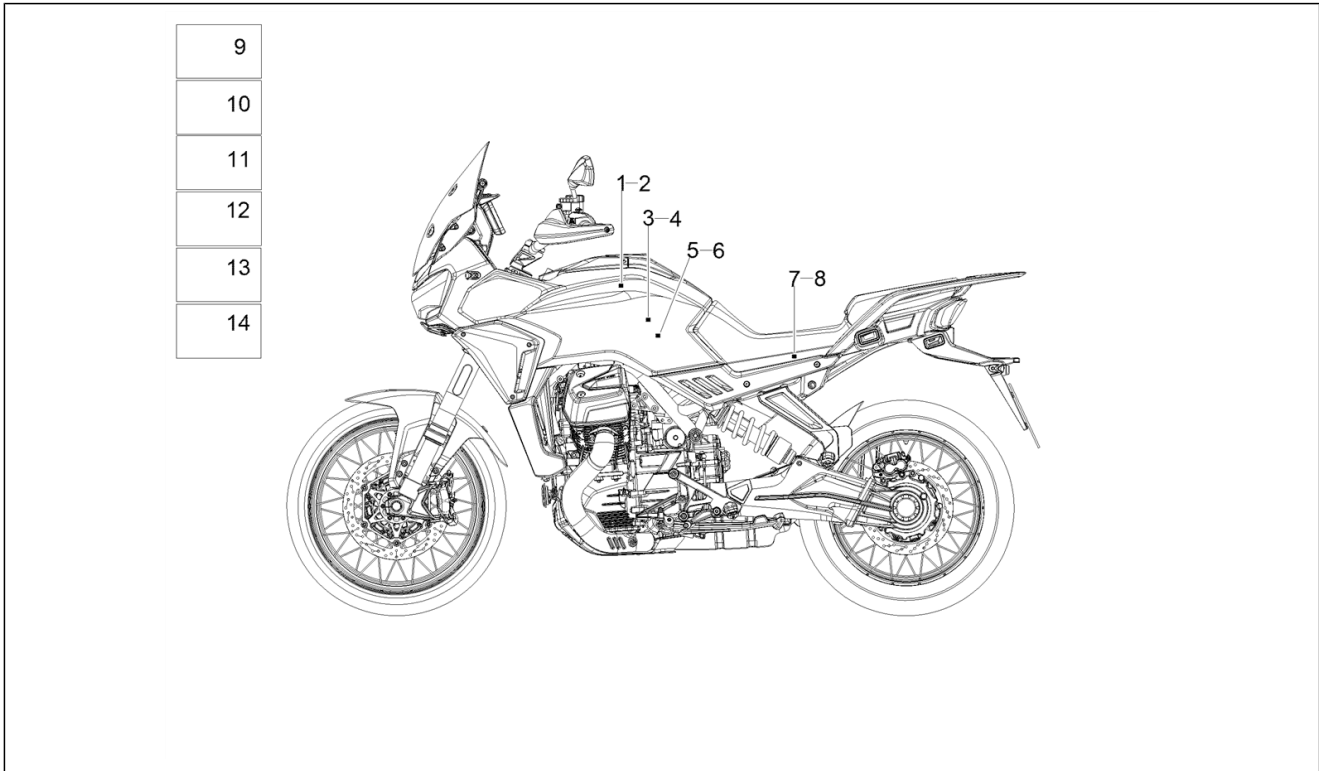
Pos.	Code	Description	Qty	Variants
1	2B011378	Lock kit	1	
2	AP8150453	Hex socket screw M5x30	3	
3	AP8150454	Hex socket screw M5x16	4	
4	2B005681	Fuel filler cap and lock	1	
5	899105	Fuel filler cap gasket	1	
6	899107	Fuel chamber	1	
7	899106	Gasket	1	
8	AP8150351	Shear rivet M8x40	1	
9	AP8150171	Hex socket screw M8x40	1	
10	2D000496	Key switch	1	
11	856180	Spacer *	2	
12	AP8121420	Fork spring	1	
13	978415	Cable fixing plate	1	
14	2B005680	Seat lock with key	1	
15	GU98370625	Hex socket screw M6x25	2	
16	886820	Saddle lock fix.plate	1	
17	2B010728	Saddle release cable	1	
18	899543	Lock attachment plate	1	
19	2B005184	Key with simple transponder	1	
20	2B004276	Key-fob "THE CLAN"	1	
21	2B011392	3 lock with keys	1	
22	AP8201748	Washer	3	
23	AP8201749	Screw M4x6	2	
24	AP8201305	Nickel plated lock washer *	3	
25	AP8152194	Low nut M19x1*	3	

Group	Body
Code	02.180
Description	Plate set / Various
Service	1



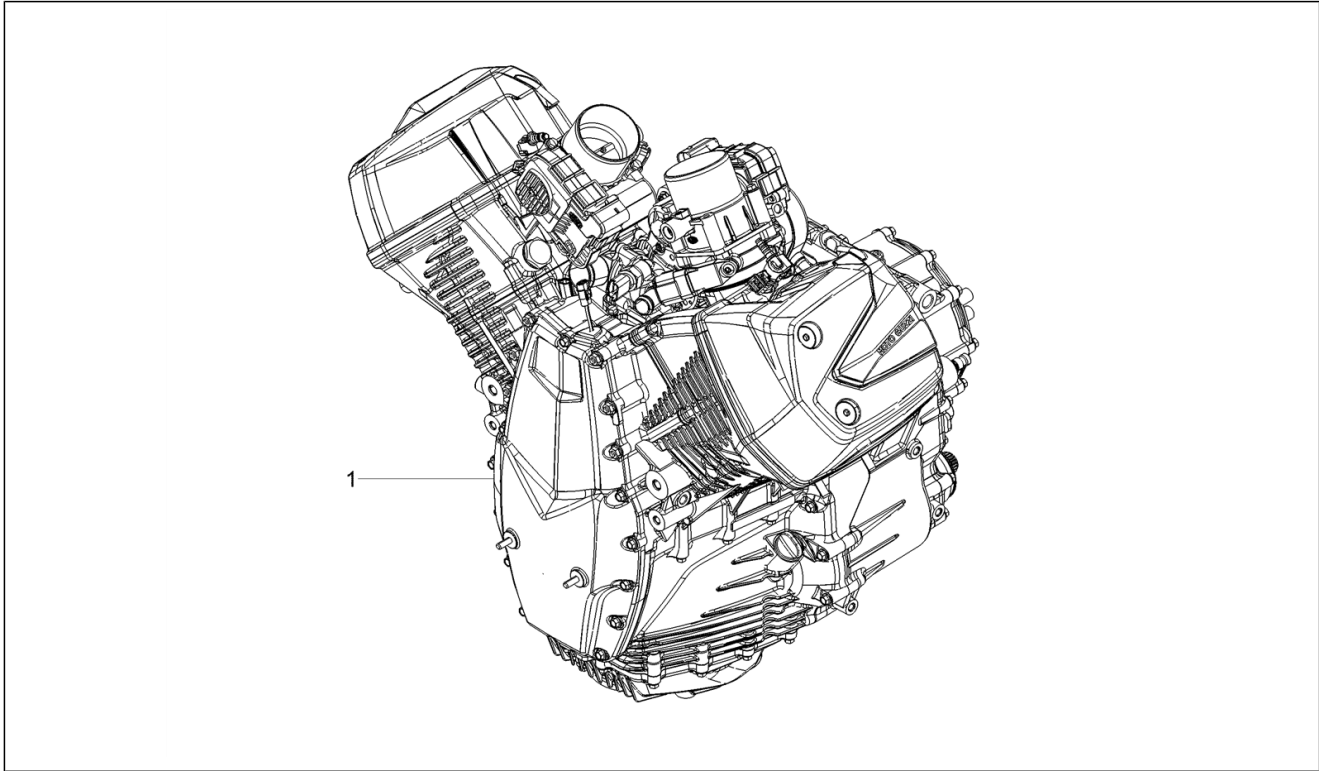
Pos.	Code	Description	Qty	Variants
1	2Q000561	USER MAN. Stelvio US-FR-ES-IT	1	

Group	Body
Code	02.190
Description	Decal
Service	1



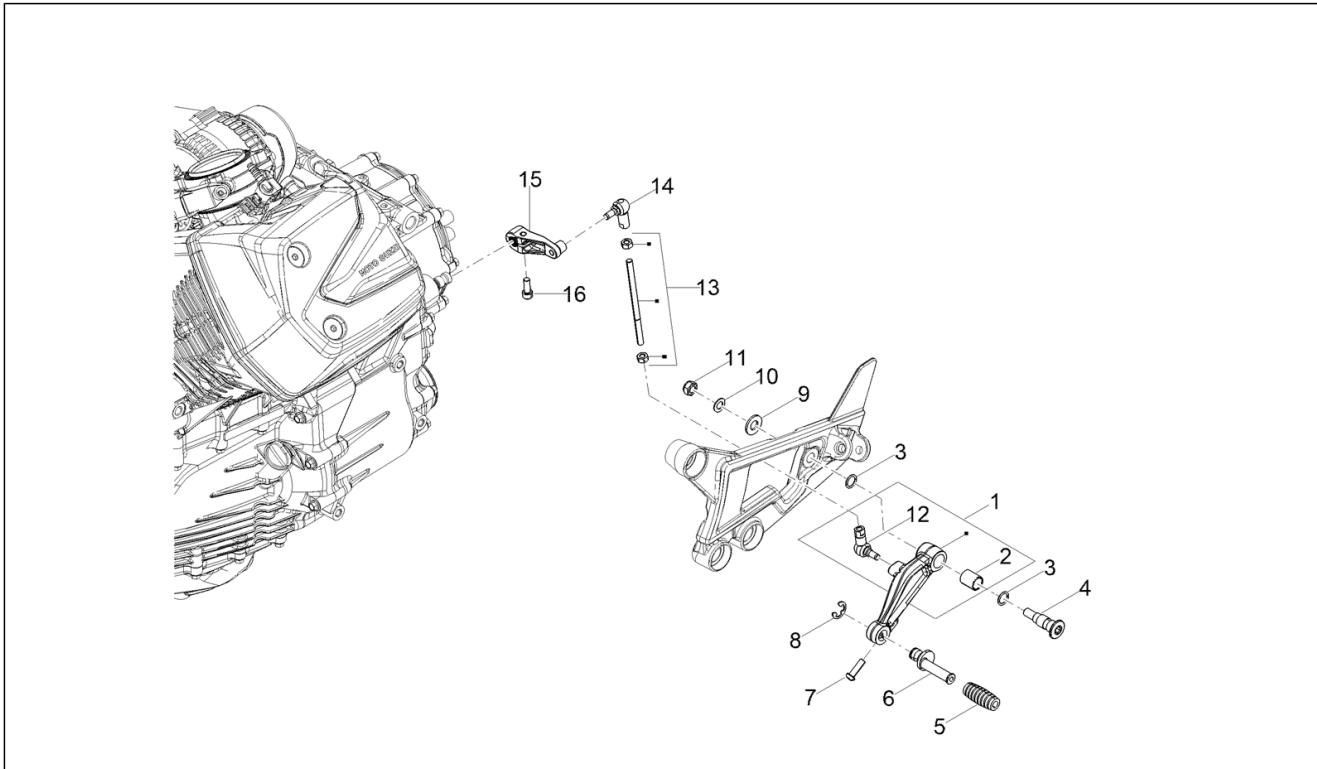
Pos.	Code	Description	Qty	Variants
1	2H006041	RH Cover decal "STELVIO"	1	Colour:Nero Vulcano[Z1] Giallo Savana[Z2]
2	2H006042	LH Cover decal "STELVIO"	1	Colour:Nero Vulcano[Z1] Giallo Savana[Z2]
3	2H002592	"Eagle" decal right	1	Colour:Nero Vulcano[Z1] Giallo Savana[Z2]
4	2H002593	LH "Eagle" badge	1	Colour:Nero Vulcano[Z1] Giallo Savana[Z2]
5	2H006054	Cover right band deca	1	Colour:Giallo Savana[Z2]
5	2H006045	Cover right band deca	1	Colour:Nero Vulcano[Z1]
6	2H006055	Cover left band deca	1	Colour:Giallo Savana[Z2]
6	2H006046	Cover left band deca	1	Colour:Nero Vulcano[Z1]
7	2H006058	RH strip decal	1	Colour:Giallo Savana[Z2]
7	2H006049	RH strip decal	1	Colour:Nero Vulcano[Z1]
8	2H006059	LH strip decal	1	Colour:Giallo Savana[Z2]
8	2H006050	LH strip decal	1	Colour:Nero Vulcano[Z1]
9	2G000890	Noise emission sticker MY24	1	
10	2G000891	Emission control sticker MY24	1	
11	2G000892	Carbon canister scheme sticker MY24	1	
12	2G000907	Tyre pressure decal MY24	1	
13	AP8257755	Liquid cooling sticker	1	
14	AP8257794	Battery acid sticker	1	

Group	Engine
Code	03.010
Description	Engine-Completing part-Lever
Service	1



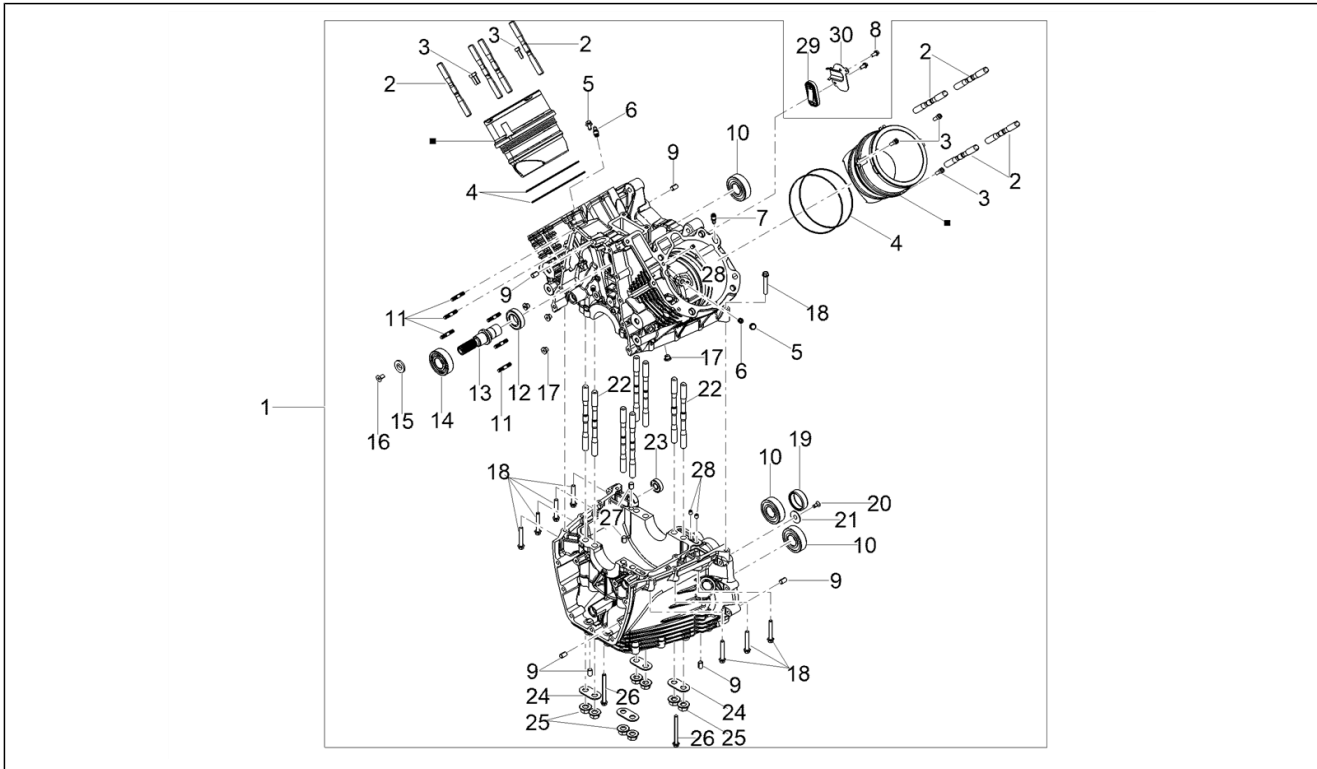
Pos.	Code	Description	Qty	Variants
1	1A024706	Engine	1	

Group	Engine
Code	03.020
Description	Internal gear selectors
Service	1



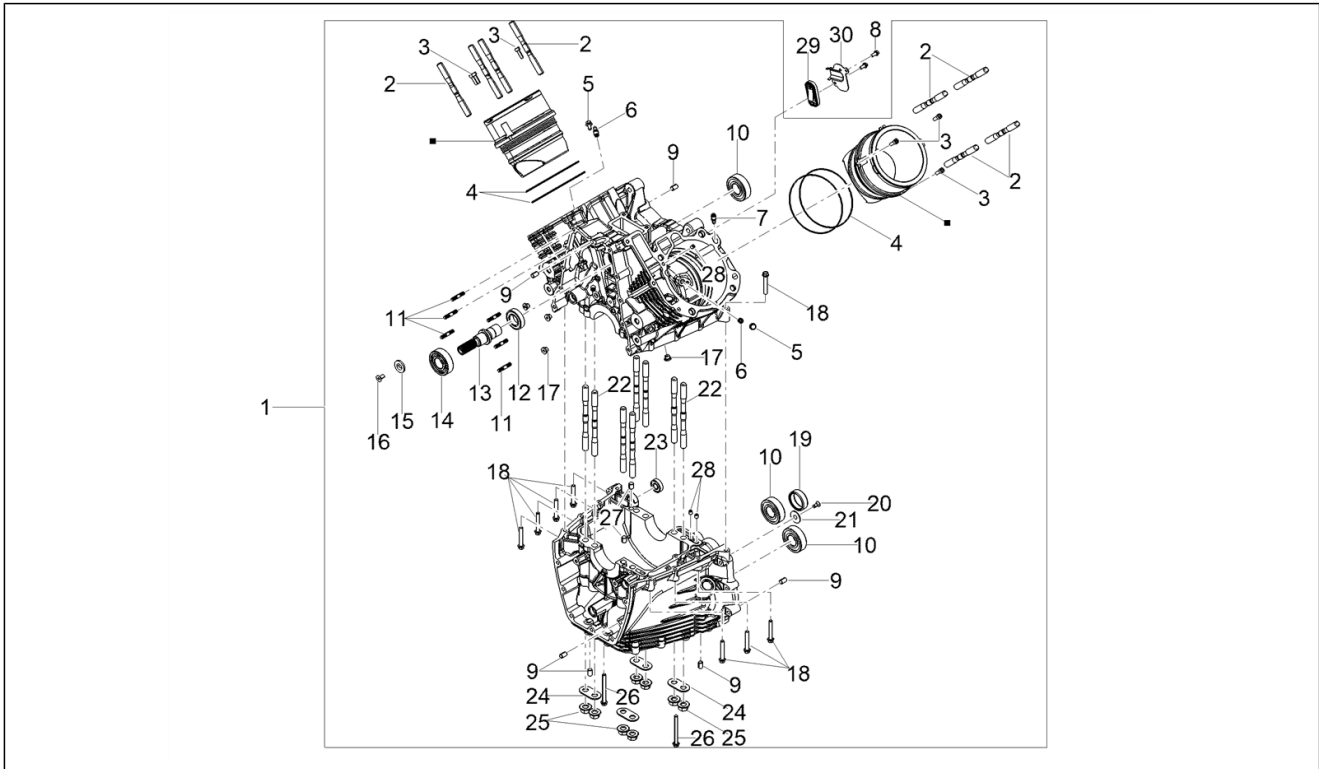
Pos.	Code	Description	Qty	Variants
1	2B012412	Gear lever	1	
2	895328	Sintered bushing	1	
3	AP8144007	O-ring 11,11x1,78	2	
4	884033	Lever pin	1	
5	AP8120912	Lever rubber	1	
6	AP8121221	Brake lever pin	1	
7	AP8224470	Hex socket screw M6x20 inox	1	
8	AP8150462	Circlip d9	1	
9	AP8150020	Washer 10,5x21x2*	1	
10	AP8150376	Washer 8,5x15x0,8	1	
11	AP8150431	Low nut M8	1	
12	2B004822	Left ball joint M6	1	
13	2B004704	Gear control tie rod	1	
14	898396	RH ball joint M6	1	
15	2B011144	Lever	1	
16	2B011110	Hex socket screw M6x20	1	

Group	Engine
Code	03.030
Description	Crankcases I
Service	1



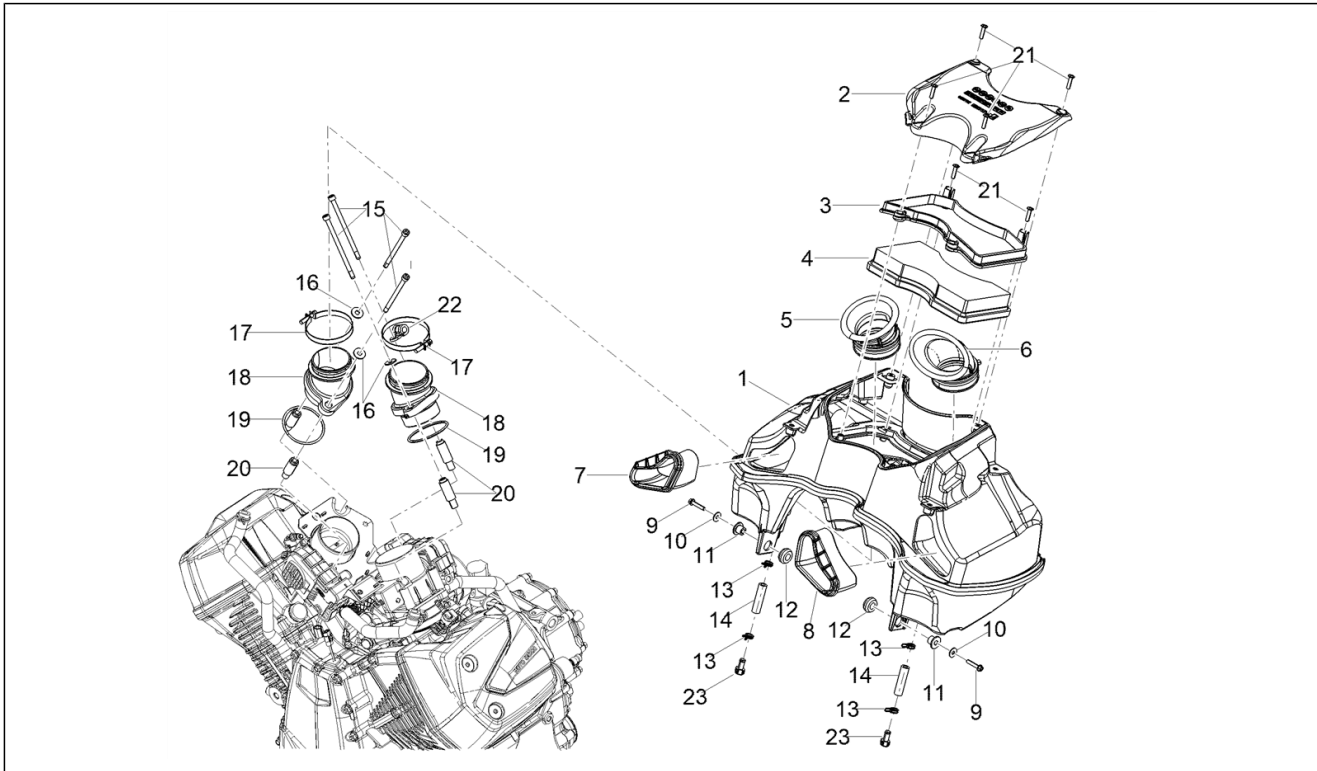
Pos.	Code	Description	Qty	Variants
1	1A0241365	Crankcase assembly	1	
2	1A024149	Stud bolt M10x1.25	8	
3	292889	Countersunk cylindrical hex head screw M5x16	6	
4	1A024874	O-ring	4	
5	1A023456	Screw w/ flange M5X10	2	
6	1A018625	Piston cooling jet	2	
7	1A023883	Maximum valve with o-ring	1	
8	AP8152272	Screw w/ flange M5x12	2	
9	277916	Locating dowel Ø7,5x12	6	
10	2A001078R	Ball bearing 20x47x14	3	
11	1A023452	Stud bolt M6x1 L30	6	
12	1A022466	Radial ball bearing 20x37x9	1	
13	1A022774	Transmission shaft	1	
14	485913	Radial bearing 20x47x14	1	
15	873905	Washer	1	
16	B013608	Countersunk screw with hexagon socket	1	
17	1A023438	Calibrated dowel	4	
18	874550	Flanged hexagon screw	8	
19	974129	Drawn cap 30x37x12	1	
20	2B004800	Countersunk screw with hexagon socket M5x12	1	
21	1A021691	Countersunk washer	1	
22	1A020957	Stud bolt M10x1.5 L138	8	
23	1A001359	Radial ball bearing 9x24x7	1	
24	1A001107	Plate	4	
25	825694	Nut M10x1,25	8	
26	B016425	Flanged hexagon screw M6x60	2	
27	857427	Locating dowel M8x12	1	
28	1A022588	Calibrated dowel	3	

Group	Engine
Code	03.030
Description	Crankcases I
Service	1



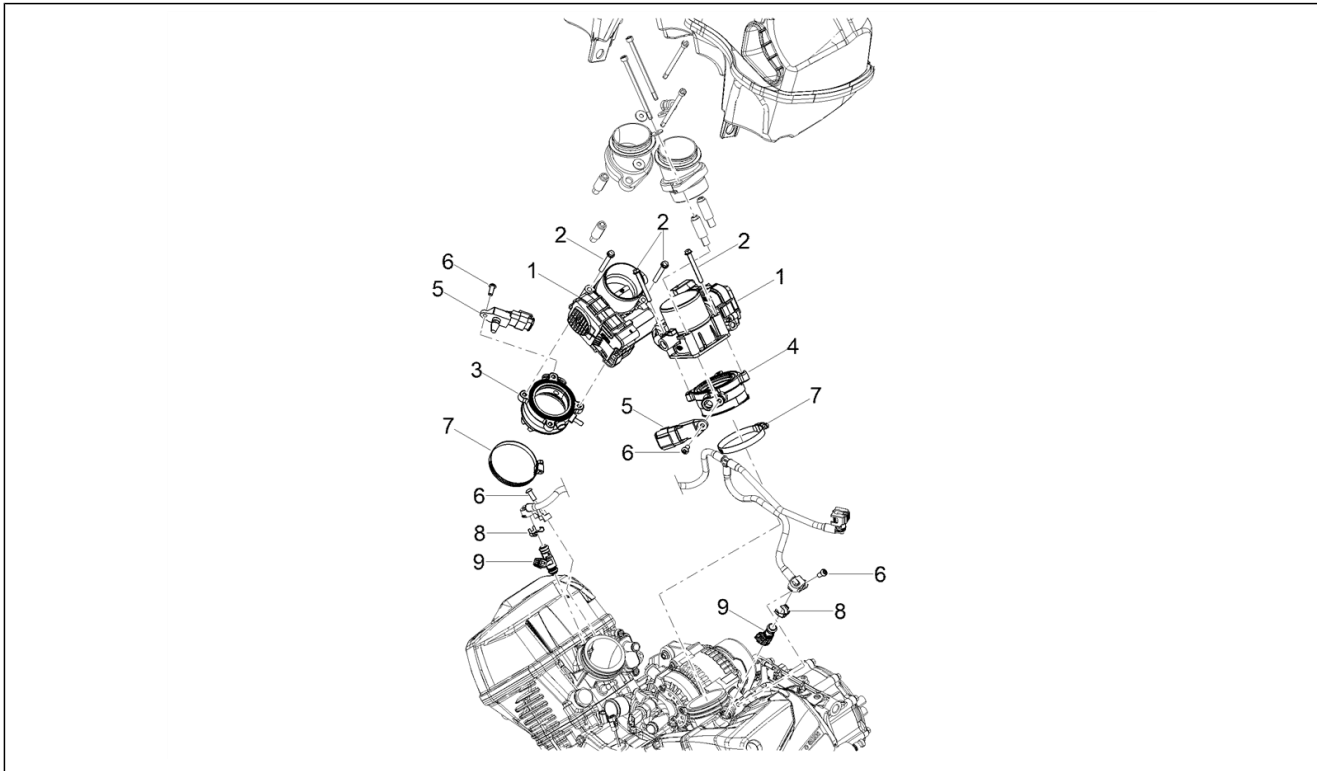
Pos.	Code	Description	Qty	Variants
29	82778R	Reed valve support	1	
30	1A021700	Plate	1	

Group	Engine
Code	03.050
Description	Air box
Service	1



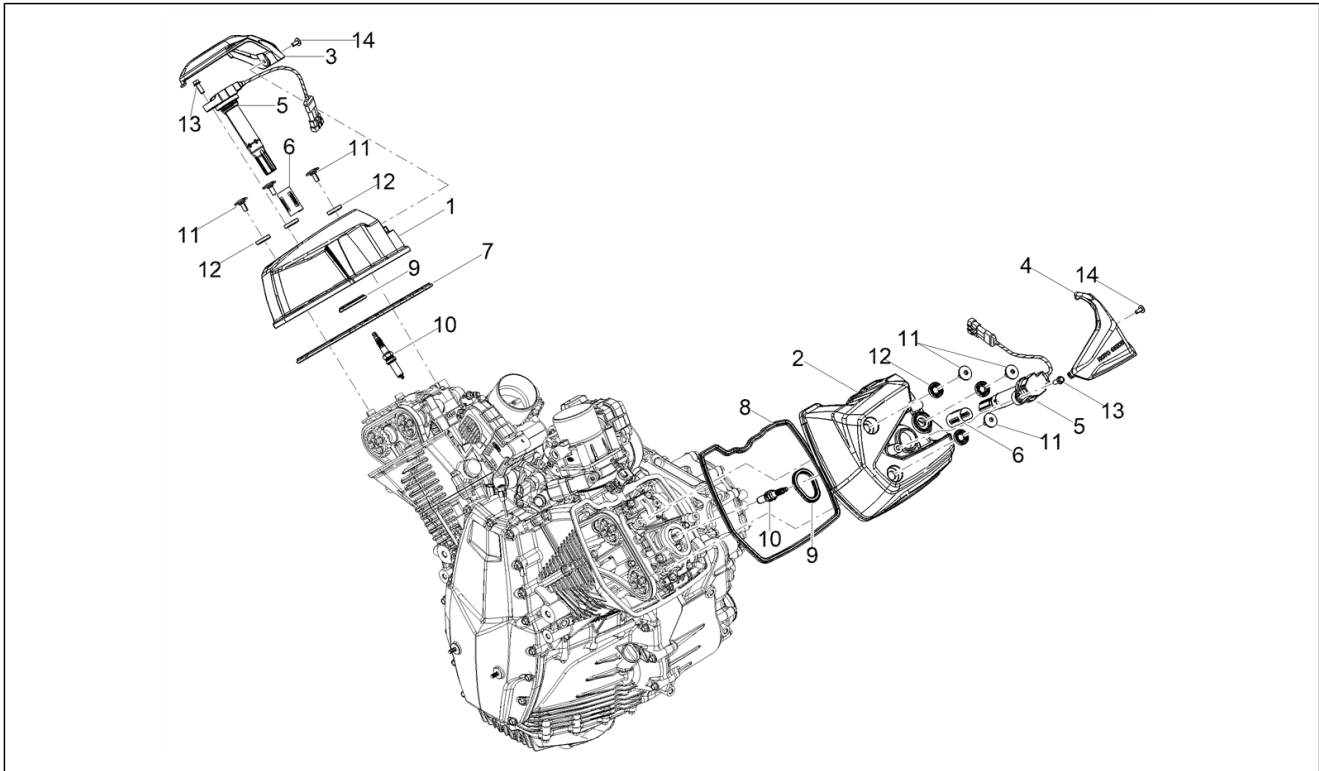
Pos.	Code	Description	Qty	Variants
1	2B009960	Air box	1	
2	2B009967	Filter housing cover	1	
3	2B009970	Air filter fixing frame	1	
4	2B009776	Air filter	1	
5	2B009966	Intake duct DX	1	
6	2B009965	Intake duct SX	1	
7	2B009968	Intake hose RH	1	
8	2B009969	Intake hose LH	1	
9	AP8152275	Screw w/ flange M5x25	2	
10	AP8150248	Washer 5,5x15x1,6	2	
11	AP8121679	T bush *	2	
12	00008915020	Grommet	2	
13	AP8201358	Hose clamp D 11,9	4	
14	2B011469	Pipe	2	
15	2B010338	Hex socket screw M6x100	4	
16	AP8150179	Washer 6,6x18x1,6	3	
17	854970	Hose clamp SM9C W1 6	2	
18	2B009973	Intake pipe	2	
19	2B009847	Seal ring (o-ring) 59.5X3	2	
20	2B009849	Flanged spacer	4	
21	2B011542	Self tapping screw 5X30	6	
22	AP8134167	Hose clamp	1	
23	833965	Cover	2	

Group	Engine
Code	03.060
Description	Throttle body
Service	1



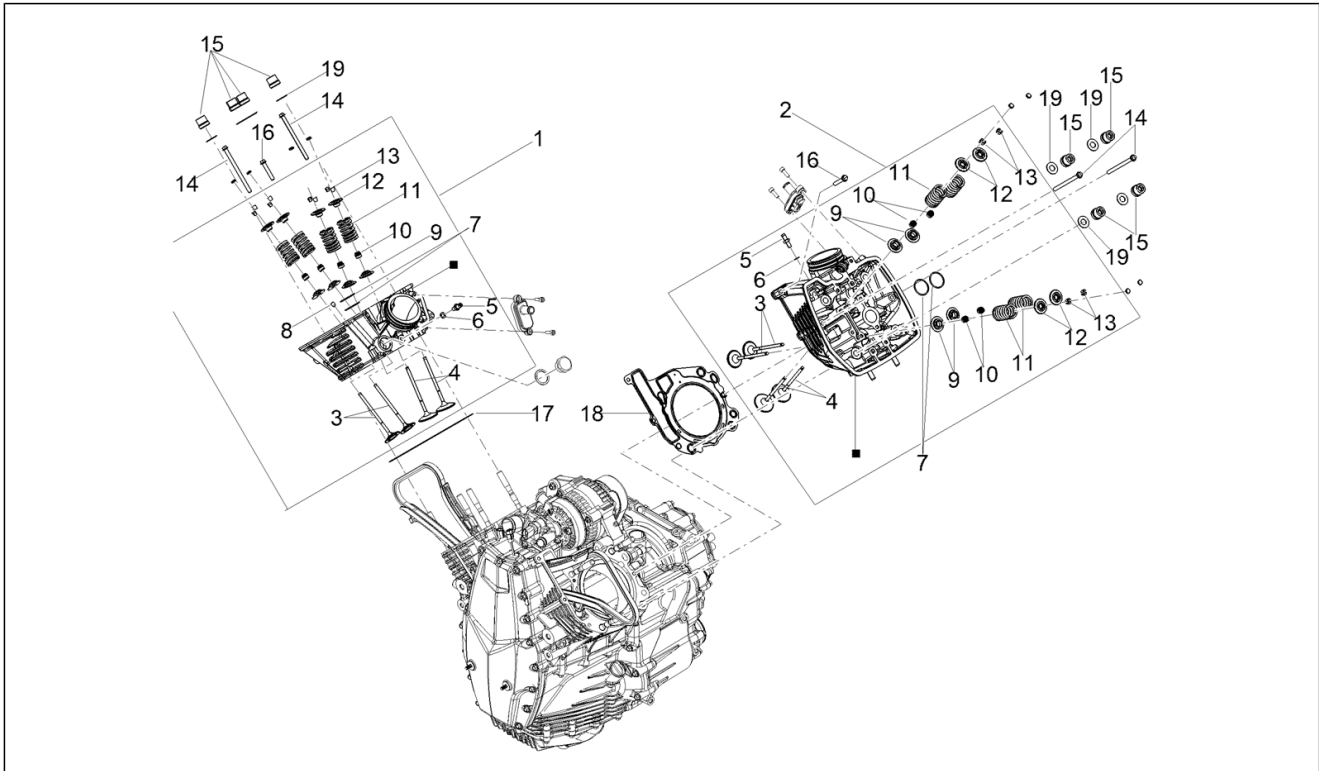
Pos.	Code	Description	Qty	Variants
1	1A023630	Ride by wire Integrated	2	
2	B013042	Screw w/ flange M6x50	4	
3	1A024414	RH intake connector	1	
4	1A024413	LH intake connector	1	
5	887015	Air temp. Sensor	2	
6	1A002954	Hex socket screw M6x16	4	
7	1A021960	Hose clamp Ø60 - Ø80	2	
8	849898	Spring	1	
9	CM291203	Complete injector	2	

Group	Engine
Code	03.090
Description	Cylinder head cover
Service	1



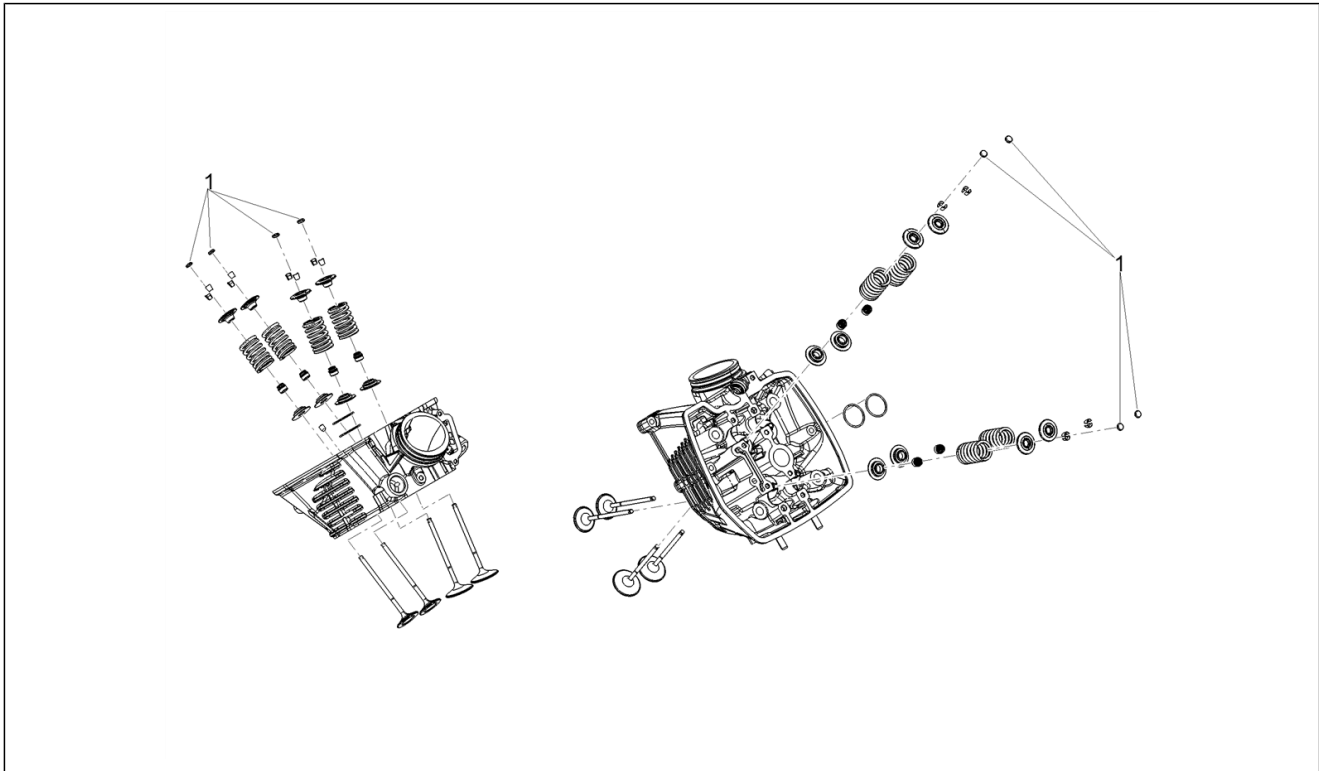
Pos.	Code	Description	Qty	Variants
1	1A025310	RH Head cover	1	
2	1A025309	LH Head cover	1	
3	1A025985	Spark plug cover SX	1	
4	1A025987	Spark plug cover DX	1	
5	857501	HT coil long cable	2	
6	1A024097	Hose clamp	2	
7	1A021824	Head cover gasket DX	1	
8	1A021823	Head cover gasket SX	1	
9	1A020041	Gasket	2	
10	1D001003	Spark plug	2	
11	976591	Special screw	3	
12	1A006716	Damper drift	3	
13	874555	Flanged hexagon screw M6x16	1	
14	1A023687	M5x12	2	

Group	Engine
Code	03.100
Description	Cylinder head - valves
Service	1



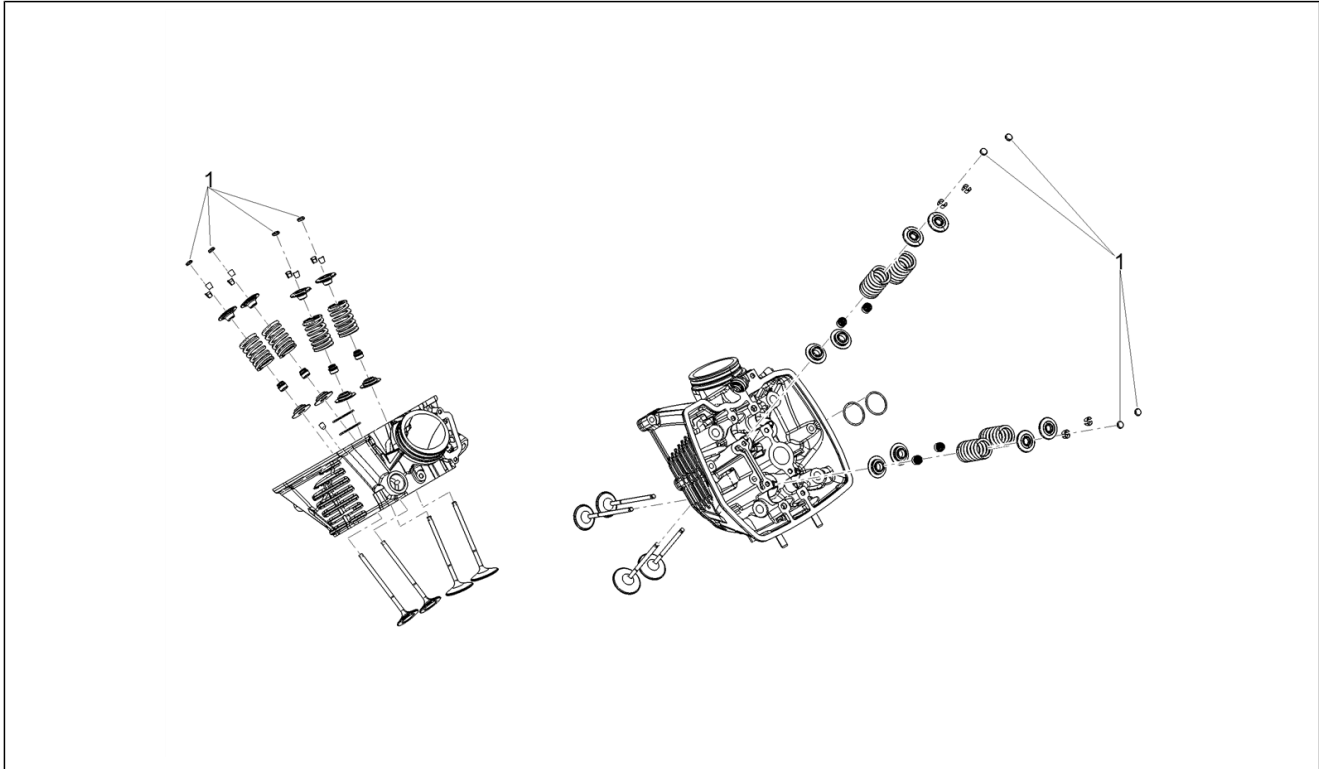
Pos.	Code	Description	Qty	Variants
1	1A025896	RH head assy w/h valve	1	
2	1A025895	LH head assy with valve	1	
3	1A023877	Exhaust valve	4	
4	1A021714	Intake valve	4	
5	1A025386	Joint	2	
6	847239	Washer	2	
7	B019103	Oil seal 26.7x1.78	4	
8	1A022588	Calibrated dowel	1	
9	1A020032	Lower cap	8	
10	1A016664	Oil seal	8	
11	1A008434	Valve spring	8	
12	1A021403	Upper cap	8	
13	1A021968	Valve half-cone	16	
14	B016776	Flanged hexagon screw M6x90	4	
15	1A023219	Flanged hexagon nut M10X1,5	8	
16	414838	Flanged hexagon screw M6x35	2	
17	1A022909	Cylinder head gasket DX 0.8 mm	1	
17	1A022910	Cylinder head gasket DX 1.0 mm	1	
17	1A022911	Cylinder head gasket DX 1.2 mm	1	
17	1A023907	Cylinder head gasket DX 1.4 mm	1	
18	1A022906	Cylinder head gasket SX 0.8 mm	1	
18	1A022907	Cylinder head gasket SX 1.0 mm	1	
18	1A022908	Cylinder head gasket SX 1.2 mm	1	
18	1A023906	Cylinder head gasket SX 1.4 mm	1	
19	2B007292	Flat washer	8	

Group	Engine
Code	03.110
Description	Pad
Service	1



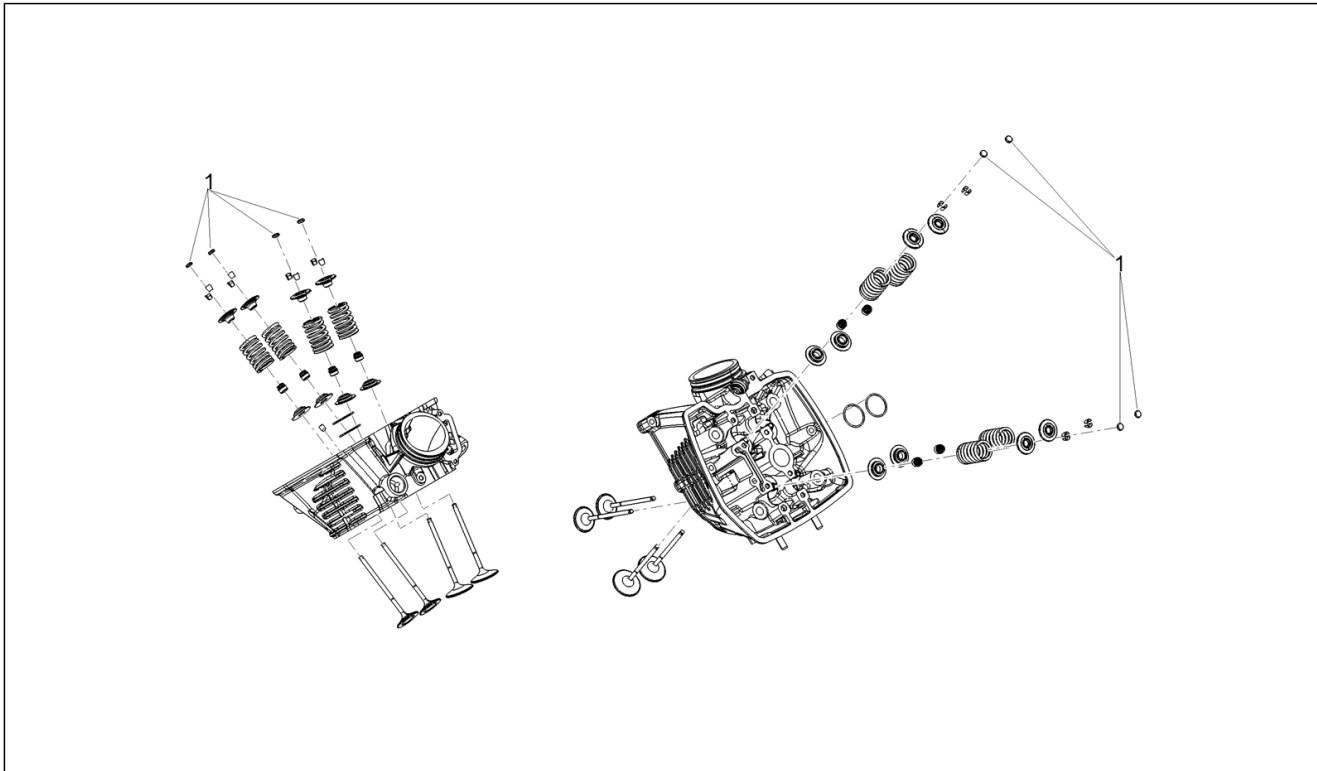
Pos.	Code	Description	Qty	Variants
1	CM320807R4	Pad 1,90	1	
1	CM327025	Pad 2.35	1	
1	CM327026	Pad 2.37	1	
1	CM327029	Pad 2.45	1	
1	CM327031	Pad 2.50	1	
1	CM327046	Pad 2.87	1	
1	CM327047	Pad 2.90	1	
1	CM327053	Pad 3.05	1	
1	CM327055	Pad 3.10	1	
1	CM327051	Pad 3.00	1	
1	CM327052	Pad 3.02	1	
1	CM327054	Pad 3.07	1	
1	CM320856R4	Pad 3,12	1	
1	CM320857R4	Pad 3,15	1	
1	CM327058	Pad 3,17	1	
1	CM327059	Pad 3,20	1	
1	CM327060	Pad 3,22	1	
1	CM327061	Pad 3,25	1	
1	CM327063	Pad 3,30	1	
1	CM327064	Pad 3,32	1	
1	CM327065	Pad 3,35	1	
1	CM327066	Pad 3,37	1	
1	CM327067	Pad 3,40	1	
1	CM327068	Pad 3,42	1	
1	CM327069	Pad 3,45	1	
1	CM327070	Pad 3,47	1	
1	CM327071	Pad 3,50	1	
1	CM327062	Pad 3,27	1	

Group	Engine
Code	03.110
Description	Pad
Service	1



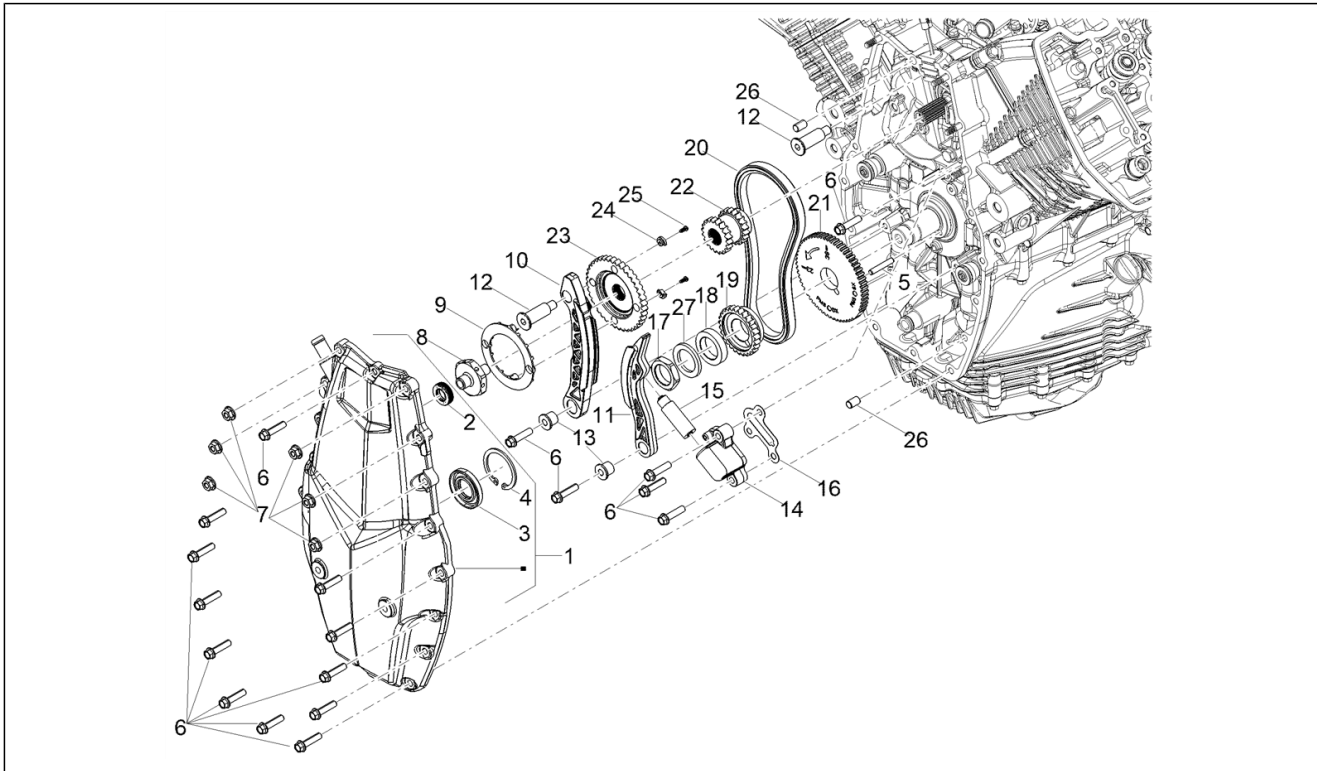
Pos.	Code	Description	Qty	Variants
1	CM320822R4	Pad 2,27	1	
1	CM327023	Pad 2.30	1	
1	CM320824R4	Pad 2,32	1	
1	CM320826R4	Pad 2,37	1	
1	CM327027	Pad 2.40	1	
1	CM327028	Pad 2.42	1	
1	CM320830R4	Pad 2,47	1	
1	CM320832R4	Pad 2,52	1	
1	CM320833R4	Pad 2,55	1	
1	CM320834R4	Pad 2,57	1	
1	CM320835R4	Pad 2,60	1	
1	CM320836R4	Pad 2,62	1	
1	CM320837R4	Pad 2,65	1	
1	CM320838R4	Pad 2,67	1	
1	CM320839R4	Pad 2,70	1	
1	CM327040	Pad 2.72	1	
1	CM327041	Pad 2.75	1	
1	CM327042	Pad 2.77	1	
1	CM327043	Pad 2.80	1	
1	CM327044	Pad 2.82	1	
1	CM327045	Pad 2.85	1	
1	CM320804R4	Pad 1,82	1	
1	CM320846R4	Pad 2,87	1	
1	CM327048	Pad 2.92	1	
1	CM327049	Pad 2.95	1	
1	CM327050	Pad 2.97	1	
1	CM320806R4	Pad 1,87	1	
1	CM320802R4	Pad 1,77	1	

Group	Engine
Code	03.110
Description	Pad
Service	1



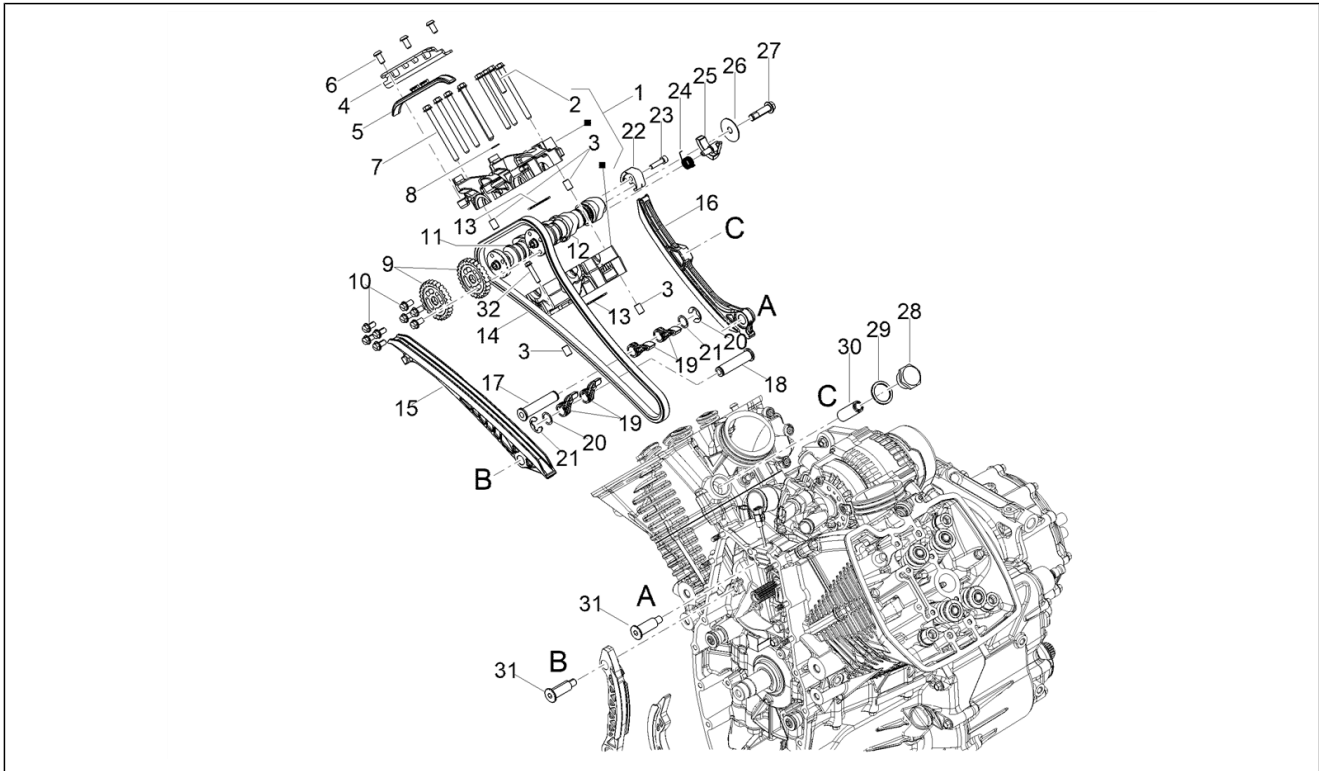
Pos.	Code	Description	Qty	Variants
1	CM320803R4	Pad 1,80	1	
1	CM320805R4	Pad 1,85	1	
1	CM320808R4	Pad 1,92	1	
1	CM320809R4	Pad 1,95	1	
1	CM320810R4	Pad 1,97	1	
1	CM327011	Pad 2,00	1	
1	CM320812R4	Pad 2,02	1	
1	CM320814R4	Pad 2,07	1	
1	CM320813R4	Pad 2,05	1	
1	CM320815R4	Pad 2,10	1	
1	CM320816R4	Pad 2,12	1	
1	CM327017	Pad 2,15	1	
1	CM320818R4	Pad 2,17	1	
1	CM320819R4	Pad 2,20	1	
1	CM320801R4	Pad 1,75	1	
1	CM320820R4	Pad 2,22	1	
1	CM320821R4	Pad 2,25	1	

Group	Engine
Code	03.120
Description	Timing system
Service	1



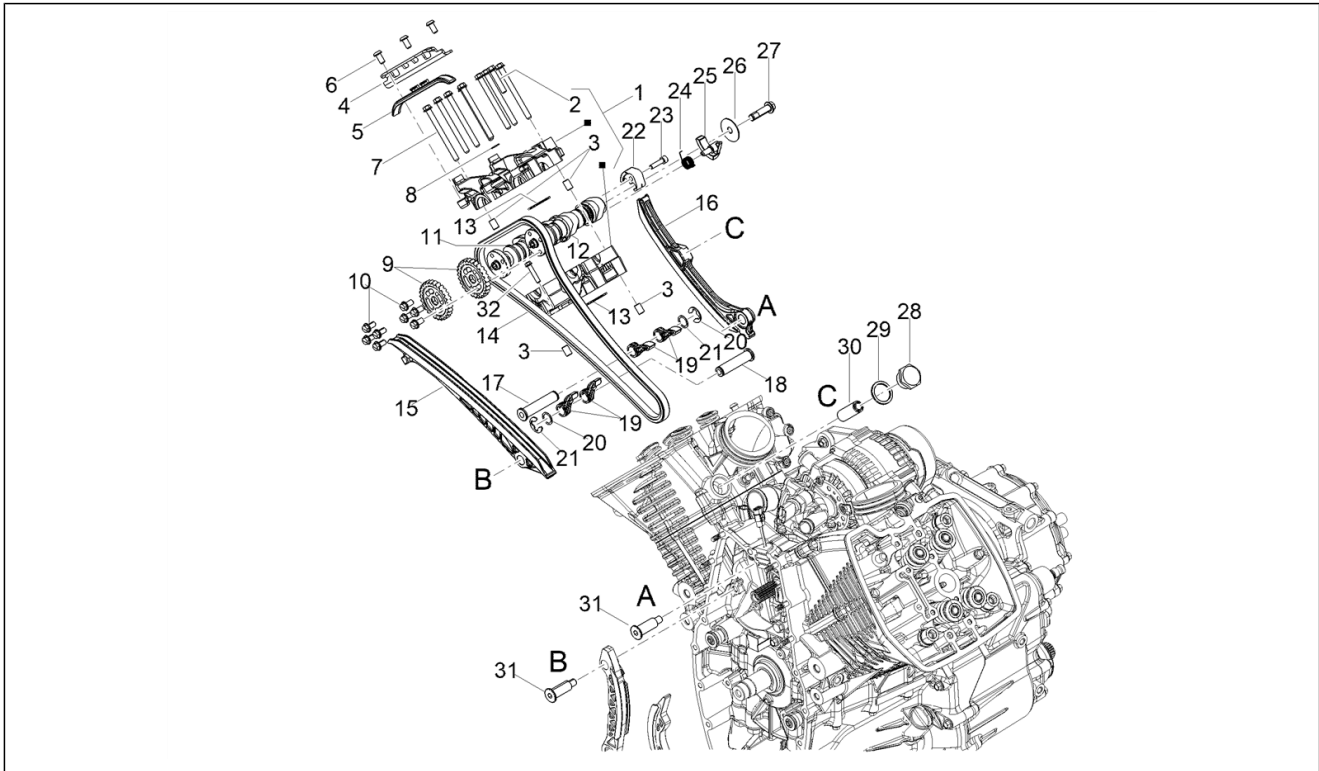
Pos.	Code	Description	Qty	Variants
1	1A0235055	Front cover	1	
2	1A019621	Oil seal D12x22x6	1	
3	1A022683	Oil seal 20x40x6	1	
4	005141	Snap ring	1	
5	1A001966	Pin	1	
6	874549	Flanged hexagon screw M6x25	18	
7	288245	Self locking nut M6	6	
8	1A022904	Special screw	1	
9	1A023884	Impeller	1	
10	1A019916	Fixed pad	1	
11	1A019981	Chain tensioner rod	1	
12	1A001501	Spacer screw	1	
13	B015445	Chain tensioner rod spacer	1	
14	1A019941	Chain tensioner bracket	1	
15	873690	LH chain tensioner	1	
16	1A001811	Gasket	1	
17	1A024466	Nut	1	
18	1A024465	Spacer	1	
19	1A022859	Timing pinion	1	
20	1A020139		1	
21	1A022954	Phonic wheel	1	
22	1A022775	Timing pinion	1	
23	1A022776	Timing system gear	1	
24	1A023885	Insert	2	
25	263815	Self tapping screw	2	
26	277916	Locating dowel Ø7,5x12	1	
27	1A024464	Belleville spring	1	

Group	Engine
Code	03.135
Description	RH cylinder timing system I
Service	1



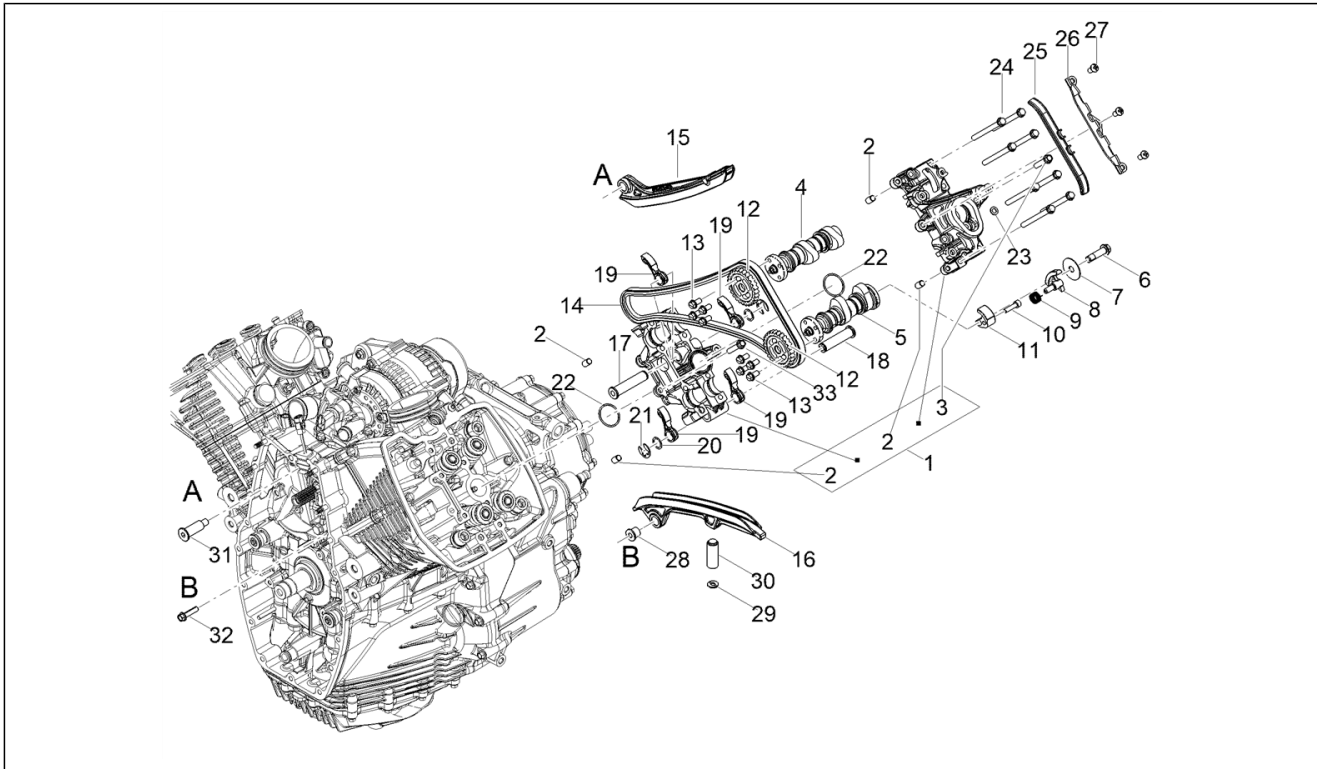
Pos.	Code	Description	Qty	Variants
1	1A021294	Camshaft support	1	
2	874551	Screw w/ flange M6X30	1	
3	277916	Locating dowel Ø7,5x12	4	
4	1A020162	Fixed pad	1	
5	1A020046	Plate	1	
6	1A002952	M6x12 button socket head cap screw	3	
7	1A020184	Hex socket screw M6X70	8	
8	847239	Washer	1	
9	1A021228	Timing system gear	4	
10	1A021962	Pre-coated hex head flange screw M6X12	8	
11	1A022837	Exhaust camshaft	1	
12	1A022836	Intake camshaft	1	
13	B019103	Oil seal 26.7x1.78	2	
14	1A020235		1	
15	1A019920	Fixed pad	1	
16	1A022254	Sliding block	1	
17	1A023484	Rocker shaft	1	
18	1A023483	Rocker shaft	1	
19	1A023313	Rocker arm assy.	4	
20	1A020105	Shim washer	2	
21	005970	Snap ring	4	
22	1A005190	Decompression counter weight	1	
23	877885	Hex socket screw M5X20	1	
24	1A005187	Decompression spring	1	
25	1A021499	Decompressor counter weight	1	
26	879523	Special washer	1	
27	1A023064	Screw w/ flange M8X30	1	
28	1A018620	Chain tension.plug	1	

Group	Engine
Code	03.135
Description	RH cylinder timing system I
Service	1



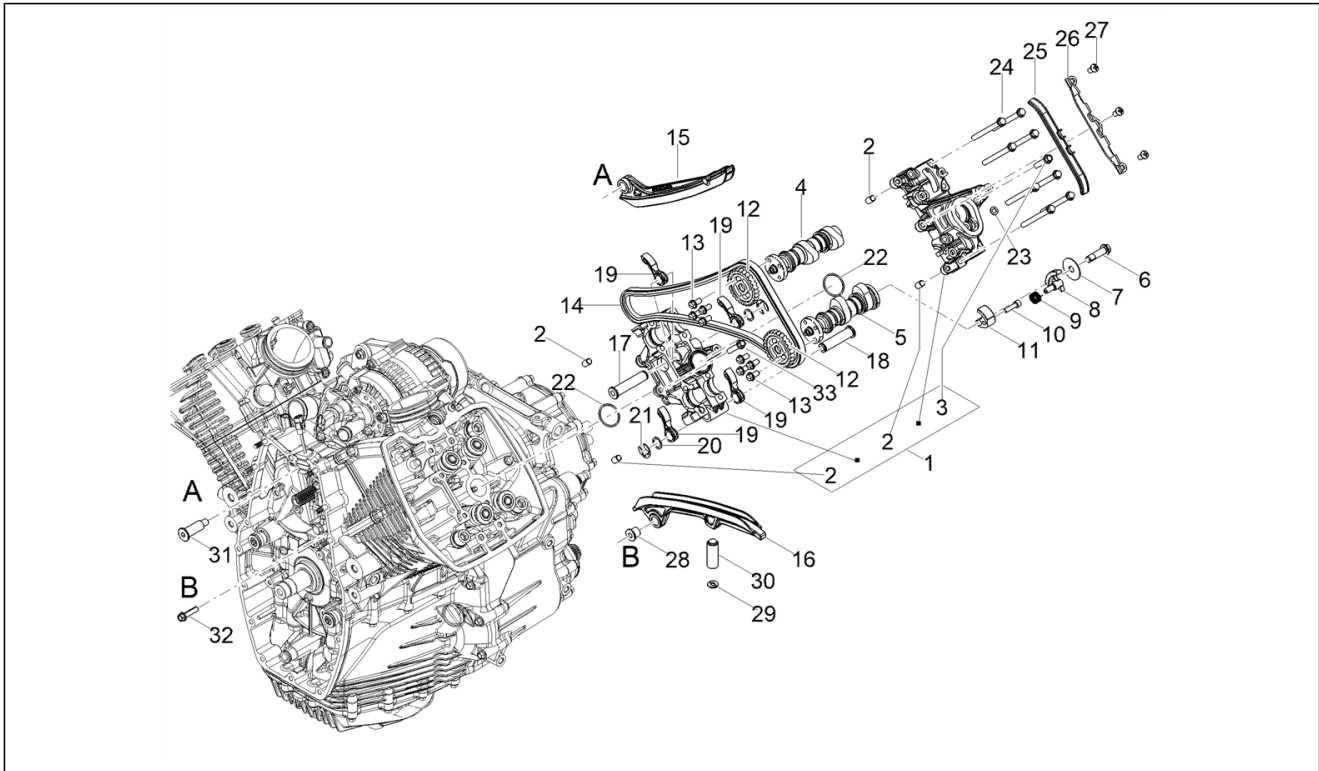
Pos.	Code	Description	Qty	Variants
29	1A018866	Washer	1	
30	873689	RH chain tensioner	1	
31	1A001501	Spacer screw	2	
32	B016792	Flanged hexagon screw M6x30	1	

Group	Engine
Code	03.145
Description	LH cylinder timing system I
Service	1



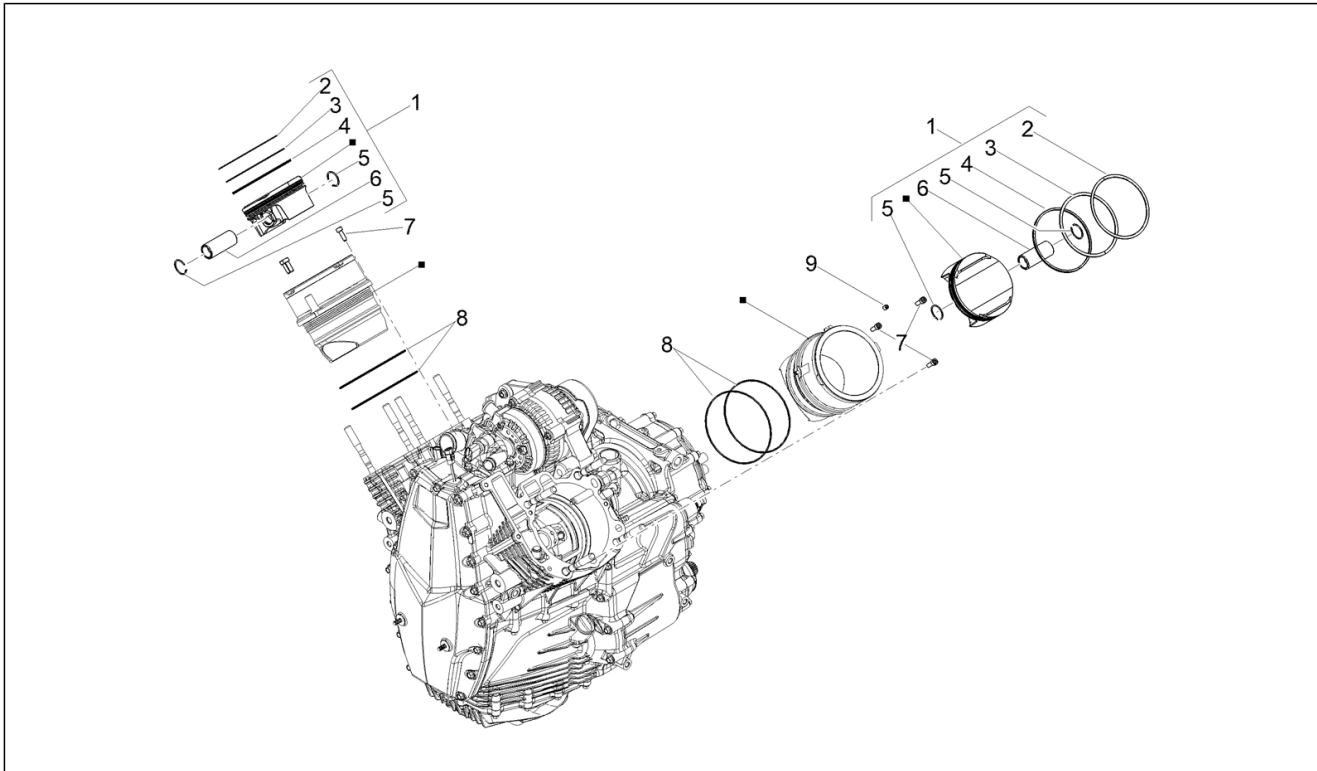
Pos.	Code	Description	Qty	Variants
1	1A021291	Camshaft support SX	1	
2	277916	Locating dowel Ø7,5x12	4	
3	874551	Screw w/ flange M6X30	1	
4	1A022832	Intake camshaft	1	
5	1A022833	Exhaust camshaft	1	
6	1A023064	Screw w/ flange M8X30	1	
7	879523	Special washer	1	
8	1A021499	Decompressor counter weight	1	
9	1A005187	Decompression spring	1	
10	877885	Hex socket screw M5X20	1	
11	1A005190	Decompression counter weight	1	
12	1A021228	Timing system gear	2	
13	1A021962	Pre-coated hex head flange screw M6X12	8	
14	1A020235		1	
15	1A019919	Fixed pad SX	1	
16	1A022956	Movable chain tensioner pad SX	1	
17	1A023484	Rocker shaft	1	
18	1A023483	Rocker shaft	1	
19	1A023313	Rocker arm assy.	4	
20	1A020105	Shim washer	2	
21	005970	Snap ring	2	
22	B019103	Oil seal 26.7x1.78	2	
23	847239	Washer	1	
24	1A020184	Hex socket screw M6X70	6	
25	1A020162	Fixed pad	1	
26	1A020046	Plate	1	
27	1A002952	M6x12 button socket head cap screw	3	
28	B015445	Chain tensioner rod spacer	1	

Group	Engine
Code	03.145
Description	LH cylinder timing system I
Service	1



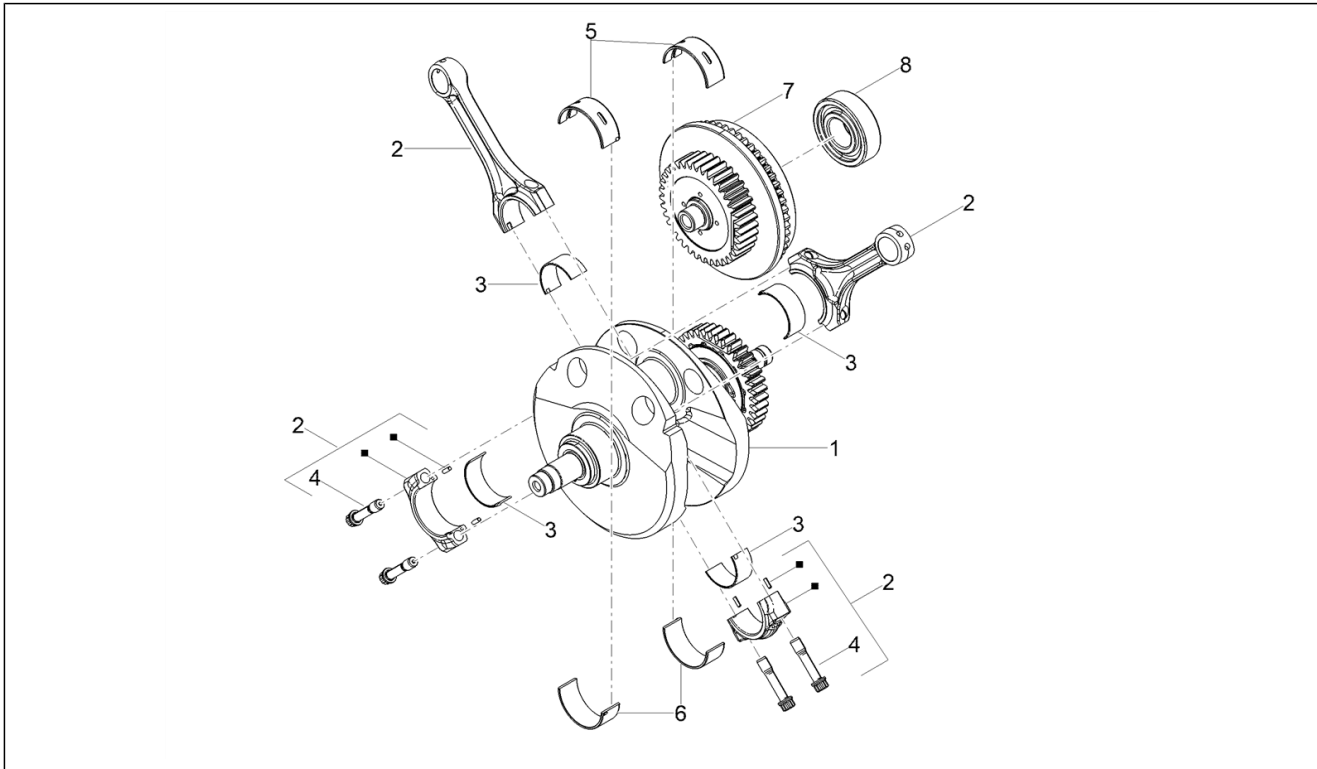
Pos.	Code	Description	Qty	Variants
29	1A022991	Washer	1	
30	873690	LH chain tensioner	1	
31	1A001501	Spacer screw	1	
32	874549	Flanged hexagon screw M6x25	1	
33	B016792	Flanged hexagon screw M6x30	1	

Group	Engine
Code	03.150
Description	Cylinder - Piston
Service	1



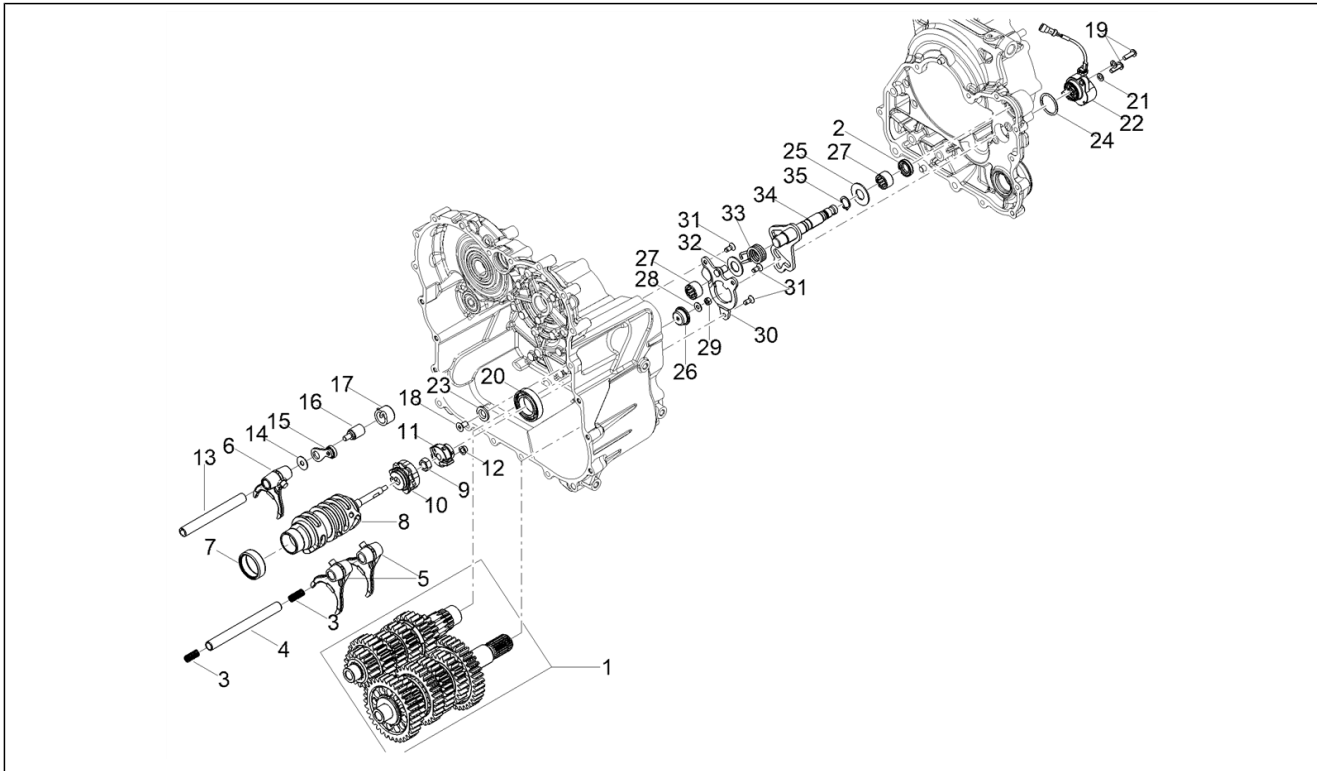
Pos.	Code	Description	Qty	Variants
1	1A0246020C	C cat. complete piston	1	
1	1A0246020D	D cat. complete piston	1	
1	1A0246020E	E cat. complete piston	1	
2	1A023586		2	
3	1A023587		2	
4	1A023588		2	
5	1A020986	Crank pin retainer ring	4	
6	1A021470	Piston pin	2	
7	292889	Countersunk cylindrical hex head screw M5x16	6	
8	1A024874	O-ring	4	
9	1A022588	Calibrated dowel	1	

Group	Engine
Code	03.160
Description	Crankshaft
Service	1



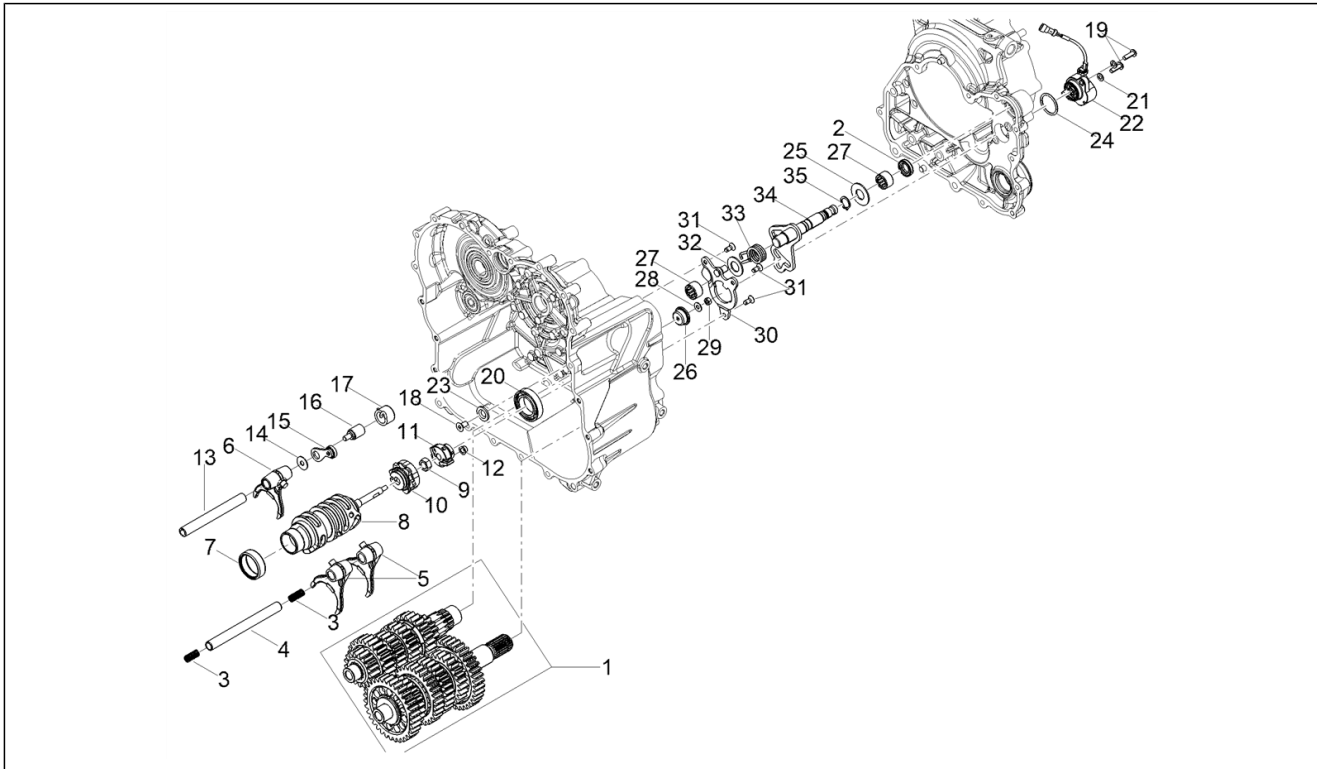
Pos.	Code	Description	Qty	Variants
1	1A023391E6	Crankshaft, weight class E6	1	
1	1A023391E7	Crankshaft, weight class E7	1	
1	1A023391E8	Crankshaft, weight class E8	1	
2	1A024165E6	Connecting rod, weight class E6	1	
2	1A024165E7	Connecting rod, weight class E7	1	
2	1A024165E8	Connecting rod, weight class E8	1	
3	1A0233530G	Connecting rod half-bearing, yellow	1	
3	1A0233530R	Connecting rod half-bearing, red	1	
3	1A0233530B	Connecting rod half-bearing, blue	1	
3	1A0233530V	Connecting rod half-bearing, green	1	
4	1A021984	Connecting rod screw	4	
5	1A0216060G	Yellow upper bench half bearing	1	
5	1A0216060B	Blue upper bench half bearing	1	
5	1A0216060M	BROWN upper bench half bearing	1	
5	1A0216060R	RED upper bench half bearing	1	
5	1A0216060V	Green upper bench half bearing	1	
6	1A0216070G	YELLOW lower crankshaft half bearing	1	
6	1A0216070M	BROWN lower crankshaft half bearing	1	
6	1A0216070B	BLUE lower crankshaft half bearing	1	
6	1A0216070R	RED lower crankshaft half bearing	1	
6	1A0216070V	GREEN lower crankshaft half bearing	1	
7	1A0229125	Counter-rotating shaft with freewell	1	
8	833701	Radial ball bearing 20x47x14	1	

Group	Engine
Code	03.170
Description	Gear box / Selector / Shift cam
Service	1



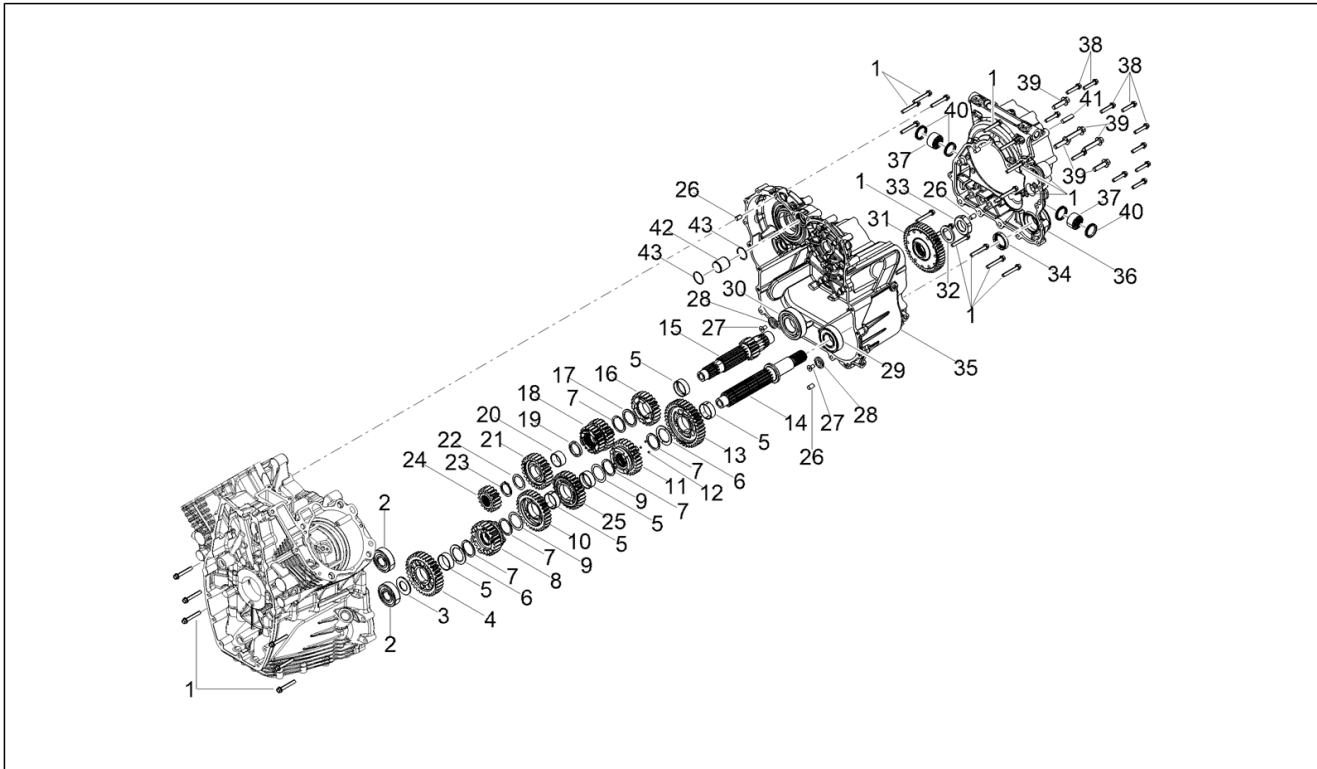
Pos.	Code	Description	Qty	Variants
1	2A001469	Transmission, assy	1	
2	1A023870	Oil seal 14X22X5	1	
3	857175	Spring	2	
4	2A001348	Rod	1	
5	2A001350	Front fork	2	
6	2A001429	Front fork	1	
7	974129	Drawn cap 30x37x12	1	
8	2A0015084	Shift cam cpl.	1	
9	2A001282	Flanged nut M10X1	1	
10	2A001494	Selector drum	1	
11	1A001675	Pinion	1	
12	B017662	Bush	1	
13	2A001363	Rod	1	
14	AP9150051	Washer D6,3x18x1	1	
15	1A022494	Lever	1	
16	B017666	Spring pin	1	
17	2A001389	Gear stop lever spring	1	
18	B013608	Countersunk screw with hexagon socket	1	
19	B016796	Torx convex big end screw	2	
20	857250	Ball bearing 25x42x9	1	
21	567672	Washer	2	
22	1A018096R	Gear position sensor	1	
23	2A001012	Countersunk washer	1	
24	877441	Packing	1	
25	1A000002	Flat washer	1	
26	1A020942	Shift cam plate	1	
27	122671	Drawn cap	2	
28	006078	Plain washer 12x5.2x1	1	

Group	Engine
Code	03.170
Description	Gear box / Selector / Shift cam
Service	1



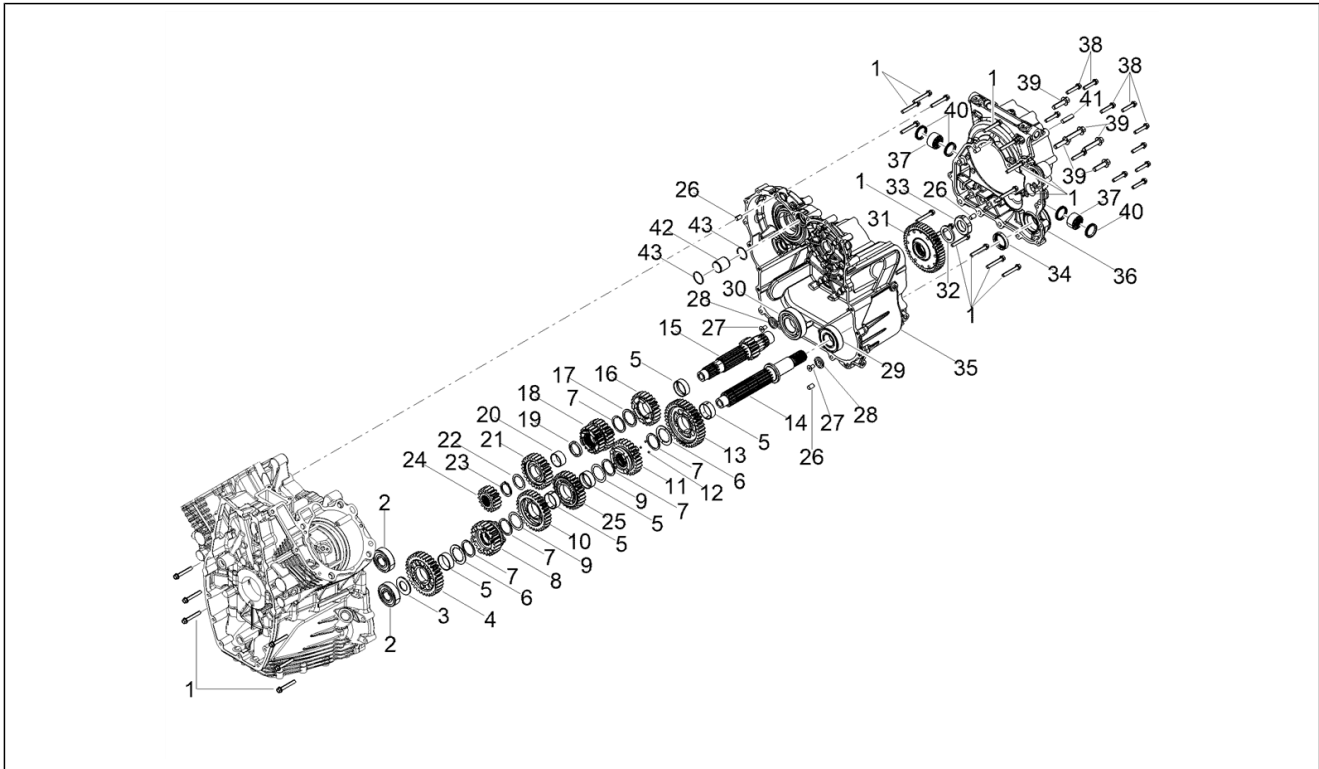
Pos.	Code	Description	Qty	Variants
29	020105	Nut M5	1	
30	1A000260	Selector lock plate	1	
31	2B004800	Countersunk screw with hexagon socket M5x12	3	
32	1A000005	Thrust washer	1	
33	B014440	Spring	1	
34	2A001218	Speed gear selector shaft	1	
35	006414	Circlip	1	

Group	Engine
Code	03.180
Description	Gear box - Gear assembly
Service	1



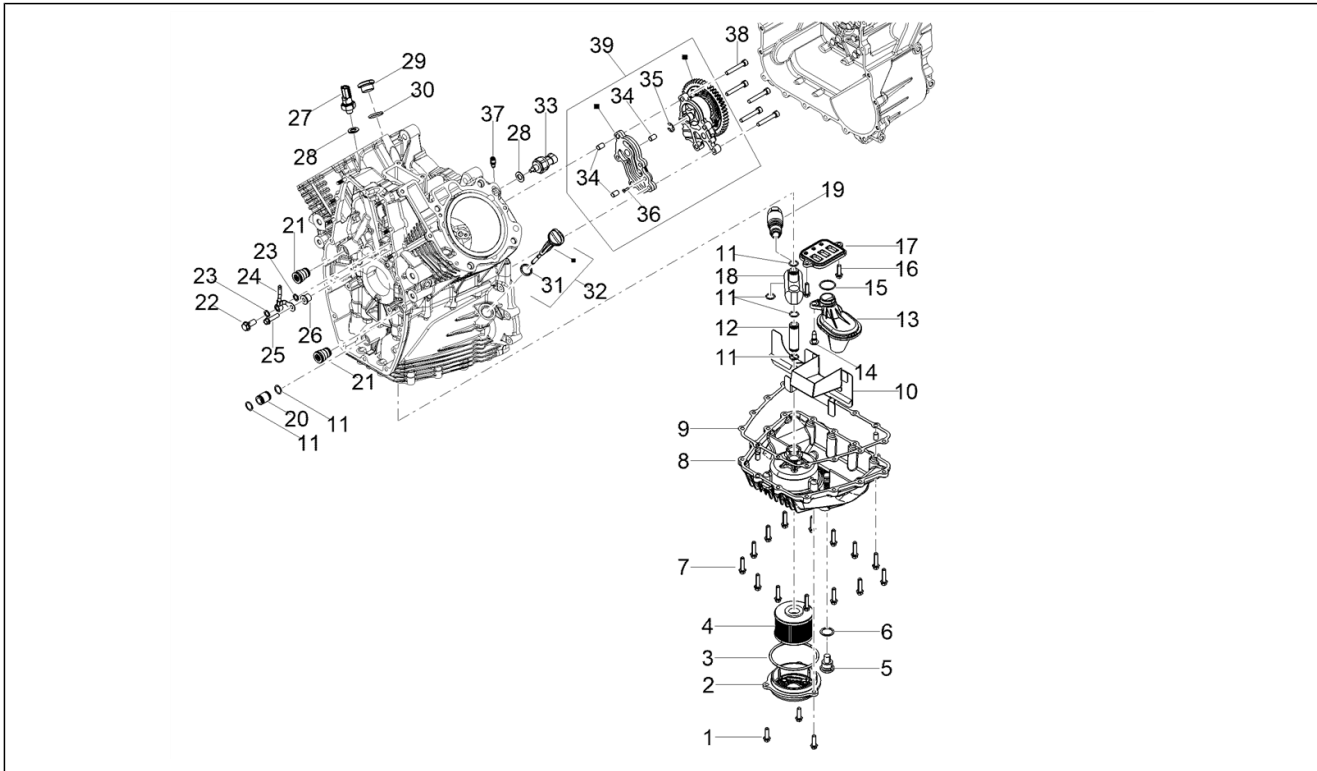
Pos.	Code	Description	Qty	Variants
1	874550	Flanged hexagon screw	20	
2	2A001078R	Ball bearing 20x47x14	2	
3	2A001456	Thrust washer	1	
4	2A001486	2nd speed gear on transmission shaft	1	
5	849308	Moveable bush	5	
6	849309	Clearance washer	2	
7	1A002604	Shaft snap ring	5	
8	2A001487	6nd speed gear	1	
9	849310	Clearance washer	2	
10	2A001509	3rd speed gear	1	
11	2A001506	Fifth speed gear	1	
12	2A001391	Ball D 3.5	3	
13	2A001492	1st speed gear	1	
14	2A001459	Secondary gearbox shaft	1	
15	2A001428	Primary gear shaft	1	
16	2A001244	Fifth speed gear	1	
17	849424	Clearance washer	1	
18	2A001427	3rd-4th gear	1	
19	B015040	Thrust washer	1	
20	974162	Moveable bush	1	
21	2A001319	Gear 6a	1	
22	849396	Clearance washer	1	
23	974165	Snap ring	1	
24	2A001242	2nd speed gear	1	
25	2A001505	4th speed gear	1	
26	277916	Locating dowel Ø7,5x12	1	
27	B013608	Countersunk screw with hexagon socket	2	
28	2A001454	Countersunk washer	2	

Group	Engine
Code	03.180
Description	Gear box - Gear assembly
Service	1



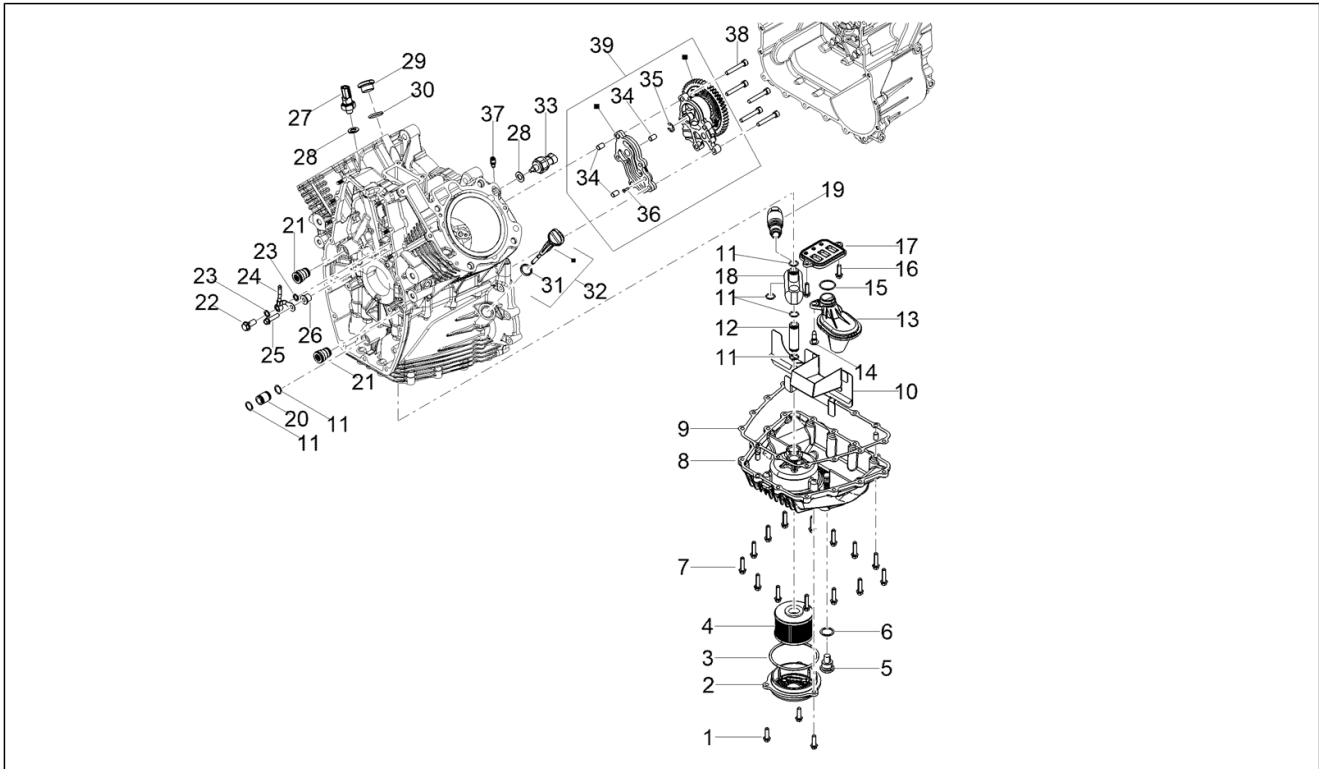
Pos.	Code	Description	Qty	Variants
29	GU92201226	Ball bearing 25x52x15	1	
30	1A003038	Radial ball bearing 30X62X16	1	
31	1A020071	ENGINE GEAR	1	
32	876337	Belleville spring	1	
33	878296	Nut	1	
34	B018223	Oil seal	1	
35	2A001453	Transmission cage	1	
36	2A001499	Gearbox cover	1	
37	AP8110067	Drawn cap 22x28x16	2	
38	874551	Screw w/ flange M6X30	11	
39	825758	Flanged hexagon screw M8x40	5	
40	2B005214	Gasket Ø22xØ28x4	4	
41	1A025280	Screw without head M8X30	1	
42	1A020040	Tube	1	
43	B019103	Oil seal 26.7x1.78	2	

Group	Engine
Code	03.190
Description	Lubrication
Service	1



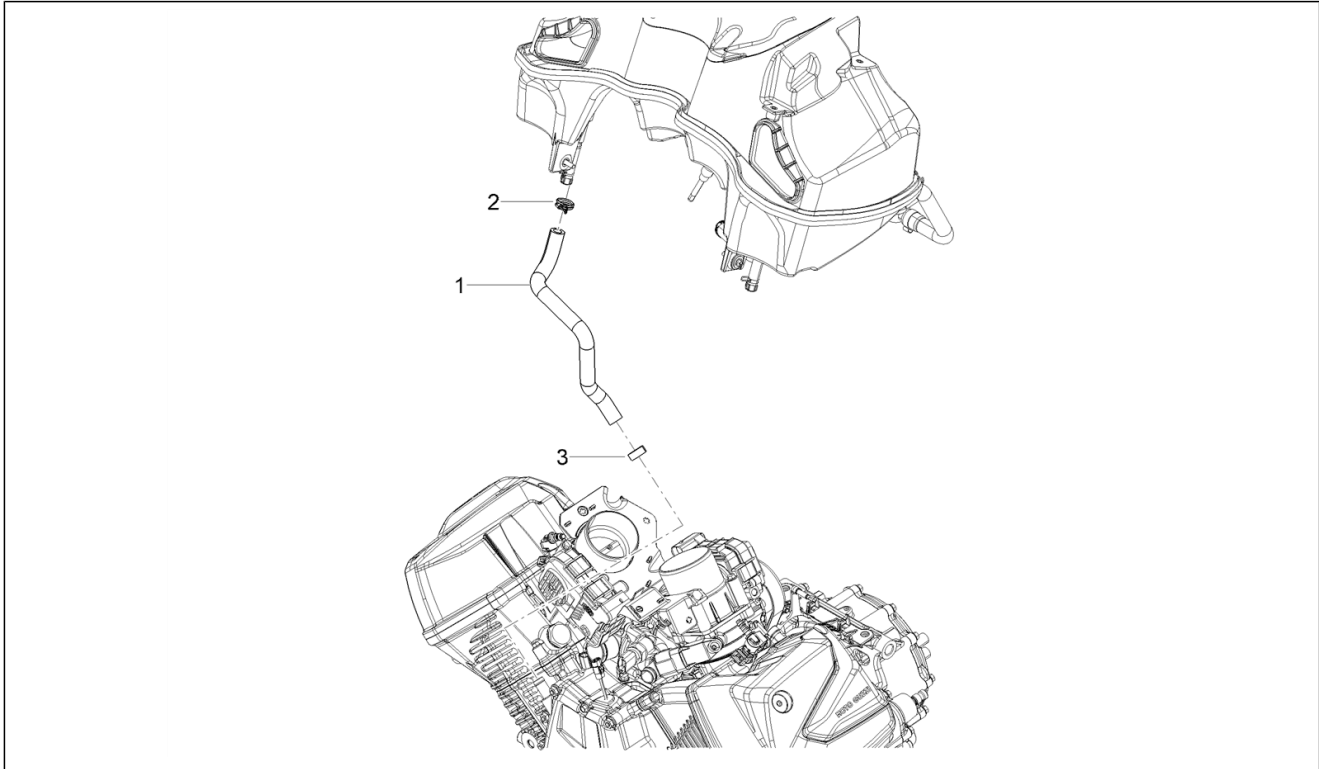
Pos.	Code	Description	Qty	Variants
1	018639	Hexagon head screw M6x20	3	
2	1A02284946	Oil filter cover	1	
3	1A023580	Seal ring (o-ring)	1	
4	1A023949	Oil filter	1	
5	1A023928	Magnetic plug TCEI	1	
6	831393	Gasket	1	
7	874549	Flanged hexagon screw M6x25	14	
8	1A022437	Oil pan	1	
9	1A001013	Sump gasket	1	
10	1A023837	Oil bulhead	1	
11	B018969	O-Ring seal ring	6	
12	1A022562	Oil pipe	1	
13	1A022657	Oil strainer	1	
14	CM179203	Metric screw torx	1	
15	B019167	O-ring	1	
16	2B004560	M6x20 pre-coated hex head screw	2	
17	1A021516		1	
18	1A023971	Oil pipe	1	
19	1A0236364	Oil pressure adjusting valve	1	
20	B018314	Oil pipe	1	
21	1A019851	Joint	2	
22	1A023804	Special screw TE M8X16	1	
23	485703	Washer 8.2x12x1	2	
24	1A023799	Joint	1	
25	874549	Flanged hexagon screw M6x25	1	
26	B015445	Chain tensioner rod spacer	1	
27	1A016409	Minimum oil pressure sensor	1	
28	GU10528900	Gasket	2	

Group	Engine
Code	03.190
Description	Lubrication
Service	1



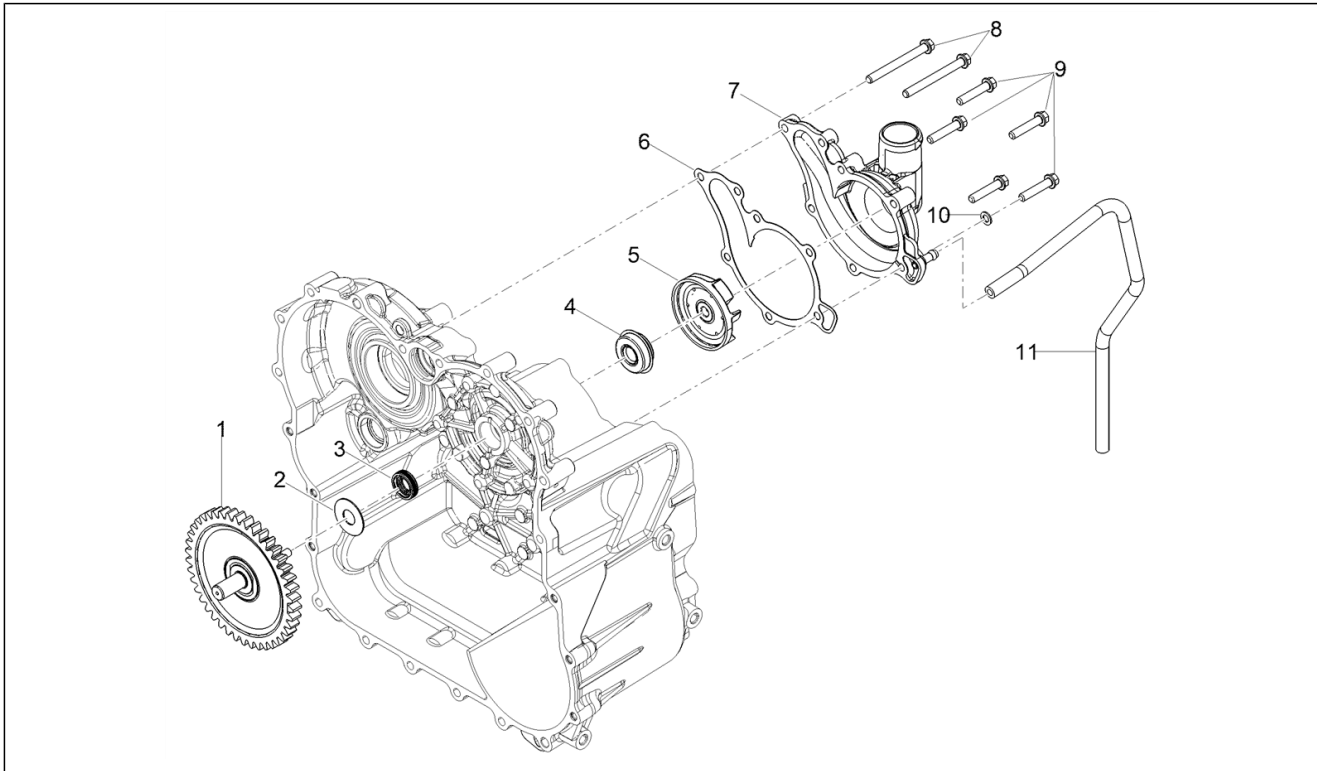
Pos.	Code	Description	Qty	Variants
29	GU12022600	Oil plug	1	
30	GU90706203	O-ring 20,24X2,62	1	
31	1A021670	Seal ring (o-ring)	1	
32	1A024144	Oil load plug	1	
33	1A023552	Oil temperature sensor	1	
34	277916	Locating dowel Ø7,5x12	2	
35	1A022391		1	
36	436739	Cross countersunk head screw M3x12	1	
37	1A023883	Maximum valve with o-ring	1	
38	GU98680340	Hex socket screw M6x40	5	
39	1A023341	Oil pump assembly	1	

Group	Engine
Code	03.196
Description	Blow-by system
Service	1



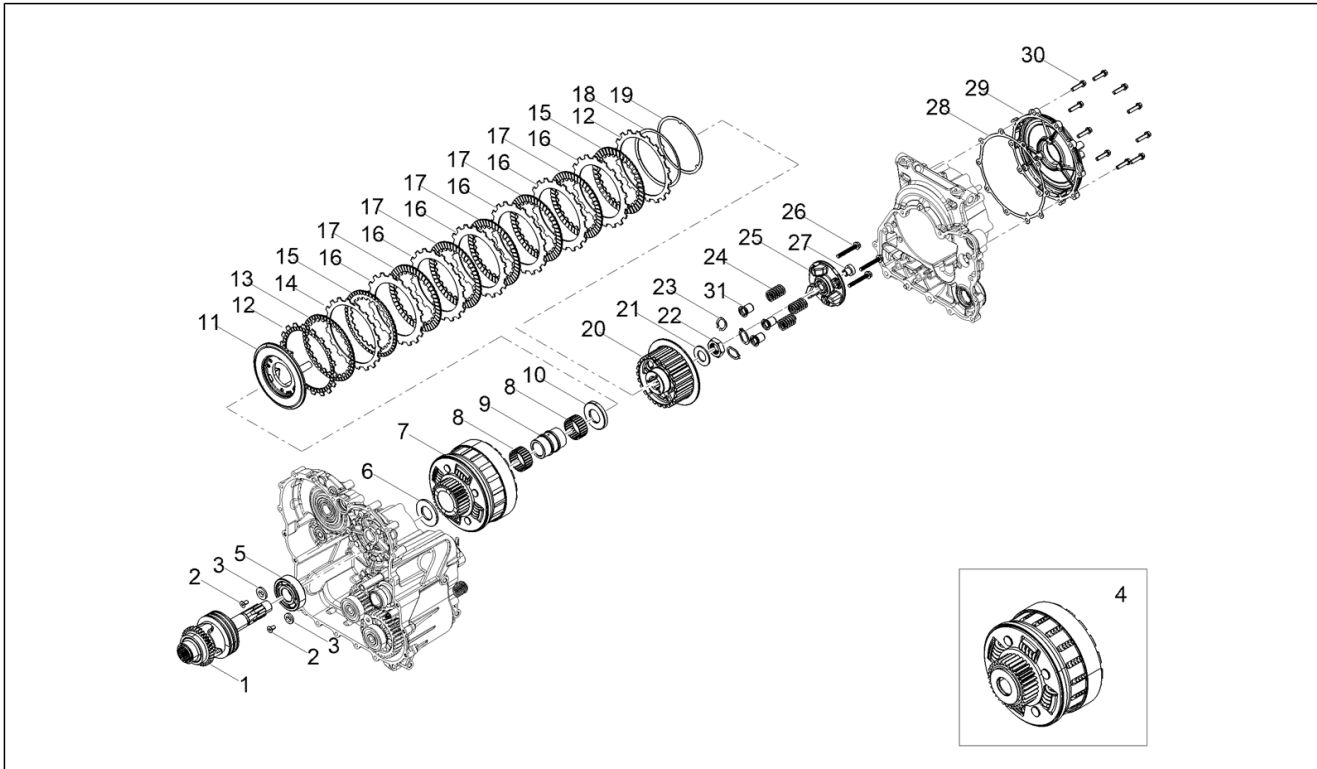
Pos.	Code	Description	Qty	Variants
1	2B010151	Tube blow-by	1	
2	CM002912	Hose clamp	1	
3	AP8102349	White hose clip D17,5x8	1	

Group	Engine
Code	03.210
Description	Cooler pump
Service	1



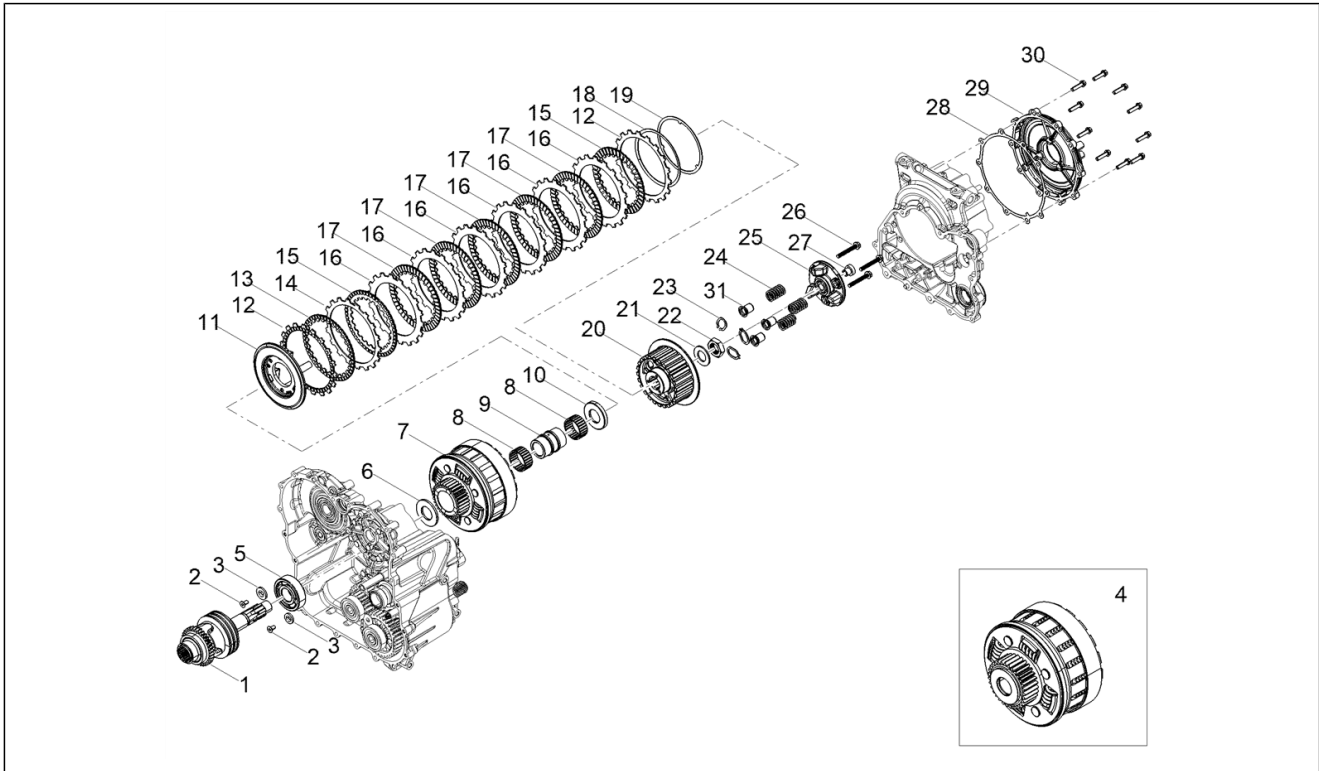
Pos.	Code	Description	Qty	Variants
1	1A022592	Water pump gear	1	
2	B018753	Thrust washer	1	
3	1A019621	Oil seal D12x22x6	1	
4	82991R	Oil seal	1	
5	1A021910		1	
6	1A021053	Water pump cover gasket	1	
7	1A0239344	Water pump cover	1	
8	B016425	Flanged hexagon screw M6x60	2	
9	874551	Screw w/ flange M6X30	5	
10	847239	Washer	1	
11	AP8220402	Tube 5x9	1	

Group	Engine
Code	03.230
Description	Clutch
Service	1



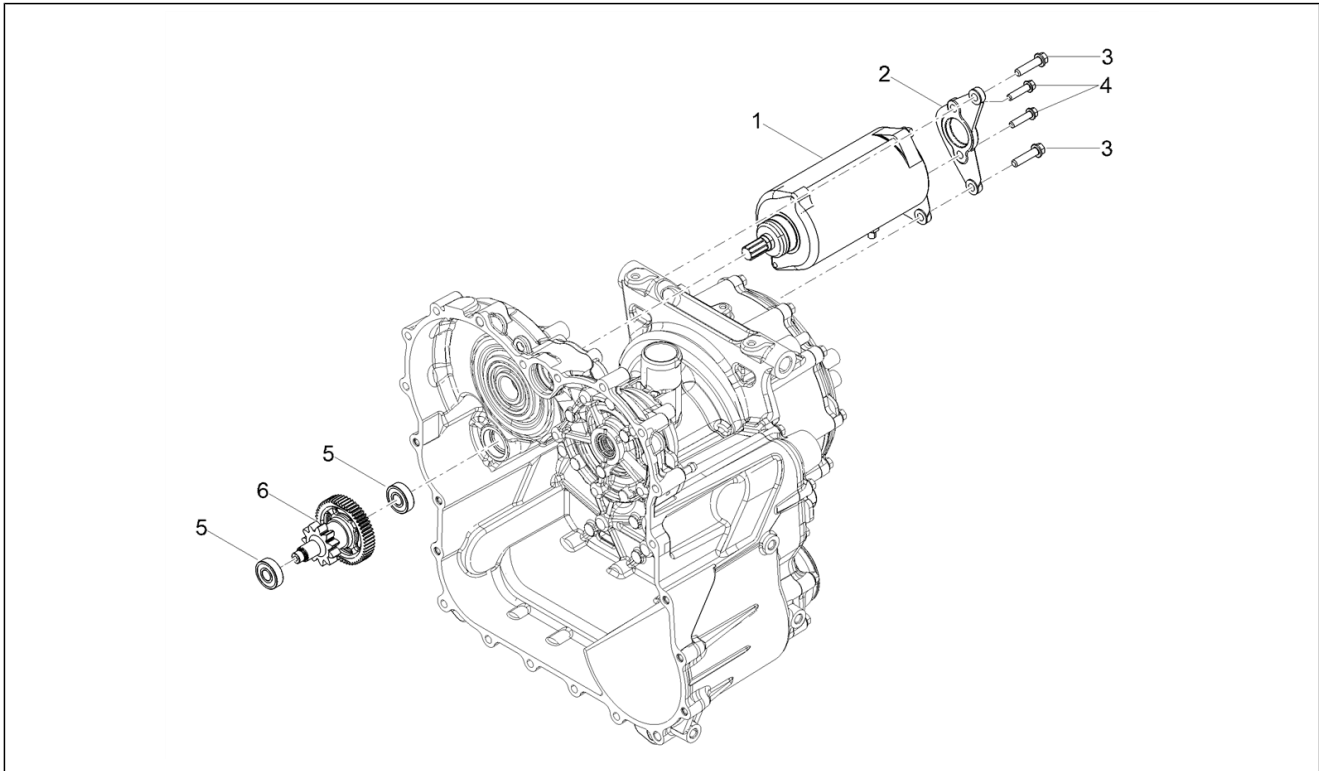
Pos.	Code	Description	Qty	Variants
1	1A024356	Primary drive / Cush drive	1	
2	B013608	Countersunk screw with hexagon socket	2	
3	2A001454	Countersunk washer	2	
4	1A026316	Clutch cpl.	1	
5	898634	Ball bearing 25x62x17	1	
6	1A024353	Spacer washer	1	
7	1A026315	Clutch drum	1	
8	1A024352	Roller cage	2	
9	1A024351	Spacer	1	
10	1A025865	Spacer	1	
11	1A025861	Thrust plate	1	
12	2A001395	Driven clutch disc	2	
13	2A001399	Driving clutch disc	1	
14	2A001396	Driven clutch disc	1	
15	2A001392	Driving clutch disc	2	
16	2A001397	Driven clutch disc	6	
17	2A001398	Driving clutch disc	5	
18	2A001446	Belleville spring	1	
19	2A001445	Spacer	1	
20	1A025862	Clutch hub	1	
21	2A001266	Thrust washer	1	
22	2A001278	Nut M20X1	1	
23	2A001300	Spring retainer	3	
24	1A026493	Spring	3	
25	1A025859	Thrust plate	1	
26	1A025864	TE flanged screw M6x45	3	
27	1A024339	Pin for preassure plate	1	
28	1A025092	Clutch cover gasket	1	

Group	Engine
Code	03.230
Description	Clutch
Service	1



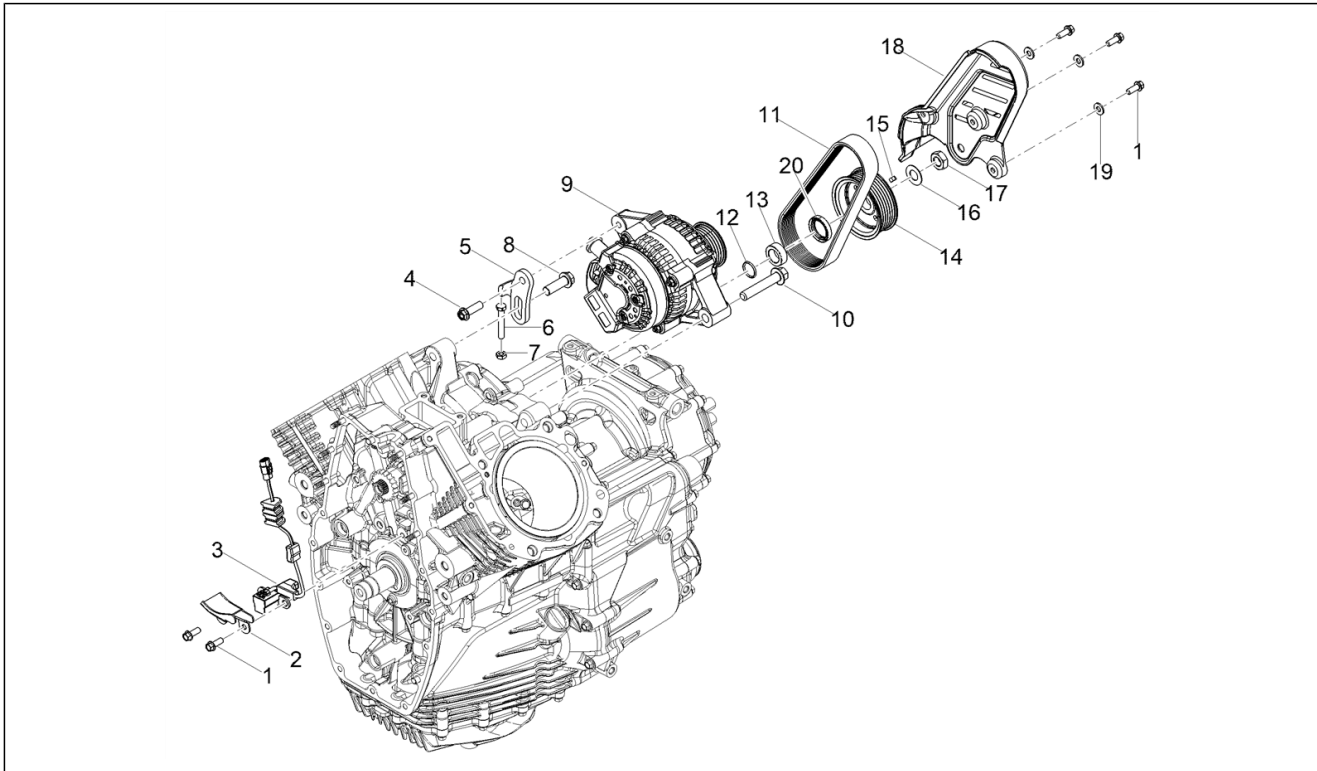
Pos.	Code	Description	Qty	Variants
29	1A024876	Clutch cover	1	
30	874549	Flanged hexagon screw M6x25	10	
31	1A026431	Spring cap	3	

Group	Engine
Code	03.290
Description	Starter / Electric starter
Service	1



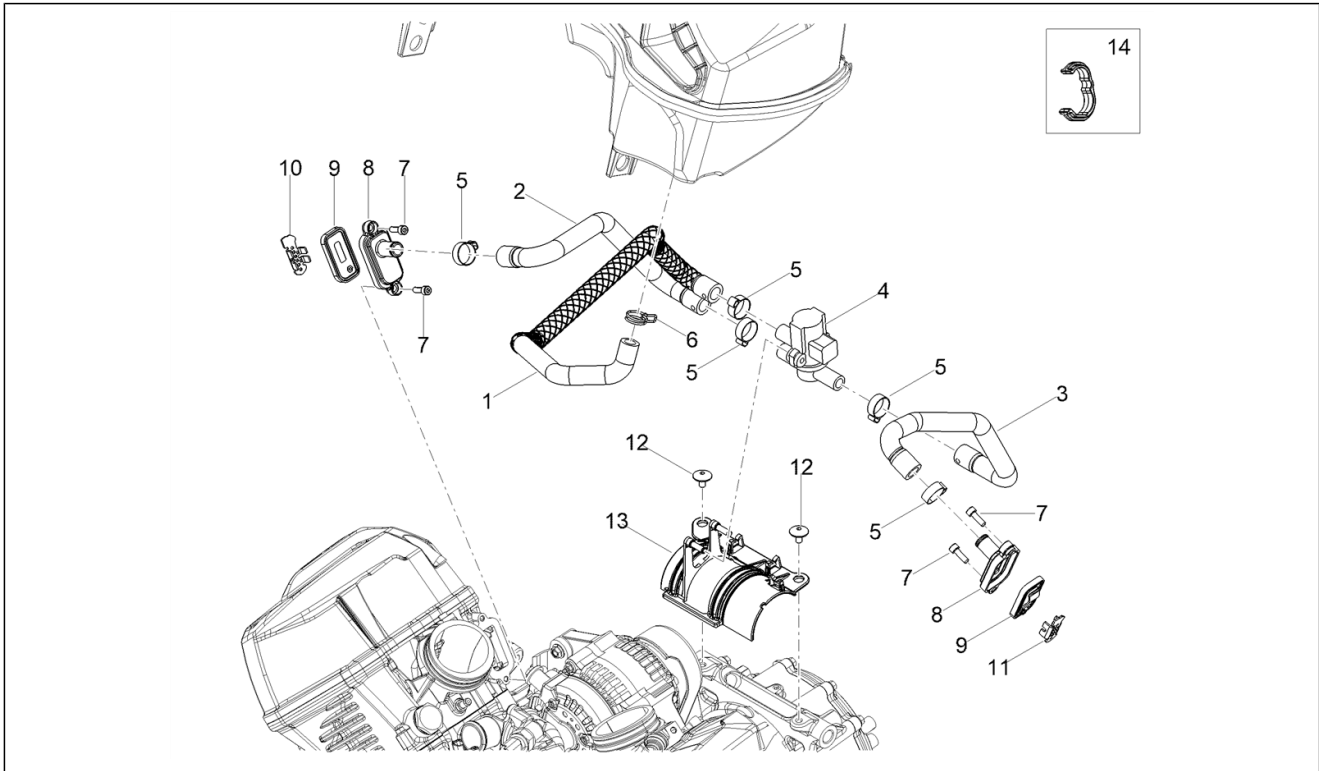
Pos.	Code	Description	Qty	Variants
1	1A020061	Starter motor	1	
2	1A008503	Bracket	1	
3	874549	Flanged hexagon screw M6x25	1	
4	874555	Flanged hexagon screw M6x16	1	
5	1A001359	Radial ball bearing 9x24x7	2	
6	1A022004	Lay-shaft assy	1	

Group	Engine
Code	03.300
Description	Cdi magneto assy / Ignition unit
Service	1



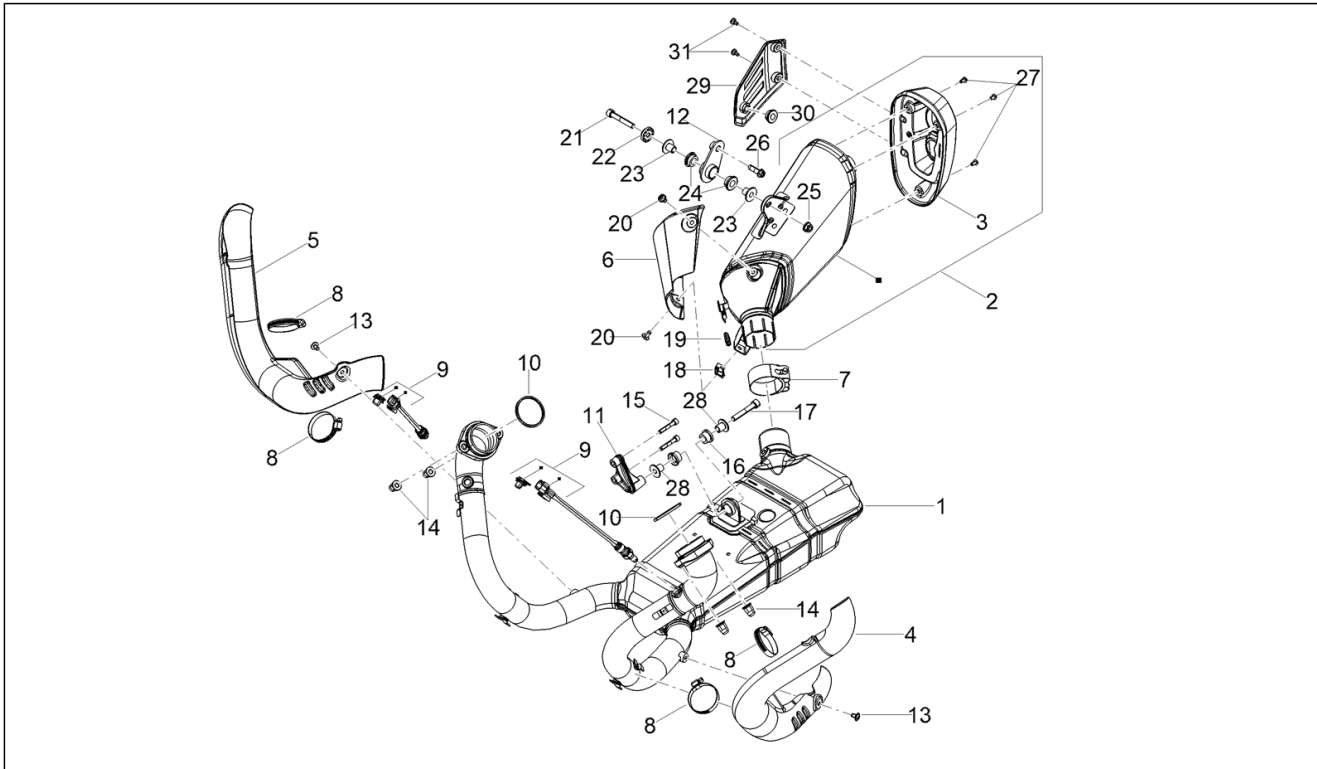
Pos.	Code	Description	Qty	Variants
1	1A003050	Flanged hexagon screw	5	
2	1A019922	Pick-up plate containment cables	1	
3	1A0241564	Pick-up	1	
4	AP8152287	Screw w/ flange M8x25	1	
5	1A020117	Generator adjustment bracket	1	
6	1A022482	M6X40	1	
7	020206	Nut M6	1	
8	AP8152320	Screw w/ flange M10X30	1	
9	1A020113	Generator	1	
10	268158	Hexagonal-head screw M10-6Gx55 fil.26 (CH17)	1	
11	1A021769R	Alternator belt	1	
12	1A023551	Seal ring (o-ring)	1	
13	B018222	Spacer	1	
14	1A002468	Generator lever pulley	1	
15	1A023242	Tab	1	
16	2B006864	Flat washer	1	
17	568636	Nut m12x1,5 h=7	1	
18	1A020109	Guard	1	
19	006125	Flat washer	3	
20	B018223	Oil seal	1	

Group	Engine
Code	03.320
Description	Secondary air
Service	1



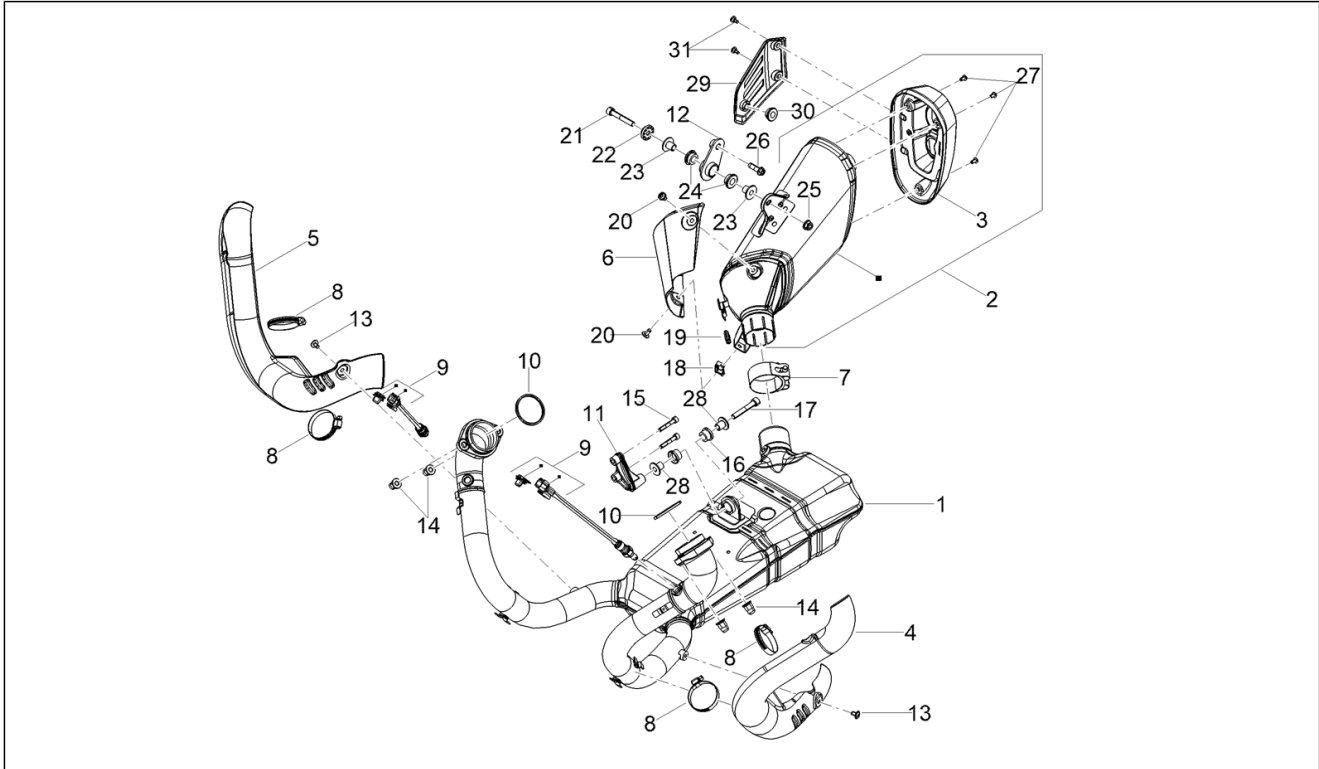
Pos.	Code	Description	Qty	Variants
1	2B010044	Secondary air pipe	1	
2	2B010043	Secondary air pipe	1	
3	2B010042	Secondary air pipe	1	
4	857181	SAS valve	1	
5	AP8102786	Hose clip 20x8	5	
6	CM002912	Hose clamp	1	
7	GU98612216	Hex socket screw	4	
8	1A020296	Cover	2	
9	857045	Reed valve	1	
10	857046	Spark arrester	1	
11	857047	Spark arrester	1	
12	GU31439565	Special screw	2	
13	2B007662	Maintenance	1	
14	2B006134	Fairlead	1	

Group	Engine
Code	03.330
Description	Silencer
Service	1



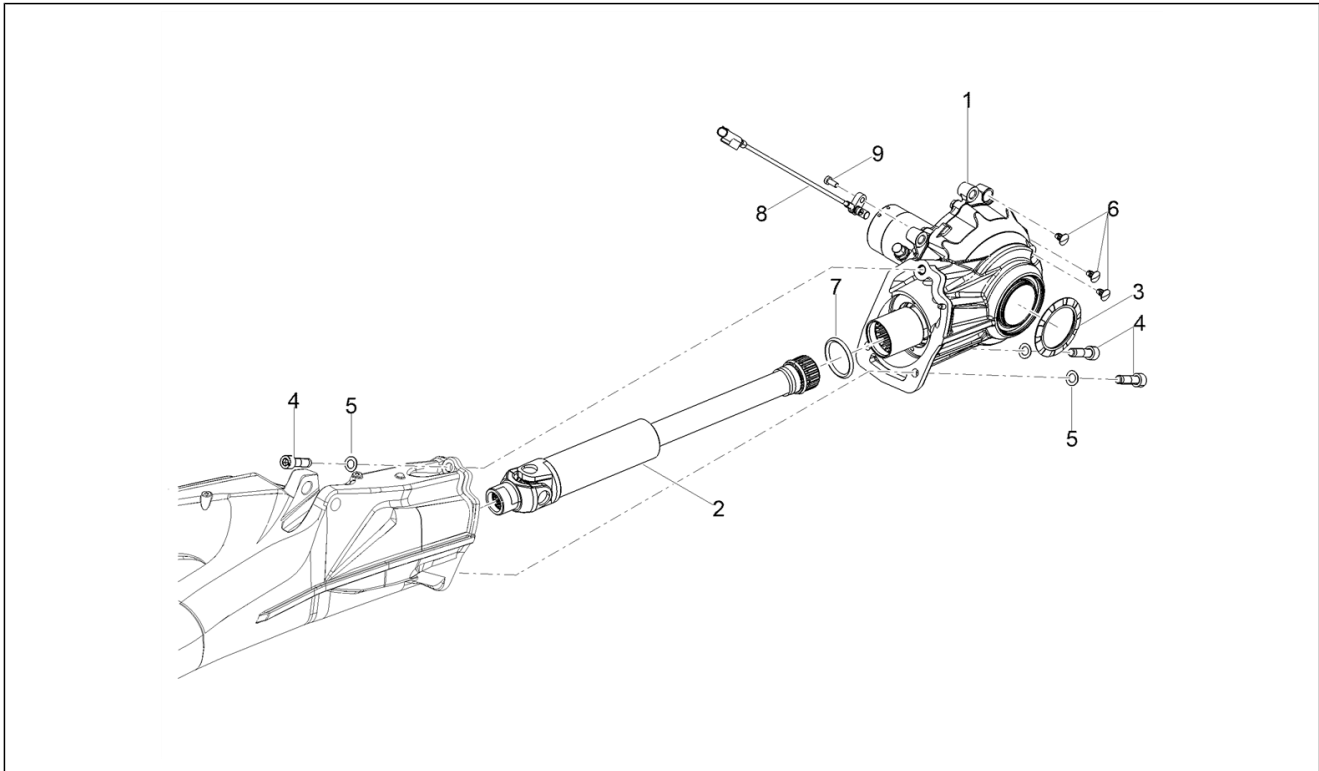
Pos.	Code	Description	Qty	Variants
1	2B011918	Exhaust manifold	1	
2	2B010227	Silencer	1	
3	2B010226	Bottom	1	
4	2B009905	Manifold protection	1	
5	2B009906	Manifold protection	1	
6	2B011776	Manifold protection	1	
7	2B010256	Hose clamp	1	
8	2B011673	Hose clamp Ø32-50	4	
9	1A014335	Lamda sensor	2	
10	2B009392	Exhaust manifold gasket	2	
11	2B009648	Exhaust pipe support clamp	1	
12	2B011555	Fixing plate	1	
13	2B000215	Screw w/ flange M6x10	2	
14	2B007821	Cap nut M8	4	
15	2B002195	Pre-coated IX M6X35 SHC screw	2	
16	860171	Rubber spacer	2	
17	AP8150277	Hex socket screw M8x50	1	
18	254485	Spring plate M6	1	
19	2B007247	Rubber spacer	1	
20	2B004031	TBEI flanged screw M6x12	2	
21	2B004771	Screw TCEI M8x50	1	
22	AP8121199	Bush	1	
23	AP8121332	Bush	2	
24	AP8144558	Rubber spacer	2	
25	AP8152300	Self-locking nut M8	1	
26	2B002571	Pre-coated M8x25 hex flange screw	1	
27	2B007535	Torx convex big end screw M5x10 A2-70	3	
28	2B011824	T bush	1	

Group	Engine
Code	03.330
Description	Silencer
Service	1



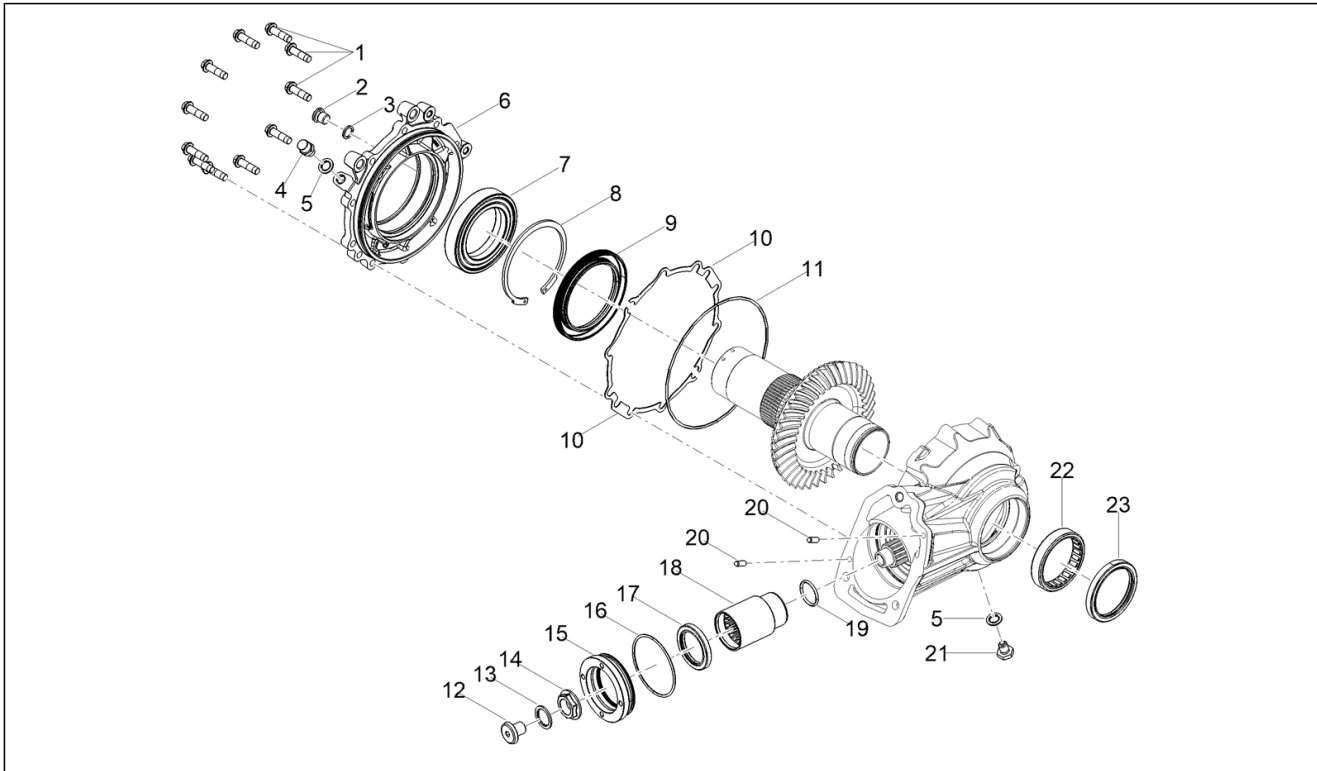
Pos.	Code	Description	Qty	Variants
29	2B010822	Cover	1	
30	856914	Rubber spacer	1	
31	2B003422	M5x12 pre-coated countersunk hex head Torx screw	1	

Group	Engine
Code	03.340
Description	Rear transmission
Service	1



Pos.	Code	Description	Qty	Variants
1	2B011272	Complete transmission	1	
2	2B009084	Propeller shaft & universal joint	1	
3	2B008600	Cover	1	
4	2B009698	Pre-coated M10X35 SHC screw	3	
5	GU95129181	Washer	3	
6	AP8102600	Cover	3	
7	2B009388	O-Ring seal ring 35X4	1	
8	2D000051	Speed sensor ABS	1	
9	AP8152156	Hex socket screw M6x14	1	

Group	Engine
Code	03.350
Description	Rear transmission / Components
Service	1

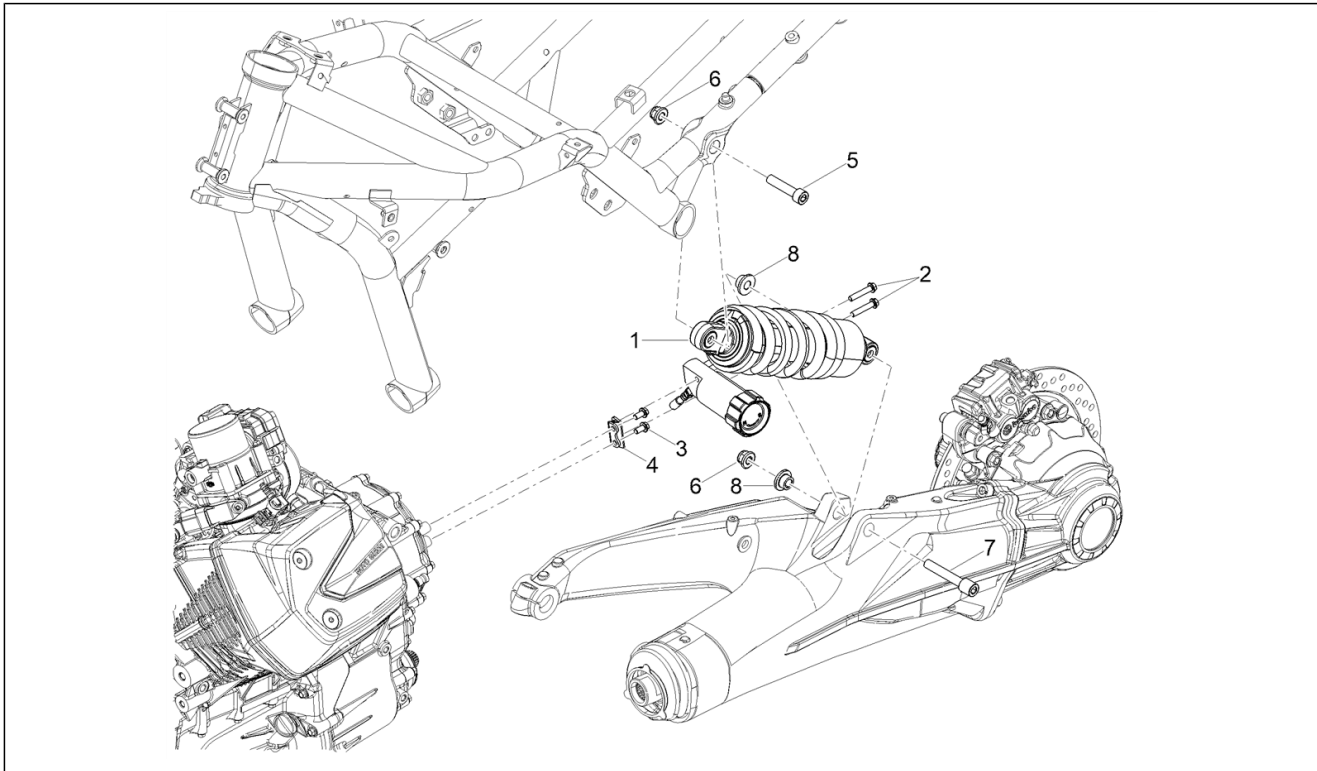


Pos.	Code	Description	Qty	Variants
1	2B009252	Pre-coated M8x28 hex flange screw	11	
2	GU05351230	Oil plug M12x1,5	1	
3	224566	Washer	1	
4	2B008491	Breather plug	1	
5	GU01528930	Gasket 10x18x1,5	2	
6	2B008880	Box cover	1	
7	2B008581	Bearing 65X100X18	1	
8	2B008583	Circlip J100 x 3V	1	
9	2B009242	Oil seal 80X110X10	1	
10	CM259503	Tickness S=0.9MM	2	
10	CM259505	Tickness S=1MM	2	
10	CM259507		2	
10	CM259509	Tickness S=1.2MM	2	
10	CM259501	Tickness S=0.8MM	2	
11	GU90706958	O-ring 158,42X2,62	1	
12	2B010535	Cover M14x1	1	
13	GU19355309	Tickness 1,9 mm	1	
14	2B008598	Flanged nut	1	
15	2B010893	Ring nut	1	
16	2B008587	Ring 71.12X2.62	1	
17	2B000404	Oil seal	1	
18	2B008588	Hose	1	
19	2B009001	O-ring 26X3	1	
20	B064107	Locating dowel D6M6X16	2	
21	GU31003766	Oil unload plug M10x1	1	
22	2B008578	Drawn cap 65X74X14.5	1	
23	2B008595	Oil seal 60X75X8	1	

Group	Suspensions
Code	04.025
Description	Front fork Sachs
Service	1

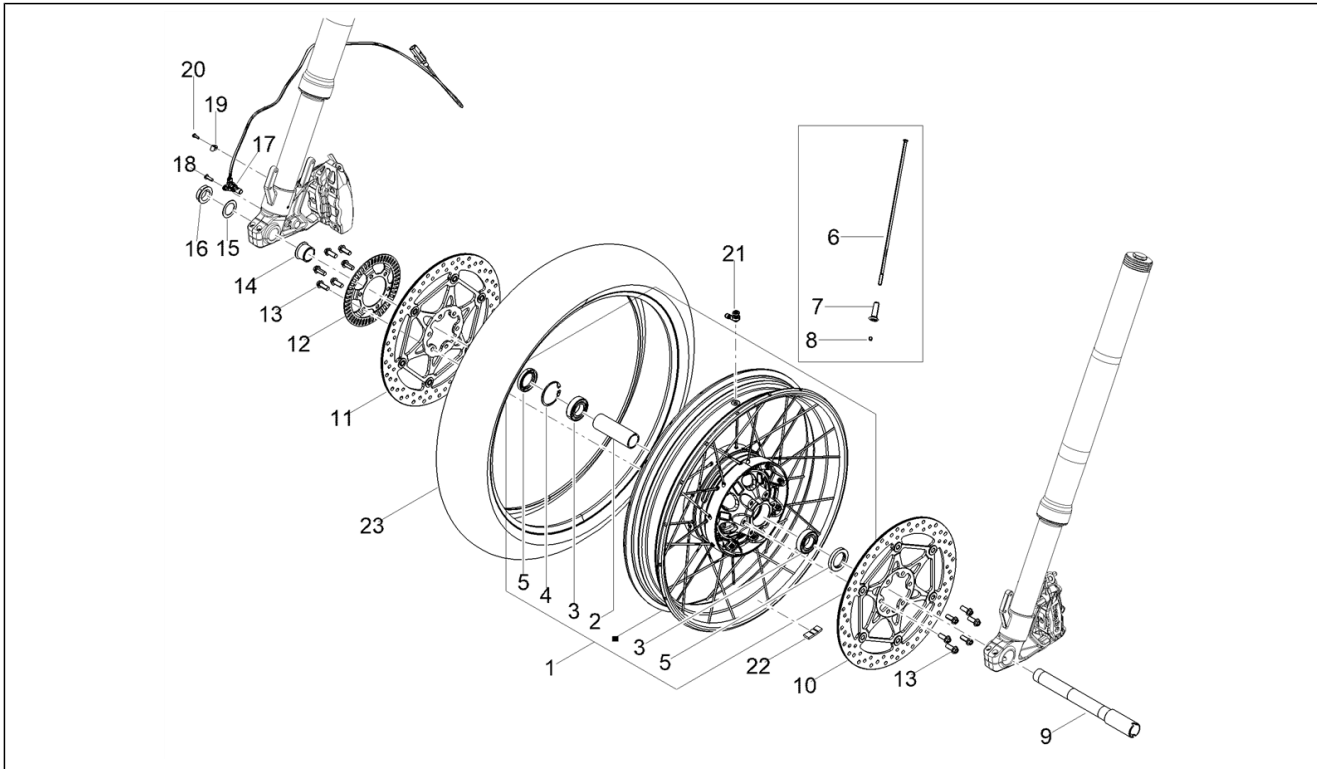
Pos.	Code	Description	Qty	Variants
1	2B010374	RH sleeve and rod	1	
1	GU05781630	Reflector, amber	2	
1	2B010375	LH sleeve and rod	1	
1	2B013162	LH hub cpl.	1	
1	2B013163	RH hub cpl.	1	
1	2B013164	Sleeve	1	
1	2B013165		1	
1	2B013166	RH cap	1	
1	2B013167	Preload tube	1	
1	2B013168	Plunger, complete	1	
1	2B013169	Spring	1	
1	2B013170	Disc	1	
1	2B013171	Washer	1	
1	2B013172	Gaskets set	1	
1	AP8150285	Hex socket screw M6x35	2	
1	2B013173	Screw + washer	1	

Group	Suspensions
Code	04.080
Description	Shock absorber
Service	1



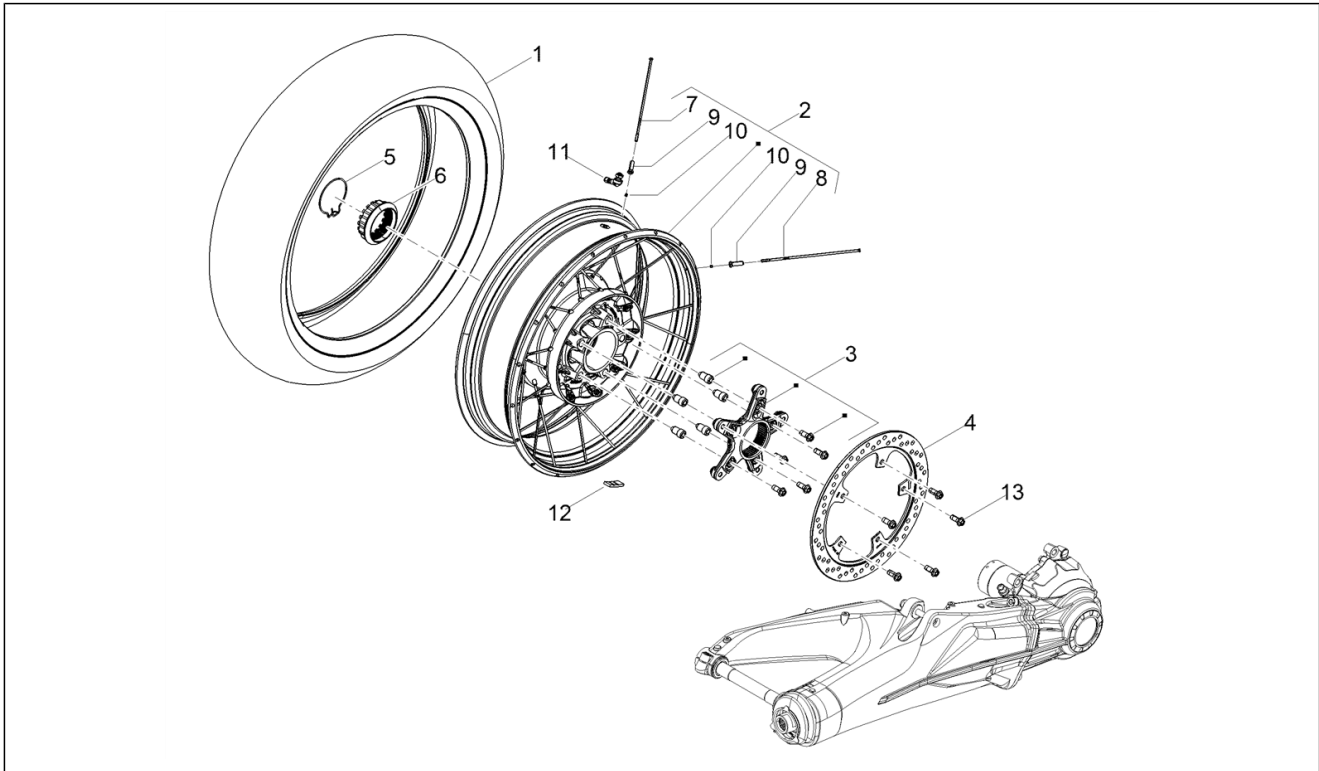
Pos.	Code	Description	Qty	Variants
1	2B009955	Rear shock absorber	1	
2	AP8152281	Screw w/ flange M6x30	2	
3	AP8152277	Flanged hexagon screw M6x12	2	
4	2B013515	[...]	1	
5	2B009896	Hex socket screw M10x45	1	
6	AP8152301	Self-locking nut	2	
7	AP8152411	Hex socket screw M10x59	1	
8	2B009693	T bushing	2	

Group	Wheels
Code	05.010
Description	Front wheel
Service	1



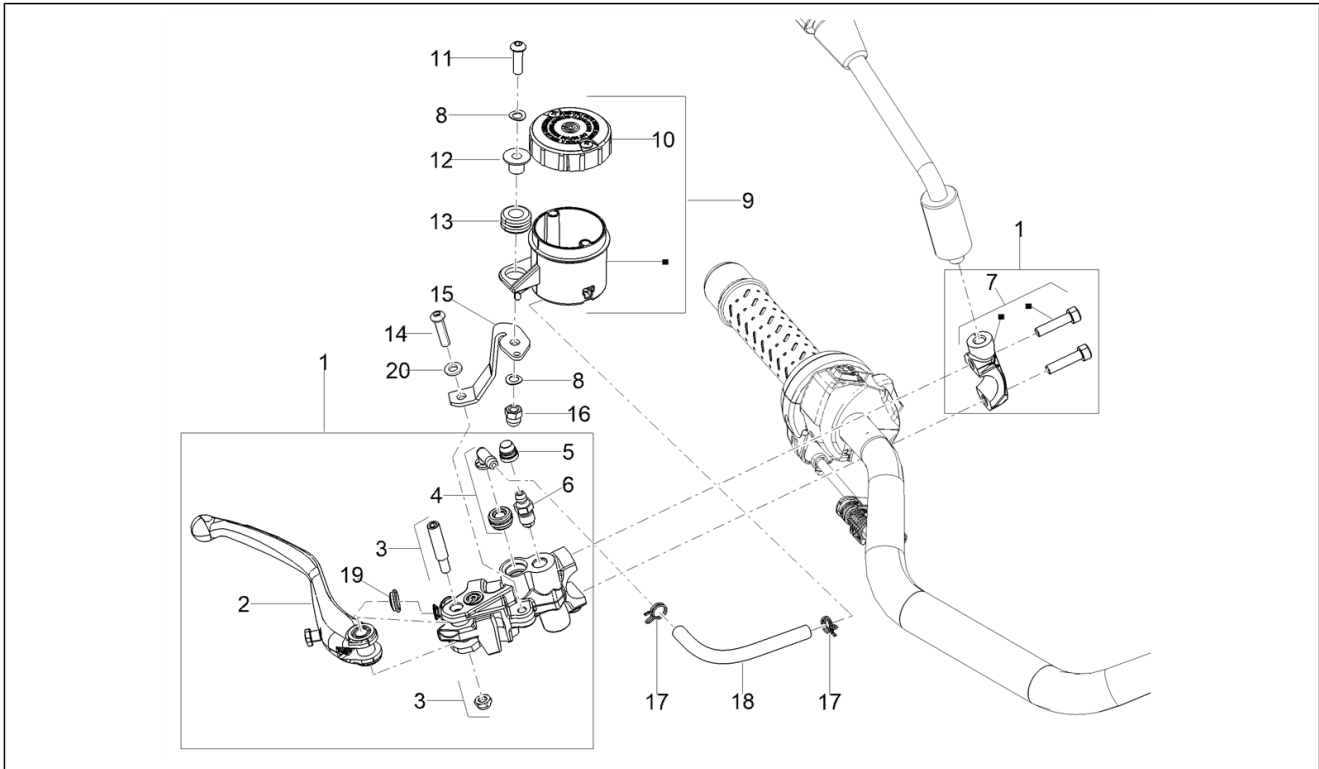
Pos.	Code	Description	Qty	Variants
1	2B009786	Front wheel 3.00"x19"	1	
2	978516	Spacer	1	
3	AP8125777	Ball bearing 25x47x12	2	
4	AP8125842	Snap ring d47	1	
5	AP8125773	Oil seal 30x47x7	2	
6	2B007325	Spoke 3,5x195	36	
7	2B007846	Nipples	36	
8	AP8150491	Dowel	36	
9	2B009303	Front wheel spindle	1	
10	B044280	Front brake disc SX	1	
11	B044279	RH front brake disc	1	
12	2B004778	ABS phonic wheel	1	
13	2B002416	Screw w/ flange M8x20	13	
14	978498	Spacer	1	
15	AP8152323	Washer 25,2x36x1	1	
16	AP8152335	Wheel spindle nut	1	
17	1D003350	ABS sensor	1	
18	1C001499	TBEI TORX screw M5x16 INOX	1	
19	859777	Fairlead	1	
20	581957	Hexagon convex big end screw	1	
21	AP8104728	Tubeless tyre valve 90°	1	
22	GU14616150	Counterweight	1	
23	2B012504	(Michelin) Front tyre 120/70 R19	1	

Group	Wheels
Code	05.020
Description	Rear wheel
Service	1



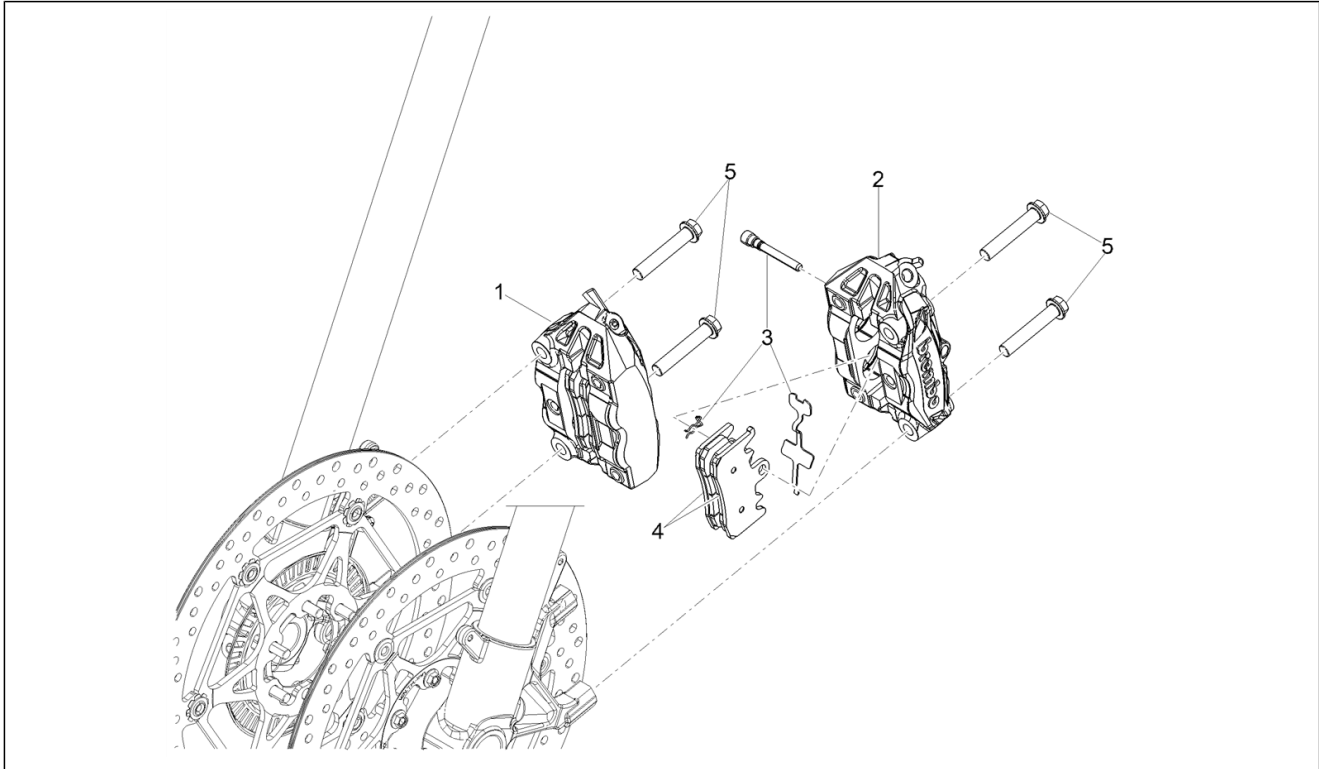
Pos.	Code	Description	Qty	Variants
1	2B012505	(Michelin) Rear tyre R 170/60 R17	1	
2	2B009787	Rear wheel complete with hub 4,50"X17"	1	
3	2B011610	Rear wheel flange	1	
4	2B008330	Brake disc D. 280mm	1	
5	2B009728	Spring	1	
6	2B009296	Rear wheel nut	1	
7	2B009775	Spoke Ø 3.47 L=173.5	18	
8	2B009774	Spoke Ø 3.5 L=168.5	18	
9	2B007846	Nipples	36	
10	AP8150491	Dowel	36	
11	AP8104728	Tubeless tyre valve 90°	1	
12	GU14616150	Counterweight	1	
13	2B009221	Pre-coated hex head flange screw M8x20	5	

Group	Braking system
Code	06.010
Description	Front master cilinder
Service	1



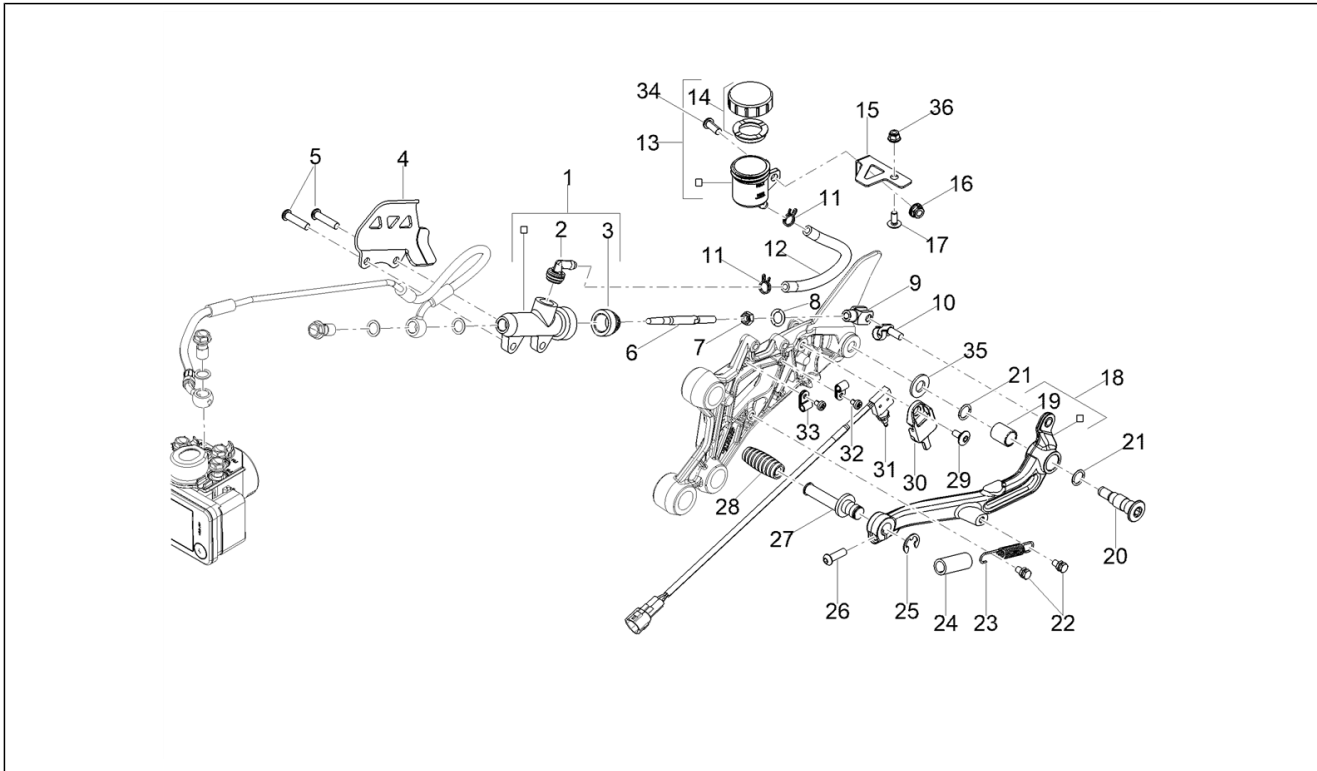
Pos.	Code	Description	Qty	Variants
1	2B008781	Brake hydraulic pump	1	
2	2B011181	Fr. br. lever	1	
3	AP8133666	Lever pin	1	
4	AP8213057	Bleeder+cap	1	
5	AP8113230	Bleed valve cap	1	
6	AP8133502	Air bleed valve	1	
7	2B010032	U-bolt	1	
8	AP8150182	Curved spring washer *	2	
9	2B007235	Brake oil tank	1	
10	2B007234	Pil brake tank plug	1	
11	AP8152137	Hex socket screw M6x20 Z.N.	1	
12	AP8221023	T bush	1	
13	AP8120030	Rubber spacer	1	
14	AP8152117	TBEI M6x25 screw	1	
15	2B009450	Oil brake tank supp.	1	
16	479175	Cap nut	1	
17	AP8101595	Hose clamp D10,1	2	
18	2B009458	Oil tank pipe	1	
19	2B007074	Dust guard	1	
20	AP8150178	Washer 6,4x12,5*	1	

Group	Braking system
Code	06.020
Description	Front brake caliper
Service	1



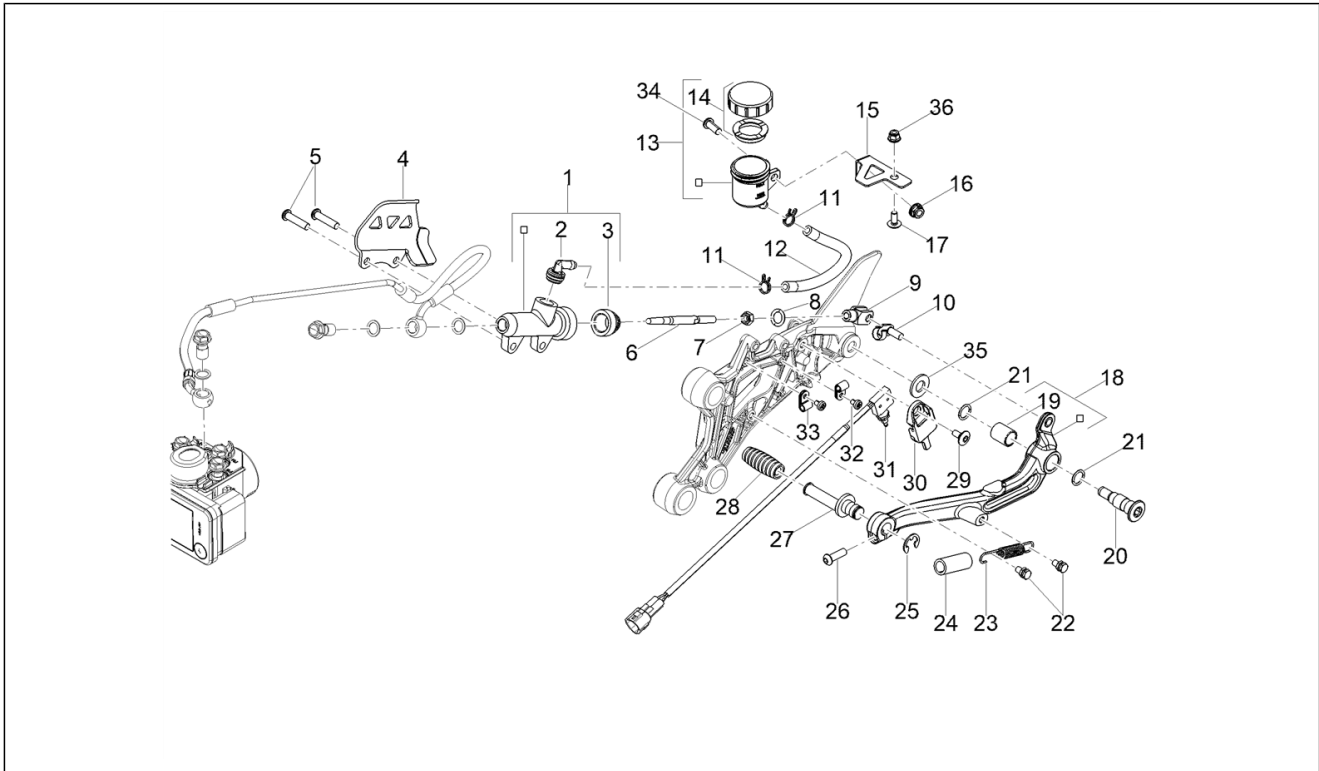
Pos.	Code	Description	Qty	Variants
1	2B010096	Front right brake calliper	1	
2	2B010095	Front left brake calliper	1	
3	B044598	Pins+spring+cotter pin kit	2	
4	2B010094	Brake pads couple	2	
5	2B006398	Screw w/ flange M10X1.25X55	4	

Group	Braking system
Code	06.030
Description	Rear master cylinder
Service	1



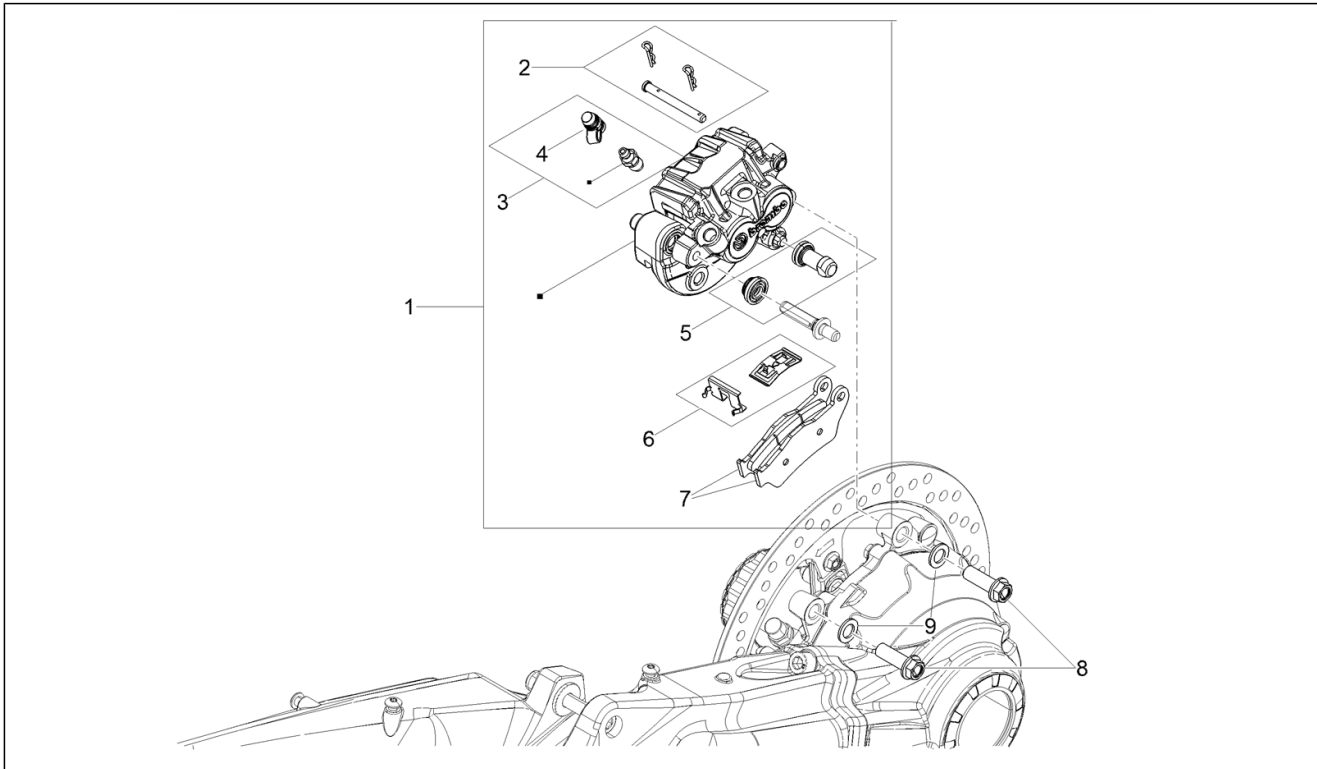
Pos.	Code	Description	Qty	Variants
1	2B000508	Rear master cylinder	1	
2	AP8213057	Bleeder+cap	1	
3	AP8113288	Rubber bellows	1	
4	2B010350	Brake master cyl.protection	1	
5	CM179305	Torx head cylinder head screw M6x25	2	
6	2B011112	Pump control rod	1	
7	2B012442	Nut M6	1	
8	AP8120178	O-ring OR112	1	
9	AP8101968	Fork	1	
10	AP8201301	Gear selector fork clips	1	
11	AP8101595	Hose clamp D10,1	2	
12	2B007141	Oil tank pipe	1	
13	2B009678	Oil tank	1	
14	2B010030	Oil filler cap	1	
15	2B010056	Oil tank support	1	
16	AP8152299	Self-locking nut M6	1	
17	896174	Hex socket screw Black M5x12	1	
18	2B011206	Brake lever	1	
19	895328	Sintered bushing	1	
20	884033	Lever pin	1	
21	AP8144007	O-ring 11,11x1,78	2	
22	859946	Fixing pin	2	
23	893138	Spring	1	
24	AP8120822	Silent block, spring	1	
25	AP8150462	Circlip d9	1	
26	AP8224470	Hex socket screw M6x20 inox	1	
27	AP8121221	Brake lever pin	1	
28	AP8120912	Lever rubber	1	

Group	Braking system
Code	06.030
Description	Rear master cylinder
Service	1



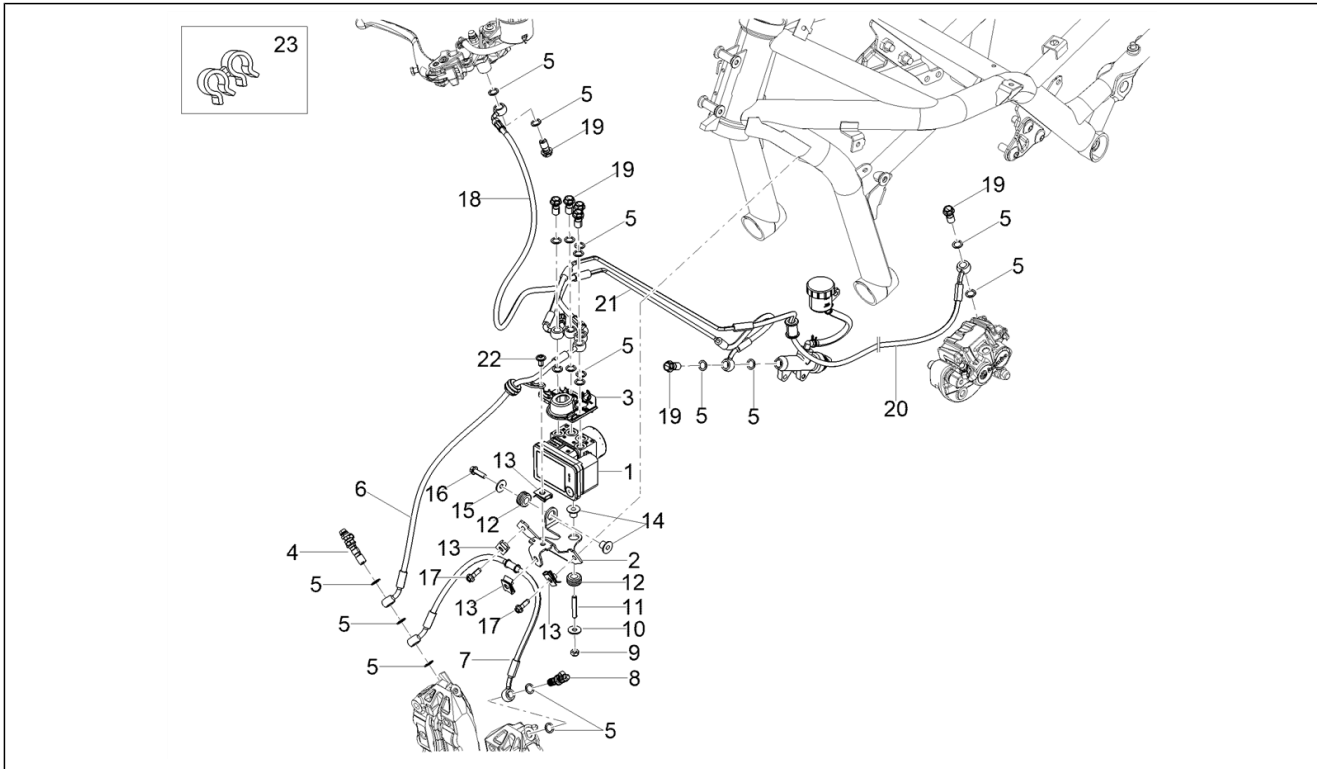
Pos.	Code	Description	Qty	Variants
29	AP8150500	Hex socket screw M5x9 NERINOX	1	
30	2B004845	Electric device support	1	
31	2D000325	Stop/clutch switch	1	
32	AP8201749	Screw M4x6	2	
33	859777	Fairlead	2	
34	AP8152108	Hex socket screw M6x15	1	
35	AP8150020	Washer 10,5x21x2*	1	
36	AP8152306	Self-locking nut M5	1	

Group	Braking system
Code	06.040
Description	Rear brake caliper
Service	1



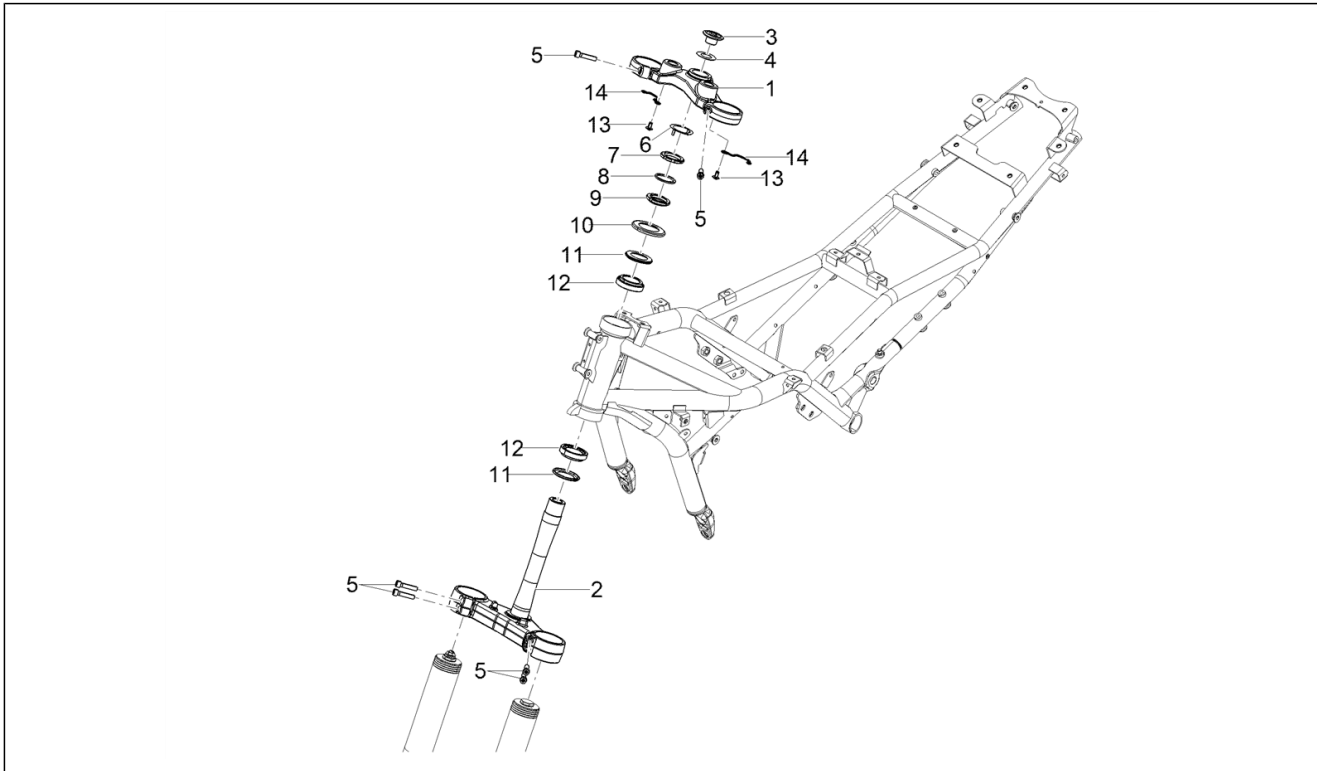
Pos.	Code	Description	Qty	Variants
1	2B008299	Rear brake caliper	1	
2	2B011117	Pin with cotter	1	
3	2B009674	Bleeder+cap	1	
4	AP8113070	Bleed valve cap	1	
5	2B009675	Headset	1	
6	2B011118	Kit spring/blade	1	
7	2B011116	Rear pads pair	1	
8	AP8152320	Screw w/ flange M10X30	2	
9	AP8150292	Curved spring washer *	2	

Group	Braking system
Code	06.050
Description	ABS Brake system
Service	1



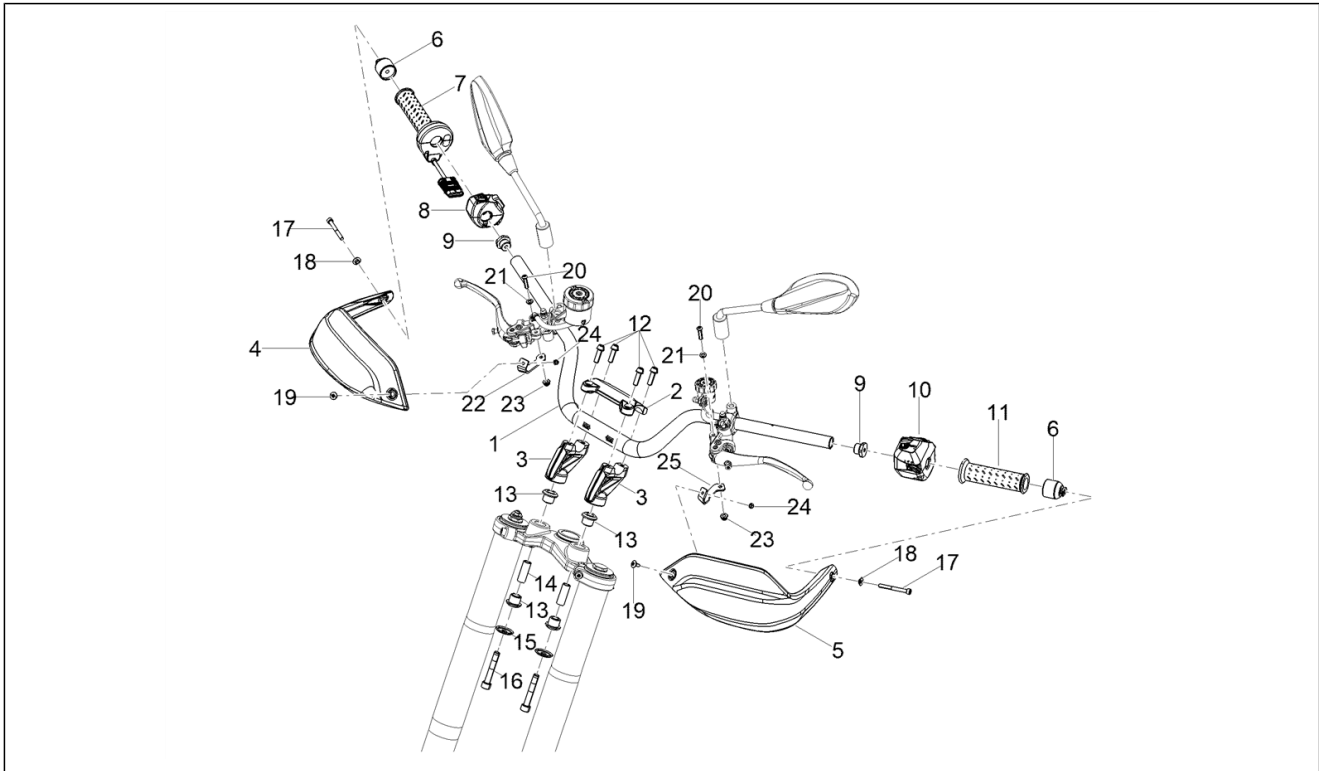
Pos.	Code	Description	Qty	Variants
1	2D000834	ABS electrohydraulic unit, prefilled	1	
2	2B009046	Support plate ABS	1	
3	2B010046		1	
4	899811	Tube clamping screw	1	
5	AP8113004	Washer 10x14x1,6*	19	
6	2B010845	ABS HECU pipe - Front clamp	1	
7	2B010852	Front brake caliper pipe	1	
8	AP8133945	Bleeder raccord	1	
9	AP8150115	Low self-locking nut M6	1	
10	AP8150015	Washer 6,6x18x1,6*	1	
11	2B005945	Stud bolt	1	
12	AP8120030	Rubber spacer	2	
13	254485	Spring plate M6	4	
14	AP8221023	T bush	1	
15	AP8150015	Washer 6,6x18x1,6*	1	
16	2B004560	M6x20 pre-coated hex head screw	1	
17	2B002418	Screw w/ flange M6x16	2	
18	2B010844	ABS HECU pipe - Front pump	1	
19	1C001209	Special screw	7	
20	2B010076	ABS HECU pipe - Rear clamp	1	
21	2B010074	ABS HECU pipe - Rear pump	1	
22	2B004031	TBEI flanged screw M6x12	1	
23	AP9100519	Spring	1	

Group	Handlebar - Controls
Code	07.010
Description	Steering
Service	1



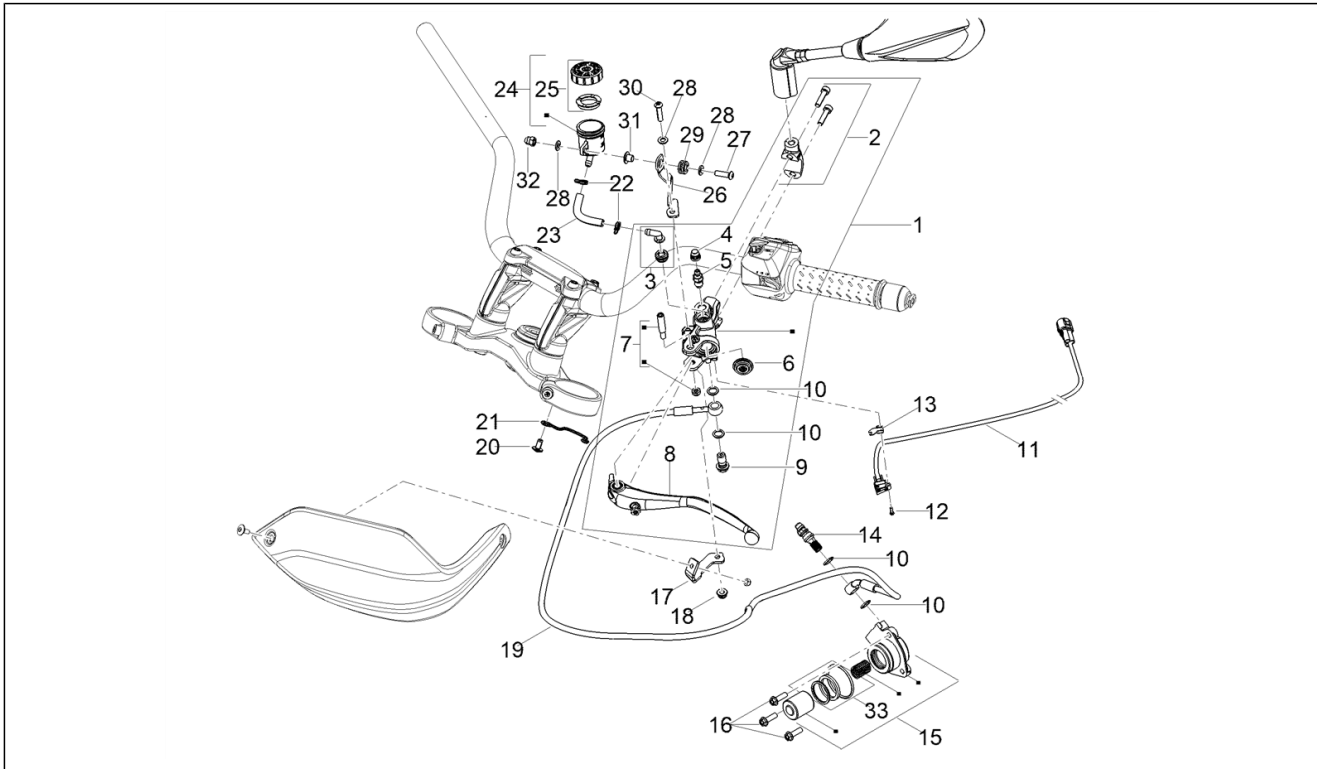
Pos.	Code	Description	Qty	Variants
1	2B011637	Fork upper plate	1	
2	2B009782	Fork lower plate	1	
3	2B012447	Handlebar plate plug	1	
4	AP8152442	Stem plug washer	1	
5	AP8150236	Hex socket screw M8x35	6	
6	887832	Steering security plate	1	
7	AP8123643	Return ring nut	1	
8	887831	Rubber spacer	1	
9	AP8123642	Ring nut	1	
10	AP8123644	Dust cover ring	2	
11	AP8123641	Dust cover ring	2	
12	2B011121	Axial ball bearing	2	
13	2B004031	TBEI flanged screw M6x12	2	
14	2B010991	Cable-guide	2	

Group	Handlebar - Controls
Code	07.020
Description	Handlebar - Controls
Service	1



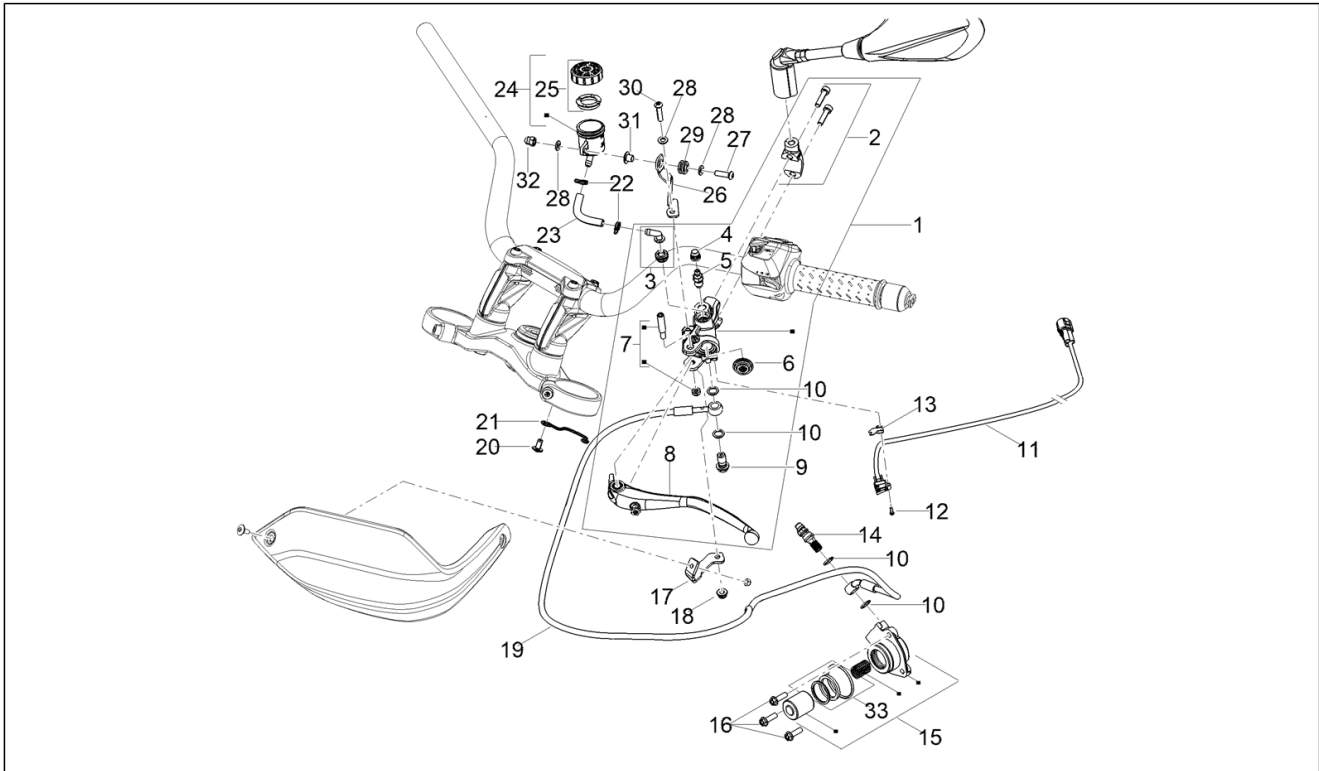
Pos.	Code	Description	Qty	Variants
1	2B010977	Handlebar	1	
2	2B011905	Handlebar U-bolt	1	
3	2B011460	Lower U-bolt	2	
4	2B010565	Right hand guard	1	
5	2B010563	Left hand guard	1	
6	859949	Anti.v weight, black	2	
7	2D000095	Electronic gas control	1	
8	2D000552	RH lights selector DRL/FOG	1	
9	AP8121520	Anti vib.weight trailing	2	
10	2D000549	LH lights selector	1	
11	AP8118579	LH hand grip	1	
12	AP8152486	Metrical screw cylindrical head with cross mould M8x25 INOX	4	
13	2B012779	Rubber spacer	4	
14	2B012782	Spacer	2	
15	AP8123721	Cup	2	
16	2B004798	Pre-impregnated screw TCEI M10X60 8.8	2	
17	AP8150045	Hex socket screw M6x55	2	
18	AP8121032	Bush	2	
19	AP8150500	Hex socket screw M5x9 NERINOX	2	
20	AP8152117	TBEI M6x25 screw	2	
21	AP8150178	Washer 6,4x12,5*	2	
22	2B010986	Fixing bracket DX	1	
23	AP8152299	Self-locking nut M6	2	
24	AP8150311	Low self-locking nut	2	
25	2B010985	Fixing bracket	1	

Group	Handlebar - Controls
Code	07.030
Description	Clutch control
Service	1



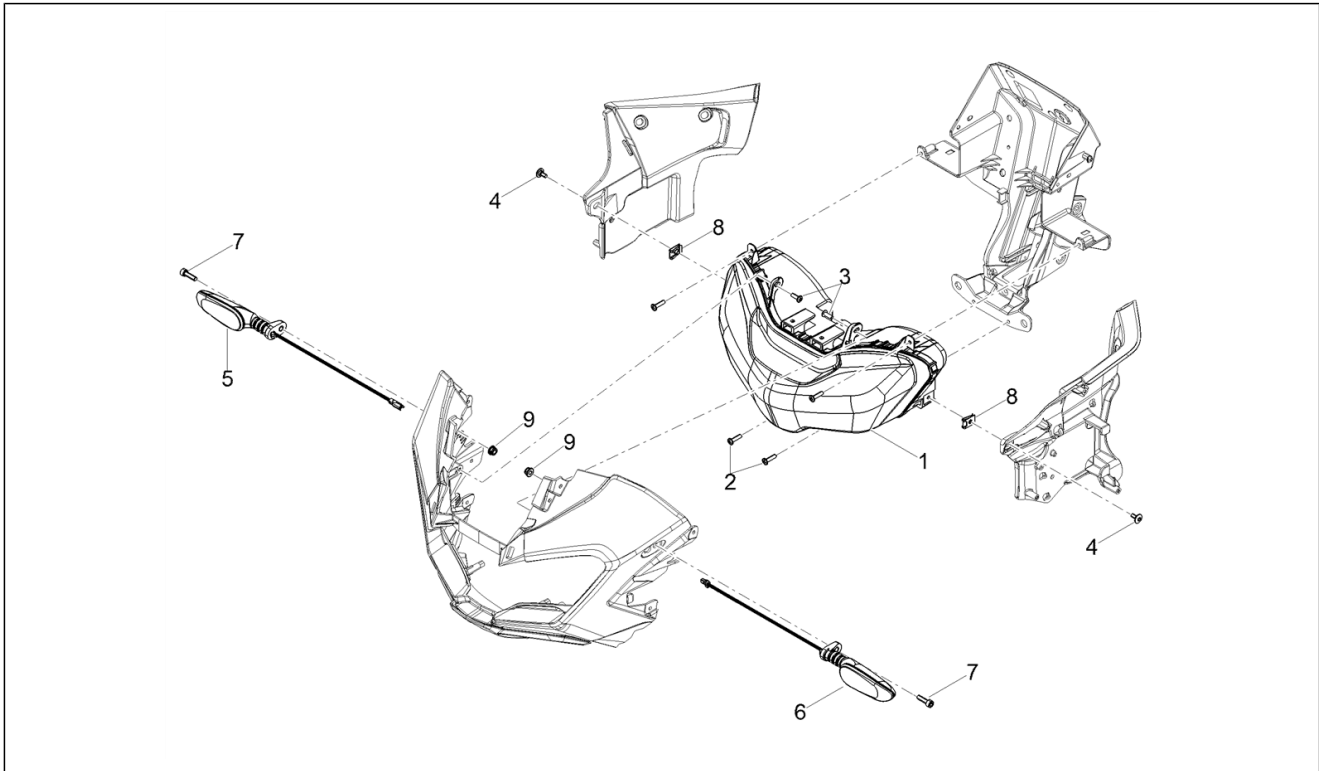
Pos.	Code	Description	Qty	Variants
1	2B008780	Lever	1	
2	2B010032	U-bolt	1	
3	AP8213057	Bleeder+cap	1	
4	AP8113230	Bleed valve cap	1	
5	AP8133502	Air bleed valve	1	
6	2B007074	Dust guard	1	
7	AP8133666	Lever pin	1	
8	2B009608	Clutch lever	1	
9	1C001209	Special screw	1	
10	AP8113004	Washer 10x14x1,6*	4	
11	2D000803	clutch switch	1	
12	2B010680	Special cap screw M3x12	1	
13	2B011334	Plate	1	
14	AP8133945	Bleeder raccord	1	
15	2B013140	Clutch command cylinder	1	
16	AP8152279	Screw w/ flange M6x20	3	
17	2B010985	Fixing bracket	1	
18	AP8152299	Self-locking nut M6	1	
19	2B010856	Clutch pipe	1	
20	2B004031	TBEI flanged screw M6x12	1	
21	2B010991	Cable-guide	1	
22	AP8101595	Hose clamp D10,1	1	
23	2B009459	Oil pipe	1	
24	2B009678	Oil tank	1	
25	2B010030	Oil filler cap	1	
26	2B010981	Oil tank support	1	
27	AP8152137	Hex socket screw M6x20 Z.N.	1	
28	AP8150178	Washer 6,4x12,5*	3	

Group	Handlebar - Controls
Code	07.030
Description	Clutch control
Service	1



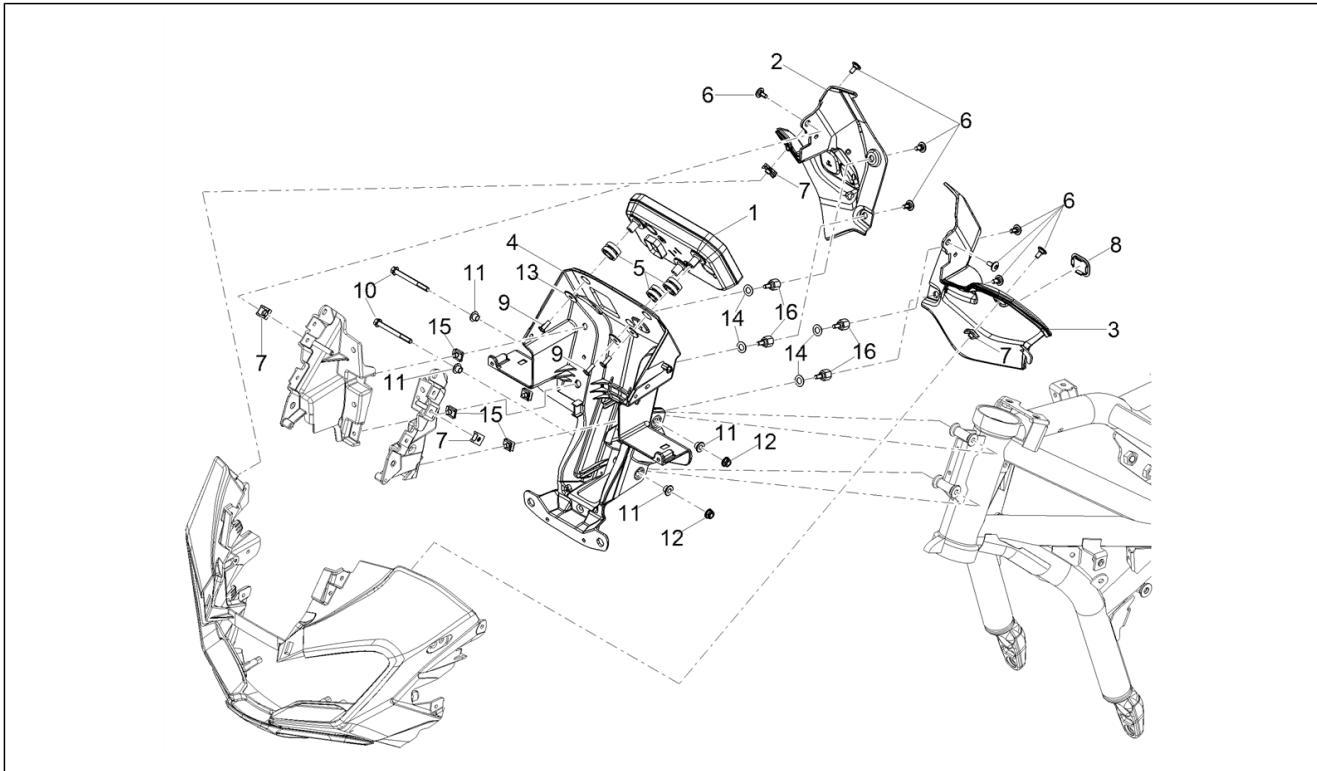
Pos.	Code	Description	Qty	Variants
29	487665	Fairlead	1	
30	AP8152117	TBEI M6x25 screw	1	
31	2B010853	Flanged spacer	1	
32	479175	Cap nut	1	
33	2B013145	overhaul kit	1	

Group	Lights - Instruments
Code	08.010
Description	Front headlamps
Service	1



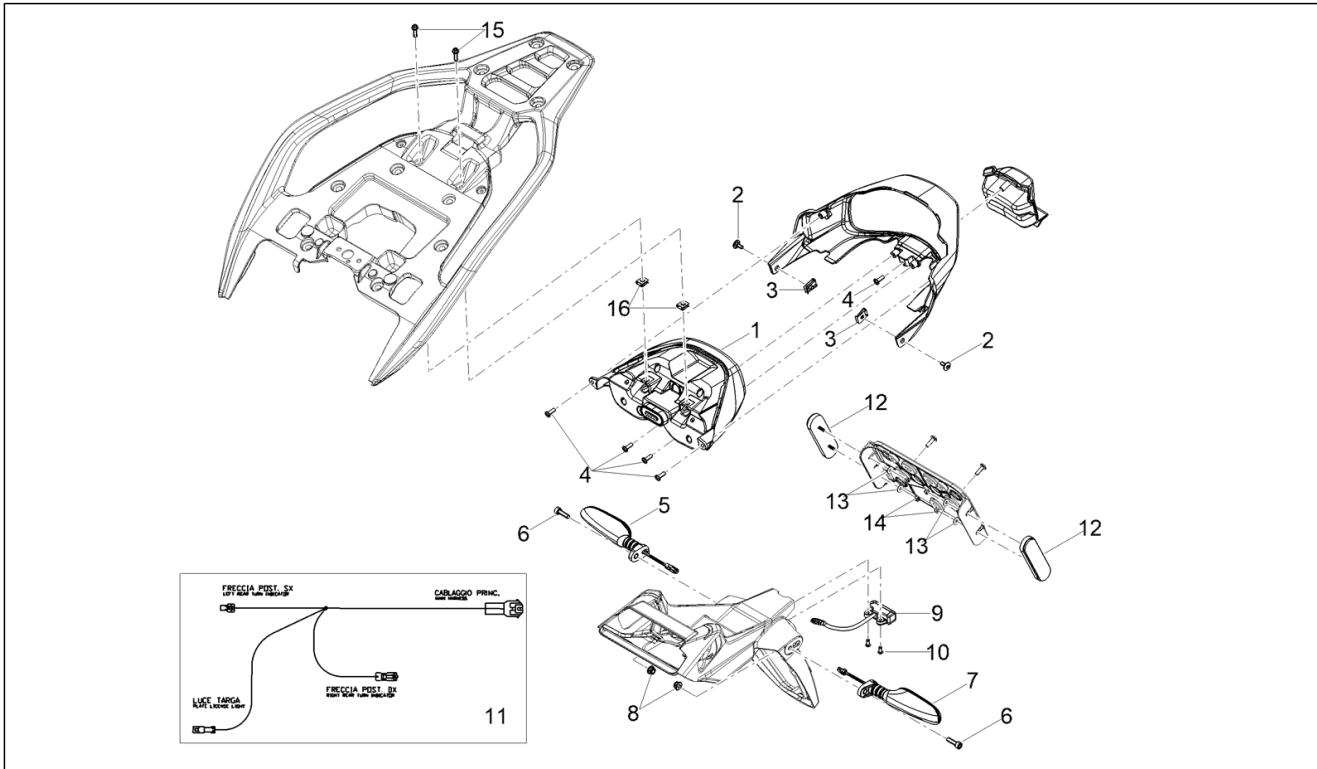
Pos.	Code	Description	Qty	Variants
1	2B012725	Front headlight	1	
2	AP8152329	Phillips screw, SWP M5x20	4	
3	AP8150509	Self-tap screw 5x14	2	
4	2B009423	Covex head screw with torx M5x12	2	
5	2D000715	Front right turn indicator	1	
6	2D000714	Front left turn indicator	1	
7	GU98612320	Hex socket screw M6x20	2	
8	AP8102375	Clip M5	2	
9	AP8152299	Self-locking nut M6	2	

Group	Lights - Instruments
Code	08.020
Description	Instruments
Service	1



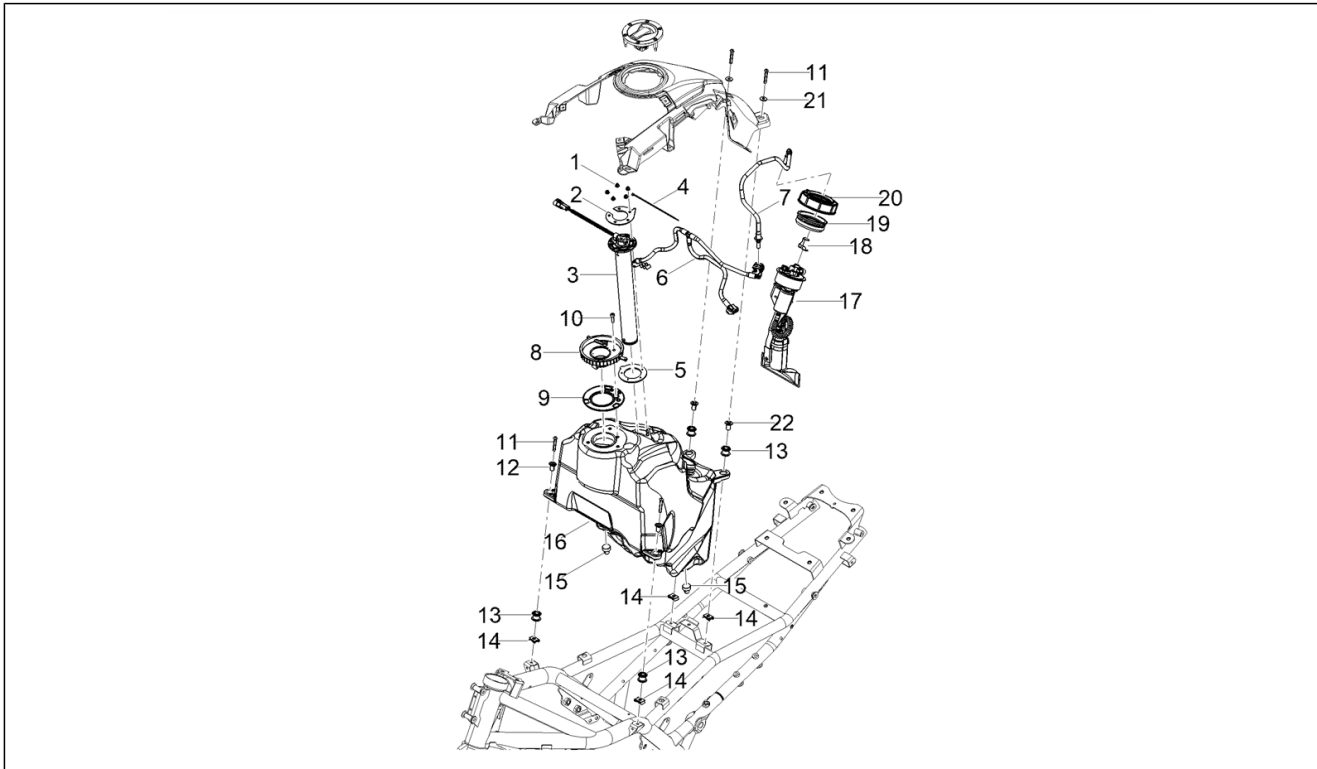
Pos.	Code	Description	Qty	Variants
1	2D000734	Dashboard	1	
2	2B010892	Right Cover	1	
3	2B010891	Cover, l.h.	1	
4	2B009853	Socket support	1	
5	AP8220150	Rubber spacer	3	
6	AP8150500	Hex socket screw M5x9 NERINOX	8	
7	AP8102375	Clip M5	4	
8	2B008462	Cover USB	1	
9	AP8150509	Self-tap screw 5x14	3	
10	B016425	Flanged hexagon screw M6x60	2	
11	2B010137	Bush	4	
12	AP8152299	Self-locking nut M6	2	
13	AP8150255	Washer 5x20x1,5	3	
14	AP8150376	Washer 8,5x15x0,8	4	
15	00G04401462	Clip M5	4	
16	2B011340	Special screw M5	4	

Group	Lights - Instruments
Code	08.030
Description	Rear headlamps
Service	1



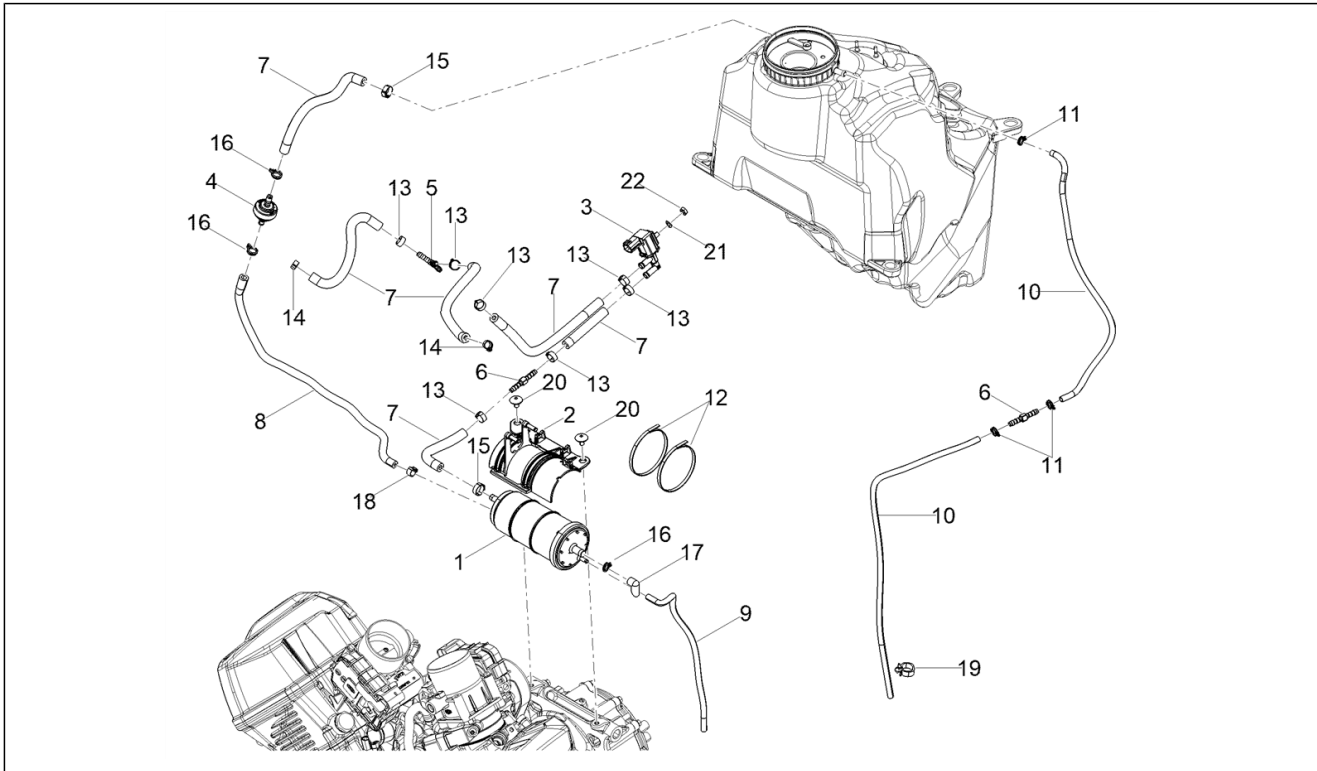
Pos.	Code	Description	Qty	Variants
1	2D000702	Taillight	1	
2	AP8150500	Hex socket screw M5x9 NERINOX	2	
3	AP8102375	Clip M5	2	
4	AP8150509	Self-tap screw 5x14	5	
5	2D000767	Right rear and left front turn indicators	1	
6	GU98612320	Hex socket screw M6x20	2	
7	2D000766	Left rear and right front turn indicators	1	
8	AP8152299	Self-locking nut M6	2	
9	2D000284	Number-plate light	1	
10	2B002146	TBEI pre-impregnated screw M4x12	2	
11	2D000761	Taillight wiring harn.	1	
12	AP8124718	Rear reflector, red	2	
13	AP8150501	Washer	4	
14	AP8150204	Nut M4	4	
15	AP8152273	Screw w/ flange M5x15	2	
16	00G04401462	Clip M5	2	

Group	Tank
Code	09.010
Description	Fuel tank
Service	1



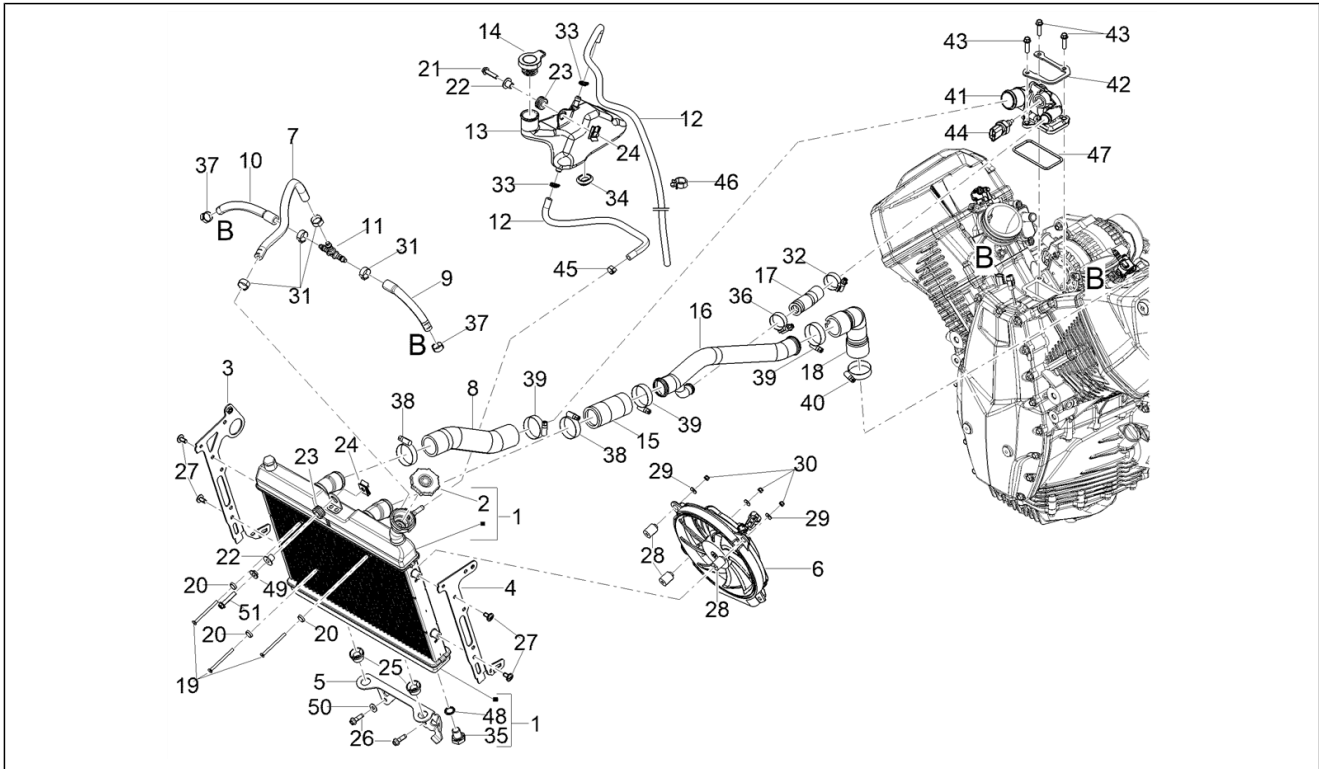
Pos.	Code	Description	Qty	Variants
1	2B008790	Self-locking nut M4	5	
2	2B010548	Flange	1	
3	2B010057	Fuel level probe	1	
4	AP8102386	Hose clamp 2,5x160	1	
5	2B010435	Gasket	1	
6	2B010671	Fuel pipe	1	
7	2B010769	Fuel pipe	1	
8	899107	Fuel chamber	1	
9	899106	Gasket	1	
10	AP8150454	Hex socket screw M5x16	1	
11	AP8152136	Hex socket screw M6x35	4	
12	AP8121421	T bush	2	
13	AP8144328	Rubber spacer	4	
14	254485	Spring plate M6	4	
15	AP8144158	Rubber spacer	2	
16	2B011002	Fuel tank - USA	1	
17	2B009489	Fuel pump	1	
18	1B004354	Fuel pump bracket	1	
19	656003	Gasket	1	
20	576546	Ring nut	1	
21	AP8150015	Washer 6,6x18x1,6*	2	
22	2B009638	Spacer	2	

Group	Tank
Code	09.020
Description	Fuel vapour recover system
Service	1



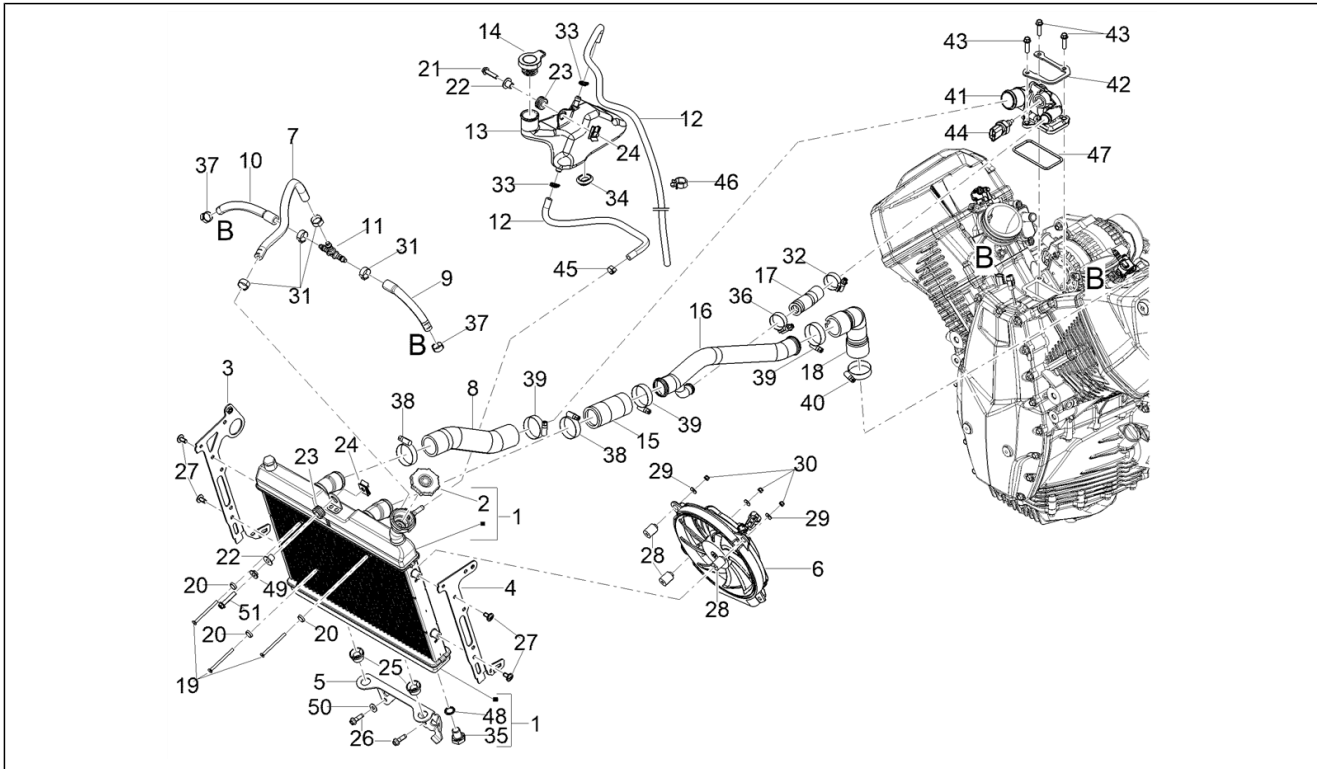
Pos.	Code	Description	Qty	Variants
1	2B002632	Canister	1	
2	2B007662	Maintenance	1	
3	1B008603	Solenoid valve	1	
4	CM179008	Safety valve	1	
5	AP8120116	3-way union	1	
6	2B009598	Joint	2	
7	856063	Tube SAE 30 d.12,7x6,35	5	
8	2B010923	Tube / Canister	1	
9	AP8220263	Tube 4x8	1	
10	AP8120952	Tube 5,5x10	2	
11	AP8102378	Hose clamp D11,3	3	
12	AP8120657	Hose clamp 4.5X280	2	
13	AP8102239	Hose clamp 12,5x8	7	
14	AP8120446	Hose clip, green D11x6,6x1	2	
15	AP8102764	White hose clip d.13x6	2	
16	AP8102520	Hose clamp	3	
17	AP8127601	Ventilation plug	1	
18	AP8102738	Hose clamp	1	
19	641652	Spring L. 22 mm	1	
20	GU31439565	Special screw	2	
21	AP8150182	Curved spring washer *	1	
22	020206	Nut M6	1	

Group	Cooling system
Code	10.020
Description	Cooling system
Service	1



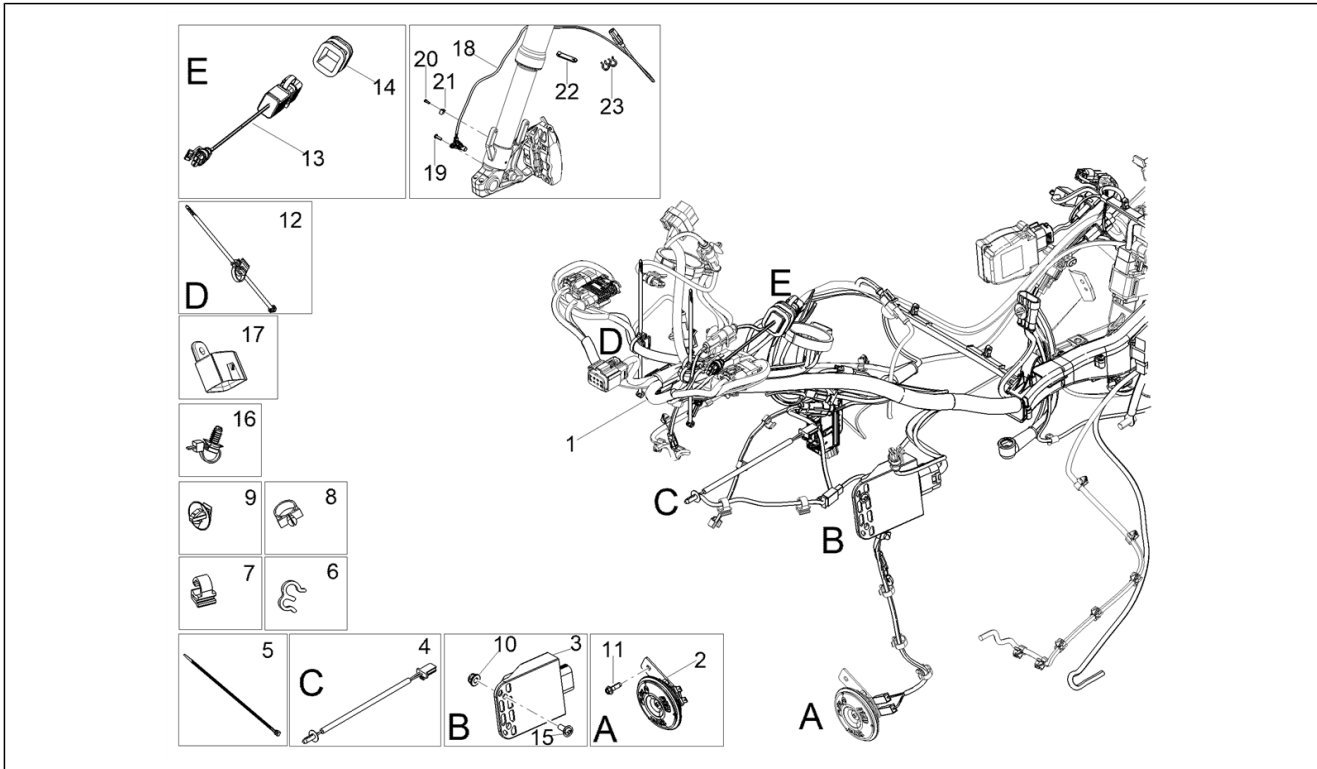
Pos.	Code	Description	Qty	Variants
1	2B010954	Water cooler	1	
2	2B010972	Water cooler filler cap	1	
3	2B010546	Rod DX	1	
4	2B010547	Rod SX	1	
5	2B009937	Cooler support plate	1	
6	2D000572	Electric fan	1	
7	2B010345	Radiator breather pipe	1	
8	2B008760	Cooler pipe	1	
9	2B010343	Left head breather pipe	1	
10	2B010344	Right head breather pipe	1	
11	2B002254	Tee union	1	
12	AP8120952	Tube 5,5x10	2	
13	2B008947	Expansion tank	1	
14	2B012494	Expansion tank plug	1	
15	2B010164	Connecting pipe	1	
16	2B010163	Cooler-pump pipe	1	
17	2B010165	Bypass tube	1	
18	2B010162	Pump-radiator pipe fitting	1	
19	2B009981	Screw M4x55	3	
20	893823	Washer d4,5	3	
21	AP8152280	Screw w/ flange M6x25	1	
22	AP8221023	T bush	2	
23	AP8120030	Rubber spacer	2	
24	254485	Spring plate M6	2	
25	AP8120275	Silent-block *	2	
26	2B002569	TE flanged screw M6x20	2	
27	2B002187	Hex socket screw M6x10	4	
28	2B009980	Spacer	3	

Group	Cooling system
Code	10.020
Description	Cooling system
Service	1



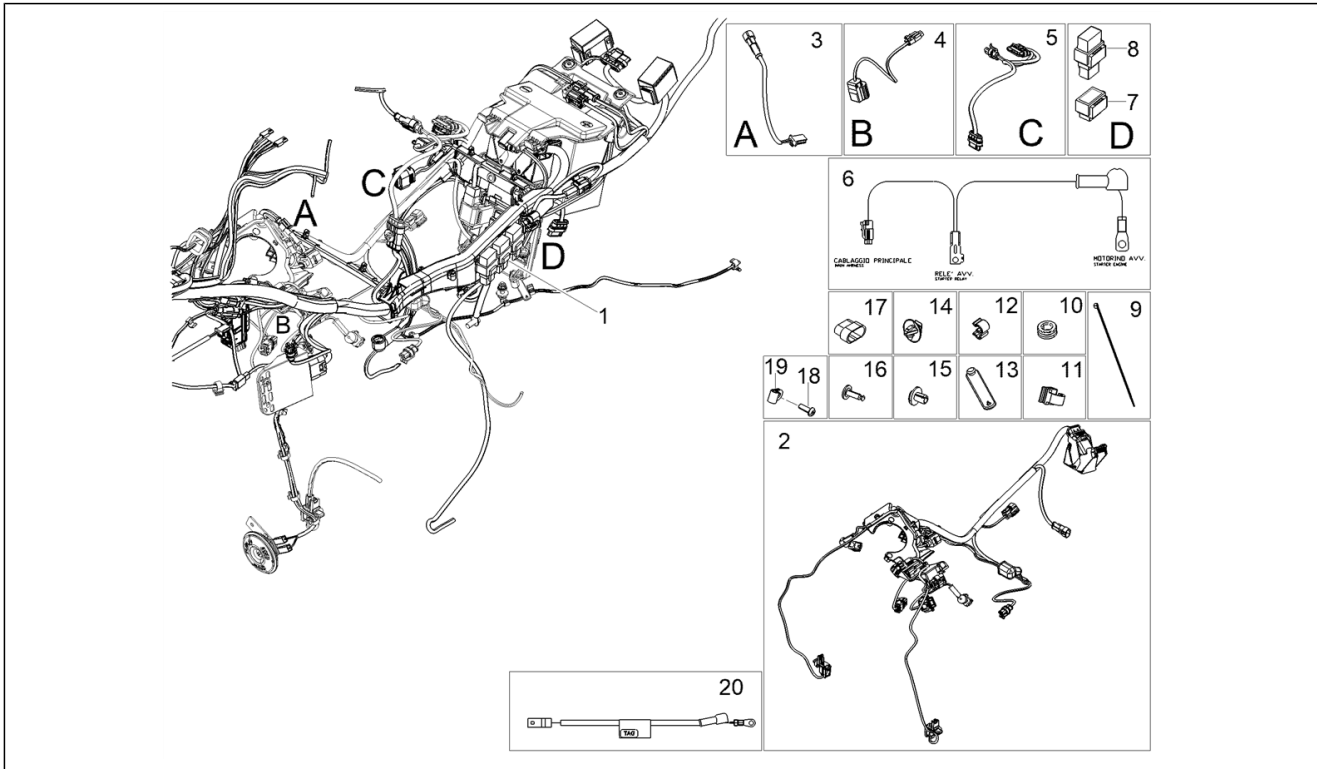
Pos.	Code	Description	Qty	Variants
29	AP8150011	Washer 4,3x12x1	3	
30	AP8150204	Nut M4	3	
31	CM001914	Hose clamp	4	
32	2B011370	Collar clamp D23	1	
33	AP8102378	Hose clamp D11,3	3	
34	AP8220162	Rubber spacer	1	
35	2B011954	Screw plug	1	
36	2B011359	Collar clamp D22.5	1	
37	AP8102159	Hose clamp	2	
38	2B011357	Collar clamp D36.5	2	
39	2B011356	Collar clamp D36	3	
40	2B011358	Collar clamp D38.8	1	
41	1A0235164	Thermostat	1	
42	1A024570	Plate	1	
43	857429	Flanged hexagon screw	3	
44	1A021287R	Temperature gauge	1	
45	AP8120446	Hose clip, green D11x6,6x1	1	
46	641652	Spring L. 22 mm	1	
47	1A019927	O-Ring seal ring	1	
48	2B011955	Gasket	1	
49	AP9100053	Bush d.10-h.3,5	1	
50	AP8152181	Washer 6,4x15x1	1	
51	AP8152281	Screw w/ flange M6x30	1	

Group	Electrical systems
Code	11.010
Description	Front electrical system
Service	1



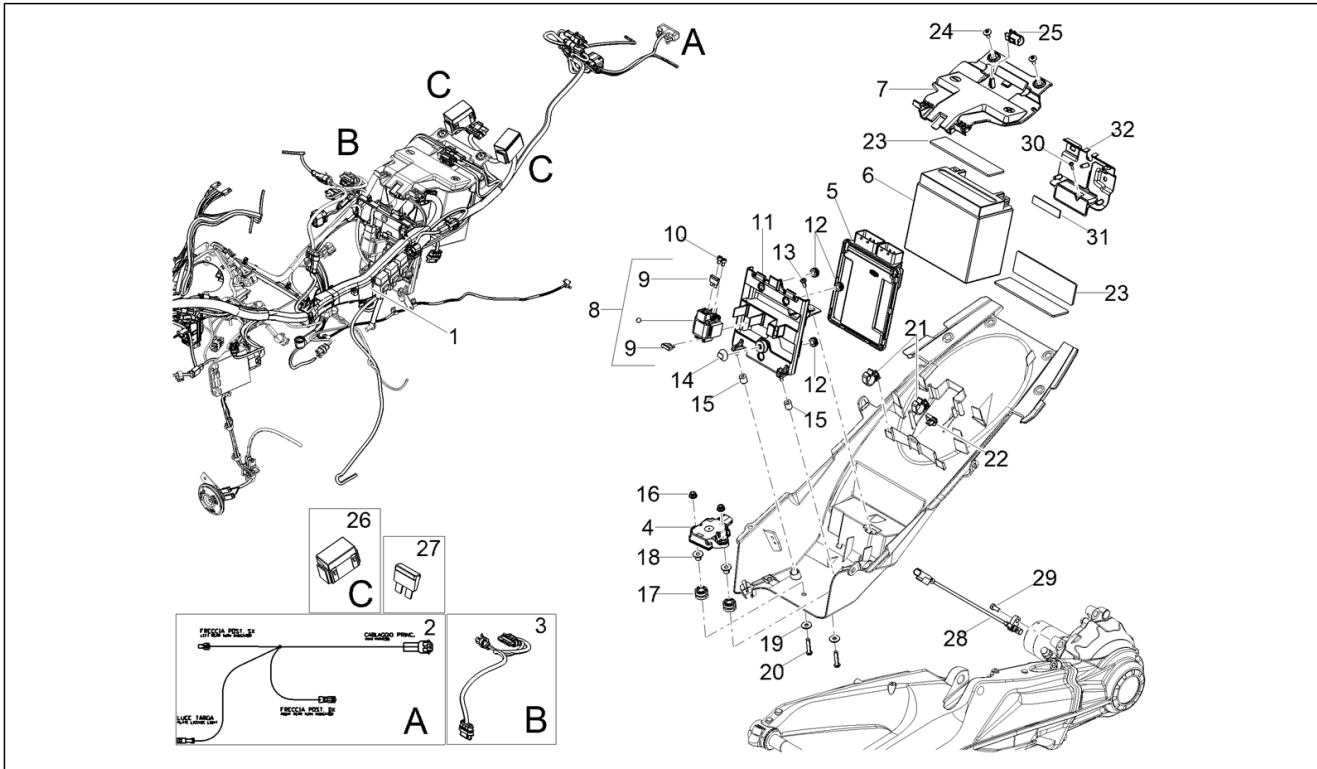
Pos.	Code	Description	Qty	Variants
1	2D000789	Main wiring harness	1	
2	2D000762	Horn	1	
3	2D000724	Variable aerodynamic control unit	1	
4	581142	Ambient temperature sensor	1	
5	AP8102386	Hose clamp 2,5x160	2	
6	894704	Fairlead	10	
7	AP8201727	Black cable guide	2	
8	231590	Elastic spring L.17 mm	8	
9	890760	Instrument support	8	
10	AP8152299	Self-locking nut M6	1	
11	2B002569	TE flanged screw M6x20	1	
12	1D002265	Hose clamp	2	
13	1D003323	USB port	1	
14	1B001591	Cable grommet for USB port	1	
15	AP8152246	Screw w/ flange M6x16	1	
16	1D001143	Wiring clip	2	
17	2B010679	Radar connector cap	1	
18	1D003350	ABS sensor	1	
19	1C001499	TBEI TORX screw M5x16 INOX	1	
20	581957	Hexagon convex big end screw	1	
21	859777	Fairlead	1	
22	GU03609600	Hose clamp L36 mm	1	
23	AP9100519	Spring	1	

Group	Electrical systems
Code	11.020
Description	Central electrical system
Service	1



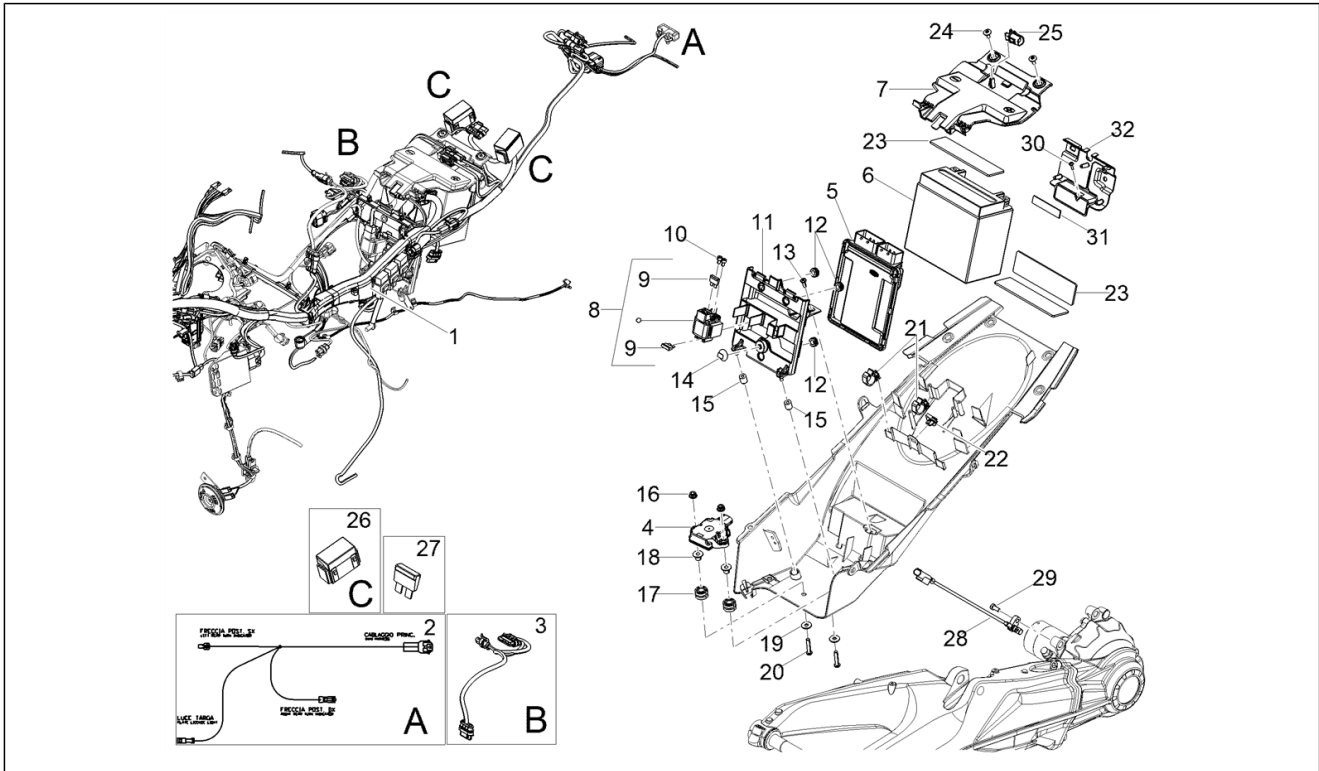
Pos.	Code	Description	Qty	Variants
1	2D000789	Main wiring harness	1	
2	2D000842	Engine wiring	1	
3	2D000759	Alternator wiring	1	
4	2D000758	Oil pressure wiring	1	
5	2D000790	Fuel pump wiring	1	
6	2D000769	Starter cable	1	
7	AP8220283	Rubber spacer *	3	
8	AP8224462	Relay 12V-30A	3	
9	GU14609650	Hose clamp 3,6x20,6	1	
9	AP8102386	Hose clamp 2,5x160	2	
10	487665	Fairlead	1	
11	AP8201727	Black cable guide	2	
12	894704	Fairlead	10	
13	2B004963	Spring clamp L60 mm	1	
14	890760	Instrument support	8	
15	AP8144616	Rivet, female	1	
16	AP8144563	Rivet, male	1	
17	582928	Plug connector	1	
18	581957	Hexagon convex big end screw	1	
19	859777	Fairlead	1	
20	2D000784	Power alternator wiring harness	1	

Group	Electrical systems
Code	11.030
Description	Rear electrical system
Service	1



Pos.	Code	Description	Qty	Variants
1	2D000789	Main wiring harness	1	
2	2D000761	Taillight wiring harn.	1	
3	2D000790	Fuel pump wiring	1	
4	2D000713	ECU IMU	1	
5	CM3018507	Electronic control unit ECU for injection	1	
6	638733	Battery Yuasa YTX14-BS 12V-12Ah (150x87x145)	1	
7	2B010020	Battery cover	1	
8	582690	Starter relay	1	
9	581440	Fuse 30A	2	
10	581596	screw	2	
11	2B010019	Holder	1	
12	AP8220186	Rubber spacer	3	
13	AP8150509	Self-tap screw 5x14	1	
14	890760	Instrument support	1	
15	AP8120712	Rubber spacer	2	
16	AP8152299	Self-locking nut M6	2	
17	AP8144662	Rubber spacer	2	
18	AP8221023	T bush	2	
19	AP8150015	Washer 6,6x18x1,6*	2	
20	AP8152128	Hex socket screw M6x30	2	
21	CM013202	Pipes/cables retainer spring	2	
22	1D000129	Plugs spring	1	
23	AP8144552	Lat. battery support rubber	3	
24	AP8150500	Hex socket screw M5x9 NERINOX	2	
25	1D002384	Connector cover	3	
26	894603	Fuse holder box	2	
27	CM225605	Fuse 5A	4	
27	CM225603	Fuse 3A	2	

Group	Electrical systems
Code	11.030
Description	Rear electrical system
Service	1



Pos.	Code	Description	Qty	Variants
27	CM225610	Fuse 10A	3	
27	CM225607	Fuse 7,5A	7	
27	CM225615	Fuse 15A	2	
27	CM225620	Fuse 20A	2	
28	2D000051	Speed sensor ABS	1	
29	AP8152156	Hex socket screw M6x14	1	
30	AP8150413	Self-tap screw 3,9x14	1	
31	2B013126	Adhesive sponge	1	
32	2B011247	Holder	1	