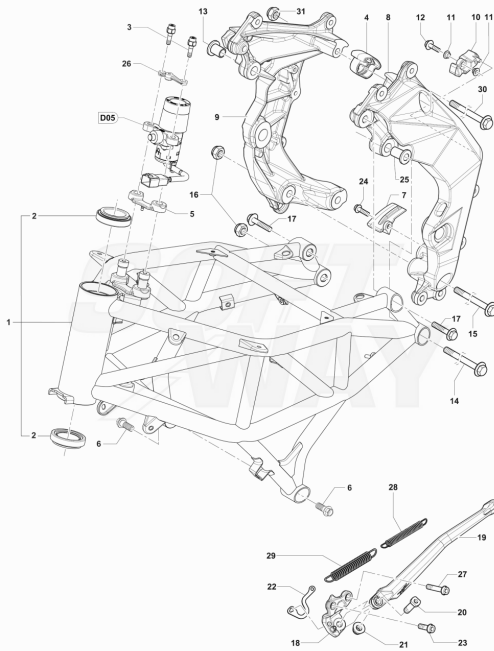


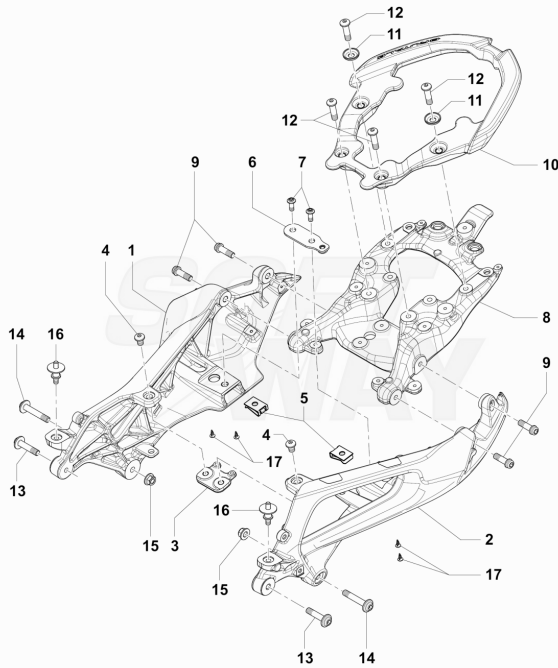
1.Frame	3
2.RearFrame	5
3.RearSwingarm	6
4.RearShock	8
5.FrontForkHBar	9
6.RHFork	10
7.LHFork	11
8.SteeringDamper	12
9.RearWheel	13
10.FrontWheel	15
11.LHRearSet	17
12.RHRearset	19
13.RHClipOn	21
14.LHClipOn	23
15.Locks	25
16.FrontFenderLHMidFairing	26
17.MirrorRHMidFairing	28
18.Airbox	30
19.FuelTank	32
20.Saddle	35
21.Dashboard	37
22.Headlight	39
23.ECU	40
24.VReg	42
25.StarterRelay	44
26.GPSReceiver	45
27.Taillight	46
28.Crankcase	48
29.Crankshaft	51
30.CylinderHead	52

31.Timing	54
32.StarterGears	56
33.WaterPumpOilFilter	57
34.Clutch	59
35.CoolingSystem	61
36.EngineElectrics	63
37.GearGroup	64
38.GearChange	66
39.FuelPump	68
40.ThrottleBody	69
41.ExhaustSystem	70
42.SCSClutch	72
43.Outfit	74
44.FrameTools1	75
45.FrameTools2	76
46.EngineTools	77
47.Variant	78
48.Evap	79
49.ABSBrake	80

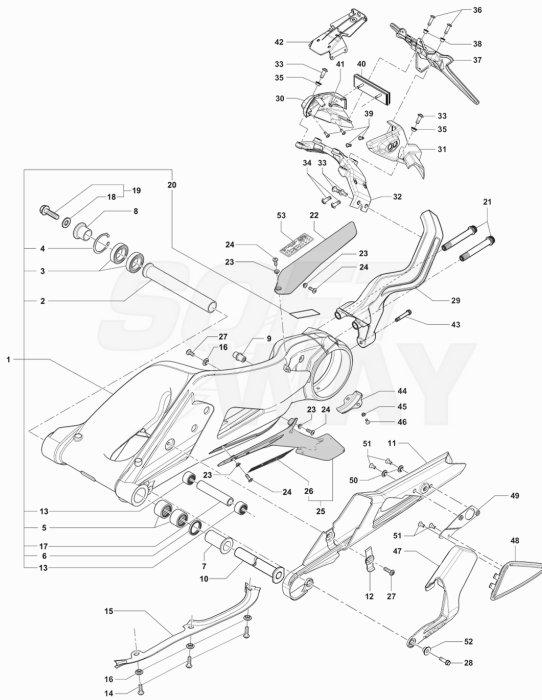


Pos	Part Number	Description	Additional Text	Quantity
1	SPMV8AB0C1542	Frame finished b316 with bearings	SCS SILVER/GRAY SCS RED/GRAY MY20 RR SILVER/GRAY MY20 RR RED/GRAY MY17/19 RR RED/BLACK MY20 800 MY19 800 RED/GRAY MY18 800 PIRELLI GRAY/BLUE	1,00
2	SPMV8000B4784	STEERING BEARING		2,00
3	SPMV8000C3268	SWITCH FIXING SCREW	MY18 AMERICA EXCEPT 675-800-AMERICA	2,00
3	SPMV8B00C0258	SWITCH FIXING SCREW	MY17 AMERICA	2,00
4	SPMV8000B8561	FRAME PLATE COVER		1,00
5	SPMV8000C1734	FRONT CENTERING RUBBER SPACER FOR FRONT		1,00
6	SPMV8000C3696	FRONT SCREW FIX. ENGINE	MY17/20 F3 800-RC-675	2,00
7	SPMV8000B5644	LOWER CHAIN SLIDING BLOCK		1,00
8	SPMV80A0C7103	LEFT SWINGARM FULCRUM PLATE	800	1,00
9	SPMV80A0C7104	RIGHT SWINGARM FULCRUM PLATE	800	1,00
10	SPMV8000B3559	SLIDER CHAIN		1,00
11	SPMV80A090392	SPACER	B4 RS-B4 RR-B4 NURBURGRING	2,00
12	SPMV8E00B2681	Screw M6x1-CH8-L20	MY17/20 F3 675 RC-F3 800 RC	1,00
13	SPMV8B0084857	ENGINE FIXING BUSH		1,00
14	SPMV8B00B5645	SCREW TEF M12X1,25-L238		1,00
15	SPMV8A00B5645	SCREW TEF M12X1,25-L202		1,00
16	SPMV8000B2715	NUT, M12x1,25x12,5 CH17		2,00
17	SPMV8000B2750	Screw TEF M12x1,25-L30		2,00
18	SPMV8000B5662	COMPLETE STAND PLATE		1,00
19	SPMV80A0C0095	SIDE CRUTCH	MY19/20 F3 675-F3 800	1,00
20	SPMV8000C0096	CRUTCH ROTATION PIN	MY15/20 F3 675-F3 800	1,00
21	SPMV80A090432	NUT, PARLOCK M8x1,25		1,00

22	SPMV8000B5667	DEFLECTOR PLATE SPRING		1,00
23	SPMV8A00B2691	Screw TCEIF M10 L25		1,00
24	SPMV8000B5922	SCREW TFEI M5X0,8		1,00
25	SPMV8C0084857	ENGINE FIXING BUSH		1,00
26	SPMV80A0C3269	SHOCK ABSORBED CONNECTING ROD ANCHOR	MY19RC MY20 RR PIRELLI-LH44 SCS	1,00
27	SPMV8000B5668	SPECIAL SCREW TCEIF M10M6		1,00
28	SPMV8000B3986	INNER SPRING		1,00
29	SPMV8000B3987	OUTER SPRING		1,00
30	SPMV8A00B2755	TEF SCREW M10X107		1,00
31	SPMV8000B2714	NUT, M10x1,25x10 CH14		1,00

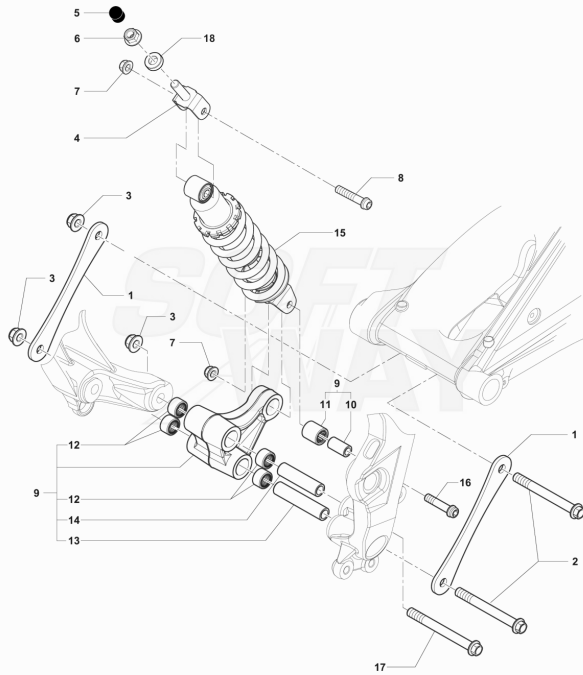


Pos	Part Number	Description	Additional Text	Quantity
1	SPMV80A0C1678	RIGHT SIDE REAR FRAME	675-RR-AMERICA MY16/19 800 PIRELLI BLACK/RED	1,00
1	SPMV8AA0C1678	RIGHT SIDE REAR FRAME	MY20 800	1,00
2	SPMV80A0C1677	LEFT SIDE REAR FRAME	MY16/19 800 PIRELLI BLACK/RED 675-RR-AMERICA	1,00
2	SPMV8AA0C1677	LEFT SIDE REAR FRAME	MY20 800	1,00
3	SPMV8000C1679	FRONT LINK PLATE		1,00
4	SPMV8D00B2676	TBEI SCREW M8X12		2,00
5	SPMV8000C2080	STAPLE NUT M8		2,00
6	SPMV8000C1680	REAR CONNECTION PLATE		1,00
7	SPMV8A00B2676	TBEI SCREW M8X16	B4 NURBURGRING-RUSH	2,00
8	SPMV80A0C1681	MULTIPLE CENTER SUPPORT		1,00
9	SPMV8C00B2690	SCREW, TCEIF M8x25 RP	MY12/16 JPN F3 675-F3 800	4,00
10	SPMV8000C1682	HANDLE		1,00
11	SPMV8000C2857	CUP FOR HANDLEBAR		2,00
12	SPMV8E00B2676	SCREW TBEI M8X30		4,00
13	SPMV8B00B5650	SPECIAL SCREW M8X1.25-L35	RR-RUSH	2,00
14	SPMV8C00B5650	SPECIAL SCREW M8X1.25-L45		2,00
15	SPMV8000B2712	NUT, M8x1,25x8,5 CH12	MY15/17 JPN F3 RC	2,00
16	SPMV8000C1738	M6 STUD FOR REAR FASTENER		2,00
17	SPMV8000C7611	END CAP		4,00

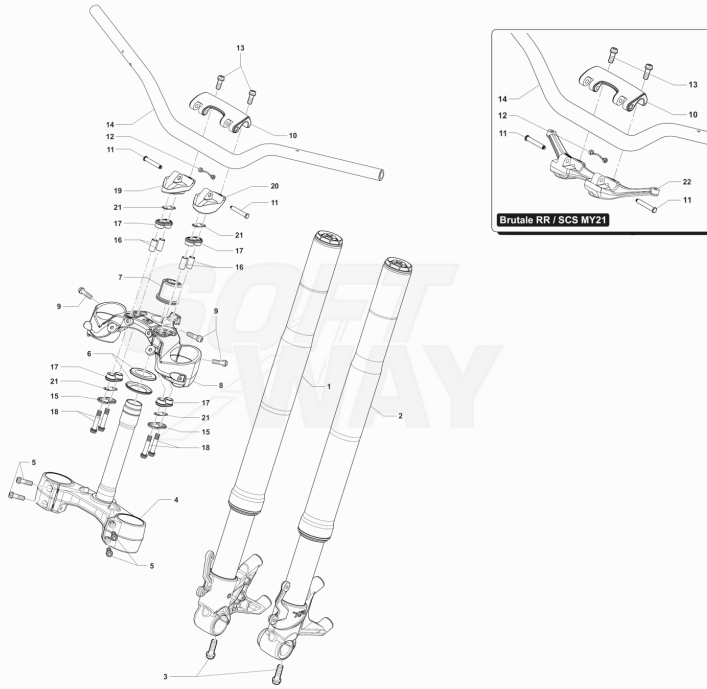


Pos	Part Number	Description	Additional Text	Quantity
1	SPMV8D00B5783	REAR SWINGARM. WITH BEARINGS	MY19/20 F3 675-F3 800	1,00
2	SPMV800084872	SPACER, SWINGARM BEARING		1,00
3	SPMV800084938	BALL BEARING, SWINGARM, RIGH S		2,00
4	SPMV800084939	CIRCLIP, J42x1,75 V		1,00
5	SPMV800084936	NEEDLE BEARING, SWINGARM, LEFT		2,00
6	SPMV800084937	RETAINER, SWINGARM, FRONT SIDE		1,00
7	SPMV800084859	BUSH, SWINGARM, LEFT SIDE		1,00
8	SPMV800084873	FORK RH BUSH		1,00
9	SPMV8000B2762	BRACKET, REAR BRAKE, SCREW		1,00
10	SPMV800091655	AXLE, SWINGARM	750S, 750S 1+1	1,00
11	SPMV8A00B5785	CHAIN SLIDING BLOCK	MY17/20 F3 675-F3 800	1,00
12	SPMV8000B5786	CHAIN SLIDING BLOCK CLIP		1,00
13	SPMV8000B5875	NEEDLE BEARING HK1814L3AS		2,00
14	SPMV8D00B2672	SCREW	RR-RUSH	3,00
15	SPMV8000B8471	LOWER REAR TAIL	DRAGSTER, DRAGSTER RR/RR LH/RC	1,00
16	SPMV800090391	SPACER, D15,5xD8xD6,2xE3,8		4,00
17	SPMV8A00B5824	PIN D18-D12-L87		1,00
18	SPMV8000C0852	WASHER		1,00
19	SPMV8000C0928	SCREW AND ROSETTE KIT FOR PIN		1,00
20	SPMV8000B5874	DECAL		1,00
21	SPMV8A00B2752	SCREW SWINGARM	DRAGSTER, DRAGSTER RR/RR LH/RC	2,00
22	SPMV8000B5449	UPPER CHAIN COVER	EXCEPT F3 ORO	1,00
23	SPMV8000B2798	WASHER, ESPAÇADORA	MY18/20 F3 675 RC-F3 800 RC	4,00
24	SPMV8B00B4221	Screw M5x0,8-CH3-L14	MY18/20 F3 675 RC-F3 800 RC	4,00
25	SPMV8000B8342	COMPLETE LOWER CHAIN COVER	MY17/20 F3 800-F3 800 RC	1,00
26	SPMV8000B8341	ADHESIVE TAG REGOLAZ.CATENA	MY17/20 F3 800-F3 800 RC	1,00

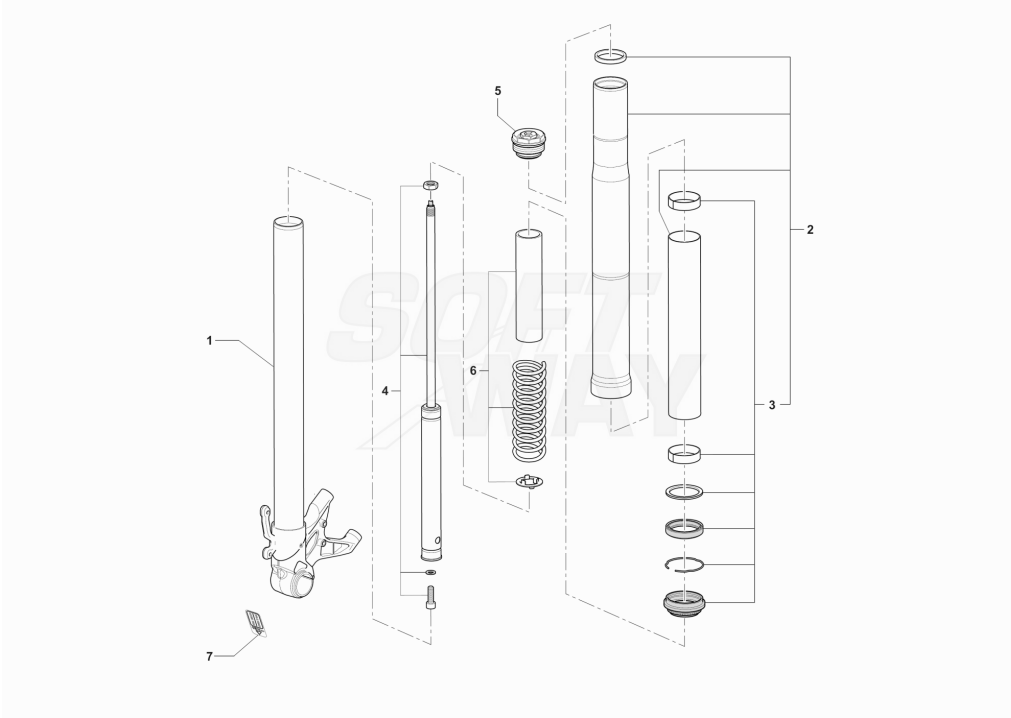
27	SPMV8A00B2672	SCREW, M6x11,7x12	MY18 RC, MY19 RC, RC LH	2,00
28	SPMV8E00B2681	Screw M6x1-CH8-L20	MY17/20 F3 675 RC-F3 800 RC	1,00
29	SPMV8000B9306	BRACKET LICENSE PLATE		1,00
30	SPMV8000C2146	RIGHT SIDE NUMBER PLATE HOLDER		1,00
31	SPMV8000C2145	LEFT SIDE NUMBER PLATE HOLDER		1,00
32	SPMV8000C2078	LICENSE PLATE HOLDER REINFORCEMENT		1,00
33	SPMV8E00B2672	SCREW TFEI M6X1 D11,7 L14	RR-RUSH	4,00
34	SPMV8D00B2672	SCREW	RR-RUSH	2,00
35	SPMV80A090392	SPACER	B4 RS-B4 RR-B4 NURBURGRING	2,00
36	SPMV8B00B9347	SCREW TBEI M5X0.8-CH3-L14 UNI		2,00
37	SPMV8000C2147	LICENSE PLATE HOLDER FLANGE		1,00
38	SPMV8A00B2798	SPACER WITH COLLAR		2,00
39	SPMV98C0090901	SCREW M4X10	B4 RS-B4 RR-B4 NURBURGRING	4,00
40	SPMV800073834	REFLECTOR		1,00
41	SPMV8000B2706	NUT, PARLOCK M4	990R-1090RR <002104 USA	2,00
42	SPMV8000C2149	SIDE PLATE HOLDER		1,00
43	SPMV8H00B2688	Screw M6x35	RR-RUSH	1,00
44	SPMV8000B8562	COVER CONNECTOR		1,00
45	SPMV80A092658	WASHER, SPACER, D10xD7,6xD5,2x	RR-SCS (VIN: >001629) / RC SCS	2,00
46	SPMV8A00B5919	SCREW M5 L12	MY17 DRAGSTER RR/DRAGSTER RC	2,00
47	SPMV8000C3975	FRONT CLOSURE. FOR FORK		1,00
48	SPMV8000C3998	CENTRAL LATCH FOR FORK		1,00
49	SPMV8000C3979	PLATE FOR CLOSURE		1,00
50	SPMV8000C3980	SPACER FOR PLATE		2,00
51	SPMV8A00B2694	TSEI SCREW M5X0.8-CH3-L12		4,00
52	SPMV8000B3764	SPACER, DASHBOARD, D18xD10xL9	MY17/20 F3 675-800-RC	1,00
53	SPMV8000C9525	TIRE PLATE		1,00



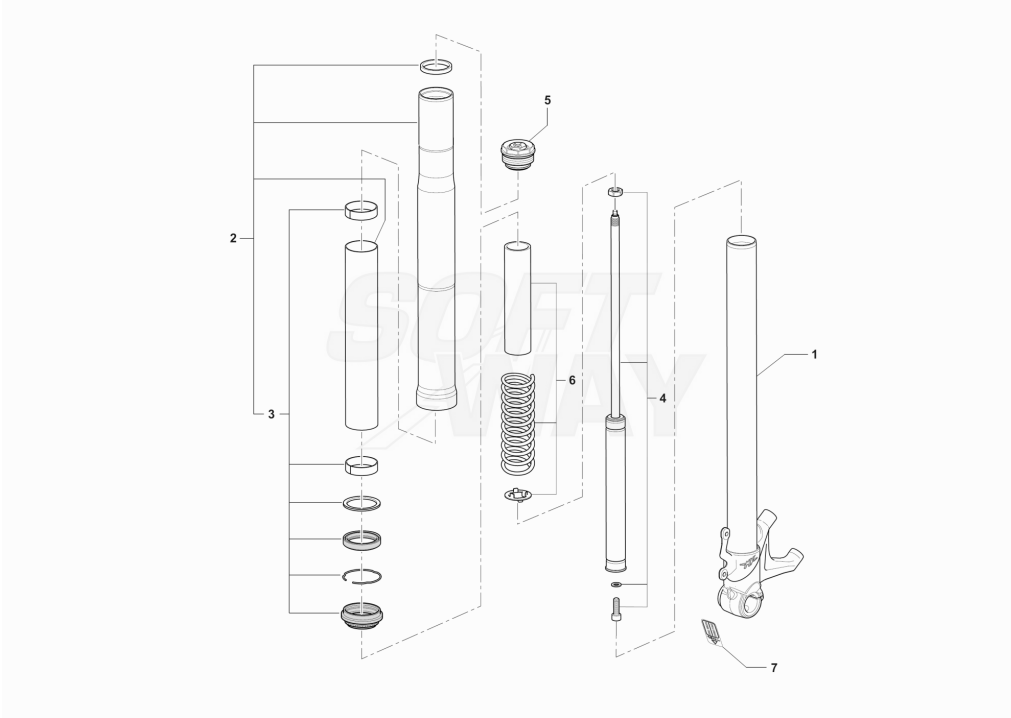
Pos	Part Number	Description	Additional Text	Quantity
1	SPMV8B00B5788	TIE ROD FOR REAR SUSPENSION	MY14/20 VIN 001015> F3 675	2,00
2	SPMV8000B5645	SCREW M12X1,25-CH14-L112		2,00
3	SPMV8000B2715	NUT, M12x1,25x12,5 CH17		3,00
4	SPMV8000B5790	FORK ADAPTER	DRAGSTER, DRAGSTER RR/RR LH/RC	1,00
5	SPMV8000B9342	CAP PROTECTION		1,00
6	SPMV8000B2715	NUT, M12x1,25x12,5 CH17		1,00
7	SPMV8000B6064	NUT M10X1,25-CH14-SP8		2,00
8	SPMV8G00B2691	Screw TCEIF M10x1,25-L45	EXCEPT 675	1,00
9	SPMV8000C6960	Rocker arm for rear suspension	VIN 001015> F3 675	1,00
10	SPMV8000B5823	PIN D16-D10-L30		1,00
11	SPMV8000B5876	BEARING HMK1626LL3		1,00
12	SPMV8000B5875	NEEDLE BEARING HK1814L3AS		4,00
13	SPMV8A00B5824	PIN D18-D12-L87		1,00
14	SPMV8000B5824	PIN D18-D12-L71		1,00
15	SPMV8000C9546	REAR SHOCK ABSORBER		1,00
16	SPMV8H00B2691	Screw TCEIF M10x1,25 L50	675	1,00
17	SPMV8C00B5645	SCREW M12X1,25-CH14-L122		1,00
18	SPMV8000B5791	SPACER D24-D12-SP4	MY13 F3 800	1,00



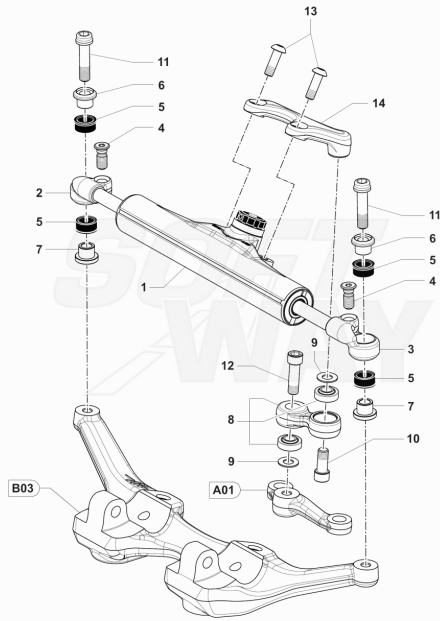
Pos	Part Number	Description	Additional Text	Quantity
1	SPMV8000C9852	RIGHT LEG COMPL.	ROSSO-RR-SCS / MY21 RC SCS	1,00
2	SPMV8000C9853	LEFT LEG COMPL.	ROSSO-RR-SCS / MY21 RC SCS	1,00
3	SPMV8C00B2690	SCREW, TCEIF M8x25 RP	MY12/16 JPN F3 675-F3 800	2,00
4	SPMV80A0B6255	STEERING BASE WITH PIN	DRAGSTER RR YELLOW/BLACK	1,00
5	SPMV8C00B2690	SCREW, TCEIF M8x25 RP	MY12/16 JPN F3 675-F3 800	4,00
6	SPMV800090897	DUST COVER, STEERING STEM		2,00
7	SPMV8C0090280	SPECIAL NUT, STEERING STEM, F4		1,00
8	SPMV80A0C1712	STEERING HEAD	MY20 RR PIRELLI-SCS	1,00
9	SPMV8D00B2690	SCREW, TCEIF M8x1,25x30 RP	RR-RUSH	3,00
10	SPMV80A0C1718	UPPER HANDLEBAR U-BOLT	MY19 RC PIRELLI-LH44- SCS MY20 800-RR	1,00
11	SPMV8A00B3000	PIN ROTATION UPPER CUT MAN		2,00
12	SPMV800090906	RUBBER COVER		1,00
13	SPMV8C00B2690	SCREW, TCEIF M8x25 RP	MY12/16 JPN F3 675-F3 800	2,00
14	SPMV8B00C1701	HANDLEBARS		1,00
15	SPMV8000C1715	CUP FOR VIBRATION DAMPER		2,00
16	SPMV8000C1714	SPACER FOR VIBRATION DAMPER		4,00
17	SPMV8000C1713	VIBRATION DAMPER FOR HANDLEBAR		4,00
18	SPMV8F00B2690	TCEIF SCREW M8X1.25-L40		4,00
19	SPMV80A0C1716	RIGHT HANDLEBAR LOWER U-BOLT	MY20 800	1,00
20	SPMV80A0C1717	LEFT LOWER U-BOLT MANUBR	MY20 800	1,00
21	SPMV8000C2417	PLATE FOR VIBRATION DAMPER		4,00
22	SPMV80A0C3274	HANDLEBAR LOWER U-BOLT	PIRELLI LH44-SCS MY19 RC MY20 RR	1,00



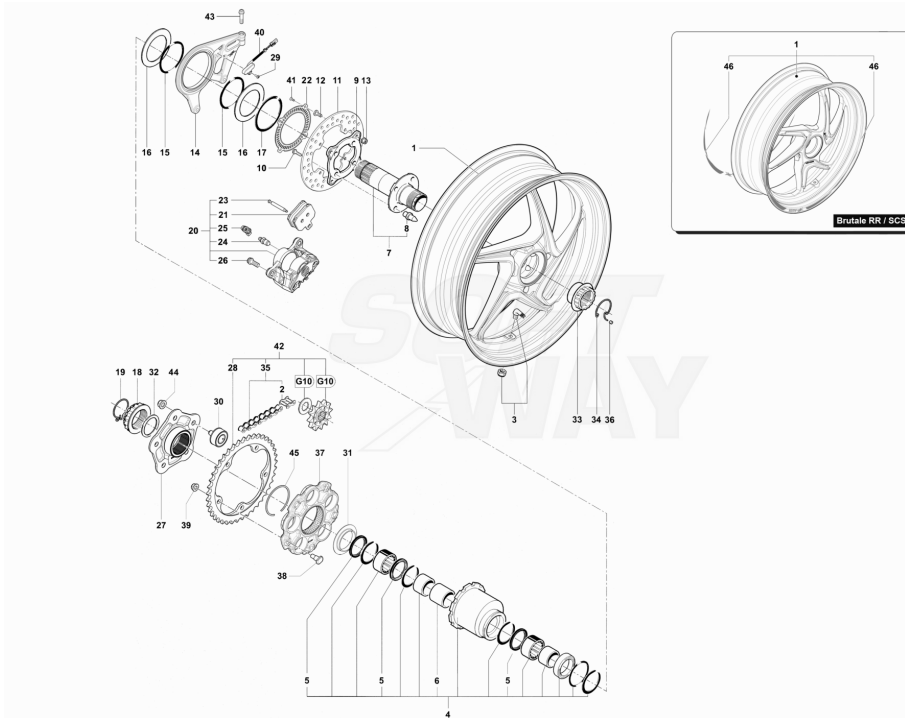
Pos	Part Number	Description	Additional Text	Quantity
1	SPMV8000C3204	RIGHT STEM COMPL.	675 800 FRAME >000874 MY17 AMERICA 800 FRAME 001100> 800 FRAME 001015-001052	1,00
2	SPMV8000C3210	COMPLETE CHAINSTAY		1,00
3	SPMV8000C3212	FORK SEALS KIT		1,00
4	SPMV8000C3206	EXTENSION ADJUSTER CARTRIDGE		1,00
5	SPMV8000C3208	RIGHT FORK CAP	800 FRAME 001015- 001052 800 FRAME >000874 MY17 AMERICA 800 FRAME 001100>	1,00
6	SPMV8000C3211	FORK SPRING KIT	MY17 AMERICA 800 FRAME 001100> 800 FRAME 001015-001052 800 FRAME >000874	1,00
7	SPMV8000B7206	DECAL -AVVERTENZA-		1,00



Pos	Part Number	Description	Additional Text	Quantity
1	SPMV8000C3205	LEFT STEM COMPL.	800 FRAME 001100> 675 800 FRAME >000874 MY17 AMERICA 800 FRAME 001015-001052	1,00
2	SPMV8000C3210	COMPLETE CHAINSTAY		1,00
3	SPMV8000C3212	FORK SEALS KIT		1,00
4	SPMV8000C3207	CARTRIDGE COMPRESSION ADJUSTER		1,00
5	SPMV8000C3209	LEFT FORK CAP	800 FRAME 001015- 001052 800 FRAME 001100> 800 FRAME >000874 MY17 AMERICA	1,00
6	SPMV8000C3211	FORK SPRING KIT	MY17 AMERICA 800 FRAME 001100> 800 FRAME 001015-001052 800 FRAME >000874	1,00
7	SPMV8000B7206	DECAL -AVVERTENZA-		1,00

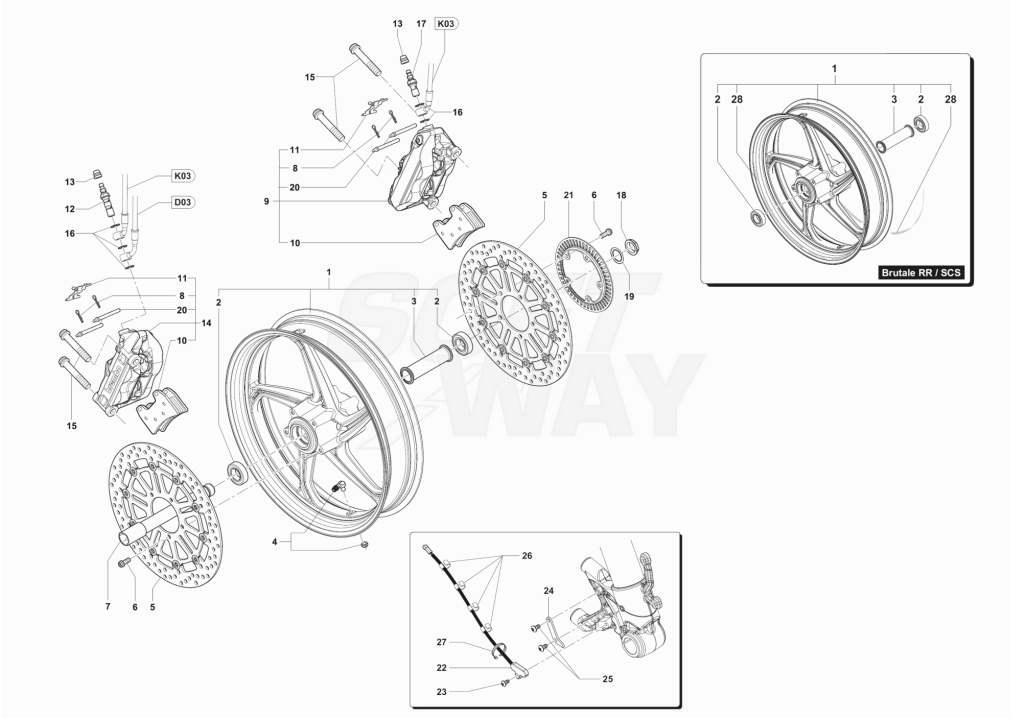


Pos	Part Number	Description	Additional Text	Quantity
1	SPMV8A00C3273	STEERING DAMPER ADJUSTER		1,00
2	SPMV80B082769	TERMIN. RIGHT FOR SHOCK ABSORBER. OF ST	DRAGSTER RR YELLOW/BLACK DRAGSTER RR LH	1,00
3	SPMV80B086408	TERMIN. SX FOR SHOCK ABSORBER. OF ST	DRAGSTER RR YELLOW/BLACK DRAGSTER RR LH	1,00
4	SPMV8000B2758	Screw steering damper		2,00
5	SPMV800082776	BUSH, RUBBER		4,00
6	SPMV800089304	UPPER SPACER, STEERING SHOCK A	1000S, 1000S1+1	2,00
7	SPMV8A0082775	SPACER, STEERING SHOCK ABSORBE		2,00
8	SPMV80A0C3272	Steering damper connecting rod	MY20 RR PIRELLI-LH44- SCS MY19 RC	1,00
9	SPMV8C00B2720	WASHER, D12xD6,1xE0,7		2,00
10	SPMV8000B2747	Screw shock absorber		1,00
11	SPMV8F00B2688	Screw TCEIF M6x25 RP	800RR, DRAGSTER RR, DRAG.RR LH	2,00
12	SPMV8B00B2747	SCREW, STEERING SHOCK ABSORBER		1,00
13	SPMV60NDB2781	Screw TBCE M5x0,8-L16	MY18 AMERICA RR-RC- LH44-SCS	2,00
14	SPMV80A0C3270	SHOCK ABSORBER ARM	MY19 RC MY20RR PIRELLI-LH44-SCS	1,00



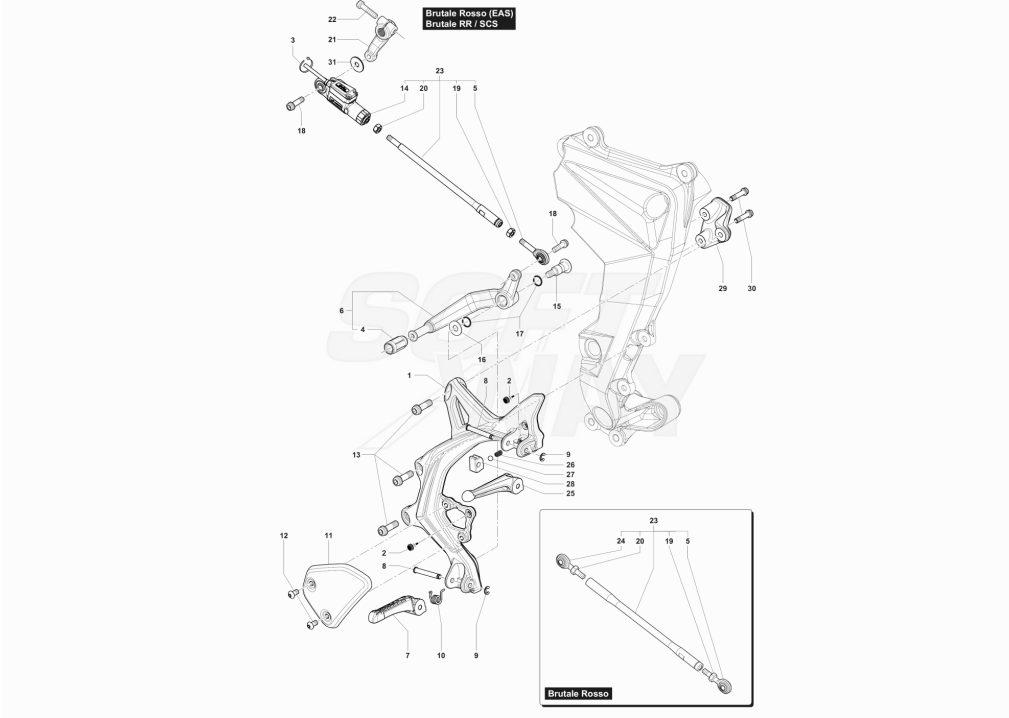
Pos	Part Number	Description	Additional Text	Quantity
1	SPMV80A0C3289	REAR WHEEL RIM 17"X	MY20 F3 800	1,00
1	SPMV8AA0C8166	Wheel rim post.17" finished with "filett	SCS RED/GRAY MY20 RR RED/GRAY	1,00
1	SPMV8AB0C8166	Rear wheel rim.17" finished with "mv agu	SCS SILVER/GRAY MY20 RR SILVER/GRAY	1,00
2	SPMV8000C6985	CHAIN LINK	MY20 675-800- 800 RC	1,00
3	SPMV8000B3195	VALVE, WHEEL	675,800,800RR,DRAG., DRAG. RC	1,00
4	SPMV8000C4104	REAR ECCENTRIC HUB	MY17/20 F3 675-F3 800	1,00
5	SPMV800084909	GROMMET		3,00
6	SPMV8000C3429	INTERNAL SPACER FOR	MY17/20 F3 675-F3 800	1,00
7	SPMV8000B3198	HUB, REAR WHEEL, INNER SIDE		1,00
8	SPMV8000B5947	PLUG FOR REAR WHEEL		4,00
9	SPMV800084890	FLANGE, REAR WHEEL HUB, INNER	1000S, 1000S1+1	1,00
10	SPMV80A084902	SCREW, FLANGE PIN		4,00
11	SPMV8000B5926	REAR BRAKE DISC		1,00
12	SPMV8A00B5927	Screw HEX M7x17 8.8 ZB	CORSA	4,00
13	SPMV800084891	NUT, M7		4,00
14	SPMV8A00B5928	BRACKET CALIPER BRAKE, REAR	F3 AGO-F3 675 RC-F3 800 RC	1,00
15	SPMV800086702	RUBBER RING, 3325 D82,22x2,62		2,00
16	SPMV800084893	WASHER, D81xD93xE0,7		2,00
17	SPMV800084913	CIRCLIP, F80		1,00
18	SPMV800084904	SPECIAL NUT, REAR WHEEL AXLE,	EXCEPT RC LH	1,00
19	SPMV800084898	STEEL RING, REAR WHEEL, LEFT S		1,00
20	SPMV80A0B5204	CALIPER BRAKE REAR	F3 800-AGO-RC	1,00
21	SPMV8000B5975	REAR BRAKE PADS PAIR		1,00
22	SPMV8000B5899	REAR PHONIC WHEEL		1,00
23	SPMV800095277	PIN		1,00
24	SPMV800095278	BLEED NIPPLE		1,00

25	SPMV800048432	CALIPER DUSTSCRAPER		1,00
26	SPMV8A00B2690	SCREW, TCEIF M8x20 RT	EXCEPT PIRELLI-LH44	2,00
27	SPMV8A00A3243	PIN DRIVE FLANGE	MY17/20 F3 675-F3 800	1,00
28	SPMV8B00B7330	SPROCKET Z41	F3 AGO	1,00
29	SPMV98B0090901	Special screw M4x8	TAMBURINI	1,00
30	SPMV80A0A3251	SILENT-BLOCK	MY17/20 F3 675-F3 800	5,00
31	SPMV8000C3430	SPACER	MY17/20 F3 675-F3 800	1,00
32	SPMV800084894	WASHER, D48,5xD65xE0,5		1,00
33	SPMV800084903	SPECIAL NUT, REAR WHEEL AXLE,	EXCEPT RC LH	1,00
34	SPMV800084899	STEEL RING, REAR WHEEL, RIGHT		1,00
35	SPMV8000C5478	Chain DID HV3	MY20 DID 525 HV3 F3 675	1,00
36	SPMV800094030	CAP, CIRCLIP		1,00
37	SPMV8000C4088	COMPLETE FLANGE CROWN	MY17/20 F3 675 RC-F3 800 RC	1,00
38	SPMV80A0A3248	SPECIAL SCREW, REAR WHEEL HUB		5,00
39	SPMV8000B2712	NUT, M8x1,25x8,5 CH12	MY15/17 JPN F3 RC	5,00
40	SPMV8000B7768	SENSOR, SPEED	F3 AGO-F3 675 RC-F3 800 RC	1,00
41	SPMV8D00B2693	SCREW TSEI M4X,07-L8		4,00
42	SPMV8000C8739	CHAIN - SPROCKET - SPROCKET KIT	SCS MY20 800-RR	1,00
43	SPMV8000C2249	SCREW, M6X25	RR-RUSH	1,00
44	SPMV8000B2714	NUT, M10x1,25x10 CH14		5,00
45	SPMV8000C4087	SNAP RING FOR HOLES BR70		1,00
46	SPMV80A0C8168	'DECAL "THREAD 800" FOR"	SCS RED/GRAY MY20 RR RED/GRAY	2,00
46	SPMV80B0C8168	DECAL "THREAD 800" FOR	SCS SILVER/GRAY MY20 RR SILVER/GRAY	2,00



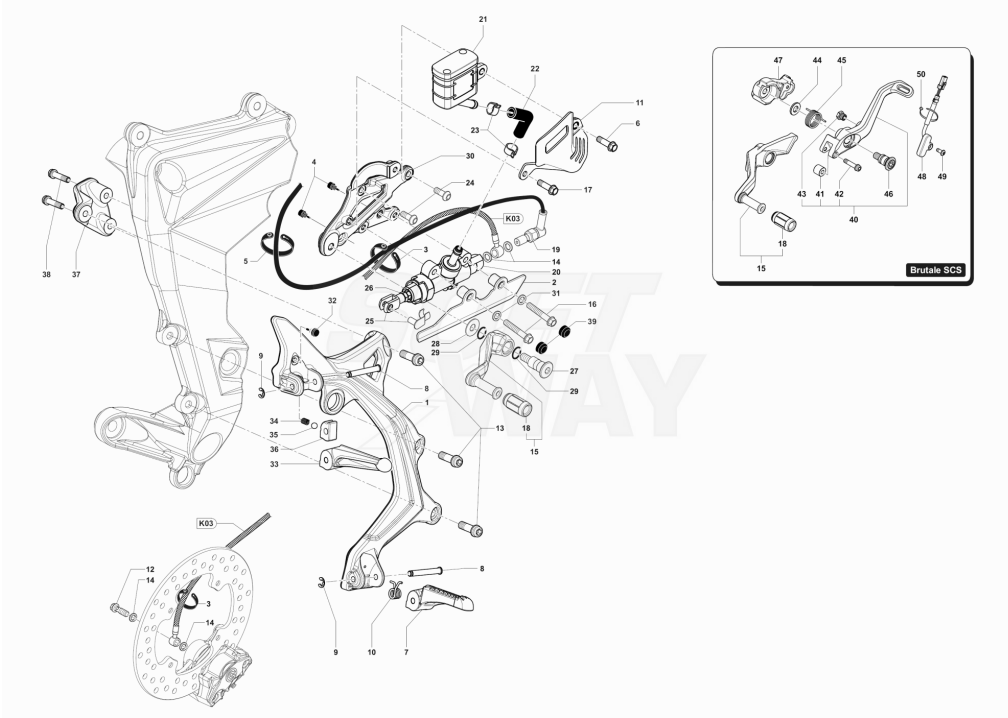
Pos	Part Number	Description	Additional Text	Quantity
1	SPMV8000B9736	FRONT WHEEL RIM 17X3.50"	MY20 F3 800	1,00
1	SPMV80A0C8167	Wheel rim ant.17 "x3.50 "conuscin. an	SCS RED/GRAY MY20 RR RED/GRAY	1,00
1	SPMV80B0C8167	Wheel rim ant.17 "x3.50 "conuscin. and	SCS SILVER/GRAY MY20RR SILVER/GRAY	1,00
2	SPMV8A0026846	RADIAL BEARING		2,00
3	SPMV8000B3200	SPACER	F4S, F4R	1,00
4	SPMV8000B3195	VALVE, WHEEL	675,800,800RR,DRAG., DRAG. RC	1,00
5	SPMV8000B4450	FRONT DISC D320 SP4,5	F3 675-800-RC	2,00
6	SPMV8A00B2690	SCREW, TCEIF M8x20 RT	EXCEPT PIRELLI-LH44	10,00
7	SPMV8000B5931	FRONT WHEEL PIN	EXCEPT AGO	1,00
8	SPMV800088777	SPLIT PINS		2,00
9	SPMV80A0B6713	FRONT LEFT BRAKE CALIPER	MY15 675-800-DRAGSTER 800RR, DRAGSTER RR/RC	1,00
10	SPMV8000B6714	FRONT BRAKE PADS PAIR	MY12/14 F3 675	2,00
11	SPMV800088776	PAD CHECK SPRING	MY12/14 F3 675	2,00
12	SPMV8000B5900	COMPLETE PIPE	MY12/14 F3 675	1,00
13	SPMV800053259	COVER, RUBBER	1000 VIN <008064 1000 USA	2,00
14	SPMV80A0B6712	RIGHT FRONT BRAKE CALIPER	MY15 675-800-DRAGSTER 800RR, DRAGSTER RR/RC	1,00
15	SPMV8K00B2691	Screw TCEIF M10x1,25xL58	DRAGSTER, DRAGSTER RR/RR LH/RC	4,00
16	SPMV800021480	WASHER, COPPER, D14xD10,2xE1	MY12/14 F3 675	5,00
17	SPMV8000A3975	DRAIN VALVE	MY18/20 F3 675-F3 800	1,00
18	SPMV8A00B9883	NUT M25X1,25-CH28-SP9,5	EXCEPT AGO	1,00
19	SPMV8000B2730	WASHER D33,5-D25,3-SP1		1,00
20	SPMV800088773	PINSPLIT PIN	R	2,00
21	SPMV8000B9516	FRONT PHONIC WHEEL	MY14/20 F3 675-F3 800	1,00

22	SPMV8000B7768	SENSOR, SPEED	F3 AGO-F3 675 RC-F3 800 RC	1,00
23	SPMV800090901	Screw M4	750 ORO	1,00
24	SPMV8000B9412	POSITIONING BRACKET FOR ABS SE	F3 675 RC-F3 800 RC	1,00
25	SPMV8A00A5257	Screw M5x0,8-CH3-L10	MY16	2,00
26	SPMV8000C2960	DOUBLE SEAT CABLE CLAMP 13.5X9.5		4,00
27	SPMV800056783	Plastic clamp, L142	MY17/20 F3 675-F3 800	1,00
28	SPMV80A0C8168	'DECAL "THREAD 800" FOR"	SCS RED/GRAY MY20 RR RED/GRAY	2,00
28	SPMV80B0C8168	DECAL "THREAD 800" FOR	SCS SILVER/GRAY MY20 RR SILVER/GRAY	2,00



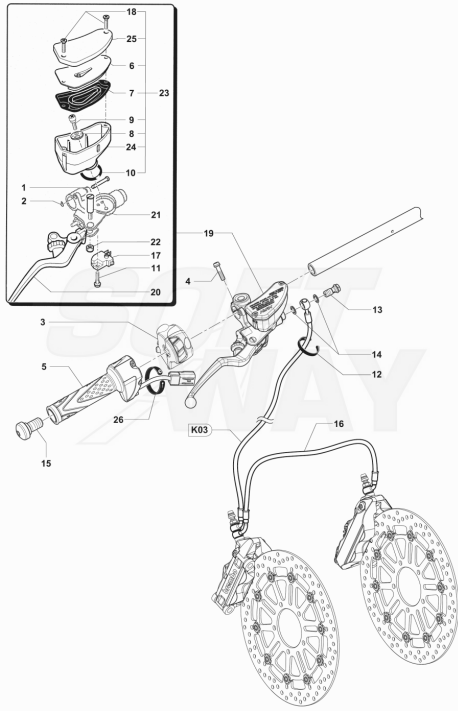
Pos	Part Number	Description	Additional Text	Quantity
1	SPMV80B0C1685	LEFT FOOTPEG SUPPORT FINISHED	MY18 AMERICA PIRELLI-RC-LH44-SCS MY20 800-RR	1,00
2	SPMV800095828	CUSION		2,00
3	SPMV800092661	CLAMP 2.4X92	MY14/20 F3 675-F3 800	1,00
4	SPMV800089298	RUBBER COVER		1,00
5	SPMV8A00B6030	BALL JOINT	VIN>000790 675-800-RC	1,00
5	SPMV8A00C7192	LEFT BALL JOINT	VIN 000791> F3 675-800-RC	1,00
6	SPMV80A0B6265	COMPLETE GEARSHIFT PEDAL	DRAGSTER RR YELLOW/BLACK DRAGSTER RR LH, DRAGSTER RC	1,00
7	SPMV80B0C2365	FINISHED LEFT FRONT FOOTPEG	PIRELLI-RC-LH44-SCS	1,00
8	SPMV8B00B2769	PIN, FOOTREST		2,00
9	SPMV800090429	LOCK RING, FOOTREST		2,00
10	SPMV80A090418	SPRING, DRIVER FOOTREST SUPPOR		1,00
11	SPMV80A0C1684	PROTECTION FOR SUPP. LEFT PEDESTAL	MY20 800-RR PIRELLI-RC-LH44-SCS MY18 AMERICA	1,00
12	SPMV8A00B2677	Screw M6x1-L10		2,00
13	SPMV8C00B2690	SCREW, TCEIF M8x25 RP	MY12/16 JPN F3 675-F3 800	3,00
14	SPMV8000C8746	DOMINO QUICK SHIFT SENSOR		1,00
15	SPMV8A00C9331	PIN M8-CH6-L22, 2		1,00
16	SPMV8000B2723	WASHER, D8,2xD20xE1		1,00
17	SPMV800001199	RING, RUBBER, D11,11x1,78		2,00
18	SPMV8000D0570	Screw TCEIF M6x1-L20		2,00
19	SPMV8000B6751	NUT M6X1 SIN-CH10-SP5		1,00
20	SPMV61ND15033	NUT M6X1-CH10-SP5		1,00
21	SPMV80A0B5692	GEAR SHIFT LEVER	MY17/20 F3 675 RC-F3 800 RC	1,00

22	SPMV8F00B2688	Screw TCEIF M6x25 RP	800RR, DRAGSTER RR, DRAG.RR LH	1,00
23	SPMV8000C8779	Complete electronic gear shift rod	EAS ROSSO EAS EXCEPT ROSSO	1,00
23	SPMV8B00B5693	SHIFT ROD CPL.	675 MY20 800	1,00
24	SPMV8000B6030	BALL JOINT RH	F3 ORO-F3 AGO	1,00
25	SPMV80B0B3579	LEFT REAR FOOTREST	F3 AGO-F3 675 RC-F3 800 RC	1,00
26	SPMV800094170	SPRING, FOOTREST		1,00
27	SPMV6BN021507	BALL, FOOTREST		1,00
28	SPMV800094171	SUPPORT, FIX, FOOTREST		1,00
29	SPMV8000B9601	MOUNTING BRACKET FOR LEFT FOOT		1,00
30	SPMV8F00B2688	Screw TCEIF M6x25 RP	800RR, DRAGSTER RR, DRAG.RR LH	2,00
31	SPMV8000C2189	D6.2-D20-SP1 WASHER		1,00



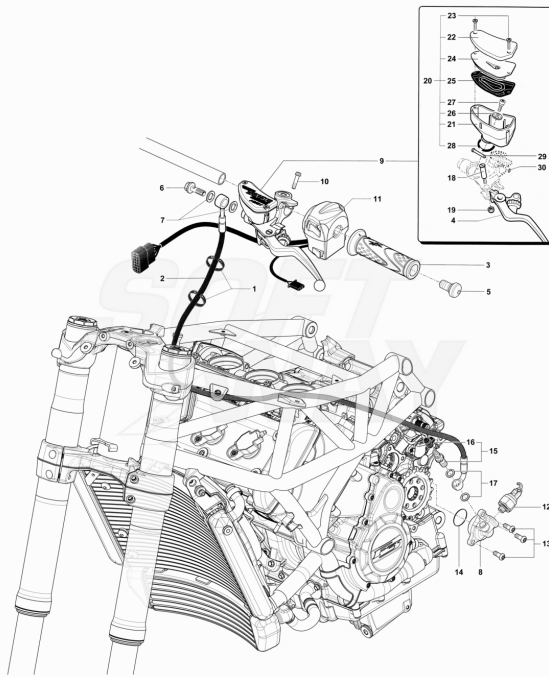
Pos	Part Number	Description	Additional Text	Quantity
1	SPMV8AB0C1686	Finished right footpeg support	PIRELLI-RC-LH44-SCS MY20 RR MY20 800 MY18 AMERICA	1,00
2	SPMV8000C8778	RIGHT SIDE SUPPORT PLATE	RR	1,00
2	SPMV80A0B6290	POS BRAKE MASTER CYLINDER PROTECTOR	675-800 MY17 AMERICA	1,00
2	SPMV8A00C8778	RIGHT SIDE PANEL SUPPORT PLATE	SCS	1,00
3	SPMV800053724	BELT, RUBBER, SHORT	MY12/16 USA CND CN	1,00
4	SPMV800066308	VIBRATION-DAMPER	1000S, AGO	2,00
5	SPMV800092247	CLAMP, RUBBER, L62	F3 ORO-F3 AGO	2,00
6	SPMV8E00B2681	Screw M6x1-CH8-L20	MY17/20 F3 675 RC-F3 800 RC	1,00
7	SPMV80B0C2364	FINISHED RIGHT FRONT FOOTPEG	MY18 AMERICA PIRELLI- RC-LH44-SCS MY20 800- RR	1,00
8	SPMV8B00B2769	PIN, FOOTREST		2,00
9	SPMV800090429	LOCK RING, FOOTREST		2,00
10	SPMV80A090418	SPRING, DRIVER FOOTREST SUPPOR		1,00
11	SPMV8A00C2424	OIL TANK PROTECTION		1,00
12	SPMV8000A8947	TUBO OIL PIPE UNION	F4RR	1,00
13	SPMV8C00B2690	SCREW, TCEIF M8x25 RP	MY12/16 JPN F3 675-F3 800	3,00
14	SPMV800021480	WASHER, COPPER, D14xD10,2xE1	MY12/14 F3 675	4,00
15	SPMV80A0B6262	COMPLETE REAR BRAKE PEDAL	DRAGSTER RR YELLOW/BLACK DRAGSTER RR LH, DRAGSTER RC	1,00
15	SPMV80A0C7691	REAR BRAKE CONTROL PEDAL	SCS	1,00
16	SPMV8H00B2681	Screw M6x1 CH8 RP	MY17 DRAGSTER RR/DRAGSTER RC	2,00
16	SPMV8J00B2681	Screw M6x1 L35 CH8	675-800 MY17 AMERICA	2,00
17	SPMV8A00B2681	SCREW, M6x1	990R-1090RR <000640	1,00
18	SPMV800089298	RUBBER COVER		1,00

19	SPMV8000C1852	STOP PEDAL SWITCH	MY17/20 F3 675-F3 800	1,00
20	SPMV8000C2438	REAR BRAKE MASTER CYLINDERD12.7	MY17/20 F3 675-F3 800	1,00
21	SPMV800090315	REAR BRAKE FLUID		1,00
22	SPMV8R0070266	Oil hose tank-pump poster.	MY17/20 F3 675-F3 800	1,00
23	SPMV800070700	SPRING CLAMP		2,00
24	SPMV60NDB2736	SCREW TBCE M6X1-L20	MY18/20 F3 675 RC-F3 800 RC	2,00
25	SPMV8000B2800	STOPPER, MASTER CYLINDER, REAR		1,00
26	SPMV61ND15062	NUT, M6x1x4 CH10		1,00
27	SPMV8A00C9331	PIN M8-CH6-L22, 2		1,00
28	SPMV8000B2723	WASHER, D8,2xD20xE1		1,00
29	SPMV800001199	RING, RUBBER, D11,11x1,78		2,00
30	SPMV8000C2423	REAR BRAKE MASTER CYLINDER SUPPORT	MY18/20 F3 675 RC-F3 800 RC	1,00
31	SPMV80B004898	WASHER D15-D6,25-SP1,5	ROSSO	2,00
32	SPMV800095828	CUSION		1,00
33	SPMV80B0B3578	RIGHT REAR FOOTREST	F3 AGO-F3 675 RC-F3 800 RC	1,00
34	SPMV800094170	SPRING, FOOTREST		1,00
35	SPMV6BN021507	BALL, FOOTREST		1,00
36	SPMV800094171	SUPPORT, FIX, FOOTREST		1,00
37	SPMV8000B9602	MOUNTING BRACKET FOR RIGHT FOO		1,00
38	SPMV8F00B2688	Screw TCEIF M6x25 RP	800RR, DRAGSTER RR, DRAG.RR LH	2,00
39	SPMV800094896	CAP, RUBBER, SCREW, 2	RR-SCS-RC SCS	2,00
40	SPMV80A0D0074	PARKING BRAKE PEDAL	SCS-RC SCS	1,00
41	SPMV80A0C5804	BRAKE PEDAL ROLLER	SCS-RC SCS	1,00
42	SPMV8F00B2687	SCREW, TCEIF M5x22 RP	SCS-RC SCS	1,00
43	SPMV8000C9995	MAGNET ASSEMBLY	SCS-RC SCS	1,00
44	SPMV8000C5806	WASHER D8.2 D17 SP2	SCS-RC SCS	1,00
45	SPMV8000C5807	SPRING FOR PEDAL	SCS-RC SCS	1,00
46	SPMV8000C9790	PIN FOR STATIONARY BRAKE PEDAL	SCS-RC SCS	1,00
47	SPMV80A0C7694	BRAKE PEDAL SUPPORT	SCS-RC SCS	1,00
48	SPMV8000C9996	PARKING BRAKE SENSOR	SCS-RC SCS	1,00
49	SPMV98B0090901	Special screw M4x8	TAMBURINI	1,00
50	SPMV800056783	Plastic clamp, L142	MY17/20 F3 675-F3 800	1,00



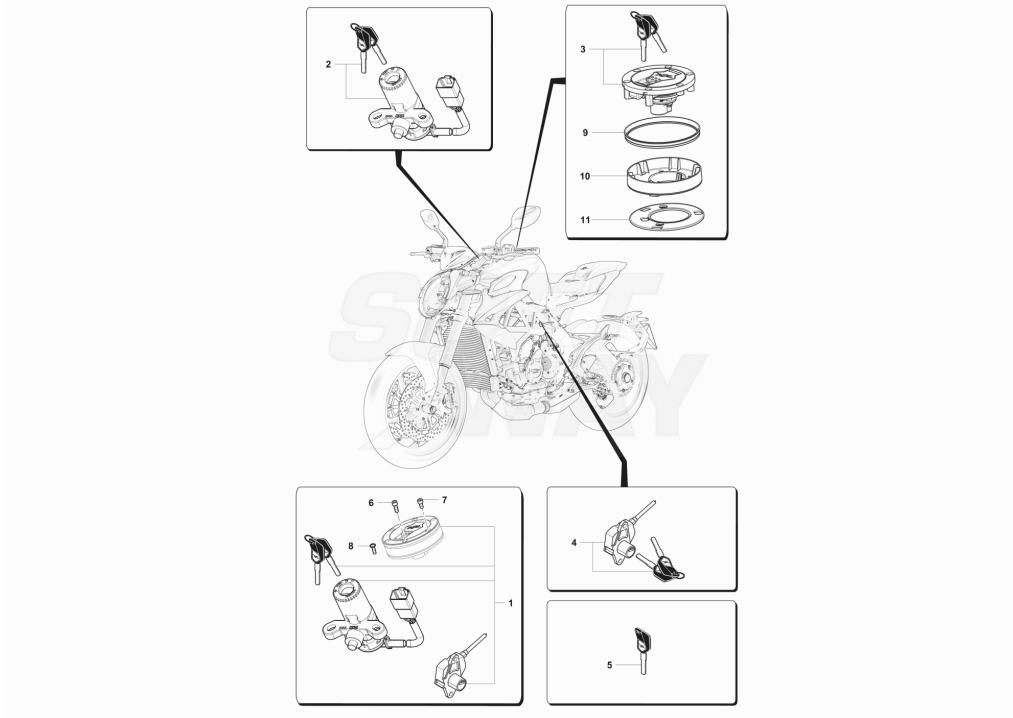
Pos	Part Number	Description	Additional Text	Quantity
1	SPMV800082695	PIN, SUPPORT		1,00
2	SPMV800094643	WASHER, SPECIAL, D3,4		1,00
3	SPMV8000C7784	RIGHT SWITCH	ROSSO	1,00
3	SPMV8000C9848	RIGHT SWITCH	EXCEPT ROSSO	1,00
3	SPMV8A00C7784	RIGHT SWITCH	USA-CND-AUS ROSSO	1,00
3	SPMV8A00C9848	RIGHT SWITCH	USA-CND-AUS EXCEPT ROSSO	1,00
4	SPMV8F00B2688	Screw TCEIF M6x25 RP	800RR, DRAGSTER RR, DRAG.RR LH	1,00
5	SPMV8E00B5444	Throttle twist grip	B4 RS-B4 RR, MY21/22 B4 NURBURGRING-RUSH	1,00
6	SPMV800093302	DIAPHRAGM		1,00
7	SPMV800093303	GASKET		1,00
8	SPMV800098962	SEPARATOR		1,00
9	SPMV8000A1295	SEPARATOR SCREW	F4S, F4R, F4 FRECCIE TRICOLORI	1,00
10	SPMV800093306	GROMMET		1,00
11	SPMV800070865	Screw		1,00
12	SPMV800053724	BELT, RUBBER, SHORT	MY12/16 USA CND CN	2,00
13	SPMV80A091692	SPECIAL SCREW, OIL BRAKE PIPE,	F4S, F4R, F4 FRECCIE TRICOLORI	1,00
14	SPMV800021480	WASHER, COPPER, D14xD10,2xE1	MY12/14 F3 675	2,00
15	SPMV8000B6252	HANDLEBAR COUNTERWEIGHT	EXCEPT LH44	1,00
16	SPMV8000C2426	OIL HOSE CLAMP CONNECTION	R	1,00
17	SPMV800070864	STOP SWITCH	F4S, F4R, F4 FRECCIE TRICOLORI	1,00
18	SPMV800093313	SCREW M4X16		2,00
19	SPMV8000C2377	FRONT BRAKE MASTER CYLINDER	EXCEPT 675	1,00
20	SPMV8000B9498	ANT.BRAKE LEVER COMPL.	EXCEPT 675	1,00
21	SPMV800093299	LEVER PIN	F4S, F4R, F4 FRECCIE TRICOLORI	1,00

22	SPMV800093300	LEVER NUT		1,00
23	SPMV80A098722	COMPLETE OIL TANK		1,00
24	SPMV800097121	FRONT BRAKE FLUID RESERVOIR		1,00
25	SPMV80A082728	PLUG	1090, 1090R, 1090RR	1,00
26	SPMV800092668	CLAMP, RUBBER	PER EAS F3 675	1,00

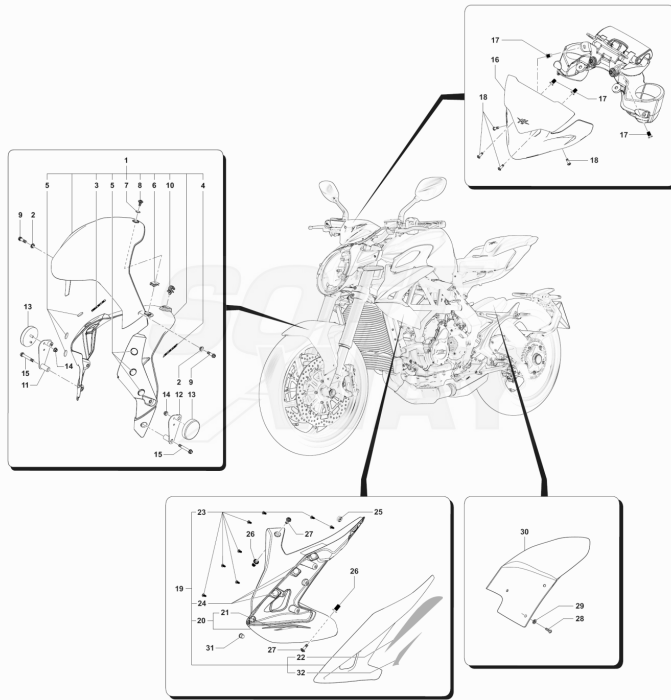


Pos	Part Number	Description	Additional Text	Quantity
1	SPMV800053724	BELT, RUBBER, SHORT	MY12/16 USA CND CN	2,00
2	SPMV8000C2481	OIL HOSE PUMP-ACTUATOR		1,00
3	SPMV8000B5683	LEFT HANDLEBAR GRIP	800	1,00
4	SPMV8000B9502	COMPLETE CLUTCH LEVEL		1,00
5	SPMV8000B6252	HANDLEBAR COUNTERWEIGHT	EXCEPT LH44	1,00
6	SPMV80A091692	SPECIAL SCREW, OIL BRAKE PIPE,	F4S, F4R, F4 FRECCIE TRICOLORI	1,00
7	SPMV800021480	WASHER, COPPER, D14xD10,2xE1	MY12/14 F3 675	2,00
8	SPMV8000B9467	SLAVE CYLINDER	800, ED.1, LUSSO, MY17/18 RC	1,00
8	SPMV8000C5801	HYDRAULIC CLUTCH ACTUATOR	SCS, MY19/20 RC	1,00
9	SPMV8000C2378	CLUTCH PUMTP		1,00
10	SPMV8F00B2688	Screw TCEIF M6x25 RP	800RR, DRAGSTER RR, DRAG.RR LH	1,00
11	SPMV8000B9497	LEFT SWITCH		1,00
12	SPMV8B00B9621	CLUTCH PRESSURE SENSOR		1,00
13	SPMV60NDB2736	SCREW TBCE M6X1-L20	MY18/20 F3 675 RC-F3 800 RC	3,00
14	SPMV8A0023111	OR2106 T1		1,00
15	SPMV8000A3975	DRAIN VALVE	MY18/20 F3 675-F3 800	1,00
16	SPMV800053259	COVER, RUBBER	1000 VIN <008064 1000 USA	1,00
17	SPMV800021480	WASHER, COPPER, D14xD10,2xE1	MY12/14 F3 675	2,00
18	SPMV800093299	LEVER PIN	F4S, F4R, F4 FRECCIE TRICOLORI	1,00
19	SPMV800093300	LEVER NUT		1,00
20	SPMV80A098723	COMPLETE OIL TANK		1,00
21	SPMV800097122	CLUTCH PUMP OIL TANK		1,00
22	SPMV80A093310	PLUG	1090, 1090R, 1090RR	1,00
23	SPMV800093313	SCREW M4X16		2,00
24	SPMV800093311	DIAPHRAGM		1,00

25	SPMV800093312	GASKET		1,00
26	SPMV800098962	SEPARATOR		1,00
27	SPMV8000A1295	SEPARATOR SCREW	F4S, F4R, F4 FRECCIE TRICOLORI	1,00
28	SPMV800093306	GROMMET		1,00
29	SPMV800082695	PIN, SUPPORT		1,00
30	SPMV800094643	WASHER, SPECIAL, D3,4		1,00

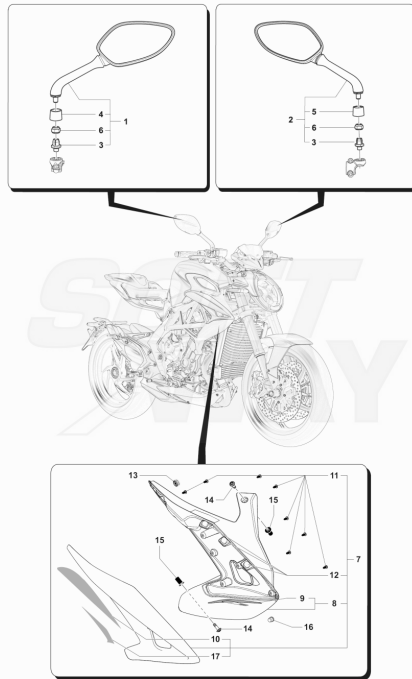


Pos	Part Number	Description	Additional Text	Quantity
1	SPMV8000C9248	SUPPLY LOCKS		1,00
2	SPMV8000C9251	IGNITION SWITCH WITH		1,00
3	SPMV8000B5411	FUEL TANK CAP WITH		1,00
4	SPMV8C00B5412	SADDLE LOCK COMPLETE WITH		1,00
5	SPMV8000C9252	SPARE KEY		1,00
6	SPMV800066531	Screw plug		3,00
7	SPMV8C0066531	Screw TCEI M5x0,8-L10 INOX		3,00
8	SPMV8B00B4221	Screw M5x0,8-CH3-L14	MY18/20 F3 675 RC-F3 800 RC	1,00
9	SPMV8000B5216	GASKET		1,00
10	SPMV8A00B5214	CARBURETOR CAP UNION	JPN UP TO VIN 002901	1,00
11	SPMV8A00B5215	GASKET		1,00



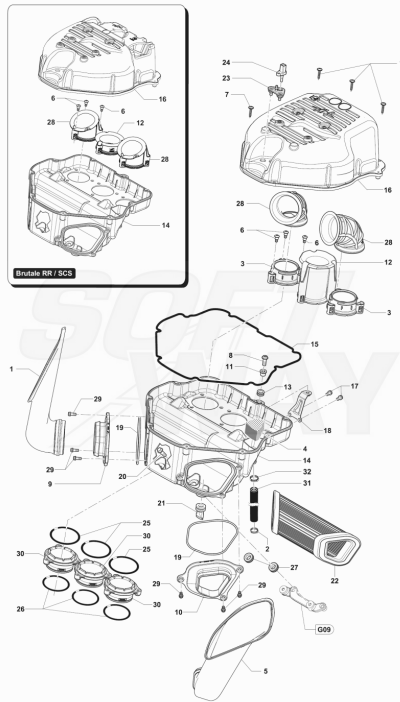
Pos	Part Number	Description	Additional Text	Quantity
1	SPMV8000C2082	FRONT MUDGUARD. COMPL.	MY19/20 800 MY17/19 RR MY16/17 675-800	1,00
1	SPMV80A0C2082	FRONT MUDGUARD. COMPL.	RED-GRAY, EXCEPT ROSSO	1,00
1	SPMV80B0C2082	FRONT MUDGUARD. COMPL.	BLACK-GRAY, EXCEPT ROSSO	1,00
1	SPMV80C0C2082	FRONT HANDLEBARS COMPL.	BLACK-RED, EXCEPT ROSSO	1,00
2	SPMV80A090392	SPACER	B4 RS-B4 RR-B4 NURBURGRING	2,00
3	SPMV80A0C5384	DECAL "ABS" DX FOR FENDER	EXCEPT RC	1,00
4	SPMV80A0C5385	DECAL "ABS" LEFT FOR FENDER	EXCEPT RC	1,00
5	SPMV800092663	PAD D16		6,00
6	SPMV8000B5811	NUT M5	MY12/13 F3 675-F3 ORO- F3 800	1,00
7	SPMV8000B5959	WASHER D12 D7,8 SP0,5 IN NYLON	MY14/20 EXCEPT F3 ORO	1,00
8	SPMV8000B5920	Screw	MY12/13 F3 675-F3 ORO- F3 800	1,00
9	SPMV8D00B2688	Screw TCEIF M6x20 RT	RR-RUSH	2,00
10	SPMV8000B5952	FAIRLLEAD BREAK PIPE		1,00
11	SPMV8000B4972	R.H. REFLECTOR	MY11-12 USA	1,00
12	SPMV8000B4973	L.H. REFLECTOR	MY11-12 USA	1,00
13	SPMV80A0B4964	RETROREFLECTOR	990R-1090RR 002105> USA BRUTALE 920 USA	2,00
14	SPMV8000B2707	NUT, M5x0,8x6 CH8 PARLOCK	990R-1090RR 002105> USA BRUTALE 920 USA	2,00
15	SPMV8K00B2681	Screw M6x1-CH8-L40		2,00
16	SPMV8000C8781	DASHBOARD COVER		1,00
17	SPMV800091022	BUSH, SCREW, M4x0,7	F4S, F4R, F4RR	4,00
18	SPMV8A0090901	SCREW, M4x13,7	750S, 750S 1+1	4,00
19	SPMV8000C7913	LEFT RADIATOR COVER	MY20 800	1,00

19	SPMV8000C7979	LEFT RADIATOR COVER	MY20 RR RED/GRAY SCS RED/GRAY	1,00
19	SPMV80B0C7979	LEFT RADIATOR COVER	BLACK-GRAY, EXCEPT ROSSO	1,00
19	SPMV80C0C7979	LEFT RADIATOR COVER	BLACK-RED, EXCEPT ROSSO	1,00
20	SPMV8000C2455	INT. COVER. X RADIATOR	675 RR-PIRELLI-SCS MY16/17 800 MY18/20 800	1,00
21	SPMV8000C2449	'DECAL "TRICOLOR" FOR COVER"	675-800-RR-PIRELLI-SCS	1,00
22	SPMV8000C7917	'DECAL "BRUTAL FRIEZE" FOR"	MY20 800	1,00
22	SPMV8000C8277	'DECAL "FRIEZE SUP." FOR"	MY20 RR RED/GRAY SCS RED/GRAY	1,00
22	SPMV80B0C8277	DECAL "FRIEZE SUP." FOR COPERT	BLACK-GRAY, EXCEPT ROSSO	1,00
22	SPMV80C0C8277	DECAL "FRIEZE SUP. FOR COVERS	BLACK-RED, EXCEPT ROSSO	1,00
23	SPMV8AB0B6742	SCREW AUTOFIL. PH-AB 3.5X9.5	DRAGSTER RR LH OPT	8,00
24	SPMV800090979	CAP, UPPER GUIDE CHAIN	SR	3,00
25	SPMV800089293	CUSHION, D18xD8xE7,5	MY14/20 F3 675-F3 800	1,00
26	SPMV800063150	SPRING NUT M5		2,00
27	SPMV8000B5919	Screw	MY15/17 F3 675 RC-F3 800 RC	2,00
28	SPMV8B00B4221	Screw M5x0,8-CH3-L14	MY18/20 F3 675 RC-F3 800 RC	4,00
29	SPMV8000B2798	WASHER, ESPAÇADORA	MY18/20 F3 675 RC-F3 800 RC	4,00
30	SPMV8A00B5476	REAR FENDER	MY17/20 F3 675-F3 800	1,00
31	SPMV800090978	CUSHION, FUEL TANK FAIRING SID	ROSSO / MY22 RR-SCS	1,00
32	SPMV8000C8279	'DECAL "FRIEZE INF." PER"	SCS RED/GRAY MY20 AMERICA	1,00
32	SPMV80B0C8279	DECAL "FRIEZE INF." FOR COPERT	BLACK-GRAY, EXCEPT ROSSO	1,00
32	SPMV80C0C8279	DECAL "FRIEZE LOWER". FOR COPERTU	BLACK-RED, EXCEPT ROSSO	1,00



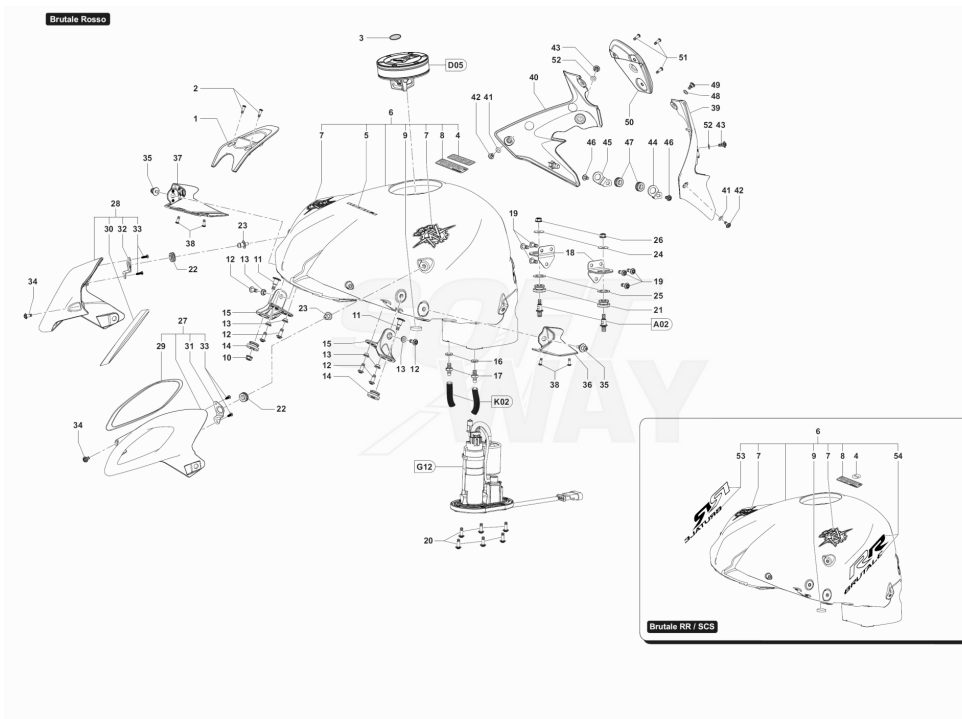
Pos	Part Number	Description	Additional Text	Quantity
1	SPMV8000C1134	RIGHT REAR MIRROR		1,00
2	SPMV8000C1135	LEFT REAR MIRROR		1,00
3	SPMV8000B6169	PIVOT, MIRROR		2,00
4	SPMV8000B6168	PROTECTION RUBBER MIRROR RH		1,00
5	SPMV8000B6167	PROTECTION RUBBER MIRROR LH		1,00
6	SPMV8000B6170	NUT, CONICAL		2,00
7	SPMV8000C7912	Right radiator cover	MY20 800	1,00
7	SPMV8000C7980	RIGHT RADIATOR COVER	MY20 RR RED/GRAY SCS BLACK/RED	1,00
7	SPMV80B0C7980	RIGHT RADIATOR COVER	BLACK-GRAY, EXCEPT ROSSO	1,00
7	SPMV80C0C7980	RIGHT RADIATOR COVER	BLACK-RED, EXCEPT ROSSO	1,00
8	SPMV8000C2454	INT. RIGHT RADIATOR	675 MY16/17 800 MY18/20 800 RR-PIRELLI-SCS	1,00
9	SPMV8000C2448	"TRICOLOR" DECAL FOR COVER"	AMERICA	1,00
10	SPMV8000C7916	"DECAL "BRUTAL FRIEZE" FOR"	MY20 800	1,00
10	SPMV8000C8276	"DECAL "FRIEZE SUP." FOR"	MY20 RR RED/GRAY SCS BLACK/RED	1,00
10	SPMV80B0C8276	DECAL "FRIEZE SUP." FOR COPERT	BLACK-GRAY, EXCEPT ROSSO	1,00
10	SPMV80C0C8276	DECAL "FRIEZE SUP. FOR COVERS	BLACK-RED, EXCEPT ROSSO	1,00
11	SPMV8AB0B6742	SCREW AUTOFIL. PH-AB 3.5X9.5	DRAGSTER RR LH OPT	8,00
12	SPMV800090979	CAP, UPPER GUIDE CHAIN	SR	3,00
13	SPMV800089293	CUSHION, D18xD8xE7,5	MY14/20 F3 675-F3 800	1,00
14	SPMV8000B5919	Screw	MY15/17 F3 675 RC-F3 800 RC	2,00
15	SPMV800063150	SPRING NUT M5		2,00
16	SPMV800090978	CUSHION, FUEL TANK FAIRING SID	ROSSO / MY22 RR-SCS	1,00
17	SPMV8000C8278	"DECAL "FRIEZE INF." PER"	MY20 RR RED/GRAY SCS BLACK/RED	1,00

17	SPMV80B0C8278	DECAL "FRIEZE INF." FOR COPERT	BLACK-GRAY, EXCEPT ROSSO	1,00
17	SPMV80C0C8278	DECAL "FRIEZE LOWER" FOR COVERTU	BLACK-RED, EXCEPT ROSSO	1,00



Pos	Part Number	Description	Additional Text	Quantity
1	SPMV8000C1742	RIGHT AIR INLET SLEEVE		1,00
2	SPMV8Q0092249	CLAMP, STEEL, R96xD18,5		1,00
3	SPMV8000B7221	UPPER SIDE INTAKE DUCT	ROSSO	2,00
4	SPMV8000B6003	SPONGE AIRBOX		1,00
5	SPMV8000C1741	LEFT AIR INLET SLEEVE		1,00
6	SPMV8000B5999	SPECIAL SCREW M5		9,00
7	SPMV8BA084658	TAPPING SCREW	RR-SCS-RC SCS	9,00
8	SPMV8B00B2688	Screw TCEIF M6x1x16	EXCEPT F3 ORO	1,00
9	SPMV8000B6338	FLANGE, SLEEVE RH		1,00
10	SPMV8000B6339	FLANGE, SLEEVE LH		1,00
11	SPMV8000B2799	WASHER, SPACER, D8xD6,2xL8,5	MY12/16 F3 675-F3 800	1,00
12	SPMV8000B6334	UPPER ASPIRATION HORN	675, 800, DRAGSTER	1,00
12	SPMV8000B6926	UPPER ASPIRATION HORN	800RR, DRAGSTER RR/RR LH/RC	1,00
13	SPMV800089293	CUSHION, D18xD8xE7,5	MY14/20 F3 675-F3 800	1,00
14	SPMV8000C2370	AIRBOX INF. GREASE		1,00
15	SPMV8000C2422	GASKET FOR AIRBOX		1,00
16	SPMV8A00C1740	AIRBOX SUP.RAW	ROSSO	1,00
16	SPMV8A00C3235	AIRBOX SUP.RAW	EXCEPT ROSSO	1,00
17	SPMV8R00B2688	Screw TCEIF M6x12 RT	EXCEPT F3 ORO	2,00
18	SPMV8000B5918	REAR AIRBOX PLATE		1,00
19	SPMV8000B6285	WASHER		2,00
20	SPMV8000B3763	SCREW, ESPECIAL M6 DO FAROL D		2,00
21	SPMV800048971	RUBBER		1,00
22	SPMV8000B5993	AIR FILTER F3		1,00
23	SPMV8000B3219	CUSHION, SENSOR AIR TEMPERATUR		1,00
24	SPMV8000B3207	SENSOR, AIR TEMPERATURE		1,00
25	SPMV8000B5998	OR3231 T2,6-D58,42 VITON		3,00
26	SPMV800081304	ORING, OR2187 T1,78 D47,35 VI		3,00

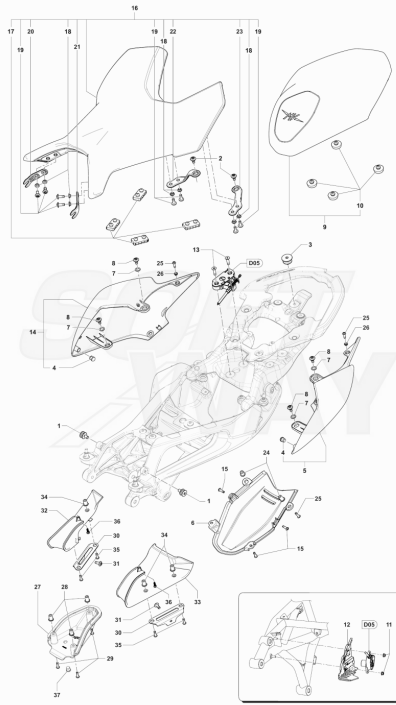
27	SPMV8A00B3600	CUSHION, D20xD10xE7,5	B4 RS-B4 RR-B4 NURBURGRING	2,00
28	SPMV8000B6927	UPPER ASPIRATION HORN	800RR, DRAGSTER RR/RR LH/RC	2,00
28	SPMV8000B7220	UPPER ASPIRATION HORN	675, 800, DRAGSTER	2,00
29	SPMV8C00B2687	SCREW, M5x14	F4RR	6,00
30	SPMV8000B5996	LOWER DUCT	800RR, DRAGSTER RR/RR LH/RC	3,00
30	SPMV8000B6362	LOWER DUCT	675, 800, DRAGSTER	3,00
31	SPMV8000C2369	OIL VAPOR VENT TUBE		1,00
32	SPMV8J0092249	CLAMP		1,00



Pos	Part Number	Description	Additional Text	Quantity
1	SPMV8000C2228	COVER	675-800 MY17 AMERICA	1,00
1	SPMV8000C3282	IGNITION SWITCH COVER	RR-PIRELLI-RC-LH44-SCS MY18 AMERICA	1,00
2	SPMV98B0090901	Special screw M4x8	TAMBURINI	2,00
3	SPMV800092664	DECAL		1,00
4	SPMV8000C6925	'PLATE "E10" FOR TANK"	MY19/20 F3 675-F3 800	1,00
5	SPMV8000C9617	'DECAL "RED" FOR TANK"	ROSSO	1,00
6	SPMV8000C8967	FUEL TANK COMPLETE	ROSSO	1,00
6	SPMV8000C9673	FUEL TANK COMPL	RED-GRAY, EXCEPT ROSSO	1,00
6	SPMV80A0C9673	FUEL TANK COMPL	BLACK-GRAY, EXCEPT ROSSO	1,00
6	SPMV80B0C9673	COMPLETE FUEL TANK	BLACK-RED, EXCEPT ROSSO	1,00
7	SPMV8000C3050	DECAL FOR TANK	MY19 RED/SILVER F3 800	2,00
7	SPMV80A0C3050	MV" DECAL FOR TANK	MY19/20 RED/SILVER F3 800	2,00
7	SPMV80E0C3050	DECAL "MV" FOR TANK	PIRELLI BLACK/RED	2,00
7	SPMV80F0C3050	DECAL "MV" FOR TANK	BLACK-GRAY, EXCEPT ROSSO	2,00
8	SPMV8000A9698	PLATE AVVERTENZA DOCUMENT		1,00
9	SPMV800095500	RUBBER	SR1+1	1,00
10	SPMV8000B2710	NUT, M6x1 CH10 E7 PARLOCK	EXCEPT ORO	2,00
11	SPMV8000C2130	FUEL TANK FIXING SCREW		2,00
12	SPMV8E00B2672	SCREW TFEI M6X1 D11,7 L14	RR-RUSH	6,00
13	SPMV80A090392	SPACER	B4 RS-B4 RR-B4 NURBURGRING	6,00
14	SPMV800091633	CUSHION, FUEL TANK		2,00
15	SPMV8000C1736	FUEL TANK FRONT SUPPORT		2,00
16	SPMV800088523	GASKET, PORTAGOMMA		2,00
17	SPMV8000C6227	DRAIN HOSE HOLDER	MY20 F3 675-F3 800-F3 800 RC	2,00

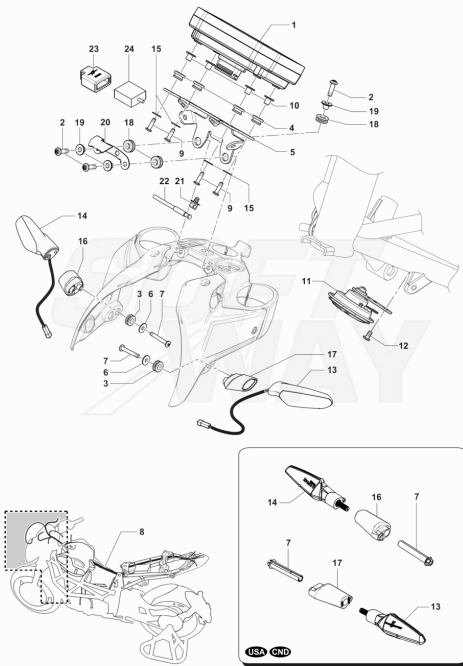
18	SPMV8000C1737	FUEL TANK REAR SUPPORT		2,00
19	SPMV8000B2672	SCREW M6	F4R, F4RR	6,00
20	SPMV8000B5919	Screw	MY15/17 F3 675 RC-F3 800 RC	6,00
21	SPMV800091633	CUSHION, FUEL TANK		2,00
22	SPMV800089293	CUSHION, D18xD8xE7,5	MY14/20 F3 675-F3 800	2,00
23	SPMV8000B5985	FIXING PIN		2,00
24	SPMV8000C2189	D6.2-D20-SP1 WASHER		2,00
25	SPMV8000C2131	WASHER D25-D16-SP1		2,00
26	SPMV8000B2710	NUT, M6x1 CH10 E7 PARLOCK	EXCEPT ORO	2,00
27	SPMV80G0C2089	LEFT SIDE PANEL AIRBOX COMPL.	MY19/20 800	1,00
27	SPMV80H0C2089	LEFT SIDE PANEL AIRBOX COMPL.	BLACK-GRAY, EXCEPT ROSSO	1,00
27	SPMV80M0C2089	LEFT SIDE PANEL AIRBOX COMPL.	SCS RED/GRAY MY20 RR RED/GRAY	1,00
27	SPMV80R0C2089	LEFT SIDE PANEL AIRBOX COMPL.	BLACK-RED, EXCEPT ROSSO	1,00
28	SPMV80G0C2090	RIGHT SIDE PANEL AIRBOX COMPL.	MY19/20 800	1,00
28	SPMV80H0C2090	RIGHT SIDE PANEL AIRBOX COMPL.	BLACK-GRAY, EXCEPT ROSSO	1,00
28	SPMV80M0C2090	RIGHT SIDE PANEL AIRBOX COMPL.	MY20 RR RED/GRAY SCS RED/GRAY	1,00
28	SPMV80R0C2090	RIGHT SIDE PANEL AIRBOX COMPL.	BLACK-RED, EXCEPT ROSSO	1,00
29	SPMV80A0C2095	NET FOR LEFT SIDE PANEL AIRBO	MY19/20 800 RC RR-SCS SILVER/GRAY RR-SCS RED/GRAY	1,00
30	SPMV80A0C2096	NET FOR RIGHT SIDE PANEL AIRBO	RC RR-SCS SILVER/GRAY MY19/20 800 RR-SCS RED/GRAY	1,00
31	SPMV8000C2093	LEFT PLATE FOR VIBRATION DAMPER		1,00
32	SPMV8000C2094	RIGHT PLATE FOR VIBRATION DAMPER		1,00
33	SPMV8000B6742	Screw PH-AB 3,5x13	EXCEPT AGO	4,00
34	SPMV8A00B5919	SCREW M5 L12	MY17 DRAGSTER RR/DRAGSTER RC	2,00
35	SPMV8000C2103	PIN M5		2,00
36	SPMV8000C2087	FUEL TANK LEFT SIDE PANEL		1,00
37	SPMV8000C2088	RIGHT SIDE TANK COVER		1,00
38	SPMV98C0090901	SCREW M4X10	B4 RS-B4 RR-B4 NURBURGRING	4,00
39	SPMV80D0C3403	FINISHED LEFT TANK COVER	MY20 800 LH44	1,00
39	SPMV80F0C3403	LEFT TANK COVER COMPL	SCS RED/GRAY MY20 RR RED/GRAY MY19 800 GRAY/GREY AVIO	1,00
39	SPMV80J0C3403	LEFT TANK COVER COMPL	BLACK-GRAY, EXCEPT ROSSO	1,00
39	SPMV80L0C3403	LEFT TANK COVER COMPL	BLACK-RED, EXCEPT ROSSO	1,00
40	SPMV80D0C3404	RIGHT TANK COVER FINISHED	MY20 800 LH44	1,00
40	SPMV80F0C3404	RIGHT TANK COVER COMPL	MY20 RR RED/GRAY MY19 800 GRAY/GREY AVIO SCS RED/GRAY	1,00
40	SPMV80J0C3404	RIGHT TANK COVER COMPL	BLACK-GRAY, EXCEPT ROSSO	1,00
40	SPMV80L0C3404	RIGHT TANK COVER COMPL	BLACK-RED, EXCEPT ROSSO	1,00
41	SPMV8000B5958	WASHER D10,5 D5 SP0,5 IN NYLON	B4 RS-B4 RR-B4 NURBURGRING	2,00
42	SPMV8C00B5919	SCREW M5	F3 ORO-F3 AGO	2,00

43	SPMV8000B5920	Screw	MY12/13 F3 675-F3 ORO-F3 800	2,00
44	SPMV8000C2117	FIXING SUPPORT		1,00
45	SPMV8000C2118	BRACKET FOR FIXING RIGHT REAR COVER		1,00
46	SPMV8C00B5919	SCREW M5	F3 ORO-F3 AGO	2,00
47	SPMV800089293	CUSHION, D18xD8xE7,5	MY14/20 F3 675-F3 800	2,00
48	SPMV8000B5959	WASHER D12 D7,8 SP0,5 IN NYLON	MY14/20 EXCEPT F3 ORO	1,00
49	SPMV8A00B5920	Screw	AGO	1,00
50	SPMV8000C2119	FUEL TANK PAD		1,00
51	SPMV8A0090901	SCREW, M4x13,7	750S, 750S 1+1	3,00
52	SPMV8000B5959	WASHER D12 D7,8 SP0,5 IN NYLON	MY14/20 EXCEPT F3 ORO	2,00
53	SPMV80B0C8280	DECAL "RR BRUTALE" DX FOR	RED-GRAY, EXCEPT ROSSO	1,00
53	SPMV80C0C8280	DECAL "RR BRUTALE" RIGHT FOR	BLACK-GRAY, EXCEPT ROSSO	1,00
53	SPMV80D0C8280	DECAL "RR BRUTALE "RIGHT FOR SERBA	BLACK-RED, EXCEPT ROSSO	1,00
54	SPMV80B0C8281	DECAL "RR BRUTALE" LEFT FOR	RED-GRAY, EXCEPT ROSSO	1,00
54	SPMV80C0C8281	DECAL "RR BRUTALE" LEFT FOR	BLACK-GRAY, EXCEPT ROSSO	1,00
54	SPMV80D0C8281	DECAL "RR BRUTALE "LEFT FOR SERBA	BLACK-RED, EXCEPT ROSSO	1,00



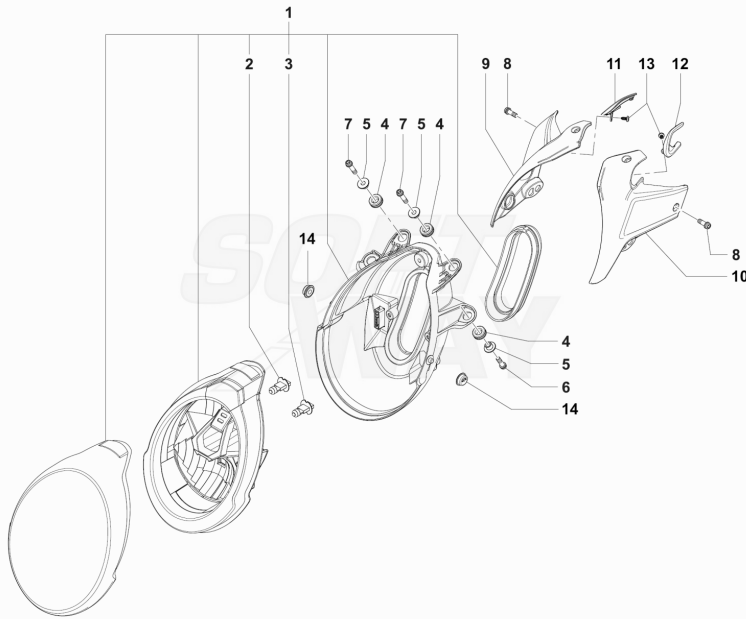
Pos	Part Number	Description	Additional Text	Quantity
1	SPMV8000C2136	PILOT SEAT		2,00
2	SPMV8000B5920	Screw	MY12/13 F3 675-F3 ORO-F3 800	2,00
3	SPMV8000C1962	PEG HOOKING FRONT SADDLE		1,00
4	SPMV800090978	CUSHION, FUEL TANK FAIRING SID	ROSSO / MY22 RR-SCS	2,00
5	SPMV80A0C3041	LEFT SIDE PANEL UNDER SEAT COMPL	ROSSO	1,00
5	SPMV80B0C3041	LEFT SIDE PANEL UNDER SEAT COMPL	RED-GRAY, EXCEPT ROSSO	1,00
5	SPMV80C0C3041	LEFT SIDE PANEL UNDER SEAT COMPL	BLACK-GRAY, EXCEPT ROSSO	1,00
5	SPMV80D0C3041	LEFT UNDER SEAT SIDE PANEL COMPL	BLACK-RED, EXCEPT ROSSO	1,00
6	SPMV8000C2113	CENTRAL BULKHEAD		1,00
7	SPMV8000B5959	WASHER D12 D7,8 SP0,5 IN NYLON	MY14/20 EXCEPT F3 ORO	4,00
8	SPMV8000B5920	Screw	MY12/13 F3 675-F3 ORO-F3 800	4,00
9	SPMV8000C1753	COMPLETE PASSENGER SEAT	675-800-RR-SCS	1,00
10	SPMV8000C1755	VIBRATION DAMPER FOR SADDLE	B4 NURBURGRING-RUSH	4,00
11	SPMV8000B2707	NUT, M5x0,8xE6 CH8 PARLOCK	990R-1090RR 002105> USA BRUTALE 920 USA	2,00
12	SPMV8000C1489	ELET SYSTEM CONNECTOR COVER	FROM FRAME 011386	1,00
13	SPMV8E00B2694	SCREW, TSEI M5x0,8 CH3 L20	990R, 1090RR	2,00
14	SPMV80A0C3042	RIGHT SIDE PANEL UNDER SEAT COMPL	ROSSO	1,00
14	SPMV80B0C3042	RIGHT SIDE PANEL UNDER SEAT COMPL	RED-GRAY, EXCEPT ROSSO	1,00
14	SPMV80C0C3042	RIGHT SIDE PANEL UNDER SEAT COMPL	BLACK-GRAY, EXCEPT ROSSO	1,00
14	SPMV80D0C3042	RIGHT SIDE PANEL UNDER SEAT COMPL	BLACK-RED, EXCEPT ROSSO	1,00
15	SPMV98C0090901	SCREW M4X10	B4 RS-B4 RR-B4 NURBURGRING	4,00
16	SPMV8000C8797	COMPLETE RIDER SEAT		1,00

17	SPMV8000C1752	SADDLE SUPPORT PAD		4,00
18	SPMV8000B2798	WASHER, ESPAÇADORA	MY18/20 F3 675 RC-F3 800 RC	8,00
19	SPMV8DA0B5919	SCREW M5 FOR BODY L14		8,00
20	SPMV8000C1756	FRONT BRACKET. RIGHT RIDING SEAT		1,00
21	SPMV8000C1757	FRONT BRACKET. LEFT PILOT SADDLE		1,00
22	SPMV8000C2138	REAR BRACKET. RIGHT PILOT SEAT		1,00
23	SPMV8000C2137	REAR BRACKET. LEFT PILOT SEAT		1,00
24	SPMV800091022	BUSH, SCREW, M4x0,7	F4S, F4R, F4RR	2,00
25	SPMV8A0090901	SCREW, M4x13,7	750S, 750S 1+1	4,00
26	SPMV8000C2104	SPACER D7.5 D6 D4 SP3.5		2,00
27	SPMV8000D0087	FRONT CLOSURE. INF. COMPL.		1,00
28	SPMV800091022	BUSH, SCREW, M4x0,7	F4S, F4R, F4RR	3,00
29	SPMV8A0090901	SCREW, M4x13,7	750S, 750S 1+1	3,00
30	SPMV8000C2110	PLATE FOR ANT.SUP CLOSURE		2,00
31	SPMV8A00B5919	SCREW M5 L12	MY17 DRAGSTER RR/DRAGSTER RC	2,00
32	SPMV8000C2112	RIGHT ANT.SUP.CLOSURE	800-RR-SCS-AMERICA MY18/19 RC	1,00
33	SPMV8000C2111	LEFT ANT.SUP.CLOSURE	800-RR-SCS-AMERICA MY18/19 RC	1,00
34	SPMV800091022	BUSH, SCREW, M4x0,7	F4S, F4R, F4RR	4,00
35	SPMV8A0090901	SCREW, M4x13,7	750S, 750S 1+1	4,00
36	SPMV8000B6742	Screw PH-AB 3,5x13	EXCEPT AGO	2,00
37	SPMV800090978	CUSHION, FUEL TANK FAIRING SID	ROSSO / MY22 RR-SCS	1,00

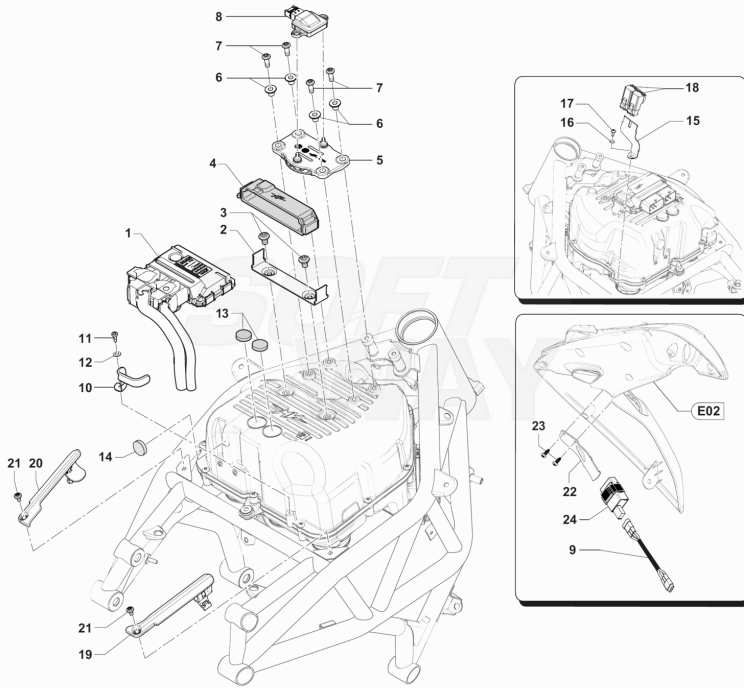


Pos	Part Number	Description	Additional Text	Quantity
1	SPMV8000C8799	COMPLETE DASHBOARD		1,00
2	SPMV8B00B2672	SCREW, M6x11,7x21	DRAGSTER	3,00
3	SPMV8000B3118	CUSHION, D16xD8xE7,5	EXCEPT USA-CND	2,00
4	SPMV800090239	CUSHION, RUBBER, 2	B4 RS-B4 RR-B4 NURBURGRING	4,00
5	SPMV8000C8798	DASHBOARD SUPPORT		1,00
6	SPMV62ND15548	WASHER, D15x5,2xE1	EXCEPT USA-CND	2,00
7	SPMV60ND02491	TCEI SCREW M5X0, 8-CH4-L40 UNI	USA-CND FRAME 004761> USA-CND FRAME >004760	2,00
7	SPMV8000C9134	THREADED BUSHING	USA-CND	2,00
8	SPMV8000C8783	MAIN CABLE ASSEMBLY	EXCEPT ROSSO	1,00
8	SPMV8000C8980	MAIN CABLE ASSEMBLY	ROSSO	1,00
9	SPMV8C00B4221	TBEI SCREW M5X0.8 CH3 L18	B4 RS-B4 RR-B4 NURBURGRING	4,00
10	SPMV8A00C6230	SPACER D16-D8-D5.2-SP10.5		4,00
11	SPMV8000B6298	HORN COMPLETE		1,00
12	SPMV8A00B2677	Screw M6x1-L10		1,00
13	SPMV8A00C2127	DIRECTION LIGHT	EXCEPT 675	1,00
13	SPMV8A00C7051	KOSO TURN SIGNAL	USA-CND	1,00
14	SPMV8A00C2127	DIRECTION LIGHT	EXCEPT 675	1,00
14	SPMV8A00C7051	KOSO TURN SIGNAL	USA-CND	1,00
15	SPMV62ND15548	WASHER, D15x5,2xE1	EXCEPT USA-CND	4,00
16	SPMV8000C2126	RIGHT FRONT SPACER FOR INDICAT	EXCEPT 675	1,00
16	SPMV8000C8768	FRONT SPACER FOR INDICATOR	USA-CND	1,00
17	SPMV8000C2125	LEFT FRONT SPACER FOR INDICAT	EXCEPT 675	1,00
17	SPMV8000C8768	FRONT SPACER FOR INDICATOR	USA-CND	1,00
18	SPMV800089293	CUSHION, D18xD8xE7,5	MY14/20 F3 675-F3 800	3,00
19	SPMV8000B2799	WASHER, SPACER, D8xD6,2xL8,5	MY12/16 F3 675-F3 800	3,00
20	SPMV8000C9133	Electrical components support plate		1,00

21	SPMV8000C0432	RETAINING CLIP		1,00
22	SPMV8000B9738	AIR SENSOR TEMPERATURE		1,00
23	SPMV8000C1321	SUPP. ELASTIC BAND FOR CONTROL UNIT		1,00
24	SPMV8000C8438	RESERVE PROBE INTERFACE		1,00

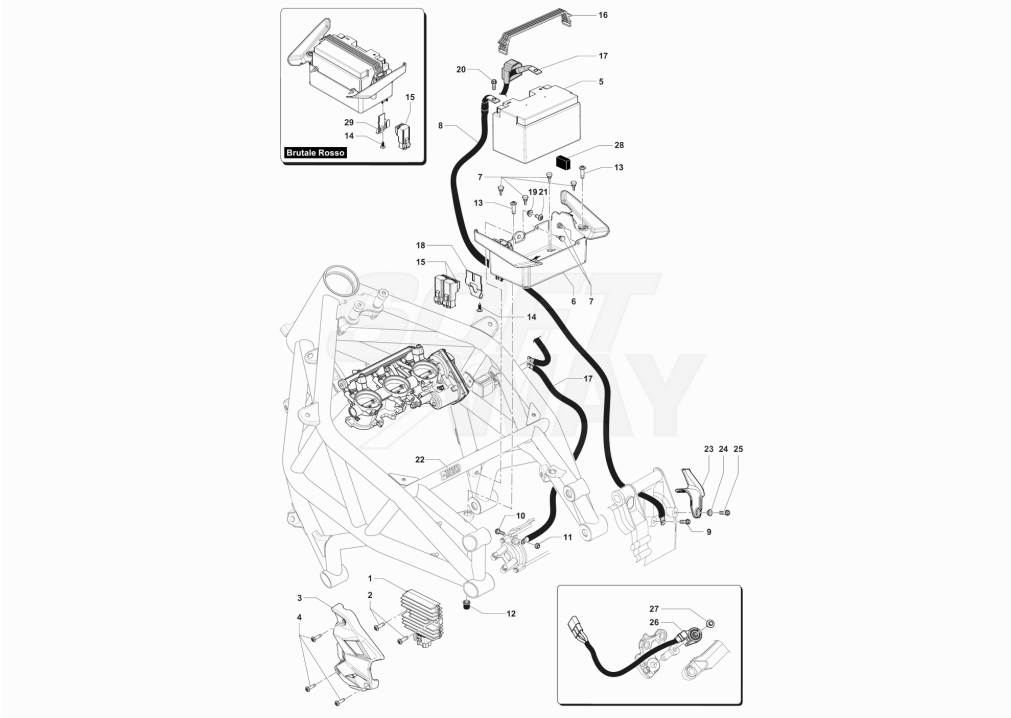


Pos	Part Number	Description	Additional Text	Quantity
1	SPMV8000C1726	COMPLETE HEADLAMP	EXCEPT 675	1,00
1	SPMV8000C9438	COMPLETE FRONT HEADLIGHT	ORO-RR	1,00
2	SPMV8000C3232	LAMP H11B 12V 55W	ROSSO	1,00
3	SPMV8000C3233	LAMP H3 12V 55W	ROSSO	1,00
4	SPMV8A00B3600	CUSHION, D20xD10xE7,5	B4 RS-B4 RR-B4 NURBURGRING	4,00
5	SPMV8A00B3764	SPACER D18-D10-L8	B4 RS-B4 RR-B4 NURBURGRING	4,00
6	SPMV8B00B2688	Screw TCEIF M6x1x16	EXCEPT F3 ORO	2,00
7	SPMV8F00B2688	Screw TCEIF M6x25 RP	800RR, DRAGSTER RR, DRAG.RR LH	2,00
8	SPMV8B00B2688	Screw TCEIF M6x1x16	EXCEPT F3 ORO	2,00
9	SPMV80B0C1728	RIGHT SUPPORT ANT.HEADLAMP	MY19 RC LH44-SCS MY20 800-RR	1,00
10	SPMV80B0C1729	SUPPORT SX HEADLAMP ANT.	MY19 RC MY20 800-RR LH44-SCS	1,00
11	SPMV8000C2124	RIGHT CABLE PROTECTION SKID		1,00
12	SPMV8000C2123	LEFT CABLE PROTECTION SKID		1,00
13	SPMV800027403	Screw RIF.695404.2x9.5-01 AB		2,00
14	SPMV8000C2122	RUBBER SPACER FOR HEADLIGHT	B4 RS	2,00



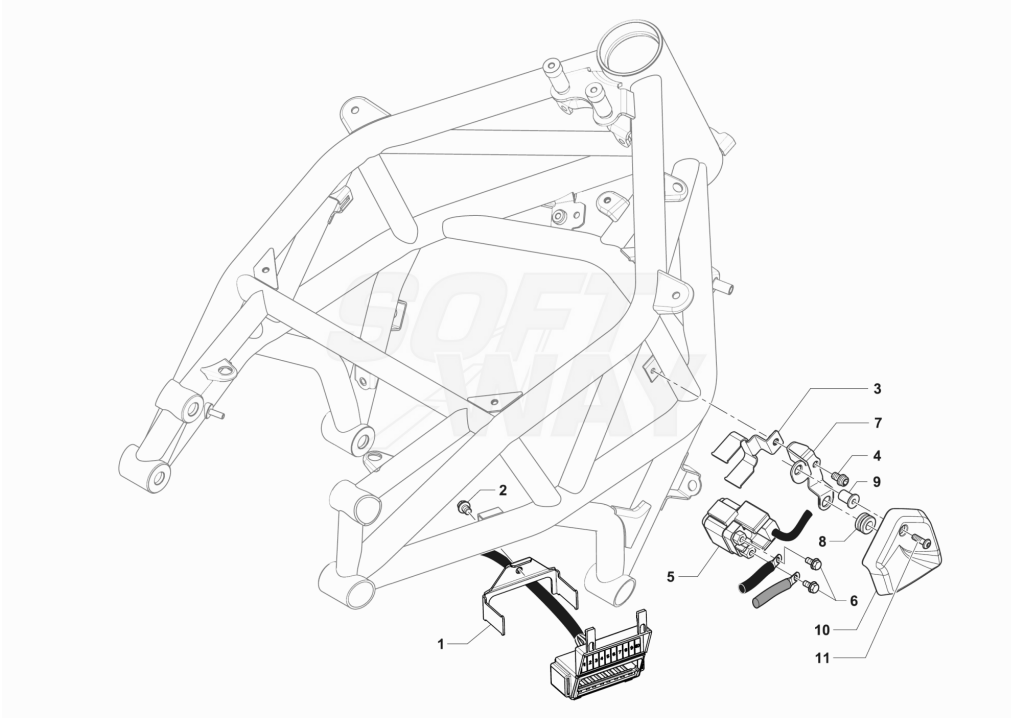
Pos	Part Number	Description	Additional Text	Quantity
1	SPMV8000C8784	INJECTION IGNITION CONTROL UNIT	ROSSO	1,00
1	SPMV8M00C8784	INJECTION IGNITION CONTROL UNIT	RR	1,00
1	SPMV8M00C8807	COMPRESSION IGNITION CONTROL UNIT	SCS	1,00
1	SPMV8P00C8784	COMPRESSION IGNITION CONTROL UNIT	USA-CND RR	1,00
1	SPMV8P00C8807	COMPRESSION IGNITION CONTROL UNIT	USA-CND SCS	1,00
1	SPMV8B00C8784	COMPRESSION IGNITION CONTROL UNIT	USA-CND ROSSO	1,00
2	SPMV8000C0232	CONTROL UNIT SUPPORT PLATE		1,00
3	SPMV8A00B2677	Screw M6x1-L10		2,00
4	SPMV8000C0233	CONTROL UNIT ELASTIC SUPPORT		1,00
5	SPMV8000C0921	ELASTIC SUPPORT FOR SENSOR	RR-PIRELLI-RC-LH44-SCS MY18 AMERICA	1,00
6	SPMV8000A1873	BUSH, SPACER, D16xD8xD6,2X10	BRUTALE S	4,00
7	SPMV8F00B2672	Screw M6x1-D11,7-L18	RR-PIRELLI-RC-LH44-SCS MY18 AMERICA	4,00
8	SPMV8000C8747	INERTIAL SENSOR		1,00
9	SPMV8000C6414	Cable flasher relay	USA - CND	1,00
10	SPMV8000C0243	CABLE RETAINER PLATE		1,00
11	SPMV80A084658	Screw M5x16		1,00
12	SPMV62ND15635	WASHER D9,7-D		1,00
13	SPMV8000B4339	CUSHION, FOAM, FAIRING	RR-PIRELLI-RC-LH44-SCS MY18 AMERICA	1,00
13	SPMV8A0095500	CUSHION RUBBER	SR1+1	2,00
14	SPMV800090979	CAP, UPPER GUIDE CHAIN	SR	1,00
15	SPMV8000C1724	RELAY FIXING PLATE		1,00
16	SPMV62ND15635	WASHER D9,7-D		1,00
17	SPMV80A084658	Screw M5x16		1,00
18	SPMV8000A6749	RELAY	ROSSO	2,00
19	SPMV8000C2260	RIGHT PROTECTION WIRING HARNESS		1,00
20	SPMV8000C3731	LEFT COVER WIRING HARNESS	RR-PIRELLI-RC-LH44-SCS MY18 AMERICA	1,00

21	SPMV8C00B5919	SCREW M5	F3 ORO-F3 AGO	2,00
22	SPMV8000C2425	INTERMITTENT RELAY SUPPORT		1,00
23	SPMV8AA0B2778	SCREW, PH-AB 3,9x13	EXCEPT AGO	2,00
24	SPMV8000B9739	RELE	USA-CND	1,00
24	SPMV8000C6404	INTERMITTENT RELAY	ROSSO	1,00
24	SPMV8000C9870	TEMP VOLTAGE INTERMITTENT	USA-CND EXCEPT ROSSO	1,00
24	SPMV8000C9871	CURRENT TEMP FLICKER	EXCEPT ROSSO	1,00

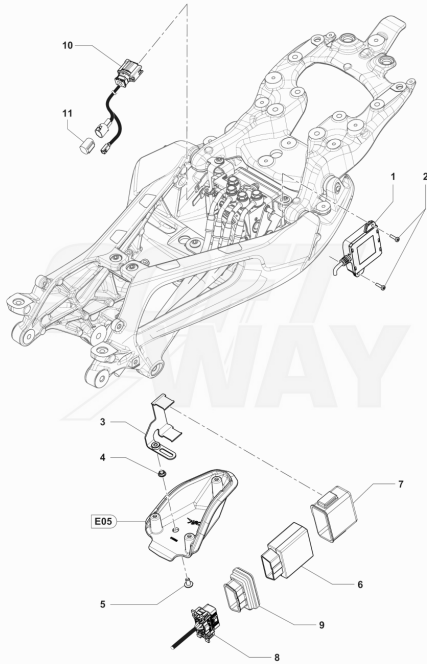


Pos	Part Number	Description	Additional Text	Quantity
1	SPMV8000B3206	RECTIFIER		1,00
2	SPMV8B00B2672	SCREW, M6x11,7x21	DRAGSTER	2,00
3	SPMV8000C2121	Tension regulator cover		1,00
4	SPMV8D00B5919	M5 SCREW FOR BODYWORK L14		3,00
5	SPMV8000B8270	BATTERY		1,00
6	SPMV8000C2114	BATTERY BRACKET		1,00
7	SPMV800095828	CUSION		8,00
8	SPMV8000B5977	BATTERY CABLE		1,00
9	SPMV8B00B2681	Screw M6x1-CH8-L12	F4S, F4 FRECCE TRICOLORI	1,00
10	SPMV8A00B2680	Screw TEF M5x0,8x6 CH8 RT	MY12/16 USA CND CN	1,00
11	SPMV8000B2708	NUT, M5x0,8	VIN >000710 F3 675	1,00
12	SPMV800048245	CUSHION, SCREW, M6x1 L16	B4 RS	2,00
13	SPMV8B00B2672	SCREW, M6x11,7x21	DRAGSTER	2,00
14	SPMV8AA0B2778	SCREW, PH-AB 3,9x13	EXCEPT AGO	2,00
15	SPMV8000A6749	RELAY	ROSSO	3,00
16	SPMV8000B5921	ELASTIC STRAP HELD		1,00
17	SPMV8A00C3197	CABLES TELERUT.-MOTOR AVV.BA		1,00
18	SPMV8000B5916	SUPPORT RELAY		1,00
19	SPMV80A090392	SPACER	B4 RS-B4 RR-B4 NURBURGRING	1,00
20	SPMV8E00B2672	SCREW TFEI M6X1 D11,7 L14	RR-RUSH	1,00
21	SPMV8A00B2672	SCREW, M6x11,7x12	MY18 RC, MY19 RC, RC LH	1,00
22	SPMV800092257	BATTERY DATA PLATE		1,00
23	SPMV8000B6815	PROTECTION		1,00
24	SPMV80A090392	SPACER	B4 RS-B4 RR-B4 NURBURGRING	1,00
25	SPMV8C00B2681	SCREW, TEF M6x1 CH8 L14	RR-SCS-RC SCS	1,00
26	SPMV8A00B5428	SIDE STAND SWITCH	MY15/20 F3 675-F3 800	1,00

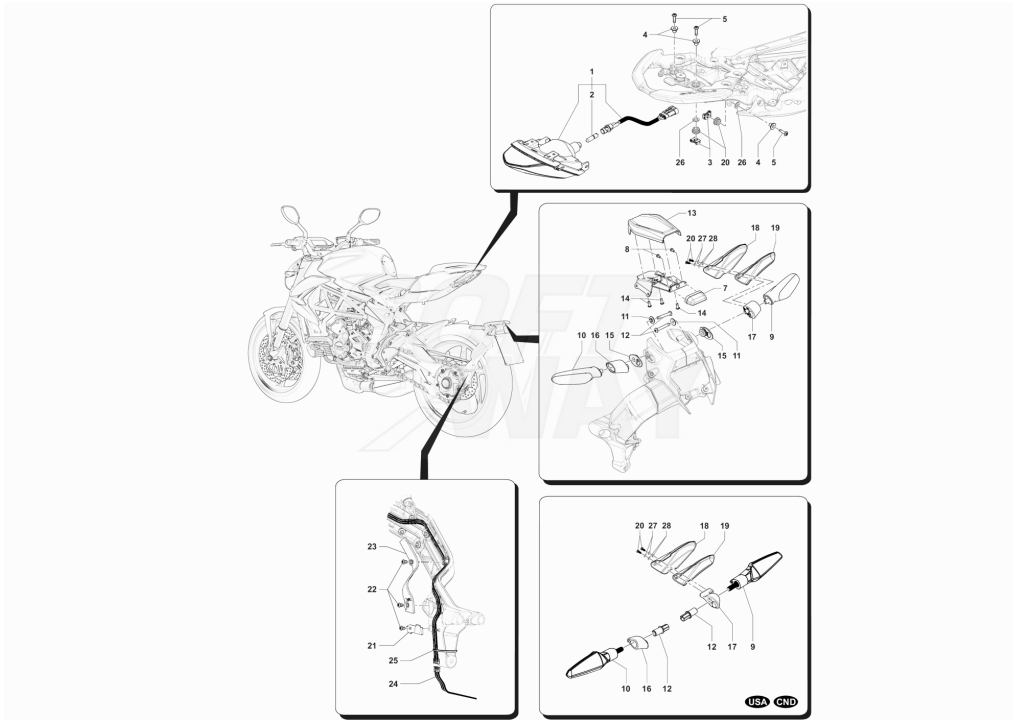
27	SPMV8000C1356	SCREW M6X1 L16 WITH LOCTITE		1,00
28	SPMV8A00B4340	CUSHION, LARGE, FUEL TANK FAIR		1,00
29	SPMV8000C9967	RELAI FIXING PLATE	ROSSO	1,00



Pos	Part Number	Description	Additional Text	Quantity
1	SPMV8000B8821	BRACKET FUSE	F3 AGO-F3 675 RC-F3 800 RC	1,00
2	SPMV8A00B2677	Screw M6x1-L10		1,00
3	SPMV8000B5915	PLATE	675, 800, 800RR	1,00
4	SPMV8000B2687	Screw TCEIF M5x8	USA CND CN MY12/16	1,00
5	SPMV800091115	SWITCH, STARTER		1,00
6	SPMV8000B2681	Screw TEF M6x0,8x8 CH8 RT	990R-1090RR 000641> BRUTALE 920	2,00
7	SPMV8000B6989	PLATE CONTACTOR COVER		1,00
8	SPMV8000B6507	RUBBER DAMPER D14-D7-SP8		1,00
9	SPMV800091022	BUSH, SCREW, M4x0,7	F4S, F4R, F4RR	1,00
10	SPMV8000B6990	CONTACTOR COVER		1,00
11	SPMV8A0090901	SCREW, M4x13,7	750S, 750S 1+1	1,00

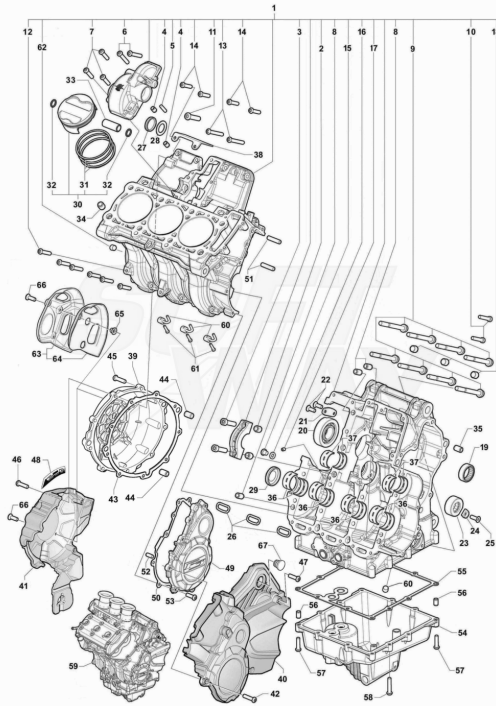


Pos	Part Number	Description	Additional Text	Quantity
1	SPMV8000C9312	GPS MODULE		1,00
2	SPMV8AA0B2771	TCIC SCREW M3X0.5-L8 DIN 7985		2,00
3	SPMV8000C9132	LOCATOR PLATE	RR-SCS (VIN: >001629) / RC SCS	1,00
4	SPMV80A092658	WASHER, SPACER, D10xD7,6xD5,2x	RR-SCS (VIN: >001629) / RC SCS	1,00
5	SPMV8CA0B5919	SCREW M5 FOR BODYWORK L10	RR-SCS (VIN: >001629) / RC SCS	1,00
6	SPMV8000C9733	FM3001 4G SATELLITE SYSTEM	USA-CND-AUS-JPN-TWN ORO	1,00
7	SPMV8000C8414	ELASTIC SYSTEM HOLDER		1,00
8	SPMV8000C9045	OBDII ADAPTER CABLE	RR-SCS (VIN: >001629) / RC SCS	1,00
9	SPMV8000D0408	FASTENER FOR ELASTIC SUPP.SIS	RR-SCS (VIN: >001629) / RC SCS	1,00
10	SPMV8000C9047	SCS ADAPTER CABLE	SCS-RC SCS	1,00
11	SPMV8000D0403	SADDLE SENSOR CONNECTOR CAP	SCS-RC SCS	1,00



Pos	Part Number	Description	Additional Text	Quantity
1	SPMV8A00C1727	TAILLIGHT		1,00
2	SPMV8000C3234	12V 21W H21W LAMP		1,00
3	SPMV8000B5811	NUT M5	MY12/13 F3 675-F3 ORO-F3 800	4,00
4	SPMV8000A1873	BUSH, SPACER, D16xD8xD6,2X10	BRUTALE S	4,00
5	SPMV8B00B5919	SCREW M5 L20	RR, MY22 RC	4,00
7	SPMV8000B8250	LICENSE PLATE LIGHTING LIGHT		1,00
8	SPMV8AA0B2771	TCIC SCREW M3X0.5-L8 DIN 7985		2,00
9	SPMV8000C2127	DIRECTION LIGHT	EXCEPT 675	1,00
9	SPMV8000C7051	KOSO TURN SIGNAL	USA-CND	1,00
10	SPMV8000C2127	DIRECTION LIGHT	EXCEPT 675	1,00
10	SPMV8000C7051	KOSO TURN SIGNAL	USA-CND	1,00
11	SPMV8000C5937	SPACER WITH COLLAR	800-SCS-RCSCS	2,00
12	SPMV60ND02490	TCEI SCREW M5X0, 8-CH4-L35 UNI	USA-CND FRAME >004760	2,00
12	SPMV8000C7053	THREADED BUSHING	USA-CND	2,00
13	SPMV8000C2150	UPPER PLATE HOLDER CLOSURE		1,00
14	SPMV98C0090901	SCREW M4X10	B4 RS-B4 RR-B4 NURBURGRING	3,00
15	SPMV8000C5936	VIBRATION DAMPER D16-D8-SP6.5	800-SCS-RCSCS	2,00
16	SPMV8000C2151	REAR SPACER FOR INDICATOR	EXCEPT 675	1,00
16	SPMV8000C8427	REAR SPACER. FOR INDICATED	USA-CND	1,00
17	SPMV8000C2713	SPACER POST. FOR INDICATOR	EXCEPT 675	1,00
17	SPMV8000C7052	REAR SPACER. FOR INDICATOR	USA-CND	1,00
18	SPMV8000C2716	PROTECTION FOR INDICATOR OF	EXCEPT 675	1,00
18	SPMV8000C6411	PROTECTION FOR INDICATOR	USA-CND	1,00
19	SPMV8000C2969	THERMAL REFLECTOR FOR INDICATOR	EXCEPT 675	1,00
19	SPMV8000C6412	HEAT REFLECTOR FOR INDICATOR	USA-CND	1,00
20	SPMV8BA0B2777	SCREW AUTOFIL. PH-AB 2.9X13	USA/CND EXCLUDED	2,00
21	SPMV8000B9316	WIRES STOP PLATE		1,00

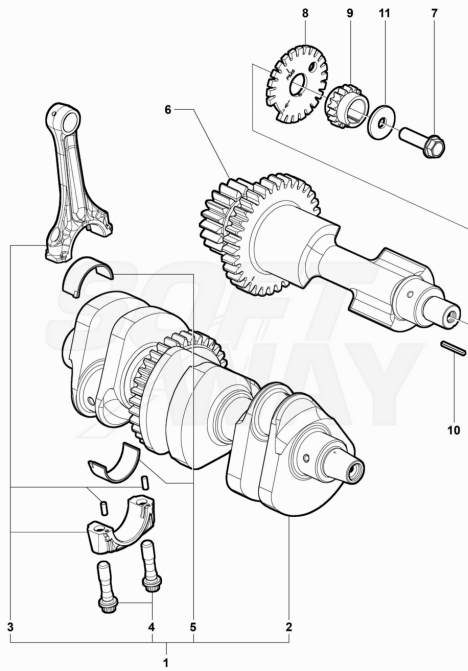
22	SPMV98B0090901	Special screw M4x8	TAMBURINI	3,00
23	SPMV8000B9307	INSIDE COVER		1,00
24	SPMV8000C8350	REAR GROUP WIRING HARNESS		1,00
25	SPMV800056444	CLAMP, PLASTIC		1,00
26	SPMV62ND15548	WASHER, D15x5,2xE1	EXCEPT USA-CND	4,00
27	SPMV62NF15533	SPRING WASHER D3.2-D5.5-SP	USA/CND EXCLUDED	2,00
28	SPMV62NF15501	ESCUTCHEON D6-D3.2-SP0.5	USA/CND EXCLUDED	2,00



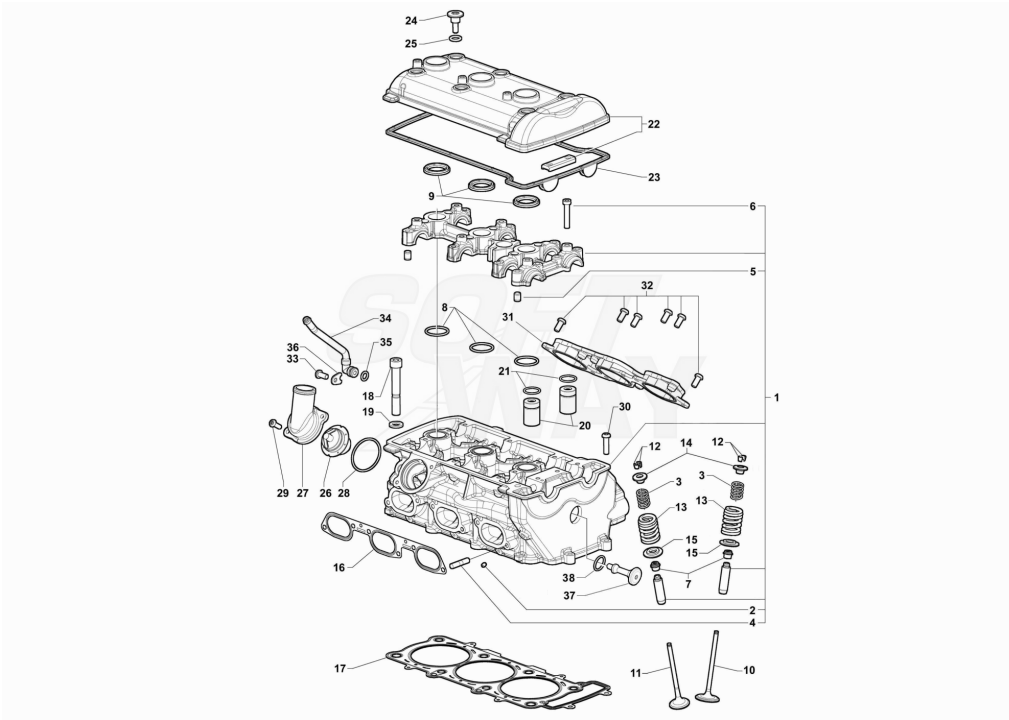
Pos	Part Number	Description	Additional Text	Quantity
1	SPMV8A00C3686	COUPLED CRANKCASE	MY17/20 F3 675-F3 800	1,00
2	SPMV8B0086119	CYLINDRICAL PLUG DIN 908-M16X1		2,00
3	SPMV60NAB4274	Screw TCCE M8x1,25-L35		2,00
4	SPMV800051549	PIN D8-D6		2,00
5	SPMV6BN0B5226	ROLLER D5 SP23.8		1,00
6	SPMV60NDB2740	SCREW TBCE M6X1-L40	AGO	2,00
7	SPMV60NDB2738	SCREW TBCE M6X1-L30	RR-SCS-RC SCS	3,00
8	SPMV800007719	PIN D10-D7		3,00
9	SPMV8C00B4272	Screw TCCEF M8x1,25-L85		8,00
10	SPMV60NEB4273	SCREW TCBCCE M6X1-L35		2,00
11	SPMV60NDB4246	Screw TBCE M8x1,25-L40		1,00
12	SPMV60NDB2739	SCREW TBCE M6X1-L35	RR-SCS-RC SCS	6,00
13	SPMV60NDB2741	SCREW TBCE M6X1-L50		2,00
14	SPMV60NDB2738	SCREW TBCE M6X1-L30	RR-SCS-RC SCS	4,00
15	SPMV8000B2746	CILINDRICAL PLUG DIN 908-M16X1		3,00
16	SPMV800089426	WASHER D16		3,00
17	SPMV8B00B4324	LUBRICATING JET		1,00
18	SPMV8B00B3024	CONICAL PLUG DIN 906-M12X1		3,00
19	SPMV8000B4775	ROLLER PIN BEARING 30X37X12		1,00
20	SPMV8000B2610	BALL BEARING D62-D27-SP1		1,00
21	SPMV8000B2611	BALL BEARING RETAIN		1,00
22	SPMV60NDB4392	Screw TSCE M6x1-L20		2,00
23	SPMV8000A1086	ROLLER BEARING D24-D40-SP1	BRUTALE S,09192>,<10409,10968>	1,00
24	SPMV8000B2612	BALL BEARING RETAIN		1,00
25	SPMV60NDB4392	Screw TSCE M6x1-L20		1,00
26	SPMV8000B4371	OR3093 T2		3,00
27	SPMV8000B2613	SHAFT CAP		1,00
28	SPMV8E0006115	SPACER WASHER		1,00

29	SPMV800081412	CRANKCASE PLUG		1,00
30	SPMV8000B9688	COMPLETE PISTON	MY20 800	3,00
30	SPMV8000C5070	PISTON COMPLETE	F3 800-F3 AGO-F3 800 RC	3,00
31	SPMV8000B4141	PISTON RING ASSEMBLY	1090RR	3,00
31	SPMV8000C5697	PISTON D79	F3 800-F3 AGO-F3 800 RC	3,00
32	SPMV8000B8282	PISTON PIN LOCK RING	MY17 AMERICA 800	6,00
32	SPMV8000C5075	PIN STOP PIN	MY18 AMERICA RR-PIRELLI-RC-LH44-SCS	6,00
33	SPMV8000B7766	PISTON PIN		3,00
34	SPMV800081535	REFERING PIN D11-D13		2,00
35	SPMV8A0086119	REFERENCE PIN D8.5-D12-SP 20		3,00
36	SPMV8000C5593	SEMI-BENCH BEARING		8,00
36	SPMV8A00C5593	SEMI-BENCH BEARING		8,00
37	SPMV8000C5594	HALF CRANKSHAFT BEARING		4,00
37	SPMV8A00C5594	HALF SHAFT COUNTERSHAFT BEARING		4,00
38	SPMV8000B9320	HARNESS PROTECTION	MY16/20 F3 675-F3 800	1,00
39	SPMV80B0B9583	CLUTCH COVER	MY17 DRAGSTER RR/DRAGSTER RC	1,00
39	SPMV8AB0B9583	CLUTCH COVER	SCS	1,00
40	SPMV8000C4084	SOUND PROT.GENERATOR COVER	MY18 AMERICA RR-RC-LH44	1,00
40	SPMV8A00C4084	PROT.PHONOASS.COP.GENERATOR	SCS	1,00
41	SPMV8000C4083	FONOASS PROTECTION CLUTCH COVE	RR-SCS-RC SCS	1,00
42	SPMV60NDB2738	SCREW TBCE M6X1-L30	RR-SCS-RC SCS	3,00
43	SPMV8000B2615	CLUTCH COVER GASKET		1,00
44	SPMV800007719	PIN D10-D7		2,00
45	SPMV60NDB2737	SCREW TBCE M6X1-L25	F3 ORO-F3 AGO	9,00
46	SPMV60NDB2739	SCREW TBCE M6X1-L35	RR-SCS-RC SCS	3,00
47	SPMV60NDB4720	SCREW TCBCE M6X1-L25	RR-SCS-RC SCS	3,00
48	SPMV8000C8306	"DECAL "SCS" FOR PROTECTION"	SCS-RC SCS	1,00
49	SPMV80B0B2566	GENERATOR COVER	MY17/20 F3 675 RC-F3 800 RC	1,00
50	SPMV8000B2617	GENERATOR GASKET		1,00
51	SPMV8000B2635	PIN SLIDER		2,00
52	SPMV8000B3023	CYLINDRICAL PIN 6X16 UNI-EN		1,00
53	SPMV60NDB2736	SCREW TBCE M6X1-L20	MY18/20 F3 675 RC-F3 800 RC	8,00
54	SPMV80B0B2567	OIL PAN	MY16/20 F3 675-F3 800	1,00
55	SPMV8000B4539	OIL PAN GASKET		1,00
56	SPMV8A0051549	REFERENCE PIN D6.2-D8-SP.1		2,00
57	SPMV60NDB2738	SCREW TBCE M6X1-L30	RR-SCS-RC SCS	10,00
58	SPMV60NDB2739	SCREW TBCE M6X1-L35	RR-SCS-RC SCS	2,00
59	SPMV8000C8682	Engine 800 B3 E5/21	ROSSO	1,00
59	SPMV8000C8683	Engine 800 B3 RR E5/21	RR	1,00
59	SPMV8000C8685	MOTORE 800 B3 RR E5/21 SCS	SCS	1,00
60	SPMV8000B7704	PISTON JET COOLER		3,00
61	SPMV8000B7705	THIGHTENING SCREW JET		3,00
62	SPMV8A00B3024	CONICAL PLUG DIN 906-M10X1		2,00
63	SPMV8000B9585	TERMOSHIELD PROTECTION	ROSSO	1,00
64	SPMV8000B9593	HEAT REFLECTOR	ROSSO	1,00
65	SPMV8B00B2798	COLLET	ROSSO	3,00
66	SPMV60NDB2734	Screw TBCE M5x0,8-L12	800	3,00

66	SPMV60NDB2781	Screw TBCE M5x0,8-L16	MY18 AMERICA RR-RC-LH44-SCS	3,00
67	SPMV8000C5736	FLAP CAP	SCS-RC SCS	1,00

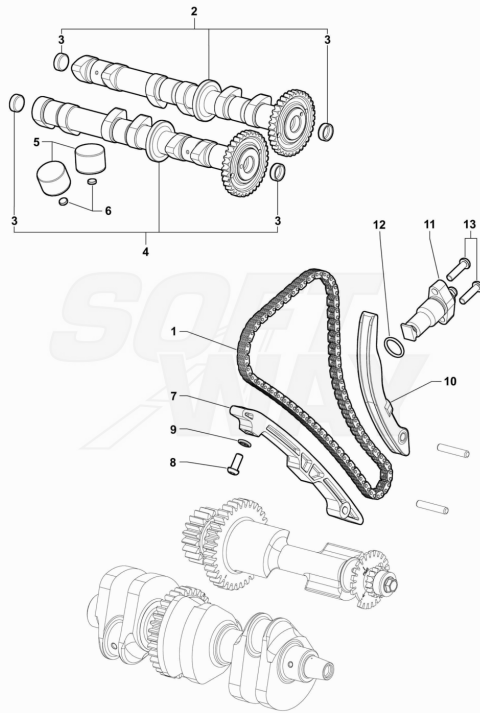


Pos	Part Number	Description	Additional Text	Quantity
1	SPMV8000C9741	Crankshaft compl. of connecting rods		1,00
2	SPMV8000B1364	NAKED CRANKSHAFT	F3 800-F3 AGO-F3 800 RC	1,00
3	SPMV8000C9742X	OMplete CONNECTING ROD 800		3,00
3	SPMV8000C9742Y	COMPLETE CONNECTING ROD 800		3,00
3	SPMV8000C9742Z	COMPLETE CONNECTING ROD 800		3,00
4	SPMV8000B4100	SCREW		6,00
5	SPMV8000C5592	CONNECTING ROD HALF-BEARING		6,00
5	SPMV8A00C5592	CONNECTING ROD HALF-BEARING BLUE		6,00
6	SPMV8000C4374	COMPLETE COUNTERSHAFT	MY17/20 F3 800 RC	1,00
7	SPMV8A00B2683	Screw M8x1,25-L30	EXCEPT MY 15 RC	1,00
8	SPMV8000B1933	PHONIC WEEL		1,00
9	SPMV8000B2627	TIMING SYSTEM GEAR		1,00
10	SPMV8000B2643	SLIDE A UNI 6604-69 2X2X22		1,00
11	SPMV8000B6497	WASHER D24-D8.5 SP.4		1,00



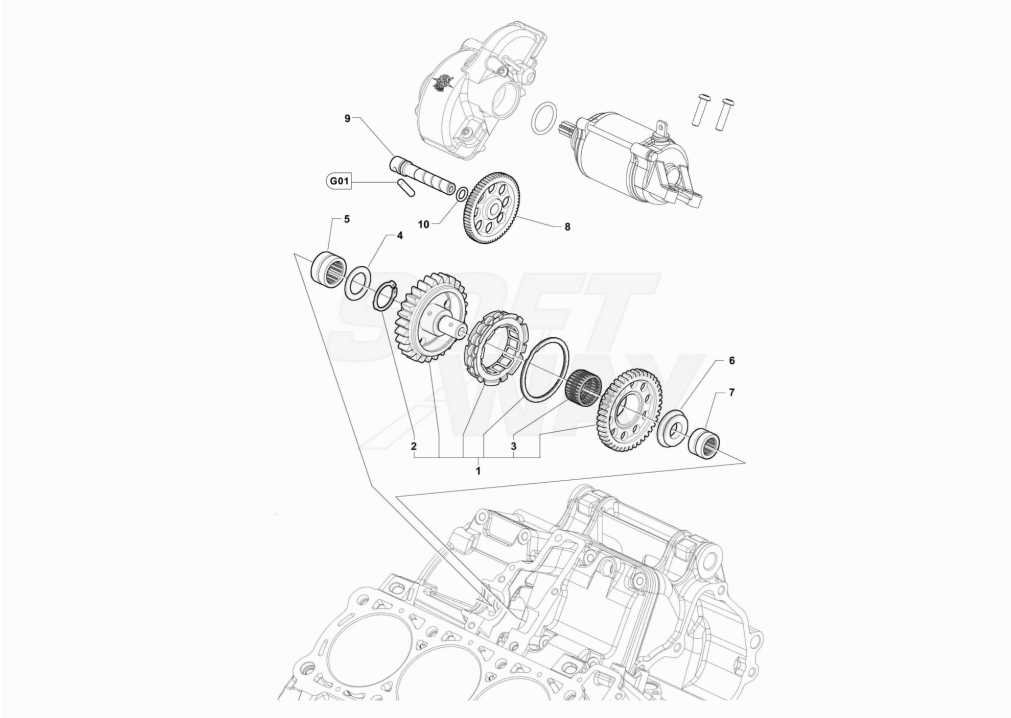
Pos	Part Number	Description	Additional Text	Quantity
1	SPMV8B00C8694	COMPLETE CYLINDER HEAD		1,00
2	SPMV800069769	CONICAL PLUG EI M14X1		2,00
3	SPMV800098671	INTERNAL VALVE SPRING	750S, 750S1+1, SENNA	12,00
4	SPMV8000B4234	EXHAUST TRAPED SCREW		6,00
5	SPMV800051549	PIN D8-D6		2,00
6	SPMV60NAB4273	SCREW TCBC E M6X1 - L35		16,00
7	SPMV800065814	INTAKE AND EXHAUST GASKET		12,00
8	SPMV8A0023111	OR2106 T1		3,00
9	SPMV8000B4285	Candle shaft gasket		3,00
10	SPMV8000B1445	INTAKE VAVE		6,00
11	SPMV8000B1446	EXHAUST VALVE		6,00
12	SPMV800092433	COTTER VALVE 15JAP	ENGINE 01801>	24,00
13	SPMV800098670	EXTERNAL VALVE SPRING	750S, 750S1+1, SENNA	12,00
14	SPMV800098761	RETAING SPRING UPPER	BRUTALE S <10760	12,00
15	SPMV800098681	LOWER SPRING PLATE	BRUTALE S <10760	12,00
16	SPMV8000B4242	Manifold gasket		1,00
17	SPMV8000B2179	HEAD GASKET		1,00
18	SPMV8000B4247	Screw TCCEI M10x1,5		8,00
19	SPMV8000B4269	WASHER D18-D11		8,00
20	SPMV8000B2782	HOLE SERVICE PLUG		2,00
21	SPMV800023108	OR2037 T1		2,00
22	SPMV8A00B2623	CYLINDER HEAD COVER	F3 ORO	1,00
22	SPMV8C00B2623	Head cover	MY16/20 F3 675-800-RC	1,00
23	SPMV8000B4284	HEAD COVER GASKET		1,00
24	SPMV8000B2759	Screw valve cover		6,00
25	SPMV800023113	OR3043 T2	008836-008839 & 009155> B4 910 S/910 R	6,00
26	SPMV800081283	BEHR-THOMPSON THERMOSTAT		1,00
27	SPMV80B0B2626	WATER OUTLET PIPE	MY16/20 F3 675-800-RC	1,00

28	SPMV8000B4638	OR 2175 T1		1,00
29	SPMV60NDB2781	Screw TBCE M5x0,8-L16	MY18 AMERICA RR-RC-LH44-SCS	2,00
30	SPMV60NDB2737	SCREW TBCE M6X1-L25	F3 ORO-F3 AGO	2,00
31	SPMV8000B5292	INTAKE MAINFOLD		1,00
32	SPMV60NDB2780	Screw TBCE M6x1-L14	EXCEPT ROSSO	6,00
33	SPMV60NDB2780	Screw TBCE M6x1-L14	EXCEPT ROSSO	1,00
34	SPMV8000B4979	HEAD DEGASSING TUBE		1,00
35	SPMV8A0023108	OR2037 T1		1,00
36	SPMV800095505	OIL INLET FIXING PLATE		1,00
37	SPMV8000C3644	PRELOAD HEAD SCREW	MY17/20 F3 675-F3 800	1,00
38	SPMV8000C3675	ORING 3062 D15.54	MY17/20 F3 675-F3 800	1,00

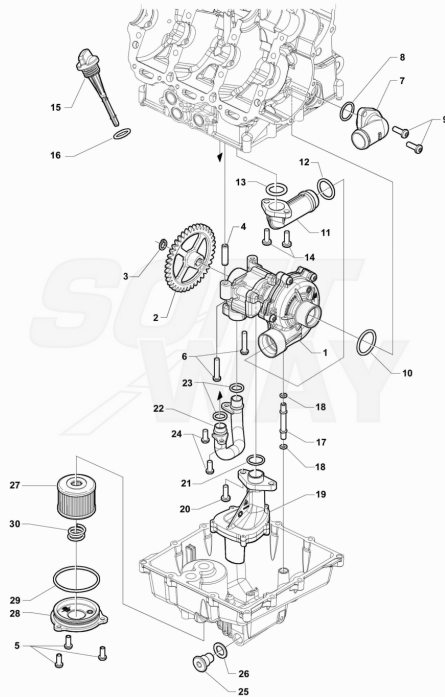


Pos	Part Number	Description	Additional Text	Quantity
1	SPMV8000B2629	Timing chain		1,00
2	SPMV8000B2630	INLET CAMSHAFT	RR-PIRELLI-RC-LH44-SCS MY18 AMERICA	1,00
2	SPMV8G00B2630	Intake camshaft compl	675-800 MY17 AMERICA	1,00
3	SPMV8C0057196	STABLE PLUG D16-SP6-10		4,00
4	SPMV8E00B2631	Full exhaust camshaft	675-800 MY17 AMERICA	1,00
4	SPMV8G00B2631	Exhaust camshaft complete	MY18 AMERICA RR- PIRELLI-RC-LH44-SCS	1,00
5	SPMV8000C8680	TUMBLER D28 DLC		12,00
6	SPMV800084182	CLEARANCE ADJUSTING	1.60 MM	12,00
6	SPMV8A0084182	CLEARANCE ADJUSTING	1.65 MM	12,00
6	SPMV8B0084182	CLEARANCE ADJUSTING	1.70 MM	12,00
6	SPMV8C0084182	CLEARANCE ADJUSTING	1.75 MM	12,00
6	SPMV8D0084182	CLEARANCE ADJUSTING	1.80 MM	12,00
6	SPMV8E0084182	CLEARANCE ADJUSTING	1.85 MM	12,00
6	SPMV8F0084182	CLEARANCE ADJUSTING	1.90 MM	12,00
6	SPMV8G0084182	CLEARANCE ADJUSTING	1.95 MM	12,00
6	SPMV8H0084182	CLEARANCE ADJUSTING	2.00 MM	12,00
6	SPMV8J0084182	GAP SPACER	2.05 MM	12,00
6	SPMV8K0084182	CLEARANCE ADJUSTING	2.10 MM	12,00
6	SPMV8L0084182	CLEARANCE ADJUSTING	2.15 MM	12,00
6	SPMV8M0084182	CLEARANCE ADJUSTING	2.20 MM	12,00
6	SPMV8N0084182	CLEARANCE ADJUSTING	2.25 MM	12,00
6	SPMV8P0084182	CLEARANCE ADJUSTING	2.30 MM	12,00
6	SPMV8R0084182	CLEARANCE ADJUSTING	2.35 MM	12,00
6	SPMV8S0084182	CLEARANCE ADJUSTING	2.40 MM	12,00
6	SPMV8T0084182	CLEARANCE ADJUSTING	2.45 MM	12,00
6	SPMV8U0084182	CLEARANCE ADJUSTING	2.50 MM	12,00
6	SPMV8V0084182	CLEARANCE ADJUSTING	2.55 MM	12,00

6	SPMV8W0084182	CLEARANCE ADJUSTING	2.60 MM	12,00
7	SPMV8000B7019	FIXED TIMING SYSTEM SLIDER		1,00
8	SPMV60NDB2736	SCREW TBCE M6X1-L20	MY18/20 F3 675 RC-F3 800 RC	1,00
9	SPMV800064988	SELF CENTERING WASHER D11-D6.1		1,00
10	SPMV8000B2636	MOBILE SLIDER		1,00
11	SPMV800089446	CHAIN TENSIONER TSUBAK	MY12/14 675-800-DRAGSTER MY17 DRAGSTER RR/DRAGSTER RC	1,00
12	SPMV800018422	OR2075 T1	MY12/14 F3 675-F3 800	1,00
13	SPMV60NDB2737	SCREW TBCE M6X1-L25	F3 ORO-F3 AGO	1,00

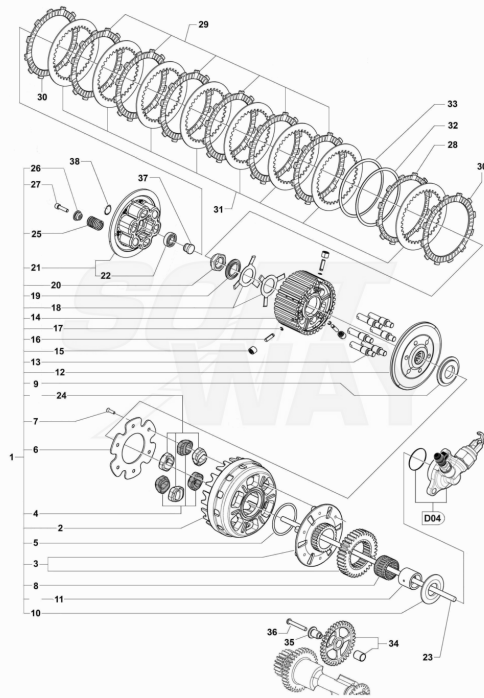


Pos	Part Number	Description	Additional Text	Quantity
1	SPMV8000C4242	COMPLETE SHAFT START ASSY		1,00
2	SPMV8000B7302	CIRCLIP		1,00
3	SPMV8A0065795	NEEDLE BEARING, D25xD29xSP17		1,00
4	SPMV8000B7288	SHIM		1,00
5	SPMV800039538	ROLL BEARING 20X28X16		1,00
6	SPMV8000B2794	SPACER WASHER		1,00
7	SPMV8000B2791	ROLL BEARING 15X23X16		1,00
8	SPMV8000B5000	STARTER REDUCTION GEAR		1,00
9	SPMV8000B5225	STARTING REDUCTION GEAR PIN		1,00
10	SPMV800023108	OR2037 T1		1,00



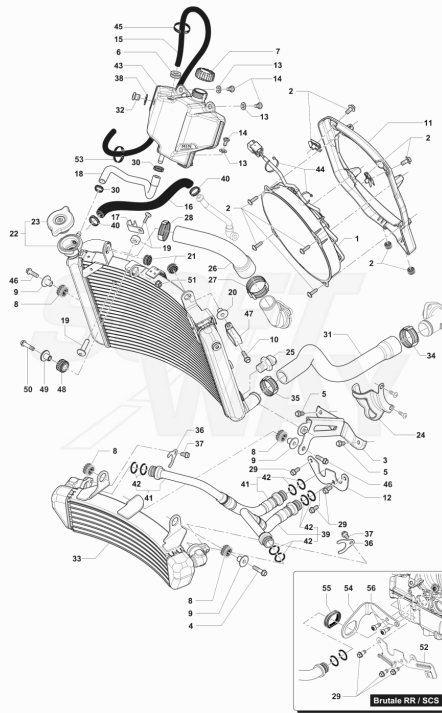
Pos	Part Number	Description	Additional Text	Quantity
1	SPMV8000B2644	PUMP GROUP		1,00
2	SPMV8000C4386	OIL PUMP GEAR	MY17/20 F3 675-800-RC	1,00
3	SPMV66N021202	RETAIN RING D12-D11	ROSSO-RR	1,00
4	SPMV8000B3232	PIN		1,00
5	SPMV60NDB2735	SCREW TBCE M6X1-L16	MY15/17 F3 675 RC-F3 800 RC	3,00
6	SPMV60NDB3397	SCREW TBCE M6X1-L45		2,00
7	SPMV8000B4099	INLET WATER PIPE		1,00
8	SPMV800023110	OR2100 T1		1,00
9	SPMV60NDB4719	SCREW TCBCE M6X1-L20		2,00
10	SPMV800035809	OR3137 T2		1,00
11	SPMV8000B4626	INLET WATER PIPE		1,00
12	SPMV800023120	OR3106 T2		1,00
13	SPMV8000B3233	OR4093 T3		1,00
14	SPMV60NDB2736	SCREW TBCE M6X1-L20	MY18/20 F3 675 RC-F3 800 RC	2,00
15	SPMV8000B4021	OIL CUP		1,00
16	SPMV800029074	OR128 T2		1,00
17	SPMV8000B3234	OUTLET WATER PIPE		1,00
18	SPMV8000B6928	ORM 5		2,00
19	SPMV8000B4691	OIL SUCTION PUMP		1,00
20	SPMV60NDB4719	SCREW TCBCE M6X1-L20		2,00
21	SPMV800041693	OR2087 T1		1,00
22	SPMV8000B4195	INLET OIL TUBE		1,00
23	SPMV800025593	OR119 T2		2,00
24	SPMV60NDB2735	SCREW TBCE M6X1-L16	MY15/17 F3 675 RC-F3 800 RC	2,00
25	SPMV800073011	OIL PLUG ASSEMBLY		1,00
26	SPMV62N015679	ALUMINIUM WASHER D24-D16		1,00

27	SPMV8000B5425	OIL FILTER		1,00
28	SPMV80B0B2649	OIL FILTER COVER	MY16/20 F3 675-800-RC	1,00
29	SPMV800035840	OR3250 T2		1,00
30	SPMV8000B3240	OIL FILTER SPRING		1,00



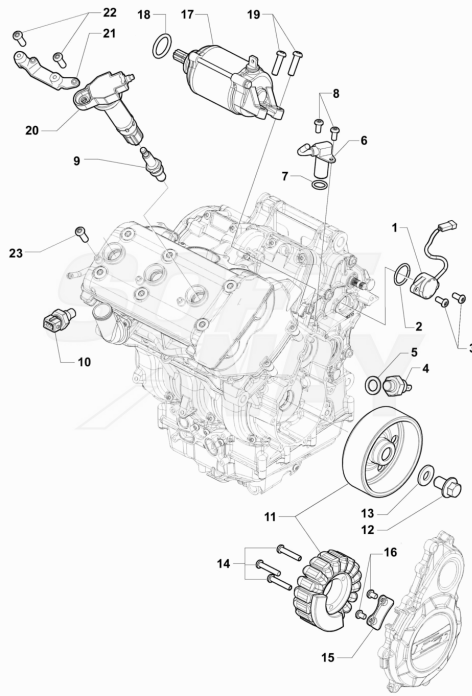
Pos	Part Number	Description	Additional Text	Quantity
1	SPMV8000C8676	Primary and clutch gear	ROSSO-RR	1,00
2	SPMV8000B9716	CLUTCH BELL	MY14/20 F3 675	1,00
3	SPMV8000C4381	FLANGE GEAR	MY17 DRAGSTER RR/DRAGSTER RC	1,00
4	SPMV8A00B6484	FLEXIBLE COUPLING	MY14/20 F3 675	3,00
5	SPMV8000B3996	OR164 T3,53-D60,33	MY14/20 F3 675	1,00
6	SPMV8000B1727	SPROCKET RETAINING DISC	MY14/20 F3 675	1,00
7	SPMV60NDB4391	Screw TSCE M6x1-L182	F3 800-AGO-RC	6,00
8	SPMV8000B3997	ROLL BEARING K35X42X30	MY14/20 F3 675	1,00
9	SPMV8000B8198	DRIVING GEAR WASHER	MY14/20 F3 675	1,00
10	SPMV8000B3018	WASHER FOR DRIVER GEAR SP3	MY14/20 F3 675	1,00
11	SPMV8000B3989	DRIVER GEAR SPACER	MY14/20 F3 675	1,00
12	SPMV8000B1014	DRIVE FLANGE	MY14/20 F3 675	1,00
13	SPMV8000B8243	SPRING COLUMN	F3 800-AGO-RC	6,00
14	SPMV8000C8677	DISC HOLDER HUB	ROSSO-RR	1,00
15	SPMV8000B0066	PIN BEARING 12X10X6 NK6	MY14/20 F3 675	3,00
16	SPMV8000B0067	BEARING PIN D6-L20	MY14/20 F3 675	3,00
17	SPMV66N021306	RETAIN RING D3.2	MY14/20 F3 675	3,00
18	SPMV8000B0071	SPRING JUDDER	MY14/20 F3 675	2,00
19	SPMV8000B0072	SPRING SUPPORT	MY14/20 F3 675	1,00
20	SPMV8000B8199	NUT M22X1	MY14/20 F3 675	1,00
21	SPMV8000C8678	Push plate	ROSSO-RR	1,00
22	SPMV8000A2565	RADIAL BEARING 12X28X7	MY14/20 F3 675	1,00
23	SPMV8A00B9469	CONTROL ROD	ROSSO-RR	1,00
24	SPMV8000B6484	RUBBER GASKET	MY14/20 F3 675	3,00
25	SPMV8000A0730	CLUTCH SPRING	MY14/20 F3 675	6,00
26	SPMV8000B4721	SPRING DRIVER WASHER	MY14/20 F3 675	6,00
27	SPMV60ND02509	Screw M6x1-CH5-L20	F3 800-AGO-RC	6,00
28	SPMV8000A6915	Lining plate	MY14/20 F3 675	1,00

29	SPMV8000A6916	Lining lamella	MY14/20 F3 675	6,00
30	SPMV8000A6917	Liner	MY14/20 F3 675	2,00
31	SPMV8000A6918	Steel lamella	MY14/20 F3 675	8,00
32	SPMV8000A6922	SPRING JUDDER	MY14/20 F3 675	1,00
33	SPMV8000A6923	SPRING SEAT	MY14/20 F3 675	1,00
34	SPMV8000C4383	OIL PUMP REDUCTION GEAR	MY17/20 F3 675-800-RC	1,00
35	SPMV8000C2379	PIN	MY14/15 EXCEPT F3 ORO	1,00
36	SPMV60NEC6704	TCBCE SCREW	MY14/15 EXCEPT F3 ORO	1,00
37	SPMV8000B1947	CLUTCH DRIVING PIN	MY17 DRAGSTER RR/DRAGSTER RC	1,00
38	SPMV66N021202	RETAIN RING D12-D11	ROSSO-RR	1,00

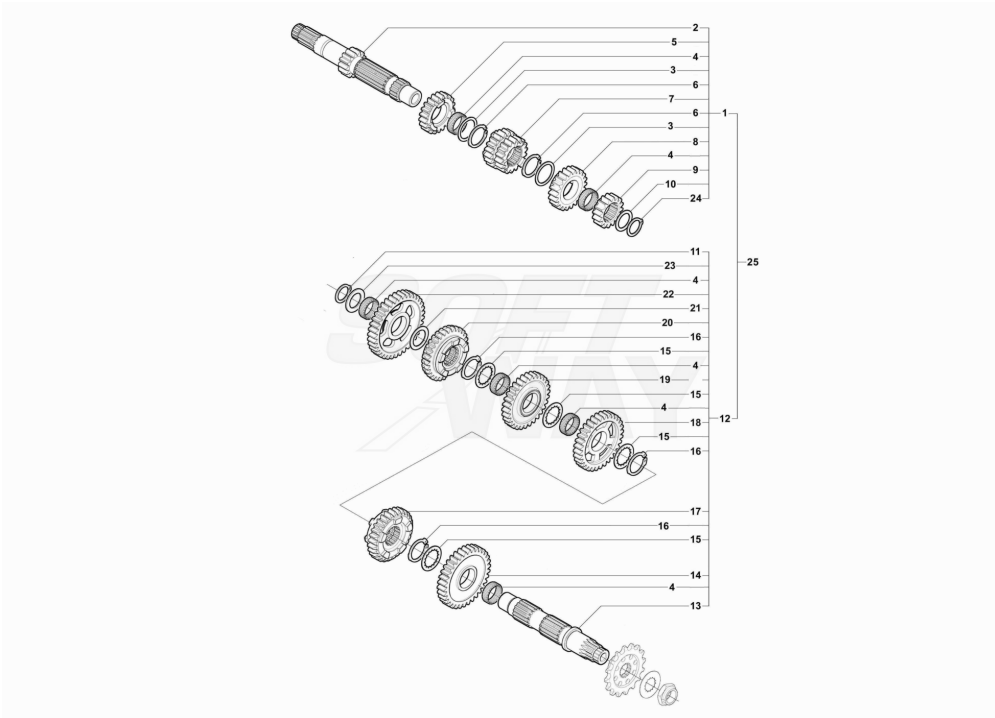


Pos	Part Number	Description	Additional Text	Quantity
1	SPMV8000B5430	RADIATOR FAN		1,00
2	SPMV8000B6058	FIXING KIT ELECTRIC VALVE		1,00
3	SPMV8000B7720	FIXING PLATE, RADIATOR	ROSSO	1,00
3	SPMV8000C8787	RADIATOR FIXING BRACKET	EXCEPT ROSSO	1,00
4	SPMV8F00B2688	Screw TCEIF M6x25 RP	800RR, DRAGSTER RR, DRAG.RR LH	1,00
5	SPMV8B00B2681	Screw M6x1-CH8-L12	F4S, F4 FRECCE TRICOLORI	2,00
6	SPMV800089293	CUSHION, D18xD8xE7,5	MY14/20 F3 675-F3 800	1,00
7	SPMV8000B7049	PLUG		1,00
8	SPMV800062651	VIBRATION REDUCER D22-D10-SP12		4,00
9	SPMV800062652	SPACER D10-D6	FOR COOLER 800084917	3,00
10	SPMV8G00B2681	Screw M6x1 CH8	LUSSO, RC, SCS	1,00
11	SPMV8000B7354	CONVEYOR FAN		1,00
12	SPMV8000B7719	OIL TUBE FIXING PLATE		1,00
13	SPMV8000B5959	WASHER D12 D7,8 SP0,5 IN NYLON	MY14/20 EXCEPT F3 ORO	3,00
14	SPMV8000B5920	Screw	MY12/13 F3 675-F3 ORO- F3 800	3,00
15	SPMV8H0091037	HOSE D4-D9-L950	RR-PIRELLI-RC-LH44-SCS MY18 AMERICA	1,00
15	SPMV8T0091037	RUBBER HOSE D4-D9-L1000	EXCEPT ROSSO	1,00
16	SPMV8000B6026	AIRING HOSE RADIATOR		1,00
17	SPMV8000B7224	CLIP		1,00
18	SPMV8S0066179	HOSE D6,5X10,5-L260		1,00
19	SPMV8000B7355	FIXING CLIP KIT, CABLE		1,00
20	SPMV8000B7541	SPACER D21-D9,25-D6,2-L13		1,00
21	SPMV8000B6022	CUSHION D21-D9-SP11		2,00
22	SPMV8000C2962	WATER COOLER		1,00
23	SPMV8A00B6019	PLUG, RADIATOR		1,00
24	SPMV8A00B6059	RADIATED TUBE RETAINING PLATE	ROSSO	1,00

25	SPMV8000B5422	WATER TEMPERATURE SENSOR		1,00
26	SPMV8000B6023	WATER HOSE		1,00
27	SPMV8F0092249	CLAMP		1,00
28	SPMV8K0092249	CLAMP CLIC R 96 D27.5		1,00
29	SPMV60NDB2780	Screw TBCE M6x1-L14	EXCEPT ROSSO	3,00
29	SPMV60NDB4452	SCREW TBCE M6X1-L12	ROSSO	3,00
30	SPMV8A0092256	CLAMP CLIC R 66 10 MM		2,00
31	SPMV8000B6024	RADIATOR HOSE, WATER PUMP		1,00
32	SPMV8000B2745	SCREW		1,00
33	SPMV8000B7166	OIL HEAT EXCHANGE	ROSSO	1,00
33	SPMV8000C8786	OIL RADIATOR	EXCEPT ROSSO	1,00
34	SPMV8F0092249	CLAMP		1,00
35	SPMV8K0092249	CLAMP CLIC R 96 D27.5		1,00
36	SPMV8000B6734	OIL TUBE FIXING PLATE		2,00
37	SPMV8B00B2681	Screw M6x1-CH8-L12	F4S, F4 FRECCE TRICOLORI	2,00
38	SPMV8000B9337	WASHER D10-D14-SP1		1,00
39	SPMV8000B7981	OIL HEAT EXCHANGE TUBE LEFT	MY17 DRAGSTER RR/DRAGSTER RC	1,00
40	SPMV8E0092256	CLAMP 66 D13,5		2,00
41	SPMV8000B7980	OIL HEAT EXCHANGE TUBE RIGHT	MY17 DRAGSTER RR/DRAGSTER RC	1,00
41	SPMV8000C8788	RIGHT OIL RADIATOR HOSE	EXCEPT ROSSO	1,00
42	SPMV800054147	RING		8,00
43	SPMV8000C2140	COMPLETE RECOVERY TANK		1,00
44	SPMV800092661	CLAMP 2.4X92	MY14/20 F3 675-F3 800	2,00
45	SPMV800053724	BELT, RUBBER, SHORT	MY12/16 USA CND CN	1,00
46	SPMV8D00B2688	Screw TCEIF M6x20 RT	RR-RUSH	2,00
47	SPMV8000C2958	BRAKING PIPE RETAINING PLATE		1,00
48	SPMV800062651	VIBRATION REDUCER D22-D10-SP12		1,00
49	SPMV800062652	SPACER D10-D6	FOR COOLER 800084917	1,00
50	SPMV8G00B2681	Screw M6x1 CH8	LUSSO, RC, SCS	1,00
51	SPMV8000B2710	NUT, M6x1 CH10 E7 PARLOCK	EXCEPT ORO	1,00
52	SPMV8000C8789	CONNECTOR RETAINING PLATE	RR-SCS-RC SCS	1,00
53	SPMV800092248	CLAMP, RUBBER, L82	RR-SCS-RC SCS	2,00
54	SPMV8000C3989	TUBE TIMING PLATE		1,00
55	SPMV8000B7898	CUSHION D28,5-D21,5-SP9	RR-SCS-RC SCS	1,00
56	SPMV60NDB4452	SCREW TBCE M6X1-L12	ROSSO	2,00

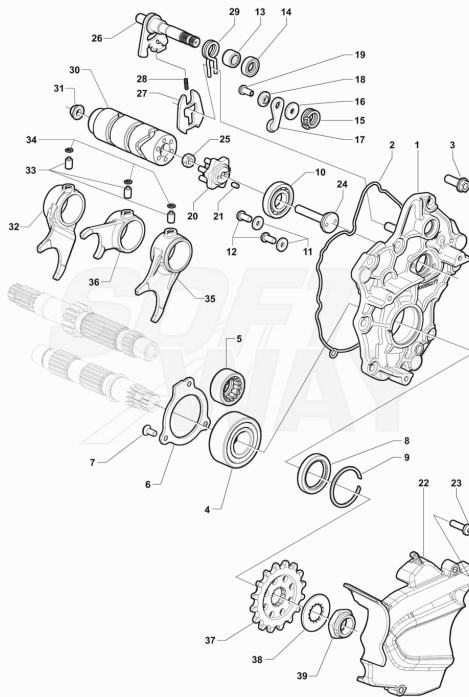


Pos	Part Number	Description	Additional Text	Quantity
1	SPMV8000C9872	GEAR SENSOR FOR 3 CYLINDERS E		1,00
2	SPMV8A0042700	OR2093 T1		1,00
3	SPMV60NDB2734	Screw TBCE M5x0,8-L12	800	2,00
4	SPMV8000A7862	MINIUMUM PRESSURE SWITCH		1,00
5	SPMV62N015676	WASHER D17-D10		1,00
6	SPMV800090184	RPM ENGINE SENSOR		1,00
7	SPMV800022551	OR2056 T1		1,00
8	SPMV60NDB2734	Screw TBCE M5x0,8-L12	800	2,00
9	SPMV8000B7884	SPARK PLUG NGK CR9EIB-9	OPT	3,00
10	SPMV8000B5422	WATER TEMPERATURE SENSOR		1,00
11	SPMV8000B8312	SHIHLIN GENERATOR		1,00
12	SPMV8F00B2790	SCREW TEF M12X1.25 L20 SX		1,00
13	SPMV800064846	ROSETTA D12.5-D25-SP2.5		1,00
14	SPMV60NDB4867	Screw TBCE M5x0,8-L30		3,00
15	SPMV8000B4383	GENERATOR CABLE RETAIN PLATE		1,00
16	SPMV60NDB4395	Screw TBCE M5x0,8-L8		2,00
17	SPMV8000B4334	STARTER MOTOR		1,00
18	SPMV800091597	GROMMET		1,00
19	SPMV60NDB2737	SCREW TBCE M6X1-L25	F3 ORO-F3 AGO	2,00
20	SPMV8000C8985	ELDOR COIL		3,00
21	SPMV8000B6056	FRONT AIRBOX SUPPORT		1,00
22	SPMV60NDB2737	SCREW TBCE M6X1-L25	F3 ORO-F3 AGO	2,00
23	SPMV60NDB2735	SCREW TBCE M6X1-L16	MY15/17 F3 675 RC-F3 800 RC	1,00



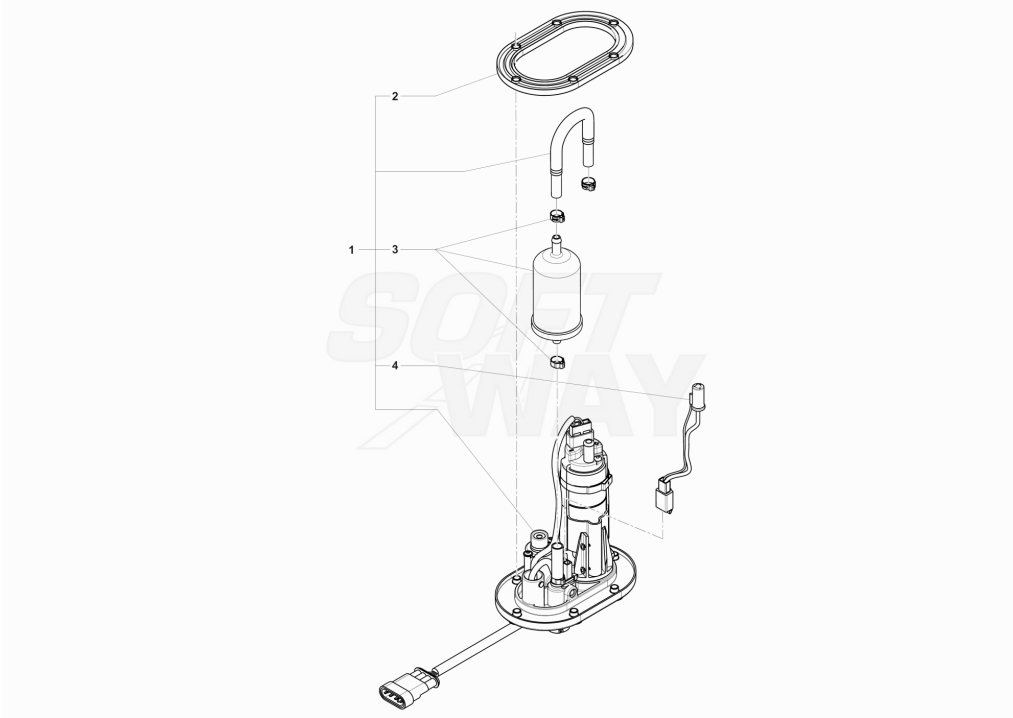
Pos	Part Number	Description	Additional Text	Quantity
2	SPMV8000B9873	PRIMARY SHAFT WITH BUSHINGS	MY17 DRAGSTER RR/DRAGSTER RC	1,00
3	SPMV8000A0973	WASHER	ENGINE 6540-6742 & 7236>	2,00
4	SPMV8000A0370	BUSH	ENGINE 6540-6742 & 7236>	6,00
5	SPMV8000C3166	ENGINE 5VEL.ON THE PRIM. Z 21	MY17/20 F3 675-800-RC	1,00
5	SPMV8000C3179	INGR. 5 ON PRIM.Z 22	ENGINE 22153>	1,00
6	SPMV8000A0975	SNAP RING	ENGINE 6540-6742 & 7236>	2,00
7	SPMV8000C3167	SLIDING 3RD-4TH GEAR ON PRIMARY	MY17/20 F3 675-800-RC	1,00
7	SPMV8000C3180	INGR.SLIDING 3-4 ON PRIM	ENGINE 22153>	1,00
8	SPMV8000C3168	6 GEAR	MY17/20 F3 675-800-RC	1,00
8	SPMV8000C3181	6 GEAR ON THE PRIM Z 21	ENGINE 22153>	1,00
9	SPMV8000B1023	DRIVEN GEAR 2 Z-16		1,00
10	SPMV8D0081569	WASHER	1.0 MM	1,00
11	SPMV66N021210	CIRCLIP		1,00
13	SPMV8000B1030	COUNTER SHAFT		1,00
14	SPMV8000C7090	GEAR 2ND VEL. ON	VIN>09321, 09290	1,00
14	SPMV8000C7098	INGR. 2ND SPEED ON SECONDARY Z	800-LUSSO ENGINE 25604> RC-SCS ENGINE 25627>	1,00
15	SPMV8000A4196	WASHER	BRUTALE S,09192>,<10409,10968>	4,00
16	SPMV8000A0990	SNAP RING	ENGINE 6540-6742 & 7236>	3,00
17	SPMV8000C7091	GEAR 6TH VEL. SUL	VIN>09321, 09290	1,00
17	SPMV8000C7099	INGR. 6 VEL.ON SECONDARY Z	800-LUSSO ENGINE 25604> RC-SCS ENGINE 25627>	1,00
18	SPMV8000C3170	INGR. 3 VEL. ON SEC.	MY17/20 F3 675-800-RC	1,00
19	SPMV8000C3171	INGR. 4TH ON SECONDARY	MY17/20 F3 675-800-RC	1,00

19	SPMV8000C3189	INGR. 4 ON SECONDARY Z 30	ENGINE 22153>	1,00
20	SPMV8000C7092	GEAR 5TH VEL. ON	VIN>09321, 09290	1,00
20	SPMV8000C7100	SLIDING INPUT 5TH SPEED ON SEC.	RC-SCS ENGINE 25627> 800-LUSSO ENGINE 25604>	1,00
21	SPMV8000A0987	WASHER	ENGINE 6540-6742 & 7236>	1,00
22	SPMV8000C7093	INGR. 1 ON SEC.	VIN 09324>	1,00
23	SPMV8000A4780	WASHER	BRUTALE S,09192>,<10409,10968>	1,00
24	SPMV8000B7876	ELASTIC LOWERED RING 24		1,00
25	SPMV8000C7095	PRIMARY AND SECONDARY SHAFT	SCS RR ENGINE 24874> RR ENGINE 24276-24534	1,00
25	SPMV8000C7096	PRIMARY AND SECONDARY SHAFT	800-LUSSO ENGINE 25604> RC-SCS ENGINE 25627>	1,00

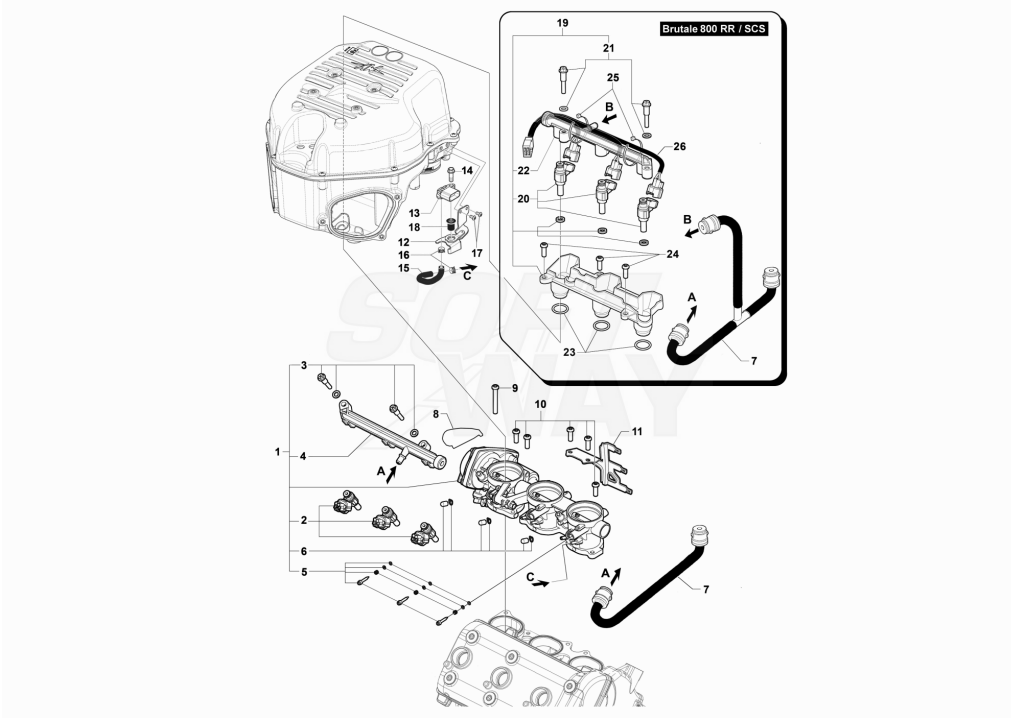


Pos	Part Number	Description	Additional Text	Quantity
1	SPMV8A00B9476	COMPLETE CLUTCH COVER	MY17 DRAGSTER RR/DRAGSTER RC	1,00
2	SPMV8000B2639	COVER GEARSHIFT GASKET		1,00
3	SPMV8M00B2683	SCREW TEF M8X1		8,00
4	SPMV8000A2318	OBLIQUE BEARING 2 ROWS SF. D28	BRUTALE S,09192>,<10409,10968>	1,00
5	SPMV8000A1086	ROLLER BEARING D24-D40-SP1	BRUTALE S,09192>,<10409,10968>	1,00
6	SPMV800086114	BEARING LOCKING PLATE		1,00
7	SPMV60NDB4389	Screw TSCE M6x1-L14		3,00
8	SPMV800089410	GASKET RING D35-D47-SP7		1,00
9	SPMV800091603	SEEGER RING SB 48		1,00
10	SPMV8B0014258	BEARING		1,00
11	SPMV8000A0901	WASHER D15-D6		2,00
12	SPMV60NDB2780	Screw TBCE M6x1-L14	EXCEPT ROSSO	2,00
13	SPMV800051191	ROLL BEARING D12-D18-SP1		1,00
14	SPMV8A0028855	RING CORCOS BA-B-SL D22-D12-		1,00
15	SPMV8000B5284	CLAMP SPEED CLICK SPRING		1,00
16	SPMV800086107	SPACING WASHER D6.2-D20-		1,00
17	SPMV8000B5285	CLAMP SPEED CLICK		1,00
18	SPMV800085493	SPEED CLICK PING		1,00
19	SPMV60NDB2780	Screw TBCE M6x1-L14	EXCEPT ROSSO	1,00
20	SPMV8000B5339	SELECTOR DRUM WITH PINS		1,00
21	SPMV800038520	ROLL D4-L8		1,00
22	SPMV8000C2475	CHAIN COVER	MY17 DRAGSTER RR/DRAGSTER RC	1,00
23	SPMV60NDB4720	SCREW TCBC M6X1-L25	RR-SCS-RC SCS	3,00
24	SPMV8000B5283	Pin gearshift drum		1,00
25	SPMV61NE15035	EXAGONAL STD NUT M8X1		1,00
26	SPMV8000B5446	SELECTOR SHAFT		1,00

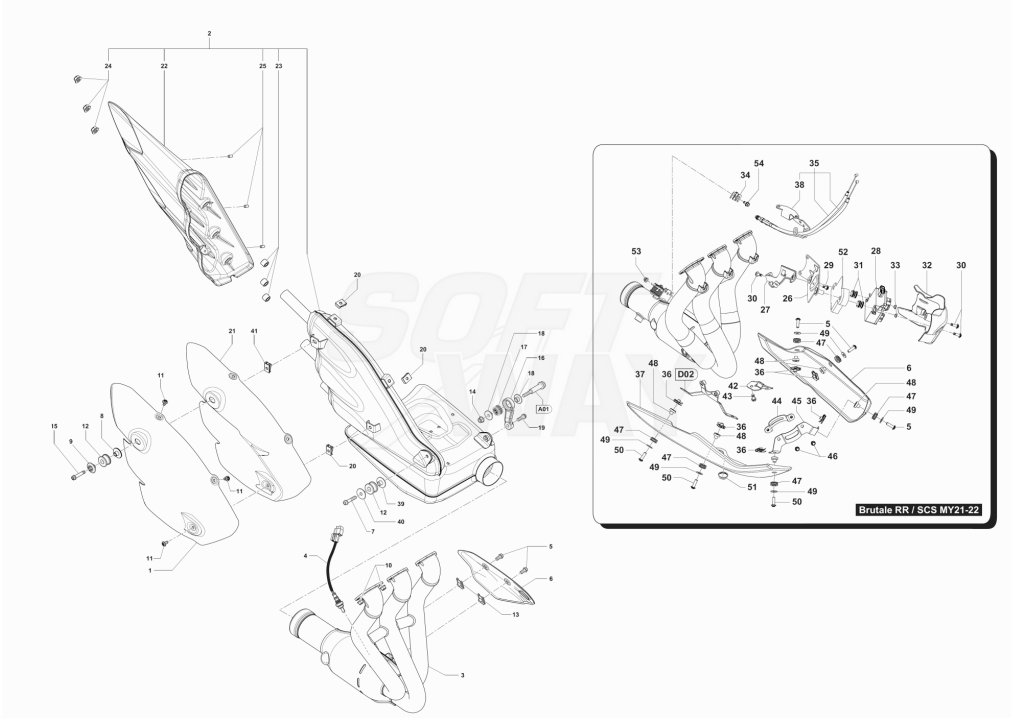
27	SPMV8000B5287	SELECTOR CONTROL PLATE		1,00
28	SPMV8000B5288	SELECTOR PLATE SPRING		1,00
29	SPMV8000B5445	SELECTOR RECALL SPRING		1,00
30	SPMV8000B5280	CONTROL FORK SHAFT		1,00
31	SPMV800043928	SELF LOCKING NUT M8X1		1,00
32	SPMV8000B1047	FORK GEAR 1-4		1,00
33	SPMV8000A2538	CYLINDRICAL PIN		3,00
34	SPMV8000B4118	RETAIN RING RB7		3,00
35	SPMV8000B1049	FORK GEAR 2-3		1,00
36	SPMV8000B1045	FORK GEAR 5-6		1,00
37	SPMV8000B5321	PINON GEAR Z16	MY12/16 F3 675-F3 675 RC	1,00
38	SPMV8000B3312	SECURE WASHER		1,00
39	SPMV8000B2716	BOLT M22X1	MY12/13 VIN >001264 F3 675-ORO	1,00



Pos	Part Number	Description	Additional Text	Quantity
1	SPMV8000C8722	FUEL INTAKE ASSEMBLY		1,00
2	SPMV8000B8612	SEALING GASKET G.A.C.		1,00
3	SPMV8000B4278	FUEL FILTER		1,00
4	SPMV8000B4277	THERMISTOR		1,00

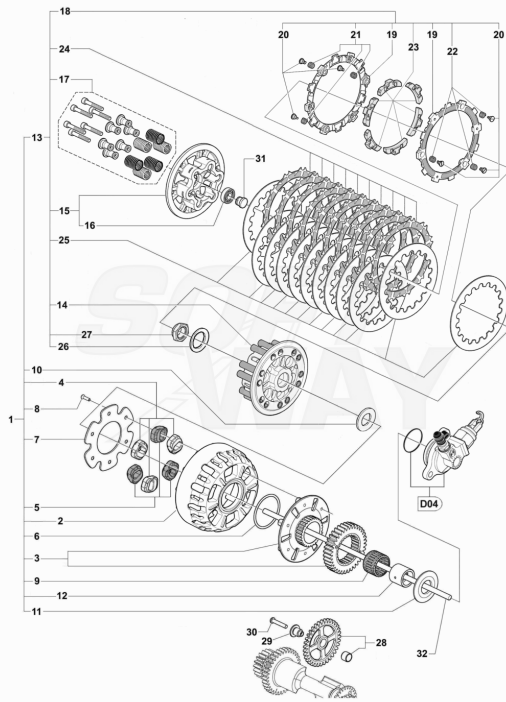


Pos	Part Number	Description	Additional Text	Quantity
1	SPMV8000B5347	MIKUNI THROTTLE BODY	800RR, DRAGSTER RR/RR LH/RC	1,00
1	SPMV8000B5349	THROTTLE BODY (MIKUNI)	675, 800, DRAGSTER	1,00
2	SPMV8000B6933	INJECTOR THROTTLE BODY		1,00
3	SPMV8000B6934	WASHER AND SCREW KIT		1,00
4	SPMV8000B6935	INSIDE LINK FUEL TANK		1,00
5	SPMV8000B6936	Screw kit		1,00
6	SPMV8000B6937	CAP-SPRING KIT		1,00
7	SPMV8000C9965	FUEL HOSE	EXCEPT ROSSO	1,00
7	SPMV8000C9966	FUEL HOSE	ROSSO	1,00
8	SPMV8000C3033	ADHESIVE DECAL FOR PROTECTION		1,00
9	SPMV8L00B2688	SCREW TCEIF M6X50		1,00
10	SPMV8D00B2688	Screw TCEIF M6x20 RT	RR-RUSH	5,00
11	SPMV8000B7018	CONNECTOR PLATE		1,00
12	SPMV8000C3694	SENSOR SUPPORT PLATE		1,00
13	SPMV8000B3432	SENSOR, PRESSURE		1,00
14	SPMV8F00B2681	SCREW, M6x1 CH8 L22		1,00
15	SPMV8000C6926	RUBBER HOSE D4-D9-L75		1,00
16	SPMV8B0096458	CLAMP, METAL, 55-85		2,00
17	SPMV98B0090901	Special screw M4x8	TAMBURINI	2,00
18	SPMV800048245	CUSHION, SCREW, M6x1 L16	B4 RS	1,00
19	SPMV8000B8699	INJECTION BANK	F3 800-F3 AGO-F3 800 RC	1,00
20	SPMV8000B8704	SUPERIOR BANK INJECTORS KIT	F3 800-F3 AGO-F3 800 RC	1,00
21	SPMV8000B8705	KIT SCREWS AND WASHERS FOR FLUTE	F3 800-F3 AGO-F3 800 RC	1,00
22	SPMV8000B8706	PETROL FLUTE F3 800	F3 800-F3 AGO-F3 800 RC	1,00
23	SPMV8000B6001	OR4081 T3,53-D20,22 VITON	RR-SCS-RC SCS	3,00
24	SPMV8BA084658	TAPPING SCREW	RR-SCS-RC SCS	3,00
25	SPMV800092661	CLAMP 2.4X92	MY14/20 F3 675-F3 800	2,00
26	SPMV8000B6061	WIRE INJECTOR	RR-SCS-RC SCS	1,00



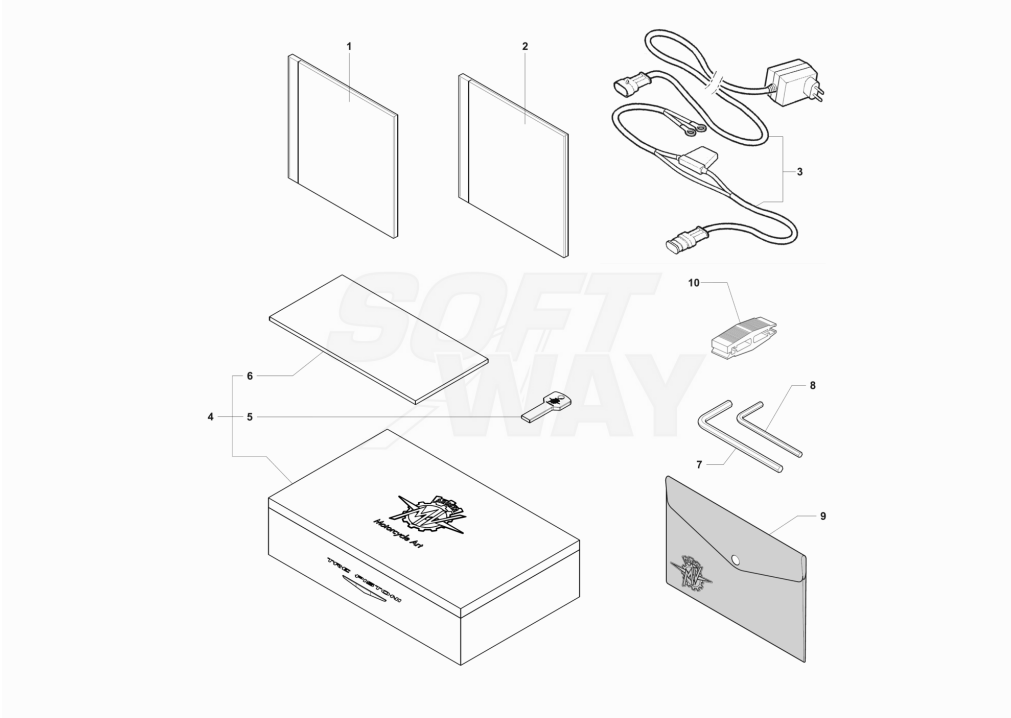
Pos	Part Number	Description	Additional Text	Quantity
1	SPMV80A0C2972	MUFFLER PROTECTOR	MY17 DRAGSTER RR/DRAGSTER RC	1,00
2	SPMV8000C8790	Silencer	RR-SCS	1,00
2	SPMV8000C8968	SILENCER	ROSSO	1,00
3	SPMV8000C8439	EXHAUST MANIFOLD CATALIZZ	RR-SCS	1,00
3	SPMV8000C8462	CATALIZ EXHAUST MANIFOLD	ROSSO	1,00
4	SPMV8000C8432	"LAMBDA" NGK PROBE"		1,00
5	SPMV8A00B2672	SCREW, M6x11,7x12	MY18 RC, MY19 RC, RC LH	2,00
5	SPMV8C00B2672	SCREW, M6x11,7x25 RP	MY18 AMERICA PIRELLI- RC-LH44-SCS	3,00
6	SPMV8000B6659	PROTECTION, CATALYZER	675, 800	1,00
6	SPMV80A0C8795	LEFT SIDE EXHAUST PROTECTION	RR-SCS	1,00
7	SPMV8G00B2688	Screw TCEIF M6x30	EXCEPT ORO	1,00
8	SPMV8000B3678	WASHER, SPACER, MUFFLER COLECT	VIN: >001581, 001614/001644 VIN: 001655/001669 VIN: 001685/001744 VIN: 001778/002055	1,00
9	SPMV8000D0090	EXTERNAL SPACER		1,00
10	SPMV8000B2710	NUT, M6x1 CH10 E7 PARLOCK	EXCEPT ORO	6,00
11	SPMV8A00B5919	SCREW M5 L12	MY17 DRAGSTER RR/DRAGSTER RC	3,00
12	SPMV8000B3677	CUSION, MUFFLER		2,00
13	SPMV800046893	NUT M6X1	F3 ORO-F3 AGO	2,00
14	SPMV8000B2710	NUT, M6x1 CH10 E7 PARLOCK	EXCEPT ORO	1,00
15	SPMV8G00B2688	Screw TCEIF M6x30	EXCEPT ORO	1,00
16	SPMV8000B9886	SILENCER SUPPORT		1,00
17	SPMV800062651	VIBRATION REDUCER D22-D10-SP12		1,00
18	SPMV800090943	BUSH, SPACER		2,00
19	SPMV8C00B2688	SCREW, TCEIF M6x18 RT	ED.1, LUSSO, RC, SCS	1,00

20	SPMV8000B5811	NUT M5	MY12/13 F3 675-F3 ORO-F3 800	3,00
21	SPMV8000C2973	THERMAL REFLECTOR FOR INDICATOR		1,00
22	SPMV80A0C8791	SILENCER TERMINALS	ROSSO	1,00
22	SPMV8AA0C8791	SILENCER TERMINAL	RR-SCS	1,00
23	SPMV8A00C1809	SPACER FOR FIXING		3,00
24	SPMV8000B2712	NUT, M8x1,25x8,5 CH12	MY15/17 JPN F3 RC	3,00
25	SPMV8000C3172	HEADLESS SCREW M5X14 UNI	MY17/20 F3 675-F3 800	3,00
26	SPMV8000C3526	ACTUATOR SUPPORT PLATE	RR-SCS-RC SCS	1,00
27	SPMV8A00C3527	PLATE REINFORCEMENT SUPPORT	RR-SCS-RC SCS	1,00
28	SPMV8000B2126	VALVE, MUFFLER ACTUATOR	RR-SCS-RC SCS	1,00
29	SPMV8C00B5919	SCREW M5	F3 ORO-F3 AGO	1,00
30	SPMV8000B5919	Screw	MY15/17 F3 675 RC-F3 800 RC	3,00
31	SPMV8000B3673	CUSHION, ACTUATOR VALVE	RR-SCS-RC SCS	2,00
32	SPMV8000C3530	ACTUATOR COVER	RR-SCS-RC SCS	1,00
33	SPMV8000B2798	WASHER, ESPAÇADORA	MY18/20 F3 675 RC-F3 800 RC	2,00
34	SPMV8000B4110	SUPPORT, CABLES, ACTUATOR VALV	RR-SCS-RC SCS	1,00
35	SPMV8000D0778	ACTUATOR TRANSMISSION KIT	RR-SCS-RC SCS	1,00
36	SPMV800046893	NUT M6X1	F3 ORO-F3 AGO	6,00
37	SPMV8AA0C8796	RIGHT SIDE EXHAUST PROTECTION	RC SCS, MY22	1,00
38	SPMV8000D0773	PLATE FIX. FRIDGE CENTER	RR-SCS-RC SCS	1,00
39	SPMV8000B3678	WASHER, SPACER, MUFFLER COLECT	VIN: >001581, 001614/001644 VIN: 001655/001669 VIN: 001685/001744 VIN: 001778/002055	1,00
39	SPMV8000D1069	SPACER FOR EXHAUST	VIN 007658/007721, VIN 007781>	1,00
40	SPMV8000B3678	WASHER, SPACER, MUFFLER COLECT	VIN: >001581, 001614/001644 VIN: 001655/001669 VIN: 001685/001744 VIN: 001778/002055	1,00
40	SPMV8000D1070	WASHER D24-D6.25-SP1.5	VIN 007658/007721, VIN 007781>	1,00
41	SPMV800046893	NUT M6X1	F3 ORO-F3 AGO	1,00
42	SPMV8000C8777	LEFT SIDE SUPPORT PLATE	RR-SCS-RC SCS	1,00
43	SPMV8C00B2681	SCREW, TEF M6x1 CH8 L14	RR-SCS-RC SCS	1,00
44	SPMV8000C8794	JUMPER INT. FASTENING FRONT	RR-SCS-RC SCS	1,00
45	SPMV8000C8793	CLEVIS EXT. FASTENING FRONT	RR-SCS-RC SCS	1,00
46	SPMV8B00B2680	SCREW, TEF M5x0,8x8 CH10	USA, CAN	2,00
47	SPMV80A089293	CUSHION D18-D8-SP7,5	MY12/16 F3 675-F3 800	6,00
48	SPMV8000C4832	SPACER WITH COLLAR	RR-SCS-RC SCS	6,00
49	SPMV8000B2722	WASHER, D16xD6,4xE1,5	RR-SCS-RC SCS	6,00
50	SPMV8C00B2672	SCREW, M6x11,7x25 RP	MY18 AMERICA PIRELLI-RC-LH44-SCS	3,00
51	SPMV800042001	CUSHION, D29xD27xD16xE9	RR-SCS-RC SCS	1,00
52	SPMV8000C3577	HEAT REFLECTOR FOR ACTUATOR	RR-SCS-RC SCS	1,00
53	SPMV8000B2707	NUT, M5x0,8xE6 CH8 PARLOCK	990R-1090RR 002105> USA BRUTALE 920 USA	1,00
54	SPMV8B00B2680	SCREW, TEF M5x0,8x8 CH10	USA, CAN	1,00

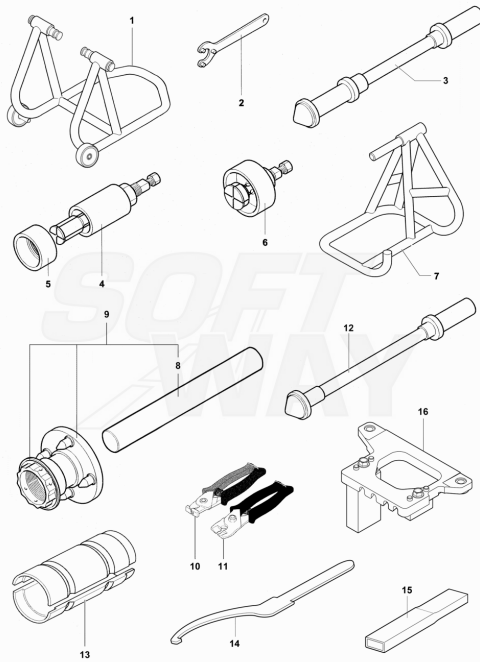


Pos	Part Number	Description	Additional Text	Quantity
1	SPMV8A00C7898	PRIMARY GEAR AND CLUTCH	SCS-RC SCS	1,00
2	SPMV8000C7900	CLUTCH BELL	SCS-RC SCS	1,00
3	SPMV8000C4381	FLANGE GEAR	MY17 DRAGSTER RR/DRAGSTER RC	1,00
4	SPMV8000B6484	RUBBER GASKET	MY14/20 F3 675	3,00
5	SPMV8A00B6484	FLEXIBLE COUPLING	MY14/20 F3 675	3,00
6	SPMV8000B3996	OR164 T3,53-D60,33	MY14/20 F3 675	1,00
7	SPMV8000B1727	SPROCKET RETAINING DISC	MY14/20 F3 675	1,00
8	SPMV60NDB4391	Screw TSCE M6x1-L182	F3 800-AGO-RC	6,00
9	SPMV8000B3997	ROLL BEARING K35X42X30	MY14/20 F3 675	1,00
10	SPMV8000B4997	WASHER CLUTCH, SP2.6	SCS-RC SCS	1,00
11	SPMV8000B3018	WASHER FOR DRIVER GEAR SP3	MY14/20 F3 675	1,00
12	SPMV8000B3989	DRIVER GEAR SPACER	MY14/20 F3 675	1,00
13	SPMV8A00C7904	CLUTCH REKLUSE	SCS-RC SCS	1,00
14	SPMV8000C5716	DISC HOLDER HUB	SCS-RC SCS	1,00
15	SPMV8A00C8211	WHEEL PUSHER PLATE	SCS	1,00
16	SPMV8000C5722	RADIAL BEARING 6001 -	SCS-RC SCS	1,00
17	SPMV8000C5723	CLUTCH SPRING KIT	SCS-RC SCS	1,00
18	SPMV8000C7905	EXP 3.0 CLUTCH DISC ASSEMBLY	SCS-RC SCS	1,00
19	SPMV8000C7906	EXP 3.0 CLUTCH DISC BODY	SCS-RC SCS	2,00
20	SPMV8000C5729	EXP 3.0 MOUNTING PIN - 14	SCS-RC SCS	6,00
21	SPMV8000C5730	EXP 3.0 GOLD ADJUSTMENT SPRING	SCS-RC SCS	3,00
22	SPMV8000C5731	EXP 3.0 ADJUSTMENT SPRING	SCS-RC SCS	3,00
23	SPMV8000C8087	MASSES EXP 3.0 - LIGHT	SCS-RC SCS	6,00
24	SPMV8000C7907	GARNISHED CLUTCH DISC	SCS-RC SCS	10,00
25	SPMV8000C5734	PLAIN CLUTCH DISC	SCS-RC SCS	12,00
26	SPMV8000B7308	WASHER	MY12/13 VIN 001265> F3 675	1,00

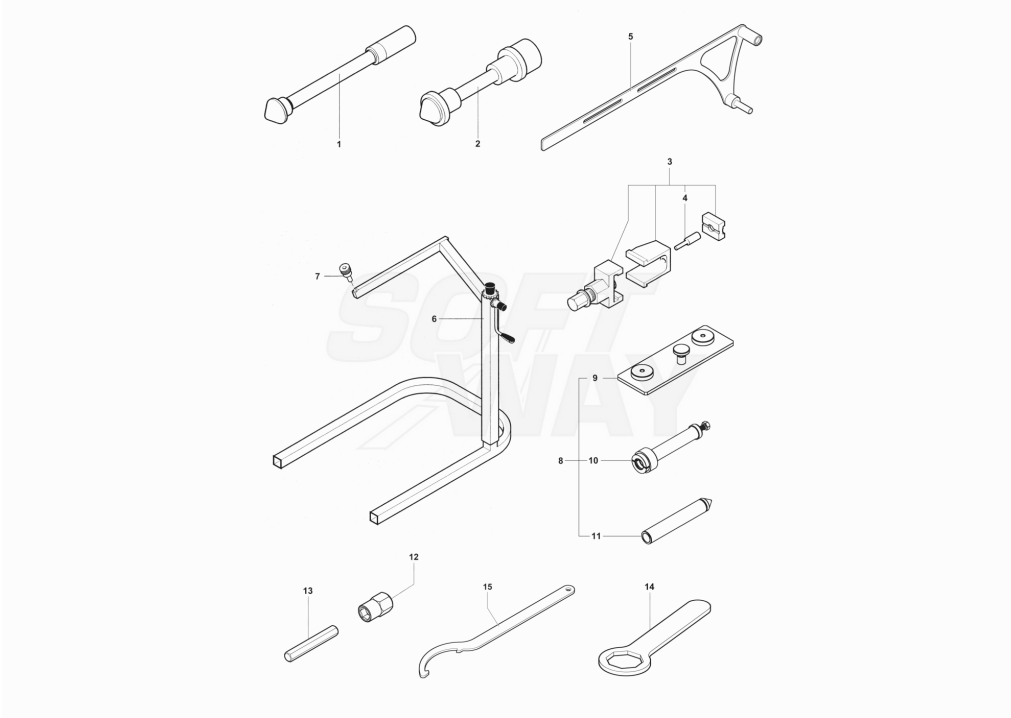
27	SPMV8000B7311	NUT M22X1.5	MY12/13 VIN 001265> F3 675	1,00
28	SPMV8000C4383	OIL PUMP REDUCTION GEAR	MY17/20 F3 675-800-RC	1,00
29	SPMV8000C2379	PIN	MY14/15 EXCEPT F3 ORO	1,00
30	SPMV60NEC6704	TCBCE SCREW	MY14/15 EXCEPT F3 ORO	1,00
31	SPMV8000B1947	CLUTCH DRIVING PIN	MY17 DRAGSTER RR/DRAGSTER RC	1,00
32	SPMV8000C0594	AUCTION GEAR SHIFT	SCS-RC SCS	1,00



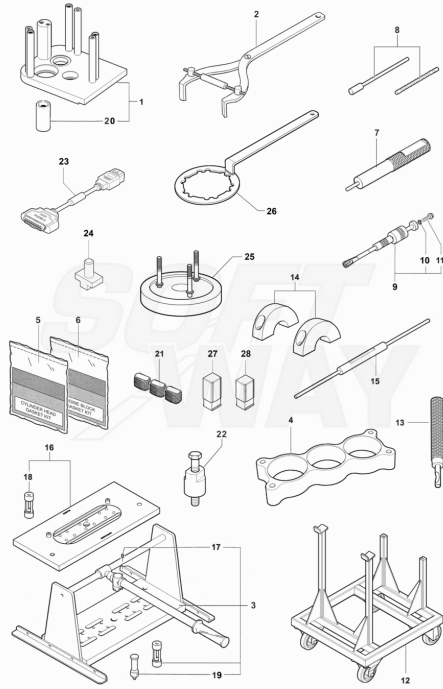
Pos	Part Number	Description	Additional Text	Quantity
2	SPMV8000B6231	ENGINE WORKSHOP MANUAL CD		1,00
3	SPMV8000B7923	BATTERY CHARGER KIT	MY15 RC	1,00
3	SPMV8A00B7923	CHARGER KIT	USA CND	1,00
3	SPMV8B00B7923	KIT BATTERY CHARGER JPN	JPN	1,00
4	SPMV8000C8963	DOCUMENTAZ.PRODOTTO MV B3 E5	ROSSO	1,00
4	SPMV8000C8964	DOCUMENTAZ.PRODOTTO MV B3 E5	USA-CND ROSSO	1,00
4	SPMV8000D0803	DOCUMENTAZ.PRODOTTO B3 RR	EXCEPT ROSSO	1,00
4	SPMV8000D0804	DOCUMENTAZ.PRODOTTO B3 RR USA	USA-CND EXCEPT ROSSO	1,00
5	SPMV8000C5468	HI-SPEED USB 2.0 KEY 4GB	MY18/20 800-LUSSO-RC, SCS	1,00
6	SPMV8000C4965	MV WARRANTY BOOKLET	MY17/20 F3 675-800-RC	1,00
7	SPMV800039383	HEXAGON WRENCH KEY 4MM		1,00
8	SPMV800092856	TOOL		1,00
9	SPMV8000C8011	COMPLETE DOCUMENT HOLDER	MY20 F3 675-F3 800-F3 800 RC	1,00
10	SPMV800099275	TOOL FUSE		1,00



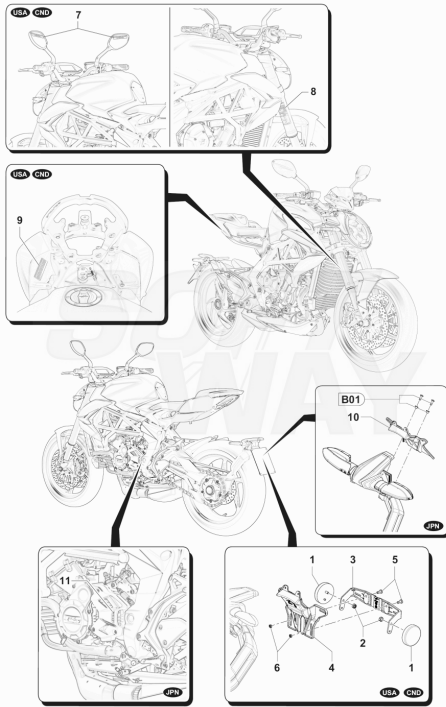
Pos	Part Number	Description	Additional Text	Quantity
1	SPMV800095830	FRONT STAND		1,00
2	SPMV800091645	Holding wrench		1,00
3	SPMV8000B6920	TOOL FRONT WHEEL BEARING		1,00
4	SPMV800092860	FORK BEARING		1,00
5	SPMV800092861	BEARING EXTRACTOR		1,00
6	SPMV8000B4416	FRONT WHEEL BEARING		1,00
7	SPMV8000B9312	REAR STAND		1,00
8	SPMV8000A1953	PIN FOR CENTERING		1,00
9	SPMV800092865	Special tool rear wheel		1,00
10	SPMV800095850	Tool for pliers clic clamps		1,00
11	SPMV800098321	Tool for tilted pliers clic clamps		1,00
12	SPMV800092866	FORK PACK TOOL		1,00
13	SPMV8000B6785	Tool dust cover and oil seal		1,00
14	SPMV800092854	Hook wrench		1,00
15	SPMV800092855	Hook wrench extension		1,00
16	SPMV8000D0608	RACCORDEMENT TIMING TOOL ON M		1,00



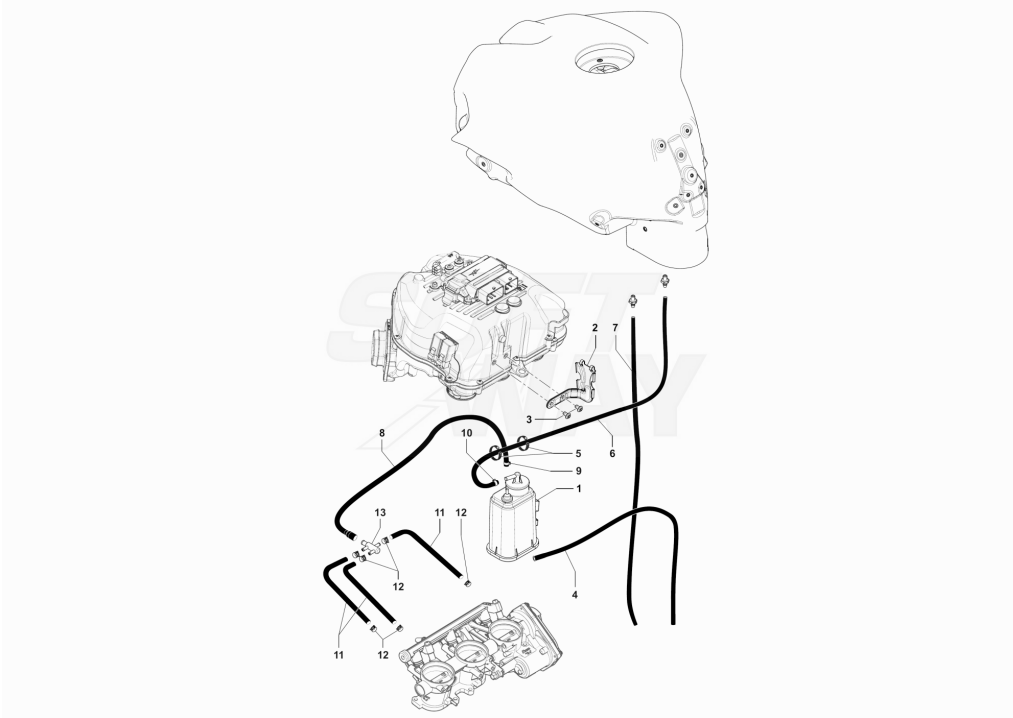
Pos	Part Number	Description	Additional Text	Quantity
1	SPMV8000B6782	TOOL		1,00
2	SPMV8000B4421	FRONT WHEEL BEARINGS		1,00
3	SPMV800095389	CHAIN TOOL PITCH 520 532		1,00
4	SPMV800095390	PIN CHAIN CUTTING 520-532		1,00
5	SPMV8000B6787	REAR SUSPENSION SETTING ROD		1,00
6	SPMV800095807	ANT. STAND COMPLETE		1,00
7	SPMV8000B7340	PIN FOR FRONT STAND		1,00
8	SPMV8000B6779	TOOL		1,00
9	SPMV8000B6780	STEERING HEAD PLATE		1,00
10	SPMV8000B6781	STEERING BEARING		1,00
11	SPMV800097890	STEERING BEARING		1,00
14	SPMV8000C3353	Tool for fork cap		1,00
15	SPMV8000B7038	TOOL PRE-LOAD REGULATION		1,00



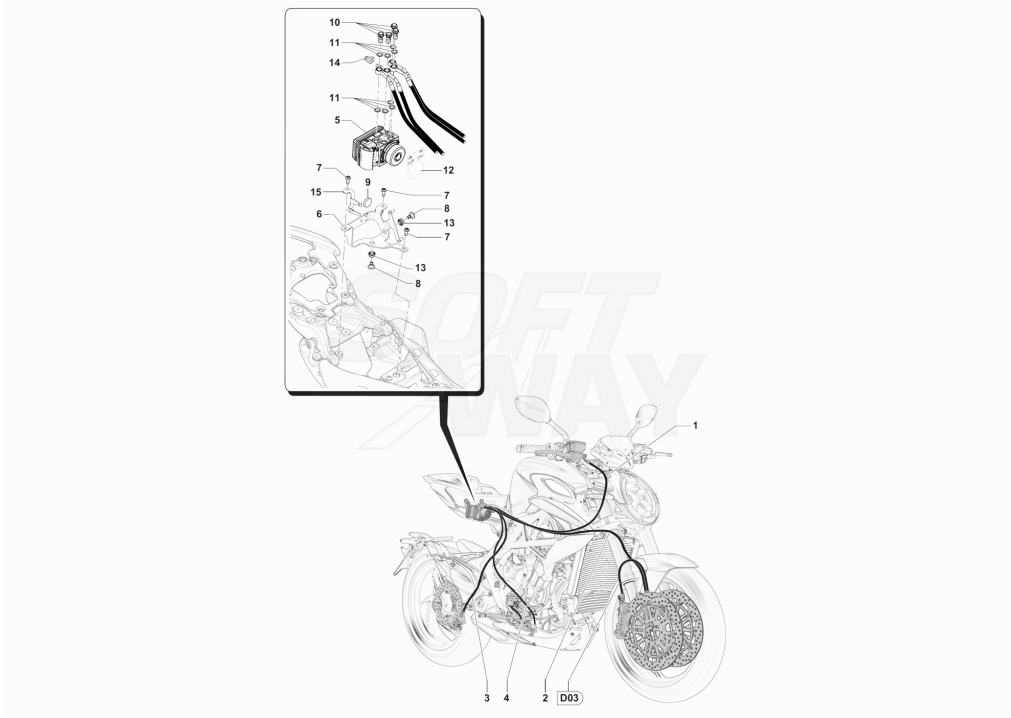
Pos	Part Number	Description	Additional Text	Quantity
1	SPMV8000B7177	Setting gauge gearbox		1,00
2	SPMV800079015	CLUTCH BLOCKING TOOL		1,00
3	SPMV800094796	VALVES ASSEMBLY		1,00
4	SPMV8000B7207	PISTON ASSEMBLING PLATE		1,00
5	SPMV8000B7295	HEAD GASKET KIT		1,00
6	SPMV8000B7296	WASHER KIT		1,00
7	SPMV800095581	VALVE SEAL ASSEMBLY		1,00
8	SPMV8000A2625	BROACH FOR VALVE GUIDE		1,00
9	SPMV800094798	GOMMIN DISASSEMBLY EQUIPMENT		1,00
10	SPMV62N115538	SPRING WASHER		1,00
11	SPMV8C0069056	TEF SCREW M8X1.25 CH12-L30		3,00
12	SPMV8000C2372	SUPP.FOR DISASSEMBLYASSEMBLY		1,00
13	SPMV8000B7299	TOOLS		1,00
14	SPMV8000B7214	CAMSHAFT TOOL ASSEMBLING		2,00
15	SPMV800095429	CONTROL PAD		1,00
16	SPMV8000B7254	F3 PLATE		1,00
17	SPMV800051521	SCREW M4X6		2,00
18	SPMV8000B7255	CONE MOUNTING PART		1,00
19	SPMV800095179	HALF-CONES		1,00
20	SPMV8A00B2859	PIPE		1,00
21	SPMV8000B7036	COVER CONNECTION		2,00
22	SPMV8000B9720	Puller rotor		1,00
23	SPMV8000C3198	OBD ADAPTER CABLE		1,00
24	SPMV8000C7824	Tool for exhaust valve		1,00
25	SPMV8000C6941	Tool for cluch setting	SCS - RC SCS	1,00
26	SPMV8000C7261	Holding wrench	SCS - RC SCS	1,00
27	SPMV8000C9048	CONNECTOR END CAP	ROSSO / RC-SCS, MY22	1,00
28	SPMV8000C9046	CONNECTOR END CAP	RR	1,00



Pos	Part Number	Description	Additional Text	Quantity
1	SPMV8000B4964	RETROREFLECTOR	990R-1090RR 002105> USA BRUTALE 920 USA	2,00
2	SPMV8000B2707	NUT, M5x0,8xE6 CH8 PARLOCK	990R-1090RR 002105> USA BRUTALE 920 USA	2,00
3	SPMV8000C2152	UPPER FLANGE PLATE HOLDERCATADIO	USA-CND	1,00
4	SPMV8000C2153	UPPER PLATECATADIUM FLANGE	USA-CND	1,00
5	SPMV8A00B9347	Screw TBEI M5x0,8-CH3-L12 UNI	USA-CND	2,00
6	SPMV8000B2707	NUT, M5x0,8xE6 CH8 PARLOCK	990R-1090RR 002105> USA BRUTALE 920 USA	2,00
7	SPMV800094019	DECAL MIRROR	USA-CND	2,00
8	SPMV8000C9527	EMISSION CONTROL PLATE	USA-CND EXCEPT ROSSO	1,00
8	SPMV8000D0377	EMISSION CONTROL PLATE	USA-CND ROSSO	1,00
9	SPMV8000C9526	LEVEL CONTROL PLATE	USA-CND EXCEPT ROSSO	1,00
9	SPMV8000D0376	LEVEL CONTROL PLATE	USA-CND ROSSO	1,00
10	SPMV8A00C2147	LICENSE PLATEREFLECTOR FLANGE	JPN	1,00
11	SPMV800095842	GEARS DATA PLATE	JPN	1,00



Pos	Part Number	Description	Additional Text	Quantity
1	SPMV800097084	CANISTER FILTER		1,00
2	SPMV8000C4365	CANISTER SUPPORT PLATE		1,00
3	SPMV8000B2672	SCREW M6	F4R, F4RR	2,00
4	SPMV8000C4366	CANISTER AIR INTAKE TUBE		1,00
5	SPMV800053724	BELT, RUBBER, SHORT	MY12/16 USA CND CN	2,00
6	SPMV8F0098714	TUBE 5.5X9.5 L=560 WITH INLET		1,00
7	SPMV8000B6216	HOSE D5-D8 EPICLORID	MY12/16 USA CND CN	1,00
7	SPMV8B00B6216	RUBBER TUBE D5-D8	675-800 MY17 AMERICA	1,00
8	SPMV8A00C2132	PIPE D3.5-D9 PREFORMED WITH	EXCEPT 675-800 675 800 FRAME 000502>	1,00
9	SPMV800096458	CLAMP, METAL, 55 90	MY17/20 F3 675-800-RC	1,00
10	SPMV800096458	CLAMP, METAL, 55 90	MY17/20 F3 675-800-RC	1,00
11	SPMV800091037	HOSE, RUBBER 4X9	MY12/16 USA CND CN	3,00
12	SPMV8AA091634	CLAMP, METAL, SHORT	MY12/16 USA CND CN	6,00
13	SPMV8000B6733	4-WAY CONNECTOR	MY12/16 USA CND CN	1,00



Pos	Part Number	Description	Additional Text	Quantity
1	SPMV8000C8776	FRONT BRAKE MASTER CYLINDER OIL HOSE		1,00
2	SPMV8000C8775	OIL HOSE FOR ABS-CLAMP MODULE	R	1,00
3	SPMV8A00C1708	OIL HOSE ABS-CLAMP MODULE		1,00
4	SPMV8A00C7016	Rear brake master cylinder oil hose - ab		1,00
5	SPMV8000C8262	'ABS MODULE "CONTINENTAL" WET"		1,00
6	SPMV8000C8770	SUPPORT FOR ABS MODULE AND GPS		1,00
7	SPMV8E00B2672	SCREW TFEI M6X1 D11,7 L14	RR-RUSH	3,00
8	SPMV8000B8602	Screw	MY14/20 F3 675-F3 800	2,00
9	SPMV800095828	CUSION		2,00
10	SPMV8000A8947	TUBO OIL PIPE UNION	F4RR	4,00
11	SPMV800021480	WASHER, COPPER, D14xD10,2xE1	MY12/14 F3 675	8,00
12	SPMV8000C8771	ADHESIVE FOR ABS MODULE		1,00
13	SPMV800089293	CUSHION, D18xD8xE7,5	MY14/20 F3 675-F3 800	2,00
14	SPMV800053259	COVER, RUBBER	1000 VIN <008064 1000 USA	1,00
15	SPMV8000C8741	PLATE FIX. CONNECTORS		1,00