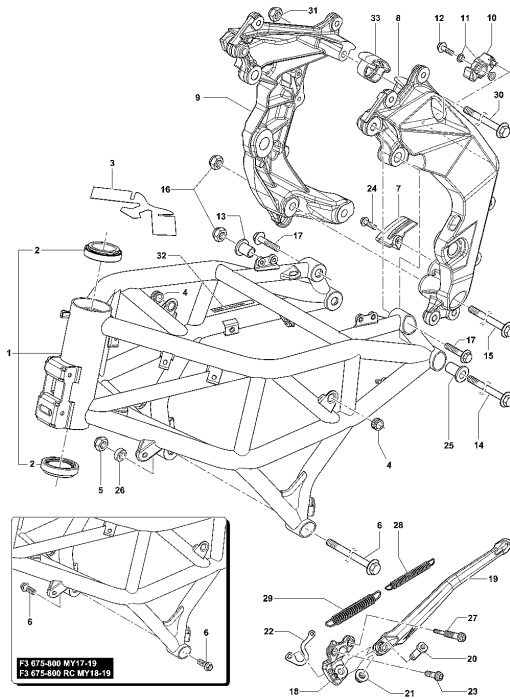


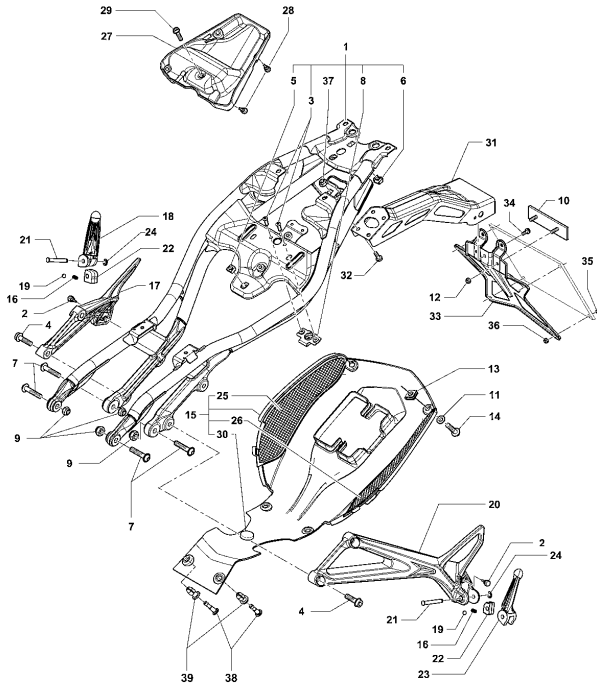
1.Frame	3
2.RearFrame	5
3.Swingarm	8
4.RearShock	10
5.Fork	12
6.RHFork	14
7.LHFork	16
8.SteeringDamper	18
9.RearWheel	19
10.FrontWheel	23
11.FrontWheelSerieOro	25
12.LHFootrest	26
13.RHFootrest	29
14.RHClipOn	32
15.LHClipOn	34
16.Locks	36
17.FrontFenderFairing	37
18.LowerFairing	43
19.AirBox	51
20.FuelTank	53
21.Saddle	60
22.WiringHarness	67
23.Dashboards	69
24.Headlight	70
25.ECUBattery	71
26.StarterRelay	74
27.VRegStator	75
28.TailLightBlinkers	76
29.CrankCase	78
30.Crankshaft	82

31.Cylhead	83
32.Timing	85
33.StarterGears	87
34.OilFilterWaterPump	88
35.Clutch	90
36.CoolingSystem	92
37.EngineElectrics	94
38.Gearbox	96
39.GearSelector	98
40.FuelPump	100
41.ThrottleBody	101
42.Exhaust	103
43.ClutchRC	107
44.Outfit	109
45.TailSectionRC	111
46.FrameTools	112
47.FrameTools2	113
48.EngineTools	114
49.MarketVersions	115
50.Evap	117
51.SlipperClutch	119
52.ABSBrake	121



Pos	Part Number	Description	Additional Text	Quantity
1	SPMV8000B6515	FRAME F3	MY12/18 RED/SILVER F3 675	1,00
1	SPMV8000B6515	FRAME F3	MY12/18 RED/SILVER F3 675	1,00
1	SPMV80A0B6515	FRAME F3	F3 800 MY13/14 BLACK	1,00
1	SPMV80A0B6515	FRAME F3	F3 800 MY13/14 BLACK	1,00
1	SPMV80A0B6515	FRAME F3	F3 800 MY13/14 BLACK	1,00
1	SPMV80A0B6515	FRAME F3	F3 800 MY13/14 BLACK	1,00
1	SPMV80A0B6515	FRAME F3	F3 800 MY13/14 BLACK	1,00
1	SPMV80A0B6515	FRAME F3	F3 800 MY13/14 BLACK	1,00
1	SPMV80A0B6515	FRAME F3	F3 800 MY13/14 BLACK	1,00
1	SPMV80A0B6515	FRAME F3	F3 800 MY13/14 BLACK	1,00
1	SPMV80B0B6515	F3 FINIT FRAME WITH CUSHION	F3 AGO	1,00
1	SPMV80C0B6515	FRAME FINISHED F3 WITH CUSHIONING	MY19 F3 675 RC-F3 800 RC	1,00
1	SPMV80D0B6515	FRAME FINISHED F3 WITH CUSHIONING	MY19 BLUE/GRAY F3 675	1,00
1	SPMV8A00B5610	Frame F3	F3 ORO	1,00
2	SPMV8000B4784	STEERING BEARING		2,00
3	SPMV8000B6740	PROTECTION DECAL FRAME		1,00
4	SPMV800089293	CUSHION, D18xD8xE7,5	MY14/20 F3 675-F3 800	2,00
5	SPMV8000B7168	FIXING NUT		1,00
6	SPMV8000B7165	SCREW FRONT ENGINE FIXING	MY12/16 F3 800-AGO-RC	1,00
6	SPMV8000B7165	SCREW FRONT ENGINE FIXING	MY12/16 F3 800-AGO-RC	1,00
6	SPMV8000B7165	SCREW FRONT ENGINE FIXING	MY12/16 F3 800-AGO-RC	1,00
6	SPMV8000C3696	FRONT SCREW FIX. ENGINE	MY17/20 F3 800-RC-675	2,00
7	SPMV8000B5644	LOWER CHAIN SLIDING BLOCK		1,00
8	SPMV80A0B5643	FRAME LEFT PLATE	MY12/13 F3 675-F3 800	1,00
8	SPMV8AA0B5643	FRAME LEFT PLATE	F3 ORO	1,00
8	SPMV8CA0B5643	LEFT SWINGARM FULCRUM PLATE	MY19/20 F3 675-F3 800	1,00

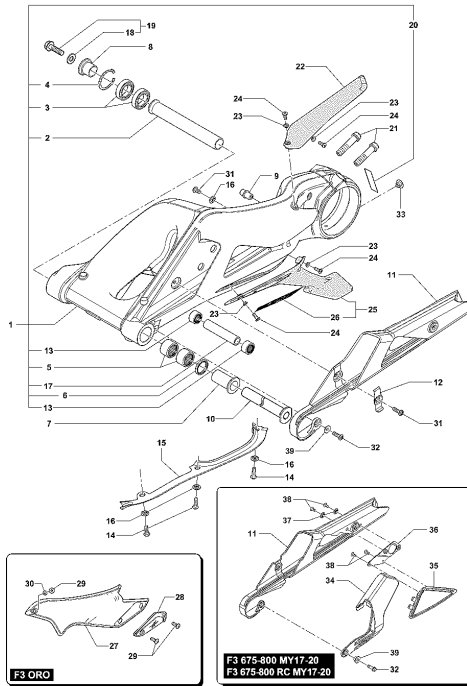
8	SPMV8BA0B5643	LEFT SWINGARM FULCRUM PLATE	MY15/17 F3 AGO-RC	1,00
9	SPMV80A0B5642	FRAME RIGHT PLATE	MY12/13 F3 675-F3 800	1,00
9	SPMV8AA0B5642	FRAME RIGHT PLATE	F3 ORO	1,00
9	SPMV8BA0B5642	SWINGARM RIGHT PLATE	MY14/18 F3 675-F3 800	1,00
9	SPMV8BA0B5642	SWINGARM RIGHT PLATE	MY14/18 F3 675-F3 800	1,00
9	SPMV8CA0B5642	RIGHT SWINGARM FULCRUM PLATE	MY19/20 F3 675-F3 800	1,00
9	SPMV8CA0B5642	RIGHT SWINGARM FULCRUM PLATE	MY19/20 F3 675-F3 800	1,00
10	SPMV8000B3559	SLIDER CHAIN		1,00
11	SPMV80A090392	SPACER	B4 RS-B4 RR-B4 NURBURGRING	2,00
12	SPMV8E00B2681	Screw M6x1-CH8-L20	MY17/20 F3 675 RC-F3 800 RC	1,00
13	SPMV8B0084857	ENGINE FIXING BUSH		1,00
14	SPMV8B00B5645	SCREW TEF M12X1,25-L238		1,00
15	SPMV8A00B5645	SCREW TEF M12X1,25-L202		1,00
16	SPMV8000B2715	NUT, M12x1,25x12,5 CH17		2,00
17	SPMV8000B2750	Screw TEF M12x1,25-L30		2,00
18	SPMV8000B5662	COMPLETE STAND PLATE		1,00
19	SPMV8000B5665	SIDE STAND	MY12/14 F3 675-F3 800	1,00
19	SPMV8000C0095	SIDE CRUTCH	MY15/18 F3 675-F3 800	1,00
19	SPMV80A0B5665	SIDE STAND	F3 ORO-F3 AGO	1,00
19	SPMV80A0C0095	SIDE CRUTCH	MY19/20 F3 675-F3 800	1,00
19	SPMV80A0C0095	SIDE CRUTCH	MY19/20 F3 675-F3 800	1,00
20	SPMV8000B5666	SIDE STAND PIN	MY12/14 F3 675-800-ORO- AGO	1,00
20	SPMV8000C0096	CRUTCH ROTATION PIN	MY15/20 F3 675-F3 800	1,00
20	SPMV8000C0096	CRUTCH ROTATION PIN	MY15/20 F3 675-F3 800	1,00
21	SPMV80A090432	NUT, PARLOCK M8x1,25		1,00
22	SPMV8000B5667	DEFLECTOR PLATE SPRING		1,00
23	SPMV8A00B2691	Screw TCEIF M10 L25		1,00
24	SPMV8000B5922	SCREW TFEI M5X0,8		1,00
25	SPMV8C0084857	ENGINE FIXING BUSH		1,00
26	SPMV8000B7167	SPACER FOR FIXING SCREW		1,00
27	SPMV8000B5668	SPECIAL SCREW TCEIF M10M6		1,00
28	SPMV8000B3986	INNER SPRING		1,00
29	SPMV8000B3987	OUTER SPRING		1,00
30	SPMV8A00B2755	TEF SCREW M10X107		1,00
31	SPMV8000B2714	NUT, M10x1,25x10 CH14		1,00
32	SPMV8000B4203	STICKER MANUAL WELDING FRAME		1,00
33	SPMV8000B8561	FRAME PLATE COVER		1,00



Pos	Part Number	Description	Additional Text	Quantity
1	SPMV8000B8276	COMPLETE F3 REAR SUBFRAME	MY12/14 F3 675-F3 800-F3 AGO	1,00
1	SPMV80A0B8276	REAR FRAME F3 COMPLE	MY15/20 F3 675-F3 800- RC	1,00
1	SPMV8AA0B8272	REAR FRAME F3 COMPLE	F3 ORO	1,00
2	SPMV800095828	CUSION		2,00
3	SPMV800094279	RIVET, POP SSD 43 SS BS		2,00
4	SPMV8C00B2690	SCREW, TCEIF M8x25 RP	MY12/16 JPN F3 675-F3 800	4,00
5	SPMV8000B5762	NUT M6		1,00
6	SPMV8A00B5762	NUT M6		2,00
7	SPMV8000B5650	SPECIAL SCREW M8X1,25-L40	MY12/13 F3 675-F3 ORO- F3 800	4,00
7	SPMV8A00B5650	SPECIAL SCREW M8X1,25-L42	MY14/20 EXCEPT F3 ORO	4,00
8	SPMV800069150	SUPPORT, SEAT LOCK, PASSENGER		1,00
9	SPMV8000B2712	NUT, M8x1,25x8,5 CH12	MY15/17 JPN F3 RC	4,00
10	SPMV800073834	REFLECTOR		1,00
11	SPMV8000B5959	WASHER D12 D7,8 SP0,5 IN NYLON	MY14/20 EXCEPT F3 ORO	4,00
11	SPMV8000B5959	WASHER D12 D7,8 SP0,5 IN NYLON	MY14/20 EXCEPT F3 ORO	6,00
12	SPMV8000B2706	NUT, PARLOCK M4	990R-1090RR <002104 USA	2,00
13	SPMV8000B5811	NUT M5	MY12/13 F3 675-F3 ORO- F3 800	6,00
13	SPMV8000B5811	NUT M5	MY12/13 F3 675-F3 ORO- F3 800	4,00
14	SPMV8000B5920	Screw	MY12/13 F3 675-F3 ORO- F3 800	6,00
14	SPMV8000B5920	Screw	MY12/13 F3 675-F3 ORO- F3 800	4,00
15	SPMV8000B5812	COMPLETE UNDERSEAT COVER	MY12/13 F3 675-F3 800	1,00
15	SPMV80A0B5812	REAR UNDERSEAT PANEL	F3 ORO	1,00
15	SPMV8A00B5812	CAP UNDER SEAT	MY14/18 F3 675-F3 800	1,00

15	SPMV8AA0B5812	COMPLETE UNDERSEAT BULKHEAD	F3 AGO	1,00
15	SPMV8AB0B5812	COMPLETE UNDERSEAT BULKHEAD	MY15/16 F3 675 RC-F3 800 RC	1,00
15	SPMV8AC0B5812	UNDER SEAT BULKHEAD COMPL.	MY17/18 F3 675 RC-F3 800 RC	1,00
15	SPMV8AD0B5812	UNDER SEAT BULKHEAD COMPL.	MY19/20 F3 675 RC-F3 800 RC	1,00
15	SPMV8AE0B5812	UNDER SEAT BULKHEAD COMPL.	MY19/20 F3 675-F3 800	1,00
16	SPMV800094170	SPRING, FOOTREST		2,00
17	SPMV80A0B5660	REAR RIGHT SUPPORT PEDAL	F3 ORO	1,00
17	SPMV80A0C4836	REAR RIGHT FOOTREST SUPPORT	MY19/20 F3 675-F3 800	1,00
17	SPMV80A0C4836	REAR RIGHT FOOTREST SUPPORT	MY19/20 F3 675-F3 800	1,00
17	SPMV8AA0B5660	BRACKET PEDAL PASSENGER, RH	MY12/16 F3 675-F3 800	1,00
17	SPMV8AA0B5660	BRACKET PEDAL PASSENGER, RH	MY12/16 F3 675-F3 800	1,00
17	SPMV8AB0B5660	REAR RIGHT FOOTBOARD	F3 AGO	1,00
17	SPMV8AB0B5660	REAR RIGHT FOOTBOARD	F3 AGO	1,00
18	SPMV80A0B3578	FOOTREST, PASSENGER, RIGHT SID	MY12/18 F3 675-F3 800	1,00
18	SPMV80A0B3578	FOOTREST, PASSENGER, RIGHT SID	MY12/18 F3 675-F3 800	1,00
18	SPMV80B0B3578	RIGHT REAR FOOTREST	F3 AGO-F3 675 RC-F3 800 RC	1,00
18	SPMV80B0B3578	RIGHT REAR FOOTREST	F3 AGO-F3 675 RC-F3 800 RC	1,00
19	SPMV6BN021507	BALL, FOOTREST		2,00
20	SPMV80A0B5659	REAR LEFT SUPPORT PEDAL	MY12/18 F3 675-F3 800	1,00
20	SPMV80A0B5659	REAR LEFT SUPPORT PEDAL	MY12/18 F3 675-F3 800	1,00
20	SPMV80A0B5659	REAR LEFT SUPPORT PEDAL	MY12/18 F3 675-F3 800	1,00
20	SPMV80A0C4835	LEFT REAR FOOTREST SUPPORT	MY19/20 F3 675-F3 800	1,00
20	SPMV80A0C4835	LEFT REAR FOOTREST SUPPORT	MY19/20 F3 675-F3 800	1,00
20	SPMV80B0B5659	LEFT REAR FOOTREST SUPPORT	F3 AGO	1,00
20	SPMV80B0B5659	LEFT REAR FOOTREST SUPPORT	F3 AGO	1,00
21	SPMV8B00B2769	PIN, FOOTREST		2,00
22	SPMV800094171	SUPPORT, FIX, FOOTREST		2,00
23	SPMV80A0B3579	FOOTREST, PASSENGER, LEFT SIDE	MY12/18 F3 675-F3 800	1,00
23	SPMV80A0B3579	FOOTREST, PASSENGER, LEFT SIDE	MY12/18 F3 675-F3 800	1,00
23	SPMV80B0B3579	LEFT REAR FOOTREST	F3 AGO-F3 675 RC-F3 800 RC	1,00
23	SPMV80B0B3579	LEFT REAR FOOTREST	F3 AGO-F3 675 RC-F3 800 RC	1,00
24	SPMV800090429	LOCK RING, FOOTREST		2,00
25	SPMV8000B5814	RIGHT PROTECTION	MY12/18 F3 675-F3 800	1,00
25	SPMV8000B5814	RIGHT PROTECTION	MY12/18 F3 675-F3 800	1,00
25	SPMV80A0B5814	RIGHT SIDE PROTECTION FOR BULKHEAD SOTT	MY19/20 F3 675-F3 800	1,00
25	SPMV80B0B5814	RIGHT AIR GRILL	F3 ORO-F3 AGO	1,00
26	SPMV8000B5813	LEFT FENDER PROTECTION	MY12/18 F3 675-F3 800	1,00
26	SPMV8000B5813	LEFT FENDER PROTECTION	MY12/18 F3 675-F3 800	1,00
26	SPMV80A0B5813	LEFT PROTECTION FOR SUB BULKHEAD	MY19/20 F3 675-F3 800	1,00
26	SPMV80B0B5813	LEFT FENDER GRILL	F3 ORO-F3 AGO	1,00
27	SPMV8000B5909	LUGGAGE STORAGE		1,00
28	SPMV800095828	CUSION		4,00
29	SPMV8000B2688	Screw TCEIF M6x10	675-800 MY17 AMERICA	1,00
30	SPMV800095500	RUBBER	SR1+1	1,00
31	SPMV8000B5965	PLATE NUMBER PLATE	MY12/16 EXCEPT AUS	1,00
31	SPMV8000B5965	PLATE NUMBER PLATE	MY12/16 EXCEPT AUS	1,00
32	SPMV8B00B2688	Screw TCEIF M6x1x16	EXCEPT F3 ORO	4,00

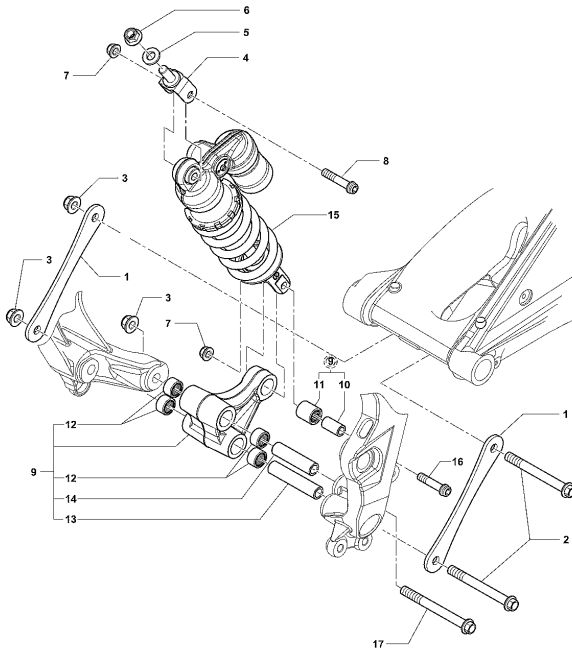
33	SPMV8000B5911	PLATE HOLDER CATADIOPTRIC		1,00
34	SPMV8000B2687	Screw TCEIF M5x8	USA CND CN MY12/16	1,00
35	SPMV8000B2673	Screw TBEI M4x0,7xL8 CH2,5	MY12/16 AUS	4,00
36	SPMV8000B2706	NUT, PARLOCK M4	990R-1090RR <002104 USA	4,00
37	SPMV8000B2710	NUT, M6x1 CH10 E7 PARLOCK	EXCEPT ORO	4,00
38	SPMV8000B9092	PIN CONNECTION FAIRING		2,00
39	SPMV8000B9093	CLAMP FOR PIN		2,00



Pos	Part Number	Description	Additional Text	Quantity
1	SPMV8000B5783	REAR SWINGARM	MY12/13 F3 675-F3 800	1,00
1	SPMV8AA0B5783	REAR SWINGARM	F3 ORO	1,00
1	SPMV8D00B5783	REAR SWINGARM. WITH BEARINGS	MY19/20 F3 675-F3 800	1,00
1	SPMV8D00B5783	REAR SWINGARM. WITH BEARINGS	MY19/20 F3 675-F3 800	1,00
1	SPMV8B00B5783	REAR SWINGARM. WITH BEARINGS	MY14/18 F3 675-F3 800	1,00
2	SPMV800084872	SPACER, SWINGARM BEARING		1,00
3	SPMV800084938	BALL BEARING, SWINGARM, RIGH S		2,00
4	SPMV800084939	CIRCLIP, J42x1,75 V		1,00
5	SPMV800084936	NEEDLE BEARING, SWINGARM, LEFT		2,00
6	SPMV800084937	RETAINER, SWINGARM, FRONT SIDE		1,00
7	SPMV800084859	BUSH, SWINGARM, LEFT SIDE		1,00
8	SPMV800084873	FORK RH BUSH		1,00
9	SPMV8000B2762	BRACKET, REAR BRAKE, SCREW		1,00
10	SPMV800091655	AXLE, SWINGARM	750S, 750S 1+1	1,00
11	SPMV8000B5785	CHAIN SLIDING BLOCK	MY12/16 F3 675-F3 800	1,00
11	SPMV8000B5785	CHAIN SLIDING BLOCK	MY12/16 F3 675-F3 800	1,00
11	SPMV8000B5785	CHAIN SLIDING BLOCK	MY12/16 F3 675-F3 800	1,00
11	SPMV8A00B5785	CHAIN SLIDING BLOCK	MY17/20 F3 675-F3 800	1,00
11	SPMV8A00B5785	CHAIN SLIDING BLOCK	MY17/20 F3 675-F3 800	1,00
12	SPMV8000B5786	CHAIN SLIDING BLOCK CLIP		1,00
13	SPMV8000B5875	NEEDLE BEARING HK1814L3AS		2,00
14	SPMV8D00B2672	SCREW	RR-RUSH	3,00
15	SPMV8000B5787	LOWER SLIDING BLOCK	675, 800, 800RR	1,00
16	SPMV800090391	SPACER, D15,5xD8xD6,2xE3,8		4,00
17	SPMV8A00B5824	PIN D18-D12-L87		1,00
18	SPMV8000C0852	WASHER		1,00
19	SPMV8000C0928	SCREW AND ROSETTE KIT FOR PIN		1,00
20	SPMV8000B5874	DECAL		1,00

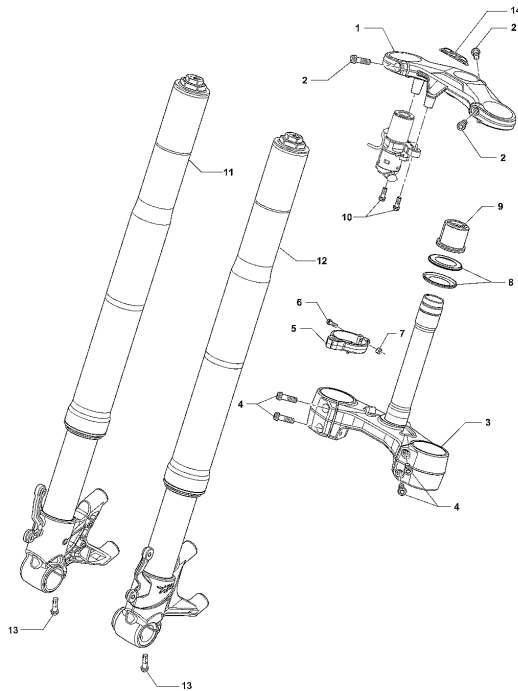


21	SPMV8000B2752	Special screw wheel hub	675, 800, 800RR	2,00
22	SPMV8000B5449	UPPER CHAIN COVER	EXCEPT F3 ORO	1,00
22	SPMV80A0B6044	UPPER CHAINCOVER	F3 ORO	1,00
23	SPMV8000B2798	WASHER, ESPAÇADORA	MY18/20 F3 675 RC-F3 800 RC	4,00
24	SPMV8B00B4221	Screw M5x0,8-CH3-L14	MY18/20 F3 675 RC-F3 800 RC	4,00
25	SPMV8000B5782	COMPLETE LOWER CHAINCOVER	F3 675-F3 AGO-F3 675 RC	1,00
25	SPMV8000B5782	COMPLETE LOWER CHAINCOVER	F3 675-F3 AGO-F3 675 RC	1,00
25	SPMV8000B8342	COMPLETE LOWER CHAIN COVER	MY17/20 F3 800-F3 800 RC	1,00
25	SPMV8000B6101	CHAIN COVER INF. COMPLETE	F3 ORO	1,00
26	SPMV8000B5907	DECAL CHAIN	F3 675-F3 ORO-F3 AGO-F3 675 RC	1,00
26	SPMV8000B5907	DECAL CHAIN	F3 675-F3 ORO-F3 AGO-F3 675 RC	1,00
26	SPMV8000B8341	ADHESIVE TAG REGOLAZ.CATENA	MY17/20 F3 800-F3 800 RC	1,00
27	SPMV80A0B6045	SWINGARM PROTECTION COVER		1,00
28	SPMV8000B6100	SWINGARM PROTECTION		1,00
29	SPMV8B00B4221	Screw M5x0,8-CH3-L14	MY18/20 F3 675 RC-F3 800 RC	3,00
30	SPMV8000B2798	WASHER, ESPAÇADORA	MY18/20 F3 675 RC-F3 800 RC	4,00
31	SPMV8A00B2672	SCREW, M6x11,7x12	MY18 RC, MY19 RC, RC LH	2,00
32	SPMV8B00B2681	Screw M6x1-CH8-L12	F4S, F4 FRECCE TRICOLORI	1,00
32	SPMV8B00B2681	Screw M6x1-CH8-L12	F4S, F4 FRECCE TRICOLORI	1,00
32	SPMV8B00B2681	Screw M6x1-CH8-L12	F4S, F4 FRECCE TRICOLORI	1,00
32	SPMV8E00B2681	Screw M6x1-CH8-L20	MY17/20 F3 675 RC-F3 800 RC	1,00
32	SPMV8E00B2681	Screw M6x1-CH8-L20	MY17/20 F3 675 RC-F3 800 RC	1,00
33	SPMV8B0070695	PLASTIC CAP, FRAME HOLE	RC SCS	1,00
34	SPMV8000C3975	FRONT CLOSURE. FOR FORK		1,00
35	SPMV8000C3998	CENTRAL LATCH FOR FORK		1,00
36	SPMV8000C3979	PLATE FOR CLOSURE		1,00
37	SPMV8000C3980	SPACER FOR PLATE		2,00
38	SPMV8A00B2694	TSEI SCREW M5X0.8-CH3-L12		4,00
39	SPMV800090391	SPACER, D15,5xD8xD6,2xE3,8		1,00
39	SPMV8000B3764	SPACER, DASHBOARD, D18xD10xL9	MY17/20 F3 675-800-RC	1,00



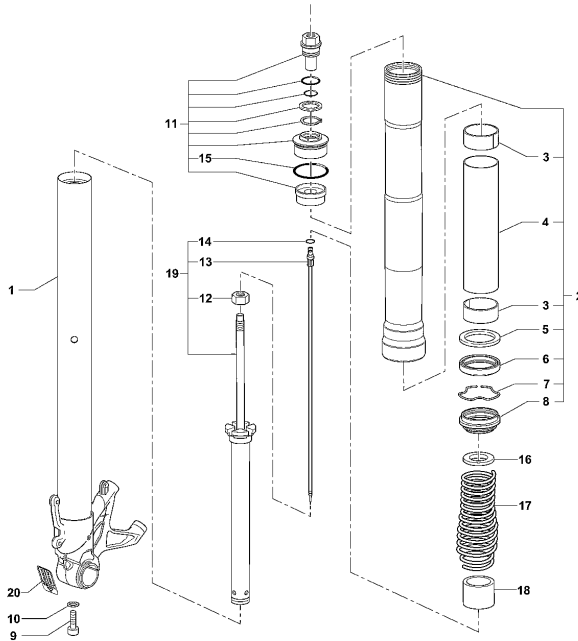
Pos	Part Number	Description	Additional Text	Quantity
1	SPMV8000B5788	REAR SOSPENSION TIE-ROD	MY13 F3 800	2,00
1	SPMV8000B5788	REAR SOSPENSION TIE-ROD	MY13 F3 800	2,00
1	SPMV8A00B5788	PLATE, REAR SUSPENSION	MY14/20 VIN >001014 F3 675	2,00
1	SPMV8A00B5788	PLATE, REAR SUSPENSION	MY14/20 VIN >001014 F3 675	2,00
1	SPMV8A00B5788	PLATE, REAR SUSPENSION	MY14/20 VIN >001014 F3 675	2,00
1	SPMV8A00B5788	PLATE, REAR SUSPENSION	MY14/20 VIN >001014 F3 675	2,00
1	SPMV8B00B5788	TIE ROD FOR REAR SUSPENSION	MY14/20 VIN 001015> F3 675	2,00
2	SPMV8000B5645	SCREW M12X1,25-CH14-L112		2,00
3	SPMV8000B2715	NUT, M12x1,25x12,5 CH17		3,00
4	SPMV8000B5790	FORK ADAPTER	DRAGSTER, DRAGSTER RR/RR LH/RC	1,00
5	SPMV8000B5791	SPACER D24-D12-SP4	MY13 F3 800	1,00
5	SPMV8000B5791	SPACER D24-D12-SP4	MY13 F3 800	1,00
5	SPMV8000B5791	SPACER D24-D12-SP4	MY13 F3 800	1,00
5	SPMV8000B5791	SPACER D24-D12-SP4	MY13 F3 800	1,00
6	SPMV8000B2715	NUT, M12x1,25x12,5 CH17		1,00
7	SPMV8000B6064	NUT M10X1,25-CH14-SP8		2,00
8	SPMV8G00B2691	Screw TCEIF M10x1,25-L45	EXCEPT 675	1,00
9	SPMV8000B5822	EQUALIZER FOR REAR SOSPENSION	VIN >001014 F3 675-F3 ORO	1,00
9	SPMV8000B5822	EQUALIZER FOR REAR SOSPENSION	VIN >001014 F3 675-F3 ORO	1,00
9	SPMV8000B5822	EQUALIZER FOR REAR SOSPENSION	VIN >001014 F3 675-F3 ORO	1,00
9	SPMV8000C6960	Rocker arm for rear suspension	VIN 001015> F3 675	1,00
9	SPMV8000C6960	Rocker arm for rear suspension	VIN 001015> F3 675	1,00
10	SPMV8000B5823	PIN D16-D10-L30		1,00

11	SPMV8000B5876	BEARING HMK1626LL3		1,00
12	SPMV8000B5875	NEEDLE BEARING HK1814L3AS		4,00
13	SPMV8A00B5824	PIN D18-D12-L87		1,00
14	SPMV8000B5824	PIN D18-D12-L71		1,00
15	SPMV8000B5714	REAR SHOCKABSORBER	F3 675 RC	1,00
15	SPMV8000B5714	REAR SHOCKABSORBER	F3 675 RC	1,00
15	SPMV8000B6102	REAR SHOCKABSORBER	F3 ORO	1,00
15	SPMV8000B8990	SHOCK ABSORBER REAR	MY13/14 F3 800	1,00
15	SPMV8000B8990	SHOCK ABSORBER REAR	MY13/14 F3 800	1,00
15	SPMV8000C6999	REAR SHOCK ABSORBER	MY15/20 VIN 001015> F3 675	1,00
15	SPMV8000C6999	REAR SHOCK ABSORBER	MY15/20 VIN 001015> F3 675	1,00
15	SPMV8000C6999	REAR SHOCK ABSORBER	MY15/20 VIN 001015> F3 675	1,00
15	SPMV80A0B5714	REAR SHOCKABSORBER	MY15/20 VIN >001014 F3 675	1,00
15	SPMV80A0B8990	REAR SHOCKABSORBER	MY15/20 >001019 800-800 RC	1,00
16	SPMV8H00B2691	Screw TCEIF M10x1,25 L50	675	1,00
17	SPMV8C00B5645	SCREW M12X1,25-CH14-L122		1,00



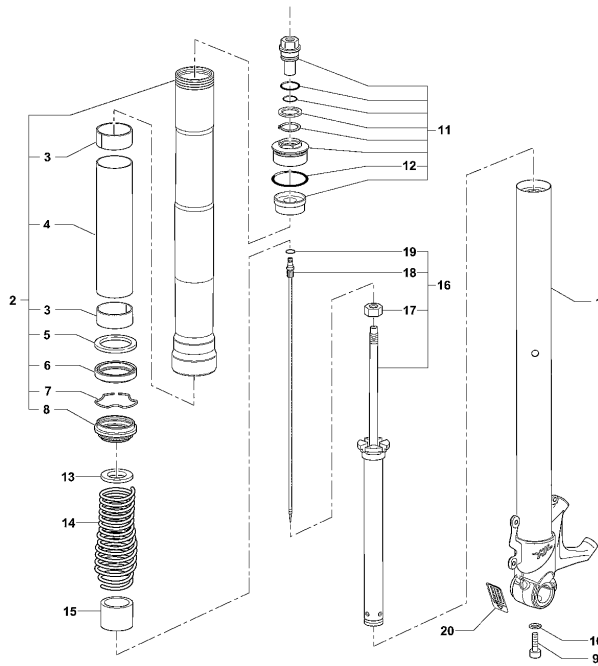
Pos	Part Number	Description	Additional Text	Quantity
1	SPMV8000B5703	STEERING HEAD	F3 675-F3 800	1,00
1	SPMV8A00B5703	STEERING HEAD PLATE	F3 ORO-AGO-RC	1,00
2	SPMV8C00B2690	SCREW, TCEIF M8x25 RP	MY12/16 JPN F3 675-F3 800	3,00
3	SPMV8000B5700	STEERING HEAD WITH PIN		1,00
4	SPMV8C00B2690	SCREW, TCEIF M8x25 RP	MY12/16 JPN F3 675-F3 800	4,00
5	SPMV8000B5906	REAR BRAKE TUBE CLAMP	F4RR	1,00
6	SPMV8C00B2687	SCREW, M5x14	F4RR	1,00
7	SPMV61ND15032	NUT, M5x0,8xE4 CH8		1,00
8	SPMV800090897	DUST COVER, STEERING STEM		2,00
9	SPMV8B0090280	CLAMPING GEAR BEARING		1,00
10	SPMV8B00B2688	Screw TCEIF M6x1x16	EXCEPT F3 ORO	2,00
11	SPMV8000B7128	COMPLETE RIGHT FORK	F3 ORO	1,00
11	SPMV8000B7130	RIGHT COMPLETE LEG	F3 675 RC	1,00
11	SPMV8000B7130	RIGHT COMPLETE LEG	F3 675 RC	1,00
11	SPMV8000B8740	SHOCK ABSORBER, RH	F3 800-F3 AGO-F3 800 RC	1,00
11	SPMV8000B8740	SHOCK ABSORBER, RH	F3 800-F3 AGO-F3 800 RC	1,00
12	SPMV8000B7129	COMPLETE LEFT FORK	F3 ORO	1,00
12	SPMV8A00B7131	LEFT LEG	VIN >001014 F3 675	1,00
12	SPMV8A00B7131	LEFT LEG	VIN >001014 F3 675	1,00
12	SPMV8A00B8739	SHOCK ABSORBER, LH	VIN 001015> F3 675	1,00
12	SPMV8A00B8739	SHOCK ABSORBER, LH	VIN 001015> F3 675	1,00
13	SPMV8C00B2690	SCREW, TCEIF M8x25 RP	MY12/16 JPN F3 675-F3 800	2,00
14	SPMV8000B8741	STICKER TRE PISTONI 800	MY13/14 F3 800	1,00
14	SPMV8000C0534	DECAL "THREE PISTONS 800" FOR	MY15/18 F3 800	1,00
14	SPMV8000C2279	PLATE FOR STEERING	MY15/16 F3 675 RC-F3 800 RC	1,00

14	SPMV8000C3753	NAMEPLATE FOR STEERING HEAD	MY17 F3 675 RC-F3 800 RC	1,00
14	SPMV8000C4541	STEERING HEAD PLATE	MY18 F3 675 RC-F3 800 RC	1,00
14	SPMV8000C6654	PLATE FOR STEERING HEAD	MY19 F3 675 RC-F3 800 RC	1,00
14	SPMV8000C6998	'DECAL "F3 800" FOR HEAD OF"	MY19/20 F3 800	1,00
14	SPMV8000C7710	PLAQUE FOR STEERING HEAD	MY20 F3 800 RC	1,00



Pos	Part Number	Description	Additional Text	Quantity
1	SPMV8000B7132	RIGHT LEG	800, DRAGSTER	1,00
2	SPMV8000B7134	COMPLETE LEG	VIN >001014 F3 675	1,00
2	SPMV8000B7134	COMPLETE LEG	VIN >001014 F3 675	1,00
2	SPMV8000B8387	COMPLETE STEM	VIN 001015> F3 675	1,00
2	SPMV8000B8387	COMPLETE STEM	VIN 001015> F3 675	1,00
3	SPMV800097550	BUSH		2,00
4	SPMV8000B7135	SPACER		1,00
5	SPMV800097551	WASHER		1,00
6	SPMV800097552	FORK SEAL	F3 675 RC	1,00
6	SPMV800097552	FORK SEAL	F3 675 RC	1,00
6	SPMV8000B8388	O'RING	F3 800-F3 AGO-F3 800 RC	1,00
6	SPMV8000B8388	O'RING	F3 800-F3 AGO-F3 800 RC	1,00
7	SPMV800097553	STOP RING		1,00
8	SPMV8000B7136	DUST SCRAPER	VIN >001014 F3 675	1,00
8	SPMV8000B7136	DUST SCRAPER	VIN >001014 F3 675	1,00
8	SPMV8000B8389	DUST SCRAPER	VIN 001015> F3 675	1,00
8	SPMV8000B8389	DUST SCRAPER	VIN 001015> F3 675	1,00
9	SPMV800097784	SCREW M10X25		1,00
10	SPMV800046511	WASHER		1,00
11	SPMV8000B7138	RIGHT COVER FORK	800	1,00
12	SPMV61ND15352	NUT M12X1,25 UNI 5587		1,00
13	SPMV8000B7143	GAS RING		1,00
14	SPMV8000A0817	GROMMET		1,00
15	SPMV800097557	O RING		1,00
16	SPMV8000B7139	CUSHION SPRING		1,00
17	SPMV8000B7140	FORK SPRING		1,00
18	SPMV8000B7141	SPACER		1,00
19	SPMV8000B7142	CYLINDER-SET-FORK	VIN >001014 F3 675	1,00

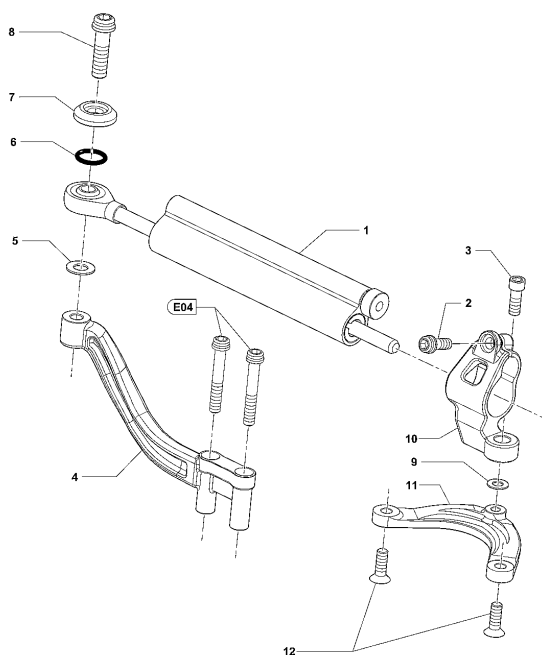
19	SPMV8000B7142	CYLINDER-SET-FORK	VIN >001014 F3 675	1,00
19	SPMV8000B8984	ADJUSTMENT EXTENSION CARTRIDGE	VIN 001015> F3 675	1,00
19	SPMV8000B8984	ADJUSTMENT EXTENSION CARTRIDGE	VIN 001015> F3 675	1,00
20	SPMV8000B7206	DECAL -AVVERTENZA-		1,00



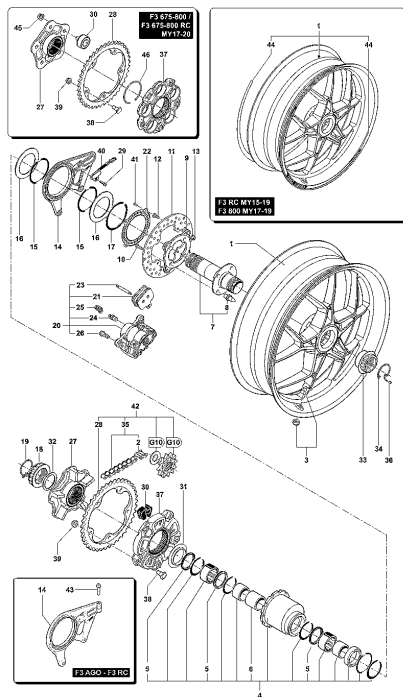
Pos	Part Number	Description	Additional Text	Quantity
1	SPMV8A00B7133	LEFT LEG	800, DRAGSTER	1,00
2	SPMV8000B7134	COMPLETE LEG	VIN >001014 F3 675	1,00
2	SPMV8000B7134	COMPLETE LEG	VIN >001014 F3 675	1,00
2	SPMV8000B8387	COMPLETE STEM	VIN 001015> F3 675	1,00
2	SPMV8000B8387	COMPLETE STEM	VIN 001015> F3 675	1,00
3	SPMV800097550	BUSH		2,00
4	SPMV8000B7135	SPACER		1,00
5	SPMV800097551	WASHER		1,00
6	SPMV800097552	FORK SEAL	F3 675 RC	1,00
6	SPMV800097552	FORK SEAL	F3 675 RC	1,00
6	SPMV8000B8388	O'RING	F3 800-F3 AGO-F3 800 RC	1,00
6	SPMV8000B8388	O'RING	F3 800-F3 AGO-F3 800 RC	1,00
7	SPMV800097553	STOP RING		1,00
8	SPMV8000B7136	DUST SCRAPER	VIN >001014 F3 675	1,00
8	SPMV8000B7136	DUST SCRAPER	VIN >001014 F3 675	1,00
8	SPMV8000B8389	DUST SCRAPER	VIN 001015> F3 675	1,00
8	SPMV8000B8389	DUST SCRAPER	VIN 001015> F3 675	1,00
9	SPMV800097784	SCREW M10X25		1,00
10	SPMV800046511	WASHER		1,00
11	SPMV8000B7137	LEFT FORK CAP	800	1,00
12	SPMV800097557	O RING		1,00
13	SPMV8000B7139	CUSHION SPRING		1,00
14	SPMV8000B7140	FORK SPRING		1,00
15	SPMV8000B7141	SPACER		1,00
16	SPMV8000B7144	REBOUND DAMPING	VIN >001014 F3 675	1,00
16	SPMV8000B7144	REBOUND DAMPING	VIN >001014 F3 675	1,00
16	SPMV8000B8985	ADJUSTMENT COMPRESSION CARTRID	VIN 001015> F3 675	1,00
16	SPMV8000B8985	ADJUSTMENT COMPRESSION CARTRID	VIN 001015> F3 675	1,00



17	SPMV61ND15352	NUT M12X1,25 UNI 5587		1,00
18	SPMV8000B7143	GAS RING		1,00
19	SPMV8000A0817	GROMMET		1,00
20	SPMV8000B7206	DECAL -AVVERTENZA-		1,00



Pos	Part Number	Description	Additional Text	Quantity
1	SPMV8000B6090	COMPLETE SHOCK ABSORBER		1,00
2	SPMV8B00B2688	Screw TCEIF M6x1x16	EXCEPT F3 ORO	1,00
3	SPMV8A00B2747	Screw shock absorber		1,00
4	SPMV8000B6093	STEERING DUMPER ARM		1,00
5	SPMV8F00B2828	WASHER D16-D8,3-SP1		1,00
6	SPMV800023116	O RING		1,00
7	SPMV8000B6389	ORING CUP		1,00
8	SPMV8D00B2690	SCREW, TCEIF M8x1,25x30 RP	RR-RUSH	1,00
9	SPMV8C00B2720	WASHER, D12xD6,1xE0,7		1,00
10	SPMV8000B6092	SUPPORT FOR STEERING DAMPER	F3 ORO	1,00
11	SPMV8000B6091	STEERING DAMPER FASTENER		1,00
12	SPMV8D00B2695	Screw TSPEI M6x1-L18		1,00

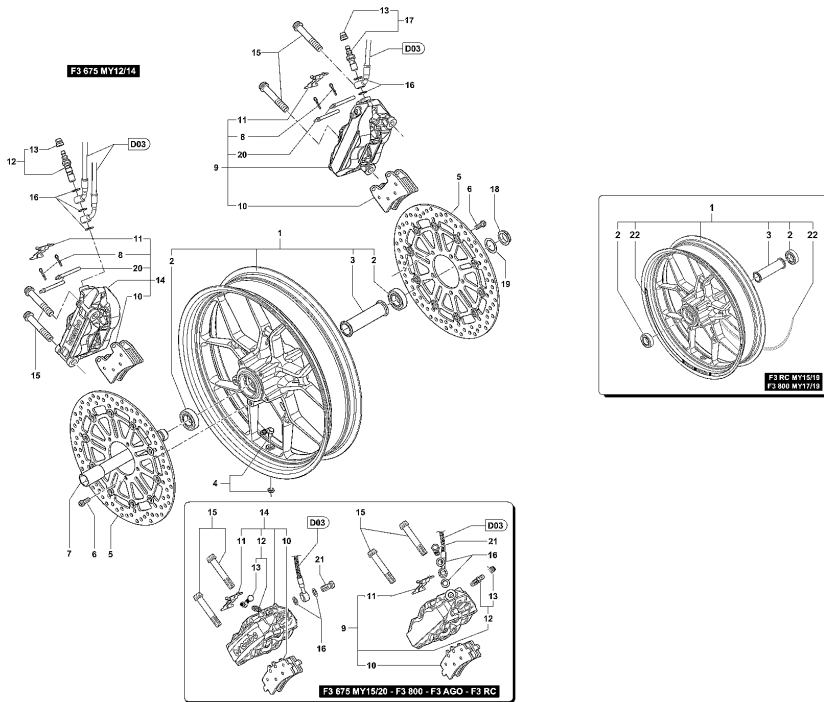


Pos	Part Number	Description	Additional Text	Quantity
1	SPMV8000B9565	REAR WHEEL RIM 17"X6,00"	F3 AGO	1,00
1	SPMV8000C2347	REAR WHEEL	MY15/16 F3 675 RC-F3 800 RC	1,00
1	SPMV8000C3818	Rear wheel rim. 17 "x5.50" finished with	MY17 F3 675 RC-F3 800 RC	1,00
1	SPMV8000C4006	Rear wheel rim. 17" finished with "filet	MY17/18 F3 800	1,00
1	SPMV8000C7011	Rear wheel rim.17" finished with "fill	MY19 F3 800	1,00
1	SPMV80A0B4444	REAR WHEEL	MY12/16 F3 800	1,00
1	SPMV80A0B4444	REAR WHEEL	MY12/16 F3 800	1,00
1	SPMV80A0B6746	REAR WHEEL 17"X5,50	F3 ORO	1,00
1	SPMV80A0C3289	REAR WHEEL RIM 17"X	MY20 F3 800	1,00
1	SPMV80A0C3818	REAR WHEEL RIM. 17 "X5.50"	MY18 F3 675 RC-F3 800 RC	1,00
1	SPMV80B0B4444	REAR WHEEL RIM 17"X	MY17/20 F3 675	1,00
1	SPMV80B0C3289	REAR WHEEL RIM 17 "X	MY20 F3 800 RC	1,00
1	SPMV80B0C3818	Rear wheel rim. 17 "x5.50" finished with	MY19 F3 675 RC-F3 800 RC	1,00
2	SPMV8000B5930	CHAIN LINK	BRUTALE 920	1,00
2	SPMV8000B6469	CHAIN LINK	DID 525 ZVM F3 ORO-F3 AGO	1,00
2	SPMV8000C6985	CHAIN LINK	MY20 675-800- 800 RC	1,00
3	SPMV8000B3195	VALVE, WHEEL	675,800,800RR,DRAG., DRAG. RC	1,00
4	SPMV8000C4104	REAR ECCENTRIC HUB	MY17/20 F3 675-F3 800	1,00
4	SPMV8000C4104	REAR ECCENTRIC HUB	MY17/20 F3 675-F3 800	1,00
4	SPMV8000B7317	REAR ECCENTRIC HUB CO	BRUTALE 920	1,00
5	SPMV800084909	GROMMET		3,00
6	SPMV8000B7316	SPACER, REAR WHEEL HUB	MY12/16 F3 675-F3 800	1,00
6	SPMV8000B7316	SPACER, REAR WHEEL HUB	MY12/16 F3 675-F3 800	1,00
6	SPMV8000B7316	SPACER, REAR WHEEL HUB	MY12/16 F3 675-F3 800	1,00
6	SPMV8000C3429	INTERNAL SPACER FOR	MY17/20 F3 675-F3 800	1,00

6	SPMV8000C3429	INTERNAL SPACER FOR	MY17/20 F3 675-F3 800	1,00
7	SPMV8000B3198	HUB, REAR WHEEL, INNER SIDE		1,00
8	SPMV8000B5947	PLUG FOR REAR WHEEL		4,00
9	SPMV800084890	FLANGE, REAR WHEEL HUB, INNER	1000S, 1000S1+1	1,00
10	SPMV80A084902	SCREW, FLANGE PIN		4,00
11	SPMV8000B5926	REAR BRAKE DISC		1,00
12	SPMV8A00B5927	Screw HEX M7x17 8.8 ZB	CORSA	4,00
12	SPMV8000B5927	SCREW FIX.REAR BRAKE DISC.M7X	F3 ORO	4,00
13	SPMV800084891	NUT, M7		4,00
14	SPMV8000B5928	REAR BRAKE PLIER	NO ABS F3 675-800-ORO	1,00
14	SPMV8A00B5928	BRACKET CALIPER BRAKE, REAR	F3 AGO-F3 675 RC-F3 800 RC	1,00
15	SPMV800086702	RUBBER RING, 3325 D82,22x2,62		2,00
16	SPMV800084893	WASHER, D81xD93xE0,7		2,00
17	SPMV800084913	CIRCLIP, F80		1,00
18	SPMV800084904	SPECIAL NUT, REAR WHEEL AXLE,	EXCEPT RC LH	1,00
19	SPMV800084898	STEEL RING, REAR WHEEL, LEFT S		1,00
20	SPMV8000B5204	REAR BRAKE PLIER	MY12/14 F3 675	1,00
20	SPMV8000B5204	REAR BRAKE PLIER	MY12/14 F3 675	1,00
20	SPMV80A0B5204	CALIPER BRAKE REAR	F3 800-AGO-RC	1,00
20	SPMV80A0B5204	CALIPER BRAKE REAR	F3 800-AGO-RC	1,00
21	SPMV8000B5975	REAR BRAKE PADS PAIR		1,00
22	SPMV8000B5899	REAR PHONIC WHEEL		1,00
23	SPMV800095277	PIN		1,00
24	SPMV800095278	BLEED NIPPLE		1,00
25	SPMV800048432	CALIPER DUSTSCRAPER		1,00
26	SPMV8A00B2690	SCREW, TCEIF M8x20 RT	EXCEPT PIRELLI-LH44	2,00
27	SPMV8000C0756	FLANGE, REAR WHEEL	MY15/16 F3 675 RC-F3 800 RC	1,00
27	SPMV8000C0756	FLANGE, REAR WHEEL	MY15/16 F3 675 RC-F3 800 RC	1,00
27	SPMV8A00A3243	PIN DRIVE FLANGE	MY17/20 F3 675-F3 800	1,00
27	SPMV8A00A3243	PIN DRIVE FLANGE	MY17/20 F3 675-F3 800	1,00
27	SPMV8000B2145	PIN DRIVE FLANGE CO	F3 ORO-F3 AGO	1,00
28	SPMV8000B7330	CROWN Z39	MY17/20 F3 675	1,00
28	SPMV8000B7330	CROWN Z39	MY17/20 F3 675	1,00
28	SPMV8B00B7330	SPROCKET Z41	F3 AGO	1,00
28	SPMV8B00B7330	SPROCKET Z41	F3 AGO	1,00
28	SPMV8B00B7330	SPROCKET Z41	F3 AGO	1,00
28	SPMV8D00B7330	SPROCKET TRANSMISSION, Z43	MY18/20 F3 800 RC	1,00
28	SPMV8D00B7330	SPROCKET TRANSMISSION, Z43	MY18/20 F3 800 RC	1,00
28	SPMV8D00B7330	SPROCKET TRANSMISSION, Z43	MY18/20 F3 800 RC	1,00
28	SPMV8D00B7330	SPROCKET TRANSMISSION, Z43	MY18/20 F3 800 RC	1,00
29	SPMV98B0090901	Special screw M4x8	TAMBURINI	1,00
30	SPMV8000B2151	Silent block	F3 ORO-F3 AGO	5,00
30	SPMV8000B2151	Silent block	F3 ORO-F3 AGO	5,00
30	SPMV8000B2151	Silent block	F3 ORO-F3 AGO	5,00
30	SPMV80A0A3251	SILENT-BLOCK	MY17/20 F3 675-F3 800	5,00
30	SPMV80A0A3251	SILENT-BLOCK	MY17/20 F3 675-F3 800	5,00
31	SPMV8000C3430	SPACER	MY17/20 F3 675-F3 800	1,00
31	SPMV8000C3430	SPACER	MY17/20 F3 675-F3 800	1,00
31	SPMV8000B2150	SPACER WITH COLLAR	MY12/16 F3 675-F3 800	1,00

32	SPMV800084894	WASHER, D48,5xD65xE0,5		1,00
33	SPMV800084903	SPECIAL NUT, REAR WHEEL AXLE,	EXCEPT RC LH	1,00
34	SPMV800084899	STEEL RING, REAR WHEEL, RIGHT		1,00
35	SPMV8000B6468	CHAIN	DID 525 ZVM F3 ORO-F3 AGO	1,00
35	SPMV8000C5478	Chain DID HV3	MY20 DID 525 HV3 F3 675	1,00
35	SPMV8B00B5929	CHAIN DID	MY18/19 F3 RC	1,00
35	SPMV8B00B5929	CHAIN DID	MY18/19 F3 RC	1,00
35	SPMV8B00C5478	Chain DID HV3	MY20 DID 525 HV3 F3 800 RC	1,00
35	SPMV8B00C5478	Chain DID HV3	MY20 DID 525 HV3 F3 800 RC	1,00
35	SPMV8000B5929	CHAIN DID	MY15/17 F3 675 RC-F3 800 RC	1,00
36	SPMV800094030	CAP, CIRCLIP		1,00
37	SPMV8000B3390	FLANGE, REAR WHEEL HUB	MY12/14 F3 675-F3 800	1,00
37	SPMV8000B3390	FLANGE, REAR WHEEL HUB	MY12/14 F3 675-F3 800	1,00
37	SPMV8000C4088	COMPLETE FLANGE CROWN	MY17/20 F3 675 RC-F3 800 RC	1,00
37	SPMV8000C4088	COMPLETE FLANGE CROWN	MY17/20 F3 675 RC-F3 800 RC	1,00
37	SPMV8000C0759	FLANGE FOR SPROCKET COMPL.	MY15/16 F3 675-F3 800	1,00
38	SPMV80A0A3248	SPECIAL SCREW, REAR WHEEL HUB		5,00
39	SPMV8000B2712	NUT, M8x1,25x8,5 CH12	MY15/17 JPN F3 RC	5,00
40	SPMV8000B6171	SPEED SENSOR	NO ABS F3 675-800-ORO	1,00
40	SPMV8000B7768	SENSOR, SPEED	F3 AGO-F3 675 RC-F3 800 RC	1,00
41	SPMV8D00B2693	SCREW TSEI M4X,07-L8		4,00
42	SPMV8000B7216	CHAIN - SPROCKET - SPROCKET KIT	DID 525 ZVM F3 ORO	1,00
42	SPMV8000B9570	CHAIN - SPROCKET - SPROCKET KIT	DID 525 ZVM F3 AGO	1,00
42	SPMV8000C8740	Chain - sprocket - sprocket kit	MY20 DID 525 HV3 F3 675	1,00
42	SPMV8A00B7973	CHAIN - CROWN - PINION KIT	MY15/17 DID 525 VAZ F3 800 RC	1,00
42	SPMV8A00B7973	CHAIN - CROWN - PINION KIT	MY15/17 DID 525 VAZ F3 800 RC	1,00
42	SPMV8A00B7973	CHAIN - CROWN - PINION KIT	MY15/17 DID 525 VAZ F3 800 RC	1,00
42	SPMV8A00B8703	CHAIN - SPROCKET - PINION KIT	MY13/16 DID 525 VAZ F3 800	1,00
42	SPMV8B00B8703	Chain - sprocket - sprocket kit	MY18/19 DID 525 VAZ F3 800 RC	1,00
42	SPMV8B00B8703	Chain - sprocket - sprocket kit	MY18/19 DID 525 VAZ F3 800 RC	1,00
42	SPMV8B00C8740	CHAIN - SPROCKET - PINION KIT	MY20 F3 800 RC	1,00
42	SPMV8B00C8740	CHAIN - SPROCKET - PINION KIT	MY20 F3 800 RC	1,00
42	SPMV8000B8703	CHAIN - SPROCKET - SPROCKET KIT	MY18/19 DID 525 VAZ F3 675 RC	1,00
43	SPMV8000C2249	SCREW, M6X25	RR-RUSH	1,00
44	SPMV8000C1411	"THREAD DECAL ""RACING DEPARTMENT""	MY15/16 F3 675 RC-F3 800 RC	2,00
44	SPMV8000C3817	RACING DEPARTMENT THREAD DECAL	MY17 F3 675 RC-F3 800 RC	2,00
44	SPMV8000C4005	DECAL "THREAD F3 800" FOR	MY17/18 F3 800	2,00
44	SPMV8000C7010	'DECAL "THREAD F3 800" FOR"	MY19 F3 800	2,00
44	SPMV80A0C3817	RACING DEPARTMENT" THREAD DECAL	MY18 F3 675 RC-F3 800 RC	2,00
44	SPMV80B0C3817	RACING DEPARTMENT THREAD DECAL	MY19 F3 675 RC-F3 800 RC	2,00

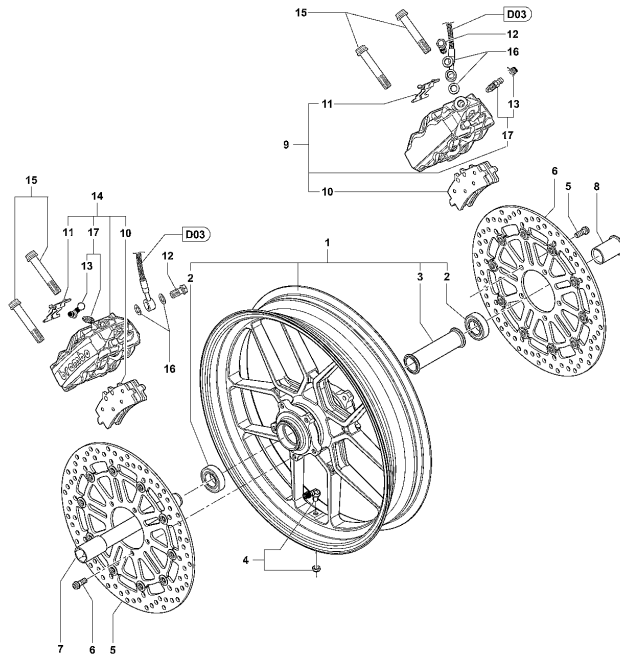
45	SPMV8000B2714	NUT, M10x1,25x10 CH14		5,00
46	SPMV8000C4087	SNAP RING FOR HOLES BR70		1,00



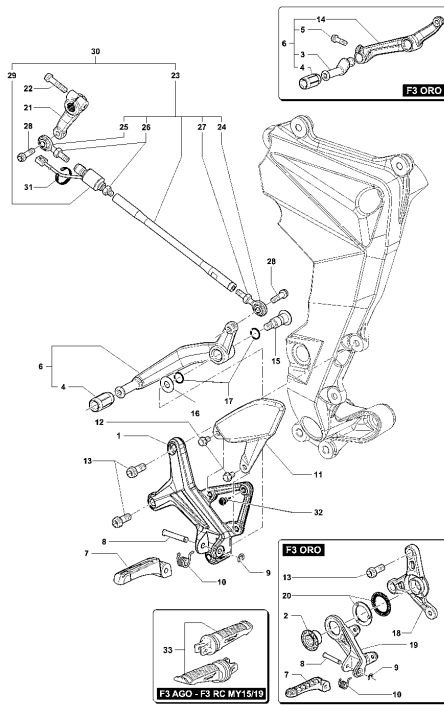
Pos	Part Number	Description	Additional Text	Quantity
1	SPMV8000B5894	FRONT WHEEL 17"X3,50CON	MY12/16 F3 800	1,00
1	SPMV8000B5894	FRONT WHEEL 17"X3,50CON	MY12/16 F3 800	1,00
1	SPMV8000B9566	FRONT WHEEL RIM 17"X3,50"	F3 AGO	1,00
1	SPMV8000B9736	FRONT WHEEL RIM 17X3.50"	MY20 F3 800	1,00
1	SPMV8000C2350	FRONT WHEEL RIM 17X3.50 "WITH	MY15/16 F3 675 RC-F3 800 RC	1,00
1	SPMV8000C3820	Front wheel rim 17 "x3.50 "conusc. and	MY17 F3 675 RC-F3 800 RC	1,00
1	SPMV8000C4007	Front wheel rim 17 "x3.50 "conuscin. an	MY17/18 F3 800	1,00
1	SPMV8000C7013	Front wheel rim.17 "x3.50 "conuscin.	MY19 F3 800	1,00
1	SPMV80A0B5894	FRONT WHEEL 17"X3,50"	MY17/20 F3 675	1,00
1	SPMV80A0B9736	'FRONT WHEEL RIM 17 "X3.50"'"	MY20 F3 800 RC	1,00
1	SPMV80A0C3820	FRONT WHEEL RIM 17 "X3.50 "WITH	MY18 F3 675 RC-F3 800 RC	1,00
1	SPMV80B0C3820	Front wheel rim 17 "x3.50 "conusc. and r	MY19 F3 675 RC-F3 800 RC	1,00
2	SPMV8A0026846	RADIAL BEARING		2,00
3	SPMV8000B3200	SPACER	F4S, F4R	1,00
3	SPMV8000B3672	SPACER	F4RR, F4 FRECCE TRICOLORI	1,00
4	SPMV8000B3195	VALVE, WHEEL	675,800,800RR,DRAG., DRAG. RC	1,00
5	SPMV8000B3353	BRAKE DISK, FRON SIDE, D320xE5	F3 AGO	2,00
5	SPMV8000B4450	FRONT DISC D320 SP4,5	F3 675-800-RC	2,00
6	SPMV8A00B2690	SCREW, TCEIF M8x20 RT	EXCEPT PIRELLI-LH44	10,00
7	SPMV8000B5931	FRONT WHEEL PIN	EXCEPT AGO	1,00
8	SPMV800088777	SPLIT PINS		4,00
9	SPMV8000B1541	CALIPER, WITH PADS, FRONT LEFT	MY15/20 F3 675	1,00
9	SPMV8000B1541	CALIPER, WITH PADS, FRONT LEFT	MY15/20 F3 675	1,00
9	SPMV8000B6713	FRONT LEFT BRAKE PLIER	MY12/14 F3 675	1,00
10	SPMV8000B1663	FRONT BRAKE PADS	1000 VIN 008065> & 1078	2,00

10	SPMV8000B1663	FRONT BRAKE PADS	1000 VIN 008065> & 1078	2,00
10	SPMV8000B6714	FRONT BRAKE PADS PAIR	MY12/14 F3 675	2,00
11	SPMV800088776	PAD CHECK SPRING	MY12/14 F3 675	2,00
11	SPMV8000B1602	SPRING	1000 VIN 008065> & 1078	2,00
11	SPMV8000B1602	SPRING	1000 VIN 008065> & 1078	2,00
12	SPMV8000A2041	DRAIN SCREW	MY15/20 F3 675	2,00
12	SPMV8000A2041	DRAIN SCREW	MY15/20 F3 675	2,00
12	SPMV8000B5900	COMPLETE PIPE	MY12/14 F3 675	1,00
13	SPMV800053259	COVER, RUBBER	1000 VIN <008064 1000 USA	2,00
13	SPMV8000A2042	DUST COVER	1000 VIN 008065> & 1078	2,00
13	SPMV8000A2042	DUST COVER	1000 VIN 008065> & 1078	2,00
14	SPMV8000B1540	CALIPER, WITH PADS, FRONT RIGH	1000 VIN 008065> & 1078	1,00
14	SPMV8000B1540	CALIPER, WITH PADS, FRONT RIGH	1000 VIN 008065> & 1078	1,00
14	SPMV8000B6712	FRONT RIGHT BRAKE PLIERS	MY12/14 F3 675	1,00
15	SPMV8K00B2691	Screw TCEIF M10x1,25xL58	DRAGSTER, DRAGSTER RR/RR LH/RC	4,00
16	SPMV800021480	WASHER, COPPER, D14xD10,2xE1	MY12/14 F3 675	5,00
16	SPMV800021480	WASHER, COPPER, D14xD10,2xE1	MY12/14 F3 675	4,00
16	SPMV800021480	WASHER, COPPER, D14xD10,2xE1	MY12/14 F3 675	4,00
17	SPMV8000A3975	DRAIN VALVE	MY18/20 F3 675-F3 800	1,00
18	SPMV8A00B9883	NUT M25X1,25-CH28-SP9,5	EXCEPT AGO	1,00
19	SPMV8000B2730	WASHER D33,5-D25,3-SP1		1,00
20	SPMV800088773	PINSPLIT PIN	R	4,00
21	SPMV8000B1948	SPECIAL SCREW, BRAKE FLUID PIP	1000 VIN 008065> & 1078	2,00
21	SPMV8000B1948	SPECIAL SCREW, BRAKE FLUID PIP	1000 VIN 008065> & 1078	2,00
22	SPMV8000C1411	"THREAD DECAL ""RACING DEPARTMENT"""	MY15/16 F3 675 RC-F3 800 RC	2,00
22	SPMV8000C3817	RACING DEPARTMENT THREAD DECAL	MY17 F3 675 RC-F3 800 RC	2,00
22	SPMV8000C4005	DECAL "THREAD F3 800" FOR	MY17/18 F3 800	2,00
22	SPMV8000C7010	'DECAL "THREAD F3 800" FOR"	MY19 F3 800	2,00
22	SPMV80A0C3817	RACING DEPARTMENT" THREAD DECAL	MY18 F3 675 RC-F3 800 RC	2,00
22	SPMV80B0C3817	RACING DEPARTMENT THREAD DECAL	MY19 F3 675 RC-F3 800 RC	2,00





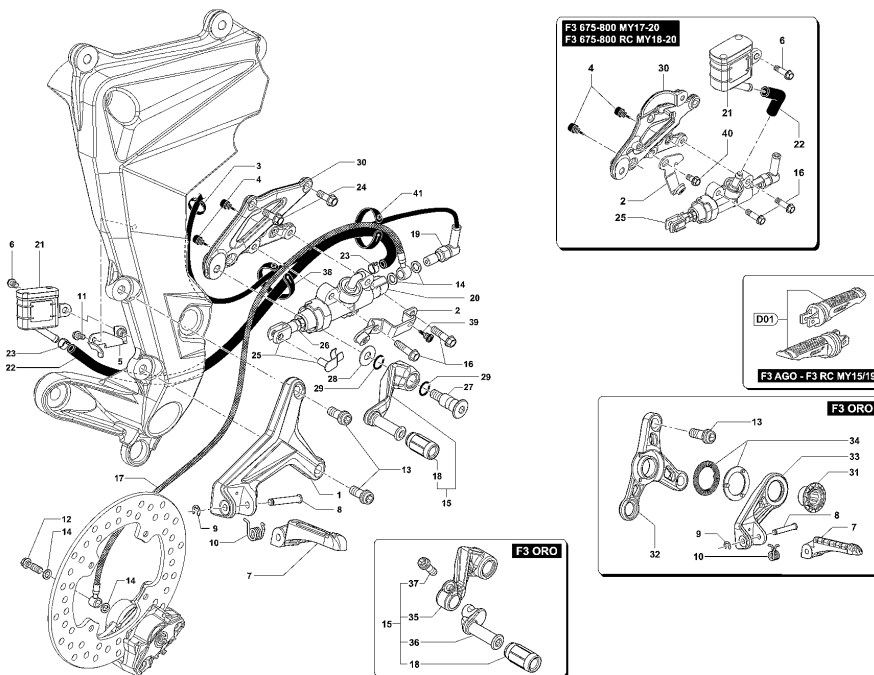
Pos	Part Number	Description	Additional Text	Quantity
1	SPMV8000B6095	FRONT WHEEL RIM 17 X3,50CON	F3 ORO	1,00
2	SPMV8A0026846	RADIAL BEARING		2,00
3	SPMV8000B3672	SPACER	F4RR, F4 FRECCIE TRICOLORI	1,00
4	SPMV8000B3195	VALVE, WHEEL	675,800,800RR,DRAG., DRAG. RC	1,00
5	SPMV8000B3353	BRAKE DISK, FRON SIDE, D320xE5	F3 AGO	2,00
6	SPMV8A00B2690	SCREW, TCEIF M8x20 RT	EXCEPT PIRELLI-LH44	10,00
7	SPMV8000B6103	FRONT WHEEL PIN	AGO	1,00
8	SPMV80A0A3469	BUSH FOR PIN	F4RR	1,00
9	SPMV8000B1541	CALIPER, WITH PADS, FRONT LEFT	MY15/20 F3 675	1,00
10	SPMV8000B1663	FRONT BRAKE PADS	1000 VIN 008065> & 1078	2,00
11	SPMV8000B1602	SPRING	1000 VIN 008065> & 1078	2,00
12	SPMV8000B1948	SPECIAL SCREW, BRAKE FLUID PIP	1000 VIN 008065> & 1078	2,00
13	SPMV8000A2042	DUST COVER	1000 VIN 008065> & 1078	2,00
14	SPMV8000B1540	CALIPER, WITH PADS, FRONT RIGH	1000 VIN 008065> & 1078	1,00
15	SPMV8K00B2691	Screw TCEIF M10x1,25xL58	DRAGSTER, DRAGSTER RR/RR LH/RC	4,00
16	SPMV800021480	WASHER, COPPER, D14xD10,2xE1	MY12/14 F3 675	4,00
17	SPMV8000A2041	DRAIN SCREW	MY15/20 F3 675	2,00



Pos	Part Number	Description	Additional Text	Quantity
1	SPMV8000B7474	BRACKET GEAR SHIFT	MY12/19 F3 675-F3 800-F3 AGO	1,00
1	SPMV8000B7474	BRACKET GEAR SHIFT	MY12/19 F3 675-F3 800-F3 AGO	1,00
1	SPMV80A0B7474	FRONT LEFT FOOTREST SUPPORT	MY17/20 F3 675 RC-F3 800 RC	1,00
1	SPMV80A0B7474	FRONT LEFT FOOTREST SUPPORT	MY17/20 F3 675 RC-F3 800 RC	1,00
2	SPMV8000B6080	RING NUT FOR SUPP. FRONT PEDAL.	F3 ORO	1,00
3	SPMV800089760	PEDAL ECCENTRIC		1,00
4	SPMV800089298	RUBBER COVER		1,00
5	SPMV8C00B2688	SCREW, TCEIF M6x18 RT	ED.1, LUSSO, RC, SCS	1,00
6	SPMV8000B5897	GEAR LEVER F3	MY12/19 F3 675-F3 800-F3 AGO	1,00
6	SPMV8000B6087	Gearshift	F3 ORO	1,00
6	SPMV80A0B5897	GEAR SHIFT CONTROL PEDAL COMPLETE	MY20 F3 675-F3 800	1,00
6	SPMV80A0B5897	GEAR SHIFT CONTROL PEDAL COMPLETE	MY20 F3 675-F3 800	1,00
7	SPMV8000A9645	FOOTREST ASSY,FRONT LH	F3 ORO	1,00
7	SPMV8000B6481	FRONT L.H.FOOT REST F3	MY12/19 F3 675-F3 800	1,00
7	SPMV80A0B6481	FRONT LEFT FOOTPEG	MY20 F3 675-F3 800	1,00
7	SPMV80A0B6481	FRONT LEFT FOOTPEG	MY20 F3 675-F3 800	1,00
8	SPMV8A00B2769	PIN, DRIVER FOOTREST SUPPORT	F4S, F4R	1,00
9	SPMV800090429	LOCK RING, FOOTREST		1,00
10	SPMV80A090418	SPRING, DRIVER FOOTREST SUPPOR		1,00
11	SPMV8000B5656	PROTECTION FOR UPPER LEFT PEDA	MY12/19 F3 675-F3 800	1,00
11	SPMV8000B5656	PROTECTION FOR UPPER LEFT PEDA	MY12/19 F3 675-F3 800	1,00
11	SPMV8000B5656	PROTECTION FOR UPPER LEFT PEDA	MY12/19 F3 675-F3 800	1,00
11	SPMV80A0B5656	PROTECTION FOR SUPP. LEFT PEDESTAL	MY20 F3 675-F3 800	1,00
11	SPMV80A0B5656	PROTECTION FOR SUPP. LEFT PEDESTAL	MY20 F3 675-F3 800	1,00
12	SPMV8000B2672	SCREW M6	F4R, F4RR	2,00

12	SPMV8A00B2681	SCREW, M6x1	990R-1090RR <000640	2,00
13	SPMV8A00B3505	SPECIAL SCREW, DRIVER FOOTREST	F3 ORO	2,00
13	SPMV8B00B2690	Screw TCEIF M8x22 RP	EXCEPT F3 ORO	2,00
14	SPMV8000B6086	SHIFT CONTROL PEDAL WITH BUSS	F3 ORO	1,00
15	SPMV8A00C9331	PIN M8-CH6-L22, 2		1,00
16	SPMV8000B2723	WASHER, D8,2xD20xE1		1,00
17	SPMV800001199	RING, RUBBER, D11,11x1,78		2,00
18	SPMV8000B6075	LEFT FRONT PEDAL SUPPORT		1,00
19	SPMV8000B6077	LEFT FRONT PEDAL SUPPORT		1,00
20	SPMV8000B4069	WASHER FOR FOOTREST SUPPORT	F4RR, F4 FRECCIE TRICOLORI	2,00
21	SPMV8000B5692	CHANGE SHAFT LEVEL	MY15/16 F3 675 RC-F3 800 RC	1,00
21	SPMV8000B5692	CHANGE SHAFT LEVEL	MY15/16 F3 675 RC-F3 800 RC	1,00
21	SPMV8000B5692	CHANGE SHAFT LEVEL	MY15/16 F3 675 RC-F3 800 RC	1,00
21	SPMV80A0B5692	GEAR SHIFT LEVER	MY17/20 F3 675 RC-F3 800 RC	1,00
21	SPMV80A0B5692	GEAR SHIFT LEVER	MY17/20 F3 675 RC-F3 800 RC	1,00
22	SPMV8F00B2688	Screw TCEIF M6x25 RP	800RR, DRAGSTER RR, DRAG.RR LH	1,00
23	SPMV8000B5693	COMPLETE CHANGE STAFF	MY12/14 675-800	1,00
24	SPMV8A00B6030	BALL JOINT	VIN>000790 675-800-RC	1,00
24	SPMV8A00B6030	BALL JOINT	VIN>000790 675-800-RC	1,00
24	SPMV8A00C7192	LEFT BALL JOINT	VIN 000791> F3 675-800-RC	1,00
25	SPMV8000B6030	BALL JOINT RH	F3 ORO-F3 AGO	1,00
25	SPMV8000B6030	BALL JOINT RH	F3 ORO-F3 AGO	1,00
25	SPMV8000C7192	RIGHT BALL JOINT	VIN 000791> F3 675-800-RC	1,00
26	SPMV61ND15033	NUT M6X1-CH10-SP5		2,00
27	SPMV8000B6751	NUT M6X1 SIN-CH10-SP5		1,00
28	SPMV8D00B2688	Screw TCEIF M6x20 RT	RR-RUSH	2,00
29	SPMV8000B6961	QUICK SHIFT SENSOR	MY13/14 F3 800	1,00
29	SPMV8000B6961	QUICK SHIFT SENSOR	MY13/14 F3 800	1,00
29	SPMV8000B6961	QUICK SHIFT SENSOR	MY13/14 F3 800	1,00
29	SPMV8000C7184	DOWN SHIFT SENSOR	VIN 000791> F3 RC	1,00
29	SPMV8000C7184	DOWN SHIFT SENSOR	VIN 000791> F3 RC	1,00
29	SPMV8000C7184	DOWN SHIFT SENSOR	VIN 000791> F3 RC	1,00
29	SPMV8000B9611	DOWN SHIFT SENSOR	MY15/20 VIN >000790 F3 800	1,00
30	SPMV8000B6940	SELECTOR ROD WITH QS	F3 ORO	1,00
30	SPMV8A00B6940	SELECTOR ROD WITH QS	MY12/14 PER EAS F3 675	1,00
30	SPMV8A00B6940	SELECTOR ROD WITH QS	MY12/14 PER EAS F3 675	1,00
30	SPMV8A00B6940	SELECTOR ROD WITH QS	MY12/14 PER EAS F3 675	1,00
30	SPMV8B00C0769	Complete electronic gear stick	F3 675 RC-F3 800 RC	1,00
30	SPMV8B00C0769	Complete electronic gear stick	F3 675 RC-F3 800 RC	1,00
30	SPMV8B00C0769	Complete electronic gear stick	F3 675 RC-F3 800 RC	1,00
30	SPMV8B00C7185	COMPLETE ROD FOR TRANSMISSION	MY15/20 VIN 000791> F3 800	1,00
30	SPMV8B00C7185	COMPLETE ROD FOR TRANSMISSION	MY15/20 VIN 000791> F3 800	1,00
31	SPMV800092668	CLAMP, RUBBER	PER EAS F3 675	1,00
31	SPMV800092668	CLAMP, RUBBER	PER EAS F3 675	1,00

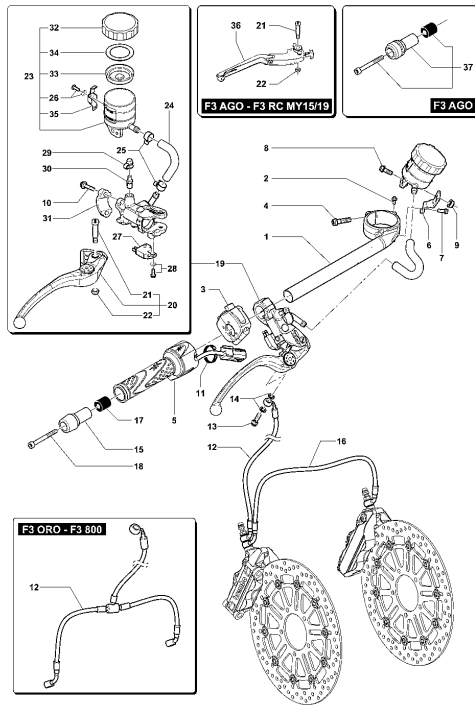
32	SPMV800095828	CUSION		1,00
33	SPMV980A0C1304	BLACK FOOTPEGS SET	MY17/19 F3 675 RC-F3 800 RC	1,00
33	SPMV9SPKPP001BF	FOOT PEG KIT	F3 AGO	1,00
33	SPMV9SPKPP001BF	FOOT PEG KIT	F3 AGO	1,00



Pos	Part Number	Description	Additional Text	Quantity
1	SPMV8000B5654	RH FOOTREST BRACKET F3	MY15/16 F3 675 RC-F3 800 RC	1,00
1	SPMV8000B5654	RH FOOTREST BRACKET F3	MY15/16 F3 675 RC-F3 800 RC	1,00
1	SPMV8000C3591	RIGHT FRONT FOOTREST SUPPORT	MY17/19 F3 675-F3 800	1,00
1	SPMV80A0B5654	RIGHT FRONT FOOTREST SUPPORT	MY17 F3 675 RC-F3 800 RC	1,00
1	SPMV80A0C3591	RIGHT FRONT FOOTREST SUPPORT	MY20 F3 675-F3 800	1,00
1	SPMV80A0C3591	RIGHT FRONT FOOTREST SUPPORT	MY20 F3 675-F3 800	1,00
2	SPMV8000B5698	RIGHT UNDERFAIRING PLATE	MY12/16 F3 675-F3 800	1,00
2	SPMV8000B5698	RIGHT UNDERFAIRING PLATE	MY12/16 F3 675-F3 800	1,00
2	SPMV8000B5698	RIGHT UNDERFAIRING PLATE	MY12/16 F3 675-F3 800	1,00
2	SPMV8000C4094	Brake cylinder bracket rear	MY17/20 F3 675-F3 800	1,00
2	SPMV8000C4094	Brake cylinder bracket rear	MY17/20 F3 675-F3 800	1,00
3	SPMV800053724	BELT, RUBBER, SHORT	MY12/16 USA CND CN	1,00
4	SPMV800066308	VIBRATION-DAMPER	1000S, AGO	2,00
5	SPMV8000B5695	OIL TANK FIXING PLATE	MY12/13 F3 675-F3 800	1,00
5	SPMV8000B5695	OIL TANK FIXING PLATE	MY12/13 F3 675-F3 800	1,00
5	SPMV8000B9490	PLATE FOR OIL TANK	MY15/17 F3 675 RC-F3 800 RC	1,00
5	SPMV8000B9490	PLATE FOR OIL TANK	MY15/17 F3 675 RC-F3 800 RC	1,00
6	SPMV8D00B2681	SCREW, M6x1x16 CH8	MY12/16 F3 675-F3 800	1,00
6	SPMV8D00B2681	SCREW, M6x1x16 CH8	MY12/16 F3 675-F3 800	1,00
6	SPMV8D00B2681	SCREW, M6x1x16 CH8	MY12/16 F3 675-F3 800	1,00
6	SPMV8E00B2681	Screw M6x1-CH8-L20	MY17/20 F3 675 RC-F3 800 RC	1,00
6	SPMV8E00B2681	Screw M6x1-CH8-L20	MY17/20 F3 675 RC-F3 800 RC	1,00
7	SPMV8000A9646	FOOTREST ASSY, FRONT RH	F3 ORO	1,00
7	SPMV8000B6482	FRONT R.H. FOOT-REST F3	MY12/19 F3 675-F3 800	1,00

7	SPMV80A0B6482	FRONT PEDESTAL. RIGHT	MY20 F3 675-F3 800	1,00
7	SPMV80A0B6482	FRONT PEDESTAL. RIGHT	MY20 F3 675-F3 800	1,00
8	SPMV8A00B2769	PIN, DRIVER FOOTREST SUPPORT	F4S, F4R	1,00
9	SPMV800090429	LOCK RING, FOOTREST		1,00
10	SPMV80A090418	SPRING, DRIVER FOOTREST SUPPOR		1,00
11	SPMV8B00B2681	Screw M6x1-CH8-L12	F4S, F4 FRECCIE TRICOLORI	1,00
11	SPMV8B00B2681	Screw M6x1-CH8-L12	F4S, F4 FRECCIE TRICOLORI	1,00
12	SPMV8000A8947	TUBO OIL PIPE UNION	F4RR	1,00
13	SPMV8A00B3505	SPECIAL SCREW, DRIVER FOOTREST	F3 ORO	2,00
13	SPMV8B00B2690	Screw TCEIF M8x22 RP	EXCEPT F3 ORO	2,00
14	SPMV800021480	WASHER, COPPER, D14xD10,2xE1	MY12/14 F3 675	4,00
15	SPMV8000B5896	BRAKE CONTROL LEVER	MY15/16 F3 675 RC-F3 800 RC	1,00
15	SPMV8000B5896	BRAKE CONTROL LEVER	MY15/16 F3 675 RC-F3 800 RC	1,00
15	SPMV8000B6084	Foot brake lever	F3 ORO	1,00
15	SPMV8000C4103	REAR BRAKE CONTROL PEDAL	MY17/19 F3 675-F3 800	1,00
15	SPMV80A0B5896	POST.COMP BRAKE CONTROL PEDAL	MY17 F3 675 RC-F3 800 RC	1,00
15	SPMV80A0C4103	REAR BRAKE CONTROL PEDAL	MY18/20 F3 675 RC-F3 800 RC	1,00
15	SPMV80A0C4103	REAR BRAKE CONTROL PEDAL	MY18/20 F3 675 RC-F3 800 RC	1,00
16	SPMV8F00B2681	SCREW, M6x1 CH8 L22		2,00
17	SPMV8000B5877	OIL PUMP TUBE - PLIER PUMP BR		1,00
17	SPMV8000B9017	BRAKE PUMP-CALIPER OIL HOSE	MY14 EXCEPT ABS F3 675-F3 800	1,00
18	SPMV800089298	RUBBER COVER		1,00
19	SPMV8000B5429	STOP SWITCH	MY12/16 F3 675-F3 800	1,00
19	SPMV8000B5429	STOP SWITCH	MY12/16 F3 675-F3 800	1,00
19	SPMV8000B5429	STOP SWITCH	MY12/16 F3 675-F3 800	1,00
19	SPMV8000C1852	STOP PEDAL SWITCH	MY17/20 F3 675-F3 800	1,00
19	SPMV8000C1852	STOP PEDAL SWITCH	MY17/20 F3 675-F3 800	1,00
20	SPMV800089313	REAR BRAKE PUMP	F3 ORO-F3 AGO	1,00
20	SPMV800089313	REAR BRAKE PUMP	F3 ORO-F3 AGO	1,00
20	SPMV800089313	REAR BRAKE PUMP	F3 ORO-F3 AGO	1,00
20	SPMV8000C2438	REAR BRAKE MASTER CYLINDERD12.7	MY17/20 F3 675-F3 800	1,00
20	SPMV8000C2438	REAR BRAKE MASTER CYLINDERD12.7	MY17/20 F3 675-F3 800	1,00
21	SPMV800090315	REAR BRAKE FLUID		1,00
22	SPMV8K0070266	OUT OF STOCK	MY12/13 F3 675-F3 ORO-F3 800	1,00
22	SPMV8M0070266	TANK OIL TUBE -REAR PUMP	MY14/16 F3 675-F3 800	1,00
22	SPMV8M0070266	TANK OIL TUBE -REAR PUMP	MY14/16 F3 675-F3 800	1,00
22	SPMV8M0070266	TANK OIL TUBE -REAR PUMP	MY14/16 F3 675-F3 800	1,00
22	SPMV8R0070266	Oil hose tank-pump poster.	MY17/20 F3 675-F3 800	1,00
22	SPMV8R0070266	Oil hose tank-pump poster.	MY17/20 F3 675-F3 800	1,00
23	SPMV800070700	SPRING CLAMP		2,00
24	SPMV60NDB2735	SCREW TBCE M6X1-L16	MY15/17 F3 675 RC-F3 800 RC	2,00
24	SPMV60NDB2735	SCREW TBCE M6X1-L16	MY15/17 F3 675 RC-F3 800 RC	2,00
24	SPMV60NDB2735	SCREW TBCE M6X1-L16	MY15/17 F3 675 RC-F3 800 RC	2,00

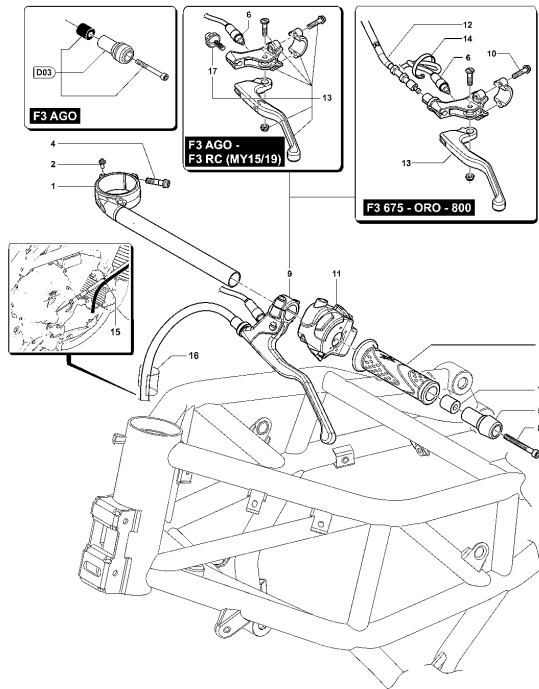
24	SPMV60NDB2736	SCREW TBCE M6X1-L20	MY18/20 F3 675 RC-F3 800 RC	2,00
24	SPMV60NDB2736	SCREW TBCE M6X1-L20	MY18/20 F3 675 RC-F3 800 RC	2,00
25	SPMV8000B2800	STOPPER, MASTER CYLINDER, REAR		1,00
26	SPMV61ND15062	NUT, M6x1x4 CH10		1,00
27	SPMV8A00C9331	PIN M8-CH6-L22, 2		1,00
28	SPMV8000B2723	WASHER, D8,2xD20xE1		1,00
29	SPMV800001199	RING, RUBBER, D11,11x1,78		2,00
30	SPMV8000B5696	REAR BRAKE PUMP	MY15/17 F3 675 RC-F3 800 RC	1,00
30	SPMV8000B5696	REAR BRAKE PUMP	MY15/17 F3 675 RC-F3 800 RC	1,00
30	SPMV8000B5696	REAR BRAKE PUMP	MY15/17 F3 675 RC-F3 800 RC	1,00
30	SPMV8000C2423	REAR BRAKE MASTER CYLINDER SUPPORT	MY18/20 F3 675 RC-F3 800 RC	1,00
30	SPMV8000C2423	REAR BRAKE MASTER CYLINDER SUPPORT	MY18/20 F3 675 RC-F3 800 RC	1,00
31	SPMV8000B6080	RING NUT FOR SUPP. FRONT PEDAL.	F3 ORO	1,00
32	SPMV8000B6076	RIGHT FRONT PEDAL SUPPORT		1,00
33	SPMV8000B6078	RIGHT FRONT PEDAL SUPPORT		1,00
34	SPMV8000B4069	WASHER FOR FOOTREST SUPPORT	F4RR, F4 FRECCIE TRICOLORI	2,00
35	SPMV8000B6083	REAR BRAKE PEDAL. WITH BUS	F3 ORO	1,00
36	SPMV800089760	PEDAL ECCENTRIC		1,00
37	SPMV8C00B2688	SCREW, TCEIF M6x18 RT	ED.1, LUSSO, RC, SCS	1,00
38	SPMV800056783	Plastic clamp, L142	MY17/20 F3 675-F3 800	1,00
38	SPMV800056783	Plastic clamp, L142	MY17/20 F3 675-F3 800	1,00
38	SPMV800092247	CLAMP, RUBBER, L62	F3 ORO-F3 AGO	1,00
38	SPMV800092247	CLAMP, RUBBER, L62	F3 ORO-F3 AGO	1,00
38	SPMV800092247	CLAMP, RUBBER, L62	F3 ORO-F3 AGO	1,00
39	SPMV800095828	CUSION		1,00
40	SPMV8B00B2681	Screw M6x1-CH8-L12	F4S, F4 FRECCIE TRICOLORI	1,00
40	SPMV8B00B2681	Screw M6x1-CH8-L12	F4S, F4 FRECCIE TRICOLORI	1,00
41	SPMV800092247	CLAMP, RUBBER, L62	F3 ORO-F3 AGO	1,00
41	SPMV800092247	CLAMP, RUBBER, L62	F3 ORO-F3 AGO	1,00
41	SPMV800092247	CLAMP, RUBBER, L62	F3 ORO-F3 AGO	1,00
41	SPMV800092668	CLAMP, RUBBER	PER EAS F3 675	1,00
41	SPMV800092668	CLAMP, RUBBER	PER EAS F3 675	1,00



Pos	Part Number	Description	Additional Text	Quantity
1	SPMV8000B5676	RIGHT HANDLEBAR		1,00
2	SPMV80A0A5823	REFERENCE PIN		1,00
3	SPMV8000B4568	SWITCH, IGNITION, RIGHT SIDE	BRUTALE 920	1,00
4	SPMV8000B2689	Screw TCEIF M7x1x25		1,00
5	SPMV8E00B5444	Throttle twist grip	B4 RS-B4 RR, MY21/22 B4 NURBURGRING-RUSH	1,00
5	SPMV8C00B5444	THROTTLE CONTROL D.B.W.	MY12/15 EXCEPT F3 ORO	1,00
5	SPMV8000B5444	THROTTLE CONTROL D.B.W.	F3 ORO	1,00
6	SPMV8000B5685	TANK SUPPORT PLATE		1,00
7	SPMV8B00B2687	SCREW, TCEIF M5x12	B4 RR-B4 NURBURGRING-RUSH	1,00
8	SPMV8D00B2681	SCREW, M6x1x16 CH8	MY12/16 F3 675-F3 800	1,00
9	SPMV8000B2710	NUT, M6x1 CH10 E7 PARLOCK	EXCEPT ORO	1,00
10	SPMV8F00B2688	Screw TCEIF M6x25 RP	800RR, DRAGSTER RR, DRAG.RR LH	2,00
11	SPMV800092668	CLAMP, RUBBER	PER EAS F3 675	1,00
12	SPMV8000B5792	FRONT OIL PUMP BRAKE PLIER	MY12/13 F3 675	1,00
12	SPMV8000B6081	OIL PUMP FRONT BRAKE	MY13 F3 800	1,00
12	SPMV8000B6081	OIL PUMP FRONT BRAKE	MY13 F3 800	1,00
12	SPMV8000B9110	BRAKE PUMP-CALIPER OIL HOSE	MY14 NO ABS F3 675	1,00
12	SPMV8000B9089	BRAKE CALIPER-PUMP OIL HOSE	MY14 NO ABS F3 800	1,00
13	SPMV80A091692	SPECIAL SCREW, OIL BRAKE PIPE,	F4S, F4R, F4 FRECCIE TRICOLORI	1,00
14	SPMV800021480	WASHER, COPPER, D14xD10,2xE1	MY12/14 F3 675	2,00
15	SPMV8000B5681	COUNTERWEIGHT		1,00
16	SPMV8000B5793	PLIER OIL TUBE	MY12/13 F3 675	1,00
16	SPMV8000B9016	OIL PIPE, CALIPER BRAKE	MY14 F3 675	1,00
17	SPMV800066163	NUT		1,00
18	SPMV60ND02516	SCREW TCEI M6X1-L55		1,00

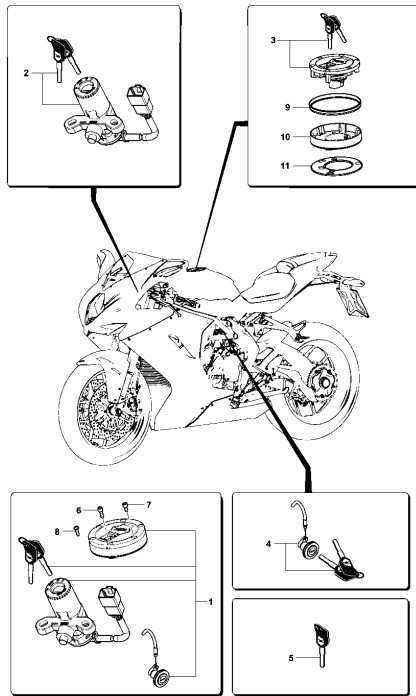


19	SPMV8000B5684	FRONT BRAKE PUMP	MY15/16 F3 675 RC-F3 800 RC	1,00
19	SPMV8000B5684	FRONT BRAKE PUMP	MY15/16 F3 675 RC-F3 800 RC	1,00
19	SPMV8000B5684	FRONT BRAKE PUMP	MY15/16 F3 675 RC-F3 800 RC	1,00
19	SPMV8000C3372	FRONT BRAKE MASTER CYLINDER. F3 SPECIAL	MY17/19 F3 675 RC-F3 800 RC	1,00
19	SPMV8000B9537	FRONT BRAKE MASTER CYLINDER. F3 SPECIAL	F3 AGO	1,00
20	SPMV8000B7009	Brake lever compl.	F3 675-F3 ORO-F3 800	1,00
20	SPMV8000B7009	Brake lever compl.	F3 675-F3 ORO-F3 800	1,00
21	SPMV8000B7010	PIN FOR LEVER		1,00
22	SPMV8000B7011	NUT FOR LEVER		1,00
23	SPMV800095535	BRAKE FLUID TANK		1,00
24	SPMV800089309	OIL HOSE		1,00
25	SPMV8000B7013	CLAMP, FRONT BREAK PIPE		2,00
26	SPMV8000A9270	Screw		1,00
27	SPMV8000B7014	STOP SWITCH		1,00
28	SPMV800070865	Screw		1,00
29	SPMV800089491	DUST COVER		1,00
30	SPMV800089484	DRAIN VALVE		1,00
31	SPMV800070866	U-BOLT		1,00
32	SPMV8000A9266	COVER, BRAKE OIL TANK		1,00
33	SPMV8000A9267	DIAPHRAGM		1,00
34	SPMV8000A9268	RING, DIAPHRAGM		1,00
35	SPMV8000A9269	PLATE, STAY		1,00
36	SPMV98000C1312	ARTICULATED BRAKE LEVER EV.1		1,00
36	SPMVSPLBA001F3	ARTICULATED FRONT BRAKE LEVER EV1	F3 AGO	1,00
37	SPMV9SPPMN004BF	BLACK HANDLEBAR WEIGHTS SET		1,00

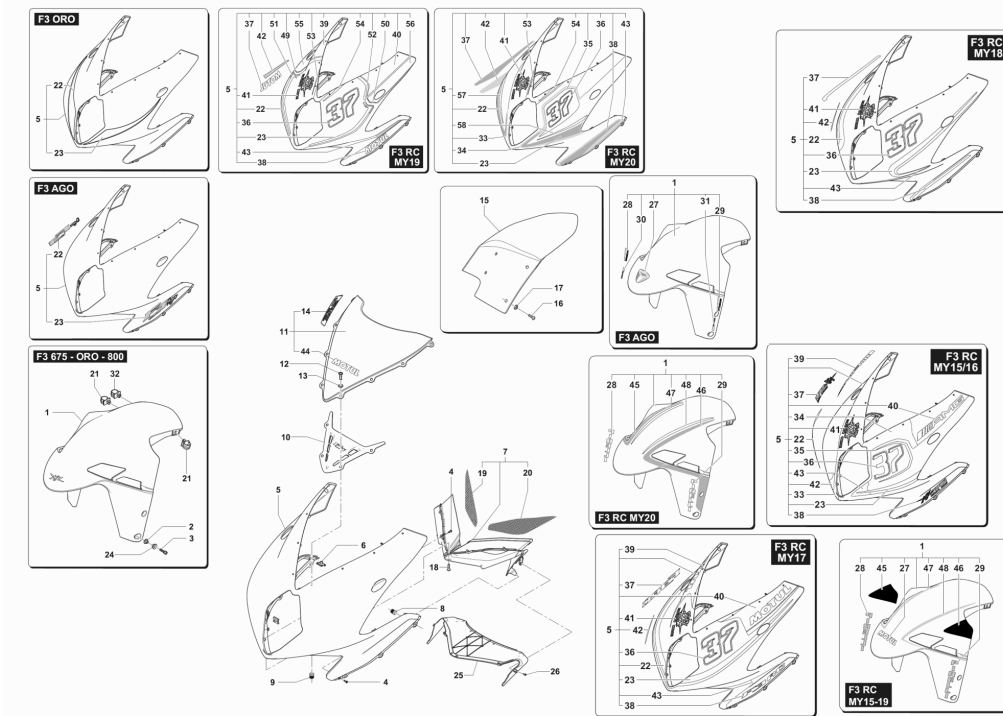


Pos	Part Number	Description	Additional Text	Quantity
1	SPMV8000B5677	LEFT HANDLEBAR		1,00
2	SPMV80A0A5823	REFERENCE PIN		1,00
3	SPMV8000B5683	LEFT HANDLEBAR GRIP	800	1,00
4	SPMV8000B2689	Screw TCEIF M7x1x25		1,00
5	SPMV8000B5681	COUNTERWEIGHT		1,00
6	SPMV8000B6214	CLUTCH SWITCH		1,00
7	SPMV800066163	NUT		1,00
8	SPMV60ND02516	SCREW TCEI M6X1-L55		1,00
9	SPMV8000B5902	CLUTCH	MY13 F3 800	1,00
9	SPMV8000B5902	CLUTCH	MY13 F3 800	1,00
9	SPMV8000B8974	Clutch lever compl.	MY20 F3 800 RC	1,00
9	SPMV8000B8974	Clutch lever compl.	MY20 F3 800 RC	1,00
9	SPMV8000B9538	SPECIAL CLUTCH CONTROL	F3 AGO	1,00
9	SPMV8000C2360	Special clutch control	MY15/16 F3 675 RC-F3 800 RC	1,00
9	SPMV8000C3373	Special clutch control	MY17/19 F3 675 RC-F3 800 RC	1,00
10	SPMV8F00B2688	Screw TCEIF M6x25 RP	800RR, DRAGSTER RR, DRAG.RR LH	2,00
11	SPMV8000B4567	LEFT SWITCH	F4R, F4RR	1,00
12	SPMV8000B5904	CLUTCH CONTROL CABLE		1,00
13	SPMV800067163	Clutch lever	F3 675-F3 ORO	1,00
13	SPMV800067163	Clutch lever	F3 675-F3 ORO	1,00
13	SPMV8000B8968	CLUTCH LEVEL	MY20 F3 800 RC	1,00
13	SPMV8000B8968	CLUTCH LEVEL	MY20 F3 800 RC	1,00
13	SPMV98000C1323	ARTICULATED CLUTCH LEVER EV1	MY17/19 F3 675 RC-F3 800 RC	1,00
13	SPMV9SPLZA004BF	CLUTCH LEVEL	F3 AGO	1,00
13	SPMV9SPLZA004BF	CLUTCH LEVEL	F3 AGO	1,00
14	SPMV800053724	BELT, RUBBER, SHORT	MY12/16 USA CND CN	1,00

15	SPMV800053724	BELT, RUBBER, SHORT	MY12/16 USA CND CN	1,00
16	SPMV8000B4536	STICKER, PROTECTION		1,00
17	SPMV8000C4415	CLUTCH CONTROL REGISTER	F3 AGO	1,00
17	SPMV8000C4415	CLUTCH CONTROL REGISTER	F3 AGO	1,00



Pos	Part Number	Description	Additional Text	Quantity
1	SPMV8A00B5210	KIT KEY	675, 800, 800RR	1,00
2	SPMV8000B5410	IGNITION SWITCH WITH		1,00
3	SPMV8000B5411	FUEL TANK CAP WITH		1,00
4	SPMV8000B5412	SADDLE LOCK COMPLETE WITH	675, 800, 800RR	1,00
5	SPMV8000B5413	SPARE PARTS KEY		1,00
6	SPMV800066531	Screw plug		3,00
7	SPMV8C0066531	Screw TCEI M5x0,8-L10 INOX		3,00
8	SPMV8B00B4221	Screw M5x0,8-CH3-L14	MY18/20 F3 675 RC-F3 800 RC	1,00
9	SPMV8000B5216	GASKET		1,00
10	SPMV8A00B5215	GASKET		1,00
11	SPMV8000B5214	INLET FUEL TANK		1,00



Pos	Part Number	Description	Additional Text	Quantity
1	SPMV8000B5451	FRONT MUDGUARD	NO ABS F3 675-F3 800	1,00
1	SPMV8000B9540	COMPL.FRONT FENDER	F3 AGO	1,00
1	SPMV8000C2282	FRONT FENDER	MY15/16 F3 675 RC-F3 800 RC	1,00
1	SPMV8000C3755	FRONT FENDER GUARD. COMPL.	MY17 F3 675 RC-F3 800 RC	1,00
1	SPMV8000C5829	FRONT MUDGUARD. COMPL.	MY19 F3 675 RC-F3 800 RC	1,00
1	SPMV8000C7712	FRONT FENDER GUARD. COMPL.	MY20 F3 800 RC	1,00
1	SPMV80A0B6042	FRONT FENDER	F3 ORO	1,00
1	SPMV80A0C3755	FRONT MUDGUARD. COMPL.	MY18 F3 675 RC-F3 800 RC	1,00
2	SPMV80A090392	SPACER	B4 RS-B4 RR-B4 NURBURGRING	4,00
3	SPMV8B00B2688	Screw TCEIF M6x1x16	EXCEPT F3 ORO	4,00
3	SPMV8E00B2688	Screw TCEIF M6x22 RP	F3 ORO	4,00
4	SPMV8A00B2777	SCREW PH-AB 2,9X9,5		6,00
5	SPMV8000B6152	COMPLETE FRONT FAIRING	F3 ORO	1,00
5	SPMV8000B9542	COMPL. WINDSHIELD	F3 AGO	1,00
5	SPMV8000C2286	FRONT FAIRING	MY15/16 F3 675 RC-F3 800 RC	1,00
5	SPMV8000C3758	COMPLETE WINDSHIELD	MY17 F3 675 RC-F3 800 RC	1,00
5	SPMV8000C4546	FAIRING COMPL.	MY18 F3 675 RC-F3 800 RC	1,00
5	SPMV8000C5831	Windshield compl.	VIN >000628, 000628-000632	1,00
5	SPMV8000C6937	COMPLETE WINDSHIELD	VIN 000608-000627, 000633>	1,00
5	SPMV8000C7720	DOME COMPL.	MY20 F3 800 RC	1,00
5	SPMV80A0B5452	COWLING	MY13/14 RED/SILVER F3 800	1,00

5	SPMV80A0B5452	COWLING	MY13/14 RED/SILVER F3 800	1,00
5	SPMV80A0B5452	COWLING	MY13/14 RED/SILVER F3 800	1,00
5	SPMV80A0B5452	COWLING	MY13/14 RED/SILVER F3 800	1,00
5	SPMV80A0B5452	COWLING	MY13/14 RED/SILVER F3 800	1,00
5	SPMV80A0B5452	COWLING	MY13/14 RED/SILVER F3 800	1,00
5	SPMV80C0B5452	COWLING	MY12/14 WHITE F3 675	1,00
5	SPMV80D0B5452	COMPLETE FRONT FAIRING	MY12/14 BLACK/ANTHRA. F3 675	1,00
5	SPMV80E0B5452	FAIRING, HEADLIGHT	MY13/14 WHITE/BLACK F3 800	1,00
5	SPMV80F0B5452	FAIRING, HEADLIGHT	MY15/18 BLACK F3 800	1,00
5	SPMV80F0B5452	FAIRING, HEADLIGHT	MY15/18 BLACK F3 800	1,00
5	SPMV80H0B5452	COWLING	MY15/18 WHITE/GRAY F3 800	1,00
5	SPMV80H0B5452	COWLING	MY15/18 WHITE/GRAY F3 800	1,00
5	SPMV80J0B5452	FINISHED WINDSHIELD	MY15/18 GRAY F3 675	1,00
5	SPMV80L0B5452	FINISHED DOME	MY19 BLUE/GRAY F3 675	1,00
5	SPMV80M0B5452	DOME FINISHED	MY19 GRAY/GRAY AVIO F3 800	1,00
6	SPMV8000B4560	NUT, FAIRING,	B4 RS	4,00
7	SPMV8000B5810	COMPLETE COWLING SPOILER	MY12/14 MY18 MY20 F3 RC	1,00
7	SPMV8000B5810	COMPLETE COWLING SPOILER	MY12/14 MY18 MY20 F3 RC	1,00
7	SPMV8000B5810	COMPLETE COWLING SPOILER	MY12/14 MY18 MY20 F3 RC	1,00
7	SPMV8000B5810	COMPLETE COWLING SPOILER	MY12/14 MY18 MY20 F3 RC	1,00
7	SPMV8000B5810	COMPLETE COWLING SPOILER	MY12/14 MY18 MY20 F3 RC	1,00
7	SPMV80A0B5810	SPOILER FOR COWLING	F3 ORO	1,00
7	SPMV80B0B5810	SPOILER FOR COMPLETE FAIRING	MY12/14 WHITE F3 675	1,00
7	SPMV80C0B5810	SPOILER FOR WINDSHIELD	MY12/14 BLACK/ANTHRA. F3 675	1,00
7	SPMV80D0B5810	FAIRING SPOILER	MY13/14 WHITE/BLACK F3 800	1,00
7	SPMV80E0B5810	FAIRING SPOILER	MY13/14 BLACK F3 800	1,00
7	SPMV80E0B5810	FAIRING SPOILER	MY13/14 BLACK F3 800	1,00
7	SPMV80G0B5810	SPOILER FOR COMPL.WINDSHIELD	F3 AGO	1,00
7	SPMV80H0B5810	SPOILER FOR COMPLETE FAIRING	MY15/18 WHITE/GRAY F3 800	1,00
7	SPMV80H0B5810	SPOILER FOR COMPLETE FAIRING	MY15/18 WHITE/GRAY F3 800	1,00
7	SPMV80J0B5810	SPOILER FOR COMPLETE WINDSHIELD	MY15/18 GRAY F3 675	1,00
7	SPMV80L0B5810	COMPLETE FAIRING SPOILER	MY17 F3 675 RC-F3 800 RC	1,00
7	SPMV80M0B5810	SPOILER FOR COMPLETE FAIRING	MY19 F3 675 RC-F3 800 RC	1,00
7	SPMV80N0B5810	SPOILER FOR COMPLETE WINDSHIELD	MY19/20 RED/SILVER F3 675	1,00
7	SPMV80N0B5810	SPOILER FOR COMPLETE WINDSHIELD	MY19/20 RED/SILVER F3 675	1,00
7	SPMV80P0B5810	SPOILER FOR COMPLETE WINDSHIELD	MY19 BLUE/GRAY F3 675	1,00
7	SPMV80R0B5810	SPOILER FOR DOME COMPL.	MY19 GRAY/GRAY AVIO F3 800	1,00

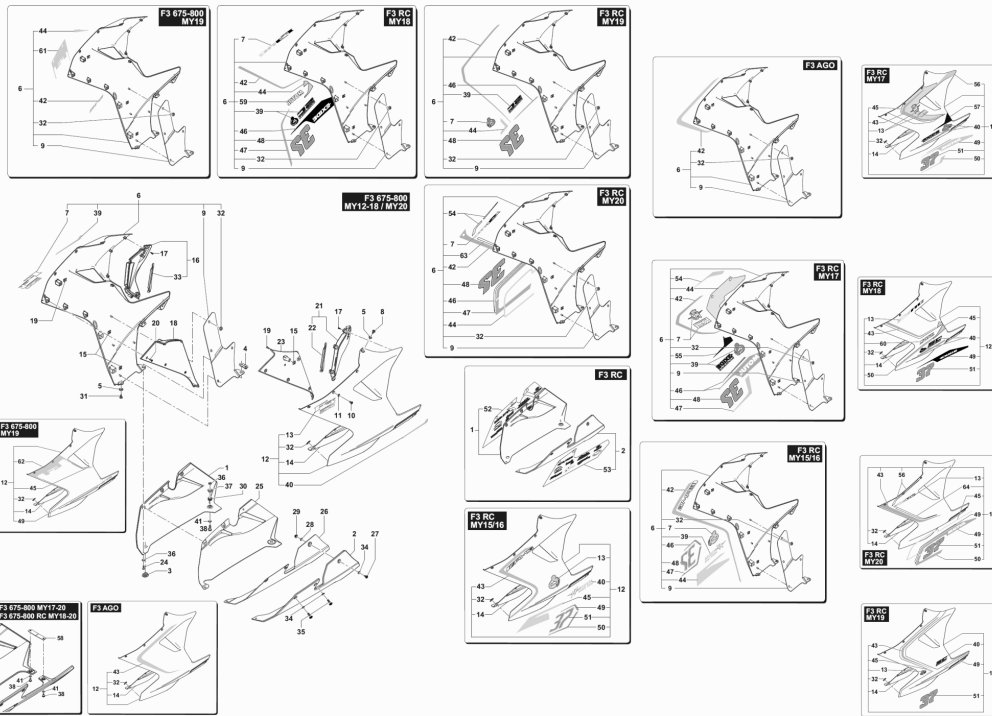
8	SPMV800063150	SPRING NUT M5		6,00
9	SPMV800091022	BUSH, SCREW, M4x0,7	F4S, F4R, F4RR	8,00
10	SPMV8000B5479	INNER COVER WINDSHIELD	F3 675-F3 800-F3 AGO	1,00
10	SPMV8000B5479	INNER COVER WINDSHIELD	F3 675-F3 800-F3 AGO	1,00
10	SPMV80A0B6043	CUPOL SLIDE COVER	F3 ORO	1,00
11	SPMV8000B5455	COMPLETE COWLING LIGHT	F3 675-F3 ORO-F3 800-F3 AGO	1,00
11	SPMV8000B5455	COMPLETE COWLING LIGHT	F3 675-F3 ORO-F3 800-F3 AGO	1,00
11	SPMV8000C2702	WINDSHIELD WINDOW COMPL.	MY15/16 F3 675 RC-F3 800 RC	1,00
11	SPMV8000C4548	WINDSHIELD GLASS COMPL.	MY18 F3 675 RC-F3 800 RC	1,00
11	SPMV8000C6656	WINDSHIELD GLASS COMPL.	MY19 F3 675 RC-F3 800 RC	1,00
11	SPMV80A0C6656	COMPLETE WINDSHIELD	MY20 F3 800 RC	1,00
12	SPMV8A0090901	SCREW, M4x13,7	750S, 750S 1+1	8,00
13	SPMV800092882	WASHER, PLASTIC, FAIRING, M		8,00
14	SPMV8000B7037	ADHESIVE TAG PRESS PNEU		1,00
15	SPMV80A0B6054	REAR FENDER	F3 ORO-F3 AGO	1,00
15	SPMV8A00B5476	REAR FENDER	MY17/20 F3 675-F3 800	1,00
15	SPMV8AC0B5476	REAR FENDER. FINISHED	MY18 F3 675 RC-F3 800 RC	1,00
15	SPMV8AD0B5476	REAR FENDER COMPL. FIN	MY19/20 F3 675 RC-F3 800 RC	1,00
15	SPMV80A0B5476	REAR FENDER. FINISHED	MY15/17 F3 675 RC-F3 800 RC	1,00
15	SPMV8000B5476	REAR FENDER.	MY12/16 F3 675-F3 800	1,00
16	SPMV8B00B4221	Screw M5x0,8-CH3-L14	MY18/20 F3 675 RC-F3 800 RC	4,00
16	SPMV8B00B4221	Screw M5x0,8-CH3-L14	MY18/20 F3 675 RC-F3 800 RC	3,00
16	SPMV8B00B4221	Screw M5x0,8-CH3-L14	MY18/20 F3 675 RC-F3 800 RC	4,00
16	SPMV8B00B4221	Screw M5x0,8-CH3-L14	MY18/20 F3 675 RC-F3 800 RC	4,00
16	SPMV8B00B4221	Screw M5x0,8-CH3-L14	MY18/20 F3 675 RC-F3 800 RC	3,00
16	SPMV8B00B4221	Screw M5x0,8-CH3-L14	MY18/20 F3 675 RC-F3 800 RC	3,00
17	SPMV8000B2798	WASHER, ESPAÇADORA	MY18/20 F3 675 RC-F3 800 RC	4,00
17	SPMV8000B2798	WASHER, ESPAÇADORA	MY18/20 F3 675 RC-F3 800 RC	3,00
17	SPMV8000B2798	WASHER, ESPAÇADORA	MY18/20 F3 675 RC-F3 800 RC	3,00
17	SPMV8000B2798	WASHER, ESPAÇADORA	MY18/20 F3 675 RC-F3 800 RC	3,00
17	SPMV8000B2798	WASHER, ESPAÇADORA	MY18/20 F3 675 RC-F3 800 RC	4,00
18	SPMV98B0090901	Special screw M4x8	TAMBURINI	1,00
19	SPMV8000B5796	RIGHT AIR DUCT PROTECTION	MY15/16 MY18/20 RC	1,00
19	SPMV8000B5796	RIGHT AIR DUCT PROTECTION	MY15/16 MY18/20 RC	1,00
19	SPMV80A0B5796	PROTECTION FOR RIGHT AIR INTAKE	MY17 F3 675 RC-F3 800 RC	1,00
19	SPMV80A0B5796	PROTECTION FOR RIGHT AIR INTAKE	MY17 F3 675 RC-F3 800 RC	1,00
19	SPMV80B0B5796	RIGHT AIR DUCT PROTECTION	F3 ORO-F3 AGO	1,00
20	SPMV8000B5797	LEFT AIR DUCT PROTECTION	MY12/18 F3 675-F3 800	1,00
20	SPMV8000B5797	LEFT AIR DUCT PROTECTION	MY12/18 F3 675-F3 800	1,00
20	SPMV80A0B5797	PROTECTION FOR LEFT AIR INTAKE	MY19/20 F3 675-F3 800	1,00

20	SPMV80A0B5797	PROTECTION FOR LEFT AIR INTAKE	MY19/20 F3 675-F3 800	1,00
20	SPMV80B0B5797	LEFT AIR DUCT PROTECTION	F3 ORO-F3 AGO	1,00
21	SPMV8000B5952	FAIRLLEAD BREAK PIPE		2,00
22	SPMV8000B6154	DECAL FRONT FAIRING RH	F3 ORO	1,00
22	SPMV8000B9544	DECAL "F3 800 NEEDLE" FOR FLANK	F3 AGO	1,00
22	SPMV8000C2292	RIGHT DECAL FOR WINDSHILD	MY15/16 F3 675 RC-F3 800 RC	1,00
22	SPMV8000C3762	RIGHT FRIEZE DECAL FOR DOME	MY17 F3 675 RC-F3 800 RC	1,00
22	SPMV8000C4924	DECAL "UPPER FRIEZE" RIGHT	MY18 F3 675 RC-F3 800 RC	1,00
22	SPMV8000C6616	DECAL "SIDE FRIEZE" RIGHT FOR	MY19 F3 675 RC-F3 800 RC	1,00
22	SPMV8000C7728	'DECAL "FRONT FRIEZE" RIGHT FOR'	MY20 F3 800 RC	1,00
23	SPMV8000B6155	DECAL FRONT FAIRING LH	F3 ORO	1,00
23	SPMV8000B9543	DECAL "F3 800 AGO" FOR SIDE PANEL	F3 AGO	1,00
23	SPMV8000C2291	DECAL LEFT FRIEZE FOR DOME	MY15/16 F3 675 RC-F3 800 RC	1,00
23	SPMV8000C3763	LEFT FRIEZE DECAL FOR DOME	MY17 F3 675 RC-F3 800 RC	1,00
23	SPMV8000C4925	DECAL "UPPER FRIEZE" LEFT	MY18 F3 675 RC-F3 800 RC	1,00
23	SPMV8000C6617	DECAL "SIDE FRIEZE" LEFT FOR	MY19 F3 675 RC-F3 800 RC	1,00
23	SPMV8000C7727	'DECAL "FRONT FRIEZE" LEFT FOR'	MY20 F3 800 RC	1,00
24	SPMV8000B6104	SPACER FOR FRONT FENDER	F3 ORO	4,00
25	SPMV8000B5468	CENTRAL AIR CONVEYOR FRONT		1,00
26	SPMV8A00B2777	SCREW PH-AB 2,9X9,5		4,00
27	SPMV8000B9737	DECAL SCUDETTO N1 TRICOLORE	F3 AGO	1,00
27	SPMV8000C1422	DECAL ENI 85MM	MY15/16 F3 675 RC-F3 800 RC	1,00
27	SPMV8000C3756	'DECAL "MOTUL" FOR FENDER'	MY17/18 F3 675 RC-F3 800 RC	1,00
27	SPMV80A0C3756	'DECAL "MOTUL" FOR FENDER'	MY19 F3 675 RC-F3 800 RC	1,00
28	SPMV8000C2284	DECAL PIRELLI VERTICAL RIGHT	MY15/19 F3 675 RC-F3 800 RC	1,00
28	SPMV8000C7718	'DECAL "PIRELLI" VERTICAL RIGHT'	MY20 F3 800 RC	1,00
28	SPMV80A0B9022	DECAL ABS RIGHT FOR FENDER	F3 AGO	1,00
29	SPMV8000C2283	DECAL PIRELLI VERTICAL LEFT	MY15/19 F3 675 RC-F3 800 RC	1,00
29	SPMV8000C7717	'LEFT VERTICAL "PIRELLI" DECAL'	MY20 F3 800 RC	1,00
29	SPMV80A0B9021	DECAL ABS FOR LEFT FENDER	F3 AGO	1,00
30	SPMV80A0B9196	RIGHT FENDER DECAL RACE MODE		1,00
31	SPMV80A0B9197	DECAL RACE MODE FOR LEFT		1,00
32	SPMV800094895	PLUG 6MM	MY15/20 F3 675	1,00
32	SPMV800094895	PLUG 6MM	MY15/20 F3 675	1,00
32	SPMV8000B5952	FAIRLLEAD BREAK PIPE		1,00
33	SPMV8000C2288	DECAL MASKING FOR CUPOLIN	MY15/16 F3 675 RC-F3 800 RC	1,00
33	SPMV8000C7724	'DECAL "MASKING DIV.COLOR'	MY20 F3 800 RC	1,00
34	SPMV8000C2289	DECAL MASKING FOR CUPOLIN	MY15/16 F3 675 RC-F3 800 RC	1,00
34	SPMV8000C7723	'DECAL "MASKING DIV.COLOR'	MY20 F3 800 RC	1,00
35	SPMV8000C2293	DECAL NUMBER FRAME FOR	MY15/16 F3 675 RC-F3 800 RC	1,00
35	SPMV8000C7722	'DECAL "BUBBLE NUMBER" FOR'	MY20 F3 800 RC	1,00



36	SPMV8000C2319	NUMBER 37 DECAL FOR FAIRING	MY15/16 F3 675 RC-F3 800 RC	1,00
36	SPMV8000C3769	'DECAL "NUMBER 37 "FOR DOME"	MY17 F3 675 RC-F3 800 RC	1,00
36	SPMV8000C4945	DECAL "NUMBER 37" FOR WINDSHIELD	MY18 F3 675 RC-F3 800 RC	1,00
36	SPMV8000C6623	DECAL "NUMBER 37" FOR	MY19 F3 675 RC-F3 800 RC	1,00
36	SPMV8000C7732	'DECAL "NUMBER 37" FOR DOME"	MY20 F3 800 RC	1,00
37	SPMV8000C2296	DECAL MV AGUSTA RACING DEPARTMENT	MY15/16 F3 675 RC-F3 800 RC	1,00
37	SPMV8000C3764	'DECAL "F3 RC" RIGHT FOR DOME"	MY17 F3 675 RC-F3 800 RC	1,00
37	SPMV8000C4926	DECAL "LOWER FRIEZE" DX	MY18 F3 675 RC-F3 800 RC	1,00
37	SPMV8000C6612	DX "MOTUL" DECAL FOR DOME	MY19 F3 675 RC-F3 800 RC	1,00
37	SPMV8000C7730	'DECAL "LATERAL FRIEZE" RIGHT FOR"	MY20 F3 800 RC	1,00
38	SPMV8000C2295	DECAL MV AGUSTA RACING DEPARTMENT	MY15/16 F3 675 RC-F3 800 RC	1,00
38	SPMV8000C3765	'DECAL "F3 RC" LEFT FOR DOME"	MY17 F3 675 RC-F3 800 RC	1,00
38	SPMV8000C4927	DECAL "LOWER FRIEZE" LEFT	MY18 F3 675 RC-F3 800 RC	1,00
38	SPMV8000C6613	DECAL "MOTUL" PSX FOR WINDSHIELD	MY19 F3 675 RC-F3 800 RC	1,00
38	SPMV8000C7729	'DECAL "SIDE FRIEZE" LEFT FOR"	MY20 F3 800 RC	1,00
39	SPMV8000C2298	RIGHT AMG DECAL FOR WINDSHIELD	MY15/16 F3 675 RC-F3 800 RC	1,00
39	SPMV8000C3766	'RIGHT "MOTUL" DECAL FOR DOME"	MY17 F3 675 RC-F3 800 RC	1,00
39	SPMV8000C6934	'DECAL "BLACK FRIEZE" SUP. RIGHT"	VIN 000608-000627, 000633>	1,00
39	SPMV8000C6618	DECAL BLACK-VAMAG FRIEZE RIGHT	VIN >000607, 000608-000632	1,00
40	SPMV8000C2297	DECAL AMG LEFT FOR DOME	MY15/16 F3 675 RC-F3 800 RC	1,00
40	SPMV8000C3767	'LEFT "MOTUL" DECAL FOR DOME"	MY17 F3 675 RC-F3 800 RC	1,00
40	SPMV8000C6935	'DECAL "BLACK FRIEZE" SUP. SX"	VIN 000608-000627, 000633>	1,00
40	SPMV8000C6619	LEFT BLACK-VAMAG FRIEZE DECAL	VIN >000607, 000608-000632	1,00
41	SPMV8000C2294	DECAL MV RACING DEPARTMENT LOGO	MY15/16 F3 675 RC-F3 800 RC	1,00
41	SPMV8000C3768	'DECAL "MV RACING DEPARTMENT" LOGO"	MY17 F3 675 RC-F3 800 RC	1,00
41	SPMV8000C4928	DECAL "MV RACING DEPARTMENT" LOGO	MY18 F3 675 RC-F3 800 RC	1,00
41	SPMV8000C6622	DECAL "MV RACING DEPARTMENT" FOR	MY19 F3 675 RC-F3 800 RC	1,00
41	SPMV8000C7731	'DECAL "MV RACING DEPARTMENT" FOR"	MY20 F3 800 RC	1,00
42	SPMV8000C3034	RIGHT TIP MASKING DECAL	MY15/16 F3 675 RC-F3 800 RC	1,00
42	SPMV8000C3760	DECAL MASKING RIGHT TIP	MY17 F3 675 RC-F3 800 RC	1,00
42	SPMV8000C4922	DECAL "MASKING TIP" RIGHT	MY18 F3 675 RC-F3 800 RC	1,00
42	SPMV8000C6628	DECAL "TIP MASKING" RIGHT DECAL "TIP	MY19 F3 675 RC-F3 800 RC	1,00
42	SPMV8000C7942	'DECAL "SIDE MASKING"'	MY20 F3 800 RC	1,00
43	SPMV8000C3035	LEFT TIP MASKING DECAL	MY15/16 F3 675 RC-F3 800 RC	1,00

43	SPMV8000C3761	DECAL MASKING TIP LEFT	MY17 F3 675 RC-F3 800 RC	1,00
43	SPMV8000C4923	DECAL "TIP MASKING" LEFT	MY18 F3 675 RC-F3 800 RC	1,00
43	SPMV8000C6629	DECAL "MASKING TIP" LEFT	MY19 F3 675 RC-F3 800 RC	1,00
43	SPMV8000C7943	'DECAL "SIDE MASKING"'	MY20 F3 800 RC	1,00
44	SPMV8000C1400	AMG DECAL FOR FAIRING GLASS	MY15/16 F3 675 RC-F3 800 RC	1,00
44	SPMV8000C4549	DECAL "MOTUL" FOR SLIDE	MY18 F3 675 RC-F3 800 RC	1,00
44	SPMV8000C6649	DECAL "MOTUL" FOR WINDSHIELD	MY19 F3 675 RC-F3 800 RC	1,00
44	SPMV80A0C6649	'DECAL "MOTUL" FOR SLIDE'	MY20 F3 800 RC	1,00
45	SPMV8000C6602	DECAL "BLACK FRIEZE" RIGHT FOR	MY19 F3 675 RC-F3 800 RC	1,00
45	SPMV8000C7716	'DECAL "LATERAL FRIEZE" RIGHT FOR'	MY20 F3 800 RC	1,00
46	SPMV8000C6603	DECAL "BLACK FRIEZE" LEFT FOR	MY19 F3 675 RC-F3 800 RC	1,00
46	SPMV8000C7715	'DECAL "LATERAL FRIEZE" LEFT FOR'	MY20 F3 800 RC	1,00
47	SPMV8000C6604	DECAL "FRIEZE" RIGHT FOR	MY19 F3 675 RC-F3 800 RC	1,00
47	SPMV8000C7714	'DECAL "FRIEZE SUP." RIGHT FOR'	MY20 F3 800 RC	1,00
48	SPMV8000C6605	DECAL "FRIEZE" LEFT FOR	MY19 F3 675 RC-F3 800 RC	1,00
48	SPMV8000C7713	'DECAL "FRIEZE SUP." LEFT FOR'	MY20 F3 800 RC	1,00
49	SPMV8000C6624	DECAL "MASKING DIV.		1,00
50	SPMV8000C6625	DECAL "MASKING DIV.		1,00
51	SPMV8000C6626	DECAL "MASKING DIV.		1,00
52	SPMV8000C6627	DECAL "MASKING DIV.		1,00
53	SPMV8000C6614	DECAL "CENTRAL FRIEZE" RIGHT FOR	MY19 F3 675 RC-F3 800 RC	1,00
53	SPMV8000C7726	'DECAL "CENTRAL FRIEZE" RIGHT FOR'	MY20 F3 800 RC	1,00
54	SPMV8000C6615	DECAL "CENTRAL FRIEZE" LEFT FOR	MY19 F3 675 RC-F3 800 RC	1,00
54	SPMV8000C7725	'DECAL "CENTRAL FRIEZE" LEFT FOR'	MY20 F3 800 RC	1,00
55	SPMV8000C6620	DECAL "BLACK FRIEZE" RIGHT FOR		1,00
56	SPMV8000C6621	DECAL "BLACK FRIEZE" LEFT FOR		1,00
57	SPMV8000C7944	'DECAL "FRIEZE FRONT. SUP." RIGHT'		1,00
58	SPMV8000C7945	'DECAL "FRIEZE FRONT. SUP." SX'		1,00



Pos	Part Number	Description	Additional Text	Quantity
1	SPMV8000B5804	RIGHT LOWER FAIRING	F3 675 MY15/16 WHITE	1,00
1	SPMV8000B5804	RIGHT LOWER FAIRING	F3 675 MY15/16 WHITE	1,00
1	SPMV8000B5804	RIGHT LOWER FAIRING	F3 675 MY15/16 WHITE	1,00
1	SPMV8000B5804	RIGHT LOWER FAIRING	F3 675 MY15/16 WHITE	1,00
1	SPMV8000C2322	FAIRING, LOWER	MY15/16 F3 675 RC-F3 800 RC	1,00
1	SPMV8000C3606	RIGHT UNDERCARENA	F3 675 MY17/18 RED/SILVER	1,00
1	SPMV8000C3606	RIGHT UNDERCARENA	F3 675 MY17/18 RED/SILVER	1,00
1	SPMV8000C3790	Complete right undertray	MY17 F3 675 RC-F3 800 RC	1,00
1	SPMV8000C4556	COMPLETE RIGHT BELLY PAN	MY18 F3 675 RC-F3 800 RC	1,00
1	SPMV8000C5836	COMPLETE RIGHT BELLY PAN	MY19 F3 675 RC-F3 800 RC	1,00
1	SPMV80A0B5804	RIGHT UNDERFAIRING	F3 AGO	1,00
1	SPMV80A0B5804	RIGHT UNDERFAIRING	F3 AGO	1,00
1	SPMV80A0B5804	RIGHT UNDERFAIRING	F3 AGO	1,00
1	SPMV80A0B6048	RIGHT LOWER FAIRING PANEL	F3 ORO	1,00
1	SPMV80A0C3606	RIGHT SHIELD UNDERCARENA	MY20 F3 800 RC	1,00
1	SPMV80A0C3606	RIGHT SHIELD UNDERCARENA	MY20 F3 800 RC	1,00
1	SPMV80A0C3606	RIGHT SHIELD UNDERCARENA	MY20 F3 800 RC	1,00
1	SPMV80A0C3606	RIGHT SHIELD UNDERCARENA	MY20 F3 800 RC	1,00
1	SPMV80A0C3606	RIGHT SHIELD UNDERCARENA	MY20 F3 800 RC	1,00
2	SPMV8000B5805	LEFT LOWERFAIRING	MY13/14 F3 800	1,00
2	SPMV8000B5805	LEFT LOWERFAIRING	MY13/14 F3 800	1,00
2	SPMV8000B5805	LEFT LOWERFAIRING	MY13/14 F3 800	1,00
2	SPMV8000B5805	LEFT LOWERFAIRING	MY13/14 F3 800	1,00
2	SPMV8000C2321	FAIRING, LOWER	MY15/16 F3 675 RC-F3 800 RC	1,00

2	SPMV8000C3607	LEFT UNDERCARENA	F3 675 MY17/18 WHITE	1,00
2	SPMV8000C3607	LEFT UNDERCARENA	F3 675 MY17/18 WHITE	1,00
2	SPMV8000C3791	Complete left undercarriage	MY17 F3 675 RC-F3 800 RC	1,00
2	SPMV8000C4555	COMPLETE LEFT BELLY PAN	MY18 F3 675 RC-F3 800 RC	1,00
2	SPMV8000C5837	COMPLETE LEFT BELLY PAN	MY19 F3 675 RC-F3 800 RC	1,00
2	SPMV80A0B5805	LEFT UNDERFAIRING	F3 AGO	1,00
2	SPMV80A0B5805	LEFT UNDERFAIRING	F3 AGO	1,00
2	SPMV80A0B5805	LEFT UNDERFAIRING	F3 AGO	1,00
2	SPMV80A0B6049	LEFT LOWER FAIRING	F3 ORO	1,00
2	SPMV80A0C3607	LEFT UNDERCARENA	MY17/20 F3 800	1,00
2	SPMV80A0C3607	LEFT UNDERCARENA	MY17/20 F3 800	1,00
2	SPMV80A0C3607	LEFT UNDERCARENA	MY17/20 F3 800	1,00
2	SPMV80A0C3607	LEFT UNDERCARENA	MY17/20 F3 800	1,00
2	SPMV80A0C3607	LEFT UNDERCARENA	MY17/20 F3 800	1,00
3	SPMV800041874	CUSHION, D24xD13xE9		1,00
4	SPMV8000B5962	SUPPORT FAIRING	F3 ORO-F3 AGO	1,00
4	SPMV8000B5962	SUPPORT FAIRING	F3 ORO-F3 AGO	1,00
4	SPMV8000B5962	SUPPORT FAIRING	F3 ORO-F3 AGO	1,00
4	SPMV8000C4092	FRONT PLATE UNDERCARENA	MY17/20 F3 675-F3 800	1,00
4	SPMV8000C4092	FRONT PLATE UNDERCARENA	MY17/20 F3 675-F3 800	1,00
5	SPMV8000B5959	WASHER D12 D7,8 SP0,5 IN NYLON	MY14/20 EXCEPT F3 ORO	4,00
6	SPMV8000B5798	RIGHT FAIRING	MY12/14 RED/SILVER F3 675	1,00
6	SPMV8000B6676	FAIRING RH SIDE	F3 ORO	1,00
6	SPMV8000C0528	RIGHT SIDE FAIRING COMPL.	MY15/18 RED/SILVER F3 675	1,00
6	SPMV8000C0540	COMPLETE RIGHT FAIRING	MY15/18 RED/SILVER F3 800	1,00
6	SPMV8000C2302	RIGHT UPPER SIDE PANNEL	MY15/16 F3 675 RC-F3 800 RC	1,00
6	SPMV8000C3772	RIGHT SIDE FAIRING COMPL.	MY17 F3 675 RC-F3 800 RC	1,00
6	SPMV8000C4554	RIGHT SIDE FAIRING COMPL.	MY18 F3 675 RC-F3 800 RC	1,00
6	SPMV8000C5834	RIGHT SIDE FAIRING COMPL.	MY19 F3 675 RC-F3 800 RC	1,00
6	SPMV8000C6966	RIGHT SIDE FAIRING COMPL.	MY19 RED/SILVER F3 675	1,00
6	SPMV8000C7002	SIDE FAIRING DX COMPL.	MY19 RED/SILVER F3 800	1,00
6	SPMV8000C7736	RIGHT SIDE FAIRING COMPL.	MY20 F3 800 RC	1,00
6	SPMV8000C7976	SIDE FAIRING DX COMPL.	MY20 RED/SILVER F3 800	1,00
6	SPMV8000C7976	SIDE FAIRING DX COMPL.	MY20 RED/SILVER F3 800	1,00
6	SPMV80A0B5798	RIGHT SIDE FAIRING	MY12/14 WHITE F3 675	1,00
6	SPMV80A0B8690	RIGHT COMPLETE SIDE PANEL	MY13/14 WHITE/BLACK F3 800	1,00
6	SPMV80A0C0528	SIDE FAIRING DX COMPL.	MY15/18 WHITE F3 675	1,00
6	SPMV80A0C0540	RIGHT FAIRING COMPLETE	MY15/18 WHITE/GRAY F3 800	1,00
6	SPMV80A0C6966	RIGHT SIDE FAIRING COMPL.	MY19 BLUE/GRAY F3 675	1,00
6	SPMV80A0C7002	RIGHT SIDE FAIRING COMPL.	MY19 GRAY/GRAY AVIO F3 800	1,00
6	SPMV80B0B5798	RIGHT SIDE FAIRING	MY12/14 BLACK/ANTHRA. F3 675	1,00
6	SPMV80B0B8690	RIGHT SIDE	MY13/14 BLACK F3 800	1,00
6	SPMV80B0C0528	SIDE FAIRING DX COMPL.	MY15/18 GRAY F3 675	1,00

6	SPMV80B0C0540	RIGHT FAIRING COMPLETE	MY15/18 BLACK F3 800	1,00
6	SPMV80C0B8690	COMPLETE RIGHT SIDE FAIRING	MY13/14 RED/SILVER F3 800	1,00
7	SPMV8000B5816	DECAL -F3-	MY12/14 RED/SILVER F3 675	1,00
7	SPMV8000B6480	DECAL -F3 SERIE ORO-	F3 ORO	1,00
7	SPMV8000C0526	DECAL F3 675 RX SIDE FAIRING	MY15/18 RED/SILVER F3 675	1,00
7	SPMV8000C0538	DECAL "F3 800"SIDE FAIRING RX	MY15/18 RED/SILVER F3 800	1,00
7	SPMV8000C2312	DECAL FORCE RESCUE DOG FOR FIA	MY15/16 F3 675 RC-F3 800 RC	1,00
7	SPMV8000C3776	'DECAL LOGO "MV REPARTO CORSE"'	MY17 F3 675 RC-F3 800 RC	1,00
7	SPMV8000C4930	DECAL "F3 RC" FOR RIGHT SIDEWALL	MY18 F3 675 RC-F3 800 RC	1,00
7	SPMV8000C6636	DECAL "FORSA RESCUE DOG" FOR	MY19 F3 675 RC-F3 800 RC	1,00
7	SPMV8000C7958	'DECAL "F3 RC" FOR SIDE PANEL "	MY20 F3 800 RC	1,00
7	SPMV8000C7978	'DECAL "F3" FOR SIDE FAIRING"	MY20 A F3 800	1,00
7	SPMV8000C7978	'DECAL "F3" FOR SIDE FAIRING"	MY20 A F3 800	1,00
7	SPMV80A0B5816	DECAL -F3-	MY12/14 WHITE F3 675	1,00
7	SPMV80A0B8692	DECAL F3	MY13/14 WHITE/BLACK F3 800	1,00
7	SPMV80A0C0526	DECAL F3 675	MY15/18 WHITE F3 675	1,00
7	SPMV80A0C0538	DECAL F3 800	MY15/18 WHITE/GRAY F3 800	1,00
7	SPMV80B0B8692	DECAL F3 FOR FAIRING	MY13/14 BLACK F3 800	1,00
7	SPMV80B0C0538	DECAL F3800	MY15/18 BLACK F3 800	1,00
7	SPMV80C0B5816	DECAL -F3-	MY12/14 BLACK/ANTHRA. F3 675	1,00
7	SPMV80C0B8692	DECAL F3 FOR SIDE	MY13/14 RED/SILVER F3 800	1,00
8	SPMV8A00B5920	Screw	AGO	2,00
9	SPMV8000B5878	THERMOREFLECTOR FOR FAIRING	ROSSO	1,00
10	SPMV8B00B5919	SCREW M5 L20	RR, MY22 RC	6,00
11	SPMV8000B5958	WASHER D10,5 D5 SP0,5 IN NYLON	B4 RS-B4 RR-B4 NURBURGRING	6,00
12	SPMV8000B5799	LEFT COMPLETE FAIRING SIDE	MY12/14 RED/SILVER F3 675	1,00
12	SPMV8000B6675	LEFT FAIRING	F3 ORO	1,00
12	SPMV8000B9547	LEFT SIDE FAIRING COMPL.	F3 AGO	1,00
12	SPMV8000C0529	SIDE FAIRING SX COMPL.	MY15/18 RED/SILVER F3 675	1,00
12	SPMV8000C0539	SIDE FAIRING SX COMPL.	MY15/18 RED/SILVER F3 800	1,00
12	SPMV8000C2301	COMPL LEFT FAIRING	MY15/16 F3 675 RC-F3 800 RC	1,00
12	SPMV8000C3773	LEFT COMPLETE SIDE	MY17 F3 675 RC-F3 800 RC	1,00
12	SPMV8000C4553	LEFT SIDE FAIRING COMPL.	MY18 F3 675 RC-F3 800 RC	1,00
12	SPMV8000C5835	LEFT SIDE FAIRING COMPL.	MY19 F3 675 RC-F3 800 RC	1,00
12	SPMV8000C6965	SIDE FAIRING SX COMPL.	MY19 RED/SILVER F3 675	1,00
12	SPMV8000C7003	LEFT SIDE FAIRING COMPL.	MY19 RED/SILVER F3 800	1,00
12	SPMV8000C7735	LEFT SIDE FAIRING COMPL.	MY20 F3 800 RC	1,00
12	SPMV8000C7975	LEFT SIDE FAIRING COMPL.	MY20 RED/SILVER F3 800	1,00
12	SPMV8000C7975	LEFT SIDE FAIRING COMPL.	MY20 RED/SILVER F3 800	1,00

12	SPMV80A0B5799	LEFT SIDE FAIRING	MY12/14 WHITE F3 675	1,00
12	SPMV80A0B8691	LEFT COMPLETE SIDE PANEL	MY13/14 WHITE/BLACK F3 800	1,00
12	SPMV80A0C0529	SIDE FAIRING SX COMPL.	MY15/18 WHITE F3 675	1,00
12	SPMV80A0C0539	SIDE FAIRING SX COMPL.	MY15/18 WHITE/GRAY F3 800	1,00
12	SPMV80A0C6965	SIDE FAIRING SX COMPL.	MY19 BLUE/GRAY F3 675	1,00
12	SPMV80A0C7003	LEFT SIDE FAIRING COMPL.	MY19 GRAY/GRAY AVIO F3 800	1,00
12	SPMV80B0B5799	LEFT SIDE FAIRING	MY12/14 BLACK/ANTHRA. F3 675	1,00
12	SPMV80B0B8691	COMPLETE LEFT FAIRING	MY13/14 BLACK F3 800	1,00
12	SPMV80B0C0529	SIDE FAIRING SX COMPL.	MY15/18 GRAY F3 675	1,00
12	SPMV80B0C0539	SIDE FAIRING SX COMPL.	MY15/18 BLACK F3 800	1,00
12	SPMV80C0B8691	COMPLETE LEFT SIDE FAIRING	MY13/14 RED/SILVER F3 800	1,00
13	SPMV8000B5815	DECAL -F3-	MY12/14 RED/SILVER F3 675	1,00
13	SPMV8000B6479	DECAL -F3 SERIE ORO-	F3 ORO	1,00
13	SPMV8000C0527	DECAL F3 675 LX SIDE FAIRING	MY15/18 RED/SILVER F3 675	1,00
13	SPMV8000C0537	DECAL "F3 800" SIDE FAIRING LX	MY15/18 RED/SILVER F3 800	1,00
13	SPMV8000C2311	DECAL FORCE RESCUE DOG FOR FIA	MY15/16 F3 675 RC-F3 800 RC	1,00
13	SPMV8000C3777	'DECAL LOGO "MV RACING DEPARTMENT"'	MY17 F3 675 RC-F3 800 RC	1,00
13	SPMV8000C4929	DECAL "F3 RC" FOR LEFT SIDE	MY18 F3 675 RC-F3 800 RC	1,00
13	SPMV8000C6637	DECAL "FORSA RESCUE DOG" FOR	MY19 F3 675 RC-F3 800 RC	1,00
13	SPMV8000C7959	'DECAL "F3 RC" FOR SIDE PANEL "'	MY20 F3 800 RC	1,00
13	SPMV8000C7977	'DECAL "F3" FOR SIDE FAIRING "'	MY20 RED/SILVER F3 675	1,00
13	SPMV8000C7977	'DECAL "F3" FOR SIDE FAIRING "'	MY20 RED/SILVER F3 675	1,00
13	SPMV80A0B5815	DECAL -F3-	MY12/14 WHITE F3 675	1,00
13	SPMV80A0B8693	DECAL F3	MY13/14 WHITE/BLACK F3 800	1,00
13	SPMV80A0C0527	DECAL F3 675	MY15/18 WHITE F3 675	1,00
13	SPMV80A0C0537	DECAL F3 800	MY15/18 WHITE/GRAY F3 800	1,00
13	SPMV80B0B8693	DECAL F3 FOR FAIRING	MY13/14 BLACK F3 800	1,00
13	SPMV80B0C0527	DECAL F3 675	MY15/18 GRAY F3 675	1,00
13	SPMV80B0C0537	DECAL F3 800 FOR SIDE	MY15/18 BLACK F3 800	1,00
13	SPMV80C0B5815	DECAL -F3-	MY12/14 BLACK/ANTHRA. F3 675	1,00
13	SPMV80C0B8693	DECAL F3 FOR SIDE	MY13/14 RED/SILVER F3 800	1,00
14	SPMV8000B5879	THERMOREFLECTOR FOR FAIRING		1,00
15	SPMV8000B5811	NUT M5	MY12/13 F3 675-F3 ORO-F3 800	8,00
16	SPMV8000B5954	RIGHT AIR FAIRING	F3 675 RC-F3 800 RC	1,00
16	SPMV8000B5954	RIGHT AIR FAIRING	F3 675 RC-F3 800 RC	1,00
16	SPMV8000B6106	RIGHT FAIRING COVER	F3 ORO	1,00
16	SPMV80A0B5954	RIGHT FAIRING AIRDUCT	F3 AGO	1,00
16	SPMV80B0B5954	AIR OUTLET FOR RIGHT SIDE FAIRING	MY19/20 F3 675-F3 800	1,00
17	SPMV8AA0B2778	SCREW, PH-AB 3,9x13	EXCEPT AGO	8,00
18	SPMV8000B5460	INNER COVER RH		1,00
19	SPMV8000B4560	NUT, FAIRING,	B4 RS	8,00

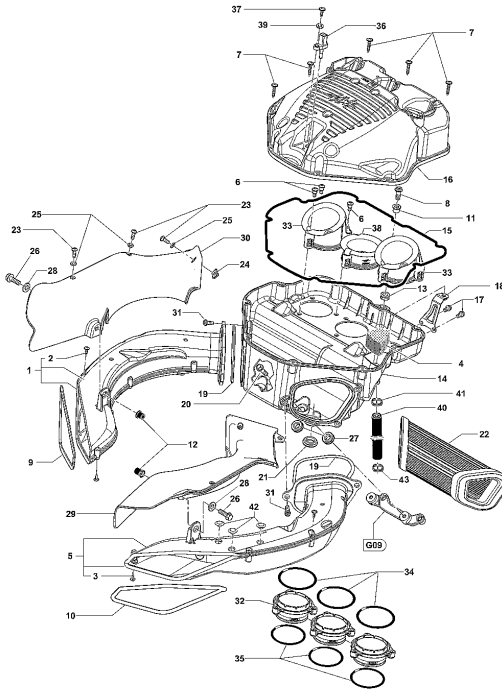
20	SPMV8A0090901	SCREW, M4x13,7	750S, 750S 1+1	8,00
21	SPMV8000B5955	LEFT AIR FAIRING	MY12/18 F3 675-F3 800	1,00
21	SPMV8000B5955	LEFT AIR FAIRING	MY12/18 F3 675-F3 800	1,00
21	SPMV8000B6107	LEFT FAIRING COVER	F3 ORO	1,00
21	SPMV80A0B5955	LEFT FAIRING AIRDUCT	F3 AGO	1,00
21	SPMV80B0B5955	AIR OUTLET FOR LEFT SIDE FAIRING	MY19/20 F3 675-F3 800	1,00
22	SPMV8000B5957	AIR DUCT PROTECTION	F3 675 RC-F3 800 RC	1,00
22	SPMV8000B5957	AIR DUCT PROTECTION	F3 675 RC-F3 800 RC	1,00
22	SPMV80A0B5957	PROTECTION FOR CAR AIR OUTLET	MY19/20 F3 675-F3 800	1,00
22	SPMV80B0B5957	LEFT AIR PROTECTION	F3 ORO-F3 AGO	1,00
23	SPMV8000B5461	INNER COVER LEFT		1,00
24	SPMV8A00B5919	SCREW M5 L12	MY17 DRAGSTER RR/DRAGSTER RC	2,00
25	SPMV8000B5880	THERMOREFLECTOR FOR FAIRING	MY12/16 F3 675-F3 800	1,00
25	SPMV8000B5880	THERMOREFLECTOR FOR FAIRING	MY12/16 F3 675-F3 800	1,00
25	SPMV8000B5880	THERMOREFLECTOR FOR FAIRING	MY12/16 F3 675-F3 800	1,00
26	SPMV8000B5881	PROTECTION HEATING, BOTTOM, LH	MY15/17 F3 675 RC-F3 800 RC	1,00
26	SPMV8000B5881	PROTECTION HEATING, BOTTOM, LH	MY15/17 F3 675 RC-F3 800 RC	1,00
26	SPMV8000B5881	PROTECTION HEATING, BOTTOM, LH	MY15/17 F3 675 RC-F3 800 RC	1,00
26	SPMV8000C3609	THERMAL REFLECTOR FOR UNDERCARE	MY18 F3 675 RC-F3 800 RC	1,00
26	SPMV8000C3609	THERMAL REFLECTOR FOR UNDERCARE	MY18 F3 675 RC-F3 800 RC	1,00
27	SPMV8C00B5919	SCREW M5	F3 ORO-F3 AGO	2,00
28	SPMV62ND15548	WASHER, D15x5,2xE1	EXCEPT USA-CND	2,00
29	SPMV8000B2707	NUT, M5x0,8xE6 CH8 PARLOCK	990R-1090RR 002105> USA BRUTALE 920 USA	2,00
30	SPMV80A089293	CUSHION D18-D8-SP7,5	MY12/16 F3 675-F3 800	2,00
30	SPMV80A089293	CUSHION D18-D8-SP7,5	MY12/16 F3 675-F3 800	2,00
30	SPMV80A089293	CUSHION D18-D8-SP7,5	MY12/16 F3 675-F3 800	2,00
31	SPMV8000B5920	Screw	MY12/13 F3 675-F3 ORO- F3 800	2,00
32	SPMV8000B5203	WASHER, THERMIC COVER, LOCK		10,00
33	SPMV8000B5956	AIR PROTECTION	F3 675 RC-F3 800 RC	1,00
33	SPMV8000B5956	AIR PROTECTION	F3 675 RC-F3 800 RC	1,00
33	SPMV80A0B5956	PROTECTION FOR CAR AIR OUTLET	MY19/20 F3 675-F3 800	1,00
33	SPMV80B0B5956	AIR PROTECTION	F3 ORO-F3 AGO	1,00
34	SPMV8000B5958	WASHER D10,5 D5 SP0,5 IN NYLON	B4 RS-B4 RR-B4 NURBURGRING	6,00
35	SPMV8A00B5919	SCREW M5 L12	MY17 DRAGSTER RR/DRAGSTER RC	4,00
36	SPMV8000B5958	WASHER D10,5 D5 SP0,5 IN NYLON	B4 RS-B4 RR-B4 NURBURGRING	4,00
37	SPMV8000B2799	WASHER, SPACER, D8xD6,2xL8,5	MY12/16 F3 675-F3 800	2,00
37	SPMV8000B2799	WASHER, SPACER, D8xD6,2xL8,5	MY12/16 F3 675-F3 800	2,00
37	SPMV8000B2799	WASHER, SPACER, D8xD6,2xL8,5	MY12/16 F3 675-F3 800	2,00
38	SPMV8000B5919	Screw	MY15/17 F3 675 RC-F3 800 RC	2,00
38	SPMV8000B5919	Screw	MY15/17 F3 675 RC-F3 800 RC	2,00
38	SPMV8000B5919	Screw	MY15/17 F3 675 RC-F3 800 RC	2,00
38	SPMV8A00B5919	SCREW M5 L12	MY17 DRAGSTER RR/DRAGSTER RC	2,00

38	SPMV8A00B5919	SCREW M5 L12	MY17 DRAGSTER RR/DRAGSTER RC	2,00
39	SPMV8000C2314	DECAL "MV AGUSTA RACING DEPARTMENT"	MY15/16 F3 675 RC-F3 800 RC	1,00
39	SPMV8000C3782	'DECAL "FORCE RESCUE DOG-EXIDE"'	MY17 F3 675 RC-F3 800 RC	1,00
39	SPMV8000C4940	SC-FORCE RESCUE DOG DECAL	MY18 F3 675 RC-F3 800 RC	1,00
39	SPMV8000C6634	DECAL "LOGO SC PROJECT" FOR	MY19 F3 675 RC-F3 800 RC	1,00
39	SPMV80A0B8742	DECAL	MY13/14 WHITE/BLACK F3 800	1,00
39	SPMV80B0B8742	DECAL	MY13/14 BLACK F3 800	1,00
39	SPMV80C0B8742	DECAL	MY13/14 RED/SILVER F3 800	1,00
40	SPMV8000C2313	DECAL "MV AGUSTA REPARTO CORSE"	MY15/16 F3 675 RC-F3 800 RC	1,00
40	SPMV8000C3783	'DECAL "FORCE RESCUE DOG-EXIDE"'	MY17 F3 675 RC-F3 800 RC	1,00
40	SPMV8000C4939	DECAL "SC-FORCE RESCUE DOG"	MY18 F3 675 RC-F3 800 RC	1,00
40	SPMV8000C6635	DECAL "LOGO SC PROJECT" FOR	MY19 F3 675 RC-F3 800 RC	1,00
40	SPMV80A0B8743	DECAL	MY13/14 WHITE/BLACK F3 800	1,00
40	SPMV80B0B8743	DECAL	MY13/14 BLACK F3 800	1,00
40	SPMV80C0B8743	DECAL	MY13/14 RED/SILVER F3 800	1,00
41	SPMV62ND15548	WASHER, D15x5,2xE1	EXCEPT USA-CND	2,00
41	SPMV62ND15548	WASHER, D15x5,2xE1	EXCEPT USA-CND	2,00
41	SPMV62ND15548	WASHER, D15x5,2xE1	EXCEPT USA-CND	2,00
41	SPMV8000B5958	WASHER D10,5 D5 SP0,5 IN NYLON	B4 RS-B4 RR-B4 NURBURGRING	2,00
41	SPMV8000B5958	WASHER D10,5 D5 SP0,5 IN NYLON	B4 RS-B4 RR-B4 NURBURGRING	2,00
42	SPMV8000B9732	DECAL FREGIO FOR TAIL	F3 AGO	1,00
42	SPMV8000C2310	DECAL FRIEZE-AMG FOR FIANCAT	MY15/16 F3 675 RC-F3 800 RC	1,00
42	SPMV8000C3774	'DECAL "FRIEZE" FOR SIDE"	MY17 F3 675 RC-F3 800 RC	1,00
42	SPMV8000C4936	DECAL "UPPER FRIEZE" FOR	MY18 F3 675 RC-F3 800 RC	1,00
42	SPMV8000C6630	DECAL "FRIEZE SUP." FOR	MY19 F3 675 RC-F3 800 RC	1,00
42	SPMV8000C7948	'DECAL "SIDE FRIEZE" FOR"	MY20 F3 800 RC	1,00
43	SPMV8000B9733	DECAL FREGIO FOR TAIL	F3 AGO	1,00
43	SPMV8000C2309	DECAL FRIEZE-AMG FOR FIANCAT	MY15/16 F3 675 RC-F3 800 RC	1,00
43	SPMV8000C3775	'DECAL "FRIEZE" FOR SIDE"	MY17 F3 675 RC-F3 800 RC	1,00
43	SPMV8000C4935	DECAL "UPPER FRIEZE" FOR	MY18 F3 675 RC-F3 800 RC	1,00
43	SPMV8000C6631	DECAL "FRIEZE SUP." PER	MY19 F3 675 RC-F3 800 RC	1,00
43	SPMV8000C7949	'DECAL "SIDE FRIEZE" FOR"	MY20 F3 800 RC	1,00
44	SPMV8000C2306	MASKING DECAL FOR FIANCAT	MY15/16 F3 675 RC-F3 800 RC	1,00
44	SPMV8000C3992	DECAL MASKING FOR	MY17 F3 675 RC-F3 800 RC	1,00
44	SPMV8000C4932	MASKING" DECAL FOR	MY18 F3 675 RC-F3 800 RC	1,00



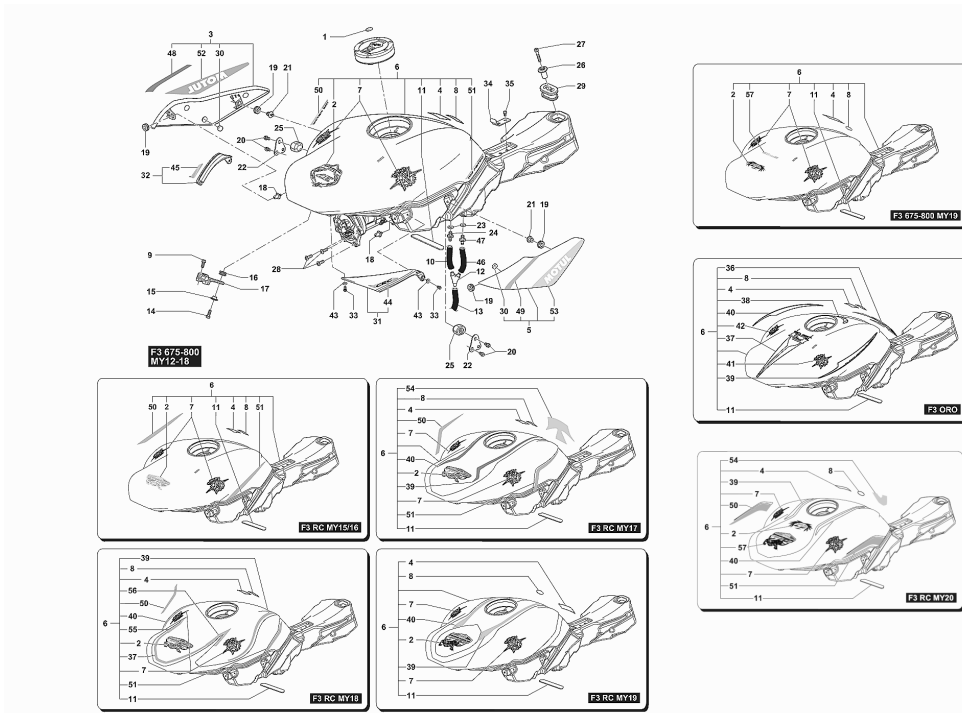
44	SPMV8000C6638	DECAL "MASKING TIP	MY19 F3 675 RC-F3 800 RC	1,00
44	SPMV8000C7106	'DECAL MASKING "PUNTA POST"	MY19 F3 675-F3 800	1,00
44	SPMV8000C7946	'DECAL "MASKING" FOR"	MY20 F3 800 RC	1,00
45	SPMV8000C2305	DECAL MASKING FOR FIANCAT	MY15/16 F3 675 RC-F3 800 RC	1,00
45	SPMV8000C3993	DECAL MASKING FOR	MY17 F3 675 RC-F3 800 RC	1,00
45	SPMV8000C4931	DECAL "MASKING" FOR	MY18 F3 675 RC-F3 800 RC	1,00
45	SPMV8000C6639	DECAL "MASKING TIP	MY19 F3 675 RC-F3 800 RC	1,00
45	SPMV8000C7105	'DECAL MASKING "POST TIP"	MY19 F3 675-F3 800	1,00
45	SPMV8000C7947	'DECAL "MASKING" FOR"	MY20 F3 800 RC	1,00
46	SPMV8000C2316	DECAL FRAME SUP. NUMBER HOLDER	MY15/16 F3 675 RC-F3 800 RC	1,00
46	SPMV8000C3784	'DECAL "FRIEZE MOTUL" FOR FIAN"	MY17 F3 675 RC-F3 800 RC	1,00
46	SPMV8000C4942	DECAL "EXIDE" FOR SIDE	MY18 F3 675 RC-F3 800 RC	1,00
46	SPMV8000C6632	DECAL "FRIEZE INF." FOR	MY19 F3 675 RC-F3 800 RC	1,00
46	SPMV8000C6972	'DECAL "675" FOR CAREN SIDE PANEL"	MY19 RED/SILVER F3 675	1,00
46	SPMV8000C7004	'DECAL "800" FOR SIDE PANEL"	F3 800 MY19 RED/SILVER	1,00
46	SPMV8000C7004	'DECAL "800" FOR SIDE PANEL"	F3 800 MY19 RED/SILVER	1,00
46	SPMV8000C7954	'DECAL "FRIEZE INF." FOR"	MY20 F3 800 RC	1,00
46	SPMV80A0C6972	'DECAL "675" FOR CAREN SIDE PANEL"	MY19 BLUE/GRAY F3 675	1,00
47	SPMV8000C2308	DECAL FRAME INF. NUMBER HOLDER	MY15/16 F3 675 RC-F3 800 RC	1,00
47	SPMV8000C3786	Decal fairing right	MY17 F3 675 RC-F3 800 RC	1,00
47	SPMV8000C4938	DECAL "LOWER FRIEZE" FOR	MY18 F3 675 RC-F3 800 RC	1,00
47	SPMV8000C7956	'DECAL "MOTUL FRIEZE" FOR"	MY20 F3 800 RC	1,00
48	SPMV8000C2318	DECAL "NUMBER 37" FOR SIDE PANEL	MY15/16 F3 675 RC-F3 800 RC	1,00
48	SPMV8000C3788	'DECAL "NUMBER 37" FOR SIDE"	MY17 F3 675 RC-F3 800 RC	1,00
48	SPMV8000C4944	DECAL "NUMBER 37" FOR SIDE	MY18 F3 675 RC-F3 800 RC	1,00
48	SPMV8000C6640	DECAL "NUMBER 37" FOR SIDE	MY19 F3 675 RC-F3 800 RC	1,00
48	SPMV8000C7960	'DECAL "NUMBER 37" FOR SIDE"	MY20 F3 800 RC	1,00
49	SPMV8000C2315	DECAL FRAME SUP. NUMBER BRACKET	MY15/16 F3 675 RC-F3 800 RC	1,00
49	SPMV8000C3785	'DECAL "MOTUL FRIEZE" FOR FIAN"	MY17 F3 675 RC-F3 800 RC	1,00
49	SPMV8000C4941	DECAL "EXIDE" FOR SIDE	MY18 F3 675 RC-F3 800 RC	1,00
49	SPMV8000C6633	DECAL "FRIEZE INF." FOR	MY19 F3 675 RC-F3 800 RC	1,00
49	SPMV8000C6971	'DECAL "675" FOR CAREN SIDE PANEL"	MY19 RED/SILVER F3 675	1,00
49	SPMV8000C7005	'DECAL "800" FOR SIDE PANEL"	F3 800 MY19 GRAY/GRAY AVIO	1,00
49	SPMV8000C7005	'DECAL "800" FOR SIDE PANEL"	F3 800 MY19 GRAY/GRAY AVIO	1,00
49	SPMV8000C7955	'DECAL "FRIEZE INF." FOR"	MY20 F3 800 RC	1,00
49	SPMV80A0C6971	'675" DECAL FOR SIDE FAIRING"	MY19 BLUE/GRAY F3 675	1,00
50	SPMV8000C2307	DECAL FRAME INF. NUMBER HOLDER	MY15/16 F3 675 RC-F3 800 RC	1,00

50	SPMV8000C3787	Decal fairing left	MY17 F3 675 RC-F3 800 RC	1,00
50	SPMV8000C4937	DECAL "LOWER FRIEZE" FOR	MY18 F3 675 RC-F3 800 RC	1,00
50	SPMV8000C7957	'DECAL "MOTUL FRIEZE" FOR"	MY20 F3 800 RC	1,00
51	SPMV8000C2317	DECAL "NUMBER 37" FOR SIDE PANEL	MY15/16 F3 675 RC-F3 800 RC	1,00
51	SPMV8000C3789	'DECAL "NUMBER 37" FOR SIDE"	MY17 F3 675 RC-F3 800 RC	1,00
51	SPMV8000C4943	DECAL "NUMBER 37" FOR SIDE	MY18 F3 675 RC-F3 800 RC	1,00
51	SPMV8000C6641	DECAL "NUMBER 37" FOR SIDE	MY19 F3 675 RC-F3 800 RC	1,00
51	SPMV8000C7961	'DECAL "NUMBER 37" FOR SIDE"	MY20 F3 800 RC	1,00
52	SPMV8000C2324	DECAL TECHNICAL SPONSORS FOR UNDERNEATH	MY15/16 F3 675 RC-F3 800 RC	1,00
52	SPMV8000C3792	DECAL TECHNICAL SPONSORS FOR SUB	MY17 F3 675 RC-F3 800 RC	1,00
52	SPMV8000C4558	DECAL TECHNICAL SPONSORS FOR	MY18 F3 675 RC-F3 800 RC	1,00
52	SPMV8000C5838	DECAL TECHNICAL SPONSORS FOR	MY19 F3 675 RC-F3 800 RC	1,00
53	SPMV8000C2323	DECAL TECHNICAL SPONSORS FOR SUB	MY15/16 F3 675 RC-F3 800 RC	1,00
53	SPMV8000C3793	DECAL TECHNICAL SPONSORS FOR SUB	MY17 F3 675 RC-F3 800 RC	1,00
53	SPMV8000C4557	DECAL TECHNICAL SPONSORS FOR	MY18 F3 675 RC-F3 800 RC	1,00
53	SPMV8000C5839	DECAL TECHNICAL SPONSORS FOR	MY19 F3 675 RC-F3 800 RC	1,00
54	SPMV8000C3778	Decal fairing top right	MY17 F3 675 RC-F3 800 RC	1,00
54	SPMV8000C7950	'DECAL "SUP. FRIEZE" FOR"	MY20 F3 800 RC	1,00
55	SPMV8000C3780	Decal center right		1,00
56	SPMV8000C3779	Decal fairing top left	MY17 F3 675 RC-F3 800 RC	1,00
56	SPMV8000C7951	'DECAL "SUP. FRIEZE" PER"	MY20 F3 800 RC	1,00
57	SPMV8000C3781	Decal center left		1,00
58	SPMV8000C5563	REAR PLATE. SOTTOCARENA	MY17/19 F3 675-F3 800	1,00
58	SPMV8000C5563	REAR PLATE. SOTTOCARENA	MY17/19 F3 675-F3 800	1,00
59	SPMV8000C4934	MOTUL" DECAL FOR SIDE		1,00
60	SPMV8000C4933	MOTUL" DECAL FOR SIDE		1,00
61	SPMV8000C6970	'DECAL MASKING "F3" FOR"		1,00
62	SPMV8000C6969	F3 MASKING DECAL FOR		1,00
63	SPMV8000C7952	'DECAL "CENTRAL FRIEZE" FOR"		1,00
64	SPMV8000C7953	'DECAL "CENTRAL FRIEZE" FOR"		1,00



Pos	Part Number	Description	Additional Text	Quantity
1	SPMV8000B5464	RIGHT INTAKE AIR DUCT		1,00
2	SPMV8000B6286	Screw D4x16	B4 RS-B4 RR-B4 NURBURGRING	7,00
3	SPMV8000B6286	Screw D4x16	B4 RS-B4 RR-B4 NURBURGRING	7,00
4	SPMV8000B6003	SPONGE AIRBOX		1,00
5	SPMV8000B5465	LEFT INTAKE AIR DUCT	F3 ORO-F3 AGO	1,00
5	SPMV8000B5465	LEFT INTAKE AIR DUCT	F3 ORO-F3 AGO	1,00
5	SPMV8A00B5465	AIR DUCT LEFT SIDE	MY15/20 F3 675-F3 800	1,00
5	SPMV8A00B5465	AIR DUCT LEFT SIDE	MY15/20 F3 675-F3 800	1,00
6	SPMV8000B5999	SPECIAL SCREW M5		9,00
7	SPMV8BA084658	TAPPING SCREW	RR-SCS-RC SCS	9,00
8	SPMV8B00B2688	Screw TCEIF M6x1x16	EXCEPT F3 ORO	1,00
9	SPMV8000B6288	GASKET		1,00
10	SPMV8000B6287	GASKET		1,00
11	SPMV8000B2799	WASHER, SPACER, D8xD6,2xL8,5	MY12/16 F3 675-F3 800	1,00
12	SPMV800048245	CUSHION, SCREW, M6x1 L16	B4 RS	2,00
13	SPMV800089293	CUSHION, D18xD8xE7,5	MY14/20 F3 675-F3 800	1,00
14	SPMV8000B5482	LOWER RAW AIRBOX		1,00
15	SPMV8000B5992	AIRBOX WASHER		1,00
16	SPMV8000B5481	UPPER RAW AIRBOX	MY12/16 F3 675-F3 800	1,00
16	SPMV8000B5481	UPPER RAW AIRBOX	MY12/16 F3 675-F3 800	1,00
16	SPMV8000B5481	UPPER RAW AIRBOX	MY12/16 F3 675-F3 800	1,00
16	SPMV8B00B5481	AIRBOX SUP. ROUGH	MY17/20 F3 675-F3 800	1,00
16	SPMV8B00B5481	AIRBOX SUP. ROUGH	MY17/20 F3 675-F3 800	1,00
17	SPMV8000B2688	Screw TCEIF M6x10	675-800 MY17 AMERICA	2,00
18	SPMV8000B5918	REAR AIRBOX PLATE		1,00
19	SPMV8000B6285	WASHER		2,00
20	SPMV8000B3763	SCREW, ESPECIAL M6 DO FAROL D		2,00

21	SPMV800048971	RUBBER		1,00
22	SPMV8000B5993	AIR FILTER F3		1,00
23	SPMV8A0090901	SCREW, M4x13,7	750S, 750S 1+1	6,00
24	SPMV8000B4560	NUT, FAIRING,	B4 RS	2,00
25	SPMV800092882	WASHER, PLASTIC, FAIRING, M		6,00
26	SPMV8B00B2672	SCREW, M6x11,7x21	DRAGSTER	2,00
27	SPMV8A00B3600	CUSHION, D20xD10xE7,5	B4 RS-B4 RR-B4 NURBURGRING	2,00
28	SPMV800062738	NYLON WASHER 11X6.2X0.5	AGO	2,00
29	SPMV8000B5467	AIR DUCT COVER LH	EXCEPT F3 ORO	1,00
29	SPMV80A0B6051	LEFT DUCT COVER	F3 ORO	1,00
30	SPMV8000B5466	AIR DUCT COVER RH		1,00
30	SPMV80A0B6050	DX DUCT COVER FINISHED	F3 ORO	1,00
31	SPMV8C00B2687	SCREW, M5x14	F4RR	6,00
32	SPMV8000B5996	LOWER DUCT	800RR, DRAGSTER RR/RR LH/RC	3,00
33	SPMV8000B6927	UPPER ASPIRATION HORN	800RR, DRAGSTER RR/RR LH/RC	2,00
34	SPMV800081304	ORING, OR2187 T1,78 D47,35 VI		3,00
35	SPMV8000B5998	OR3231 T2,6-D58,42 VITON		3,00
36	SPMV8000B3207	SENSOR, AIR TEMPERATURE		1,00
37	SPMV80A084658	Screw M5x16		1,00
38	SPMV8000B6926	UPPER ASPIRATION HORN	800RR, DRAGSTER RR/RR LH/RC	1,00
39	SPMV62ND15635	WASHER D9,7-D		1,00
40	SPMV8000B6004	PIPE, OIL FUME		1,00
41	SPMV8J0092249	CLAMP		1,00
42	SPMV8000C0907	CAP FOR HOLE D12		3,00
43	SPMV8Q0092249	CLAMP, STEEL, R96xD18,5		1,00



Pos	Part Number	Description	Additional Text	Quantity
1	SPMV800092664	DECAL		1,00
2	SPMV8000B5819	DECAL -ALLORO-	MY13/14 RED/SILVER F3 800	1,00
2	SPMV8000B5819	DECAL -ALLORO-	MY13/14 RED/SILVER F3 800	1,00
2	SPMV8000B9564	DECAL "ALLORO 15 TITOLI	F3 AGO	1,00
2	SPMV8000C0522	DECAL ALLORO F3 675 FUEL TANK	MY15/18 RED/SILVER F3 675	1,00
2	SPMV8000C0536	DECAL "ALLORO F3 800" FUEL TANK	MY15/18 RED/SILVER F3 800	1,00
2	SPMV8000C2345	DECAL "F3 RC 800" FOR TANKS	MY15/16 F3 800 RC	1,00
2	SPMV8000C2363	DECAL "F3 RC 675" FOR TANKS	MY15/16 F3 675 RC	1,00
2	SPMV8000C3816	'DECAL "F3 RC RACING DEPARTMENT"	MY17 F3 800 RC	1,00
2	SPMV8000C3835	'DECAL "F3 RC REPARTO CORSE 675" DECAL	MY17 F3 675 RC	1,00
2	SPMV8000C4950	DECAL "F3 RC RACING DEPARTMENT" DECAL	MY18 F3 800 RC	1,00
2	SPMV8000C6600	DECAL "LOGO F3 RC 675" FOR	MY19 F3 675 RC	1,00
2	SPMV8000C6601	DECAL "LOGO F3 RC 800" FOR	MY19 F3 800 RC	1,00
2	SPMV8000C6982	'DECAL "LAUREL" FOR TANK"	F3 800 MY19 RED/SILVER	1,00
2	SPMV8000C6982	'DECAL "LAUREL" FOR TANK"	F3 800 MY19 RED/SILVER	1,00
2	SPMV8000C6982	'DECAL "LAUREL" FOR TANK"	F3 800 MY19 RED/SILVER	1,00
2	SPMV8000C6982	'DECAL "LAUREL" FOR TANK"	F3 800 MY19 RED/SILVER	1,00
2	SPMV8000C8021	'DECAL "ANNIVARSARIO 75" FOR"	MY20 RED/SILVER F3 800	1,00
2	SPMV8000C8021	'DECAL "ANNIVARSARIO 75" FOR"	MY20 RED/SILVER F3 800	1,00
2	SPMV80A0C0522	DECAL	MY15/18 WHITE F3 675	1,00
2	SPMV80A0C0536	DECAL	MY15/18 WHITE/GRAY F3 800	1,00
2	SPMV80A0C8021	'DECAL "ANNIVARSARIO 75" FOR"	MY20 F3 800 RC	1,00
2	SPMV80B0B5819	DECAL	MY12/14 WHITE F3 675	1,00
2	SPMV80B0B5819	DECAL	MY12/14 WHITE F3 675	1,00
2	SPMV80B0C0522	DECAL	MY15/18 GRAY F3 675	1,00

2	SPMV80B0C0536	DECAL	MY15/18 BLACK F3 800	1,00
2	SPMV80D0B5819	DECAL -ALLORO- FUEL TANK	MY12/14 BLACK/ANTHRA. F3 675	1,00
2	SPMV80E0B5819	DECAL ALLORO FOR TANK	MY13/14 BLACK F3 800	1,00
3	SPMV8000B5982	RIGHT SIDE TANK	MY20 RED/SILVER F3 800	1,00
3	SPMV8000B5982	RIGHT SIDE TANK	MY20 RED/SILVER F3 800	1,00
3	SPMV8000B5982	RIGHT SIDE TANK	MY20 RED/SILVER F3 800	1,00
3	SPMV8000B5982	RIGHT SIDE TANK	MY20 RED/SILVER F3 800	1,00
3	SPMV8000B5982	RIGHT SIDE TANK	MY20 RED/SILVER F3 800	1,00
3	SPMV8000B5982	RIGHT SIDE TANK	MY20 RED/SILVER F3 800	1,00
3	SPMV8000B9552	RIGHT SIDE FOR FUEL TANK	F3 AGO	1,00
3	SPMV8000C2326	RIGHT FUEL TANK FAIRING	MY15/16 F3 675 RC-F3 800 RC	1,00
3	SPMV8000C3794	RIGHT SIDE PANEL TANK COMPL.	MY17 F3 675 RC-F3 800 RC	1,00
3	SPMV8000C4560	RIGHT SIDE PANEL TANK COMPL.	MY18 F3 675 RC-F3 800 RC	1,00
3	SPMV8000C5840	RIGHT SIDE PANEL TANK COMPL.	MY19 F3 675 RC-F3 800 RC	1,00
3	SPMV8000C6974	RIGHT SIDE PANEL TANK COMPL.	MY19 RED/SILVER F3 800	1,00
3	SPMV8000C6974	RIGHT SIDE PANEL TANK COMPL.	MY19 RED/SILVER F3 800	1,00
3	SPMV80A0B5982	RIGHT FUEL TANK FAIRING	F3 ORO	1,00
3	SPMV80A0C6974	RIGHT SIDE PANEL TANK COMPL.	MY19 BLUE/GRAY F3 675	1,00
3	SPMV80B0B5982	RIGHT SIDE FUEL TANK	MY12/14 WHITE F3 675	1,00
3	SPMV80B0C6974	RIGHT SIDE PANEL TANK COMPL.	MY19 GRAY/GRAY AVIO F3 800	1,00
3	SPMV80C0B5982	RIGHT FUEL TANK SIDE	MY12/14 BLACK/ANTHRA. F3 675	1,00
3	SPMV80D0B5982	FAIRING, FUEL TANK, RH	MY13/14 WHITE/BLACK F3 800	1,00
3	SPMV80E0B5982	FAIRING, FUEL TANK, RH	MY15/18 BLACK F3 800	1,00
3	SPMV80E0B5982	FAIRING, FUEL TANK, RH	MY15/18 BLACK F3 800	1,00
3	SPMV80G0B5982	RIGHT SIDE FOR TANK	MY15/18 WHITE F3 675	1,00
3	SPMV80H0B5982	RIGHT SIDE FOR TANK	MY15/18 WHITE/GRAY F3 800	1,00
3	SPMV80H0B5982	RIGHT SIDE FOR TANK	MY15/18 WHITE/GRAY F3 800	1,00
3	SPMV80J0B5982	RIGHT SIDE PANEL TANK COMPL.	MY20 F3 800 RC	1,00
4	SPMV8000A9698	PLATE AVVERTENZA DOCUMENT		1,00
5	SPMV8000B5983	LEFT FUEL TANK SIDE	MY20 RED/SILVER F3 800	1,00
5	SPMV8000B5983	LEFT FUEL TANK SIDE	MY20 RED/SILVER F3 800	1,00
5	SPMV8000B5983	LEFT FUEL TANK SIDE	MY20 RED/SILVER F3 800	1,00
5	SPMV8000B5983	LEFT FUEL TANK SIDE	MY20 RED/SILVER F3 800	1,00
5	SPMV8000B5983	LEFT FUEL TANK SIDE	MY20 RED/SILVER F3 800	1,00
5	SPMV8000B5983	LEFT FUEL TANK SIDE	MY20 RED/SILVER F3 800	1,00
5	SPMV8000B5983	LEFT FUEL TANK SIDE	MY20 RED/SILVER F3 800	1,00
5	SPMV8000B9551	LEFT SIDE FOR COMPL.TANK	F3 AGO	1,00
5	SPMV8000C2325	LEFT FUEL TANK FAIRING	MY15/16 F3 675 RC-F3 800 RC	1,00
5	SPMV8000C3795	LEFT SIDE PANEL TANK COMPL.	MY17 F3 675 RC-F3 800 RC	1,00
5	SPMV8000C4559	LEFT SIDE PANEL TANK COMPL.	MY18 F3 675 RC-F3 800 RC	1,00
5	SPMV8000C5841	LEFT SIDE PANEL TANK COMPL.	MY19 F3 675 RC-F3 800 RC	1,00
5	SPMV8000C6973	TANK LEFT SIDE PANEL	MY19 RED/SILVER F3 800	1,00
5	SPMV8000C6973	TANK LEFT SIDE PANEL	MY19 RED/SILVER F3 800	1,00
5	SPMV80A0B5983	LEFT FUEL TANK FAIRING	F3 ORO	1,00

5	SPMV80A0C6973	LEFT SIDE PANEL TANK COMPL.	MY19 BLUE/GRAY F3 675	1,00
5	SPMV80B0B5983	SX FUEL TANK PANEL	MY12/14 WHITE F3 675	1,00
5	SPMV80B0C6973	LEFT SIDE PANEL TANK COMPL.	MY19 GRAY/GRAY AVIO F3 800	1,00
5	SPMV80C0B5983	LEFT FUEL TANK SIDE	MY12/14 BLACK/ANTHRA. F3 675	1,00
5	SPMV80D0B5983	FAIRING, FUEL TANK, LH	MY13/14 WHITE/BLACK F3 800	1,00
5	SPMV80E0B5983	FAIRING, FUEL TANK, LH	MY15/16 BLACK F3 800	1,00
5	SPMV80E0B5983	FAIRING, FUEL TANK, LH	MY15/16 BLACK F3 800	1,00
5	SPMV80G0B5983	LEFT SIDE FOR TANK	MY15/16 WHITE F3 675	1,00
5	SPMV80H0B5983	LEFT SIDE FOR TANK	MY15/16 WHITE/GRAY F3 800	1,00
5	SPMV80H0B5983	LEFT SIDE FOR TANK	MY15/16 WHITE/GRAY F3 800	1,00
5	SPMV80J0B5983	LEFT SIDE PANEL TANK COMPL.	MY20 F3 800 RC	1,00
6	SPMV8000B5984	COMPLETE FUEL TANK	MY12/14 RED/SILVER F3 675	1,00
6	SPMV8000B5984	COMPLETE FUEL TANK	MY12/14 RED/SILVER F3 675	1,00
6	SPMV8000B6146	FUEL TANK	F3 ORO	1,00
6	SPMV8000B9563	FUEL TANK	F3 AGO	1,00
6	SPMV8000C0521	FUEL TANK	MY15/16 RED/SILVER F3 675	1,00
6	SPMV8000C0535	COMPLETE FUEL TANK	MY15/16 RED/SILVER F3 800	1,00
6	SPMV8000C2320	COMPLETE FUEL TANK	MY15/16 F3 800 RC	1,00
6	SPMV8000C2362	COMPLETE FUEL TANK	MY15/16 F3 675 RC	1,00
6	SPMV8000C3602	COMPLETE FUEL TANK	MY17/18 RED/SILVER F3 800	1,00
6	SPMV8000C3624	FUEL TANK	MY17/18 RED/SILVER F3 675	1,00
6	SPMV8000C3808	COMPLETE FUEL TANK	MY17 F3 800 RC	1,00
6	SPMV8000C3834	COMPLETE FUEL TANK	MY17 F3 675 RC	1,00
6	SPMV8000C4563	FUEL TANK COMPL.	MY18 F3 800 RC	1,00
6	SPMV8000C4571	FUEL TANK COMPL.	MY18 F3 675 RC	1,00
6	SPMV8000C5844	FUEL TANK COMPLETE	MY19 F3 675 RC	1,00
6	SPMV8000C5858	FUEL TANK COMPLETE	MY19 F3 800 RC	1,00
6	SPMV8000C6981	FUEL TANK COMPL.	MY19 RED/SILVER F3 800	1,00
6	SPMV8000C6981	FUEL TANK COMPL.	MY19 RED/SILVER F3 800	1,00
6	SPMV8000C7739	FUEL TANK COMPL.	MY20 F3 800 RC	1,00
6	SPMV8000C8022	COMPLETE FUEL TANK	MY20 RED/SILVER F3 800	1,00
6	SPMV8000C8022	COMPLETE FUEL TANK	MY20 RED/SILVER F3 800	1,00
6	SPMV80A0B5984	TANK	MY12/14 WHITE F3 675	1,00
6	SPMV80A0C0521	TANK	MY15/16 WHITE F3 675	1,00
6	SPMV80A0C0535	FUEL TANK	MY15/16 WHITE/GRAY F3 800	1,00
6	SPMV80A0C3602	FUEL TANK	MY17/18 WHITE/GRAY F3 800	1,00
6	SPMV80A0C3624	FUEL TANK COMPL.	MY17/18 WHITE F3 675	1,00
6	SPMV80A0C6981	FUEL TANK COMPL.	MY19 GRAY/GRAY AVIO F3 800	1,00
6	SPMV80A0C6981	FUEL TANK COMPL.	MY19 GRAY/GRAY AVIO F3 800	1,00
6	SPMV80B0B5984	TANK	MY12/14 BLACK/ANTHRA. F3 675	1,00
6	SPMV80B0C0521	TANK	MY15/16 GRAY F3 675	1,00

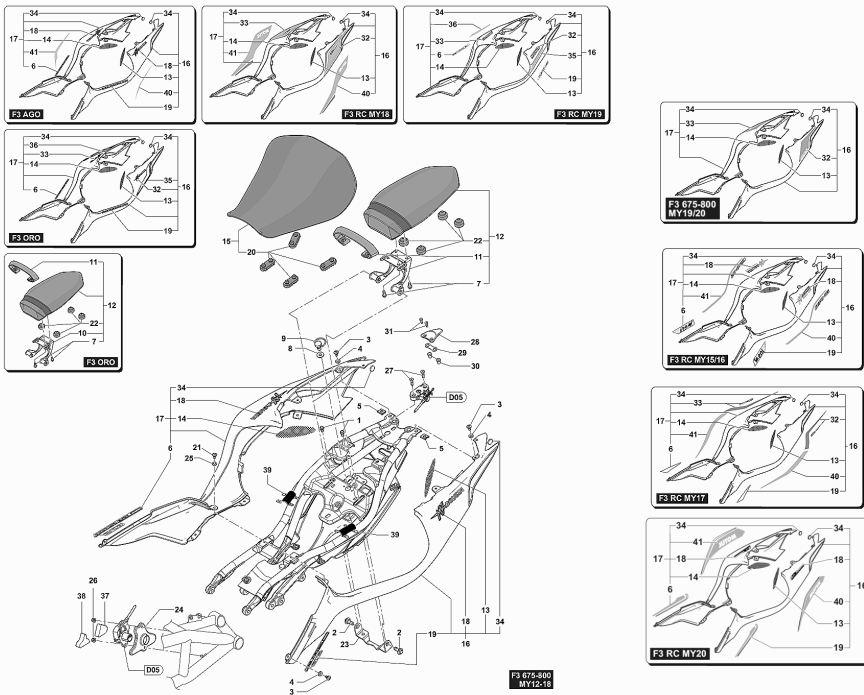
6	SPMV80B0C0535	FUEL TANK COMPL.	MY15/16 BLACK F3 800	1,00
6	SPMV80B0C3602	COMPLETE FUEL TANK	MY17/18 BLACK F3 800	1,00
6	SPMV80B0C3624	FUEL TANK COMPL.	MY17/18 GRAY F3 675	1,00
6	SPMV80C0B5984	FUEL TANK	MY13/14 WHITE/BLACK F3 800	1,00
6	SPMV80D0B5984	TANK	MY13/14 BLACK F3 800	1,00
7	SPMV8000C3050	DECAL FOR TANK	MY19 RED/SILVER F3 800	2,00
7	SPMV8000C3050	DECAL FOR TANK	MY19 RED/SILVER F3 800	2,00
7	SPMV8000C3050	DECAL FOR TANK	MY19 RED/SILVER F3 800	2,00
7	SPMV8000C3050	DECAL FOR TANK	MY19 RED/SILVER F3 800	2,00
7	SPMV80A090322	DECAL	RED/SILVER	2,00
7	SPMV80A090322	DECAL	RED/SILVER	2,00
7	SPMV80A090322	DECAL	RED/SILVER	2,00
7	SPMV80A090322	DECAL	RED/SILVER	2,00
7	SPMV80A090322	DECAL	RED/SILVER	2,00
7	SPMV80A090322	DECAL	RED/SILVER	2,00
7	SPMV80A0C3050	MV" DECAL FOR TANK	MY19/20 RED/SILVER F3 800	2,00
7	SPMV80A0C3050	MV" DECAL FOR TANK	MY19/20 RED/SILVER F3 800	2,00
7	SPMV80A0C3050	MV" DECAL FOR TANK	MY19/20 RED/SILVER F3 800	2,00
7	SPMV80A0C3050	MV" DECAL FOR TANK	MY19/20 RED/SILVER F3 800	2,00
7	SPMV80C090322	EMBLEM FUEL TANK MV	WHITE/BLACK	2,00
7	SPMV80C090322	EMBLEM FUEL TANK MV	WHITE/BLACK	2,00
7	SPMV80M090322	DECAL -MV- FUEL TANK	MY12/14 BLACK/ANTHRA. F3 675	2,00
7	SPMV80R090322	DECAL MV FOR TANK	MY13/14 BLACK F3 800	2,00
7	SPMV80V090322	DECAL MV FOR TANK	MY15/16 WHITE/GRAY F3 800	2,00
7	SPMV80V090322	DECAL MV FOR TANK	MY15/16 WHITE/GRAY F3 800	2,00
7	SPMV80W090322	DECAL MV FOR TANK	MY15/16 GRAY F3 675	2,00
7	SPMV80Y090322	DECAL MV FOR TANK	MY15/16 BLACK F3 800	2,00
8	SPMV8000B7250	FUEL WARNING MULTILINGUAL	F3 ORO-F3 AGO	1,00
8	SPMV8000B7250	FUEL WARNING MULTILINGUAL	F3 ORO-F3 AGO	1,00
8	SPMV8000B7250	FUEL WARNING MULTILINGUAL	F3 ORO-F3 AGO	1,00
8	SPMV8000C6925	'PLATE "E10" FOR TANK"	MY19/20 F3 675-F3 800	1,00
8	SPMV8000C6925	'PLATE "E10" FOR TANK"	MY19/20 F3 675-F3 800	1,00
9	SPMV8J00B2688	SCREW TCEIF M6X40	F3 ORO	2,00
9	SPMV8R00B2688	Screw TCEIF M6x12 RT	EXCEPT F3 ORO	2,00
10	SPMV8A0091688	BREATHER HOSE FUEL TANK	MY12/16	1,00
11	SPMV8000B7044	RUBBER DAMPER FUEL TANK		1,00
12	SPMV800091689	CONECTOR, Y, FUEL TANK HOSE		1,00
13	SPMV8B0091688	BREATHER HOSE FUEL TANK		1,00
14	SPMV8D00B2672	SCREW	RR-RUSH	2,00
15	SPMV8000B2799	WASHER, SPACER, D8xD6,2xL8,5	MY12/16 F3 675-F3 800	2,00
16	SPMV800089293	CUSHION, D18xD8xE7,5	MY14/20 F3 675-F3 800	2,00
17	SPMV8000B5988	FRONT TANK SUPPORT	675, 800, DRAGSTER	1,00
18	SPMV8000B5953	FRONT PIN		2,00
19	SPMV800089293	CUSHION, D18xD8xE7,5	MY14/20 F3 675-F3 800	4,00
20	SPMV8000B2672	SCREW M6	F4R, F4RR	6,00
21	SPMV8000B5985	FIXING PIN		2,00



22	SPMV8000B5986	TANK FIXING CLAMP		2,00
23	SPMV800088523	GASKET, PORTAGOMMA		2,00
24	SPMV800088522	CARRIER	MY12/19	1,00
24	SPMV8000C6227	DRAIN HOSE HOLDER	MY20 F3 675-F3 800-F3 800 RC	1,00
25	SPMV8000B5987	RUBBER DAMPER FUEL TANK		2,00
26	SPMV800099401	BUSH		1,00
27	SPMV8H00B2688	Screw M6x35	RR-RUSH	1,00
28	SPMV8D00B2672	SCREW	RR-RUSH	6,00
29	SPMV800099326	CUSHION, FIX, FUEL TANK		1,00
30	SPMV800090979	CAP, UPPER GUIDE CHAIN	SR	6,00
31	SPMV8000B5471	LEFT AIRBOX SIDE	MY12/18 F3 675	1,00
31	SPMV8000B5471	LEFT AIRBOX SIDE	MY12/18 F3 675	1,00
31	SPMV8000B8747	CACHE D. AIRBOX, LH	MY19/20 F3 675	1,00
31	SPMV8000B8747	CACHE D. AIRBOX, LH	MY19/20 F3 675	1,00
31	SPMV8000B8747	CACHE D. AIRBOX, LH	MY19/20 F3 675	1,00
31	SPMV80A0B5471	LEFT SIDE PANEL AIRBOX	MY17/18 F3 675 RC-F3 800 RC	1,00
31	SPMV80A0B6053	LEFT AIRBOX SIDE PANEL	F3 ORO	1,00
31	SPMV80B0B5471	LEFT SIDE PANEL AIRBOX FINISHED	MY19 F3 675 RC-F3 800 RC	1,00
32	SPMV8000B5470	AIRBOX COVER RH	MY15/16 F3 675 RC-F3 800 RC	1,00
32	SPMV8000B5470	AIRBOX COVER RH	MY15/16 F3 675 RC-F3 800 RC	1,00
32	SPMV8000B8746	CACHE D. AIRBOX, RH	MY19/20 F3 675	1,00
32	SPMV8000B8746	CACHE D. AIRBOX, RH	MY19/20 F3 675	1,00
32	SPMV8000B8746	CACHE D. AIRBOX, RH	MY19/20 F3 675	1,00
32	SPMV80A0B5470	RIGHT SIDE PANEL AIRBOX	MY17/18 F3 675 RC-F3 800 RC	1,00
32	SPMV80A0B6052	Airbox cover right	F3 ORO	1,00
32	SPMV80B0B5470	RIGHT SIDE PANEL AIRBOX FINISHED	MY19 F3 675 RC-F3 800 RC	1,00
33	SPMV98B0090901	Special screw M4x8	TAMBURINI	4,00
34	SPMV8000B5893	PLATE RIDER SEAT		1,00
35	SPMV8000B2687	Screw TCEIF M5x8	USA CND CN MY12/16	2,00
36	SPMV8000B6071	TANK DECAL PROTECTION		1,00
37	SPMV8000B6158	DECAL F3-ORO FOR TANK	F3 ORO	1,00
37	SPMV8000C4910	DECAL "CENTER FRIEZE" FOR	MY18 F3 675 RC-F3 800 RC	1,00
38	SPMV8000B6476	DECAL -TRICOLORE- FUEL TANK		1,00
39	SPMV8000B6477	DECAL FUEL TANK LH	F3 ORO	1,00
39	SPMV8000C3813	DECAL FRIEZE SUP. LEFT FOR SERB	MY17 F3 675 RC-F3 800 RC	1,00
39	SPMV8000C4913	DECAL "FRIEZE SUP." LEFT FOR	MY18 F3 675 RC-F3 800 RC	1,00
39	SPMV8000C6598	DECAL "FRIEZE" RIGHT FOR	MY19 F3 675 RC-F3 800 RC	1,00
39	SPMV8000C7970	'DECAL "FRIEZE SUP." RIGHT FOR"	MY20 F3 800 RC	1,00
40	SPMV8000B6478	DECAL FUEL TANK RH	F3 ORO	1,00
40	SPMV8000C3812	DECAL FRIEZE SUP. RIGHT FOR SERB	MY17 F3 675 RC-F3 800 RC	1,00
40	SPMV8000C4912	DECAL "FRIEZE SUP." RIGHT FOR	MY18 F3 675 RC-F3 800 RC	1,00
40	SPMV8000C6599	DECAL "FRIEZE" LEFT FOR	MY19 F3 675 RC-F3 800 RC	1,00
40	SPMV8000C7971	'DECAL "FRIEZE SUP." LEFT FOR"	MY20 F3 800 RC	1,00

41	SPMV8000B6641	DECAL -MV- FUEL TANK LH		1,00
42	SPMV8000B6642	DECAL -MV- FUEL TANK RH		1,00
43	SPMV800092882	WASHER, PLASTIC, FAIRING, M		4,00
44	SPMV8000B8745	DECAL CRC FOR LX SIDE PANEL	F3 800-F3 AGO	1,00
44	SPMV8000B8745	DECAL CRC FOR LX SIDE PANEL	F3 800-F3 AGO	1,00
44	SPMV8000B8745	DECAL CRC FOR LX SIDE PANEL	F3 800-F3 AGO	1,00
45	SPMV8000B8744	DECAL CRC FOR RX SIDE PANEL	MY19/20 F3 675	1,00
45	SPMV8000B8744	DECAL CRC FOR RX SIDE PANEL	MY19/20 F3 675	1,00
45	SPMV8000B8744	DECAL CRC FOR RX SIDE PANEL	MY19/20 F3 675	1,00
46	SPMV8000B9410	BREATHER HOSE FUEL TANK	F3 AGO	1,00
46	SPMV8000B9410	BREATHER HOSE FUEL TANK	F3 AGO	1,00
46	SPMV8A0091688	BREATHER HOSE FUEL TANK	MY12/16	1,00
47	SPMV800088522	CARRIER	MY12/19	1,00
47	SPMV800088522	CARRIER	MY12/19	1,00
47	SPMV8000B9411	CARRIER	MY15/17 MY19 F3 RC	1,00
47	SPMV8000B9411	CARRIER	MY15/17 MY19 F3 RC	1,00
48	SPMV8000B9554	DECAL FREGGIO FOR SIDE	F3 AGO	1,00
48	SPMV8000C2328	DECAL FRIEZE FOR RIGHT SIDE PANEL	MY15/16 F3 675 RC-F3 800 RC	1,00
48	SPMV8000C3796	FRIEZE DECAL FOR RIGHT SIDE PANEL	MY17 F3 675 RC-F3 800 RC	1,00
48	SPMV8000C4920	DECAL "UPPER FRIEZE" FOR	MY18 F3 675 RC-F3 800 RC	1,00
48	SPMV8000C6606	DECAL "FRIEZE" FOR SIDE PANEL	MY19 F3 675 RC-F3 800 RC	1,00
49	SPMV8000B9553	DECAL FREGIO FOR SIDE	F3 AGO	1,00
49	SPMV8000C2327	DECAL FRIEZE FOR LEFT SIDE	MY15/16 F3 675 RC-F3 800 RC	1,00
49	SPMV8000C3797	FRIEZE DECAL FOR LEFT SIDE PANEL	MY17 F3 675 RC-F3 800 RC	1,00
49	SPMV8000C4921	DECAL "UPPER FRIEZE" FOR	MY18 F3 675 RC-F3 800 RC	1,00
49	SPMV8000C6607	DECAL "FRIEZE" FOR SIDE PANEL	F3 RC MY19 RED/SILVER	1,00
50	SPMV8000C0078	DECAL "TRE PISTONI TRICOLORE"	MY15/18 GRAY F3 675	1,00
50	SPMV8000C0078	DECAL "TRE PISTONI TRICOLORE"	MY15/18 GRAY F3 675	1,00
50	SPMV8000C2344	DECAL FRIEZE RIGHT FOR TANK	MY15/16 F3 675 RC-F3 800 RC	1,00
50	SPMV8000C3814	LAT. FRIEZE DECAL RIGHT FOR SERB	MY17 F3 675 RC-F3 800 RC	1,00
50	SPMV8000C4914	DECAL "FRIEZE LAT." RIGHT FOR	MY18 F3 675 RC-F3 800 RC	1,00
50	SPMV8000C7968	'DECAL "FREGI" RIGHT FOR TANK"	MY20 F3 800 RC	1,00
50	SPMV80B0C0078	DECAL	MY15/18 WHITE F3 675	1,00
50	SPMV80B0C0078	DECAL	MY15/18 WHITE F3 675	1,00
50	SPMV80C0C0078	DECAL THREE PISTONS	MY15/18 RED/SILVER F3 675	1,00
50	SPMV80E0C0078	DECAL TRE PISTONI TRICOLORE	MY15/18 F3 800	1,00
51	SPMV8000C0079	DECAL "TRE PISTONI TRICOLORE"	MY15/18 WHITE/GRAY F3 800	1,00
51	SPMV8000C0079	DECAL "TRE PISTONI TRICOLORE"	MY15/18 WHITE/GRAY F3 800	1,00
51	SPMV8000C2343	DECAL "F3 RC 800" FOR TANK	MY15/16 F3 675 RC-F3 800 RC	1,00
51	SPMV8000C3815	DECAL FRIEZE LAT. SX FOR SERB	MY17 F3 675 RC-F3 800 RC	1,00
51	SPMV8000C4915	DECAL "FRIEZE LAT." LEFT FOR	MY18 F3 675 RC-F3 800 RC	1,00

51	SPMV8000C7969	'DECAL "FRIEZES" LEFT FOR TANK"	MY20 F3 800 RC	1,00
51	SPMV80B0C0079	DECAL	MY15/18 RED/SILVER F3 675	1,00
51	SPMV80B0C0079	DECAL	MY15/18 RED/SILVER F3 675	1,00
51	SPMV80C0C0079	DECAL	MY15/18 GRAY F3 675	1,00
51	SPMV80E0C0079	DECAL TRE PISTONI TRICOLORE	MY15/18 BLACK F3 800	1,00
52	SPMV8000C3798	'MOTUL" DECAL FOR SIDE PANEL"	MY17 F3 675 RC-F3 800 RC	1,00
52	SPMV8000C4918	LOWER FRIEZE DECAL FOR	MY18 F3 675 RC-F3 800 RC	1,00
52	SPMV8000C6608	DECAL "BLACK FRIEZE" FOR	MY19 F3 675 RC-F3 800 RC	1,00
52	SPMV8000C6976	'DECAL "FRIEZE" FOR SIDE PANEL "	MY19 RED/SILVER F3 800	1,00
52	SPMV8000C6976	'DECAL "FRIEZE" FOR SIDE PANEL "	MY19 RED/SILVER F3 800	1,00
52	SPMV80A0C6976	'DECAL "FRIEZE" FOR SIDE PANEL "	MY19 BLUE/GRAY F3 675	1,00
52	SPMV80B0C6976	DECAL "FRIEZE" FOR SIDE PANEL	MY19 GRAY/GRAY AVIO F3 800	1,00
53	SPMV8000C3799	'MOTUL" DECAL FOR SIDE PANEL"	MY17 F3 675 RC-F3 800 RC	1,00
53	SPMV8000C4919	DECAL "LOWER FRIEZE" FOR	MY18 F3 675 RC-F3 800 RC	1,00
53	SPMV8000C6609	DECAL "BLACK FRIEZE" FOR	MY19 F3 675 RC-F3 800 RC	1,00
53	SPMV8000C6975	'DECAL "FRIEZE" FOR SIDE PANEL "	MY19 RED/SILVER F3 675	1,00
53	SPMV8000C6975	'DECAL "FRIEZE" FOR SIDE PANEL "	MY19 RED/SILVER F3 675	1,00
53	SPMV80A0C6975	'DECAL "FRIEZE" FOR SIDE PANEL "	MY19 BLUE/GRAY F3 675	1,00
53	SPMV80B0C6975	DECAL "FRIEZE" FOR SIDE PANEL	MY19 GRAY/GRAY AVIO F3 800	1,00
54	SPMV8000C3811	DECAL MASKING POST. FOR	MY17 F3 675 RC-F3 800 RC	1,00
54	SPMV8000C7972	'DECAL "POST TIP MASKING"	MY20 F3 800 RC	1,00
55	SPMV8000C4916	RIGHT "MASKING" DECAL FOR		1,00
56	SPMV8000C4917	DECAL "MASKING" LEFT FOR		1,00
57	SPMV8000C7044	'DECAL "F3" FOR TANK"	MY19/20 RED/SILVER F3 675	1,00
57	SPMV8000C7044	'DECAL "F3" FOR TANK"	MY19/20 RED/SILVER F3 675	1,00
57	SPMV8000C7967	'DECAL "LOGO F3 RC 800" FOR"	MY20 F3 800 RC	1,00
57	SPMV80A0C7044	'DECAL "F3" FOR TANK"	MY19 BLUE/GRAY F3 675	1,00
57	SPMV80B0C7044	DECAL "F3" FOR TANK	MY19 GRAY/GRAY AVIO F3 800	1,00



Pos	Part Number	Description	Additional Text	Quantity
1	SPMV8B00B2681	Screw M6x1-CH8-L12	F4S, F4 FRECCE TRICOLORI	2,00
2	SPMV8000B5892	SCREW		2,00
3	SPMV8000B5920	Screw	MY12/13 F3 675-F3 ORO-F3 800	6,00
4	SPMV8000B5959	WASHER D12 D7,8 SP0,5 IN NYLON	MY14/20 EXCEPT F3 ORO	6,00
5	SPMV8000B5811	NUT M5	MY12/13 F3 675-F3 ORO-F3 800	4,00
6	SPMV8000B5818	DECAL -TRE PISTONI- RH	MY12/14 RED/SILVER F3 675	1,00
6	SPMV8000B5818	DECAL -TRE PISTONI- RH	MY12/14 RED/SILVER F3 675	1,00
6	SPMV8000B6640	DECAL -TRE PISTONI- RH	F3 ORO	1,00
6	SPMV8000C2332	DECAL "ENI" FOR RIGHT SIDE	MY15/16 F3 675 RC-F3 800 RC	1,00
6	SPMV8000C3836	Decal right	MY17 F3 675 RC-F3 800 RC	1,00
6	SPMV8000C7962	'DECAL "FREGI" FOR RIGHT SIDE"	MY20 F3 800 RC	1,00
6	SPMV80A0B8696	DECAL THREE PISTON 800	MY13/14 WHITE/BLACK F3 800	1,00
6	SPMV80B0B5818	DECAL RIGHT THREE PISTONS 675	MY12/14 BLACK/ANTHRA. F3 675	1,00
6	SPMV80B0B8696	DECAL THREE PISTONS 800 RIGHT	MY13/14 BLACK F3 800	1,00
6	SPMV80C0B8696	DECAL THREE PISTONS	MY13/14 RED/SILVER F3 800	1,00
6	SPMV80D0B8696	DECAL RIGHT THREE PISTONS 800	F3 AGO	1,00
6	SPMV8000C6646	DECAL CRSERVICE LOGO FOR	VIN >000607, 00628-000632	1,00
7	SPMV8C00B2681	SCREW, TEF M6x1 CH8 L14	RR-SCS-RC SCS	4,00
8	SPMV8000B5543	WASHER D15,8-D8,2-SP0,8		1,00
9	SPMV8000B5542	SEAT PIN		1,00
10	SPMV8000B5890	BRACKET		1,00
11	SPMV80B0B7404	SEAT, PASSENGER	675-800 MY19 BLUE/GRAY	1,00

11	SPMV8000B7407	BELT ATTACHMENT BRACKET COMPLET	675-800 MY19/20 RED/SILVER	1,00
11	SPMV80A0B7407	BRACKET BELT ATTACHMENT COMPLET	MY18 F3 675 RC-F3 800 RC	1,00
11	SPMV80B0B7407	BRACKET BELT ATTACHMENT COMPLET	675-800 MY19 GRAY/GRIG. AVIO	1,00
11	SPMV80C0B7407	BELT ATTACHMENT BRACKET COMPLET	MY15/16 F3 675 RC-F3 800 RC	1,00
11	SPMV8000B6145	RETAINING BELT	F3 ORO	1,00
12	SPMV8000B6144	COMPLETE PASSENGER SEAT	F3 ORO MY19 BLUE/GRAY	1,00
12	SPMV8000B6144	COMPLETE PASSENGER SEAT	F3 ORO MY19 BLUE/GRAY	1,00
12	SPMV8000B7404	SEAT, PASSENGER	675-800 MY19/20 RED/SILVER	1,00
12	SPMV8000B7404	SEAT, PASSENGER	675-800 MY19/20 RED/SILVER	1,00
12	SPMV8000B7404	SEAT, PASSENGER	675-800 MY19/20 RED/SILVER	1,00
12	SPMV8000B9572	PASSENGER SEAT	F3 AGO	1,00
12	SPMV8000B9572	PASSENGER SEAT	F3 AGO	1,00
12	SPMV8000C6661	PASSENGER SEAT COMPLETE	MY19 F3 675 RC-F3 800 RC	1,00
12	SPMV8000C7741	COMPLETE PASSENGER SEAT	MY20 F3 800 RC	1,00
12	SPMV80A0B7404	SEAT, PASSENGER	MY18 F3 675 RC-F3 800 RC	1,00
12	SPMV80A0B7404	SEAT, PASSENGER	MY18 F3 675 RC-F3 800 RC	1,00
12	SPMV80A0B7404	SEAT, PASSENGER	MY18 F3 675 RC-F3 800 RC	1,00
12	SPMV80A0B7404	SEAT, PASSENGER	MY18 F3 675 RC-F3 800 RC	1,00
12	SPMV80B0B7404	SEAT, PASSENGER	675-800 MY19 BLUE/GRAY	1,00
12	SPMV80B0B7404	SEAT, PASSENGER	675-800 MY19 BLUE/GRAY	1,00
12	SPMV80B0B7404	SEAT, PASSENGER	675-800 MY19 BLUE/GRAY	1,00
12	SPMV80B0B7404	SEAT, PASSENGER	675-800 MY19 BLUE/GRAY	1,00
12	SPMV80B0B7404	SEAT, PASSENGER	675-800 MY19 BLUE/GRAY	1,00
12	SPMV80C0B7404	SEAT	675-800 MY15/18 WHITE/GRAY	1,00
12	SPMV80C0B7404	SEAT	675-800 MY15/18 WHITE/GRAY	1,00
12	SPMV80D0B7404	PASSENGER SEAT COMPL.	MY17 F3 675 RC-F3 800 RC	1,00
13	SPMV8000B5809	LEFT AIR DUCT PROTECTION	MY15/16 MY18/20 RC	1,00
13	SPMV8000B5809	LEFT AIR DUCT PROTECTION	MY15/16 MY18/20 RC	1,00
13	SPMV80A0B5809	AIR OUTLET PROTECTION FOR	MY17 F3 675 RC-F3 800 RC	1,00
13	SPMV80A0B5809	AIR OUTLET PROTECTION FOR	MY17 F3 675 RC-F3 800 RC	1,00
13	SPMV80B0B5809	AIRDUCT PROTECTION	F3 ORO-F3 AGO	1,00
14	SPMV8000B5808	AIR DUCT PROTECTION	MY12/18 F3 675-F3 800	1,00
14	SPMV8000B5808	AIR DUCT PROTECTION	MY12/18 F3 675-F3 800	1,00
14	SPMV80A0B5808	AIR OUTLET PROTECTION FOR	MY19/20 F3 675-F3 800	1,00
14	SPMV80A0B5808	AIR OUTLET PROTECTION FOR	MY19/20 F3 675-F3 800	1,00
14	SPMV80B0B5808	RIGHT AIR DUCT PROTECTION	F3 ORO-F3 AGO	1,00
15	SPMV8000B6143	COMPLETE SEAT DRIVER	F3 ORO	1,00
15	SPMV8000B7402	SEAT, DRIVER	F3 675-F3 800	1,00
15	SPMV8000B9571	SEAT	F3 AGO	1,00
15	SPMV8000B9571	SEAT	F3 AGO	1,00
15	SPMV80B0B9571	COMPLETE RIDER SADDLE	MY17 F3 675 RC-F3 800 RC	1,00

15	SPMV80C0B9571	COMPLETE RIDER SEAT	MY19 F3 675 RC-F3 800 RC	1,00
16	SPMV8000B5807	LEFT REAR FAIRING	MY12/14 RED/SILVER F3 675	1,00
16	SPMV8000B6151	LEFT SIDE FOR COMPL TAIL	F3 ORO	1,00
16	SPMV8000B9555	LEFT SIDE FOR COMPL TAIL	F3 AGO	1,00
16	SPMV8000C0533	COMPLETE LX SIDE TAIL PANEL	MY15/16 RED/SILVER F3 800	1,00
16	SPMV8000C0533	COMPLETE LX SIDE TAIL PANEL	MY15/16 RED/SILVER F3 800	1,00
16	SPMV8000C2329	FAIRING, LEFT REAR SIDE	MY15/16 F3 675 RC-F3 800 RC	1,00
16	SPMV8000C3599	LEFT SIDE FOR COMPLETE TAIL	MY17/18 RED/SILVER F3 800	1,00
16	SPMV8000C3599	LEFT SIDE FOR COMPLETE TAIL	MY17/18 RED/SILVER F3 800	1,00
16	SPMV8000C3801	LEFT SIDE PANEL FOR TAIL SECTION COMPL.	MY17 F3 675 RC-F3 800 RC	1,00
16	SPMV8000C4561	LEFT SIDE PANEL FOR TAIL PIECE COMPL.	MY18 F3 675 RC-F3 800 RC	1,00
16	SPMV8000C5843	LEFT SIDE PANEL FOR TAIL PIECE COMPL.	VIN >000607, 000628-000632	1,00
16	SPMV8000C6939	LEFT SIDE COVER FOR TAIL PIPE COMPL.	VIN 000608-000627, 000633>	1,00
16	SPMV8000C6977	Side panel rear left	MY19/20 RED/SILVER F3 675	1,00
16	SPMV8000C7007	Side panel rear left	MY19/20 RED/SILVER F3 800	1,00
16	SPMV8000C7737	LEFT SIDE PANEL FOR TAIL TANK COMPL.	MY20 F3 800 RC	1,00
16	SPMV80A0B5807	LEFT SIDE PANEL	MY12/14 WHITE F3 675	1,00
16	SPMV80A0B8695	FAIRING, REAR FRAME, LH	MY13/14 WHITE/BLACK F3 800	1,00
16	SPMV80A0C0533	LEFT SIDE FOR COMPL TAIL	MY15/16 WHITE/GRAY F3 800	1,00
16	SPMV80A0C0533	LEFT SIDE FOR COMPL TAIL	MY15/16 WHITE/GRAY F3 800	1,00
16	SPMV80A0C3599	Side panel rear left	MY17/18 WHITE/GRAY F3 800	1,00
16	SPMV80A0C3599	Side panel rear left	MY17/18 WHITE/GRAY F3 800	1,00
16	SPMV80A0C6977	LEFT SIDE FOR TAIL COMPL.	MY19 BLUE/GRAY F3 675	1,00
16	SPMV80A0C7007	LEFT SIDE PANEL FOR TAIL COMPL.	MY19 GRAY/GRAY AVIO F3 800	1,00
16	SPMV80B0B5807	LEFT SIDE FAIRING	MY12/14 BLACK F3 675	1,00
16	SPMV80B0B8695	FAIRING, REAR FRAME, LH	MY13/14 BLACK F3 800	1,00
16	SPMV80B0C0533	LEFT SIDE FOR TAIL COMPL.	MY15/16 GRAY F3 675	1,00
16	SPMV80B0C3599	LEFT SIDE FOR TAIL COMPL.	MY17/18 BLACK F3 800	1,00
16	SPMV80C0B8695	FAIRING, REAR FRAME, LH	MY13/14 RED/SILVER F3 800	1,00
16	SPMV80C0C0533	LEFT SIDE FOR COMPL TAIL	MY15/16 BLACK F3 800	1,00
16	SPMV80C0C3599	LEFT SIDE FOR TAIL COMPL.	MY17/18 GRAY F3 675	1,00
17	SPMV8000B5806	RIGHT REAR FAIRING PANEL	MY12/14 RED/SILVER F3 675	1,00
17	SPMV8000B6150	REAR RIGHT FAIRING PANEL	F3 ORO	1,00
17	SPMV8000B9556	RIGHT SIDE FOR COMPL TAIL	F3 AGO	1,00
17	SPMV8000C0532	COMPLETE RX SIDE TAIL PANEL	MY15/16 RED/SILVER F3 675	1,00
17	SPMV8000C0532	COMPLETE RX SIDE TAIL PANEL	MY15/16 RED/SILVER F3 675	1,00
17	SPMV8000C2330	FAIRING, RIGHT REAR SIDE	MY15/16 F3 675 RC-F3 800 RC	1,00

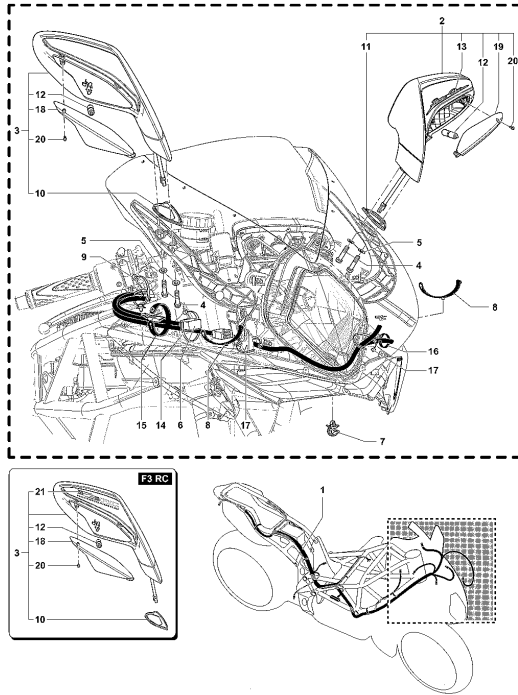
17	SPMV8000C3598	RIGHT SIDE FOR TAIL COMPL.	MY17/18 RED/SILVER F3 800	1,00
17	SPMV8000C3598	RIGHT SIDE FOR TAIL COMPL.	MY17/18 RED/SILVER F3 800	1,00
17	SPMV8000C3800	RIGHT SIDE PANEL FOR TAIL PIPE COMPL.	MY17 F3 675 RC-F3 800 RC	1,00
17	SPMV8000C4562	RIGHT SIDE PANEL FOR TAIL TANK COMPL.	MY18 F3 675 RC-F3 800 RC	1,00
17	SPMV8000C5842	RIGHT SIDE PANEL FOR TAIL PIPE COMPL.	VIN >000607, 000628-000632	1,00
17	SPMV8000C6938	RIGHT SIDE COVER FOR TAIL PIPE COMPL.	VIN 000608-000627, 000633>	1,00
17	SPMV8000C6978	RIGHT SIDE PANEL FOR TAIL TANK COMPL.	MY19/20 RED/SILVER F3 675	1,00
17	SPMV8000C7006	Side panel rear right	MY19/20 RED/SILVER F3 800	1,00
17	SPMV8000C7738	RIGHT SIDE PANEL FOR TAIL TANK COMPL.	MY20 F3 800 RC	1,00
17	SPMV80A0B5806	RIGHT FAIRING PANEL	MY12/14 WHITE F3 675	1,00
17	SPMV80A0B8694	FAIRING, REAR FRAME, RH	MY13/14 WHITE/BLACK F3 800	1,00
17	SPMV80A0C0532	RIGHT SIDE FOR COMPLETE TAIL	MY15/16 WHITE/GRAY F3 800	1,00
17	SPMV80A0C0532	RIGHT SIDE FOR COMPLETE TAIL	MY15/16 WHITE/GRAY F3 800	1,00
17	SPMV80A0C3598	RIGHT SIDE PANEL FOR TAIL PART COMPL.	MY17/18 WHITE/GRAY F3 800	1,00
17	SPMV80A0C3598	RIGHT SIDE PANEL FOR TAIL PART COMPL.	MY17/18 WHITE/GRAY F3 800	1,00
17	SPMV80A0C6978	RIGHT SIDE PANEL FOR TAIL TANK COMPL.	MY19 BLUE/GRAY F3 675	1,00
17	SPMV80A0C7006	Side panel rear right	MY19 GRAY/GRAY AVIO F3 800	1,00
17	SPMV80B0B5806	RIGHT SIDE FAIRING	MY12/14 BLACK/ANTHRA. F3 675	1,00
17	SPMV80B0B8694	FAIRING, REAR FRAME, RH	MY13/14 BLACK F3 800	1,00
17	SPMV80B0C0532	RIGHT SIDE FOR TAIL COMPL.	MY15/16 GRAY F3 675	1,00
17	SPMV80B0C3598	RIGHT SIDE FOR TAIL COMPL.	MY17/18 BLACK F3 800	1,00
17	SPMV80C0B8694	FAIRING, REAR FRAME, RH	MY13/14 RED/SILVER F3 800	1,00
17	SPMV80C0C0532	RIGHT SIDE FOR COMPL TAIL	MY15/16 BLACK F3 800	1,00
17	SPMV80C0C3598	RIGHT SIDE PANEL FOR TAIL PART COMPL.	MY17/18 GRAY F3 675	1,00
18	SPMV8000B5883	DECAL -MV AGUSTA-	MY15/16 RED/SILVER F3 800	2,00
18	SPMV8000B5883	DECAL -MV AGUSTA-	MY15/16 RED/SILVER F3 800	2,00
18	SPMV8000B5883	DECAL -MV AGUSTA-	MY15/16 RED/SILVER F3 800	2,00
18	SPMV8000B5883	DECAL -MV AGUSTA-	MY15/16 RED/SILVER F3 800	2,00
18	SPMV8000C2338	DECAL "MV AGUSTA REPARTO CORSE"	MY15/16 F3 675 RC-F3 800 RC	2,00
18	SPMV8000C4000	DECAL "F3" FOR SIDE TAIL	MY17/18 RED/SILVER F3 800	2,00
18	SPMV8000C4000	DECAL "F3" FOR SIDE TAIL	MY17/18 RED/SILVER F3 800	2,00
18	SPMV8000C7966	'DECAL "F3 RC" FOR SIDE PANEL'	MY20 F3 800 RC	2,00
18	SPMV80A0B5883	DECAL -MV AGUSTA-	MY12/14 WHITE F3 675	2,00
18	SPMV80A0B5883	DECAL -MV AGUSTA-	MY12/14 WHITE F3 675	2,00
18	SPMV80A0C4000	DECAL "F3" FOR SIDE TAIL PIECE	MY17/18 WHITE/GRAY F3 800	2,00
18	SPMV80A0C4000	DECAL "F3" FOR SIDE TAIL PIECE	MY17/18 WHITE/GRAY F3 800	2,00

18	SPMV80B0B4162	DECAL MV AGUSTA	F3 AGO	2,00
18	SPMV80B0C4000	DECAL "F3" FOR SIDE TAIL PIECE	MY17/18 BLACK F3 800	2,00
18	SPMV80C0B5883	DECAL -MV AGUSTA-	MY12/14 BLACK/ANTHRA. F3 675	2,00
18	SPMV80E0B5883	DECAL MV AGUSTA FOR SIDE	MY13/14 BLACK F3 800	2,00
18	SPMV80G0B5883	DECAL "MV AGUSTA" FOR SIDES	MY15/16 WHITE/GRAY F3 800	2,00
18	SPMV80G0B5883	DECAL "MV AGUSTA" FOR SIDES	MY15/16 WHITE/GRAY F3 800	2,00
18	SPMV80H0B5883	DECAL MV AGUSTA FOR SIDES	MY15/16 GRAY F3 675	2,00
18	SPMV80J0B5883	DECAL MV AGUSTA FOR SIDE	MY15/16 BLACK F3 800	2,00
19	SPMV8000B5817	DECAL -TRE PISTONI- LH	MY12/14 RED/SILVER F3 675	1,00
19	SPMV8000B5817	DECAL -TRE PISTONI- LH	MY12/14 RED/SILVER F3 675	1,00
19	SPMV8000B6639	DECAL -TRE PISTONI- LH	F3 ORO	1,00
19	SPMV8000C2331	DECAL "ENI" FOR LEFT SIDE	MY15/16 F3 675 RC-F3 800 RC	1,00
19	SPMV8000C3837	Decal left	MY17 F3 675 RC-F3 800 RC	1,00
19	SPMV8000C7963	'DECAL "FREGLI" FOR LEFT SIDE"	MY20 F3 800 RC	1,00
19	SPMV80A0B8697	DECAL THREE PISTON	MY13/14 BLACK F3 800	1,00
19	SPMV80B0B5817	DECAL LEFT THREE PISTONS 675	MY12/14 BLACK/ANTHRA. F3 675	1,00
19	SPMV80B0B8697	DECAL THREE PISTONS 800	MY13/14 BLACK F3 800	1,00
19	SPMV80C0B8697	DECAL THREE PISTON 800 LEFT	MY13/14 RED/SILVER F3 800	1,00
19	SPMV80D0B8697	DECAL THREE PISTONS 800 LEFT	F3 AGO	1,00
19	SPMV8000C6647	DECAL CRSERVICE LOGO FOR	VIN >000607, 000628- 000632	1,00
20	SPMV800090380	VIBRATION-DAMPER		4,00
21	SPMV8A00B5920	Screw	AGO	1,00
22	SPMV800041039	CUSHION, SEAT D25xD18xL19		4,00
23	SPMV8000B5891	SUPPORT SEAT LOCKING		1,00
24	SPMV8000B5669	SUPPORT LOCK PLATE	UP TO FRAME 011385	1,00
25	SPMV8000B5959	WASHER D12 D7,8 SP0,5 IN NYLON	MY14/20 EXCEPT F3 ORO	1,00
26	SPMV8000B2707	NUT, M5x0,8xE6 CH8 PARLOCK	990R-1090RR 002105> USA BRUTALE 920 USA	2,00
27	SPMV8E00B2695	SCREW, DA TAMPA DA CARÇA DO		2,00
28	SPMV80A0B6998	PLATE, SIDE COVERS CONNECTION	MY15/16 F3 675 RC-F3 800 RC	1,00
28	SPMV80A0B6998	PLATE, SIDE COVERS CONNECTION	MY15/16 F3 675 RC-F3 800 RC	1,00
28	SPMV80A0B6998	PLATE, SIDE COVERS CONNECTION	MY15/16 F3 675 RC-F3 800 RC	1,00
28	SPMV80A0B6998	PLATE, SIDE COVERS CONNECTION	MY15/16 F3 675 RC-F3 800 RC	1,00
28	SPMV80A0B6998	PLATE, SIDE COVERS CONNECTION	MY15/16 F3 675 RC-F3 800 RC	1,00
28	SPMV80A0B6998	PLATE, SIDE COVERS CONNECTION	MY15/16 F3 675 RC-F3 800 RC	1,00
28	SPMV80A0B6998	PLATE, SIDE COVERS CONNECTION	MY15/16 F3 675 RC-F3 800 RC	1,00
28	SPMV80A0B6998	PLATE, SIDE COVERS CONNECTION	MY15/16 F3 675 RC-F3 800 RC	1,00
28	SPMV80B0B6998	TAIL PLATE	F3 ORO	1,00
28	SPMV80C0B6998	PLATE	MY17 F3 675 RC-F3 800 RC	1,00



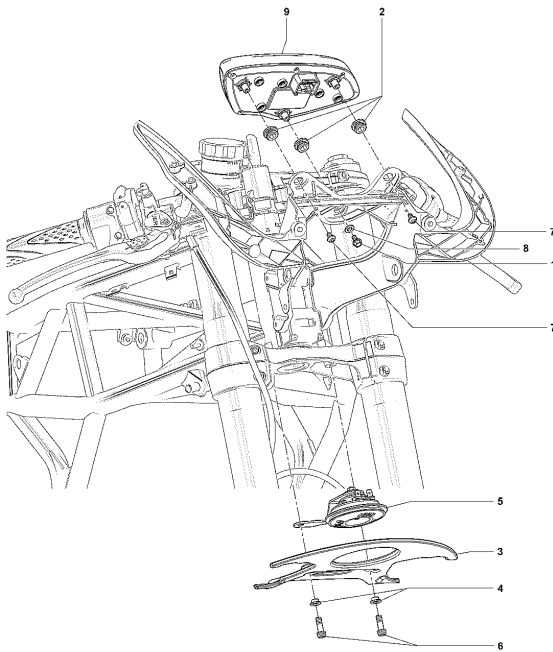
28	SPMV80C0B6998	PLATE	MY17 F3 675 RC-F3 800 RC	1,00
28	SPMV80D0B6998	PLATE FOR TAIL	MY12/14 BLACK/ANTHRA. F3 675	1,00
28	SPMV80E0B6998	PLATE, SIDE COVERS CONNECTION	MY13/14 WHITE/BLACK F3 800	1,00
28	SPMV80F0B6998	PLATE, SIDE COVERS CONNECTION	MY15/18 BLACK F3 800	1,00
28	SPMV80F0B6998	PLATE, SIDE COVERS CONNECTION	MY15/18 BLACK F3 800	1,00
28	SPMV80H0B6998	Fairing cover rear	MY15/18 WHITE/GRAY F3 800	1,00
28	SPMV80H0B6998	Fairing cover rear	MY15/18 WHITE/GRAY F3 800	1,00
28	SPMV80J0B6998	TAIL FIN CLOSING PLATE	MY15/18 GRAY F3 675	1,00
28	SPMV80L0B6998	TAIL FIN CLOSING PLATE	MY18/19 F3 675 RC-F3 800 RC	1,00
28	SPMV80M0B6998	TAIL CAP PLATE FIN	MY19 BLUE/GRAY F3 675	1,00
28	SPMV80N0B6998	Tail lighth	MY19 GRAY/GRAY AVIO F3 800	1,00
28	SPMV80P0B6998	TAIL FIN CLOSING PLATE	MY20 F3 800 RC	1,00
29	SPMV8000B6999	SUPPORT		1,00
30	SPMV800091022	BUSH, SCREW, M4x0,7	F4S, F4R, F4RR	2,00
31	SPMV8A00A3872	SCREW TSPEI M4X16		2,00
32	SPMV8000B6157	DECAL -MV AGUSTA-	F3 ORO	1,00
32	SPMV8000C3807	'DECAL "FRIEZE-F3 RC DEPARTMENT"	MY17 F3 675 RC-F3 800 RC	1,00
32	SPMV8000C4909	DECAL "FRIEZE-F3 RC DEPARTMENT	MY18 F3 675 RC-F3 800 RC	1,00
32	SPMV8000C6643	DECAL "MOTUL" FOR LEFT SIDEWALL	MY19 F3 675 RC-F3 800 RC	1,00
32	SPMV8000C6979	'DECAL "FRIEZE-675" FOR"	MY19/20 RED/SILVER F3 675	1,00
32	SPMV8000C7009	'DECAL "FRIEZE-800 "FOR SIDE PANEL"	MY19/20 RED/SILVER F3 800	1,00
32	SPMV80A0C6979	'DECAL "FRIEZE-675" FOR"	MY19 BLUE/GRAY F3 675	1,00
32	SPMV80A0C7009	'DECAL "FRIEZE-800 "FOR SIDE PANEL"	MY19 GRAY/GRAY AVIO F3 800	1,00
33	SPMV8000B6156	DECAL -MV AGUSTA-	F3 ORO	1,00
33	SPMV8000C3806	'DECAL "FRIEZE-F3 RC DEPARTMENT"	MY17 F3 675 RC-F3 800 RC	1,00
33	SPMV8000C4908	DECAL "FRIEZE-F3 RC DEPARTMENT" DECAL	MY18 F3 675 RC-F3 800 RC	1,00
33	SPMV8000C6642	DECAL "MOTUL" FOR DX SIDEWALL	MY19 F3 675 RC-F3 800 RC	1,00
33	SPMV8000C6980	'DECAL "FRIEZE-675" FOR"	MY19/20 RED/SILVER F3 675	1,00
33	SPMV8000C7008	'DECAL "FRIEZE-800 "FOR SIDE PANEL"	MY19/20 RED/SILVER F3 800	1,00
33	SPMV80A0C6980	'DECAL "FRIEZE-675" FOR"	MY19 BLUE/GRAY F3 675	1,00
33	SPMV80A0C7008	'DECAL "FRIEZE-800 "FOR SIDE PANEL"	MY19 GRAY/GRAY AVIO F3 800	1,00
34	SPMV8A0090979	CUSHION RUBBER		2,00
35	SPMV8000B6637	DECAL FAIRING LEFT	F3 ORO	1,00
35	SPMV8000C6645	DECAL "FRIEZE" FOR LEFT SIDE	MY19 F3 675 RC-F3 800 RC	1,00
36	SPMV8000B6638	DECAL FAIRING RH	F3 ORO	1,00
36	SPMV8000C6644	DECAL "FRIEZE" FOR RIGHT SIDE	MY19 F3 675 RC-F3 800 RC	1,00
37	SPMV8000B6797	RUBBER DAMPER		1,00
38	SPMV8000B7256	RUBBER DAMPER		1,00

39	SPMV800090417	PROTECTION, RUBBER, PIPE		2,00
40	SPMV8000B9557	DECAL BAFFO FOR LEFT SIDE	F3 AGO	1,00
40	SPMV8000C2335	DECAL "FREGIO-AMG" FOR LEFT SIDE	MY15/16 F3 675 RC-F3 800 RC	1,00
40	SPMV8000C3805	'DECAL "FRIEZE" FOR LEFT SIDE"	MY17 F3 675 RC-F3 800 RC	1,00
40	SPMV8000C4907	DECAL "MOTUL FRIEZE" FOR	MY18 F3 675 RC-F3 800 RC	1,00
40	SPMV8000C7965	'DECAL "FREGI MOTUL" FOR"	MY20 F3 800 RC	1,00
41	SPMV8000B9558	DECAL BAFFO FOR RIGHT SIDE	F3 AGO	1,00
41	SPMV8000C2336	DECAL "FREGIO-AMG" FOR SIDE PANEL	MY15/16 F3 675 RC-F3 800 RC	1,00
41	SPMV8000C3804	'DECAL "FRIEZE" FOR RIGHT SIDE"	MY17 F3 675 RC-F3 800 RC	1,00
41	SPMV8000C4906	DECAL "MOTUL FRIEZE" FOR	MY18 F3 675 RC-F3 800 RC	1,00
41	SPMV8000C7964	'DECAL "FREGI MOTUL" FOR"	MY20 F3 800 RC	1,00

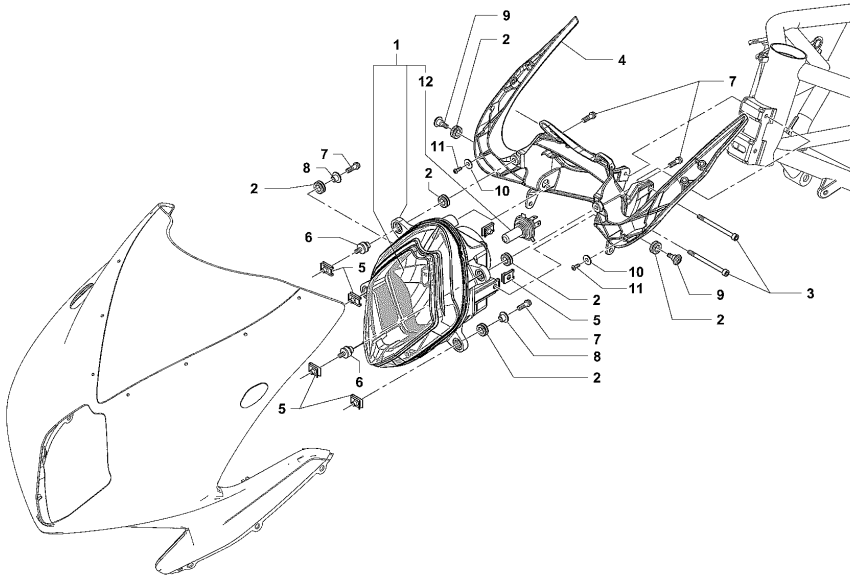


Pos	Part Number	Description	Additional Text	Quantity
1	SPMV8000B5913	WIRING HARNESS	NO ABS F3 675-800-ORO	1,00
1	SPMV8000B7732	MAIN HARNESS	F3 AGO	1,00
1	SPMV8000B9861	MAIN CABLE	MY15/17 F3 675 RC-F3 800 RC	1,00
1	SPMV8000C4274	CABLES MAIN GROUP	MY18/19 F3 675 RC-F3 800 RC	1,00
2	SPMV8000B5925	LEFT MIRROR	AMBER VIN >002538 F3 675	1,00
2	SPMV8000B6475	LEFT MIRROR	AMBER F3 ORO	1,00
2	SPMV8000B7481	REAR MIRROR WITH BLINKER, LH	SHEER F3 800	1,00
2	SPMV8000B7481	REAR MIRROR WITH BLINKER, LH	SHEER F3 800	1,00
2	SPMV8000B7481	REAR MIRROR WITH BLINKER, LH	SHEER F3 800	1,00
2	SPMV8000B9559	LEFT MIRROR	SHEER F3 AGO	1,00
2	SPMV8000C2339	REAR MIRROR, LEFT SIDE	MY15/17 SHEER F3 RC	1,00
2	SPMV8000C6657	REAR MIRROR LEFT TURN SIGNAL	F3 RC MY19 SHEER	1,00
2	SPMV80A0C2339	LEFT REARVIEW MIRROR WITH INDICATOR	F3 RC MY18 SHEER	1,00
2	SPMV80B0C2339	LEFT REAR VIEW MIRROR WITH INDICATOR	MY20 SHEER F3 800 RC	1,00
3	SPMV8000B5924	RIGHT MIRROR	AMBER VIN >002538 F3 675	1,00
3	SPMV8000B7059	RIGHT MIRROR WINDICATOR	AMBER F3 ORO	1,00
3	SPMV8000B7482	REAR MIRROR WITH BLINKER, LD	SHEER THA F3 675	1,00
3	SPMV8000B7482	REAR MIRROR WITH BLINKER, LD	SHEER THA F3 675	1,00
3	SPMV8000B7482	REAR MIRROR WITH BLINKER, LD	SHEER THA F3 675	1,00
3	SPMV8000B9560	RIGHT MIRROR	SHEER F3 AGO	1,00
3	SPMV8000C2340	REAR MIRROR, RIGHT SIDE	MY15/17 SHEER F3 RC	1,00
3	SPMV8000C6658	REAR MIRROR RIGHT TURN SIGNAL	F3 RC MY19 SHEER	1,00
3	SPMV8000C7740	RIGHT REAR VIEW MIRROR WITH INDICATOR	MY20 SHEER F3 800 RC	1,00
3	SPMV80A0C2340	RIGHT REARVIEW MIRROR WITH INDICATOR	F3 RC MY18 SHEER	1,00
4	SPMV8C00B2672	SCREW, M6x11,7x25 RP	MY18 AMERICA PIRELLI-RC-LH44-SCS	4,00

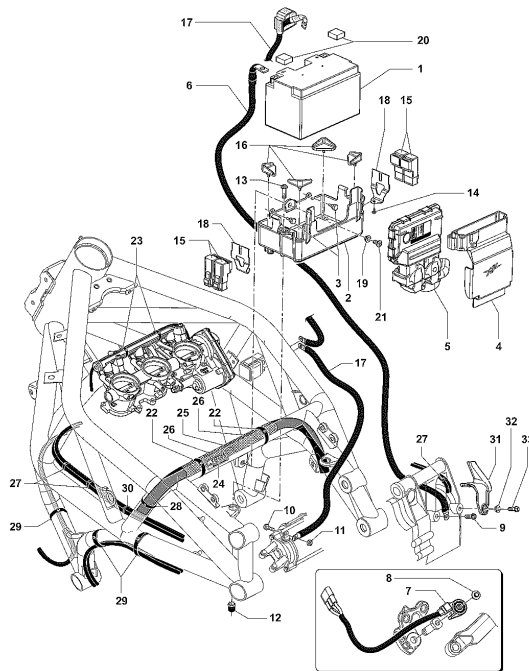
5	SPMV8C00B2720	WASHER, D12xD6,1xE0,7		4,00
6	SPMV8000B1389	FLASHER RELAY		1,00
7	SPMV8000B5952	FAIRLLEAD BREAK PIPE		1,00
8	SPMV8000B1534	CLAMP L=70		2,00
9	SPMV8000B5979	CLAMP		1,00
10	SPMV8000B6944	GASKET		1,00
11	SPMV8000B6945	GASKET		1,00
12	SPMV8000B6942	LAMP 12V-6W H6W	AMBER VIN >002538 F3 675	2,00
12	SPMV8000B6942	LAMP 12V-6W H6W	AMBER VIN >002538 F3 675	2,00
12	SPMV8000B7056	LAMP HY6W AMBRA	SHEER F3 800-AGO-RC	2,00
12	SPMV8000B7056	LAMP HY6W AMBRA	SHEER F3 800-AGO-RC	2,00
12	SPMV8000B7056	LAMP HY6W AMBRA	SHEER F3 800-AGO-RC	2,00
13	SPMV8000B6153	DECAL -SERIE ORO- MIRRORS	F3 ORO	1,00
13	SPMV8000B9562	DECAL F3 800 AGO	F3 AGO	1,00
13	SPMV8000C6611	DECAL "FRIEZE" LEFT FOR	MY19 F3 675 RC-F3 800 RC	1,00
14	SPMV800056444	CLAMP, PLASTIC		1,00
15	SPMV800092247	CLAMP, RUBBER, L62	F3 ORO-F3 AGO	1,00
16	SPMV800092668	CLAMP, RUBBER	PER EAS F3 675	1,00
17	SPMV800056783	Plastic clamp, L142	MY17/20 F3 675-F3 800	2,00
18	SPMV8000B7880	FRONT INDICATOR GLAS RH	AMBER VIN >002538 F3 675	1,00
18	SPMV8000B7880	FRONT INDICATOR GLAS RH	AMBER VIN >002538 F3 675	1,00
18	SPMV80A0B7880	TRANSPARENT FOR FRONT INDICAT	SHEER VIN 002539>	1,00
18	SPMV80A0B7880	TRANSPARENT FOR FRONT INDICAT	SHEER VIN 002539>	1,00
18	SPMV80A0B7880	TRANSPARENT FOR FRONT INDICAT	SHEER VIN 002539>	1,00
19	SPMV8000B7881	FRONT INDOCATOR GLAS LH	AMBER VIN >002538 F3 675	1,00
19	SPMV8000B7881	FRONT INDOCATOR GLAS LH	AMBER VIN >002538 F3 675	1,00
19	SPMV80A0B7881	TRANSPARENT FOR FRONT INDICATO	SHEER VIN 002539>	1,00
19	SPMV80A0B7881	TRANSPARENT FOR FRONT INDICATO	SHEER VIN 002539>	1,00
19	SPMV80A0B7881	TRANSPARENT FOR FRONT INDICATO	SHEER VIN 002539>	1,00
20	SPMV8000B7879	SCREW AB 2,2X9,5		2,00
21	SPMV8000C2341	DECAL "F3 RC" FOR REARVIEW MIRROR	MY15/17 F3 675 RC-F3 800 RC	1,00
21	SPMV8000C6610	DECAL "F3 RC WITH FRIEZE" FOR	MY19 F3 675 RC-F3 800 RC	1,00
21	SPMV8000C7742	'DECAL "F3 RC" FOR REAR VIEW MIRROR"	MY20 F3 800 RC	1,00
21	SPMV80A0C2341	DECAL "F3 RC" FOR REAR VIEW MIRROR	MY18 F3 675 RC-F3 800 RC	1,00



Pos	Part Number	Description	Additional Text	Quantity
1	SPMV8A00B2680	Screw TEF M5x0,8x6 CH8 RT	MY12/16 USA CND CN	1,00
2	SPMV800090239	CUSHION, RUBBER, 2	B4 RS-B4 RR-B4 NURBURGRING	3,00
3	SPMV8000B5469	STEERING BASE DEFLECTOR		1,00
4	SPMV80A090392	SPACER	B4 RS-B4 RR-B4 NURBURGRING	2,00
5	SPMV8000B5981	COMPLETE CLAXON		1,00
6	SPMV8C00B2688	SCREW, TCEIF M6x18 RT	ED.1, LUSSO, RC, SCS	2,00
7	SPMV800092659	Special screw M5x8 dashboard		2,00
8	SPMV62ND15548	WASHER, D15x5,2xE1	EXCEPT USA-CND	1,00
9	SPMV8000B9787	DASHBOARD	MY15/16 F3 675-F3 800	1,00
9	SPMV8000B9787	DASHBOARD	MY15/16 F3 675-F3 800	1,00
9	SPMV8000C3192	COMPLETE DASHBOARD	MY18/20 F3 675 RC-F3 800 RC	1,00
9	SPMV8000C3192	COMPLETE DASHBOARD	MY18/20 F3 675 RC-F3 800 RC	1,00
9	SPMV8000B8709	DASHBOARD COMPLET	MY12/14 F3 675-F3 800	1,00



Pos	Part Number	Description	Additional Text	Quantity
1	SPMV8000B4957	COMPLETE FRONT LIGHT		1,00
1	SPMV8000B4958	COMPLETE FRONT LIGHT	USA-CAN	1,00
2	SPMV8A00B3600	CUSHION, D20xD10xE7,5	B4 RS-B4 RR-B4 NURBURGRING	6,00
3	SPMV60ND02518	Screw M6x1-L65		2,00
4	SPMV80A0B5651	FRONT SUPPORT LIGHT		1,00
5	SPMV800046893	NUT M6X1	F3 ORO-F3 AGO	6,00
6	SPMV8000B3762	SCREW, ESPECIAL, HEADLIGHT		2,00
7	SPMV8C00B2688	SCREW, TCEIF M6x18 RT	ED.1, LUSO, RC, SCS	4,00
8	SPMV8000B3764	SPACER, DASHBOARD, D18xD10xL9	MY17/20 F3 675-800-RC	2,00
9	SPMV8000B3763	SCREW, ESPECIAL M6 DO FAROL D		2,00
10	SPMV8000B7035	WASHER D16-D4-SP1,5 UNI 6593		2,00
11	SPMV98B0090901	Special screw M4x8	TAMBURINI	2,00
12	SPMV8000B5710	H4 BULB	BRUTALE 920	1,00

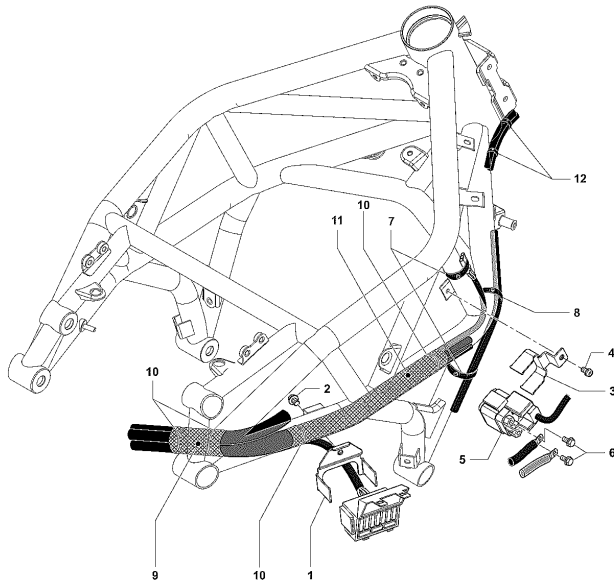


Pos	Part Number	Description	Additional Text	Quantity
1	SPMV8000B8270	BATTERY		1,00
2	SPMV8000B5478	SUPPORT BATTERY		1,00
3	SPMV800095828	CUSION		2,00
4	SPMV8000B5917	ELASTIC SUPPORT ECU		1,00
5	SPMV8000B5431	ECU	MY12/13 F3 675-F3 ORO	1,00
5	SPMV8000B8655	ECU	MY13/14 F3 800-F3 AGO	1,00
5	SPMV8000B9144	ECU	MY14 F3 675	1,00
5	SPMV8000B9800	INJECTION IGNITION CONTROL UNIT	MY15/17 F3 800 RC	1,00
5	SPMV8000B9800	INJECTION IGNITION CONTROL UNIT	MY15/17 F3 800 RC	1,00
5	SPMV8000C0844	COMPRESSION IGNITION CONTROL UNIT	MY15/17 F3 675 RC	1,00
5	SPMV8000C0844	COMPRESSION IGNITION CONTROL UNIT	MY15/17 F3 675 RC	1,00
5	SPMV8000C3600	IGNITION CONTROL UNIT INJECTION	MY17/20 F3 800	1,00
5	SPMV8000C3600	IGNITION CONTROL UNIT INJECTION	MY17/20 F3 800	1,00
5	SPMV8000C3622	INJECTION IGNITION CONTROL UNIT	MY18/19 F3 675 RC	1,00
5	SPMV8000C3622	INJECTION IGNITION CONTROL UNIT	MY18/19 F3 675 RC	1,00
5	SPMV8A00B5431	COMPRESSION IGNITION CONTROL UNIT	MY12/13 FRA F3 675-F3 ORO	1,00
5	SPMV8A00B8655	INJECTION IGNITION CONTROL UNIT	MY13/14 FRA F3 800-F3 AGO	1,00
5	SPMV8A00B9144	AIR IGNITION CONTROL BOX	MY14 FRA F3 675	1,00
5	SPMV8A00B9800	BIAS IGNITION CONTROL UNIT	MY15/16 FRA F3 800	1,00
5	SPMV8A00B9800	BIAS IGNITION CONTROL UNIT	MY15/16 FRA F3 800	1,00
5	SPMV8A00C0844	AIR IGNITION CONTROL BOX	MY15/17 FRA F3 675 RC	1,00
5	SPMV8A00C0844	AIR IGNITION CONTROL BOX	MY15/17 FRA F3 675 RC	1,00
5	SPMV8B00B5431	IGNITION CONTROL UNIT	MY12/13 USA-CAN F3 675-F3 ORO	1,00
5	SPMV8B00B8655	INJECTION IGNITION CONTROL UNIT	F3 800-F3 AGO	1,00
5	SPMV8B00B9144	INJECTION IGNITION CONTROL UNIT	MY14 USA-CAN F3 675	1,00
5	SPMV8B00B9800	INJECTION IGNITION CONTROL UNIT	MY15/16 USA-CAN F3 800	1,00

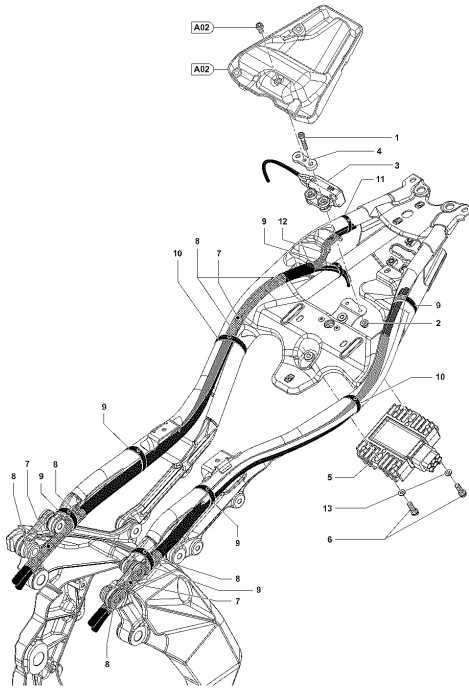
5	SPMV8B00B9800	INJECTION IGNITION CONTROL UNIT	MY15/16 USA-CAN F3 800	1,00
5	SPMV8B00C0844	AIR IGNITION CONTROL BOX	MY15/17 USA-CAN F3 675 RC	1,00
5	SPMV8B00C0844	AIR IGNITION CONTROL BOX	MY15/17 USA-CAN F3 675 RC	1,00
5	SPMV8B00C3622	INJECTION IGNITION CONTROL UNIT	MY18/19 USA-CAN F3 675 RC	1,00
5	SPMV8B00C3622	INJECTION IGNITION CONTROL UNIT	MY18/19 USA-CAN F3 675 RC	1,00
5	SPMV8C00B8655	INJECTION IGNITION CONTROL UNIT	MY13/14 JPN F3 800-F3 AGO	1,00
5	SPMV8C00B9144	AIR IGNITION CONTROL BOX	MY14 JPN F3 675	1,00
5	SPMV8C00B9800	COMPRESSION IGNITION CONTROL UNIT	MY15/16 JPN F3 800	1,00
5	SPMV8C00B9800	COMPRESSION IGNITION CONTROL UNIT	MY15/16 JPN F3 800	1,00
5	SPMV8C00C0844	AIR IGNITION CONTROL BOX	MY15/17 JPN F3 675 RC	1,00
5	SPMV8C00C0844	AIR IGNITION CONTROL BOX	MY15/17 JPN F3 675 RC	1,00
5	SPMV8D00B8655	INJECTION IGNITION CONTROL UNIT	MY13/14 TWN F3 800-F3 AGO	1,00
5	SPMV8D00C0844	AIR IGNITION CONTROL BOX	MY15/17 TWN F3 675 RC	1,00
5	SPMV8D00C0844	AIR IGNITION CONTROL BOX	MY15/17 TWN F3 675 RC	1,00
5	SPMV8E00B5431	REED IGNITION CONTROL UNIT	MY12/13 TWN F3 675	1,00
5	SPMV8E00B9144	AIR IGNITION CONTROL BOX	MY14 TWN F3 675	1,00
5	SPMV8G00B5431	INJECTION IGNITION CONTROL UNIT	MY12/13 CHN F3 675	1,00
5	SPMV8G00B8655	COMPRESSION IGNITION CONTROL UNIT	MY13/14 CHN F3 800-F3 AGO	1,00
5	SPMV8G00B9144	AIR IGNITION CONTROL BOX	MY14 CHN F3 675	1,00
5	SPMV8G00C0844	AIR IGNITION CONTROL BOX	MY15/17 CHN F3 675 RC	1,00
5	SPMV8G00C0844	AIR IGNITION CONTROL BOX	MY15/17 CHN F3 675 RC	1,00
5	SPMV8B00C3600	INJECTION IGNITION CONTROL UNIT	MY17/20 USA-CAN F3 800	1,00
5	SPMV8B00C7241	COMPRESSION IGNITION CONTROL UNIT	MY19/20 USA-CAN F3 675	1,00
5	SPMV8C00C3600	INJECTION IGNITION CONTROL UNIT	MY17/20 JPN F3 800	1,00
5	SPMV8C00C3622	INJECTION IGNITION CONTROL BOX	MY18/19 JPN F3 675 RC	1,00
5	SPMV8C00C7241	AIR IGNITION CONTROL BOX	MY19/20 JPN F3 675	1,00
5	SPMV8D00B9800	AIR IGNITION CONTROL BOX	MY15/16 TWN F3 800	1,00
5	SPMV8D00C3600	AIR IGNITION CONTROL BOX	MY17/20 F3 800	1,00
5	SPMV8D00C3622	AIR IGNITION CONTROL BOX	MY18/19 TWN F3 675 RC	1,00
5	SPMV8D00C7241	AIR IGNITION CONTROL BOX	MY19/20 TWN F3 675	1,00
5	SPMV8G00B9800	AIR IGNITION CONTROL BOX	MY15/16 CHN F3 800	1,00
5	SPMV8G00C3600	AIR IGNITION CONTROL BOX	MY17/20 CHN F3 800	1,00
5	SPMV8G00C3622	AIR IGNITION CONTROL BOX	MY18/19 CHN F3 675 RC	1,00
5	SPMV8G00C7241	REED IGNITION CONTROL BOX	MY19/20 CHN F3 675	1,00
5	SPMV8F00B5431	AIR IGNITION CONTROL BOX	MY12/13 JPN F3 675-F3 ORO	1,00
5	SPMV8000C7241	INJECTION IGNITION CONTROL UNIT	MY19/20 F3 675	1,00
6	SPMV8000B5977	BATTERY CABLE		1,00
7	SPMV8A00B5428	SIDE STAND SWITCH	MY15/20 F3 675-F3 800	1,00
7	SPMV8A00B5428	SIDE STAND SWITCH	MY15/20 F3 675-F3 800	1,00
7	SPMV8000B5428	LATERAL CRUTCH SWITCH	F3 ORO-F3 AGO	1,00
8	SPMV8000C1356	SCREW M6X1 L16 WITH LOCTITE		1,00
9	SPMV8B00B2681	Screw M6x1-CH8-L12	F4S, F4 FRECCE TRICOLORI	1,00
10	SPMV8A00B2680	Screw TEF M5x0,8x6 CH8 RT	MY12/16 USA CND CN	1,00
11	SPMV8000B2708	NUT, M5x0,8	VIN >000710 F3 675	1,00
12	SPMV800048245	CUSHION, SCREW, M6x1 L16	B4 RS	2,00



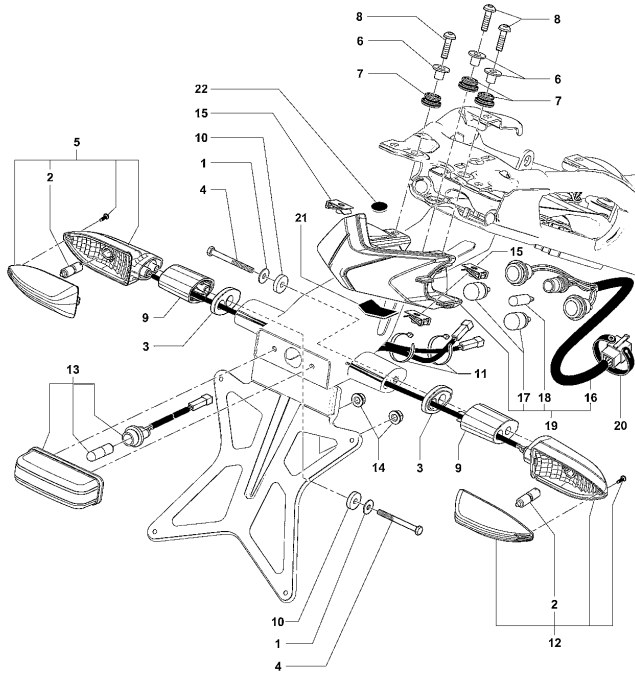
13	SPMV8B00B2672	SCREW, M6x11,7x21	DRAGSTER	2,00
14	SPMV8AA0B2778	SCREW, PH-AB 3,9x13	EXCEPT AGO	2,00
15	SPMV8000A6749	RELAY	ROSSO	4,00
16	SPMV800066339	CUSHION, BATTERY	BRUTALE S <10760	4,00
17	SPMV8000B5976	CABLE-STARTING MOTOR		1,00
18	SPMV8000B5916	SUPPORT RELAY		2,00
19	SPMV80A090392	SPACER	B4 RS-B4 RR-B4 NURBURGRING	1,00
20	SPMV8A00B4340	CUSHION, LARGE, FUEL TANK FAIR		2,00
21	SPMV8A00B2672	SCREW, M6x11,7x12	MY18 RC, MY19 RC, RC LH	1,00
22	SPMV800092247	CLAMP, RUBBER, L62	F3 ORO-F3 AGO	2,00
23	SPMV800053724	BELT, RUBBER, SHORT	MY12/16 USA CND CN	2,00
24	SPMV800092257	BATTERY DATA PLATE		1,00
25	SPMV8C00B6213	PROTECTION		1,00
26	SPMV800092661	CLAMP 2.4X92	MY14/20 F3 675-F3 800	2,00
27	SPMV800092668	CLAMP, RUBBER	PER EAS F3 675	3,00
28	SPMV800092247	CLAMP, RUBBER, L62	F3 ORO-F3 AGO	1,00
29	SPMV800092248	CLAMP, RUBBER, L82	RR-SCS-RC SCS	3,00
30	SPMV800056783	Plastic clamp, L142	MY17/20 F3 675-F3 800	1,00
31	SPMV8000B6815	PROTECTION		1,00
32	SPMV80A090392	SPACER	B4 RS-B4 RR-B4 NURBURGRING	1,00
33	SPMV8E00B2672	SCREW TFEI M6X1 D11,7 L14	RR-RUSH	1,00



Pos	Part Number	Description	Additional Text	Quantity
1	SPMV8000B5914	PLATE	NO ABS F3 675-800-ORO	1,00
1	SPMV8000B8821	BRACKET FUSE	F3 AGO-F3 675 RC-F3 800 RC	1,00
2	SPMV8A00B2677	Screw M6x1-L10		1,00
3	SPMV8000B5915	PLATE	675, 800, 800RR	1,00
4	SPMV8000B2687	Screw TCEIF M5x8	USA CND CN MY12/16	1,00
5	SPMV800091115	SWITCH, STARTER		1,00
6	SPMV8000B2681	Screw TEF M6x0,8x8 CH8 RT	990R-1090RR 000641> BRUTALE 920	2,00
7	SPMV800092247	CLAMP, RUBBER, L62	F3 ORO-F3 AGO	2,00
8	SPMV800092248	CLAMP, RUBBER, L82	RR-SCS-RC SCS	1,00
9	SPMV8B00B6213	PROTECTION		1,00
10	SPMV800056444	CLAMP, PLASTIC		4,00
11	SPMV8A00B6213	PROTECTION		1,00
12	SPMV800053724	BELT, RUBBER, SHORT	MY12/16 USA CND CN	2,00

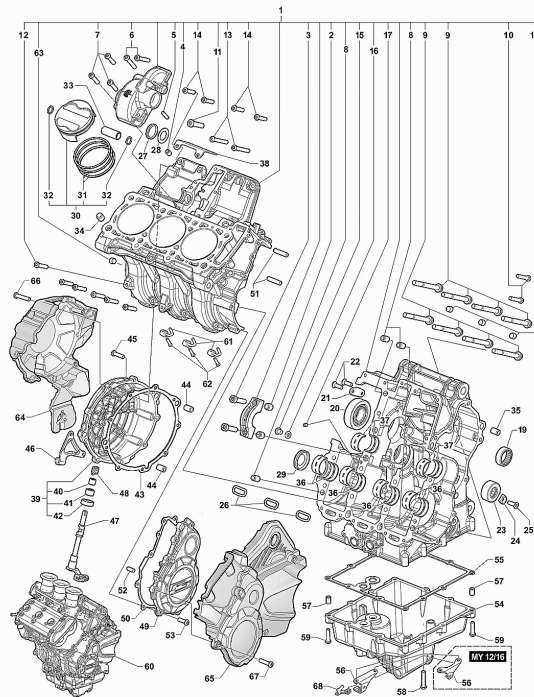


Pos	Part Number	Description	Additional Text	Quantity
1	SPMV60ND02467	SCREW TCEI M4X0,7-L25		2,00
2	SPMV8000B2706	NUT, PARLOCK M4	990R-1090RR <002104 USA	2,00
3	SPMV8000A6756	SWITCH OFF SENSOR	MY17 AMERICA 675-800	1,00
4	SPMV8000B5910	SUPPORT TILT SENSOR		1,00
5	SPMV8000B3206	RECTIFIER		1,00
6	SPMV8D00B2688	Screw TCEIF M6x20 RT	RR-RUSH	2,00
7	SPMV8C00B6213	PROTECTION		3,00
8	SPMV800092661	CLAMP 2.4X92	MY14/20 F3 675-F3 800	6,00
9	SPMV800092247	CLAMP, RUBBER, L62	F3 ORO-F3 AGO	6,00
10	SPMV800092248	CLAMP, RUBBER, L82	RR-SCS-RC SCS	2,00
11	SPMV800053724	BELT, RUBBER, SHORT	MY12/16 USA CND CN	1,00
12	SPMV800092668	CLAMP, RUBBER	PER EAS F3 675	1,00
13	SPMV8C00B2720	WASHER, D12xD6,1xE0,7		2,00



Pos	Part Number	Description	Additional Text	Quantity
1	SPMV62ND15548	WASHER, D15x5,2xE1	EXCEPT USA-CND	2,00
2	SPMV8000B6942	LAMP 12V-6W H6W	AMBER VIN >002538 F3 675	2,00
2	SPMV8000B6942	LAMP 12V-6W H6W	AMBER VIN >002538 F3 675	2,00
2	SPMV8000B7056	LAMP HY6W AMBRA	SHEER F3 800-AGO-RC	2,00
2	SPMV8000B7056	LAMP HY6W AMBRA	SHEER F3 800-AGO-RC	2,00
2	SPMV8000B7056	LAMP HY6W AMBRA	SHEER F3 800-AGO-RC	2,00
3	SPMV8000B4740	CUSHION, BLINKER		2,00
4	SPMV60ND01065	SCREW TE M5X0,8-CH8-L50		2,00
5	SPMV8A00B5173	BLINKER 6W	AMBER F3 ORO	1,00
5	SPMV8A00B5173	BLINKER 6W	AMBER F3 ORO	1,00
5	SPMV8A00B6997	BLINKER 6W	SHEER F3 800-AGO-RC	1,00
5	SPMV8A00B6997	BLINKER 6W	SHEER F3 800-AGO-RC	1,00
5	SPMV8A00B6997	BLINKER 6W	SHEER F3 800-AGO-RC	1,00
6	SPMV8000A1873	BUSH, SPACER, D16xD8xD6,2X10	BRUTALE S	3,00
7	SPMV800090239	CUSHION, RUBBER, 2	B4 RS-B4 RR-B4 NURBURGRING	3,00
8	SPMV8B00B5919	SCREW M5 L20	RR, MY22 RC	3,00
9	SPMV8000B4728	SPACER, BLINKER	BRUTALE 920	2,00
10	SPMV8000B5721	SUPPORT, FLEXIBLE, D18-D5,5-SP		2,00
11	SPMV800092661	CLAMP 2.4X92	MY14/20 F3 675-F3 800	2,00
12	SPMV8A00B5172	BLINKER 6W	AMBER VIN >002538 F3 675	1,00
12	SPMV8A00B5172	BLINKER 6W	AMBER VIN >002538 F3 675	1,00
12	SPMV8A00B6996	BLINKER 6W	SHEER F3 800-AGO-RC	1,00
12	SPMV8A00B6996	BLINKER 6W	SHEER F3 800-AGO-RC	1,00
12	SPMV8A00B6996	BLINKER 6W	SHEER F3 800-AGO-RC	1,00
13	SPMV8000B5969	LIGHT NUMBER PLATE	VIN >000710 F3 675	1,00

13	SPMV8000B5969	LIGHT NUMBER PLATE	VIN >000710 F3 675	1,00
13	SPMV8A00B5969	PLATE HOLDER LIGHT	VIN 000711> F3 675	1,00
13	SPMV8A00B5969	PLATE HOLDER LIGHT	VIN 000711> F3 675	1,00
14	SPMV8000B2707	NUT, M5x0,8xE6 CH8 PARLOCK	990R-1090RR 002105> USA BRUTALE 920 USA	2,00
14	SPMV8000B2707	NUT, M5x0,8xE6 CH8 PARLOCK	990R-1090RR 002105> USA BRUTALE 920 USA	2,00
14	SPMV8000B2708	NUT, M5x0,8	VIN >000710 F3 675	2,00
14	SPMV8000B2708	NUT, M5x0,8	VIN >000710 F3 675	2,00
15	SPMV8000B5811	NUT M5	MY12/13 F3 675-F3 ORO- F3 800	3,00
16	SPMV8000B7034	COMPLETE LAMP HOLDER		1,00
17	SPMV8000B6941	LAMP 12V-16W W16W		2,00
18	SPMV800036230	BULB		1,00
19	SPMV8000B5427	REAR LAMP	MY12/14 F3 675-800-ORO- AGO	1,00
19	SPMV8000B9781	TAIL-LIGHT	MY15/20 F3 675-F3 800- RC	1,00
20	SPMV800053724	BELT, RUBBER, SHORT	MY12/16 USA CND CN	1,00
21	SPMV8000B7352	CUSHION REAR LIGHT		1,00
22	SPMV800092663	PAD D16		1,00



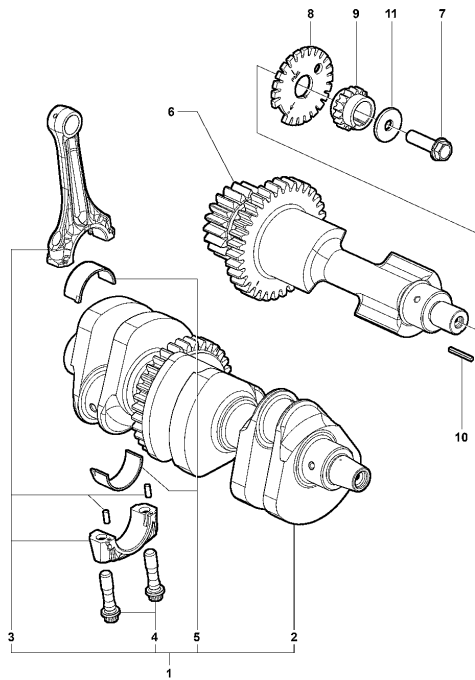
Pos	Part Number	Description	Additional Text	Quantity
1	SPMV8000B1981	CRANK CASES	MY12/15 F3 675-F3 800	1,00
1	SPMV8000B1981	CRANK CASES	MY12/15 F3 675-F3 800	1,00
1	SPMV8000B1981	CRANK CASES	MY12/15 F3 675-F3 800	1,00
1	SPMV80A0B1981	CRANKCASE	MY17 F3 675 RC-F3 800 RC	1,00
1	SPMV80A0B1981	CRANKCASE	MY17 F3 675 RC-F3 800 RC	1,00
1	SPMV8A00C3686	COUPLED CRANKCASE	MY17/20 F3 675-F3 800	1,00
1	SPMV8A00C3686	COUPLED CRANKCASE	MY17/20 F3 675-F3 800	1,00
2	SPMV8B0086119	CYLINDRICAL PLUG DIN 908-M16X1		2,00
3	SPMV60NAB4274	Screw TCCE M8x1,25-L35		2,00
4	SPMV800051549	PIN D8-D6		2,00
5	SPMV6BN0B5226	ROLLER D5 SP23.8		1,00
6	SPMV60NDB2740	SCREW TBCE M6X1-L40	AGO	2,00
7	SPMV60NDB2738	SCREW TBCE M6X1-L30	RR-SCS-RC SCS	3,00
8	SPMV800007719	PIN D10-D7		3,00
9	SPMV8C00B4272	Screw TCCEF M8x1,25-L85		8,00
10	SPMV60NEB4273	SCREW TCBCE M6X1-L35		2,00
11	SPMV60NDB4246	Screw TBCE M8x1,25-L40		1,00
12	SPMV60NDB2739	SCREW TBCE M6X1-L35	RR-SCS-RC SCS	6,00
13	SPMV60NDB2741	SCREW TBCE M6X1-L50		2,00
14	SPMV60NDB2738	SCREW TBCE M6X1-L30	RR-SCS-RC SCS	4,00
15	SPMV8000B2746	CILINDRICAL PLUG DIN 908-M16X1		3,00
16	SPMV800089426	WASHER D16		3,00
17	SPMV8B00B4324	LUBRICATING JET		1,00
18	SPMV8B00B3024	CONICAL PLUG DIN 906-M12X1		3,00
19	SPMV8000B4775	ROLLER PIN BEARING 30X37X12		1,00
20	SPMV8000B2610	BALL BEARING D62-D27-SP1		1,00
21	SPMV8000B2611	BALL BEARING RETAIN		1,00

22	SPMV60NDB4392	Screw TSCE M6x1-L20		2,00
23	SPMV8000A1086	ROLLER BEARING D24-D40-SP1	BRUTALE S,09192>,<10409,10968>	1,00
24	SPMV8000B2612	BALL BEARING RETAIN		1,00
25	SPMV60NDB4392	Screw TSCE M6x1-L20		1,00
26	SPMV8000B4371	OR3093 T2		3,00
27	SPMV8000B2613	SHAFT CAP		1,00
28	SPMV8E0006115	SPACER WASHER		1,00
29	SPMV800081412	CRANKCASE PLUG		1,00
30	SPMV8000B7706	Piston compl.	F3 675-F3 ORO-F3 675 RC	3,00
30	SPMV8000C5070	PISTON COMPLETE	F3 800-F3 AGO-F3 800 RC	3,00
31	SPMV8000B4141	Piston rings	1090RR	3,00
31	SPMV8000C5697	PISTON D79	F3 800-F3 AGO-F3 800 RC	3,00
32	SPMV8000C5075	PIN STOP PIN	MY18 AMERICA RR- PIRELLI-RC-LH44-SCS	6,00
32	SPMV8000A6930	PIN RETAINER RING	F3 675-F3 ORO-F3 675 RC	6,00
33	SPMV8000B7766	PISTON PIN		3,00
34	SPMV800081535	REFERING PIN D11-D13		2,00
35	SPMV8A0086119	REFERENCE PIN D8.5-D12-SP 20		3,00
36	SPMV8000B2176	SUPPORT BEARING		8,00
36	SPMV8A00B2176	BUSHING		8,00
37	SPMV8000B2177	COUNTERBALANCE SHAFT BEARING		4,00
38	SPMV8000B9320	HARNESS PROTECTION	MY16/20 F3 675-F3 800	1,00
38	SPMV8000B9320	HARNESS PROTECTION	MY16/20 F3 675-F3 800	1,00
39	SPMV8000B4670	CLUTCH COVER	F3 AGO	1,00
39	SPMV8000B4670	CLUTCH COVER	F3 AGO	1,00
39	SPMV8000B4670	CLUTCH COVER	F3 AGO	1,00
39	SPMV8000B6503	CLUTCH COVER	F3 ORO	1,00
39	SPMV8A00B4670	CLUTCH COVER	MY16/20 F3 675-F3 800	1,00
39	SPMV8A00B4670	CLUTCH COVER	MY16/20 F3 675-F3 800	1,00
40	SPMV800031748	ROLLER BEARING		1,00
41	SPMV800033718	NEEDLE BEARING		1,00
42	SPMV8000B3026	OIL SEAL D24-D14-SP7		1,00
43	SPMV8000B2615	CLUTCH COVER GASKET		1,00
44	SPMV800007719	PIN D10-D7		2,00
45	SPMV60NDB2737	SCREW TBCE M6X1-L25	F3 ORO-F3 AGO	9,00
45	SPMV60NDB2737	SCREW TBCE M6X1-L25	F3 ORO-F3 AGO	9,00
45	SPMV60NDB2737	SCREW TBCE M6X1-L25	F3 ORO-F3 AGO	5,00
45	SPMV60NDB2737	SCREW TBCE M6X1-L25	F3 ORO-F3 AGO	9,00
45	SPMV60NDB2737	SCREW TBCE M6X1-L25	F3 ORO-F3 AGO	5,00
46	SPMV8000B4678	CABLE SUPPOR PLATE		1,00
47	SPMV8000B4672	COMPLETE CLUTCH CRANK SHAFT	MY12/16 F3 675-F3 ORO	1,00
47	SPMV8000B8402	COMPL.CLUTCH CONTROL SHAFT	MY13 F3 800	1,00
47	SPMV8000B8987	AXLE CLUTCH	MY17/20 F3 675	1,00
47	SPMV8000B8987	AXLE CLUTCH	MY17/20 F3 675	1,00
47	SPMV8000B8987	AXLE CLUTCH	MY17/20 F3 675	1,00
48	SPMV8000B4677	FRICTION LEVER SPRING		1,00
49	SPMV8000B6500	GENERATOR COVER	F3 ORO	1,00
49	SPMV80A0B2566	COVER GENERATOR	MY15/16 F3 675 RC-F3 800 RC	1,00
49	SPMV80A0B2566	COVER GENERATOR	MY15/16 F3 675 RC-F3 800 RC	1,00

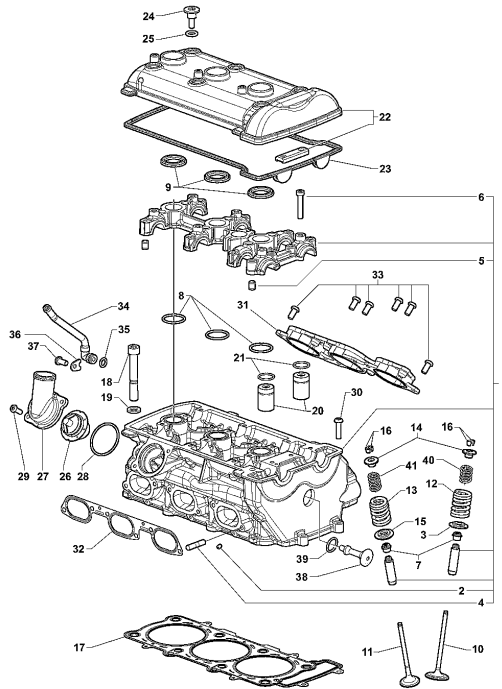
49	SPMV80A0B2566	COVER GENERATOR	MY15/16 F3 675 RC-F3 800 RC	1,00
49	SPMV80B0B2566	GENERATOR COVER	MY17/20 F3 675 RC-F3 800 RC	1,00
49	SPMV80B0B2566	GENERATOR COVER	MY17/20 F3 675 RC-F3 800 RC	1,00
50	SPMV8000B2617	GENERATOR GASKET		1,00
51	SPMV8000B2635	PIN SLIDER		2,00
52	SPMV8000B3023	CYLINDRICAL PIN 6X16 UNI-EN		1,00
53	SPMV60NDB2736	SCREW TBCE M6X1-L20	MY18/20 F3 675 RC-F3 800 RC	8,00
53	SPMV60NDB2736	SCREW TBCE M6X1-L20	MY18/20 F3 675 RC-F3 800 RC	5,00
53	SPMV60NDB2736	SCREW TBCE M6X1-L20	MY18/20 F3 675 RC-F3 800 RC	8,00
53	SPMV60NDB2736	SCREW TBCE M6X1-L20	MY18/20 F3 675 RC-F3 800 RC	8,00
53	SPMV60NDB2736	SCREW TBCE M6X1-L20	MY18/20 F3 675 RC-F3 800 RC	5,00
54	SPMV80A0B2567	OIL SUMP	F3 ORO-F3 AGO	1,00
54	SPMV80A0B2567	OIL SUMP	F3 ORO-F3 AGO	1,00
54	SPMV80A0B2567	OIL SUMP	F3 ORO-F3 AGO	1,00
54	SPMV80B0B2567	OIL PAN	MY16/20 F3 675-F3 800	1,00
54	SPMV80B0B2567	OIL PAN	MY16/20 F3 675-F3 800	1,00
55	SPMV8000B4539	OIL PAN GASKET		1,00
56	SPMV8000B5697	FAIRING SUPPORT LH	MY12/16 F3 675-F3 800	1,00
56	SPMV8000B5697	FAIRING SUPPORT LH	MY12/16 F3 675-F3 800	1,00
56	SPMV8000B5697	FAIRING SUPPORT LH	MY12/16 F3 675-F3 800	1,00
56	SPMV8000C4096	PLATE FIX. TRANSMISSION	MY17/19 F3 675-F3 800	1,00
56	SPMV8000C4096	PLATE FIX. TRANSMISSION	MY17/19 F3 675-F3 800	1,00
56	SPMV8A00C4096	PLATE FIX. TRANSMISSION	MY20 F3 675-F3 800	1,00
56	SPMV8A00C4096	PLATE FIX. TRANSMISSION	MY20 F3 675-F3 800	1,00
57	SPMV8A0051549	REFERENCE PIN D6.2-D8-SP.1		2,00
58	SPMV60NDB2738	SCREW TBCE M6X1-L30	RR-SCS-RC SCS	10,00
58	SPMV60NDB2738	SCREW TBCE M6X1-L30	RR-SCS-RC SCS	9,00
58	SPMV60NDB2738	SCREW TBCE M6X1-L30	RR-SCS-RC SCS	9,00
58	SPMV60NDB2738	SCREW TBCE M6X1-L30	RR-SCS-RC SCS	10,00
58	SPMV60NDB2738	SCREW TBCE M6X1-L30	RR-SCS-RC SCS	10,00
59	SPMV60NDB2739	SCREW TBCE M6X1-L35	RR-SCS-RC SCS	2,00
59	SPMV60NDB2739	SCREW TBCE M6X1-L35	RR-SCS-RC SCS	3,00
59	SPMV60NDB2739	SCREW TBCE M6X1-L35	RR-SCS-RC SCS	2,00
59	SPMV60NDB2739	SCREW TBCE M6X1-L35	RR-SCS-RC SCS	2,00
59	SPMV60NDB2739	SCREW TBCE M6X1-L35	RR-SCS-RC SCS	3,00
60	SPMV8000C3357	ENGINE 675 F317 E4	MY18/19 F3 675 RC	1,00
60	SPMV8000C3357	ENGINE 675 F317 E4	MY18/19 F3 675 RC	1,00
60	SPMV8000C3358	ENGINE 800 F3-SV17 E4	MY17/20 F3 800	1,00
60	SPMV8000C3358	ENGINE 800 F3-SV17 E4	MY17/20 F3 800	1,00
60	SPMV8000B6221	ENGINE 675 F3 GOLD	F3 ORO	1,00
60	SPMV8000B8195	ENGINE 800 F3	MY13 F3 800	1,00
60	SPMV8000B9150	ENGINE 675 F3	MY14 F3 675	1,00
60	SPMV8000B9154	ENGINE 800 F3	MY14 F3 800-F3 AGO	1,00
60	SPMV8000B9981	ENGINE 675 F315	MY15/16 F3 675 RC	1,00
60	SPMV8000B9983	ENGINE 800 F315	MY15/16 F3 800 RC	1,00
60	SPMV8000C2711	ENGINE BLACK 675 F316	MY17 F3 675 RC	1,00



60	SPMV8000C2712	ENGINE 800 F316 BLACK	MY17 F3 800 RC	1,00
60	SPMV8000B4336	ENGINE 675 F3	MY12/13 F3 675	1,00
61	SPMV8000B7704	PISTON JET COOLER		3,00
62	SPMV8000B7705	THIGHTENING SCREW JET		3,00
63	SPMV8A00B3024	CONICAL PLUG DIN 906-M10X1		2,00
64	SPMV8000C3689	CLUTCH COVER	MY17/20 F3 675-F3 800	1,00
64	SPMV8000C3689	CLUTCH COVER	MY17/20 F3 675-F3 800	1,00
65	SPMV8000C3695	GENERATOR PRPOTECTION	MY17/20 F3 675-F3 800	1,00
65	SPMV8000C3695	GENERATOR PRPOTECTION	MY17/20 F3 675-F3 800	1,00
66	SPMV60NDB2739	SCREW TBCE M6X1-L35	RR-SCS-RC SCS	4,00
66	SPMV60NDB2739	SCREW TBCE M6X1-L35	RR-SCS-RC SCS	4,00
67	SPMV60NDB2738	SCREW TBCE M6X1-L30	RR-SCS-RC SCS	3,00
67	SPMV60NDB2738	SCREW TBCE M6X1-L30	RR-SCS-RC SCS	3,00
68	SPMV80A0A9396	PROBE CONNECTOR FASTENING	MY17/18 F3 800	1,00
68	SPMV80A0A9396	PROBE CONNECTOR FASTENING	MY17/18 F3 800	1,00
68	SPMV8AA0A9396	PROBE CONNECTOR FIXING	MY19/20 F3 800 RC	1,00
68	SPMV8AA0A9396	PROBE CONNECTOR FIXING	MY19/20 F3 800 RC	1,00
68	SPMV8AA0A9396	PROBE CONNECTOR FIXING	MY19/20 F3 800 RC	1,00
68	SPMV8AA0A9396	PROBE CONNECTOR FIXING	MY19/20 F3 800 RC	1,00

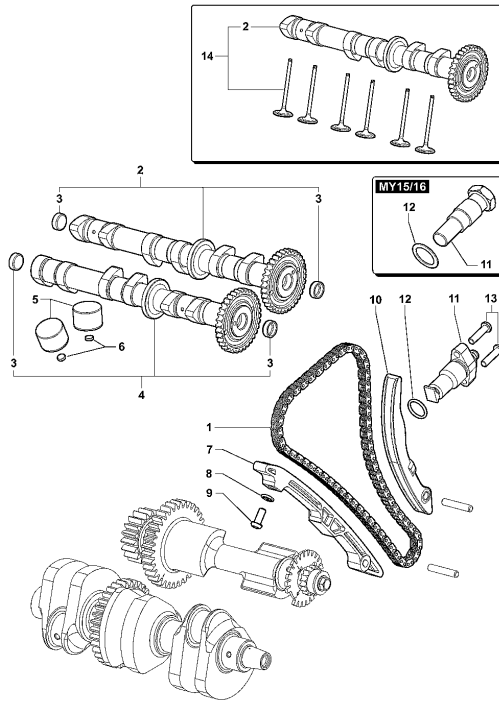


Pos	Part Number	Description	Additional Text	Quantity
1	SPMV8000B1929	CRANKSHAFT COMPL.DI CONNECTING RODS	F3 675-F3 ORO-F3 675 RC	1,00
1	SPMV8000B7326	CRANKSHAFT COMPL. OF LINKS	F3 800-F3 AGO-F3 800 RC	1,00
2	SPMV8000B1062	Crankshaft	F3 675-F3 ORO-F3 675 RC	1,00
2	SPMV8000B1364	NAKED CRANKSHAFT	F3 800-F3 AGO-F3 800 RC	1,00
3	SPMV8000B1930X	Connecting rod compl.	F3 675-F3 ORO-F3 675 RC	3,00
3	SPMV8000B1930Y	Connecting rod compl.	F3 675-F3 ORO-F3 675 RC	3,00
3	SPMV8000B1930Z	COMPLETE CONNECTING ROD 675 WEIGHT Z	F3 675-F3 ORO-F3 675 RC	3,00
3	SPMV8000B1994X	COMPLETE CONNECTING ROD 800 WEIGHT X	F3 800-F3 AGO-F3 800 RC	3,00
3	SPMV8000B1994Y	COMPLETE CONNECTING ROD 800 WEIGHT Y	F3 800-F3 AGO-F3 800 RC	3,00
3	SPMV8000B1994Z	COMPLETE CONNECTING ROD 800 WEIGHT Z	F3 800-F3 AGO-F3 800 RC	3,00
4	SPMV8000B4100	SCREW		6,00
5	SPMV8000B1932	ROD BEARING		6,00
5	SPMV8A00B1932	BUSHING		6,00
6	SPMV8000B4199	Balance shaft	MY12/16 F3 675-F3 ORO	1,00
6	SPMV8000B4199	Balance shaft	MY12/16 F3 675-F3 ORO	1,00
6	SPMV8000B7328	FULL COUNTERSHAFT	MY15/16 F3 800 RC	1,00
6	SPMV8000B7328	FULL COUNTERSHAFT	MY15/16 F3 800 RC	1,00
6	SPMV8000C4374	COMPLETE COUNTERSHAFT	MY17/20 F3 800 RC	1,00
6	SPMV8000C4374	COMPLETE COUNTERSHAFT	MY17/20 F3 800 RC	1,00
6	SPMV8000C4378	Complete countershaft	MY17/19 F3 675 RC	1,00
6	SPMV8000C4378	Complete countershaft	MY17/19 F3 675 RC	1,00
7	SPMV8A00B2683	Screw M8x1,25-L30	EXCEPT MY 15 RC	1,00
8	SPMV8000B1933	PHONIC WEEL		1,00
9	SPMV8000B2627	TIMING SYSTEM GEAR		1,00
10	SPMV8000B2643	SLIDE A UNI 6604-69 2X2X22		1,00
11	SPMV8000B6497	WASHER D24-D8.5 SP.4		1,00



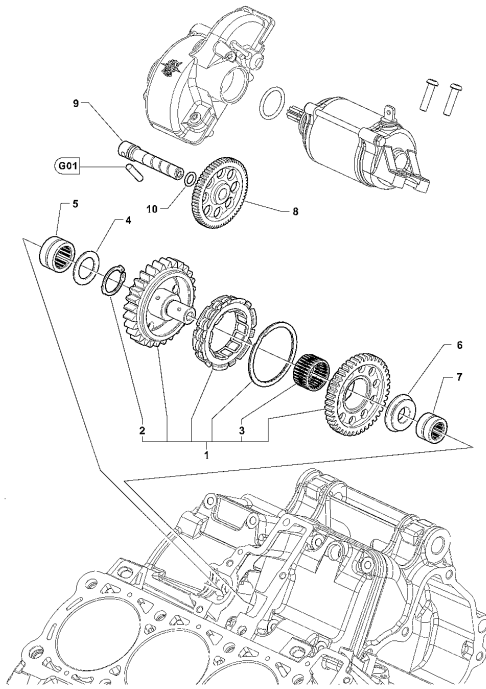
Pos	Part Number	Description	Additional Text	Quantity
1	SPMV8000B1975	CYLINDER HEAD	F3 ORO-F3 AGO	1,00
1	SPMV8000B1975	CYLINDER HEAD	F3 ORO-F3 AGO	1,00
1	SPMV8000B9946	COMPLETE CYLINDER HEAD	MY15 F3 675-800-RC	1,00
1	SPMV8B00B9946	CYLINDER HEAD COMPL.	MY16 F3 675-800-RC	1,00
1	SPMV8B00C3646	CYLINDER HEAD COMPLETE	MY17/20 F3 675-800-RC	1,00
2	SPMV800069769	CONICAL PLUG EI M14X1		2,00
3	SPMV8000B4020	SPRING LOWER CAP	F4R, F4RR	6,00
3	SPMV8000B4113	PLATE EXHAUST VALVE SPRING	MY17/20 F3 675-F3 675 RC	6,00
3	SPMV8000C1957	SEAT VALVE SPRING	MY12/16 F3 675-F3 675 RC	6,00
3	SPMV8000C1957	SEAT VALVE SPRING	MY12/16 F3 675-F3 675 RC	6,00
3	SPMV8000C1957	SEAT VALVE SPRING	MY12/16 F3 675-F3 675 RC	6,00
4	SPMV8000B4234	EXHAUST TRAPED SCREW		6,00
5	SPMV800051549	PIN D8-D6		2,00
6	SPMV60NAB4273	SCREW TCBC E M6X1 - L35		16,00
7	SPMV800065814	INTAKE AND EXHAUST GASKET		12,00
8	SPMV8A0023111	OR2106 T1		3,00
9	SPMV8000B4285	Candle shaft gasket		3,00
10	SPMV8000B3032	TITANIUM INTAKE AIR DUCT	MY12/15 1	6,00
10	SPMV8000C3355	TITANIUM INTAKE VALVE	MY16/20 F3 675-800-RC	6,00
11	SPMV8000B3033	TITANIUM EXHAUST VALVE		6,00
12	SPMV8000A9741	VALVE OUTER SPRING	MY17/20 F3 800-F3 800 RC	6,00
12	SPMV8000B3034	Valve spring	F3 675-F3 ORO-F3 AGO-F3 675 RC	6,00
12	SPMV8000B3034	Valve spring	F3 675-F3 ORO-F3 AGO-F3 675 RC	6,00
13	SPMV8000A9743	SPRING EXHAUST VALVE OUTER	F4R, F4RR	6,00
13	SPMV8000B2550	Valve spring	F3 675-F3 ORO-F3 AGO-F3 675 RC	6,00
13	SPMV8000B2550	Valve spring	F3 675-F3 ORO-F3 AGO-F3 675 RC	6,00

14	SPMV8000B3473	PLATE	MY13/16 F3 800-F3 800 RC	12,00
14	SPMV8000B3473	PLATE	MY13/16 F3 800-F3 800 RC	12,00
14	SPMV8000B3526	SPRING RETAINING SUP.PLATE	MY17/20 F3 800-F3 800 RC	12,00
15	SPMV8000B4020	SPRING LOWER CAP	F4R, F4RR	6,00
15	SPMV8000B4113	PLATE EXHAUST VALVE SPRING	MY17/20 F3 675-F3 675 RC	6,00
15	SPMV8000B4113	PLATE EXHAUST VALVE SPRING	MY17/20 F3 675-F3 675 RC	6,00
16	SPMV800092433	COTTER VALVE 15JAP	ENGINE 01801>	24,00
17	SPMV8000B2179	HEAD GASKET		1,00
18	SPMV8000B4247	Screw TCCEI M10x1,5		8,00
19	SPMV8000B4269	WASHER D18-D11		8,00
20	SPMV8000B2782	HOLE SERVICE PLUG		2,00
21	SPMV800023108	OR2037 T1		2,00
22	SPMV8000B2623	HEAD COVER	F3 AGO	1,00
22	SPMV8000B2623	HEAD COVER	F3 AGO	1,00
22	SPMV8A00B2623	CYLINDER HEAD COVER	F3 ORO	1,00
22	SPMV8C00B2623	Head cover	MY16/20 F3 675-800-RC	1,00
23	SPMV8000B4284	HEAD COVER GASKET		1,00
24	SPMV8000B2759	Screw valve cover		6,00
25	SPMV800023113	OR3043 T2	008836-008839 & 009155> B4 910 S/910 R	6,00
26	SPMV800081283	BEHR-THOMPSON THERMOSTAT		1,00
27	SPMV80A0B2626	WATER EXIT CONNECTOR	F3 ORO-F3 AGO	1,00
27	SPMV80A0B2626	WATER EXIT CONNECTOR	F3 ORO-F3 AGO	1,00
27	SPMV80B0B2626	WATER OUTLET PIPE	MY16/20 F3 675-800-RC	1,00
28	SPMV8000B4638	OR 2175 T1		1,00
29	SPMV60NDB2781	Screw TBCE M5x0,8-L16	MY18 AMERICA RR-RC- LH44-SCS	2,00
30	SPMV60NDB2737	SCREW TBCE M6X1-L25	F3 ORO-F3 AGO	2,00
31	SPMV8000B5292	INTAKE MAINFOLD		1,00
32	SPMV8000B4242	Manifold gasket		1,00
33	SPMV60NDB2780	Screw TBCE M6x1-L14	EXCEPT ROSSO	6,00
34	SPMV8000B4979	HEAD DEGASSING TUBE		1,00
35	SPMV8A0023108	OR2037 T1		1,00
36	SPMV800095505	OIL INLET FIXING PLATE		1,00
37	SPMV60NDB2780	Screw TBCE M6x1-L14	EXCEPT ROSSO	1,00
38	SPMV8000C3644	PRELOAD HEAD SCREW	MY17/20 F3 675-F3 800	1,00
38	SPMV8000C3644	PRELOAD HEAD SCREW	MY17/20 F3 675-F3 800	1,00
39	SPMV8000C3675	ORING 3062 D15.54	MY17/20 F3 675-F3 800	1,00
39	SPMV8000C3675	ORING 3062 D15.54	MY17/20 F3 675-F3 800	1,00
40	SPMV8000A9742	VALVE INNER SPRING	MY18/20 F3 800 RC	6,00
40	SPMV8000A9742	VALVE INNER SPRING	MY18/20 F3 800 RC	6,00
41	SPMV8000A9744	SPRING EXHAUST VALVE INNER	F4R, F4RR	6,00
41	SPMV8000A9744	SPRING EXHAUST VALVE INNER	F4R, F4RR	6,00

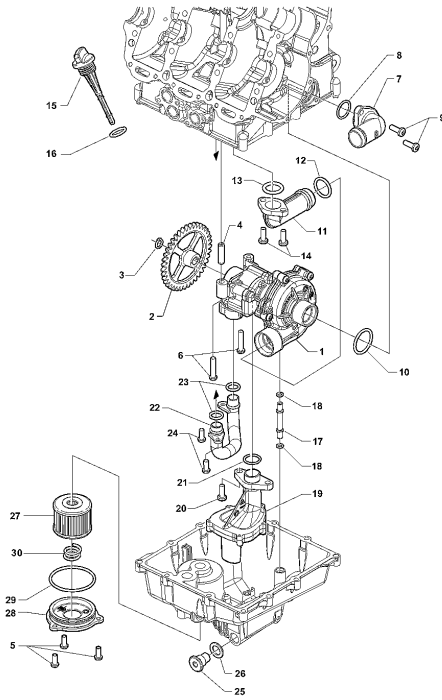


Pos	Part Number	Description	Additional Text	Quantity
1	SPMV8000B2629	Timing chain		1,00
2	SPMV8E00B2630	OVERHEAD CAMSHAFT	MY16/19 F3 675 RC	1,00
2	SPMV8E00B2630	OVERHEAD CAMSHAFT	MY16/19 F3 675 RC	1,00
2	SPMV8E00B2630	OVERHEAD CAMSHAFT	MY16/19 F3 675 RC	1,00
2	SPMV8E00B2630	OVERHEAD CAMSHAFT	MY16/19 F3 675 RC	1,00
2	SPMV8H00B2630	CAMSHAFT INTAKE COMPL	MY18/20 F3 800 RC	1,00
2	SPMV8H00B2630	CAMSHAFT INTAKE COMPL	MY18/20 F3 800 RC	1,00
2	SPMV8A00B2630	INTAKE CAMSHAFT COMPL	MY12/15 F3 675-F3 ORO-F3 800	1,00
3	SPMV8C0057196	STABLE PLUG D16-SP6-10		4,00
4	SPMV8000B8357	COMPL.OVERHEAD EXHAUST CAMSHAF	MY12/14 F3 800	1,00
4	SPMV8000B8357	COMPL.OVERHEAD EXHAUST CAMSHAF	MY12/14 F3 800	1,00
4	SPMV8000B8357	COMPL.OVERHEAD EXHAUST CAMSHAF	MY12/14 F3 800	1,00
4	SPMV8B00B2631	EXHAUST CAMME ASSY	MY15/16 F3 800 RC	1,00
4	SPMV8B00B2631	EXHAUST CAMME ASSY	MY15/16 F3 800 RC	1,00
4	SPMV8B00B2631	EXHAUST CAMME ASSY	MY15/16 F3 800 RC	1,00
4	SPMV8B00B2631	EXHAUST CAMME ASSY	MY15/16 F3 800 RC	1,00
4	SPMV8F00B2631	Exhaust camshaft complete	MY17/20 F3 800 RC	1,00
4	SPMV8F00B2631	Exhaust camshaft complete	MY17/20 F3 800 RC	1,00
5	SPMV8000B1448	TAPPET D28		12,00
6	SPMV800084182	CLEARANCE ADJUSTING	1.60 MM	12,00
6	SPMV8A0084182	CLEARANCE ADJUSTING	1.65 MM	12,00
6	SPMV8B0084182	CLEARANCE ADJUSTING	1.70 MM	12,00
6	SPMV8C0084182	CLEARANCE ADJUSTING	1.75 MM	12,00
6	SPMV8D0084182	CLEARANCE ADJUSTING	1.80 MM	12,00
6	SPMV8E0084182	CLEARANCE ADJUSTING	1.85 MM	12,00
6	SPMV8F0084182	CLEARANCE ADJUSTING	1.90 MM	12,00
6	SPMV8G0084182	CLEARANCE ADJUSTING	1.95 MM	12,00
6	SPMV8H0084182	CLEARANCE ADJUSTING	2.00 MM	12,00

6	SPMV8J0084182	GAP SPACER	2.05 MM	12,00
6	SPMV8K0084182	CLEARANCE ADJUSTING	2.10 MM	12,00
6	SPMV8L0084182	CLEARANCE ADJUSTING	2.15 MM	12,00
6	SPMV8M0084182	CLEARANCE ADJUSTING	2.20 MM	12,00
6	SPMV8N0084182	CLEARANCE ADJUSTING	2.25 MM	12,00
6	SPMV8P0084182	CLEARANCE ADJUSTING	2.30 MM	12,00
6	SPMV8R0084182	CLEARANCE ADJUSTING	2.35 MM	12,00
6	SPMV8S0084182	CLEARANCE ADJUSTING	2.40 MM	12,00
6	SPMV8T0084182	CLEARANCE ADJUSTING	2.45 MM	12,00
6	SPMV8U0084182	CLEARANCE ADJUSTING	2.50 MM	12,00
6	SPMV8V0084182	CLEARANCE ADJUSTING	2.55 MM	12,00
6	SPMV8W0084182	CLEARANCE ADJUSTING	2.60 MM	12,00
7	SPMV8000B7019	FIXED TIMING SYSTEM SLIDER		1,00
8	SPMV60NDB2736	SCREW TBCE M6X1-L20	MY18/20 F3 675 RC-F3 800 RC	1,00
9	SPMV800064988	SELF CENTERING WASHER D11-D6.1		1,00
10	SPMV8000B2636	MOBILE SLIDER		1,00
11	SPMV8000A5199	CHAIN, TENSOR, F4	MY12/14 F3 675-F3 800	1,00
11	SPMV8000A5199	CHAIN, TENSOR, F4	MY12/14 F3 675-F3 800	1,00
11	SPMV8000A5199	CHAIN, TENSOR, F4	MY12/14 F3 675-F3 800	1,00
11	SPMV8000B9939	HYDRAULIC CHAIN TIGHTENER	MY15/16 F3 675-800-RC	1,00
12	SPMV800018422	OR2075 T1	MY12/14 F3 675-F3 800	1,00
12	SPMV800018422	OR2075 T1	MY12/14 F3 675-F3 800	1,00
12	SPMV800018422	OR2075 T1	MY12/14 F3 675-F3 800	1,00
12	SPMV8000B9944	SEALING WASHER	MY15/16 F3 675-800-RC	1,00
13	SPMV60NDB2737	SCREW TBCE M6X1-L25	F3 ORO-F3 AGO	2,00
13	SPMV60NDB2737	SCREW TBCE M6X1-L25	F3 ORO-F3 AGO	2,00
13	SPMV60NDB2737	SCREW TBCE M6X1-L25	F3 ORO-F3 AGO	2,00
13	SPMV60NDB2737	SCREW TBCE M6X1-L25	F3 ORO-F3 AGO	2,00
14	SPMV8000C3464	CAM-VALVE KIT		1,00



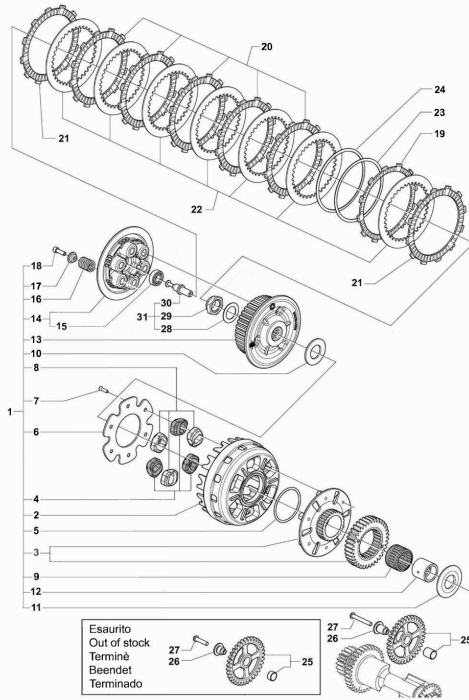
Pos	Part Number	Description	Additional Text	Quantity
1	SPMV8000C4242	COMPLETE SHAFT START ASSY		1,00
2	SPMV8000B7302	CIRCLIP		1,00
3	SPMV8A0065795	NEEDLE BEARING, D25xD29xSP17		1,00
4	SPMV8000B7288	SHIM		1,00
5	SPMV800039538	ROLL BEARING 20X28X16		1,00
6	SPMV8000B2794	SPACER WASHER		1,00
7	SPMV8000B2791	ROLL BEARING 15X23X16		1,00
8	SPMV8000B5000	STARTER REDUCTION GEAR		1,00
9	SPMV8000B5225	STARTING REDUCTION GEAR PIN		1,00
10	SPMV800023108	OR2037 T1		1,00



Pos	Part Number	Description	Additional Text	Quantity
1	SPMV8000B2644	PUMP GROUP		1,00
2	SPMV8000B2555	GEAR OIL PUMP	MY12/16	1,00
2	SPMV8000C4386	OIL PUMP GEAR	MY17/20 F3 675-800-RC	1,00
3	SPMV66N021202	RETAIN RING D12-D11	ROSSO-RR	1,00
4	SPMV8000B3232	PIN		1,00
5	SPMV60NDB2735	SCREW TBCE M6X1-L16	MY15/17 F3 675 RC-F3 800 RC	3,00
6	SPMV60NDB3397	SCREW TBCE M6X1-L45		2,00
7	SPMV8000B4099	INLET WATER PIPE		1,00
8	SPMV800023110	OR2100 T1		1,00
9	SPMV60NDB4719	SCREW TCBCE M6X1-L20		2,00
10	SPMV800035809	OR3137 T2		1,00
11	SPMV8000B4626	INLET WATER PIPE		1,00
12	SPMV800023120	OR3106 T2		1,00
13	SPMV8000B3233	OR4093 T3		1,00
14	SPMV60NDB2736	SCREW TBCE M6X1-L20	MY18/20 F3 675 RC-F3 800 RC	2,00
15	SPMV8000B4021	OIL CUP		1,00
16	SPMV800029074	OR128 T2		1,00
17	SPMV8000B3234	OUTLET WATER PIPE		1,00
18	SPMV8000B6928	ORM 5		2,00
19	SPMV8000B4691	OIL SUCTION PUMP		1,00
20	SPMV60NDB4719	SCREW TCBCE M6X1-L20		2,00
21	SPMV800041693	OR2087 T1		1,00
22	SPMV8000B4195	INLET OIL TUBE		1,00
23	SPMV800025593	OR119 T2		2,00
24	SPMV60NDB2735	SCREW TBCE M6X1-L16	MY15/17 F3 675 RC-F3 800 RC	2,00
25	SPMV800073011	OIL PLUG ASSEMBLY		1,00

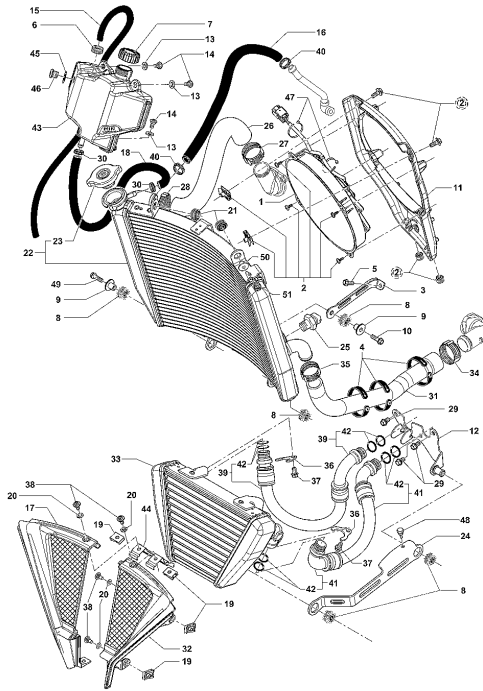


26	SPMV62N015679	ALUMINIUM WASHER D24-D16		1,00
27	SPMV8000B5425	OIL FILTER		1,00
28	SPMV80A0B2649	OIL FILTER COVER	MY12/15	1,00
28	SPMV80B0B2649	OIL FILTER COVER	MY16/20 F3 675-800-RC	1,00
29	SPMV800035840	OR3250 T2		1,00
30	SPMV8000B3240	OIL FILTER SPRING		1,00



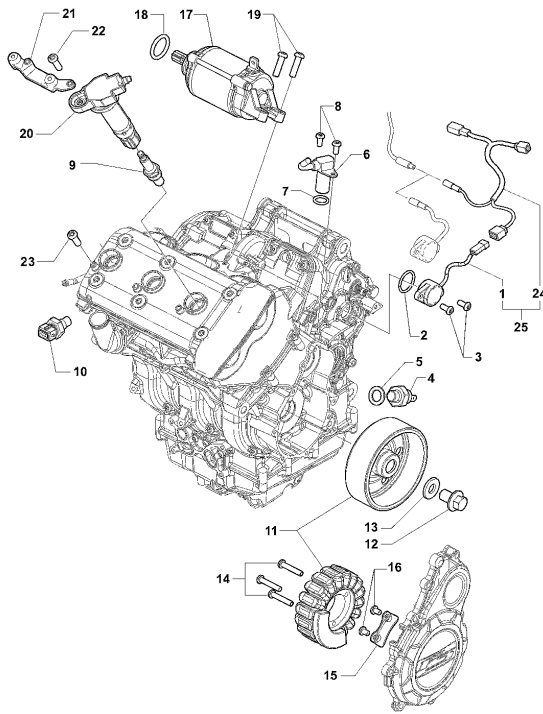
Pos	Part Number	Description	Additional Text	Quantity
1	SPMV8000C0441	PRIMARY GEAR AND CLUTCH	675	1,00
2	SPMV8000B9716	CLUTCH BELL	MY14/20 F3 675	1,00
3	SPMV8000B9916	Primary wheel compl.	800RR, DRAGSTER RR LH MY15/16 DRAGSTER RR/DRAG. RC	1,00
4	SPMV8000B6484	RUBBER GASKET	MY14/20 F3 675	3,00
5	SPMV8000B3996	OR164 T3,53-D60,33	MY14/20 F3 675	1,00
6	SPMV8000B1727	SPROCKET RETAINING DISC	MY14/20 F3 675	1,00
7	SPMV60NDB4391	Screw TSCE M6x1-L182	F3 800-AGO-RC	6,00
8	SPMV8A00B6484	FLEXIBLE COUPLING	MY14/20 F3 675	3,00
9	SPMV8000B3997	ROLL BEARING K35X42X30	MY14/20 F3 675	1,00
10	SPMV8000B4997	WASHER CLUTCH, SP2.6	SCS-RC SCS	1,00
11	SPMV8000B3018	WASHER FOR DRIVER GEAR SP3	MY14/20 F3 675	1,00
12	SPMV8000B3989	DRIVER GEAR SPACER	MY14/20 F3 675	1,00
13	SPMV8000B9717	DISC HOLDER HUB	675	1,00
14	SPMV8000C0440	Pusher plate		1,00
15	SPMV800034317	BEARING		1,00
16	SPMV8000A0730	CLUTCH SPRING	MY14/20 F3 675	6,00
17	SPMV8000B4721	SPRING DRIVER WASHER	MY14/20 F3 675	6,00
18	SPMV60ND02509	Screw M6x1-CH5-L20	F3 800-AGO-RC	6,00
19	SPMV8000A6915	Lining plate	MY14/20 F3 675	1,00
20	SPMV8000A6916	Lining lamella	MY14/20 F3 675	5,00
21	SPMV8000A6917	Liner	MY14/20 F3 675	2,00
22	SPMV8000A6918	Steel lamella	MY14/20 F3 675	7,00
23	SPMV8000A6922	SPRING JUDDER	MY14/20 F3 675	1,00
24	SPMV8000A6923	SPRING SEAT	MY14/20 F3 675	1,00
25	SPMV8000C2382	OIL PUMP TRANSMISSION GEAR	MY14/15 EXCEPT F3 ORO	1,00
26	SPMV8000C2379	PIN	MY14/15 EXCEPT F3 ORO	1,00
27	SPMV60NDB2740	SCREW TBCE M6X1-L40	AGO	1,00

28	SPMV8000B7308	WASHER	MY12/13 VIN 001265> F3 675	1,00
28	SPMV8E0030053	WASHER	MY12/13 VIN >001264 F3 675-ORO	1,00
29	SPMV8000B2716	BOLT M22X1	MY12/13 VIN >001264 F3 675-ORO	1,00
29	SPMV8000B7311	NUT M22X1.5	MY12/13 VIN 001265> F3 675	1,00
30	SPMV8000B7110	CLUTCH PIN	MY12/13 VIN >001264 F3 675-ORO	1,00
30	SPMV8000B7110	CLUTCH PIN	MY12/13 VIN >001264 F3 675-ORO	1,00
31	SPMV8000B7870	CLUTCH HUB TIGHTENING KIT	MY12/13 VIN >001264 F3 675-ORO	1,00



Pos	Part Number	Description	Additional Text	Quantity
1	SPMV8000B5430	RADIATOR FAN		1,00
2	SPMV8000B6058	FIXING KIT ELECTRIC VALVE		1,00
3	SPMV8000B6020	SUPPORT RADIATOR		1,00
4	SPMV800092248	CLAMP, RUBBER, L82	RR-SCS-RC SCS	3,00
5	SPMV8C00B2681	SCREW, TEF M6x1 CH8 L14	RR-SCS-RC SCS	1,00
6	SPMV800089293	CUSHION, D18xD8xE7,5	MY14/20 F3 675-F3 800	1,00
7	SPMV8000B7049	PLUG		1,00
8	SPMV800062651	VIBRATION REDUCER D22-D10-SP12		5,00
9	SPMV800062652	SPACER D10-D6	FOR COOLER 800084917	2,00
10	SPMV8D00B2688	Screw TCEIF M6x20 RT	RR-RUSH	1,00
11	SPMV8000B6472	CONVEYOR FAN		1,00
12	SPMV8000B6674	SUPPORT STAND FOR OIL RADIATOR		1,00
13	SPMV8000B5959	WASHER D12 D7,8 SP0,5 IN NYLON	MY14/20 EXCEPT F3 ORO	3,00
14	SPMV8000B5920	Screw	MY12/13 F3 675-F3 ORO-F3 800	3,00
15	SPMV8J0091037	HOSE D4-D9 L1100		1,00
16	SPMV8000B6026	AIRING HOSE RADIATOR		1,00
17	SPMV8000B6654	RIGHT FERRULE FOR FAIRING	EXCEPT F3 ORO	1,00
17	SPMV80A0B6654	RIGHT FERRULE FOR FAIRING	F3 ORO	1,00
18	SPMV8A0066179	OIL TUBE		1,00
19	SPMV8000B5811	NUT M5	MY12/13 F3 675-F3 ORO-F3 800	2,00
20	SPMV8000B5959	WASHER D12 D7,8 SP0,5 IN NYLON	MY14/20 EXCEPT F3 ORO	2,00
21	SPMV8000B6022	CUSHION D21-D9-SP11		2,00
22	SPMV8000B6017	WATER RADIATOR		1,00
23	SPMV8000B6019	RADIATOR CAP		1,00
24	SPMV8000B6021	OIL RADIATOR COVER		1,00
25	SPMV8000B5422	WATER TEMPERATURE SENSOR		1,00
26	SPMV8000B6023	WATER HOSE		1,00

27	SPMV8F0092249	CLAMP		1,00
28	SPMV8Z0092249	CLAMP R 96 D26,5		1,00
29	SPMV60NDB4452	SCREW TBCE M6X1-L12	ROSSO	3,00
30	SPMV8A0092256	CLAMP CLIC R 66 10 MM		2,00
31	SPMV8000B6428	WATER HOSE		1,00
32	SPMV8000B6655	LEFT FERRULE FOR FAIRING	EXCEPT F3 ORO	1,00
32	SPMV80A0B6655	LEFT FERRULE FOR FAIRING	F3 ORO	1,00
33	SPMV8000B6647	OIL RADIATOR		1,00
34	SPMV8F0092249	CLAMP		1,00
35	SPMV8Z0092249	CLAMP R 96 D26,5		1,00
36	SPMV8000B6734	OIL TUBE FIXING PLATE		2,00
37	SPMV8B00B2681	Screw M6x1-CH8-L12	F4S, F4 FRECCIE TRICOLORI	2,00
38	SPMV8000B5920	Screw	MY12/13 F3 675-F3 ORO-F3 800	4,00
39	SPMV8000B6992	OIL PIPE		1,00
40	SPMV8E0092256	CLAMP 66 D13,5		2,00
41	SPMV8000B6991	BRACKET OIL RADIATOR PIPE		1,00
42	SPMV800054147	RING		8,00
43	SPMV8000C2140	COMPLETE RECOVERY TANK		1,00
44	SPMV8000B7055	SUPPORT, OIL RADIATOR FENCE		1,00
45	SPMV8000B9337	WASHER D10-D14-SP1		1,00
46	SPMV8000B2745	SCREW		1,00
47	SPMV800092661	CLAMP 2.4X92	MY14/20 F3 675-F3 800	2,00
48	SPMV800095828	CUSION		1,00
49	SPMV8F00B2688	Screw TCEIF M6x25 RP	800RR, DRAGSTER RR, DRAG.RR LH	1,00
50	SPMV8000B7541	SPACER D21-D9,25-D6,2-L13		1,00
51	SPMV8E00B2681	Screw M6x1-CH8-L20	MY17/20 F3 675 RC-F3 800 RC	1,00



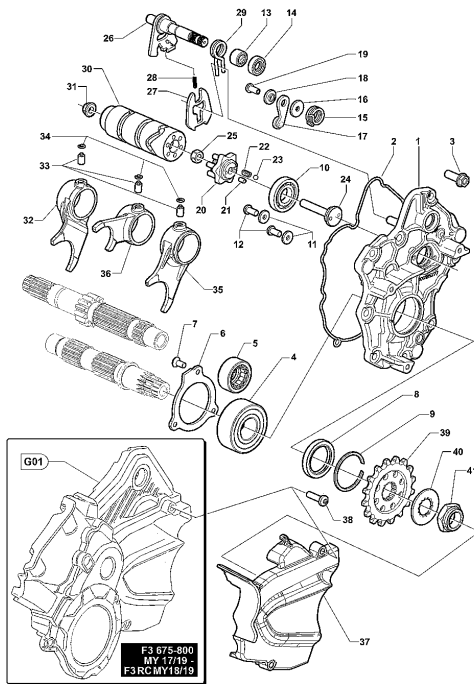
Pos	Part Number	Description	Additional Text	Quantity
1	SPMV8000B8763	HALL SENSOR	F3 AGO-F3 675 RC-F3 800 RC	1,00
1	SPMV8000B8763	HALL SENSOR	F3 AGO-F3 675 RC-F3 800 RC	1,00
1	SPMV8A00B2607	CHANGE GEAR SENSOR	F3 675-F3 ORO-F3 800	1,00
2	SPMV8A0042700	OR2093 T1		1,00
3	SPMV60NDB2734	Screw TBCE M5x0,8-L12	800	2,00
4	SPMV8000A7862	MINIUMUM PRESSURE SWITCH		1,00
5	SPMV62N015676	WASHER D17-D10		1,00
6	SPMV800090184	RPM ENGINE SENSOR		1,00
7	SPMV800022551	OR2056 T1		1,00
8	SPMV60NDB2734	Screw TBCE M5x0,8-L12	800	2,00
9	SPMV800099561	SPARK PLUG	STD	3,00
9	SPMV8000B7884	SPARK PLUG NGK CR9EIB-9	OPT	3,00
10	SPMV8000B5422	WATER TEMPERATURE SENSOR		1,00
11	SPMV8000B8312	SHIHLIN GENERATOR		1,00
12	SPMV8F00B2790	SCREW TEF M12X1.25 L20 SX		1,00
13	SPMV800064846	ROSETTA D12.5-D25-SP2.5		1,00
14	SPMV60NDB4867	Screw TBCE M5x0,8-L30		3,00
15	SPMV8000B4383	GENERATOR CABLE RETAIN PLATE		1,00
16	SPMV60NDB4395	Screw TBCE M5x0,8-L8		2,00
17	SPMV8000B4334	STARTER MOTOR		1,00
18	SPMV800091597	GROMMET		1,00
19	SPMV60NDB2737	SCREW TBCE M6X1-L25	F3 ORO-F3 AGO	2,00
20	SPMV8000B2787	ELDOR COIL PLUG		3,00
21	SPMV8000B6056	FRONT AIRBOX SUPPORT		1,00
22	SPMV60NDB2737	SCREW TBCE M6X1-L25	F3 ORO-F3 AGO	2,00
23	SPMV60NDB2735	SCREW TBCE M6X1-L16	MY15/17 F3 675 RC-F3 800 RC	1,00

24	SPMV8000B8762	GEAR SENSOR INTERFACE		1,00
25	SPMV8000B8970	GEAR BOX SENSOR		1,00



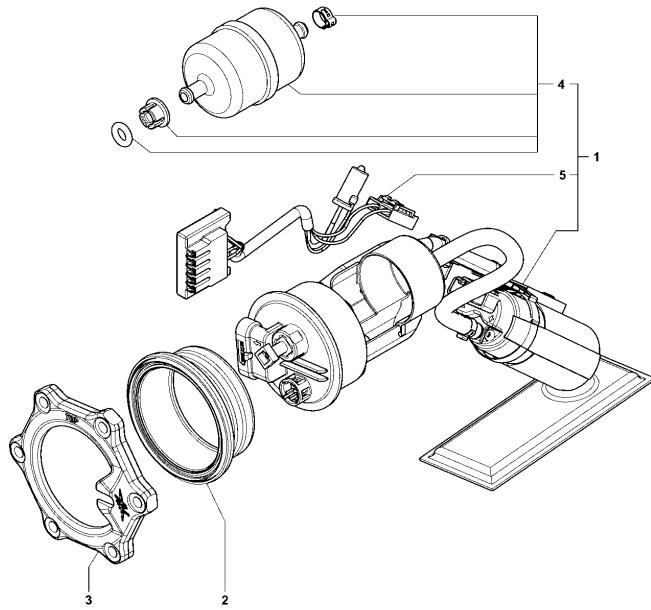


14	SPMV8000C7090	GEAR 2ND VEL. ON	VIN>09321, 09290	1,00
14	SPMV8000C7090	GEAR 2ND VEL. ON	VIN>09321, 09290	1,00
15	SPMV8000A4196	WASHER	BRUTALE S,09192>,<10409,10968>	4,00
16	SPMV8000A0990	SNAP RING	ENGINE 6540-6742 & 7236>	3,00
17	SPMV8000B1035	DRIVEN GEAR 6	MY12/16 F3 800-F3 800 RC	1,00
17	SPMV8000B1035	DRIVEN GEAR 6	MY12/16 F3 800-F3 800 RC	1,00
17	SPMV8000B1035	DRIVEN GEAR 6	MY12/16 F3 800-F3 800 RC	1,00
17	SPMV8000C3169	INGR. 6 VEL.ON SECONDARY Z	VIN>09289, 09291-09320	1,00
17	SPMV8000C3169	INGR. 6 VEL.ON SECONDARY Z	VIN>09289, 09291-09320	1,00
17	SPMV8000C7091	GEAR 6TH VEL. SUL	VIN>09321, 09290	1,00
17	SPMV8000C7091	GEAR 6TH VEL. SUL	VIN>09321, 09290	1,00
18	SPMV8000B1034	3RD GEAR	MY12/16 F3 675-800-RC	1,00
18	SPMV8000B1034	3RD GEAR	MY12/16 F3 675-800-RC	1,00
18	SPMV8000C3170	INGR. 3 VEL. ON SEC.	MY17/20 F3 675-800-RC	1,00
19	SPMV8000B1033	4TH GEAR	MY12/16 F3 675-800-RC	1,00
19	SPMV8000B1033	4TH GEAR	MY12/16 F3 675-800-RC	1,00
19	SPMV8000C3171	INGR. 4TH ON SECONDARY	MY17/20 F3 675-800-RC	1,00
20	SPMV8000B1032	DRIVEN GEAR 5	MY12/16 F3 675-F3 675 RC	1,00
20	SPMV8000B1032	DRIVEN GEAR 5	MY12/16 F3 675-F3 675 RC	1,00
20	SPMV8000B1032	DRIVEN GEAR 5	MY12/16 F3 675-F3 675 RC	1,00
20	SPMV8000C3165	GEAR 5TH SPEED.ON SECONDARY	VIN >09289, 09291-09320	1,00
20	SPMV8000C3165	GEAR 5TH SPEED.ON SECONDARY	VIN >09289, 09291-09320	1,00
20	SPMV8000C7092	GEAR 5TH VEL. ON	VIN>09321, 09290	1,00
20	SPMV8000C7092	GEAR 5TH VEL. ON	VIN>09321, 09290	1,00
21	SPMV8000A0987	WASHER	ENGINE 6540-6742 & 7236>	1,00
22	SPMV8000B4137	DRIVEN GEAR 1	VIN>09289, 09291-09320	1,00
22	SPMV8000B4137	DRIVEN GEAR 1	VIN>09289, 09291-09320	1,00
22	SPMV8000B4137	DRIVEN GEAR 1	VIN>09289, 09291-09320	1,00
22	SPMV8000B4137	DRIVEN GEAR 1	VIN>09289, 09291-09320	1,00
22	SPMV8000B4137	DRIVEN GEAR 1	VIN>09289, 09291-09320	1,00
22	SPMV8000C7093	INGR. 1 ON SEC.	VIN 09324>	1,00
22	SPMV8000C7093	INGR. 1 ON SEC.	VIN 09324>	1,00
23	SPMV8000A4780	WASHER	BRUTALE S,09192>,<10409,10968>	1,00
24	SPMV8000B7876	ELASTIC LOWERED RING 24		1,00
25	SPMV8000C3173	PRIMARY AND SECONDARY SHAFT	MY17/20 VIN >09323 675- 675 RC	1,00
25	SPMV8000C3173	PRIMARY AND SECONDARY SHAFT	MY17/20 VIN >09323 675- 675 RC	1,00
25	SPMV8000C7094	PRIMARY AND SECONDARY SHAFT	VIN 09324>	1,00
25	SPMV8000C7094	PRIMARY AND SECONDARY SHAFT	VIN 09324>	1,00

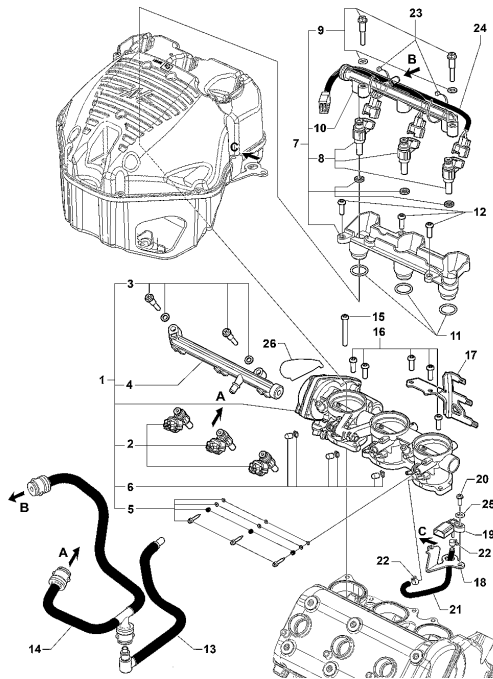


Pos	Part Number	Description	Additional Text	Quantity
1	SPMV8000B5276	COMPLETE CHANGE COVER	MY12/15	1,00
1	SPMV8A00B5276	COMPLETE CHANGE COVER	MY16/20 F3 675-800-RC	1,00
2	SPMV8000B2639	COVER GEARSHIFT GASKET		1,00
3	SPMV8M00B2683	SCREW TEF M8X1		8,00
4	SPMV8000A2318	OBLIQUE BEARING 2 ROWS SF. D28	BRUTALE S,09192>,<10409,10968>	1,00
5	SPMV8000A1086	ROLLER BEARING D24-D40-SP1	BRUTALE S,09192>,<10409,10968>	1,00
6	SPMV800086114	BEARING LOCKING PLATE		1,00
7	SPMV60NDB4389	Screw TSCE M6x1-L14		3,00
8	SPMV800089410	GASKET RING D35-D47-SP7		1,00
9	SPMV800091603	SEEGER RING SB 48		1,00
10	SPMV8B0014258	BEARING		1,00
11	SPMV8000A0901	WASHER D15-D6		2,00
12	SPMV60NDB2780	Screw TBCE M6x1-L14	EXCEPT ROSSO	2,00
13	SPMV800051191	ROLL BEARING D12-D18-SP1		1,00
14	SPMV8A0028855	RING CORCOS BA-B-SL D22-D12-		1,00
15	SPMV8000B5284	CLAMP SPEED CLICK SPRING		1,00
16	SPMV800086107	SPACING WASHER D6.2-D20-		1,00
17	SPMV8000B5285	CLAMP SPEED CLICK		1,00
18	SPMV800085493	SPEED CLICK PING		1,00
19	SPMV60NDB2780	Screw TBCE M6x1-L14	EXCEPT ROSSO	1,00
20	SPMV8000B5339	SELECTOR DRUM WITH PINS		1,00
21	SPMV800038520	ROLL D4-L8		1,00
22	SPMV8000B4220	SPRING, SENSOR PIN		1,00
23	SPMV8000B7345	PIN		1,00
24	SPMV8000B5283	Pin gearshift drum		1,00
25	SPMV61NE15035	EXAGONAL STD NUT M8X1		1,00
26	SPMV8000B5446	SELECTOR SHAFT		1,00

27	SPMV8000B5287	SELECTOR CONTROL PLATE		1,00
28	SPMV8000B5288	SELECTOR PLATE SPRING		1,00
29	SPMV8000B5445	SELECTOR RECALL SPRING		1,00
30	SPMV8000B5280	CONTROL FORK SHAFT		1,00
31	SPMV800043928	SELF LOCKING NUT M8X1		1,00
32	SPMV8000B1047	FORK GEAR 1-4		1,00
33	SPMV8000A2538	CYLINDRICAL PIN		3,00
34	SPMV8000B4118	RETAIN RING RB7		3,00
35	SPMV8000B1049	FORK GEAR 2-3		1,00
36	SPMV8000B1045	FORK GEAR 5-6		1,00
37	SPMV8000B2582	CHAIN COVER	MY12/16 F3 675-F3 800-F3 AGO	1,00
37	SPMV8000B2582	CHAIN COVER	MY12/16 F3 675-F3 800-F3 AGO	1,00
37	SPMV80A0B6055	SPROCKET COVER	F3 ORO	1,00
38	SPMV60NDB4720	SCREW TCBCE M6X1-L25	RR-SCS-RC SCS	3,00
39	SPMV8000B5321	PINON GEAR Z16	MY12/16 F3 675-F3 675 RC	1,00
39	SPMV8000B5321	PINON GEAR Z16	MY12/16 F3 675-F3 675 RC	1,00
39	SPMV8000B5322	CHAIN SPROCKET Z-17	F3 800-F3 AGO-F3 800 RC	1,00
39	SPMV8000B5322	CHAIN SPROCKET Z-17	F3 800-F3 AGO-F3 800 RC	1,00
40	SPMV8000B3312	SECURE WASHER		1,00
41	SPMV8000B2716	BOLT M22X1	MY12/13 VIN >001264 F3 675-ORO	1,00

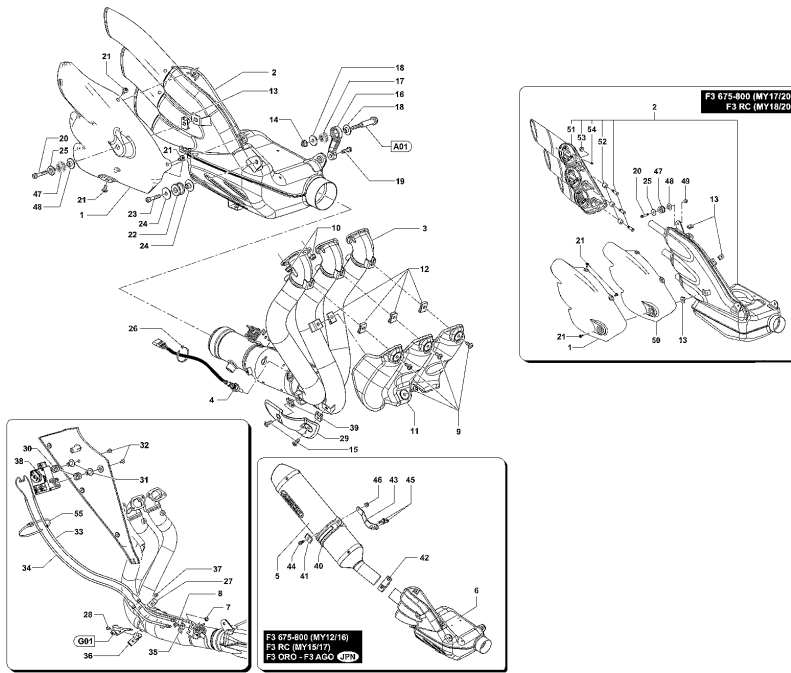


Pos	Part Number	Description	Additional Text	Quantity
1	SPMV8000B4722	ASPIRATION GROUP FUEL		1,00
2	SPMV8000B5991	WASHER G.A.C		1,00
3	SPMV8000B4723	G.A.C. FIXING FLANGE		1,00
4	SPMV8000B7161	FUEL FILTER		1,00
5	SPMV8000B7162	COMPLETE KIT CABLE		1,00



Pos	Part Number	Description	Additional Text	Quantity
1	SPMV8000B5347	MIKUNI THROTTLE BODY	800RR, DRAGSTER RR/RR LH/RC	1,00
2	SPMV8000B6933	INJECTOR THROTTLE BODY		1,00
3	SPMV8000B6934	WASHER AND SCREW KIT		1,00
4	SPMV8000B6935	INSIDE LINK FUEL TANK		1,00
5	SPMV8000B6936	Screw kit		1,00
6	SPMV8000B6937	CAP-SPRING KIT		1,00
7	SPMV8000B5348	UPPER FUEL FEEDING	F3 675-F3 ORO-F3 675 RC	1,00
7	SPMV8000B8699	INJECTION BANK	F3 800-F3 AGO-F3 800 RC	1,00
8	SPMV8000B6938	INJECTOR	F3 675-F3 ORO-F3 675 RC	1,00
8	SPMV8000B8704	SUPERIOR BANK INJECTORS KIT	F3 800-F3 AGO-F3 800 RC	1,00
9	SPMV8000B6939	Screw kit		1,00
9	SPMV8000B8705	KIT SCREWS AND WASHERS FOR FLUTE	F3 800-F3 AGO-F3 800 RC	1,00
10	SPMV8000B6935	INSIDE LINK FUEL TANK		1,00
10	SPMV8000B8706	PETROL FLUTE F3 800	F3 800-F3 AGO-F3 800 RC	1,00
11	SPMV8000B6001	OR4081 T3,53-D20,22 VITON	RR-SCS-RC SCS	3,00
12	SPMV8BA084658	TAPPING SCREW	RR-SCS-RC SCS	3,00
13	SPMV8000B4901	GASOLINE TUBE		1,00
14	SPMV8000B6000	GASOLINE TUBE	F3 675-F3 ORO-F3 675 RC	1,00
14	SPMV8000B8702	HOSE PIPE FUEL	F3 800-F3 AGO-F3 800 RC	1,00
15	SPMV8L00B2688	SCREW TCEIF M6X50		1,00
16	SPMV8D00B2688	Screw TCEIF M6x20 RT	RR-RUSH	5,00
17	SPMV8000B7018	CONNECTOR PLATE		1,00
18	SPMV8000B5980	PLATE PRESSURE SENSOR		1,00
19	SPMV8000B3432	SENSOR, PRESSURE		1,00
20	SPMV8D00B2681	SCREW, M6x1x16 CH8	MY12/16 F3 675-F3 800	1,00
21	SPMV8A00C6926	RUBBER HOSE D4-D9-L110		1,00
22	SPMV8B0096458	CLAMP, METAL, 55-85		2,00
23	SPMV800092661	CLAMP 2.4X92	MY14/20 F3 675-F3 800	2,00

24	SPMV8000B6061	WIRE INJECTOR	RR-SCS-RC SCS	1,00
25	SPMV62ND15635	WASHER D9,7-D		1,00
26	SPMV8000C3033	ADHESIVE DECAL FOR PROTECTION		1,00



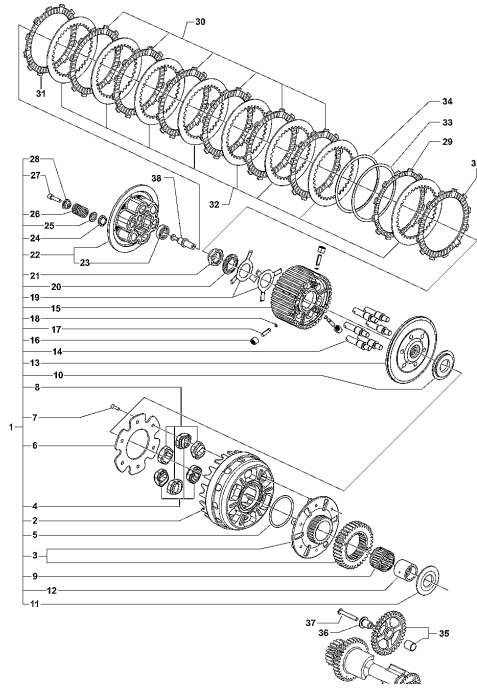
Pos	Part Number	Description	Additional Text	Quantity
1	SPMV8000B6015	EXHAUST PROTECTION	MY12/16 F3 675-F3 800	1,00
1	SPMV8000B6015	EXHAUST PROTECTION	MY12/16 F3 675-F3 800	1,00
1	SPMV8000C3604	SILENCER PROTECTION	MY17/19 F3 675-F3 800	1,00
1	SPMV80A0B6015	EXHAUST PROTECTION	MY15/17 F3 675 RC-F3 800 RC	1,00
1	SPMV80A0C3604	SILENCER PROTECTION	MY20 F3 675-F3 800	1,00
1	SPMV80A0C3604	SILENCER PROTECTION	MY20 F3 675-F3 800	1,00
2	SPMV8000B6498	EXHAUST	EXCEPT JPN F3 ORO	1,00
2	SPMV8A00B5865	SILENCER	MY15/17 EXCEPT JPN F3 RC	1,00
2	SPMV8A00B5865	SILENCER	MY15/17 EXCEPT JPN F3 RC	1,00
2	SPMV8A00B5865	SILENCER	MY15/17 EXCEPT JPN F3 RC	1,00
2	SPMV8A00C3524	SILENCER	MY18/20 F3 675 RC-F3 800 RC	1,00
2	SPMV8A00C3524	SILENCER	MY18/20 F3 675 RC-F3 800 RC	1,00
3	SPMV8000C3402	CAT EXHAUST MANIFOLD	MY17/20 F3 675-F3 800	1,00
3	SPMV8000C3402	CAT EXHAUST MANIFOLD	MY17/20 F3 675-F3 800	1,00
3	SPMV8A00B5825	MUFFLER	MY12/16 F3 675-F3 800	1,00
3	SPMV8A00B5825	MUFFLER	MY12/16 F3 675-F3 800	1,00
3	SPMV8A00B5825	MUFFLER	MY12/16 F3 675-F3 800	1,00
3	SPMV8000B5825	CATALYTIC EXHAUST MANIFOLD	F3 ORO	1,00
4	SPMV8A00B9339	Lambda probe		1,00
5	SPMV8000B8319	JAPAN SILENCER	JPN F3 ORO-F3 AGO	1,00
5	SPMV8000B8319	JAPAN SILENCER	JPN F3 ORO-F3 AGO	1,00
5	SPMV8000C0740	EXHAUST SILENCER JAP	MY15/16 JPN RC	1,00
5	SPMV8000C0740	EXHAUST SILENCER JAP	MY15/16 JPN RC	1,00
6	SPMV8000B8320	JAPAN MANIFOLD	JPN F3 ORO-F3 AGO	1,00
6	SPMV8000B8320	JAPAN MANIFOLD	JPN F3 ORO-F3 AGO	1,00

6	SPMV8000B8320	JAPAN MANIFOLD	JPN F3 ORO-F3 AGO	1,00
7	SPMV8000B2707	NUT, M5x0,8xE6 CH8 PARLOCK	990R-1090RR 002105> USA BRUTALE 920 USA	1,00
8	SPMV8B00B2680	SCREW, TEF M5x0,8x8 CH10	USA, CAN	1,00
9	SPMV8A00B5919	SCREW M5 L12	MY17 DRAGSTER RR/DRAGSTER RC	4,00
10	SPMV8000B2710	NUT, M6x1 CH10 E7 PARLOCK	EXCEPT ORO	6,00
11	SPMV8000B5923	HEAT RADIATOR PROTECTION		1,00
12	SPMV8000B5811	NUT M5	MY12/13 F3 675-F3 ORO- F3 800	4,00
13	SPMV800046893	NUT M6X1	F3 ORO-F3 AGO	1,00
13	SPMV800046893	NUT M6X1	F3 ORO-F3 AGO	1,00
13	SPMV800046893	NUT M6X1	F3 ORO-F3 AGO	1,00
13	SPMV8000B5811	NUT M5	MY12/13 F3 675-F3 ORO- F3 800	3,00
13	SPMV8000B5811	NUT M5	MY12/13 F3 675-F3 ORO- F3 800	3,00
14	SPMV8000B2710	NUT, M6x1 CH10 E7 PARLOCK	EXCEPT ORO	1,00
15	SPMV8A00B5919	SCREW M5 L12	MY17 DRAGSTER RR/DRAGSTER RC	2,00
16	SPMV8000B9886	SILENCER SUPPORT		1,00
17	SPMV800062651	VIBRATION REDUCER D22-D10-SP12		1,00
18	SPMV800090943	BUSH, SPACER		2,00
19	SPMV8C00B2688	SCREW, TCEIF M6x18 RT	ED.1, LUSSO, RC, SCS	1,00
20	SPMV8G00B2688	Screw TCEIF M6x30	EXCEPT ORO	1,00
21	SPMV8A00B5919	SCREW M5 L12	MY17 DRAGSTER RR/DRAGSTER RC	3,00
21	SPMV8A00B5919	SCREW M5 L12	MY17 DRAGSTER RR/DRAGSTER RC	3,00
21	SPMV8C00B5919	SCREW M5	F3 ORO-F3 AGO	3,00
21	SPMV8C00B5919	SCREW M5	F3 ORO-F3 AGO	3,00
21	SPMV8C00B5919	SCREW M5	F3 ORO-F3 AGO	3,00
22	SPMV8000B3677	CUSION, MUFFLER		1,00
23	SPMV8G00B2688	Screw TCEIF M6x30	EXCEPT ORO	1,00
24	SPMV8000B3678	WASHER, SPACER, MUFFLER COLECT	VIN: >001581, 001614/001644 VIN: 001655/001669 VIN: 001685/001744 VIN: 001778/002055	2,00
25	SPMV800092662	SPACER	MY12/16 F3 675-F3 800	1,00
25	SPMV800092662	SPACER	MY12/16 F3 675-F3 800	1,00
25	SPMV800092662	SPACER	MY12/16 F3 675-F3 800	1,00
25	SPMV8000C2775	EXTERNAL SPACER FOR SCARIC	MY17/20 F3 675-F3 800	1,00
25	SPMV8000C2775	EXTERNAL SPACER FOR SCARIC	MY17/20 F3 675-F3 800	1,00
26	SPMV800056783	Plastic clamp, L142	MY17/20 F3 675-F3 800	1,00
27	SPMV8000B7047	SUPPORT		1,00
28	SPMV8000B2687	Screw TCEIF M5x8	USA CND CN MY12/16	1,00
29	SPMV8000B6994	HEAT PROTECTION		1,00
30	SPMV8000B3673	CUSHION, ACTUATOR VALVE	RR-SCS-RC SCS	2,00
31	SPMV8000B6505	PIVOT		2,00
32	SPMV8C00B5919	SCREW M5	F3 ORO-F3 AGO	2,00
33	SPMV8A00B6057	VALVE TRANSMISSION ACTUATOR		1,00
34	SPMV8000B6057	VALVE TRANSMISSION ACTUATOR		1,00
35	SPMV8000B4110	SUPPORT, CABLES, ACTUATOR VALV	RR-SCS-RC SCS	1,00
36	SPMV8000B7046	SUPPORT CABLE	MY12/16 F3 675-F3 800	1,00
36	SPMV8000B7046	SUPPORT CABLE	MY12/16 F3 675-F3 800	1,00



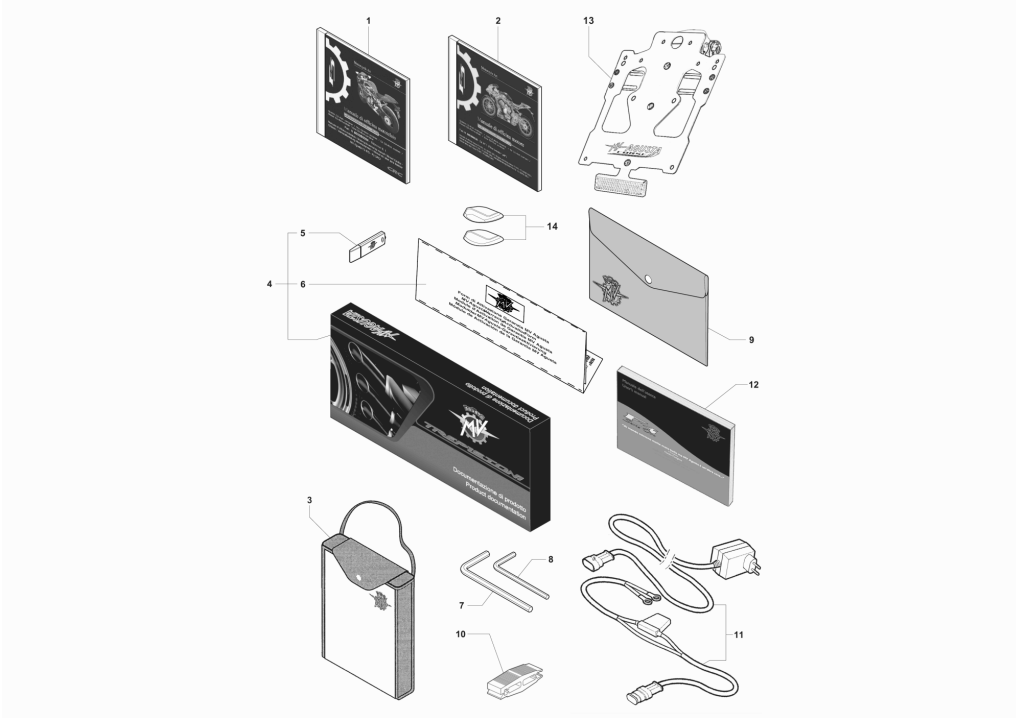
36	SPMV8000B7046	SUPPORT CABLE	MY12/16 F3 675-F3 800	1,00
36	SPMV8000C4095	PLATE FIX. LEFT UNDERCARENA	MY17/20 F3 675-F3 800	1,00
36	SPMV8000C4095	PLATE FIX. LEFT UNDERCARENA	MY17/20 F3 675-F3 800	1,00
37	SPMV8000B4221	SCREW, M5x10		1,00
38	SPMV8000B2126	VALVE, MUFFLER ACTUATOR	RR-SCS-RC SCS	1,00
39	SPMV8000B5811	NUT M5	MY12/13 F3 675-F3 ORO-F3 800	2,00
40	SPMV8000B8321	CLIP	MY12/16 JPN F3 675-F3 800	1,00
40	SPMV8000B8321	CLIP	MY12/16 JPN F3 675-F3 800	1,00
40	SPMV8000B8321	CLIP	MY12/16 JPN F3 675-F3 800	1,00
41	SPMV8000B8322	PLATE	MY12/16 JPN F3 675-F3 800	1,00
41	SPMV8000B8322	PLATE	MY12/16 JPN F3 675-F3 800	1,00
41	SPMV8000B8322	PLATE	MY12/16 JPN F3 675-F3 800	1,00
42	SPMV8000B8324	EXHAUST CLAMP	MY12/16 JPN F3 675-F3 800	1,00
42	SPMV8000B8324	EXHAUST CLAMP	MY12/16 JPN F3 675-F3 800	1,00
42	SPMV8000B8324	EXHAUST CLAMP	MY12/16 JPN F3 675-F3 800	1,00
43	SPMV8000B8323	SILENCER FIXING BRACKET	MY12/16 JPN F3 675-F3 ORO	1,00
43	SPMV8000B8326	EXHAUST FIXING BRACKET	MY15/17 JPN F3 RC	1,00
43	SPMV8000B8326	EXHAUST FIXING BRACKET	MY15/17 JPN F3 RC	1,00
43	SPMV8000B8326	EXHAUST FIXING BRACKET	MY15/17 JPN F3 RC	1,00
44	SPMV8C00B2690	SCREW, TCEIF M8x25 RP	MY12/16 JPN F3 675-F3 800	1,00
44	SPMV8C00B2690	SCREW, TCEIF M8x25 RP	MY12/16 JPN F3 675-F3 800	1,00
44	SPMV8C00B2690	SCREW, TCEIF M8x25 RP	MY12/16 JPN F3 675-F3 800	1,00
45	SPMV8B00B2688	Screw TCEIF M6x1x16	EXCEPT F3 ORO	2,00
45	SPMV8B00B2688	Screw TCEIF M6x1x16	EXCEPT F3 ORO	2,00
45	SPMV8B00B2688	Screw TCEIF M6x1x16	EXCEPT F3 ORO	2,00
46	SPMV8000B2712	NUT, M8x1,25x8,5 CH12	MY15/17 JPN F3 RC	1,00
46	SPMV8000B2712	NUT, M8x1,25x8,5 CH12	MY15/17 JPN F3 RC	1,00
46	SPMV8000B2712	NUT, M8x1,25x8,5 CH12	MY15/17 JPN F3 RC	1,00
47	SPMV800062651	VIBRATION REDUCER D22-D10-SP12		1,00
47	SPMV800062651	VIBRATION REDUCER D22-D10-SP12		1,00
47	SPMV800062651	VIBRATION REDUCER D22-D10-SP12		1,00
47	SPMV8000B3677	CUSION, MUFFLER		1,00
47	SPMV8000B3677	CUSION, MUFFLER		1,00
48	SPMV800090943	BUSH, SPACER		1,00
48	SPMV800090943	BUSH, SPACER		1,00
48	SPMV800090943	BUSH, SPACER		1,00
48	SPMV8000B3678	WASHER, SPACER, MUFFLER COLECT	VIN: >001581, 001614/001644 VIN: 001655/001669 VIN: 001685/001744 VIN: 001778/002055	1,00
48	SPMV8000B3678	WASHER, SPACER, MUFFLER COLECT	VIN: >001581, 001614/001644 VIN: 001655/001669 VIN: 001685/001744 VIN: 001778/002055	1,00

49	SPMV8000B2710	NUT, M6x1 CH10 E7 PARLOCK	EXCEPT ORO	1,00
49	SPMV8000B2710	NUT, M6x1 CH10 E7 PARLOCK	EXCEPT ORO	1,00
50	SPMV8000C3605	HEAT REFLECTOR FOR SILENCER PROTECTION	MY18/20 F3 675 RC-F3 800 RC	1,00
50	SPMV8000C3605	HEAT REFLECTOR FOR SILENCER PROTECTION	MY18/20 F3 675 RC-F3 800 RC	1,00
51	SPMV8000C1804	SILENCER ENDPINES	MY17/19 F3 675-F3 800	1,00
51	SPMV8A00C1804	SILENCER TAIL	MY20 F3 675-F3 800	1,00
51	SPMV8A00C1804	SILENCER TAIL	MY20 F3 675-F3 800	1,00
52	SPMV8000C1809	SPACER FOR FIXING	MY17/20 F3 675-F3 800	3,00
52	SPMV8000C1809	SPACER FOR FIXING	MY17/20 F3 675-F3 800	3,00
53	SPMV8000B2712	NUT, M8x1,25x8,5 CH12	MY15/17 JPN F3 RC	3,00
53	SPMV8000B2712	NUT, M8x1,25x8,5 CH12	MY15/17 JPN F3 RC	3,00
54	SPMV8000C3172	HEADLESS SCREW M5X14 UNI	MY17/20 F3 675-F3 800	3,00
54	SPMV8000C3172	HEADLESS SCREW M5X14 UNI	MY17/20 F3 675-F3 800	3,00
55	SPMV8000C4424	ANCHOR CLAMP TO		1,00



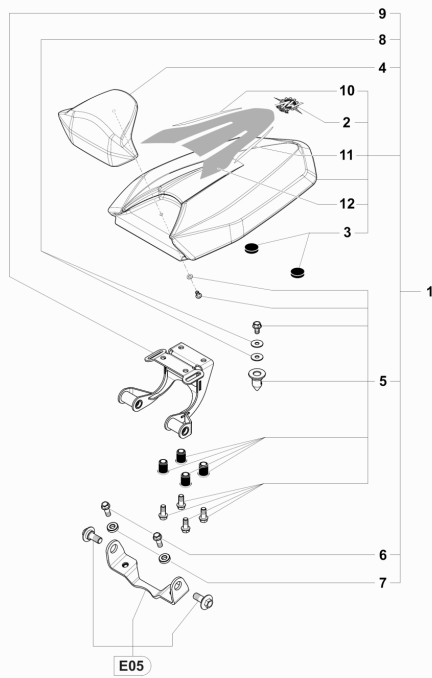
Pos	Part Number	Description	Additional Text	Quantity
1	SPMV8000B8202	CLUTCH AND PRIMARY GEAR	MY13/16 F3 800-AGO-800 RC	1,00
1	SPMV8000B8202	CLUTCH AND PRIMARY GEAR	MY13/16 F3 800-AGO-800 RC	1,00
1	SPMV8000C4418	PRIMARY GEAR AND CLUTCH	MY17/20 F3 675-F3 675 RC	1,00
1	SPMV8000C4418	PRIMARY GEAR AND CLUTCH	MY17/20 F3 675-F3 675 RC	1,00
2	SPMV8000B9716	CLUTCH BELL	MY14/20 F3 675	1,00
2	SPMV8000B9716	CLUTCH BELL	MY14/20 F3 675	1,00
3	SPMV8000B1728	BELL FLANGE	MY14/20 F3 675	1,00
4	SPMV8A00B6484	FLEXIBLE COUPLING	MY14/20 F3 675	3,00
4	SPMV8A00B6484	FLEXIBLE COUPLING	MY14/20 F3 675	3,00
5	SPMV8000B3996	OR164 T3,53-D60,33	MY14/20 F3 675	1,00
5	SPMV8000B3996	OR164 T3,53-D60,33	MY14/20 F3 675	1,00
6	SPMV8000B1727	SPROCKET RETAINING DISC	MY14/20 F3 675	1,00
6	SPMV8000B1727	SPROCKET RETAINING DISC	MY14/20 F3 675	1,00
7	SPMV60NDB4391	Screw TSCE M6x1-L182	F3 800-AGO-RC	6,00
7	SPMV60NDB4391	Screw TSCE M6x1-L182	F3 800-AGO-RC	6,00
8	SPMV8000B6484	RUBBER GASKET	MY14/20 F3 675	3,00
8	SPMV8000B6484	RUBBER GASKET	MY14/20 F3 675	3,00
9	SPMV8000B3997	ROLL BEARING K35X42X30	MY14/20 F3 675	1,00
9	SPMV8000B3997	ROLL BEARING K35X42X30	MY14/20 F3 675	1,00
10	SPMV8000B8198	DRIVING GEAR WASHER	MY14/20 F3 675	1,00
10	SPMV8000B8198	DRIVING GEAR WASHER	MY14/20 F3 675	1,00
11	SPMV8000B3018	WASHER FOR DRIVER GEAR SP3	MY14/20 F3 675	1,00
11	SPMV8000B3018	WASHER FOR DRIVER GEAR SP3	MY14/20 F3 675	1,00
12	SPMV8000B3989	DRIVER GEAR SPACER	MY14/20 F3 675	1,00
12	SPMV8000B3989	DRIVER GEAR SPACER	MY14/20 F3 675	1,00
13	SPMV8000B1014	DRIVE FLANGE	MY14/20 F3 675	1,00
13	SPMV8000B1014	DRIVE FLANGE	MY14/20 F3 675	1,00

14	SPMV8000B8243	SPRING COLUMN	F3 800-AGO-RC	6,00
14	SPMV8000B8243	SPRING COLUMN	F3 800-AGO-RC	6,00
15	SPMV8000B8196	DISC HUB	MY14/20 F3 675	1,00
15	SPMV8000B8196	DISC HUB	MY14/20 F3 675	1,00
16	SPMV8000B0066	PIN BEARING 12X10X6 NK6	MY14/20 F3 675	3,00
16	SPMV8000B0066	PIN BEARING 12X10X6 NK6	MY14/20 F3 675	3,00
17	SPMV8000B0067	BEARING PIN D6-L20	MY14/20 F3 675	3,00
17	SPMV8000B0067	BEARING PIN D6-L20	MY14/20 F3 675	3,00
18	SPMV66N021306	RETAIN RING D3.2	MY14/20 F3 675	3,00
18	SPMV66N021306	RETAIN RING D3.2	MY14/20 F3 675	3,00
19	SPMV8000B0071	SPRING JUDDER	MY14/20 F3 675	2,00
19	SPMV8000B0071	SPRING JUDDER	MY14/20 F3 675	2,00
20	SPMV8000B0072	SPRING SUPPORT	MY14/20 F3 675	1,00
20	SPMV8000B0072	SPRING SUPPORT	MY14/20 F3 675	1,00
21	SPMV8000B8199	NUT M22X1	MY14/20 F3 675	1,00
21	SPMV8000B8199	NUT M22X1	MY14/20 F3 675	1,00
22	SPMV8000B8200	PRESSURE PLATE	F3 800-AGO-RC	1,00
22	SPMV8000B8200	PRESSURE PLATE	F3 800-AGO-RC	1,00
23	SPMV8000A2565	RADIAL BEARING 12X28X7	MY14/20 F3 675	1,00
23	SPMV8000A2565	RADIAL BEARING 12X28X7	MY14/20 F3 675	1,00
24	SPMV8000B2046	SPRING SEAT	MY14/20 F3 675	6,00
24	SPMV8000B2046	SPRING SEAT	MY14/20 F3 675	6,00
25	SPMV8000B0070	LOWER SPRING PLATE	MY14/20 F3 675	6,00
25	SPMV8000B0070	LOWER SPRING PLATE	MY14/20 F3 675	6,00
26	SPMV8000A0730	CLUTCH SPRING	MY14/20 F3 675	6,00
26	SPMV8000A0730	CLUTCH SPRING	MY14/20 F3 675	6,00
27	SPMV8000B4721	SPRING DRIVER WASHER	MY14/20 F3 675	6,00
27	SPMV8000B4721	SPRING DRIVER WASHER	MY14/20 F3 675	6,00
28	SPMV60ND02509	Screw M6x1-CH5-L20	F3 800-AGO-RC	6,00
28	SPMV60ND02509	Screw M6x1-CH5-L20	F3 800-AGO-RC	6,00
29	SPMV8000A6915	Lining plate	MY14/20 F3 675	1,00
29	SPMV8000A6915	Lining plate	MY14/20 F3 675	1,00
30	SPMV8000A6916	Lining lamella	MY14/20 F3 675	6,00
30	SPMV8000A6916	Lining lamella	MY14/20 F3 675	6,00
31	SPMV8000A6917	Liner	MY14/20 F3 675	2,00
31	SPMV8000A6917	Liner	MY14/20 F3 675	2,00
32	SPMV8000A6918	Steel lamella	MY14/20 F3 675	8,00
32	SPMV8000A6918	Steel lamella	MY14/20 F3 675	8,00
33	SPMV8000A6922	SPRING JUDDER	MY14/20 F3 675	1,00
33	SPMV8000A6922	SPRING JUDDER	MY14/20 F3 675	1,00
34	SPMV8000A6923	SPRING SEAT	MY14/20 F3 675	1,00
34	SPMV8000A6923	SPRING SEAT	MY14/20 F3 675	1,00
35	SPMV8000C2382	OIL PUMP TRANSMISSION GEAR	MY14/15 EXCEPT F3 ORO	1,00
35	SPMV8000C2382	OIL PUMP TRANSMISSION GEAR	MY14/15 EXCEPT F3 ORO	1,00
35	SPMV8000C4383	OIL PUMP REDUCTION GEAR	MY17/20 F3 675-800-RC	1,00
36	SPMV8000C2379	PIN	MY14/15 EXCEPT F3 ORO	1,00
36	SPMV8000C2379	PIN	MY14/15 EXCEPT F3 ORO	1,00
37	SPMV60NEC6704	TCBCE SCREW	MY14/15 EXCEPT F3 ORO	1,00
38	SPMV8000B7110	CLUTCH PIN	MY12/13 VIN >001264 F3 675-ORO	1,00
38	SPMV8000B7110	CLUTCH PIN	MY12/13 VIN >001264 F3 675-ORO	1,00

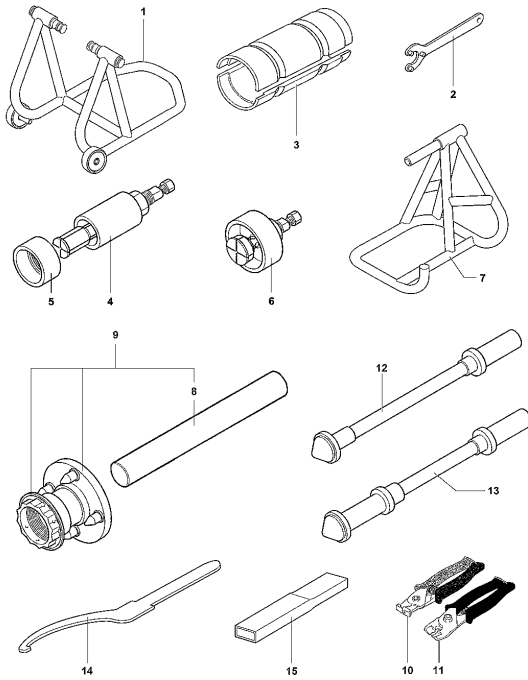


Pos	Part Number	Description	Additional Text	Quantity
1	SPMV8000B6034	CD MANUAL FRAME MOTORCYCLE		1,00
2	SPMV8000B6035	MANUAL OFFICE CD MULTILANGUAGE		1,00
3	SPMV8000B6070	BIKE COVER	F3 ORO	1,00
3	SPMV8000B9649	COVER	F3 AGO	1,00
3	SPMV8000C2276	MOTORCYCLE COVER	MY15/16 F3 675 RC-F3 800 RC	1,00
3	SPMV8000C3748	MOTORCYCLE COVER F3 RC16	MY17 F3 675 RC-F3 800 RC	1,00
3	SPMV8000C4532	MOTORCYCLE COVER F3 RC17	MY18 F3 675 RC-F3 800 RC	1,00
3	SPMV8000C5826	F3 RC18 MOTORCYCLE COVER	MY19 F3 675 RC-F3 800 RC	1,00
3	SPMV8000C7707	F3 RC20 MOTORCYCLE COVER	MY20 F3 800 RC	1,00
4	SPMV8000B6033	DOCUMENTATION F3 PRODUCT	MY12/13 F3 675	1,00
4	SPMV8000B6723	PRODUCT DOCUMENTATION F3	MY12/13 USA CND F3 675	1,00
4	SPMV8000B8666	PRODUCT DOCUMENTATION F3 800	MY13 F3 800	1,00
4	SPMV8000B8670	PRODUCT DOCUMENTATION F3 800	MY13 USA CND F3 800	1,00
4	SPMV8000B9084	PRODUCT DOCUMENTS F3 675800	MY14 F3 675-F3 800	1,00
4	SPMV8000B9087	PRODUCT DOCUMENTS F3 675800	MY14 USA CND F3 675-F3 800	1,00
4	SPMV8000B9530	DOCUMENTAZ.PRODOTTO MV F3 800	F3 AGO	1,00
4	SPMV8000B9533	DOCUMENTAZ.PRODOTTO MV F3 800	USA F3 AGO	1,00
4	SPMV8000B9767	DOCUMENTAZ.PRODOTTO F3 675800	MY15/17 USA CND F3 RC	1,00
4	SPMV8000B9767	DOCUMENTAZ.PRODOTTO F3 675800	MY15/17 USA CND F3 RC	1,00
4	SPMV8000C5745	PRODUCT DOCUMENTATION F3 675800	MY17/19 F3 675-F3 800	1,00
4	SPMV8000C5746	PRODUCT DOCUMENTATION F3 675800	MY17/19 USA CND F3 675-F3 800	1,00
4	SPMV8000C6307	PRODUCT DOCUMENTATION F3 675800	MY18/19 F3 675 RC-F3 800 RC	1,00
4	SPMV8000C6308	DOCUMENTAZ.PRODOTTO F3 675800	MY18/19 USA CND F3 RC	1,00
4	SPMV8000C6950	PRODUCT DOCUMENTATION F3 675800	MY20 F3 675-F3 800	1,00

4	SPMV8000C6954	DOCUMENTAZ.PRODOTTO F3 675800	MY20 USA CND F3 675-F3 800	1,00
4	SPMV8000C7147	PRODUCT DOCUMENTATION F3 675800	MY20 F3 800 RC	1,00
4	SPMV8000C7148	PRODUCT DOCUMENTATION F3 675800	MY20 USA-CND F3 800 RC	1,00
4	SPMV8000B9763	PRODUCT DOCUMENTATION F3 675800	MY15/17 F3 675 RC-F3 800 RC	1,00
5	SPMV8000C5468	HI-SPEED USB 2.0 KEY 4GB	MY18/20 800-LUSSO-RC, SCS	1,00
5	SPMV8000B3250	USB KEY DOCUMENTATION OF	F3 ORO-F3 AGO	1,00
6	SPMV8000A9649	WARRANTY ACTIVATION FORM MV A	F3 AGO	1,00
6	SPMV8000A9649	WARRANTY ACTIVATION FORM MV A	F3 AGO	1,00
6	SPMV8000B4120	WARRANTY ACTIVATION	F4S, F4 FRECCIE TRICOLORI	1,00
6	SPMV8000C4965	MV WARRANTY BOOKLET	MY17/20 F3 675-800-RC	1,00
7	SPMV800039383	HEXAGON WRENCH KEY 4MM		1,00
8	SPMV800092856	TOOL		1,00
9	SPMV800093414	CASE, DOCUMENTS	MY12/16 F3 675-800-RC	1,00
9	SPMV800093414	CASE, DOCUMENTS	MY12/16 F3 675-800-RC	1,00
9	SPMV8000C8011	COMPLETE DOCUMENT HOLDER	MY20 F3 675-F3 800-F3 800 RC	1,00
9	SPMV8000C3244	DOCUMENT HOLDER	MY17/19 F3 675-800-RC	1,00
10	SPMV800099275	TOOL FUSE		1,00
11	SPMV8000B7923	BATTERY CHARGER KIT	MY15 RC	1,00
11	SPMV8A00B7923	CHARGER KIT	USA CND	1,00
11	SPMV8B00B7923	KIT BATTERY CHARGER JPN	JPN	1,00
12	SPMV8000B6727	F3 MULTILANGUAGE BOOK	F3 ORO	1,00
12	SPMV8000B6729	OWNER'S MANUAL F3 GOLD USACAN	USA CND F3 ORO	1,00
13	SPMV8000C2270	SUPPORT, LICENSE PLATE	F3 675 RC-F3 800 RC	1,00
13	SPMVSPPTT001F3	F3 SPORT LICENSE PLATE HOLDER	F3 AGO	1,00
14	SPMV8000C2271	MIRROR CAP KIT	MY15/17 F3 675 RC-F3 800 RC	1,00
14	SPMV80A0C2271	F3 RC MIRRORS CAP KIT	MY18/19 F3 675 RC-F3 800 RC	1,00

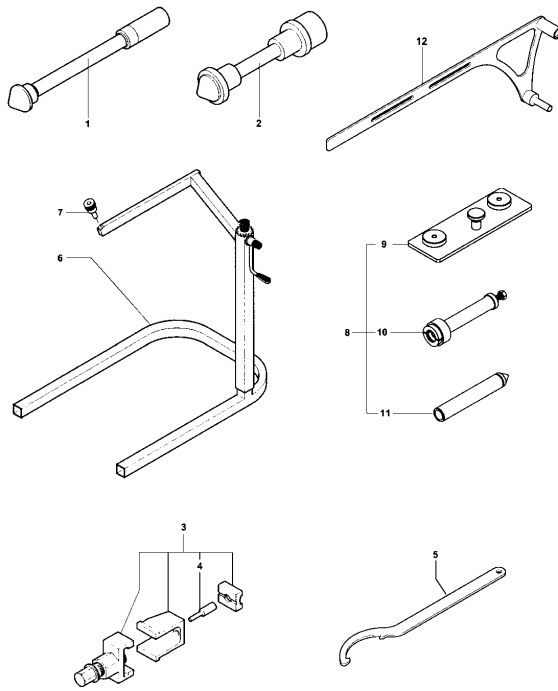


Pos	Part Number	Description	Additional Text	Quantity
1	SPMV8000C2272	F3 RC SINGLE SEAT COVER	MY15 F3 675 RC-F3 800 RC	1,00
1	SPMV8000C3749	SINGLE SEAT COVER F3 RC16	MY16/17 F3 675 RC-F3 800 RC	1,00
1	SPMV8000C5824	SINGLE SEAT COVER F3 RC18	MY19 F3 675 RC-F3 800 RC	1,00
1	SPMV8000C7745	Single seat cover f3 rc20	MY20 F3 800 RC	1,00
1	SPMV80A0C3749	F3 RC17 SINGLE SEAT COVER	MY18 F3 675 RC-F3 800 RC	1,00
2	SPMV8000C3053	"MV" DECAL FOR DOME"	MY18/20 F3 675 RC-F3 800 RC	1,00
2	SPMV80A090316	GRAPHIC, COWLING MV	RED/SILVER	1,00
2	SPMV80A0C3053	DECAL "MV" FOR DOME	MY16/17 F3 675 RC-F3 800 RC	1,00
3	SPMV8000B4339	CUSHION, FOAM, FAIRING	RR-PIRELLI-RC-LH44-SCS MY18 AMERICA	2,00
4	SPMV8000C2274	CUSHION FOR SEAT COVER		1,00
5	SPMV8000C2275	SCREW KIT FOR SEAT COVER		1,00
6	SPMV8D00B2681	SCREW, M6x1x16 CH8	MY12/16 F3 675-F3 800	2,00
7	SPMV8000C3114	SPACER		2,00
8	SPMV62ND15548	WASHER, D15x5,2xE1	EXCEPT USA-CND	2,00
9	SPMV8000B5890	BRACKET		1,00
10	SPMV8000C6596	DECAL "FRIEZE" RIGHT FOR	MY19 F3 675 RC-F3 800 RC	1,00
10	SPMV8000C7940	"DECAL "FRIEZE" RIGHT FOR"	MY20 F3 800 RC	1,00
11	SPMV8000C6597	DECAL "FRIEZE" LEFT FOR	MY19 F3 675 RC-F3 800 RC	1,00
11	SPMV8000C7941	"DECAL "FRIEZE" RIGHT FOR"	MY20 F3 800 RC	1,00
12	SPMV8000C7747	"DECAL "FRIEZE" FOR SEAT COVER"		1,00

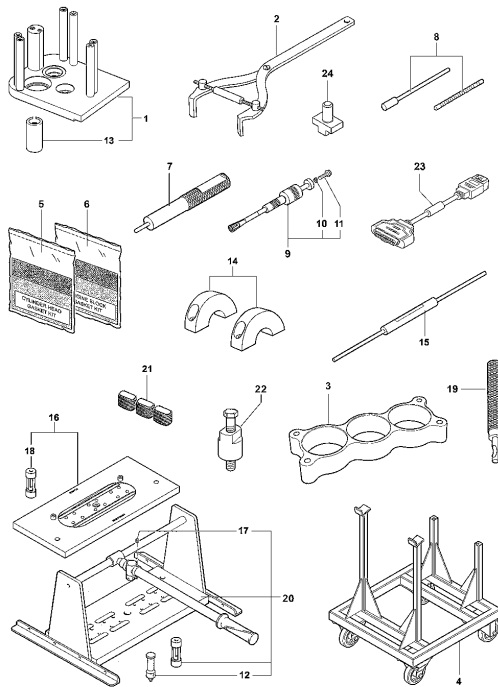


Pos	Part Number	Description	Additional Text	Quantity
1	SPMV800095830	FRONT STAND		2,00
2	SPMV800091645	Holding wrench		1,00
3	SPMV8000B6785	Tool dust cover and oil seal		1,00
4	SPMV800092860	FORK BEARING		1,00
5	SPMV800092861	BEARING EXTRACTOR		1,00
6	SPMV8000B4416	FRONT WHEEL BEARING		1,00
7	SPMV8000B9312	REAR STAND		1,00
8	SPMV8000A1953	PIN FOR CENTERING		1,00
9	SPMV800092865	Special tool rear wheel		1,00
10	SPMV800095850	Tool for pliers clic clamps		1,00
11	SPMV800098321	Tool for tilted pliers clic clamps		1,00
12	SPMV800092866	FORK PACK TOOL		1,00
13	SPMV8000B6920	TOOL FRONT WHEEL BEARING		1,00
14	SPMV800092854	Hook wrench		1,00
15	SPMV800092855	Hook wrench extension		1,00

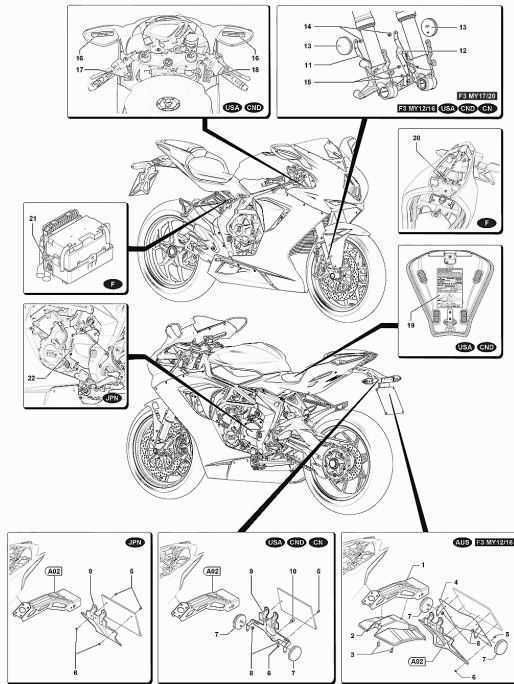




Pos	Part Number	Description	Additional Text	Quantity
1	SPMV8000B6782	TOOL		1,00
2	SPMV8000B4421	FRONT WHEEL BEARINGS		1,00
3	SPMV800095389	CHAIN TOOL PITCH 520 532		1,00
4	SPMV800095390	PIN CHAIN CUTTING 520-532		1,00
5	SPMV8000B7038	TOOL PRE-LOAD REGULATION		1,00
6	SPMV800095807	ANT. STAND COMPLETE		1,00
7	SPMV8000B7340	PIN FOR FRONT STAND		1,00
8	SPMV8000B6779	TOOL		1,00
9	SPMV8000B6780	STEERING HEAD PLATE		1,00
10	SPMV8000B6781	STEERING BEARING		1,00
11	SPMV800097890	STEERING BEARING		1,00
12	SPMV8000B6787	REAR SUSPENSION SETTING ROD		1,00

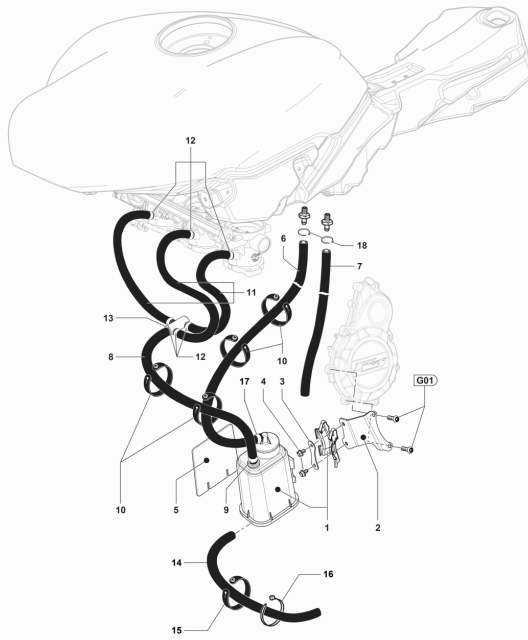


Pos	Part Number	Description	Additional Text	Quantity
1	SPMV8000B7177	Setting gauge gearbox		1,00
2	SPMV800079015	CLUTCH BLOCKING TOOL		1,00
3	SPMV8000B7207	PISTON ASSEMBLING PLATE		1,00
4	SPMV8000C2372	SUPP.FOR DISASSEMBLYASSEMBLY		1,00
5	SPMV8000B7295	HEAD GASKET KIT		1,00
6	SPMV8000B7296	WASHER KIT		1,00
7	SPMV800095581	VALVE SEAL ASSEMBLY		1,00
8	SPMV8000A2625	BROACH FOR VALVE GUIDE		1,00
9	SPMV800094798	GOMMIN DISASSEMBLY EQUIPMENT		1,00
10	SPMV62N115538	SPRING WASHER		1,00
11	SPMV8C0069056	TEF SCREW M8X1.25 CH12-L30		3,00
12	SPMV800095179	HALF-CONES		1,00
13	SPMV8A00B2859	PIPE		1,00
14	SPMV8000B7214	CAMSHAFT TOOL ASSEMBLING		2,00
15	SPMV800095429	CONTROL PAD		1,00
16	SPMV8000B7254	F3 PLATE		1,00
17	SPMV800051521	SCREW M4X6		2,00
18	SPMV8000B7255	CONE MOUNTING PART		1,00
19	SPMV8000B7299	TOOLS		1,00
20	SPMV800094796	VALVES ASSEMBLY		1,00
21	SPMV8000B7036	COVER CONNECTION		2,00
22	SPMV8000B9720	Puller rotor		1,00
23	SPMV8000C3198	OBD ADAPTER CABLE		1,00
24	SPMV8000C7824	Tool for exhaust valve		1,00



Pos	Part Number	Description	Additional Text	Quantity
1	SPMV8A00B5965	PLATE HOLDER STAFF		1,00
2	SPMV8000B6738	EXTENSION REAR FENDER		1,00
3	SPMV8B00B2687	SCREW, TCEIF M5x12	B4 RR-B4 NURBURGRING-RUSH	2,00
4	SPMV8000B6737	PLATE HOLDER PLATE AUSTRALIA		1,00
5	SPMV8000B2673	Screw TBEI M4x0,7xL8 CH2,5	MY12/16 AUS	4,00
5	SPMV8000B2673	Screw TBEI M4x0,7xL8 CH2,5	MY12/16 AUS	2,00
6	SPMV8000B2706	NUT, PARLOCK M4	990R-1090RR <002104 USA	4,00
6	SPMV8000B2706	NUT, PARLOCK M4	990R-1090RR <002104 USA	2,00
7	SPMV8000B4964	RETROREFLECTOR	990R-1090RR 002105> USA BRUTALE 920 USA	2,00
7	SPMV80A0B4964	RETROREFLECTOR	990R-1090RR 002105> USA BRUTALE 920 USA	2,00
8	SPMV8000B2707	NUT, M5x0,8xE6 CH8 PARLOCK	990R-1090RR 002105> USA BRUTALE 920 USA	2,00
8	SPMV8000B2707	NUT, M5x0,8xE6 CH8 PARLOCK	990R-1090RR 002105> USA BRUTALE 920 USA	2,00
9	SPMV8000B6736	LICENCE PLATE HOLDER	USA CND CN	1,00
9	SPMV8000C4237	LICENSE PLATEREFLECTOR FLANGE	JPN MY16/20 F3 675-800- RC	1,00
10	SPMV800099419	PIN, CUSHION	TAMBURINI	1,00
11	SPMV8000B7064	SUPPORT RH	USA CND CN MY12/16	1,00
11	SPMV8000B7064	SUPPORT RH	USA CND CN MY12/16	1,00
12	SPMV8000B5895	REFLECTOR SUPPORT	USA CND CN MY12/16	1,00
12	SPMV8000B5895	REFLECTOR SUPPORT	USA CND CN MY12/16	1,00
13	SPMV80A0B4964	RETROREFLECTOR	990R-1090RR 002105> USA BRUTALE 920 USA	2,00
13	SPMV80A0B4964	RETROREFLECTOR	990R-1090RR 002105> USA BRUTALE 920 USA	2,00
14	SPMV8000B2707	NUT, M5x0,8xE6 CH8 PARLOCK	990R-1090RR 002105> USA BRUTALE 920 USA	2,00

14	SPMV8000B2707	NUT, M5x0,8xE6 CH8 PARLOCK	990R-1090RR 002105> USA BRUTALE 920 USA	2,00
15	SPMV8000B2687	Screw TCEIF M5x8	USA CND CN MY12/16	4,00
15	SPMV8000B2687	Screw TCEIF M5x8	USA CND CN MY12/16	4,00
16	SPMV800094019	DECAL MIRROR	USA-CND	2,00
17	SPMV8000B6707	TIRE PLATEUSACANA	USA CND MY12/16 F3 675- ORO-800	1,00
17	SPMV8000B9653	TIRE NAMEPLATEUSACANAD	USA CND F3 AGO	1,00
17	SPMV8000C4597	TIRE NAMEPLATEUSACANAD	MY17/20 USA CND F3 675- F3 800	1,00
18	SPMV8000B6708	SPECIFIC. PLATE NOISE EMISSION	MY12/16 USA CND F3 675- F3 ORO	1,00
18	SPMV8000B6708	SPECIFIC. PLATE NOISE EMISSION	MY12/16 USA CND F3 675- F3 ORO	1,00
18	SPMV8000C4602	LEVEL CONTROL PLATE SO	MY18/20 USA CND F3 800 RC	1,00
18	SPMV8A00B6708	SO LEVEL CONTROL PLATE	MY15/17 USA CND F3 800 RC	1,00
18	SPMV8000C4598	SO LEVEL CONTROL PLATE	MY18/20 USA CND F3 675 RC	1,00
19	SPMV8000B6709	PLATE CONTROLL	MY15/17 USA CND F3 675 RC	1,00
19	SPMV8000B6709	PLATE CONTROLL	MY15/17 USA CND F3 675 RC	1,00
19	SPMV8000C4599	EMISSION CONTROL PLATE	MY17/20 USA CND F3 675	1,00
19	SPMV8000C4603	EMISSION CONTROL PLATE	MY17/20 USA CND F3 800	1,00
19	SPMV8000B8675	EMISSION CONTROL PLATE	MY13/16 USA CND F3 800- F3 AGO	1,00
20	SPMV8000B6732	NAMEPLATE ANTIMANIPULATION FR		1,00
20	SPMV8000B9349	TAMPERPROOF PLATE	MY14/16 FRA F3 675	1,00
20	SPMV8000B8677	ANTI-HANDLING PLATE FR	MY15/17 FRA F3 800 RC	1,00
21	SPMV8000B7331	TAMPER PROOF PLATE CEN		1,00
21	SPMV8000B9348	TAMPERPROOF PLATE	MY14/16 FRA F3 675	1,00
21	SPMV8000B8678	TAMPERPROOF PLATE CEN	MY13/16 FRA F3 800-F3 AGO	1,00
22	SPMV800095842	GEARS DATA PLATE	JPN	1,00



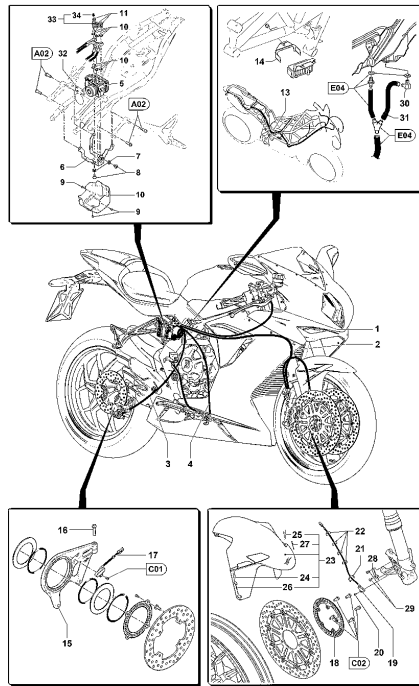
Pos	Part Number	Description	Additional Text	Quantity
1	SPMV800097083	CANISTER COMPLETE	008836-008839 & 009155> B4 910 S/910 R, USA	1,00
2	SPMV8000B6710	SUPPORT	MY17/20 F3 675-800-RC	1,00
2	SPMV8000B6710	SUPPORT	MY17/20 F3 675-800-RC	1,00
3	SPMV80A097086	CANISTER CENTERING	MY12/16 USA CND CN	1,00
3	SPMV80A097086	CANISTER CENTERING	MY12/16 USA CND CN	1,00
4	SPMV8A00B2680	Screw TEF M5x0,8x6 CH8 RT	MY12/16 USA CND CN	2,00
4	SPMV8A00B2680	Screw TEF M5x0,8x6 CH8 RT	MY12/16 USA CND CN	2,00
5	SPMV8000B7186	ADHESIVE PROTECTION FOR CANISTE	MY12/16 USA CND CN	1,00
6	SPMV8B0098714	HOSE 5,5X9,5 WITH INLET	MY12/16 USA CND CN	1,00
6	SPMV8B0098714	HOSE 5,5X9,5 WITH INLET	MY12/16 USA CND CN	1,00
7	SPMV8000B6216	HOSE D5-D8 EPICLORID	MY12/16 USA CND CN	1,00
7	SPMV8000B6216	HOSE D5-D8 EPICLORID	MY12/16 USA CND CN	1,00
8	SPMV800097089	HOSE	MY12/16 USA CND CN	1,00
8	SPMV800097089	HOSE	MY12/16 USA CND CN	1,00
9	SPMV800096458	CLAMP, METAL, 55 90	MY17/20 F3 675-800-RC	1,00
9	SPMV800096458	CLAMP, METAL, 55 90	MY17/20 F3 675-800-RC	1,00
10	SPMV800053724	BELT, RUBBER, SHORT	MY12/16 USA CND CN	4,00
10	SPMV800053724	BELT, RUBBER, SHORT	MY12/16 USA CND CN	4,00
11	SPMV800091037	HOSE, RUBBER 4X9	MY12/16 USA CND CN	3,00
11	SPMV800091037	HOSE, RUBBER 4X9	MY12/16 USA CND CN	3,00
12	SPMV8AA091634	CLAMP, METAL, SHORT	MY12/16 USA CND CN	6,00
12	SPMV8AA091634	CLAMP, METAL, SHORT	MY12/16 USA CND CN	6,00
13	SPMV8000B6733	4-WAY CONNECTOR	MY12/16 USA CND CN	1,00
13	SPMV8000B6733	4-WAY CONNECTOR	MY12/16 USA CND CN	1,00
14	SPMV8000B3443	HOSE		1,00
15	SPMV800092247	CLAMP, RUBBER, L62	F3 ORO-F3 AGO	1,00
16	SPMV800056783	Plastic clamp, L142	MY17/20 F3 675-F3 800	1,00
17	SPMV8A00B9346	HOSE CLAMP D9.3X8	MY12/16 USA CND CN	1,00

17	SPMV8A00B9346	HOSE CLAMP D9.3X8	MY12/16 USA CND CN	1,00
18	SPMV800092661	CLAMP 2.4X92	MY14/20 F3 675-F3 800	2,00



29	SPMV8000B4141	Piston rings	1090RR	1,00
30	SPMV8000A6930	PIN RETAINER RING	F3 675-F3 ORO-F3 675 RC	2,00
31	SPMV8000A6929	D15 PIN	MY12/13 F3 675-F3 ORO	1,00
32	SPMV8000B8977	GENERATOR KIT	MY12/13 F3 675-F3 ORO	1,00
33	SPMV8000B8978	GENERATOR ROTOR		1,00





Pos	Part Number	Description	Additional Text	Quantity
1	SPMV8000B8828	OIL PIPE, FRONT PUMP BRACKET	MY14/20 F3 675-F3 800	1,00
1	SPMV8000B8828	OIL PIPE, FRONT PUMP BRACKET	MY14/20 F3 675-F3 800	1,00
2	SPMV8000B8830	OIL PIPE, ABS CALIPER	MY15/20 F3 675	1,00
2	SPMV8000B8830	OIL PIPE, ABS CALIPER	MY15/20 F3 675	1,00
2	SPMV8000B8830	OIL PIPE, ABS CALIPER	MY15/20 F3 675	1,00
2	SPMV8000B9130	OIL TUBE MODULE ABS-CLAMP	MY14 F3 675	1,00
3	SPMV8000B8827	OIL PIPE, ABS CALIPER	MY14/20 F3 675-F3 800	1,00
3	SPMV8000B8827	OIL PIPE, ABS CALIPER	MY14/20 F3 675-F3 800	1,00
4	SPMV8000B8826	OIL PIPE, REAR PUMP BRACKET	MY14/20 F3 675-F3 800	1,00
4	SPMV8000B8826	OIL PIPE, REAR PUMP BRACKET	MY14/20 F3 675-F3 800	1,00
5	SPMV8000B9885	ABS MODULE WET	MY14/20 F3 675-F3 800	1,00
5	SPMV8000B9885	ABS MODULE WET	MY14/20 F3 675-F3 800	1,00
6	SPMV8000B8824	BRACKET ABS MODULE	MY14/20 F3 675-F3 800	1,00
6	SPMV8000B8824	BRACKET ABS MODULE	MY14/20 F3 675-F3 800	1,00
7	SPMV800089293	CUSHION, D18xD8xE7,5	MY14/20 F3 675-F3 800	2,00
7	SPMV800089293	CUSHION, D18xD8xE7,5	MY14/20 F3 675-F3 800	2,00
8	SPMV8000B8602	Screw	MY14/20 F3 675-F3 800	2,00
8	SPMV8000B8602	Screw	MY14/20 F3 675-F3 800	2,00
9	SPMV98B0090901	Special screw M4x8	TAMBURINI	3,00
9	SPMV98B0090901	Special screw M4x8	TAMBURINI	3,00
10	SPMV8000B8825	PROTECTION ABS MODULE	MY14/20 F3 675-F3 800	1,00
10	SPMV8000B8825	PROTECTION ABS MODULE	MY14/20 F3 675-F3 800	1,00
11	SPMV8000A8947	TUBO OIL PIPE UNION	F4RR	3,00
11	SPMV8000A8947	TUBO OIL PIPE UNION	F4RR	3,00
13	SPMV8000B7732	MAIN HARNESS	F3 AGO	1,00
13	SPMV8000B9861	MAIN CABLE	MY15/17 F3 675 RC-F3 800 RC	1,00
13	SPMV8000C4274	CABLES MAIN GROUP	MY18/19 F3 675 RC-F3 800 RC	1,00

14	SPMV8000B8821	BRACKET FUSE	F3 AGO-F3 675 RC-F3 800 RC	1,00
15	SPMV8A00B5928	BRACKET CALIPER BRAKE, REAR	F3 AGO-F3 675 RC-F3 800 RC	1,00
16	SPMV8000C2249	SCREW, M6X25	RR-RUSH	1,00
17	SPMV8000B7768	SENSOR, SPEED	F3 AGO-F3 675 RC-F3 800 RC	1,00
18	SPMV8000B9516	FRONT PHONIC WHEEL	MY14/20 F3 675-F3 800	1,00
18	SPMV8000B9516	FRONT PHONIC WHEEL	MY14/20 F3 675-F3 800	1,00
18	SPMV8000B9517	FRONT PHONIC WHEEL	F3 AGO	1,00
19	SPMV8000B7768	SENSOR, SPEED	F3 AGO-F3 675 RC-F3 800 RC	1,00
19	SPMV8000B7768	SENSOR, SPEED	F3 AGO-F3 675 RC-F3 800 RC	1,00
20	SPMV800090901	Screw M4	750 ORO	1,00
20	SPMV800090901	Screw M4	750 ORO	1,00
20	SPMV8A0090901	SCREW, M4x13,7	750S, 750S 1+1	1,00
21	SPMV800056783	Plastic clamp, L142	MY17/20 F3 675-F3 800	1,00
21	SPMV800056783	Plastic clamp, L142	MY17/20 F3 675-F3 800	1,00
22	SPMV800092661	CLAMP 2.4X92	MY14/20 F3 675-F3 800	4,00
22	SPMV800092661	CLAMP 2.4X92	MY14/20 F3 675-F3 800	4,00
23	SPMV8000B9195	MUDGUARD, FRONT	MY14 F3 675-F3 800	1,00
23	SPMV8000C0525	COMPLETE FRONT FENDER ABS	MY15/20 F3 675-F3 800	1,00
24	SPMV8000B9022	RX DECAL ABS FOR MUDGUARD	MY14 675-800	1,00
25	SPMV8000B9021	LX DECAL ABS FOR MUDGUARD	MY14 675-800	1,00
26	SPMV8000B9196	RIGHT DECAL RACE MODE	MY14 F3 675-F3 800	1,00
26	SPMV8000C0524	RIGHT "ABS R" DECAL FOR FENDER	MY15/20 F3 675-F3 800	1,00
27	SPMV8000B9197	LEFT DECAL RACE MODE	MY14 F3 675-F3 800	1,00
27	SPMV8000C0523	DECAL "ABS R" LEFT FOR FENDER	MY15/20 F3 675-F3 800	1,00
28	SPMV8000B9412	POSITIONING BRACKET FOR ABS SE	F3 675 RC-F3 800 RC	1,00
28	SPMV8000B9412	POSITIONING BRACKET FOR ABS SE	F3 675 RC-F3 800 RC	1,00
28	SPMV8000B9581	SENSOR SPACER	F3 AGO	1,00
29	SPMV8A00A5257	Screw M5x0,8-CH3-L10	MY16	2,00
30	SPMV8000B9411	CARRIER	MY15/17 MY19 F3 RC	1,00
31	SPMV8000B9410	BREATHER HOSE FUEL TANK	F3 AGO	1,00
32	SPMV8000C2959	ADHESIVE FOR ABS MODULE	MY14/20 F3 675-F3 800	1,00
32	SPMV8000C2959	ADHESIVE FOR ABS MODULE	MY14/20 F3 675-F3 800	1,00
33	SPMV8000A3975	DRAIN VALVE	MY18/20 F3 675-F3 800	1,00
33	SPMV8000A3975	DRAIN VALVE	MY18/20 F3 675-F3 800	1,00
33	SPMV8000A8947	TUBO OIL PIPE UNION	F4RR	1,00
33	SPMV8000A8947	TUBO OIL PIPE UNION	F4RR	1,00
34	SPMV800053259	COVER, RUBBER	1000 VIN <008064 1000 USA	1,00
34	SPMV800053259	COVER, RUBBER	1000 VIN <008064 1000 USA	1,00