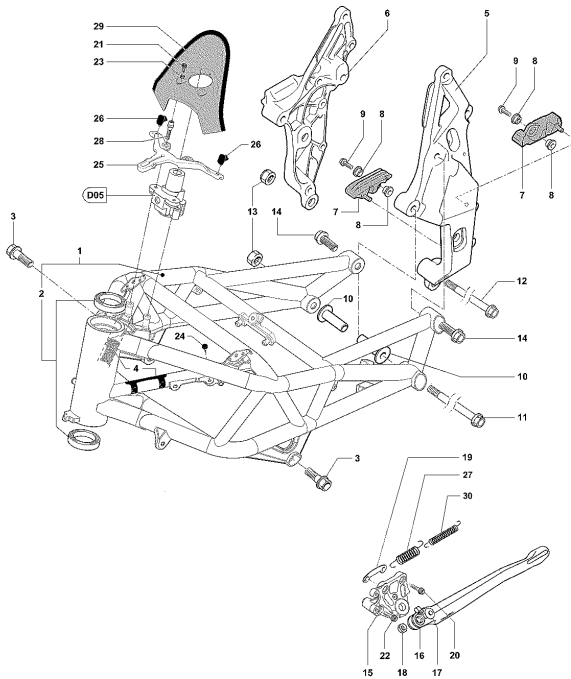


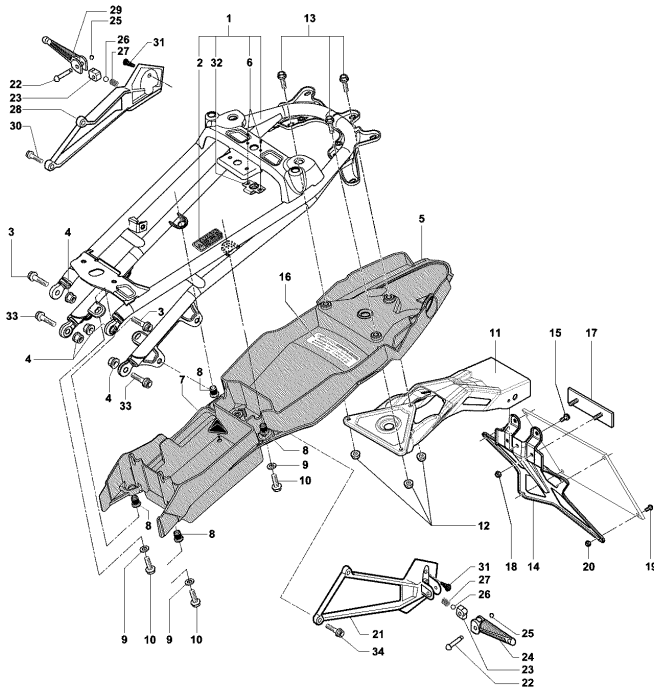
| | |
|-------------------------|----|
| 1.Frame | 3 |
| 2.RearFrame | 5 |
| 3.SwingArm | 7 |
| 4.Shock | 9 |
| 5.Fork | 10 |
| 6.RHFork | 12 |
| 7.LHFork | 13 |
| 8.RHFork-RR | 14 |
| 9.LHFork-RR | 15 |
| 10.RearWheel | 16 |
| 11.FrontWheel | 18 |
| 12.FrontWheel-RRCorsa | 19 |
| 13.LHRearset | 20 |
| 14.RHRearset | 21 |
| 15.FrontBrake | 23 |
| 16.ClutchMasterCylinder | 25 |
| 17.Locks | 27 |
| 18.FrontFairing | 28 |
| 19.Mirrors | 30 |
| 20.Intake | 32 |
| 21.FuelTank | 33 |
| 22.Saddle | 38 |
| 23.Dashboard | 41 |
| 24.Headlight | 43 |
| 25.EngineWireHarness | 44 |
| 26.WiringFans | 46 |
| 27.Battery | 47 |
| 28.TailLight | 48 |
| 29.CrankCase | 49 |
| 30.Crankshaft | 52 |

| | |
|-------------------|----|
| 31.CylPiston | 53 |
| 32.CylHead | 54 |
| 33.Timing | 56 |
| 34.OilFilterPump | 58 |
| 35.WaterPump | 59 |
| 36.CoolingSystem | 60 |
| 37.Clutch | 63 |
| 38.GearBox | 65 |
| 39.GearSelector | 67 |
| 40.FuelPump | 69 |
| 41.ThrottleBody | 70 |
| 42.Starter | 72 |
| 43.EngineElectric | 73 |
| 44.Exhaust | 74 |
| 45.Outfit | 76 |
| 46.FrameTools1 | 77 |
| 47.FrameTools2 | 78 |
| 48.EngineTools | 79 |
| 49.EngineTools2 | 80 |
| 50.MarketVariants | 81 |
| 51.Evap | 82 |
| 52.ABSBrake | 83 |



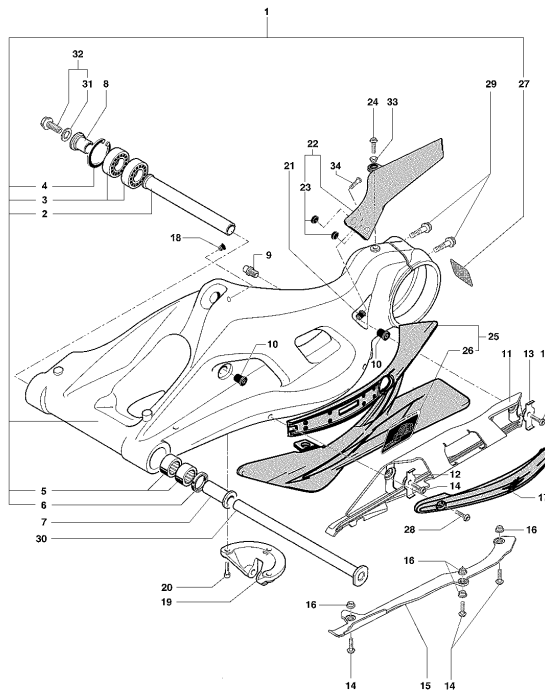
| Pos | Part Number | Description | Additional Text | Quantity |
|-----|---------------|--------------------------------|--|----------|
| 1 | SPMV8000B7333 | FINISHED B5 FRAME WBEARINGS | MY13/14 1090 BLACK MY15 1090 BLACK 1090R RED MY13/14 1090RR RED/SILVER | 1,00 |
| 1 | SPMV80A0B7333 | FRAME B5 | MY13/14 1090RR WHITE/GOLD MY13/14 1090RR WHITE/BLUE MY13/14 1090 GRAY MY15 1090RR 1090R BLACK, SILVER MY15 1090 WHITE MY13/14 1090 WHITE | 1,00 |
| 1 | SPMV80B0B7333 | FRAME | CORSA | 1,00 |
| 2 | SPMV8000B4784 | STEERING BEARING | | 2,00 |
| 3 | SPMV8000B3004 | SCREW, ENGINE SUPPORT, FRONT S | | 2,00 |
| 4 | SPMV800090417 | PROTECTION, RUBBER, PIPE | | 2,00 |
| 5 | SPMV80B0B3977 | BRACKET, FRAME AND SUSPENSION | 1090RR, BRUTALE 920 | 1,00 |
| 5 | SPMV80D0B3977 | FRAME PLATE LH | 1090 VIN <005262 1090R, 1090RR, CORSA | 1,00 |
| 6 | SPMV80B0B3976 | BRACKET, FRAME AND SUSPENSION | 1090RR, BRUTALE 920 | 1,00 |
| 6 | SPMV80D0B3976 | FRAME PLATE RH | 1090 VIN <005262 1090R, 1090RR, CORSA | 1,00 |
| 7 | SPMV8000B3978 | SLIDER CHAIN, B4 | | 2,00 |
| 8 | SPMV80A090392 | SPACER | B4 RS-B4 RR-B4 NURBURGRING | 4,00 |
| 9 | SPMV8E00B2681 | Screw M6x1-CH8-L20 | MY17/20 F3 675 RC-F3 800 RC | 2,00 |
| 10 | SPMV8AA084857 | ENGINE FIXING BUSHING | | 2,00 |
| 11 | SPMV8000B2757 | AXLE, ENGINE SUPPORT, UPPER | | 1,00 |
| 12 | SPMV8000B2756 | AXLE, ENGINE SUPPORT, BOTTOM | | 1,00 |
| 13 | SPMV8000B2715 | NUT, M12x1,25x12,5 CH17 | | 2,00 |
| 14 | SPMV8000B2750 | Screw TEF M12x1,25-L30 | | 2,00 |
| 15 | SPMV8000B3974 | PLATE | | 1,00 |

| | | | | |
|----|---------------|--------------------------------|--|------|
| 16 | SPMV8000B3583 | SIDE STAND | 1090 VIN FROM 004516 TO 004821 MY13/14 1090RR, 1090R | 1,00 |
| 16 | SPMV80A0B3583 | SIDE STAND | 1090 VIN <005262 MY15 1090RR, CORSA | 1,00 |
| 17 | SPMV80A090431 | PIN | | 1,00 |
| 18 | SPMV80A090432 | NUT, PARLOCK M8x1,25 | | 1,00 |
| 19 | SPMV8000B3584 | BRACKET SPRING | | 1,00 |
| 20 | SPMV8B00B2690 | Screw TCEIF M8x22 RP | EXCEPT F3 ORO | 2,00 |
| 21 | SPMV8C00B2687 | SCREW, M5x14 | F4RR | 2,00 |
| 22 | SPMV8D00B2690 | SCREW, TCEIF M8x1,25x30 RP | RR-RUSH | 1,00 |
| 23 | SPMV80A092658 | WASHER, SPACER, D10xD7,6xD5,2x | RR-SCS (VIN: >001629) / RC SCS | 2,00 |
| 24 | SPMV800099419 | PIN, CUSHION | TAMBURINI | 2,00 |
| 25 | SPMV8000B3085 | BRACKET, METAL, FUEL TANK | | 1,00 |
| 26 | SPMV8000B2992 | CUSHION, RUBBER, FUEL TANK | | 2,00 |
| 27 | SPMV8000B3987 | OUTER SPRING | | 1,00 |
| 28 | SPMV8000B2991 | SCREW, SPECIAL, FUEL TANK SUPP | | 2,00 |
| 29 | SPMV8000B2984 | FAIRING, IGNITION | | 1,00 |
| 30 | SPMV8000B3986 | INNER SPRING | | 1,00 |



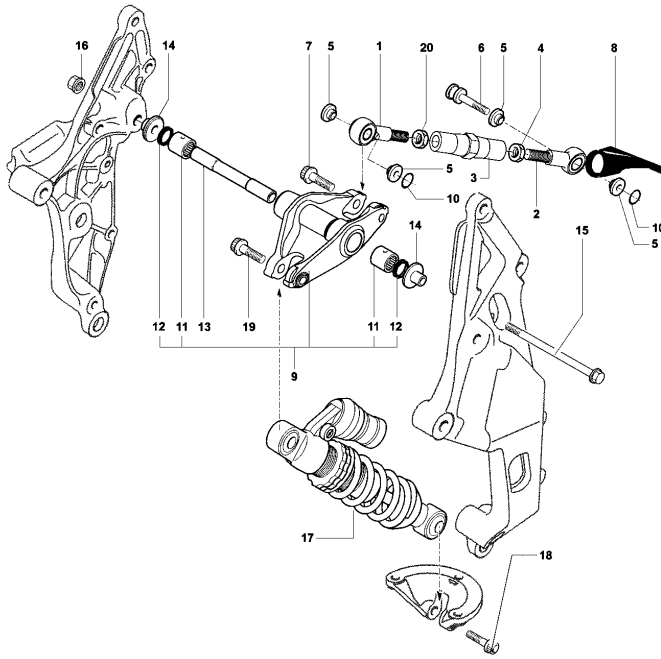
| Pos | Part Number | Description | Additional Text | Quantity |
|-----|---------------|--------------------------------|----------------------------|----------|
| 1 | SPMV8000B5338 | REAR FRAME | 1090R | 1,00 |
| 1 | SPMV8000B6691 | REAR FRAME | 1090RR | 1,00 |
| 1 | SPMV80A0B6691 | COMPLETE REAR FRAME | MY15 1090RR | 1,00 |
| 1 | SPMV80A0B5338 | COMPLETE REAR FRAME | MY15 1090 | 1,00 |
| 2 | SPMV800092257 | BATTERY DATA PLATE | | 1,00 |
| 3 | SPMV8D00B2690 | SCREW, TCEIF M8x1,25x30 RP | RR-RUSH | 2,00 |
| 4 | SPMV8000B2712 | NUT, M8x1,25x8,5 CH12 | MY15/17 JPN F3 RC | 4,00 |
| 5 | SPMV8000B2986 | MUDGUARD, BATTERY SUPPORT, REA | | 1,00 |
| 6 | SPMV800094279 | RIVET, POP SSD 43 SS BS | | 2,00 |
| 7 | SPMV800066339 | CUSHION, BATTERY | BRUTALE S <10760 | 4,00 |
| 8 | SPMV800048245 | CUSHION, SCREW, M6x1 L16 | B4 RS | 4,00 |
| 9 | SPMV800089751 | WASHER, PLÁSTICA 12,5x6x0,5 PO | | 4,00 |
| 10 | SPMV8B00B2672 | SCREW, M6x11,7x21 | DRAGSTER | 4,00 |
| 11 | SPMV8A00B9192 | PLATE HOLDER BRACKET | | 1,00 |
| 12 | SPMV8000B2710 | NUT, M6x1 CH10 E7 PARLOCK | EXCEPT ORO | 3,00 |
| 13 | SPMV8F00B2681 | SCREW, M6x1 CH8 L22 | | 3,00 |
| 14 | SPMV8000B5911 | PLATE HOLDER CATADIOPTRIC | | 1,00 |
| 15 | SPMV8000B2687 | Screw TCEIF M5x8 | USA CND CN MY12/16 | 1,00 |
| 16 | SPMV8000A4000 | TYRES DATA PLATE | EXCEPT USA, >10761 | 1,00 |
| 17 | SPMV800073834 | REFLECTOR | | 1,00 |
| 18 | SPMV8000B2706 | NUT, PARLOCK M4 | 990R-1090RR <002104 USA | 2,00 |
| 19 | SPMV8000B2673 | Screw TBEI M4x0,7xL8 CH2,5 | MY12/16 AUS | 4,00 |
| 20 | SPMV8000B2706 | NUT, PARLOCK M4 | 990R-1090RR <002104 USA | 4,00 |
| 21 | SPMV80B094169 | BRACKET, PASSENGER FOOTREST, L | | 1,00 |
| 22 | SPMV8B00B2769 | PIN, FOOTREST | | 2,00 |
| 23 | SPMV800094171 | SUPPORT, FIX, FOOTREST | | 2,00 |
| 24 | SPMV80A091661 | FOOTREST, PASSENGER, LEFT SIDE | | 1,00 |

| | | | | |
|----|---------------|--------------------------------|------------------------------|------|
| 25 | SPMV800090429 | LOCK RING, FOOTREST | | 2,00 |
| 26 | SPMV6BN021507 | BALL, FOOTREST | | 2,00 |
| 27 | SPMV800094170 | SPRING, FOOTREST | | 2,00 |
| 28 | SPMV80B098721 | BRACKET, PASSENGER FOOTREST, R | | 1,00 |
| 29 | SPMV80A091662 | FOOTREST, PASSENGER, RIGHT SID | | 1,00 |
| 30 | SPMV8D00B2690 | SCREW, TCEIF M8x1,25x30 RP | RR-RUSH | 2,00 |
| 31 | SPMV800095828 | CUSION | | 2,00 |
| 32 | SPMV800069150 | SUPPORT, SEAT LOCK, PASSENGER | | 1,00 |
| 33 | SPMV8C00B2690 | SCREW, TCEIF M8x25 RP | MY12/16 JPN F3 675-F3 800 | 2,00 |
| 34 | SPMV8B00B2690 | Screw TCEIF M8x22 RP | EXCEPT F3 ORO | 2,00 |

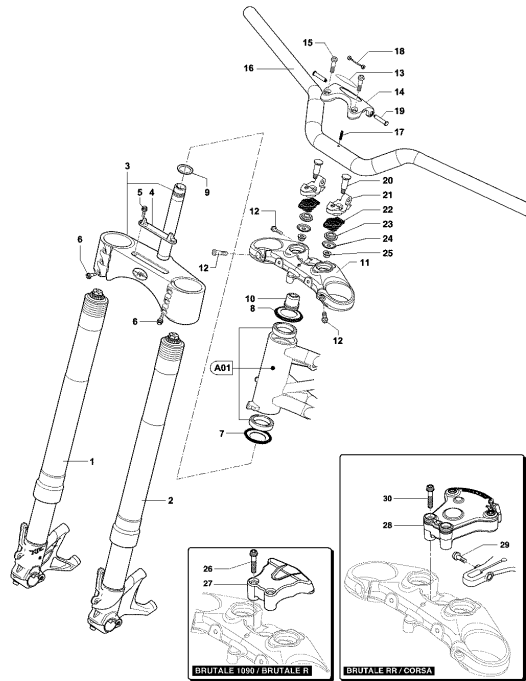


| Pos | Part Number | Description | Additional Text | Quantity |
|-----|---------------|--------------------------------|--|----------|
| 1 | SPMV8AA0B3614 | REAR FORK | 1090RR, BRUTALE 920 | 1,00 |
| 1 | SPMV8AC0B3614 | REAR SWINGARM | 1090 VIN <005262 1090R, 1090RR, CORSA | 1,00 |
| 2 | SPMV800084872 | SPACER, SWINGARM BEARING | | 1,00 |
| 3 | SPMV800084938 | BALL BEARING, SWINGARM, RIGH S | | 2,00 |
| 4 | SPMV800084939 | CIRCLIP, J42x1,75 V | | 1,00 |
| 5 | SPMV800084936 | NEEDLE BEARING, SWINGARM, LEFT | | 2,00 |
| 6 | SPMV800084937 | RETAINER, SWINGARM, FRONT SIDE | | 1,00 |
| 7 | SPMV800084859 | BUSH, SWINGARM, LEFT SIDE | | 1,00 |
| 8 | SPMV800084873 | FORK RH BUSH | | 1,00 |
| 9 | SPMV8000B2762 | BRACKET, REAR BRAKE, SCREW | | 1,00 |
| 10 | SPMV800048245 | CUSHION, SCREW, M6x1 L16 | B4 RS | 2,00 |
| 11 | SPMV8000B3622 | CHAIN GUIDE, UPPER | | 1,00 |
| 12 | SPMV800087463 | METAL BRACKET, CHAIN GUIDE, RE | | 1,00 |
| 13 | SPMV800089300 | METAL BRACKET, CHAIN GUIDE, FR | | 1,00 |
| 14 | SPMV8B00B2672 | SCREW, M6x11,7x21 | DRAGSTER | 5,00 |
| 15 | SPMV8000B3623 | CHAIN GUIDE, BOTTOM | | 1,00 |
| 16 | SPMV800090391 | SPACER, D15,5xD8xD6,2xE3,8 | | 4,00 |
| 17 | SPMV8000B3629 | PROTECTOR, SWINGARM | EXCEPT RC LH | 1,00 |
| 18 | SPMV8000A4539 | CAP, SWINGARM, D9,5 | | 3,00 |
| 19 | SPMV800087441 | SUPPORT, SHOCK ABSORBER | 1000S, 1000S1+1 | 1,00 |
| 20 | SPMV8D00B2691 | SCREW, TCEIF M10x1,25x31 | RR-RUSH | 3,00 |
| 21 | SPMV800091022 | BUSH, SCREW, M4x0,7 | F4S, F4R, F4RR | 1,00 |
| 22 | SPMV8000B5318 | CHAIN COVER SUP. COMPL. | RR-RUSH | 1,00 |
| 23 | SPMV800090979 | CAP, UPPER GUIDE CHAIN | SR | 2,00 |
| 24 | SPMV8A00B2672 | SCREW, M6x11,7x12 | MY18 RC, MY19 RC, RC LH | 1,00 |
| 25 | SPMV8000B4016 | LOWER CHAIN COVER COMPL. | F4S, F4R, F4RR | 1,00 |
| 26 | SPMV8000B4015 | STICKER, CHAIN ADJUSTER | | 1,00 |

| | | | | |
|----|---------------|-------------------------------|-------------------------------|------|
| 27 | SPMV8000A2734 | DECAL | | 1,00 |
| 28 | SPMV8B00B2688 | Screw TCEIF M6x1x16 | EXCEPT F3 ORO | 2,00 |
| 29 | SPMV8000B2752 | Special screw wheel hub | 675, 800, 800RR | 2,00 |
| 30 | SPMV800091655 | AXLE, SWINGARM | 750S, 750S 1+1 | 1,00 |
| 31 | SPMV8000C0852 | WASHER | | 1,00 |
| 32 | SPMV8000C0928 | SCREW AND ROSETTE KIT FOR PIN | | 1,00 |
| 33 | SPMV80A090392 | SPACER | B4 RS-B4 RR-B4 NURBURGRING | 1,00 |
| 34 | SPMV8A0090901 | SCREW, M4x13,7 | 750S, 750S 1+1 | 1,00 |

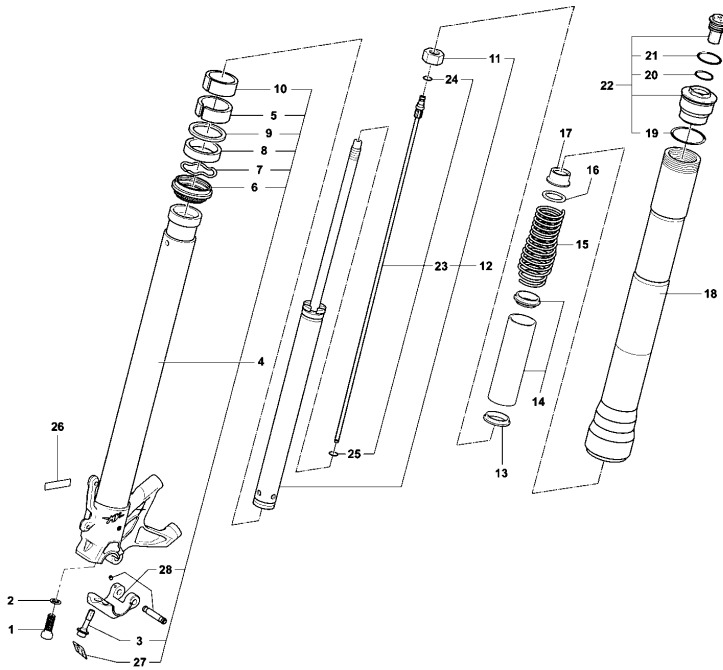


| Pos | Part Number | Description | Additional Text | Quantity |
|-----|---------------|--------------------------------|-------------------|----------|
| 1 | SPMV8000B3158 | UPPER HALF SUPPORT | | 1,00 |
| 2 | SPMV8A00B3158 | LOWER HALF SUPPORT | | 1,00 |
| 3 | SPMV8000B3157 | REGISTER | | 1,00 |
| 4 | SPMV8A00B3159 | SPRING M12 | | 1,00 |
| 5 | SPMV8000B3160 | SPACER, SHOCK ABSORBER AXLE | | 4,00 |
| 6 | SPMV8000B2763 | SPECIAL SCREW, SHOCK ABSORBER, | | 1,00 |
| 7 | SPMV8G00B2691 | Screw TCEIF M10x1,25-L45 | EXCEPT 675 | 1,00 |
| 8 | SPMV800091027 | DUST COVER, SHOCK ABSORBER CYL | | 1,00 |
| 9 | SPMV8000B3980 | LEVER | | 1,00 |
| 10 | SPMV8000B3491 | WASHER, SHOCK ABSORBER ADJUSTE | | 2,00 |
| 11 | SPMV800084945 | BEARING | | 2,00 |
| 12 | SPMV800084946 | GROMMET | | 2,00 |
| 13 | SPMV800084858 | SPACER | | 1,00 |
| 14 | SPMV80A086447 | WASHER, SPACER, SHOCK ABSORBER | | 2,00 |
| 15 | SPMV8000B2755 | Screw shock absorber | RR-RUSH | 1,00 |
| 16 | SPMV8000B2714 | NUT, M10x1,25x10 CH14 | | 1,00 |
| 17 | SPMV8000B3984 | REAR SHOCK ABSORBER | 990R, BRUTALE 920 | 1,00 |
| 17 | SPMV8000B5673 | SHOCK ABSORBER, REAR, B4 | 1090R | 1,00 |
| 17 | SPMV8000B6868 | REAR SHOCK ABSORBER | 1090RR | 1,00 |
| 18 | SPMV8J00B2691 | SCREW, TCEIF M10x1,25xL55 | RR-RUSH | 1,00 |
| 19 | SPMV8H00B2691 | Screw TCEIF M10x1,25 L50 | 675 | 1,00 |
| 20 | SPMV8000B3159 | SPRING M12 | | 1,00 |

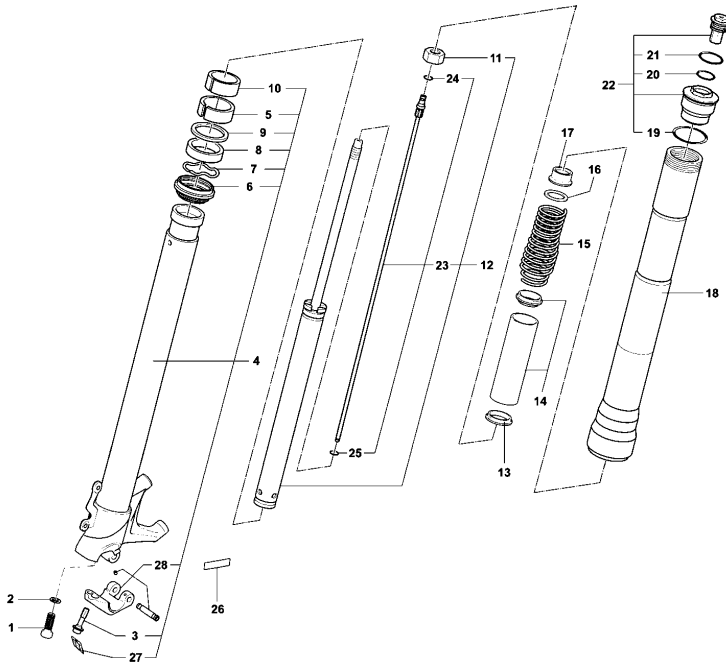


| Pos | Part Number | Description | Additional Text | Quantity |
|-----|---------------|--------------------------------|---------------------------|----------|
| 1 | SPMV8000B7516 | FORK LEG RH | 1090RR | 1,00 |
| 1 | SPMV8000B7520 | FORK LEG RH | 1090, 1090R | 1,00 |
| 1 | SPMV8000B8950 | FRONT CUSHION ASSY RIGHT | CORSA | 1,00 |
| 2 | SPMV8000B7521 | FORK LEG LH | 1090, 1090R | 1,00 |
| 2 | SPMV8000B8951 | FRONT CUSHION ASSY LEFT | CORSA | 1,00 |
| 2 | SPMV8A00B7515 | LEFT LEG | 1090RR | 1,00 |
| 3 | SPMV8A00B4679 | LOWER TRIPLE CLAMP WITH PIN | | 1,00 |
| 4 | SPMV8000B3090 | STOPPER, HANDLEBAR | | 1,00 |
| 5 | SPMV8B00B2688 | Screw TCEIF M6x1x16 | EXCEPT F3 ORO | 2,00 |
| 6 | SPMV8E00B2688 | Screw TCEIF M6x22 RP | F3 ORO | 6,00 |
| 7 | SPMV800090897 | DUST COVER, STEERING STEM | | 1,00 |
| 8 | SPMV800090897 | DUST COVER, STEERING STEM | | 1,00 |
| 9 | SPMV8000B4363 | SPACER, STEERING | | 1,00 |
| 10 | SPMV8000B2982 | NUT, SPECIAL, STEERING STEM, B | | 1,00 |
| 11 | SPMV8000B3003 | STEERING HEAD | 1090, 1090R, 1090RR | 1,00 |
| 11 | SPMV8000B8886 | top triple clamp | CORSA | 1,00 |
| 12 | SPMV8C00B2690 | SCREW, TCEIF M8x25 RP | MY12/16 JPN F3 675-F3 800 | 3,00 |
| 13 | SPMV8000B4982 | DECAL | BRUTALE 920 | 1,00 |
| 13 | SPMV8000B7779 | DECAL -R 1090- HOLDER | 1090R | 1,00 |
| 13 | SPMV8000B7807 | DECAL -RR 1090- HOLDER | MY13/14 1090RR | 1,00 |
| 13 | SPMV8000B8061 | DECAL RR CORSA HANDLEBAR | CORSA | 1,00 |
| 13 | SPMV8000C1511 | STICKER "BRUTALE RR" | MY15 1090RR | 1,00 |
| 13 | SPMV8000C1591 | DECAL "BRUTALE 1090" FOR CAVAL | MY15 1090 | 1,00 |
| 14 | SPMV8000B3086 | UPPER U BOLT | | 1,00 |
| 15 | SPMV8D00B2690 | SCREW, TCEIF M8x1,25x30 RP | RR-RUSH | 2,00 |
| 16 | SPMV8000B2978 | Handlebar | | 1,00 |
| 17 | SPMV6AND55037 | CUSHION, D4,4xD2,8xL28 | | 1,00 |
| 18 | SPMV800090906 | RUBBER COVER | | 1,00 |

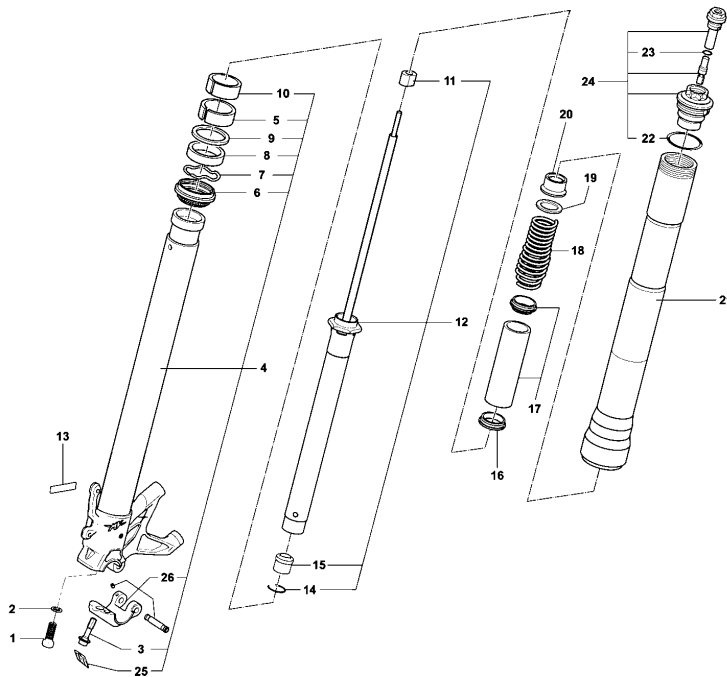
| | | | | |
|----|---------------|------------------------------|-------------------|------|
| 19 | SPMV8000B3000 | PIN | | 2,00 |
| 20 | SPMV8000B3114 | PIN | | 2,00 |
| 21 | SPMV8000B2990 | LOWER U BOLT | | 2,00 |
| 22 | SPMV8000B3440 | VIBRATION-DAMPER | | 2,00 |
| 23 | SPMV8000B3441 | VIBRATION-DAMPER | | 2,00 |
| 24 | SPMV8000B3474 | WASHER | | 2,00 |
| 25 | SPMV8000B2712 | NUT, M8x1,25x8,5 CH12 | MY15/17 JPN F3 RC | 2,00 |
| 26 | SPMV8G00B2688 | Screw TCEIF M6x30 | EXCEPT ORO | 2,00 |
| 27 | SPMV8000B3155 | CAP, CHAMBER | | 1,00 |
| 28 | SPMV8000B3191 | SHOCK ABSORBER, STEERING, B4 | | 1,00 |
| 29 | SPMV8D00B2687 | Screw TCEIF M5x16 RT | B4 RS | 1,00 |
| 30 | SPMV8H00B2688 | Screw M6x35 | RR-RUSH | 2,00 |



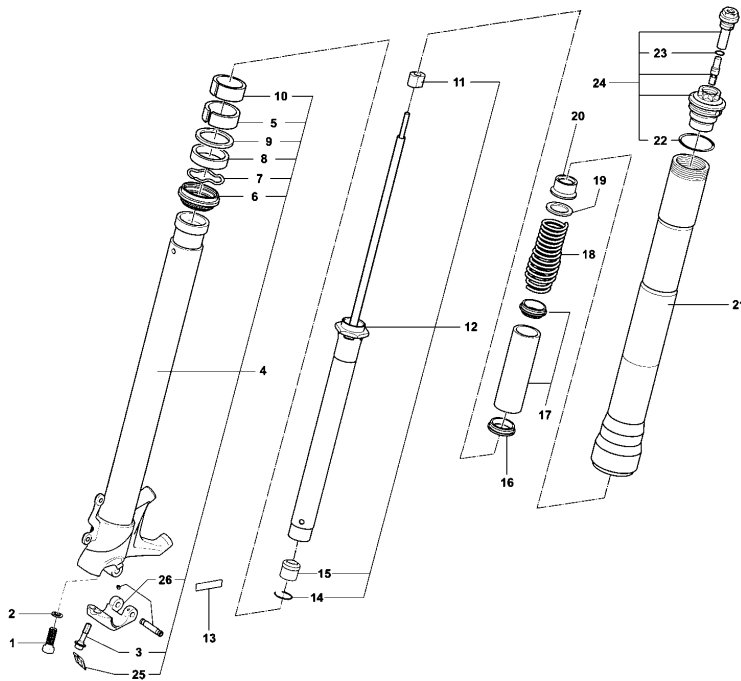
| Pos | Part Number | Description | Additional Text | Quantity |
|-----|---------------|---------------------------|--------------------|----------|
| 1 | SPMV800097784 | SCREW M10X25 | | 1,00 |
| 2 | SPMV800046511 | WASHER | | 1,00 |
| 3 | SPMV8000B3775 | SCREW, M8x32 HEX INT ZB | | 1,00 |
| 4 | SPMV8000B7522 | COMPLETE RIGHT STEM | | 1,00 |
| 5 | SPMV8000A1860 | BUSH | | 1,00 |
| 6 | SPMV8000A4690 | DUST COVER | | 1,00 |
| 7 | SPMV800089274 | RETAINING RING | | 1,00 |
| 8 | SPMV800086500 | GROMMET | | 1,00 |
| 9 | SPMV800089275 | SPACER | | 1,00 |
| 10 | SPMV800086503 | BUSH | | 1,00 |
| 11 | SPMV800081174 | SPRING | | 1,00 |
| 12 | SPMV8000B4258 | REBOUND DAMPING | | 1,00 |
| 13 | SPMV8000A1863 | CENTERING FOR SPACER | | 1,00 |
| 14 | SPMV8000B2518 | SPACER AND BUSH | | 1,00 |
| 15 | SPMV8000B2137 | SPRING | | 1,00 |
| 16 | SPMV8000A1867 | WASHER | | 1,00 |
| 17 | SPMV8000A1868 | SPRING PUSHER | | 1,00 |
| 18 | SPMV8000B4261 | SPRING | | 1,00 |
| 19 | SPMV8000A1870 | GROMMET | | 1,00 |
| 20 | SPMV800023118 | OR3075 T2.62-D18.72 (NBR) | | 1,00 |
| 21 | SPMV8000B2548 | GROMMET | | 1,00 |
| 22 | SPMV8000B4262 | PLUG ASSEMBLY | | 1,00 |
| 23 | SPMV8000B4260 | ROD ASSY | | 1,00 |
| 24 | SPMV8000A0817 | GROMMET | | 1,00 |
| 25 | SPMV800023105 | GROMMET | | 1,00 |
| 26 | SPMV8000A8286 | DECAL MARZOCCHI | B4 910 R/B4 ITALIA | 1,00 |
| 27 | SPMV8000B4460 | DECAL | | 1,00 |
| 28 | SPMV8000B4808 | CLAMP | | 1,00 |



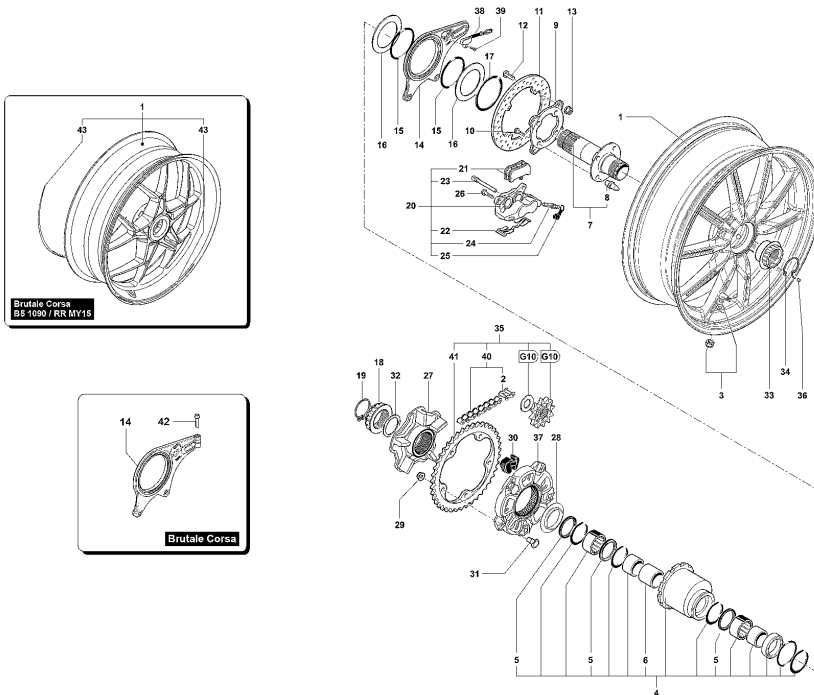
| Pos | Part Number | Description | Additional Text | Quantity |
|-----|---------------|---------------------------|--------------------|----------|
| 1 | SPMV800097784 | SCREW M10X25 | | 1,00 |
| 2 | SPMV800046511 | WASHER | | 1,00 |
| 3 | SPMV8000B3775 | SCREW, M8x32 HEX INT ZB | | 1,00 |
| 4 | SPMV8000B7523 | COMPLETE LEFT STEM | | 1,00 |
| 5 | SPMV8000A1860 | BUSH | | 1,00 |
| 6 | SPMV8000A4690 | DUST COVER | | 1,00 |
| 7 | SPMV800089274 | RETAINING RING | | 1,00 |
| 8 | SPMV800086500 | GROMMET | | 1,00 |
| 9 | SPMV800089275 | SPACER | | 1,00 |
| 10 | SPMV800086503 | BUSH | | 1,00 |
| 11 | SPMV800081174 | SPRING | | 1,00 |
| 12 | SPMV8000B4259 | REBOUND DAMPING | | 1,00 |
| 13 | SPMV8000A1863 | CENTERING FOR SPACER | | 1,00 |
| 14 | SPMV8000B2518 | SPACER AND BUSH | | 1,00 |
| 15 | SPMV8000B2137 | SPRING | | 1,00 |
| 16 | SPMV8000A1867 | WASHER | | 1,00 |
| 17 | SPMV8000A1868 | SPRING PUSHER | | 1,00 |
| 18 | SPMV8000B4261 | SPRING | | 1,00 |
| 19 | SPMV8000A1870 | GROMMET | | 1,00 |
| 20 | SPMV800023118 | OR3075 T2.62-D18.72 (NBR) | | 1,00 |
| 21 | SPMV8000B2548 | GROMMET | | 1,00 |
| 22 | SPMV8A00B4262 | PLUG ASSEMBLY | | 1,00 |
| 23 | SPMV8000B4260 | ROD ASSY | | 1,00 |
| 24 | SPMV8000A0817 | GROMMET | | 1,00 |
| 25 | SPMV800023105 | GROMMET | | 1,00 |
| 26 | SPMV8000A8286 | DECAL MARZOCCHI | B4 910 R/B4 ITALIA | 1,00 |
| 27 | SPMV8000B4460 | DECAL | | 1,00 |
| 28 | SPMV8000B4809 | CLAMP | | 1,00 |



| Pos | Part Number | Description | Additional Text | Quantity |
|-----|---------------|------------------------------|-------------------------|----------|
| 1 | SPMV800097784 | SCREW M10X25 | | 1,00 |
| 2 | SPMV800046511 | WASHER | | 1,00 |
| 3 | SPMV8000B3775 | SCREW, M8x32 HEX INT ZB | | 1,00 |
| 4 | SPMV8000B4804 | RIGHT STEM COMPL. | | 1,00 |
| 5 | SPMV8000A1860 | BUSH | | 1,00 |
| 6 | SPMV8000A4690 | DUST COVER | | 1,00 |
| 7 | SPMV800089274 | RETAINING RING | | 1,00 |
| 8 | SPMV800086500 | GROMMET | | 1,00 |
| 9 | SPMV800089275 | SPACER | | 1,00 |
| 10 | SPMV800086503 | BUSH | | 1,00 |
| 11 | SPMV800081174 | SPRING | | 1,00 |
| 12 | SPMV8000B6865 | EXTENSION ADJUSTER CARTRIDGE | | 1,00 |
| 13 | SPMV8000A8286 | DECAL MARZOCCHI | B4 910 R/B4 ITALIA | 1,00 |
| 14 | SPMV800081164 | O-RING | | 1,00 |
| 15 | SPMV8000B4275 | VALVE | | 1,00 |
| 16 | SPMV8000A1863 | CENTERING FOR SPACER | | 1,00 |
| 17 | SPMV8000B2164 | SPACER AND BUSH | 1000 VIN 008065> & 1078 | 1,00 |
| 18 | SPMV8000B2137 | SPRING | | 1,00 |
| 19 | SPMV8000A1867 | WASHER | | 1,00 |
| 20 | SPMV8000A1868 | SPRING PUSHER | | 1,00 |
| 21 | SPMV8000B4261 | SPRING | | 1,00 |
| 22 | SPMV8000A1870 | GROMMET | | 1,00 |
| 23 | SPMV8000A0817 | GROMMET | | 1,00 |
| 24 | SPMV8000B4265 | PLUG ASSEMBLY | | 1,00 |
| 25 | SPMV8000B4460 | DECAL | | 1,00 |
| 26 | SPMV8000B4808 | CLAMP | | 1,00 |

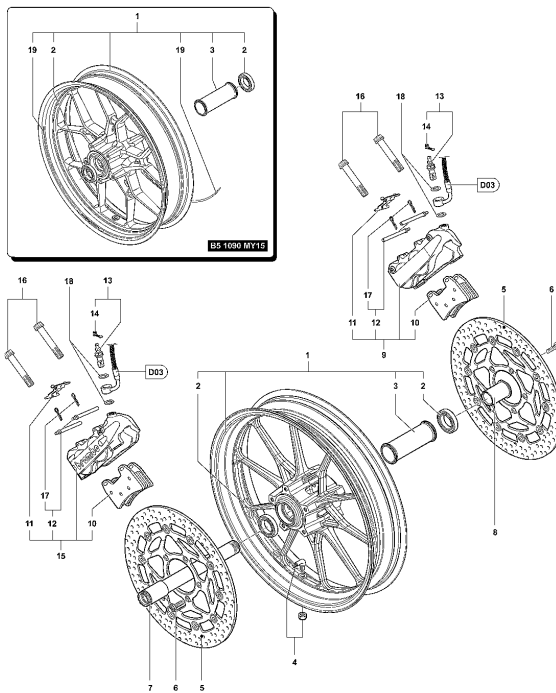


| Pos | Part Number | Description | Additional Text | Quantity |
|-----|---------------|----------------------------------|-------------------------|----------|
| 1 | SPMV800097784 | SCREW M10X25 | | 1,00 |
| 2 | SPMV800046511 | WASHER | | 1,00 |
| 3 | SPMV8000B3775 | SCREW, M8x32 HEX INT ZB | | 1,00 |
| 4 | SPMV8A00B4805 | COMPLETE LEFT LEG | | 1,00 |
| 5 | SPMV8000A1860 | BUSH | | 1,00 |
| 6 | SPMV8000A4690 | DUST COVER | | 1,00 |
| 7 | SPMV800089274 | RETAINING RING | | 1,00 |
| 8 | SPMV800086500 | GROMMET | | 1,00 |
| 9 | SPMV800089275 | SPACER | | 1,00 |
| 10 | SPMV800086503 | BUSH | | 1,00 |
| 11 | SPMV800081174 | SPRING | | 1,00 |
| 12 | SPMV8000B6866 | COMPRESSION ADJUSTMENT CARTRIDGE | | 1,00 |
| 13 | SPMV8000A8286 | DECAL MARZOCCHI | B4 910 R/B4 ITALIA | 1,00 |
| 14 | SPMV800081164 | O-RING | | 1,00 |
| 15 | SPMV8000B4275 | VALVE | | 1,00 |
| 16 | SPMV8000A1863 | CENTERING FOR SPACER | | 1,00 |
| 17 | SPMV8000B2164 | SPACER AND BUSH | 1000 VIN 008065> & 1078 | 1,00 |
| 18 | SPMV8000B2137 | SPRING | | 1,00 |
| 19 | SPMV8000A1867 | WASHER | | 1,00 |
| 20 | SPMV8000A1868 | SPRING PUSHER | | 1,00 |
| 21 | SPMV8000B4261 | SPRING | | 1,00 |
| 22 | SPMV8000A1870 | GROMMET | | 1,00 |
| 23 | SPMV8000A0817 | GROMMET | | 1,00 |
| 24 | SPMV8A00B4265 | PLUG ASSEMBLY | | 1,00 |
| 25 | SPMV8000B4460 | DECAL | | 1,00 |
| 26 | SPMV8000B4809 | CLAMP | | 1,00 |

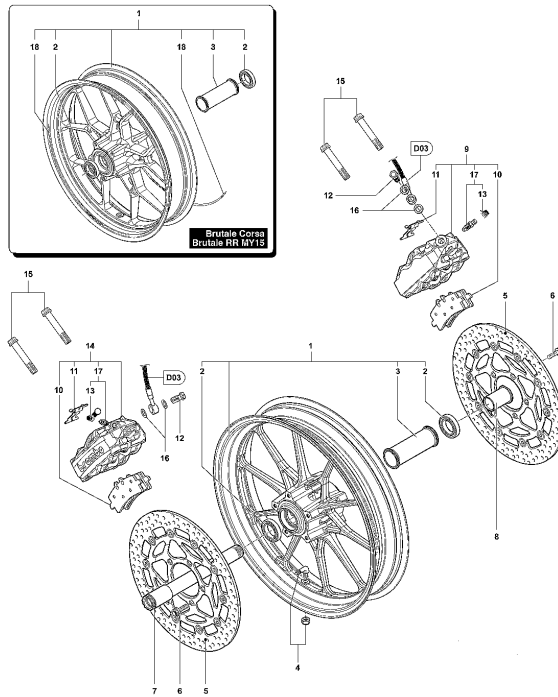


| Pos | Part Number | Description | Additional Text | Quantity |
|-----|---------------|--------------------------------|--|----------|
| 1 | SPMV8000B9046 | REAR WHEEL RIM | CORSA | 1,00 |
| 1 | SPMV8000C1534 | REAR WHELL | MY15 1090 WHITE MY15 1090RR | 1,00 |
| 1 | SPMV80A0B7245 | REAR WHEEL, 17", BRUTALE | MY13/14 1090, 1090R MY13/14 1090RR | 1,00 |
| 1 | SPMV80A0C1534 | REAR WHEEL RIM. 17" FINISHED | MY15 1090 BLACK | 1,00 |
| 2 | SPMV8000B5930 | CHAIN LINK | BRUTALE 920 | 1,00 |
| 3 | SPMV8000B3195 | VALVE, WHEEL | 675,800,800RR,DRAG., DRAG. RC | 1,00 |
| 4 | SPMV8000B7317 | REAR ECCENTRIC HUB CO | BRUTALE 920 | 1,00 |
| 5 | SPMV800084909 | GROMMET | | 3,00 |
| 6 | SPMV8000B7316 | SPACER, REAR WHEEL HUB | MY12/16 F3 675-F3 800 | 1,00 |
| 7 | SPMV8000B3198 | HUB, REAR WHEEL, INNER SIDE | | 1,00 |
| 8 | SPMV8000B5947 | PLUG FOR REAR WHEEL | | 4,00 |
| 9 | SPMV800084890 | FLANGE, REAR WHEEL HUB, INNER | 1000S, 1000S1+1 | 1,00 |
| 10 | SPMV80A084902 | SCREW, FLANGE PIN | | 4,00 |
| 11 | SPMV8A00B1654 | DISK, REAR BRAKE | | 1,00 |
| 12 | SPMV8000B2767 | SCREW, DISK BRAKE | 1090-1090R-1090RR NO ABS (FOR ABS SEE DRAWING K03) | 4,00 |
| 12 | SPMV8A00B5927 | Screw HEX M7x17 8.8 ZB | CORSA | 4,00 |
| 13 | SPMV800084891 | NUT, M7 | | 4,00 |
| 14 | SPMV8A00B0976 | SUPPORT, REAR BRAKE CALIPER | 1090-1090R-1090RR NO ABS | 1,00 |
| 14 | SPMV8C00B0976 | SUPPORT, REAR BREAK CALIPER | 1090-1090R-1090RR ABS CORSA | 1,00 |
| 15 | SPMV800086702 | RUBBER RING, 3325 D82,22x2,62 | | 2,00 |
| 16 | SPMV800084893 | WASHER, D81xD93xE0,7 | | 2,00 |
| 17 | SPMV800084913 | CIRCLIP, F80 | | 1,00 |
| 18 | SPMV800084904 | SPECIAL NUT, REAR WHEEL AXLE, | EXCEPT RC LH | 1,00 |
| 19 | SPMV800084898 | STEEL RING, REAR WHEEL, LEFT S | | 1,00 |

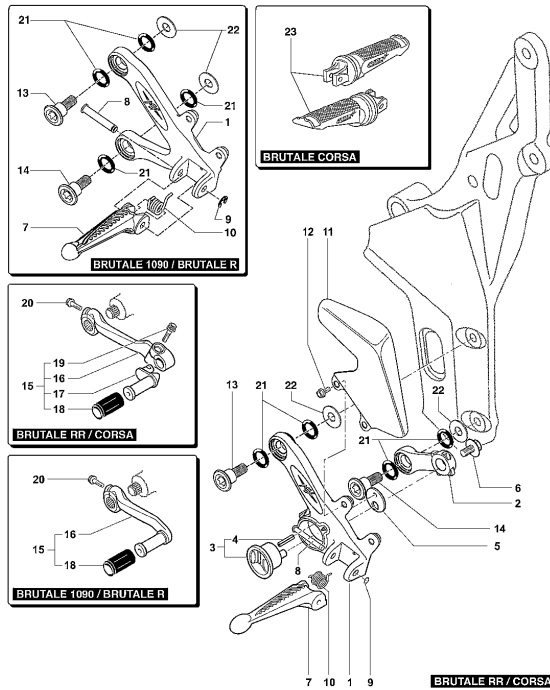
| | | | | |
|----|----------------|---------------------------------|-----------------------------|------|
| 20 | SPMV80A082753 | CALIPER, WITH PADS, REAR SIDE | | 1,00 |
| 21 | SPMV800082748 | REAR BRAKE PADS | | 1,00 |
| 22 | SPMV800082746 | PAD CHECK SPRING | | 1,00 |
| 23 | SPMV800082743 | BRAKE PADS PIN | | 1,00 |
| 24 | SPMV800089484 | DRAIN VALVE | | 1,00 |
| 25 | SPMV800089491 | DUST COVER | | 1,00 |
| 26 | SPMV8A00B2690 | SCREW, TCEIF M8x20 RT | EXCEPT PIRELLI-LH44 | 2,00 |
| 27 | SPMV8000B2145 | PIN DRIVE FLANGE CO | F3 ORO-F3 AGO | 1,00 |
| 28 | SPMV8000B2150 | SPACER WITH COLLAR | MY12/16 F3 675-F3 800 | 1,00 |
| 29 | SPMV8000B2712 | NUT, M8x1,25x8,5 CH12 | MY15/17 JPN F3 RC | 5,00 |
| 30 | SPMV8000B2151 | Silent block | F3 ORO-F3 AGO | 5,00 |
| 31 | SPMV80A0A3248 | SPECIAL SCREW, REAR WHEEL HUB | | 5,00 |
| 32 | SPMV800084894 | WASHER, D48,5xD65xE0,5 | | 1,00 |
| 33 | SPMV800084903 | SPECIAL NUT, REAR WHEEL AXLE, | EXCEPT RC LH | 1,00 |
| 34 | SPMV800084899 | STEEL RING, REAR WHEEL, RIGHT | | 1,00 |
| 35 | SPMV8B00B7337 | CHAIN - SPROCKET - SPROCKET KIT | 1090, 1090R | 1,00 |
| 35 | SPMV8D00B7337 | FINAL GEAR BOX KIT | 1090RR, CORSA | 1,00 |
| 36 | SPMV800094030 | CAP, CIRCLIP | | 1,00 |
| 37 | SPMV8000B3390 | FLANGE, REAR WHEEL HUB | MY12/14 F3 675-F3 800 | 1,00 |
| 38 | SPMV8000B6171 | SPEED SENSOR | NO ABS F3 675-800-ORO | 1,00 |
| 38 | SPMV8000B7768 | SENSOR, SPEED | F3 AGO-F3 675 RC-F3 800 RC | 1,00 |
| 39 | SPMV98B0090901 | Special screw M4x8 | TAMBURINI | 1,00 |
| 40 | SPMV8000B5929 | CHAIN DID | MY15/17 F3 675 RC-F3 800 RC | 1,00 |
| 40 | SPMV8A00B5929 | CHAIN DID | BRUTALE 920 | 1,00 |
| 41 | SPMV8B00B7330 | SPROCKET Z41 | F3 AGO | 1,00 |
| 41 | SPMV8D00B7330 | SPROCKET TRANSMISSION, Z43 | MY18/20 F3 800 RC | 1,00 |
| 42 | SPMV8000C2249 | SCREW, M6X25 | RR-RUSH | 1,00 |
| 43 | SPMV8000B9045 | DECAL FILETTO CORSA FOR | CORSA | 1,00 |
| 43 | SPMV80B0C0006 | DECAL "BRUTAL THREAD" FOR | MY15 1090 WHITE MY15 1090RR | 1,00 |
| 43 | SPMV80C0C0006 | DECAL "BRUTAL THREAD" FOR | MY15 1090 BLACK | 1,00 |



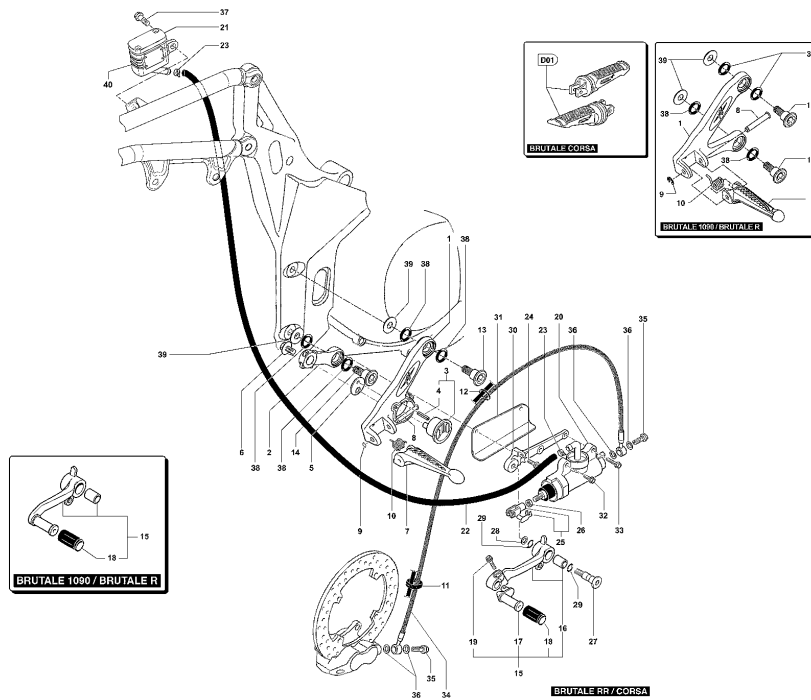
| Pos | Part Number | Description | Additional Text | Quantity |
|-----|---------------|---------------------------------|-----------------------------------|----------|
| 1 | SPMV8000B7247 | FRONT WHEEL 17X3,5" | MY13/14 1090, 1090R | 1,00 |
| 1 | SPMV8000C1535 | REAR WHELL | MY15 1090 WHITE | 1,00 |
| 1 | SPMV80A0C1535 | FRONT WHEEL RIM 17 "X3.50 "WITH | MY15 1090 BLACK | 1,00 |
| 2 | SPMV8A0026846 | RADIAL BEARING | | 2,00 |
| 3 | SPMV8000B3200 | SPACER | F4S, F4R | 1,00 |
| 4 | SPMV8000B3195 | VALVE, WHEEL | 675,800,800RR,DRAG., DRAG. RC | 1,00 |
| 5 | SPMV8AA082759 | BRAKE DISK, FRONT SIDE, D320xE | | 2,00 |
| 6 | SPMV8000B2690 | Screw TCEIF M8x16 RT | RR-RUSH | 10,00 |
| 7 | SPMV8000B3620 | AXLE, FRONT WHEEL, F4 | F4S, F4R, F4 FRECCIE TRICOLORI | 1,00 |
| 8 | SPMV8000B3621 | RING NUT | F4S, F4R, F4 FRECCIE TRICOLORI | 1,00 |
| 9 | SPMV8000B1545 | CALIPER, WITH PADS, FRONT LEFT | MY13/14 1090, 1090R | 1,00 |
| 9 | SPMV80A0B1545 | LEFT FRONT BRAKE CALIPER | MY15 1090 | 1,00 |
| 10 | SPMV8000B1593 | FRONT BRAKE PADS | | 2,00 |
| 11 | SPMV800088776 | PAD CHECK SPRING | MY12/14 F3 675 | 2,00 |
| 12 | SPMV800088773 | PINSPLIT PIN | R | 2,00 |
| 13 | SPMV8000A3975 | DRAIN VALVE | MY18/20 F3 675-F3 800 | 2,00 |
| 14 | SPMV800053259 | COVER, RUBBER | 1000 VIN <008064 1000 USA | 2,00 |
| 15 | SPMV8000B1544 | CALIPER, WITH PADS, FRONT RIGH | MY13/14 1090, 1090R | 1,00 |
| 15 | SPMV80A0B1544 | RIGHT FRONT BRAKE CALIPER | MY15 1090 | 1,00 |
| 16 | SPMV8K00B2691 | Screw TCEIF M10x1,25xL58 | DRAGSTER, DRAGSTER RR/RR LH/RC | 4,00 |
| 17 | SPMV800088777 | SPLIT PINS | | 2,00 |
| 18 | SPMV800021480 | WASHER, COPPER, D14xD10,2xE1 | MY12/14 F3 675 | 4,00 |
| 19 | SPMV80B0C0006 | DECAL "BRUTAL THREAD" FOR | MY15 1090 WHITE MY15 1090RR | 1,00 |
| 19 | SPMV80C0C0006 | DECAL "BRUTAL THREAD" FOR | MY15 1090 BLACK | 1,00 |



| Pos | Part Number | Description | Additional Text | Quantity |
|-----|---------------|--------------------------------|--------------------------------|----------|
| 1 | SPMV8000B7247 | FRONT WHEEL 17X3,5" | MY13/14 1090, 1090R | 1,00 |
| 1 | SPMV8000B9047 | FRON WHEEL RIM 17"X3,50 | CORSA | 1,00 |
| 1 | SPMV8000C1535 | REAR WHELL | MY15 1090 WHITE | 1,00 |
| 2 | SPMV8A0026846 | RADIAL BEARING | | 2,00 |
| 3 | SPMV8000B3200 | SPACER | F4S, F4R | 1,00 |
| 3 | SPMV8000B3672 | SPACER | F4RR, F4 FRECCIE TRICOLORI | 1,00 |
| 4 | SPMV8000B3195 | VALVE, WHEEL | 675,800,800RR,DRAG., DRAG. RC | 1,00 |
| 5 | SPMV8000B3353 | BRAKE DISK, FRON SIDE, D320xE5 | F3 AGO | 2,00 |
| 6 | SPMV8A00B2690 | SCREW, TCEIF M8x20 RT | EXCEPT PIRELLI-LH44 | 10,00 |
| 7 | SPMV8000B3620 | AXLE, FRONT WHEEL, F4 | F4S, F4R, F4 FRECCIE TRICOLORI | 1,00 |
| 7 | SPMV8A00A3468 | AXLE, FRONT WHEEL, B4 | F4RR | 1,00 |
| 8 | SPMV8000B3621 | RING NUT | F4S, F4R, F4 FRECCIE TRICOLORI | 1,00 |
| 8 | SPMV80A0A3469 | BUSH FOR PIN | F4RR | 1,00 |
| 9 | SPMV8000B1543 | CALIPER, WITH PADS, FRONT LEFT | | 1,00 |
| 10 | SPMV8000B1601 | FRONT BRAKE PADS | | 2,00 |
| 11 | SPMV8000B1602 | SPRING | 1000 VIN 008065> & 1078 | 2,00 |
| 12 | SPMV8000B1948 | SPECIAL SCREW, BRAKE FLUID PIP | 1000 VIN 008065> & 1078 | 2,00 |
| 13 | SPMV8000A2042 | DUST COVER | 1000 VIN 008065> & 1078 | 2,00 |
| 14 | SPMV8000B1542 | CALIPER, WITH PADS, FRONT RIGH | | 1,00 |
| 15 | SPMV8K00B2691 | Screw TCEIF M10x1,25xL58 | DRAGSTER, DRAGSTER RR/RR LH/RC | 4,00 |
| 16 | SPMV800021480 | WASHER, COPPER, D14xD10,2xE1 | MY12/14 F3 675 | 4,00 |
| 17 | SPMV8000A2041 | DRAIN SCREW | MY15/20 F3 675 | 2,00 |
| 18 | SPMV8000B9045 | DECAL FILETTO CORSA FOR | CORSA | 2,00 |
| 18 | SPMV80B0C0006 | DECAL "BRUTAL THREAD" FOR | MY15 1090 WHITE MY15 1090RR | 2,00 |

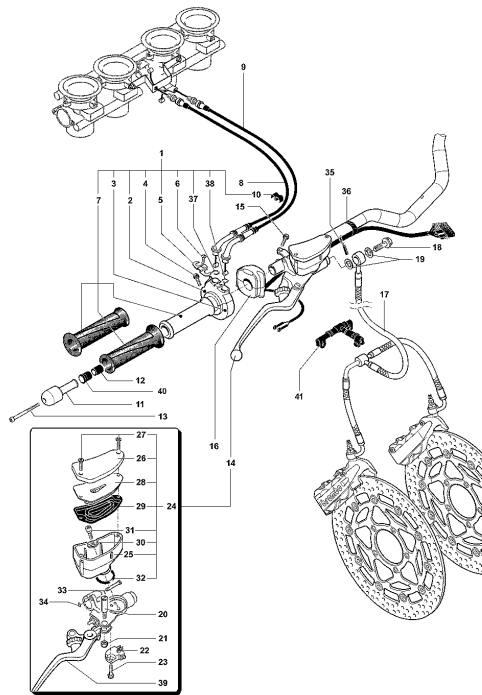


| Pos | Part Number | Description | Additional Text | Quantity |
|-----|-----------------|--------------------------------|-----------------------|----------|
| 1 | SPMV8000B3499 | SUPPORT, FOOTREST, LEFT SIDE, | | 1,00 |
| 1 | SPMV8000B3667 | LEFT FOOTREST SUPPORT | 1090RR | 1,00 |
| 2 | SPMV8000B3669 | FOOTBOARD SUPPORT | | 1,00 |
| 3 | SPMV800092891 | LH FOOTBOARD | 1000S, 1000S1+1 | 1,00 |
| 4 | SPMV800090314 | SPRING PIN | | 1,00 |
| 5 | SPMV800089777 | PLATE | | 1,00 |
| 6 | SPMV8000B2749 | SCREW FOR ECCENTRIC | 1090RR | 1,00 |
| 7 | SPMV8000B6481 | FRONT L.H.FOOT REST F3 | MY12/19 F3 675-F3 800 | 1,00 |
| 8 | SPMV8A00B2769 | PIN, DRIVER FOOTREST SUPPORT | F4S, F4R | 1,00 |
| 9 | SPMV800090429 | LOCK RING, FOOTREST | | 1,00 |
| 10 | SPMV80A090418 | SPRING, DRIVER FOOTREST SUPPOR | | 1,00 |
| 11 | SPMV8000B4111 | FAIRING, FOOTREST SUPPORT, LEF | | 1,00 |
| 12 | SPMV8A00B2681 | SCREW, M6x1 | 990R-1090RR <000640 | 2,00 |
| 13 | SPMV8A00B3505 | SPECIAL SCREW, DRIVER FOOTREST | F3 ORO | 1,00 |
| 14 | SPMV8A00B3505 | SPECIAL SCREW, DRIVER FOOTREST | F3 ORO | 1,00 |
| 15 | SPMV8000B4593 | GEAR PEDAL | BRUTALE 920 | 1,00 |
| 15 | SPMV8000B8961 | CHANGE GEAR PEDAL | 1090RR, CORSA | 1,00 |
| 16 | SPMV8000B8960 | GEAR SHIFT PEDAL | | 1,00 |
| 16 | SPMV8000B4326 | GEAR SHIFT PEDAL | BRUTALE 920 | 1,00 |
| 17 | SPMV800089760 | PEDAL ECCENTRIC | | 1,00 |
| 18 | SPMV800089298 | RUBBER COVER | | 1,00 |
| 19 | SPMV8D00B2688 | Screw TCEIF M6x20 RT | RR-RUSH | 1,00 |
| 20 | SPMV8D00B2688 | Screw TCEIF M6x20 RT | RR-RUSH | 1,00 |
| 21 | SPMV800023116 | O RING | | 4,00 |
| 22 | SPMV8000B2723 | WASHER, D8,2xD20xE1 | | 2,00 |
| 23 | SPMV9SPKPP001BF | FOOT PEG KIT | F3 AGO | 1,00 |



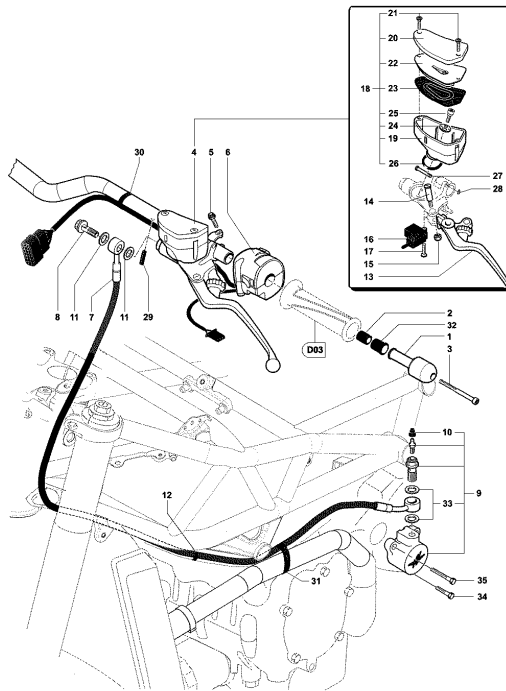
| Pos | Part Number | Description | Additional Text | Quantity |
|-----|---------------|--------------------------------|-----------------------|----------|
| 1 | SPMV8000B7356 | FOOTREST SUPPORT RH | 1090RR, CORSA | 1,00 |
| 1 | SPMV8000B7362 | FRONT FOOTREST SUPPORT RH | 1090, 1090R | 1,00 |
| 2 | SPMV8000B3669 | FOOTBOARD SUPPORT | | 1,00 |
| 3 | SPMV800092890 | RH FOOTBOARD | 1000S, 1000S1+1 | 1,00 |
| 4 | SPMV800090314 | SPRING PIN | | 1,00 |
| 5 | SPMV800089777 | PLATE | | 1,00 |
| 6 | SPMV8000B2749 | SCREW FOR ECCENTRIC | 1090RR | 1,00 |
| 7 | SPMV8000B6482 | FRONT R.H. FOOT-REST F3 | MY12/19 F3 675-F3 800 | 1,00 |
| 8 | SPMV8A00B2769 | PIN, DRIVER FOOTREST SUPPORT | F4S, F4R | 1,00 |
| 9 | SPMV800090429 | LOCK RING, FOOTREST | | 1,00 |
| 10 | SPMV80A090418 | SPRING, DRIVER FOOTREST SUPPOR | | 1,00 |
| 11 | SPMV800092668 | CLAMP, RUBBER | PER EAS F3 675 | 1,00 |
| 12 | SPMV800056783 | Plastic clamp, L142 | MY17/20 F3 675-F3 800 | 1,00 |
| 13 | SPMV8A00B3505 | SPECIAL SCREW, DRIVER FOOTREST | F3 ORO | 1,00 |
| 14 | SPMV8A00B3505 | SPECIAL SCREW, DRIVER FOOTREST | F3 ORO | 1,00 |
| 15 | SPMV8000B3101 | PEDAL, REAR BRAKE | 990R, 1090RR | 1,00 |
| 15 | SPMV8000B4591 | REAR BRAKE PEDAL | BRUTALE 920 | 1,00 |
| 16 | SPMV800093314 | REAR BRAKE PEDAL WITH BUSH | 1000S, 1000S1+1 | 1,00 |
| 17 | SPMV800089760 | PEDAL ECCENTRIC | | 1,00 |
| 18 | SPMV800089298 | RUBBER COVER | | 1,00 |
| 19 | SPMV8D00B2688 | Screw TCEIF M6x20 RT | RR-RUSH | 1,00 |
| 20 | SPMV800089313 | REAR BRAKE PUMP | F3 ORO-F3 AGO | 1,00 |
| 21 | SPMV800090315 | REAR BRAKE FLUID | | 1,00 |
| 22 | SPMV8J0070266 | FUEL TANKBRAKE PUMP | | 1,00 |
| 23 | SPMV800070700 | SPRING CLAMP | | 2,00 |
| 24 | SPMV8B00B2690 | Screw TCEIF M8x22 RP | EXCEPT F3 ORO | 1,00 |
| 25 | SPMV8000B2800 | STOPPER, MASTER CYLINDER, REAR | | 1,00 |
| 26 | SPMV61ND15062 | NUT, M6x1x4 CH10 | | 1,00 |

| | | | | |
|----|---------------|--------------------------------|--------------------------------|------|
| 27 | SPMV8A00B2802 | PIN M8-CH6-L22.2 | 800 | 1,00 |
| 28 | SPMV8000B2723 | WASHER, D8,2xD20xE1 | | 1,00 |
| 29 | SPMV800001199 | RING, RUBBER, D11,11x1,78 | | 2,00 |
| 30 | SPMV800089770 | SUPPORT, MASTER CYLINDER, REAR | 1000S, 1000S1+1 | 1,00 |
| 31 | SPMV800090312 | PROTECTION | 1000S, 1000S1+1 | 1,00 |
| 32 | SPMV8E00B2681 | Screw M6x1-CH8-L20 | MY17/20 F3 675 RC-F3 800 RC | 1,00 |
| 33 | SPMV8J00B2681 | Screw M6x1 L35 CH8 | 675-800 MY17 AMERICA | 1,00 |
| 34 | SPMV8000B3332 | PIPE, OIL, REAR BRAKE, B4 | | 1,00 |
| 35 | SPMV80A091692 | SPECIAL SCREW, OIL BRAKE PIPE, | F4S, F4R, F4 FRECCIE TRICOLORI | 2,00 |
| 36 | SPMV800021480 | WASHER, COPPER, D14xD10,2xE1 | MY12/14 F3 675 | 4,00 |
| 37 | SPMV8B00B2681 | Screw M6x1-CH8-L12 | F4S, F4 FRECCIE TRICOLORI | 1,00 |
| 38 | SPMV800023116 | O RING | | 4,00 |
| 39 | SPMV8000B2723 | WASHER, D8,2xD20xE1 | | 2,00 |
| 40 | SPMV8000B3872 | DECAL | | 1,00 |



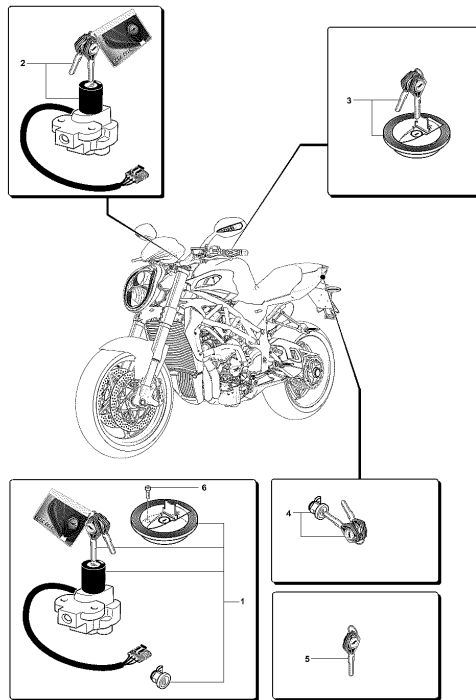
| Pos | Part Number | Description | Additional Text | Quantity |
|-----|---------------|--------------------------------|---|----------|
| 1 | SPMV8000B2141 | THROTTLE CONTROL | | 1,00 |
| 2 | SPMV80A092894 | SUPPORT, UPPER, THROTTLE CABLE | | 1,00 |
| 3 | SPMV80A090265 | SUPPORT, BOTTOM, THROTTLE CABL | | 1,00 |
| 4 | SPMV8E00B2688 | Screw TCEIF M6x22 RP | F3 ORO | 2,00 |
| 5 | SPMV800090266 | SUPPORT, STEEL, THROTTLE CABLE | | 1,00 |
| 6 | SPMV800093297 | Screw TTEI M5x8 | | 1,00 |
| 7 | SPMV8000B2140 | THROTTLE CONTROL | | 1,00 |
| 8 | SPMV8000B4537 | CABLE, THROTTLE OPENING, B4 | 990R, 1090RR | 1,00 |
| 8 | SPMV8000B5169 | CABLE, THROTTLE OPENING, B4 | BRUTALE 920 | 1,00 |
| 9 | SPMV8000B4538 | CABLE, THROTTLE CLOSING, B4 | 990R, 1090RR | 1,00 |
| 9 | SPMV8000B5170 | CABLE, THROTTLE CLOSING, B4 | BRUTALE 920 | 1,00 |
| 10 | SPMV800092630 | CLAMP, THROTTLE CABLE | | 1,00 |
| 11 | SPMV8000A1402 | COUNTERWEIGHT | B4 910S WALLY-HYDROGEN | 1,00 |
| 11 | SPMV8000A4425 | COUNTERWEIGHT | 1000S, 1000S1+1 | 1,00 |
| 12 | SPMV800090890 | NUT, WITH RUBBER COVER, BALANC | | 1,00 |
| 13 | SPMV60ND02520 | Screw TCEI M6x1-L75 | 990R, BRUTALE 920 | 1,00 |
| 13 | SPMV60ND02524 | Screw M6x1-L95 | 1090RR | 1,00 |
| 14 | SPMV8000B3452 | FRONT BRAKE PUMP | 1090R, 1090RR | 1,00 |
| 14 | SPMV8000B6256 | FRONT BREAK PUMP | 675, 800, 800RR | 1,00 |
| 14 | SPMV8000B8883 | FRONT BRAKE PUMP B4 CORSA | CORSA | 1,00 |
| 15 | SPMV8F00B2688 | Screw TCEIF M6x25 RP | 800RR, DRAGSTER RR, DRAG.RR LH | 1,00 |
| 16 | SPMV8000B4568 | SWITCH, IGNITION, RIGHT SIDE | BRUTALE 920 | 1,00 |
| 17 | SPMV8000B7524 | HOSE, FRONT BREAK | 1090-1090R NO ABS (FOR ABS SEE DRAWING K03) | 1,00 |
| 17 | SPMV8000B7533 | HOSE, FRONT BREAK | 1090RR NO ABS (FOR ABS SEE DRAWING K03) | 1,00 |
| 18 | SPMV80A091692 | SPECIAL SCREW, OIL BRAKE PIPE, | F4S, F4R, F4 FRECCIE TRICOLORI | 1,00 |

| | | | | |
|----|-----------------|--------------------------------|--------------------------------|------|
| 19 | SPMV800021480 | WASHER, COPPER, D14xD10,2xE1 | MY12/14 F3 675 | 2,00 |
| 20 | SPMV800093299 | LEVER PIN | F4S, F4R, F4 FRECCIE TRICOLORI | 1,00 |
| 21 | SPMV800093300 | LEVER NUT | | 1,00 |
| 22 | SPMV800070864 | STOP SWITCH | F4S, F4R, F4 FRECCIE TRICOLORI | 1,00 |
| 23 | SPMV800070865 | Screw | | 1,00 |
| 24 | SPMV80A098722 | COMPLETE OIL TANK | | 1,00 |
| 25 | SPMV800097121 | FRONT BRAKE FLUID RESERVOIR | | 1,00 |
| 26 | SPMV80A082728 | PLUG | 1090, 1090R, 1090RR | 1,00 |
| 26 | SPMV9SPTVB004BF | HANDLEBAR BRAKE OIL CAP EV2 | CORSA | 1,00 |
| 27 | SPMV800093313 | SCREW M4X16 | | 2,00 |
| 28 | SPMV800093302 | DIAPHRAGM | | 1,00 |
| 29 | SPMV800093303 | GASKET | | 1,00 |
| 30 | SPMV800098962 | SEPARATOR | | 1,00 |
| 31 | SPMV8000A1295 | SEPARATOR SCREW | F4S, F4R, F4 FRECCIE TRICOLORI | 1,00 |
| 32 | SPMV800093306 | GROMMET | | 1,00 |
| 33 | SPMV800082695 | PIN, SUPPORT | | 1,00 |
| 34 | SPMV800094643 | WASHER, SPECIAL, D3,4 | | 1,00 |
| 35 | SPMV6AND55034 | PIN, HANDLEBAR, D4,4xD2,8xL8 B | | 1,00 |
| 36 | SPMV800092248 | CLAMP, RUBBER, L82 | RR-SCS-RC SCS | 1,00 |
| 37 | SPMV8000A2181 | RING, RUBBER, D7x1,5 | | 1,00 |
| 38 | SPMV8000A2180 | RING, RUBBER, D6x1,5 | | 1,00 |
| 39 | SPMV80A0A3823 | Brake lever | 1090, 1090R, 1090RR | 1,00 |
| 39 | SPMV9SPLBA002BF | FOLD UP BRAKE LEVER EV1 BLACK | CORSA | 1,00 |
| 40 | SPMV8000A4426 | CAP, RUBBER, BALLANCE WEIGHT | | 1,00 |
| 41 | SPMV8000B7764 | FRONT BREAK HOSE PROTECTION | | 1,00 |

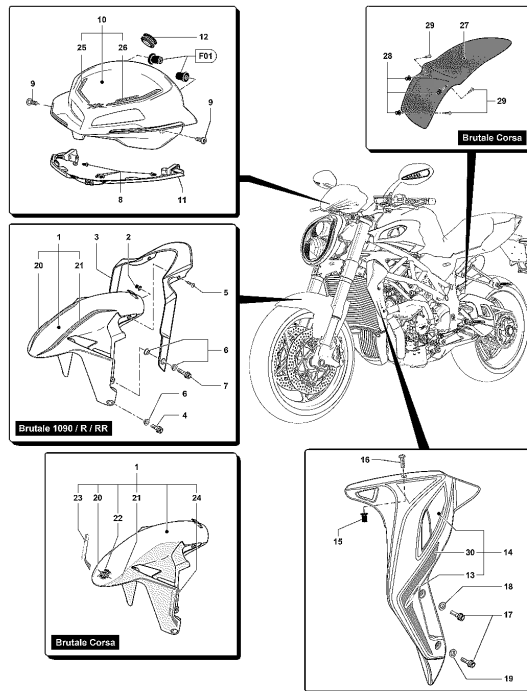


| Pos | Part Number | Description | Additional Text | Quantity |
|-----|-----------------|------------------------------------|---------------------------------------|----------|
| 1 | SPMV8000A1402 | COUNTERWEIGHT | B4 910S WALLY-HYDROGEN | 1,00 |
| 1 | SPMV8000A4425 | COUNTERWEIGHT | 1000S, 1000S1+1 | 1,00 |
| 2 | SPMV800090890 | NUT, WITH RUBBER COVER, BALANC | | 1,00 |
| 3 | SPMV60ND02520 | Screw TCEI M6x1-L75 | 990R, BRUTALE 920 | 1,00 |
| 3 | SPMV60ND02524 | Screw M6x1-L95 | 1090RR | 1,00 |
| 4 | SPMV8000B3453 | CLUTCH PUMP | 1090R, 1090RR | 1,00 |
| 4 | SPMV8000B7401 | PUMP AND CLUTCH UNIT | 1090 | 1,00 |
| 4 | SPMV8000B8884 | OUT OF STOCK | CORSA | 1,00 |
| 5 | SPMV8F00B2688 | Screw TCEIF M6x25 RP | 800RR, DRAGSTER RR, DRAG.RR LH | 1,00 |
| 6 | SPMV8A00B4567 | SWITCH, HORN, LEFT SIDE | BRUTALE 920 | 1,00 |
| 7 | SPMV8000B1466 | PIPE, OIL, CLUTCH, B4 | | 1,00 |
| 8 | SPMV80A091692 | SPECIAL SCREW, OIL BRAKE PIPE, | F4S, F4R, F4 FRECCIE TRICOLORI | 1,00 |
| 9 | SPMV8000B5974 | KIT CLUTCH PISTONS | 1090 VIN <005262 1090R, 1090RR, CORSA | 1,00 |
| 9 | SPMV80A0B5974 | KIT CLUTCH PISTONS | 1090 VIN FROM 004516 TO 004821 | 1,00 |
| 10 | SPMV800053259 | COVER, RUBBER | 1000 VIN <008064 1000 USA | 1,00 |
| 11 | SPMV800021480 | WASHER, COPPER, D14xD10,2xE1 | MY12/14 F3 675 | 2,00 |
| 12 | SPMV800053724 | BELT, RUBBER, SHORT | MY12/16 USA CND CN | 1,00 |
| 13 | SPMV80A093298 | CLUTCH LEVER | F4S, F4R | 1,00 |
| 13 | SPMV SPLZA002BF | EV1 BLACK ARTICULATED CLUTCH LEVER | CORSA | 1,00 |
| 14 | SPMV800093299 | LEVER PIN | F4S, F4R, F4 FRECCIE TRICOLORI | 1,00 |
| 15 | SPMV800093300 | LEVER NUT | | 1,00 |
| 16 | SPMV800093307 | CLUTCH SWITCH | F4S, F4R, F4 FRECCIE TRICOLORI | 1,00 |
| 17 | SPMV800093313 | SCREW M4X16 | | 1,00 |
| 18 | SPMV80A098723 | COMPLETE OIL TANK | | 1,00 |

| | | | | |
|----|---------------|--------------------------------|--------------------------------|------|
| 19 | SPMV800097122 | CLUTCH PUMP OIL TANK | | 1,00 |
| 20 | SPMV80A093310 | PLUG | 1090, 1090R, 1090RR | 1,00 |
| 20 | SPMVSPVZ004BF | CLUTCH OIL TANK CAP MAN. | CORSA | 1,00 |
| 21 | SPMV800093313 | SCREW M4X16 | | 2,00 |
| 22 | SPMV800093311 | DIAPHRAGM | | 1,00 |
| 23 | SPMV800093312 | GASKET | | 1,00 |
| 24 | SPMV800098962 | SEPARATOR | | 1,00 |
| 25 | SPMV8000A1295 | SEPARATOR SCREW | F4S, F4R, F4 FRECCIE TRICOLORI | 1,00 |
| 26 | SPMV800093306 | GROMMET | | 1,00 |
| 27 | SPMV800082695 | PIN, SUPPORT | | 1,00 |
| 28 | SPMV800094643 | WASHER, SPECIAL, D3,4 | | 1,00 |
| 29 | SPMV6AND55034 | PIN, HANDLEBAR, D4,4xD2,8xL8 B | | 1,00 |
| 30 | SPMV800092248 | CLAMP, RUBBER, L82 | RR-SCS-RC SCS | 1,00 |
| 31 | SPMV800092247 | CLAMP, RUBBER, L62 | F3 ORO-F3 AGO | 1,00 |
| 32 | SPMV8000A4426 | CAP, RUBBER, BALLANCE WEIGHT | | 1,00 |
| 33 | SPMV800021480 | WASHER, COPPER, D14xD10,2xE1 | MY12/14 F3 675 | 2,00 |
| 34 | SPMV8E00B2681 | Screw M6x1-CH8-L20 | MY17/20 F3 675 RC-F3 800 RC | 2,00 |
| 35 | SPMV8M00B2681 | Screw M6x1 L50 | | 1,00 |

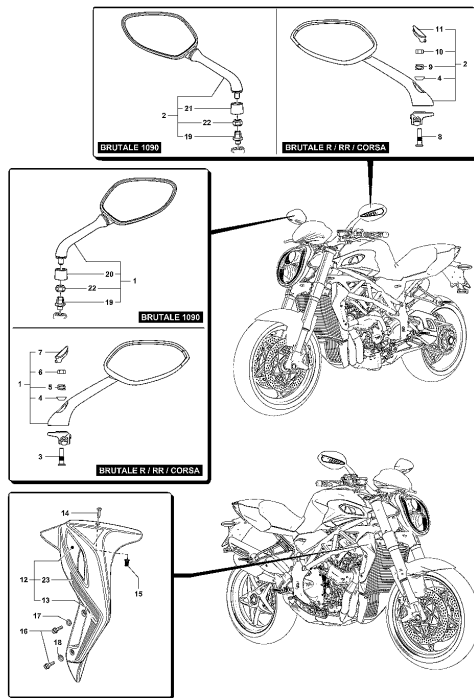


| Pos | Part Number | Description | Additional Text | Quantity |
|-----|---------------|-----------------------|-----------------|----------|
| 1 | SPMV8000B5572 | LOCK, IGNITION | | 1,00 |
| 2 | SPMV8000B5574 | IGNITION LOCK SWITCH | | 1,00 |
| 3 | SPMV8000B4440 | FILLERCAP WITH KEYS | | 1,00 |
| 4 | SPMV8000B4441 | SADDLE LOCK WITH KEYS | | 1,00 |
| 5 | SPMV8000B5575 | SPARE KEY | EXCEPT RC LH | 1,00 |
| 6 | SPMV8C00B2687 | SCREW, M5x14 | F4RR | 4,00 |



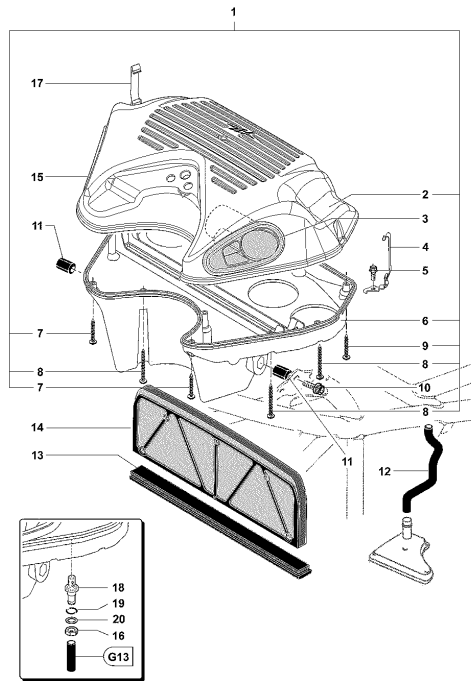
| Pos | Part Number | Description | Additional Text | Quantity |
|-----|-----------------|--------------------------------|--|----------|
| 1 | SPMV8000B3766 | MUDGUARD, FRONT SIDE | F4S, F4R | 1,00 |
| 1 | SPMV8000B7855 | FRONT FENDER | MY13/14 RR RED/SILVER NO ABS MY15 1090RR BLACK/GRAY NO ABS | 1,00 |
| 1 | SPMV8000B8063 | COMPLETE FRONT MUDGUARD | CORSA | 1,00 |
| 1 | SPMV8000B8124 | MUDGUARD, FRONT SIDE, RED | MY13/14 1090RR RED/SILVER ABS | 1,00 |
| 1 | SPMV8000C1512 | COMPLETE FRONT FENDER | MY15 1090RR BLA./GRAY ABS | 1,00 |
| 1 | SPMV8000C1592 | FRONT FENDER COMPL. | MY15 1090 ABS | 1,00 |
| 1 | SPMV80A0B7855 | FRONT FENDER | MY13/14 RR WHITE/GOLD NO ABS MY15 1090RR GRAY/WHITE NO ABS | 1,00 |
| 1 | SPMV80A0B8124 | COMPLETE FRONT FENDER WITH | MY13/14 1090RR WHITE/GOLD ABS | 1,00 |
| 1 | SPMV80A0C1512 | COMPLETE FRONT FENDER | MY15 1090RR GRAY/WHITE ABS | 1,00 |
| 1 | SPMV80B0B7855 | FRONT FENDER | MY13/14 RR WHITE/BLUE NO ABS | 1,00 |
| 1 | SPMV80B0B8124 | MUDGUARD, FRONT | MY13/14 1090RR WHITE/BLUE ABS | 1,00 |
| 2 | SPMV800091022 | BUSH, SCREW, M4x0,7 | F4S, F4R, F4RR | 2,00 |
| 3 | SPMV8000B3767 | FAIRING, REAR SIDE, FRONT MUDG | F4S, F4R, F4RR | 1,00 |
| 3 | SPMVRDTL027018T | FRONT FENDER SPOILER CARB. F4 | F4 FRECCIE TRICOLORI | 1,00 |
| 4 | SPMV8B00B2688 | Screw TCEIF M6x1x16 | EXCEPT F3 ORO | 2,00 |
| 5 | SPMV8A0090901 | SCREW, M4x13,7 | 750S, 750S 1+1 | 2,00 |
| 6 | SPMV80A090392 | SPACER | B4 RS-B4 RR-B4 NURBURGRING | 6,00 |
| 7 | SPMV8E00B2688 | Screw TCEIF M6x22 RP | F3 ORO | 2,00 |
| 8 | SPMV8B00B2777 | SCREW PH-AB 2,9X13 | | 4,00 |
| 9 | SPMV8A0090901 | SCREW, M4x13,7 | 750S, 750S 1+1 | 2,00 |
| 10 | SPMV8000B7430 | DASHBOARD COVER | 1090, 1090R, 1090RR | 1,00 |
| 10 | SPMV8000B9050 | COMPL.DASHBOARD COVER | CORSA | 1,00 |

| | | | | |
|----|-----------------|--------------------------------|---|------|
| 11 | SPMV8000B7745 | POSITION LIGHT | | 1,00 |
| 12 | SPMV800089293 | CUSHION, D18xD8xE7,5 | MY14/20 F3 675-F3 800 | 1,00 |
| 13 | SPMV8000B9041 | DECAL 1090 FOR LEFT COVER | CORSA | 1,00 |
| 13 | SPMV8000C1609 | TRICOLOR" DECAL FOR COVER | MY15 1090-1090RR | 1,00 |
| 13 | SPMV80C0B6979 | DECAL BRUTALE RADIATOR COV. LH | MY13/14 1090RR | 1,00 |
| 14 | SPMV8000B4945 | FAIRING, LEFT SIDE, WATER RADI | BRUTALE 920 | 1,00 |
| 14 | SPMV8000B9043 | LEFT WATER RADIATOR COVER | CORSA | 1,00 |
| 14 | SPMV8000C1539 | WATER RADIATOR LEFT COVER | MY15 1090RR BLACK/GRAY | 1,00 |
| 14 | SPMV80A0C1539 | WATER RADIATOR LEFT COVER | MY15 1090RR GRAY/WHITE | 1,00 |
| 14 | SPMV80B0C1539 | LEFT RADIATOR WATER COVER | MY15 1090 | 1,00 |
| 14 | SPMV80C0B6983 | COVER, WATER RADIATOR LH | MY13/14 1090RR | 1,00 |
| 15 | SPMV800091022 | BUSH, SCREW, M4x0,7 | F4S, F4R, F4RR | 1,00 |
| 16 | SPMV8A0090901 | SCREW, M4x13,7 | 750S, 750S 1+1 | 1,00 |
| 17 | SPMV8E00B2672 | SCREW TFEI M6X1 D11,7 L14 | RR-RUSH | 2,00 |
| 18 | SPMV8000B3097 | SPACER, D12,5xD9xD7xL2,5 | B4 RS | 1,00 |
| 19 | SPMV8A00B3097 | SPACER, D12,5xD9xD7xL4,8 | B4 RS-B4 RR-B4 NURBURGRING | 1,00 |
| 20 | SPMV8000B7798 | DECAL FRONT FAIRING RH | MY13/14 RR RED/SILVER NO ABS MY15 1090RR BLACK/GRAY NO ABS | 1,00 |
| 20 | SPMV8000B9040 | DECAL "BAFFO"RX FOR MUDGUARD | CORSA | 1,00 |
| 20 | SPMV80A0B7798 | DECAL FRONT FAIRING RH | MY13/14 RR WHITE/GOLD NO ABS MY13/14 RR WHITE/BLUE NO ABS MY15 1090RR GRAY/WHITE NO ABS | 1,00 |
| 21 | SPMV8000B7797 | DECAL FRONT FAIRING LH | MY13/14 RR RED/SILVER NO ABS MY15 1090RR BLACK/GRAY NO ABS | 1,00 |
| 21 | SPMV8000B9039 | DECAL "BAFFO"LX FOR MUDGUARD | CORSA | 1,00 |
| 21 | SPMV80A0B7797 | DECAL FRONT FAIRING LH | MY13/14 RR WHITE/GOLD NO ABS MY13/14 RR WHITE/BLUE NO ABS MY15 1090RR GRAY/WHITE NO ABS | 1,00 |
| 22 | SPMV800090316 | MV FRONT DECAL | 750S, 750S 1+1 SILVER & BLACK | 1,00 |
| 23 | SPMV80B0B7822 | DECAL "BAFFO-ABS" RX FENDER | | 1,00 |
| 24 | SPMV80B0B7823 | DECAL "BAFFO-ABS" LX FENDER | | 1,00 |
| 25 | SPMV8000B9048 | RIGHT DECAL BAFFO | | 1,00 |
| 26 | SPMV8000B9049 | LEFT DECAL BAFFO | | 1,00 |
| 27 | SPMVRDTL048018T | REAR FENDER CARB.F4 Y10 T | | 1,00 |
| 28 | SPMV800063150 | SPRING NUT M5 | | 3,00 |
| 29 | SPMV8000A5257 | Screw M5x0,8-CH3-L16 | | 3,00 |
| 30 | SPMV8000C1541 | DECAL "FRIEZE " FOR COVER | MY15 1090RR | 1,00 |
| 30 | SPMV80A0C1541 | DECAL "FRIEZE " FOR COVER | MY15 1090 | 1,00 |

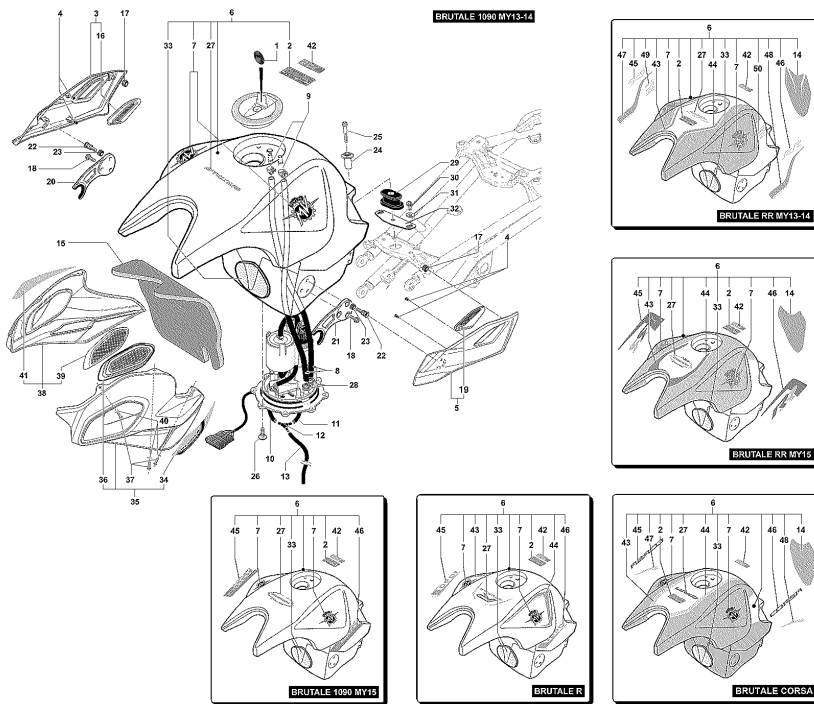


| Pos | Part Number | Description | Additional Text | Quantity |
|-----|---------------|--------------------------------|---------------------------|----------|
| 1 | SPMV8000B6164 | MIRROR RH | 1090 | 1,00 |
| 1 | SPMV8000C1138 | RIGHT MIRROR WITH BLINKER | 1090R, 1090RR, CORSA | 1,00 |
| 2 | SPMV8000C1139 | LEFT MIRROR WITH BLINKER | | 1,00 |
| 2 | SPMV8000B6163 | LEFT REAR VIEW MIRROR | 675, 800, 800RR | 1,00 |
| 3 | SPMV8000B4086 | PIN, SPECIAL, REAR MIRROR | | 1,00 |
| 4 | SPMV8000B4085 | WASHER, STOPPER, SPRING | | 2,00 |
| 5 | SPMV8000B4084 | SPRING, REAR MIRROR | | 1,00 |
| 6 | SPMV8000B2712 | NUT, M8x1,25x8,5 CH12 | MY15/17 JPN F3 RC | 1,00 |
| 7 | SPMV8000B4083 | CAP, SCREW, REAR MIRROR | | 1,00 |
| 8 | SPMV8000B4086 | PIN, SPECIAL, REAR MIRROR | | 1,00 |
| 9 | SPMV8000B4084 | SPRING, REAR MIRROR | | 1,00 |
| 10 | SPMV8000B2712 | NUT, M8x1,25x8,5 CH12 | MY15/17 JPN F3 RC | 1,00 |
| 11 | SPMV8000B4083 | CAP, SCREW, REAR MIRROR | | 1,00 |
| 12 | SPMV8000B4946 | FAIRING, RIGHT SIDE, WATER RAD | BRUTALE 920 | 1,00 |
| 12 | SPMV8000B9044 | RIGHT WATER RADIATOR COVER | CORSA | 1,00 |
| 12 | SPMV8000C1538 | WATER RADIATOR RIGHT COVER | MY15 1090RR BLACK/GRAY | 1,00 |
| 12 | SPMV80A0C1538 | WATER RADIATOR RIGHT COVER | MY15 1090RR GRAY/WHITE | 1,00 |
| 12 | SPMV80B0C1538 | RIGHT WATER RADIATOR COVER | MY15 1090 | 1,00 |
| 12 | SPMV80C0B6982 | COVER, WATER RADIATOR RH | MY13/14 1090RR | 1,00 |
| 13 | SPMV8000B9042 | DECAL 1090 FOR RIGHT COVER | CORSA | 1,00 |
| 13 | SPMV8000C1610 | DECAL "TRICOLOR" FOR COVER | MY15 1090-1090RR | 1,00 |
| 13 | SPMV80C0B6978 | DECAL BRUTALE RADIATOR COV. RH | MY13/14 1090RR | 1,00 |
| 14 | SPMV8A0090901 | SCREW, M4x13,7 | 750S, 750S 1+1 | 1,00 |
| 15 | SPMV800091022 | BUSH, SCREW, M4x0,7 | F4S, F4R, F4RR | 1,00 |
| 16 | SPMV8E00B2672 | SCREW TFEI M6X1 D11,7 L14 | RR-RUSH | 2,00 |
| 17 | SPMV8000B3097 | SPACER, D12,5xD9xD7xL2,5 | B4 RS | 1,00 |

| | | | | |
|----|---------------|-----------------------------|-------------------------------|------|
| 18 | SPMV8A00B3097 | SPACER, D12,5xD9xD7xL4,8 | B4 RS-B4 RR-B4 NURBURGRING | 1,00 |
| 19 | SPMV8000B6169 | PIVOT, MIRROR | | 2,00 |
| 20 | SPMV8000B6168 | PROTECTION RUBBER MIRROR RH | | 1,00 |
| 21 | SPMV8000B6167 | PROTECTION RUBBER MIRROR LH | | 1,00 |
| 22 | SPMV8000B6170 | NUT, CONICAL | | 2,00 |
| 23 | SPMV8000C1540 | DECAL "FRIEZE " FOR COVER | MY15 1090RR | 1,00 |
| 23 | SPMV80A0C1540 | DECAL "FRIEZE " FOR COVER | MY15 1090 | 1,00 |



| Pos | Part Number | Description | Additional Text | Quantity |
|-----|---------------|--------------------------------|---|----------|
| 1 | SPMV8000B4191 | AIR BOX | | 1,00 |
| 2 | SPMV8000B4190 | AIRBOX UPPER BEARING | | 1,00 |
| 3 | SPMV8000B4193 | DUCT, AIR BOX, LEFT SIDE | | 1,00 |
| 4 | SPMV800099337 | CLAMP, SPECIAL, LEFT SIDE, AIR | | 1,00 |
| 5 | SPMV8000B2687 | Screw TCEIF M5x8 | USA CND CN MY12/16 | 2,00 |
| 6 | SPMV8B0097906 | AIRBOX LOWER BEARING | | 1,00 |
| 7 | SPMV8BA084658 | TAPPING SCREW | RR-SCS-RC SCS | 3,00 |
| 8 | SPMV8DA084658 | TAPPING SCREW 5X35 | | 8,00 |
| 9 | SPMV8AA084658 | TAPPING SCREW | B4 910 S/910 R 008836-008839 & 009155> | 2,00 |
| 10 | SPMV8000B2688 | Screw TCEIF M6x10 | 675-800 MY17 AMERICA | 2,00 |
| 11 | SPMV800091008 | NUT, SPECIAL, M6 | | 2,00 |
| 12 | SPMV800098873 | PIPE, OIL GAS, AIR BOX | 1000R, 1000R1+1 <005490 & 005496-005821 SENNA | 1,00 |
| 13 | SPMV800097910 | PROTECTION, RUBBER, AIR BOX | | 1,00 |
| 14 | SPMV8000A9050 | AIR FILTER | B4 910 S/910 R 008836-008839 & 009155> | 1,00 |
| 15 | SPMV8000B4192 | DUCT, AIR BOX, RIGHT SIDE | | 1,00 |
| 16 | SPMV8000A3822 | NUT, M12x1 H5 | | 1,00 |
| 17 | SPMV800099336 | CLAMP, SPECIAL, RIGHT SIDE, AI | | 1,00 |
| 18 | SPMV8000A3709 | CONECTOR, PIPE, SECONDARY AIR | | 1,00 |
| 19 | SPMV8A0023114 | ORING, OR115 D11,91x2,62 VITO | | 1,00 |
| 20 | SPMV8000A3827 | WASHER, D17x12,5x0,5 | | 1,00 |



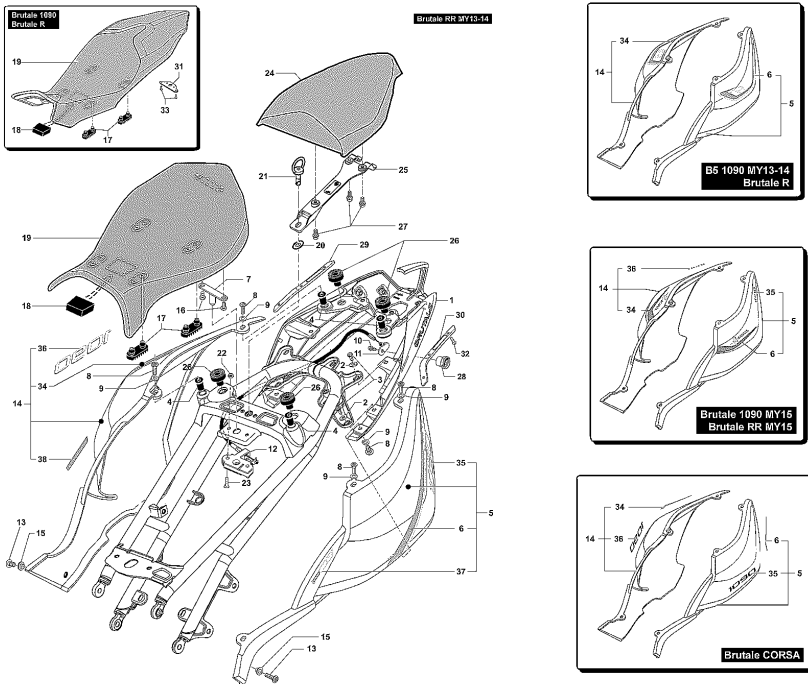
| Pos | Part Number | Description | Additional Text | Quantity |
|-----|---------------|--------------------------------|---|----------|
| 1 | SPMV800092664 | DECAL | | 1,00 |
| 2 | SPMV8000A9698 | PLATE AVVERTENZA DOCUMENT | | 1,00 |
| 3 | SPMV80B0B2952 | FUEL TANK RH SIDE | 1090RR WHITE/BLACK | 1,00 |
| 3 | SPMV80D0B2952 | FUEL TANK RH SIDE | BRUTALE 920 WHITE, GRAY | 1,00 |
| 3 | SPMV80J0B2952 | FUEL TANK SIDE RH | MY13/14 1090RR RED/SILVER | 1,00 |
| 3 | SPMV80K0B2952 | RIGHT SIDE FOR TANK | CORSA | 1,00 |
| 3 | SPMV80L0B2952 | RIGHT SIDE PANEL TANK COMPLE | MY15 1090RR BLACK/GRAY | 1,00 |
| 3 | SPMV80M0B2952 | RIGHT SIDE PANEL COMPLE TANK | MY15 1090RR GRAY/WHITE | 1,00 |
| 4 | SPMV800090978 | CUSHION, FUEL TANK FAIRING SID | ROSSO / MY22 RR-SCS | 4,00 |
| 5 | SPMV80B0B2951 | FUEL TANK LH SIDE | 1090RR WHITE/BLACK | 1,00 |
| 5 | SPMV80D0B2951 | FUEL TANK LH SIDE | BRUTALE 920 WHITE, GRAY | 1,00 |
| 5 | SPMV80J0B2951 | FUEL TANK SIDE LH | MY13/14 1090RR RED/SILVER | 1,00 |
| 5 | SPMV80K0B2951 | LEFT SIDE FOR TANK | CORSA | 1,00 |
| 5 | SPMV80L0B2951 | LEFT SIDE PANEL COMPLE TANK | MY15 1090RR BLACK/GRAY | 1,00 |
| 5 | SPMV80M0B2951 | LEFT SIDE PANEL COMPLE TANK | MY15 1090RR GRAY/WHITE | 1,00 |
| 6 | SPMV8000B7853 | FUEL TANK | MY13/14 1090RR RED/SILVER | 1,00 |
| 6 | SPMV8000B7854 | FUEL TANK (USA) | MY13/14 RR RED/SILVER USA-CDN MY13/14 RR RED/SILVER CHN-THA | 1,00 |
| 6 | SPMV8000B7860 | FUEL TANK | 1090R RED | 1,00 |
| 6 | SPMV8000B7861 | FUEL TANK | 1090R RED USA-CDN 1090R CHN-THA-RC | 1,00 |
| 6 | SPMV8000B8068 | FUEL TANK | CORSA | 1,00 |
| 6 | SPMV8000B8069 | FUEL TANK (USA/CAN) | CORSA USA-CDN-CHN-THA-RC | 1,00 |

| | | | | |
|---|---------------|------------------------------|--|------|
| 6 | SPMV8000C1526 | FUEL TANK COMPL. | MY15 1090RR BLACK/GRAY | 1,00 |
| 6 | SPMV8000C1527 | FUEL TANK (USA) | MY15 1090RR BLACK/GRAY USA-CDN MY15 1090RR BLA./GRAY CHN-THA | 1,00 |
| 6 | SPMV8000C1597 | FUEL TANK COMPL. | MY15 1090 WHITE | 1,00 |
| 6 | SPMV8000C1598 | FUEL TANK | MY15 1090 WHITE USA- CDN MY15 1090 WHITE CHN-THA-RC | 1,00 |
| 6 | SPMV80A0B7853 | FUEL TANK | MY13/14 1090RR WHITE/GOLD | 1,00 |
| 6 | SPMV80A0B7854 | FUEL TANK | MY13/14 RR WHITE/GOLD USA-CDN MY13/14 RR WHITE/GOLD CHN-THA | 1,00 |
| 6 | SPMV80A0B7860 | FUEL TANK | 1090R BLACK | 1,00 |
| 6 | SPMV80A0B7861 | FUEL TANK | 1090R BLACK USA-CDN 1090R BLACK CHN-THA- RC | 1,00 |
| 6 | SPMV80A0C1526 | FUEL TANK COMPL. | MY15 1090RR GRAY/WHITE | 1,00 |
| 6 | SPMV80A0C1527 | COMPLETE CARB.TANK VER.U | MY15 1090RR GRAY/WHITE USA-CDN MY15 1090RR GRAY/WHITE CHN-THA | 1,00 |
| 6 | SPMV80A0C1597 | FUEL TANK COMPL. | MY15 1090 BLACK | 1,00 |
| 6 | SPMV80A0C1598 | FUEL TANK | MY15 1090 BLACK USA- CDN MY15 1090 BLACK CHN-THA-RC | 1,00 |
| 6 | SPMV80B0B7853 | FUEL TANK | MY13/14 1090RR WHITE/BLUE | 1,00 |
| 6 | SPMV80B0B7854 | FUEL TANK (USA) | MY13/14 RR WHITE/BLUE USA-CDN MY13/14 RR WHITE/BLUE CHN-THA | 1,00 |
| 6 | SPMV80B0B7860 | FUEL TANK | 1090R SILVER | 1,00 |
| 6 | SPMV80B0B7861 | FUEL TANK | 1090R SILVER USA-CDN 1090R SILVER CHN-THA- RC | 1,00 |
| 6 | SPMV80C0B9415 | TANK | MY13/14 1090 BLACK | 1,00 |
| 6 | SPMV80C0B9416 | FUEL TANK | MY13/14 1090 BLACK USA-CDN MY13/14 1090 BLACK CHN-THA-RC | 1,00 |
| 6 | SPMV80D0B9415 | TANK | MY13/14 1090 WHITE | 1,00 |
| 6 | SPMV80D0B9416 | TANK | MY13/14 1090 WHITE USA-CDN MY13/14 1090 WHITE CHN-THA-RC | 1,00 |
| 6 | SPMV80E0B9415 | COMPLETE FUEL TANK | MY13/14 1090 GRAY | 1,00 |
| 6 | SPMV80E0B9416 | FUEL TANK | MY13/14 1090 GRAY USA- CDN MY13/14 1090 GRAY CHN-THA-RC | 1,00 |
| 7 | SPMV80B098832 | DECAL | FOR RED | 2,00 |
| 7 | SPMV80D098832 | DECAL | 990R BLACK | 2,00 |
| 7 | SPMV80E098832 | DECAL | 1090RR RED/SILVER | 2,00 |
| 7 | SPMV80F0C0360 | MV" DECAL FOR TANK | 800RR GRAY/BLACK | 2,00 |
| 7 | SPMV80H0C0360 | DECAL MV FOR TANK | MY15 1090RR GRAY/WHITE | 2,00 |
| 7 | SPMV80P098832 | DECAL -MV- FUEL TANK | MY13/14 1090RR RED/SILVER | 2,00 |
| 7 | SPMV80R098832 | DECAL -MV- FUEL TANK | MY13/14 1090RR WHITE/BLUE MY13/14 1090RR WHITE/GOLD | 2,00 |
| 7 | SPMV80S098832 | DECAL -MV- FUEL TANK | 1090R BLACK | 2,00 |
| 8 | SPMV8C0090940 | HOSE, FUEL TANK | | 2,00 |
| 9 | SPMV8C0091687 | CLAMP, STEEL, FUEL TANK HOSE | | 2,00 |

| | | | | |
|----|---------------|--------------------------------|---|------|
| 10 | SPMV800091695 | HOSE, FUEL TANK BREATH, MEDIUM | | 1,00 |
| 11 | SPMV800091690 | HOSE, FUEL TANK BREATH, SHORT | | 1,00 |
| 12 | SPMV800091689 | CONECTOR, Y, FUEL TANK HOSE | | 1,00 |
| 13 | SPMV800091688 | HOSE, LARGE, FUEL TANK BREATH | | 1,00 |
| 14 | SPMV8000B7809 | PROTECTOR, FUEL TANK | MY13/14 1090RR RED/SILVER | 1,00 |
| 14 | SPMV8000B9027 | ADHESIVE FUELTANK PROTECTION | CORSA | 1,00 |
| 14 | SPMV8000C1525 | ADHESIVE PROTECTION FOR TANK | MY15 1090RR BLACK/GRAY | 1,00 |
| 14 | SPMV80A0B7809 | PROTECTOR, FUEL TANK | MY13/14 1090RR WHITE/BLUE MY13/14 1090RR WHITE/GOLD | 1,00 |
| 14 | SPMV80A0C1525 | ADHESIVE PROTECTION FOR TANK | MY15 1090RR GRAY/WHITE | 1,00 |
| 15 | SPMV8000B4129 | CUSHION, LARGE, FUEL TANK | | 1,00 |
| 16 | SPMV8000B2956 | GRID, FAIRING, FUEL TANK, RIGH | 990R BRUTALE 920 WHITE, GRAY | 1,00 |
| 16 | SPMV80A0B2956 | GRID, FAIRING, FUEL TANK, RIGH | 1090RR | 1,00 |
| 17 | SPMV800089293 | CUSHION, D18xD8xE7,5 | MY14/20 F3 675-F3 800 | 2,00 |
| 18 | SPMV8B00B2688 | Screw TCEIF M6x1x16 | EXCEPT F3 ORO | 4,00 |
| 19 | SPMV8000B2955 | GRID, FAIRING, FUEL TANK, LEFT | 990R BRUTALE 920 WHITE, GRAY | 1,00 |
| 19 | SPMV80A0B2955 | GRID, FAIRING, FUEL TANK, LEFT | 1090RR | 1,00 |
| 20 | SPMV800089784 | SUPPORT, RIGHT SIDE, FUEL TANK | | 1,00 |
| 21 | SPMV800089785 | SUPPORT, LEFT SIDE, FUEL TANK | | 1,00 |
| 22 | SPMV80A090977 | SCREW, SPECIAL, FIX, FUEL TANK | | 2,00 |
| 23 | SPMV800089293 | CUSHION, D18xD8xE7,5 | MY14/20 F3 675-F3 800 | 2,00 |
| 24 | SPMV800099401 | BUSH | | 1,00 |
| 25 | SPMV8H00B2688 | Screw M6x35 | RR-RUSH | 1,00 |
| 26 | SPMV8A00B2672 | SCREW, M6x11,7x12 | MY18 RC, MY19 RC, RC LH | 8,00 |
| 27 | SPMV8000B7780 | DECAL -R BRUTALE- FUEL TANK | 1090R RED | 1,00 |
| 27 | SPMV8000B7808 | DECAL BRUTALE 1090 FUEL TANK | MY13/14 1090RR RED/SILVER | 1,00 |
| 27 | SPMV8000B9028 | DECAL "CORSA"FOR FUELTANK | CORSA | 1,00 |
| 27 | SPMV8000C1528 | DECAL "LAUREL 1090 RR" FOR | MY15 1090RR BLACK/GRAY | 1,00 |
| 27 | SPMV8000C1601 | DECAL "LAUREL 1090" FOR SERBAT | MY15 1090 WHITE | 1,00 |
| 27 | SPMV80A0B7780 | DECAL "R BRUTALE" FUEL TANK | 1090R BLACK | 1,00 |
| 27 | SPMV80A0B7808 | DECAL "BRUTALE 1090" FUEL TANK | MY13/14 1090RR WHITE/BLUE MY13/14 1090RR WHITE/GOLD | 1,00 |
| 27 | SPMV80A0C1528 | DECAL "LAUREL 1090 RR" FOR | MY15 1090RR GRAY/WHITE | 1,00 |
| 27 | SPMV80A0C1601 | DECAL "LAUREL 1090" FOR SERBAT | MY15 1090 BLACK | 1,00 |
| 27 | SPMV80B0B7780 | DECAL "R BRUTALE" FUEL TANK | 1090R SILVER | 1,00 |
| 27 | SPMV80C0B4599 | DECAL "BRUTALE" FOR TANK | MY13/14 1090 BLACK | 1,00 |
| 27 | SPMV80D0B4599 | DECAL "BRUTALE" FOR TANK | MY13/14 1090 WHITE, GRAY | 1,00 |
| 28 | SPMV8B0092256 | CLAMP, HOSE | | 2,00 |
| 29 | SPMV800099326 | CUSHION, FIX, FUEL TANK | | 1,00 |
| 30 | SPMV8A00B2681 | SCREW, M6x1 | 990R-1090RR <000640 | 2,00 |
| 31 | SPMV8000B2722 | WASHER, D16xD6,4xE1,5 | RR-SCS-RC SCS | 2,00 |
| 32 | SPMV80A098720 | PLATE | | 1,00 |
| 33 | SPMV8000A0903 | CUSHION, SMALL, FUEL TANK | | 1,00 |
| 34 | SPMV8000B7805 | DECAL -VALVOLE RADIALI- AIRBOX | MY13/14 1090-1090RR, 1090R CORSA | 1,00 |

| | | | | |
|----|----------------|-------------------------------------|---|------|
| 34 | SPMV8000C1519 | DECAL "CRC MUSTACHE" FOR SIDE PANEL | MY15 1090-1090RR | 1,00 |
| 35 | SPMV8000B7857 | AIRBOX LH SIDE | MY13/14 1090RR RED/SILVER | 1,00 |
| 35 | SPMV8000B7863 | AIRBOX LH SIDE | 1090R RED | 1,00 |
| 35 | SPMV8000B8137 | LX COMPL.AIRBOX SIDE PANEL | MY13/14 1090 | 1,00 |
| 35 | SPMV8000C1517 | SIDE PANEL SX AIRBOX COMPL. | MY15 1090RR BLACK/GRAY | 1,00 |
| 35 | SPMV80A0B7857 | AIRBOX LH SIDE | MY13/14 1090RR WHITE/GOLD | 1,00 |
| 35 | SPMV80A0B7863 | AIRBOX LH SIDE | 1090R BLACK | 1,00 |
| 35 | SPMV80A0C1517 | SIDE PANEL SX AIRBOX COMPL. | MY15 1090RR GRAY/WHITE | 1,00 |
| 35 | SPMV80B0B7857 | AIRBOX LH SIDE | MY13/14 1090RR WHITE/BLUE | 1,00 |
| 35 | SPMV80B0B7863 | AIRBOX LH SIDE | 1090R SILVER | 1,00 |
| 35 | SPMV80B0C1517 | LEFT SIDE PANEL AIRBOX COMPL. | MY15 1090 | 1,00 |
| 35 | SPMV80C0B7857 | LEFT SIDE FOR COMPL AIRBOX | CORSA | 1,00 |
| 36 | SPMV8000B2961 | GRID, AIR FILTER FAIRING, RIGH | 990R, BRUTALE 920 | 1,00 |
| 36 | SPMV80A0B2961 | GRID, AIR FILTER FAIRING, RIGH | 1090RR | 1,00 |
| 37 | SPMV98B0090901 | Special screw M4x8 | TAMBURINI | 6,00 |
| 38 | SPMV8000B7856 | AIRBOX RH SIDE | MY13/14 1090RR RED/SILVER | 1,00 |
| 38 | SPMV8000B7862 | AIRBOX RH SIDE | 1090R RED | 1,00 |
| 38 | SPMV8000B8136 | RX COMPL.AIRBOX SIDE PANEL | MY13/14 1090 | 1,00 |
| 38 | SPMV8000C1518 | RIGHT SIDE PANEL AIRBOX COMPL. | MY15 1090RR BLACK/GRAY | 1,00 |
| 38 | SPMV80A0B7856 | AIRBOX RH SIDE | MY13/14 1090RR WHITE/GOLD | 1,00 |
| 38 | SPMV80A0B7862 | AIRBOX RH SIDE | 1090R BLACK | 1,00 |
| 38 | SPMV80A0C1518 | RIGHT SIDE PANEL AIRBOX COMPL. | MY15 1090RR GRAY/WHITE | 1,00 |
| 38 | SPMV80B0B7856 | AIRBOX RH SIDE | MY13/14 1090RR WHITE/BLUE | 1,00 |
| 38 | SPMV80B0B7862 | AIRBOX RH SIDE | 1090R SILVER | 1,00 |
| 38 | SPMV80B0C1518 | RIGHT SIDE PANEL AIRBOX COMPL. | MY15 1090 | 1,00 |
| 38 | SPMV80C0B7856 | RIGHT SIDE FOR COMPLETE | CORSA | 1,00 |
| 39 | SPMV8000B2962 | GRID, AIR FILTER FAIRING, LEFT | 990R, BRUTALE 920 | 1,00 |
| 39 | SPMV80A0B2962 | GRID, AIR FILTER FAIRING, LEFT | 1090RR | 1,00 |
| 40 | SPMV800092882 | WASHER, PLASTIC, FAIRING, M | | 6,00 |
| 41 | SPMV8000B7806 | DECAL -VALVOLE RADIALI- AIRBOX | MY13/14 1090-1090RR, 1090R CORSA | 1,00 |
| 41 | SPMV8000C1520 | DECAL "CRC MUSTACHE" FOR SIDE PANEL | MY15 1090-1090RR | 1,00 |
| 42 | SPMV8000B7250 | FUEL WARNING MULTILINGUAL | F3 ORO-F3 AGO | 1,00 |
| 43 | SPMV8000B7782 | DECAL FUEL TANK RH | 1090R RED | 1,00 |
| 43 | SPMV8000B7792 | UPPER DECAL FUEL TANK RH | MY13/14 1090RR RED/SILVER | 1,00 |
| 43 | SPMV8000B9032 | DECAL "BAFFO"UPPER RX FUEL TANK | CORSA | 1,00 |
| 43 | SPMV8000C1530 | Decal tank top right | MY15 1090RR | 1,00 |
| 43 | SPMV80A0B7782 | DECAL FUEL TANK RH | 1090R BLACK | 1,00 |
| 43 | SPMV80A0B7792 | UPPER DECAL FUEL TANK RH | MY13/14 1090RR WHITE/BLUE MY13/14 1090RR WHITE/GOLD | 1,00 |
| 43 | SPMV80B0B7782 | DECAL FUEL TANK RH | 1090R SILVER | 1,00 |
| 44 | SPMV8000B7781 | DECAL FUEL TANK LH | 1090R RED | 1,00 |
| 44 | SPMV8000B7791 | UPPER DECAL FUEL TANK LH | MY13/14 1090RR RED/SILVER | 1,00 |
| 44 | SPMV8000B9031 | DECAL "BAFFO"UPPER LX FUEL TANK | CORSA | 1,00 |

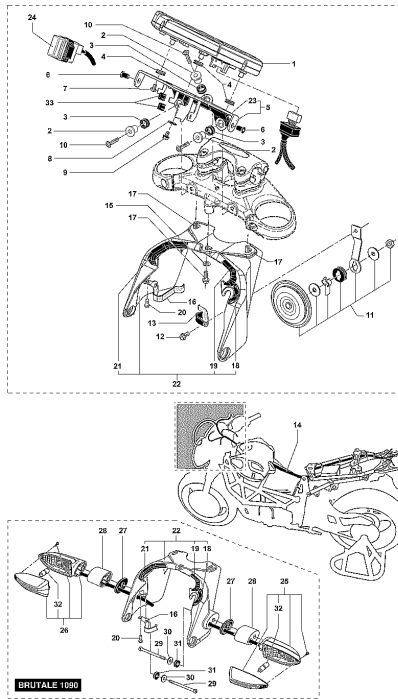
| | | | | |
|----|---------------|--------------------------------------|---|------|
| 44 | SPMV8000C1529 | Decal tank top left | MY15 1090RR | 1,00 |
| 44 | SPMV80A0B7781 | DECAL FUEL TANK LH | 1090R BLACK | 1,00 |
| 44 | SPMV80A0B7791 | UPPER DECAL FUEL TANK LH | MY13/14 1090RR WHITE/BLUE MY13/14 1090RR WHITE/GOLD | 1,00 |
| 44 | SPMV80B0B7781 | DECAL FUEL TANK LH | 1090R SILVER | 1,00 |
| 45 | SPMV8000B7786 | DECAL -1090- FUEL TANK RH | 1090R RED | 1,00 |
| 45 | SPMV8000B7796 | DECAL RR FUEL TANK RH | MY13/14 1090RR RED/SILVER | 1,00 |
| 45 | SPMV8000B9030 | DECAL "CORSA"RX FOR FUEL TANK | CORSA | 1,00 |
| 45 | SPMV8000C1532 | DECAL "MUSTACHE RR" RIGHT FOR SERBAT | MY15 1090RR | 1,00 |
| 45 | SPMV8000C1600 | DECAL "MUSTACHE 1090" RIGHT FOR | MY15 1090 WHITE | 1,00 |
| 45 | SPMV80A0B7786 | DECAL "1090" FUEL TANK RH | 1090R BLACK | 1,00 |
| 45 | SPMV80A0B7796 | DECAL "RR" FUEL TANK RH | MY13/14 1090RR WHITE/BLUE MY13/14 1090RR WHITE/GOLD | 1,00 |
| 45 | SPMV80A0C1600 | Decal tank right | MY15 1090 BLACK | 1,00 |
| 45 | SPMV80B0B7786 | DECAL "1090" FUEL TANK" RH | 1090R SILVER | 1,00 |
| 46 | SPMV8000B7785 | DECAL -1090- FUEL TANK LH | 1090R RED | 1,00 |
| 46 | SPMV8000B7795 | DECAL RR FUEL TANK LH | MY13/14 1090RR RED/SILVER | 1,00 |
| 46 | SPMV8000B9029 | DECAL "CORSA" LX FOR FUEL TANK | CORSA | 1,00 |
| 46 | SPMV8000C1531 | LEFT "MUSTACHE RR" DECAL FOR SERBAT | MY15 1090RR | 1,00 |
| 46 | SPMV8000C1599 | DECAL "MOUSTACHE 1090" LEFT FOR | MY15 1090 WHITE | 1,00 |
| 46 | SPMV80A0B7785 | DECAL "1090" FUEL TANK LH | 1090R BLACK | 1,00 |
| 46 | SPMV80A0B7795 | DECAL "RR" FUEL TANK LH | MY13/14 1090RR WHITE/BLUE MY13/14 1090RR WHITE/GOLD | 1,00 |
| 46 | SPMV80A0C1599 | Decal tank left | MY15 1090 BLACK | 1,00 |
| 46 | SPMV80B0B7785 | DECAL "1090" FUEL TANK LH | 1090R SILVER | 1,00 |
| 47 | SPMV8000B7794 | DECAL FUEL TANK RH | MY13/14 1090RR RED/SILVER | 1,00 |
| 47 | SPMV8000B9034 | DECAL "BAFFO"LOWER RX FUEL TANK | CORSA | 1,00 |
| 47 | SPMV80A0B7794 | DECAL FUEL TANK RH | MY13/14 1090RR WHITE/GOLD MY13/14 1090RR WHITE/BLUE | 1,00 |
| 48 | SPMV8000B7793 | DECAL FUEL TANK LH | MY13/14 1090RR RED/SILVER | 1,00 |
| 48 | SPMV8000B9033 | DECAL "BAFFO"LOWER LX FUEL TANK | CORSA | 1,00 |
| 48 | SPMV80A0B7793 | DECAL FUEL TANK LH | MY13/14 1090RR WHITE/GOLD MY13/14 1090RR WHITE/BLUE | 1,00 |
| 49 | SPMV8000B7790 | DECAL -MASCHERATURA- FUEL T.RH | | 1,00 |
| 50 | SPMV8000B7789 | DECAL -MASCHERATURA- FUEL T.LH | | 1,00 |



| Pos | Part Number | Description | Additional Text | Quantity |
|-----|---------------|----------------------------------|------------------------------|----------|
| 1 | SPMV8A00B4732 | TAIL | 1090RR BLACK/GRAY, 1090R | 1,00 |
| 1 | SPMV8AA0B4732 | REAR TAIL | CORSA, MY13/14 1090RR | 1,00 |
| 2 | SPMV80B004898 | WASHER D15-D6,25-SP1,5 | ROSSO | 4,00 |
| 3 | SPMV8C00B2681 | SCREW, TEF M6x1 CH8 L14 | RR-SCS-RC SCS | 4,00 |
| 4 | SPMV800048245 | CUSHION, SCREW, M6x1 L16 | B4 RS | 6,00 |
| 5 | SPMV8000B7859 | REAR FAIRING LH | MY13/14 1090RR RED/SILVER | 1,00 |
| 5 | SPMV8000B7865 | REAR FAIRING LH | 1090R RED | 1,00 |
| 5 | SPMV8000B8021 | REAR FAIRING LH | MY13/14 1090 BLACK | 1,00 |
| 5 | SPMV8000B8067 | LX COMPL.UNDERSEAT SIDE PANEL | CORSA | 1,00 |
| 5 | SPMV8000C1521 | TAIL LEFT SIDE FAIRING | MY15 1090RR BLACK/GRAY | 1,00 |
| 5 | SPMV8000C1595 | LEFT SIDE PANEL UNDER SEAT COMPL | MY15 1090 WHITE | 1,00 |
| 5 | SPMV80A0B7859 | REAR FAIRING LH | MY13/14 1090RR WHITE/GOLD | 1,00 |
| 5 | SPMV80A0B7865 | REAR FAIRING LH | 1090R BLACK | 1,00 |
| 5 | SPMV80A0B8021 | REAR FAIRING LH | MY13/14 1090 WHITE | 1,00 |
| 5 | SPMV80A0C1521 | TAIL LEFT SIDE FAIRING | MY15 1090RR GRAY/WHITE | 1,00 |
| 5 | SPMV80A0C1595 | SIDE PANEL SX UNDERSEAT COMPL | MY15 1090 BLACK | 1,00 |
| 5 | SPMV80B0B7859 | FAIRING, REAR LEFT SIDE | MY13/14 1090RR WHITE/BLUE | 1,00 |
| 5 | SPMV80B0B7865 | REAR FAIRING LH | 1090R SILVER | 1,00 |
| 5 | SPMV80B0B8021 | LEFT SIDE FOR UNDERSEAT | MY13/14 1090 GRAY | 1,00 |
| 6 | SPMV8000B7783 | DECAL REAR FAIRING LH | 1090R RED | 1,00 |
| 6 | SPMV8000B7801 | DECAL REAR FAIRING LH | MY13/14 1090RR RED/SILVER | 1,00 |
| 6 | SPMV8000B8019 | LX DECAL 1090CC UNDERSEAT SIDE | MY13/14 1090 BLACK | 1,00 |
| 6 | SPMV8000B9037 | DECAL "BAFFO" LX SIDE PANEL | CORSA | 1,00 |
| 6 | SPMV8000C1523 | Decal MV Agusta | MY15 1090RR | 1,00 |

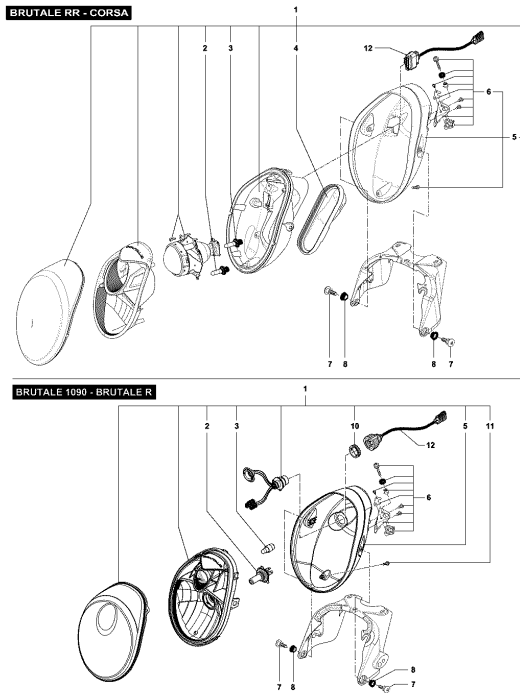
| | | | | |
|----|---------------|-----------------------------------|---|------|
| 6 | SPMV80A0B7783 | DECAL REAR FAIRING LH | 1090R BLACK | 1,00 |
| 6 | SPMV80A0B7801 | DECAL REAR FAIRING LH | MY13/14 1090RR WHITE/GOLD MY13/14 1090RR WHITE/BLUE | 1,00 |
| 6 | SPMV80A0B8019 | DECAL 1090CC | MY13/14 1090 WHITE, GRAY | 1,00 |
| 6 | SPMV80A0C1523 | DECAL "MV AGUSTA - MUSTACHE" FOR | MY15 1090 | 1,00 |
| 6 | SPMV80B0B7783 | DECAL REAR FAIRING LH | 1090R SILVER | 1,00 |
| 7 | SPMV8000B2994 | LOCK, DRIVER SEAT | | 1,00 |
| 8 | SPMV8B00B2672 | SCREW, M6x11,7x21 | DRAGSTER | 6,00 |
| 9 | SPMV800089751 | WASHER, PLÁSTICA 12,5x6x0,5 PO | | 6,00 |
| 10 | SPMV8C00B2680 | SCREW, TEF M5x0,8x12 CH8 RT | | 1,00 |
| 11 | SPMV8000B3001 | SUPPORT, CABLE, LOCK SEAT | | 1,00 |
| 12 | SPMV8000B3006 | CABLE, LOCK SEAT | 990R, 1090RR | 1,00 |
| 12 | SPMV8B00B3006 | CABLE, LOCK SEAT | BRUTALE 920 | 1,00 |
| 13 | SPMV8A00B2672 | SCREW, M6x11,7x12 | MY18 RC, MY19 RC, RC LH | 2,00 |
| 14 | SPMV8000B7858 | REAR FAIRING RH | MY13/14 1090RR RED/SILVER | 1,00 |
| 14 | SPMV8000B7864 | REAR FAIRING RH | 1090R RED | 1,00 |
| 14 | SPMV8000B8020 | REAR FAIRING RH | MY13/14 1090 BLACK | 1,00 |
| 14 | SPMV8000B8066 | RX COMPL.UNDERSEAT SIDE PANEL | CORSA | 1,00 |
| 14 | SPMV8000C1522 | TAIL RH SIDE FAIRING | MY15 1090RR BLACK/GRAY | 1,00 |
| 14 | SPMV8000C1596 | RIGHT SIDE PANEL UNDER SEAT COMPL | MY15 1090 WHITE | 1,00 |
| 14 | SPMV80A0B7858 | REAR FAIRING RH | MY13/14 1090RR WHITE/GOLD | 1,00 |
| 14 | SPMV80A0B7864 | REAR FAIRING RH | 1090R BLACK | 1,00 |
| 14 | SPMV80A0B8020 | REAR FAIRING RH | MY13/14 1090 WHITE | 1,00 |
| 14 | SPMV80A0C1522 | TAIL RH SIDE FAIRING | MY15 1090RR GRAY/WHITE | 1,00 |
| 14 | SPMV80A0C1596 | RIGHT SIDE PANEL UNDER SEAT COMPL | MY15 1090 BLACK | 1,00 |
| 14 | SPMV80B0B7858 | FAIRING, REAR RIGHT SIDE | MY13/14 1090RR WHITE/BLUE | 1,00 |
| 14 | SPMV80B0B7864 | REAR FAIRING RH | 1090R SILVER | 1,00 |
| 14 | SPMV80B0B8020 | RIGHT SIDE COMPLETE SEAT | MY13/14 1090 GRAY | 1,00 |
| 15 | SPMV80A092670 | WASHER, SPACER, D10,5xD7,9xD6, | | 2,00 |
| 16 | SPMV8A00B2681 | SCREW, M6x1 | 990R-1090RR <000640 | 2,00 |
| 17 | SPMV800090380 | VIBRATION-DAMPER | | 4,00 |
| 18 | SPMV8000B2970 | BATTERY ADHESIVE RETAINER | | 1,00 |
| 19 | SPMV8000B2968 | SEAT, DRIVER, B4 | 990R, 1090RR | 1,00 |
| 19 | SPMV8000B7423 | SEAT | 1090, 1090R | 1,00 |
| 19 | SPMV8000B8958 | COMPLETE RIDER SEAT | CORSA | 1,00 |
| 19 | SPMV80A0B8958 | SEAT | MY15 1090RR | 1,00 |
| 20 | SPMV8000B5543 | WASHER D15,8-D8,2-SP0,8 | | 1,00 |
| 21 | SPMV8000B5542 | SEAT PIN | | 1,00 |
| 22 | SPMV8000B2707 | NUT, M5x0,8xE6 CH8 PARLOCK | 990R-1090RR 002105> USA BRUTALE 920 USA | 2,00 |
| 23 | SPMV8E00B2694 | SCREW, TSEI M5x0,8 CH3 L20 | 990R, 1090RR | 2,00 |
| 23 | SPMV8F00B2694 | Screw TSEI M5x08-CH3-L25 | BRUTALE 920 | 2,00 |
| 24 | SPMV8000B2971 | PILLION SEAT | 990R RED | 1,00 |
| 24 | SPMV8000B8959 | COMPLETE PASSENGER SEAT | CORSA | 1,00 |
| 24 | SPMV80A0B8959 | SEAT PASSENGER | MY15 1090RR BLACK/GRAY | 1,00 |
| 24 | SPMV80B0B8959 | SEAT PASSENGER | MY15 1090RR GRAY/WHITE | 1,00 |

| | | | | |
|----|---------------|-----------------------------------|---|------|
| 24 | SPMV80C0B2971 | PILLION SEAT | 1090RR AMERICA | 1,00 |
| 25 | SPMV8000B3007 | SEAT ATTACHMENT BRACKET | | 1,00 |
| 26 | SPMV800041039 | CUSHION, SEAT D25xD18xL19 | | 4,00 |
| 27 | SPMV8000B2688 | Screw TCEIF M6x10 | 675-800 MY17 AMERICA | 3,00 |
| 28 | SPMV8000B3143 | NUT, ESPECIAL DA FECHADURA DO | | 1,00 |
| 29 | SPMV8000B4406 | BORDER, FAIRING, RIGHT SIDE | BRUTALE 920 | 1,00 |
| 30 | SPMV8000B4407 | BORDER, FAIRING, LEFT SIDE | BRUTALE 920 | 1,00 |
| 31 | SPMV8000B4455 | SUPPORT, DEVICE A | | 1,00 |
| 32 | SPMV8000B4115 | Screw TSEI M4x0,7x12 | | 6,00 |
| 33 | SPMV8E00B2680 | SCREW, M5x0,8x16 CH8 | | 2,00 |
| 34 | SPMV8000B7784 | DECAL REAR FAIRING RH | 1090R RED | 1,00 |
| 34 | SPMV8000B7802 | DECAL REAR FAIRING RH | MY13/14 1090RR RED/SILVER | 1,00 |
| 34 | SPMV8000B8018 | RX DECAL 1090CC UNDERSEAT SIDE | MY13/14 1090 BLACK | 1,00 |
| 34 | SPMV8000B9038 | DECAL "BAFFO"RX SIDE PANEL | CORSA | 1,00 |
| 34 | SPMV8000C1524 | Decal MV Agusta | MY15 1090RR | 1,00 |
| 34 | SPMV80A0B7784 | DECAL REAR FAIRING RH | 1090R BLACK | 1,00 |
| 34 | SPMV80A0B7802 | DECAL REAR FAIRING RH | MY13/14 1090RR WHITE/GOLD MY13/14 1090RR WHITE/BLUE | 1,00 |
| 34 | SPMV80A0B8018 | DECAL 1090CC | MY13/14 1090 WHITE, GRAY | 1,00 |
| 34 | SPMV80A0C1524 | Decal MV Agusta | MY15 1090 | 1,00 |
| 34 | SPMV80B0B7784 | DECAL REAR FAIRING RH | 1090R SILVER | 1,00 |
| 35 | SPMV8000B7803 | DECAL 1090 REAR FAIRING LH | MY13/14 1090RR RED/SILVER | 1,00 |
| 35 | SPMV8000B9035 | DECAL "1090"FOR LX SIDE PANEL | CORSA | 1,00 |
| 35 | SPMV8000C1607 | DECAL "1090" FOR LEFT SIDE PANEL | MY15 1090RR | 1,00 |
| 35 | SPMV80A0B7803 | DECAL "1090" REAR FAIRING LH | MY13/14 1090RR WHITE/GOLD MY13/14 1090RR WHITE/BLUE | 1,00 |
| 36 | SPMV8000B7804 | DECAL 1090 REAR FAIRING LH | MY13/14 1090RR RED/SILVER | 1,00 |
| 36 | SPMV8000B9036 | DECAL "1090"FOR RX SIDE PANEL | CORSA | 1,00 |
| 36 | SPMV8000C1608 | DECAL "1090" FOR RIGHT SIDE PANEL | MY15 1090RR | 1,00 |
| 36 | SPMV80A0B7804 | DECAL "1090" REAR FAIRING LH | MY13/14 1090RR WHITE/GOLD MY13/14 1090RR WHITE/BLUE | 1,00 |
| 37 | SPMV8000B7799 | DECAL -TRICOLORE- REAR FAIR.LH | | 1,00 |
| 38 | SPMV8000B7800 | DECAL -TRICOLORE- REAR FAIR.RH | | 1,00 |

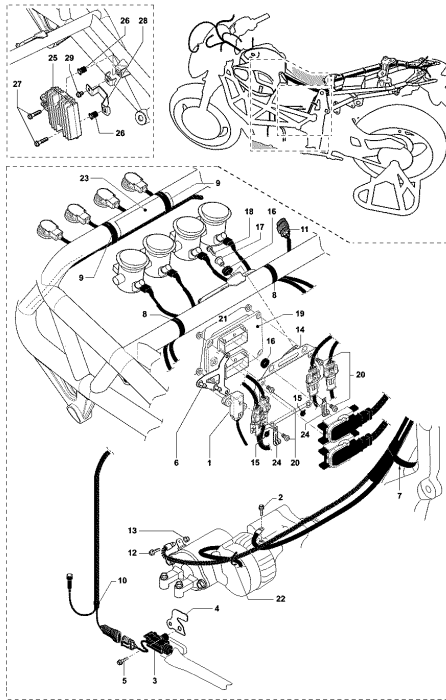


| Pos | Part Number | Description | Additional Text | Quantity |
|-----|---------------|-------------------------------|--------------------------------|----------|
| 1 | SPMV8000B7742 | DASHBOARD | | 1,00 |
| 2 | SPMV8000B2799 | WASHER, SPACER, D8xD6,2xL8,5 | MY12/16 F3 675-F3 800 | 3,00 |
| 3 | SPMV800089293 | CUSHION, D18xD8xE7,5 | MY14/20 F3 675-F3 800 | 3,00 |
| 4 | SPMV800090239 | CUSHION, RUBBER, 2 | B4 RS-B4 RR-B4 NURBURGRING | 3,00 |
| 5 | SPMV8000B5299 | SUPPORT | BRUTALE 920 | 1,00 |
| 6 | SPMV800091022 | BUSH, SCREW, M4x0,7 | F4S, F4R, F4RR | 2,00 |
| 7 | SPMV800092659 | Special screw M5x8 dashboard | | 2,00 |
| 8 | SPMV62ND15548 | WASHER, D15x5,2xE1 | EXCEPT USA-CND | 1,00 |
| 9 | SPMV8A00B2680 | Screw TEF M5x0,8x6 CH8 RT | MY12/16 USA CND CN | 1,00 |
| 10 | SPMV8B00B2672 | SCREW, M6x11,7x21 | DRAGSTER | 3,00 |
| 11 | SPMV8000B7548 | HORN | | 1,00 |
| 12 | SPMV8B00B2681 | Screw M6x1-CH8-L12 | F4S, F4 FRECC TRICOLORI | 1,00 |
| 13 | SPMV8000B4347 | SUPPORT, CLUTCH OIL PIPE | | 1,00 |
| 14 | SPMV8000B7461 | WIRING HARNESS | 1090-1090R-1090RR NO ABS | 1,00 |
| 14 | SPMV8000B7729 | WIRE HARNESS, BRUTALE RR-13 | 1090-1090R-1090RR ABS CORSA | 1,00 |
| 15 | SPMV80B004898 | WASHER D15-D6,25-SP1,5 | ROSSO | 3,00 |
| 16 | SPMV8000B8898 | SUPPORT, BRAKE OIL PIPE | 1090R, 1090RR, CORSA | 1,00 |
| 16 | SPMV8000B8899 | PIPE HOLDER PLATE | 1090 | 1,00 |
| 17 | SPMV8D00B2681 | SCREW, M6x1x16 CH8 | MY12/16 F3 675-F3 800 | 3,00 |
| 18 | SPMV8000B3210 | LABEL REGOLAZIONE PROIETTORE | | 1,00 |
| 19 | SPMV800098847 | BORDER, HEADLIGHT, LEFT SIDE | | 1,00 |
| 20 | SPMV8B00B2687 | SCREW, TCEIF M5x12 | B4 RR-B4 NURBURGRING-RUSH | 1,00 |
| 21 | SPMV800098846 | BORDER, HEADLIGHT, RIGHT SIDE | | 1,00 |
| 22 | SPMV8000B4944 | HEADLIGHT SUPPORT | BRUTALE 920 | 1,00 |
| 22 | SPMV80B0B3381 | HEADLIGHT SUPPORT | 1090R, 1090RR, CORSA | 1,00 |

| | | | | |
|----|---------------|--------------------------------|----------------------------|------|
| 23 | SPMV8000B4248 | COVER, PLASTIC, WIRE HARNESS | | 1,00 |
| 24 | SPMV8000B3217 | RELAY, BLINKER | 990R, 1090RR | 1,00 |
| 24 | SPMV8000B4948 | RELAY, BLINKER | BRUTALE 920 | 1,00 |
| 25 | SPMV8000B6996 | BLINKER 6W | BRUTALE 920 VIN 003895> | 1,00 |
| 26 | SPMV8000B6997 | BLINKER 6W | BRUTALE 920 VIN 003895> | 1,00 |
| 27 | SPMV8000B4740 | CUSHION, BLINKER | | 2,00 |
| 28 | SPMV8000B4728 | SPACER, BLINKER | BRUTALE 920 | 2,00 |
| 28 | SPMV8A00B4728 | SPACER | BRUTALE 920 USA | 2,00 |
| 29 | SPMV8000B5435 | Screw TCEI M5x0,8-CH4-L75 | BRUTALE 920 | 2,00 |
| 29 | SPMV8A00B5435 | Screw TCEI M5X0,8-CH4-L100 | BRUTALE 920 USA | 2,00 |
| 30 | SPMV800060910 | WASHER, FLAT D16-D5,5-SP1,5 | | 2,00 |
| 31 | SPMV8000B5721 | SUPPORT, FLEXIBLE, D18-D5,5-SP | | 2,00 |
| 32 | SPMV8000B7056 | LAMP HY6W AMBRA | SHEER F3 800-AGO-RC | 2,00 |
| 33 | SPMV8000B5301 | CLAMP, CONNECTOR | | 2,00 |

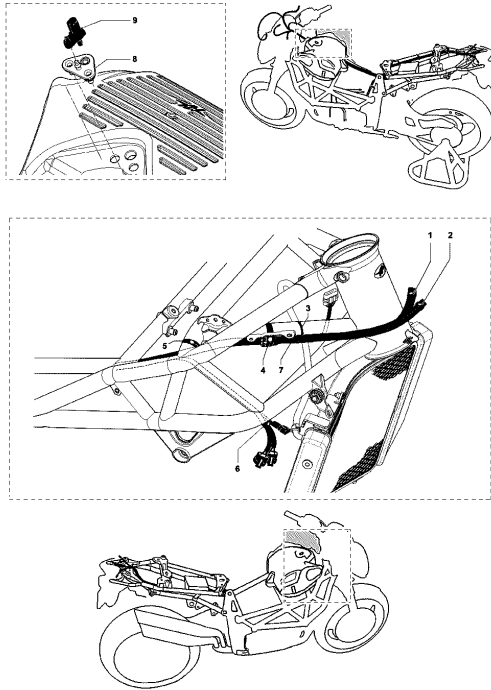


| Pos | Part Number | Description | Additional Text | Quantity |
|-----|---------------|---------------------------|---------------------------------|----------|
| 1 | SPMV8000B1508 | HEADLIGHT, B4 | 990R-1090RR RIGHT HAND DRIVE | 1,00 |
| 1 | SPMV8000B3243 | HEADLIGHT | 990R-1090RR LEFT HAND DRIVE | 1,00 |
| 1 | SPMV8000B3244 | HEADLIGHT | 990R-1090RR USA | 1,00 |
| 1 | SPMV8000B7885 | HEADLIGHT | 1090, 1090R | 1,00 |
| 2 | SPMV8000B4291 | H7 12V 55W BULB | 990R, 1090RR | 1,00 |
| 2 | SPMV8000B7886 | BULB H4 BV | 1090, 1090R | 1,00 |
| 3 | SPMV8000B4291 | H7 12V 55W BULB | 990R, 1090RR | 1,00 |
| 3 | SPMV8000B7887 | BULB W5W BV | 1090, 1090R | 1,00 |
| 4 | SPMV8000B4292 | PLUG | | 1,00 |
| 5 | SPMV8000B4293 | HEADLIGHT COVER | 990R, 1090RR | 1,00 |
| 5 | SPMV8000B5708 | HEADLIGHT COVER | BRUTALE 920 | 1,00 |
| 6 | SPMV8000B3444 | DEVICE, ADJUST, HEADLIGHT | | 1,00 |
| 7 | SPMV8000B3089 | SCREW, SPECIAL, HEADLIGHT | | 2,00 |
| 8 | SPMV8A0097112 | CUSHION, DASHBOARD | RUSH | 2,00 |
| 10 | SPMV8000B5713 | FIXING RING | | 1,00 |
| 11 | SPMV8000B5712 | Screw M5x10-L10 | | 1,00 |
| 12 | SPMV8000B7730 | FRONT WIRING PROTECTION | 1090, 1090R | 1,00 |
| 12 | SPMV8000B7731 | FRONT WIRING PROTECTION | 1090RR, CORSA | 1,00 |

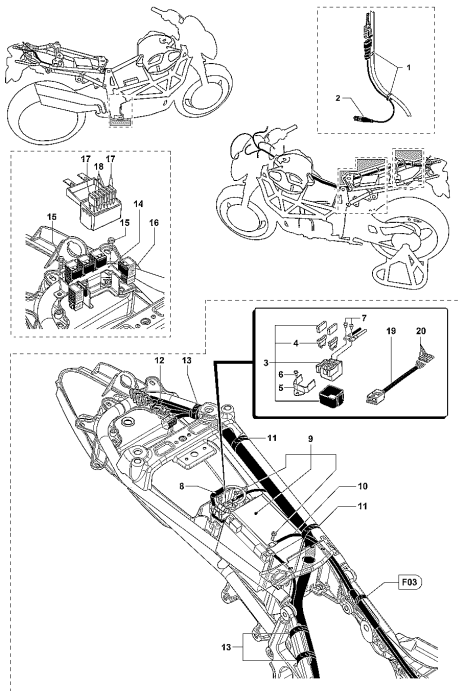


| Pos | Part Number | Description | Additional Text | Quantity |
|-----|---------------|-----------------------------------|-----------------------------|----------|
| 1 | SPMV8000A6408 | SENSOR, POSITION | | 1,00 |
| 2 | SPMV8000B2682 | Screw TEF M8x1,25x15 CH12 | | 1,00 |
| 3 | SPMV800090375 | SENSOR, SIDE STAND | | 1,00 |
| 4 | SPMV80A091653 | PLATE | | 1,00 |
| 5 | SPMV8F00B2687 | SCREW, TCEIF M5x22 RP | SCS-RC SCS | 2,00 |
| 6 | SPMV8000B2996 | SUPPORT, SENSOR POSITION | | 1,00 |
| 7 | SPMV800092247 | CLAMP, RUBBER, L62 | F3 ORO-F3 AGO | 1,00 |
| 8 | SPMV800092247 | CLAMP, RUBBER, L62 | F3 ORO-F3 AGO | 2,00 |
| 9 | SPMV800092248 | CLAMP, RUBBER, L82 | RR-SCS-RC SCS | 2,00 |
| 10 | SPMV800092668 | CLAMP, RUBBER | PER EAS F3 675 | 1,00 |
| 11 | SPMV8B0089516 | DIAGNOSTIC | | 1,00 |
| 12 | SPMV8A00B2680 | Screw TEF M5x0,8x6 CH8 RT | MY12/16 USA CND CN | 1,00 |
| 13 | SPMV8000B2708 | NUT, M5x0,8 | VIN >000710 F3 675 | 1,00 |
| 14 | SPMV8A00A9036 | SUPPORT, ECU, B4 | | 1,00 |
| 15 | SPMV800099419 | PIN, CUSHION | TAMBURINI | 2,00 |
| 16 | SPMV800089293 | CUSHION, D18xD8xE7,5 | MY14/20 F3 675-F3 800 | 3,00 |
| 17 | SPMV8000B2799 | WASHER, SPACER, D8xD6,2xL8,5 | MY12/16 F3 675-F3 800 | 1,00 |
| 18 | SPMV8D00B2681 | SCREW, M6x1x16 CH8 | MY12/16 F3 675-F3 800 | 1,00 |
| 19 | SPMV8000B8054 | INJECTION IGNITION CONTROL UNIT | 1090RR ABS CORSA | 1,00 |
| 19 | SPMV8000B8055 | ECU | 1090-1090R ABS | 1,00 |
| 19 | SPMV8000B8373 | REED IGNITION CONTROL UNIT | 1090RR NO ABS | 1,00 |
| 19 | SPMV8000B8427 | INJECTION IGNITION CONTROL UNIT | 1090-1090R NO ABS | 1,00 |
| 19 | SPMV8A00B8054 | COMPRESSION IGNITION CONTROL UNIT | 1090RR FRA ABS CORSA FRA | 1,00 |
| 19 | SPMV8A00B8055 | INJECTION IGNITION CONTROL UNIT | 1090-1090R FRA ABS | 1,00 |
| 19 | SPMV8A00B8373 | AIR IGNITION CONTROL BOX | 1090RR FRA NO ABS | 1,00 |
| 19 | SPMV8A00B8427 | ECU | 1090-1090R FRA NO ABS | 1,00 |
| 19 | SPMV8B00B8054 | COMPRESSION IGNITION CONTROL UNIT | 1090RR JPN ABS CORSA JPN | 1,00 |

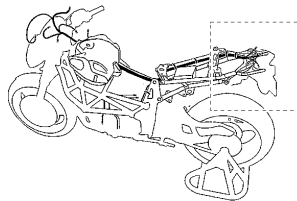
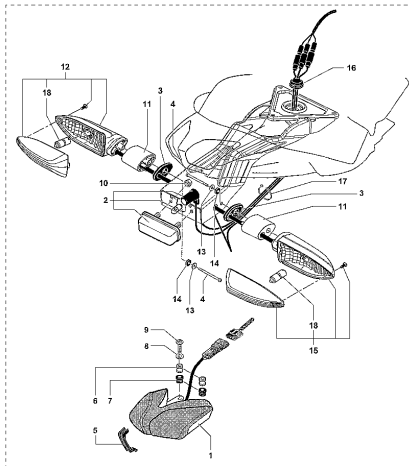
| | | | | |
|----|---------------|-----------------------------------|-------------------------------------|------|
| 19 | SPMV8B00B8055 | AIR IGNITION CONTROL BOX | 1090-1090R JPN ABS | 1,00 |
| 19 | SPMV8B00B8373 | COMPRESSION IGNITION CONTROL UNIT | 1090RR JPN NO ABS | 1,00 |
| 19 | SPMV8B00B8427 | REED IGNITION CONTROL UNIT | 1090-1090R JPN NO ABS | 1,00 |
| 19 | SPMV8C00B8054 | COMPRESSION IGNITION CONTROL UNIT | 1090RR USA-CDN ABS CORSA USA-CDN | 1,00 |
| 19 | SPMV8C00B8055 | AIR IGNITION CONTROL BOX | 1090-1090R USA-CDN ABS | 1,00 |
| 19 | SPMV8C00B8373 | AIR IGNITION CONTROL BOX | 1090RR USA-CDN NO ABS | 1,00 |
| 19 | SPMV8C00B8427 | REED IGNITION CONTROL UNIT | 1090-1090R USA-CDN NO ABS | 1,00 |
| 19 | SPMV8G00B8054 | AIR IGNITION CONTROL BOX | 1090RR RC ABS | 1,00 |
| 19 | SPMV8G00B8055 | AIR IGNITION CONTROL BOX | 1090-1090R RC ABS | 1,00 |
| 19 | SPMV8G00B8373 | AIR IGNITION CONTROL BOX | 1090RR RC NO ABS | 1,00 |
| 19 | SPMV8G00B8427 | IGNITION CONTROL UNIT | 1090-1090R RC NO ABS | 1,00 |
| 20 | SPMV8B00B2688 | Screw TCEIF M6x1x16 | EXCEPT F3 ORO | 4,00 |
| 21 | SPMV8000B2711 | NUT, M6x1 CH10 E6 | | 4,00 |
| 22 | SPMV800056783 | Plastic clamp, L142 | MY17/20 F3 675-F3 800 | 1,00 |
| 23 | SPMV8000B4536 | STICKER, PROTECTION | | 1,00 |
| 24 | SPMV8000A1792 | CLAMP, SPECIAL | | 2,00 |
| 25 | SPMV8000B3206 | RECTIFIER | | 1,00 |
| 26 | SPMV800048245 | CUSHION, SCREW, M6x1 L16 | B4 RS | 2,00 |
| 27 | SPMV8G00B2681 | Screw M6x1 CH8 | LUSSO, RC, SCS | 2,00 |
| 28 | SPMV8000B7388 | SUPPORT, RECTIFIER | | 1,00 |
| 29 | SPMV8000B2681 | Screw TEF M6x0,8x8 CH8 RT | 990R-1090RR 000641> BRUTALE 920 | 1,00 |



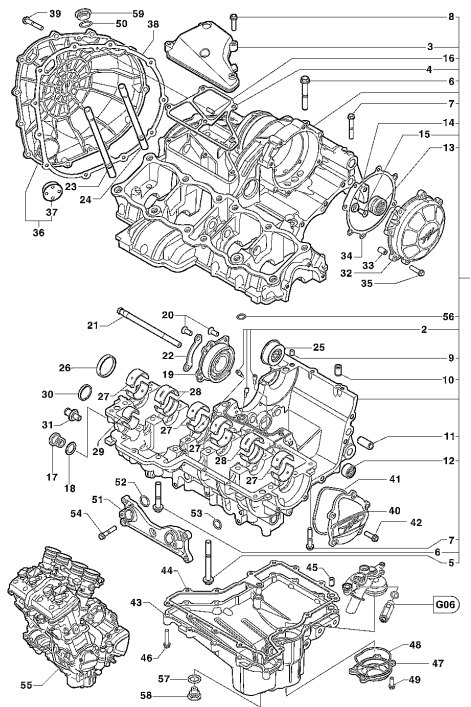
| Pos | Part Number | Description | Additional Text | Quantity |
|-----|---------------|--------------------------------|--------------------|----------|
| 1 | SPMV800053724 | BELT, RUBBER, SHORT | MY12/16 USA CND CN | 1,00 |
| 2 | SPMV800053724 | BELT, RUBBER, SHORT | MY12/16 USA CND CN | 1,00 |
| 3 | SPMV800056444 | CLAMP, PLASTIC | | 1,00 |
| 4 | SPMV800092248 | CLAMP, RUBBER, L82 | RR-SCS-RC SCS | 1,00 |
| 5 | SPMV800092248 | CLAMP, RUBBER, L82 | RR-SCS-RC SCS | 1,00 |
| 6 | SPMV800092668 | CLAMP, RUBBER | PER EAS F3 675 | 1,00 |
| 7 | SPMV800090417 | PROTECTION, RUBBER, PIPE | | 1,00 |
| 8 | SPMV8000B3219 | CUSHION, SENSOR AIR TEMPERATUR | | 1,00 |
| 9 | SPMV8000B3207 | SENSOR, AIR TEMPERATURE | | 1,00 |



| Pos | Part Number | Description | Additional Text | Quantity |
|-----|---------------|---------------------------|------------------------------------|----------|
| 1 | SPMV800053724 | BELT, RUBBER, SHORT | MY12/16 USA CND CN | 2,00 |
| 2 | SPMV800090213 | SWITCH, REAR BRAKE LIGHT | | 1,00 |
| 3 | SPMV8000A5350 | SOLENOID STARTER | | 1,00 |
| 4 | SPMV800093018 | FUSE, VALVE, 40A | | 2,00 |
| 5 | SPMV80A099276 | PLATE | | 1,00 |
| 6 | SPMV8000B2681 | Screw TEF M6x0,8x8 CH8 RT | 990R-1090RR 000641> BRUTALE 920 | 1,00 |
| 7 | SPMV8000B2681 | Screw TEF M6x0,8x8 CH8 RT | 990R-1090RR 000641> BRUTALE 920 | 2,00 |
| 8 | SPMV8000B3109 | WIRE HARNESS, BATTERY | | 1,00 |
| 9 | SPMV8000B8270 | BATTERY | | 1,00 |
| 10 | SPMV8000B3108 | CABLE, BATTERY, NEGATIVE | | 1,00 |
| 11 | SPMV800092247 | CLAMP, RUBBER, L62 | F3 ORO-F3 AGO | 2,00 |
| 12 | SPMV800053724 | BELT, RUBBER, SHORT | MY12/16 USA CND CN | 1,00 |
| 13 | SPMV800092248 | CLAMP, RUBBER, L82 | RR-SCS-RC SCS | 3,00 |
| 14 | SPMV8000B2998 | SUPPORT, RELAY | | 1,00 |
| 15 | SPMV8000B2681 | Screw TEF M6x0,8x8 CH8 RT | 990R-1090RR 000641> BRUTALE 920 | 2,00 |
| 16 | SPMV8000A6749 | RELAY | ROSSO | 5,00 |
| 17 | SPMV8F0099274 | FUSE 15A | | 3,00 |
| 18 | SPMV8D0099274 | 7,5A FUSE | | 4,00 |
| 19 | SPMV8000B9330 | CONNECTION CONTACTOR KIT | | 1,00 |
| 20 | SPMV8000B9332 | CONNECTION WIRE KIT | | 1,00 |



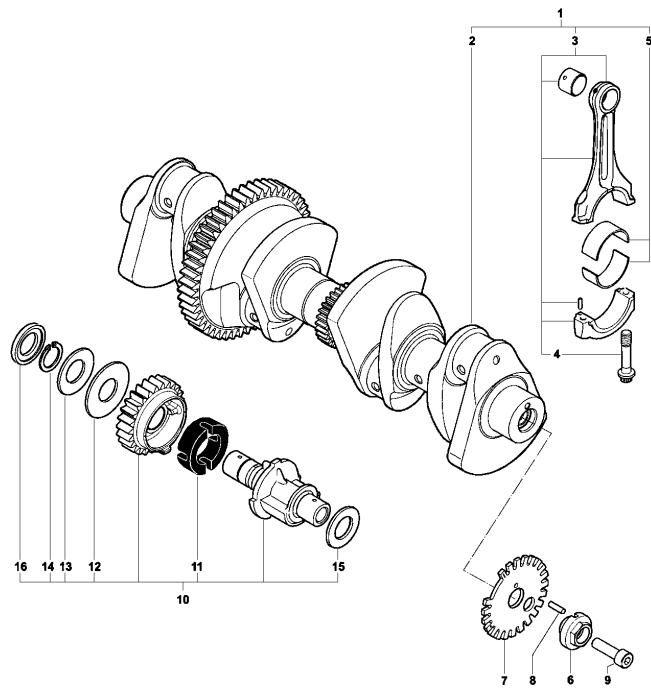
| Pos | Part Number | Description | Additional Text | Quantity |
|-----|---------------|--------------------------------|--|----------|
| 1 | SPMV8000B7399 | TAIL-LIGHT | | 1,00 |
| 2 | SPMV8B00B3493 | LIGHT, LICENSE PLATE | | 1,00 |
| 3 | SPMV8000B4740 | CUSHION, BLINKER | | 2,00 |
| 4 | SPMV60ND01065 | SCREW TE M5X0,8-CH8-L50 | | 2,00 |
| 5 | SPMV8000B2999 | PROTECTION, RUBBER, TAILLIGHT | | 1,00 |
| 6 | SPMV8000A1873 | BUSH, SPACER, D16xD8xD6,2X10 | BRUTALE S | 2,00 |
| 7 | SPMV800090239 | CUSHION, RUBBER, 2 | B4 RS-B4 RR-B4 NURBURGRING | 2,00 |
| 8 | SPMV8000B2722 | WASHER, D16xD6,4xE1,5 | RR-SCS-RC SCS | 2,00 |
| 9 | SPMV8B00B2672 | SCREW, M6x11,7x21 | DRAGSTER | 2,00 |
| 10 | SPMV8000B2707 | NUT, M5x0,8xE6 CH8 PARLOCK | 990R-1090RR 002105> USA BRUTALE 920 USA | 2,00 |
| 11 | SPMV8000B4728 | SPACER, BLINKER | BRUTALE 920 | 2,00 |
| 12 | SPMV8A00B6997 | BLINKER 6W | SHEER F3 800-AGO-RC | 1,00 |
| 12 | SPMV8D00B3117 | REAR INDICATOR | 1090R, 1090RR, CORSA | 1,00 |
| 12 | SPMV8E00B3117 | REAR INDICATOR RH USA | 1090R-1090RR-CORSA USA | 1,00 |
| 13 | SPMV62ND15548 | WASHER, D15x5,2xE1 | EXCEPT USA-CND | 2,00 |
| 14 | SPMV8000B5721 | SUPPORT, FLEXIBLE, D18-D5,5-SP | | 1,00 |
| 15 | SPMV8A00B6996 | BLINKER 6W | SHEER F3 800-AGO-RC | 1,00 |
| 15 | SPMV8D00B3117 | REAR INDICATOR | 1090R, 1090RR, CORSA | 1,00 |
| 15 | SPMV8E00B3117 | REAR INDICATOR RH USA | 1090R-1090RR-CORSA USA | 1,00 |
| 16 | SPMV800066449 | FAIRLEAD | | 1,00 |
| 17 | SPMV800092661 | CLAMP 2.4X92 | MY14/20 F3 675-F3 800 | 1,00 |
| 18 | SPMV8000B7056 | LAMP HY6W AMBRA | SHEER F3 800-AGO-RC | 2,00 |



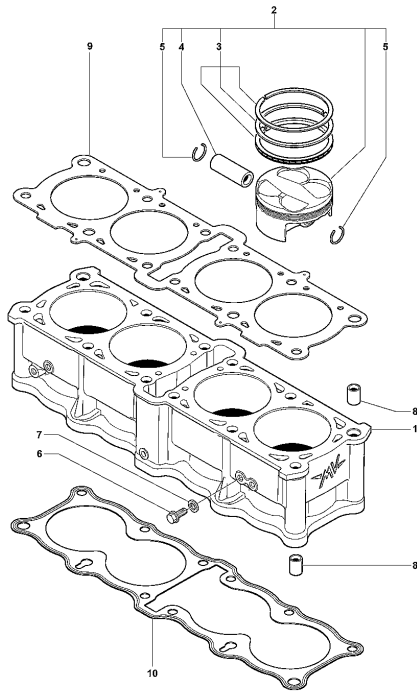
| Pos | Part Number | Description | Additional Text | Quantity |
|-----|---------------|--------------------------------|---------------------------------------|----------|
| 1 | SPMV8000B7092 | ENGINE BLOCK ASSEMBLY | 990R, 1090RR | 1,00 |
| 1 | SPMV8A00B7092 | BASE COVER | 1090 VIN <005262 1090R, 1090RR, CORSA | 1,00 |
| 2 | SPMV8B00B2807 | VALVE, OIL, CRANKCASE BOTTOM | B4 RS-B4 RR-RUSH, MY23 | 3,00 |
| 3 | SPMV8C0092465 | COVER | 1090 VIN FROM 004516 TO 004821 | 1,00 |
| 3 | SPMV8D0092465 | BLOW-BY COVER LABIRINT | 1090 VIN <005262 1090R, 1090RR, CORSA | 1,00 |
| 4 | SPMV8000B4019 | GASKET, BLOW-BY COVER | | 1,00 |
| 5 | SPMV8B00B2684 | SCREW, M8x1,25 DA CARÇAÇA | | 13,00 |
| 6 | SPMV8A00B2684 | SCREW, M8x1,25 | | 7,00 |
| 7 | SPMV8J00B2681 | Screw M6x1 L35 CH8 | 675-800 MY17 AMERICA | 12,00 |
| 8 | SPMV8G00B2681 | Screw M6x1 CH8 | LUSSO, RC, SCS | 5,00 |
| 9 | SPMV800007719 | PIN D10-D7 | | 3,00 |
| 10 | SPMV8A0051549 | REFERENCE PIN D6.2-D8-SP.1 | | 1,00 |
| 11 | SPMV800086119 | BUSH, CRANKCASE, 27x12MM | | 3,00 |
| 12 | SPMV800087300 | BEARING | | 1,00 |
| 13 | SPMV800081422 | BEARING | | 1,00 |
| 14 | SPMV800086737 | WASHER, FIXACAO DO ROLAMENTO | | 1,00 |
| 15 | SPMV8B00B2695 | SCREW, M6x1 CH4 | | 1,00 |
| 16 | SPMV8C0019590 | PIN, CLUTCH COVER, 15x5MM | | 2,00 |
| 17 | SPMV8000B2746 | CILINDRICAL PLUG DIN 908-M16X1 | | 2,00 |
| 18 | SPMV800089426 | WASHER D16 | | 2,00 |
| 19 | SPMV8000B2532 | BEARING, PRIMARY AXLE | | 1,00 |
| 20 | SPMV8C00B2695 | SCREW, M6x1 DO SUPORTE DO ROL | | 6,00 |
| 21 | SPMV8000B2063 | CHANGE GEAR | | 1,00 |
| 22 | SPMV8000B2560 | SUPPORT, FIX, PRIMARY AXLE BEA | | 1,00 |
| 23 | SPMV8000A2170 | STUD BOLT, EXHAUST, CYLINDER H | | 6,00 |
| 24 | SPMV8000A2171 | STUD BOLT, INTAKE, CYLINDER HE | | 6,00 |

| | | | | |
|----|---------------|--------------------------------|--|-------|
| 25 | SPMV8000A1087 | BEARING, SECONDARY AXLE, RNU41 | BRUTALE S 09192>,<10409,10968> | 1,00 |
| 26 | SPMV800081412 | CRANKCASE PLUG | | 1,00 |
| 27 | SPMV800081317 | ROD BEARING, 1-3-4-6 A | HALF-BEARING RED | 8,00 |
| 27 | SPMV8A0081317 | ROD BEARING, 1-3-4-6 B | HALF-BEARING BLEU | 8,00 |
| 27 | SPMV8B0081317 | ROD BEARING, 1-3-4-6 C | HALF-BEARING YELLOW | 8,00 |
| 28 | SPMV800081316 | RED CRANKSHAFT BEARING | HALF-BEARING RED | 4,00 |
| 28 | SPMV8A0081316 | BLUE ROD BEARING, 2-5 B | HALF-BEARING BLEU | 4,00 |
| 28 | SPMV8B0081316 | YELLOW ROD BEARING, 2-5 C | HALF-BEARING YELLOW | 4,00 |
| 29 | SPMV8000B2065 | ROD BEARING, COUNTER WEIGHT | | 4,00 |
| 30 | SPMV800035728 | COVER, MINOR, SEALING, CRANKCA | MY21-22, UP TO ENGINE NUMBER 01396 | 1,00 |
| 31 | SPMV8000B3014 | SCREW, ESPECIAL FIXAÇÃO DO SU | | 1,00 |
| 32 | SPMV80A0B2004 | COVER, GENERATOR | 1090 VIN FROM 004516 TO 004821 | 1,00 |
| 32 | SPMV80B0B2004 | COVER, GENERATOR | 1090 VIN <005262 1090R, 1090RR, CORSA | 1,00 |
| 33 | SPMV800051549 | PIN D8-D6 | | 2,00 |
| 34 | SPMV8000B2066 | GASKET, GENERATOR COVER | | 1,00 |
| 35 | SPMV8G00B2681 | Screw M6x1 CH8 | LUSSO, RC, SCS | 7,00 |
| 36 | SPMV8000B3288 | COVER | 1090 VIN FROM 004516 TO 004821 | 1,00 |
| 36 | SPMV8A00B3288 | CLUTCH COVER | 1090 VIN <005262 1090R, 1090RR, CORSA | 1,00 |
| 37 | SPMV8000B7751 | OIL CHECK WINDOWS | | 1,00 |
| 37 | SPMV800073529 | OIL LEVEL INSPECTION PORTHOLE | 1090 VIN FROM 004516 TO 004821 | 1,00 |
| 38 | SPMV800080691 | CLUTCH COVER GASKET | | 1,00 |
| 39 | SPMV8E00B2681 | Screw M6x1-CH8-L20 | MY17/20 F3 675 RC-F3 800 RC | 11,00 |
| 40 | SPMV80A0B3290 | COVER, RPM GEAR, B4 | 1090 VIN FROM 004516 TO 004821 | 1,00 |
| 40 | SPMV80B0B3290 | COVER, PHONIC WHEEL | 1090 VIN <005262 1090R, 1090RR, CORSA | 1,00 |
| 41 | SPMV800094626 | GASKET, RPM GEAR COVER, F4 | | 1,00 |
| 42 | SPMV8E00B2681 | Screw M6x1-CH8-L20 | MY17/20 F3 675 RC-F3 800 RC | 5,00 |
| 43 | SPMV80A0B3291 | COVER, CARTER | 1090 VIN FROM 004516 TO 004821 | 1,00 |
| 43 | SPMV80B0B3291 | OIL PAN | 1090 VIN <005262 1090R, 1090RR, CORSA | 1,00 |
| 44 | SPMV8000B3455 | GASKET, CARTER COVER | | 1,00 |
| 45 | SPMV800007719 | PIN D10-D7 | | 2,00 |
| 46 | SPMV8H00B2681 | Screw M6x1 CH8 RP | MY17 DRAGSTER RR/DRAGSTER RC | 15,00 |
| 47 | SPMV80A0B5295 | COVER, OIL FILTER | 1090 VIN FROM 004516 TO 004821 | 1,00 |
| 47 | SPMV80B0B5295 | OIL FILTER COVER | 1090 VIN <005262 1090R, 1090RR, CORSA | 1,00 |
| 48 | SPMV8000B3457 | ORING, OIL FILTER COVER | | 1,00 |
| 49 | SPMV8C00B2681 | SCREW, TEF M6x1 CH8 L14 | RR-SCS-RC SCS | 4,00 |
| 50 | SPMV8A0023120 | RING, RUBBER, OIL COVER, 26,65 | | 1,00 |
| 51 | SPMV80A0B3092 | FLANGE, SUPPORT, OIL RADIATOR | 1090 VIN FROM 004516 TO 004821 | 1,00 |
| 51 | SPMV80B0B3092 | FLANGE OIL PIPES SUPPORT | 1090 VIN <005262 1090R, 1090RR, CORSA | 1,00 |
| 52 | SPMV8A0023111 | OR2106 T1 | | 1,00 |
| 53 | SPMV8A00A0819 | GROMMET D15,08 | | 1,00 |

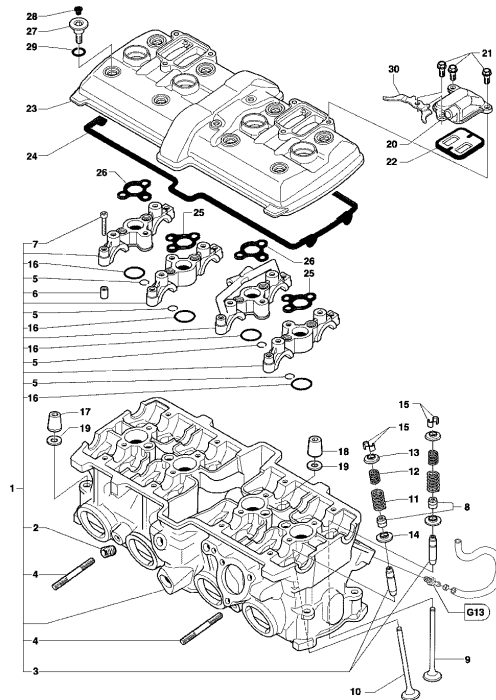
| | | | | |
|----|---------------|--------------------------------|---------------------------------------|------|
| 54 | SPMV8E00B2681 | Screw M6x1-CH8-L20 | MY17/20 F3 675 RC-F3 800 RC | 5,00 |
| 55 | SPMV8000B6147 | BRUTALE 109013 ENGINE | 1090 VIN FROM 004516 TO 004821 | 1,00 |
| 55 | SPMV8000B7755 | BRUTALE 109015 ENGINE | 1090 VIN <005262, 1090R | 1,00 |
| 55 | SPMV8000B7761 | ENGINE BRUTALE RR15 | 1090RR, CORSA | 1,00 |
| 56 | SPMV8B0023109 | RING, RUBBER, CRANKCASE, 12,42 | | 1,00 |
| 57 | SPMV62N015682 | WASHER, 28x22,3x1mm | | 1,00 |
| 58 | SPMV800096747 | PLUG, OIL, M22X1,5mm | | 1,00 |
| 59 | SPMV80A0A5147 | CAP, OIL | 1090 VIN FROM 004516 TO 004821 | 1,00 |
| 59 | SPMV80B0A5147 | OIL PLUG | 1090 VIN <005262 1090R, 1090RR, CORSA | 1,00 |



| Pos | Part Number | Description | Additional Text | Quantity |
|-----|---------------|----------------------------|---------------------------|----------|
| 1 | SPMV8000B4205 | DRIVING SHAFT ASSEMBLY | | 1,00 |
| 2 | SPMV8000B4206 | DRIVING SHAFT | F4S, F4 FRECCIE TRICOLORI | 1,00 |
| 3 | SPMV8000B4207 | CONNECTING ROD ASSEMBLY | 990R, 1090RR | 1,00 |
| 4 | SPMV8000B4100 | SCREW | | 2,00 |
| 5 | SPMV800081315 | BIG END HALF BEARING | HALF-BEARING RED | 8,00 |
| 5 | SPMV8A0081315 | BIG END HALF BEARING | HALF-BEARING BLEU | 8,00 |
| 5 | SPMV8B0081315 | BIG END HALF BEARING | HALF-BEARING YELLOW | 8,00 |
| 6 | SPMV800086727 | PHONIC WHEEL STOP | | 1,00 |
| 7 | SPMV800086726 | PHONIC WHEEL | | 1,00 |
| 8 | SPMV800019971 | PIN, OIL PUMP GEAR, 4x15,8 | | 1,00 |
| 9 | SPMV60ND02558 | Screw M8x1,25-L35 | | 1,00 |
| 10 | SPMV8000B2036 | COUNTER WEIGHT, CRANKSHAFT | | 1,00 |
| 11 | SPMV8000B3398 | FLEXIBLE COUPLING | | 1,00 |
| 12 | SPMV8000B2055 | WASHER | | 1,00 |
| 13 | SPMV8000B2056 | CUP SPRING | | 1,00 |
| 14 | SPMV66N021208 | SNAP RING | | 1,00 |
| 15 | SPMV8F0032069 | WASHER | | 1,00 |
| 16 | SPMV8000B2563 | WASHER | | 1,00 |

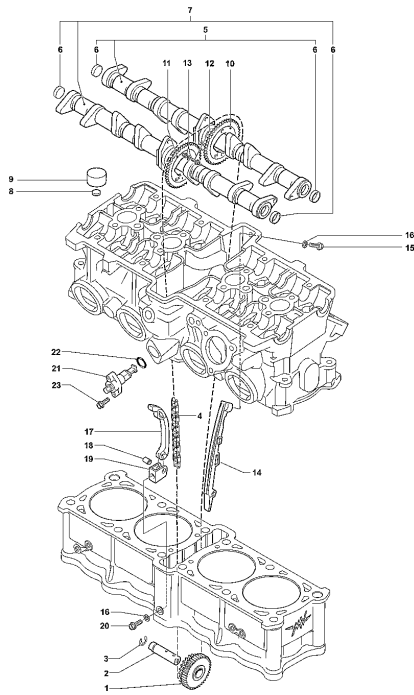


| Pos | Part Number | Description | Additional Text | Quantity |
|-----|---------------|--------------------------------|--|----------|
| 1 | SPMV80A0B2551 | CYLINDER D79 PAINTED | 1090RR | 1,00 |
| 1 | SPMV80B0B9960 | CYLINDER D79 VER | 1090 VIN <005262 1090R, 1090RR, CORSA | 1,00 |
| 2 | SPMV8000B4140 | PISTON ASSEMBLY | 1090RR | 4,00 |
| 3 | SPMV8000B4141 | Piston rings | 1090RR | 4,00 |
| 4 | SPMV8000A0606 | BUSH, PISTON | 990R, 1090RR | 4,00 |
| 5 | SPMV8000A2714 | CIRCLIP, PISTON | 990R, 1090RR | 8,00 |
| 6 | SPMV800081536 | Screw M6x1-L8 | RR-RUSH | 2,00 |
| 7 | SPMV800064988 | SELF CENTERING WASHER D11-D6.1 | | 2,00 |
| 8 | SPMV800081535 | REFERING PIN D11-D13 | | 4,00 |
| 9 | SPMV8000A9370 | GASKET, CYLINDER HEAD, 0,4mm, | 1078 | 1,00 |
| 9 | SPMV8A00A9370 | GASKET, CYLINDER HEAD, 0,55mm, | 1078 | 1,00 |
| 9 | SPMV8B00A9370 | GASKET, CYLINDER HEAD, 0,7mm, | 1078 | 1,00 |
| 10 | SPMV8000A9371 | GASKET, CYLINDER | | 1,00 |



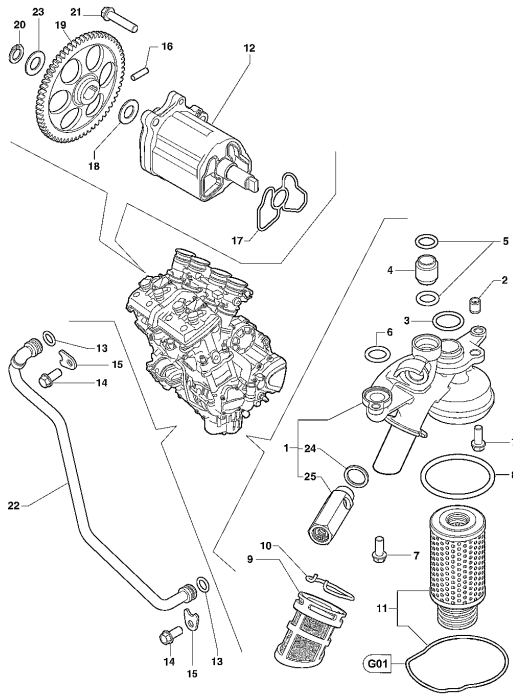
| Pos | Part Number | Description | Additional Text | Quantity |
|-----|---------------|-------------------------------|---|----------|
| 1 | SPMV8000B3415 | CYLINDER HEAD COMPLETE | 1090RR | 1,00 |
| 1 | SPMV8A00B3415 | CYLINDER HEAD | 1090 VIN <005262 1090R, 1090RR, CORSA | 1,00 |
| 2 | SPMV800069769 | CONICAL PLUG EI M14X1 | | 7,00 |
| 3 | SPMV8A0081228 | VALVE GUIDE | ENGINE 5952> | 16,00 |
| 3 | SPMV8B0081228 | VALVE GUIDE | ENGINE 5952> | 16,00 |
| 4 | SPMV8000B2768 | STUD BOLT | | 2,00 |
| 5 | SPMV800023108 | OR2037 T1 | | 4,00 |
| 6 | SPMV800051549 | PIN D8-D6 | | 8,00 |
| 7 | SPMV800085071 | SCREW M6X35 | | 16,00 |
| 8 | SPMV800065814 | INTAKE AND EXHAUST GASKET | | 16,00 |
| 9 | SPMV80A0A1356 | VALVE INTAKE | | 8,00 |
| 10 | SPMV80A097919 | VALVE EXHAUST | F4S, F4 FRECCE TRICOLORI | 8,00 |
| 11 | SPMV800098670 | EXTERNAL VALVE SPRING | 750S, 750S1+1, SENNA | 16,00 |
| 12 | SPMV800098671 | INTERNAL VALVE SPRING | 750S, 750S1+1, SENNA | 16,00 |
| 13 | SPMV8000A3732 | UPPER CAP | BRUTALE S, 10761> | 16,00 |
| 14 | SPMV8000A3733 | LOWER CAP | BRUTALE S, 10761> | 16,00 |
| 15 | SPMV800092433 | COTTER VALVE 15JAP | ENGINE 01801> | 32,00 |
| 16 | SPMV800087752 | ORING, LARGE | | 4,00 |
| 17 | SPMV800081547 | NUT, ESPECIAL DO CABEÇOTE 1 | | 10,00 |
| 18 | SPMV8000A8182 | NUT, ESPECIAL DO CABEÇOTE 2 | 008836-008839 & 009155> B4 910 S/910 R | 2,00 |
| 19 | SPMV800069156 | WASHER, 18x10,5x2 FLAT, BLACK | | 12,00 |
| 20 | SPMV80C0B3946 | COVER, EXHAUST INTAKE AIR, B4 | 990R, BRUTALE 920 | 2,00 |
| 20 | SPMV80D0B3946 | COVER, EXHAUST INTAKE AIR, B4 | 1090RR | 2,00 |
| 21 | SPMV8C00B2681 | SCREW, TEF M6x1 CH8 L14 | RR-SCS-RC SCS | 6,00 |
| 22 | SPMV8000A2270 | VALVE, INTAKE AIR | | 2,00 |
| 23 | SPMV8000B3272 | HEAD COVER | 990R, BRUTALE 920 | 1,00 |

| | | | | |
|----|---------------|--------------------------------|---|------|
| 23 | SPMV8B00B3272 | HEAD COVER | 1090RR | 1,00 |
| 24 | SPMV8000B4056 | GASKET, CYLINDER HEAD COVER | | 1,00 |
| 25 | SPMV8000A1938 | spark plug seal cylinder | | 2,00 |
| 26 | SPMV8000A1939 | spark plug seal cylinder | | 2,00 |
| 27 | SPMV8000B2759 | Screw valve cover | | 8,00 |
| 28 | SPMV8000A8989 | CAP, SCREW, CYLINDER HEAD COVE | | 8,00 |
| 29 | SPMV800023113 | OR3043 T2 | 008836-008839 & 009155> B4 910 S/910 R | 8,00 |
| 30 | SPMV8000A8326 | SUPPORT, SPARK PLUG CABLE, B4 | 005491-005495 & 005822> SENNNA | 2,00 |

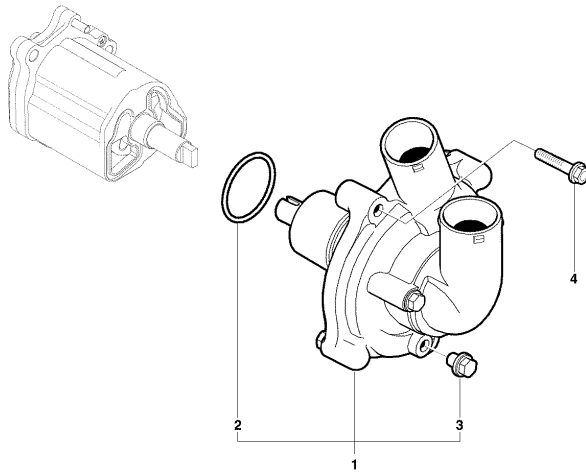


| Pos | Part Number | Description | Additional Text | Quantity |
|-----|---------------|-----------------------------|---|----------|
| 1 | SPMV800089445 | GEAR, DISTRIBUTION | | 1,00 |
| 2 | SPMV800081261 | TIMING TRANSMISSION | | 1,00 |
| 3 | SPMV66N021313 | CLAMP, GEAR PIN | | 1,00 |
| 4 | SPMV8A0096598 | OPEN TIMING CHAIN | TIMING CHAIN OPEN | 1,00 |
| 4 | SPMV8A00A0120 | CHAIN, CAM | TIMING CHAIN CLOSED | 1,00 |
| 5 | SPMV8D00A9009 | CAM SHAFT, INTAKE | 008836-008839 & 009155> B4 910 S/910 R | 1,00 |
| 5 | SPMV8E00A9009 | CAMSHAFT SET, INTAKE | 1090RR | 1,00 |
| 6 | SPMV8C0057196 | STABLE PLUG D16-SP6-10 | | 4,00 |
| 7 | SPMV8000B3523 | MAIN SHAFT COMPLETE EXHAUST | | 1,00 |
| 8 | SPMV800084182 | CLEARANCE ADJUSTING | 1.60 MM | 16,00 |
| 8 | SPMV8A0084182 | CLEARANCE ADJUSTING | 1.65 MM | 16,00 |
| 8 | SPMV8B0084182 | CLEARANCE ADJUSTING | 1.70 MM | 16,00 |
| 8 | SPMV8C0084182 | CLEARANCE ADJUSTING | 1.75 MM | 16,00 |
| 8 | SPMV8D0084182 | CLEARANCE ADJUSTING | 1.80 MM | 16,00 |
| 8 | SPMV8E0084182 | CLEARANCE ADJUSTING | 1.85 MM | 16,00 |
| 8 | SPMV8F0084182 | CLEARANCE ADJUSTING | 1.90 MM | 16,00 |
| 8 | SPMV8G0084182 | CLEARANCE ADJUSTING | 1.95 MM | 16,00 |
| 8 | SPMV8H0084182 | CLEARANCE ADJUSTING | 2.00 MM | 16,00 |
| 8 | SPMV8J0084182 | GAP SPACER | 2.05 MM | 16,00 |
| 8 | SPMV8K0084182 | CLEARANCE ADJUSTING | 2.10 MM | 16,00 |
| 8 | SPMV8L0084182 | CLEARANCE ADJUSTING | 2.15 MM | 16,00 |
| 8 | SPMV8M0084182 | CLEARANCE ADJUSTING | 2.20 MM | 16,00 |
| 8 | SPMV8N0084182 | CLEARANCE ADJUSTING | 2.25 MM | 16,00 |
| 8 | SPMV8P0084182 | CLEARANCE ADJUSTING | 2.30 MM | 16,00 |
| 8 | SPMV8R0084182 | CLEARANCE ADJUSTING | 2.35 MM | 16,00 |
| 8 | SPMV8S0084182 | CLEARANCE ADJUSTING | 2.40 MM | 16,00 |
| 8 | SPMV8T0084182 | CLEARANCE ADJUSTING | 2.45 MM | 16,00 |
| 8 | SPMV8U0084182 | CLEARANCE ADJUSTING | 2.50 MM | 16,00 |

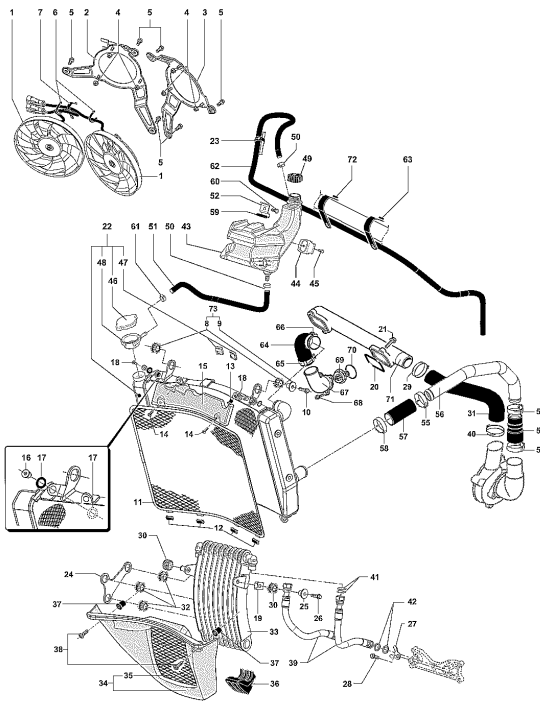
| | | | | |
|----|---------------|--------------------------------|---|-------|
| 8 | SPMV8V0084182 | CLEARANCE ADJUSTING | 2.55 MM | 16,00 |
| 8 | SPMV8W0084182 | CLEARANCE ADJUSTING | 2.60 MM | 16,00 |
| 9 | SPMV8000B1448 | TAPPET D28 | | 16,00 |
| 10 | SPMV8000B1198 | GEAR INTAKE | 1090R | 1,00 |
| 10 | SPMV8000B6487 | SPROCKET, CAM SHAFT INTAKE | 1090RR | 1,00 |
| 11 | SPMV8000A7379 | GEAR EXHAUST | 1078 | 1,00 |
| 12 | SPMV8C0085071 | SCREW M6X16 | BRUTALE S 10761> | 4,00 |
| 13 | SPMV8000A3486 | WASHER | | 4,00 |
| 14 | SPMV800081553 | TENSIONER, CAM CHAIN, 1 | | 1,00 |
| 15 | SPMV8E00B2681 | Screw M6x1-CH8-L20 | MY17/20 F3 675 RC-F3 800 RC | 1,00 |
| 16 | SPMV800064988 | SELF CENTERING WASHER D11-D6.1 | | 2,00 |
| 17 | SPMV800086735 | TENSIONER, CAM CHAIN, 2 | | 1,00 |
| 18 | SPMV800087784 | SUPPORT, CAM TENSIONER | | 1,00 |
| 19 | SPMV800087785 | BUSH, CAM TENSIONER | | 1,00 |
| 20 | SPMV8D00B2681 | SCREW, M6x1x16 CH8 | MY12/16 F3 675-F3 800 | 1,00 |
| 21 | SPMV800089446 | CHAIN TENSIONER TSUBAK | MY12/14 675-800-DRAGSTER MY17 DRAGSTER RR/DRAGSTER RC | 1,00 |
| 22 | SPMV800018422 | OR2075 T1 | MY12/14 F3 675-F3 800 | 1,00 |
| 23 | SPMV8G00B2681 | Screw M6x1 CH8 | LUSSO, RC, SCS | 2,00 |



| Pos | Part Number | Description | Additional Text | Quantity |
|-----|---------------|--------------------------------|--------------------------|----------|
| 1 | SPMV8000B8084 | OIL FILTER SUPPORT KIT WITH V | | 1,00 |
| 2 | SPMV800051549 | PIN D8-D6 | | 1,00 |
| 3 | SPMV8A0034323 | ORING, 20,29x0,62 | | 1,00 |
| 4 | SPMV8000B3448 | PIPE, OIL FILTER | | 1,00 |
| 5 | SPMV8A0023116 | ORING, 13,10x2,62mm | | 2,00 |
| 6 | SPMV8A00A0819 | GROMMET D15,08 | | 1,00 |
| 7 | SPMV8D00B2681 | SCREW, M6x1x16 CH8 | MY12/16 F3 675-F3 800 | 2,00 |
| 8 | SPMV8000B3449 | ORING, OIL FILTER 33,57x3,53mm | | 1,00 |
| 9 | SPMV8000B3450 | NET, OIL FILTER | | 1,00 |
| 10 | SPMV8000B3451 | CIRCLIP, FIX, OIL FILTER NET | | 1,00 |
| 11 | SPMV8000B5342 | Oil filter kit | | 1,00 |
| 12 | SPMV8000B2073 | OIL PUMP | | 1,00 |
| 13 | SPMV8A0023108 | OR2037 T1 | | 2,00 |
| 14 | SPMV8C00B2681 | SCREW, TEF M6x1 CH8 L14 | RR-SCS-RC SCS | 2,00 |
| 15 | SPMV800095505 | OIL INLET FIXING PLATE | | 2,00 |
| 16 | SPMV800019971 | PIN, OIL PUMP GEAR, 4x15,8 | | 1,00 |
| 17 | SPMV8000B2512 | GASKET, OIL PUMP | | 1,00 |
| 18 | SPMV8A00B2815 | WASHER, 21x12x0,5mm | | 1,00 |
| 19 | SPMV8000B2031 | GEAR, OIL PUMP, Z63 | F4S, F4 FRECCE TRICOLORI | 1,00 |
| 20 | SPMV66N021202 | RETAIN RING D12-D11 | ROSSO-RR | 1,00 |
| 21 | SPMV8G00B2681 | Screw M6x1 CH8 | LUSSO, RC, SCS | 3,00 |
| 22 | SPMV8000B4801 | OIL DELIVERY DUCT TO TES | OPT | 1,00 |
| 23 | SPMV8B00B2815 | WASHER, 21x12x1,5 | | 1,00 |
| 24 | SPMV8000B8078 | WASHER, DE23XD118XE1,5, COBRE | | 1,00 |
| 25 | SPMV8000B8070 | VALVE PRESSURE ADJUSTER, ENGIN | | 1,00 |



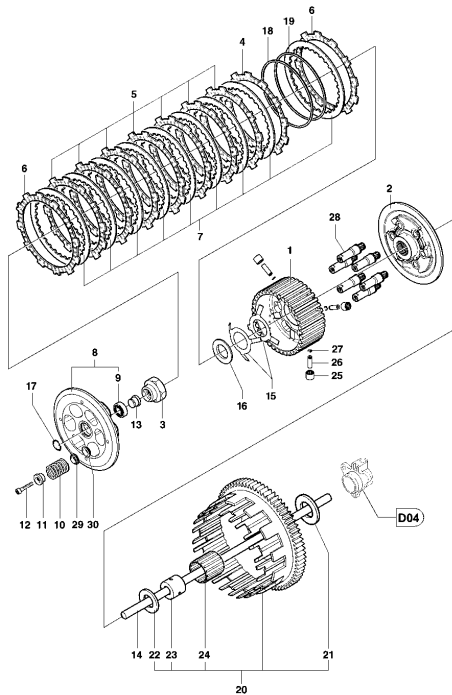
| Pos | Part Number | Description | Additional Text | Quantity |
|-----|---------------|--------------------|--|----------|
| 1 | SPMV8000B3315 | PUMP, WATER, B4 | | 1,00 |
| 1 | SPMV8C00B3315 | MIKUNI WATER PUMP | 1090 VIN <005262 1090R, 1090RR, CORSA | 1,00 |
| 2 | SPMV8000B2574 | GROMMET | | 1,00 |
| 3 | SPMV8000B4308 | Screw water pump | | 1,00 |
| 4 | SPMV8J00B2681 | Screw M6x1 L35 CH8 | 675-800 MY17 AMERICA | 2,00 |



| Pos | Part Number | Description | Additional Text | Quantity |
|-----|---------------|-----------------------------|--|----------|
| 1 | SPMV8000A7505 | HEATER FAN | | 2,00 |
| 2 | SPMV80A0A8944 | RH HEATER FAN SUPPORT | | 1,00 |
| 3 | SPMV80A0A8945 | LH HEATER FAN SUPPORT | | 1,00 |
| 4 | SPMV8000B2707 | NUT, M5x0,8xE6 CH8 PARLOCK | 990R-1090RR 002105> USA BRUTALE 920 USA | 6,00 |
| 5 | SPMV8C00B2681 | SCREW, TEF M6x1 CH8 L14 | RR-SCS-RC SCS | 6,00 |
| 6 | SPMV800056783 | Plastic clamp, L142 | MY17/20 F3 675-F3 800 | 2,00 |
| 7 | SPMV800092668 | CLAMP, RUBBER | PER EAS F3 675 | 1,00 |
| 8 | SPMV8A00B1539 | RUBBER DAMPER D22-D10-SP15 | | 2,00 |
| 9 | SPMV8000B7172 | SPACER D10-D6,25-L15 | | 1,00 |
| 10 | SPMV8G00B2681 | Screw M6x1 CH8 | LUSSO, RC, SCS | 1,00 |
| 11 | SPMV800098716 | GRID, RADIATOR | | 1,00 |
| 12 | SPMV800099249 | CUSHION, WATER RADIATOR | | 4,00 |
| 13 | SPMV800091022 | BUSH, SCREW, M4x0,7 | F4S, F4R, F4RR | 2,00 |
| 14 | SPMV8A0090901 | SCREW, M4x13,7 | 750S, 750S 1+1 | 2,00 |
| 15 | SPMV8000A1409 | FAIRING, WATER RADIATOR | | 1,00 |
| 16 | SPMV800091022 | BUSH, SCREW, M4x0,7 | F4S, F4R, F4RR | 2,00 |
| 17 | SPMV800099278 | WASHER D14-D7.8-SP0.5 | | 4,00 |
| 18 | SPMV8A0090901 | SCREW, M4x13,7 | 750S, 750S 1+1 | 2,00 |
| 19 | SPMV800046893 | NUT M6X1 | F3 ORO-F3 AGO | 1,00 |
| 20 | SPMV800017679 | ORING, 3156 39,34x2,62 | | 2,00 |
| 21 | SPMV8E00B2681 | Screw M6x1-CH8-L20 | MY17/20 F3 675 RC-F3 800 RC | 4,00 |
| 22 | SPMV8000B4358 | WATER COOLER | BRUTALE 920 | 1,00 |
| 23 | SPMV800092668 | CLAMP, RUBBER | PER EAS F3 675 | 1,00 |
| 24 | SPMV8000B3087 | BRACKET, OIL RADIATOR, B4 | | 1,00 |
| 25 | SPMV800062652 | SPACER D10-D6 | FOR COOLER 800084917 | 1,00 |
| 26 | SPMV8G00B2681 | Screw M6x1 CH8 | LUSSO, RC, SCS | 1,00 |
| 27 | SPMV8000B3093 | SUPPORT, HOSE, OIL RADIATOR | | 2,00 |

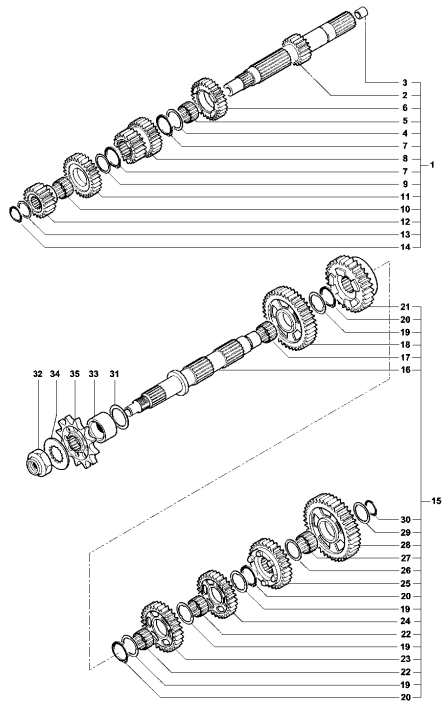
| | | | | |
|----|---------------|--------------------------------|--|------|
| 28 | SPMV8A00B2681 | SCREW, M6x1 | 990R-1090RR <000640 | 2,00 |
| 29 | SPMV8V0092249 | CLAMP | | 1,00 |
| 30 | SPMV800062651 | VIBRATION REDUCER D22-D10-SP12 | | 2,00 |
| 31 | SPMV800081280 | HOSE, RUBBER | | 1,00 |
| 32 | SPMV800062651 | VIBRATION REDUCER D22-D10-SP12 | | 3,00 |
| 33 | SPMV8000B3091 | RADIATOR, OIL, B4 | | 1,00 |
| 34 | SPMV8A0099432 | OIL COOLER PROTECTION | | 1,00 |
| 35 | SPMV800099293 | GRIND, OIL RADIATOR | | 1,00 |
| 36 | SPMV800099322 | PROTECTION, OIL RADIATOR | | 1,00 |
| 37 | SPMV800048245 | CUSHION, SCREW, M6x1 L16 | B4 RS | 2,00 |
| 38 | SPMV8B00B2672 | SCREW, M6x11,7x21 | DRAGSTER | 2,00 |
| 39 | SPMV8000B3088 | HOSE, 2, OIL RADIATOR | | 2,00 |
| 40 | SPMV8C0092249 | CLAMP, METAL, 32MM | | 1,00 |
| 41 | SPMV8000B3201 | GROMMET | | 4,00 |
| 42 | SPMV8B0023109 | RING, RUBBER, CRANKCASE, 12,42 | | 4,00 |
| 43 | SPMV8000B4518 | TANK, COOLANT FLUID | | 1,00 |
| 44 | SPMV800097884 | GUIDE, HOSE | 5483-5493 5503-5583 5702-5713 5728> <5207 & 5234-5237, 5292-5463 | 1,00 |
| 45 | SPMV60ND02461 | Screw TCEI M4-L10 | BRUTALE 920 | 1,00 |
| 46 | SPMV8000B3638 | CAP, RADIATOR | | 1,00 |
| 47 | SPMV8000B4712 | NUT | | 4,00 |
| 48 | SPMV8000B4713 | BREATHER PLUG | | 1,00 |
| 49 | SPMV8000B7049 | PLUG | | 1,00 |
| 50 | SPMV800092256 | CLAMP, METAL, 66 D12 | | 2,00 |
| 51 | SPMV8L0066179 | RUBBER, PIPE, D6,5X10,5-L300 | BRUTALE 920 | 1,00 |
| 52 | SPMV8000B4430 | BRACKET, RADIATOR | | 1,00 |
| 53 | SPMV800090244 | PIPE, RUBBER, RADIATOR, 4 | RR-RUSH | 1,00 |
| 54 | SPMV8U0092249 | CLAMP, STEEL, R96 D35 | RR-RUSH | 1,00 |
| 55 | SPMV8G0092249 | CLAMP, METAL, R96 D30 | RR-RUSH | 2,00 |
| 56 | SPMV80A0B4517 | PIPE, METAL, WATER RADIATOR | BRUTALE 920 | 1,00 |
| 57 | SPMV8A0097109 | PIPE, RUBBER, RADIATOR | | 1,00 |
| 58 | SPMV8V0092249 | CLAMP | | 1,00 |
| 59 | SPMV800099426 | PROTECTION, IGNITION SUPPORT | | 1,00 |
| 60 | SPMV8B00B2681 | Screw M6x1-CH8-L12 | F4S, F4 FRECCE TRICOLORI | 1,00 |
| 61 | SPMV800064586 | CLAMP, D13-SP6 OT | | 1,00 |
| 62 | SPMV8V0066179 | HOSE, WATER RADIATOR, D6,5X10, | BRUTALE 920 | 1,00 |
| 63 | SPMV800092248 | CLAMP, RUBBER, L82 | RR-SCS-RC SCS | 1,00 |
| 64 | SPMV8000A7507 | PIPE, RUBBER, THERMOSTAT RADIA | 008836-008839 & 009155> B4 910 S/910 R | 1,00 |
| 65 | SPMV8C0092249 | CLAMP, METAL, 32MM | | 1,00 |
| 66 | SPMV8G0092249 | CLAMP, METAL, R96 D30 | RR-RUSH | 1,00 |
| 67 | SPMV80B0B1623 | COVER, THERMOSTAT, B4 | 1090 VIN FROM 004516 TO 004821 | 1,00 |
| 67 | SPMV80C0B1623 | COVER, THERMOSTAT | 1090 VIN <005262 1090R, 1090RR, CORSA | 1,00 |
| 68 | SPMV8E00B2681 | Screw M6x1-CH8-L20 | MY17/20 F3 675 RC-F3 800 RC | 3,00 |
| 69 | SPMV800081283 | BEHR-THOMPSON THERMOSTAT | | 1,00 |
| 70 | SPMV800069413 | ORING, THERMOSTAT COVER, 47,29 | | 1,00 |
| 71 | SPMV80A0B3498 | DUCT, WATER, B4 | 1090 VIN FROM 004516 TO 004821 | 1,00 |

| | | | | |
|----|---------------|---------------------------|--|------|
| 71 | SPMV80B0B3498 | WATER DUCT | 1090 VIN <005262 1090R, 1090RR, CORSA | 1,00 |
| 72 | SPMV800092247 | CLAMP, RUBBER, L62 | F3 ORO-F3 AGO | 1,00 |
| 73 | SPMV8000B7178 | UPPER FIXING RADIATOR KIT | | 1,00 |



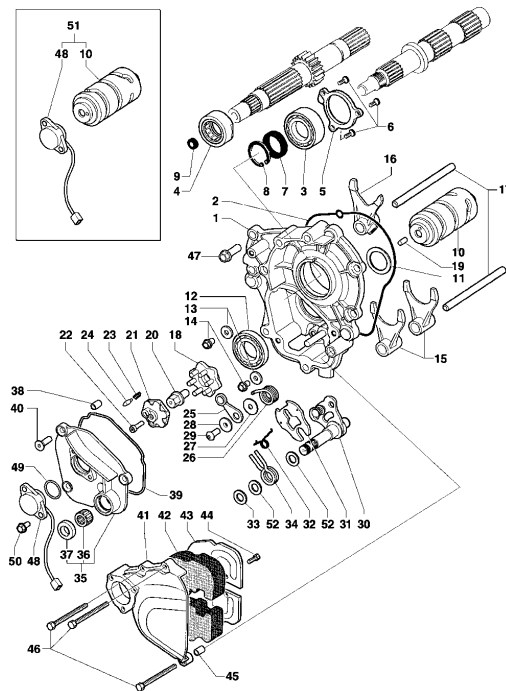
| Pos | Part Number | Description | Additional Text | Quantity |
|-----|---------------|-------------------------|--------------------------------|----------|
| 1 | SPMV8000B1015 | HUB, CLUTCH | | 1,00 |
| 2 | SPMV8000B1014 | DRIVE FLANGE | MY14/20 F3 675 | 1,00 |
| 3 | SPMV8000B2716 | BOLT M22X1 | MY12/13 VIN >001264 F3 675-ORO | 1,00 |
| 4 | SPMV8000A6915 | Lining plate | MY14/20 F3 675 | 1,00 |
| 5 | SPMV8000A6916 | Lining lamella | MY14/20 F3 675 | 7,00 |
| 6 | SPMV8000A6917 | Liner | MY14/20 F3 675 | 2,00 |
| 7 | SPMV8000A6918 | Steel lamella | MY14/20 F3 675 | 9,00 |
| 8 | SPMV8000B1019 | DISK THRUST PLATE | | 1,00 |
| 9 | SPMV8000A2565 | RADIAL BEARING 12X28X7 | MY14/20 F3 675 | 1,00 |
| 10 | SPMV8000A0730 | CLUTCH SPRING | MY14/20 F3 675 | 6,00 |
| 11 | SPMV8000A4492 | BUSH, CLUTCH SPRING | | 6,00 |
| 12 | SPMV60ND02509 | Screw M6x1-CH5-L20 | F3 800-AGO-RC | 6,00 |
| 13 | SPMV8000B1947 | CLUTCH DRIVING PIN | MY17 DRAGSTER RR/DRAGSTER RC | 1,00 |
| 14 | SPMV800088342 | AXLE, DRIVER, CLUTCH | | 1,00 |
| 15 | SPMV8000B0071 | SPRING JUDDER | MY14/20 F3 675 | 2,00 |
| 16 | SPMV8000B0072 | SPRING SUPPORT | MY14/20 F3 675 | 1,00 |
| 17 | SPMV66N021202 | RETAIN RING D12-D11 | ROSSO-RR | 1,00 |
| 18 | SPMV8000A6922 | SPRING JUDDER | MY14/20 F3 675 | 1,00 |
| 19 | SPMV8000A6923 | SPRING SEAT | MY14/20 F3 675 | 1,00 |
| 20 | SPMV8000B3278 | CLUTCH MAIN GEAR | F4S, F4 FRECCIE TRICOLORI | 1,00 |
| 21 | SPMV8000A2554 | WASHER, CLUTCH | | 1,00 |
| 22 | SPMV8000A2555 | WASHER, MINOR, CLUTCH | | 1,00 |
| 23 | SPMV8000A2556 | SPACER, CLUTCH | | 1,00 |
| 24 | SPMV8000A2553 | BEARING | | 1,00 |
| 25 | SPMV8000B0066 | PIN BEARING 12X10X6 NK6 | MY14/20 F3 675 | 3,00 |
| 26 | SPMV8000B0067 | BEARING PIN D6-L20 | MY14/20 F3 675 | 3,00 |

| | | | | |
|----|---------------|-------------------------------|----------------|------|
| 27 | SPMV66N021306 | RETAIN RING D3.2 | MY14/20 F3 675 | 3,00 |
| 28 | SPMV8000B0064 | SCREW, ESPECIAL DA MOLA DA EM | | 6,00 |
| 29 | SPMV8000B0070 | LOWER SPRING PLATE | MY14/20 F3 675 | 6,00 |
| 30 | SPMV8000B2046 | SPRING SEAT | MY14/20 F3 675 | 6,00 |



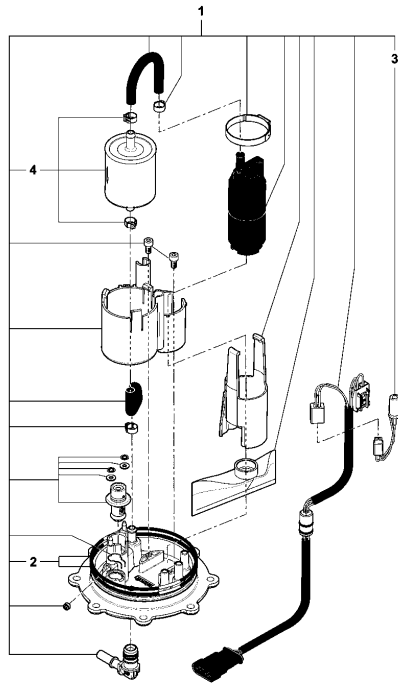
| Pos | Part Number | Description | Additional Text | Quantity |
|-----|---------------|--------------------------------|-----------------------------------|----------|
| 1 | SPMV8000A2643 | MAINSHAFT, TRANSMISSION, B4 | | 1,00 |
| 2 | SPMV8000A2644 | MAIN SHAFT ASSEMBLY | BRUTALE S,09192>,<10409,10968> | 1,00 |
| 3 | SPMV800086699 | BUSH | | 1,00 |
| 4 | SPMV8000A0973 | WASHER | ENGINE 6540-6742 & 7236> | 1,00 |
| 5 | SPMV8000A0370 | BUSH | ENGINE 6540-6742 & 7236> | 1,00 |
| 6 | SPMV8000A2630 | 5TH GEAR | ENGINE 6540-6742 & 7236> | 1,00 |
| 7 | SPMV8000A0975 | SNAP RING | ENGINE 6540-6742 & 7236> | 2,00 |
| 8 | SPMV8000A2631 | 3RD-4TH GEAR | ENGINE 6540-6742 & 7236> | 1,00 |
| 9 | SPMV8000A0973 | WASHER | ENGINE 6540-6742 & 7236> | 1,00 |
| 10 | SPMV8000A0370 | BUSH | ENGINE 6540-6742 & 7236> | 1,00 |
| 11 | SPMV8000A1956 | 6TH GEAR | BRUTALE S,09192>,<10409,10968> | 1,00 |
| 12 | SPMV8000A2645 | 2ND GEAR | BRUTALE S,09192>,<10409,10968> | 1,00 |
| 13 | SPMV8D0081569 | WASHER | 1.0 MM | 1,00 |
| 14 | SPMV66N221210 | SNAP RING | SPR, SR, SR1+1, SENNA | 1,00 |
| 15 | SPMV8000B3310 | COUNTERSHAFT, TRANSMISSION, B4 | | 1,00 |
| 16 | SPMV8000B2083 | TRANSMISSION SHAFT | | 1,00 |
| 17 | SPMV8000A0370 | BUSH | ENGINE 6540-6742 & 7236> | 1,00 |
| 18 | SPMV8000A2650 | 2ND GEAR | BRUTALE S,09192>,<10409,10968> | 1,00 |
| 19 | SPMV8000A4196 | WASHER | BRUTALE S,09192>,<10409,10968> | 4,00 |
| 20 | SPMV8000A0990 | SNAP RING | ENGINE 6540-6742 & 7236> | 3,00 |

| | | | | |
|----|---------------|------------------------|--------------------------------|------|
| 21 | SPMV8000A1957 | INGR.SLIDING 6 ON SEC. | | 1,00 |
| 22 | SPMV8000A0370 | BUSH | ENGINE 6540-6742 & 7236> | 2,00 |
| 23 | SPMV8000A2637 | 3RD GEAR | ENGINE 6540-6742 & 7236> | 1,00 |
| 24 | SPMV8000A2638 | 4TH GEAR | ENGINE 6540-6742 & 7236> | 1,00 |
| 25 | SPMV8000B0020 | 5TH GEAR | | 1,00 |
| 26 | SPMV8000A0987 | WASHER | ENGINE 6540-6742 & 7236> | 1,00 |
| 27 | SPMV8000A0370 | BUSH | ENGINE 6540-6742 & 7236> | 1,00 |
| 28 | SPMV8000A2640 | 1ST GEAR | ENGINE 6540-6742 & 7236> | 1,00 |
| 29 | SPMV8000A4780 | WASHER | BRUTALE S,09192>,<10409,10968> | 1,00 |
| 30 | SPMV66N221210 | SNAP RING | SPR, SR, SR1+1, SENNA | 1,00 |
| 31 | SPMV8000A1234 | WASHER, 35x1,4mm | BRUTALE S,09192>,<10409,10968> | 1,00 |
| 31 | SPMV8A00A1234 | WASHER, 35x1,5mm | BRUTALE S,09192>,<10409,10968> | 1,00 |
| 31 | SPMV8B00A1234 | WASHER, 35x1,6mm | BRUTALE S,09192>,<10409,10968> | 1,00 |
| 32 | SPMV8000B2716 | BOLT M22X1 | MY12/13 VIN >001264 F3 675-ORO | 1,00 |
| 33 | SPMV8A00A2319 | SPACER, SPROCKET | | 1,00 |
| 34 | SPMV8000B3312 | SECURE WASHER | | 1,00 |
| 35 | SPMV8000A1949 | SPROCKET, Z15 | | 1,00 |

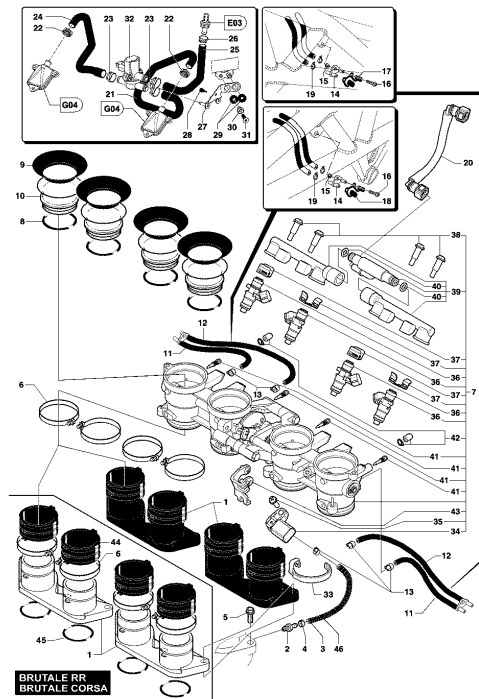


| Pos | Part Number | Description | Additional Text | Quantity |
|-----|---------------|--------------------------------|--|----------|
| 1 | SPMV8000B6511 | COVER TRANSMISSION | 1090 VIN FROM 004516 TO 004821 | 1,00 |
| 1 | SPMV8A00B6511 | CHANGE COVER | 1090 VIN <005262 1090R, 1090RR, CORSA | 1,00 |
| 2 | SPMV800086117 | PROTECTION, RUBBER, GEARSHIFT | | 1,00 |
| 3 | SPMV8000A2318 | OBLIQUE BEARING 2 ROWS SF. D28 | BRUTALE S,09192>,<10409,10968> | 1,00 |
| 4 | SPMV8000A1086 | ROLLER BEARING D24-D40-SP1 | BRUTALE S,09192>,<10409,10968> | 1,00 |
| 5 | SPMV800086114 | BEARING LOCKING PLATE | | 1,00 |
| 6 | SPMV8B00B2695 | SCREW, M6x1 CH4 | | 3,00 |
| 7 | SPMV800089410 | GASKET RING D35-D47-SP7 | | 1,00 |
| 8 | SPMV800091603 | SEEGER RING SB 48 | | 1,00 |
| 9 | SPMV800064296 | RETAINER, AXLE, CLUTCH DRIVER | | 1,00 |
| 10 | SPMV8000B2086 | FORK CONTROL SHAFT | FOR GEAR WITHTROL UPSIDE-DOWN | 1,00 |
| 10 | SPMV8000B3313 | DRUM GEARSHIFT | | 1,00 |
| 11 | SPMV8A0036022 | WASHER, STEEL, COUNTERSHAFT T= | 0.2 | 1,00 |
| 11 | SPMV8B0036022 | WASHER, STEEL, COUNTERSHAFT T= | 0.3 | 1,00 |
| 11 | SPMV8C0036022 | WASHER, STEEL, COUNTERSHAFT T= | 0.4 | 1,00 |
| 12 | SPMV8A0021774 | BEARING, DRUM GEARSHIFT, D25xD | | 1,00 |
| 13 | SPMV8000A0901 | WASHER D15-D6 | | 2,00 |
| 14 | SPMV8C00B2681 | SCREW, TEF M6x1 CH8 L14 | RR-SCS-RC SCS | 2,00 |
| 15 | SPMV800081583 | FORK, GEARSHIFT, 1-4 2-3 | | 2,00 |
| 16 | SPMV8000A2537 | FORK, GEARSHIFT, 5-6 | | 1,00 |
| 17 | SPMV800081585 | AXLE, GEARSHIFT FORK | | 2,00 |
| 18 | SPMV8000B4065 | CAM, GEARSHIFT | | 1,00 |
| 19 | SPMV800038520 | ROLL D4-L8 | | 1,00 |
| 20 | SPMV8000B2844 | SCREW, FIX, GEARSHIFT CAM | | 1,00 |
| 21 | SPMV8000B4116 | SUPPORT, GEARSHIFT CAM | | 1,00 |

| | | | | |
|----|---------------|--------------------------------|--|------|
| 22 | SPMV60ND02466 | Screw M4 0,7x20 | | 1,00 |
| 23 | SPMV8000B4220 | SPRING, SENSOR PIN | | 1,00 |
| 24 | SPMV800042676 | PIN, POSITIONING GEARSHIFT SEN | | 1,00 |
| 25 | SPMV800085495 | STOPPER, DRUM GEARSHIFT | | 1,00 |
| 26 | SPMV800092490 | SPRING, DRUM GEARSHIFT STOPPER | B4 RS-B4 RR-B4 NURBURGRING | 1,00 |
| 27 | SPMV800086107 | SPACING WASHER D6.2-D20- | | 1,00 |
| 28 | SPMV800085493 | SPEED CLICK PING | | 1,00 |
| 29 | SPMV8C00B2677 | SCREW, ALLEN M6x1 | | 1,00 |
| 30 | SPMV8000B3470 | SPINDLE, GEARSHIFT | | 1,00 |
| 31 | SPMV8000B2847 | PLATE, SPINDLE GEARSHIFT | | 1,00 |
| 32 | SPMV8000B2848 | SPRING, SPINDLE GEARSHIFT PLAT | | 1,00 |
| 33 | SPMV8G0004551 | WASHER, SPINDLE GEARSHIFT, 22x | | 1,00 |
| 34 | SPMV8000B5544 | SPRING, SPINDLE GEARSHIFT | B4 RS-B4 RR-B4 NURBURGRING | 1,00 |
| 35 | SPMV8000B2850 | COVER | 1090 VIN FROM 004516 TO 004821 | 1,00 |
| 35 | SPMV8A00B2850 | COVER FOR SELECTOR SWITCHER | 1090 VIN <005262 1090R, 1090RR, CORSA | 1,00 |
| 36 | SPMV800051191 | ROLL BEARING D12-D18-SP1 | | 1,00 |
| 37 | SPMV8A0028855 | RING CORCOS BA-B-SL D22-D12- | | 1,00 |
| 38 | SPMV800051549 | PIN D8-D6 | | 1,00 |
| 39 | SPMV800089406 | ORING, | | 1,00 |
| 40 | SPMV8E00B2695 | SCREW, DA TAMPA DA CARCAÇA DO | | 3,00 |
| 41 | SPMV80A0B4196 | COVER, SPROCKET | 1090 VIN FROM 004516 TO 004821 | 1,00 |
| 41 | SPMV80B0B4196 | CHAIN COVER | 1090 VIN <005262 1090R, 1090RR, CORSA | 1,00 |
| 42 | SPMV800088347 | FOAM, SOUND PROOF, GEARSHIFT | | 1,00 |
| 43 | SPMV8000B3522 | CAP, METAL, SOUND PROOF FOAM | | 1,00 |
| 44 | SPMV8A00B2680 | Screw TEF M5x0,8x6 CH8 RT | MY12/16 USA CND CN | 3,00 |
| 45 | SPMV800086131 | BUSH, SPROCKET COVER, D8,1xD10 | | 2,00 |
| 46 | SPMV8A00B2683 | Screw M8x1,25-L30 | EXCEPT MY 15 RC | 6,00 |
| 47 | SPMV8C00B2683 | SCREW, TEF M8x1,25x65 RP | EXCEPT MY 15 RC | 3,00 |
| 48 | SPMV8000B2607 | SENSOR, GEARSHIFT | F4S, F4 FRECCIE TRICOLORI | 1,00 |
| 48 | SPMV8000B4902 | GEAR SENSOR | FOR GEAR SHIFT REVERSED | 1,00 |
| 49 | SPMV8A0042700 | OR2093 T1 | | 1,00 |
| 50 | SPMV8C00B2680 | SCREW, TEF M5x0,8x12 CH8 RT | | 2,00 |
| 51 | SPMV8000B4920 | UPSIDE-DOWN GEAR | | 1,00 |
| 52 | SPMV8H0004553 | WASHER, TRANSMISSION | | 2,00 |

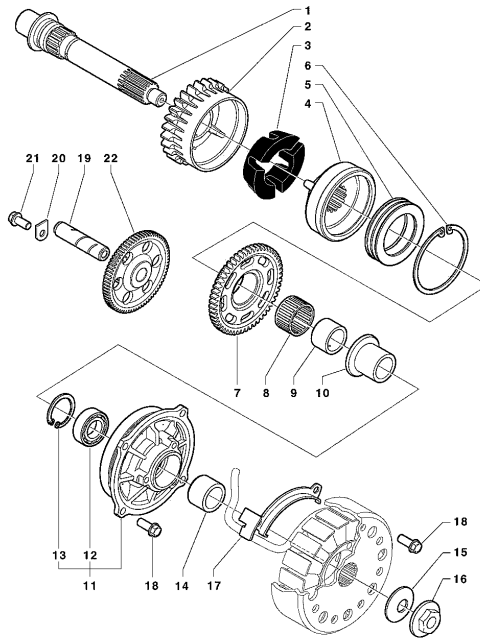


| Pos | Part Number | Description | Additional Text | Quantity |
|-----|---------------|-----------------|-----------------|----------|
| 1 | SPMV8000B1958 | FUEL PUMP | | 1,00 |
| 1 | SPMV8A00B1958 | FUEL TANK LOWER | USA | 1,00 |
| 2 | SPMV8000B4276 | GROMMET | | 1,00 |
| 3 | SPMV8000B4277 | THERMISTOR | | 1,00 |
| 4 | SPMV8000B4278 | FUEL FILTER | | 1,00 |

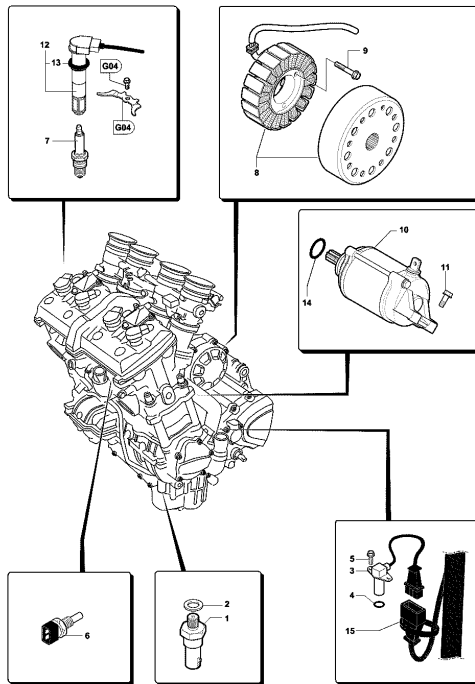


| Pos | Part Number | Description | Additional Text | Quantity |
|-----|---------------|--------------------------------|-----------------------------|----------|
| 1 | SPMV8AA0A3014 | INTAKE MANIFOLD RH, PAINTED | 1090RR | 2,00 |
| 1 | SPMV8B00B3221 | INDUCTION MANIFOLD | 1090R | 2,00 |
| 2 | SPMV8000B3525 | CONNECTOR, CYLINDER HEAD HOSE | | 1,00 |
| 3 | SPMV8G0091037 | HOSE, AIR, CYLINDER HEAD, 190M | | 1,00 |
| 4 | SPMV800096458 | CLAMP, METAL, 55 90 | MY17/20 F3 675-800-RC | 1,00 |
| 5 | SPMV60ND02509 | Screw M6x1-CH5-L20 | F3 800-AGO-RC | 6,00 |
| 6 | SPMV800089404 | CLAMP, INTAKE DUCT | | 4,00 |
| 7 | SPMV8000B6218 | THROTTLE BODY MIKUNI | 1090RR | 1,00 |
| 7 | SPMV8A00B3298 | THROTTLE BODY INJECTOR | 1090R | 1,00 |
| 8 | SPMV800081304 | ORING, OR2187 T1,78 D47,35 VI | | 4,00 |
| 9 | SPMV800090350 | PROTECTION, INTAKE DUCT | | 4,00 |
| 10 | SPMV800091595 | DUCT, INTAKE | 1000S, 1000S1+1, AGO | 4,00 |
| 10 | SPMV8000A5282 | INTAKE DUCT | FRANCE | 4,00 |
| 10 | SPMV8000B1649 | AIR FUNNEL | 1078 | 4,00 |
| 11 | SPMV8A0091037 | HOSE, RUBBER, AIR, 155 | | 2,00 |
| 12 | SPMV8C0091037 | HOSE, 1, CYLINDER HEAD, 190mm | | 2,00 |
| 13 | SPMV800096458 | CLAMP, METAL, 55 90 | MY17/20 F3 675-800-RC | 5,00 |
| 14 | SPMV800089801 | CONNECTOR, VALVE PIPE | | 2,00 |
| 15 | SPMV8000B2798 | WASHER, ESPAÇADORA | MY18/20 F3 675 RC-F3 800 RC | 2,00 |
| 16 | SPMV8B00B2680 | SCREW, TEF M5x0,8x8 CH10 | USA, CAN | 2,00 |
| 17 | SPMV800089799 | COVER, LEFT SIDE, RUBBER, CONN | | 1,00 |
| 18 | SPMV800089800 | COVER, RIGHT SIDE, RUBBER, CON | | 1,00 |
| 19 | SPMV8AA091634 | CLAMP, METAL, SHORT | MY12/16 USA CND CN | 4,00 |
| 20 | SPMV8000B3005 | HOSE, FUEL | | 1,00 |
| 21 | SPMV8000A9044 | HOSE, SECONDARY AIR VALVE, IL1 | | 1,00 |
| 22 | SPMV8D0092256 | CLAMP, METAL, D16,5 66 | | 2,00 |
| 23 | SPMV8E0092249 | CLAMP, METAL D17 R96 | | 3,00 |
| 24 | SPMV8000A9045 | HOSE, SECONDARY AIR VALVE, IL3 | | 1,00 |

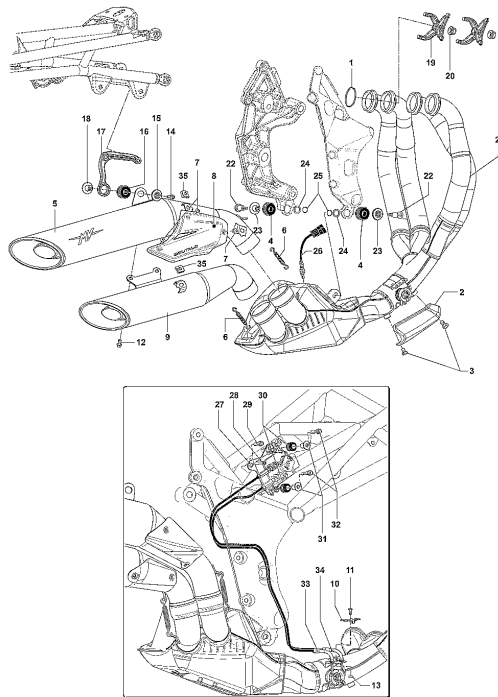
| | | | | |
|----|---------------|--------------------------------|--|------|
| 25 | SPMV8000B3445 | HOSE, SECONDARY AIR VALVE, AIR | | 1,00 |
| 26 | SPMV8000B6488 | CLAMP | | 1,00 |
| 27 | SPMV80A0A9042 | SUPPORT, SECONDARY AIR VALVE | | 1,00 |
| 28 | SPMV800095828 | CUSION | | 1,00 |
| 29 | SPMV800089293 | CUSHION, D18xD8xE7,5 | MY14/20 F3 675-F3 800 | 2,00 |
| 30 | SPMV8000A4009 | SPACER, SILENCER | | 1,00 |
| 31 | SPMV8D00B2695 | Screw TSPEI M6x1-L18 | | 1,00 |
| 32 | SPMV8000A9043 | VALVE, SECONDARY AIR | | 1,00 |
| 33 | SPMV8000B4230 | PROTECTION, PLASTIC, CLAMP | | 1,00 |
| 34 | SPMV8000B3432 | SENSOR, PRESSURE | | 1,00 |
| 35 | SPMV8E00B2680 | SCREW, M5x0,8x16 CH8 | | 1,00 |
| 36 | SPMV8000B4312 | INJECTOR | | 4,00 |
| 37 | SPMV8000B4313 | SPRING | | 4,00 |
| 38 | SPMV8000B4314 | SCREW-WASHER KIT | | 1,00 |
| 39 | SPMV8000B4320 | FUEL FLUTE KIT | | 1,00 |
| 40 | SPMV8000B4316 | GROMMET D7.6 | | 2,00 |
| 41 | SPMV8000B4317 | BY-PASS ADJUSTMENT | | 1,00 |
| 42 | SPMV8000B4318 | CAP-SPRING KIT | | 1,00 |
| 43 | SPMV8000B4319 | BRACKET-SCREWS KIT | | 1,00 |
| 44 | SPMV800089403 | INLET SLEEVE | <008835 & 008840-009154 B4 910 ITALIA B4 910 S/910 R | 4,00 |
| 45 | SPMV800019965 | OIL SEAL | | 4,00 |
| 46 | SPMV8000B4903 | PIPE | | 1,00 |



| Pos | Part Number | Description | Additional Text | Quantity |
|-----|---------------|--------------------------------|-----------------|----------|
| 1 | SPMV8000B1989 | AXLE, ALTERNATOR | | 1,00 |
| 2 | SPMV8000B3301 | GEAR, ALTERNATOR Z27 | | 1,00 |
| 3 | SPMV8000B3302 | CUSHION, ALTERNATOR | | 1,00 |
| 4 | SPMV8000B3303 | BEARING RACE, ELECTRIC SYSTEM | | 1,00 |
| 5 | SPMV8000B3304 | BEARING, ELECTRIC SYSTEM | | 1,00 |
| 6 | SPMV8000B3305 | CIRCLIP, ALTERNATOR BEARING | | 1,00 |
| 7 | SPMV8000A2126 | GEAR, ELECTRIC SYSTEM | | 1,00 |
| 8 | SPMV8000B2038 | SPACER, D20xD25xSP17,4mm | | 1,00 |
| 9 | SPMV8A0065795 | NEEDLE BEARING, D25xD29xSP17 | | 1,00 |
| 10 | SPMV8000B2037 | SPACER, D20,5xD26xD37 | | 1,00 |
| 11 | SPMV8000B4839 | ALTERNATOR FLANGE | | 1,00 |
| 12 | SPMV800017040 | BALL BEARING, D42xD20xSP12 | | 1,00 |
| 13 | SPMV66N021270 | CIRCLIP | | 1,00 |
| 14 | SPMV8000B2039 | SPACER, D20xD26xSP18,5 | | 1,00 |
| 15 | SPMV8000B3307 | WASHER, LOCK, D12,2xD31,5xSP1, | | 1,00 |
| 16 | SPMV8000A7390 | NUT, FLANGE, SPECIAL | | 1,00 |
| 17 | SPMV8000B2704 | CLAMP, STEEL, STATOR CABLE | | 1,00 |
| 18 | SPMV60ND07335 | Screw M6x1-L16 | | 4,00 |
| 19 | SPMV8000A2131 | PIN, CLUTCH | | 1,00 |
| 20 | SPMV8000A2139 | CLAMP, STEEL | | 1,00 |
| 21 | SPMV8C00B2681 | SCREW, TEF M6x1 CH8 L14 | RR-SCS-RC SCS | 1,00 |
| 22 | SPMV8000A2140 | BEARING, INTERMEDIATE Z73 Z18 | | 1,00 |

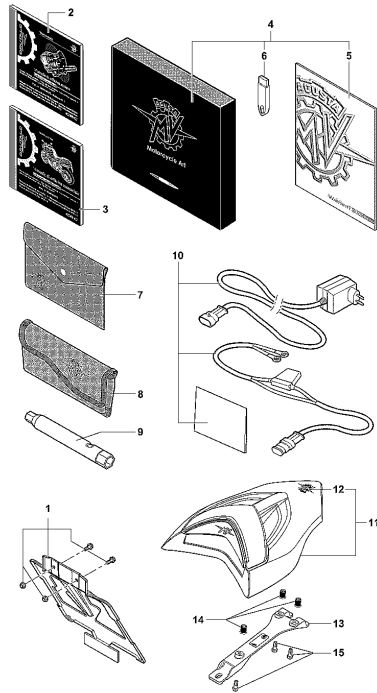


| Pos | Part Number | Description | Additional Text | Quantity |
|-----|---------------|-----------------------------|---|----------|
| 1 | SPMV8000A7862 | MINIUMUM PRESSURE SWITCH | | 1,00 |
| 2 | SPMV62N015676 | WASHER D17-D10 | | 1,00 |
| 3 | SPMV800090184 | RPM ENGINE SENSOR | | 1,00 |
| 4 | SPMV800022551 | OR2056 T1 | | 1,00 |
| 5 | SPMV8C00B2680 | SCREW, TEF M5x0,8x12 CH8 RT | | 2,00 |
| 6 | SPMV8000B3497 | WATER TEMPERATURE | | 1,00 |
| 7 | SPMV800095906 | SPARK PLUG, NGK CR9 EB | 1000S, 1000S1+1,AGO,NGK CR9EB | 4,00 |
| 8 | SPMV8000B9185 | SHIHLIN ALTERNATOR | | 1,00 |
| 9 | SPMV60ND07331 | Screw M5x0,8-L22 | | 3,00 |
| 10 | SPMV8000B2549 | ENGINE, STARTING | | 1,00 |
| 11 | SPMV8F00B2681 | SCREW, M6x1 CH8 L22 | | 2,00 |
| 12 | SPMV8000A6700 | BERU COIL WITH GROMMET | 008836-008839 & 009155> B4 910 S/910 R | 4,00 |
| 13 | SPMV8000A0515 | RUBBER COVER | | 4,00 |
| 14 | SPMV800091597 | GROMMET | | 1,00 |
| 15 | SPMV800092248 | CLAMP, RUBBER, L82 | RR-SCS-RC SCS | 1,00 |

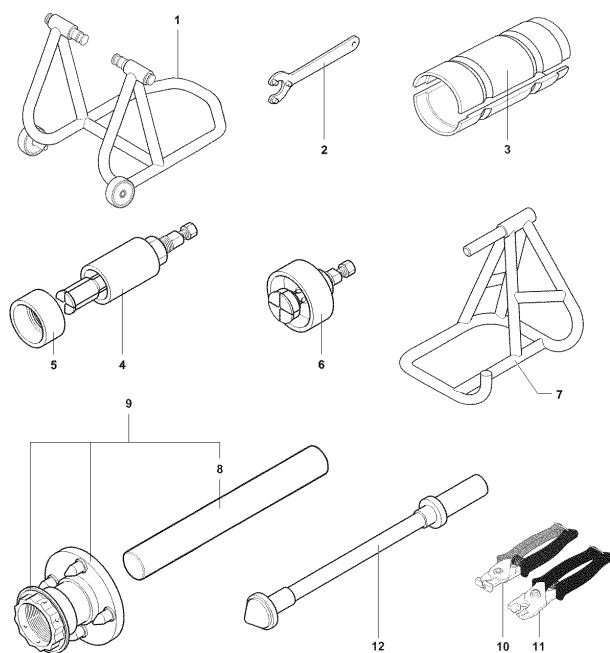


| Pos | Part Number | Description | Additional Text | Quantity |
|-----|---------------|--------------------------------|---|----------|
| 1 | SPMV800099383 | WASHER, MUFFLER | 4718> (USA 100437> & 200150>) USA 100437> & 200150> | 4,00 |
| 2 | SPMV8000B7392 | PROTECTION, EXHAUST VALVE | | 1,00 |
| 3 | SPMV8000B2681 | Screw TEF M6x0,8x8 CH8 RT | 990R-1090RR 000641> BRUTALE 920 | 2,00 |
| 4 | SPMV800089302 | CUSHION, D30 D22 D12 L3 | B4 NURBURGRING-RUSH | 2,00 |
| 5 | SPMV8000B7389 | UPPER SILENCER | | 1,00 |
| 6 | SPMV8000A1239 | SPRING, MUFFLER | | 2,00 |
| 7 | SPMV8A00B2677 | Screw M6x1-L10 | | 3,00 |
| 8 | SPMV8000B7391 | COVER, MUFFLER | 1090, 1090R, CORSA MY13/14 1090RR | 1,00 |
| 8 | SPMV80A0B7391 | COVER, MUFFLER | MY15 1090RR | 1,00 |
| 9 | SPMV8000B7390 | LOWER SILENCER | | 1,00 |
| 10 | SPMV8000B4110 | SUPPORT, CABLES, ACTUATOR VALV | RR-SCS-RC SCS | 1,00 |
| 11 | SPMV8B00B2680 | SCREW, TEF M5x0,8x8 CH10 | USA, CAN | 1,00 |
| 12 | SPMV8B00B2681 | Screw M6x1-CH8-L12 | F4S, F4 FRECCE TRICOLORI | 2,00 |
| 13 | SPMV8000B2707 | NUT, M5x0,8xE6 CH8 PARLOCK | 990R-1090RR 002105> USA BRUTALE 920 USA | 1,00 |
| 14 | SPMV8D00B2688 | Screw TCEIF M6x20 RT | RR-RUSH | 1,00 |
| 15 | SPMV8000A9997 | WASHER, SPACER, MUFFLER | 008836-008839 & 009155> B4 910 S/910 R | 1,00 |
| 16 | SPMV800089302 | CUSHION, D30 D22 D12 L3 | B4 NURBURGRING-RUSH | 1,00 |
| 17 | SPMV8000B3015 | SUPPORT, SILENCER | | 1,00 |
| 18 | SPMV8A0099348 | WASHER, SPACER, M6, SILENCER | B4 NURBURGRING-RUSH MY21-22 | 1,00 |
| 19 | SPMV800090419 | FLANGE, MUFFLER COLLECTOR | | 2,00 |
| 20 | SPMV8000B2712 | NUT, M8x1,25x8,5 CH12 | MY15/17 JPN F3 RC | 2,00 |
| 21 | SPMV8000B2650 | EXHAUST MANIFOLDS | | 1,00 |
| 21 | SPMV8000B7222 | EXHAUST MANIFOLDS | JPN | 1,00 |
| 22 | SPMV8000A9999 | SCREW, SPECIAL, MUFFLER, M10x1 | | 2,00 |

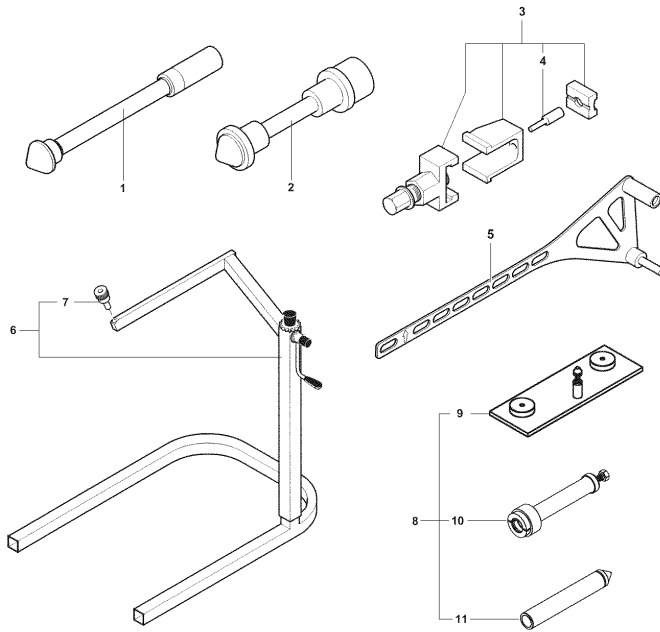
| | | | | |
|----|---------------|--------------------------------|------------------------------------|------|
| 23 | SPMV8000A9998 | BUSH, SCREWED, MUFFLER, M10x1 | | 2,00 |
| 24 | SPMV8000B0000 | WASHER, D26 D12,3 E1,5 | | 2,00 |
| 25 | SPMV66N021202 | RETAIN RING D12-D11 | ROSSO-RR | 2,00 |
| 26 | SPMV8000A8968 | SENSOR, LAMBDA | | 1,00 |
| 27 | SPMV8000B4108 | SUPPORT, MUFFLER ACTUATOR VALV | | 1,00 |
| 28 | SPMV8000B2126 | VALVE, MUFFLER ACTUATOR | RR-SCS-RC SCS | 1,00 |
| 29 | SPMV8000B2681 | Screw TEF M6x0,8x8 CH8 RT | 990R-1090RR 000641> BRUTALE 920 | 1,00 |
| 29 | SPMV8A00B2681 | SCREW, M6x1 | 990R-1090RR <000640 | 1,00 |
| 30 | SPMV8000B3673 | CUSHION, ACTUATOR VALVE | RR-SCS-RC SCS | 2,00 |
| 31 | SPMV8000B3674 | WASHER, SPACER | | 2,00 |
| 32 | SPMV8F00B2681 | SCREW, M6x1 CH8 L22 | | 2,00 |
| 33 | SPMV8000B4114 | CABLE, CLOSING, ACTUATOR VALVE | | 1,00 |
| 34 | SPMV8000B4109 | CABLE, OPENING, ACTUATOR VALVE | | 1,00 |
| 35 | SPMV800046893 | NUT M6X1 | F3 ORO-F3 AGO | 3,00 |



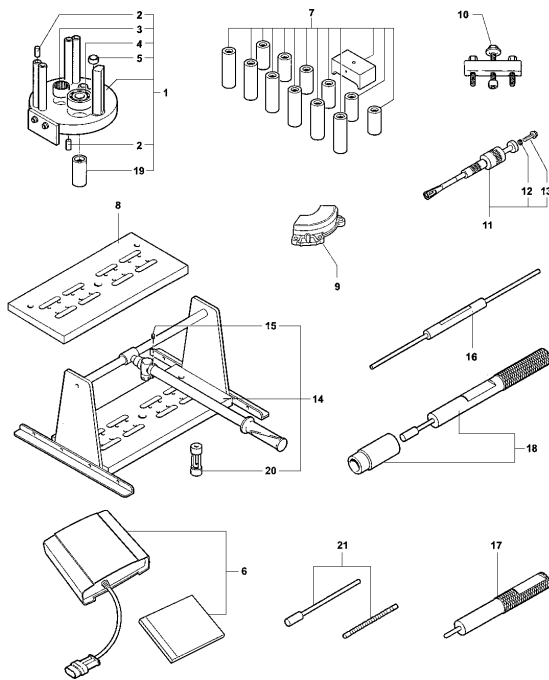
| Pos | Part Number | Description | Additional Text | Quantity |
|-----|-----------------|-------------------------------|-------------------------------|----------|
| 1 | SPMV9SPPTT001B4 | LICENCE PLATEHOLDER "SPORT" | | 1,00 |
| 2 | SPMV8000B3257 | ENGINE OVERHAUL | | 1,00 |
| 3 | SPMV8000B3255 | CHASSIS OVERHAUL | | 1,00 |
| 4 | SPMV8000B7378 | WELCOME KIT BRUTALE R13 | 1090, 1090R | 1,00 |
| 4 | SPMV8000B7381 | WELCOME KIT BRUTALE R13 USA | MY13/14 1090-1090R USA-CDN | 1,00 |
| 4 | SPMV8000B7495 | WELCOME KIT BRUTALE RR13 | 1090RR | 1,00 |
| 4 | SPMV8000B7498 | WELCOME KIT BRUTALE RR13 USA | MY13/14 1090RR USA-CDN | 1,00 |
| 4 | SPMV8000B8041 | WELCOME KIT B4 RR CORSA13 | CORSA | 1,00 |
| 4 | SPMV8000B8046 | WELCOME KIT B5 RR CORSA13 USA | CORSA USA-CDN | 1,00 |
| 4 | SPMV8000C1589 | WELCOME KIT BRUTALE 109015 | MY15 1090 USA-CDN | 1,00 |
| 4 | SPMV8000C1509 | WELCOME KIT BRUTALE RR15 USA | MY15 1090RR USA-CDN | 1,00 |
| 5 | SPMV8000B4120 | WARRANTY ACTIVATION | F4S, F4 FRECCE TRICOLORI | 1,00 |
| 6 | SPMV8000B3250 | USB KEY DOCUMENTATION OF | F3 ORO-F3 AGO | 1,00 |
| 7 | SPMV800093414 | CASE, DOCUMENTS | MY12/16 F3 675-800-RC | 1,00 |
| 8 | SPMV8A0099351 | TOOL KIT | | 1,00 |
| 9 | SPMV800089013 | TOOL, SPARK PLUG, 16MM | | 1,00 |
| 10 | SPMV8000B7923 | BATTERY CHARGER KIT | MY15 RC | 1,00 |
| 10 | SPMV8A00B7923 | CHARGER KIT | USA CND | 1,00 |
| 10 | SPMV8B00B7923 | KIT BATTERY CHARGER JPN | JPN | 1,00 |
| 11 | SPMV8000B8887 | COMPLETE VTR COVER SEAT | | 1,00 |
| 12 | SPMV800090316 | MV FRONT DECAL | 750S, 750S 1+1 SILVER & BLACK | 1,00 |
| 13 | SPMV8000B3007 | SEAT ATTACHMENT BRACKET | | 1,00 |
| 14 | SPMV800048245 | CUSHION, SCREW, M6x1 L16 | B4 RS | 3,00 |
| 15 | SPMV8B00B2688 | Screw TCEIF M6x1x16 | EXCEPT F3 ORO | 3,00 |



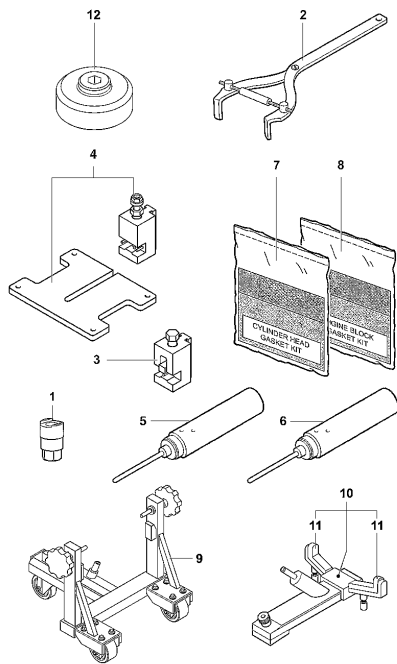
| Pos | Part Number | Description | Additional Text | Quantity |
|-----|---------------|------------------------------------|-----------------|----------|
| 1 | SPMV800095830 | FRONT STAND | | 1,00 |
| 2 | SPMV800091645 | Holding wrench | | 1,00 |
| 3 | SPMV8000A1039 | Tool for dust cover and oil seal | | 1,00 |
| 4 | SPMV800092860 | FORK BEARING | | 1,00 |
| 5 | SPMV800092861 | BEARING EXTRACTOR | | 1,00 |
| 6 | SPMV8000B4416 | FRONT WHEEL BEARING | | 1,00 |
| 7 | SPMV800092642 | REAR STAND | | 1,00 |
| 8 | SPMV8000A1953 | PIN FOR CENTERING | | 1,00 |
| 9 | SPMV800092865 | Special tool rear wheel | | 1,00 |
| 10 | SPMV800095850 | Tool for pliers clic clamps | | 1,00 |
| 11 | SPMV800098321 | Tool for tilted pliers clic clamps | | 1,00 |
| 12 | SPMV800092866 | FORK PACK TOOL | | 1,00 |



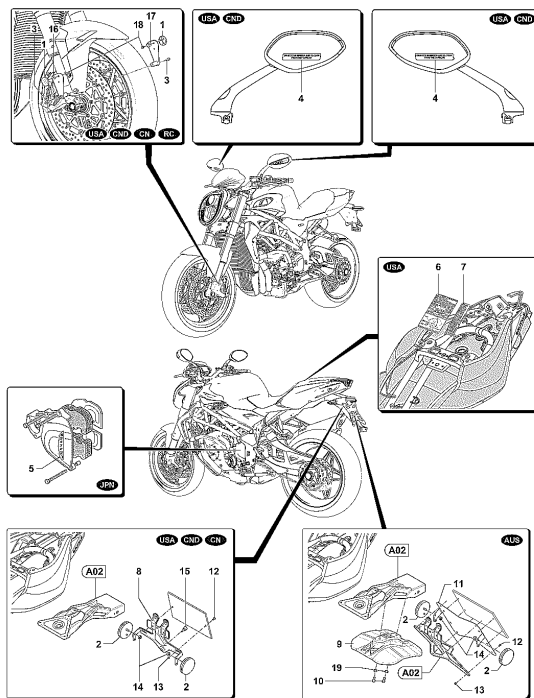
| Pos | Part Number | Description | Additional Text | Quantity |
|-----|---------------|------------------------------|-----------------|----------|
| 1 | SPMV800092867 | ROCKER ARM PACK TOOL | | 1,00 |
| 2 | SPMV8000B4421 | FRONT WHEEL BEARINGS | | 1,00 |
| 3 | SPMV800095389 | CHAIN TOOL PITCH 520 532 | | 1,00 |
| 4 | SPMV800095390 | PIN CHAIN CUTTING 520-532 | | 1,00 |
| 5 | SPMV800093347 | REAR SUSPENSION | | 1,00 |
| 6 | SPMV800095807 | ANT. STAND COMPLETE | | 1,00 |
| 7 | SPMV800095808 | FRONT STAND PIN | | 1,00 |
| 8 | SPMV800097887 | EQUIPMENT. CUSHION. STER PIN | | 1,00 |
| 9 | SPMV800097888 | STEERING BASE CONTROL | | 1,00 |
| 10 | SPMV800097889 | STEERING BEARING | | 1,00 |
| 11 | SPMV800097890 | STEERING BEARING | | 1,00 |



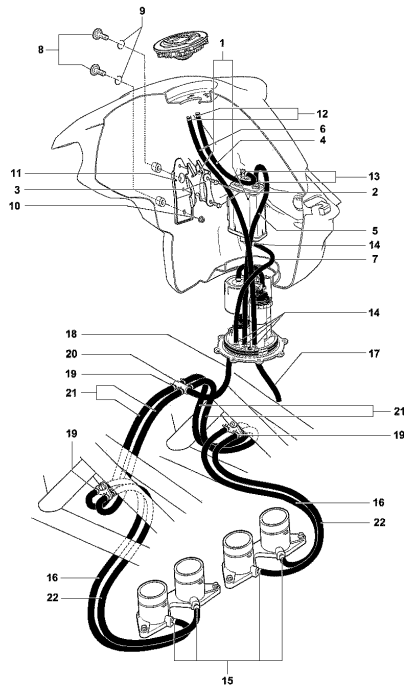
| Pos | Part Number | Description | Additional Text | Quantity |
|-----|---------------|--------------------------------|------------------------------------|----------|
| 1 | SPMV8A0094792 | Tool for Gearbox assembly | | 1,00 |
| 2 | SPMV800086119 | BUSH, CRANKCASE, 27x12MM | | 8,00 |
| 3 | SPMV8000A1087 | BEARING, SECONDARY AXLE, RNU41 | BRUTALE S 09192>, <10409,10968> | 1,00 |
| 4 | SPMV800098405 | BEARING | BRUTALE S 09192>, <10409,10968> | 1,00 |
| 5 | SPMV800087300 | BEARING | | 1,00 |
| 7 | SPMV8000A3406 | PISTON PROJECTION | | 1,00 |
| 8 | SPMV8000A9639 | BASE PLATE | | 1,00 |
| 9 | SPMV8000B5340 | FLYWHEEL TOOL | | 1,00 |
| 10 | SPMV8000B4305 | Puller flywheel | | 1,00 |
| 11 | SPMV800094798 | GOMMIN DISASSEMBLY EQUIPMENT | | 1,00 |
| 12 | SPMV62N115538 | SPRING WASHER | | 1,00 |
| 13 | SPMV8C0069056 | TEF SCREW M8X1.25 CH12-L30 | | 3,00 |
| 14 | SPMV800094796 | VALVES ASSEMBLY | | 1,00 |
| 15 | SPMV800051521 | SCREW M4X6 | | 2,00 |
| 16 | SPMV800095429 | CONTROL PAD | | 1,00 |
| 17 | SPMV800095581 | VALVE SEAL ASSEMBLY | | 1,00 |
| 18 | SPMV8000A2385 | GUIDE MOUNTING PAD | | 1,00 |
| 19 | SPMV8A00B2859 | PIPE | | 1,00 |
| 20 | SPMV800095179 | HALF-CONES | | 1,00 |
| 21 | SPMV8000A2625 | BROACH FOR VALVE GUIDE | | 1,00 |



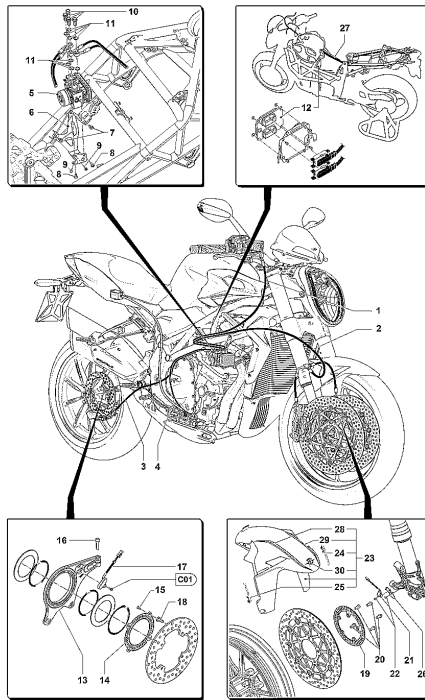
| Pos | Part Number | Description | Additional Text | Quantity |
|-----|---------------|----------------------------|-----------------|----------|
| 1 | SPMV8000B2051 | EXHAUST SUPPORT | | 1,00 |
| 2 | SPMV800079015 | CLUTCH BLOCKING TOOL | | 1,00 |
| 3 | SPMV8000A2280 | TIMING CHAIN MOUNTING | | 1,00 |
| 4 | SPMV8000A2281 | TIMING CHAIN CUTTING | | 1,00 |
| 5 | SPMV800095318 | PAD FOR EXHAUST VALVE | | 1,00 |
| 6 | SPMV800095319 | PAD FOR INTAKE VALVE | | 1,00 |
| 7 | SPMV8000B4309 | HEAD GASKET KIT GASKET NOT | | 1,00 |
| 8 | SPMV8000B4310 | CYLINDER BASE GASKET | | 1,00 |
| 9 | SPMV8000B4417 | Motor support | | 1,00 |
| 10 | SPMV8000B4366 | CARB TANK HOLDER | | 1,00 |
| 11 | SPMV8000B4652 | PROTECTION | | 2,00 |
| 12 | SPMV8000B3502 | EXPANSION TANK CAP TOOL | | 1,00 |



| Pos | Part Number | Description | Additional Text | Quantity |
|-----|---------------|--------------------------------|--|----------|
| 1 | SPMV80A0B4964 | RETROREFLECTOR | 990R-1090RR 002105> USA BRUTALE 920 USA | 2,00 |
| 2 | SPMV8000B4964 | RETROREFLECTOR | 990R-1090RR 002105> USA BRUTALE 920 USA | 2,00 |
| 2 | SPMV80A0B4964 | RETROREFLECTOR | 990R-1090RR 002105> USA BRUTALE 920 USA | 2,00 |
| 3 | SPMV8K00B2681 | Screw M6x1-CH8-L40 | | 2,00 |
| 4 | SPMV800094019 | DECAL MIRROR | USA-CND | 2,00 |
| 5 | SPMV800095842 | GEARS DATA PLATE | JPN | 1,00 |
| 6 | SPMV8000B3368 | öEMISSIONSö DATA PLATE | 1090RR USA | 1,00 |
| 7 | SPMV8A00B5244 | LEVEL CONTROL PLATE SO | 1090R USA | 1,00 |
| 7 | SPMV8B00B5244 | SO LEVEL CONTROL PLATE | 1090RR USA | 1,00 |
| 8 | SPMV8000B6736 | LICENCE PLATE HOLDER | USA CND CN | 1,00 |
| 9 | SPMV8000B7527 | EXTENSION REAR FENDER | | 1,00 |
| 10 | SPMV8B00B2687 | SCREW, TCEIF M5x12 | B4 RR-B4 NURBURGRING-RUSH | 2,00 |
| 11 | SPMV8000B6737 | PLATE HOLDER PLATE AUSTRALIA | | 1,00 |
| 12 | SPMV8000B2673 | Screw TBEI M4x0,7xL8 CH2,5 | MY12/16 AUS | 4,00 |
| 13 | SPMV8000B2706 | NUT, PARLOCK M4 | 990R-1090RR <002104 USA | 4,00 |
| 14 | SPMV8000B2707 | NUT, M5x0,8xE6 CH8 PARLOCK | 990R-1090RR 002105> USA BRUTALE 920 USA | 2,00 |
| 15 | SPMV800099419 | PIN, CUSHION | TAMBURINI | 1,00 |
| 16 | SPMV8000B4972 | R.H. REFLECTOR | MY11-12 USA | 1,00 |
| 17 | SPMV8000B4973 | L.H. REFLECTOR | MY11-12 USA | 1,00 |
| 18 | SPMV8000B2707 | NUT, M5x0,8xE6 CH8 PARLOCK | 990R-1090RR 002105> USA BRUTALE 920 USA | 2,00 |
| 19 | SPMV80A092658 | WASHER, SPACER, D10xD7,6xD5,2x | RR-SCS (VIN: >001629) / RC SCS | 2,00 |



| Pos | Part Number | Description | Additional Text | Quantity |
|-----|---------------|-------------------------------|--|----------|
| 1 | SPMV800097083 | CANISTER COMPLETE | 008836-008839 & 009155> B4 910 S/910 R, USA | 1,00 |
| 2 | SPMV8A00B2680 | Screw TEF M5x0,8x6 CH8 RT | MY12/16 USA CND CN | 2,00 |
| 3 | SPMV80A097086 | CANISTER CENTERING | MY12/16 USA CND CN | 1,00 |
| 4 | SPMV8C0090940 | HOSE, FUEL TANK | | 1,00 |
| 5 | SPMV800097089 | HOSE | MY12/16 USA CND CN | 1,00 |
| 6 | SPMV8C0090940 | HOSE, FUEL TANK | | 1,00 |
| 7 | SPMV8000B3443 | HOSE | | 1,00 |
| 8 | SPMV80A099373 | Screw | | 2,00 |
| 9 | SPMV8A0023116 | ORING, 13,10x2,62mm | | 2,00 |
| 10 | SPMV8000B2707 | NUT, M5x0,8xE6 CH8 PARLOCK | 990R-1090RR 002105> USA BRUTALE 920 USA | 1,00 |
| 11 | SPMV8AA097087 | CANISTER FIXING PLATE | | 1,00 |
| 12 | SPMV8C0091687 | CLAMP, STEEL, FUEL TANK HOSE | | 2,00 |
| 13 | SPMV800096458 | CLAMP, METAL, 55 90 | MY17/20 F3 675-800-RC | 2,00 |
| 14 | SPMV8B0092256 | CLAMP, HOSE | | 4,00 |
| 15 | SPMV800096458 | CLAMP, METAL, 55 90 | MY17/20 F3 675-800-RC | 4,00 |
| 16 | SPMV8A0091037 | HOSE, RUBBER, AIR, 155 | | 2,00 |
| 17 | SPMV800098950 | FUEL TANK DRAIN PIPE | | 1,00 |
| 18 | SPMV800098715 | HOSE | | 1,00 |
| 19 | SPMV8AA091634 | CLAMP, METAL, SHORT | MY12/16 USA CND CN | 12,00 |
| 20 | SPMV800097088 | 5-WAY FITTING | | 1,00 |
| 21 | SPMV800097090 | HOSE | | 4,00 |
| 22 | SPMV8C0091037 | HOSE, 1, CYLINDER HEAD, 190mm | | 2,00 |



| Pos | Part Number | Description | Additional Text | Quantity |
|-----|---------------|-----------------------------------|---|----------|
| 1 | SPMV8000B8051 | OIL HOSE, FRONT BREAK PUMP-ABS | | 1,00 |
| 2 | SPMV8000B8040 | OIL HOSE, ABS MODULE | 1090-1090R ABS | 1,00 |
| 2 | SPMV8000B8052 | OIL HOSE, ABS MODULE-FRONT BRE | 1090RR ABS CORSA | 1,00 |
| 3 | SPMV8000B8050 | OIL HOSE, ABS MODULE-REAR BREA | | 1,00 |
| 4 | SPMV8000B8049 | OIL HOSE, REAR BREAK PUMP-ABS | | 1,00 |
| 5 | SPMV8000B9134 | ABS MODULE WET | MY14 675-800 MY15/16 DRAG.-DRAG.RR/RR LH/RC | 1,00 |
| 5 | SPMV8000B9135 | ABS MODULE WET | MY15 675-800 800RR | 1,00 |
| 6 | SPMV8000B8048 | BRACKET, ABS MODULE | | 1,00 |
| 7 | SPMV8A00B2681 | SCREW, M6x1 | 990R-1090RR <000640 | 2,00 |
| 8 | SPMV8000B2672 | SCREW M6 | F4R, F4RR | 2,00 |
| 9 | SPMV800099419 | PIN, CUSHION | TAMBURINI | 2,00 |
| 10 | SPMV8000A8947 | TUBO OIL PIPE UNION | F4RR | 4,00 |
| 11 | SPMV800021480 | WASHER, COPPER, D14xD10,2xE1 | MY12/14 F3 675 | 8,00 |
| 12 | SPMV8000B8054 | INJECTION IGNITION CONTROL UNIT | 1090RR ABS CORSA | 1,00 |
| 12 | SPMV8000B8055 | ECU | 1090-1090R ABS | 1,00 |
| 12 | SPMV8A00B8054 | COMPRESSION IGNITION CONTROL UNIT | 1090RR FRA ABS CORSA FRA | 1,00 |
| 12 | SPMV8A00B8055 | INJECTION IGNITION CONTROL UNIT | 1090-1090R FRA ABS | 1,00 |
| 12 | SPMV8B00B8054 | COMPRESSION IGNITION CONTROL UNIT | 1090RR JPN ABS CORSA JPN | 1,00 |
| 12 | SPMV8B00B8055 | AIR IGNITION CONTROL BOX | 1090-1090R JPN ABS | 1,00 |
| 12 | SPMV8C00B8054 | COMPRESSION IGNITION CONTROL UNIT | 1090RR USA-CDN ABS CORSA USA-CDN | 1,00 |
| 12 | SPMV8C00B8055 | AIR IGNITION CONTROL BOX | 1090-1090R USA-CDN ABS | 1,00 |
| 12 | SPMV8G00B8054 | AIR IGNITION CONTROL BOX | 1090RR RC ABS | 1,00 |
| 12 | SPMV8G00B8055 | AIR IGNITION CONTROL BOX | 1090-1090R RC ABS | 1,00 |
| 13 | SPMV8C00B0976 | SUPPORT, REAR BREAK CALIPER | 1090-1090R-1090RR ABS CORSA | 1,00 |

| | | | | |
|----|----------------|--------------------------------|---|-------|
| 14 | SPMV8000B5899 | REAR PHONIC WHEEL | | 1,00 |
| 15 | SPMV8D00B2693 | SCREW TSEI M4X,07-L8 | | 4,00 |
| 16 | SPMV8000C2249 | SCREW, M6X25 | RR-RUSH | 1,00 |
| 17 | SPMV8000B7768 | SENSOR, SPEED | F3 AGO-F3 675 RC-F3 800 RC | 1,00 |
| 18 | SPMV8A00B5927 | Screw HEX M7x17 8.8 ZB | CORSA | 4,00 |
| 19 | SPMV8000B9517 | FRONT PHONIC WHEEL | F3 AGO | 1,00 |
| 20 | SPMV8A00B2690 | SCREW, TCEIF M8x20 RT | EXCEPT PIRELLI-LH44 | 10,00 |
| 21 | SPMV8000B7768 | SENSOR, SPEED | F3 AGO-F3 675 RC-F3 800 RC | 1,00 |
| 22 | SPMV800090901 | Screw M4 | 750 ORO | 1,00 |
| 22 | SPMV98B0090901 | Special screw M4x8 | TAMBURINI | 2,00 |
| 23 | SPMV8000B8092 | COMPL. FRONT MUDGUARD | MY13/14 1090-1090R ABS | 1,00 |
| 23 | SPMV8000B8124 | MUDGUARD, FRONT SIDE, RED | MY13/14 1090RR RED/SILVER ABS | 1,00 |
| 23 | SPMV8000C1512 | COMPLETE FRONT FENDER | MY15 1090RR BLA./GRAY ABS | 1,00 |
| 23 | SPMV8000C1592 | FRONT FENDER COMPL. | MY15 1090 ABS | 1,00 |
| 23 | SPMV80A0B8124 | COMPLETE FRONT FENDER WITH | MY13/14 1090RR WHITE/GOLD ABS | 1,00 |
| 23 | SPMV80A0C1512 | COMPLETE FRONT FENDER | MY15 1090RR GRAY/WHITE ABS | 1,00 |
| 23 | SPMV80B0B8124 | MUDGUARD, FRONT | MY13/14 1090RR WHITE/BLUE ABS | 1,00 |
| 24 | SPMV8000B8091 | DECAL -ABS- LH | MY13/14 1090-1090R ABS | 1,00 |
| 24 | SPMV8000C1515 | DECAL "ABS R" SX FOR FENDER | MY15 1090RR BLACK/GRAY | 1,00 |
| 24 | SPMV8000C1593 | DECAL "ABS" LEFT FOR MUDGUARD | MY15 1090 | 1,00 |
| 24 | SPMV80A0B7823 | DECAL "ABS" FRONT FENDER LH | MY13/14 1090RR ABS | 1,00 |
| 24 | SPMV80A0C1515 | DECAL "ABS R" LEFT FOR FENDER | MY15 1090RR GRAY/WHITE | 1,00 |
| 25 | SPMV8000B8090 | DECAL -ABS- RH | MY13/14 1090-1090R ABS | 1,00 |
| 25 | SPMV8000C1516 | DECAL "ABS R" DX FOR FENDER | MY15 1090RR BLACK/GRAY | 1,00 |
| 25 | SPMV8000C1594 | DECAL "ABS" RIGHT FOR FENDER | MY15 1090 | 1,00 |
| 25 | SPMV80A0B7822 | DECAL "ABS" FRONT FENDER RH | MY13/14 1090RR ABS | 1,00 |
| 25 | SPMV80A0C1516 | DECAL "ABS R" RIGHT FOR FENDER | MY15 1090RR GRAY/WHITE | 1,00 |
| 26 | SPMV8000B7655 | BRACKET, SPEED SENSOR | CORSA | 1,00 |
| 26 | SPMV8000B8376 | BRACKET, SENSOR ABS | 1090RR ABS VIN <005494 | 1,00 |
| 27 | SPMV8000B7729 | WIRE HARNESS, BRUTALE RR-13 | 1090-1090R-1090RR ABS CORSA | 1,00 |
| 28 | SPMV8000B7798 | DECAL FRONT FAIRING RH | MY13/14 RR RED/SILVER NO ABS MY15 1090RR BLACK/GRAY NO ABS | 1,00 |
| 28 | SPMV8000C1514 | Decal fender right | MY15 1090RR | 1,00 |
| 28 | SPMV80A0B7798 | DECAL FRONT FAIRING RH | MY13/14 RR WHITE/GOLD NO ABS MY13/14 RR WHITE/BLUE NO ABS MY15 1090RR GRAY/WHITE NO ABS | 1,00 |
| 29 | SPMV8000B7797 | DECAL FRONT FAIRING LH | MY13/14 RR RED/SILVER NO ABS MY15 1090RR BLACK/GRAY NO ABS | 1,00 |
| 29 | SPMV8000C1513 | Decal fender left | MY15 1090RR | 1,00 |
| 29 | SPMV80A0B7797 | DECAL FRONT FAIRING LH | MY13/14 RR WHITE/GOLD NO ABS MY13/14 RR WHITE/BLUE NO ABS MY15 1090RR GRAY/WHITE NO ABS | 1,00 |
| 30 | SPMV80M090316 | DECAL "MV" FOR DOME | | 1,00 |

| | | | | |
|----|---------------|-------------------|-----------|------|
| 30 | SPMV80D090316 | DECAL MV FOR DOME | 1078 BLUE | 1,00 |
|----|---------------|-------------------|-----------|------|