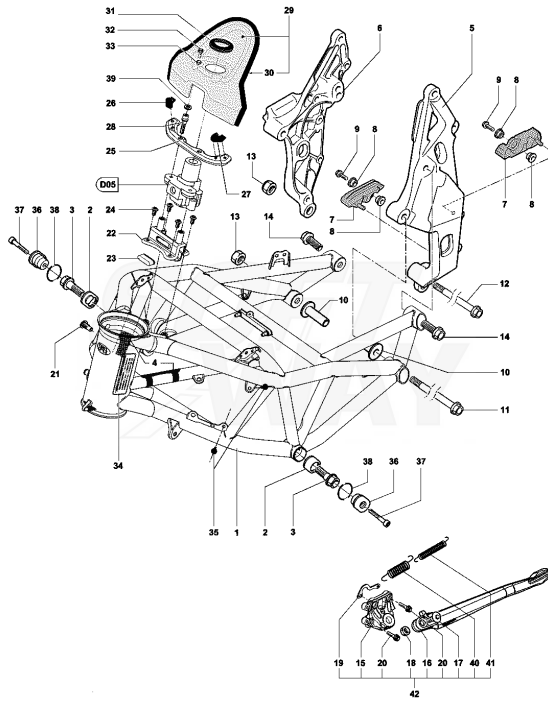


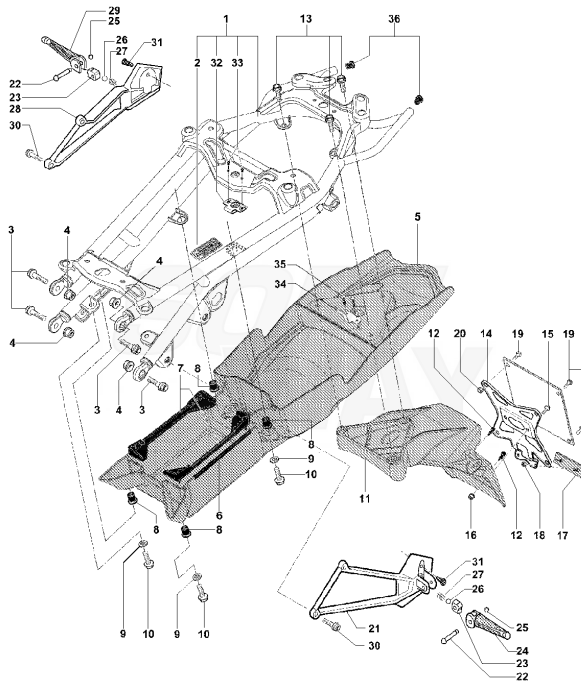
1.Frame	3
2.RearFrame	5
3.Swingarm	7
4.Shock	9
5.Fork	10
6.RHFork	11
7.LHFork	13
8.RearWheel	15
9.FrontWheel-910S	17
10.FrontWheel-910R	18
11.LHFootRests	19
12.RhFootrest	20
13.FrontBrakeMasterCyl	22
14.ClutchMasterCylinder	24
15.Locks	26
16.FrontBody	27
17.Mirror	29
18.AirBox	30
19.FuelTank	32
20.RearFairing	35
21.Dashboard	38
22.Headlight	40
23.InjectionHarnessMY05-06	41
24.WiringFan	42
25.Battery	43
26.TailLight	44
27.ECUMY05-06	46
28.EcuMY07-08	48
29.Sensors	49
30.Crankcase	50

31.Crankshaft	53
32.CylPistons	54
33.CylHead	55
34.Timing	57
35.OilFilterPump	59
36.WaterPump	61
37.CoolingSystem	63
38.Clutch	66
39.Gearbox	67
40.GearSelector	69
41.FuelPump	71
42.ThrottleBody	72
43.ElectricStarter	74
44.EngineElectric	75
45.Exhaust	77
46.Outfit	79
47.TitaniumExhaust	81
48.FrameTools1	83
49.FrameTools2	84
50.EngineTools1	85
51.EngineTools2	87
52.MarketVariants	88
53.EvapMY05-06	89
54.EvapMY07-08	90
55.Emblem	91



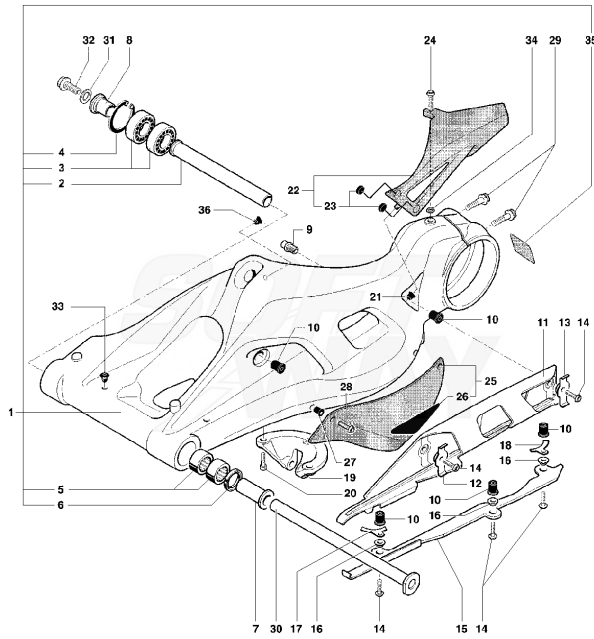
Pos	Part Number	Description	Additional Text	Quantity
1	SPMV80A0A9033	FRAME	B4 910S, RED, BLACK, ORANGE 008836-008839 & 009181> 008836-008839 & 009155>	1,00
1	SPMV80B0A9033	FRAME	008836-008839 & 009181>	1,00
1	SPMV80A097904	FINISHED FRAME B4	<008835 & 008840-009154 <008835 & 008840-009180 B4 910 ITALIA B4 910S, RED, BLACK	1,00
1	SPMV80B097904	FINISHED FRAME B4	BRUTALE S, SILVER, RED/BLACK	1,00
1	SPMV800099263	REAR FRAME COMPLETE	<008835 & 008840-009154	1,00
2	SPMV800084871	BRACKET, FRONT		2,00
3	SPMV8A0084869	SCREW		2,00
3	SPMV800084869	FRONT BIKE FIXING SCREW	B4 910S	2,00
4	SPMV800090417	PROTECTION, RUBBER, PIPE		2,00
5	SPMV800097899	LH FRAME CASING	BRUTALE S	1,00
5	SPMV80A097899	LEFT FRAME PLATE	B4 910 R/B4 ITALIA	1,00
6	SPMV80A097900	RIGHT FRAME PLATE		1,00
6	SPMV800097900	RIGHT SWINGARM FULCRUM PLATE	BRUTALE S	1,00
7	SPMV800087476	CHAIN SLIDER		2,00
8	SPMV800090392	SPACER 12X8X6X5.2		4,00
9	SPMV800062728	SCREW TEF M6X1-CH8-L20	750 ORO ENGINE 00248> 750S, 750S 1+1 ENGINE 00401>	2,00
10	SPMV8A0084857	ENGINE FIXING BUSHING		2,00
11	SPMV800084866	UPPER MOTOR FASTENING SCREW		1,00
12	SPMV800084865	SCREW		1,00
13	SPMV800042023	NUT		2,00
14	SPMV800084867	TEF SCREW M12X1.25-L30		2,00
15	SPMV800089804	COMP CRUTCH MOUNT PLATE		1,00
16	SPMV800089781	SIDE COUPLING		1,00

16	SPMV80B089781	SIDE CRUTCH	TAMBURINI	1,00
17	SPMV800090431	CRUTCH PIVOT PIN		1,00
18	SPMV800090432	BRAKED NUT M8X1.25-CH13-SP7		1,00
19	SPMV800098706	KIT FOR CRUTCH WITH RETURN	WITH AUTOMATIC RETURN	1,00
19	SPMV800098707	KIT FOR CRUTCH WITHOUT RETURN	WITHOUT AUTOMATIC RETURN	1,00
20	SPMV8F0090426	Screw M8 L=22		3,00
21	SPMV800084915	Special screw steering stem		1,00
22	SPMV800098717	STAY MAIN SWITCH		1,00
23	SPMV800099426	PROTECTION, IGNITION SUPPORT		1,00
24	SPMV8A0089786	SCREW, FLANGE M6		4,00
25	SPMV800099327	STAY, FUEL TANK		1,00
26	SPMV800099398	CUSHION		1,00
27	SPMV800099397	CUSHION		1,00
28	SPMV800099142	SCREW	B4 910 S/910 R B4 910 ITALIA <008835 & 008840-009154	2,00
28	SPMV8A0099142	SCREW	B4 910 S/910 R 008836-008839 & 009155>	2,00
29	SPMV8000B1526	COVER, MAIN SWITCH	HYDROGEN	1,00
29	SPMV8000B1883	COVER, MAIN SWITCH	WALLY	1,00
29	SPMV80A099428	COVER MAIN SWITCH		1,00
30	SPMV8A0091693	SEAL		1,00
31	SPMV800098826	IGN ORING		1,00
32	SPMV8D0090424	BOLT		2,00
33	SPMV800092658	BOLT		2,00
34	SPMV8000A4000	TYRES DATA PLATE	EXCEPT USA, >10761	1,00
35	SPMV800099419	PIN, CUSHION	TAMBURINI	4,00
36	SPMV8000A7653	IMPELLER, WATER PUMP		2,00
37	SPMV60N102534	SCREW		2,00
38	SPMV800034609	GASKET		2,00
39	SPMV800056359	WASHER		2,00
40	SPMV8000B3987	OUTER SPRING		1,00
41	SPMV8000B3986	INNER SPRING		1,00
42	SPMV8000B4781	LATERAL SIDE		1,00



Pos	Part Number	Description	Additional Text	Quantity
1	SPMV8A0099263	REAR FRAME		1,00
1	SPMV800099263	REAR FRAME COMPLETE	<008835 & 008840-009154	1,00
2	SPMV800092257	BATTERY DATA PLATE		1,00
3	SPMV8J0090426	TCEIF SCREW M8X1,25-L30	1000S, AGO, TAMBURINI	4,00
4	SPMV80B043928	NUT,M8X1.25	5146-5233 & 5238-5260 5433-5469 & 5493 <4611 (USA <100436 & <200149)	4,00
5	SPMV8000A1038	FENDER-BATTERY HOLDER COMPL.	B4 910 S/910 R B4 910 ITALIA <008835 & 008840- 009154	1,00
5	SPMV8A00A1038	FENDER-BATTERY-HOLDER COMPL.	B4 910 S/910 R 008836- 008839 & 009155>	1,00
6	SPMV8B0047859	GASKET		1,00
7	SPMV8000A3226	SEAT, BATTERY		2,00
8	SPMV800048245	CUSHION, SCREW, M6x1 L16	B4 RS	4,00
9	SPMV800089751	WASHER, PLÁSTICA 12,5x6x0,5 PO		4,00
10	SPMV800089786	SCREW	750 ORO	4,00
11	SPMV800099120	FENDER-HOLDER		1,00
12	SPMV800095828	CUSION		2,00
13	SPMV800062726	SCREW	750 ORO	3,00
14	SPMV800094506	PLATE HOLDER		1,00
15	SPMV8H0067545	SCREW	TAMBURINI	2,00
16	SPMV800044240	AUTOBLOC.FLANG.NUT M6X1-CH10	1000S, AGO, TAMBURINI	2,00
17	SPMV800090374	REFLECTOR, REAR SIDE	990R-1090RR <002104 USA	1,00
18	SPMV800091033	SELF-LOCKING NUT M4	1000S, AGO, TAMBURINI	2,00
19	SPMV80A047053	Screw M4 L8		4,00
20	SPMV800091033	SELF-LOCKING NUT M4	1000S, AGO, TAMBURINI	4,00
21	SPMV80A094169	HOLDER L.H		1,00
22	SPMV80A053546	PIN		2,00
23	SPMV800094171	SUPPORT, FIX, FOOTREST		2,00

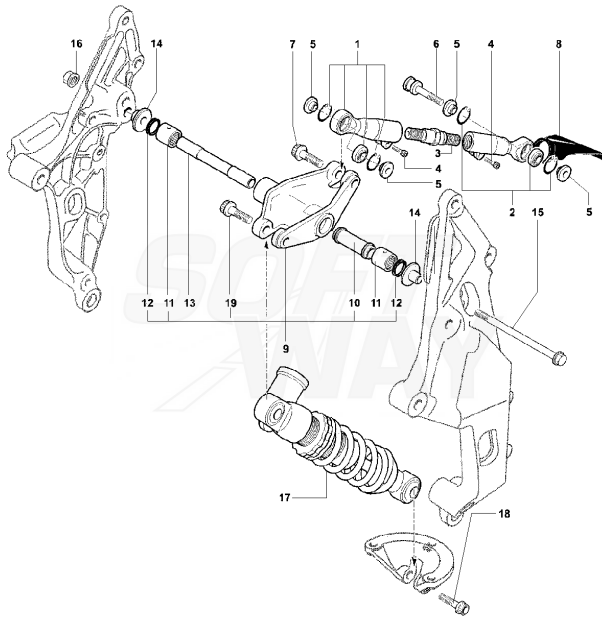
24	SPMV80A091661	FOOTREST, PASSENGER, LEFT SIDE	1,00
25	SPMV800090429	LOCK RING, FOOTREST	2,00
26	SPMV6BN021507	BALL, FOOTREST	2,00
27	SPMV800094170	SPRING, FOOTREST	2,00
28	SPMV80A098721	RH PILLION HANGER	1,00
29	SPMV80A091662	FOOTREST, PASSENGER, RIGHT SID	1,00
30	SPMV8G0090426	SCREW	4,00
31	SPMV800095828	CUSION	2,00
32	SPMV800069150	SUPPORT, SEAT LOCK, PASSENGER	1,00
33	SPMV800094279	RIVET, POP SSD 43 SS BS	2,00
34	SPMV8000A1079	PLATE	1,00
35	SPMV80A063228	SCREW	2,00
36	SPMV8000A2733	PLUG	2,00



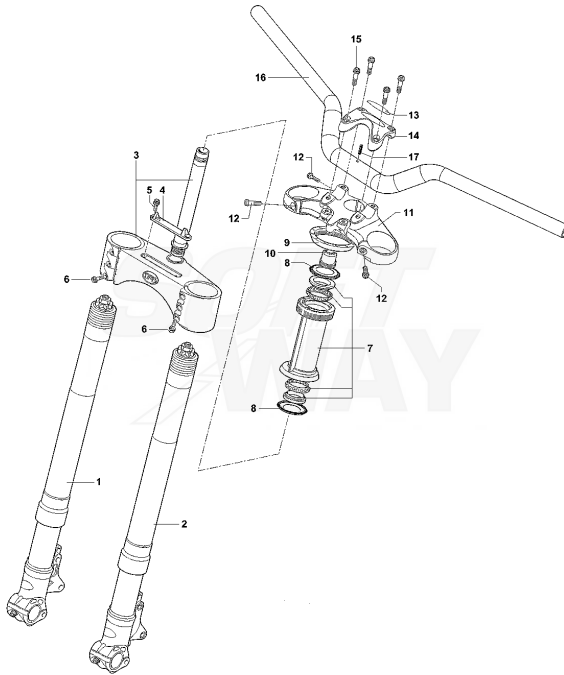
Pos	Part Number	Description	Additional Text	Quantity
1	SPMV800093854	SWING ARM	1000S, 1000S1+1	1,00
1	SPMV80A093854	REAR SWING ARM	AGO	1,00
2	SPMV800084872	SPACER, SWINGARM BEARING		1,00
3	SPMV800084938	BALL BEARING, SWINGARM, RIGH S		2,00
4	SPMV800084939	CIRCLIP, J42x1,75 V		1,00
5	SPMV800084936	NEEDLE BEARING, SWINGARM, LEFT		2,00
6	SPMV800084937	RETAINER, SWINGARM, FRONT SIDE		1,00
7	SPMV800084859	BUSH, SWINGARM, LEFT SIDE		1,00
8	SPMV800084873	FORK RH BUSH		1,00
9	SPMV800090399	BRAKE CALIPER SUPPORT PEG POS		1,00
10	SPMV800048245	CUSHION, SCREW, M6x1 L16	B4 RS	5,00
11	SPMV800087473	UPPER CHAIN SHOE	750S, 750S 1+1	1,00
12	SPMV800087463	METAL BRACKET, CHAIN GUIDE, RE		1,00
13	SPMV800089300	METAL BRACKET, CHAIN GUIDE, FR		1,00
14	SPMV800089786	SCREW	750 ORO	5,00
15	SPMV800087475	LOWER CHAIN SHOE		1,00
16	SPMV800090391	SPACER, D15,5xD8xD6,2xE3,8		3,00
17	SPMV800090998	BRACKET, FRONT		1,00
18	SPMV800090999	PLATE POST FOR BRAKE HOSE		1,00
19	SPMV800087441	SUPPORT, SHOCK ABSORBER	1000S, 1000S1+1	1,00
20	SPMV8L0082751	Screw M10x1,25-L-31		3,00
21	SPMV800092631	GROMMET		1,00
22	SPMV800092849	UPPER CHAIN COVER COMPL.	BRUTALE S	1,00
22	SPMV8000A6106	CHAIN COVER, UPPER	BRUTALE S, ELONGATED	1,00
23	SPMV800090979	CAP, UPPER GUIDE CHAIN	SR	2,00
24	SPMV800089786	SCREW	750 ORO	1,00
25	SPMV8000A5785	CHAIN COVER, LOWER		1,00
26	SPMV8000A5784	ADHESIVE PLATE AC ADJUSTMENT	1000 VIN 008065> & 1078	1,00

27	SPMV800091022	BUSH, SCREW, M4x0,7	F4S, F4R, F4RR	2,00
28	SPMV8A0090901	SCREW, M4x13,7	750S, 750S 1+1	2,00
29	SPMV800078221	BOLT		2,00
30	SPMV800091655	AXLE, SWINGARM	750S, 750S 1+1	1,00
31	SPMV800086396	WASHER 15.2X28X1		1,00
32	SPMV800086395	BOLT		1,00
33	SPMV800094895	PLUG 6MM	MY15/20 F3 675	1,00
34	SPMV8A0092670	DISTANZ.CON COLLET.D10,5-D7,9-		1,00
35	SPMV8000A2734	DECAL		1,00
36	SPMV8000A4539	CAP, SWINGARM, D9,5		3,00

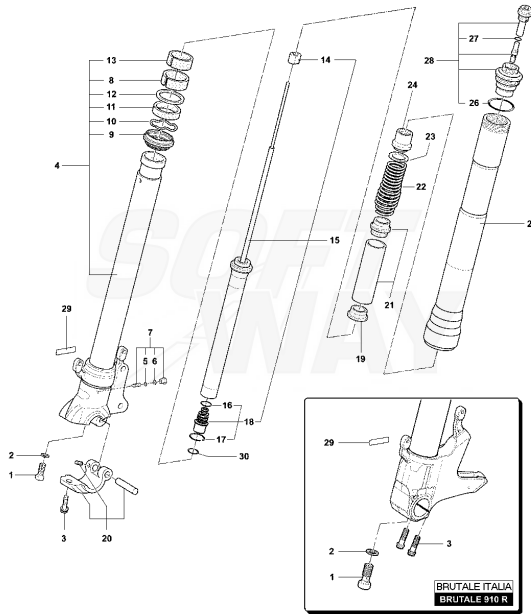




Pos	Part Number	Description	Additional Text	Quantity
1	SPMV800093318	LINK ARM	1000S, 1000S1+1	1,00
2	SPMV800093319	LOWER ARM	1000S, 1000S1+1	1,00
3	SPMV8000A4508	SCREW SET, ADJUST	1000S, 1000S1+1	1,00
4	SPMV8G0090425	Screw TCEIF M6x20		2,00
5	SPMV800084874	BEARING	1000S, 1000S1+1	4,00
6	SPMV800084868	SCREW		1,00
7	SPMV8P0082751	TCEIF SCREW M10X1.25-L-45		1,00
8	SPMV800091027	DUST COVER, SHOCK ABSORBER CYL		1,00
9	SPMV800093320	MV F4 SHOCK ROCKER	1000S, 1000S1+1	1,00
10	SPMV800089757	SPACER		1,00
11	SPMV800084945	BEARING		2,00
12	SPMV800084946	GROMMET		2,00
13	SPMV800084858	SPACER		1,00
14	SPMV800086447	BUSH		2,00
15	SPMV800084863	TOP PIVOT ARM BOLT		1,00
16	SPMV800042022	NUT		1,00
17	SPMV8000A3997	REAR SHOCK	B4 910 S/910 R B4 910 ITALIA <008835 & 008840- 009154	1,00
17	SPMV8000A7256	REAR SHOCK-ABSORBER	B4 910 S/910 R 008836- 008839 & 009155>	1,00
18	SPMV8S0082751	SCREW		1,00
19	SPMV8R0082751	SCREW TCEIF M10X1.25X50		1,00

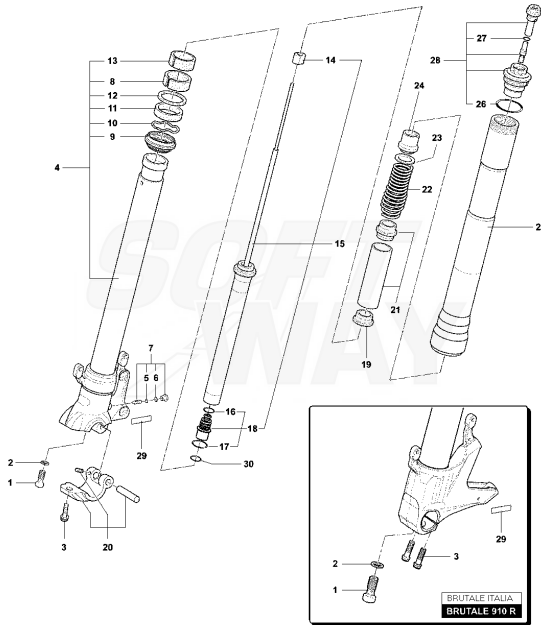


Pos	Part Number	Description	Additional Text	Quantity
1	SPMV8000A3178	FORK LEG ASSY, RIGHT	BRUTALE S, 10761>	1,00
1	SPMV80A0A7398	FORK LEG ASSY, RIGHT	B4 910 R/B4 ITALIA	1,00
2	SPMV8000A3179	FORK LEG ASSY, LEFT	BRUTALE S, 10761>	1,00
2	SPMV80A0A7399	FORK LEG ASSY, LEFT	B4 910 R/B4 ITALIA	1,00
3	SPMV800093852	STEERING BASE WITH PIN	B4 910S WALLY	1,00
3	SPMV80A093852	STEM, STEERING	B4 910 R/B4 ITALIA	1,00
4	SPMV8A0086407	STEERING LIMITING DEVICE		1,00
5	SPMV8E0090425	Screw TCEIF M6x16		2,00
6	SPMV8H0090425	SCREW		6,00
7	SPMV8AA090279	STEERING TUBE		1,00
8	SPMV800090897	DUST COVER, STEERING STEM		2,00
9	SPMV800086436	SPECIAL WASHER, STEERING STEM		1,00
10	SPMV8A0090280	RING NUT		1,00
11	SPMV800098332	TOP YOKE		1,00
11	SPMV8000B1880	STEERING HEAD	WALLY	1,00
12	SPMV8G0090426	SCREW		3,00
13	SPMV800099410	EMBLEM		1,00
13	SPMV8000B1809	PLATE	WALLY	1,00
14	SPMV800098322	HANDLE BAR CLAMP		1,00
14	SPMV8000B1879	HANDLE BAR CLAMP	WALLY	1,00
15	SPMV8J0090426	TCEIF SCREW M8X1,25-L30	1000S, AGO, TAMBURINI	4,00
16	SPMV800098329	HANDLEBAR		1,00
16	SPMV8000B1878	HANDLEBARS	WALLY	1,00
17	SPMV6AN155037	PIN, SPRING		1,00



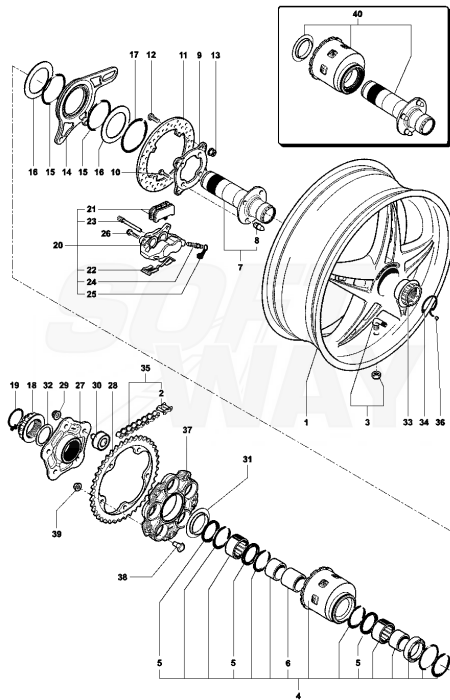
Pos	Part Number	Description	Additional Text	Quantity
1	SPMV8000A0841	SPECIAL SCREW M12-L30	1000 VIN <008064 1000 USA	1,00
2	SPMV800031113	SEALING WASHER	1000 VIN <008064 1000 USA	1,00
3	SPMV800082708	Screw	1000S, 1000S1+1, AGO	1,00
3	SPMV8000A3172	SCREW TCEIF M7X1X25	TAMBURINI	2,00
4	SPMV8000A1858	COMPLETE RIGHT STEM	BRUTALE S	1,00
4	SPMV80B0A6392	RIGHT STEM COMPL.	B4 910 R/B4 ITALIA	1,00
5	SPMV8000A0826	OR2015 T1.78-D3.69	1000 VIN <008064 1000 USA	1,00
6	SPMV800050679	OR114 T1.78-D11.1	1000 VIN <008064 1000 USA	1,00
7	SPMV8000A1859	ADJUSTING SCREW		1,00
8	SPMV8000A1860	BUSH		1,00
9	SPMV8000A4690	DUST COVER		1,00
10	SPMV800089274	RETAINING RING		1,00
11	SPMV800086500	GROMMET		1,00
12	SPMV800089275	SPACER		1,00
13	SPMV800086503	BUSH		1,00
14	SPMV800081174	SPRING		1,00
15	SPMV8000A4692	CARTRIDGE, FRONT FORK	BRUTALE S, 10761>	1,00
15	SPMV8000A8285	CARTRIDGE	B4 910 R/B4 ITALIA	1,00
16	SPMV800019789	O-RING		1,00
17	SPMV800081164	O-RING		1,00
18	SPMV8000A4691	COMPRESSION PACK ASSEMBLY	BRUTALE S, 10761>	1,00
18	SPMV8000A4847	SPINDLE TAPER	TAMBURINI	1,00
19	SPMV8000A1863	CENTERING FOR SPACER		1,00
20	SPMV8000A1864	CLAMP FOR RIGHT FOOT COMPL.	B4 910S	1,00
21	SPMV8000A1866	SPACER AND BUSH	1000S, 1000S1+1, AGO	1,00
21	SPMV8000A4849	PRE-LOAD SLEEVE	TAMBURINI	1,00

22	SPMV8000A2039	SPRING, FRONT FORK	1000S, 1000S1+1, AGO	1,00
22	SPMV8000A8287	SPRING	B4 910 R/B4 ITALIA	1,00
23	SPMV8000A1867	WASHER		1,00
24	SPMV8000A1868	SPRING PUSHER		1,00
25	SPMV8000A1869	HOLDER	1000S, 1000S1+1, AGO	1,00
25	SPMV80B0A8289	HOLDER	B4 910 R/B4 ITALIA	1,00
26	SPMV8000A1870	GROMMET		1,00
27	SPMV8000A0817	GROMMET		1,00
28	SPMV8000A4693	PLUG ASSEMBLY	BRUTALE S, 10761>	1,00
29	SPMV8000A1872	MARZOCCHI STICKER		1,00
29	SPMV8000A8286	DECAL MARZOCCHI	B4 910 R/B4 ITALIA	1,00
30	SPMV800029074	OR128 T2		1,00



Pos	Part Number	Description	Additional Text	Quantity
1	SPMV8000A0841	SPECIAL SCREW M12-L30	1000 VIN <008064 1000 USA	1,00
2	SPMV800031113	SEALING WASHER	1000 VIN <008064 1000 USA	1,00
3	SPMV800082708	Screw	1000S, 1000S1+1, AGO	1,00
3	SPMV8000A3172	SCREW TCEIF M7X1X25	TAMBURINI	2,00
4	SPMV8000A1857	LH FORK STANCTION	BRUTALE S	1,00
4	SPMV80B0A6391	LEFT STEM COMPL.	B4 910 R/B4 ITALIA	1,00
5	SPMV8000A0826	OR2015 T1.78-D3.69	1000 VIN <008064 1000 USA	1,00
6	SPMV800050679	OR114 T1.78-D11.1	1000 VIN <008064 1000 USA	1,00
7	SPMV8000A1859	ADJUSTING SCREW		1,00
8	SPMV8000A1860	BUSH		1,00
9	SPMV8000A4690	DUST COVER		1,00
10	SPMV800089274	RETAINING RING		1,00
11	SPMV800086500	GROMMET		1,00
12	SPMV800089275	SPACER		1,00
13	SPMV800086503	BUSH		1,00
14	SPMV800081174	SPRING		1,00
15	SPMV8000A4692	CARTRIDGE, FRONT FORK	BRUTALE S, 10761>	1,00
15	SPMV8000A8285	CARTRIDGE	B4 910 R/B4 ITALIA	1,00
16	SPMV800019789	O-RING		1,00
17	SPMV800081164	O-RING		1,00
18	SPMV8000A4691	COMPRESSION PACK ASSEMBLY	BRUTALE S, 10761>	1,00
18	SPMV8000A4847	SPINDLE TAPER	TAMBURINI	1,00
19	SPMV8000A1863	CENTERING FOR SPACER		1,00
20	SPMV8000A1865	CLAMP FOR LEFT FOOT COMPL.	B4 910S	1,00
21	SPMV8000A1866	SPACER AND BUSH	1000S, 1000S1+1, AGO	1,00
21	SPMV8000A4849	PRE-LOAD SLEEVE	TAMBURINI	1,00

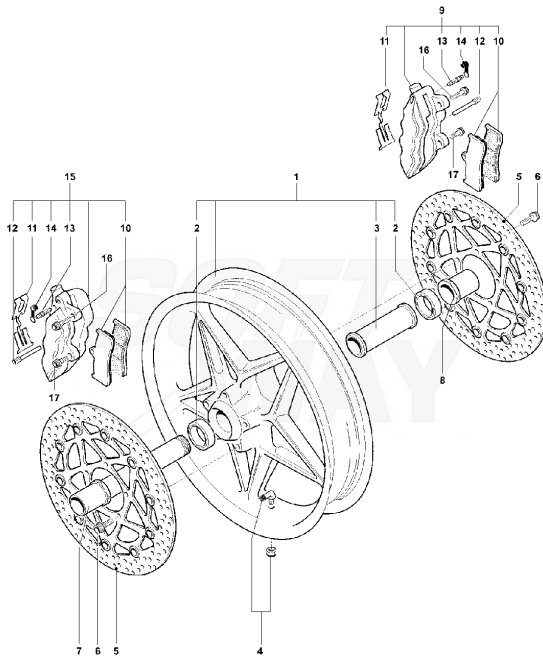
22	SPMV8000A2039	SPRING, FRONT FORK	1000S, 1000S1+1, AGO	1,00
22	SPMV8000A8287	SPRING	B4 910 R/B4 ITALIA	1,00
23	SPMV8000A1867	WASHER		1,00
24	SPMV8000A1868	SPRING PUSHER		1,00
25	SPMV8000A1869	HOLDER	1000S, 1000S1+1, AGO	1,00
25	SPMV80B0A8289	HOLDER	B4 910 R/B4 ITALIA	1,00
26	SPMV8000A1870	GROMMET		1,00
27	SPMV8000A0817	GROMMET		1,00
28	SPMV8000A4693	PLUG ASSEMBLY	BRUTALE S, 10761>	1,00
29	SPMV8000A1872	MARZOCCHI STICKER		1,00
29	SPMV8000A8286	DECAL MARZOCCHI	B4 910 R/B4 ITALIA	1,00
30	SPMV800029074	OR128 T2		1,00



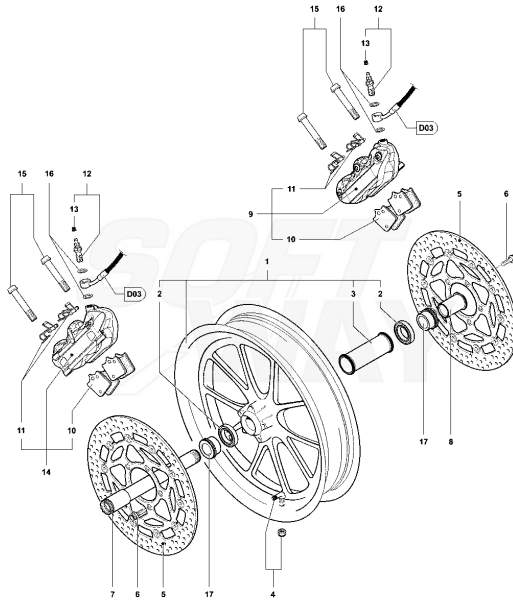
Pos	Part Number	Description	Additional Text	Quantity
1	SPMV8000B1893	REAR WHEEL	WALLY	1,00
1	SPMV8AB090983	REAR WHEEL	750S EV03, 750S 1+1, SPR, SR	1,00
1	SPMV8AD090983	WHEEL, REAR	B4 910S ORANGE	1,00
1	SPMV80B0A9254	REAR WHEEL RIM. 17 FINISHED	HYDROGEN	1,00
1	SPMV80A0A9254	REAR WHEEL RIM. 17 FINISHED	B4 910 R/B4 ITALIA	1,00
2	SPMV8000A4992	CHAIN LINK DID 525HV	1000S,1000S1+1,AGO,HV E HV KAY	1,00
2	SPMV8000A3280	CHAIN LINK	1000S,1000S1+1,AGO,525 ZVM	1,00
3	SPMV800091011	MV TYRE VALVE		1,00
4	SPMV800091677	COMPLETE ECCENTRIC HUB	750S, 750S 1+1	1,00
5	SPMV800084909	GROMMET		2,00
6	SPMV800084914	SPACER, HUB BEARING		1,00
7	SPMV800092888	REAR WHEEL PIN WITH PINS		1,00
8	SPMV800084901	REAR WHEEL PIN		4,00
9	SPMV800084890	FLANGE, REAR WHEEL HUB, INNER	1000S, 1000S1+1	1,00
10	SPMV800084902	SCREW		4,00
11	SPMV800082760	REAR BRAKE DISC	1000 VIN <008064 1000 USA	1,00
12	SPMV800084889	POS BRAKE DISK FIXING SCREW		4,00
13	SPMV800084891	NUT, M7		4,00
14	SPMV8000A3551	BRACKET, REAR CALIPER	1000S, 1000S1+1	1,00
15	SPMV800086702	RUBBER RING, 3325 D82,22x2,62		2,00
16	SPMV800084893	WASHER, D81xD93xE0,7		2,00
17	SPMV800084913	CIRCLIP, F80		1,00
18	SPMV800084904	SPECIAL NUT, REAR WHEEL AXLE,	EXCEPT RC LH	1,00
19	SPMV800084898	STEEL RING, REAR WHEEL, LEFT S		1,00
20	SPMV800082753	F4 RR CALIPER ASSY		1,00
21	SPMV800082748	REAR BRAKE PADS		1,00

22	SPMV800082746	PAD CHECK SPRING		1,00
23	SPMV800082743	BRAKE PADS PIN		1,00
24	SPMV800089484	DRAIN VALVE		1,00
25	SPMV800089491	DUST COVER		1,00
26	SPMV8E0090426	TCEIF SCREW M8 X 20		2,00
27	SPMV8000A3243	SPROCKET MOUNTING	1000S, 1000S1+1	1,00
28	SPMV8D00A3247	CROWN Z-43		1,00
29	SPMV800084952	SPROCKET NUT	1000S, 1000S1+1, AGO	5,00
30	SPMV8000A3251	SILENT-BLOCK		5,00
31	SPMV8000A3252	FINAL SPROKET SLEEVE		1,00
32	SPMV800084894	WASHER, D48,5xD65xE0,5		1,00
33	SPMV800084903	SPECIAL NUT, REAR WHEEL AXLE,	EXCEPT RC LH	1,00
34	SPMV800084899	STEEL RING, REAR WHEEL, RIGHT		1,00
35	SPMV8A00A3279	CHAIN		1,00
36	SPMV800094030	CAP, CIRCLIP		1,00
37	SPMV8000A3246	FLANGE FOR CROWN WHEEL COMPL.	1000S, 1000S1+1	1,00
38	SPMV8000A3248	STUD FOR SPROCKET		5,00
39	SPMV80B043928	NUT,M8X1.25	5146-5233 & 5238-5260 5433-5469 & 5493 <4611 (USA <100436 & <200149)	5,00
40	SPMV8000B3420	HUB KIT WITH PIN		1,00

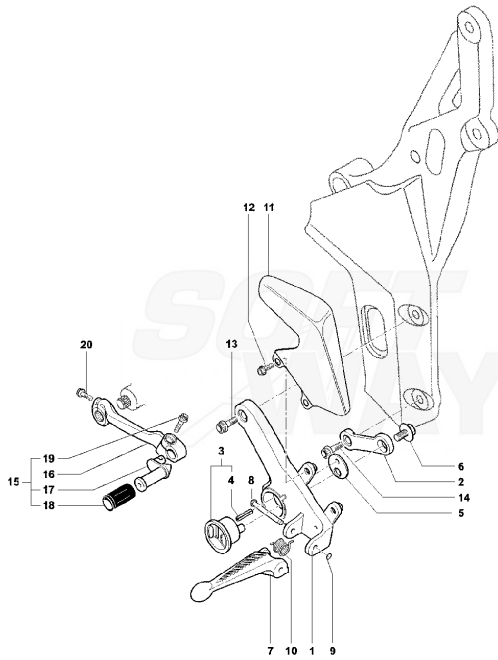




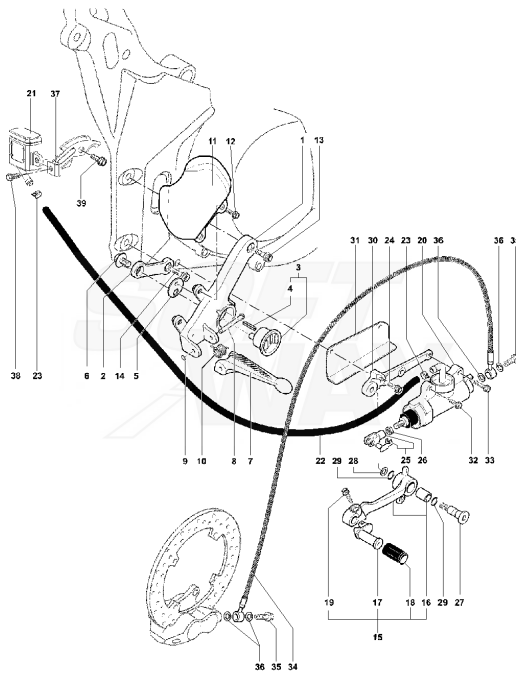
Pos	Part Number	Description	Additional Text	Quantity
1	SPMV80A094632	FRONT WHEEL	750S EV03, 750S 1+1, SPR, SR	1,00
1	SPMV80C094632	WHEEL, FRONT	B4 910S ORANGE	1,00
2	SPMV800090355	NSK BEARING		2,00
3	SPMV800090356	SPACER		1,00
4	SPMV800091011	MV TYRE VALVE		1,00
5	SPMV8A0082759	FRONT BRAKE DISC. D310 SP.4.8	4.8 MM 750S, 750S1+1, SR1+1	2,00
6	SPMV8C0090426	SCREW		10,00
7	SPMV800082752	FRONT WHEEL AXLE	1000S, 1000S1+1, AGO	1,00
8	SPMV800082750	FRONT WHEEL NUT	1000S, 1000S1+1	1,00
9	SPMV800094023	F4 FR CALIPER L ASSY	1000S, 1000S1+1	1,00
10	SPMV800094024	BRAKE PADS FRONT		2,00
11	SPMV800092886	SPRING, PAD		2,00
12	SPMV800082743	BRAKE PADS PIN		2,00
13	SPMV800089484	DRAIN VALVE		2,00
14	SPMV800089491	DUST COVER		2,00
15	SPMV800094022	F4 FR CALIPER R ASSY	1000S, 1000S1+1	1,00
16	SPMV8L0082751	Screw M10x1,25-L-31		2,00
17	SPMV8H0082751	TCEI SCREW M10 X 1.25 - L-26	B4 910S	2,00



Pos	Part Number	Description	Additional Text	Quantity
1	SPMV8000B1895	FRONT RIM 17X3,50		1,00
1	SPMV80A0B1538	FRONT WHEEL RIM. 17 X3.50 CO	HYDROGEN	1,00
1	SPMV8000A9322	FRONT WHEEL RIM WITH 17 X3.5	B4 910 R/B4 ITALIA	1,00
2	SPMV800090355	NSK BEARING		2,00
3	SPMV800090356	SPACER		1,00
4	SPMV800091011	MV TYRE VALVE		1,00
5	SPMV8000A6228	DISC, FRONT BRAKE D320		2,00
6	SPMV8000A7462	SCREW KIT, BRAKE DISC		1,00
7	SPMV8000A3468	AXLE, FRONT WHEEL	TAMBURINI	1,00
8	SPMV8000A3469	RING NUT, FRONT WHEEL AXE	TAMBURINI	1,00
9	SPMV8000A7415	CALIPER, FRONT LH		1,00
10	SPMV8000A7417	BRAKE PAD		2,00
11	SPMV8000A2043	SPRING	1000 VIN <008064 1000 USA	2,00
12	SPMV80A0A3975	BLEED SCREW KIT	1000 VIN <008064 1000 USA	2,00
13	SPMV800053259	COVER, RUBBER	1000 VIN <008064 1000 USA	2,00
14	SPMV8000A7416	CALIPER, FRONT RH		1,00
15	SPMV8Z0082751	Screw TCEIF M10x1,25-L=58		4,00
16	SPMV800021480	WASHER, COPPER, D14xD10,2xE1	MY12/14 F3 675	4,00
17	SPMV8000A3470	SPACER		2,00

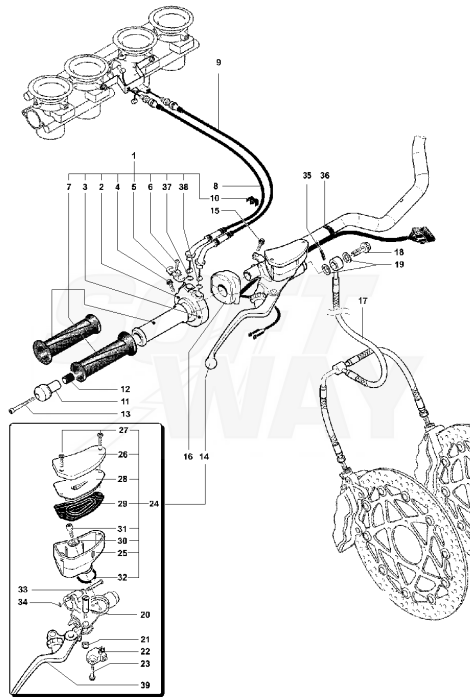


Pos	Part Number	Description	Additional Text	Quantity
1	SPMV800089771	LH FOOTREST HOLDER	1000S, 1000S1+1	1,00
2	SPMV800099124	FOOTBOARD SUPPORT		1,00
3	SPMV800092891	LH FOOTBOARD	1000S, 1000S1+1	1,00
4	SPMV800090314	SPRING PIN		1,00
5	SPMV800089777	PLATE		1,00
6	SPMV800089778	SCREW		1,00
7	SPMV800087465	FOOTREST, DRIVER, LEFT SIDE	1000S, 1000S1+1	1,00
8	SPMV800090416	PIN FOR FOOTREST	SPR, SENNA	1,00
9	SPMV800090429	LOCK RING, FOOTREST		1,00
10	SPMV800090418	SPRING		1,00
11	SPMV800089335	LH GUARD	1000S, 1000S1+1	1,00
11	SPMV8000B1877	UPPER LEFT FOOTREST PROTECTION	WALLY	1,00
12	SPMV800062725	SCREW TEF M6X1-CH8-L10	750S	2,00
13	SPMV8G0090426	SCREW		1,00
14	SPMV8F0090426	Screw M8 L=22		1,00
15	SPMV800090277	GEAR SHIFT CONTROL PEDAL	1000S, 1000S1+1	1,00
16	SPMV800089759	GEAR SHIFT CONTROL PEDAL	1000S, 1000S1+1	1,00
17	SPMV800089760	PEDAL ECCENTRIC		1,00
18	SPMV800089298	RUBBER COVER		1,00
19	SPMV8G0090425	Screw TCEIF M6x20		1,00
20	SPMV8G0090425	Screw TCEIF M6x20		1,00



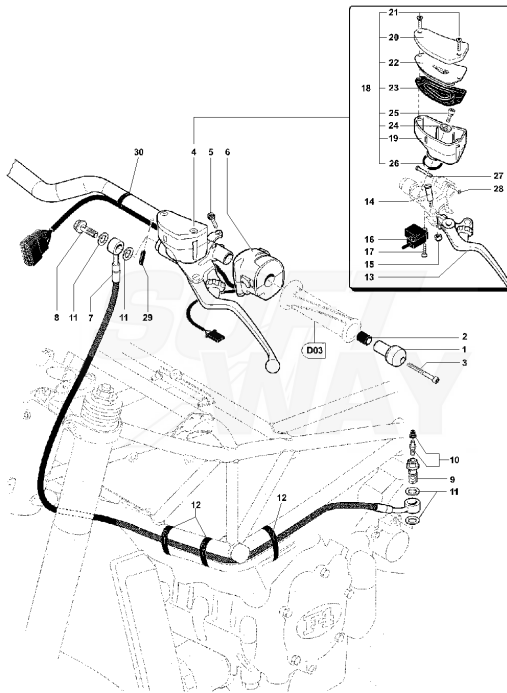
Pos	Part Number	Description	Additional Text	Quantity
1	SPMV800089772	RH FOOTREST HOLDER		1,00
2	SPMV800099124	FOOTBOARD SUPPORT		1,00
3	SPMV800092890	RH FOOTBOARD	1000S, 1000S1+1	1,00
4	SPMV800090314	SPRING PIN		1,00
5	SPMV800089777	PLATE		1,00
6	SPMV800089778	SCREW		1,00
7	SPMV800087466	FOOTREST, DRIVER, RIGHT SIDE	1000S, 1000S1+1	1,00
8	SPMV800090416	PIN FOR FOOTREST	SPR, SENNA	1,00
9	SPMV800090429	LOCK RING, FOOTREST		1,00
10	SPMV800090418	SPRING		1,00
11	SPMV800099136	GUARD		1,00
11	SPMV8000B1876	UPPER PROTECTION RIGHT	WALLY	1,00
12	SPMV800062725	SCREW TEF M6X1-CH8-L10	750S	2,00
13	SPMV8G0090426	SCREW		1,00
14	SPMV8F0090426	Screw M8 L=22		1,00
15	SPMV800090275	REAR BRAKE PEDAL. COMPLETE	1000S, 1000S1+1	1,00
16	SPMV800093314	REAR BRAKE PEDAL WITH BUSH	1000S, 1000S1+1	1,00
17	SPMV800089760	PEDAL ECCENTRIC		1,00
18	SPMV800089298	RUBBER COVER		1,00
19	SPMV8G0090425	Screw TCEIF M6x20		1,00
20	SPMV800089313	REAR BRAKE PUMP	F3 ORO-F3 AGO	1,00
21	SPMV800090315	REAR BRAKE FLUID		1,00
22	SPMV8G0070266	PIPE		1,00
23	SPMV800070700	SPRING CLAMP		2,00
24	SPMV8F0090426	Screw M8 L=22		1,00
25	SPMV80A055757	BRAKE ROD FORK		1,00
26	SPMV61N115062	NUT		1,00
27	SPMV80A053548	PIN		1,00

28	SPMV800090894	WASHER D 8,2 D20 SP1		1,00
29	SPMV800001199	RING, RUBBER, D11,11x1,78		2,00
30	SPMV800089770	SUPPORT, MASTER CYLINDER, REAR	1000S, 1000S1+1	1,00
31	SPMV800090312	PROTECTION	1000S, 1000S1+1	1,00
32	SPMV800062728	SCREW TEF M6X1-CH8-L20	750 ORO ENGINE 00248> 750S, 750S 1+1 ENGINE 00401>	1,00
33	SPMV8A0067545	SCREW	750 ORO ENGINE <00247 750S, 750S 1+1 ENGINE <00400	1,00
34	SPMV8000A1009	OIL HOSE PUMP BRAKE CALIPER PO	1000 VIN <008064 1000 USA	1,00
35	SPMV800091692	BOLT, OIL PIPE		2,00
36	SPMV800021480	WASHER, COPPER, D14xD10,2xE1	MY12/14 F3 675	4,00
37	SPMV800099341	PLATE FIX.SERB.OIL PUMP	750S EV03, 750S1+1, SPR, SR1+1	1,00
38	SPMV800062726	SCREW	750 ORO	1,00
39	SPMV8B0069056	SCREW		1,00



Pos	Part Number	Description	Additional Text	Quantity
1	SPMV800094640	THROTTLE ASSY		1,00
2	SPMV800092894	THOTTLE TUBE INC CHOKE		1,00
3	SPMV800090265	CASE, THROTTLE GRIP LOWER		1,00
4	SPMV8H0090425	SCREW		2,00
5	SPMV800090266	SUPPORT, STEEL, THROTTLE CABLE		1,00
6	SPMV800093297	Screw TTEI M5x8		1,00
7	SPMV800094529	HANDLE BAR GRIPS		1,00
8	SPMV800098685	CABLE ASSY THROTTLE		1,00
9	SPMV800098686	TRANSM.GAS CONTROL CLOSING VA		1,00
10	SPMV800092630	CLAMP, THROTTLE CABLE		1,00
11	SPMV8000A1402	COUNTERWEIGHT	B4 910S WALLY-HYDROGEN	1,00
11	SPMV80A0A1402	CAP SET HANDLEBAR BALANCER	B4 910 R/B4 ITALIA	1,00
12	SPMV800090890	NUT, WITH RUBBER COVER, BALANC		1,00
13	SPMV60N102520	SCREW	USA	1,00
14	SPMV800097902	FRONT BRAKE MASTER CYLINDER		1,00
15	SPMV8J0090425	BOLT		1,00
16	SPMV8000A6388	SWITCH, IGNITION, RIGHT SIDE	990R, 1090RR	1,00
16	SPMV8000A0920	RIGHT SWITCH	B4 910 S/910 R B4 910 ITALIA <008835 & 008840-009154	1,00
17	SPMV8000A3996	OIL HOSE PUMP-CALIPER BRAKE AN	B4 910S	1,00
17	SPMV8000A7254	OIL HOSE PUMP BRAKE CALIPER AN	B4 910 R/B4 ITALIA	1,00
18	SPMV800091692	BOLT, OIL PIPE		1,00
19	SPMV800021480	WASHER, COPPER, D14xD10,2xE1	MY12/14 F3 675	2,00
20	SPMV800093299	LEVER PIN	F4S, F4R, F4 FRECCIE TRICOLORI	1,00
21	SPMV800093300	LEVER NUT		1,00
22	SPMV800070864	STOP SWITCH	F4S, F4R, F4 FRECCIE TRICOLORI	1,00

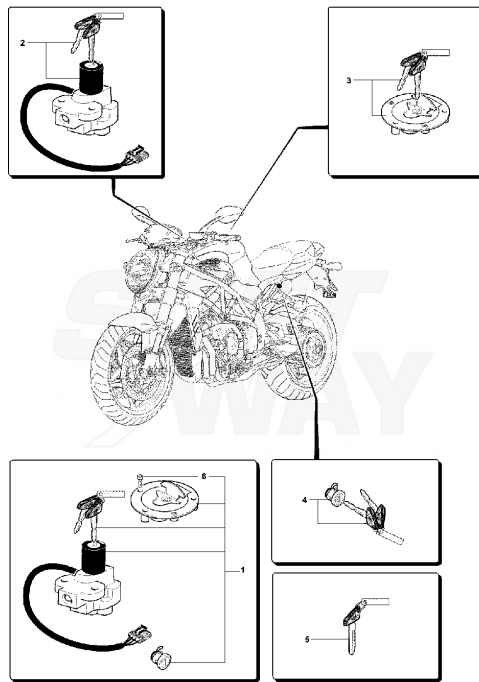
23	SPMV800070865	Screw		1,00
24	SPMV800098722	OIL RESERVOIR ANT.BRAKE PUMP COMP		1,00
25	SPMV800097121	FRONT BRAKE FLUID RESERVOIR		1,00
26	SPMV800082728	CAP		1,00
27	SPMV800093313	SCREW M4X16		2,00
28	SPMV800093302	DIAPHRAGM		1,00
29	SPMV800093303	GASKET		1,00
30	SPMV800098962	SEPARATOR		1,00
31	SPMV8000A1295	SEPARATOR SCREW	F4S, F4R, F4 FRECCIE TRICOLORI	1,00
32	SPMV800093306	GROMMET		1,00
33	SPMV800082695	PIN, SUPPORT		1,00
34	SPMV800094643	WASHER, SPECIAL, D3,4		1,00
35	SPMV6AN155034	PIN, SPRING		1,00
36	SPMV800092248	CLAMP, RUBBER, L82	RR-SCS-RC SCS	1,00
37	SPMV8000A2181	RING, RUBBER, D7x1,5		1,00
38	SPMV8000A2180	RING, RUBBER, D6x1,5		1,00
39	SPMV8000A3823	FRONT BRAKE LEVER F4B4		1,00



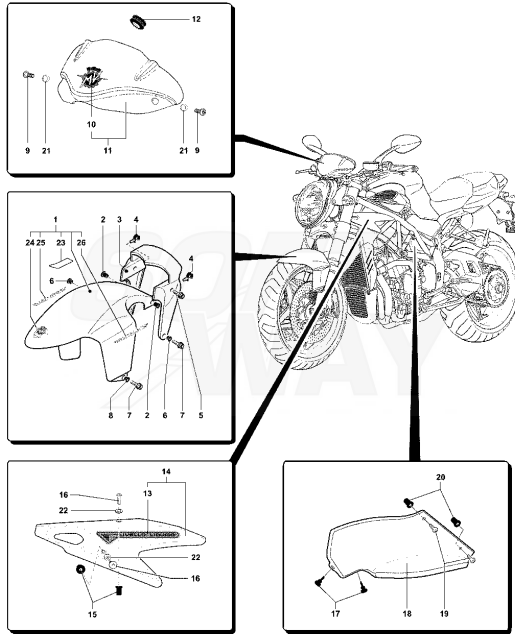
Pos	Part Number	Description	Additional Text	Quantity
1	SPMV8000A1402	COUNTERWEIGHT	B4 910S WALLY-HYDROGEN	1,00
1	SPMV80A0A1402	CAP SET HANDLEBAR BALANCER	B4 910 R/B4 ITALIA	1,00
2	SPMV800090890	NUT, WITH RUBBER COVER, BALANC		1,00
3	SPMV60N102520	SCREW	USA	1,00
4	SPMV800097903	PUMP CLUTCH		1,00
5	SPMV8J0090425	BOLT		1,00
6	SPMV8000A0922	SWITCH, HORN, LEFT SIDE	990R, 1090RR	1,00
7	SPMV800098697	OIL HOSE PUMP-CYLINDER FR		1,00
8	SPMV800091692	BOLT, OIL PIPE		1,00
9	SPMV800091691	SCREW FOR HYDRAULIC FITTINGS. WITH	750S, 750S 1+1	1,00
10	SPMV800033552	DRAIN KIT		1,00
11	SPMV800021480	WASHER, COPPER, D14xD10,2xE1	MY12/14 F3 675	4,00
12	SPMV800092248	CLAMP, RUBBER, L82	RR-SCS-RC SCS	3,00
13	SPMV800093298	CLUTCH LEVER		1,00
14	SPMV800093299	LEVER PIN	F4S, F4R, F4 FRECCIE TRICOLORI	1,00
15	SPMV800093300	LEVER NUT		1,00
16	SPMV800093307	CLUTCH SWITCH	F4S, F4R, F4 FRECCIE TRICOLORI	1,00
17	SPMV800093313	SCREW M4X16		1,00
18	SPMV800098723	SERB. OIL PUMP CLUTCH. COMPL.		1,00
19	SPMV800097122	CLUTCH PUMP OIL TANK		1,00
20	SPMV800093310	CAP FOR CLUTCH OIL TANK		1,00
21	SPMV800093313	SCREW M4X16		2,00
22	SPMV800093311	DIAPHRAGM		1,00
23	SPMV800093312	GASKET		1,00
24	SPMV800098962	SEPARATOR		1,00
25	SPMV8000A1295	SEPARATOR SCREW	F4S, F4R, F4 FRECCIE TRICOLORI	1,00



26	SPMV800093306	GROMMET		1,00
27	SPMV800082695	PIN, SUPPORT		1,00
28	SPMV800094643	WASHER, SPECIAL, D3,4		1,00
29	SPMV6AN155034	PIN, SPRING		1,00
30	SPMV800092248	CLAMP, RUBBER, L82	RR-SCS-RC SCS	1,00

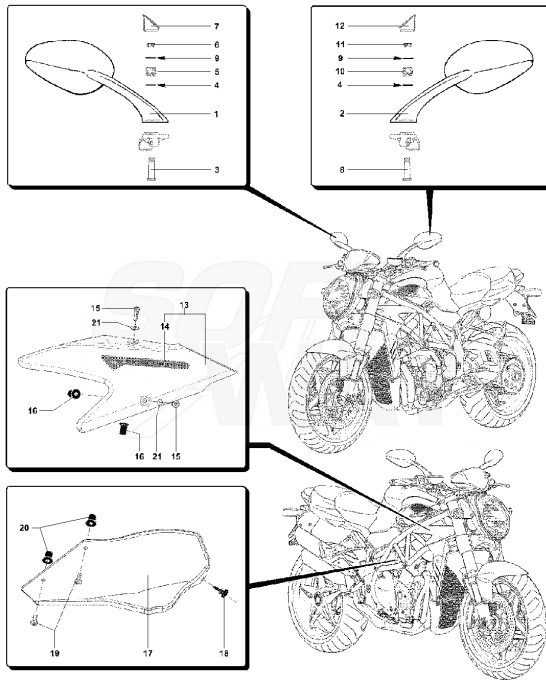


Pos	Part Number	Description	Additional Text	Quantity
1	SPMV800090249	SUPPLY LOCKS	1000S, 1000S1+1, AGO	1,00
2	SPMV800093339	IGNITION SWITCH WITH CH		1,00
3	SPMV800093340	FUEL TANK CUP WITH KEY		1,00
4	SPMV800093341	SADDLE LOCK WITH KEYS		1,00
5	SPMV800093338	RAW KEY		1,00
6	SPMV8A0066531	SCREW		3,00

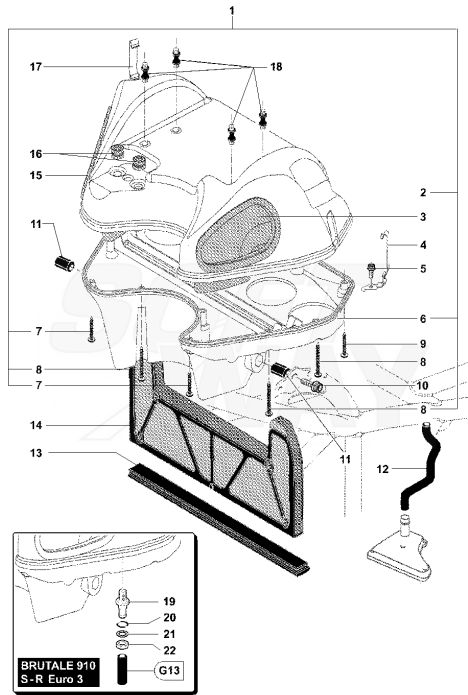


Pos	Part Number	Description	Additional Text	Quantity
1	SPMV8000A9680	FRONT FENDER	B4 910 ITALIA	1,00
1	SPMV8000B1374	FRONT FENDER	HYDROGEN	1,00
1	SPMV8000B1810	FRONT FENDER	WALLY	1,00
1	SPMV80B0A8302	FENDER, FRONT	B4 910R WHITE/BLACK	1,00
1	SPMV80E0A5240	FRONT FENDER	BRUTALE S BLACK	1,00
1	SPMV80G0A5240	FENDER, FRONT	BRUTALE S, RED, RED/BLACK	1,00
1	SPMV80H0A5240	FENDER, FRONT	BRUTALE S SILVER	1,00
1	SPMV80L0A5240	FENDER, FRONT	B4 910S ORANGE	1,00
1	SPMV8000A7927	FENDER ANT.COMPL.FENDER	B4 910R BLACK/ANTHRACIT	1,00
2	SPMV800048245	CUSHION, SCREW, M6x1 L16	B4 RS	2,00
3	SPMV800098328	FRONTMUDGUARD	USA VIN <008064	1,00
4	SPMV800091005	CLAMP, PLASTIC, BRAKE PIPE		2,00
5	SPMV8M0090425	SCREW TCEIF M6X35	1000R, 1000R1+1 <005490 & 005496-005821 SENNA	2,00
6	SPMV800092670	COLLAR		2,00
7	SPMV8D0090425	SCREW		4,00
8	SPMV800092670	COLLAR		2,00
9	SPMV8A0090901	SCREW, M4x13,7	750S, 750S 1+1	2,00
10	SPMV800090316	MV FRONT DECAL	750S, 750S 1+1 SILVER & BLACK	1,00
10	SPMV80B090316	DECAL	B4 910 R/B4 ITALIA BLACK, RED/SILVER	1,00
11	SPMV8000B1375	COMPLETE DASHBOARD	HYDROGEN	1,00
11	SPMV8000B1891	COMPLETE DASHBOARD	WALLY	1,00
11	SPMV80C099433	DASHBOARD COVER COMPL.	B4 910 R/B4 ITALIA BLACK, RED/SILVER	1,00
11	SPMV80B099433	COMPLETE DASHBOARD COVER	B4 910S, ROSSO, ROSSO/ARGENTO	1,00
12	SPMV800089293	CUSHION, D18xD8xE7,5	MY14/20 F3 675-F3 800	1,00

13	SPMV800098829	LABEL		1,00
13	SPMV8000B1870	COVER FRONT RH SIDE ASSY	WALLY	1,00
14	SPMV800099135	FRONT PANEL. LEFT FRAME WITH DE		1,00
14	SPMV8000B1872	FRONT PANEL. RIGHT FRAME	WALLY	1,00
15	SPMV800091022	BUSH, SCREW, M4x0,7	F4S, F4R, F4RR	2,00
16	SPMV8A0090901	SCREW, M4x13,7	750S, 750S 1+1	2,00
17	SPMV800095828	CUSION		2,00
18	SPMV800099407	COVER CYLINDERS REAR LH		1,00
19	SPMV8000B1484	DECAL	HYDROGEN	1,00
19	SPMV8000B1842	DECAL MV	WALLY	1,00
19	SPMV8A0090901	SCREW, M4x13,7	750S, 750S 1+1	2,00
20	SPMV800091022	BUSH, SCREW, M4x0,7	F4S, F4R, F4RR	2,00
21	SPMV800092882	WASHER, PLASTIC, FAIRING, M		2,00
22	SPMV800092882	WASHER, PLASTIC, FAIRING, M		2,00
23	SPMV8000A5239	DECAL	990R, 1090RR	1,00
24	SPMV8000A7932	EMBLEM FRONT FENDER MV CORSE	B4 910R, BLACK/ANTHRACIT	1,00
24	SPMV80A0A7932	EMBLEM FRONT FENDER MV CORSE	B4 910R, WHITE/BLACK	1,00
25	SPMV8000A7926	EMBLEM FRONT FENDER RH	B4 910R, BLACK/ANTHRACIT	1,00
25	SPMV8000A8300	EMBLEM FRONT FENDER RH	B4 910R, WHITE/BLACK	1,00
26	SPMV8000A8301	EMBLEM FRONT FENDER LH	1000R, 1000R1+1 BLACK/ANTHR.	1,00
26	SPMV8000A7925	DECAL BRUTALE R SX FOR PARAF	B4 910R, BLACK/ANTHRACIT	1,00

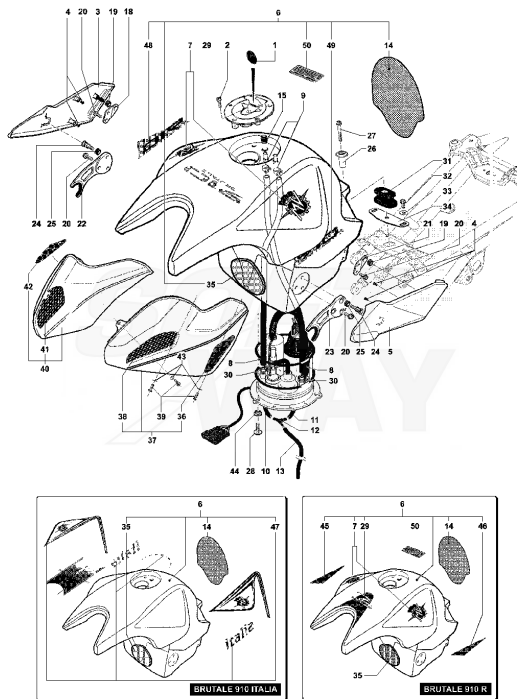


Pos	Part Number	Description	Additional Text	Quantity
1	SPMV8000B1378	RIGHT REAR MIRROR	HYDROGEN	1,00
1	SPMV80B098338	RH MIRROR		1,00
2	SPMV8000B1379	LEFT MIRROR	HYDROGEN	1,00
2	SPMV80B098339	LH MIRROR		1,00
3	SPMV800099289	MIRROR BOLT		1,00
4	SPMV8000A1040	ESCUTCHEON D16-D8.25-SP0.5		2,00
5	SPMV800099290	SPRING		1,00
6	SPMV800099291	NUT		1,00
7	SPMV800099292	PLUG		1,00
8	SPMV800099289	MIRROR BOLT		1,00
9	SPMV8000A2761	WASHER		2,00
10	SPMV800099290	SPRING		1,00
11	SPMV800099291	NUT		1,00
12	SPMV8000A1763	PLUG		1,00
13	SPMV8000A1262	RH ALLOY FFRAME PLATE	BRUTALE S	1,00
14	SPMV8000A1245	LABEL, DIAGNOSTICA	BRUTALE S	1,00
15	SPMV8A0090901	SCREW, M4x13,7	750S, 750S 1+1	2,00
16	SPMV800091022	BUSH, SCREW, M4x0,7	F4S, F4R, F4RR	2,00
17	SPMV800099406	COVER CYLINDERS REAR RH		1,00
18	SPMV800095828	CUSION		1,00
19	SPMV8A0090901	SCREW, M4x13,7	750S, 750S 1+1	2,00
20	SPMV800091022	BUSH, SCREW, M4x0,7	F4S, F4R, F4RR	2,00
21	SPMV800092882	WASHER, PLASTIC, FAIRING, M		2,00



Pos	Part Number	Description	Additional Text	Quantity
1	SPMV800097908	AIRBOX	B4 910 S/910 R B4 910 ITALIA <008835 & 008840-009154	1,00
1	SPMV8000A8962	AIRBOX	B4 910 S/910 R 008836-008839 & 009155>	1,00
2	SPMV800097907	AIRBOX UPPER CASE	B4 910 S/910 R B4 910 ITALIA <008835 & 008840-009154	1,00
2	SPMV8000A8961	SUP. AIR BOX	B4 910 S/910 R 008836-008839 & 009155>	1,00
3	SPMV800099339	LEFT DUCT		1,00
4	SPMV800099337	CLAMP, SPECIAL, LEFT SIDE, AIR		1,00
5	SPMV8A0090424	SCREW M5X8		2,00
6	SPMV800097906	AIRBOX LOWER CASE	B4 910 S/910 R B4 910 ITALIA <008835 & 008840-009154	1,00
6	SPMV8A0097906	AIRBOX LOWER CASE	B4 910 S/910 R 008836-008839 & 009155>	1,00
7	SPMV8BA084658	TAPPING SCREW	RR-SCS-RC SCS	3,00
8	SPMV8DA084658	TAPPING SCREW 5X35		8,00
9	SPMV8AA084658	TAPPING SCREW	B4 910 S/910 R 008836-008839 & 009155>	2,00
9	SPMV8BA084658	TAPPING SCREW	RR-SCS-RC SCS	2,00
10	SPMV8G0090425	Screw TCEIF M6x20		2,00
11	SPMV800091008	NUT, SPECIAL, M6		2,00
12	SPMV800098873	PIPE, OIL GAS, AIR BOX	1000R, 1000R1+1 <005490 & 005496-005821 SENNA	1,00
13	SPMV800097910	PROTECTION, RUBBER, AIR BOX		1,00
14	SPMV800099331	AIR FILTERBRUTALE	B4 910 S/910 R B4 910 ITALIA <008835 & 008840-009154	1,00
14	SPMV8000A9050	AIR FILTER	B4 910 S/910 R 008836-008839 & 009155>	1,00
15	SPMV800099340	DUCT, AIR RH		1,00

16	SPMV800089293	CUSHION, D18xD8xE7,5	MY14/20 F3 675-F3 800	2,00
17	SPMV800099336	CLAMP, SPECIAL, RIGHT SIDE, AI		1,00
18	SPMV800090913	COTTON REAL MOUNTING		4,00
19	SPMV8000A3709	CONECTOR, PIPE, SECONDARY AIR		1,00
20	SPMV8A0023114	ORING, OR115 D11,91x2,62 VITO		1,00
21	SPMV8000A3827	WASHER, D17x12,5x0,5		1,00
22	SPMV8000A3822	NUT, M12x1 H5		1,00

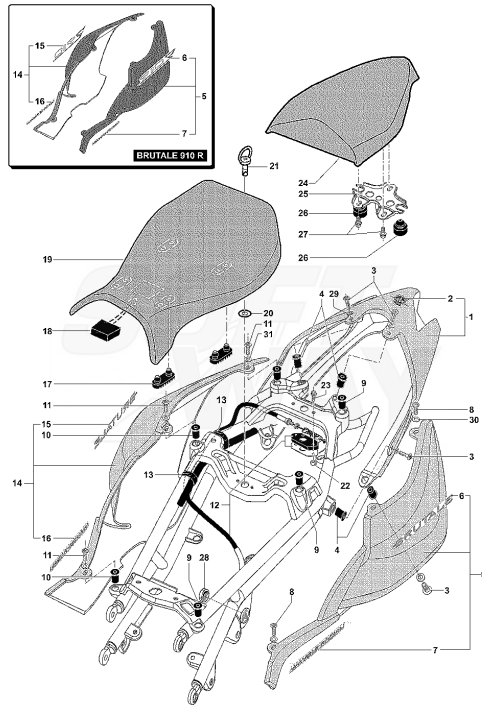


Pos	Part Number	Description	Additional Text	Quantity
1	SPMV800092664	DECAL		1,00
2	SPMV8D0066531	TCEI SCREW M5X0.8-CH4-L14		1,00
3	SPMV8000B1380	FUEL TANK RH SIDE	HYDROGEN	1,00
3	SPMV8000B1882	FUEL TANK RH SIDE	WALLY	1,00
3	SPMV80B098314	COVER, FRAME RH	B4 910 S/B4 ITALIA	1,00
3	SPMV80C098314	COVER, FRAME RH	B4 910R, BLACK/ANTHRACIT	1,00
3	SPMV80D098314	COVER, FRAME RH	B4 910R, WHITE/BLACK	1,00
4	SPMV800090978	CUSHION, FUEL TANK FAIRING SID	ROSSO / MY22 RR-SCS	4,00
5	SPMV8000B1381	LH COVER	HYDROGEN	1,00
5	SPMV8000B1881	LH COVER	WALLY	1,00
5	SPMV80D098313	COVER, FRAME LH	B4 910R, WHITE/BLACK	1,00
5	SPMV80C098313	LEFT SIDE FINISHED TANK	B4 910R, BLACK/ANTHRACIT	1,00
5	SPMV80B098313	LEFT TANK SIDE PANEL FINISHED	B4 910 S/B4 ITALIA	1,00
6	SPMV8000A5786	TANK	B4 910S, RED	1,00
6	SPMV8000A8966	FUEL TANK	B4 910S, USA, RED 008836-008839 & 009181>	1,00
6	SPMV8000A9193	FUEL TANK	B4 910R, USA, BLACK/ANTHRACIT 008836-008839 & 009155>	1,00
6	SPMV8000B0305	FUEL TANK	B4 910S, ORANGE	1,00
6	SPMV8000B1382	COMPLETE TANK	HYDROGEN	1,00
6	SPMV8000B1820	TANK	WALLY	1,00
6	SPMV80A0A5786	FUEL TANK	B4 910S, RED/SILVER	1,00
6	SPMV80A0A7654	FUEL TANK	B4 910R, WHITE/BLACK	1,00
6	SPMV80A0A9193	FUEL TANK	B4 910R, USA, WHITE/BLACK 008836- 008839 & 009155>	1,00
6	SPMV80B0A5786	FUEL TANK	B4 910S RED/BLACK	1,00
6	SPMV8000A7654	GASOLINE TANK COMPL.	B4 910R, BLACK/ANTHRACIT	1,00



6	SPMV8000A8967	PETROL TANK COMPL. VER	B4 910S, USA, BLACK 008836-008839 & 009181>	1,00
6	SPMV8000A9692	PETROL TANK COMPL.	B4 910 ITALIA	1,00
6	SPMV8000B0304	GASOLINE TANK COMPL. VER	B4 910S, USA, ORANGE 008836-008839 & 009181>	1,00
6	SPMV8000B1840	GASOLINE TANK COMPL.VER.U	WALLY, USA	1,00
6	SPMV80A0A8966	PETROL TANK COMPL. VER	B4 910S, USA, RED/SILVER 008836- 008839 & 009181>	1,00
6	SPMV80B0A8966	GASOLINE TANK COMPL. VER	B4 910S, USA, RED/BLACK 008836- 008839 & 009181>	1,00
6	SPMV8000A5787	GASOLINE TANK COMPLETE	B4 910S, BLACK	1,00
7	SPMV80A098832	DECAL	BRUTALE S BLACK, RED/BLACK	2,00
7	SPMV80B098832	DECAL	FOR RED	2,00
7	SPMV80C098832	EMBLEM MV	BRUTALE S SILVER	2,00
8	SPMV800090940	HOSE 6.5X10.5 L-385 VITON	EXCEPT USA	2,00
9	SPMV8B0091687	STAINLESS STEEL HOSE CLAMP D10	008836-008839 & 009155> B4 910 S/910 R, USA	2,00
10	SPMV800091695	HOSE, FUEL TANK BREATH, MEDIUM		1,00
11	SPMV800091690	HOSE, FUEL TANK BREATH, SHORT		1,00
12	SPMV800091689	CONECTOR, Y, FUEL TANK HOSE		1,00
13	SPMV800091688	HOSE, LARGE, FUEL TANK BREATH		1,00
14	SPMV800099324	TANK PROTECTOR	B4 910S, BLACK	1,00
14	SPMV8000A5183	PROTECTOR, FUEL TANK	BRUTALE S SILVER	1,00
14	SPMV8000A7687	PROTECTOR, FUEL TANK	B4 910R, BLACK/ANTHRACIT WALLY	1,00
14	SPMV8000A9691	PROTECTOR, FUEL TANK	B4 910 ITALIA	1,00
14	SPMV80A0A5183	TANK PROTECTOR	BRUTALE S RED/BLACK	1,00
14	SPMV80B0A5183	PROTECTOR, FUEL TANK	B4 910S, RED	1,00
14	SPMV80C0A5183	ADHESIVE PROTECTION FOR TANK	B4 910S, ORANGE	1,00
14	SPMV80A0A7687	ADHESIVE PROTECTION FOR TANK	B4 910R, WHITE/BLACK	1,00
15	SPMV800090923	GASKET		1,00
18	SPMV800090307	RH TANK BRACKET		1,00
19	SPMV800089293	CUSHION, D18xD8xE7,5	MY14/20 F3 675-F3 800	2,00
20	SPMV800062727	SCREW TEF M6X1-CH8-L16	1000S, AGO, TAMBURINI	8,00
21	SPMV800090981	LH TANK BRACKET		1,00
22	SPMV800089784	SUPPORT, RIGHT SIDE, FUEL TANK		1,00
23	SPMV800089785	SUPPORT, LEFT SIDE, FUEL TANK		1,00
24	SPMV800090977	PIN		2,00
25	SPMV800089293	CUSHION, D18xD8xE7,5	MY14/20 F3 675-F3 800	2,00
26	SPMV800099401	BUSH		1,00
27	SPMV8M0090425	SCREW TCEIF M6X35	1000R, 1000R1+1 <005490 & 005496-005821 SENNA	1,00
28	SPMV8A0089786	SCREW, FLANGE M6		9,00
29	SPMV8000A5779	EMBLEM	B4 910S, EXCEPT ORANGE	1,00
29	SPMV8000A7656	GASKET, WATER PUMP	B4 910R, BLACK/ANTHRACIT	1,00
29	SPMV8000B0306	EMBLEM	B4 910S, ORANGE	1,00
29	SPMV80A0A7656	EMBLEM	B4 910R, WHITE/BLACK	1,00
30	SPMV8C0092256	CLAMP		2,00
31	SPMV800099326	CUSHION, FIX, FUEL TANK		1,00
32	SPMV800062725	SCREW TEF M6X1-CH8-L10	750S	2,00

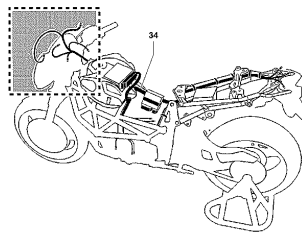
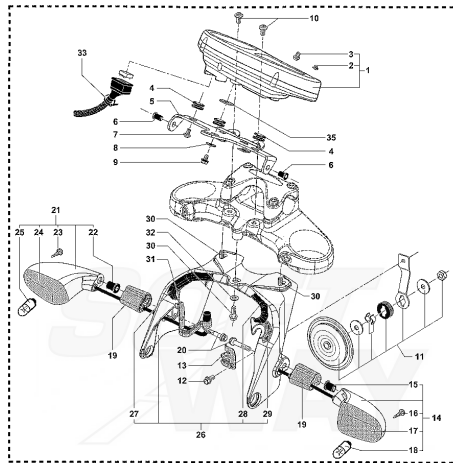
33	SPMV800056359	WASHER		2,00
34	SPMV800098720	PLATE		1,00
35	SPMV8000A0903	CUSHION, SMALL, FUEL TANK		1,00
36	SPMV8000B0311	EMBLEM CRC LH	989R ORANGE/BLACK 989R RED	1,00
36	SPMV800098827	LEFT SIDE PLATE CRC LOGO	B4 910 R/B4 ITALIA B4 910S, EXCEPT ORANGE	1,00
37	SPMV8000B0309	AIRBOX LH SIDE	B4 910S, ORANGE	1,00
37	SPMV8000B1377	AIRBOX LH SIDE	HYDROGEN	1,00
37	SPMV8000B1885	AIRBOX LH SIDE	WALLY	1,00
37	SPMV80A099429	LEFT SIDE PANEL AIRBOX COMPLETE	B4 910 R/B4 ITALIA B4 910S, EXCEPT ORANGE	1,00
38	SPMV800098705	LEFT GRID		1,00
39	SPMV98B0090901	Special screw M4x8	TAMBURINI	6,00
40	SPMV8000B1376	AIRBOX RH SIDE	HYDROGEN	1,00
40	SPMV8000B1886	AIRBOX RH SIDE	WALLY	1,00
40	SPMV80A099430	COMPLETE RIGHT SIDE PANEL AIRBOX	B4 910 R/B4 ITALIA B4 910S, EXCEPT ORANGE	1,00
40	SPMV8000B0310	COMPLETE RIGHT SIDE PANEL AIRBOX	B4 910S, ORANGE	1,00
41	SPMV800098704	GRILLE R.BODY COVER		1,00
42	SPMV800098828	EMBLEM CRC RH	B4 910 R/B4 ITALIA B4 910S, EXCEPT ORANGE	1,00
42	SPMV8000B0312	EMBLEM CRC RH	B4 910S, ORANGE	1,00
43	SPMV800092882	WASHER, PLASTIC, FAIRING, M		6,00
44	SPMV800090392	SPACER 12X8X6X5.2		3,00
45	SPMV8000A7658	DECAL DX FUEL TANK		1,00
46	SPMV8000A7657	DECAL SX FUEL TANK		1,00
47	SPMV8000A9862	ITALY WORLD DECALS KIT	ITALY	1,00
48	SPMV8000B0308	EMBLEM RH 910		1,00
49	SPMV8000B0307	EMBLEM, LH 910		1,00
50	SPMV8000A9698	PLATE AVVERTENZA DOCUMENT		1,00



Pos	Part Number	Description	Additional Text	Quantity
1	SPMV8000B1384	REAR FAIRING	HYDROGEN	1,00
1	SPMV8000B1889	REAR FAIRING	WALLY	1,00
1	SPMV80B099431	COVER-TAIL	B4 910S, ROSSO, ROSSO/ARGENTO	1,00
1	SPMV80C099431	TAIL COMPLETE	B4 910 R/B4 ITALIA B4 910S BLACK, RED/SILVER	1,00
2	SPMV800090316	MV FRONT DECAL	750S, 750S 1+1 SILVER & BLACK	1,00
2	SPMV80B090316	DECAL	B4 910 R/B4 ITALIA BLACK, RED/SILVER	1,00
3	SPMV800089786	SCREW	750 ORO	6,00
4	SPMV800048245	CUSHION, SCREW, M6x1 L16	B4 RS	6,00
5	SPMV800099287	LH REAR FAIRING RED	B4 910S, RED,RED/BLACK	1,00
5	SPMV8000A7685	REAR FAIRING, LH	B4 910R, BLACK/ANTHRACIT	1,00
5	SPMV8000A9681	REAR FAIRING, LH	B4 910 ITALIA	1,00
5	SPMV8000B0313	REAR FAIRING, LH	B4 910S, ORANGE	1,00
5	SPMV8000B1387	L-SIDE	HYDROGEN	1,00
5	SPMV80A099287	LH REAR FAIRING BLACK	BRUTALE S BLACK	1,00
5	SPMV80A0A7685	REAR FAIRING, LH	B4 910R, WHITE/BLACK	1,00
5	SPMV80B099287	LEFT SIDE PANEL UNDER SEAT COMPL	BRUTALE S SILVER	1,00
5	SPMV8000B1815	COMPLETE LEFT SIDE PANEL UNDER SEAT	WALLY	1,00
6	SPMV8000A7683	EMBLEM BRUTALE	B4 910R BLACK/ANTHRACIT, WHITE/BLACK	1,00
6	SPMV8000B0315	EMBLEM BRUTALE	B4 910S, ORANGE	1,00
6	SPMV80A098831	DECAL	B4 910S,RED, BLACK, RED/BLACK	1,00
6	SPMV80B098831	EMBLEM BRUTALE	BRUTALE S SILVER	1,00
7	SPMV800098830	DECAL	B4 910R B4 910S, EXCEPT RED/SILVER	1,00
7	SPMV80A098830	EMBLEM	BRUTALE S SILVER	1,00

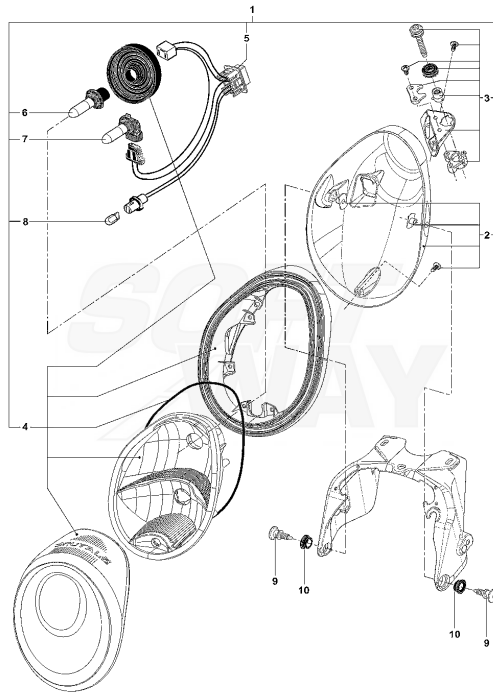
8	SPMV800089786	SCREW	750 ORO	3,00
9	SPMV800048245	CUSHION, SCREW, M6x1 L16	B4 RS	3,00
10	SPMV800048245	CUSHION, SCREW, M6x1 L16	B4 RS	3,00
11	SPMV800089786	SCREW	750 ORO	3,00
12	SPMV800099143	CABLE, SEAT LOCK		1,00
13	SPMV800092247	CLAMP, RUBBER, L62	F3 ORO-F3 AGO	2,00
14	SPMV800099286	RH REAR FAIRING RED	B4 910S, RED,RED/BLACK	1,00
14	SPMV8000A7686	REAR FAIRING, RH	B4 910R, BLACK/ANTHRACIT	1,00
14	SPMV8000A9682	REAR FAIRING, RH	B4 910 ITALIA	1,00
14	SPMV8000B0314	REAR FAIRING, RH	B4 910S, ORANGE	1,00
14	SPMV8000B1386	R-SIDE	HYDROGEN	1,00
14	SPMV8000B1814	R-SIDE	WALLY	1,00
14	SPMV80A099286	RH REAR FAIRING BLACK	BRUTALE S BLACK	1,00
14	SPMV80A0A7686	REAR FAIRING, RH	B4 910R, WHITE/BLACK	1,00
14	SPMV80B099286	REAR FAIRING, RH	BRUTALE S SILVER	1,00
15	SPMV8000A7684	EMBLEM BRUTALE	B4 910R	1,00
15	SPMV8000B0316	EMBLEM BRUTALE	B4 910S, ORANGE	1,00
15	SPMV80A098831	DECAL	B4 910S,RED, BLACK, RED/BLACK	1,00
15	SPMV80B098831	EMBLEM BRUTALE	BRUTALE S SILVER	1,00
16	SPMV800098830	DECAL	B4 910R B4 910S, EXCEPT RED/SILVER	1,00
16	SPMV80A098830	EMBLEM	BRUTALE S SILVER	1,00
17	SPMV800090380	VIBRATION-DAMPER		4,00
18	SPMV800094505	PAD		1,00
19	SPMV8000B1829	PILOT SEAT COMPL.	WALLY	1,00
19	SPMV80E099116	SEAT COMP.MAIN	B4 910R BLACK/ANTHRACIT, WHITE/BLACK	1,00
19	SPMV80D099116	COMPLETE PILOT SEAT	B4 910S, RED/SILVER	1,00
19	SPMV80F099116	PILOT SEAT COMPL.	B4 910 ITALIA	1,00
19	SPMV80C099116	COMPLETE RIDER SEAT	B4 910S, EXCEPT RED/SILVER	1,00
20	SPMV800069149	WASHER, PLASTIC, D17xD9xE1		1,00
21	SPMV80A069148	CLAMP, SEAT		1,00
22	SPMV800056443	NUT		2,00
23	SPMV8A0067997	PLATE FIXING SCREW		2,00
24	SPMV80F099118	SEAT ASSY, PILLION		1,00
24	SPMV8000B1830	COMPLETE PASSENGER SEAT	WALLY	1,00
24	SPMV8AB099118	COMPLETE PASSENGER SEAT	B4 910S, RED/SILVER	1,00
24	SPMV8AC099118	COMPLETE PASSENGER SEAT	B4 910S, RED,RED/BLACK	1,00
24	SPMV8AD099118	COMPLETE PASSENGER SEAT	B4 910S, BLACK	1,00
24	SPMV8AG099118	COMPLETE PASSENGER SADDLE	B4 910R, WHITE/BLACK	1,00
24	SPMV8AH099118	COMPLETE PASSENGER SADDLE	B4 910S, ORANGE	1,00
24	SPMV8AJ099118	COMPLETE PASSENGER SEAT	B4 910R, BLACK/ANTHRACIT	1,00
24	SPMV8000B1383	PASSENGER SEAT COMPL	HYDROGEN	1,00
25	SPMV8000A9317	SEATLOCK COMP		1,00
26	SPMV800041039	CUSHION, SEAT D25xD18xL19		2,00
27	SPMV800062725	SCREW TEF M6X1-CH8-L10	750S	3,00
28	SPMV800090250	LOCK NUT		1,00
29	SPMV800089751	WASHER, PLÁSTICA 12,5x6x0,5 PO		6,00
30	SPMV800089751	WASHER, PLÁSTICA 12,5x6x0,5 PO		3,00

31	SPMV800089751	WASHER, PLÁSTICA 12,5x6x0,5 PO		3,00
----	---------------	--------------------------------	--	------



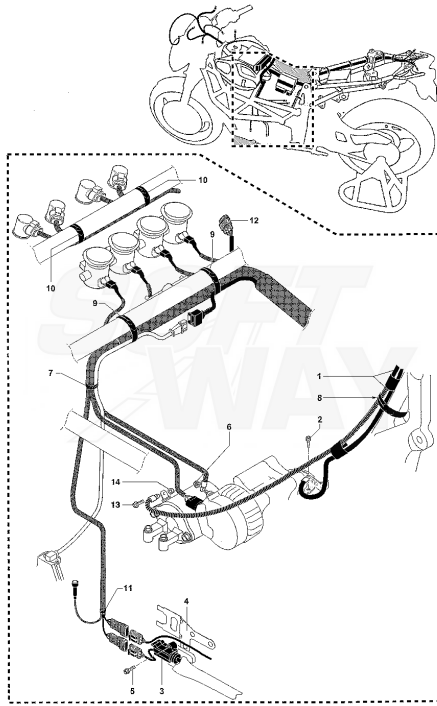
Pos	Part Number	Description	Additional Text	Quantity
1	SPMV8000A5296	DASH ASSY	B4 910S	1,00
1	SPMV8000A7508	INSTRUMENT PACK FOR B4 91006	B4 910 R/B4 ITALIA	1,00
2	SPMV800094861	LAMP T 3.4		1,00
3	SPMV800094860	WEDGE BASE BULB T6.5		1,00
4	SPMV800090239	CUSHION, RUBBER, 2	B4 RS-B4 RR-B4 NURBURGRING	3,00
5	SPMV800099251	CLOCK BRACKET		1,00
6	SPMV800091022	BUSH, SCREW, M4x0,7	F4S, F4R, F4RR	2,00
7	SPMV800092659	Special screw M5x8 dashboard		2,00
8	SPMV62N115548	WASHER		1,00
9	SPMV8D0067997	SCREW		1,00
10	SPMV8A0089786	SCREW, FLANGE M6		2,00
11	SPMV800099114	WARNING HOOTER		1,00
12	SPMV8H0067545	SCREW	TAMBURINI	1,00
13	SPMV8000B4347	SUPPORT, CLUTCH OIL PIPE		1,00
14	SPMV8A0090372	RH REAR INDICATOR		1,00
15	SPMV800048245	CUSHION, SCREW, M6x1 L16	B4 RS	1,00
16	SPMV800093416	SCREW, TAPPING PH1 2.9X16		1,00
17	SPMV800093336	MV IND LENS		1,00
18	SPMV800036726	BULB		1,00
19	SPMV800099376	SPACER		2,00
20	SPMV60N102520	SCREW	USA	2,00
20	SPMV8M0090425	SCREW TCEIF M6X35	1000R, 1000R1+1 <005490 & 005496-005821 SENNA	2,00
21	SPMV8A0090373	INDICATOR		1,00
22	SPMV800048245	CUSHION, SCREW, M6x1 L16	B4 RS	1,00
23	SPMV800093416	SCREW, TAPPING PH1 2.9X16		1,00
24	SPMV800093337	TRANSPARENT FOR POS INDICATOR		1,00
25	SPMV800036726	BULB		1,00

26	SPMV800099277	COMPLETE HEADLIGHT BRACKET		1,00
27	SPMV800098846	BORDER, HEADLIGHT, RIGHT SIDE		1,00
28	SPMV800098847	BORDER, HEADLIGHT, LEFT SIDE		1,00
29	SPMV800099405	EMBLEM, MAIN SWITCH		1,00
30	SPMV800062727	SCREW TEF M6X1-CH8-L16	1000S, AGO, TAMBURINI	3,00
31	SPMV800099282	PLATE		1,00
32	SPMV8C0037003	THRUST WASHER		3,00
33	SPMV800092661	CLAMP 2.4X92	MY14/20 F3 675-F3 800	1,00
34	SPMV8000A6797	MAIN CABLE ASSEMBLY	<008835 & 008840-009154 B4 910 ITALIA B4 910 S/910 R	1,00
34	SPMV8A00A9770	MAIN GROUP CABLES	008836-008839 & 009155> B4 910 S/910 R	1,00
35	SPMV800090894	WASHER D 8,2 D20 SP1		1,00

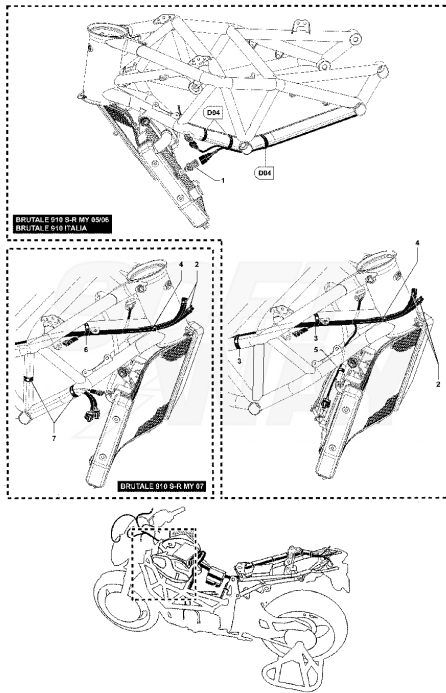


Pos	Part Number	Description	Additional Text	Quantity
1	SPMV800097124	COMPLETE FRONT HEADLIGHT	EUR	1,00
1	SPMV800098964	FRONT HEADLIGHT COMPL. VERS.	AUS-GBR-JPN	1,00
1	SPMV800098965	FRONT HEADLIGHT COMPL. VERS.U	USA	1,00
2	SPMV8000A1770	COMPLETE HEADLAMP BODY		1,00
3	SPMV800097126	REGULATOR		1,00
4	SPMV8000A1786	UNIT, LAMP		1,00
4	SPMV8000A1785	OPTICAL GROUP COMPL. VERS.UK	AUS-GBR-JPN	1,00
4	SPMV8000A1771	COMPLETE OPTICAL GROUP	EUR	1,00
5	SPMV8000A1772	HEADLAMP WIRING HARNESS ANT.		1,00
6	SPMV8000A1773	BULB		1,00
7	SPMV8000A1774	LAMP H9		1,00
8	SPMV800036230	BULB		1,00
9	SPMV800097113	SCREW		2,00
10	SPMV800097112	CUSHION		2,00

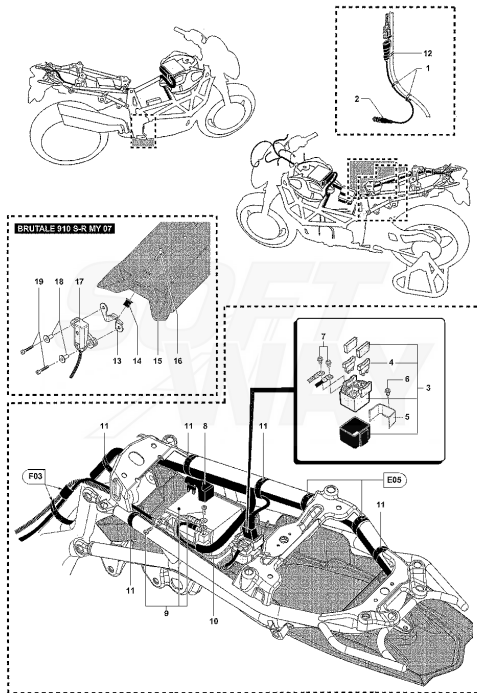




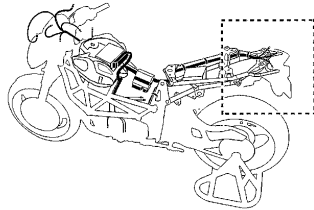
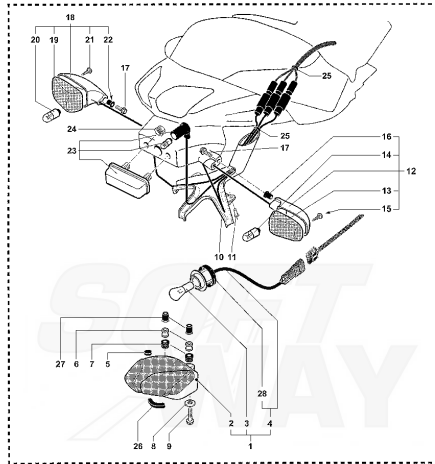
Pos	Part Number	Description	Additional Text	Quantity
1	SPMV800099268	CABLE		1,00
2	SPMV8SA067545	Screw TEF M6x1-CH8-L8		1,00
3	SPMV800090375	SENSOR, SIDE STAND		1,00
4	SPMV800099141	PLATE		1,00
5	SPMV8H0090424	Screw M5x22		2,00
6	SPMV800037901	NUT		1,00
7	SPMV800053724	BELT, RUBBER, SHORT	MY12/16 USA CND CN	1,00
8	SPMV800092247	CLAMP, RUBBER, L62	F3 ORO-F3 AGO	1,00
9	SPMV800092248	CLAMP, RUBBER, L82	RR-SCS-RC SCS	2,00
11	SPMV800092668	CLAMP, RUBBER	PER EAS F3 675	1,00
12	SPMV8B0089516	DIAGNOSTIC		1,00
13	SPMV8D0067997	SCREW		1,00
14	SPMV800042278	NUT		1,00



Pos	Part Number	Description	Additional Text	Quantity
1	SPMV800088575	SENSOR	<008835 & 008840-009154 B4 910 ITALIA B4 910 S/910 R	1,00
2	SPMV800053724	BELT, RUBBER, SHORT	MY12/16 USA CND CN	2,00
3	SPMV800092248	CLAMP, RUBBER, L82	RR-SCS-RC SCS	2,00
4	SPMV800092247	CLAMP, RUBBER, L62	F3 ORO-F3 AGO	1,00
5	SPMV800053724	BELT, RUBBER, SHORT	MY12/16 USA CND CN	1,00
6	SPMV800092248	CLAMP, RUBBER, L82	RR-SCS-RC SCS	1,00
7	SPMV800092247	CLAMP, RUBBER, L62	F3 ORO-F3 AGO	2,00

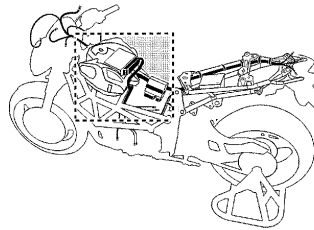
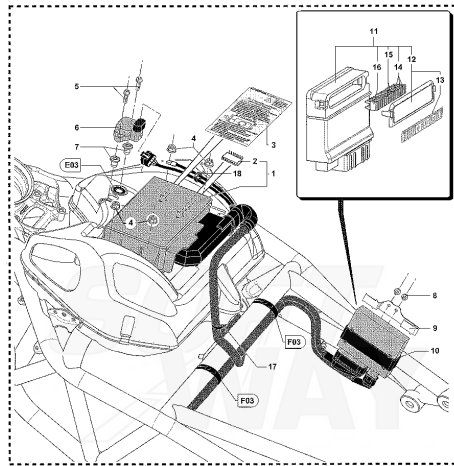


Pos	Part Number	Description	Additional Text	Quantity
1	SPMV800053724	BELT, RUBBER, SHORT	MY12/16 USA CND CN	2,00
2	SPMV800090213	SWITCH, REAR BRAKE LIGHT		1,00
3	SPMV8000A5350	SOLENOID STARTER		1,00
4	SPMV800093018	FUSE, VALVE, 40A		2,00
5	SPMV800099276	PLATE		1,00
6	SPMV8SA067545	Screw TEF M6x1-CH8-L8		1,00
7	SPMV8SA067545	Screw TEF M6x1-CH8-L8		2,00
8	SPMV800094890	CAP, BATTERY PLUS TERMINAL		1,00
9	SPMV8000A9981	YUASA YTZ10S BATTERY WITH TERM		1,00
10	SPMV800099269	CENTRALE CDI		1,00
11	SPMV800092247	CLAMP, RUBBER, L62	F3 ORO-F3 AGO	5,00
12	SPMV800053724	BELT, RUBBER, SHORT	MY12/16 USA CND CN	1,00
13	SPMV8000A9039	BRACKET SENSOR, LEAN ANGLE		1,00
14	SPMV800048245	CUSHION, SCREW, M6x1 L16	B4 RS	1,00
15	SPMV800089751	WASHER, PLÁSTICA 12,5x6x0,5 PO		1,00
16	SPMV800089786	SCREW	750 ORO	1,00
17	SPMV8000A6408	SENSOR, POSITION		1,00
18	SPMV8000A6407	COMPASS D15-D6-D4,2-SP15	008836-008839 & 009155> B4 910 S/910 R	2,00



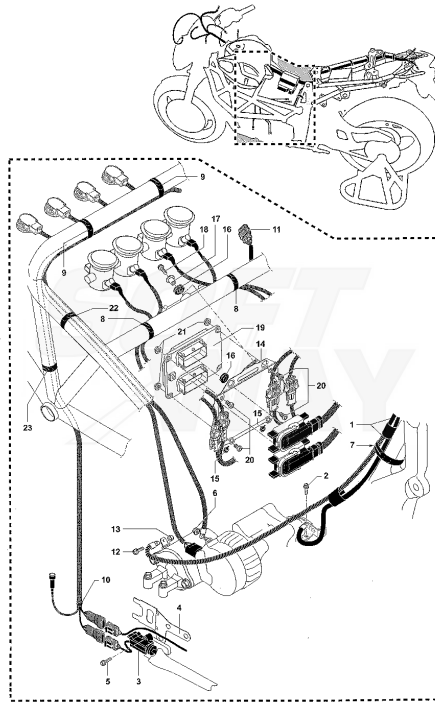
Pos	Part Number	Description	Additional Text	Quantity
1	SPMV8B0090369	COMPLETE TAILLIGHT		1,00
2	SPMV800093335	TAILLIGHT		1,00
3	SPMV8A0018246	BULB		1,00
4	SPMV8B0091696	SPRG. LAMP SET		1,00
5	SPMV800095500	RUBBER	SR1+1	1,00
6	SPMV8000A1873	BUSH, SPACER, D16xD8xD6,2X10	BRUTALE S	2,00
7	SPMV800090239	CUSHION, RUBBER, 2	B4 RS-B4 RR-B4 NURBURGRING	2,00
8	SPMV800056359	WASHER		2,00
9	SPMV8J0090425	BOLT		2,00
10	SPMV800099391	GUIDE, PLASTIC, WIRE HARNESS		1,00
11	SPMV98B0090901	Special screw M4x8	TAMBURINI	2,00
12	SPMV800090372	TURN SIGNAL POST.D	1000 USA 1000 VIN <008064	1,00
13	SPMV800093336	MV IND LENS		1,00
14	SPMV800036726	BULB		1,00
15	SPMV800093416	SCREW, TAPPING PH1 2.9X16		1,00
16	SPMV800048245	CUSHION, SCREW, M6x1 L16	B4 RS	1,00
17	SPMV800062728	SCREW TEF M6X1-CH8-L20	750 ORO ENGINE 00248> 750S, 750S 1+1 ENGINE 00401>	2,00
18	SPMV800090373	REAR TURN SIGNAL S	1000 USA 1000 VIN <008064	1,00
19	SPMV800093337	TRANSPARENT FOR POS INDICATOR		1,00
20	SPMV800036726	BULB		1,00
21	SPMV800093416	SCREW, TAPPING PH1 2.9X16		1,00
22	SPMV800048245	CUSHION, SCREW, M6x1 L16	B4 RS	1,00
23	SPMV800092185	NUMBERPLATE LIGHT		1,00
24	SPMV800056443	NUT		2,00
25	SPMV800092668	CLAMP, RUBBER	PER EAS F3 675	2,00

26	SPMV8000A2279	VIBRATION DAMPER		1,00
27	SPMV800048245	CUSHION, SCREW, M6x1 L16	B4 RS	2,00
28	SPMV800092247	CLAMP, RUBBER, L62	F3 ORO-F3 AGO	1,00



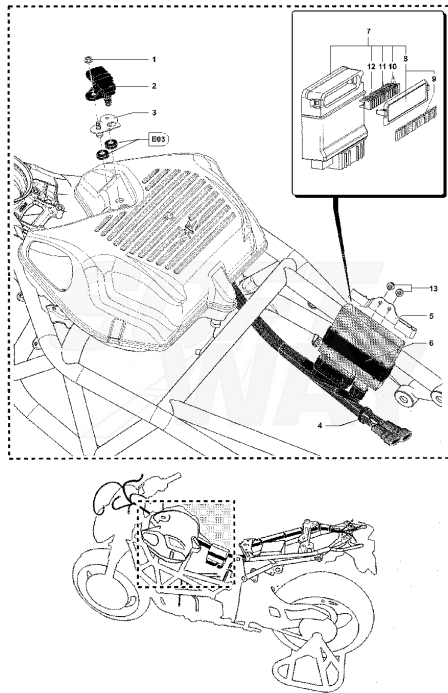
Pos	Part Number	Description	Additional Text	Quantity
1	SPMV8000A5280	IGNITION CONTROL UNIT IGNITION	<008835 & 008840-009154 B4 910 ITALIA B4 910 S/910 R	1,00
1	SPMV8A00A5280	IGN. CONTROL UNIT INJECTION CONTROLLER 1	<008835 & 008840-009154 B4 910 ITALIA, FRA B4 910 S/910 R, FRA	1,00
1	SPMV8B00A5280	CONTROL UNIT ACC. INJECTION 1.6M	<008835 & 008840-009154 B4 910 ITALIA, JPN B4 910 S/910 R, JPN	1,00
2	SPMV8B00A5281	EPROM		1,00
2	SPMV8A00A5281	UPDATE SOFTWARE ECU I.	<008835 & 008840-009154 B4 910 ITALIA, FRA B4 910 S/910 R, FRA	1,00
2	SPMV8000A5281	UPGRADE SOFTWARE CONTROL UNIT I.	<008835 & 008840-009154 B4 910 ITALIA B4 910 S/910 R	1,00
3	SPMV8A0089628	COMPUTER DECAL		1,00
4	SPMV800037901	NUT		4,00
5	SPMV8D0090424	BOLT		2,00
6	SPMV800089398	SENSOR		1,00
7	SPMV800090910	PEG FOR FUSIBIL HOLDER BOX	<008835 & 008840-009154 B4 910 ITALIA B4 910 S/910 R	2,00
8	SPMV8D0067997	SCREW		2,00
9	SPMV800098843	PLATE		1,00
10	SPMV800098298	RUBBER CUSHION E.C.U.		1,00
11	SPMV8000A9300	CONTROL UNIT SERVICES COMPL.	BRUTALE S 004322> BRUTALE S, USA 100422>	1,00
12	SPMV8000A5211	COVER SERVICE POWER UNIT		1,00
12	SPMV8000A9303	FUSE COVER WITH DEC	<008835 & 008840-009154 B4 910 ITALIA B4 910 S/910 R	1,00
13	SPMV8000A5210	EMBLEM		1,00
14	SPMV8C0099274	FUSE 5 A		6,00

15	SPMV8F0099274	FUSE 15A		5,00
16	SPMV8D0099274	7,5A FUSE		1,00
17	SPMV8000A2781	CLAMP		1,00
18	SPMV800092668	CLAMP, RUBBER	PER EAS F3 675	1,00

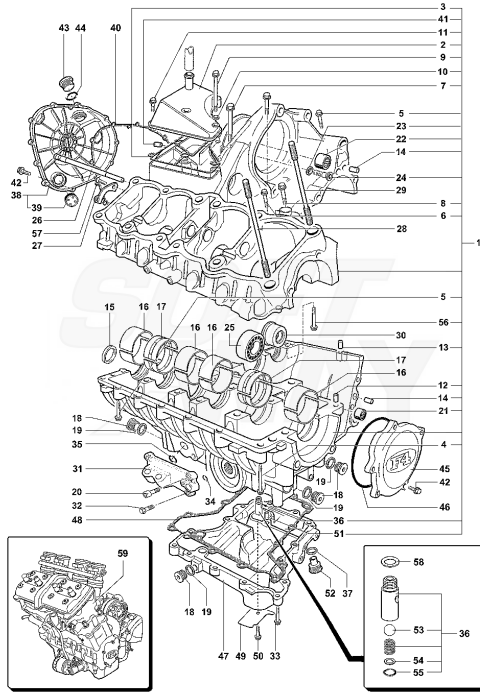


Pos	Part Number	Description	Additional Text	Quantity
1	SPMV800099268	CABLE		1,00
2	SPMV8SA067545	Screw TEF M6x1-CH8-L8		1,00
3	SPMV800090375	SENSOR, SIDE STAND		1,00
4	SPMV800099141	PLATE		1,00
5	SPMV8H0090424	Screw M5x22		2,00
6	SPMV800037901	NUT		1,00
7	SPMV800092247	CLAMP, RUBBER, L62	F3 ORO-F3 AGO	1,00
9	SPMV800092248	CLAMP, RUBBER, L82	RR-SCS-RC SCS	2,00
10	SPMV800092668	CLAMP, RUBBER	PER EAS F3 675	1,00
11	SPMV8B0089516	DIAGNOSTIC		1,00
12	SPMV8D0067997	SCREW		1,00
13	SPMV800042278	NUT		1,00
14	SPMV8000A9036	BRACKET, CONTROLLER FUEL INJEC		1,00
15	SPMV800099419	PIN, CUSHION	TAMBURINI	2,00
16	SPMV800089293	CUSHION, D18xD8xE7,5	MY14/20 F3 675-F3 800	3,00
17	SPMV800044099	SPACER		1,00
18	SPMV800062727	SCREW TEF M6X1-CH8-L16	1000S, AGO, TAMBURINI	1,00
19	SPMV8A00A9037	UNIT, ENGINE CONTROL	008836-008839 & 009155> B4 910 S/910 R, FRA	1,00
19	SPMV8B00A9037	INJECTION IGNITION CONTROL UNIT	008836-008839 & 009155> B4 910 S/910 R, JPN	1,00
19	SPMV8000A9037	IGNITION CONTROL UNIT I.	008836-008839 & 009155> B4 910 S/910 R	1,00
20	SPMV8E0090425	Screw TCEIF M6x16		4,00
21	SPMV800037901	NUT		4,00
22	SPMV800092248	CLAMP, RUBBER, L82	RR-SCS-RC SCS	1,00
23	SPMV800092247	CLAMP, RUBBER, L62	F3 ORO-F3 AGO	1,00





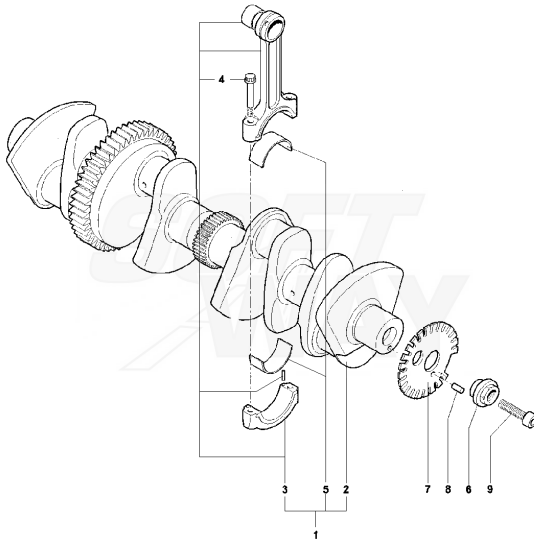
Pos	Part Number	Description	Additional Text	Quantity
1	SPMV800056443	NUT		1,00
2	SPMV8000A9038	SENSOR, PRESSURE & AIR TEMPERA		1,00
3	SPMV8000A9694	BRACKET, SENSOR AIR TEMPERATURA		1,00
4	SPMV800092668	CLAMP, RUBBER	PER EAS F3 675	1,00
5	SPMV800098843	PLATE		1,00
6	SPMV800098298	RUBBER CUSHION E.C.U.		1,00
7	SPMV8000A9300	CONTROL UNIT SERVICES COMPL.	BRUTALE S 004322> BRUTALE S, USA 100422>	1,00
8	SPMV8000A9303	FUSE COVER WITH DEC	<008835 & 008840-009154 B4 910 ITALIA B4 910 S/910 R	1,00
9	SPMV8000A5210	EMBLEM		1,00
10	SPMV8C0099274	FUSE 5 A		6,00
11	SPMV8F0099274	FUSE 15A		5,00
12	SPMV8D0099274	7,5A FUSE		1,00
13	SPMV8D0067997	SCREW		2,00



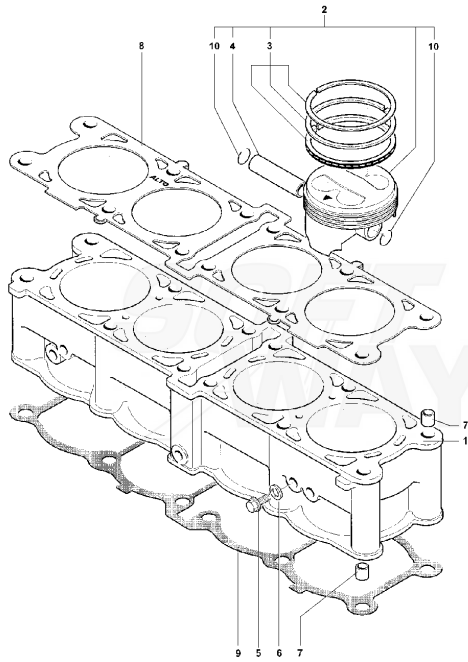
Pos	Part Number	Description	Additional Text	Quantity
1	SPMV8A00A0619	CRANKASE SET	1000S, 1000S1+1, VIN. 002509> 1000S, USA, VIN. 100179> 1000S1+1, USA, VIN. 200163> TAMBURINI	1,00
1	SPMV8C00A0619	CRANKCASE SET	WALLY-HYDROGEN	1,00
2	SPMV8A0092465	COVER BLOW-BY	1000S, 1000S1+1, VIN. 002509> 1000S, USA, VIN. 100179> 1000S1+1, USA, VIN. 200163> TAMBURINI	1,00
2	SPMV8B0092465	BLOW-BY LABYRINTH COVER	WALLY-HYDROGEN	1,00
3	SPMV800087792	GASKET		1,00
4	SPMV800098219	SCREW TEF M8X1.25-L95		12,00
5	SPMV8A0067545	SCREW	750 ORO ENGINE <00247 750S, 750S 1+1 ENGINE <00400	12,00
6	SPMV8B0067545	SCREW		1,00
7	SPMV800099476	SCREW TEF M8X1.25X130		1,00
8	SPMV8A0091697	SCREW TEF M8X1.25X60		2,00
9	SPMV8V0067545	SCREW TEF M6X1X135 CH8		1,00
10	SPMV800064988	SELF CENTERING WASHER D11-D6.1		1,00
11	SPMV800062729	SCREW TEF M6X1-CH8-L25	FOR COOLER 8000B1126	4,00
12	SPMV800007719	PIN D10-D7		3,00
13	SPMV8A0051549	REFERENCE PIN D6.2-D8-SP.1		1,00
14	SPMV800086119	BUSH, CRANKCASE, 27x12MM		3,00
15	SPMV800081412	CRANKCASE PLUG		1,00
16	SPMV800081317	ROD BEARING, 1-3-4-6 A	HALF-BEARING RED	8,00
16	SPMV8A0081317	ROD BEARING, 1-3-4-6 B	HALF-BEARING BLEU	8,00
16	SPMV8B0081317	ROD BEARING, 1-3-4-6 C	HALF-BEARING YELLOW	8,00
17	SPMV800081316	RED CRANKSHAFT BEARING	HALF-BEARING RED	4,00
17	SPMV8A0081316	BLUE ROD BEARING, 2-5 B	HALF-BEARING BLEU	4,00
17	SPMV8B0081316	YELLOW ROD BEARING, 2-5 C	HALF-BEARING YELLOW	4,00
18	SPMV800089425	CYLINDRICAL CAP DIN 908-M16X1		4,00

19	SPMV800089426	WASHER D16		4,00
20	SPMV800098841	SCREW		1,00
21	SPMV800087300	BEARING		1,00
22	SPMV800081422	BEARING		1,00
23	SPMV800086737	WASHER, FIXACAO DO ROLAMENTO		1,00
24	SPMV800028327	SCREW		1,00
25	SPMV800098405	BEARING	BRUTALE S 09192>,<10409,10968>	1,00
26	SPMV800089440	PIPE, GEAR LUBRICATION		1,00
27	SPMV800081413	RETAINER, BEARING		1,00
28	SPMV8000A6689	STUD BOLT		6,00
29	SPMV8000A6690	STUD BOLT		6,00
30	SPMV8000A1087	BEARING, SECONDARY AXLE, RNU41	BRUTALE S 09192>,<10409,10968>	1,00
31	SPMV80B098837	FLANGE OIL PIPES SUPPORT		1,00
31	SPMV80C098837	FLANGE OIL PIPES SUPPORT	WALLY-HYDROGEN	1,00
32	SPMV800062729	SCREW TEF M6X1-CH8-L25	FOR COOLER 8000B1126	3,00
33	SPMV800062730	SCREW TEF M6X1-CH8-L30		15,00
34	SPMV8A0031106	WASHER, DE BORRACHA ORING 20		1,00
35	SPMV800023116	O RING		2,00
36	SPMV800081403	VALVE		1,00
37	SPMV62N015682	WASHER, 28x22,3x1mm		1,00
38	SPMV8B0092467	CLUTCH COVER		1,00
38	SPMV8A0092467	CLUTCH COVER	1000S, 1000S1+1, VIN. 002509> 1000S, USA, VIN. 100179> 1000S1+1, USA, VIN. 200163> TAMBURINI	1,00
39	SPMV800073529	OIL LEVEL INSPECTION PORTHOLE	1090 VIN FROM 004516 TO 004821	1,00
40	SPMV800080691	CLUTCH COVER GASKET		1,00
41	SPMV8C0019590	PIN, CLUTCH COVER, 15x5MM		2,00
42	SPMV800062728	SCREW TEF M6X1-CH8-L20	750 ORO ENGINE 00248> 750S, 750S 1+1 ENGINE 00401>	16,00
43	SPMV8000A5147	OIL PLUG		1,00
44	SPMV8A0023120	RING, RUBBER, OIL COVER, 26,65		1,00
45	SPMV80B086728	COVER, PHONIC WHEEL	1000S, 1000S1+1, VIN. 002509> 1000S, USA, VIN. 100179> 1000S1+1, USA, VIN. 200163> TAMBURINI	1,00
45	SPMV80D086728	PHONIC WHEEL COVER	WALLY-HYDROGEN	1,00
46	SPMV800094626	GASKET, RPM GEAR COVER, F4		1,00
47	SPMV80B092469	OIL PAN	1000S, 1000S1+1, VIN. 002509> 1000S, USA, VIN. 100179> 1000S1+1, USA, VIN. 200163> TAMBURINI	1,00
47	SPMV80C092469	PAN-OIL	WALLY-HYDROGEN	1,00
48	SPMV800087786	SUMP GASKET		1,00
49	SPMV800089422	GUARD		1,00
50	SPMV800062725	SCREW TEF M6X1-CH8-L10	750S	1,00
51	SPMV800007719	PIN D10-D7		2,00
52	SPMV800096747	PLUG, OIL, M22X1,5mm		1,00
53	SPMV6BN021513	SPHER		1,00
54	SPMV8000A2934	WASHER		1,00
55	SPMV66N021251	SNAP RING D13-D12-SP1		1,00
56	SPMV8A0091697	SCREW TEF M8X1.25X60		1,00
57	SPMV800060577	TSEI SCREW M6X1-L20		2,00

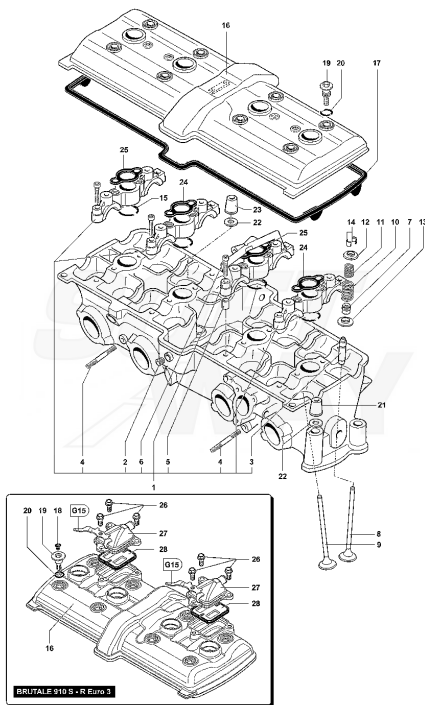
58	SPMV800047763	WASHER, DE COBRE 17,9x14,2x1,5		1,00
----	---------------	--------------------------------	--	------



Pos	Part Number	Description	Additional Text	Quantity
1	SPMV8000A5112	CRANKSHAFT ASSY		1,00
2	SPMV8000A5113	COMPLETE CRANKSHAFT STROKE	989R	1,00
3	SPMV8000A5234	ROD, CONNECTING		4,00
4	SPMV8000A5235	CONNECTING ROD		8,00
5	SPMV800081315	BIG END HALF BEARING	HALF-BEARING RED	8,00
5	SPMV8A0081315	BIG END HALF BEARING	HALF-BEARING BLEU	8,00
5	SPMV8B0081315	BIG END HALF BEARING	HALF-BEARING YELLOW	8,00
6	SPMV800086727	PHONIC WHEEL STOP		1,00
7	SPMV800086726	PHONIC WHEEL		1,00
8	SPMV800019971	PIN, OIL PUMP GEAR, 4x15,8		1,00
9	SPMV60N102558	SCREW		1,00



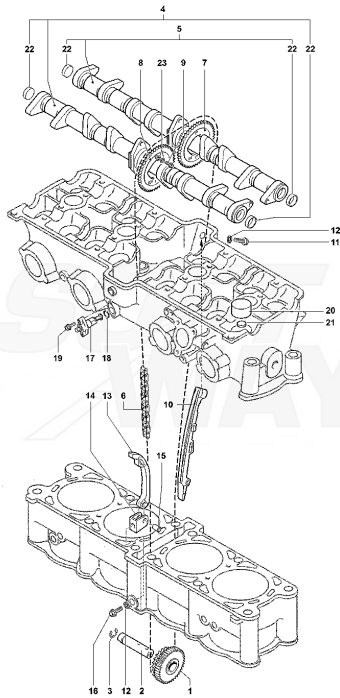
Pos	Part Number	Description	Additional Text	Quantity
1	SPMV80B0A5106	BLOCK ASSY, CYLINDER		1,00
1	SPMV80C0A5106	CYLINDER	WALLY-HYDROGEN	1,00
2	SPMV8000A3193	F41000CC PISTON D	B4 910 S/910 R B4 910 ITALIA <008835 & 008840- 009154	4,00
2	SPMV8000A6686	PISTON ASSY	008836-008839 & 009155> B4 910 S/910 R	4,00
3	SPMV8000A2296	PISTON RINGS D76		4,00
4	SPMV8000A0606	BUSH, PISTON	990R, 1090RR	4,00
5	SPMV800081536	Screw M6x1-L8	RR-RUSH	2,00
6	SPMV800064988	SELF CENTERING WASHER D11-D6.1		2,00
7	SPMV800081535	REFERING PIN D11-D13		4,00
8	SPMV8000A2300	HEAD GASKET SP=0,40		1,00
8	SPMV8B00A2300	HEAD GASKET SP-0.70		1,00
8	SPMV8A00A2300	HEAD GASKET SP-0.55		1,00
9	SPMV800087771	GASKET. CYLINDER-BASE SP	750 ORO	1,00
10	SPMV8000A2714	CIRCLIP, PISTON	990R, 1090RR	8,00



Pos	Part Number	Description	Additional Text	Quantity
1	SPMV8000A5207	HEAD ASSY, CYLINDER	<008835 & 008840-009180 B4 910S MOT.00001-00004 MOT.00008-00010 MOT.00013 MOT.00020- 00100 MOT.00501-00600 MOT.00661>	1,00
1	SPMV8000A6633	HEAD ASSY, CYLINDER	B4 910S MOT.00005-00007 MOT.00011-00012 MOT.00014-00019 MOT.00101-00500 MOT.00601-00660	1,00
1	SPMV8000A9086	HEAD ASSY, CYLINDER	008836-008839 & 009155> 008836-008839 & 009181>	1,00
1	SPMV8A00A5207	HEAD ASSY, CYLINDER	<008835 & 008840-009154 B4 910 ITALIA	1,00
1	SPMV8A00A9086	COMPLETE CYLINDER HEAD	WALLY-HYDROGEN	1,00
2	SPMV800069769	CONICAL PLUG EI M14X1		7,00
3	SPMV8A0081228	VALVE GUIDE	ENGINE 5952>	16,00
3	SPMV8B0081228	VALVE GUIDE	ENGINE 5952>	16,00
4	SPMV800091064	STUD FOR EXHAUST PIPE	5146-5233 & 5238-5260 5433-5469 & 5493	2,00
5	SPMV800051549	PIN D8-D6		8,00
6	SPMV800085071	SCREW M6X35		16,00
7	SPMV800065814	INTAKE AND EXHAUST GASKET		16,00
8	SPMV80A0A1356	VALVE INTAKE		1,00
8	SPMV800097918	INTAKE VALVE D29 JAP	1000S, 1000S1+1, AGO	8,00
8	SPMV80A097918	INTAKE VALVE D29 JAP	008836-008839 & 009181> B4 910 R/B4 ITALIA B4 910S	8,00
8	SPMV800092428	INTAKE VALVE D29 JAP	ENGINE 01801>	8,00
9	SPMV80A097919	VALVE EXHAUST	F4S, F4 FRECCE TRICOLORI	8,00
9	SPMV800097919	EXHAUST VALVE D25 JAP	1000S, 1000S1+1, AGO	8,00
9	SPMV800092429	EXHAUST VALVE D25 JAP	ENGINE 01801>	8,00

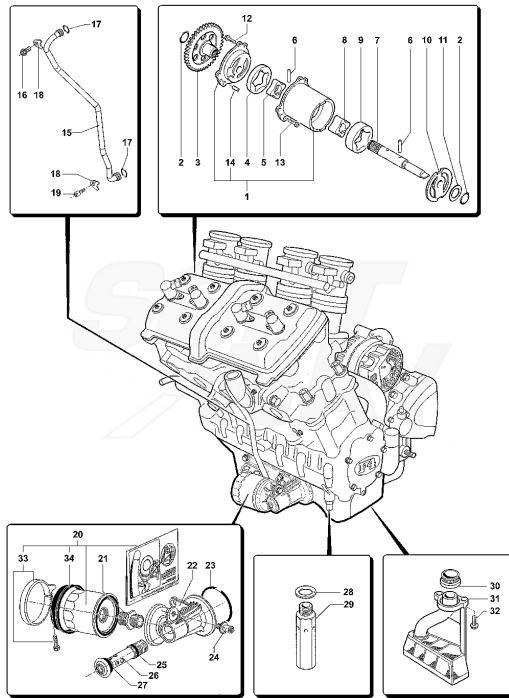
10	SPMV800098670	EXTERNAL VALVE SPRING	750S, 750S1+1, SENNA	16,00
11	SPMV800098671	INTERNAL VALVE SPRING	750S, 750S1+1, SENNA	16,00
12	SPMV8000A3732	UPPER CAP	BRUTALE S, 10761>	16,00
13	SPMV8000A3733	LOWER CAP	BRUTALE S, 10761>	16,00
14	SPMV800092433	COTTER VALVE 15JAP	ENGINE 01801>	32,00
15	SPMV800087752	ORING, LARGE		4,00
16	SPMV8A00A0105	COVER, CYLINDER HEAD	<008835 & 008840-009180	1,00
16	SPMV8A00A2172	COVER, CYLINDER HEAD	008836-008839 & 009155> HYDROGEN	1,00
16	SPMV8B00A0105	COVER, CYLINDER HEAD	<008835 & 008840-009154	1,00
16	SPMV8B00A2172	COVER, CYLINDER HEAD	WALLY	1,00
16	SPMV8C00A0105	COVER, CYLINDER HEAD	B4 910 ITALIA	1,00
16	SPMV8000A2172	AIR SECON HEAD COVER	008836-008839 & 009181>	1,00
17	SPMV800087756	RC GASKET		1,00
18	SPMV8000A8989	CAP, SCREW, CYLINDER HEAD COVE		8,00
19	SPMV800087779	SCREW	<008835 & 008840-009154 B4 910 ITALIA B4 910 S/910 R	8,00
19	SPMV8000A8637	BOLT, HEAD COVER	008836-008839 & 009155> B4 910 S/910 R	8,00
20	SPMV800023113	OR3043 T2	008836-008839 & 009155> B4 910 S/910 R	8,00
20	SPMV8A0025082	O RING	<008835 & 008840-009154 B4 910 ITALIA B4 910 S/910 R	8,00
21	SPMV800081547	NUT, ESPECIAL DO CABEÇOTE 1		10,00
22	SPMV800069156	WASHER, 18x10,5x2 FLAT, BLACK		12,00
23	SPMV800081547	NUT, ESPECIAL DO CABEÇOTE 1		2,00
23	SPMV8000A8182	NUT, ESPECIAL DO CABEÇOTE 2	008836-008839 & 009155> B4 910 S/910 R	2,00
24	SPMV8000A1938	spark plug seal cylinder		2,00
24	SPMV800087755	SPARK PLUG PASSAGE GASKET	<008835 & 008840-009154 B4 910 ITALIA B4 910 S/910 R	2,00
25	SPMV8000A1939	spark plug seal cylinder		2,00
25	SPMV800087755	SPARK PLUG PASSAGE GASKET	<008835 & 008840-009154 B4 910 ITALIA B4 910 S/910 R	2,00
26	SPMV800062727	SCREW TEF M6X1-CH8-L16	1000S, AGO, TAMBURINI	6,00
27	SPMV80A0A2174	COVER, REED VALVE	008836-008839 & 009181>	2,00
27	SPMV80B0A2174	COVER, REED VALVE	008836-008839 & 009155> HYDROGEN	2,00
27	SPMV80C0A2174	COVER, REED VALVE	WALLY	1,00
28	SPMV8000A2270	VALVE, INTAKE AIR		2,00





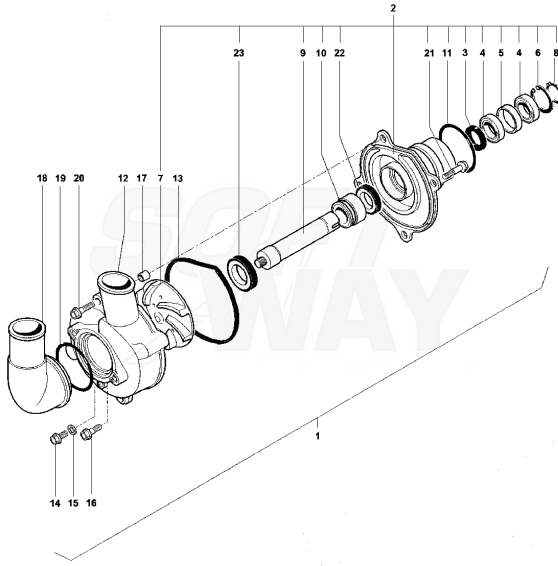
Pos	Part Number	Description	Additional Text	Quantity
1	SPMV800089445	GEAR, DISTRIBUTION		1,00
2	SPMV800081261	TIMING TRANSMISSION		1,00
3	SPMV66N021313	CLAMP, GEAR PIN		1,00
4	SPMV8000A9010	CAM SHAFT, EXHAUST	008836-008839 & 009155> B4 910 S/910 R	1,00
4	SPMV8A00A3030	EXHAUST CAMSHAFT EXHAUST COMPLE	<008835 & 008840-009154 B4 910 ITALIA B4 910 S/910 R	1,00
5	SPMV8A00A3028	CAMSHAFT SET, INTAKE	<008835 & 008840-009154 B4 910 ITALIA B4 910 S/910 R	1,00
5	SPMV8D00A9009	CAM SHAFT, INTAKE	008836-008839 & 009155> B4 910 S/910 R	1,00
6	SPMV800096598	CAM CHAIN LINK TIPE		1,00
6	SPMV8000A0120	TIMING CHAIN		1,00
7	SPMV8000A3032	SPROCKET, CAM SHAFT INTAKE		1,00
8	SPMV8000A5118	SPROCKET, CAM SHAFT EXHAUST		1,00
9	SPMV8C0085071	SCREW M6X16	BRUTALE S 10761>	4,00
10	SPMV800081552	FIXED SKID NILATRONPOLIPE		1,00
11	SPMV800062728	SCREW TEF M6X1-CH8-L20	750 ORO ENGINE 00248> 750S, 750S 1+1 ENGINE 00401>	1,00
12	SPMV800064988	SELF CENTERING WASHER D11-D6.1		2,00
13	SPMV800086735	TENSIONER, CAM CHAIN, 2		1,00
14	SPMV800087784	SUPPORT, CAM TENSIONER		1,00
15	SPMV800087785	BUSH, CAM TENSIONER		1,00
16	SPMV800062727	SCREW TEF M6X1-CH8-L16	1000S, AGO, TAMBURINI	1,00
17	SPMV800091895	TSUBAKI CHAIN TENSIONER	1000S, 1000S1+1, AGO	1,00
18	SPMV800018422	OR2075 T1	MY12/14 F3 675-F3 800	1,00
19	SPMV800062729	SCREW TEF M6X1-CH8-L25	FOR COOLER 8000B1126	2,00
20	SPMV8000A1839	BUCKET		16,00
21	SPMV800084182	CLEARANCE ADJUSTING	1.60 MM	16,00

21	SPMV8A0084182	CLEARANCE ADJUSTING	1.65 MM	16,00
21	SPMV8B0084182	CLEARANCE ADJUSTING	1.70 MM	16,00
21	SPMV8C0084182	CLEARANCE ADJUSTING	1.75 MM	16,00
21	SPMV8D0084182	CLEARANCE ADJUSTING	1.80 MM	16,00
21	SPMV8E0084182	CLEARANCE ADJUSTING	1.85 MM	16,00
21	SPMV8F0084182	CLEARANCE ADJUSTING	1.90 MM	16,00
21	SPMV8G0084182	CLEARANCE ADJUSTING	1.95 MM	16,00
21	SPMV8H0084182	CLEARANCE ADJUSTING	2.00 MM	16,00
21	SPMV8J0084182	GAP SPACER	2.05 MM	16,00
21	SPMV8K0084182	CLEARANCE ADJUSTING	2.10 MM	16,00
21	SPMV8L0084182	CLEARANCE ADJUSTING	2.15 MM	16,00
21	SPMV8M0084182	CLEARANCE ADJUSTING	2.20 MM	16,00
21	SPMV8N0084182	CLEARANCE ADJUSTING	2.25 MM	16,00
21	SPMV8P0084182	CLEARANCE ADJUSTING	2.30 MM	16,00
21	SPMV8R0084182	CLEARANCE ADJUSTING	2.35 MM	16,00
21	SPMV8S0084182	CLEARANCE ADJUSTING	2.40 MM	16,00
21	SPMV8T0084182	CLEARANCE ADJUSTING	2.45 MM	16,00
21	SPMV8U0084182	CLEARANCE ADJUSTING	2.50 MM	16,00
21	SPMV8V0084182	CLEARANCE ADJUSTING	2.55 MM	16,00
21	SPMV8W0084182	CLEARANCE ADJUSTING	2.60 MM	16,00
22	SPMV8C0057196	STABLE PLUG D16-SP6-10		4,00
23	SPMV8000A3486	WASHER		4,00



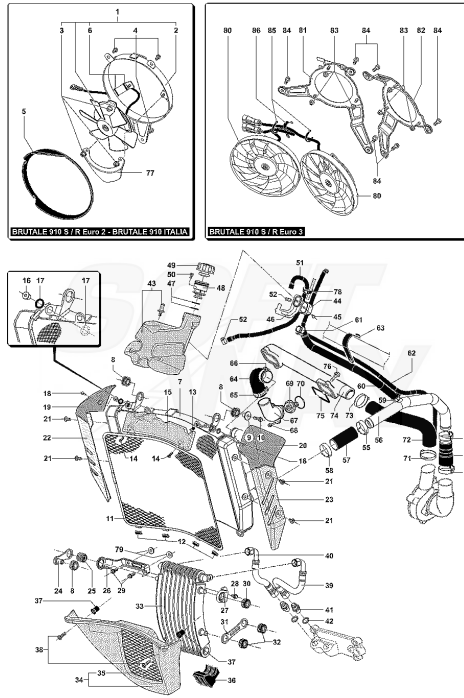
Pos	Part Number	Description	Additional Text	Quantity
1	SPMV800086201	OIL PUMP		1,00
2	SPMV66N021203	ELASTIC RING		2,00
3	SPMV8000A2608	GEAR PUMP DRIVEN 2 T45	<008835 & 008840-009154 B4 910 ITALIA B4 910 S/910 R	1,00
3	SPMV8000A7381	GEAR-COMP, OIL PUMP T63	008836-008839 & 009155> B4 910 S/910 R	1,00
4	SPMV800081364	OUTER ROTOR, OIL PUMP 10 MM		1,00
5	SPMV800081365	INNER ROTOR, OIL PUMP 10 MM		1,00
6	SPMV800019590	ROLLER		2,00
7	SPMV800080701	SHAFT, OIL PUMP		1,00
8	SPMV800081363	INNER ROTOR, OIL PUMP 18 MM		1,00
9	SPMV800081362	OUTER ROTOR, OIL PUMP 18 MM		1,00
10	SPMV800081443	SPACER, OIL PUMP ROTOR		1,00
11	SPMV8D0009408	WASHER 22X14.5X0.8		1,00
12	SPMV800062728	SCREW TEF M6X1-CH8-L20	750 ORO ENGINE 00248> 750S, 750S 1+1 ENGINE 00401>	3,00
13	SPMV800035408	SCREW	5208-5233 5238-5291 5464-5482 5494-5502 5584-5701 5712-5727	1,00
14	SPMV800038520	ROLL D4-L8		2,00
15	SPMV800099127	HOSE, OIL DELIVERY	<008835 & 008840-009154 B4 910 ITALIA B4 910 S/910 R	1,00
15	SPMV8000A7510	HOSE, OIL DELIVERY	008836-008839 & 009155> B4 910 S/910 R	1,00
16	SPMV800062726	SCREW	750 ORO	1,00
17	SPMV800023108	OR2037 T1		2,00
18	SPMV800095505	OIL INLET FIXING PLATE		2,00
19	SPMV8A0098841	TIMING SCREW		1,00
20	SPMV8000A3702	TOYOROK ENGINE OIL FILTER KIT	1000	1,00

21	SPMV800081409	STAND, OIL FILTER		1,00
22	SPMV80B098835	CASE, OIL FILTER FITTING		1,00
22	SPMV80C098835	OIL FILTER SUPPORT	WALLY-HYDROGEN	1,00
23	SPMV800099126	O RING		1,00
24	SPMV800098839	CASE, OIL FILTER FITTING		1,00
25	SPMV800031175	SEAL OIL		1,00
26	SPMV800098840	SCREW, OIL FILTER SUPPORT		1,00
27	SPMV800029074	OR128 T2		1,00
28	SPMV800047763	WASHER, DE COBRE 17,9x14,2x1,5		1,00
29	SPMV800086132	PRESSURE REG VALVE		1,00
30	SPMV800080695	SUCTION FILTER GASKET RING		1,00
31	SPMV800080689	OIL NET FILTER		1,00
32	SPMV800062728	SCREW TEF M6X1-CH8-L20	750 ORO ENGINE 00248> 750S, 750S 1+1 ENGINE 00401>	2,00
33	SPMV8000A1488	OIL FILTER CLAMP COMPL		1,00
34	SPMV8000A3281	GASKET		1,00



Pos	Part Number	Description	Additional Text	Quantity
1	SPMV8A00A4786	WATER PUMP	1000S, 1000S1+1, VIN. 002509> 1000S, USA, VIN. 100179> 1000S1+1, USA, VIN. 200163> TAMBURINI	1,00
1	SPMV8A00A6705	WATER PUMP	008836-008839 & 009181> B4 910 R/B4 ITALIA	1,00
1	SPMV8B00A6705	WATER PUMP	WALLY-HYDROGEN	1,00
2	SPMV8B00A6706	HOUSING, WATER PUMP		1,00
2	SPMV8A00A6706	WATER PUMP BODY	008836-008839 & 009181> B4 910 R/B4 ITALIA	1,00
2	SPMV8A00A4787	WATER PUMP BODY	1000S, 1000S1+1, VIN. 002509> 1000S, USA, VIN. 100179> 1000S1+1, USA, VIN. 200163> TAMBURINI	1,00
3	SPMV8A0028855	RING CORCOS BA-B-SL D22-D12-		1,00
4	SPMV800034317	BEARING		2,00
5	SPMV800081239	SPACER D.23-D.28-SP.10	<008835 & 008840-009180	1,00
6	SPMV66N221262	CIRCLIP		1,00
7	SPMV800081538	RIM	SUPPLY WITH COD.8000A2608 UNITELY TO COD.8000B1797	1,00
8	SPMV66N221202	SEEGER SNAP RING D12	<008835 & 008840-009180	1,00
9	SPMV800081539	WATER PUMP SHAFT	<008835 & 008840-009180	1,00
9	SPMV8000A6709	SHAFT, WATER PUMP	008836-008839 & 009181> B4 910 R/B4 ITALIA	1,00
10	SPMV800081236	ROTATING SEAL	<008835 & 008840-009180	1,00
11	SPMV800035809	OR3137 T2		1,00
12	SPMV80B089412	COVER, WATER PUMP	SUPPLY WITH COD.8000A2608 UNITELY TO COD.8000B1797	1,00
12	SPMV80C089412	COVER, WATER PUMP	WALLY-HYDROGEN	1,00
13	SPMV800086702	RUBBER RING, 3325 D82,22x2,62		1,00
14	SPMV800081536	Screw M6x1-L8	RR-RUSH	1,00
15	SPMV800064988	SELF CENTERING WASHER D11-D6.1		1,00

16	SPMV800062727	SCREW TEF M6X1-CH8-L16	1000S, AGO, TAMBURINI	2,00
17	SPMV800051549	PIN D8-D6		2,00
18	SPMV80B089405	UNION WATER PUMP INLET	1000S, 1000S1+1, VIN. 002509> 1000S, USA, VIN. 100179> 1000S1+1, USA, VIN. 200163> TAMBURINI	1,00
18	SPMV80C089405	UNION, WATER PUMP INLET	WALLY-HYDROGEN	1,00
19	SPMV800017679	ORING, 3156 39,34x2,62		1,00
20	SPMV8A0067545	SCREW	750 ORO ENGINE <00247 750S, 750S 1+1 ENGINE <00400	2,00
21	SPMV800062727	SCREW TEF M6X1-CH8-L16	1000S, AGO, TAMBURINI	2,00
22	SPMV800081237	SEAL		1,00
23	SPMV8000A6708	SEAL, OIL BAU2SL 12X28		1,00

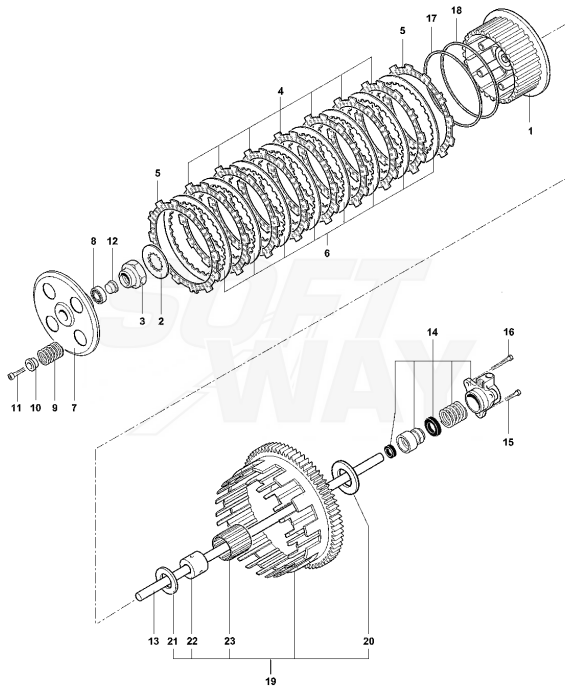


Pos	Part Number	Description	Additional Text	Quantity
1	SPMV800099247	ELECTRIC FUN FOR RADIATOR		1,00
2	SPMV800099245	BRACKET ELECTRIC FAN		1,00
3	SPMV800042278	NUT		3,00
4	SPMV800062725	SCREW TEF M6X1-CH8-L10	750S	3,00
5	SPMV800099125	HOOD		1,00
6	SPMV800056783	Plastic clamp, L142	MY17/20 F3 675-F3 800	2,00
7	SPMV800099243	WATER COOLER	<008835 & 008840-009154 B4 910 ITALIA B4 910 S/910 R	1,00
7	SPMV8000A7502	WATER RADIATOR	008836-008839 & 009155> B4 910 S/910 R	1,00
8	SPMV800062651	VIBRATION REDUCER D22-D10-SP12		3,00
9	SPMV800062652	SPACER D10-D6	FOR COOLER 800084917	1,00
10	SPMV800062728	SCREW TEF M6X1-CH8-L20	750 ORO ENGINE 00248> 750S, 750S 1+1 ENGINE 00401>	1,00
11	SPMV800098716	GRID, RADIATOR		1,00
12	SPMV800099249	CUSHION, WATER RADIATOR		4,00
13	SPMV800091022	BUSH, SCREW, M4x0,7	F4S, F4R, F4RR	2,00
14	SPMV8A0090901	SCREW, M4x13,7	750S, 750S 1+1	2,00
15	SPMV8000A1409	FAIRING, WATER RADIATOR		1,00
16	SPMV800091022	BUSH, SCREW, M4x0,7	F4S, F4R, F4RR	2,00
17	SPMV800099278	WASHER D14-D7.8-SP0.5		4,00
18	SPMV8A0090901	SCREW, M4x13,7	750S, 750S 1+1	2,00
19	SPMV8000B1900	RIGHT UPPER WATER RAD PROTECT		1,00
19	SPMV800098694	PROTECTION SUP. RIGHT RADIATOR A		1,00
20	SPMV800098695	UPPER COVER		1,00
20	SPMV8000B1899	RIGHT UPPER RADIATOR PROTECT	WALLY	1,00
21	SPMV8A0089786	SCREW, FLANGE M6		4,00
22	SPMV800098336	RH RAD COVER		1,00

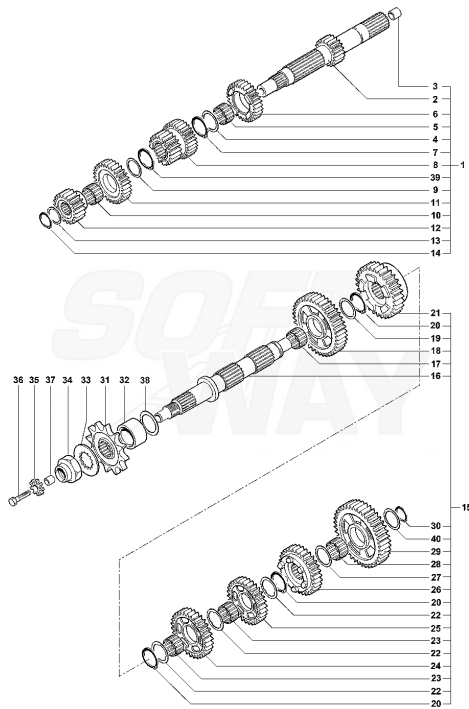
22	SPMV8000B1902	PROTECTION FOR R RADIATOR	WALLY	1,00
23	SPMV800098335	LH RAD COVER		1,00
23	SPMV8000B1901	LEFT RADIATOR PROTECTION	WALLY	1,00
24	SPMV800098323	BRACKET		1,00
25	SPMV800098834	VIBRATION DAMPER D10 D22 SP17		1,00
26	SPMV80A098700	TOP HOLD-DOWN REPLAC.BRAC.RH		1,00
27	SPMV80A098699	BRACKET, LH		1,00
28	SPMV800062725	SCREW TEF M6X1-CH8-L10	750S	1,00
29	SPMV800062726	SCREW	750 ORO	2,00
30	SPMV800062651	VIBRATION REDUCER D22-D10-SP12		1,00
31	SPMV800098698	BRACKET		1,00
32	SPMV800062651	VIBRATION REDUCER D22-D10-SP12		2,00
33	SPMV800097905	OIL COOLER		1,00
34	SPMV800099432	COMP OIL COOLER PROTECTION	BRUTALE S	1,00
35	SPMV800099293	GRIND, OIL RADIATOR		1,00
36	SPMV800099322	PROTECTION, OIL RADIATOR		1,00
37	SPMV800048245	CUSHION, SCREW, M6x1 L16	B4 RS	2,00
38	SPMV800089786	SCREW	750 ORO	2,00
39	SPMV800099159	HOSE, DELIVERY OIL COOLER		1,00
40	SPMV800099160	OIL RETURN HOSE		1,00
41	SPMV800098842	UNION, OIL OUTLET		2,00
42	SPMV800088526	COPPER SEALING WASHER		2,00
43	SPMV800098943	ESP TANK. COMPLETE WITH POR		1,00
44	SPMV800097884	GUIDE, HOSE	5483-5493 5503-5583 5702-5713 5728> <5207 & 5234-5237, 5292-5463	1,00
45	SPMV8A0066778	TSIC SCREW D3.9-L13 AUTOFIL.		1,00
46	SPMV800099453	PLATE		1,00
47	SPMV800090945	ORING, 15,08x2,62mm		2,00
48	SPMV8A0090944	VENT FOR SERB. ESPAN	990R, 1090RR	1,00
49	SPMV8AA091707	CAP, COOLANT FLUID TANK	990R, 1090RR	1,00
50	SPMV8C0090424	SCREW		2,00
51	SPMV800090245	PIPE, HOSE, COOLANT FLUID TANK	990R, 1090RR	1,00
52	SPMV800092256	CLAMP, METAL, 66 D12		2,00
53	SPMV800090244	PIPE, RUBBER, RADIATOR, 4	RR-RUSH	1,00
54	SPMV8U0092249	CLAMP, STEEL, R96 D35	RR-RUSH	1,00
55	SPMV8G0092249	CLAMP, METAL, R96 D30	RR-RUSH	2,00
56	SPMV800099250	ALLOY PIPE	B4 910S	1,00
56	SPMV80A099250	PIPE, METAL, WATER RADIATOR	B4 910 R/B4 ITALIA	1,00
57	SPMV8A0097109	PIPE, RUBBER, RADIATOR		1,00
58	SPMV8V0092249	CLAMP		1,00
59	SPMV8E0092249	CLAMP, METAL D17 R96		1,00
60	SPMV8A0094186	RADIATOR FILLER TUBE	990R, 1090RR	1,00
61	SPMV8Q0092249	CLAMP, STEEL, R96xD18,5		1,00
62	SPMV8M0066179	HOSE, WATER RADIATOR	990R, 1090RR	1,00
63	SPMV800092248	CLAMP, RUBBER, L82	RR-SCS-RC SCS	1,00
64	SPMV800089794	PIPE	<008835 & 008840-009154 B4 910 ITALIA B4 910 S/910 R	1,00
64	SPMV8000A7507	PIPE, RUBBER, THERMOSTAT RADIA	008836-008839 & 009155> B4 910 S/910 R	1,00
65	SPMV8C0092249	CLAMP, METAL, 32MM		1,00
66	SPMV8G0092249	CLAMP, METAL, R96 D30	RR-RUSH	1,00



67	SPMV80B087761	COVER, THERMOSTAT	<008835 & 008840-009154 B4 910 ITALIA B4 910 S/910 R	1,00
67	SPMV80B0A7509	COVER ASSY, THERMOSTAT	008836-008839 & 009155> B4 910 S/910 R	1,00
67	SPMV80C0A7509	COVER, THERMOSTAT	WALLY-HYDROGEN	1,00
68	SPMV800062728	SCREW TEF M6X1-CH8-L20	750 ORO ENGINE 00248> 750S, 750S 1+1 ENGINE 00401>	3,00
69	SPMV800081283	BEHR-THOMPSON THERMOSTAT		1,00
70	SPMV800069413	ORING, THERMOSTAT COVER, 47,29		1,00
71	SPMV8F0092249	CLAMP		1,00
72	SPMV800081280	HOSE, RUBBER		1,00
73	SPMV8F0092249	CLAMP		1,00
74	SPMV80B091923	WATER INLETMANIFOLD		1,00
74	SPMV80C091923	CYLINDER WATER INTAKE COLLECTO	WALLY-HYDROGEN	1,00
75	SPMV800017679	ORING, 3156 39,34x2,62		2,00
76	SPMV800062728	SCREW TEF M6X1-CH8-L20	750 ORO ENGINE 00248> 750S, 750S 1+1 ENGINE 00401>	4,00
77	SPMV800098334	COVER, COOLER FAN		1,00
78	SPMV800053724	BELT, RUBBER, SHORT	MY12/16 USA CND CN	1,00
79	SPMV8000A0901	WASHER D15-D6		2,00
80	SPMV8000A7505	HEATER FAN		2,00
81	SPMV80A0A8944	RH HEATER FAN SUPPORT		1,00
82	SPMV80A0A8945	LH HEATER FAN SUPPORT		1,00
83	SPMV800056443	NUT		6,00
84	SPMV800062726	SCREW	750 ORO	6,00
85	SPMV800056783	Plastic clamp, L142	MY17/20 F3 675-F3 800	2,00
86	SPMV800092668	CLAMP, RUBBER	PER EAS F3 675	1,00

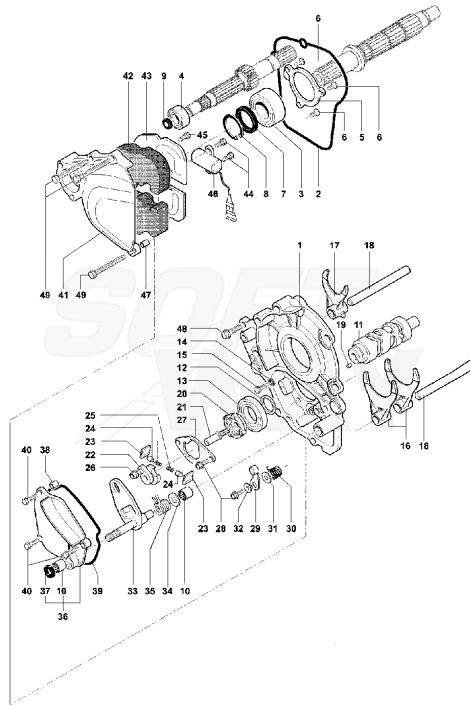


Pos	Part Number	Description	Additional Text	Quantity
1	SPMV8000A2559	HUB,PLATE HOLDING		1,00
2	SPMV800081451	SAFETY WASHER	ENGINE <06539 & 6844-7235	1,00
3	SPMV800091924	NUT M22X1.5	ENGINE <06539 & 6844-7235	1,00
4	SPMV8000A2561	CLUTCH DISC GASKETED A		7,00
5	SPMV8000A2560	DRIVING PLATE LINED B		2,00
6	SPMV8000A2562	DRIVEN PLATE UNLINED		8,00
7	SPMV8000A2563	PLATE CLUTCH PRESSURE ASSY		1,00
8	SPMV8000A2565	RADIAL BEARING 12X28X7	MY14/20 F3 675	1,00
9	SPMV8000A1895	CLUTCH SPRING		4,00
10	SPMV8000A4492	BUSH, CLUTCH SPRING		4,00
11	SPMV8000A1896	CAP SCREW		4,00
12	SPMV8000A2566	PIN, DRIVER, CLUTCH		1,00
13	SPMV800088342	AXLE, DRIVER, CLUTCH		1,00
14	SPMV800081478	CLUTCH CONTROL CYLINDER	EV02	1,00
15	SPMV800062728	SCREW TEF M6X1-CH8-L20	750 ORO ENGINE 00248> 750S, 750S 1+1 ENGINE 00401>	2,00
16	SPMV800067545	FRAME SCREW		1,00
17	SPMV8000A3379	SPRING		1,00
18	SPMV8000A3380	SPRING SEAT		1,00
19	SPMV8000A2543	PRIMARY TRASM. ASSY		1,00
19	SPMV8000A9131	PRIMARY TRASM.GROUP	008836-008839 & 009155> B4 910 S/910 R	1,00
20	SPMV8000A2554	WASHER, CLUTCH		1,00
21	SPMV8000A2555	WASHER, MINOR, CLUTCH		1,00
22	SPMV8000A2556	SPACER, CLUTCH		1,00
23	SPMV8000A2553	BEARING		1,00



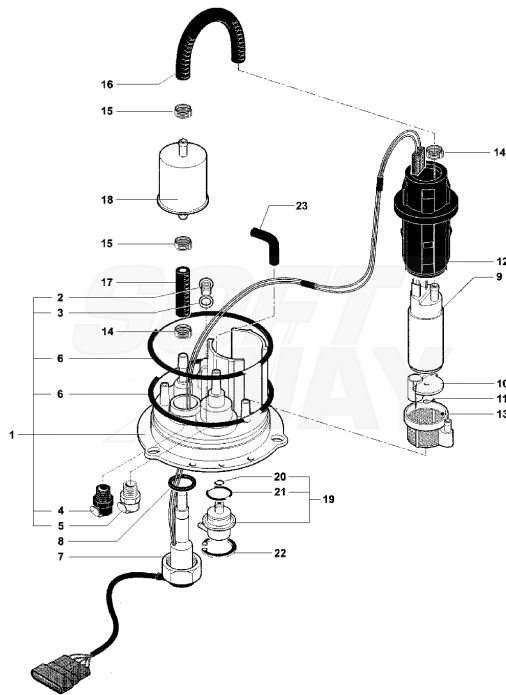
Pos	Part Number	Description	Additional Text	Quantity
1	SPMV8000A2643	MAINSHAFT, TRANSMISSION, B4		1,00
2	SPMV8000A2644	MAIN SHAFT ASSEMBLY	BRUTALE S,09192>,<10409,10968>	1,00
3	SPMV800086699	BUSH		1,00
4	SPMV8000A0973	WASHER	ENGINE 6540-6742 & 7236>	1,00
5	SPMV8000A0370	BUSH	ENGINE 6540-6742 & 7236>	1,00
6	SPMV8000A2630	5TH GEAR	ENGINE 6540-6742 & 7236>	1,00
7	SPMV8000A0975	SNAP RING	ENGINE 6540-6742 & 7236>	1,00
8	SPMV8000A2631	3RD-4TH GEAR	ENGINE 6540-6742 & 7236>	1,00
9	SPMV8000A0973	WASHER	ENGINE 6540-6742 & 7236>	1,00
10	SPMV8000A0370	BUSH	ENGINE 6540-6742 & 7236>	1,00
11	SPMV8000A1956	6TH GEAR	BRUTALE S,09192>,<10409,10968>	1,00
12	SPMV8000A2645	2ND GEAR	BRUTALE S,09192>,<10409,10968>	1,00
13	SPMV8D0081569	WASHER	1.0 MM	1,00
14	SPMV66N221210	SNAP RING	SPR, SR, SR1+1, SENNA	1,00
15	SPMV8000A2646	SECONDARY SHAFT	BRUTALE S,09192>,<10409,10968>	1,00
16	SPMV8000A1072	COUNTER SHAFT	BRUTALE S,09192>,<10409,10968>	1,00
17	SPMV8000A0370	BUSH	ENGINE 6540-6742 & 7236>	1,00
18	SPMV8000A2650	2ND GEAR	BRUTALE S,09192>,<10409,10968>	1,00
19	SPMV8000A4196	WASHER	BRUTALE S,09192>,<10409,10968>	1,00

20	SPMV8000A0990	SNAP RING	ENGINE 6540-6742 & 7236>	3,00
21	SPMV8000A1957	INGR.SLIDING 6 ON SEC.		1,00
22	SPMV8000A4196	WASHER	BRUTALE S,09192>,<10409,10968>	3,00
23	SPMV8000A0370	BUSH	ENGINE 6540-6742 & 7236>	2,00
24	SPMV8000A2637	3RD GEAR	ENGINE 6540-6742 & 7236>	1,00
25	SPMV8000A2638	4TH GEAR	ENGINE 6540-6742 & 7236>	1,00
26	SPMV8000A2639	SLIDING GEAR 5TH ON SEC.	ENGINE 6540-6742 & 7236>	1,00
27	SPMV8000A0987	WASHER	ENGINE 6540-6742 & 7236>	1,00
28	SPMV8000A0370	BUSH	ENGINE 6540-6742 & 7236>	1,00
29	SPMV8000A2640	1ST GEAR	ENGINE 6540-6742 & 7236>	1,00
30	SPMV66N221210	SNAP RING	SPR, SR, SR1+1, SENNA	1,00
31	SPMV8000A1949	SPROCKET, Z15		1,00
32	SPMV8000A2319	SPROCKET SPACER	BRUTALE S,09192>,<10409,10968>	1,00
33	SPMV800081451	SAFETY WASHER	ENGINE <06539 & 6844-7235	1,00
34	SPMV800091924	NUT M22X1.5	ENGINE <06539 & 6844-7235	1,00
35	SPMV800088343	PHONIC WHEEL	SPR, SR, SR1+1, SENNA	1,00
36	SPMV800062728	SCREW TEF M6X1-CH8-L20	750 ORO ENGINE 00248> 750S, 750S 1+1 ENGINE 00401>	1,00
37	SPMV800051549	PIN D8-D6		1,00
38	SPMV8000A1234	WASHER, 35x1,4mm	BRUTALE S,09192>,<10409,10968>	1,00
38	SPMV8A00A1234	WASHER, 35x1,5mm	BRUTALE S,09192>,<10409,10968>	1,00
38	SPMV8B00A1234	WASHER, 35x1,6mm	BRUTALE S,09192>,<10409,10968>	1,00
39	SPMV8000A0975	SNAP RING	ENGINE 6540-6742 & 7236>	1,00
40	SPMV8000A4780	WASHER	BRUTALE S,09192>,<10409,10968>	1,00

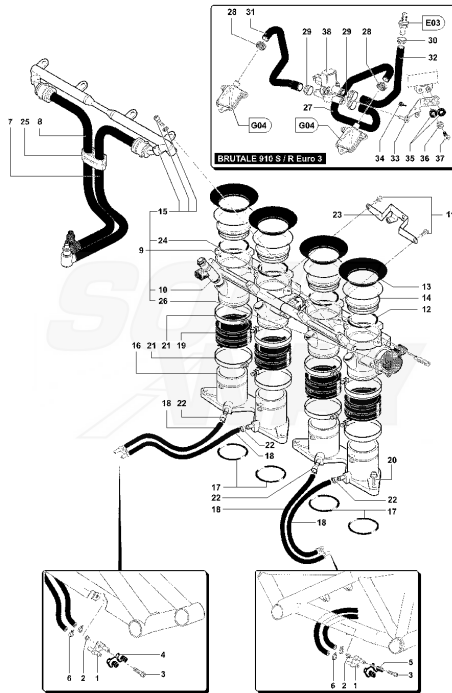


Pos	Part Number	Description	Additional Text	Quantity
1	SPMV8A00A2326	COVER TRANSMISSION	1000S, 1000S1+1, VIN. 002509> 1000S, USA, VIN. 100179> 1000S1+1, USA, VIN. 200163> TAMBURINI	1,00
1	SPMV8B00A2326	COVER TRANSMISSION	WALLY-HYDROGEN	1,00
2	SPMV800086117	PROTECTION, RUBBER, GEARSHIFT		1,00
3	SPMV8000A2318	OBLIQUE BEARING 2 ROWS SF. D28	BRUTALE S,09192>,<10409,10968>	1,00
4	SPMV8000A1086	ROLLER BEARING D24-D40-SP1	BRUTALE S,09192>,<10409,10968>	1,00
5	SPMV800086114	BEARING LOCKING PLATE		1,00
6	SPMV800028327	SCREW		3,00
7	SPMV800089410	GASKET RING D35-D47-SP7		1,00
8	SPMV800091603	SEEGER RING SB 48		1,00
9	SPMV800064296	RETAINER, AXLE, CLUTCH DRIVER		1,00
10	SPMV800051191	ROLL BEARING D12-D18-SP1		2,00
11	SPMV8A0089416	SHAFT FORK		1,00
12	SPMV8A0036022	WASHER, STEEL, COUNTERSHAFT T=	0.2	1,00
12	SPMV8B0036022	WASHER, STEEL, COUNTERSHAFT T=	0.3	1,00
12	SPMV8C0036022	WASHER, STEEL, COUNTERSHAFT T=	0.4	1,00
13	SPMV8A0021774	BEARING, DRUM GEARSHIFT, D25xD		1,00
14	SPMV8000A0901	WASHER D15-D6		2,00
15	SPMV800062726	SCREW	750 ORO	2,00
16	SPMV800081583	FORK, GEARSHIFT, 1-4 2-3		2,00
17	SPMV8000A2537	FORK, GEARSHIFT, 5-6		1,00
18	SPMV800081585	AXLE, GEARSHIFT FORK		2,00
19	SPMV800038520	ROLL D4-L8		1,00
20	SPMV8A0097739	GEAR SELECTOR DRUM		1,00
21	SPMV800098149	SCREW		1,00
22	SPMV800087299	SELECTOR SPROCKET		1,00

23	SPMV800071007	PAWL		2,00
24	SPMV800071008	JUMPER FERRULE		2,00
25	SPMV800071009	SPRING, PUNTALE D0.5 D3.8		2,00
26	SPMV800071010	SCREW		1,00
27	SPMV800081590	SELECTOR		1,00
28	SPMV800062726	SCREW	750 ORO	3,00
29	SPMV800085495	STOPPER, DRUM GEARSHIFT		1,00
30	SPMV800092490	SPRING, DRUM GEARSHIFT STOPPER	B4 RS-B4 RR-B4 NURBURGRING	1,00
31	SPMV800086107	SPACING WASHER D6.2-D20-		1,00
32	SPMV800085493	SPEED CLICK PING		1,00
33	SPMV800089424	SELECTOR.		1,00
34	SPMV8G0004551	WASHER, SPINDLE GEARSHIFT, 22x		1,00
35	SPMV800072826	SPRING		1,00
36	SPMV8A00A2764	COVER, GEAR SHIFT	1000S, 1000S1+1, VIN. 002509> 1000S, USA, VIN. 100179> 1000S1+1, USA, VIN. 200163> TAMBURINI	1,00
36	SPMV8B00A2764	COVER, GEAR SHIFT	WALLY-HYDROGEN	1,00
37	SPMV8A0028855	RING CORCOS BA-B-SL D22-D12-		1,00
38	SPMV800051549	PIN D8-D6		1,00
39	SPMV800089406	ORING,		1,00
40	SPMV800060577	TSEI SCREW M6X1-L20		3,00
41	SPMV80B092494	COVER, SPROCKET	1000S, 1000S1+1, VIN. 002509> 1000S, VIN. 100179> 1000S1+1, VIN. 200163> TAMBURINI	1,00
41	SPMV80C092494	COVER-CHAIN	WALLY-HYDROGEN	1,00
42	SPMV800088347	FOAM, SOUND PROOF, GEARSHIFT		1,00
43	SPMV800088344	SPROCKET GUARD		1,00
44	SPMV800067997	SCREW		2,00
45	SPMV8D0067997	SCREW		1,00
46	SPMV800088346	SPEED SENSOR		1,00
47	SPMV800086131	BUSH, SPROCKET COVER, D8,1xD10		2,00
48	SPMV800091697	SCREW		6,00
49	SPMV8B0091697	SCREW TEF M8X1.25X65		3,00



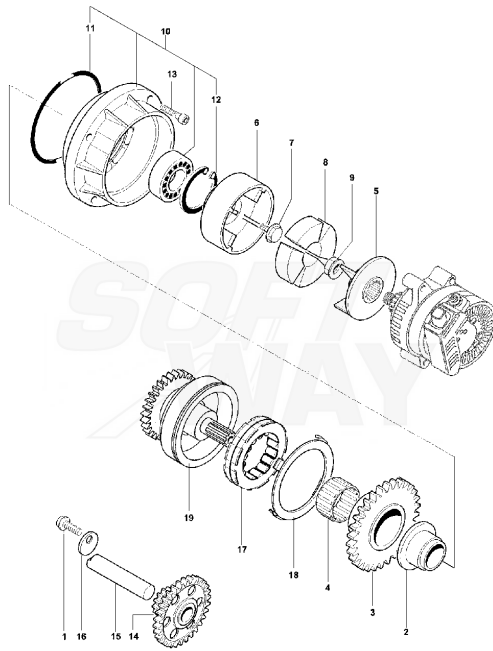
Pos	Part Number	Description	Additional Text	Quantity
1	SPMV8A0094275	INF.FLANGE FOR COMP TANK		1,00
2	SPMV800090927	PLUG		1,00
3	SPMV800021480	WASHER, COPPER, D14xD10,2xE1	MY12/14 F3 675	1,00
4	SPMV80A090925	QUICK CONNECT BODY - BLK		1,00
5	SPMV800090925	QUICK CONNECT BODY - WHITE		1,00
6	SPMV800090939	O RING		2,00
7	SPMV8000A1400	FUEL LEVEL SENSOR		1,00
8	SPMV800090919	GASKET FOR PROBE		1,00
9	SPMV800090920	FUEL PUMP	BOSCH	1,00
10	SPMV800093410	FUEL PUMP CONVEYOR		1,00
11	SPMV800093411	CIRCLIP D4	BOSCH	1,00
12	SPMV800090921	ELASTIC SUPPORT FOR PUMP		1,00
13	SPMV800098305	FILTER, FUEL PUMP		1,00
14	SPMV8M0092249	CLAMP CLIC R 96 D14.5		2,00
15	SPMV8S0092249	CLAMP		2,00
16	SPMV8E0087431	FUEL HOSE		1,00
17	SPMV8H0087431	FUEL TUBE D14.5-D7.5-L50		1,00
18	SPMV800088585	FUEL FILTER		1,00
19	SPMV800090929	PRESS REG		1,00
20	SPMV800093323	OR T2.5-D5		1,00
21	SPMV800093324	O-RING		1,00
22	SPMV800090930	CIRCLIP 36 MM		1,00
23	SPMV800098304	PIPE, REGULATOR		1,00



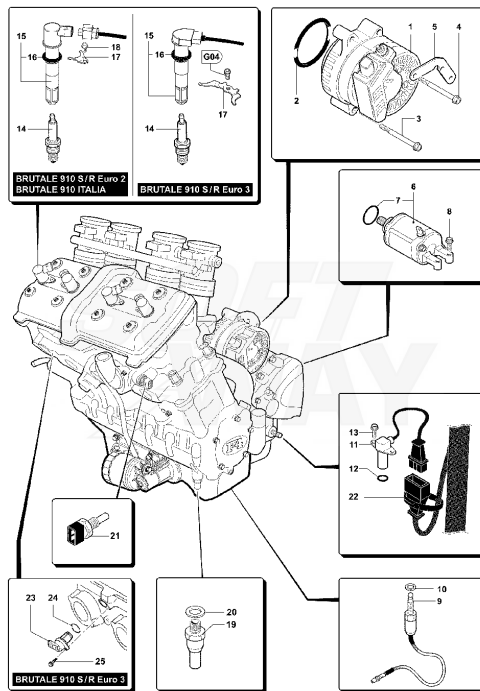
Pos	Part Number	Description	Additional Text	Quantity
1	SPMV800089801	CONNECTOR, VALVE PIPE		2,00
2	SPMV800067412	DISTANCE PIECE		2,00
3	SPMV8C0090424	SCREW		2,00
4	SPMV800089799	COVER, LEFT SIDE, RUBBER, CONN		1,00
5	SPMV800089800	COVER, RIGHT SIDE, RUBBER, CON		1,00
6	SPMV8A0091634	HOSE CLAMP	USA	4,00
7	SPMV8000A4887	HOSE, FUEL RETURN	1000S, USA, VIN. 100179> 1000S, 1000S1+1, AGO, VIN. 002509> 1000S1+1, USA, VIN. 200163>	1,00
8	SPMV8000A4886	HOSE, FUEL DELIVERY	1000R, 1000R1+1 <005490 & 005496-005821 SENNA	1,00
9	SPMV8000A9136	THROTTLE BODY		1,00
9	SPMV8000A5494	THROTTLE BODY COMPL. WEBER	<008835 & 008840-009154 B4 910 ITALIA B4 910 S/910 R	1,00
10	SPMV8000A5495	INJECTOR ASSY		1,00
11	SPMV8E0067997	SCREW, T.E.F. M5X10		2,00
12	SPMV800081304	ORING, OR2187 T1,78 D47,35 VI		4,00
13	SPMV800090350	PROTECTION, INTAKE DUCT		4,00
14	SPMV800091595	DUCT, INTAKE	1000S, 1000S1+1, AGO	4,00
14	SPMV8000A5282	INTAKE DUCT	FRANCE	4,00
15	SPMV8000A4348	FUEL MANIFOLD KIT J.G.	1000S, S1+1, AGO, AFTER REPL.N10	1,00
16	SPMV8A0099101	MANIFOLD, INTAKE		2,00
16	SPMV8B0099101	INTAKE MANIFOLD RH	WALLY-HYDROGEN	2,00
17	SPMV800019965	OIL SEAL		4,00
18	SPMV8B0091037	HOSE, RUBBER		4,00
19	SPMV800089403	INLET SLEEVE	<008835 & 008840-009154 B4 910 ITALIA B4 910 S/910 R	4,00



19	SPMV8000A9604	JOINT, AIR CLEANER	008836-008839 & 009155> B4 910 S/910 R	4,00
20	SPMV8PA067545	SCREW TEF M6X1-CH8-L22		6,00
21	SPMV800089404	CLAMP, INTAKE DUCT		8,00
22	SPMV800096458	CLAMP, METAL, 55 90	MY17/20 F3 675-800-RC	4,00
23	SPMV8000A1453	HOLDER, CABLE		1,00
24	SPMV8000A1455	SET OF SCREWS		2,00
25	SPMV8000A3745	PIPE SPACER CLIP B	1000S,S1+1,AGO,USA,VIN.100005> SEE NOTE	
26	SPMV8000A8005	SENSOR THROTTLE POSITION TPS		2,00
27	SPMV8000A9044	HOSE, SECONDARY AIR VALVE, IL1		1,00
28	SPMV8D0092256	CLAMP, METAL, D16,5 66		2,00
29	SPMV8H0095276	CLIC CLAMP		3,00
30	SPMV8K0095276	CLAMP, METAL		1,00
31	SPMV8000A9045	HOSE, SECONDARY AIR VALVE, IL3		1,00
32	SPMV8000A9046	HOSE, SECONDARY AIR AIRBOX		1,00
33	SPMV8000A9042	BRACKET, SECUNDARY AIR VALVE		1,00
34	SPMV800095828	CUSION		1,00
35	SPMV800089293	CUSHION, D18xD8xE7,5	MY14/20 F3 675-F3 800	2,00
36	SPMV8000A4009	SPACER, SILENCER		1,00
37	SPMV80A031290	SCREW TSPEI M6X1X18		1,00
38	SPMV8000A9043	VALVE, SECONDARY AIR		1,00

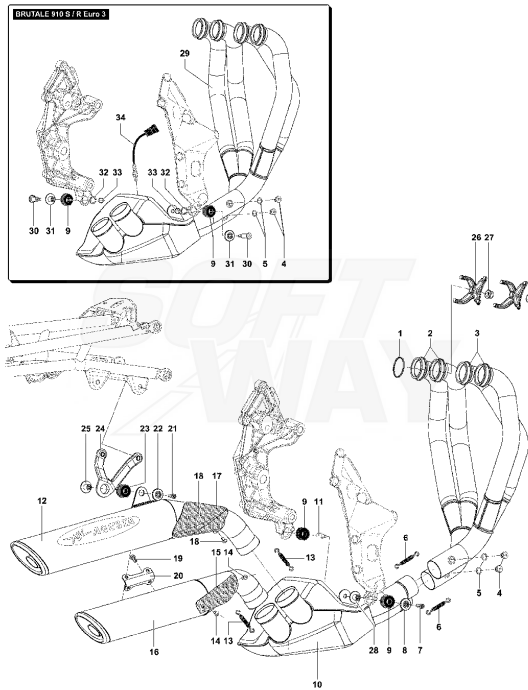


Pos	Part Number	Description	Additional Text	Quantity
1	SPMV800062726	SCREW	750 ORO	1,00
2	SPMV8000A2125	SPINDLE, TAPER		1,00
3	SPMV8000A2126	GEAR, ELECTRIC SYSTEM		1,00
4	SPMV8A0065795	NEEDLE BEARING, D25xD29xSP17		1,00
5	SPMV800081445	HOLDER, SPRING DRIVE		1,00
6	SPMV800087290	JOINT, HUB DRIVEN		1,00
7	SPMV800081393	SCREW		1,00
8	SPMV8000A3812	SPRING DRIVE, ALTERNATOR		4,00
9	SPMV800038624	FLANGE NUT M10X1,25-CH14-S		1,00
10	SPMV800081461	STATOR GENERATOR		1,00
11	SPMV800081453	SEAL RING		1,00
12	SPMV66N021272	ELASTIC RING		1,00
13	SPMV60N102509	TCEI SCREW M6X1-CH5-L20		4,00
14	SPMV8000A2140	BEARING, INTERMEDIATE Z73 Z18		1,00
15	SPMV8000A2131	PIN, CLUTCH		1,00
16	SPMV8000A2139	CLAMP, STEEL		1,00
17	SPMV8000A2137	FREE WHEEL MONDIAL		1,00
18	SPMV8000A2138	FREEWHEEL CHECK		1,00
19	SPMV8000A2128	ALTERNATOR SHAFT	<008835 & 008840-009154 B4 910 ITALIA B4 910 S/910 R	1,00
19	SPMV8000A9139	ALTERNATOR DRIVE SHAFT COMPL.	008836-008839 & 009155> B4 910 S/910 R	1,00



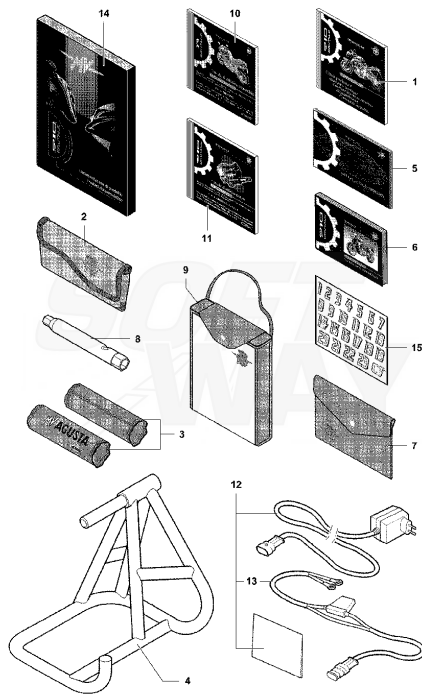
Pos	Part Number	Description	Additional Text	Quantity
1	SPMV8A0081387	ALTERNATOR		1,00
2	SPMV800086223	O-RING SEAL		1,00
3	SPMV8C0091697	SCREW TEF M8X1.25X70		1,00
4	SPMV8B0098219	SCREW TEF M8X1.25X85		2,00
5	SPMV800097278	BRACKET		1,00
6	SPMV8000A2323	STARTER MOTOR		1,00
7	SPMV800091597	GROMMET		1,00
8	SPMV8PA067545	SCREW TEF M6X1-CH8-L22		2,00
9	SPMV800087124	NEUTRAL LIGHT SWITCH		1,00
10	SPMV800039335	WASHER		1,00
11	SPMV800090184	RPM ENGINE SENSOR		1,00
12	SPMV800022551	OR2056 T1		1,00
13	SPMV800067997	SCREW		2,00
14	SPMV800095906	SPARK PLUG, NGK CR9 EB	1000S, 1000S1+1,AGO,NGK CR9EB	4,00
15	SPMV8000A0711	IGN COIL		4,00
15	SPMV8000A6700	BERU COIL WITH GROMMET	008836-008839 & 009155> B4 910 S/910 R	4,00
16	SPMV8000A0515	RUBBER COVER		4,00
17	SPMV8000A8326	SUPPORT, SPARK PLUG CABLE, B4	005491-005495 & 005822> SENNNA	2,00
17	SPMV800099812	PLATE FIX. PT COIL	<008835 & 008840-009154 B4 910 ITALIA B4 910 S/910 R	4,00
18	SPMV800062725	SCREW TEF M6X1-CH8-L10	750S	4,00
19	SPMV8000A7862	MINIUMUM PRESSURE SWITCH		1,00
19	SPMV8000A3744	MINIMUM PRESSURE SWITCH	<008835 & 008840-009154 B4 910 ITALIA B4 910 S/910 R	1,00
20	SPMV62N015676	WASHER D17-D10		1,00

21	SPMV800088575	SENSOR	<008835 & 008840-009154 B4 910 ITALIA B4 910 S/910 R	1,00
21	SPMV8000A7511	SENSOR, OILWATER TEMPERATURE	008836-008839 & 009155> B4 910 S/910 R	1,00
22	SPMV800092247	CLAMP, RUBBER, L62	F3 ORO-F3 AGO	1,00
23	SPMV8000A6703	SENSOR, CAM POSITION		1,00
24	SPMV800036380	OIL SEAL		1,00
25	SPMV800062727	SCREW TEF M6X1-CH8-L16	1000S, AGO, TAMBURINI	1,00



Pos	Part Number	Description	Additional Text	Quantity
1	SPMV800099383	WASHER, MUFFLER	4718> (USA 100437> & 200150>) USA 100437> & 200150>	4,00
2	SPMV800099343	DOWN PIPES		1,00
3	SPMV800099344	DOWN PIPES		1,00
4	SPMV800090972	CO PLUG		2,00
5	SPMV800021480	WASHER, COPPER, D14xD10,2xE1	MY12/14 F3 675	2,00
6	SPMV8000A1239	SPRING, MUFFLER		2,00
7	SPMV8L0090425	Screw TCEIF M6x30		1,00
8	SPMV800089299	EX SPACER	BRUTALE S	1,00
9	SPMV800089302	CUSHION, D30 D22 D12 L3	B4 NURBURGRING-RUSH	2,00
10	SPMV8A00A3824	EXHAUSTCOMPENSATOR		1,00
11	SPMV800099346	BRACKET, EXHAUST PIPE		1,00
12	SPMV8A0097881	SILENCER, UPPER		1,00
13	SPMV8000A1239	SPRING, MUFFLER		2,00
14	SPMV8A0061070	SCREW		2,00
15	SPMV800099403	LOWER PROTECTION		1,00
15	SPMV8000B1898	LOWER PROTECTION EXHAUST	WALLY	1,00
16	SPMV8A0097880	SILENCER, LOWER		1,00
17	SPMV800099349	UPPER PROTECTION		1,00
17	SPMV8000B1897	UPPER PROTECTION EXHAUST	WALLY	1,00
18	SPMV8A0061070	SCREW		2,00
19	SPMV8H0067545	SCREW	TAMBURINI	4,00
20	SPMV800099347	PLATE		1,00
21	SPMV8G0090425	Screw TCEIF M6x20		1,00
22	SPMV8000A9997	WASHER, SPACER, MUFFLER	008836-008839 & 009155> B4 910 S/910 R	1,00
22	SPMV8A0089299	BUSH	<008835 & 008840-009154 B4 910 ITALIA B4 910 S/910 R	1,00

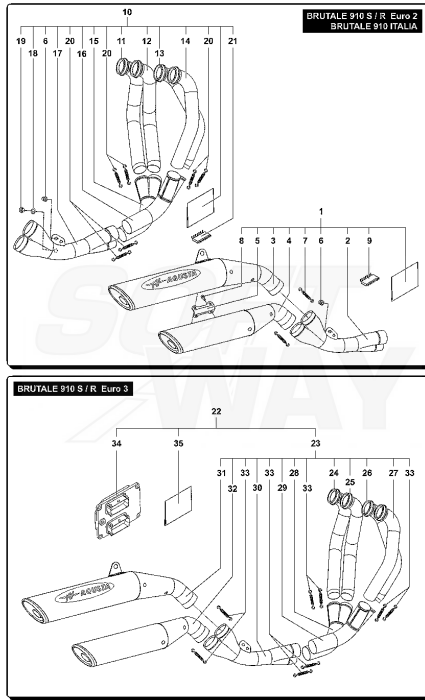
23	SPMV800089302	CUSHION, D30 D22 D12 L3	B4 NURBURGRING-RUSH	1,00
24	SPMV80A099139	HANGER		1,00
25	SPMV800099348	SPINDLE, TAPER		1,00
26	SPMV800090419	FLANGE, MUFFLER COLLECTOR		2,00
27	SPMV80B043928	NUT,M8X1.25	5146-5233 & 5238-5260 5433-5469 & 5493 <4611 (USA <100436 & <200149)	2,00
28	SPMV8000A1952	INNER SPACER	TAMBURINI	1,00
29	SPMV8000A9053	MANIFOLD WITH COMPENSATOR CA	008836-008839 & 009155> B4 910 S/910 R	1,00
30	SPMV8000A9999	SCREW, SPECIAL, MUFFLER, M10x1		2,00
31	SPMV8000A9998	BUSH, SCREWED, MUFFLER, M10x1		2,00
32	SPMV8000B0000	WASHER, D26 D12,3 E1,5		2,00
33	SPMV66N021202	RETAIN RING D12-D11	ROSSO-RR	2,00
34	SPMV8000A8968	SENSOR, LAMBDA		1,00



Pos	Part Number	Description	Additional Text	Quantity
2	SPMV800099351	BAG, TOOL		1,00
3	SPMV800094318	COVER	AGO, TAMBURINI	2,00
4	SPMV800092642	REAR STAND		1,00
5	SPMV800097886	WORLD DEALER GUIDE		1,00
6	SPMV8000A5272	OWNER'S MANUAL USA 50 STATES	<008835 & 008840-009180 B4 910S, USA	1,00
6	SPMV8000A7646	PLATE	<008835 & 008840-009154 B4 910R, ITA	1,00
6	SPMV8000A7647	OWNER'S MANUAL USA	<008835 & 008840-009154 B4 910R, USA	1,00
6	SPMV8000A9024	OWNER'S MANUAL USA	008836-008839 & 009181> B4 910S, USA	1,00
6	SPMV8000A9191	OWNER'S MANUAL USA	008836-008839 & 009155>	1,00
6	SPMV8000A9730	OWNER'S MANUAL ITALIAN	B4 910 ITALIA, ITA	1,00
6	SPMV8000A9750	OWNER'S MANUAL USA	B4 910 ITALIA, USA	1,00
6	SPMV8A00A5271	BRUTALE 910 OWNERS HAND BOOK	<008835 & 008840-009180 B4 910S, GBR	1,00
6	SPMV8A00A7646	OWNER'S MANUAL ENGLISH	<008835 & 008840-009154 B4 910R, GBR	1,00
6	SPMV8B00A5271	OWNER'S MANUAL FRENCH	<008835 & 008840-009180 B4 910S, FRA	1,00
6	SPMV8B00A7646	OWNER'S MANUAL FRENCH	<008835 & 008840-009154 B4 910R, FRA	1,00
6	SPMV8C00A9730	OWNER'S MANUAL GERMAN	B4 910 ITALIA, DEU	1,00
6	SPMV8D00A5271	OWNER'S MANUAL SPANISH	<008835 & 008840-009180 B4 910S, ORANGE	1,00
6	SPMV8D00A7646	OWNER'S MANUAL SPANISH	<008835 & 008840-009154 B4 910R, SPA	1,00
6	SPMV8A00A9730	OWNER'S MANUAL ENGLISH	B4 910 ITALIA, GBR	1,00
6	SPMV8B00A9730	USER AND MAINTENANCE BOOKLET. FRAN	B4 910 ITALIA, FRA	1,00
6	SPMV8C00A5271	OWNER'S MANUAL GERMANY	<008835 & 008840-009180 B4 910S RED/BLACK	1,00

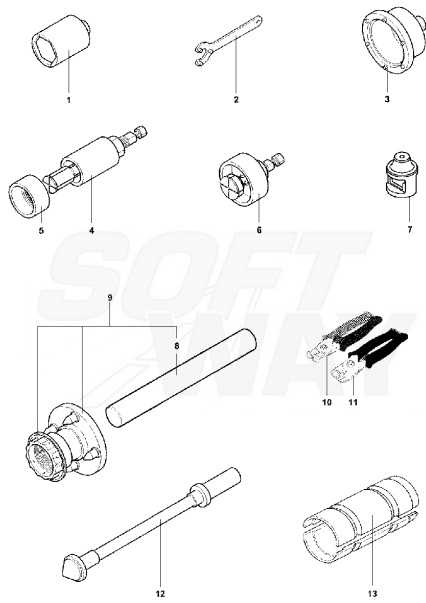
6	SPMV8C00A7646	USER AND MAINTENANCE BOOKLET. TEDE	<008835 & 008840-009154 B4 910R, DEU	1,00
6	SPMV8D00A9730	USER AND MAINTENANCE BOOKLET. SPAG	B4 910 ITALIA, SPA	1,00
6	SPMV8000A5271	USE AND MAINTENANCE BOOKLET. ITAL	<008835 & 008840-009180 B4 910S, ITA	1,00
7	SPMV800093414	CASE, DOCUMENTS	MY12/16 F3 675-800-RC	1,00
8	SPMV800089013	TOOL, SPARK PLUG, 16MM		1,00
9	SPMV800099362	COVER		1,00
9	SPMV8000A9672	COVER	B4 910 ITALIA	1,00
10	SPMV8000A6180	CD-ROM WORKSHOP MANUAL FRAME		1,00
11	SPMV8000A6441	CD-ROM WORKSHOP MANUAL MOTOR		1,00
12	SPMV8000A8617	BATTERY CHARGE		1,00
12	SPMV8000A9372	BATTERY CHARGE	USA	1,00
13	SPMV8000A8618	MOTORCYCLE TAIL		1,00
14	SPMV8000A9705	PRODUCT DOCUMENTATION	008836-008839 & 009155> EXCEPT USA	1,00
14	SPMV8000A9706	PRODUCT DOCUMENTATION	008836-008839 & 009180> B4 910S, EXCEPT USA	1,00
15	SPMV8000A9720	ADHESIVE NUMBERS KIT		1,00



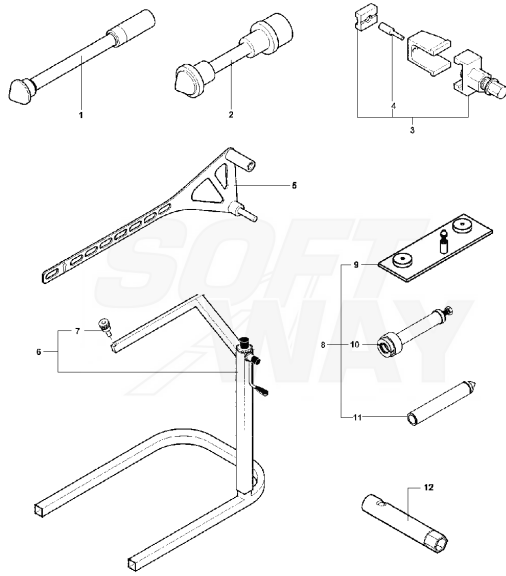


Pos	Part Number	Description	Additional Text	Quantity
1	SPMV8000A9641	SPECIAL EXHAUST KIT COMPL.CON		1,00
2	SPMV8000A8490	EXHAUST MANIFOLD		1,00
3	SPMV8000A8491	SPECIAL UPPER SILENCER	<008835 & 008840-009154	1,00
4	SPMV8000A8492	SPECIAL LOWER SILENCER	<008835 & 008840-009154	1,00
5	SPMV800099347	PLATE		1,00
6	SPMV800037901	NUT		1,00
7	SPMV8000A1239	SPRING, MUFFLER		2,00
8	SPMV8H0067545	SCREW	TAMBURINI	4,00
9	SPMV8G00A5281	UPGRADE.SW CENTRAL.I.E. FOR SC	<008835 & 008840-009154	1,00
10	SPMV8000A8488	SPECIAL EXHAUST KIT COMPL. CO	<008835 & 008840-009154	1,00
11	SPMV8000A9097	HEAD OUTLET MANIFOLD CIL.1	<008835 & 008840-009154	1,00
12	SPMV8000A9098	PIPE, EXHAUST 2		1,00
13	SPMV8000A9099	PIPE, EXHAUST 3		1,00
14	SPMV8000A9100	PIPE, EXHAUST 4		1,00
15	SPMV8000A9101	UNION, EXHAUST PIPE 1-2		1,00
16	SPMV8000A9102	UNION, EXHAUST PIPE 3-4		1,00
17	SPMV8000A8490	EXHAUST MANIFOLD		1,00
18	SPMV800021480	WASHER, COPPER, D14xD10,2xE1	MY12/14 F3 675	1,00
19	SPMV800090972	CO PLUG		1,00
20	SPMV8000A1239	SPRING, MUFFLER		6,00
21	SPMV8F00A5281	AGGIORN.SW CENTRAL. I.E. X SCA	<008835 & 008840-009154	1,00
22	SPMV8000B0630	KIT IMP. EXHAUST B4 IN TITA	008836-008839 & 009155> B4 910 S/910 R	1,00
23	SPMV8000B0624	EXHAUST SYSTEM B4IN TITA	008836-008839 & 009155> B4 910 S/910 R	1,00
24	SPMV8000B0614	CYL.1 HEAD OUTLET MANIFOLD	008836-008839 & 009155> B4 910 S/910 R	1,00
25	SPMV8000B0615	CYL.2 HEAD OUTLET MANIFOLD	008836-008839 & 009155> B4 910 S/910 R	1,00

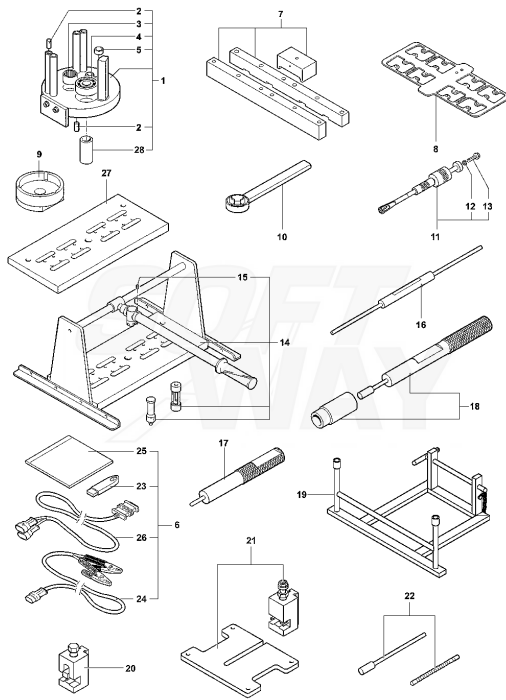
26	SPMV8000B0616	CYL.3 HEAD OUTLET MANIFOLD	008836-008839 & 009155> B4 910 S/910 R	1,00
27	SPMV8000B0617	CYL.4 HEAD OUTLET MANIFOLD	008836-008839 & 009155> B4 910 S/910 R	1,00
28	SPMV8000B0618	MANIFOLD CONNECTION FOR MANIFOLD 1-2 T	008836-008839 & 009155> B4 910 S/910 R	1,00
29	SPMV8000B0619	FITTING FOR MANIFOLD 3-4 T	008836-008839 & 009155> B4 910 S/910 R	1,00
30	SPMV8000B0620	CENTER MANIFOLD TITANIUM	008836-008839 & 009155> B4 910 S/910 R	1,00
31	SPMV8000B0621	UPPER SILENCER TITANIUM	008836-008839 & 009155> B4 910 S/910 R	1,00
32	SPMV8000B0622	LOWER SILENCER TITANIUM	008836-008839 & 009155> B4 910 S/910 R	1,00
33	SPMV8000B0623	SPRING FOR EXHAUST WITH SHEATH	008836-008839 & 009155> B4 910 S/910 R	8,00
34	SPMV8D00A9037	CONTROL UNIT ACC. INIEZ.5.SM FOR	008836-008839 & 009155> B4 910 S/910 R	1,00
35	SPMV8000B0631	INSTRUCE. ASSEMBLY KIT SCAR	008836-008839 & 009155> B4 910 S/910 R	1,00



Pos	Part Number	Description	Additional Text	Quantity
1	SPMV800092872	WRENCH FOR FRONT WHEEL AXLE		2,00
2	SPMV800091645	Holding wrench		1,00
3	SPMV800092857	Groove nut wrench		1,00
4	SPMV800092860	FORK BEARING		1,00
5	SPMV800092861	BEARING EXTRACTOR		1,00
6	SPMV800092862	FRONT WHEEL BEARING PULLER		1,00
7	SPMV800092863	KEY FOR CPC		1,00
8	SPMV8000A1953	PIN FOR CENTERING		1,00
9	SPMV800092865	Special tool rear wheel		1,00
10	SPMV800095850	Tool for pliers clic clamps		1,00
11	SPMV800098321	Tool for tilted pliers clic clamps		1,00
12	SPMV800092866	FORK PACK TOOL		1,00
13	SPMV8000A1039	Tool for dust cover and oil seal		1,00

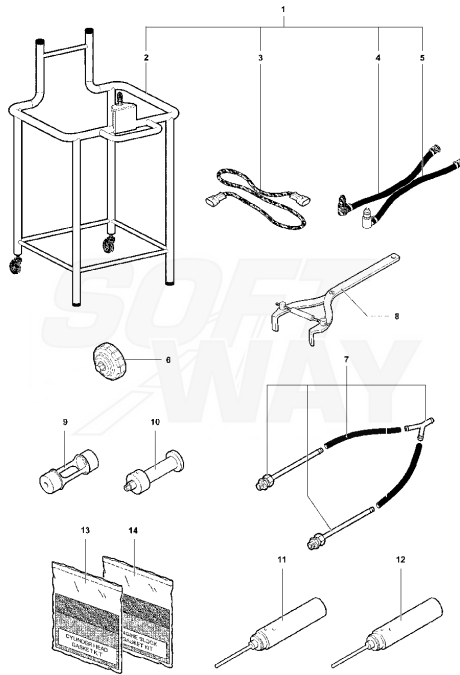


Pos	Part Number	Description	Additional Text	Quantity
1	SPMV800092867	ROCKER ARM PACK TOOL		1,00
2	SPMV800092868	FRONT WHEEL BEARING TOOL		1,00
3	SPMV800095389	CHAIN TOOL PITCH 520 532		1,00
4	SPMV800095390	PIN CHAIN CUTTING 520-532		1,00
5	SPMV800093347	REAR SUSPENSION		1,00
6	SPMV800095807	ANT. STAND COMPLETE		1,00
7	SPMV800095808	FRONT STAND PIN		1,00
8	SPMV800097887	EQUIPMENT. CUSHION. STER PIN		1,00
9	SPMV800097888	STEERING BASE CONTROL		1,00
10	SPMV800097889	STEERING BEARING		1,00
11	SPMV800097890	STEERING BEARING		1,00
12	SPMV8000A1878	AIRBOX VIBRATION-TOOL		1,00

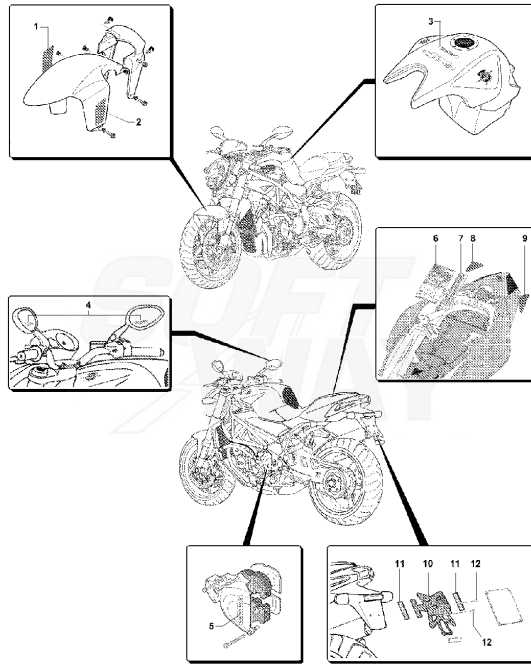


Pos	Part Number	Description	Additional Text	Quantity
1	SPMV8A0094792	Tool for Gearbox assembly		1,00
2	SPMV800086119	BUSH, CRANKCASE, 27x12MM		8,00
3	SPMV8000A1087	BEARING, SECONDARY AXLE, RNU41	BRUTALE S 09192>,<10409,10968>	1,00
4	SPMV800098405	BEARING	BRUTALE S 09192>,<10409,10968>	1,00
5	SPMV800087300	BEARING		1,00
6	SPMV8A00A5394	DIAGNOSTIC SOFTWARE		1,00
7	SPMV8000A3406	PISTON PROJECTION		1,00
8	SPMV800094797	CONTOURED HEAD COVER PLATE		1,00
9	SPMV800094795	ALTERN.SHAFT LOCKING TOOL		1,00
10	SPMV800094794	FLEX.COUPLING LOCKING TOOL		1,00
11	SPMV800094798	GOMMIN DISASSEMBLY EQUIPMENT		1,00
12	SPMV62N115538	SPRING WASHER		1,00
13	SPMV8C0069056	TEF SCREW M8X1.25 CH12-L30		3,00
14	SPMV800094796	VALVES ASSEMBLY		1,00
15	SPMV800051521	SCREW M4X6		2,00
16	SPMV800095429	CONTROL PAD		1,00
17	SPMV800095581	VALVE SEAL ASSEMBLY		1,00
18	SPMV8000A2385	GUIDE MOUNTING PAD		1,00
19	SPMV800097867	ENGINE MOUNT		1,00
20	SPMV8000A2280	TIMING CHAIN MOUNTING		1,00
21	SPMV8000A2281	TIMING CHAIN CUTTING		1,00
22	SPMV8000A2625	BROACH FOR VALVE GUIDE		1,00
23	SPMV8000A7688	HARDWARE KEY USB FOR VDST P		1,00
24	SPMV8000A5393	INTERVIEW CABLE WITH CENTRAL	FOR CONTROL UNIT INJECTION	1,00
25	SPMV8A0093878	CD-ROM SOFTWARE DIAGNOSTIC	FOR WINDOWS XP	1,00
26	SPMV8000A7689	SERIALUSB ADAPTER		1,00

27	SPMV8000A9639	BASE PLATE		1,00
28	SPMV8A00B2859	PIPE		1,00

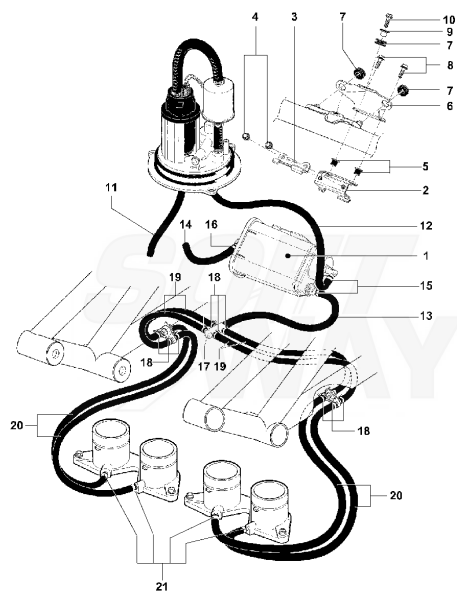


Pos	Part Number	Description	Additional Text	Quantity
1	SPMV8000A1874	EQUIPMENT FOR TANK SUPPORT		1,00
2	SPMV8000A0965	PETROL TANK SUPPORT		1,00
3	SPMV8000A1876	LEAD WIRE ASSY		1,00
4	SPMV80A0A1875	GASOLINE DELIVERY HOSE CONPL.PR		1,00
5	SPMV8000A1875	PETROL DELIVERY HOSE COMPL.PR		1,00
6	SPMV8000A4317	OIL FILTER TOOL		1,00
7	SPMV8000A4686	CO CONTROLTOOL		1,00
8	SPMV800079015	CLUTCH BLOCKING TOOL		1,00
9	SPMV800095179	HALF-CONES		1,00
10	SPMV800095180	HALF-CONES		1,00
11	SPMV800095318	PAD FOR EXHAUST VALVE		1,00
12	SPMV800095319	PAD FOR INTAKE VALVE		1,00
13	SPMV8000A5018	GASKET SET CYLINDER HEAD		1,00
14	SPMV8000A5019	GASKET SET, CRANKCASE		1,00

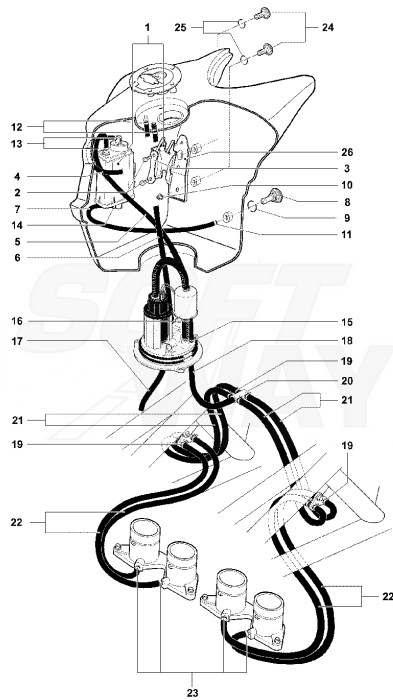


Pos	Part Number	Description	Additional Text	Quantity
1	SPMV800095484	REFLEX REFLECTOR, FRONT RH		1,00
2	SPMV800095485	REFLEX REFLECTOR, FRONT LH		1,00
3	SPMV800095366	FUEL DATA PLATE		1,00
4	SPMV800094019	DECAL MIRROR	USA-CND	2,00
5	SPMV800095842	GEARS DATA PLATE	JPN	1,00
6	SPMV8000A5288	LABEL, EMISSION CONTROL	<008835 & 008840-009154 B4 910 "ITALIA" USA B4 910 S/910 R, USA	1,00
6	SPMV8000A9026	LABEL, EMISSION CONTROL	008836-008839 & 009155> B4 910 S/910 R, USA	1,00
7	SPMV8000A5289	LABEL, NOISE		1,00
8	SPMV800095486	REFLEX REFLECTOR, REAR RH		1,00
9	SPMV800095487	REFLEX REFLECTOR, REAR LH		1,00
10	SPMV8000A1825	SECURING FLANGE		1,00
11	SPMV80B073832	RETROREFLECTOR		2,00
12	SPMV800062726	SCREW	750 ORO	2,00

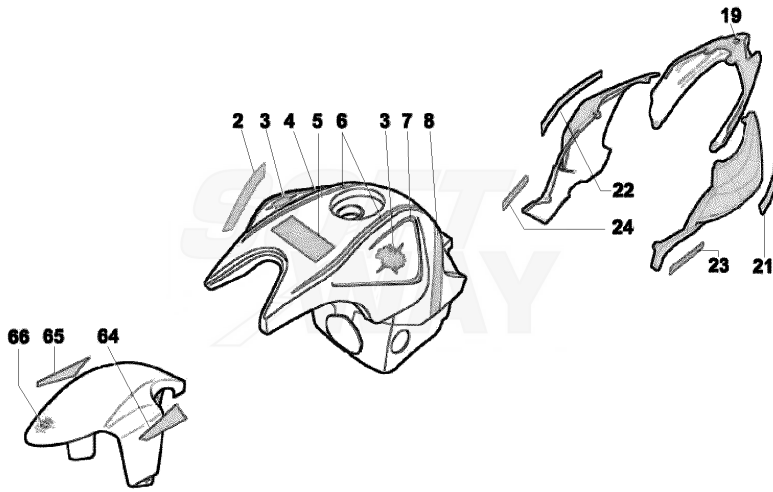




Pos	Part Number	Description	Additional Text	Quantity
1	SPMV800097084	CANISTER FILTER		1,00
2	SPMV8000A1681	PLATE FOR ANT.FIX.CANISTER	USA	1,00
3	SPMV8000A1682	PLATE, BREATHER REAR		1,00
4	SPMV8E0067997	SCREW, T.E.F. M5X10		2,00
5	SPMV800063150	SPRING NUT M5		2,00
6	SPMV8000A1680	PLATE, HOLDER		1,00
7	SPMV800089293	CUSHION, D18xD8xE7,5	MY14/20 F3 675-F3 800	3,00
8	SPMV8A0067997	PLATE FIXING SCREW		2,00
9	SPMV800044099	SPACER		1,00
10	SPMV800062727	SCREW TEF M6X1-CH8-L16	1000S, AGO, TAMBURINI	1,00
11	SPMV800098950	FUEL TANK DRAIN PIPE		1,00
12	SPMV8A0098714	HOSE, RUBBER		1,00
13	SPMV8A0097089	HOSE, RUBBER		1,00
14	SPMV8A0090940	HOSE, VITON 6.5X10.5X475		1,00
15	SPMV800096458	CLAMP, METAL, 55 90	MY17/20 F3 675-800-RC	2,00
16	SPMV8A0092256	CLAMP CLIC R 66 10 MM		1,00
17	SPMV800097088	5-WAY FITTING		1,00
18	SPMV8A0091634	HOSE CLAMP	USA	12,00
19	SPMV800097090	HOSE		4,00
20	SPMV8B0091037	HOSE, RUBBER		4,00
21	SPMV800096458	CLAMP, METAL, 55 90	MY17/20 F3 675-800-RC	4,00



Pos	Part Number	Description	Additional Text	Quantity
1	SPMV800097083	CANISTER COMPLETE	008836-008839 & 009155> B4 910 S/910 R, USA	1,00
2	SPMV8D0067997	SCREW		2,00
3	SPMV800097086	PLATE		1,00
4	SPMV800098714	TUBE 5.5X9.5 L-400 WITH INLET	008836-008839 & 009155> B4 910 S/910 R, USA	1,00
5	SPMV800097089	HOSE	MY12/16 USA CND CN	1,00
6	SPMV800090940	HOSE 6.5X10.5 L-385 VITON	EXCEPT USA	1,00
7	SPMV8A0090940	HOSE, VITON 6.5X10.5X475		1,00
8	SPMV800099374	SCREW		1,00
9	SPMV8A0023118	SEAL RING		1,00
10	SPMV800056443	NUT		1,00
11	SPMV8A0092256	CLAMP CLIC R 66 10 MM		1,00
12	SPMV8B0091687	STAINLESS STEEL HOSE CLAMP D10	008836-008839 & 009155> B4 910 S/910 R, USA	2,00
13	SPMV800096458	CLAMP, METAL, 55 90	MY17/20 F3 675-800-RC	2,00
14	SPMV8A0092256	CLAMP CLIC R 66 10 MM		1,00
15	SPMV8B0092256	CLAMP, HOSE		1,00
16	SPMV8C0092256	CLAMP		1,00
17	SPMV800098950	FUEL TANK DRAIN PIPE		1,00
18	SPMV800098715	HOSE		1,00
19	SPMV8A0091634	HOSE CLAMP	USA	12,00
20	SPMV800097088	5-WAY FITTING		1,00
21	SPMV800097090	HOSE		4,00
22	SPMV8B0091037	HOSE, RUBBER		4,00
23	SPMV800096458	CLAMP, METAL, 55 90	MY17/20 F3 675-800-RC	4,00
24	SPMV800099373	SCREW		2,00
25	SPMV8A0023116	ORING, 13,10x2,62mm		2,00
26	SPMV8A0097087	PLATE		1,00



Pos	Part Number	Description	Additional Text	Quantity
2	SPMV8000B1490	RIGHT DECAL FLAG	HYDROGEN	1,00
2	SPMV8000B1824	WALLY POWER DECAL	WALLY	1,00
3	SPMV8000B1903	TANK MV DECAL	WALLY	1,00
3	SPMV80B098832	DECAL	FOR RED	1,00
4	SPMV8000B1826	STICKER FUEL TANK RIGHT		1,00
5	SPMV8000B1488	DECAL -910R- FUEL TANK	HYDROGEN	1,00
5	SPMV8000B1822	DECAL -BRUTALE 118R- FUEL TANK	WALLY	1,00
6	SPMV8000B1491	DECAL	HYDROGEN	2,00
6	SPMV8000B1823	TANK	WALLY	2,00
7	SPMV8000B1825	STICKER FUEL TANK LEFT		1,00
8	SPMV8000B1489	DECAL -STRIPES- LEFT	HYDROGEN	1,00
8	SPMV8000B1824	WALLY POWER DECAL	WALLY	1,00
19	SPMV8000B1484	DECAL	HYDROGEN	1,00
19	SPMV8000B1842	DECAL MV	WALLY	1,00
21	SPMV8000B1481	LEFT DECAL	HYDROGEN	1,00
21	SPMV8000B1819	BRUTALE 118R LEFT DECAL	WALLY	1,00
22	SPMV8000B1482	DECAL	HYDROGEN	1,00
22	SPMV8000B1818	RIGHT BRUTALE 118R DECAL	WALLY	1,00
23	SPMV800098830	DECAL	B4 910R B4 910S, EXCEPT RED/SILVER	1,00
24	SPMV800098830	DECAL	B4 910R B4 910S, EXCEPT RED/SILVER	1,00
64	SPMV8000B1475	LEFT DECAL FOR FENDER	HYDROGEN	1,00
64	SPMV8000B1813	LEFT WALLY POWER DECAL	WALLY	1,00
65	SPMV8000B1476	RIGHT DECAL FOR FENDER	HYDROGEN	1,00
65	SPMV8000B1812	RIGHT WALLY POWER DECAL	WALLY	1,00
66	SPMV8000B1486	DECAL H2J		1,00