

Vespa[®]

SPARE PARTS CATALOGUE



Vespa S 150 4T 2V NOABS E2 2007 (NAFTA)

Chassis prefix: ZAPM448F

Engine prefix: M443M

Vespa S 150

EVP4000US5



Index

Finished products.....	4
Alphanumeric index.....	5
Engine.....	10
Table 01.02 - Engine, assembly.....	10
Table 01.05 - Crankcase.....	11
Table 01.06 - Crankshaft.....	13
Table 01.07 - Cylinder-piston-wrist pin unit.....	14
Table 01.10 - Head unit - Valve.....	15
Table 01.11 - Rocking levers support unit.....	16
Table 01.12 - Cylinder head cover.....	17
Table 01.13 - Driving pulley.....	18
Table 01.14 - Driven pulley.....	19
Table 01.15 - Crankcase cover - Crankcase cooling.....	20
Table 01.18 - Oil pump.....	21
Table 01.20 - Stater - Electric starter.....	22
Table 01.21 - Flywheel magneto.....	23
Table 01.23 - Flywheel magneto cover - Oil filter.....	24
Table 01.25 - Reduction unit.....	25
Table 01.35 - Rear brake - Brake jaw.....	26
Table 01.39 - Carburettor, assembly - Union pipe.....	27
Table 01.40 - Carburetor's components.....	28
Table 01.42 - Silencer.....	29
Table 01.45 - Air filter.....	30
Table 01.46 - Secondary air box.....	31
Frame - Plastic parts - Coachwork.....	32
Table 02.01 - Frame/bodywork.....	32
Table 02.25 - Stand/s.....	33
Table 02.26 - Front shield.....	34
Table 02.30 - Front glove-box - Knee-guard panel.....	35
Table 02.31 - Central cover - Footrests.....	36
Table 02.32 - Side cover - Spoiler.....	37
Table 02.33 - Wheel huosing - Mudguard.....	39
Table 02.34 - Helmet huosing - Undersaddle.....	41
Table 02.37 - Rear cover - Splash guard.....	42
Table 02.38 - Plates - Emblems.....	43
Table 02.39 - Saddle/seats.....	44
Table 02.45 - Driving mirror/s.....	45
Table 02.46 - Locks.....	46
Table 02.47 - Fuel tank.....	47
Table 02.53 - Supply system.....	48
Table 02.61 - Anti-percolation system.....	49
Handlebars/Steering.....	51
Table 03.01 - Handlebars coverages.....	51



Table 03.02 - Meter combination - Cruscotto.....	52
Table 03.06 - Handlebars - Master cil.....	53
Suspensions - Wheels.....	54
Table 04.01 - Swinging arm.....	54
Table 04.02 - Fork/steering tube - Steering bearing unit.....	55
Table 04.10 - Rear suspension - Shock absorber/s.....	57
Table 04.11 - Front wheel.....	58
Table 04.12 - Rear wheel.....	59
Braking system - Transmissions.....	60
Table 05.01 - Brakes pipes - Calipers.....	60
Table 05.03 - Transmissions.....	61
Electrical system.....	62
Table 06.01 - Selectors - Switches - Buttons.....	62
Table 06.03 - Front headlamps - Turn signal lamps.....	63
Table 06.04 - Rear headlamps - Turn signal lamps.....	65
Table 06.05 - Remote control switches - Battery - Horn.....	66
Table 06.06 - Voltage Regulators - Electronic Control Units (ecu) - H.T. Coil.....	67
Table 06.08 - Main cable harness.....	68



Finished products

Code	Validity
EVP49ZNUS5	Colour: Shiny Black[94]
EVP4AINUS5	Colour: Mizar Orange[938/A]
EVP4BRNUS5	Colour: Fusion White[544]
EVP4RZNUS5	Colour: DRAGON RED[894]



Code	No. table	Pos.	Code	No. table	Pos.	Code	No. table	Pos.
000267	01.21	7	018639	02.47	2	192598	02.33	3
000674	01.05	11	018639	06.06	2	194423	04.12	4
002440	02.25	3	018640	01.45	10	196868	02.47	8
002440	04.01	6	020008	04.10	10	198513	04.02	15
002440	04.10	7	020104	02.37	16	199190	01.15	17
002613	03.06	11	020105	03.06	12	199190	02.26	12
003055	06.03	27	020108	04.02	12	199190	02.32	10
003056	01.45	12	020206	03.06	10	1B0045715	02.61	1
003058	05.01	10	021108	04.10	2	1R000318	06.05	3
003751	04.02	22	021114	04.02	27	217280	02.61	11
006078	06.03	26	021210	04.02	3	223605	03.06	2
006416	01.20	13	030115	02.25	2	232108	04.01	6
006422	04.02	50	031058	04.02	49	232108	04.10	7
006635	01.15	4	031089	06.08	5	239388	01.05	2
006635	04.02	33	031091	01.12	2	239388	01.15	2
006652	01.25	5	031091	01.20	2	239397	01.10	3
006716	05.03	2	031091	01.39	3	241936	02.33	5
006731	04.02	16	031091	02.47	2	248419	02.30	10
006965	06.03	13	031091	06.06	2	248419	06.06	5
006975	01.21	11	031120	04.02	10	252945	06.08	2
006975	04.02	48	060201	01.21	10	253937	02.46	2
006976	01.20	4	090854	02.61	4	254485	01.45	13
006976	06.03	11	092517	04.02	28	254485	01.46	6
008370	01.13	6	097734	02.01	5	254485	02.31	12
008372	06.04	10	119219	04.02	17	254485	02.34	12
008457	03.01	4	122781	04.01	8	254485	02.37	3
008457	06.03	19	123394	03.06	14	254485	02.47	5
012112	06.03	28	123394	03.06	19	254485	04.02	25
012528	06.06	11	125998	03.06	6	257134	05.03	16
012533	01.45	11	127927	05.01	3	258146	01.15	13
012535	04.02	2	127927	05.01	5	258146	01.45	4
012543	03.06	4	129953	06.04	3	258146	01.46	2
012789	04.02	30	145298	01.15	14	258146	03.01	5
012789	04.12	5	145298	01.39	9	258160	02.47	11
013763	02.37	14	145298	02.53	13	258403	06.01	5
013763	02.37	7	145298	02.61	25	259151	01.21	9
013769	06.04	5	145298	05.03	17	259349	02.30	2
013880	02.47	4	145298	05.03	4	259349	02.32	9
015330	03.06	5	145298	06.08	6	259372	02.34	14
015558	06.03	10	147511	03.06	13	259577	01.46	19
015727	02.33	18	149104	04.02	4	259830	01.46	14
015727	02.33	2	174085	04.02	5	259830	02.37	2
015792	04.11	2	174088	04.02	6	259832	02.47	10
015856	06.06	10	174874	04.02	7	261319	04.01	4
015900	02.33	7	177408	04.02	40	265249	03.06	20
015911	02.31	5	177414	04.02	51	265451	05.01	2
015911	05.03	9	177436	04.02	43	265451	05.01	4
015935	06.03	12	177442	04.02	38	266040	05.03	5
015996	06.04	4	177443	04.02	39	266724	01.35	2
016404	02.37	15	177445	04.02	53	266725	01.35	5
016405	01.42	8	177451	04.02	18	266841	04.02	46
016405	05.03	20	177494	04.02	42	267038	04.10	4
016406	02.47	3	177521	04.02	52	267818	04.02	37
016406	02.53	5	177609	04.02	29	267819	04.02	44
016406	06.05	4	177610	04.02	34	267917	03.06	3
016408	04.02	11	178150	04.10	5	267948	03.06	22
016408	04.10	3	178790	04.01	9	267958	01.15	18
018509	02.01	4	179640	05.03	8	267958	02.26	13
018538	01.11	17	181351	02.32	2	268158	04.10	6
018544	02.26	11	181351	02.32	5	268596	02.26	7
018575	01.05	31	181351	02.33	13	269118	04.02	47
018575	01.21	5	181746	06.03	30	269145	03.06	9
018575	05.03	19	181746	06.03	33	269755	01.25	12
018591	02.37	13	181747	06.03	16	270310	05.03	7
018639	01.12	2	181747	06.03	18	270793	03.01	6
018639	01.20	2	182302	02.34	8	270793	06.03	6
018639	01.39	3	192598	02.33	19	270991	04.11	4



Code	No. table	Pos.	Code	No. table	Pos.	Code	No. table	Pos.
270991	04.12	6	414838	01.35	8	486075	01.23	9
271147	04.02	35	430264	01.15	7	486081	01.05	9
271596	05.01	8	430585	01.14	9	486082	01.18	3
271779	04.01	5	431065	01.05	25	486294	01.07	4
271891	02.31	11	431089	01.14	8	486295	01.07	5
271891	02.34	13	431093	01.14	10	486324	01.14	18
272836	02.01	6	431205	01.20	11	486331	01.11	10
272836	02.61	24	431860	01.05	5	486336	01.11	9
272921	01.25	4	431860	01.15	5	486339	01.11	4
273099	04.12	2	432142	01.05	10	486355	01.07	6
273693	04.02	9	432142	01.05	19	486972	01.46	16
273754	02.25	5	433232	01.14	14	486974	01.11	12
273779	05.03	11	433391	01.13	9	487126	01.25	10
274246	01.14	17	433800	01.42	7	487127	01.25	11
274489	03.06	17	433987	01.20	12	487211	01.25	8
274491	03.06	16	434541	01.18	26	487212	01.25	6
277916	01.05	18	434541	02.01	7	487824	01.18	10
277916	01.10	14	434541	02.53	4	487832	01.11	8
277916	01.18	11	434541	06.05	2	487833	01.11	11
285536	01.23	2	434541	06.06	8	487936	01.14	12
285846	01.10	10	434541	06.08	10	487989	01.12	6
287913	01.18	4	434716	01.10	2	494984	01.02	2
288474	01.23	4	434855	01.13	2	494985	01.02	3
288673	01.20	7	434885	01.13	10	560045	04.01	7
289495	01.20	10	435571	01.10	15	560284	04.02	31
289731	01.15	10	435629	01.10	3	560284	04.02	36
289731	01.18	8	436438	01.10	7	560286	04.02	41
289731	01.20	15	436695	01.18	6	560661	04.12	7
289731	05.01	12	436783	01.13	12	561433	04.02	26
290405	02.34	7	436783	01.21	6	56204R	04.01	1
290860	06.08	2	436788	02.39	7	562310	04.01	10
292022	06.03	14	436919	06.06	13	56285R	02.25	1
292723	06.03	2	436947	01.42	13	562919	02.33	6
293902	02.61	23	463195	02.32	11	562923	03.06	15
294678	02.37	10	478115	01.05	14	56292R	01.35	1
294723	06.01	2	478984	01.25	2	563324	04.10	8
294877	06.01	1	478985	01.15	3	563728	04.12	3
296141	02.32	8	479132	01.45	5	56395R	04.02	32
296141	02.37	6	479986	01.18	13	563984	02.25	8
296456	02.39	2	480401	01.42	6	564053	04.02	45
296743	02.39	3	482291	05.01	13	56410R	04.10	1
296817	02.47	7	482335	01.07	2	564134	01.35	4
297498	01.46	22	483226	01.14	5	564136	01.35	3
297498	02.26	14	483539	01.20	6	564215	01.35	6
297498	02.30	3	483706	01.10	5	564217	05.03	3
297498	02.31	13	483707	01.10	4	564223	04.01	11
297498	03.02	5	483711	01.10	6	564645	05.03	14
298243	02.31	8	483767	01.05	21	56467R	02.25	1
298548	01.15	15	483776	01.23	6	564683	03.06	21
298581	02.46	1	483785	01.05	8	573128	02.34	4
298594	02.46	5	483841	01.23	3	573905	02.46	6
298604	02.01	2	483914	01.10	9	573960	02.46	8
298729	02.39	4	483915	01.10	8	575079	02.33	14
298729	05.03	17	483918	01.18	17	575249	02.33	15
298731	02.46	7	484034	01.05	4	575249	02.33	4
298838	02.46	4	484123	01.11	7	575249	02.37	4
298903	02.46	3	484726	01.15	12	575249	04.02	24
299557	02.32	16	484819	01.11	3	575329	02.34	5
299558	02.32	17	485047	01.05	22	575819	02.30	4
299559	02.32	18	485603	01.10	13	576017	02.34	2
299964	02.26	4	485655	01.05	26	576189	02.30	7
299965	02.26	3	485703	01.25	13	576189	02.31	2
411295	01.05	17	485868	01.18	23	576189	02.34	3
411296	01.10	12	485879	01.25	9	576267	01.15	16
411311	01.05	3	485912	01.05	6	576453	02.61	5
414837	01.18	22	485912	01.25	3	576454	02.61	17
414838	01.11	15	485913	01.05	7	576464	02.38	1



Code	No. table	Pos.	Code	No. table	Pos.	Code	No. table	Pos.
576702	02.38	9	6221360090	02.31	4	65425800BR	02.33	1
576704	02.38	10	62213600AI	02.31	4	65425800R7	02.33	1
576705	02.38	8	62213600BR	02.31	4	654261	02.37	1
576707	02.38	12	62213650R7	02.31	4	6542610090	02.37	1
576708	02.38	6	622139	02.31	7	65426100AI	02.37	1
576860	02.61	3	622187	02.26	2	65426100BR	02.37	1
576953	02.38	7	622188	02.26	1	65426100R7	02.37	1
577492	02.39	5	623020	02.34	6	654262	02.37	8
577557	02.47	9	623205	02.38	4	6542620090	02.37	8
580160	06.08	8	623206	02.61	20	65426200AI	02.37	8
580621	06.01	8	623420	02.37	5	65426200BR	02.37	8
580653	06.08	3	624866	02.53	3	65426200R7	02.37	8
58090R	06.06	1	638852	01.12	9	654263	03.01	1
58099R	06.05	6	638975	06.01	3	6542630090	03.01	1
58100R	06.06	7	638976	06.01	4	65426300AI	03.01	1
581051	02.01	3	639101	06.03	32	65426300BR	03.01	1
58115R	06.05	5	639102	06.03	29	65426300R7	03.01	1
581248	02.25	7	639154	06.08	4	654264	03.01	2
581249	02.25	6	639285	06.04	6	6542640090	03.01	2
58130R	01.21	1	639286	06.04	8	65426400AI	03.01	2
58176R	06.04	8	639296	06.03	15	65426400BR	03.01	2
58177R	06.04	6	639297	06.03	17	65426400R7	03.01	2
582058	02.32	12	639335	02.37	9	654265	03.01	7
582058	02.37	11	639725	01.21	2	6542675	03.06	1
582298	02.25	4	639727	01.21	3	654268	04.02	23
582691	02.37	12	639861	02.53	1	654271	06.03	3
583158	06.05	3	640333	06.06	3	654272	02.26	15
583575	06.01	6	640720	06.04	1	654276	06.03	7
584078	02.33	9	640800	06.03	8	654279	03.02	3
584079	02.33	11	640801	06.03	9	654282	02.01	8
584083	02.33	10	640813	06.04	2	654290	02.30	13
584084	02.33	12	640874	06.03	1	654292	02.30	12
584208	06.03	31	640876	06.08	1	654293	02.39	1
584208	06.03	34	640878	03.02	1	65429300AI	02.39	1
584332	06.04	7	640921	06.05	7	65429300AN	02.39	1
584332	06.04	9	640923	06.03	24	654294	02.30	6
584599	06.01	7	640924	06.03	23	6542940090	02.30	6
597914	04.01	2	640967	06.03	22	65429400AI	02.30	6
599677	02.33	17	646833	03.06	24	65429400BR	02.30	6
599677	02.33	4	647073	05.01	7	65429400R7	02.30	6
599986	04.11	5	6483975	04.02	14	654295	02.30	5
599990	04.11	1	648413	04.02	13	6542950090	02.30	5
600067	04.12	1	648935	03.06	25	65429500AI	02.30	5
600560	04.12	7	648936	03.06	26	65429500BR	02.30	5
601030	02.39	8	649101	05.03	18	65429500R7	02.30	5
601205	04.12	8	649458	04.02	1	654297	02.30	11
601610	05.01	11	649623	05.03	1	654298	03.02	4
601999	04.11	5	649871	05.01	1	654300	03.02	2
620529	02.38	2	650727	02.33	1	654301	06.03	5
620556	02.32	15	6507270090	02.33	1	6543060090	02.32	6
6221115	02.01	1	65072700AI	02.33	1	65430600AI	02.32	6
6221244090	02.31	1	65072700BR	02.33	1	65430600BR	02.32	6
62212440AI	02.31	1	65072700R7	02.33	1	65430600R7	02.32	6
62212440BR	02.31	1	650836	05.03	1	6543070090	02.32	3
62212440R7	02.31	1	652840	02.53	12	65430700AI	02.32	3
622125	02.31	9	653005	02.47	1	65430700BR	02.32	3
622126	02.31	10	653994	02.39	6	65430700R7	02.32	3
6221294090	02.32	13	654047	02.53	2	654724	02.38	3
62212940AI	02.32	13	654149	02.45	4	654735	02.32	4
62212940BR	02.32	13	654256	02.30	1	6547350090	02.32	4
62212940R7	02.32	13	6542560090	02.30	1	65473500AI	02.32	4
6221304090	02.32	14	65425600AI	02.30	1	65473500BR	02.32	4
62213040AI	02.32	14	65425600BR	02.30	1	65473500R7	02.32	4
62213040BR	02.32	14	65425600R7	02.30	1	654736	02.32	1
62213040R7	02.32	14	654258	02.33	1	6547360090	02.32	1
622131	02.34	1	6542580090	02.33	1	65473600AI	02.32	1
622136	02.31	4	65425800AI	02.33	1	65473600BR	02.32	1

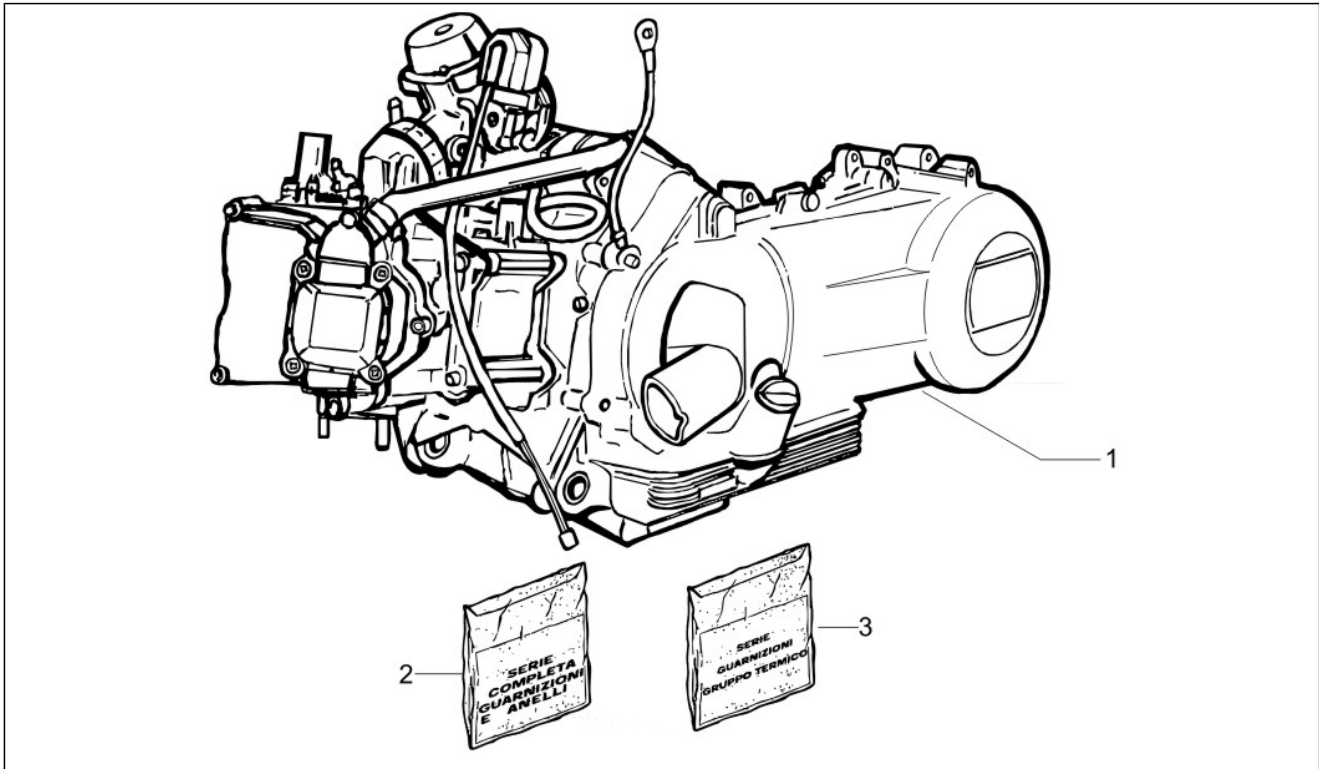


Code	No. table	Pos.	Code	No. table	Pos.	Code	No. table	Pos.
65473600R7	02.32	1	828146	01.07	8	842521	01.40	16
654821	02.38	5	828147	01.07	8	842522	01.40	13
654876	06.03	21	828148	01.07	8	842523	01.40	14
6548835090	02.26	9	82817R	01.11	2	842530	01.40	9
65488350BR	02.26	9	82823R	01.23	1	842737	01.12	11
65488350R7	02.26	9	828308	01.18	19	842908	01.42	3
654890	06.03	4	828325	02.61	13	843194	01.45	2
654899	02.26	6	828535	01.42	9	843195	01.45	3
654913	02.26	5	828583	01.46	17	843364	01.18	12
654935	02.53	7	828653	01.12	5	843757	01.46	3
654935	02.61	8	828662	01.21	4	843761	01.18	7
655115	02.45	3	828662	01.46	18	843849	01.45	9
655519	02.38	11	828708	01.12	9	844049	01.14	15
655554	03.06	2	828717	01.14	6	844116	01.46	7
656228	02.38	13	828766	01.05	32	844252	06.03	25
709012	01.42	14	82877R	01.18	1	844349	01.12	1
709037	04.01	3	82878R	01.05	12	844483	01.42	10
709047	02.33	16	828831	01.40	11	844483	04.10	9
709047	04.02	8	828843	01.40	8	844582	01.05	15
709047	04.11	3	828844	01.40	6	844669	01.25	14
709047	05.01	9	828862	01.35	7	844964	01.15	11
709532	01.39	5	82898R	01.05	13	845212	01.05	20
709532	01.39	6	829001	01.39	7	845465	01.42	2
709532	01.45	14	829008	01.12	4	845607	01.13	5
709674	05.03	15	82907R	01.35	1	845861	01.05	24
82518R	01.14	12	829134	01.11	13	8459325	01.11	5
82518R	01.14	4	829278	01.10	9	8460265	01.25	1
825363	01.11	16	829280	01.10	5	846766	01.46	8
825364	01.12	7	829281	01.10	4	847116	01.18	14
825368	01.12	8	829282	01.10	8	847411	01.42	1
82539R	01.05	12	829593	01.18	2	847778	01.46	20
82540R	01.05	13	829661	01.05	29	847928	01.18	27
825430	01.21	8	829671	06.06	9	847929	01.18	3
825481	01.23	8	829817	01.12	3	847930	01.25	7
825643	01.42	12	830056	01.45	8	849465	01.39	2
825726	01.14	11	830061	01.05	23	871167	01.39	4
82580R	01.23	7	830061	06.06	4	871314	01.39	8
825952	01.18	24	830128	01.18	9	871458	01.15	9
82611R	01.20	1	830260	01.20	16	871760	01.12	13
82612R	01.20	5	830281	01.20	9	871762	01.12	15
826161	01.23	7	830284	01.20	8	8721165	01.15	1
826165	01.23	1	830453	01.11	1	872997	01.42	15
826275	01.12	14	830580	01.14	2	873409	01.46	8
826275	01.12	16	831259	01.46	10	873681	01.15	6
82635R	01.23	5	832130	01.05	27	8738745	01.25	9
826396	01.11	14	832703	01.46	4	873940	01.25	6
82643R	01.18	20	832715	01.13	7	875112	01.07	8
826492	01.10	2	832943	01.46	9	875113	01.07	8
82649R	01.18	15	833308	01.11	6	876657	01.05	11
82650R	01.18	25	833722	01.18	5	878184	01.45	1
82682R	01.10	11	833802	01.46	5	9004461193000	02.61	22
8270280001	01.07	1	834187	01.42	11	963486	01.07	3
8270280002	01.07	1	834473	01.46	1	969296	01.20	3
8270280003	01.07	1	834476	01.46	21	969348	06.06	12
8270280004	01.07	1	840489	01.05	16	AP8144564	02.26	10
827041	01.07	7	840510	01.18	21	AP8152338	02.30	9
827085	01.05	28	841213	01.13	8	CM001901	02.53	11
82731R	01.46	13	841228	01.15	6	CM001901	02.61	19
827386	01.13	11	8412985001	01.06	1	CM001904	01.12	10
82743R	01.14	1	8412985002	01.06	1	CM001904	01.12	12
827499	01.14	7	841782	01.42	5	CM001904	01.46	12
82753R	01.14	3	841821	01.42	4	CM001913	02.53	9
827608	01.20	14	841939	01.15	7	CM001914	02.47	13
82777R	01.10	1	842204	01.13	3	CM001914	02.53	8
82782R	01.18	18	842360	01.10	18	CM001914	02.61	10
827831	01.45	6	842514	01.40	1	CM001914	02.61	14
82783R	01.18	16	842517	01.40	3	CM001914	02.61	6



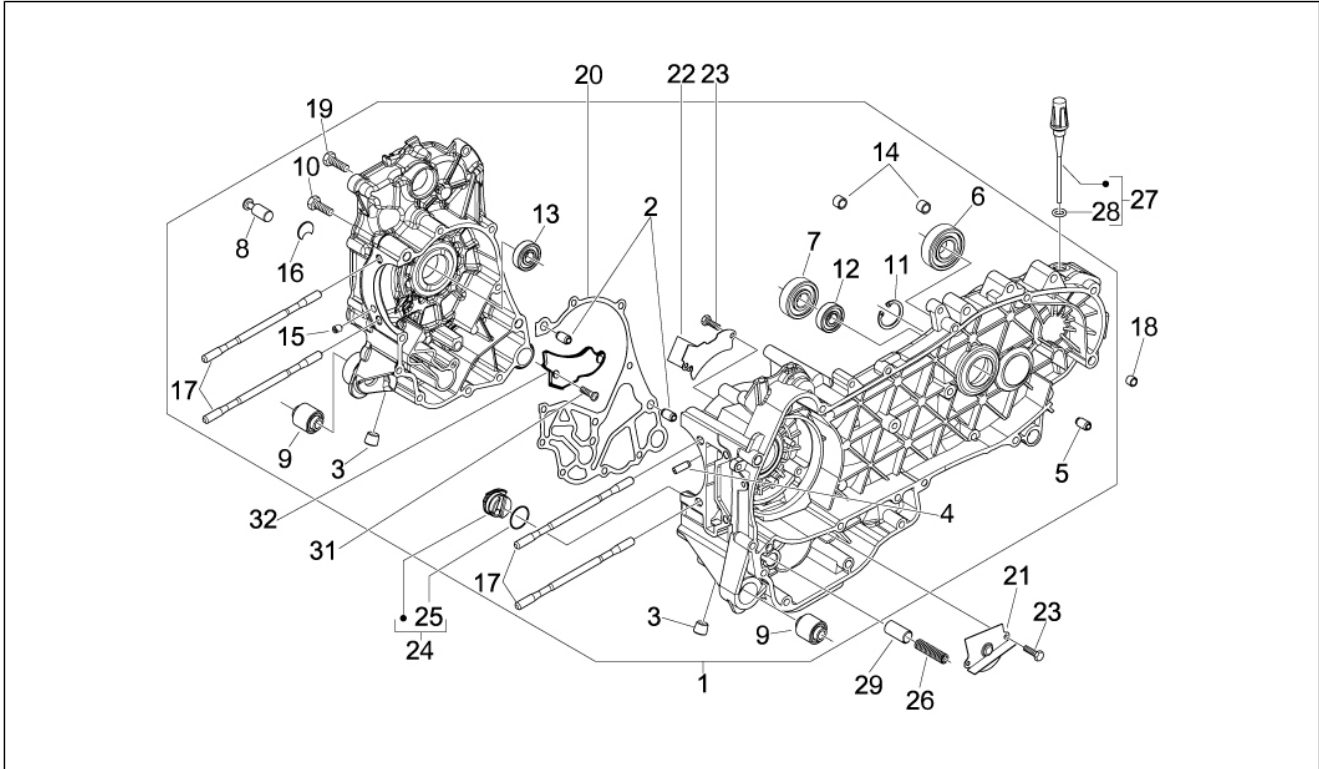
Code	No. table	Pos.
CM002901	01.46	11
CM002910	01.45	7
CM002912	02.61	2
CM006108	01.46	15
CM006904	05.03	12
CM006905	02.61	21
CM006905	06.08	7
CM013201	05.03	13
CM013203	02.61	15
CM013203	06.08	9
CM017403	02.26	8
CM017405	06.04	11
CM017406	02.31	3
CM017406	06.03	20
CM017408	02.31	6
CM017408	02.34	10
CM017408	05.03	10
CM017409	02.30	8
CM017409	03.01	3
CM017410	02.32	7
CM017410	02.33	8
CM017410	02.34	11
CM017410	02.34	9
CM025702	02.47	6
CM028204	02.61	16
CM060966	03.06	7
CM061303	04.02	20
CM061304	04.02	19
CM063804	03.06	18
CM065701	05.01	6
CM065917	03.06	8
CM071814	06.05	1
CM074904	03.06	23
CM079711	03.06	7
CM1038015	01.13	4
CM126966	01.02	1
CM126967	01.02	1
CM1269755	01.02	1
CM1280085001	01.05	1
CM1280085002	01.05	1
CM129214	01.39	1
CM129914	01.40	10
CM140101	01.40	15
CM140205	01.40	4
CM140302	01.40	5
CM140903	01.40	2
CM142904	01.40	7
CM144002	01.14	13
CM144401	01.13	1
CM146303	01.40	17
CM149403	01.40	18
CM155106	01.15	8
CM156009	01.39	1
CM156705	01.40	12
CM156709	01.40	12
CM177902	02.61	9
CM177906	02.61	12
CM177906	02.61	7
CM177923	02.61	12
CM177923	02.61	7
CM178401	02.47	12
CM178401	02.61	18
CM178901	02.45	2
CM178902	02.45	1
CM179003	02.53	7
CM179003	02.61	8
D9004461193	02.61	22

Group	Engine
Code	01.02
Description	Engine, assembly
Service	1



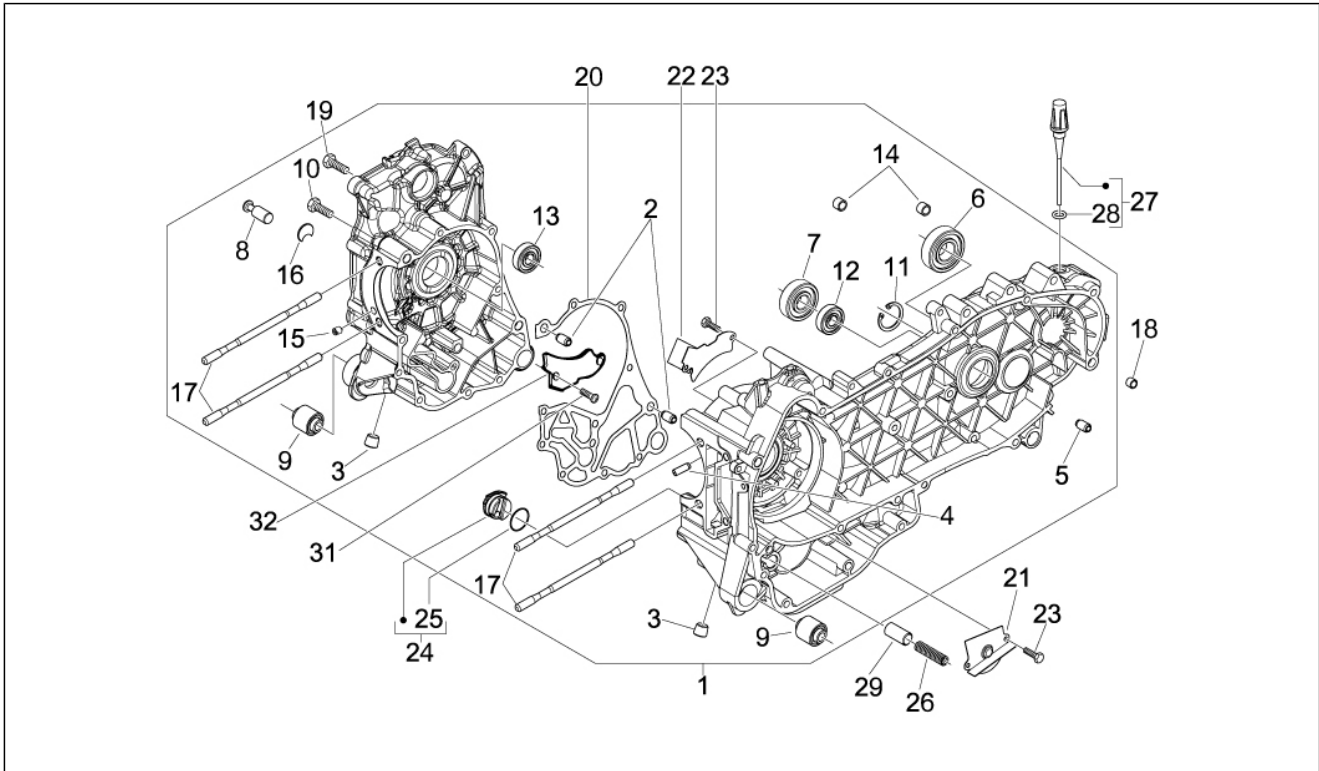
Pos.	Code	Description	Qty	Variants
1	CM126966	Complete motor 150 4T/2V E2	1	
1	CM1269755	Complete motor 150 4T/2V E2	1	
1	CM126967	Complete motor 150 4T/2V E2	1	
2	494984	Gasket set	1	
3	494985	Gasket set	1	

Group	Engine
Code	01.05
Description	Crankcase
Service	1



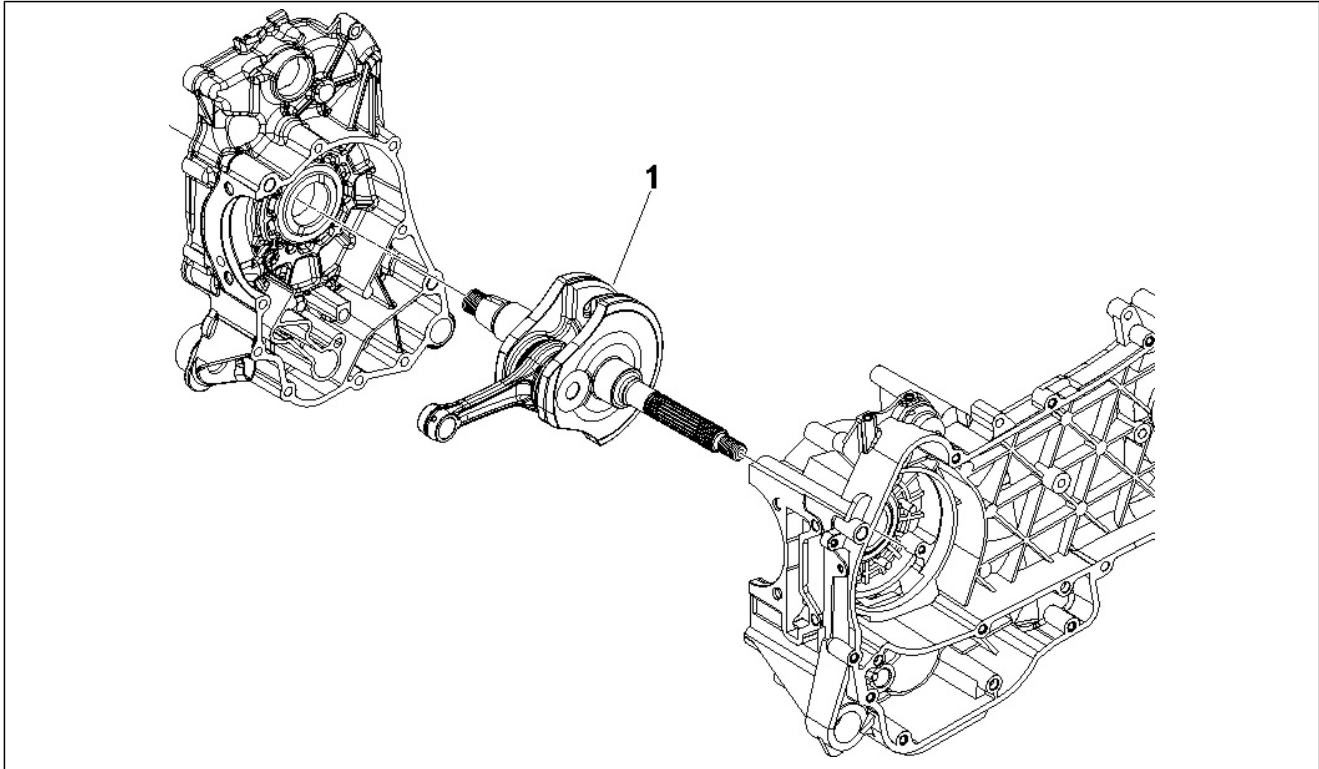
Pos.	Code	Description	Qty	Variants
1	CM1280085001	Complete crankcase Cat.1	1	
1	CM1280085002	Complete crankcase Cat.2	1	
2	239388	Pin 6,5x9,5x15	2	
3	411311	Plug M12x1,5	2	
4	484034	Nozzle	1	
5	431860	Bush Ø8xØ12x8	1	
6	485912	Radial ball bearing 15x42x13	1	
7	485913	Radial bearing 20x47x14	1	
8	483785	Springs fixing pin	1	
9	486081	Silent-block	2	
10	432142	screw M6x60	11	
11	000674	Circlip 25x26.9x1.2	1	
11	876657	Plate	1	
12	82878R	Gasket ring 20-32-7	1	
12	82539R	Gasket ring	1	
13	82540R	Gasket ring	1	
13	82898R	Gasket ring 20-30-7	1	
14	478115	Locating dowel Ø11x10	2	
15	844582	Nozzle D 1.1	1	
16	840489	Cup	1	
17	411295	Stud bolt	4	
18	277916	Locating dowel Ø7,5x12	1	
19	432142	screw M6x60	11	
20	845212	Half crankcase gasket	1	
21	483767	Lower oil bulkhead	1	
22	485047	Upper oil bulkhead	1	
23	830061	Screw w/ flange M5x16	4	
24	845861	Filter door insert	1	

Group	Engine
Code	01.05
Description	Crankcase
Service	1



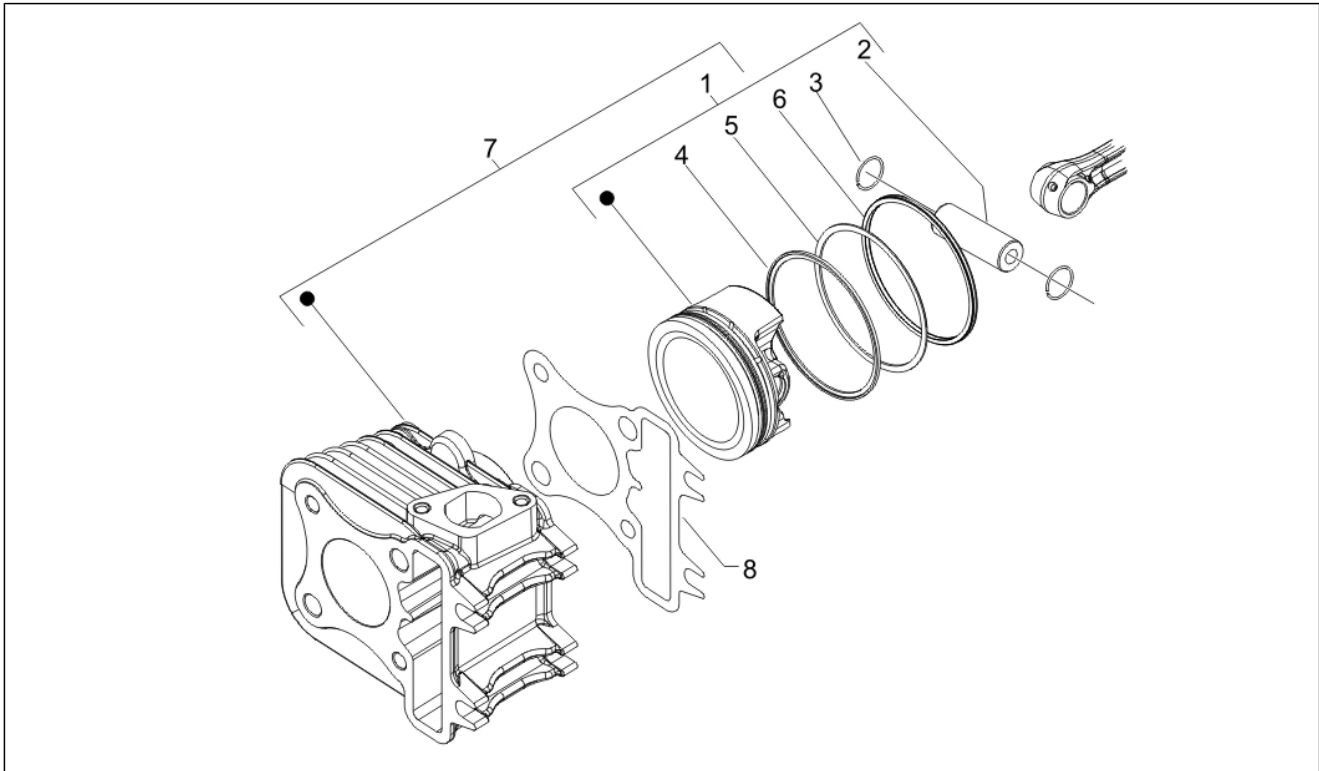
Pos.	Code	Description	Qty	Variants
25	431065	Gasket	1	
26	485655	Spring	1	
27	832130	Complete oil level dipstick	1	
28	827085	Gasket ring 14,43x9,19x2,62	1	
29	829661	Oil pressure valve	1	
31	018575	Screw M5x10	1	
32	828766	Plate	1	

Group	Engine
Code	01.06
Description	Crankshaft
Service	1



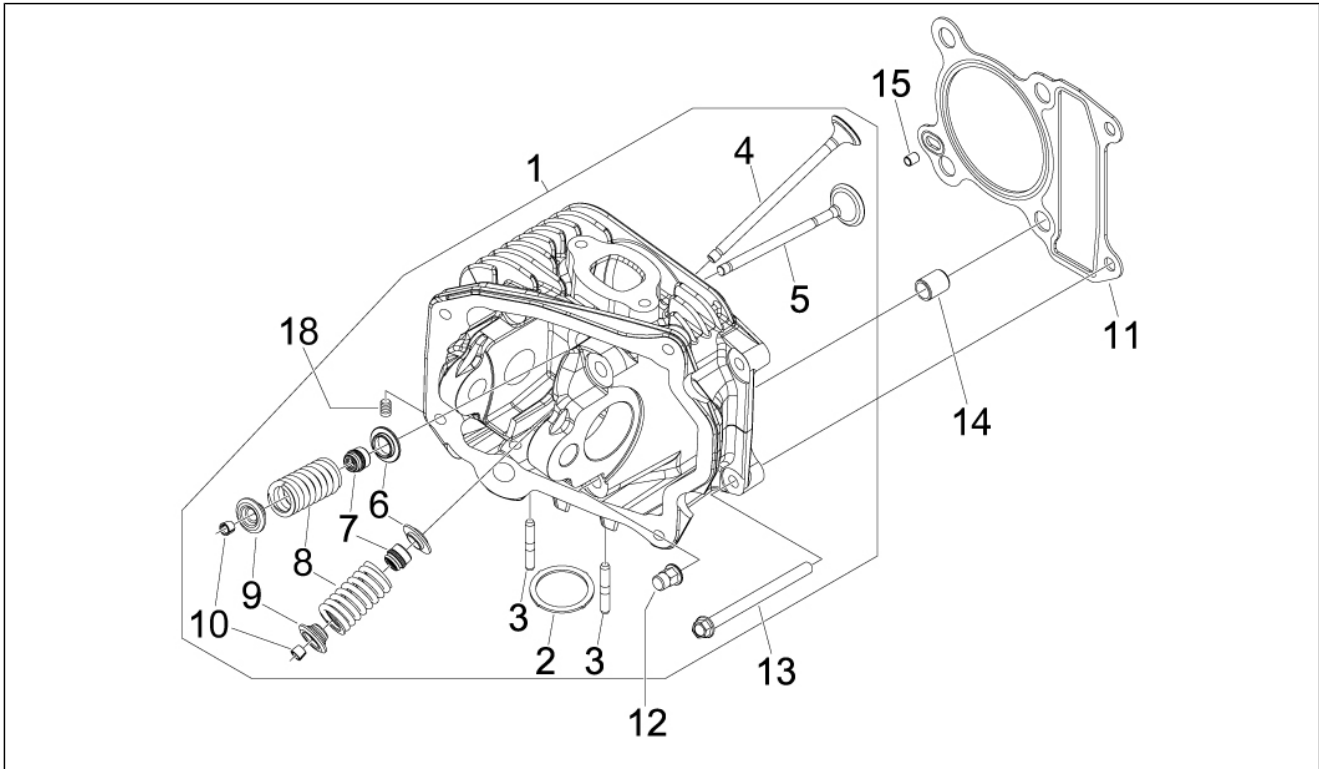
Pos.	Code	Description	Qty	Variants
1	8412985002	Crankshaft assembly Cat.2	1	
1	8412985001	Crankshaft assembly Cat.1	1	

Group	Engine
Code	01.07
Description	Cylinder-piston-wrist pin unit
Service	1



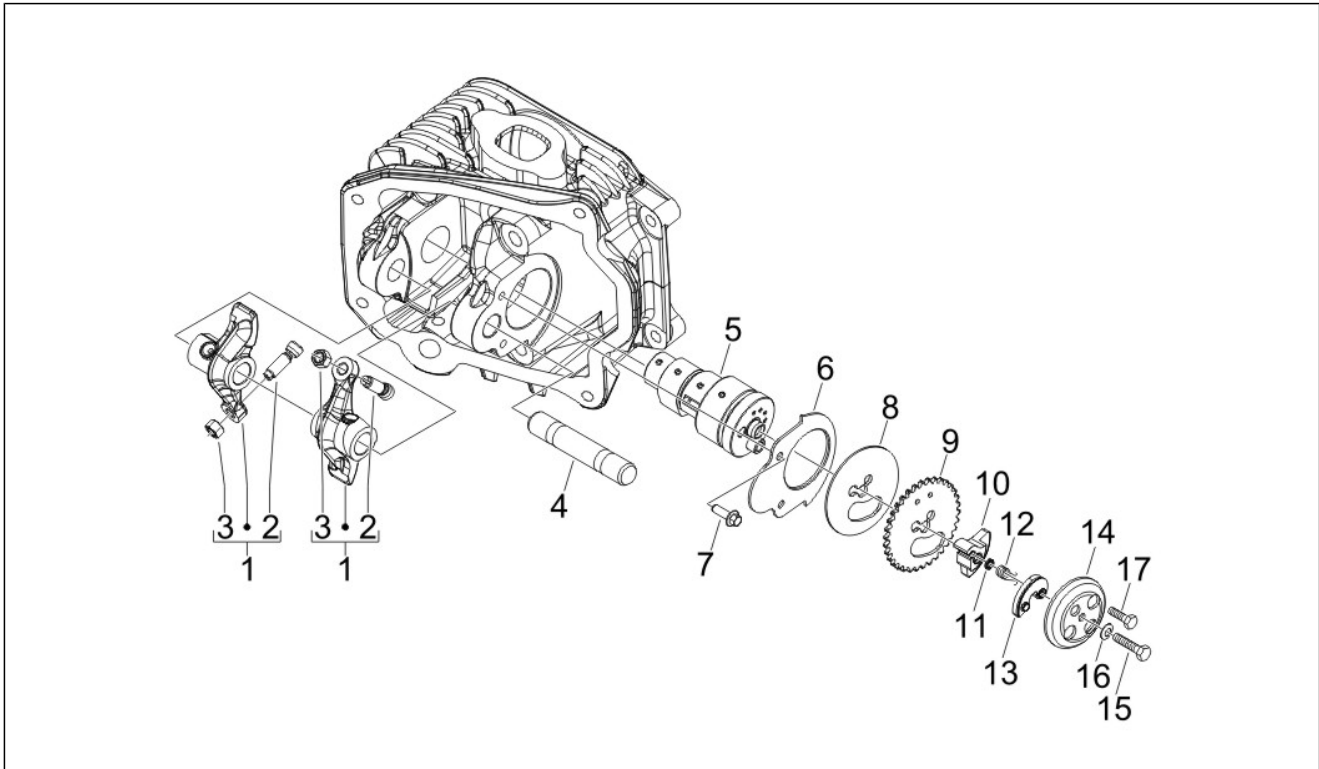
Pos.	Code	Description	Qty	Variants
1	8270280003	Piston + piston pin Cat.3	1	
1	8270280001	Piston + piston pin Cat.1	1	
1	8270280002	Piston + piston pin Cat.2	1	
1	8270280004	Piston + piston pin Cat.4	1	
2	482335	Piston pin	1	
3	963486	Snap ring	2	
4	486294	Compression ring Ø62,6x1	1	
5	486295	Oil scraper ring Ø62,6x1	1	
6	486355	Oil scraper ring Ø62,6x2,5	1	
7	827041	Cylinder-piston-wrist pin assy.	1	
8	828148	Cylinder base gasket 0,8 mm	1	
8	875112	Cylinder base gasket 0,4 mm	1	
8	875113	Cylinder base gasket 0,6 mm	1	
8	828146	Cylinder base gasket 0,4 mm	1	
8	828147	Cylinder base gasket 0,6 mm	1	

Group	Engine
Code	01.10
Description	Head unit - Valve
Service	1



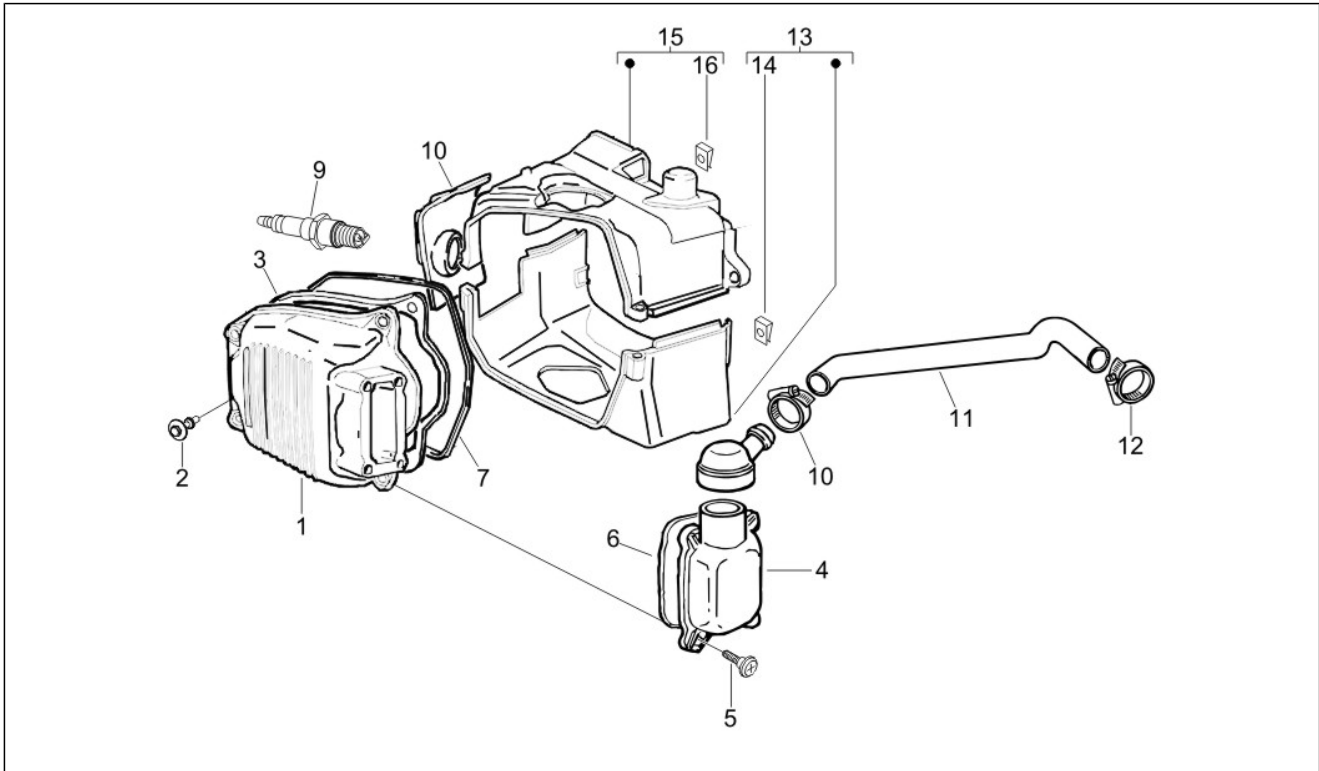
Pos.	Code	Description	Qty	Variants
1	82777R	Cylinder head assembly	1	
2	434716	Big end-silencer gasket	1	
2	826492	Big end-silencer gasket	1	
3	435629	Stud bolt M7	2	
3	239397	Stud bolt M6	2	
4	829281	Exhaust valve	1	
4	483707	Exhaust valve	1	
5	829280	Intake valve	1	
5	483706	Intake valve	1	
6	483711	Lower cap	2	
7	436438	Valve gasket ring	2	
8	829282	Valve spring	2	
8	483915	Valve spring	2	
9	829278	Upper cap	2	
9	483914	Upper cap	2	
10	285846	Valve half-cone	4	
11	82682R	Cylinder head gasket	1	
12	411296	Nut M8x1,25	4	
13	485603	Screw w/ flange	2	
14	277916	Locating dowel Ø7,5x12	2	
15	435571	Locating dowel	2	
18	842360	Plug M6x10	1	

Group	Engine
Code	01.11
Description	Rocking levers support unit
Service	1



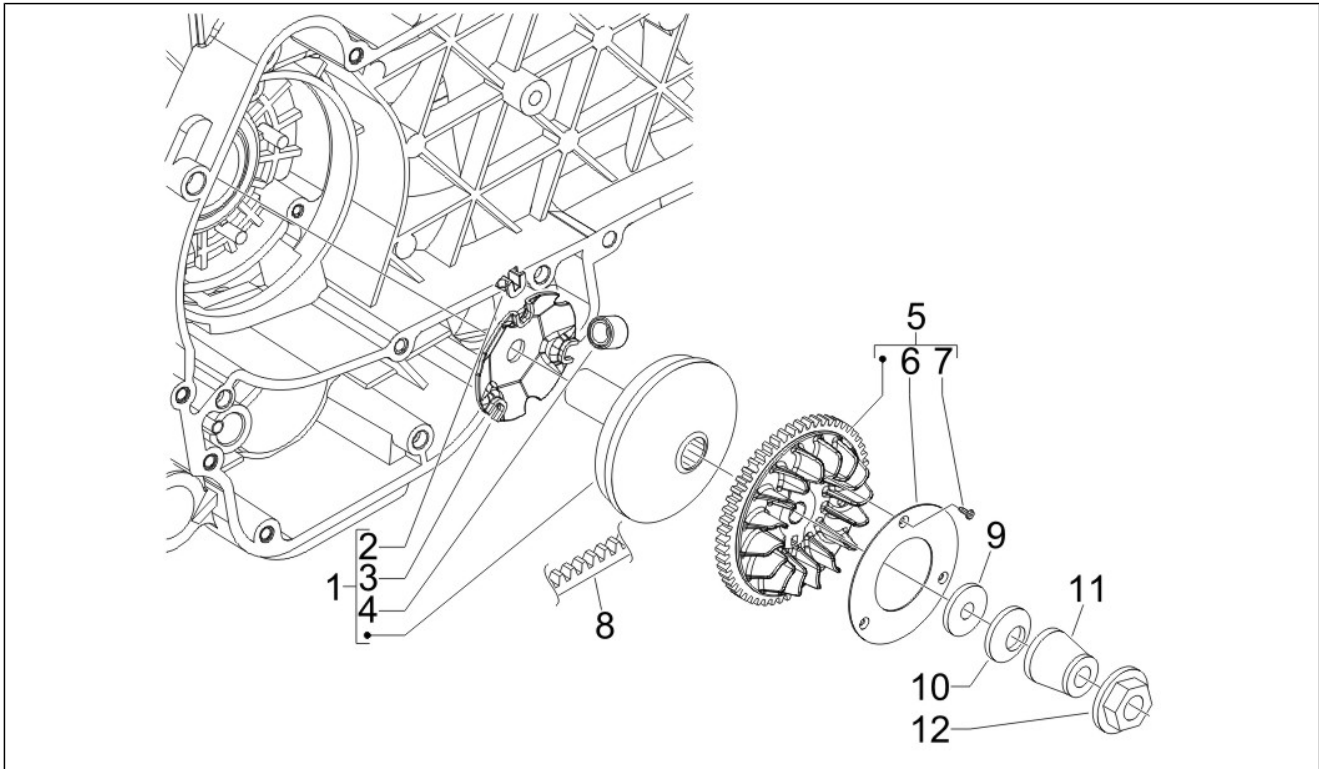
Pos.	Code	Description	Qty	Variants
1	830453	Rocker arm cpl.	2	
2	82817R	Adjuster screw	1	
3	484819	Nut	1	
4	486339	Rocker arms axis	1	
5	8459325	Camshaft	1	
6	833308	Camshaft plate	1	
7	484123	Screw w/ flange	2	
8	487832	Washer	1	
9	486336	Timing system gear	1	
10	486331	Decompressor counterweight	1	
11	487833	Gasket	1	
12	486974	Spring	1	
13	829134	Decompression counterweight	1	
14	826396	Decompression bell	1	
15	414838	screw M6x35	1	
16	825363	Washer	1	
17	018538	Hex socket screw M5x30	1	

Group	Engine
Code	01.12
Description	Cylinder head cover
Service	1



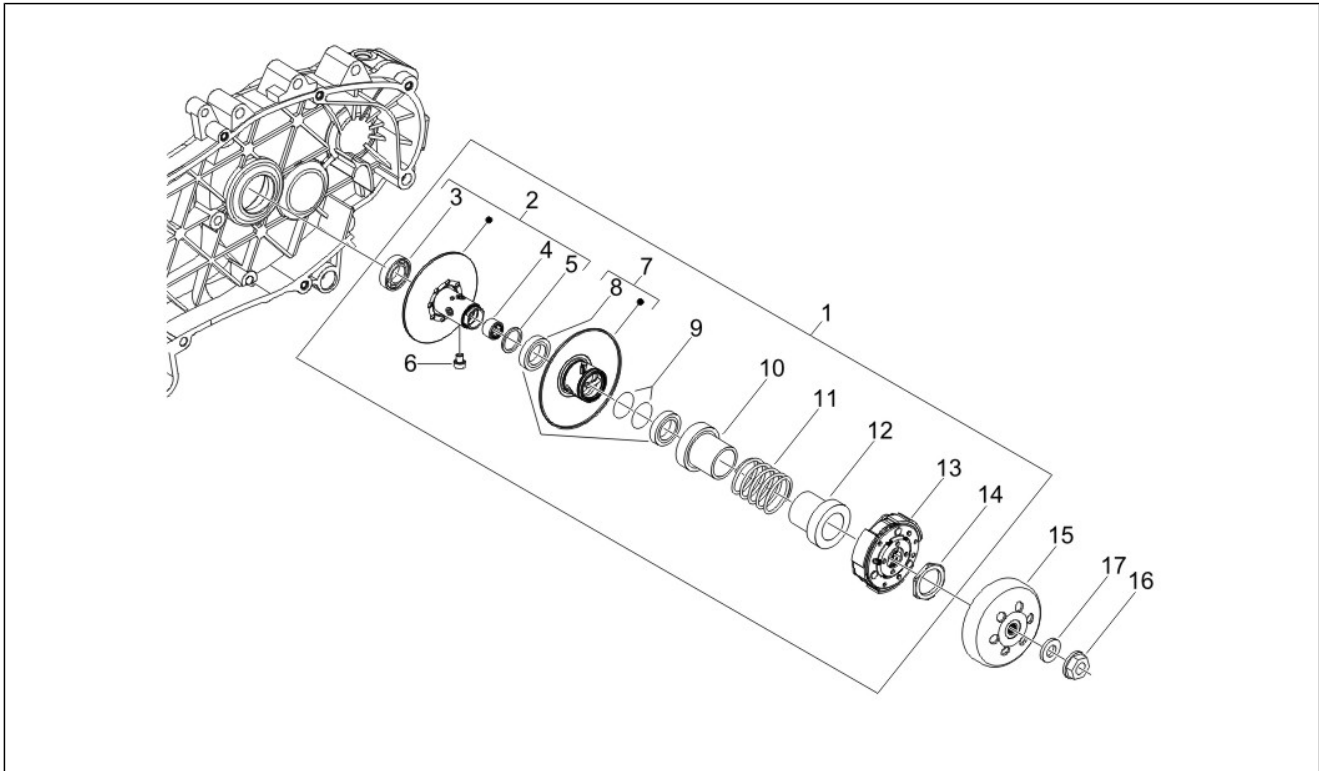
Pos.	Code	Description	Qty	Variants
1	844349	Head cover	1	
2	031091	Hex screw M6x22	4	
2	018639	Hex screw M6x20	4	
3	829817	Packing	1	
4	829008	Oil bleed cover	1	
5	828653	screw	4	
6	487989	Gasket	1	
7	825364	Cylinder head gasket	1	
8	825368	Spark plug cover	1	
9	828708	Spark plug RG6YC (Champion)	1	
9	638852	Spark plug CR7EB (NGK)	1	
10	CM001904	Hose clamp	1	
11	842737	Oil breather pipe	1	
12	CM001904	Hose clamp	1	
13	871760	Exhaust side hood	1	
14	826275	Spring plate	1	
15	871762	Intake side hood	1	
16	826275	Spring plate	1	

Group	Engine
Code	01.13
Description	Driving pulley
Service	1



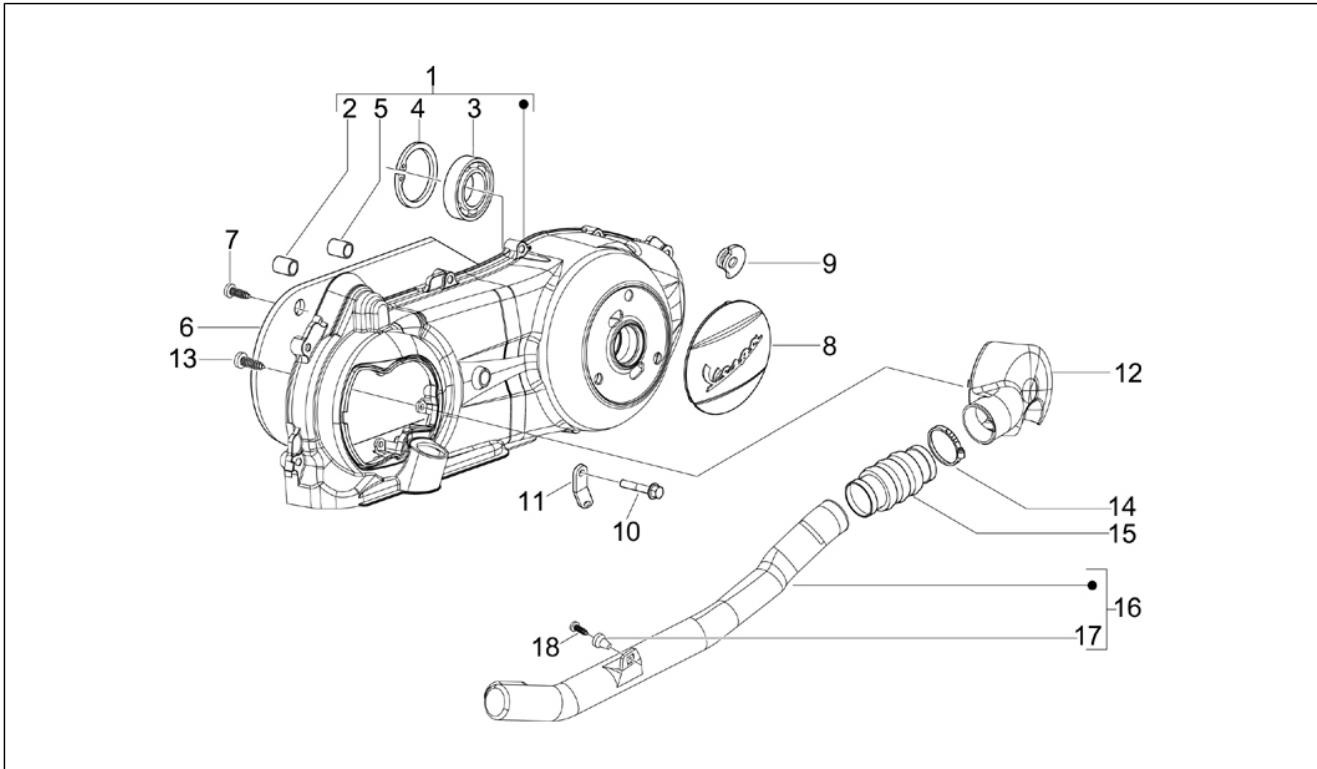
Pos.	Code	Description	Qty	Variants
1	CM144401	Complete roller housing	1	
2	434855	Sliding block	3	
3	842204	Roller contrast	1	
4	CM1038015	Rollers kit	1	
5	845607	Complete fixed driving half-pulley	1	
6	008370	screw	3	
7	832715	Plate	1	
8	841213	(Mitsuboshi) V-belt	1	
9	433391	Plain washer	1	
10	434885	Plain washer 17x32x1	1	
11	827386	Bush	1	
12	436783	Flanged nut M12	1	

Group	Engine
Code	01.14
Description	Driven pulley
Service	1



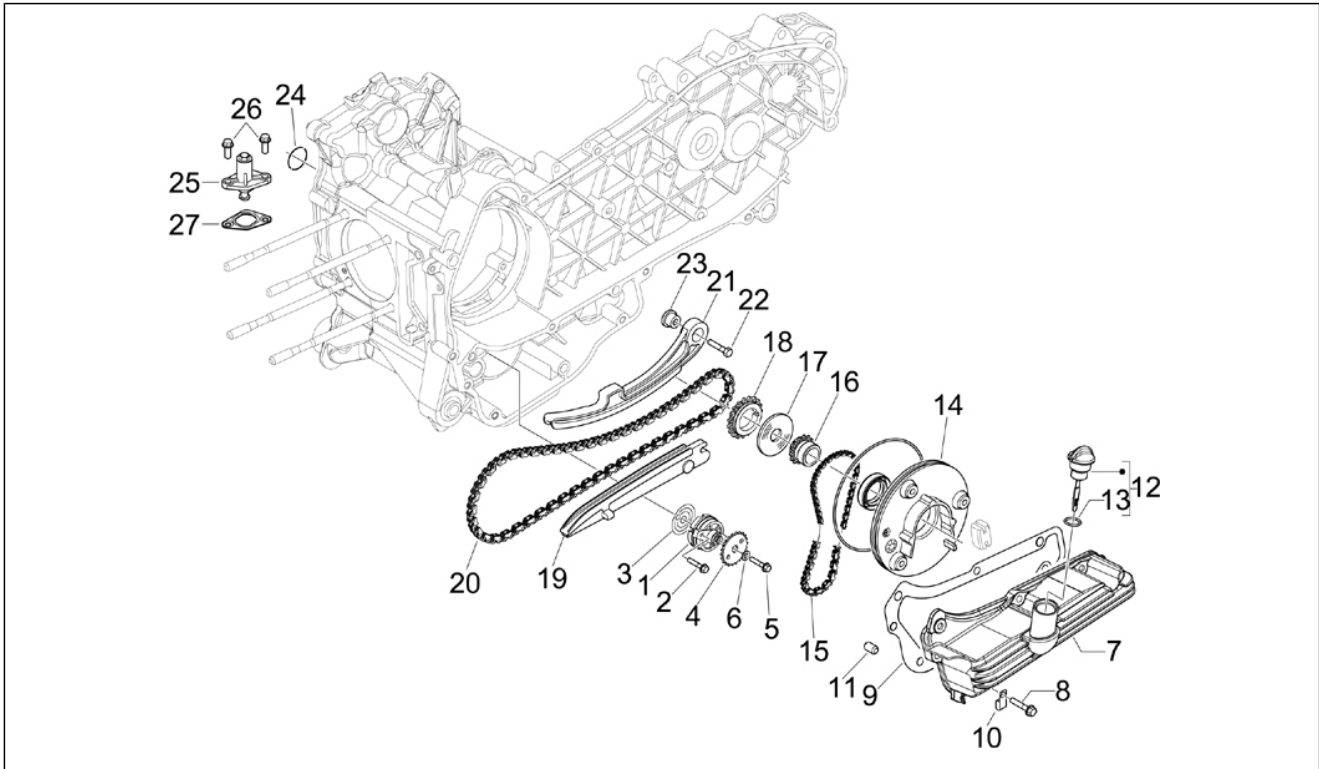
Pos.	Code	Description	Qty	Variants
1	82743R	Pulley	1	
2	830580	Fixed driven half pulley	1	
3	82753R	Bearing 17x30x7	1	
4	82518R	Roller cage 20x29x18	1	
5	483226	Snap ring	1	
6	828717	Guide pin L=12,5	4	
7	827499	Adjustable pulley, half	1	
8	431089	Gasket ring	2	
9	430585	Gasket	2	
10	431093	Cup	1	
11	825726	Variator spring	1	
12	82518R	Roller cage 20x29x18	1	
12	487936	Clutch side cap	1	
13	CM144002	Complete centrifugal clutch assembly	1	
14	433232	Ring nut	1	
15	844049	Clutch drum	1	
17	274246	Flat washer 22x12,1x1	1	
18	486324	Nut M12x1.25	1	

Group	Engine
Code	01.15
Description	Crankcase cover - Crankcase cooling
Service	1



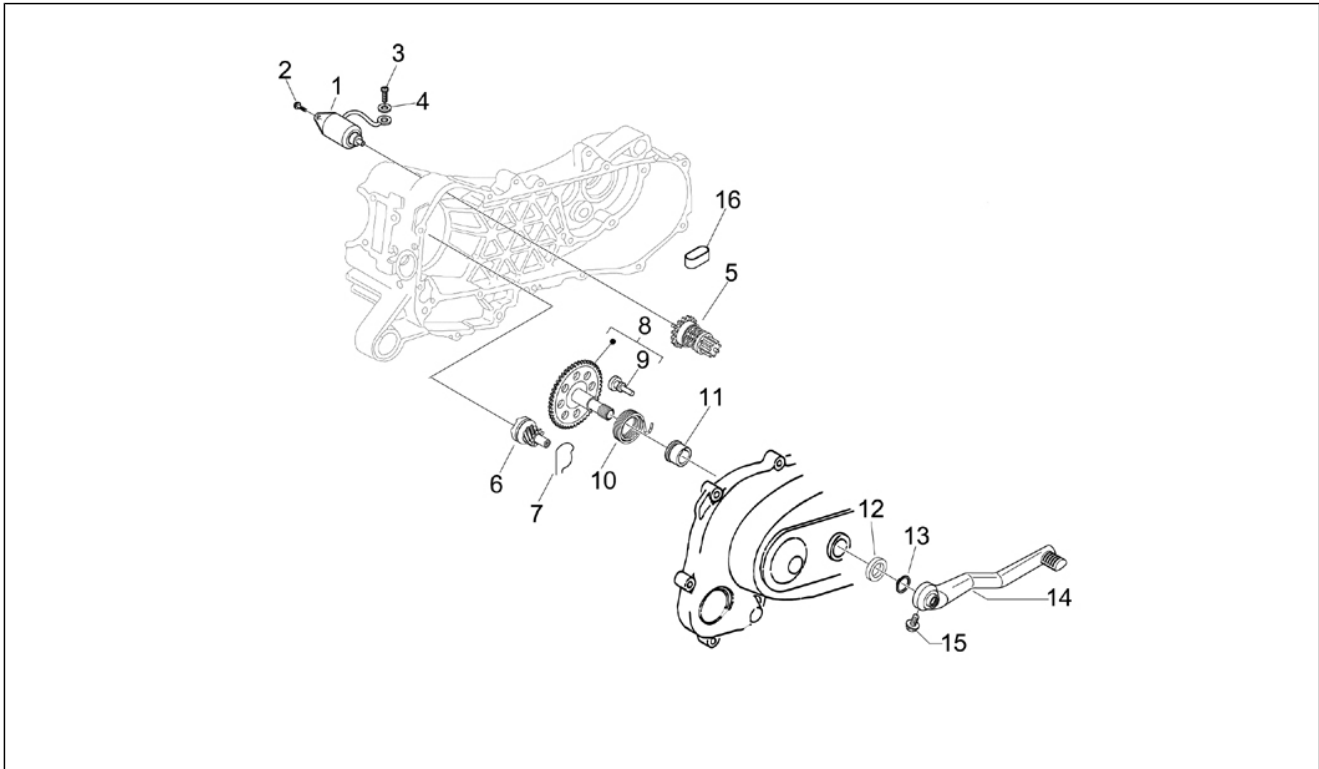
Pos.	Code	Description	Qty	Variants
1	8721165	Transmission cover with U.P.	1	
2	239388	Pin 6,5x9,5x15	2	
3	478985	Bearing	1	
4	006635	Snap ring	1	
5	431860	Bush Ø8xØ12x8	1	
6	841228	Air deflector	1	
6	873681	Complete air baffle	1	
7	841939	Self-tapping screw	4	
7	430264	Self-tapping screw	4	
8	CM155106	""""Vespa"" transmission small cover"	1	
9	871458	Retainer buffer	3	
10	289731	Screw w/ flange M6x30	9	
11	844964	Hose clamp	1	
12	484726	Cover	1	
13	258146	Self-tap screw M3x20	3	
14	145298	Lock-strap L=180mm	1	
15	298548	Bellows	1	
16	576267	Cooling tube	1	
17	199190	Expansion plug	1	
18	267958	Self tapping screw L=20 mm	1	

Group	Engine
Code	01.18
Description	Oil pump
Service	1



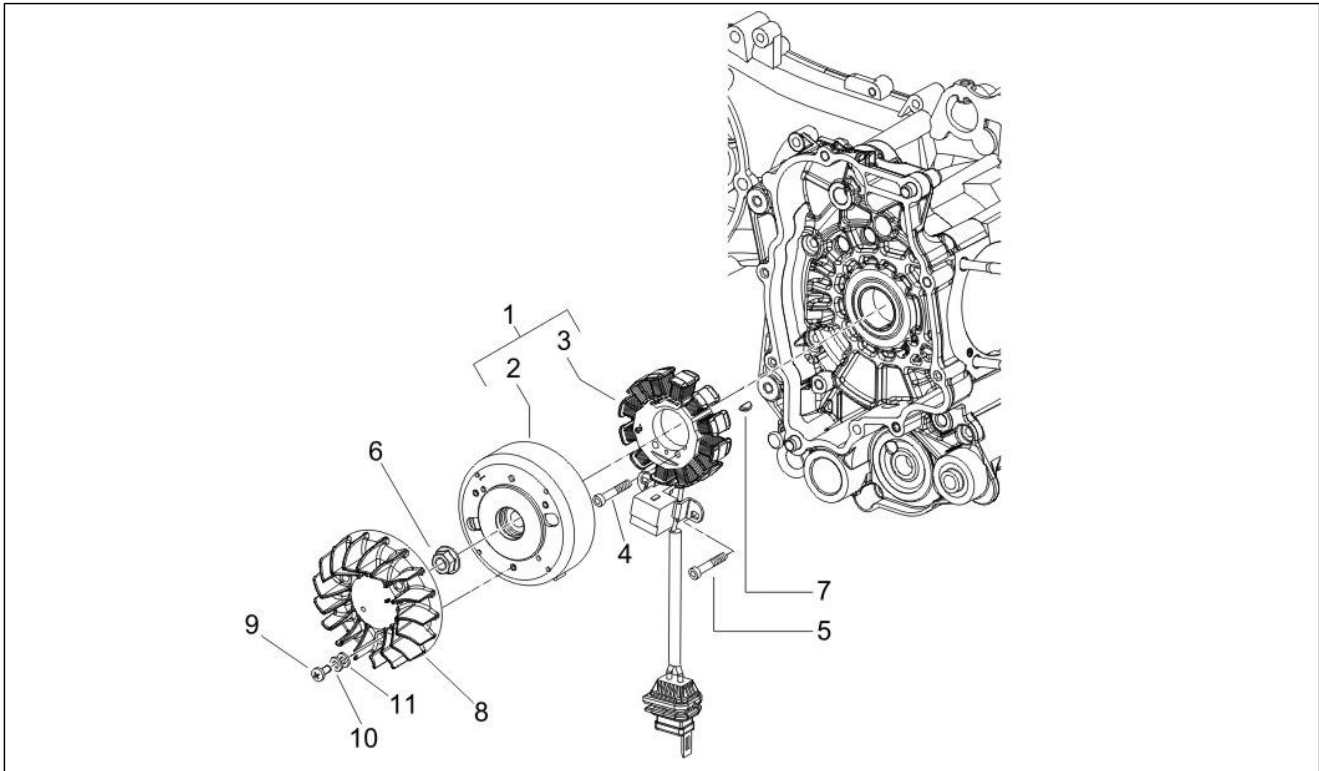
Pos.	Code	Description	Qty	Variants
1	82877R	Oil pump assembly	1	
2	829593	Screw w/ flange M5x35	2	
3	847929	Carter-oil pump gasket	1	
3	486082	Carter-oil pump gasket	1	
4	287913	Oil pump gear	1	
5	833722	Screw w/ flange M6x14	1	
6	436695	Belleville spring Ø6,4xØ20x2	1	
7	843761	Motor oil cup	1	
8	289731	Screw w/ flange M6x30	7	
9	830128	Sump gasket	1	
10	487824	Retainer clamp	2	
11	277916	Locating dowel Ø7,5x12	3	
12	843364	Oil plug assembly	1	
13	479986	O-ring	1	
14	847116	Timing system cover	1	
15	82649R	Oil pump chain	1	
16	82783R	Oil pump control pinion	1	
17	483918	Oil seal washer	1	
18	82782R	Timing chain pinion	1	
19	828308	Chain tensioner sliding block	1	
20	82643R	Camshaft chain	1	
21	840510	Chain tensioner rod	1	
22	414837	Screw w/ flange M6x25	1	
23	485868	Chain tensioner rod spacer	1	
24	825952	O-Ring seal ring	1	
25	82650R	Complete chain tensioner	1	
26	434541	Screw w/ flange M6x16	2	
27	847928		1	

Group	Engine
Code	01.20
Description	Stater - Electric starter
Service	1



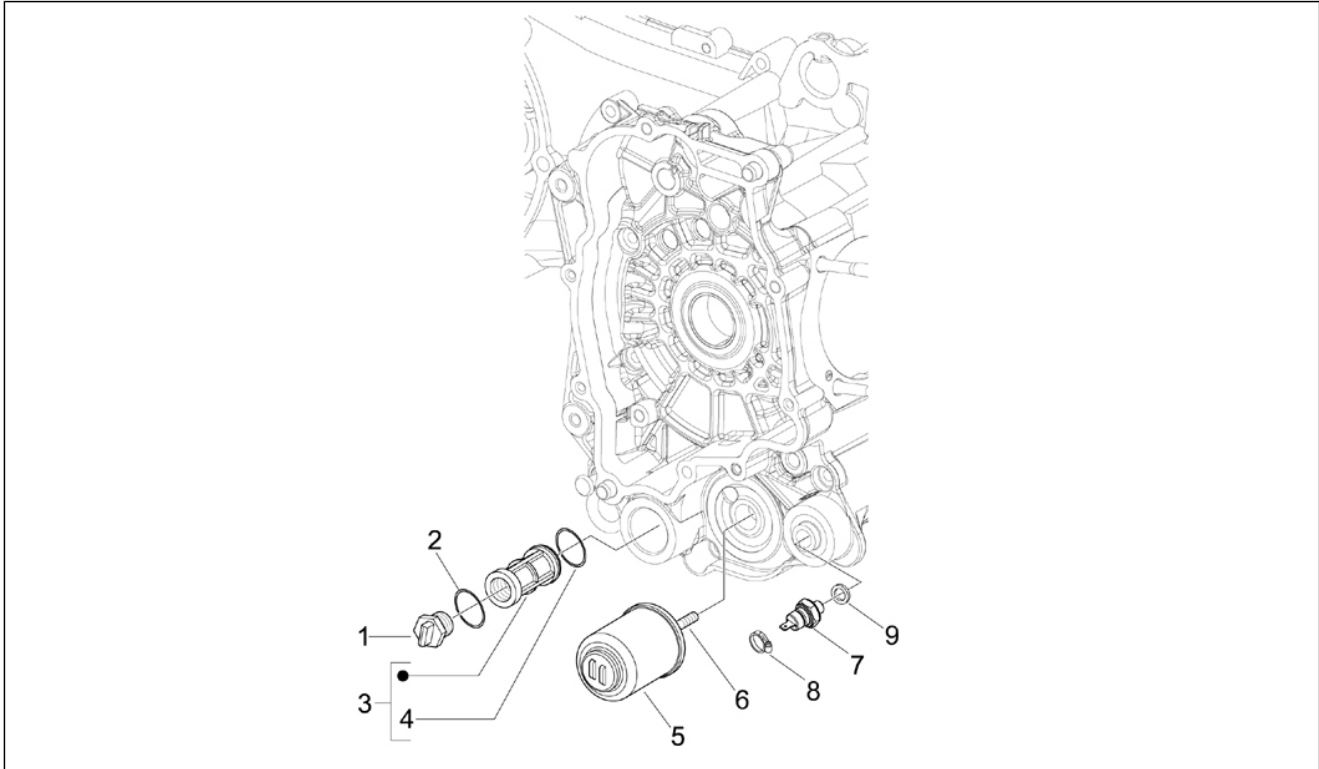
Pos.	Code	Description	Qty	Variants
1	82611R	Starter motor	1	
2	031091	Hex screw M6x22	2	
2	018639	Hex screw M6x20	2	
3	969296	Screw w/ flange M6x10	1	
4	006976	Spring washer 12x6,4x0,5	1	
5	82612R	Starter motor gear	1	
6	483539	Pinion	1	
7	288673	Elastic spring	1	
8	830284	kick starter axle	1	
9	830281	Pad	1	
10	289495	Starter lever return spring	1	
11	431205	Bush	1	
12	433987	Washer 16,3x23,8	1	
13	006416	Circlip	1	
14	827608	Starter lever	1	
15	289731	Screw w/ flange M6x30	1	
16	830260	Pad	1	

Group	Engine
Code	01.21
Description	Flywheel magneto
Service	1



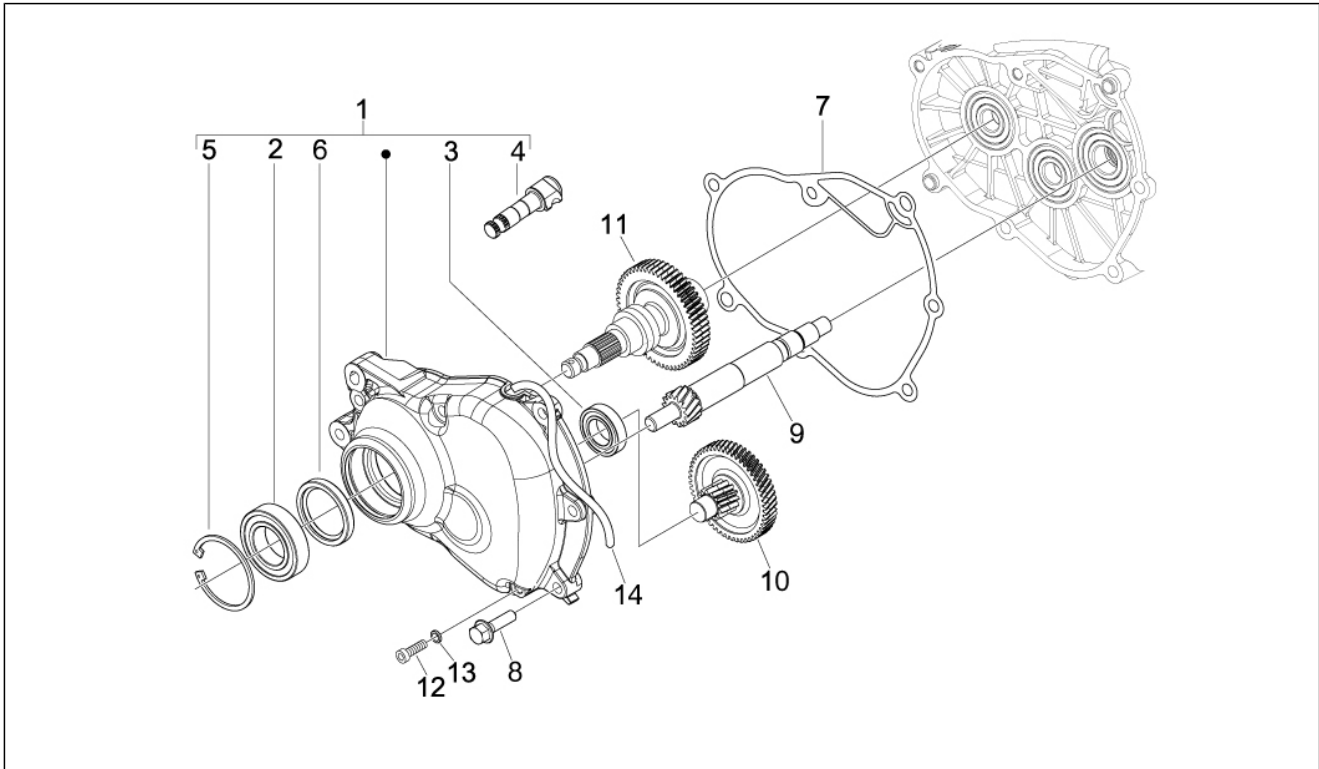
Pos.	Code	Description	Qty	Variants
1	58130R	Cdi magneto assy	1	
2	639725	Rotor, assy.	1	
3	639727	Stator KOKUSAN	1	
4	828662	Screw M5x22	2	
5	018575	Screw M5x10	2	
6	436783	Flanged nut M12	1	
7	000267	Transmission key	1	
8	825430	Fan	1	
9	259151	screw M5x16	3	
10	060201	Flat washer 5,3x14x1	3	
11	006975	Washer \varnothing 5,3x \varnothing 10x0,5	3	

Group	Engine
Code	01.23
Description	Flywheel magneto cover - Oil filter
Service	1



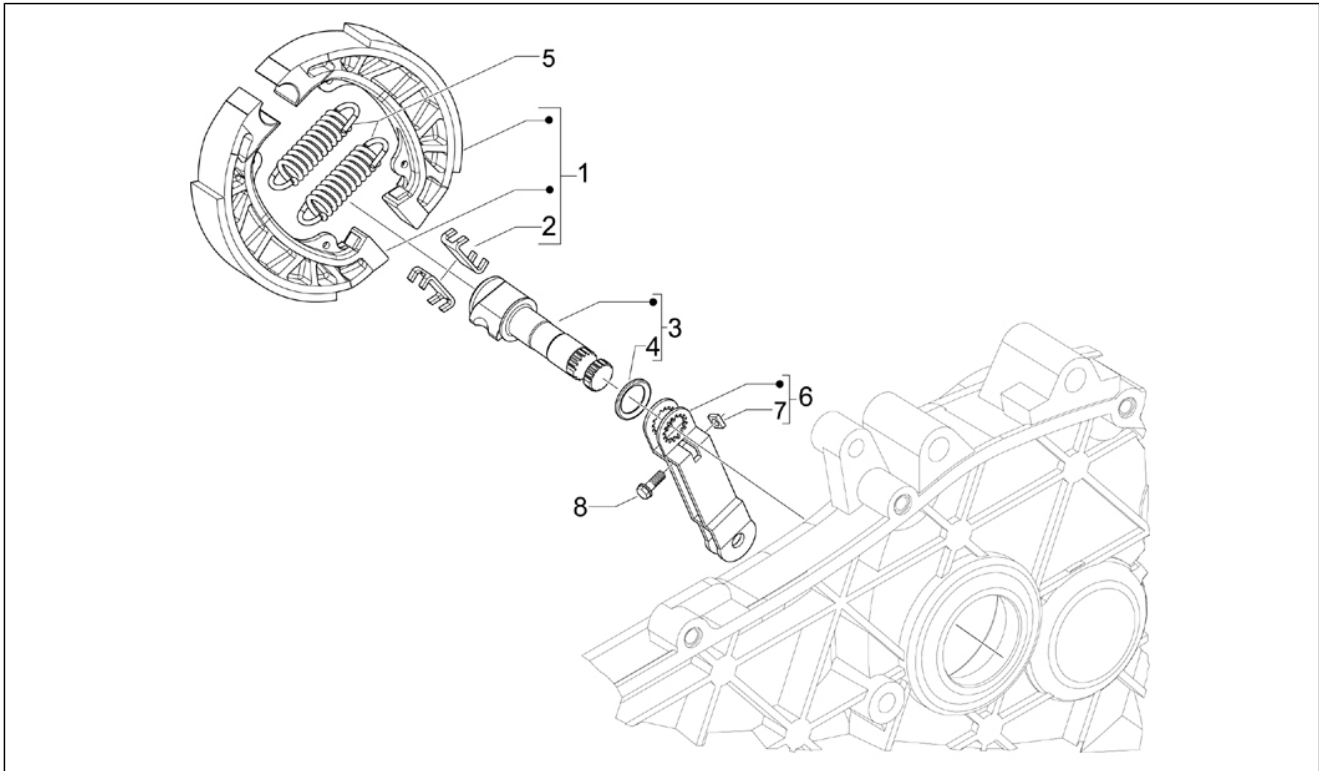
Pos.	Code	Description	Qty	Variants
1	826165	Oil filter plug	1	
1	82823R	Oil filter plug	1	
2	285536	O-ring 31,47x1,78	1	
3	483841	Intake oil filter	1	
4	288474	O-ring 20,35x1,78	1	
5	82635R	Oil filter	1	
6	483776	Special screw	1	
7	82580R	Oil pressure sensor	1	
7	826161	Oil pressure sensor	1	
8	825481	Hose clamp	1	
9	486075	Washer 10.5X16X2.5	1	

Group	Engine
Code	01.25
Description	Reduction unit
Service	1



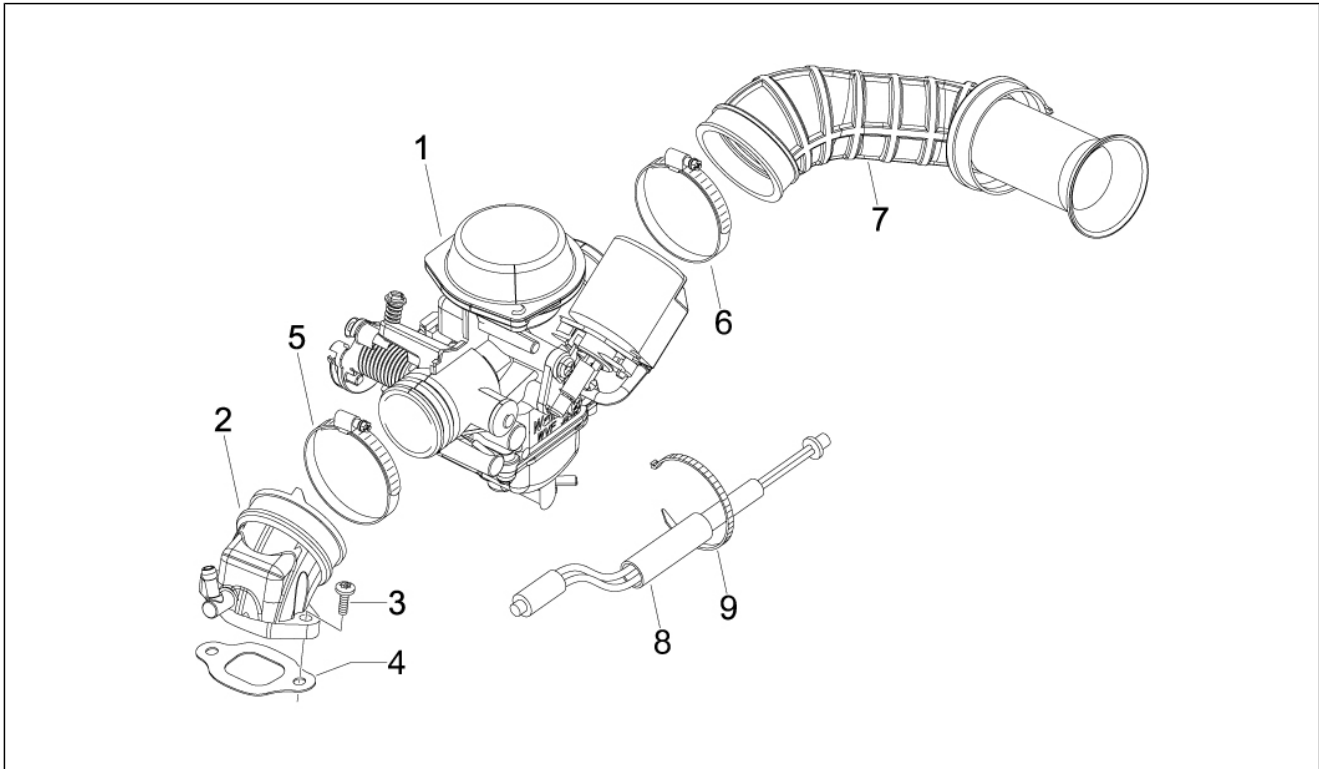
Pos.	Code	Description	Qty	Variants
1	8460265	Side cover	1	
2	478984	Radial bearing 25x52x15	1	
3	485912	Radial ball bearing 15x42x13	1	
4	272921	Shoe fulcrum pin	1	
5	006652	Snap ring	1	
6	873940	Gasket ring	1	
6	487212	Oil seal	1	
7	847930	Reduction unit cover gasket	1	
8	487211	Screw w/ flange M8x45	7	
9	8738745	Driven pulley shaft	1	
9	485879	Driven pulley shaft	1	
10	487126	Transmission shaft	1	
11	487127	Rear wheel axle with U.P.	1	
12	269755	Hex socket screw M8x12	1	
13	485703	Washer 8.2x12x1	1	
14	844669	Breather pipe	1	

Group	Engine
Code	01.35
Description	Rear brake - Brake jaw
Service	1



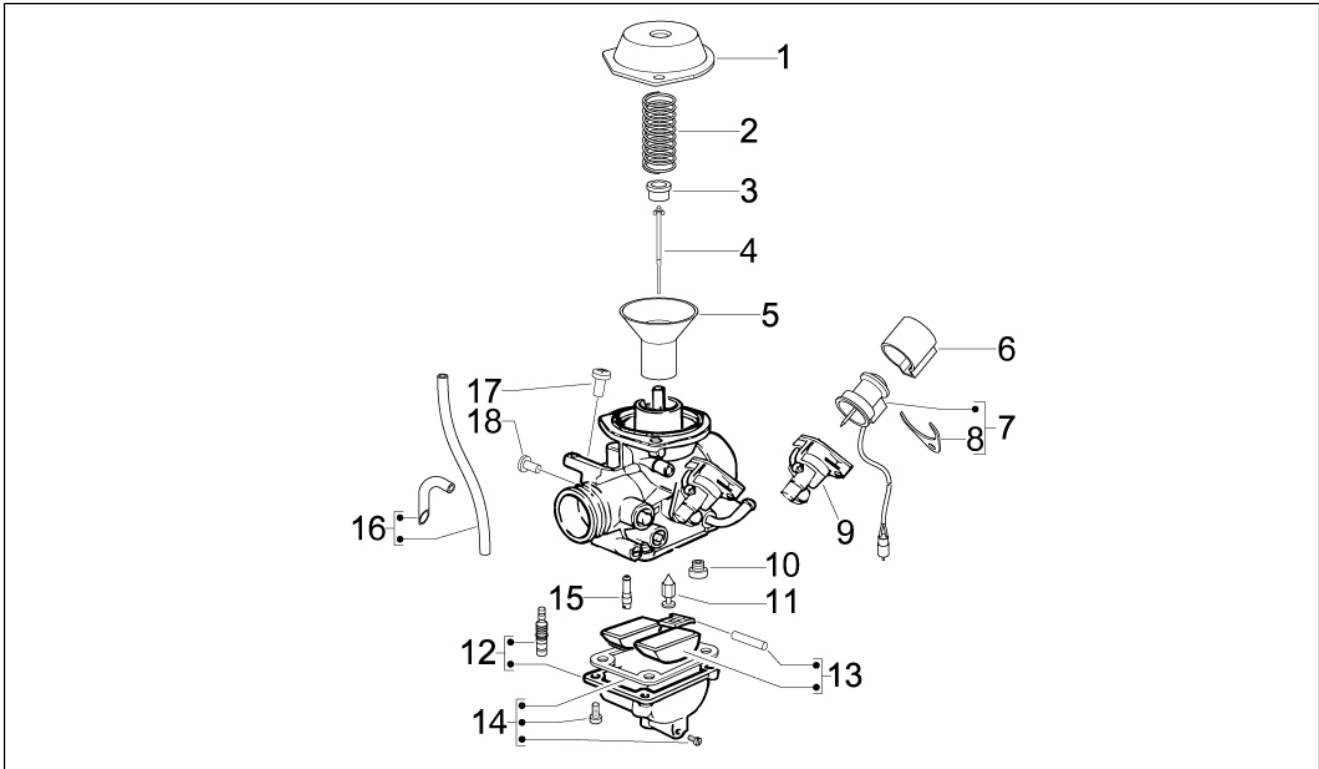
Pos.	Code	Description	Qty	Variants
1	82907R	Pair of brake shoes	1	
1	56292R	Pair of brake shoes	1	
2	266724	Plate	1	
3	564136	Brake lever shaft	1	
4	564134	Gasket	2	
5	266725	Brake shoes return spring	2	
6	564215	Rear brake control lever	1	
7	828862	Square nut	1	
8	414838	screw M6x35	1	

Group	Engine
Code	01.39
Description	Carburettor, assembly - Union pipe
Service	1



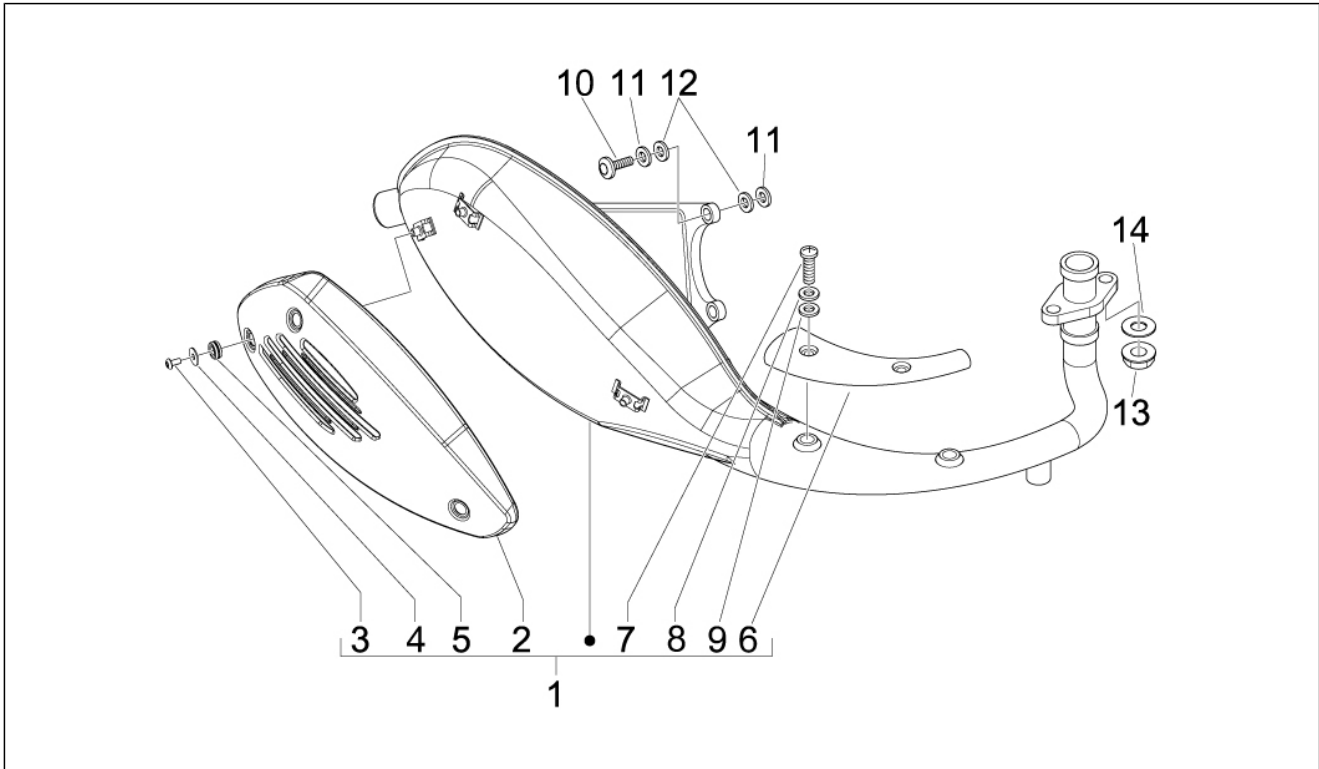
Pos.	Code	Description	Qty	Variants
1	CM129214	Carburetor assembly CVEK-2601B	1	
1	CM156009	Carburetor assembly CVEK26 2605	1	
2	849465	Induction joint with U.P.	1	
3	018639	Hex screw M6x20	2	
3	031091	Hex screw M6x22	2	
4	871167	Induction joint gasket	1	
5	709532	Hose clamp	1	
6	709532	Hose clamp	1	
7	829001	Filter box carburettor sleeve	1	
8	871314	Resistor Module	1	
9	145298	Lock-strap L=180mm	1	

Group	Engine
Code	01.40
Description	Carburetor's components
Service	1



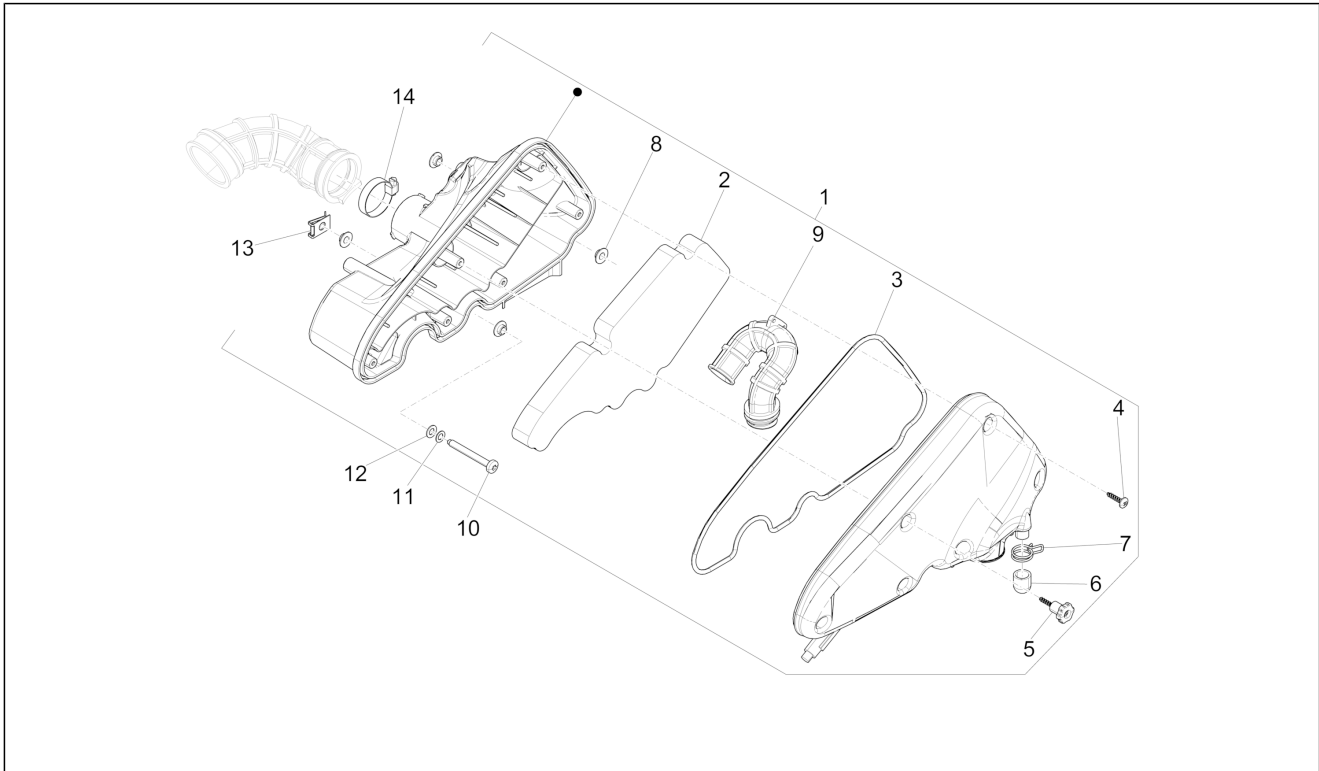
Pos.	Code	Description	Qty	Variants
1	842514	Gas valve cover	1	
2	CM140903	Gas valve spring	1	
3	842517	Tapered pin cap	1	
4	CM140205	Conical pin	1	
5	CM140302	Diaphragm	1	
6	828844	Cap	1	
7	CM142904	Automatic starter cpl.	1	
8	828843	Plate	1	
9	842530	Starter device	1	
10	CM129914	Main jet 82	1	
11	828831	Petrol needle	1	
12	CM156709	Complete reservoir	1	
12	CM156705	***FLOAT CHAMBER	1	
13	842522	Float kit	1	
14	842523	Float chamber kit	1	
15	CM140101	Idle jet 35	1	
16	842521	Pipes kit	1	
17	CM146303	***SCREW	1	
18	CM149403	Adj.min.eng.speed air screw	1	

Group	Engine
Code	01.42
Description	Silencer
Service	1



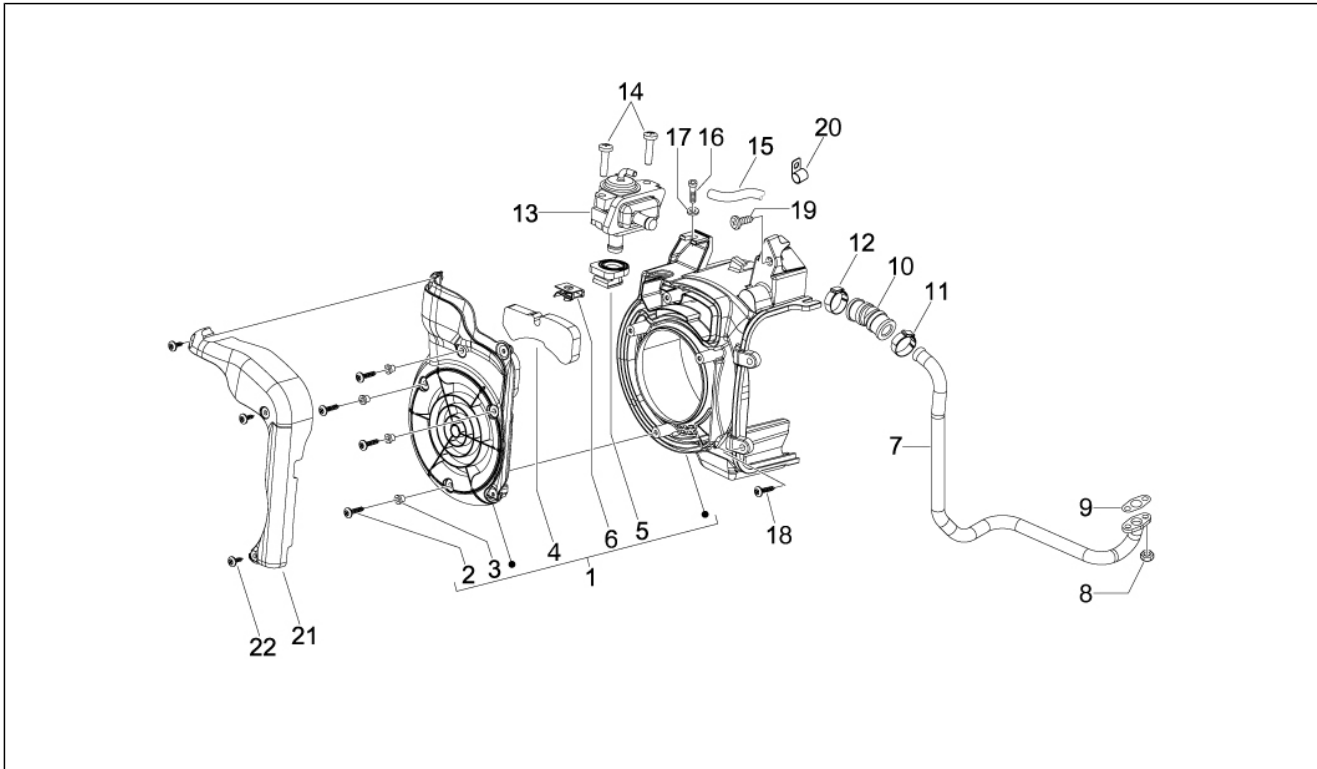
Pos.	Code	Description	Qty	Variants
1	847411	***SILENCER ASSY WIT PROT.	1	
2	845465	Protection	1	
3	842908	screw M5x10	3	
4	841821	Washer 6,6x18x1,6	3	
5	841782	Rubber spacer	3	
6	480401	Deflector	1	
7	433800	screw M5x10	2	
8	016405	Spring washer 8,5x5,1x1,5	2	
9	828535	Washer	2	
10	844483	Hex socket screw M8x50	1	
11	834187	Spring washer 16x8,2x2,2	2	
12	825643	Washer	2	
13	436947	Nut	2	
14	709012	Washer	2	
15	872997	Hex socket screw M8x55	1	

Group	Engine
Code	01.45
Description	Air filter
Service	1



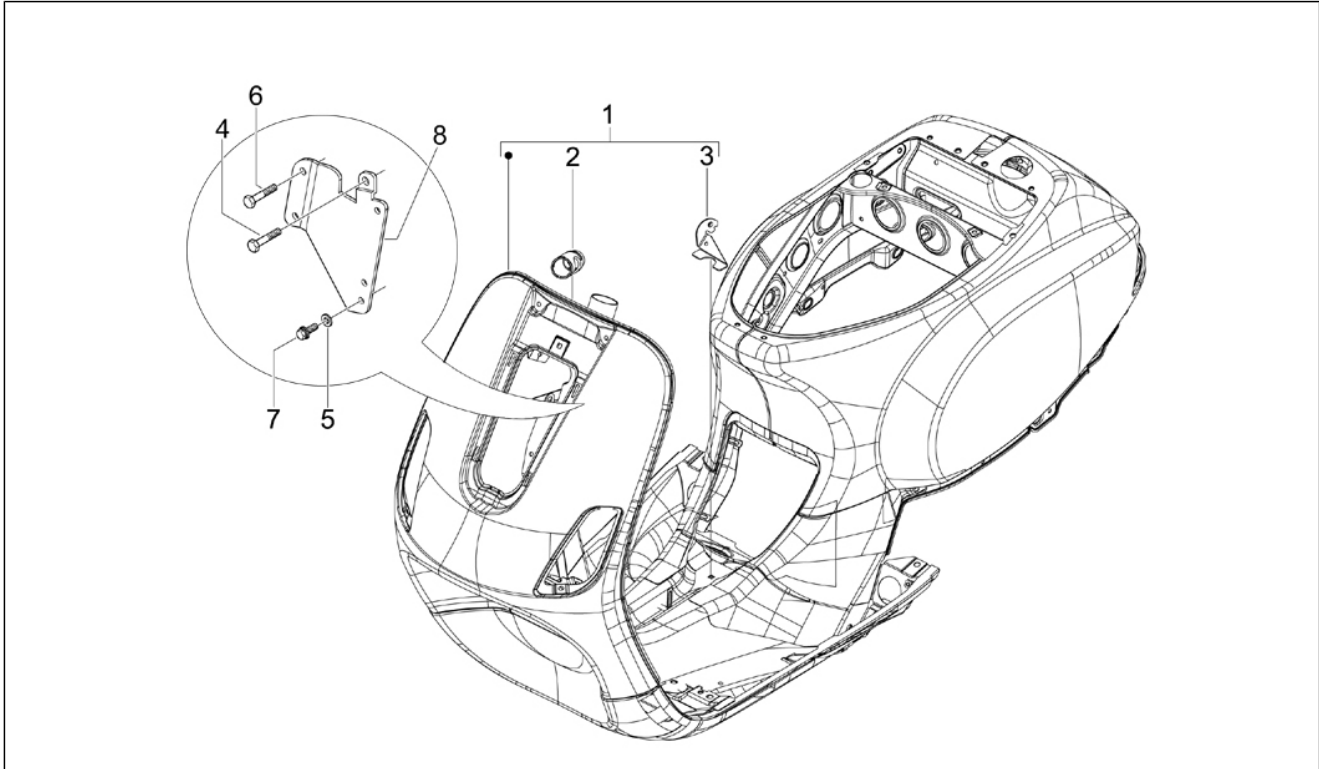
Pos.	Code	Description	Qty	Variants
1	878184	Complete air cleaner box	1	
2	843194	Air filter	1	
3	843195	Gasket	1	
4	258146	Self-tap screw M3x20	5	
5	479132	Air filter closing knob	1	
6	827831	Cap	1	
7	CM002910	Hose clamp	1	
8	830056	Knurled bushing	4	
9	843849	Air calibration tube	1	
10	018640	Special cap screw M6x50	2	
11	012533	Notched washer 6,6x11x0	2	
12	003056	Flat washer 6,4x12x1	2	
13	254485	Spring plate M6	2	
14	709532	Hose clamp	1	

Group	Engine
Code	01.46
Description	Secondary air box
Service	1



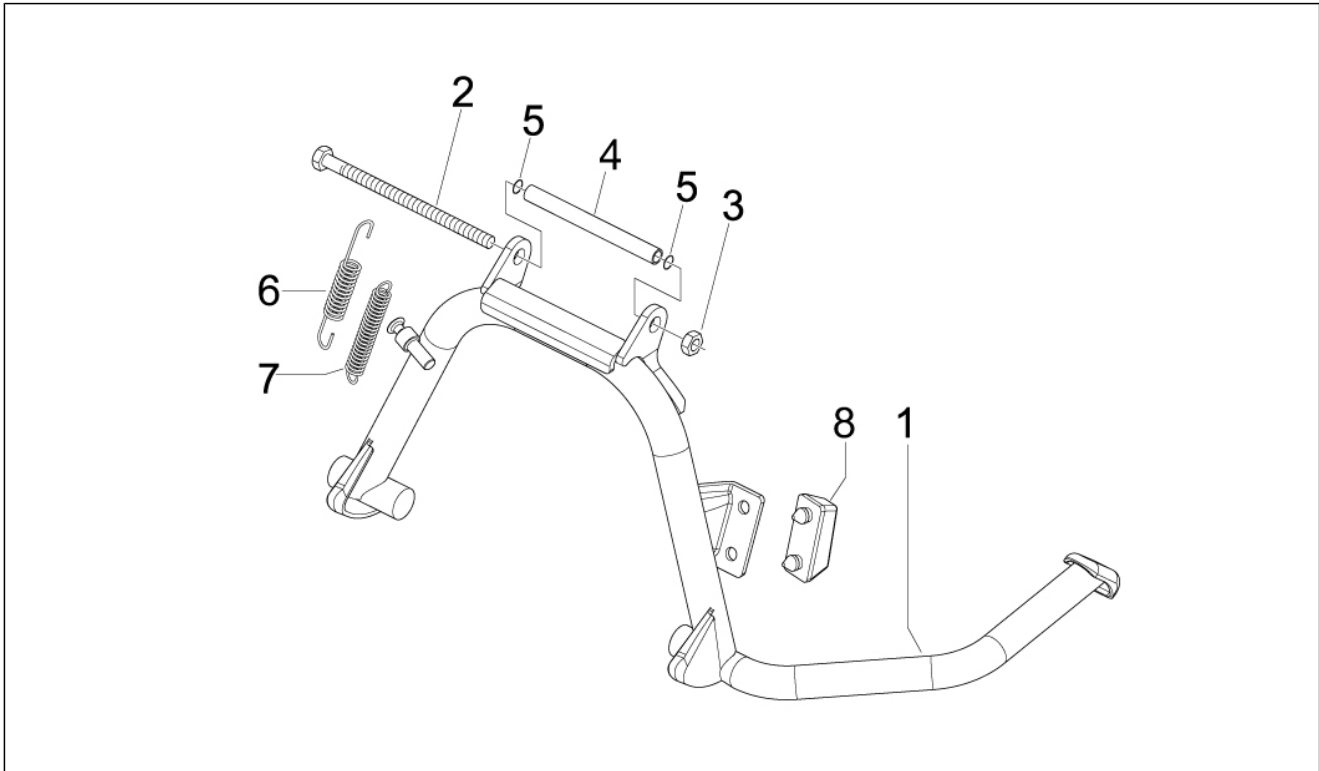
Pos.	Code	Description	Qty	Variants
1	834473	Complete air duct	1	
2	258146	Self-tap screw M3x20	4	
3	843757	Bush	4	
4	832703	Filtering element	1	
5	833802	Gasket	1	
6	254485	Spring plate M6	2	
7	844116	Complete s.a.s. pipe	1	
8	846766	Nut	2	
8	873409	Special nut	2	
9	832943	Gasket	1	
10	831259	s.a.s. joint pipe	1	
11	CM002901	Hose clamp	1	
12	CM001904	Hose clamp	1	
13	82731R	SAS valve	1	
14	259830	Metric screw M6x20	2	
15	CM006108	Fuel tube	1	
16	486972	Hex socket screw M5x25	2	
17	828583	Washer $\varnothing 5 \times \varnothing 12 \times 1.1$	2	
18	828662	Screw M5x22	3	
19	259577	screw	2	
20	847778	Hose clamp	1	
21	834476	Flywheel cover	1	
22	297498	Self tapping screw	3	

Group	Frame - Plastic parts - Coachwork
Code	02.01
Description	Frame/bodywork
Service	1



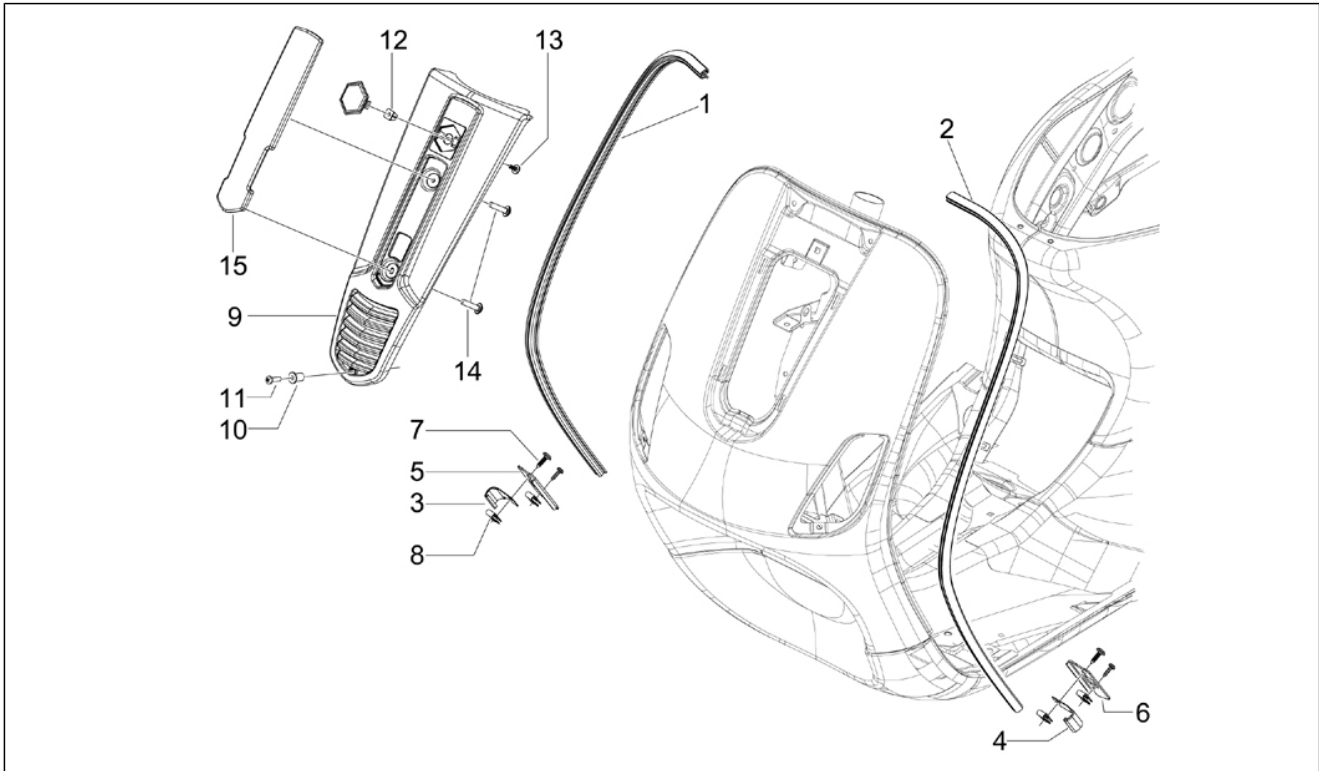
Pos.	Code	Description	Qty	Variants
1	6221115	Body with U.P.	1	
2	298604	Lock support	1	
3	581051	Square	1	
4	018509	screw	1	
5	097734	Washer	1	
6	272836	Screw M6x16	2	
7	434541	Screw w/ flange M6x16	3	
8	654282	Fairing connecting plate	1	

Group	Frame - Plastic parts - Coachwork
Code	02.25
Description	Stand/s
Service	1



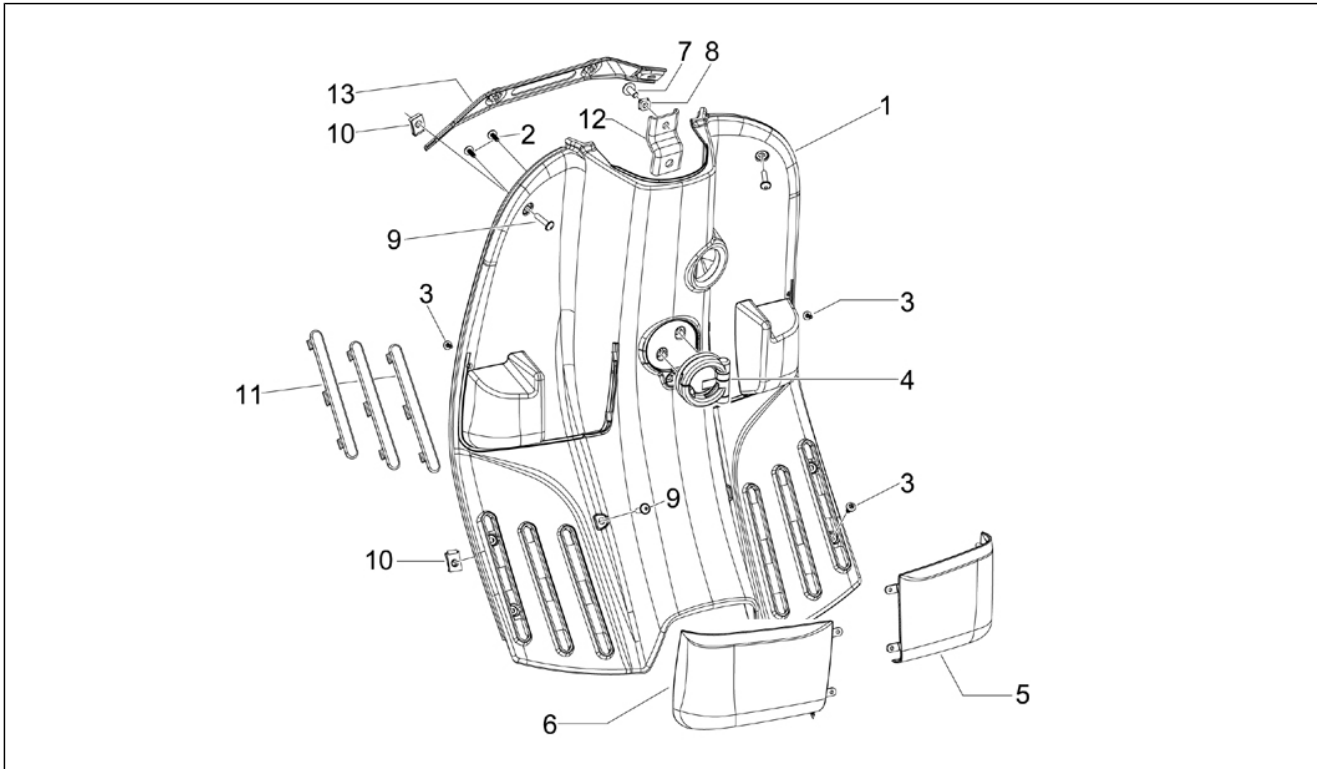
Pos.	Code	Description	Qty	Variants
1	56467R	Centre stand with I.P.	1	
1	56285R	***CENTRAL STAND WITH I.P.	1	
2	030115	Hex screw M10x130	1	
3	002440	Self locking nut M10	1	
4	582298	Spacer	1	
5	273754	O-ring	2	
6	581249	Spring	1	
7	581248	Spring	1	
8	563984	Pad	1	

Group	Frame - Plastic parts - Coachwork
Code	02.26
Description	Front shield
Service	1



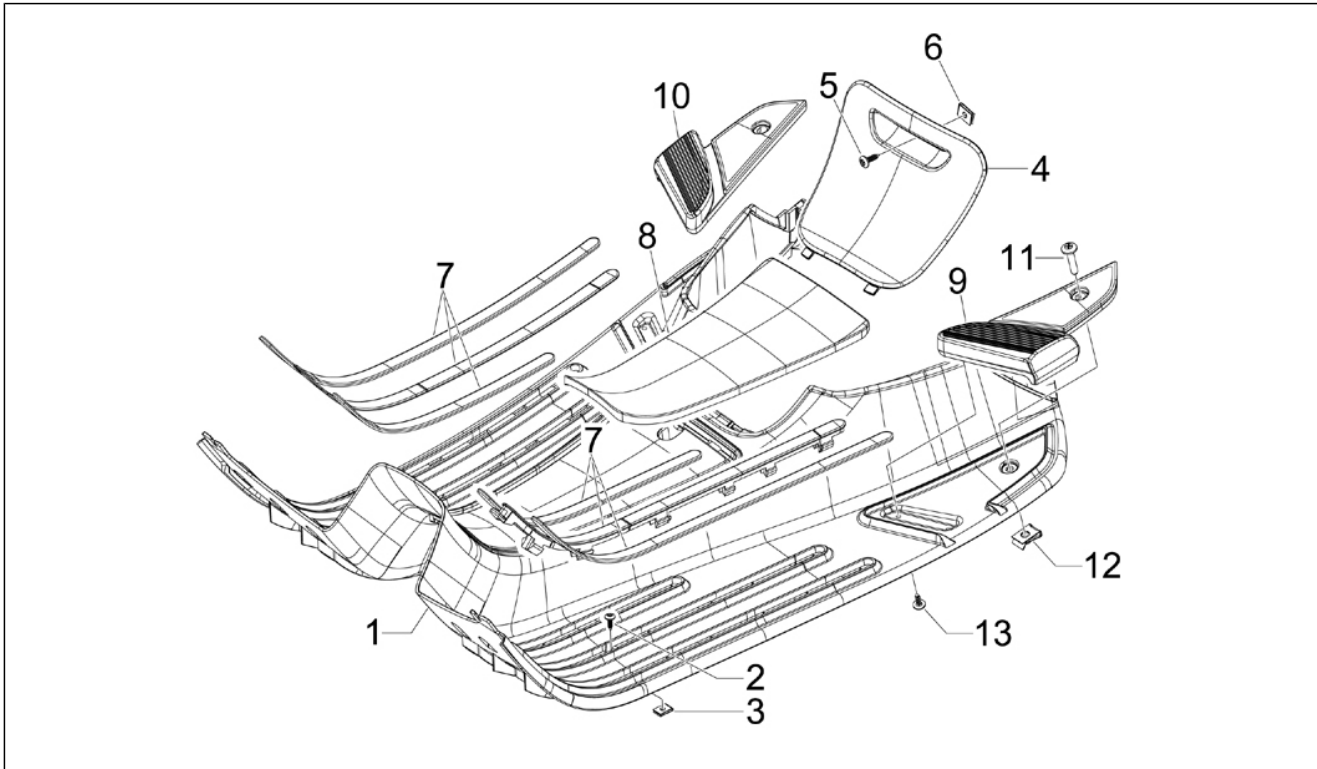
Pos.	Code	Description	Qty	Variants
1	622188	Right-hand shield edge	1	
2	622187	Left-hand shield edge	1	
3	299965	Butt strap DX	1	
4	299964	Butt strap SX	1	
5	654913	Right lower bracket of the leg shield back plate fix	1	
6	654899	Left lower bracket of the leg shield back plate fix	1	
7	268596	Plug screw	2	
8	CM017403	Spring plate	2	
9	6548835090	Steering column cover	1	Colour:Shiny Black[94]
9	65488350BR	Steering column cover	1	Colour:Fusion White[544]
9	65488350R7	Steering column cover	1	Colour:DRAGON RED[894]
10	AP8144564	Rubber w/ insert M4	1	
11	018544	screw	1	
12	199190	Expansion plug	1	
13	267958	Self tapping screw L=20 mm	1	
14	297498	Self tapping screw	2	
15	654272	Front moulding	1	

Group	Frame - Plastic parts - Coachwork
Code	02.30
Description	Front glove-box - Knee-guard panel
Service	1



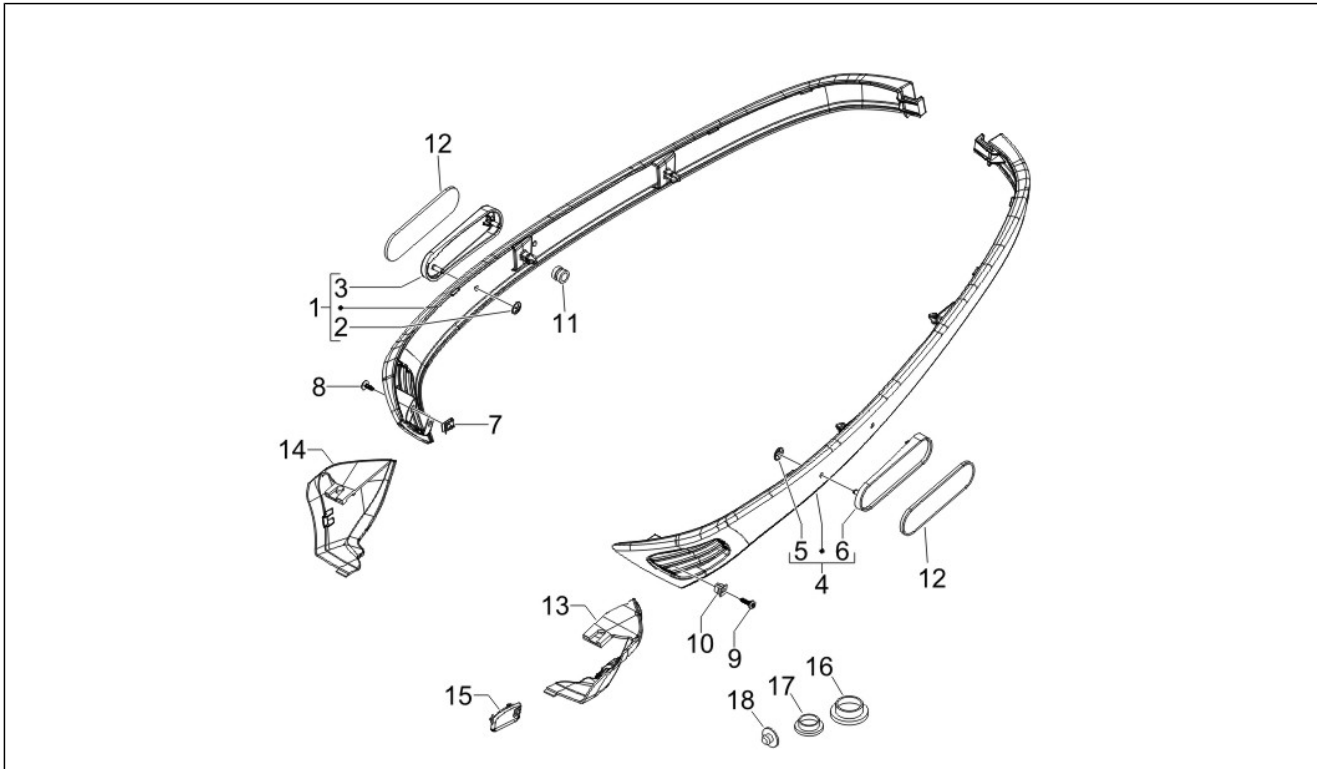
Pos.	Code	Description	Qty	Variants
1	654256	Counter shield	1	
1	65425600AI	Counter shield	1	Colour:Mizar Orange[938/A]
1	65425600BR	Counter shield	1	Colour:Fusion White[544]
1	65425600R7	Counter shield	1	Colour:DRAGON RED[894]
1	6542560090	Counter shield	1	Colour:Shiny Black[94]
2	259349	Screw M4,2x13	2	
3	297498	Self tapping screw	8	
4	575819	Bag holder hook	1	
5	65429500BR	Right glovebox	1	Colour:Fusion White[544]
5	65429500AI	Right glovebox	1	Colour:Mizar Orange[938/A]
5	65429500R7	Right glovebox	1	Colour:DRAGON RED[894]
5	6542950090	Right glovebox	1	Colour:Shiny Black[94]
5	654295	Right glovebox	1	
6	65429400AI	Left glovebox	1	Colour:Mizar Orange[938/A]
6	6542940090	Left glovebox	1	Colour:Shiny Black[94]
6	65429400BR	Left glovebox	1	Colour:Fusion White[544]
6	654294	Left glovebox	1	
6	65429400R7	Left glovebox	1	Colour:DRAGON RED[894]
7	576189	Self-tap screw	2	
8	CM017409	Spring plate	2	
9	AP8152338	Screw w/ flange	5	
10	248419	Spring plate M5	5	
11	654297	Packing	6	
12	654292	Leg shield back plate fixing central bracket	1	
13	654290	Upper fixing bracket of the leg shield back plate with U.P.	1	

Group	Frame - Plastic parts - Coachwork
Code	02.31
Description	Central cover - Footrests
Service	1



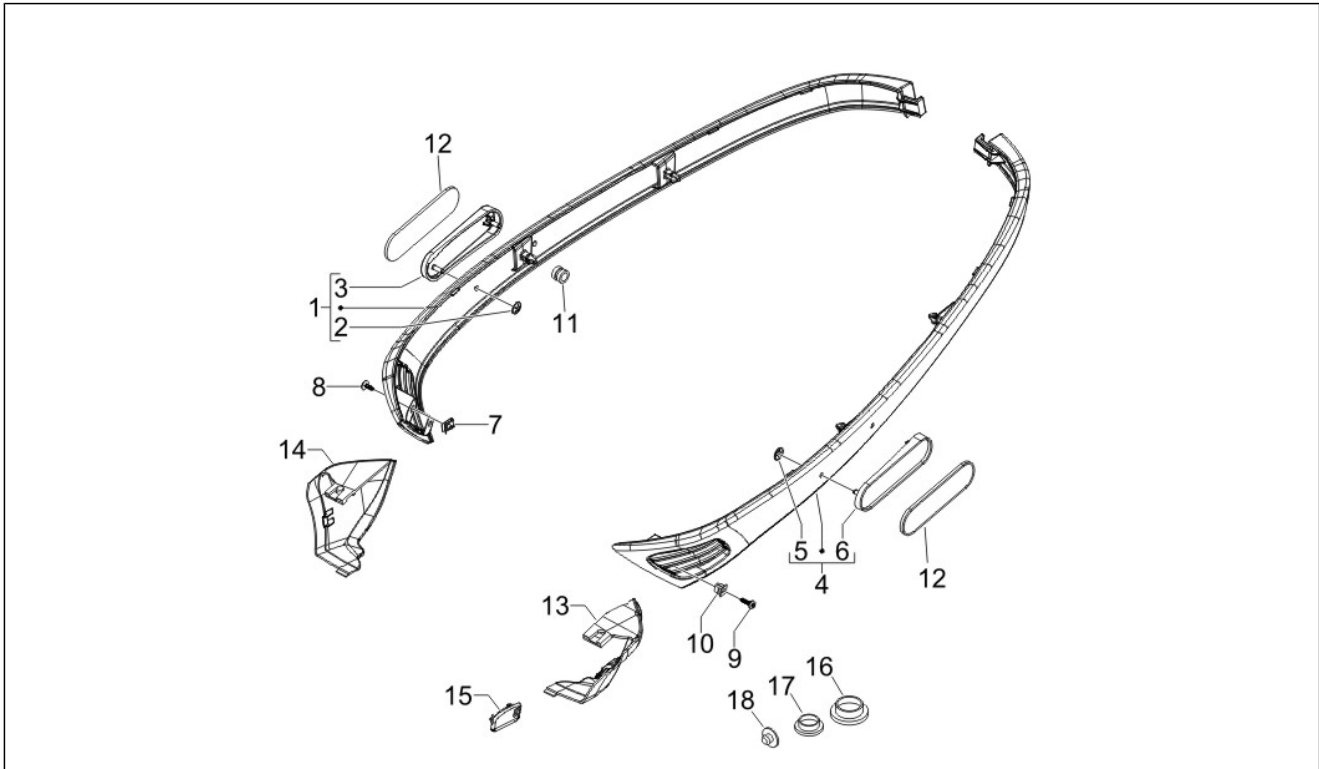
Pos.	Code	Description	Qty	Variants
1	6221244090	Painted footrest	1	Colour:Shiny Black[94]
1	62212440BR	Painted footrest	1	Colour:Fusion White[544]
1	62212440AI	Painted footrest	1	Colour:Mizar Orange[938/A]
1	62212440R7	Painted footrest	1	Colour:DRAGON RED[894]
2	576189	Self-tap screw	2	
3	CM017406	Plate	2	
4	6221360090	Spark plug insp. door	1	Colour:Shiny Black[94]
4	62213600AI	Spark plug insp. door	1	Colour:Mizar Orange[938/A]
4	62213600BR	Spark plug insp. door	1	Colour:Fusion White[544]
4	62213650R7	Painted spark plug inspection cover	1	Colour:DRAGON RED[894]
4	622136	Spark plug insp. door	1	
5	015911	Self tapping screw 4,2x16	1	
6	CM017408	Plate	1	
7	622139	Kit strips, footboard	1	
8	298243	Mat	1	
9	622125	LH footrest	1	
10	622126	RH footpad	1	
11	271891	Screw m6x30	2	
12	254485	Spring plate M6	2	
13	297498	Self tapping screw	4	

Group	Frame - Plastic parts - Coachwork
Code	02.32
Description	Side cover - Spoiler
Service	1



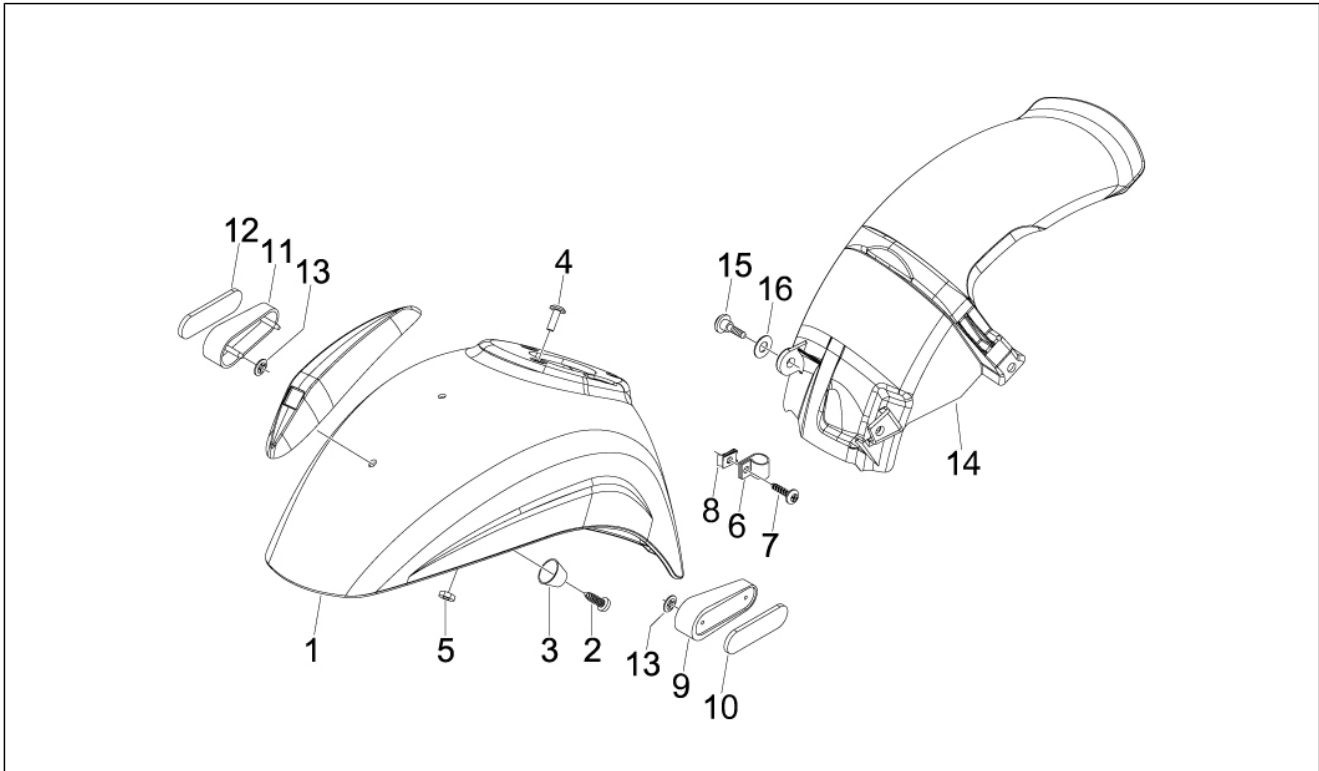
Pos.	Code	Description	Qty	Variants
1	65473600R7	Complete right lower fairing.	1	Colour:DRAGON RED[894]
1	6547360090	Complete right lower fairing.	1	Colour:Shiny Black[94]
1	65473600BR	Complete right lower fairing.	1	Colour:Fusion White[544]
1	654736	Complete right lower fairing.	1	
1	65473600AI	Complete right lower fairing.	1	Colour:Mizar Orange[938/A]
2	181351	Spring plate	2	
3	65430700AI	Base plate for right lateral retroreflector	1	Colour:Mizar Orange[938/A]
3	6543070090	Base plate for right lateral retroreflector	1	Colour:Shiny Black[94]
3	65430700R7	Base plate for right lateral retroreflector	1	Colour:DRAGON RED[894]
3	65430700BR	Base plate for right lateral retroreflector	1	Colour:Fusion White[544]
4	65473500AI	Complete left lower fairing.	1	Colour:Mizar Orange[938/A]
4	654735	Complete left lower fairing.	1	
4	65473500BR	Complete left lower fairing.	1	Colour:Fusion White[544]
4	65473500R7	Complete left lower fairing.	1	Colour:DRAGON RED[894]
4	6547350090	Complete left lower fairing.	1	Colour:Shiny Black[94]
5	181351	Spring plate	2	
6	6543060090	Base plate for left lateral retroreflector	1	Colour:Shiny Black[94]
6	65430600AI	Base plate for left lateral retroreflector	1	Colour:Mizar Orange[938/A]
6	65430600BR	Base plate for left lateral retroreflector	1	Colour:Fusion White[544]
6	65430600R7	Base plate for left lateral retroreflector	1	Colour:DRAGON RED[894]
7	CM017410	Spring plate	1	
8	296141	Self tapping screw	1	
9	259349	Screw M4,2x13	3	
10	199190	Expansion plug	2	
11	463195	Elastic drift	4	
12	582058	Rear retroreflector	2	
13	62212940BR	Left spoiler rear terminal	1	Colour:Fusion White[544]
13	62212940AI	Left spoiler rear terminal	1	Colour:Mizar Orange[938/A]

Group	Frame - Plastic parts - Coachwork
Code	02.32
Description	Side cover - Spoiler
Service	1



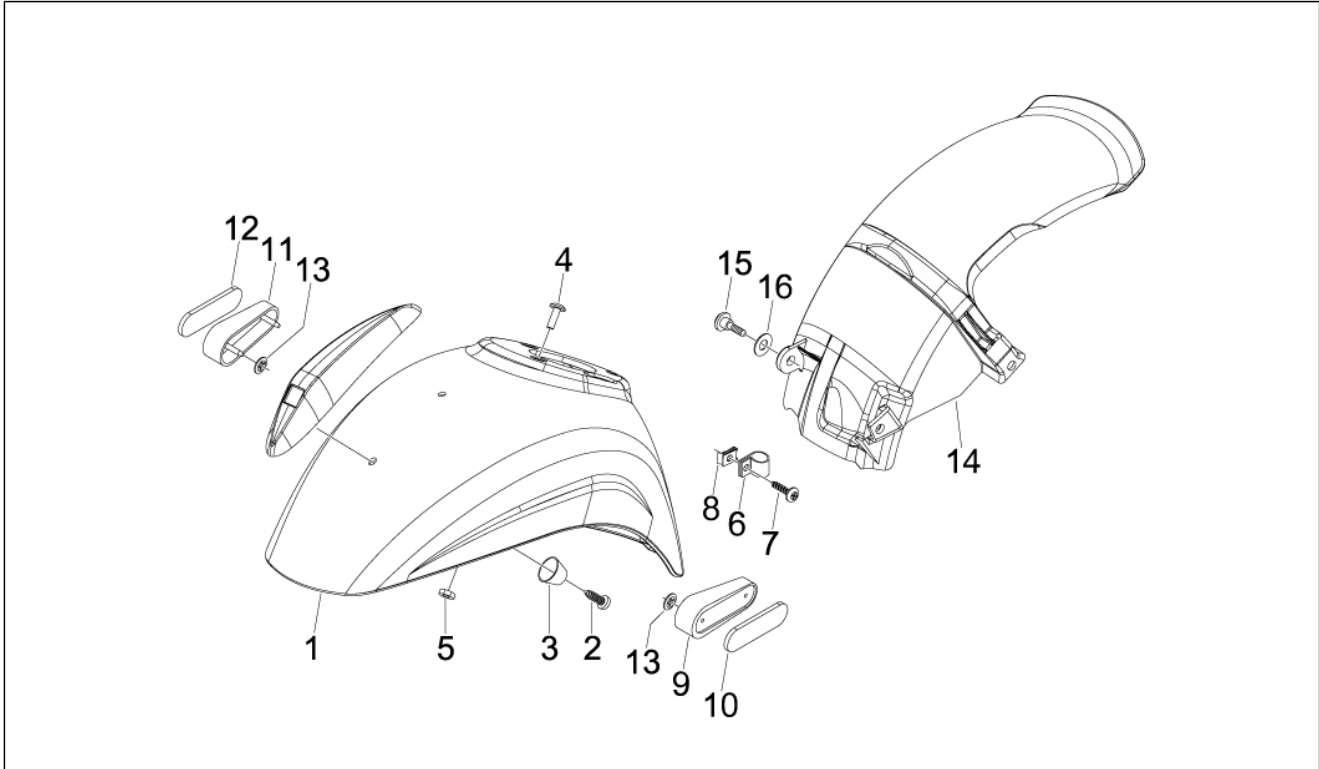
Pos.	Code	Description	Qty	Variants
13	62212940R7	Left spoiler rear terminal	1	Colour:DRAGON RED[894]
13	6221294090	Left spoiler rear terminal	1	Colour:Shiny Black[94]
14	62213040R7	Right spoiler rear terminal	1	Colour:DRAGON RED[894]
14	62213040BR	Right spoiler rear terminal	1	Colour:Fusion White[544]
14	62213040AI	Right spoiler rear terminal	1	Colour:Mizar Orange[938/A]
14	6221304090	Right spoiler rear terminal	1	Colour:Shiny Black[94]
15	620556	Spoiler cover	2	
16	299557	Cover	2	
17	299558	Cover	1	
18	299559	Cover	1	

Group	Frame - Plastic parts - Coachwork
Code	02.33
Description	Wheel huosing - Mudguard
Service	1



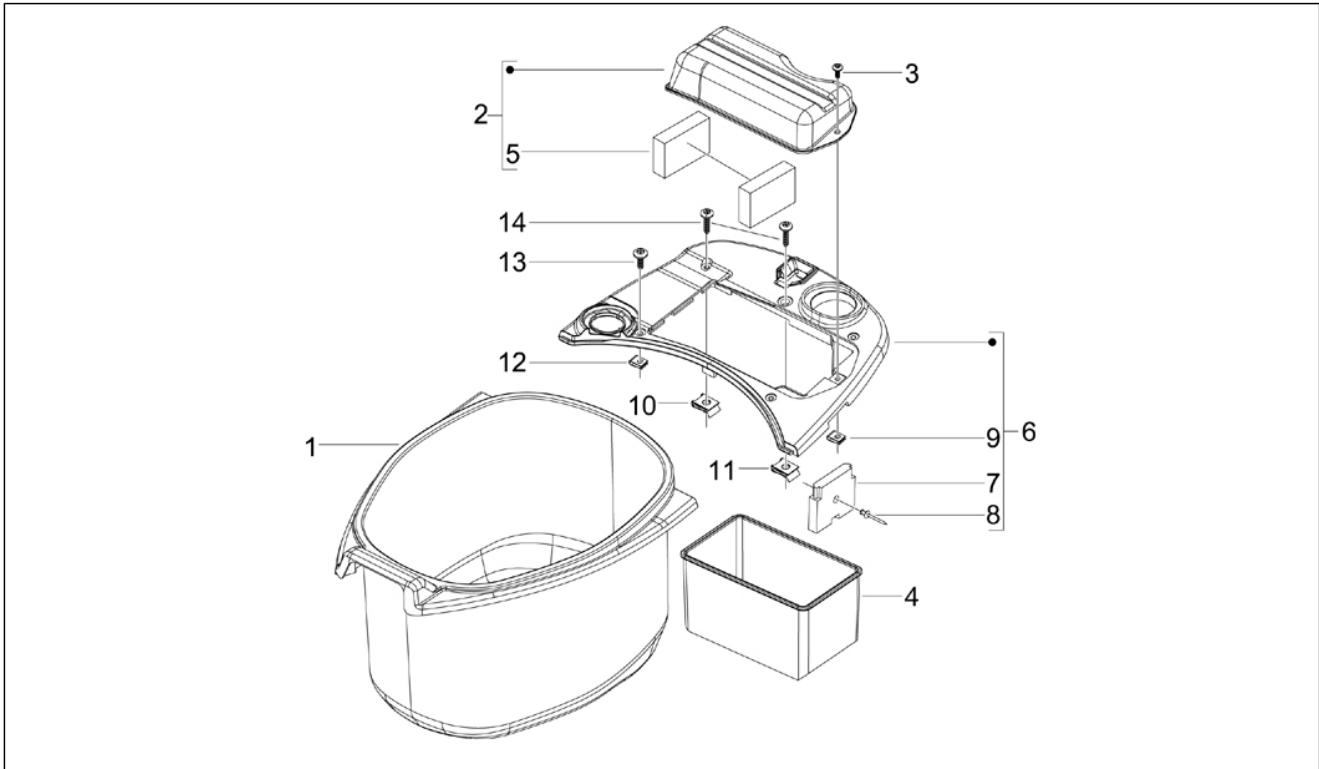
Pos.	Code	Description	Qty	Variants
1	650727	Front mudguard	1	
1	65425800AI	Front mudguard	1	Colour:Mizar Orange[938/A]
1	654258	Front mudguard	1	
1	6542580090	Front mudguard	1	Colour:Shiny Black[94]
1	65072700BR	Front mudguard	1	Colour:Fusion White[544]
1	65425800BR	Front mudguard	1	Colour:Fusion White[544]
1	65072700R7	Front mudguard	1	Colour:DRAGON RED[894]
1	65425800R7	Front mudguard	1	Colour:DRAGON RED[894]
1	6507270090	Front mudguard	1	Colour:Shiny Black[94]
1	65072700AI	Front mudguard	1	Colour:Mizar Orange[938/A]
2	015727	Self tapping screw 2,9x9,5	2	
3	192598	Cap	2	
4	599677	Mudguard crest	1	
4	575249	Metric screw TBC	3	
5	241936	Self locking nut M6	3	
6	562919	Hose clamp	1	
7	015900	Self tapping screw	1	
8	CM017410	Spring plate	1	
9	584078	Bracket	1	
10	584083	Left lateral retroreflector	1	
11	584079	Bracket	1	
12	584084	Right lateral retroreflector	1	
13	181351	Spring plate	4	
14	575079	Rear mudguard	1	
15	575249	Metric screw TBC	1	
16	709047	Spring washer	1	
17	599677	Mudguard crest	1	
18	015727	Self tapping screw 2,9x9,5	2	

Group	Frame - Plastic parts - Coachwork
Code	02.33
Description	Wheel huosing - Mudguard
Service	1



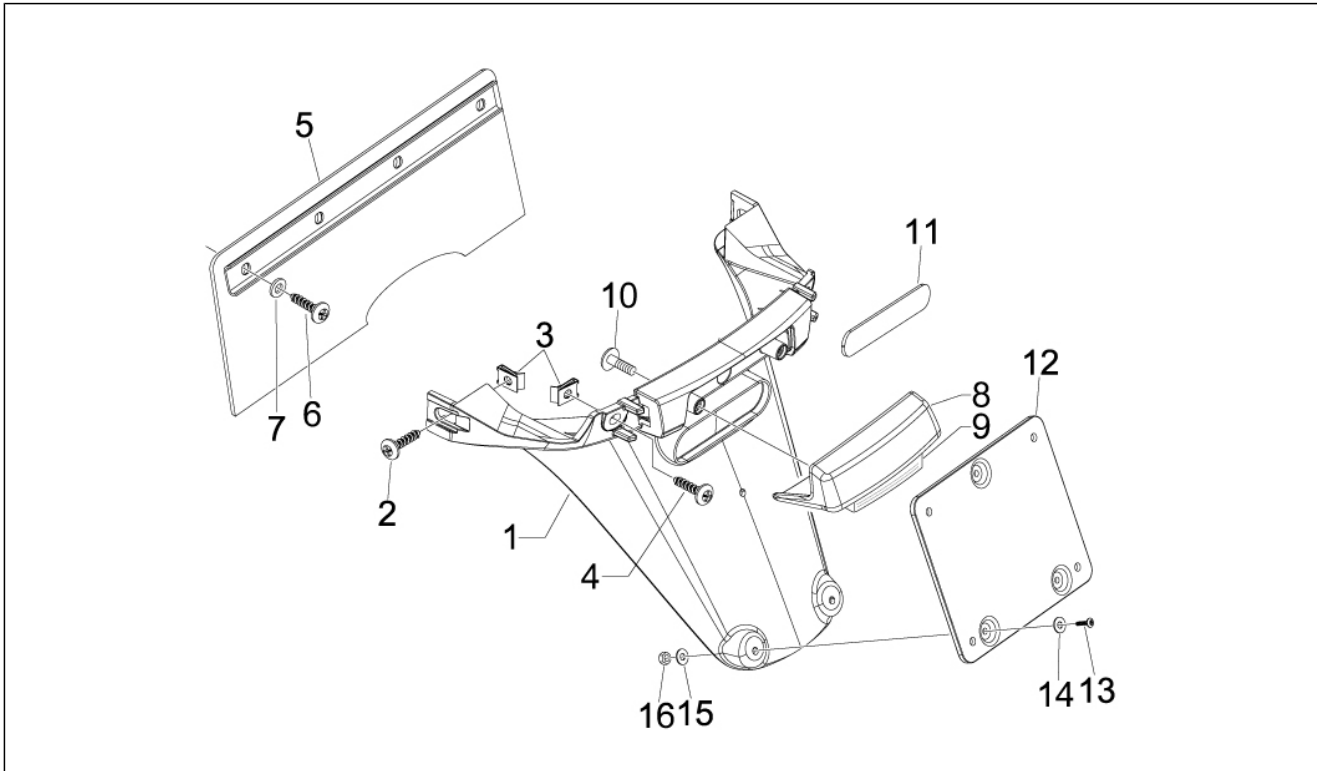
Pos.	Code	Description	Qty	Variants
19	192598	Cap	2	

Group	Frame - Plastic parts - Coachwork
Code	02.34
Description	Helmet huosing - Undersaddle
Service	1



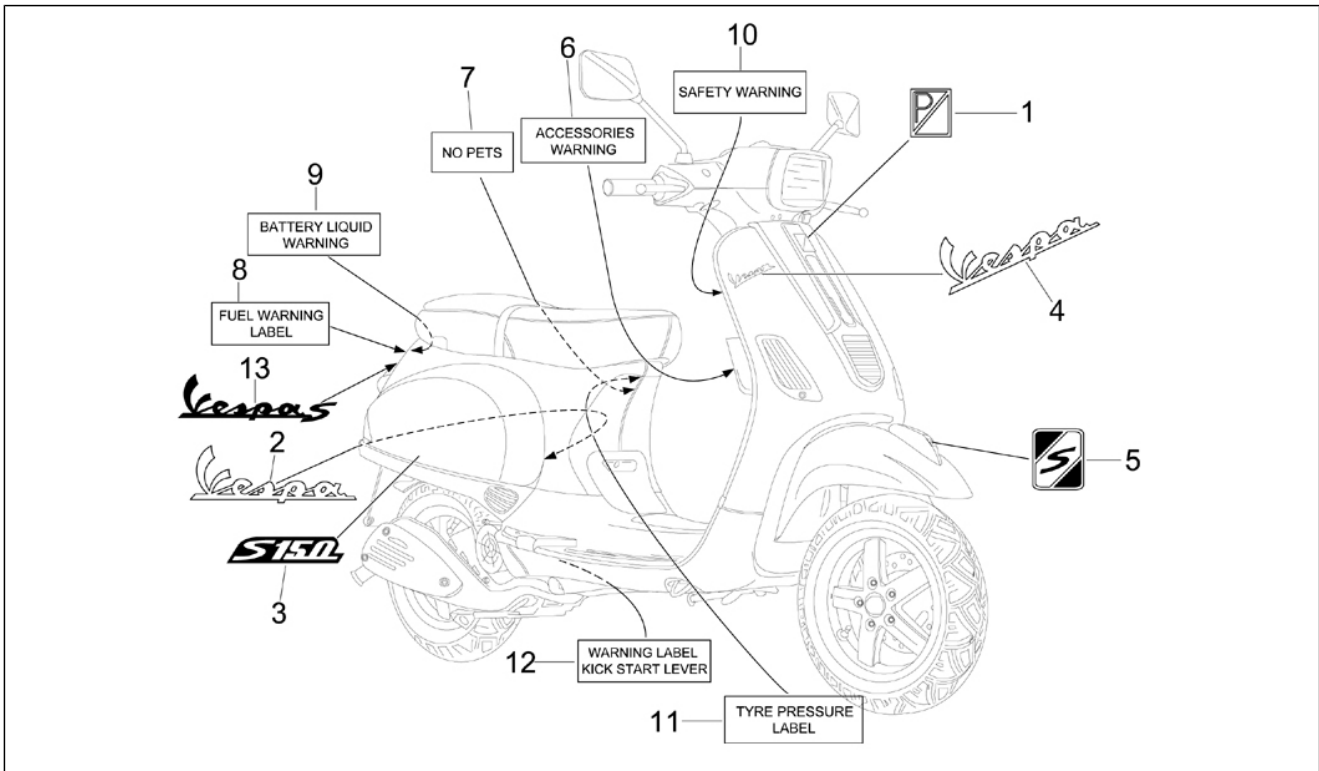
Pos.	Code	Description	Qty	Variants
1	622131	Helmet compartment	1	
2	576017	Complete battery cover	1	
3	576189	Self-tap screw	1	
4	573128	Battery holder tray	1	
5	575329	Pad	2	
6	623020	Battery cover	1	
7	290405	Bracket	1	
8	182302	Rivet	1	
9	CM017410	Spring plate	1	
10	CM017408	Plate	2	
11	CM017410	Spring plate	2	
12	254485	Spring plate M6	1	
13	271891	Screw m6x30	1	
14	259372	Self tapping screw M4,2x25	3	

Group	Frame - Plastic parts - Coachwork
Code	02.37
Description	Rear cover - Splash guard
Service	1



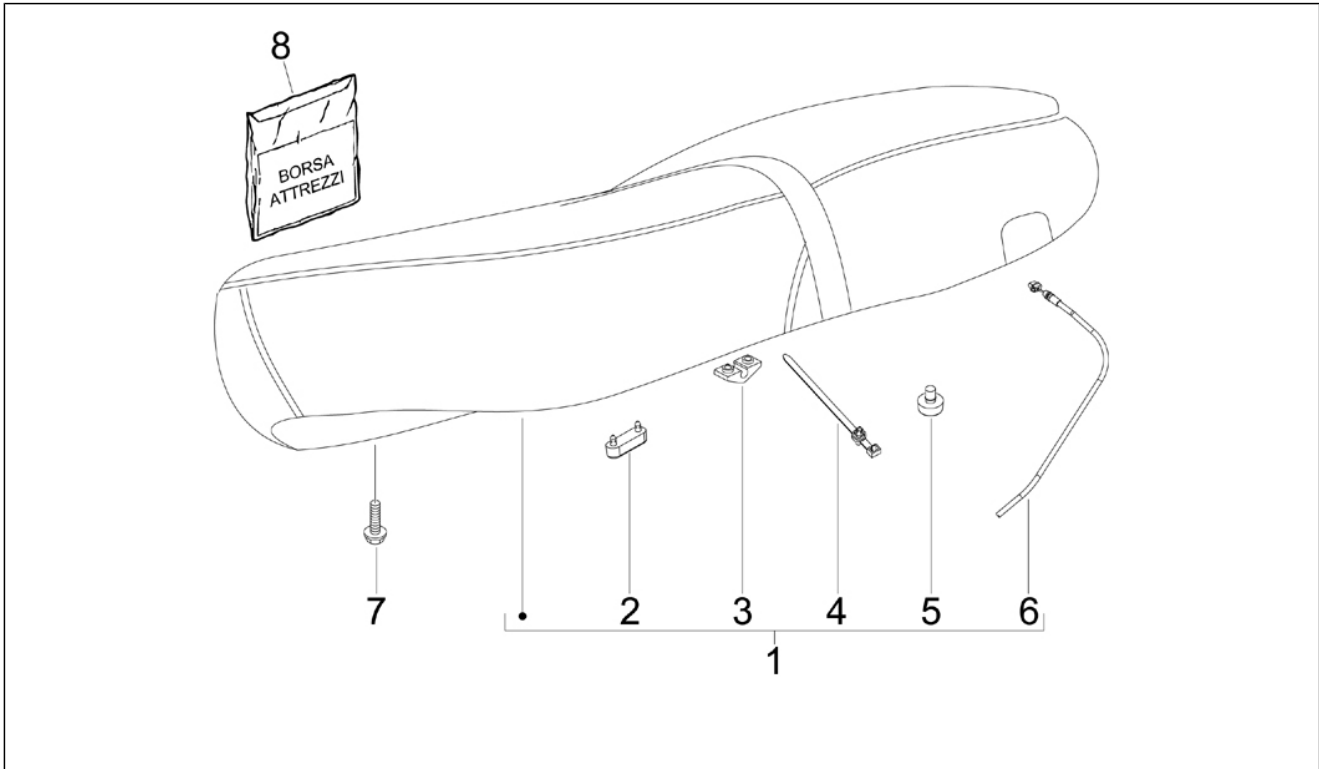
Pos.	Code	Description	Qty	Variants
1	6542610090	Rear protection	1	Colour:Shiny Black[94]
1	65426100AI	Rear protection	1	Colour:Mizar Orange[938/A]
1	654261	Rear protection	1	
1	65426100R7	Rear protection	1	Colour:DRAGON RED[894]
1	65426100BR	Rear protection	1	Colour:Fusion White[544]
2	259830	Metric screw M6x20	2	
3	254485	Spring plate M6	4	
4	575249	Metric screw TBC	2	
5	623420	Splash guard	1	
6	296141	Self tapping screw	4	
7	013763	Flat washer 4,2x12x1	4	
8	6542620090	License plate light cover	1	Colour:Shiny Black[94]
8	65426200AI	License plate light cover	1	Colour:Mizar Orange[938/A]
8	65426200R7	License plate light cover	1	Colour:DRAGON RED[894]
8	654262	License plate light cover	1	
8	65426200BR	License plate light cover	1	Colour:Fusion White[544]
9	639335	License plate light glass	1	
10	294678	Self tapping screw 3.5x16	2	
11	582058	Rear retroreflector	1	
12	582691	License plate	1	
13	018591	screw M4x14	3	
14	013763	Flat washer 4,2x12x1	3	
15	016404	Flat washer 4,2x7,6x0,9	3	
16	020104	Nut M4	3	

Group	Frame - Plastic parts - Coachwork
Code	02.38
Description	Plates - Emblems
Service	1



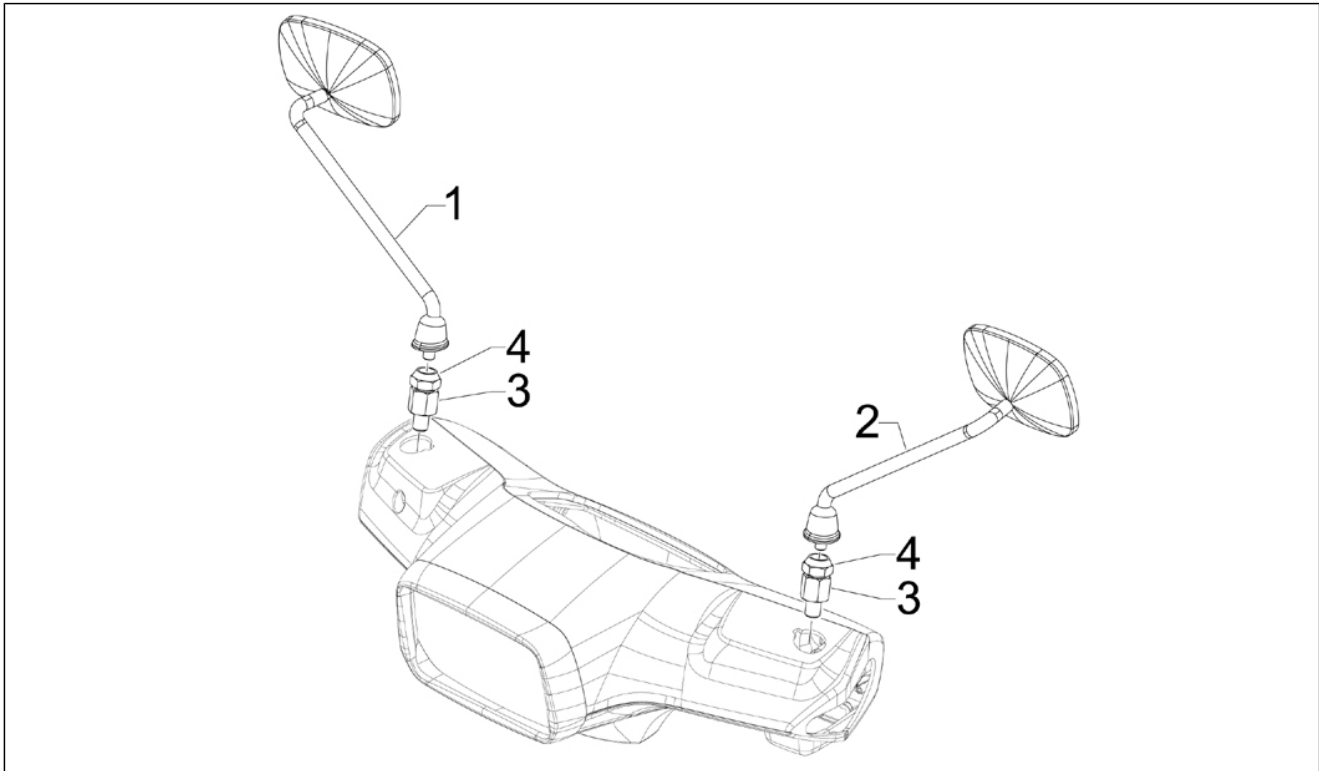
Pos.	Code	Description	Qty	Variants
1	576464	Shield "Piaggio"	1	
2	620529	""""Vespa"""" lateral label"	1	
3	654724	***"S150" STICKER	1	
4	623205	""""Vespa"""" front label"	1	
5	654821	""""S"""" mudguard label"	1	
6	576708	Accessories sticker	1	
7	576953	Name plate "No pets"	1	
8	576705	Fuel warning plate	1	
9	576702	Battery decal	1	
10	576704	"Safety" plate	1	
11	655519	Tyre pressure label	1	
12	576707	"Kick starter" plate	1	
13	656228	Name plate "Vespa S"	1	

Group	Frame - Plastic parts - Coachwork
Code	02.39
Description	Saddle/seats
Service	1



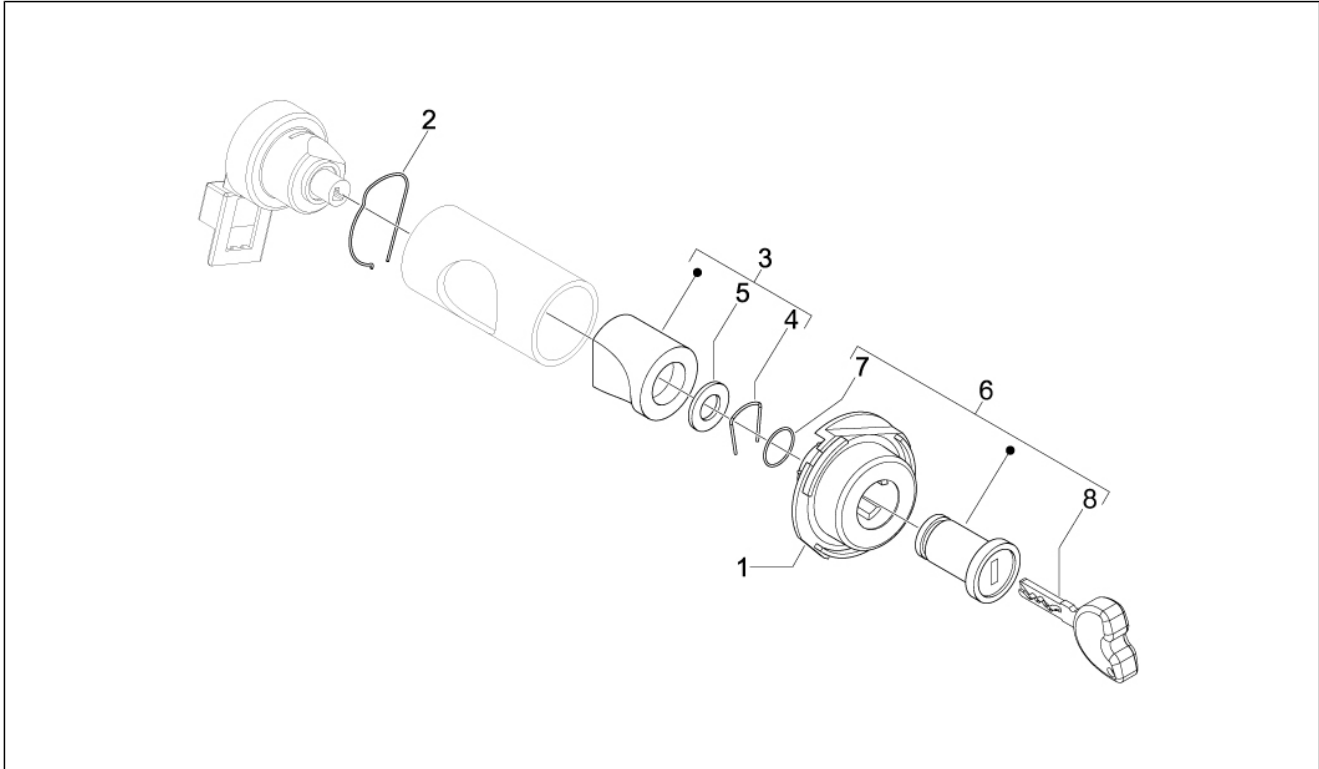
Pos.	Code	Description	Qty	Variants
1	654293	granturismo saddle with belt	1	
1	65429300AN	granturismo saddle with belt	1	Colour:Shiny Black[94] Colour:Fusion White[544] Colour:DRAGON RED[894] Colour:Shiny Black[94] Colour:Fusion White[544] Colour:DRAGON RED[894] Colour:Shiny Black[94] Colour:Fusion White[544] Colour:DRAGON RED[894]
1	65429300AI	granturismo saddle with belt	1	Colour:Mizar Orange[938/A]
2	296456	Stop buffer	2	
3	296743	Bracket	2	
4	298729	Hose clamp	1	
5	577492	Pad	2	
6	653994	Saddle opening transmission kit	1	
7	436788	Screw w/ flange	2	
8	601030	Toolkit	1	

Group	Frame - Plastic parts - Coachwork
Code	02.45
Description	Driving mirror/s
Service	1



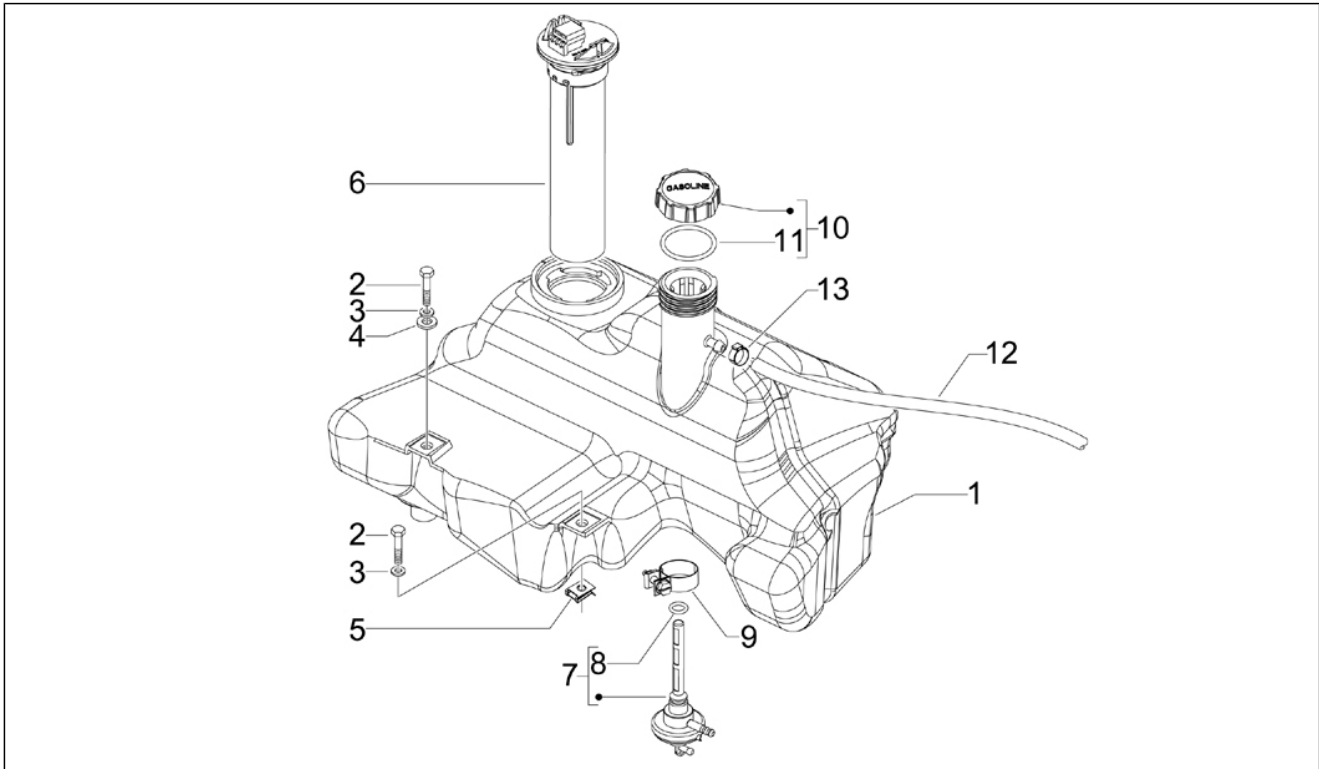
Pos.	Code	Description	Qty	Variants
1	CM178902	RH rearview mirror	1	
2	CM178901	LH rearview mirror	1	
3	655115	Mirror support	2	
4	654149	Nut	2	

Group	Frame - Plastic parts - Coachwork
Code	02.46
Description	Locks
Service	1



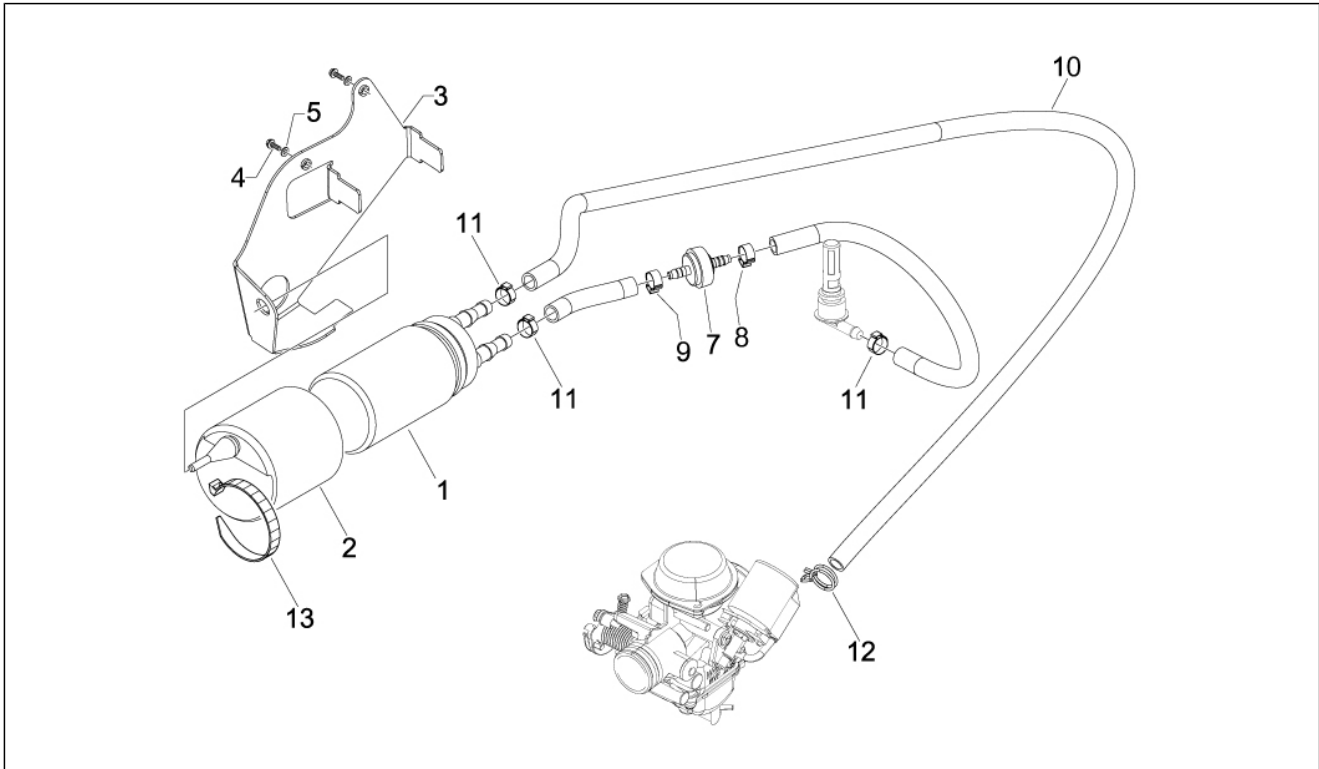
Pos.	Code	Description	Qty	Variants
1	298581	Lock body	1	
2	253937	Spring	1	
3	298903	Complete lock block	1	
4	298838	Cylinder retainer spring	1	
5	298594	Flat washer	1	
6	573905	Cylinder set	1	
7	298731	Gasket ring	1	
8	573960	Key blank	1	

Group	Frame - Plastic parts - Coachwork
Code	02.47
Description	Fuel tank
Service	1



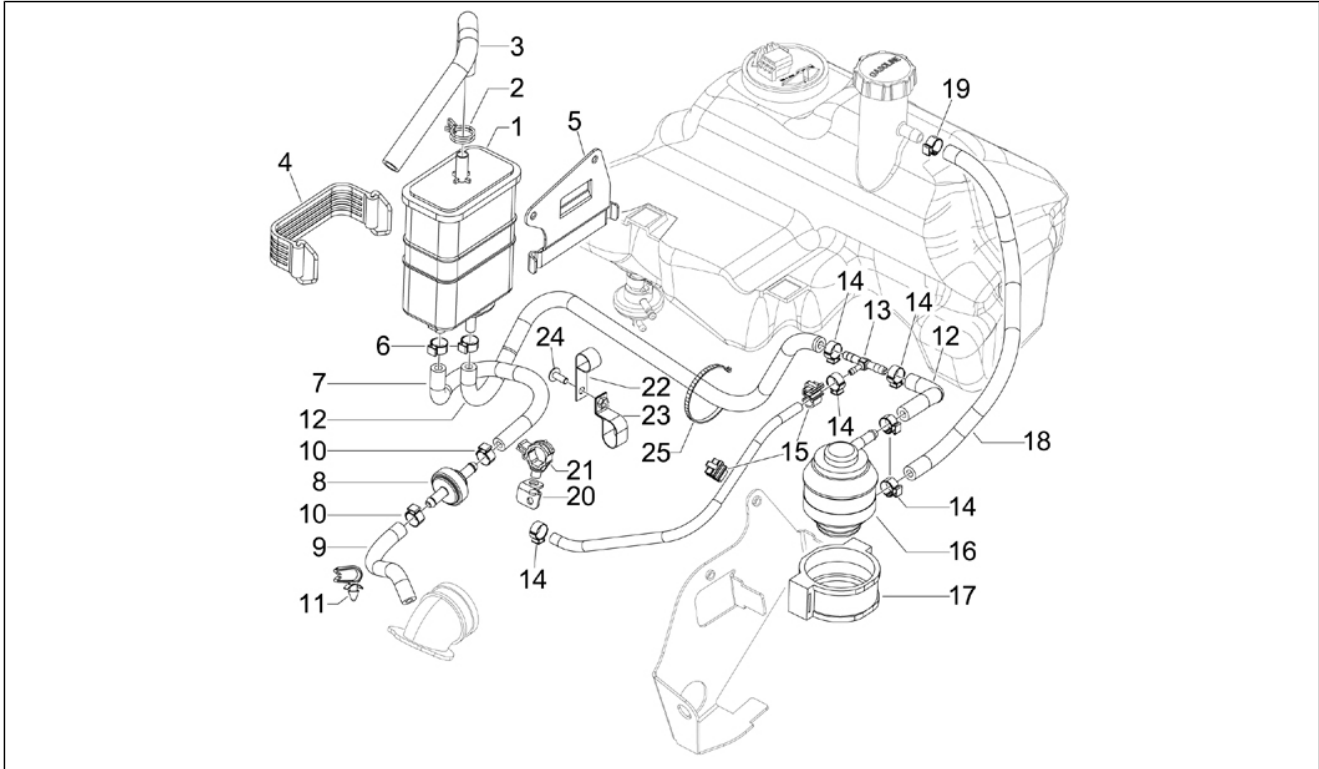
Pos.	Code	Description	Qty	Variants
1	653005	Fuel tank	1	
2	018639	Hex screw M6x20	3	
2	031091	Hex screw M6x22	3	
3	016406	Spring washer 6,4x11,8x1	3	
4	013880	Flat washer 16x6,5x1,5	1	
5	254485	Spring plate M6	3	
6	CM025702	Level gauge	1	
7	296817	Joint	1	
8	196868	Gasket	1	
9	577557	Hose clamp	1	
10	259832	Plug	1	
11	258160	Tank cover gasket	1	
12	CM178401	pipe L=350mm	1	
13	CM001914	Hose clamp	1	

Group	Frame - Plastic parts - Coachwork
Code	02.53
Description	Supply system
Service	1



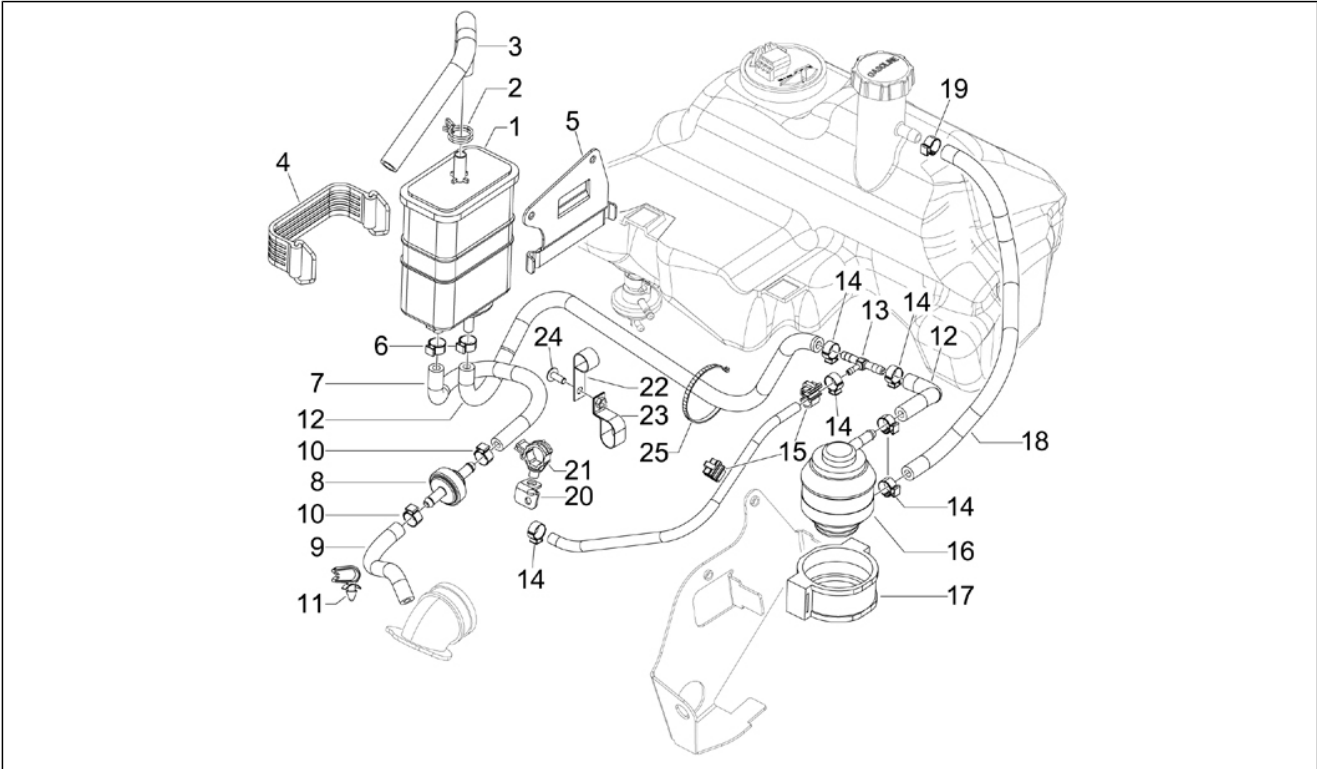
Pos.	Code	Description	Qty	Variants
1	639861	Fuel pump	1	
2	654047	Electrical pump support	1	
3	624866	Electrical pump support	1	
4	434541	Screw w/ flange M6x16	2	
5	016406	Spring washer 6,4x11,8x1	2	
7	CM179003	Safety valve	1	
7	654935	Valve	1	
8	CM001914	Hose clamp	1	
9	CM001913	Hose clamp	1	
11	CM001901	Hose clamp	3	
12	652840	Spring	1	
13	145298	Lock-strap L=180mm	1	

Group	Frame - Plastic parts - Coachwork
Code	02.61
Description	Anti-percolation system
Service	1



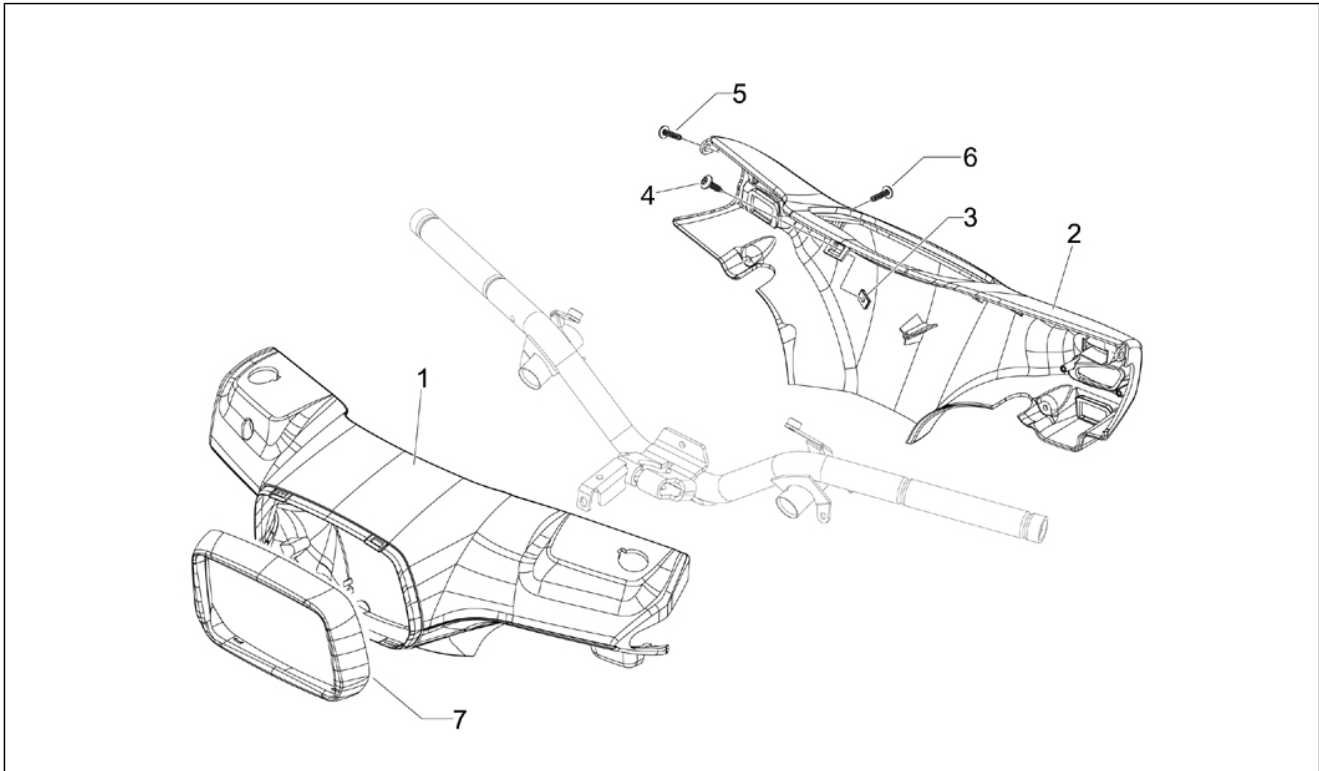
Pos.	Code	Description	Qty	Variants
1	1B0045715	Canister completo di stiker	1	
2	CM002912	Hose clamp	1	
3	576860	Breather tube	1	
4	090854	Strip	1	
5	576453	Bracket	1	
6	CM001914	Hose clamp	2	
7	CM177923	Sae j30 pipe L=1125 mm	1	
7	CM177906	pipe	1	
8	CM179003	Safety valve	1	
8	654935	Valve	1	
9	CM177902	pipe L=125mm	1	
10	CM001914	Hose clamp	2	
11	217280	Hose clamp	1	
12	CM177923	Sae j30 pipe L=1125 mm	1	
12	CM177906	pipe	1	
13	828325	Tee union	1	
14	CM001914	Hose clamp	6	
15	CM013203	Sheet edge spring	2	
16	CM028204	"Roll-over" valve	1	
17	576454	Maintenance	1	
18	CM178401	pipe L=350mm	1	
19	CM001901	Hose clamp	1	
20	623206	Canister unit plate USA	1	
21	CM006905	Non return spring L=12	1	
22	D9004461193	Hose clamp	1	
22	9004461193000	Hose clamp	1	
23	293902	Hose clamp	1	
24	272836	Screw M6x16	1	

Group	Frame - Plastic parts - Coachwork
Code	02.61
Description	Anti-percolation system
Service	1



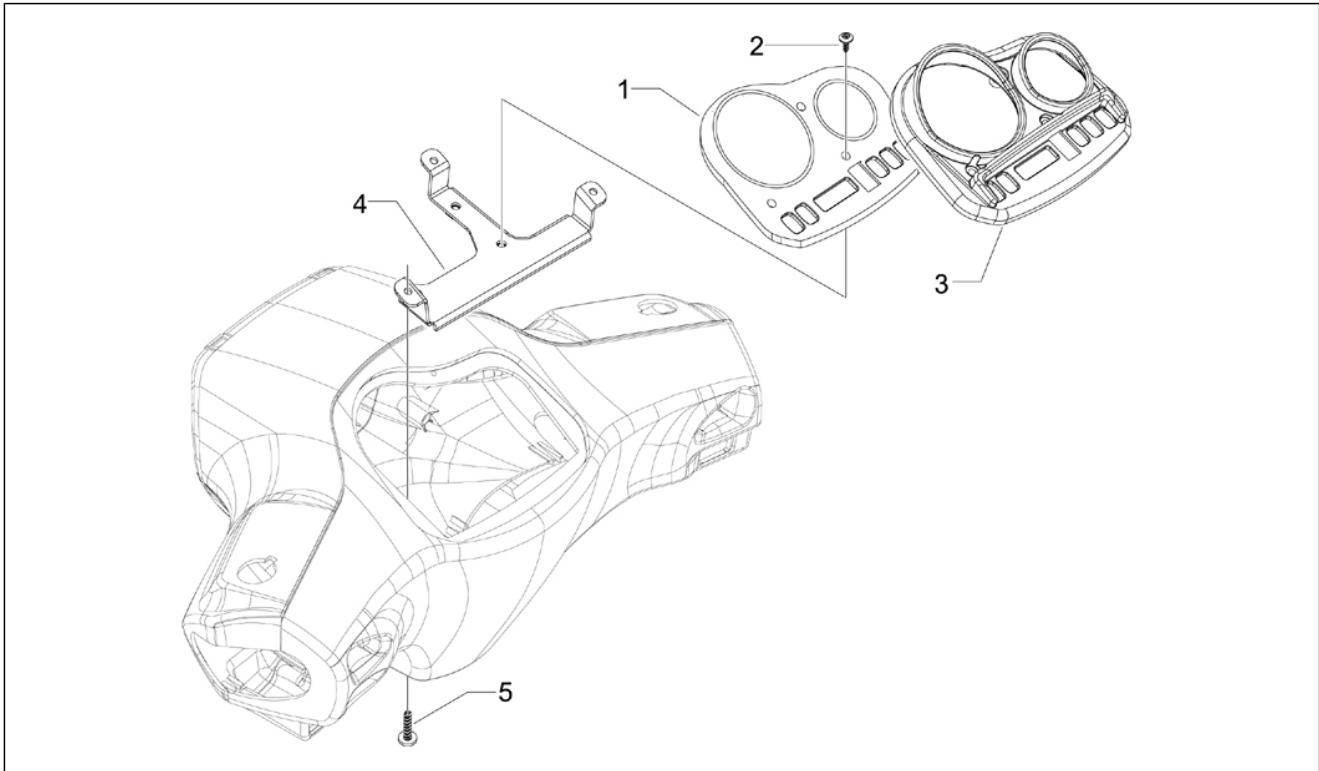
Pos.	Code	Description	Qty	Variants
25	145298	Lock-strap L=180mm	1	

Group	Handlebars/Steering
Code	03.01
Description	Handlebars coverages
Service	1



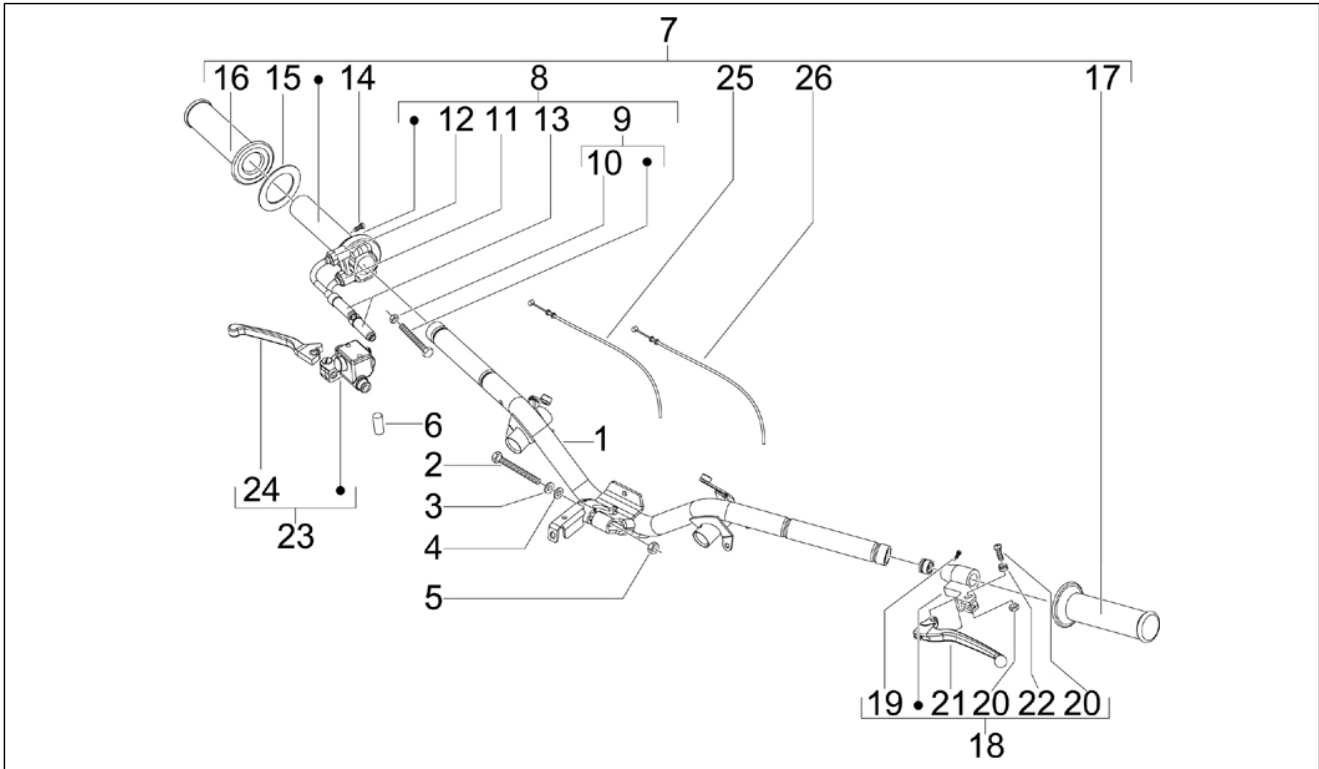
Pos.	Code	Description	Qty	Variants
1	6542630090	Front handlebar cover	1	Colour:Shiny Black[94]
1	65426300AI	Front handlebars cover	1	Colour:Mizar Orange[938/A]
1	65426300BR	Front handlebars cover	1	Colour:Fusion White[544]
1	654263	Front handlebars cover	1	
1	65426300R7	Front handlebars cover	1	Colour:DRAGON RED[894]
2	65426400AI	Handlebar rear cover	1	Colour:Mizar Orange[938/A]
2	654264	Handlebar rear cover	1	
2	65426400R7	Handlebar rear cover	1	Colour:DRAGON RED[894]
2	65426400BR	Handlebar rear cover	1	Colour:Fusion White[544]
2	6542640090	Handlebar rear cover	1	Colour:Shiny Black[94]
3	CM017409	Spring plate	1	
4	008457	Self-tap screw M4,2x19	1	
5	258146	Self-tap screw M3x20	2	
6	270793	TBCIC Screw	3	
7	654265	Headlight frame	1	

Group	Handlebars/Steering
Code	03.02
Description	Meter combination - Cruscotto
Service	1



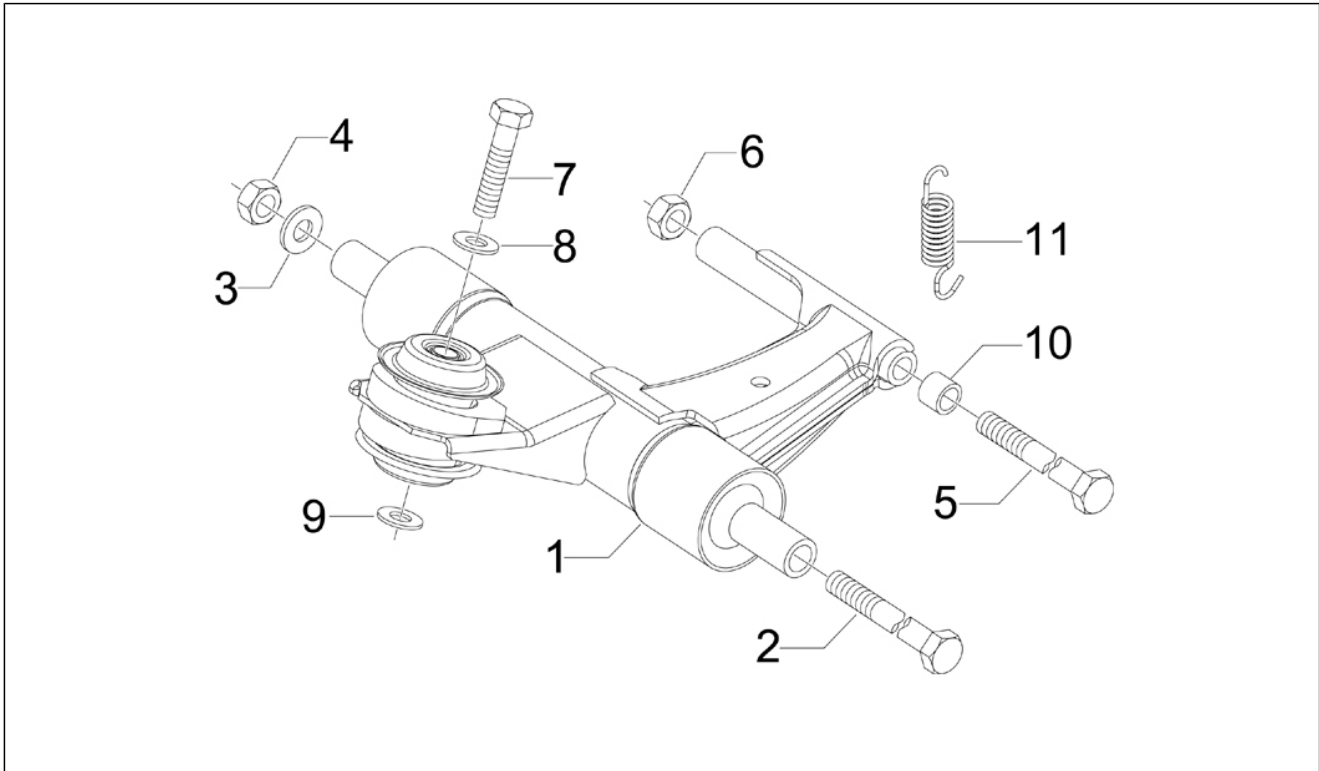
Pos.	Code	Description	Qty	Variants
1	640878	***SPEEDOMETER MILES	1	
2	654300	Torx Screw	3	
3	654279	Instrument frame	1	
4	654298	Fixing plate	1	
5	297498	Self tapping screw	3	

Group	Handlebars/Steering
Code	03.06
Description	Handlebars - Master cil.
Service	1



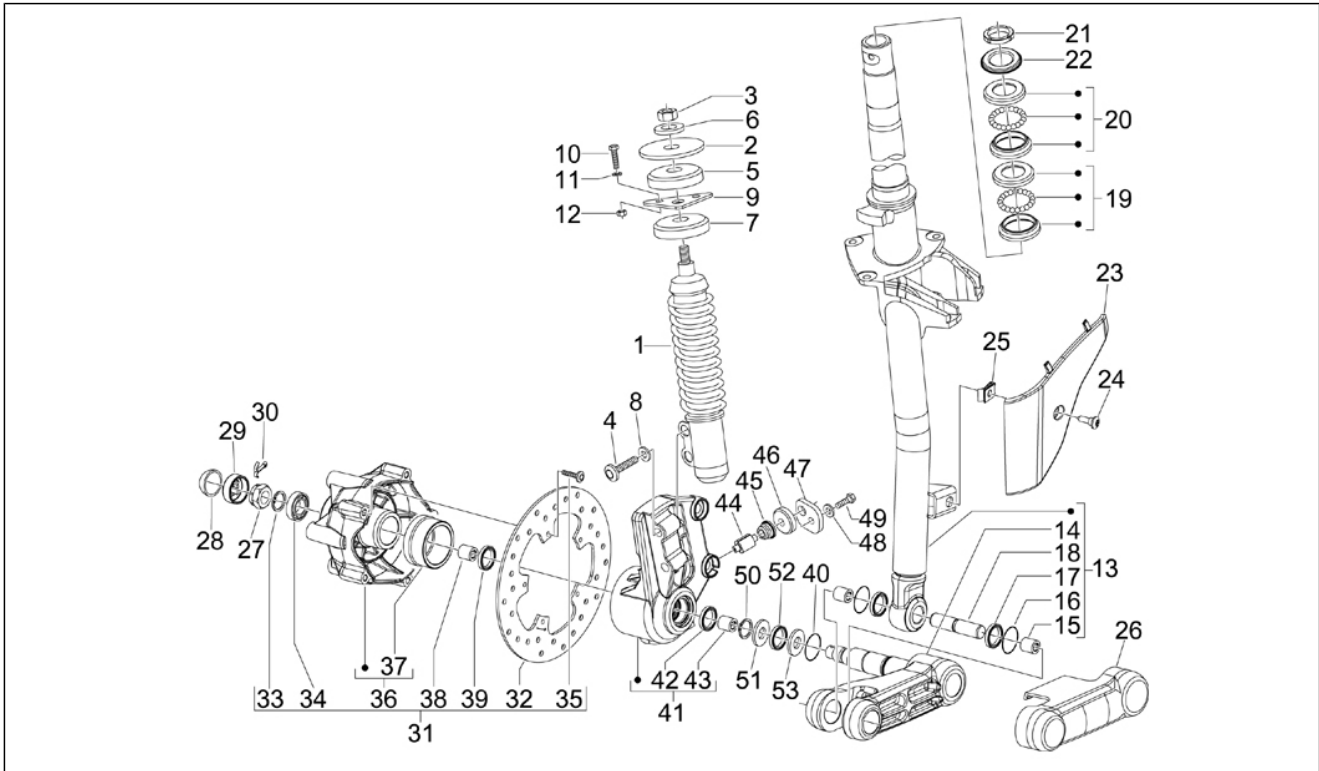
Pos.	Code	Description	Qty	Variants
1	6542675	Handlebar	1	
2	223605	screw	1	
2	655554	Hex socket screw	1	
3	267917	Flat washer 18x10,2x2,5	1	
4	012543	Flat elastic washer with internal tothing 17x10,3x2	1	
5	015330	Nut M10	1	
6	125998	Cap	2	
7	CM060966	Hose	1	
7	CM079711	***COMPLETE GAS CONTROL MUFF	1	
8	CM065917	Gas lever transmission	1	
9	269145	Adjuster screw	1	
10	020206	Nut M6	1	
11	002613	Nut	1	
12	020105	Nut	1	
13	147511	Guard	2	
14	123394	Screw with bushing	1	
15	562923	Ring 38,3x27x1,2	1	
16	274491	RH hand grip	1	
17	274489	Grip, l.h.	1	
18	CM063804	Left hand grip with rear brake lever	1	
19	123394	Screw with bushing	1	
20	265249	Screw with nut	1	
21	564683	Rear brake control lever	1	
22	267948	Spring	1	
23	CM074904	Front master cilinder	1	
24	646833	Brake lever	1	
25	648935	Throttle opening transmission	1	
26	648936	Throttle closing transmission	1	

Group	Suspensions - Wheels
Code	04.01
Description	Swinging arm
Service	1



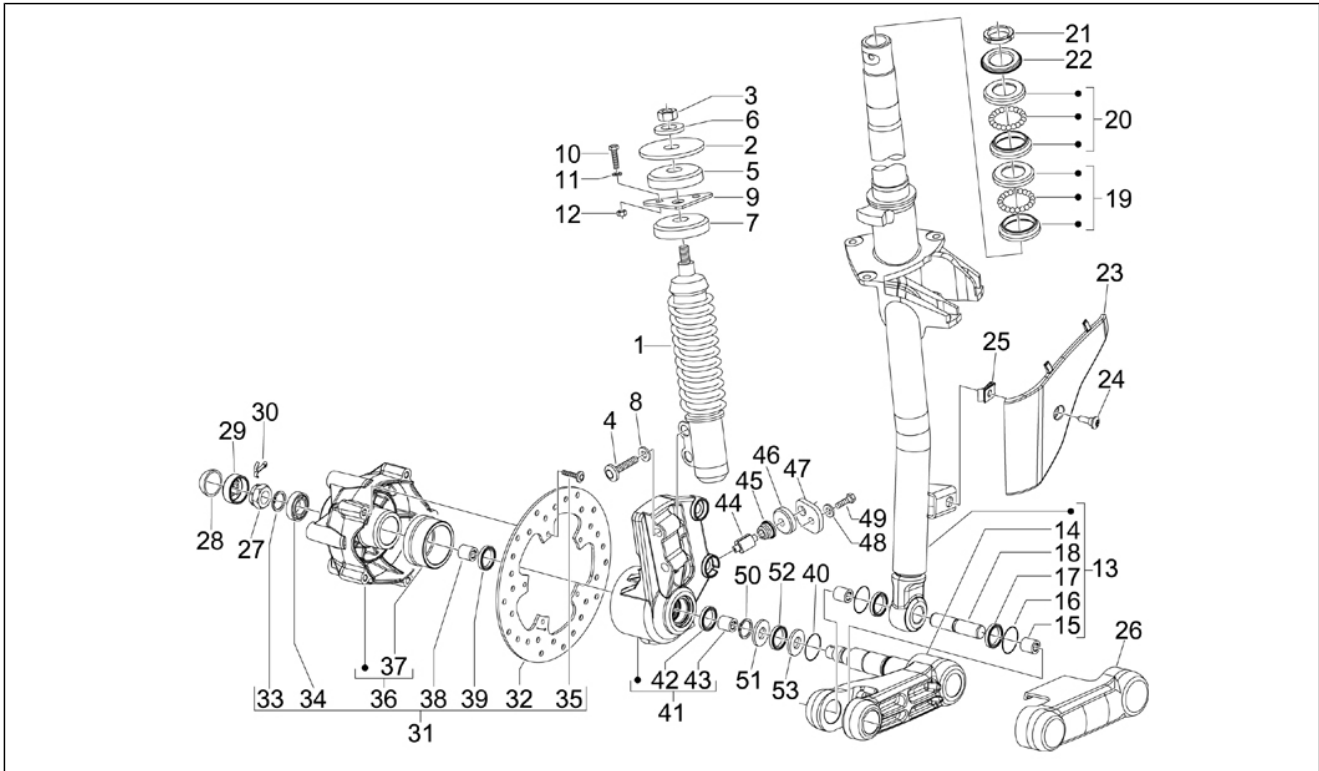
Pos.	Code	Description	Qty	Variants
1	56204R	Swinging arm	1	
2	597914	Hex socket screw M12x324	1	
3	709037	Washer	1	
4	261319	Nut m12x1,25 h=12,5	1	
5	271779	Hex socket screw M10x215	1	
6	232108	Self locking nut M10	2	
6	002440	Self locking nut M10	2	
7	560045	Hex socket screw M10x80	1	
8	122781	Washer	1	
9	178790	Flat washer	1	
10	562310	Spacer	1	
11	564223	Spring	1	

Group	Suspensions - Wheels
Code	04.02
Description	Fork/steering tube - Steering bearing unit
Service	1



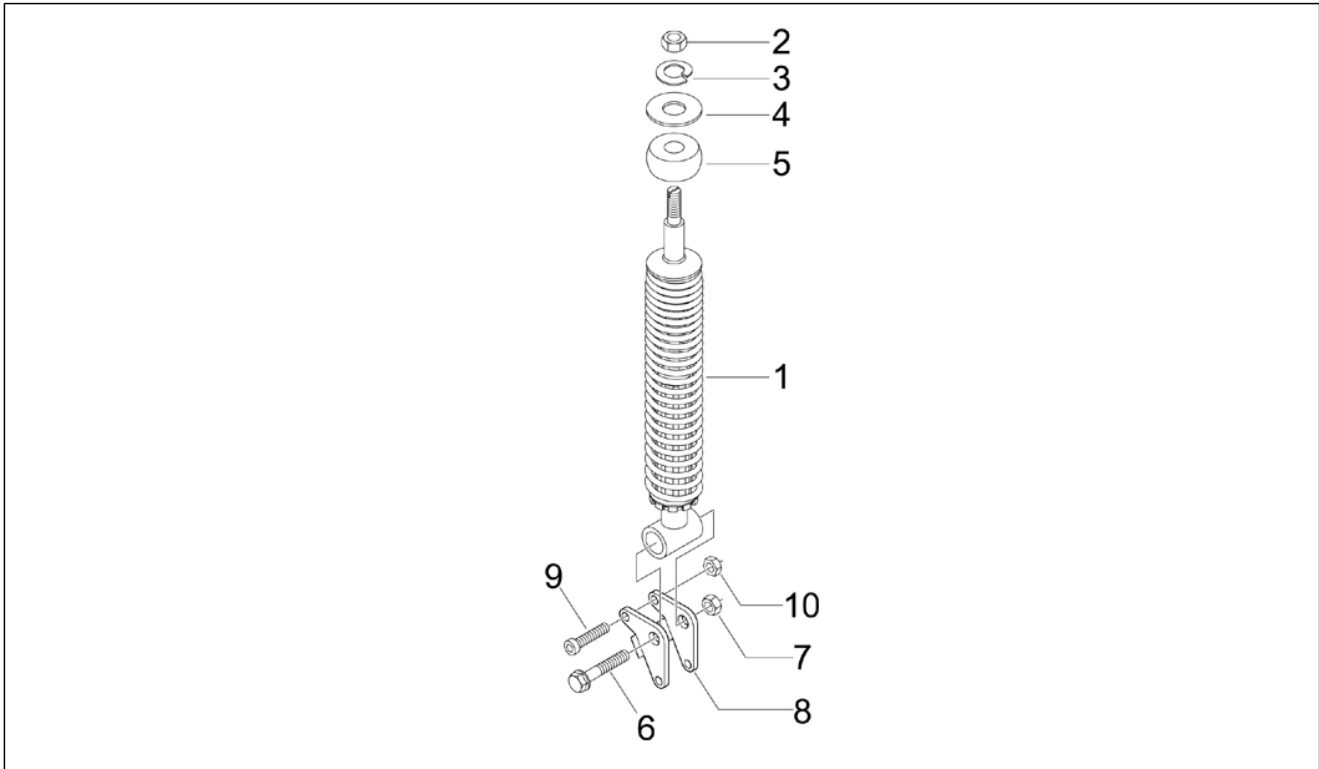
Pos.	Code	Description	Qty	Variants
1	649458	KAYABA cpl. front shock absorber	1	
2	012535	Washer	1	
3	021210	Nut	1	
4	149104	Hex socket screw M8x40	2	
5	174085	Pad	1	
6	174088	Washer	1	
7	174874	Pad	1	
8	709047	Spring washer	2	
9	273693	Bracket	1	
10	031120	screw	2	
11	016408	Spring washer 13,75x8,15x4,5	2	
12	020108	Nut M8x6,5	2	
13	648413	Arm complete steering tube	1	
14	6483975	Left suspension arm	1	
15	198513	Roller cage	2	
16	006731	Gasket	2	
17	119219	Gasket ring	2	
18	177451	Piston pin	1	
19	CM061304	Lower steering bearing	1	
20	CM061303	Upper thrust ring	1	
22	003751	Washer of the steering	1	
23	654268	Suspension cover	1	
24	575249	Metric screw TBC	1	
25	254485	Spring plate M6	1	
26	561433	Front suspension arm cover	1	
27	021114	Nut	1	
28	092517	Cover	1	
29	177609	Cap	1	

Group	Suspensions - Wheels
Code	04.02
Description	Fork/steering tube - Steering bearing unit
Service	1



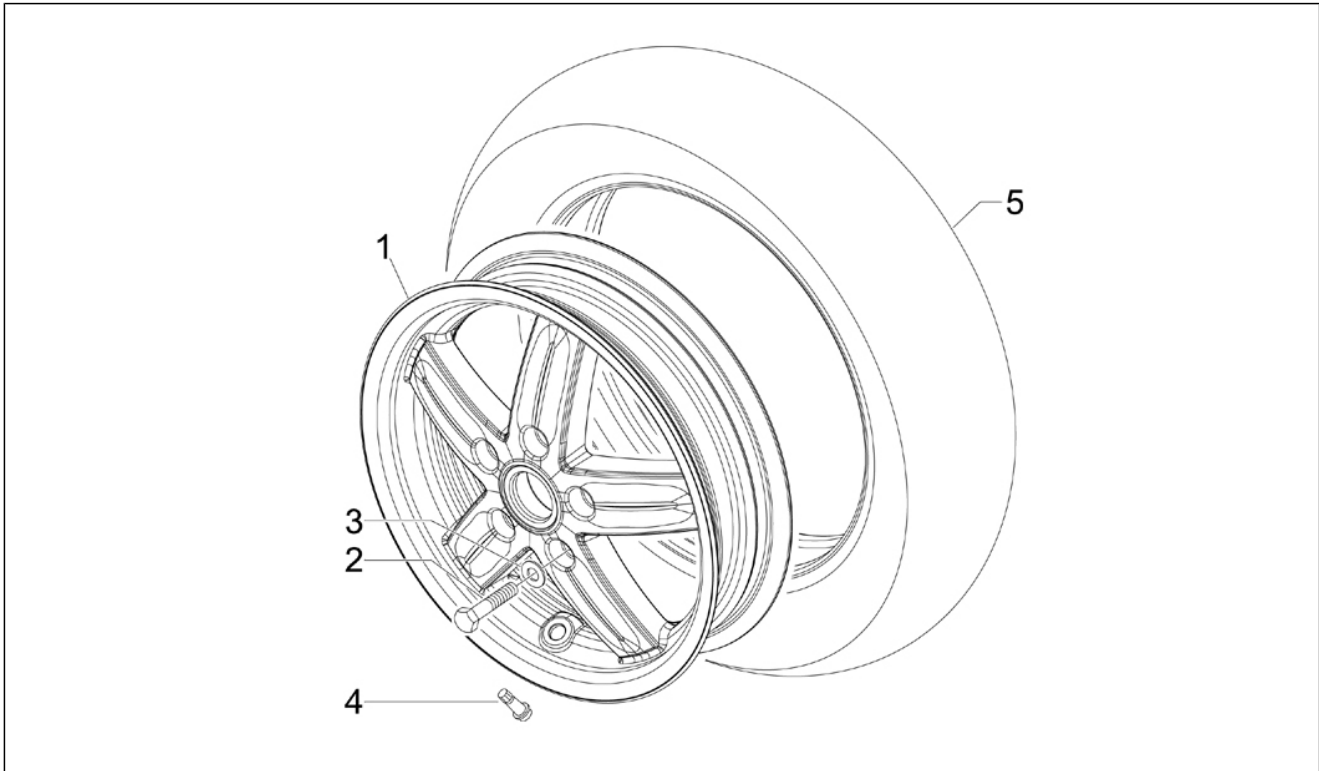
Pos.	Code	Description	Qty	Variants
30	012789	Split pin	1	
31	560284	Front wheel hub	1	
32	56395R	Brake disc	1	
33	006635	Snap ring	1	
34	177610	Bearing	1	
35	271147	Hex socket screw M6x20	5	
36	560284	Front wheel hub	1	
37	267818	Ring gear counts Km socket	1	
38	177442	Roller cage	1	
39	177443	Gasket ring	1	
40	177408	O-ring	1	
41	560286	Not available	1	
42	177494	Ring	1	
43	177436	Drawn cap	2	
44	267819	Pinion	1	
45	564053	Maintenance	1	
46	266841	Pad	1	
47	269118	Plate	1	
48	006975	Washer $\varnothing 5,3 \times \varnothing 10 \times 0,5$	1	
49	031058	screw M5x16	1	
50	006422	Circlip	1	
51	177414	Washer	1	
52	177521	Ring	1	
53	177445	Washer	1	

Group	Suspensions - Wheels
Code	04.10
Description	Rear suspension - Shock absorber/s
Service	1



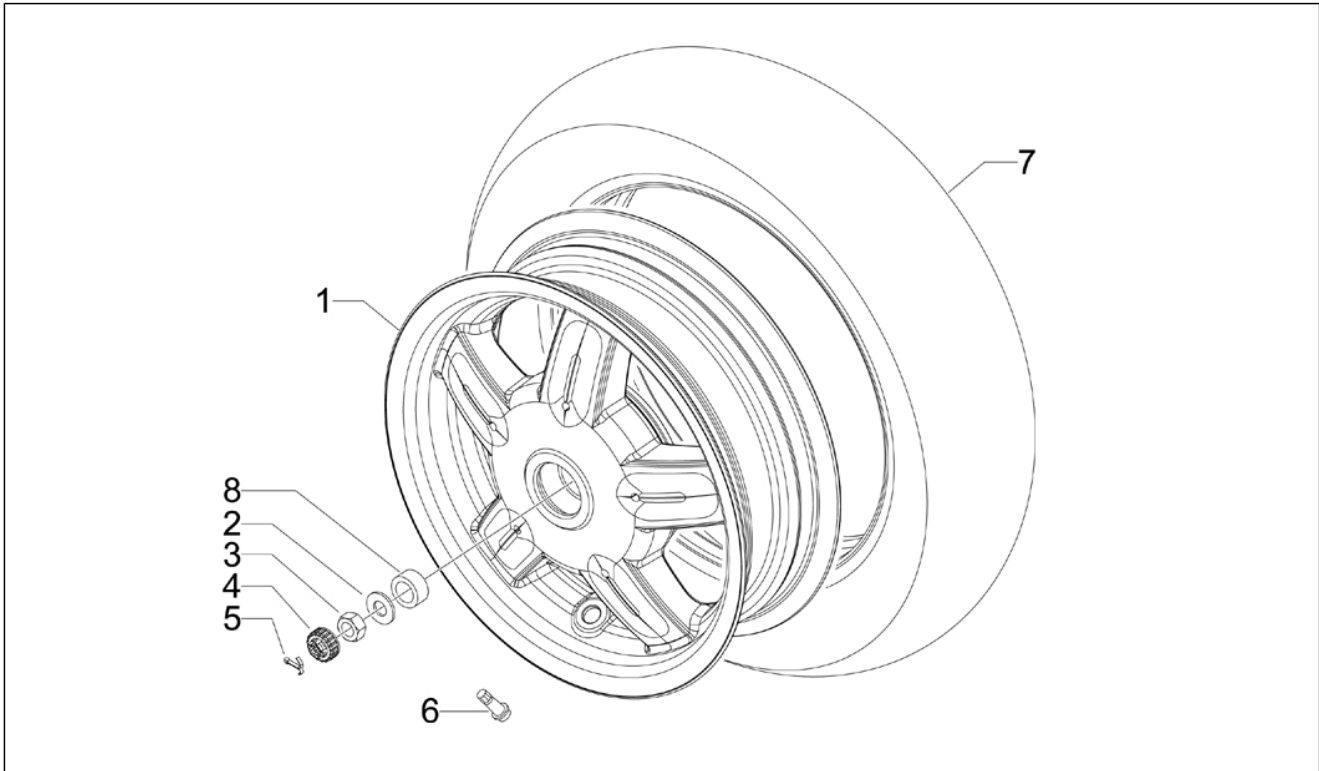
Pos.	Code	Description	Qty	Variants
1	56410R	Rear shock absorber cpl.	1	
2	021108	Nut M8	1	
3	016408	Spring washer 13,75x8,15x4,5	1	
4	267038	Flat washer	1	
5	178150	Upper buffer	1	
6	268158	Screw w/ flange M10	1	
7	232108	Self locking nut M10	1	
7	002440	Self locking nut M10	1	
8	563324	Bracket	1	
9	844483	Hex socket screw M8x50	2	
10	020008	Nut M8	2	

Group	Suspensions - Wheels
Code	04.11
Description	Front wheel
Service	1



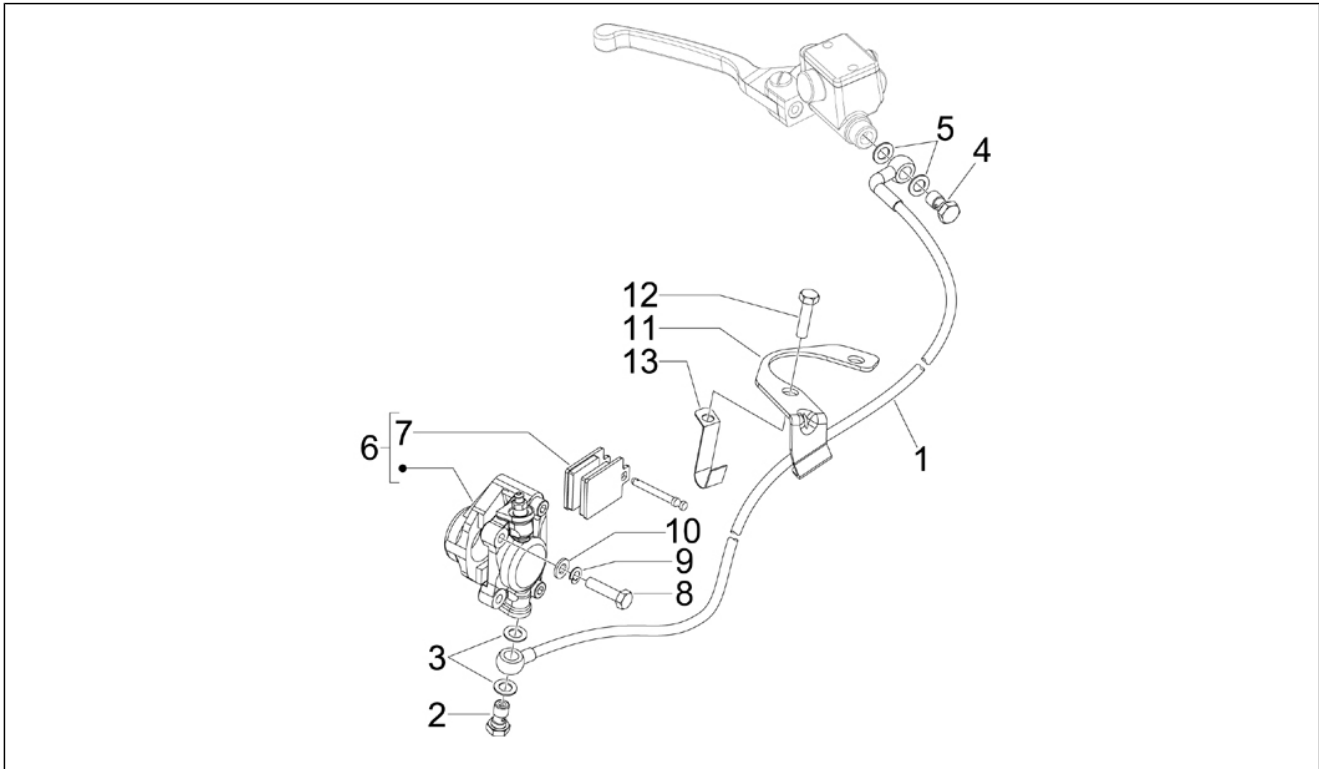
Pos.	Code	Description	Qty	Variants
1	599990	2,50x11" (WF)	1	
2	015792	screw M8x30	5	
3	709047	Spring washer	5	
4	270991	Tubeless tyre valve	1	
5	601999	Tyre Michelin	1	
5	599986	(Pirelli) Front tyre	1	

Group	Suspensions - Wheels
Code	04.12
Description	Rear wheel
Service	1



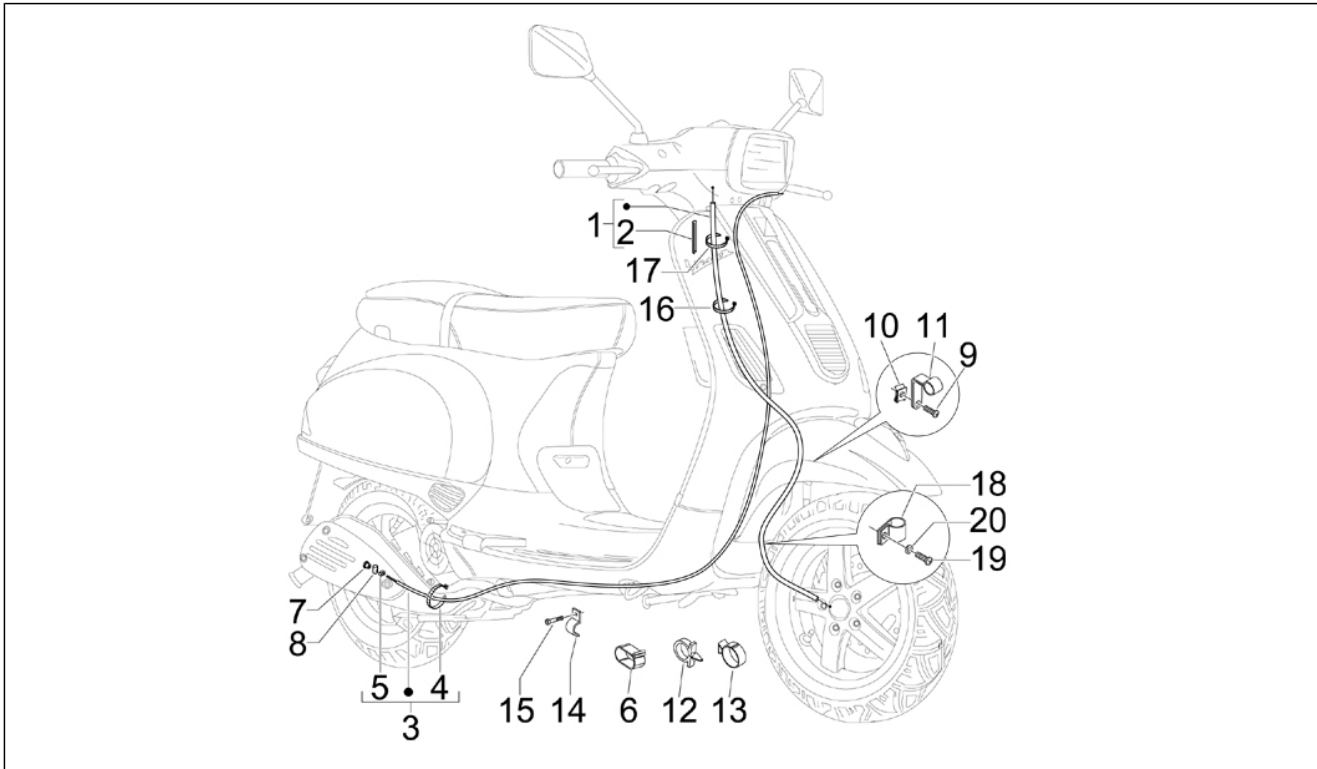
Pos.	Code	Description	Qty	Variants
1	600067	Rear wheel 3,00x10" (WF)	1	
2	273099	Plain washer 34,8x16,2x3	1	
3	563728	Nut M16x13	1	
4	194423	Nut hold cap	1	
5	012789	Split pin	1	
6	270991	Tubeless tyre valve	1	
7	600560	(Michelin) Rear tyre 120/70-10"	1	
7	560661	Tyre 120/70-10" Pirelli	1	
8	601205	Spacer	1	

Group	Braking system - Transmissions
Code	05.01
Description	Brakes pipes - Calipers
Service	1



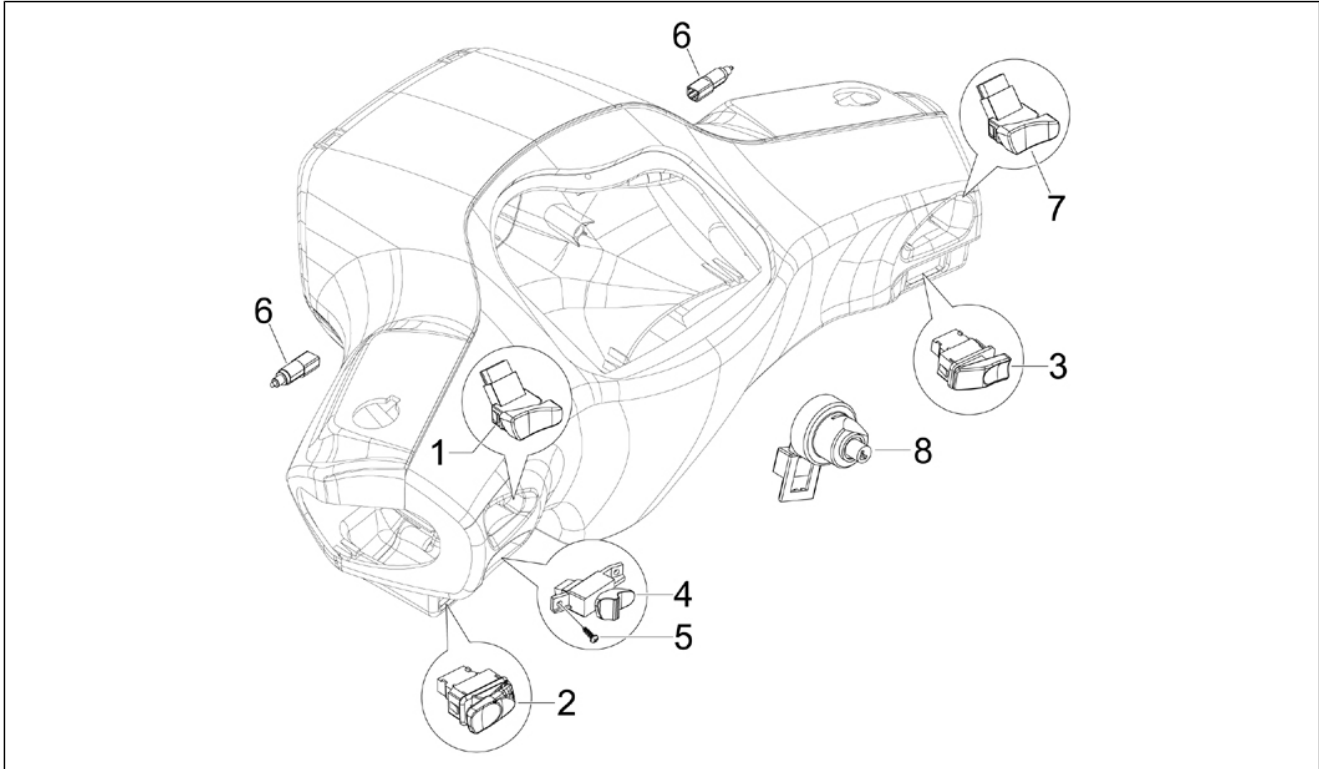
Pos.	Code	Description	Qty	Variants
1	649871	Rear brake hydraulic piping	1	
2	265451	Oil pipe screw M10x18	1	
3	127927	Gasket	2	
4	265451	Oil pipe screw M10x18	1	
5	127927	Gasket	2	
6	CM065701	Brake caliper (Heng-Tong)	1	
7	647073	Brake pads kit (Heng-Tong)	1	
8	271596	screw	2	
9	709047	Spring washer	2	
10	003058	Flat washer 15x8,4x1,5	1	
11	601610	Brake pipe support bracket	1	
12	289731	Screw w/ flange M6x30	1	
13	482291	Hose clamp	1	

Group	Braking system - Transmissions
Code	05.03
Description	Transmissions
Service	1



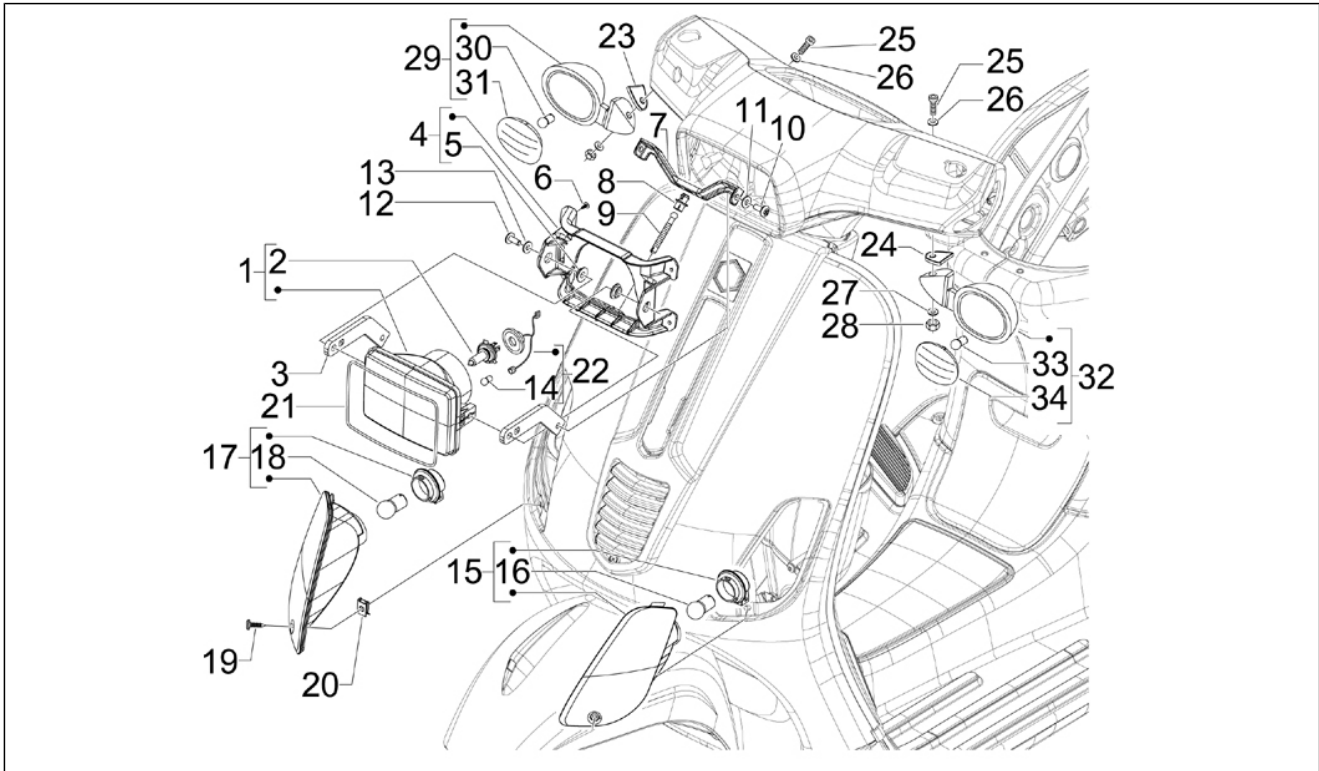
Pos.	Code	Description	Qty	Variants
1	650836	Complete Transmission odometer	1	
1	649623	Complete kilometre counter transmission	1	
2	006716	O-ring	1	
3	564217	Rear brake lever complete transmission	1	
4	145298	Lock-strap L=180mm	1	
5	266040	Bush	1	
7	270310	Registro freno posteriore	1	
8	179640	Adjuster pin	1	
9	015911	Self tapping screw 4,2x16	1	
10	CM017408	Plate	1	
11	273779	Hose clamp	1	
12	CM006904	Non return spring l=27	1	
13	CM013201	Spring	1	
14	564645	Plate	1	
15	709674	Hex socket screw M6x20	1	
16	257134	Lock-strap L=277	2	
17	298729	Hose clamp	1	
17	145298	Lock-strap L=180mm	2	
18	649101	***CLAMP	1	
19	018575	Screw M5x10	1	
20	016405	Spring washer 8,5x5,1x1,5	1	

Group	Electrical system
Code	06.01
Description	Selectors - Switches - Buttons
Service	1



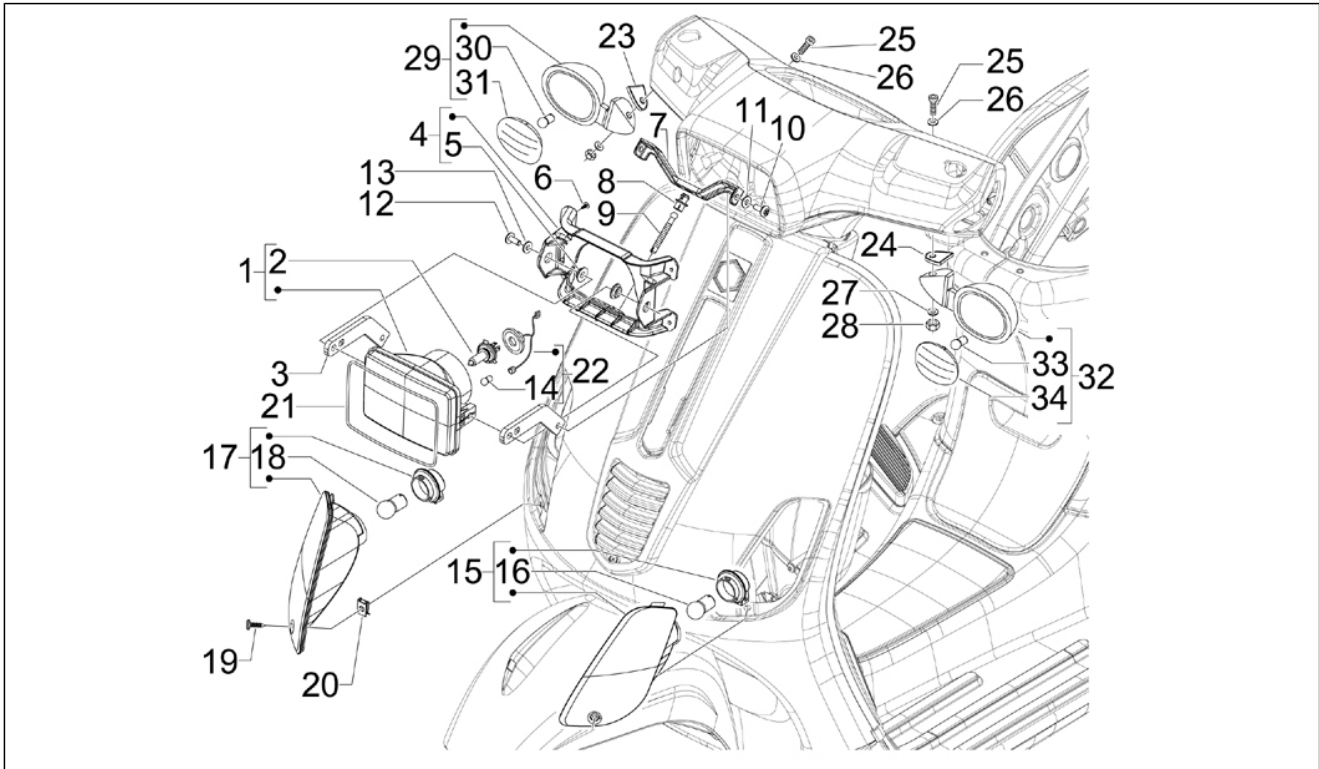
Pos.	Code	Description	Qty	Variants
1	294877	Headlight selector	1	
2	294723	Turn signal lamps switch	1	
3	638975	Start pushbutton	1	
4	638976	Horn button	1	
5	258403	Self tapping screw 3,5x13	2	
6	583575	stop Button	2	
7	584599	Engine stop switch	1	
8	580621	Key switch	1	

Group	Electrical system
Code	06.03
Description	Front headlamps - Turn signal lamps
Service	1



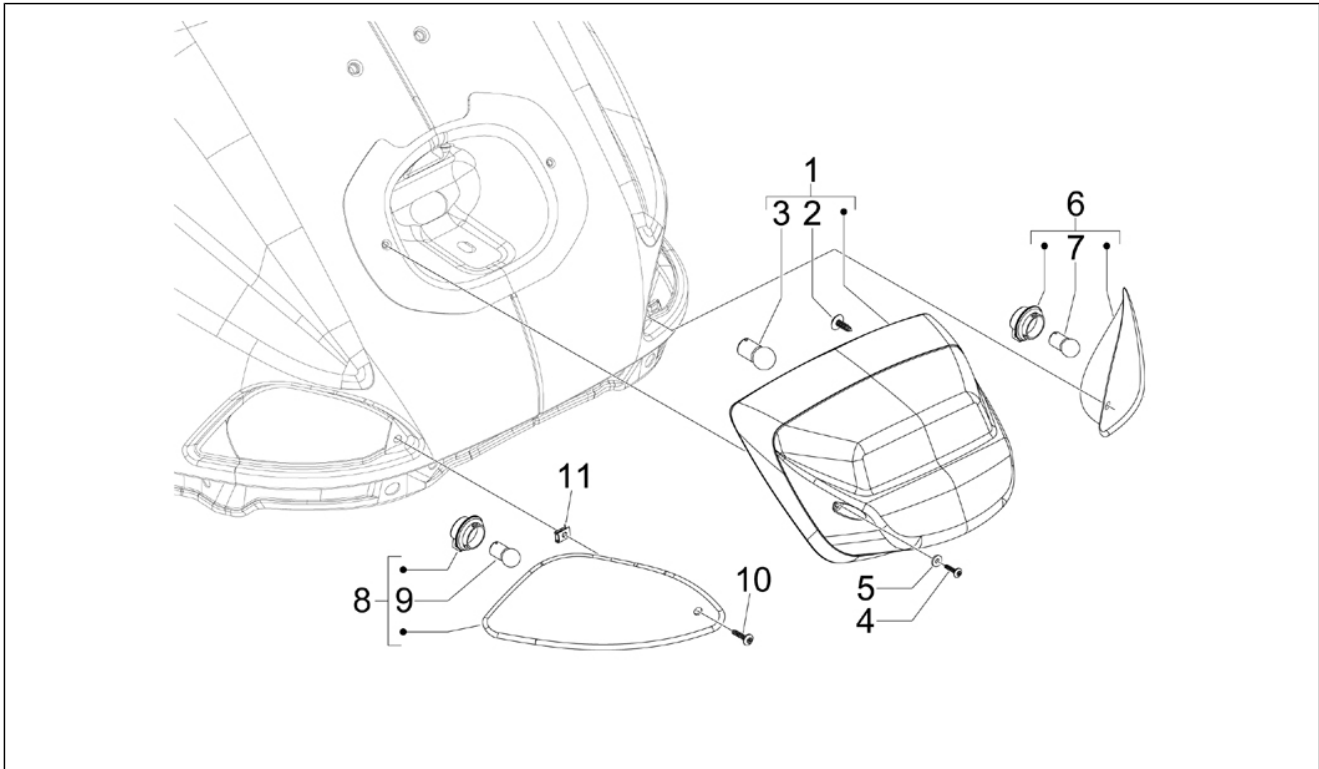
Pos.	Code	Description	Qty	Variants
1	640874	Reflector, assy.	1	
2	292723	Lamp H4 12V-60/55W	1	
3	654271	Headlight support clamp	2	
4	654890	Complete headlight support	1	
5	654301	Headlight spacer	2	
6	270793	TBCIC Screw	4	
7	654276	Junction component	1	
8	640800	Adjuster block	1	
9	640801	Adjusting pin	1	
10	015558	Screw m16x16	2	
11	006976	Spring washer 12x6,4x0,5	2	
12	015935	TBCIC Screw M5x12	2	
13	006965	Washer 5.3x10x10	2	
14	292022	Lamp 12V-5W	1	
15	639296	Fr. turn sig.lamp	1	
16	181747	Bulb 12V-5W	1	
17	639297	Fr. turn sig.lamp	1	
18	181747	Bulb 12V-5W	1	
19	008457	Self-tap screw M4,2x19	2	
20	CM017406	Plate	2	
21	654876	Gasket	1	
22	640967	Headlight cable assembly	1	
23	640924	Right turn indicator support	1	
24	640923	Left turn indicator support	1	
25	844252	screw	2	
26	006078	Plain washer 12x5.2x1	2	
27	003055	Plain washer 5,4x10x0,8	2	
28	012112	Nut	2	

Group	Electrical system
Code	06.03
Description	Front headlamps - Turn signal lamps
Service	1



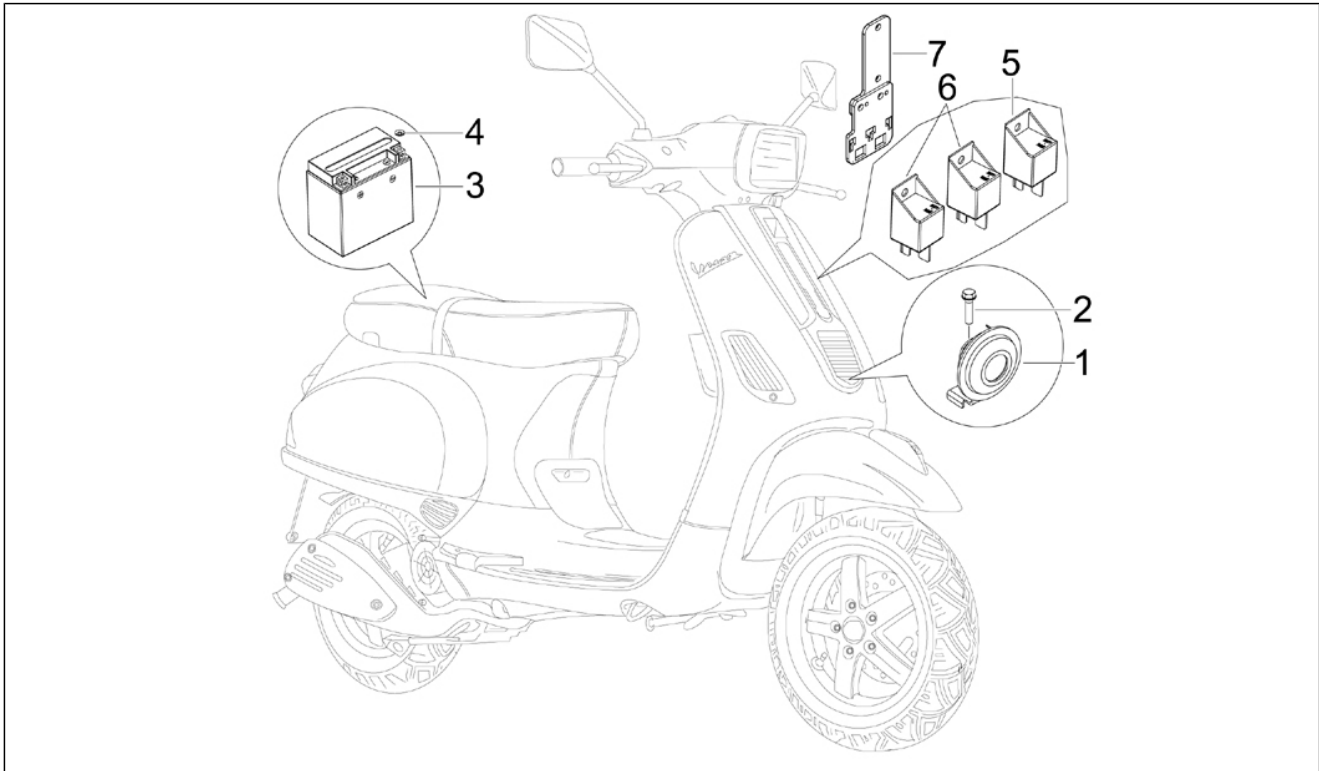
Pos.	Code	Description	Qty	Variants
29	639102	Front right turn indicator	1	
30	181746	Lamp 12V-10W	1	
31	584208	Glass	1	
32	639101	Front left turn indicator	1	
33	181746	Lamp 12V-10W	1	
34	584208	Glass	1	

Group	Electrical system
Code	06.04
Description	Rear headlamps - Turn signal lamps
Service	1



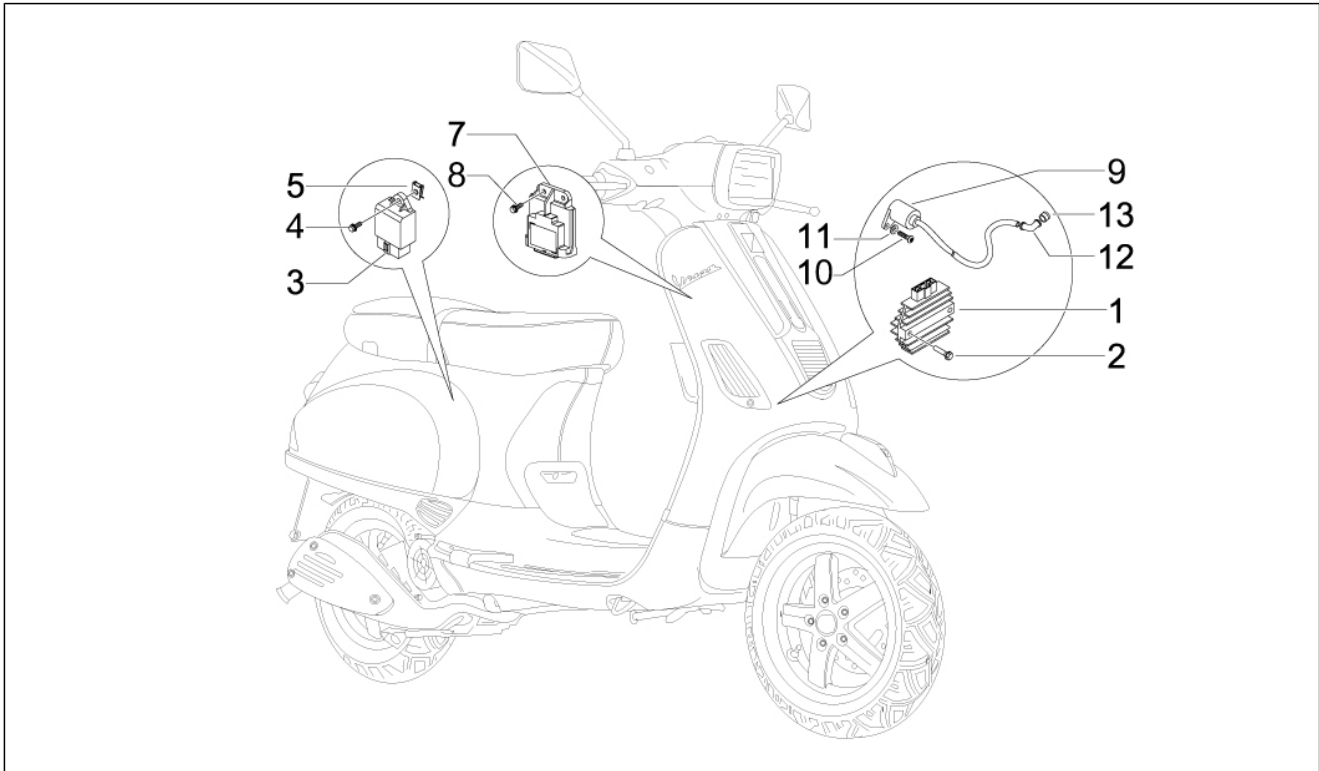
Pos.	Code	Description	Qty	Variants
1	640720	Rear light assembly	1	
2	640813	Special cap screw	2	
3	129953	Lamp 12V-21/5W	1	
4	015996	Screw M4x12	2	
5	013769	Washer	2	
6	639285	Turn signal lamp	1	
6	58177R	Right rear turn indicator	1	
7	584332	Lamp 12V-10W	1	
8	58176R	Left rear turn indicator	1	
8	639286	Turn signal lamp	1	
9	584332	Lamp 12V-10W	1	
10	008372	Screw d3,5x13	2	
11	CM017405	Spring plate	2	

Group	Electrical system
Code	06.05
Description	Remote control switches - Battery - Horn
Service	1



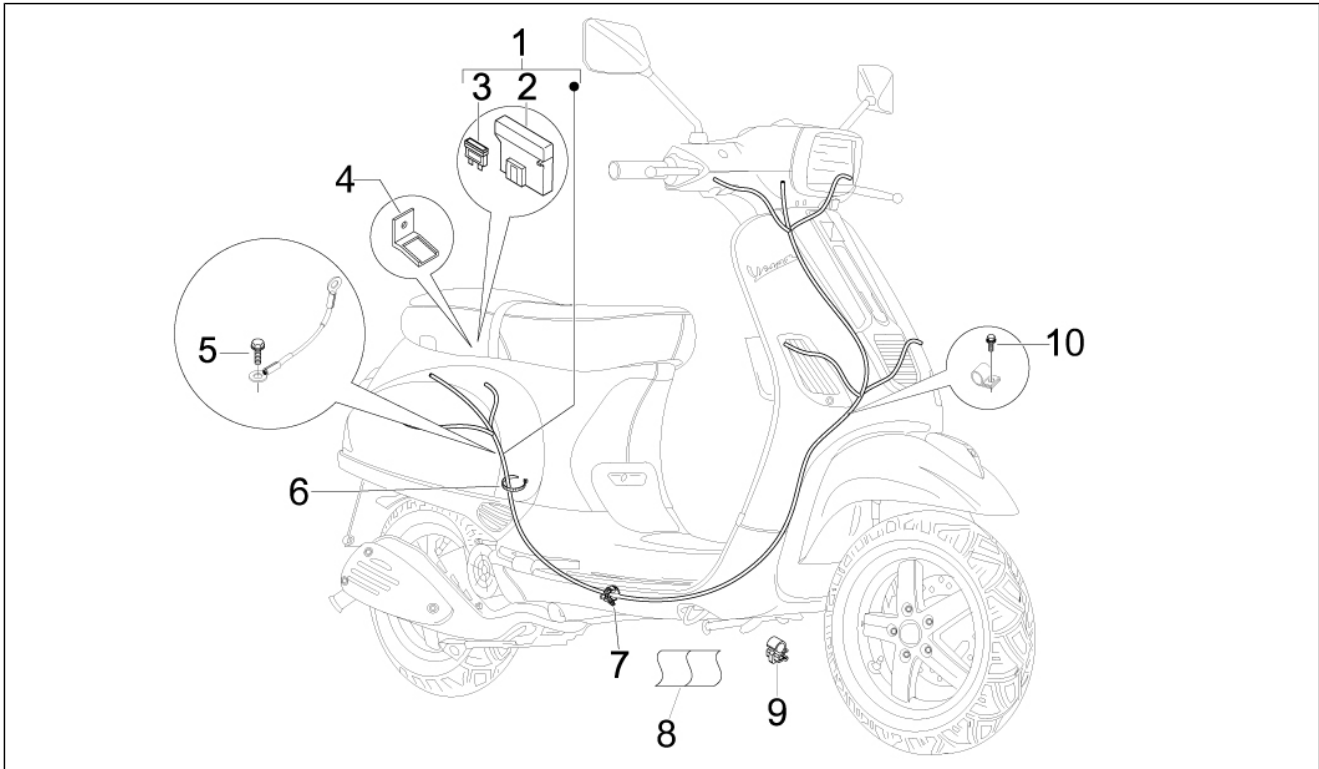
Pos.	Code	Description	Qty	Variants
1	CM071814	Horn 12v cc	1	
2	434541	Screw w/ flange M6x16	1	
3	1R000318	Battery PTX12-BS 12V-10Ah (Piaggio)	1	
3	583158	Battery (Yuasa) 12V-10Ah	1	
4	016406	Spring washer 6,4x11,8x1	2	
5	58115R	Starter relay 12V-80A	1	
6	58099R	Rem. control switch 12V-30A	2	
7	640921	***BRACKET FOR RELAYS SUPPORT WITH I.P.	1	

Group	Electrical system
Code	06.06
Description	Voltage Regulators - Electronic Control Units (ecu) - H.T. Coil
Service	1



Pos.	Code	Description	Qty	Variants
1	58090R	Voltage regulator	1	
2	031091	Hex screw M6x22	2	
2	018639	Hex screw M6x20	2	
3	640333	Electric pump control device	1	
4	830061	Screw w/ flange M5x16	1	
5	248419	Spring plate M5	1	
7	58100R	Electronic ignition unit	1	
8	434541	Screw w/ flange M6x16	2	
9	829671	HT coil	1	
10	015856	screw M5x21	1	
11	012528	Washer	1	
12	969348	Screened cap	1	
13	436919	Protection collar	1	

Group	Electrical system
Code	06.08
Description	Main cable harness
Service	1



Pos.	Code	Description	Qty	Variants
1	640876	***CABLE HARNESS	1	
2	290860	Fuse 15A	2	
2	252945	Fuse 7,5A	2	
3	580653	Fuse holder	2	
4	639154	Fusebox bracket	1	
5	031089	Hex screw M6x18	1	
6	145298	Lock-strap L=180mm	10	
7	CM006905	Non return spring L=12	1	
8	580160	Guard	1	
9	CM013203	Sheet edge spring	1	
10	434541	Screw w/ flange M6x16	1	