



PIAGGIO & C.s.p.a.

Vespa[®]

SPARE PARTS CATALOGUE



Vespa ET2 50

Chassis prefix: ZAPC1600000001001

Engine prefix:

Index

Products.....	4
Part reference.....	5
Electrical equipment.....	11
Drawing T36 - Headlamp.....	11
Drawing T38 - Rear tail lamp.....	12
Drawing T39 - Electrical device.....	13
Drawing T40 - Electrical device.....	14
Engine.....	16
Drawing T1 - Engine.....	16
Drawing T10 - Flywheel magneto.....	17
Drawing T11 - Starting motor-starter lever.....	18
Drawing T12 - Oil pump.....	19
Drawing T13 - Brake lever.....	20
Drawing T14 - Carburettor.....	21
Drawing T15 - Carburettor.....	22
Drawing T2 - Crankase.....	25
Drawing T3 - Crankshaft.....	26
Drawing T4 - Cylinder-piston-wrist pin, assy.....	27
Drawing T5 - Cylinder head-cooling hood-inlet and induction pipe.....	28
Drawing T6 - Clutch cover-scool cover.....	29
Drawing T7 - Driven pulley.....	30
Drawing T8 - Driven pulley.....	31
Drawing T9 - Rear wheel shaft.....	33
Handlebars.....	34
Drawing T32 - speedometers kms.-handlebar covers.....	34
Drawing T33 - Handlebars component parts.....	37
Drawing T34 - Handlebars component parts.....	38
Transmissions.....	39
Drawing T35 - Transmissions.....	39
Suspensions-Wheels.....	40
Drawing T28 - Steering column-disc brake.....	40
Drawing T29 - Disc brake caliper.....	41
Drawing T30 - Front damper cover.....	42
Drawing T31 - Rear damper.....	44
Drawing T41 - Front wheel.....	45
Drawing T42 - Rear wheel.....	46
Chassis.....	47
Drawing T16 - Air cleaner.....	47
Drawing T16/A - Secondary air box.....	48
Drawing T17 - Silencer.....	49
Drawing T18 - Central stand-swinging arm.....	51
Drawing T19 - Chasis.....	52
Drawing T20 - Foot board-rubber mats.....	58



Drawing T21 - Front glove compartment.....	59
Drawing T22 - Fuel tank.....	62
Drawing T23 - Case helmet.....	63
Drawing T24 - Oil tank.....	64
Drawing T25 - Saddle.....	65
Drawing T26 - Front and rear mudguard.....	67
Drawing T27 - Steering bearing ball tracks.....	69
Drawing T37 - Rear guard.....	70



Products

Code	Validity
no products	



Code	Drawing Nr.	Pos.	Code	Drawing Nr.	Pos.	Code	Drawing Nr.	Pos.
000267	T10	11	015911	T19	26	138345	T13	8
000397	T13	9	015911	T25	11	145298	T16	11
003056	T16	12	015947	T8	3	145298	T24	13
003056	T26	11	015996	T38	11	149104	T30	9
003056	T37	9	016195	T17	9	154873	T1	2
003056	T40	15	016404	T11	10	174088	T30	15
003056	T40	6	016404	T37	12	177408	T28	21
003058	T29	17	016405	T17	9	177414	T28	3
003751	T27	6	016405	T29	11	177436	T29	5
005955	T33	16	016405	T37	13	177442	T28	11
005955	T34	12	016406	T22	5	177443	T28	12
006416	T11	15	016406	T24	12	177445	T28	22
006419	T9	12	016406	T25	6	177451	T28	19
006422	T28	24	016406	T39	10	177494	T29	4
006624	T7	3	016406	T40	16	177521	T28	23
006635	T28	9	016406	T40	5	177609	T28	6
006647	T9	9	016408	T18	9	177610	T28	10
006731	T28	17	016408	T30	10	178149	T31	5
006964	T8	4	016408	T30	19	178150	T31	11
006966	T28	14	016408	T31	13	178790	T34	16
006975	T10	1	016408	T41	4	179640	T35	9
006975	T10	4	016410	T18	2	181351	T15	7
006975	T12	14	016626	T31	10	181746	T36	7
006975	T12	7	016686	T40	24	181746	T38	2
008080	T19	27	018591	T37	11	182302	T23	5
008080	T23	9	018591	T37	15	182546	T28	7
008080	T26	12	018640	T16	13	182546	T42	7
008080	T37	8	018640	T16	6	184142	T21	7
008108	T19	20	018644	T11	9	184142	T23	13
008372	T38	13	020006	T2	3	194423	T42	5
008375	T5	8	020008	T2	6	196868	T22	11
008432	T19	10	020008	T33	15	196868	T24	6
008457	T33	10	020104	T37	13	198513	T28	16
012533	T16	15	020104	T37	14	199190	T19	4
012533	T16	5	020108	T18	8	216209	T30	13
012533	T26	5	020108	T30	20	216983	T6	11
012533	T5	3	021108	T31	14	219528	T36	3
012535	T30	16	021114	T28	5	223605	T34	1
012543	T34	11	021210	T30	14	231571	T40	22
012789	T28	8	030034	T33	12	231590	T5	12
012789	T42	6	030080	T18	14	232108	T18	4
013763	T37	11	031058	T29	12	232108	T31	9
013763	T37	12	031091	T11	1	234390	T40	2
013769	T32	9	031092	T25	7	239382	T2	2
013769	T38	10	031120	T30	18	239388	T2	12
013861	T18	22	060201	T17	9	239397	T4	5
013880	T22	3	077023	T27	4	239404	T4	2
013880	T24	11	077024	T27	3	239455	T4	3
013880	T25	13	078307	T5	7	239848	T9	3
015330	T34	13	080341	T40	17	241937	T40	25
015558	T22	6	097733	T17	8	250521	T36	8
015558	T24	4	100011M000	T25	2	250521	T38	12
015558	T39	11	104296	T12	9	250522	T38	9
015558	T40	14	104296	T24	8	252420	T21	13
015558	T40	4	109960	T14	2	252945	T40	9
015585	T10	3	109960	T16	8	253937	T39	17
015585	T10	7	109960	T23	4	254485	T16	16
015585	T12	8	109960	T35	7	254485	T19	21
015597	T16/A	12	113533	T2	5	254485	T20	5
015715	T25	3	114164	T40	20	254485	T21	9
015729	T38	7	119219	T28	18	254485	T22	15
015759	T16	9	122781	T18	1	254485	T23	16
015792	T41	5	123394	T34	17	254485	T24	10
015856	T10	2	127927	T35	5	254485	T25	9
015856	T12	10	128009	T34	15	254485	T26	4
015856	T6	1	129953	T38	5	254485	T30	12
015900	T26	9	1304912	T9	15	257614	T21	10

Code	Drawing Nr.	Pos.	Code	Drawing Nr.	Pos.	Code	Drawing Nr.	Pos.
257617	T21	11	2736235	T13	1	290402	T40	10
258146	T16	7	2737115	T28	15	290405	T23	8
258146	T32	1	273847	T41	2	2910162	T40	7
258146	T33	11	273849	T42	1	291017	T40	8
258160	T22	17	274245	T13	4	292022	T36	4
258161	T22	2	274722	T30	4	2921945	T40	23
258249	T21	17	277330	T26	8	293492	T10	8
258403	T39	13	278940	T18	12	293549	T39	5
258536	T16	10	286143	T2	11	293550	T39	3
259349	T21	8	286143	T6	14	293556	T19	24
259349	T23	12	286158	T8	2	293571	T39	6
259349	T37	7	286162	T12	4	293599	T36	11
259372	T23	15	286163	T12	5	293600	T36	10
259625	T6	4	286206	T6	5	293601	T36	9
259829	T24	1	286207	T6	6	293602	T38	8
259830	T23	6	286209	T6	10	293603	T38	1
259830	T23	7	2865345	T5	5	293604	T38	3
259830	T25	14	286810	T4	1	293880	T36	1
259830	T25	4	287021	T12	1	293902	T11	16
259832	T22	18	287044	T8	15	293967	T38	4
261319	T18	17	2870485	T9	14	294010	T37	2
265249	T33	4	287073	T12	2	2940165	T40	13
265451	T35	4	287223	T2	4	294067	T21	6
265809	T37	6	288245	T17	12	294075	T24	9
266625	T2	8	288245	T17	2	294112	T36	2
266724	T13	2	288245	T26	1	294163	T40	12
266725	T13	3	288245	T37	10	294218000D	T37	1
266773	T2	10	288245	T5	2	294218000L	T37	1
266841	T29	13	288327	T12	15	2942180018	T37	1
267038	T31	12	288531	T5	6	2942180022	T37	1
267115	T36	5	288633	T40	21	2942180023	T37	1
267166	T19	11	288639	T9	7	2942180034	T37	1
267166	T38	6	288812	T9	4	2942180036	T37	1
267518	T29	14	288863	T15	7	2942180060	T37	1
267818	T28	2	288868	T15	1	2942180090	T37	1
267819	T29	15	288872	T15	23	29421800D1	T37	1
267823	T2	7	288873	T15	13	29421800D8	T37	1
267837	T30	3	288878	T15	31	29421800E8	T37	1
267917	T34	16	288881	T15	13	29421800F1	T37	1
267948	T33	3	288883	T15	4	29421800G5	T37	1
267958	T19	3	289005	T10	5	29421800P1	T37	1
268139	T32	11	289191	T12	3	29421800V3	T37	1
268158	T31	8	289309	T12	16	29421800V8	T37	1
268172	T35	6	289495	T11	6	29421800V9	T37	1
268596	T21	14	289519	T7	16	29421800VA	T37	1
269118	T29	10	289519	T8	17	294723	T39	2
269145	T34	7	289575	T15	6	294816	T40	2
269273	T6	0	289575	T40	26	294835	T37	3
269273	T6	16	289731	T11	8	294836	T39	14
269571	T35	14	2898282	T8	1	294877	T39	1
269572	T35	16	289829	T8	10	295528	T21	12
270310	T35	10	289831	T8	12	296230	T22	9
270793	T32	2	2898325	T9	2	296456	T25	12
270991	T41	6	289840	T7	9	297274000D	T21	4
270991	T42	8	289871	T14	8	297274000L	T21	4
271147	T28	13	289903	T15	30	2972740018	T21	4
271451	T6	9	289926	T8	6	2972740022	T21	4
271477	T6	11	2899275	T8	9	2972740023	T21	4
271695	T18	11	289930	T8	8	2972740034	T21	4
271710	T19	28	289931	T8	7	2972740036	T21	4
271807	T18	15	289932	T8	5	2972740060	T21	4
271976	T35	15	289933	T7	15	2972740090	T21	4
271977	T35	13	289950	T7	8	29727400D1	T21	4
272492	T30	5	289952	T7	4	29727400D8	T21	4
272929	T18	10	289953	T7	2	29727400E8	T21	4
273099	T42	3	289955	T27	5	29727400F1	T21	4
273419	T13	10	289955	T7	14	29727400G5	T21	4



Code	Drawing Nr.	Pos.	Code	Drawing Nr.	Pos.	Code	Drawing Nr.	Pos.
29727400P1	T21	4	414835	T6	3	435703	T15	9
29727400V3	T21	4	414837	T11	13	435704	T15	27
29727400V8	T21	4	414837	T5	11	435707	T15	12
29727400V9	T21	4	414838	T6	8	435707	T15	28
29727400VA	T21	4	42720000AA	T32	3	435708	T15	8
297275	T21	5	42720000D8	T32	3	435710	T15	16
297276	T21	3	42720000F2	T32	3	436095	T5	10
297277	T21	2	42720000P1	T32	3	436096	T14	3
297282000D	T19	17	42720000V8	T32	3	436180	T5	10
297282000L	T19	17	42720000V9	T32	3	436206	T15	20
2972820018	T19	17	42720000VA	T32	3	4363175	T9	6
2972820022	T19	17	4272005	T32	3	436478	T16	3
2972820023	T19	17	4272005018	T32	3	436480	T16	4
2972820034	T19	17	4272005022	T32	3	436688	T17	4
2972820036	T19	17	4272005023	T32	3	436719	T5	1
2972820060	T19	17	4272005034	T32	3	4368755	T7	7
2972820090	T19	17	4272005036	T32	3	438025	T5	4
29728200D1	T19	17	4272005060	T32	3	438034	T5	4
29728200D8	T19	17	4272005066	T32	3	440785	T33	13
29728200E8	T19	17	4272005090	T32	3	463195	T19	23
29728200F1	T19	17	4272005095	T32	3	47210000AA	T19	25
29728200G5	T19	17	42720050A7	T32	3	47210000D8	T19	25
29728200P1	T19	17	42720050B2	T32	3	47210000F2	T19	25
29728200V3	T19	17	42720050C1	T32	3	47210000P1	T19	25
29728200V8	T19	17	42720050D1	T32	3	47210000V8	T19	25
29728200V9	T19	17	42720050F1	T32	3	47210000V9	T19	25
29728200VA	T19	17	42720050G5	T32	3	47210000VA	T19	25
297283000D	T19	17	42720050R7	T32	3	4721005	T19	25
297283000L	T19	17	42720050V3	T32	3	4721005034	T19	25
2972830018	T19	17	42720050V6	T32	3	4721005036	T19	25
2972830022	T19	17	4274005	T32	4	4721005060	T19	25
2972830023	T19	17	4274005034	T32	4	4721005066	T19	25
2972830034	T19	17	4274005036	T32	4	4721005090	T19	25
2972830036	T19	17	4274185	T32	4	4721005095	T19	25
2972830060	T19	17	4274225	T32	4	47210050A7	T19	25
2972830090	T19	17	4274235	T32	4	47210050B2	T19	25
29728300D1	T19	17	4274905	T32	4	47210050C1	T19	25
29728300D8	T19	17	4274955	T32	4	47210050D1	T19	25
29728300E8	T19	17	430189A	T8	11	47210050F1	T19	25
29728300F1	T19	17	430190	T7	5	47210050G5	T19	25
29728300G5	T19	17	430191	T7	7	47210050R7	T19	25
29728300P1	T19	17	430264	T17	10	47210050V3	T19	25
29728300V3	T19	17	430751	T9	5	47210050V6	T19	25
29728300V8	T19	17	431125	T3	1	4721185	T19	25
29728300V9	T19	17	431190	T8	13	4721225	T19	25
29728300VA	T19	17	4316255	T3	5	4721235	T19	25
297291	T24	3	431654	T15	2	47220000AA	T19	2
297369	T23	10	432071	T15	29	47220000D8	T19	2
297582	T17	5	432456	T15	11	47220000F2	T19	2
298241	T20	2	433800	T17	10	47220000P1	T19	2
298242	T20	3	433862	T8	16	47220000V8	T19	2
298243	T20	1	433987	T11	14	47220000V9	T19	2
298528	T23	3	434105	T15	16	47220000VA	T19	2
298573	T24	2	434735	T9	8	4722005	T19	2
298581	T39	15	4354215	T9	17	4722005034	T19	2
298604	T19	32	435683	T15	10	4722005036	T19	2
298838	T39	4	435684	T15	11	4722005060	T19	2
298903	T39	16	435685	T15	7	4722005066	T19	2
299250	T19	15	435686	T15	6	4722005090	T19	2
299557	T19	13	435688	T15	25	4722005095	T19	2
299558	T19	12	435691	T15	1	47220050A7	T19	2
299559	T19	14	435692	T15	23	47220050B2	T19	2
299570	T22	1	435694	T15	3	47220050C1	T19	2
299964	T19	8	435696	T15	20	47220050D1	T19	2
299965	T19	9	435697	T15	17	47220050F1	T19	2
414834	T9	16	435699	T15	18	47220050G5	T19	2
414835	T2	9	435702	T15	13	47220050R7	T19	2



Code	Drawing Nr.	Pos.	Code	Drawing Nr.	Pos.	Code	Drawing Nr.	Pos.
47220050V3	T19	2	487592	T16	10	562408	T35	18
47220050V6	T19	2	487592	T16	14	562424	T35	11
4722185	T19	2	487671	T17	10	562427	T30	2
4722225	T19	2	487718	T16	2	562605	T18	20
4722235	T19	2	487718	T16	4	562887	T41	1
478024	T15	27	487719	T16	3	562888	T42	9
478028	T7	11	487731	T6	2	562919	T26	10
478171	T16	6	4878020001	T4	6	562923	T34	10
478172	T16	9	4878020002	T4	6	562960	T31	6
478197	T9	18	4878020003	T4	6	563227	T35	17
478261	T9	1	4878020004	T4	6	563246	T29	3
4784925	T9	6	487818	T4	7	563728	T42	4
478498	T9	10	487823	T14	1	563865	T34	14
478533	T16/A	6	487849	T4	7	563866	T33	1
478761	T17	16	487851	T4	7	563872	T30	21
478954	T8	13	487890	T6	2	563872	T35	19
479132	T16	8	487935	T7	12	563886	T35	3
479178	T17	6	488129	T14	8	564053	T29	14
479495	T8	1	494097	T29	2	564257	T27	3
4795526	T7	5	494511	T25	8	564260	T27	4
479561	T8	12	494512	T25	15	564641	T33	8
4795715	T9	2	494518	T32	5	564642	T33	6
479866	T8	16	494519	T32	7	5649775	T28	20
479882	T17	7	494521	T32	8	573000000D	T20	4
4800535	T9	11	494634	T25	10	573000000L	T20	4
480054	T9	13	494898	T25	16	5730000018	T20	4
480066	T9	3	494899	T25	16	5730000022	T20	4
480227	T8	8	494948	T34	3	5730000023	T20	4
480230	T8	10	497039	T34	3	5730000034	T20	4
480410	T8	15	498337	T1	3	5730000036	T20	4
480482	T12	6	498339	T12	17	5730000090	T20	4
480953	T9	4	498409	T1	2	57300000D1	T20	4
482314	T3	6	498475	T14	5	57300000D8	T20	4
482315	T3	2	498849	T29	7	57300000E8	T20	4
482766	T7	6	498850	T29	19	57300000F1	T20	4
482915	T15	8	498865	T10	12	57300000G5	T20	4
482916	T15	9	500501	T3	3	57300000P1	T20	4
482942	T15	3	500502	T3	3	57300000V3	T20	4
483164	T17	3	500503	T3	3	57300000V8	T20	4
483189	T15	8	500504	T3	3	57300000V9	T20	4
483443	T7	10	56002R	T27	1	57300000VA	T20	4
483524	T15	15	56003R	T27	2	573001	T19	6
483537	T8	18	560045	T18	3	573002	T19	7
4837455	T9	11	56008R	T34	2	573057	T21	15
483790	T16	1	560284	T28	1	57306R	T22	12
483859	T11	12	560286	T29	6	573078	T21	16
484000	T17	11	560565	T18	21	573092000N	T19	18
484001	T17	1	560580	T33	5	573123	T23	11
4841065	T1	1	560582	T34	4	5734040018	T25	1
4841325	T1	1	560660	T41	1	573633	T25	2
4841335	T1	1	560661	T42	9	573868	T23	2
484704	T15	10	560671	T32	10	573905	T39	12
485037	T15	10	56072R	T30	1	573960	T39	8
4853185	T1	1	560796	T13	7	574362	T24	7
485325	T17	1	561032	T18	7	574423	T23	1
485535	T3	4	56116R	T35	1	574782000N	T25	1
485671	T15	4	56133R	T31	6	575079	T26	3
486052	T17	1	561433	T28	4	575249	T19	22
486053	T17	13	561756	T30	6	575249	T20	6
486149	T12	18	561806	T35	2	575249	T21	18
486302	T14	1	561866	T42	2	575249	T26	6
486353	T5	9	562305	T30	17	575249	T26	7
486942	T16/A	2	562388	T41	1	575249	T30	8
486943	T16/A	3	562389	T42	9	575320	T22	12
487478	T40	23	562399	T33	14	575424000L	T21	2
4874805	T9	17	562401	T33	2	5754240060	T21	2
4874855	T9	11	562401	T34	9	57542400D6	T21	2

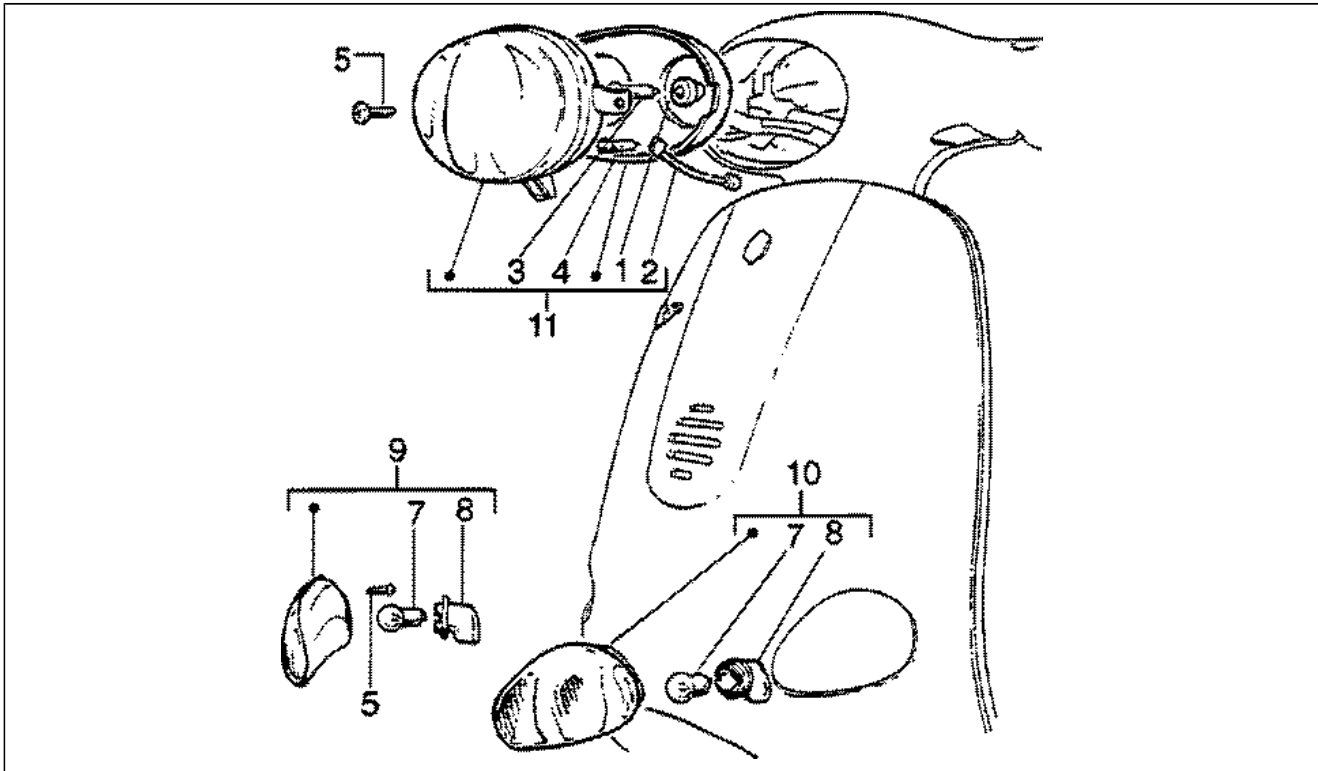


Code	Drawing Nr.	Pos.	Code	Drawing Nr.	Pos.	Code	Drawing Nr.	Pos.
57542400M2	T21	2	58044400P1	T37	1	8217005095	T30	7
575425000L	T21	3	58044400V3	T37	1	82170050A7	T30	7
5754250060	T21	3	58044400V8	T37	1	82170050B2	T30	7
57542500D6	T21	3	58044400V9	T37	1	82170050C1	T30	7
57542500M2	T21	3	58044400VA	T37	1	82170050D1	T30	7
575736	T19	29	58057R	T39	5	82170050F1	T30	7
576012	T23	10	58058R	T39	3	82170050G5	T30	7
576017	T23	11	580621	T39	14	82170050R7	T30	7
576243	T19	31	580659	T40	7	82170050V3	T30	7
5764550018	T19	1	580953	T33	7	82170050V6	T30	7
57645501	T19	1	580953	T34	8	8217185	T30	7
5764555022	T19	1	580978000D	T32	4	8217225	T30	7
5764555034	T19	1	580978000L	T32	4	8217235	T30	7
5764555036	T19	1	5809780060	T32	4	82490000AA	T26	2
5764556023	T19	1	58097800D1	T32	4	82490000D8	T26	2
5764556060	T19	1	58097800D8	T32	4	82490000F2	T26	2
5764556066	T19	1	58097800E8	T32	4	82490000P1	T26	2
5764556090	T19	1	58097800F1	T32	4	82490000V8	T26	2
5764556095	T19	1	58097800G5	T32	4	82490000V9	T26	2
57645560A7	T19	1	58097800P1	T32	4	82490000VA	T26	2
57645560AA	T19	1	58097800V3	T32	4	8249005	T26	2
57645560B2	T19	1	58097800V8	T32	4	8249005034	T26	2
57645560C1	T19	1	58097800V9	T32	4	8249005036	T26	2
57645560D1	T19	1	58097800VA	T32	4	8249005060	T26	2
57645560D8	T19	1	581554	T33	1	8249005066	T26	2
57645560F1	T19	1	581555	T34	14	8249005090	T26	2
57645560F2	T19	1	581693	T35	1	8249005095	T26	2
57645560G5	T19	1	5817164	T33	9	82490050A7	T26	2
57645560P1	T19	1	581883	T35	12	82490050B2	T26	2
57645560R7	T19	1	582155	T18	19	82490050C1	T26	2
57645560V3	T19	1	582156	T18	13	82490050D1	T26	2
57645560V6	T19	1	582787	T27	6	82490050F1	T26	2
57645560V8	T19	1	582828	T33	17	82490050G5	T26	2
57645560V9	T19	1	582908	T35	17	82490050R7	T26	2
57645560VA	T19	1	583021	T40	1	82490050V3	T26	2
576464	T19	5	583023	T40	1	82490050V6	T26	2
576521	T32	12	583277	T32	6	8249185	T26	2
576875	T22	14	583337	T40	3	8249225	T26	2
577081	T19	19	583461	T11	2	8249235	T26	2
577082	T19	16	583603	T18	16	825155	T15	19
577119	T21	19	583870	T34	5	825182	T4	6
577545	T25	5	583870	T35	12	825185	T4	6
577557	T22	13	584110	T40	1	825187	T40	18
577557	T24	5	584319	T40	3	8252145	T2	1
577929	T24	3	584427	T39	6	82521R	T9	1
58003R	T39	9	584540	T40	1	82530R	T11	3
580075	T40	11	597150	T29	18	82531R	T11	4
580124	T37	14	597151	T18	6	825416	T4	4
580124	T37	4	598549	T35	12	8255215	T1	1
580125	T37	4	598585	T35	12	82552R	T14	1
58012R	T32	6	598922	T30	1	82566R	T15	5
580155	T40	1	709037	T18	5	82567R	T15	5
58034R	T39	9	709047	T29	16	825865	T14	6
580444000D	T37	1	709047	T41	3	82587R	T40	13
580444000L	T37	1	82170000AA	T30	7	82604R	T12	13
5804440018	T37	1	82170000D8	T30	7	82605R	T12	13
5804440022	T37	1	82170000F2	T30	7	826117	T17	7
5804440023	T37	1	82170000P1	T30	7	826117	T17	8
5804440034	T37	1	82170000V8	T30	7	826442	T16/A	9
5804440036	T37	1	82170000V9	T30	7	82645R	T8	13
5804440060	T37	1	82170000VA	T30	7	826462	T16/A	14
5804440090	T37	1	8217005	T30	7	82651R	T12	13
58044400D1	T37	1	8217005034	T30	7	82666R	T14	1
58044400D8	T37	1	8217005036	T30	7	82674R	T14	1
58044400E8	T37	1	8217005060	T30	7	827037	T15	10
58044400F1	T37	1	8217005066	T30	7	827050	T17	17
58044400G5	T37	1	8217005090	T30	7	827085	T6	13



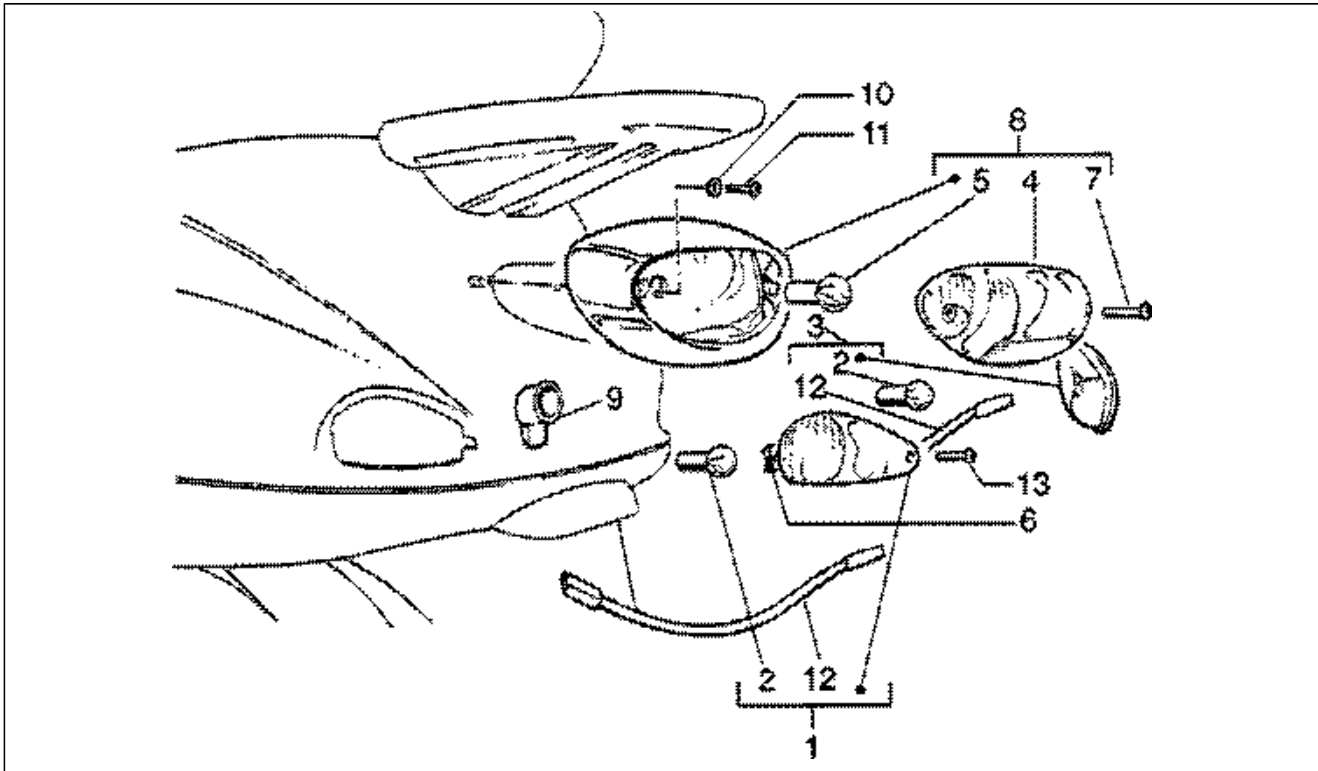
Code	Drawing Nr.	Pos.	Code	Drawing Nr.	Pos.	Code	Drawing Nr.	Pos.
827173	T2	13	CM002904	T22	7	CM107702	T15	19
827178	T17	7	CM003601000D	T21	1	CM107704	T6	13
827178	T17	8	CM003601000L	T21	1	CM107808	T15	22
827208	T16/A	15	CM0036010018	T21	1	CM107814	T15	22
827209	T16/A	5	CM0036010022	T21	1	CM108401	T15	24
827441	T16/A	7	CM0036010023	T21	1	CM108901	T15	16
827443	T16/A	11	CM0036010034	T21	1	CM108902	T15	16
827443	T16/A	17	CM0036010036	T21	1	CM109001	T15	2
827444	T16/A	10	CM0036010090	T21	1	CM1102015	T8	9
827519	T17	1	CM00360100D1	T21	1	CM1102025	T8	9
827794	T16/A	17	CM00360100D8	T21	1	CM110301	T8	11
827893	T7	7	CM00360100F1	T21	1	CM110302	T8	11
828031	T16/A	13	CM00360100G5	T21	1	CM110501	T15	21
828074	T15	19	CM00360100P1	T21	1	CM1236015	T1	1
828336	T15	16	CM00360100V3	T21	1	CM123702	T1	1
8284175	T6	7	CM00360100V8	T21	1	CM1238025	T1	1
828583	T17	9	CM00360100V9	T21	1	CM1273025	T2	1
8285925	T2	1	CM00360100VA	T21	1	CM141710	T15	16
828765	T10	6	CM003603000D	T21	1			
828862	T13	6	CM003603000L	T21	1			
828863	T13	5	CM003801	T23	14			
829685	T14	1	CM004126	T22	8			
829715	T16	11	CM017405	T38	6			
830056	T16	13	CM0195010054	T25	1			
830212	T8	19	CM0195010056	T25	1			
830293	T10	10	CM0195010061	T25	1			
830294	T10	9	CM025702	T22	1			
830295	T10	10	CM060918	T34	6			
830296	T10	9	CM060942	T34	6			
830477	T2	1	CM066101	T29	1			
830487	T5	11	CM066902	T22	1			
830939	T5	10	CM071804	T39	9			
831116	T4	7	CM075602	T22	1			
831458	T11	5	CM076101	T29	1			
831859	T16/A	1	CM1001015	T7	1			
832130	T6	12	CM100108	T7	1			
832175	T16	1	CM100201	T7	13			
832186	T14	7	CM1004011	T7	1			
832356	T16/A	4	CM100501	T12	13			
8324795	T1	1	CM100505	T24	13			
832486	T17	1	CM100601	T8	14			
833303	T17	1	CM100604	T8	14			
833428	T13	7	CM100606	T8	14			
833817	T6	2	CM100607	T8	14			
840160	T16	1	CM100608	T8	14			
841782	T17	18	CM100609	T8	14			
841821	T17	9	CM100615	T8	14			
842202	T14	6	CM101509	T12	12			
843213	T17	8	CM101605	T12	11			
844641	T17	10	CM101704	T15	14			
942135	T9	5	CM101726	T15	14			
969421	T11	7	CM101738	T15	14			
CM000402000N	T19	18	CM101829	T15	14			
CM0004020036	T19	18	CM101831	T15	14			
CM0009010054	T25	1	CM101833	T15	14			
CM0009010055	T25	1	CM102002	T15	15			
CM0009010056	T25	1	CM102010	T15	15			
CM0009010061	T25	1	CM102103	T15	15			
CM0009020054	T25	1	CM102105	T15	15			
CM0009020055	T25	1	CM102111	T15	15			
CM0009020056	T25	1	CM102701	T15	26			
CM0009020061	T25	1	CM102703	T15	26			
CM001215	T22	16	CM102706	T15	26			
CM001905	T14	2	CM106001	T15	5			
CM001905	T16/A	16	CM106002	T15	5			
CM001905	T16/A	8	CM107510	T15	22			
CM002901	T22	10	CM107701	T15	19			

Assembly	Electrical equipment
Code	T36
Description	Headlamp
Revision	1



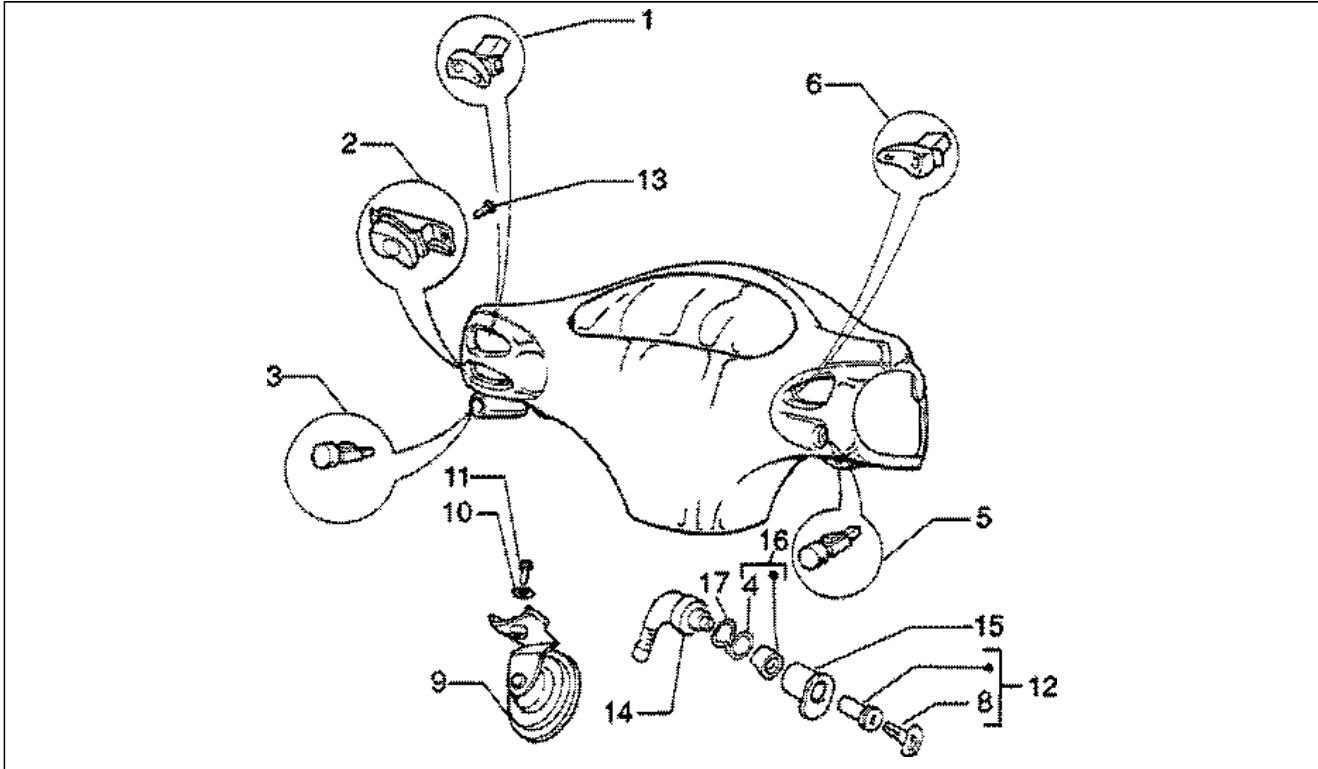
Pos.	Code	Description	Q.ty	Variants
1	293880	Lampholder	1	
2	294112	Lampholder	1	
3	219528	Lamp S2 35/35w 12v	1	
4	292022	Lamp WY5W	1	
5	267115	Self-tap screw m4x16	4	
7	181746	Lamp R10W 12v	2	
8	250521	Lampholder	2	
9	293601	Fr. turn sig.lamp	1	
10	293600	Fr. turn sig.lamp	1	
11	293599	Headlamp	1	

Assembly	Electrical equipment
Code	T38
Description	Rear tail lamp
Revision	1



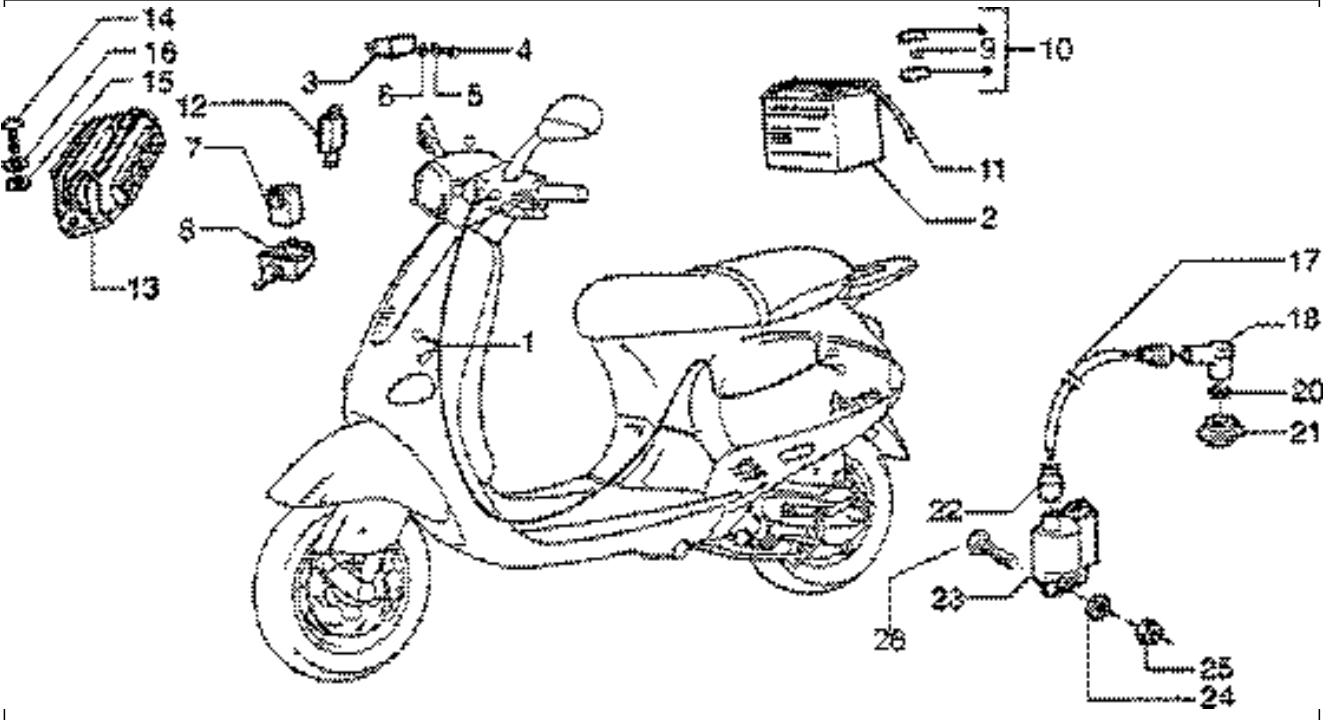
Pos.	Code	Description	Q.ty	Variants
1	293603	Turn signal lamp	1	
2	181746	Lamp R10W 12v	2	
3	293604	Turn signal lamp	1	
4	293967	Glass	1	
5	129953	Lamp 12V-21/5W	1	
6	267166	Plate	2	
6	CM017405	Spring plate	2	
7	015729	Screw	2	
8	293602	Taillight	1	
9	250522	Cap	2	
10	013769	Washer	2	
11	015996	Screw	2	
12	250521	Lampholder	2	
13	008372	Screw d3,5x13	2	

Assembly	Electrical equipment
Code	T39
Description	Electrical device
Revision	1



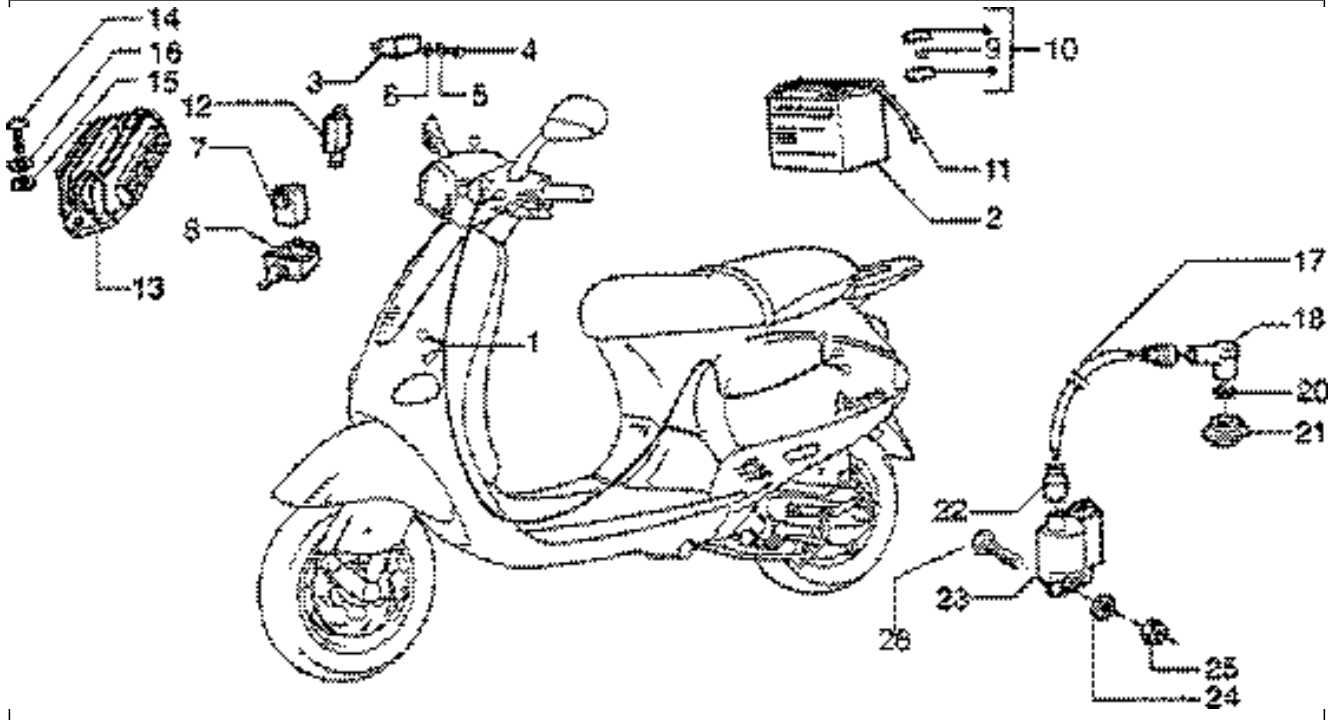
Pos.	Code	Description	Q.ty	Variants
1	294877	Headlight selector	1	
2	294723	Switch	1	
3	293550	Horn button	1	
3	58058R	Horn button	1	
4	298838	Spring	1	
5	293549	Start pushbutton	1	
5	58057R	Start pushbutton	1	
6	293571	Lights switch	1	
6	584427	Plug	1	
8	573960	Key blank	1	
9	58003R	Horn 12v	1	
9	58034R	Horn	1	
9	CM071804	Horn	1	
10	016406	Washer	1	
11	015558	Screw m16x16	1	
12	573905	Cylinder set	1	
13	258403	Screw	1	
14	294836	Key switch	1	
14	580621	Main switch - steering lock	1	
15	298581	Lock body	1	
16	298903	Block	1	
17	253937	Spring	1	

Assembly	Electrical equipment
Code	T40
Description	Electrical device
Revision	1



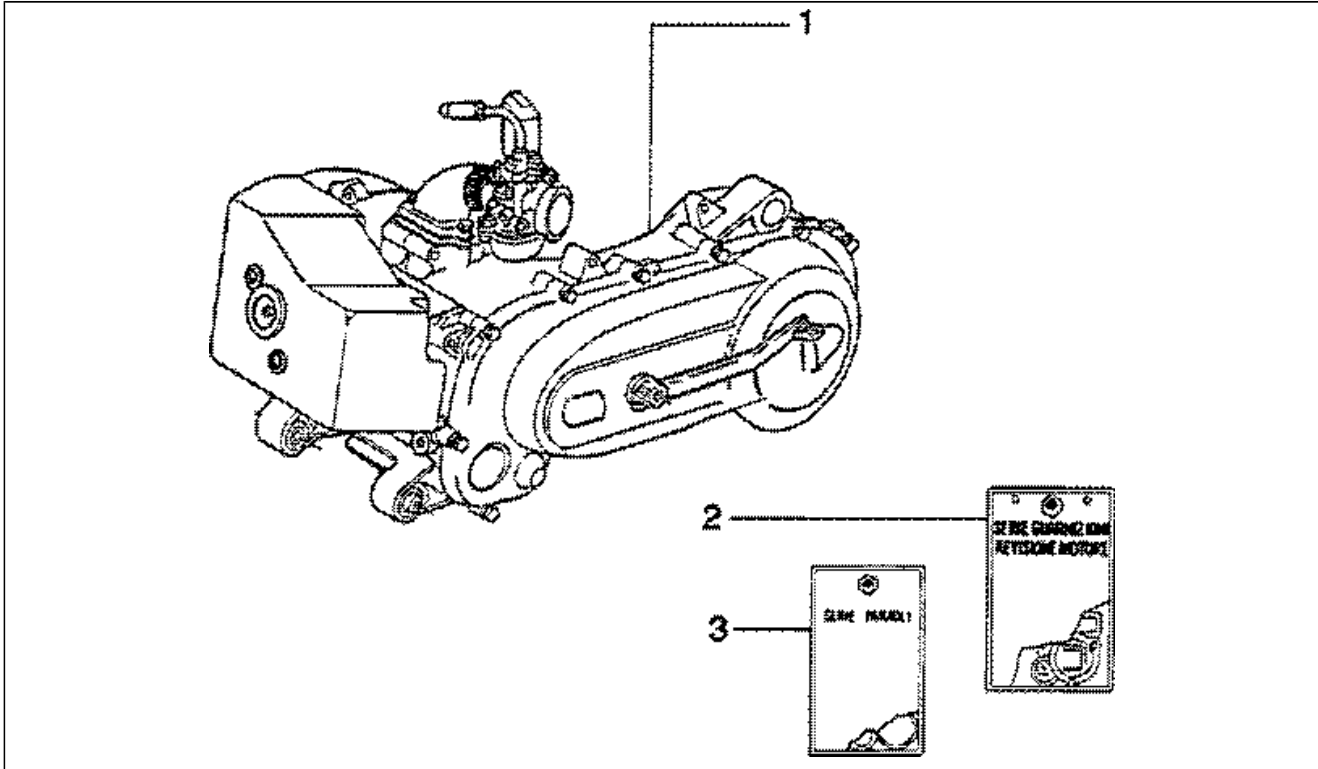
Pos.	Code	Description	Q.ty	Variants
1	580155	Cable harness	1	
1	583021	Cable harness	1	
1	583023	Cable harness	1	
1	584110	Cable harness	1	
1	584540	Cable harness	1	
2	234390	Battery 12V-4AH	1	
2	294816	Battery 12v-4ah-erm	1	
3	583337	Rem. control switch 80a	1	
3	584319	Rem. control switch	1	
4	015558	Screw m16x16	1	
5	016406	Washer	1	
6	003056	Washer 6,4x12x1	1	
7	2910162	Unit turn signal lamps	1	
7	580659	Unit turn signal lamps	1	
8	291017	Flexible support	1	
9	252945	Fuse 7,5A	1	
10	290402	Fuse holder	1	
11	580075	Breather pipe	1	
12	294163	Diode	1	
13	2940165	Regulator	1	
13	82587R	Voltage regulator	1	
14	015558	Screw m16x16	2	
15	003056	Washer 6,4x12x1	2	
16	016406	Washer	2	
17	080341	HT wire	1	
18	825187	Screened cap	1	
20	114164	Fairlead	1	
21	288633	Collar	1	
22	231571	Insulating cap	1	
23	2921945	H.t. coil	1	

Assembly	Electrical equipment
Code	T40
Description	Electrical device
Revision	1



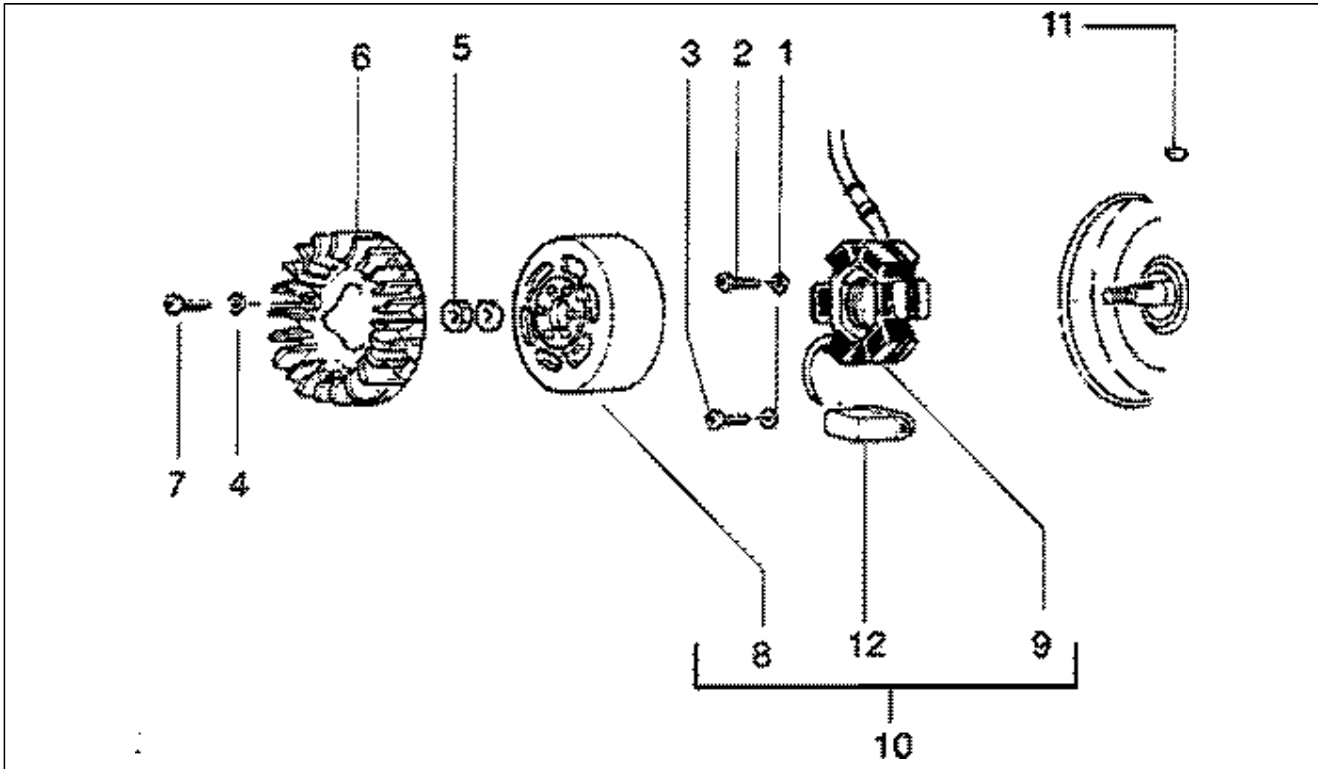
Pos.	Code	Description	Q.ty	Variants
23	487478	Electronic control unit	1	
24	016686	Washer	1	
25	241937	Nut	1	
26	289575	Screw	2	

Assembly	Engine
Code	T1
Description	Engine
Revision	1



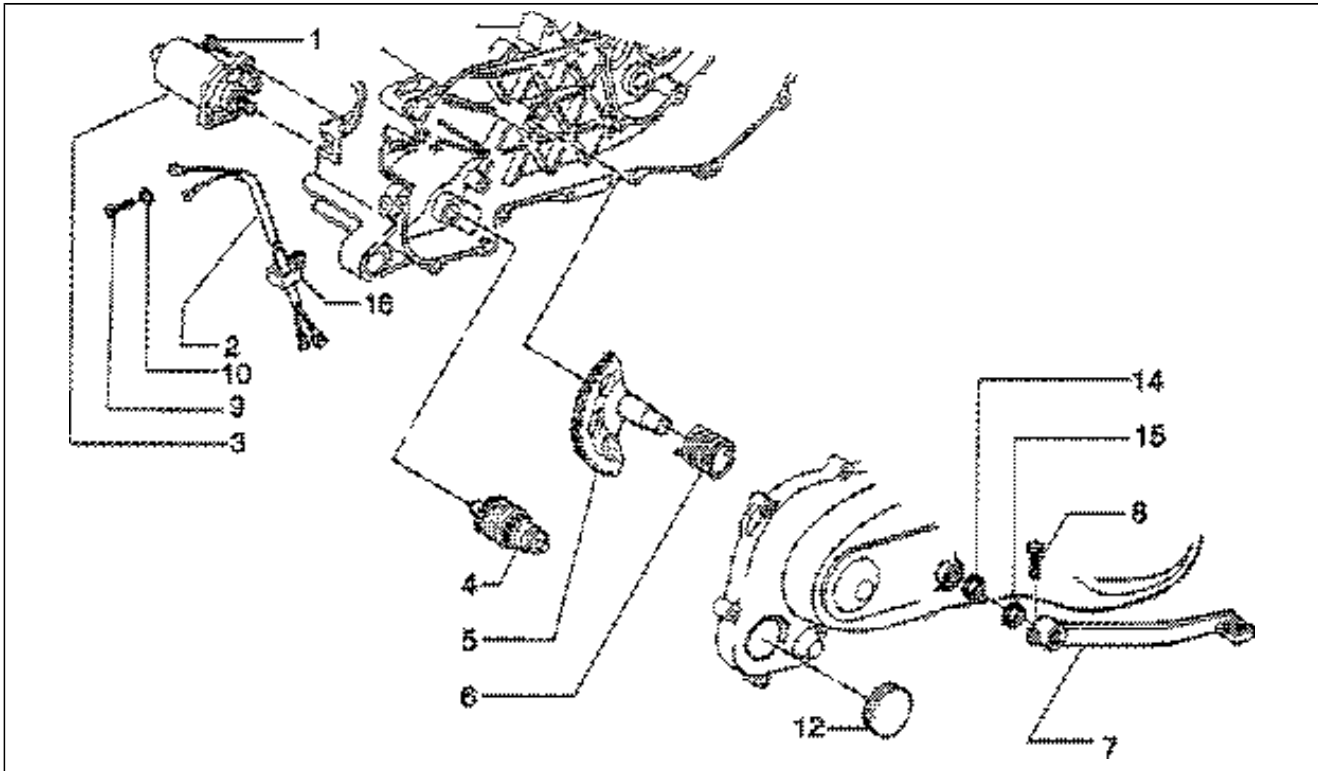
Pos.	Code	Description	Q.ty	Variants
1	4841065	Engine	1	
1	4841325	Engine	1	
1	4841335	Engine	1	
1	4853185	Engine	1	
1	8255215	Engine	1	
1	8324795	Engine	1	
1	CM1236015	Engine	1	
1	CM123702	Engine	1	
1	CM1238025	Engine	1	
2	154873	Engine set gasket	1	
2	498409	Carburettor gasket kit	1	
3	498337	Oil seals - set	1	

Assembly	Engine
Code	T10
Description	Flywheel magneto
Revision	1



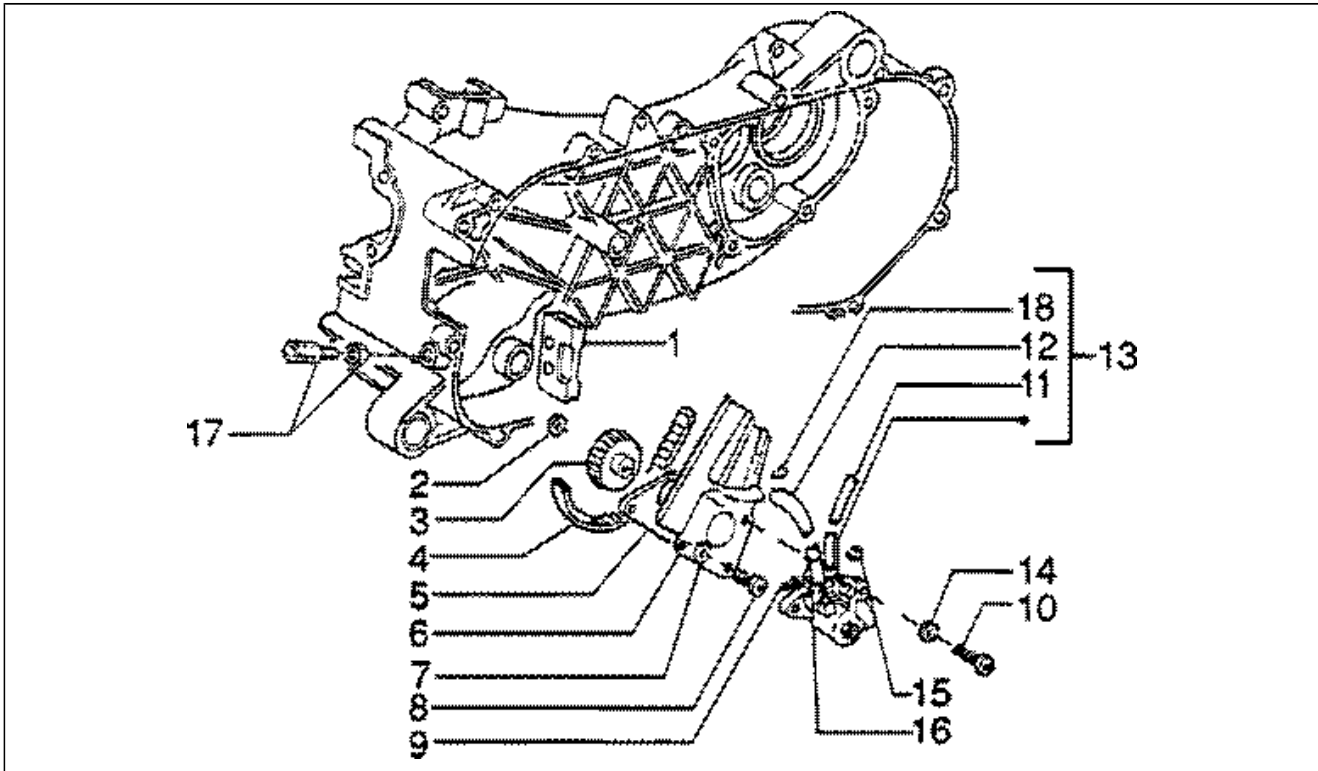
Pos.	Code	Description	Q.ty	Variants
1	006975	Washer 5,3x10x0,5	5	
2	015856	Screw m5x21	3	
3	015585	Screw m5x12	2	
4	006975	Washer 5,3x10x0,5	5	
5	289005	Flanged nut	1	
6	828765	Fan	1	
7	015585	Screw m5x12	3	
8	293492	Rotor cpl.	1	
9	830294	Stator	1	
9	830296	Stator	1	
10	830293	Cdi magneto assy	1	
10	830295	Cdi magneto assy	1	
11	000267	Transmission key	1	
12	498865	Pick-up	1	

Assembly	Engine
Code	T11
Description	Starting motor-starter lever
Revision	1



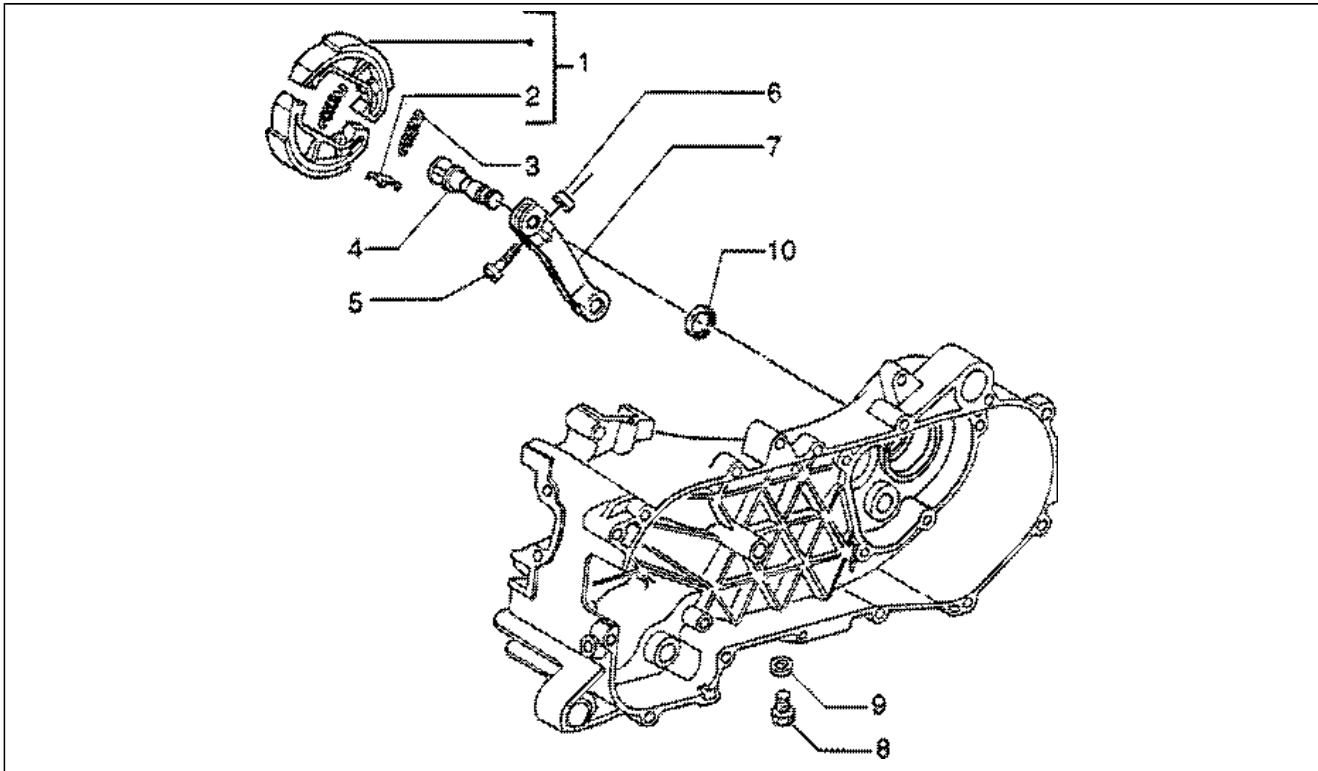
Pos.	Code	Description	Q.ty	Variants
1	031091	Screw	2	
2	583461	Cable harness	1	
3	82530R	Starter motor	1	
4	82531R	Starter motor gear	1	
5	831458	Starting shaft	1	
6	289495	Spring	1	
7	969421	Kick-start lever	1	
8	289731	Screw w/ flange M6x30	1	
9	018644	Screw m4x6	1	
10	016404	Washer	1	
12	483859	Plug	1	
13	414837	Screw w/ flange	1	
14	433987	Washer 16,3x23,8	1	
15	006416	Circlip	1	
16	293902	Hose clamp	1	

Assembly	Engine
Code	T12
Description	Oil pump
Revision	1



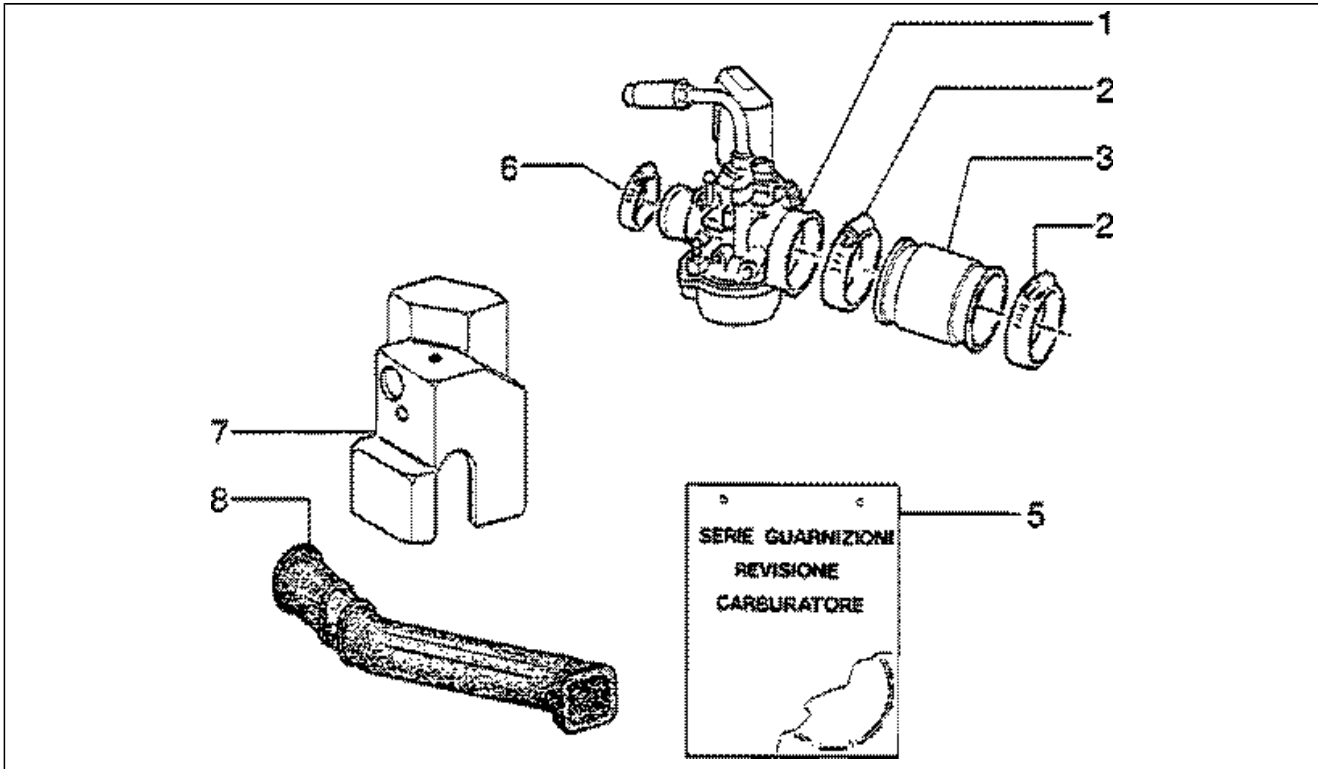
Pos.	Code	Description	Q.ty	Variants
1	287021	Fairlead	1	
2	287073	Washer	1	
3	289191	Gear	1	
4	286162	Toothed belt	1	
5	286163	Plate	1	
6	480482	Protection	1	
7	006975	Washer 5,3x10x0,5	1	
8	015585	Screw m5x12	1	
9	104296	Spring clamp	1	
10	015856	Screw m5x21	2	
11	CM101605	Oil outlet pipe	1	
12	CM101509	Oil inlet pipe	1	
13	82604R	Oil pump	1	
13	82605R	Oil pump	1	
13	82651R	Oil pump	1	
13	CM100501	Oil pump	1	
14	006975	Washer 5,3x10x0,5	2	
15	288327	Hose clamp	1	
16	289309	Hose clamp	1	
17	498339	Screw-nut kit	1	
18	486149	Hose clamp	1	

Assembly	Engine
Code	T13
Description	Brake lever
Revision	1



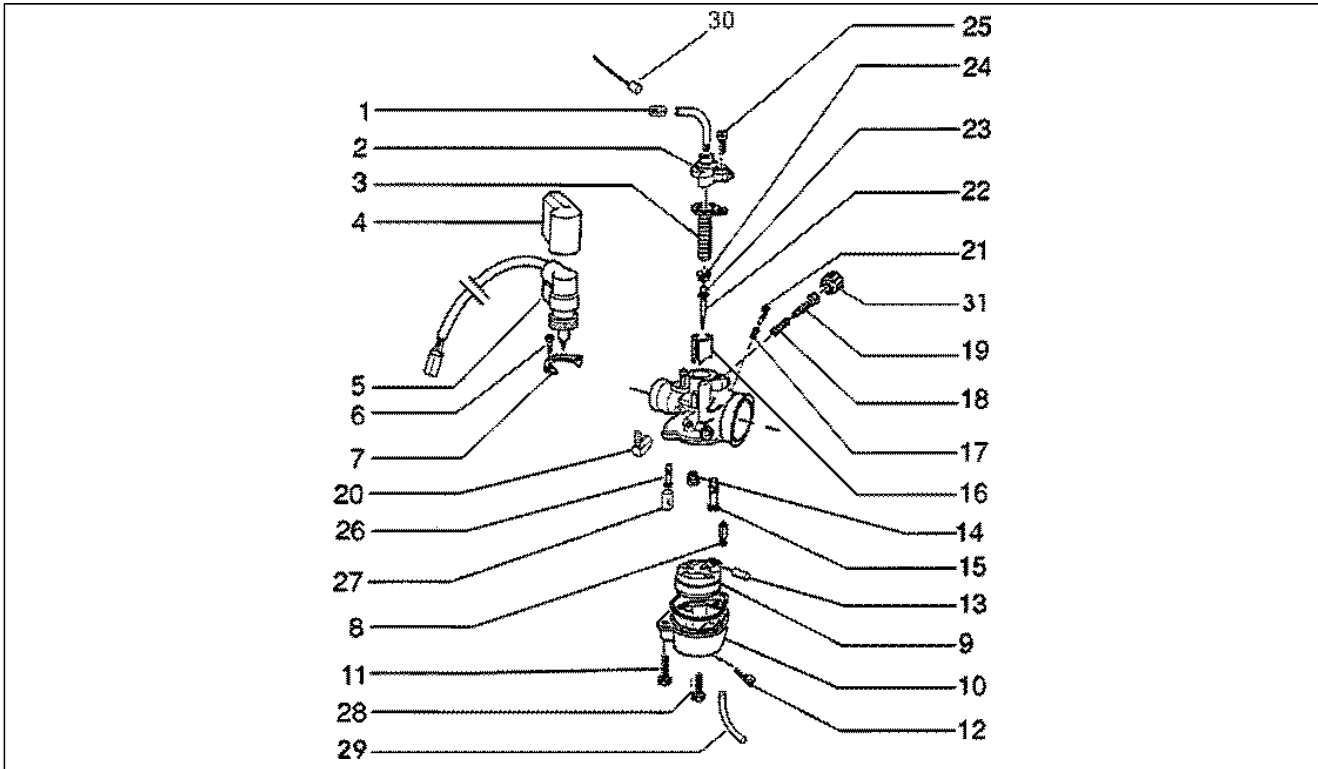
Pos.	Code	Description	Q.ty	Variants
1	2736235	Brake shoes couple	1	
2	266724	Plate	2	
3	266725	Return spring	2	
4	274245	Rear brake cam	1	
5	828863	Screw w/ flange	1	
6	828862	Square nut	1	
7	560796	Rear brake lever	1	
7	833428	Rear brake lever	1	
8	138345	Oil plug	2	
9	000397	Gasket	2	
10	273419	Gasket ring	1	

Assembly	Engine
Code	T14
Description	Carburettor
Revision	1



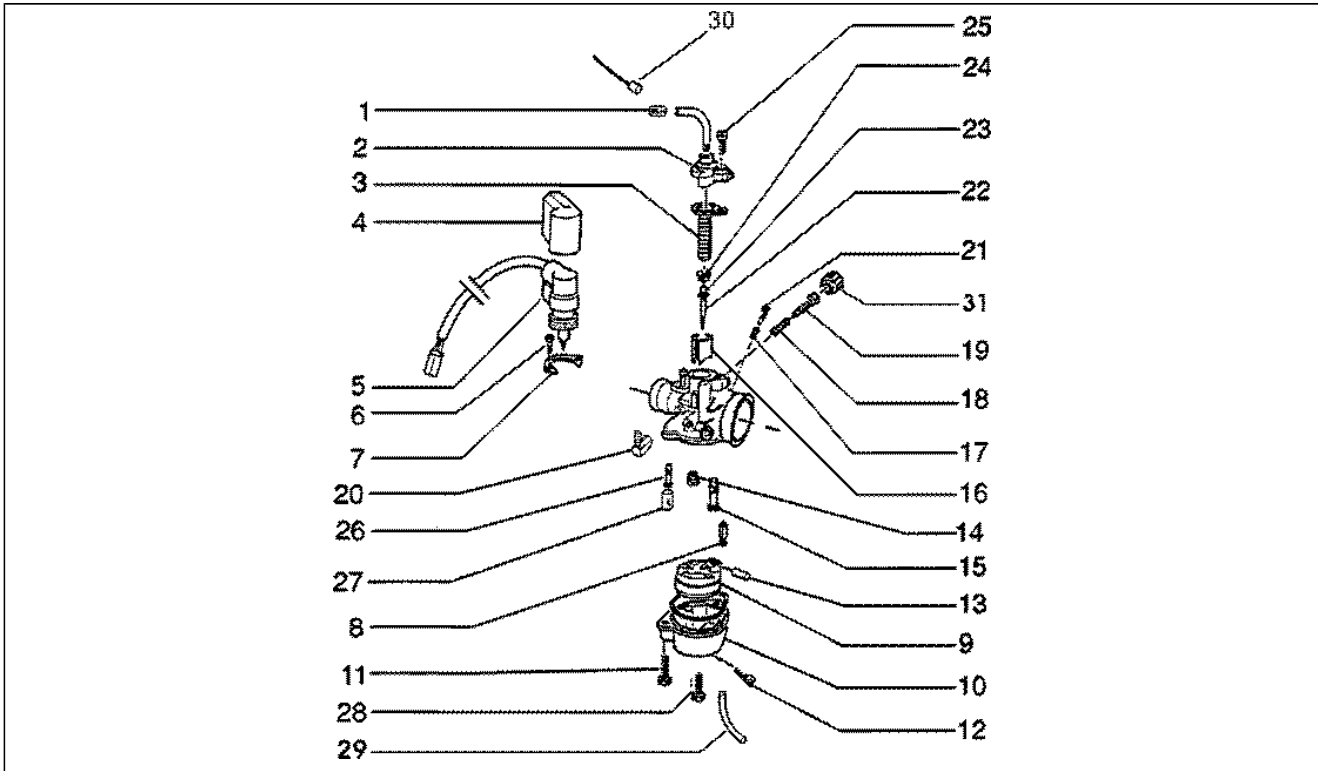
Pos.	Code	Description	Q.ty	Variants
1	486302	Carburettor	1	
1	487823	Carburettor	1	
1	82552R	Carburettor	1	
1	82666R	Carburettor	1	
1	82674R	Carburettor	1	
1	829685	Carburetor assembly	1	
2	109960	Hose clamp	2	
2	CM001905	Hose clamp	1	
3	436096	Pipe	1	
5	498475	Gasket set	1	
6	825865	Hose clamp	1	
6	842202	Hose clamp	1	
7	832186	Air duct	1	
8	289871	Duct	1	
8	488129	Carburettor cap	1	

Assembly	Engine
Code	T15
Description	Carburettor
Revision	1



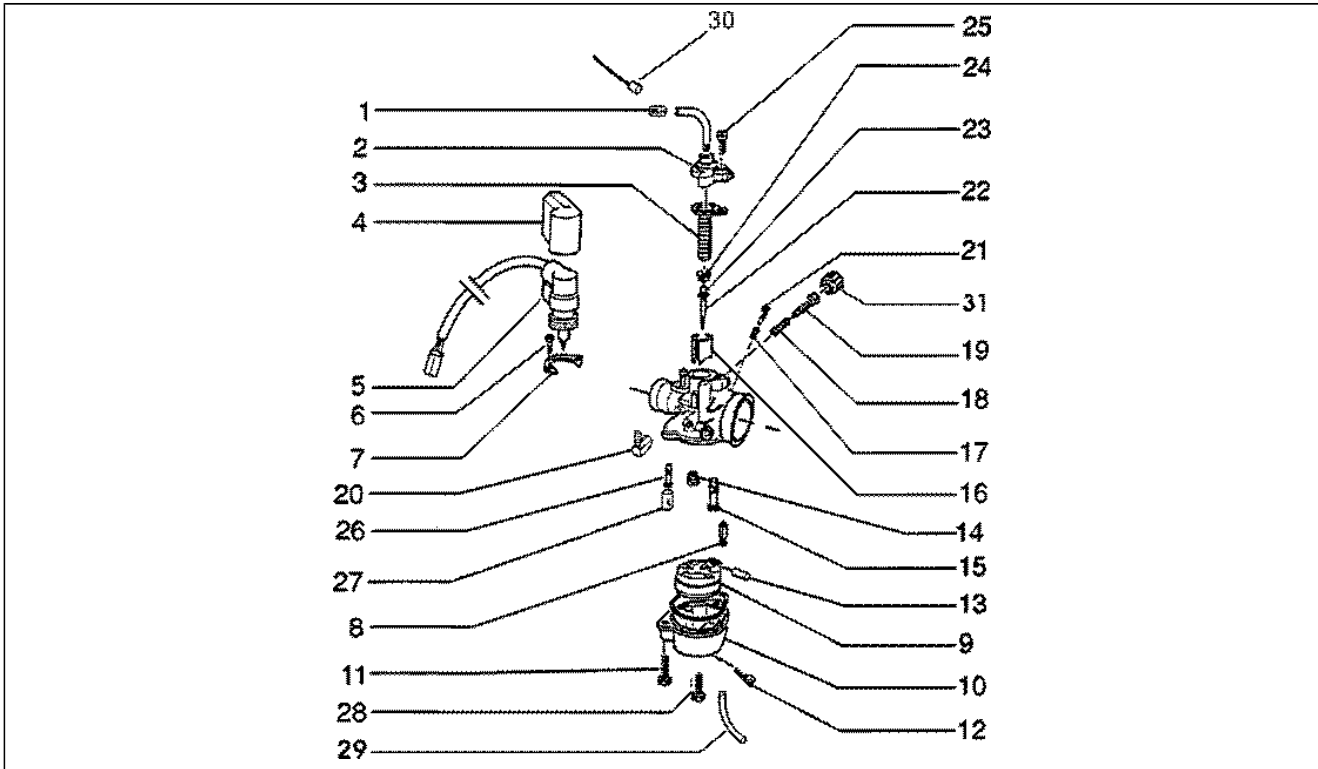
Pos.	Code	Description	Q.ty	Variants
1	288868	Screw	1	
1	435691	Adjuster screw	1	
2	431654	Gas valve cover	1	
2	CM109001	Gas valve cover	1	
3	435694	Gas valve spring	1	
3	482942	Gas valve spring	1	
4	288883	Guard	1	
4	485671	Starter cover	1	
5	82566R	Starter device	1	
5	82567R	Starter	1	
5	CM106001	Starter device	1	
5	CM106002	Electronic ignition unit	1	
6	289575	Screw	2	
6	435686	Sec. screw	2	
7	181351	Plate	1	
7	288863	Plate	1	
7	435685	Plate	1	
8	435708	Jet Needle	1	
8	482915	Jet Needle	1	
8	483189	Jet Needle	1	
9	435703	Float	1	
9	482916	Float cpl.	1	
10	435683	Float chamber	1	
10	484704	Float chamber cpl.	1	
10	485037	Float chamber	1	
10	827037	Float chamber	1	
11	432456	Screw	2	
11	435684	Sec. screw	2	

Assembly	Engine
Code	T15
Description	Carburettor
Revision	1



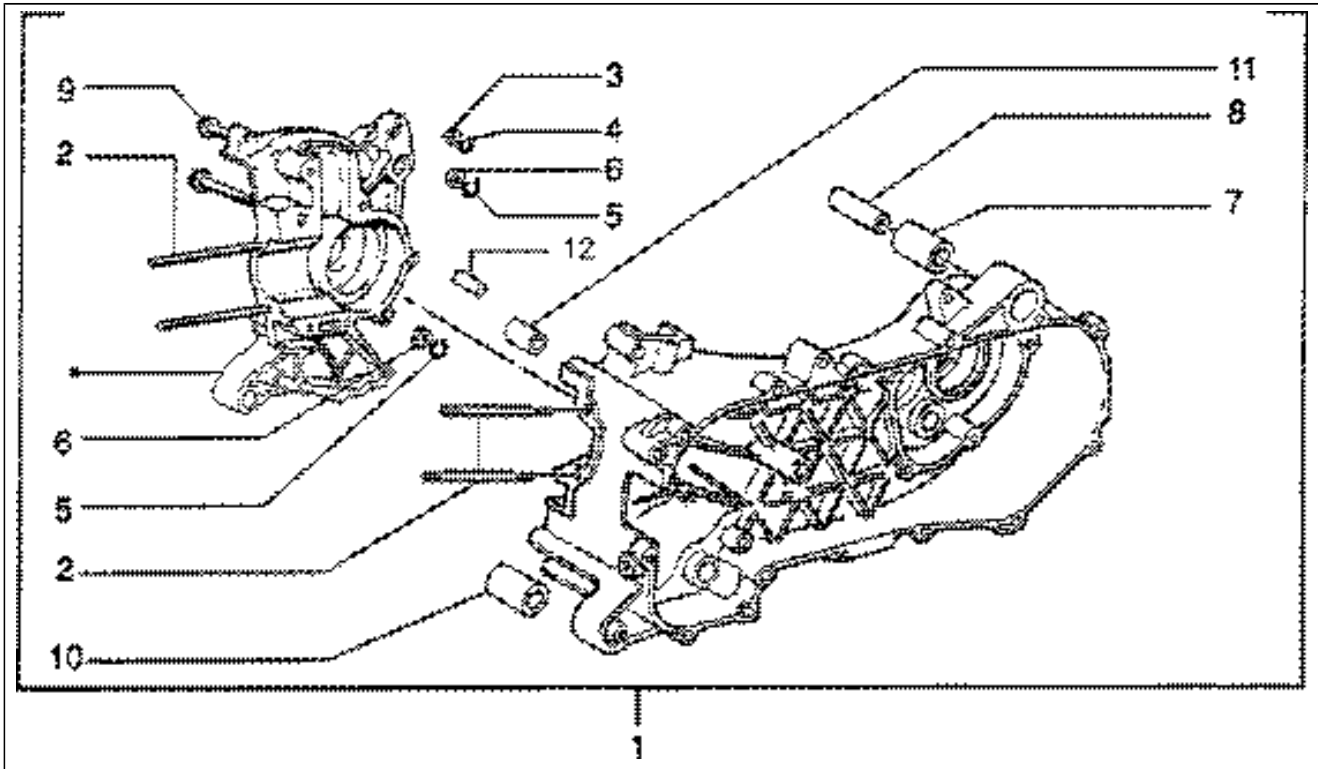
Pos.	Code	Description	Q.ty	Variants
12	435707	Screw	1	
13	288873	Conical pin clip	1	
13	288881	Float pin	1	
13	435702	Pin	1	
14	CM101704	Main jet 75	1	
14	CM101726	Main jet	1	
14	CM101738	Main jet	1	
14	CM101829	Main jet	1	
14	CM101831	Main jet	1	
14	CM101833	Main jet	1	
15	483524	Idle jet	1	
15	CM102002	Idle jet	1	
15	CM102010	Idle jet	1	
15	CM102103	Idle jet	1	
15	CM102105	Idle jet	1	
15	CM102111	Idle jet	1	
16	434105	Gas valve	1	
16	435710	Gas valve	1	
16	828336	Gas valve	1	
16	CM108901	Gas valve	1	
16	CM108902	Gas valve	1	
16	CM141710	Gas valve	1	
17	435697	Spring	1	
18	435699	Spring	1	
19	825155	Adjusting screw	1	
19	828074	Gas valve adjuster screw	1	
19	CM107701	Air adj.screw cpl.	1	
19	CM107702	Air adjuster screw	1	

Assembly	Engine
Code	T15
Description	Carburettor
Revision	1



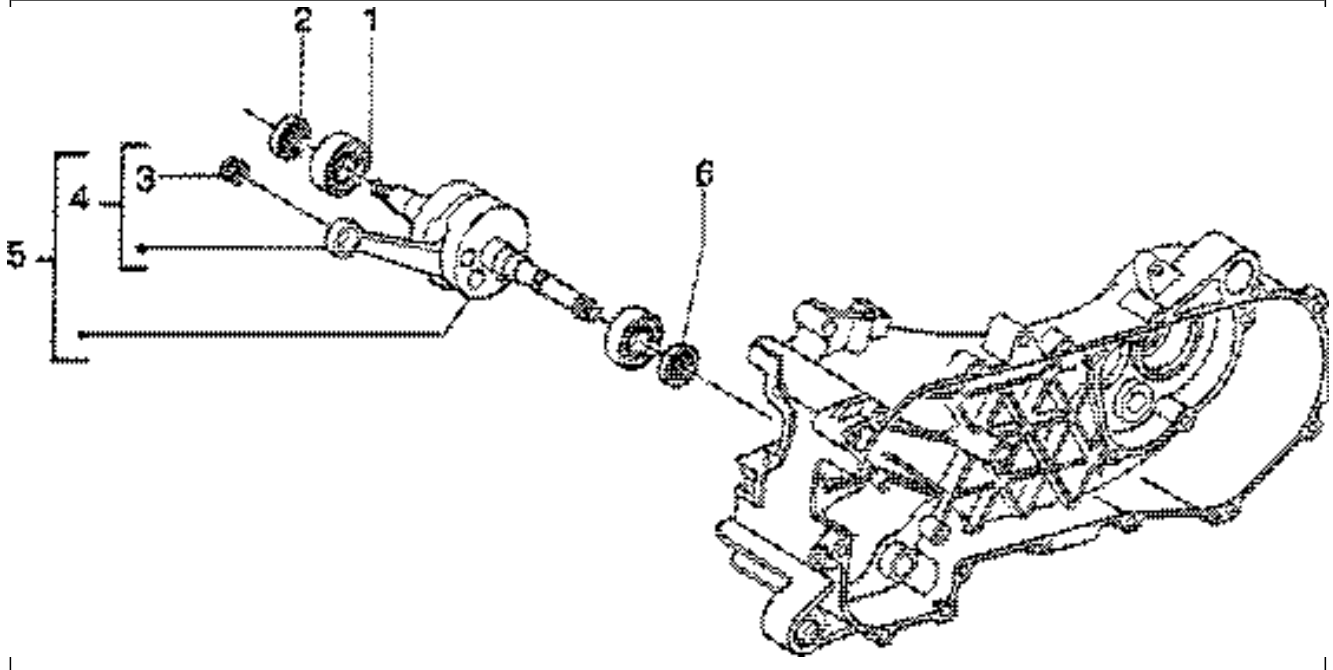
Pos.	Code	Description	Q.ty	Variants
20	435696	Valve	1	
20	436206	Oil valve cpl.	1	
21	CM110501	Screw	1	
22	CM107510	Conical pin	1	
22	CM107808	Jet Needle	1	
22	CM107814	Conical pin	1	
23	288872	Ring	1	
23	435692	O-ring	1	
24	CM108401	Lock	1	
25	435688	Sec. screw	1	
26	CM102701	Starter jet	1	
26	CM102703	Starter jet	1	
26	CM102706	Starter jet	1	
27	435704	Cap	1	
27	478024	Cap	1	
28	435707	Screw	1	
29	432071	Float chamber dump pipe L=130	1	
30	289903	Throttle cable cap	1	
31	288878	Knob	2	

Assembly	Engine
Code	T2
Description	Crankcase
Revision	1



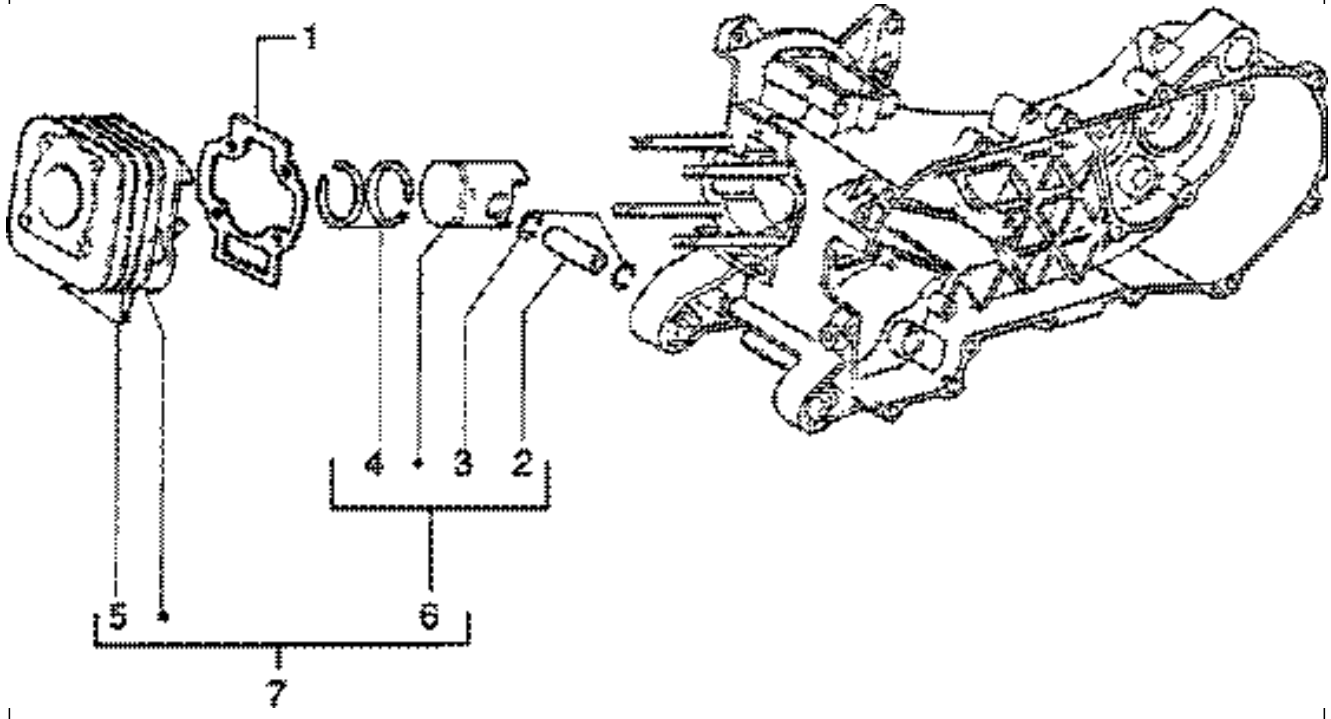
Pos.	Code	Description	Q.ty	Variants
1	8252145	Crank-case	1	
1	8285925	Crank-case	1	
1	830477	Crank-case	1	
1	CM1273025	Crank-case	1	
2	239382	Stud bolt	4	
3	020006	Nut m6	1	
4	287223	Ring	1	
5	113533	Ring	1	
6	020008	Nut	1	
7	267823	Shock abs.supp.silent-block	1	
8	266625	Spacer	1	
9	414835	Screw M6X45	8	
10	266773	Silent-block	1	
11	286143	Bush	1	
12	239388	Pin d.9,5 h=15	1	
13	827173	Plug	1	

Assembly	Engine
Code	T3
Description	Crankshaft
Revision	1



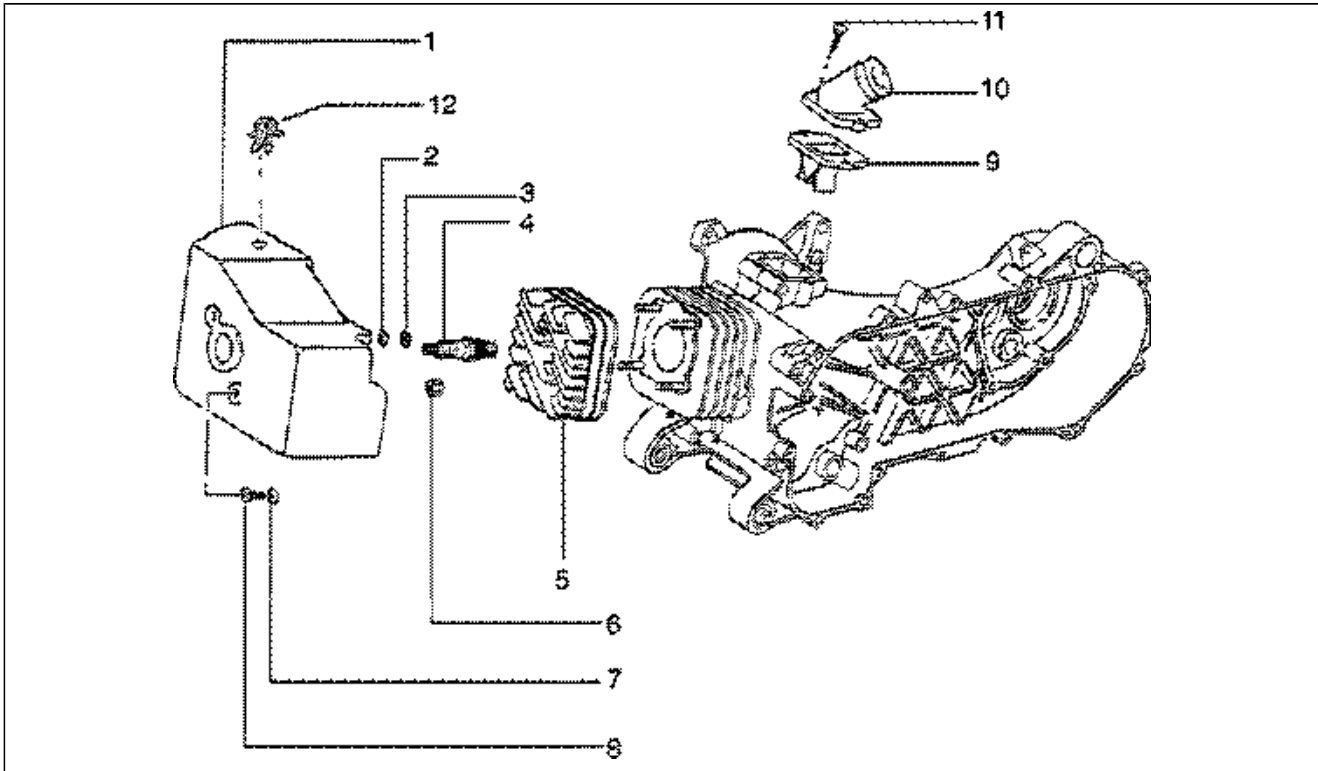
Pos.	Code	Description	Q.ty	Variants
1	431125	Bearing 20x52x12	2	
2	482315	Gasket ring	1	
3	500501	Pin cage 1cat.	1	
3	500502	Pin cage 2cat.	1	
3	500503	Pin cage 3cat.	1	
3	500504	Pin cage 4cat.	1	
4	485535	Conn.-rod	1	
5	4316255	Crankshaft cpl.	1	
6	482314	Gasket ring	1	

Assembly	Engine
Code	T4
Description	Cylinder-piston-wrist pin, assy
Revision	1



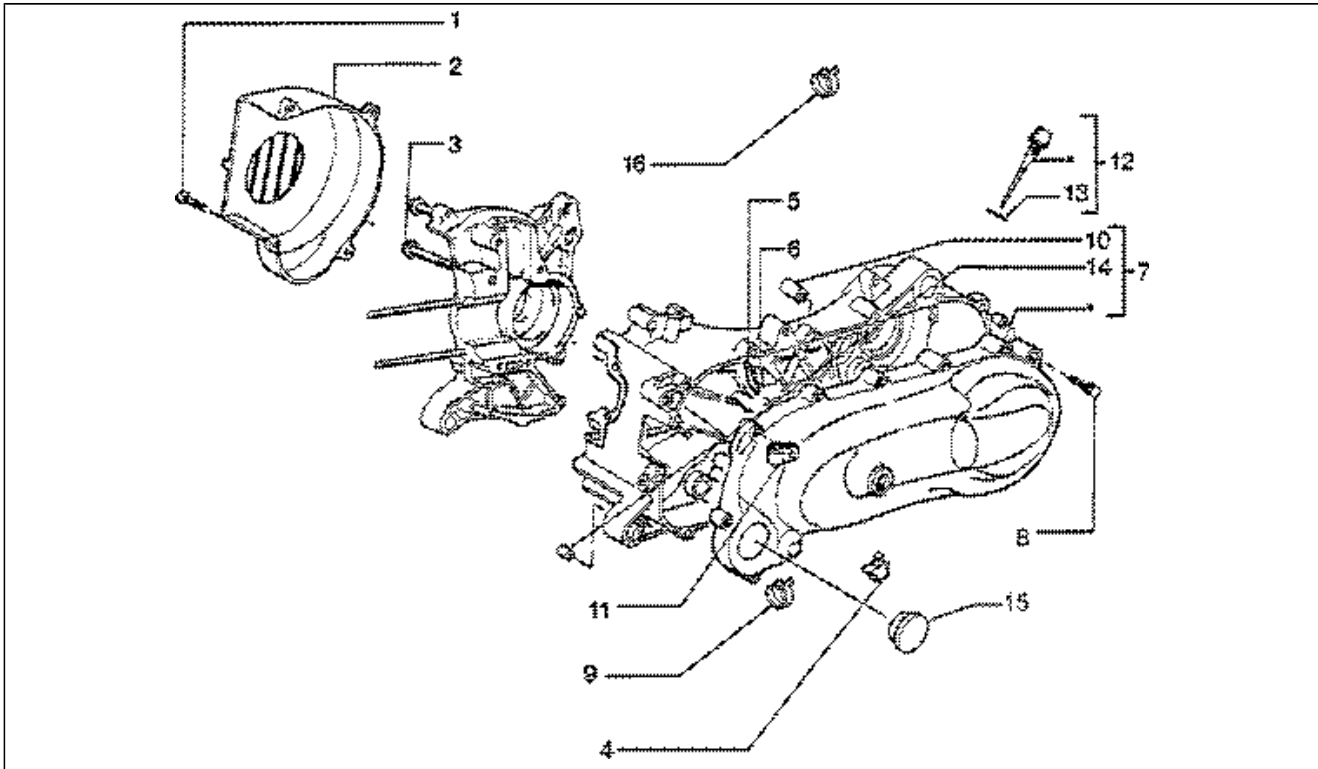
Pos.	Code	Description	Q.ty	Variants
1	286810	Cylinder base gasket	1	
2	239404	Piston pin	1	
3	239455	Stop ring	2	
4	825416	Gasket ring	2	
5	239397	Stud bolt	2	
6	4878020001	Piston assy 1cat.(M)	1	
6	4878020002	Piston assy 2cat.(N)	1	
6	4878020003	Piston assy 3cat.(O)	1	
6	4878020004	Piston assy 4cat.(P)	1	
6	825182	Piston assy 1M	1	
6	825185	Piston assy 2M	1	
7	487818	Cil.pis.as.	1	
7	487849	Cil.pis.as.	1	
7	487851	Cil.pis.as.	1	
7	831116	Cylinder with piston	1	

Assembly	Engine
Code	T5
Description	Cylinder head-cooling hood-inlet and induction pipe
Revision	1



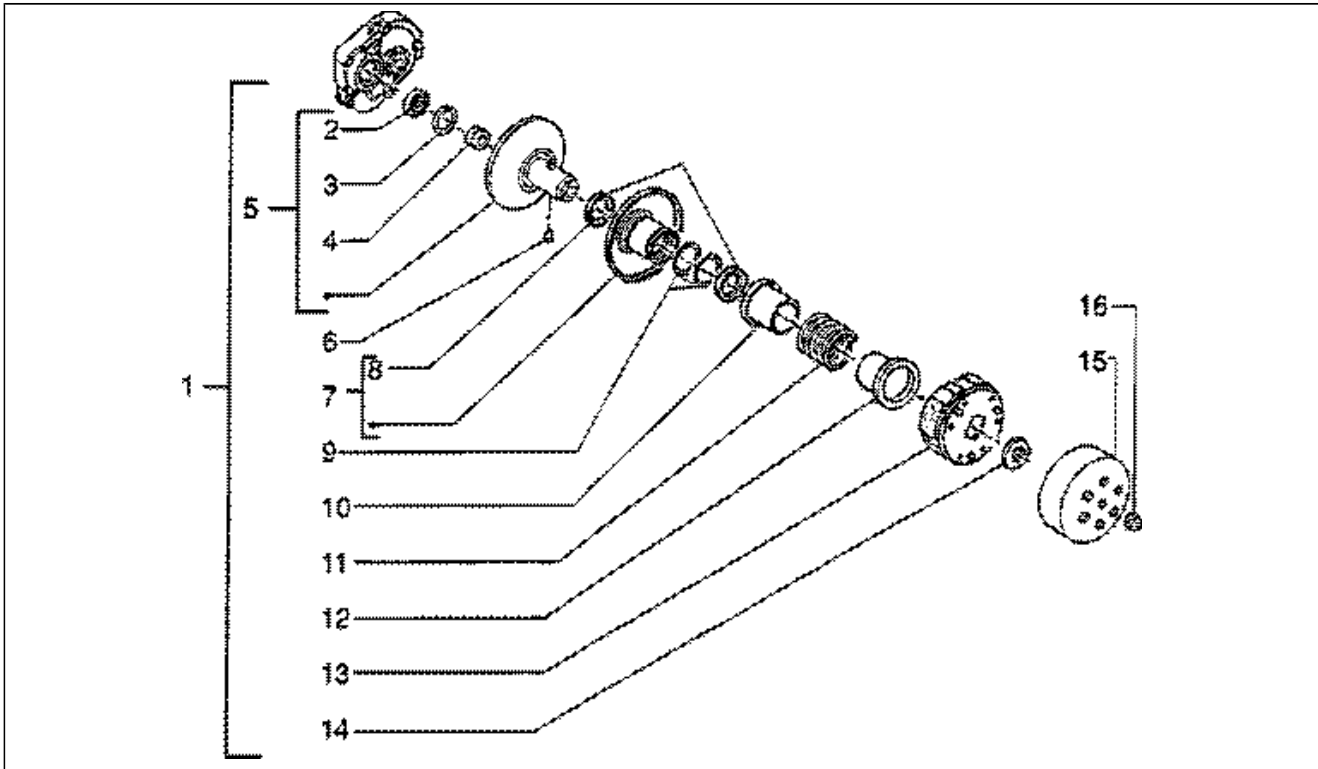
Pos.	Code	Description	Q.ty	Variants
1	436719	Coling hood	1	
2	288245	Flanged nut M6	2	
3	012533	Washer 6,6x11x0	2	
4	438025	Spark plug	1	
4	438034	Spark plug	1	
5	2865345	Cylinder head	1	
6	288531	Nut	2	
7	078307	Washer	1	
8	008375	Screw M6x14	2	
9	486353	Reeds bracket	1	
10	436095	Union pipe	1	
10	436180	Union pipe	1	
10	830939	Intake manifold	1	
11	414837	Screw w/ flange	2	
11	830487	Screw	2	
12	231590	Hose clamp	2	

Assembly	Engine
Code	T6
Description	Clutch cover-scool cover
Revision	1



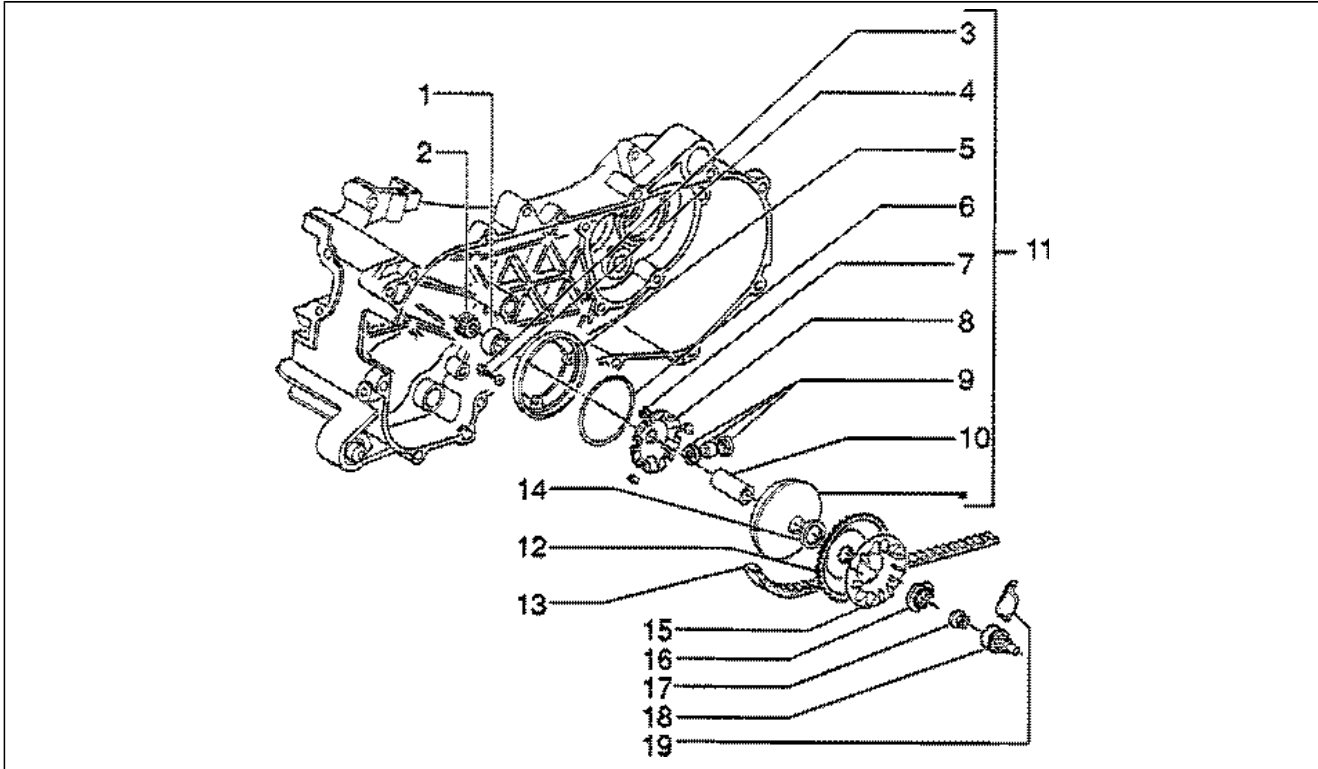
Pos.	Code	Description	Q.ty	Variants
0	269273	Hose clamp	1	
1	015856	Screw m5x21	4	
2	487731	Cover	1	
2	487890	Fan cover	1	
2	833817	Flywheel cover	1	
3	414835	Screw M6X45	8	
4	259625	Drift	1	
5	286206	Plate	1	
6	286207	Drift	1	
7	8284175	Transmission cover	1	
8	414838	Screw m6X35	1	
9	271451	Hose clamp	1	
10	286209	Bush	1	
11	216983	Hose clamp	1	
11	271477	Hose clamp	1	
12	832130	Oil level rod cpl.	1	
13	827085	Gasket ring	1	
13	CM107704	Screw	1	
14	286143	Bush	1	
16	269273	Hose clamp	1	

Assembly	Engine
Code	T7
Description	Driven pulley
Revision	1



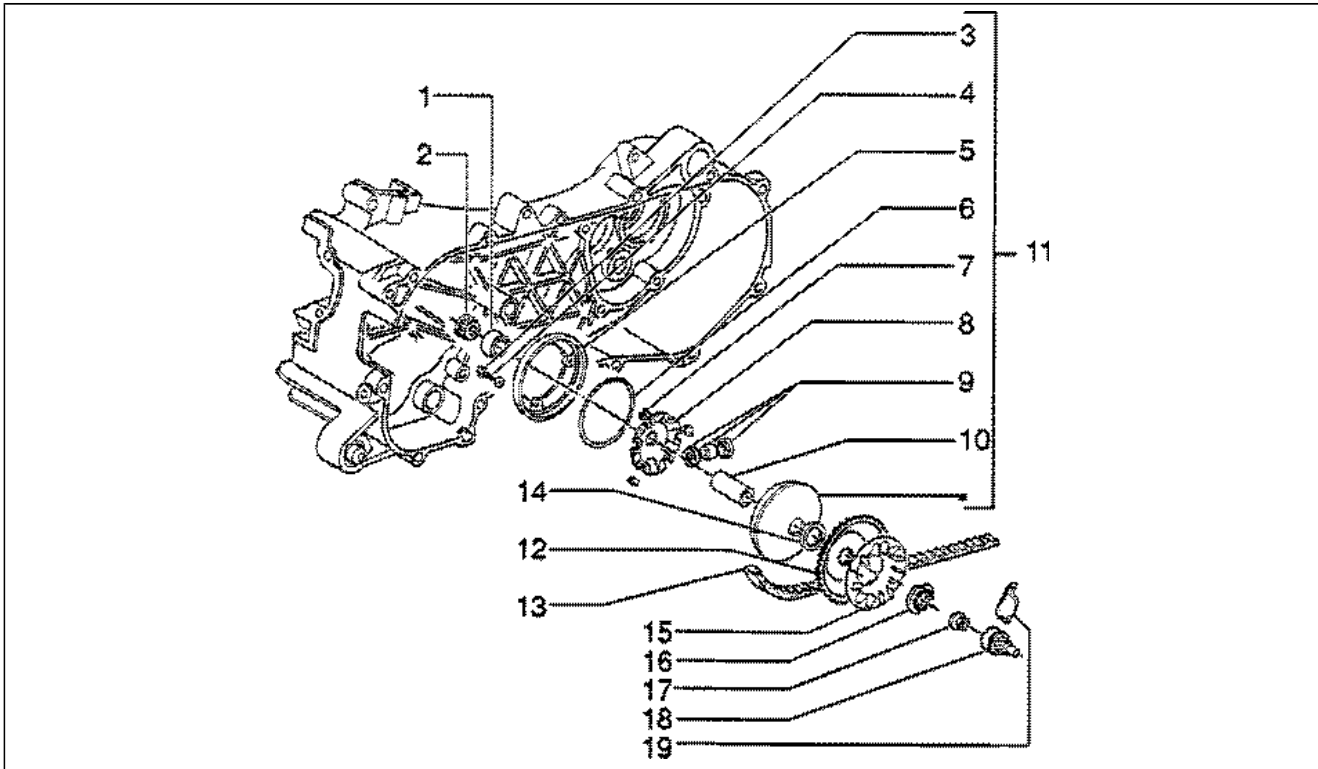
Pos.	Code	Description	Q.ty	Variants
1	CM1001015	Pulley	1	
1	CM100108	Secondary pulley	1	
1	CM1004011	Pulley	1	
2	289953	Bearing	1	
3	006624	Ring	1	
4	289952	Roller cage	1	
5	430190	Clutch hub	1	
5	4795526	Sec. fixed sheave cpl.	1	
6	482766	Pin	3	
7	430191	Pulley, half	1	
7	4368755	Pulley, half	1	
7	827893	Sec. sliding sheave, complete	1	
8	289950	Gasket ring	1	
9	289840	Gasket	1	
10	483443	Cup	1	
11	478028	Variator spring	1	
12	487935	Cup	1	
13	CM100201	Clutch, assy.	1	
14	289955	Ring nut	1	
15	289933	Clutch drum	1	
16	289519	Flanged nut m10x1,25	1	

Assembly	Engine
Code	T8
Description	Driven pulley
Revision	1



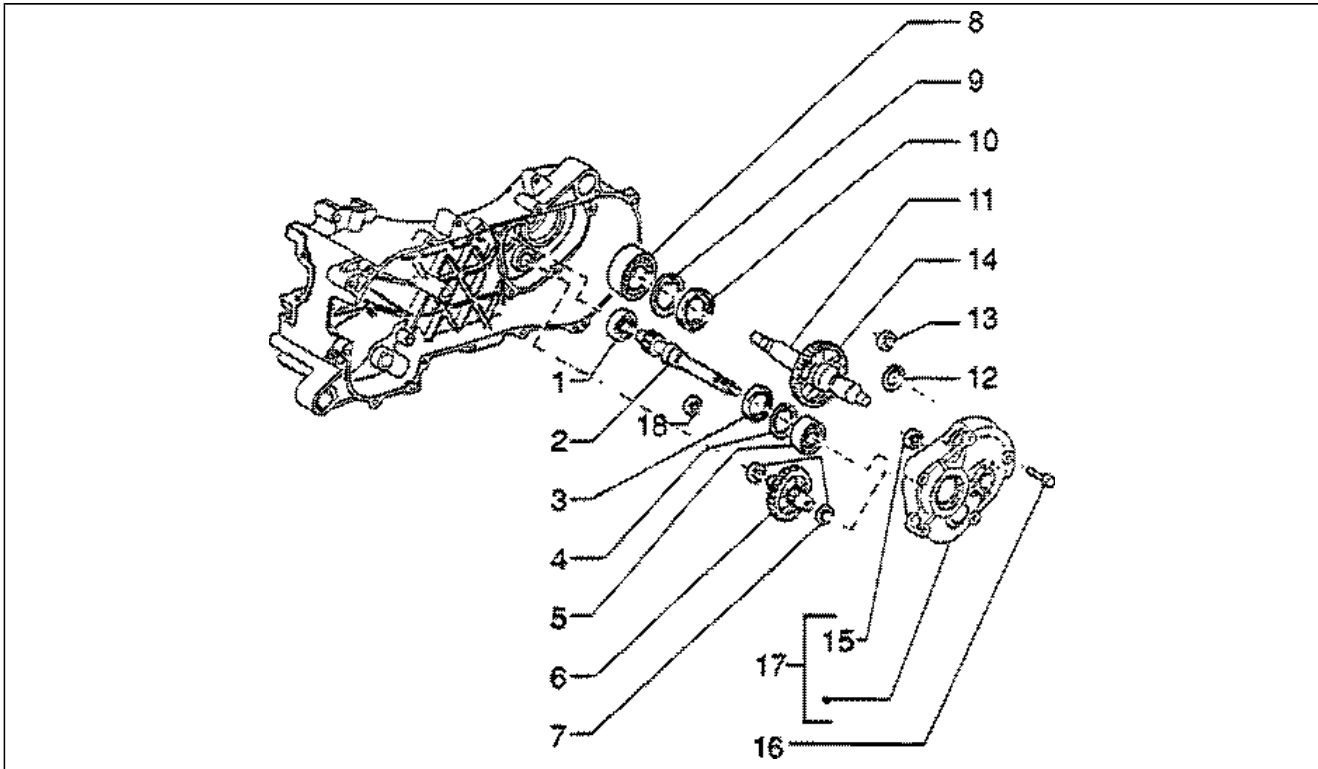
Pos.	Code	Description	Q.ty	Variants
1	2898282	Spacer	1	
1	479495	Bush	1	
2	286158	Gear	1	
3	015947	Screw	3	
4	006964	Spring washer	3	
5	289932	Cover	1	
6	289926	Compensator ring	1	
7	289931	Slider	3	
8	289930	Housing	1	
8	480227	Ramp plate	1	
9	2899275	Rollers kit	1	
9	CM1102015	Roller	1	
9	CM1102025	Roller	1	
10	289829	Spacer	1	
10	480230	Spacer	1	
11	430189A	Pulley, half	1	
11	CM110301	Half-pulley assy., driving	1	
11	CM110302	Half-pulley assy., driving	1	
12	289831	Pulley, half	1	
12	479561	Fixed pulley	1	
13	431190	Belt	1	
13	478954	Belt	1	
13	82645R	V-belt	1	
14	CM100601	Spacer	1	
14	CM100604	Spacer	1	
14	CM100606	Spacer	1	
14	CM100607	Spacer	1	
14	CM100608	Spacer	1	

Assembly	Engine
Code	T8
Description	Driven pulley
Revision	1



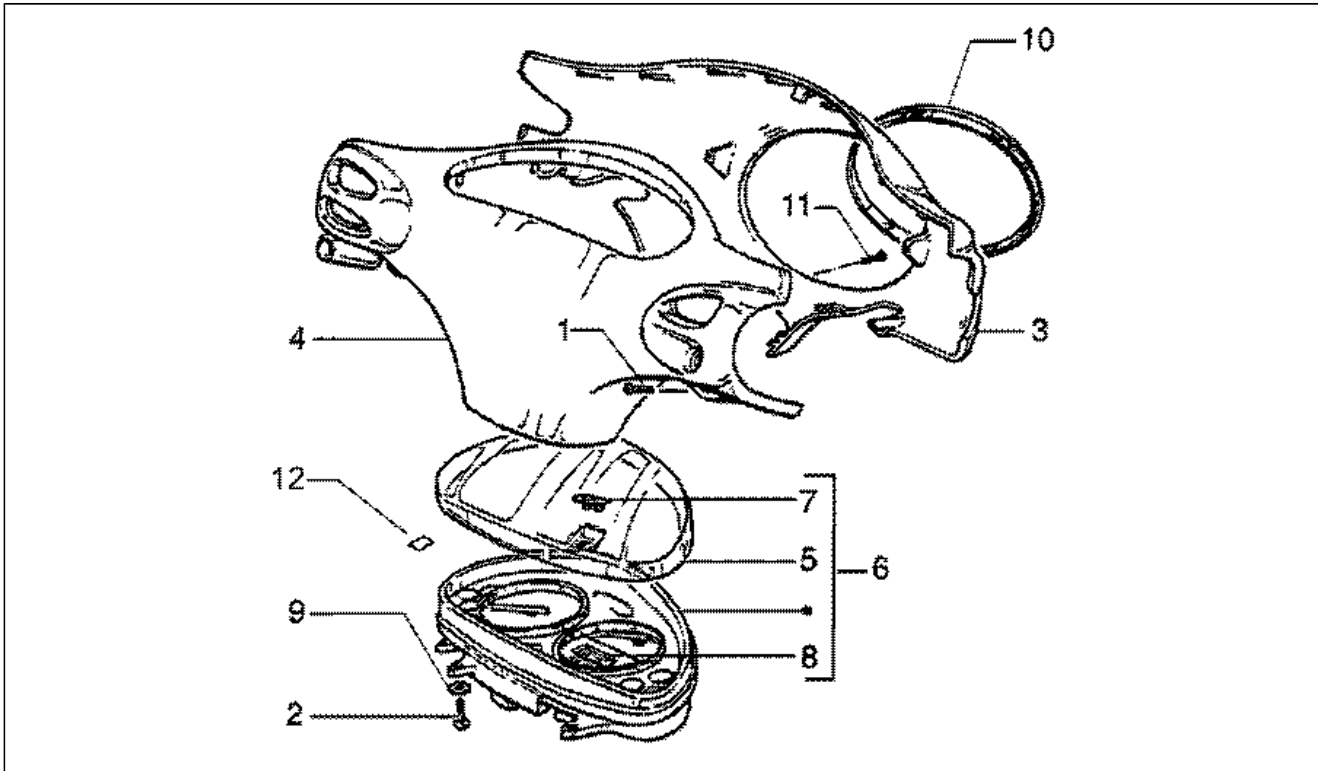
Pos.	Code	Description	Q.ty	Variants
14	CM100609	Spacer	1	
14	CM100615	Spacer	1	
15	287044	Fan	1	
15	480410	Pulley disk	1	
16	433862	Bush	1	
16	479866	Ring nut	1	
17	289519	Flanged nut m10x1,25	1	
18	483537	Starting pinion	1	
19	830212	Spring	1	

Assembly	Engine
Code	T9
Description	Rear wheel shaft
Revision	1



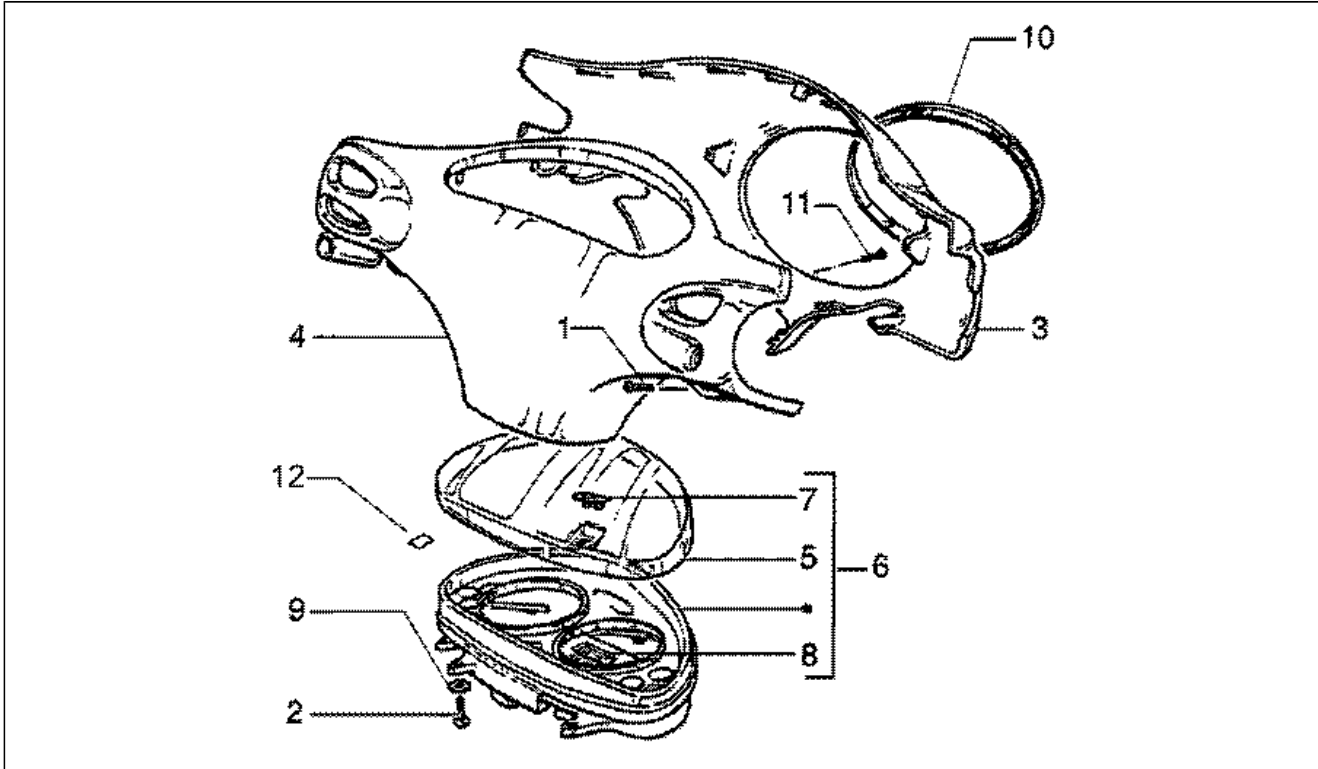
Pos.	Code	Description	Q.ty	Variants
1	478261	Bearing	1	
1	82521R	Bearing	1	
2	2898325	Pulley shaft	1	
2	4795715	Driven pulley shaft	1	
3	239848	Ring	1	
3	480066	Gasket ring	1	
4	288812	Ring	1	
4	480953	Snap ring	1	
5	430751	Bearing	1	
5	942135	Bearing	1	
6	4363175	Transmission shaft	1	
6	4784925	Transmission shaft	1	
7	288639	Thrust washer	1	
8	434735	Bearing 20x47x14	1	
9	006647	Circlip	1	
10	478498	Gasket ring	1	
11	4800535	Wheel axle	1	
11	4837455	Wheel axle	1	
11	4874855	Rear wheel axle	1	
12	006419	Ring	1	
13	480054	Spacer	1	
14	2870485	Gear	1	
15	1304912	Drawn cap	1	
16	414834	Screw w/ flange M6X25	5	
17	4354215	Cover	1	
17	4874805	Transmission cover cpl.	1	
18	478197	Compensator ring	1	

Assembly	Handlebars
Code	T32
Description	speedometers kms.-handlebar covers
Revision	1



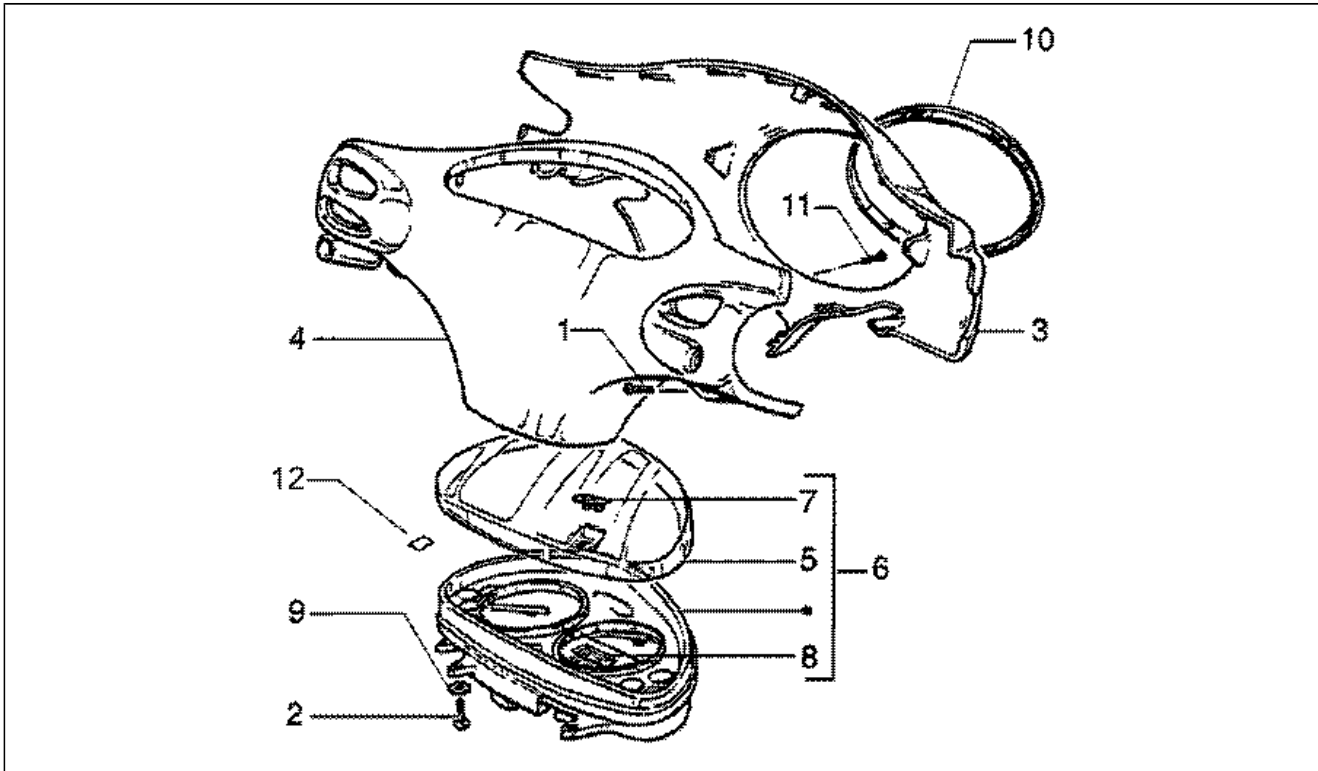
Pos.	Code	Description	Q.ty	Variants
1	258146	Self-tap screw m3x20	1	
2	270793	Screw	4	
3	42720000AA	Handlebar cover	1	
3	42720000D8	Front handlebars cover	1	
3	42720000F2	Handlebar cover	1	
3	42720000P1	Front handlebars cover	1	
3	42720000V8	Front handlebars cover	1	
3	42720000V9	Front handlebars cover	1	
3	42720000VA	Front handlebars cover	1	
3	4272005	Front handlebars cover	1	
3	4272005018	Front handlebars cover	1	
3	4272005022	Handlebar cover	1	
3	4272005023	Handlebar cover	1	
3	4272005034	Handlebar cover	1	
3	4272005036	Handlebar cover	1	
3	4272005060	Front handlebars cover	1	
3	4272005066	Front handlebars cover	1	
3	4272005090	Front handlebars cover	1	
3	4272005095	Front handlebars cover	1	
3	42720050A7	Front handlebars cover	1	
3	42720050B2	Front handlebars cover	1	
3	42720050C1	Handlebar cover	1	
3	42720050D1	Front handlebars cover	1	
3	42720050F1	Front handlebars cover	1	
3	42720050G5	Handlebar cover	1	
3	42720050R7	Handlebar cover	1	
3	42720050V3	Handlebar cover	1	
3	42720050V6	Front handlebars cover	1	

Assembly	Handlebars
Code	T32
Description	speedometers kms.-handlebar covers
Revision	1



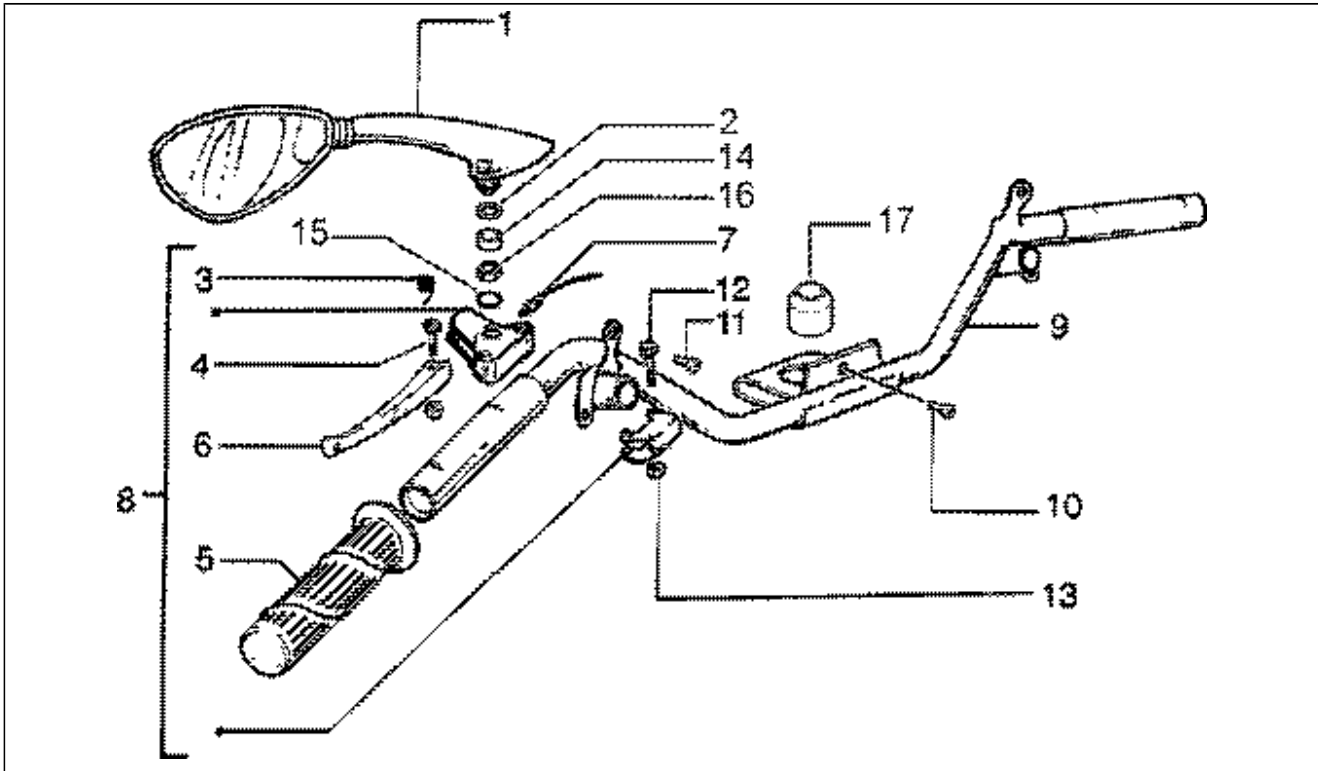
Pos.	Code	Description	Q.ty	Variants
4	4274005	Rear handlebars cover	1	
4	4274005034	Handlebar cover	1	
4	4274005036	Handlebar cover	1	
4	4274185	Rear handlebars cover	1	
4	4274225	Handlebar cover	1	
4	4274235	Handlebar cover	1	
4	4274905	Rear handlebars cover	1	
4	4274955	Rear handlebars cover	1	
4	580978000D	Rear handlebars cover	1	
4	580978000L	Handlebar cover	1	
4	5809780060	Rear handlebars cover	1	
4	58097800D1	Handlebar cover	1	
4	58097800D8	Rear handlebars cover	1	
4	58097800E8	Rear handlebars cover	1	
4	58097800F1	Handlebar cover	1	
4	58097800G5	Handlebar cover	1	
4	58097800P1	Rear handlebars cover	1	
4	58097800V3	Handlebar cover	1	
4	58097800V8	Rear handlebars cover	1	
4	58097800V9	Rear handlebars cover	1	
4	58097800VA	Rear handlebars cover	1	
5	494518	Speed. kms. cover	1	
6	58012R	Meter combination	1	
6	583277	Not available	1	
7	494519	Button	1	
8	494521	Clock	1	
9	013769	Washer	4	
10	560671	Frame	1	

Assembly	Handlebars
Code	T32
Description	speedometers kms.-handlebar covers
Revision	1



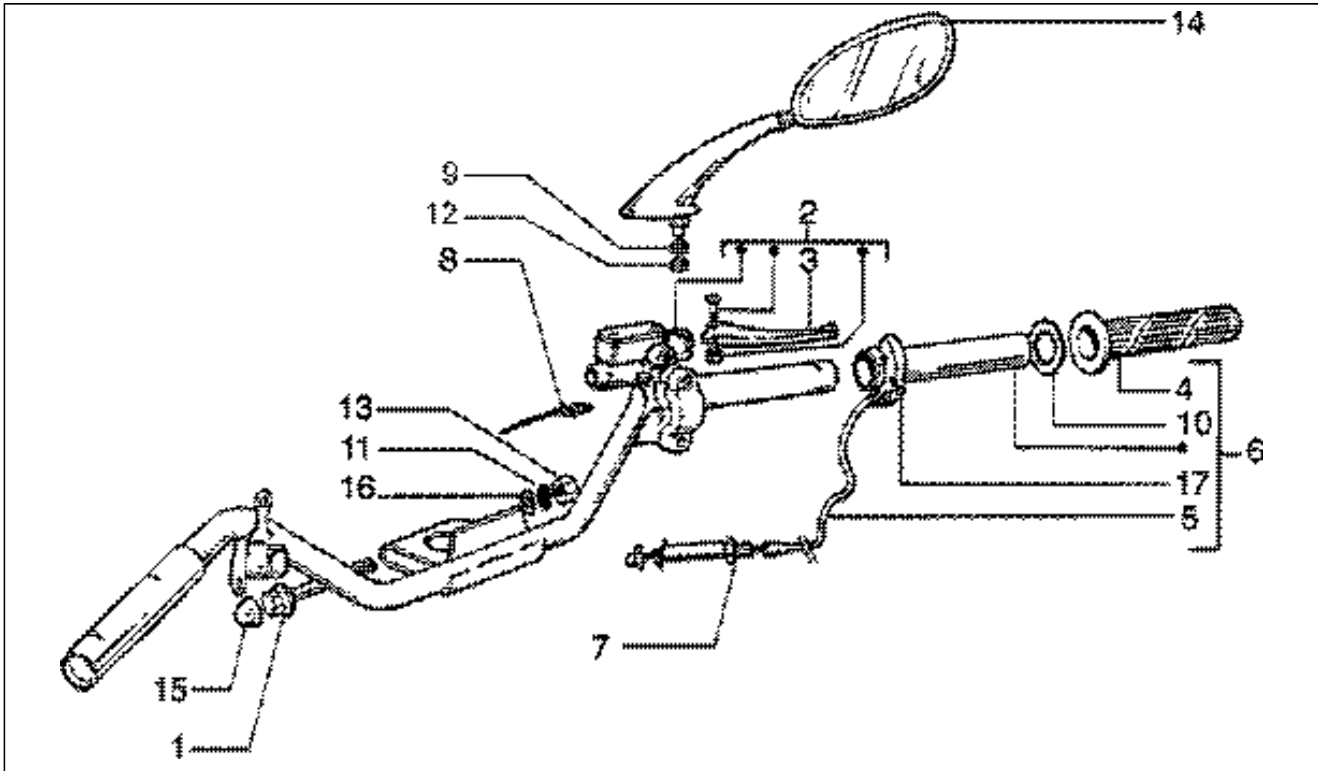
Pos.	Code	Description	Q.ty	Variants
11	268139	Screw	1	
12	576521	Piaggio Shield	1	

Assembly	Handlebars
Code	T33
Description	Handlebars component parts
Revision	1



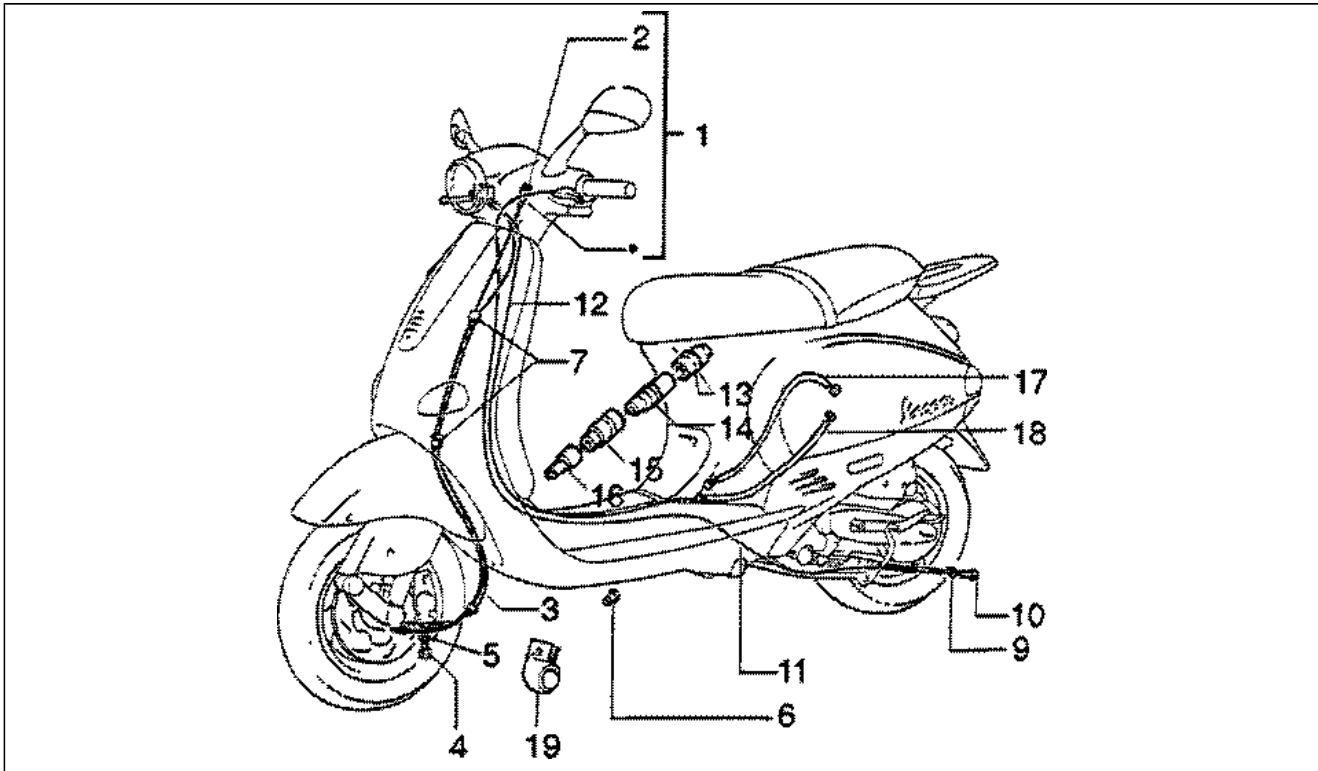
Pos.	Code	Description	Q.ty	Variants
1	563866	Driving mirror	1	
1	581554	Driving mirror	1	
2	562401	Ring	1	
3	267948	Spring	1	
4	265249	Screw complete	1	
5	560580	Grip	1	
6	564642	Lever	1	
7	580953	Button	1	
8	564641	Hose	1	
9	5817164	Handlebar	1	
10	008457	Self-tap screw m4,2x19	1	
11	258146	Self-tap screw m3x20	2	
12	030034	Screw	1	
13	440785	Nut	1	
14	562399	Spacer	1	
15	020008	Nut	1	
16	005955	Ring	1	
17	582828	Collar	1	

Assembly	Handlebars
Code	T34
Description	Handlebars component parts
Revision	1



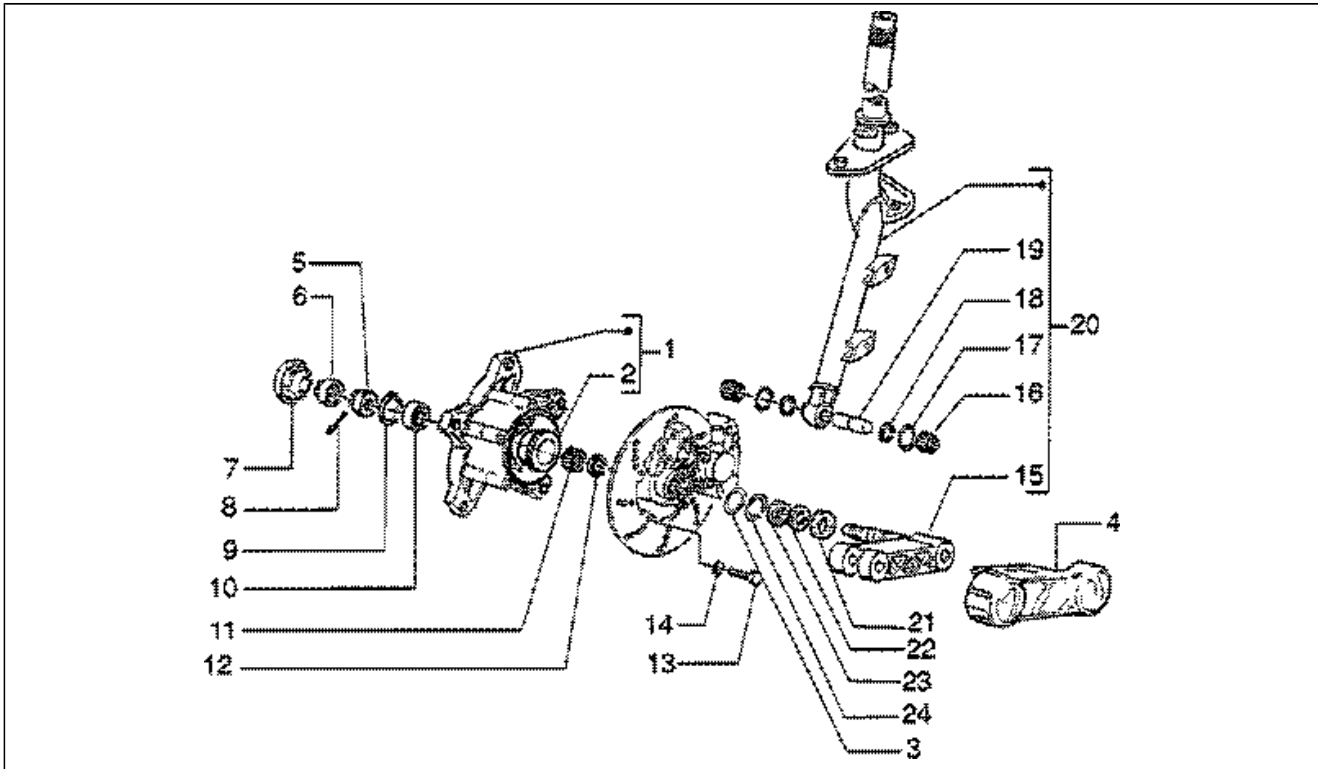
Pos.	Code	Description	Q.ty	Variants
1	223605	Screw	1	
2	56008R	Brakes pump	1	
3	494948	Brake lever	1	
3	497039	Lever	1	
4	560582	Grip	1	
5	583870	Doub. throt. feed	1	
6	CM060918	Hose	1	
6	CM060942	Hose	1	
7	269145	Adjuster screw	1	
8	580953	Button	1	
9	562401	Ring	1	
10	562923	Washer	1	
11	012543	Plain washer	1	
12	005955	Ring	1	
13	015330	Nut	1	
14	563865	Driving mirror	1	
14	581555	Driving mirror	1	
15	128009	Cap	1	
16	178790	Flat washer	1	
16	267917	Flat washer	1	
17	123394	Screw	1	

Assembly	Transmissions
Code	T35
Description	Transmissions
Revision	1



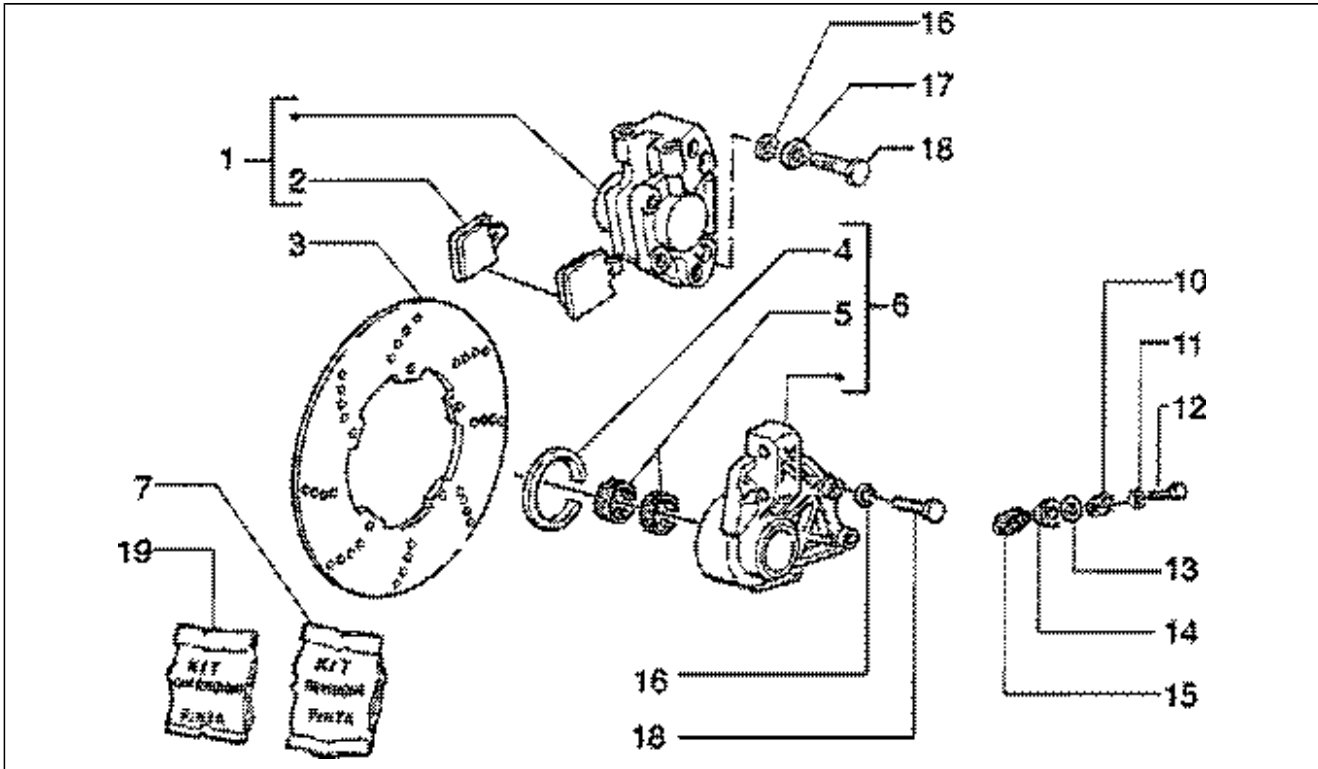
Pos.	Code	Description	Q.ty	Variants
1	56116R	Speedom. transmiss.	1	
1	581693	Speedometer transmission	1	
2	561806	Wire	1	
3	563886	Piping	1	
4	265451	Oil pipe screw	1	
5	127927	Washer	2	
6	268172	Spring	1	
7	109960	Hose clamp	2	
9	179640	Pin	1	
10	270310	Screw rear brake	1	
11	562424	Brake transmiss.	1	
12	581883	Doub. throt. feed	1	
12	583870	Doub. throt. feed	1	
12	598549	Throttle transmiss.	1	
12	598585	Throttle transmiss.	1	
13	271977	Upper protection	1	
14	269571	Splitter	1	
15	271976	Lower protection	1	
16	269572	Terminal	1	
17	563227	Transmission	1	
17	582908	Throttle transmiss.	1	
18	562408	Doub. mixer trans.	1	
19	563872	Clamp	1	

Assembly	Suspensions-Wheels
Code	T28
Description	Steering column-disc brake
Revision	1



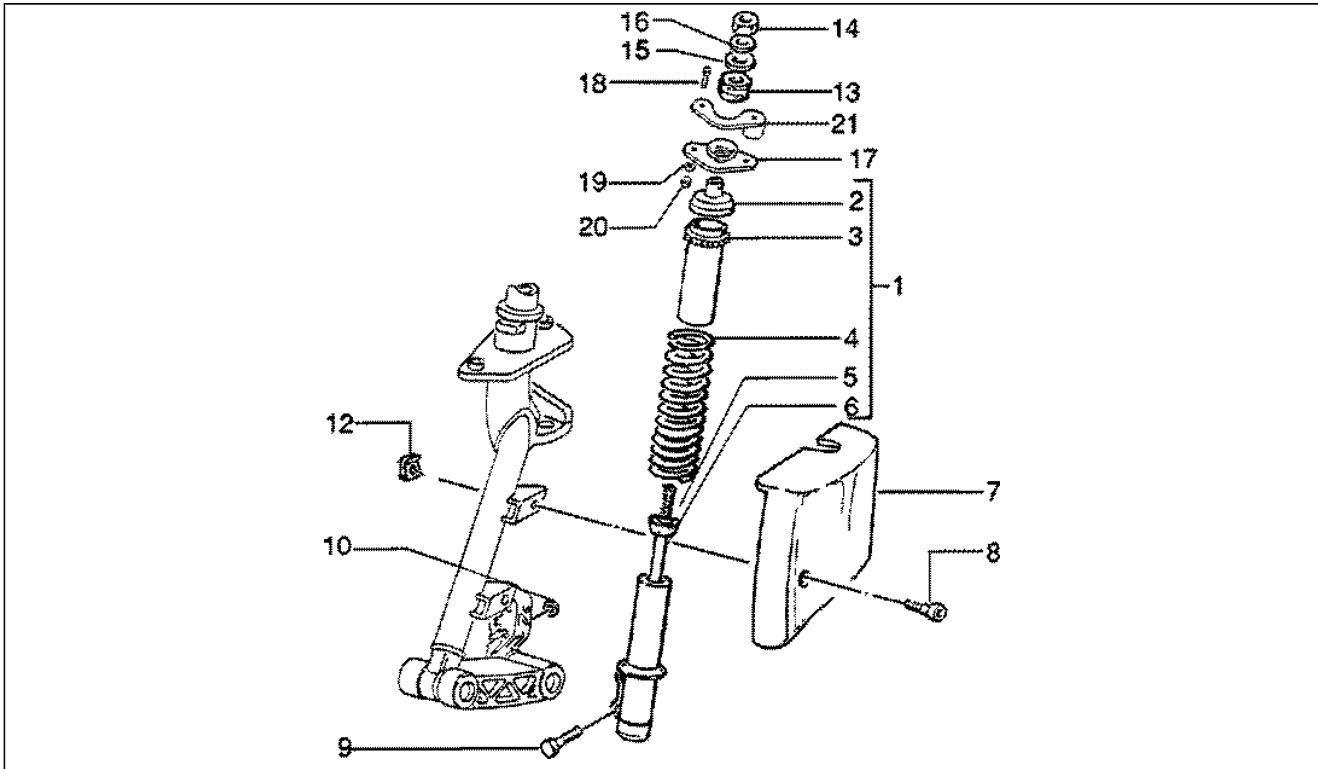
Pos.	Code	Description	Q.ty	Variants
1	560284	Wheel hub	1	
2	267818	Ring gear counts Km socket	1	
3	177414	Washer	1	
4	561433	Protection	1	
5	021114	Nut	1	
6	177609	Cap	1	
7	182546	Plug	1	
8	012789	Split pin	1	
9	006635	Snap ring	1	
10	177610	Bearing	1	
11	177442	Drawn cap	1	
12	177443	Ring	1	
13	271147	Screw	1	
14	006966	Spring washer 6,4x11x0,5	1	
15	2737115	Suspension arm	1	
16	198513	Drawn cap	2	
17	006731	Gasket	2	
18	119219	Oil seal	2	
19	177451	Piston pin	1	
20	5649775	Steering tube	1	
21	177408	Ring	1	
22	177445	Washer	1	
23	177521	Ring	1	
24	006422	Ring	1	

Assembly	Suspensions-Wheels
Code	T29
Description	Disc brake caliper
Revision	1



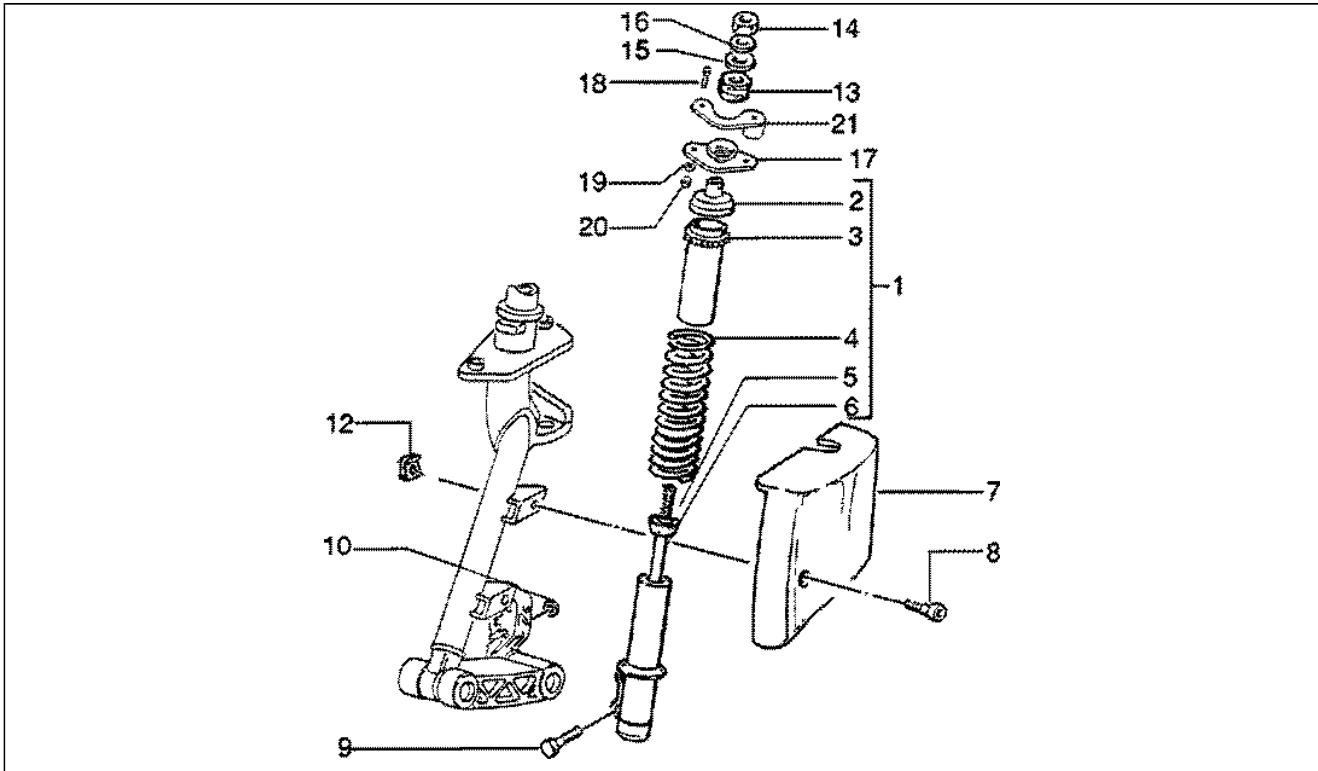
Pos.	Code	Description	Q.ty	Variants
1	CM066101	Brake caliper	1	
1	CM076101	Brake caliper	1	
2	494097	Brake pads kit	1	
3	563246	Brake disc	1	
4	177494	Ring	1	
5	177436	Drawn cap	2	
6	560286	Support	1	
7	498849	Brake caliper rev. kit	1	
10	269118	Plate	1	
11	016405	Spring washer	1	
12	031058	Screw	1	
13	266841	Drift	1	
14	267518	Support	1	
14	564053	Support	1	
15	267819	Pinion	1	
16	709047	Washer	2	
17	003058	Washer	1	
18	597150	Screw	2	
19	498850	Kit caliper overh.	1	

Assembly	Suspensions-Wheels
Code	T30
Description	Front damper cover
Revision	1



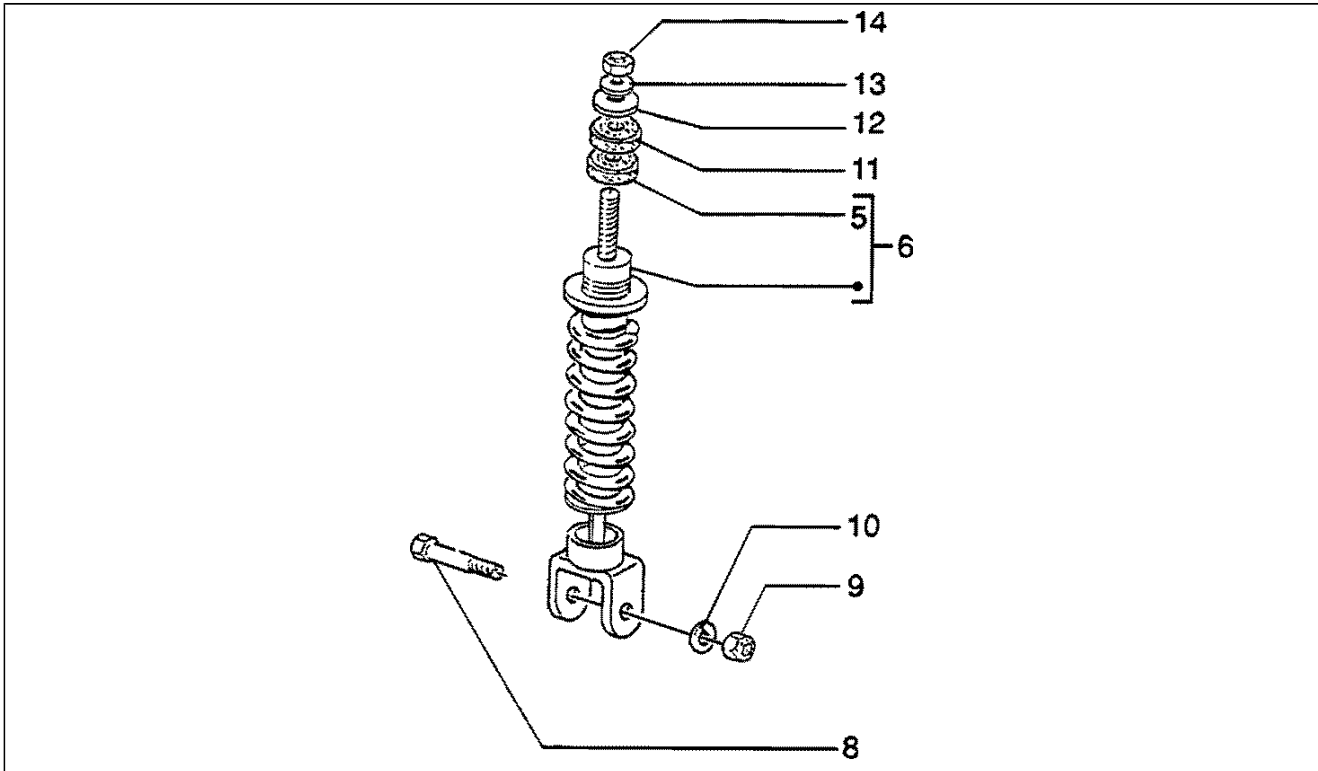
Pos.	Code	Description	Q.ty	Variants
1	56072R	Shock absorber	1	
1	598922	Shock absorber	1	
2	562427	Disc	1	
3	267837	Protection	1	
4	274722	Spring	1	
5	272492	Spacer	1	
6	561756	Shock absorber	1	
7	82170000AA	Tyre	1	
7	82170000D8	Tyre	1	
7	82170000F2	Tyre	1	
7	82170000P1	Tyre	1	
7	82170000V8	Tyre	1	
7	82170000V9	Tyre	1	
7	82170000VA	Tyre	1	
7	8217005	Tyre	1	
7	8217005034	Tyre	1	
7	8217005036	Tyre	1	
7	8217005060	Tyre	1	
7	8217005066	Tyre	1	
7	8217005090	Tyre	1	
7	8217005095	Tyre	1	
7	82170050A7	Tyre	1	
7	82170050B2	Tyre	1	
7	82170050C1	Tyre	1	
7	82170050D1	Tyre	1	
7	82170050F1	Tyre	1	
7	82170050G5	Tyre	1	
7	82170050R7	Tyre	1	

Assembly	Suspensions-Wheels
Code	T30
Description	Front damper cover
Revision	1



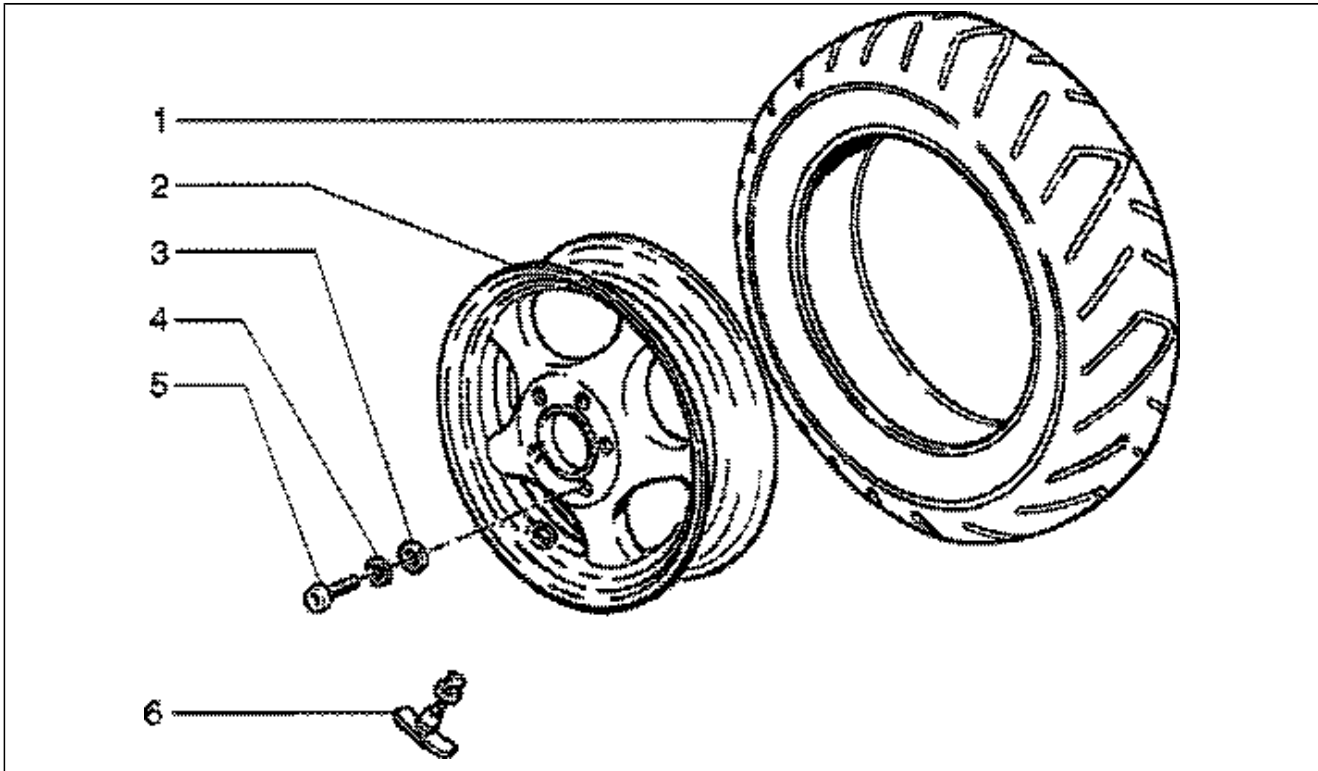
Pos.	Code	Description	Q.ty	Variants
7	82170050V3	Tyre	1	
7	82170050V6	Tyre	1	
7	8217185	Tyre	1	
7	8217225	Tyre	1	
7	8217235	Tyre	1	
8	575249	Screw	1	
9	149104	Screw m8x40	2	
10	016408	Spring washer	2	
12	254485	Clip M6	1	
13	216209	Drift	2	
14	021210	Nut	1	
15	174088	Washer	1	
16	012535	Washer	1	
17	562305	Bracket	1	
18	031120	Screw	2	
19	016408	Spring washer	2	
20	020108	Nut M8x6,5	2	
21	563872	Clamp	1	

Assembly	Suspensions-Wheels
Code	T31
Description	Rear damper
Revision	1



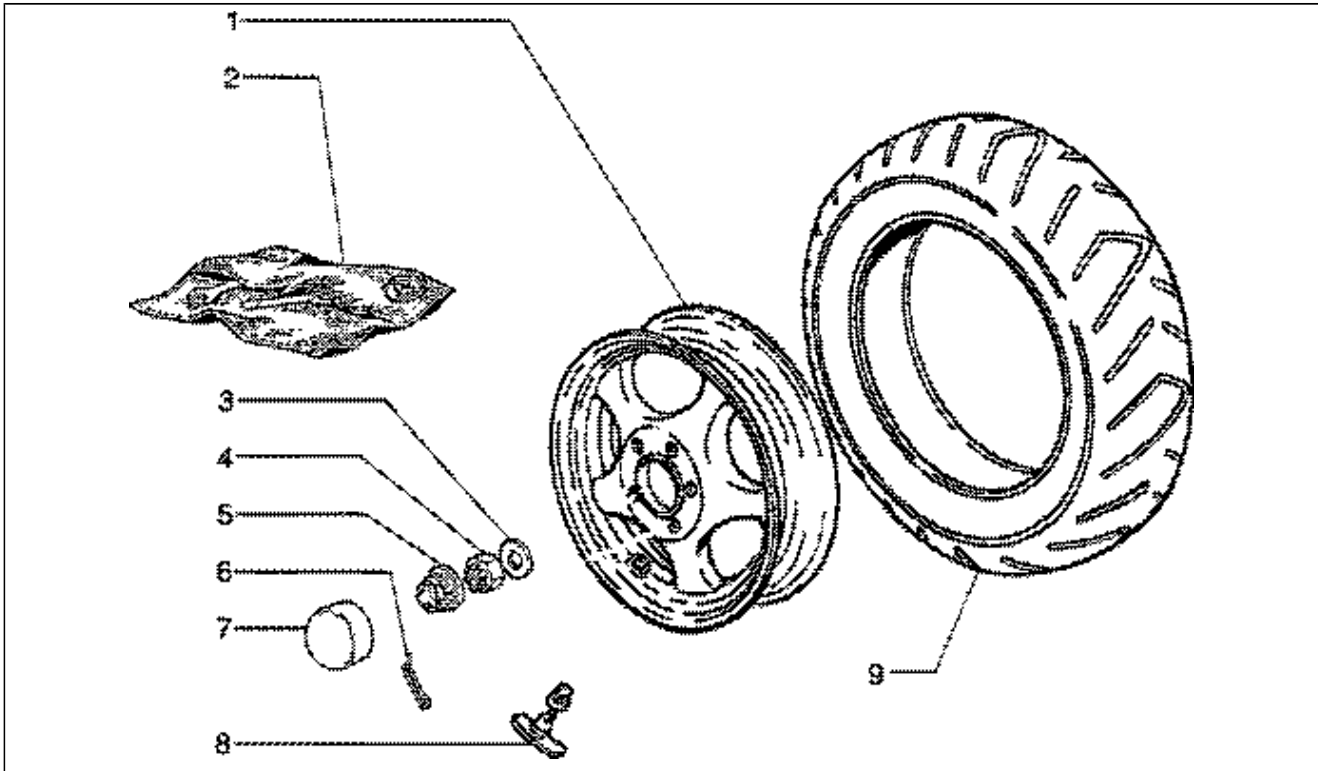
Pos.	Code	Description	Q.ty	Variants
5	178149	Lower buffer	1	
6	56133R	Shock absorber	1	
6	562960	Rear shock absorber	1	
8	268158	Screw	1	
9	232108	Nut	1	
10	016626	Plain washer 10,4x18x2	1	
11	178150	Upper buffer	1	
12	267038	Flat washer	1	
13	016408	Spring washer	1	
14	021108	Nut	1	

Assembly	Suspensions-Wheels
Code	T41
Description	Front wheel
Revision	1



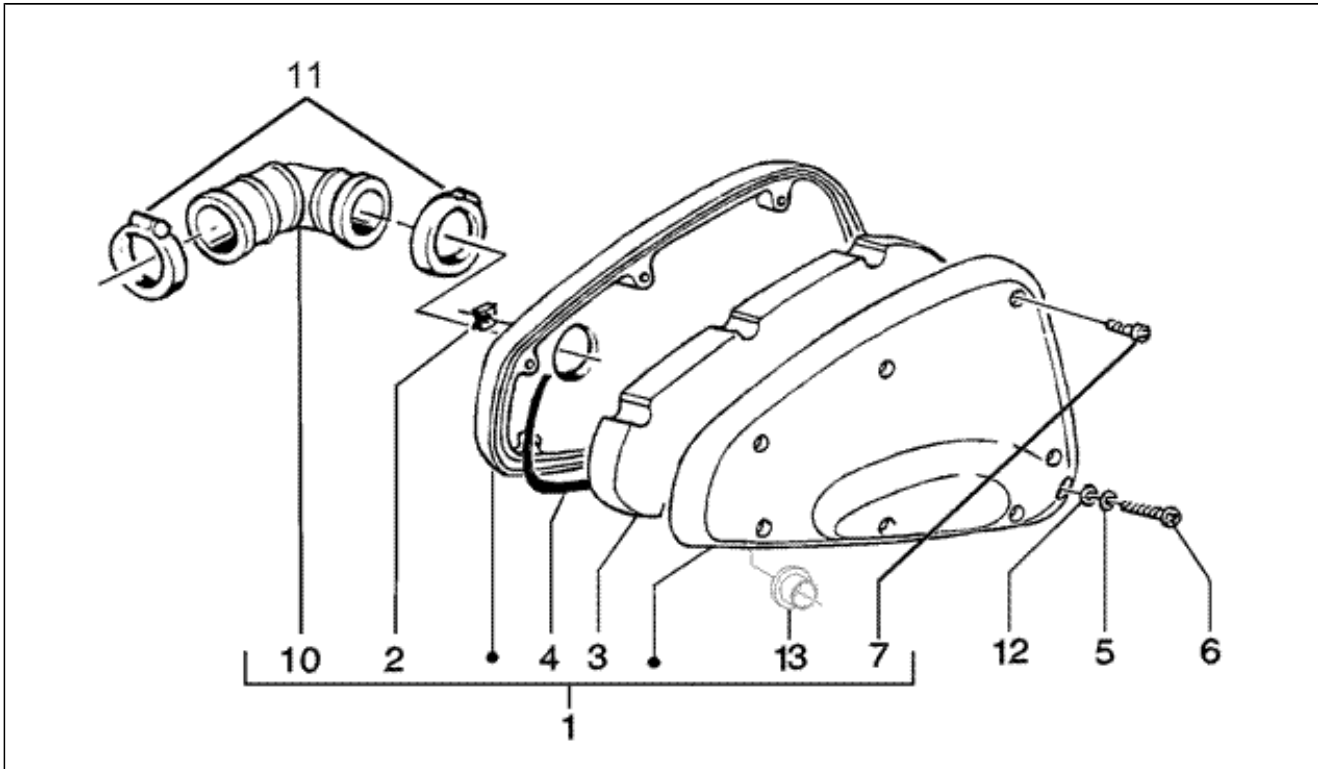
Pos.	Code	Description	Q.ty	Variants
1	560660	Tyre	1	
1	562388	Tyre	1	
1	562887	Tyre	1	
2	273847	Wheel	1	
3	709047	Washer	5	
4	016408	Spring washer	5	
5	015792	Screw	5	
6	270991	Tubeless tyre valve	1	

Assembly	Suspensions-Wheels
Code	T42
Description	Rear wheel
Revision	1



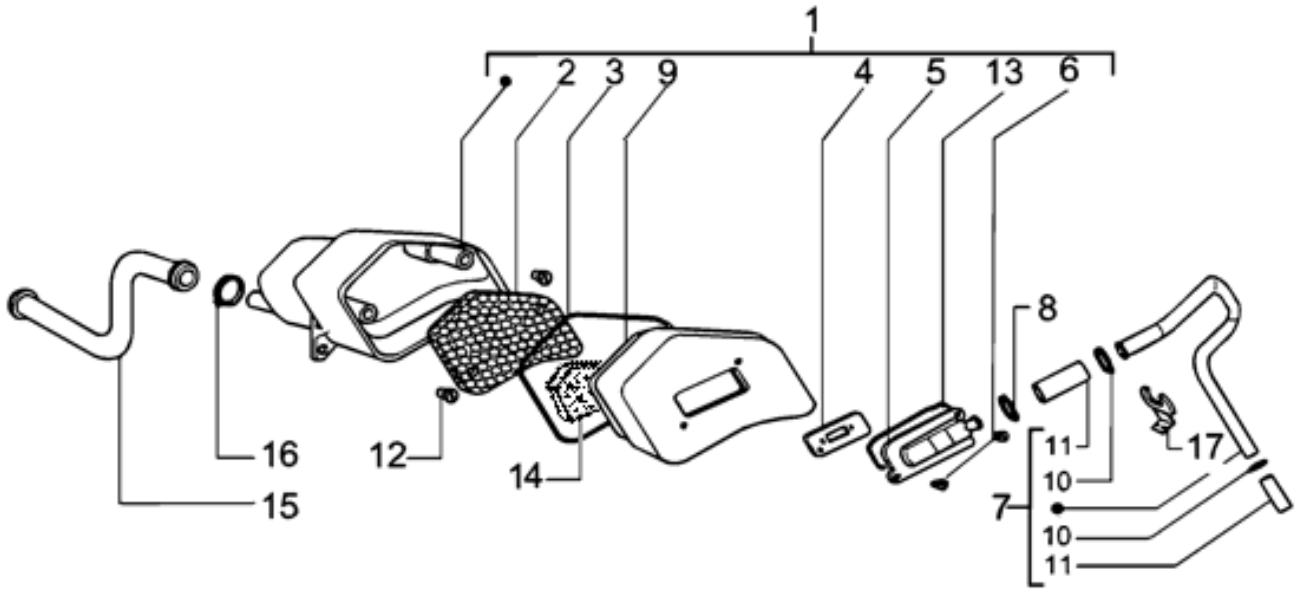
Pos.	Code	Description	Q.ty	Variants
1	273849	Wheel	1	
2	561866	Tool roll	1	
3	273099	Plain washer	1	
4	563728	Nut M16x13	1	
5	194423	Cap	1	
6	012789	Split pin	1	
7	182546	Plug	1	
8	270991	Tubeless tyre valve	1	
9	560661	Tyre	1	
9	562389	Tyre	1	
9	562888	Tyre	1	

Assembly	Chassis
Code	T16
Description	Air cleaner
Revision	1



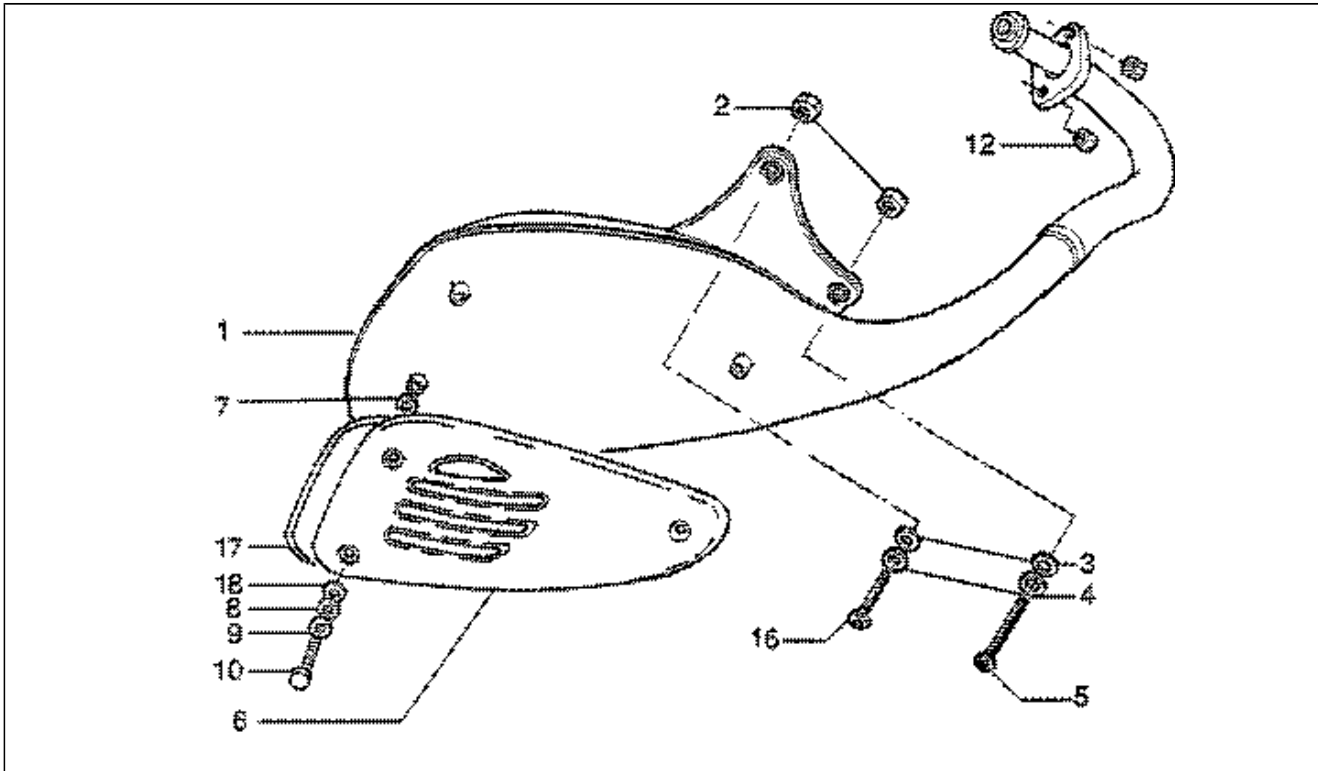
Pos.	Code	Description	Q.ty	Variants
1	483790	Air.cl.case	1	
1	832175	Air box cpl.	1	
1	840160	Air box	1	
2	487718	Gasket	1	
3	436478	Air filter	1	
3	487719	Air filter	1	
4	436480	Gasket	1	
4	487718	Gasket	1	
5	012533	Washer 6,6x11x0	2	
6	018640	Screw	1	
6	478171	Hex socket screw M6x100	1	
7	258146	Self-tap screw m3x20	4	
8	109960	Hose clamp	2	
8	479132	Knob	2	
9	015759	Screw m6x20	1	
9	478172	Spacer	1	
10	258536	Bush	2	
10	487592	Carburettor-air box hose	1	
11	145298	Hose clamp	1	
11	829715	Intake hose	1	
12	003056	Washer 6,4x12x1	2	
13	018640	Screw	1	
13	830056	Bush	2	
14	487592	Carburettor-air box hose	1	
15	012533	Washer 6,6x11x0	2	
16	254485	Clip M6	1	

Assembly	Chassis
Code	T16/A
Description	Secondary air box
Revision	1



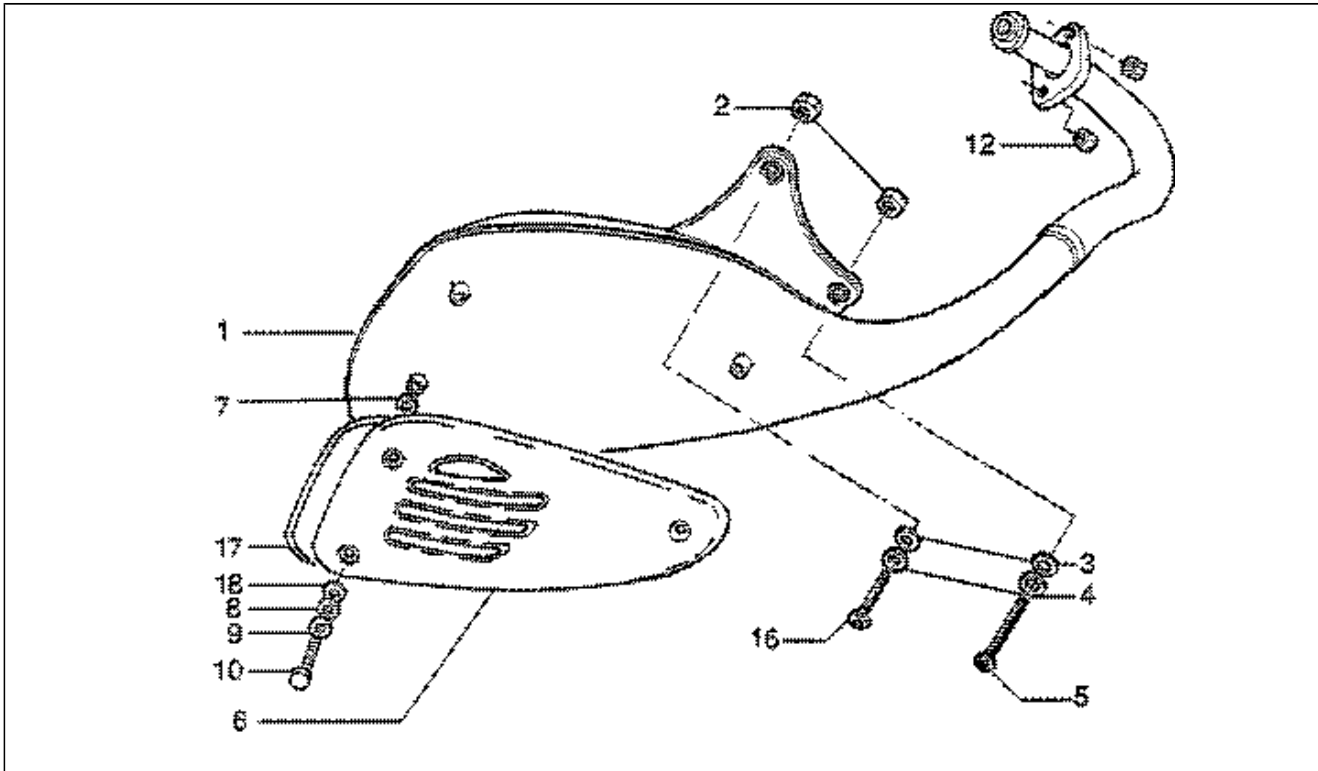
Pos.	Code	Description	Q.ty	Variants
1	831859	Secondary air box	1	
2	486942	Filter sas	1	
3	486943	Gasket	1	
4	832356	Reeds bracket	1	
5	827209	Cover sas	1	
6	478533	Self-tap screw	2	
7	827441	Pipe	1	
8	CM001905	Hose clamp	1	
9	826442	Plug with filter	1	
10	827444	Hose clamp	2	
11	827443	Hose	2	
12	015597	TBIC screw M5x25	2	
13	828031	Gasket	1	
14	826462	Filter	1	
15	827208	Intake pipe sas	1	
16	CM001905	Hose clamp	1	
17	827443	Hose	2	
17	827794	Fairlead	1	

Assembly	Chassis
Code	T17
Description	Silencer
Revision	1



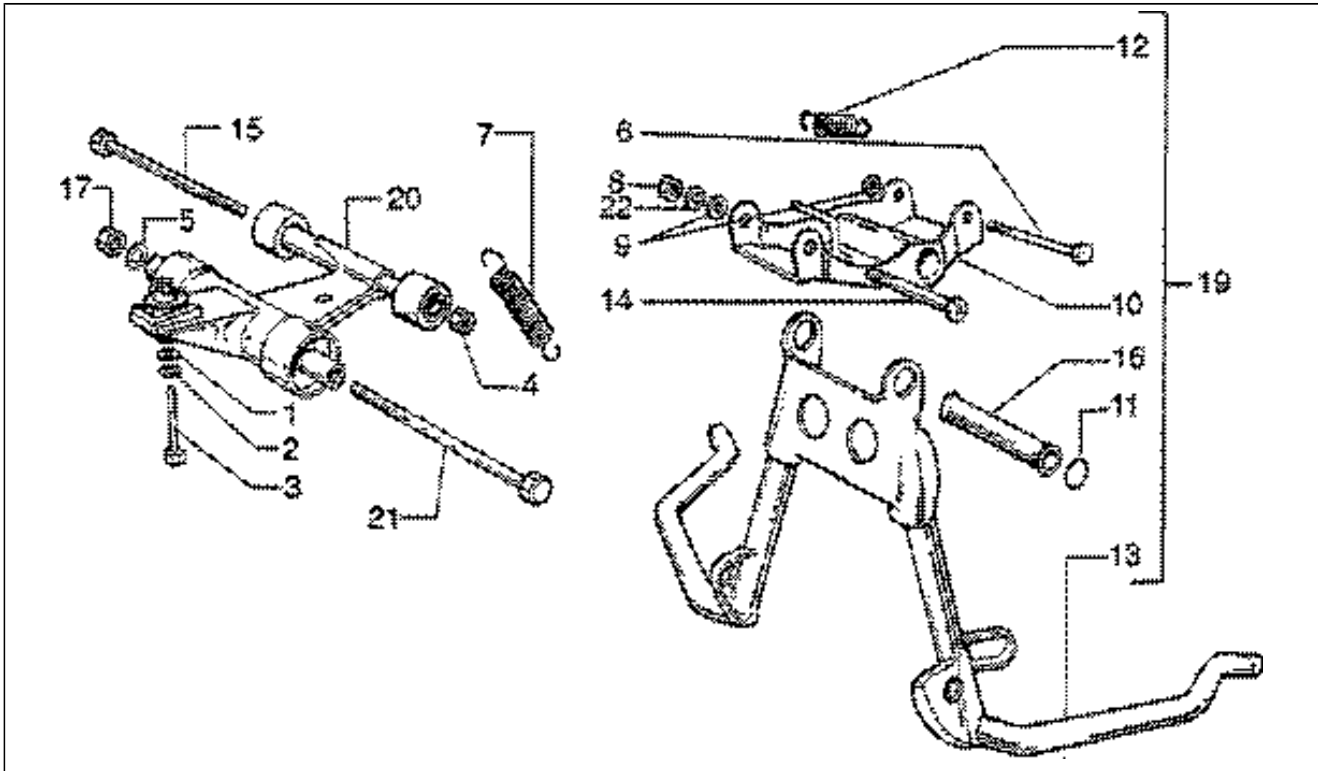
Pos.	Code	Description	Q.ty	Variants
1	484001	Exhaust pipe	1	
1	485325	Exhaust pipe	1	
1	486052	Exhaust pipe	1	
1	827519	Exhaust pipe	1	
1	832486	Exhaust pipe	1	
1	833303	Exhaust pipe	1	
2	288245	Flanged nut M6	1	
3	483164	Flat washer	2	
4	436688	Washer	2	
5	297582	Screw	2	
6	479178	Protection	1	
7	479882	Spacer	6	
7	826117	Spacer	1	
7	827178	Flat washer	3	
8	097733	Washer 5,3x14x1	3	
8	826117	Spacer	3	
8	827178	Flat washer	1	
8	843213	T bush	3	
9	016195	Washer	1	
9	016405	Spring washer	3	
9	060201	Flat washer	3	
9	828583	Washer	3	
9	841821	Washer 6,6x18x1,6*	3	
10	430264	Screw m5x10	3	
10	433800	Self-tapping screw	3	
10	487671	Screw	3	
10	844641	Screw	3	
11	484000	Exhaust pipe	1	

Assembly	Chassis
Code	T17
Description	Silencer
Revision	1



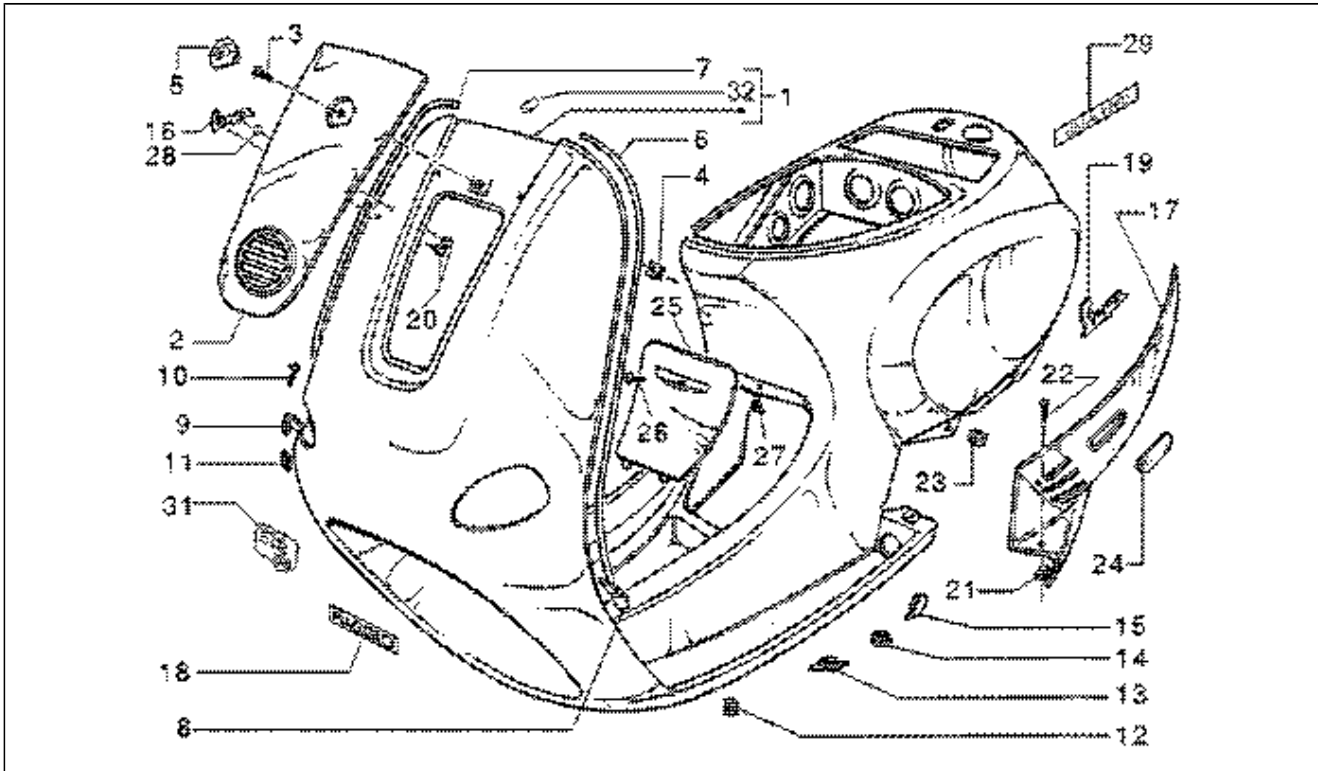
Pos.	Code	Description	Q.ty	Variants
12	288245	Flanged nut M6	2	
13	486053	Exhaust pipe	1	
16	478761	Hex socket screw	1	
17	827050	Tyre	1	
18	841782	Insulating washer	3	

Assembly	Chassis
Code	T18
Description	Central stand-swinging arm
Revision	1



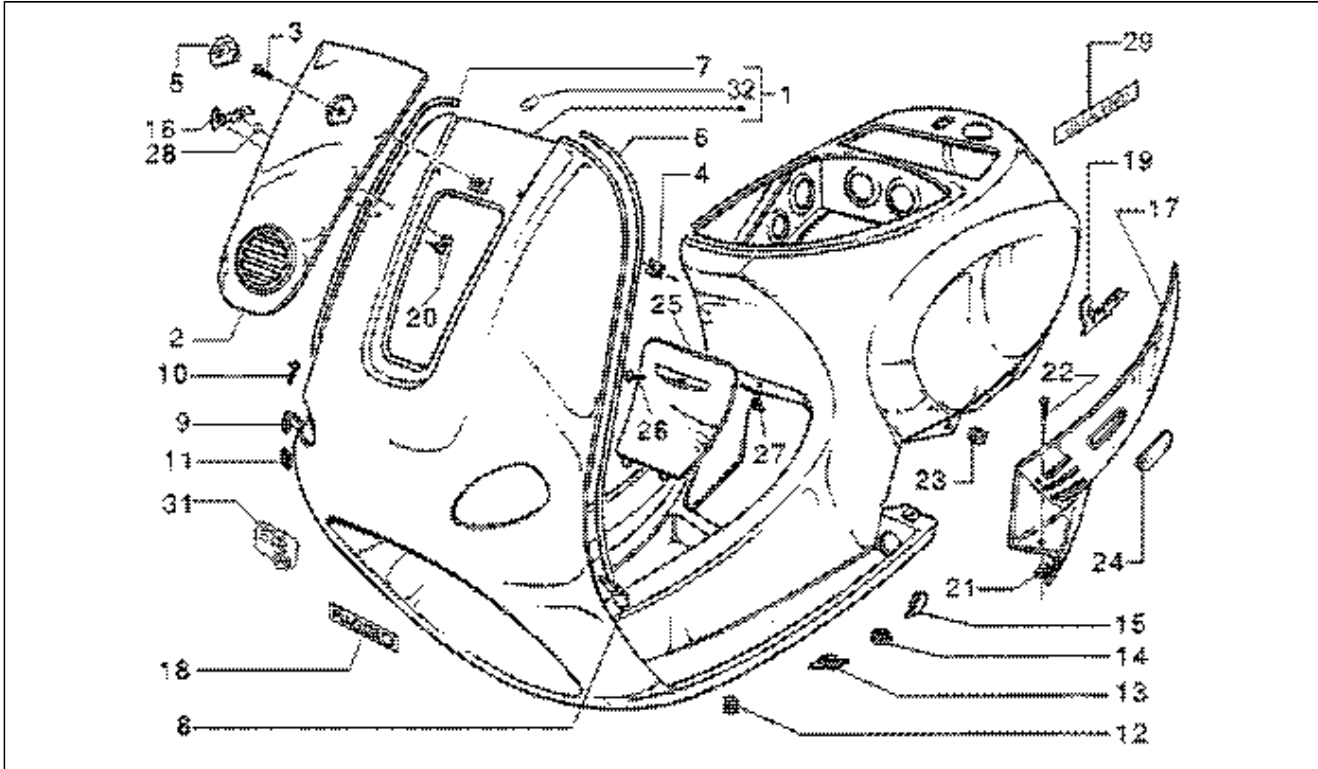
Pos.	Code	Description	Q.ty	Variants
1	122781	Washer	1	
2	016410	Washer	1	
3	560045	Screw	1	
4	232108	Nut	1	
5	709037	Washer 12,5x20x2	1	
6	597151	Screw m8x30	1	
7	561032	Spring	1	
8	020108	Nut M8x6,5	1	
9	016408	Spring washer	3	
10	272929	Support	1	
11	271695	Gasket ring	2	
12	278940	Spring	1	
13	582156	Central stand	1	
14	030080	Screw	1	
15	271807	Screw m10x202	1	
16	583603	Pin	1	
17	261319	Nut m12x1,25 h=12,5	1	
19	582155	Central stand	1	
20	562605	Swinging arm	1	
21	560565	Bolt	1	
22	013861	Washer	2	

Assembly	Chassis
Code	T19
Description	Chasis
Revision	1



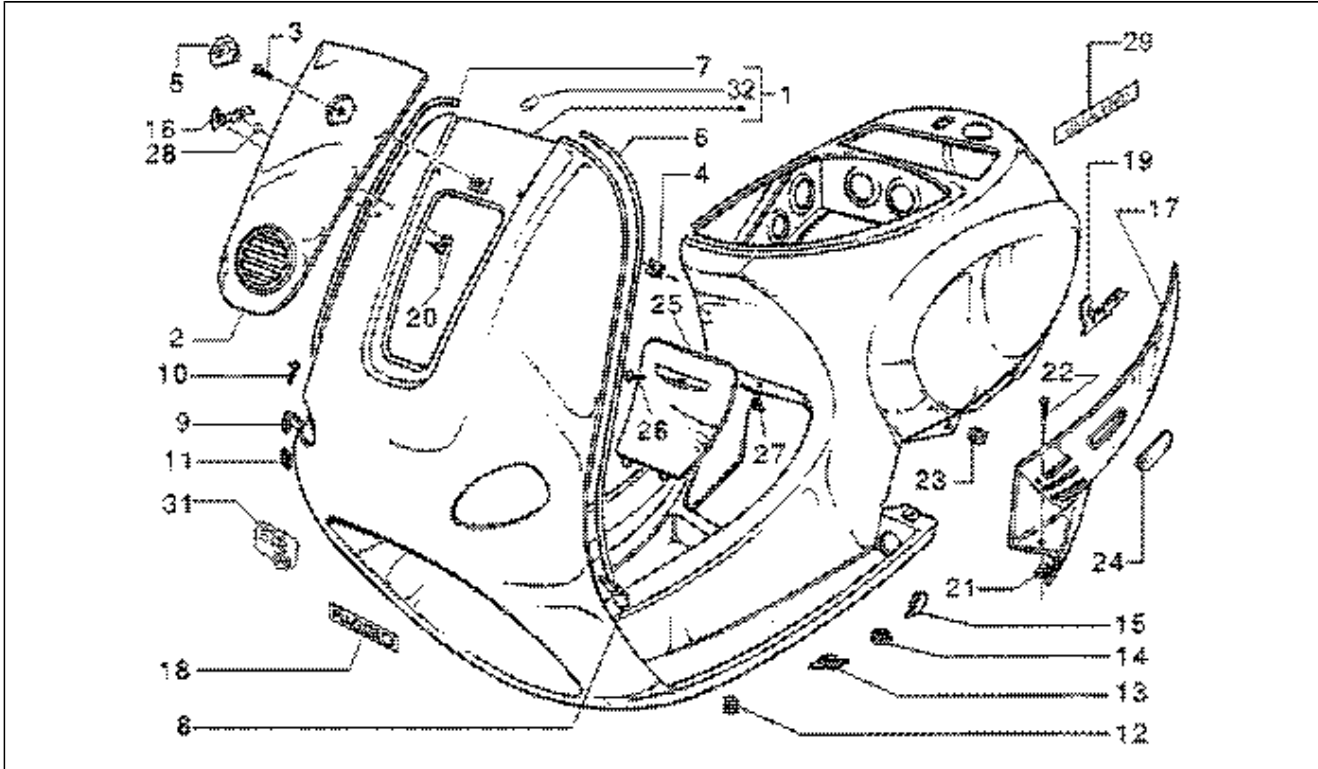
Pos.	Code	Description	Q.ty	Variants
1	5764550018	Bodywork	1	
1	57645501	Bodywork	1	
1	5764555022	Bodywork	1	
1	5764555034	Bodywork	1	
1	5764555036	Bodywork	1	
1	5764556023	Bodywork	1	
1	5764556060	Bodywork	1	
1	5764556066	Bodywork	1	
1	5764556090	Bodywork	1	
1	5764556095	Bodywork	1	
1	57645560A7	Bodywork	1	
1	57645560AA	Bodywork	1	
1	57645560B2	Bodywork	1	
1	57645560C1	Bodywork	1	
1	57645560D1	Bodywork	1	
1	57645560D8	Bodywork	1	
1	57645560F1	Bodywork	1	
1	57645560F2	Bodywork	1	
1	57645560G5	Bodywork	1	
1	57645560P1	Bodywork	1	
1	57645560R7	Bodywork	1	
1	57645560V3	Bodywork	1	
1	57645560V6	Bodywork	1	
1	57645560V8	Bodywork	1	
1	57645560V9	Bodywork	1	
1	57645560VA	Bodywork	1	
2	47220000AA	Steering cover	1	
2	47220000D8	Steering cover	1	

Assembly	Chassis
Code	T19
Description	Chasis
Revision	1



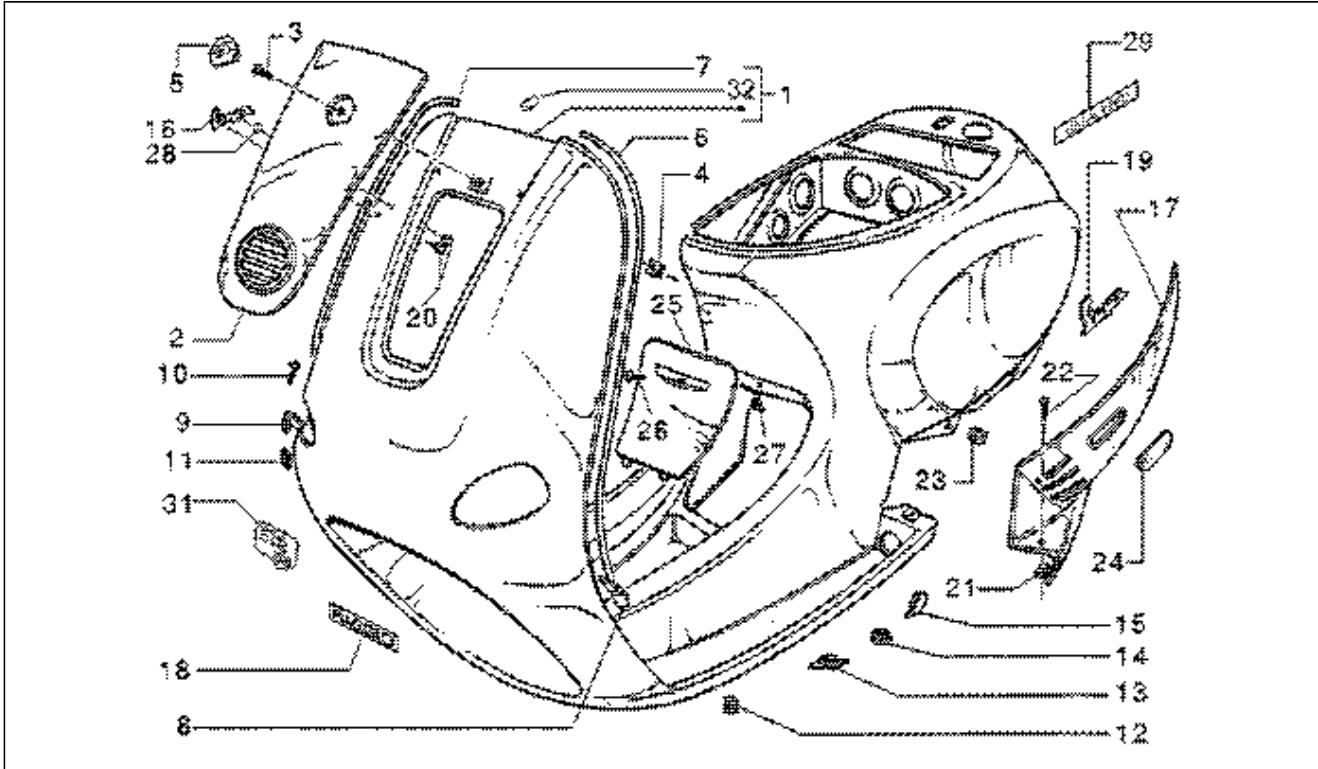
Pos.	Code	Description	Q.ty	Variants
2	47220000F2	Steering cover	1	
2	47220000P1	Steering cover	1	
2	47220000V8	Steering cover	1	
2	47220000V9	Steering cover	1	
2	47220000VA	Steering cover	1	
2	4722005	Steering cover	1	
2	4722005034	Steering cover	1	
2	4722005036	Steering cover	1	
2	4722005060	Steering cover	1	
2	4722005066	Steering cover	1	
2	4722005090	Steering cover	1	
2	4722005095	Steering cover	1	
2	47220050A7	Steering cover	1	
2	47220050B2	Steering cover	1	
2	47220050C1	Steering cover	1	
2	47220050D1	Steering cover	1	
2	47220050F1	Steering cover	1	
2	47220050G5	Steering cover	1	
2	47220050R7	Steering cover	1	
2	47220050V3	Steering cover	1	
2	47220050V6	Steering cover	1	
2	4722185	Steering cover	1	
2	4722225	Steering cover	1	
2	4722235	Steering cover	1	
3	267958	Self tapping screw	1	
4	199190	Rubber spacer	1	
5	576464	Shield "Piaggio"	1	
6	573001	Windshield beading	1	

Assembly	Chassis
Code	T19
Description	Chasis
Revision	1



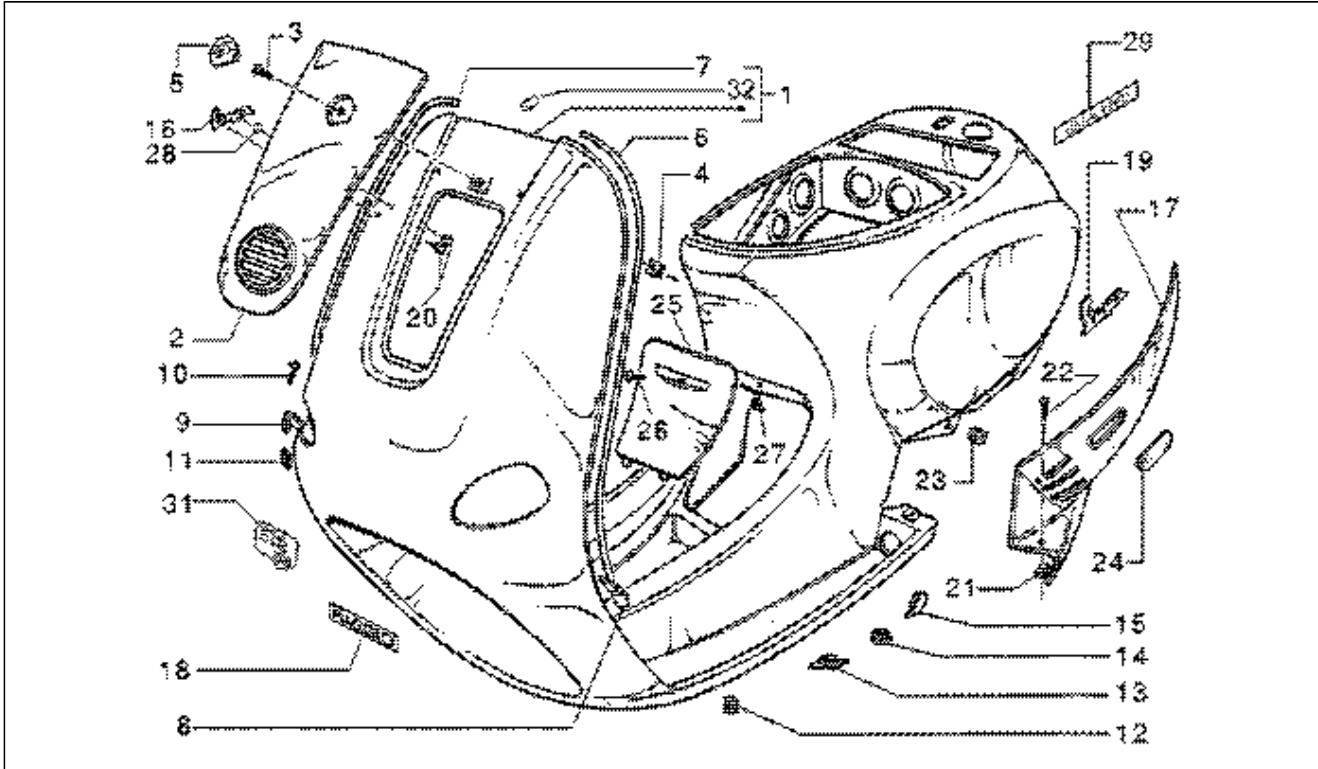
Pos.	Code	Description	Q.ty	Variants
7	573002	Windshield beading	1	
8	299964	Butt strap	1	
9	299965	Butt strap	1	
10	008432	Screw d3,5x9,5	2	
11	267166	Plate	2	
12	299558	Plug	1	
13	299557	Plug	2	
14	299559	Plug	1	
15	299250	Plug	2	
16	577082	"Vespa" name plate	1	
17	297282000D	Fairing	1	
17	297282000L	Fairing	1	
17	2972820018	Fairing	1	
17	2972820022	Fairing	1	
17	2972820023	Fairing	1	
17	2972820034	Fairing	1	
17	2972820036	Fairing	1	
17	2972820060	Fairing	1	
17	2972820090	Fairing	1	
17	29728200D1	Fairing	1	
17	29728200D8	Fairing	1	
17	29728200E8	Fairing	1	
17	29728200F1	Fairing	1	
17	29728200G5	Fairing	1	
17	29728200P1	Fairing	1	
17	29728200V3	Fairing	1	
17	29728200V8	Fairing	1	
17	29728200V9	Fairing	1	

Assembly	Chassis
Code	T19
Description	Chasis
Revision	1



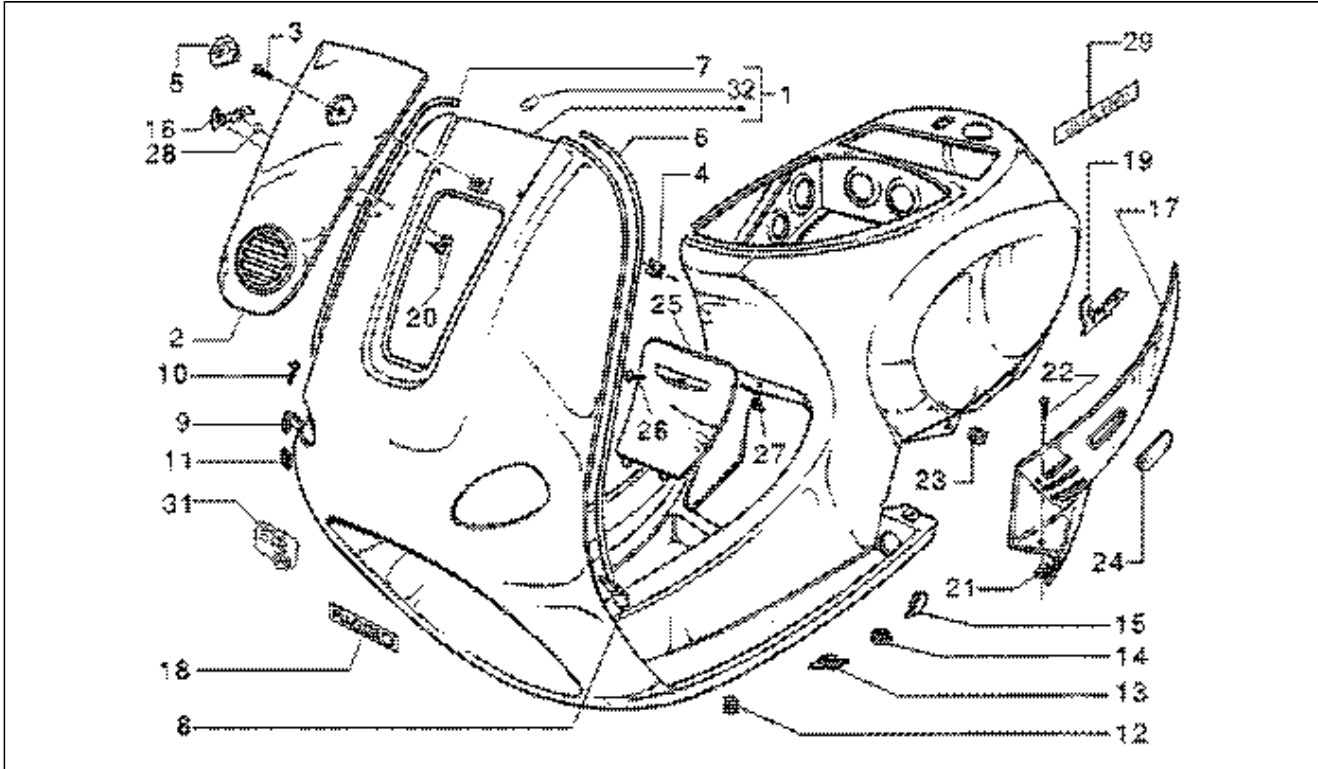
Pos.	Code	Description	Q.ty	Variants
17	29728200VA	Fairing	1	
17	297283000D	Fairing	1	
17	297283000L	Fairing	1	
17	2972830018	Fairing	1	
17	2972830022	Fairing	1	
17	2972830023	Fairing	1	
17	2972830034	Fairing	1	
17	2972830036	Fairing	1	
17	2972830060	Fairing	1	
17	2972830090	Fairing	1	
17	29728300D1	Fairing	1	
17	29728300D8	Fairing	1	
17	29728300E8	Fairing	1	
17	29728300F1	Fairing	1	
17	29728300G5	Fairing	1	
17	29728300P1	Fairing	1	
17	29728300V3	Fairing	1	
17	29728300V8	Fairing	1	
17	29728300V9	Fairing	1	
17	29728300VA	Fairing	1	
18	573092000N	"Piaggio" Plate	1	
18	CM000402000N	"Piaggio" Plate	1	
18	CM0004020036	"Piaggio" Plate	1	
19	577081	"Vespa" name plate	1	
20	008108	Spring plate	4	
21	254485	Clip M6	2	
22	575249	Screw	2	
23	463195	Rubber spacer	6	

Assembly	Chassis
Code	T19
Description	Chasis
Revision	1



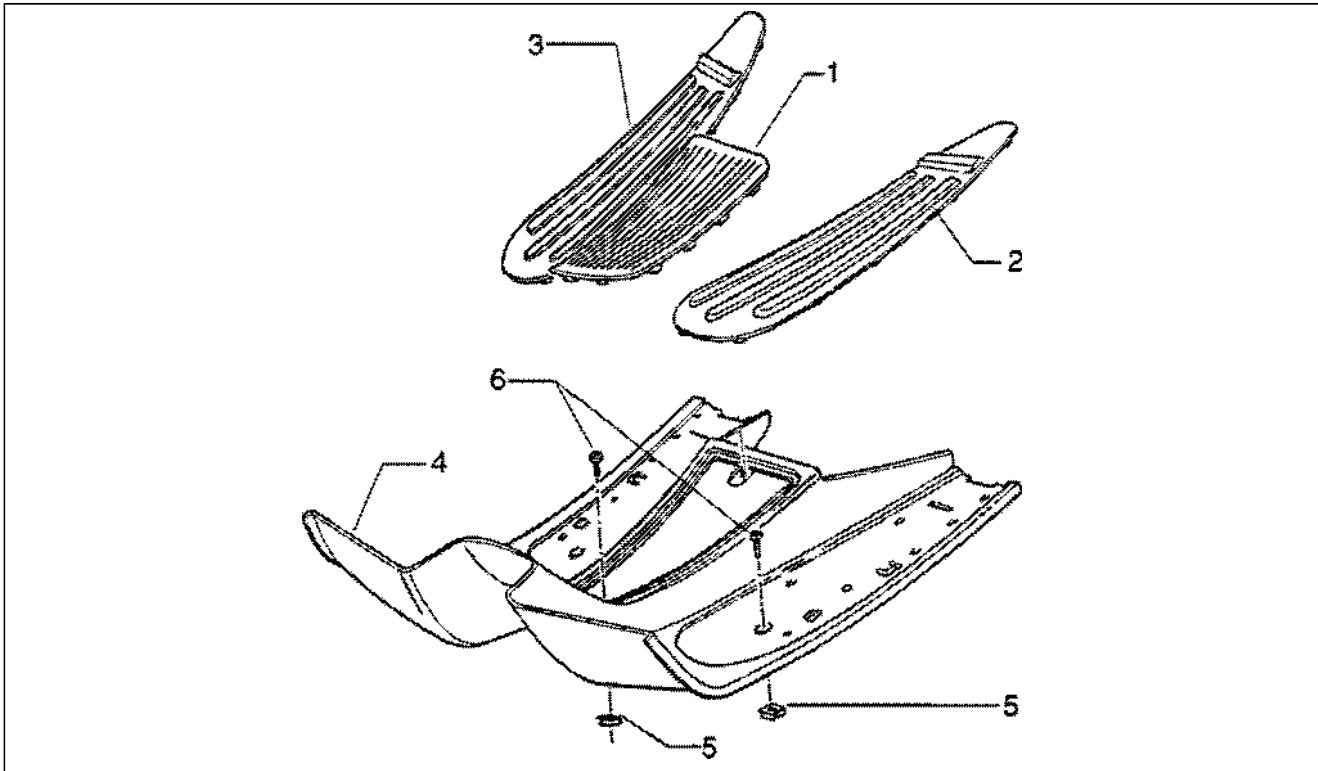
Pos.	Code	Description	Q.ty	Variants
24	293556	Reflector	2	
25	47210000AA	Flap	1	
25	47210000D8	Flap	1	
25	47210000F2	Flap	1	
25	47210000P1	Flap	1	
25	47210000V8	Flap	1	
25	47210000V9	Flap	1	
25	47210000VA	Flap	1	
25	4721005	Flap	1	
25	4721005034	Flap	1	
25	4721005036	Flap	1	
25	4721005060	Flap	1	
25	4721005066	Flap	1	
25	4721005090	Flap	1	
25	4721005095	Flap	1	
25	47210050A7	Flap	1	
25	47210050B2	Flap	1	
25	47210050C1	Flap	1	
25	47210050D1	Flap	1	
25	47210050F1	Flap	1	
25	47210050G5	Flap	1	
25	47210050R7	Flap	1	
25	47210050V3	Flap	1	
25	47210050V6	Flap	1	
25	4721185	Flap	1	
25	4721225	Flap	1	
25	4721235	Flap	1	
26	015911	Screw	1	

Assembly	Chassis
Code	T19
Description	Chasis
Revision	1



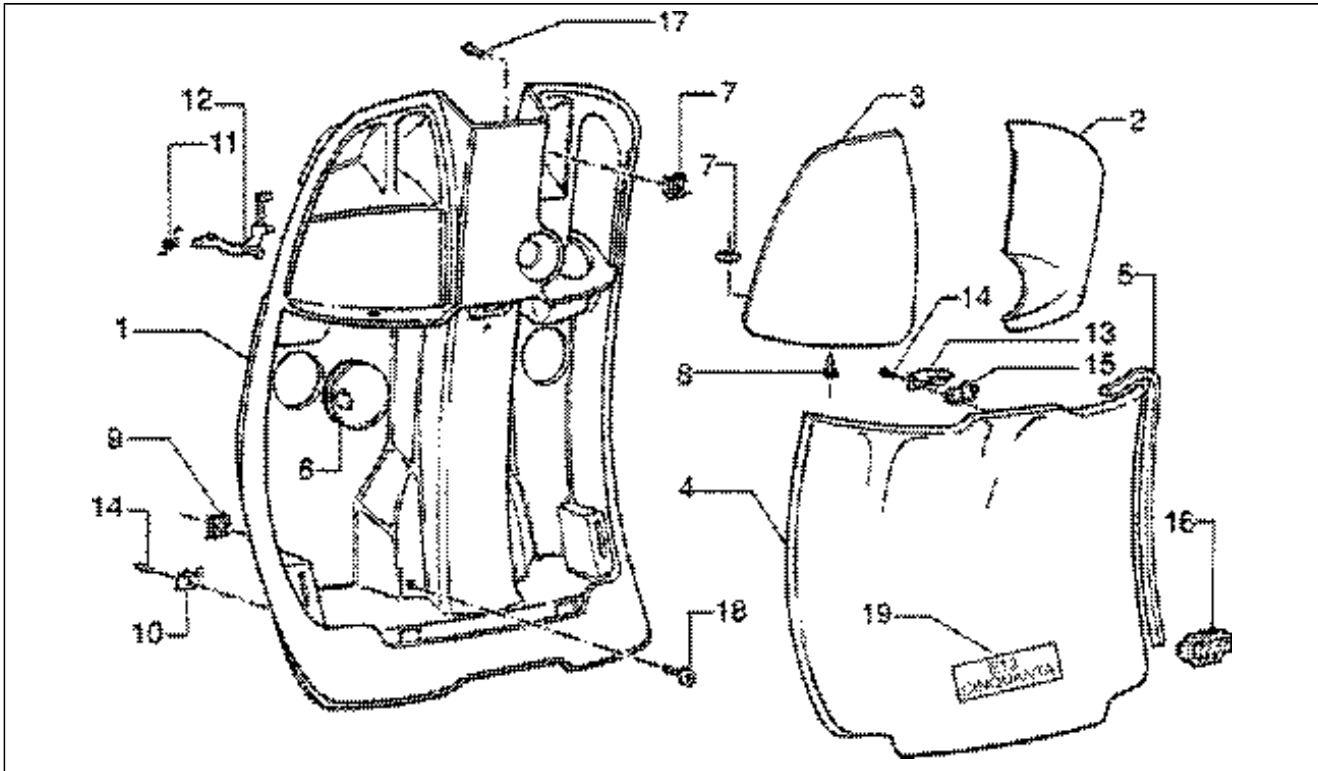
Pos.	Code	Description	Q.ty	Variants
27	008080	Plate	1	
28	271710	Washer	1	
29	575736	"kat" name plate	1	
31	576243	Name plate	1	
32	298604	Lock support	1	

Assembly	Chassis
Code	T20
Description	Foot board-rubber mats
Revision	1



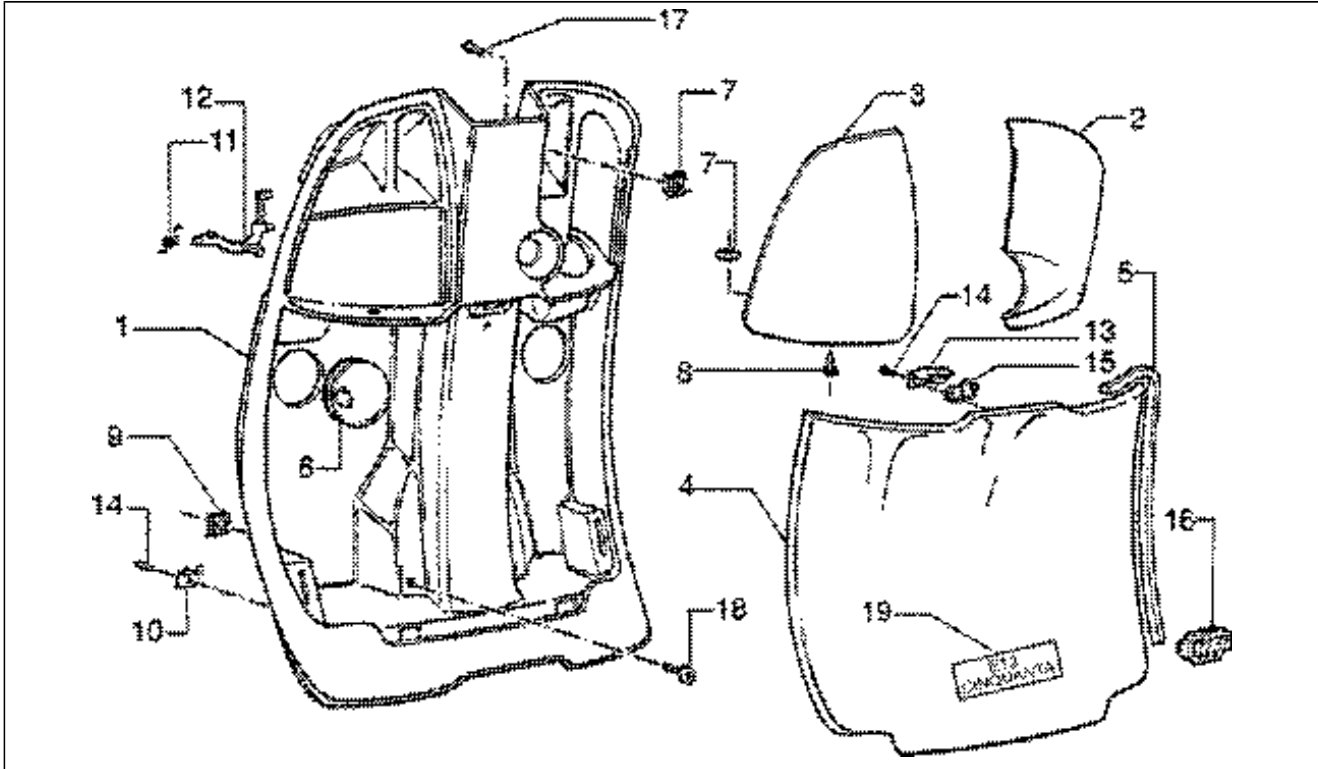
Pos.	Code	Description	Q.ty	Variants
1	298243	Mat	1	
2	298241	Mat	1	
3	298242	Mat	1	
4	573000000D	Footrest	1	
4	573000000L	Footrest	1	
4	5730000018	Footrest	1	
4	5730000022	Footrest	1	
4	5730000023	Footrest	1	
4	5730000034	Footrest	1	
4	5730000036	Footrest	1	
4	5730000090	Footrest	1	
4	57300000D1	Footrest	1	
4	57300000D8	Footrest	1	
4	57300000E8	Footrest	1	
4	57300000F1	Footrest	1	
4	57300000G5	Footrest	1	
4	57300000P1	Footrest	1	
4	57300000V3	Footrest	1	
4	57300000V8	Footrest	1	
4	57300000V9	Footrest	1	
4	57300000VA	Footrest	1	
5	254485	Clip M6	6	
6	575249	Screw	6	

Assembly	Chassis
Code	T21
Description	Front glove compartment
Revision	1



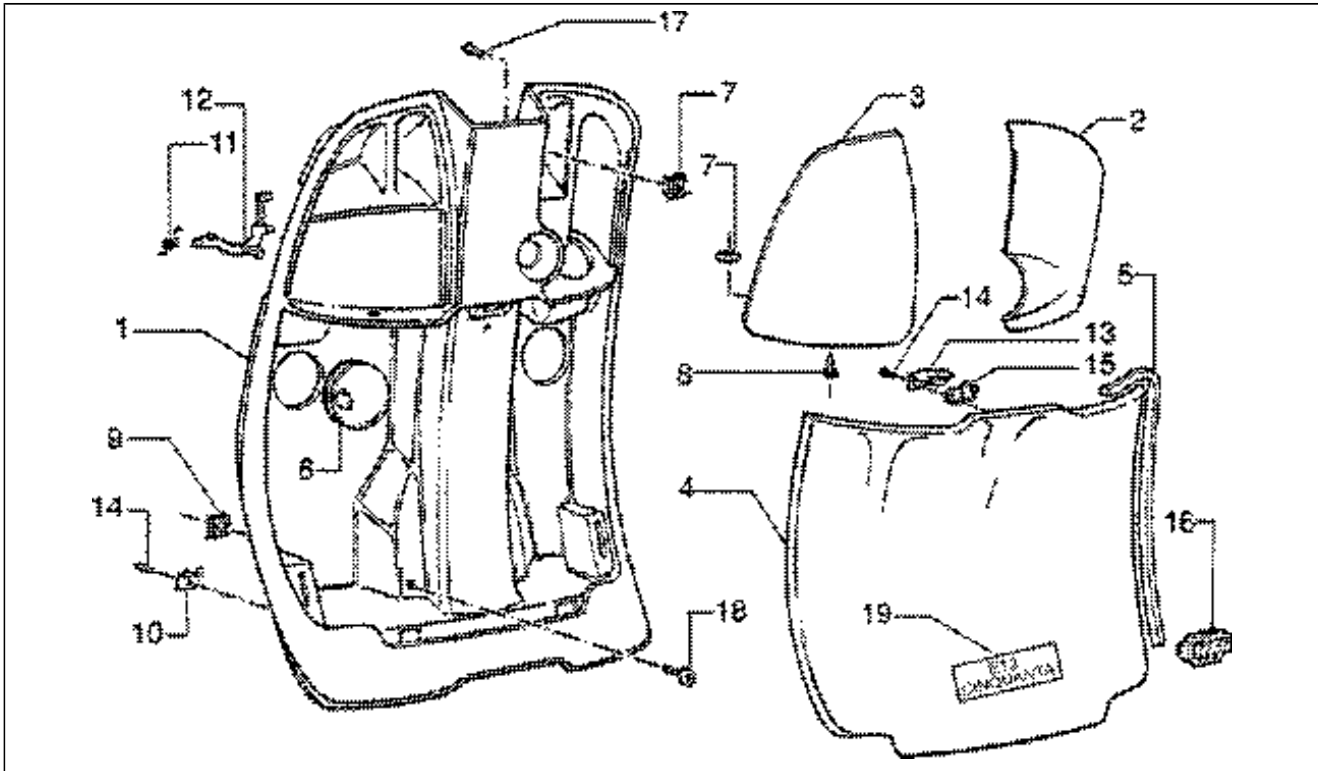
Pos.	Code	Description	Q.ty	Variants
1	CM003601000D	Top box	1	
1	CM003601000L	Top box	1	
1	CM0036010018	Top box	1	
1	CM0036010022	Top box	1	
1	CM0036010023	Top box	1	
1	CM0036010034	Top box	1	
1	CM0036010036	Top box	1	
1	CM0036010090	Top box	1	
1	CM00360100D1	Top box	1	
1	CM00360100D8	Front glove comp.	1	
1	CM00360100F1	Top box	1	
1	CM00360100G5	Top box	1	
1	CM00360100P1	Front glove comp.	1	
1	CM00360100V3	Top box	1	
1	CM00360100V8	Front glove comp.	1	
1	CM00360100V9	Front glove comp.	1	
1	CM00360100VA	Front glove comp.	1	
1	CM003603000D	Top box	1	
1	CM003603000L	Top box	1	
2	297277	Flap	1	
2	575424000L	Flap	1	
2	5754240060	Flap	1	
2	57542400D6	Flap	1	
2	57542400M2	Flap	1	
3	297276	Flap	1	
3	575425000L	Flap	1	
3	5754250060	Flap	1	
3	57542500D6	Flap	1	

Assembly	Chassis
Code	T21
Description	Front glove compartment
Revision	1



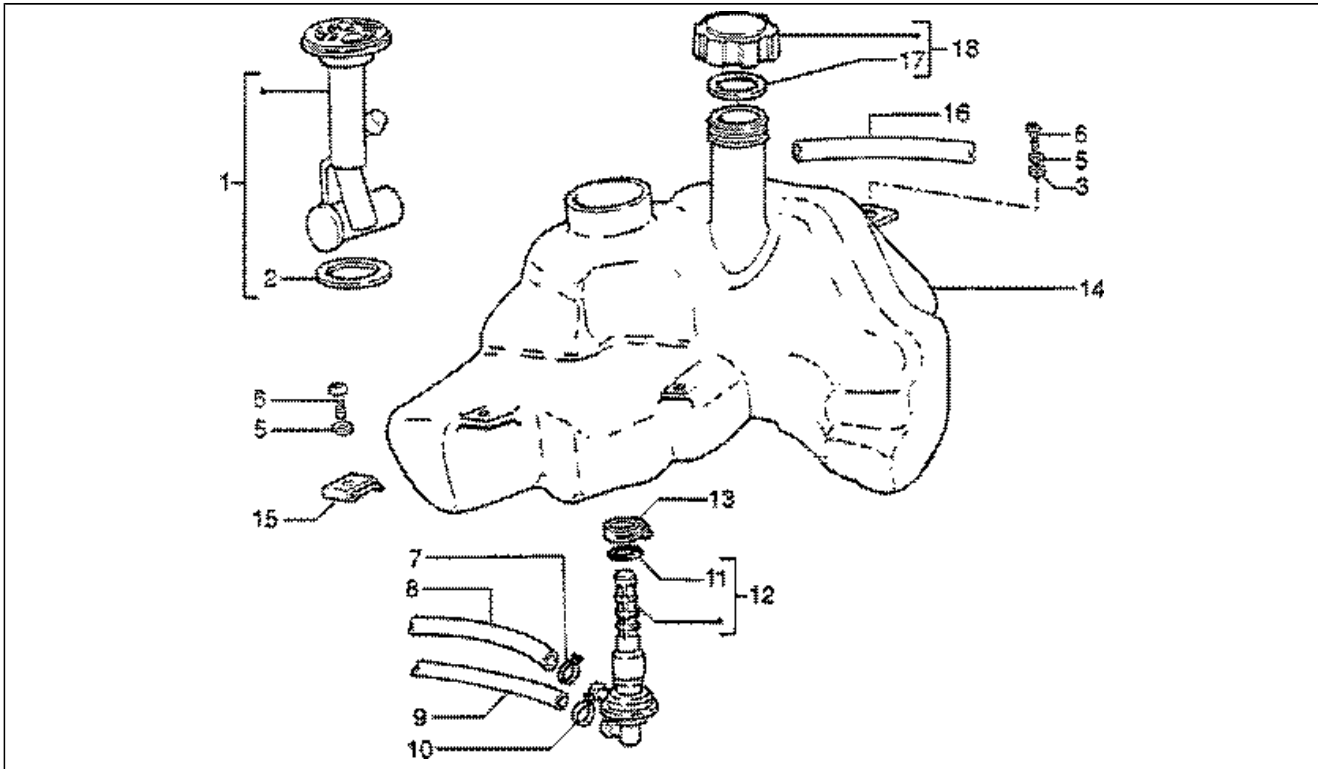
Pos.	Code	Description	Q.ty	Variants
3	57542500M2	Flap	1	
4	297274000D	Flap	1	
4	297274000L	Flap	1	
4	2972740018	Flap	1	
4	2972740022	Flap	1	
4	2972740023	Flap	1	
4	2972740034	Flap	1	
4	2972740036	Flap	1	
4	2972740060	Flap	1	
4	2972740090	Flap	1	
4	29727400D1	Flap	1	
4	29727400D8	Flap	1	
4	29727400E8	Flap	1	
4	29727400F1	Flap	1	
4	29727400G5	Flap	1	
4	29727400P1	Flap	1	
4	29727400V3	Flap	1	
4	29727400V8	Flap	1	
4	29727400V9	Flap	1	
4	29727400VA	Flap	1	
5	297275	Gasket	1	
6	294067	Plug	2	
7	184142	Clip	4	
8	259349	Screw	2	
9	254485	Clip M6	2	
10	257614	Square	1	
11	257617	Spring	1	
12	295528	Hook	1	

Assembly	Chassis
Code	T21
Description	Front glove compartment
Revision	1



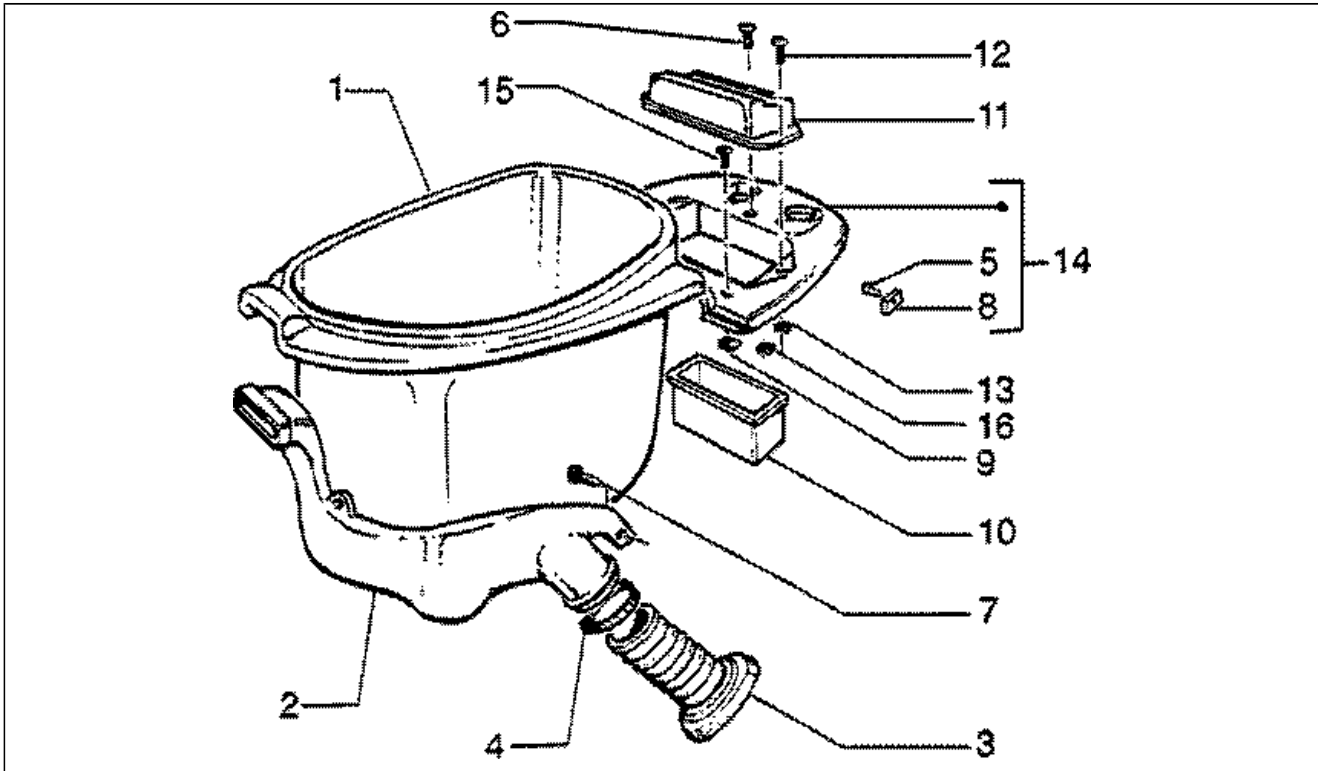
Pos.	Code	Description	Q.ty	Variants
13	252420	Plate	1	
14	268596	Screw	4	
15	573057	Clip	1	
16	573078	Name plate	1	
17	258249	Screw	2	
18	575249	Screw	3	
19	577119	Name plate	1	

Assembly	Chassis
Code	T22
Description	Fuel tank
Revision	1



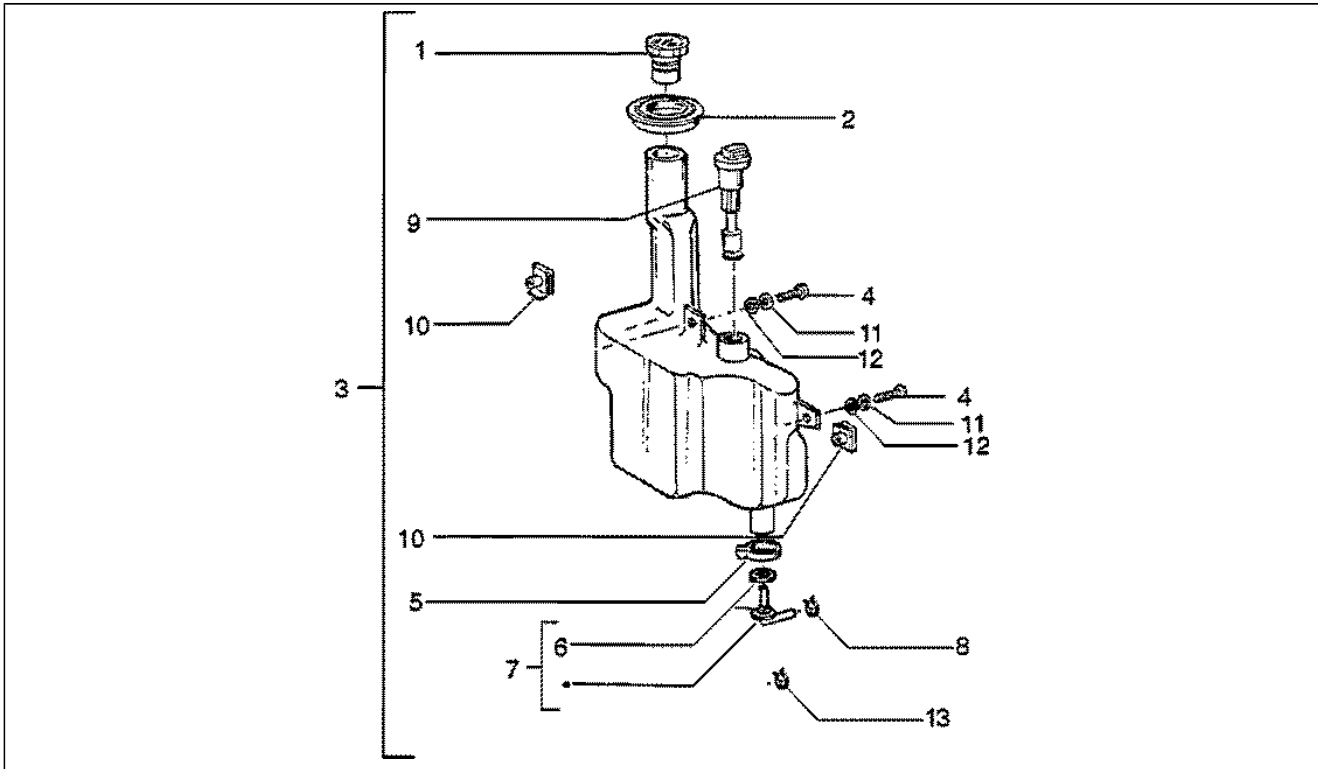
Pos.	Code	Description	Q.ty	Variants
1	299570	Level gauge	1	
1	CM025702	Level gauge	1	
1	CM066902	Level gauge	1	
1	CM075602	Indicator fuel level	1	
2	258161	Gasket	1	
3	013880	Washer	1	
5	016406	Washer	2	
6	015558	Screw m16x16	2	
7	CM002904	Hose clamp	1	
8	CM004126	Fuel pipe 5,5x10	1	
9	296230	Breather pipe	1	
10	CM002901	Hose clamp	1	
11	196868	Gasket	1	
12	57306R	Faucet depression press fastener	1	
12	575320	Cock	1	
13	577557	Hose clamp	1	
14	576875	Tank	1	
15	254485	Clip M6	3	
16	CM001215	Pipe	1	
17	258160	Gasket	1	
18	259832	Tank cap	1	

Assembly	Chassis
Code	T23
Description	Case helmet
Revision	1



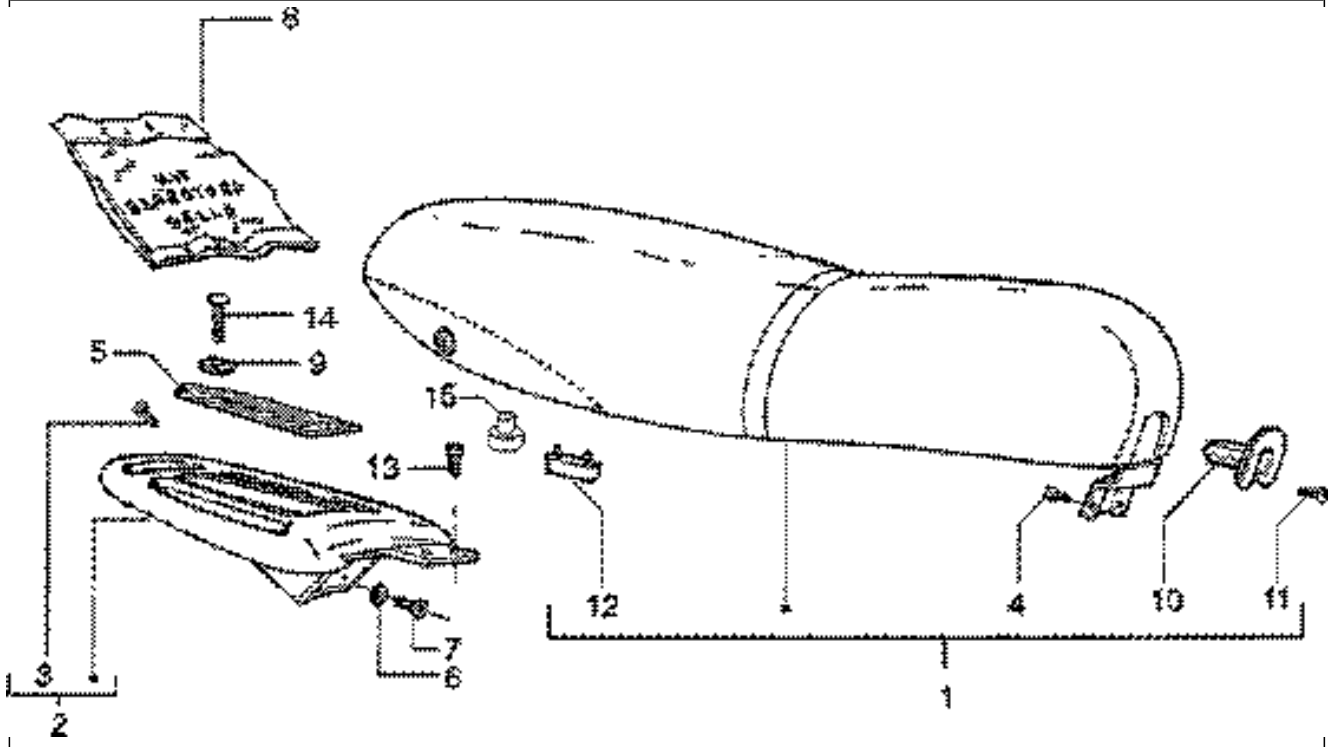
Pos.	Code	Description	Q.ty	Variants
1	574423	Helmet compartment	1	
2	573868	Air suction pipe	1	
3	298528	Bellows	1	
4	109960	Hose clamp	1	
5	182302	Rivet	1	
6	259830	Screw m6x22	1	
7	259830	Screw m6x22	1	
8	290405	Bracket	1	
9	008080	Plate	2	
10	297369	Float chamber	1	
10	576012	Battery holder	1	
11	573123	Battery flap	1	
11	576017	Flap	1	
12	259349	Screw	1	
13	184142	Clip	1	
14	CM003801	Tyre	1	
15	259372	Screw	2	
16	254485	Clip M6	1	

Assembly	Chassis
Code	T24
Description	Oil tank
Revision	1



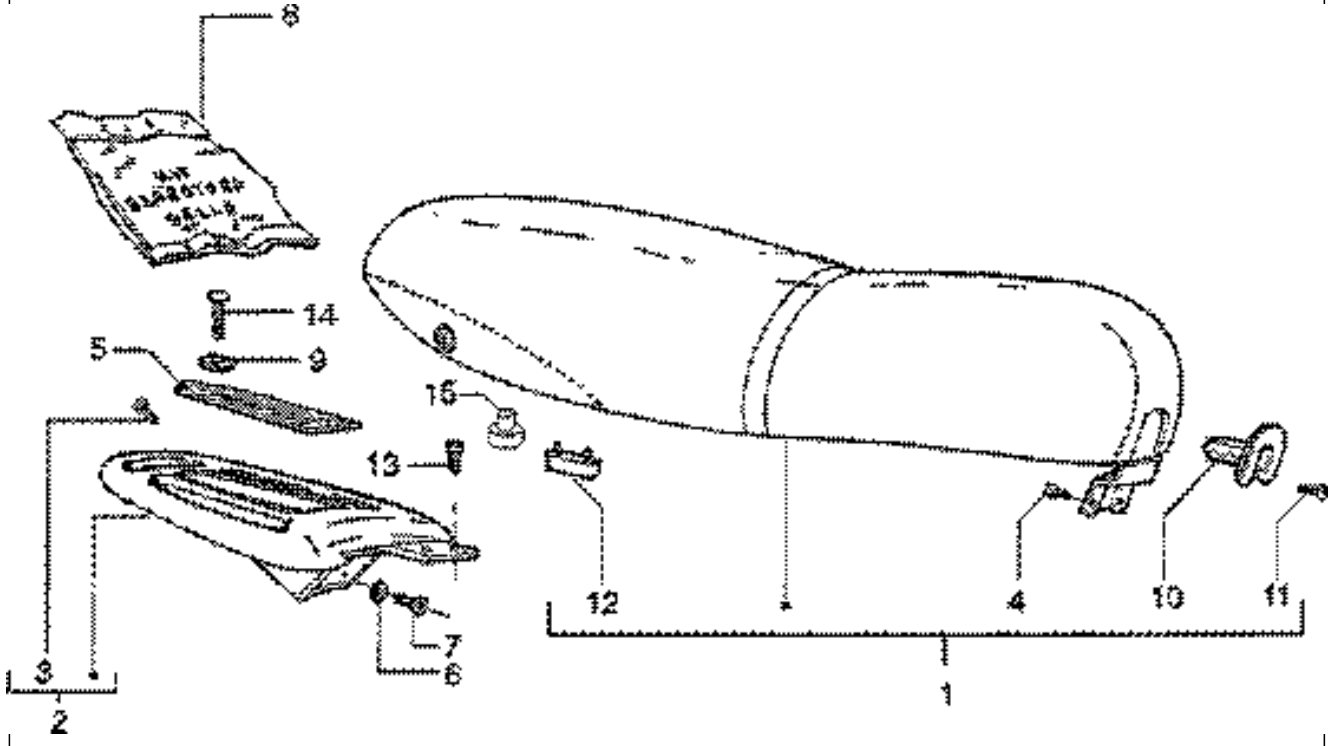
Pos.	Code	Description	Q.ty	Variants
1	259829	Oil ins.pl.	1	
2	298573	Float chamber	1	
3	297291	Tank	1	
3	577929	Oil tank	1	
4	015558	Screw m16x16	3	
5	577557	Hose clamp	1	
6	196868	Gasket	1	
7	574362	Union cpl.	1	
8	104296	Spring clamp	1	
9	294075	Level gauge	1	
10	254485	Clip M6	2	
11	013880	Washer	1	
12	016406	Washer	1	
13	145298	Hose clamp	2	
13	CM100505	Oil pump	1	

Assembly	Chassis
Code	T25
Description	Saddle
Revision	1



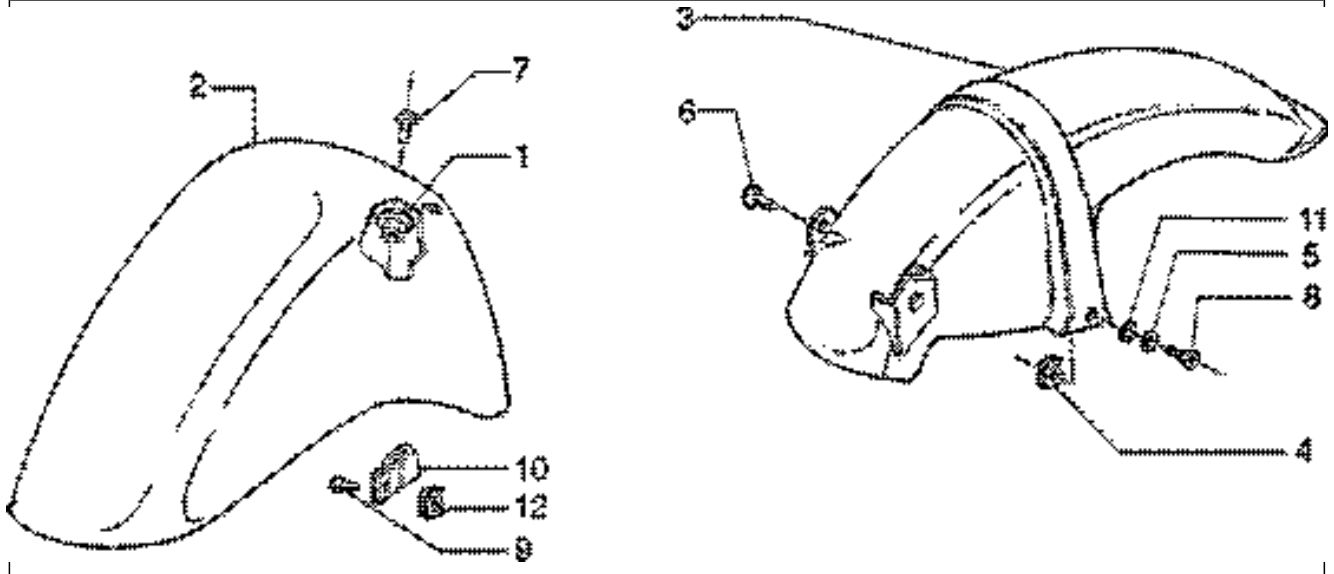
Pos.	Code	Description	Q.ty	Variants
1	5734040018	Saddle	1	
1	574782000N	Saddle	1	
1	CM0009010054	Saddle	1	
1	CM0009010055	Saddle	1	
1	CM0009010056	Saddle	1	
1	CM0009010061	Saddle	1	
1	CM0009020054	Saddle	1	
1	CM0009020055	Saddle	1	
1	CM0009020056	Saddle	1	
1	CM0009020061	Lh door	1	
1	CM0195010054	Saddle	1	
1	CM0195010056	Saddle	1	
1	CM0195010061	Saddle	1	
2	100011M000	Rear carrier	1	
2	573633	Luggage rack	1	
3	015715	TBIC screw M5x12	2	
4	259830	Screw m6x22	2	
5	577545	Plug	1	
6	016406	Washer	2	
7	031092	Screw m6x25	2	
8	494511	Lock,assy	1	
9	254485	Clip M6	1	
10	494634	Hook for bag	1	
11	015911	Screw	2	
12	296456	Drift	2	
13	013880	Washer	2	
14	259830	Screw m6x22	2	
15	494512	Drift	2	
16	494898	Belt	1	

Assembly	Chassis
Code	T25
Description	Saddle
Revision	1



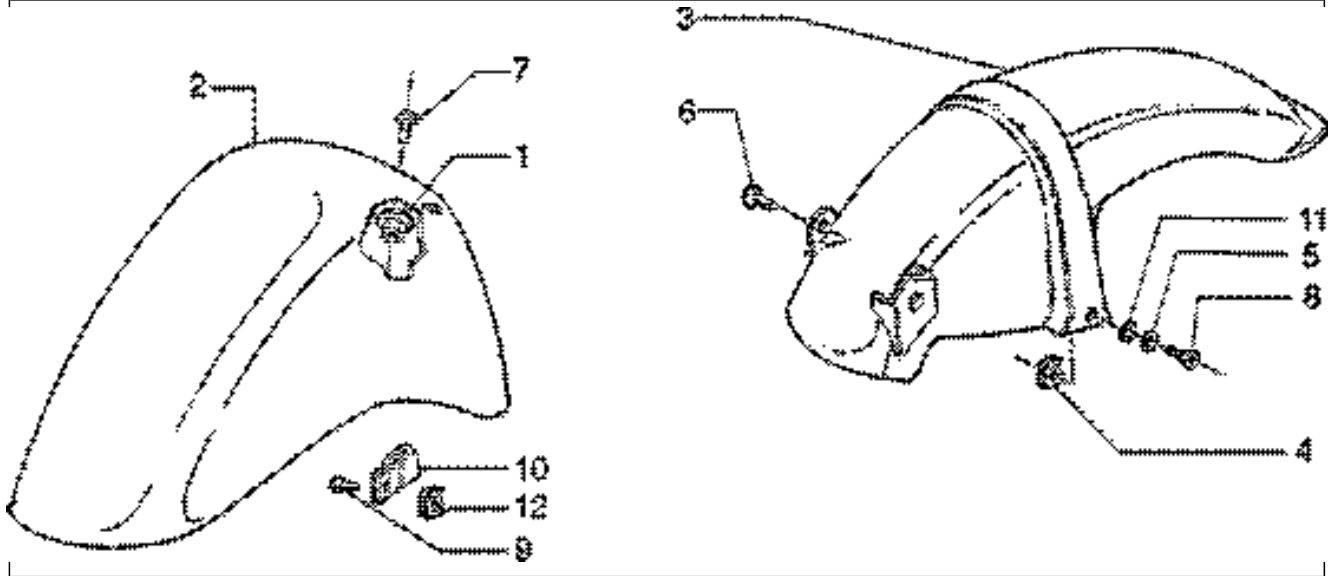
Pos.	Code	Description	Q.ty	Variants
16	494899	Belt	1	

Assembly	Chassis
Code	T26
Description	Front and rear mudguard
Revision	1



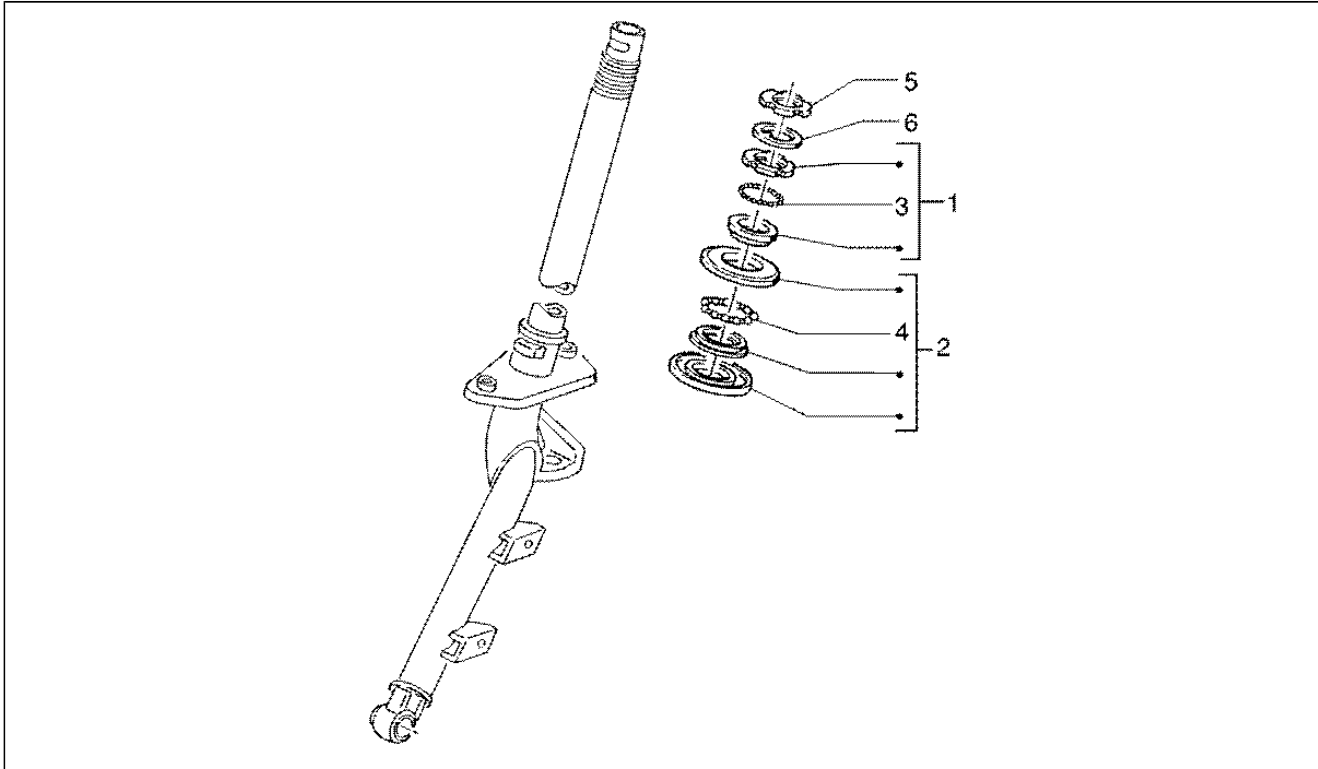
Pos.	Code	Description	Q.ty	Variants
1	288245	Flanged nut M6	1	
2	82490000AA	Front mudguard	1	
2	82490000D8	Front mudguard	1	
2	82490000F2	Front mudguard	1	
2	82490000P1	Front mudguard	1	
2	82490000V8	Front mudguard	1	
2	82490000V9	Front mudguard	1	
2	82490000VA	Front mudguard	1	
2	8249005	Front mudguard	1	
2	8249005034	Front mudguard	1	
2	8249005036	Front mudguard	1	
2	8249005060	Front mudguard	1	
2	8249005066	Front mudguard	1	
2	8249005090	Front mudguard	1	
2	8249005095	Front mudguard	1	
2	82490050A7	Front mudguard	1	
2	82490050B2	Front mudguard	1	
2	82490050C1	Front mudguard	1	
2	82490050D1	Front mudguard	1	
2	82490050F1	Front mudguard	1	
2	82490050G5	Front mudguard	1	
2	82490050R7	Front mudguard	1	
2	82490050V3	Front mudguard	1	
2	82490050V6	Front mudguard	1	
2	8249185	Front mudguard	1	
2	8249225	Front mudguard	1	
2	8249235	Front mudguard	1	
3	575079	Rear mudguard	1	
4	254485	Clip M6	2	
5	012533	Washer 6,6x11x0	2	
6	575249	Screw	1	
7	575249	Screw	3	
8	277330	Hex socket screw M6X50	1	
9	015900	Screw	1	
10	562919	Hose clamp	1	

Assembly	Chassis
Code	T26
Description	Front and rear mudguard
Revision	1



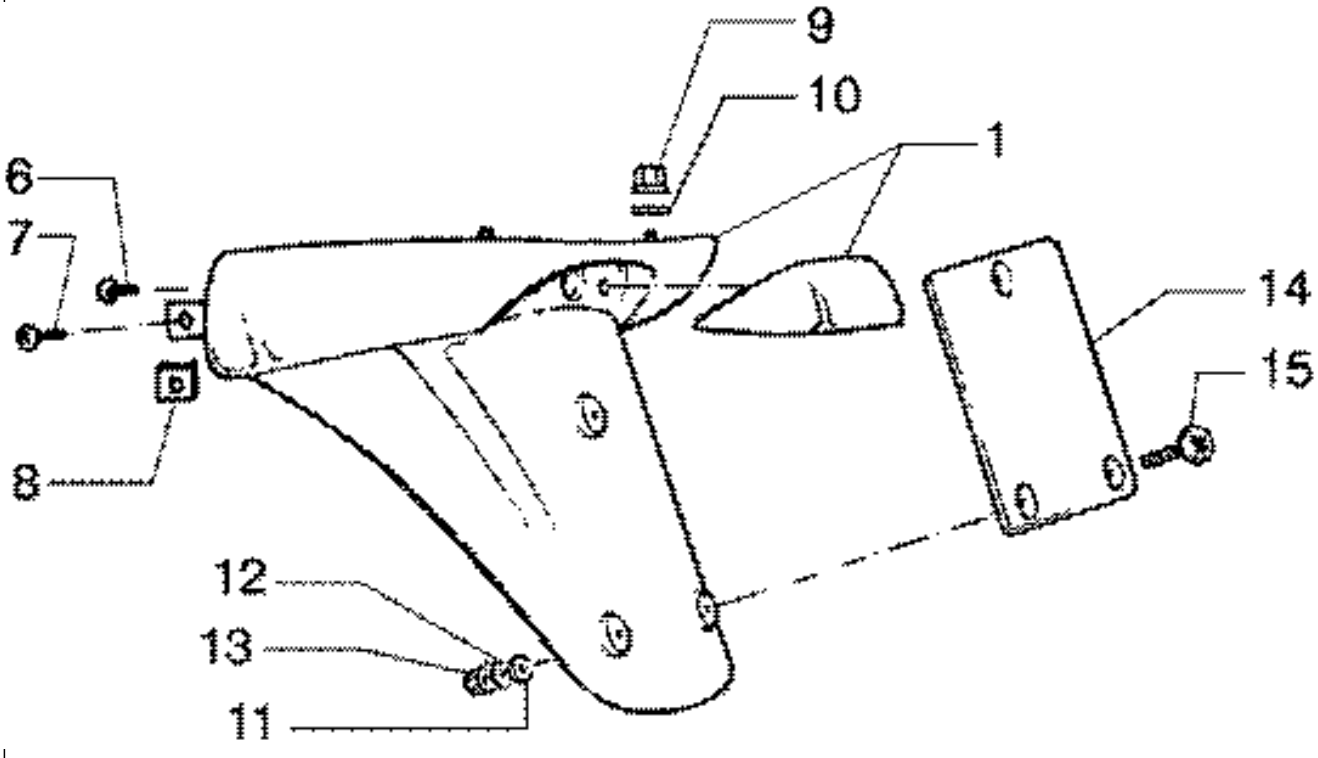
Pos.	Code	Description	Q.ty	Variants
11	003056	Washer 6,4x12x1	1	
12	008080	Plate	1	

Assembly	Chassis
Code	T27
Description	Steering bearing ball tracks
Revision	1



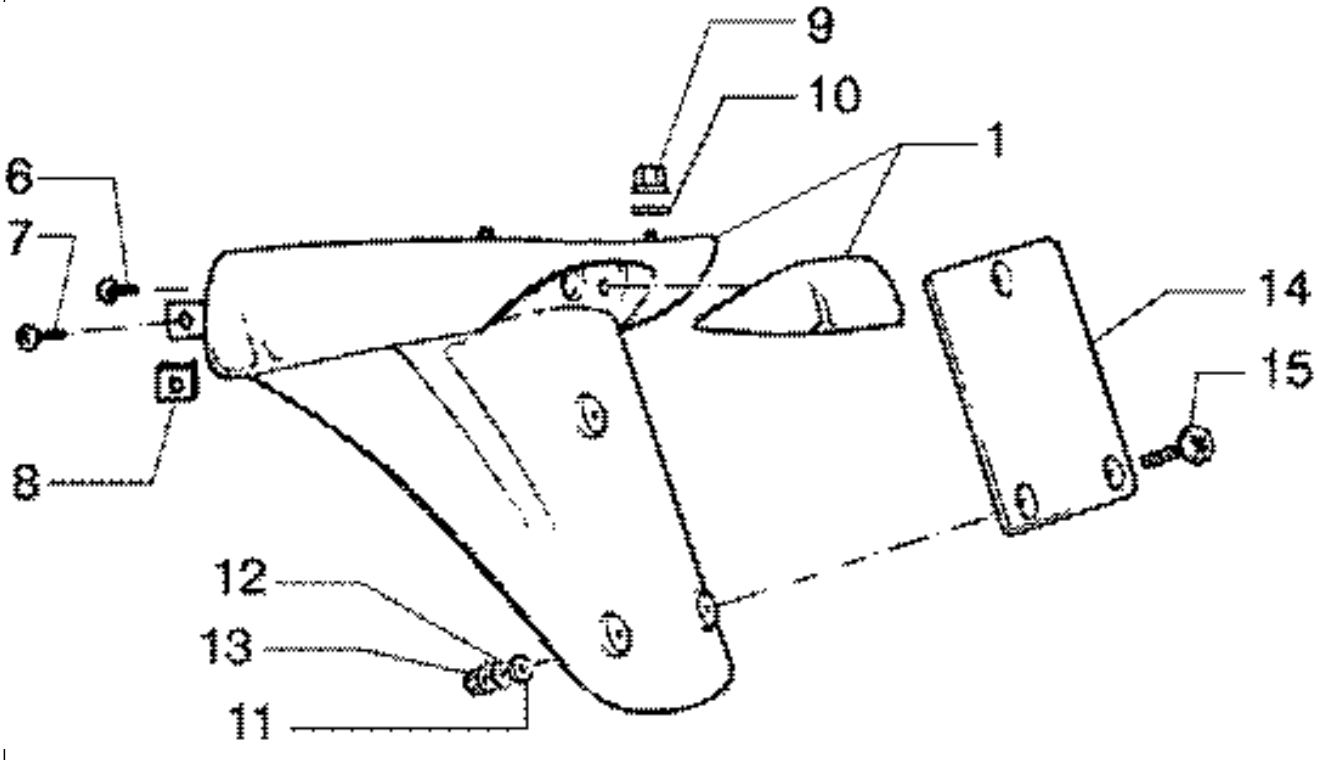
Pos.	Code	Description	Q.ty	Variants
1	56002R	Steering bearing assy.	1	
2	56003R	Steering bearing assy.	1	
3	077024	Ball cage	1	
3	564257	Ball cage	1	
4	077023	Ball cage	1	
4	564260	Ball cage	1	
5	289955	Ring nut	1	
6	003751	Washer	1	
6	582787	Steering security plate	1	

Assembly	Chassis
Code	T37
Description	Rear guard
Revision	1



Pos.	Code	Description	Q.ty	Variants
1	294218000D	Rear guard	1	
1	294218000L	Rear guard	1	
1	2942180018	Rear guard	1	
1	2942180022	Rear guard	1	
1	2942180023	Rear guard	1	
1	2942180034	Rear guard	1	
1	2942180036	Rear guard	1	
1	2942180060	Rear guard	1	
1	2942180090	Rear guard	1	
1	29421800D1	Rear guard	1	
1	29421800D8	Rear guard	1	
1	29421800E8	Rear guard	1	
1	29421800F1	Rear guard	1	
1	29421800G5	Rear guard	1	
1	29421800P1	Rear guard	1	
1	29421800V3	Rear guard	1	
1	29421800V8	Rear guard	1	
1	29421800V9	Rear guard	1	
1	29421800VA	Rear guard	1	
1	580444000D	Rear guard	1	
1	580444000L	Rear guard	1	
1	5804440018	Rear guard	1	
1	5804440022	Rear guard	1	
1	5804440023	Rear guard	1	
1	5804440034	Rear guard	1	
1	5804440036	Rear guard	1	
1	5804440060	Rear guard	1	
1	5804440090	Rear guard	1	

Assembly	Chassis
Code	T37
Description	Rear guard
Revision	1



Pos.	Code	Description	Q.ty	Variants
1	58044400D1	Rear guard	1	
1	58044400D8	Rear guard	1	
1	58044400E8	Rear guard	1	
1	58044400F1	Rear guard	1	
1	58044400G5	Rear guard	1	
1	58044400P1	Rear guard	1	
1	58044400V3	Rear guard	1	
1	58044400V8	Rear guard	1	
1	58044400V9	Rear guard	1	
1	58044400VA	Rear guard	1	
2	294010	Cover	1	
3	294835	Glass	1	
4	580124	Number plate holder	1	
4	580125	Number plate holder	1	
6	265809	Screw	2	
7	259349	Screw	2	
8	008080	Plate	2	
9	003056	Washer 6,4x12x1	2	
10	288245	Flanged nut M6	2	
11	013763	Washer	3	
11	018591	Screw	3	
12	013763	Washer	2	
12	016404	Washer	3	
13	016405	Spring washer	2	
13	020104	Nut	3	
14	020104	Nut	2	
14	580124	Number plate holder	1	
15	018591	Screw	3	