

aprilia[®]

SPARE PARTS CATALOGUE



Tuono V4 1100 RR E4 ABS 2017-2018 (NAFTA)

Chassis prefix: ZD4KGU00

Engine prefix:

Index

Finished products.....	4
Alphanumeric index.....	5
FRAME.....	11
Table 28.01 - Frame I.....	11
Table 28.02 - Frame II.....	12
Table 28.03 - Foot rests.....	13
Table 28.04 - Central stand.....	14
Table 28.05 - Steering.....	15
Table 28.06 - Front fork.....	16
Table 28.07 - Swing arm.....	17
Table 28.08 - Rear shock absorber.....	18
Table 28.09 - Front body I.....	19
Table 28.10 - Front body II.....	20
Table 28.11 - Front body III.....	21
Table 28.12 - Rear body I.....	22
Table 28.13 - Rear body II.....	23
Table 28.14 - Fuel tank.....	25
Table 28.15 - Saddle.....	27
Table 28.16 - Undersaddle.....	28
Table 28.17 - Dashboard.....	29
Table 28.18 - Handlebar - Controls.....	30
Table 28.19 - Clutch lever.....	31
Table 28.20 - Front master cilinder.....	32
Table 28.21 - Cooling system.....	33
Table 28.22 - Oil radiator.....	35
Table 28.23 - Air box.....	36
Table 28.24 - Throttle body.....	37
Table 28.25 - Exhaust pipe I.....	38
Table 28.26 - Front wheel.....	40
Table 28.27 - Front brake caliper.....	41
Table 28.28 - Rear wheel.....	42
Table 28.29 - Rear master cylinder.....	43
Table 28.30 - Rear brake caliper.....	44
Table 28.31 - Headlight.....	45
Table 28.32 - Taillight.....	46
Table 28.33 - Electrical system I.....	47
Table 28.34 - Electrical system II.....	48
Table 28.35 - Electrical system III.....	49
Table 28.36 - Lock hardware kit.....	50
Table 28.55 - Plate set and decal.....	51
Table 28.56 - Fuel vapour recover system.....	53
Table 28.59 - ABS brake system.....	54
ENGINE.....	55

Table 29.37 - Engine.....	55
Table 29.38 - Crank-case I.....	56
Table 29.39 - Drive shaft.....	58
Table 29.40 - Cylinder - Piston.....	59
Table 29.41 - Valves cover.....	60
Table 29.42 - Cylinder head - valves.....	61
Table 29.43 - Valves pads.....	62
Table 29.44 - Front cylinder timing system.....	65
Table 29.45 - Rear cylinder timing system.....	66
Table 29.46 - Gear box.....	67
Table 29.47 - Clutch I.....	69
Table 29.48 - Clutch II.....	70
Table 29.49 - Clutch cover.....	71
Table 29.50 - Ignition unit.....	72
Table 29.51 - Cover.....	73
Table 29.52 - Lubrication.....	74
Table 29.53 - Secondary air.....	75
Table 29.54 - Water pump.....	76

Finished products

Code	Validity
AP6129711ACH02	
AP6129711ACH03	
AP6129719YCH02	
AP6129719YCH03	
AP6129719YCJ02	
AP6129719YCJ03	
AP612971ACCH02	
AP612971ACCH03	
AP612971ACCJ02	
AP612971ACCJ03	

Code	No. table	Pos.	Code	No. table	Pos.	Code	No. table	Pos.
006412	29.52	16	2A0008370V	29.39	4	2B003347	28.25	6
006630	29.51	13	2A000885	29.38	19	2B003382	29.37	14
006630	29.51	15	2A000889	29.46	11	2B003404	28.11	1
020006	28.29	2	2A000890	29.46	18	2B003415	28.03	1
122675	29.49	10	2B000276	29.37	25	2B003425	28.25	28
1A003114	29.38	34	2B000639R	28.28	23	2B003441	28.56	21
1A003153	29.42	25	2B000897	28.22	1	2B003443	28.25	22
1A006321	29.38	35	2B001135	28.26	3	2B003449	28.30	15
1A006984	29.49	28	2B001136	28.26	4	2B003460	29.37	7
1A007269	29.49	22	2B001289	28.07	1	2B003468	28.18	1
1A007270	29.49	1	2B001348	28.27	1	2B003489	28.17	4
1A007414	29.49	24	2B001349	28.27	2	2B003490	28.17	5
1A007415	29.51	16	2B001478	28.22	11	2B003491	28.17	2
1A009050	29.49	26	2B001552	28.13	2	2B003492	28.17	1
1A009050	29.51	11	2B001654	28.08	1	2B003508	28.59	4
1D001138	29.52	18	2B001655	28.06	2	2B003509	28.59	5
235779	29.50	8	2B001656	28.06	1	2B003518	28.19	2
254485	28.11	19	2B001699	28.05	25	2B003519	28.33	21
254485	28.12	4	2B001710	29.46	43	2B003526	28.20	9
254485	28.17	10	2B001754	28.09	3	2B003548	28.17	3
254485	28.25	14	2B001755	28.09	2	2B003549	28.17	17
254485	28.33	3	2B001756	28.10	3	2B003553	28.19	1
258249	28.13	4	2B001765	28.33	16	2B003556	28.25	29
259349	28.09	5	2B001920	28.07	14	2B003557	28.21	31
259349	28.17	7	2B001929	28.20	5	2B003577	28.25	23
270361	28.17	8	2B001932	29.37	2	2B003589	28.02	1
277330	29.52	25	2B001983	28.27	9	2B003684	28.56	22
289731	29.52	15	2B001983	28.29	13	2B003687	28.10	13
291051	28.19	4	2B001983	28.59	8	2B003691	28.56	24
294353	28.31	2	2B002053000C1	28.15	3	2B003692	28.56	11
294754	28.34	17	2B002077	28.06	4	2B003714	28.25	30
2A000033R	29.49	14	2B002078	28.06	8	2B003714	28.56	23
2A000034	29.51	9	2B002079	28.06	24	2B003718	28.09	6
2A000047	29.46	52	2B002080	28.06	10	2B003762	28.23	15
2A000048	29.46	40	2B002151	28.05	27	2B003831	28.10	4
2A000069	29.46	1	2B002201	29.54	3	2B003834	28.21	1
2A000111	29.44	12	2B002203	28.21	26	2B003927	28.05	1
2A000111	29.45	12	2B002204	28.21	8	2B003974	28.18	14
2A000295	29.38	23	2B002207	28.21	11	2B003976	28.05	13
2A000299LL	29.39	1	2B002208	28.21	17	2B003980	28.05	17
2A000299MM	29.39	1	2B002416	28.30	12	2B003986	28.05	16
2A000299NN	29.39	1	2B002421	28.09	9	2B003989	28.19	7
2A000299OO	29.39	1	2B002422	28.09	10	2B003992	29.52	26
2A000299PP	29.39	1	2B002443	28.31	6	2B004015	28.26	1
2A000313	29.50	13	2B002444	28.28	24	2B004016	28.28	1
2A000363	29.38	31	2B002562	29.37	5	2B004072	28.13	39
2A000370	29.40	4	2B002563	28.11	7	2B004120	28.25	12
2A000450	29.40	3	2B002611	28.28	5	2B004511	28.07	15
2A000468	29.50	4	2B002632	28.56	1	2D000049	29.39	9
2A000469	29.50	10	2B002634	28.28	8	2D000095	28.18	2
2A000539	29.52	8	2B0028345	28.25	11	2D000116	28.31	1
2A000546	29.42	10	2B002890	29.37	11	2D000152	28.25	7
2A000547	29.50	12	2B002985	28.14	28	2D000158	28.34	2
2A000559	29.44	6	2B002986	28.20	4	2D000178	28.33	22
2A000559	29.45	6	2B002993	28.20	12	2D000203	28.31	5
2A000569	29.38	10	2B002995	28.20	3	2D000263	28.25	21
2A000622BB	29.39	2	2B002997	28.59	3	2D000265	28.59	6
2A000622CC	29.39	2	2B003043	28.28	27	2D000278	28.17	13
2A000622DD	29.39	2	2B003070	28.08	2	2D0002965	28.18	9
2A000630	29.40	2	2B003081	28.20	2	2D000298	28.18	13
2A000734	29.40	5	2B003082	28.59	1	2D000300	29.46	47
2A000735	29.40	6	2B003169	28.26	15	2D000302	28.33	11
2A000739	29.40	7	2B003222	28.27	3	2D000304	28.35	6
2A0007875	29.38	1	2B003246	28.27	7	2D000310	28.21	2
2A000802	29.54	1	2B003247	28.27	8	2D000325	28.19	3
2A0008370B	29.39	4	2B003283	28.04	1	2D000325	28.33	20
2A0008370G	29.39	4	2B003301	28.36	13	2D000348	28.35	7

Code	No. table	Pos.	Code	No. table	Pos.	Code	No. table	Pos.
2D000385	28.14	21	709099	29.52	13	8571320G	29.39	7
2G000252	28.55	21	825431	29.50	6	8571320V	29.39	7
2G000255	28.55	22	825597	29.42	8	857144	29.38	25
2G000256	28.55	23	832029	29.49	9	857147	29.52	22
2G000332	28.55	21	840893	29.52	7	857168	29.52	10
2G000333	28.55	22	840893	29.54	4	857175	29.46	8
2G000334	28.55	23	841821	28.11	10	857176	29.44	13
2H000874	28.55	1	843213	28.04	7	857176	29.45	13
2H000991	28.55	6	852090	28.25	4	857176	29.51	5
2H000992	28.55	7	852398	28.18	7	857176	29.52	4
2H000993	28.55	8	852480	29.37	3	857181	29.53	7
2H000994	28.55	9	85248R	28.30	2	857184	29.52	21
2H001617	28.55	2	85252R	29.46	27	857187	29.52	11
2H001758000XN2	28.09	1	85253R	29.46	25	857189	29.52	9
2H001765	28.55	4	85256R	28.13	5	857192	29.52	19
2H001766	28.55	5	85263R	28.26	7	857206	29.39	6
2H001767	28.55	6	85273R	29.52	14	857208	29.38	30
2H001768	28.55	7	854909	29.46	44	857208	29.42	7
2H001769	28.55	8	854951	29.46	45	857229	29.46	33
2H001770	28.55	9	856027	28.18	6	857230	29.46	31
2H001780000XN2	28.14	1	856063	28.56	4	857231	29.46	30
2H001781	28.09	4	856082	28.21	45	857232	29.46	28
2H001783000XN2	28.09	1	856279	28.21	10	857233	29.46	16
2H001784000EU	28.10	2	856543	28.21	28	857234	29.46	29
2H001784000XN2	28.10	2	856630	29.53	3	857236	29.46	10
2H001785000EU	28.10	1	856631	29.53	1	857238	29.46	20
2H001785000XN2	28.10	1	856632	29.53	2	857239	29.46	19
2H001786000XN2	28.12	12	857008	29.44	4	857240	29.46	22
2H001787000XN2	28.12	13	857008	29.45	4	857242	29.46	21
2H001788000EU	28.12	12	857016	29.42	24	857244	29.46	17
2H001789000EU	28.12	13	857017	29.42	22	857245	29.46	24
2H001790	28.55	3	857018	29.42	9	857246	29.46	23
2H001791	28.55	11	857024	29.42	15	857247	29.46	13
2H001792	28.55	12	857035	29.42	2	857248	29.46	14
2H001793	28.55	13	857042	29.42	4	857249	29.38	15
2H001794	28.55	14	857043	29.41	8	857250	29.46	7
2H001795	28.55	15	857044	29.42	20	857251	29.46	35
2H001796	28.55	16	857045	29.42	19	857253	29.46	41
2H001797	28.55	17	857046	29.42	17	857260	29.46	51
2H001798	28.55	18	857047	29.42	18	857271	29.46	5
2H001799	28.55	19	857048	29.42	27	857274	29.46	37
2H001800	28.55	20	857066	29.42	21	857284	29.46	9
2H001801	28.55	19	857067	29.42	16	857290	29.50	7
2H001802	28.55	20	857071	29.41	2	857298	29.50	5
2H001818000EU	28.14	1	857074	29.41	9	857303	28.24	1
2H001819	28.55	13	857077	29.39	13	857304	28.24	2
2H001820	28.55	14	857078	29.49	8	857305	28.24	3
2Q000255	28.36	14	857083	29.42	26	857306	28.24	11
2Q000256	28.36	14	857084	29.41	4	857308	29.46	12
2R000041	29.42	12	857085	29.42	3	857309	29.46	15
2R000042	29.42	13	857087	29.38	2	857314	29.49	18
411209	29.38	5	857090	29.38	17	857427	29.38	4
411209	29.42	5	857094	29.44	10	857429	29.49	2
411209	29.49	5	857094	29.45	10	857436	29.49	3
436438	29.42	11	857096	29.44	11	857439	29.52	20
436947	28.25	3	857096	29.45	11	857451	29.49	6
478895	29.42	14	857109	29.38	20	857458	29.46	34
576836	28.14	18	857118	29.39	12	857459	29.46	32
582690	28.34	6	857123	29.46	36	857460	29.49	21
598838	28.01	2	857126	29.38	36	857461	29.49	17
639792	28.34	1	857127	29.38	22	85746200XNB	29.51	6
640485	28.21	25	857127	29.49	16	8574705	29.44	1
642302	28.24	6	857128	29.38	11	8574715	29.45	1
648707	28.07	6	8571300B	29.39	8	857476	29.44	7
648708	28.07	20	8571300G	29.39	8	857476	29.45	7
658830	28.20	17	8571300V	29.39	8	857477	29.44	8
658830	29.49	27	8571320B	29.39	7	857477	29.45	8

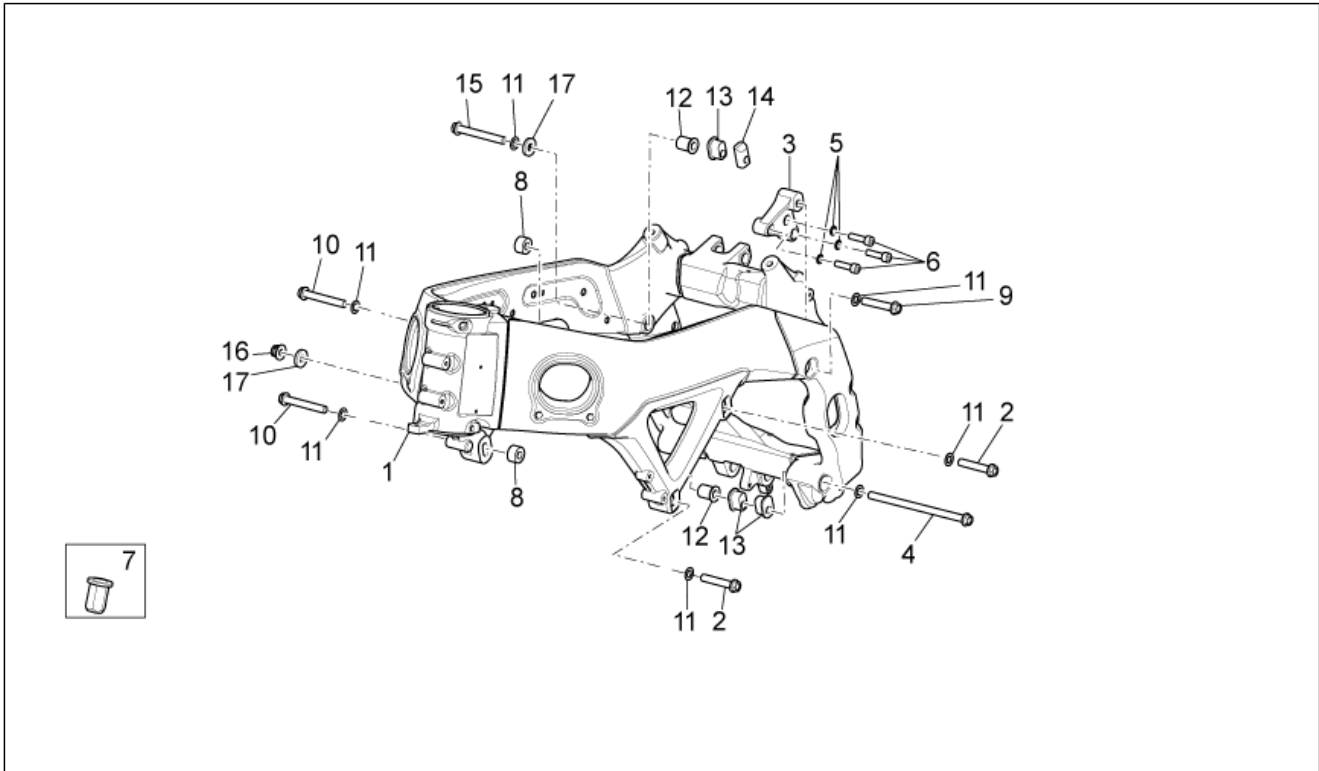
Code	No. table	Pos.	Code	No. table	Pos.	Code	No. table	Pos.
857494	29.46	46	873233	29.49	23	895959	28.14	10
857496	29.38	24	874555	29.49	25	896174	28.10	11
857497	29.52	6	874555	29.51	12	896174	28.11	16
857501	29.41	5	890002	28.07	4	896174	28.12	11
857502	29.52	1	890499	28.56	3	896174	28.17	16
857539	29.44	9	890760	28.33	15	896358	28.28	3
857539	29.45	9	890938	28.23	3	896565	28.24	12
857540	29.52	3	890960	28.28	25	896566	28.24	13
857543	29.49	7	890979	28.33	1	896567	28.24	10
857546	29.44	3	893132	28.23	23	896576	28.27	6
857546	29.45	3	893134	28.29	17	896663	28.18	11
858212	28.34	7	893138	28.29	11	896715	28.34	5
858488	28.21	15	893224	28.21	19	896754	28.26	2
858489	28.22	13	893240	28.23	1	896756	28.28	2
858539	28.18	12	893273	28.14	17	896875	28.23	22
858580	28.36	7	893513	28.21	22	896962	28.01	1
858707	28.07	2	893514	28.21	20	897331	28.06	7
858708	28.07	5	893767	29.47	1	897335	28.06	12
858710	28.01	12	893769	29.47	3	897336	28.06	13
858712	28.01	4	893770	29.47	4	897337	28.06	14
858718	28.01	8	893772	29.47	6	897339	28.06	17
858725	28.32	1	893773	29.48	1	897341	28.06	19
858727	29.53	8	893774	29.48	2	897342	28.06	20
858731	28.28	7	893778	29.48	9	897343	28.06	21
858738	28.25	1	893779	29.48	10	897344	28.06	22
858739	28.25	9	893780	29.48	11	897360	29.37	15
858740	28.25	10	893782	29.48	15	897434	29.38	3
858780	28.07	7	893783	29.48	4	897434	29.42	6
858781	28.07	23	893784	29.48	5	897434	29.50	3
858782	28.13	9	893823	28.21	21	897435	29.38	27
858783	28.07	8	893933	28.29	1	897436	29.38	26
858785	28.29	5	893940	29.48	6	897443	29.41	7
858787	28.03	12	893941	29.48	7	897444	29.44	5
858788	28.03	13	893942	29.48	12	897444	29.45	5
858791	28.30	14	893943	29.48	13	897474	29.39	14
858808	28.23	19	893944	29.48	14	897478	29.39	5
858833	28.12	14	893954	28.21	5	897482	28.13	3
858834	28.12	15	893968	29.54	5	897775	28.21	3
858836	28.16	1	893969	28.30	8	897829	28.03	8
858839	28.32	6	894015	28.23	12	897830	28.03	2
858868	28.13	23	894195	28.12	17	897831	28.03	25
858873	28.24	9	894195	28.15	4	897832	28.03	20
858874	28.24	8	894195	28.36	10	897833	28.03	24
858880	28.23	5	894201	28.03	15	897834	28.03	21
858881	28.23	21	894566	28.13	13	897835	28.03	22
858882	28.35	5	894657	28.13	19	898047	28.21	39
858884	28.14	9	894658	28.24	7	898134	29.37	12
858886	28.14	14	894794	29.48	3	898252	28.16	2
858904	28.02	3	894821	29.47	5	898268	29.51	4
858916	28.33	14	894899	28.13	24	898269	29.51	14
858923	29.37	24	894900	28.13	33	898385	28.25	13
858927	28.22	7	894933	28.10	10	898407	29.41	1
858931	28.23	7	894933	28.10	9	898410	29.41	3
858932	28.23	6	894933	28.25	32	89841400XNB	29.51	3
858941	28.04	4	894933	28.56	16	898427	28.01	13
858955	28.36	5	895109	28.23	9	898428	28.01	14
859754	28.28	18	895110	28.23	13	898429	28.01	3
859777	28.06	11	895316	29.50	11	898463	29.37	13
859792	28.06	6	895352	28.55	25	898486	28.30	1
859792	28.30	3	895353	28.55	24	898633	29.38	12
859946	28.29	9	895450	28.21	37	898633	29.46	26
860744	28.35	11	895481	28.34	4	898634	29.46	2
871094	29.51	8	895701	28.34	14	898635	29.46	3
872117	29.38	37	895824	28.23	24	898636	29.46	50
872117	29.51	10	895845	28.01	10	8986822	29.42	1
872117	29.51	7	895915	28.16	3	898694	28.29	3
873097	29.42	23	895916	28.32	7	898695	28.29	4

Code	No. table	Pos.	Code	No. table	Pos.	Code	No. table	Pos.
89888000EU	28.12	18	AP8113070	28.30	11	AP8123643	28.05	9
899068	28.14	23	AP8113230	28.20	19	AP8123644	28.05	6
899190	28.02	2	AP8113598	28.20	1	AP8124718	28.13	34
899336	28.19	5	AP8113752	28.30	9	AP8124719	28.11	12
899483	29.48	16	AP8113753	28.30	10	AP8125687	28.07	19
899484	29.39	10	AP8117004	28.12	16	AP8125728	28.26	9
899599	29.46	49	AP8117033	28.02	6	AP8125730	28.28	10
899642	28.21	30	AP8117033	28.21	7	AP8125732	28.28	12
8997555	29.52	5	AP8117258	28.13	22	AP8125838	28.28	17
899769	29.50	2	AP8120030	28.09	13	AP8125839	28.28	19
899862	29.50	9	AP8120030	28.20	14	AP8125841	28.26	8
899881	28.21	41	AP8120030	28.21	14	AP8125842	28.26	14
899919	28.09	14	AP8120030	28.22	4	AP8125848	28.11	15
974060	29.38	38	AP8120030	28.31	4	AP8127489	28.09	20
974229	29.49	11	AP8120030	28.59	17	AP8127489	28.13	18
976521	28.25	8	AP8120177	28.15	5	AP8127601	28.56	25
AP8101372	28.14	3	AP8120223	28.59	14	AP8127803	28.09	18
AP8101595	28.20	10	AP8120253	28.11	17	AP8127803	28.13	14
AP8101595	28.21	42	AP8120253	29.37	8	AP8127804	28.09	19
AP8101595	28.21	44	AP8120416	28.35	10	AP8127804	28.13	15
AP8101744	28.26	13	AP8120446	28.56	8	AP8127856	28.04	15
AP8101744	28.28	20	AP8120573	28.03	6	AP8128169	28.26	6
AP8101861	28.03	18	AP8120573	28.21	40	AP8128170	28.28	16
AP8102239	28.56	6	AP8120657	28.35	9	AP8133502	28.20	18
AP8102349	28.22	8	AP8120663	28.14	16	AP8133666	28.20	7
AP8102375	28.10	12	AP8120822	28.29	15	AP8133824	28.27	4
AP8102375	28.11	8	AP8120876	28.04	14	AP8134451	28.03	17
AP8102375	28.14	11	AP8120912	28.29	7	AP8134783	28.13	30
AP8102375	28.16	7	AP8120912	29.37	17	AP8134948	28.36	11
AP8102375	28.17	12	AP8120952	28.21	29	AP8140711	28.36	2
AP8102375	28.31	7	AP8120965	29.38	32	AP8141017	28.56	20
AP8102375	28.33	18	AP8121032	28.25	31	AP8144005	28.07	12
AP8102381	28.59	11	AP8121032	28.59	18	AP8144007	28.29	8
AP8102386	28.09	12	AP8121032	29.53	9	AP8144007	29.37	21
AP8102386	28.35	8	AP8121075	28.07	16	AP8144008	28.22	14
AP8102520	28.21	43	AP8121075	28.33	7	AP8144012	29.52	23
AP8102520	28.56	2	AP8121096	28.05	21	AP8144033	28.21	12
AP8102520	28.56	26	AP8121096	28.36	17	AP8144048	28.07	9
AP8102523	28.36	12	AP8121133	28.03	19	AP8144087	28.23	8
AP8102524	28.04	10	AP8121155	28.08	7	AP8144158	28.14	7
AP8102544	28.02	7	AP8121170	28.25	5	AP8144424	29.49	12
AP8102764	28.56	12	AP8121199	28.25	16	AP8144443	28.07	21
AP8102902	28.01	7	AP8121203	28.07	18	AP8144444	28.07	22
AP8102913	28.36	4	AP8121204	28.07	11	AP8144529	28.31	9
AP8102998	28.56	10	AP8121207	28.05	8	AP8144552	28.34	15
AP8104329	28.23	11	AP8121212	28.28	13	AP8144553	28.34	16
AP8104390	28.02	8	AP8121213	28.28	11	AP8144558	28.25	17
AP8104509	28.18	4	AP8121221	28.29	6	AP8144563	28.09	8
AP8104614	28.56	7	AP8121221	29.37	16	AP8144563	28.10	6
AP8104666	28.56	18	AP8121223	28.29	10	AP8144616	28.09	7
AP8104719	28.36	6	AP8121223	29.37	22	AP8144616	28.10	7
AP8106389	28.22	9	AP8121224	28.03	5	AP8144707	28.02	10
AP8106389	29.52	24	AP8121267	28.56	9	AP8144720	28.21	38
AP8110065	28.08	3	AP8121346	28.05	15	AP81465164	28.08	9
AP8110068	28.08	4	AP8121428	28.22	6	AP8146518	28.08	5
AP8110077	28.05	4	AP8121455	28.25	18	AP8148824	28.07	28
AP8110078	28.07	3	AP8121520	28.18	3	AP8149034	28.13	28
AP8110081	28.28	14	AP8121570	28.07	26	AP8150011	28.21	23
AP8110093	28.28	15	AP8121592	28.28	21	AP8150011	28.59	20
AP8110094	28.26	5	AP8121728	28.21	34	AP8150012	28.04	12
AP8112600	28.12	2	AP8121811	28.05	26	AP8150017	28.05	22
AP8112600	28.13	21	AP8121811	28.25	2	AP8150017	28.36	18
AP8112916	28.13	6	AP8121915	28.29	12	AP8150018	28.25	19
AP8113004	28.27	10	AP8121991	28.21	35	AP8150020	29.37	20
AP8113004	28.59	7	AP8121991	28.33	10	AP8150044	28.25	27
AP8113070	28.20	8	AP8123641	28.05	3	AP8150044	28.56	14
AP8113070	28.27	5	AP8123642	28.05	7	AP8150044	29.52	12

Code	No. table	Pos.	Code	No. table	Pos.	Code	No. table	Pos.
AP8150107	28.01	6	AP8150537	28.03	14	AP8152301	28.01	16
AP8150115	28.25	24	AP8150538	28.14	13	AP8152301	28.08	8
AP8150137	28.22	12	AP8150538	28.32	8	AP8152302	28.07	24
AP8150137	29.53	10	AP8150540	28.03	9	AP8152302	28.10	5
AP8150158	28.11	13	AP8150540	28.05	12	AP8152302	28.15	2
AP8150158	28.13	8	AP8150540	28.05	18	AP8152302	28.16	4
AP8150158	28.21	33	AP8152001	28.04	5	AP8152306	28.13	31
AP8150164	28.03	23	AP8152003	28.18	5	AP8152306	28.13	38
AP8150179	28.13	11	AP8152003	29.38	13	AP8152318	28.04	2
AP8150179	28.33	6	AP8152043	28.59	19	AP8152318	29.46	42
AP8150182	28.13	12	AP8152105	28.05	24	AP8152323	28.26	12
AP8150195	28.05	10	AP8152108	28.09	11	AP8152323	28.28	22
AP8150204	28.11	14	AP8152108	28.13	16	AP8152324	28.28	9
AP8150204	28.13	35	AP8152108	28.13	27	AP8152329	28.17	9
AP8150204	28.13	7	AP8152117	28.09	15	AP8152329	28.23	10
AP8150204	28.21	24	AP8152117	28.11	18	AP8152329	28.23	14
AP8150236	28.05	2	AP8152128	28.05	23	AP8152329	28.23	4
AP8150236	28.25	15	AP8152128	28.33	5	AP8152329	28.24	5
AP8150236	28.36	16	AP8152137	28.13	10	AP8152335	28.26	10
AP8150248	28.04	13	AP8152137	28.20	13	AP8152339	28.14	8
AP8150255	28.14	20	AP8152154	28.01	5	AP8152384	28.05	14
AP8150255	28.17	15	AP8152154	28.05	19	AP8152398	28.01	15
AP8150285	29.38	21	AP8152154	28.36	19	AP8152410	28.01	9
AP8150292	28.01	11	AP8152166	29.38	29	AP8152411	28.08	10
AP8150292	28.04	6	AP8152166	29.46	6	AP8152412	28.08	6
AP8150311	28.04	11	AP8152181	28.09	16	AP8152413	28.08	11
AP8150340	28.20	11	AP8152181	28.13	26	AP8152441	28.01	17
AP8150376	28.05	28	AP8152186	28.59	16	AP8157770	28.12	19
AP8150376	28.11	2	AP8152238	28.05	11	AP8157770	28.55	10
AP8150376	29.37	19	AP8152238	28.36	8	AP8161127	28.14	19
AP8150380	28.12	7	AP8152246	28.12	6	AP8201727	28.22	15
AP8150382	28.35	3	AP8152267	28.06	9	AP8201749	28.06	18
AP8150403	28.14	6	AP8152267	28.07	25	AP8201755	28.02	4
AP8150403	28.25	25	AP8152267	28.13	25	AP8201808	28.18	10
AP8150413	28.13	1	AP8152268	28.13	32	AP8213057	28.20	6
AP8150420	28.12	10	AP8152272	28.21	18	AP8220150	28.17	14
AP8150420	28.32	2	AP8152272	29.51	1	AP8220150	28.35	4
AP8150421	28.23	18	AP8152273	28.14	12	AP8220177	29.37	6
AP8150429	28.03	11	AP8152273	29.46	48	AP8220186	28.10	8
AP8150429	29.49	4	AP8152275	28.59	15	AP8220186	28.32	3
AP8150429	29.52	17	AP8152277	28.22	10	AP8220283	28.33	13
AP8150430	28.07	17	AP8152277	28.33	2	AP8220283	28.34	13
AP8150431	28.25	20	AP8152277	29.37	1	AP8220323	28.02	9
AP8150431	29.37	18	AP8152277	29.41	6	AP8220488	28.21	46
AP8150444	28.21	13	AP8152279	28.21	4	AP8221023	28.09	17
AP8150462	28.29	16	AP8152279	28.30	13	AP8221023	28.20	15
AP8150462	29.37	23	AP8152279	28.33	9	AP8221023	28.21	9
AP8150463	28.28	26	AP8152279	29.37	9	AP8221023	28.22	3
AP8150468	28.07	10	AP8152279	29.49	19	AP8221023	28.59	10
AP8150468	28.12	1	AP8152280	28.22	2	AP8221036	28.32	4
AP8150468	28.36	9	AP8152283	28.06	23	AP8221145	28.21	32
AP8150469	28.02	5	AP8152286	28.26	11	AP8221150	28.21	36
AP8150474	28.20	16	AP8152286	28.30	4	AP8221150	28.56	5
AP8150500	28.11	4	AP8152287	28.05	5	AP8221204	28.04	8
AP8150500	28.11	9	AP8152289	29.38	9	AP8221211	28.04	9
AP8150500	28.17	11	AP8152292	29.38	8	AP8221311	28.56	13
AP8150500	28.33	17	AP8152294	29.38	7	AP8221349	28.30	6
AP8150500	28.33	19	AP8152298	28.13	37	AP8224164	28.13	29
AP8150501	28.13	36	AP8152298	28.16	6	AP8224462	28.33	12
AP8150503	28.07	27	AP8152298	28.30	5	AP8224462	28.34	12
AP8150509	28.12	9	AP8152298	28.32	5	AP8224470	28.03	10
AP8150509	28.17	6	AP8152299	28.13	17	AP8224470	28.12	3
AP8150509	28.31	3	AP8152299	28.14	29	AP8224470	28.14	25
AP8150509	28.35	2	AP8152299	28.16	5	AP8224470	28.29	18
AP8150522	28.13	20	AP8152299	28.22	5	AP8224470	29.37	4
AP8150536	28.14	5	AP8152299	28.33	8	AP8225369	28.04	3
AP8150536	28.56	19	AP8152299	28.56	17	AP8234020	28.07	13

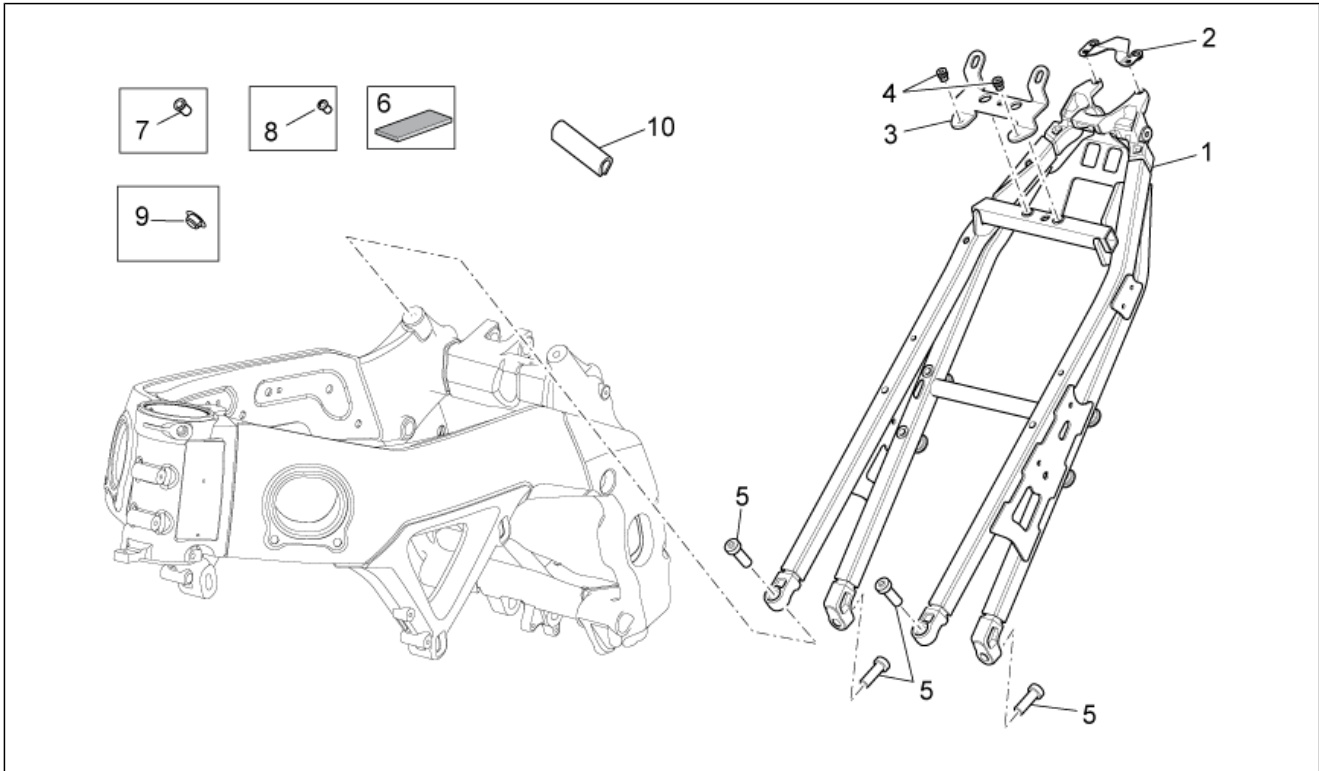
Code	No. table	Pos.	Code	No. table	Pos.	Code	No. table	Pos.
AP8706087	28.59	13	CM225605	28.34	8	CM281001	29.40	1
AP9100053	28.59	12	CM225607	28.34	9	CM281002	29.40	1
AP9100433	29.38	6	CM225615	28.34	10	CM281703	28.35	1
AP9100456	28.21	27	CM225730	28.34	11	GU05677730	28.03	7
AP9100519	28.19	6	CM228001	29.43	1	GU30027931	28.23	16
AP9100594	28.12	5	CM228002	29.43	1	GU30441005	28.03	3
AP9150006	29.46	39	CM228003	29.43	1	GU30729330	28.23	17
AP9150051	29.46	38	CM228004	29.43	1	GU90706009	29.38	16
AP9150145	29.38	28	CM228005	29.43	1	GU91120607	28.25	26
AP9150145	29.46	4	CM228006	29.43	1	GU95005306	28.14	26
B043204	29.39	11	CM228007	29.43	1	GU98210612	28.14	27
B043231	29.54	6	CM228008	29.43	1	GU98370616	29.46	53
B043246	28.11	6	CM228009	29.43	1			
B043247	28.11	5	CM228010	29.43	1			
B043248	28.11	3	CM228011	29.43	1			
B043254	28.12	8	CM228012	29.43	1			
B043317	28.28	6	CM228013	29.43	1			
B043488	28.33	4	CM228014	29.43	1			
B043542	29.49	20	CM228015	29.43	1			
B043561	28.06	3	CM228016	29.43	1			
B043563	28.06	5	CM228017	29.43	1			
B043807	29.41	10	CM228018	29.43	1			
B043864	28.14	24	CM228019	29.43	1			
B043880	28.11	11	CM228020	29.43	1			
B043920	28.36	1	CM228021	29.43	1			
B043925	28.14	15	CM228022	29.43	1			
B043929	28.36	3	CM228023	29.43	1			
B044275	29.48	8	CM228024	29.43	1			
B044314	28.06	25	CM228025	29.43	1			
B044357	28.30	7	CM228026	29.43	1			
B044474	29.47	2	CM228027	29.43	1			
B0444875	29.44	2	CM228028	29.43	1			
B0444875	29.45	2	CM228029	29.43	1			
B044495	29.50	1	CM228030	29.43	1			
B04454700XN2	28.14	2	CM228031	29.43	1			
B044548	28.14	4	CM228032	29.43	1			
B044550	28.14	22	CM228033	29.43	1			
B044551	28.59	9	CM228034	29.43	1			
B044586	28.29	14	CM228035	29.43	1			
B044620	28.05	20	CM228036	29.43	1			
B044620	28.36	15	CM228037	29.43	1			
B044640	28.34	3	CM228038	29.43	1			
B044778	28.31	8	CM228039	29.43	1			
B045021	28.18	8	CM228040	29.43	1			
B045095	28.59	2	CM228041	29.43	1			
B045126	29.38	33	CM228042	29.43	1			
B045224	29.38	14	CM228043	29.43	1			
B045224	29.49	15	CM228044	29.43	1			
B045225	29.49	13	CM228045	29.43	1			
B04545600C2	28.15	1	CM228046	29.43	1			
B045476	29.44	14	CM228047	29.43	1			
B045476	29.45	14	CM228048	29.43	1			
B045844	29.39	3	CM228049	29.43	1			
B046004	29.51	2	CM228050	29.43	1			
B046072	29.52	2	CM228051	29.43	1			
B046202	29.38	18	CM228052	29.43	1			
B046351	28.06	5	CM228053	29.43	1			
B046353	28.06	15	CM228054	29.43	1			
B046355	28.06	16	CM228055	29.43	1			
CM001901	28.56	15	CM228056	29.43	1			
CM001905	29.53	4	CM228057	29.43	1			
CM001927	28.23	20	CM228401	28.03	4			
CM002903	28.24	4	CM228402	28.03	16			
CM002912	28.23	2	CM2668035	29.37	10			
CM002916	29.53	5	CM269603	28.21	16			
CM224903	28.28	4	CM269609	28.21	6			
CM225401	29.53	6	CM269609	29.54	2			

Group	FRAME
Code	28.01
Description	Frame I
Service	1



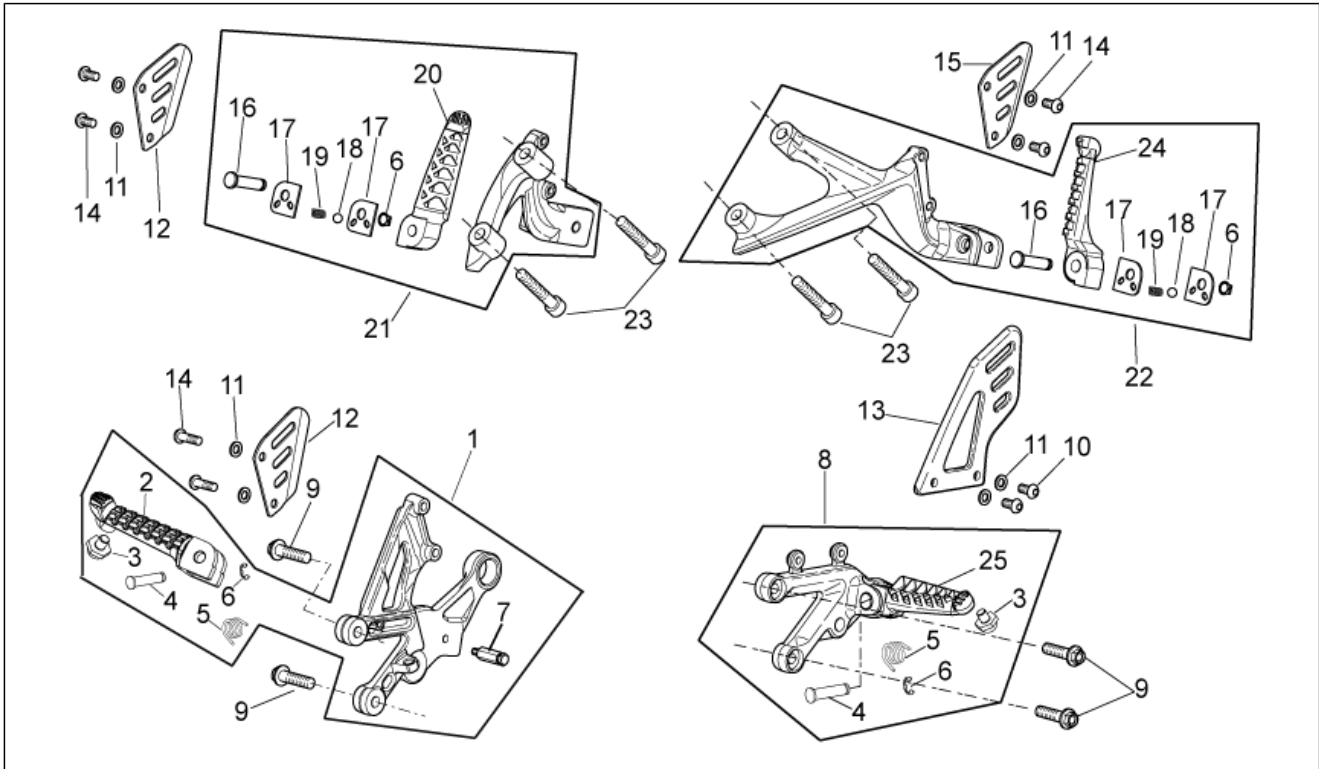
Pos.	Code	Description	Qty	Variants
1	896962	Frame	1	
2	598838	Screw w/ flange	2	
3	898429	Engine support pos. 0	1	
4	858712	Pin	1	
5	AP8152154	Washer 8,4x13*	3	
6	AP8150107	Hex socket screw M8x30	3	
7	AP8102902	Hex threaded insert	4	
8	858718	RH spacer	2	
9	AP8152410	Screw w/ flange M10x55	1	
10	895845	Hex screw FLANG.M 10	2	
11	AP8150292	Curved spring washer *	7	
12	858710	Bush	2	
13	898427	Rear Insert pos. 0	3	
14	898428	M10 insert pos. 0	1	
15	AP8152398	Screw w/ flange M10x80	1	
16	AP8152301	Self-locking nut	1	
17	AP8152441	Washer 10,5x25x4	2	

Group	FRAME
Code	28.02
Description	Frame II
Service	1



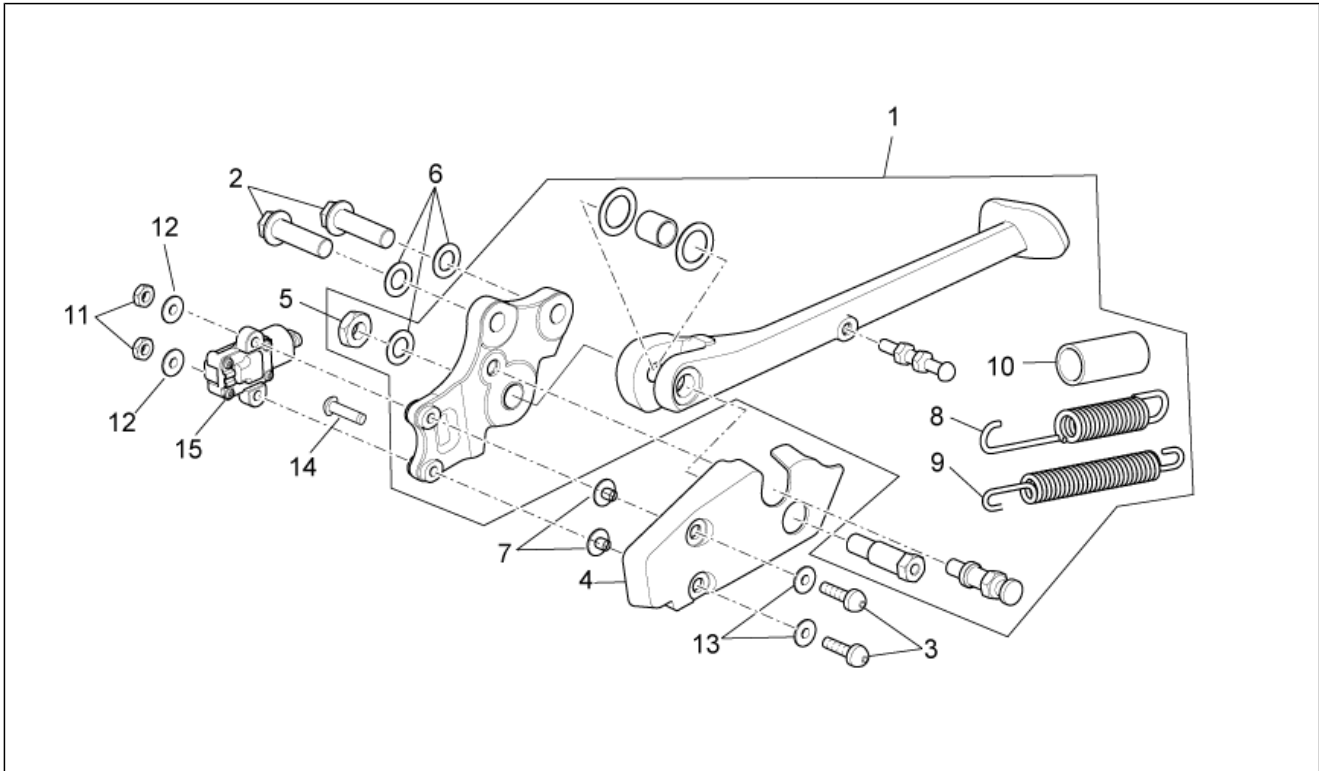
Pos.	Code	Description	Qty	Variants
1	2B003589	Saddle support	1	
2	899190	Headlight support clamp	1	
3	858904	Support bracket	1	
4	AP8201755	Threaded rivet	2	
5	AP8150469	Hex socket screw M10x30	4	
6	AP8117033	Adhesive sponge	1	
7	AP8102544	Threaded rivet M6	4	
8	AP8104390	Threaded rivet M5	6	
9	AP8220323	Cover	1	
10	AP8144707	Gasket	1	

Group	FRAME
Code	28.03
Description	Foot rests
Service	1



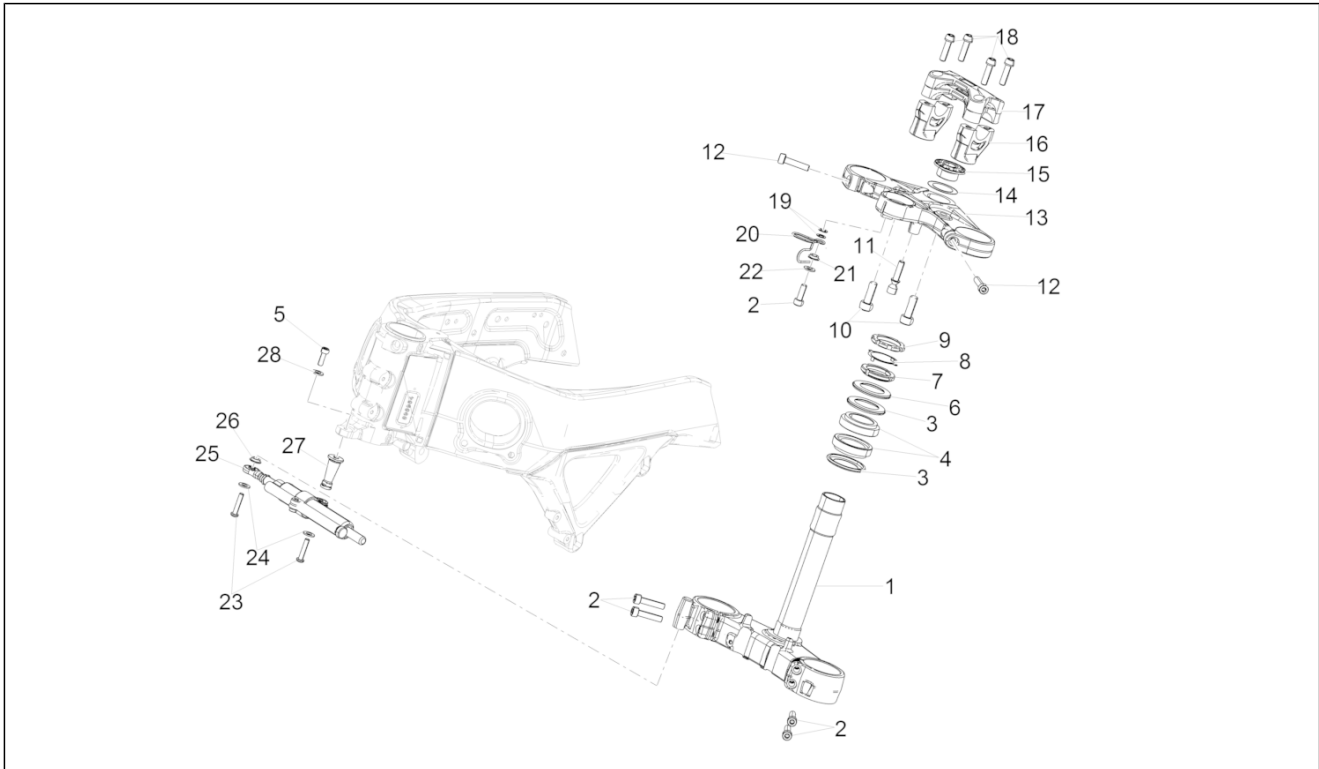
Pos.	Code	Description	Qty	Variants
1	2B003415	RH front footrest bracket	1	
2	897830	RH Foot rests	1	
3	GU30441005	Pin	2	
4	CM228401	Footrest pin	2	
5	AP8121224	Footrest return spring	2	
6	AP8120573	Stop ring	4	
7	GU05677730	Springs fixing pin	1	
8	897829	LH front footrest bracket	1	
9	AP8150540	Screw	4	
10	AP8224470	Hex socket screw M6x20	2	
11	AP8150429	Spring washer 6,4x11x0,5*	8	
12	858787	RH protection	2	
13	858788	LH protection	1	
14	AP8150537	Hex socket screw M6x12	6	
15	894201	LH rear footrest guard	1	
16	CM228402	Footrest pin	2	
17	AP8134451	Footrest plate	4	
18	AP8101861	Ball D6,35	2	
19	AP8121133	Coil compress. spring	2	
20	897832	Rear footrest, RH	1	
21	897834	Rear footrest, RH cpl	1	
22	897835	Rear footrest, LH	1	
23	AP8150164	Hex socket screw M8x45	4	
24	897833	Rear footrest, LH	1	
25	897831	LH Foot rests	1	

Group	FRAME
Code	28.04
Description	Central stand
Service	1



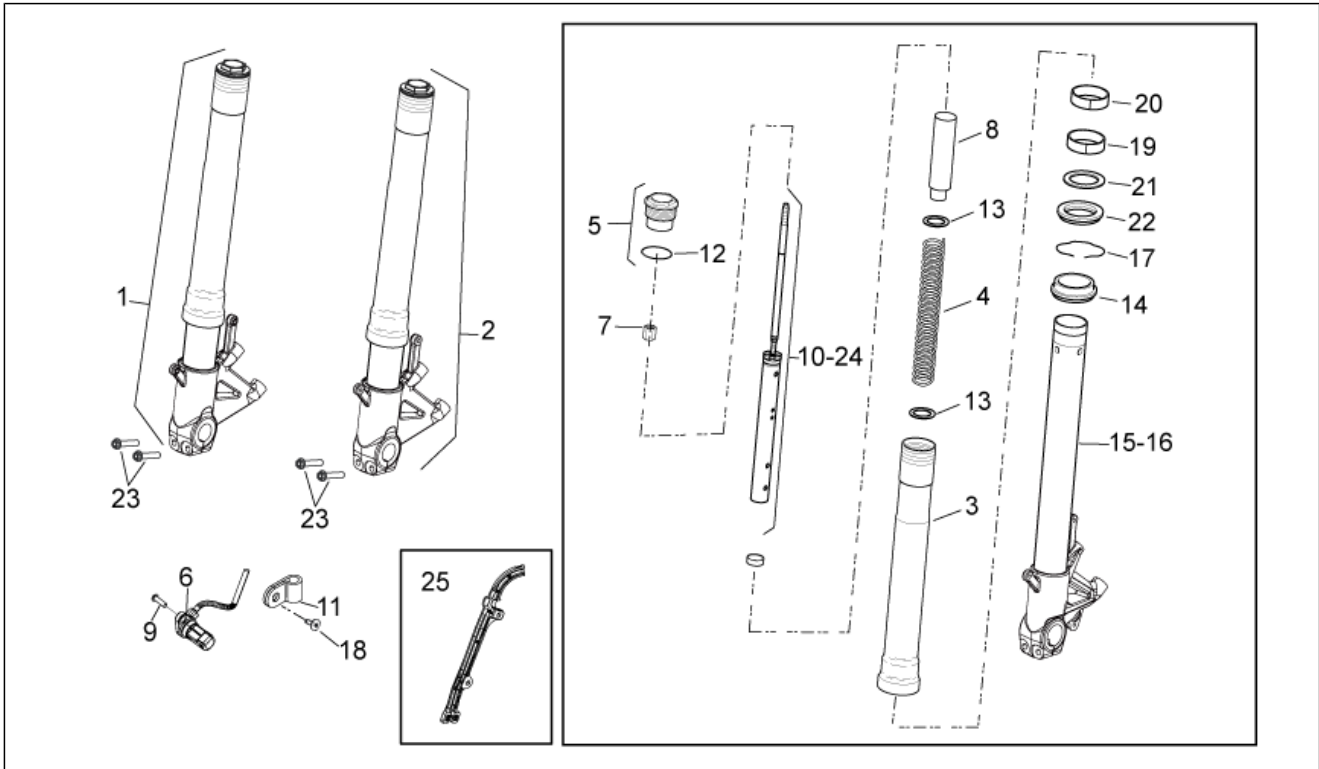
Pos.	Code	Description	Qty	Variants
1	2B003283	Sidestand assy	1	
2	AP8152318	Screw w/ flange M10x35	2	
3	AP8225369	Hex socket screw	2	
4	858941	Guard	1	
5	AP8152001	Low nut M10x1,25	1	
6	AP8150292	Curved spring washer *	3	
7	843213	T bush	2	
8	AP8221204	Lateral stand spring	1	
9	AP8221211	Internal lateral stand spring	1	
10	AP8102524	Stand spring protection	1	
11	AP8150311	Low self-locking nut	2	
12	AP8150012	Washer 5,3x10x1*	2	
13	AP8150248	Washer 5,5x15x1,6	2	
14	AP8120876	Plug	1	
15	AP8127856	Lateral stand switch	1	

Group	FRAME
Code	28.05
Description	Steering
Service	1



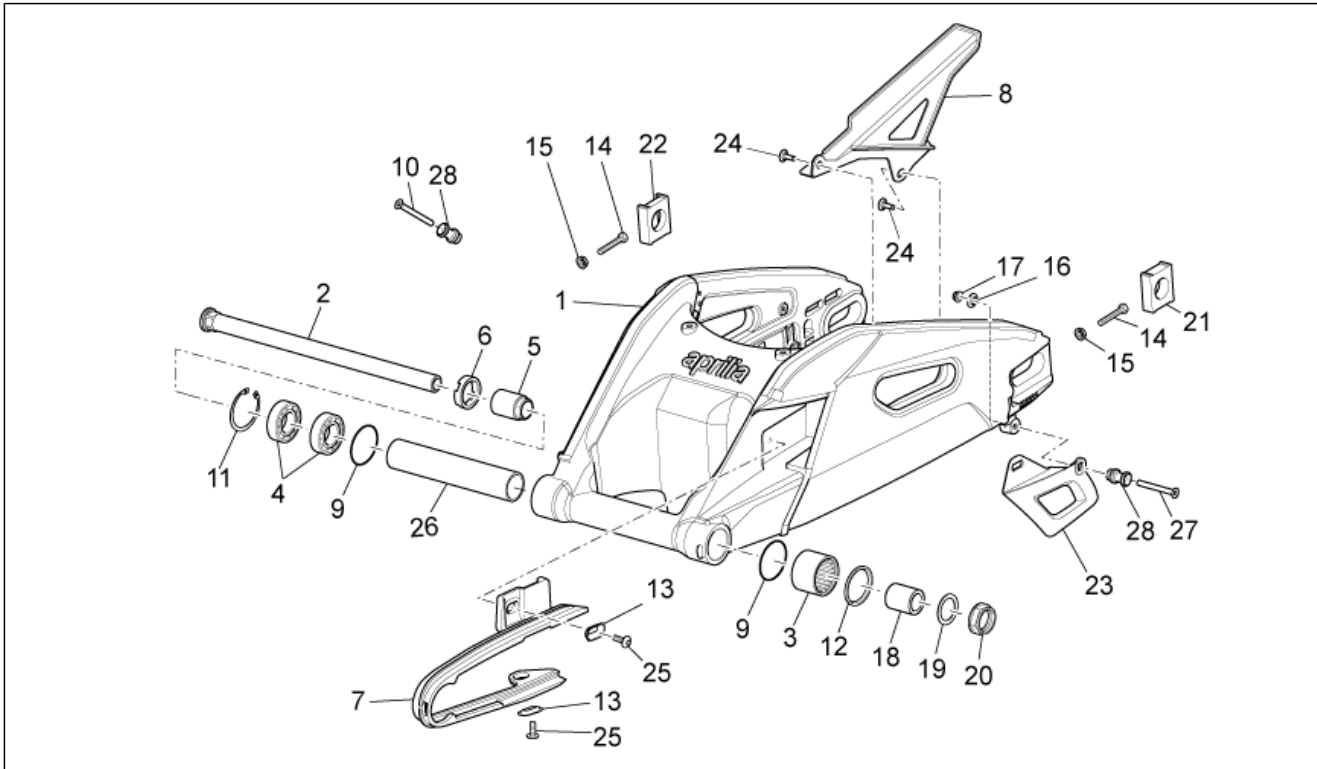
Pos.	Code	Description	Qty	Variants
1	2B003927	Fork lower plate	1	
2	AP8150236	Hex socket screw M8x35	5	
3	AP8123641	Dust cover ring	2	
4	AP8110077	Axial ball bearing	2	
5	AP8152287	Screw w/ flange M8x25	2	
6	AP8123644	Dust cover ring	1	
7	AP8123642	Ring nut	1	
8	AP8121207	Steering security plate	1	
9	AP8123643	Return ring nut	1	
10	AP8150195	Hex socket screw M10x30	2	
11	AP8152238	Shear rivet M8x28	1	
12	AP8150540	Screw	2	
13	2B003976	Fork upper plate	1	
14	AP8152384	Stem plug washer	1	
15	AP8121346	Upper plate fixing bush	1	
16	2B003986	Lower U-bolt	2	
17	2B003980	Upper U-bolt	1	
18	AP8150540	Screw	4	
19	AP8152154	Washer 8,4x13*	2	
20	B044620	Fairlead	1	
21	AP8121096	T bush 8,2x12x4	1	
22	AP8150017	Washer 8,4x16x1,6	1	
23	AP8152128	Hex socket screw M6x30	2	
24	AP8152105	Washer 6,4x10x,7*	2	
25	2B001699	Steering shock absorber	1	
26	AP8121811	T bush	1	
27	2B002151	Spacer	1	
28	AP8150376	Washer 8,5x15x0,8	1	

Group	FRAME
Code	28.06
Description	Front fork
Service	1



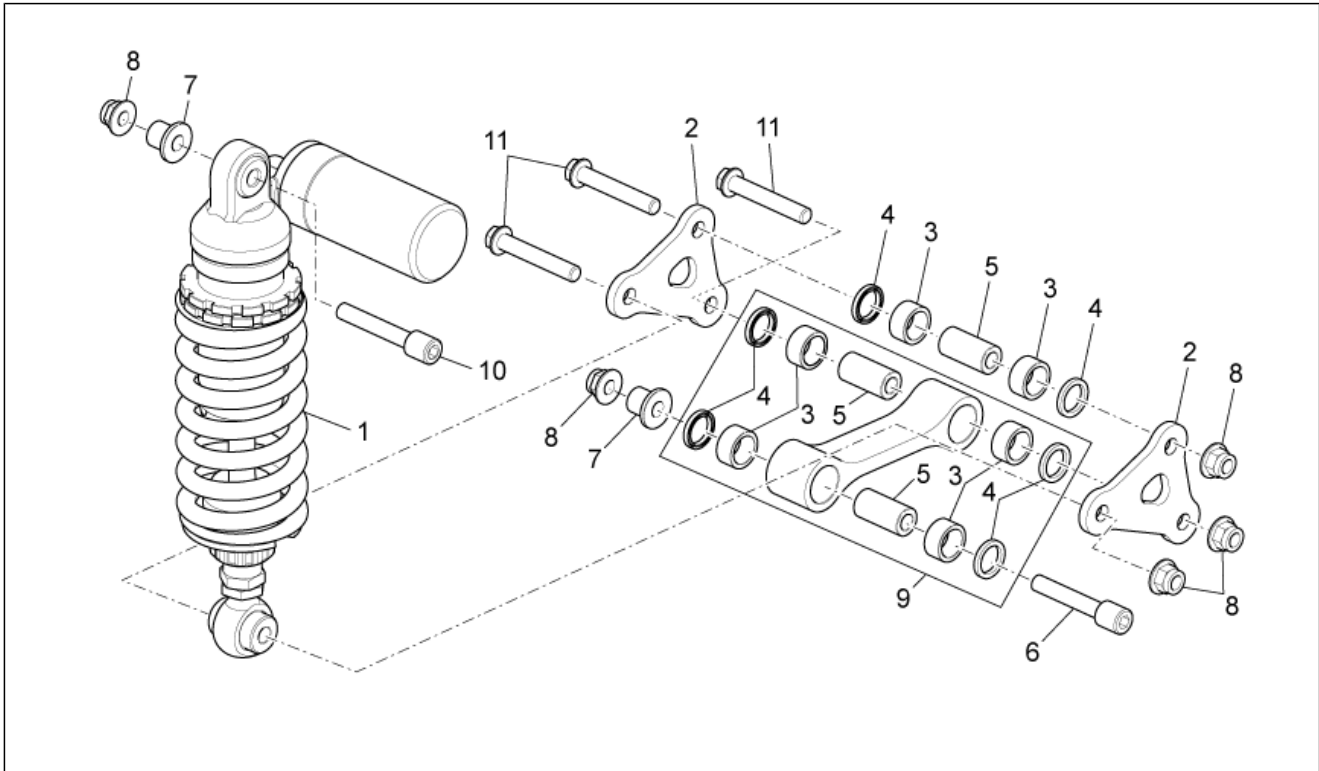
Pos.	Code	Description	Qty	Variants
1	2B001656	RH sleeve and rod	1	
2	2B001655	LH sleeve and rod	1	
3	B043561	Sleeve	2	
4	2B002077	Fork spring	2	
5	B046351	Right fork cap	1	
5	B043563	LH fork plug	2	
6	859792	Sensor ABS	1	
7	897331	Nut	2	
8	2B002078	Preload tube	2	
9	AP8152267	Hex socket screw M5x12	3	
10	2B002080	LH plunger, complete	1	
11	859777	Fairlead	1	
12	897335	O-ring	2	
13	897336	Washer	4	
14	897337	Dust cover	2	
15	B046353	Hub+RH fork leg	1	
16	B046355	Hub+LH fork leg	1	
17	897339	Circlip	2	
18	AP8201749	Screw M4x6	1	
19	897341	Spring guide bush	2	
20	897342	Bush	2	
21	897343	Special washer	2	
22	897344	Oil seal	2	
23	AP8152283	Screw w/ flange	4	
24	2B002079	RH plunger, complete	1	
25	B044314	Front ABS sensor cable guide	1	

Group	FRAME
Code	28.07
Description	Swing arm
Service	1



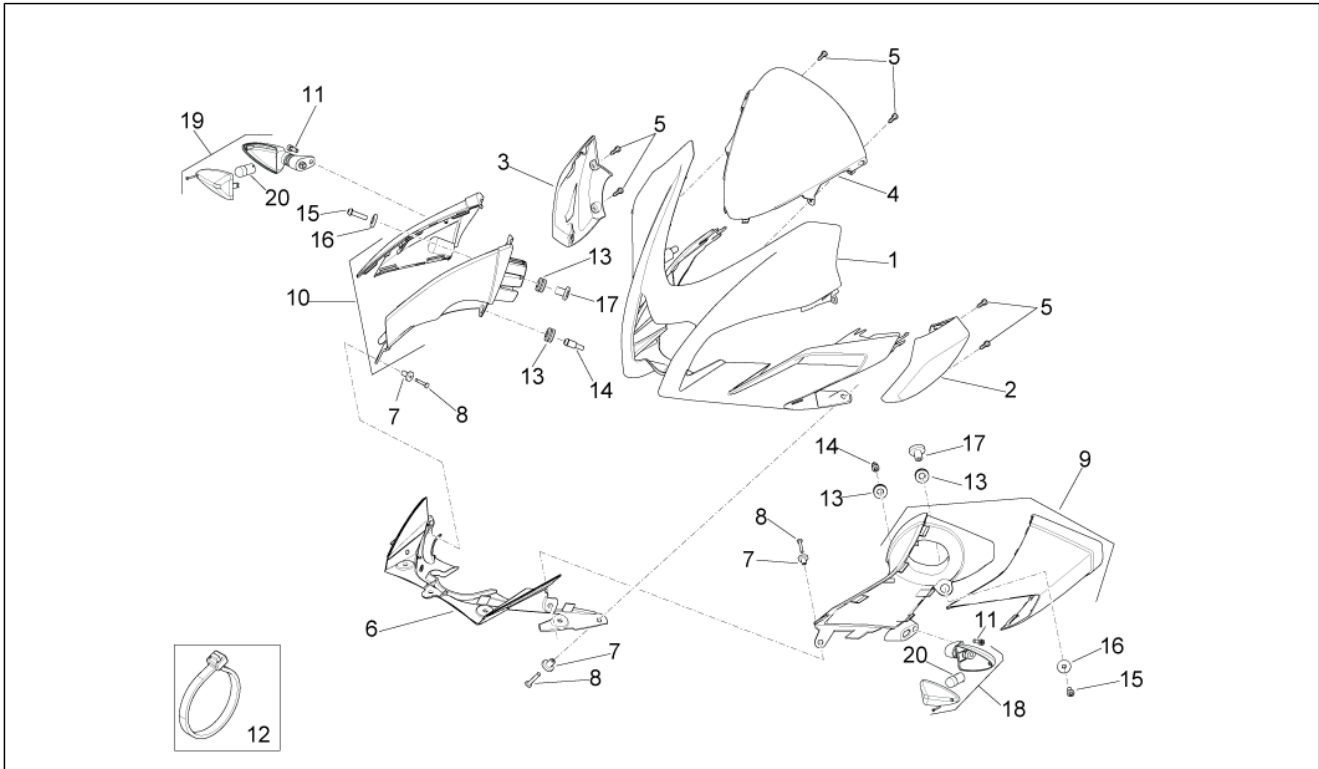
Pos.	Code	Description	Qty	Variants
1	2B001289	Swing arm	1	
2	858707	Rear swing arm pin	1	
3	AP8110078	Roller cage	1	
4	890002	Ball bearing 61904-2RS1	2	
5	858708	Adjustment bush	1	
6	648707	Swing arm ring nut	1	
7	858780	Chain guide plate	1	
8	858783	Chain guard	1	
9	AP8144048	O-ring 134	2	
10	AP8150468	Screw M6x40	1	
11	AP8121204	Inside circlip d37	1	
12	AP8144005	Gasket ring	1	
13	AP8234020	Cup for shoe	2	
14	2B001920	Chain tens.adjuster screw	2	
15	2B004511	Nut M6	2	
16	AP8121075	T bush *	1	
17	AP8150430	Low self-locking nut	1	
18	AP8121203	Rear int.sw.arm piv.bush	1	
19	AP8125687	Wheel pin washer	1	
20	648708	Rear wheel spindle nut	1	
21	AP8144443	LH chain guide plate	1	
22	AP8144444	RH chain guide plate	1	
23	858781	Chain guide plate	1	
24	AP8152302	Screw w/ flange M5x12	3	
25	AP8152267	Hex socket screw M5x12	2	
26	AP8121570	Internal spacer	1	
27	AP8150503	Screw	1	
28	AP8148824	Maintenance	2	

Group	FRAME
Code	28.08
Description	Rear shock absorber
Service	1



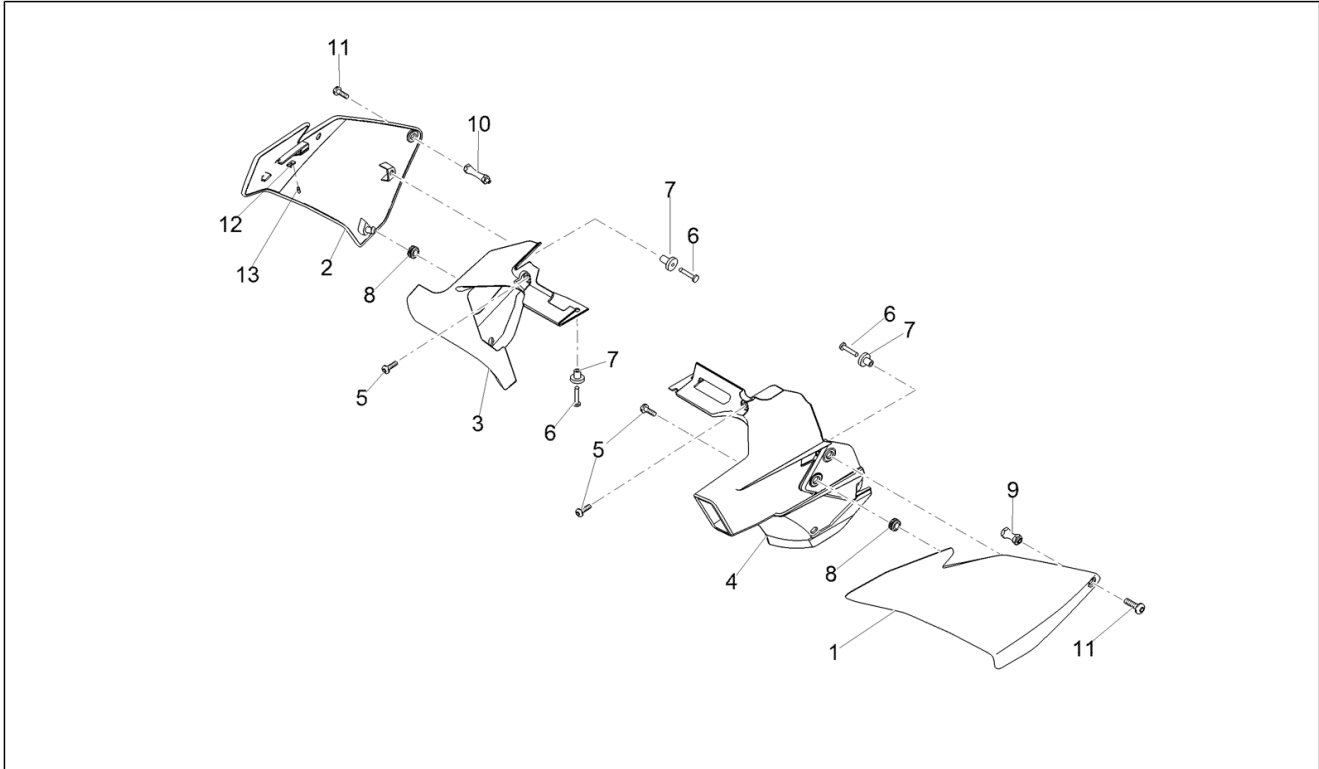
Pos.	Code	Description	Qty	Variants
1	2B001654	Rear shock absorber	1	
2	2B003070	Double conrod	2	
3	AP8110065	Roller cage	4	
4	AP8110068	Oil seal D18x24x3	4	
5	AP8146518	Piston pin L=36	3	
6	AP8152412	Hex socket screw M10x72	1	
7	AP8121155	T bush *	2	
8	AP8152301	Self-locking nut	5	
9	AP81465164	Single conrod comp.	1	
10	AP8152411	Hex socket screw M10x59	1	
11	AP8152413	Screw w/ flange M10x61	3	

Group	FRAME
Code	28.09
Description	Front body I
Service	1



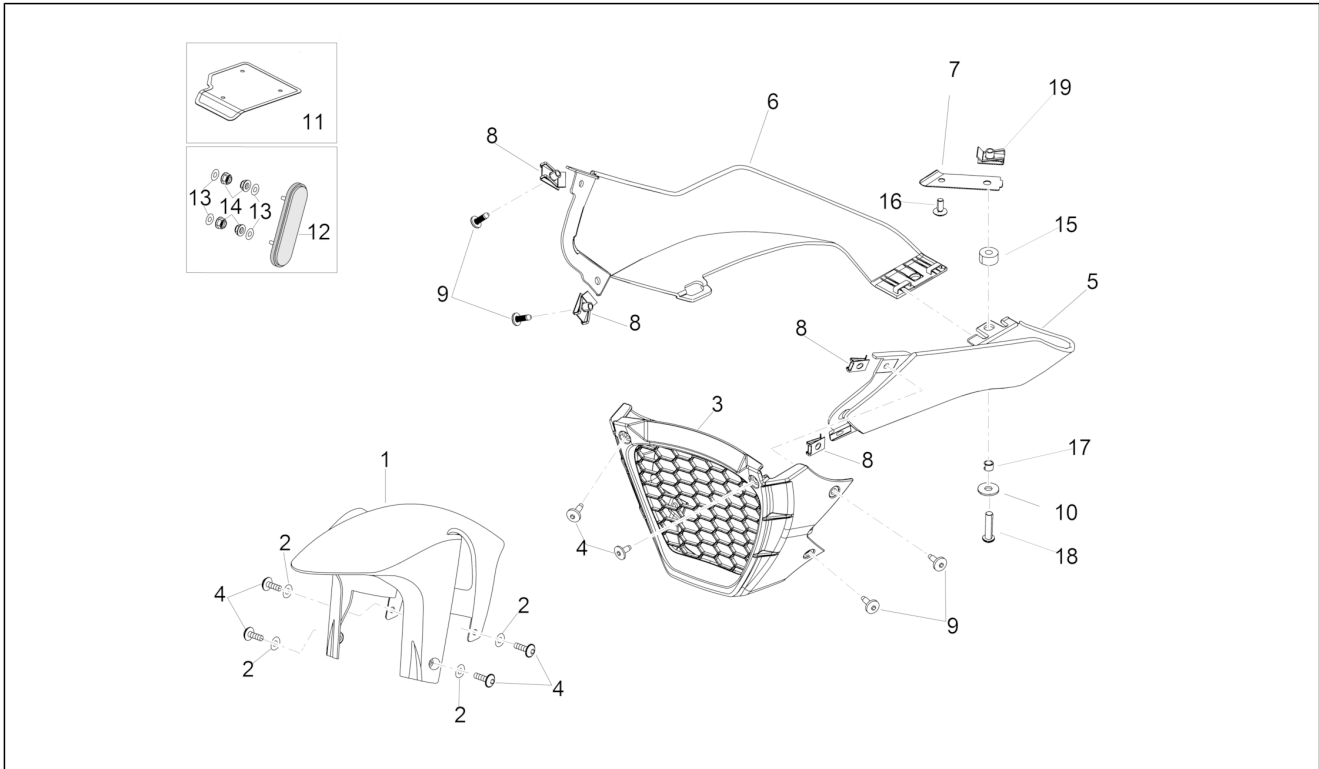
Pos.	Code	Description	Qty	Variants
1	2H001758000XN2	Front fairing, black	1	Colour: Pulsar Grey[Gray] Technical Specification: With decals applied[D]
1	2H001783000XN2	Fairing front piece, Competition black paint finish	1	Colour: Competition Black[Black] Technical Specification: With decals applied[D]
2	2B001755	LH light side panel	1	
3	2B001754	RH light side panel	1	
4	2H001781	Windshield	1	Technical Specification: With decals applied[D]
5	259349	Screw M4,2x13	2	
6	2B003718	Headlight Low lockup	1	
7	AP8144616	Rivet, female	9	
8	AP8144563	Rivet, male	9	
9	2B002421	Complete LH duct	1	
10	2B002422	Complete RH duct	1	
11	AP8152108	Hex socket screw	2	
12	AP8102386	Hose clamp 155x2	4	
13	AP8120030	Rubber spacer	4	
14	899919	Threaded pin	2	
15	AP8152117	TBEI M6x25 screw	2	
16	AP8152181	Washer 6,4x15x1	2	
17	AP8221023	T bush	2	
18	AP8127803	LH front/RH rear turn indic.	1	
19	AP8127804	RH front/LH rear turn indic.	1	
20	AP8127489	Lamp RY10W 12V	2	

Group	FRAME
Code	28.10
Description	Front body II
Service	1



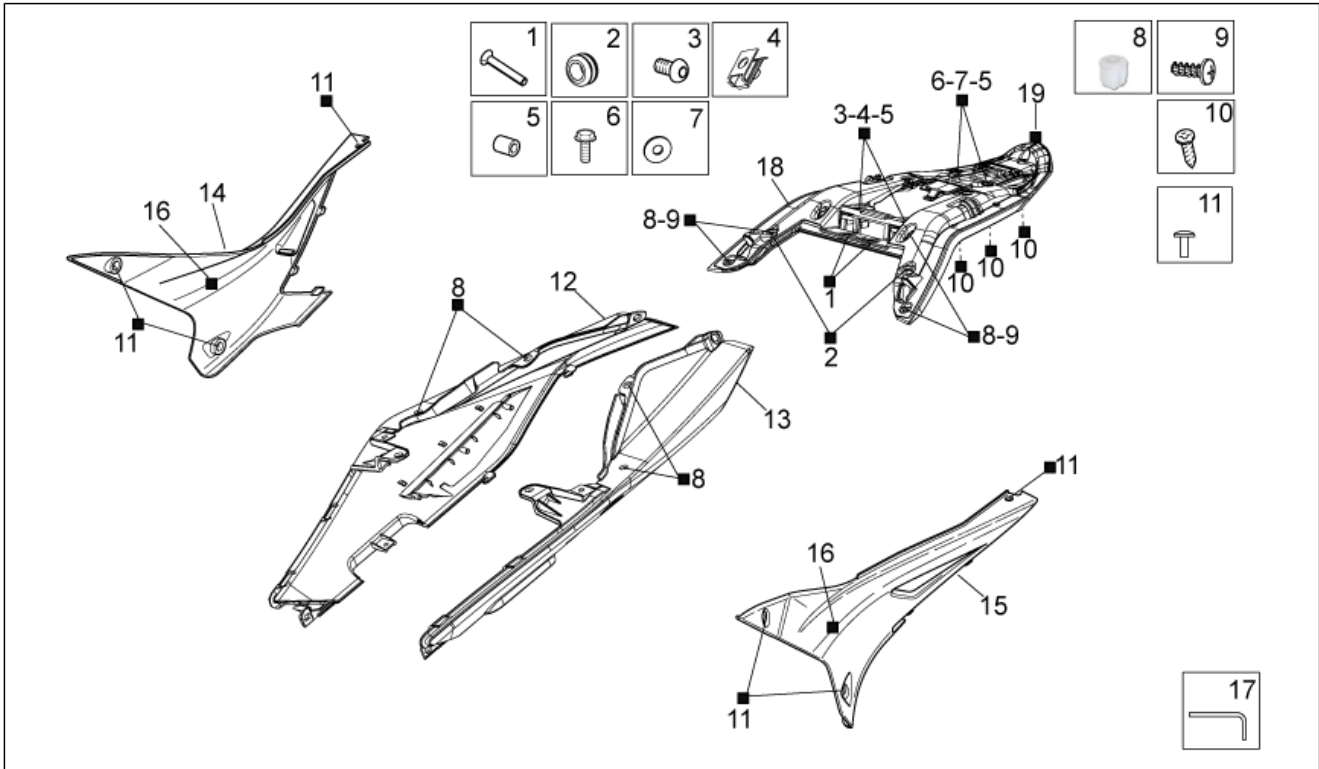
Pos.	Code	Description	Qty	Variants
1	2H001785000EU	LH lat.fairing, grey	1	Colour: Pulsar Grey[Gray] Technical Specification: With decals applied[D]
1	2H001785000XN2	LH lat.fairing, black	1	Colour: Competition Black[Black] Technical Specification: With decals applied[D]
2	2H001784000EU	RH lat.fairing, grey	1	Colour: Pulsar Grey[Gray] Technical Specification: With decals applied[D]
2	2H001784000XN2	RH lat.fairing, black	1	Colour: Competition Black[Black] Technical Specification: With decals applied[D]
3	2B001756	RH cooler upper frame	1	
4	2B003831	LH cooler upper frame	1	
5	AP8152302	Screw w/ flange M5x12	3	
6	AP8144563	Rivet, male	3	
7	AP8144616	Rivet, female	3	
8	AP8220186	Rubber spacer	2	
9	894933	Spacer	1	
10	894933	Spacer	1	
11	896174	Hex socket screw Black M5x12	2	
12	AP8102375	Clip M5	2	
13	2B003687	Threaded pin	2	

Group	FRAME
Code	28.11
Description	Front body III
Service	1



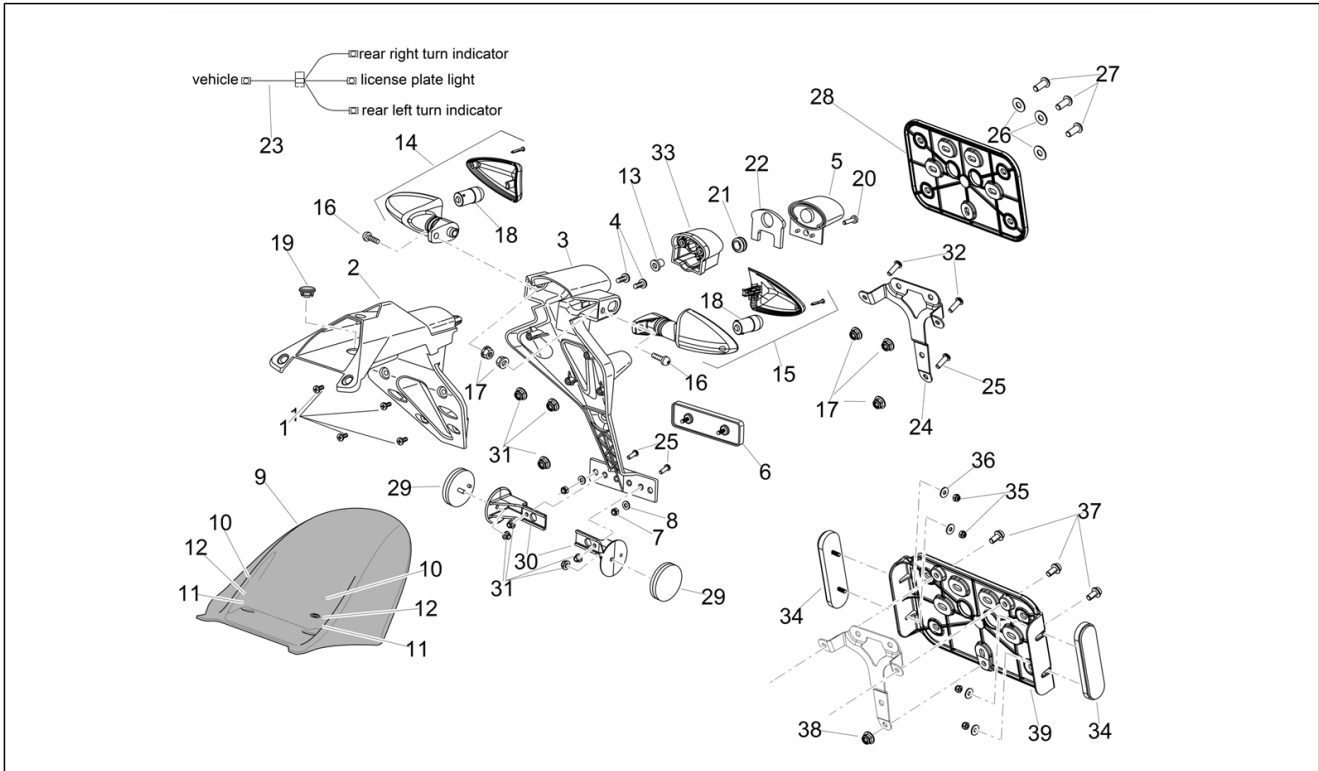
Pos.	Code	Description	Qty	Variants
1	2B003404	Photoengraved front mudguard	1	
2	AP8150376	Washer 8,5x15x0,8	4	
3	B043248	Pillar	1	
4	AP8150500	Hex socket screw M5x9	4	
5	B043247	Left pillar	1	
6	B043246	Right pillar	1	
7	2B002563	Lower bracket	1	
8	AP8102375	Clip M5	5	
9	AP8150500	Hex socket screw M5x9	4	
10	841821	Washer 6,6x18x1,6	1	
11	B043880	Heat protection	1	
12	AP8124719	Reflector, amber	2	Country:[]
13	AP8150158	Washer 4,3X9X0,8	4	Country:[]
14	AP8150204	Nut M4	4	Country:[]
15	AP8125848	Spacer	1	
16	896174	Hex socket screw Black M5x12	1	
17	AP8120253	Spacer	1	
18	AP8152117	TBEI M6x25 screw	1	
19	254485	Spring plate M6	1	

Group	FRAME
Code	28.12
Description	Rear body I
Service	1



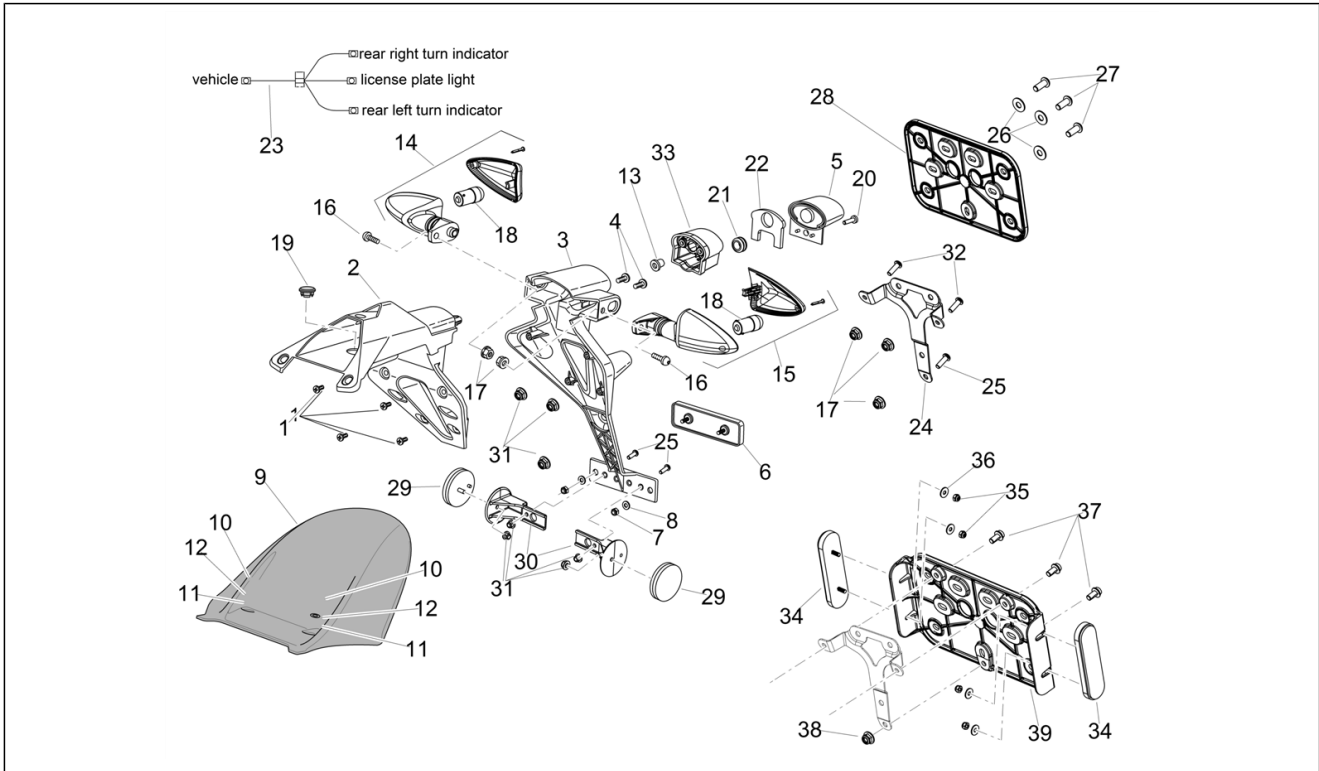
Pos.	Code	Description	Qty	Variants
1	AP8150468	Screw M6x40	2	
2	AP8112600	Rubber spacer	2	
3	AP8224470	Hex socket screw M6x20	2	
4	254485	Spring plate M6	2	
5	AP9100594	Bush 10x7	4	
6	AP8152246	Screw w/ flange M6x16	2	
7	AP8150380	Washer 12,5x6,4*	2	
8	B043254	female screw insert	8	
9	AP8150509	Self-tap screw 5x14	4	
10	AP8150420	Self-tapping screw *	6	
11	896174	Hex socket screw Black M5x12	6	
12	2H001786000XN2	RH rear fairing, black	1	Colour: Competition Black[Black] Technical Specification: With decals applied[D]
12	2H001788000EU	RH rear fairing, grey	1	Colour: Pulsar Grey[Gray] Technical Specification: With decals applied[D]
13	2H001787000XN2	LH rear fairing, black	1	Colour: Competition Black[Black] Technical Specification: With decals applied[D]
13	2H001789000EU	LH rear fairing, grey	1	Colour: Pulsar Grey[Gray] Technical Specification: With decals applied[D]
14	858833	RH side panel	1	
15	858834	LH side panel	1	
16	AP8117004	Adhesive sponge 15x8	2	
17	894195	Hex key	1	
18	89888000EU	Rear handle, grey	1	
19	AP8157770	"Aprilia" dataplate	1	

Group	FRAME
Code	28.13
Description	Rear body II
Service	1



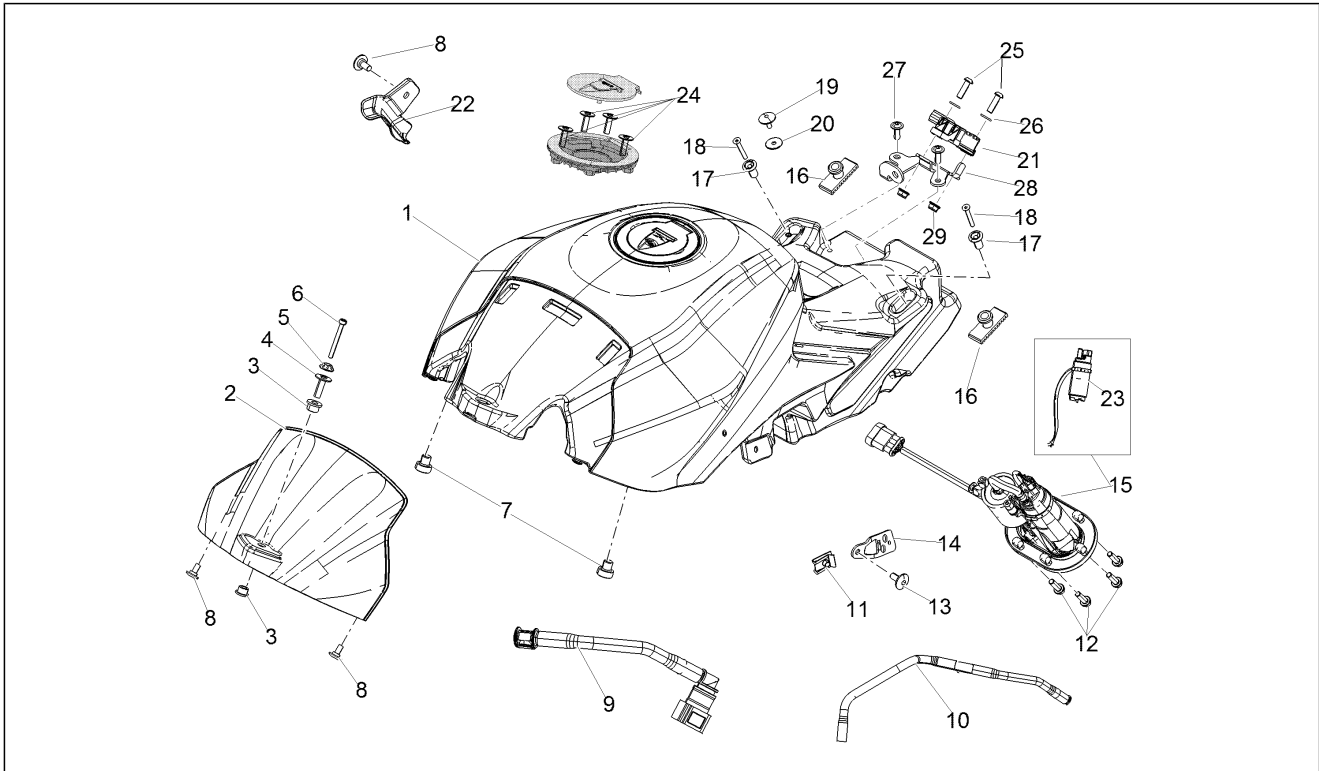
Pos.	Code	Description	Qty	Variants
1	AP8150413	Self-tap screw 3,9x14	4	
2	2B001552	License plate	1	
3	897482	License plate	1	
4	258249	screw 4,2x19	3	
5	85256R	Number-plate light	1	
6	AP8112916	Rear reflector	1	
7	AP8150204	Nut M4	2	
8	AP8150158	Washer 4,3X9X0,8	2	
9	858782	Rear mudguard	1	
10	AP8152137	Hex socket screw M6x20	2	
11	AP8150179	Washer 6,6x18*	2	
12	AP8150182	Curved spring washer *	2	
13	894566	T bush	1	
14	AP8127803	LH front/RH rear turn indic.	1	
15	AP8127804	RH front/LH rear turn indic.	1	
16	AP8152108	Hex socket screw	2	
17	AP8152299	Self-locking nut M6	2	
18	AP8127489	Lamp RY10W 12V	2	
19	894657	Cover	1	
20	AP8150522	Screw 4,2x16	1	
21	AP8112600	Rubber spacer	1	
22	AP8117258	Vibration-damping rubber	1	
23	858868	Taillight wiring harness.	1	
24	894899	Maintenance	1	
25	AP8152267	Hex socket screw M5x12	3	
26	AP8152181	Washer 6,4x15x1	3	
27	AP8152108	Hex socket screw	3	
28	AP8149034	Number plate support	1	

Group	FRAME
Code	28.13
Description	Rear body II
Service	1



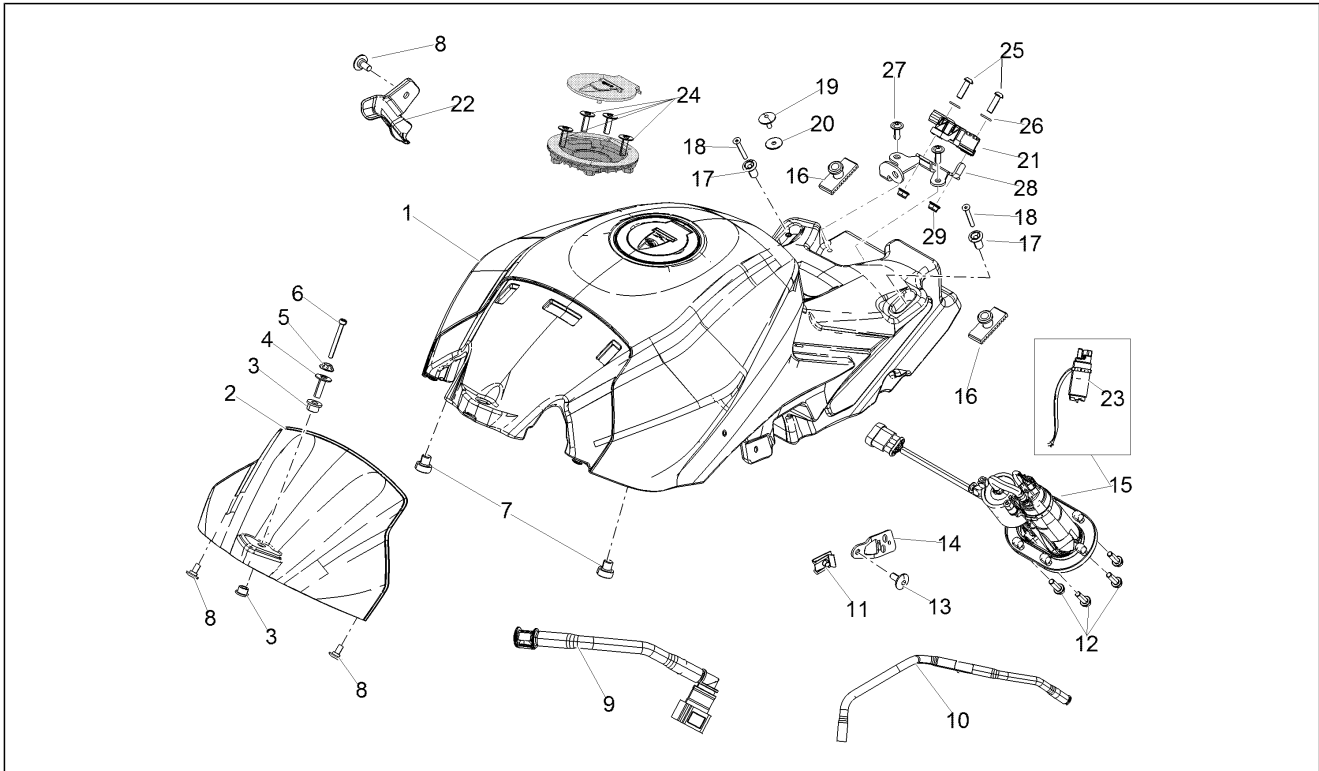
Pos.	Code	Description	Qty	Variants
29	AP8224164	Rear reflector, red	1	
30	AP8134783	Reflector support	2	
31	AP8152306	Self-locking nut M5	2	
32	AP8152268	Hex socket screw M5x16	2	
33	894900	Extension	1	
34	AP8124718	Rear reflector, red	2	
35	AP8150204	Nut M4	4	
36	AP8150501	Washer	2	
37	AP8152298	Screw w/ flange M5x16	3	
38	AP8152306	Self-locking nut M5	1	
39	2B004072	Number plate support	1	

Group	FRAME
Code	28.14
Description	Fuel tank
Service	1



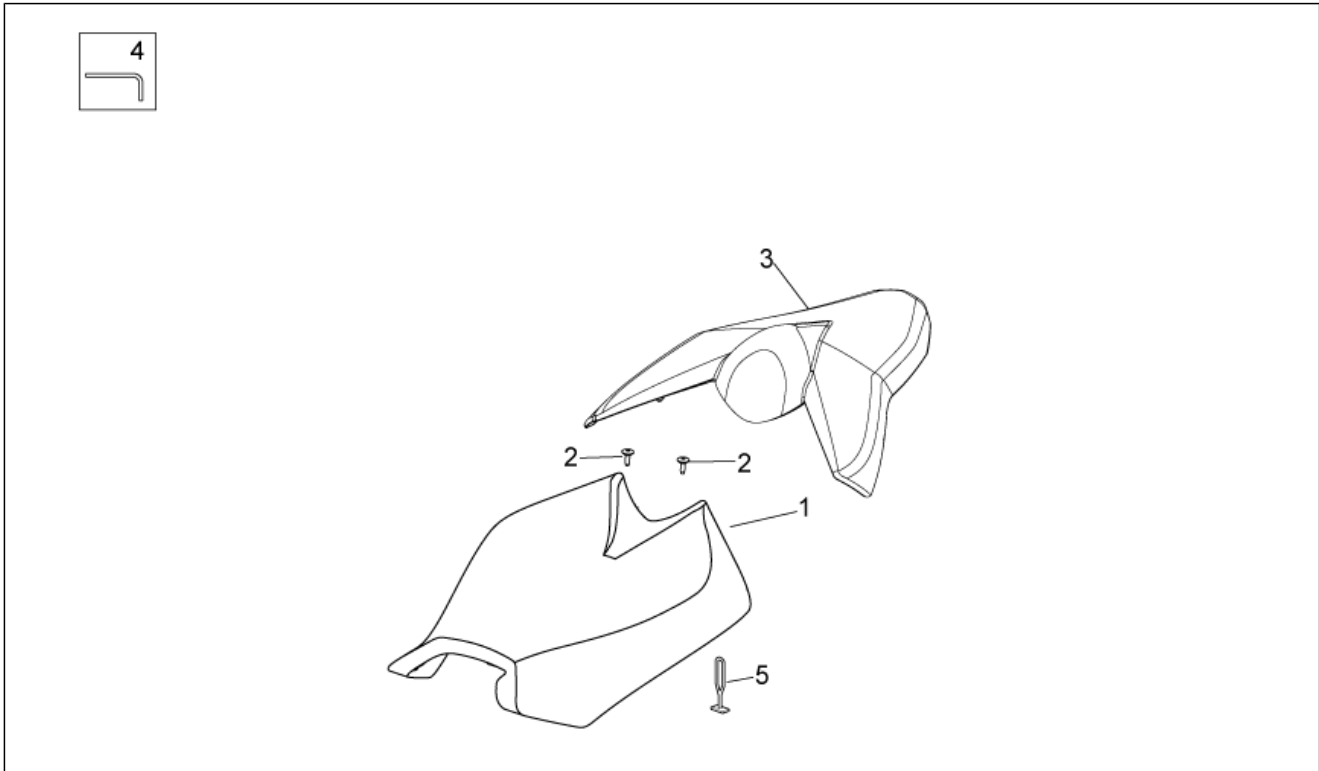
Pos.	Code	Description	Qty	Variants
1	2H001780000XN2	Complete black painted fuel tank	1	Colour: Competition Black[Black] Technical Specification: With decals applied[D]
1	2H001818000EU	Fuel tank cover, P grey paint finish	1	Colour: Pulsar Grey[Gray] Technical Specification: With decals applied[D]
2	B04454700XN2	Tank cover	1	
3	AP8101372	Silent-block	2	
4	B044548	Bush Fixing	1	
5	AP8150536	Special washer	1	
6	AP8150403	Hex socket screw M6x45	1	
7	AP8144158	Rubber spacer	2	
8	AP8152339	Screw w/ flange M5x9	3	
9	858884	Fuel pipe	1	
10	895959	Breather pipe	1	
11	AP8102375	Clip M5	1	
12	AP8152273	Screw w/ flange M5x15	6	
13	AP8150538	Hex socket screw M5x10	1	
14	858886	LH support	1	
15	B043925	Fuel pump cpl.	1	
16	AP8120663	Rubber spacer *	2	
17	893273	Spacer	2	
18	576836	screw	2	
19	AP8161127	Fixing pin	1	
20	AP8150255	Washer 5x20x1,5	1	
21	2D000385	Inclination sensor	1	
22	B044550	Maintenance	1	
23	899068	Fuel level sensor	1	
24	B043864	Hex socket screw M5x14	4	
25	AP8224470	Hex socket screw M6x20	2	

Group	FRAME
Code	28.14
Description	Fuel tank
Service	1



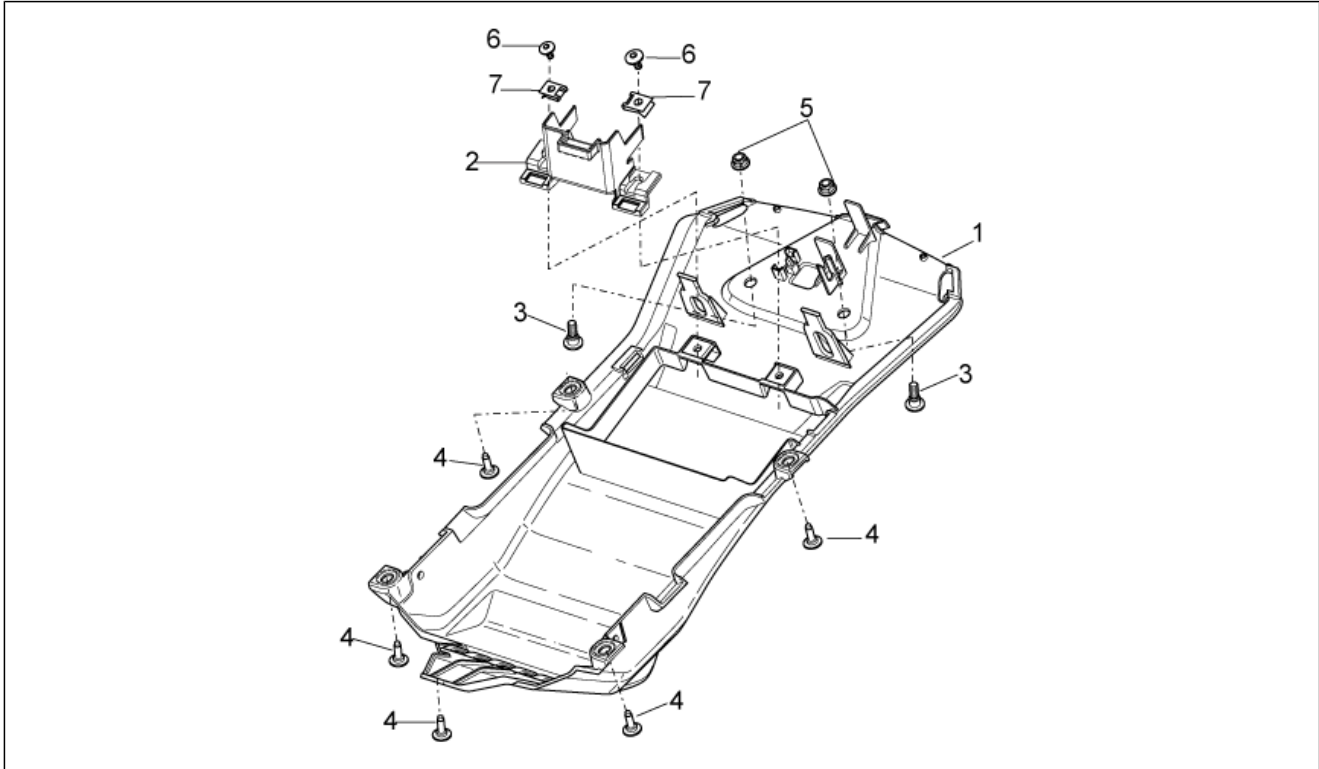
Pos.	Code	Description	Qty	Variants
26	GU95005306	Washer 6,4x13x1,5	2	
27	GU98210612	Screw w/ flange M6x12	2	
28	2B002985	Support bracket	1	
29	AP8152299	Self-locking nut M6	2	

Group	FRAME
Code	28.15
Description	Saddle
Service	1



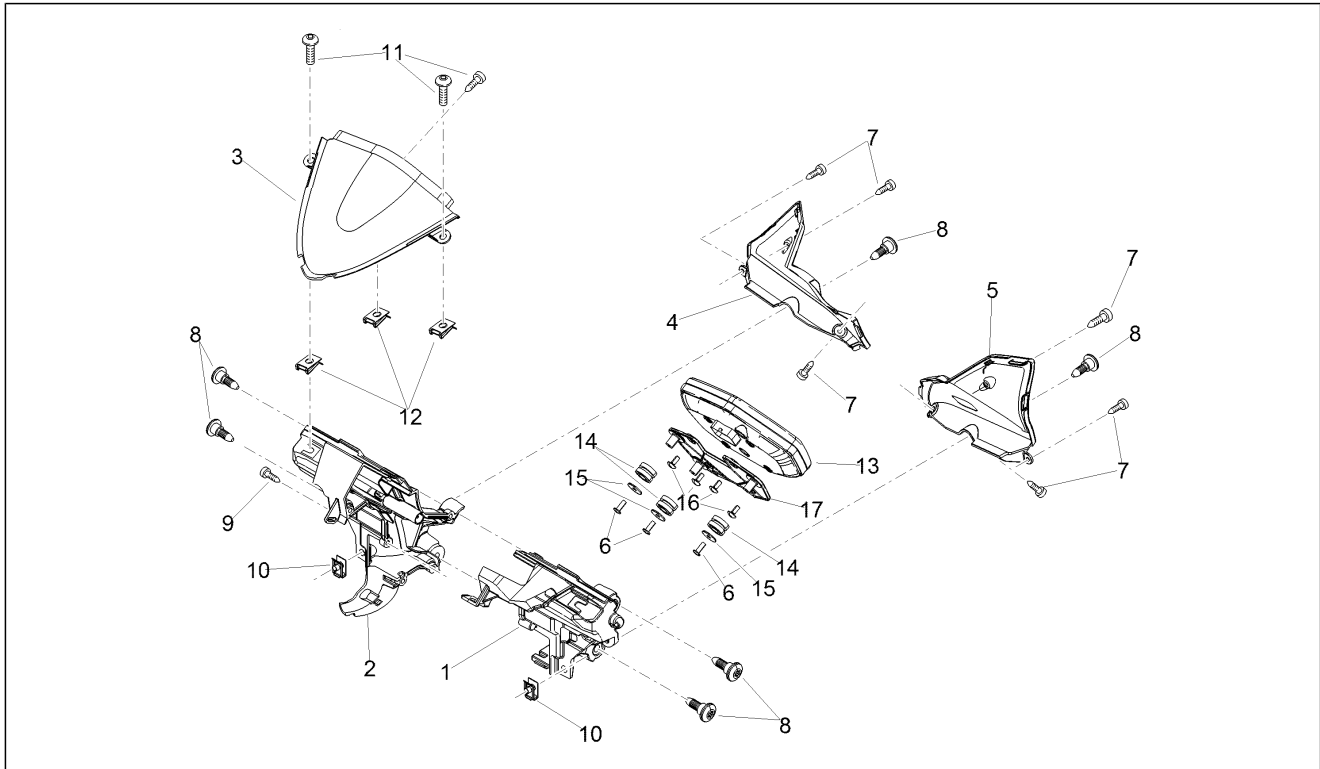
Pos.	Code	Description	Qty	Variants
1	B04545600C2	Driver saddle, black	1	
2	AP8152302	Screw w/ flange M5x12	2	
3	2B002053000C1	Rear saddle, black	1	
4	894195	Hex key	1	
5	AP8120177	Elastic	1	

Group	FRAME
Code	28.16
Description	Undersaddle
Service	1



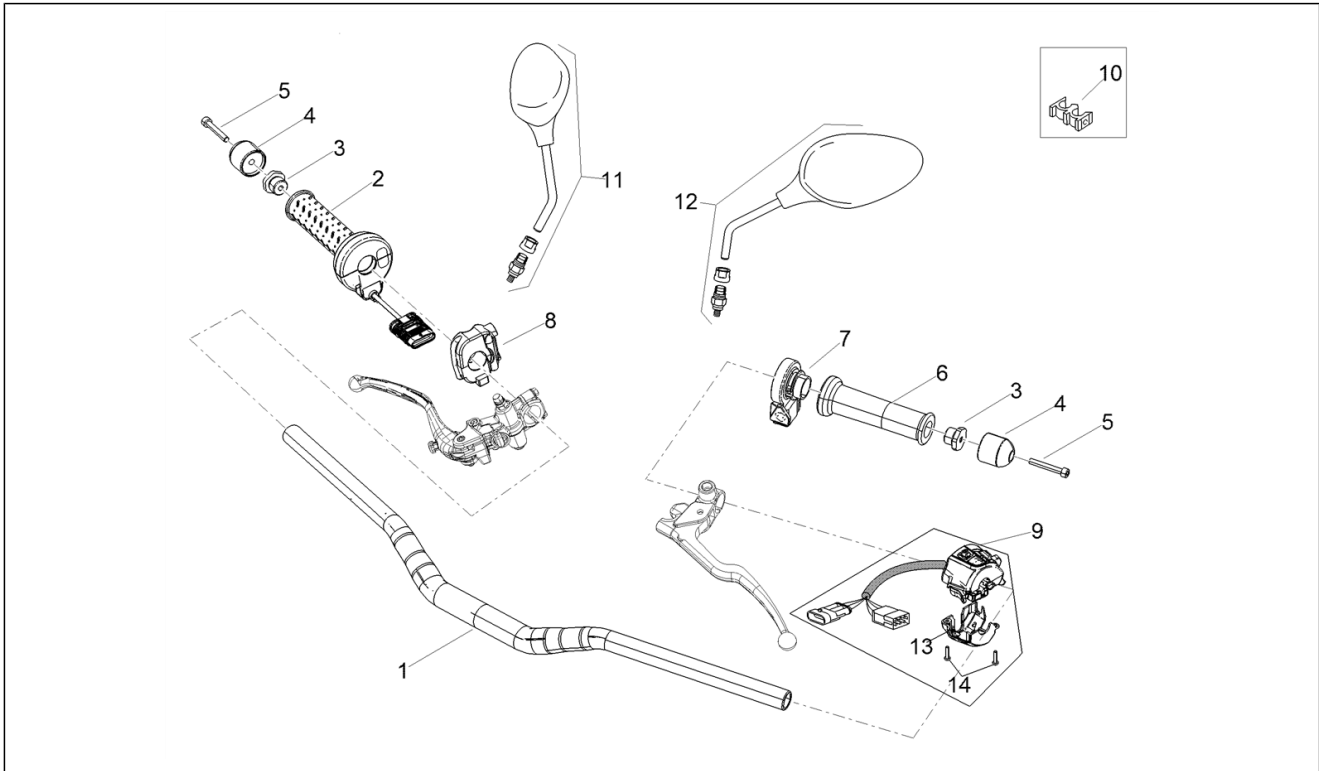
Pos.	Code	Description	Qty	Variants
1	858836	Saddle supp.lower lockup	1	
2	898252	Battery bracket	1	
3	895915	Screw w/ flange M5X16	2	
4	AP8152302	Screw w/ flange M5x12	4	
5	AP8152299	Self-locking nut M6	2	
6	AP8152298	Screw w/ flange M5x16	2	
7	AP8102375	Clip M5	7	

Group	FRAME
Code	28.17
Description	Dashboard
Service	1



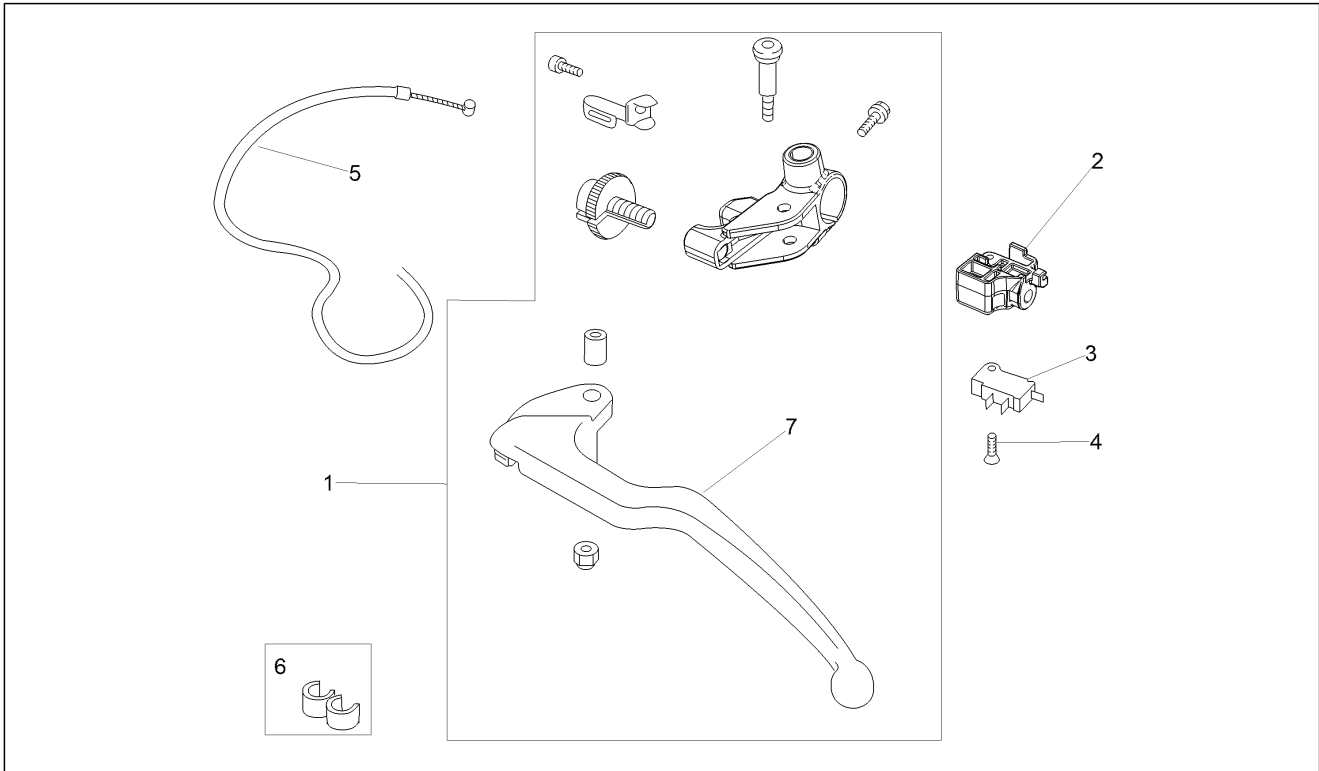
Pos.	Code	Description	Qty	Variants
1	2B003492	Left instrument panel support	1	
2	2B003491	Right instrument panel support	1	
3	2B003548	Up. Dashboard cover	1	
4	2B003489	RH instrument panel board	1	
5	2B003490	Instrument panel LH panel	1	
6	AP8150509	Self-tap screw 5x14	3	
7	259349	Screw M4,2x13	6	
8	270361	Screw M6x20	6	
9	AP8152329	Phillips screw, SWP M5x20	6	
10	254485	Spring plate M6	2	
11	AP8150500	Hex socket screw M5x9	3	
12	AP8102375	Clip M5	3	
13	2D000278	Digital dashboard	1	
14	AP8220150	Rubber spacer	3	
15	AP8150255	Washer 5x20x1,5	3	
16	896174	Hex socket screw Black M5x12	4	
17	2B003549	Socket support	1	

Group	FRAME
Code	28.18
Description	Handlebar - Controls
Service	1



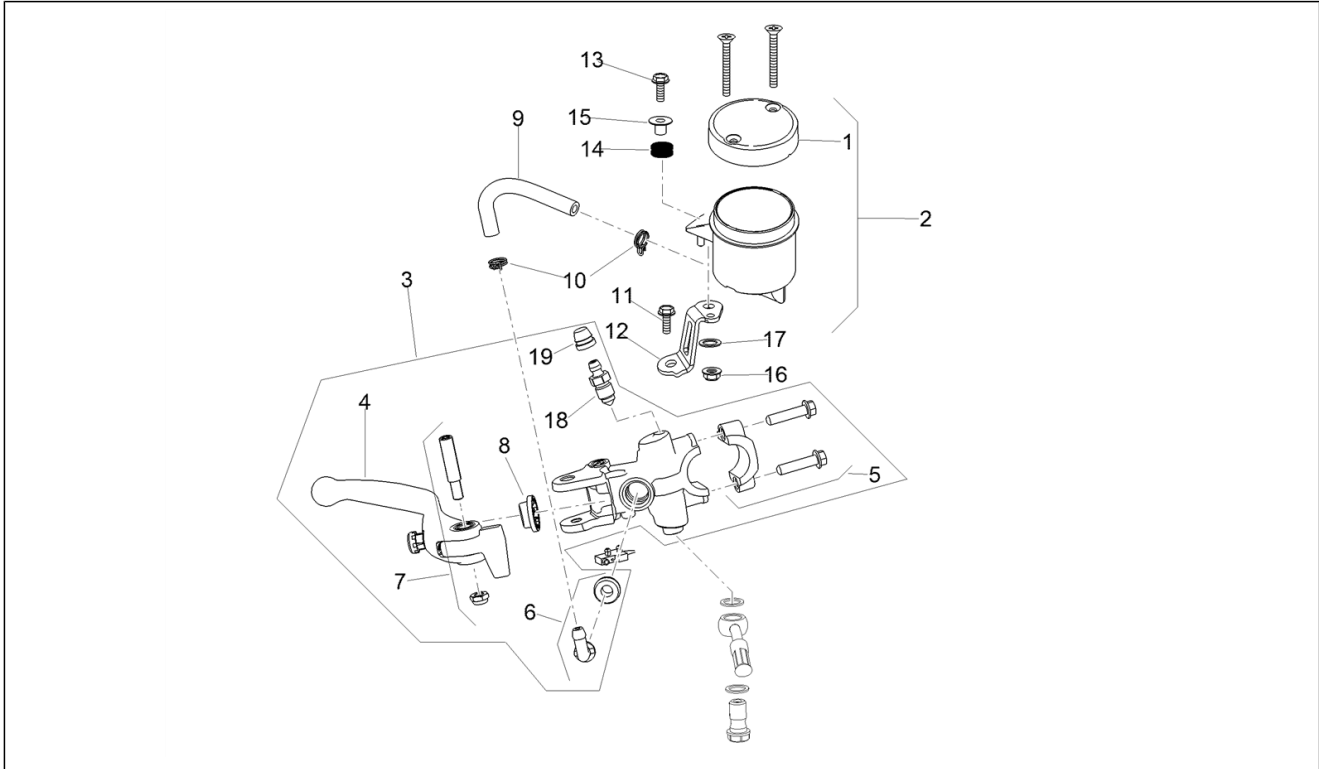
Pos.	Code	Description	Qty	Variants
1	2B003468	Handlebar	1	
2	2D000095	Electronic gas control	1	
3	AP8121520	Anti vib.weight trailing	2	
4	AP8104509	Anti.v weight, black	2	
5	AP8152003	Hex socket screw M6x40	2	
6	856027	LH hand grip	1	
7	852398	Selector control bracket	1	
8	B045021	RH lights selector	1	
9	2D0002965	SX command	1	
10	AP8201808	Cable-guide D8	2	
11	896663	Rh side mirror	1	
12	858539	Lh side mirror	1	
13	2D000298	Lower shell	1	
14	2B003974	Cylindrical screw	2	

Group	FRAME
Code	28.19
Description	Clutch lever
Service	1



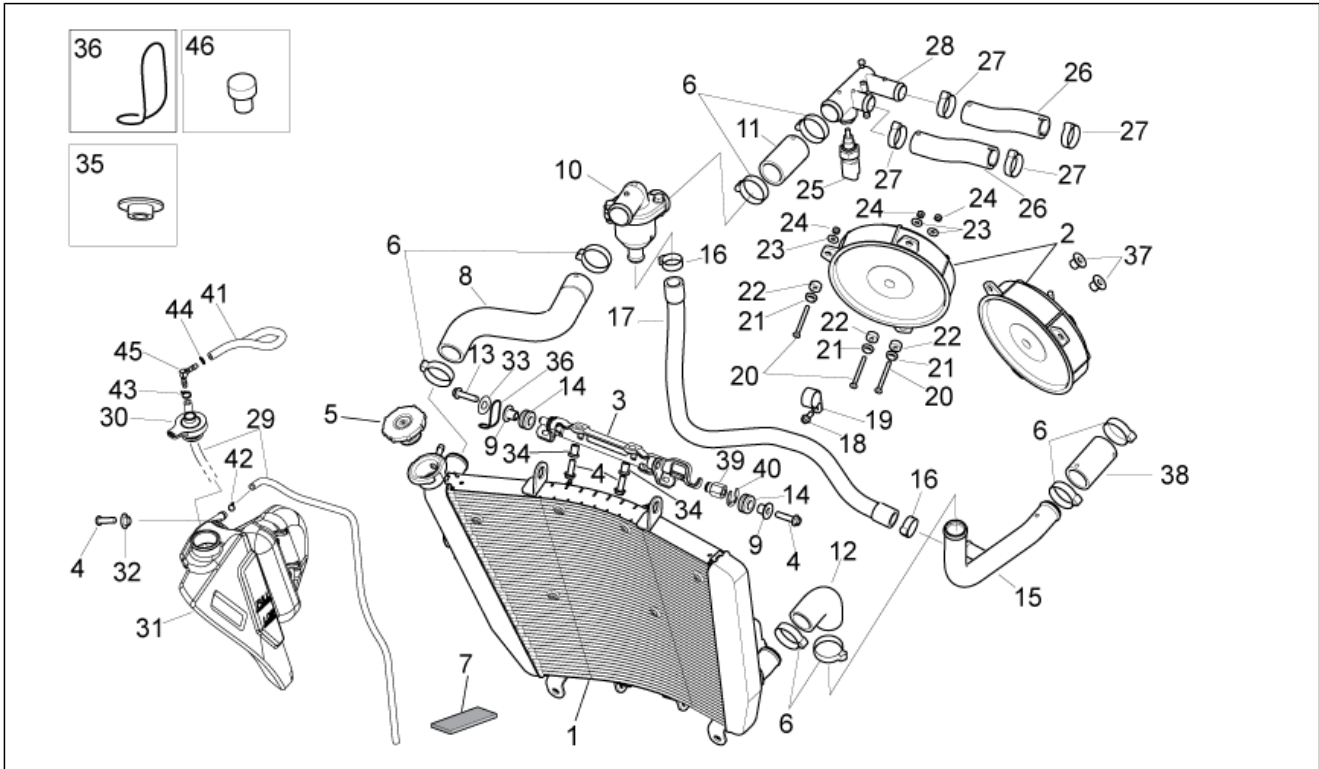
Pos.	Code	Description	Qty	Variants
1	2B003553	Clutch lever cpl.	1	
2	2B003518	Switch support	1	
3	2D000325		1	
4	291051	screw M3x12	8	
5	899336	Clutch cable	1	
6	AP9100519	Spring	1	
7	2B003989	Clutch control lever	1	

Group	FRAME
Code	28.20
Description	Front master cilinder
Service	1



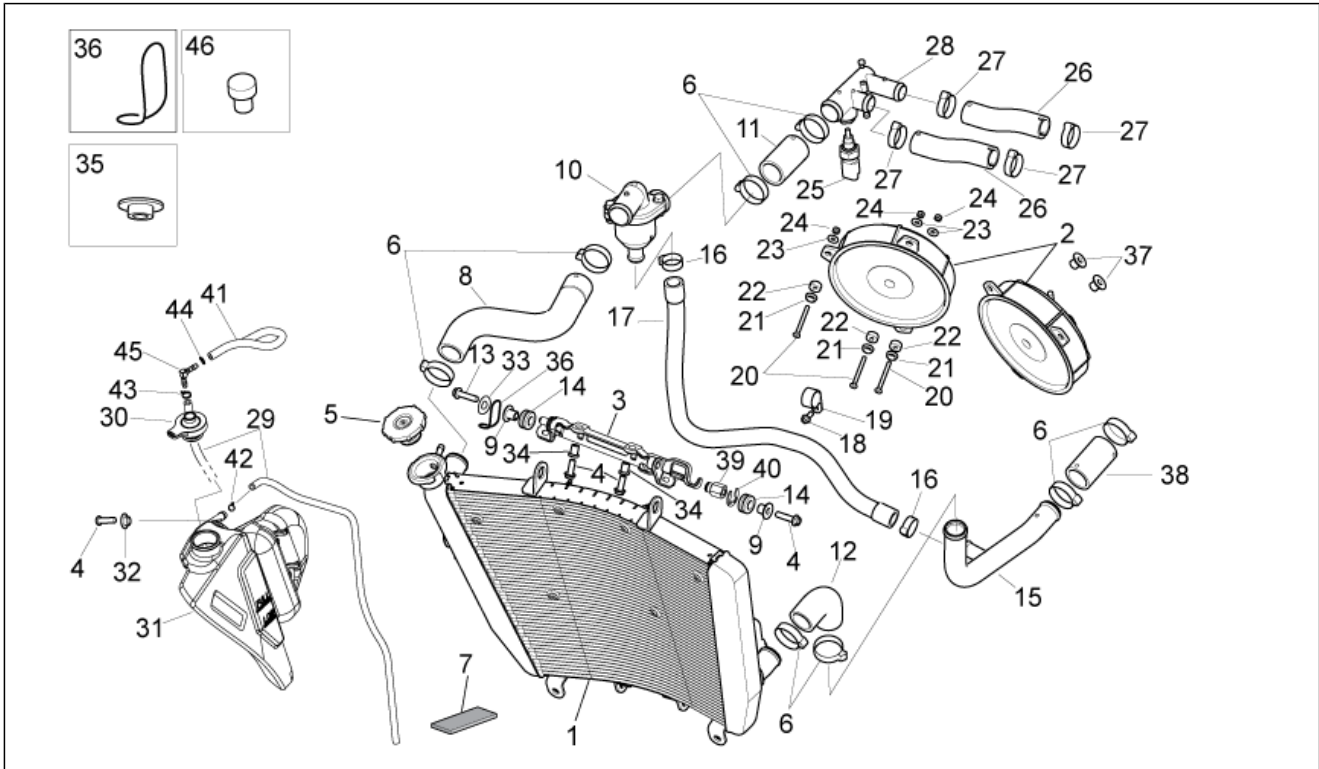
Pos.	Code	Description	Qty	Variants
1	AP8113598	Pil brake tank plug	1	
2	2B003081	Oil tank	1	
3	2B002995	Fr. brake master cylinder	1	
4	2B002986	Front brake lever	1	
5	2B001929	Bracket	1	
6	AP8213057	Rear brake pump union	1	
7	AP8133666	Lever pin	1	
8	AP8113070	Bleed valve cap	1	
9	2B003526	***RESERVOIR OIL TANK-MASTER CYLINDER HOSE	2	
10	AP8101595	Hose clamp D10,1	1	
11	AP8150340	Hex socket screw	1	
12	2B002993	Oil brake tank supp.	1	
13	AP8152137	Hex socket screw M6x20	1	
14	AP8120030	Rubber spacer	1	
15	AP8221023	T bush	1	
16	AP8150474	Stainless cap nut M6	1	
17	658830	Curved spring washer 6x12	1	
18	AP8133502	Air bleed valve	1	
19	AP8113230	Bleed valve cap	1	

Group	FRAME
Code	28.21
Description	Cooling system
Service	1



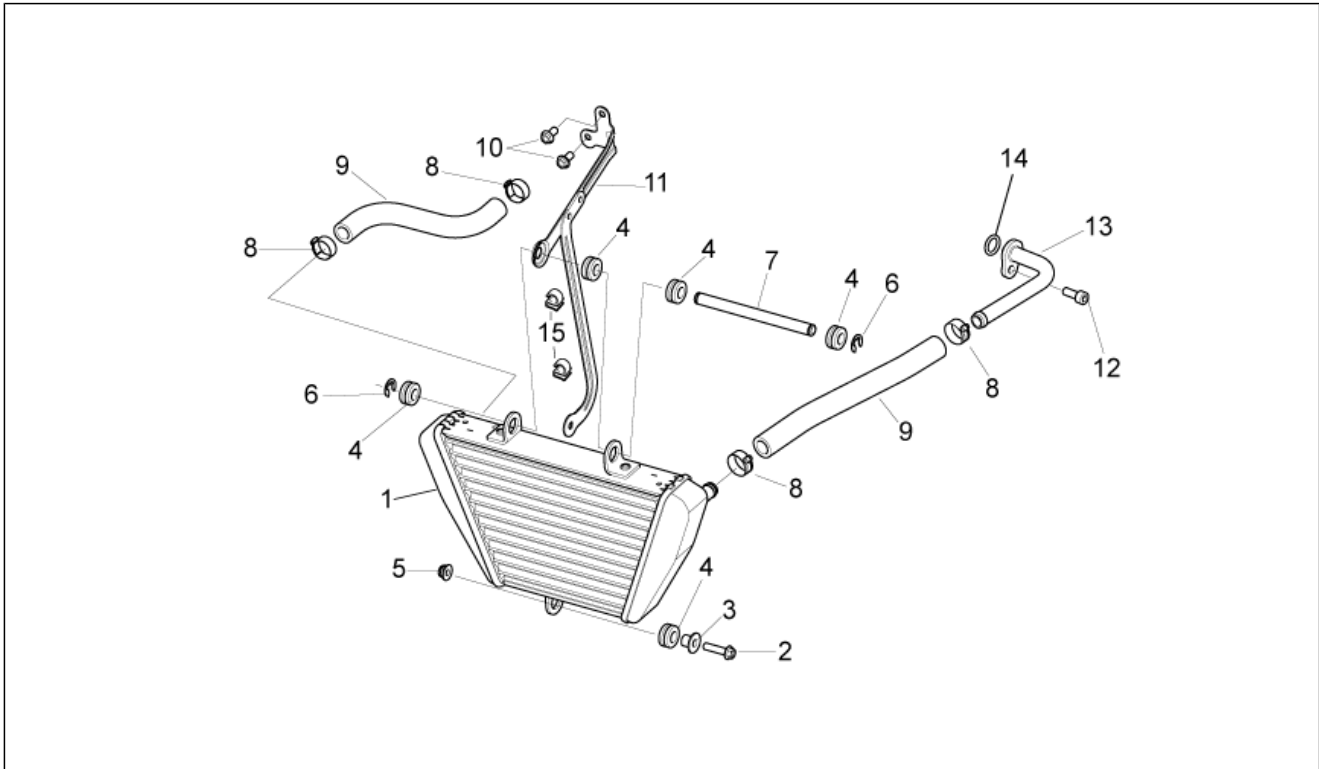
Pos.	Code	Description	Qty	Variants
1	2B003834	Water cooler	1	
2	2D000310	Fan, cpl.	2	
3	897775	Water cooler upper support	1	
4	AP8152279	Screw w/ flange M6x20	4	
5	893954	Cover	1	
6	CM269609	Hose clamp	8	
7	AP8117033	Adhesive sponge	2	
8	2B002204	Thermostat-cooler pipe	1	
9	AP8221023	T bush	2	
10	856279	Thermostat valve set 75°C	1	
11	2B002207	Hose H2O	1	
12	AP8144033	Thermostat-pump pipe	1	
13	AP8150444	Self-tapping screw	1	
14	AP8120030	Rubber spacer	2	
15	858488	Cooler-pump pipe	1	
16	CM269603	Hose clamp	2	
17	2B002208	Thermostat-engine pipe	1	
18	AP8152272	Screw w/ flange M5x12	1	
19	893224	Hose clamp	1	
20	893514	Screw	6	
21	893823	Washer d4,5	6	
22	893513	Spacer	6	
23	AP8150011	Washer 4,3x12x1	6	
24	AP8150204	Nut M4	6	
25	640485	Temperature gauge	1	
26	2B002203	Engine-manifold pipe	2	
27	AP9100456	Hose clip 26x8	4	
28	856543	Manifold	1	

Group	FRAME
Code	28.21
Description	Cooling system
Service	1



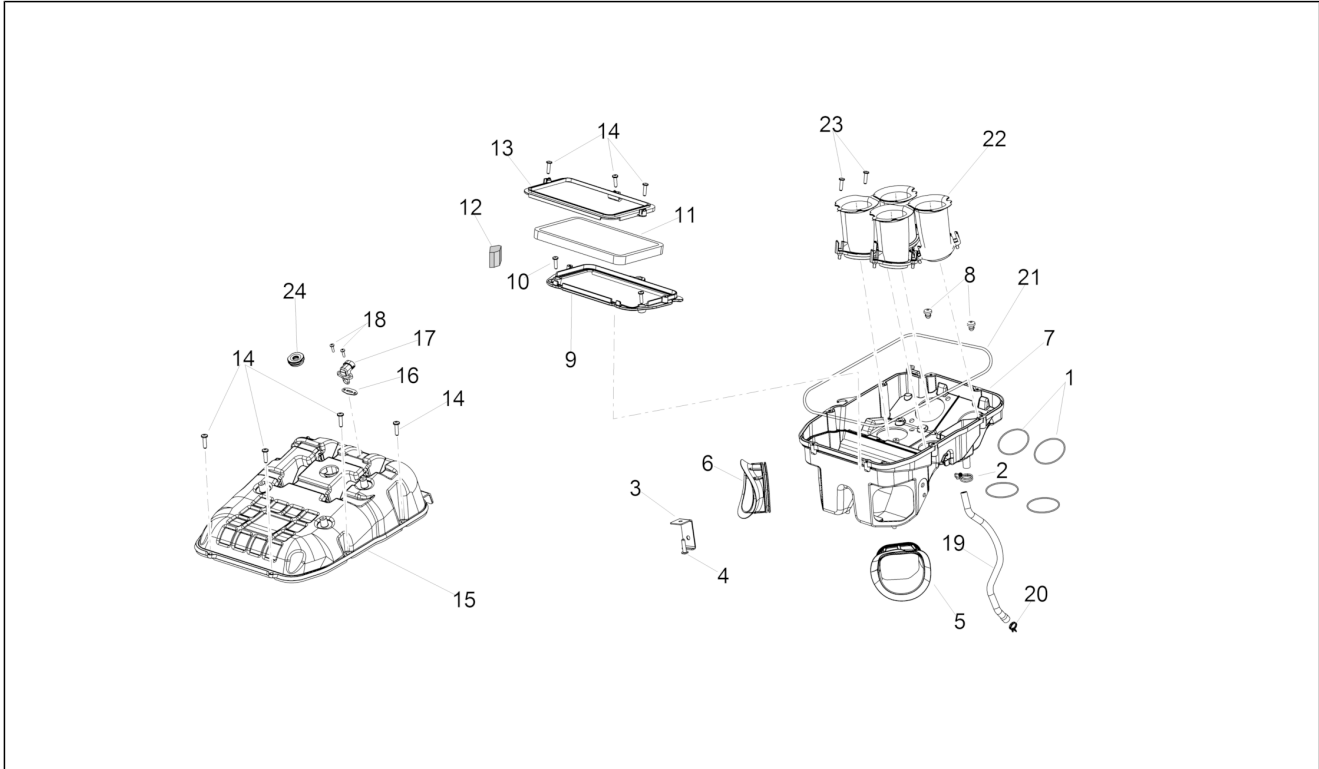
Pos.	Code	Description	Qty	Variants
29	AP8120952	Fuel pipe 5,5x10	2	
30	899642	Expansion tank plug	1	
31	2B003557	Expansion tank	1	
32	AP8221145	T bush *	1	
33	AP8150158	Washer 4,3X9X0,8	1	
34	AP8121728	T bush	2	
35	AP8121991	Bush	1	
36	AP8221150	Cable-guide	1	
37	895450	Bush	2	
38	AP8144720	Hose	1	
39	898047	Threaded insert M6x16	1	
40	AP8120573	Stop ring	1	
41	899881	Cooler-expansion tank pipe	1	
42	AP8101595	Hose clamp D10,1	1	
43	AP8102520	Hose clamp	1	
44	AP8101595	Hose clamp D10,1	1	
45	856082	2-way union	1	
46	AP8220488	Mushroom rubber	2	

Group	FRAME
Code	28.22
Description	Oil radiator
Service	1



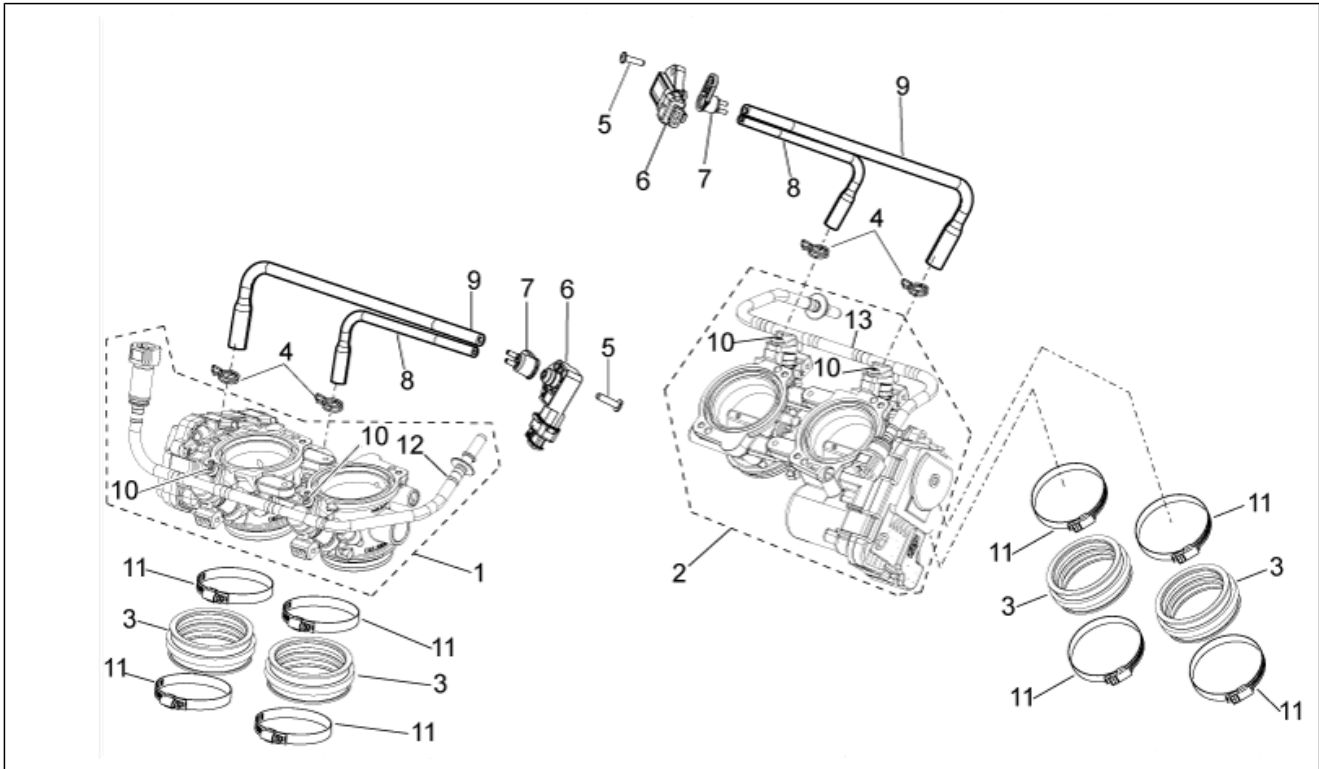
Pos.	Code	Description	Qty	Variants
1	2B000897	Oil cooler	1	
2	AP8152280	Screw w/ flange M6x25	1	
3	AP8221023	T bush	1	
4	AP8120030	Rubber spacer	5	
5	AP8152299	Self-locking nut M6	1	
6	AP8121428	Circlip d8	2	
7	858927	Spacer	1	
8	AP8102349	White hose clip D17,5x8	4	
9	AP8106389	Oil pipe 12x19	2	
10	AP8152277	Screw w/ flange M6x12	2	
11	2B001478	Radiator support bracket	1	
12	AP8150137	Hex socket screw M6x16	1	
13	858489	Pipe	1	
14	AP8144008	O-ring 115	1	
15	AP8201727	Black cable guide	2	

Group	FRAME
Code	28.23
Description	Air box
Service	1



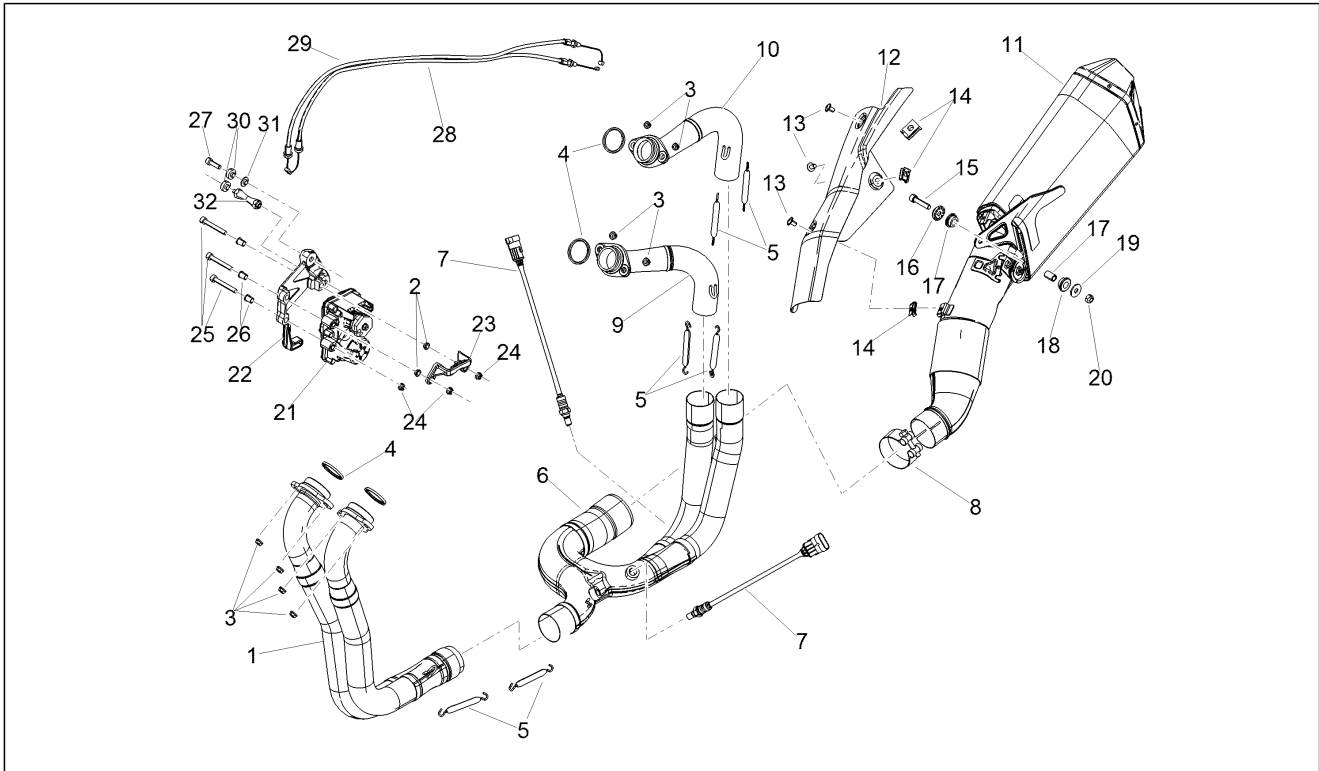
Pos.	Code	Description	Qty	Variants
1	893240	O-ring 56,82X2,62	4	
2	CM002912	Hose clamp	1	
3	890938	Bracket	1	
4	AP8152329	Phillips screw, SWP M5x20	1	
5	858880	LH Hose	1	
6	858932	RH Hose	1	
7	858931	Filter housing base	1	
8	AP8144087	Rubber spacer	2	
9	895109	Maintenance	1	
10	AP8152329	Phillips screw, SWP M5x20	2	
11	AP8104329	Air filter	1	
12	894015	Filter blow-by	1	
13	895110	Covers	1	
14	AP8152329	Phillips screw, SWP M5x20	7	
15	2B003762	Filter housing cover	1	
16	GU30027931	Gasket	1	
17	GU30729330	Air temp. Sensor	1	
18	AP8150421	Self-tap screw 2,9x12	1	
19	858808	pipe blow-by	1	
20	CM001927	Hose clamp	1	
21	858881	Gasket	1	
22	896875	Intake duct	1	
23	893132	screw	8	
24	895824	Cover	1	

Group	FRAME
Code	28.24
Description	Throttle body
Service	1



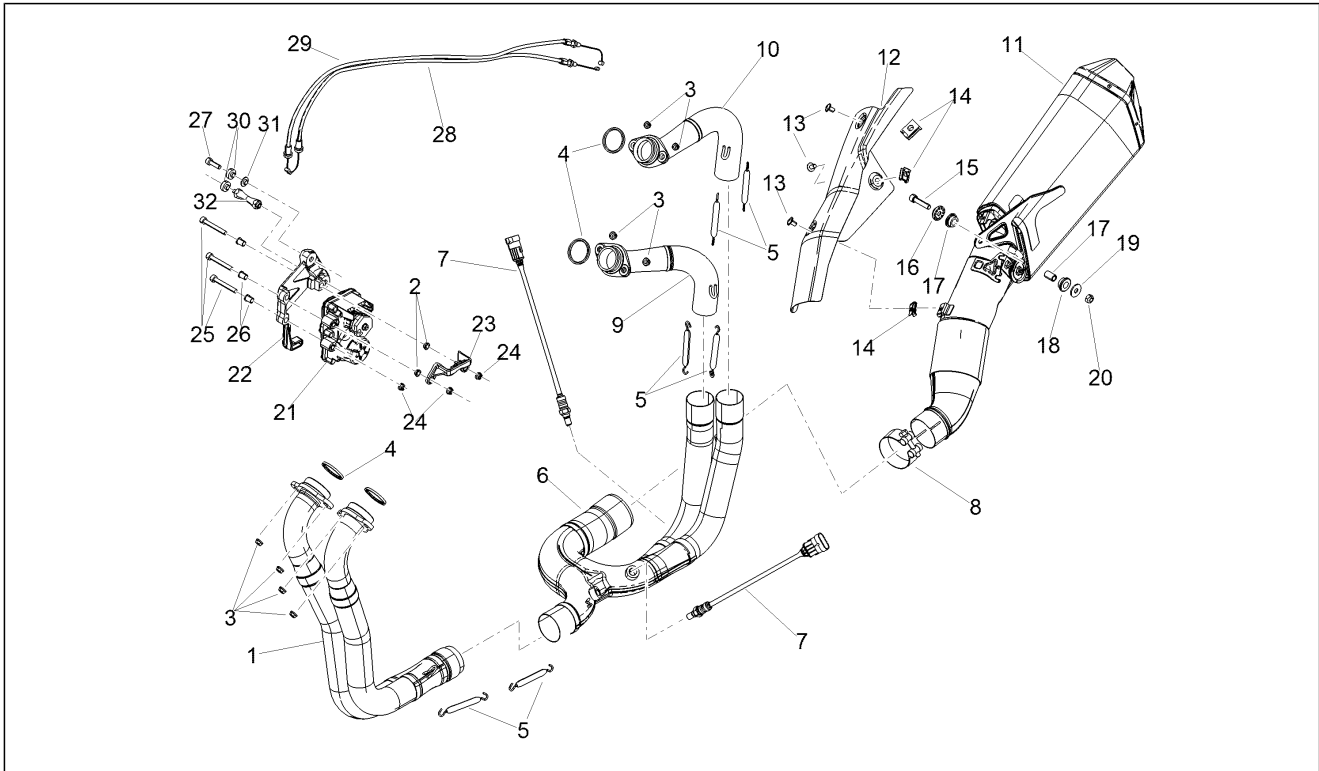
Pos.	Code	Description	Qty	Variants
1	857303	Front Throttle body	1	
2	857304	Rear Throttle body	1	
3	857305	Union	4	
4	CM002903	Hose clamp	4	
5	AP8152329	Phillips screw, SWP M5x20	2	
6	642302	Air pressure sensor	2	
7	894658	Joint	2	
8	858874	pipe	2	
9	858873	pipe	2	
10	896567	Sec. screw	4	
11	857306	Hose clamp	8	
12	896565	Fuel pipe, cpl. ant.	1	
13	896566	Fuel pipe, cpl. post.	1	

Group	FRAME
Code	28.25
Description	Exhaust pipe I
Service	1



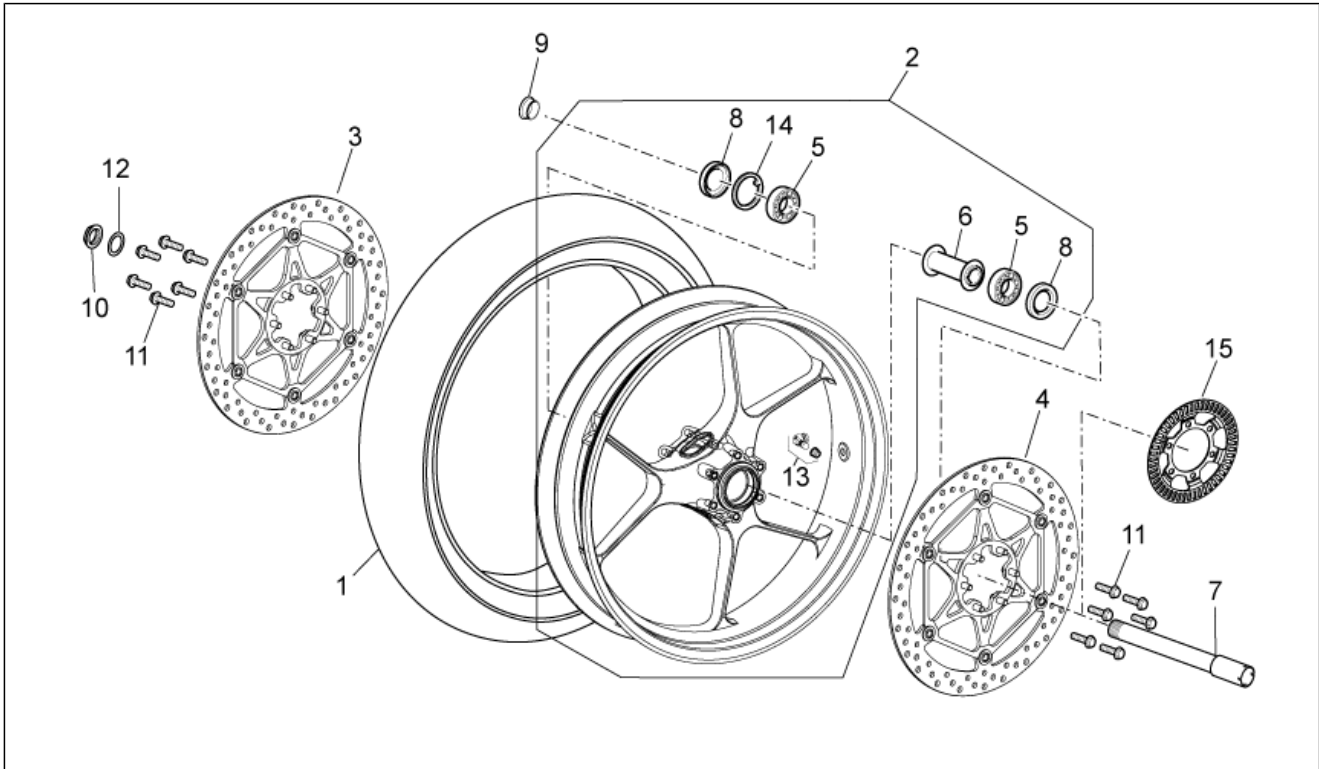
Pos.	Code	Description	Qty	Variants
1	858738	Front. Exhaust pipe	1	
2	AP8121811	T bush	2	
3	436947	Nut	8	
4	852090	Exhaust pipe gasket	4	
5	AP8121170	Spring	6	
6	2B003347	Central exhaust manifold	1	
7	2D000152	Lambda sensor	2	
8	976521	Hose clamp	1	
9	858739	RH rear exhaust pipe	1	
10	858740	LH rear exhaust pipe	1	
11	2B0028345	Silencer	1	
12	2B004120	Protection	1	
13	898385	Torx Screw M6x10	3	
14	254485	Spring plate M6	3	
15	AP8150236	Hex socket screw M8x35	1	
16	AP8121199	Bush	1	
17	AP8144558	Rubber spacer	2	
18	AP8121455	Spacer bush	1	
19	AP8150018	Washer	1	
20	AP8150431	Low nut M8	1	
21	2D000263	Exhaust valve actuator	1	
22	2B003443	Valve support clamp	1	
23	2B003577	Cover support	1	
24	AP8150115	Low self-locking nut M6	3	
25	AP8150403	Hex socket screw M6x45	3	
26	GU91120607	Bushing 6,4x8,4x10,5	3	
27	AP8150044	Hex socket screw M6x20	2	
28	2B003425	Exhaust valve opening cable	1	

Group	FRAME
Code	28.25
Description	Exhaust pipe I
Service	1



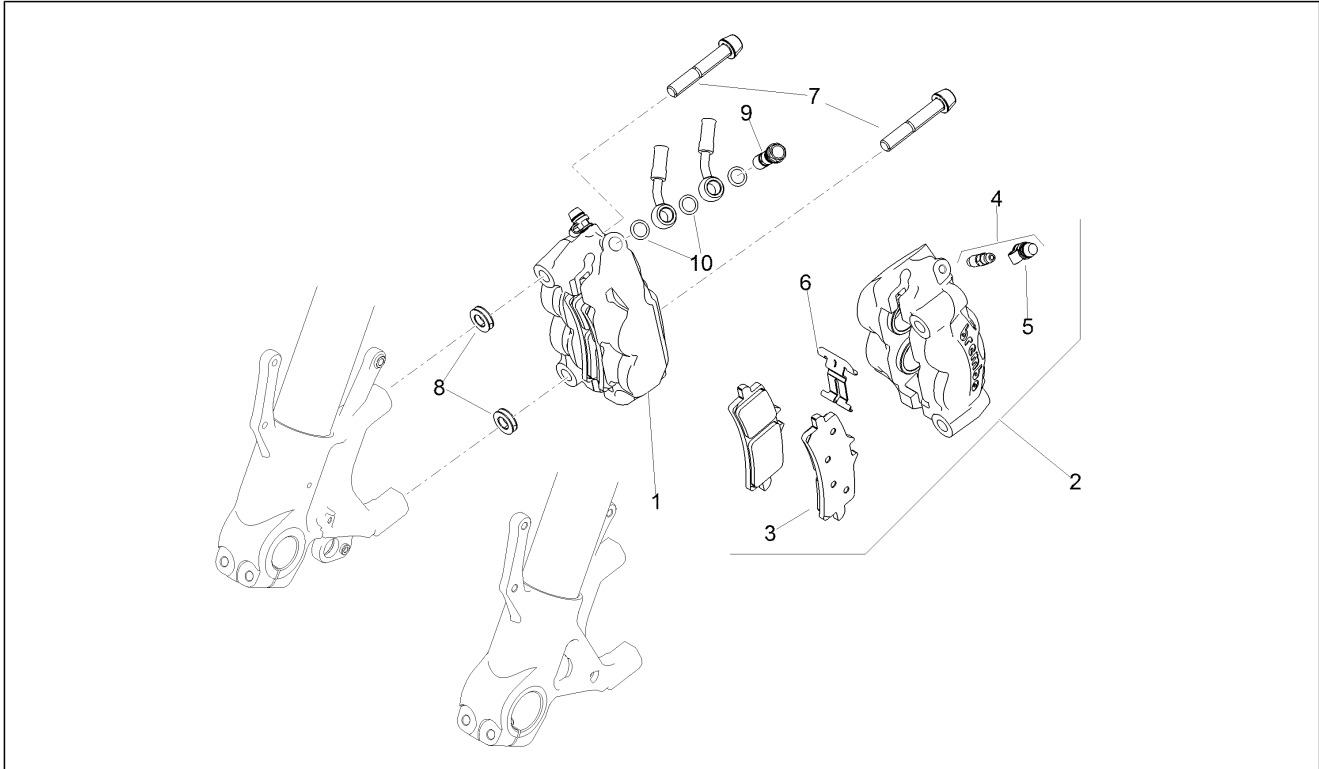
Pos.	Code	Description	Qty	Variants
29	2B003556	Exhaust valve closing cable	1	
30	2B003714	Bush	2	
31	AP8121032	Bush	1	
32	894933	Spacer	1	

Group	FRAME
Code	28.26
Description	Front wheel
Service	1



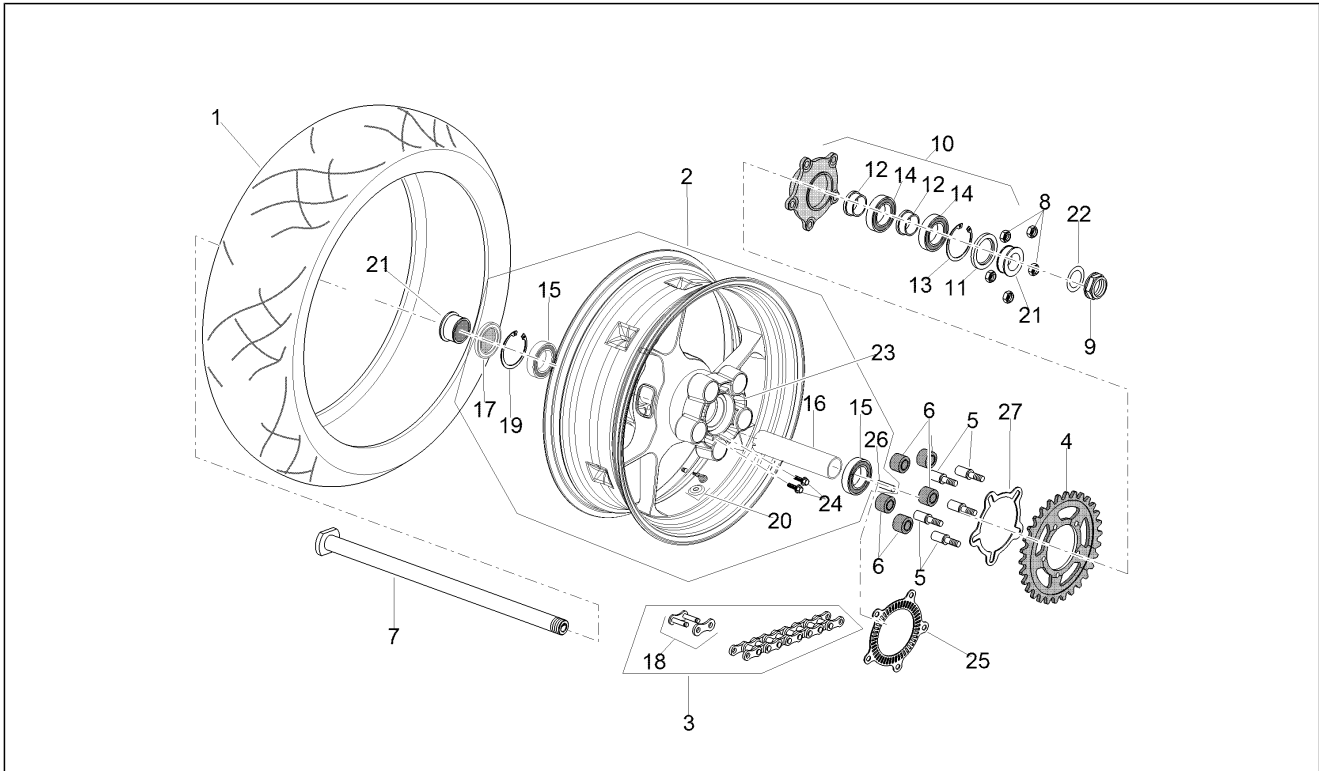
Pos.	Code	Description	Qty	Variants
1	2B004015	Tyre 120/70 R17	1	
2	896754	Front wheel, black	1	
3	2B001135	RH front brake disc D.330	1	
4	2B001136	LH front brake disc D.330	1	
5	AP8110094	Bearing 25x47x12	2	
6	AP8128169	Internal spacer	1	
7	85263R	Front wheel spindle	1	
8	AP8125841	Gasket ring 30x47x7	2	
9	AP8125728	Front RH whe.ou.spacer	1	
10	AP8152335	Wheel spindle nut	1	
11	AP8152286	Screw w/ flange M8x20	12	
12	AP8152323	Washer 25,2x36x1	1	
13	AP8101744	Tubeless tyre valve	1	
14	AP8125842	Snap ring d47	1	
15	2B003169	Phonic wheel	1	

Group	FRAME
Code	28.27
Description	Front brake caliper
Service	1



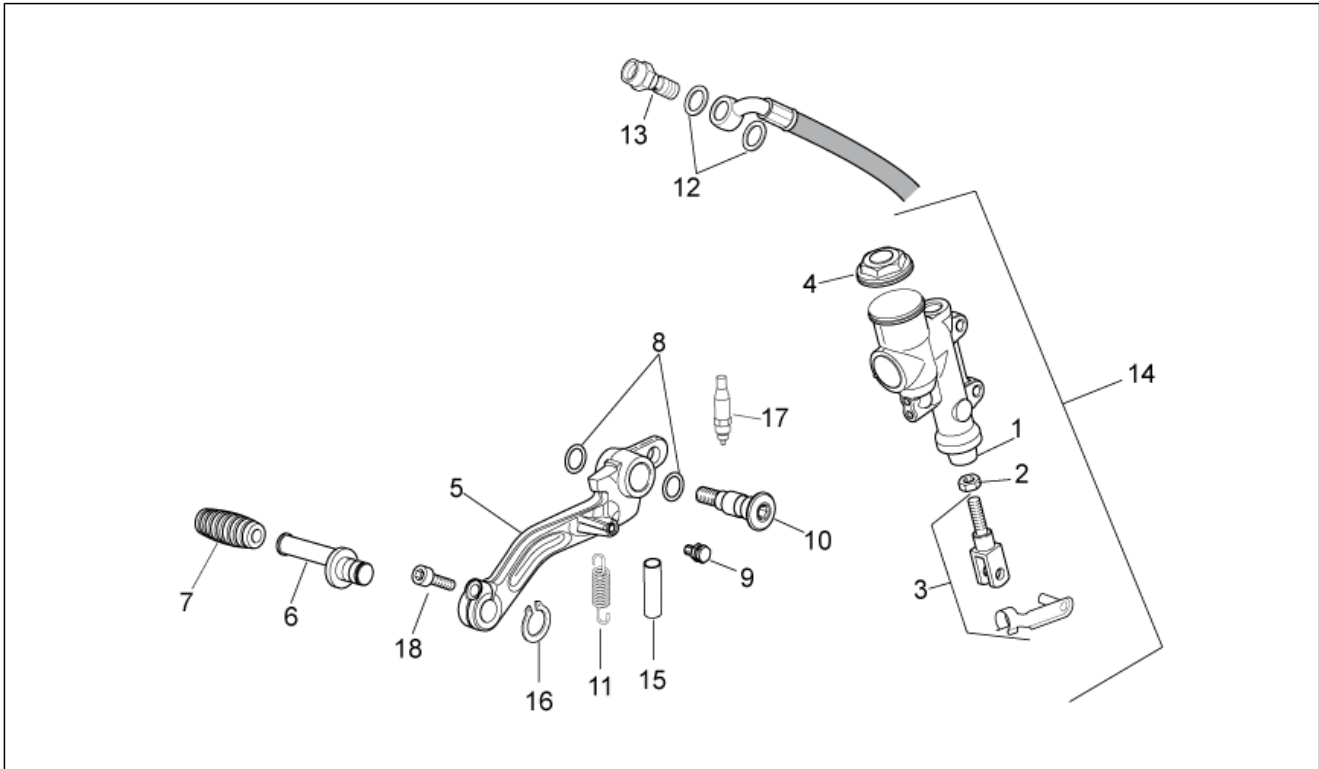
Pos.	Code	Description	Qty	Variants
1	2B001348	RH front brake caliper	1	
2	2B001349	LH front brake caliper	1	
3	2B003222	Brake pads couple	2	
4	AP8133824	Air bleed valve	1	
5	AP8113070	Bleed valve cap	2	
6	896576	Spring	2	
7	2B003246	Screw M10x60	1	
8	2B003247	Spacer	1	
9	2B001983	Oil pipe screw	1	
10	AP8113004	Washer 10x14x1,6*	4	

Group	FRAME
Code	28.28
Description	Rear wheel
Service	1



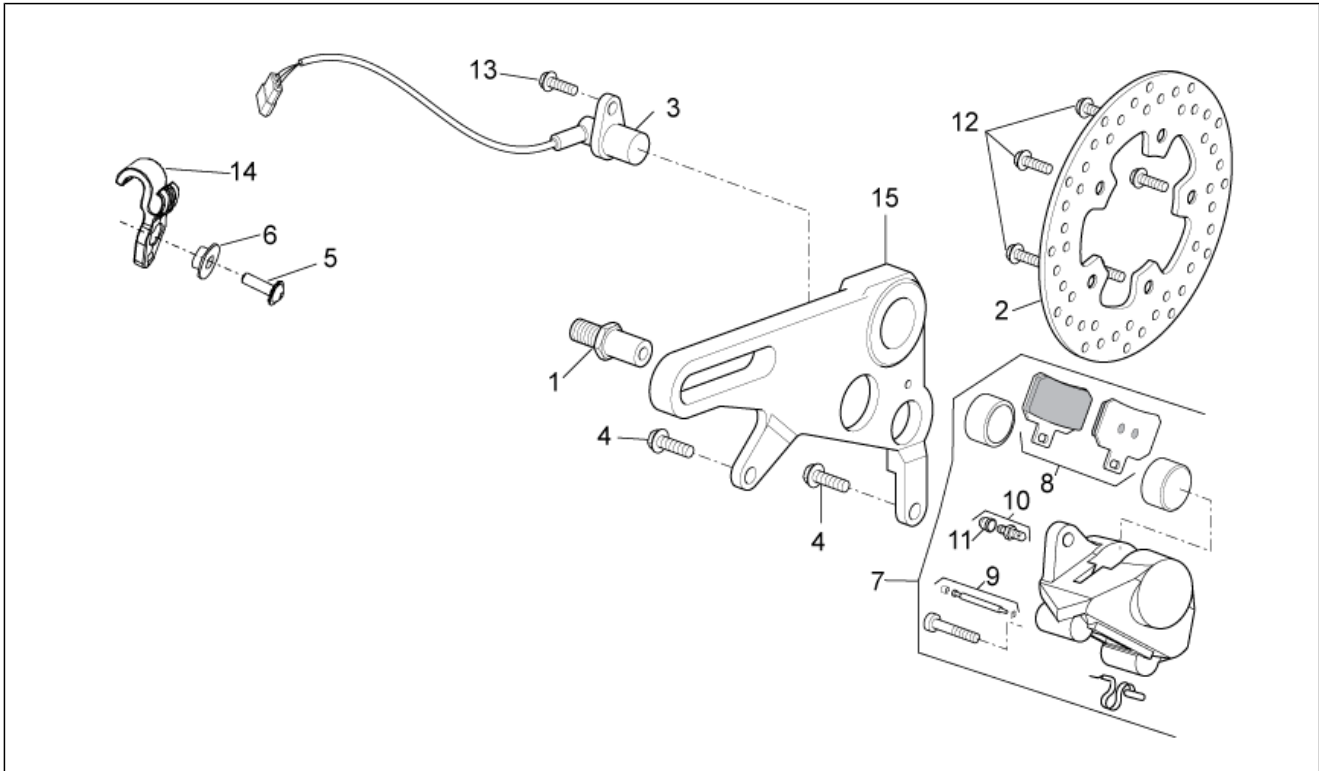
Pos.	Code	Description	Qty	Variants
1	2B004016	Rear tyre 190/55 ZR 17"	1	
2	896756	Rear wheel, black 6"x17"	1	
3	896358	Chain cpl conn.link	1	
4	CM224903	Chain ring Z=42	1	
5	2B002611	cushion	5	
6	B043317	Flexible coupling rubber	5	
7	858731	Rear wheel spindle	1	
8	2B002634	DAX nut M10x1,25	5	
9	AP8152324	Wheel spindle nut M25x1,5	1	
10	AP8125730	Crown holder cpl.	1	
11	AP8121213	Gasket ring 38x55x7	1	
12	AP8125732	Spring drive spacer	2	
13	AP8121212	Inside circlip d55	1	
14	AP8110081	Bearing 30x55x13	2	
15	AP8110093	Bearing 6205-2rs1 25x52x15	2	
16	AP8128170	Internal spacer	1	
17	AP8125838	Gasket ring 38x52x7	1	
18	859754	Connecting link	1	
19	AP8125839	Snap ring d52	1	
20	AP8101744	Tubeless tyre valve	1	
21	AP8121592	Rear wheel spacer	2	
22	AP8152323	Washer 25,2x36x1	1	
23	2B000639R	Primary drive / Cush drive	1	
24	2B002444	Pre-coated M10X30 SHC screw	10	
25	890960	Phonic wheel ABS	1	
26	AP8150463	Pin 10x20	1	
27	2B003043	Flange	1	

Group	FRAME
Code	28.29
Description	Rear master cylinder
Service	1



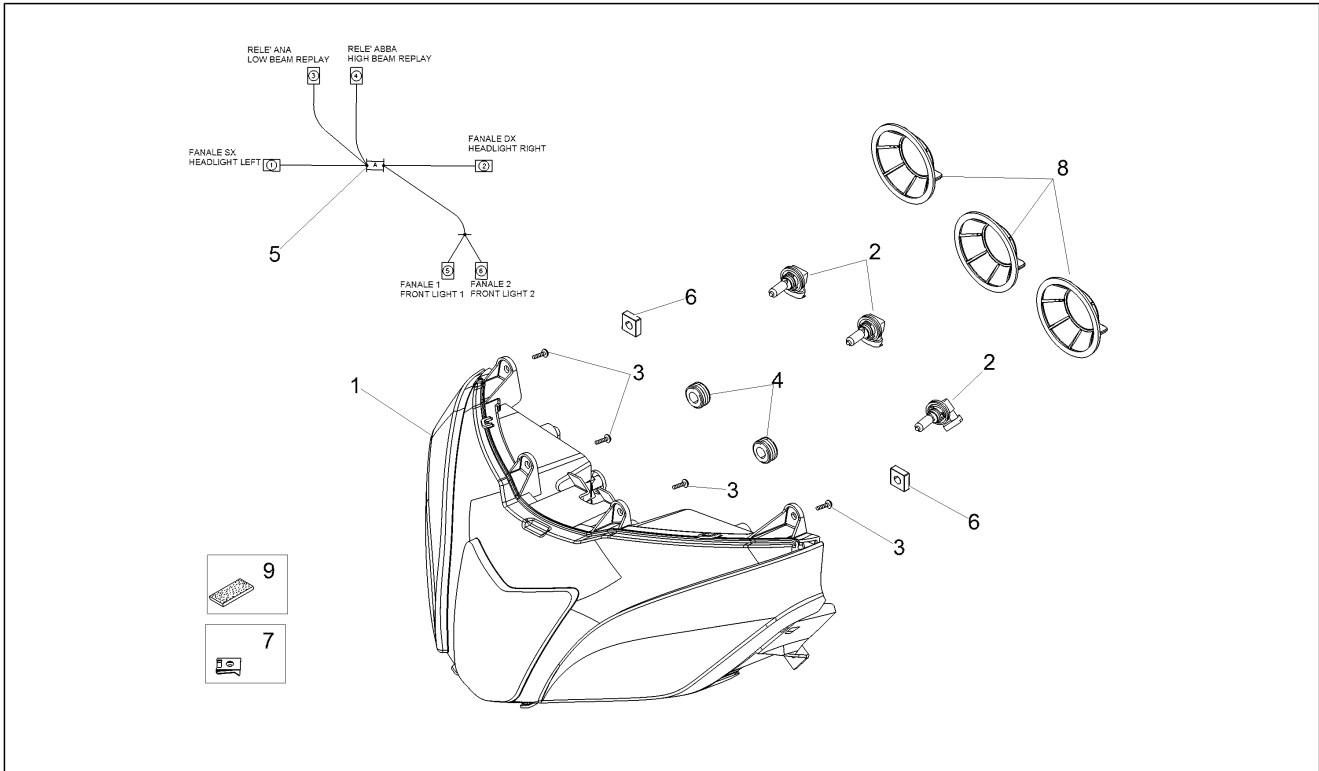
Pos.	Code	Description	Qty	Variants
1	893933	Rubber bellows	1	
2	020006	Nut	1	
3	898694	Push rod set	1	
4	898695	Plug	1	
5	858785	Rear brake lever	1	
6	AP8121221	Brake lever pin	1	
7	AP8120912	Lever rubber	1	
8	AP8144007	O-ring 11,11x1,78	2	
9	859946	Fixing pin	1	
10	AP8121223	Rear brake lever pin	1	
11	893138	Spring	1	
12	AP8121915	Gasket	2	
13	2B001983	Oil pipe screw	1	
14	B044586	Rear master cylinder	1	
15	AP8120822	Silent block, spring	1	
16	AP8150462	Circlip d9	1	
17	893134	Clutch switch	1	
18	AP8224470	Hex socket screw M6x20	1	

Group	FRAME
Code	28.30
Description	Rear brake caliper
Service	1



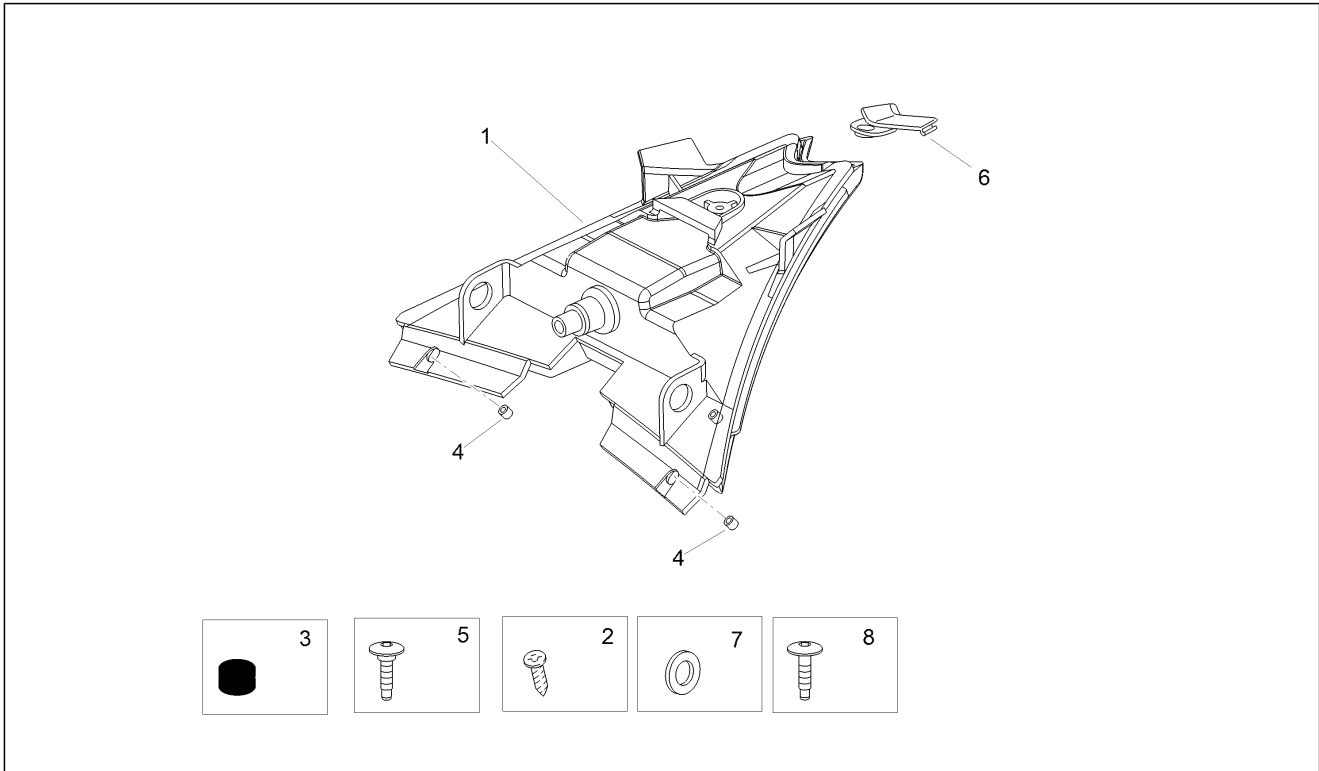
Pos.	Code	Description	Qty	Variants
1	898486	Brake supp. plate pin	1	
2	85248R	Brake disc	1	
3	859792	Sensor ABS	1	
4	AP8152286	Screw w/ flange M8x20	2	
5	AP8152298	Screw w/ flange M5x16	5	
6	AP8221349	T bush	1	
7	B044357	Rear brake caliper	1	
8	893969	Pads pair	1	
9	AP8113752	Pin+split pin	1	
10	AP8113753	Air bleed valve	1	
11	AP8113070	Bleed valve cap	1	
12	2B002416	Screw w/ flange M8x20	7	
13	AP8152279	Screw w/ flange M6x20	1	
14	858791	Rear brake hose support	1	
15	2B003449	Rear brake caliper support	1	

Group	FRAME
Code	28.31
Description	Headlight
Service	1



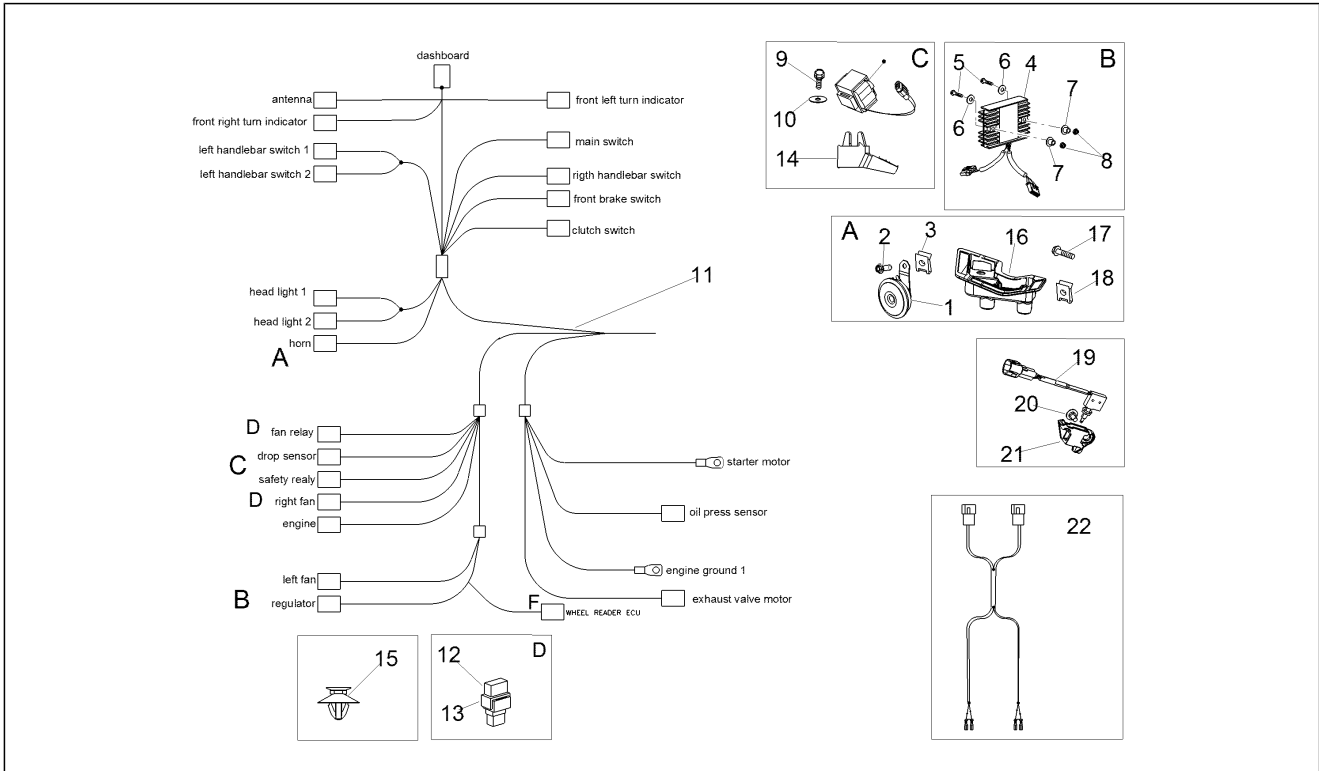
Pos.	Code	Description	Qty	Variants
1	2D000116	Headlight	1	
2	294353	Lamp H7 12V-55W	3	
3	AP8150509	Self-tap screw 5x14	4	
4	AP8120030	Rubber spacer	2	
5	2D000203	Headlamp cable harness	1	
6	2B002443	Square nut M6	2	
7	AP8102375	Clip M5	1	
8	B044778	Headlight plug	3	
9	AP8144529	Gasket	3	

Group	FRAME
Code	28.32
Description	Taillight
Service	1



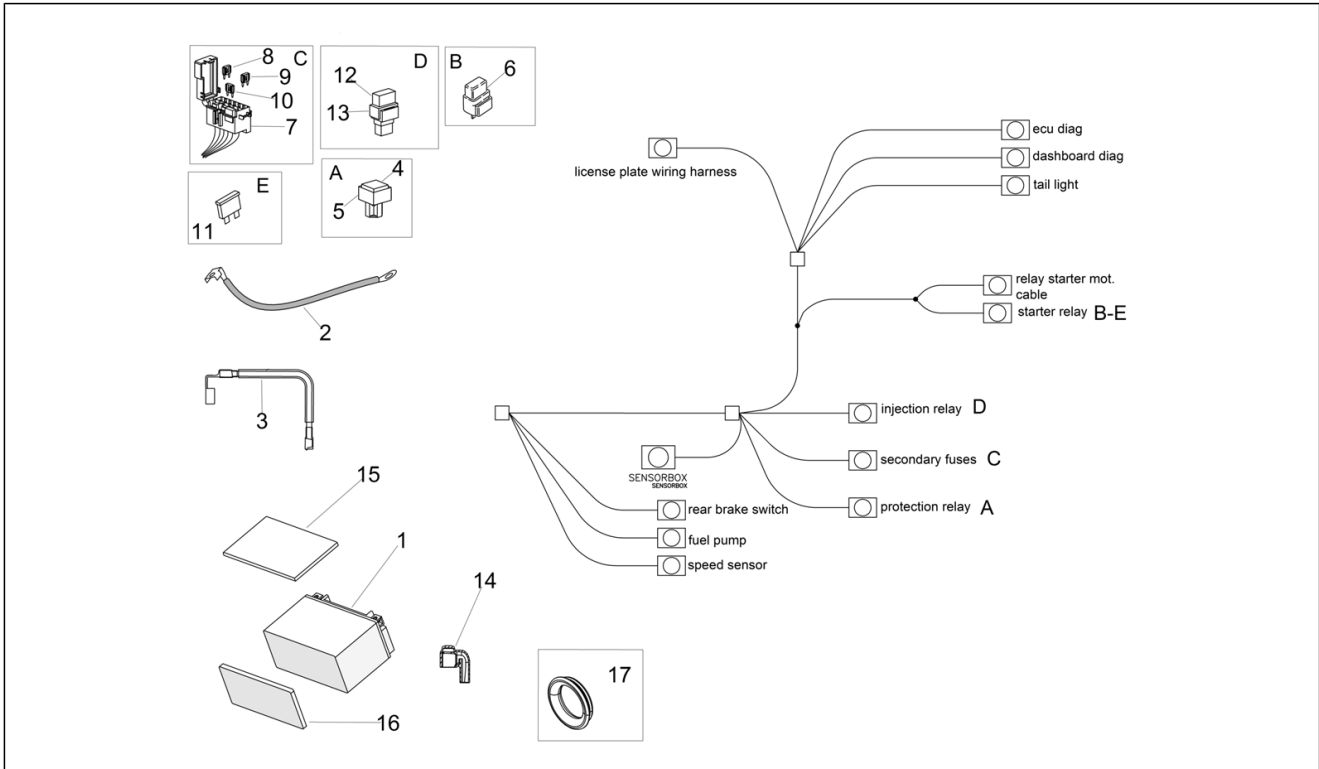
Pos.	Code	Description	Qty	Variants
1	858725	Taillight	1	
2	AP8150420	Self-tapping screw *	1	
3	AP8220186	Rubber spacer	2	
4	AP8221036	Bushing 5,3x8x7,1	2	
5	AP8152298	Screw w/ flange M5x16	2	
6	858839	Taillight Cover	1	
7	895916	Plastic washer	1	
8	AP8150538	Hex socket screw M5x10	2	

Group	FRAME
Code	28.33
Description	Electrical system I
Service	1



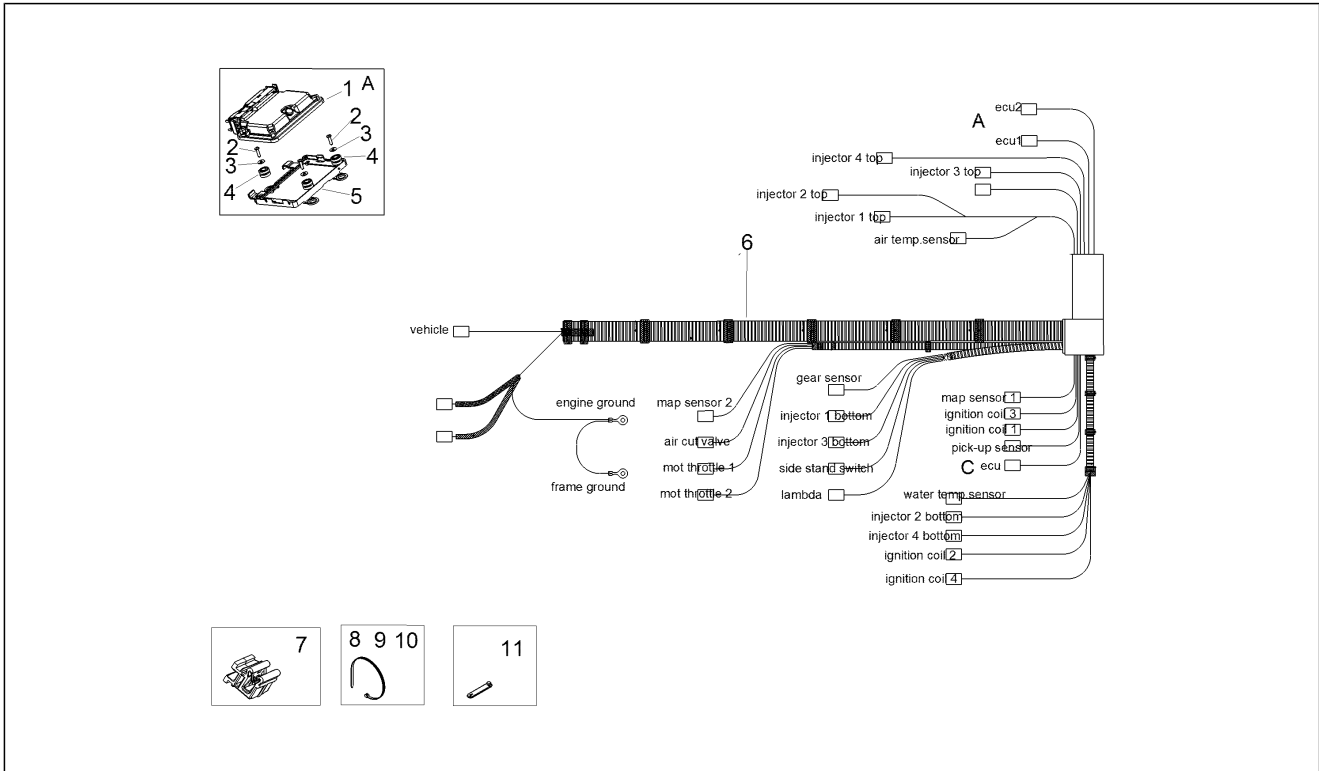
Pos.	Code	Description	Qty	Variants
1	890979	Horn	1	
2	AP8152277	Screw w/ flange M6x12	1	
3	254485	Spring plate M6	1	
4	B043488	Voltage regulator	1	
5	AP8152128	Hex socket screw M6x30	2	
6	AP8150179	Washer 6,6x18*	2	
7	AP8121075	T bush *	2	
8	AP8152299	Self-locking nut M6	2	
9	AP8152279	Screw w/ flange M6x20	1	
10	AP8121991	Bush	1	
11	2D000302	Main wiring harness	1	
12	AP8224462	Relay 12V-30A	5	
13	AP8220283	Rubber spacer *	5	
14	858916	Sensor support	1	
15	890760	Instrument support	1	
16	2B001765	Horn support	1	
17	AP8150500	Hex socket screw M5x9	1	
18	AP8102375	Clip M5	1	
19	AP8150500	Hex socket screw M5x9	1	
20	2D000325		1	
21	2B003519	switch mount	1	
22	2D000178	Turn ind.harness	1	

Group	FRAME
Code	28.34
Description	Electrical system II
Service	1



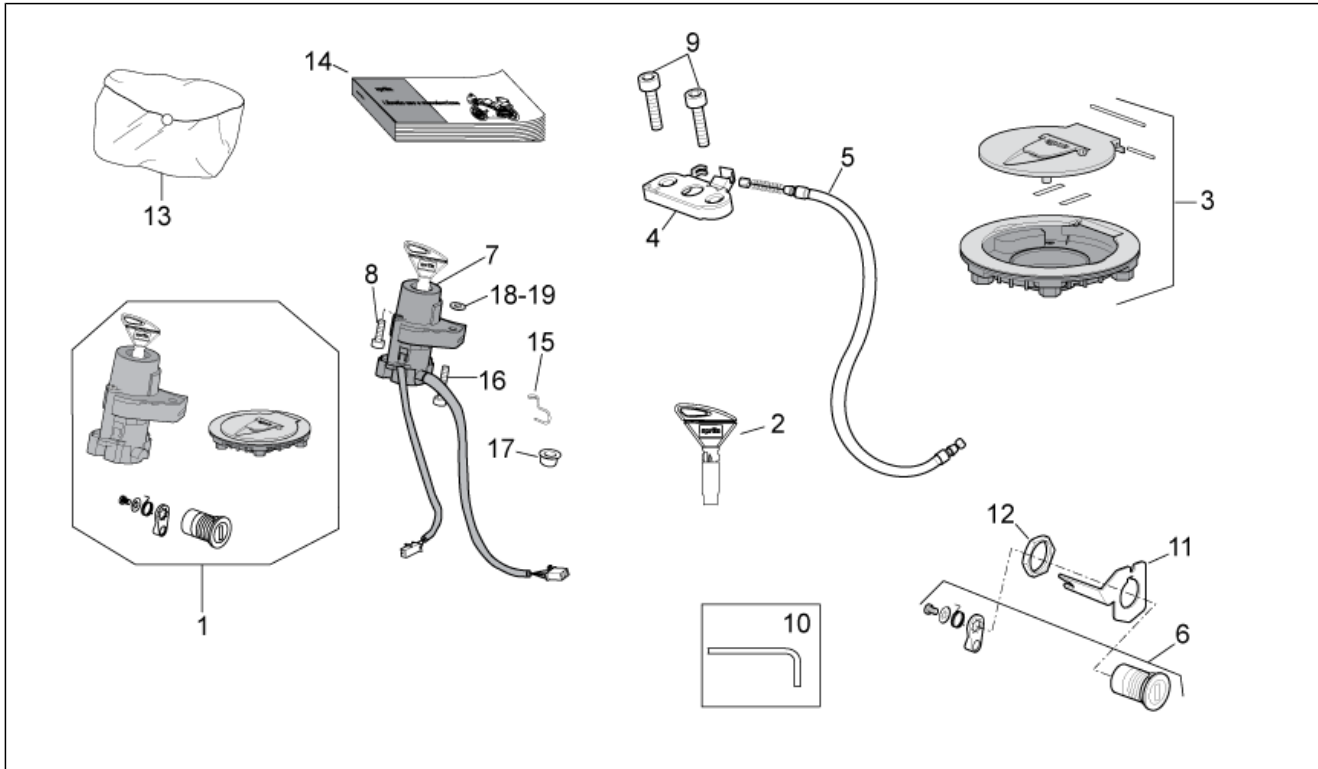
Pos.	Code	Description	Qty	Variants
1	639792	Battery 12V-12Ah	1	
2	2D000158	Earth cable	1	
3	B044640	Relay battery wiring	1	
4	895481	Injection relay 12V-40W	1	
5	896715	Relay rubber	1	
6	582690	Starter relay	1	
7	858212	Rubber fuse box	1	
8	CM225605	Fuse 5A	2	
9	CM225607	Fuse 7,5A	1	
10	CM225615	Fuse 15A	3	
11	CM225730	Fuse 30A	1	
12	AP8224462	Relay 12V-30A	5	
13	AP8220283	Rubber spacer *	5	
14	895701	Terminal cap	1	
15	AP8144552	Lat.battery support rubber	1	
16	AP8144553	Support rubber part	1	
17	294754	Fairlead	1	

Group	FRAME
Code	28.35
Description	Electrical system III
Service	1



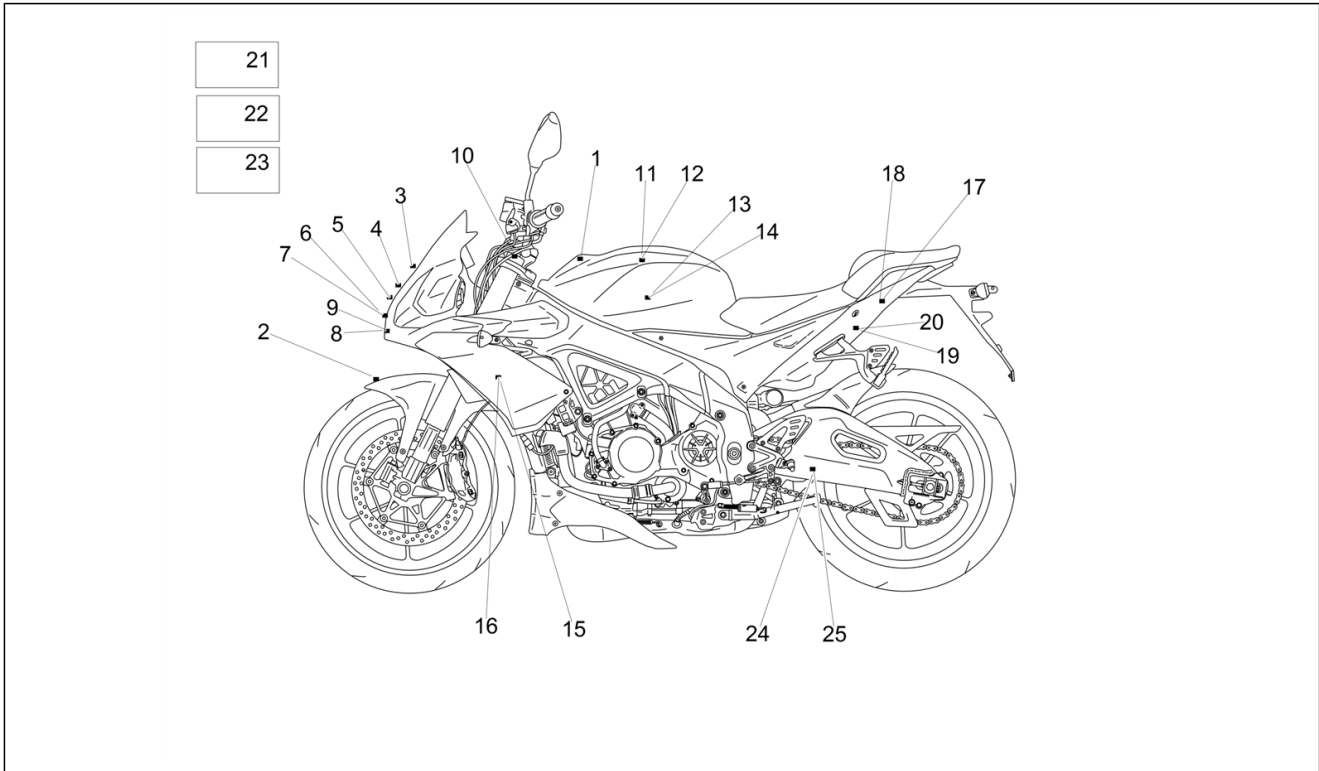
Pos.	Code	Description	Qty	Variants
1	CM281703	Electronic injection device	1	
2	AP8150509	Self-tap screw 5x14	3	
3	AP8150382	Washer 15x5,5X1,2	3	
4	AP8220150	Rubber spacer	3	
5	858882	Maintenance	1	
6	2D000304	Engine wiring	1	
7	2D000348	Connecting	1	
8	AP8102386	Hose clamp 155x2	10	
9	AP8120657	Hose clamp 4.5X280	8	
10	AP8120416	Black hose 180x4,5	2	
11	860744	Hose clamp	3	

Group	FRAME
Code	28.36
Description	Lock hardware kit
Service	1



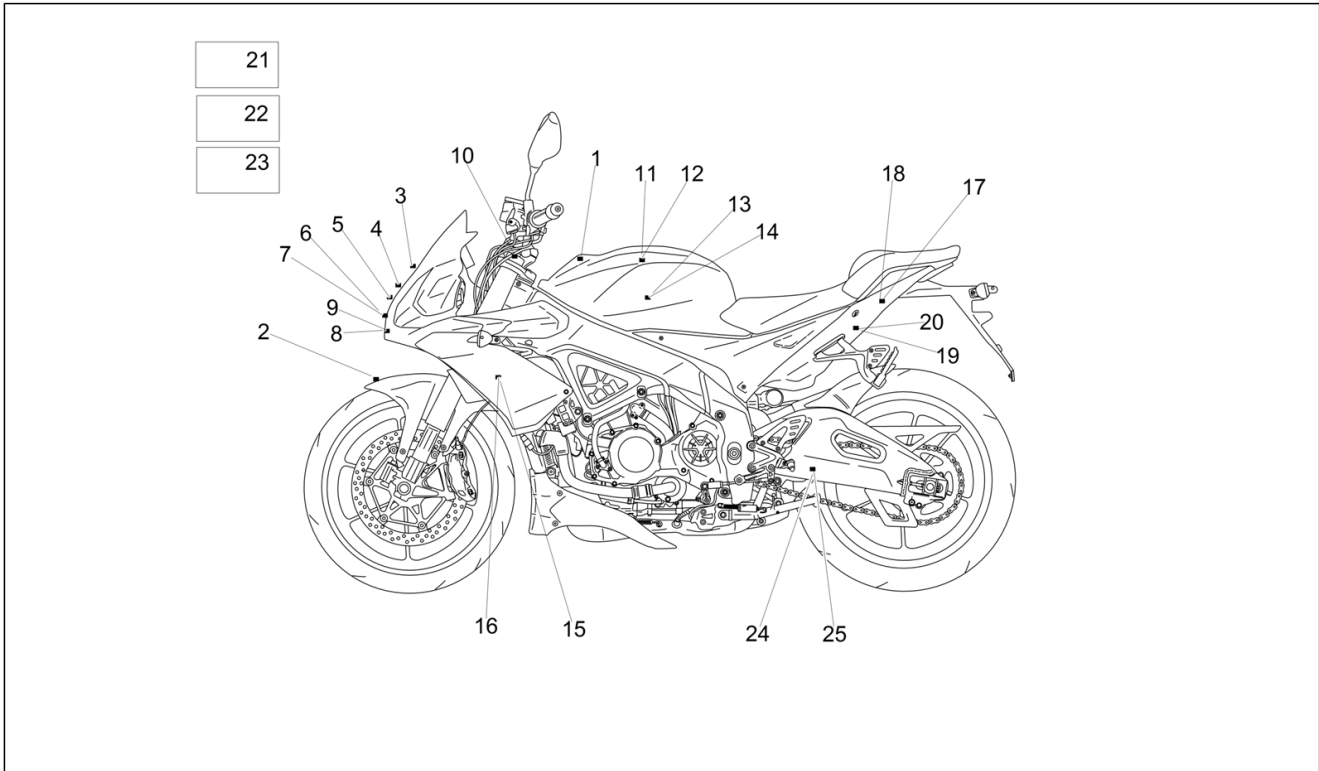
Pos.	Code	Description	Qty	Variants
1	B043920	Lock kit	1	
2	AP8140711	"Aprilia" key with transpo.	1	
3	B043929	Fuel filler cap and lock	1	
4	AP8102913	Pass.saddle connecting plate	1	
5	858955	Lock cable	1	
6	AP8104719	Seat lock with key	1	
7	858580	Main switch - steering lock	1	
8	AP8152238	Shear rivet M8x28	1	
9	AP8150468	Screw M6x40	2	
10	894195	Hex key	1	
11	AP8134948	Plate	1	
12	AP8102523	Lock nut M22x1,5	1	
13	2B003301	Tool roll	1	
14	2Q000255	***OWNER'S BOOKLET TUONO V4 E4 IT-DE-FR-ES	1	
14	2Q000256	Handbook TUONO V4 RR-FACTORY E4 ENNLELDAFIFR	1	
15	B044620	Fairlead	1	
16	AP8150236	Hex socket screw M8x35	1	
17	AP8121096	T bush 8,2x12x4	1	
18	AP8150017	Washer 8,4x16x1,6	1	
19	AP8152154	Washer 8,4x13*	2	

Group	FRAME
Code	28.55
Description	Plate set and decal
Service	1



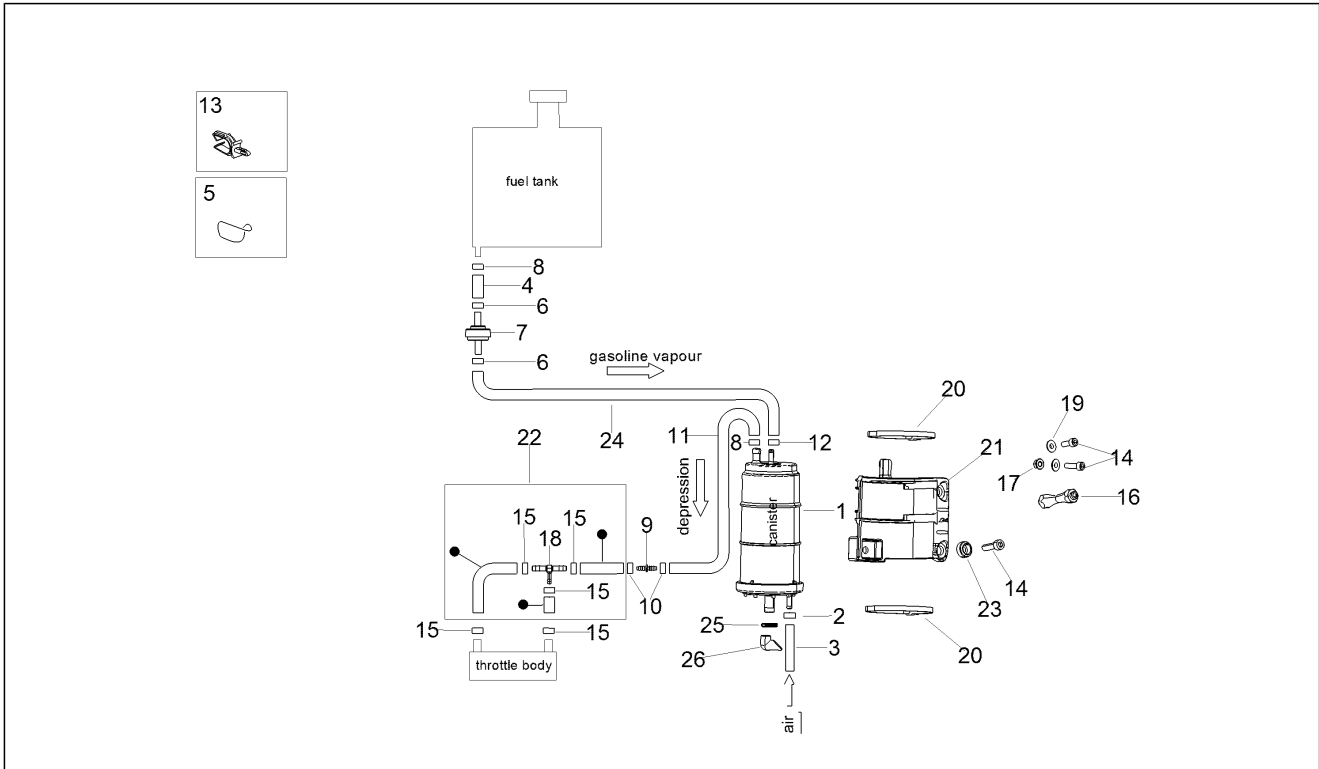
Pos.	Code	Description	Qty	Variants
1	2H000874	Decal 54 World Titles	1	
2	2H001617	Front mudguard decal "aprilia racing"	1	
3	2H001790	Top fairing glass licence plate number decal	1	
4	2H001765	Number plate holder decal	1	
5	2H001766	Front fairing decal ITALIA	1	
6	2H000991	RH strip decal	1	Colour:Competition Black[Black]
6	2H001767	Transfer centre black	1	Colour:Pulsar Grey[Gray]
7	2H001768	Transfer centre black	1	Colour:Pulsar Grey[Gray]
7	2H000992	LH strip decal	1	Colour:Competition Black[Black]
8	2H000993	RH lower strip decal	1	Colour:Competition Black[Black]
8	2H001769	RH lower strip decal	1	Colour:Pulsar Grey[Gray]
9	2H000994	LH lower strip decal	1	Colour:Competition Black[Black]
9	2H001770	LH lower strip decal	1	Colour:Pulsar Grey[Gray]
10	AP8157770	"Aprilia" dataplate	1	
11	2H001791	RH Fuel tank decal "aprilia racing"	1	
12	2H001792	LH Fuel tank decal "aprilia racing"	1	
13	2H001793	Tank right band decal	1	Colour:Competition Black[Black]
13	2H001819	Tank right band decal	1	Colour:Pulsar Grey[Gray]
14	2H001794	Tank left band decal	1	Colour:Competition Black[Black]
14	2H001820	Tank left band decal	1	Colour:Pulsar Grey[Gray]
15	2H001795	RH side fairing decal "A"	1	
16	2H001796	LH side fairing decal "A"	1	
17	2H001797	RH rear fairing decal "1100 RR"	1	
18	2H001798	LH rear fairing decal "1100 RR"	1	
19	2H001799	RH decal "be a racer"	1	Colour:Competition Black[Black]
19	2H001801	RH decal "be a racer"	1	Colour:Pulsar Grey[Gray]
20	2H001800	Sticker LH "be a racer"	1	Colour:Competition Black[Black]
20	2H001802	Sticker LH "be a racer"	1	Colour:Pulsar Grey[Gray]

Group	FRAME
Code	28.55
Description	Plate set and decal
Service	1



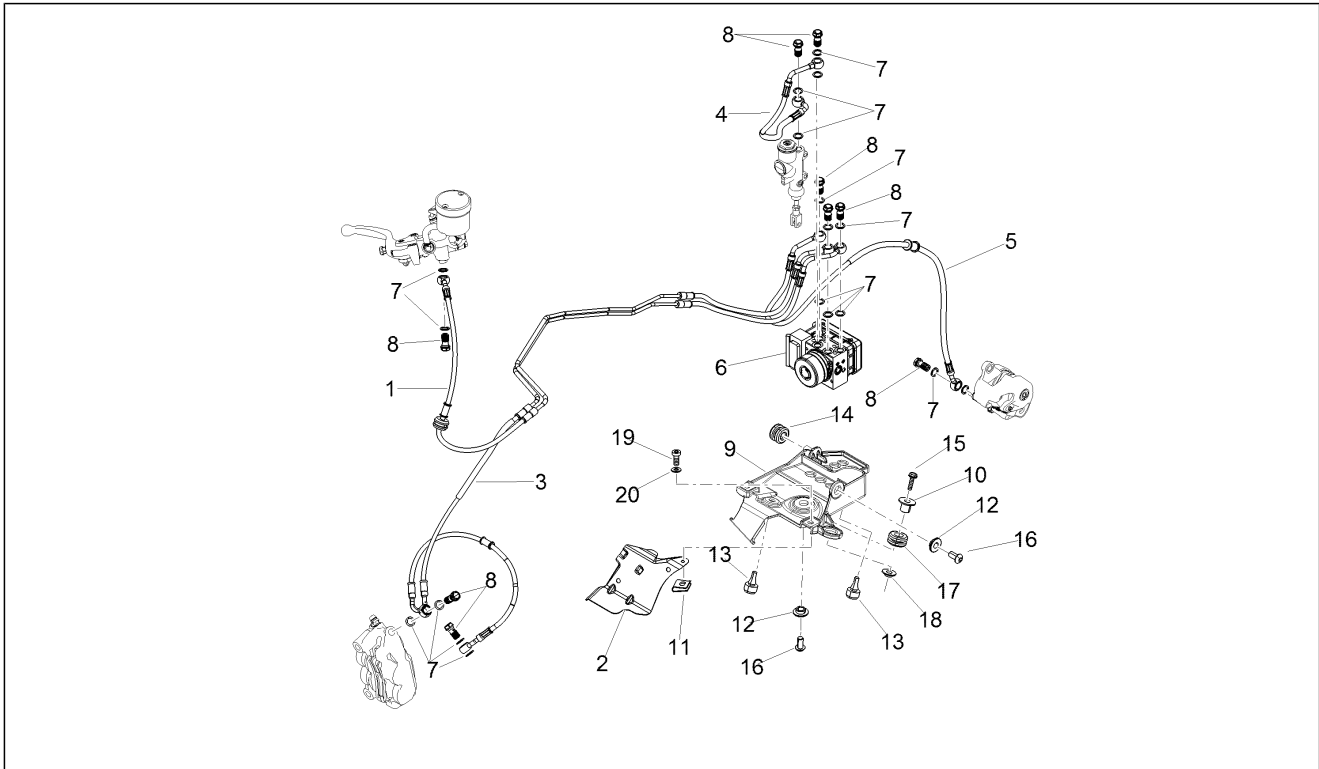
Pos.	Code	Description	Qty	Variants
21	2G000252	Carbon filter sticker	1	Year:2017[H]
21	2G000332	Carbon filter sticker	1	Year:2018[J]
22	2G000255	Noise emission sticker	1	Year:2017[H]
22	2G000333	Noise emission sticker	1	Year:2018[J]
23	2G000256	Emission Sticker	1	Year:2017[H]
23	2G000334	Emission control sticker	1	Year:2018[J]
24	895353	LH heel guard decal	1	
25	895352	RH heel guard decal	1	

Group	FRAME
Code	28.56
Description	Fuel vapour recover system
Service	1



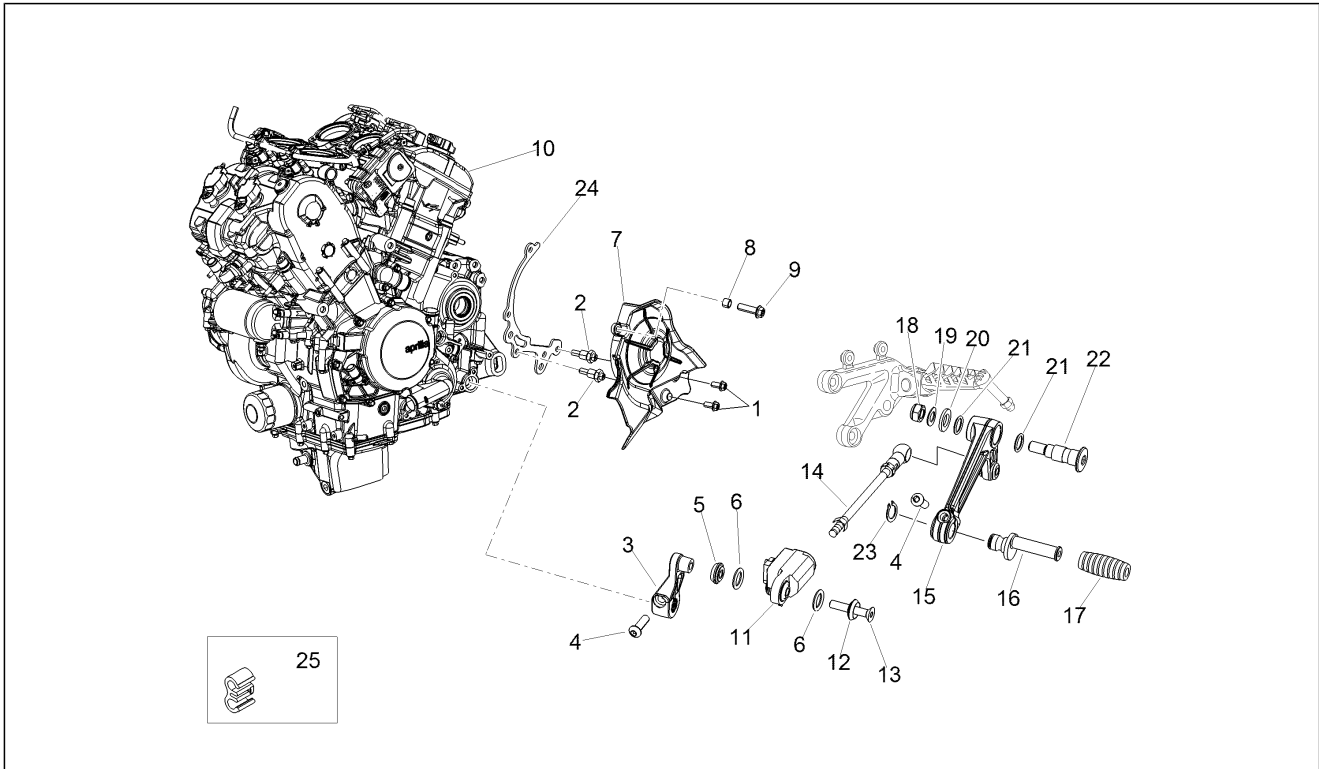
Pos.	Code	Description	Qty	Variants
1	2B002632	Canister	1	
2	AP8102520	Hose clamp	1	
3	890499	Fuel pipe 8x13	1	
4	856063	pipe SAE 30 d.12,7x6,35	2	
5	AP8221150	Cable-guide	1	
6	AP8102239	Hose clamp 12,5x8	2	
7	AP8104614	Pressure valve	1	
8	AP8120446	Hose clip, green D11x6,6x1	2	
9	AP8121267	Choke hold	1	
10	AP8102998	Hose clamp d.9,5	2	
11	2B003692	SAE 30 R12A-3/16 pipe	1	
12	AP8102764	White hose clip d.13x6	1	
13	AP8221311	Fairlead d18	1	
14	AP8150044	Hex socket screw M6x20	1	
15	CM001901	Hose clamp	5	
16	894933	Spacer	1	
17	AP8152299	Self-locking nut M6	2	
18	AP8104666	3-way union	1	
19	AP8150536	Special washer	4	
20	AP8141017	Black hose	2	
21	2B003441	Support bracket	1	
22	2B003684	Shed pipe assembly	1	
23	2B003714	Bush	1	
24	2B003691	SAE 30 R12A-3/16 pipe	1	
25	AP8127601	Ventilation plug	1	
26	AP8102520	Hose clamp	1	

Group	FRAME
Code	28.59
Description	ABS brake system
Service	1



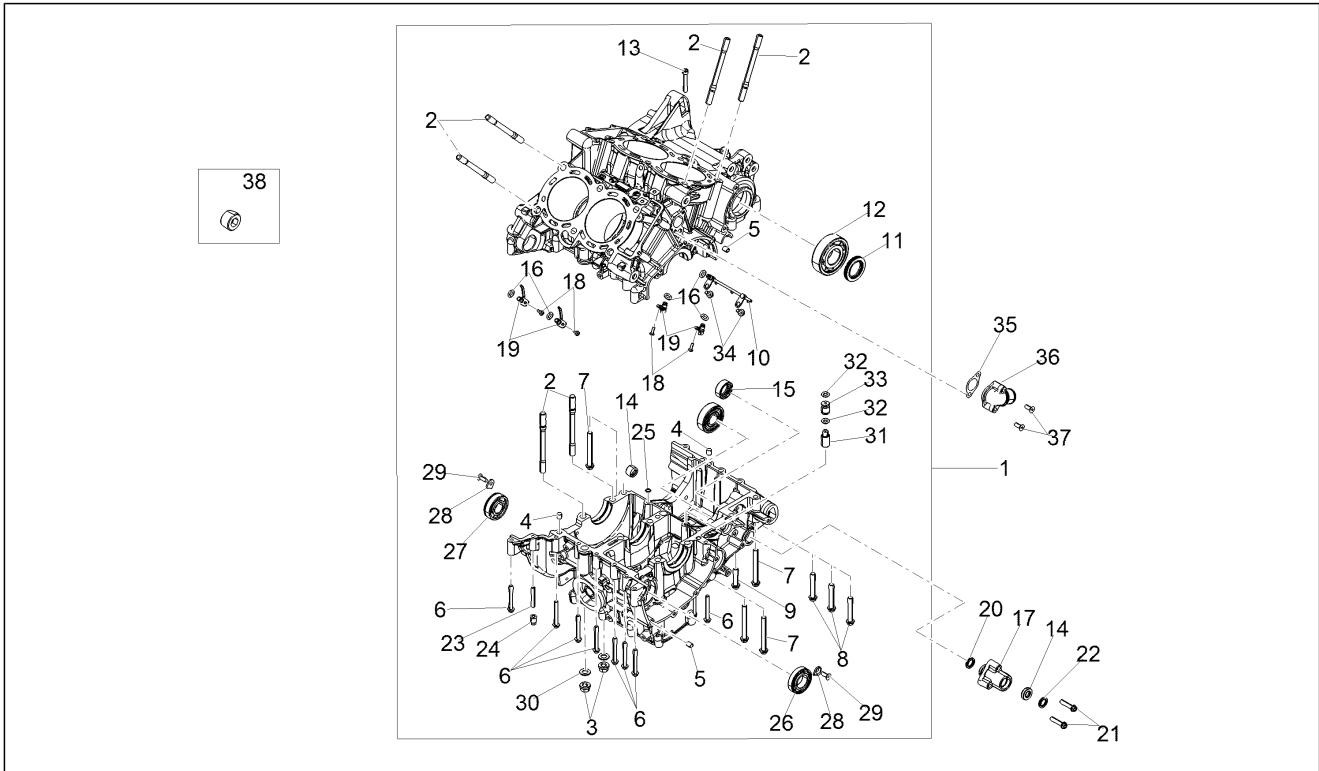
Pos.	Code	Description	Qty	Variants
1	2B003082	Front brake pipe pump-Hecu ABS	1	
2	B045095	Protection	1	
3	2B002997	Front brake pipe Hecu ABS-clamp	1	
4	2B003508	Rear brake pipe pump-Hecu ABS	1	
5	2B003509	Brake calliper-HECU pipe	1	
6	2D000265	ABS electrohydraulic unit, prefilled	1	
7	AP8113004	Washer 10x14x1,6*	19	
8	2B001983	Oil pipe screw	8	
9	B044551	ABS control unit support	1	
10	AP8221023	T bush	1	
11	AP8102381	Clip M4	1	
12	AP9100053	Bush d.10-h.3,5	2	
13	AP8706087	Rubber spacer	1	
14	AP8120223	Rubber spacer *	1	
15	AP8152275	Screw w/ flange M5x25	1	
16	AP8152186	Hex socket screw M6x12	2	
17	AP8120030	Rubber spacer	1	
18	AP8121032	Bush	1	
19	AP8152043	Hex socket screw M4x10	1	
20	AP8150011	Washer 4,3x12x1	1	

Group	ENGINE
Code	29.37
Description	Engine
Service	1



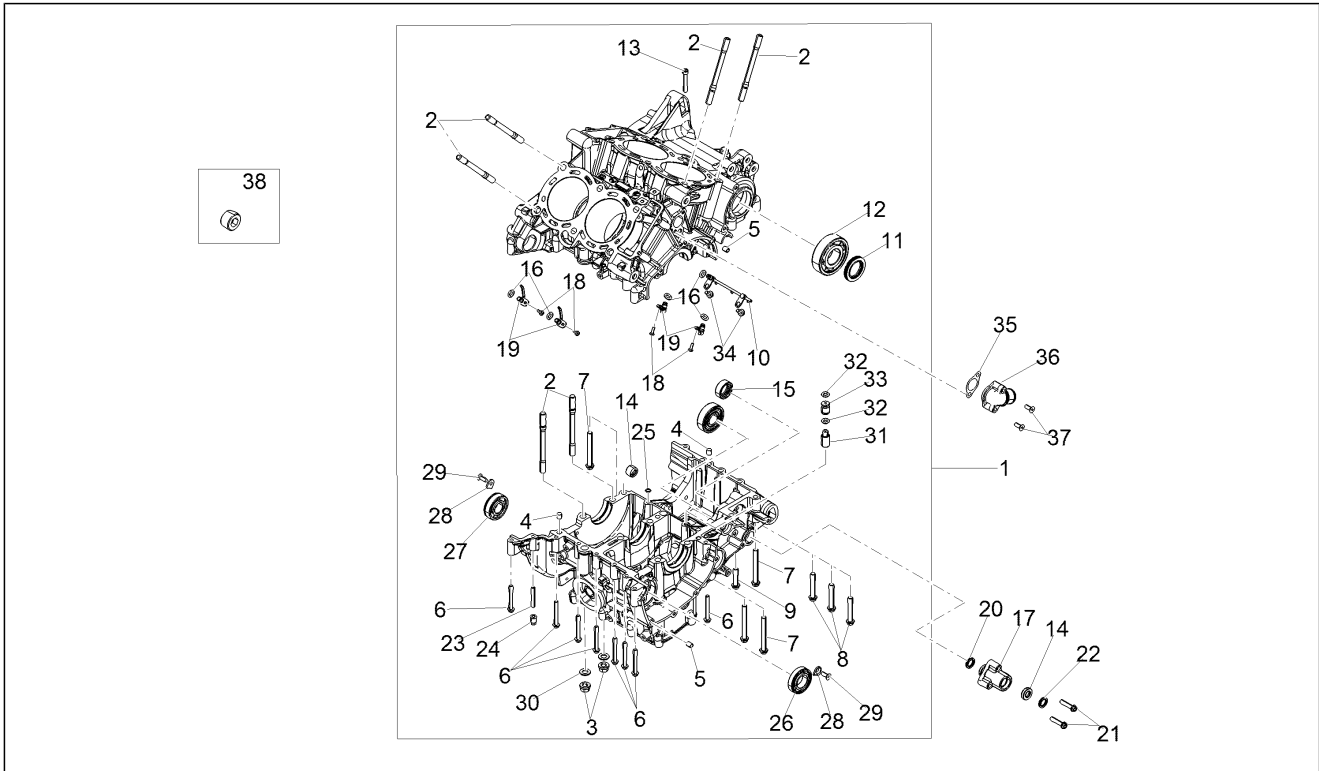
Pos.	Code	Description	Qty	Variants
1	AP8152277	Screw w/ flange M6x12	2	
2	2B001932	Spacer	2	
3	852480	Gear lever	1	
4	AP8224470	Hex socket screw M6x20	2	
5	2B002562	Bush	1	
6	AP8220177	O-ring 115	2	
7	2B003460	Sprocket cover	1	
8	AP8120253	Spacer	2	
9	AP8152279	Screw w/ flange M6x20	2	
10	CM2668035	Engine cpl.	1	
11	2B002890	Quick shift device	1	
12	898134	Bush	1	
13	898463	Screw M6x35	1	
14	2B003382	Gear control tie rod	1	
15	897360	Gear lever	1	
16	AP8121221	Brake lever pin	1	
17	AP8120912	Lever rubber	1	
18	AP8150431	Low nut M8	1	
19	AP8150376	Washer 8,5x15x0,8	1	
20	AP8150020	Washer 10,5x21x2*	1	
21	AP8144007	O-ring 11,11x1,78	2	
22	AP8121223	Rear brake lever pin	1	
23	AP8150462	Circlip d9	1	
24	858923	Chain guide	1	
25	2B000276	Staple	1	

Group	ENGINE
Code	29.38
Description	Crank-case I
Service	1



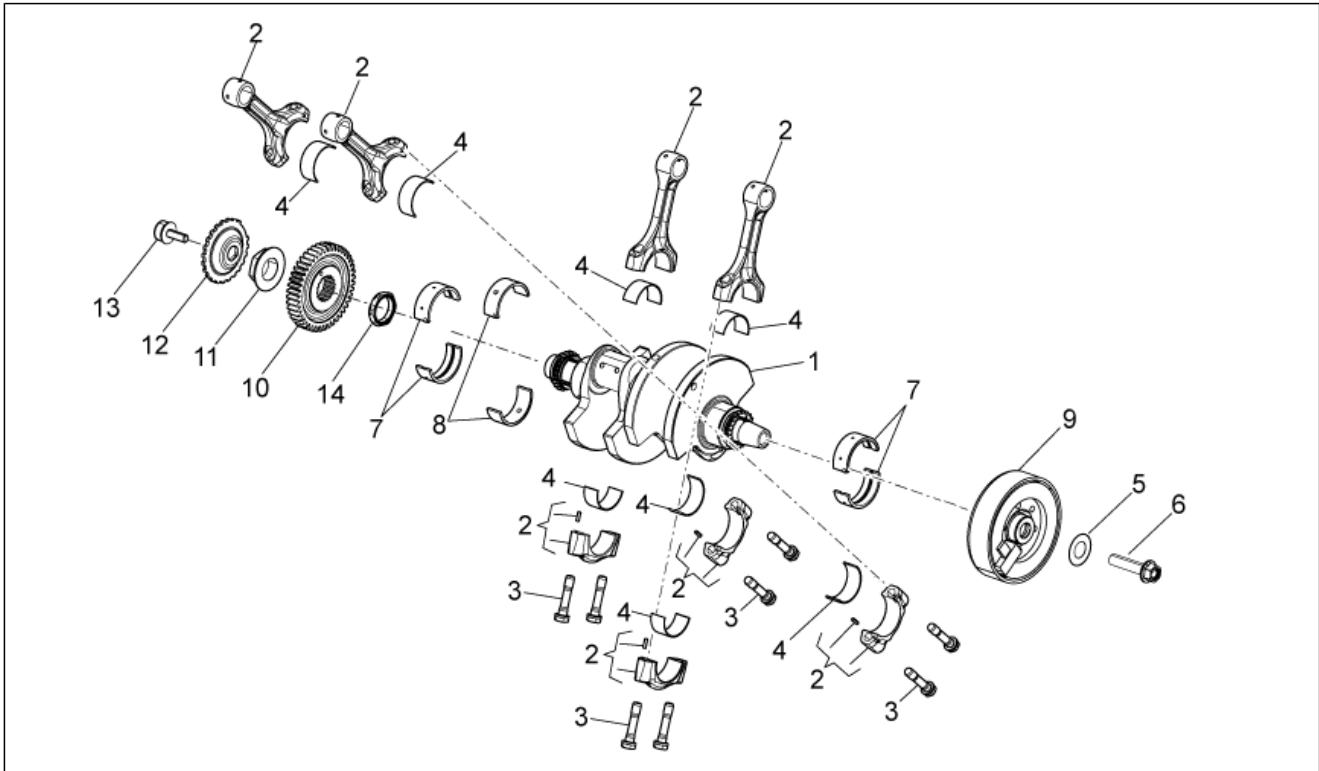
Pos.	Code	Description	Qty	Variants
1	2A0007875	Carter, pair	1	
2	857087	Stud bolt m10x126	18	
3	897434	Flanged nut M10x1	6	
4	857427	Pin M8x12	3	
5	411209	Pin	4	
6	AP9100433	Screw w/ flange M6x50	8	
7	AP8152294	Screw w/ flange	4	
8	AP8152292	Screw w/ flange M8x50	3	
9	AP8152289	Screw w/ flange	1	
10	2A000569	Lubrication pipe	1	
11	857128	Gasket ring 30x47x7	1	
12	898633	Ball bearing 30X72X19	1	
13	AP8152003	Hex socket screw M6x40	1	
14	B045224	12x8x12 roller bearing	2	
15	857249	Roller cage HK1512	1	
16	GU90706009	O-ring 6x1	5	
17	857090	Maintenance	1	
18	B046202	Screw TB 4X12 TORX	4	
19	2A000885	Piston cooling jet	4	
20	857109	Gasket ring 17,12X2,62	1	
21	AP8150285	Hex socket screw M6x35	2	
22	857127	Gasket ring 12x22	1	
23	2A000295	Stud bolt	1	
24	857496	Special nut	1	
25	857144	O-ring	1	
26	897436	Bearing	1	
27	897435	Bearing	1	
28	AP9150145	Check bearing plate	2	

Group	ENGINE
Code	29.38
Description	Crank-case I
Service	1



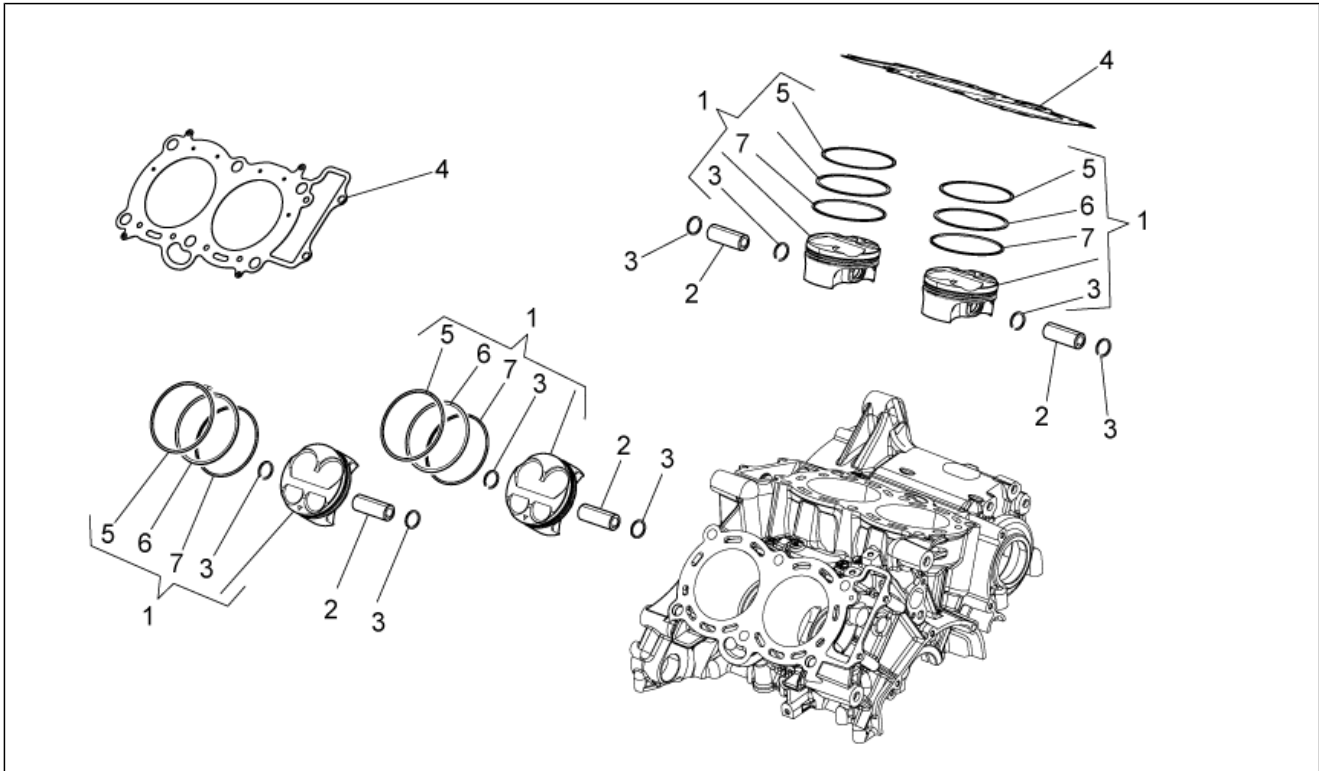
Pos.	Code	Description	Qty	Variants
29	AP8152166	screw M6x16	2	
30	857208	Washer 19 x 10,5 x 1,6	6	
31	2A000363	Lubricating jet	1	
32	AP8120965	O-ring 2018	2	
33	B045126	Relief Valve	1	
34	1A003114	Screw w/ flange	2	
35	1A006321	***Water connection Gasket	1	
36	857126	Joint	1	
37	872117	Screw w/ flange	2	
38	974060	Plug M16X1,5	3	

Group	ENGINE
Code	29.39
Description	Drive shaft
Service	1



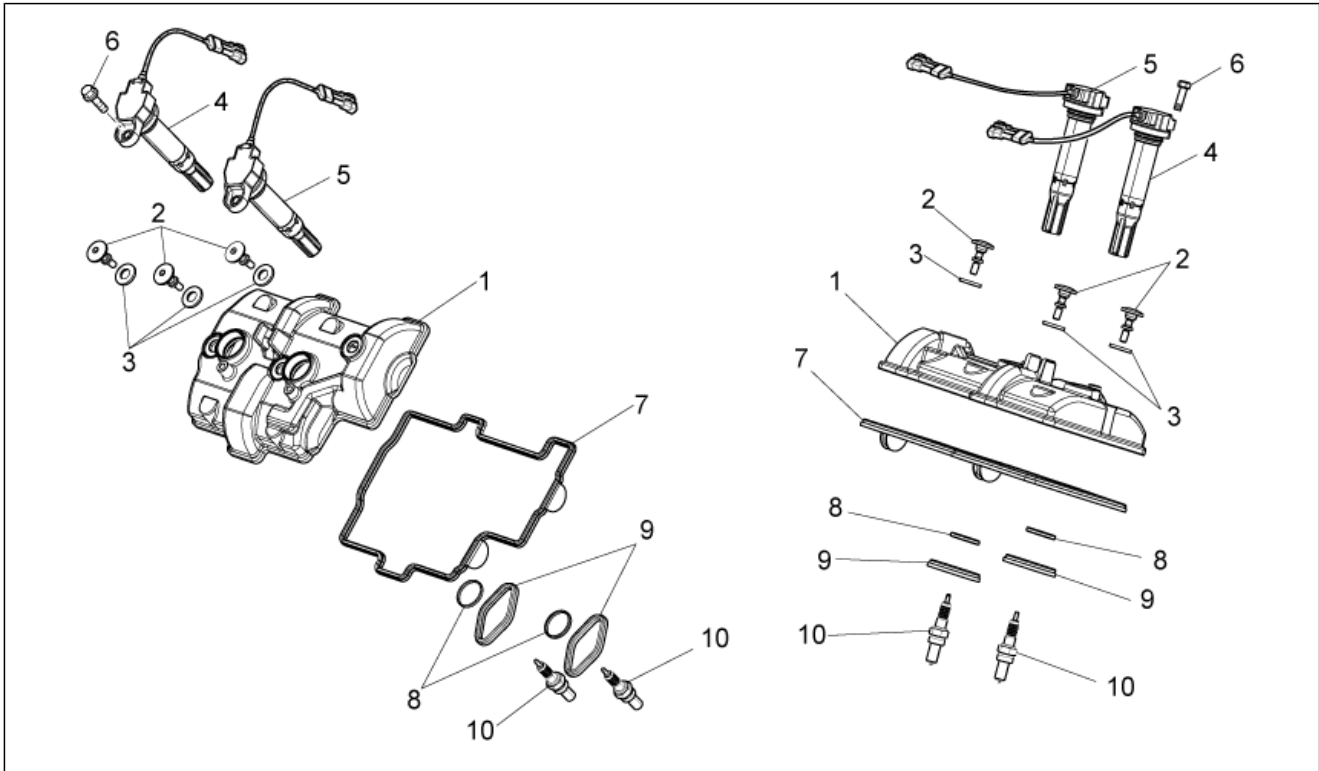
Pos.	Code	Description	Qty	Variants
1	2A000299LL	Drive shaft LL	1	
1	2A000299MM	Drive shaft MM	1	
1	2A000299NN	Drive shaft NN	1	
1	2A000299OO	Drive shaft OO	1	
1	2A000299PP	Drive shaft PP	1	
2	2A000622BB	Connecting rod, selection class "B"	1	
2	2A000622CC	Class "C" connecting rod	1	
2	2A000622DD	Class "D" connecting rod	1	
3	B045844	Connecting rod screw	8	
4	2A0008370B	Connecting rod half-bearing, blue	2	
4	2A0008370G	Connecting rod half-bearing, yellow	2	
4	2A0008370V	Connecting rod half-bearing, green	2	
5	897478	Washer 12x26.5x3	1	
6	857206	Screw w/ flange M12X1,25X50	1	
7	8571320B	Bushing half-shell, blue	4	
7	8571320G	Bushing half-shell, yellow	4	
7	8571320V	Bearing half-shell, green	4	
8	8571300B	Bushing half-shell, blue	2	
8	8571300G	Bushing half-shell, yellow	2	
8	8571300V	Green central bushing half case	2	
9	2D000049	Cdi magneto assy	1	
10	899484	Primary drive gear	1	
11	B043204	Ring nut	1	
12	857118	Phonic wheel	1	
13	857077	Special screw M8x24	1	
14	897474	Sprocket spacer	1	

Group	ENGINE
Code	29.40
Description	Cylinder - Piston
Service	1



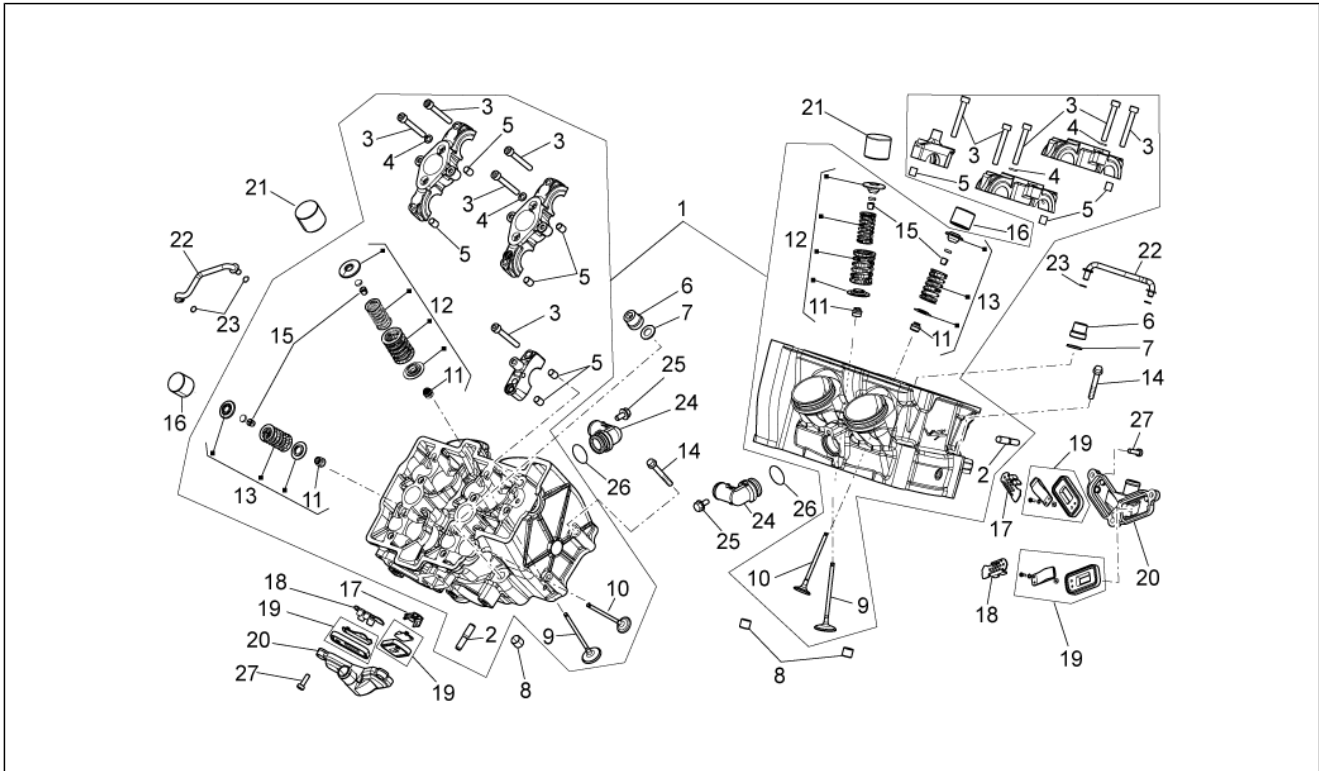
Pos.	Code	Description	Qty	Variants
1	CM281002	Complete piston cat.B	4	
1	CM281001	Complete piston cat.A	4	
2	2A000630	Piston pin	4	
3	2A000450	Stop ring	4	
4	2A000370	Cylinder head gasket	2	
5	2A000734	Piston ring	4	
6	2A000735	Piston ring	4	
7	2A000739	Piston ring	4	

Group	ENGINE
Code	29.41
Description	Valves cover
Service	1



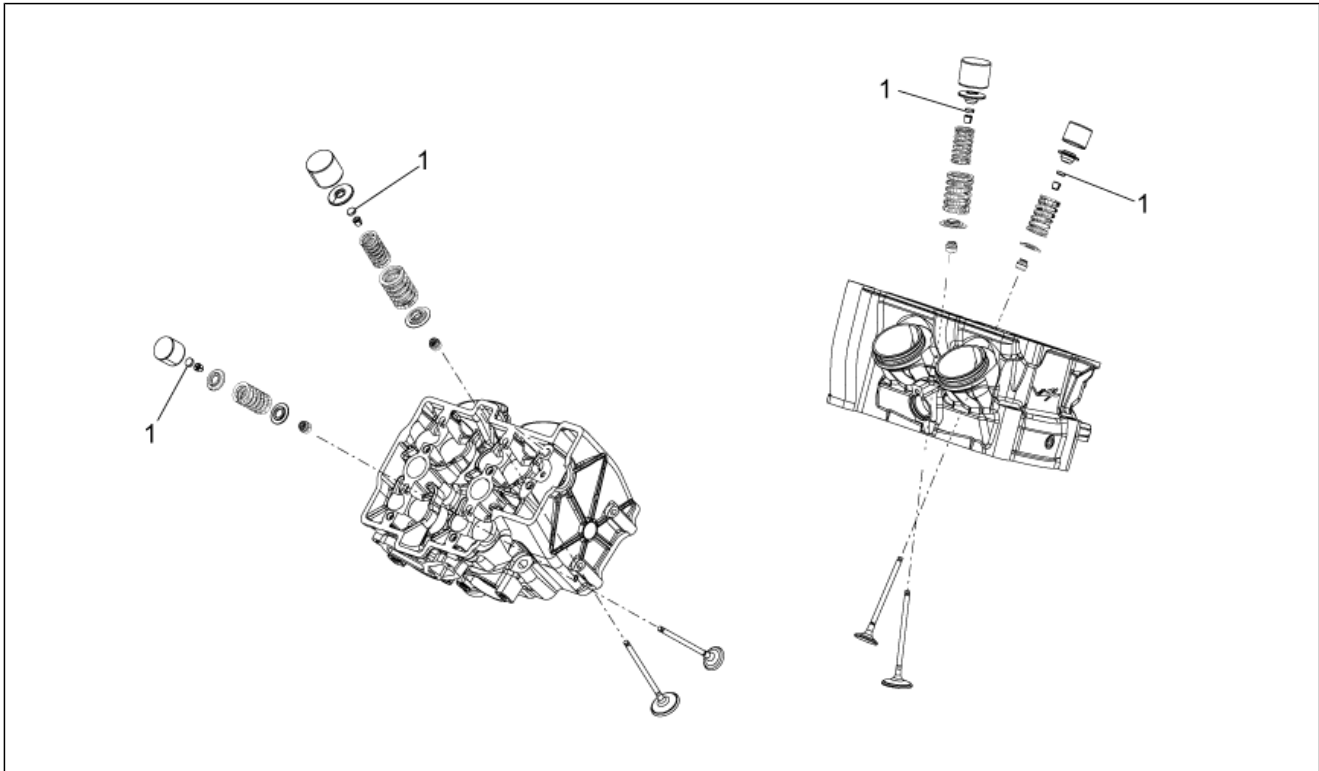
Pos.	Code	Description	Qty	Variants
1	898407	Head cover	2	
2	857071	Special screw	6	
3	898410	Damper drift	6	
4	857084	HT coil short cable	2	
5	857501	HT coil long cable	2	
6	AP8152277	Screw w/ flange M6x12	4	
7	897443	Valve cover gasket	2	
8	857043	Gasket	4	
9	857074	Gasket	4	
10	B043807	Spark plug NGK CR9EKB	4	

Group	ENGINE
Code	29.42
Description	Cylinder head - valves
Service	1



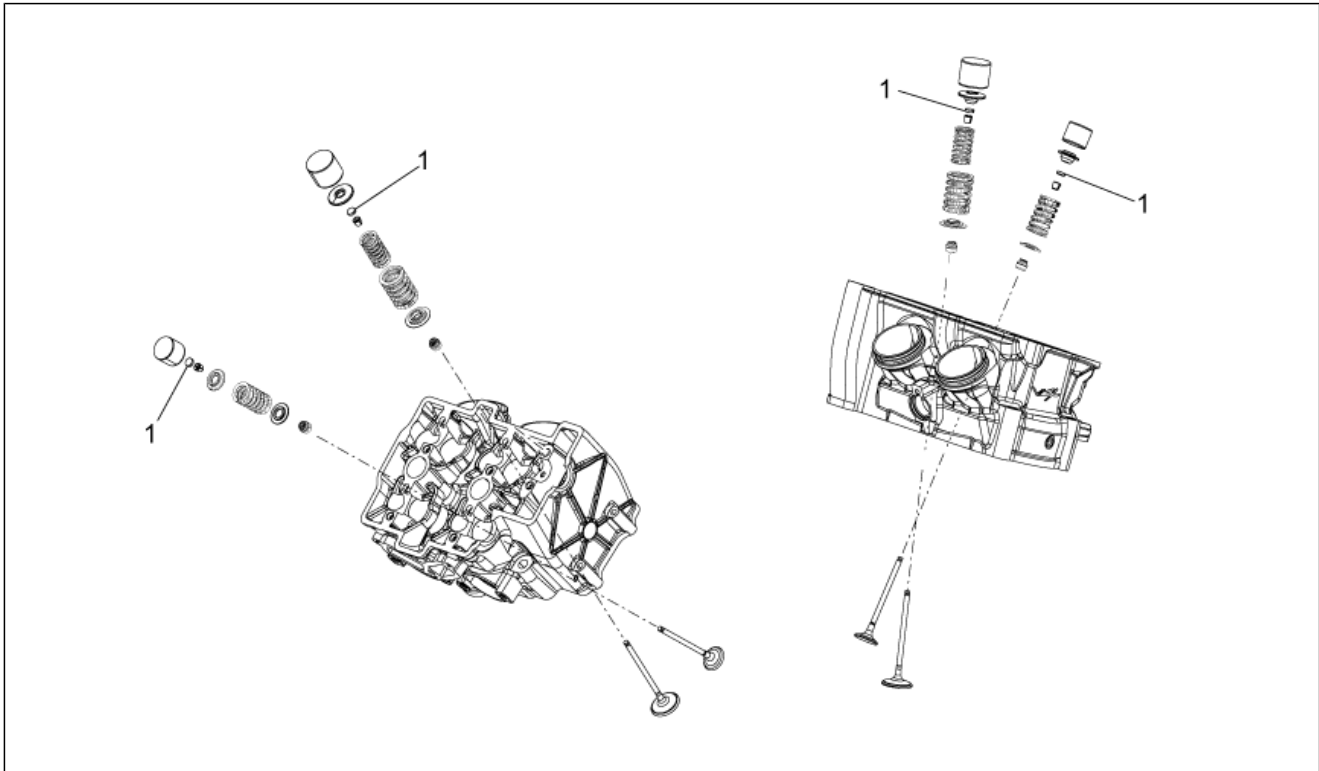
Pos.	Code	Description	Qty	Variants
1	8986822	Cylinder head assy.	2	
2	857035	Stud bolt m10x171	8	
3	857085	Hex socket screw M6x45	20	
4	857042	Copper washer	8	
5	411209	Pin	12	
6	897434	Flanged nut M10x1	12	
7	857208	Washer 19 x 10,5 x 1,6	12	
8	825597	Pin 11,8X10	4	
9	857018	Valve, in	8	
10	2A000546	Exhaust valve	8	
11	436438	Valve gasket ring	16	
12	2R000041	Intake valve spring kit	1	
13	2R000042	Exhaust valve spring kit	1	
14	478895	Screw w/ flange	4	
15	857024	Valve half-cone	32	
16	857067	Valve lifter bucket	8	
17	857046	Spark arrester	2	
18	857047	Spark arrester	2	
19	857045	Reed valve	4	
20	857044	Cover reed valve	2	
21	857066	Valve lifter bucket	8	
22	857017	Oil sprayer pipe	2	
23	873097	O-ring	4	
24	857016	Angular union	2	
25	1A003153	Flanged hexagon screw	2	
26	857083	O-ring	2	
27	857048	screw M5x16	6	

Group	ENGINE
Code	29.43
Description	Valves pads
Service	1



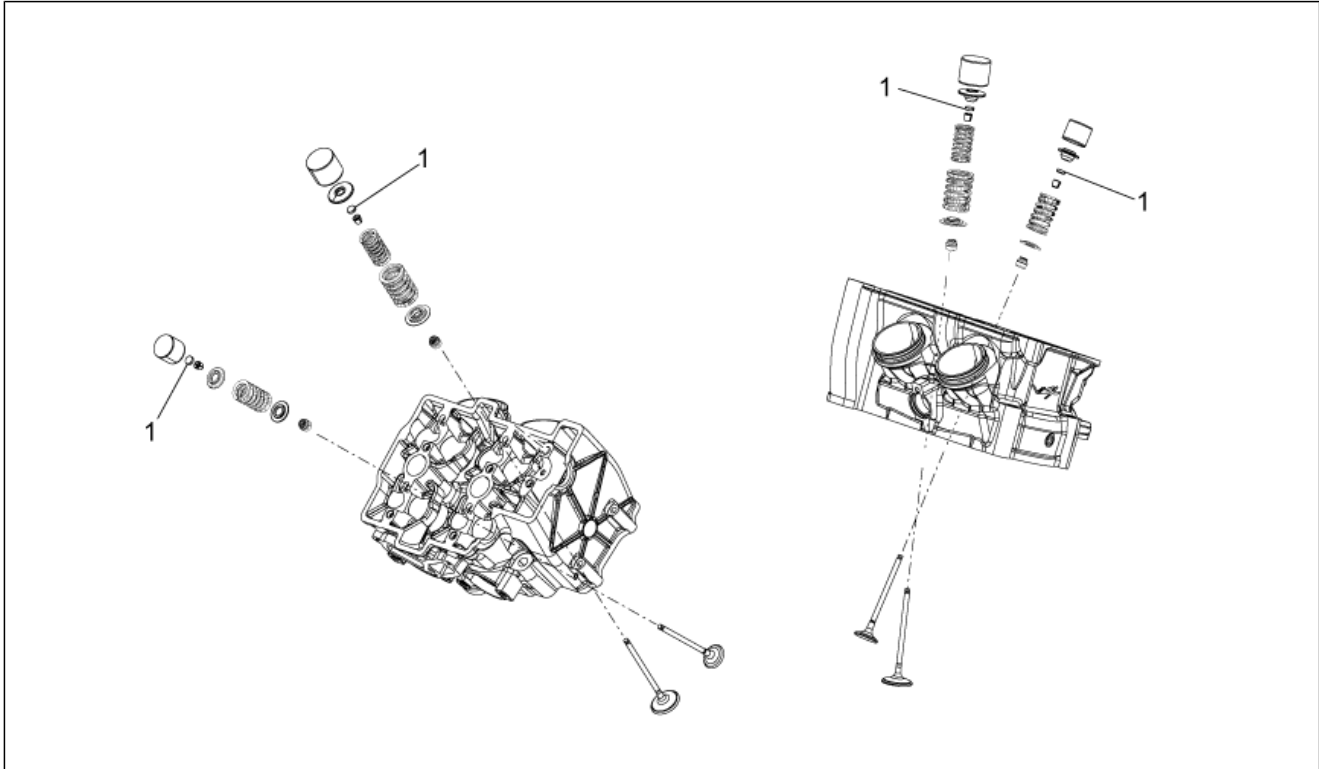
Pos.	Code	Description	Qty	Variants
1	CM228043	Pad 2,80	1	
1	CM228044	Pad 2,82	1	
1	CM228045	Pad 2,85	1	
1	CM228046	Pad 2,87	1	
1	CM228047	Pad 2,90	1	
1	CM228048	Pad 2,92	1	
1	CM228049	Pad 2,95	1	
1	CM228050	Pad 2,97	1	
1	CM228051	Pad 3	1	
1	CM228052	Pad 3,02	1	
1	CM228053	Pad 3,05	1	
1	CM228054	Pad 3,07	1	
1	CM228055	Pad 3,10	1	
1	CM228056	Pad 3,12	1	
1	CM228057	Pad 3,15	1	
1	CM228031	Pad 2,50	1	
1	CM228001	Pad 1,75	1	
1	CM228003	Pad 1,80	1	
1	CM228002	Pad 1,77	1	
1	CM228004	Pad 1,82	1	
1	CM228005	Pad 1,85	1	
1	CM228007	Pad 1,90	1	
1	CM228008	Pad 1,92	1	
1	CM228009	Pad 1,95	1	
1	CM228010	Pad 1,97	1	
1	CM228011	Pad 2	1	
1	CM228012	Pad 2,02	1	
1	CM228013	Pad 2,05	1	

Group	ENGINE
Code	29.43
Description	Valves pads
Service	1



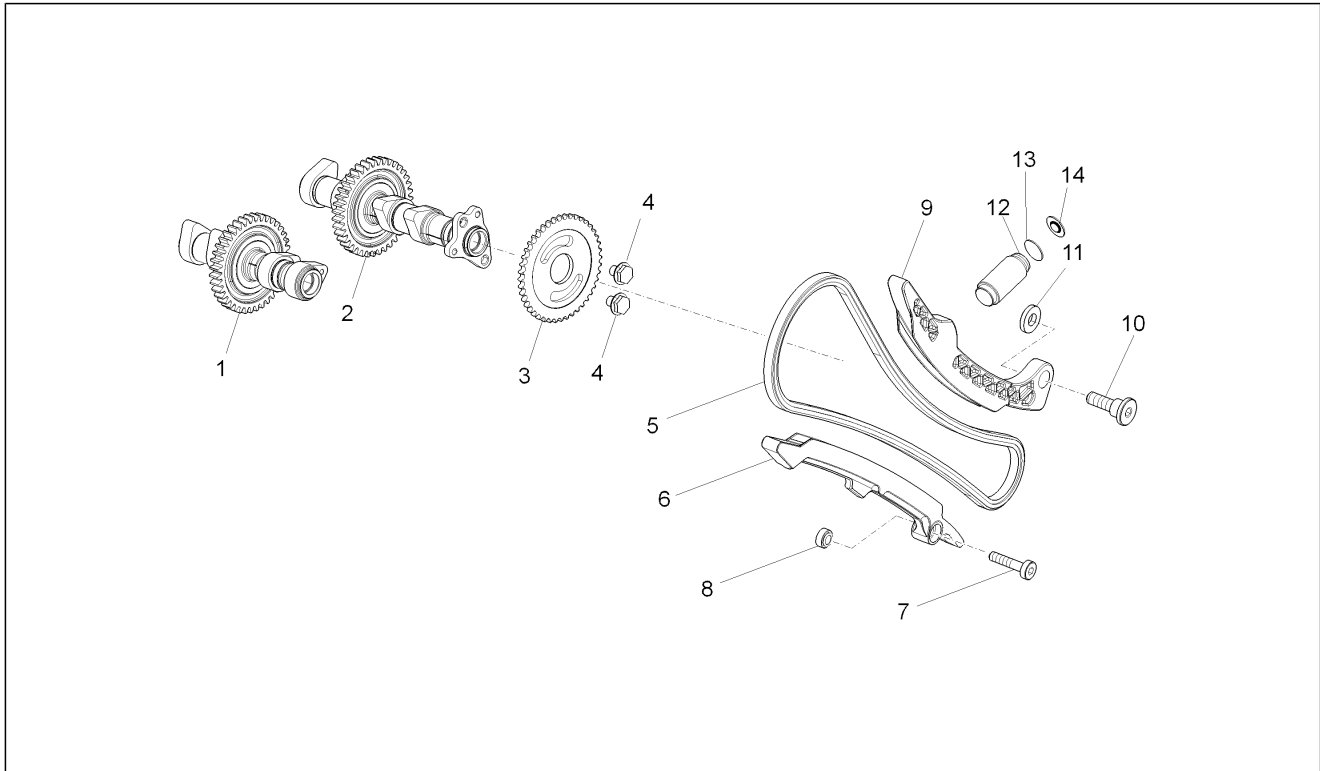
Pos.	Code	Description	Qty	Variants
1	CM228014	Pad 2,07	1	
1	CM228015	Pad 2,10	1	
1	CM228016	Pad 2,12	1	
1	CM228017	Pad 2,15	1	
1	CM228019	Pad 2,20	1	
1	CM228020	Pad 2,22	1	
1	CM228021	Pad 2,25	1	
1	CM228022	Pad 2,27	1	
1	CM228023	Pad 2,30	1	
1	CM228024	Pad 2,32	1	
1	CM228025	Pad 2,35	1	
1	CM228026	Pad 2,37	1	
1	CM228027	Pad 2,40	1	
1	CM228028	Pad 2,42	1	
1	CM228029	Pad 2,45	1	
1	CM228030	Pad 2,47	1	
1	CM228032	Pad 2,52	1	
1	CM228033	Pad 2,55	1	
1	CM228034	Pad 2,57	1	
1	CM228035	Pad 2,60	1	
1	CM228036	Pad 2,62	1	
1	CM228037	Pad 2,65	1	
1	CM228038	Pad 2,67	1	
1	CM228039	Pad 2,70	1	
1	CM228040	Pad 2,72	1	
1	CM228041	Pad 2,75	1	
1	CM228042	Pad 2,77	1	
1	CM228018	Pad 2,17	1	

Group	ENGINE
Code	29.43
Description	Valves pads
Service	1



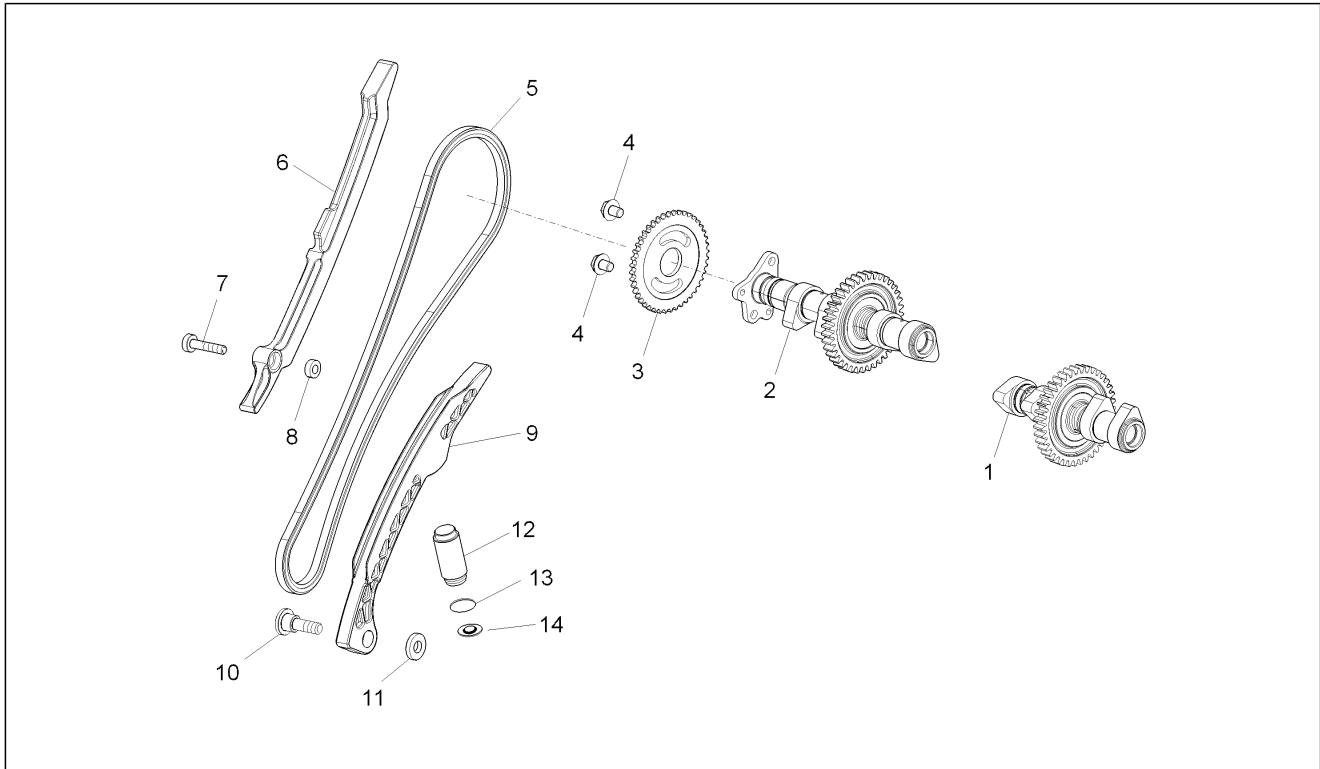
Pos.	Code	Description	Qty	Variants
1	CM228006	Pad 1,87	1	

Group	ENGINE
Code	29.44
Description	Front cylinder timing system
Service	1



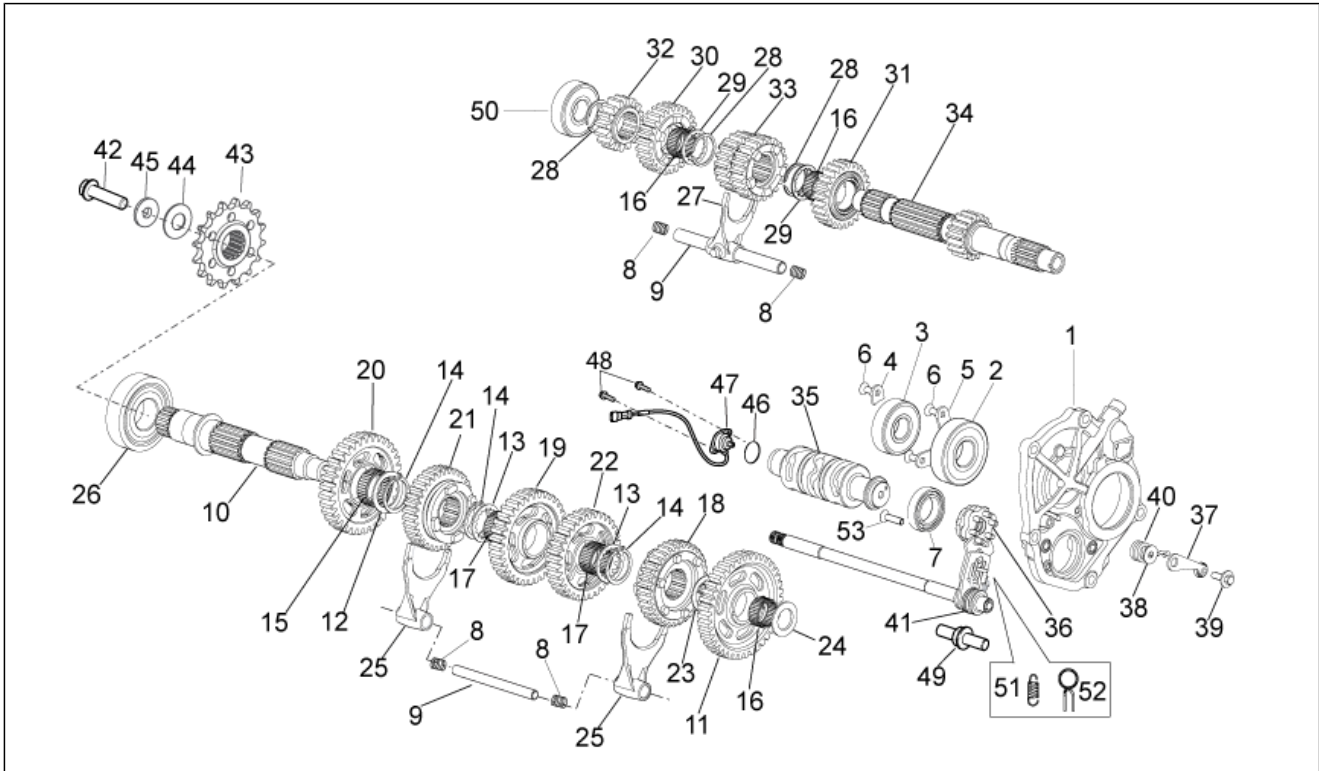
Pos.	Code	Description	Qty	Variants
1	8574705	Exhaust camshaft	1	
2	B0444875	Intake camshaft	1	
3	857546	Timing system gear Z=44	1	
4	857008	Screw w/ flange M8x10,3	2	
5	897444	Driving chain	1	
6	2A000559	Chain guide plate	1	
7	857476	Special screw M6x18	1	
8	857477	Bushing	1	
9	857539	Chain tensioner sliding block	1	
10	857094	Special screw M8	1	
11	857096	Washer 18,5x8,5x3,3	1	
12	2A000111	Chain stretching drive	1	
13	857176	O-ring	1	
14	B045476	Washer 15x6x2	1	

Group	ENGINE
Code	29.45
Description	Rear cylinder timing system
Service	1



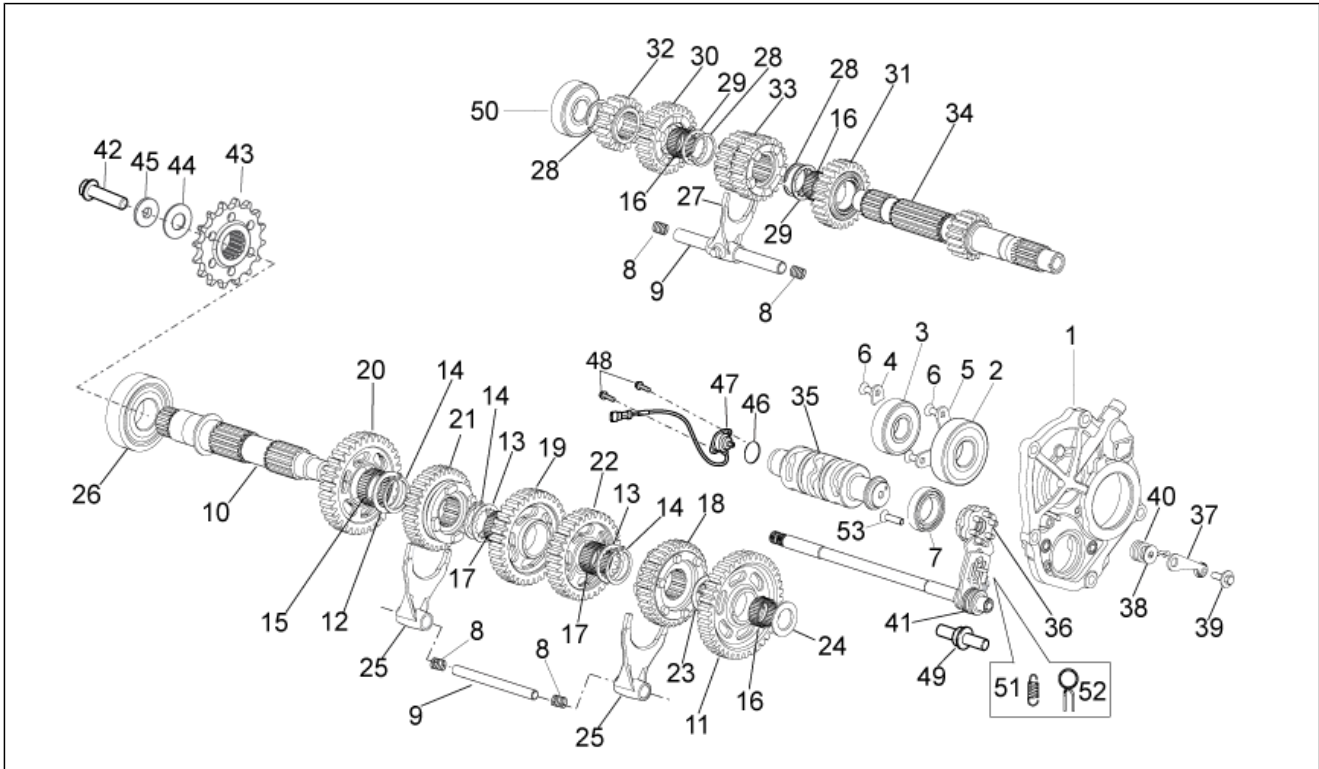
Pos.	Code	Description	Qty	Variants
1	8574715	Exhaust camshaft	1	
2	B0444875	Intake camshaft	1	
3	857546	Timing system gear Z=44	1	
4	857008	Screw w/ flange M8x10,3	2	
5	897444	Driving chain	1	
6	2A000559	Chain guide plate	1	
7	857476	Special screw M6x18	1	
8	857477	Bushing	1	
9	857539	Chain tensioner sliding block	1	
10	857094	Special screw M8	1	
11	857096	Washer 18,5x8,5x3,3	1	
12	2A000111	Chain stretching drive	1	
13	857176	O-ring	1	
14	B045476	Washer 15x6x2	1	

Group	ENGINE
Code	29.46
Description	Gear box
Service	1



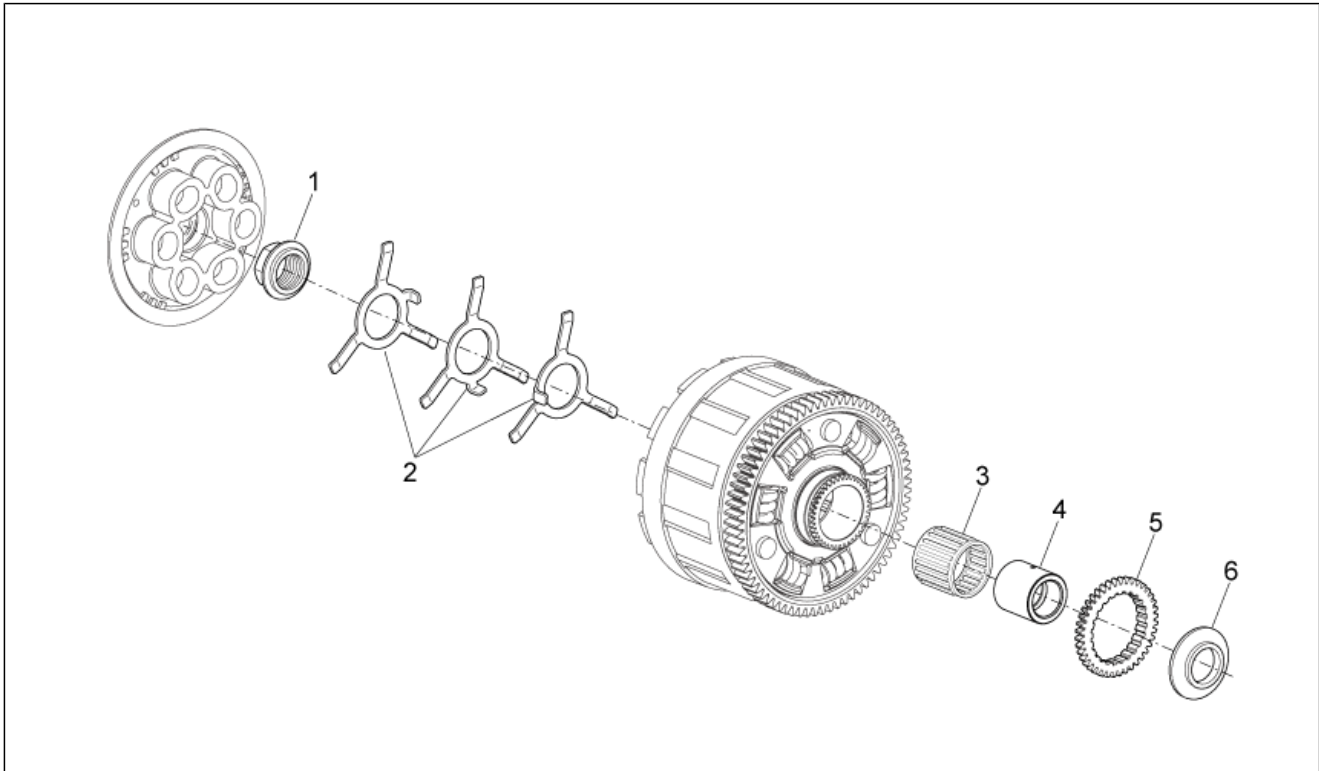
Pos.	Code	Description	Qty	Variants
1	2A000069	Trasmission support	1	
2	898634	Ball bearing 25x62x17	1	
3	898635	Ball bearing 20x52x15	1	
4	AP9150145	Check bearing plate	1	
5	857271	Check bearing plate	2	
6	AP8152166	screw M6x16	2	
7	857250	Ball bearing 25x42x9	1	
8	857175	Spring	4	
9	857284	Fork shaft	2	
10	857236	Driven shaft	1	
11	2A000889	***1st GEAR	1	
12	857308	Washer 30x40x1,5	1	
13	857247	Clearance washer	2	
14	857248	Circlip D30	3	
15	857309	Roller cage 30x35x13	1	
16	857233	Roller cage 24x28x13	3	
17	857244	Roller cage 26x30x15,6	2	
18	2A000890	***5th GEAR	1	
19	857239	3rd wheel gear Z=34	1	
20	857238	2nd wheel gear Z=33	1	
21	857242	6th wheel gear Z=33	1	
22	857240	4th wheel gear Z=32	1	
23	857246	Washer 24x35x1	1	
24	857245	Washer 20,1x33,5x2,5	1	
25	85253R	Fork	2	
26	898633	Ball bearing 30X72X19	1	
27	85252R	Fork	1	
28	857232	Washer for shafts	3	

Group	ENGINE
Code	29.46
Description	Gear box
Service	1



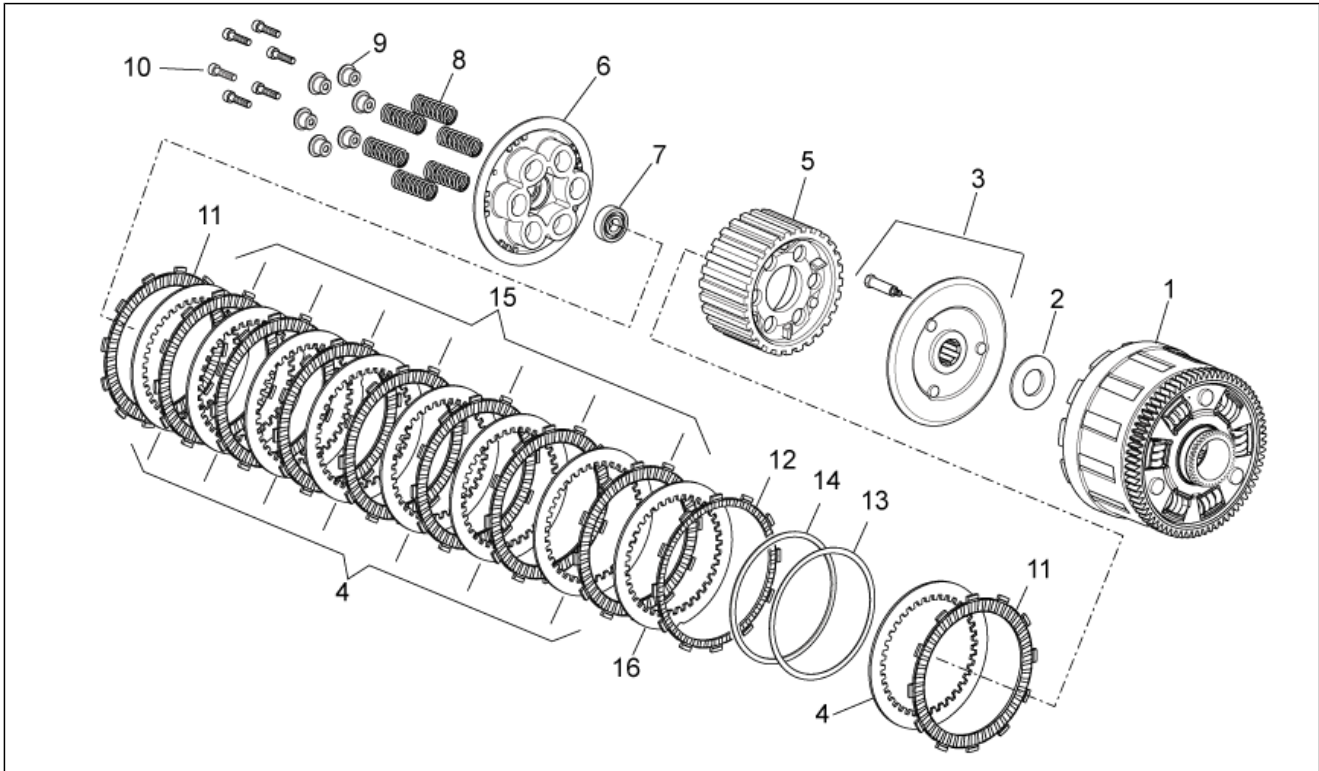
Pos.	Code	Description	Qty	Variants
29	857234	Clearance washer	2	
30	857231	6th pinion gear Z=27	1	
31	857230	5th pinion gear Z=26	1	
32	857459	2nd pinion gear Z=16	1	
33	857229	3rd-4th pinion gear Z=20/Z=22	1	
34	857458	Primary gear shaft	1	
35	857251	Shift cam	1	
36	857123	Index washer	1	
37	857274	Index assy. lever	1	
38	AP9150051	Washer D6,3x18x1	1	
39	AP9150006	Screw w/ flange M6x15	1	
40	2A000048	Spring	1	
41	857253	Gear shaft+spring cpl.	1	
42	AP8152318	Screw w/ flange M10x35	3	
43	2B001710	Pinion gear Z=15	1	
44	854909	Belleville spring	1	
45	854951	T bush	2	
46	857494	O-ring	1	
47	2D000300	Gear position sensor	1	
48	AP8152273	Screw w/ flange M5x15	2	
49	899599	Threaded pin	1	
50	898636	Ball bearing 20x52x15	1	
51	857260	Fasten spring	1	
52	2A000047	Spring	1	
53	GU98370616	Hex socket screw M6x16 inox	2	

Group	ENGINE
Code	29.47
Description	Clutch I
Service	1



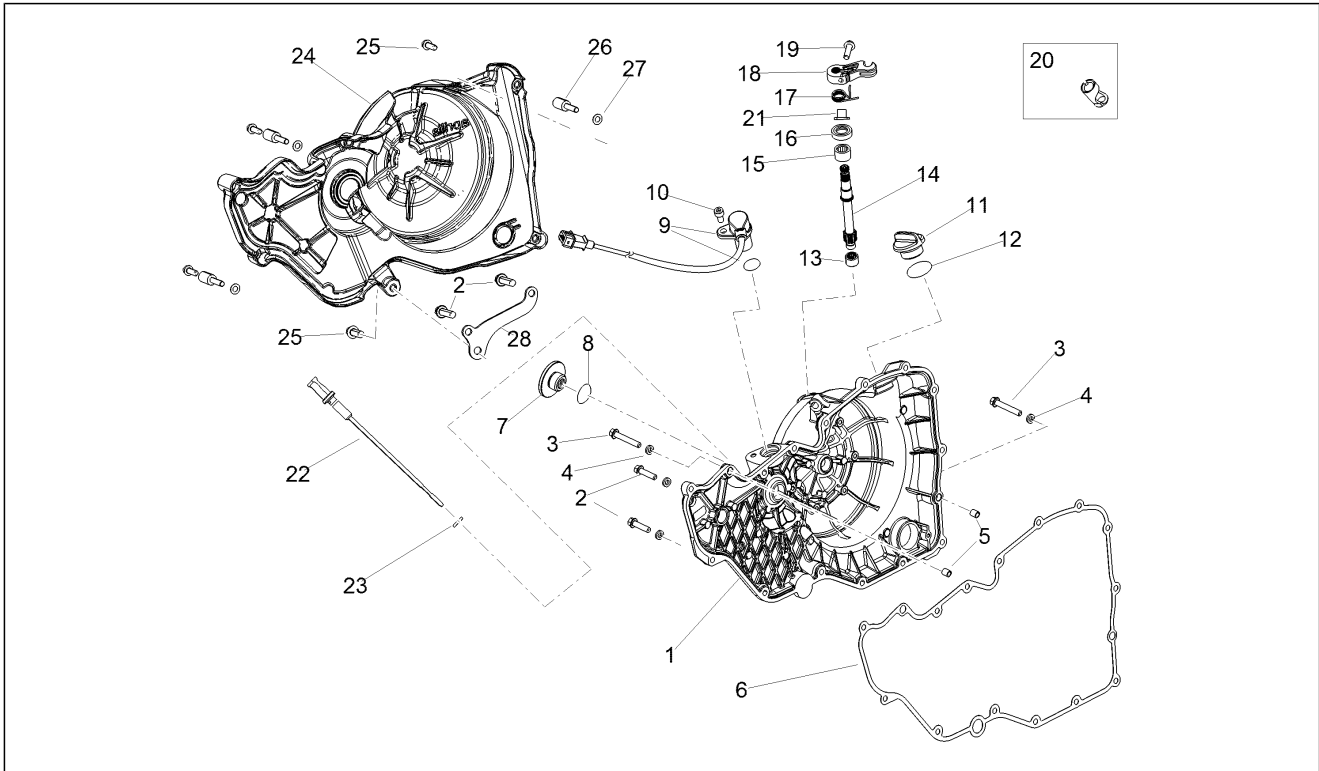
Pos.	Code	Description	Qty	Variants
1	893767	Nut	1	
2	B044474	Belleville spring sp.0,9	3	
3	893769	Roller cage 35x40x35,8	1	
4	893770	Spacer	1	
5	894821	Oil pump gear Z=39	1	
6	893772	Washer 58x25x8	1	

Group	ENGINE
Code	29.48
Description	Clutch II
Service	1



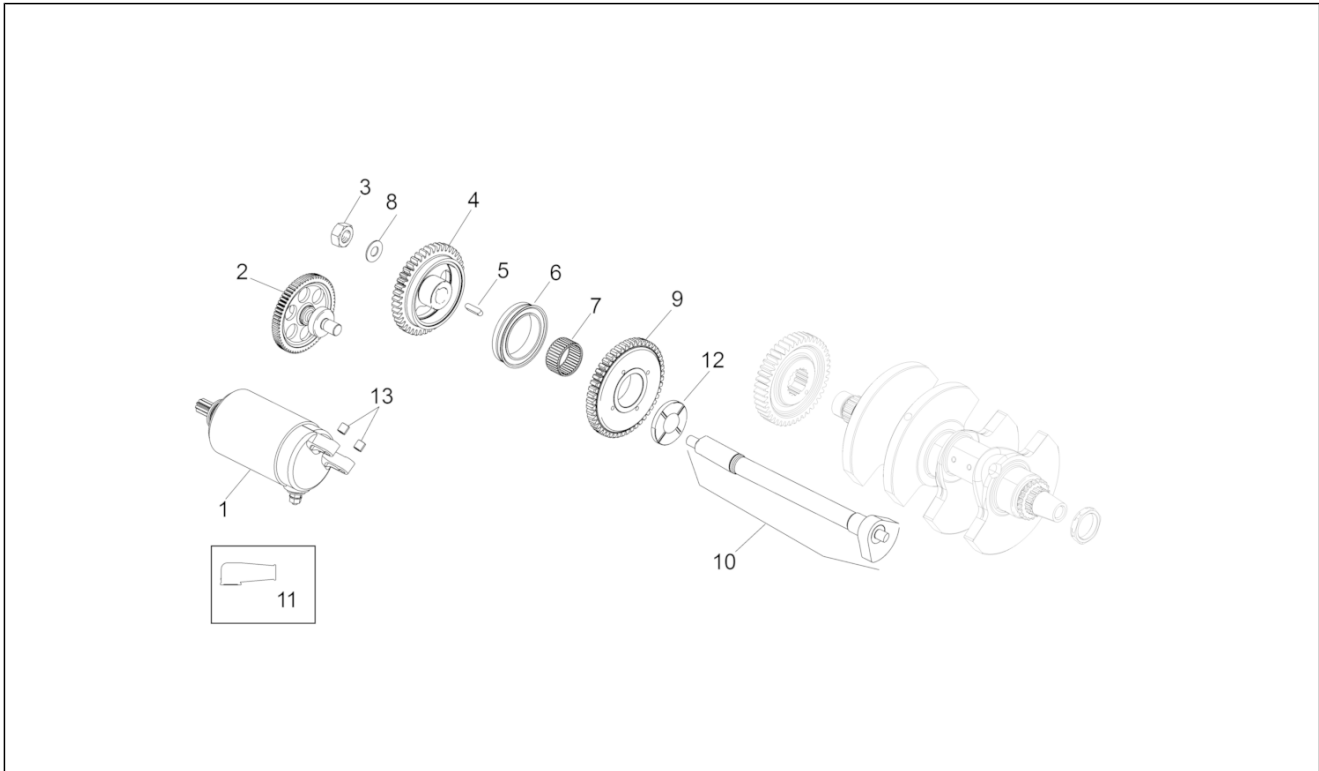
Pos.	Code	Description	Qty	Variants
1	893773	Clutch housing, complete	1	
2	893774	Washer 25,5x47x2,5	1	
3	894794	Support assy.	1	
4	893783	Driven clutch disc	8	
5	893784	Aluminium clutch drum	1	
6	893940	Clutch pressure plate	1	
7	893941	Bearing	1	
8	B044275	Clutch spring	6	
9	893778	Spring seat	6	
10	893779	Hex socket screw M6	6	
11	893780	Driving clutch disc	2	
12	893942	Clutch disc	1	
13	893943	Spring	1	
14	893944	Seat judder spring	1	
15	893782	Driving clutch disc	7	
16	899483	Driven clutch disc	1	

Group	ENGINE
Code	29.49
Description	Clutch cover
Service	1



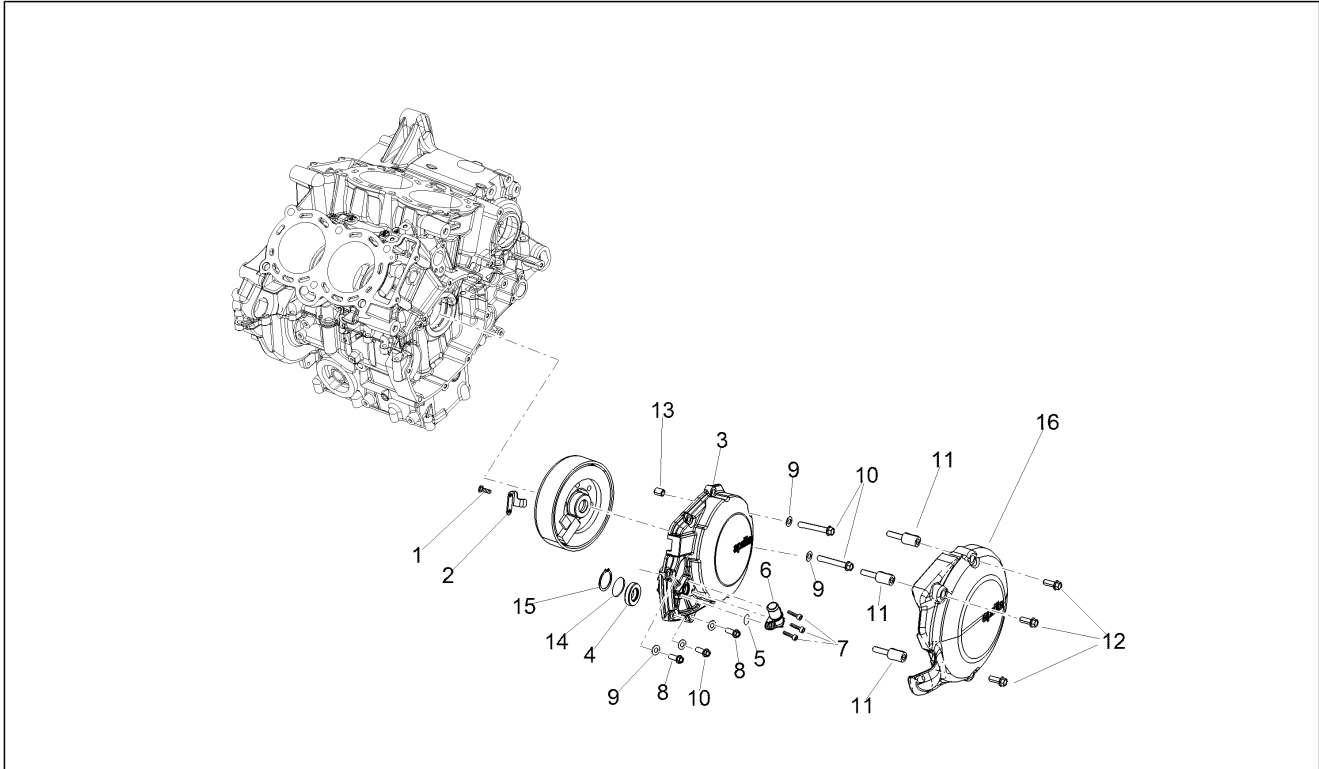
Pos.	Code	Description	Qty	Variants
1	1A007270	Clutch cover	1	
2	857429	Screw w/ flange	16	
3	857436	Screw w/ flange	2	
4	AP8150429	Spring washer 6,4x11x0,5*	18	
5	411209	Pin	2	
6	857451	Gasket	1	
7	857543	Inspection cover	1	
8	857078	O-ring	1	
9	832029	Encoder sensor	1	
10	122675	Hex socket screw	1	
11	974229	Oil load plug	1	
12	AP8144424	O-ring 4075	1	
13	B045225	Roller cage 10x14x10	1	
14	2A000033R	Clutch control spindle	1	
15	B045224	12x8x12 roller bearing	1	
16	857127	Gasket ring 12x22	1	
17	857461	Clutch lever return spring	1	
18	857314	Clutch control lever	1	
19	AP8152279	Screw w/ flange M6x20	1	
20	B043542	Clutch control pin bushing	1	
21	857460	T bush	1	
22	1A007269	Oil dipstick	1	
23	873233	Gasket ring	1	
24	1A007414	Cover soundproofing material	1	
25	874555	Screw w/ flange M6x16	4	
26	1A009050	***Special screw	4	
27	658830	Curved spring washer 6x12	4	
28	1A006984	Bracket	1	

Group	ENGINE
Code	29.50
Description	Ignition unit
Service	1



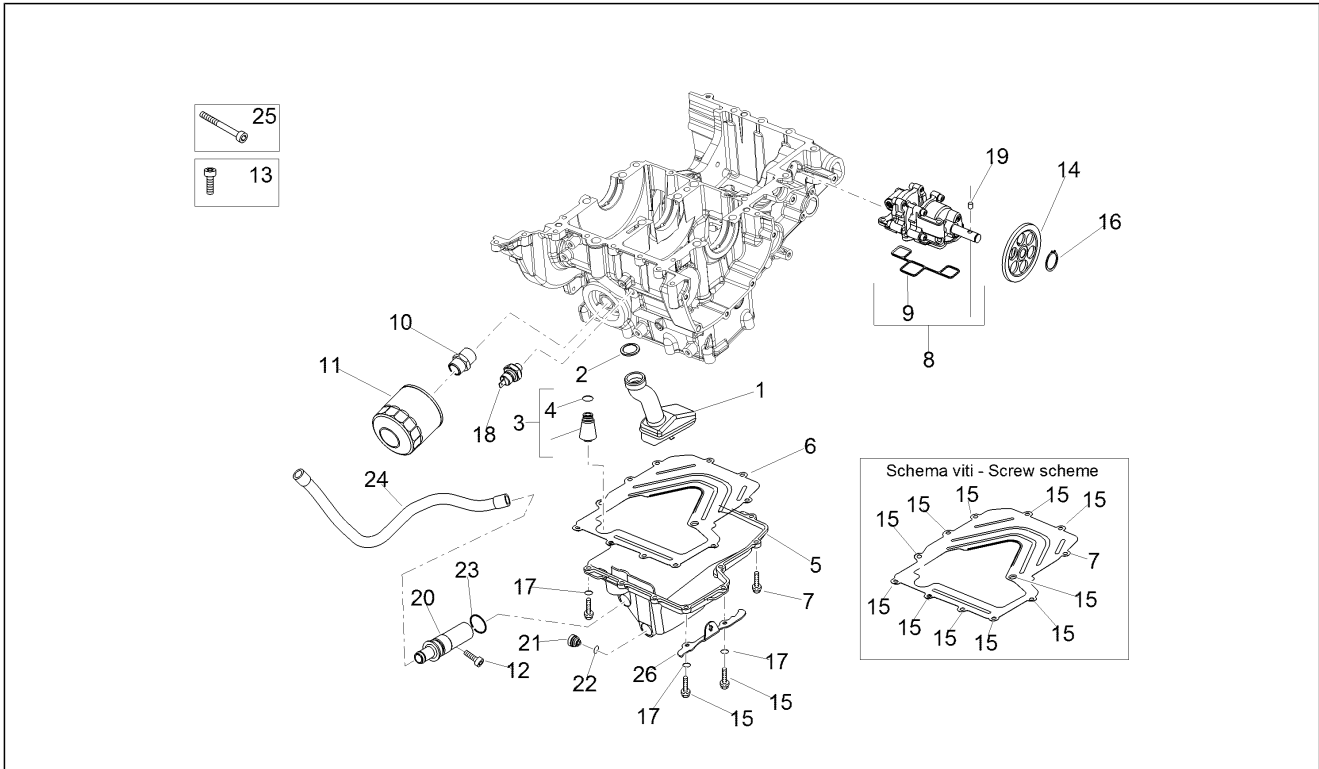
Pos.	Code	Description	Qty	Variants
1	B044495	Starter motor	1	
2	899769	Electric starter gear Z=11/64	1	Technical Specification:[]
3	897434	Flanged nut M10x1	1	
4	2A000468	Jackshaft control gear	1	
5	857298	Tab	1	
6	825431	Complete freewheel	1	
7	857290	Roller cage 30X35X17	1	
8	235779	Washer	1	
9	899862	Sprag clutch gear Z=50	1	
10	2A000469	Balance shaft	1	
11	895316	Cap	1	
12	2A000547	Fifth wheel	1	
13	2A000313	Spacer	2	

Group	ENGINE
Code	29.51
Description	Cover
Service	1



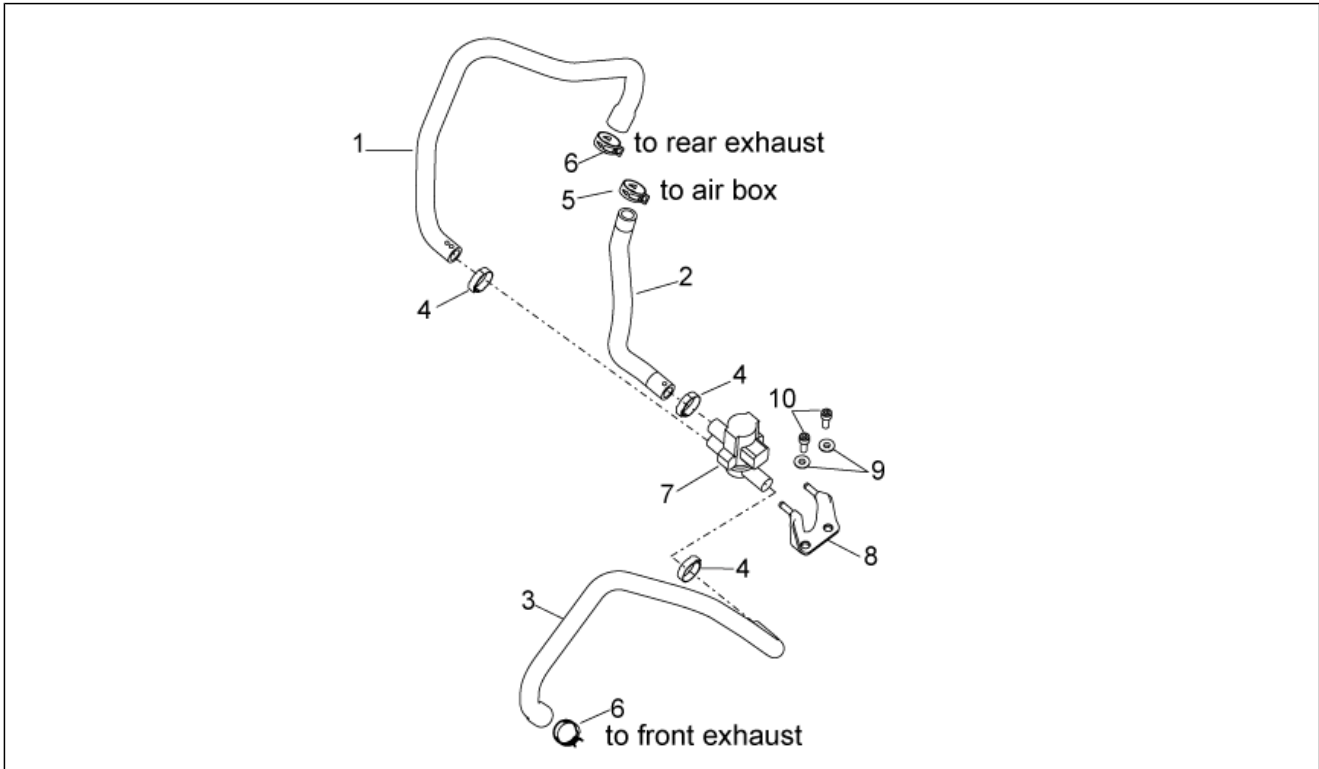
Pos.	Code	Description	Qty	Variants
1	AP8152272	Screw w/ flange M5x12	1	
2	B046004	Bracket	1	
3	89841400XNB	Alternator cover black	1	
4	898268	Gasket ring 18x30x7	1	
5	857176	O-ring	1	
6	85746200XNB	Blow-by outlet Blow-by	1	
7	872117	Screw w/ flange	3	
8	871094	Screw w/ flange	6	
9	2A000034	Seal washer	2	
10	872117	Screw w/ flange	2	
11	1A009050	***Special screw	6	
12	874555	Screw w/ flange M6x16	1	
13	006630	Snap ring	1	
14	898269	Clearance washer	1	
15	006630	Snap ring	1	
16	1A007415	Cover soundproofing material	1	

Group	ENGINE
Code	29.52
Description	Lubrication
Service	1



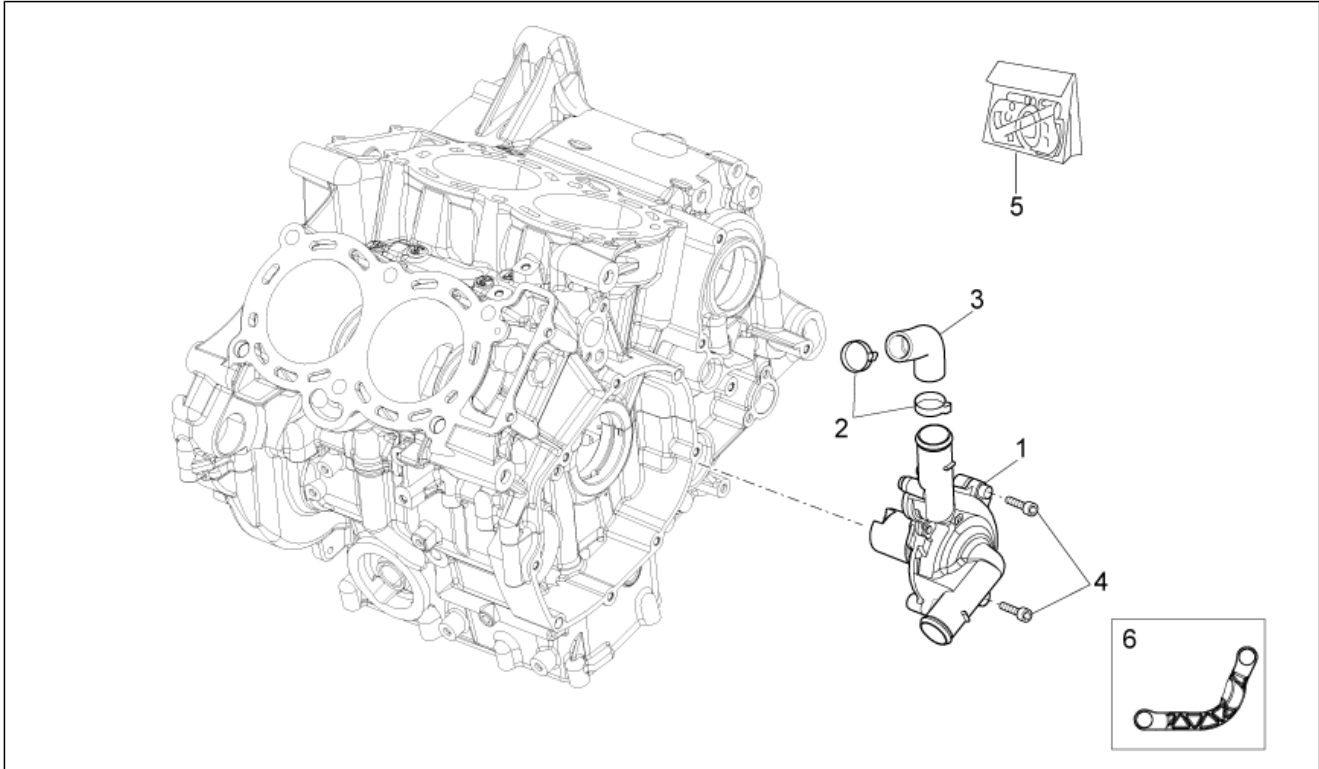
Pos.	Code	Description	Qty	Variants
1	857502	Oil strainer	1	
2	B046072	Or packing 24x2,5 - 80 FKM	1	
3	857540	Oil valve cpl.	1	
4	857176	O-ring	1	
5	8997555	Motor oil cup	1	
6	857497	Gasket new type	1	
7	840893	Hex socket screw M6x25	1	
8	2A000539	Oil pump	1	
9	857189	O-ring	1	
10	857168	Oil filter union	1	
11	857187	Oil filter	1	
12	AP8150044	Hex socket screw M6x20	1	
13	709099	Hex socket screw M6x16	5	
14	85273R	Pump gear	1	
15	289731	Screw w/ flange M6x30	11	
16	006412	Circlip	1	
17	AP8150429	Spring washer 6,4x11x0,5*	11	
18	1D001138	Minimum oil pressure sensor	1	
19	857192	Roller 5X19,8	1	
20	857439	Oil hose union	1	
21	857184	Cover	1	
22	857147	Gasket OR	1	
23	AP8144012	O-ring 121	1	
24	AP8106389	Oil pipe 12x19	1	
25	277330	Hex socket screw	1	
26	2B003992	Fixing bracket	1	

Group	ENGINE
Code	29.53
Description	Secondary air
Service	1



Pos.	Code	Description	Qty	Variants
1	856631	pipe	1	
2	856632	pipe	1	
3	856630	pipe	1	
4	CM001905	Hose clamp	3	
5	CM002916	Hose clamp	1	
6	CM225401	Hose clamp	2	
7	857181	SAS valve	1	
8	858727	Bracket	1	
9	AP8121032	Bush	2	
10	AP8150137	Hex socket screw M6x16	2	

Group	ENGINE
Code	29.54
Description	Water pump
Service	1



Pos.	Code	Description	Qty	Variants
1	2A000802	Water pump assy	1	
2	CM269609	Hose clamp	2	
3	2B002201	Water delivery tube	1	
4	840893	Hex socket screw M6x25	2	
5	893968	Water pump kit	1	
6	B043231	Water pump cap	1	