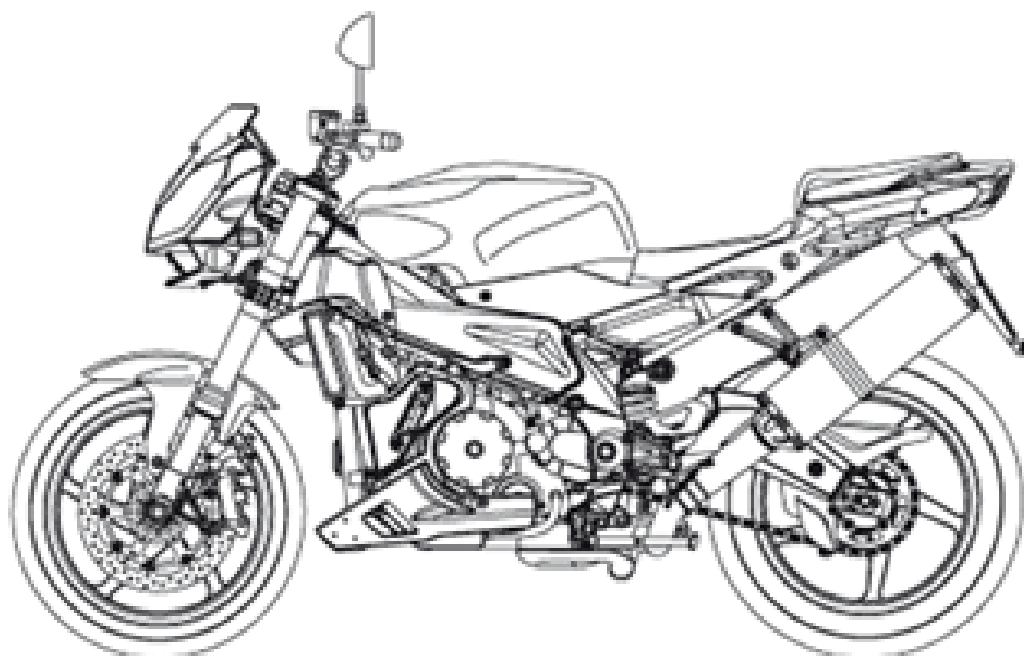




PIAGGIO & C.s.p.a.

aprilia

SPARE PARTS CATALOGUE



RSV 1000 Tuono 2006-2009

Chassis prefix: ZD4RR1, ZD4RR2, ZD4RR3,
ZD4RRL, ZD4RRM, ZD4RRP, ZD4RRTT



PIAGGIO & C.s.p.a.



Engine prefix:

Index

Finished products.....	5
Alphanumeric index.....	6
FRAME.....	15
Table 28.01 - Frame I.....	15
Table 28.02 - Frame II.....	17
Table 28.03 - Foot rests.....	18
Table 28.04 - Central stand.....	21
Table 28.05 - Steering.....	22
Table 28.06 - Front fork I.....	24
Table 28.07 - Front fork II.....	26
Table 28.08 - Swing arm.....	27
Table 28.09 - Connecting rod - rear shock abs.....	29
Table 28.10 - Front body - Front fairing.....	30
Table 28.11 - Front body - Duct.....	36
Table 28.12 - Front body - Front mudguard.....	37
Table 28.13 - Front body - Fairings I.....	42
Table 28.14 - Front body - Fairings II.....	45
Table 28.15 - Fuel tank.....	48
Table 28.16 - Fuel vapour recover system.....	54
Table 28.17 - Saddle.....	56
Table 28.18 - Rear body - Rear fairing.....	59
Table 28.19 - Undersaddle.....	71
Table 28.20 - Rear mudguard.....	72
Table 28.21 - Dashboard.....	73
Table 28.22 - Handlebar - Controls.....	74
Table 28.23 - Clutch pump.....	75
Table 28.24 - Front master cilinder.....	78
Table 28.25 - Cooling system.....	80
Table 28.26 - Expansion tank.....	81
Table 28.27 - Oil radiator.....	82
Table 28.28 - Oil tank.....	83
Table 28.29 - Air box.....	84
Table 28.30 - Fuel pump.....	85
Table 28.32 - Exhaust pipe.....	86
Table 28.33 - Front wheel R version.....	87
Table 28.34 - Front wheel Factory.....	89
Table 28.35 - Front brake caliper I.....	91
Table 28.36 - Front brake caliper II.....	92
Table 28.37 - Rear wheel R version.....	93
Table 28.38 - Rear wheel Factory.....	97
Table 28.39 - Rear master cylinder.....	99
Table 28.40 - Rear brake caliper.....	101
Table 28.41 - Headlight.....	102

Table 28.42 - Taillight.....	103
Table 28.43 - Electrical system I.....	104
Table 28.44 - Electrical system II.....	105
Table 28.45 - Lock hardware kit.....	106
Table 28.46 - Plate set-decal-op.handbooks.....	107
ENGINE.....	108
Table 29.31 - Engine.....	108
Table 29.47 - Crankcases I.....	109
Table 29.48 - Crankcases II.....	110
Table 29.49 - Oil pump.....	112
Table 29.50 - Drive shaft.....	113
Table 29.51 - Cylinder with piston.....	114
Table 29.52 - Valves cover.....	115
Table 29.53 - Cylinder head and valves.....	116
Table 29.54 - Valves pads.....	117
Table 29.55 - Front cylinder timing system.....	119
Table 29.56 - Rear cylinder timing system.....	120
Table 29.57 - Gear box selector.....	122
Table 29.58 - Gear box.....	123
Table 29.59 - Clutch I.....	124
Table 29.60 - Clutch II.....	125
Table 29.61 - Water pump.....	126
Table 29.62 - Ignition unit.....	128
Table 29.63 - Throttle body.....	130
ACCESSORIES.....	131
Table 30.65 - Acc. - Cyclistic components.....	131
Table 30.66 - Acc. - Special body parts.....	132
Table 30.67 - Acc. - Performance parts I.....	133
Table 30.68 - Acc. - Performance parts II.....	134
Table 30.69 - Acc. - Performance parts III.....	136
Table 30.70 - Acc. - Various I.....	138
Table 30.71 - Acc. - Various II.....	139
Table 30.72 - Acc. - Mechanics anti-theft.....	140
SEALING AND LUBRICATING AGENTS.....	141
Table 32.64 - Sealing and lubricating agents.....	141

Finished products

Code	Validity
AP6126200EU602	
AP6126200EU603	
AP6126201EU600	
AP6126201EU601	
AP6126201EU602	
AP6126201EU603	
AP6126201FR601	
AP6126201FR602	
AP6126201FR603	
AP6126201JJ602	
AP6126201JJ603	
AP6126201JP602	
AP6126301EU701	

Code	No. table	Pos.	Code	No. table	Pos.	Code	No. table	Pos.
0000000	28.42	13	853375	28.34	2	AP0220386	29.55	12
0000000	32.64	6	853376	28.38	2	AP0220386	29.56	12
0000000	32.64	7	853478	28.12	14	AP0220392	29.58	1
852160	29.31	1	854560	28.18	20	AP0220400	29.58	10
852200	28.41	7	854974	28.18	4	AP0220410	29.61	4
852214	28.36	1	854975	28.18	4	AP0220423	29.49	1
852215	28.36	2	854976	28.18	4	AP0220441	29.56	1
852216	28.24	1	856062	28.16	13	AP0220442	29.56	1
852218	28.39	6	856063	28.16	14	AP0220457	29.59	6
852572	28.15	18	856152	28.21	5	AP0222500	29.61	18
852572	28.15	18	856161	28.16	3	AP0222512	29.61	19
852573	28.10	18	856248	28.10	20	AP0224090	29.52	17
852573	28.10	18	856249	28.18	28	AP0227180	29.59	12
852574	28.10	19	856250	28.18	29	AP0227442	29.57	20
852574	28.10	19	858406	28.10	19	AP0227685	29.61	6
852575	28.10	20	858407	28.10	20	AP0227714	29.57	26
852576	28.14	14	859879	28.10	19	AP0227716	29.57	11
852577	28.14	15	859880	28.10	20	AP0229301	29.47	4
852578	28.12	14	860084	28.15	18	AP0229301	29.62	4
852578	28.12	14	860201	28.10	19	AP0229385	29.47	6
852578	28.12	14	860202	28.10	20	AP0229385	29.57	14
852579	28.18	26	860209	28.18	28	AP0230510	29.53	18
852579	28.18	26	860210	28.18	29	AP0232210	29.53	5
852580	28.18	27	860211	28.18	30	AP0232430	29.49	13
852580	28.18	27	860212	28.18	19	AP0232430	29.61	5
852581	28.18	28	860213	28.18	20	AP0232625	29.48	14
852582	28.18	29	860217	28.15	18	AP0232730	29.49	2
852583	28.18	20	860218	28.18	28	AP0232970	29.49	4
852583	28.18	20	860219	28.18	29	AP0233711	29.47	9
852584	28.18	30	860220	28.18	28	AP0233721	29.50	23
852584	28.18	30	860221	28.18	29	AP0233722	29.50	23
852585	28.18	19	860398	28.18	4	AP0233723	29.50	23
852585	28.18	19	860399	28.18	4	AP0233740	29.47	8
852621	28.32	1	860400	28.18	4	AP0233741	29.47	8
852622	28.32	2	860406	28.10	21	AP0233743	29.47	8
852702	28.23	3	860630	28.15	19	AP0233745	29.47	7
852702	28.24	10	890435	28.30	1	AP0233746	29.47	7
852702	28.40	5	890905	28.10	19	AP0233748	29.47	7
852703	28.23	31	890906	28.10	20	AP0233780	29.61	11
852703	28.36	4	890907	28.10	24	AP0233790	29.61	10
852705	28.23	10	890908	28.13	23	AP0233791	29.61	10
852706	28.40	6	890909	28.13	24	AP0233793	29.61	10
852776	28.10	19	890910	28.14	14	AP0233820	29.47	9
852776	28.10	19	890911	28.14	15	AP0233822	29.47	9
852777	28.10	20	890912	28.18	28	AP0236252	29.51	8
852777	28.10	20	890913	28.18	29	AP0236253	29.51	8
852780	28.18	28	890914	28.18	30	AP0236300	29.55	5
852781	28.18	29	890915	28.18	19	AP0236300	29.56	5
852782	28.18	30	890916	28.18	31	AP0236310	29.55	6
852783	28.18	19	893699	28.10	22	AP0236310	29.56	6
852784	28.18	20	893700	28.10	23	AP0236322	29.55	3
852786	28.10	20	893702	28.18	32	AP0236365	29.57	22
852798	28.15	18	896241	28.44	24	AP0236370	29.48	26
852801	28.18	28	AP0210415	29.48	4	AP0236380	29.56	9
852802	28.18	29	AP0211620	29.49	5	AP0238130	29.60	18
852816	28.15	18	AP0211632	29.49	8	AP0238135	29.60	11
852817	28.18	28	AP0211684	29.56	4	AP0238140	29.60	15
852818	28.18	29	AP0211685	29.56	4	AP0238201	29.53	20
852819	28.18	30	AP0211756	29.56	25	AP0238211	29.53	19
852820	28.18	19	AP0211766	29.55	4	AP0239247	29.57	13
852924	28.46	2	AP0216222	29.51	4	AP0239390	29.60	6
852925	28.46	2	AP0217486	29.50	2	AP0239422	29.57	16
852926	28.46	2	AP0219340	29.56	20	AP0239430	29.57	15
852927	28.46	2	AP0219350	29.50	21	AP0239449	29.49	10
853017	28.15	18	AP0219360	29.50	12	AP0239450	29.57	23
853018	28.15	19	AP0219365	29.50	8	AP0239480	29.59	9
853193	28.17	12	AP0220372	29.50	15	AP0240081	29.52	7

Code	No. table	Pos.	Code	No. table	Pos.	Code	No. table	Pos.
AP0240170	29.52	16	AP0253975	29.54	1	AP0274040	29.52	12
AP0240181	29.61	25	AP0253976	29.54	1	AP0274055	28.29	17
AP0240275	29.56	29	AP0253977	29.54	1	AP0274055	28.44	12
AP0240331	29.53	10	AP0253978	29.54	1	AP0281223	29.58	19
AP0240331	29.61	21	AP0253979	29.54	1	AP0281241	29.63	2
AP0240400	29.55	1	AP0253980	29.54	1	AP0294354	29.62	26
AP0240580	29.62	21	AP0253981	29.54	1	AP0294356	29.62	1
AP0240960	29.55	18	AP0253982	29.54	1	AP0295667	29.50	1
AP0241236	29.52	23	AP0253983	29.54	1	AP0295760	29.50	22
AP0241261	29.48	29	AP0253984	29.54	1	AP0295760	29.56	24
AP0241501	29.48	15	AP0253985	29.54	1	AP0295765	29.50	7
AP0241531	29.48	12	AP0253986	29.54	1	AP0295765	29.55	9
AP0241540	29.62	14	AP0253987	29.54	1	AP0295770	29.50	9
AP0241580	29.48	1	AP0253988	29.54	1	AP0295775	29.56	18
AP0241601	29.52	13	AP0253989	29.54	1	AP0295783	29.50	11
AP0241625	29.52	1	AP0253990	29.53	23	AP0295783	29.60	4
AP0241631	29.62	25	AP0254027	29.53	15	AP0295795	29.60	8
AP0241650	29.49	11	AP0254030	29.54	1	AP0295858	29.51	3
AP0241761	29.61	27	AP0254031	29.54	1	AP0296170	32.64	8
AP0241782	29.48	7	AP0254032	29.54	1	AP0296961	29.47	1
AP0241811	29.61	14	AP0254033	29.54	1	AP0296970	29.63	1
AP0241816	29.62	16	AP0254034	29.54	1	AP0296988	29.62	8
AP0241821	28.23	22	AP0254035	29.54	1	AP0297386	32.64	5
AP0241821	29.48	28	AP0254036	29.54	1	AP0297616	32.64	4
AP0241821	29.49	12	AP0254037	29.54	1	AP0297942	29.62	32
AP0241821	29.53	4	AP0254038	29.54	1	AP0297957	29.55	19
AP0241854	29.48	6	AP0254039	29.54	1	AP0297957	29.56	19
AP0241932	29.48	2	AP0254040	29.54	1	AP0427106	29.58	16
AP0241932	29.57	9	AP0254041	29.54	1	AP0430622	29.51	10
AP0242091	29.52	4	AP0254042	29.54	1	AP0430782	29.62	24
AP0242206	29.60	13	AP0254043	29.54	1	AP0440101	29.61	15
AP0242851	29.52	18	AP0254044	29.54	1	AP0440130	29.52	14
AP0242874	29.50	16	AP0254295	29.53	16	AP0440260	29.50	3
AP0242950	29.59	3	AP0254870	29.53	15	AP0442130	29.59	16
AP0244211	29.52	22	AP0256187	29.48	5	AP0610151	29.61	9
AP0244211	29.56	8	AP0256497	29.48	20	AP0610233	29.48	31
AP0244211	29.57	10	AP0256510	29.49	9	AP0610706	29.62	15
AP0245330	29.49	15	AP0256680	29.49	3	AP0610710	29.52	5
AP0245436	29.51	5	AP0258310	29.57	6	AP0610715	29.52	3
AP0245440	29.57	18	AP0258328	29.57	8	AP0610992	29.61	24
AP0245815	29.58	4	AP0258351	29.57	4	AP0613418	29.51	1
AP0245830	29.59	2	AP0258361	29.57	3	AP0613419	29.51	1
AP0245840	29.50	13	AP0258376	29.57	5	AP0613465	29.53	1
AP0245860	29.50	10	AP0258383	29.57	2	AP0613468	29.53	8
AP0246055	29.56	17	AP0259500	29.48	27	AP0620203	29.55	13
AP0246570	29.50	5	AP0259518	29.59	7	AP0620203	29.56	13
AP0247614	29.60	14	AP0259520	29.59	1	AP0620235	29.57	1
AP0247940	29.57	17	AP0259535	29.60	7	AP0623365	29.53	1
AP0247972	29.60	9	AP0259583	29.60	5	AP0623367	29.53	8
AP0247974	29.60	10	AP0259588	29.60	16	AP0627120	29.58	3
AP0247980	29.55	17	AP0260890	29.59	14	AP0627132	29.58	6
AP0247980	29.56	27	AP0265045	29.62	11	AP0627190	29.55	7
AP0248375	29.57	12	AP0265246	28.43	20	AP0627190	29.56	15
AP0250130	29.56	3	AP0265246	29.62	31	AP0627200	29.50	17
AP0250140	29.62	2	AP0266030	29.62	20	AP0627210	29.57	24
AP0250311	29.52	6	AP0266070	28.43	17	AP0627220	29.60	12
AP0250450	29.48	24	AP0266070	29.62	28	AP0627230	29.59	13
AP0250640	29.52	24	AP0266140	28.43	19	AP0627260	29.60	1
AP0251100	29.52	11	AP0266140	29.62	29	AP0627270	29.62	13
AP0251390	29.62	17	AP0266145	28.43	18	AP0627281	29.59	15
AP0251830	29.52	8	AP0266145	29.62	30	AP0627530	29.59	10
AP0253645	29.53	22	AP0266531	28.44	1	AP0627535	29.59	10
AP0253921	29.53	3	AP0266533	28.44	1	AP0627910	29.60	3
AP0253926	29.53	2	AP0267150	29.52	9	AP0631220	29.63	7
AP0253957	29.53	21	AP0268751	29.48	10	AP0632010	29.47	2
AP0253965	29.53	17	AP0274020	29.63	8	AP0632010	29.61	7
AP0253974	29.54	1	AP0274030	29.63	5	AP0632070	29.58	7

Code	No. table	Pos.	Code	No. table	Pos.	Code	No. table	Pos.
AP0632124	29.48	17	AP0840880	29.53	14	AP8102239	28.30	13
AP0632135	29.59	8	AP0840880	29.53	6	AP8102349	28.27	8
AP0632161	29.55	8	AP0840880	29.62	23	AP8102349	28.28	10
AP0632161	29.56	23	AP0840882	29.62	3	AP8102375	28.13	13
AP0634476	29.49	6	AP0841521	29.48	9	AP8102375	28.17	11
AP0634476	29.60	2	AP0841841	29.61	16	AP8102376	28.01	14
AP0634483	29.49	14	AP0845030	29.55	10	AP8102376	28.43	10
AP0634490	29.61	3	AP0845030	29.56	30	AP8102377	28.16	11
AP0634500	29.50	19	AP0850050	29.48	23	AP8102377	28.29	24
AP0634500	29.61	2	AP0860662	29.63	10	AP8102378	28.16	8
AP0634595	29.62	7	AP0874487	29.63	6	AP8102378	28.26	8
AP0634600	29.62	6	AP0897651	32.64	1	AP8102381	28.42	12
AP0634610	29.50	18	AP0899784	32.64	3	AP8102503	28.15	13
AP0634622	29.58	17	AP0899788	32.64	2	AP8102504	28.14	7
AP0634642	29.58	9	AP0922245	29.52	15	AP8102504	28.14	7
AP0634657	29.58	11	AP0927863	29.53	9	AP8102523	28.45	10
AP0634662	29.58	5	AP0927945	29.53	12	AP8102524	28.04	3
AP0634670	29.58	13	AP0927945	29.53	13	AP8102544	28.01	11
AP0634682	29.58	14	AP0927945	29.53	7	AP8102544	28.02	21
AP0634697	29.58	2	AP0929500	29.47	3	AP8102544	28.03	26
AP0634702	29.58	15	AP0929500	29.56	26	AP8102615	28.25	13
AP0634712	29.58	8	AP0929650	29.47	10	AP8102618	28.28	4
AP0634721	29.58	12	AP0929650	29.51	7	AP8102678	28.16	1
AP0634732	29.50	14	AP0929930	29.47	5	AP8102731	28.27	14
AP0634732	29.55	15	AP0929930	29.50	20	AP8102738	28.16	9
AP0634732	29.56	14	AP0929930	29.61	1	AP8102764	28.16	15
AP0634739	29.55	14	AP0932335	29.48	19	AP8102786	28.28	17
AP0634740	29.62	5	AP0932335	29.57	7	AP8102828	28.28	2
AP0640400	29.50	4	AP0932428	29.48	18	AP8102913	28.45	4
AP0640455	29.51	9	AP0932585	29.48	11	AP8102998	28.16	16
AP0640581	29.52	20	AP0940560	29.56	7	AP8104097	28.25	14
AP0641505	29.62	12	AP0940590	29.55	2	AP8104097	28.26	14
AP0650210	29.52	19	AP0940631	29.55	11	AP8104124	28.26	2
AP0650240	29.61	20	AP0940631	29.56	28	AP8104329	28.29	3
AP0650315	29.61	12	AP0940637	29.51	11	AP8104335	28.29	4
AP0650320	29.48	25	AP0940741	29.57	25	AP8104338	28.25	12
AP0650330	29.61	8	AP0941121	29.56	10	AP8104341	28.27	2
AP0650337	29.48	22	AP0941506	29.59	11	AP8104374	28.30	4
AP0650340	29.62	22	AP0941835	29.60	17	AP8104452	28.27	3
AP0650345	29.52	2	AP0941935	29.62	18	AP8104509	28.22	1
AP0650370	29.61	13	AP0942570	29.56	21	AP8104525	28.29	15
AP0650390	29.51	6	AP0945665	29.57	21	AP8104540	28.25	27
AP0650500	29.48	3	AP0946015	29.50	6	AP8104606	28.23	26
AP0656232	29.48	21	AP0950141	29.48	8	AP8104606	28.24	22
AP0659110	29.62	9	AP0950141	29.61	17	AP8104614	28.16	3
AP0659550	29.62	10	AP0950141	29.61	23	AP8104719	28.45	6
AP0659800	29.59	5	AP0956169	29.61	26	AP8104720	28.45	3
AP0661011	29.63	3	AP0956275	29.49	7	AP8104728	28.34	12
AP0664041	29.52	21	AP0956745	29.48	30	AP8104728	28.38	20
AP0684310	29.51	2	AP0960112	29.63	9	AP8104828	28.25	1
AP0684311	29.51	2	AP0966570	29.62	19	AP8104879	28.19	12
AP0685210	29.51	2	AP0966970	29.63	4	AP8104891	28.45	1
AP0685211	29.51	2	AP8101595	28.16	9	AP8104921	28.22	16
AP0685330	29.62	33	AP8101595	28.23	15	AP8104922	28.22	17
AP0827110	29.58	18	AP8101595	28.24	18	AP8104996	29.31	13
AP0827305	29.56	11	AP8101595	28.26	9	AP8106381	28.23	13
AP0832144	29.48	13	AP8101595	28.29	23	AP8106382	28.23	24
AP0832144	29.57	19	AP8101595	28.39	3	AP8106387	28.28	5
AP0832360	29.56	2	AP8101744	28.33	2	AP8106388	28.27	1
AP0840371	29.55	16	AP8101744	28.33	2	AP8106389	28.27	11
AP0840371	29.56	16	AP8101744	28.37	7	AP8106389	28.28	6
AP0840391	29.56	22	AP8101744	28.37	7	AP8106443	28.30	10
AP0840657	29.52	10	AP8101861	28.03	19	AP8106444	28.30	11
AP0840861	29.48	16	AP8101927	28.25	23	AP8106806	28.37	19
AP0840861	29.61	22	AP8101968	28.39	7	AP8106806	28.37	19
AP0840880	29.48	32	AP8102159	28.16	17	AP8106873	29.31	3
AP0840880	29.53	11	AP8102159	29.31	14	AP8106874	29.31	2

Code	No. table	Pos.
AP8106876	28.29	5
AP8106877	28.29	27
AP8106881	28.30	14
AP8106915	29.59	4
AP8106935	28.23	18
AP8107145	28.37	2
AP8107145	28.37	2
AP8107145	28.38	4
AP8107146	28.37	1
AP8107146	28.37	1
AP8107146	28.38	3
AP8107150	28.37	25
AP8107150	28.37	25
AP8107150	28.38	18
AP8108934	28.38	2
AP8108934	30.65	3
AP8108994	28.34	2
AP8109256	28.34	1
AP8109257	28.38	1
AP8109284	28.33	13
AP8109284	28.33	13
AP8109285	28.37	5
AP8109285	28.37	5
AP8109330	28.38	1
AP8110065	28.09	3
AP8110068	28.09	4
AP8110077	28.05	10
AP8110078	28.08	3
AP8110079	28.08	4
AP8110081	28.37	23
AP8110081	28.37	23
AP8110081	28.38	14
AP8110093	28.38	15
AP8110094	28.34	4
AP8112600	28.19	11
AP8112600	28.25	24
AP8112811	28.44	7
AP8112916	28.20	3
AP8112927	28.44	4
AP8112996	28.39	26
AP8113004	28.28	11
AP8113004	28.32	18
AP8113070	28.35	5
AP8113070	28.35	5
AP8113070	28.36	5
AP8113230	28.23	6
AP8113230	28.23	6
AP8113230	28.39	30
AP8113230	28.40	11
AP8113499	28.24	3
AP8113553	28.23	23
AP8113553	28.39	2
AP8113594	28.23	3
AP8113594	28.23	3
AP8113598	28.24	2
AP8113612	28.40	2
AP8113719	28.23	12
AP8113719	28.24	8
AP8113721	28.36	6
AP8113722	28.36	7
AP8113723	28.36	8
AP8113752	28.40	9
AP8113753	28.40	10
AP8113761	28.39	29
AP8113762	28.39	28
AP8113926	28.34	3
AP8114411	28.45	5

Code	No. table	Pos.
AP8114478	28.22	7
AP8114479	28.22	8
AP8116071	28.07	4
AP8117003	28.17	6
AP8117033	28.01	15
AP8117033	28.02	22
AP8117033	28.26	12
AP8117147	28.15	3
AP8117174	28.15	2
AP8117264	28.13	22
AP8117275	28.15	17
AP8117276	28.19	16
AP8118492	28.22	11
AP8118501	28.22	9
AP8118566	28.22	13
AP8118567	28.22	14
AP8118637	28.22	6
AP8118678	28.22	3
AP8118707	28.05	15
AP8118708	28.22	4
AP8118718	28.23	7
AP8119497	28.32	17
AP8119651	28.32	21
AP8119708	28.32	7
AP8119837	28.32	3
AP8119838	28.32	4
AP8119875	28.32	5
AP8119876	28.32	6
AP8119877	28.32	22
AP8119878	28.32	23
AP8120001	28.08	34
AP8120030	28.24	14
AP8120030	28.25	20
AP8120030	28.27	7
AP8120030	28.29	18
AP8120030	28.41	6
AP8120030	28.43	21
AP8120116	29.31	15
AP8120178	28.39	8
AP8120179	28.16	10
AP8120179	28.19	14
AP8120190	28.28	16
AP8120196	28.28	14
AP8120218	28.44	9
AP8120253	28.18	24
AP8120253	29.31	7
AP8120446	29.31	12
AP8120531	28.41	8
AP8120531	28.42	7
AP8120615	28.29	8
AP8120876	28.29	10
AP8120912	28.39	9
AP8120912	29.31	9
AP8120952	28.16	7
AP8120952	28.26	4
AP8120965	28.15	14
AP8120980	28.25	9
AP8120992	28.30	9
AP8121014	28.04	6
AP8121020	28.43	24
AP8121023	28.29	26
AP8121032	28.08	31
AP8121032	28.13	12
AP8121032	28.13	21
AP8121032	28.14	4
AP8121032	28.26	11
AP8121032	28.43	9

Code	No. table	Pos.
AP8121075	28.02	9
AP8121075	28.08	29
AP8121075	28.43	26
AP8121075	28.43	6
AP8121133	28.03	20
AP8121155	28.09	7
AP8121170	28.32	8
AP8121200	28.08	5
AP8121201	28.08	6
AP8121203	28.08	18
AP8121204	28.08	11
AP8121207	28.05	5
AP8121212	28.37	22
AP8121212	28.37	22
AP8121212	28.38	13
AP8121213	28.37	21
AP8121213	28.37	21
AP8121213	28.38	11
AP8121221	28.39	10
AP8121221	29.31	8
AP8121223	28.39	11
AP8121224	28.03	5
AP8121225	28.37	8
AP8121225	28.37	8
AP8121267	28.16	2
AP8121313	28.27	15
AP8121346	28.05	6
AP8121346	28.05	6
AP8121375	28.04	5
AP8121402	28.05	16
AP8121407	28.40	1
AP8121421	28.15	5
AP8121429	28.04	5
AP8121455	28.32	13
AP8121520	28.22	2
AP8121538	28.30	6
AP8121566	28.03	4
AP8121570	28.08	26
AP8121592	28.38	21
AP8121597	28.01	4
AP8121658	28.14	10
AP8121659	28.14	9
AP8121665	28.13	9
AP8121728	28.11	4
AP8121728	28.17	8
AP8121741	28.02	15
AP8121795	28.19	10
AP8121795	28.25	16
AP8121811	28.05	17
AP8121811	28.12	4
AP8121890	28.02	17
AP8121890	28.08	28
AP8121915	28.23	2
AP8121915	28.24	9
AP8121915	28.35	8
AP8121915	28.35	8
AP8121915	28.36	9
AP8121915	28.39	27
AP8121915	28.40	4
AP8121927	28.39	12
AP8121995	28.01	8
AP8121996	28.01	5
AP8121997	28.01	6
AP8123641	28.05	8
AP8123642	28.05	4
AP8123643	28.05	3
AP8123644	28.05	7

Code	No. table	Pos.	Code	No. table	Pos.	Code	No. table	Pos.
AP8123806	28.06	21	AP8125946	28.37	4	AP8129441	28.17	1
AP8123810	28.06	4	AP8125946	28.37	4	AP8129441	28.17	1
AP8123811	28.06	24	AP8125946	28.37	4	AP8129442	28.18	6
AP8123812	28.06	25	AP8125946	28.37	4	AP8129466	28.18	6
AP8123815	28.06	11	AP8125946	28.37	4	AP8129467	28.18	21
AP8123816	28.06	10	AP8126701	28.17	7	AP8129468	28.18	22
AP8123817	28.06	12	AP8126702	28.17	10	AP8129473	28.17	1
AP8123819	28.06	14	AP8126949	28.20	2	AP8129473	28.17	1
AP8123820	28.06	15	AP8126983	28.20	1	AP8129474	28.18	21
AP8123821	28.06	16	AP8126983	28.20	1	AP8129474	28.18	21
AP8123824	28.06	20	AP8127122	28.10	9	AP8129475	28.18	22
AP8123825	28.06	22	AP8127144	28.43	4	AP8129475	28.18	22
AP8123826	28.06	23	AP8127145	28.44	5	AP8129503	28.17	1
AP8123827	28.06	24	AP8127148	28.44	6	AP8129504	28.18	21
AP8123828	28.06	25	AP8127149	28.44	21	AP8129505	28.18	22
AP8123832	28.06	6	AP8127152	28.41	1	AP8129513	28.17	1
AP8123834	28.06	13	AP8127283	28.41	2	AP8129514	28.18	21
AP8123835	28.06	7	AP8127284	28.42	1	AP8129515	28.18	22
AP8123836	28.06	8	AP8127285	28.42	2	AP8129518	28.17	1
AP8123934	28.15	7	AP8127319	28.04	8	AP8129519	28.18	6
AP8123975	28.07	6	AP8127320	28.23	21	AP8133522	28.23	20
AP8123977	28.07	3	AP8127345	28.44	20	AP8133544	28.40	6
AP8124266	28.44	16	AP8127371	28.41	1	AP8133544	28.40	6
AP8124273	28.44	8	AP8127372	28.41	2	AP8133593	28.35	6
AP8124288	28.24	20	AP8127442	28.41	3	AP8133593	28.35	6
AP8124528	28.40	3	AP8127489	28.10	10	AP8133594	28.24	10
AP8124664	28.30	7	AP8127597	28.42	4	AP8133594	28.24	10
AP8124719	28.12	11	AP8127598	28.42	5	AP8133594	28.40	5
AP8124748	28.44	22	AP8127599	28.42	6	AP8133594	28.40	5
AP8124855	28.25	2	AP8127601	28.41	4	AP8133595	28.23	5
AP8124929	28.25	5	AP8127633	28.10	9	AP8133595	28.23	5
AP8124981	28.29	11	AP8127683	28.42	1	AP8133595	28.35	4
AP8125687	28.08	19	AP8127684	28.42	2	AP8133595	28.35	4
AP8125728	28.33	7	AP8127688	28.30	5	AP8133597	28.23	4
AP8125728	28.33	7	AP8127701	28.42	4	AP8133597	28.23	4
AP8125728	28.34	8	AP8127702	28.42	5	AP8133597	28.35	9
AP8125730	28.37	11	AP8127703	28.22	5	AP8133597	28.35	9
AP8125730	28.37	11	AP8127704	28.43	11	AP8133614	28.36	3
AP8125730	28.38	10	AP8127704	28.44	23	AP8133751	28.34	3
AP8125731	28.37	6	AP8127705	28.21	1	AP8133779	28.39	4
AP8125731	28.37	6	AP8127711	28.43	3	AP8133781	28.33	8
AP8125731	28.38	6	AP8127721	28.42	3	AP8133781	28.33	8
AP8125732	28.37	24	AP8127723	28.42	3	AP8133856	28.24	1
AP8125732	28.37	24	AP8127727	28.43	13	AP8133856	28.24	1
AP8125732	28.38	12	AP8127773	28.32	9	AP8133857	28.23	10
AP8125763	28.08	20	AP8127774	28.32	10	AP8133857	28.23	10
AP8125773	28.33	5	AP8127776	29.52	25	AP8133872	28.39	5
AP8125773	28.33	5	AP8127795	28.45	7	AP8133873	28.39	1
AP8125777	28.33	4	AP8128133	28.33	1	AP8133875	28.39	6
AP8125777	28.33	4	AP8128133	28.33	1	AP8133875	28.39	6
AP8125779	28.33	6	AP8128133	28.33	1	AP8133880	28.35	1
AP8125779	28.33	6	AP8128133	28.33	1	AP8133880	28.35	1
AP8125786	28.37	15	AP8128133	28.33	1	AP8133881	28.35	2
AP8125786	28.37	15	AP8128133	28.33	1	AP8133881	28.35	2
AP8125786	28.37	15	AP8128135	28.37	3	AP8133881	28.35	2
AP8125788	28.37	17	AP8128135	28.37	3	AP8133882	28.24	4
AP8125788	28.37	17	AP8128135	28.37	3	AP8133882	28.24	4
AP8125788	28.37	17	AP8128135	28.37	3	AP8133886	28.35	3
AP8125827	28.33	12	AP8128135	28.37	3	AP8133886	28.35	3
AP8125827	28.33	12	AP8128135	28.37	3	AP8133886	28.35	3
AP8125827	28.34	6	AP8128135	28.37	3	AP8133900	28.40	7
AP8125827	28.34	6	AP8128169	28.33	3	AP8133901	28.32	19
AP8125831	28.37	12	AP8128169	28.33	3	AP8133902	28.39	31
AP8125831	28.37	12	AP8128169	28.33	3	AP8133902	28.39	31
AP8125831	28.37	12	AP8128170	28.37	16	AP8133920	28.40	8
AP8125831	28.38	7	AP8128170	28.37	16	AP8134167	28.24	12
AP8125838	28.38	17	AP8128170	28.37	16	AP8134167	28.24	12
AP8125838	28.38	17	AP8128199	28.34	2	AP8134384	28.39	23
AP8125839	28.38	19	AP8128201	28.38	2	AP8134415	28.39	22
AP8125841	28.34	7	AP8128201	28.38	2	AP8134415	28.39	22
AP8125841	28.34	7	AP8128228	28.33	1	AP8134419	28.15	8
AP8125842	28.34	13	AP8128228	28.33	1	AP8134419	28.15	8
AP8125842	28.34	13	AP8128230	28.37	3	AP8134437	28.11	7
AP8125843	28.34	5	AP8128230	28.37	3	AP8134437	28.11	7
AP8125843	28.34	5	AP8128231	28.37	4	AP8134451	28.03	17
AP8125843	28.34	5	AP8128231	28.37	4	AP8134451	28.03	17

Code	No. table	Pos.
AP8134541	28.03	24
AP8134654	28.18	23
AP8134775	28.02	1
AP8134779	28.40	15
AP8134781	28.40	14
AP8134783	28.20	10
AP8134829	28.03	16
AP8134831	28.02	8
AP8134850	28.02	7
AP8134851	28.02	5
AP8134852	28.25	3
AP8134853	28.25	4
AP8134854	28.02	4
AP8134884	28.16	4
AP8134889	28.43	16
AP8134898	28.23	1
AP8134898	28.23	1
AP8134899	28.24	11
AP8134899	28.24	11
AP8134948	28.45	11
AP8134955	28.03	10
AP8140711	28.45	2
AP8140907	28.46	1
AP8144005	28.08	12
AP8144006	28.08	10
AP8144007	28.39	13
AP8144008	28.27	4
AP8144015	29.31	11
AP8144033	28.25	6
AP8144038	28.29	25
AP8144046	28.44	17
AP8144048	28.08	9
AP8144061	28.27	13
AP8144061	28.28	8
AP8144069	28.30	12
AP8144081	28.14	8
AP8144081	28.18	16
AP8144090	28.28	3
AP8144151	28.23	14
AP8144151	28.24	19
AP8144158	28.15	16
AP8144158	28.23	19
AP8144200	28.28	7
AP8144328	28.15	4
AP8144443	28.08	21
AP8144444	28.08	22
AP8144445	28.08	23
AP8144449	28.25	11
AP8144456	28.29	7
AP8144457	28.11	2
AP8144463	28.08	7
AP8144475	28.30	8
AP8144476	28.30	3
AP8144518	28.27	6
AP8144551	28.29	16
AP8144552	28.19	4
AP8144553	28.19	2
AP8144558	28.32	12
AP8144563	28.18	14
AP8144563	28.19	8
AP8144564	28.10	14
AP8144565	28.10	16
AP8144565	28.42	11
AP8144581	28.29	9
AP8144605	28.29	28
AP8144606	28.28	13
AP8144616	28.18	13

Code	No. table	Pos.
AP8144616	28.19	7
AP8144644	28.25	10
AP8144645	28.25	15
AP8144718	28.25	8
AP8144719	28.25	7
AP8144720	28.25	25
AP8144732	28.25	26
AP8144733	28.25	22
AP8145020	28.08	1
AP8145022	28.24	5
AP8145055	28.04	1
AP8145075	28.01	1
AP8146500	28.01	2
AP8146501	28.03	8
AP8146501	28.03	8
AP8146502	28.03	9
AP8146502	28.03	9
AP8146503	28.03	1
AP8146503	28.03	1
AP8146504	28.03	2
AP8146504	28.03	2
AP8146516	28.09	9
AP8146518	28.09	5
AP8146520	28.08	2
AP8146557	28.09	2
AP8146566	28.03	14
AP8146566	28.03	14
AP8146567	28.03	15
AP8146567	28.03	15
AP8146616	28.03	13
AP8146617	28.03	27
AP8146732	28.04	1
AP8146787	28.39	21
AP8146862	28.03	7
AP8146904	28.19	6
AP8146914	28.43	7
AP8146944	28.04	1
AP8146944	28.04	1
AP8146974	28.01	1
AP8146974	28.01	1
AP8146974	28.01	1
AP8146974	28.01	1
AP8146974	28.01	1
AP8149034	28.20	12
AP8149165	28.29	12
AP8150011	28.18	18
AP8150014	28.15	11
AP8150015	28.28	18
AP8150015	28.43	23
AP8150017	28.05	21
AP8150018	28.32	14
AP8150020	28.39	14
AP8150026	28.19	13
AP8150026	28.25	18
AP8150026	28.39	15
AP8150026	28.44	11
AP8150044	28.39	16
AP8150044	29.31	10
AP8150044	29.31	6
AP8150137	28.28	15
AP8150137	29.31	4
AP8150158	28.12	10
AP8150158	28.20	7
AP8150164	28.05	20
AP8150164	28.05	20
AP8150171	28.45	13
AP8150195	28.37	20

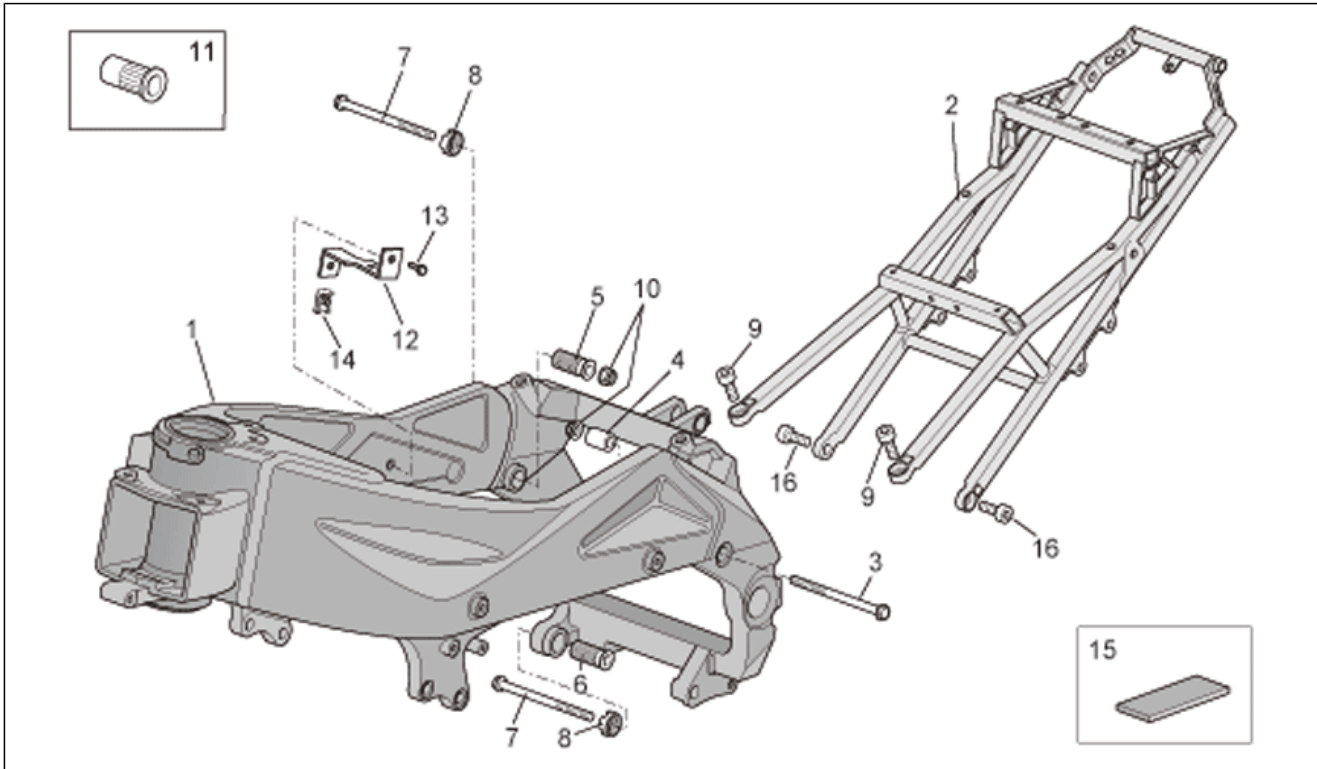
Code	No. table	Pos.
AP8150195	28.37	20
AP8150196	28.04	10
AP8150202	28.43	25
AP8150204	28.12	9
AP8150204	28.20	8
AP8150220	28.45	9
AP8150236	28.05	14
AP8150236	28.05	14
AP8150255	28.21	4
AP8150272	28.23	30
AP8150272	28.29	20
AP8150277	28.39	25
AP8150292	28.02	12
AP8150292	28.04	11
AP8150334	28.08	15
AP8150351	28.45	12
AP8150382	28.10	12
AP8150403	28.39	24
AP8150406	28.29	19
AP8150411	28.10	8
AP8150413	28.11	6
AP8150413	28.13	14
AP8150413	28.18	9
AP8150413	28.29	22
AP8150429	28.03	21
AP8150429	28.05	19
AP8150429	28.23	29
AP8150429	28.24	25
AP8150429	28.44	10
AP8150430	28.26	7
AP8150436	28.37	10
AP8150436	28.37	10
AP8150436	28.38	8
AP8150450	28.14	6
AP8150450	28.14	6
AP8150454	28.15	15
AP8150459	28.15	9
AP8150462	28.39	17
AP8150462	29.31	5
AP8150463	28.37	18
AP8150463	28.37	18
AP8150468	28.02	3
AP8150469	28.01	16
AP8150469	28.01	16
AP8150469	28.01	9
AP8150474	28.24	16
AP8150480	28.04	4
AP8150493	28.10	15
AP8150493	28.42	10
AP8150503	28.08	27
AP8150505	28.32	24
AP8150506	28.32	16
AP8150509	28.21	3
AP8150535	28.32	20
AP8150537	28.03	11
AP8150537	28.03	25
AP8150537	28.23	28
AP8150537	28.24	24
AP8150538	28.23	16
AP8150539	28.23	17
AP8150540	28.03	12
AP8150542	28.01	16
AP8150543	28.05	14
AP8150563	28.05	20
AP8152001	28.04	4
AP8152003	28.22	12
AP8152003	28.43	8

Code	No. table	Pos.	Code	No. table	Pos.	Code	No. table	Pos.
AP8152043	28.18	17	AP8152299	28.27	12	AP8156186	28.12	1
AP8152117	28.27	9	AP8152299	28.28	12	AP8156199	28.12	1
AP8152137	28.10	8	AP8152299	28.43	12	AP8156223	28.12	1
AP8152246	28.02	10	AP8152299	28.44	3	AP8156226	28.12	1
AP8152246	28.13	8	AP8152300	28.43	15	AP8156228	28.12	1
AP8152246	28.14	5	AP8152301	28.01	10	AP8156236	28.12	1
AP8152246	28.20	4	AP8152301	28.04	2	AP8156237	28.12	1
AP8152246	28.26	13	AP8152301	28.09	8	AP8156238	28.12	1
AP8152246	28.29	14	AP8152302	28.08	24	AP8156238	28.12	1
AP8152267	28.08	25	AP8152302	28.12	3	AP8156239	28.12	1
AP8152272	28.24	13	AP8152302	28.13	16	AP8156239	28.12	1
AP8152273	28.23	16	AP8152302	28.18	10	AP8156249	28.12	1
AP8152273	28.23	16	AP8152302	28.19	9	AP8156250	28.12	1
AP8152273	28.39	18	AP8152302	28.20	6	AP8156322	28.12	1
AP8152277	28.03	11	AP8152302	28.40	16	AP8156323	28.12	1
AP8152277	28.03	11	AP8152302	28.42	8	AP8156361	28.12	1
AP8152277	28.12	5	AP8152305	28.08	14	AP8156362	28.12	1
AP8152277	28.23	28	AP8152306	28.08	33	AP8156365	28.12	1
AP8152277	28.23	28	AP8152306	28.20	11	AP8156366	28.12	1
AP8152277	28.24	24	AP8152306	28.23	17	AP8156369	28.12	1
AP8152277	28.24	24	AP8152306	28.23	17	AP8156370	28.12	1
AP8152277	28.25	17	AP8152311	28.05	18	AP8157770	28.22	10
AP8152278	28.01	13	AP8152317	28.01	3	AP8158111	28.29	1
AP8152278	28.02	11	AP8152317	28.01	7	AP8158112	28.29	2
AP8152278	28.26	6	AP8152323	28.33	9	AP8158119	28.29	6
AP8152278	28.27	17	AP8152323	28.33	9	AP8158120	28.28	1
AP8152279	28.02	2	AP8152323	28.34	11	AP8158138	28.18	5
AP8152279	28.04	12	AP8152323	28.37	14	AP8158146	28.19	1
AP8152279	28.11	5	AP8152323	28.37	14	AP8158147	28.26	1
AP8152279	28.16	5	AP8152323	28.38	22	AP8158148	28.08	8
AP8152279	28.17	9	AP8152324	28.37	13	AP8158669	28.02	6
AP8152279	28.39	20	AP8152324	28.37	13	AP8158984	28.32	11
AP8152279	28.40	13	AP8152324	28.38	9	AP8161058	28.02	14
AP8152280	28.05	13	AP8152329	28.10	13	AP8161059	28.13	11
AP8152280	28.12	6	AP8152329	28.11	3	AP8161085	28.45	14
AP8152280	28.24	15	AP8152329	28.29	13	AP8161087	28.28	9
AP8152280	28.24	15	AP8152329	28.41	9	AP8161118	28.13	7
AP8152280	28.43	5	AP8152335	28.33	10	AP8161138	29.63	11
AP8152280	28.44	2	AP8152335	28.33	10	AP8161139	29.63	11
AP8152281	28.15	6	AP8152335	28.34	9	AP8163057	28.07	5
AP8152281	28.18	25	AP8152339	28.28	19	AP8163061	28.05	2
AP8152281	28.27	16	AP8152384	28.05	9	AP8163065	28.09	1
AP8152282	28.02	16	AP8152384	28.05	9	AP8163122	28.05	2
AP8152285	28.28	21	AP8152409	28.03	18	AP8163122	28.05	2
AP8152286	28.33	11	AP8152409	28.03	6	AP8163170	28.05	23
AP8152286	28.33	11	AP8152410	28.02	13	AP8163451	28.06	1
AP8152286	28.34	10	AP8152411	28.09	10	AP8163452	28.06	2
AP8152286	28.40	12	AP8152412	28.09	6	AP8163476	28.07	2
AP8152286	28.43	14	AP8152413	28.09	11	AP8163477	28.07	1
AP8152287	28.03	3	AP8152414	28.35	7	AP8163492	28.06	18
AP8152287	28.03	3	AP8152414	28.35	7	AP8163493	28.06	19
AP8152288	28.03	12	AP8152414	28.36	10	AP8163494	28.06	3
AP8152288	28.03	12	AP8152440	28.04	9	AP8163495	28.06	5
AP8152290	28.06	17	AP8152442	28.05	9	AP8163496	28.06	9
AP8152291	28.32	15	AP8152486	28.03	3	AP8163498	28.05	11
AP8152298	28.08	32	AP8152486	28.22	15	AP8163499	28.09	1
AP8152298	28.17	4	AP8154024	28.05	12	AP8163499	28.09	1
AP8152298	28.19	5	AP8154034	28.27	5	AP8163541	28.05	1
AP8152298	28.41	5	AP8154046	28.08	30	AP8166639	28.46	3
AP8152298	28.42	9	AP8154069	28.03	9	AP8166713	28.12	12
AP8152298	28.44	13	AP8154070	28.03	8	AP8166714	28.12	13
AP8152299	28.08	17	AP8154071	28.03	15	AP8166717	28.13	19
AP8152299	28.10	7	AP8154072	28.03	14	AP8166718	28.13	20
AP8152299	28.15	10	AP8154089	28.23	27	AP8166730	28.15	18
AP8152299	28.20	5	AP8154090	28.24	23	AP8166731	28.14	11
AP8152299	28.24	16	AP8156164	28.12	1	AP8166732	28.14	12
AP8152299	28.24	16	AP8156165	28.20	1	AP8166737	28.18	20

Code	No. table	Pos.	Code	No. table	Pos.	Code	No. table	Pos.
AP8166738	28.17	12	AP8179150	28.01	12	AP8179942	28.10	2
AP8166738	28.17	12	AP8179152	28.12	2	AP8184116	28.15	1
AP8166739	28.46	3	AP8179226	28.02	18	AP8184125	28.15	1
AP8166740	28.46	3	AP8179227	28.02	19	AP8184127	28.18	1
AP8166741	28.46	5	AP8179255	28.12	7	AP8184127	28.18	1
AP8166742	28.46	5	AP8179259	28.03	22	AP8184128	28.18	2
AP8166743	28.46	6	AP8179260	28.03	23	AP8184128	28.18	2
AP8166744	28.46	7	AP8179287	28.19	3	AP8184138	28.15	1
AP8166746	28.12	12	AP8179312	28.15	1	AP8184140	28.10	3
AP8166747	28.12	13	AP8179314	28.10	1	AP8184141	28.14	2
AP8166749	28.13	19	AP8179315	28.10	3	AP8184142	28.14	3
AP8166750	28.13	20	AP8179316	28.13	1	AP8184280	28.15	1
AP8166761	28.15	18	AP8179317	28.13	2	AP8184281	28.15	1
AP8166762	28.14	11	AP8179318	28.14	2	AP8184284	28.10	3
AP8166763	28.14	12	AP8179319	28.14	3	AP8184285	28.14	2
AP8166764	28.18	26	AP8179320	28.17	2	AP8184286	28.14	3
AP8166765	28.18	27	AP8179321	28.17	3	AP8184293	28.18	1
AP8166793	28.46	8	AP8179322	28.18	1	AP8184294	28.18	2
AP8166795	28.12	14	AP8179323	28.18	2	AP8184295	28.15	1
AP8166796	28.10	17	AP8179324	28.18	3	AP8184296	28.15	1
AP8166797	28.10	18	AP8179326	28.18	4	AP8184299	28.10	3
AP8166828	28.12	12	AP8179339	28.10	1	AP8184324	28.18	3
AP8166829	28.12	13	AP8179339	28.10	1	AP8184330	28.18	1
AP8166830	28.13	19	AP8179340	28.13	1	AP8184331	28.18	2
AP8166831	28.13	20	AP8179341	28.13	2	AP8184360	28.18	3
AP8166844	28.15	18	AP8179342	28.15	1	AP8184394	28.01	1
AP8166845	28.14	11	AP8179345	28.15	1	AP8184398	28.15	1
AP8166846	28.14	12	AP8179402	28.17	3	AP8184398	28.15	1
AP8166851	28.18	20	AP8179403	28.17	2	AP8184399	28.15	1
AP8168217	28.23	8	AP8179407	28.13	1	AP8184521	28.14	2
AP8168501	28.24	6	AP8179408	28.13	2	AP8184522	28.14	3
AP8176032	28.30	2	AP8179410	28.15	1	AP8184627	28.15	1
AP8176062	29.63	12	AP8179411	28.15	1	AP8184628	28.15	1
AP8176099	28.44	18	AP8179413	28.10	1	AP8184631	28.10	3
AP8176100	28.44	19	AP8179414	28.10	3	AP8184634	28.15	1
AP8176101	28.38	16	AP8179415	28.14	2	AP8184635	28.15	1
AP8176156	29.31	1	AP8179416	28.14	3	AP8184640	28.15	1
AP8176194	28.23	9	AP8179417	28.17	2	AP8184641	28.15	1
AP8176196	29.57	22	AP8179417	28.17	2	AP8184644	28.10	3
AP8177739	28.46	4	AP8179417	28.17	2	AP8184645	28.17	2
AP8177792	28.20	13	AP8179418	28.17	3	AP8184646	28.17	3
AP8178767	28.10	3	AP8179418	28.17	3	AP8184649	28.18	3
AP8178771	28.13	18	AP8179418	28.17	3	AP8184653	28.10	1
AP8178772	28.13	17	AP8179419	28.18	1	AP8184654	28.18	1
AP8178775	28.14	3	AP8179420	28.18	2	AP8184655	28.18	2
AP8178776	28.14	2	AP8179421	28.18	3	AP8184657	28.15	1
AP8178777	28.10	1	AP8179421	28.18	3	AP8184658	28.15	1
AP8178778	28.10	2	AP8179422	28.18	4	AP8184660	28.10	1
AP8178779	28.26	10	AP8179425	28.18	1	AP8184661	28.10	3
AP8178780	28.13	5	AP8179426	28.18	2	AP8184667	28.15	1
AP8178781	28.17	2	AP8179427	28.18	4	AP8184668	28.15	1
AP8178782	28.17	3	AP8179428	28.10	1	AP8184670	28.10	1
AP8178783	28.18	1	AP8179431	28.13	1	AP8184784	28.13	1
AP8179065	28.14	1	AP8179432	28.13	2	AP8184785	28.13	2
AP8179065	28.14	1	AP8179472	28.18	4	AP8184795	28.15	1
AP8179066	28.13	3	AP8179480	28.18	4	AP8184796	28.15	1
AP8179067	28.13	4	AP8179480	28.18	4	AP8184803	28.18	1
AP8179070	28.13	1	AP8179498	28.13	6	AP8184804	28.18	2
AP8179071	28.13	2	AP8179819	28.14	13	AP8184806	28.18	22
AP8179072	28.28	20	AP8179824	28.15	1	AP8201301	28.39	19
AP8179073	28.18	2	AP8179828	28.13	4	AP8201417	28.05	22
AP8179074	28.18	4	AP8179829	28.13	3	AP8201727	28.25	21
AP8179075	28.18	15	AP8179831	28.18	3	AP8201755	28.08	16
AP8179077	28.18	3	AP8179831	28.18	3	AP8213057	28.23	11
AP8179146	28.11	1	AP8179934	28.10	3	AP8213057	28.24	7
AP8179148	28.10	4	AP8179934	28.10	3	AP8213299	28.23	25
AP8179149	28.15	1	AP8179942	28.10	2	AP8213299	28.24	21

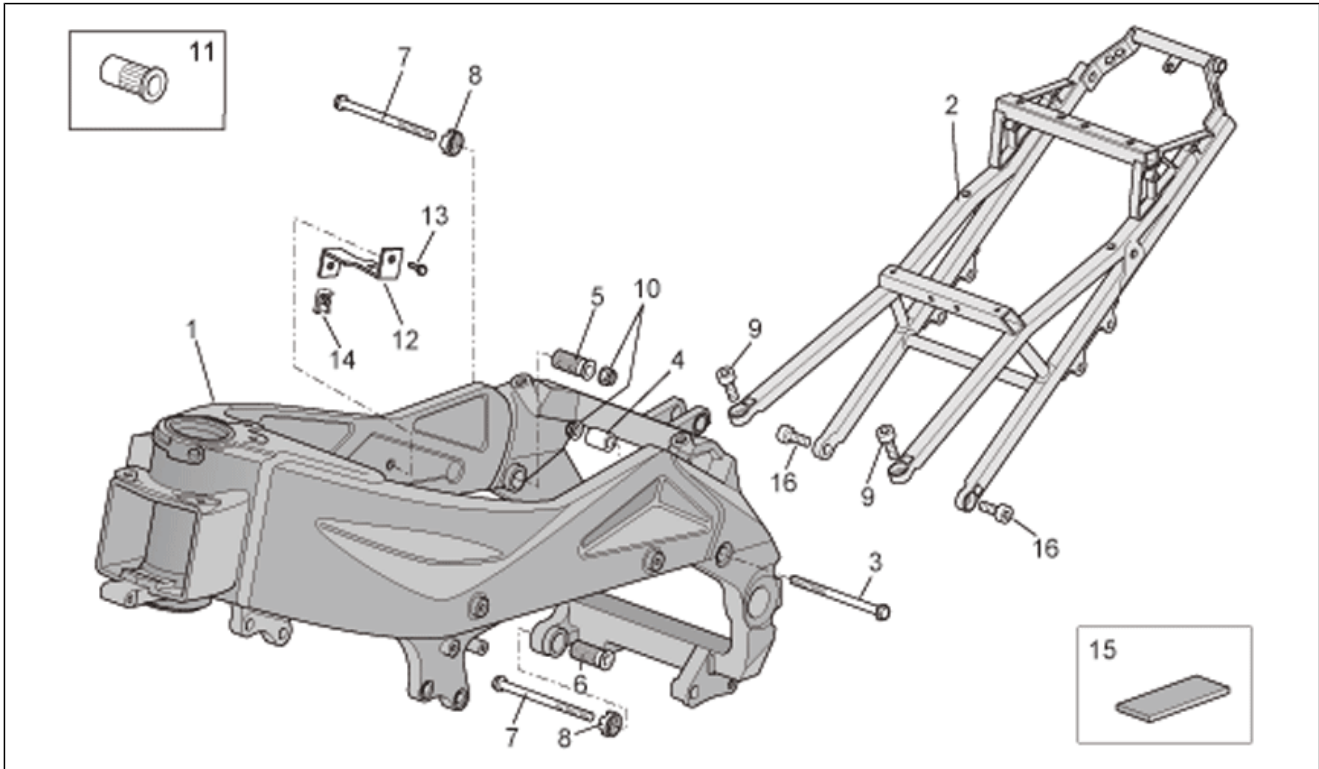
Code	No. table	Pos.	Code	No. table	Pos.
AP8220095	28.29	21	AP8796795	30.68	9
AP8220150	28.21	2	AP8796796	30.68	10
AP8220191	28.26	3	AP8796797	30.68	11
AP8220238	28.18	8	AP8796798	30.68	12
AP8220238	28.43	22	AP8796835	30.70	1
AP8220263	28.16	6	AP8797156	30.68	2
AP8220283	28.43	2	AP8797157	30.68	3
AP8220283	28.44	15	AP8797158	30.68	15
AP8220349	28.18	7	AP8797159	30.67	8
AP8220488	28.02	20	AP8797159	30.68	14
AP8220488	28.12	8	AP8797215	30.67	11
AP8220598	28.19	15	AP8797215	30.68	16
AP8221023	28.24	17	AP8797215	30.69	14
AP8221023	28.25	19	AP8797217	30.66	1
AP8221023	28.27	10	AP8797222	30.67	2
AP8221036	28.17	5	AP8797223	30.67	3
AP8221129	28.45	8	AP8797224	30.67	9
AP8221145	28.13	10	AP8797225	30.67	6
AP8221145	28.18	11	AP8797226	30.67	7
AP8221145	28.26	5	AP8797231	30.67	12
AP8221197	28.04	7	AP8797232	30.69	1
AP8221310	28.16	12	AP8797233	30.69	2
AP8224164	28.20	9	AP8797234	30.69	3
AP8224390	28.10	10	AP8797235	30.69	6
AP8224462	28.43	1	AP8797236	30.69	7
AP8224462	28.44	14	AP8797237	30.69	8
AP8224470	28.13	15	AP8797238	30.69	9
AP8224470	28.18	12	AP8797239	30.69	10
AP8224470	28.24	15	AP8797240	30.69	11
AP8234020	28.08	13	AP8797241	30.69	12
AP8267147	28.15	12	AP8797242	30.69	15
AP852066	30.71	4	AP8797243	30.69	16
AP852136	30.65	1	AP8797410	30.67	1
AP8705021	30.70	2	AP8797411	30.68	1
AP8720115	30.72	1	AP8797412	30.66	13
AP8720116	30.72	2	AP8797413	30.66	7
AP8720117	30.72	3	AP8797414	30.66	8
AP8720118	30.72	4	AP8797415	30.66	6
AP8791264	30.65	4	AP8797416	30.66	5
AP8791267	30.66	9	AP8797417	30.66	4
AP8791268	30.66	10	AP8797418	30.66	2
AP8791293	30.71	5	AP8797419	30.66	3
AP8793686	30.65	5	AP8797420	30.66	11
AP8794042	30.70	3	B045033	28.37	9
AP8794046	30.70	4	B045033	28.37	9
AP8794047	30.71	2	B045033	28.38	5
AP8794048	30.71	1	GU32750610	28.10	5
AP8794049	30.71	3	GU32750611	28.10	5
AP8795040	30.65	7	GU32751610	28.10	6
AP8795041	30.65	6	GU32751611	28.10	6
AP8795042	30.65	6	GU32753410	28.10	11
AP8795043	30.65	2			
AP8795044	30.65	3			
AP8796196	30.65	2			
AP8796519	30.67	10			
AP8796519	30.68	13			
AP8796519	30.69	13			
AP8796783	30.66	12			
AP8796790	30.68	4			
AP8796790	30.69	4			
AP8796791	30.68	5			
AP8796791	30.69	5			
AP8796792	30.67	4			
AP8796792	30.68	6			
AP8796793	30.67	5			
AP8796793	30.68	7			
AP8796794	30.68	8			

Group	FRAME
Code	28.01
Description	Frame I
Service	1



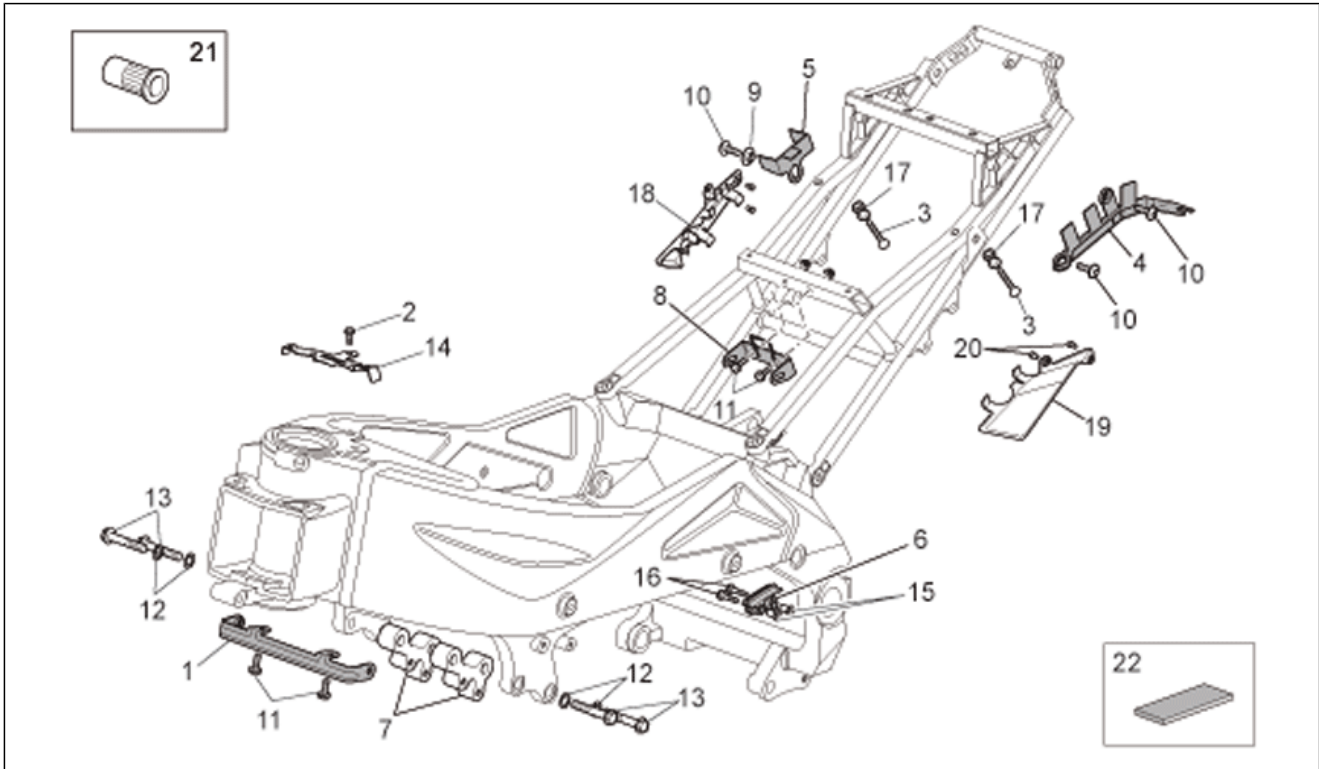
Pos.	Code	Description	Qty	Variants
1	AP8145075	Frame	1	Year:2007[7] Vehicle colour:Red Lion (s.t.852710)[red] Technical Specifications:Factory Version[Fac]
1	AP8146974	Frame	1	Year:2006[6]
1	AP8146974	Frame	1	Year:2007[7] Vehicle colour:Daytona 2007 (s.t.856193)[daytona] Technical Specifications:R Version[R]
1	AP8146974	Frame	1	Year:2007[7] Vehicle colour:Diablo Black (s.t.852632)[black], Dream Blue (s.t.852634)[blu], Fluo Red (s.t.852633)[fluo] Technical Specifications:R Version[R]
1	AP8146974	Frame	1	Year:2008[8] Vehicle colour:Diablo Black (s.t.852632)[black] Country:United States of America[USA] Technical Specifications:R Version[R]
1	AP8146974	Frame	1	Year:2008[8] Vehicle colour:Diablo Black 2008 (s.t.859826)[black08], Dream Blue 2008 (s.t.859827)[blu08], Code Orange 2008 (s.t.859829)[cod], Silver Crowd 2008 (s.t.859830)[cro], Ice White 2008 (s.t.859828)[ice] Technical Specifications:R Version[R]
1	AP8184394	Frame	1	Year:2008[8], 2009[9] Vehicle colour:Black Dream 2009 (s.t.890830)[dre], Red Lion 2008 (s.t. 858404)[lion] Technical Specifications:Factory Version[Fac]
2	AP8146500	Saddle support	1	
3	AP8152317	Screw w/ flange M10x100	1	
4	AP8121597	Spacer	1	
5	AP8121996	Upper adjustment bush	1	
6	AP8121997	Lower adjustment bush	1	
7	AP8152317	Screw w/ flange M10x100	1	
8	AP8121995	Eng.connect.elem.ring nut	2	
9	AP8150469	Hex socket screw M10x30	2	

Group	FRAME
Code	28.01
Description	Frame I
Service	1



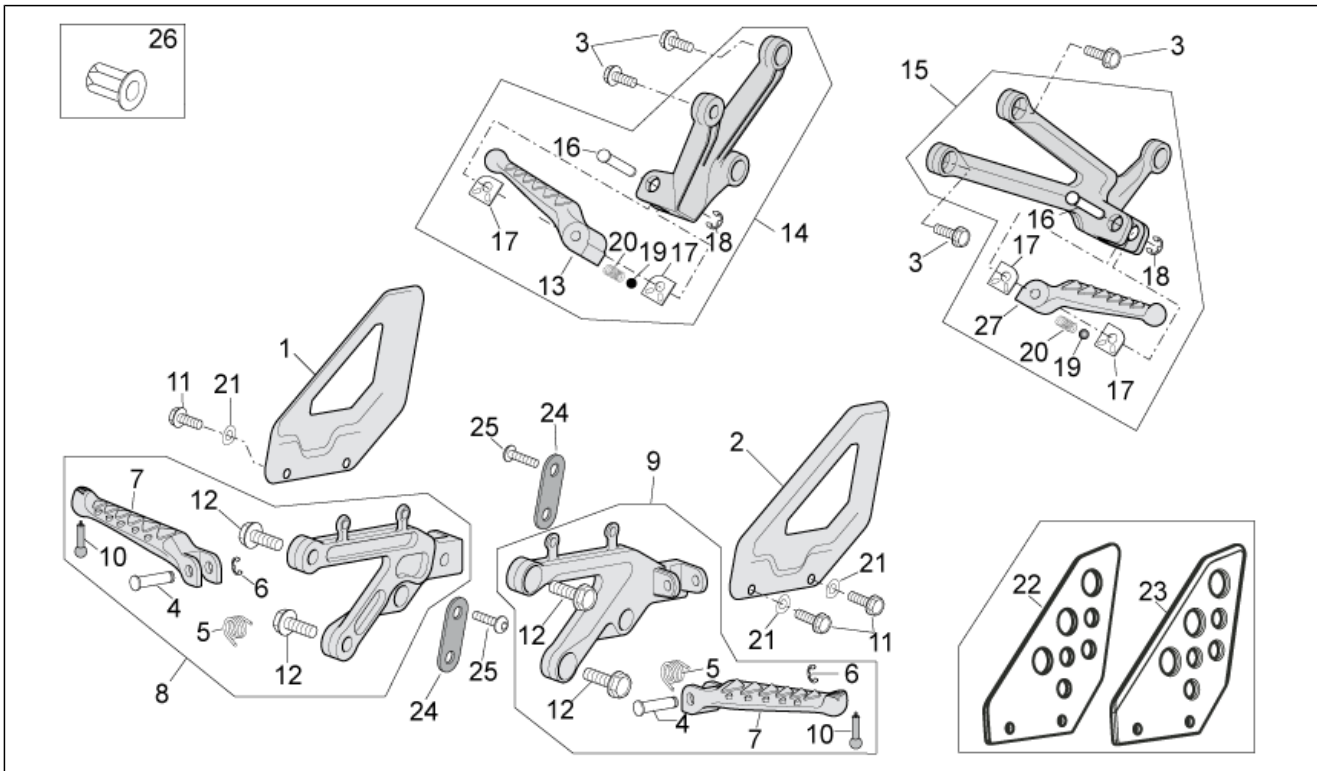
Pos.	Code	Description	Qty	Variants
10	AP8152301	Self-locking nut	4	
11	AP8102544	Threaded rivet M6	12	
12	AP8179150	Expansion tank support	1	
13	AP8152278	Screw w/ flange M6x16	1	
14	AP8102376	Clip M6	1	
15	AP8117033	Adhesive sponge	1	
16	AP8150469	Hex socket screw M10x30	2	Year:2007[7], 2008[8] Technical Specifications:R Version[R]
16	AP8150469	Hex socket screw M10x30	2	Year:2006[6]
16	AP8150542	Screw M10x30	2	Year:2007[7], 2008[8], 2009[9] Technical Specifications:Factory Version[Fac]

Group	FRAME
Code	28.02
Description	Frame II
Service	1



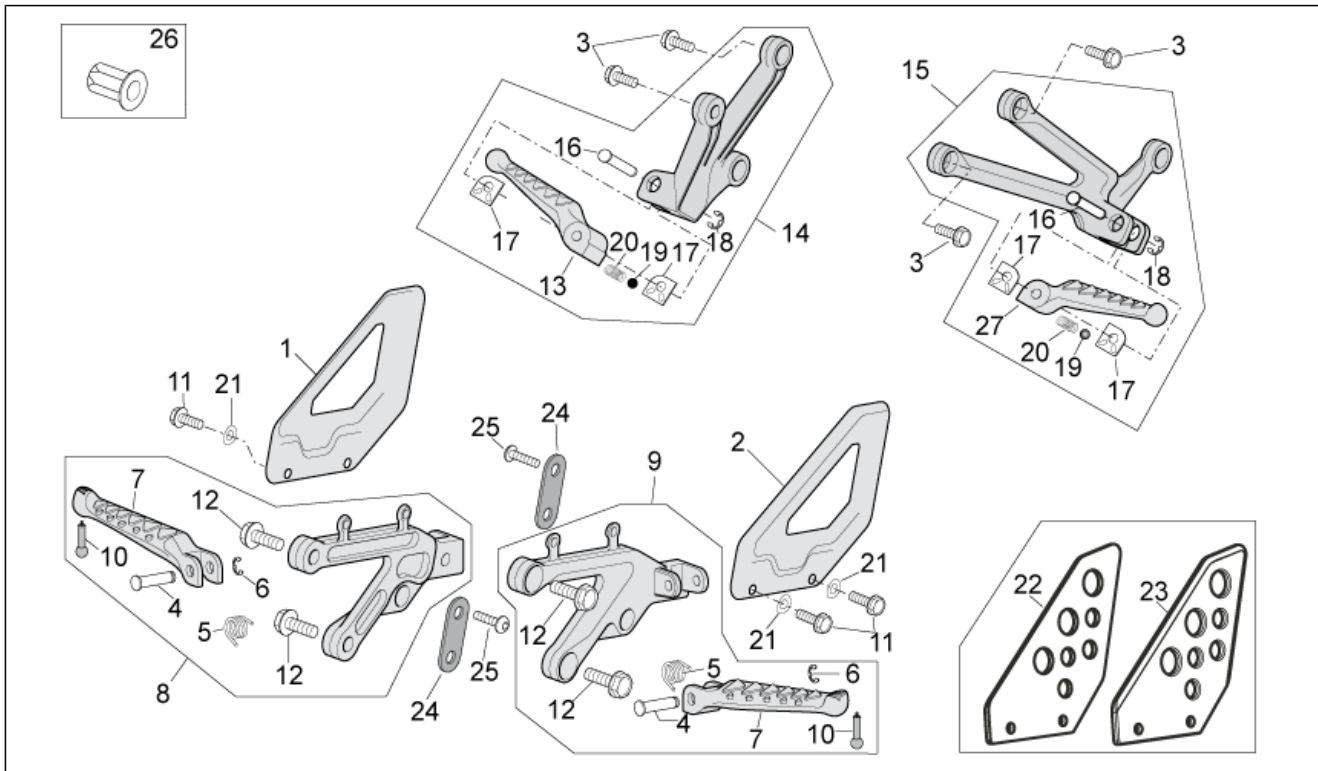
Pos.	Code	Description	Qty	Variants
1	AP8134775	Water cooler upper support	1	
2	AP8152279	Screw w/ flange M6x20	1	
3	AP8150468	Screw M6x40	2	
4	AP8134854	Relais support	1	
5	AP8134851	Relais support	1	
6	AP8158669	Chain guide plate	1	
7	AP8134850	Eng. connecting spacer	2	
8	AP8134831	Plate	1	
9	AP8121075	T bush *	1	
10	AP8152246	Screw w/ flange M6x16	3	
11	AP8152278	Screw w/ flange M6x16	4	
12	AP8150292	Curved spring washer *	4	
13	AP8152410	Screw w/ flange M10x55	4	
14	AP8161058	Cable-guide	1	
15	AP8121741	Dashboard bush	2	
16	AP8152282	Screw w/ flange M6x35	2	
17	AP8121890	Rear stand bush	2	
18	AP8179226	RH cover black	1	
19	AP8179227	LH cover black	1	
20	AP8220488	Mushroom rubber	4	
21	AP8102544	Threaded rivet M6	12	
22	AP8117033	Adhesive sponge	2	

Group	FRAME
Code	28.03
Description	Foot rests
Service	1



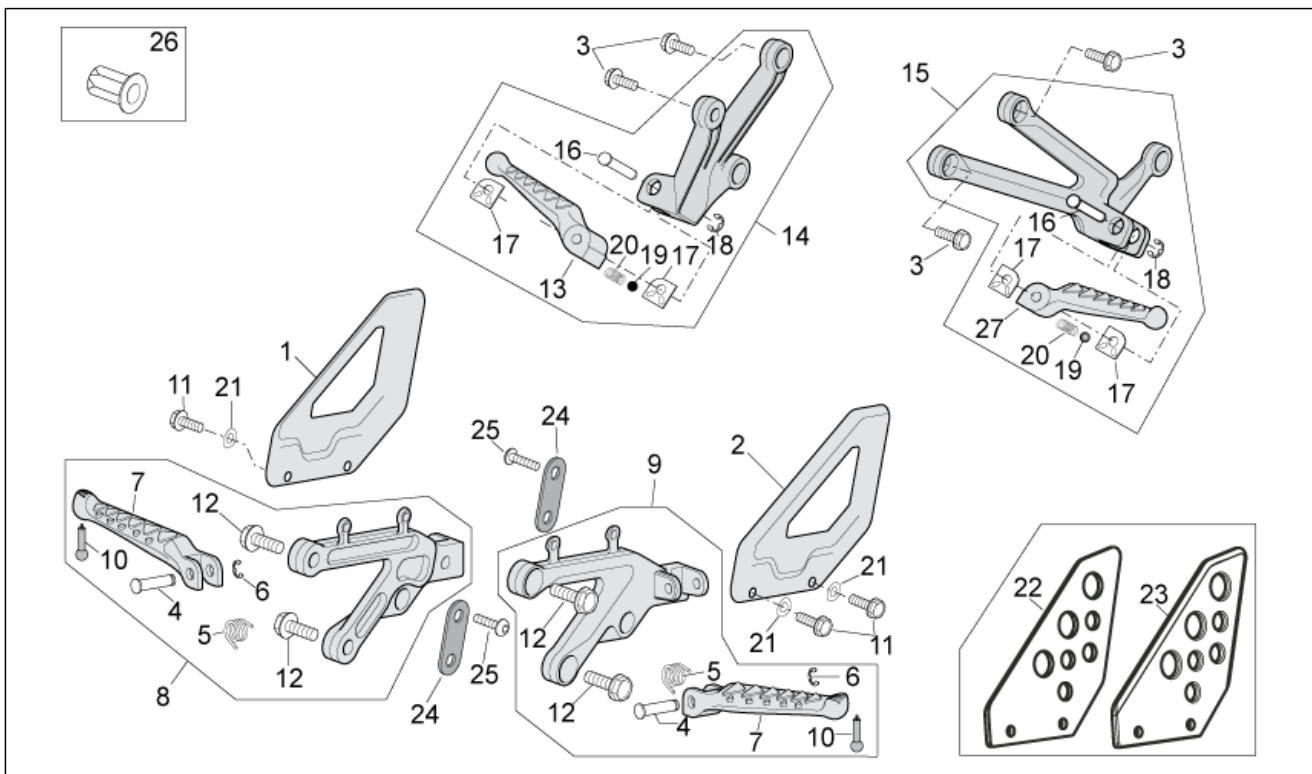
Pos.	Code	Description	Qty	Variants
1	AP8146503	RH front footrest guard	1	Year:2007[7], 2008[8] Technical Specifications:R Version[R]
1	AP8146503	RH front footrest guard	1	Year:2006[6]
2	AP8146504	LH front footrest guard	1	Year:2007[7], 2008[8] Technical Specifications:R Version[R]
2	AP8146504	LH front footrest guard	1	Year:2006[6]
3	AP8152287	Screw w/ flange M8x25	4	Year:2007[7], 2008[8] Technical Specifications:R Version[R]
3	AP8152287	Screw w/ flange M8x25	4	Year:2006[6]
3	AP8152486	Screw M8x25 INOX	4	Year:2007[7], 2008[8], 2009[9] Technical Specifications:Factory Version[Fac]
4	AP8121566	Footrest pin	2	
5	AP8121224	Footrest return spring	2	
6	AP8152409	Stop ring	2	
7	AP8146862	Front footrest, pair	1	Year:2006[6], 2007[7], 2008[8]
8	AP8146501	RH front footrest bracket	1	Year:2007[7], 2008[8] Technical Specifications:R Version[R]
8	AP8146501	RH front footrest bracket	1	Year:2006[6]
8	AP8154070	RH front footrest bracket	1	Year:2007[7], 2008[8], 2009[9] Technical Specifications:Factory Version[Fac]
9	AP8146502	LH front footrest bracket	1	Year:2006[6]
9	AP8146502	LH front footrest bracket	1	Year:2007[7], 2008[8] Technical Specifications:R Version[R]
9	AP8154069	LH front footrest bracket	1	Year:2007[7], 2008[8], 2009[9] Technical Specifications:Factory Version[Fac]
10	AP8134955	Footrest pin	2	
11	AP8150537	Hex socket screw M6x12	4	Year:2007[7], 2008[8], 2009[9] Technical Specifications:Factory Version[Fac]
11	AP8152277	Screw w/ flange M6x12	4	Year:2007[7], 2008[8] Technical Specifications:R Version[R]
11	AP8152277	Screw w/ flange M6x12	4	Year:2006[6]

Group	FRAME
Code	28.03
Description	Foot rests
Service	1



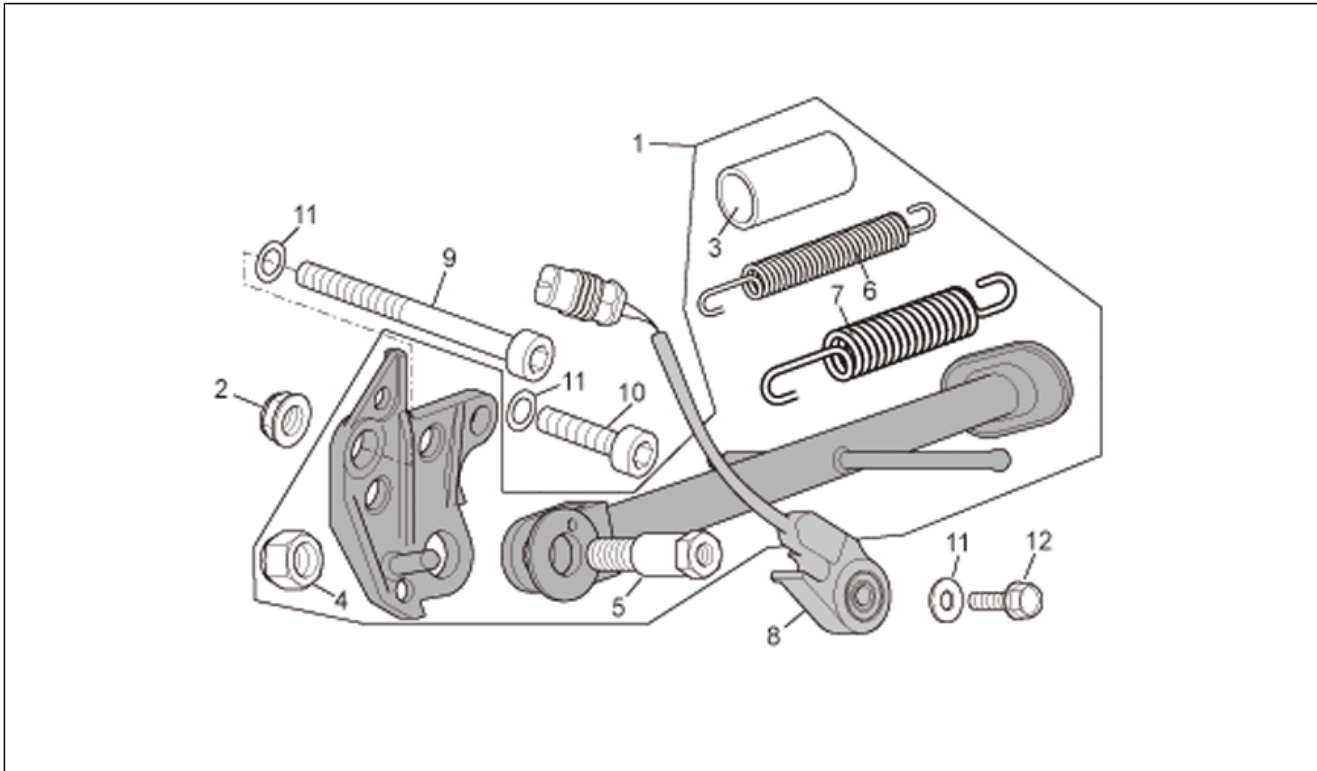
Pos.	Code	Description	Qty	Variants
12	AP8150540	Screw	4	Year:2007[7], 2008[8], 2009[9] Technical Specifications:Factory Version[Fac]
12	AP8152288	Screw w/ flange	4	Year:2006[6]
12	AP8152288	Screw w/ flange	4	Year:2007[7], 2008[8] Technical Specifications:R Version[R]
13	AP8146616	Rear footrest, RH	1	Year:2006[6], 2007[7], 2008[8]
14	AP8146566	RH footrest support	1	Year:2007[7], 2008[8] Technical Specifications:R Version[R]
14	AP8146566	RH footrest support	1	Year:2006[6]
14	AP8154072	RH footrest support	1	Year:2007[7], 2008[8], 2009[9] Technical Specifications:Factory Version[Fac]
15	AP8146567	LH footrest support	1	Year:2006[6]
15	AP8146567	LH footrest support	1	Year:2007[7], 2008[8] Technical Specifications:R Version[R]
15	AP8154071	LH footrest support	1	Year:2007[7], 2008[8], 2009[9] Technical Specifications:Factory Version[Fac]
16	AP8134829	Footrest pin	2	
17	AP8134451	Footrest plate	4	
18	AP8152409	Stop ring	2	
19	AP8101861	Ball D6,35	2	
20	AP8121133	Coil compress. spring	2	
21	AP8150429	Spring washer 6,4x11x0,5*	4	
22	AP8179259	RH front footrest guard	1	Year:2007[7], 2008[8], 2009[9] Technical Specifications:Factory Version[Fac]
23	AP8179260	LH front footrest guard	1	Year:2007[7], 2008[8], 2009[9] Technical Specifications:Factory Version[Fac]
24	AP8134541	Fairing fixing plate	2	Year:2007[7], 2008[8], 2009[9] Technical Specifications:Factory Version[Fac]
25	AP8150537	Hex socket screw M6x12	2	Year:2007[7], 2008[8], 2009[9] Technical Specifications:Factory Version[Fac]
26	AP8102544	Threaded rivet M6	2	Year:2007[7], 2008[8], 2009[9]

Group	FRAME
Code	28.03
Description	Foot rests
Service	1



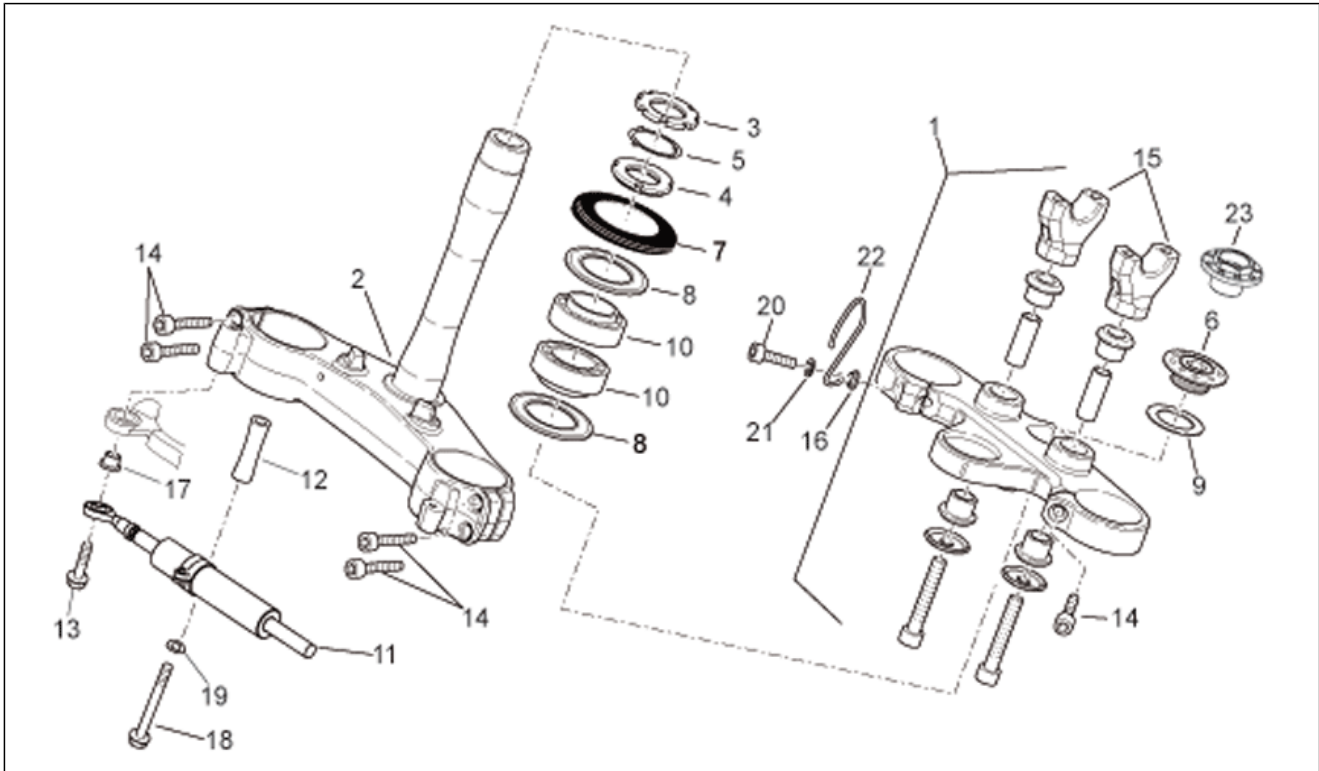
Pos.	Code	Description	Qty	Variants
				Technical Specifications: Factory Version[Fac]
27	AP8146617	Rear footrest, LH	1	

Group	FRAME
Code	28.04
Description	Central stand
Service	1



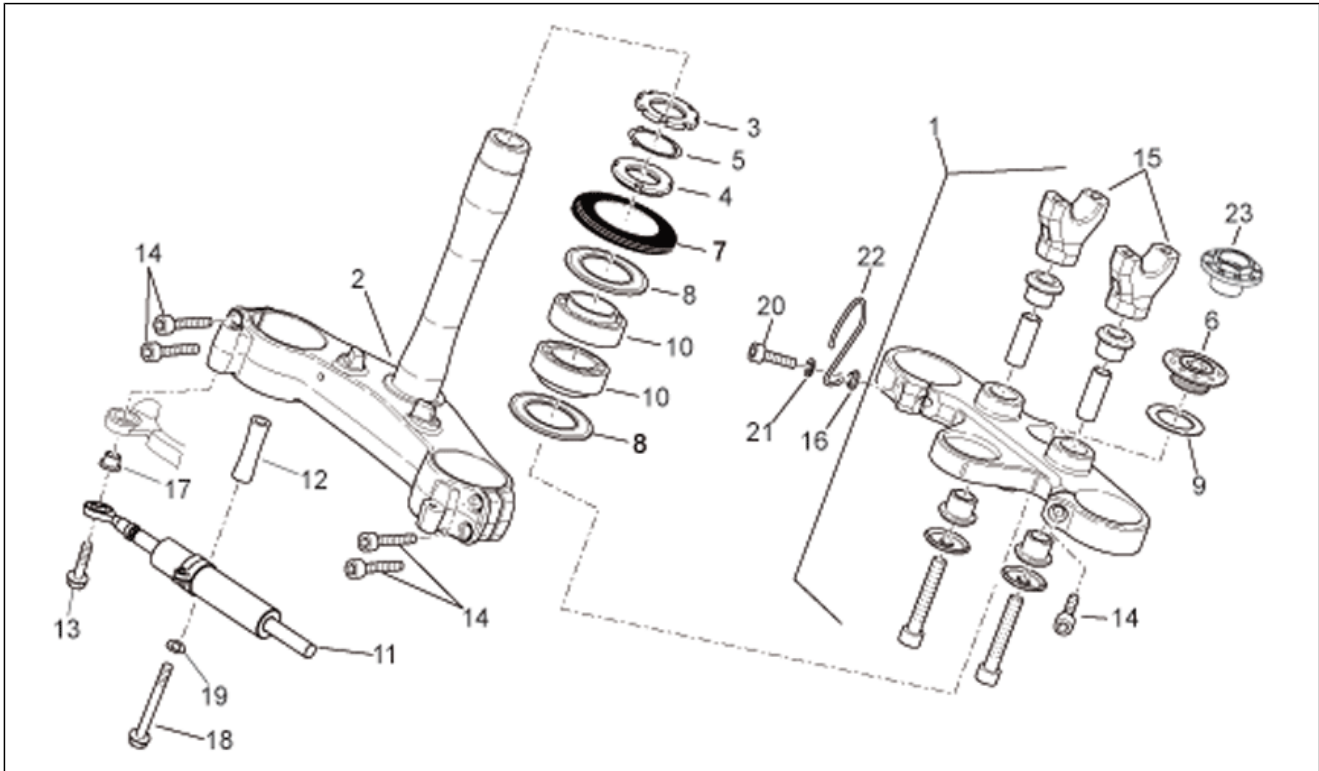
Pos.	Code	Description	Qty	Variants
1	AP8145055	Stand cpl.	1	Year:2007[7], 2008[8], 2009[9] Country:Australia[AA], GR-E-I[EU], Japan[JJ], Great Britain[UK] Technical Specifications:Factory Version[Fac]
1	AP8146732	Stand cpl.	1	Country:United States of America[USA]
1	AP8146944	Stand cpl.	1	Year:2007[7] Country:Australia[AA], GR-E-I[EU], Japan[JJ], Great Britain[UK] Technical Specifications:R Version[R]
1	AP8146944	Stand cpl.	1	Year:2006[6] Country:Australia[AA], GR-E-I[EU], Japan[JJ], Great Britain[UK]
2	AP8152301	Self-locking nut	1	
3	AP8102524	Stand spring protection	1	
4	AP8150480	Low self-locking nut M10x1,25	1	Country:Australia[AA], GR-E-I[EU], Japan[JJ], Great Britain[UK]
4	AP8152001	Low nut M10x1,25	1	Country:United States of America[USA]
5	AP8121375	Central stand fixing screw	1	Country:Australia[AA], GR-E-I[EU], Japan[JJ], Great Britain[UK]
5	AP8121429	Central stand fixing screw	1	Country:United States of America[USA]
6	AP8121014	Coil pull spring *	1	
7	AP8221197	Lateral stand spring	1	
8	AP8127319	Rotary switch	1	
9	AP8152440	screw	1	
10	AP8150196	Hex socket screw	1	
11	AP8150292	Curved spring washer *	2	
12	AP8152279	Screw w/ flange M6x20	1	

Group	FRAME
Code	28.05
Description	Steering
Service	1



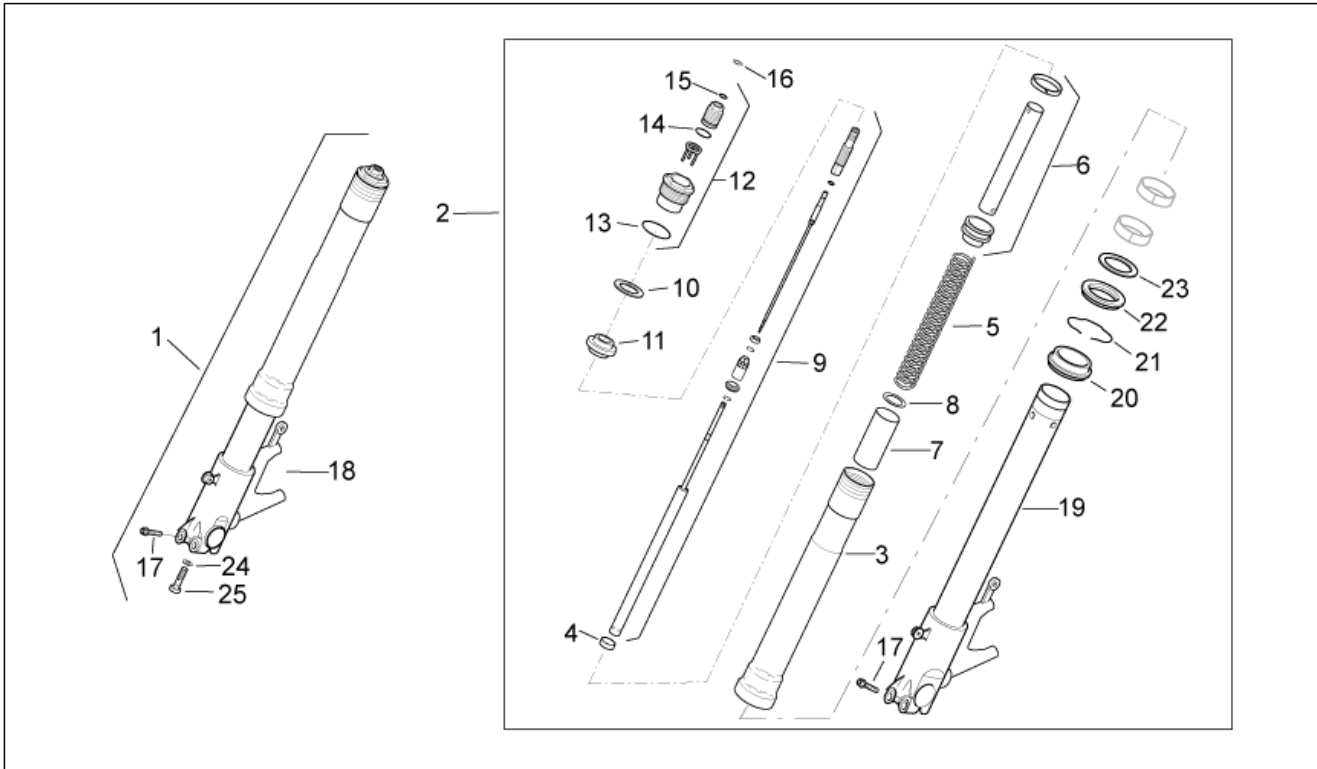
Pos.	Code	Description	Qty	Variants
1	AP8163541	Fork upper plate	1	
2	AP8163061	Lower plate	1	Year:2007[7], 2008[8], 2009[9] Technical Specifications:Factory Version[Fac]
2	AP8163122	Lower plate	1	Year:2006[6]
2	AP8163122	Lower plate	1	Year:2007[7], 2008[8] Technical Specifications:R Version[R]
3	AP8123643	Return ring nut	1	
4	AP8123642	Ring nut	1	
5	AP8121207	Steering security plate	1	
6	AP8121346	Upper plate fixing bush	1	Year:2006[6]
6	AP8121346	Upper plate fixing bush	1	Year:2007[7], 2008[8] Technical Specifications:R Version[R]
7	AP8123644	Dust cover ring	1	
8	AP8123641	Dust cover ring	2	
9	AP8152384	Stem plug washer	1	Year:2007[7], 2008[8] Technical Specifications:R Version[R]
9	AP8152384	Stem plug washer	1	Year:2006[6]
9	AP8152442	Stem plug washer	1	Year:2007[7], 2008[8], 2009[9] Technical Specifications:Factory Version[Fac]
10	AP8110077	Axial ball bearing	2	
11	AP8163498	Steering shock absorber	1	
12	AP8154024	Shock abs. spacer	1	
13	AP8152280	Screw w/ flange M6x25	1	
14	AP8150236	Hex socket screw M8x35	5	Year:2006[6]
14	AP8150236	Hex socket screw M8x35	5	Year:2007[7], 2008[8] Technical Specifications:R Version[R]
14	AP8150543	Screw M8x35	5	Year:2007[7], 2008[8], 2009[9] Technical Specifications:Factory Version[Fac]
15	AP8118707	Lower U-bolt	2	
16	AP8121402	Shock absorber bush	1	

Group	FRAME
Code	28.05
Description	Steering
Service	1



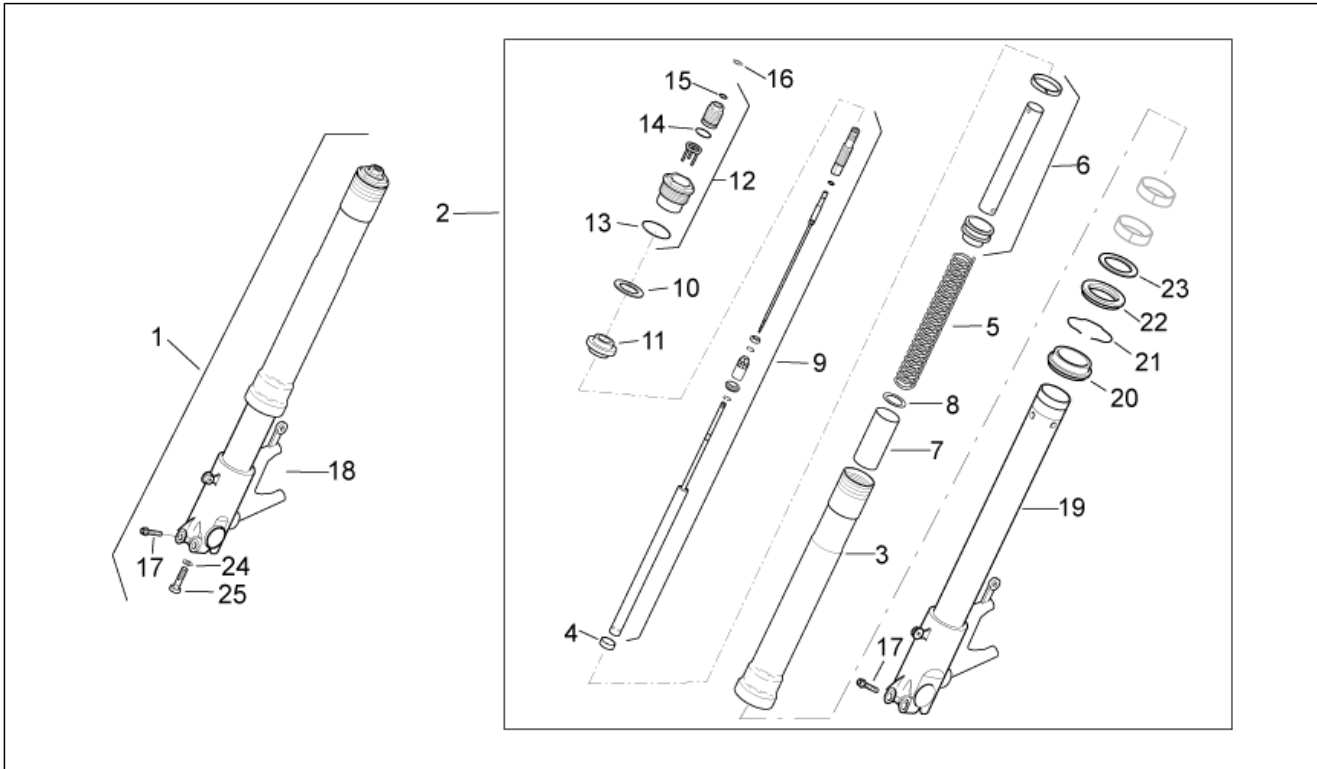
Pos.	Code	Description	Qty	Variants
17	AP8121811	T bush	1	
18	AP8152311	Screw	1	
19	AP8150429	Spring washer 6,4x11x0,5*	1	
20	AP8150164	Hex socket screw M8x45	1	Year:2006[6]
20	AP8150164	Hex socket screw M8x45	1	Year:2007[7], 2008[8] Technical Specifications:R Version[R]
20	AP8150563	Screw	1	Year:2007[7], 2008[8], 2009[9] Technical Specifications:Factory Version[Fac]
21	AP8150017	Washer 8,4x16x1,6	1	
22	AP8201417	Cable-guide	1	
23	AP8163170	Upper plate fixing bush	1	Year:2007[7], 2008[8], 2009[9] Technical Specifications:Factory Version[Fac]

Group	FRAME
Code	28.06
Description	Front fork I
Service	1



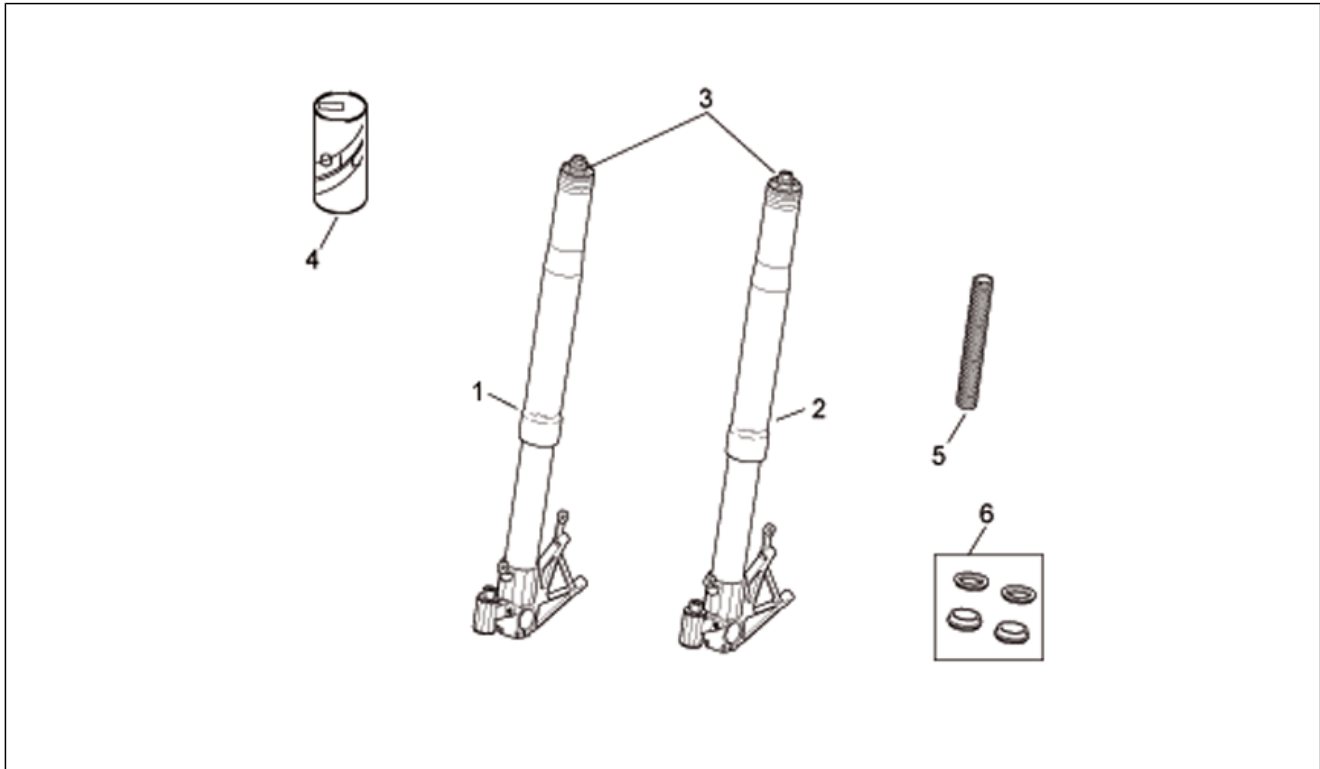
Pos.	Code	Description	Qty	Variants
1	AP8163451	RH radial sleeve	1	Year:2006[6], 2007[7], 2008[8] Technical Specifications:R Version[R]
2	AP8163452	LH radial sleeve	1	Year:2006[6], 2007[7], 2008[8] Technical Specifications:R Version[R]
3	AP8163494	Sleeve	2	Year:2006[6], 2007[7], 2008[8] Technical Specifications:R Version[R]
4	AP8123810	Plunger attachment bush	2	Year:2006[6], 2007[7], 2008[8] Technical Specifications:R Version[R]
5	AP8163495	Spring	2	Year:2006[6], 2007[7], 2008[8] Technical Specifications:R Version[R]
6	AP8123832	Preload tube cpl.	2	Year:2006[6], 2007[7], 2008[8] Technical Specifications:R Version[R]
7	AP8123835	Spacer	2	Year:2006[6], 2007[7], 2008[8] Technical Specifications:R Version[R]
8	AP8123836	Washer	2	Year:2006[6], 2007[7], 2008[8] Technical Specifications:R Version[R]
9	AP8163496	Plunger, complete	2	Year:2006[6], 2007[7], 2008[8] Technical Specifications:R Version[R]
10	AP8123816	Washer	2	Year:2006[6], 2007[7], 2008[8] Technical Specifications:R Version[R]
11	AP8123815	Ring	2	Year:2006[6], 2007[7], 2008[8] Technical Specifications:R Version[R]
12	AP8123817	Sleeve plug cpl.	2	Year:2006[6], 2007[7], 2008[8] Technical Specifications:R Version[R]
13	AP8123834	O-ring	2	Year:2006[6], 2007[7], 2008[8] Technical Specifications:R Version[R]
14	AP8123819	O-ring	2	Year:2006[6], 2007[7], 2008[8] Technical Specifications:R Version[R]
15	AP8123820	O-ring	2	Year:2006[6], 2007[7], 2008[8] Technical Specifications:R Version[R]
16	AP8123821	Stop ring	2	Year:2006[6], 2007[7], 2008[8] Technical Specifications:R Version[R]

Group	FRAME
Code	28.06
Description	Front fork I
Service	1



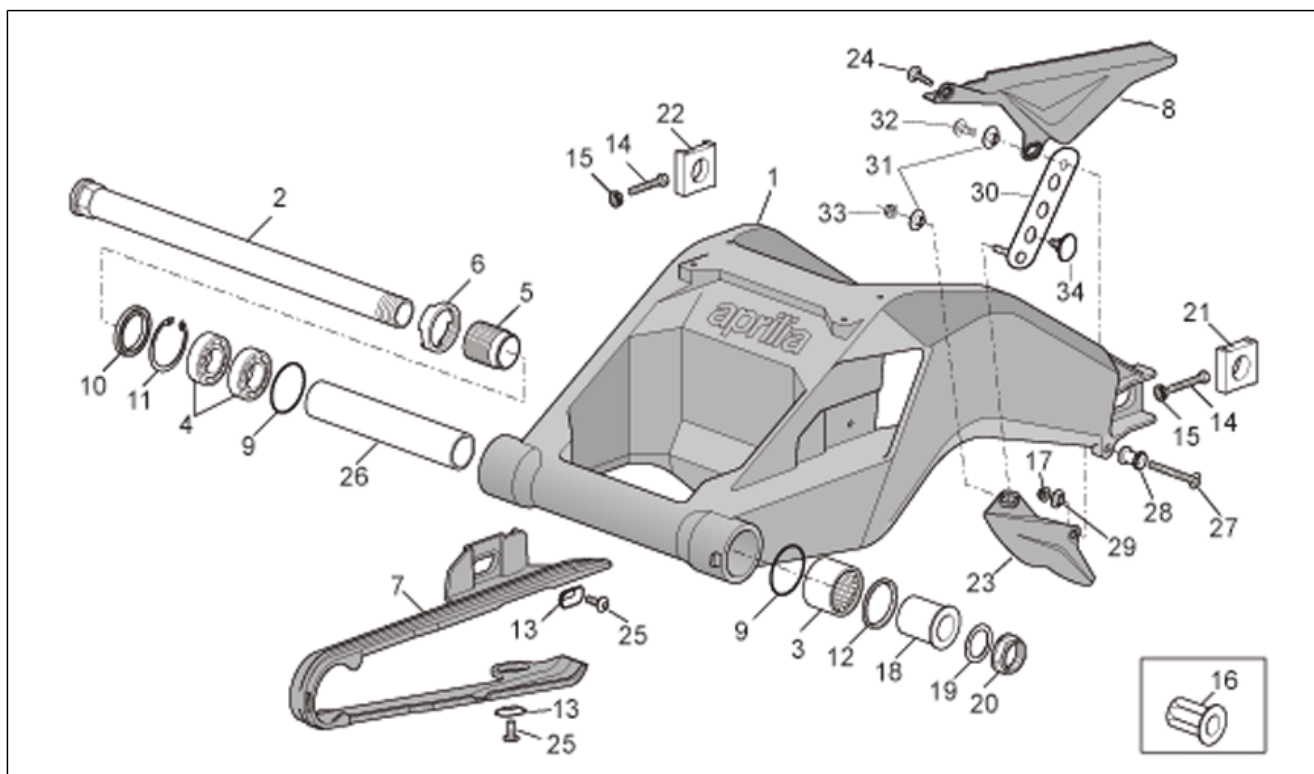
Pos.	Code	Description	Qty	Variants
17	AP8152290	Screw w/ flange M8x40	4	Year:2006[6], 2007[7], 2008[8] Technical Specifications:R Version[R]
18	AP8163492	Hub+RH fork leg	1	Year:2006[6], 2007[7], 2008[8] Technical Specifications:R Version[R]
19	AP8163493	Hub+LH fork leg	1	Year:2006[6], 2007[7], 2008[8] Technical Specifications:R Version[R]
20	AP8123824	Dust cover	2	Year:2006[6], 2007[7], 2008[8] Technical Specifications:R Version[R]
21	AP8123806	Circlip	2	Year:2006[6], 2007[7], 2008[8] Technical Specifications:R Version[R]
22	AP8123825	Oil seal	2	Year:2006[6], 2007[7], 2008[8] Technical Specifications:R Version[R]
23	AP8123826	Ring	2	Year:2006[6], 2007[7], 2008[8] Technical Specifications:R Version[R]
24	AP8123811	Special washer	2	Year:2006[6], 2007[7], 2008[8] Technical Specifications:R Version[R]
24	AP8123827	Bush D.47,1xd.43xh.20	2	Year:2006[6], 2007[7], 2008[8] Technical Specifications:R Version[R]
25	AP8123812	screw M10x1,5	2	Year:2006[6], 2007[7], 2008[8] Technical Specifications:R Version[R]
25	AP8123828	Bush D.44,5xd.41,1xh.20	2	Year:2006[6], 2007[7], 2008[8] Technical Specifications:R Version[R]

Group	FRAME
Code	28.07
Description	Front fork II
Service	1



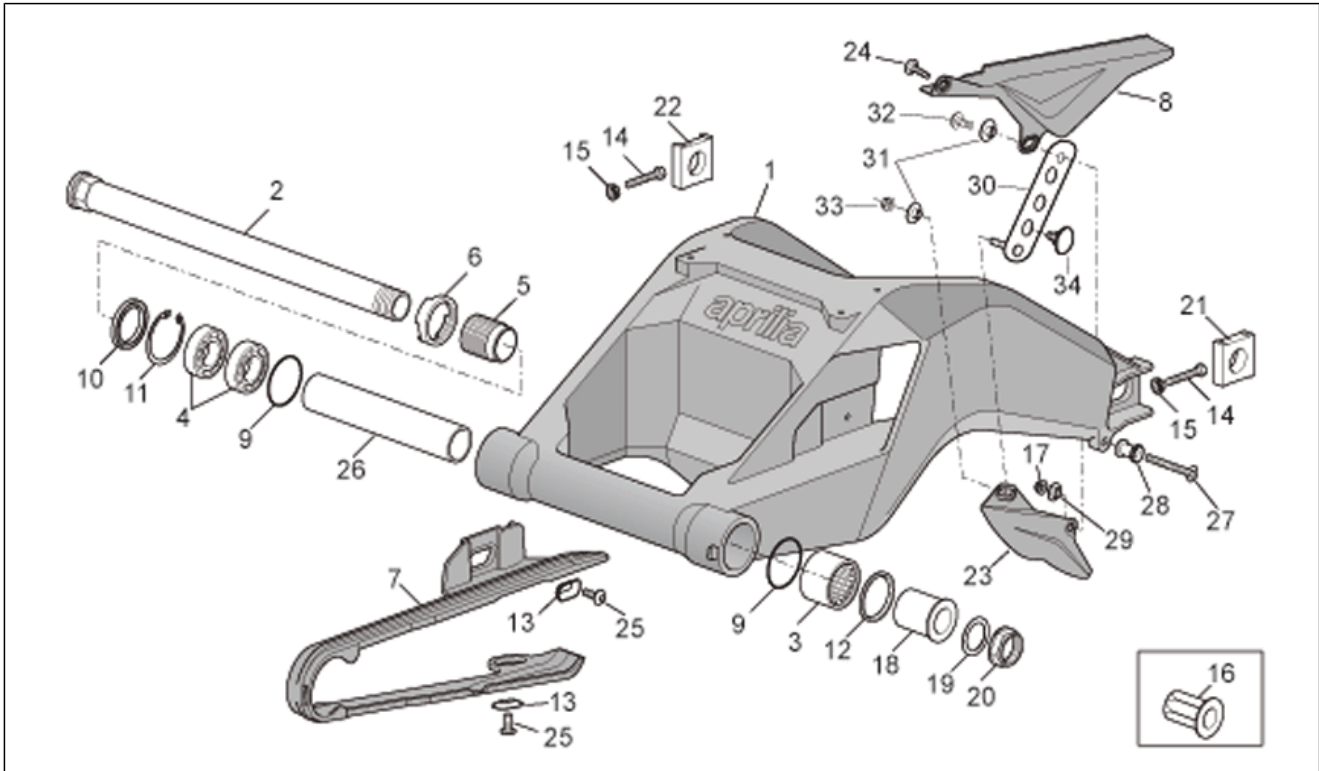
Pos.	Code	Description	Qty	Variants
1	AP8163477	RH hub cpl.	1	Year:2007[7], 2008[8], 2009[9] Technical Specifications:Factory Version[Fac]
2	AP8163476	LH hub cpl.	1	Year:2007[7], 2008[8], 2009[9] Technical Specifications:Factory Version[Fac]
3	AP8123977	Plug cpl.	2	Year:2007[7], 2008[8], 2009[9] Technical Specifications:Factory Version[Fac]
4	AP8116071	Front fork oil 1 lt.	1	Year:2007[7], 2008[8], 2009[9] Technical Specifications:Factory Version[Fac]
5	AP8163057	Spring	2	Year:2007[7], 2008[8], 2009[9] Technical Specifications:Factory Version[Fac]
6	AP8123975	Front fork revision kit	1	Year:2007[7], 2008[8], 2009[9] Technical Specifications:Factory Version[Fac]

Group	FRAME
Code	28.08
Description	Swing arm
Service	1



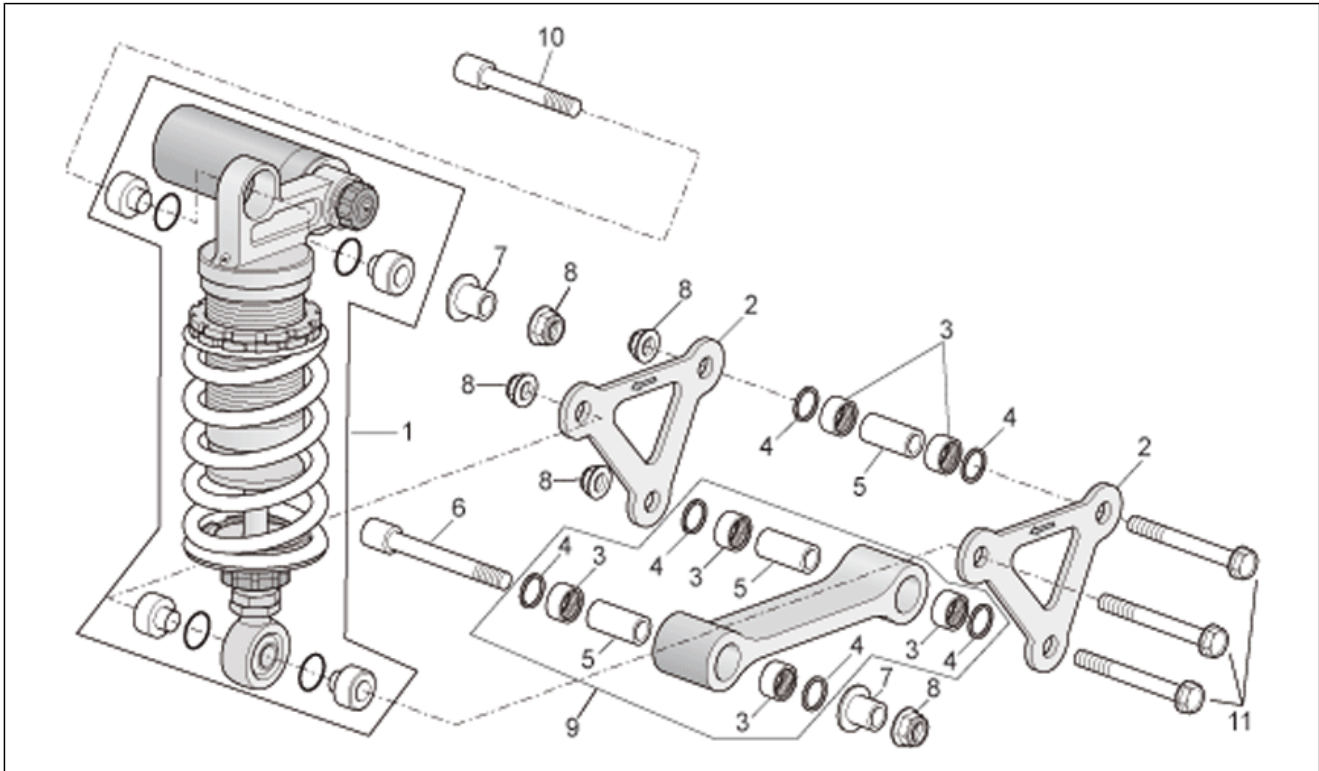
Pos.	Code	Description	Qty	Variants
1	AP8145020	Swing arm	1	
2	AP8146520	Rear swing arm pin	1	
3	AP8110078	Cage à rouleaux	1	
4	AP8110079	Ball bearing	2	
5	AP8121200	Adjustment bush	1	
6	AP8121201	Swing arm ring nut	1	
7	AP8144463	Chain guide plate	1	
8	AP8158148	Chain guard	1	
9	AP8144048	O-ring 134	2	
10	AP8144006	Gasket ring	1	
11	AP8121204	Inside circlip d37	1	
12	AP8144005	Gasket ring	1	
13	AP8234020	Cup for shoe	2	
14	AP8152305	Chain tens.adjuster screw	2	
15	AP8150334	Nut M8	2	
16	AP8201755	Threaded rivet	4	
17	AP8152299	Self-locking nut M6	1	
18	AP8121203	Rear int.sw.arm piv.bush	1	
19	AP8125687	Wheel pin washer	1	
20	AP8125763	Rear wheel spindle nut	1	
21	AP8144443	LH chain guide plate	1	
22	AP8144444	RH chain guide plate	1	
23	AP8144445	Chain guide plate	1	
24	AP8152302	Screw w/ flange M5x12	1	
25	AP8152267	Hex socket screw M5x12	2	
26	AP8121570	Internal spacer	1	
27	AP8150503	Screw	1	
28	AP8121890	Rear stand bush	1	

Group	FRAME
Code	28.08
Description	Swing arm
Service	1



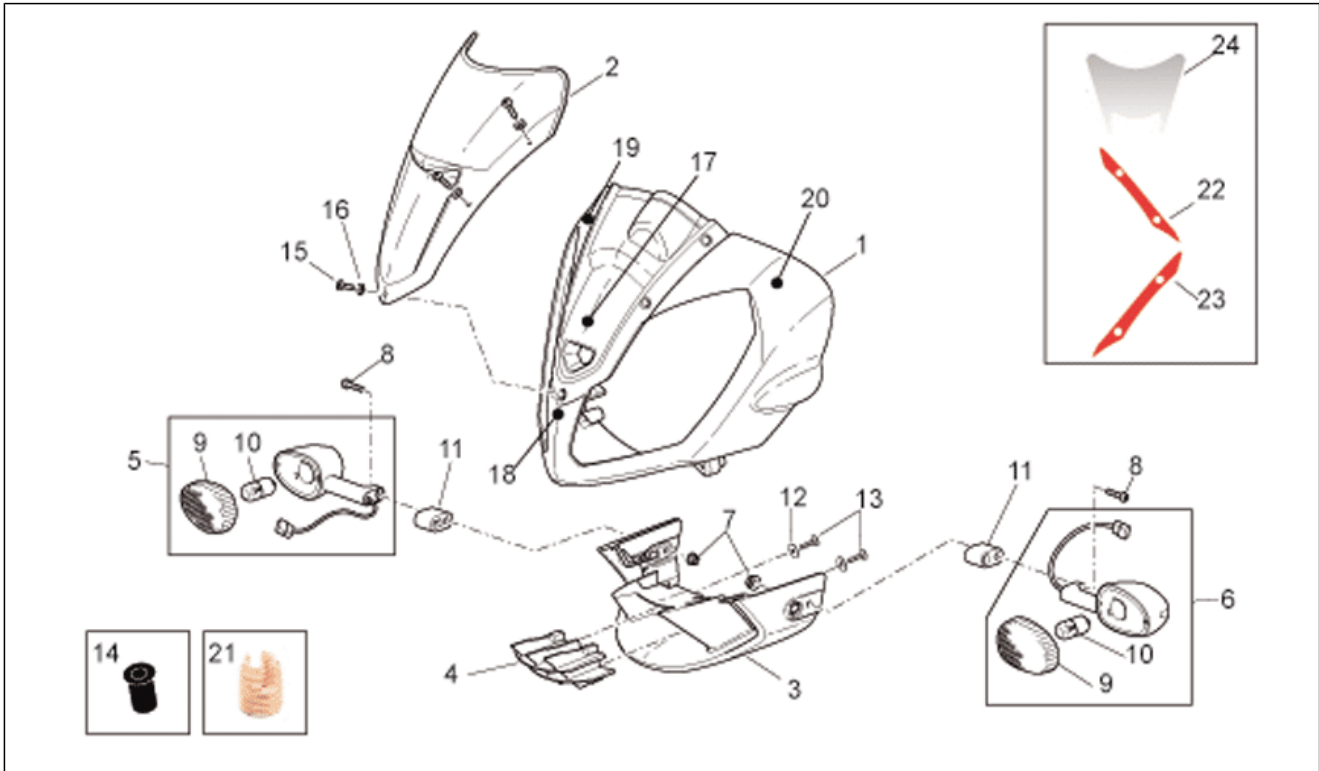
Pos.	Code	Description	Qty	Variants
29	AP8121075	T bush *	1	
30	AP8154046	Chain guide support plate	1	
31	AP8121032	Bush	2	
32	AP8152298	Screw w/ flange M5x16	1	
33	AP8152306	Self-locking nut m5	1	
34	AP8120001	Rubber spacer	1	

Group	FRAME
Code	28.09
Description	Connecting rod - rear shock abs.
Service	1



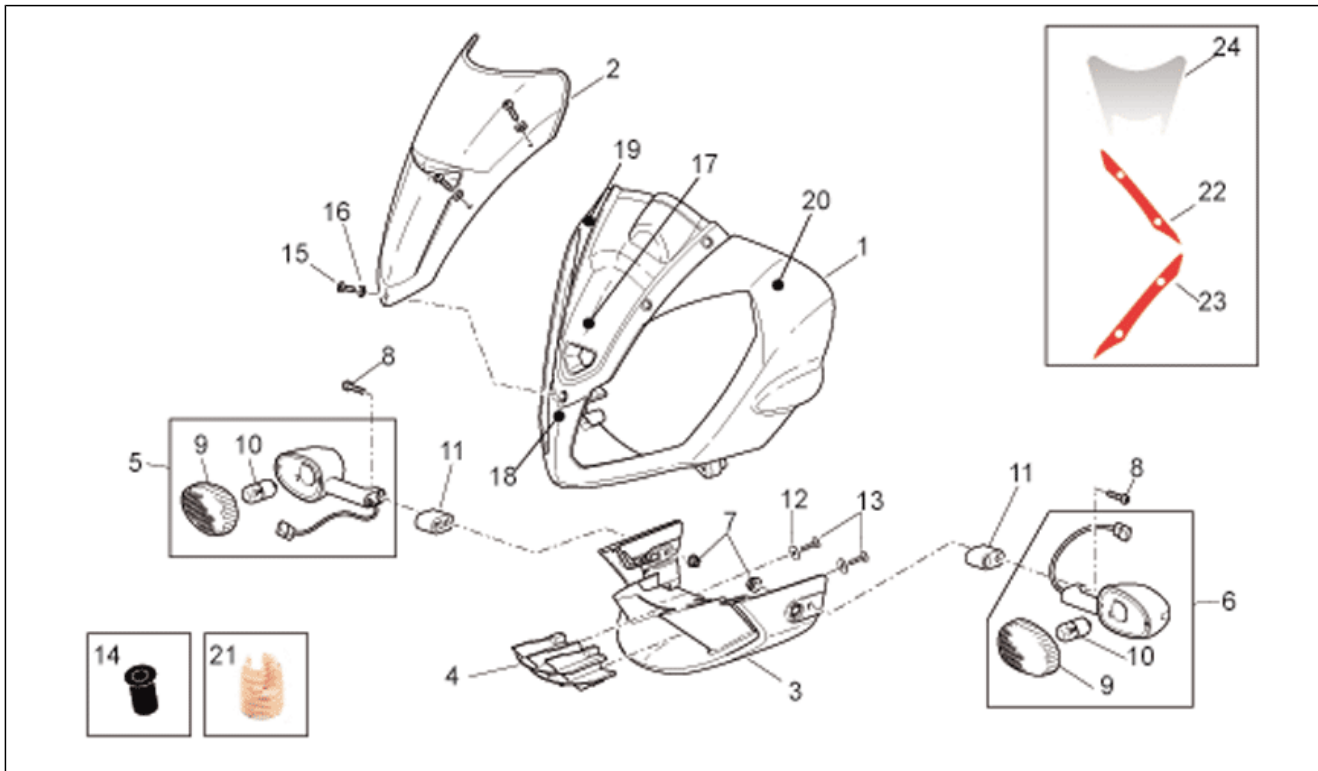
Pos.	Code	Description	Qty	Variants
1	AP8163065	Shock absorber	1	Year:2007[7], 2008[8], 2009[9] Technical Specifications:Factory Version[Fac]
1	AP8163499	Shock absorber	1	Year:2007[7], 2008[8] Technical Specifications:R Version[R]
1	AP8163499	Shock absorber	1	Year:2006[6]
2	AP8146557	Double conrod	2	
3	AP8110065	Cage à rouleaux	6	
4	AP8110068	Oil seal D18x24x3	6	
5	AP8146518	Piston pin L=36	3	
6	AP8152412	Hex socket screw M10x72	1	
7	AP8121155	T bush *	2	
8	AP8152301	Self-locking nut	6	
9	AP8146516	Single conrod comp.	1	
10	AP8152411	Hex socket screw M10x59	1	
11	AP8152413	Screw w/ flange M10x61	3	

Group	FRAME
Code	28.10
Description	Front body - Front fairing
Service	1



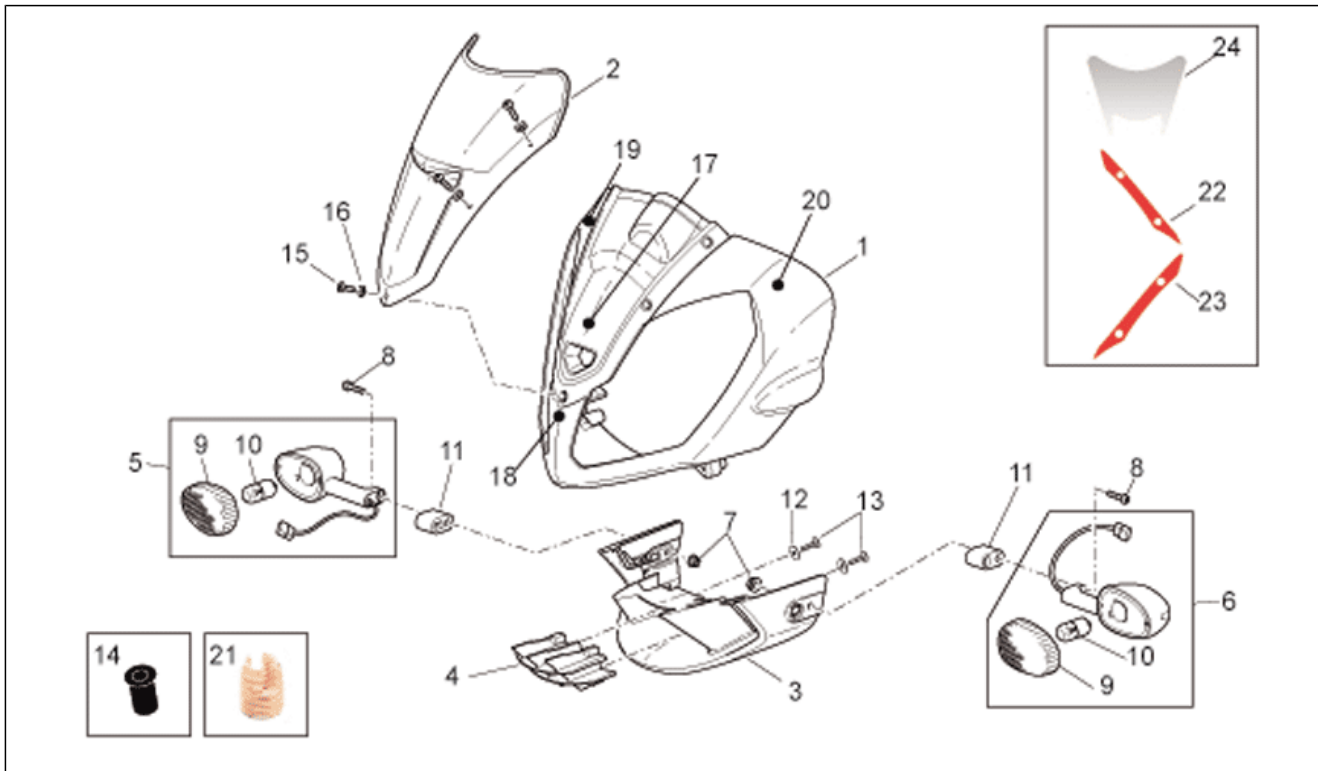
Pos.	Code	Description	Qty	Variants
1	AP8178777	Front fairing, a.black	1	Year: 2006[6] Vehicle colour: Peak Grey (s.t.15602)[peak] Technical Specifications: With decals applied[D]
1	AP8179314	Front fairing, a.black	1	Year: 2006[6] Vehicle colour: Sunset Red (s.t.15061)[sun] Technical Specifications: With decals applied[D]
1	AP8179339	Front fairing, a.black	1	Year: 2007[7], 2008[8], 2009[9] Vehicle colour: Black Dream 2009 (s.t.890830)[dre], Red Lion 2008 (s.t. 858404)[lion], Red Lion (s.t.852710)[red] Technical Specifications: Factory Version[Fac], Without decals applied[ND]
1	AP8179339	Front fairing, a.black	1	Year: 2007[7], 2008[8] Vehicle colour: Dream Blue (s.t.852634)[blu], Dream Blue 2008 (s.t.859827)[blu08], Daytona 2007 (s.t.856193)[daytona], Fluo Red (s.t.852633)[fluo] Technical Specifications: Without decals applied[ND], R Version[R]
1	AP8179413	Front fairing, d.black	1	Year: 2006[6] Vehicle colour: Diablo Black (s.t.15124)[dia] Technical Specifications: With decals applied[D]
1	AP8179428	Front fairing, d.black	1	Year: 2007[7], 2008[8] Vehicle colour: Diablo Black (s.t.852632)[black], Diablo Black 2008 (s.t.859826)[black08] Technical Specifications: Without decals applied[ND], R Version[R]
1	AP8184653	Front fairing, white	1	Year: 2008[8] Vehicle colour: Ice White 2008 (s.t.859828)[ice] Technical Specifications: Without decals applied[ND], R Version[R]
1	AP8184660	Front fairing, orange	1	Year: 2008[8] Vehicle colour: Code Orange 2008 (s.t.859829)[cod] Technical Specifications: Without decals applied[ND], R Version[R]
1	AP8184670	Front fairing, silver	1	Year: 2008[8] Vehicle colour: Silver Crowd 2008 (s.t.859830)[cro]

Group	FRAME
Code	28.10
Description	Front body - Front fairing
Service	1



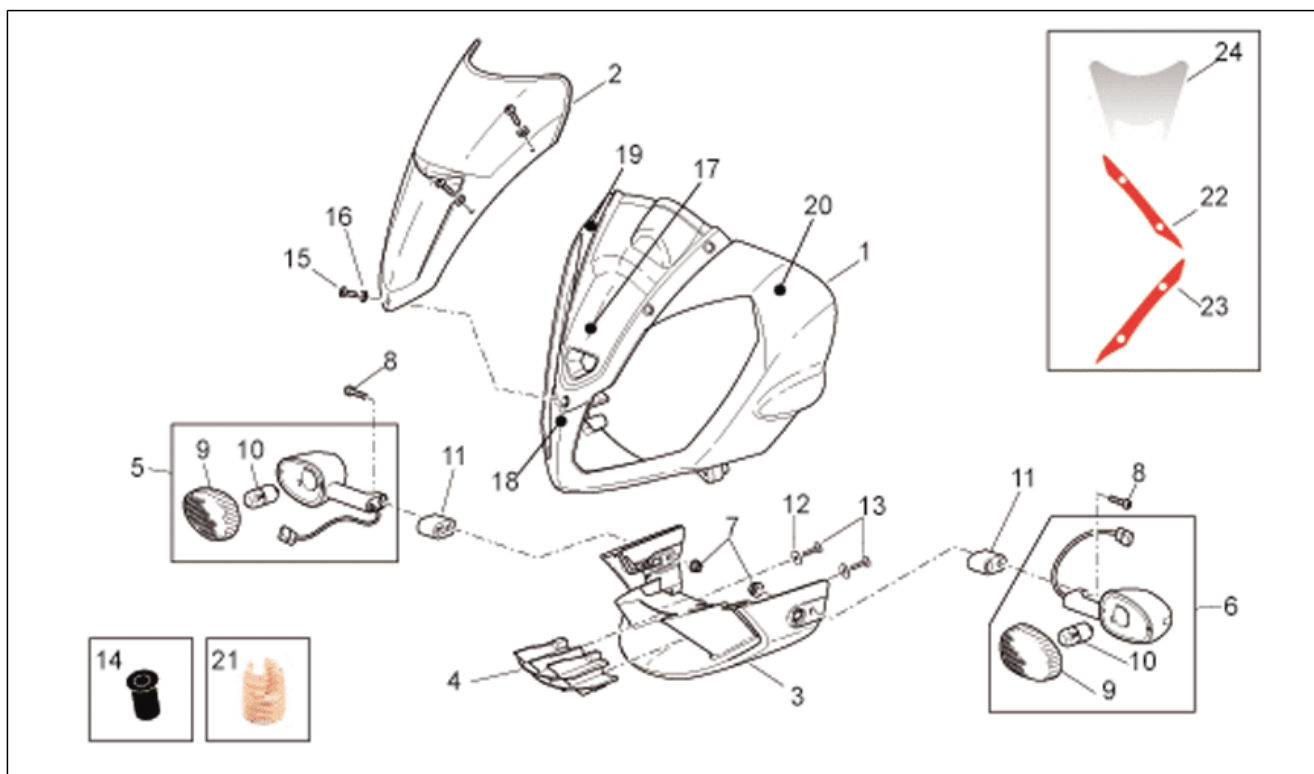
Pos.	Code	Description	Qty	Variants
				Technical Specifications: Without decals applied[ND], R Version[R]
2	AP8178778	Windshield	1	Year: 2006[6]
2	AP8179942	Windshield, fumè	1	Year: 2009[9] Vehicle colour: Black Dream 2009 (s.t.890830)[dre] Technical Specifications: Without decals applied[ND]
2	AP8179942	Windshield, fumè	1	Year: 2007[7], 2008[8]
3	AP8178767	Air intake, grey	1	Year: 2006[6] Vehicle colour: Peak Grey (s.t.15602)[peak] Technical Specifications: Without decals applied[ND]
3	AP8179315	Air intake, red	1	Year: 2006[6] Vehicle colour: Sunset Red (s.t.15061)[sun] Technical Specifications: Without decals applied[ND]
3	AP8179414	Air intake, grey	1	Year: 2006[6] Vehicle colour: Diablo Black (s.t.15124)[dia] Technical Specifications: Without decals applied[ND]
3	AP8179934	Air intake, red	1	Year: 2007[7], 2008[8], 2009[9] Vehicle colour: Black Dream 2009 (s.t.890830)[dre], Red Lion 2008 (s.t.858404)[lion], Red Lion (s.t.852710)[red] Technical Specifications: Factory Version[Fac], Without decals applied[ND]
3	AP8179934	Air intake, red	1	Year: 2007[7] Vehicle colour: Daytona 2007 (s.t.856193)[daytona] Technical Specifications: Without decals applied[ND], R Version[R]
3	AP8184140	Air intake, grey	1	Year: 2007[7], 2008[8] Vehicle colour: Diablo Black (s.t.852632)[black] Technical Specifications: Without decals applied[ND], R Version[R]
3	AP8184284	Air intake, red	1	Year: 2007[7] Vehicle colour: Fluo Red (s.t.852633)[fluo] Technical Specifications: Without decals applied[ND], R Version[R]
3	AP8184299	Air intake v.blu	1	Year: 2007[7], 2008[8]

Group	FRAME
Code	28.10
Description	Front body - Front fairing
Service	1



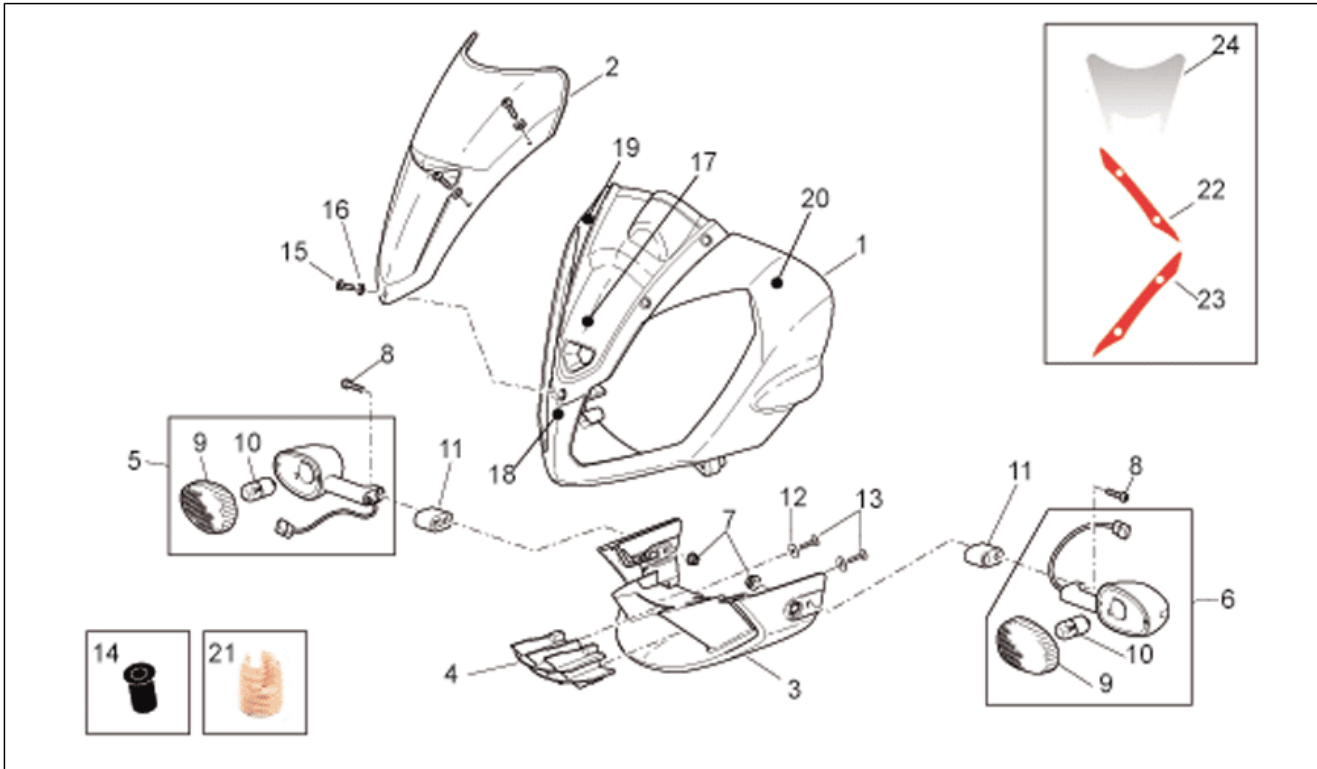
Pos.	Code	Description	Qty	Variants
				Vehicle colour: Dream Blue (s.t.852634)[blu], Dream Blue 2008 (s.t.859827)[blu08] Technical Specifications: Without decals applied[ND], R Version[R]
3	AP8184631	Air intake, grey	1	Year: 2008[8] Vehicle colour: Diablo Black 2008 (s.t.859826)[black08] Technical Specifications: Without decals applied[ND], R Version[R]
3	AP8184644	Air intake, grey	1	Year: 2008[8] Vehicle colour: Ice White 2008 (s.t.859828)[ice] Technical Specifications: Without decals applied[ND], R Version[R]
3	AP8184661	Air intake, black	1	Year: 2008[8] Vehicle colour: Code Orange 2008 (s.t.859829)[cod], Silver Crowd 2008 (s.t.859830)[cro] Technical Specifications: Without decals applied[ND], R Version[R]
4	AP8179148	Grid	1	
5	GU32750610	RH front/LH rear turn indic.	1	Country: Australia[AA], GR-E-I[EU], Japan[JJ], Great Britain[UK]
5	GU32750611	RH front/LH rear turn indic.	1	Country: United States of America[USA]
6	GU32751610	LH front/RH rear turn indic.	1	Country: Australia[AA], GR-E-I[EU], Japan[JJ], Great Britain[UK]
6	GU32751611	LH front/RH rear turn indic.	1	Country: United States of America[USA]
7	AP8152299	Self-locking nut M6	2	
8	AP8150411	Hex socket screw	2	Country: United States of America[USA]
8	AP8152137	Hex socket screw M6x20	2	Country: Australia[AA], GR-E-I[EU], Japan[JJ], Great Britain[UK]
9	AP8127122	Turn indicator lens	2	Country: United States of America[USA]
9	AP8127633	Turn indicator lens	2	Country: Australia[AA], GR-E-I[EU], Japan[JJ], Great Britain[UK]
10	AP8127489	Lamp RY10W 12V	2	Country: Australia[AA], GR-E-I[EU], Japan[JJ], Great Britain[UK]

Group	FRAME
Code	28.10
Description	Front body - Front fairing
Service	1



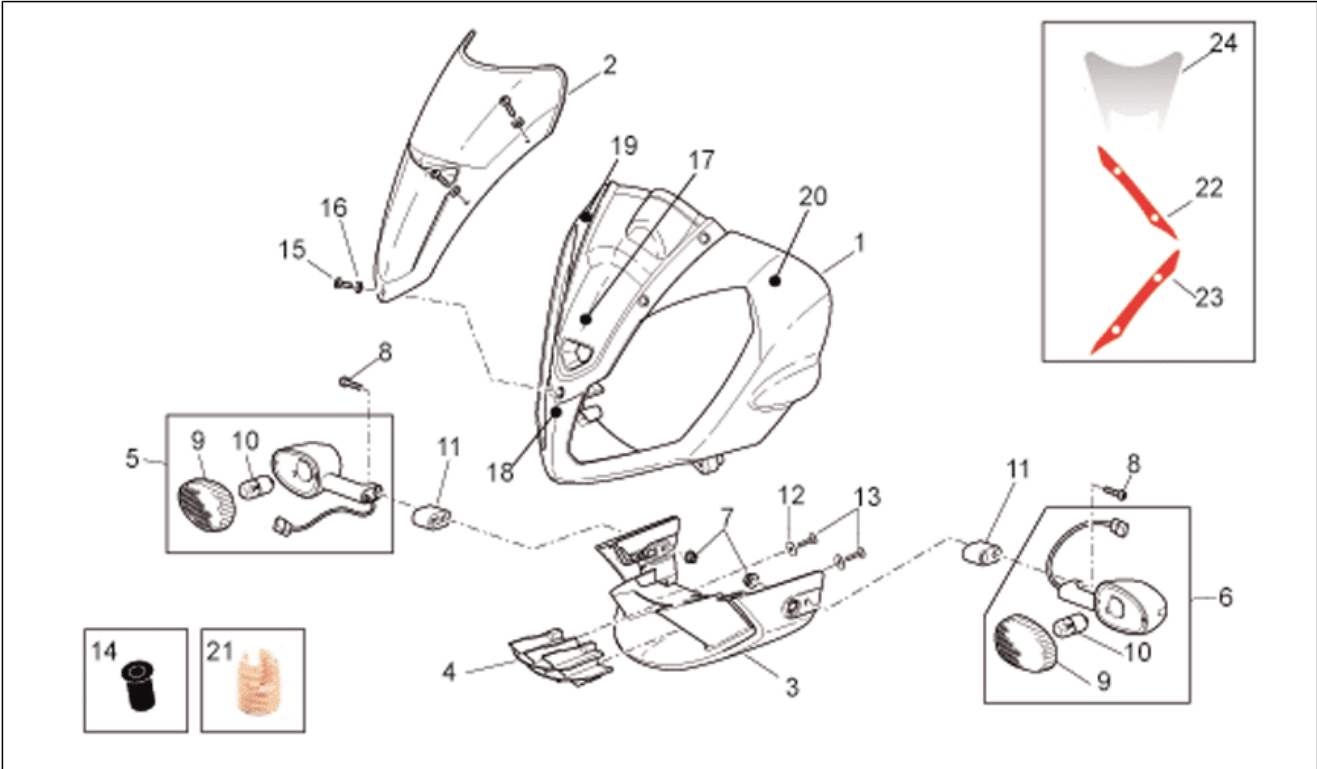
Pos.	Code	Description	Qty	Variants
10	AP8224390	Lamp R10W 12v	2	Country:United States of America[USA]
11	GU32753410	Spacer	2	Country:United States of America[USA]
12	AP8150382	Washer 15x5,5X1,2	2	
13	AP8152329	Phillips screw, SWP M5x20	2	
14	AP8144564	Rubber w/ insert M4	5	
15	AP8150493	Hex socket screw M4x16	5	
16	AP8144565	Nylon washer	5	
17	AP8166796	Front fairing decal Lion	1	Year:2006[6]
18	852573	Front fairing decal Aprilia	1	Year:2008[8] Technical Specifications:R Version[R]
18	852573	Front fairing decal Aprilia	1	Year:2007[7] Technical Specifications:Factory Version[Fac]
18	AP8166797	Front fairing decal Flag	1	Year:2006[6]
19	852574	RH Front fairing decal	1	Year:2007[7] Vehicle colour:Dream Blue (s.t.852634)[blu], Daytona 2007 (s.t.856193)[daytona], Fluo Red (s.t.852633)[fluo] Technical Specifications:R Version[R]
19	852574	RH Front fairing decal	1	Year:2007[7] Vehicle colour:Red Lion (s.t.852710)[red] Technical Specifications:Factory Version[Fac]
19	852776	RH Front fairing decal	1	Year:2008[8] Vehicle colour:Diablo Black (s.t.852632)[black], Diablo Black 2008 (s.t.859826)[black08] Technical Specifications:R Version[R]
19	852776	RH Front fairing decal	1	Year:2007[7] Vehicle colour:Diablo Black (s.t.852632)[black] Technical Specifications:Factory Version[Fac]
19	858406	RH Front fairing decal	1	Year:2008[8] Vehicle colour:Red Lion 2008 (s.t. 858404)[lion] Technical Specifications:Factory Version[Fac]
19	859879	RH Front fairing decal	1	Year:2008[8] Vehicle colour:Dream Blue 2008 (s.t.859827)[blu08]

Group	FRAME
Code	28.10
Description	Front body - Front fairing
Service	1



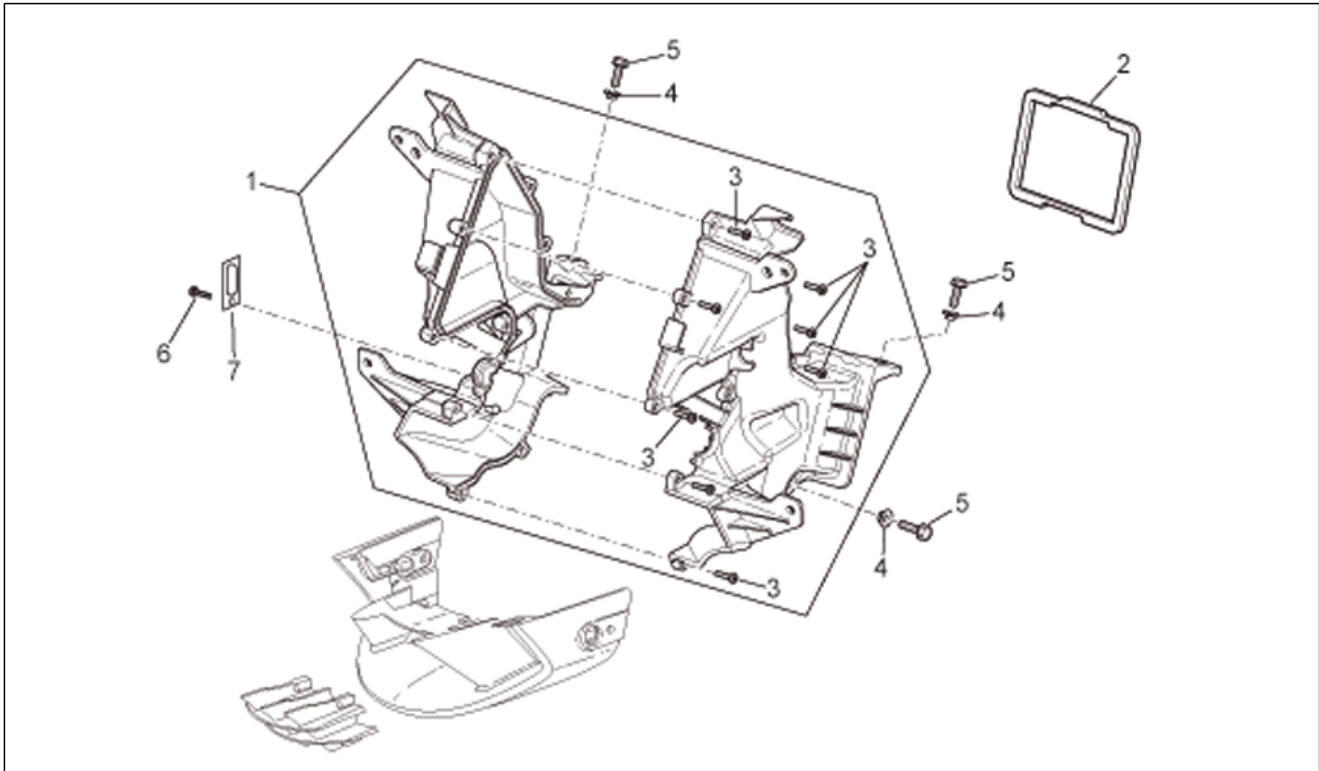
Pos.	Code	Description	Qty	Variants
				Technical Specifications: R Version[R]
19	860201	RH Front fairing decal	1	Year: 2008[8] Vehicle colour: Ice White 2008 (s.t.859828)[ice] Technical Specifications: R Version[R]
19	890905	RH Front fairing decal	1	Year: 2009[9] Vehicle colour: Black Dream 2009 (s.t.890830)[dre] Technical Specifications: Factory Version[Fac]
20	852575	LH Front fairing decal	1	Year: 2007[7] Vehicle colour: Red Lion (s.t.852710)[red] Technical Specifications: Factory Version[Fac]
20	852777	LH Front fairing decal	1	Year: 2007[7] Vehicle colour: Diablo Black (s.t.852632)[black] Technical Specifications: Factory Version[Fac]
20	852777	LH Front fairing decal	1	Year: 2008[8] Vehicle colour: Diablo Black (s.t.852632)[black], Diablo Black 2008 (s.t.859826)[black08] Technical Specifications: R Version[R]
20	852786	LH Front fairing decal	1	Year: 2007[7] Vehicle colour: Dream Blue (s.t.852634)[blu], Fluo Red (s.t.852633)[fluo] Technical Specifications: R Version[R]
20	856248	LH Front fairing decal	1	Year: 2007[7] Vehicle colour: Daytona 2007 (s.t.856193)[daytona] Technical Specifications: R Version[R]
20	858407	LH Front fairing decal	1	Year: 2008[8] Vehicle colour: Red Lion 2008 (s.t. 858404)[lion] Technical Specifications: Factory Version[Fac]
20	859880	LH Front fairing decal	1	Year: 2008[8] Vehicle colour: Dream Blue 2008 (s.t.859827)[blu08] Technical Specifications: R Version[R]
20	860202	LH Front fairing decal	1	Year: 2008[8] Vehicle colour: Ice White 2008 (s.t.859828)[ice] Technical Specifications: R Version[R]
20	890906	LH Front fairing decal	1	Year: 2009[9]

Group	FRAME
Code	28.10
Description	Front body - Front fairing
Service	1



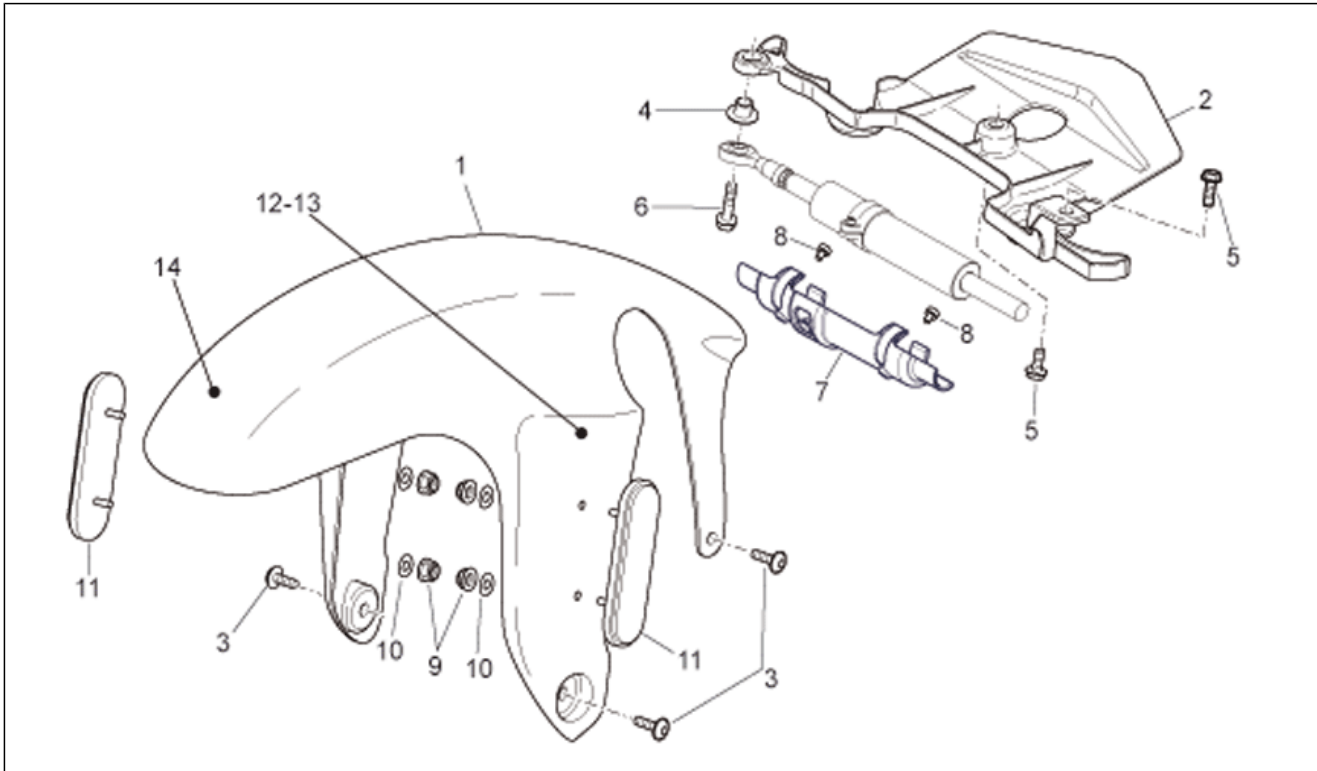
Pos.	Code	Description	Qty	Variants
				Vehicle colour:Black Dream 2009 (s.t.890830)[dre] Technical Specifications:Factory Version[Fac]
21	860406	Insert M5	6	
22	893699	Transfer centre black	1	Year:2009[9] Vehicle colour:Black Dream 2009 (s.t.890830)[dre] Technical Specifications:Factory Version[Fac]
23	893700	Transfer centre black	1	Year:2009[9] Vehicle colour:Black Dream 2009 (s.t.890830)[dre] Technical Specifications:Factory Version[Fac]
24	890907	Numberplate	1	Year:2009[9] Vehicle colour:Black Dream 2009 (s.t.890830)[dre] Technical Specifications:Factory Version[Fac]

Group	FRAME
Code	28.11
Description	Front body - Duct
Service	1



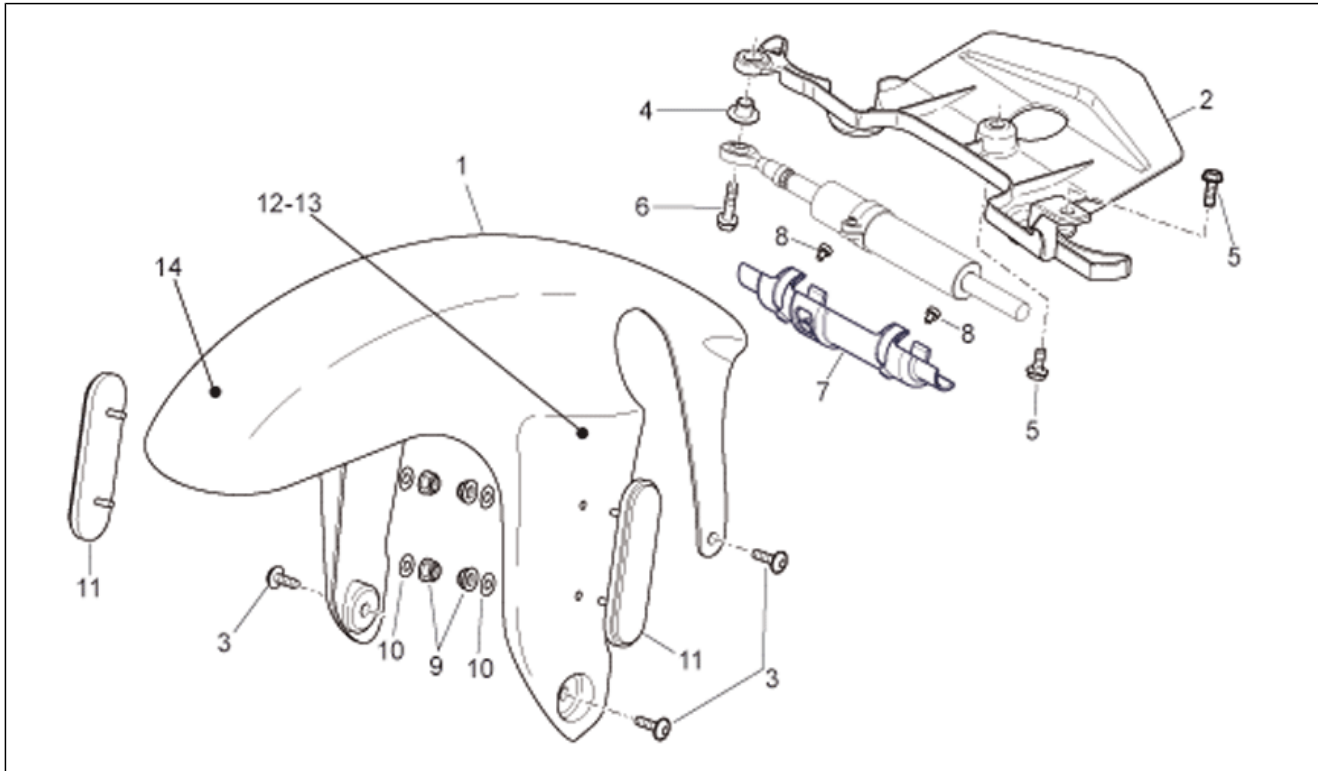
Pos.	Code	Description	Qty	Variants
1	AP8179146	Air deflector	1	
2	AP8144457	Gasket	1	
3	AP8152329	Phillips screw, SWP M5x20	10	
4	AP8121728	T bush	4	
5	AP8152279	Screw w/ flange M6x20	4	
6	AP8150413	Self-tap screw 3,9x14	1	
7	AP8134437	Plate	1	

Group	FRAME
Code	28.12
Description	Front body - Front mudguard
Service	1



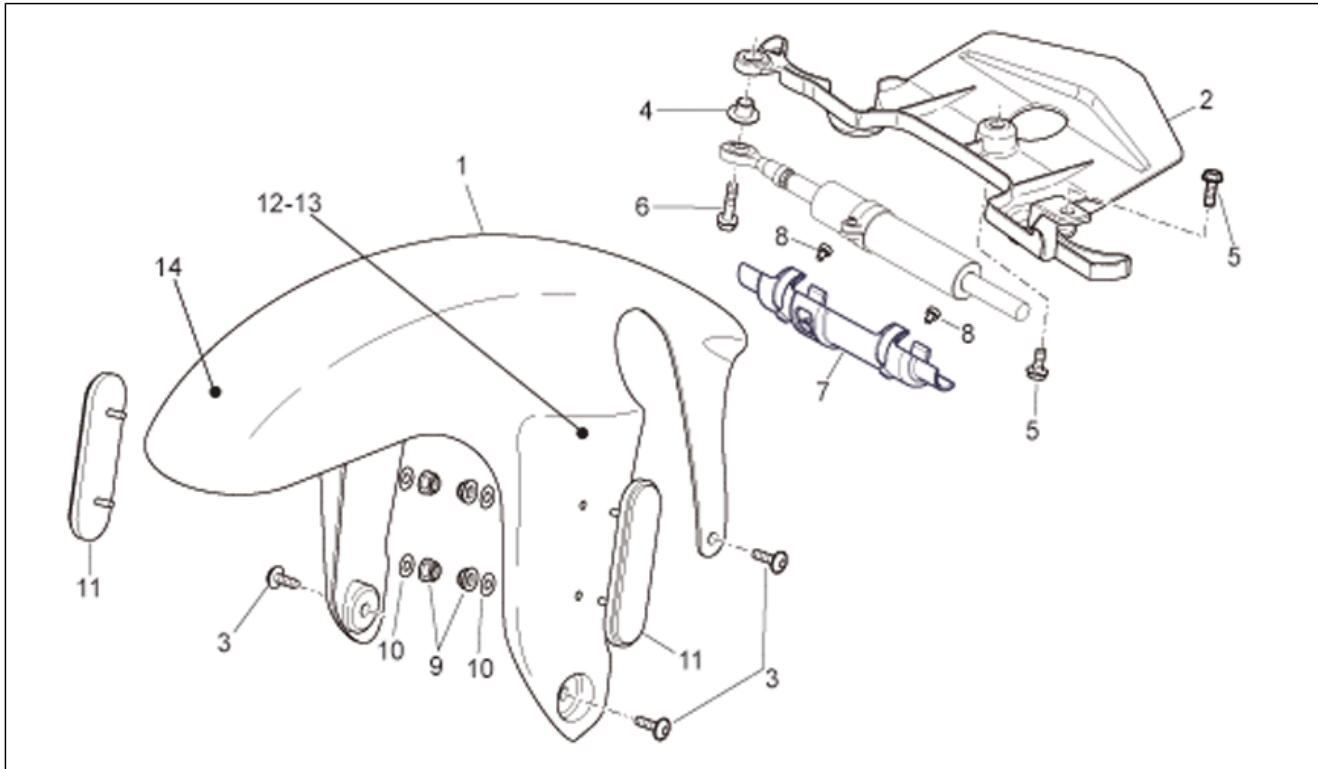
Pos.	Code	Description	Qty	Variants
1	AP8156164	Front mudguard, carb.	1	Year: 2007[7], 2008[8], 2009[9] Vehicle colour: Black Dream 2009 (s.t.890830)[dre], Red Lion 2008 (s.t. 858404)[lion], Red Lion (s.t.852710)[red] Country: Australia[AA], GR-E-[EU], Japan[JJ], Great Britain[UK] Technical Specifications: Factory Version[Fac], Without decals applied[ND]
1	AP8156186	Front mudguard, carb.	1	Year: 2007[7], 2008[8], 2009[9] Vehicle colour: Black Dream 2009 (s.t.890830)[dre], Red Lion (s.t.852710)[red] Country: United States of America[USA] Technical Specifications: Factory Version[Fac], Without decals applied[ND]
1	AP8156199	Front mudguard, a.black	1	Year: 2006[6] Vehicle colour: Peak Grey (s.t.15602)[peak] Country: Australia[AA], GR-E-[EU], Japan[JJ], Great Britain[UK] Technical Specifications: Without decals applied[ND]
1	AP8156223	Front mudguard, a.black	1	Year: 2006[6] Vehicle colour: Sunset Red (s.t.15061)[sun] Country: Australia[AA], GR-E-[EU], Japan[JJ], Great Britain[UK] Technical Specifications: Without decals applied[ND]
1	AP8156226	Front mudguard, a.black	1	Year: 2006[6] Vehicle colour: Peak Grey (s.t.15602)[peak] Country: United States of America[USA] Technical Specifications: Without decals applied[ND]
1	AP8156228	Front mudguard, a.black	1	Year: 2006[6] Vehicle colour: Sunset Red (s.t.15061)[sun] Country: United States of America[USA] Technical Specifications: Without decals applied[ND]
1	AP8156236	Front mudguard, black	1	Year: 2006[6] Vehicle colour: Diablo Black (s.t.15124)[dia] Country: Australia[AA], GR-E-[EU], Japan[JJ], Great Britain[UK] Technical Specifications: With decals applied[D]

Group	FRAME
Code	28.12
Description	Front body - Front mudguard
Service	1



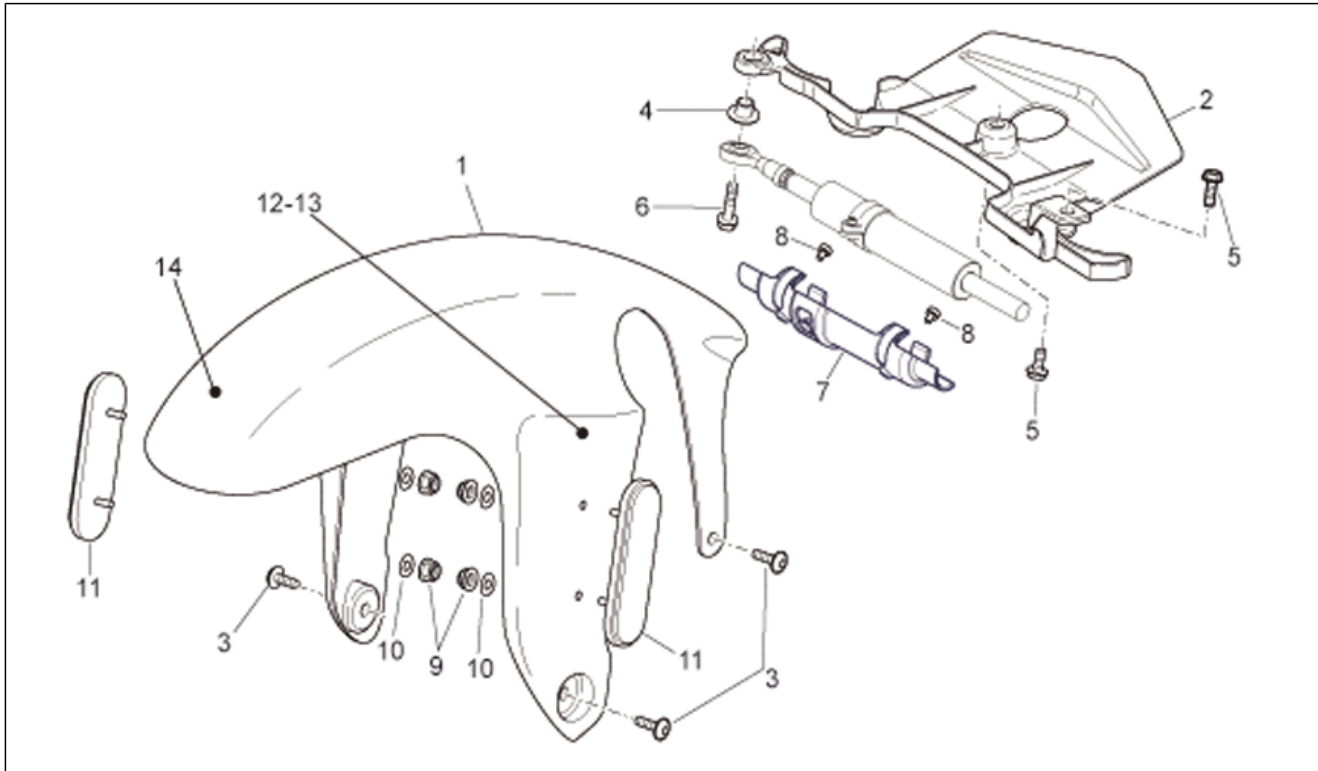
Pos.	Code	Description	Qty	Variants
1	AP8156237	Front mudguard, black	1	Year: 2006[6] Vehicle colour: Diablo Black (s.t.15124)[dia] Country: United States of America[USA] Technical Specifications: With decals applied[D]
1	AP8156238	Front mudguard, black	1	Year: 2007[7] Vehicle colour: Daytona 2007 (s.t.856193)[daytona] Country: Australia[AA], GR-E-[EU], Japan[JJ], Great Britain[UK] Technical Specifications: Without decals applied[ND], R Version[R]
1	AP8156238	Front mudguard, black	1	Year: 2007[7], 2008[8] Vehicle colour: Diablo Black (s.t.852632)[black], Diablo Black 2008 (s.t.859826)[black08] Country: Australia[AA], GR-E-[EU], Japan[JJ], Great Britain[UK] Technical Specifications: Without decals applied[ND], R Version[R]
1	AP8156239	Front mudguard, black	1	Year: 2007[7] Vehicle colour: Daytona 2007 (s.t.856193)[daytona] Country: United States of America[USA] Technical Specifications: Without decals applied[ND], R Version[R]
1	AP8156239	Front mudguard, black	1	Year: 2007[7], 2008[8] Vehicle colour: Diablo Black (s.t.852632)[black], Diablo Black 2008 (s.t.859826)[black08] Country: United States of America[USA] Technical Specifications: Without decals applied[ND], R Version[R]
1	AP8156249	Front mudguard, red	1	Year: 2007[7] Vehicle colour: Fluo Red (s.t.852633)[fluo] Country: Australia[AA], GR-E-[EU], Japan[JJ], Great Britain[UK] Technical Specifications: Without decals applied[ND], R Version[R]
1	AP8156250	Front mudguard, red	1	Year: 2007[7]

Group	FRAME
Code	28.12
Description	Front body - Front mudguard
Service	1



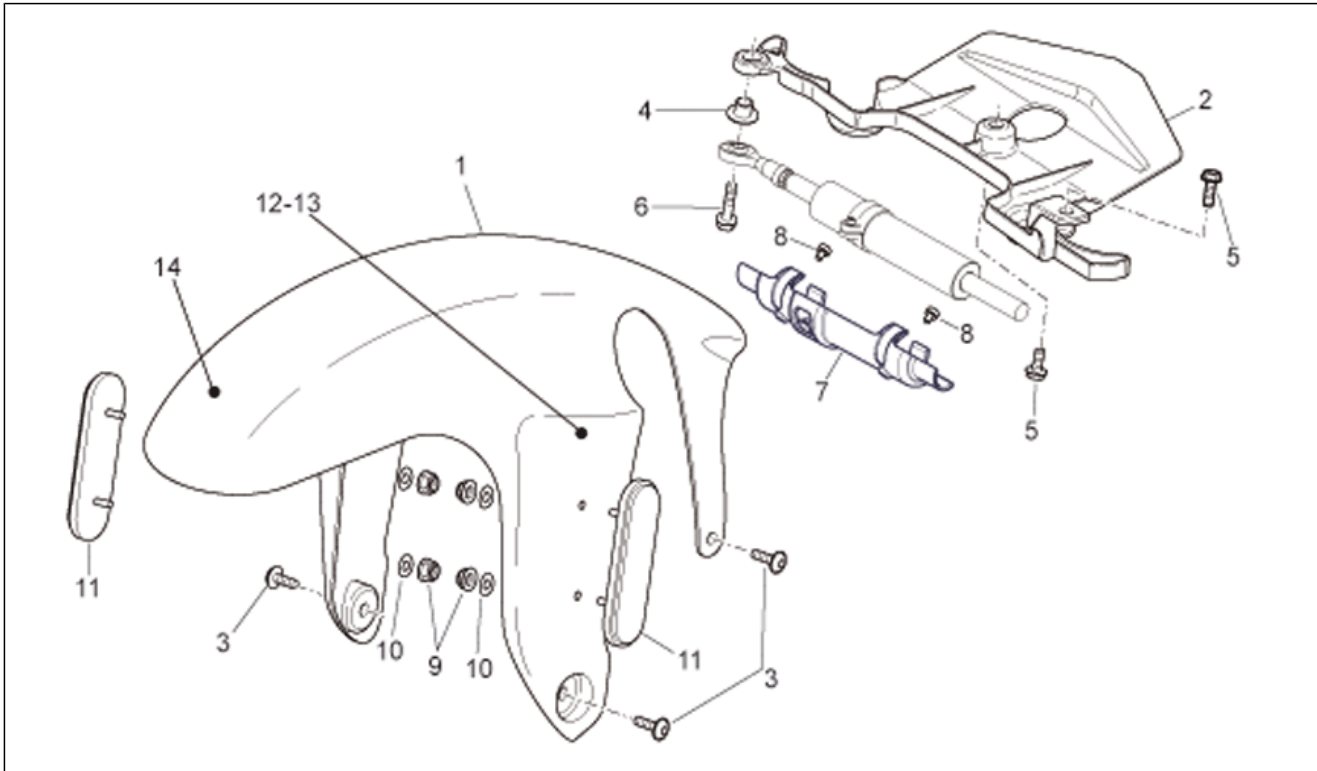
Pos.	Code	Description	Qty	Variants
				Vehicle colour: Fluo Red (s.t.852633)[fluo] Country: United States of America[USA] Technical Specifications: Without decals applied[ND], R Version[R]
1	AP8156322	Front mudguard, blue	1	Year: 2007[7], 2008[8] Vehicle colour: Dream Blue (s.t.852634)[blu], Dream Blue 2008 (s.t.859827)[blu08] Country: Australia[AA], GR-E-I[EU], Japan[JJ], Great Britain[UK] Technical Specifications: Without decals applied[ND], R Version[R]
1	AP8156323	Front mudguard, blue	1	Year: 2007[7] Vehicle colour: Dream Blue (s.t.852634)[blu], Dream Blue 2008 (s.t.859827)[blu08] Country: United States of America[USA] Technical Specifications: Without decals applied[ND], R Version[R]
1	AP8156361	Front mudguard, white	1	Year: 2008[8] Vehicle colour: Ice White 2008 (s.t.859828)[ice] Country: Australia[AA], GR-E-I[EU], Japan[JJ], Great Britain[UK] Technical Specifications: Without decals applied[ND], R Version[R]
1	AP8156362	Front mudguard, white	1	Year: 2008[8] Vehicle colour: Ice White 2008 (s.t.859828)[ice] Country: United States of America[USA] Technical Specifications: Without decals applied[ND], R Version[R]
1	AP8156365	Front mudguard, orange	1	Year: 2008[8] Vehicle colour: Code Orange 2008 (s.t.859829)[cod] Country: Australia[AA], GR-E-I[EU], Japan[JJ], Great Britain[UK] Technical Specifications: Without decals applied[ND], R Version[R]
1	AP8156366	Front mudguard, orange	1	Year: 2008[8] Vehicle colour: Code Orange 2008 (s.t.859829)[cod]

Group	FRAME
Code	28.12
Description	Front body - Front mudguard
Service	1



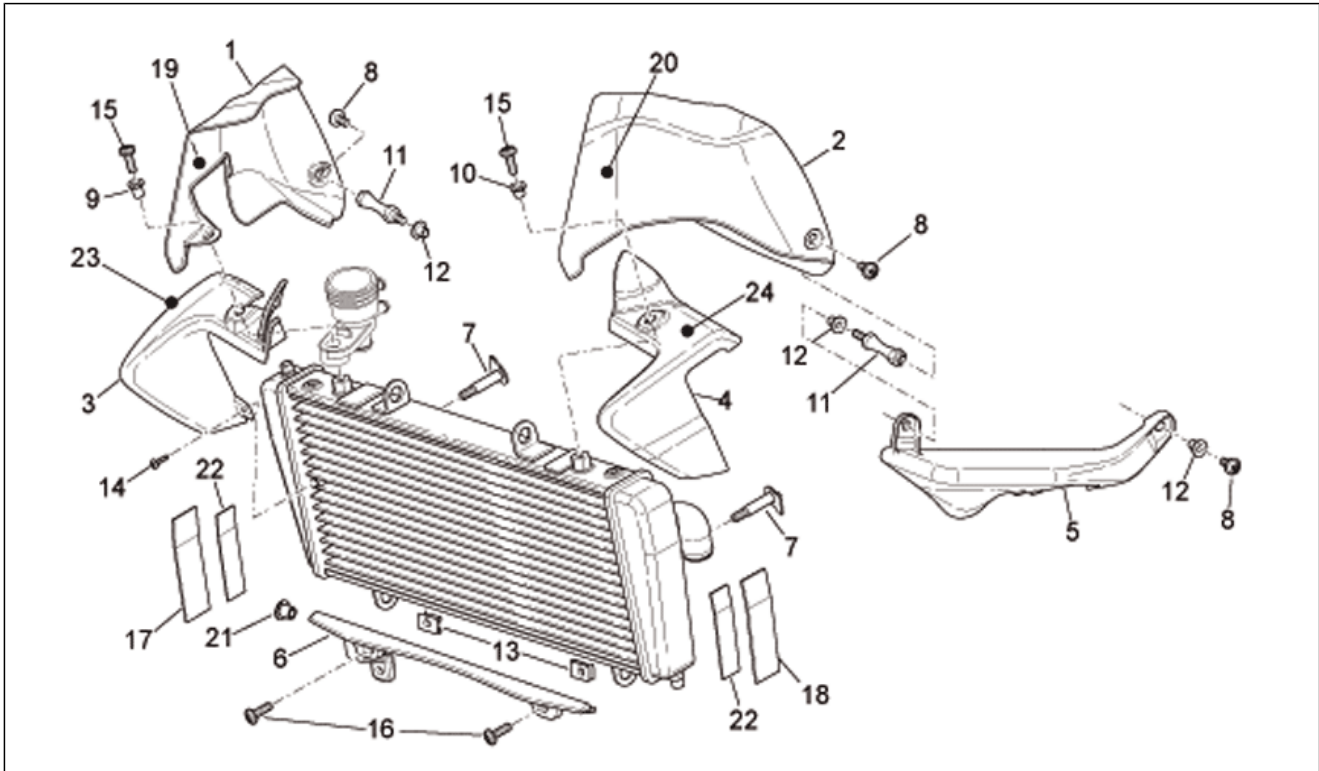
Pos.	Code	Description	Qty	Variants
				Country: United States of America[USA] Technical Specifications: Without decals applied[ND], R Version[R]
1	AP8156369	Front mudguard, silver	1	Year: 2008[8] Vehicle colour: Silver Crowd 2008 (s.t.859830)[cro] Country: Australia[AA], GR-E-I[EU], Japan[JJ], Great Britain[UK] Technical Specifications: Without decals applied[ND], R Version[R]
1	AP8156370	Front mudguard, silver	1	Year: 2008[8] Vehicle colour: Silver Crowd 2008 (s.t.859830)[cro] Country: United States of America[USA] Technical Specifications: Without decals applied[ND], R Version[R]
2	AP8179152	Front fairing lower lockup	1	
3	AP8152302	Screw w/ flange M5x12	4	
4	AP8121811	T bush	1	
5	AP8152277	Screw w/ flange M6x12	2	
6	AP8152280	Screw w/ flange M6x25	1	
7	AP8179255	Shock absorber cover	1	
8	AP8220488	Mushroom rubber	2	
9	AP8150204	Nut M4	4	Country: United States of America[USA]
10	AP8150158	Washer 4,3X9X0,8	4	Country: United States of America[USA]
11	AP8124719	Reflector, amber	2	Country: United States of America[USA]
12	AP8166713	Sticker RH Quadri	1	Year: 2006[6] Vehicle colour: Peak Grey (s.t.15602)[peak]
12	AP8166746	Sticker RH Quadri	1	Year: 2006[6] Vehicle colour: Sunset Red (s.t.15061)[sun]
12	AP8166828	Sticker RH Quadri	1	Year: 2006[6] Vehicle colour: Diablo Black (s.t.15124)[dia]
13	AP8166714	Sticker LH Quadri	1	Year: 2006[6] Vehicle colour: Peak Grey (s.t.15602)[peak]

Group	FRAME
Code	28.12
Description	Front body - Front mudguard
Service	1



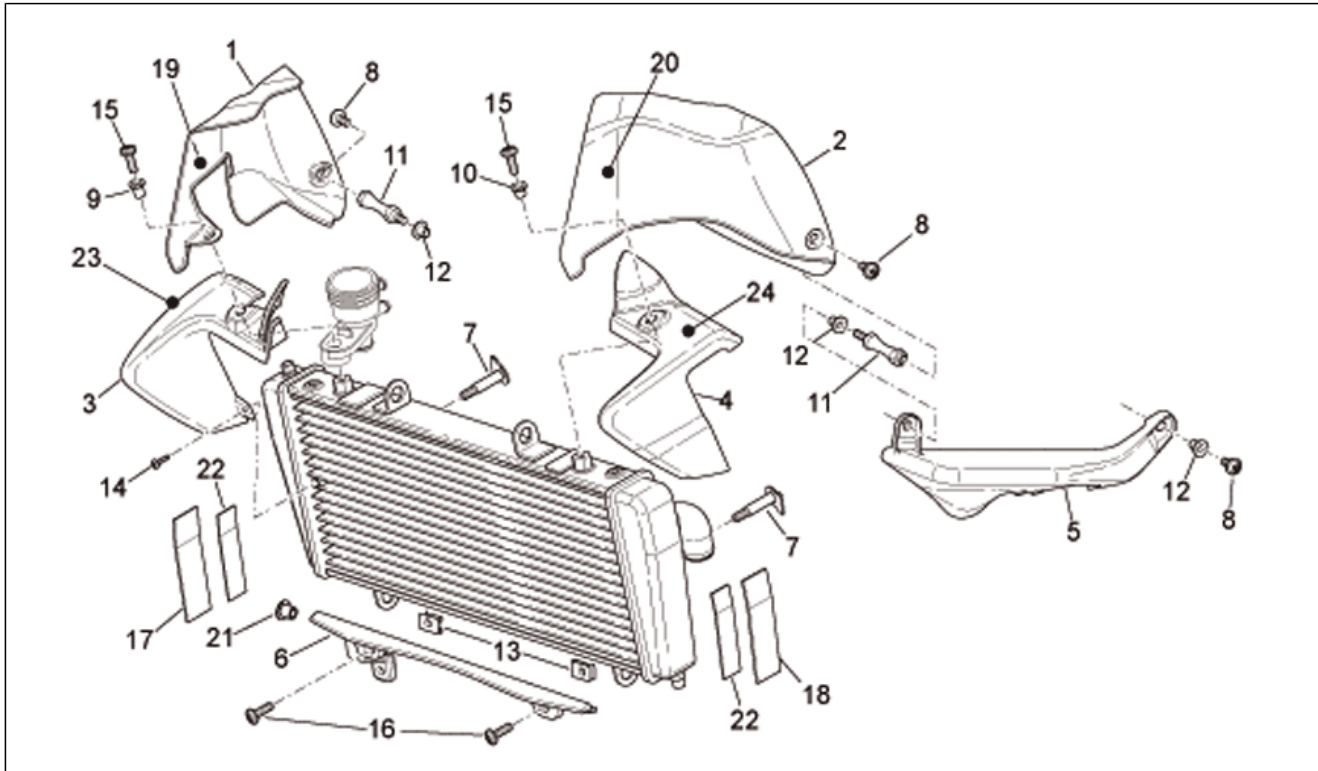
Pos.	Code	Description	Qty	Variants
13	AP8166747	Sticker LH Quadri	1	Year:2006[6] Vehicle colour:Sunset Red (s.t.15061)[sun]
13	AP8166829	Sticker LH Quadri	1	Year:2006[6] Vehicle colour:Diablo Black (s.t.15124)[dia]
14	852578	Front mudguard decal Aprilia	1	Year:2007[7], 2008[8], 2009[9] Technical Specifications:Factory Version[Fac]
14	852578	Front mudguard decal Aprilia	1	Year:2008[8] Vehicle colour:Code Orange 2008 (s.t.859829)[cod], Silver Crowd 2008 (s.t.859830)[cro] Technical Specifications:R Version[R]
14	852578	Front mudguard decal Aprilia	1	Year:2007[7] Vehicle colour:Dream Blue (s.t.852634)[blu], Fluo Red (s.t.852633)[fluo] Technical Specifications:R Version[R]
14	853478	Front mudguard decal Aprilia	1	Year:2008[8] Vehicle colour:Diablo Black 2008 (s.t.859826)[black08], Daytona 2007 (s.t.856193)[daytona], Ice White 2008 (s.t.859828)[ice] Technical Specifications:R Version[R]
14	AP8166795	Front mudguard decal Aprilia	1	Year:2006[6]

Group	FRAME
Code	28.13
Description	Front body - Fairings I
Service	1



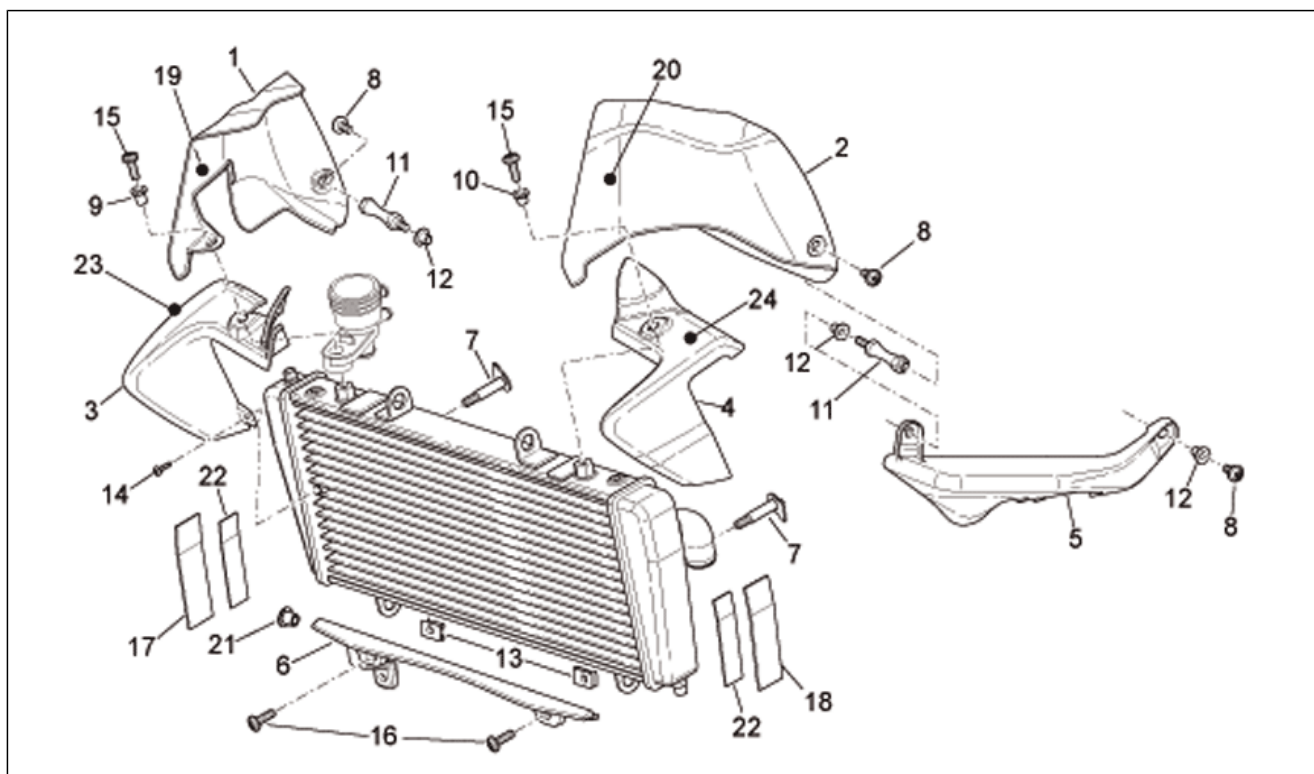
Pos.	Code	Description	Qty	Variants
1	AP8179070	RH spoiler, grey	1	Year:2006[6] Vehicle colour:Peak Grey (s.t.15602)[peak] Technical Specifications:With decals applied[D]
1	AP8179316	RH spoiler, grey	1	Year:2006[6] Vehicle colour:Sunset Red (s.t.15061)[sun] Technical Specifications:With decals applied[D]
1	AP8179340	RH spoiler, black	1	Year:2007[7], 2008[8] Technical Specifications:Without decals applied[ND], R Version[R], Spare part painted[V]
1	AP8179407	RH spoiler, carb.	1	Year:2007[7], 2008[8], 2009[9] Vehicle colour:Black Dream 2009 (s.t.890830)[dre], Red Lion 2008 (s.t. 858404)[lion], Red Lion (s.t.852710)[red] Technical Specifications:Factory Version[Fac], Without decals applied[ND]
1	AP8179431	RH spoiler, grey	1	Year:2006[6] Vehicle colour:Diablo Black (s.t.15124)[dia] Technical Specifications:With decals applied[D]
1	AP8184784	RH spoiler, black	1	Year:2007[7], 2008[8] Technical Specifications:Without decals applied[ND], Spare part not painted[NV], R Version[R]
2	AP8179071	LH spoiler, grey	1	Year:2006[6] Vehicle colour:Peak Grey (s.t.15602)[peak] Technical Specifications:With decals applied[D]
2	AP8179317	LH spoiler, grey	1	Year:2006[6] Vehicle colour:Sunset Red (s.t.15061)[sun] Technical Specifications:With decals applied[D]
2	AP8179341	LH spoiler, black	1	Year:2007[7], 2008[8] Technical Specifications:Without decals applied[ND], R Version[R], Spare part painted[V]
2	AP8179408	LH spoiler, carb.	1	Year:2007[7], 2008[8], 2009[9] Vehicle colour:Black Dream 2009 (s.t.890830)[dre], Red Lion 2008 (s.t. 858404)[lion], Red Lion (s.t.852710)[red] Technical Specifications:Factory Version[Fac], Without decals applied[ND]

Group	FRAME
Code	28.13
Description	Front body - Fairings I
Service	1



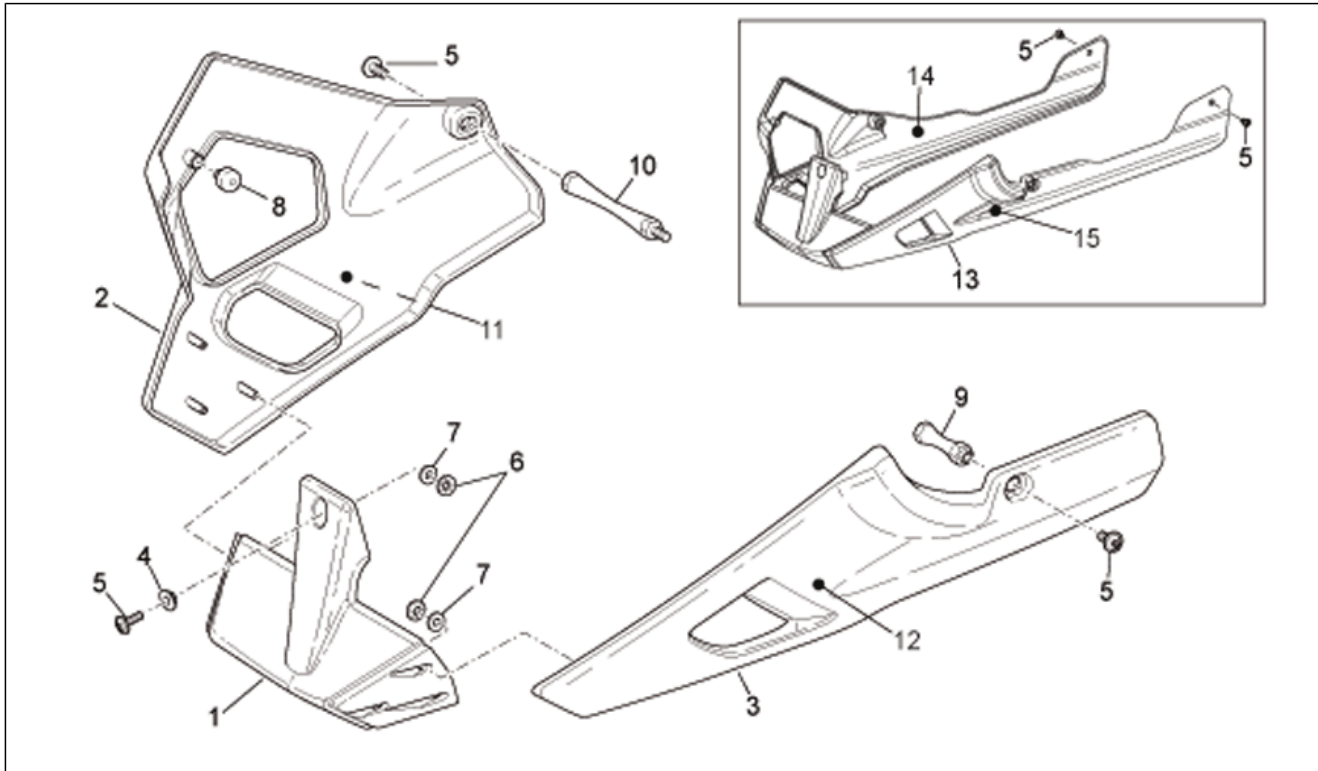
Pos.	Code	Description	Qty	Variants
2	AP8179432	LH spoiler, grey	1	Year:2006[6] Vehicle colour:Diablo Black (s.t.15124)[dia] Technical Specifications:With decals applied[D]
2	AP8184785	LH spoiler, black	1	Year:2007[7], 2008[8] Technical Specifications:Without decals applied[ND], Spare part not painted[NV], R Version[R]
3	AP8179066	RH fairing, grey	1	Year:2006[6] Technical Specifications:Without decals applied[ND]
3	AP8179829	RH fairing, black	1	Year:2007[7], 2008[8], 2009[9] Technical Specifications:Without decals applied[ND]
4	AP8179067	LH fairing, grey	1	Year:2006[6] Technical Specifications:Without decals applied[ND]
4	AP8179828	LH fairing, black	1	Year:2007[7], 2008[8], 2009[9] Technical Specifications:Without decals applied[ND]
5	AP8178780	LH cover, black	1	
6	AP8179498	Cooler spoiler, black	1	
7	AP8161118	Pin	2	
8	AP8152246	Screw w/ flange M6x16	3	
9	AP8121665	T bush	1	
10	AP8221145	T bush *	1	
11	AP8161059	Spoiler spacer	2	
12	AP8121032	Bush	3	
13	AP8102375	Clip m5	2	
14	AP8150413	Self-tap screw 3,9x14	2	
15	AP8224470	Hex socket screw M6x20	2	
16	AP8152302	Screw w/ flange M5x12	2	
17	AP8178772	RH water cooler protection	1	
18	AP8178771	LH water cooler protection	1	
19	AP8166717	RH spoiler decal	1	Year:2006[6] Vehicle colour:Peak Grey (s.t.15602)[peak]

Group	FRAME
Code	28.13
Description	Front body - Fairings I
Service	1



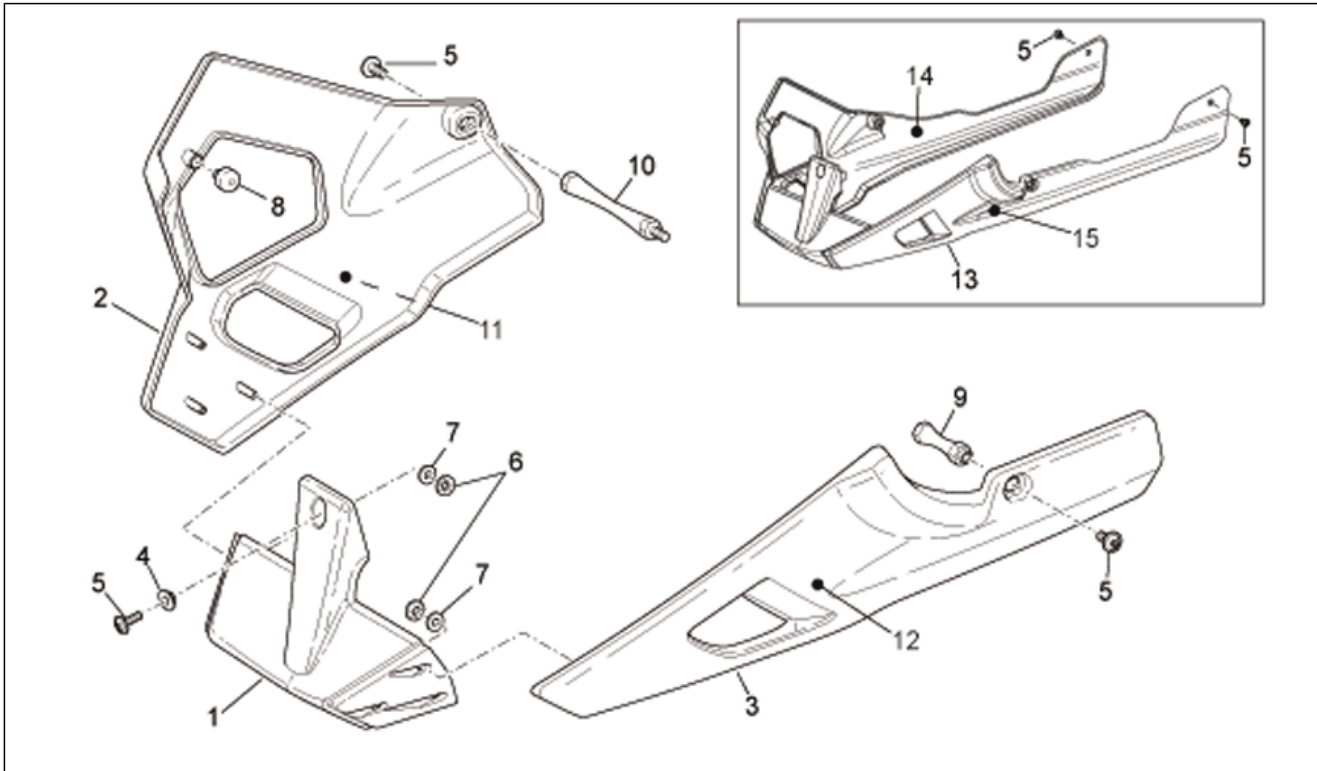
Pos.	Code	Description	Qty	Variants
19	AP8166749	RH spoiler decal	1	Year:2006[6] Vehicle colour:Sunset Red (s.t.15061)[sun]
19	AP8166830	RH spoiler decal	1	Year:2006[6] Vehicle colour:Diablo Black (s.t.15124)[dia]
20	AP8166718	LH spoiler decal	1	Year:2006[6] Vehicle colour:Peak Grey (s.t.15602)[peak]
20	AP8166750	LH spoiler decal	1	Year:2006[6] Vehicle colour:Sunset Red (s.t.15061)[sun]
20	AP8166831	LH spoiler decal	1	Year:2006[6] Vehicle colour:Diablo Black (s.t.15124)[dia]
21	AP8121032	Bush	1	
22	AP8117264	Biadhesive	2	
23	890908	Sticker RH 1000 Factory	1	Year:2009[9] Vehicle colour:Black Dream 2009 (s.t.890830)[dre]
24	890909	Sticker LH 1000 Factory	1	Year:2009[9] Vehicle colour:Black Dream 2009 (s.t.890830)[dre]

Group	FRAME
Code	28.14
Description	Front body - Fairings II
Service	1



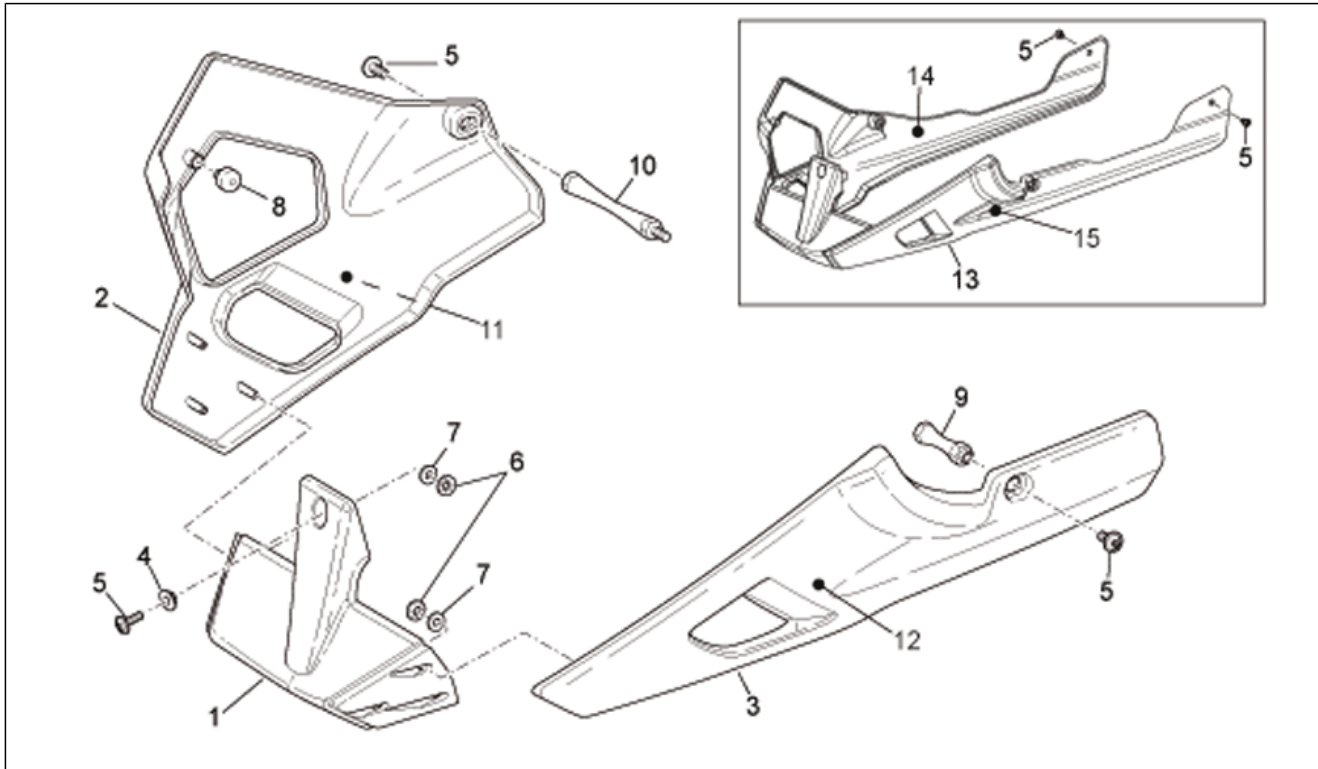
Pos.	Code	Description	Qty	Variants
1	AP8179065	Pillar, black	1	Year:2007[7], 2008[8] Technical Specifications:Without decals applied[ND], R Version[R]
1	AP8179065	Pillar, black	1	Year:2006[6] Technical Specifications:Without decals applied[ND]
2	AP8178776	RH lower fairing, grey	1	Year:2006[6] Vehicle colour:Peak Grey (s.t.15602)[peak] Technical Specifications:With decals applied[D]
2	AP8179318	RH lower fairing, red	1	Year:2006[6] Vehicle colour:Sunset Red (s.t.15061)[sun] Technical Specifications:With decals applied[D]
2	AP8179415	RH lower fairing, grey	1	Year:2006[6] Vehicle colour:Diablo Black (s.t.15124)[dia] Technical Specifications:With decals applied[D]
2	AP8184141	RH lower fairing, black	1	Year:2007[7], 2008[8] Vehicle colour:Diablo Black (s.t.852632)[black], Diablo Black 2008 (s.t.859826)[black08], Ice White 2008 (s.t.859828)[ice] Technical Specifications:Without decals applied[ND], R Version[R]
2	AP8184285	RH lower fairing, black	1	Year:2007[7], 2008[8] Vehicle colour:Dream Blue (s.t.852634)[blu], Dream Blue 2008 (s.t.859827)[blu08], Code Orange 2008 (s.t.859829)[cod], Silver Crowd 2008 (s.t.859830)[cro], Fluo Red (s.t.852633)[fluo] Technical Specifications:Without decals applied[ND], R Version[R]
2	AP8184521	RH lower fairing, red	1	Year:2007[7] Vehicle colour:Daytona 2007 (s.t.856193)[daytona] Technical Specifications:With decals applied[D], R Version[R]
3	AP8178775	LH lower fairing, grey	1	Year:2006[6] Vehicle colour:Diablo Black (s.t.15124)[dia] Technical Specifications:With decals applied[D]

Group	FRAME
Code	28.14
Description	Front body - Fairings II
Service	1



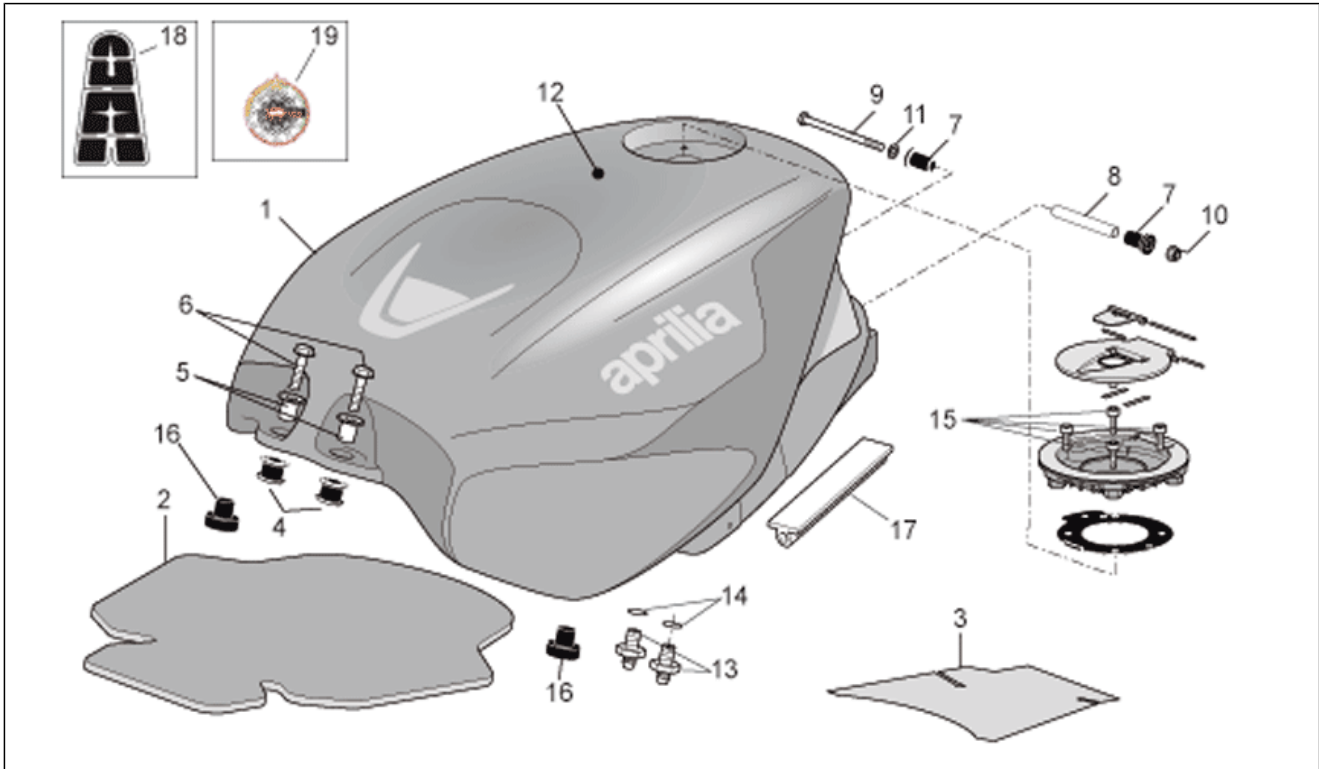
Pos.	Code	Description	Qty	Variants
3	AP8179319	LH lower fairing, red	1	Year: 2006[6] Vehicle colour: Sunset Red (s.t.15061)[sun] Technical Specifications: With decals applied[D]
3	AP8179416	LH lower fairing, grey	1	Year: 2006[6] Vehicle colour: Peak Grey (s.t.15602)[peak] Technical Specifications: With decals applied[D]
3	AP8184142	LH lower fairing, black	1	Year: 2007[7], 2008[8] Vehicle colour: Diablo Black (s.t.852632)[black], Diablo Black 2008 (s.t.859826)[black08], Ice White 2008 (s.t.859828)[ice] Technical Specifications: Without decals applied[ND], R Version[R]
3	AP8184286	LH lower fairing, black	1	Year: 2007[7], 2008[8] Vehicle colour: Dream Blue (s.t.852634)[blu], Dream Blue 2008 (s.t.859827)[blu08], Code Orange 2008 (s.t.859829)[cod], Silver Crowd 2008 (s.t.859830)[cro], Fluo Red (s.t.852633)[fluo] Technical Specifications: Without decals applied[ND], R Version[R]
3	AP8184522	LH lower fairing, red	1	Year: 2007[7] Vehicle colour: Daytona 2007 (s.t.856193)[daytona] Technical Specifications: With decals applied[D], R Version[R]
4	AP8121032	Bush	1	
5	AP8152246	Screw w/ flange M6x16	5	
6	AP8150450	Washer for shafts D5	6	Year: 2007[7], 2008[8] Technical Specifications: R Version[R]
6	AP8150450	Washer for shafts D5	6	Year: 2006[6]
7	AP8102504	Rubber spacer	6	Year: 2006[6]
7	AP8102504	Rubber spacer	6	Year: 2007[7], 2008[8] Technical Specifications: R Version[R]
8	AP8144081	Rubber spacer	1	
9	AP8121659	LH fairing spacer	1	

Group	FRAME
Code	28.14
Description	Front body - Fairings II
Service	1



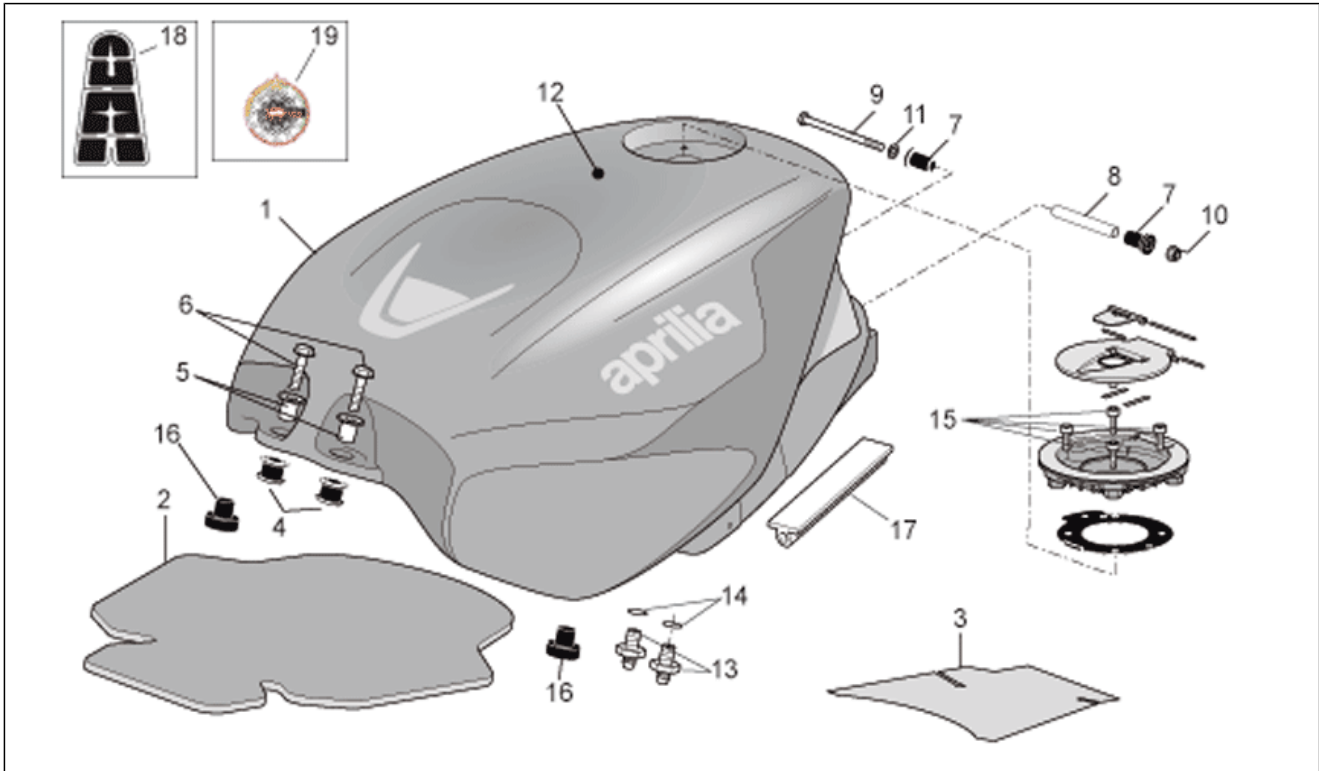
Pos.	Code	Description	Qty	Variants
10	AP8121658	RH fairing spacer	1	
11	AP8166731	RH pillar decal Aprilia	1	Year:2006[6] Vehicle colour:Peak Grey (s.t.15602)[peak]
11	AP8166762	RH pillar decal Aprilia	1	Year:2006[6] Vehicle colour:Sunset Red (s.t.15061)[sun]
11	AP8166845	RH pillar decal Aprilia	1	Year:2006[6] Vehicle colour:Diablo Black (s.t.15124)[dia]
12	AP8166732	LH pillar decal Aprilia	1	Year:2006[6] Vehicle colour:Peak Grey (s.t.15602)[peak]
12	AP8166763	LH pillar decal Aprilia	1	Year:2006[6] Vehicle colour:Sunset Red (s.t.15061)[sun]
12	AP8166846	LH pillar decal Aprilia	1	Year:2006[6] Vehicle colour:Diablo Black (s.t.15124)[dia]
13	AP8179819	Pillar, carb.	1	Year:2007[7], 2008[8], 2009[9] Vehicle colour:Black Dream 2009 (s.t.890830)[dre], Red Lion 2008 (s.t. 858404)[lion], Red Lion (s.t.852710)[red] Technical Specifications:Factory Version[Fac], Without decals applied[ND]
14	852576	RH pillar decal Aprilia	1	Year:2007[7], 2008[8] Vehicle colour:Red Lion 2008 (s.t. 858404)[lion], Red Lion (s.t.852710)[red] Technical Specifications:Factory Version[Fac]
14	890910	RH pillar decal Aprilia	1	Year:2009[9] Vehicle colour:Black Dream 2009 (s.t.890830)[dre] Technical Specifications:Factory Version[Fac]
15	852577	LH pillar decal Aprilia	1	Year:2007[7], 2008[8] Vehicle colour:Red Lion 2008 (s.t. 858404)[lion], Red Lion (s.t.852710)[red] Technical Specifications:Factory Version[Fac]
15	890911	LH pillar decal Aprilia	1	Year:2009[9] Vehicle colour:Black Dream 2009 (s.t.890830)[dre] Technical Specifications:Factory Version[Fac]

Group	FRAME
Code	28.15
Description	Fuel tank
Service	1



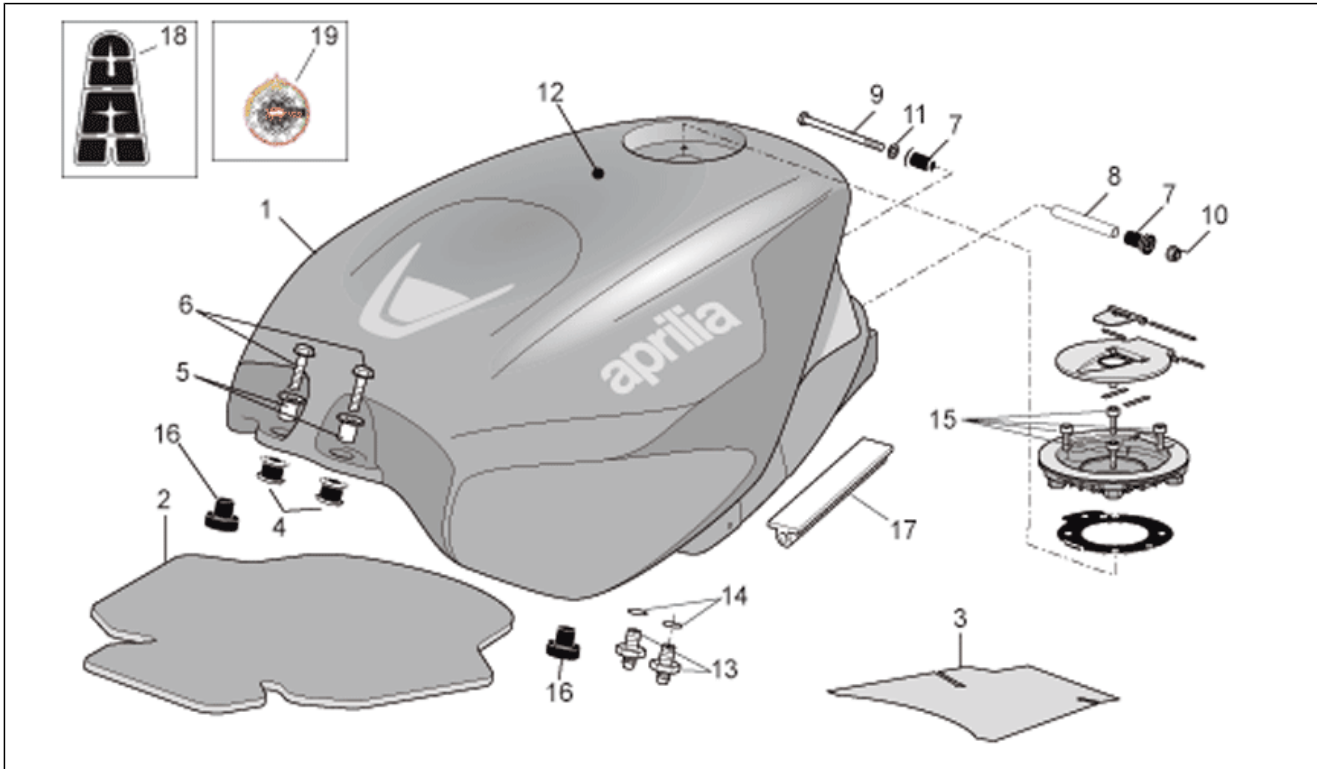
Pos.	Code	Description	Qty	Variants
1	AP8179149	Fuel tank, grey	1	Year:2006[6] Vehicle colour:Peak Grey (s.t.15602)[peak] Country:Australia[AA], GR-E-[EU], Japan[JJ], Great Britain[UK] Technical Specifications:With decals applied[D]
1	AP8179312	Fuel tank, red	1	Year:2006[6] Vehicle colour:Sunset Red (s.t.15061)[sun] Country:Australia[AA], GR-E-[EU], Japan[JJ], Great Britain[UK] Technical Specifications:With decals applied[D]
1	AP8179342	Fuel tank, grey	1	Year:2006[6] Vehicle colour:Peak Grey (s.t.15602)[peak] Country:United States of America[USA] Technical Specifications:With decals applied[D]
1	AP8179345	Fuel tank, red	1	Year:2006[6] Vehicle colour:Sunset Red (s.t.15061)[sun] Country:United States of America[USA] Technical Specifications:With decals applied[D]
1	AP8179410	Fuel tank, black	1	Year:2006[6] Vehicle colour:Diablo Black (s.t.15124)[dia] Country:Australia[AA], GR-E-[EU], Japan[JJ], Great Britain[UK] Technical Specifications:With decals applied[D]
1	AP8179411	Fuel tank, black	1	Year:2006[6] Vehicle colour:Diablo Black (s.t.15124)[dia] Country:United States of America[USA] Technical Specifications:With decals applied[D]
1	AP8179824	Fuel tank, black/white	1	Year:2007[7] Vehicle colour:Red Lion (s.t.852710)[red] Country:Australia[AA], GR-E-[EU], Japan[JJ], Great Britain[UK] Technical Specifications:With decals applied[D], Factory Version[Fac]
1	AP8184116	Fuel tank, black/grey	1	Year:2007[7] Vehicle colour:Diablo Black (s.t.852632)[black]

Group	FRAME
Code	28.15
Description	Fuel tank
Service	1



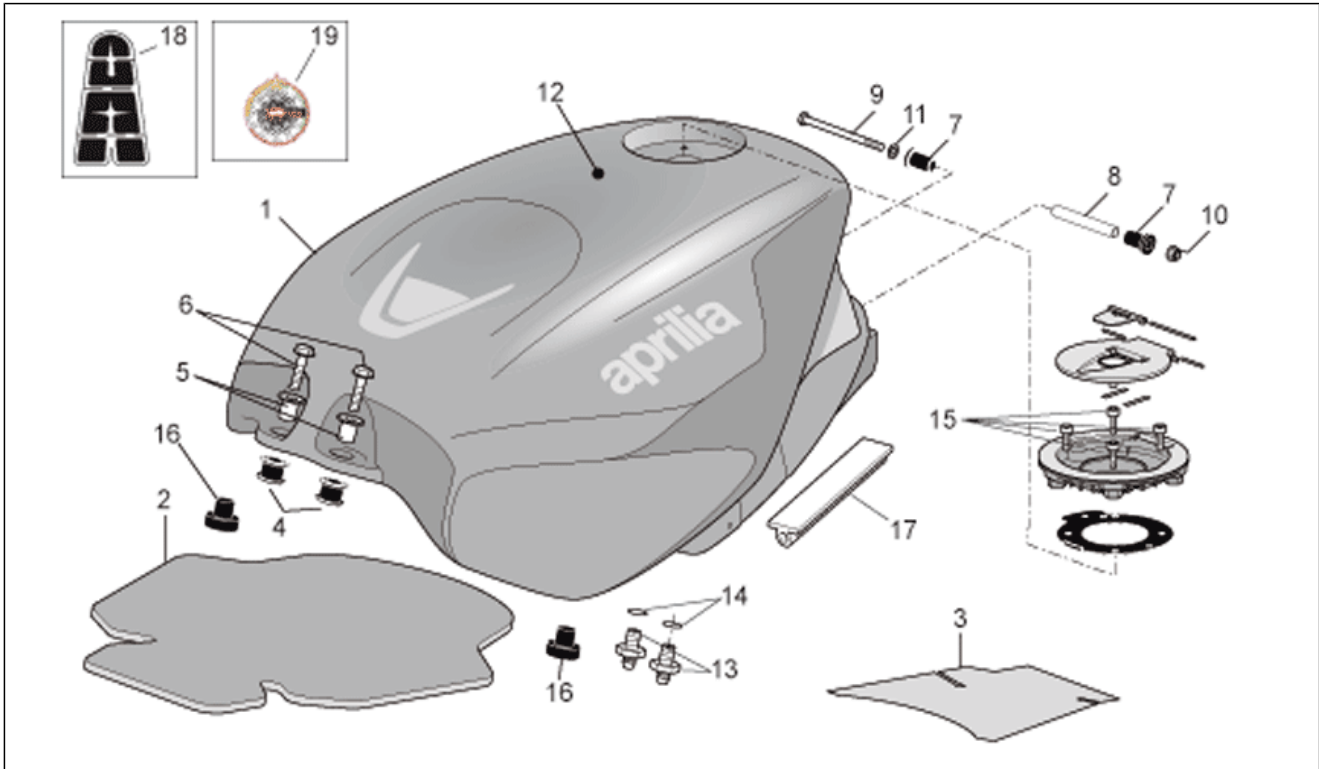
Pos.	Code	Description	Qty	Variants
				Country: Australia[AA], GR-E-[EU], Japan[JJ], Great Britain[UK] Technical Specifications: With decals applied[D], R Version[R]
1	AP8184125	Fuel tank, black/grey	1	Year: 2007[7], 2008[8] Vehicle colour: Diablo Black (s.t.852632)[black] Country: United States of America[USA] Technical Specifications: With decals applied[D], R Version[R]
1	AP8184138	Fuel tank, black	1	Year: 2007[7] Vehicle colour: Red Lion (s.t.852710)[red] Country: United States of America[USA] Technical Specifications: With decals applied[D], Factory Version[Fac]
1	AP8184280	Fuel tank, red/white	1	Year: 2007[7] Vehicle colour: Fluo Red (s.t.852633)[fluo] Country: Australia[AA], GR-E-[EU], Japan[JJ], Great Britain[UK] Technical Specifications: With decals applied[D], R Version[R]
1	AP8184281	Fuel tank, red/white	1	Year: 2007[7] Vehicle colour: Fluo Red (s.t.852633)[fluo] Country: United States of America[USA] Technical Specifications: With decals applied[D], R Version[R]
1	AP8184295	Fuel tank cover, blue/white	1	Year: 2007[7] Vehicle colour: Dream Blue (s.t.852634)[blu] Country: Australia[AA], GR-E-[EU], Japan[JJ], Great Britain[UK] Technical Specifications: With decals applied[D], R Version[R]
1	AP8184296	Fuel tank cover, blue/white	1	Year: 2007[7] Vehicle colour: Dream Blue (s.t.852634)[blu] Country: United States of America[USA] Technical Specifications: With decals applied[D], R Version[R]

Group	FRAME
Code	28.15
Description	Fuel tank
Service	1



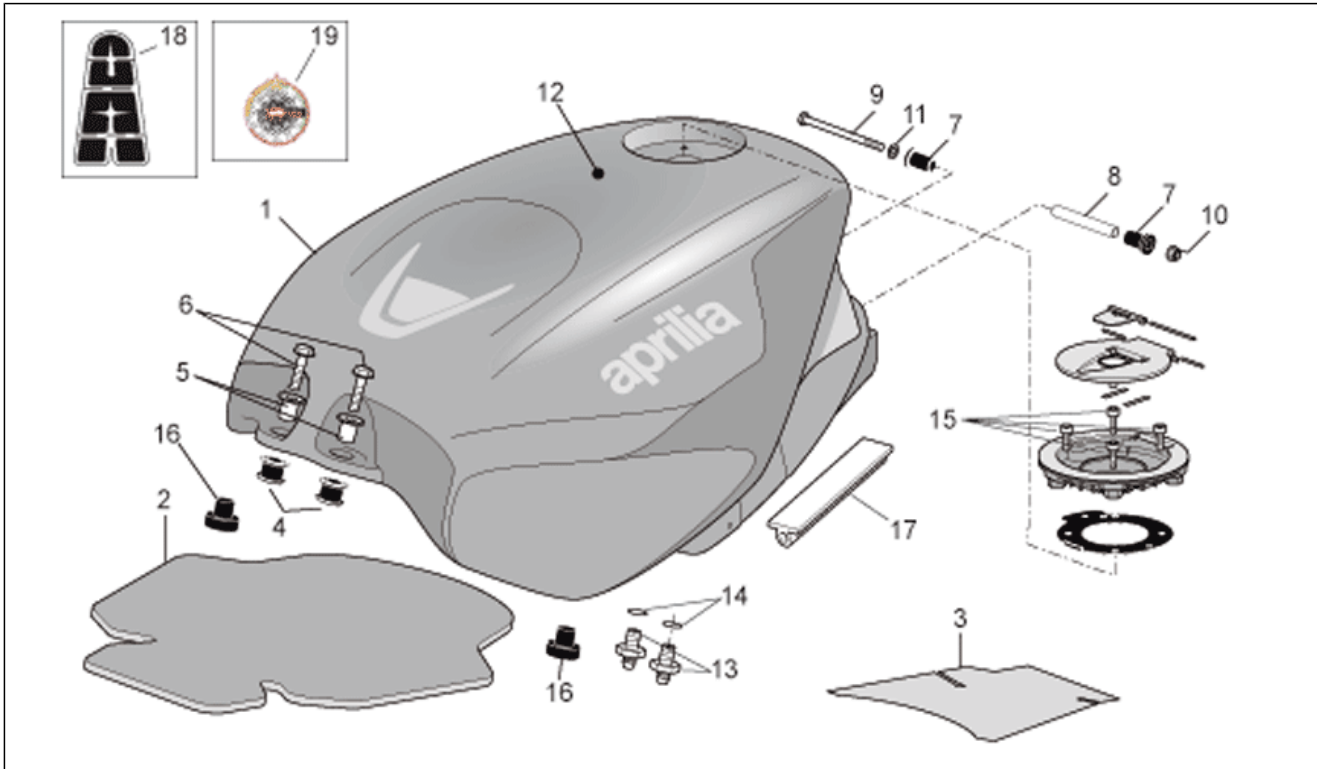
Pos.	Code	Description	Qty	Variants
1	AP8184398	Fuel tank, black/white	1	Year: 2007[7] Vehicle colour: Daytona 2007 (s.t.856193)[daytona] Country: Australia[AA], GR-E-I[EU], Japan[JJ], Great Britain[UK] Technical Specifications: R Version[R]
1	AP8184398	Fuel tank, black/white	1	Year: 2008[8] Vehicle colour: Red Lion 2008 (s.t. 858404)[lion] Country: Australia[AA], GR-E-I[EU], Japan[JJ], Great Britain[UK] Technical Specifications: With decals applied[D], Factory Version[Fac]
1	AP8184399	Fuel tank, black/white	1	Year: 2007[7] Vehicle colour: Daytona 2007 (s.t.856193)[daytona] Country: United States of America[USA] Technical Specifications: R Version[R]
1	AP8184627	Fuel tank, black	1	Year: 2008[8] Vehicle colour: Diablo Black 2008 (s.t.859826)[black08] Country: Australia[AA], GR-E-I[EU], Japan[JJ], Great Britain[UK] Technical Specifications: With decals applied[D], R Version[R]
1	AP8184628	Fuel tank, black	1	Year: 2008[8] Vehicle colour: Diablo Black 2008 (s.t.859826)[black08] Country: United States of America[USA] Technical Specifications: With decals applied[D], R Version[R]
1	AP8184634	Fuel tank cover, blue/white	1	Year: 2008[8] Vehicle colour: Dream Blue 2008 (s.t.859827)[blu08] Country: Australia[AA], GR-E-I[EU], Japan[JJ], Great Britain[UK] Technical Specifications: With decals applied[D], R Version[R]
1	AP8184635	Fuel tank cover, blue/white	1	Year: 2008[8] Vehicle colour: Dream Blue 2008 (s.t.859827)[blu08] Country: United States of America[USA]

Group	FRAME
Code	28.15
Description	Fuel tank
Service	1



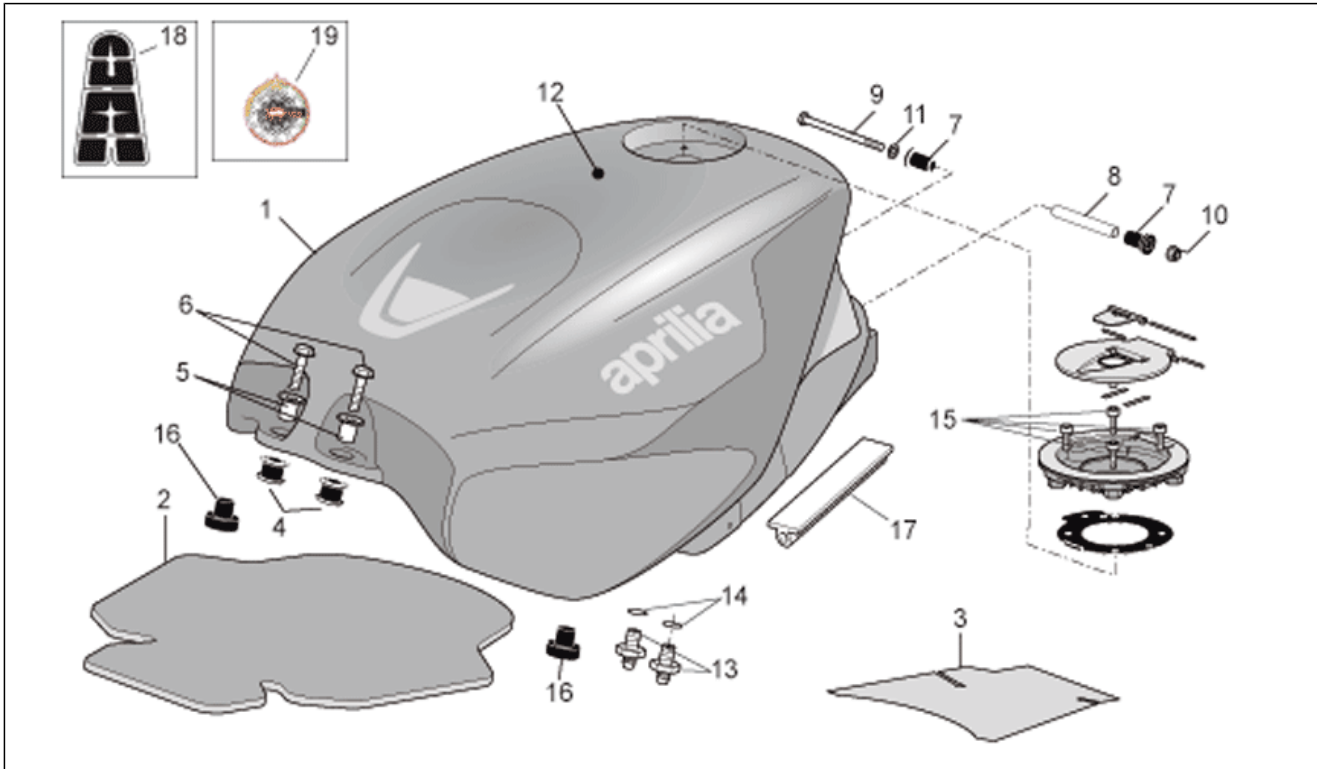
Pos.	Code	Description	Qty	Variants
				Technical Specifications: With decals applied[D], R Version[R]
1	AP8184640	Fuel tank, grey	1	Year: 2008[8] Vehicle colour: Ice White 2008 (s.t.859828)[ice] Country: Australia[AA], GR-E-[EU], Japan[JJ], Great Britain[UK] Technical Specifications: With decals applied[D], R Version[R]
1	AP8184641	Fuel tank, grey	1	Year: 2008[8] Vehicle colour: Ice White 2008 (s.t.859828)[ice] Country: United States of America[USA] Technical Specifications: With decals applied[D], R Version[R]
1	AP8184657	Fuel tank, orange	1	Year: 2008[8] Vehicle colour: Code Orange 2008 (s.t.859829)[cod] Country: Australia[AA], GR-E-[EU], Japan[JJ], Great Britain[UK] Technical Specifications: With decals applied[D], R Version[R]
1	AP8184658	Fuel tank, orange	1	Year: 2008[8] Vehicle colour: Code Orange 2008 (s.t.859829)[cod] Country: United States of America[USA] Technical Specifications: With decals applied[D], R Version[R]
1	AP8184667	Fuel tank, silver	1	Year: 2008[8] Vehicle colour: Silver Crowd 2008 (s.t.859830)[cro] Country: Australia[AA], GR-E-[EU], Japan[JJ], Great Britain[UK] Technical Specifications: With decals applied[D], R Version[R]
1	AP8184668	Fuel tank, silver	1	Year: 2008[8] Vehicle colour: Silver Crowd 2008 (s.t.859830)[cro] Country: United States of America[USA] Technical Specifications: With decals applied[D], R Version[R]

Group	FRAME
Code	28.15
Description	Fuel tank
Service	1



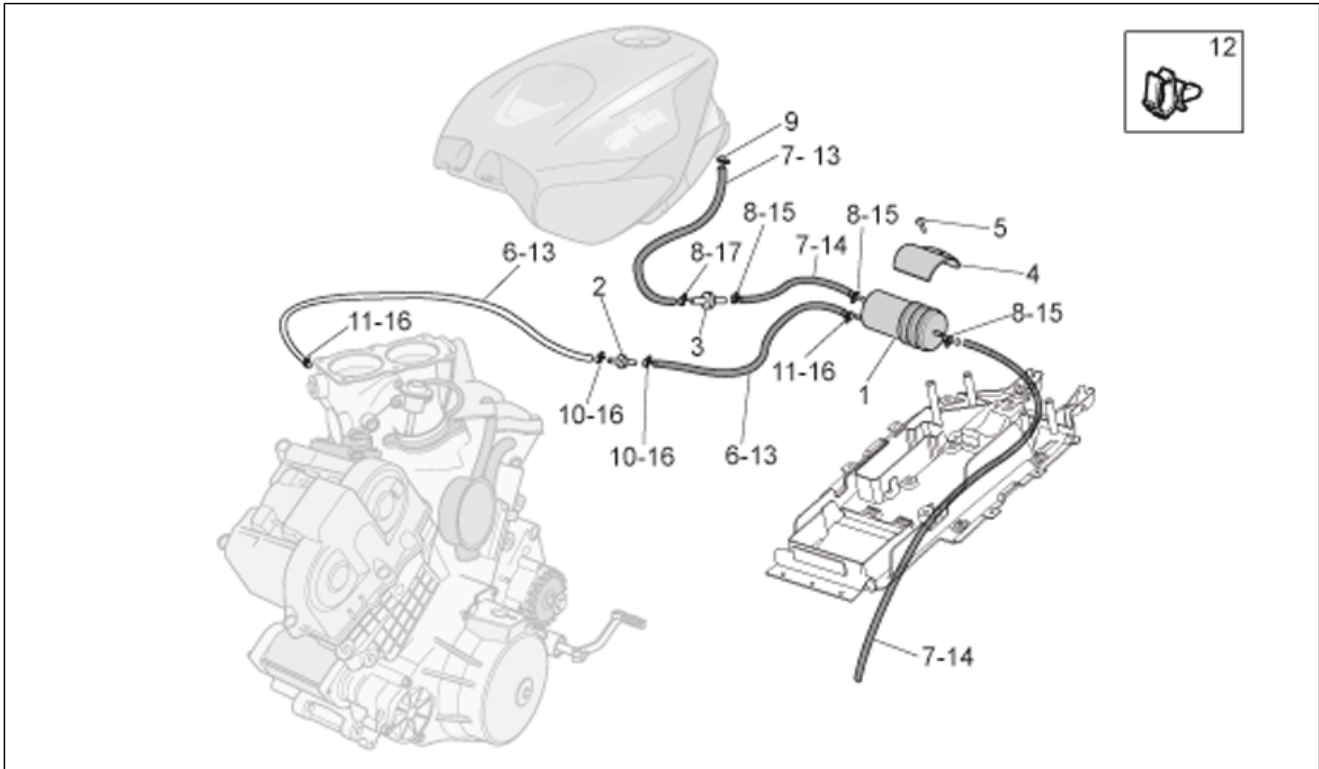
Pos.	Code	Description	Qty	Variants
1	AP8184795	Fuel tank, white	1	Year: 2009[9] Vehicle colour: Black Dream 2009 (s.t.890830)[dre] Country: Australia[AA], GR-E-[EU], Japan[JJ], Great Britain[UK] Technical Specifications: With decals applied[D], Factory Version[Fac]
1	AP8184796	Fuel tank, white	1	Year: 2009[9] Vehicle colour: Black Dream 2009 (s.t.890830)[dre] Country: United States of America[USA] Technical Specifications: With decals applied[D], Factory Version[Fac]
2	AP8117174	F.Tank acoustic insul. Panel	1	
3	AP8117147	Fuel tank heat protection	1	
4	AP8144328	Rubber spacer	2	
5	AP8121421	T bush	2	
6	AP8152281	Screw w/ flange M6x30	2	
7	AP8123934	Rubber spacer	2	
8	AP8134419	Fuel tank bush	1	
9	AP8150459	Hex screw M6x90	1	
10	AP8152299	Self-locking nut M6	1	
11	AP8150014	Washer 6,4x12,5*	1	
12	AP8267147	Fuel attention decal	1	
13	AP8102503	Hose holder union	2	
14	AP8120965	O-ring 2018	1	
15	AP8150454	Hex socket screw M5x16	4	
16	AP8144158	Rubber spacer	2	
17	AP8117275	Heat protection gasket	2	
18	852572	Tank guard decal	1	Year: 2007[7] Vehicle colour: Daytona 2007 (s.t.856193)[daytona] Technical Specifications: R Version[R]
18	852572	Tank guard decal	1	Year: 2007[7], 2008[8]

Group	FRAME
Code	28.15
Description	Fuel tank
Service	1



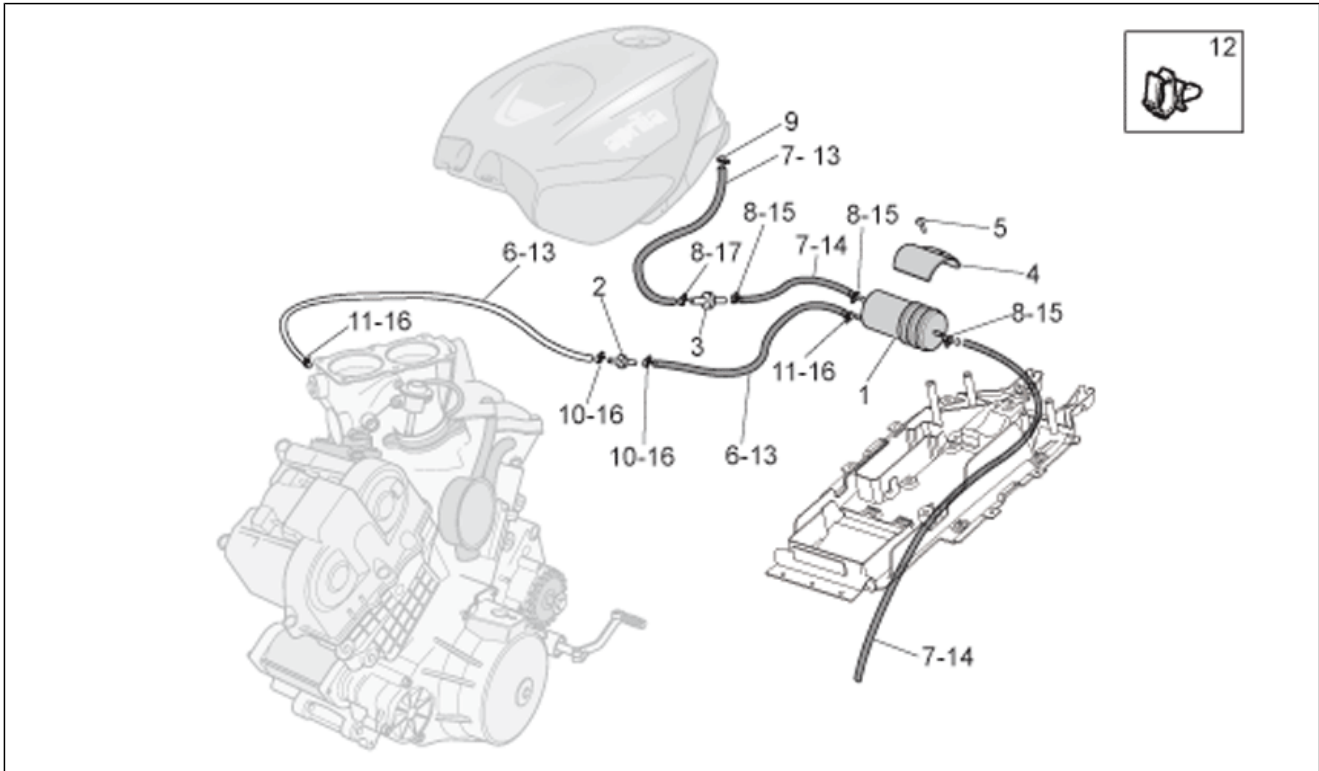
Pos.	Code	Description	Qty	Variants
				Vehicle colour: Red Lion 2008 (s.t. 858404)[lion], Red Lion (s.t.852710)[red] Technical Specifications: Factory Version[Fac]
18	852798	Tank guard decal	1	Year: 2007[7] Vehicle colour: Fluo Red (s.t.852633)[fluo] Technical Specifications: R Version[R]
18	852816	Tank guard decal	1	Year: 2007[7], 2008[8] Vehicle colour: Dream Blue (s.t.852634)[blu], Dream Blue 2008 (s.t.859827)[blu08] Technical Specifications: R Version[R]
18	853017	Tank guard decal	1	Year: 2007[7], 2008[8] Vehicle colour: Diablo Black (s.t.852632)[black], Diablo Black 2008 (s.t.859826)[black08] Technical Specifications: R Version[R]
18	860084	Tank guard decal	1	Year: 2008[8] Vehicle colour: Ice White 2008 (s.t.859828)[ice] Technical Specifications: R Version[R]
18	860217	Tank guard decal	1	Year: 2008[8] Vehicle colour: Code Orange 2008 (s.t.859829)[cod], Silver Crowd 2008 (s.t.859830)[cro] Technical Specifications: R Version[R]
18	AP8166730	Tank guard decal	1	Year: 2006[6] Vehicle colour: Peak Grey (s.t.15602)[peak]
18	AP8166761	Tank guard decal	1	Year: 2006[6] Vehicle colour: Sunset Red (s.t.15061)[sun]
18	AP8166844	Tank guard decal	1	Year: 2006[6] Vehicle colour: Diablo Black (s.t.15124)[dia]
19	853018	Decal "World Champion 27"	1	Technical Specifications: R Version[R]
19	860630	Decal "World Champion 31"	1	Technical Specifications: R Version[R]

Group	FRAME
Code	28.16
Description	Fuel vapour recover system
Service	1



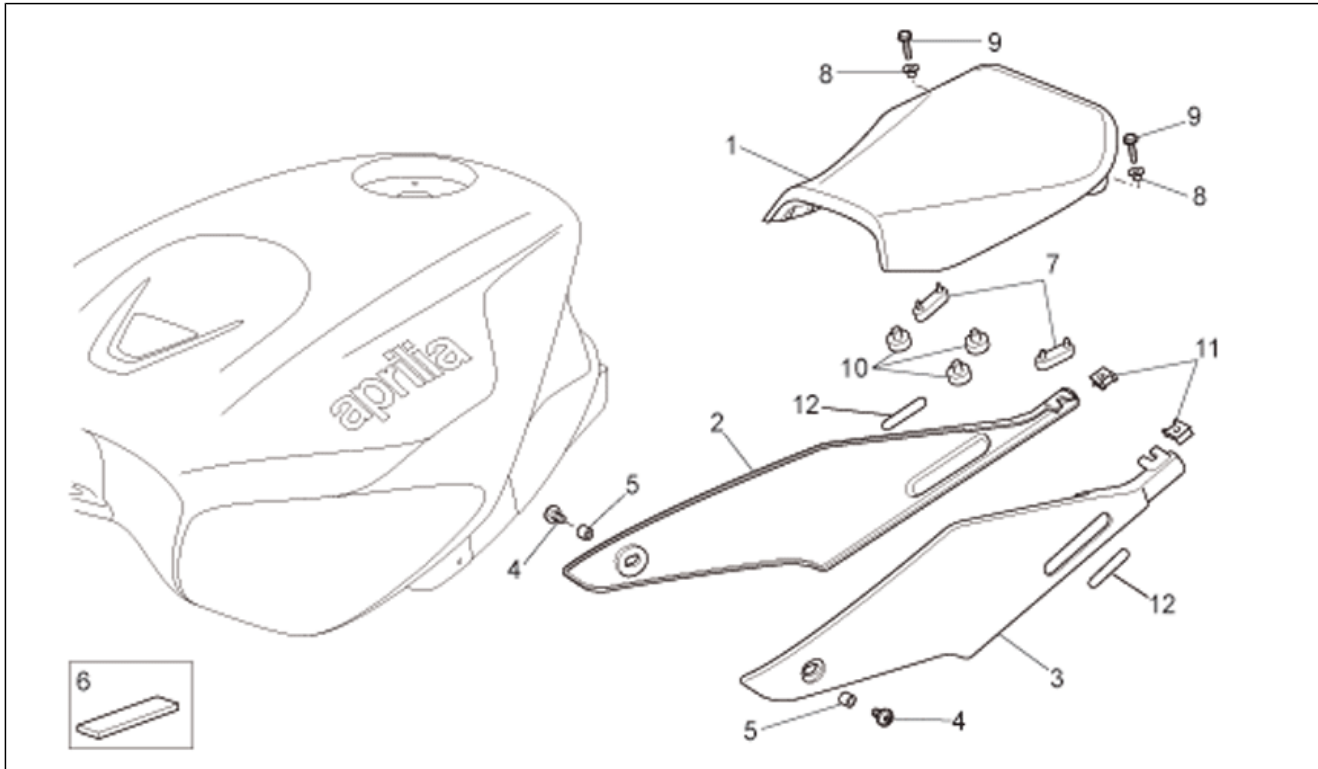
Pos.	Code	Description	Qty	Variants
1	AP8102678	Carbon filter	1	Country:United States of America[USA]
2	AP8121267	Choke hold	1	Country:United States of America[USA]
3	856161	Valve "roll over"	1	Year:2008[8] Country:United States of America[USA]
3	AP8104614	Pressure valve	1	Year:2006[6], 2007[7] Country:United States of America[USA]
4	AP8134884	Canister support plate	1	Country:United States of America[USA]
5	AP8152279	Screw w/ flange M6x20	1	Country:United States of America[USA]
6	AP8220263	Breather pipe 4x8	1	Year:2006[6], 2007[7] Country:United States of America[USA]
7	AP8120952	Fuel pipe 5,5x10	2	Year:2006[6], 2007[7] Country:United States of America[USA]
8	AP8102378	Hose clamp D11,3	4	Year:2006[6], 2007[7] Country:United States of America[USA]
9	AP8101595	Hose clamp D10,1	1	Year:2006[6], 2007[7] Country:United States of America[USA]
9	AP8102738	Hose clamp	1	Year:2008[8] Country:United States of America[USA]
10	AP8120179	Hose clamp D8	2	Year:2006[6], 2007[7] Country:United States of America[USA]
11	AP8102377	Hose clamp D9,1*	2	Year:2006[6], 2007[7] Country:United States of America[USA]
12	AP8221310	Cable-guide	1	Country:United States of America[USA]
13	856062	pipe SAE 30 d.11,11x4,8	3	Year:2008[8] Country:United States of America[USA]
14	856063	pipe SAE 30 d.12,7x6,35	2	Year:2008[8] Country:United States of America[USA]
15	AP8102764	White hose clip d.13x6	3	Year:2008[8] Country:United States of America[USA]
16	AP8102998	Hose clamp d.9,5	4	Year:2008[8] Country:United States of America[USA]

Group	FRAME
Code	28.16
Description	Fuel vapour recover system
Service	1



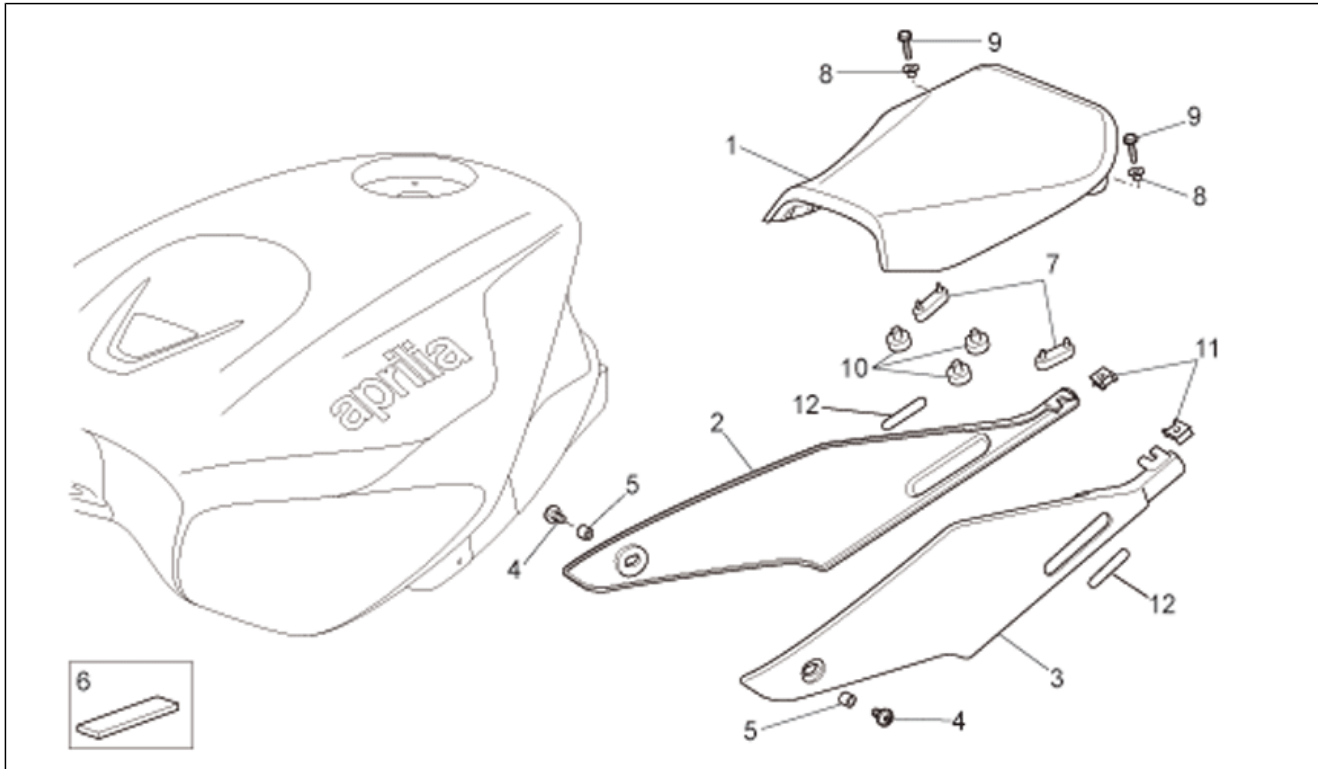
Pos.	Code	Description	Qty	Variants
17	AP8102159	Hose clamp	1	Year:2008[8] Country:United States of America[USA]

Group	FRAME
Code	28.17
Description	Saddle
Service	1



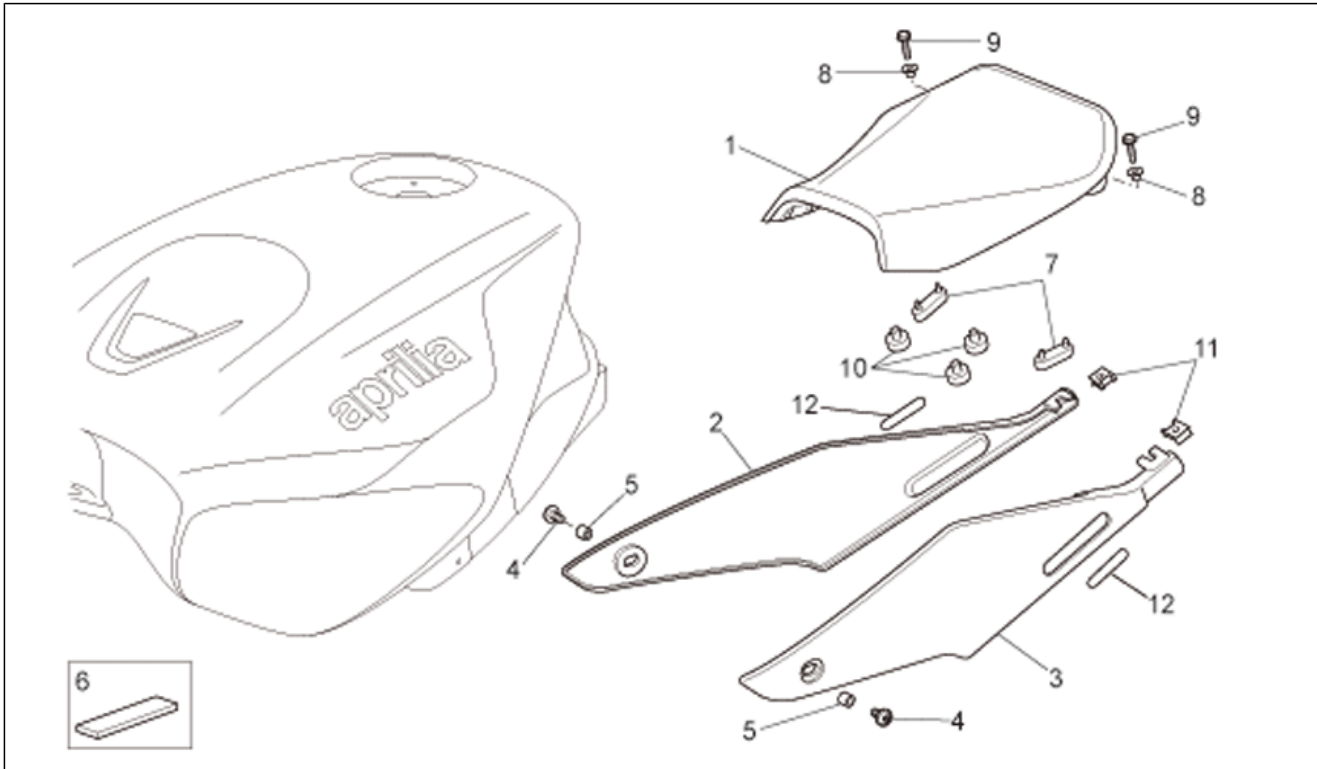
Pos.	Code	Description	Qty	Variants
1	AP8129441	Driver saddle, black	1	Year:2007[7], 2008[8] Vehicle colour:Diablo Black (s.t.852632)[black], Diablo Black 2008 (s.t.859826)[black08], Code Orange 2008 (s.t.859829)[cod], Silver Crowd 2008 (s.t.859830)[cro], Ice White 2008 (s.t.859828)[ice] Technical Specifications:R Version[R]
1	AP8129441	Driver saddle, black	1	Year:2006[6], 2007[7]
1	AP8129473	Driver saddle, red	1	Year:2007[7] Vehicle colour:Daytona 2007 (s.t.856193)[daytona], Fluo Red (s.t.852633)[fluo] Technical Specifications:R Version[R]
1	AP8129473	Driver saddle, red	1	Year:2007[7] Technical Specifications:Factory Version[Fac]
1	AP8129503	Driver saddle, blue	1	Year:2007[7], 2008[8] Vehicle colour:Dream Blue (s.t.852634)[blu], Dream Blue 2008 (s.t.859827)[blu08] Technical Specifications:R Version[R]
1	AP8129513	Driver saddle, red	1	Year:2008[8] Vehicle colour:Red Lion 2008 (s.t. 858404)[lion] Technical Specifications:Factory Version[Fac]
1	AP8129518	Driver saddle, red/black	1	Year:2009[9] Vehicle colour:Black Dream 2009 (s.t.890830)[dre] Technical Specifications:Factory Version[Fac]
2	AP8178781	RH side panel, grey	1	Year:2006[6] Vehicle colour:Peak Grey (s.t.15602)[peak] Technical Specifications:Without decals applied[ND]
2	AP8179320	RH side panel, red	1	Year:2006[6] Vehicle colour:Sunset Red (s.t.15061)[sun] Technical Specifications:Without decals applied[ND]
2	AP8179403	RH side panel, carb.	1	Year:2007[7], 2008[8], 2009[9] Vehicle colour:Black Dream 2009 (s.t.890830)[dre], Red Lion 2008 (s.t. 858404)[lion], Red Lion (s.t.852710)[red] Technical Specifications:Factory Version[Fac], Without decals applied[ND]

Group	FRAME
Code	28.17
Description	Saddle
Service	1



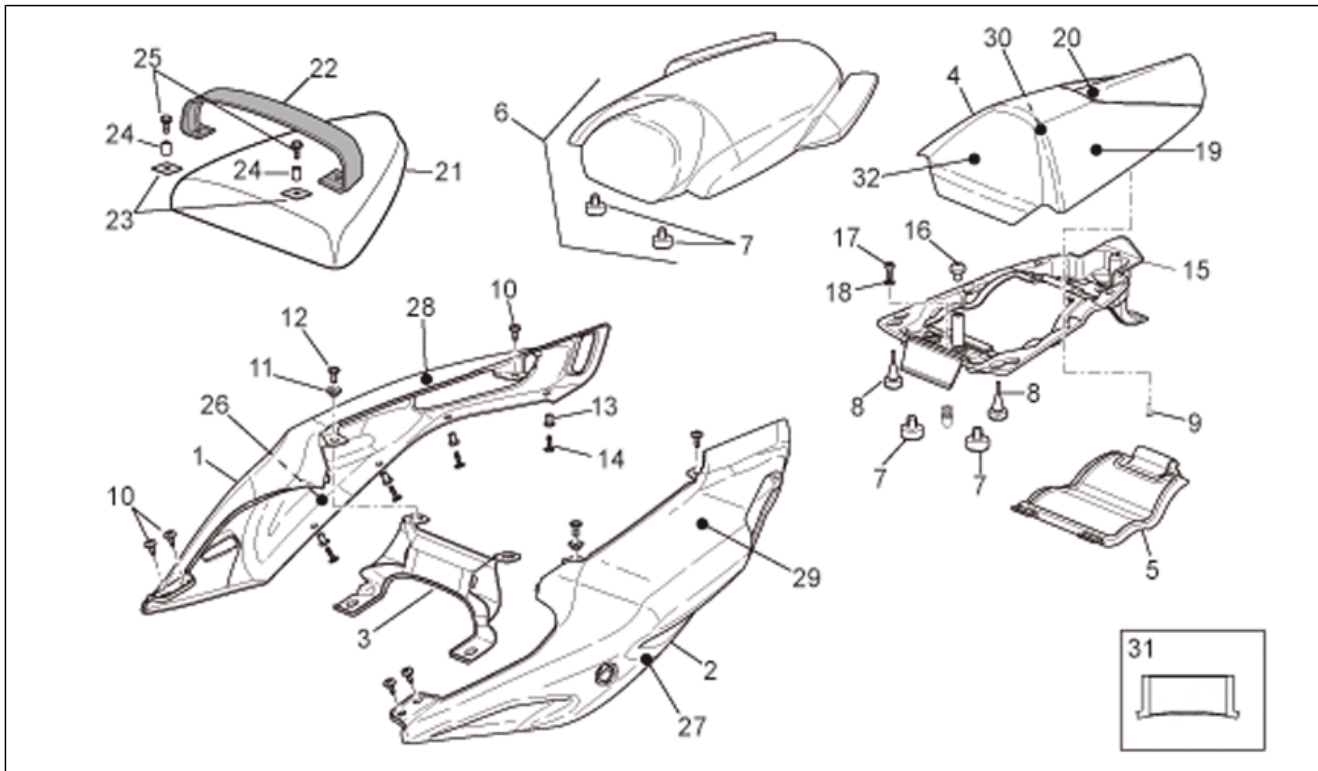
Pos.	Code	Description	Qty	Variants
2	AP8179417	RH side panel, black	1	Year: 2008[8] Vehicle colour: Diablo Black 2008 (s.t.859826)[black08], Dream Blue 2008 (s.t.859827)[blu08], Code Orange 2008 (s.t.859829)[cod], Silver Crowd 2008 (s.t.859830)[cro] Technical Specifications: Without decals applied[ND], R Version[R]
2	AP8179417	RH side panel, black	1	Year: 2007[7] Vehicle colour: Diablo Black (s.t.852632)[black], Dream Blue (s.t.852634)[blu], Daytona 2007 (s.t.856193)[daytona], Fluo Red (s.t.852633)[fluo] Technical Specifications: Without decals applied[ND], R Version[R]
2	AP8179417	RH side panel, black	1	Year: 2006[6] Vehicle colour: Diablo Black (s.t.15124)[dia] Technical Specifications: Without decals applied[ND]
2	AP8184645	RH side panel, white	1	Year: 2008[8] Vehicle colour: Ice White 2008 (s.t.859828)[ice] Technical Specifications: Without decals applied[ND]
3	AP8178782	LH side panel, grey	1	Year: 2006[6] Vehicle colour: Peak Grey (s.t.15602)[peak] Technical Specifications: Without decals applied[ND]
3	AP8179321	LH side panel, red	1	Year: 2006[6] Vehicle colour: Sunset Red (s.t.15061)[sun] Technical Specifications: Without decals applied[ND]
3	AP8179402	LH side panel, carb.	1	Year: 2007[7], 2008[8], 2009[9] Vehicle colour: Black Dream 2009 (s.t.890830)[dre], Red Lion 2008 (s.t.858404)[lion], Red Lion (s.t.852710)[red] Technical Specifications: Factory Version[Fac], Without decals applied[ND]
3	AP8179418	LH side panel, black	1	Year: 2008[8] Vehicle colour: Diablo Black 2008 (s.t.859826)[black08], Dream Blue 2008 (s.t.859827)[blu08], Code Orange 2008 (s.t.859829)[cod], Silver Crowd 2008 (s.t.859830)[cro] Technical Specifications: Without decals applied[ND], R Version[R]

Group	FRAME
Code	28.17
Description	Saddle
Service	1



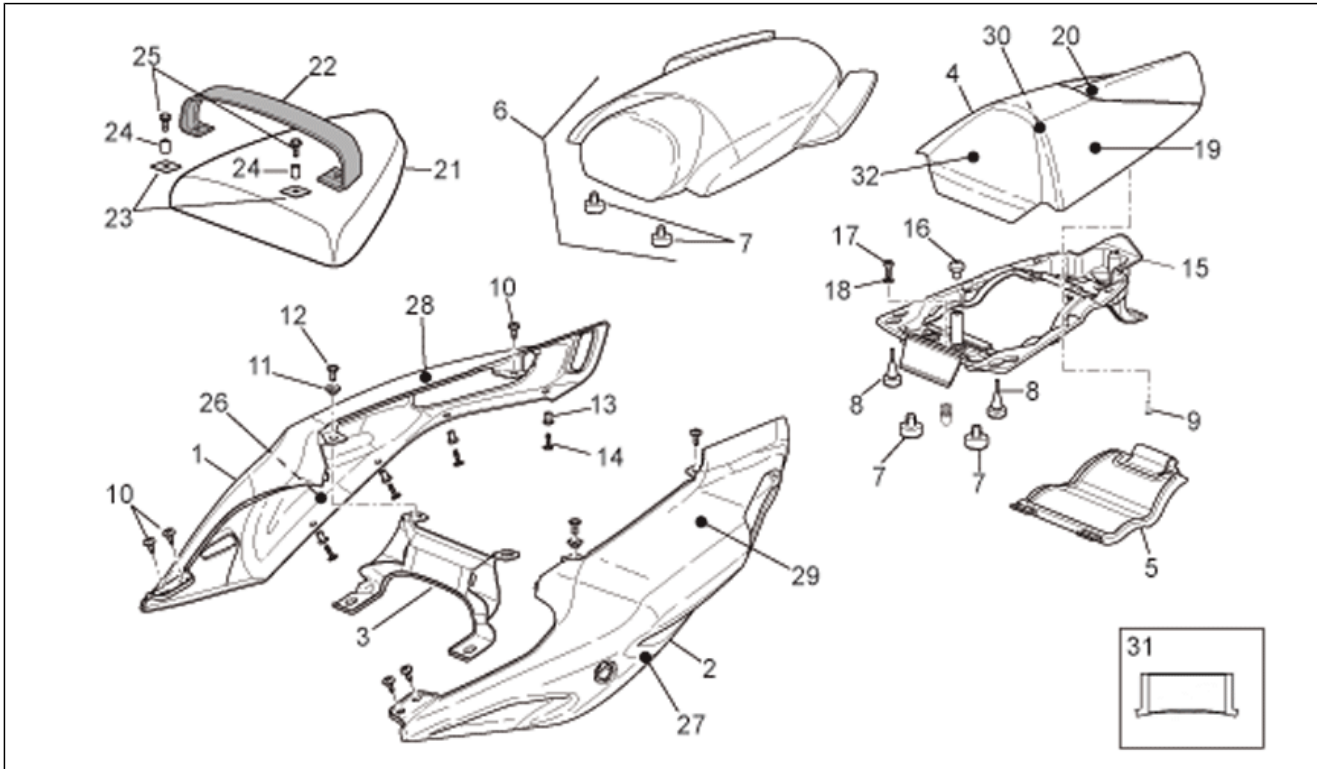
Pos.	Code	Description	Qty	Variants
3	AP8179418	LH side panel, black	1	Year:2006[6] Vehicle colour:Diablo Black (s.t.15124)[dia] Technical Specifications:Without decals applied[ND]
3	AP8179418	LH side panel, black	1	Year:2007[7] Vehicle colour:Diablo Black (s.t.852632)[black], Dream Blue (s.t.852634)[blu], Daytona 2007 (s.t.856193)[daytona], Fluo Red (s.t.852633)[fluo] Technical Specifications:Without decals applied[ND], R Version[R]
3	AP8184646	LH side panel, white	1	Year:2008[8] Vehicle colour:Ice White 2008 (s.t.859828)[ice] Technical Specifications:Without decals applied[ND]
4	AP8152298	Screw w/ flange M5x16	2	
5	AP8221036	Bushing 5,3x8x7,1	2	
6	AP8117003	Adhesive sponge 15X5	4	
7	AP8126701	Saddle rubber	2	
8	AP8121728	T bush	2	
9	AP8152279	Screw w/ flange M6x20	2	
10	AP8126702	Rubber spacer	6	
11	AP8102375	Clip m5	2	
12	853193	Decal "1000"	2	Year:2007[7], 2008[8] Technical Specifications:R Version[R]
12	AP8166738	Decal "1000"	2	Year:2007[7] Technical Specifications:Factory Version[Fac]
12	AP8166738	Decal "1000"	2	Year:2006[6]

Group	FRAME
Code	28.18
Description	Rear body - Rear fairing
Service	1



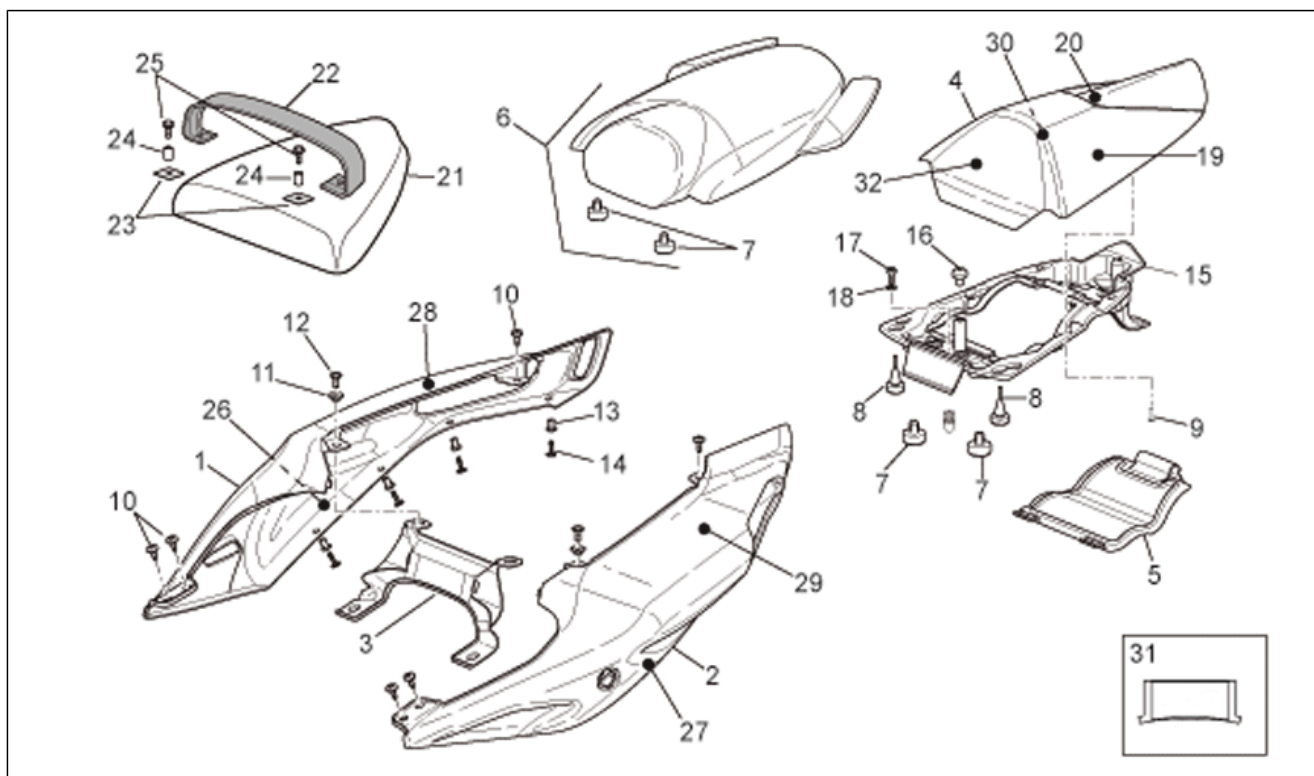
Pos.	Code	Description	Qty	Variants
1	AP8178783	RH rear fairing, grey	1	Year:2006[6] Vehicle colour:Peak Grey (s.t.15602)[peak] Technical Specifications:With decals applied[D]
1	AP8179322	RH rear fairing, red	1	Year:2006[6] Vehicle colour:Sunset Red (s.t.15061)[sun] Technical Specifications:With decals applied[D]
1	AP8179419	RH rear fairing, black	1	Year:2006[6] Vehicle colour:Diablo Black (s.t.15124)[dia] Technical Specifications:With decals applied[D]
1	AP8179425	RH rear fairing, black	1	Year:2007[7], 2008[8] Vehicle colour:Diablo Black (s.t.852632)[black], Diablo Black 2008 (s.t.859826)[black08] Technical Specifications:Without decals applied[ND], R Version[R]
1	AP8184127	RH rear fairing, white	1	Year:2007[7], 2008[8] Vehicle colour:Red Lion 2008 (s.t. 858404)[lion], Red Lion (s.t.852710)[red] Technical Specifications:Factory Version[Fac], Without decals applied[ND]
1	AP8184127	RH rear fairing, white	1	Year:2007[7] Vehicle colour:Daytona 2007 (s.t.856193)[daytona] Technical Specifications:Without decals applied[ND], R Version[R]
1	AP8184293	RH rear fairing, white	1	Year:2007[7], 2008[8] Vehicle colour:Dream Blue (s.t.852634)[blu], Dream Blue 2008 (s.t.859827)[blu08], Fluo Red (s.t.852633)[fluo] Technical Specifications:Without decals applied[ND], R Version[R]
1	AP8184330	RH rear fairing, black	1	Year:2008[8] Vehicle colour:Code Orange 2008 (s.t.859829)[cod], Silver Crowd 2008 (s.t.859830)[cro] Technical Specifications:Without decals applied[ND], R Version[R]
1	AP8184654	RH rear fairing, white	1	Year:2008[8] Vehicle colour:Ice White 2008 (s.t.859828)[ice]

Group	FRAME
Code	28.18
Description	Rear body - Rear fairing
Service	1



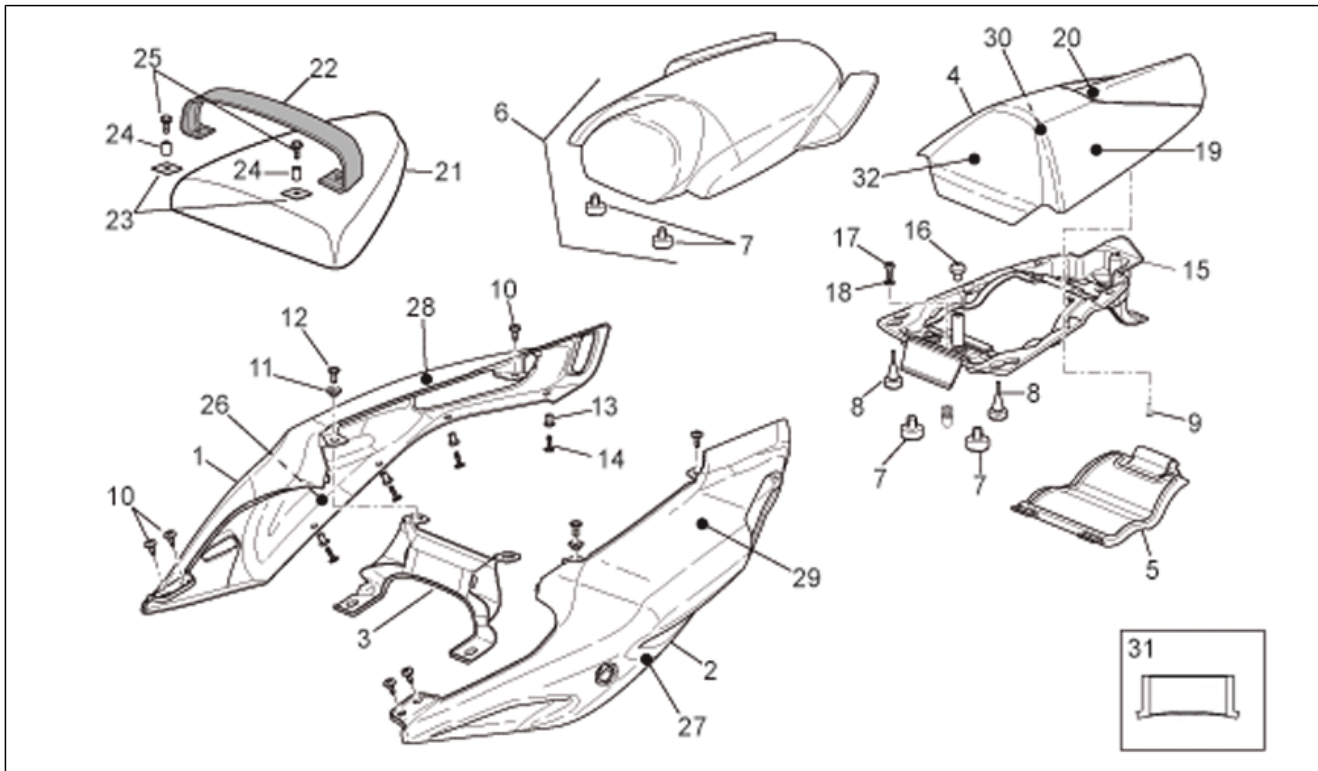
Pos.	Code	Description	Qty	Variants
				Technical Specifications: Without decals applied[ND], R Version[R]
1	AP8184803	RH rear fairing, red-black	1	Year: 2009[9] Vehicle colour: Black Dream 2009 (s.t.890830)[dre] Technical Specifications: With decals applied[D]
2	AP8179073	LH rear fairing, grey	1	Year: 2006[6] Vehicle colour: Peak Grey (s.t.15602)[peak] Technical Specifications: With decals applied[D]
2	AP8179323	LH rear fairing, red	1	Year: 2006[6] Vehicle colour: Sunset Red (s.t.15061)[sun] Technical Specifications: With decals applied[D]
2	AP8179420	LH rear fairing, black	1	Year: 2006[6] Vehicle colour: Diablo Black (s.t.15124)[dia] Technical Specifications: With decals applied[D]
2	AP8179426	LH rear fairing, black	1	Year: 2007[7], 2008[8] Vehicle colour: Diablo Black (s.t.852632)[black], Diablo Black 2008 (s.t.859826)[black08] Technical Specifications: Without decals applied[ND], R Version[R]
2	AP8184128	LH rear fairing, white	1	Year: 2007[7], 2008[8] Vehicle colour: Red Lion 2008 (s.t. 858404)[lion], Red Lion (s.t.852710)[red] Technical Specifications: Factory Version[Fac], Without decals applied[ND]
2	AP8184128	LH rear fairing, white	1	Year: 2007[7] Vehicle colour: Daytona 2007 (s.t.856193)[daytona] Technical Specifications: Without decals applied[ND], R Version[R]
2	AP8184294	LH rear fairing, white	1	Year: 2007[7], 2008[8] Vehicle colour: Dream Blue (s.t.852634)[blu], Dream Blue 2008 (s.t.859827)[blu08], Fluo Red (s.t.852633)[fluo] Technical Specifications: Without decals applied[ND], R Version[R]
2	AP8184331	LH rear fairing, white	1	Year: 2008[8]

Group	FRAME
Code	28.18
Description	Rear body - Rear fairing
Service	1



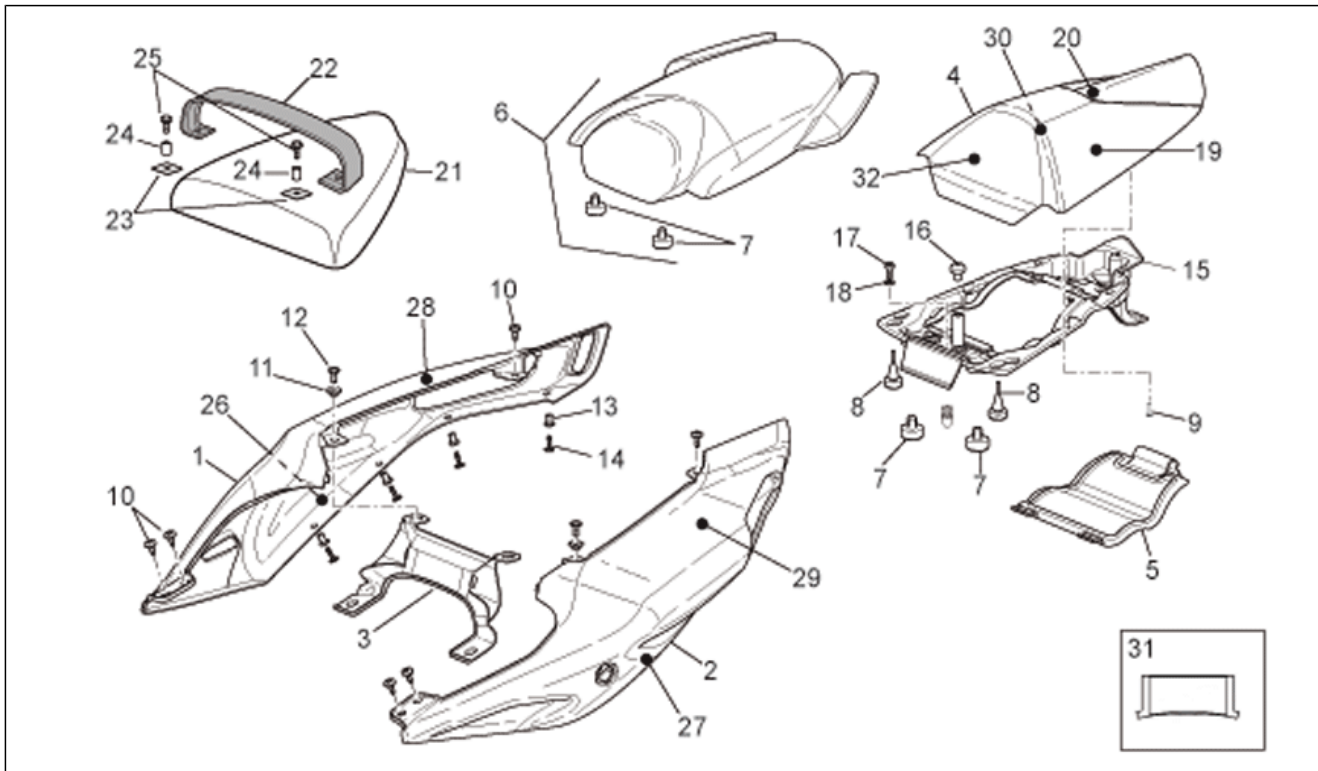
Pos.	Code	Description	Qty	Variants
				Vehicle colour: Code Orange 2008 (s.t.859829)[cod], Silver Crowd 2008 (s.t.859830)[cro] Technical Specifications: Without decals applied[ND], R Version[R]
2	AP8184655	LH rear fairing, white	1	Year: 2008[8] Vehicle colour: Ice White 2008 (s.t.859828)[ice] Technical Specifications: Without decals applied[ND], R Version[R]
2	AP8184804	LH rear fairing, red-black	1	Year: 2009[9] Vehicle colour: Black Dream 2009 (s.t.890830)[dre] Technical Specifications: With decals applied[D]
3	AP8179077	Rear fairing, grey	1	Year: 2006[6] Vehicle colour: Peak Grey (s.t.15602)[peak]
3	AP8179324	Rear fairing, red	1	Year: 2006[6] Vehicle colour: Sunset Red (s.t.15061)[sun]
3	AP8179421	Rear fairing, black	1	Year: 2006[6] Vehicle colour: Diablo Black (s.t.15124)[dia]
3	AP8179421	Rear fairing, black	1	Year: 2007[7], 2008[8] Vehicle colour: Diablo Black (s.t.852632)[black], Diablo Black 2008 (s.t.859826)[black08] Technical Specifications: R Version[R]
3	AP8179831	Rear fairing, white	1	Year: 2007[7], 2008[8] Vehicle colour: Dream Blue (s.t.852634)[blu], Dream Blue 2008 (s.t.859827)[blu08], Daytona 2007 (s.t.856193)[daytona], Fluo Red (s.t.852633)[fluo] Technical Specifications: R Version[R]
3	AP8179831	Rear fairing, white	1	Year: 2007[7], 2008[8] Vehicle colour: Red Lion 2008 (s.t. 858404)[lion], Red Lion (s.t.852710)[red] Technical Specifications: Factory Version[Fac]
3	AP8184324	Rear fairing, black	1	Year: 2008[8] Vehicle colour: Code Orange 2008 (s.t.859829)[cod], Silver Crowd 2008 (s.t.859830)[cro] Technical Specifications: R Version[R]

Group	FRAME
Code	28.18
Description	Rear body - Rear fairing
Service	1



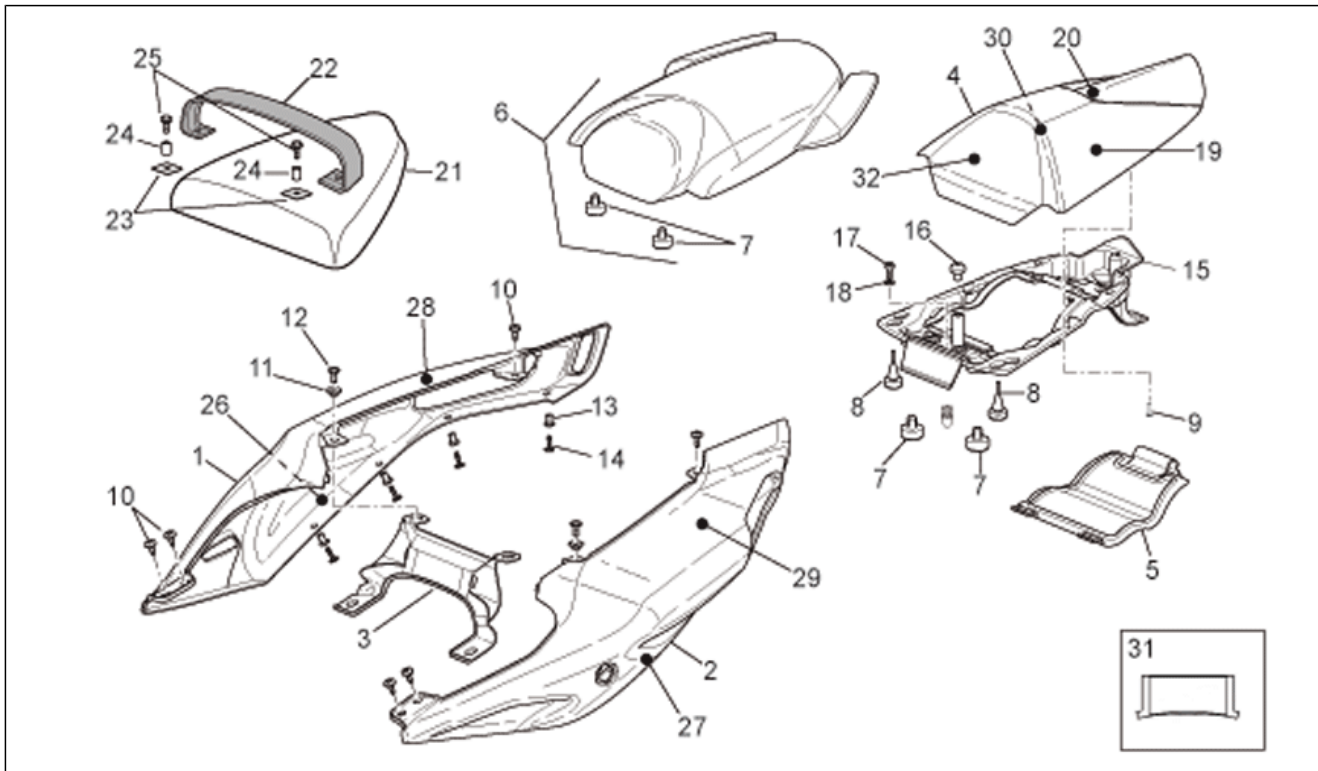
Pos.	Code	Description	Qty	Variants
3	AP8184360	Rear fairing, red	1	Year:2009[9] Vehicle colour:Black Dream 2009 (s.t.890830)[dre] Technical Specifications:Factory Version[Fac]
3	AP8184649	Rear fairing, white	1	Year:2008[8] Vehicle colour:Ice White 2008 (s.t.859828)[ice] Technical Specifications:R Version[R]
4	854974	Saddle cover KIT	1	Year:2007[7], 2008[8] Vehicle colour:Diablo Black (s.t.852632)[black], Diablo Black 2008 (s.t.859826)[black08] Technical Specifications:Accessories[A]
4	854975	Saddle cover KIT	1	Year:2007[7] Vehicle colour:Fluo Red (s.t.852633)[fluo] Technical Specifications:Accessories[A]
4	854976	Saddle cover KIT	1	Year:2007[7], 2008[8] Vehicle colour:Dream Blue (s.t.852634)[blu], Dream Blue 2008 (s.t.859827)[blu08] Technical Specifications:Accessories[A]
4	860398	Saddle cover KIT	1	Year:2008[8] Vehicle colour:Ice White 2008 (s.t.859828)[ice] Technical Specifications:Accessories[A]
4	860399	Saddle cover KIT	1	Year:2008[8] Vehicle colour:Code Orange 2008 (s.t.859829)[cod] Technical Specifications:Accessories[A]
4	860400	Saddle cover KIT	1	Year:2008[8] Vehicle colour:Silver Crowd 2008 (s.t.859830)[cro] Technical Specifications:Accessories[A]
4	AP8179074	Saddle cover, grey	1	Year:2006[6] Vehicle colour:Peak Grey (s.t.15602)[peak] Technical Specifications:With decals applied[D]
4	AP8179326	Saddle cover, red	1	Year:2006[6] Vehicle colour:Sunset Red (s.t.15061)[sun] Technical Specifications:With decals applied[D]
4	AP8179422	Saddle cover, black	1	Year:2006[6] Vehicle colour:Diablo Black (s.t.15124)[dia]

Group	FRAME
Code	28.18
Description	Rear body - Rear fairing
Service	1



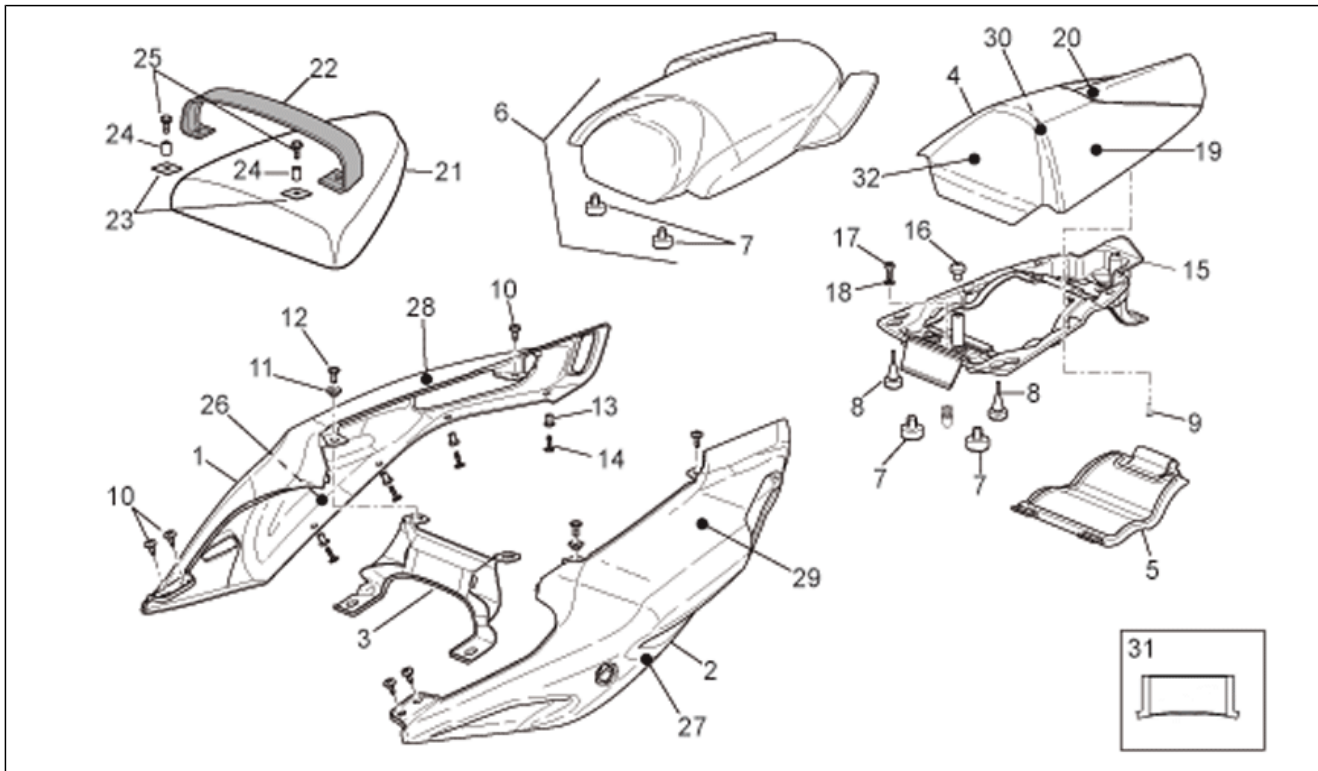
Pos.	Code	Description	Qty	Variants
				Technical Specifications: With decals applied[D]
4	AP8179427	Saddle cover, black	1	Year: 2007[7] Vehicle colour: Diablo Black (s.t.852632)[black] Technical Specifications: Without decals applied[ND], R Version[R]
4	AP8179472	Seat cover, white	1	Year: 2009[9] Vehicle colour: Black Dream 2009 (s.t.890830)[dre] Technical Specifications: Factory Version[Fac], Without decals applied[ND]
4	AP8179480	Saddle cover, aprilia black	1	Year: 2007[7] Vehicle colour: Dream Blue (s.t.852634)[blu], Daytona 2007 (s.t.856193)[daytona], Fluo Red (s.t.852633)[fluo] Technical Specifications: Without decals applied[ND], R Version[R]
4	AP8179480	Saddle cover, aprilia black	1	Year: 2007[7] Vehicle colour: Red Lion (s.t.852710)[red] Technical Specifications: Factory Version[Fac], Without decals applied[ND]
5	AP8158138	Door	1	
6	AP8129442	Rear saddle, black	1	Year: 2006[6] Vehicle colour: Diablo Black (s.t.15124)[dia], Peak Grey (s.t.15602)[peak]
6	AP8129466	Rear saddle, red	1	Year: 2006[6] Vehicle colour: Sunset Red (s.t.15061)[sun]
6	AP8129519	Rear saddle, black	1	Year: 2009[9] Vehicle colour: Black Dream 2009 (s.t.890830)[dre] Technical Specifications: Factory Version[Fac]
7	AP8220349	Rubber spacer	4	
8	AP8220238	Rubber spacer	2	
9	AP8150413	Self-tap screw 3,9x14	7	
10	AP8152302	Screw w/ flange M5x12	6	
11	AP8221145	T bush *	2	
12	AP8224470	Hex socket screw M6x20	2	

Group	FRAME
Code	28.18
Description	Rear body - Rear fairing
Service	1



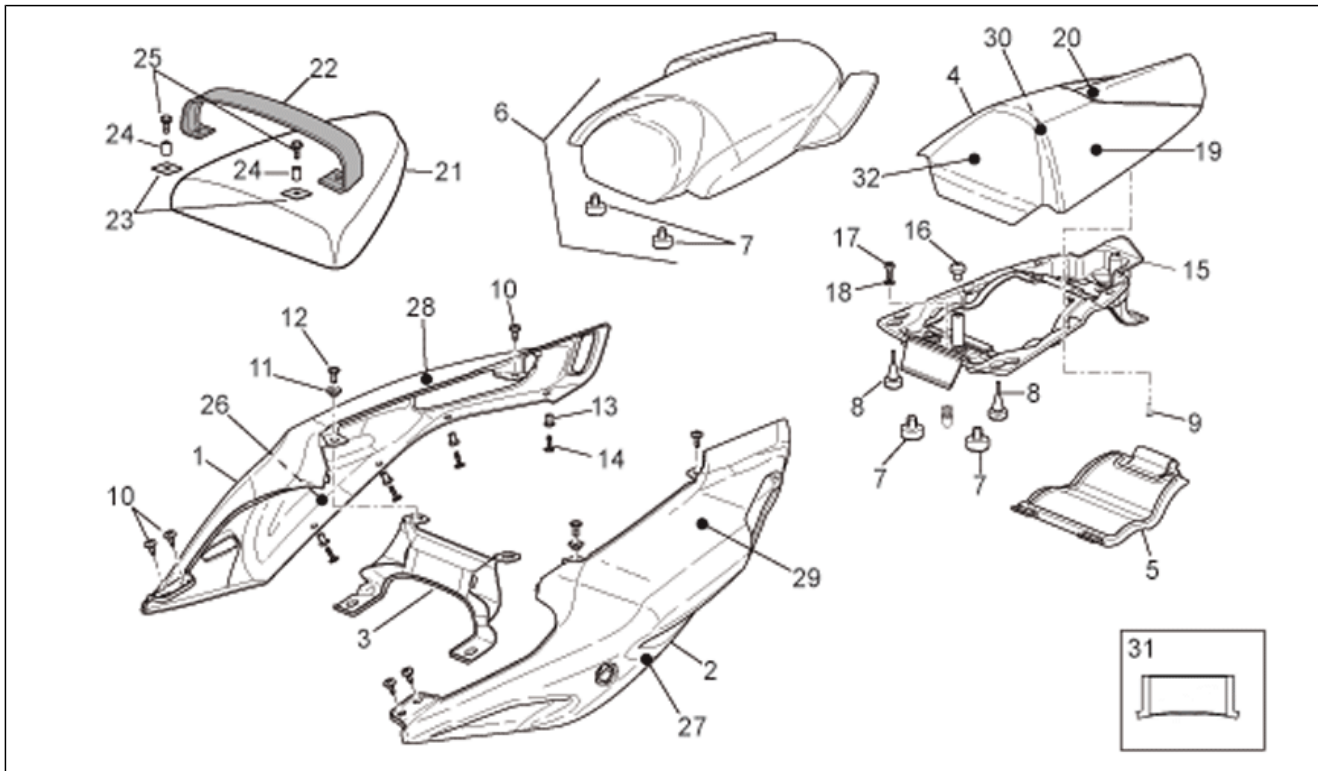
Pos.	Code	Description	Qty	Variants
13	AP8144616	Rivet, female	8	
14	AP8144563	Rivet, male	8	
15	AP8179075	Saddle cover base	1	
16	AP8144081	Rubber spacer	1	
17	AP8152043	Hex socket screw M4x10	1	
18	AP8150011	Washer 4,3x12x1	1	
19	852585	LH numberplate	1	Year:2007[7] Vehicle colour:Daytona 2007 (s.t.856193)[daytona], Fluo Red (s.t.852633)[fluo] Technical Specifications:R Version[R]
19	852585	LH numberplate	1	Year:2007[7], 2008[8] Vehicle colour:Red Lion 2008 (s.t. 858404)[lion], Red Lion (s.t.852710)[red] Technical Specifications:Factory Version[Fac]
19	852783	LH numberplate	1	Year:2007[7], 2008[8] Vehicle colour:Diablo Black (s.t.852632)[black], Diablo Black 2008 (s.t.859826)[black08] Technical Specifications:R Version[R]
19	852820	LH numberplate	1	Year:2007[7], 2008[8] Vehicle colour:Dream Blue (s.t.852634)[blu], Dream Blue 2008 (s.t.859827)[blu08] Technical Specifications:R Version[R]
19	860212	LH numberplate	1	Year:2008[8] Vehicle colour:Ice White 2008 (s.t.859828)[ice] Technical Specifications:R Version[R]
19	890915	LH numberplate	1	Year:2009[9] Vehicle colour:Black Dream 2009 (s.t.890830)[dre] Technical Specifications:Factory Version[Fac]
20	852583	Saddle cover decal Aprilia	1	Year:2007[7], 2008[8] Vehicle colour:Dream Blue (s.t.852634)[blu], Dream Blue 2008 (s.t.859827)[blu08], Daytona 2007 (s.t.856193)[daytona], Fluo Red (s.t.852633)[fluo] Technical Specifications:R Version[R]

Group	FRAME
Code	28.18
Description	Rear body - Rear fairing
Service	1



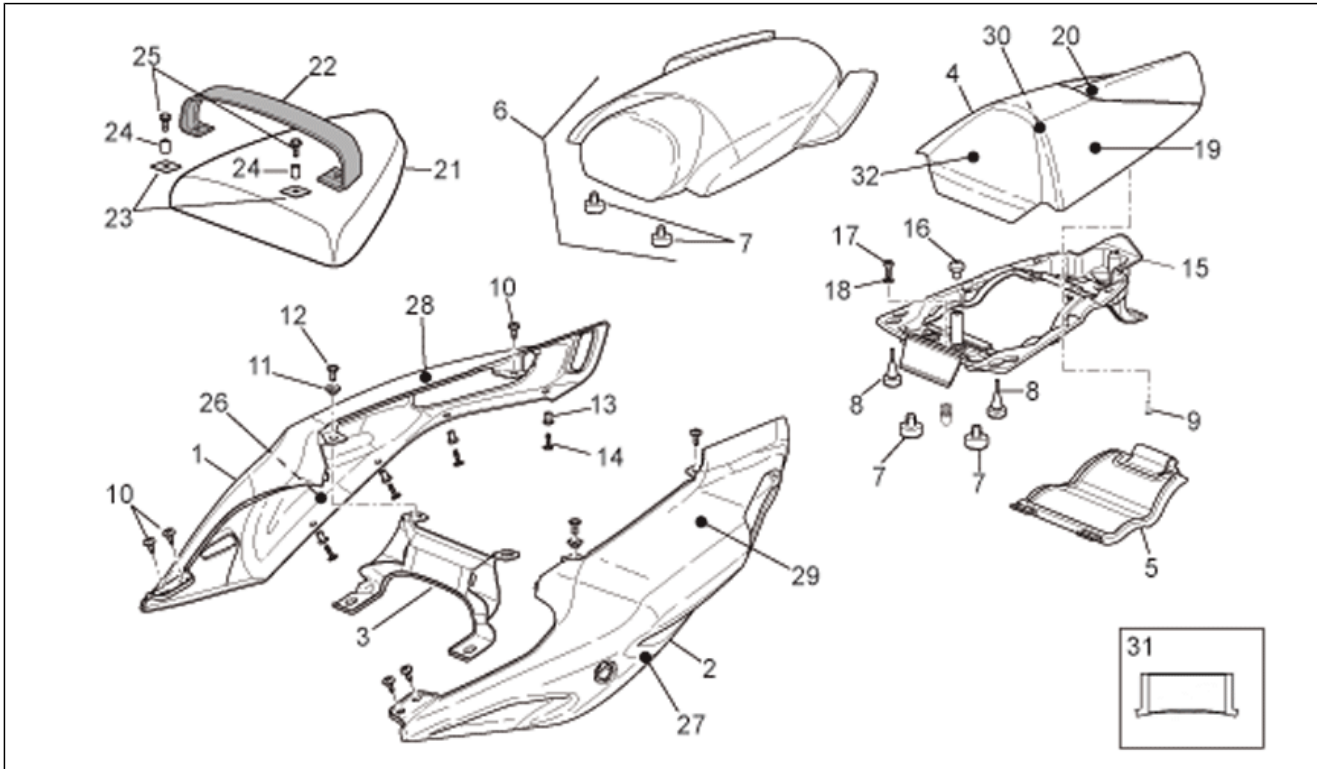
Pos.	Code	Description	Qty	Variants
20	852583	Saddle cover decal Aprilia	1	Year:2007[7], 2008[8] Vehicle colour:Red Lion 2008 (s.t. 858404)[lion], Red Lion (s.t.852710)[red] Technical Specifications:Factory Version[Fac]
20	852784	Saddle cover decal Aprilia	1	Year:2007[7], 2008[8] Vehicle colour:Diablo Black (s.t.852632)[black], Diablo Black 2008 (s.t.859826)[black08] Technical Specifications:R Version[R]
20	854560	Saddle cover decal	1	Year:2008[8] Vehicle colour:Code Orange 2008 (s.t.859829)[cod], Silver Crowd 2008 (s.t.859830)[cro]
20	860213	Saddle cover decal	1	Year:2008[8] Vehicle colour:Ice White 2008 (s.t.859828)[ice]
20	AP8166737	Saddle cover decal Aprilia	1	Year:2006[6] Vehicle colour:Peak Grey (s.t.15602)[peak], Sunset Red (s.t.15061)[sun]
20	AP8166851	Saddle cover decal Aprilia	1	Year:2006[6] Vehicle colour:Diablo Black (s.t.15124)[dia]
21	AP8129467	Rear saddle, black	1	Year:2007[7], 2008[8] Vehicle colour:Diablo Black (s.t.852632)[black], Diablo Black 2008 (s.t.859826)[black08], Code Orange 2008 (s.t.859829)[cod], Silver Crowd 2008 (s.t.859830)[cro], Ice White 2008 (s.t.859828)[ice] Technical Specifications:R Version[R]
21	AP8129474	Rear saddle, red	1	Year:2007[7] Vehicle colour:Red Lion (s.t.852710)[red] Technical Specifications:Factory Version[Fac]
21	AP8129474	Rear saddle, red	1	Year:2007[7] Vehicle colour:Daytona 2007 (s.t.856193)[daytona], Fluo Red (s.t.852633)[fluo] Technical Specifications:R Version[R]
21	AP8129504	Rear saddle, blue	1	Year:2007[7], 2008[8] Vehicle colour:Dream Blue (s.t.852634)[blu], Dream Blue 2008 (s.t.859827)[blu08]

Group	FRAME
Code	28.18
Description	Rear body - Rear fairing
Service	1



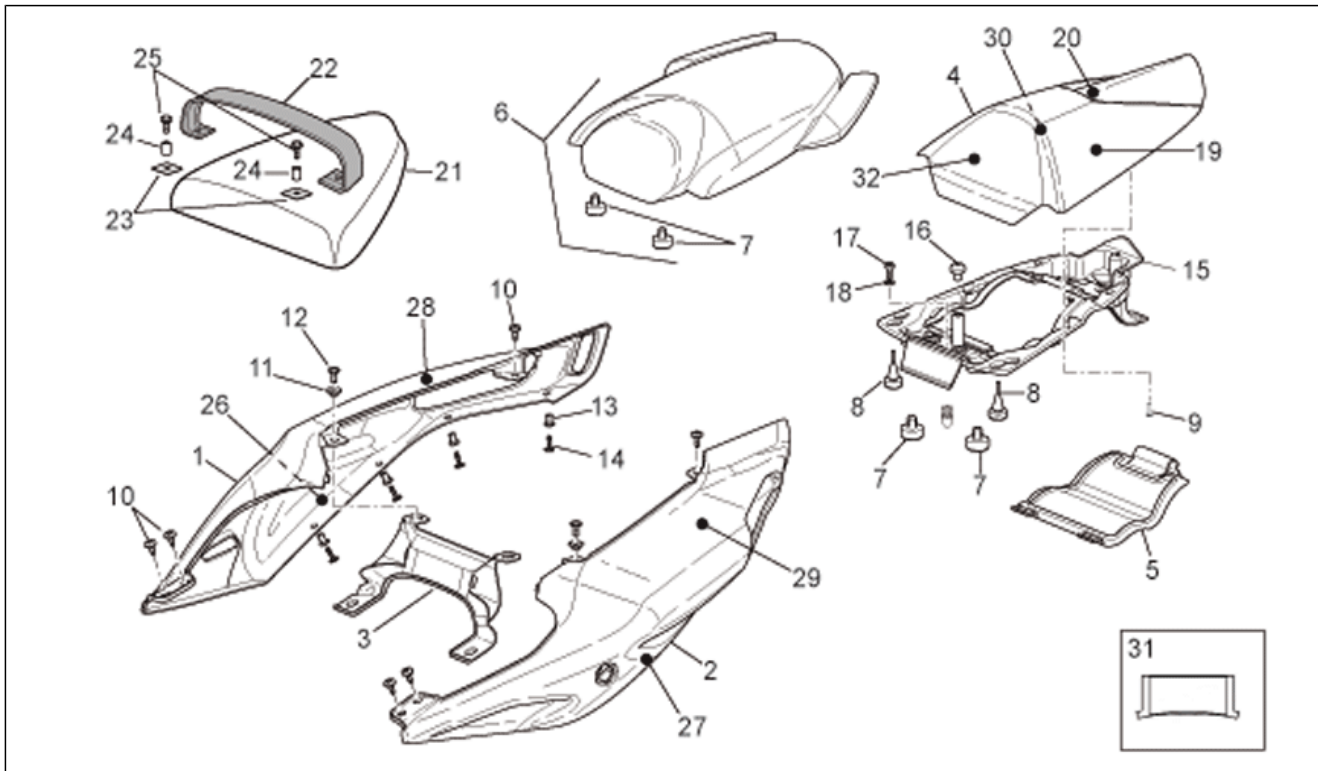
Pos.	Code	Description	Qty	Variants
				Technical Specifications: R Version[R]
21	AP8129514	Rear saddle, red	1	Year: 2008[8] Vehicle colour: Red Lion 2008 (s.t. 858404)[lion] Technical Specifications: Factory Version[Fac]
22	AP8129468	Pillion seat strap, black	1	Year: 2007[7], 2008[8] Vehicle colour: Diablo Black (s.t.852632)[black], Diablo Black 2008 (s.t.859826)[black08], Code Orange 2008 (s.t.859829)[cod], Silver Crowd 2008 (s.t.859830)[cro], Ice White 2008 (s.t.859828)[ice] Technical Specifications: R Version[R]
22	AP8129475	Pillion seat strap, red	1	Year: 2007[7] Vehicle colour: Red Lion (s.t.852710)[red] Technical Specifications: Factory Version[Fac]
22	AP8129475	Pillion seat strap, red	1	Year: 2007[7], 2008[8], 2009[9] Vehicle colour: Daytona 2007 (s.t.856193)[daytona], Fluo Red (s.t.852633)[fluo] Technical Specifications: R Version[R]
22	AP8129505	Pillion seat strap, blue	1	Year: 2007[7], 2008[8] Vehicle colour: Dream Blue (s.t.852634)[blu], Dream Blue 2008 (s.t.859827)[blu08] Technical Specifications: R Version[R]
22	AP8129515	Pillion seat strap, red	1	Year: 2008[8] Vehicle colour: Red Lion 2008 (s.t. 858404)[lion] Technical Specifications: Factory Version[Fac]
22	AP8184806	Pillion seat strap, black	1	Year: 2009[9] Vehicle colour: Black Dream 2009 (s.t.890830)[dre] Technical Specifications: Factory Version[Fac]
23	AP8134654	Plate	2	Year: 2007[7], 2008[8], 2009[9] Technical Specifications: Factory Version[Fac], R Version[R]
24	AP8120253	Spacer	2	Year: 2007[7], 2008[8], 2009[9] Technical Specifications: Factory Version[Fac], R Version[R]
25	AP8152281	Screw w/ flange M6x30	2	Year: 2007[7], 2008[8], 2009[9] Technical Specifications: Factory Version[Fac], R Version[R]
26	852579	RH rear fairing decal	1	Year: 2007[7]

Group	FRAME
Code	28.18
Description	Rear body - Rear fairing
Service	1



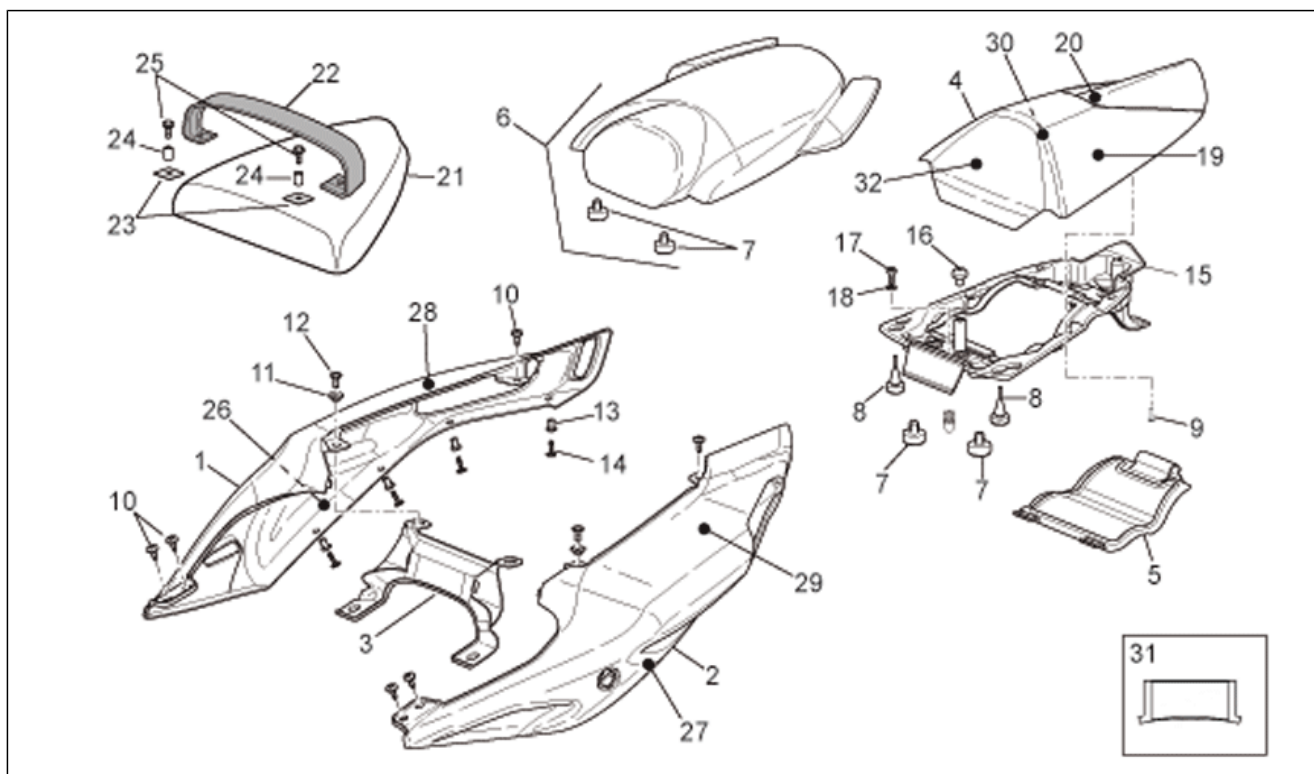
Pos.	Code	Description	Qty	Variants
				Vehicle colour:Red Lion (s.t.852710)[red] Technical Specifications:Factory Version[Fac]
26	852579	RH rear fairing decal	1	Year:2007[7] Vehicle colour:Daytona 2007 (s.t.856193)[daytona] Technical Specifications:R Version[R]
26	AP8166764	RH rear fairing decal	1	Year:2006[6] Vehicle colour:Sunset Red (s.t.15061)[sun]
27	852580	LH rear fairing decal	1	Year:2007[7] Vehicle colour:Red Lion (s.t.852710)[red] Technical Specifications:Factory Version[Fac]
27	852580	LH rear fairing decal	1	Year:2007[7] Vehicle colour:Daytona 2007 (s.t.856193)[daytona] Technical Specifications:R Version[R]
27	AP8166765	LH rear fairing decal	1	Year:2006[6] Vehicle colour:Sunset Red (s.t.15061)[sun]
28	852581	RH rear fairing decal	1	Year:2007[7], 2008[8] Vehicle colour:Red Lion 2008 (s.t. 858404)[lion], Red Lion (s.t.852710)[red] Technical Specifications:Factory Version[Fac]
28	852780	RH rear fairing decal	1	Year:2007[7], 2008[8] Vehicle colour:Diablo Black (s.t.852632)[black], Diablo Black 2008 (s.t.859826)[black08] Technical Specifications:R Version[R]
28	852801	RH rear fairing decal	1	Year:2007[7] Vehicle colour:Fluo Red (s.t.852633)[fluo] Technical Specifications:R Version[R]
28	852817	RH rear fairing decal	1	Year:2007[7], 2008[8] Vehicle colour:Dream Blue (s.t.852634)[blu], Dream Blue 2008 (s.t.859827)[blu08] Technical Specifications:R Version[R]
28	856249	RH rear fairing decal	1	Year:2007[7] Vehicle colour:Daytona 2007 (s.t.856193)[daytona] Technical Specifications:R Version[R]
28	860209	RH rear fairing decal	1	Year:2008[8]

Group	FRAME
Code	28.18
Description	Rear body - Rear fairing
Service	1



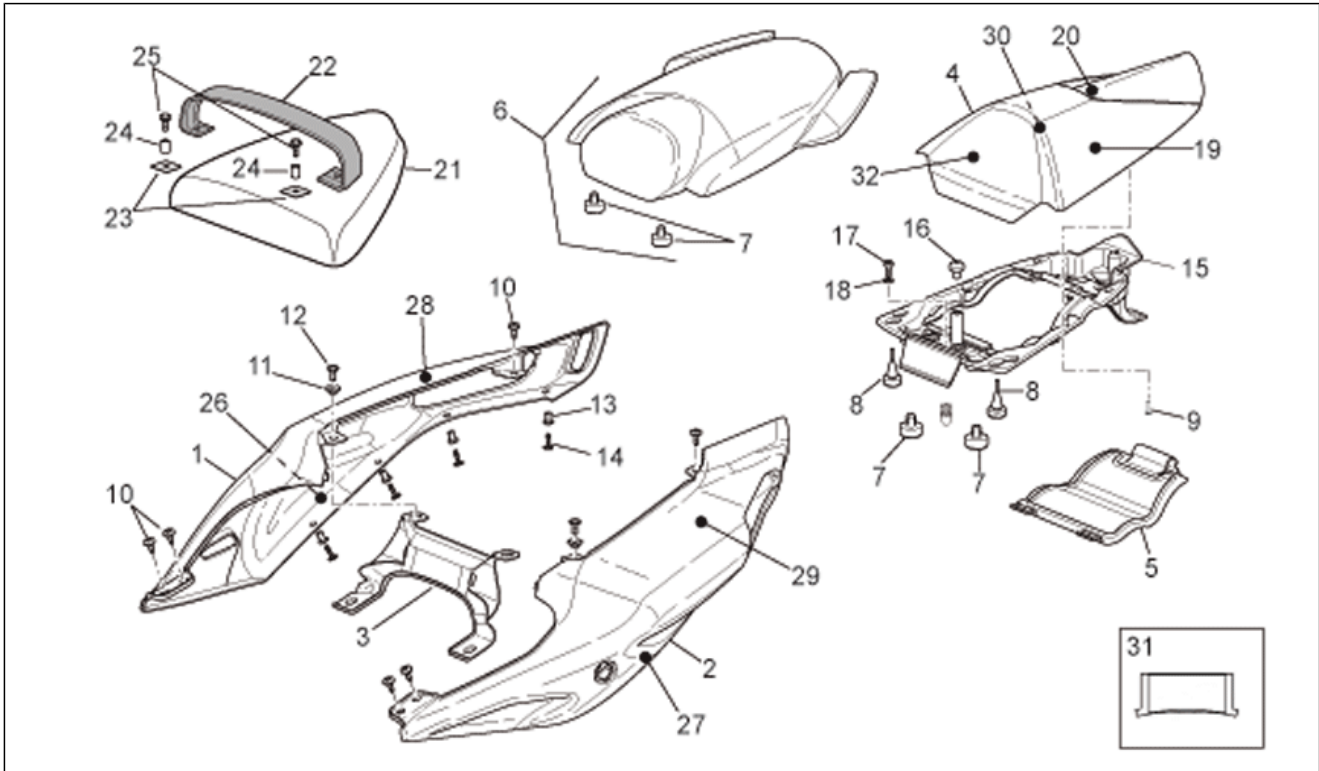
Pos.	Code	Description	Qty	Variants
				Vehicle colour:Ice White 2008 (s.t.859828)[ice] Technical Specifications:R Version[R]
28	860218	RH rear fairing decal	1	Year:2008[8] Vehicle colour:Code Orange 2008 (s.t.859829)[cod] Technical Specifications:R Version[R]
28	860220	RH rear fairing decal	1	Year:2008[8] Vehicle colour:Silver Crowd 2008 (s.t.859830)[cro] Technical Specifications:R Version[R]
28	890912	RH rear fairing decal	1	Year:2009[9] Vehicle colour:Black Dream 2009 (s.t.890830)[dre] Technical Specifications:Factory Version[Fac]
29	852582	LH rear fairing decal	1	Year:2007[7], 2008[8] Vehicle colour:Red Lion 2008 (s.t. 858404)[lion], Red Lion (s.t.852710)[red] Technical Specifications:Factory Version[Fac]
29	852781	LH rear fairing decal	1	Year:2007[7], 2008[8] Vehicle colour:Diablo Black (s.t.852632)[black], Diablo Black 2008 (s.t.859826)[black08] Technical Specifications:R Version[R]
29	852802	LH rear fairing decal	1	Year:2007[7] Vehicle colour:Fluo Red (s.t.852633)[fluo] Technical Specifications:R Version[R]
29	852818	LH rear fairing decal	1	Year:2007[7], 2008[8] Vehicle colour:Dream Blue (s.t.852634)[blu], Dream Blue 2008 (s.t.859827)[blu08] Technical Specifications:R Version[R]
29	856250	LH rear fairing decal	1	Year:2007[7] Vehicle colour:Daytona 2007 (s.t.856193)[daytona] Technical Specifications:R Version[R]
29	860210	LH rear fairing decal	1	Year:2008[8] Vehicle colour:Ice White 2008 (s.t.859828)[ice] Technical Specifications:R Version[R]
29	860219	LH rear fairing decal	1	Year:2008[8] Vehicle colour:Code Orange 2008 (s.t.859829)[cod]

Group	FRAME
Code	28.18
Description	Rear body - Rear fairing
Service	1



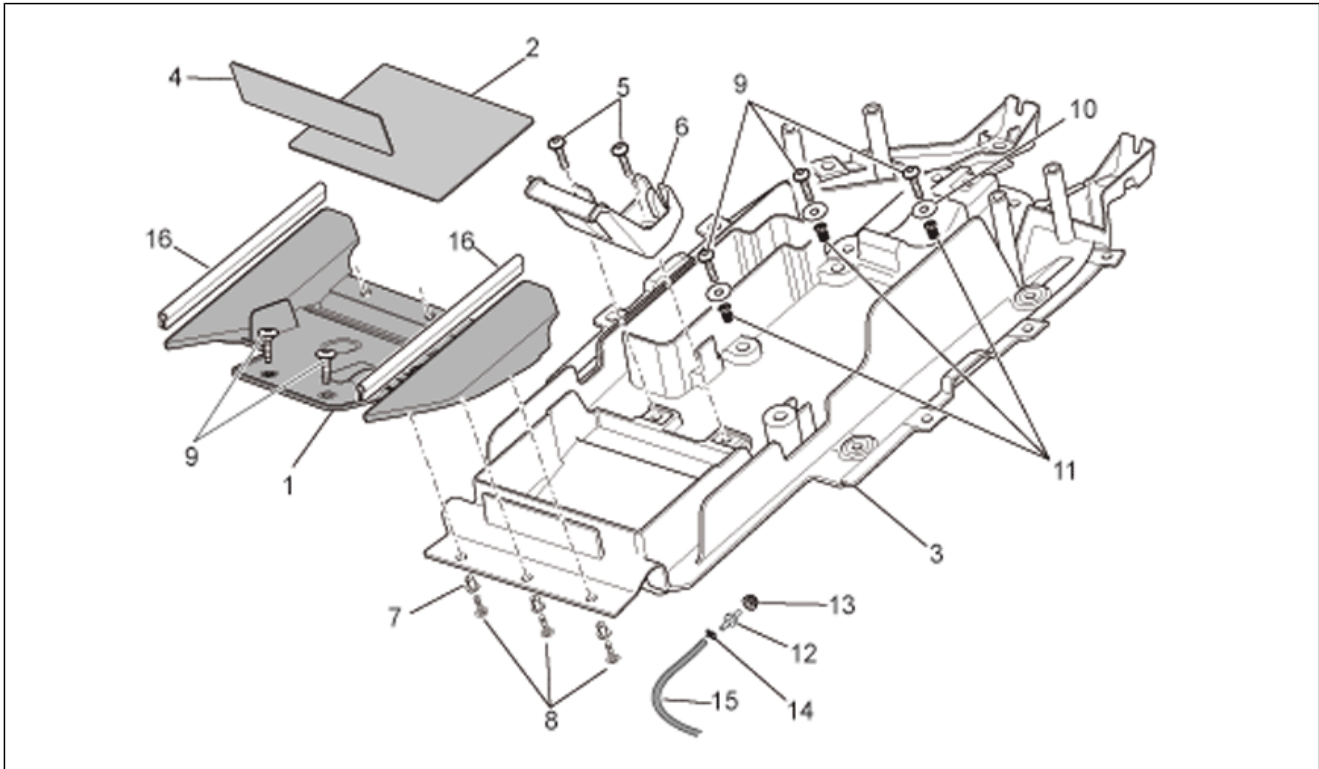
Pos.	Code	Description	Qty	Variants
				Technical Specifications: R Version[R]
29	860221	LH rear fairing decal	1	Year: 2008[8] Vehicle colour: Silver Crowd 2008 (s.t.859830)[cro] Technical Specifications: R Version[R]
29	890913	LH rear fairing decal	1	Year: 2009[9] Vehicle colour: Black Dream 2009 (s.t.890830)[dre] Technical Specifications: Factory Version[Fac]
30	852584	RH numberplate	1	Year: 2007[7], 2008[8] Vehicle colour: Red Lion 2008 (s.t. 858404)[lion], Red Lion (s.t.852710)[red] Technical Specifications: Factory Version[Fac]
30	852584	RH numberplate	1	Year: 2007[7] Vehicle colour: Daytona 2007 (s.t.856193)[daytona], Fluo Red (s.t.852633)[fluo] Technical Specifications: R Version[R]
30	852782	RH numberplate	1	Year: 2007[7], 2008[8] Vehicle colour: Diablo Black (s.t.852632)[black], Diablo Black 2008 (s.t.859826)[black08] Technical Specifications: R Version[R]
30	852819	RH numberplate	1	Year: 2007[7], 2008[8] Vehicle colour: Dream Blue (s.t.852634)[blu], Dream Blue 2008 (s.t.859827)[blu08] Technical Specifications: R Version[R]
30	860211	RH numberplate	1	Year: 2008[8] Vehicle colour: Ice White 2008 (s.t.859828)[ice] Technical Specifications: R Version[R]
30	890914	RH numberplate	1	Year: 2009[9] Vehicle colour: Black Dream 2009 (s.t.890830)[dre] Technical Specifications: Factory Version[Fac]
31	890916	Transfer centre black	1	Year: 2009[9] Vehicle colour: Black Dream 2009 (s.t.890830)[dre] Technical Specifications: Factory Version[Fac]
32	893702	Backrest	1	Year: 2009[9] Vehicle colour: Black Dream 2009 (s.t.890830)[dre]

Group	FRAME
Code	28.18
Description	Rear body - Rear fairing
Service	1



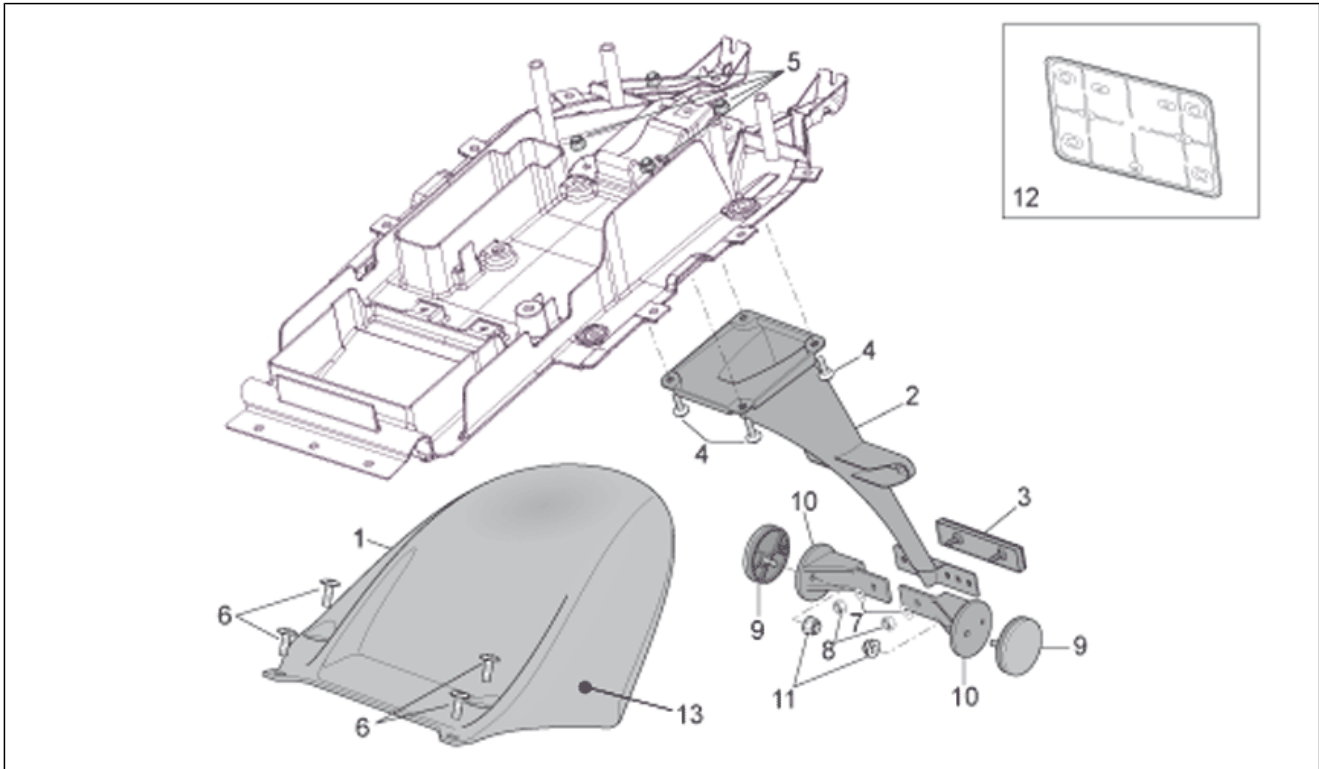
Pos.	Code	Description	Qty	Variants
				Technical Specifications:Factory Version[Fac]

Group	FRAME
Code	28.19
Description	Undersaddle
Service	1



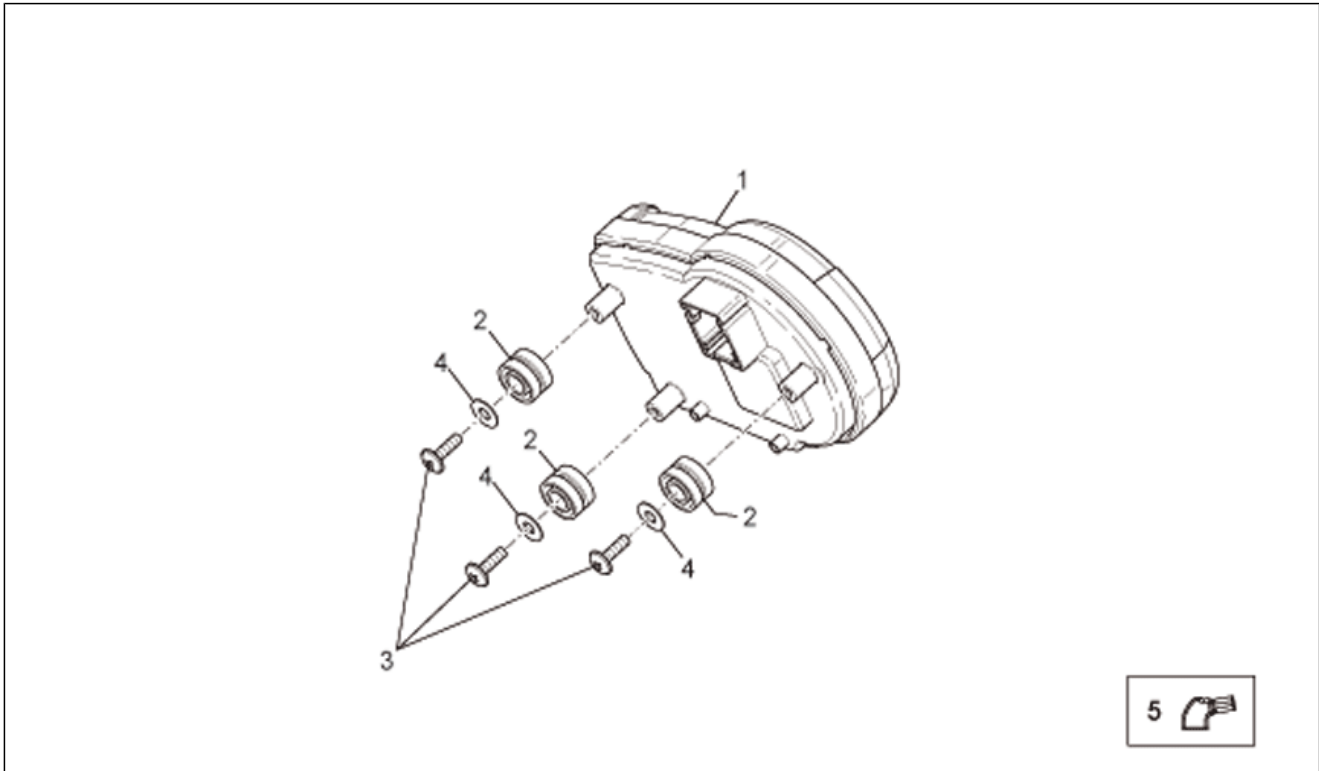
Pos.	Code	Description	Qty	Variants
1	AP8158146	Saddle supp.front lockup	1	
2	AP8144553	Support rubber part	1	
3	AP8179287	Saddle supp.lower lockup	1	
4	AP8144552	Support rubber part	1	
5	AP8152298	Screw w/ flange M5x16	2	
6	AP8146904	Maintenance	1	
7	AP8144616	Rivet, female	3	
8	AP8144563	Rivet, male	3	
9	AP8152302	Screw w/ flange M5x12	2	
10	AP8121795	T bush	3	
11	AP8112600	Rubber spacer	3	
12	AP8104879	Pipe holder	1	
13	AP8150026	Nut M6	1	
14	AP8120179	Hose clamp D8	1	
15	AP8220598	Breather pipe	1	
16	AP8117276	Heat protection gasket	2	

Group	FRAME
Code	28.20
Description	Rear mudguard
Service	1



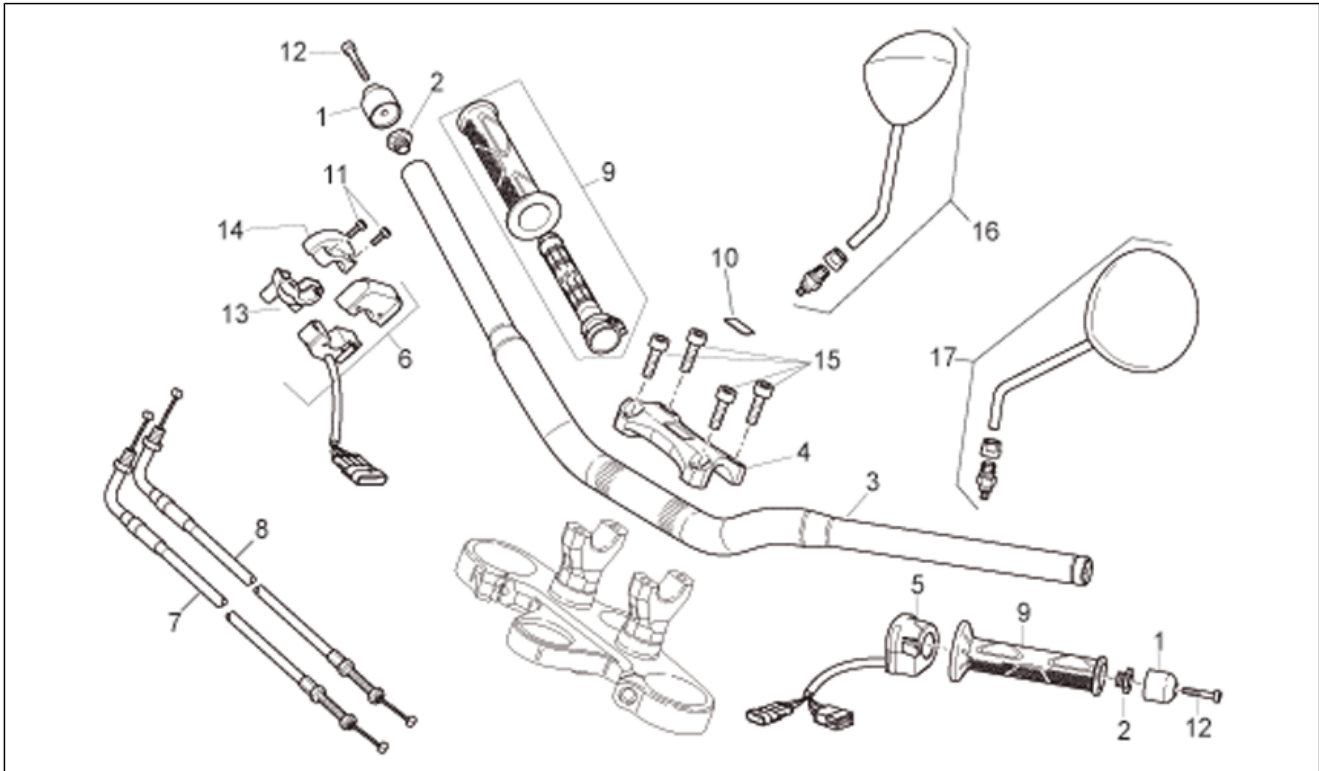
Pos.	Code	Description	Qty	Variants
1	AP8126983	Rear mudguard	1	Year:2007[7], 2008[8] Technical Specifications:R Version[R]
1	AP8126983	Rear mudguard	1	Year:2006[6]
1	AP8156165	Rear mudguard, carb.	1	Year:2007[7], 2008[8], 2009[9] Technical Specifications:Factory Version[Fac]
2	AP8126949	Number plate holder	1	
3	AP8112916	Rear reflector	1	
4	AP8152246	Screw w/ flange M6x16	4	
5	AP8152299	Self-locking nut M6	4	
6	AP8152302	Screw w/ flange M5x12	4	
7	AP8150158	Washer 4,3X9X0,8	2	
8	AP8150204	Nut M4	2	
9	AP8224164	Rear reflector, red	2	Country:United States of America[USA]
10	AP8134783	Reflector support	2	Country:United States of America[USA]
11	AP8152306	Self-locking nut m5	2	Country:United States of America[USA]
12	AP8149034	Number plate support	1	Country:United States of America[USA]
13	AP8177792	Chain decal	1	

Group	FRAME
Code	28.21
Description	Dashboard
Service	1



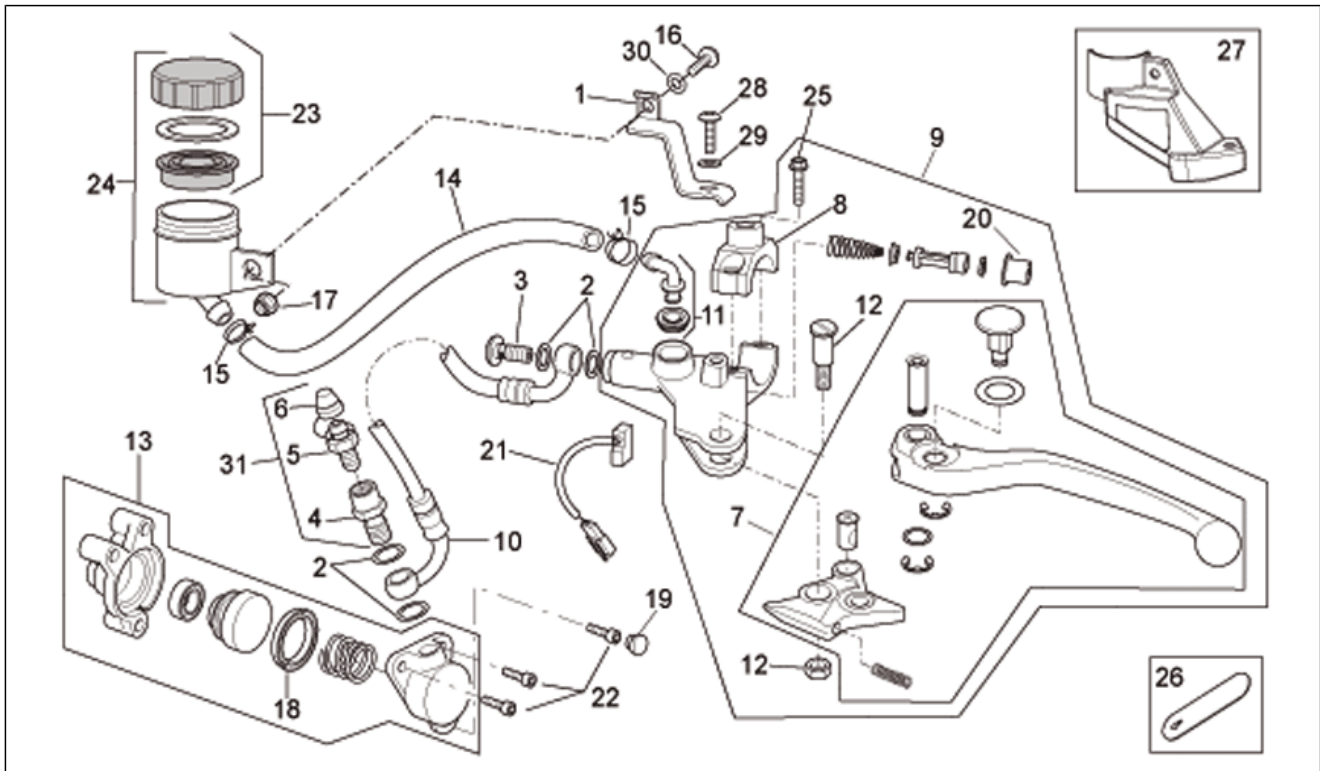
Pos.	Code	Description	Qty	Variants
1	AP8127705	Dashboard complete	1	
2	AP8220150	Rubber spacer	3	
3	AP8150509	Self-tap screw 5x14	3	
4	AP8150255	Washer 5x20x1,5	3	
5	856152	Insulating cap	1	

Group	FRAME
Code	28.22
Description	Handlebar - Controls
Service	1



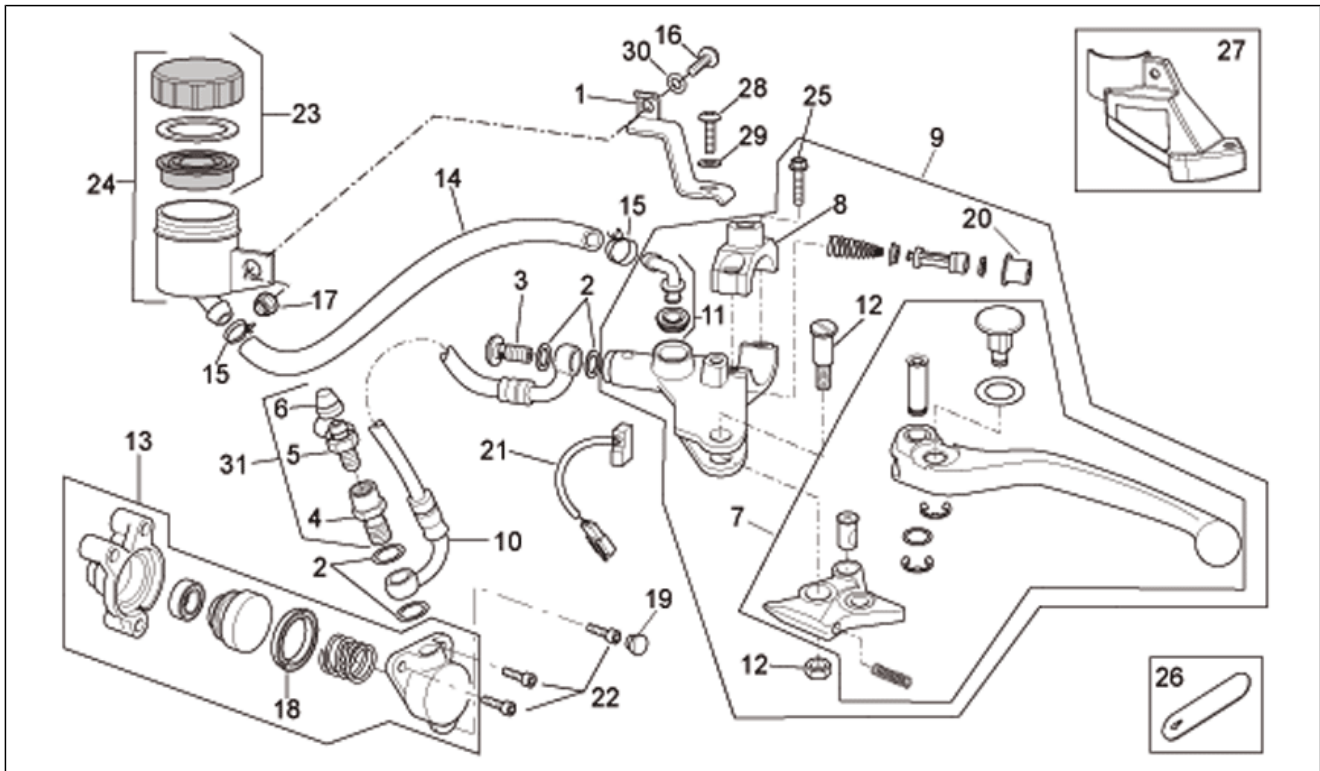
Pos.	Code	Description	Qty	Variants
1	AP8104509	Anti.v weight, black	2	
2	AP8121520	Anti vib.weight trailing	2	
3	AP8118678	Handlebar, gold	1	
4	AP8118708	Upper U-bolt	1	
5	AP8127703	LH lights selector	1	
6	AP8118637	Engine stop-start device	1	
7	AP8114478	Gas trasmission delivery	1	
8	AP8114479	Gas trasmission return	1	
9	AP8118501	Handgrip pair, black	1	
10	AP8157770	"Aprilia" dataplate	1	
11	AP8118492	Cap screw	2	
12	AP8152003	Hex socket screw M6x40	2	
13	AP8118566	Front gas lever U-bolt	1	
14	AP8118567	Rear gas lever U-bolt	1	
15	AP8152486	Screw M8x25 INOX	4	
16	AP8104921	RH rearview mirror	1	
17	AP8104922	LH rearview mirror	1	

Group	FRAME
Code	28.23
Description	Clutch pump
Service	1



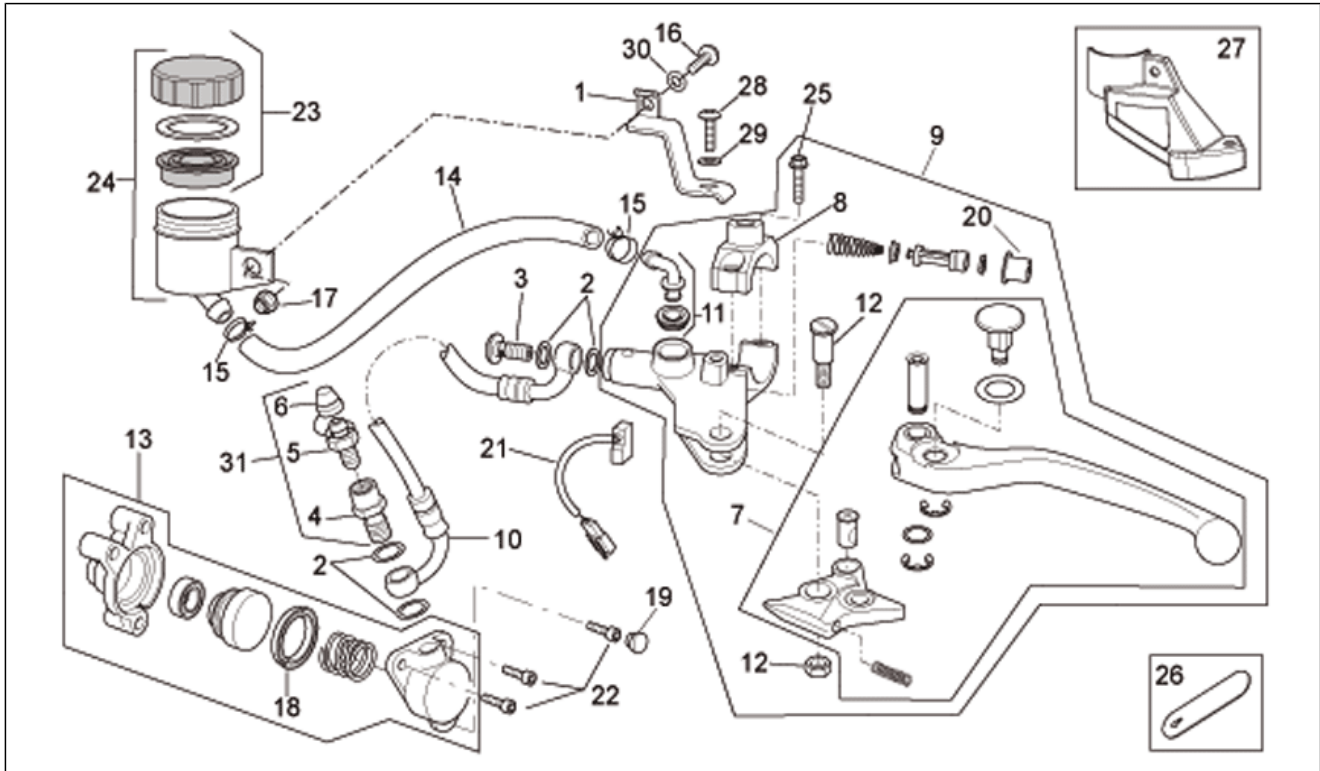
Pos.	Code	Description	Qty	Variants
1	AP8134898	Oil tank plate	1	Year:2007[7], 2008[8] Technical Specifications:R Version[R]
1	AP8134898	Oil tank plate	1	Year:2006[6]
2	AP8121915	Gasket	4	
3	852702	Oil pipe screw	1	Year:2007[7], 2008[8] Technical Specifications:R Version[R]
3	AP8113594	Rear brake pump union	1	Year:2006[6]
3	AP8113594	Rear brake pump union	1	Year:2007[7], 2008[8], 2009[9] Technical Specifications:Factory Version[Fac]
4	AP8133597	screw	1	Year:2007[7], 2008[8], 2009[9] Technical Specifications:Factory Version[Fac]
4	AP8133597	screw	1	Year:2006[6]
5	AP8133595	Air bleed valve	1	Year:2007[7], 2008[8], 2009[9] Technical Specifications:Factory Version[Fac]
5	AP8133595	Air bleed valve	1	Year:2006[6]
6	AP8113230	Bleed valve cap	1	Year:2006[6]
6	AP8113230	Bleed valve cap	1	Year:2007[7], 2008[8], 2009[9] Technical Specifications:Factory Version[Fac]
7	AP8118718	Clutch lever	1	
8	AP8168217	Rearview mirror base	1	
9	AP8176194	Clutch pump	1	
10	852705	Clutch pipe	1	Year:2007[7], 2008[8] Technical Specifications:R Version[R]
10	AP8133857	Clutch pipe	1	Year:2006[6]
10	AP8133857	Clutch pipe	1	Year:2007[7], 2008[8], 2009[9] Technical Specifications:Factory Version[Fac]
11	AP8213057	Rear brake pump union	1	
12	AP8113719	Lever pin	1	
13	AP8106381	Clutch command cylinder	1	
14	AP8144151	Rubber pipe	1	

Group	FRAME
Code	28.23
Description	Clutch pump
Service	1



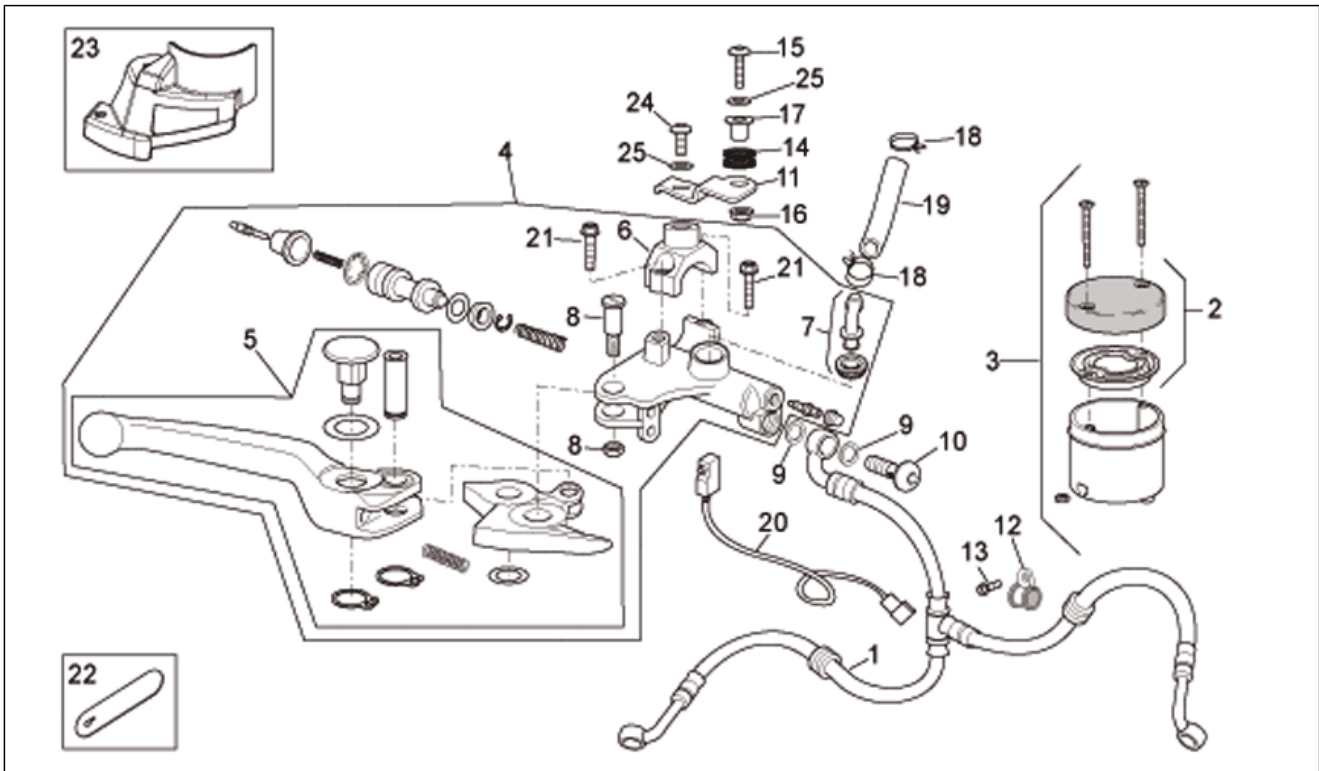
Pos.	Code	Description	Qty	Variants
15	AP8101595	Hose clamp D10,1	2	
16	AP8150538	Hex socket screw M5x10	1	Year:2007[7], 2008[8], 2009[9] Technical Specifications:Factory Version[Fac]
16	AP8152273	Screw w/ flange M5X15	1	Year:2007[7], 2008[8] Technical Specifications:R Version[R]
16	AP8152273	Screw w/ flange M5X15	1	Year:2006[6]
17	AP8150539	Cap nut	1	Year:2007[7], 2008[8], 2009[9] Technical Specifications:Factory Version[Fac]
17	AP8152306	Self-locking nut m5	1	Year:2007[7], 2008[8] Technical Specifications:R Version[R]
17	AP8152306	Self-locking nut m5	1	Year:2006[6]
18	AP8106935	Gasket	1	
19	AP8144158	Rubber spacer	1	
20	AP8133522	Guard	1	
21	AP8127320	Clutch switch+harness	1	
22	AP0241821	Hex socket screw M6x45	3	
23	AP8113553	Tank cap	1	
24	AP8106382	Oil tank	1	
25	AP8213299	Cap screw	2	
26	AP8104606	Hose clamp	1	
27	AP8154089	Oil tank support	1	Year:2007[7], 2008[8], 2009[9] Technical Specifications:Factory Version[Fac]
28	AP8150537	Hex socket screw M6x12	1	Year:2007[7], 2008[8], 2009[9] Technical Specifications:Factory Version[Fac]
28	AP8152277	Screw w/ flange M6x12	1	Year:2006[6]
28	AP8152277	Screw w/ flange M6x12	1	Year:2007[7], 2008[8] Technical Specifications:R Version[R]
29	AP8150429	Spring washer 6,4x11x0,5*	1	Year:2007[7], 2008[8], 2009[9] Technical Specifications:Factory Version[Fac]
30	AP8150272	Curved spring washer 5,3x10x0,5	1	Year:2007[7], 2008[8], 2009[9]

Group	FRAME
Code	28.23
Description	Clutch pump
Service	1



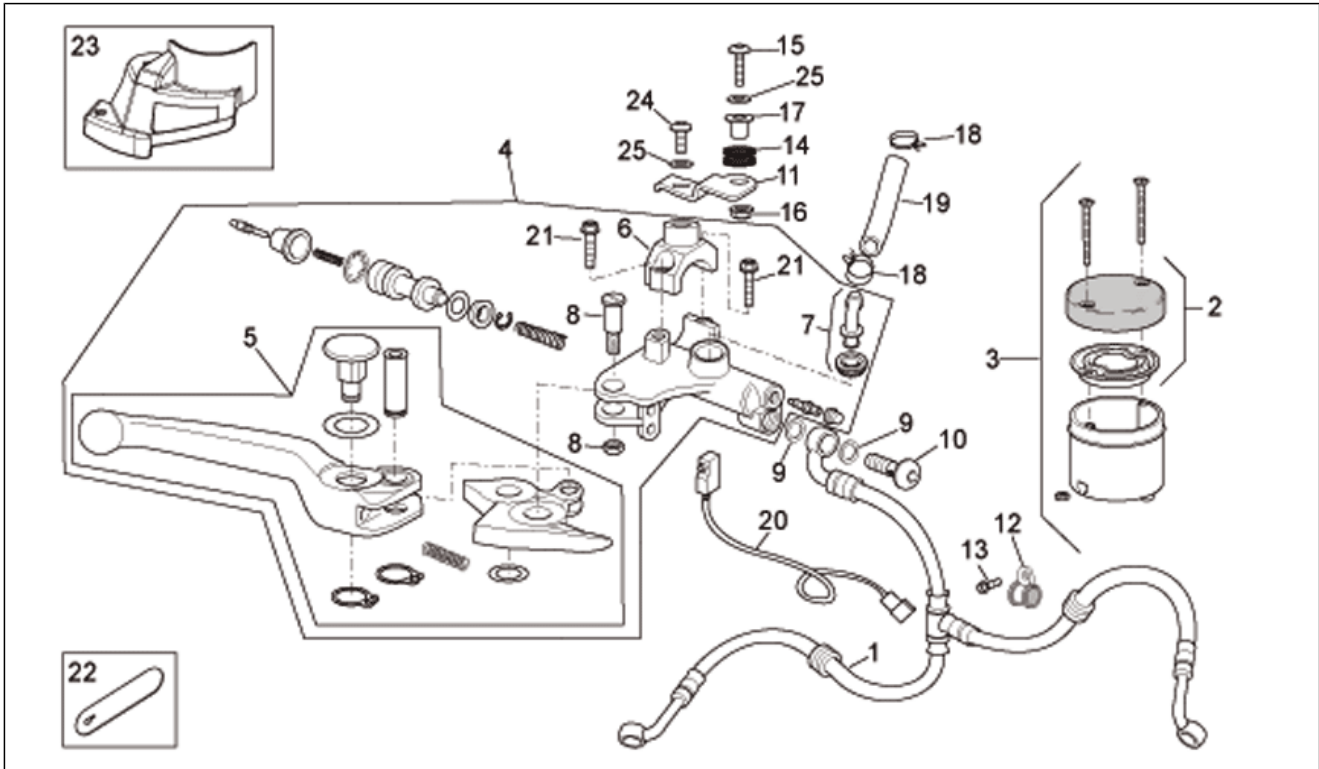
Pos.	Code	Description	Qty	Variants
				Technical Specifications: Factory Version[Fac]
31	852703	Air bleed valve	1	Year: 2007[7], 2008[8] Technical Specifications: R Version[R]

Group	FRAME
Code	28.24
Description	Front master cilinder
Service	1



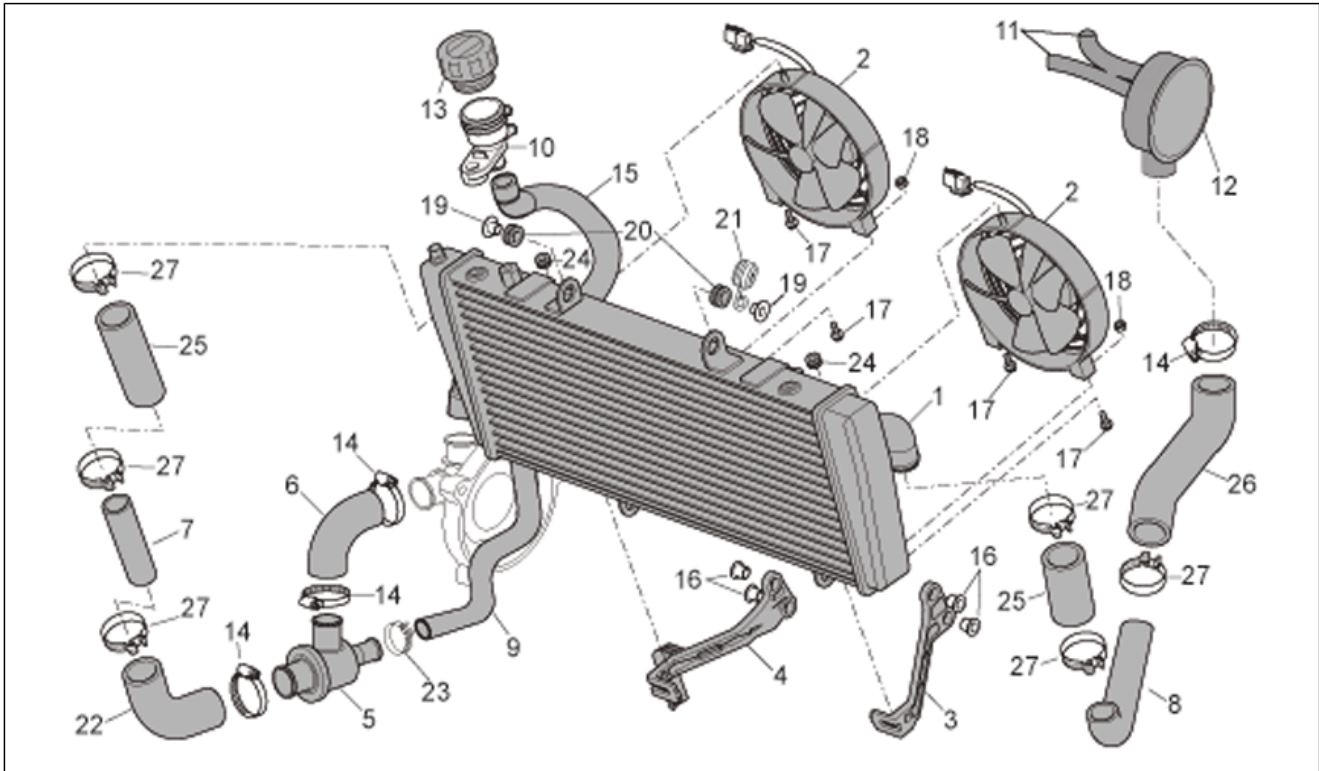
Pos.	Code	Description	Qty	Variants
1	852216	Front brake hose	1	Year:2007[7], 2008[8] Technical Specifications:R Version[R]
1	AP8133856	Front brake hose	1	Year:2007[7], 2008[8], 2009[9] Technical Specifications:Factory Version[Fac]
1	AP8133856	Front brake hose	1	Year:2006[6]
2	AP8113598	Pil brake tank plug	1	
3	AP8113499	Brake oil tank	1	
4	AP8133882	Front master cilinder	1	
5	AP8145022	Front brake lever	1	
6	AP8168501	Rearview mirror base	1	
7	AP8213057	Rear brake pump union	1	
8	AP8113719	Lever pin	1	
9	AP8121915	Gasket	2	
10	852702	Oil pipe screw	1	Year:2007[7], 2008[8] Technical Specifications:R Version[R]
10	AP8133594	Oil pipe screw	1	Year:2007[7], 2008[8], 2009[9] Technical Specifications:Factory Version[Fac]
10	AP8133594	Oil pipe screw	1	Year:2006[6]
11	AP8134899	Oil tank plate	1	Year:2006[6]
11	AP8134899	Oil tank plate	1	Year:2007[7], 2008[8] Technical Specifications:R Version[R]
12	AP8134167	Brake hose hanger	1	
13	AP8152272	Screw w/ flange M5x12	1	
14	AP8120030	Rubber spacer	1	
15	AP8152280	Screw w/ flange M6x25	1	Year:2006[6]
15	AP8152280	Screw w/ flange M6x25	1	Year:2007[7], 2008[8] Technical Specifications:R Version[R]
15	AP8224470	Hex socket screw M6x20	1	Year:2007[7], 2008[8], 2009[9] Technical Specifications:Factory Version[Fac]
16	AP8150474	Stainless cap nut M6	1	Year:2007[7], 2008[8], 2009[9]

Group	FRAME
Code	28.24
Description	Front master cilinder
Service	1



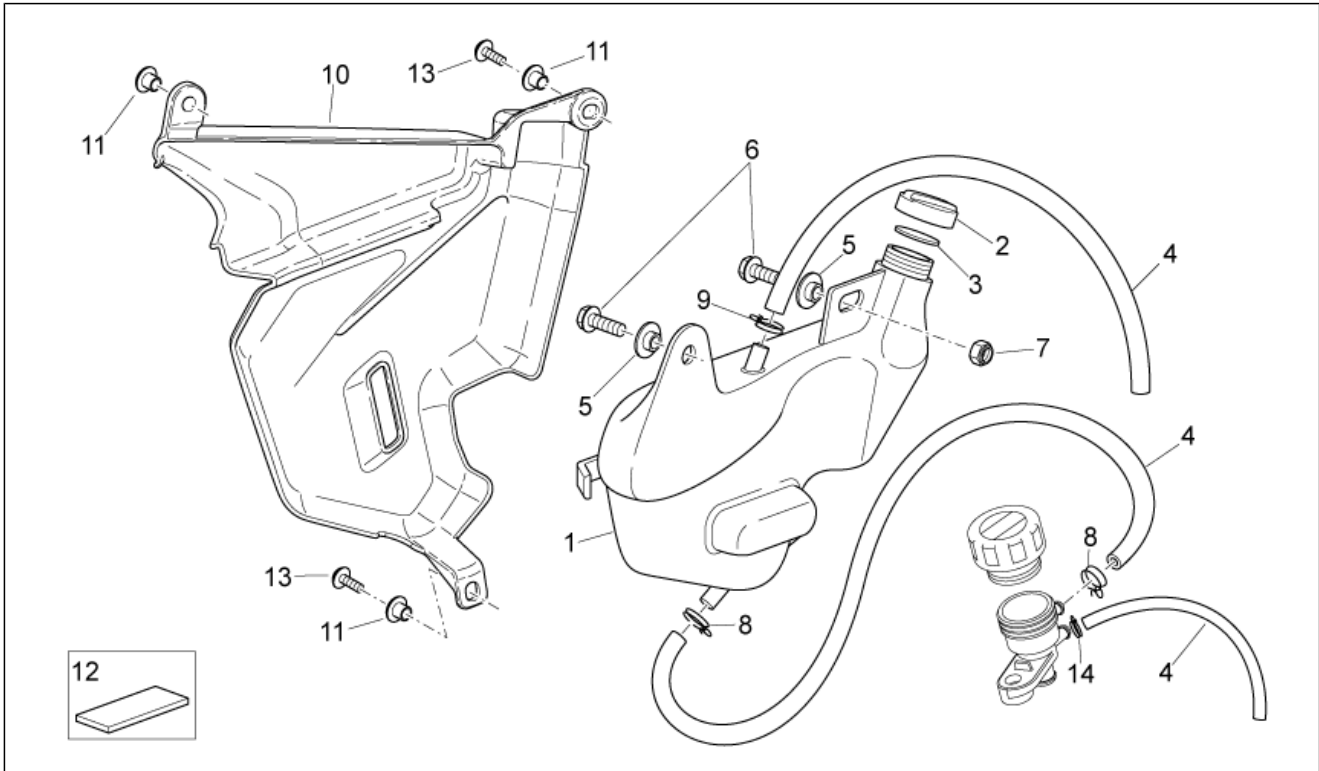
Pos.	Code	Description	Qty	Variants
				Technical Specifications: Factory Version[Fac]
16	AP8152299	Self-locking nut M6	1	Year: 2007[7], 2008[8] Technical Specifications: R Version[R]
16	AP8152299	Self-locking nut M6	1	Year: 2006[6]
17	AP8221023	T bush	1	
18	AP8101595	Hose clamp D10,1	2	
19	AP8144151	Rubber pipe	1	
20	AP8124288	Stop switch	1	
21	AP8213299	Cap screw	2	
22	AP8104606	Hose clamp	1	
23	AP8154090	Oil brake tank supp.	1	Year: 2007[7], 2008[8], 2009[9] Technical Specifications: Factory Version[Fac]
24	AP8150537	Hex socket screw M6x12	1	Year: 2007[7], 2008[8], 2009[9] Technical Specifications: Factory Version[Fac]
24	AP8152277	Screw w/ flange M6x12	1	Year: 2006[6]
24	AP8152277	Screw w/ flange M6x12	1	Year: 2007[7], 2008[8] Technical Specifications: R Version[R]
25	AP8150429	Spring washer 6,4x11x0,5*	2	Year: 2007[7], 2008[8], 2009[9] Technical Specifications: Factory Version[Fac]

Group	FRAME
Code	28.25
Description	Cooling system
Service	1



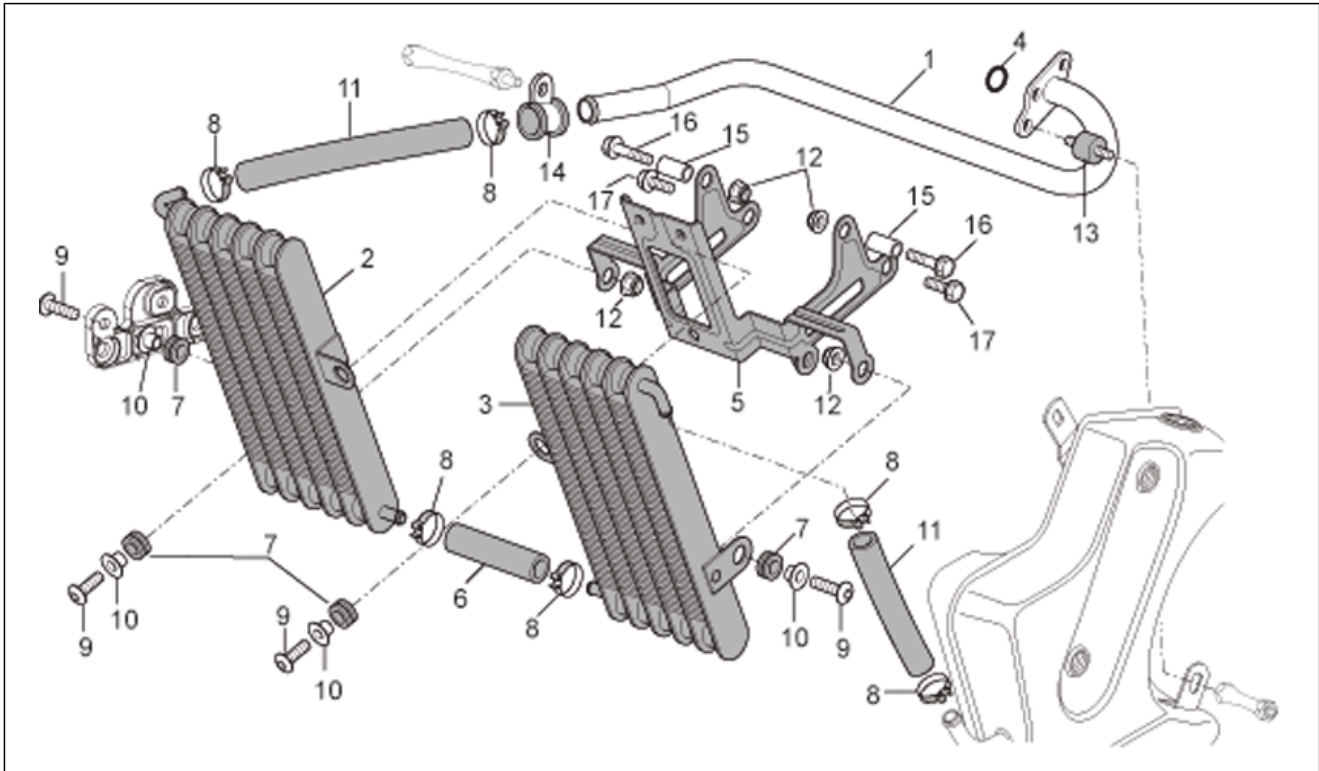
Pos.	Code	Description	Qty	Variants
1	AP8104828	Water cooler	1	
2	AP8124855	Fan, cpl.	2	
3	AP8134852	LH inf.water cooler holder	1	
4	AP8134853	RH inf.water cooler holder	1	
5	AP8124929	Thermostat valve set 75°C	1	
6	AP8144033	Thermostat-pump pipe	1	
7	AP8144719	Thermostat-cooler pipe	1	
8	AP8144718	Cooler-manifold pipe	1	
9	AP8120980	Thermostat-engine pipe	1	
10	AP8144644	Filler cap	1	
11	AP8144449	pipe	2	
12	AP8104338	Three-way manifold	1	
13	AP8102615	Cover	1	
14	AP8104097	Hose clamp	4	
15	AP8144645	pipe	1	
16	AP8121795	T bush	4	
17	AP8152277	Screw w/ flange M6x12	4	
18	AP8150026	Nut M6	4	
19	AP8221023	T bush	2	
20	AP8120030	Rubber spacer	2	
21	AP8201727	Black cable guide	1	
22	AP8144733	Hose	1	
23	AP8101927	Hose clip D23,5x8*	2	
24	AP8112600	Rubber spacer	2	
25	AP8144720	Hose	2	
26	AP8144732	pipe	1	
27	AP8104540	Hose clip D31x9*	6	

Group	FRAME
Code	28.26
Description	Expansion tank
Service	1



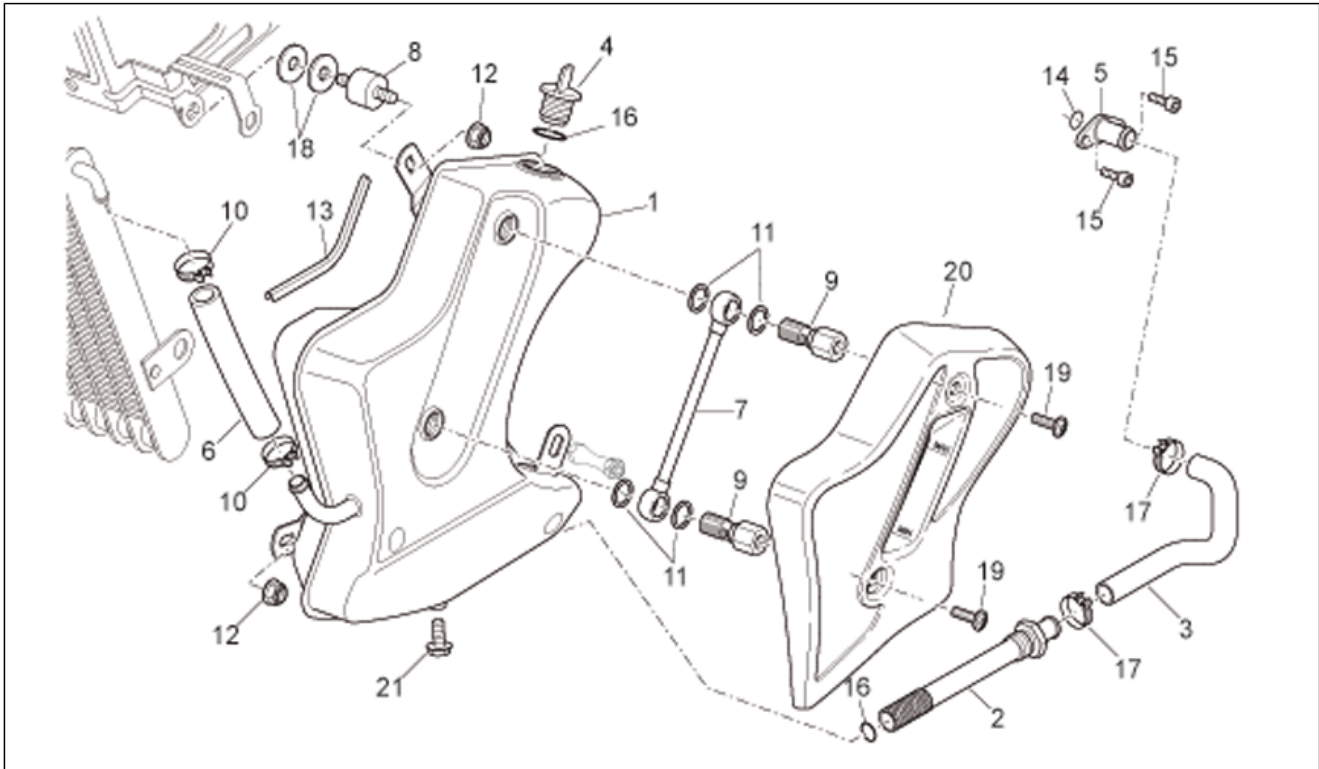
Pos.	Code	Description	Qty	Variants
1	AP8158147	Expansion tank	1	
2	AP8104124	Expansion tank plug	1	
3	AP8220191	Gasket	1	
4	AP8120952	Fuel pipe 5,5x10	1	
5	AP8221145	T bush *	2	
6	AP8152278	Screw w/ flange M6x16	2	
7	AP8150430	Low self-locking nut	1	
8	AP8102378	Hose clamp D11,3	1	
9	AP8101595	Hose clamp D10,1	1	
10	AP8178779	RH cover, black	1	
11	AP8121032	Bush	3	
12	AP8117033	Adhesive sponge	1	
13	AP8152246	Screw w/ flange M6x16	2	
14	AP8104097	Hose clamp	1	

Group	FRAME
Code	28.27
Description	Oil radiator
Service	1



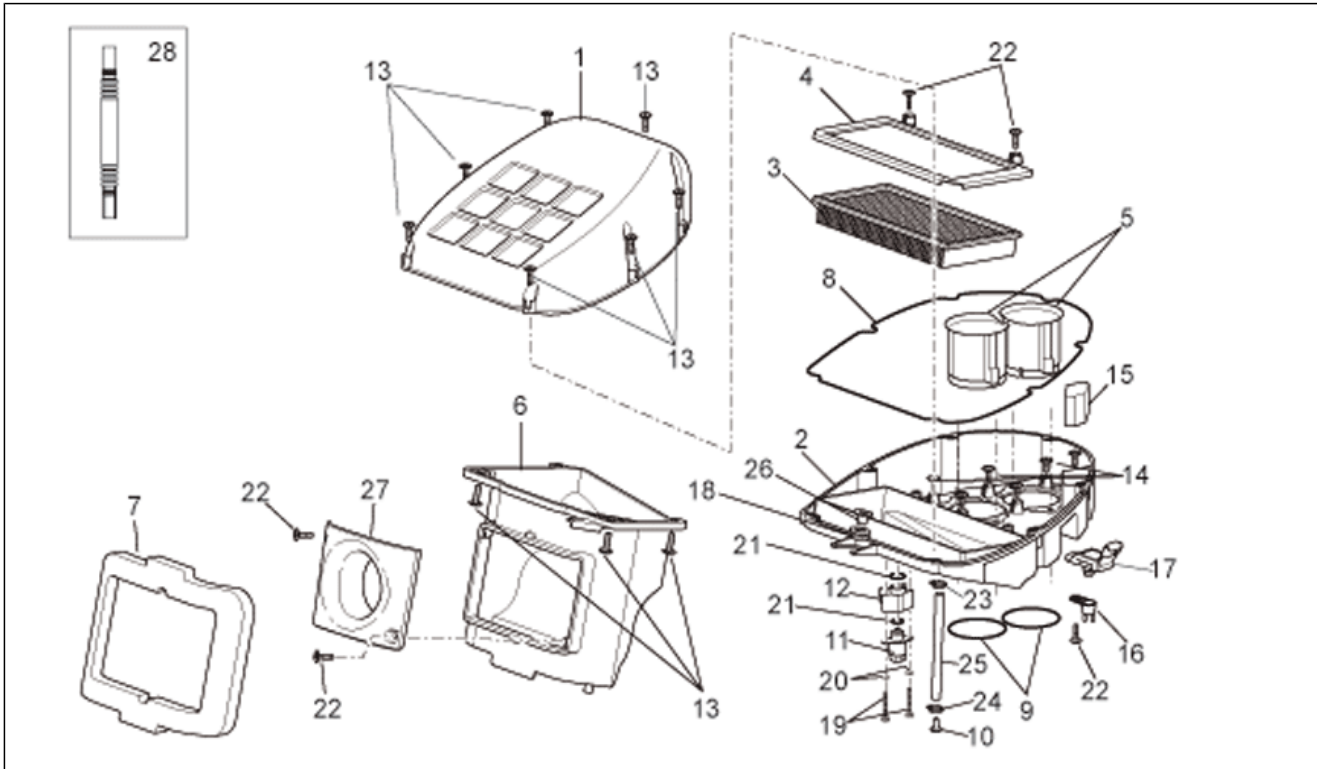
Pos.	Code	Description	Qty	Variants
1	AP8106388	Oil pipe	1	
2	AP8104341	Water cooler, RH	1	
3	AP8104452	Water cooler, LH	1	
4	AP8144008	O-ring 115	1	
5	AP8154034	Water cooler support	1	
6	AP8144518	pipe	1	
7	AP8120030	Rubber spacer	4	
8	AP8102349	White hose clip D17,5x8	6	
9	AP8152117	Hex socket screw	4	
10	AP8221023	T bush	4	
11	AP8106389	Oil pipe 12x19	2	
12	AP8152299	Self-locking nut M6	3	
13	AP8144061	Silent-block	1	
14	AP8102731	Hose clamp	1	
15	AP8121313	Conical bush	2	
16	AP8152281	Screw w/ flange M6x30	2	
17	AP8152278	Screw w/ flange M6x16	2	

Group	FRAME
Code	28.28
Description	Oil tank
Service	1



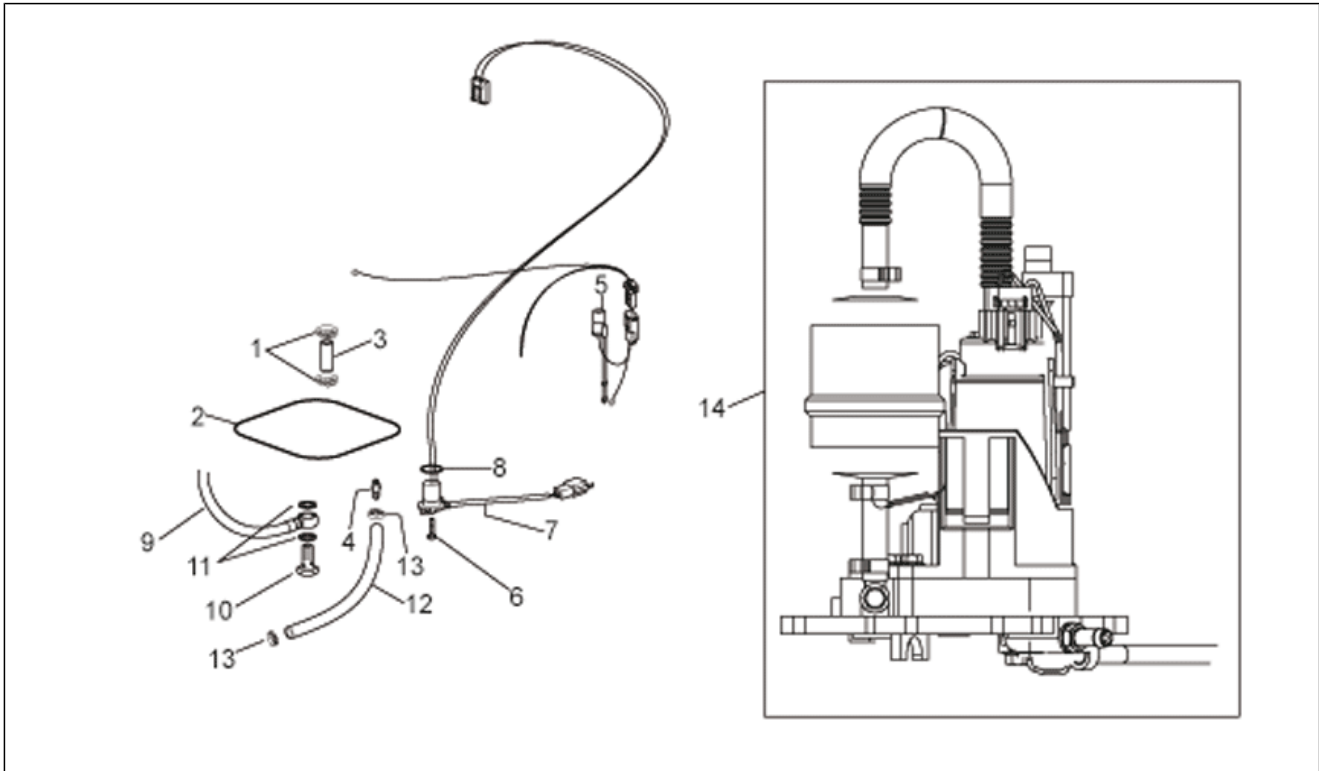
Pos.	Code	Description	Qty	Variants
1	AP8158120	Oil tank, black	1	
2	AP8102828	Oil filter cpl.	1	
3	AP8144090	Oil pipe	1	
4	AP8102618	Oil filler cap	1	
5	AP8106387	Oil pipe	1	
6	AP8106389	Oil pipe 12x19	2	
7	AP8144200	Oil level pipe	1	
8	AP8144061	Silent-block	3	
9	AP8161087	Special bored screw	2	
10	AP8102349	White hose clip D17,5x8	2	
11	AP8113004	Washer 10x14x1,6*	4	
12	AP8152299	Self-locking nut M6	2	
13	AP8144606	Gasket 10X5	1	
14	AP8120196	O-ring 3056	1	
15	AP8150137	Hex socket screw M6x16	2	
16	AP8120190	O-ring 3075	2	
17	AP8102786	Hose clip 20x8	2	
18	AP8150015	Washer 6,6x18x1,6*	6	
19	AP8152339	Screw w/ flange M5x9	2	
20	AP8179072	Tank cover	1	
21	AP8152285	Screw w/ flange	1	

Group	FRAME
Code	28.29
Description	Air box
Service	1



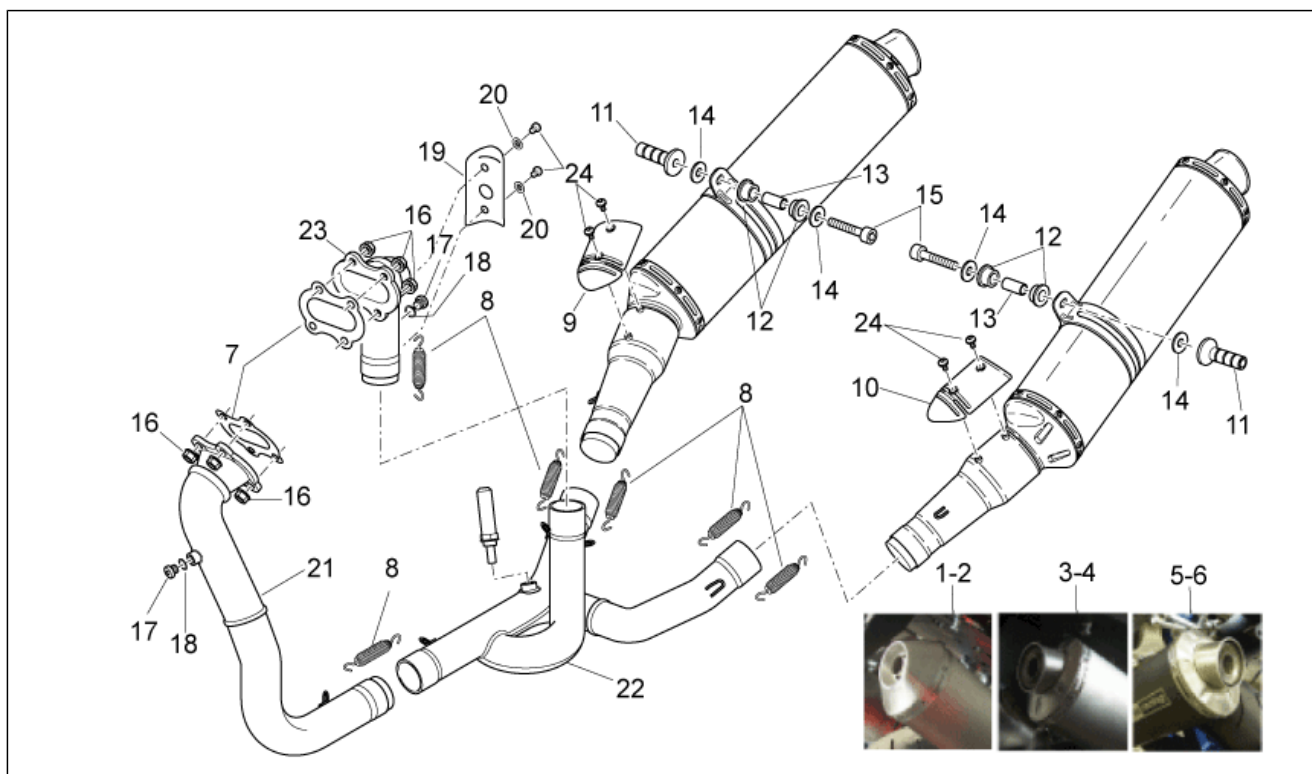
Pos.	Code	Description	Qty	Variants
1	AP8158111	Filter housing cover	1	
2	AP8158112	Filter housing base	1	
3	AP8104329	Air filter	1	
4	AP8104335	Frame	1	
5	AP8106876	Intake opening H60	2	
6	AP8158119	Intake manifold	1	
7	AP8144456	Gasket	1	
8	AP8120615	Gasket D3	1	
9	AP8144581	O-ring 3231	2	
10	AP8120876	Plug	1	
11	AP8124981	Min.regulation engine	1	
12	AP8149165	Min.adj.valve	1	
13	AP8152329	Phillips screw, SWP M5x20	11	
14	AP8152246	Screw w/ flange M6x16	6	
15	AP8104525	Filter blow-by	1	
16	AP8144551	Joint	1	
17	AP0274055	Pressure sensor	1	
18	AP8120030	Rubber spacer	1	
19	AP8150406	Screw	2	
20	AP8150272	Curved spring washer 5,3x10x0,5	2	
21	AP8220095	O-ring	2	
22	AP8150413	Self-tap screw 3,9x14	2	
23	AP8101595	Hose clamp D10,1	1	
24	AP8102377	Hose clamp D9,1*	1	
25	AP8144038	Fuel pipe 6x10	1	
26	AP8121023	Headlight adjuster spring	1	
27	AP8106877	Reduction diaphragm	1	
28	AP8144605	pipe	1	

Group	FRAME
Code	28.30
Description	Fuel pump
Service	1



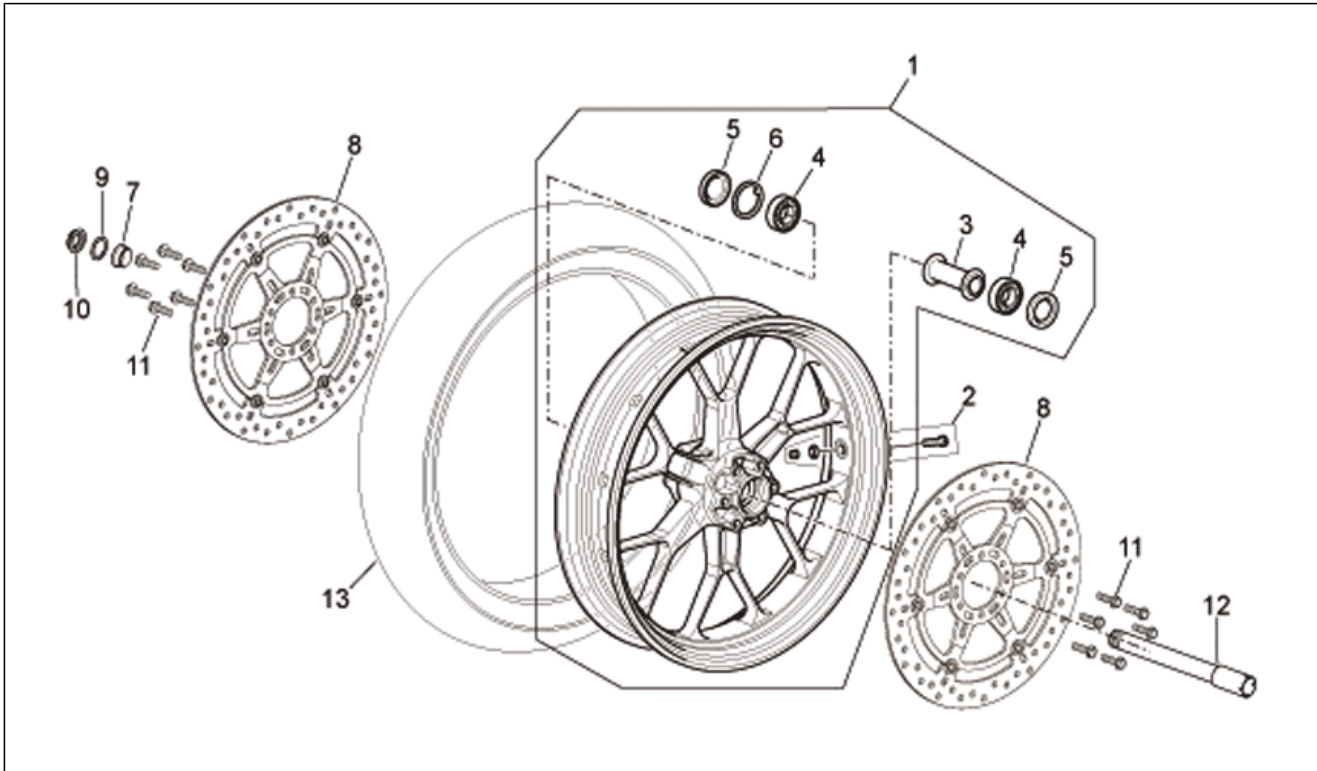
Pos.	Code	Description	Qty	Variants
1	890435	Hose clamp	2	
2	AP8176032	Gasket ring	1	
3	AP8144476	Fuel pipe	1	
4	AP8104374	Joint	1	
5	AP8127688	Level sensor	1	
6	AP8121538	screw	2	
7	AP8124664	Fuel pump wiring	1	
8	AP8144475	Gasket ring	1	
9	AP8120992	Fuel pipe	1	
10	AP8106443	Bored screw	1	
11	AP8106444	Gasket 18x12,2x1,5	2	
12	AP8144069	Fuel pipe 6x13	1	
13	AP8102239	Hose clamp 12,5x8	2	
14	AP8106881	Fuel pump cpl.	1	

Group	FRAME
Code	28.32
Description	Exhaust pipe
Service	1



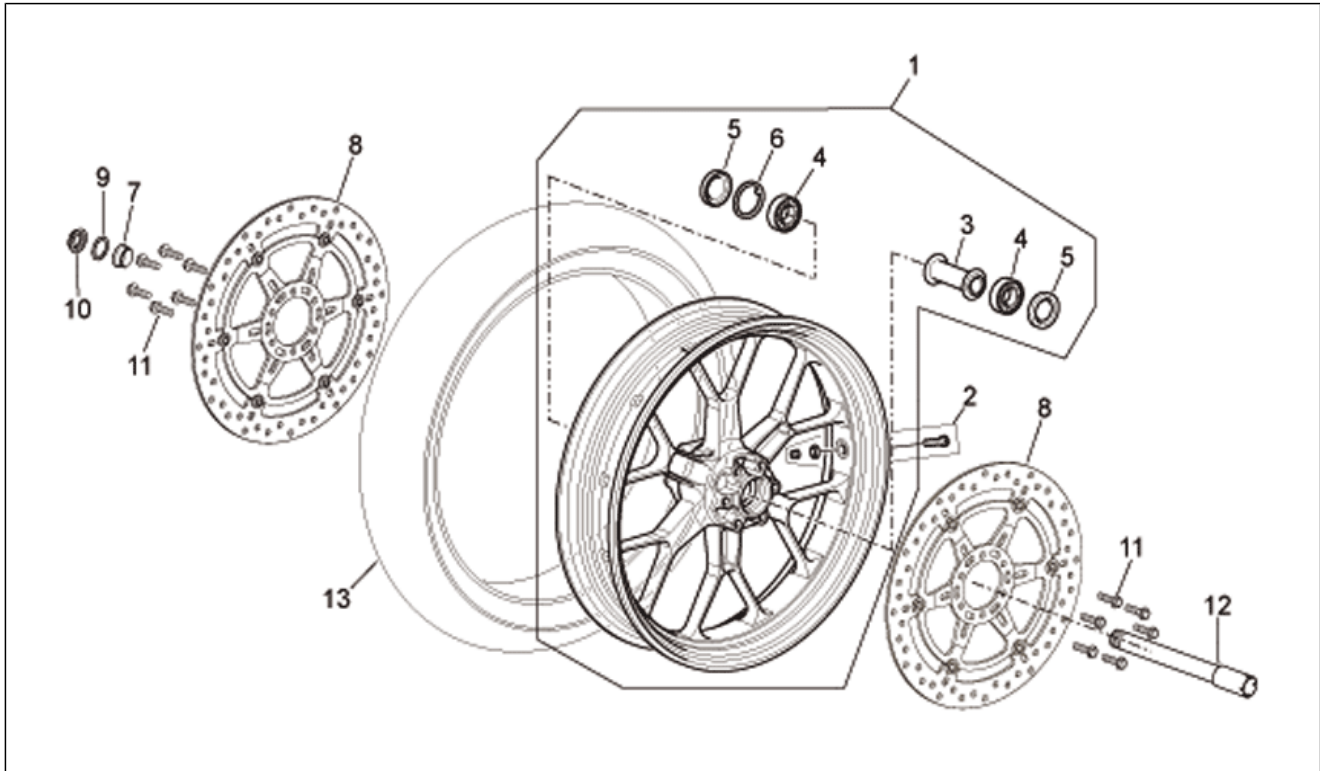
Pos.	Code	Description	Qty	Variants
1	852621	RH silencer, polished	1	Year:2007[7], 2008[8]
2	852622	LH silencer, polished	1	Year:2007[7], 2008[8]
3	AP8119837	RH silencer, polished	1	Year:2006[6]
4	AP8119838	LH silencer, polished	1	Year:2006[6]
5	AP8119875	RH silencer, black	1	
6	AP8119876	LH silencer, black	1	
7	AP8119708	Exhaust pipe gasket	2	
8	AP8121170	Spring	6	
9	AP8127773	Silencer dx protection	1	
10	AP8127774	Silencer sx protection	1	
11	AP8158984	Silencer protection	2	
12	AP8144558	Rubber spacer	4	
13	AP8121455	Spacer bush	2	
14	AP8150018	Washer	4	
15	AP8152291	Screw w/ flange	2	
16	AP8150506	Flanged nut	8	
17	AP8119497	CO intake screw	2	
18	AP8113004	Washer 10x14x1,6*	2	
19	AP8133901	Heat protection	1	
20	AP8150535	Safety washer	2	
21	AP8119651	Front. Exhaust pipe	1	
22	AP8119877	Central exhaust manifold	1	
23	AP8119878	Rear exhaust pipe	1	
24	AP8150505	Hex socket screw m4x6 inox	6	

Group	FRAME
Code	28.33
Description	Front wheel R version
Service	1



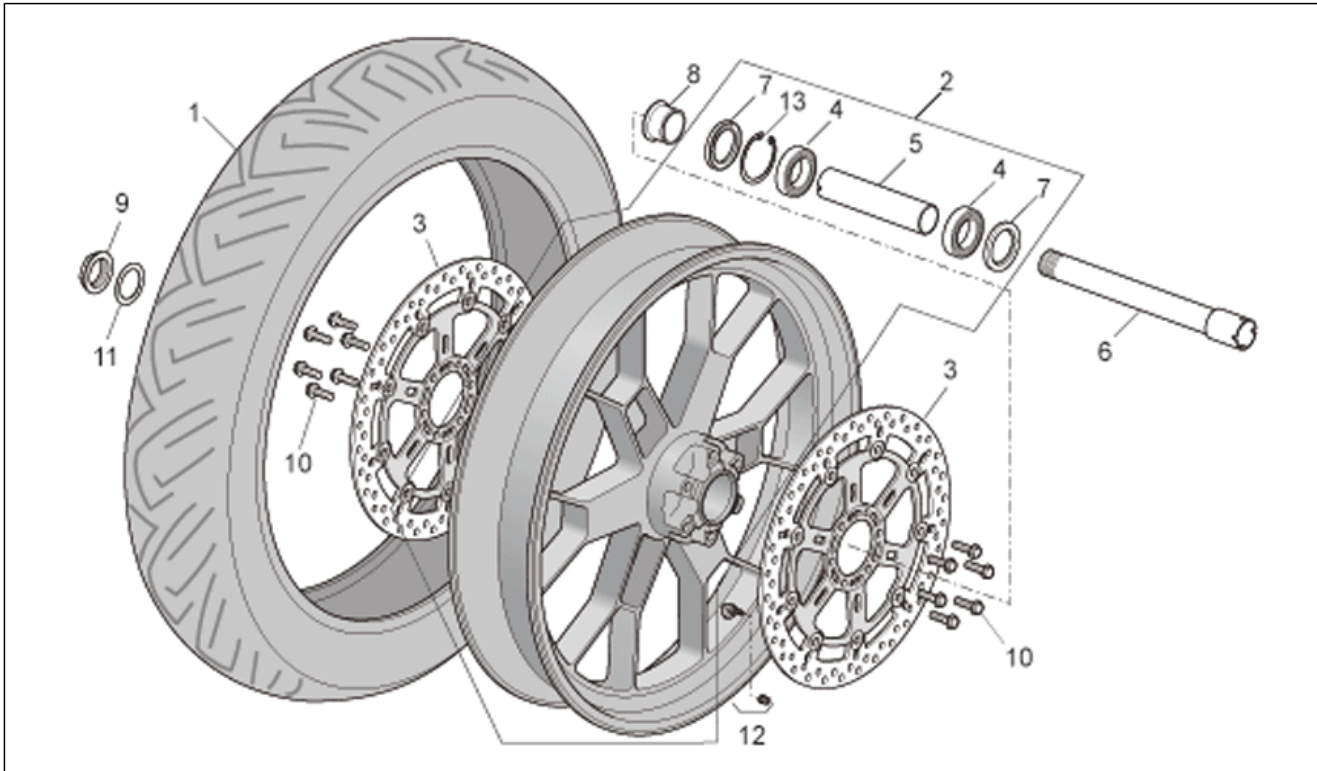
Pos.	Code	Description	Qty	Variants
1	AP8128133	Front wheel, blue	1	Year:2006[6] Vehicle colour:Diablo Black (s.t.15124)[dia], Fluo Red (s.t.852633)[fluo], Peak Grey (s.t.15602)[peak], Red Lion (s.t.852710)[red], Sunset Red (s.t.15061)[sun] Technical Specifications:ZNL sign[znl]
1	AP8128133	Front wheel, blue	1	Year:2006[6] Vehicle colour:Diablo Black (s.t.852632)[black], Dream Blue (s.t.852634)[blu], Daytona 2007 (s.t.856193)[daytona] Technical Specifications:ZNL sign[znl]
1	AP8128133	Front wheel, blue	1	Year:2007[7] Vehicle colour:Diablo Black (s.t.852632)[black], Dream Blue (s.t.852634)[blu], Daytona 2007 (s.t.856193)[daytona] Technical Specifications:R Version[R], ZNL sign[znl]
1	AP8128133	Front wheel, blue	1	Year:2008[8] Vehicle colour:Dream Blue 2008 (s.t.859827)[blu08] Technical Specifications:R Version[R], ZNL sign[znl]
1	AP8128133	Front wheel, blue	1	Year:2007[7] Vehicle colour:Diablo Black (s.t.15124)[dia], Fluo Red (s.t.852633)[fluo], Peak Grey (s.t.15602)[peak], Red Lion (s.t.852710)[red], Sunset Red (s.t.15061)[sun] Technical Specifications:R Version[R], ZNL sign[znl]
1	AP8128228	Front wheel, black	1	Year:2008[8] Vehicle colour:Diablo Black 2008 (s.t.859826)[black08], Code Orange 2008 (s.t.859829)[cod], Silver Crowd 2008 (s.t.859830)[cro], Ice White 2008 (s.t.859828)[ice] Technical Specifications:R Version[R]
2	AP8101744	Tubeless tyre valve	1	Year:2006[6]
2	AP8101744	Tubeless tyre valve	1	Year:2007[7], 2008[8] Technical Specifications:R Version[R]
3	AP8128169	Internal spacer	1	Year:2006[6]
3	AP8128169	Internal spacer	1	Year:2007[7], 2008[8] Technical Specifications:R Version[R]
4	AP8125777	Ball bearing 25x47x12	2	Year:2006[6]
4	AP8125777	Ball bearing 25x47x12	2	Year:2007[7], 2008[8]

Group	FRAME
Code	28.33
Description	Front wheel R version
Service	1



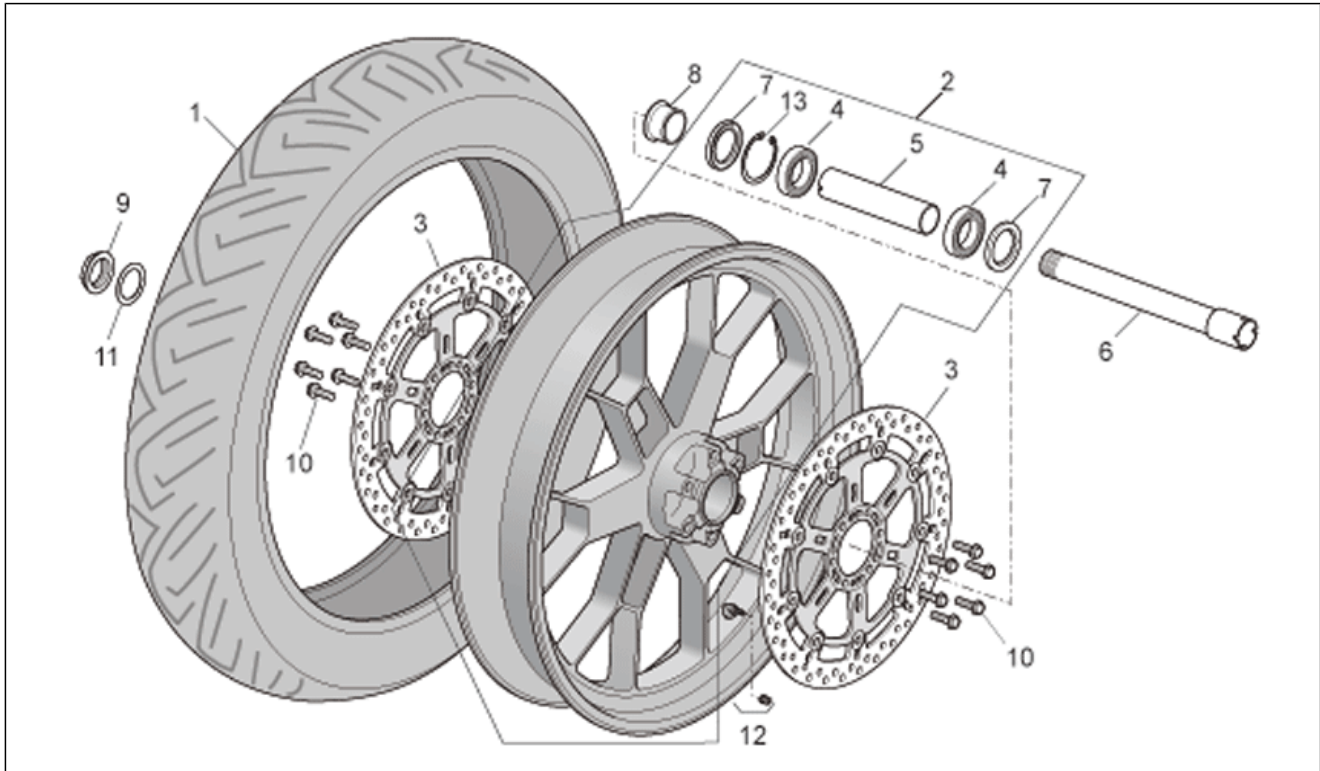
Pos.	Code	Description	Qty	Variants
				Technical Specifications: R Version[R]
5	AP8125773	Gasket ring 30x47x7	2	Year: 2007[7], 2008[8] Technical Specifications: R Version[R]
5	AP8125773	Gasket ring 30x47x7	2	Year: 2006[6]
6	AP8125779	Circlip	1	Year: 2006[6]
6	AP8125779	Circlip	1	Year: 2007[7], 2008[8] Technical Specifications: R Version[R]
7	AP8125728	Front RH whe.ou.spacer	1	Year: 2007[7], 2008[8] Technical Specifications: R Version[R]
7	AP8125728	Front RH whe.ou.spacer	1	Year: 2006[6]
8	AP8133781	Front brake disc	2	Year: 2007[7], 2008[8] Technical Specifications: R Version[R], Unisunstar[U]
8	AP8133781	Front brake disc	2	Year: 2006[6] Technical Specifications: Unisunstar[U]
9	AP8152323	Washer 25,2x36x1	1	Year: 2006[6]
9	AP8152323	Washer 25,2x36x1	1	Year: 2007[7], 2008[8] Technical Specifications: R Version[R]
10	AP8152335	Wheel spindle nut	1	Year: 2007[7], 2008[8] Technical Specifications: R Version[R]
10	AP8152335	Wheel spindle nut	1	Year: 2006[6]
11	AP8152286	Screw w/ flange M8x20	12	Year: 2006[6]
11	AP8152286	Screw w/ flange M8x20	12	Year: 2007[7], 2008[8] Technical Specifications: R Version[R]
12	AP8125827	Front wheel spindle	1	Year: 2006[6]
12	AP8125827	Front wheel spindle	1	Year: 2007[7], 2008[8] Technical Specifications: R Version[R]
13	AP8109284	Front/rear tyre 120/70 ZR 17" Pirelli	1	Year: 2006[6]
13	AP8109284	Front/rear tyre 120/70 ZR 17" Pirelli	1	Year: 2007[7], 2008[8] Technical Specifications: R Version[R]

Group	FRAME
Code	28.34
Description	Front wheel Factory
Service	1



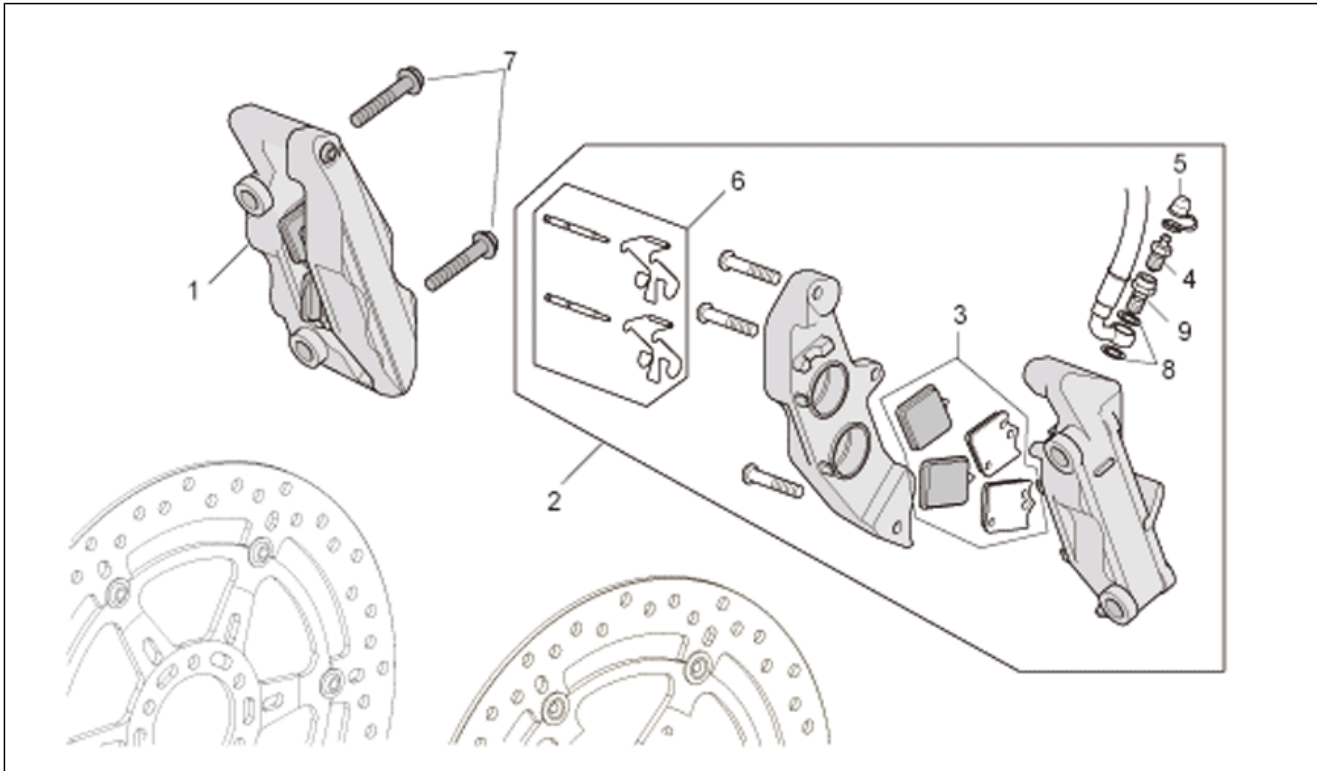
Pos.	Code	Description	Qty	Variants
1	AP8109256	Front/rear tyre 120/70 ZR 17" Pirelli	1	Year:2007[7], 2008[8], 2009[9] Technical Specifications:Factory Version[Fac]
2	853375	Front wheel, gold	1	Year:2008[8], 2009[9] Technical Specifications:Factory Version[Fac]
2	AP8108994	Front wheel, blue OZ-Alu	1	Year:2007[7] Technical Specifications:Factory Version[Fac], OZ Sign[OZ]
2	AP8128199	Front wheel, Alu. MGT-Alu	1	Year:2007[7] Technical Specifications:Factory Version[Fac], MalgaTech Sign[MGT]
3	AP8113926	Front brake disc 320	2	Year:2007[7], 2008[8], 2009[9] Technical Specifications:Brembo[B], Factory Version[Fac]
3	AP8133751	Front brake disc	2	Year:2007[7] Technical Specifications:Factory Version[Fac], Unisunstar[U]
4	AP8110094	Bearing 25x47x12	2	Year:2007[7], 2008[8], 2009[9] Technical Specifications:Factory Version[Fac]
5	AP8125843	Internal spacer	1	Year:2007[7], 2008[8], 2009[9] Technical Specifications:Factory Version[Fac]
6	AP8125827	Front wheel spindle	1	Year:2007[7], 2008[8], 2009[9] Technical Specifications:Factory Version[Fac]
7	AP8125841	Gasket ring 30x47x7	2	Year:2007[7], 2008[8], 2009[9] Technical Specifications:Factory Version[Fac]
8	AP8125728	Front RH whe.ou.spacer	1	Year:2007[7] Technical Specifications:Factory Version[Fac]
9	AP8152335	Wheel spindle nut	1	Year:2007[7] Technical Specifications:Factory Version[Fac]
10	AP8152286	Screw w/ flange M8x20	12	Year:2007[7], 2008[8] Technical Specifications:Factory Version[Fac]
11	AP8152323	Washer 25,2x36x1	1	Year:2007[7] Technical Specifications:Factory Version[Fac]
12	AP8104728	Tubeless tyre valve 90°	1	Year:2007[7], 2008[8], 2009[9] Technical Specifications:Factory Version[Fac]

Group	FRAME
Code	28.34
Description	Front wheel Factory
Service	1



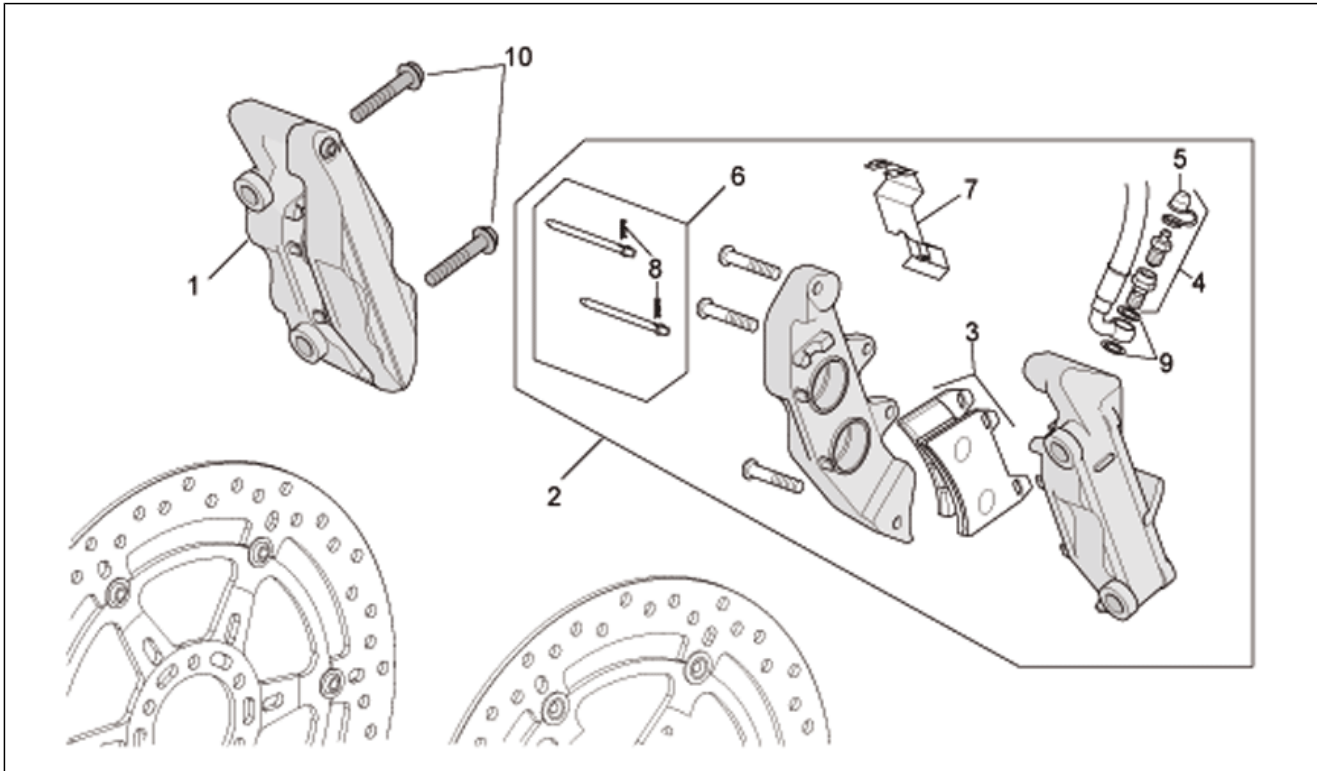
Pos.	Code	Description	Qty	Variants
13	AP8125842	Snap ring d47	1	Year:2007[7], 2008[8], 2009[9] Technical Specifications:Factory Version[Fac]

Group	FRAME
Code	28.35
Description	Front brake caliper I
Service	1



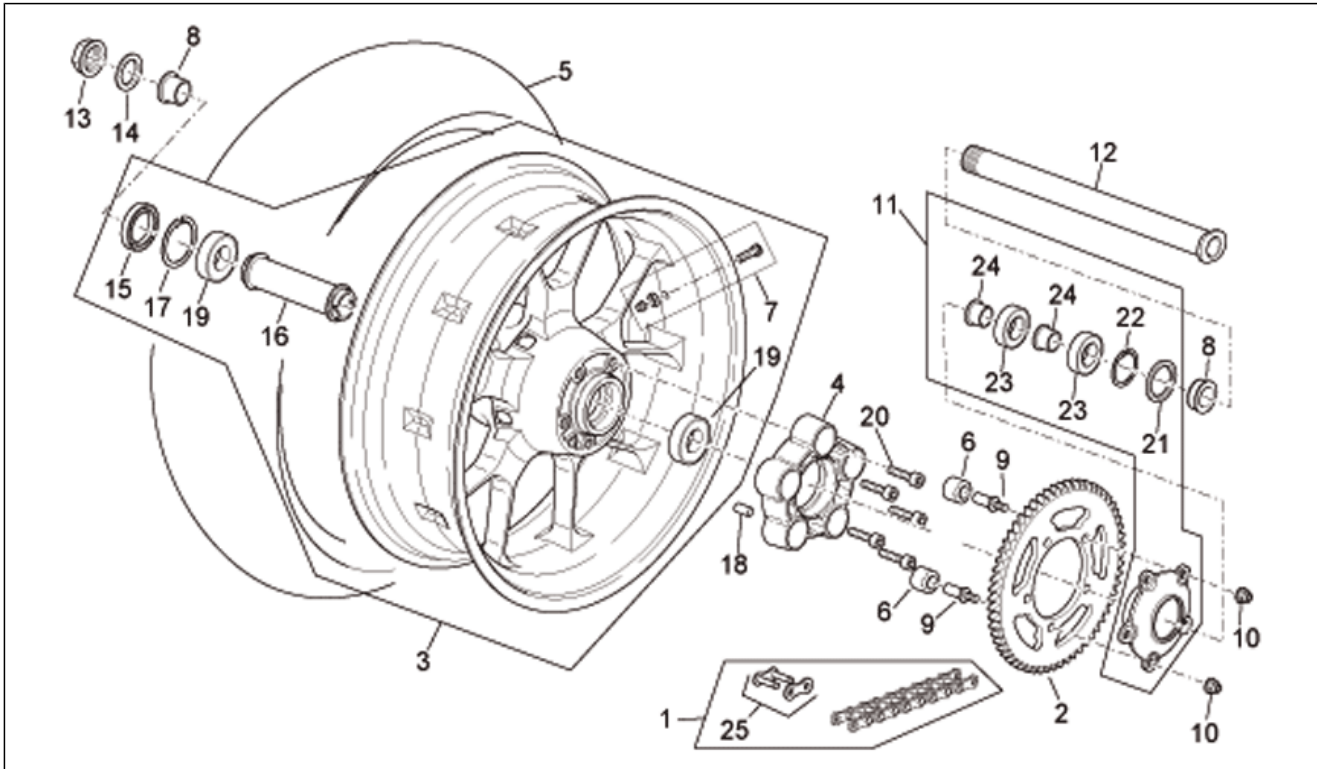
Pos.	Code	Description	Qty	Variants
1	AP8133880	RH Front brake caliper, gold	1	Year:2006[6]
1	AP8133880	RH Front brake caliper, gold	1	Year:2007[7], 2008[8] Technical Specifications:Factory Version[Fac]
2	AP8133881	LH Front brake caliper, gold	1	Year:2007[7], 2008[8], 2009[9] Technical Specifications:Factory Version[Fac]
2	AP8133881	LH Front brake caliper, gold	1	Year:2006[6]
3	AP8133886	Pads 4 pc.	2	Year:2006[6]
3	AP8133886	Pads 4 pc.	2	Year:2007[7], 2008[8], 2009[9] Technical Specifications:Factory Version[Fac]
4	AP8133595	Air bleed valve	2	Year:2006[6]
4	AP8133595	Air bleed valve	2	Year:2007[7], 2008[8], 2009[9] Technical Specifications:Factory Version[Fac]
5	AP8113070	Bleed valve cap	2	Year:2006[6]
5	AP8113070	Bleed valve cap	2	Year:2007[7], 2008[8], 2009[9] Technical Specifications:Factory Version[Fac]
6	AP8133593	Pin+Brake spring	2	Year:2007[7], 2008[8], 2009[9] Technical Specifications:Factory Version[Fac]
6	AP8133593	Pin+Brake spring	2	Year:2006[6]
7	AP8152414	Screw w/ flange M10x55	4	Year:2006[6]
7	AP8152414	Screw w/ flange M10x55	4	Year:2007[7], 2008[8], 2009[9] Technical Specifications:Factory Version[Fac]
8	AP8121915	Gasket	2	Year:2006[6]
8	AP8121915	Gasket	2	Year:2007[7], 2008[8], 2009[9] Technical Specifications:Factory Version[Fac]
9	AP8133597	screw	1	Year:2006[6]
9	AP8133597	screw	1	Year:2007[7], 2008[8], 2009[9] Technical Specifications:Factory Version[Fac]

Group	FRAME
Code	28.36
Description	Front brake caliper II
Service	1



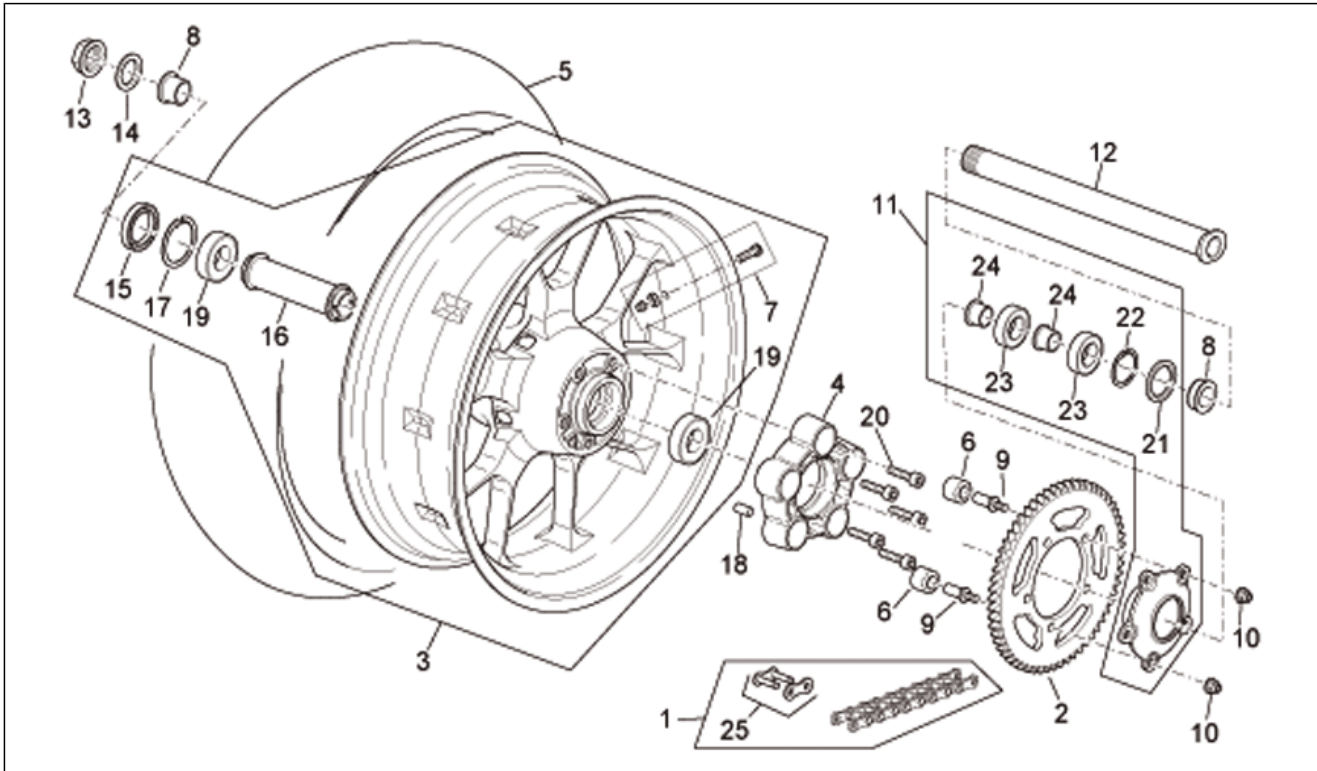
Pos.	Code	Description	Qty	Variants
1	852214	RH Front brake caliper, gold P432	1	Year:2007[7], 2008[8] Technical Specifications:R Version[R]
2	852215	LH Front brake caliper, gold P432	1	Year:2007[7], 2008[8] Technical Specifications:R Version[R]
3	AP8133614	Pads pair	2	Year:2007[7], 2008[8] Technical Specifications:R Version[R]
4	852703	Air bleed valve	2	Year:2007[7], 2008[8] Technical Specifications:R Version[R]
5	AP8113070	Bleed valve cap	2	Year:2007[7], 2008[8] Technical Specifications:R Version[R]
6	AP8113721	Pin+split pin	2	Year:2007[7], 2008[8] Technical Specifications:R Version[R]
7	AP8113722	Spring	2	Year:2007[7], 2008[8] Technical Specifications:R Version[R]
8	AP8113723	Split pin	2	Year:2007[7], 2008[8] Technical Specifications:R Version[R]
9	AP8121915	Gasket	4	Year:2007[7], 2008[8] Technical Specifications:R Version[R]
10	AP8152414	Screw w/ flange M10x55	4	Year:2007[7], 2008[8] Technical Specifications:R Version[R]

Group	FRAME
Code	28.37
Description	Rear wheel R version
Service	1



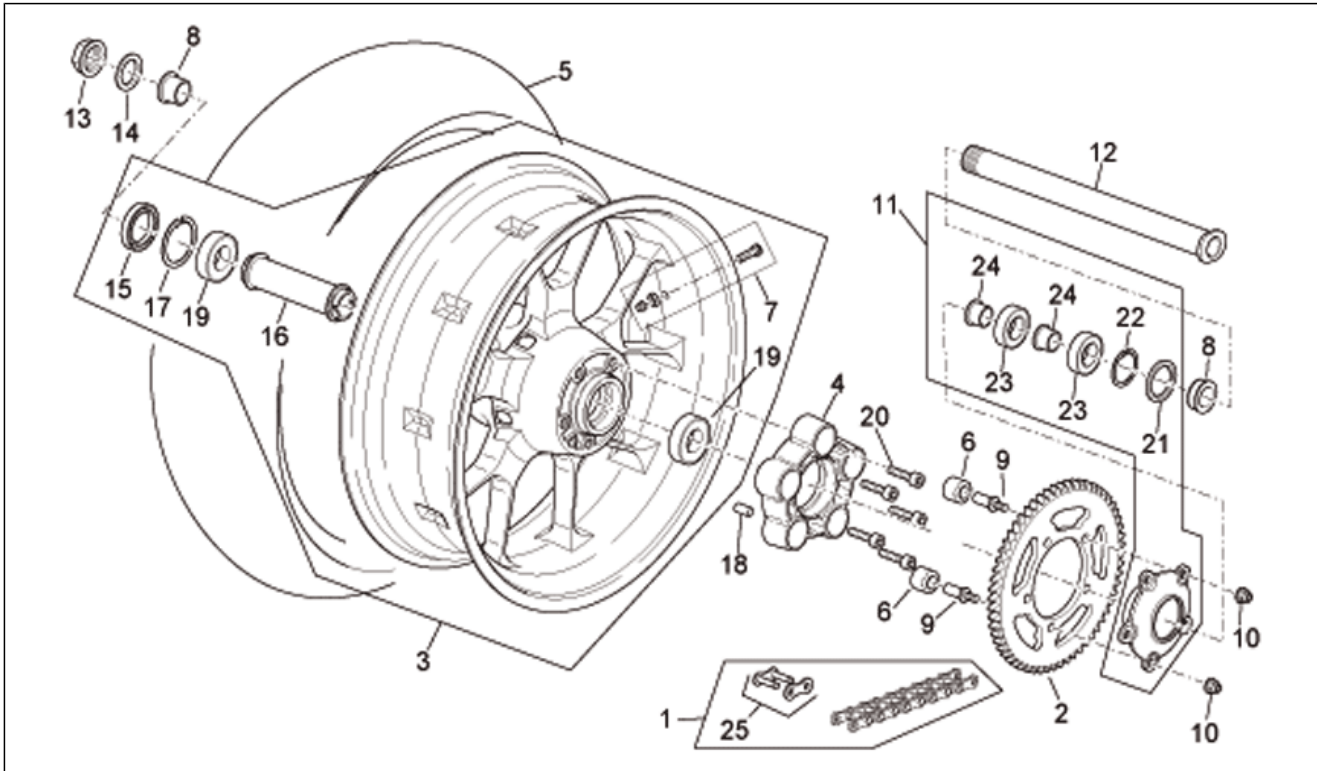
Pos.	Code	Description	Qty	Variants
1	AP8107146	Chain cpl conn.link	1	Year:2007[7], 2008[8] Technical Specifications:R Version[R]
1	AP8107146	Chain cpl conn.link	1	Year:2006[6]
2	AP8107145	Chain ring	1	Year:2007[7], 2008[8] Technical Specifications:R Version[R]
2	AP8107145	Chain ring	1	Year:2006[6]
3	AP8128135	Rear wheel, blue	1	Year:2006[6] Vehicle colour:Diablo Black (s.t.15124)[dia], Fluo Red (s.t.852633)[fluo], Peak Grey (s.t.15602)[peak], Red Lion (s.t.852710)[red], Sunset Red (s.t.15061)[sun] Technical Specifications:ZNL sign[znl]
3	AP8128135	Rear wheel, blue	1	Year:2008[8] Vehicle colour:Dream Blue 2008 (s.t.859827)[blu08] Technical Specifications:R Version[R], ZNL sign[znl]
3	AP8128135	Rear wheel, blue	1	Year:2006[6] Vehicle colour:Diablo Black (s.t.852632)[black], Dream Blue (s.t.852634)[blu], Daytona 2007 (s.t.856193)[daytona] Technical Specifications:ZNL sign[znl]
3	AP8128135	Rear wheel, blue	1	Year:2007[7] Vehicle colour:Diablo Black (s.t.15124)[dia], Fluo Red (s.t.852633)[fluo], Peak Grey (s.t.15602)[peak], Red Lion (s.t.852710)[red], Sunset Red (s.t.15061)[sun] Technical Specifications:R Version[R], ZNL sign[znl]
3	AP8128135	Rear wheel, blue	1	Year:2007[7] Vehicle colour:Diablo Black (s.t.852632)[black], Dream Blue (s.t.852634)[blu], Daytona 2007 (s.t.856193)[daytona] Technical Specifications:R Version[R], ZNL sign[znl]
3	AP8128230	Rear wheel, black	1	Year:2008[8] Vehicle colour:Diablo Black 2008 (s.t.859826)[black08], Code Orange 2008 (s.t.859829)[cod], Silver Crowd 2008 (s.t.859830)[cro], Ice White 2008 (s.t.859828)[ice] Technical Specifications:R Version[R]
4	AP8125946	Rear wheel spring drive holder	1	Year:2007[7]

Group	FRAME
Code	28.37
Description	Rear wheel R version
Service	1



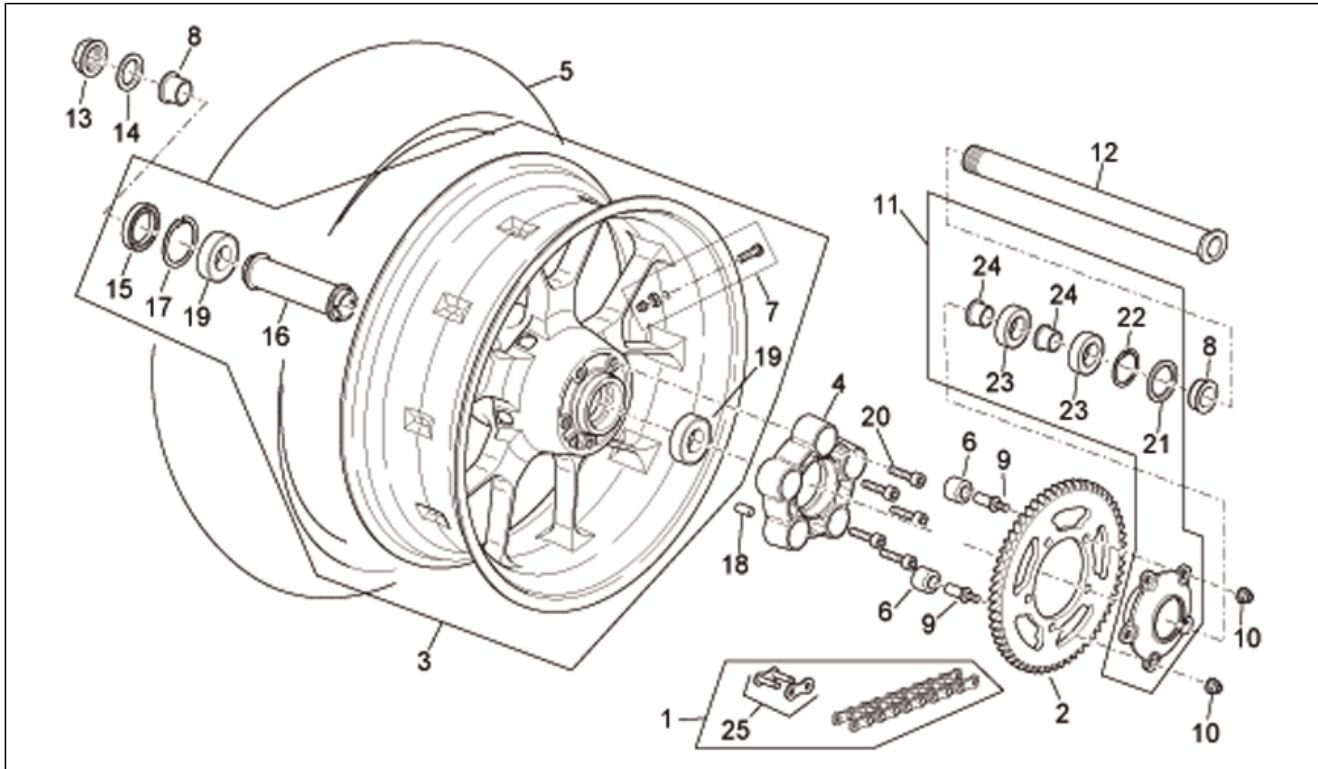
Pos.	Code	Description	Qty	Variants
				Vehicle colour: Diablo Black (s.t.852632)[black], Dream Blue (s.t.852634)[blu], Daytona 2007 (s.t.856193)[daytona] Technical Specifications: R Version[R], ZNL sign[zn]
4	AP8125946	Rear wheel spring drive holder	1	Year: 2006[6] Vehicle colour: Diablo Black (s.t.852632)[black], Dream Blue (s.t.852634)[blu], Daytona 2007 (s.t.856193)[daytona] Technical Specifications: ZNL sign[zn]
4	AP8125946	Rear wheel spring drive holder	1	Year: 2007[7] Vehicle colour: Diablo Black (s.t.15124)[dia], Fluo Red (s.t.852633)[fluo], Peak Grey (s.t.15602)[peak], Red Lion (s.t.852710)[red], Sunset Red (s.t.15061)[sun] Technical Specifications: R Version[R], ZNL sign[zn]
4	AP8125946	Rear wheel spring drive holder	1	Year: 2008[8] Vehicle colour: Dream Blue 2008 (s.t.859827)[blu08] Technical Specifications: R Version[R], ZNL sign[zn]
4	AP8125946	Rear wheel spring drive holder	1	Year: 2006[6] Vehicle colour: Diablo Black (s.t.15124)[dia], Fluo Red (s.t.852633)[fluo], Peak Grey (s.t.15602)[peak], Red Lion (s.t.852710)[red], Sunset Red (s.t.15061)[sun] Technical Specifications: ZNL sign[zn]
4	AP8128231	Rear wheel spring drive holder	1	Year: 2008[8] Vehicle colour: Diablo Black 2008 (s.t.859826)[black08], Code Orange 2008 (s.t.859829)[cod], Silver Crowd 2008 (s.t.859830)[cro], Ice White 2008 (s.t.859828)[ice] Technical Specifications: R Version[R]
5	AP8109285	Rear tyre 190/50 ZR 17"	1	Year: 2007[7], 2008[8] Technical Specifications: R Version[R]
5	AP8109285	Rear tyre 190/50 ZR 17"	1	Year: 2006[6]
6	AP8125731	Flexible coupling rubber	5	Year: 2007[7], 2008[8] Technical Specifications: R Version[R]
6	AP8125731	Flexible coupling rubber	5	Year: 2006[6]
7	AP8101744	Tubeless tyre valve	1	Year: 2007[7], 2008[8] Technical Specifications: R Version[R]
7	AP8101744	Tubeless tyre valve	1	Year: 2006[6]

Group	FRAME
Code	28.37
Description	Rear wheel R version
Service	1



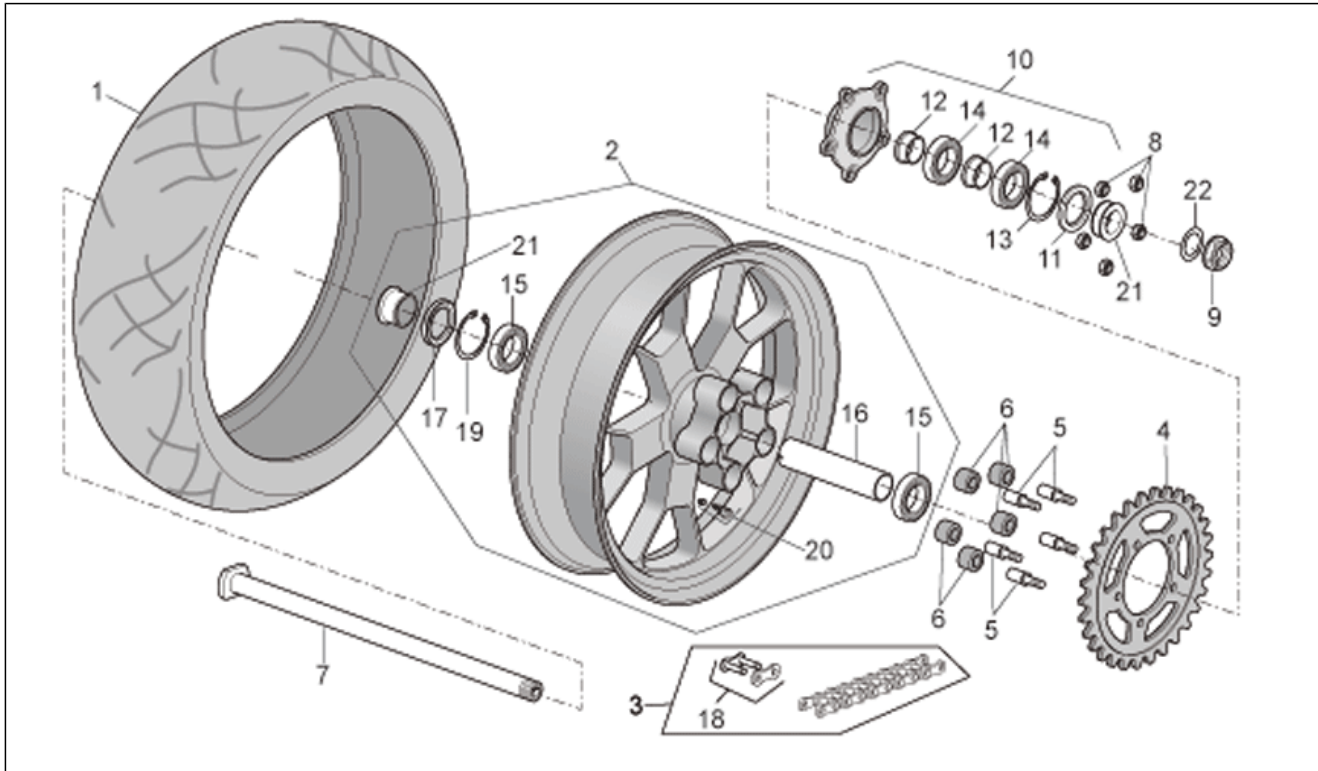
Pos.	Code	Description	Qty	Variants
8	AP8121225	Rear wheel spacer	2	Year:2006[6]
8	AP8121225	Rear wheel spacer	2	Year:2007[7], 2008[8] Technical Specifications:R Version[R]
9	B045033	Pin	5	Year:2007[7], 2008[8] Technical Specifications:R Version[R]
9	B045033	Pin	5	Year:2006[6]
10	AP8150436	Low self-locking nut	5	Year:2007[7], 2008[8] Technical Specifications:R Version[R]
10	AP8150436	Low self-locking nut	5	Year:2006[6]
11	AP8125730	Crown holder cpl.	1	Year:2007[7], 2008[8] Technical Specifications:R Version[R]
11	AP8125730	Crown holder cpl.	1	Year:2006[6]
12	AP8125831	Rear wheel spindle	1	Year:2006[6]
12	AP8125831	Rear wheel spindle	1	Year:2007[7], 2008[8] Technical Specifications:R Version[R]
13	AP8152324	Wheel spindle nut M25x1,5	1	Year:2006[6]
13	AP8152324	Wheel spindle nut M25x1,5	1	Year:2007[7], 2008[8] Technical Specifications:R Version[R]
14	AP8152323	Washer 25,2x36x1	1	Year:2006[6]
14	AP8152323	Washer 25,2x36x1	1	Year:2007[7], 2008[8] Technical Specifications:R Version[R]
15	AP8125786	Gasket ring 38x52x7	1	Year:2007[7], 2008[8] Technical Specifications:R Version[R]
15	AP8125786	Gasket ring 38x52x7	1	Year:2006[6]
16	AP8128170	Internal spacer	1	Year:2007[7], 2008[8] Technical Specifications:R Version[R], ZNL sign[zn]
16	AP8128170	Internal spacer	1	Year:2006[6] Technical Specifications:ZNL sign[zn]
17	AP8125788	Circlip	1	Year:2007[7], 2008[8] Technical Specifications:R Version[R]
17	AP8125788	Circlip	1	Year:2006[6]

Group	FRAME
Code	28.37
Description	Rear wheel R version
Service	1



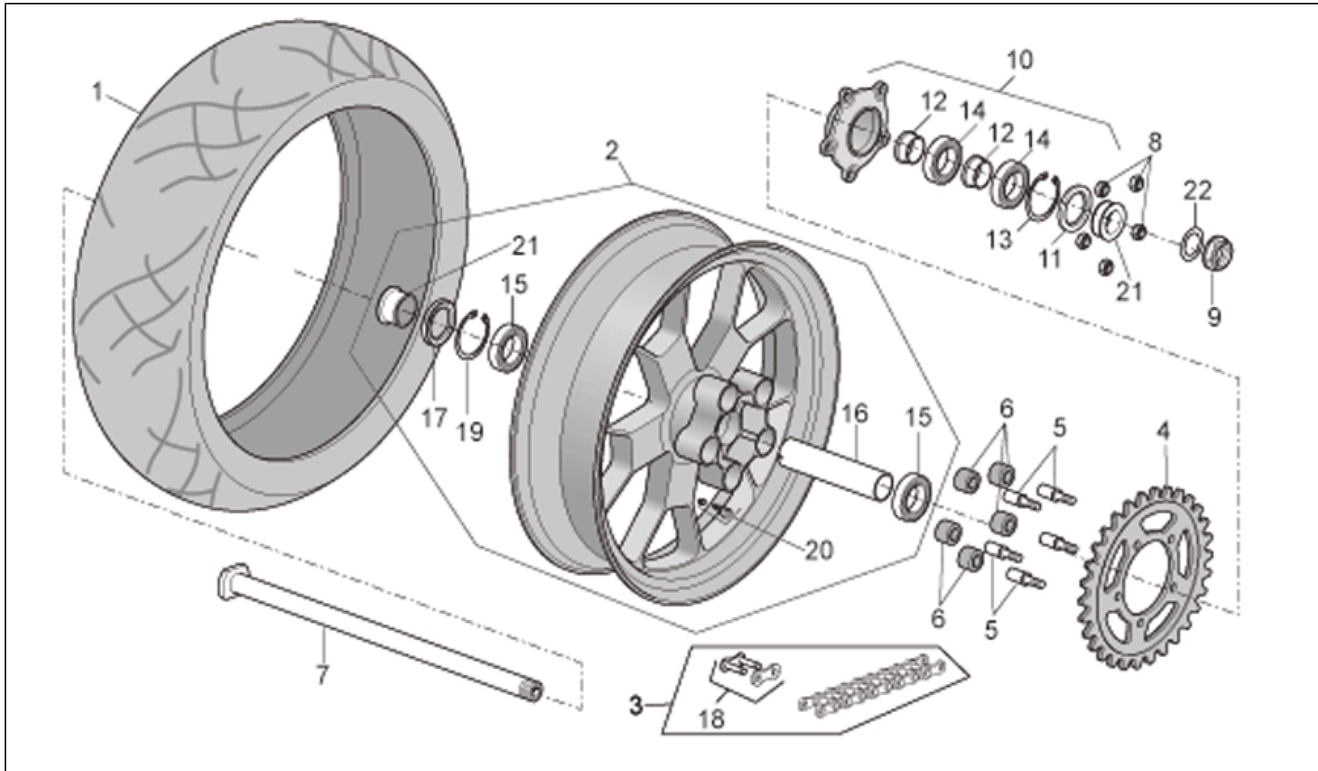
Pos.	Code	Description	Qty	Variants
18	AP8150463	Pin 10x20	1	Year:2006[6]
18	AP8150463	Pin 10x20	1	Year:2007[7], 2008[8] Technical Specifications:R Version[R]
19	AP8106806	Bearing 6205-2rs1 25x52x15	2	Year:2006[6]
19	AP8106806	Bearing 6205-2rs1 25x52x15	2	Year:2007[7], 2008[8] Technical Specifications:R Version[R]
20	AP8150195	Hex socket screw M10x30	5	Year:2006[6]
20	AP8150195	Hex socket screw M10x30	5	Year:2007[7], 2008[8] Technical Specifications:R Version[R]
21	AP8121213	Gasket ring 38x55x7	1	Year:2006[6]
21	AP8121213	Gasket ring 38x55x7	1	Year:2007[7], 2008[8] Technical Specifications:R Version[R]
22	AP8121212	Inside circlip d55	1	Year:2006[6]
22	AP8121212	Inside circlip d55	1	Year:2007[7], 2008[8] Technical Specifications:R Version[R]
23	AP8110081	Bearing 30x55x13	2	Year:2007[7], 2008[8] Technical Specifications:R Version[R]
23	AP8110081	Bearing 30x55x13	2	Year:2006[6]
24	AP8125732	Spring drive spacer	2	Year:2007[7], 2008[8] Technical Specifications:R Version[R]
24	AP8125732	Spring drive spacer	2	Year:2006[6]
25	AP8107150	Connecting link	1	Year:2007[7], 2008[8] Technical Specifications:R Version[R]
25	AP8107150	Connecting link	1	Year:2006[6]

Group	FRAME
Code	28.38
Description	Rear wheel Factory
Service	1



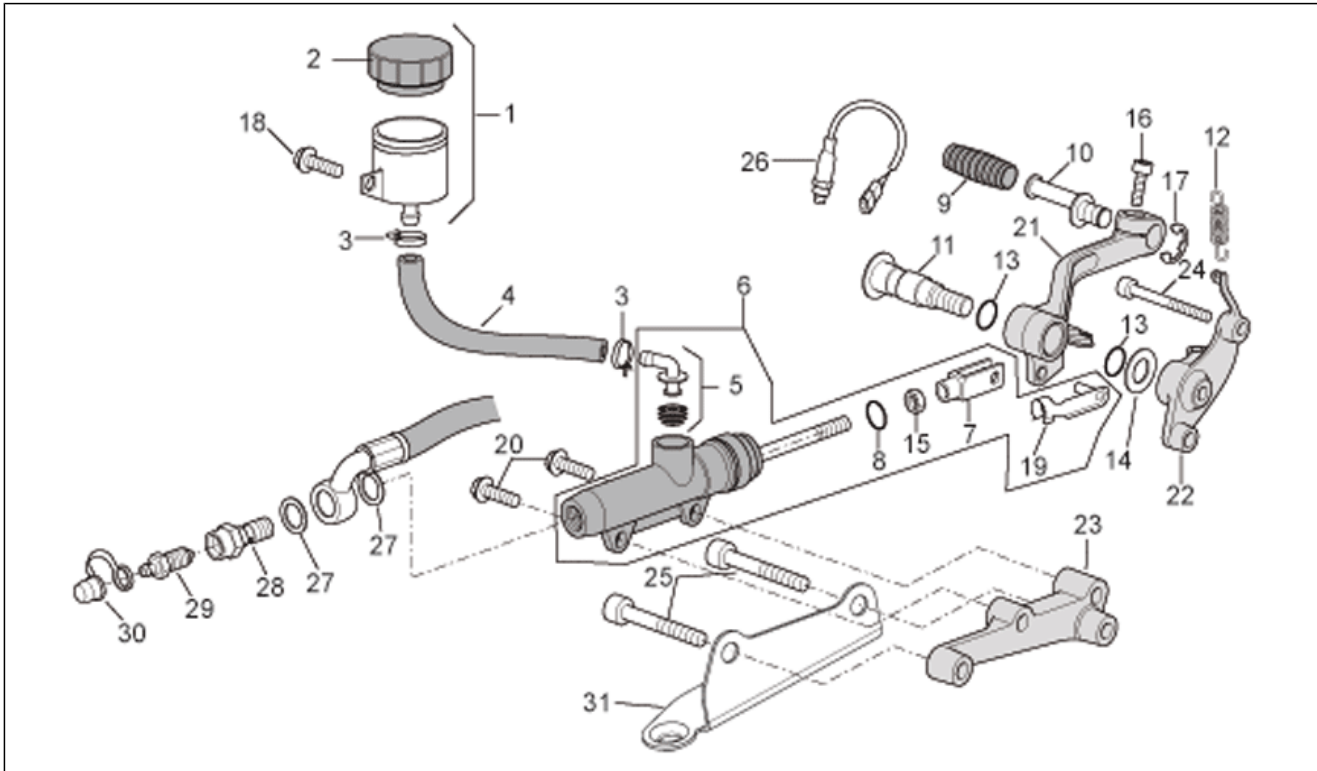
Pos.	Code	Description	Qty	Variants
1	AP8109257	Rear tyre 180/55 ZR 17" Pirelli	1	Year:2007[7] Technical Specifications:Factory Version[Fac]
1	AP8109330	Rear tyre 190/55 ZR 17"	1	Year:2008[8], 2009[9] Technical Specifications:Factory Version[Fac]
2	853376	Rear wheel, gold	1	Year:2008[8] Technical Specifications:Factory Version[Fac]
2	AP8108934	Rear wheel, blue OZ-Alu	1	Year:2007[7], 2008[8], 2009[9] Technical Specifications:Factory Version[Fac], OZ Sign[OZ]
2	AP8128201	Rear wheel, Alu. MGT-Alu	1	Year:2007[7] Technical Specifications:Factory Version[Fac], MalgaTech Sign[MGT]
3	AP8107146	Chain cpl conn.link	1	Year:2007[7], 2008[8], 2009[9] Technical Specifications:Factory Version[Fac]
4	AP8107145	Chain ring	1	Year:2007[7], 2008[8], 2009[9] Technical Specifications:Factory Version[Fac]
5	B045033	Pin	5	Year:2007[7], 2008[8], 2009[9] Technical Specifications:Factory Version[Fac]
6	AP8125731	Flexible coupling rubber	5	Year:2007[7], 2008[8], 2009[9] Technical Specifications:Factory Version[Fac]
7	AP8125831	Rear wheel spindle	1	Year:2007[7], 2008[8], 2009[9] Technical Specifications:Factory Version[Fac]
8	AP8150436	Low self-locking nut	5	Year:2007[7], 2008[8], 2009[9] Technical Specifications:Factory Version[Fac]
9	AP8152324	Wheel spindle nut M25x1,5	1	Year:2007[7], 2008[8], 2009[9] Technical Specifications:Factory Version[Fac]
10	AP8125730	Crown holder cpl.	1	Year:2007[7], 2008[8], 2009[9] Technical Specifications:Factory Version[Fac]
11	AP8121213	Gasket ring 38x55x7	1	Year:2007[7], 2008[8], 2009[9] Technical Specifications:Factory Version[Fac]
12	AP8125732	Spring drive spacer	2	Year:2007[7], 2008[8], 2009[9] Technical Specifications:Factory Version[Fac]
13	AP8121212	Inside circlip d55	1	Year:2007[7], 2008[8], 2009[9]

Group	FRAME
Code	28.38
Description	Rear wheel Factory
Service	1



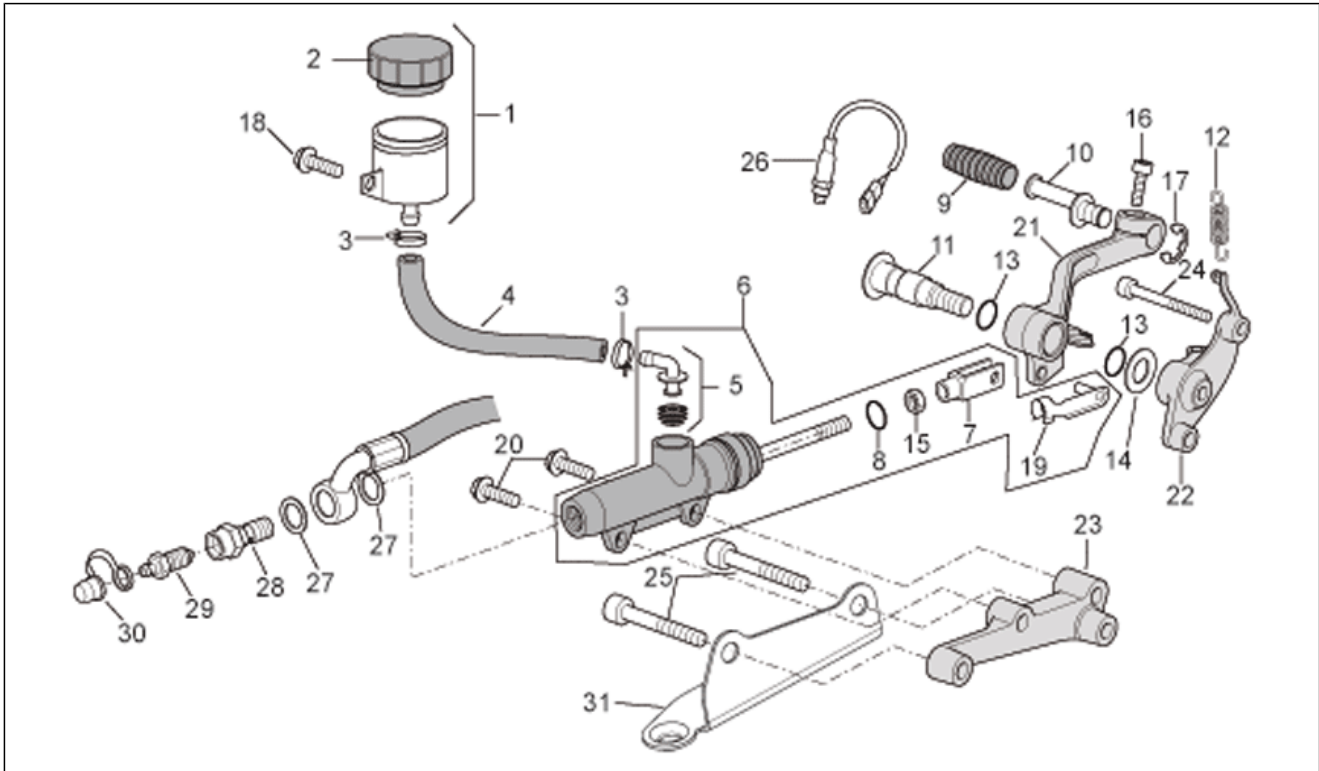
Pos.	Code	Description	Qty	Variants
				Technical Specifications: Factory Version[Fac]
14	AP8110081	Bearing 30x55x13	2	Year: 2007[7], 2008[8], 2009[9] Technical Specifications: Factory Version[Fac]
15	AP8110093	Bearing 6205-2rs1 25x52x15	2	Year: 2007[7], 2008[8], 2009[9] Technical Specifications: Factory Version[Fac]
16	AP8176101	Internal spacer	1	Year: 2007[7], 2008[8], 2009[9] Technical Specifications: Factory Version[Fac]
17	AP8125838	Gasket ring 38x52x7	1	Year: 2007[7], 2008[8], 2009[9] Technical Specifications: Factory Version[Fac]
18	AP8107150	Connecting link	1	Year: 2007[7], 2008[8], 2009[9] Technical Specifications: Factory Version[Fac]
19	AP8125839	Snap ring d52	1	Year: 2007[7], 2008[8], 2009[9] Technical Specifications: Factory Version[Fac]
20	AP8104728	Tubeless tyre valve 90°	1	Year: 2007[7], 2008[8], 2009[9] Technical Specifications: Factory Version[Fac]
21	AP8121592	Rear wheel spacer	2	Year: 2007[7], 2008[8], 2009[9] Technical Specifications: Factory Version[Fac]
22	AP8152323	Washer 25,2x36x1	1	Year: 2007[7], 2008[8], 2009[9] Technical Specifications: Factory Version[Fac]

Group	FRAME
Code	28.39
Description	Rear master cylinder
Service	1



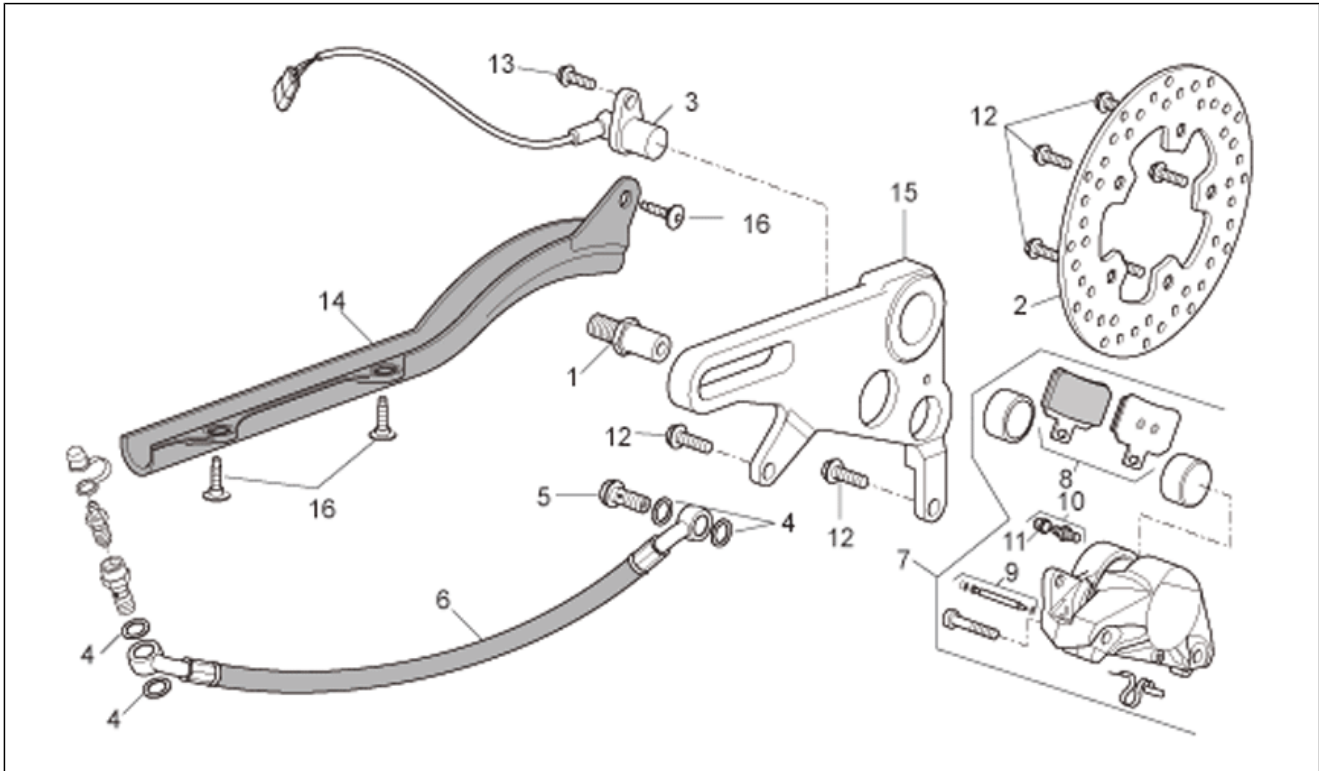
Pos.	Code	Description	Qty	Variants
1	AP8133873	Brake oil tank complete	1	
2	AP8113553	Tank cap	1	
3	AP8101595	Hose clamp D10,1	2	
4	AP8133779	Rear brake hose	1	
5	AP8133872	Rear brake pump union	1	
6	852218	Rear master cylinder	1	Year:2007[7], 2008[8] Technical Specifications:R Version[R]
6	AP8133875	Rear master cylinder	1	Year:2007[7], 2008[8], 2009[9] Technical Specifications:Factory Version[Fac]
6	AP8133875	Rear master cylinder	1	Year:2006[6]
7	AP8101968	Fork	1	
8	AP8120178	O-ring OR112	1	
9	AP8120912	Lever rubber	1	
10	AP8121221	Brake lever pin	1	
11	AP8121223	Rear brake lever pin	1	
12	AP8121927	Rear brake lever spring	1	
13	AP8144007	O-ring 11,11x1,78	2	
14	AP8150020	Washer 10,5x21x2*	1	
15	AP8150026	Nut M6	1	
16	AP8150044	Hex socket screw M6x20	1	
17	AP8150462	Circlip d9	1	
18	AP8152273	Screw w/ flange M5X15	1	
19	AP8201301	Gear selector fork clips	1	
20	AP8152279	Screw w/ flange M6x20	2	
21	AP8146787	Rear brake lever	1	
22	AP8134415	Brake lever support	1	
23	AP8134384	Rear master cyl.support	1	
24	AP8150403	Hex socket screw M6x45	1	

Group	FRAME
Code	28.39
Description	Rear master cylinder
Service	1



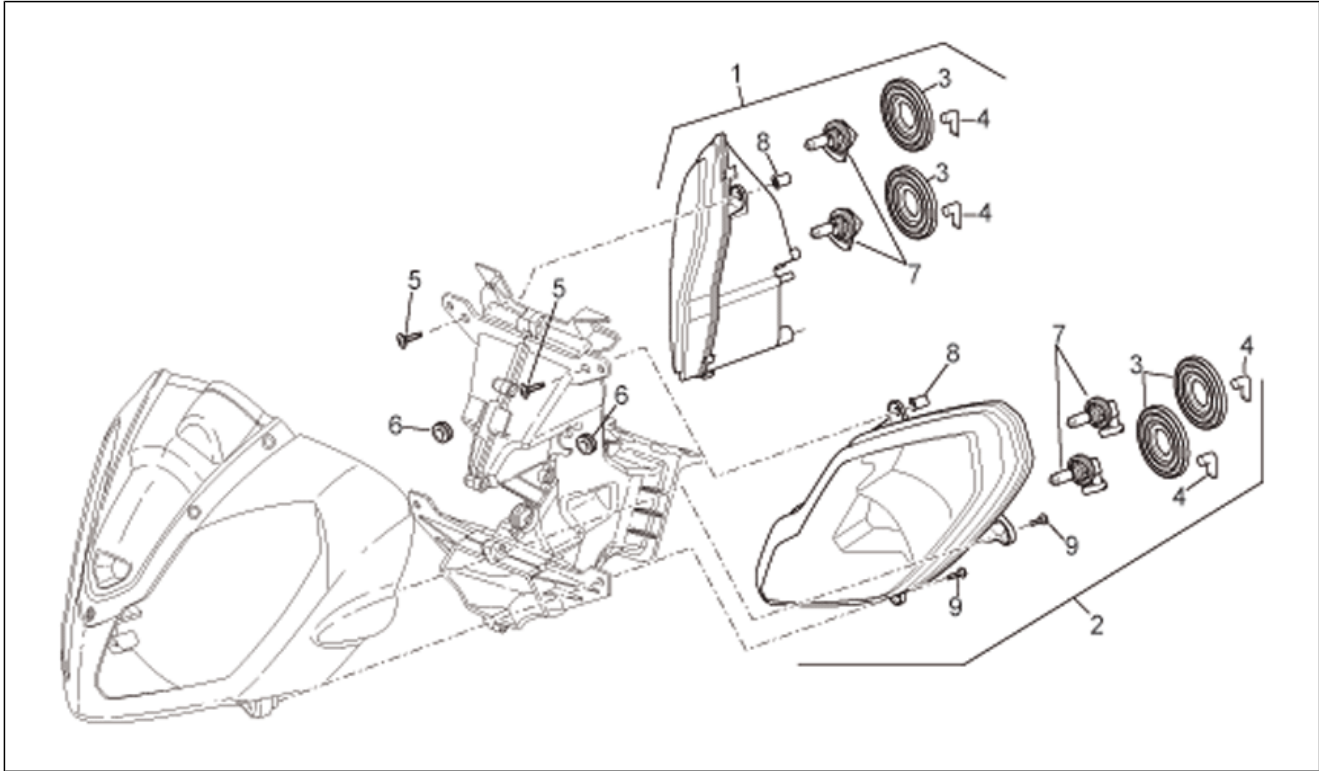
Pos.	Code	Description	Qty	Variants
25	AP8150277	Hex socket screw M8x50	2	
26	AP8112996	Microswitch	1	
27	AP8121915	Gasket	2	
28	AP8113762	Bored screw	1	
29	AP8113761	Air bleed valve	1	
30	AP8113230	Bleed valve cap	1	
31	AP8133902	Brake master cyl.protection	1	

Group	FRAME
Code	28.40
Description	Rear brake caliper
Service	1



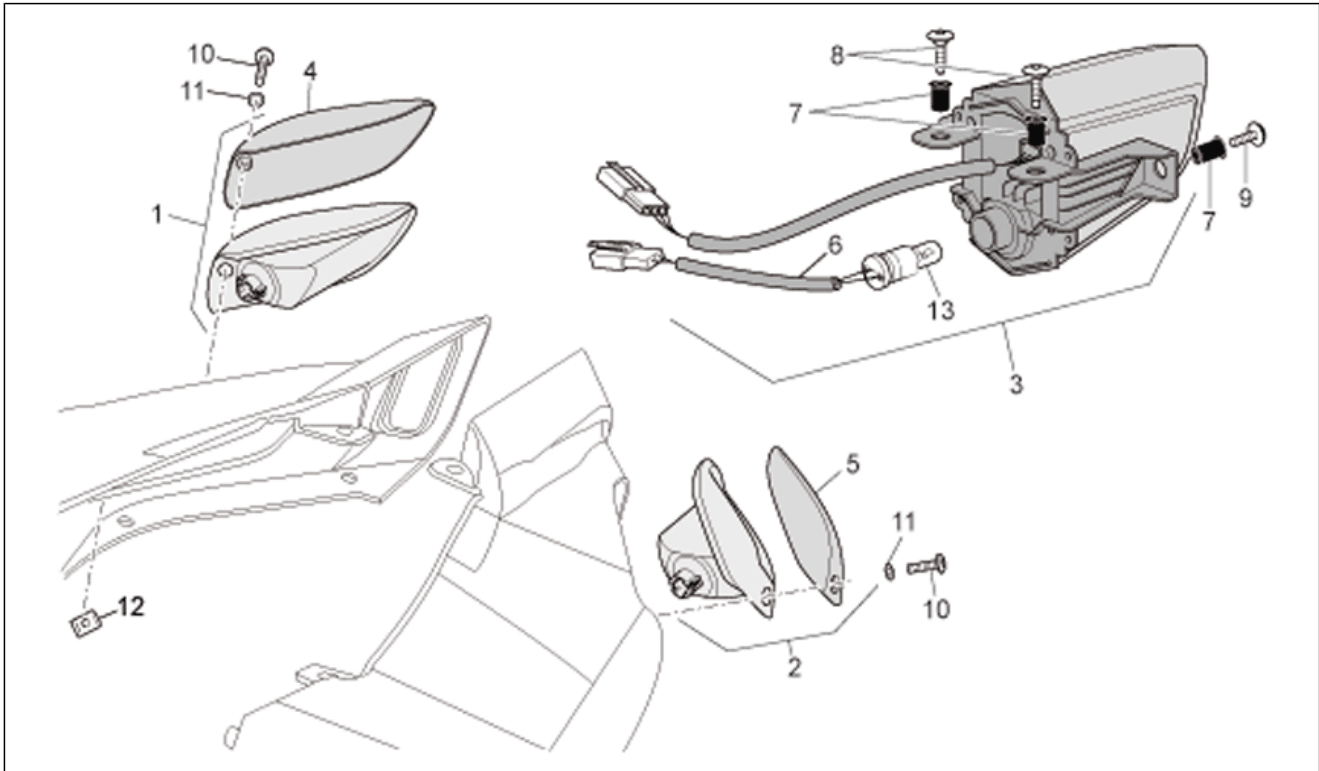
Pos.	Code	Description	Qty	Variants
1	AP8121407	Brake supp. plate pin	1	
2	AP8113612	Rear brake disc	1	
3	AP8124528	Speedometer sensor cpl.	1	
4	AP8121915	Gasket	4	
5	852702	Oil pipe screw	1	Year:2007[7], 2008[8] Technical Specifications:R Version[R]
5	AP8133594	Oil pipe screw	1	Year:2007[7], 2008[8], 2009[9] Technical Specifications:Factory Version[Fac]
5	AP8133594	Oil pipe screw	1	Year:2006[6]
6	852706	Rear brake hose	1	Year:2007[7], 2008[8] Technical Specifications:R Version[R]
6	AP8133544	Rear brake hose	1	Year:2007[7], 2008[8], 2009[9] Technical Specifications:Factory Version[Fac]
6	AP8133544	Rear brake hose	1	Year:2006[6]
7	AP8133900	Rear brake caliper, gold	1	
8	AP8133920	Pads pair	1	
9	AP8113752	Pin+split pin	1	
10	AP8113753	Air bleed valve	1	
11	AP8113230	Bleed valve cap	1	
12	AP8152286	Screw w/ flange M8x20	7	
13	AP8152279	Screw w/ flange M6x20	1	
14	AP8134781	Rear brake hose support	1	
15	AP8134779	Brake hanger plate	1	
16	AP8152302	Screw w/ flange M5x12	3	

Group	FRAME
Code	28.41
Description	Headlight
Service	1



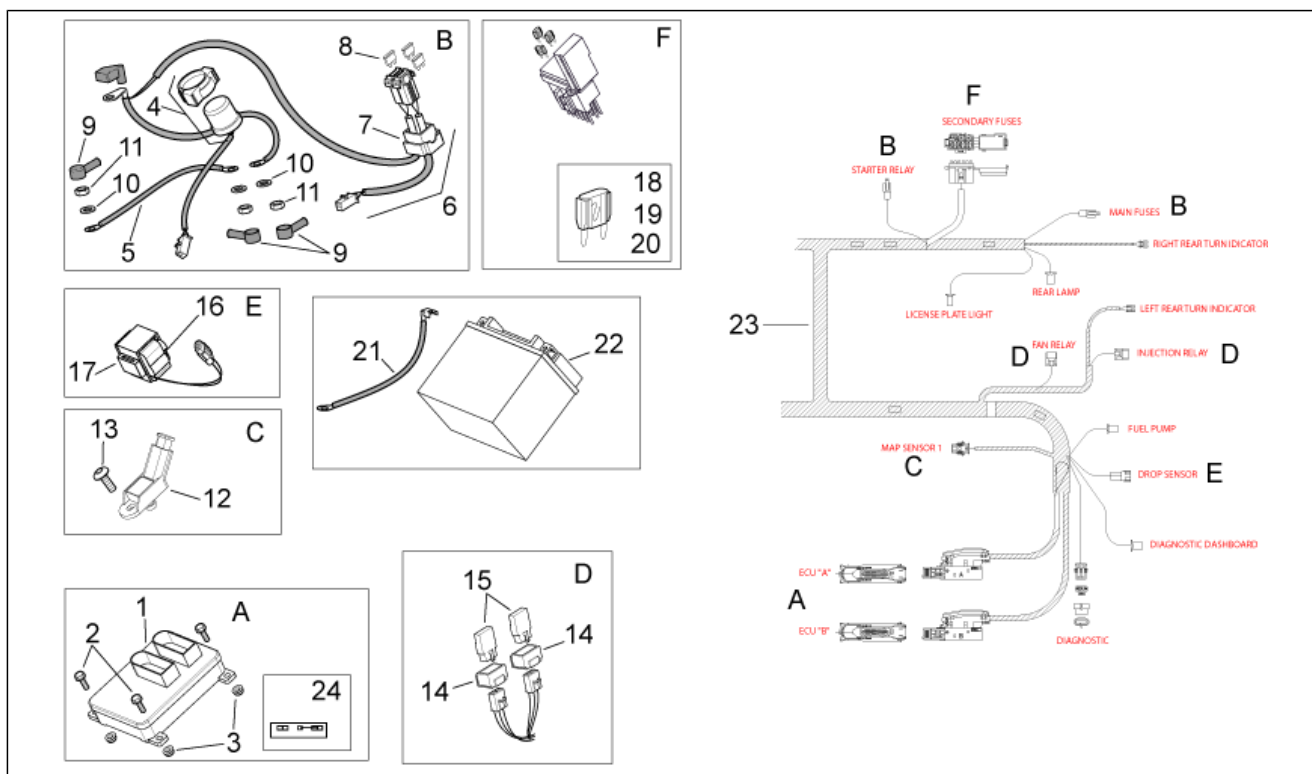
Pos.	Code	Description	Qty	Variants
1	AP8127152	RH headlight	1	Country:GR-E-I[EU], United States of America[USA]
1	AP8127371	RH headlight	1	Country:Australia[AA], Japan[JJ], Great Britain[UK]
2	AP8127283	LH headlight	1	Country:GR-E-I[EU], United States of America[USA]
2	AP8127372	LH headlight	1	Country:Australia[AA], Japan[JJ], Great Britain[UK]
3	AP8127442	Front headlight guard	4	
4	AP8127601	Ventilation plug	4	
5	AP8152298	Screw w/ flange M5x16	2	
6	AP8120030	Rubber spacer	2	
7	852200	Lamp H11 12V-55W	4	
8	AP8120531	Rubber w/ insert	2	
9	AP8152329	Phillips screw, SWP M5x20	4	

Group	FRAME
Code	28.42
Description	Taillight
Service	1



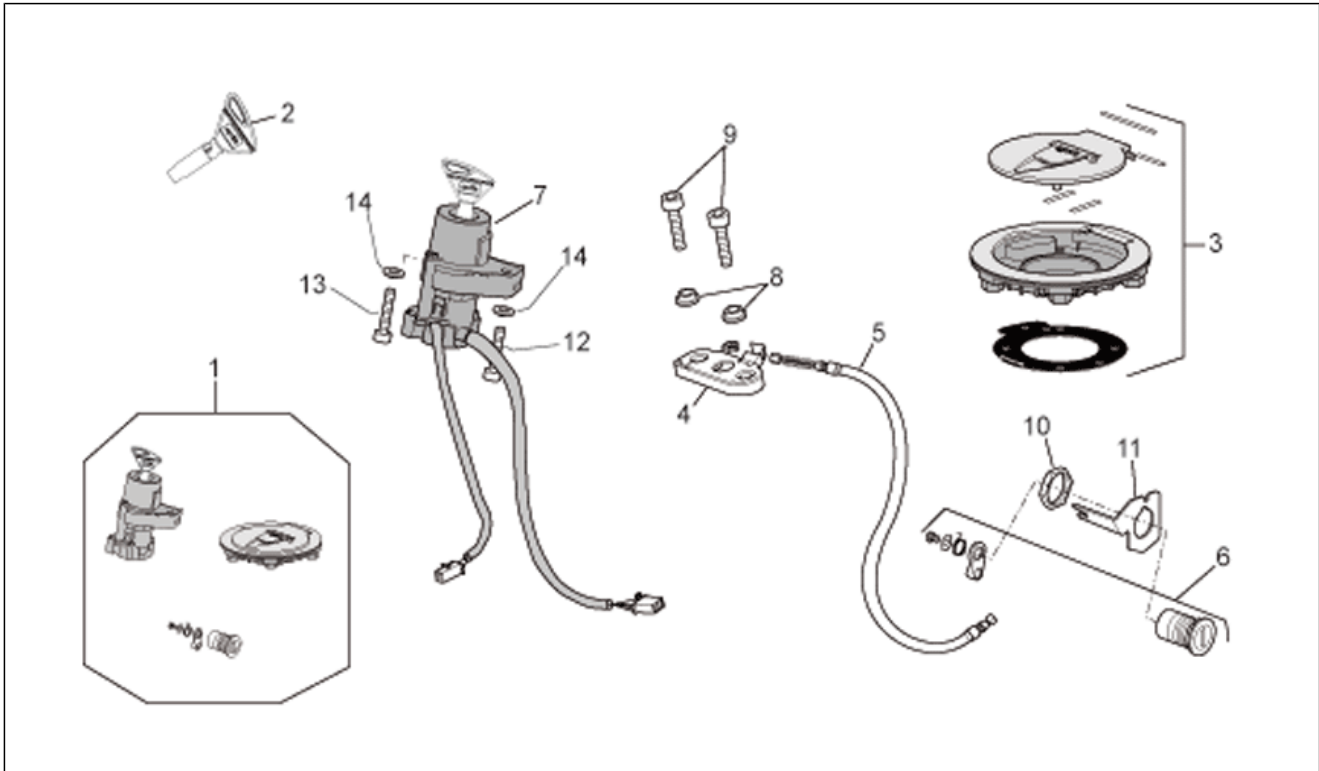
Pos.	Code	Description	Qty	Variants
1	AP8127284	Rear RH turn indicator	1	Country: United States of America[USA]
1	AP8127683	Turn indicator	1	Country: Australia[AA], GR-E-I[EU], Japan[JJ], Great Britain[UK]
2	AP8127285	Rear LH turn indicator	1	Country: United States of America[USA]
2	AP8127684	Turn indicator	1	Country: Australia[AA], GR-E-I[EU], Japan[JJ], Great Britain[UK]
3	AP8127721	Taillight	1	Country: Australia[AA], GR-E-I[EU], Japan[JJ], Great Britain[UK]
3	AP8127723	Taillight	1	Country: United States of America[USA]
4	AP8127597	RH orange lens	1	
4	AP8127701	Transparent lens f.LH-r.RH	1	
5	AP8127598	LH orange lens	1	
5	AP8127702	Transparent lens f.RH-r.LH	1	
6	AP8127599	Plate light wiring	1	
7	AP8120531	Rubber w/ insert	4	
8	AP8152302	Screw w/ flange M5x12	2	
9	AP8152298	Screw w/ flange M5x16	2	
10	AP8150493	Hex socket screw M4x16	2	
11	AP8144565	Nylon washer	2	
12	AP8102381	Clip M4	2	
13	0000000	Tyre	1	

Group	FRAME
Code	28.44
Description	Electrical system II
Service	1



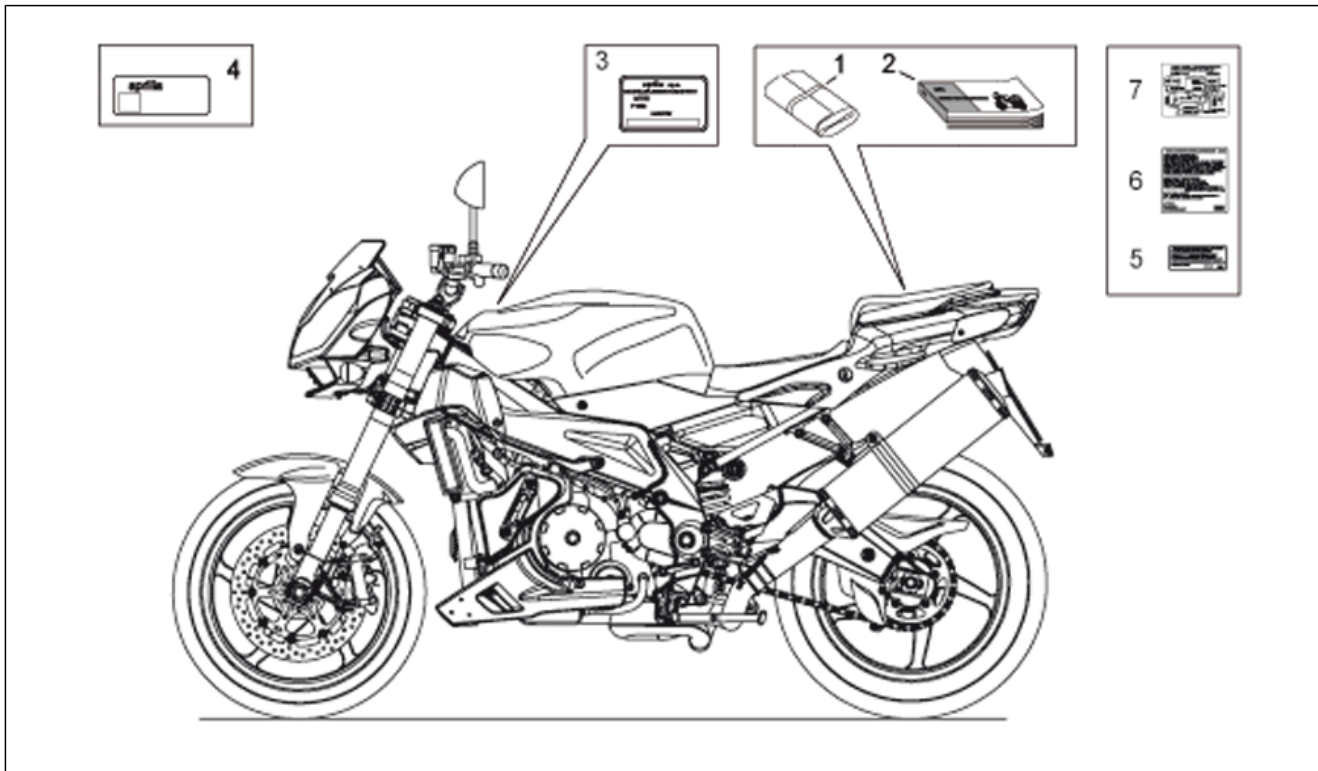
Pos.	Code	Description	Qty	Variants
1	AP0266531	CDI unit assy	1	Year:2006[6]
1	AP0266533	CDI unit assy	1	Year:2007[7], 2008[8], 2009[9]
2	AP8152280	Screw w/ flange M6x25	3	
3	AP8152299	Self-locking nut M6	3	
4	AP8112927	Relay 12V-150A	1	
5	AP8127145	Relay-starter motor cable	1	
6	AP8127148	Wiring	1	
7	AP8112811	Rubber fuse box	1	
8	AP8124273	Fuse 30a	2	
9	AP8120218	Terminal cap	3	
10	AP8150429	Spring washer 6,4x11x0,5*	2	
11	AP8150026	Nut M6	2	
12	AP0274055	Pressure sensor	2	
13	AP8152298	Screw w/ flange M5x16	1	
14	AP8224462	Relay 12V-30A	2	
15	AP8220283	Rubber spacer *	2	
16	AP8124266	Inclination sensor	1	
17	AP8144046	Rubber sensor support	1	
18	AP8176099	Fuse	3	
19	AP8176100	Fuse	1	
20	AP8127345	Fuse 15A	2	
21	AP8127149	Ground-battery lead	1	
22	AP8124748	Battery YTX12-BS	1	
23	AP8127704	Main wiring harness	1	
24	896241	Diode	2	

Group	FRAME
Code	28.45
Description	Lock hardware kit
Service	1



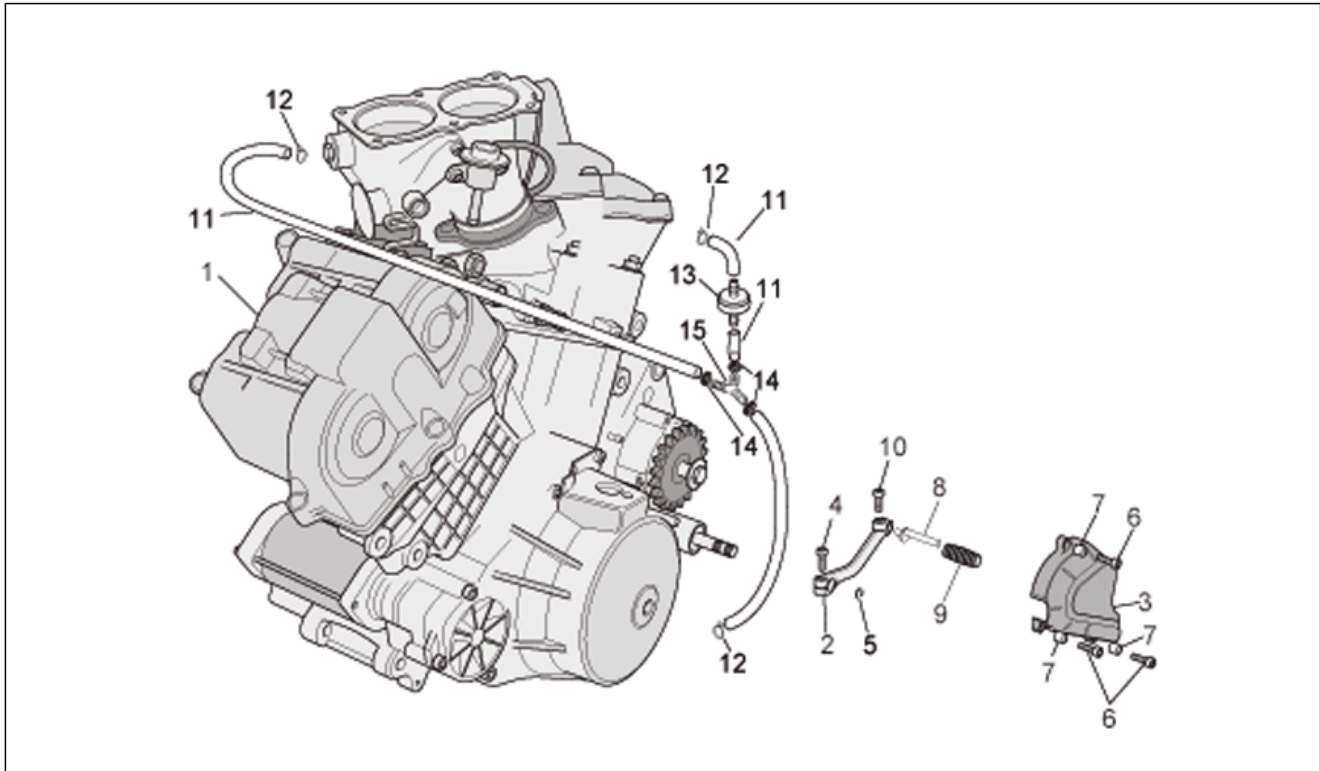
Pos.	Code	Description	Qty	Variants
1	AP8104891	Lock kit	1	
2	AP8140711	"Aprilia" key with transpo.	1	
3	AP8104720	Fuel filler cap	1	
4	AP8102913	Pass.saddle connecting plate	1	
5	AP8114411	Lock cable	1	
6	AP8104719	Serratura sella con chiave	1	
7	AP8127795	Main switch - steering lock	1	
8	AP8221129	Bush	2	
9	AP8150220	Hex socket screw M6x30	2	
10	AP8102523	Lock nut M22x1,5	1	
11	AP8134948	Plate	1	
12	AP8150351	Shear rivet M8x40	1	
13	AP8150171	Hex socket screw M8x40	1	
14	AP8161085	Spacer 8,2x14x12,5	2	

Group	FRAME
Code	28.46
Description	Plate set-decal-op.handbooks
Service	1



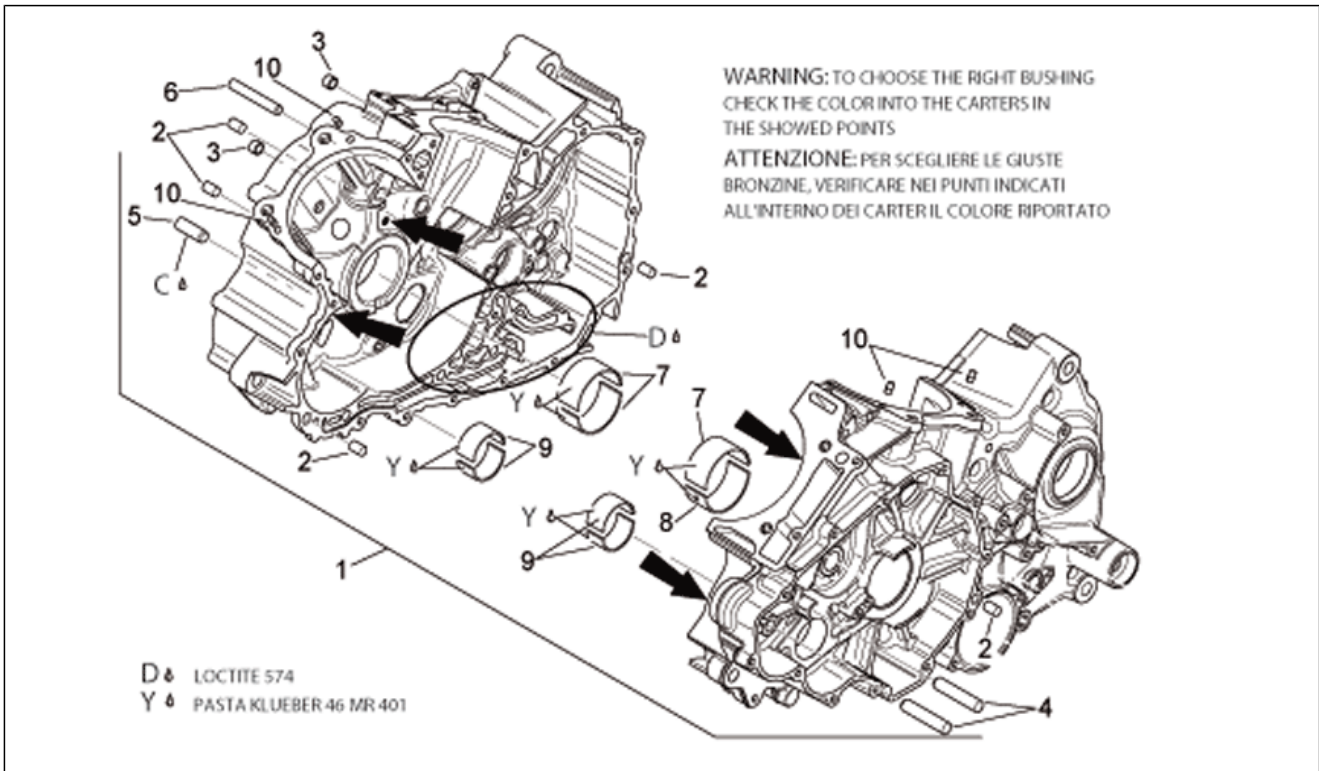
Pos.	Code	Description	Qty	Variants
1	AP8140907	Toolkit	1	
2	852924	Operator's handbook i-f-d-e	1	
2	852925	Operator's handbook nl-e-uk-gr-dk-sf	1	
2	852926	Operator's handbook j-uk-	1	
2	852927	Operator's handbook usa-can-	1	
3	AP8166639	Constructor dataplate	1	Country:GR-E-I[EU], Japan[JJ], Great Britain[UK]
3	AP8166739	Constructor dataplate	1	Year:2006[6], 2007[7] Country:United States of America[USA]
3	AP8166740	Constructor dataplate	1	Country:Australia[AA]
4	AP8177739	ECE dataplate	1	Country:Australia[AA], Japan[JJ]
5	AP8166741	Noise emission sticker	1	Country:Australia[AA]
5	AP8166742	Noise emission sticker	1	Year:2006[6], 2007[7] Country:United States of America[USA]
6	AP8166743	Emission control sticker	1	Year:2006[6], 2007[7] Country:United States of America[USA]
7	AP8166744	Carbon filter sticker	1	Year:2006[6], 2007[7] Country:United States of America[USA]
8	AP8166793	Tamperproof dataplate	1	Country:Belgium[B], France[F] Technical Specifications:78 Kw power version[78Kw]

Group	ENGINE
Code	29.31
Description	Engine
Service	1



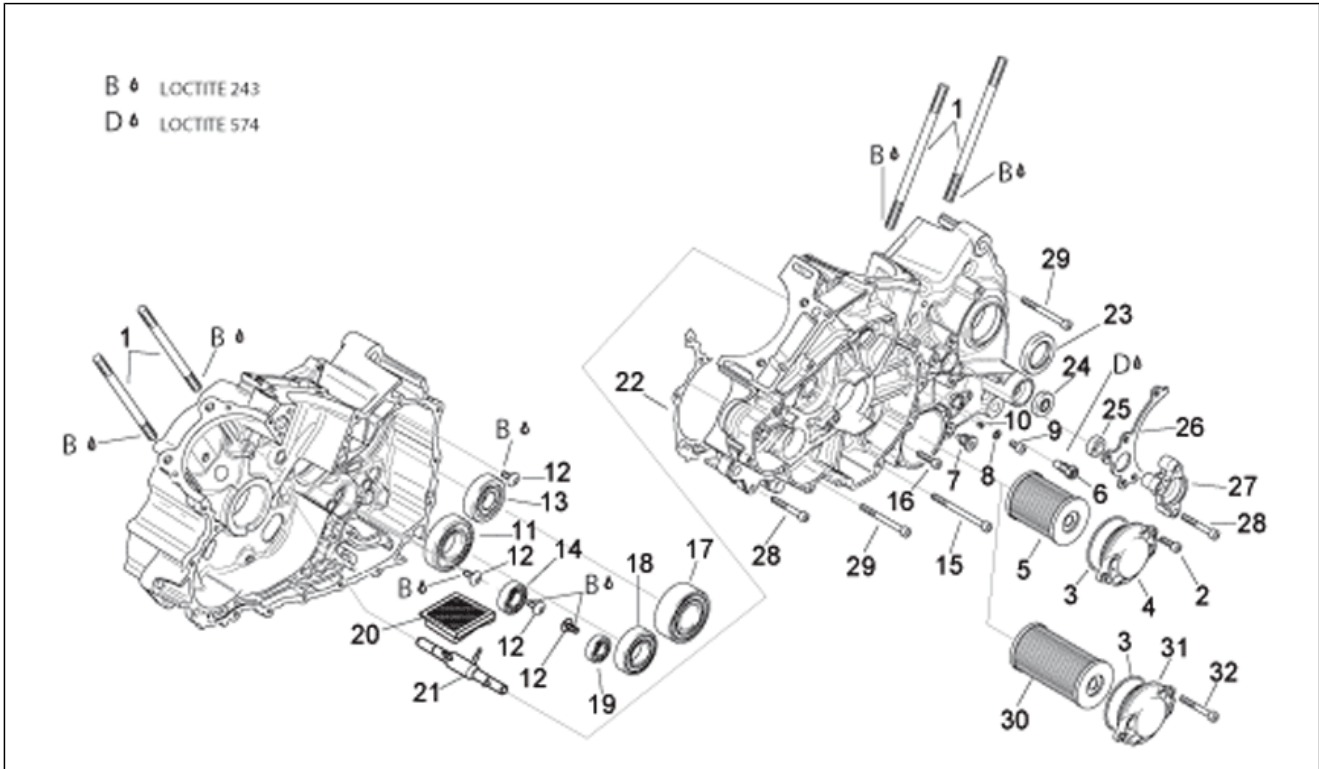
Pos.	Code	Description	Qty	Variants
1	852160	Engine	1	Year:2007[7], 2008[8], 2009[9]
1	AP8176156	Engine	1	Year:2006[6]
2	AP8106874	Gear lever	1	
3	AP8106873	Sprocket cover	1	
4	AP8150137	Hex socket screw M6x16	1	
5	AP8150462	Circlip d9	1	
6	AP8150044	Hex socket screw M6x20	3	
7	AP8120253	Spacer	3	
8	AP8121221	Brake lever pin	1	
9	AP8120912	Lever rubber	1	
10	AP8150044	Hex socket screw M6x20	1	
11	AP8144015	Oil pipe 6x12	1	
12	AP8120446	Hose clip, green D11x6,6x1	3	
13	AP8104996	Anti-return valve	1	
14	AP8102159	Hose clamp	3	
15	AP8120116	3-way union	1	

Group	ENGINE
Code	29.47
Description	Crankcases I
Service	1



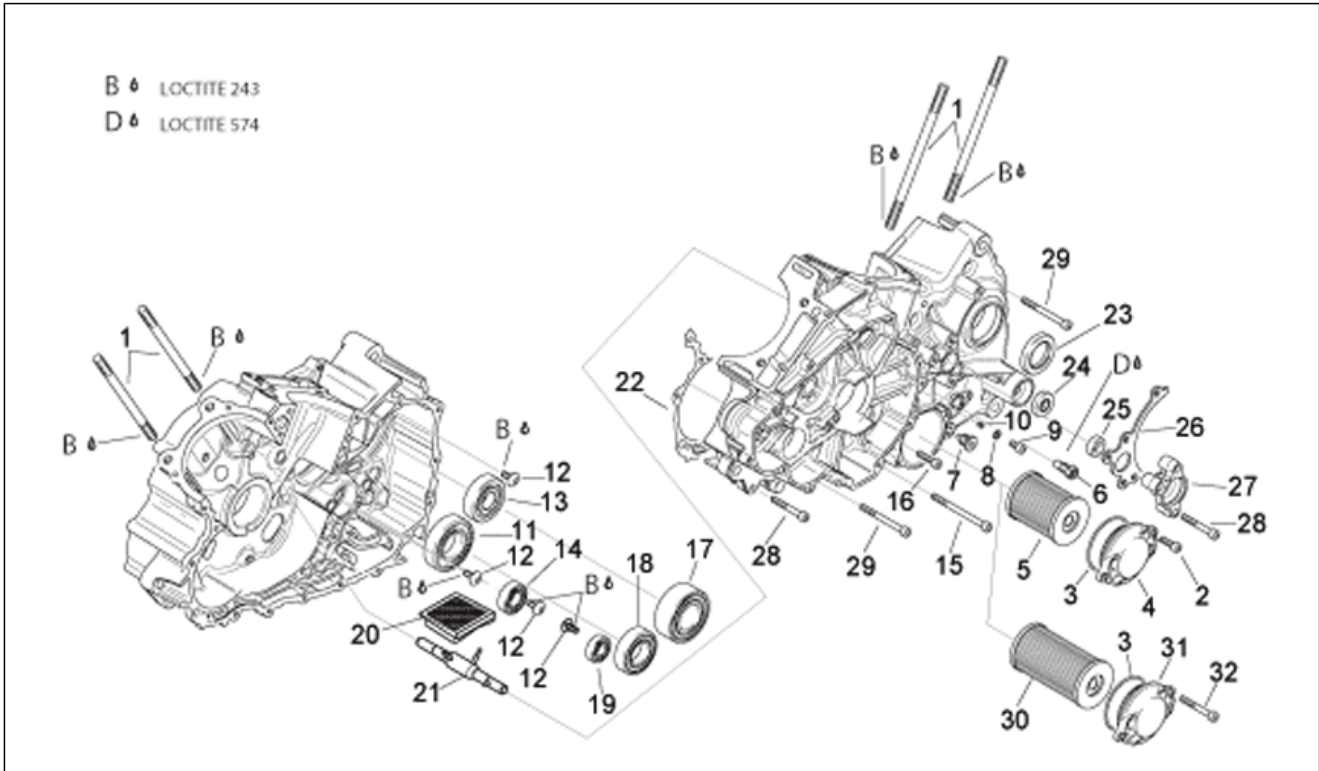
Pos.	Code	Description	Qty	Variants
1	AP0296961	Crankcase assy	1	
2	AP0632010	Pin M8x12	5	
3	AP0929500	Pin 10x8	2	
4	AP0229301	Pin M6x50	2	
5	AP0929930	Pin	1	
6	AP0229385	Pin	1	
7	AP0233745	Bushing half-shell, blue	3	
7	AP0233746	Bushing half-shell, red	3	
7	AP0233748	Bushing half-shell, yellow	3	
8	AP0233740	Bushing half-shell, blue	1	
8	AP0233741	Bushing half-shell, red	1	
8	AP0233743	Bushing half-shell, yellow	1	
9	AP0233711	Bushing half-shell, blue	4	
9	AP0233820	Bushing half-shell, red	4	
9	AP0233822	Bushing half-shell, yellow	4	
10	AP0929650	Pin 5x10	4	

Group	ENGINE
Code	29.48
Description	Crankcases II
Service	1



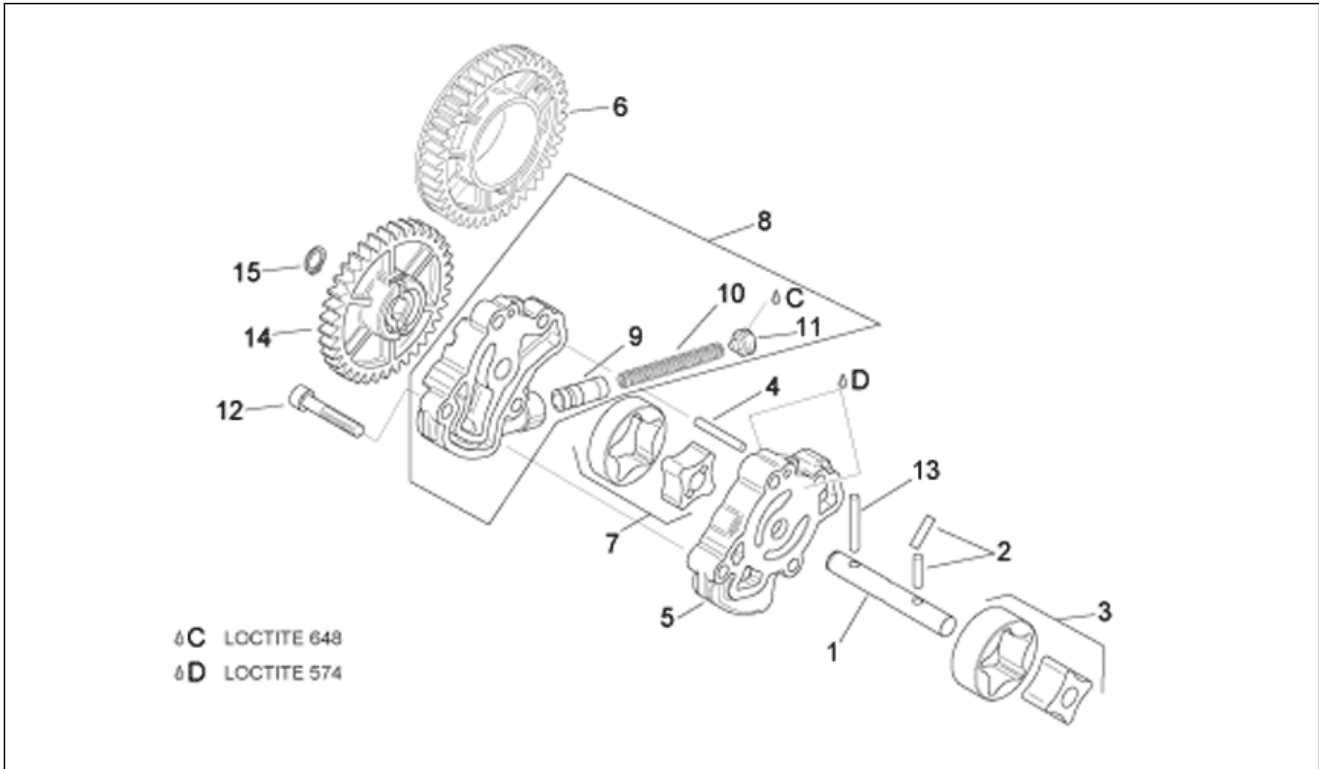
Pos.	Code	Description	Qty	Variants
1	AP0241580	Stud bolt m10x171	8	
2	AP0241932	Hex socket screw	2	
3	AP0650500	O-ring 59,52x2,62	1	
4	AP0210415	Oil filter cover	1	
5	AP0256187	Oil filter	1	
6	AP0241854	Neutral indicator switch	1	
7	AP0241782	Magnetic drain plug M12x1,5	1	
8	AP0950141	Gasket ring 8x13	1	
9	AP0841521	Hex socket screw	1	
10	AP0268751	Jet 40	1	
11	AP0932585	Ball bearing 6206	1	
12	AP0241531	Short head screw	4	
13	AP0832144	Ball bearing 6304	1	
14	AP0232625	Bearing 6003	1	
15	AP0241501	Hex socket screw M6x80	1	
16	AP0840861	Hex socket screw M6x25	1	
17	AP0632124	Angular bearing 3206	1	
18	AP0932428	Ball bearing 6205	1	
19	AP0932335	Ball bearing 16101	1	
20	AP0256497	Oil strainer	1	
21	AP0656232	Oil sprayer pipe	1	
22	AP0650337	Gasket	1	
23	AP0850050	Oil seal 40x47x7,5	1	
24	AP0250450	Oil seal 12x28x7	1	
25	AP0650320	Oil seal 11x22x7	1	
26	AP0236370	Chain guide	1	
27	AP0259500	Clutch disengagement flange	1	
28	AP0241821	Hex socket screw M6x45	8	

Group	ENGINE
Code	29.48
Description	Crankcases II
Service	1



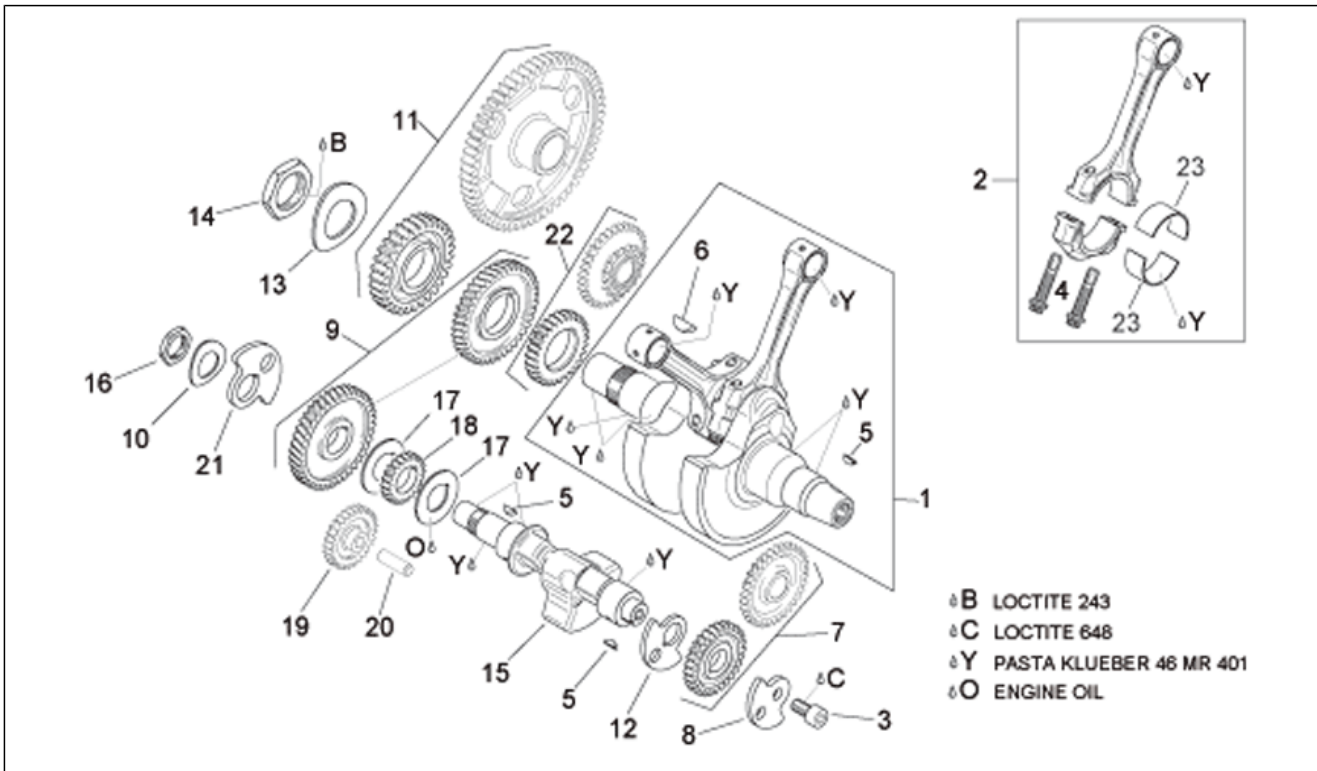
Pos.	Code	Description	Qty	Variants
29	AP0241261	Hex socket screw	13	
30	AP0956745	Oil filter	1	
31	AP0610233	Oil filter cover	1	
32	AP0840880	Hex socket screw M6x30	2	

Group	ENGINE
Code	29.49
Description	Oil pump
Service	1



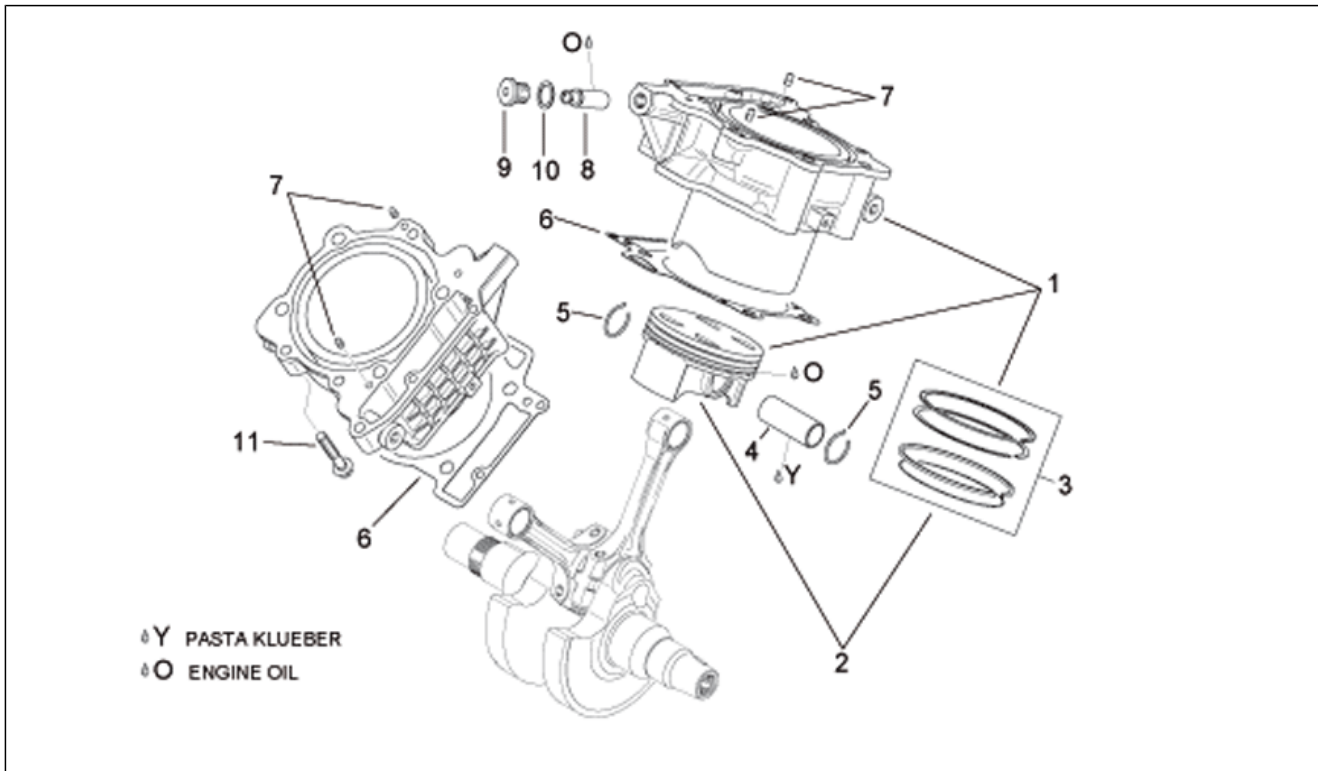
Pos.	Code	Description	Qty	Variants
1	AP0220423	Oil pump shaft assy.	1	
2	AP0232730	Pin 4x15,8	2	
3	AP0256680	Internal and external rotor	1	
4	AP0232970	Pin 4x25,8	1	
5	AP0211620	Oil pressing pump casing	1	
6	AP0634476	Oil pump gear z=42	1	
7	AP0956275	Internal and external rotor	1	
8	AP0211632	Oil pump cover cpl.	1	
9	AP0256510	Pressure adj. piston	1	
10	AP0239449	Spring	1	
11	AP0241650	Valve closer screw m12x1,5	1	
12	AP0241821	Hex socket screw M6x45	4	
13	AP0232430	Pin	1	
14	AP0634483	Oil pump gear	1	
15	AP0245330	Circlip 10x1	1	

Group	ENGINE
Code	29.50
Description	Drive shaft
Service	1



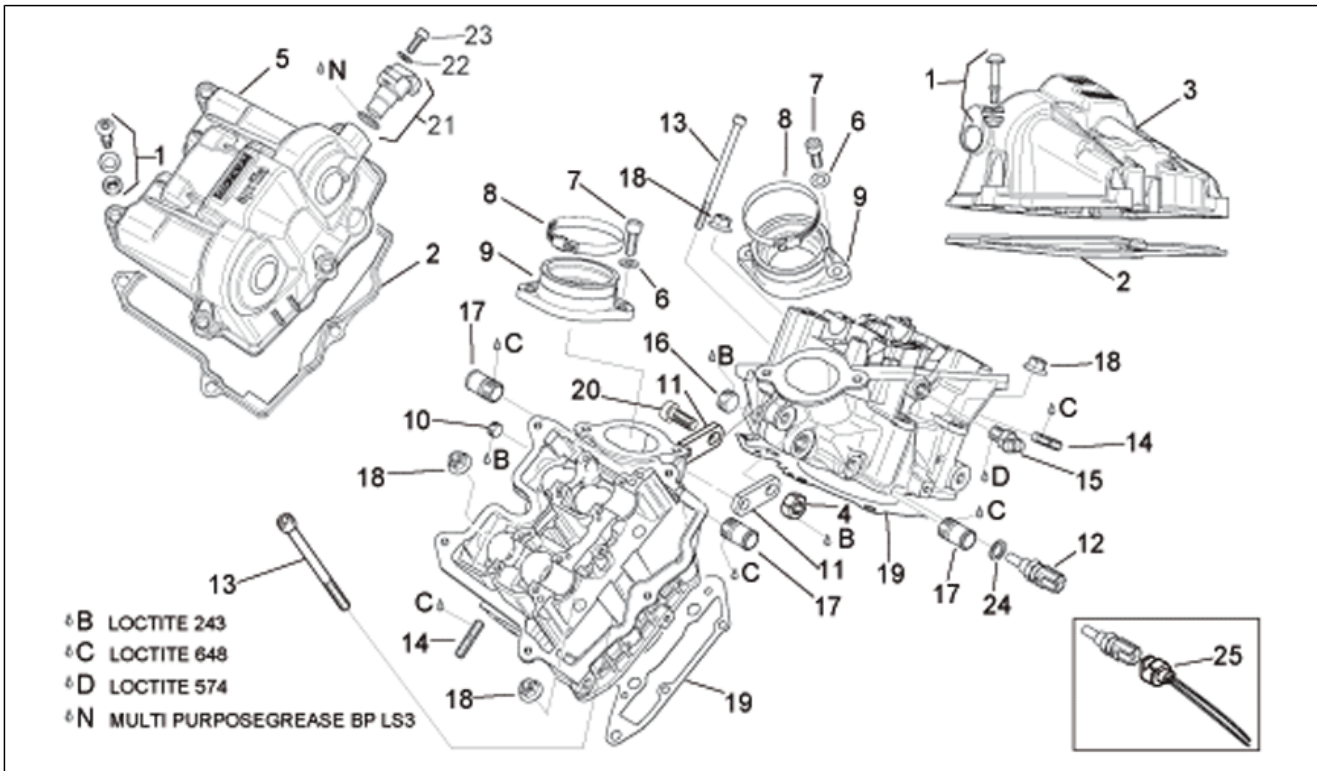
Pos.	Code	Description	Qty	Variants
1	AP0295667	Crankshaft cpl.	1	
2	AP0217486	Connecting rod cpl.	2	
3	AP0440260	Hex socket screw	1	
4	AP0640400	Connecting rod screw	4	
5	AP0246570	Transmission key 4x5	3	
6	AP0946015	Transmission key 6x9	1	
7	AP0295765	Timing system gear cpl.	1	
8	AP0219365	Ext.wheel side counterweight	1	
9	AP0295770	Balance shaft gear cpl.	1	
10	AP0245860	Spring washer	1	
11	AP0295783	Primary drive gear	1	
12	AP0219360	Int.wheel side counterweight	1	
13	AP0245840	Spring washer	1	
14	AP0634732	Timing system gear	1	
15	AP0220372	Lower balance shaft	1	
16	AP0242874	Nut	1	
17	AP0627200	Washer 24x54x2	2	
18	AP0634610	Water pump gear	1	
19	AP0634500	Idle gear	1	
20	AP0929930	Pin	1	
21	AP0219350	Clutch side counterweight	1	
22	AP0295760	Timing system gear cpl.	1	
23	AP0233721	Bushing,red 42x45x19	2	
23	AP0233722	Bushing,blue 42x45x19	2	
23	AP0233723	Bushing,yellow 42x45x19	2	

Group	ENGINE
Code	29.51
Description	Cylinder with piston
Service	1



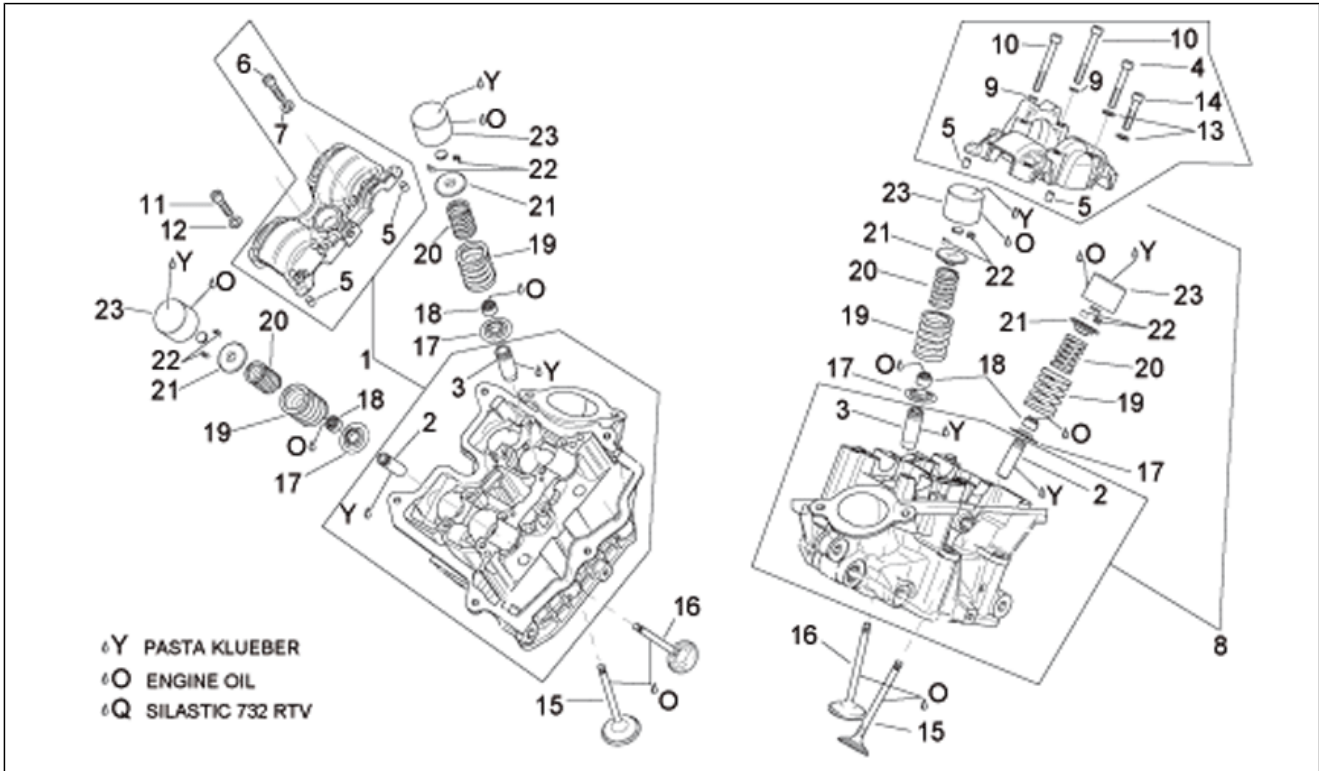
Pos.	Code	Description	Qty	Variants
1	AP0613418	Cylinder with piston	2	Year:2006[6]
1	AP0613419	Cylinder with piston	2	Year:2007[7], 2008[8], 2009[9]
2	AP0684310	Piston assy 96,944 mm (A)	2	Year:2006[6]
2	AP0684311	Piston assy 96,956 mm (B)	2	Year:2006[6]
2	AP0685210	Piston assy 96,944 mm (A)	2	Year:2007[7], 2008[8], 2009[9]
2	AP0685211	Piston assy 96,956 mm (B)	2	Year:2007[7], 2008[8], 2009[9]
3	AP0295858	Piston ring set	2	
4	AP0216222	Piston pin 22x14x55	2	
5	AP0245436	Stop ring 22	4	
6	AP0650390	Cylinder base gasket	2	
7	AP0929650	Pin 5x10	4	
8	AP0236252	Chain tensioner assy.	2	Year:2006[6]
8	AP0236253	Chain tensioner assy.	2	Year:2007[7], 2008[8], 2009[9]
9	AP0640455	Cover	2	
10	AP0430622	Gasket ring 16x22	2	
11	AP0940637	Screw w/ flange	8	

Group	ENGINE
Code	29.52
Description	Valves cover
Service	1



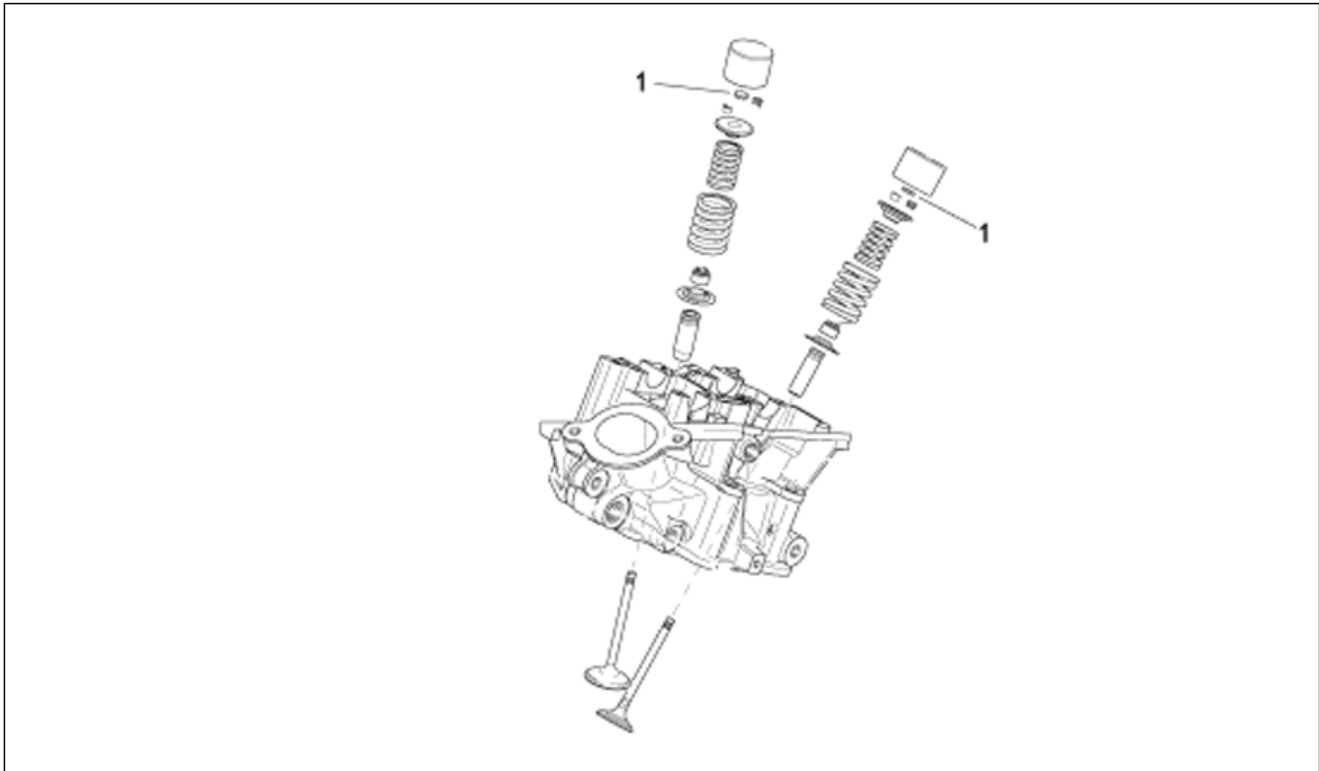
Pos.	Code	Description	Qty	Variants
1	AP0241625	Spacer screw cpl.	10	
2	AP0650345	Valve cover gasket	2	
3	AP0610715	Rear valves cover	1	
4	AP0242091	Nut	2	
5	AP0610710	Front valves cover	1	
6	AP0250311	Washer 8,4	4	
7	AP0240081	Hex socket screw M8x25	4	
8	AP0251830	Hose clamp 65	2	
9	AP0267150	Intake flange	2	
10	AP0840657	Cover	1	
11	AP0251100	Plate	2	
12	AP0274040	Temp. Sensor	1	
13	AP0241601	Hex socket screw	4	
14	AP0440130	Stud bolt	8	
15	AP0922245	Angular union	1	
16	AP0240170	Cover m18x1,5	1	
17	AP0224090	pipe	3	
18	AP0242851	Nut	8	
19	AP0650210	Cylinder head gasket	2	
20	AP0640581	Hex socket screw M10x40	2	
21	AP0664041	Camshaft sensor cpl.	1	
22	AP0244211	Washer 6,4	1	
23	AP0241236	Hex socket screw M6x16	1	
24	AP0250640	Gasket ring 12x18	1	
25	AP8127776	Wiring with connector	1	

Group	ENGINE
Code	29.53
Description	Cylinder head and valves
Service	1



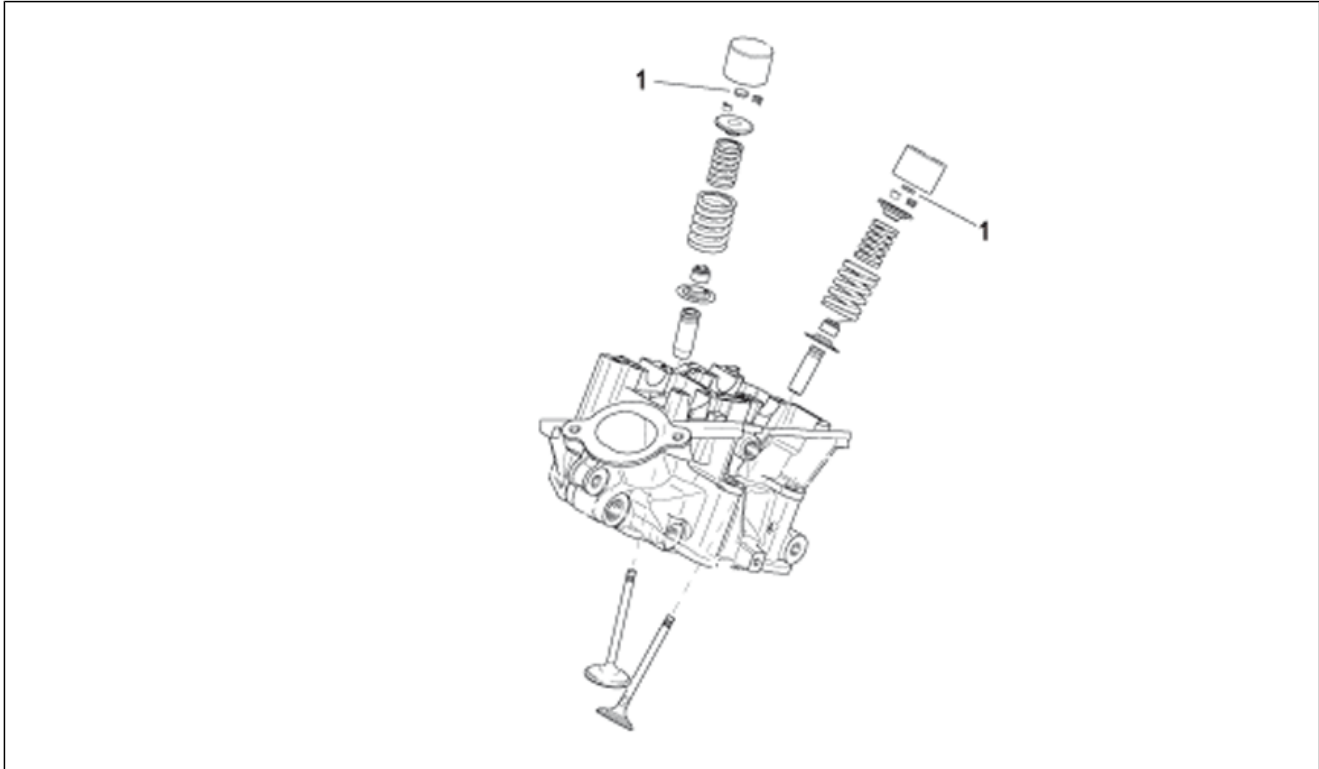
Pos.	Code	Description	Qty	Variants
1	AP0613465	Front cylinder head cpl.	1	Year:2006[6]
1	AP0623365	Front cylinder head cpl.	1	Year:2007[7], 2008[8], 2009[9]
2	AP0253926	Exhaust valve guide	4	
3	AP0253921	Intake valve guide	4	
4	AP0241821	Hex socket screw M6x45	2	
5	AP0232210	Pin 6x8	2	
6	AP0840880	Hex socket screw M6x30	1	
7	AP0927945	Washer 6,2x12x1	1	
8	AP0613468	Rear cylinder head cpl.	1	Year:2006[6]
8	AP0623367	Rear cylinder head cpl.	1	Year:2007[7], 2008[8], 2009[9]
9	AP0927863	Washer 6,1x9,8x1	2	
10	AP0240331	Hex socket screw	2	
11	AP0840880	Hex socket screw M6x30	7	
12	AP0927945	Washer 6,2x12x1	7	
13	AP0927945	Washer 6,2x12x1	6	
14	AP0840880	Hex socket screw M6x30	4	
15	AP0254027	Exhaust valve 31mm	4	Year:2006[6]
15	AP0254870	Exhaust valve 33 mm	4	Year:2007[7], 2008[8], 2009[9]
16	AP0254295	Intake valve 38 mm	4	
17	AP0253965	Valve spring plate	8	
18	AP0230510	Valve stem seal	8	
19	AP0238211	Ext. valve spring	8	
20	AP0238201	Int. valve spring	8	
21	AP0253957	Valve spring plate	8	
22	AP0253645	Valve half-cone	16	
23	AP0253990	Valve lifter bucket	8	

Group	ENGINE
Code	29.54
Description	Valves pads
Service	1



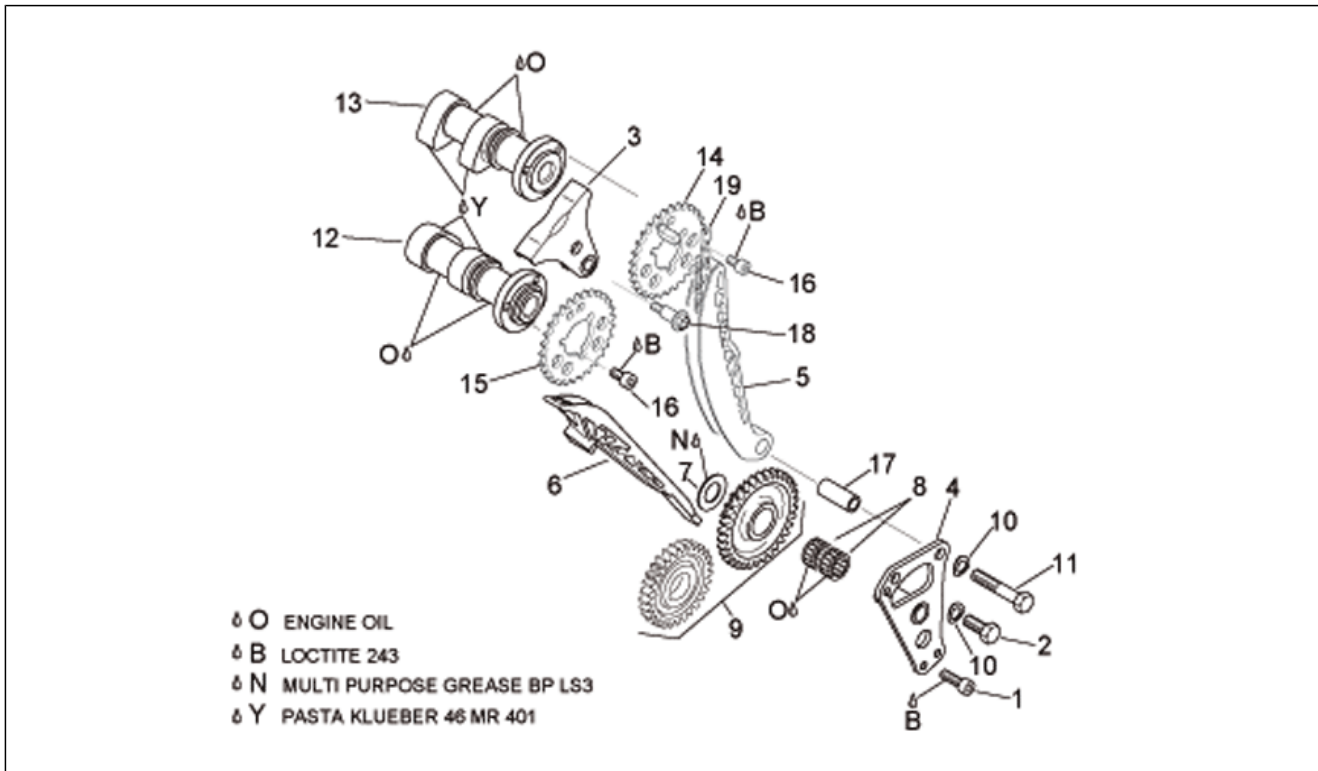
Pos.	Code	Description	Qty	Variants
1	AP0253974	Pad 2,3	1	
1	AP0253975	Pad 2,35	1	
1	AP0253976	Pad 2,4	1	
1	AP0253977	Pad 2,45	1	
1	AP0253978	Pad 2,5	1	
1	AP0253979	Pad 2,55	1	
1	AP0253980	Pad 2,6	1	
1	AP0253981	Pad 2,65	1	
1	AP0253982	Pad 2,7	1	
1	AP0253983	Pad 2,75	1	
1	AP0253984	Pad 2,8	1	
1	AP0253985	Pad 2,85	1	
1	AP0253986	Pad 2,9	1	
1	AP0253987	Pad 2,95	1	
1	AP0253988	Pad 3,00	1	
1	AP0253989	Pad 3,050	1	
1	AP0254030	Pad 2,325	1	
1	AP0254031	Pad 2,375	1	
1	AP0254032	Pad 2,425	1	
1	AP0254033	Pad 2,475	1	
1	AP0254034	Pad 2,525	1	
1	AP0254035	Pad 2,575	1	
1	AP0254036	Pad 2,625	1	
1	AP0254037	Pad 2,675	1	
1	AP0254038	Pad 2,725	1	
1	AP0254039	Pad 2,775	1	
1	AP0254040	Pad 2,825	1	
1	AP0254041	Pad 2,875	1	

Group	ENGINE
Code	29.54
Description	Valves pads
Service	1



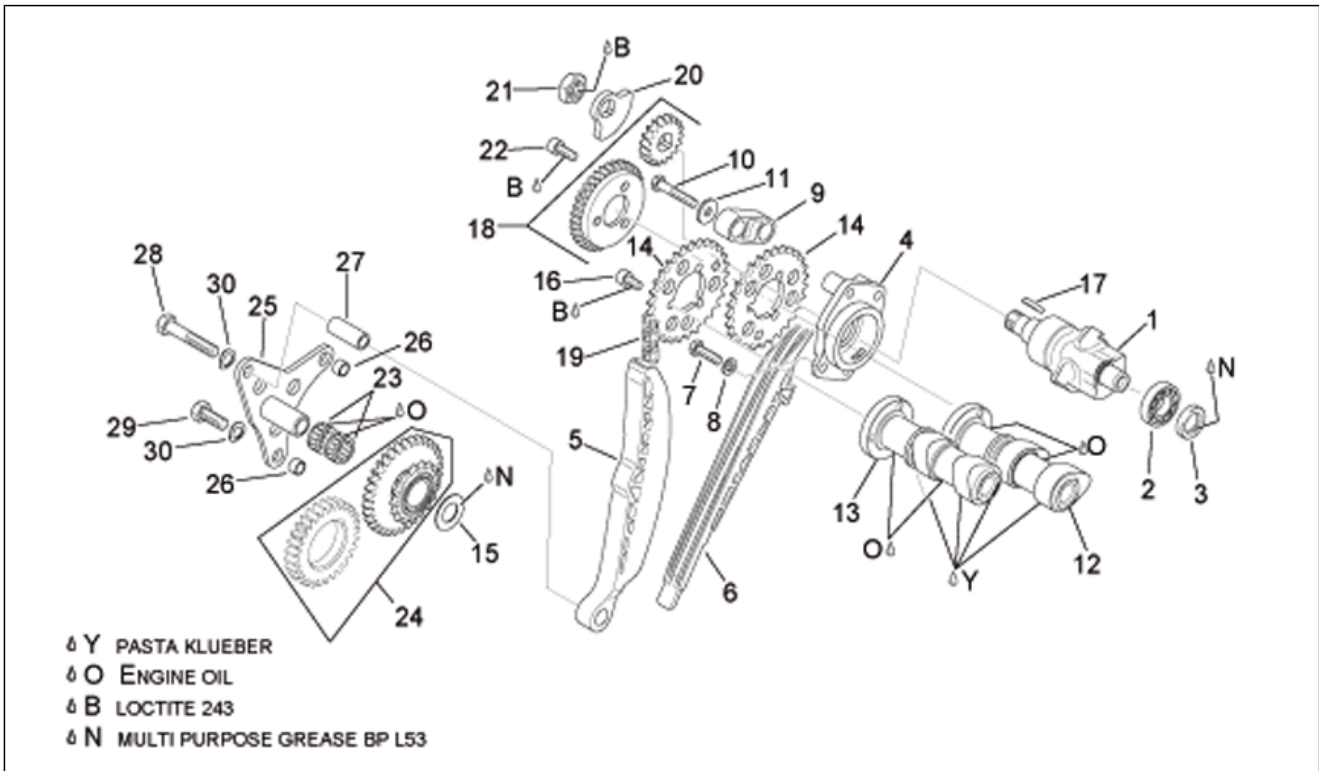
Pos.	Code	Description	Qty	Variants
1	AP0254042	Pad 2,925	1	
1	AP0254043	Pad 2,975	1	
1	AP0254044	Pad 3,025	1	

Group	ENGINE
Code	29.55
Description	Front cylinder timing system
Service	1



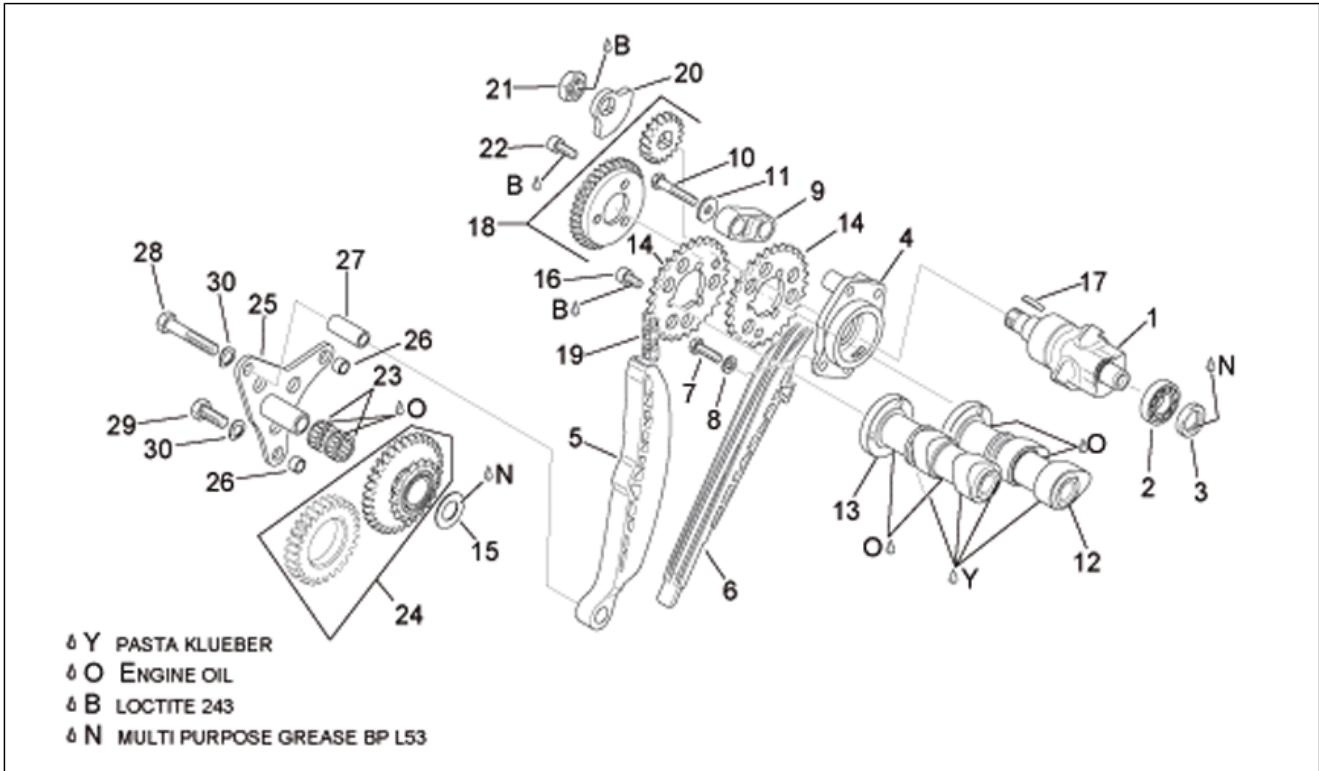
Pos.	Code	Description	Qty	Variants
1	AP0240400	Hex socket screw	1	
2	AP0940590	Hex screw M8x20	1	
3	AP0236322	Chain guide	1	
4	AP0211766	Bearings support Plate	1	
5	AP0236300	Chain guide	1	
6	AP0236310	Chain guide	1	
7	AP0627190	Washer 16,7x29x1	1	
8	AP0632161	Roller cage 16x22x10	2	
9	AP0295765	Timing system gear cpl.	1	
10	AP0845030	Spring washer b8	2	
11	AP0940631	Hex screw	1	
12	AP0220386	Exhaust camshaft	1	
13	AP0620203	Intake camshaft	1	
14	AP0634739	Gear Z=29	1	
15	AP0634732	Timing system gear	1	
16	AP0840371	Hex socket screw M6x11,5	6	
17	AP0247980	Bush 8,2x12x25	1	
18	AP0240960	Spacer screw	2	
19	AP0297957	Camshaft chain	1	

Group	ENGINE
Code	29.56
Description	Rear cylinder timing system
Service	1



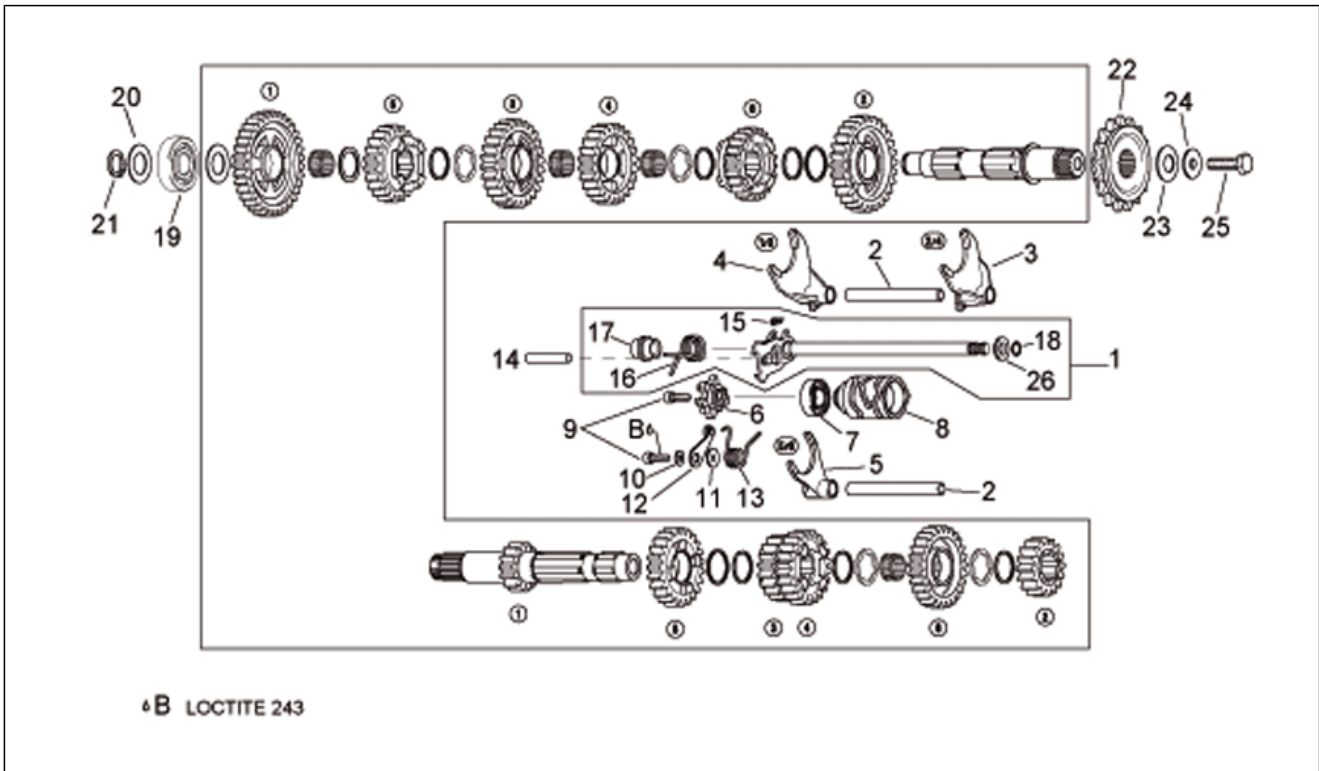
Pos.	Code	Description	Qty	Variants
1	AP0220441	Upper balance shaft	1	Year:2006[6]
1	AP0220442	Upper balance shaft	1	Year:2007[7], 2008[8], 2009[9]
2	AP0832360	Ball bearing 16002	1	
3	AP0250130	Oil seal 15x24x5	1	
4	AP0211684	Bushing plate cpl.	1	Year:2006[6]
4	AP0211685	Bushing plate cpl.	1	Year:2007[7], 2008[8], 2009[9]
5	AP0236300	Chain guide	1	
6	AP0236310	Chain guide	1	
7	AP0940560	Hex screw	2	
8	AP0244211	Washer 6,4	2	
9	AP0236380	Chain guide	1	
10	AP0941121	Hex screw	2	
11	AP0827305	Washer 6,2x18x2	2	
12	AP0220386	Exhaust camshaft	1	
13	AP0620203	Intake camshaft	1	
14	AP0634732	Timing system gear	2	
15	AP0627190	Washer 16,7x29x1	1	
16	AP0840371	Hex socket screw M6x11,5	3	
17	AP0246055	Transmission key 3x3,7	1	
18	AP0295775	Upper balance shaft gear cpl.	1	
19	AP0297957	Camshaft chain	1	
20	AP0219340	Counterweight	1	
21	AP0942570	Nut m14	1	
22	AP0840391	Hex socket screw	3	
23	AP0632161	Roller cage 16x22x10	2	
24	AP0295760	Timing system gear cpl.	1	
25	AP0211756	Roller cage plate	1	
26	AP0929500	Pin 10x8	2	

Group	ENGINE
Code	29.56
Description	Rear cylinder timing system
Service	1



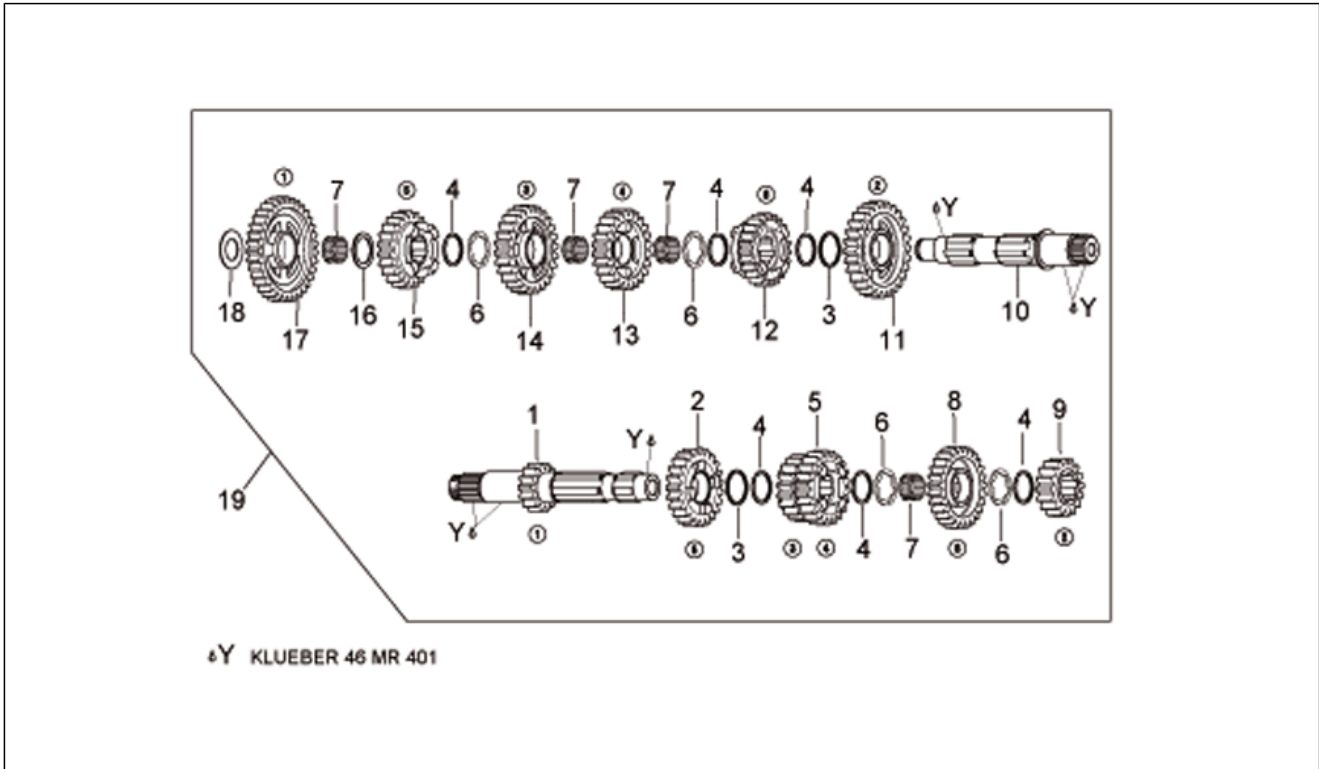
Pos.	Code	Description	Qty	Variants
27	AP0247980	Bush 8,2x12x25	1	
28	AP0940631	Hex screw	1	
29	AP0240275	Hex screw	2	
30	AP0845030	Spring washer b8	3	

Group	ENGINE
Code	29.57
Description	Gear box selector
Service	1



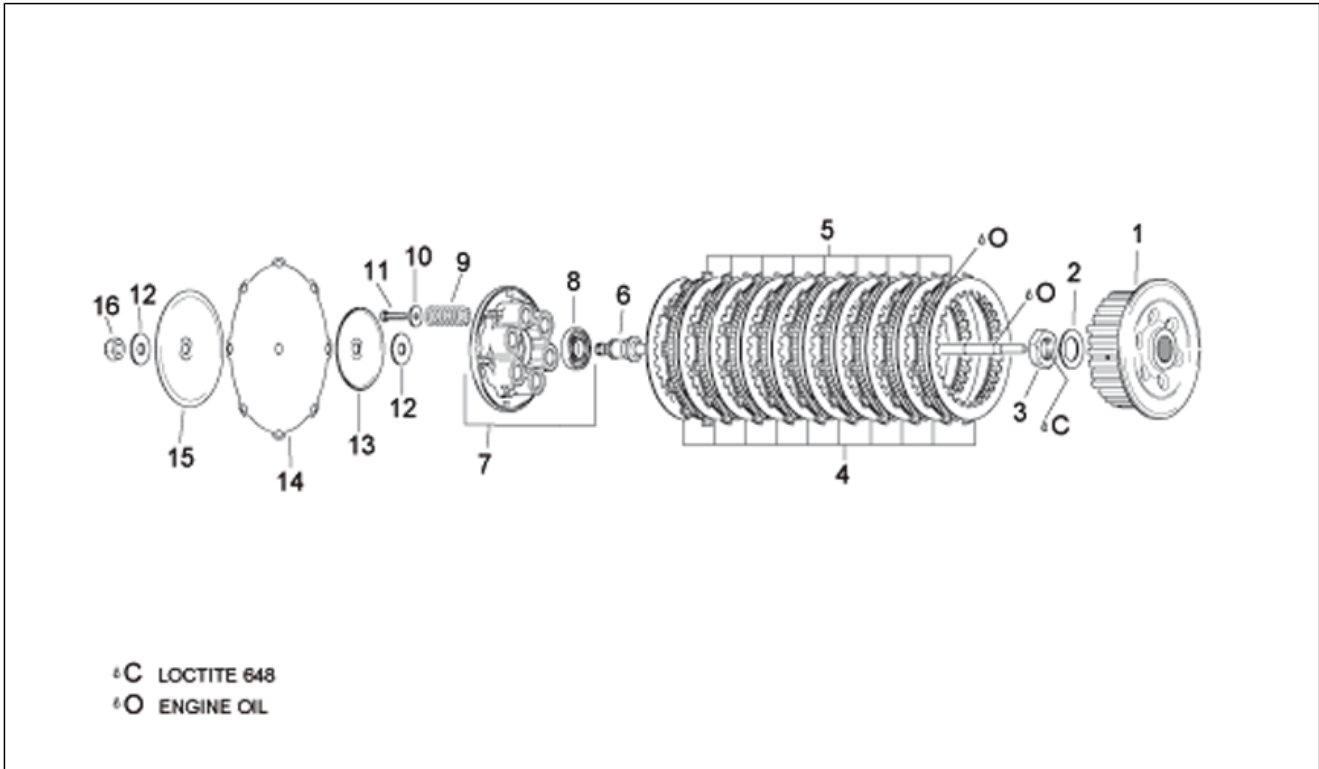
Pos.	Code	Description	Qty	Variants
1	AP0620235	Gear shaft+spring cpl.	1	
2	AP0258383	Fork shaft	2	
3	AP0258361	Fork	1	
4	AP0258351	Fork	1	
5	AP0258376	Fork	1	
6	AP0258310	Index washer	1	
7	AP0932335	Ball bearing 16101	1	
8	AP0258328	Shift cam	1	
9	AP0241932	Hex socket screw	2	
10	AP0244211	Washer 6,4	1	
11	AP0227716	Washer	1	
12	AP0248375	Index assy. lever	1	
13	AP0239247	Index spring	1	
14	AP0229385	Pin	1	
15	AP0239430	Spring	1	
16	AP0239422	Pin spring	1	
17	AP0247940	Bush	1	
18	AP0245440	Circlip	1	
19	AP0832144	Ball bearing 6304	1	
20	AP0227442	Washer 20,2x27,5	1	
21	AP0945665	Circlip 20x1,75	1	
22	AP0236365	Rubbered pinion	1	
22	AP8176196	Pinion	1	Technical Specifications:For Circuit Only[race]
23	AP0239450	Spring washer 34x16,3	1	
24	AP0627210	Washer	1	
25	AP0940741	Hex screw	1	
26	AP0227714	Washer	1	

Group	ENGINE
Code	29.58
Description	Gear box
Service	1



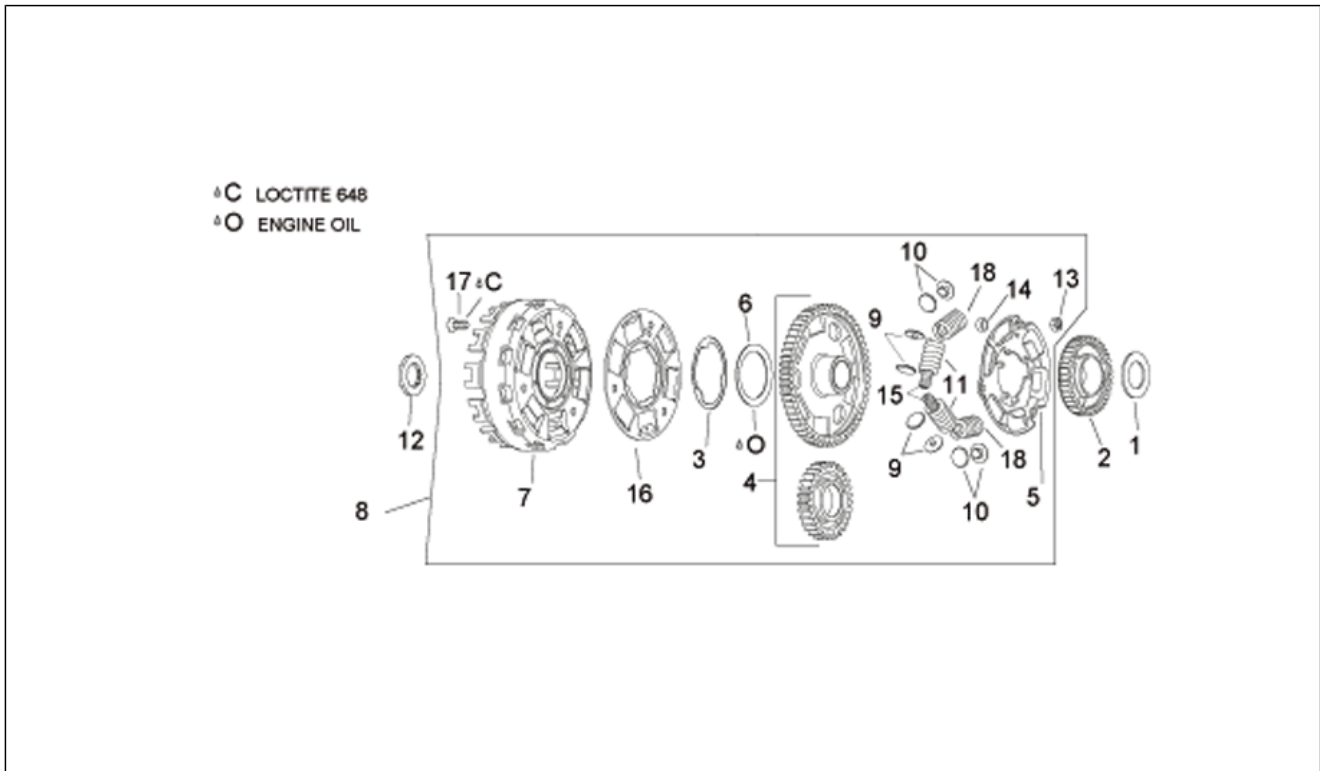
Pos.	Code	Description	Qty	Variants
1	AP0220392	Primary gear shaft assy.	1	
2	AP0634697	5th pinion gear	1	
3	AP0627120	Washer 29,2x33,5	2	
4	AP0245815	Circlip 28x2	6	
5	AP0634662	3rd-4th pinion gear	1	
6	AP0627132	Washer 25,35x34,5	4	
7	AP0632070	Roller cage 25x29x13	4	
8	AP0634712	6th pinion gear	1	
9	AP0634642	2nd pinion gear	1	
10	AP0220400	Driven shaft	1	
11	AP0634657	2nd wheel gear	1	
12	AP0634721	6th wheel gear	1	
13	AP0634670	4th wheel gear	1	
14	AP0634682	3rd wheel gear	1	
15	AP0634702	5th wheel gear	1	
16	AP0427106	Washer 25,3x33,5	1	
17	AP0634622	1st wheel gear	1	
18	AP0827110	Washer 20,5x37x1	1	
19	AP0281223	Gear box cpl.6 speed	1	

Group	ENGINE
Code	29.59
Description	Clutch I
Service	1



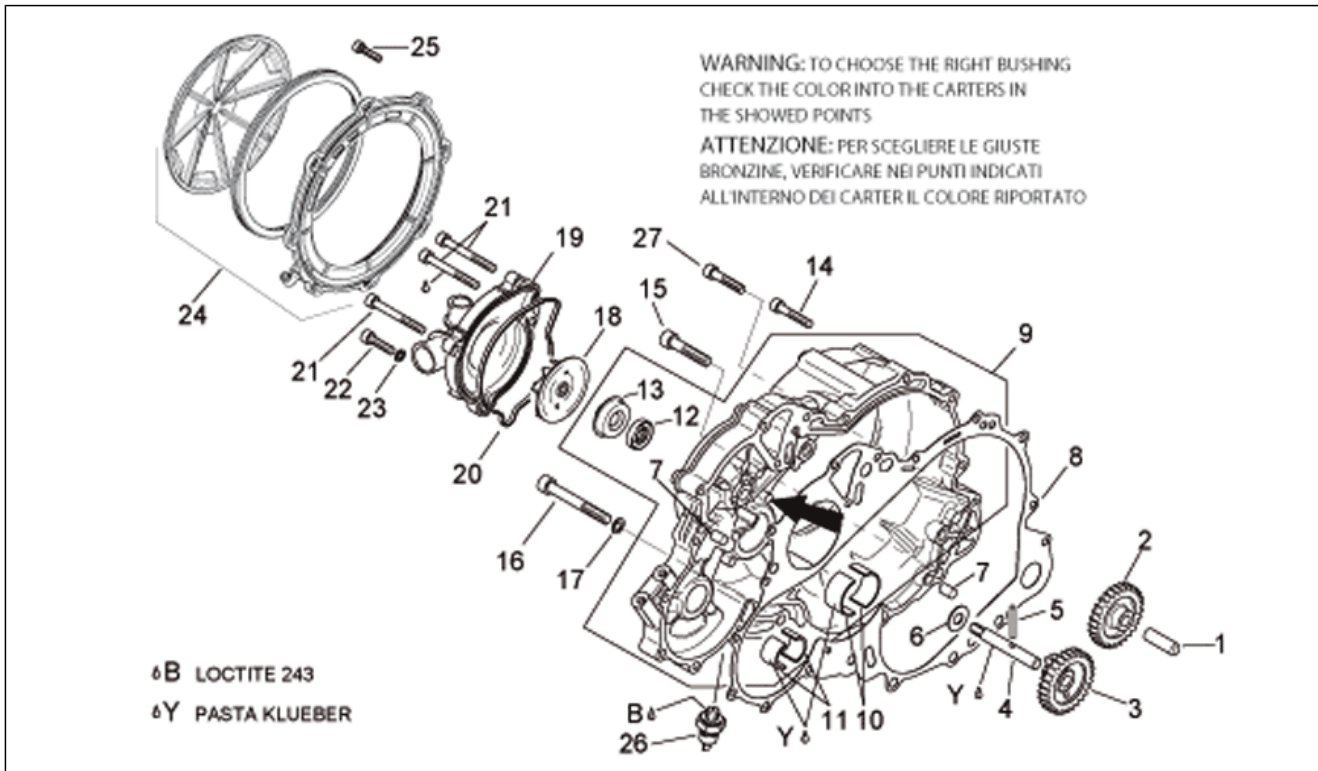
Pos.	Code	Description	Qty	Variants
1	AP0259520	Clutch hub	1	
2	AP0245830	Spring washer 24,5x40	1	
3	AP0242950	Nut m24x1,5	1	
4	AP8106915	Steel clutch discs 10 pc.	1	
5	AP0659800	Lined clutch disc	9	
6	AP0220457	Clutch shaft cpl.	1	
7	AP0259518	Springholder plate cpl.	1	
8	AP0632135	Ball bearing 16004	1	
9	AP0239480	Clutch spring	6	
10	AP0627530	Washer	6	Technical Specifications: Up to engine n. 8176296[M1]
10	AP0627535	Washer	6	Technical Specifications: From engine n. 8176297[M2]
11	AP0941506	Hex screw	6	
12	AP0227180	Washer 12,2x32x2	2	
13	AP0627230	Support disc	1	
14	AP0260890	Diaphragm	1	
15	AP0627281	Pressure plate	1	
16	AP0442130	Nut m12	1	

Group	ENGINE
Code	29.60
Description	Clutch II
Service	1



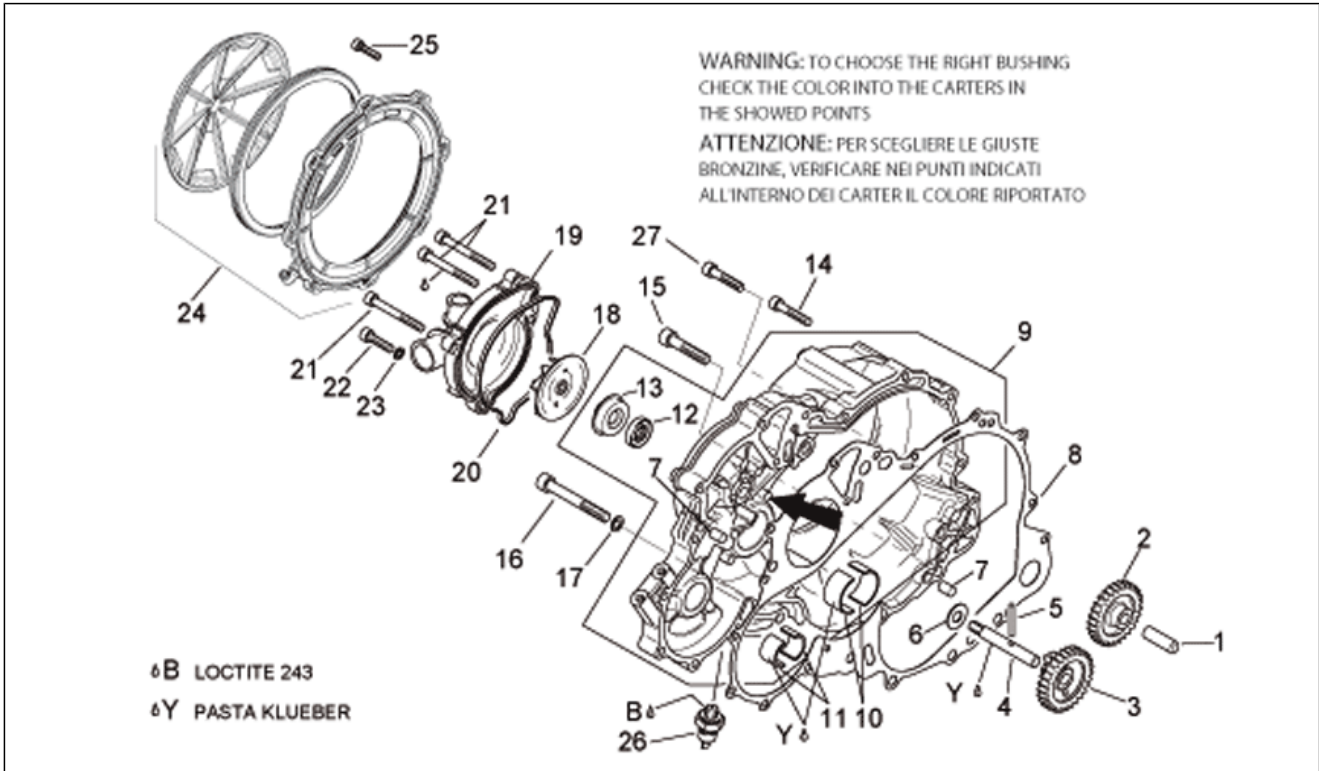
Pos.	Code	Description	Qty	Variants
1	AP0627260	Washer 30,2x50	1	
2	AP0634476	Oil pump gear z=42	1	
3	AP0627910	Thrust washer	1	
4	AP0295783	Primary drive gear	1	
5	AP0259583	Springholder plate	1	
6	AP0239390	Spring washer 68x52x1,2	1	
7	AP0259535	Clutch drum	1	
8	AP0295795	Primary transm.	1	
9	AP0247972	Bush D5,5	8	
10	AP0247974	Bush D11,5	4	
11	AP0238135	Spring	4	
12	AP0627220	Washer 25x44,4x5	1	
13	AP0242206	Nut M8	3	
14	AP0247614	Spacer	3	
15	AP0238140	Spring	4	
16	AP0259588	Springholder plate	1	
17	AP0941835	screw M8x25	3	
18	AP0238130	Spring	2	

Group	ENGINE
Code	29.61
Description	Water pump
Service	1



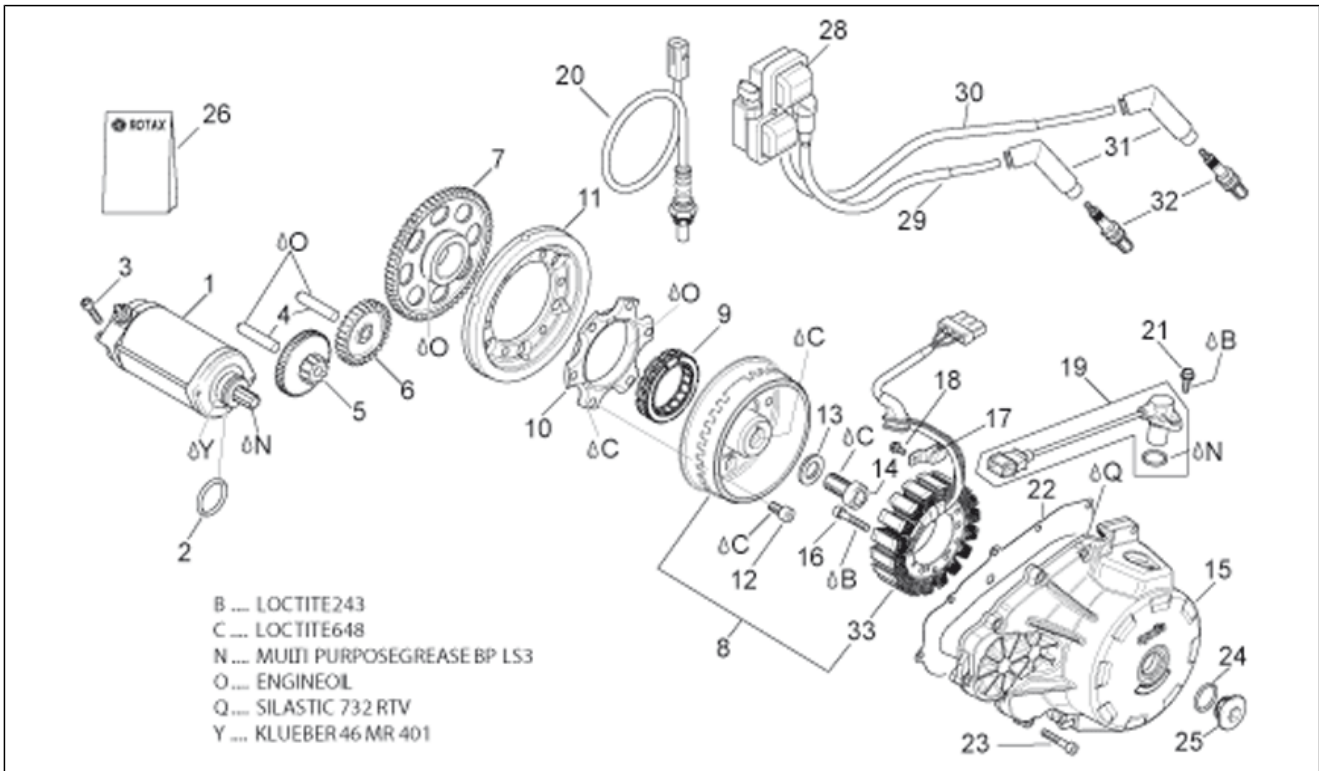
Pos.	Code	Description	Qty	Variants
1	AP0929930	Pin	1	
2	AP0634500	Idle gear	1	
3	AP0634490	Water pump gear	1	
4	AP0220410	Water pump shaft assy.	1	
5	AP0232430	Pin	1	
6	AP0227685	Washer 10,1x22x1	1	
7	AP0632010	Pin M8x12	2	
8	AP0650330	Gasket	1	
9	AP0610151	Clutch cover	1	
10	AP0233790	Bushing half-shell, blue	2	
10	AP0233791	Bushing half-shell, red	2	
10	AP0233793	Bushing half-shell, yellow	2	
11	AP0233780	Bearing half-shell 20x24x16	2	
12	AP0650315	Oil seal 10x25x5	1	
13	AP0650370	Pump mechanical seal	1	
14	AP0241811	Hex socket screw	10	
15	AP0440101	Hex socket screw	3	
16	AP0841841	Hex socket screw	1	
17	AP0950141	Gasket ring 8x13	1	
18	AP0222500	Impeller	1	
19	AP0222512	Water pump casing	1	
20	AP0650240	Gasket	1	
21	AP0240331	Hex socket screw	3	
22	AP0840861	Hex socket screw M6x25	1	
23	AP0950141	Gasket ring 8x13	1	
24	AP0610992	Diaphragm disc cpl.	1	
25	AP0240181	Hex socket screw	8	
26	AP0956169	Oil pressure switch	1	

Group	ENGINE
Code	29.61
Description	Water pump
Service	1



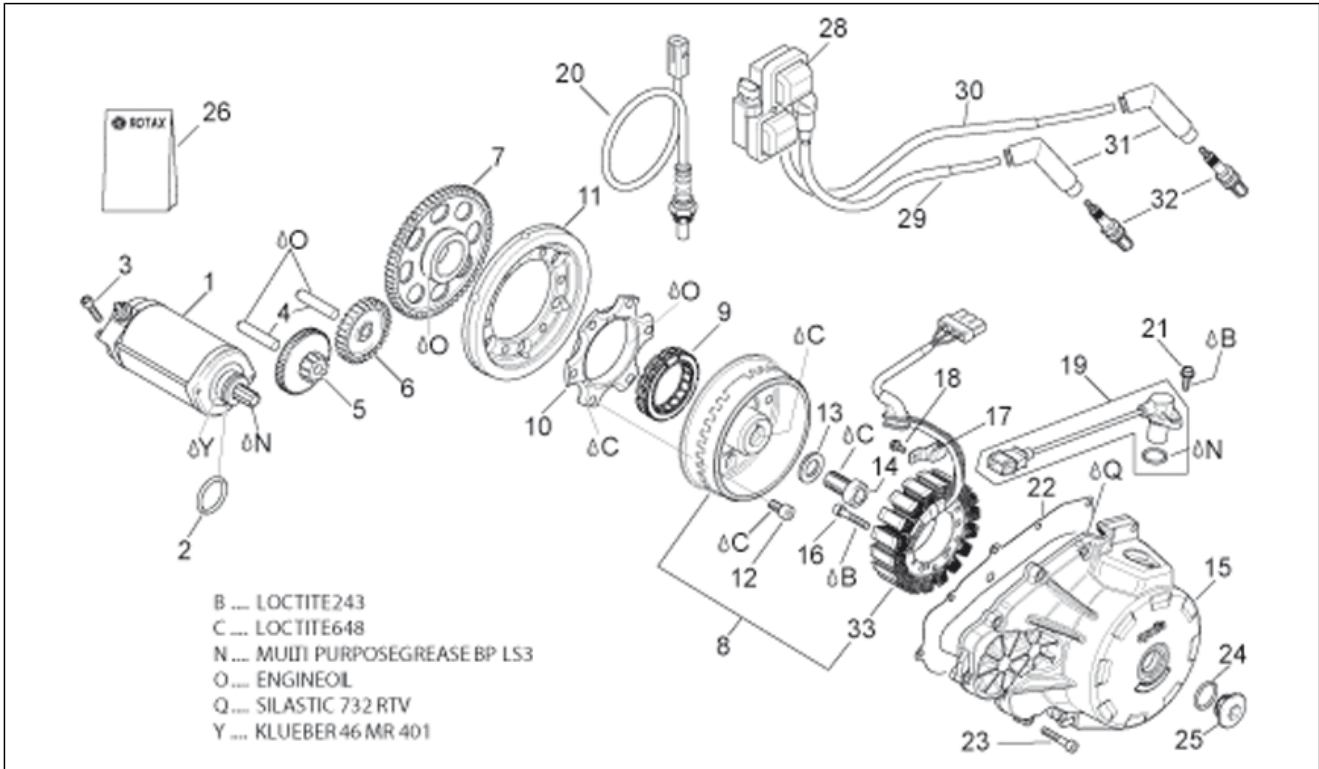
Pos.	Code	Description	Qty	Variants
27	AP0241761	Hex socket screw	1	

Group	ENGINE
Code	29.62
Description	Ignition unit
Service	1



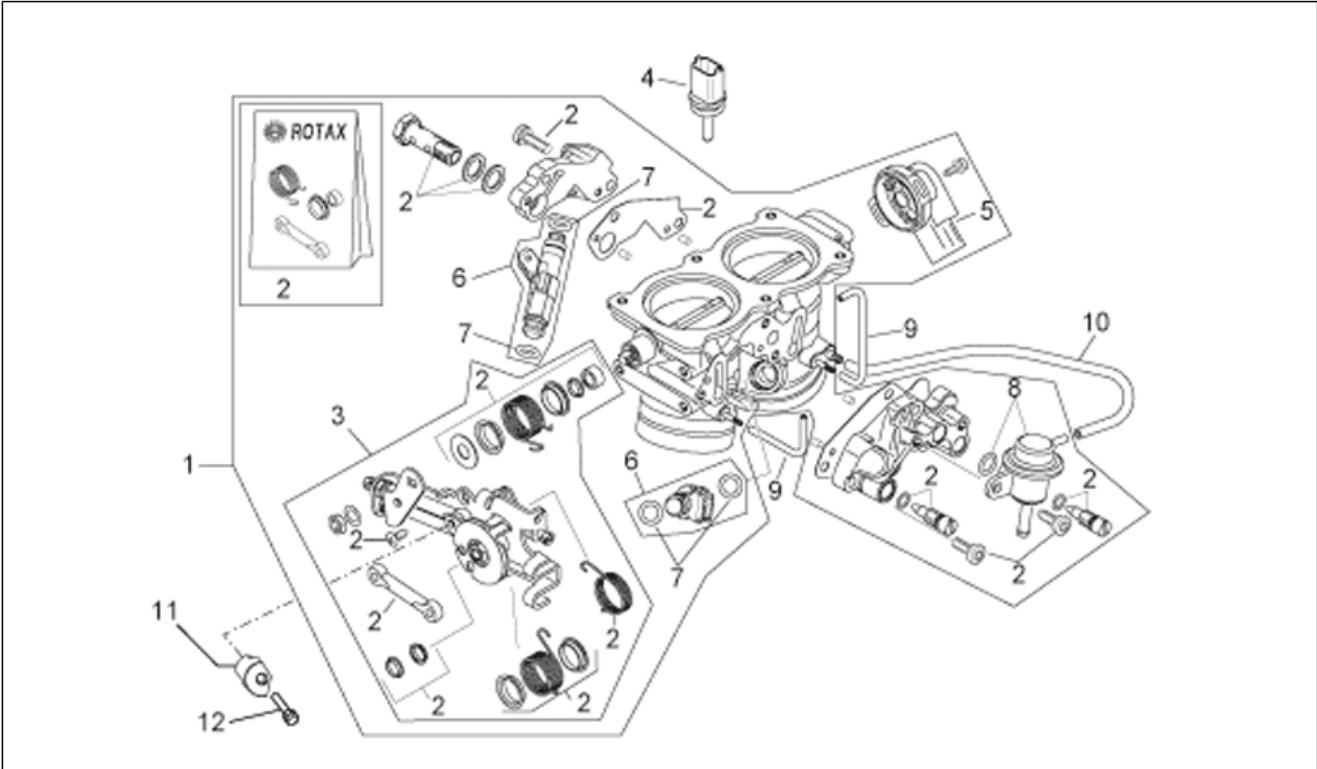
Pos.	Code	Description	Qty	Variants
1	AP0294356	Starter motor cpl.	1	
2	AP0250140	O-ring 24,4x3,1	1	
3	AP0840882	Hex socket screw	2	
4	AP0229301	Pin M6x50	2	
5	AP0634740	Double gear	1	
6	AP0634600	Idle gear	1	
7	AP0634595	Sprag clutch gear z=64	1	
8	AP0296988	Ignition unit cpl.	1	
9	AP0659110	Sprag clutch	1	
10	AP0659550	Sprag clutch housing	1	
11	AP0265045	Weight	1	
12	AP0641505	Hex socket screw	6	
13	AP0627270	Washer a17	1	
14	AP0241540	Hex socket screw	1	
15	AP0610706	Ignition cover	1	
16	AP0241816	Hex socket screw M6x40	3	
17	AP0251390	Cable protection	1	
18	AP0941935	Self-tap screw M5x12	1	
19	AP0966570	Pick-up	1	
20	AP0266030	Lamda sensor	1	
21	AP0240580	Screw w/ flange	1	
22	AP0650340	Gasket	1	
23	AP0840880	Hex socket screw M6x30	12	
24	AP0430782	O-ring 23,3x2,4	1	
25	AP0241631	Cover m24x1,5	1	
26	AP0294354	Starter motor revision kit	1	
28	AP0266070	HT coil	1	
29	AP0266140	HT wire	1	

Group	ENGINE
Code	29.62
Description	Ignition unit
Service	1



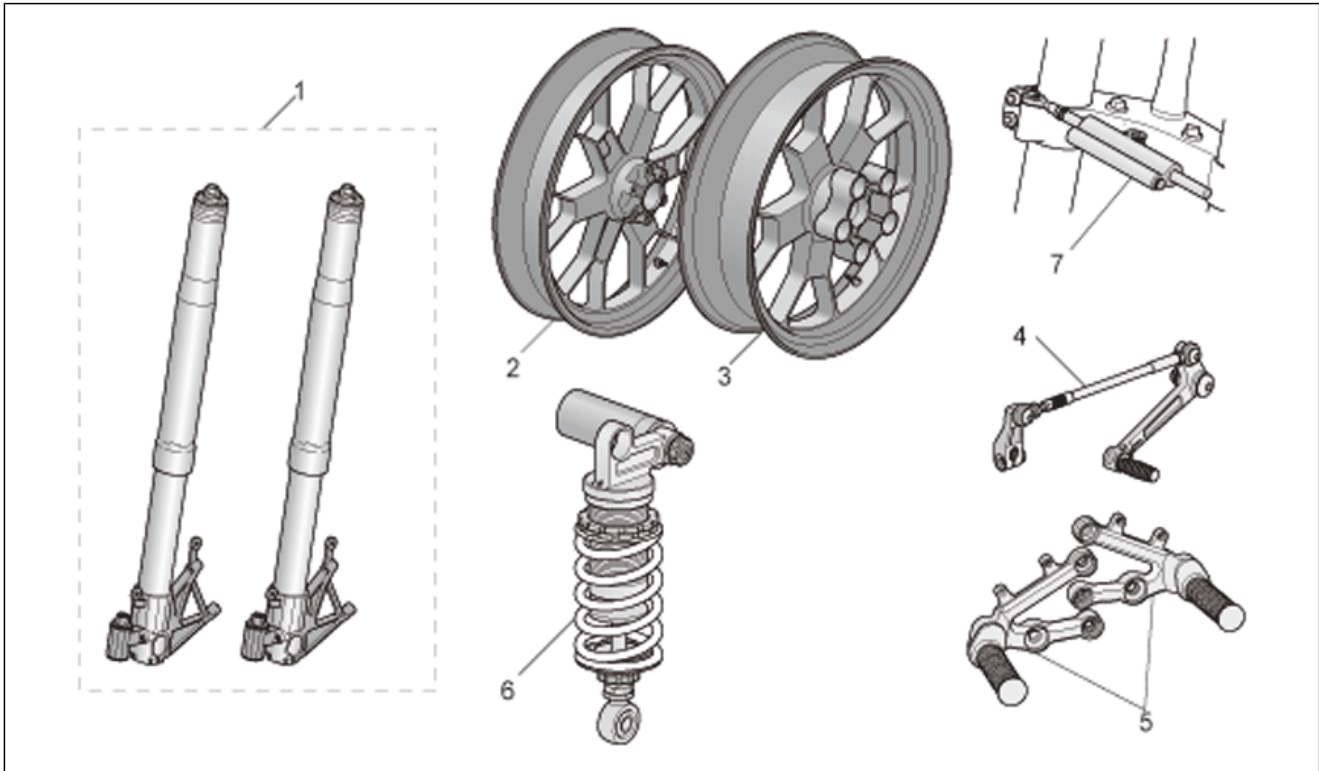
Pos.	Code	Description	Qty	Variants
30	AP0266145	HT wire	1	
31	AP0265246	Int.sparkplug cap	2	
32	AP0297942	Spark plug DCPR9E	2	
33	AP0685330	Stator	1	

Group	ENGINE
Code	29.63
Description	Throttle body
Service	1



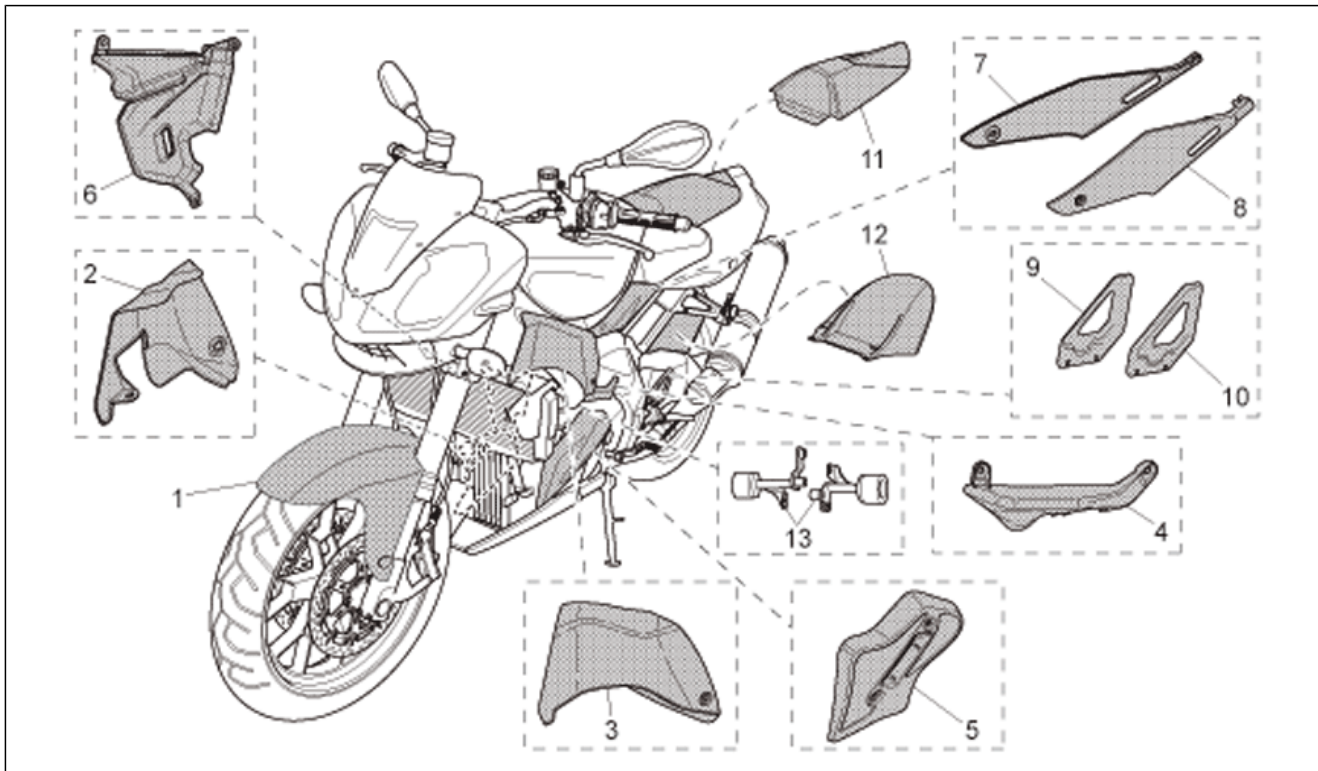
Pos.	Code	Description	Qty	Variants
1	AP0296970	Throttle body cpl.	1	
2	AP0281241	Throttle body revision kit	1	
3	AP0661011	Throttle cable supp.plate cpl.	1	
4	AP0966970	Air temp. Sensor	1	
5	AP0274030	Throttle body sensor	1	
6	AP0874487	Injector kit complete	2	
7	AP0631220	O-ring	4	
8	AP0274020	Fuel pressure regulator	1	
9	AP0960112	Wire 110 mm	2	
10	AP0860662	Sensor pipe 110mm	1	
11	AP8161138	Bush	1	Technical Specifications:72 Kw power version[72Kw]
11	AP8161139	Bush	1	Technical Specifications:78 Kw power version[78Kw]
12	AP8176062	Shear rivet	1	Technical Specifications:72 Kw power version[72Kw], 78 Kw power version[78Kw]

Group	ACCESSORIES
Code	30.65
Description	Acc. - Cyclistic components
Service	1



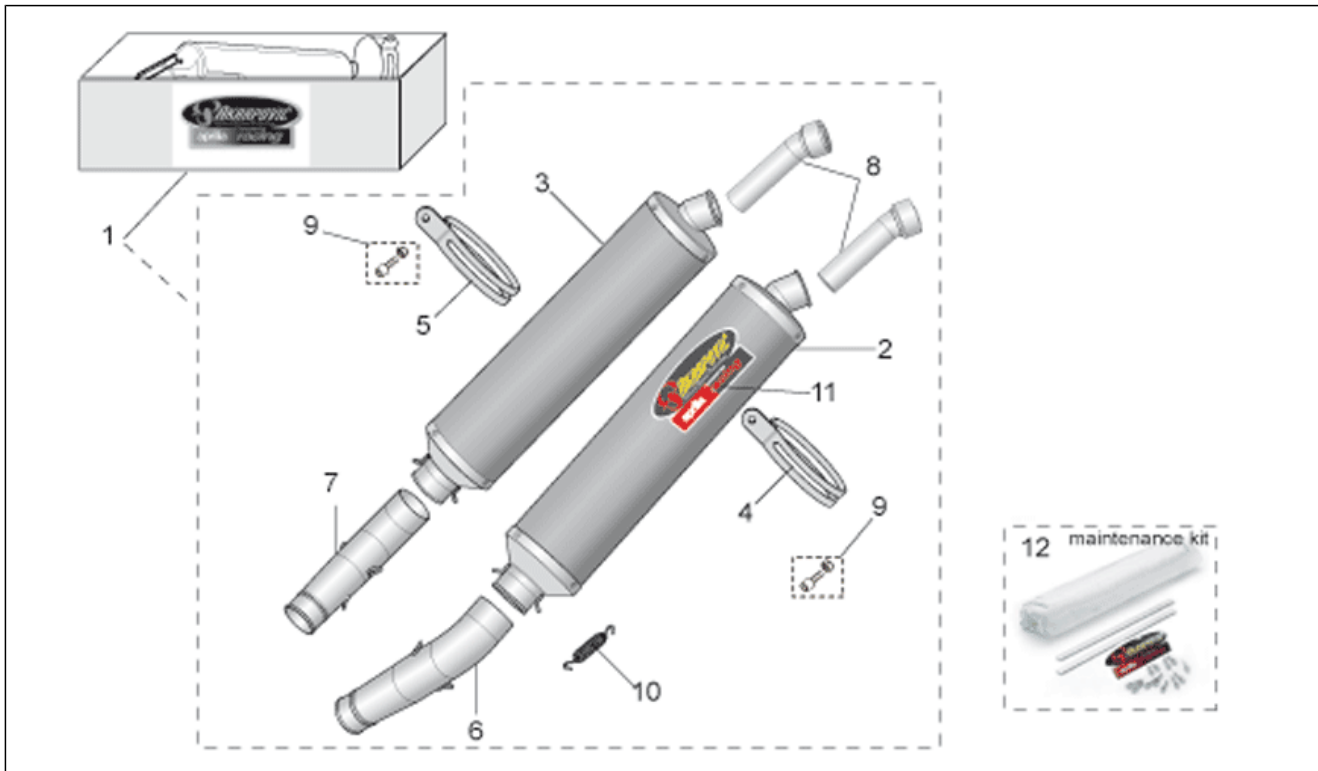
Pos.	Code	Description	Qty	Variants
1	AP852136	Ohlins front fork kit Ohlins	1	Technical Specifications: Accessories[A]
2	AP8795043	Front wheel, magnesium RED	1	Technical Specifications: Accessories[A]
2	AP8796196	Front wheel, blue OZ-Alu	1	Technical Specifications: Accessories[A]
3	AP8108934	Rear wheel, blue OZ-Alu	1	Technical Specifications: Accessories[A]
3	AP8795044	Rear wheel, magnesium RED	1	Technical Specifications: Accessories[A]
4	AP8791264	Gearbox lever Ergal	1	Technical Specifications: Accessories[A], For Circuit Only[Circ]
5	AP8793686	Adjustable foot rests Alu	1	Technical Specifications: Accessories[A], For Circuit Only[Circ]
6	AP8795041	Shock absorber Ohlins-Alu	1	Technical Specifications: Accessories[A]
6	AP8795042	Shock absorber Ohlins-Inox	1	Technical Specifications: Accessories[A]
7	AP8795040	Adj.Steering shock abs. Ohlins	1	Technical Specifications: Accessories[A]

Group	ACCESSORIES
Code	30.66
Description	Acc. - Special body parts
Service	1



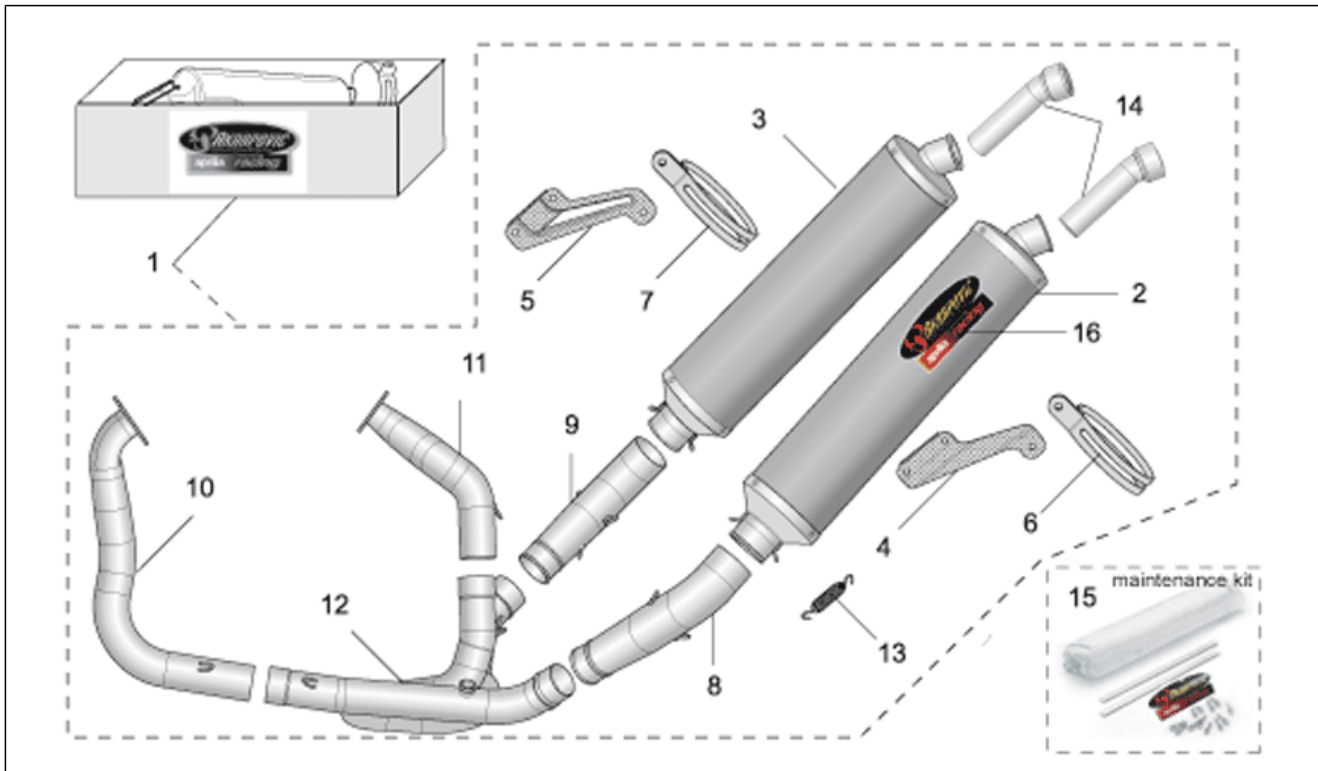
Pos.	Code	Description	Qty	Variants
1	AP8797217	Front mudguard carb.Radial	1	Technical Specifications:Accessories[A]
2	AP8797418	RH spoiler, carb.	1	Technical Specifications:Accessories[A]
3	AP8797419	LH spoiler, carb.	1	Technical Specifications:Accessories[A]
4	AP8797417	LH cover, carb.	1	Technical Specifications:Accessories[A]
5	AP8797416	Tank cover Carb.	1	Technical Specifications:Accessories[A]
6	AP8797415	Expans.Tank protection Carb.	1	Technical Specifications:Accessories[A]
7	AP8797413	Carb. LH side panel	1	Technical Specifications:Accessories[A]
8	AP8797414	Carb. RH side panel	1	Technical Specifications:Accessories[A]
9	AP8791267	RH front footrest guard, carb.	1	Technical Specifications:Accessories[A]
10	AP8791268	LH front footrest guard, carb.	1	Technical Specifications:Accessories[A]
11	AP8797420	Cover pillion rider seat,carb.	1	Technical Specifications:Accessories[A]
12	AP8796783	Rear mudguard, carb.	1	Technical Specifications:Accessories[A]
13	AP8797412	Kit protections	1	Technical Specifications:Accessories[A]

Group	ACCESSORIES
Code	30.67
Description	Acc. - Performance parts I
Service	1



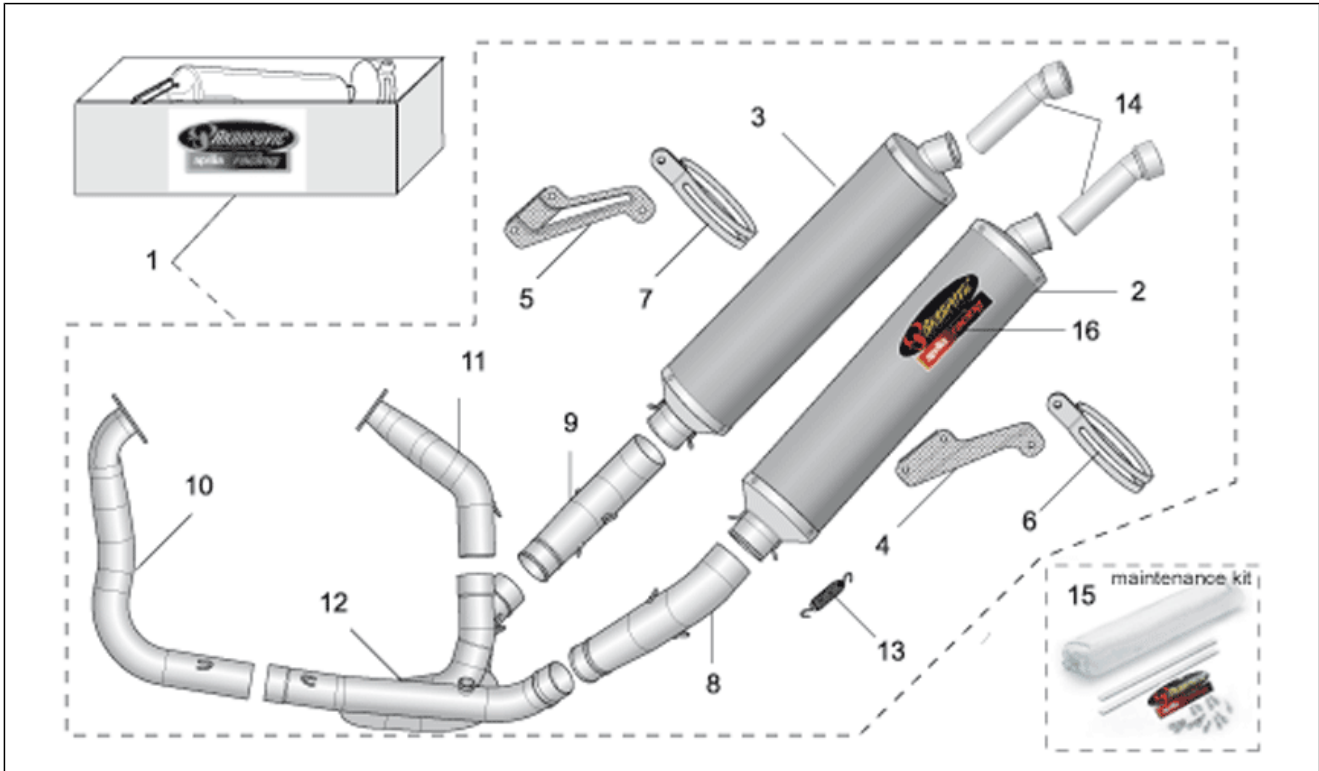
Pos.	Code	Description	Qty	Variants
1	AP8797410	Exhaust kit Slip-On	1	Year:2006[6] Technical Specifications:Accessories[A], All Countries recog.EEC regulat.E1 0489[Om]
2	AP8797222	LH silencer Titan	1	Year:2006[6] Technical Specifications:Accessories[A], All Countries recog.EEC regulat.E1 0489[Om]
3	AP8797223	RH silencer Titan	1	Year:2006[6] Technical Specifications:Accessories[A], All Countries recog.EEC regulat.E1 0489[Om]
4	AP8796792	LH silencer support clamp	1	Year:2006[6] Technical Specifications:Accessories[A]
5	AP8796793	RH silencer support clamp	1	Year:2006[6] Technical Specifications:Accessories[A]
6	AP8797225	LH manifold pipe	1	Year:2006[6] Technical Specifications:Accessories[A], All Countries recog.EEC regulat.E1 0489[Om]
7	AP8797226	RH manifold pipe	1	Year:2006[6] Technical Specifications:Accessories[A], All Countries recog.EEC regulat.E1 0489[Om]
8	AP8797159	Exhaust unit Reduction Akra.	1	Year:2006[6] Technical Specifications:Accessories[A], All Countries recog.EEC regulat.E1 0489[Om]
9	AP8797224	Fix kit	1	Year:2006[6] Technical Specifications:Accessories[A], All Countries recog.EEC regulat.E1 0489[Om]
10	AP8796519	Exhaust pipes spring	8	Year:2006[6] Technical Specifications:Accessories[A]
11	AP8797215	Sticker	1	Year:2006[6] Technical Specifications:Accessories[A]
12	AP8797231	Silencer revision kit Ak.	2	Year:2006[6] Technical Specifications:Accessories[A], All Countries recog.EEC regulat.E1 0489[Om]

Group	ACCESSORIES
Code	30.68
Description	Acc. - Performance parts II
Service	1



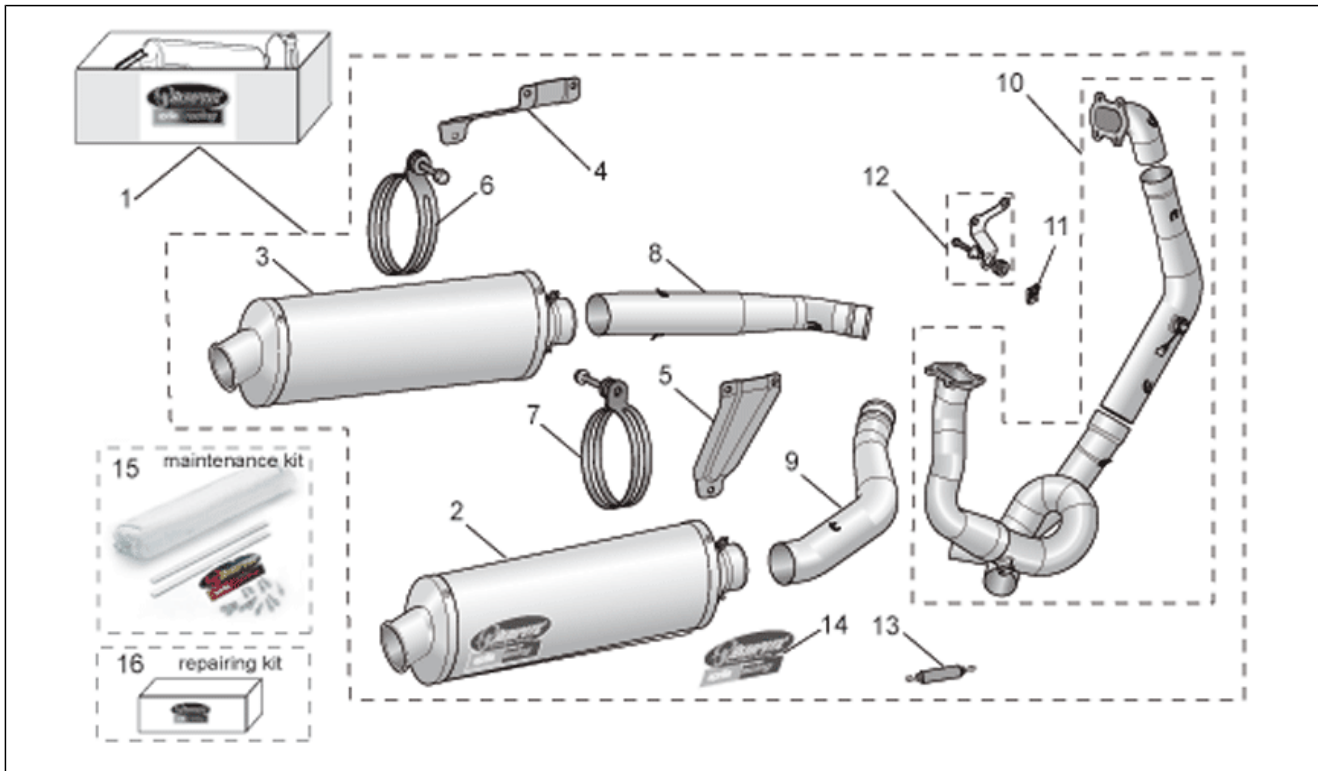
Pos.	Code	Description	Qty	Variants
1	AP8797411	Exhaust kit assy Akrapovic	1	Year:2006[6] Technical Specifications:Accessories[A], All Countries recog.EEC regulat.E1 0489[Om]
2	AP8797156	LH silencer titan	1	Year:2006[6] Technical Specifications:Accessories[A], All Countries recog.EEC regulat.E1 0489[Om]
3	AP8797157	RH silencer titan	1	Year:2006[6] Technical Specifications:Accessories[A], All Countries recog.EEC regulat.E1 0489[Om]
4	AP8796790	LH clamp Carb.	1	Year:2006[6] Technical Specifications:Accessories[A]
5	AP8796791	RH clamp Carb.	1	Year:2006[6] Technical Specifications:Accessories[A]
6	AP8796792	LH silencer support clamp	1	Year:2006[6] Technical Specifications:Accessories[A]
7	AP8796793	RH silencer support clamp	1	Year:2006[6] Technical Specifications:Accessories[A]
8	AP8796794	LH manifold pipe	1	Year:2006[6] Technical Specifications:Accessories[A]
9	AP8796795	RH manifold pipe	1	Year:2006[6] Technical Specifications:Accessories[A]
10	AP8796796	Front manifold pipe	1	Year:2006[6] Technical Specifications:Accessories[A]
11	AP8796797	Rear manifold pipe	1	Year:2006[6] Technical Specifications:Accessories[A]
12	AP8796798	Central manifold pipe	1	Year:2006[6] Technical Specifications:Accessories[A]
13	AP8796519	Exhaust pipes spring	8	Year:2006[6] Technical Specifications:Accessories[A]
14	AP8797159	Exhaust unit Reduction Akra.	1	Year:2006[6] Technical Specifications:Accessories[A], All Countries recog.EEC regulat.E1 0489[Om]
15	AP8797158	Silencer revision kit Ak.	2	Year:2006[6]

Group	ACCESSORIES
Code	30.68
Description	Acc. - Performance parts II
Service	1



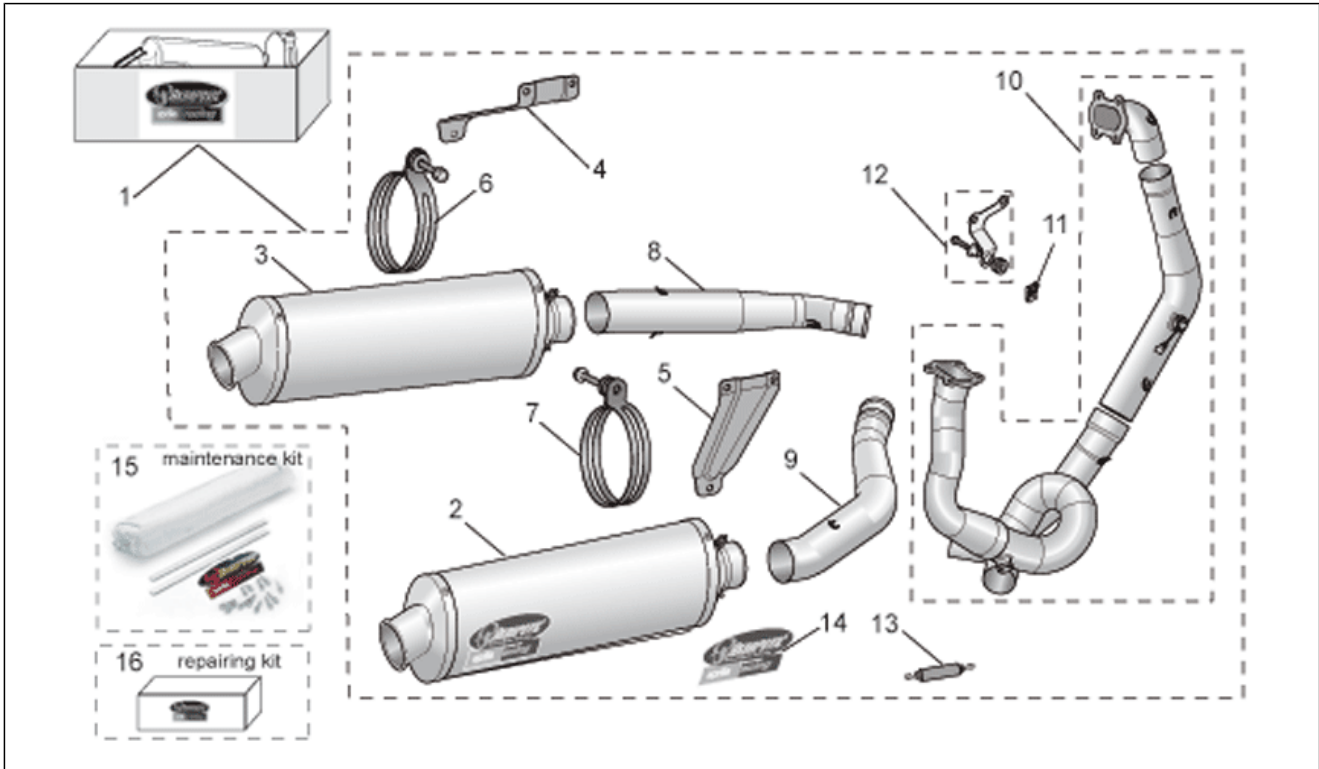
Pos.	Code	Description	Qty	Variants
				Technical Specifications: Accessories[A], All Countries recog.EEC regulat.E1 0489[Om]
16	AP8797215	Sticker	1	Year: 2006[6] Technical Specifications: Accessories[A], All Countries recog.EEC regulat.E1 0489[Om]

Group	ACCESSORIES
Code	30.69
Description	Acc. - Performance parts III
Service	1



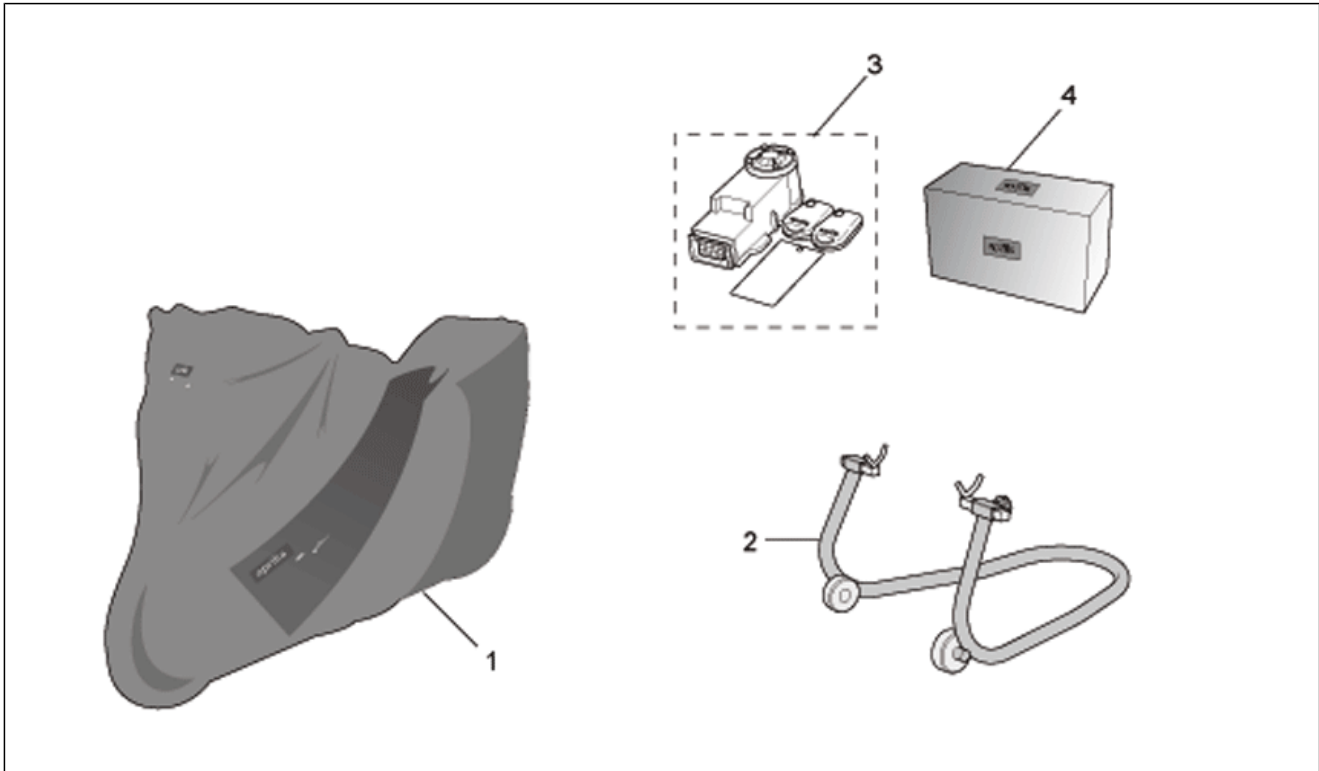
Pos.	Code	Description	Qty	Variants
1	AP8797232	Exhaust kit assy Akra.EVO6	1	Year:2007[7] Technical Specifications:Accessories[A], For Circuit Only[Circ]
2	AP8797233	RH silencer Titan	1	Year:2007[7] Technical Specifications:Accessories[A], For Circuit Only[Circ]
3	AP8797234	LH silencer Titan	1	Year:2007[7] Technical Specifications:Accessories[A], For Circuit Only[Circ]
4	AP8796790	LH clamp Carb.	1	Year:2007[7] Technical Specifications:Accessories[A]
5	AP8796791	RH clamp Carb.	1	Year:2007[7] Technical Specifications:Accessories[A]
6	AP8797235	LH manifold pipe Carb.	1	Year:2007[7] Technical Specifications:Accessories[A]
7	AP8797236	RH silencer support clamp Carb.	1	Year:2007[7] Technical Specifications:Accessories[A]
8	AP8797237	RH manifold pipe Titan	1	Year:2007[7] Technical Specifications:Accessories[A], For Circuit Only[Circ]
9	AP8797238	LH manifold pipe Titan	1	Year:2007[7] Technical Specifications:Accessories[A], For Circuit Only[Circ]
10	AP8797239	Central manifold pipe	1	Year:2007[7] Technical Specifications:Accessories[A], For Circuit Only[Circ]
11	AP8797240	Collector set fixing nut	1	Year:2007[7] Technical Specifications:Accessories[A]
12	AP8797241	Cpl. Exhaust Fix kit	1	Year:2007[7] Technical Specifications:Accessories[A]
13	AP8796519	Exhaust pipes spring	12	Year:2007[7] Technical Specifications:Accessories[A]
14	AP8797215	Sticker	1	Year:2007[7]

Group	ACCESSORIES
Code	30.69
Description	Acc. - Performance parts III
Service	1



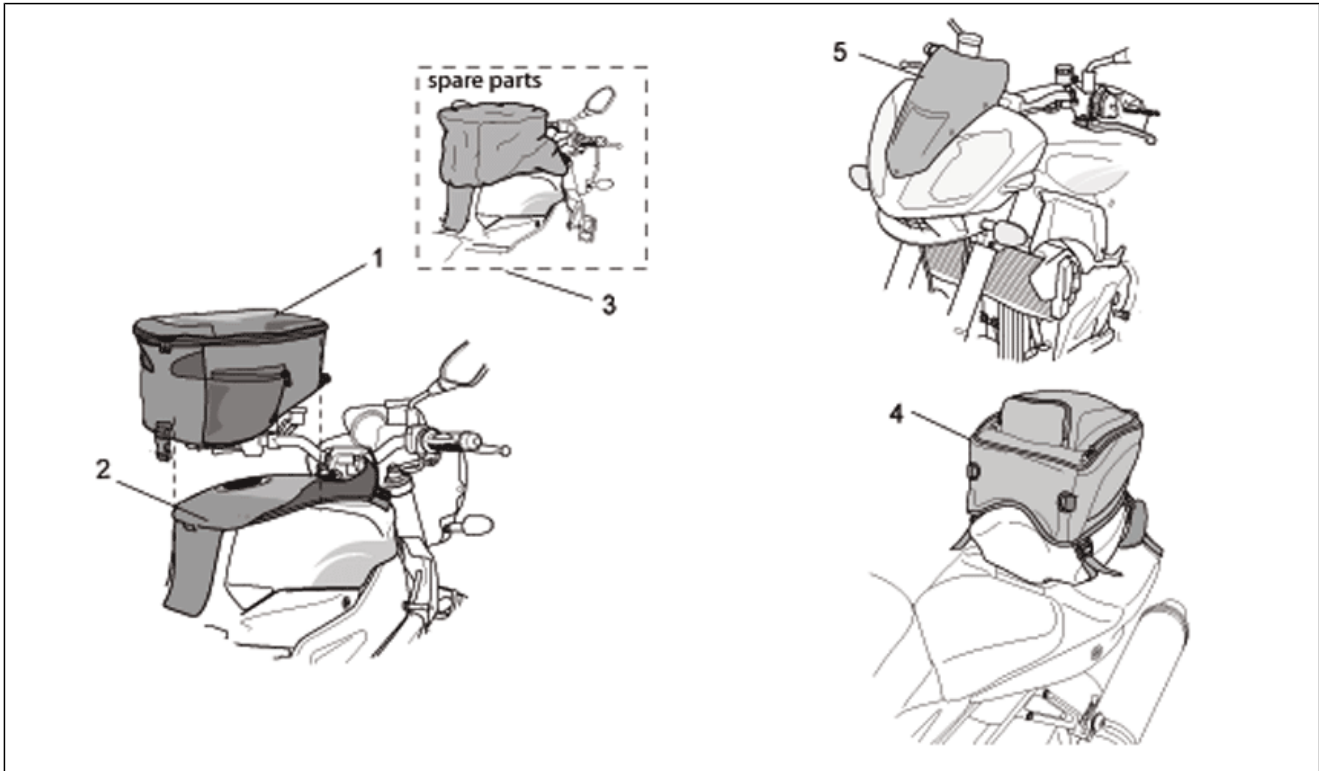
Pos.	Code	Description	Qty	Variants
				Technical Specifications: Accessories[A]
15	AP8797242	Silencer revision kit	1	Year: 2007[7] Technical Specifications: Accessories[A], For Circuit Only[Circ]
16	AP8797243	Silencer Repairing kit	1	Year: 2007[7] Technical Specifications: Accessories[A], For Circuit Only[Circ]

Group	ACCESSORIES
Code	30.70
Description	Acc. - Various I
Service	1



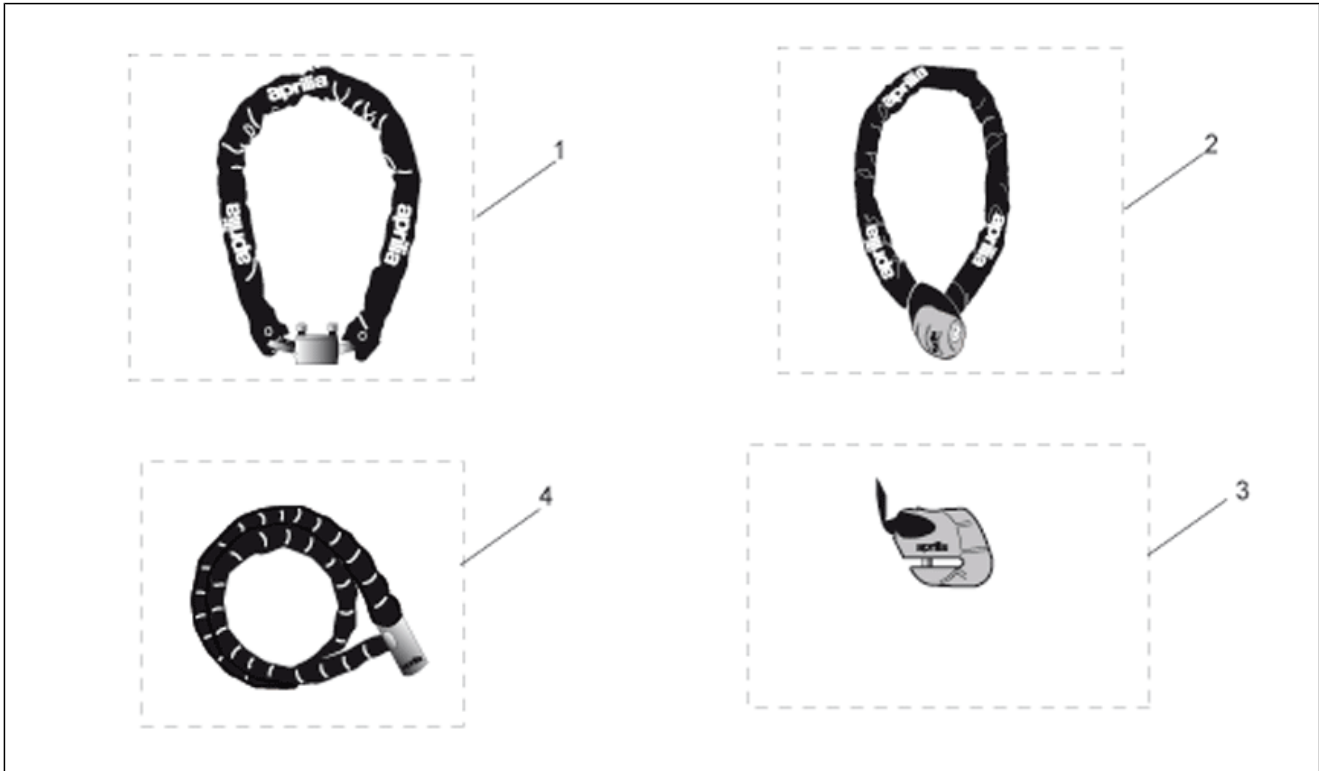
Pos.	Code	Description	Qty	Variants
1	AP8796835	Bike cover	1	Technical Specifications:Accessories[A]
2	AP8705021	Rear Workshop stand	1	Technical Specifications:Accessories[A]
3	AP8794042	Anti-theft kit	1	Technical Specifications:Accessories[A]
4	AP8794046	kit installation	1	Technical Specifications:Accessories[A]

Group	ACCESSORIES
Code	30.71
Description	Acc. - Various II
Service	1



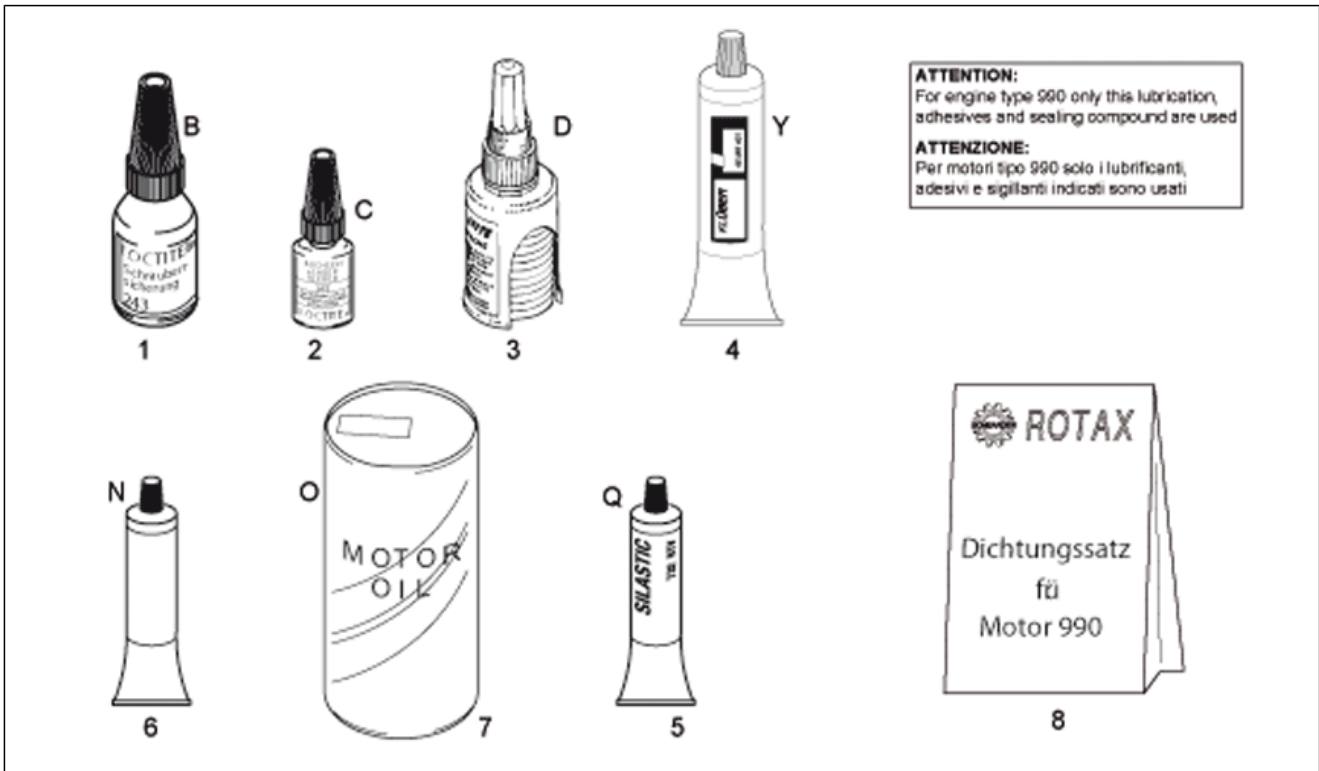
Pos.	Code	Description	Qty	Variants
1	AP8794048	Tank bag	1	Technical Specifications:Accessories[A]
2	AP8794047	Tank cover	1	Technical Specifications:Accessories[A]
3	AP8794049	Rainproof bag cover	1	Technical Specifications:Accessories[A]
4	AP852066	Rear saddlebag	1	Technical Specifications:Accessories[A]
5	AP8791293	Increased windshield	1	Technical Specifications:Accessories[A]

Group	ACCESSORIES
Code	30.72
Description	Acc. - Mechanics anti-theft
Service	1



Pos.	Code	Description	Qty	Variants
1	AP8720115	Iron Guard 10x150 mm	1	Technical Specifications:Accessories[A]
2	AP8720116	Iron Guard 8x120 mm	1	Technical Specifications:Accessories[A]
3	AP8720117	Iron Guard Disk 5 mm	1	Technical Specifications:Accessories[A]
4	AP8720118	Easy Guard 150 mm	1	Technical Specifications:Accessories[A]

Group	SEALING AND LUBRICATING AGENTS
Code	32.64
Description	Sealing and lubricating agents
Service	1



Pos.	Code	Description	Qty	Variants
1	AP0897651	Loctite (blue) 243 10cc.	1	
2	AP0899788	Loctite (green) 648 5gr.	1	
3	AP0899784	Loctite (orange) 574	1	
4	AP0297616	Klueber paste 60 gr	1	
5	AP0297386	Silastic 732 Rtv 100 gr.	1	
6	0000000	Tyre	1	
7	0000000	Tyre	1	
8	AP0296170	Gasket set	1	