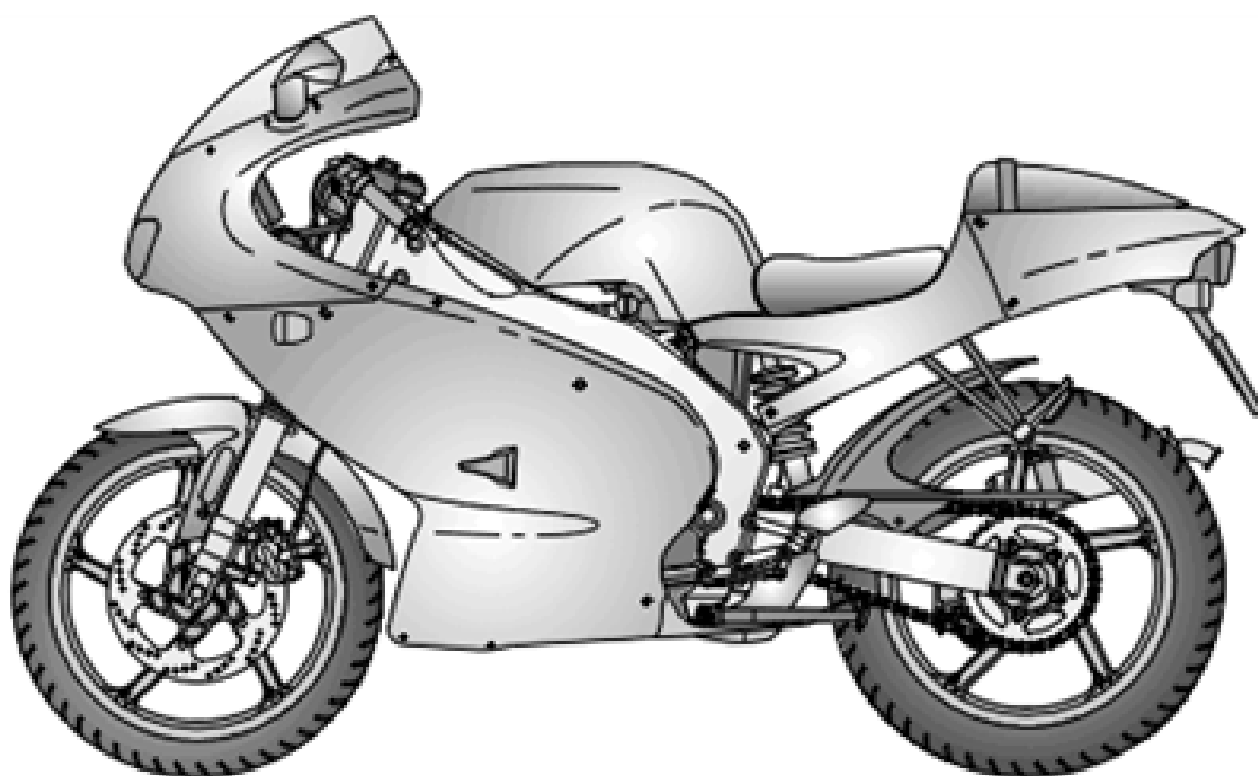




PIAGGIO & C.s.p.a.

**aprilia**

## SPARE PARTS CATALOGUE



### RS 50 1999-2005

Chassis prefix: ZD4PG, ZD4SE0, ZD4TS0, ZD4TSB, ZD4TSJ

Engine prefix:

## Index

Products.....	4
Part reference.....	5
FRAME.....	12
Drawing 28.01 - Frame - Cradle.....	12
Drawing 28.02 - Central stand.....	13
Drawing 28.03 - Front footrests.....	15
Drawing 28.04 - Rear footrests.....	16
Drawing 28.05 - Front fork I.....	17
Drawing 28.06 - Front fork II.....	18
Drawing 28.07 - Swing arm - Shock absorber.....	20
Drawing 28.08 - Front body I.....	22
Drawing 28.09 - Front body II.....	24
Drawing 28.10 - Fuel tank.....	27
Drawing 28.11 - Central body.....	29
Drawing 28.12 - Saddle unit.....	32
Drawing 28.13 - Rear body I.....	36
Drawing 28.14 - Rear body II.....	39
Drawing 28.15 - Dashboard.....	41
Drawing 28.16 - RH controls.....	43
Drawing 28.17 - LH Controls.....	45
Drawing 28.18 - Water cooler.....	46
Drawing 28.19 - Air box.....	47
Drawing 28.21 - Oil tank.....	48
Drawing 28.23 - Gear lever.....	49
Drawing 28.24 - Exhaust unit.....	50
Drawing 28.25 - Front wheel.....	53
Drawing 28.26 - Rear wheel.....	55
Drawing 28.27 - Rear master cylinder.....	57
Drawing 28.28 - Rear brake caliper.....	59
Drawing 28.29 - Front lights.....	60
Drawing 28.30 - Rear lights.....	63
Drawing 28.31 - Electrical system.....	66
Drawing 28.32 - Lock hardware kit.....	68
Drawing 28.33 - Op.'s handbooks and decal.....	70
Drawing 28.34 - Plate set.....	77
ENGINE.....	80
Drawing 29.20 - Secondary air.....	80
Drawing 29.22 - Engine.....	81
Drawing 29.35 - Oil pump - Manifold.....	83
Drawing 29.36 - Carburettor - PG.....	86
Drawing 29.37 - Carburettor I - SE-TS.....	88
Drawing 29.38 - Carburettor II - SE-TS.....	90
Drawing 29.39 - Drive shaft.....	92

---

Drawing 29.40 - Cylinder head.....	93
Drawing 29.41 - Cylinder - Piston.....	95
Drawing 29.42 - Primary gear shaft.....	98
Drawing 29.43 - Gearbox driven shaft.....	99
Drawing 29.44 - Selector.....	101
Drawing 29.45 - Clutch.....	102
Drawing 29.46 - Clutch cover.....	103
Drawing 29.47 - Right crankcase.....	105
Drawing 29.48 - Left crankcase.....	106
Drawing 29.49 - Ignition unit.....	107

## Products

Code	Validity
AP66012CH01	
AP66012CH03	
AP66012CH05	

Code	Drawing Nr.	Pos.	Code	Drawing Nr.	Pos.	Code	Drawing Nr.	Pos.
0000000	28.25	2	AP8113005	28.28	5	AP8124134	28.30	11
0000000	28.26	2	AP8113157	28.27	15	AP8124135	28.29	8
AP8101106	28.05	12	AP8113276	28.27	12	AP8124135	28.29	8
AP8101259	28.24	6	AP8113413	28.16	10	AP8124135	28.30	12
AP8101313	28.14	10	AP8113478	28.25	17	AP8124135	28.30	12
AP8101313	28.21	9	AP8113821	28.27	14	AP8124235	28.31	13
AP8101372	28.18	3	AP8113822	28.27	11	AP8124479	28.27	8
AP8101586	29.20	5	AP8113823	28.27	17	AP8124489	28.30	6
AP8101592	28.14	13	AP8118104	28.17	8	AP8124492	28.30	9
AP8101722	28.18	18	AP8118287	28.16	4	AP8124492	28.30	9
AP8101743	28.21	8	AP8118287	28.17	10	AP8124527	28.30	10
AP8101770	28.21	7	AP8118307	28.16	17	AP8124527	28.30	10
AP8101861	28.04	17	AP8118316	28.16	16	AP8124718	28.14	14
AP8101927	28.18	13	AP8118517	28.17	9	AP8124719	28.09	5
AP8101944	28.21	4	AP8120001	28.12	3	AP8124977	28.02	11
AP8102119	28.12	5	AP8120030	28.18	4	AP8125431	28.25	9
AP8102119	28.32	6	AP8120177	28.14	4	AP8125913	29.45	20
AP8102216	28.15	19	AP8120271	28.17	13	AP8125922	28.26	11
AP8102217	28.15	17	AP8120416	28.05	15	AP8125922	28.26	11
AP8102223	28.21	6	AP8120482	28.31	17	AP8125923	28.26	12
AP8102224	28.21	5	AP8120512	28.09	15	AP8125923	28.26	12
AP8102228	28.10	14	AP8120557	28.10	4	AP8126583	28.14	1
AP8102228	28.32	5	AP8120573	28.03	5	AP8126641	28.14	2
AP8102239	28.18	12	AP8120573	28.04	18	AP8127123	28.29	15
AP8102341	28.08	3	AP8120615	28.19	7	AP8127123	28.30	16
AP8102361	28.10	12	AP8120702	28.10	9	AP8127164	28.29	14
AP8102361	28.32	8	AP8120709	28.10	10	AP8127535	28.29	8
AP8102375	28.01	12	AP8120759	28.15	23	AP8127535	28.30	12
AP8102375	28.04	12	AP8120760	28.15	20	AP8127536	28.29	7
AP8102375	28.07	5	AP8120798	28.10	6	AP8127536	28.30	11
AP8102375	28.08	11	AP8120812	28.24	9	AP8127633	28.29	9
AP8102375	28.09	7	AP8120910	28.24	7	AP8127633	28.30	13
AP8102375	28.11	5	AP8120912	28.23	3	AP8128119	28.25	1
AP8102375	28.13	4	AP8120912	28.27	20	AP8128122	28.26	1
AP8102375	28.21	10	AP8120952	28.10	18	AP8129222	28.12	12
AP8102376	28.01	6	AP8120952	28.19	9	AP8129222	28.12	12
AP8102376	28.03	11	AP8120965	28.08	12	AP8129222	28.12	12
AP8102376	28.04	6	AP8121088	28.26	12	AP8129222	28.12	12
AP8102376	28.18	10	AP8121088	28.26	12	AP8129222	28.12	12
AP8102377	28.10	19	AP8121088	28.26	12	AP8129222	28.12	12
AP8102401	28.19	6	AP8121088	28.28	17	AP8129248	28.12	12
AP8102432	28.24	3	AP8121114	28.10	5	AP8129248	28.12	12
AP8102432	28.24	3	AP8121133	28.04	19	AP8131320	28.27	2
AP8102632	28.08	2	AP8121135	28.03	6	AP8131320	28.27	2
AP8102633	28.08	5	AP8121147	28.23	2	AP8134167	28.25	26
AP8102811	28.27	16	AP8121149	28.27	22	AP8134186	28.07	18
AP8102880	28.32	4	AP8121150	28.07	22	AP8134266	28.02	2
AP8102909	28.08	4	AP8121217	28.01	18	AP8134446	28.30	7
AP8102926	28.21	13	AP8121284	28.23	11	AP8134451	28.04	20
AP8103705	28.09	8	AP8121566	28.03	6	AP8134829	28.04	21
AP8104745	29.20	1	AP8121566	28.03	6	AP8135260	28.12	6
AP8106091	29.36	3	AP8121665	29.20	8	AP8135260	28.32	9
AP8106092	29.38	4	AP8121673	28.10	25	AP8138916	28.08	6
AP8106692	29.40	2	AP8121695	28.02	4	AP8138916	28.08	6
AP8106820	29.38	11	AP8121696	28.02	5	AP8138916	28.08	6
AP8110024	28.05	8	AP8121697	28.23	12	AP8139724	28.08	6
AP8110025	28.05	9	AP8121697	28.27	24	AP8140710	28.32	4
AP8110053	28.23	6	AP8121784	28.10	8	AP8144109	28.08	8
AP8112244	28.31	8	AP8121819	28.10	16	AP8144141	28.31	2
AP8112491	28.31	20	AP8121826	28.16	15	AP8144151	28.27	27
AP8112916	28.30	8	AP8123427	28.06	5	AP8146728	28.04	2
AP8113003	28.25	21	AP8123574	28.06	2	AP8147545	28.29	4
AP8113003	28.28	11	AP8123704	28.06	6	AP8147546	28.29	5
AP8113004	28.25	22	AP8123705	28.06	4	AP8148663	28.08	6
AP8113004	28.27	9	AP8124134	28.29	7	AP8149034	28.14	17
AP8113004	28.28	12	AP8124134	28.29	7	AP8150015	28.12	7
AP8113005	28.25	18	AP8124134	28.30	11	AP8150015	28.15	10

Code	Drawing Nr.	Pos.	Code	Drawing Nr.	Pos.	Code	Drawing Nr.	Pos.
AP8150015	28.32	10	AP8152108	28.10	24	AP8152318	28.04	7
AP8150017	28.01	4	AP8152112	28.24	4	AP8152329	28.19	10
AP8150017	28.02	9	AP8152123	28.12	8	AP8152338	28.13	7
AP8150017	28.24	5	AP8152123	28.32	11	AP8152339	28.14	11
AP8150017	29.22	6	AP8152138	28.23	7	AP8152409	28.03	5
AP8150025	28.27	21	AP8152153	28.10	11	AP8152409	28.04	18
AP8150026	28.23	8	AP8152176	28.07	10	AP8157105	28.08	13
AP8150026	28.27	13	AP8152176	28.23	13	AP8163285	28.06	13
AP8150032	28.04	10	AP8152176	28.27	25	AP8163289	28.06	24
AP8150049	28.07	9	AP8152184	28.04	11	AP8163294	28.06	3
AP8150137	28.03	12	AP8152186	28.10	7	AP8163295	28.06	4
AP8150158	28.09	13	AP8152194	28.12	9	AP8163296	28.06	5
AP8150158	28.14	16	AP8152194	28.32	12	AP8163297	28.06	6
AP8150158	28.14	21	AP8152220	28.16	22	AP8163298	28.06	7
AP8150158	28.30	5	AP8152220	28.17	5	AP8163301	28.06	9
AP8150177	28.29	11	AP8152246	28.08	7	AP8163302	28.06	11
AP8150178	28.10	23	AP8152246	28.14	7	AP8163435	28.06	12
AP8150202	28.10	15	AP8152246	28.21	11	AP8163439	28.06	21
AP8150204	28.09	14	AP8152262	28.07	17	AP8166416	28.33	5
AP8150204	28.14	15	AP8152267	28.21	12	AP8178560	28.10	1
AP8150204	28.14	23	AP8152268	28.14	18	AP8201169	28.18	21
AP8150204	28.30	4	AP8152277	28.05	14	AP8201230	28.25	6
AP8150211	28.32	15	AP8152277	28.18	20	AP8201312	28.18	5
AP8150238	28.16	20	AP8152277	28.18	8	AP8201326	28.16	2
AP8150246	28.07	4	AP8152277	28.31	4	AP8201358	28.10	17
AP8150252	29.22	3	AP8152277	29.20	6	AP8201457	28.01	19
AP8150270	28.29	6	AP8152278	28.01	11	AP8201463	28.18	6
AP8150270	28.30	2	AP8152278	28.09	9	AP8201476	28.18	1
AP8150280	28.05	3	AP8152278	28.19	8	AP8201546	28.25	8
AP8150280	28.27	28	AP8152278	28.27	4	AP8201546	28.26	5
AP8150285	28.16	24	AP8152278	28.31	24	AP8201611	28.14	12
AP8150285	28.17	16	AP8152279	28.04	4	AP8201671	28.25	5
AP8150297	28.07	13	AP8152279	28.23	15	AP8202080	28.33	1
AP8150299	28.07	23	AP8152279	28.27	6	AP8202083	28.32	1
AP8150314	28.10	20	AP8152281	28.01	17	AP8202096	28.19	3
AP8150333	28.04	5	AP8152281	28.15	12	AP8202097	28.32	2
AP8150349	28.32	16	AP8152282	28.31	11	AP8202129	28.10	3
AP8150371	28.30	3	AP8152282	29.20	7	AP8202134	28.16	3
AP8150376	28.01	8	AP8152286	28.04	3	AP8202134	28.17	11
AP8150376	28.04	8	AP8152286	28.26	17	AP8202156	28.05	2
AP8150376	28.25	25	AP8152286	28.28	14	AP8202159	28.31	1
AP8150376	28.28	15	AP8152287	28.04	9	AP8202161	28.33	1
AP8150382	28.14	22	AP8152288	28.03	8	AP8202162	28.33	1
AP8150388	28.01	3	AP8152288	28.25	24	AP8202163	28.33	1
AP8150388	28.02	8	AP8152289	28.01	7	AP8202164	28.33	1
AP8150388	29.22	7	AP8152298	28.13	8	AP8202177	28.18	12
AP8150413	28.09	12	AP8152299	28.01	16	AP8202305	28.33	1
AP8150413	28.13	6	AP8152299	28.04	16	AP8202306	28.33	1
AP8150420	28.09	11	AP8152299	28.10	22	AP8202307	28.33	1
AP8150429	28.10	21	AP8152299	28.15	13	AP8202308	28.33	1
AP8150430	28.09	10	AP8152299	28.27	5	AP8202358	28.32	1
AP8150430	28.14	8	AP8152300	28.01	5	AP8202379	28.32	6
AP8150430	28.15	11	AP8152300	28.01	9	AP8202380	28.32	5
AP8150430	28.23	10	AP8152300	28.02	10	AP8202404	28.33	1
AP8150430	28.27	7	AP8152300	28.24	8	AP8202410	28.33	1
AP8150431	28.03	9	AP8152300	29.22	5	AP8202411	28.33	1
AP8150436	28.23	14	AP8152301	28.07	11	AP8202412	28.33	1
AP8150436	28.27	23	AP8152302	28.08	10	AP8203258	28.06	7
AP8150450	28.08	9	AP8152302	28.09	6	AP8203447	28.06	3
AP8150481	28.16	21	AP8152302	28.11	6	AP8203550	28.05	10
AP8150481	28.17	4	AP8152302	28.13	5	AP8203570	28.06	13
AP8152001	28.02	6	AP8152302	28.14	9	AP8203572	28.06	12
AP8152043	28.10	13	AP8152305	28.07	16	AP8203588	28.05	11
AP8152043	28.14	20	AP8152306	28.12	14	AP8203589	28.05	13
AP8152043	28.32	7	AP8152306	28.14	19	AP8203815	28.05	1
AP8152063	28.07	14	AP8152310	28.02	3	AP8203815	28.06	1
AP8152105	28.25	14	AP8152310	28.02	3	AP8203818	28.07	6

Code	Drawing Nr.	Pos.	Code	Drawing Nr.	Pos.	Code	Drawing Nr.	Pos.
AP8203826	28.07	8	AP8206288	29.47	7	AP8206625	29.49	6
AP8203948	28.07	7	AP8206290	29.39	6	AP8206626	29.43	16
AP8203949	28.06	9	AP8206292	29.41	5	AP8206631	29.35	21
AP8203950	28.06	11	AP8206293	29.49	11	AP8206632	29.35	13
AP8203951	28.05	5	AP8206295	29.47	9	AP8206633	29.43	6
AP8203952	28.05	7	AP8206296	29.47	6	AP8206645	29.35	18
AP8203953	28.05	6	AP8206298	29.43	19	AP8206645	29.35	18
AP8203954	28.05	4	AP8206299	29.44	9	AP8206646	29.49	7
AP8203955	28.06	10	AP8206299	29.48	7	AP8206649	29.46	18
AP8203956	28.06	8	AP8206300	29.35	5	AP8206653	29.35	3
AP8203957	28.06	15	AP8206303	29.35	6	AP8206654	29.35	16
AP8203958	28.06	14	AP8206304	29.49	10	AP8206710	29.35	7
AP8203959	28.06	17	AP8206305	29.49	9	AP8206711	29.35	8
AP8203960	28.06	16	AP8206308	29.45	19	AP8206716	29.49	5
AP8203981	28.05	1	AP8206309	29.46	6	AP8206719	29.46	26
AP8203981	28.06	1	AP8206310	29.45	1	AP8206719	29.46	26
AP8203989	28.06	17	AP8206311	29.39	4	AP8206721	29.40	9
AP8203990	28.06	16	AP8206320	29.46	13	AP8206760	29.41	1
AP8206019	29.41	3	AP8206322	29.45	6	AP8206869	29.43	1
AP8206137	29.47	12	AP8206327	29.46	4	AP8206872	29.36	22
AP8206181	29.35	23	AP8206328	29.46	5	AP8206874	29.47	11
AP8206202	29.46	12	AP8206331	29.44	3	AP8206875	29.47	3
AP8206202	29.48	1	AP8206332	29.44	8	AP8206876	29.47	5
AP8206231	29.42	4	AP8206334	29.46	19	AP8206879	29.36	22
AP8206235	29.46	10	AP8206335	29.46	21	AP8206880	29.46	16
AP8206240	29.48	12	AP8206336	29.43	22	AP8206881	29.46	16
AP8206242	29.35	4	AP8206338	29.46	20	AP8206886	29.37	3
AP8206245	29.46	7	AP8206341	29.49	2	AP8206886	29.38	1
AP8206247	29.45	5	AP8206342	29.35	22	AP8206887	29.38	8
AP8206248	29.45	7	AP8206343	29.45	18	AP8206889	29.38	7
AP8206250	29.41	2	AP8206344	29.44	12	AP8206890	29.38	2
AP8206251	29.48	3	AP8206344	29.45	16	AP8206891	29.37	6
AP8206252	29.48	8	AP8206345	29.46	1	AP8206892	29.37	7
AP8206253	29.45	15	AP8206349	29.39	9	AP8206893	29.37	8
AP8206256	29.45	3	AP8206358	29.44	2	AP8206894	29.38	9
AP8206257	29.47	1	AP8206383	29.40	3	AP8206899	29.37	1
AP8206258	29.45	9	AP8206404	29.41	1	AP8206902	29.38	5
AP8206259	29.47	2	AP8206407	29.36	22	AP8206907	29.38	10
AP8206260	29.42	13	AP8206427	29.40	8	AP8206908	29.37	5
AP8206261	29.43	21	AP8206508	29.46	14	AP8206915	29.40	4
AP8206262	29.46	11	AP8206598	29.43	24	AP8206935	29.40	2
AP8206262	29.48	2	AP8206599	29.43	27	AP8206937	29.36	5
AP8206263	29.42	5	AP8206600	29.43	28	AP8206938	29.36	3
AP8206264	29.39	8	AP8206601	29.43	20	AP8206940	29.37	10
AP8206265	29.45	13	AP8206602	29.35	3	AP8206947	29.40	11
AP8206266	29.45	17	AP8206603	29.47	10	AP8206948	29.40	16
AP8206267	29.45	2	AP8206603	29.47	10	AP8206949	29.40	2
AP8206268	29.39	5	AP8206604	29.42	14	AP8206949	29.40	2
AP8206269	29.43	25	AP8206605	29.43	14	AP8206950	29.41	1
AP8206269	29.44	7	AP8206606	29.44	5	AP8206950	29.41	1
AP8206270	29.44	13	AP8206607	29.42	18	AP8206951	29.49	9
AP8206271	29.45	4	AP8206608	29.42	8	AP8206952	29.41	6
AP8206272	29.45	10	AP8206609	29.42	16	AP8206953	29.41	6
AP8206274	29.49	3	AP8206610	29.42	7	AP8206954	29.41	6
AP8206276	29.47	8	AP8206611	29.43	9	AP8206955	29.41	2
AP8206277	29.35	12	AP8206612	29.43	15	AP8206955	29.41	2
AP8206277	29.46	2	AP8206613	29.43	10	AP8206955	29.41	2
AP8206277	29.48	9	AP8206614	29.43	12	AP8206956	29.41	2
AP8206279	29.45	11	AP8206615	29.43	5	AP8206956	29.41	2
AP8206280	29.35	19	AP8206616	29.43	13	AP8206956	29.41	2
AP8206281	29.42	1	AP8206617	29.42	9	AP8206957	29.41	2
AP8206281	29.43	7	AP8206618	29.40	1	AP8206957	29.41	2
AP8206282	29.39	2	AP8206619	29.43	26	AP8206957	29.41	2
AP8206283	29.43	23	AP8206621	29.43	11	AP8206959	29.36	22
AP8206285	29.40	12	AP8206622	29.42	19	AP8206968	29.35	2
AP8206286	29.40	11	AP8206623	29.43	29	AP8206968	29.35	2
AP8206287	29.45	14	AP8206624	29.42	20	AP8206969	29.37	9

Code	Drawing Nr.	Pos.	Code	Drawing Nr.	Pos.	Code	Drawing Nr.	Pos.
AP8206970	29.40	2	AP8213281	28.16	12	AP8220323	28.11	7
AP8206971	29.43	1	AP8213311	28.25	12	AP8220349	28.12	2
AP8206972	29.35	3	AP8213312	28.25	23	AP8220415	28.18	14
AP8206973	29.47	10	AP8213314	28.27	3	AP8220421	28.21	2
AP8206974	29.35	21	AP8213315	28.27	10	AP8220450	28.18	11
AP8206975	29.35	7	AP8213315	28.28	13	AP8220496	28.18	15
AP8206976	29.40	14	AP8213317	28.26	18	AP8220497	28.26	16
AP8206977	28.18	11	AP8213317	28.28	1	AP8220499	28.07	2
AP8206978	29.46	16	AP8213361	28.28	7	AP8220504	28.19	5
AP8206979	29.41	1	AP8213388	28.17	7	AP8220511	28.18	17
AP8206980	29.37	2	AP8213413	28.25	20	AP8220512	28.18	16
AP8206981	29.38	3	AP8213414	28.28	9	AP8220514	28.31	23
AP8206982	29.38	6	AP8213415	28.28	8	AP8220526	28.01	14
AP8206983	29.37	4	AP8213418	28.26	19	AP8220546	28.31	22
AP8206990	29.22	1	AP8213418	28.28	2	AP8220612	28.19	5
AP8207076	28.26	10	AP8213419	28.25	13	AP8220613	28.18	15
AP8207077	28.26	7	AP8213420	28.16	7	AP8220660	29.20	2
AP8207086	28.26	6	AP8213421	28.16	8	AP8220661	29.20	3
AP8208571	28.26	1	AP8213422	28.16	5	AP8221024	28.07	21
AP8208571	28.26	1	AP8213423	28.25	16	AP8221159	28.19	6
AP8208573	28.25	1	AP8213436	28.16	14	AP8221257	28.23	4
AP8208573	28.25	1	AP8213446	28.27	1	AP8221258	28.24	3
AP8208735	28.25	1	AP8213476	28.02	3	AP8221270	28.01	13
AP8208735	28.25	1	AP8213477	28.16	6	AP8221277	28.03	7
AP8208738	28.26	1	AP8213478	28.27	2	AP8221278	28.07	24
AP8208738	28.26	1	AP8213517	28.25	20	AP8221286	28.04	21
AP8208803	28.25	1	AP8213518	28.28	9	AP8221289	28.27	26
AP8208806	28.26	1	AP8214178	28.17	14	AP8221312	28.12	10
AP8208864	28.26	1	AP8214179	28.15	14	AP8221312	28.32	13
AP8208867	28.25	1	AP8214179	28.15	14	AP8222019	28.31	16
AP8208911	28.25	1	AP8214180	28.16	19	AP8222553	29.22	4
AP8208911	28.25	1	AP8214181	28.15	15	AP8222632	29.36	19
AP8208914	28.26	1	AP8214196	28.15	14	AP8222634	29.36	18
AP8208914	28.26	1	AP8214218	28.16	19	AP8222635	29.36	17
AP8210007	28.23	5	AP8214219	28.17	17	AP8222638	29.36	3
AP8210007	28.27	18	AP8214236	28.16	19	AP8222639	29.36	3
AP8212110	28.31	5	AP8218340	28.16	18	AP8222642	29.36	20
AP8212121	28.31	10	AP8218342	28.17	12	AP8222643	29.36	14
AP8212196	28.16	1	AP8218345	28.16	11	AP8222644	29.36	8
AP8212212	28.31	14	AP8218404	28.17	3	AP8222645	29.36	9
AP8212219	28.31	15	AP8218462	28.17	1	AP8222650	29.36	10
AP8212367	29.49	1	AP8218463	28.17	2	AP8222652	29.36	16
AP8212375	28.31	7	AP8219325	28.24	10	AP8222653	29.36	13
AP8212474	28.31	9	AP8219377	28.24	2	AP8222654	29.36	2
AP8212474	28.31	9	AP8219378	28.24	1	AP8222655	29.36	2
AP8212525	28.31	6	AP8219455	28.24	1	AP8222656	29.36	12
AP8212680	28.29	9	AP8219456	28.24	1	AP8222658	29.36	4
AP8212680	28.29	9	AP8219459	28.24	1	AP8222659	29.36	11
AP8212680	28.30	13	AP8219460	28.24	1	AP8222660	29.36	21
AP8212680	28.30	13	AP8219461	28.24	1	AP8222662	29.36	15
AP8212967	28.29	3	AP8219462	28.24	2	AP8222663	29.36	1
AP8212971	28.29	1	AP8219469	28.24	1	AP8222676	29.36	7
AP8212971	28.29	1	AP8219470	28.24	2	AP8222678	29.36	2
AP8212972	28.31	12	AP8219546	28.24	2	AP8222679	29.36	6
AP8212972	28.31	12	AP8219578	28.24	11	AP8222684	29.38	4
AP8212973	28.31	19	AP8219591	28.24	1	AP8222736	29.22	1
AP8212975	28.15	1	AP8219610	28.24	11	AP8222737	29.22	1
AP8212975	28.15	1	AP8219611	28.24	11	AP8222738	29.22	1
AP8212976	28.21	3	AP8219617	28.24	11	AP8222739	29.22	1
AP8212986	28.17	15	AP8220104	28.18	7	AP8222790	29.22	1
AP8213028	28.17	6	AP8220104	28.19	6	AP8222800	29.22	1
AP8213078	28.16	9	AP8220150	28.15	9	AP8222804	29.22	1
AP8213102	28.28	4	AP8220196	28.07	19	AP8222813	29.22	1
AP8213104	28.28	3	AP8220197	28.07	20	AP8223107	28.06	18
AP8213108	28.25	19	AP8220198	28.07	15	AP8223108	28.06	20
AP8213108	28.28	6	AP8220235	28.18	9	AP8223109	28.06	19
AP8213277	28.16	13	AP8220275	28.15	16	AP8223110	28.06	22



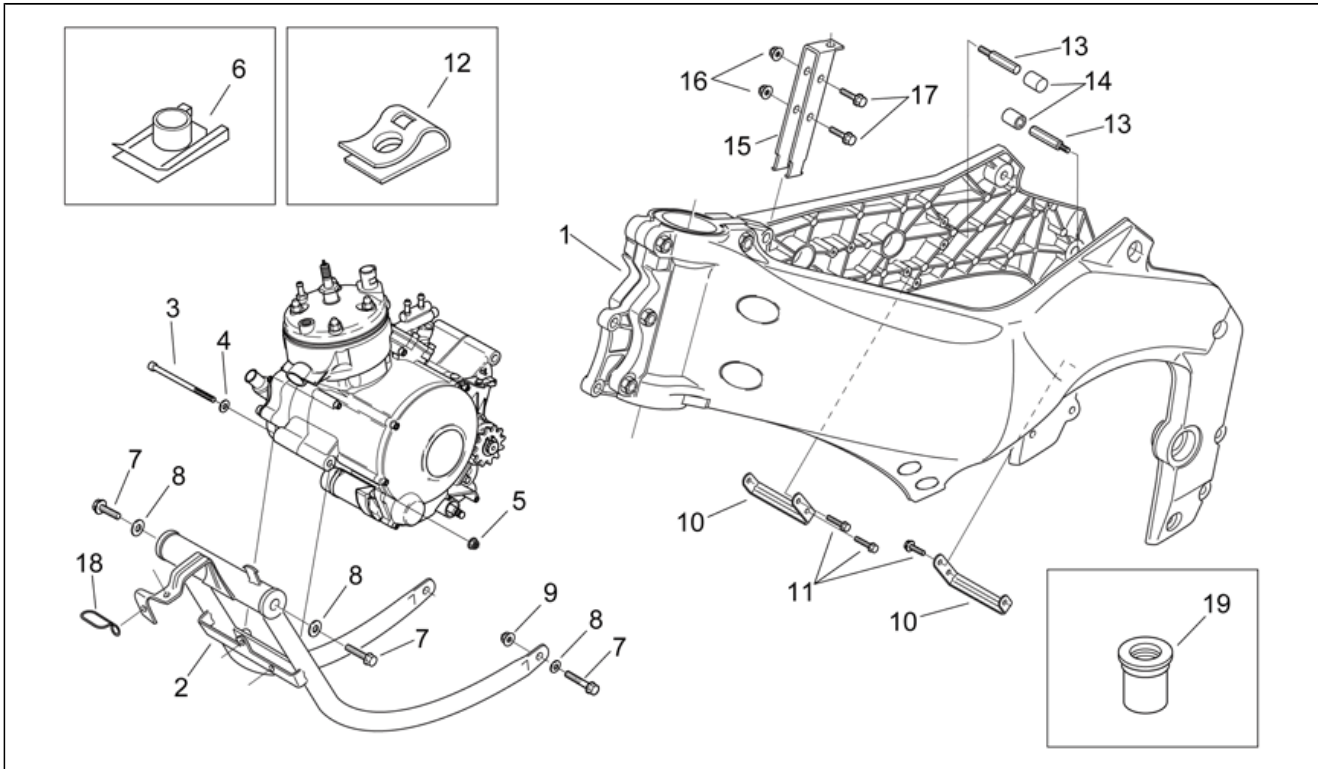
Code	Drawing Nr.	Pos.	Code	Drawing Nr.	Pos.	Code	Drawing Nr.	Pos.
AP8223111	28.06	23	AP8225354	28.25	4	AP8235008	28.04	1
AP8223112	28.06	8	AP8225355	28.26	4	AP8235009	28.01	2
AP8223114	28.06	10	AP8226444	28.09	4	AP8235010	28.02	1
AP8223116	28.06	2	AP8226446	28.14	5	AP8235010	28.02	1
AP8223117	28.05	4	AP8226446	28.14	5	AP8235011	28.23	1
AP8223118	28.05	13	AP8226446	28.14	5	AP8235012	28.27	19
AP8224001	28.15	18	AP8226446	28.14	5	AP8235013	28.07	1
AP8224003	28.15	22	AP8226513	28.14	1	AP8235013	28.07	1
AP8224004	28.15	21	AP8226536	28.09	4	AP8235052	28.04	13
AP8224023	28.09	5	AP8226563	28.14	1	AP8235054	28.04	14
AP8224023	28.09	5	AP8226643	28.09	4	AP8235056	28.01	1
AP8224026	28.31	21	AP8226643	28.09	4	AP8235056	28.01	1
AP8224116	28.17	15	AP8226644	28.09	4	AP8235057	28.03	3
AP8224117	28.16	23	AP8226719	28.09	4	AP8235058	28.04	15
AP8224120	28.15	4	AP8226735	28.09	4	AP8235066	28.02	1
AP8224121	28.15	3	AP8226758	28.09	4	AP8235145	28.01	1
AP8224121	28.15	3	AP8226761	28.09	4	AP8235146	28.07	1
AP8224122	28.15	2	AP8226764	28.09	4	AP8235146	28.07	1
AP8224123	28.15	5	AP8226765	28.14	5	AP8235146	28.07	1
AP8224124	28.15	6	AP8226821	28.09	4	AP8235153	28.01	1
AP8224125	28.15	7	AP8226838	28.09	4	AP8235174	28.01	1
AP8224141	28.31	3	AP8226847	28.09	4	AP8239447	29.22	2
AP8224154	28.29	2	AP8229207	28.12	11	AP8239448	28.19	1
AP8224155	28.32	3	AP8229207	28.32	14	AP8239450	28.18	19
AP8224156	28.29	10	AP8229252	28.12	1	AP8239452	28.11	1
AP8224158	28.31	9	AP8229254	28.12	4	AP8239453	28.11	2
AP8224160	28.16	23	AP8229254	28.12	4	AP8239454	28.08	1
AP8224168	28.30	9	AP8229254	28.12	4	AP8239456	28.09	1
AP8224175	28.31	12	AP8229254	28.12	4	AP8239457	28.09	2
AP8224185	28.16	23	AP8229254	28.12	4	AP8239458	28.11	3
AP8224189	28.29	1	AP8229254	28.12	4	AP8239459	28.13	1
AP8224197	28.29	7	AP8229296	28.12	4	AP8239460	28.13	2
AP8224197	28.30	11	AP8229296	28.12	4	AP8239461	28.13	3
AP8224198	28.29	8	AP8229308	28.12	1	AP8239462	28.14	3
AP8224198	28.30	12	AP8229308	28.12	1	AP8239464	28.19	2
AP8224200	28.15	1	AP8229308	28.12	1	AP8239466	28.10	2
AP8224258	28.29	9	AP8229308	28.12	1	AP8239467	28.10	1
AP8224258	28.30	13	AP8229308	28.12	1	AP8239468	28.21	1
AP8224276	28.15	3	AP8229308	28.12	1	AP8239640	28.19	4
AP8224277	28.30	10	AP8229313	28.12	4	AP8239642	28.11	4
AP8224300	28.16	23	AP8229314	28.12	12	AP8239869	28.12	13
AP8224303	28.16	23	AP8229346	28.12	1	AP8247469	28.34	1
AP8224389	28.30	14	AP8229346	28.12	1	AP8247470	28.34	4
AP8224390	28.29	13	AP8229347	28.12	4	AP8247475	28.34	3
AP8224390	28.30	15	AP8229348	28.12	12	AP8248562	28.09	3
AP8224391	28.29	12	AP8229356	28.12	4	AP8248562	28.09	3
AP8224411	28.15	1	AP8229357	28.12	12	AP8248562	28.09	3
AP8224413	28.17	15	AP8229408	28.12	1	AP8248790	28.10	1
AP8224464	28.15	3	AP8229409	28.12	4	AP8248791	28.08	1
AP8224570	28.32	3	AP8229410	28.12	12	AP8248792	28.11	1
AP8224577	28.32	17	AP8230535	28.31	18	AP8248793	28.11	2
AP8225118	28.26	3	AP8232207	28.23	9	AP8248794	28.11	4
AP8225123	28.25	15	AP8234020	28.07	3	AP8248795	28.13	3
AP8225195	28.25	11	AP8234136	28.02	7	AP8248796	28.13	1
AP8225206	28.25	14	AP8234136	28.02	7	AP8248797	28.13	2
AP8225208	28.26	15	AP8234137	28.26	13	AP8248798	28.12	13
AP8225220	28.26	9	AP8234137	28.28	10	AP8248799	28.09	3
AP8225235	28.26	14	AP8234146	28.03	4	AP8248827	28.14	3
AP8225235	28.28	16	AP8234147	28.03	10	AP8249094	28.08	6
AP8225237	28.25	10	AP8234152	28.01	10	AP8249118	28.13	1
AP8225237	28.25	7	AP8234153	28.01	15	AP8249119	28.13	2
AP8225332	28.07	12	AP8234158	28.18	2	AP8249120	28.12	13
AP8225333	28.26	8	AP8234171	28.02	7	AP8249225	28.11	4
AP8225335	28.25	3	AP8234182	28.03	1	AP8249226	28.11	1
AP8225339	28.26	11	AP8234183	28.03	2	AP8249227	28.11	2
AP8225339	28.26	11	AP8234238	29.20	4	AP8249272	28.30	1
AP8225339	28.26	11	AP8235005	28.15	8	AP8249334	28.09	3

Code	Drawing Nr.	Pos.	Code	Drawing Nr.	Pos.	Code	Drawing Nr.	Pos.
AP8249558	28.14	6	AP8258566	28.10	1	AP8267497	28.34	4
AP8249590	28.10	1	AP8258567	28.08	1	AP8267509	28.33	2
AP8249591	28.08	1	AP8258568	28.11	1	AP8267510	28.33	3
AP8249592	28.11	1	AP8258569	28.11	2	AP8267511	28.33	4
AP8249593	28.11	2	AP8258570	28.11	4	AP8267512	28.33	5
AP8249594	28.13	3	AP8258571	28.13	3	AP8267541	28.33	2
AP8249595	28.13	1	AP8258572	28.13	1	AP8267542	28.33	3
AP8249596	28.13	2	AP8258573	28.13	2	AP8267543	28.33	4
AP8249597	28.12	13	AP8258574	28.12	13	AP8267544	28.33	5
AP8249598	28.14	3	AP8258575	28.09	3	AP8267666	28.33	7
AP8249809	28.10	1	AP8258774	28.10	1	AP8267797	28.33	2
AP8249810	28.08	1	AP8258775	28.08	1	AP8267798	28.33	3
AP8249811	28.11	1	AP8258776	28.11	1	AP8267799	28.33	4
AP8249812	28.11	2	AP8258777	28.11	2	AP8267800	28.33	5
AP8249813	28.11	4	AP8258778	28.11	4	AP8267801	28.33	6
AP8249814	28.13	3	AP8258779	28.13	3	AP8267801	28.33	6
AP8249815	28.09	3	AP8258791	28.10	1	AP8267802	28.33	2
AP8249835	28.11	4	AP8258792	28.08	1	AP8267803	28.33	3
AP8249835	28.11	4	AP8258793	28.11	1	AP8267804	28.33	4
AP8249889	28.13	1	AP8258794	28.11	2	AP8267805	28.33	5
AP8249890	28.13	2	AP8258795	28.11	4	AP8267806	28.33	6
AP8249891	28.12	13	AP8258796	28.13	3	AP8267809	28.33	2
AP8257225	28.34	1	AP8258797	28.13	1	AP8267810	28.33	3
AP8257271	28.34	2	AP8258798	28.13	2	AP8267811	28.33	4
AP8257272	28.34	1	AP8258799	28.12	13	AP8267812	28.33	5
AP8257273	28.34	1	AP8258800	28.09	3	AP8267866	28.33	8
AP8257274	28.34	1	AP8258816	28.10	1	AP8267933	28.34	1
AP8257275	28.34	2	AP8258817	28.08	1	AP8267934	28.34	2
AP8257276	28.34	2	AP8258818	28.11	1	AP8267985	28.34	1
AP8257397	28.33	2	AP8258819	28.11	2	AP8268156	28.11	1
AP8257398	28.33	3	AP8258820	28.11	4	AP8268157	28.11	2
AP8257399	28.33	4	AP8258821	28.13	3	AP8268158	28.08	1
AP8257400	28.33	5	AP8258964	28.13	1	AP8268159	28.19	2
AP8257401	28.33	6	AP8258964	28.13	1	AP8268161	28.19	11
AP8257402	28.33	2	AP8258964	28.13	1	AP8268172	28.11	4
AP8257403	28.33	3	AP8258964	28.13	1	AP8268173	28.13	3
AP8257404	28.33	4	AP8258964	28.13	1	AP8268265	28.10	1
AP8257405	28.33	5	AP8258965	28.13	2	AP8268266	28.08	1
AP8257416	28.34	4	AP8258965	28.13	2	AP8268267	28.11	1
AP8257417	28.34	4	AP8258965	28.13	2	AP8268268	28.11	2
AP8257572	28.34	1	AP8258965	28.13	2	AP8268269	28.11	4
AP8257600	28.34	1	AP8258965	28.13	2	AP8268270	28.13	3
AP8257726	28.33	6	AP8258966	28.12	13	AP8268378	28.10	1
AP8258190	28.10	1	AP8258966	28.12	13	AP8268379	28.08	1
AP8258191	28.08	1	AP8258966	28.12	13	AP8268380	28.11	1
AP8258192	28.11	1	AP8258966	28.12	13	AP8268381	28.11	2
AP8258193	28.11	2	AP8258966	28.12	13	AP8268382	28.11	4
AP8258194	28.13	3	AP8258967	28.13	1	AP8268383	28.13	3
AP8258195	28.13	1	AP8258968	28.13	2	AP8268455	28.10	1
AP8258196	28.13	2	AP8258969	28.12	13	AP8268456	28.08	1
AP8258197	28.12	13	AP8267103	28.33	2	AP8268457	28.11	1
AP8258334	28.19	1	AP8267104	28.33	3	AP8268458	28.11	2
AP8258335	28.19	11	AP8267105	28.33	4	AP8268459	28.11	4
AP8258421	28.10	1	AP8267106	28.33	5	AP8268460	28.13	3
AP8258422	28.08	1	AP8267107	28.33	6	AP8276001	29.46	16
AP8258423	28.11	1	AP8267109	28.33	2	AP8276005	29.46	26
AP8258424	28.11	2	AP8267110	28.33	3	AP8276022	29.37	9
AP8258425	28.11	4	AP8267111	28.33	4	AP8276023	29.43	1
AP8258426	28.13	3	AP8267112	28.33	5	AP8276024	29.38	4
AP8258427	28.13	1	AP8267419	28.33	3	AP8276025	29.35	20
AP8258428	28.13	2	AP8267420	28.33	2	AP8276026	29.35	17
AP8258429	28.12	13	AP8267421	28.33	4	AP8276027	29.46	8
AP8258430	28.09	3	AP8267422	28.33	5	AP8276028	29.35	16
AP8258430	28.09	3	AP8267423	28.33	6	AP8276029	29.35	18
AP8258430	28.09	3	AP8267424	28.33	6	AP8276054	29.38	4
AP8258430	28.09	3	AP8267444	28.34	2	AP8276055	29.38	3
AP8258430	28.09	3	AP8267448	28.34	1	AP8276056	29.37	2

Code	Drawing Nr.	Pos.
AP8276057	29.37	9
AP8276059	29.39	4
AP8276060	29.39	9
AP8276077	29.37	9
AP8276081	29.38	4
AP8276082	29.37	9
AP8276083	29.43	1
AP8277158	28.34	2
AP8277160	28.34	1
AP8277161	28.34	2
AP8277282	28.33	2
AP8277284	28.33	3
AP8277286	28.33	4
AP8277288	28.33	5
AP8277290	28.33	6
AP8277381	28.33	9
AP8277467	28.34	1
AP8277468	28.34	4
AP8277501	28.33	2
AP8277502	28.33	3
AP8277503	28.33	4
AP8277693	28.33	3
AP8277694	28.33	3
AP8277695	28.33	2
AP8277696	28.33	2
AP8277697	28.33	4
AP8277698	28.33	4
AP8277699	28.33	5
AP8277700	28.33	5
AP8501467	29.35	10
AP8501467	29.46	3
AP8501471	29.42	17
AP8501477	29.43	2
AP8501478	29.42	2
AP8501478	29.43	8
AP8501972	29.44	10
AP8502356	29.44	6
AP8502414	29.43	18
AP8502432	29.45	8
AP8502448	29.44	11
AP8502473	29.43	17
AP8502498	29.42	12
AP8502501	29.43	11
AP8502520	29.44	4
AP8502533	29.45	12
AP8502555	29.46	25
AP8502559	29.40	5
AP8502562	29.35	15
AP8502566	29.46	24
AP8502571	29.46	15
AP8502586	29.48	10
AP8502589	29.48	4
AP8502624	29.42	3
AP8502626	29.42	15
AP8502652	29.42	11
AP8502655	29.40	17
AP8502656	29.39	7
AP8502665	29.35	14
AP8502668	29.40	14
AP8502757	29.48	5
AP8502758	29.46	17
AP8502759	29.40	7
AP8502759	29.46	9
AP8502759	29.48	11
AP8502836	29.42	10
AP8502846	29.41	4
AP8507839	29.40	13

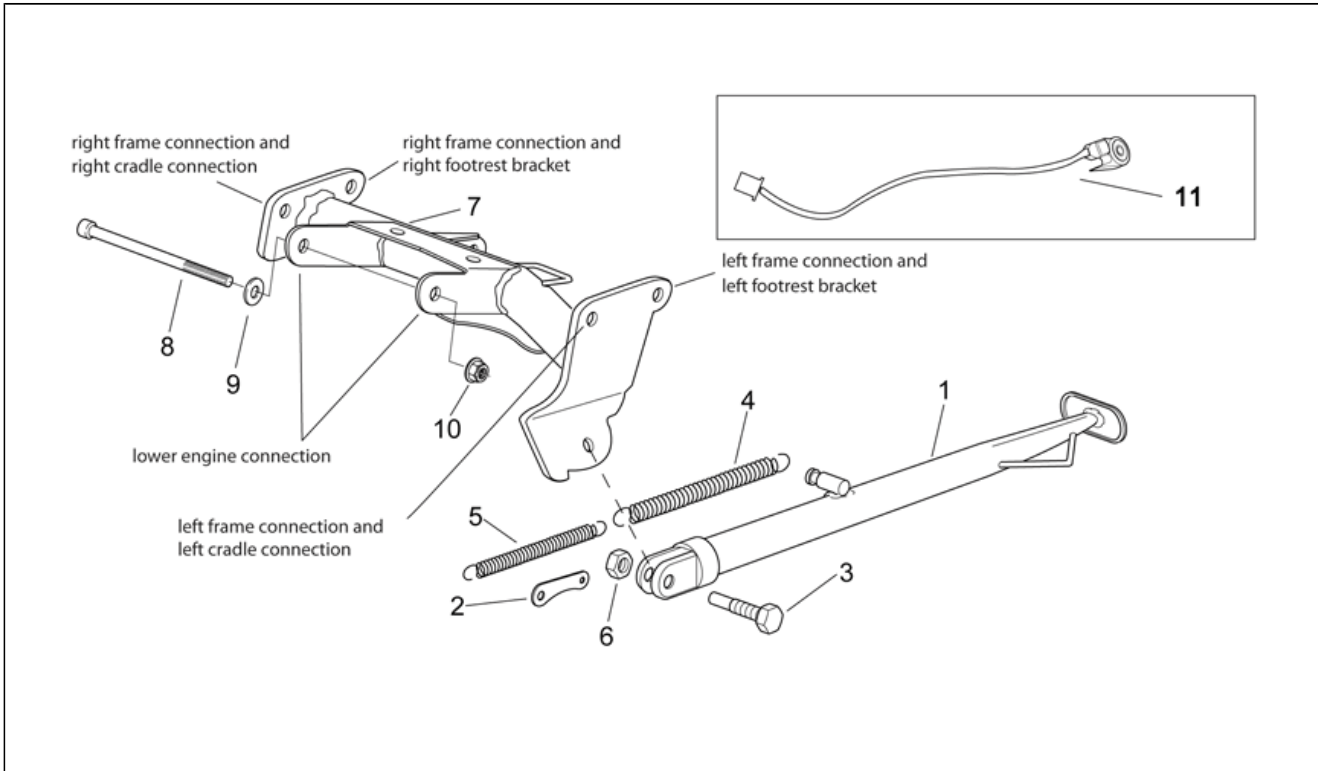
Code	Drawing Nr.	Pos.
AP8507866	29.43	4
AP8508551	29.39	3
AP8508553	29.40	10
AP8508560	29.40	6
AP8508667	29.35	17
AP8508667	29.35	17
AP8508668	29.35	20
AP8508668	29.35	20
AP8508669	29.35	9
AP8508669	29.46	22
AP8508863	29.35	16
AP8508863	29.35	16
AP8508872	29.35	11
AP8508882	29.40	15
AP8509130	29.46	23
AP8509135	29.43	3
AP8509178	29.44	1
AP8509179	29.47	4
AP8509182	29.39	1
AP8509209	29.48	6
AP8509211	29.49	4
AP8509334	29.46	8
AP8509769	29.39	11
AP8509891	29.39	10
AP8509891	29.49	8
AP8510039	29.42	6
AP8510838	29.35	1

<b>Assembly</b>	FRAME
<b>Code</b>	28.01
<b>Description</b>	Frame - Cradle
<b>Revision</b>	1



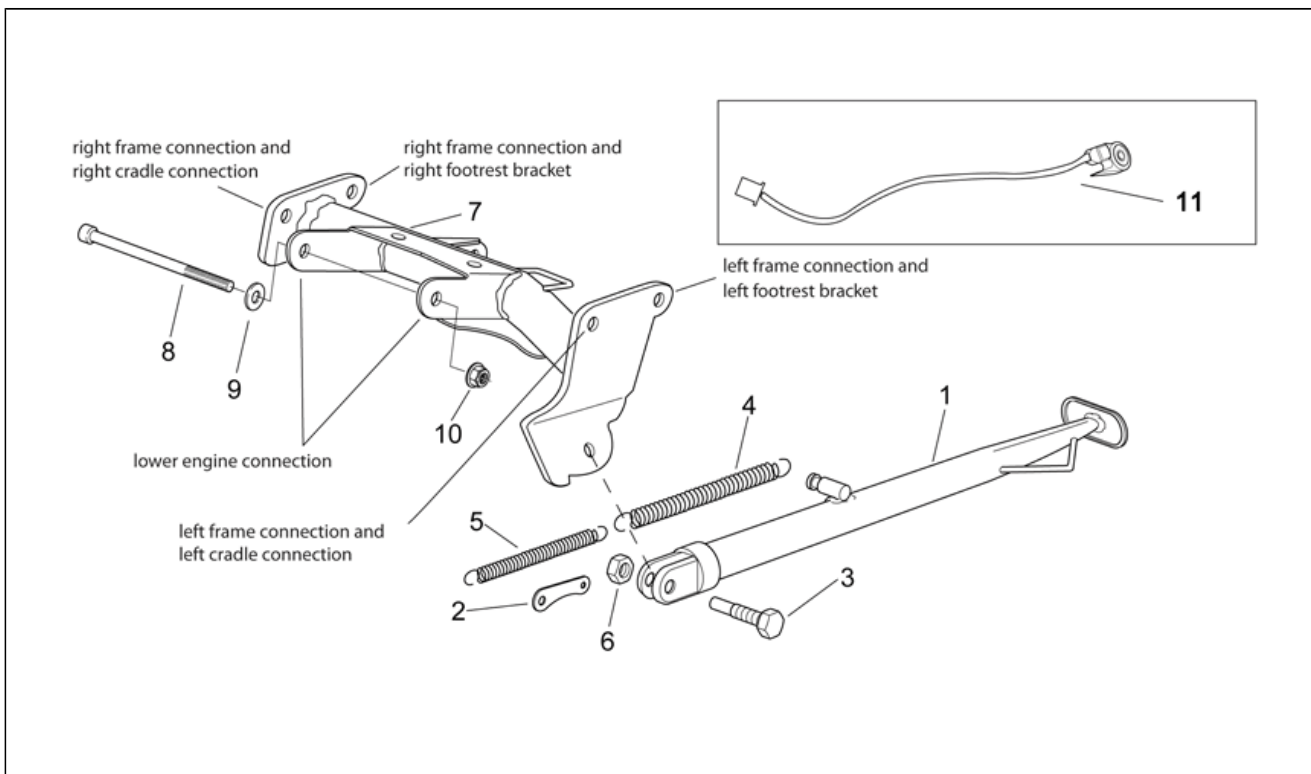
Pos.	Code	Description	Q.ty	Variants
1	AP8235056	Frame, grey	1	year: 2003[3] Color:Way blue 2003[b.way], GP1 Black '03[g.bl]
1	AP8235056	Frame, grey	1	year:2001[1], 2002[2], 1999[X], 2000[Y]
1	AP8235145	Frame, black	1	year: 2003[3], 2004[4] Color:SBK Black '03[s.bl]
1	AP8235153	Frame, black	1	year: 2004[4] Color:Poggiali Black 2004[a.blk], Poggiali White 2004[white]
1	AP8235174	Frame	1	year:2005[5]
2	AP8235009	Cradle phor.	1	
3	AP8150388	Hex socket screw M8x100*	1	
4	AP8150017	Washer 8,4x16x1,6*	1	
5	AP8152300	Self-locking nut M8*	1	
6	AP8102376	Clip M6	8	
7	AP8152289	Screw w/ flange M8x35*	4	
8	AP8150376	Washer 8,5x15x0,8	4	
9	AP8152300	Self-locking nut M8*	2	
10	AP8234152	Central fairing fixing plate	2	
11	AP8152278	Screw w/ flange M6x16*	4	
12	AP8102375	Clip M5	2	
13	AP8221270	Filter housing support spindle	2	
14	AP8220526	Rubber spacer	2	
15	AP8234153	U-bolt	1	
16	AP8152299	Self-locking nut M6*	2	
17	AP8152281	Screw w/ flange M6X30	2	
18	AP8121217	Cable-guide	1	
19	AP8201457	Rivet *	2	

<b>Assembly</b>	FRAME
<b>Code</b>	28.02
<b>Description</b>	Central stand
<b>Revision</b>	1



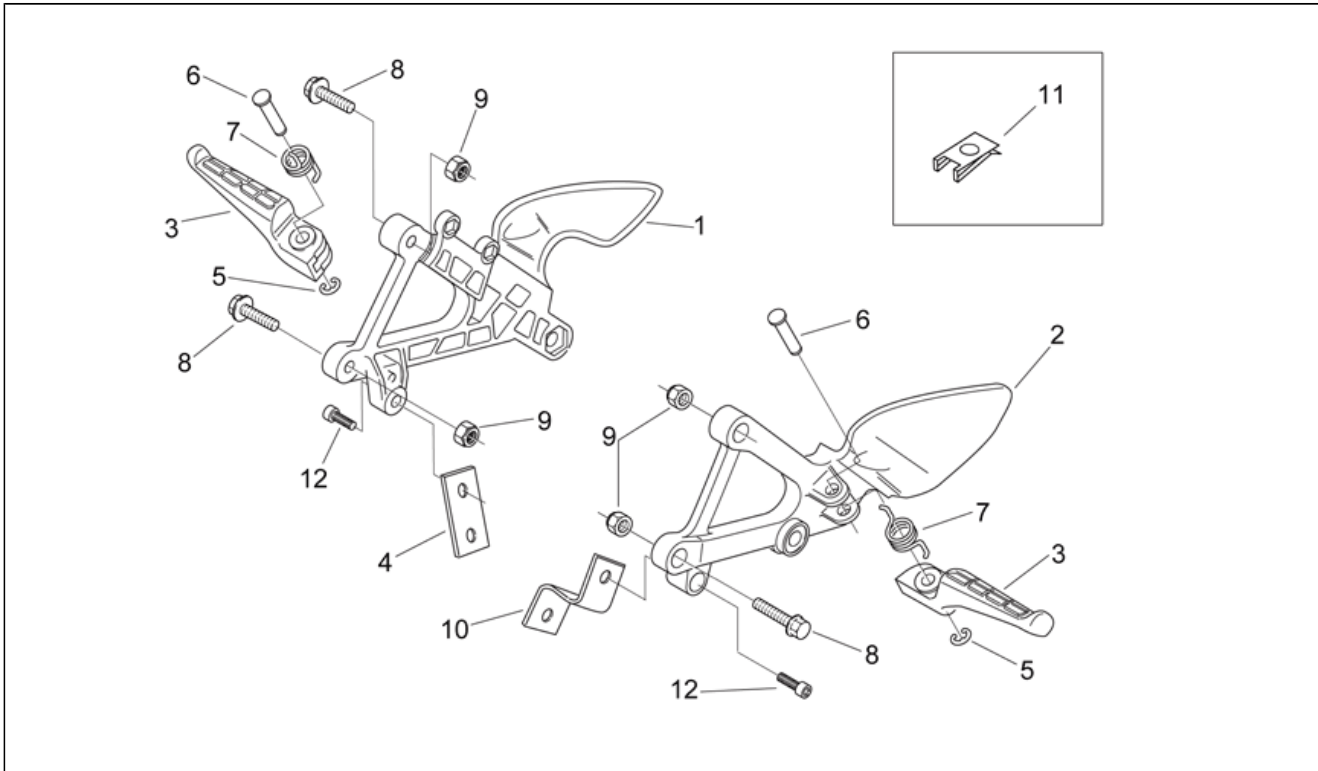
Pos.	Code	Description	Q.ty	Variants
1	AP8235010	Lateral stand, snd.phor.	1	<b>Country:</b> Austria[A], Belgium[B], Brasil[BR], Germany[D], Denmark[DK], Spain[E], A,B,D,GR,E,F,UK,NL,P[EU], France[F], Great Britain[GR], Italy[I], I[II], Israel[IL], Japan[J], J[JJ], Holland[NL], Portugal[P], Rep. of Korea[ROK], Finland[SF], Great Britain[UK]
1	AP8235010	Lateral stand, snd.phor.	1	<b>Country:</b> Switzerland[SZ]
1	AP8235066	Lateral stand, snd.phor.	1	<b>Country:</b> USA (49 Countries Approval)[AM], United States of America[USA]
2	AP8134266	Lateral stand plate	1	
3	AP8152310	Central stand fixing screw	1	<b>Country:</b> Switzerland[SZ]
3	AP8152310	Central stand fixing screw	1	<b>Country:</b> Austria[A], Belgium[B], Brasil[BR], Germany[D], Denmark[DK], Spain[E], A,B,D,GR,E,F,UK,NL,P[EU], France[F], Great Britain[GR], Italy[I], I[II], Israel[IL], Japan[J], J[JJ], Holland[NL], Portugal[P], Rep. of Korea[ROK], Finland[SF], Great Britain[UK]
3	AP8213476	Stand pin	1	<b>Country:</b> USA (49 Countries Approval)[AM], United States of America[USA]
4	AP8121695	Coil pull spring *	1	
5	AP8121696	Coil pull spring *	1	
6	AP8152001	Low nut M10x1,25*	1	
7	AP8234136	Union plate, phor.	1	<b>Country:</b> Austria[A], Belgium[B], Brasil[BR], Germany[D], Denmark[DK], Spain[E], A,B,D,GR,E,F,UK,NL,P[EU], France[F], Great Britain[GR], Italy[I], I[II], Israel[IL], Japan[J], J[JJ], Holland[NL], Portugal[P], Rep. of Korea[ROK], Finland[SF], Great Britain[UK]
7	AP8234136	Union plate, phor.	1	<b>Country:</b> Switzerland[SZ]
7	AP8234171	Union plate, phor.	1	<b>Country:</b> USA (49 Countries Approval)[AM], United States of America[USA]
8	AP8150388	Hex socket screw M8x100*	1	
9	AP8150017	Washer 8,4x16x1,6*	1	
10	AP8152300	Self-locking nut M8*	1	

<b>Assembly</b>	FRAME
<b>Code</b>	28.02
<b>Description</b>	Central stand
<b>Revision</b>	1



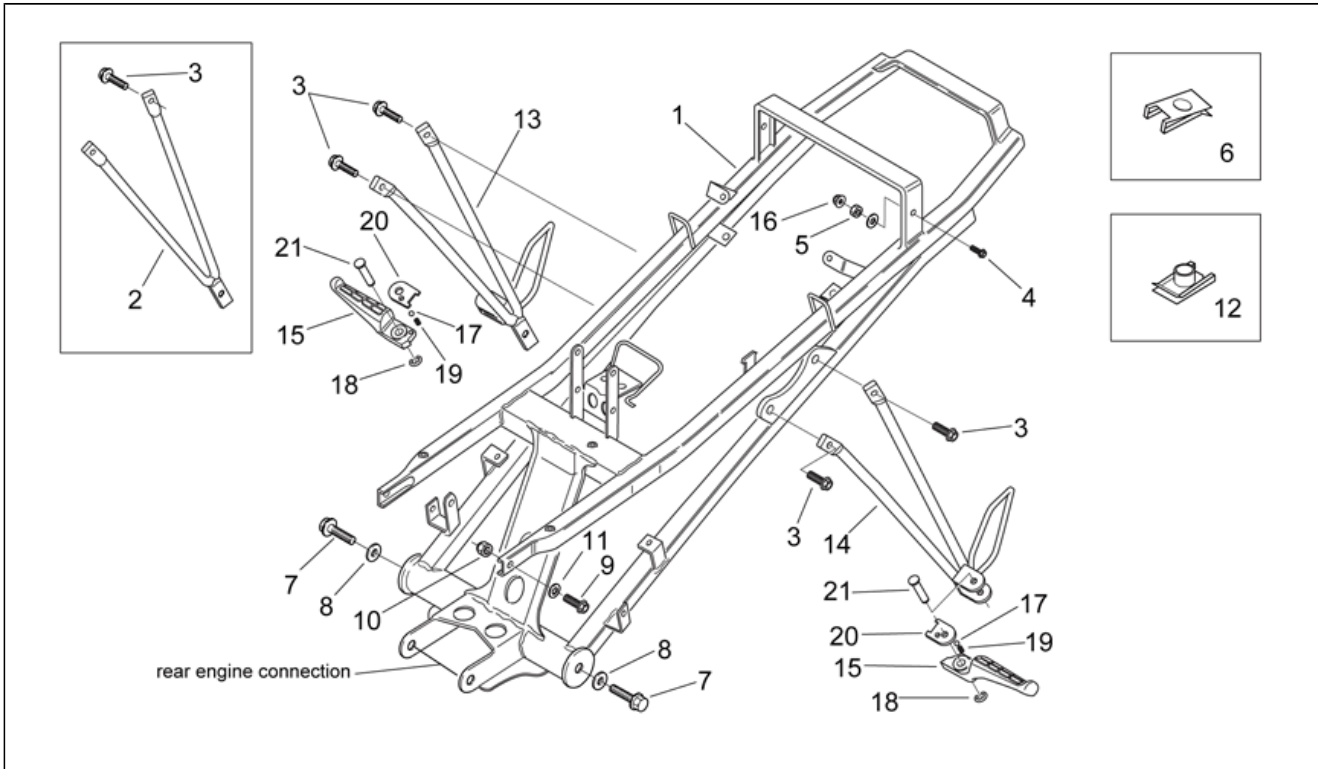
Pos.	Code	Description	Q.ty	Variants
11	AP8124977	Rotary switch	1	Country:USA (49 Countries Approval)[AM], United States of America[USA]

<b>Assembly</b>	FRAME
<b>Code</b>	28.03
<b>Description</b>	Front footrests
<b>Revision</b>	1



Pos.	Code	Description	Q.ty	Variants
1	AP8234182	RH front footrest bracket	1	
2	AP8234183	LH front footrest bracket	1	
3	AP8235057	Front footrest, pair	1	
4	AP8234146	RH fairing fixing plate	1	
5	AP8120573	Stop ring	2	<b>Technical Specifications:</b> National approval[PG]
5	AP8152409	Stop ring	2	<b>Technical Specifications:</b> European approval (frame ZD4SE) [SE], European approval (frame ZD4TS)[TS]
6	AP8121135	Footrest pin	2	<b>Country:</b> Austria[A], Belgium[B], Brasil[BR], Germany[D], Denmark[DK], Spain[E], A,B,D,GR,E,F,UK,NL,P[EU], France[F], Great Britain[GR], Italy[I], I[II], Israel[IL], Japan[J], J[JJ], Holland[NL], Portugal[P], Rep. of Korea[ROK], Finland[SF], Great Britain[UK] <b>Technical Specifications:</b> National approval[PG]
6	AP8121566	Footrest pin	2	<b>Technical Specifications:</b> European approval (frame ZD4SE) [SE], European approval (frame ZD4TS)[TS]
6	AP8121566	Footrest pin	2	<b>Country:</b> USA (49 Countries Approval)[AM], United States of America[USA] <b>Technical Specifications:</b> National approval[PG]
7	AP8221277	Footrest return spring	2	
8	AP8152288	Screw w/ flange M8x30*	2	
9	AP8150431	Low nut	2	
10	AP8234147	LH fairing fixing plate	1	
11	AP8102376	Clip M6	2	
12	AP8150137	Hex socket screw M6x16*	2	

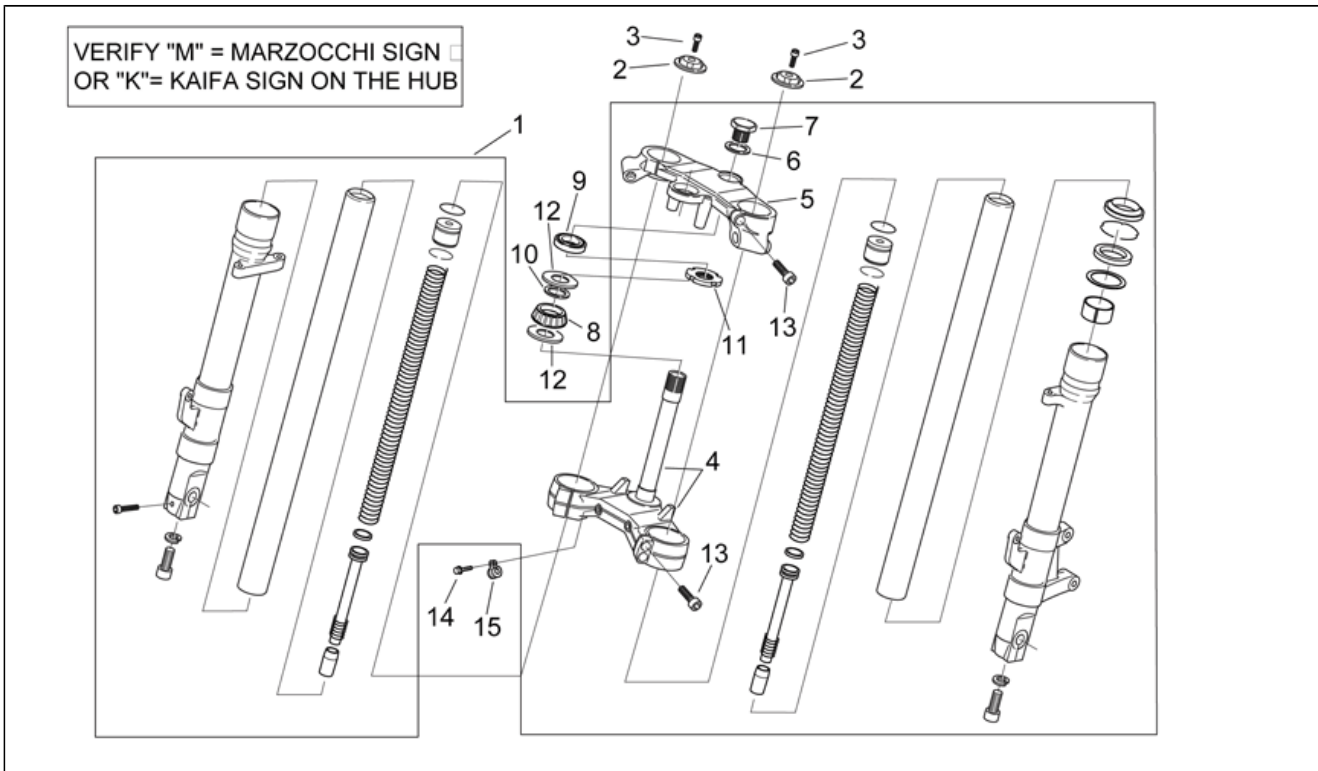
<b>Assembly</b>	FRAME
<b>Code</b>	28.04
<b>Description</b>	Rear footrests
<b>Revision</b>	1



Pos.	Code	Description	Q.ty	Variants
1	AP8235008	Saddle support, cat.	1	
2	AP8146728	Silencer supp. plate	1	
3	AP8152286	Screw w/ flange M8x20	4	
4	AP8152279	Screw w/ flange M6x20	2	
5	AP8150333	Serpress nut M6*	2	
6	AP8102376	Clip M6	2	
7	AP8152318	Screw w/ flange M10x35	2	
8	AP8150376	Washer 8,5x15x0,8	4	
9	AP8152287	Screw w/ flange M8x25*	2	
10	AP8150032	Low self-locking nut M8	2	
11	AP8152184	Washer 6,4x12*	2	
12	AP8102375	Clip M5	4	
13	AP8235052	RH footrest support	1	
14	AP8235054	LH footrest support	1	
15	AP8235058	Rear footrests, pair	1	
16	AP8152299	Self-locking nut M6*	2	
17	AP8101861	Ball D6,35	2	
18	AP8120573	Stop ring	2	<b>Technical Specifications:</b> National approval[PG]
18	AP8152409	Stop ring	2	<b>Technical Specifications:</b> European approval (frame ZD4SE) [SE], European approval (frame ZD4TS)[TS]
19	AP8121133	Coil compress. spring *	2	
20	AP8134451	Footrest plate	2	
21	AP8134829	Footrest pin	2	<b>Technical Specifications:</b> European approval (frame ZD4SE) [SE], European approval (frame ZD4TS)[TS]
21	AP8221286	Footrest pin	2	<b>Technical Specifications:</b> National approval[PG]

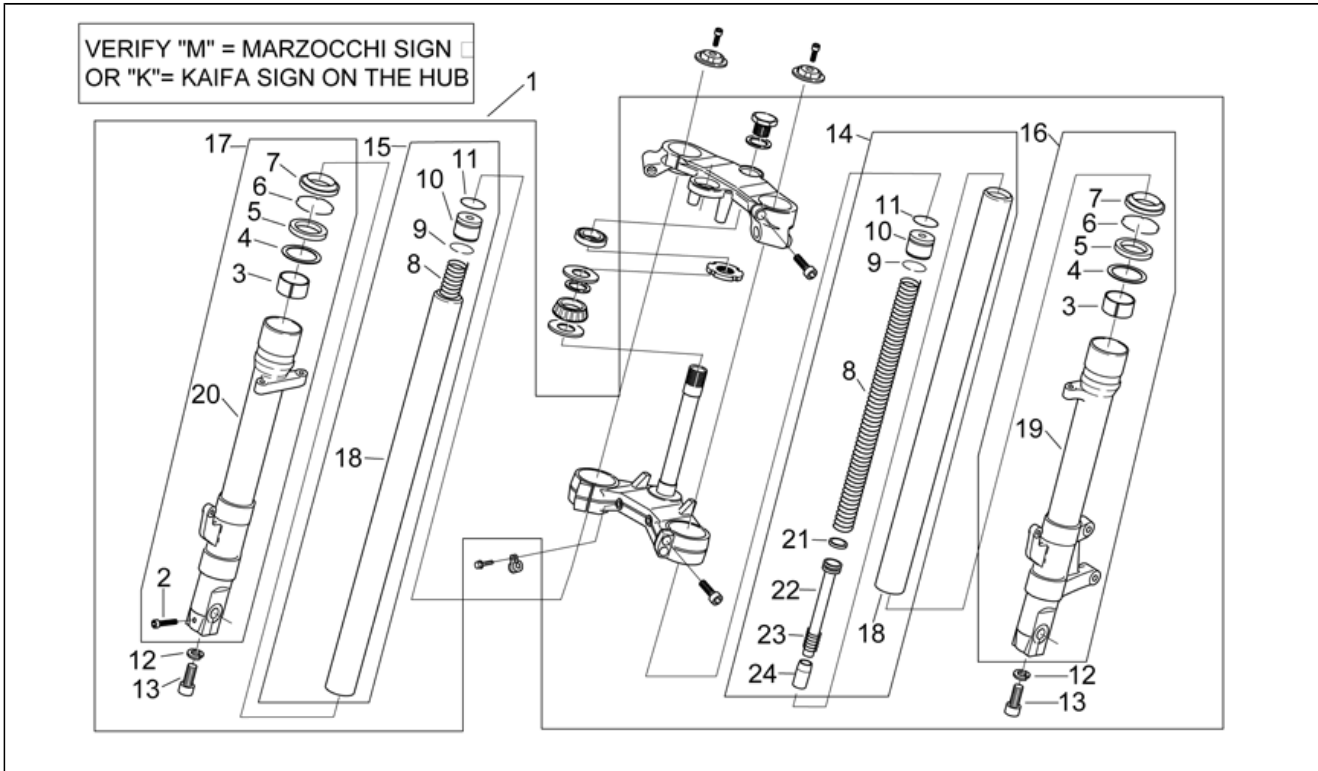


<b>Assembly</b>	FRAME
<b>Code</b>	28.05
<b>Description</b>	Front fork I
<b>Revision</b>	1



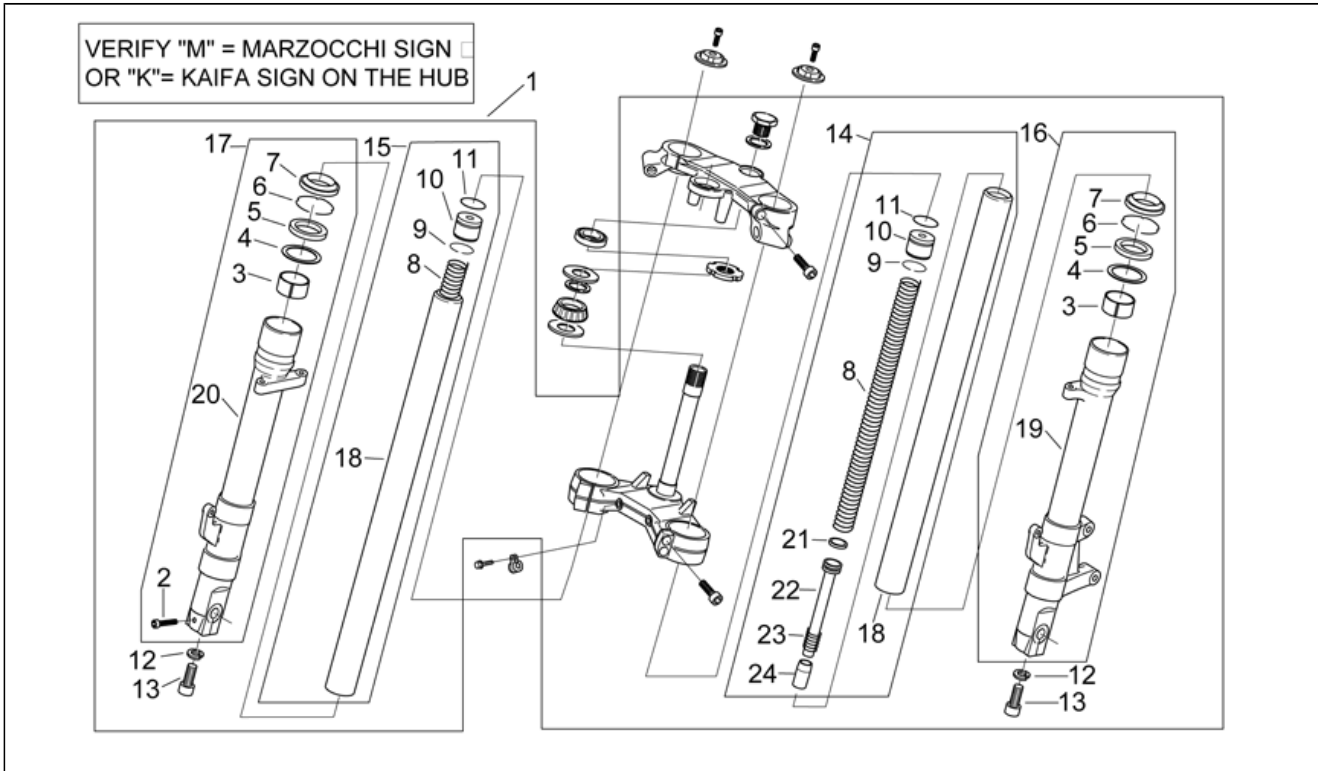
Pos.	Code	Description	Q.ty	Variants
1	AP8203815	Front fork	1	year:1999[X]
1	AP8203981	Front fork	1	year:2001[1], 2002[2], 2003[3], 2004[4], 2005[5], 2000[Y]
2	AP8202156	Plug	2	
3	AP8150280	Hex socket screw M5x16	2	
4	AP8203954	Stem base	1	<b>Technical Specifications:</b> Fork with letter M on hub[M]
4	AP8223117	Stem base	1	<b>Technical Specifications:</b> Fork with letter K on hub[K]
5	AP8203951	Fork upper plate	1	
6	AP8203953	Washer	1	
7	AP8203952	Plug	1	
8	AP8110024	Roller bearing	1	
9	AP8110025	Ball bearing	1	
10	AP8203550	Steering washer	1	
11	AP8203588	Fork lower ring nut	1	
12	AP8101106	Gasket ring	2	
13	AP8203589	Screw M8x25	6	<b>Technical Specifications:</b> Fork with letter M on hub[M]
13	AP8223118	Screw	4	<b>Technical Specifications:</b> Fork with letter K on hub[K]
14	AP8152277	Screw w/ flange M6x12*	1	
15	AP8120416	Black hose 178x4*	1	

<b>Assembly</b>	FRAME
<b>Code</b>	28.06
<b>Description</b>	Front fork II
<b>Revision</b>	1



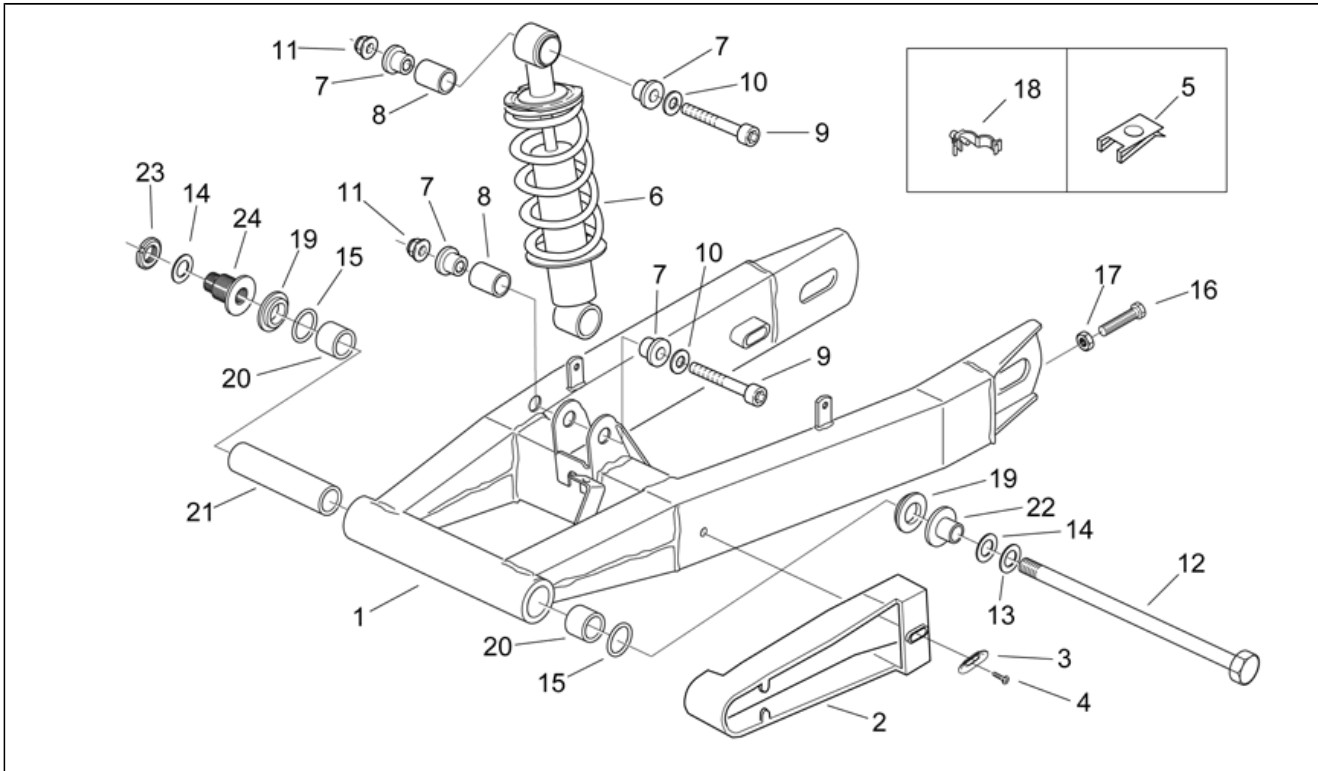
Pos.	Code	Description	Q.ty	Variants
1	AP8203815	Front fork	1	year:1999[X]
1	AP8203981	Front fork	1	year:2001[1], 2002[2], 2003[3], 2004[4], 2000[Y]
2	AP8123574	Hex socket screw M6x30	1	<b>Technical Specifications:</b> Fork with letter M on hub[M]
2	AP8223116	Hex socket screw M6x30	1	<b>Technical Specifications:</b> Fork with letter K on hub[K]
3	AP8163294	Bush	2	<b>Technical Specifications:</b> Fork with letter K on hub[K]
3	AP8203447	Bush	2	<b>Technical Specifications:</b> Fork with letter M on hub[M]
4	AP8123705	Cup	2	<b>Technical Specifications:</b> Fork with letter M on hub[M]
4	AP8163295	Oil seal washer	2	<b>Technical Specifications:</b> Fork with letter K on hub[K]
5	AP8123427	Gasket ring	2	<b>Technical Specifications:</b> Fork with letter M on hub[M]
5	AP8163296	Oil seal	2	<b>Technical Specifications:</b> Fork with letter K on hub[K]
6	AP8123704	Stop ring	2	<b>Technical Specifications:</b> Fork with letter M on hub[M]
6	AP8163297	Stop ring	2	<b>Technical Specifications:</b> Fork with letter K on hub[K]
7	AP8163298	Dust cover	2	<b>Technical Specifications:</b> Fork with letter K on hub[K]
7	AP8203258	Dust cover	2	<b>Technical Specifications:</b> Fork with letter M on hub[M]
8	AP8203956	Spring	2	<b>Technical Specifications:</b> Fork with letter M on hub[M]
8	AP8223112	Spring	2	<b>Technical Specifications:</b> Fork with letter K on hub[K]
9	AP8163301	O-ring	2	<b>Technical Specifications:</b> Fork with letter K on hub[K]
9	AP8203949	O-ring	2	<b>Technical Specifications:</b> Fork with letter M on hub[M]
10	AP8203955	Plug	2	<b>Technical Specifications:</b> Fork with letter M on hub[M]
10	AP8223114	Plug	2	<b>Technical Specifications:</b> Fork with letter K on hub[K]
11	AP8163302	Stop ring	2	<b>Technical Specifications:</b> Fork with letter K on hub[K]
11	AP8203950	Circlip	2	<b>Technical Specifications:</b> Fork with letter M on hub[M]
12	AP8163435	Seal washer	2	<b>Technical Specifications:</b> Fork with letter K on hub[K]
12	AP8203572	Seal washer	2	<b>Technical Specifications:</b> Fork with letter M on hub[M]
13	AP8163285	Screw M10x30	2	<b>Technical Specifications:</b> Fork with letter K on hub[K]
13	AP8203570	Screw M8x30	2	<b>Technical Specifications:</b> Fork with letter M on hub[M]
14	AP8203958	LH hub	1	<b>Technical Specifications:</b> Fork with letter M on hub[M]
15	AP8203957	RH hub	1	<b>Technical Specifications:</b> Fork with letter M on hub[M]

<b>Assembly</b>	FRAME
<b>Code</b>	28.06
<b>Description</b>	Front fork II
<b>Revision</b>	1



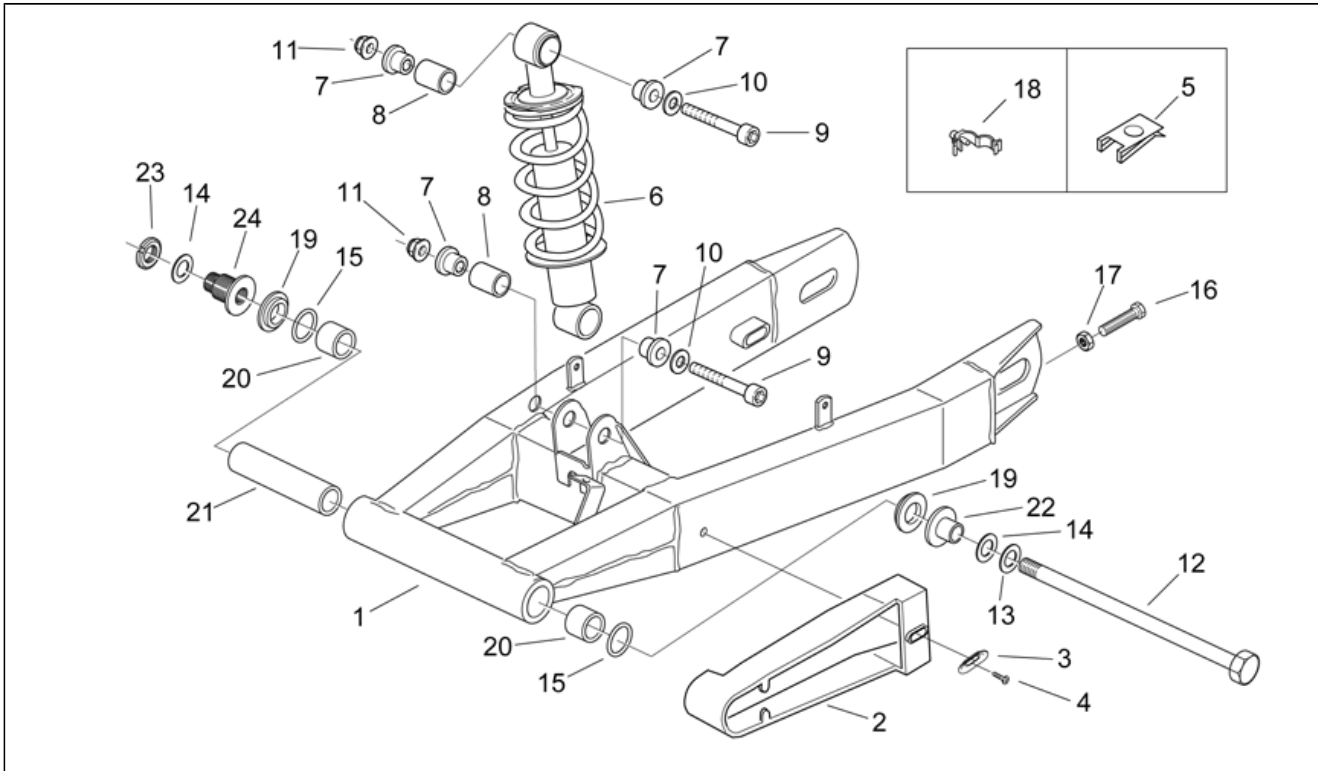
Pos.	Code	Description	Q.ty	Variants
16	AP8203960	LH sleeve	1	year: 1999[X] <b>Technical Specifications:</b> Fork with letter M on hub[M]
16	AP8203990	LH sleeve	1	year: 2001[1], 2002[2], 2003[3], 2004[4], 2000[Y] <b>Technical Specifications:</b> Fork with letter M on hub[M]
17	AP8203959	RH sleeve	1	year: 1999[X] <b>Technical Specifications:</b> Fork with letter M on hub[M]
17	AP8203989	RH sleeve	1	year: 2001[1], 2002[2], 2003[3], 2004[4], 2000[Y] <b>Technical Specifications:</b> Fork with letter M on hub[M]
18	AP8223107	Sleeve cpl.	2	<b>Technical Specifications:</b> Fork with letter K on hub[K]
19	AP8223109	LH sleeve	1	<b>Technical Specifications:</b> Fork with letter K on hub[K]
20	AP8223108	RH sleeve	1	<b>Technical Specifications:</b> Fork with letter K on hub[K]
21	AP8163439	Ring	1	<b>Technical Specifications:</b> Fork with letter K on hub[K]
22	AP8223110	Shock absorber	2	<b>Technical Specifications:</b> Fork with letter K on hub[K]
23	AP8223111	Return spring	1	<b>Technical Specifications:</b> Fork with letter K on hub[K]
24	AP8163289	Stroke limit stop	2	<b>Technical Specifications:</b> Fork with letter K on hub[K]

<b>Assembly</b>	FRAME
<b>Code</b>	28.07
<b>Description</b>	Swing arm - Shock absorber
<b>Revision</b>	1



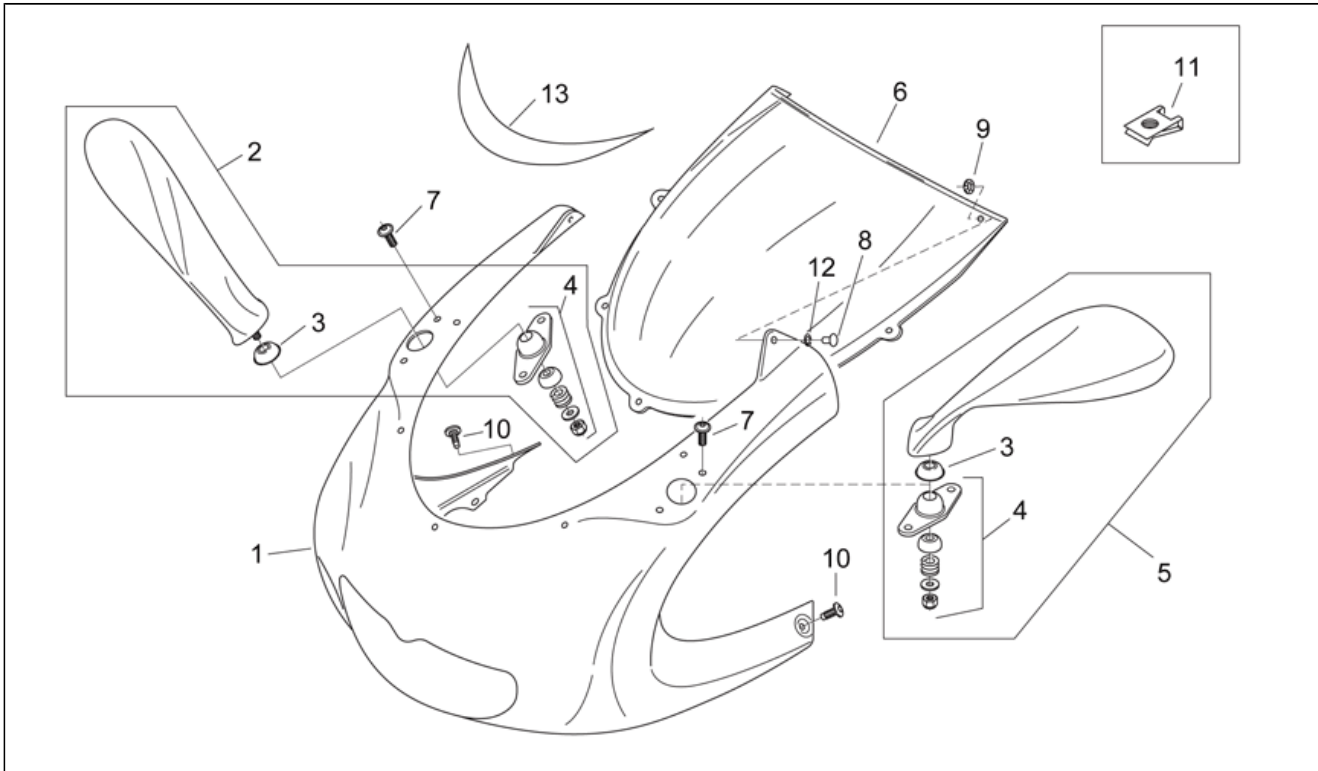
Pos.	Code	Description	Q.ty	Variants
1	AP8235013	Swing arm, grey	1	year:2001[1], 2002[2], 1999[X], 2000[Y]
1	AP8235013	Swing arm, grey	1	year: 2003[3] Color:Way blue 2003[b.way], GP1 Black '03[g.bl]
1	AP8235146	Swing arm, black	1	year: 2003[3], 2004[4] Color:SBK Black '03[s.bl]
1	AP8235146	Swing arm, black	1	year: 2004[4] Color:Poggiali Black 2004[a.blk], Poggiali White 2004[white]
1	AP8235146	Swing arm, black	1	year:2005[5]
2	AP8220499	Chain guide plate	1	
3	AP8234020	Cup for shoe	1	
4	AP8150246	Screw M4,8x13*	1	
5	AP8102375	Clip M5	3	
6	AP8203818	Shock absorber	1	
7	AP8203948	T bush	4	
8	AP8203826	Silent-block	2	
9	AP8150049	Screw M10x60	1	
10	AP8152176	Washer 10,5X18X2*	2	
11	AP8152301	Self-locking nut M10*	1	
12	AP8225332	Rear swing arm pin	1	
13	AP8150297	Curved spring washer *	1	
14	AP8152063	Washer 17x30x3*	2	
15	AP8220198	O-ring	2	
16	AP8152305	Chain tens.adjuster screw	2	
17	AP8152262	Low nut M8*	2	
18	AP8134186	Cable-guide	2	
19	AP8220196	Bush	2	
20	AP8220197	Bush	2	
21	AP8221024	Spacer	1	

<b>Assembly</b>	FRAME
<b>Code</b>	28.07
<b>Description</b>	Swing arm - Shock absorber
<b>Revision</b>	1



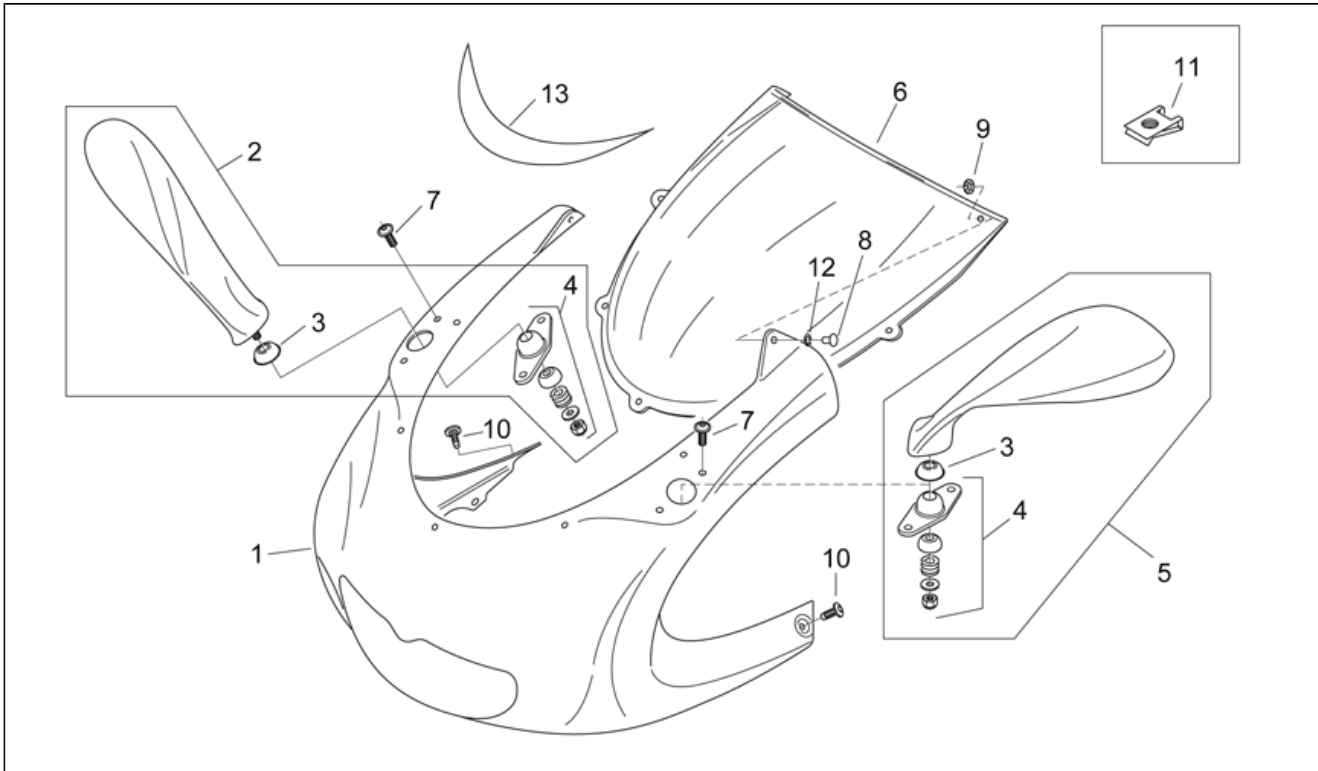
Pos.	Code	Description	Q.ty	Variants
22	AP8121150	Bush 18mm	1	
23	AP8150299	Ring nut M17x1	1	
24	AP8221278	Adjustment bush	1	

<b>Assembly</b>	FRAME
<b>Code</b>	28.08
<b>Description</b>	Front body I
<b>Revision</b>	1



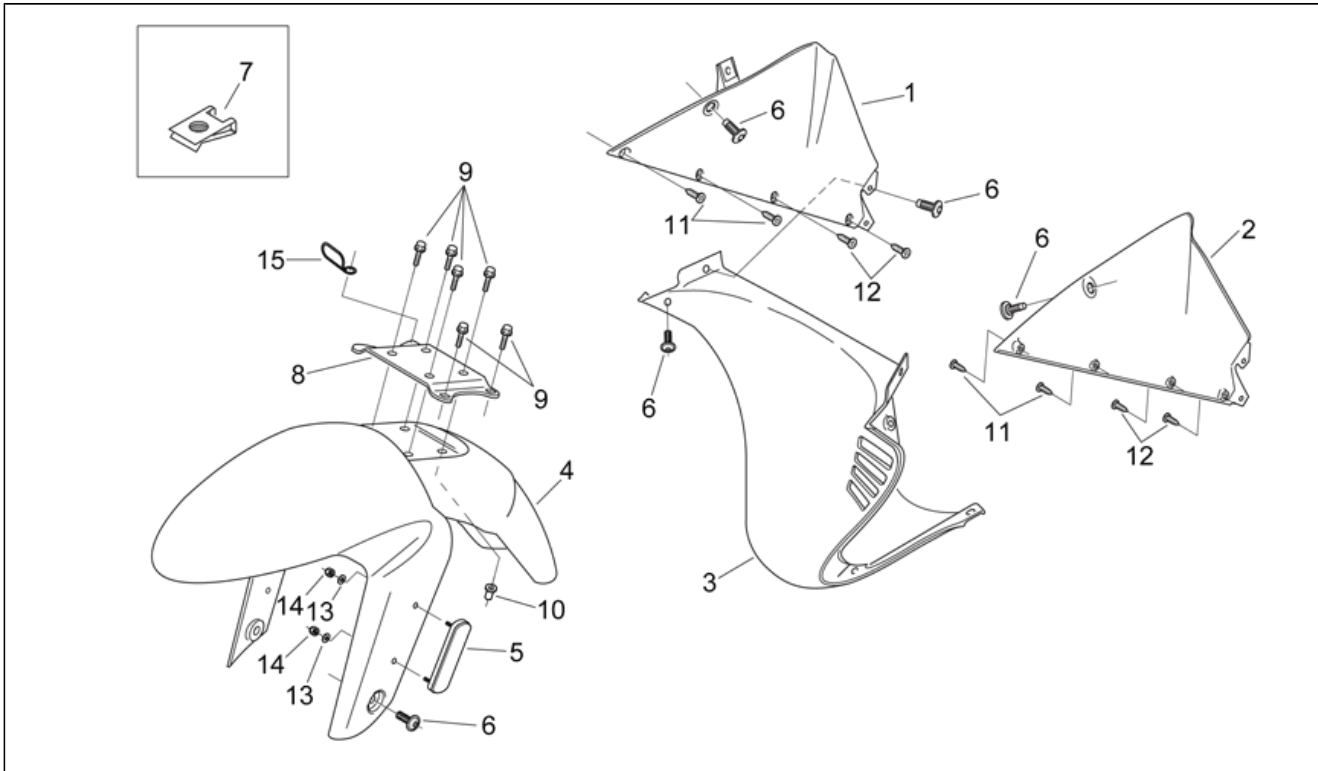
Pos.	Code	Description	Q.ty	Variants
1	AP8239454	Front fairing, a.black	1	year: 1999[X] Color:Black / Red '99[n/r]
1	AP8248791	Front fairing, fumi blue	1	year: 1999[X] Color:Fumi Blue / Fluo Red '99[b/r]
1	AP8249591	Front fairing, black	1	year: 2000[Y] Color:Aprilia Black 2000[black]
1	AP8249810	Front fairing, n.grey	1	year: 2000[Y] Color:Nik Grey 2000[g.nik]
1	AP8258191	Front fairing, d.black	1	year: 2001[1] Color:Diablo Black 2001-2002[d.bl]
1	AP8258422	Front fairing, d.black	1	year: 2002[2] Color:Diablo Black 2001-2002[d.bl]
1	AP8258567	Front fairing, grey	1	year: 2002[2] Color:Dust Grey 2002[grey]
1	AP8258775	Front fairing, black	1	year: 2003[3], 2004[4] Color:SBK Black '03[s.bl]
1	AP8258792	Front fairing, blue	1	year: 2003[3] Color:Way blue 2003[b.way]
1	AP8258817	Front fairing, black	1	year: 2003[3] Color:GP1 Black '03[g.bl]
1	AP8268158	Front fairing, black	1	year: 2004[4] Color:Poggiali Black 2004[a.blk]
1	AP8268266	Front fairing, white	1	year: 2004[4] Color:Poggiali White 2004[white]
1	AP8268379	Front fairing, a.black	1	year: 2005[5] Color:Fluo Red '05 (s.t.14816)[red]
1	AP8268456	Front fairing, a.black	1	year: 2005[5] Color:Aprilia Black '05 (s.t.14844)[blk]
2	AP8102632	RH rearview mirror	1	
3	AP8102341	Mirror joint cup	2	
4	AP8102909	Mirror insertion kit	2	
5	AP8102633	LH rearview mirror	1	

<b>Assembly</b>	FRAME
<b>Code</b>	28.08
<b>Description</b>	Front body I
<b>Revision</b>	1



Pos.	Code	Description	Q.ty	Variants
6	AP8138916	Windshield	1	year:2005[5]
6	AP8138916	Windshield	1	year: 2004[4] Color:Poggiali Black 2004[a.blk], Poggiali White 2004[white]
6	AP8138916	Windshield	1	year: 2001[1], 2002[2], 2003[3] Country:Austria[A], Belgium[B], Germany[D], Denmark[DK], Spain[E], A,B,D,GR,E,F,UK,NL,P[EU], France[F], Great Britain[GR], Italy[I], I[II], Israel[IL], Japan[J], J[JJ], Holland[NL], Portugal[P], Rep. of Korea[ROK], Finland[SF], Switzerland[SZ], Great Britain[UK]
6	AP8139724	Windshield	1	year: 1999[X] Country:Austria[A], Belgium[B], Brasil[BR], Germany[D], Denmark[DK], Spain[E], France[F], Great Britain[GR], Italy[I], Israel[IL], Japan[J], Holland[NL], Portugal[P], Rep. of Korea[ROK], Finland[SF], Great Britain[UK]
6	AP8148663	Windshield	1	year: 2000[Y] Country:Austria[A], Belgium[B], Germany[D], Denmark[DK], Spain[E], France[F], Great Britain[GR], Italy[I], Israel[IL], Japan[J], Holland[NL], Portugal[P], Rep. of Korea[ROK], Finland[SF], Great Britain[UK]
6	AP8249094	Windshield	1	Country:USA (49 Countries Approval)[AM], United States of America[USA]
7	AP8152246	Screw w/ flange M6x16*	4	
8	AP8144109	Fixing pin	7	
9	AP8150450	Washer for shafts D5	7	
10	AP8152302	Screw w/ flange M5x12	2	
11	AP8102375	Clip M5	10	
12	AP8120965	O-ring 2018	7	
13	AP8157105	Front fairing glass decal	1	

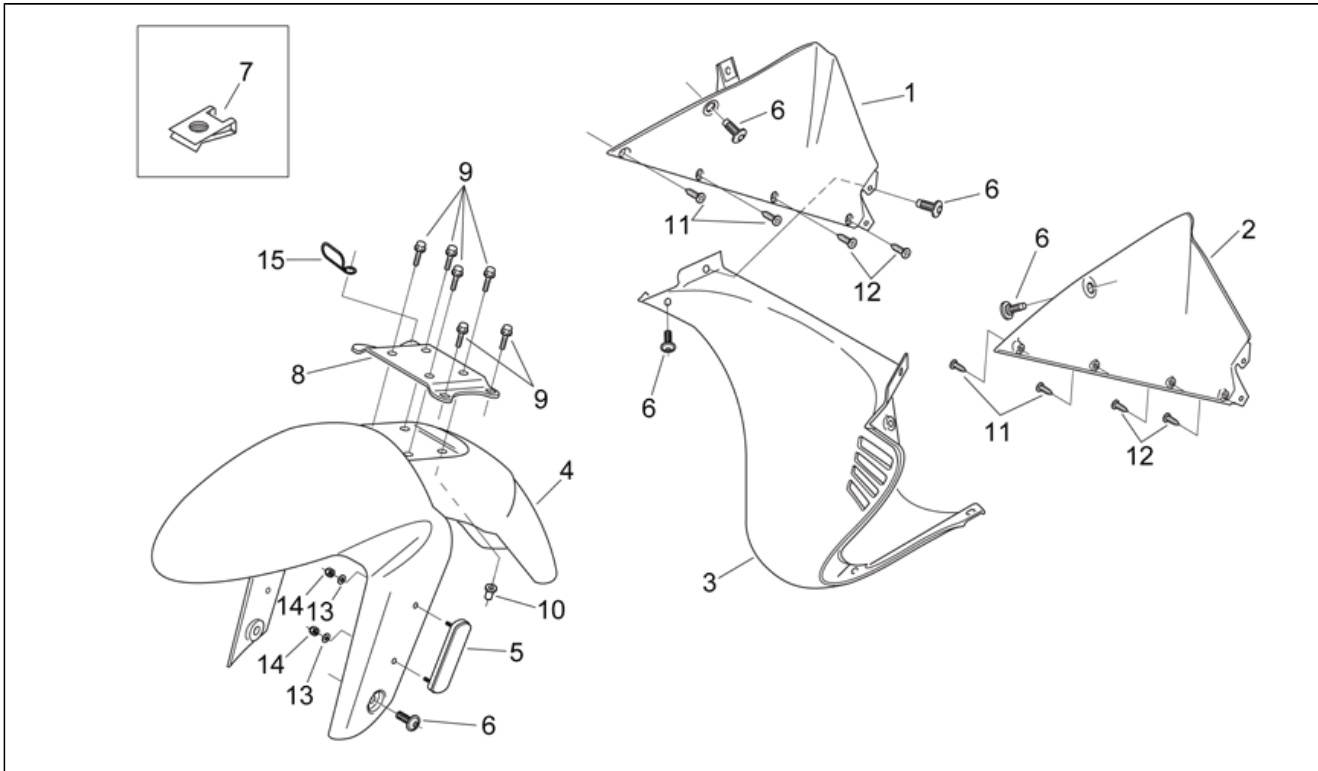
<b>Assembly</b>	FRAME
<b>Code</b>	28.09
<b>Description</b>	Front body II
<b>Revision</b>	1



Pos.	Code	Description	Q.ty	Variants
1	AP8239456	RH internal fairing, black	1	
2	AP8239457	LH internal fairing, black	1	
3	AP8248562	Pillar, red	1	year: 2000[Y] Color:Aprilia Black 2000[black]
3	AP8248562	Pillar, red	1	year: 1999[X] Color:Black / Red '99[n/r]
3	AP8248562	Pillar, red	1	year: 2001[1] Color:Diablo Black 2001-2002[d.bl]
3	AP8248799	Pillar, silver grey	1	year: 1999[X] Color:Fumi Blue / Fluo Red '99[b/r]
3	AP8249334	Pillar, grey	1	year: 1999[X] Color:Fumi Blue / Fluo Red '99[b/r]
3	AP8249815	Pillar, yellow	1	year: 2000[Y] Color:Nik Grey 2000[g.nik]
3	AP8258430	Pillar, black	1	year: 2003[3], 2004[4] Color:SBK Black '03[s.bl]
3	AP8258430	Pillar, black	1	year: 2003[3] Color:GP1 Black '03[g.bl]
3	AP8258430	Pillar, black	1	year: 2004[4] Color:Poggiali Black 2004[a.blk], Poggiali White 2004[white]
3	AP8258430	Pillar, black	1	year:2005[5]
3	AP8258430	Pillar, black	1	year: 2002[2] Color:Diablo Black 2001-2002[d.bl]
3	AP8258575	Pillar, grey	1	year: 2002[2] Color:Dust Grey 2002[grey]
3	AP8258800	Pillar blu	1	year: 2003[3] Color:Way blue 2003[b.way]
4	AP8226444	Front mudguard, black	1	year: 1999[X] Color:Black / Red '99[n/r]
4	AP8226536	Front mudguard, f.red	1	year: 1999[X] Color:Fumi Blue / Fluo Red '99[b/r]

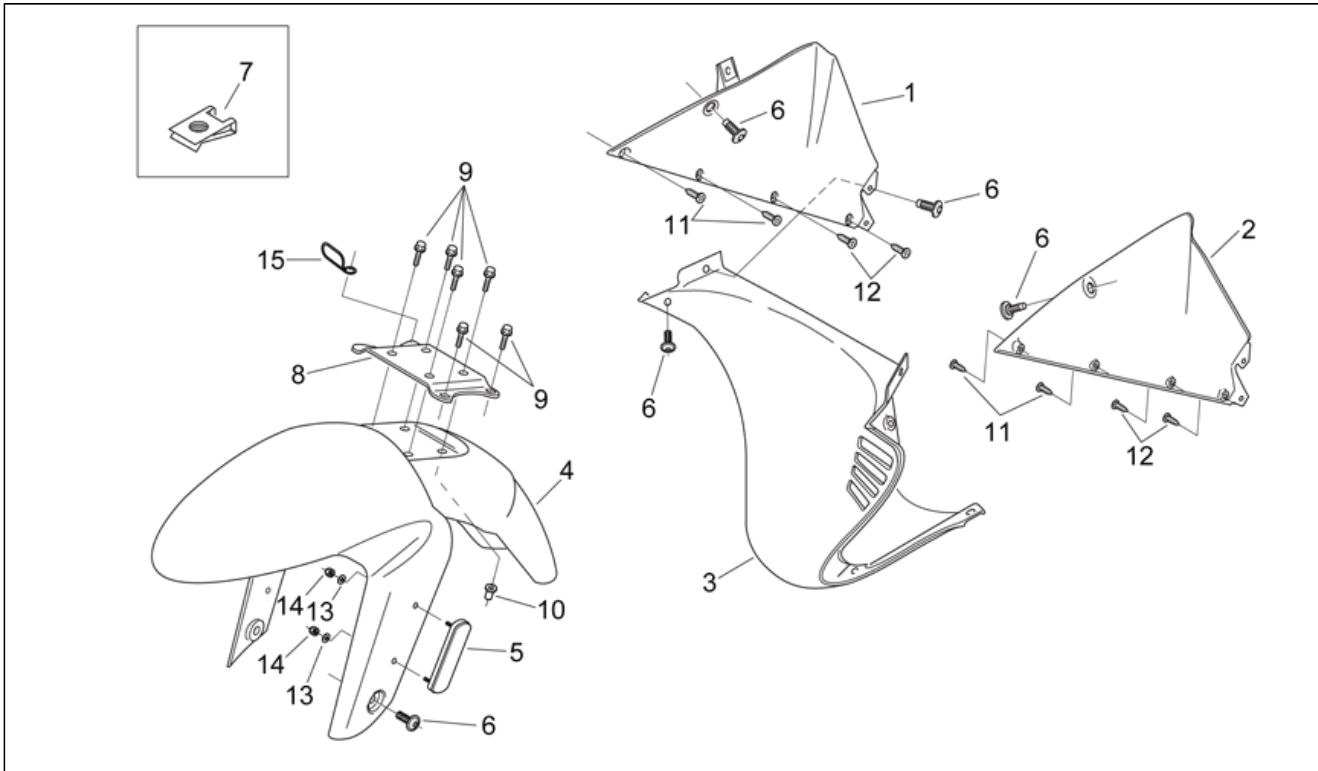


<b>Assembly</b>	FRAME
<b>Code</b>	28.09
<b>Description</b>	Front body II
<b>Revision</b>	1



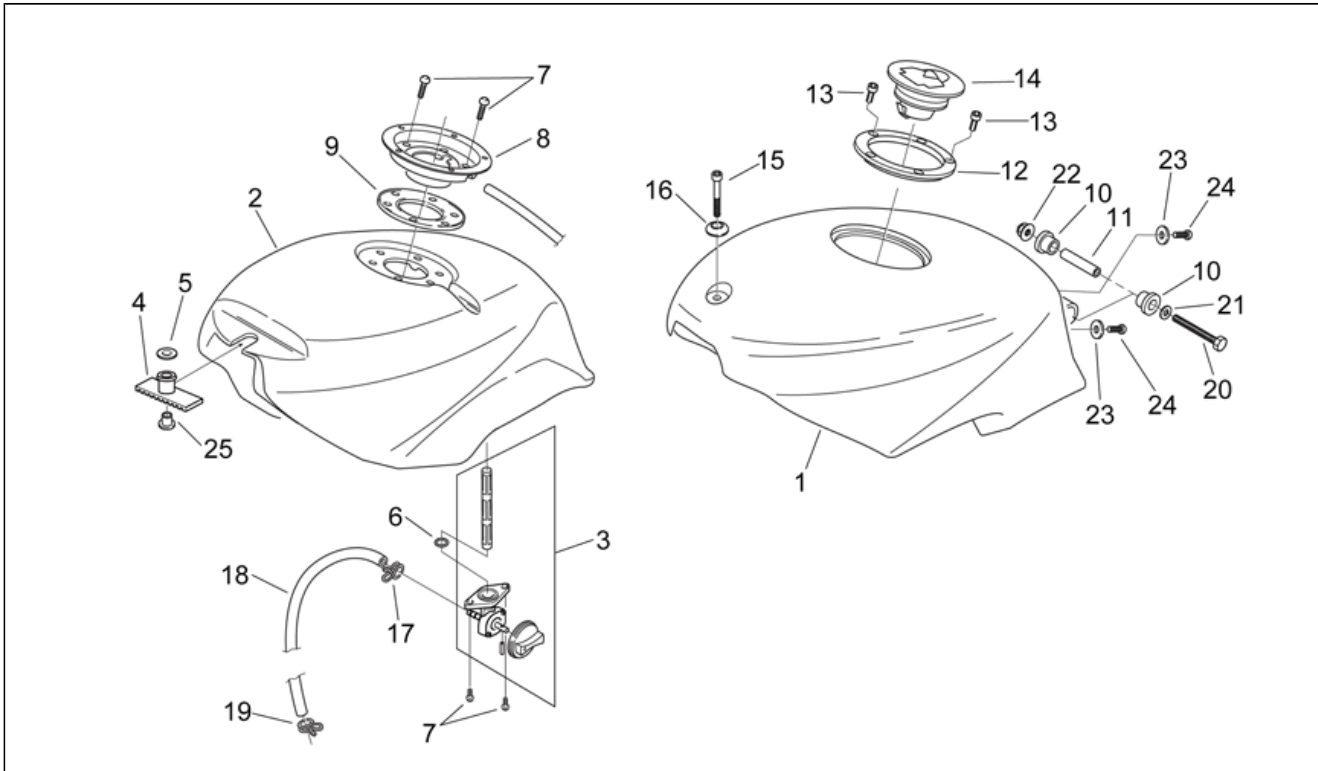
Pos.	Code	Description	Q.ty	Variants
4	AP8226643	Front mudguard, red varn.	1	<b>year:</b> 2000[Y] <b>Color:</b> Aprilia Black 2000[black]
4	AP8226643	Front mudguard, red varn.	1	<b>year:</b> 2001[1] <b>Color:</b> Diablo Black 2001-2002[d.bl]
4	AP8226644	Front mudguard, yellow trans.	1	<b>year:</b> 2000[Y] <b>Color:</b> Nik Grey 2000[g.nik]
4	AP8226719	Front mudguard, black	1	<b>year:</b> 2002[2] <b>Color:</b> Diablo Black 2001-2002[d.bl]
4	AP8226735	Front mudguard, silver	1	<b>year:</b> 2002[2] <b>Color:</b> Dust Grey 2002[grey]
4	AP8226758	Front mudguard, black	1	<b>year:</b> 2003[3], 2004[4] <b>Color:</b> SBK Black '03[s.bl]
4	AP8226761	Front mudguard, blue	1	<b>year:</b> 2003[3] <b>Color:</b> Way blue 2003[b.way]
4	AP8226764	Front mudguard, black	1	<b>year:</b> 2003[3] <b>Color:</b> GP1 Black '03[g.bl]
4	AP8226821	Front mudguard, black	1	<b>year:</b> 2004[4] <b>Color:</b> Poggiali Black 2004[a.blk]
4	AP8226838	Front mudguard, A.white	1	<b>year:</b> 2004[4] <b>Color:</b> Poggiali White 2004[white]
4	AP8226847	Front mudguard, a.black	1	<b>year:</b> 2005[5]
5	AP8124719	Reflector, amber	2	<b>Country:</b> USA (49 Countries Approval)[AM], United States of America[USA]
5	AP8224023	Reflector, amber	2	<b>Country:</b> Austria[A], Belgium[B], Brasil[BR], Germany[D], Denmark[DK], Spain[E], A,B,D,GR,E,F,UK,NL,P[EU], France[F], Great Britain[GR], Italy[I], I[II], Israel[IL], Japan[J], J[JJ], Holland[NL], Portugal[P], Rep. of Korea[ROK], Finland[SF], Great Britain[UK]
5	AP8224023	Reflector, amber	2	<b>Country:</b> Switzerland[SZ]
6	AP8152302	Screw w/ flange M5x12	8	
7	AP8102375	Clip M5	6	
8	AP8103705	Stiffening plate	1	

<b>Assembly</b>	FRAME
<b>Code</b>	28.09
<b>Description</b>	Front body II
<b>Revision</b>	1



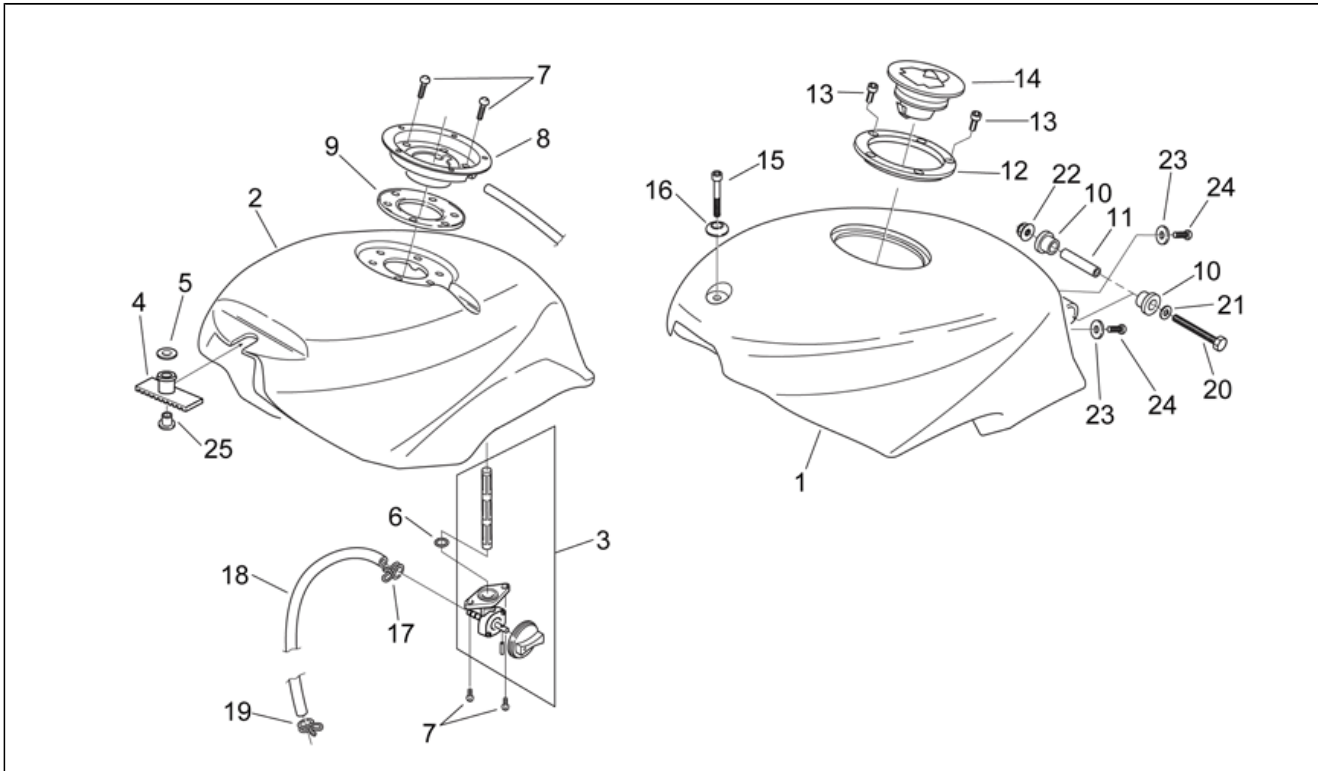
Pos.	Code	Description	Q.ty	Variants
9	AP8152278	Screw w/ flange M6x16*	8	
10	AP8150430	Low self-locking nut M6*	4	
11	AP8150420	Self-tapping screw *	4	
12	AP8150413	Self-tap screw 3,9x14	4	
13	AP8150158	Washer 4,3x9x0,8*	4	
14	AP8150204	Nut M4	4	
15	AP8120512	Cable-guide	1	

<b>Assembly</b>	FRAME
<b>Code</b>	28.10
<b>Description</b>	Fuel tank
<b>Revision</b>	1



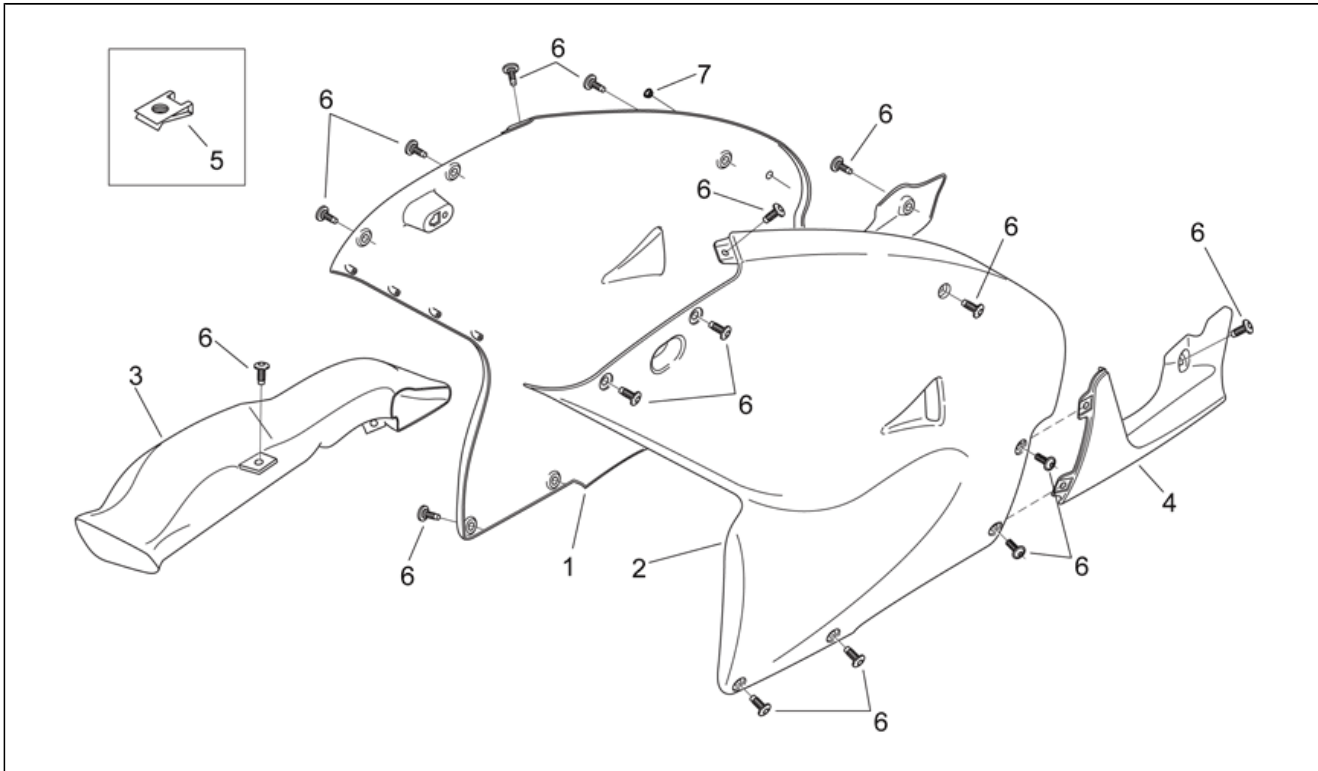
Pos.	Code	Description	Q.ty	Variants
1	AP8178560	Fuel tank cover, black	1	year: 2004[4] Color:Poggiali Black 2004[a.blk]
1	AP8239467	Fuel tank cover, a.black	1	year: 1999[X] Color:Black / Red '99[n/r]
1	AP8248790	Fuel tank cover, fumi blue	1	year: 1999[X] Color:Fumi Blue / Fluo Red '99[b/r]
1	AP8249590	Fuel tank cover, black	1	year: 2000[Y] Color:Aprilia Black 2000[black]
1	AP8249809	Fuel tank cover, grey	1	year: 2000[Y] Color:Nik Grey 2000[g.nik]
1	AP8258190	Fuel tank cover, s.grey	1	year: 2001[1] Color:Diablo Black 2001-2002[d.bl]
1	AP8258421	Fuel tank cover, black	1	year: 2002[2] Color:Diablo Black 2001-2002[d.bl]
1	AP8258566	Fuel tank cover, silver	1	year: 2002[2] Color:Dust Grey 2002[grey]
1	AP8258774	Fuel tank cover, black	1	year: 2003[3], 2004[4] Color:SBK Black '03[s.bl]
1	AP8258791	Fuel tank cover, blue	1	year: 2003[3] Color:Way blue 2003[b.way]
1	AP8258816	Fuel tank cover, black	1	year: 2003[3] Color:GP1 Black '03[g.bl]
1	AP8268265	Fuel tank cover, white	1	year: 2004[4] Color:Poggiali White 2004[white]
1	AP8268378	Fuel tank cover, fluo red	1	year: 2005[5] Color:Fluo Red '05 (s.t.14816)[red]
1	AP8268455	Fuel tank cover, a.black	1	year: 2005[5] Color:Aprilia Black '05 (s.t.14844)[blk]
2	AP8239466	Fuel tank	1	
3	AP8202129	Fuel cock	1	
4	AP8120557	Tank rubber	1	
5	AP8121114	T bush *	1	

<b>Assembly</b>	FRAME
<b>Code</b>	28.10
<b>Description</b>	Fuel tank
<b>Revision</b>	1



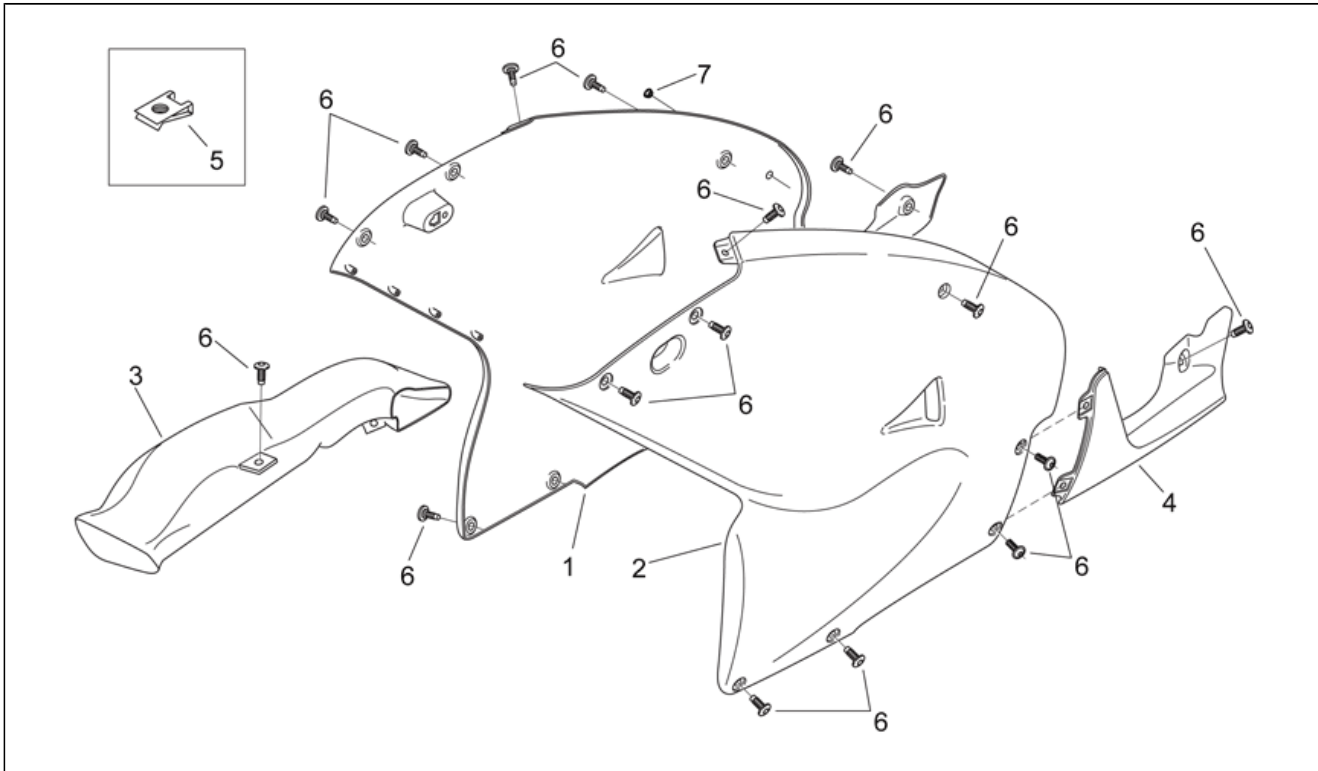
Pos.	Code	Description	Q.ty	Variants
6	AP8120798	O-ring	1	
7	AP8152186	Hex socket screw M6x12	8	
8	AP8121784	Filler cap	1	
9	AP8120702	Filler cap gasket	1	
10	AP8120709	Rubber spacer *	2	
11	AP8152153	Rear spacer	1	
12	AP8102361	Ring nut fuel filler cap	1	
13	AP8152043	Hex socket screw M4x10	5	
14	AP8102228	Crom.tank plug	1	
15	AP8150202	Hex socket screw M6x50	1	
16	AP8121819	Washer 6,5x12,5*	1	
17	AP8201358	Hose clamp D 11,9	1	
18	AP8120952	Fuel pipe 5,5x10	1	
19	AP8102377	Hose clamp D9,1*	1	
20	AP8150314	Screw M6x70*	1	
21	AP8150429	Spring washer 6,4x11x0,5*	1	
22	AP8152299	Self-locking nut M6*	1	
23	AP8150178	Washer 6,4x12,5*	2	
24	AP8152108	Hex socket screw M6x15*	2	
25	AP8121673	T bush *	1	

<b>Assembly</b>	FRAME
<b>Code</b>	28.11
<b>Description</b>	Central body
<b>Revision</b>	1



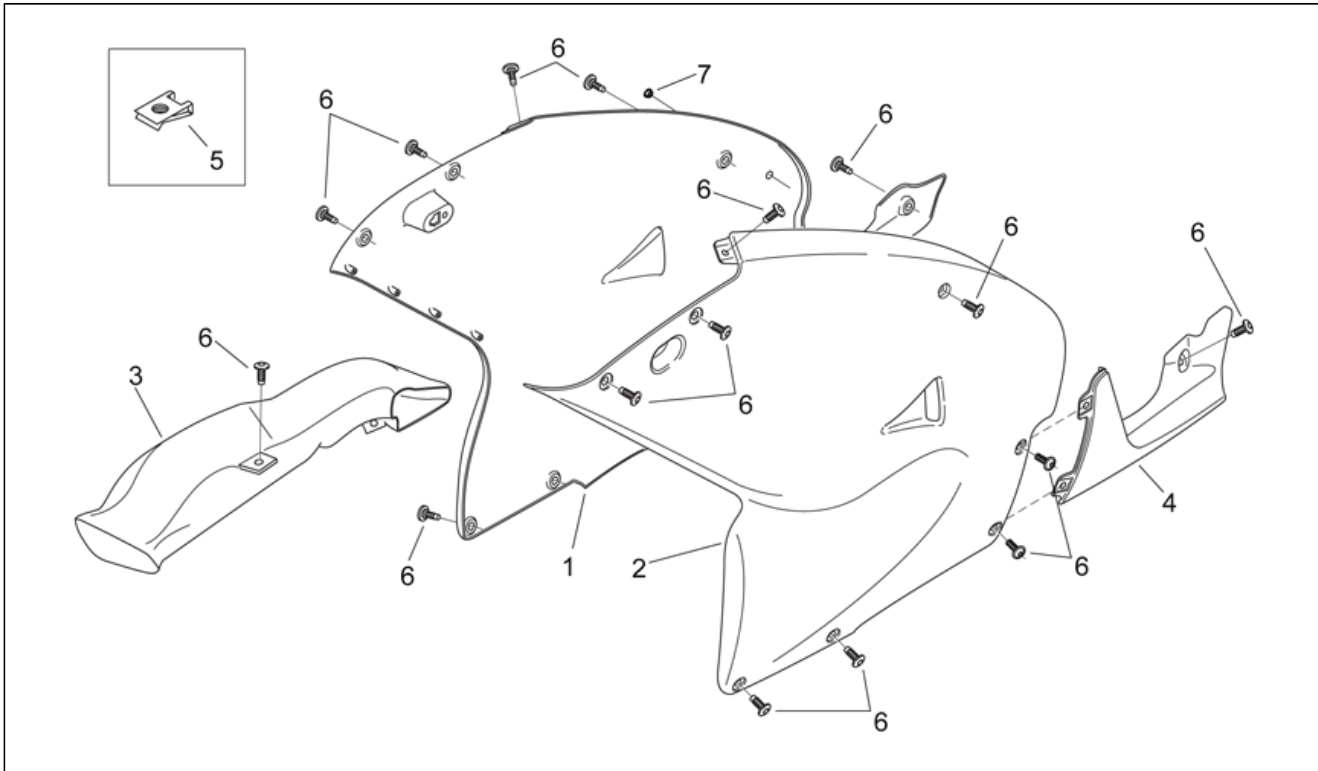
Pos.	Code	Description	Q.ty	Variants
1	AP8239452	RH side panel, f.r./a.b.	1	year: 1999[X] Color:Black / Red '99[n/r]
1	AP8248792	RH side panel, red/gr.	1	year: 1999[X] Color:Fumi Blue / Fluo Red '99[b/r]
1	AP8249226	RH side panel, red	1	year: 1999[X] Color:Fumi Blue / Fluo Red '99[b/r]
1	AP8249592	RH side panel, black	1	year: 2000[Y] Color:Aprilia Black 2000[black]
1	AP8249811	RH side panel, grey	1	year: 2000[Y] Color:Nik Grey 2000[g.nik]
1	AP8258192	RH side panel, d.black	1	year: 2001[1] Color:Diablo Black 2001-2002[d.bl]
1	AP8258423	RH side panel, d.black	1	year: 2002[2] Color:Diablo Black 2001-2002[d.bl]
1	AP8258568	RH side panel, grey	1	year: 2002[2] Color:Dust Grey 2002[grey]
1	AP8258776	RH side panel, black	1	year: 2003[3], 2004[4] Color:SBK Black '03[s.bl]
1	AP8258793	RH side panel, red	1	year: 2003[3] Color:Way blue 2003[b.way]
1	AP8258818	RH side panel, black	1	year: 2003[3] Color:GP1 Black '03[g.bl]
1	AP8268156	RH side panel, d.black	1	year: 2004[4] Color:Poggiali Black 2004[a.blk]
1	AP8268267	RH side panel, s.white	1	year: 2004[4] Color:Poggiali White 2004[white]
1	AP8268380	RH side panel, a.black	1	year: 2005[5] Color:Fluo Red '05 (s.t.14816)[red]
1	AP8268457	RH side panel, bronze	1	year: 2005[5] Color:Aprilia Black '05 (s.t.14844)[blk]
2	AP8239453	LH side panel, f.r./a.b.	1	year: 1999[X] Color:Black / Red '99[n/r]

<b>Assembly</b>	FRAME
<b>Code</b>	28.11
<b>Description</b>	Central body
<b>Revision</b>	1



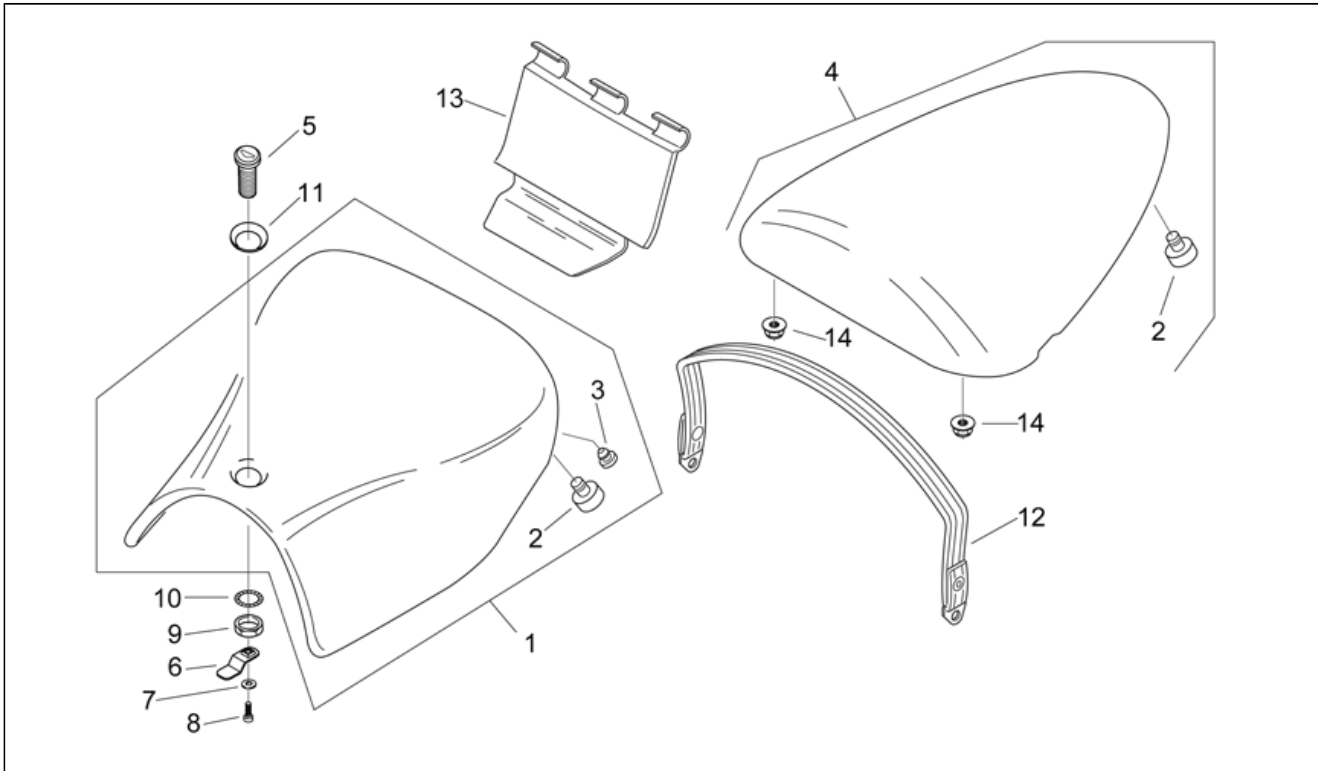
Pos.	Code	Description	Q.ty	Variants
2	AP8248793	LH side panel, red/grey	1	year: 1999[X] Color:Fumi Blue / Fluo Red '99[b/r]
2	AP8249227	LH side panel, red	1	year: 1999[X] Color:Fumi Blue / Fluo Red '99[b/r]
2	AP8249593	LH side panel, black	1	year: 2000[Y] Color:Aprilia Black 2000[black]
2	AP8249812	LH side panel, grey	1	year: 2000[Y] Color:Nik Grey 2000[g.nik]
2	AP8258193	LH side panel, black d.	1	year: 2001[1] Color:Diablo Black 2001-2002[d.bl]
2	AP8258424	LH side panel, black d.	1	year: 2002[2] Color:Diablo Black 2001-2002[d.bl]
2	AP8258569	LH side panel, grey	1	year: 2002[2] Color:Dust Grey 2002[grey]
2	AP8258777	LH side panel, black	1	year: 2003[3], 2004[4] Color:SBK Black '03[s.bl]
2	AP8258794	LH side panel, blue	1	year: 2003[3] Color:Way blue 2003[b.way]
2	AP8258819	LH side panel, black	1	year: 2003[3] Color:GP1 Black '03[g.bl]
2	AP8268157	LH side panel, black d.	1	year: 2004[4] Color:Poggiali Black 2004[a.blk]
2	AP8268268	LH side panel, s.white	1	year: 2004[4] Color:Poggiali White 2004[white]
2	AP8268381	LH side panel, a.black	1	year: 2005[5] Color:Fluo Red '05 (s.t.14816)[red]
2	AP8268458	LH side panel, bronze	1	year: 2005[5] Color:Aprilia Black '05 (s.t.14844)[blk]
3	AP8239458	Air duct, black	1	
4	AP8239642	LH side panel extens., red	1	year: 1999[X] Color:Black / Red '99[n/r]
4	AP8248794	LH side panel extens., grey	1	year: 1999[X]

<b>Assembly</b>	FRAME
<b>Code</b>	28.11
<b>Description</b>	Central body
<b>Revision</b>	1



Pos.	Code	Description	Q.ty	Variants
				Color:Fumi Blue / Fluo Red '99[b/r]
4	AP8249225	LH side panel extens., grey	1	year: 1999[X]
4	AP8249813	LH side panel extens., yellow	1	Color:Fumi Blue / Fluo Red '99[b/r] year: 2000[Y]
4	AP8249835	LH side panel extens., red	1	Color:Nik Grey 2000[g.nik] year: 2000[Y]
4	AP8249835	LH side panel extens., red	1	Color:Aprilia Black 2000[black] year: 2001[1]
4	AP8258425	LH side panel extens., black	1	Color:Diablo Black 2001-2002[d.bl] year: 2002[2]
4	AP8258570	LH side panel extens., grey	1	Color:Diablo Black 2001-2002[d.bl] year: 2002[2]
4	AP8258778	LH side panel extens., black	1	Color:Dust Grey 2002[grey] year: 2003[3], 2004[4]
4	AP8258795	LH side panel extens., red	1	Color:SBK Black '03[s.bl] year: 2003[3]
4	AP8258820	LH side panel extens., black	1	Color:Way blue 2003[b.way] year: 2003[3]
4	AP8258820	LH side panel extens., black	1	Color:GP1 Black '03[g.bl] year: 2003[3]
4	AP8268172	LH side panel extens., black	1	Color:Poggiali Black 2004[a.blk] year: 2004[4]
4	AP8268269	LH side panel extens., white	1	Color:Poggiali White 2004[white] year: 2004[4]
4	AP8268382	LH side panel extension, black	1	Color:Fluo Red '05 (s.t.14816)[red] year: 2005[5]
4	AP8268459	LH side panel extension, bronze	1	Color:Aprilia Black '05 (s.t.14844)[blk] year: 2005[5]
5	AP8102375	Clip M5	6	
6	AP8152302	Screw w/ flange M5x12	18	
7	AP8220323	Plug	1	

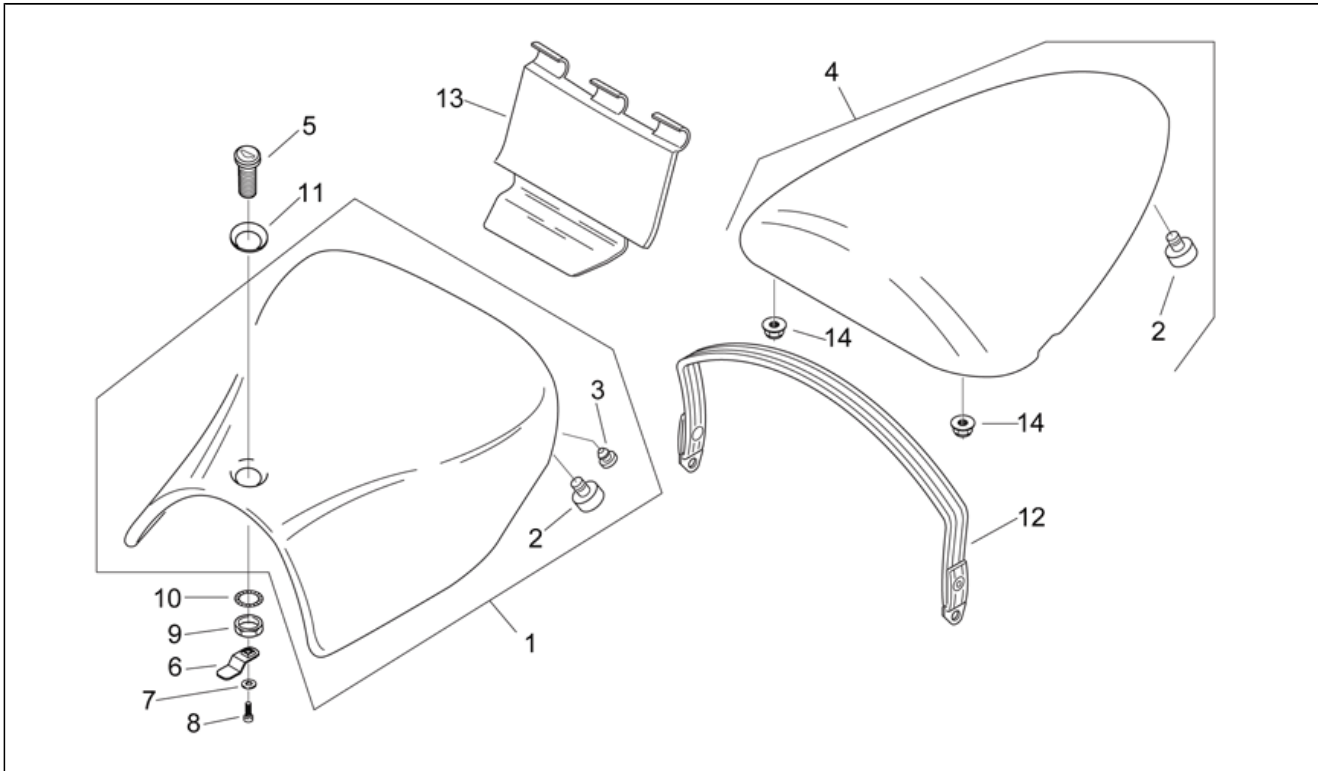
<b>Assembly</b>	FRAME
<b>Code</b>	28.12
<b>Description</b>	Saddle unit
<b>Revision</b>	1



Pos.	Code	Description	Q.ty	Variants
1	AP8229252	Driver saddle, red	1	year:1999[X]
1	AP8229308	Driver saddle, black	1	year: 2002[2] Color:Diablo Black 2001-2002[d.bl]
1	AP8229308	Driver saddle, black	1	year:2000[Y]
1	AP8229308	Driver saddle, black	1	year: 2004[4] Color:Poggiali Black 2004[a.blk], Poggiali White 2004[white]
1	AP8229308	Driver saddle, black	1	year: 2003[3], 2004[4] Color:SBK Black '03[s.bl]
1	AP8229308	Driver saddle, black	1	year: 2003[3] Color:GP1 Black '03[g.bl]
1	AP8229308	Driver saddle, black	1	year:2001[1]
1	AP8229346	Driver saddle, black	1	year: 2003[3] Color:Way blue 2003[b.way]
1	AP8229346	Driver saddle, black	1	year: 2002[2] Color:Dust Grey 2002[grey]
1	AP8229408	Driver saddle, black	1	year:2005[5]
2	AP8220349	Rubber spacer	8	
3	AP8120001	Rubber spacer	2	
4	AP8229254	Rear saddle, black	1	year: 1999[X] Color:Black / Red '99[n/r]
4	AP8229254	Rear saddle, black	1	year: 2003[3], 2004[4] Color:SBK Black '03[s.bl]
4	AP8229254	Rear saddle, black	1	year: 2003[3] Color:GP1 Black '03[g.bl]
4	AP8229254	Rear saddle, black	1	year: 2004[4] Color:Poggiali Black 2004[a.blk], Poggiali White 2004[white]
4	AP8229254	Rear saddle, black	1	year: 2001[1] Color:Diablo Black 2001-2002[d.bl]
4	AP8229254	Rear saddle, black	1	year: 2002[2] Color:Diablo Black 2001-2002[d.bl]

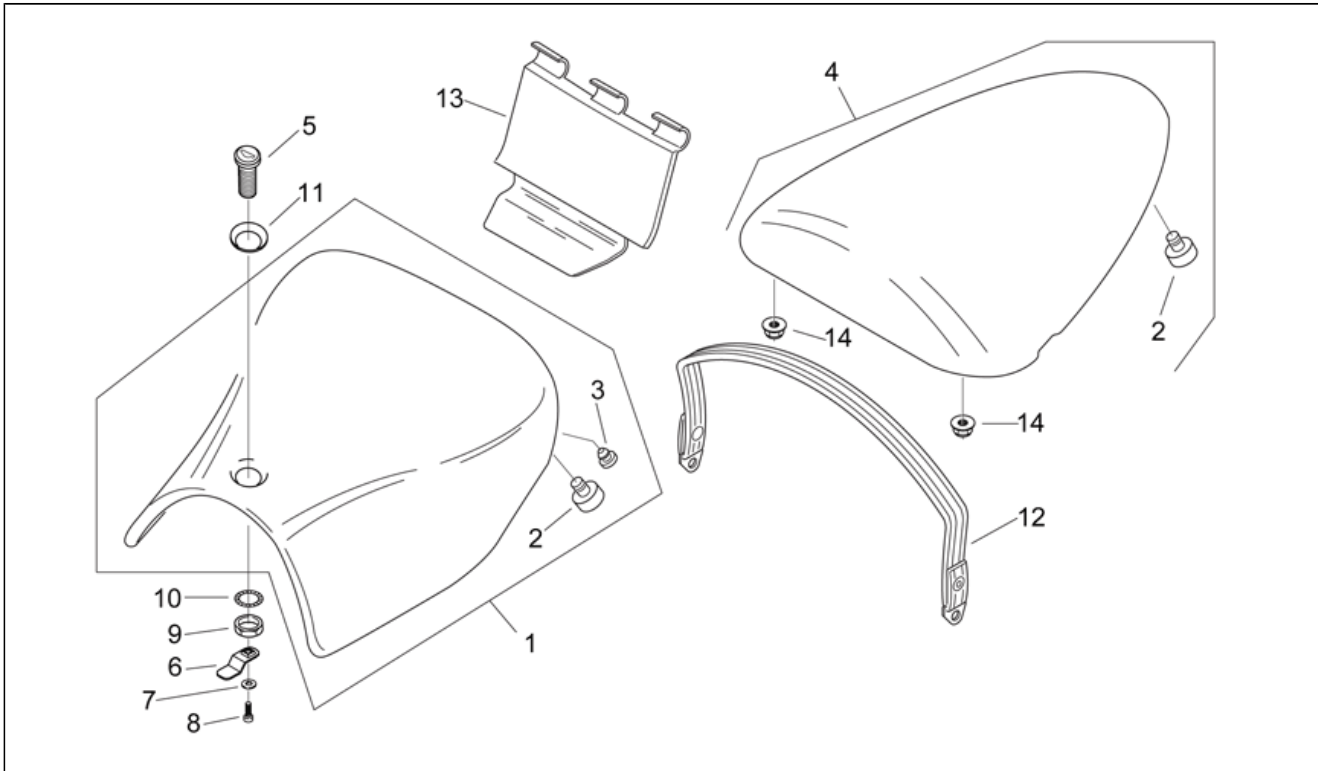


<b>Assembly</b>	FRAME
<b>Code</b>	28.12
<b>Description</b>	Saddle unit
<b>Revision</b>	1



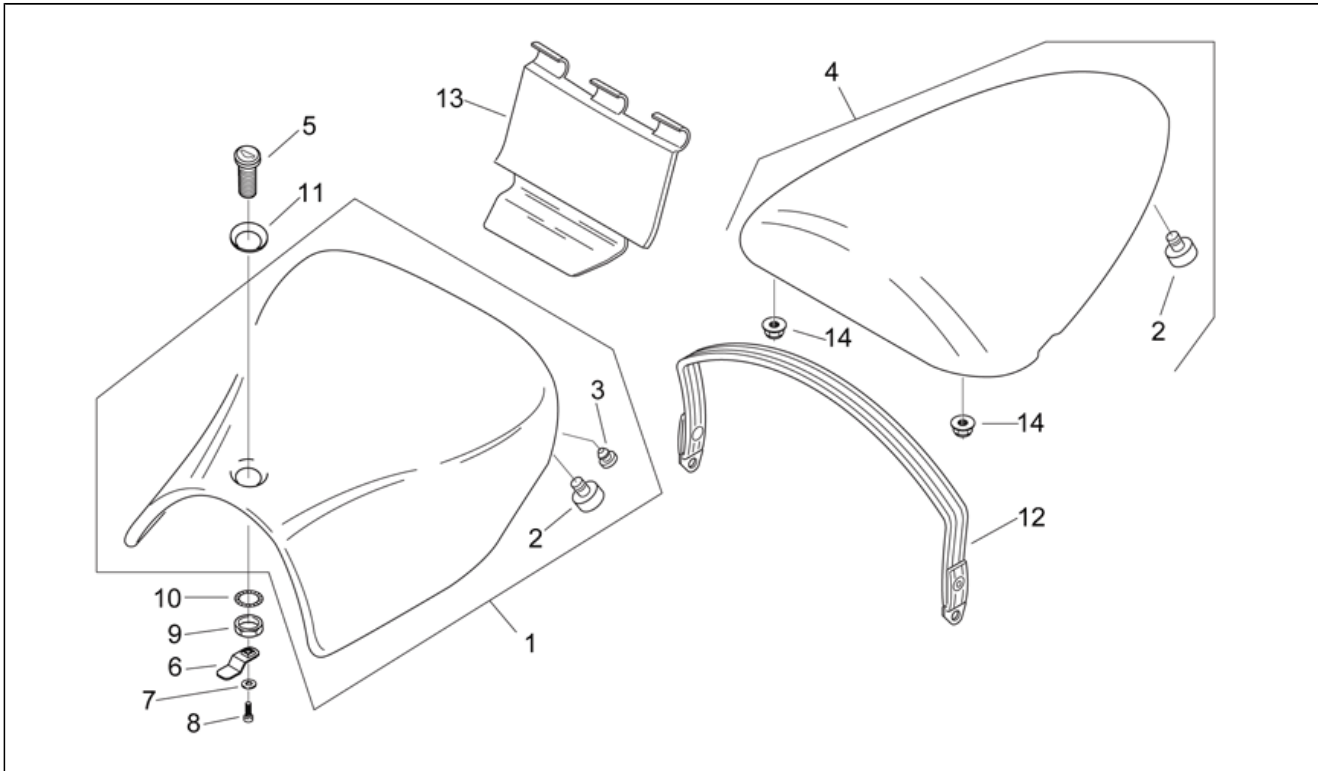
Pos.	Code	Description	Q.ty	Variants
4	AP8229296	Rear saddle, red	1	year: 2000[Y] Color:Aprilia Black 2000[black]
4	AP8229296	Rear saddle, red	1	year: 1999[X] Color:Fumi Blue / Fluo Red '99[b/r]
4	AP8229313	Rear saddle, yellow	1	year: 2000[Y] Color:Nik Grey 2000[g.nik]
4	AP8229347	Rear saddle, black	1	year: 2002[2] Color:Dust Grey 2002[grey]
4	AP8229356	Rear saddle, blue	1	year: 2003[3] Color:Way blue 2003[b.way]
4	AP8229409	Rear saddle, black	1	year:2005[5]
5	AP8102119	Saddle lock	1	
6	AP8135260	Saddle lock fix.plate	1	
7	AP8150015	Washer 6,6x18x1,6*	1	
8	AP8152123	Hex socket screw M6x8*	1	
9	AP8152194	Low nut M19x1*	1	
10	AP8221312	Notched washer	1	
11	AP8229207	Saddle lock cup	1	
12	AP8129222	Pillion seat strap, black	1	year: 2004[4] Color:Poggiali Black 2004[a.blk], Poggiali White 2004[white]
12	AP8129222	Pillion seat strap, black	1	year: 2002[2] Color:Diablo Black 2001-2002[d.bl]
12	AP8129222	Pillion seat strap, black	1	year: 2003[3], 2004[4] Color:SBK Black '03[s.bl]
12	AP8129222	Pillion seat strap, black	1	year: 2001[1] Color:Diablo Black 2001-2002[d.bl]
12	AP8129222	Pillion seat strap, black	1	year: 2003[3] Color:GP1 Black '03[g.bl]
12	AP8129222	Pillion seat strap, black	1	year: 1999[X] Color:Black / Red '99[n/r]

<b>Assembly</b>	FRAME
<b>Code</b>	28.12
<b>Description</b>	Saddle unit
<b>Revision</b>	1



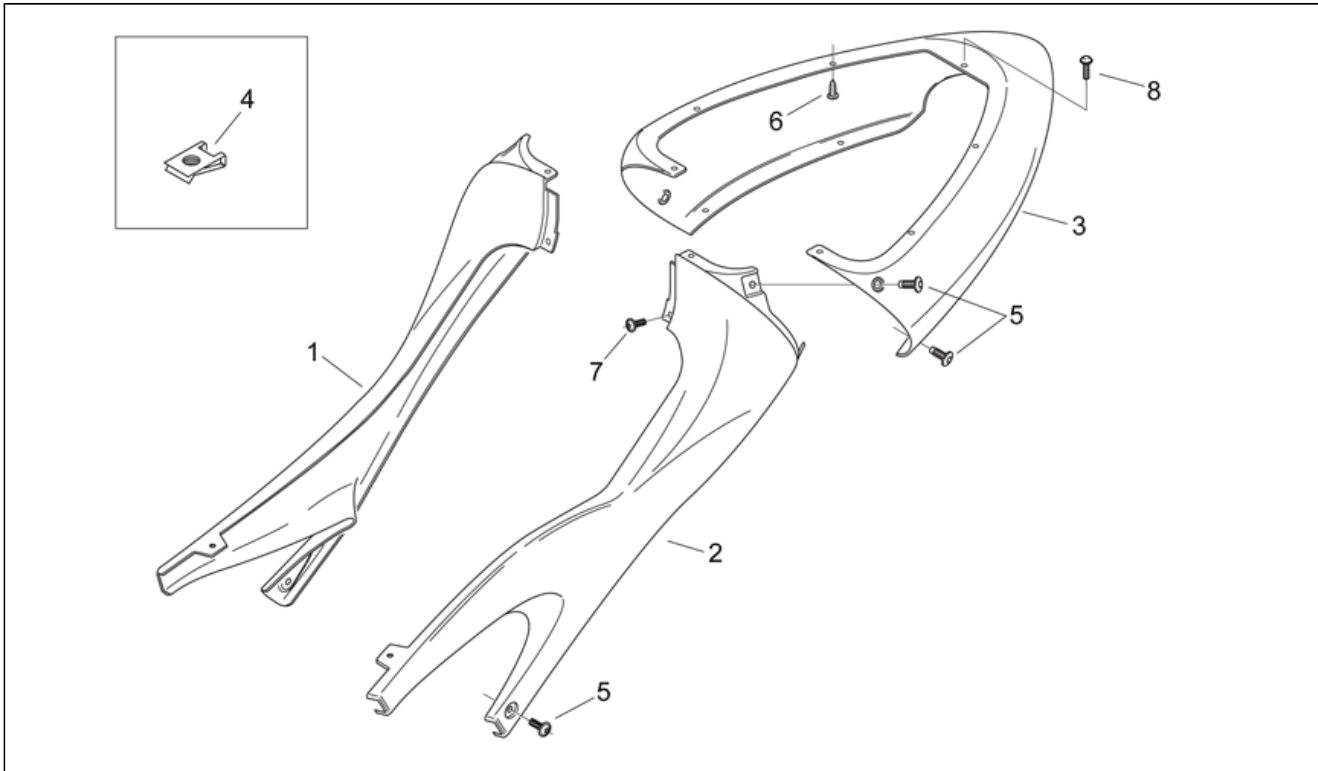
Pos.	Code	Description	Q.ty	Variants
12	AP8129248	Pillion seat strap, red	1	year: 2000[Y] Color:Aprilia Black 2000[black]
12	AP8129248	Pillion seat strap, red	1	year: 1999[X] Color:Fumi Blue / Fluo Red '99[b/r]
12	AP8229314	Pillion seat strap, yellow	1	year: 2000[Y] Color:Nik Grey 2000[g.nik]
12	AP8229348	Pillion seat strap, black	1	year: 2002[2] Color:Dust Grey 2002[grey]
12	AP8229357	Pillion seat strap blu	1	year: 2003[3] Color:Way blue 2003[b.way]
12	AP8229410	Pillion seat strap, black	1	year:2005[5]
13	AP8239869	Glove comp.door, s.grey	1	year: 1999[X] Color:Black / Red '99[n/r]
13	AP8248798	Glove comp.door, g.grey	1	year: 1999[X] Color:Fumi Blue / Fluo Red '99[b/r]
13	AP8249120	Glove comp.door, grey	1	year: 1999[X] Color:Fumi Blue / Fluo Red '99[b/r]
13	AP8249597	Glove comp.door, grey	1	year: 2000[Y] Color:Aprilia Black 2000[black]
13	AP8249891	Glove comp.door, black	1	year: 2000[Y] Color:Nik Grey 2000[g.nik]
13	AP8258197	Glove comp.door, d.grey	1	year: 2001[1] Color:Diablo Black 2001-2002[d.bl]
13	AP8258429	Glove comp.door, black	1	year: 2002[2] Color:Diablo Black 2001-2002[d.bl]
13	AP8258574	Glove comp.door, grey	1	year: 2002[2] Color:Dust Grey 2002[grey]
13	AP8258799	Glove comp.door, blue	1	year: 2003[3] Color:Way blue 2003[b.way]
13	AP8258966	Glove comp.door, black	1	year: 2003[3] Color:GP1 Black '03[g.bl]
13	AP8258966	Glove comp.door, black	1	year: 2003[3], 2004[4]

<b>Assembly</b>	FRAME
<b>Code</b>	28.12
<b>Description</b>	Saddle unit
<b>Revision</b>	1



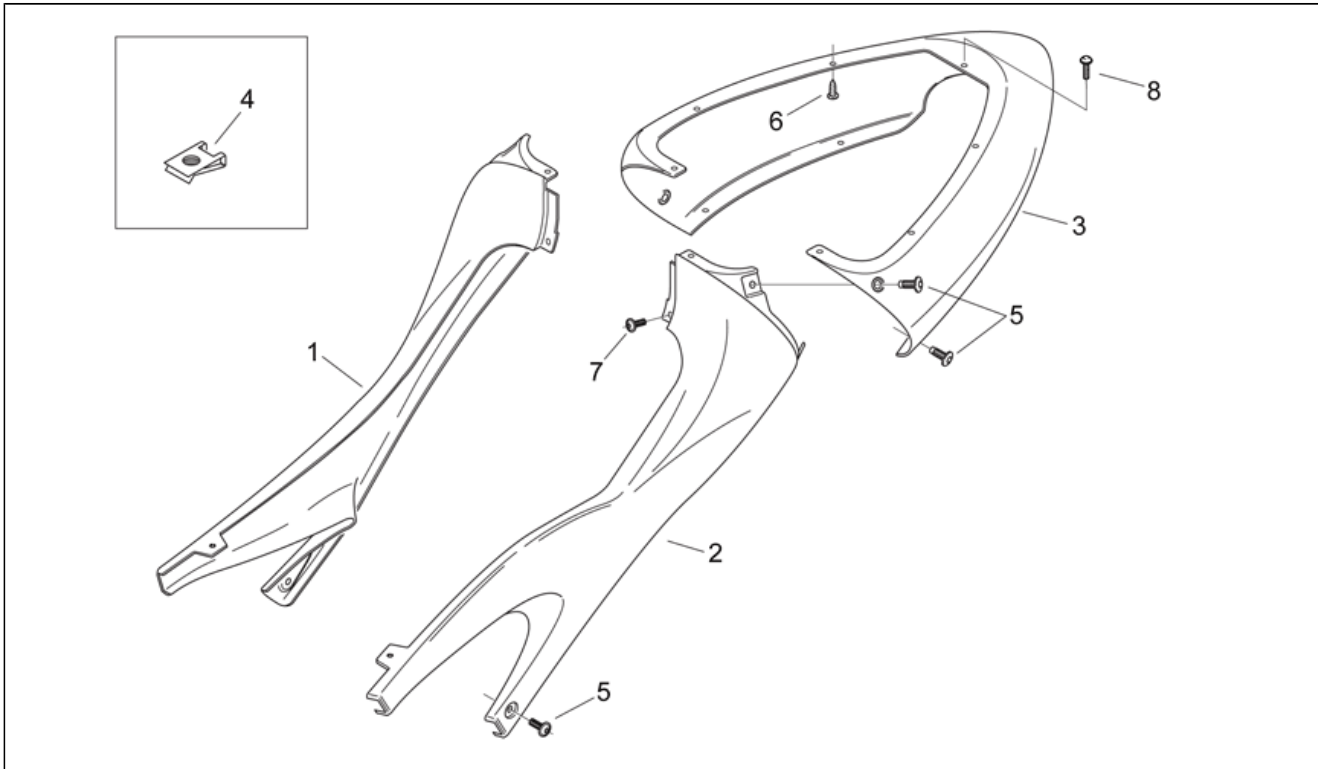
Pos.	Code	Description	Q.ty	Variants
				Color:SBK Black '03[s.bl]
13	AP8258966	Glove comp.door, black	1	year: 2002[2] Color:Diablo Black 2001-2002[d.bl]
13	AP8258966	Glove comp.door, black	1	year: 2004[4] Color:Poggiali Black 2004[a.blk], Poggiali White 2004[white]
13	AP8258966	Glove comp.door, black	1	year:2005[5]
13	AP8258969	Glove comp.door, grey	1	year: 2002[2] Color:Dust Grey 2002[grey]
14	AP8152306	Self-locking nut M5*	2	

<b>Assembly</b>	FRAME
<b>Code</b>	28.13
<b>Description</b>	Rear body I
<b>Revision</b>	1



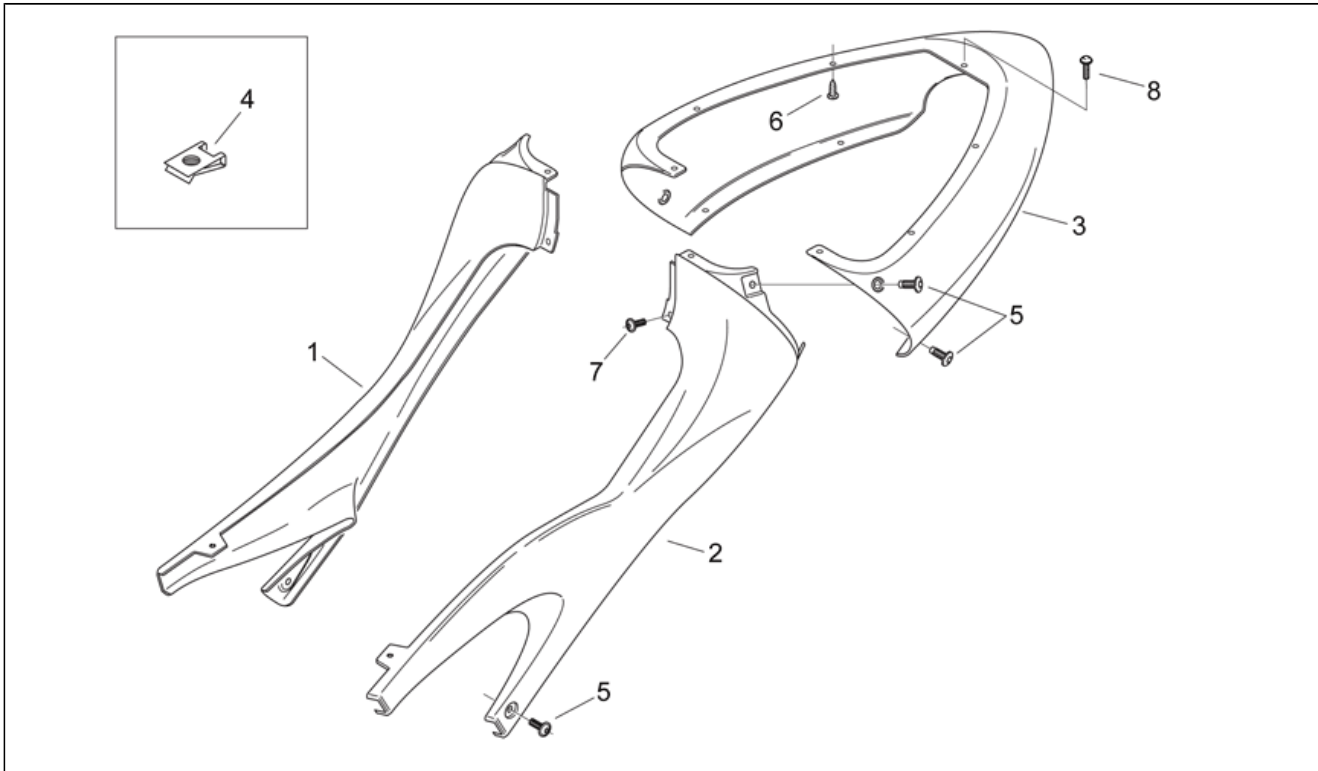
Pos.	Code	Description	Q.ty	Variants
1	AP8239459	RH saddle sup cov., s.grey	1	year: 1999[X] Color:Black / Red '99[n/r]
1	AP8248796	RH saddle sup cov., g.grey	1	year: 1999[X] Color:Fumi Blue / Fluo Red '99[b/r]
1	AP8249118	RH saddle sup cov., grey	1	year: 1999[X] Color:Fumi Blue / Fluo Red '99[b/r]
1	AP8249595	RH saddle sup cov., grey	1	year: 2000[Y] Color:Aprilia Black 2000[black]
1	AP8249889	RH saddle sup cov., black	1	year: 2000[Y] Color:Nik Grey 2000[g.nik]
1	AP8258195	RH saddle sup cov., d.grey	1	year: 2001[1] Color:Diablo Black 2001-2002[d.bl]
1	AP8258427	RH saddle sup cov., black	1	year: 2002[2] Color:Diablo Black 2001-2002[d.bl]
1	AP8258572	RH saddle sup cov., grey	1	year: 2002[2] Color:Dust Grey 2002[grey]
1	AP8258797	RH saddle sup cov., blue	1	year: 2003[3] Color:Way blue 2003[b.way]
1	AP8258964	RH saddle sup cov., black	1	year: 2002[2] Color:Diablo Black 2001-2002[d.bl]
1	AP8258964	RH saddle sup cov., black	1	year: 2004[4] Color:Poggiali Black 2004[a.blk], Poggiali White 2004[white]
1	AP8258964	RH saddle sup cov., black	1	year: 2003[3] Color:GP1 Black '03[g.bl]
1	AP8258964	RH saddle sup cov., black	1	year: 2003[3], 2004[4] Color:SBK Black '03[s.bl]
1	AP8258964	RH saddle sup cov., black	1	year:2005[5]
1	AP8258967	RH saddle sup cov., grey	1	year: 2002[2] Color:Dust Grey 2002[grey]
2	AP8239460	LH saddle sup cov., s.grey	1	year: 1999[X] Color:Black / Red '99[n/r]

<b>Assembly</b>	FRAME
<b>Code</b>	28.13
<b>Description</b>	Rear body I
<b>Revision</b>	1



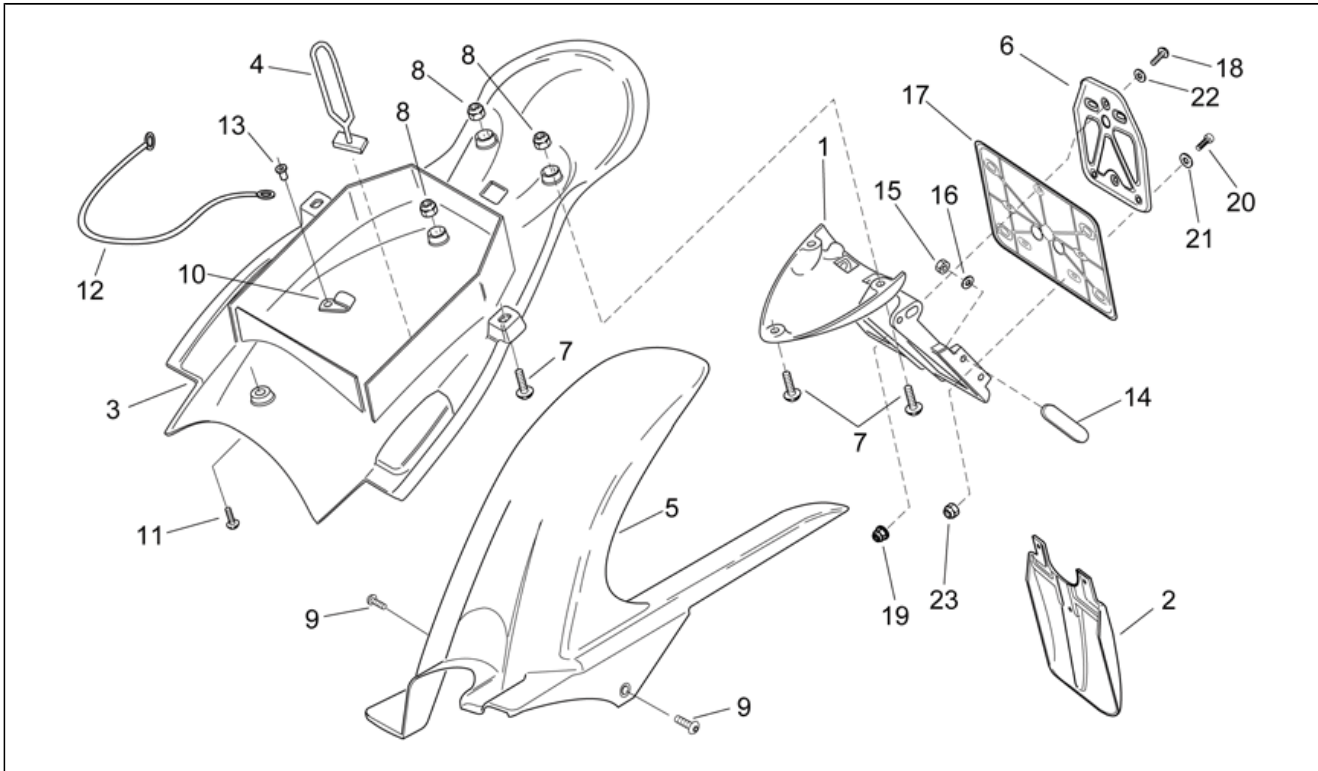
Pos.	Code	Description	Q.ty	Variants
2	AP8248797	LH saddle sup cov., g.grey	1	year: 1999[X] Color:Fumi Blue / Fluo Red '99[b/r]
2	AP8249119	LH saddle sup cov., grey	1	year: 1999[X] Color:Fumi Blue / Fluo Red '99[b/r]
2	AP8249596	LH saddle sup cov., grey	1	year: 2000[Y] Color:Aprilia Black 2000[black]
2	AP8249890	LH saddle sup cov., black	1	year: 2000[Y] Color:Nik Grey 2000[g.nik]
2	AP8258196	LH saddle sup cov., d.grey	1	year: 2001[1] Color:Diablo Black 2001-2002[d.bl]
2	AP8258428	LH saddle sup cov., black	1	year: 2002[2] Color:Diablo Black 2001-2002[d.bl]
2	AP8258573	LH saddle sup cov., grey	1	year: 2002[2] Color:Dust Grey 2002[grey]
2	AP8258798	LH saddle sup cov., blue	1	year: 2003[3] Color:Way blue 2003[b.way]
2	AP8258965	LH saddle sup cov., black	1	year: 2002[2] Color:Diablo Black 2001-2002[d.bl]
2	AP8258965	LH saddle sup cov., black	1	year: 2004[4] Color:Poggiali Black 2004[a.blk], Poggiali White 2004[white]
2	AP8258965	LH saddle sup cov., black	1	year: 2003[3], 2004[4] Color:SBK Black '03[s.bl]
2	AP8258965	LH saddle sup cov., black	1	year: 2003[3] Color:GP1 Black '03[g.bl]
2	AP8258965	LH saddle sup cov., black	1	year:2005[5]
2	AP8258968	LH saddle sup cov., grey	1	year: 2002[2] Color:Dust Grey 2002[grey]
3	AP8239461	Rear fairing, a.black	1	year: 1999[X] Color:Black / Red '99[n/r]
3	AP8248795	Rear fairing, fluo red	1	year: 1999[X] Color:Fumi Blue / Fluo Red '99[b/r]

<b>Assembly</b>	FRAME
<b>Code</b>	28.13
<b>Description</b>	Rear body I
<b>Revision</b>	1



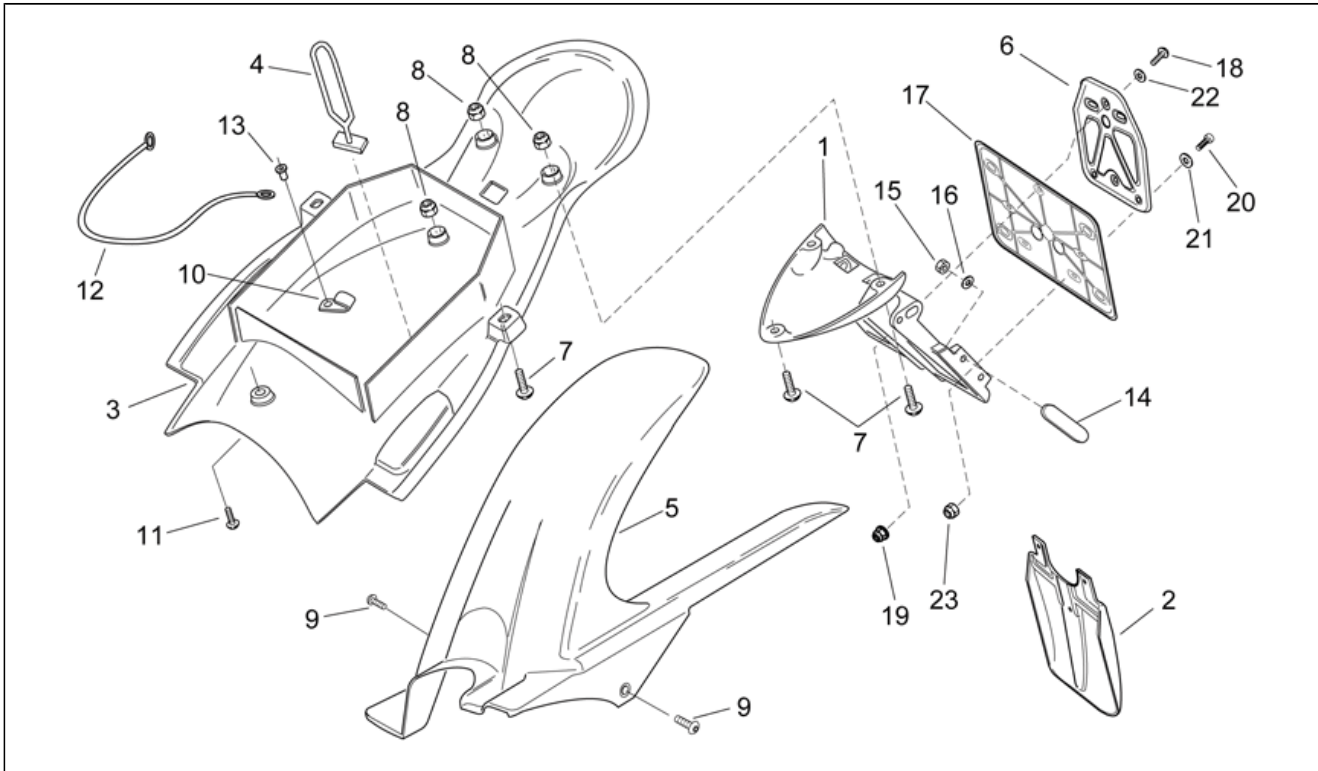
Pos.	Code	Description	Q.ty	Variants
3	AP8249594	Rear fairing, black	1	year: 2000[Y] Color:Aprilia Black 2000[black]
3	AP8249814	Rear fairing, grey	1	year: 2000[Y] Color:Nik Grey 2000[g.nik]
3	AP8258194	Rear fairing,d. black	1	year: 2001[1] Color:Diablo Black 2001-2002[d.bl]
3	AP8258426	Rear fairing,d. black	1	year: 2002[2] Color:Diablo Black 2001-2002[d.bl]
3	AP8258571	Rear fairing, grey	1	year: 2002[2] Color:Dust Grey 2002[grey]
3	AP8258779	Rear fairing, black	1	year: 2003[3], 2004[4] Color:SBK Black '03[s.bl]
3	AP8258796	Rear fairing, blue	1	year: 2003[3] Color:Way blue 2003[b.way]
3	AP8258821	Rear fairing, black	1	year: 2003[3] Color:GP1 Black '03[g.bl]
3	AP8268173	Rear fairing, black	1	year: 2004[4] Color:Poggiali Black 2004[a.blk]
3	AP8268270	Rear fairing, black	1	year: 2004[4] Color:Poggiali White 2004[white]
3	AP8268383	Rear fairing, fluo red	1	year: 2005[5] Color:Fluo Red '05 (s.t.14816)[red]
3	AP8268460	Rear fairing, a.black	1	year: 2005[5] Color:Aprilia Black '05 (s.t.14844)[blk]
4	AP8102375	Clip M5	4	
5	AP8152302	Screw w/ flange M5x12	6	
6	AP8150413	Self-tap screw 3,9x14	11	
7	AP8152338	Screw w/ flange M5x20	2	
8	AP8152298	Screw w/ flange M5x16	2	

<b>Assembly</b>	FRAME
<b>Code</b>	28.14
<b>Description</b>	Rear body II
<b>Revision</b>	1



Pos.	Code	Description	Q.ty	Variants
1	AP8126583	Number plate holder	1	<b>Country:</b> Germany[D], Denmark[DK], A,B,D,GR,E,F,UK,NL,P[EU], I[II], Switzerland[SZ]
1	AP8226513	Number plate holder	1	<b>Country:</b> Austria[A], Belgium[B], Brasil[BR], Spain[E], A,B,D,GR,E,F,UK,NL,P[EU], France[F], Great Britain[GR], Italy[I], I[II], Israel[IL], Japan[J], J[JJ], Holland[NL], Portugal[P], Rep. of Korea[ROK], Finland[SF], Great Britain[UK]
1	AP8226563	Number plate holder	1	<b>Country:</b> USA (49 Countries Approval)[AM], United States of America[USA]
2	AP8126641	Number-plate extension	1	<b>Country:</b> Germany[D], Denmark[DK], A,B,D,GR,E,F,UK,NL,P[EU], I[II]
3	AP8239462	Saddle supp.low. lockup, red	1	<b>year:</b> 1999[X] <b>Color:</b> Black / Red '99[n/r]
3	AP8248827	Saddle supp.low. lockup, grey	1	<b>year:</b> 1999[X] <b>Color:</b> Fumi Blue / Fluo Red '99[b/r]
3	AP8249598	Saddle supp.low. lockup, black	1	<b>year:</b> 2001[1], 2002[2], 2003[3], 2004[4], 2005[5], 2000[Y]
4	AP8120177	Headlight supp.snap	1	
5	AP8226446	Rear mudguard, black	1	<b>year:</b> 2003[3], 2004[4] <b>Color:</b> SBK Black '03[s.bl]
5	AP8226446	Rear mudguard, black	1	<b>year:</b> 2004[4] <b>Color:</b> Poggiali Black 2004[a.blk], Poggiali White 2004[white]
5	AP8226446	Rear mudguard, black	1	<b>year:</b> 2001[1], 2002[2], 2003[3], 1999[X], 2000[Y] <b>Color:</b> Way blue 2003[b.way], Fumi Blue / Fluo Red '99[b/r], Aprilia Black 2000[black], Diablo Black 2001-2002[d.bl], Nik Grey 2000[g.nik], Dust Grey 2002[grey], Black / Red '99[n/r]
5	AP8226446	Rear mudguard, black	1	<b>year:</b> 2005[5]
5	AP8226765	Rear mudguard, black	1	<b>year:</b> 2003[3] <b>Color:</b> GP1 Black '03[g.bl]
6	AP8249558	Number plate support	1	
7	AP8152246	Screw w/ flange M6x16*	2	
8	AP8150430	Low self-locking nut M6*	3	

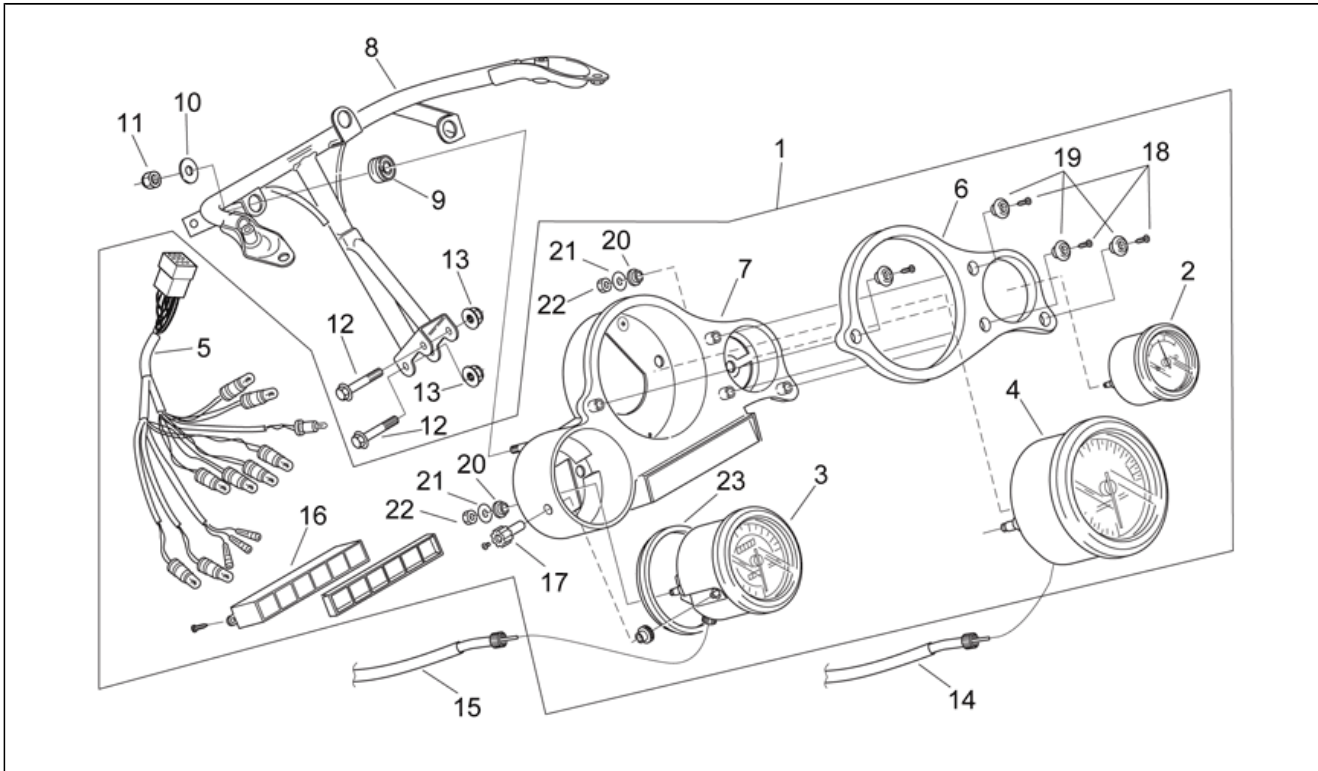
<b>Assembly</b>	FRAME
<b>Code</b>	28.14
<b>Description</b>	Rear body II
<b>Revision</b>	1



Pos.	Code	Description	Q.ty	Variants
9	AP8152302	Screw w/ flange M5x12	3	
10	AP8101313	Battery hook	1	
11	AP8152339	Screw w/ flange M5x9	1	
12	AP8201611	Helmet lock cable	1	
13	AP8101592	Tearing rivet	1	
14	AP8124718	Rear reflector, red	2	Country:USA (49 Countries Approval)[AM], United States of America[USA]
15	AP8150204	Nut M4	4	Country:USA (49 Countries Approval)[AM], United States of America[USA]
16	AP8150158	Washer 4,3x9x0,8*	4	Country:USA (49 Countries Approval)[AM], United States of America[USA]
17	AP8149034	Number plate support	1	
18	AP8152268	Hex socket screw M5x16*	3	
19	AP8152306	Self-locking nut M5*	3	
20	AP8152043	Hex socket screw M4x10	3	
21	AP8150158	Washer 4,3x9x0,8*	3	
22	AP8150382	Washer 15x5,5X1,2*	3	
23	AP8150204	Nut M4	3	

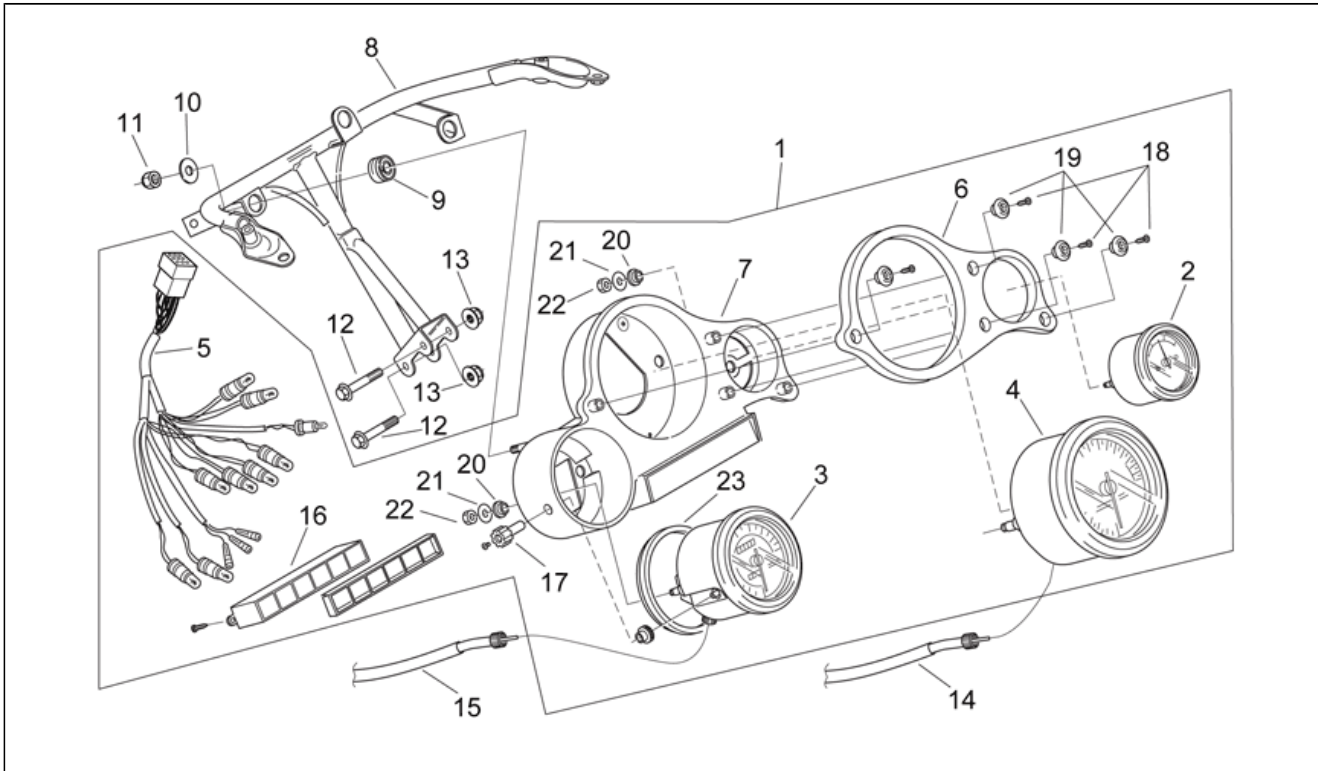


<b>Assembly</b>	FRAME
<b>Code</b>	28.15
<b>Description</b>	Dashboard
<b>Revision</b>	1



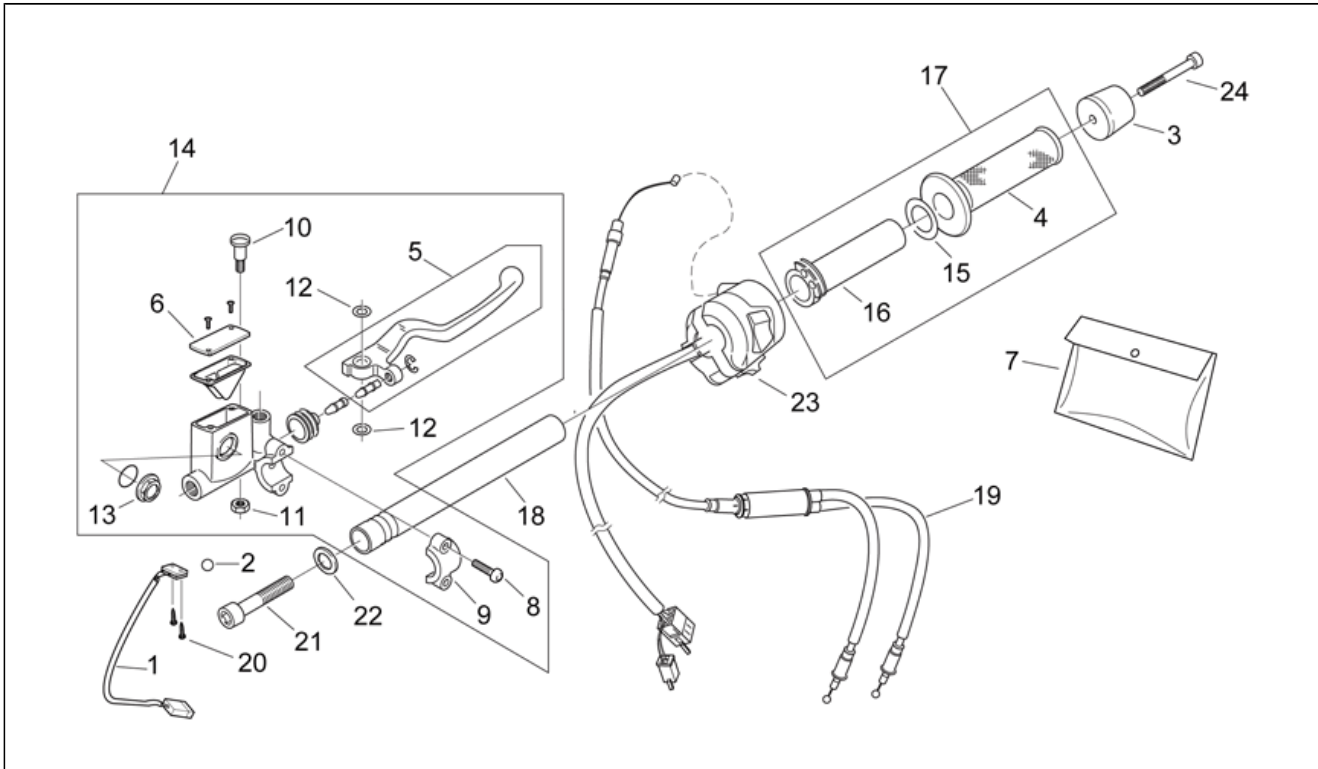
Pos.	Code	Description	Q.ty	Variants
1	AP8212975	Dashboard complete	1	<b>Country:</b> Austria[A], Belgium[B], Brasil[BR], Germany[D], Denmark[DK], Spain[E], A,B,D,GR,E,F,UK,NL,P[EU], France[F], Great Britain[GR], Italy[I], I[II], Israel[IL], Japan[J], J[JJ], Holland[NL], Portugal[P], Rep. of Korea[ROK], Finland[SF], Great Britain[UK] <b>Technical Specifications:</b> National approval[PG]
1	AP8212975	Dashboard complete	1	<b>Technical Specifications:</b> Full Power Version[f.p.], European approval (frame ZD4TS)[TS]
1	AP8224200	Dashboard complete	1	<b>Country:</b> USA (49 Countries Approval)[AM], United States of America[USA] <b>Technical Specifications:</b> National approval[PG]
1	AP8224411	Dashboard complete	1	<b>Technical Specifications:</b> Limited version 45Km/h[45km], Limited version 60Km/h[60km], European approval (frame ZD4SE)[SE], European approval (frame ZD4TS)[TS]
2	AP8224122	Thermometer	1	
3	AP8224121	Speedometer	1	<b>Country:</b> Austria[A], Belgium[B], Brasil[BR], Germany[D], Denmark[DK], Spain[E], A,B,D,GR,E,F,UK,NL,P[EU], France[F], Great Britain[GR], Italy[I], I[II], Israel[IL], Japan[J], J[JJ], Holland[NL], Portugal[P], Rep. of Korea[ROK], Finland[SF], Great Britain[UK] <b>Technical Specifications:</b> National approval[PG]
3	AP8224121	Speedometer	1	<b>Country:</b> Switzerland[SZ] <b>Technical Specifications:</b> Full Power Version[f.p.], European approval (frame ZD4TS)[TS]
3	AP8224276	Speedometer	1	<b>Country:</b> USA (49 Countries Approval)[AM], United States of America[USA] <b>Technical Specifications:</b> National approval[PG]
3	AP8224464	Speedometer	1	<b>Technical Specifications:</b> Limited version 45Km/h[45km], Limited version 60Km/h[60km], European approval (frame ZD4SE)[SE], European approval (frame ZD4TS)[TS]
4	AP8224120	Tachometer	1	
5	AP8224123	Dashboard wiring + lamps	1	
6	AP8224124	Tachometer sponge	1	

<b>Assembly</b>	FRAME
<b>Code</b>	28.15
<b>Description</b>	Dashboard
<b>Revision</b>	1



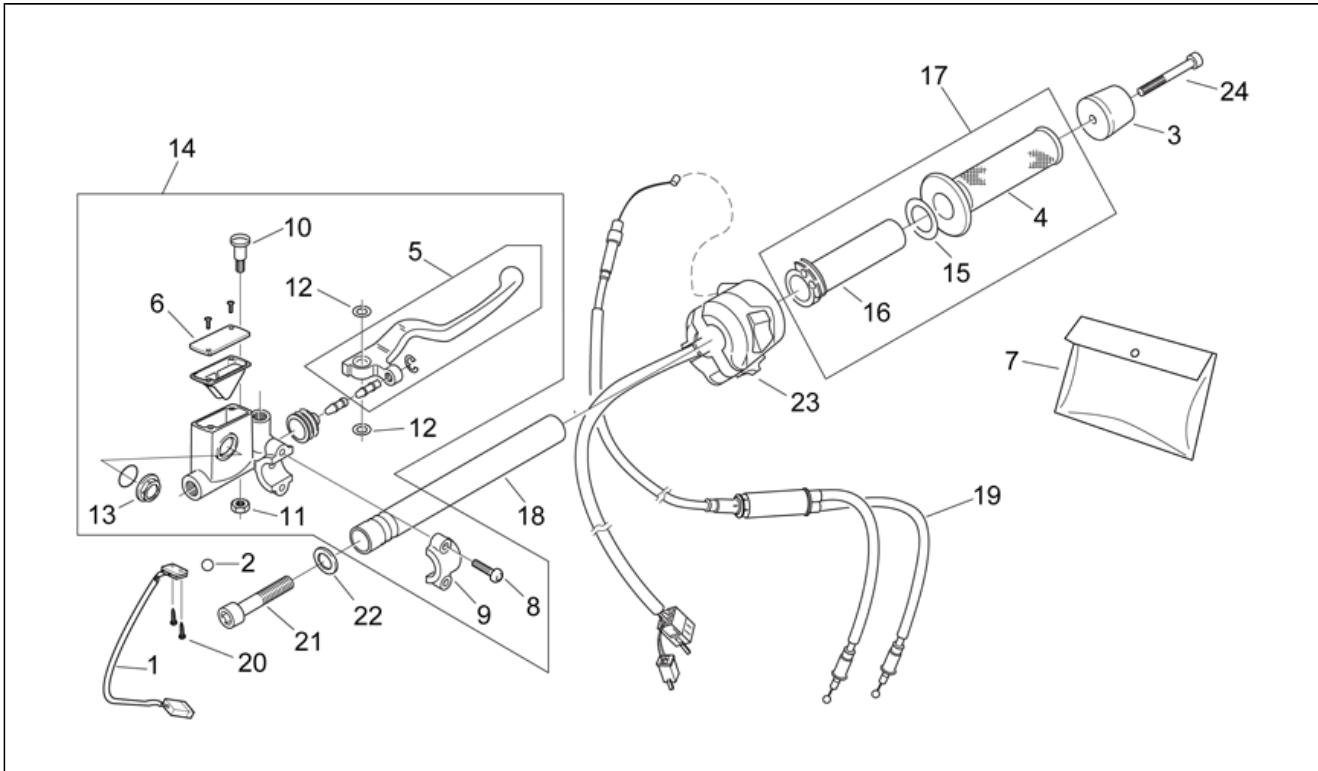
Pos.	Code	Description	Q.ty	Variants
7	AP8224125	Dashboard lower support	1	
8	AP8235005	Instrum.holder frame	1	
9	AP8220150	Rubber spacer *	3	
10	AP8150015	Washer 6,6x18x1,6*	3	
11	AP8150430	Low self-locking nut M6*	3	
12	AP8152281	Screw w/ flange M6X30	2	
13	AP8152299	Self-locking nut M6*	2	
14	AP8214179	Tachometer cable	1	<b>Country:</b> Austria[A], Belgium[B], Brasil[BR], Germany[D], Denmark[DK], Spain[E], A,B,D,GR,E,F,UK,NL,P[EU], France[F], Great Britain[GR], Italy[I], I[II], Israel[IL], Japan[J], J[JJ], Holland[NL], Portugal[P], Rep. of Korea[ROK], Finland[SF], Great Britain[UK]
14	AP8214179	Tachometer cable	1	<b>Country:</b> Switzerland[SZ]
14	AP8214196	Tachometer cable	1	<b>Country:</b> USA (49 Countries Approval)[AM], United States of America[USA]
15	AP8214181	Odometer cable	1	
16	AP8220275	Indicator light box	1	
17	AP8102217	Reset button	1	
18	AP8224001	Screw	4	
19	AP8102216	Sponge fixing bush	4	
20	AP8120760	Dashboard rubber	5	
21	AP8224004	Washer	5	
22	AP8224003	Nut	5	
23	AP8120759	Speedometer gasket	1	

<b>Assembly</b>	FRAME
<b>Code</b>	28.16
<b>Description</b>	RH controls
<b>Revision</b>	1



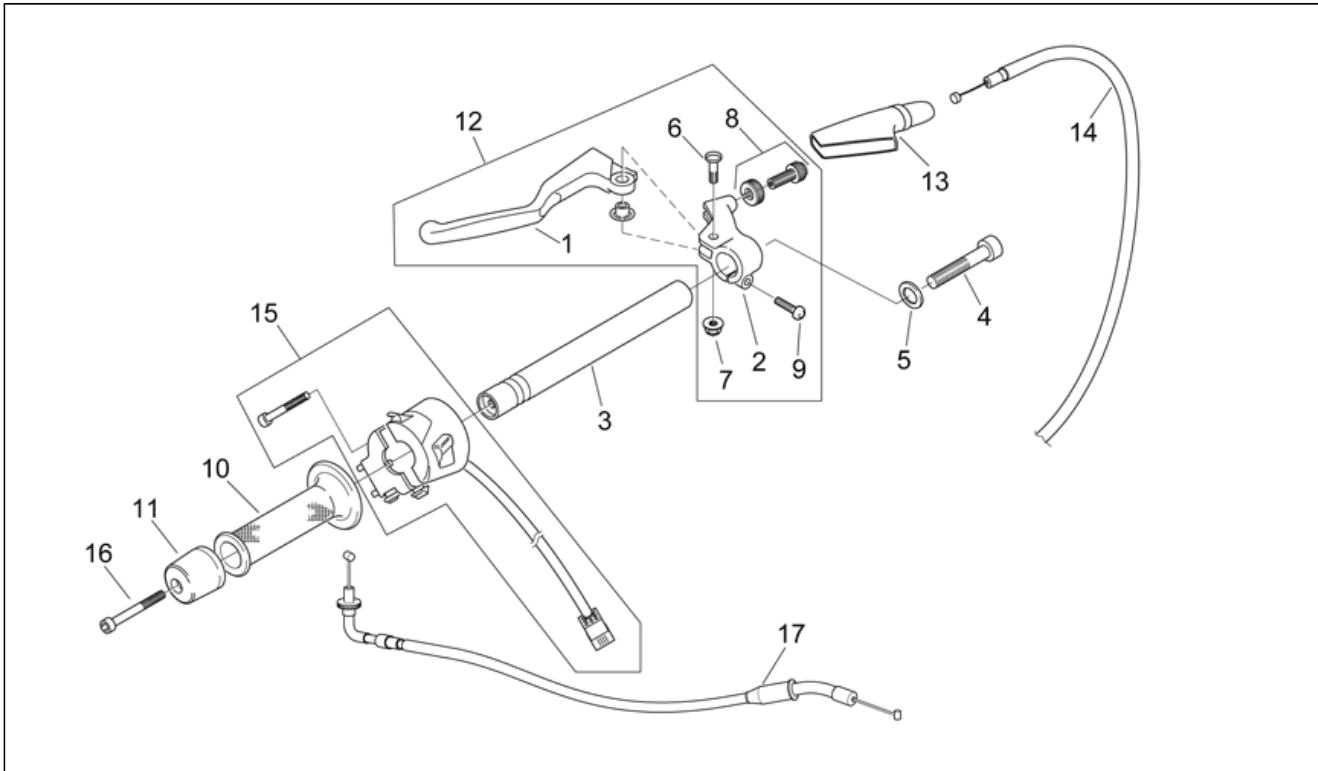
Pos.	Code	Description	Q.ty	Variants
1	AP8212196	Front brake switch+harness	1	
2	AP8201326	Ball 7,1	1	
3	AP8202134	Anti.v weight, black	1	
4	AP8118287	Handgrip - pair	1	
5	AP8213422	Front brake lever	1	
6	AP8213477	Tank cover	1	
7	AP8213420	Pump revision kit	1	
8	AP8213421	Screw	2	
9	AP8213078	U-bolt	1	
10	AP8113413	Brake lever pin	1	
11	AP8218345	Nut	1	
12	AP8213281	Washer	2	
13	AP8213277	Master cyl.level window	1	
14	AP8213436	Front master cilinder	1	
15	AP8121826	RH handgrip washer	1	
16	AP8118316	Throttle w/out hand grip	1	
17	AP8118307	Throttle+hand grip	1	
18	AP8218340	Right half handlebar	1	
19	AP8214180	Throttle cable	1	<b>Technical Specifications:</b> National approval[PG]
19	AP8214218	Throttle cable	1	<b>Technical Specifications:</b> Euro1 homologation[E1], European approval (frame ZD4SE)[SE], European approval (frame ZD4TS)[TS]
19	AP8214236	Throttle cable	1	<b>Technical Specifications:</b> Euro2 homologation[E2], European approval (frame ZD4SE)[SE], European approval (frame ZD4TS)[TS]
20	AP8150238	Screw 2,2x12,7	2	
21	AP8150481	Hex socket screw M10x60	1	
22	AP8152220	Washer	1	

<b>Assembly</b>	FRAME
<b>Code</b>	28.16
<b>Description</b>	RH controls
<b>Revision</b>	1



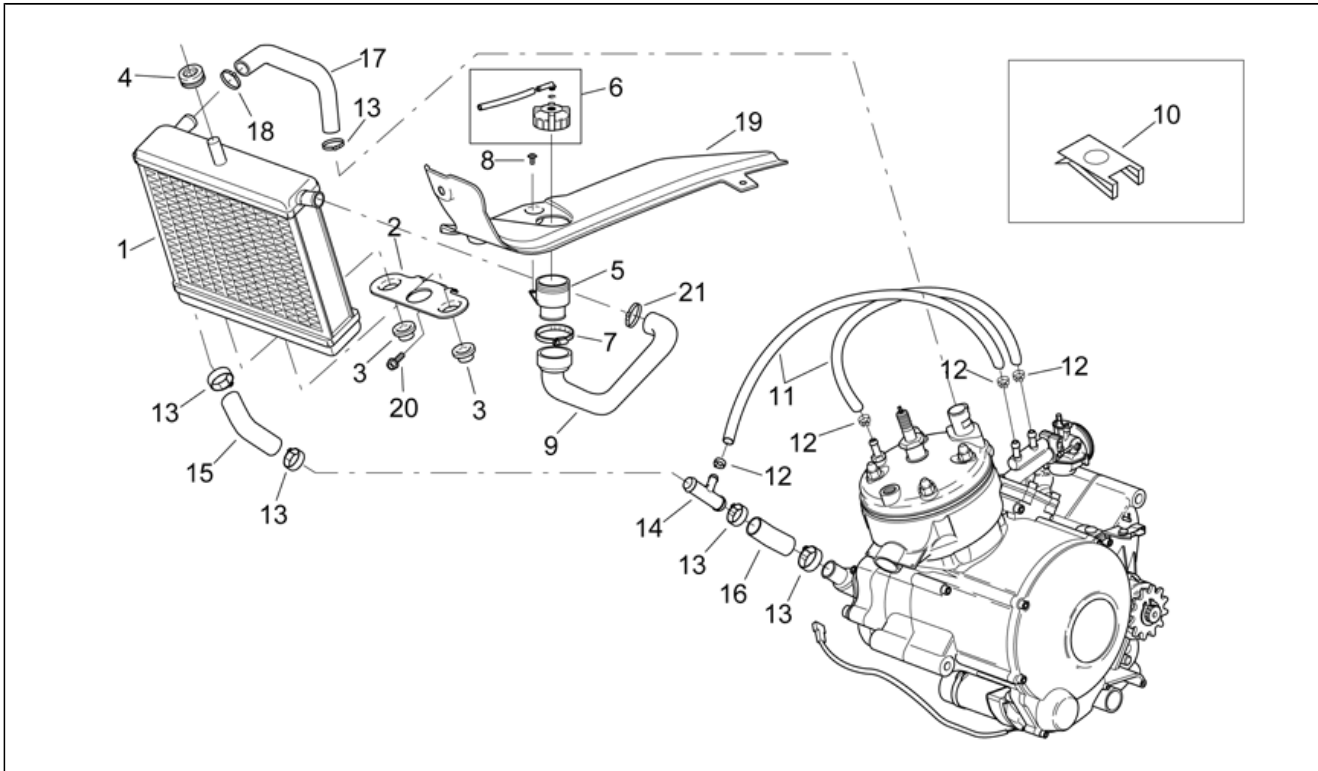
Pos.	Code	Description	Q.ty	Variants
23	AP8224117	RH lights selector	1	<b>Country:</b> Austria[A], Belgium[B], Brasil[BR], Germany[D], Denmark[DK], Spain[E], A,B,D,GR,E,F,UK,NL,P[EU], France[F], Great Britain[GR], Italy[I], I[II], Israel[IL], Holland[NL], Portugal[P], Rep. of Korea[ROK], Finland[SF], Great Britain[UK] <b>Technical Specifications:</b> National approval[PG]
23	AP8224160	RH lights selector	1	<b>Country:</b> Japan[J], J[JJ] <b>Technical Specifications:</b> National approval[PG]
23	AP8224185	RH lights selector	1	<b>Country:</b> USA (49 Countries Approval)[AM], United States of America[USA] <b>Technical Specifications:</b> National approval[PG]
23	AP8224300	RH lights selector	1	<b>Country:</b> Austria[A], Belgium[B], Germany[D], Denmark[DK], Spain[E], A,B,D,GR,E,F,UK,NL,P[EU], France[F], Great Britain[GR], Italy[I], I[II], Holland[NL], Portugal[P], Switzerland[SZ], Great Britain[UK] <b>Technical Specifications:</b> European approval (frame ZD4SE) [SE], European approval (frame ZD4TS)[TS]
23	AP8224303	RH lights selector	1	<b>Country:</b> Japan[J], J[JJ] <b>Technical Specifications:</b> European approval (frame ZD4SE) [SE], European approval (frame ZD4TS)[TS]
24	AP8150285	Hex socket screw M6x35*	1	

<b>Assembly</b>	FRAME
<b>Code</b>	28.17
<b>Description</b>	LH Controls
<b>Revision</b>	1



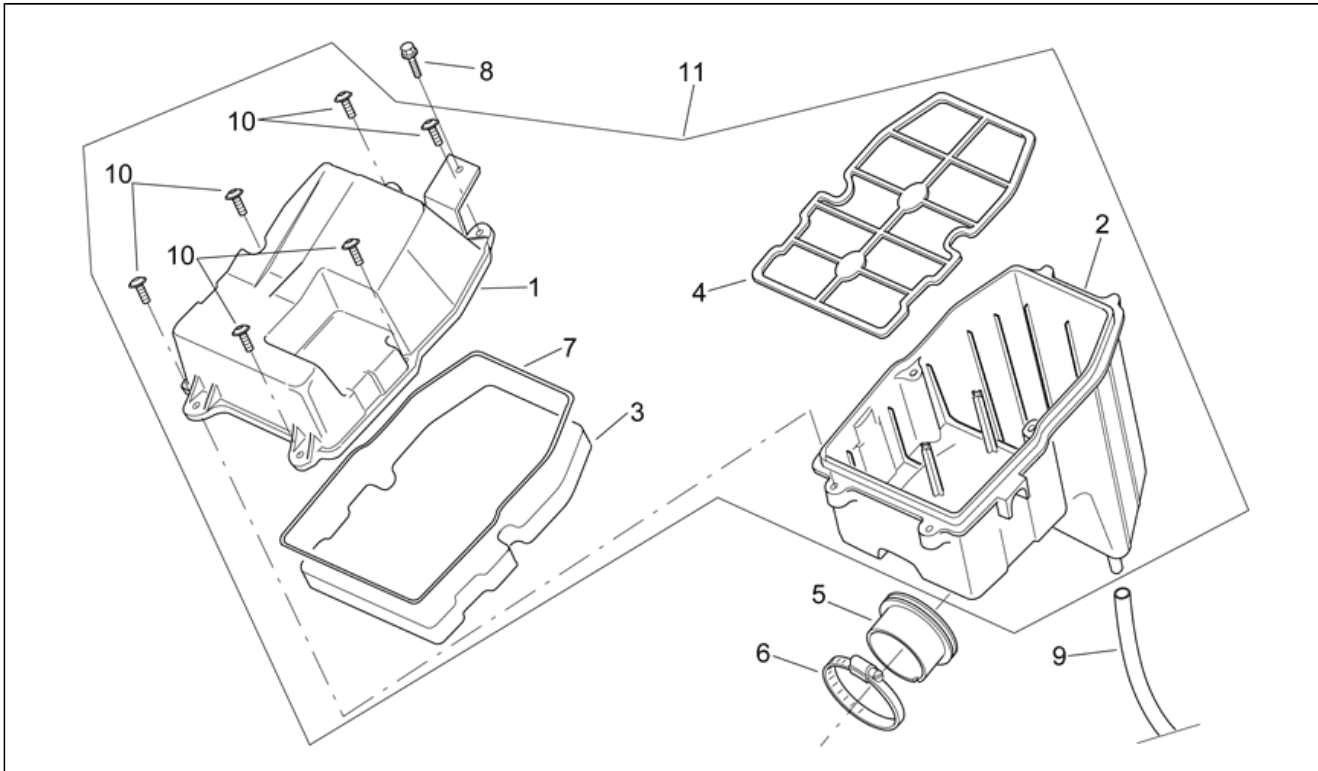
Pos.	Code	Description	Q.ty	Variants
1	AP8218462	Clutch lever	1	
2	AP8218463	Clutch lever U-bolt	1	
3	AP8218404	Left half handlebar	1	
4	AP8150481	Hex socket screw M10x60	1	
5	AP8152220	Washer	1	
6	AP8213028	Screw	1	
7	AP8213388	Self-locking nut	1	
8	AP8118104	Clutch lever adjuster	1	
9	AP8118517	Screw	1	
10	AP8118287	Handgrip - pair	1	
11	AP8202134	Anti.v weight, black	1	
12	AP8218342	Clutch control complete	1	
13	AP8120271	Clutch adjuster sleeve	1	
14	AP8214178	Clutch cable	1	
15	AP8212986	LH lights selector	1	<b>Country:</b> USA (49 Countries Approval)[AM], United States of America[USA] <b>Technical Specifications:</b> National approval[PG]
15	AP8224116	LH lights selector	1	<b>Country:</b> Austria[A], Belgium[B], Brasil[BR], Germany[D], Denmark[DK], Spain[E], A,B,D,GR,E,F,UK,NL,P[EU], France[F], Great Britain[GR], Italy[I], I[II], Israel[IL], Japan[J], J[JJ], Holland[NL], Portugal[P], Rep. of Korea[ROK], Finland[SF], Great Britain[UK] <b>Technical Specifications:</b> National approval[PG]
15	AP8224413	LH lights selector	1	<b>Technical Specifications:</b> European approval (frame ZD4SE)[SE], European approval (frame ZD4TS)[TS]
16	AP8150285	Hex socket screw M6x35*	1	
17	AP8214219	Choke cable	1	<b>Technical Specifications:</b> European approval (frame ZD4SE)[SE], European approval (frame ZD4TS)[TS]

<b>Assembly</b>	FRAME
<b>Code</b>	28.18
<b>Description</b>	Water cooler
<b>Revision</b>	1



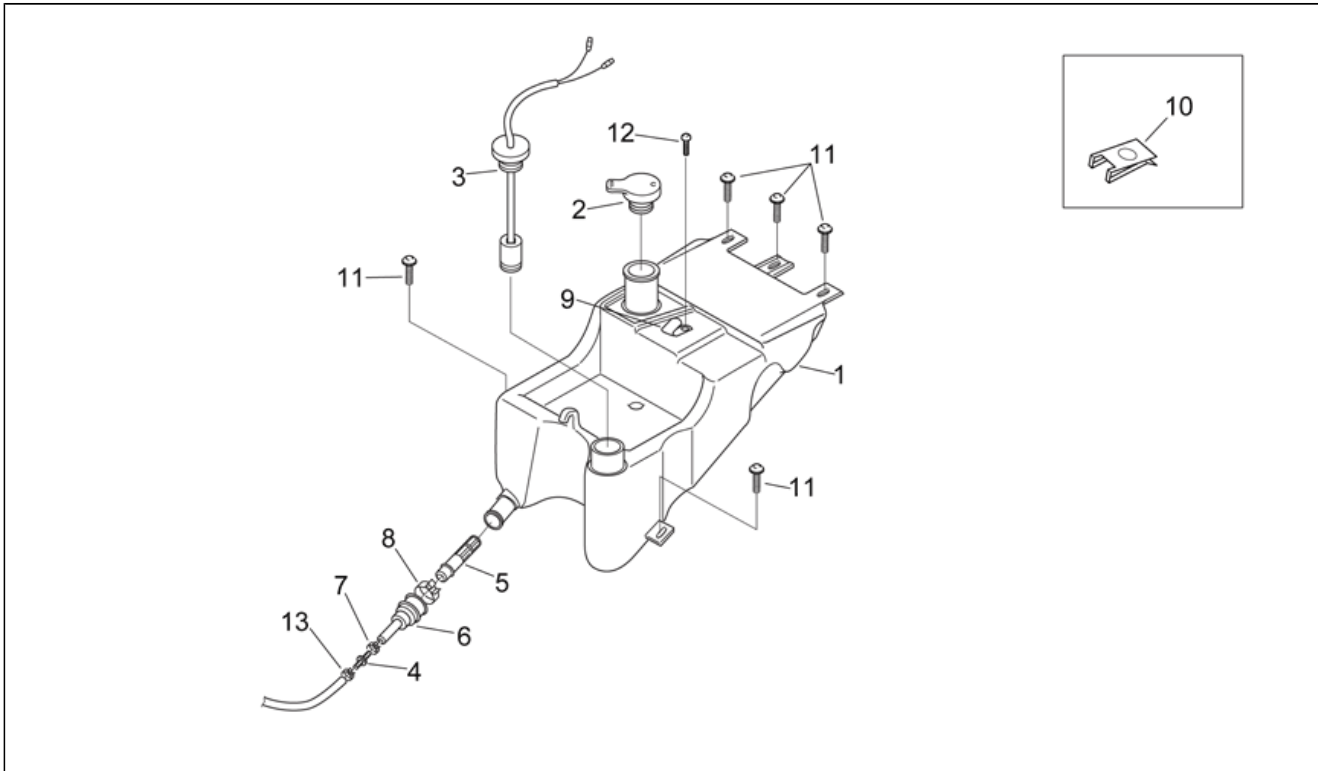
Pos.	Code	Description	Q.ty	Variants
1	AP8201476	Water cooler	1	
2	AP8234158	Water cooler support	1	
3	AP8101372	Silent-block	2	
4	AP8120030	Rubber spacer *	1	
5	AP8201312	Filler cap	1	
6	AP8201463	Rad cap w/ vent	1	
7	AP8220104	Hose clamp D25-45x8*	1	
8	AP8152277	Screw w/ flange M6x12*	1	
9	AP8220235	Water rad.feed pipe	1	
10	AP8102376	Clip M6	1	
11	AP8206977	Pipe	1	<b>Technical Specifications:</b> European approval (frame ZD4SE) [SE], European approval (frame ZD4TS)[TS]
11	AP8220450	Rubber fabric reinforced hose	1	<b>Technical Specifications:</b> National approval[PG]
12	AP8102239	Hose clamp 12,5x8	4	<b>Technical Specifications:</b> National approval[PG]
12	AP8202177	Hose clip D.8	4	<b>Technical Specifications:</b> European approval (frame ZD4SE) [SE], European approval (frame ZD4TS)[TS]
13	AP8101927	Hose clip D23,5x8*	5	
14	AP8220415	Tee union	1	<b>Technical Specifications:</b> National approval[PG]
15	AP8220496	Water cooler-pump tube	1	<b>Technical Specifications:</b> National approval[PG]
15	AP8220613	Water cooler-pump tube	1	<b>Technical Specifications:</b> European approval (frame ZD4SE) [SE], European approval (frame ZD4TS)[TS]
16	AP8220512	Pump connection hose	1	<b>Technical Specifications:</b> National approval[PG]
17	AP8220511	Water cooler-head tube	1	
18	AP8101722	Hose clip D25x8,6	1	
19	AP8239450	Dashboard lockup, black	1	
20	AP8152277	Screw w/ flange M6x12*	1	
21	AP8201169	Hose clip D22x8,6*	1	

<b>Assembly</b>	FRAME
<b>Code</b>	28.19
<b>Description</b>	Air box
<b>Revision</b>	1



Pos.	Code	Description	Q.ty	Variants
1	AP8239448	Filter housing cover	1	year:2001[1], 1999[X], 2000[Y]
1	AP8258334	Filter housing cover	1	year:2002[2], 2003[3], 2004[4]
2	AP8239464	Filter housing base	1	<b>Technical Specifications:</b> Euro1 homologation[E1], National approval[PG], European approval (frame ZD4SE)[SE], European approval (frame ZD4TS)[TS]
2	AP8268159	Filter housing base	1	<b>Technical Specifications:</b> Euro2 homologation[E2], European approval (frame ZD4SE)[SE], European approval (frame ZD4TS)[TS]
3	AP8202096	Air filter	1	
4	AP8239640	Filter mesh	1	
5	AP8220504	Intake hose	1	<b>Technical Specifications:</b> National approval[PG]
5	AP8220612	Intake hose	1	<b>Technical Specifications:</b> European approval (frame ZD4SE)[SE], European approval (frame ZD4TS)[TS]
6	AP8102401	Hose clamp D50-70x8*	1	<b>Technical Specifications:</b> National approval[PG]
6	AP8220104	Hose clamp D25-45x8*	1	year: 2002[2] <b>Technical Specifications:</b> European approval (frame ZD4SE)[SE], European approval (frame ZD4TS)[TS]
6	AP8221159	Hose collar	1	year: 2003[3], 2004[4] <b>Technical Specifications:</b> European approval (frame ZD4SE)[SE], European approval (frame ZD4TS)[TS]
7	AP8120615	Gasket D3	1	
8	AP8152278	Screw w/ flange M6x16*	1	
9	AP8120952	Fuel pipe 5,5x10	1	
10	AP8152329	Phillips screw, SWP M5X20	6	
11	AP8258335	Air box cpl.	1	<b>Technical Specifications:</b> Euro1 homologation[E1], National approval[PG], European approval (frame ZD4SE)[SE], European approval (frame ZD4TS)[TS]
11	AP8268161	Air box cpl.	1	<b>Technical Specifications:</b> Euro2 homologation[E2]

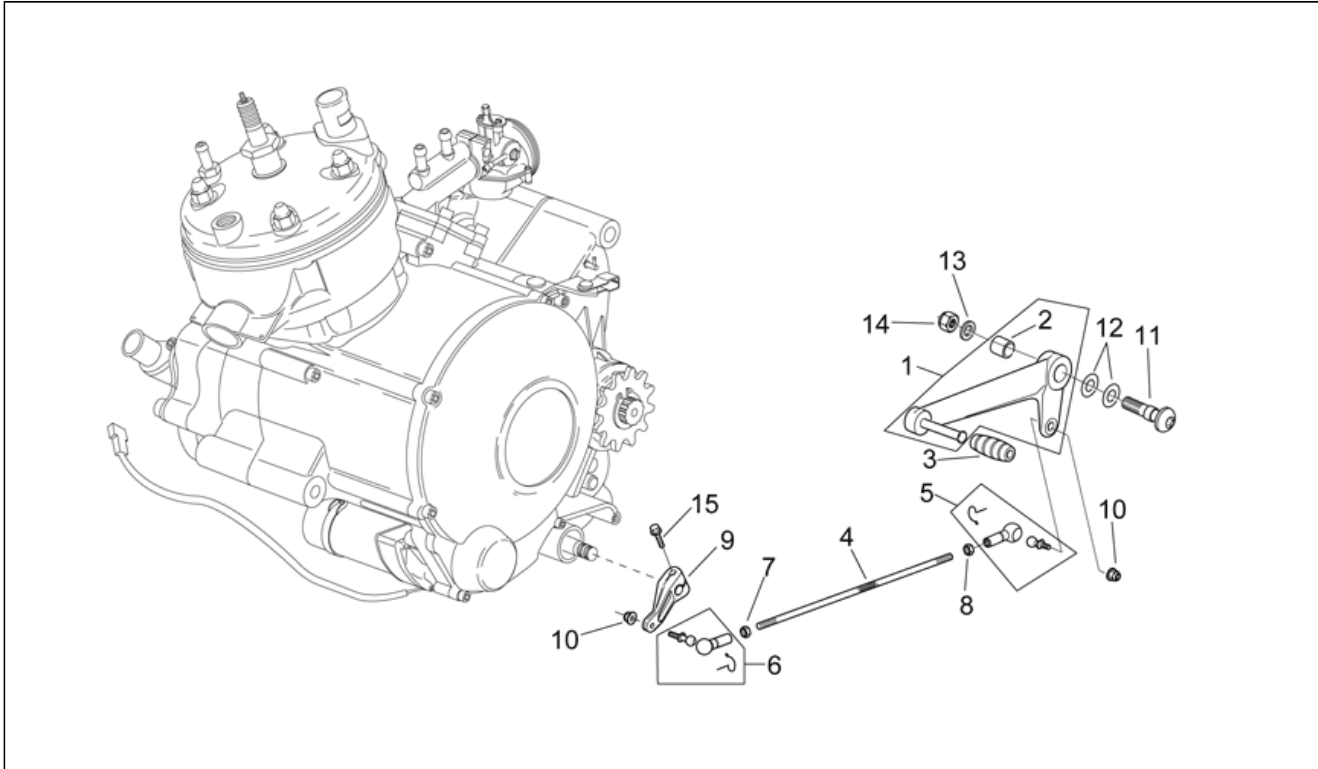
<b>Assembly</b>	FRAME
<b>Code</b>	28.21
<b>Description</b>	Oil tank
<b>Revision</b>	1



Pos.	Code	Description	Q.ty	Variants
1	AP8239468	Oil tank	1	
2	AP8220421	Oil filler cap	1	
3	AP8212976	Oil reserve indicator	1	
4	AP8101944	2-way union	1	
5	AP8102224	Mixer oil filter	1	
6	AP8102223	Rubber spacer *	1	
7	AP8101770	Hose clip D8x5,5*	1	
8	AP8101743	Hose clip D23,5x8*	1	
9	AP8101313	Battery hook	1	
10	AP8102375	Clip M5	1	
11	AP8152246	Screw w/ flange M6x16*	5	
12	AP8152267	Hex socket screw M5x12*	1	
13	AP8102926	Hose clip D7	1	

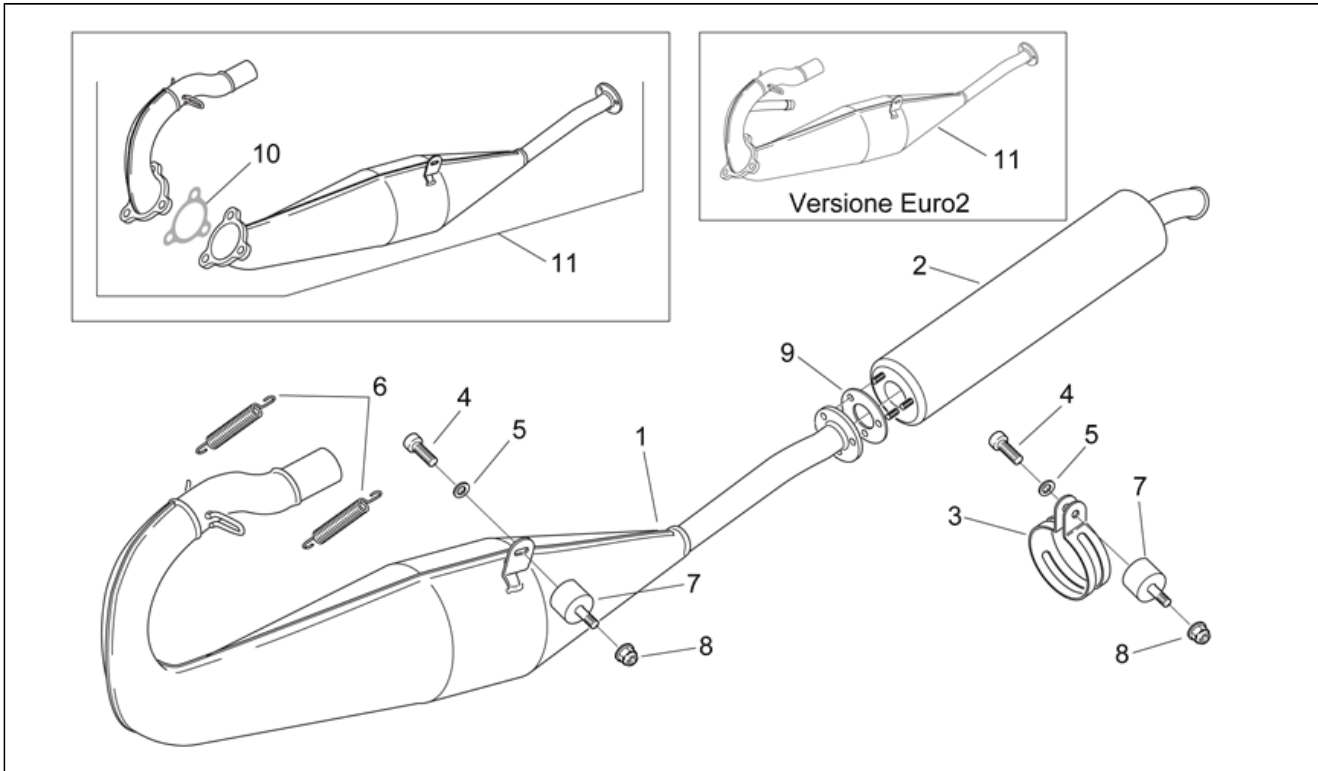


<b>Assembly</b>	FRAME
<b>Code</b>	28.23
<b>Description</b>	Gear lever
<b>Revision</b>	1



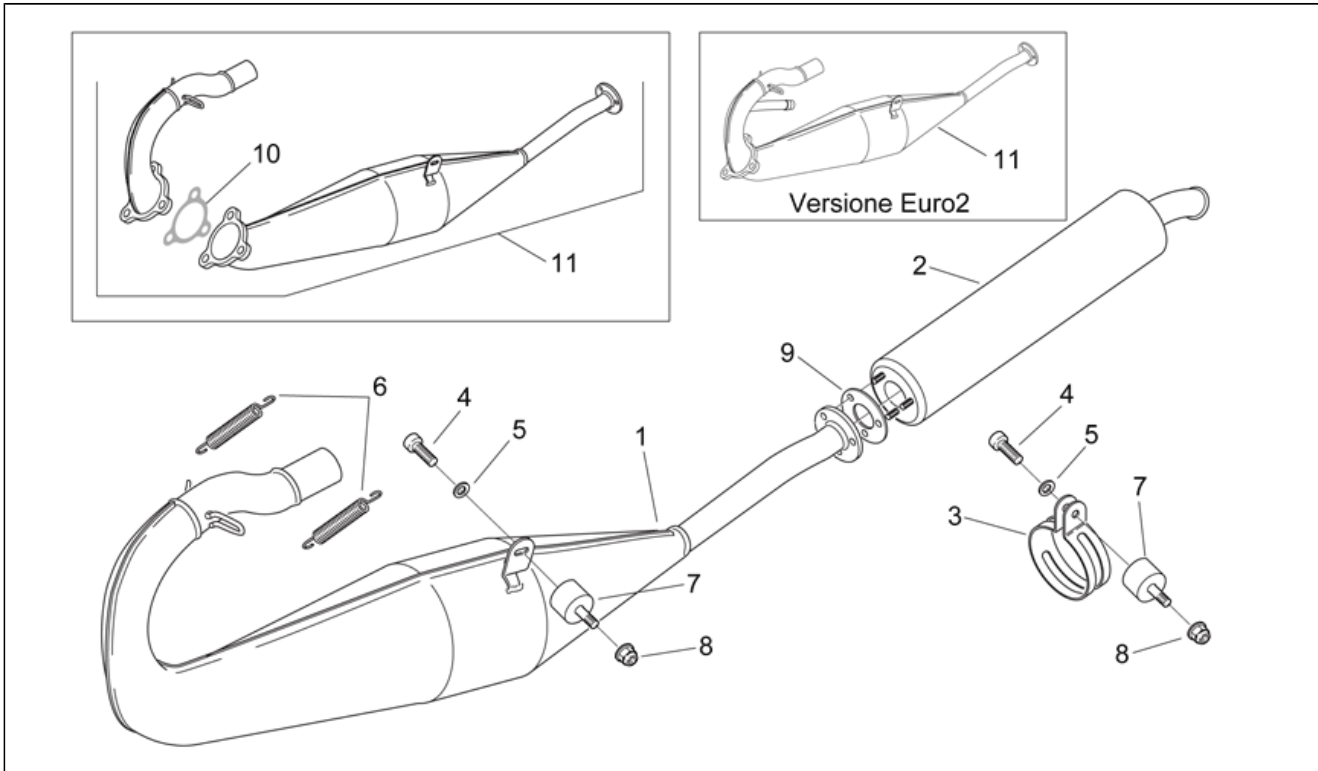
Pos.	Code	Description	Q.ty	Variants
1	AP8235011	Gear lever	1	
2	AP8121147	Spacer *	1	
3	AP8120912	Lever rubber	1	
4	AP8221257	Gearbox linkage rod	1	
5	AP8210007	RH ball joint M6	1	
6	AP8110053	Left ball joint M6	1	
7	AP8152138	Nut M6 sx *	1	
8	AP8150026	Nut M6*	1	
9	AP8232207	Gearbox connecting rod	1	
10	AP8150430	Low self-locking nut M6*	2	
11	AP8121284	Brake lever pin	1	
12	AP8121697	Belleville spring	2	
13	AP8152176	Washer 10,5X18X2*	1	
14	AP8150436	Low self-locking nut M10	1	
15	AP8152279	Screw w/ flange M6x20	1	

<b>Assembly</b>	FRAME
<b>Code</b>	28.24
<b>Description</b>	Exhaust unit
<b>Revision</b>	1



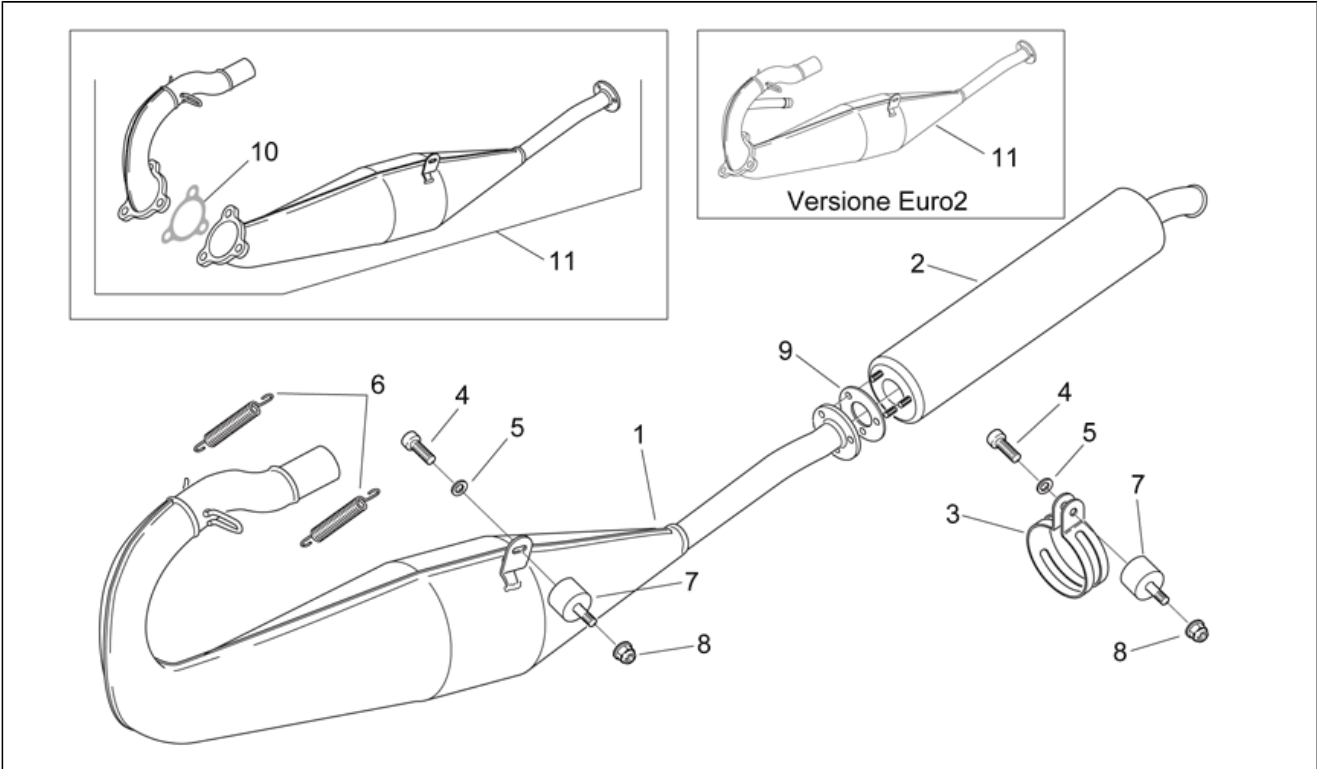
Pos.	Code	Description	Q.ty	Variants
1	AP8219378	Exhaust pipe -i-	1	<b>Country:</b> Brasil[BR], A,B,D,GR,E,F,UK,NL,P[EU], Great Britain[GR], Italy[I], I[II], Israel[IL] <b>Technical Specifications:</b> National approval[PG]
1	AP8219455	Exhaust pipe - F	1	<b>Country:</b> Belgium[B], Denmark[DK], A,B,D,GR,E,F,UK,NL,P[EU], France[F], I[II] <b>Technical Specifications:</b> National approval[PG]
1	AP8219456	Exhaust pipe -d-	1	<b>Country:</b> Germany[D], A,B,D,GR,E,F,UK,NL,P[EU], Japan[J], J[JJ], Rep. of Korea[ROK] <b>Technical Specifications:</b> National approval[PG]
1	AP8219459	Exhaust pipe -nl-	1	<b>Country:</b> A,B,D,GR,E,F,UK,NL,P[EU], Holland[NL], Finland[SF] <b>Technical Specifications:</b> National approval[PG]
1	AP8219460	Cat.exhaust pipe - A	1	<b>Country:</b> Austria[A], A,B,D,GR,E,F,UK,NL,P[EU] <b>Technical Specifications:</b> National approval[PG]
1	AP8219461	Exhaust pipe -E-	1	<b>Country:</b> Spain[E], A,B,D,GR,E,F,UK,NL,P[EU], Portugal[P], Great Britain[UK] <b>Technical Specifications:</b> National approval[PG]
1	AP8219469	Exhaust pipe -USA-	1	<b>Country:</b> USA (49 Countries Approval)[AM], United States of America[USA] <b>Technical Specifications:</b> National approval[PG]
1	AP8219591	Cat.exhaust pipe	1	<b>Country:</b> Switzerland[SZ] <b>Technical Specifications:</b> Euro1 homologation[E1], Full Power Version[f.p.], European approval (frame ZD4TS)[TS]
2	AP8219377	Silencer	1	<b>Country:</b> Belgium[B], Brasil[BR], Germany[D], Denmark[DK], Spain[E], A,B,D,GR,E,F,UK,NL,P[EU], France[F], Great Britain[GR], Italy[I], I[II], Israel[IL], Japan[J], J[JJ], Holland[NL], Portugal[P], Rep. of Korea[ROK], Finland[SF], Great Britain[UK] <b>Technical Specifications:</b> National approval[PG]
2	AP8219462	Silencer	1	<b>Country:</b> Austria[A], A,B,D,GR,E,F,UK,NL,P[EU] <b>Technical Specifications:</b> National approval[PG]
2	AP8219470	Silencer	1	<b>Country:</b> USA (49 Countries Approval)[AM], United States of America[USA] <b>Technical Specifications:</b> National approval[PG]

<b>Assembly</b>	FRAME
<b>Code</b>	28.24
<b>Description</b>	Exhaust unit
<b>Revision</b>	1



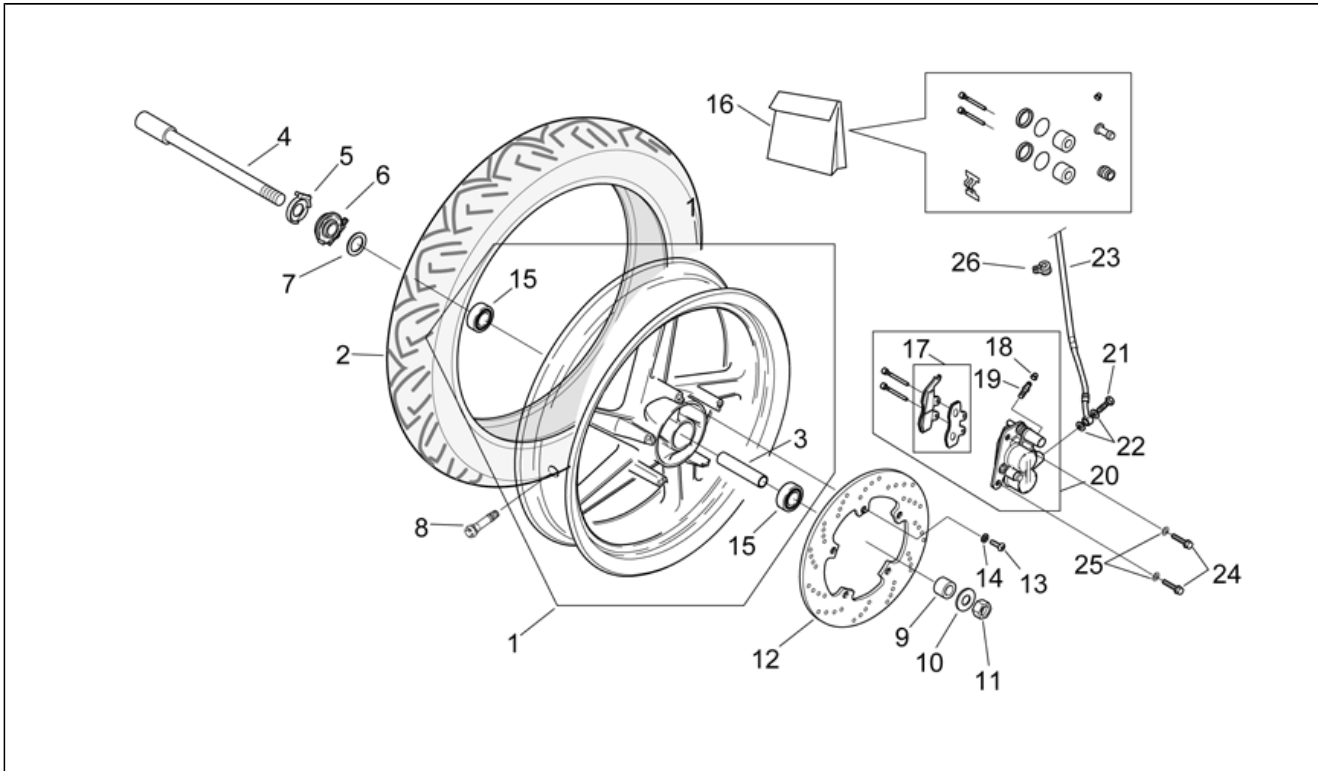
Pos.	Code	Description	Q.ty	Variants
2	AP8219546	Silencer	1	<b>Technical Specifications:</b> Euro1 homologation[E1], Euro2 homologation[E2], European approval (frame ZD4SE)[SE], European approval (frame ZD4TS)[TS]
3	AP8102432	Silencer clip	1	<b>Country:</b> Austria[A], A,B,D,GR,E,F,UK,NL,P[EU] <b>Technical Specifications:</b> National approval[PG]
3	AP8102432	Silencer clip	1	<b>Technical Specifications:</b> Euro1 homologation[E1], Euro2 homologation[E2], European approval (frame ZD4SE)[SE], European approval (frame ZD4TS)[TS]
3	AP8221258	Silencer clip	1	<b>Country:</b> Belgium[B], Brasil[BR], Germany[D], Denmark[DK], Spain[E], A,B,D,GR,E,F,UK,NL,P[EU], France[F], Great Britain[GR], Italy[I], I[II], Israel[IL], Japan[J], Japan[J], Holland[NL], Portugal[P], Rep. of Korea[ROK], Finland[SF], Great Britain[UK], United States of America[USA] <b>Technical Specifications:</b> National approval[PG]
4	AP8152112	Hex socket screw M8x12*	2	
5	AP8150017	Washer 8,4x16x1,6*	2	
6	AP8101259	Coil pull spring *	2	
7	AP8120910	Silent-block	2	
8	AP8152300	Self-locking nut M8*	2	
9	AP8120812	Silencer gasket	1	
10	AP8219325	Exhaust pipe flange gasket	1	<b>Technical Specifications:</b> Limited version 45Km/h[45km], Euro1 homologation[E1], European approval (frame ZD4SE)[SE]
11	AP8219578	Cat.exhaust pipe	1	<b>Technical Specifications:</b> Limited version 45Km/h[45km], Euro1 homologation[E1], European approval (frame ZD4SE)[SE]
11	AP8219610	Exhaust pipe E2	1	<b>Technical Specifications:</b> Limited version 45Km/h[45km], Euro2 homologation[E2], European approval (frame ZD4SE)[SE]
11	AP8219611	Exhaust pipe E2	1	<b>Technical Specifications:</b> Euro2 homologation[E2], Full Power Version[f.p.], European approval (frame ZD4TS)[TS]

<b>Assembly</b>	FRAME
<b>Code</b>	28.24
<b>Description</b>	Exhaust unit
<b>Revision</b>	1



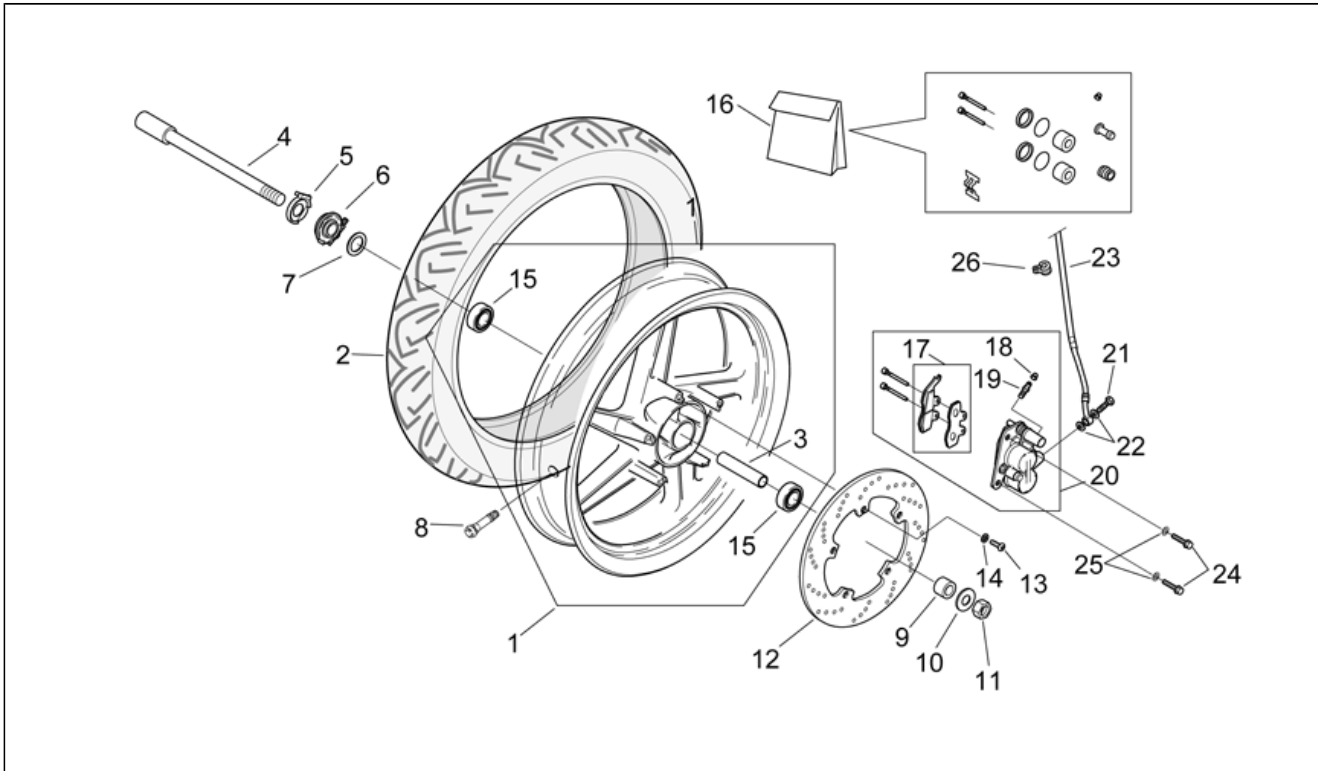
Pos.	Code	Description	Q.ty	Variants
11	AP8219617	Exhaust pipe E2	1	<b>Technical Specifications:</b> Limited version 60Km/h[60km], Euro2 homologation[E2], European approval (frame ZD4TS) [TS]

<b>Assembly</b>	FRAME
<b>Code</b>	28.25
<b>Description</b>	Front wheel
<b>Revision</b>	1



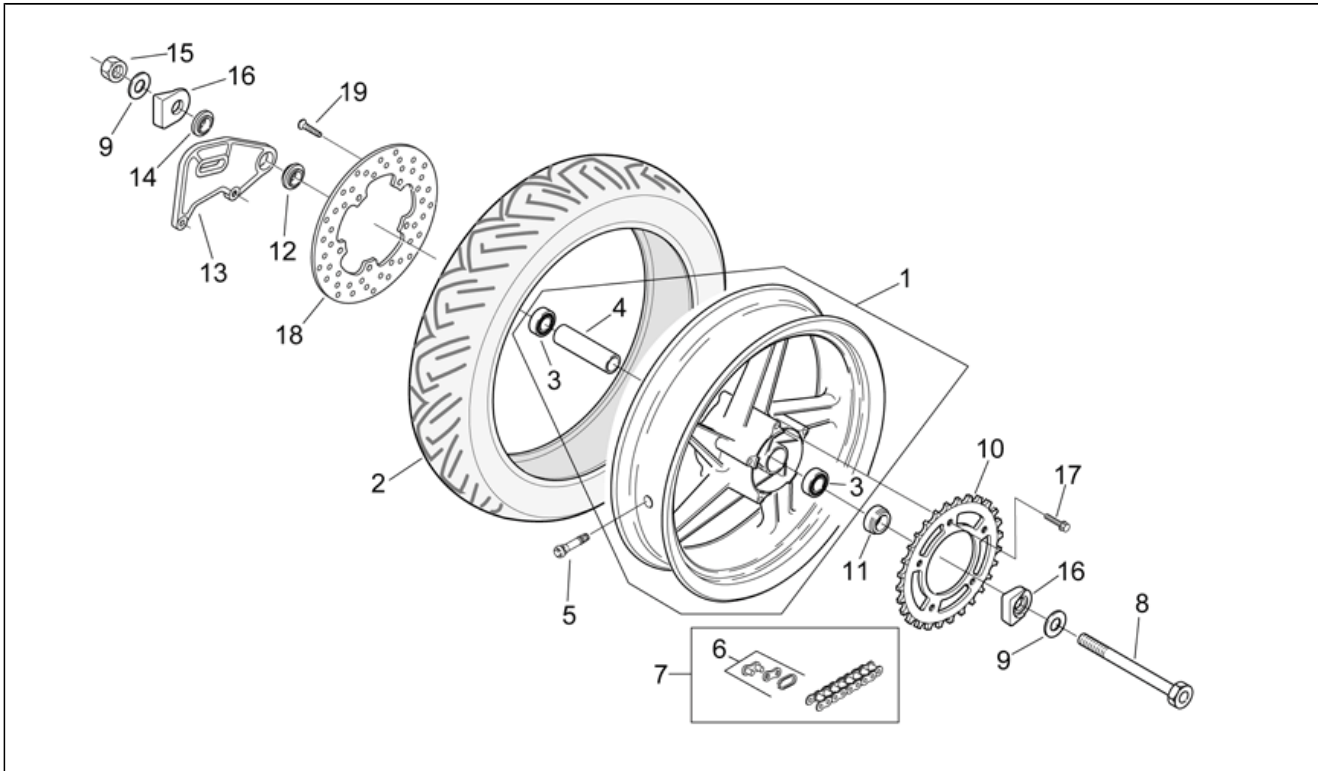
Pos.	Code	Description	Q.ty	Variants
1	AP8128119	Front wheel, red	1	year: 2004[4] Color:Poggiali Black 2004[a.blk]
1	AP8208573	Front wheel, black	1	year: 2003[3] Color:Way blue 2003[b.way], GP1 Black '03[g.bl]
1	AP8208573	Front wheel, black	1	year:2001[1], 2002[2], 1999[X], 2000[Y]
1	AP8208735	Front wheel, black	1	year: 2004[4] Color:Poggiali White 2004[white]
1	AP8208735	Front wheel, black	1	year:2005[5]
1	AP8208803	Front wheel v.oro	1	year: 2003[3], 2004[4] Color:SBK Black '03[s.bl]
1	AP8208867	Front wheel, red	1	year: 2004[4] Color:Poggiali Black 2004[a.blk]
1	AP8208911	Front wheel, black	1	year: 2004[4] Color:Poggiali White 2004[white]
1	AP8208911	Front wheel, black	1	year:2005[5]
2	0000000	Tyre 110/90"	1	
3	AP8225335	Spacer	1	
4	AP8225354	Pin	1	
5	AP8201671	Odometer gear cover	1	
6	AP8201230	Odometer gear	1	
7	AP8225237	Washer 12x24x3	1	
8	AP8201546	Tubeless tyre valve	1	
9	AP8125431	Spacer	1	
10	AP8225237	Washer 12x24x3	1	
11	AP8225195	Nut M12x1,25*	1	
12	AP8213311	Front brake disc	1	
13	AP8213419	Screw	5	
14	AP8152105	Washer 6,4x10x,7*	5	year:2002[2], 2003[3], 2004[4], 2005[5]
14	AP8225206	Washer	5	year:2001[1], 1999[X], 2000[Y]

<b>Assembly</b>	FRAME
<b>Code</b>	28.25
<b>Description</b>	Front wheel
<b>Revision</b>	1



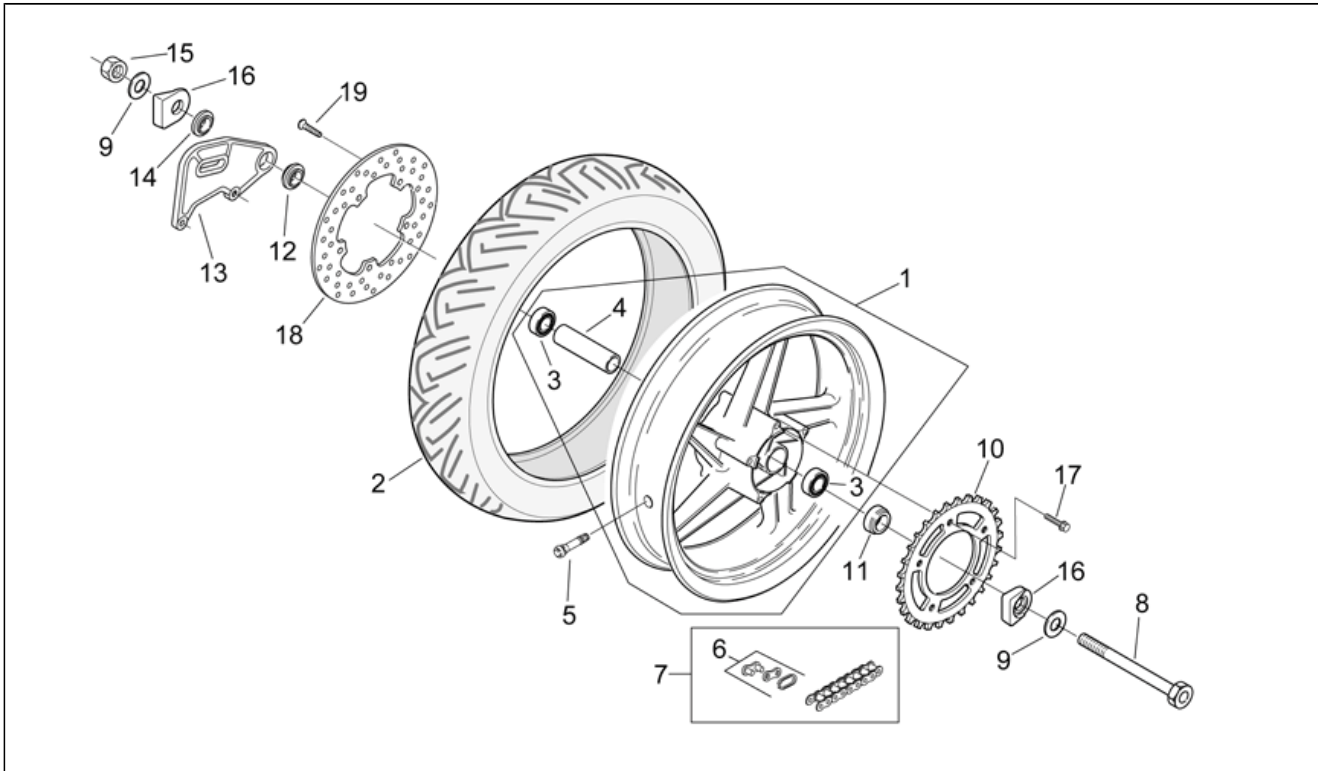
Pos.	Code	Description	Q.ty	Variants
15	AP8225123	Bearing	2	
16	AP8213423	Front brake caliper rev. kit	1	
17	AP8113478	Pads pair	1	
18	AP8113005	Bleed valve cap	1	
19	AP8213108	Air bleed valve	1	
20	AP8213413	Front brake caliper, red	1	
20	AP8213517	Front brake caliper, black	1	
21	AP8113003	Oil pipe screw *	2	
22	AP8113004	Washer 10x14x1,6*	4	
23	AP8213312	Front brake hose	1	
24	AP8152288	Screw w/ flange M8x30*	2	
25	AP8150376	Washer 8,5x15x0,8	2	
26	AP8134167	Brake hose hanger	1	

<b>Assembly</b>	FRAME
<b>Code</b>	28.26
<b>Description</b>	Rear wheel
<b>Revision</b>	1



Pos.	Code	Description	Q.ty	Variants
1	AP8128122	Rear wheel, red	1	year: 2004[4] Color:Poggiali Black 2004[a.blk]
1	AP8208571	Rear wheel, black	1	year: 2003[3] Color:Way blue 2003[b.way], GP1 Black '03[g.bl]
1	AP8208571	Rear wheel, black	1	year:2001[1], 2002[2], 1999[X], 2000[Y]
1	AP8208738	Rear wheel, black	1	year: 2004[4] Color:Poggiali White 2004[white]
1	AP8208738	Rear wheel, black	1	year:2005[5]
1	AP8208806	Rear wheel oro	1	year: 2003[3], 2004[4] Color:SBK Black '03[s.bl]
1	AP8208864	Rear wheel, red	1	year: 2004[4] Color:Poggiali Black 2004[a.blk]
1	AP8208914	Rear wheel, black	1	year: 2004[4] Color:Poggiali White 2004[white]
1	AP8208914	Rear wheel, black	1	year:2005[5]
2	0000000	Tyre 110/90"	1	
3	AP8225118	Bearing	2	
4	AP8225355	Rear wheel ins.spacer	1	
5	AP8201546	Tubeless tyre valve	1	
6	AP8207086	Connecting link	1	
7	AP8207077	Chain cpl conn.link	1	
8	AP8225333	Rear wheel spindle	1	
9	AP8225220	Plain washer	2	
10	AP8207076	Chain ring Z=47	1	
11	AP8125922	Spacer with collar	1	year:2005[5]
11	AP8125922	Spacer with collar	1	year:2004[4]
11	AP8225339	Spacer with collar	1	year:2005[5]
11	AP8225339	Spacer with collar	1	year:2004[4]
11	AP8225339	Spacer with collar	1	year:2001[1], 2002[2], 2003[3], 1999[X], 2000[Y]

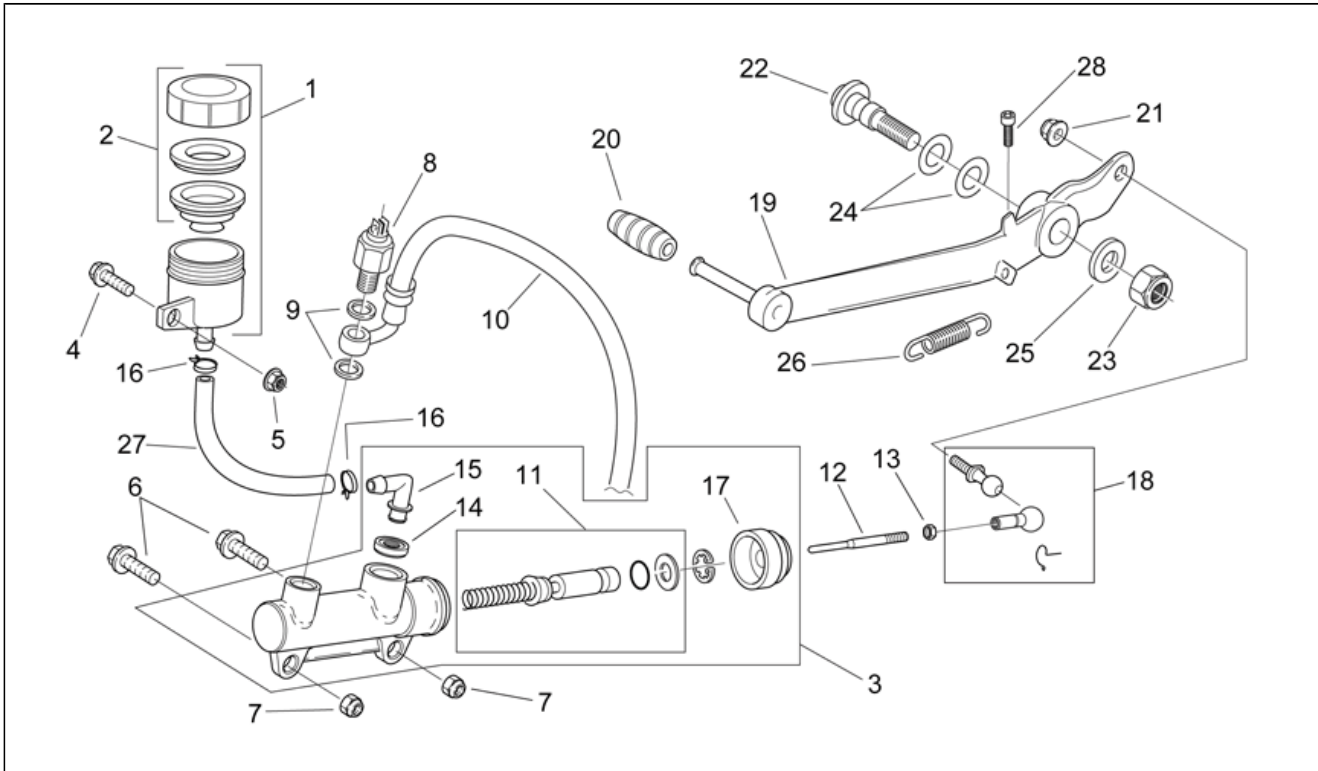
<b>Assembly</b>	FRAME
<b>Code</b>	28.26
<b>Description</b>	Rear wheel
<b>Revision</b>	1



Pos.	Code	Description	Q.ty	Variants
12	AP8121088	Spacer	1	year:2004[4]
12	AP8121088	Spacer	1	year:2001[1], 2002[2], 2003[3], 1999[X], 2000[Y]
12	AP8121088	Spacer	1	year:2005[5]
12	AP8125923	Spacer	1	year:2004[4]
12	AP8125923	Spacer	1	year:2005[5]
13	AP8234137	Caliper fixing plate	1	
14	AP8225235	Spacer	1	
15	AP8225208	Rear wheel spindle nut	1	
16	AP8220497	Chain guide plate	2	
17	AP8152286	Screw w/ flange M8x20	5	
18	AP8213317	Rear brake disc	1	
19	AP8213418	Screw	5	

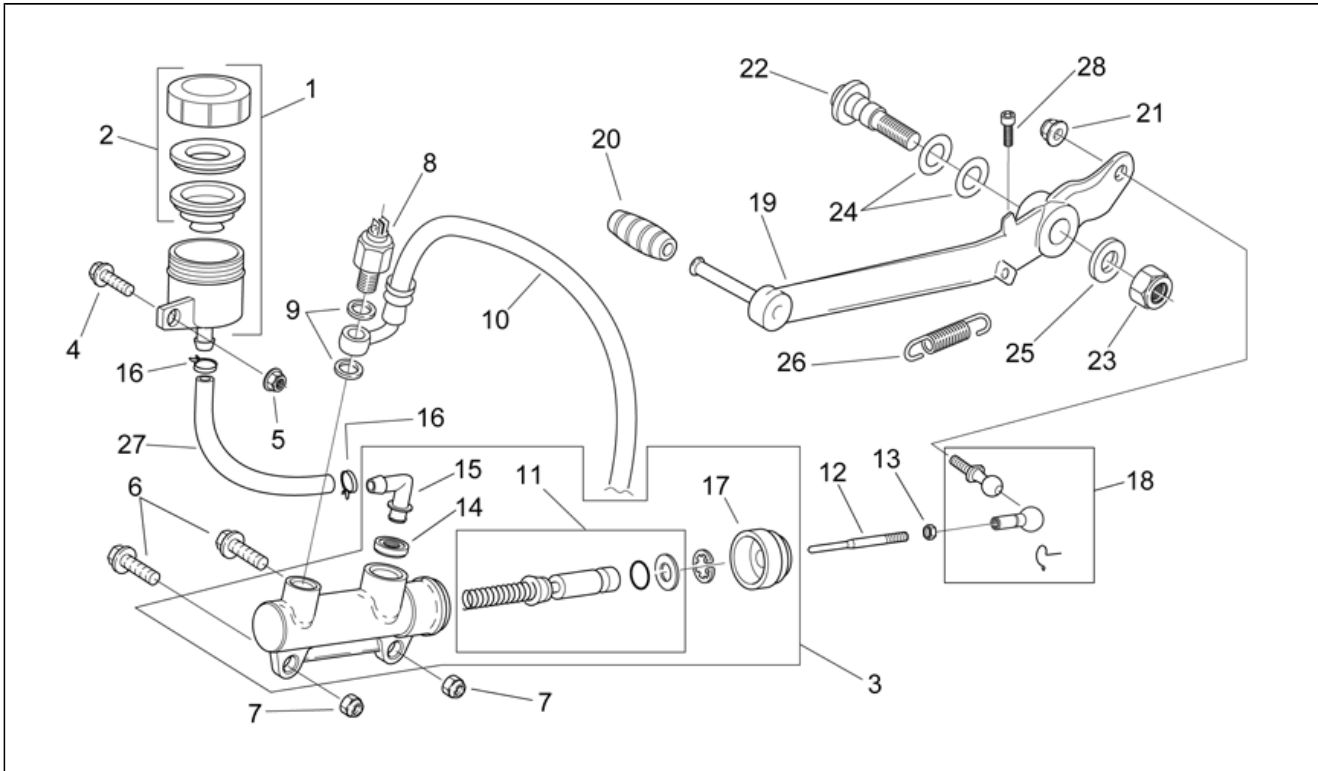


<b>Assembly</b>	FRAME
<b>Code</b>	28.27
<b>Description</b>	Rear master cylinder
<b>Revision</b>	1



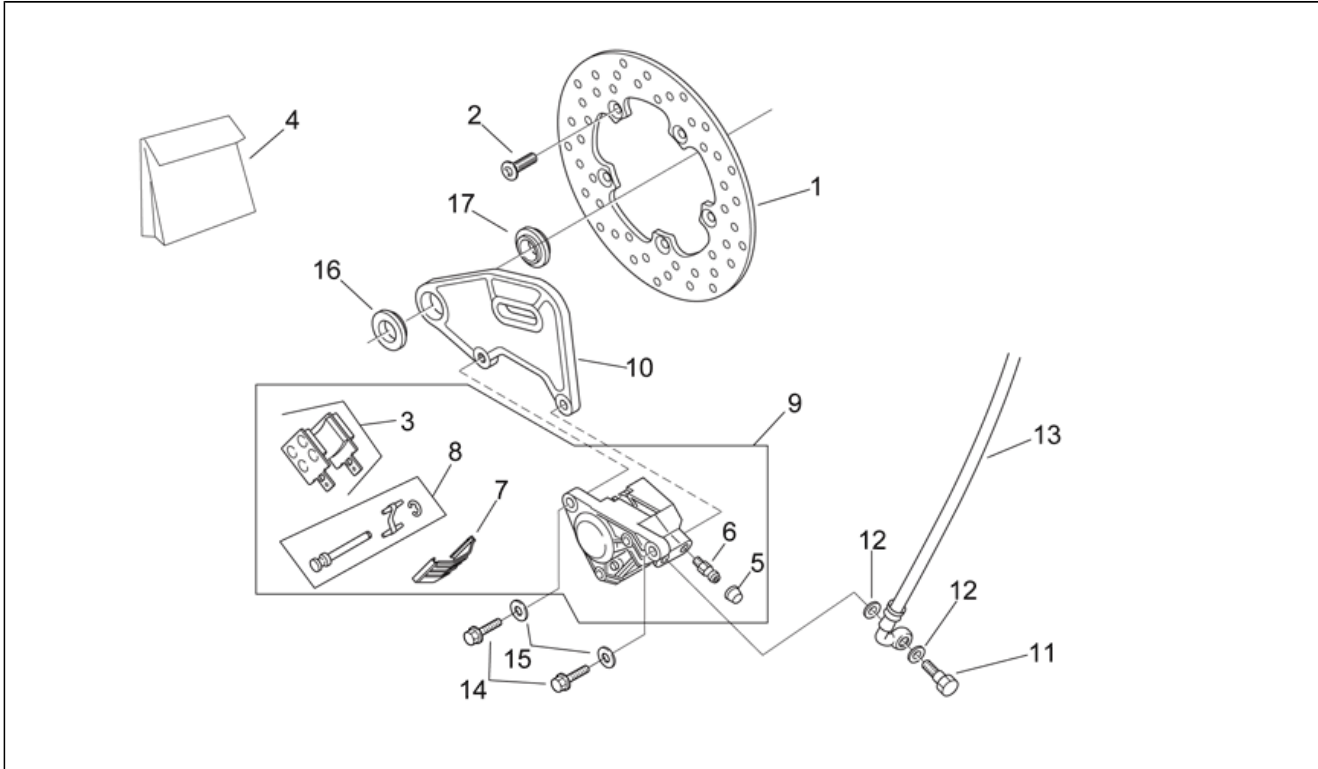
Pos.	Code	Description	Q.ty	Variants
1	AP8213446	Oil tank	1	
2	AP8131320	Oil filler cap	1	<b>Country:</b> Switzerland[SZ]
2	AP8131320	Oil filler cap	1	<b>Country:</b> Austria[A], Belgium[B], Brasil[BR], Germany[D], Denmark[DK], Spain[E], A,B,D,GR,E,F,UK,NL,P[EU], France[F], Great Britain[GR], Italy[I], I[II], Israel[IL], Japan[J], J[JJ], Holland[NL], Portugal[P], Rep. of Korea[ROK], Finland[SF], Great Britain[UK]
2	AP8213478	Oil filler cap	1	<b>Country:</b> USA (49 Countries Approval)[AM], United States of America[USA]
3	AP8213314	Rear master cylinder	1	
4	AP8152278	Screw w/ flange M6x16*	1	
5	AP8152299	Self-locking nut M6*	2	
6	AP8152279	Screw w/ flange M6x20	2	
7	AP8150430	Low self-locking nut M6*	2	
8	AP8124479	Brake light switch	1	
9	AP8113004	Washer 10x14x1,6*	2	
10	AP8213315	Rear brake hose	1	
11	AP8113822	Rear pump rev. kit	1	
12	AP8113276	Pump rod	1	
13	AP8150026	Nut M6*	1	
14	AP8113821	Union gasket	1	
15	AP8113157	Union	1	
16	AP8102811	Hose clamp D9,6	2	
17	AP8113823	Rear master cyl.cradle	1	
18	AP8210007	RH ball joint M6	1	
19	AP8235012	Rear brake lever	1	
20	AP8120912	Lever rubber	1	
21	AP8150025	Nut M5*	1	
22	AP8121149	Brake lever pin	1	

<b>Assembly</b>	FRAME
<b>Code</b>	28.27
<b>Description</b>	Rear master cylinder
<b>Revision</b>	1



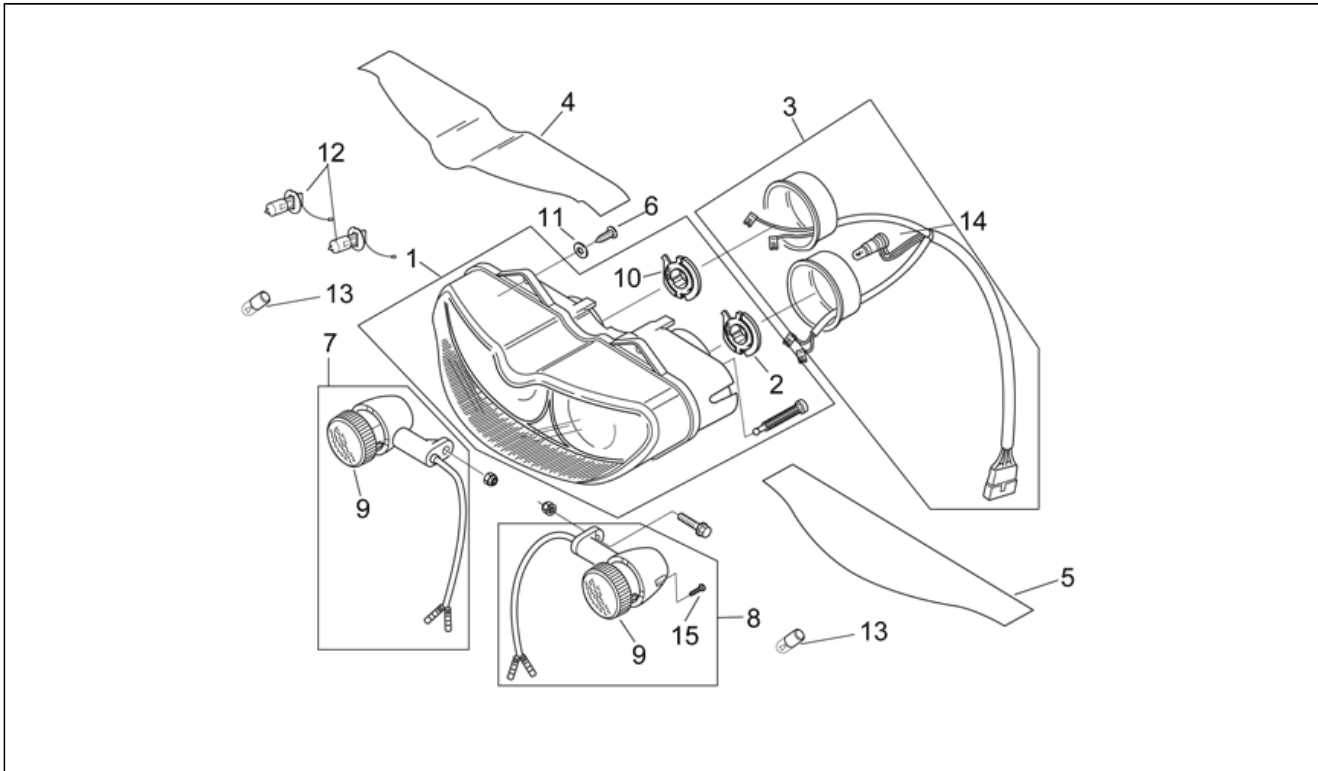
Pos.	Code	Description	Q.ty	Variants
23	AP8150436	Low self-locking nut M10	1	
24	AP8121697	Belleville spring	2	
25	AP8152176	Washer 10,5X18X2*	1	
26	AP8221289	Rear brake lever spring	1	
27	AP8144151	Rubber pipe	1	
28	AP8150280	Hex socket screw M5x16	1	

<b>Assembly</b>	FRAME
<b>Code</b>	28.28
<b>Description</b>	Rear brake caliper
<b>Revision</b>	1



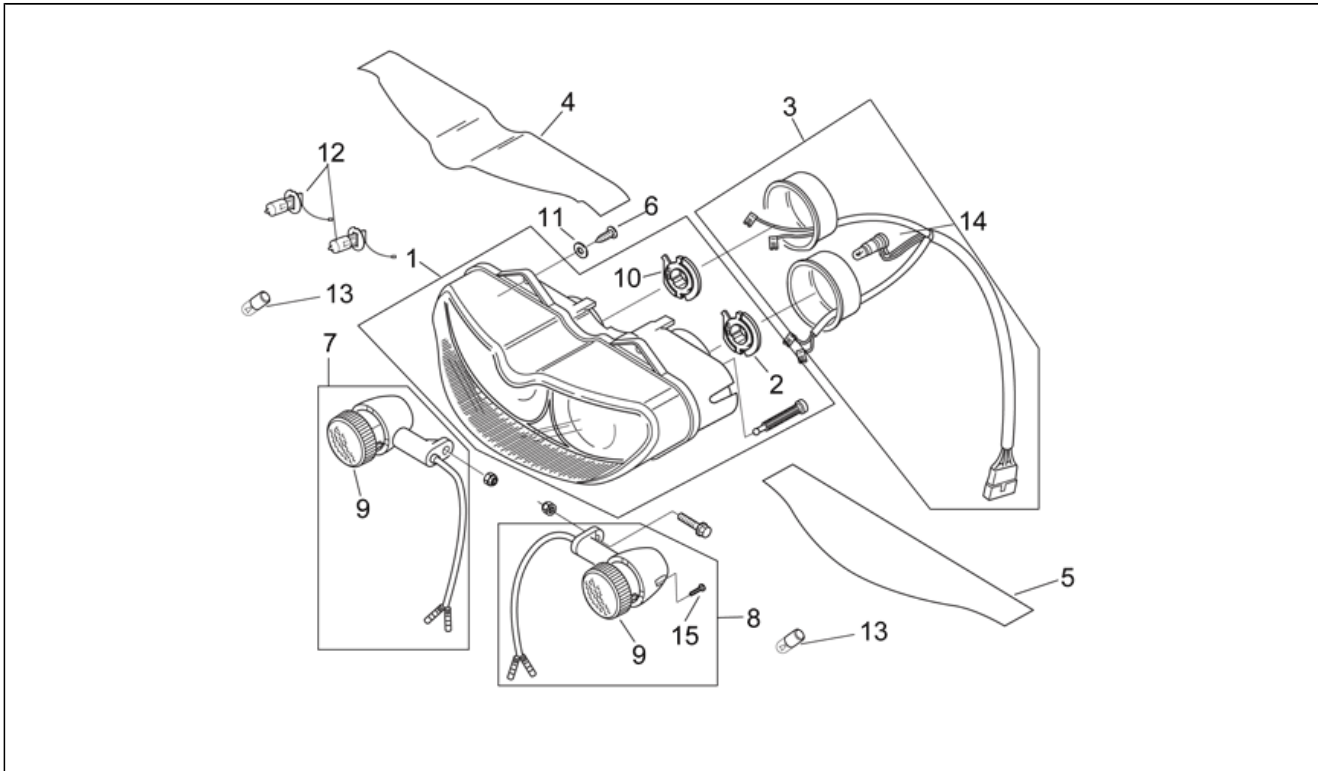
Pos.	Code	Description	Q.ty	Variants
1	AP8213317	Rear brake disc	1	
2	AP8213418	Screw	5	
3	AP8213104	Pads pair	1	
4	AP8213102	Brake caliper rev. kit	1	
5	AP8113005	Bleed valve cap	1	
6	AP8213108	Air bleed valve	1	
7	AP8213361	Rear brake caliper cover	1	
8	AP8213415	Pin+Brake spring	1	
9	AP8213414	Rear brake caliper, red	1	
9	AP8213518	Rear brake caliper, black	1	
10	AP8234137	Caliper fixing plate	1	
11	AP8113003	Oil pipe screw *	2	
12	AP8113004	Washer 10x14x1,6*	2	
13	AP8213315	Rear brake hose	1	
14	AP8152286	Screw w/ flange M8x20	2	
15	AP8150376	Washer 8,5x15x0,8	2	
16	AP8225235	Spacer	1	
17	AP8121088	Spacer	1	

<b>Assembly</b>	FRAME
<b>Code</b>	28.29
<b>Description</b>	Front lights
<b>Revision</b>	1



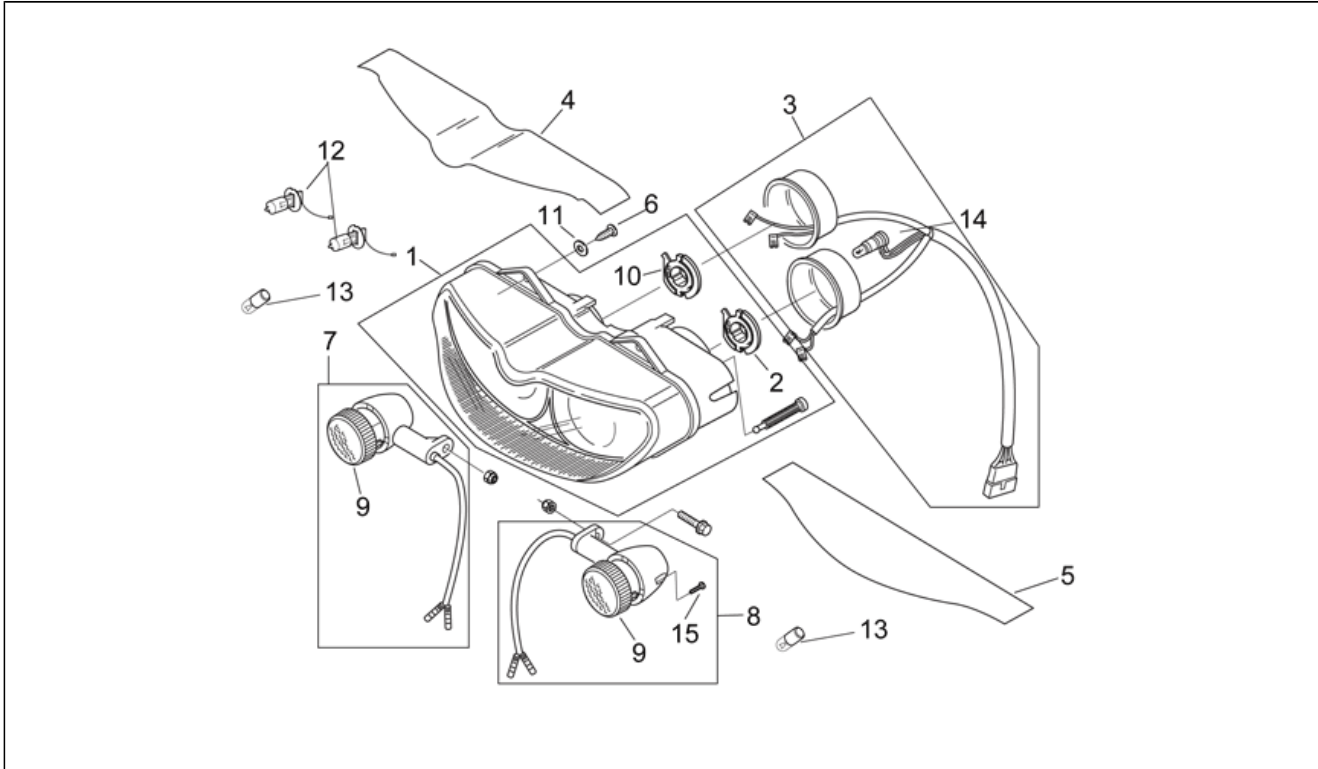
Pos.	Code	Description	Q.ty	Variants
1	AP8212971	Headlight	1	<b>Country:</b> Austria[A], Belgium[B], Brasil[BR], Germany[D], Denmark[DK], Spain[E], A,B,D,GR,E,F,UK,NL,P[EU], France[F], Great Britain[GR], Italy[I], I[II], Israel[IL], Japan[J], J[JJ], Holland[NL], Portugal[P], Rep. of Korea[ROK], Finland[SF], Great Britain[UK]
1	AP8212971	Headlight	1	<b>Country:</b> Switzerland[SZ]
1	AP8224189	Headlight	1	<b>Country:</b> USA (49 Countries Approval)[AM], United States of America[USA]
2	AP8224154	Lampholder, high-beam cpl.	1	
3	AP8212967	Headlight wiring w/harness	1	
4	AP8147545	Upper light guard decal	1	
5	AP8147546	Lower light guard decal	1	
6	AP8150270	Screw 4,2x20*	5	
7	AP8124134	RH front turn indicator	1	<b>Country:</b> Austria[A], Belgium[B], Brasil[BR], Germany[D], Denmark[DK], Spain[E], A,B,D,GR,E,F,UK,NL,P[EU], France[F], Great Britain[GR], Italy[I], I[II], Israel[IL], Japan[J], J[JJ], Holland[NL], Portugal[P], Rep. of Korea[ROK], Finland[SF], Great Britain[UK] <b>Technical Specifications:</b> Euro1 homologation[E1], National approval[PG], European approval (frame ZD4SE)[SE]
7	AP8124134	RH front turn indicator	1	<b>Country:</b> Switzerland[SZ] <b>Technical Specifications:</b> Euro1 homologation[E1], National approval[PG], European approval (frame ZD4TS)[TS]
7	AP8127536	RH front/LH rear turn indic.	1	<b>Technical Specifications:</b> Euro2 homologation[E2], European approval (frame ZD4SE)[SE], European approval (frame ZD4TS)[TS]
7	AP8224197	RH front/LH rear turn indic.	1	<b>Country:</b> USA (49 Countries Approval)[AM], United States of America[USA] <b>Technical Specifications:</b> Euro1 homologation[E1], National approval[PG], European approval (frame ZD4SE)[SE]
8	AP8124135	LH front turn indicator	1	<b>Country:</b> Austria[A], Belgium[B], Brasil[BR], Germany[D], Denmark[DK], Spain[E], A,B,D,GR,E,F,UK,NL,P[EU], France[F], Great Britain[GR], Italy[I], I[II], Israel[IL], Japan[J],

<b>Assembly</b>	FRAME
<b>Code</b>	28.29
<b>Description</b>	Front lights
<b>Revision</b>	1



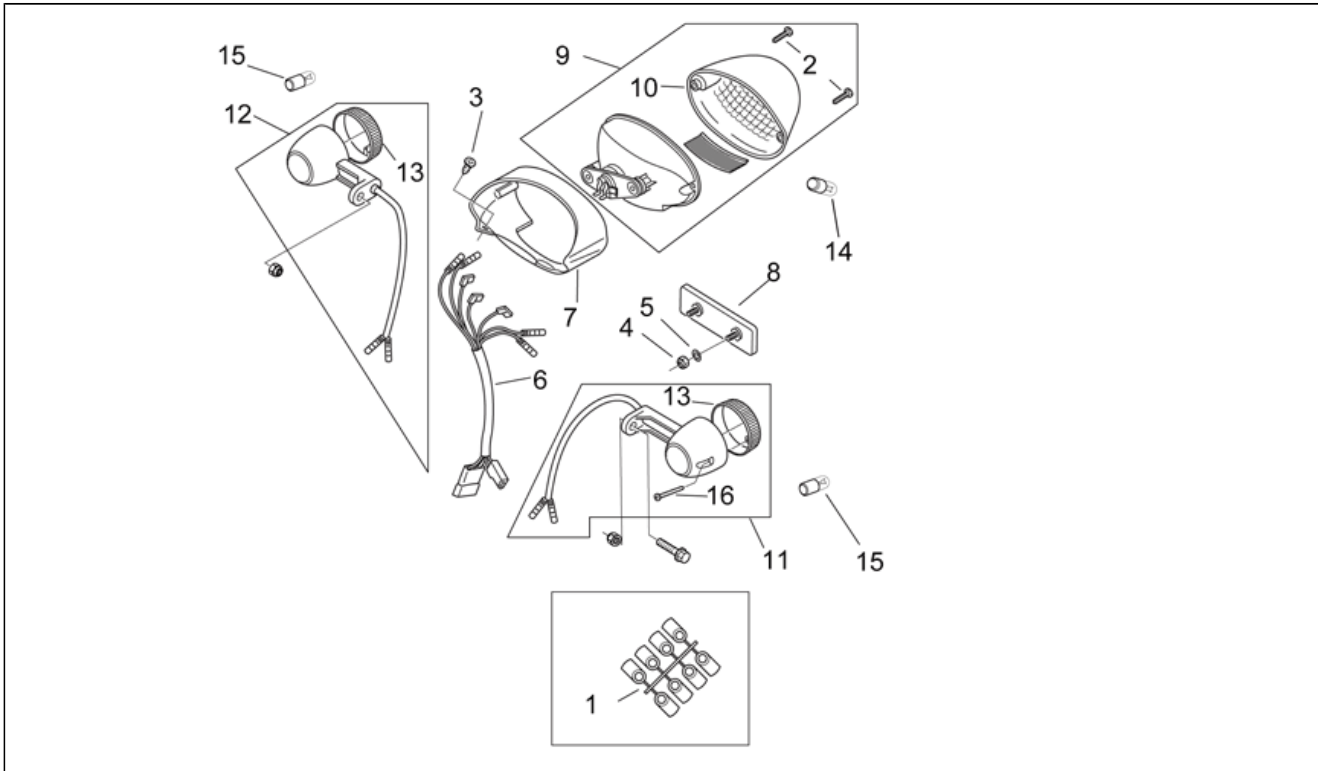
Pos.	Code	Description	Q.ty	Variants
				J[JJ], Holland[NL], Portugal[P], Rep. of Korea[ROK], Finland[SF], Great Britain[UK] <b>Technical Specifications:</b> Euro1 homologation[E1], National approval[PG], European approval (frame ZD4SE)[SE]
8	AP8124135	LH front turn indicator	1	<b>Country:</b> Switzerland[SZ] <b>Technical Specifications:</b> Euro1 homologation[E1], National approval[PG], European approval (frame ZD4TS)[TS]
8	AP8127535	LH front/RH rear turn indic.	1	<b>Technical Specifications:</b> Euro2 homologation[E2], European approval (frame ZD4SE)[SE], European approval (frame ZD4TS)[TS]
8	AP8224198	LH front/RH rear turn indic.	1	<b>Country:</b> USA (49 Countries Approval)[AM], United States of America[USA] <b>Technical Specifications:</b> Euro1 homologation[E1], National approval[PG], European approval (frame ZD4SE)[SE]
9	AP8127633	Turn indicator lens	2	<b>Technical Specifications:</b> Euro2 homologation[E2], European approval (frame ZD4SE)[SE], European approval (frame ZD4TS)[TS]
9	AP8212680	Turn indicator lens	2	<b>Country:</b> Austria[A], Belgium[B], Brasil[BR], Germany[D], Denmark[DK], Spain[E], A,B,D,GR,E,F,UK,NL,P[EU], France[F], Great Britain[GR], Italy[I], I[II], Israel[IL], Japan[J], J[JJ], Holland[NL], Portugal[P], Rep. of Korea[ROK], Finland[SF], Great Britain[UK] <b>Technical Specifications:</b> Euro1 homologation[E1], National approval[PG], European approval (frame ZD4SE)[SE]
9	AP8212680	Turn indicator lens	2	<b>Country:</b> Switzerland[SZ] <b>Technical Specifications:</b> Euro1 homologation[E1], National approval[PG], European approval (frame ZD4TS)[TS]
9	AP8224258	Turn indicator lens	2	<b>Country:</b> USA (49 Countries Approval)[AM], United States of America[USA] <b>Technical Specifications:</b> Euro1 homologation[E1], National approval[PG], European approval (frame ZD4SE)[SE]
10	AP8224156	Lampholder, low-beam cpl.	1	
11	AP8150177	Washer 5,3x10x1*	3	
12	AP8224391	Lamp S2 35/35w 12v	2	

<b>Assembly</b>	FRAME
<b>Code</b>	28.29
<b>Description</b>	Front lights
<b>Revision</b>	1



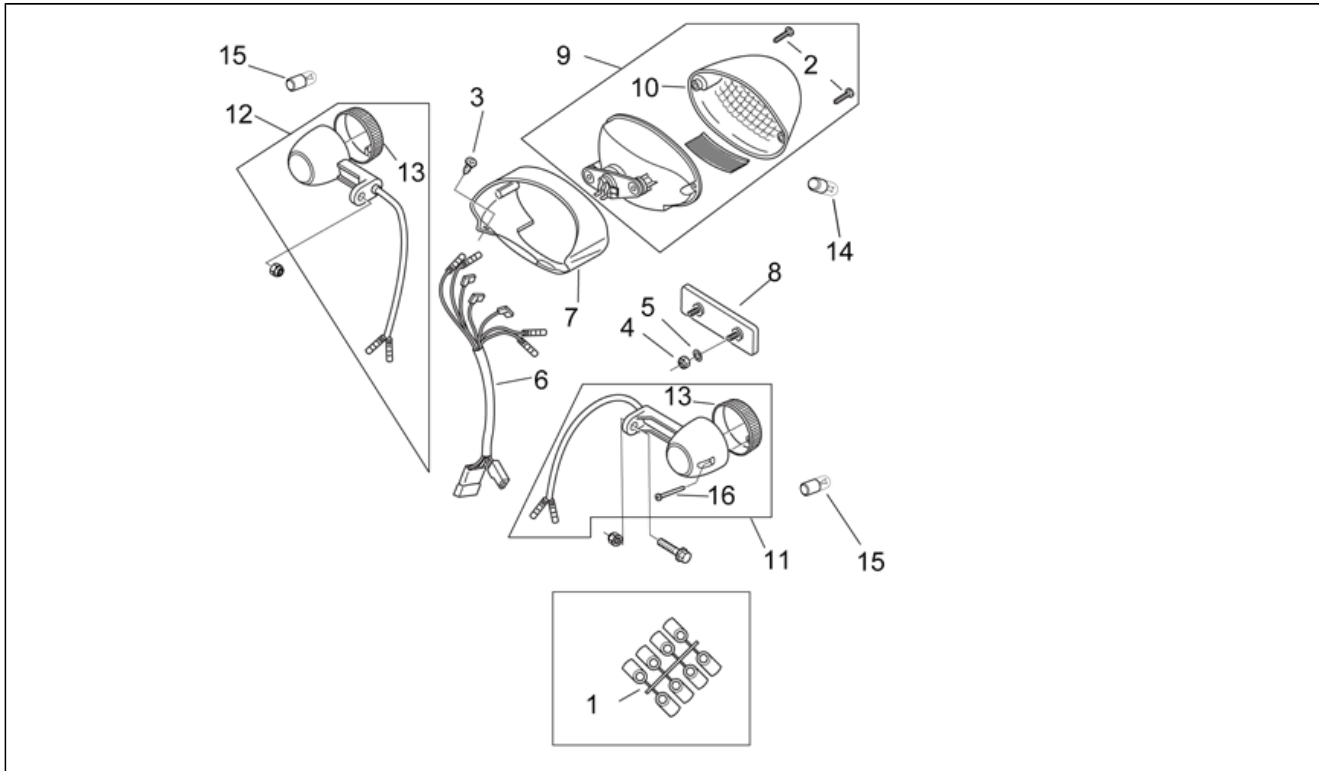
Pos.	Code	Description	Q.ty	Variants
13	AP8224390	Lamp R10W 12v	2	
14	AP8127164	Lamp W3W 12V	1	
15	AP8127123	Screw TBC 2,9x13	2	

<b>Assembly</b>	FRAME
<b>Code</b>	28.30
<b>Description</b>	Rear lights
<b>Revision</b>	1



Pos.	Code	Description	Q.ty	Variants
1	AP8249272	Front light adj.spacers set	1	<b>Country:</b> USA (49 Countries Approval)[AM], United States of America[USA]
2	AP8150270	Screw 4,2x20*	2	
3	AP8150371	Screw M3,9x12,7	2	
4	AP8150204	Nut M4	2	
5	AP8150158	Washer 4,3x9x0,8*	2	
6	AP8124489	Taillight wiring harn.	1	
7	AP8134446	Rear headlight supp.	1	
8	AP8112916	Rear reflector	1	
9	AP8124492	Taillight	1	<b>Country:</b> Austria[A], Belgium[B], Brasil[BR], Germany[D], Denmark[DK], Spain[E], A,B,D,GR,E,F,UK,NL,P[EU], France[F], Great Britain[GR], Italy[I], I[II], Israel[IL], Japan[J], J[JJ], Holland[NL], Portugal[P], Rep. of Korea[ROK], Finland[SF], Great Britain[UK]
9	AP8124492	Taillight	1	<b>Country:</b> Switzerland[SZ]
9	AP8224168	Taillight	1	<b>Country:</b> USA (49 Countries Approval)[AM], United States of America[USA]
10	AP8124527	Taillight lens	1	<b>Country:</b> Austria[A], Belgium[B], Brasil[BR], Germany[D], Denmark[DK], Spain[E], A,B,D,GR,E,F,UK,NL,P[EU], France[F], Great Britain[GR], Italy[I], I[II], Israel[IL], Japan[J], J[JJ], Holland[NL], Portugal[P], Rep. of Korea[ROK], Finland[SF], Great Britain[UK]
10	AP8124527	Taillight lens	1	<b>Country:</b> Switzerland[SZ]
10	AP8224277	Taillight lens	1	<b>Country:</b> USA (49 Countries Approval)[AM], United States of America[USA]
11	AP8124134	RH front turn indicator	1	<b>Country:</b> Switzerland[SZ] <b>Technical Specifications:</b> Euro1 homologation[E1], National approval[PG], European approval (frame ZD4TS)[TS]
11	AP8124134	RH front turn indicator	1	<b>Country:</b> Austria[A], Belgium[B], Brasil[BR], Germany[D], Denmark[DK], Spain[E], A,B,D,GR,E,F,UK,NL,P[EU], France[F], Great Britain[GR], Italy[I], I[II], Israel[IL], Japan[J],

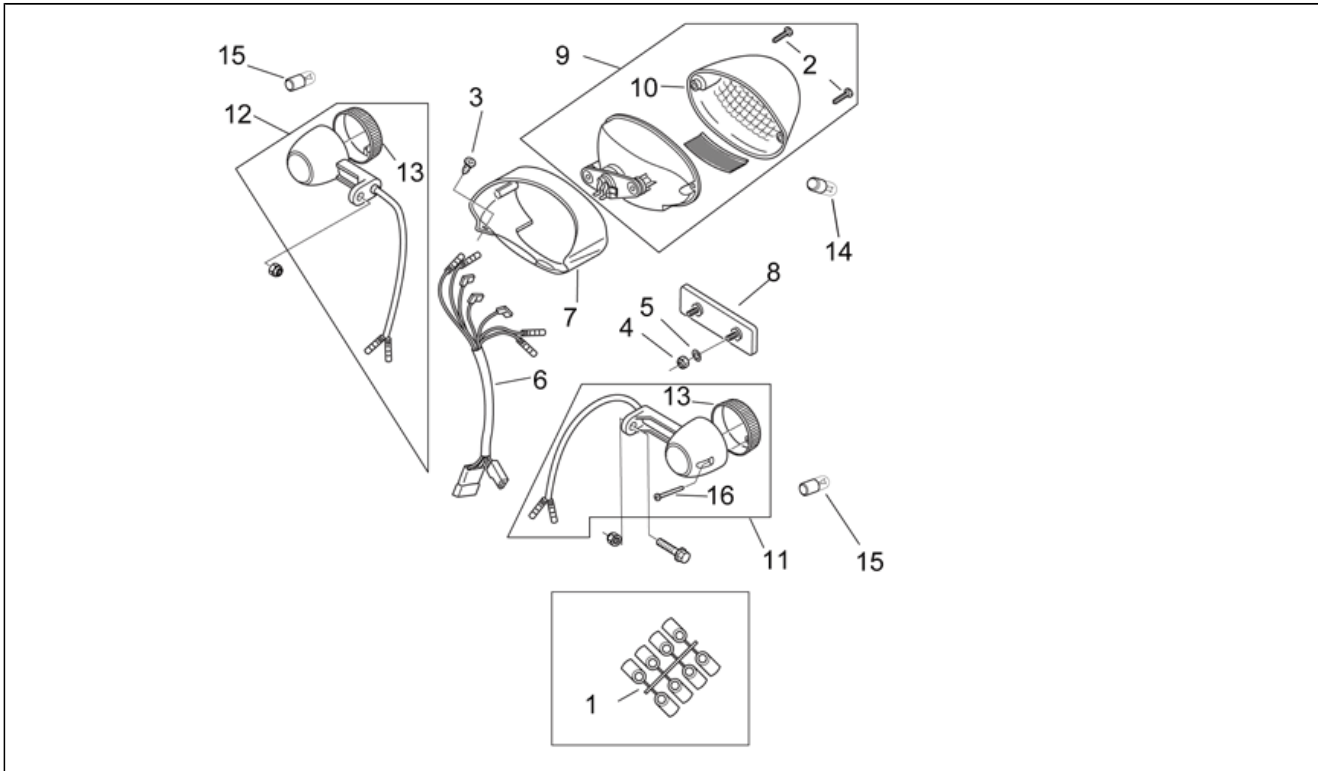
<b>Assembly</b>	FRAME
<b>Code</b>	28.30
<b>Description</b>	Rear lights
<b>Revision</b>	1



Pos.	Code	Description	Q.ty	Variants
				J[JJ], Holland[NL], Portugal[P], Rep. of Korea[ROK], Finland[SF], Great Britain[UK] <b>Technical Specifications:</b> Euro1 homologation[E1], National approval[PG], European approval (frame ZD4SE)[SE]
11	AP8127536	RH front/LH rear turn indic.	1	<b>Technical Specifications:</b> Euro2 homologation[E2], European approval (frame ZD4SE)[SE], European approval (frame ZD4TS)[TS]
11	AP8224197	RH front/LH rear turn indic.	1	<b>Country:</b> USA (49 Countries Approval)[AM], United States of America[USA] <b>Technical Specifications:</b> Euro1 homologation[E1], National approval[PG], European approval (frame ZD4SE)[SE]
12	AP8124135	LH front turn indicator	1	<b>Country:</b> Austria[A], Belgium[B], Brasil[BR], Germany[D], Denmark[DK], Spain[E], A,B,D,GR,E,F,UK,NL,P[EU], France[F], Great Britain[GR], Italy[I], I[II], Israel[IL], Japan[J], J[JJ], Holland[NL], Portugal[P], Rep. of Korea[ROK], Finland[SF], Great Britain[UK] <b>Technical Specifications:</b> Euro1 homologation[E1], National approval[PG], European approval (frame ZD4SE)[SE]
12	AP8124135	LH front turn indicator	1	<b>Country:</b> Switzerland[SZ] <b>Technical Specifications:</b> Euro1 homologation[E1], National approval[PG], European approval (frame ZD4TS)[TS]
12	AP8127535	LH front/RH rear turn indic.	1	<b>Technical Specifications:</b> Euro2 homologation[E2], European approval (frame ZD4SE)[SE], European approval (frame ZD4TS)[TS]
12	AP8224198	LH front/RH rear turn indic.	1	<b>Country:</b> USA (49 Countries Approval)[AM], United States of America[USA] <b>Technical Specifications:</b> Euro1 homologation[E1], National approval[PG], European approval (frame ZD4SE)[SE]
13	AP8127633	Turn indicator lens	2	<b>Technical Specifications:</b> Euro2 homologation[E2], European approval (frame ZD4SE)[SE], European approval (frame ZD4TS)[TS]
13	AP8212680	Turn indicator lens	2	<b>Country:</b> Austria[A], Belgium[B], Brasil[BR], Germany[D], Denmark[DK], Spain[E], A,B,D,GR,E,F,UK,NL,P[EU], France[F], Great Britain[GR], Italy[I], I[II], Israel[IL], Japan[J],

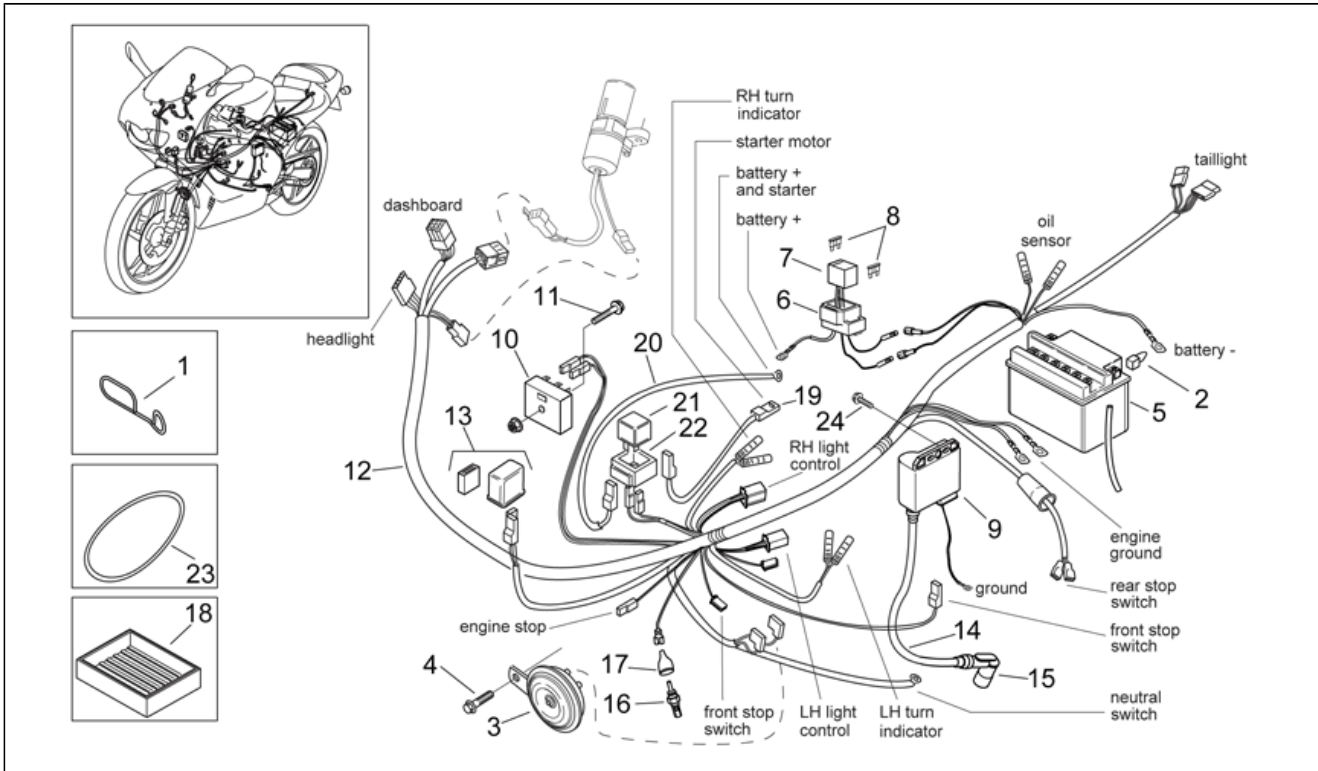


<b>Assembly</b>	FRAME
<b>Code</b>	28.30
<b>Description</b>	Rear lights
<b>Revision</b>	1



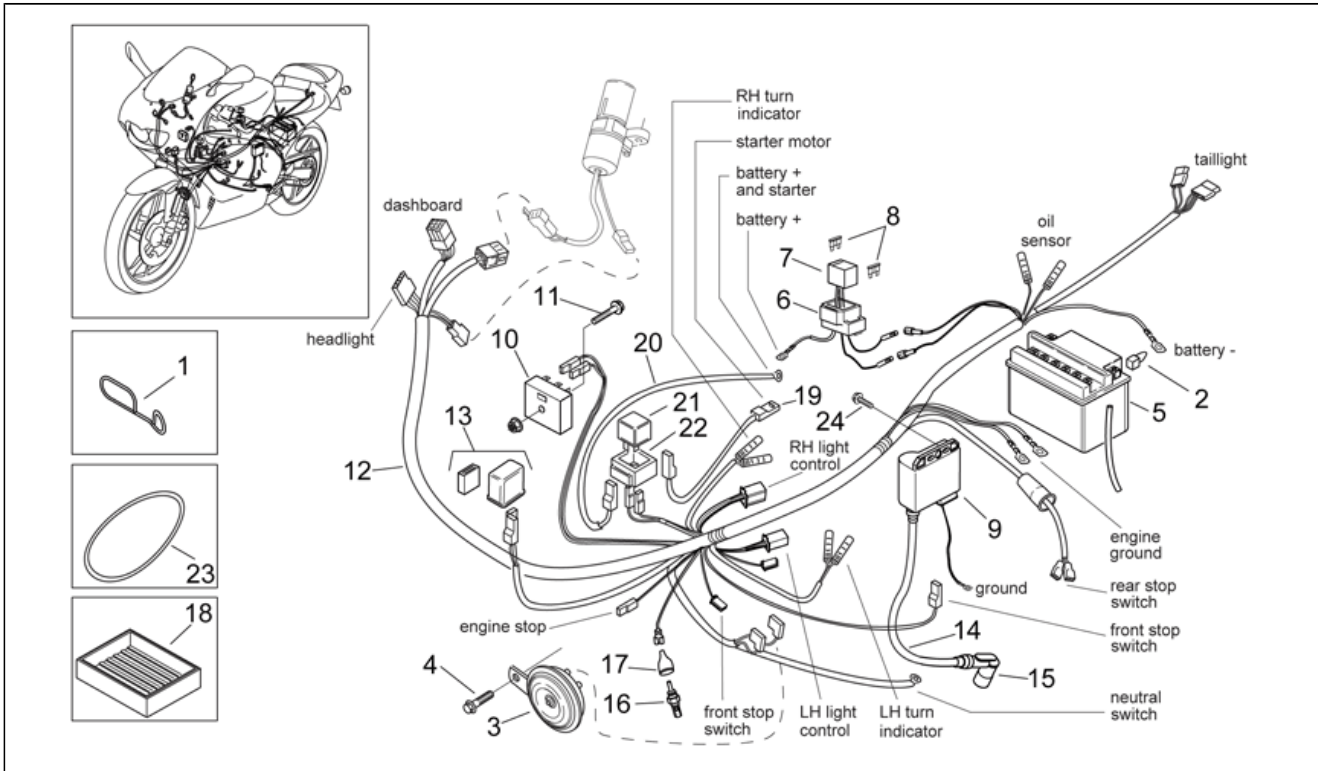
Pos.	Code	Description	Q.ty	Variants
				J[JJ], Holland[NL], Portugal[P], Rep. of Korea[ROK], Finland[SF], Great Britain[UK] <b>Technical Specifications:</b> Euro1 homologation[E1], National approval[PG], European approval (frame ZD4SE)[SE]
13	AP8212680	Turn indicator lens	2	<b>Country:</b> Switzerland[SZ] <b>Technical Specifications:</b> Euro1 homologation[E1], National approval[PG], European approval (frame ZD4TS)[TS]
13	AP8224258	Turn indicator lens	2	<b>Country:</b> USA (49 Countries Approval)[AM], United States of America[USA] <b>Technical Specifications:</b> Euro1 homologation[E1], National approval[PG], European approval (frame ZD4SE)[SE]
14	AP8224389	Lamp P21/5W 12V	1	
15	AP8224390	Lamp R10W 12v	2	
16	AP8127123	Screw TBC 2,9x13	2	

<b>Assembly</b>	FRAME
<b>Code</b>	28.31
<b>Description</b>	Electrical system
<b>Revision</b>	1



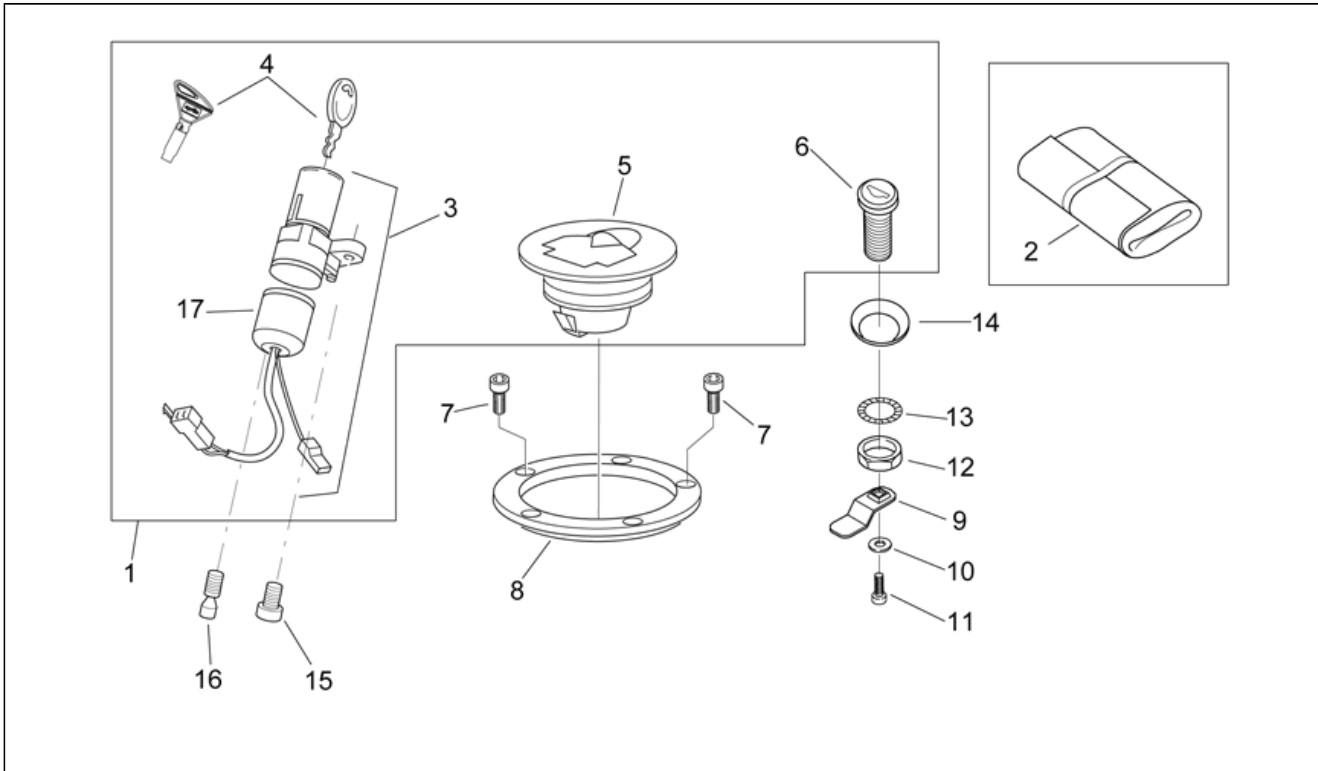
Pos.	Code	Description	Q.ty	Variants
1	AP8202159	Cable-guide	1	
2	AP8144141	Terminal cap	1	Country:USA (49 Countries Approval)[AM], United States of America[USA]
3	AP8224141	Horn	1	
4	AP8152277	Screw w/ flange M6x12*	1	
5	AP8212110	Battery 12V-4AH	1	
6	AP8212525	Rubber spacer *	1	
7	AP8212375	Rubber fuse box	1	
8	AP8112244	Fuse 7,5A	2	
9	AP8212474	Transducer	1	Country:Switzerland[SZ]
9	AP8212474	Transducer	1	Country:Austria[A], Belgium[B], Brasil[BR], Germany[D], Denmark[DK], Spain[E], A,B,D,GR,E,F,UK,NL,P[EU], France[F], Great Britain[GR], Italy[I], I[II], Israel[IL], Japan[J], J[JJ], Holland[NL], Portugal[P], Rep. of Korea[ROK], Finland[SF], Great Britain[UK]
9	AP8224158	Transducer	1	Country:USA (49 Countries Approval)[AM], United States of America[USA]
10	AP8212121	Voltage regulator	1	
11	AP8152282	Screw w/ flange M6x35	1	
12	AP8212972	Main wiring harness	1	Country:Switzerland[SZ]
12	AP8212972	Main wiring harness	1	Country:Austria[A], Belgium[B], Brasil[BR], Germany[D], Denmark[DK], Spain[E], A,B,D,GR,E,F,UK,NL,P[EU], France[F], Great Britain[GR], Italy[I], I[II], Israel[IL], Japan[J], J[JJ], Holland[NL], Portugal[P], Rep. of Korea[ROK], Finland[SF], Great Britain[UK]
12	AP8224175	Main wiring harness	1	Country:USA (49 Countries Approval)[AM], United States of America[USA]
13	AP8124235	Flasher unit 12V 10+10W	1	
14	AP8212212	H.T. wiring	1	
15	AP8212219	Scr. sparkplug cap	1	
16	AP8222019	Thermistor	1	

<b>Assembly</b>	FRAME
<b>Code</b>	28.31
<b>Description</b>	Electrical system
<b>Revision</b>	1



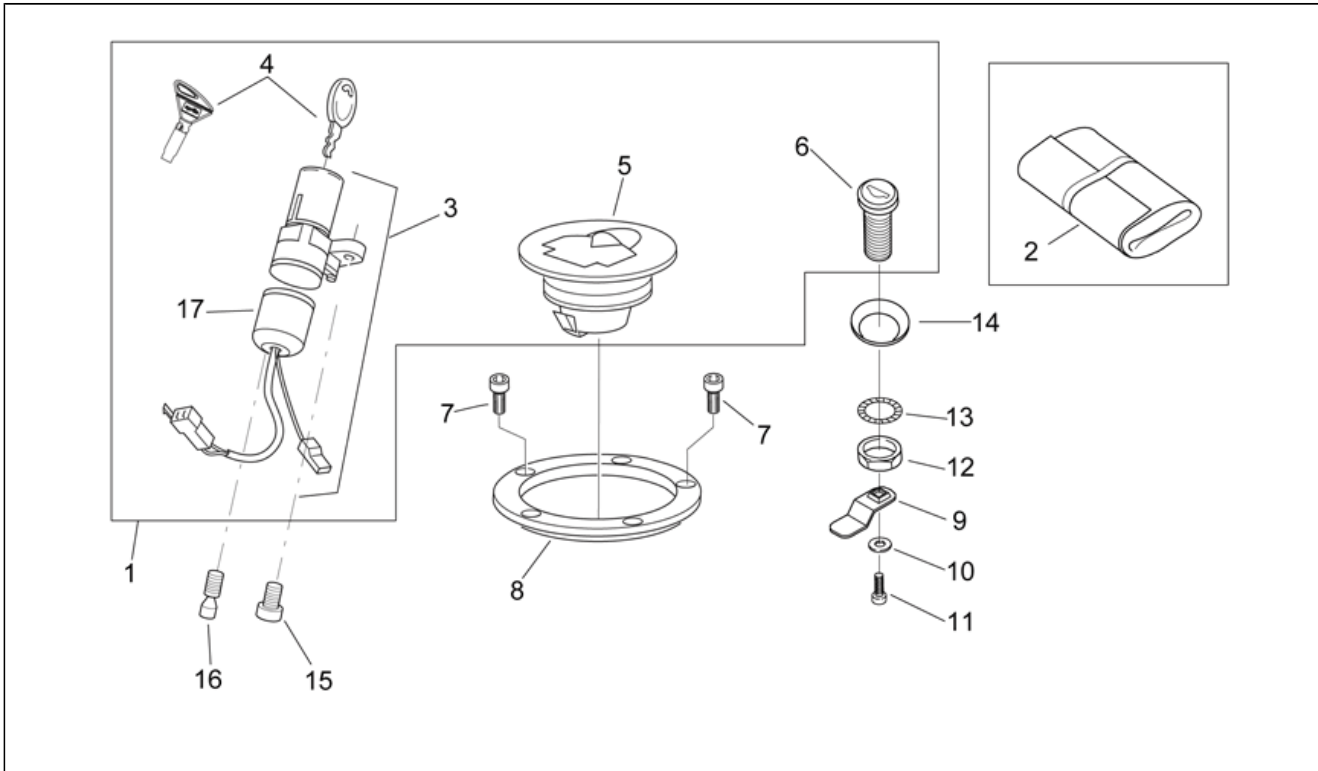
Pos.	Code	Description	Q.ty	Variants
17	AP8120482	Rubber spacer *	1	
18	AP8230535	Battery holder	1	
19	AP8212973	Starter motor wiring harness	1	
20	AP8112491	Relay-starter motor cable	1	
21	AP8224026	Starter relay	1	
22	AP8220546	Relay rubber	1	
23	AP8220514	Battery fixing snap	1	
24	AP8152278	Screw w/ flange M6x16*	2	<b>Technical Specifications:</b> Euro1 homologation[E1], National approval[PG], European approval (frame ZD4SE)[SE], European approval (frame ZD4TS)[TS]

<b>Assembly</b>	FRAME
<b>Code</b>	28.32
<b>Description</b>	Lock hardware kit
<b>Revision</b>	1



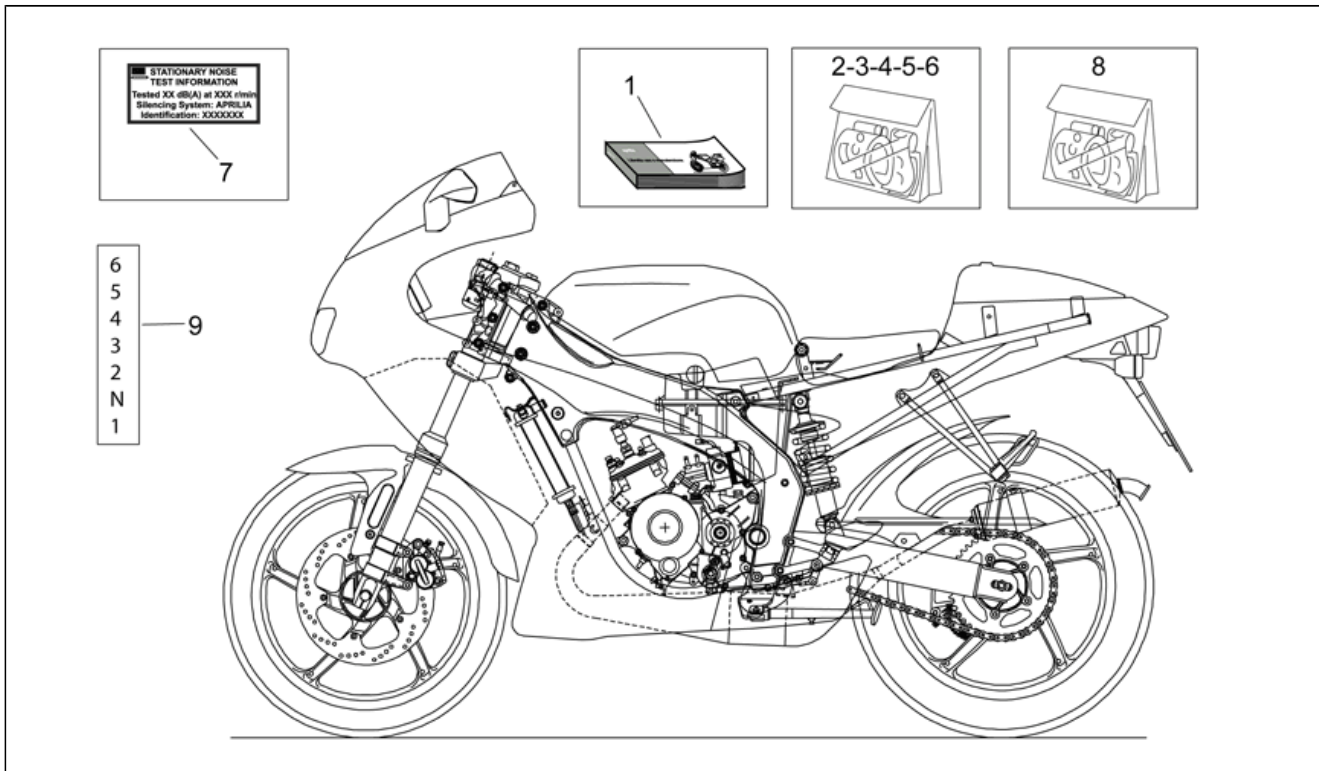
Pos.	Code	Description	Q.ty	Variants
1	AP8202083	Lock hardware kit	1	<b>Technical Specifications:</b> Euro1 homologation[E1], National approval[PG], European approval (frame ZD4SE)[SE], European approval (frame ZD4TS)[TS]
1	AP8202358	Lock hardware kit	1	<b>Technical Specifications:</b> Euro2 homologation[E2], European approval (frame ZD4SE)[SE], European approval (frame ZD4TS)[TS]
2	AP8202097	Toolkit	1	
3	AP8224155	Main switch - steering lock	1	<b>Technical Specifications:</b> Euro1 homologation[E1], National approval[PG], European approval (frame ZD4SE)[SE], European approval (frame ZD4TS)[TS]
3	AP8224570	Main switch - steering lock	1	<b>Technical Specifications:</b> Euro2 homologation[E2], European approval (frame ZD4SE)[SE], European approval (frame ZD4TS)[TS]
4	AP8102880	Aprilia milled key	1	<b>Technical Specifications:</b> Euro1 homologation[E1], National approval[PG], European approval (frame ZD4SE)[SE], European approval (frame ZD4TS)[TS]
4	AP8140710	"Aprilia" key w/out transpo.	1	<b>Technical Specifications:</b> Euro2 homologation[E2], European approval (frame ZD4SE)[SE], European approval (frame ZD4TS)[TS]
5	AP8102228	Crom.tank plug	1	<b>Technical Specifications:</b> Euro1 homologation[E1], National approval[PG], European approval (frame ZD4SE)[SE], European approval (frame ZD4TS)[TS]
5	AP8202380	Fuel filler cap	1	<b>Technical Specifications:</b> Euro2 homologation[E2], European approval (frame ZD4SE)[SE], European approval (frame ZD4TS)[TS]
6	AP8102119	Saddle lock	1	<b>Technical Specifications:</b> Euro1 homologation[E1], National approval[PG], European approval (frame ZD4SE)[SE], European approval (frame ZD4TS)[TS]
6	AP8202379	Saddle lock	1	<b>Technical Specifications:</b> Euro2 homologation[E2], European approval (frame ZD4SE)[SE], European approval (frame ZD4TS)[TS]
7	AP8152043	Hex socket screw M4x10	5	
8	AP8102361	Ring nut fuel filler cap	1	

<b>Assembly</b>	FRAME
<b>Code</b>	28.32
<b>Description</b>	Lock hardware kit
<b>Revision</b>	1



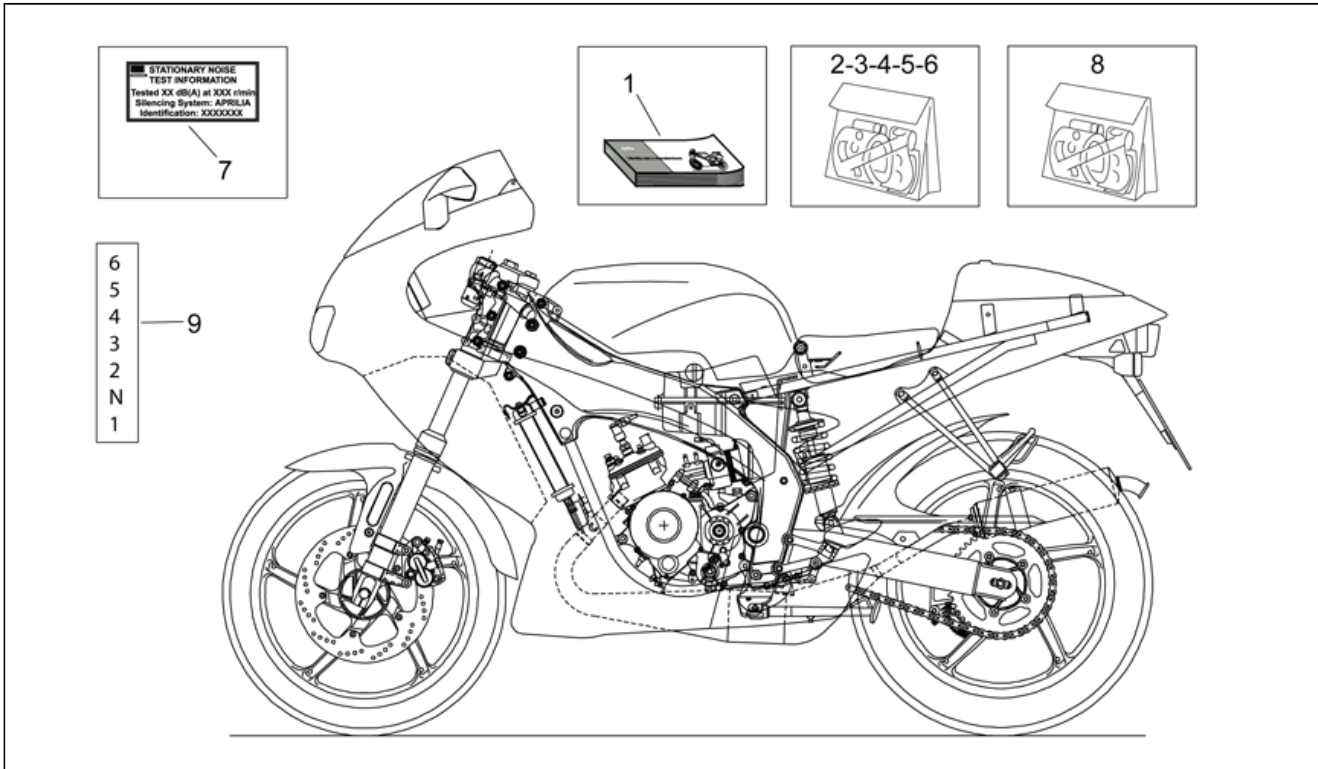
Pos.	Code	Description	Q.ty	Variants
9	AP8135260	Saddle lock fix.plate	1	
10	AP8150015	Washer 6,6x18x1,6*	1	
11	AP8152123	Hex socket screw M6x8*	1	
12	AP8152194	Low nut M19x1*	1	
13	AP8221312	Notched washer	1	
14	AP8229207	Saddle lock cup	1	
15	AP8150211	Hex socket screw M8x16*	1	
16	AP8150349	Special screw M8x15	1	
17	AP8224577	Main switch wiring	1	

<b>Assembly</b>	FRAME
<b>Code</b>	28.33
<b>Description</b>	Op.'s handbooks and decal
<b>Revision</b>	1



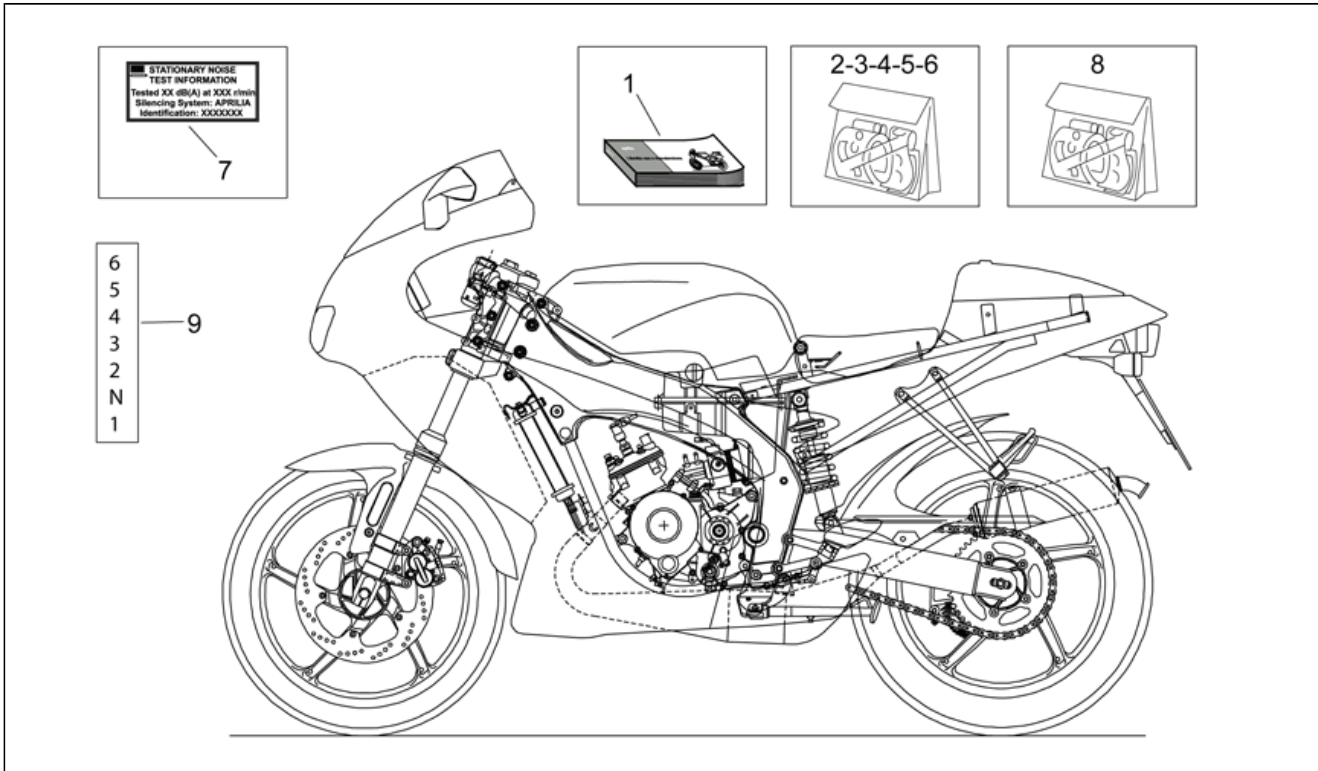
Pos.	Code	Description	Q.ty	Variants
1	AP8202080	Operator's handbook-I-F-D-	1	<b>Country:</b> Austria[A], Belgium[B], Germany[D], A,B,D,GR,E,F,UK,NL,P[EU], France[F], Italy[I], I[II] <b>Technical Specifications:</b> National approval[PG]
1	AP8202161	Operator's handbook-P-E-UK-	1	<b>Country:</b> Brasil[BR], Spain[E], A,B,D,GR,E,F,UK,NL,P[EU], Israel[IL], Portugal[P], Great Britain[UK] <b>Technical Specifications:</b> National approval[PG]
1	AP8202162	Operator's handbook-NL-DK-SF-	1	<b>Country:</b> Denmark[DK], A,B,D,GR,E,F,UK,NL,P[EU], I[II], Holland[NL], Finland[SF] <b>Technical Specifications:</b> National approval[PG]
1	AP8202163	Operator's handbook -GR-J-UK-	1	<b>Country:</b> A,B,D,GR,E,F,UK,NL,P[EU], Great Britain[GR], Japan[J], J[JJ], Rep. of Korea[ROK] <b>Technical Specifications:</b> National approval[PG]
1	AP8202164	Operator's handbook -USA-	1	<b>Country:</b> USA (49 Countries Approval)[AM], United States of America[USA] <b>Technical Specifications:</b> National approval[PG]
1	AP8202305	Operator's handbook-I-F-D-	1	<b>Country:</b> Austria[A], Germany[D], A,B,D,GR,E,F,UK,NL,P[EU], France[F], Italy[I], I[II], Switzerland[SZ] <b>Technical Specifications:</b> Euro1 homologation[E1], European approval (frame ZD4SE)[SE], European approval (frame ZD4TS)[TS]
1	AP8202306	Operator's handbook-P-E-UK-	1	<b>Country:</b> Spain[E], A,B,D,GR,E,F,UK,NL,P[EU], Portugal[P], Great Britain[UK] <b>Technical Specifications:</b> Euro1 homologation[E1], European approval (frame ZD4SE)[SE], European approval (frame ZD4TS)[TS]
1	AP8202307	Operator's handbook-NL-DK-SF-	1	<b>Country:</b> Belgium[B], Denmark[DK], A,B,D,GR,E,F,UK,NL,P[EU], I[II], Holland[NL] <b>Technical Specifications:</b> Euro1 homologation[E1], European approval (frame ZD4SE)[SE], European approval (frame ZD4TS)[TS]
1	AP8202308	Operator's handbook-GR-J-UK-	1	<b>Country:</b> A,B,D,GR,E,F,UK,NL,P[EU], Great Britain[GR], Japan[J], J[JJ]

<b>Assembly</b>	FRAME
<b>Code</b>	28.33
<b>Description</b>	Op.'s handbooks and decal
<b>Revision</b>	1



Pos.	Code	Description	Q.ty	Variants
				<b>Technical Specifications:</b> Euro1 homologation[E1], European approval (frame ZD4SE)[SE], European approval (frame ZD4TS)[TS]
1	AP8202404	Operator's handbook-I-F-D-	1	<b>Country:</b> Austria[A], Germany[D], A,B,D,GR,E,F,UK,NL,P[EU], France[F], Italy[I], I[II], Switzerland[SZ] <b>Technical Specifications:</b> Euro2 homologation[E2], European approval (frame ZD4SE)[SE], European approval (frame ZD4TS)[TS]
1	AP8202410	Operator's handbook-NL-DK-SF-	1	<b>Country:</b> Belgium[B], Denmark[DK], A,B,D,GR,E,F,UK,NL,P[EU], I[II], Holland[NL] <b>Technical Specifications:</b> Euro2 homologation[E2], European approval (frame ZD4SE)[SE], European approval (frame ZD4TS)[TS]
1	AP8202411	Operator's handbook-gr-j-uk-	1	<b>Country:</b> A,B,D,GR,E,F,UK,NL,P[EU], Great Britain[GR], Japan[J], J[JJ] <b>Technical Specifications:</b> Euro2 homologation[E2], European approval (frame ZD4SE)[SE], European approval (frame ZD4TS)[TS]
1	AP8202412	Operator's handbook-P-E-UK-	1	<b>Country:</b> Spain[E], A,B,D,GR,E,F,UK,NL,P[EU], Portugal[P], Great Britain[UK] <b>Technical Specifications:</b> Euro2 homologation[E2], European approval (frame ZD4SE)[SE], European approval (frame ZD4TS)[TS]
2	AP8257397	Tank decal set	1	<b>year:</b> 1999[X] <b>Color:</b> Black / Red '99[n/r]
2	AP8257402	Tank decal set	1	<b>year:</b> 1999[X] <b>Color:</b> Fumi Blue / Fluo Red '99[b/r]
2	AP8267103	Tank decal set	1	<b>year:</b> 2000[Y] <b>Color:</b> Nik Grey 2000[g.nik]
2	AP8267109	Tank decal set	1	<b>year:</b> 2000[Y] <b>Color:</b> Aprilia Black 2000[black]
2	AP8267420	Tank decal set	1	<b>year:</b> 2001[1] <b>Color:</b> Diablo Black 2001-2002[d.bl]

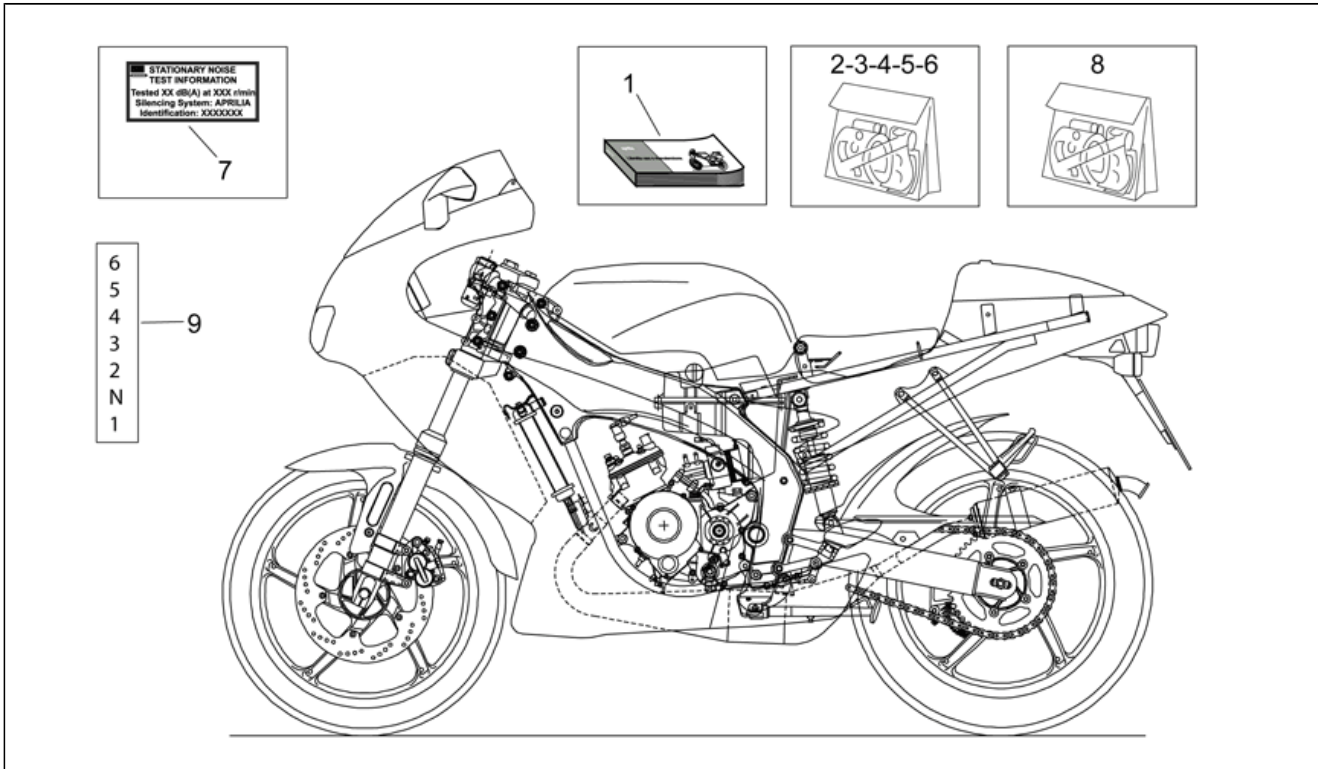
<b>Assembly</b>	FRAME
<b>Code</b>	28.33
<b>Description</b>	Op.'s handbooks and decal
<b>Revision</b>	1



Pos.	Code	Description	Q.ty	Variants
2	AP8267509	Tank decal set	1	year: 2002[2] Color:Diablo Black 2001-2002[d.bl]
2	AP8267541	Tank decal set	1	year: 2002[2] Color:Dust Grey 2002[grey]
2	AP8267797	Tank decal set	1	year: 2003[3], 2004[4] Color:SBK Black '03[s.bl]
2	AP8267802	Tank decal set	1	year: 2003[3] Color:Way blue 2003[b.way]
2	AP8267809	Tank decal set	1	year: 2003[3] Color:GP1 Black '03[g.bl]
2	AP8277282	Tank decal set	1	year: 2004[4] Color:Poggiali Black 2004[a.blk]
2	AP8277501	Tank decal set	1	year: 2004[4] Color:Poggiali White 2004[white]
2	AP8277695	Tank decal set	1	year: 2005[5] Color:Aprilia Black '05 (s.t.14844)[blk]
2	AP8277696	Tank decal set	1	year: 2005[5] Color:Fluo Red '05 (s.t.14816)[red]
3	AP8257398	Fairing decal set	1	year: 1999[X] Color:Black / Red '99[n/r]
3	AP8257403	Fairing decal set	1	year: 1999[X] Color:Fumi Blue / Fluo Red '99[b/r]
3	AP8267104	Fairing decal set	1	year: 2000[Y] Color:Nik Grey 2000[g.nik]
3	AP8267110	Fairing decal set	1	year: 2000[Y] Color:Aprilia Black 2000[black]
3	AP8267419	Fairing decal set	1	year: 2001[1] Color:Diablo Black 2001-2002[d.bl]
3	AP8267510	Fairing decal set	1	year: 2002[2] Color:Diablo Black 2001-2002[d.bl]
3	AP8267542	Fairing decal set	1	year: 2002[2] Color:Dust Grey 2002[grey]

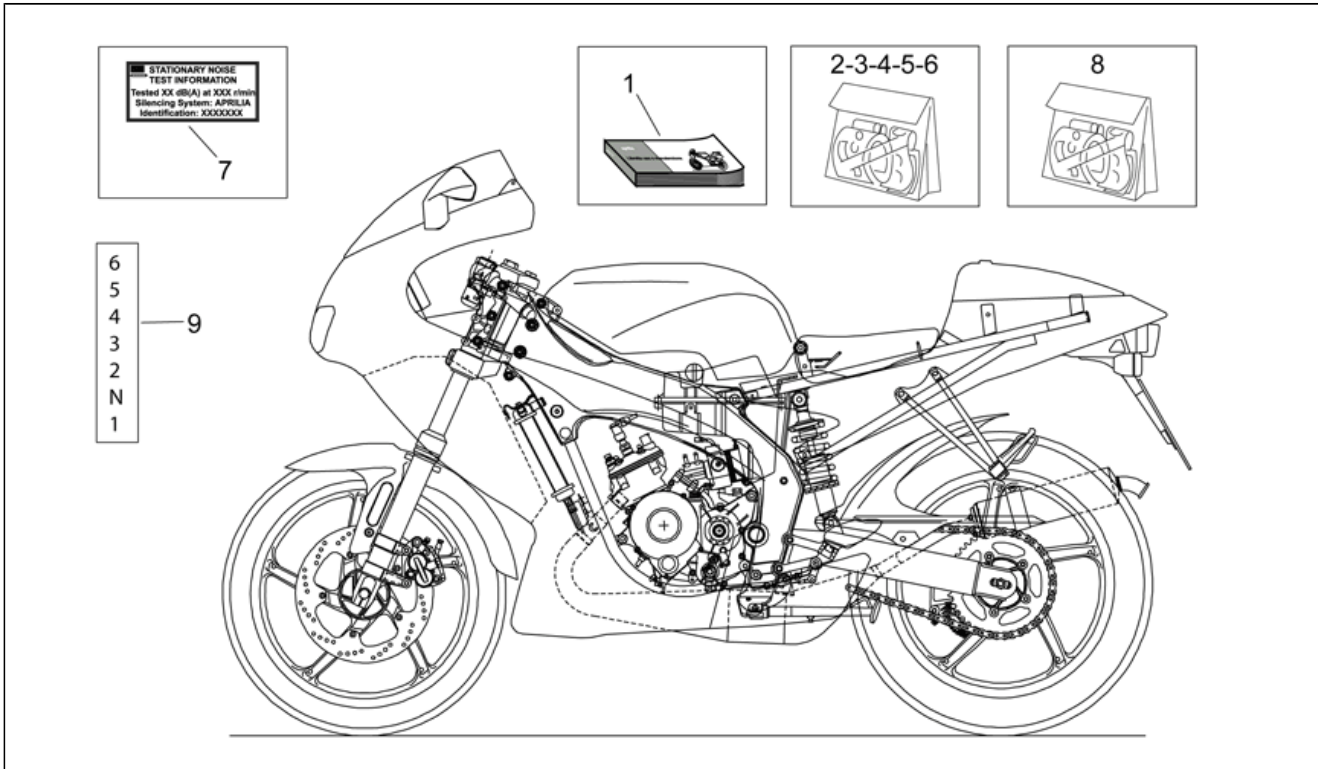


<b>Assembly</b>	FRAME
<b>Code</b>	28.33
<b>Description</b>	Op.'s handbooks and decal
<b>Revision</b>	1



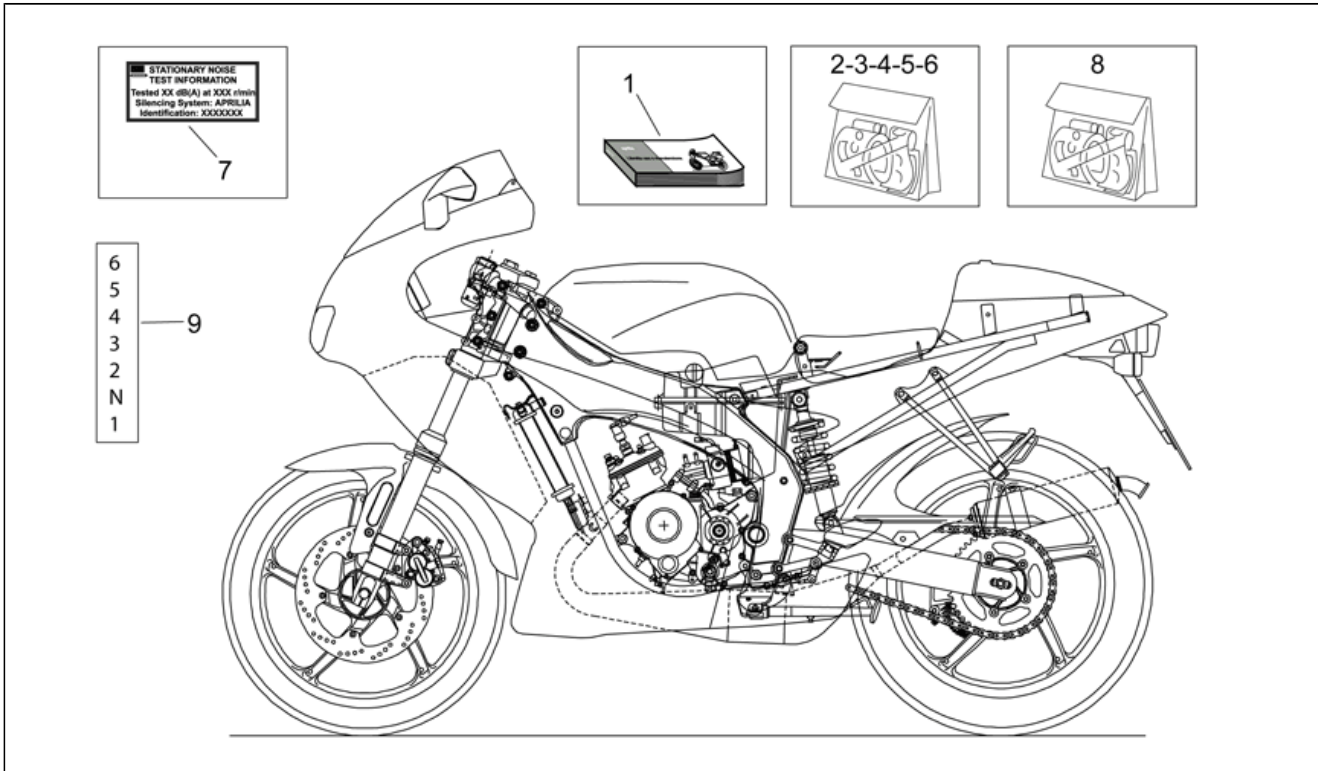
Pos.	Code	Description	Q.ty	Variants
3	AP8267798	Fairing decal set	1	year: 2003[3], 2004[4] Color:SBK Black '03[s.bl]
3	AP8267803	Fairing decal set	1	year: 2003[3] Color:Way blue 2003[b.way]
3	AP8267810	Fairing decal set	1	year: 2003[3] Color:GP1 Black '03[g.bl]
3	AP8277284	Fairing decal set	1	year: 2004[4] Color:Poggiali Black 2004[a.blk]
3	AP8277502	Fairing decal set	1	year: 2004[4] Color:Poggiali White 2004[white]
3	AP8277693	Fairing decal set	1	year: 2005[5] Color:Aprilia Black '05 (s.t.14844)[blk]
3	AP8277694	Fairing decal set	1	year: 2005[5] Color:Fluo Red '05 (s.t.14816)[red]
4	AP8257399	Front fairing decal set	1	year: 1999[X] Color:Black / Red '99[n/r]
4	AP8257404	Front fairing decal set	1	year: 1999[X] Color:Fumi Blue / Fluo Red '99[b/r]
4	AP8267105	Front fairing decal set	1	year: 2000[Y] Color:Nik Grey 2000[g.nik]
4	AP8267111	Front fairing decal set	1	year: 2000[Y] Color:Aprilia Black 2000[black]
4	AP8267421	Front fairing decal set	1	year: 2001[1] Color:Diablo Black 2001-2002[d.bl]
4	AP8267511	Front fairing decal set	1	year: 2002[2] Color:Diablo Black 2001-2002[d.bl]
4	AP8267543	Front fairing decal set	1	year: 2002[2] Color:Dust Grey 2002[grey]
4	AP8267799	Front fairing decal set	1	year: 2003[3], 2004[4] Color:SBK Black '03[s.bl]
4	AP8267804	Front fairing decal set	1	year: 2003[3] Color:Way blue 2003[b.way]

<b>Assembly</b>	FRAME
<b>Code</b>	28.33
<b>Description</b>	Op.'s handbooks and decal
<b>Revision</b>	1



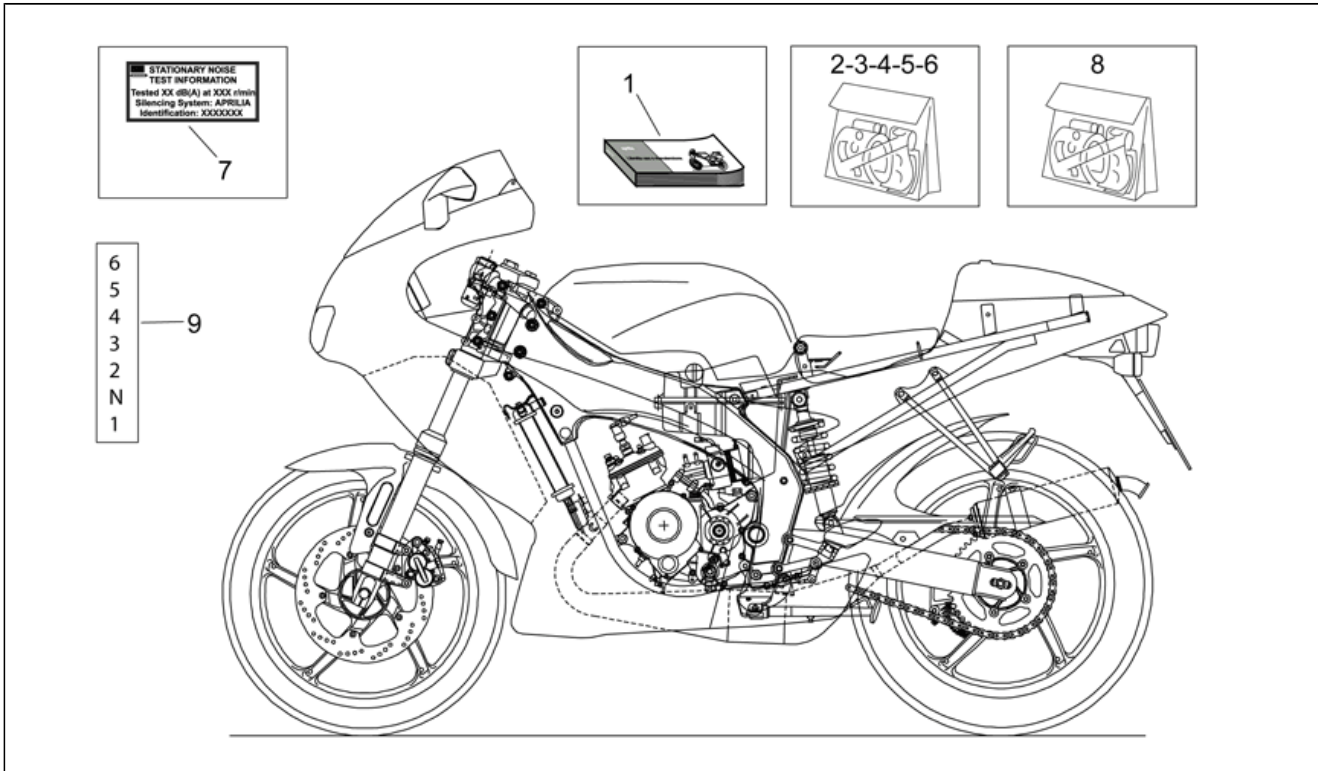
Pos.	Code	Description	Q.ty	Variants
4	AP8267811	Front fairing decal set	1	year: 2003[3] Color:GP1 Black '03[g.bl]
4	AP8277286	Front fairing decal set	1	year: 2004[4] Color:Poggiali Black 2004[a.blk]
4	AP8277503	Front fairing decal set	1	year: 2004[4] Color:Poggiali White 2004[white]
4	AP8277697	Front fairing decal set	1	year: 2005[5] Color:Aprilia Black '05 (s.t.14844)[blk]
4	AP8277698	Front fairing decal set	1	year: 2005[5] Color:Fluo Red '05 (s.t.14816)[red]
5	AP8166416	Rear fairing decal set	1	year: 2004[4] Color:Poggiali White 2004[white]
5	AP8257400	Rear fairing decal set	1	year: 1999[X] Color:Black / Red '99[n/r]
5	AP8257405	Rear fairing decal set	1	year: 1999[X] Color:Fumi Blue / Fluo Red '99[b/r]
5	AP8267106	Rear fairing decal set	1	year: 2000[Y] Color:Nik Grey 2000[g.nik]
5	AP8267112	Rear fairing decal set	1	year: 2000[Y] Color:Aprilia Black 2000[black]
5	AP8267422	Rear fairing decal set	1	year: 2001[1] Color:Diablo Black 2001-2002[d.bl]
5	AP8267512	Rear fairing decal set	1	year: 2002[2] Color:Diablo Black 2001-2002[d.bl]
5	AP8267544	Rear fairing decal set	1	year: 2002[2] Color:Dust Grey 2002[grey]
5	AP8267800	Rear fairing decal set	1	year: 2003[3], 2004[4] Color:SBK Black '03[s.bl]
5	AP8267805	Rear fairing decal set	1	year: 2003[3] Color:Way blue 2003[b.way]
5	AP8267812	Rear fairing decal set	1	year: 2003[3] Color:GP1 Black '03[g.bl]

<b>Assembly</b>	FRAME
<b>Code</b>	28.33
<b>Description</b>	Op.'s handbooks and decal
<b>Revision</b>	1



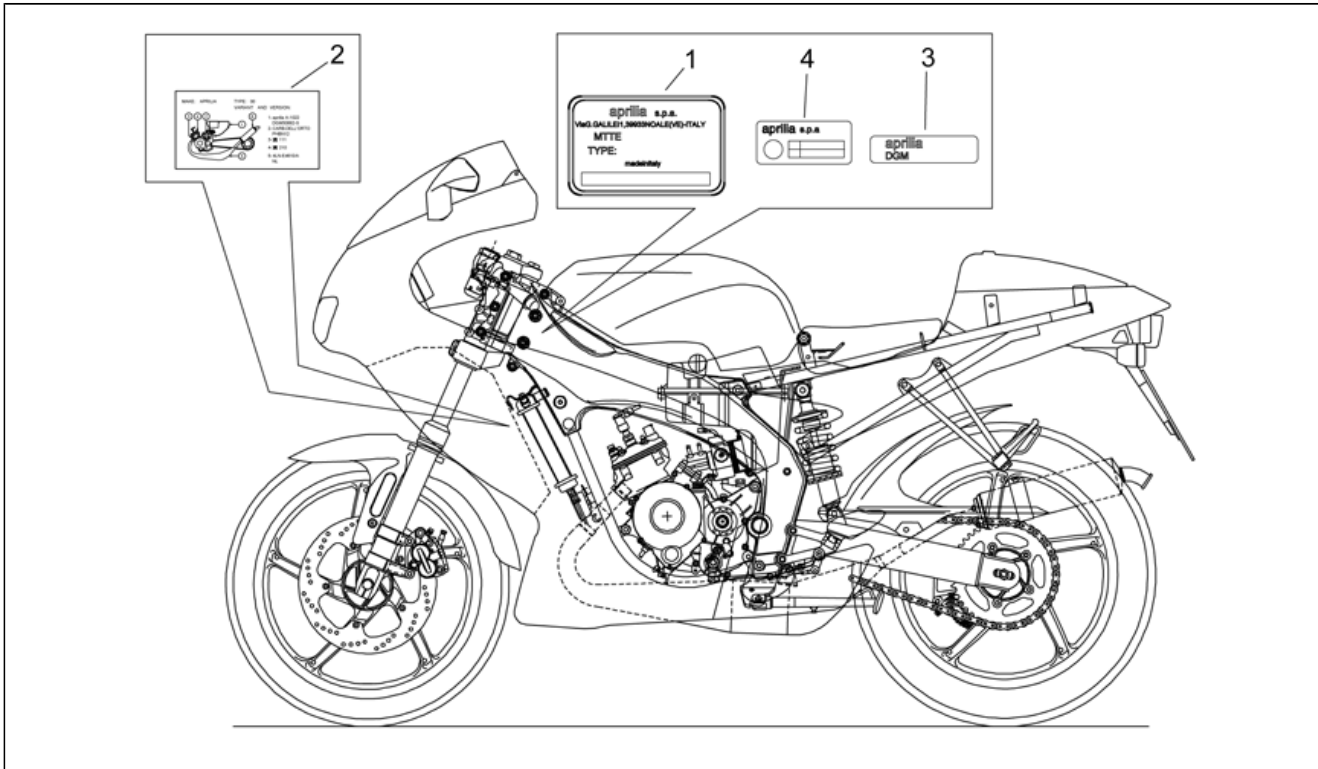
Pos.	Code	Description	Q.ty	Variants
5	AP8277288	Rear fairing decal set	1	<b>year:</b> 2004[4] <b>Color:</b> Poggiali Black 2004[a.blk]
5	AP8277699	Rear fairing decal set	1	<b>year:</b> 2005[5] <b>Color:</b> Aprilia Black '05 (s.t.14844)[blk]
5	AP8277700	Rear fairing decal set	1	<b>year:</b> 2005[5] <b>Color:</b> Fluo Red '05 (s.t.14816)[red]
6	AP8257401	Technical decal set	1	<b>year:</b> 1999[X]
6	AP8257726	Technical decal set	1	<b>year:</b> 2000[Y] <b>Country:</b> United States of America[USA]
6	AP8267107	Technical decal set	1	<b>year:</b> 2000[Y] <b>Country:</b> Austria[A], Belgium[B], Germany[D], Denmark[DK], Spain[E], France[F], Great Britain[GR], Italy[I], Israel[IL], Japan[J], Holland[NL], Portugal[P], Rep. of Korea[ROK], Finland[SF], Great Britain[UK]
6	AP8267423	Technical decal set	1	<b>year:</b> 2001[1], 2002[2] <b>Country:</b> Austria[A], Belgium[B], Germany[D], Denmark[DK], Spain[E], France[F], Great Britain[GR], Italy[I], Japan[J], Holland[NL], Portugal[P], Rep. of Korea[ROK], Great Britain[UK]
6	AP8267424	Technical decal set	1	<b>year:</b> 2001[1], 2002[2] <b>Country:</b> United States of America[USA]
6	AP8267801	Technical decal set	1	<b>year:</b> 2003[3] <b>Country:</b> Switzerland[SZ]
6	AP8267801	Technical decal set	1	<b>year:</b> 2003[3] <b>Country:</b> Austria[A], Belgium[B], Germany[D], Denmark[DK], Spain[E], A,B,D,GR,E,F,UK,NL,P[EU], France[F], Great Britain[GR], Italy[I], I[II], Japan[J], J[JJ], Holland[NL], Portugal[P], Rep. of Korea[ROK], Switzerland[SZ], Great Britain[UK]
6	AP8267806	Technical decal set	1	<b>year:</b> 2003[3] <b>Country:</b> USA (49 Countries Approval)[AM], United States of America[USA]
6	AP8277290	Technical decal set	1	<b>year:</b> 2004[4], 2005[5]

<b>Assembly</b>	FRAME
<b>Code</b>	28.33
<b>Description</b>	Op.'s handbooks and decal
<b>Revision</b>	1



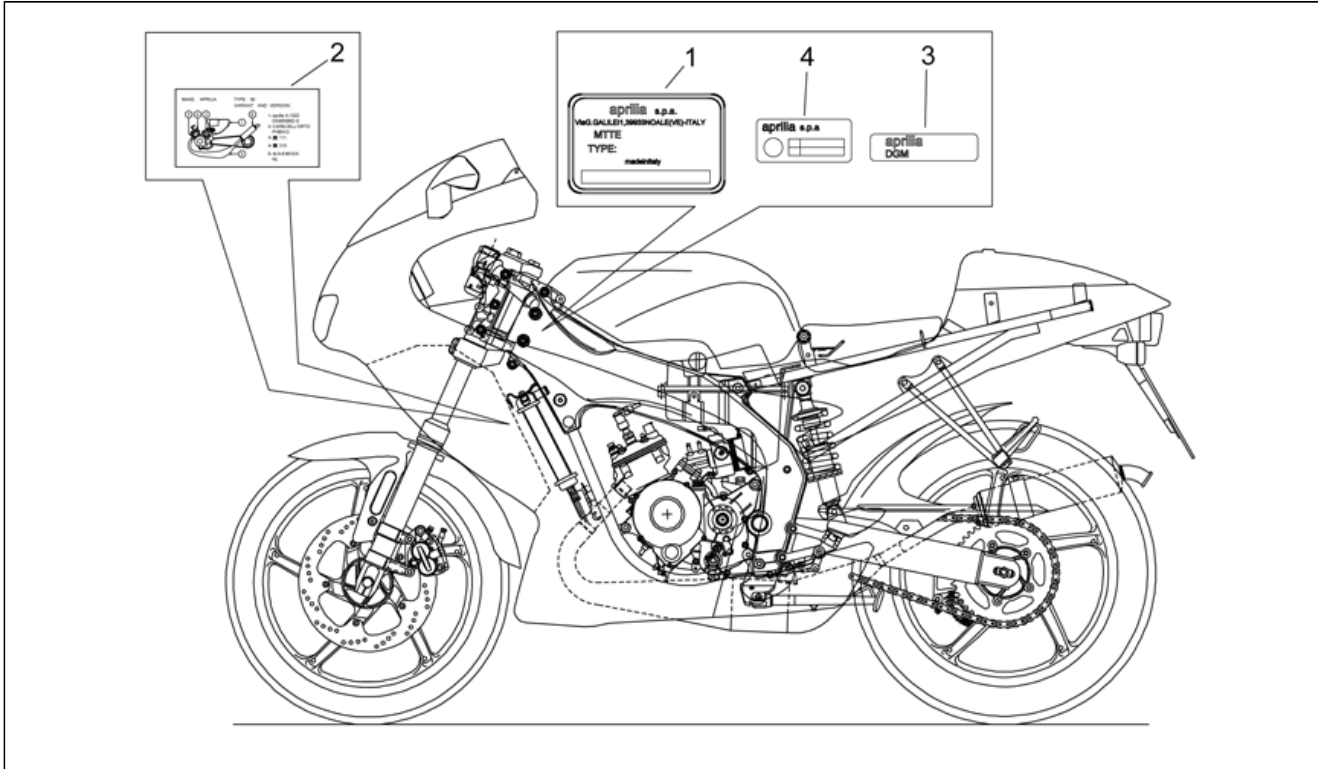
Pos.	Code	Description	Q.ty	Variants
7	AP8267666	Noise emission sticker	1	year: 2003[3] Country:USA (49 Countries Approval)[AM], United States of America[USA]
8	AP8267866	Decal numbers kit	1	year: 2003[3] Color:Way blue 2003[b.way]
9	AP8277381	Gear Decal	1	Country:Japan[J], J[J]

<b>Assembly</b>	FRAME
<b>Code</b>	28.34
<b>Description</b>	Plate set
<b>Revision</b>	1



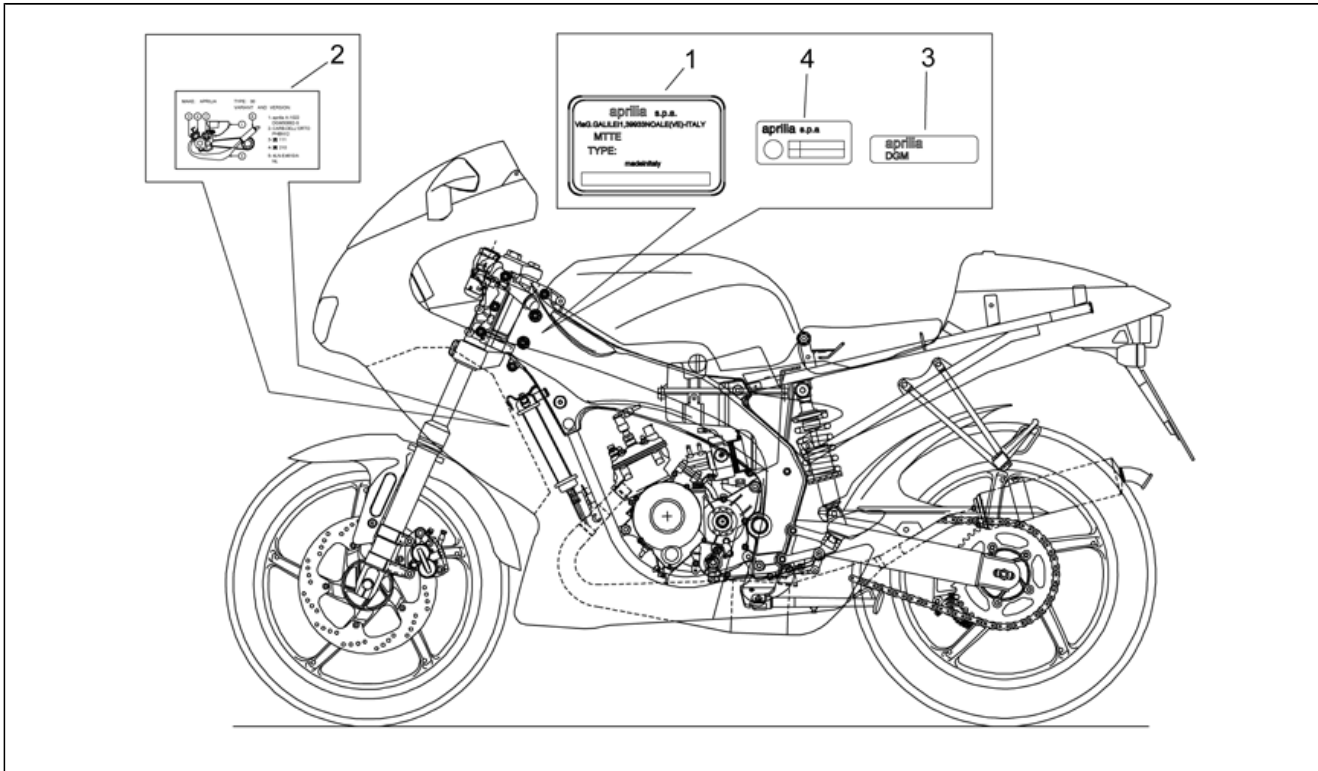
Pos.	Code	Description	Q.ty	Variants
1	AP8247469	Constructor dataplate	1	<b>Country:</b> A,B,D,GR,E,F,UK,NL,P[EU], Great Britain[GR], Italy[I], I[II], Israel[IL] <b>Technical Specifications:</b> National approval[PG]
1	AP8257225	Constructor dataplate	1	<b>Country:</b> Denmark[DK], Spain[E], A,B,D,GR,E,F,UK,NL,P[EU], France[F], I[II], Portugal[P], Great Britain[UK] <b>Technical Specifications:</b> National approval[PG]
1	AP8257272	Constructor dataplate	1	<b>Country:</b> Germany[D], A,B,D,GR,E,F,UK,NL,P[EU] <b>Technical Specifications:</b> National approval[PG]
1	AP8257273	Constructor dataplate	1	<b>Country:</b> A,B,D,GR,E,F,UK,NL,P[EU], Holland[NL], Finland[SF] <b>Technical Specifications:</b> National approval[PG]
1	AP8257274	Constructor dataplate	1	<b>Country:</b> Austria[A], A,B,D,GR,E,F,UK,NL,P[EU] <b>Technical Specifications:</b> National approval[PG]
1	AP8257572	Constructor dataplate	1	<b>Country:</b> Belgium[B], A,B,D,GR,E,F,UK,NL,P[EU] <b>Technical Specifications:</b> National approval[PG]
1	AP8257600	Constructor dataplate	1	<b>Country:</b> USA (49 Countries Approval)[AM], United States of America[USA] <b>Technical Specifications:</b> National approval[PG]
1	AP8267448	Constructor dataplate	1	<b>Technical Specifications:</b> Limited version 45Km/h[45km], Euro1 homologation[E1], European approval (frame ZD4SE) [SE]
1	AP8267933	Constructor dataplate	1	<b>Country:</b> Switzerland[SZ] <b>Technical Specifications:</b> Euro1 homologation[E1], Full Power Version[f.p.], European approval (frame ZD4TS)[TS]
1	AP8267985	Constructor dataplate	1	<b>Technical Specifications:</b> Limited version 45Km/h[45km], Euro2 homologation[E2], European approval (frame ZD4SE) [SE]
1	AP8277160	Constructor dataplate	1	<b>Technical Specifications:</b> Euro2 homologation[E2], Full Power Version[f.p.], European approval (frame ZD4TS)[TS]
1	AP8277467	Constructor dataplate	1	<b>Technical Specifications:</b> Limited version 60Km/h[60km], Euro2 homologation[E2], European approval (frame ZD4TS) [TS]
2	AP8257271	Tamperproof dataplate	1	<b>Country:</b> Denmark[DK], I[II]

<b>Assembly</b>	FRAME
<b>Code</b>	28.34
<b>Description</b>	Plate set
<b>Revision</b>	1



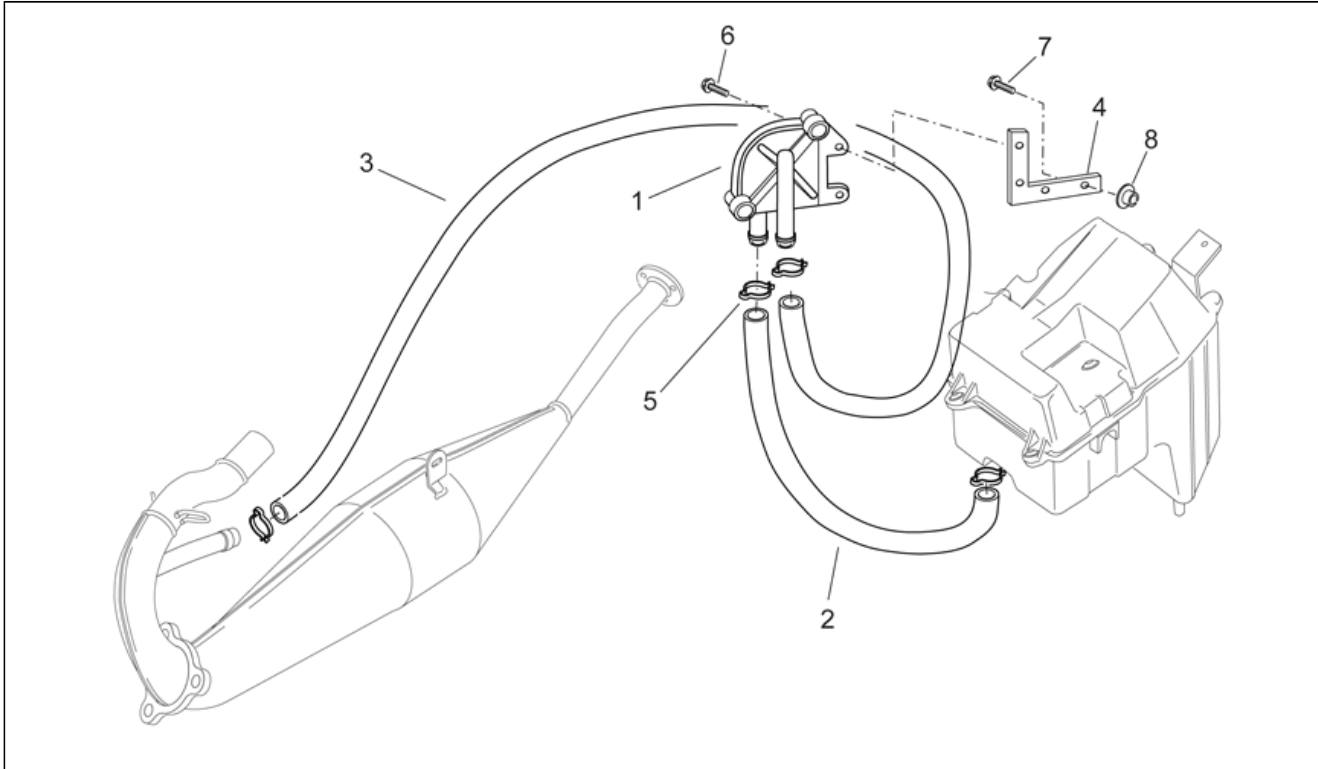
Pos.	Code	Description	Q.ty	Variants
				<b>Technical Specifications:</b> National approval[PG]
2	AP8257275	Tamperproof dataplate	1	<b>Country:</b> A,B,D,GR,E,F,UK,NL,P[EU], Holland[NL], Finland[SF] <b>Technical Specifications:</b> National approval[PG]
2	AP8257276	Tamperproof dataplate	1	<b>Country:</b> Austria[A], A,B,D,GR,E,F,UK,NL,P[EU] <b>Technical Specifications:</b> National approval[PG]
2	AP8267444	Tamperproof dataplate	1	<b>Technical Specifications:</b> Limited version 45Km/h[45km], Euro1 homologation[E1], European approval (frame ZD4SE) [SE]
2	AP8267934	Tamperproof dataplate	1	<b>Country:</b> Switzerland[SZ] <b>Technical Specifications:</b> Euro1 homologation[E1], Full Power Version[f.p.], European approval (frame ZD4TS)[TS]
2	AP8277158	Tamperproof dataplate	1	<b>Technical Specifications:</b> Limited version 45Km/h[45km], Euro2 homologation[E2], European approval (frame ZD4SE) [SE]
2	AP8277161	Tamperproof dataplate	1	<b>Technical Specifications:</b> Euro2 homologation[E2], Full Power Version[f.p.], European approval (frame ZD4TS)[TS]
3	AP8247475	DGM dataplate	1	<b>Country:</b> A,B,D,GR,E,F,UK,NL,P[EU], Great Britain[GR], Italy[I], I[II] <b>Technical Specifications:</b> National approval[PG]
4	AP8247470	ECE dataplate	1	<b>Country:</b> Belgium[B], Brasil[BR], Denmark[DK], Spain[E], A,B,D,GR,E,F,UK,NL,P[EU], France[F], Great Britain[GR], Italy[I], I[II], Israel[IL], Portugal[P], Great Britain[UK] <b>Technical Specifications:</b> National approval[PG]
4	AP8257416	ECE dataplate	1	<b>Country:</b> Germany[D], A,B,D,GR,E,F,UK,NL,P[EU], Holland[NL], Finland[SF] <b>Technical Specifications:</b> National approval[PG]
4	AP8257417	ECE dataplate	1	<b>Country:</b> Austria[A], A,B,D,GR,E,F,UK,NL,P[EU] <b>Technical Specifications:</b> National approval[PG]
4	AP8267497	ECE dataplate	1	<b>Technical Specifications:</b> European approval (frame ZD4SE) [SE]

<b>Assembly</b>	FRAME
<b>Code</b>	28.34
<b>Description</b>	Plate set
<b>Revision</b>	1



Pos.	Code	Description	Q.ty	Variants
4	AP8277468	ECE dataplate	1	<b>Technical Specifications:</b> Limited version 60Km/h[60km], Euro2 homologation[E2], European approval (frame ZD4TS) [TS]

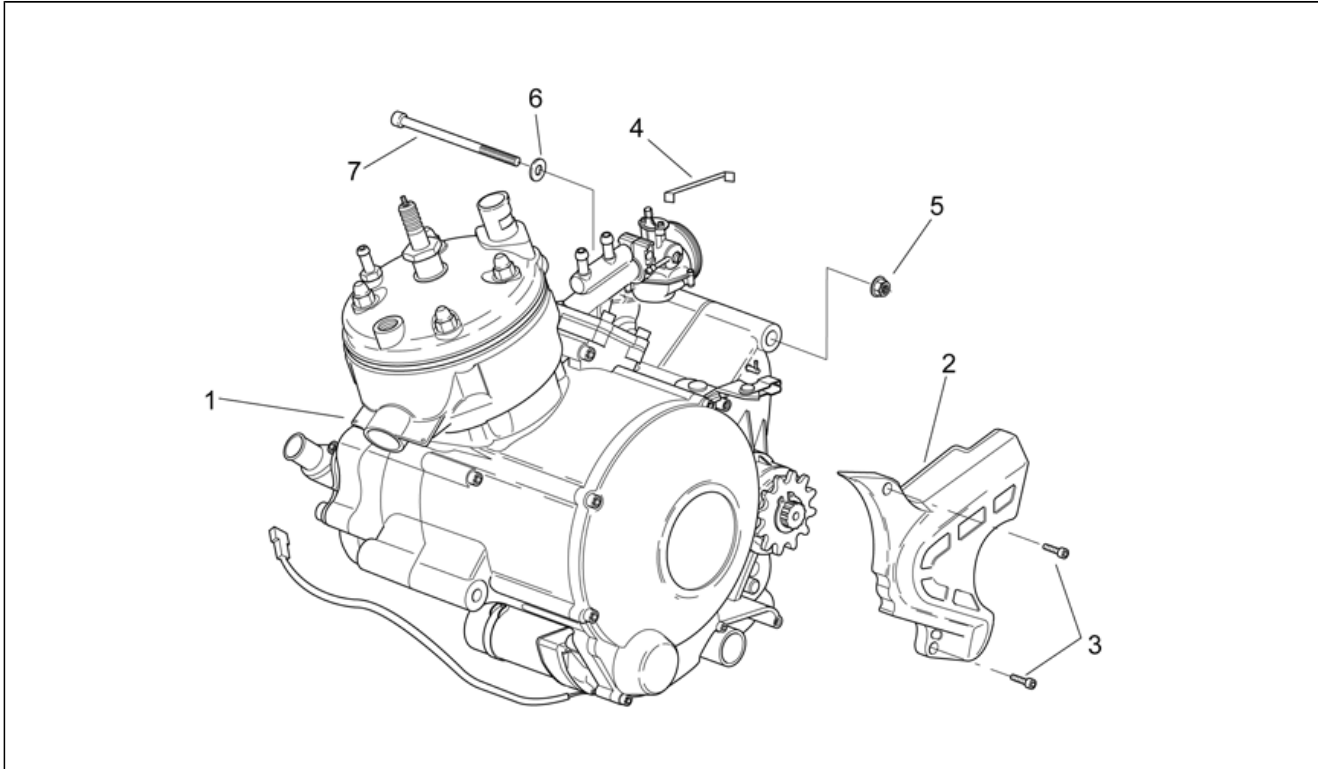
<b>Assembly</b>	ENGINE
<b>Code</b>	29.20
<b>Description</b>	Secondary air
<b>Revision</b>	1



Pos.	Code	Description	Q.ty	Variants
1	AP8104745	Valve SAS	1	<b>Technical Specifications:</b> Euro2 homologation[E2]
2	AP8220660	Intake pipe sas	1	<b>Technical Specifications:</b> Euro2 homologation[E2]
3	AP8220661	Air pipe sas	1	<b>Technical Specifications:</b> Euro2 homologation[E2]
4	AP8234238	Valve fixing support	1	<b>Technical Specifications:</b> Euro2 homologation[E2]
5	AP8101586	Hose clip D.15,5x6,6	4	<b>Technical Specifications:</b> Euro2 homologation[E2]
6	AP8152277	Screw w/ flange M6x12*	2	<b>Technical Specifications:</b> Euro2 homologation[E2]
7	AP8152282	Screw w/ flange M6x35	2	<b>Technical Specifications:</b> Euro2 homologation[E2]
8	AP8121665	T bush *	2	<b>Technical Specifications:</b> Euro2 homologation[E2]

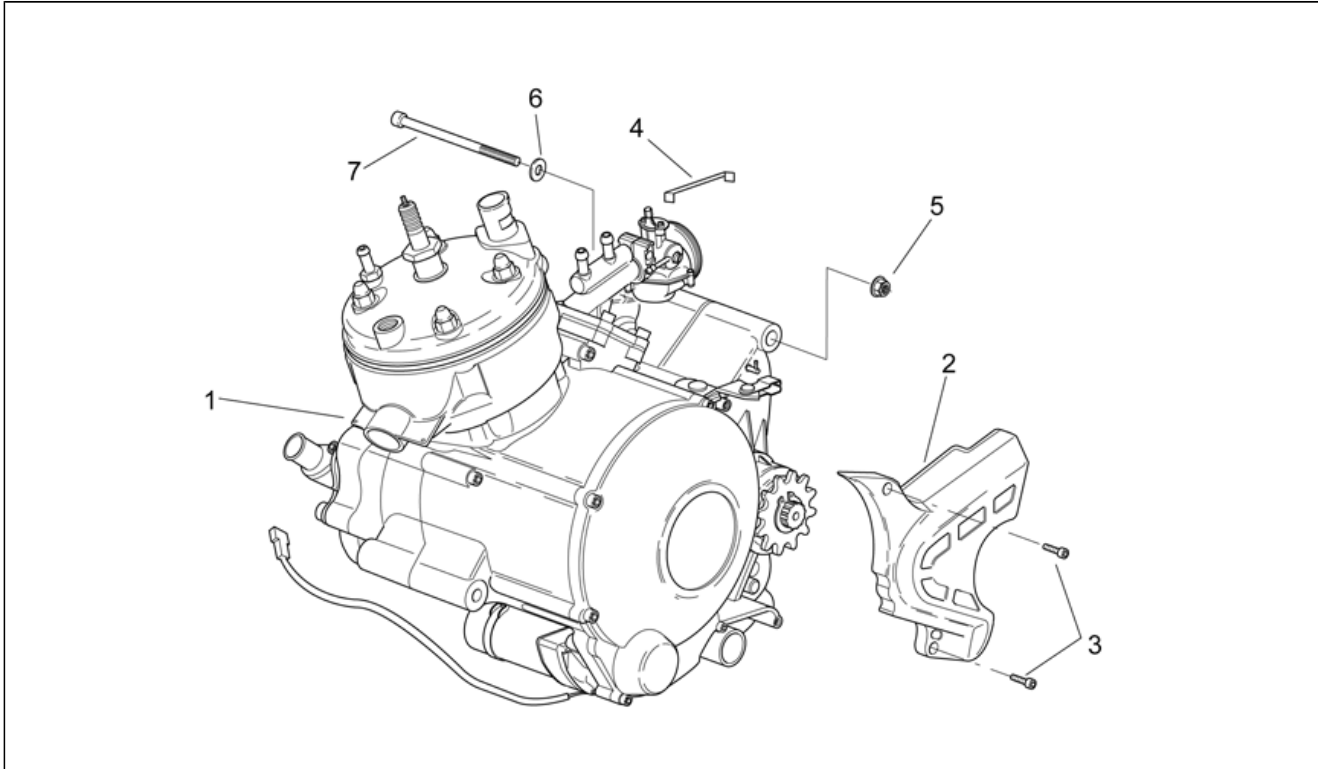


<b>Assembly</b>	ENGINE
<b>Code</b>	29.22
<b>Description</b>	Engine
<b>Revision</b>	1



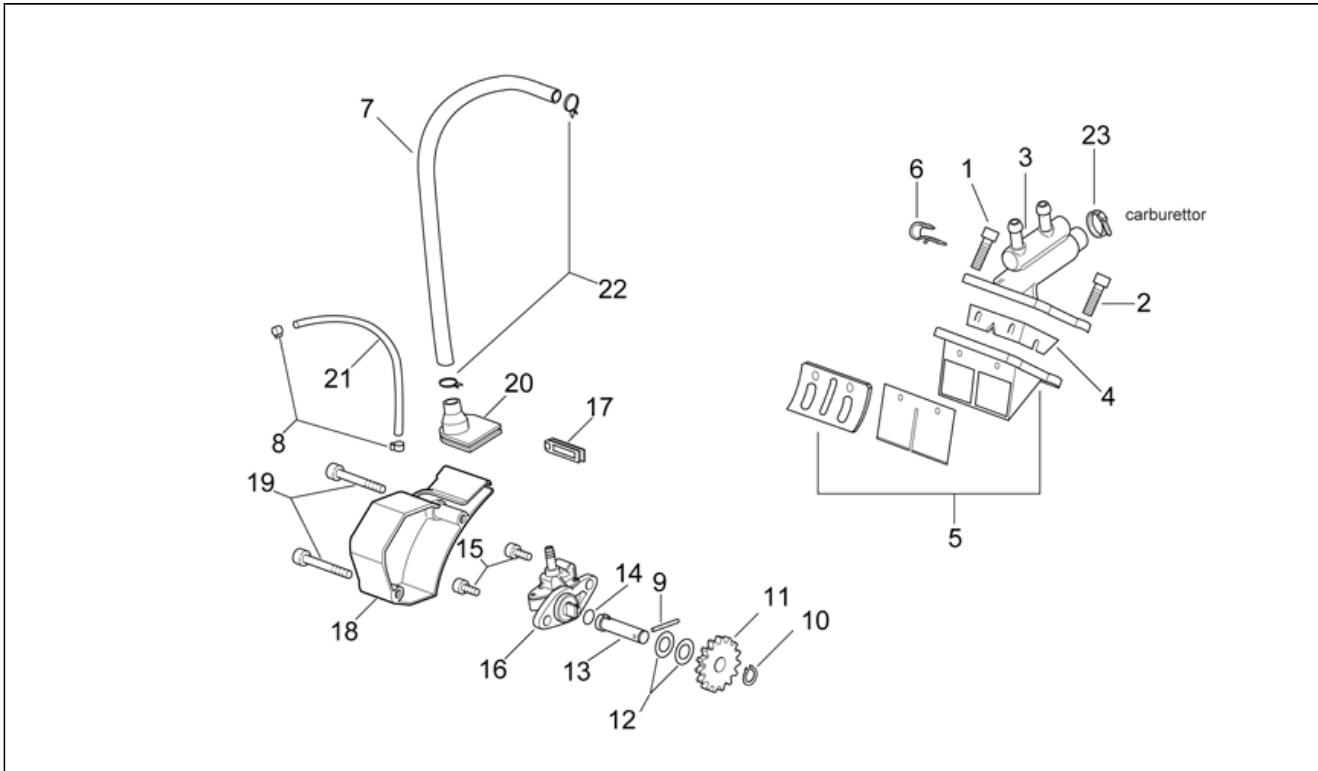
Pos.	Code	Description	Q.ty	Variants
1	AP8206990	Engine am6-EU-1	1	<b>Country:</b> Switzerland[SZ] <b>Technical Specifications:</b> Euro1 homologation[E1], Full Power Version[f.p.], European approval (frame ZD4TS)[TS]
1	AP8222736	Engine am6-i-	1	<b>Country:</b> USA (49 Countries Approval)[AM], Belgium[B], Brasil[BR], Denmark[DK], Spain[E], A,B,D,GR,E,F,UK,NL,P[EU], France[F], Great Britain[GR], Italy[I], I[II], Israel[IL], Japan[J], J[JJ], Portugal[P], Rep. of Korea[ROK], Great Britain[UK], United States of America[USA] <b>Technical Specifications:</b> National approval[PG]
1	AP8222737	Engine am6-d-	1	<b>Country:</b> Germany[D], A,B,D,GR,E,F,UK,NL,P[EU] <b>Technical Specifications:</b> National approval[PG]
1	AP8222738	Engine am6-nl-	1	<b>Country:</b> A,B,D,GR,E,F,UK,NL,P[EU], Holland[NL], Finland[SF] <b>Technical Specifications:</b> National approval[PG]
1	AP8222739	Engine am6-a-	1	<b>Country:</b> Austria[A], A,B,D,GR,E,F,UK,NL,P[EU] <b>Technical Specifications:</b> National approval[PG]
1	AP8222790	Engine	1	<b>Technical Specifications:</b> Limited version 45Km/h[45km], Euro1 homologation[E1], European approval (frame ZD4SE)[SE]
1	AP8222800	Engine E2	1	<b>Technical Specifications:</b> Limited version 45Km/h[45km], Euro2 homologation[E2], European approval (frame ZD4SE)[SE]
1	AP8222804	Engine E2	1	<b>Technical Specifications:</b> Euro2 homologation[E2], Full Power Version[f.p.], European approval (frame ZD4TS)[TS]
1	AP8222813	Engine E2	1	<b>Technical Specifications:</b> Limited version 60Km/h[60km], Euro2 homologation[E2], European approval (frame ZD4TS)[TS]
2	AP8239447	Sprocket cover, grey	1	
3	AP8150252	Hex socket screw M5x20*	2	
4	AP8222553	Starter lever	1	<b>Technical Specifications:</b> National approval[PG]
5	AP8152300	Self-locking nut M8*	3	
6	AP8150017	Washer 8,4x16x1,6*	3	

<b>Assembly</b>	ENGINE
<b>Code</b>	29.22
<b>Description</b>	Engine
<b>Revision</b>	1



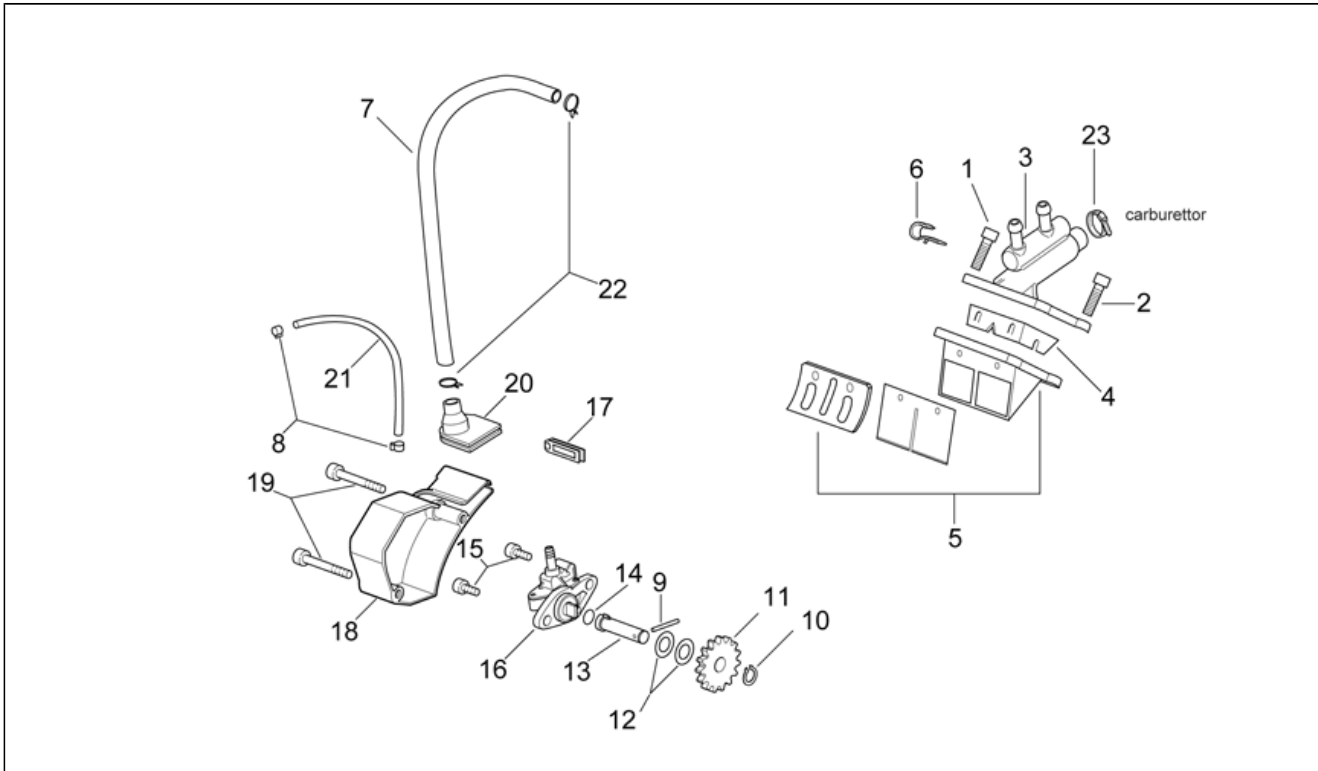
Pos.	Code	Description	Q.ty	Variants
7	AP8150388	Hex socket screw M8x100*	3	

<b>Assembly</b>	ENGINE
<b>Code</b>	29.35
<b>Description</b>	Oil pump - Manifold
<b>Revision</b>	1



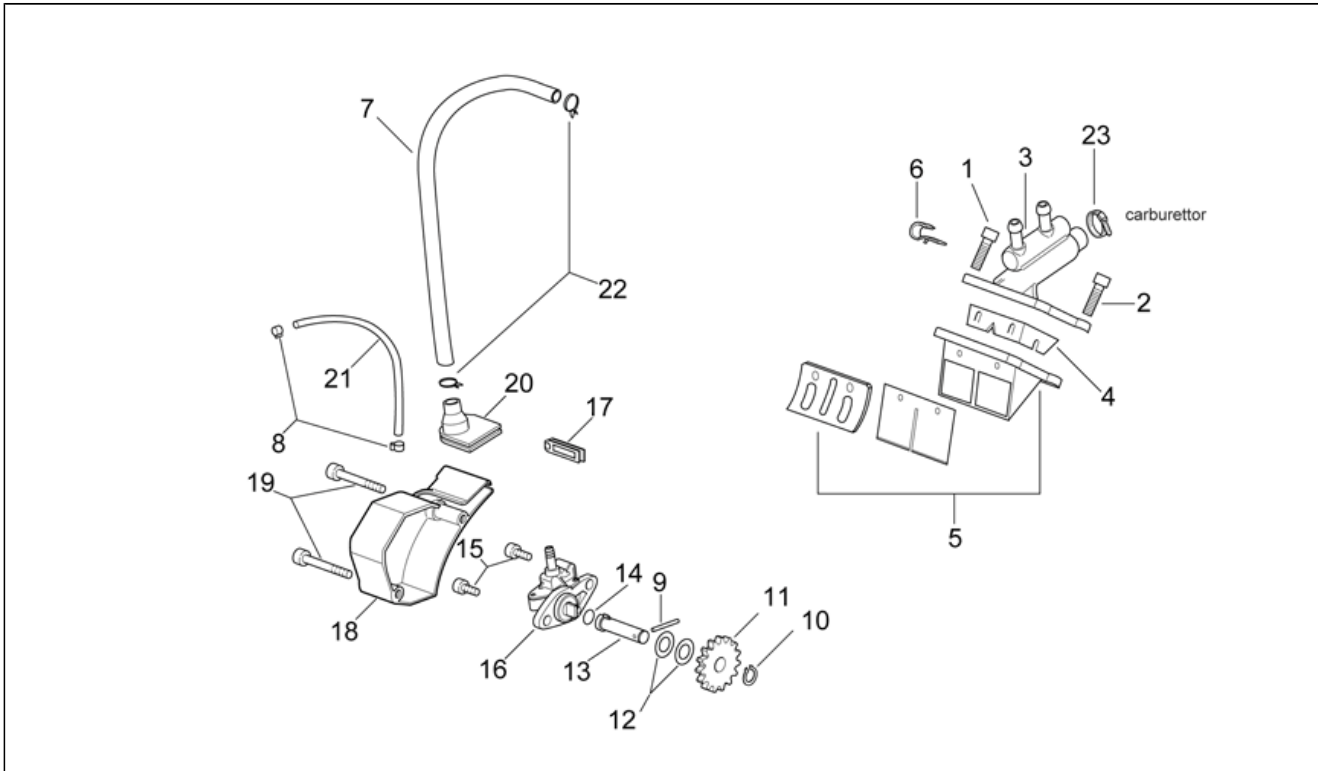
Pos.	Code	Description	Q.ty	Variants
1	AP8510838	Screw M6x20	2	<b>Technical Specifications:</b> European approval (frame ZD4SE) [SE], European approval (frame ZD4TS)[TS]
2	AP8206968	Screw M6x22	2	<b>Technical Specifications:</b> European approval (frame ZD4SE) [SE], European approval (frame ZD4TS)[TS]
2	AP8206968	Screw M6x22	4	
3	AP8206602	Intake manifold	1	<b>Country:</b> USA (49 Countries Approval)[AM], Belgium[B], Brasil[BR], Denmark[DK], Spain[E], A,B,D,GR,E,F,UK,NL,P[EU], France[F], Great Britain[GR], Italy[I], I[II], Israel[IL], Japan[J], J[JJ], Portugal[P], Rep. of Korea[ROK], Great Britain[UK], United States of America[USA] <b>Technical Specifications:</b> National approval[PG]
3	AP8206653	Intake manifold	1	<b>Country:</b> Austria[A], Germany[D], A,B,D,GR,E,F,UK,NL,P[EU], Holland[NL], Finland[SF] <b>Technical Specifications:</b> National approval[PG]
3	AP8206972	Intake manifold	1	<b>Technical Specifications:</b> European approval (frame ZD4SE) [SE], European approval (frame ZD4TS)[TS]
4	AP8206242	Reed valve fix.plate	1	
5	AP8206300	Reed valve assy	1	
6	AP8206303	Clutch cable anchor bridge	1	
7	AP8206710	Pipe 345 mm	1	<b>Technical Specifications:</b> National approval[PG]
7	AP8206975	Pipe 710 mm	1	<b>Technical Specifications:</b> European approval (frame ZD4SE) [SE], European approval (frame ZD4TS)[TS]
8	AP8206711	Hose clamp	2	
9	AP8508669	Roller D3x21,8	1	
10	AP8501467	Outside circlip D8	1	
11	AP8508872	Pump gear Z=22	1	
12	AP8206277	Blue steel washer D8,4x16	2	
13	AP8206632	Oil pump shaft	1	
14	AP8502665	O-ring D19x1,2	1	
15	AP8502562	Screw M5x16	2	

<b>Assembly</b>	ENGINE
<b>Code</b>	29.35
<b>Description</b>	Oil pump - Manifold
<b>Revision</b>	1



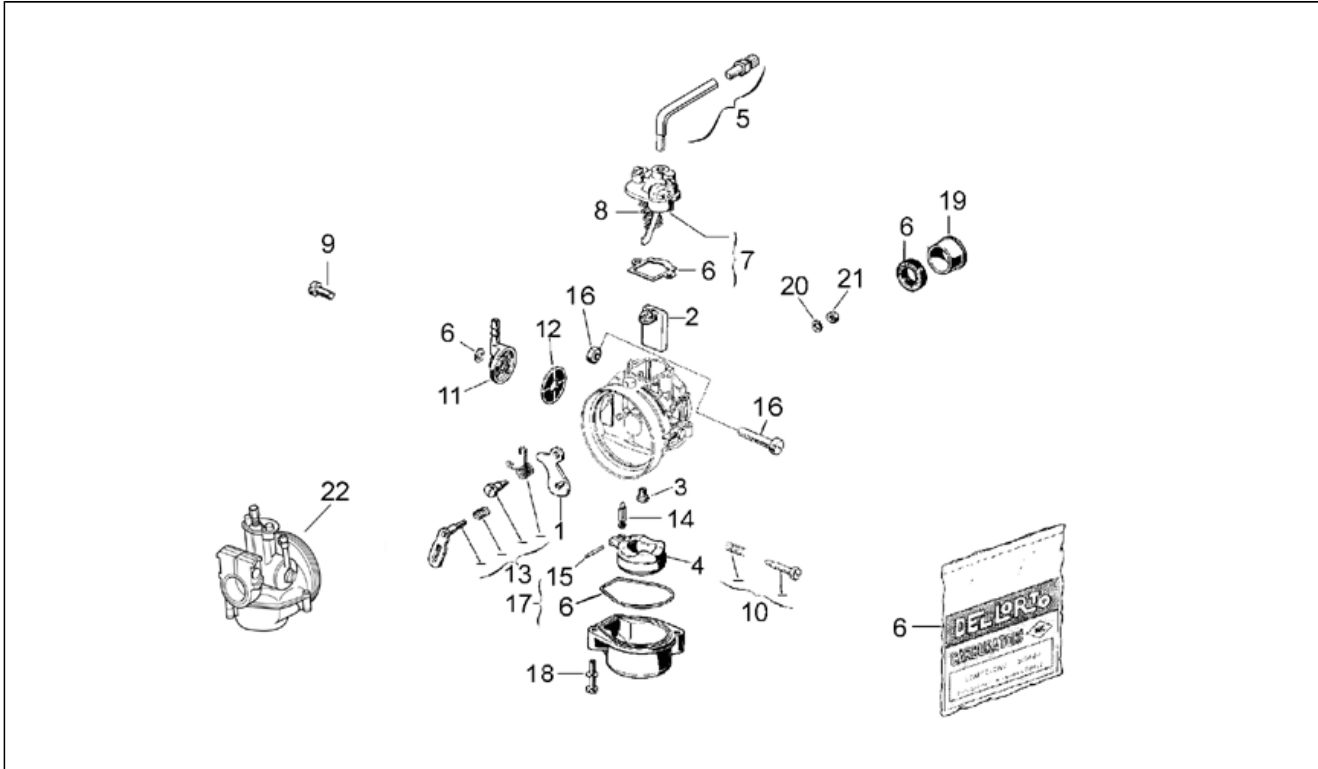
Pos.	Code	Description	Q.ty	Variants
16	AP8206654	Oil pump	1	<b>Country:</b> Austria[A], Germany[D], A,B,D,GR,E,F,UK,NL,P[EU], Holland[NL], Finland[SF] <b>Technical Specifications:</b> National approval[PG]
16	AP8276028	Oil pump Mikuni	1	<b>Technical Specifications:</b> From engine n.M3601662[M2], European approval (frame ZD4SE)[SE], European approval (frame ZD4TS)[TS]
16	AP8508863	Oil pump	1	<b>Country:</b> USA (49 Countries Approval)[AM], Belgium[B], Brasil[BR], Denmark[DK], Spain[E], A,B,D,GR,E,F,UK,NL,P[EU], France[F], Great Britain[GR], Italy[I], I[II], Israel[IL], Japan[J], J[JJ], Portugal[P], Rep. of Korea[ROK], Great Britain[UK], United States of America[USA] <b>Technical Specifications:</b> National approval[PG]
16	AP8508863	Oil pump	1	<b>Technical Specifications:</b> Up to engine n.M3601661[M1], European approval (frame ZD4SE)[SE], European approval (frame ZD4TS)[TS]
17	AP8276026	Cable adjuster rubber	1	<b>Technical Specifications:</b> From engine n.M3601662[M2], European approval (frame ZD4SE)[SE], European approval (frame ZD4TS)[TS]
17	AP8508667	Cable adjuster rubber	1	<b>Technical Specifications:</b> National approval[PG]
17	AP8508667	Cable adjuster rubber	1	<b>Technical Specifications:</b> Up to engine n.M3601661[M1], European approval (frame ZD4SE)[SE], European approval (frame ZD4TS)[TS]
18	AP8206645	Oil pump cover	1	<b>Technical Specifications:</b> National approval[PG]
18	AP8206645	Oil pump cover	1	<b>Technical Specifications:</b> Up to engine n.M3601661[M1], European approval (frame ZD4SE)[SE], European approval (frame ZD4TS)[TS]
18	AP8276029	Oil pump cover	1	<b>Technical Specifications:</b> From engine n.M3601662[M2], European approval (frame ZD4SE)[SE], European approval (frame ZD4TS)[TS]
19	AP8206280	Screw M5x35	2	
20	AP8276025	Oil pipe grommet	1	<b>Technical Specifications:</b> From engine n.M3601662[M2], European approval (frame ZD4SE)[SE], European approval (frame ZD4TS)[TS]

<b>Assembly</b>	ENGINE
<b>Code</b>	29.35
<b>Description</b>	Oil pump - Manifold
<b>Revision</b>	1



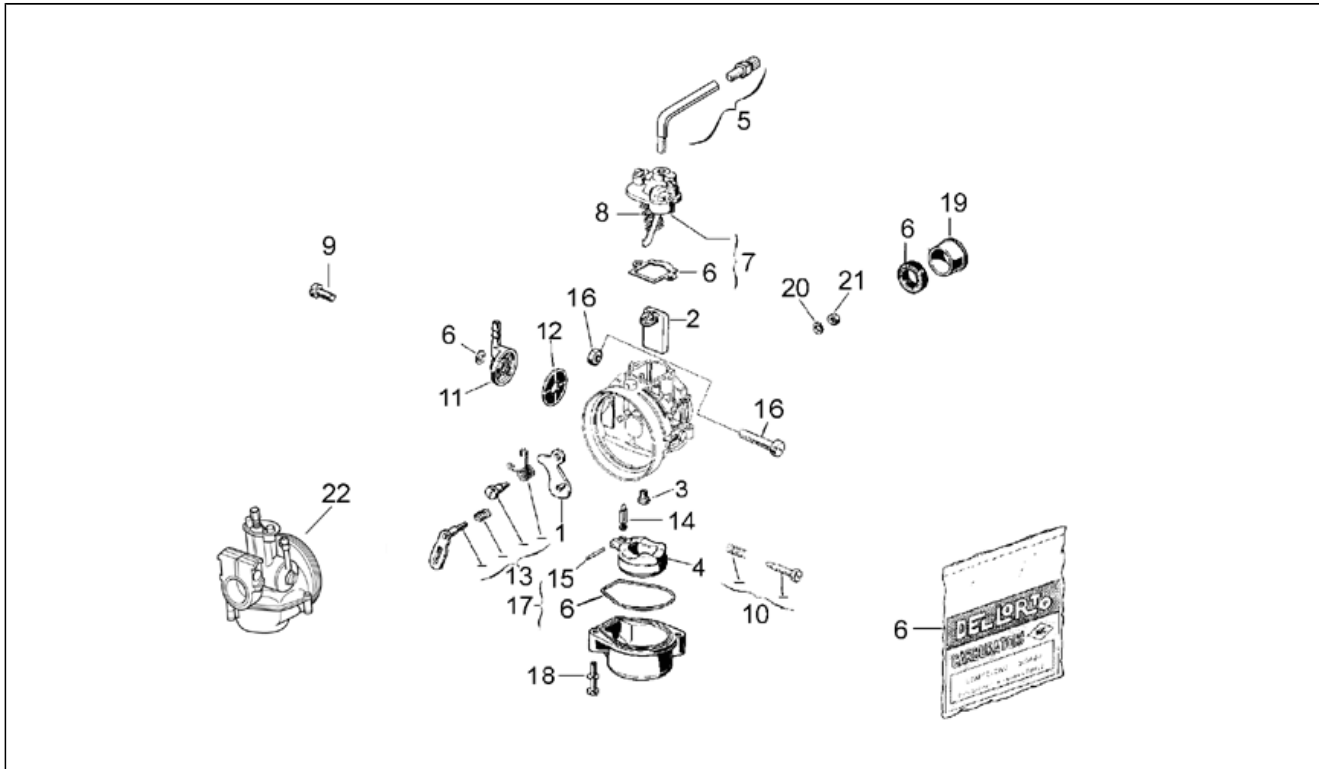
Pos.	Code	Description	Q.ty	Variants
20	AP8508668	Oil pipe grommet	1	<b>Technical Specifications:</b> Up to engine n.M3601661[M1], European approval (frame ZD4SE)[SE], European approval (frame ZD4TS)[TS]
20	AP8508668	Oil pipe grommet	1	<b>Technical Specifications:</b> National approval[PG]
21	AP8206631	Pipe 190 mm	1	<b>Country:</b> USA (49 Countries Approval)[AM], Belgium[B], Brasil[BR], Denmark[DK], Spain[E], A,B,D,GR,E,F,UK,NL,P[EU], France[F], Great Britain[GR], Italy[I], I[II], Israel[IL], Japan[J], J[JJ], Portugal[P], Rep. of Korea[ROK], Great Britain[UK], United States of America[USA] <b>Technical Specifications:</b> National approval[PG]
21	AP8206974	Pipe 320 mm	1	<b>Technical Specifications:</b> European approval (frame ZD4SE)[SE], European approval (frame ZD4TS)[TS]
22	AP8206342	Hose clamp	2	
23	AP8206181	Hose collar	1	<b>Technical Specifications:</b> European approval (frame ZD4SE)[SE], European approval (frame ZD4TS)[TS]

<b>Assembly</b>	ENGINE
<b>Code</b>	29.36
<b>Description</b>	Carburettor - PG
<b>Revision</b>	1



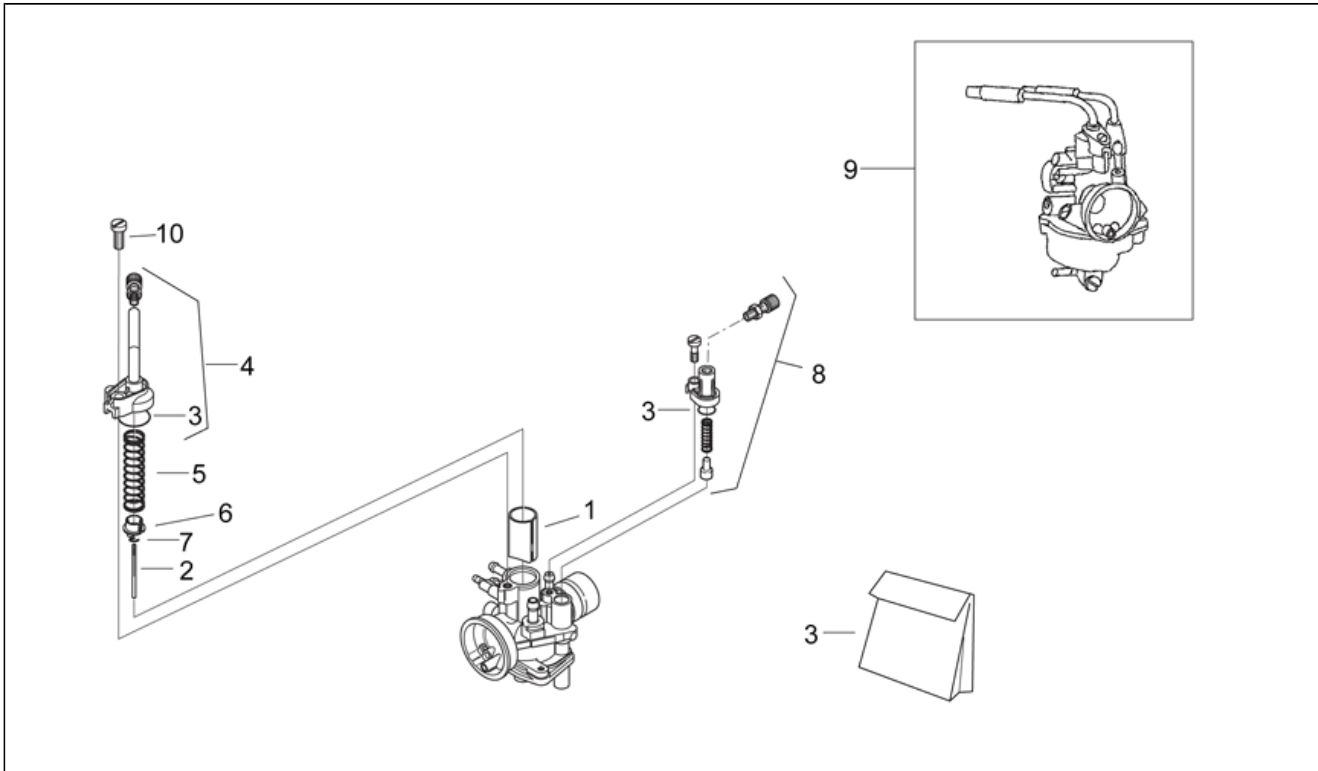
Pos.	Code	Description	Q.ty	Variants
1	AP8222663	Air valve	1	<b>Technical Specifications:</b> National approval[PG]
2	AP8222654	Gas valve	1	<b>Country:</b> USA (49 Countries Approval)[AM], Belgium[B], Brasil[BR], Denmark[DK], Spain[E], A,B,D,GR,E,F,UK,NL,P[EU], France[F], Great Britain[GR], Italy[I], I[II], Israel[IL], Japan[J], J[JJ], Portugal[P], Rep. of Korea[ROK], Great Britain[UK], United States of America[USA] <b>Technical Specifications:</b> National approval[PG]
2	AP8222655	Gas valve	1	<b>Country:</b> Germany[D], A,B,D,GR,E,F,UK,NL,P[EU], Holland[NL], Finland[SF] <b>Technical Specifications:</b> National approval[PG]
2	AP8222678	Gas valve	1	<b>Country:</b> Austria[A], A,B,D,GR,E,F,UK,NL,P[EU] <b>Technical Specifications:</b> National approval[PG]
3	AP8106091	Main jet 50	1	<b>Country:</b> Austria[A], A,B,D,GR,E,F,UK,NL,P[EU] <b>Technical Specifications:</b> National approval[PG]
3	AP8206938	Main jet 63	1	<b>Country:</b> USA (49 Countries Approval)[AM], Belgium[B], Brasil[BR], Denmark[DK], Spain[E], A,B,D,GR,E,F,UK,NL,P[EU], France[F], Great Britain[GR], Italy[I], I[II], Israel[IL], Japan[J], J[JJ], Portugal[P], Rep. of Korea[ROK], Great Britain[UK], United States of America[USA] <b>Technical Specifications:</b> National approval[PG]
3	AP8222638	Main jet 52	1	<b>Country:</b> A,B,D,GR,E,F,UK,NL,P[EU], Holland[NL], Finland[SF] <b>Technical Specifications:</b> National approval[PG]
3	AP8222639	Main jet 56	1	<b>Country:</b> Germany[D], A,B,D,GR,E,F,UK,NL,P[EU] <b>Technical Specifications:</b> National approval[PG]
4	AP8222658	Float gr.3,5	1	<b>Technical Specifications:</b> National approval[PG]
5	AP8206937	Deflector pipe kit	1	<b>Technical Specifications:</b> National approval[PG]
6	AP8222679	Gasket envelope	1	<b>Technical Specifications:</b> National approval[PG]
7	AP8222676	Valve cover	1	<b>Technical Specifications:</b> National approval[PG]
8	AP8222644	Gas valve return spring	1	<b>Technical Specifications:</b> National approval[PG]
9	AP8222645	Cap fixing screw	1	<b>Technical Specifications:</b> National approval[PG]

<b>Assembly</b>	ENGINE
<b>Code</b>	29.36
<b>Description</b>	Carburettor - PG
<b>Revision</b>	1



Pos.	Code	Description	Q.ty	Variants
10	AP8222650	Gas valve adj.screw kit	1	<b>Technical Specifications:</b> National approval[PG]
11	AP8222659	Fuel pipe union cap	1	<b>Technical Specifications:</b> National approval[PG]
12	AP8222656	Fuel filter	1	<b>Technical Specifications:</b> National approval[PG]
13	AP8222653	Air valve control rod kit	1	<b>Technical Specifications:</b> National approval[PG]
14	AP8222643	Fuel closing needle	1	<b>Technical Specifications:</b> National approval[PG]
15	AP8222662	Float pin	1	<b>Technical Specifications:</b> National approval[PG]
16	AP8222652	Collar clamping screw kit	1	<b>Technical Specifications:</b> National approval[PG]
17	AP8222635	Float chamber	1	<b>Technical Specifications:</b> National approval[PG]
18	AP8222634	Float chamber fixing screw	1	<b>Technical Specifications:</b> National approval[PG]
19	AP8222632	Insulating reduction 21-18	1	<b>Technical Specifications:</b> National approval[PG]
20	AP8222642	Air rod nut washer	1	<b>Technical Specifications:</b> National approval[PG]
21	AP8222660	Air rod nut	1	<b>Technical Specifications:</b> National approval[PG]
22	AP8206407	Carburettor sha14-9	1	<b>Country:</b> Germany[D], A,B,D,GR,E,F,UK,NL,P[EU] <b>Technical Specifications:</b> National approval[PG]
22	AP8206872	Carburettor SHA 14-12	1	<b>Country:</b> USA (49 Countries Approval)[AM], Belgium[B], Brasil[BR], Denmark[DK], Spain[E], A,B,D,GR,E,F,UK,NL,P[EU], France[F], Great Britain[GR], Italy[I], I[II], Israel[IL], Japan[J], J[JJ], Portugal[P], Rep. of Korea[ROK], Great Britain[UK], United States of America[USA] <b>Technical Specifications:</b> National approval[PG]
22	AP8206879	Carburettor SHA 14-9	1	<b>Country:</b> Austria[A], A,B,D,GR,E,F,UK,NL,P[EU] <b>Technical Specifications:</b> National approval[PG]
22	AP8206959	Carburettor sha14-9	1	<b>Country:</b> A,B,D,GR,E,F,UK,NL,P[EU], Holland[NL], Finland[SF] <b>Technical Specifications:</b> National approval[PG]

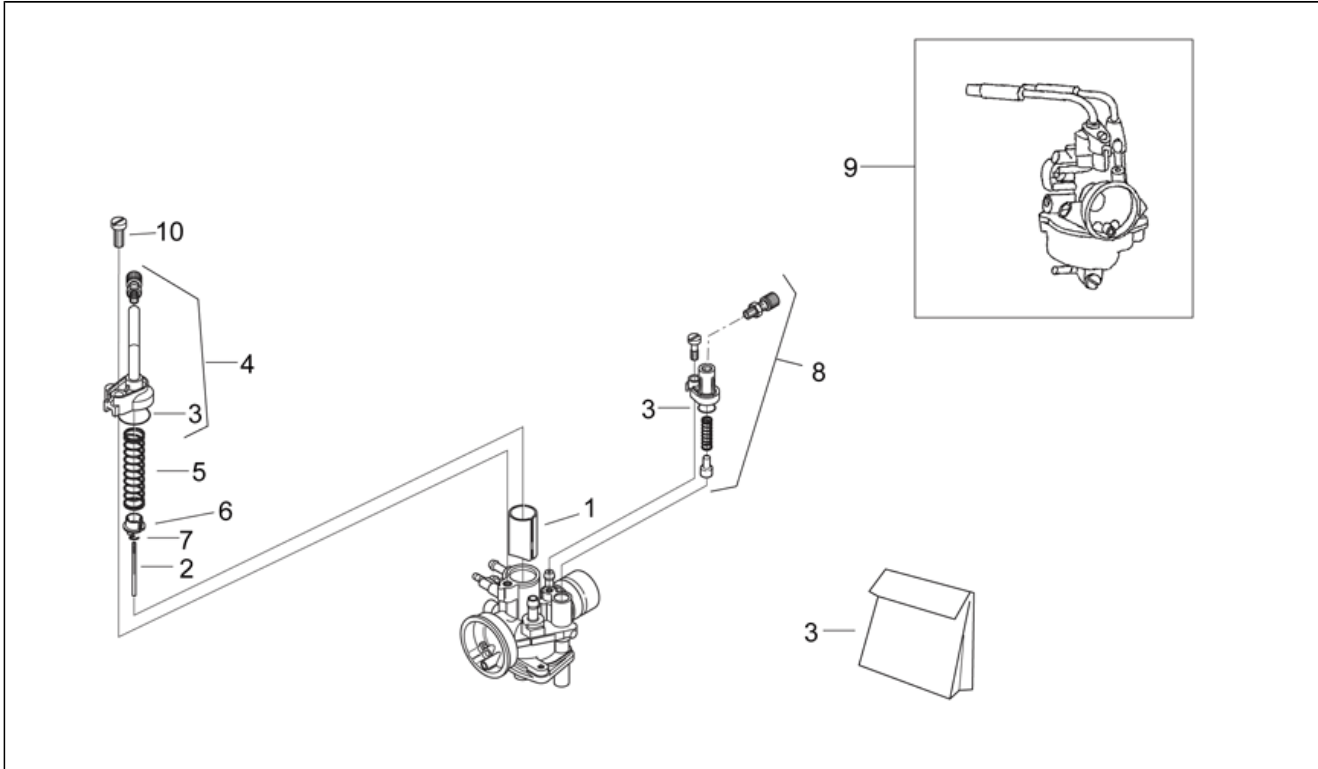
<b>Assembly</b>	ENGINE
<b>Code</b>	29.37
<b>Description</b>	Carburettor I - SE-TS
<b>Revision</b>	1



Pos.	Code	Description	Q.ty	Variants
1	AP8206899	Gas valve 40	1	<b>Technical Specifications:</b> European approval (frame ZD4SE) [SE], European approval (frame ZD4TS)[TS]
2	AP8206980	Conical pin A34	1	<b>Technical Specifications:</b> Euro1 homologation[E1], European approval (frame ZD4SE)[SE], European approval (frame ZD4TS)[TS]
2	AP8276056	Conical pin A12	1	<b>Technical Specifications:</b> Euro2 homologation[E2], European approval (frame ZD4SE)[SE], European approval (frame ZD4TS)[TS]
3	AP8206886	Gasket envelope	1	<b>Technical Specifications:</b> European approval (frame ZD4SE) [SE], European approval (frame ZD4TS)[TS]
4	AP8206983	Mixture chamber cover kit	1	<b>Technical Specifications:</b> European approval (frame ZD4SE) [SE], European approval (frame ZD4TS)[TS]
5	AP8206908	Valve gas return spring	1	<b>Technical Specifications:</b> European approval (frame ZD4SE) [SE], European approval (frame ZD4TS)[TS]
6	AP8206891	Conical pin clip	1	<b>Technical Specifications:</b> European approval (frame ZD4SE) [SE], European approval (frame ZD4TS)[TS]
7	AP8206892	Conical pin clip	1	<b>Technical Specifications:</b> European approval (frame ZD4SE) [SE], European approval (frame ZD4TS)[TS]
8	AP8206893	Wire starter kit	1	<b>Technical Specifications:</b> European approval (frame ZD4SE) [SE], European approval (frame ZD4TS)[TS]
9	AP8206969	Carburettor PHBN 12-HS	1	<b>Technical Specifications:</b> Limited version 45Km/h[45km], Euro1 homologation[E1], European approval (frame ZD4SE) [SE]
9	AP8276022	Carburettor PHBN 12-HS/R.3147	1	<b>Country:</b> Switzerland[SZ] <b>Technical Specifications:</b> Euro1 homologation[E1], Full Power Version[f.p.], European approval (frame ZD4TS)[TS]
9	AP8276057	Carburettor PHBN 16-NS/R.	1	<b>Technical Specifications:</b> Limited version 45Km/h[45km], Euro2 homologation[E2], European approval (frame ZD4SE) [SE]
9	AP8276077	Carburettor PHBN 16-NS/R.	1	<b>Technical Specifications:</b> Euro2 homologation[E2], Full Power Version[f.p.], European approval (frame ZD4TS)[TS]

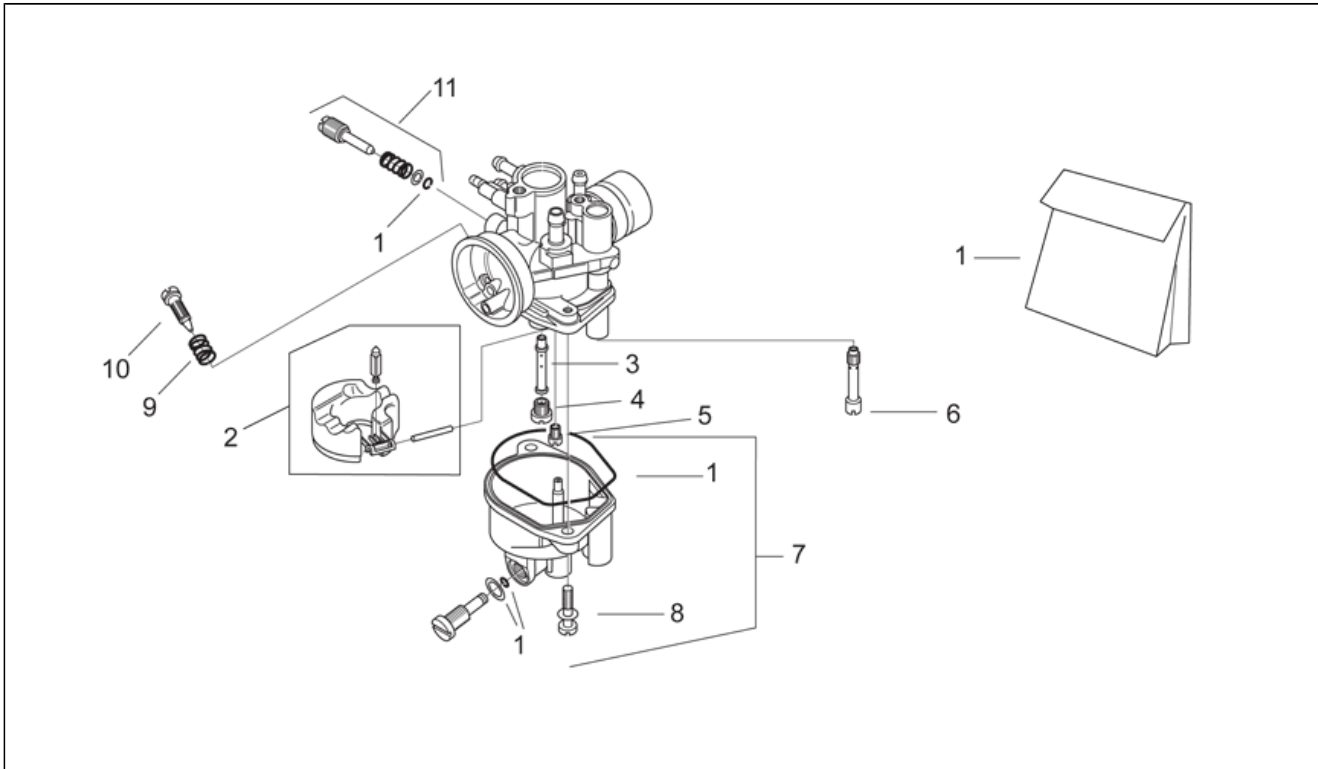


<b>Assembly</b>	ENGINE
<b>Code</b>	29.37
<b>Description</b>	Carburettor I - SE-TS
<b>Revision</b>	1



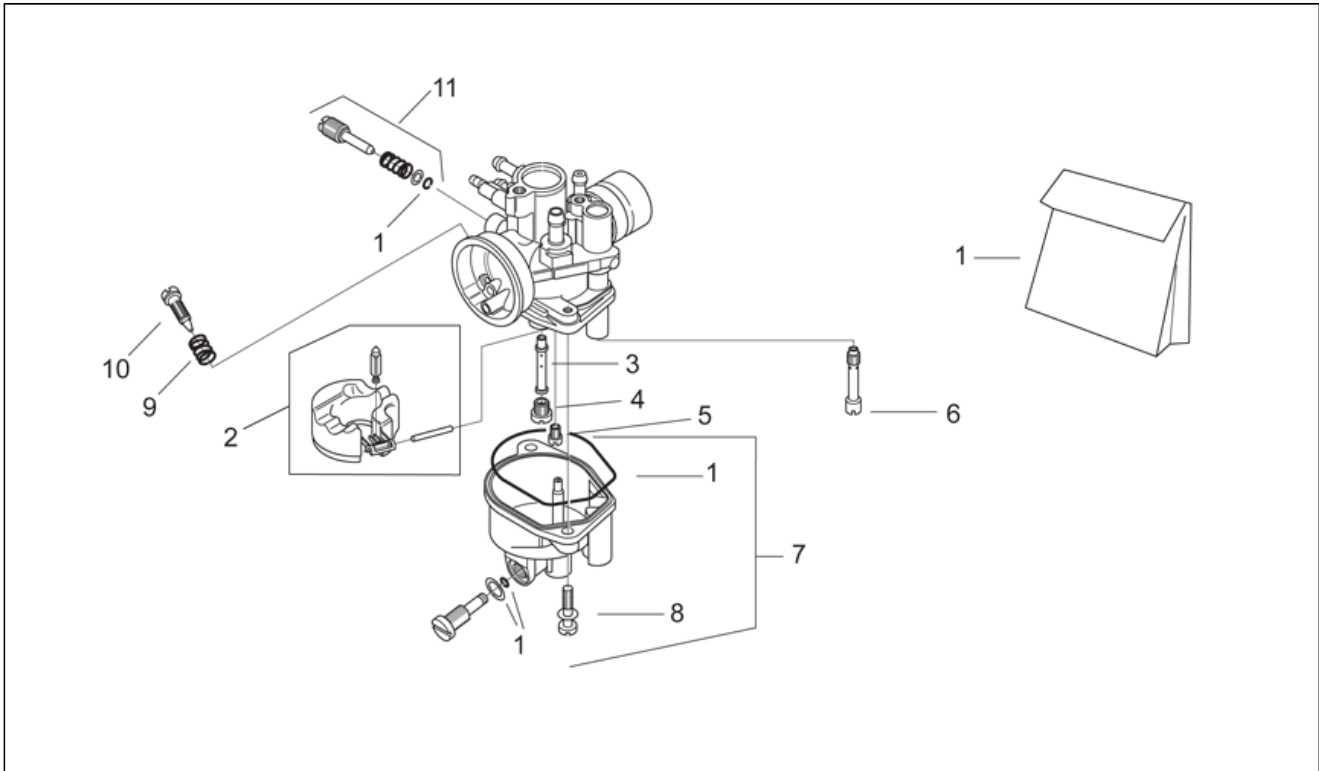
Pos.	Code	Description	Q.ty	Variants
9	AP8276082	Carburettor PHBN 16-NS/R.	1	<b>Technical Specifications:</b> Limited version 60Km/h[60km], Euro2 homologation[E2], European approval (frame ZD4TS)[TS]
10	AP8206940	Mixture chamber cover screw	1	<b>Technical Specifications:</b> European approval (frame ZD4SE)[SE], European approval (frame ZD4TS)[TS]

<b>Assembly</b>	ENGINE
<b>Code</b>	29.38
<b>Description</b>	Carburettor II - SE-TS
<b>Revision</b>	1



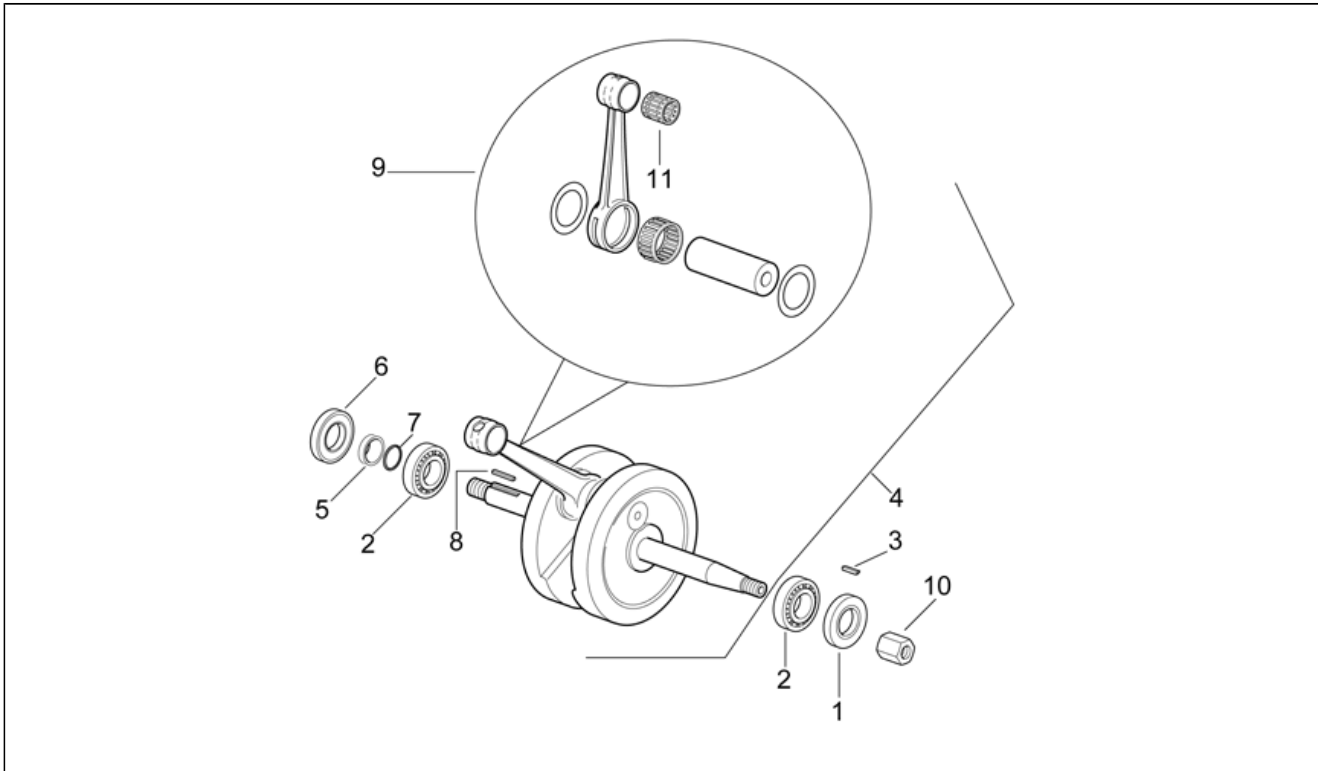
Pos.	Code	Description	Q.ty	Variants
1	AP8206886	Gasket envelope	1	<b>Technical Specifications:</b> European approval (frame ZD4SE) [SE], European approval (frame ZD4TS)[TS]
2	AP8206890	Float kit	1	<b>Technical Specifications:</b> European approval (frame ZD4SE) [SE], European approval (frame ZD4TS)[TS]
3	AP8206981	Needle valve FP 210	1	<b>Technical Specifications:</b> European approval (frame ZD4SE) [SE], European approval (frame ZD4TS)[TS]
3	AP8276055	Needle valve FA 211	1	<b>Technical Specifications:</b> Euro2 homologation[E2], European approval (frame ZD4SE)[SE], European approval (frame ZD4TS)[TS]
4	AP8106092	Main jet 120	1	<b>Technical Specifications:</b> Euro2 homologation[E2], Full Power Version[f.p.], European approval (frame ZD4TS)[TS]
4	AP8222684	Main jet 74	1	<b>Technical Specifications:</b> Limited version 45Km/h[45km], Euro1 homologation[E1], European approval (frame ZD4SE) [SE]
4	AP8276024	Main jet 100	1	<b>Country:</b> Switzerland[SZ] <b>Technical Specifications:</b> Euro1 homologation[E1], Full Power Version[f.p.], European approval (frame ZD4TS)[TS]
4	AP8276054	Main jet 76	1	<b>Technical Specifications:</b> Euro2 homologation[E2], European approval (frame ZD4SE)[SE], European approval (frame ZD4TS)[TS]
4	AP8276081	Main jet 95	1	<b>Technical Specifications:</b> Limited version 60Km/h[60km], Euro2 homologation[E2], European approval (frame ZD4TS) [TS]
5	AP8206902	Idle jet 32	1	<b>Technical Specifications:</b> European approval (frame ZD4SE) [SE], European approval (frame ZD4TS)[TS]
6	AP8206982	Starter jet 45	1	<b>Technical Specifications:</b> European approval (frame ZD4SE) [SE], European approval (frame ZD4TS)[TS]
7	AP8206889	Float chamber	1	<b>Technical Specifications:</b> European approval (frame ZD4SE) [SE], European approval (frame ZD4TS)[TS]
8	AP8206887	Float chamber fixing screw	1	<b>Technical Specifications:</b> European approval (frame ZD4SE) [SE], European approval (frame ZD4TS)[TS]
9	AP8206894	Adj.min.eng.spd air scr.spring	1	<b>Technical Specifications:</b> European approval (frame ZD4SE) [SE], European approval (frame ZD4TS)[TS]

<b>Assembly</b>	ENGINE
<b>Code</b>	29.38
<b>Description</b>	Carburettor II - SE-TS
<b>Revision</b>	1



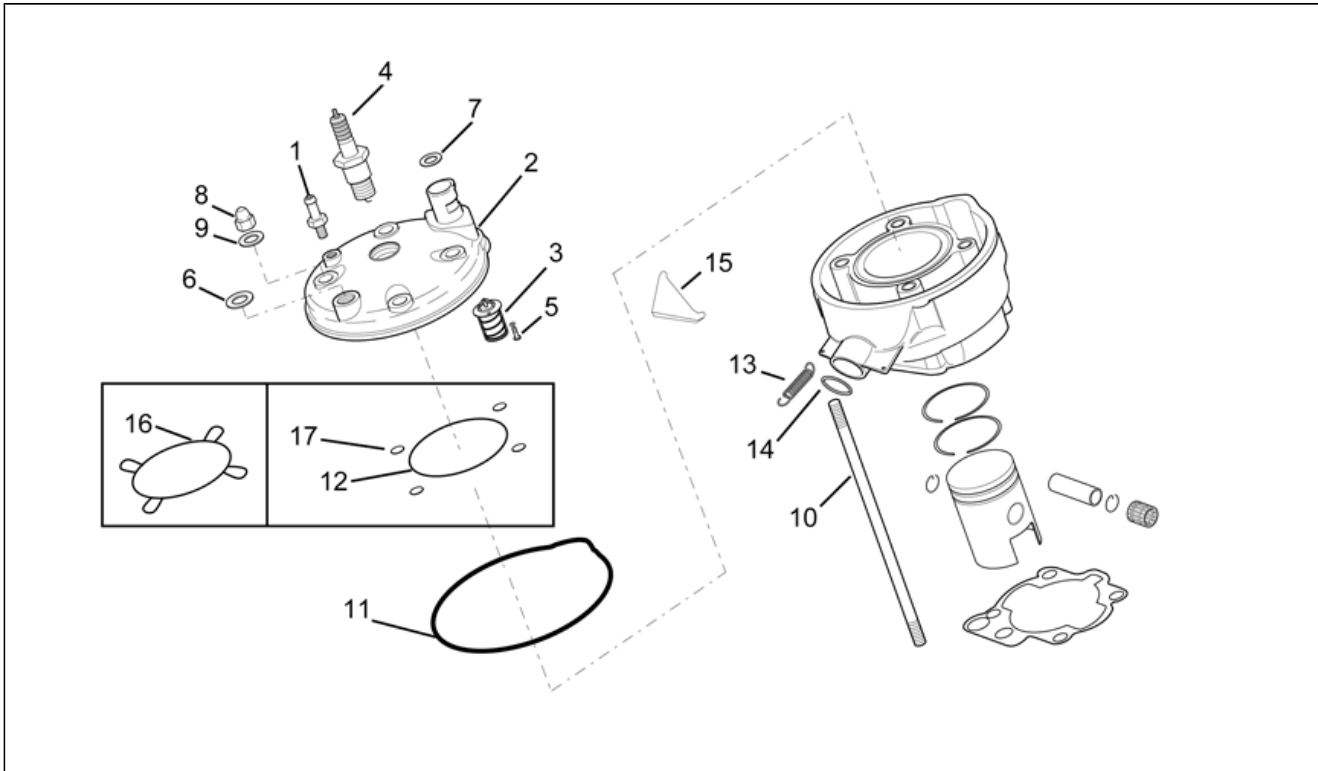
Pos.	Code	Description	Q.ty	Variants
10	AP8206907	Adj.min.eng.speed air screw	1	<b>Technical Specifications:</b> European approval (frame ZD4SE) [SE], European approval (frame ZD4TS)[TS]
11	AP8106820	Gas valve adj.screw kit	1	<b>Technical Specifications:</b> European approval (frame ZD4SE) [SE], European approval (frame ZD4TS)[TS]

<b>Assembly</b>	ENGINE
<b>Code</b>	29.39
<b>Description</b>	Drive shaft
<b>Revision</b>	1



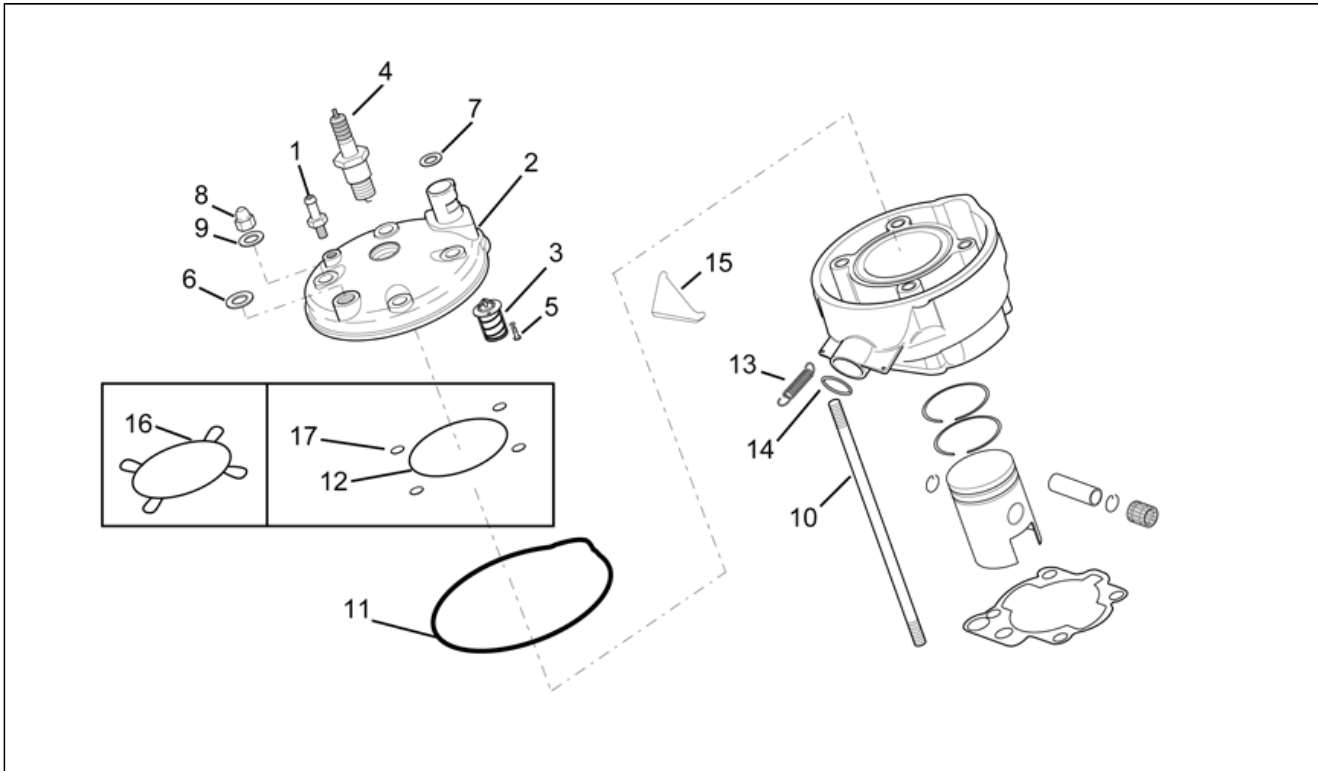
Pos.	Code	Description	Q.ty	Variants
1	AP8509182	Oil seal D17x35x8	1	
2	AP8206282	Bearing D17x47x14	2	
3	AP8508551	Flywheel magneto key	1	
4	AP8206311	Crankshaft assy	1	<b>Technical Specifications:</b> Up to engine n.M3613126[M3], Up to engine n.M3613326[M5]
4	AP8276059	Crankshaft assy	1	<b>Technical Specifications:</b> From engine n.M3613127[M4], From engine n.M3613327[M6]
5	AP8206268	Spacer D16,9x24x8	1	
6	AP8206290	Oil seal D24x35x7	1	
7	AP8502656	O-ring	1	
8	AP8206264	Transmission key 4x4x20	1	
9	AP8206349	Connecting rod cpl.	1	<b>Technical Specifications:</b> Up to engine n.M3613126[M3], Up to engine n.M3613326[M5]
9	AP8276060	Connecting rod cpl.	1	<b>Technical Specifications:</b> From engine n.M3613127[M4], From engine n.M3613327[M6]
10	AP8509891	Nut M10x1,2x15	1	
11	AP8509769	Cage D12x15x15	1	

<b>Assembly</b>	ENGINE
<b>Code</b>	29.40
<b>Description</b>	Cylinder head
<b>Revision</b>	1



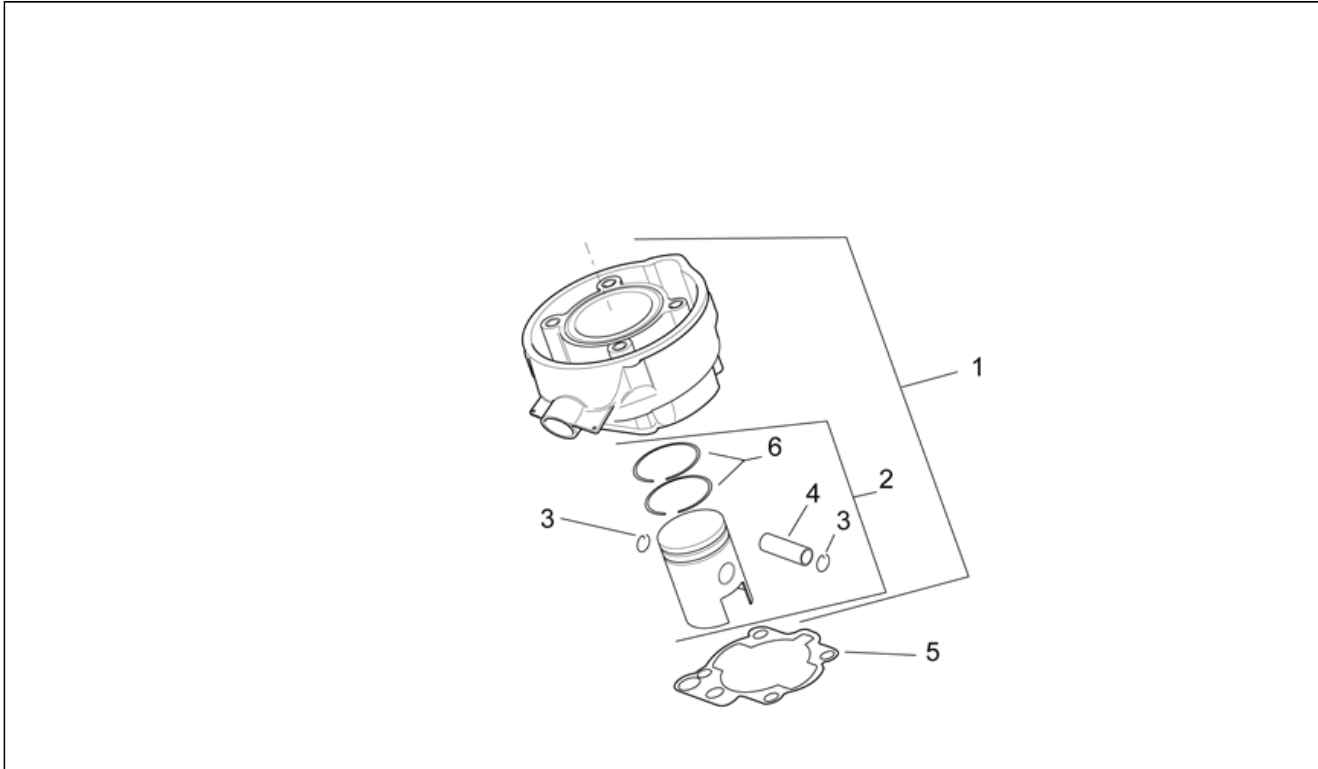
Pos.	Code	Description	Q.ty	Variants
1	AP8206618	Water hose union	1	<b>Technical Specifications:</b> National approval[PG]
2	AP8106692	Cylinder head, grey	1	<b>year:</b> 2001[1], 1999[X], 2000[Y] <b>Country:</b> Belgium[B], Brasil[BR], Denmark[DK], Spain[E], France[F], Great Britain[GR], Italy[I], Israel[IL], Japan[J], Portugal[P], Rep. of Korea[ROK], Great Britain[UK], United States of America[USA] <b>Technical Specifications:</b> Up to engine n.MY500618[<500618], National approval[PG]
2	AP8206935	Cylinder head, grey	1	<b>year:</b> 2001[1], 1999[X], 2000[Y] <b>Country:</b> Austria[A], Germany[D], Holland[NL], Finland[SF] <b>Technical Specifications:</b> National approval[PG]
2	AP8206949	Cylinder head	1	<b>year:</b> 2002[2] <b>Country:</b> Spain[E], France[F], United States of America[USA] <b>Technical Specifications:</b> National approval[PG]
2	AP8206949	Cylinder head	1	<b>year:</b> 2001[1], 2000[Y] <b>Country:</b> Belgium[B], Denmark[DK], Spain[E], France[F], Great Britain[GR], Italy[I], Israel[IL], Japan[J], Portugal[P], Rep. of Korea[ROK], Great Britain[UK], United States of America[USA] <b>Technical Specifications:</b> From engine n.MY500618[>500619], National approval[PG]
2	AP8206970	Cylinder head	1	<b>year:</b> 2002[2], 2003[3], 2004[4] <b>Technical Specifications:</b> European approval (frame ZD4SE)[SE], European approval (frame ZD4TS)[TS]
3	AP8206383	Thermostat	1	
4	AP8206915	Spark plug BR9ES	1	
5	AP8502559	Screw with washer M4x10	2	
6	AP8508560	Gasket 14,1x22x1	1	
7	AP8502759	Oil plug seal D8x14	1	
8	AP8206427	Cap self-locking nut M7x1	4	
9	AP8206721	Spring washer	4	
10	AP8508553	Stud bolt M7x115	4	

<b>Assembly</b>	ENGINE
<b>Code</b>	29.40
<b>Description</b>	Cylinder head
<b>Revision</b>	1



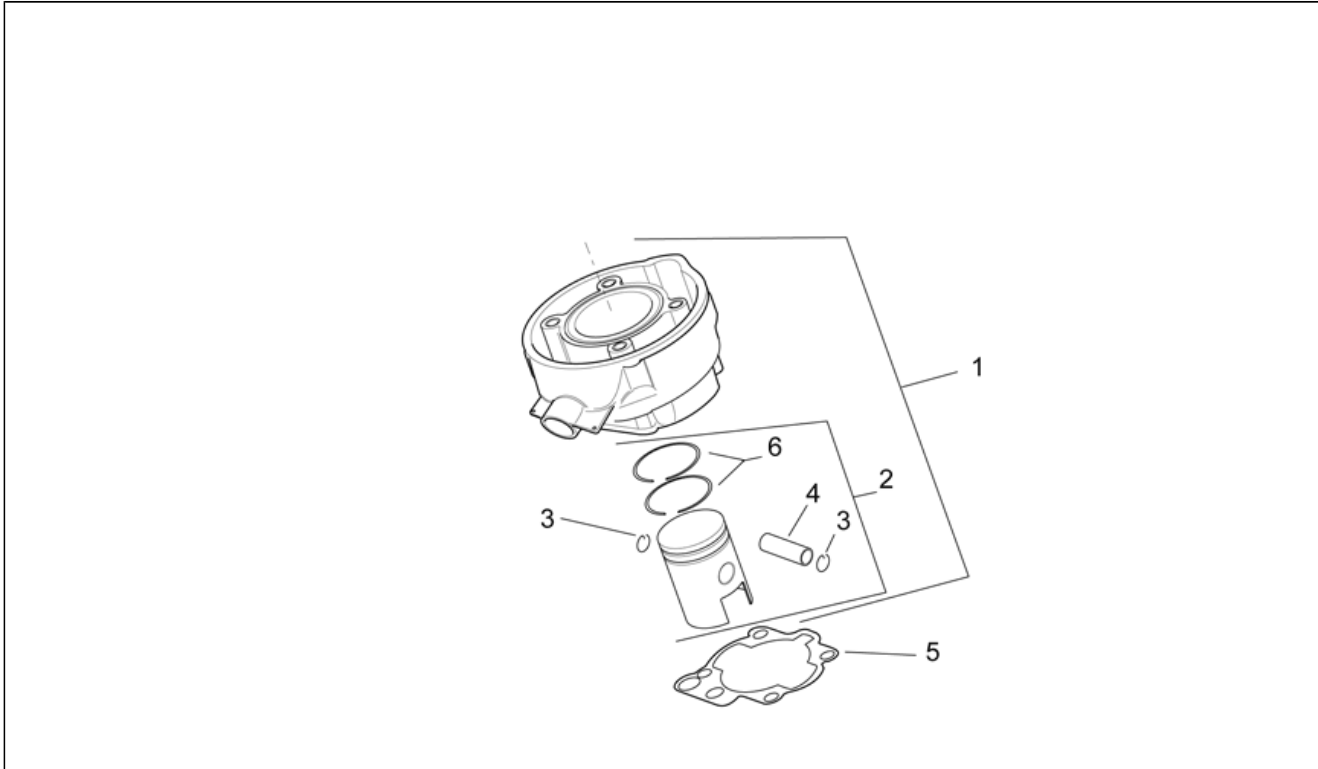
Pos.	Code	Description	Q.ty	Variants
11	AP8206286	O-ring 104,3x3,5	1	<b>Technical Specifications:</b> Up to engine n.MY500618[<500618]
11	AP8206947	Outer O-ring D2,62	1	<b>Technical Specifications:</b> From engine n.MY500618[>500619]
12	AP8206285	O-ring D51,5x1,78	1	<b>Technical Specifications:</b> Up to engine n.MY500618[<500618]
13	AP8507839	Exhaust pipe fixing spring	1	
14	AP8206976	O-ring D25x2,6	1	
14	AP8502668	O-ring D28,2x2,6	1	
15	AP8508882	Spring fixing plate	1	
16	AP8206948	Inner O-ring D2,62	1	<b>Technical Specifications:</b> From engine n.MY500618[>500619]
17	AP8502655	O-ring D7,65x1,78	4	<b>Technical Specifications:</b> Up to engine n.MY500618[<500618]

<b>Assembly</b>	ENGINE
<b>Code</b>	29.41
<b>Description</b>	Cylinder - Piston
<b>Revision</b>	1



Pos.	Code	Description	Q.ty	Variants
1	AP8206404	Cylinder with piston -NL-D40,3	1	<b>Country:</b> Austria[A], Germany[D], A,B,D,GR,E,F,UK,NL,P[EU], Holland[NL], Finland[SF] <b>Technical Specifications:</b> National approval[PG]
1	AP8206760	Cylinder with piston	1	<b>Country:</b> USA (49 Countries Approval)[AM], Belgium[B], Brasil[BR], Denmark[DK], Spain[E], A,B,D,GR,E,F,UK,NL,P[EU], France[F], Great Britain[GR], Italy[I], I[II], Israel[IL], Japan[J], J[JJ], Portugal[P], Rep. of Korea[ROK], Great Britain[UK], United States of America[USA] <b>Technical Specifications:</b> Up to engine n.MY500618[<500618], National approval[PG]
1	AP8206950	Cylinder with piston	1	<b>Country:</b> USA (49 Countries Approval)[AM], Belgium[B], Brasil[BR], Denmark[DK], Spain[E], A,B,D,GR,E,F,UK,NL,P[EU], France[F], Great Britain[GR], Italy[I], I[II], Israel[IL], Japan[J], J[JJ], Portugal[P], Rep. of Korea[ROK], Great Britain[UK], United States of America[USA] <b>Technical Specifications:</b> From engine n.MY500618[>500619], National approval[PG]
1	AP8206950	Cylinder with piston	1	<b>Technical Specifications:</b> Full Power Version[f.p.], European approval (frame ZD4TS)[TS]
1	AP8206979	Cylinder with piston	1	<b>Technical Specifications:</b> Limited version 45Km/h[45km], European approval (frame ZD4SE)[SE]
2	AP8206250	Piston assy D40,3	1	<b>Country:</b> Austria[A], Germany[D], A,B,D,GR,E,F,UK,NL,P[EU], Holland[NL], Finland[SF] <b>Technical Specifications:</b> National approval[PG]
2	AP8206955	Piston assy D40,3	1	<b>Country:</b> USA (49 Countries Approval)[AM], Belgium[B], Brasil[BR], Denmark[DK], Spain[E], A,B,D,GR,E,F,UK,NL,P[EU], France[F], Great Britain[GR], Italy[I], I[II], Israel[IL], Japan[J], J[JJ], Portugal[P], Rep. of Korea[ROK], Great Britain[UK], United States of America[USA] <b>Technical Specifications:</b> Limited version 45Km/h[45km], European approval (frame ZD4SE)[SE]
2	AP8206955	Piston assy D40,3	1	<b>Country:</b> Switzerland[SZ]

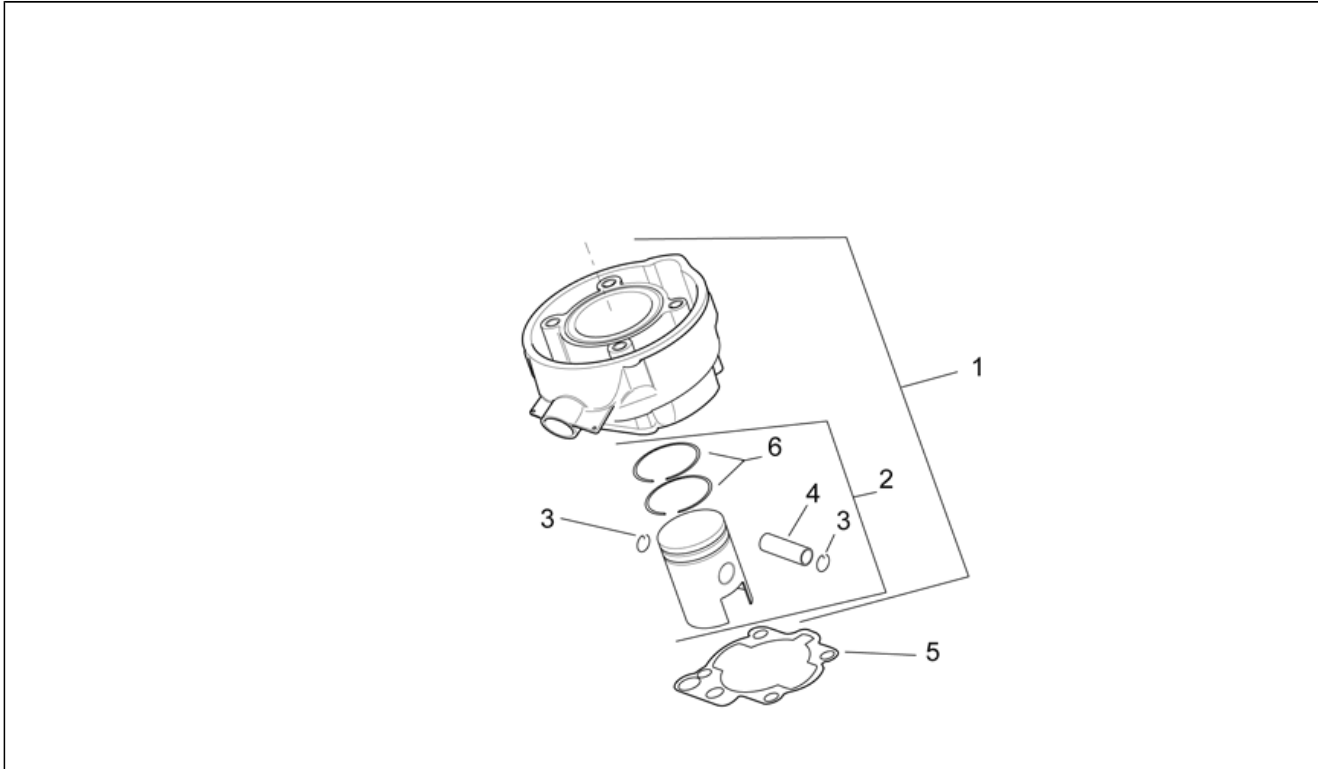
<b>Assembly</b>	ENGINE
<b>Code</b>	29.41
<b>Description</b>	Cylinder - Piston
<b>Revision</b>	1



Pos.	Code	Description	Q.ty	Variants
				<b>Technical Specifications:</b> Euro1 homologation[E1], Full Power Version[f.p.], European approval (frame ZD4TS)[TS]
2	AP8206955	Piston assy D40,3	1	<b>Country:</b> USA (49 Countries Approval)[AM], Belgium[B], Brasil[BR], Denmark[DK], Spain[E], A,B,D,GR,E,F,UK,NL,P[EU], France[F], Great Britain[GR], Italy[I], I[II], Israel[IL], Japan[J], J[JJ], Portugal[P], Rep. of Korea[ROK], Great Britain[UK], United States of America[USA] <b>Technical Specifications:</b> National approval[PG]
2	AP8206956	Piston assy D40,6	1	<b>Country:</b> USA (49 Countries Approval)[AM], Belgium[B], Brasil[BR], Denmark[DK], Spain[E], A,B,D,GR,E,F,UK,NL,P[EU], France[F], Great Britain[GR], Italy[I], I[II], Israel[IL], Japan[J], J[JJ], Portugal[P], Rep. of Korea[ROK], Great Britain[UK], United States of America[USA] <b>Technical Specifications:</b> Limited version 45Km/h[45km], European approval (frame ZD4SE)[SE]
2	AP8206956	Piston assy D40,6	1	<b>Country:</b> Switzerland[SZ] <b>Technical Specifications:</b> Euro1 homologation[E1], Full Power Version[f.p.], European approval (frame ZD4TS)[TS]
2	AP8206956	Piston assy D40,6	1	<b>Country:</b> USA (49 Countries Approval)[AM], Belgium[B], Brasil[BR], Denmark[DK], Spain[E], A,B,D,GR,E,F,UK,NL,P[EU], France[F], Great Britain[GR], Italy[I], I[II], Israel[IL], Japan[J], J[JJ], Portugal[P], Rep. of Korea[ROK], Great Britain[UK], United States of America[USA] <b>Technical Specifications:</b> National approval[PG]
2	AP8206957	Piston assy D40,8	1	<b>Country:</b> USA (49 Countries Approval)[AM], Belgium[B], Brasil[BR], Denmark[DK], Spain[E], A,B,D,GR,E,F,UK,NL,P[EU], France[F], Great Britain[GR], Italy[I], I[II], Israel[IL], Japan[J], J[JJ], Portugal[P], Rep. of Korea[ROK], Great Britain[UK], United States of America[USA] <b>Technical Specifications:</b> National approval[PG]
2	AP8206957	Piston assy D40,8	1	<b>Country:</b> Switzerland[SZ]

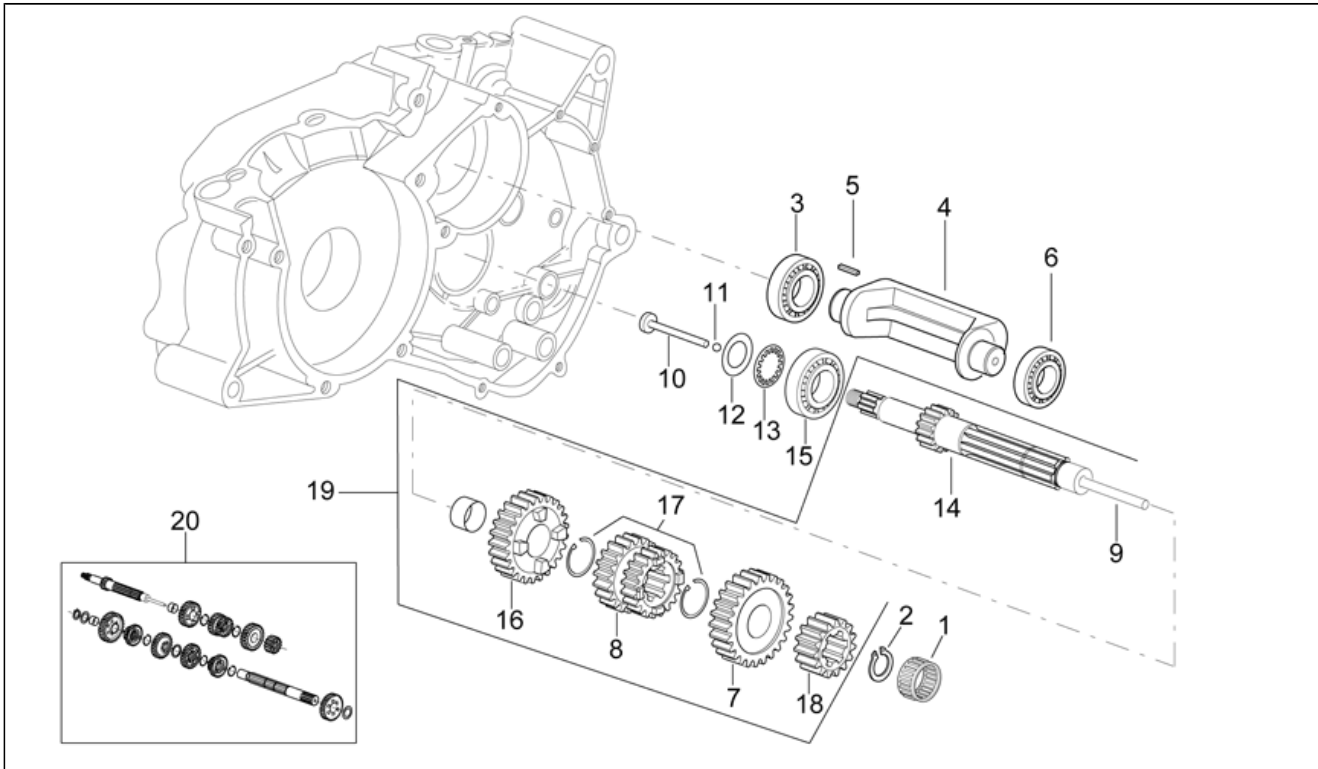


<b>Assembly</b>	ENGINE
<b>Code</b>	29.41
<b>Description</b>	Cylinder - Piston
<b>Revision</b>	1



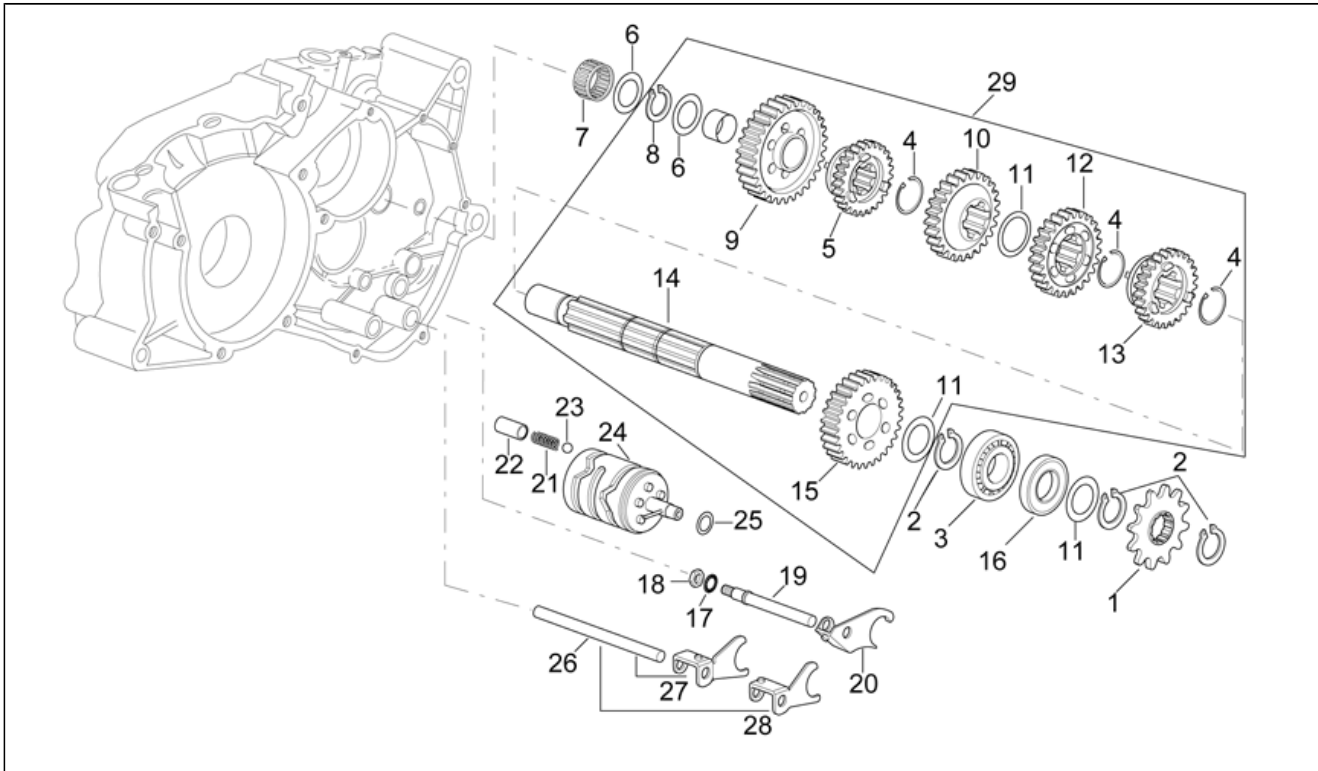
Pos.	Code	Description	Q.ty	Variants
				<b>Technical Specifications:</b> Euro1 homologation[E1], Full Power Version[f.p.], European approval (frame ZD4TS)[TS]
2	AP8206957	Piston assy D40,8	1	<b>Country:</b> USA (49 Countries Approval)[AM], Belgium[B], Brasil[BR], Denmark[DK], Spain[E], A,B,D,GR,E,F,UK,NL,P[EU], France[F], Great Britain[GR], Italy[I], I[II], Israel[IL], Japan[J], J[JJ], Portugal[P], Rep. of Korea[ROK], Great Britain[UK], United States of America[USA] <b>Technical Specifications:</b> Limited version 45Km/h[45km], European approval (frame ZD4SE)[SE]
3	AP8206019	Stop ring D12	2	
4	AP8502846	Piston pin D12x34,5	1	
5	AP8206292	Cylinder base gasket	1	
6	AP8206952	Piston ring set D40,3x1,2	1	
6	AP8206953	Oversize piston rings D40,6	1	
6	AP8206954	Oversize piston rings D40,8	1	

<b>Assembly</b>	ENGINE
<b>Code</b>	29.42
<b>Description</b>	Primary gear shaft
<b>Revision</b>	1



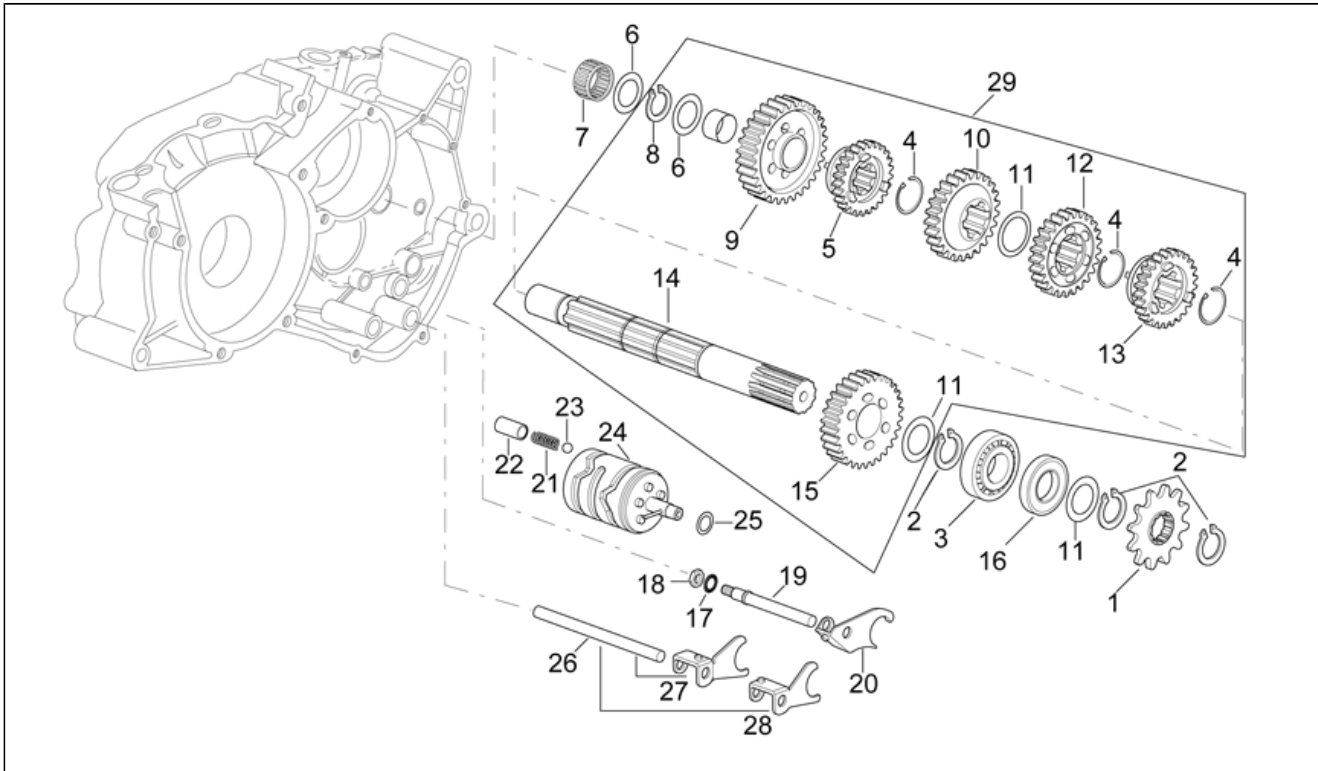
Pos.	Code	Description	Q.ty	Variants
1	AP8206281	Needle bearing DB14-12	1	
2	AP8501478	Outside circlip D14	1	
3	AP8502624	Bearing D15x35x11	1	
4	AP8206231	Balance shaft	1	
5	AP8206263	Key Balance shaft 4x4x8	1	
6	AP8510039	Bearing D17x40x12	1	
7	AP8206610	6th pinion gear Z=25	1	
8	AP8206608	3rd-4th pinion gear Z=19/22	1	
9	AP8206617	Push rod D5x116,6	1	
10	AP8502836	Clutch push rod D13	1	
11	AP8502652	Ball 3/16"	1	
12	AP8502498	Blue steel washer D17,2x30	1	
13	AP8206260	Conical spring washer	1	
14	AP8206604	Primary gear shaft	1	
15	AP8502626	Bearing D17x40x12	1	
16	AP8206609	5th pinion gear Z=24	1	
17	AP8501471	Outside circlip D18	2	
18	AP8206607	2nd pinion gear Z=16	1	
19	AP8206622	Primary gear shaft assy. 6 v.ta'	1	
20	AP8206624	Gear box assy 6 v.ta'	1	

<b>Assembly</b>	ENGINE
<b>Code</b>	29.43
<b>Description</b>	Gearbox driven shaft
<b>Revision</b>	1



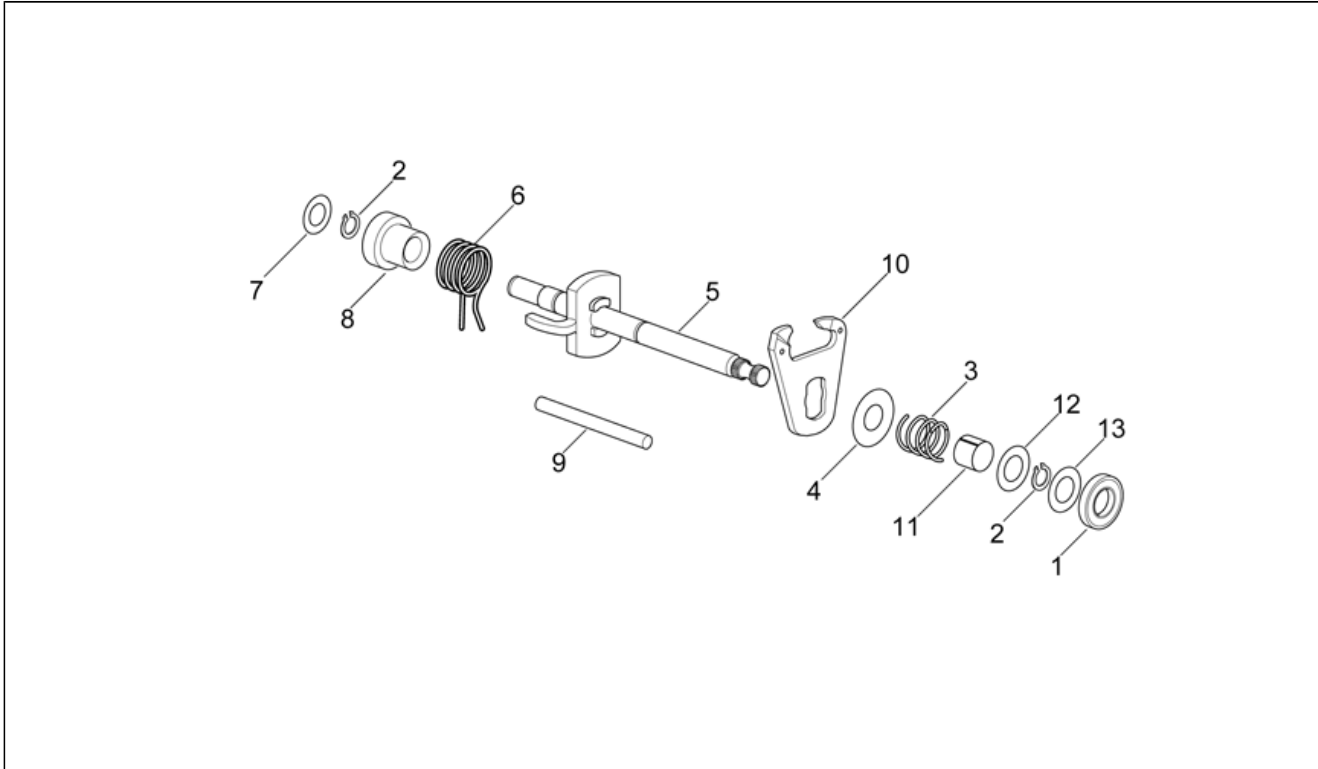
Pos.	Code	Description	Q.ty	Variants
1	AP8206869	Intermediate gear Z=12	1	<b>Technical Specifications:</b> National approval[PG]
1	AP8206971	Intermediate gear Z=11	1	<b>Technical Specifications:</b> Limited version 45Km/h[45km], European approval (frame ZD4SE)[SE]
1	AP8276023	Intermediate gear Z=12	1	<b>Technical Specifications:</b> Full Power Version[f.p.], European approval (frame ZD4TS)[TS]
1	AP8276083	Intermediate gear Z=11	1	<b>Technical Specifications:</b> Limited version 60Km/h[60km], European approval (frame ZD4TS)[TS]
2	AP8501477	Outside circlip D20	3	
3	AP8509135	Bearing D20x47x14	1	
4	AP8507866	Outside circlip D20	3	
5	AP8206615	5th wheel gear Z=25	1	
6	AP8206633	Washer 14,5X27X0,4	2	
7	AP8206281	Needle bearing DB14-12	1	
8	AP8501478	Outside circlip D14	1	
9	AP8206611	1st wheel gear Z=36	1	
10	AP8206613	3rd wheel gear Z=29	1	
11	AP8206621	Blue steel washer D20,45x28x0,6	3	
11	AP8502501	Blue steel washer D20,45x28	3	
12	AP8206614	4th wheel gear Z=27	1	
13	AP8206616	6th wheel gear Z=24	1	
14	AP8206605	Secondary gear shaft	1	
15	AP8206612	2nd wheel gear Z=33	1	
16	AP8206626	Oil seal w/ dust seal	1	
17	AP8502473	Int. notched washer D7	1	
18	AP8502414	Nut M7x5,5	1	
19	AP8206298	Fork guide pin	1	
20	AP8206601	Gear selector fork+pin 5-6 v.ta'	1	
21	AP8206261	Gear indicator spring	1	
22	AP8206336	Pin retainer	1	

<b>Assembly</b>	ENGINE
<b>Code</b>	29.43
<b>Description</b>	Gearbox driven shaft
<b>Revision</b>	1



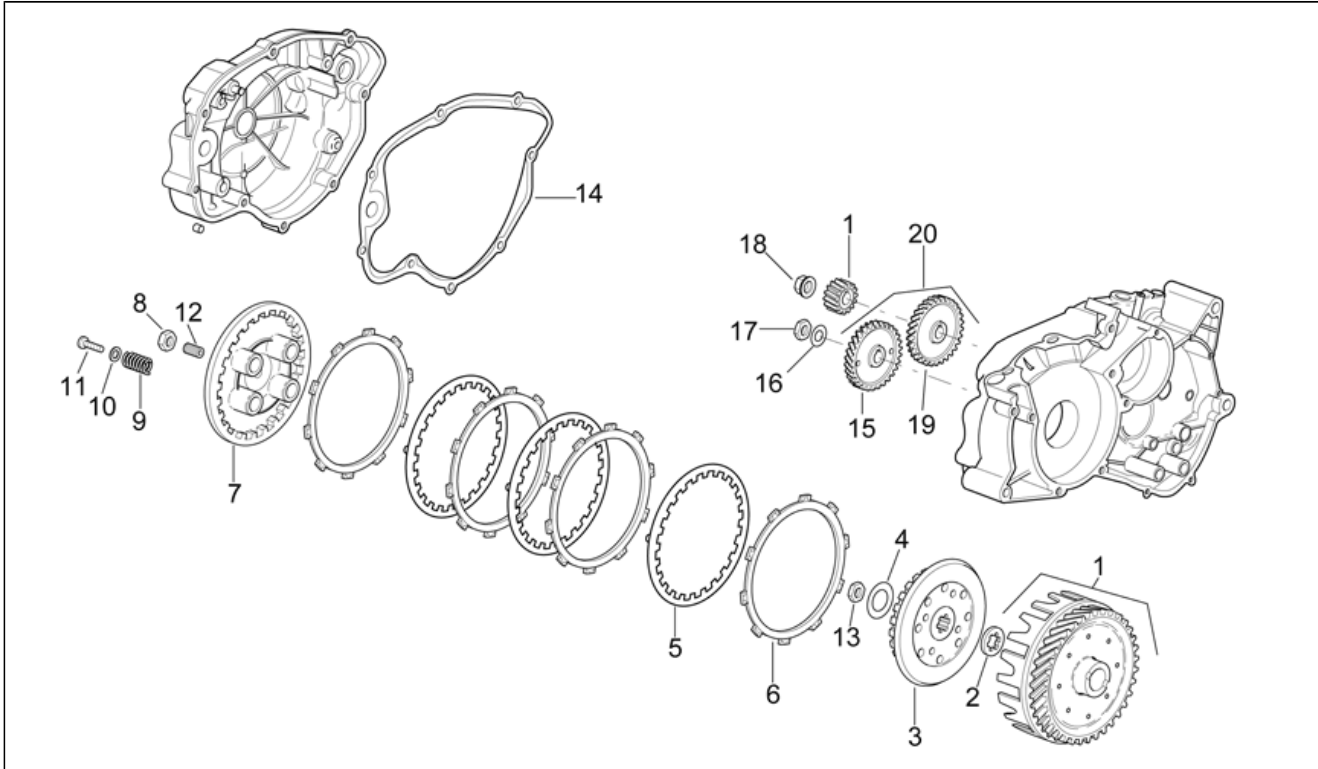
Pos.	Code	Description	Q.ty	Variants
23	AP8206283	Ball D9	1	
24	AP8206598	Shift cam	1	
25	AP8206269	Blue steel washer D10x16	1	
26	AP8206619	Fork guide pin w/shank	1	
27	AP8206599	Gear selector fork+pin 1-3 v.ta'	1	
28	AP8206600	Gear selector fork+pin 2-4 v.ta'	1	
29	AP8206623	Secondary shaft cpl. 6 v.ta'	1	

<b>Assembly</b>	ENGINE
<b>Code</b>	29.44
<b>Description</b>	Selector
<b>Revision</b>	1



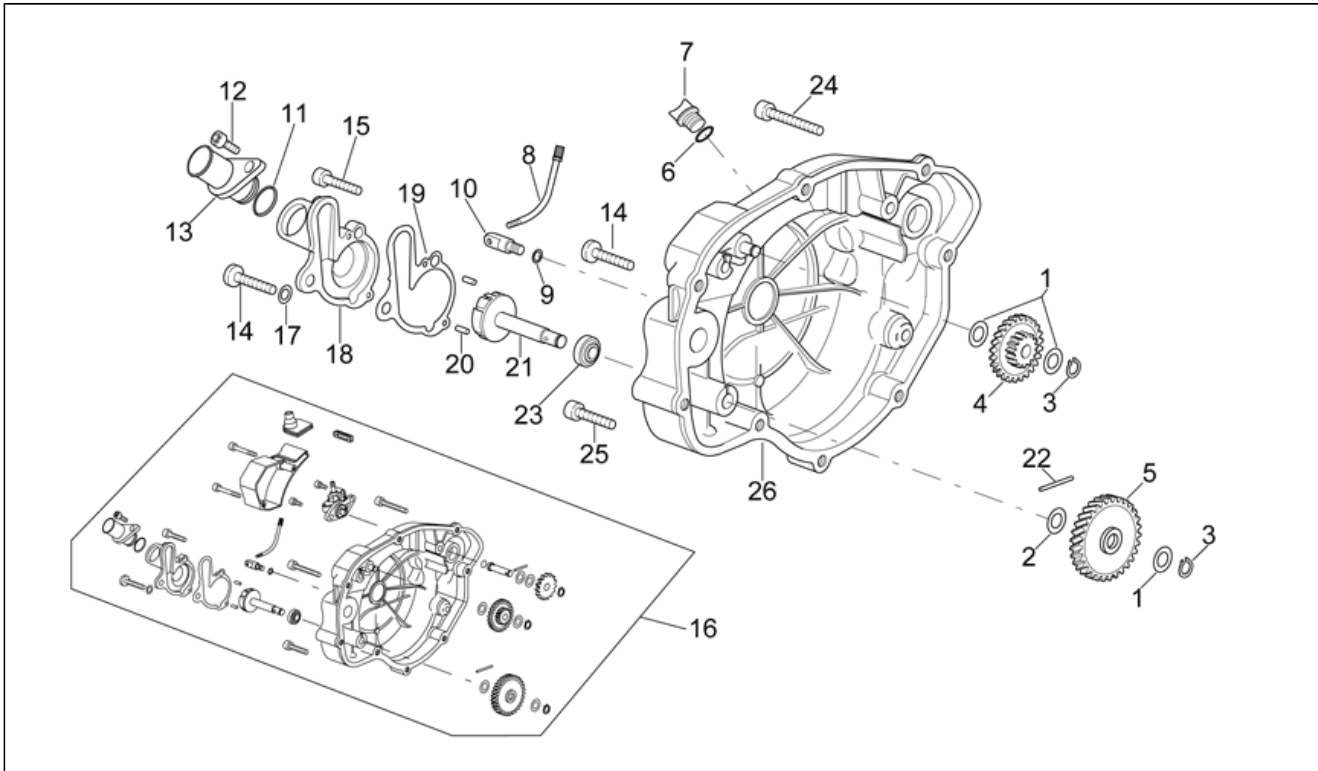
Pos.	Code	Description	Q.ty	Variants
1	AP8509178	Oil seal D12x22x7	1	
2	AP8206358	Circlip	2	
3	AP8206331	Fork ret.spring	1	
4	AP8502520	Washer D12,75x28	1	
5	AP8206606	Selector shaft	1	
6	AP8502356	Gear lever return spring	1	
7	AP8206269	Blue steel washer D10x16	1	
8	AP8206332	Selector spring guide bush	1	
9	AP8206299	Tachometer drive spindle	1	
10	AP8501972	Gear selector fork pins	1	
11	AP8502448	Spacer D12,4x14,4	1	
12	AP8206344	Blue steel washer D12,3x22	1	
13	AP8206270	Blue steel washer D12x17	1	

<b>Assembly</b>	ENGINE
<b>Code</b>	29.45
<b>Description</b>	Clutch
<b>Revision</b>	1



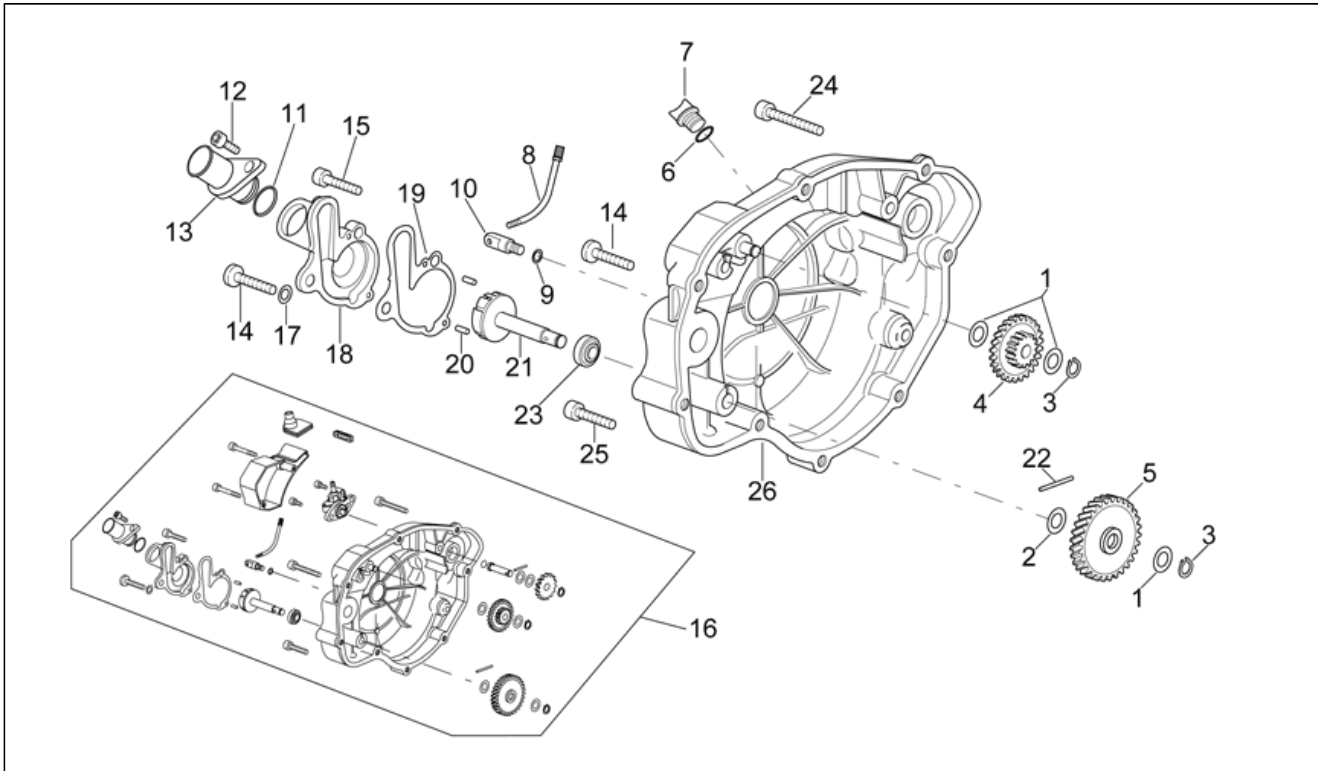
Pos.	Code	Description	Q.ty	Variants
1	AP8206310	Clutch - pair Z=20/71	1	
2	AP8206267	Spacer D13x30x4	1	
3	AP8206256	Aluminium clutch drum	1	
4	AP8206271	Washer D12	1	
5	AP8206247	Driven clutch disc 1,2mm	3	
6	AP8206322	Driving clutch disc	4	
7	AP8206248	Clutch pressure plate	1	
8	AP8502432	Nut M14x1,25x6	1	
9	AP8206258	Clutch spring	4	
10	AP8206272	Washer D5x15x2	4	
11	AP8206279	Screw M5x0,8x20	4	
12	AP8502533	Adjuster screw M14x1,25	1	
13	AP8206265	Nut M12x1,25x7	1	
14	AP8206287	Cover gasket	1	
15	AP8206253	Balance shaft driven gear Z=34	1	
16	AP8206344	Blue steel washer D12,3x22	1	
17	AP8206266	Nut M12x1 H=5	1	
18	AP8206343	Flanged nut M12x1,25	1	
19	AP8206308	Balance shaft driv. Gear Z=34	1	
20	AP8125913	Balance shaft gear cpl.	1	

<b>Assembly</b>	ENGINE
<b>Code</b>	29.46
<b>Description</b>	Clutch cover
<b>Revision</b>	1



Pos.	Code	Description	Q.ty	Variants
1	AP8206345	Blue steel washer D8,2x15x1	3	
2	AP8206277	Blue steel washer D8,4x16	1	
3	AP8501467	Outside circlip D8	2	
4	AP8206327	Idle gear assy Z=13/24	1	
5	AP8206328	Water pump driven gear Z=30	1	
6	AP8206309	O-ring D12,3x2,6	1	
7	AP8206245	Oil filler plug	1	
8	AP8276027	Cable guide+sc.+nut	1	<b>Technical Specifications:</b> From engine n.M3601662[M2]
8	AP8509334	Cable guide+sc.+nut	1	<b>Technical Specifications:</b> Up to engine n.M3601661[M1]
9	AP8502759	Oil plug seal D8x14	1	
10	AP8206235	Adjuster bridge	1	
11	AP8206262	O-ring D11,8x2,4	1	
12	AP8206202	Screw M6x12	2	
13	AP8206320	Pump inlet hose	1	
14	AP8206508	Screw M6x25	2	
15	AP8502571	Screw M6x55	1	
16	AP8206880	Clutch cover cpl., brown	1	<b>Country:</b> Austria[A], Germany[D], A,B,D,GR,E,F,UK,NL,P[EU], Holland[NL], Finland[SF] <b>Technical Specifications:</b> National approval[PG]
16	AP8206881	Clutch cover cpl., black	1	<b>Country:</b> USA (49 Countries Approval)[AM], Belgium[B], Brasil[BR], Denmark[DK], Spain[E], A,B,D,GR,E,F,UK,NL,P[EU], France[F], Great Britain[GR], Italy[I], I[II], Israel[IL], Japan[J], J[JJ], Portugal[P], Rep. of Korea[ROK], Great Britain[UK], United States of America[USA] <b>Technical Specifications:</b> National approval[PG]
16	AP8206978	Clutch cover cpl., green	1	<b>Technical Specifications:</b> European approval (frame ZD4SE)[SE], European approval (frame ZD4TS)[TS]
16	AP8276001	Clutch cover cpl., violet	1	<b>Technical Specifications:</b> European approval (frame ZD4SE)[SE], European approval (frame ZD4TS)[TS]
17	AP8502758	Oil plug seal D6x12	1	

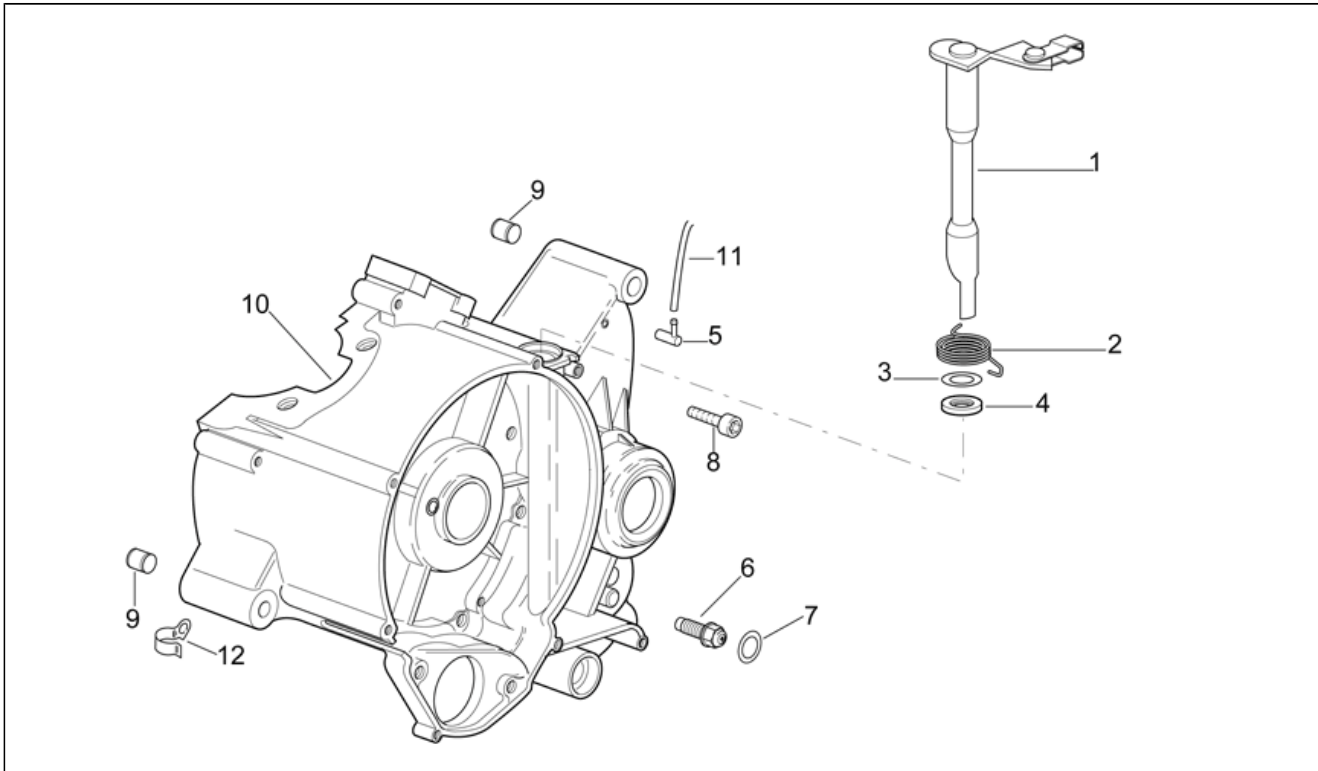
<b>Assembly</b>	ENGINE
<b>Code</b>	29.46
<b>Description</b>	Clutch cover
<b>Revision</b>	1



Pos.	Code	Description	Q.ty	Variants
18	AP8206649	Water pump casing, grey	1	
19	AP8206334	Water pump body seal	1	
20	AP8206338	Pump body roller D4x10	2	
21	AP8206335	Water pump shaft+Impeller	1	
22	AP8508669	Roller D3x21,8	1	
23	AP8509130	Oil seal D10X18X4	1	
24	AP8502566	Screw M6x30	7	
25	AP8502555	Cap screw+shank M6x6	1	
26	AP8206719	Clutch cover+pin	1	<b>Technical Specifications:</b> National approval[PG]
26	AP8206719	Clutch cover+pin	1	<b>Technical Specifications:</b> Up to engine n.M3601661[M1], European approval (frame ZD4SE)[SE], European approval (frame ZD4TS)[TS]
26	AP8276005	Clutch cover+pin	1	<b>Technical Specifications:</b> From engine n.M3601662[M2], European approval (frame ZD4SE)[SE], European approval (frame ZD4TS)[TS]

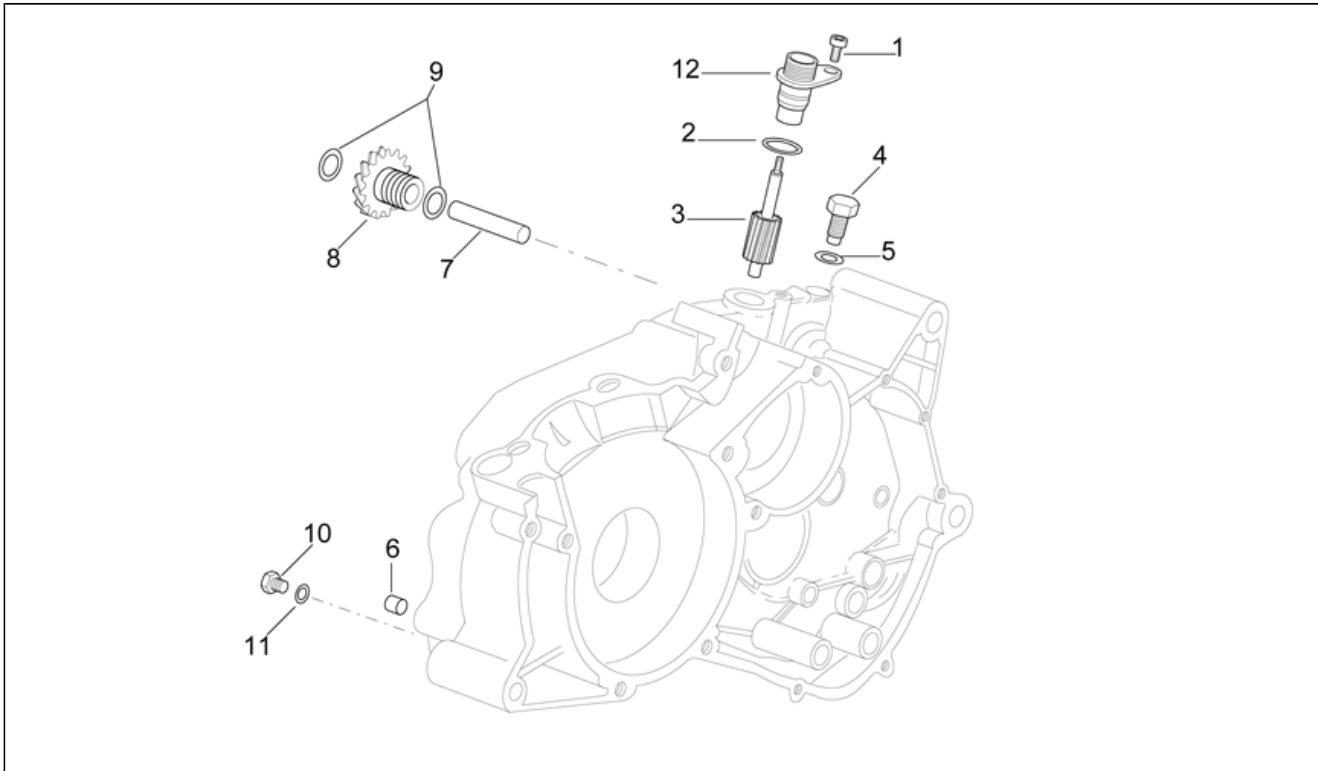


<b>Assembly</b>	ENGINE
<b>Code</b>	29.47
<b>Description</b>	Right crankcase
<b>Revision</b>	1



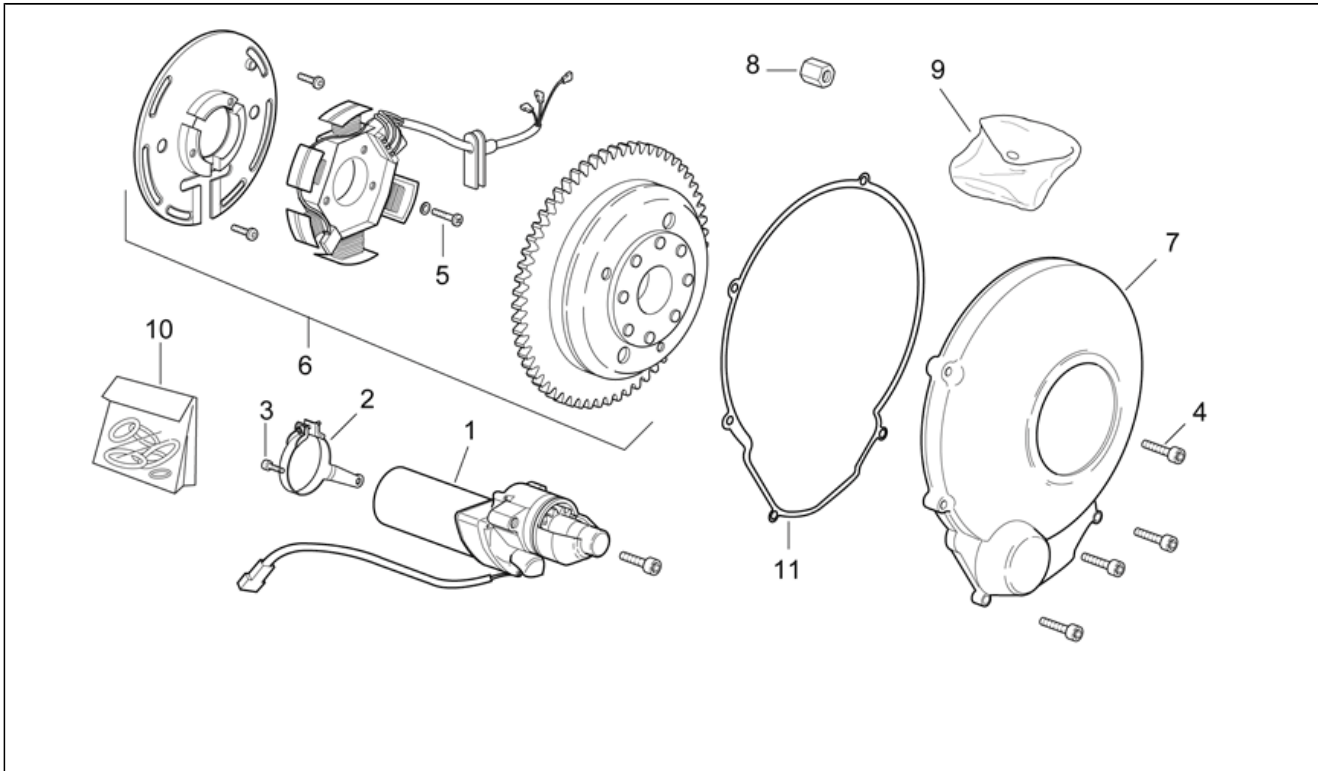
Pos.	Code	Description	Q.ty	Variants
1	AP8206257	Clutch lever cpl.	1	
2	AP8206259	Clutch lever return spring	1	
3	AP8206875	Washer D14x26x0,5	1	
4	AP8509179	Oil seal D15x24x5	1	
5	AP8206876	Oil breather union	1	
6	AP8206296	Neutral indicator switch+seal	1	
7	AP8206288	Gasket 9,9x16x1	1	
8	AP8206276	Screw M6x40	13	
9	AP8206295	Crankcase pin D11,5x12	2	
10	AP8206603	Crankcase assy	1	<b>Technical Specifications:</b> National approval[PG]
10	AP8206603	Crankcase assy	1	<b>Technical Specifications:</b> Limited version 60Km/h[60km], Full Power Version[f.p.], European approval (frame ZD4TS)[TS]
10	AP8206973	Crankcase assy	1	<b>Technical Specifications:</b> Limited version 45Km/h[45km], European approval (frame ZD4SE)[SE]
11	AP8206874	Oil breather pipe D3x5 L=450	1	
12	AP8206137	Cable-guide	1	<b>Technical Specifications:</b> European approval (frame ZD4SE)[SE], European approval (frame ZD4TS)[TS]

<b>Assembly</b>	ENGINE
<b>Code</b>	29.48
<b>Description</b>	Left crankcase
<b>Revision</b>	1



Pos.	Code	Description	Q.ty	Variants
1	AP8206202	Screw M6x12	2	
2	AP8206262	O-ring D11,8x2,4	1	
3	AP8206251	Tachometer driven gear	1	
4	AP8502589	Hex stop scrw M12x1,25	1	
5	AP8502757	Gasket D12x17x1	1	
6	AP8509209	Pin D8,51x7,6	2	
7	AP8206299	Tachometer drive spindle	1	
8	AP8206252	Tachometer driving gear	1	
9	AP8206277	Blue steel washer D8,4x16	2	
10	AP8502586	Oil drain hex screw M8x10	1	
11	AP8502759	Oil plug seal D8x14	1	
12	AP8206240	Tachometer ouput flange	1	

<b>Assembly</b>	ENGINE
<b>Code</b>	29.49
<b>Description</b>	Ignition unit
<b>Revision</b>	1



Pos.	Code	Description	Q.ty	Variants
1	AP8212367	Starter motor	1	
2	AP8206341	Starter motor support strap	1	
3	AP8206274	Screw M5x12	1	
4	AP8509211	Screw M5x20	5	
5	AP8206716	Hex socket screw M4x10	3	
6	AP8206625	Cdi magneto assy	1	
7	AP8206646	Flywheel cover, grey	1	
8	AP8509891	Nut M10x1,2x15	1	
9	AP8206305	Gasket set	1	<b>Technical Specifications:</b> Up to engine n.MY500618[<500618]
9	AP8206951	Gasket set	1	<b>Technical Specifications:</b> From engine n.MY500618[>500619]
10	AP8206304	Oil seals - set	1	
11	AP8206293	Flywheel housing cover gasket	1	