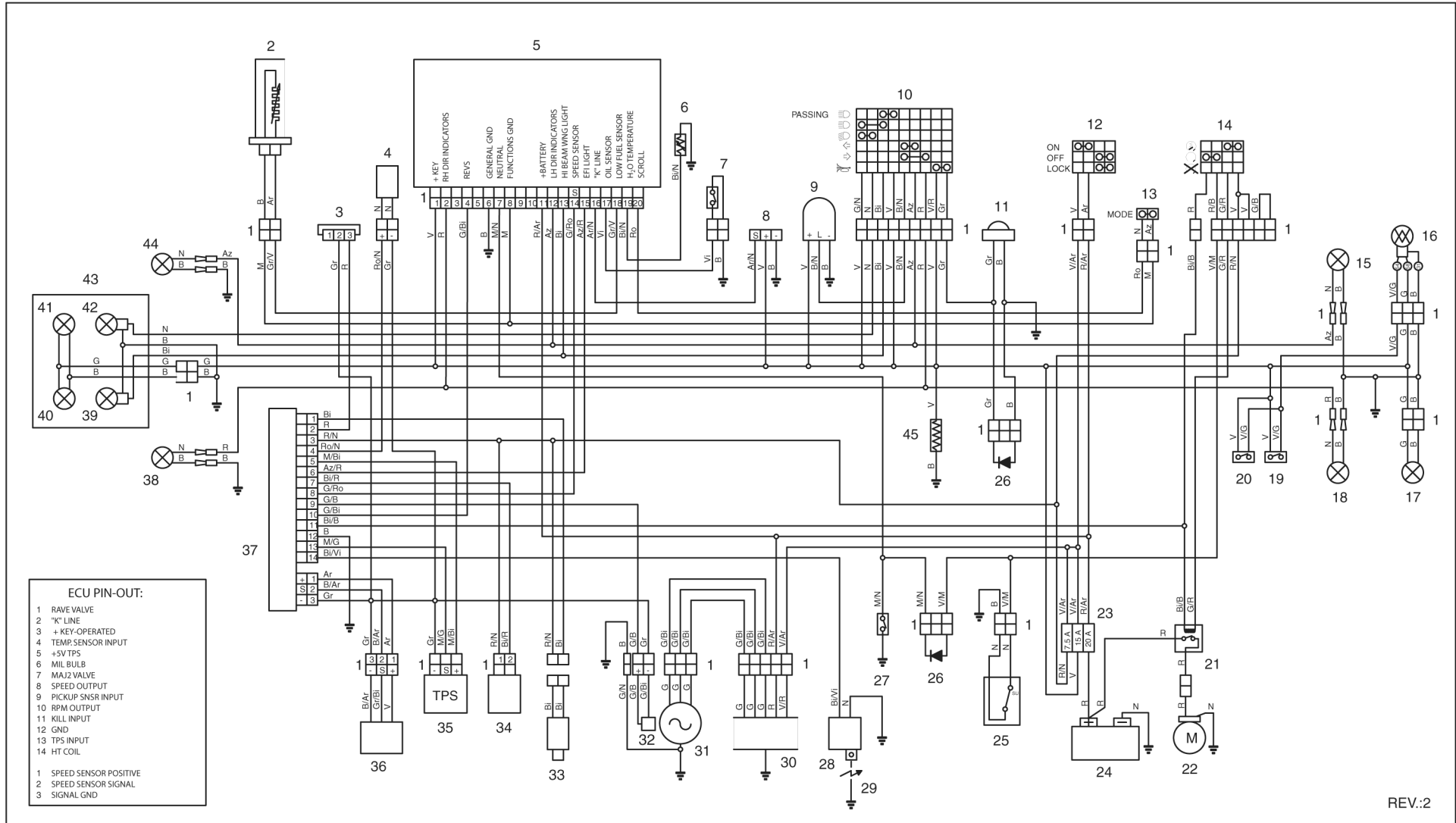


RS 125 MY 07 (Euro 3)



REV.:2

- | | | | | | | |
|----|--------------------------------------|----|-----------------------------|----|---|---------------|
| 1 | MULTIPLE CONNECTORS | 16 | DUAL PARKING/STOP BULB | 31 | GENERATOR | CABLE COLOURS |
| 2 | LOW FUEL SENSOR | 17 | NUMBER PLATE LIGHT | 32 | PICKUP SENSOR | Ar Orange |
| 3 | ECU SERIAL DIAG. CONNECTION | 18 | RH REAR DIRECTION INDICATOR | 33 | RAVE SOLENOID (FULL POWER VERSION ONLY) | Az Light blue |
| 4 | AIR TEMPERATURE SENSOR | 19 | REAR STOP SWITCH | 34 | AIR SOLENOID | B Blue |
| 5 | ELECTRONIC INSTRUMENT PANEL | 20 | FRONT STOP SWITCH | 35 | THROTTLE SENSOR (TPS) | Bi White |
| 6 | WATER TEMPERATURE SENSOR | 21 | STARTER RELAY | 36 | SPEED SENSOR | G Yellow |
| 7 | OIL LEVEL SENSOR | 22 | STARTER MOTOR | 37 | CDI CONTROL UNIT | Gr Grey |
| 8 | INSTR. PANEL SERIAL DIAG. CONNECTION | 23 | FUSES | 38 | RH FRONT DIRECTION INDICATOR | M Brown |
| 9 | FLASHER | 24 | BATTERY | 39 | HIGH BEAM BULB | N Black |
| 10 | LH DIP SWITCH | 25 | SIDE STAND SWITCH | 40 | PARKING LIGHT BULB | R Red |
| 11 | HORN | 26 | DIODE | 41 | PARKING LIGHT BULB | V Green |
| 12 | IGNITION SWITCH | 27 | NEUTRAL POSITION SENSOR | 42 | LOW BEAM BULB | Vi Violet |
| 13 | "MODE" PUSH-BUTTON | 28 | IGNITION COIL | 43 | COMPLETE HEADLIGHT | Ro Pink |
| 14 | RH DIP SWITCH | 29 | SPARK PLUG | 44 | LH FRONT DIRECTION INDICATOR | |
| 15 | LH REAR DIRECTION INDICATOR | 30 | VOLTAGE REGULATOR | 45 | CARBURETTOR HEATER | |